

BRAKE SHOE

Catalogue: Issue 1



ACDelco

BRAKE SHOE CATALOGUE

issue 1 - contents

PRODUCT INFORMATION

ACDelco Brake Shoes

TECHNICAL INFORMATION

Drum Brakes Workshop Repair Guide

APPLICATION LISTING

ACDelco Brake Shoe by Vehicle Make & Model

ACDelco Brake Shoe Buyers Guide

DIMENSIONS & SPECIFICATIONS

Brake Shoe Profiles - Identification Profiles by Part Number, Dimensions & Specifications

OTHER REFERENCES

Cross Reference

ACDelco Online Product Catalogue

ACDelco Holden Trade Club

ACDelco Brake Pads

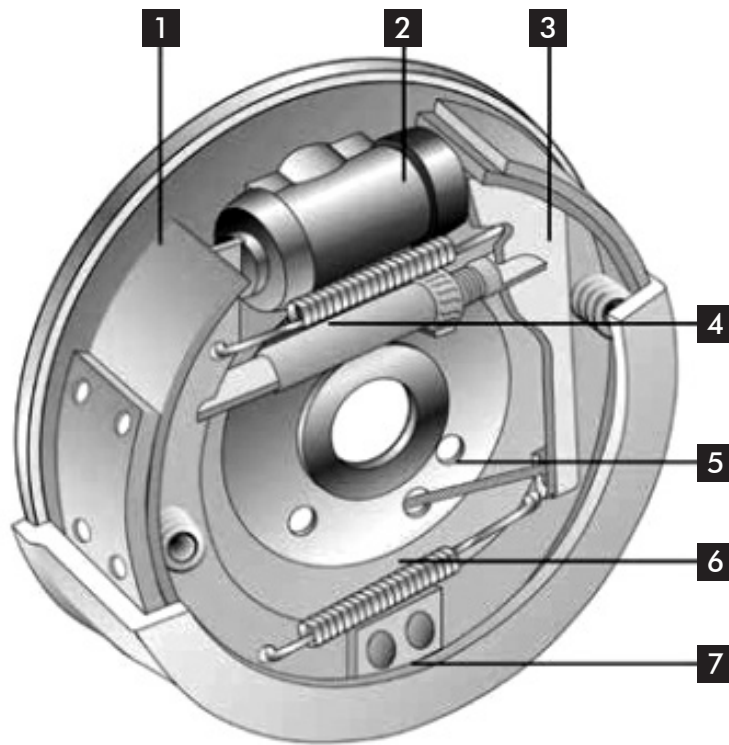
ACDelco Disc Rotors

ACDelco Brake Fluid & ACDelco Brake Parts Cleaner

ABOUT ACDELCO

brake shoes

ACDelco brake shoe's core characteristic is a highly stable coefficient of friction. This ensures consistent braking performance, at high and low speed and severe temperature fluctuations.



The components of a drum brake

- 1** Drum brake shoes
- 2** Wheel-brake cylinders
- 3** Handbrake lever
- 4** Adjusting unit
- 5** Brake cable
- 6** Springs
- 7** Brake drum

ABOUT ACDELCO

brake shoes (continued)

Features & Benefits

- **Non-Asbestos Organic formula**
ACDelco Brake Shoes are suitable for most vehicle segments and are especially recommended for traditional drum braking systems, providing quiet and clean performance due to environmentally friendly friction material
- **Optimal friction coefficient (average μ : 0.38)**
Reliable braking in most conditions
- **Optimal friction stability**
Ensures consistent braking performance, at high and low speed and severe temperature fluctuations
- **Special dried-friction bonding technique**
Prevents the brake liner from separating from rim
- **Coated**
Longer service life of shoe due to increased rust protection
- **Radius-ground**
Optimum braking action with reduced running-in time
- **Friction Material that is specially matched for brake shoe**
Prevents wear of drum and shoe because of compatible match
Longer service life of brake shoe due to high durability
Performance in both handbrake and service brake



DRUM BRAKES

workshop repair guide

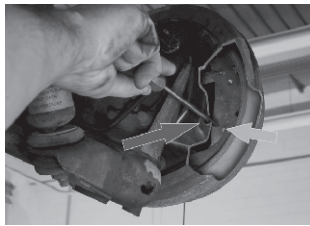
DISCLAIMER

- The following descriptions are intentionally general and cannot apply to all vehicles and/or drum brake designs.
- This information does not claim to be exhaustive. Always make use of the corresponding service documentation when performing testing and repair work. No liability.



1. Preparatory measures

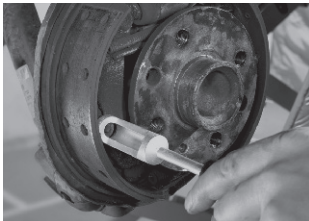
- Lift the vehicle and dismantle the wheels
- Loosen the parking brake cables as far as possible using the adjustment unit



2. Disassembly

- Pull the brake drum out of the wheel hub by lightly tapping on the brake drum to loosen (in some vehicles you may need to loosen bolts located on brake back plate to release the brake drum)
- Remove the brake drum

Important: It is possible sometimes that the brake shoes are pushing against the brake drum making it hard to pull out. Hence in such situations you may have to collapse auto adjuster lever using a suitable screwdriver through the opening provided on the back plate. You can access this opening by removing the rubber plug provided on the back plate.

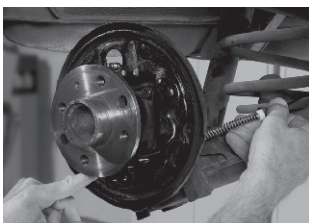


- Detach the brake shoe from the lower shoe pin brushing and remove from the above
- Disassemble hydraulic pipe and bleeding valve from the back plate
- Remove wheel cylinder
- Dismantle parking brake cable



3. Preparing for assembly

- Clean the back plate, check the reusability
- Clean the hub surface using the special brush



4. Parking brake cable assembly

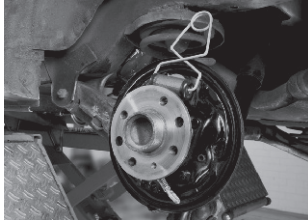
- Correctly route and secure the new parking brake cable to the vehicle floor (Replace with new only if the old parking cable is damaged or cannot be used)
- Insert the parking brake cable into the back plate hole and secure

Important: Parking brake cables are wearing parts. It is recommend that you replace them when the drum brakes are repaired.

Depending on vehicle type, the parking brake cables must be secured using a retaining ring according to DIN 6799 (Circlip). A new retaining ring must be used during assembly.

DRUM BRAKES

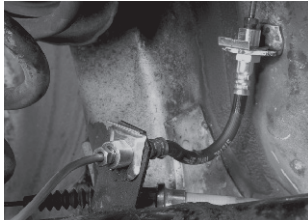
workshop repair guide (continued)



5. Wheel Cylinder

- Fit the new wheel brake cylinder to the back plate and secure
- After assembly, fit the piston clips on the wheel brake cylinder

Important: Use the piston clip to prevent wheel cylinder piston from inadvertently falling out of the wheel brake cylinder. Depending on vehicle type, it may be necessary to first fit the brake shoes, before fitting the wheel brake cylinder.



6. Brake Hose and Brake Hydraulic Pipe Assembly

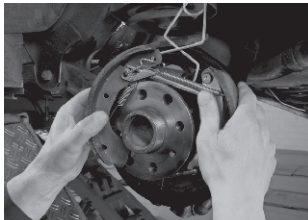
- Fit the new brake hose and brake pipe in the correct position
- Use new retaining clamp for brake hose

Important: The brake hose is subjected to extreme pressure due to environmental influences, water, salts, etc. Hence it is recommend to replace when the drum brake is repaired.

7. Brake Shoe Assembly

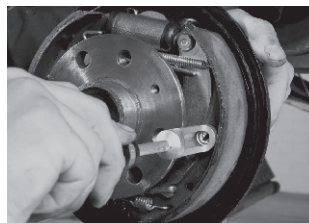
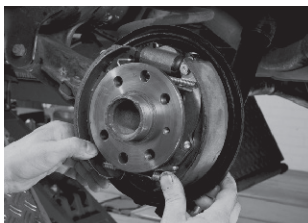
- Lubricate all support points of the brake shoe
- Use new retaining clamp for brake hose

Important: The brake hose is subjected to extreme pressure due to environmental influences, water, salts, etc. Hence it is recommend to replace when the drum brake is repaired.



8. Assembly of the new Brake Shoes

- Fit the parking brake lever to the parking brake cable
- Insert the brake shoe set and position it on the wheel cylinder
- Fit one brake shoe with the parking brake lever in the lower shoe pin
- Fit the pull off spring in the correct position
- Insert other brake shoe against the spring force in the lower shoe pin
- Pliers may be required depending on design
- Remove the piston clip from the wheel cylinder



9. Brake Shoes Assembly

- Install the brake shoe holding spring using special tool
- Hold both the brake shoes and position it in centre of back plate
- Clean assembly traces from the brake shoes
- Fit the brake drum



10. Brake Bleeding

- Fill the brake fluid inside the brake fluid reservoir
- Bleed the system till brake pedal spongy feel is eliminated

Important: Ensure bleeding is first performed at farthest brake bleeding valve.

11. Basic Adjustment of the Drum Brake

Carry out basic adjustment of the brake shoes by pushing brake pedal several times in succession until clicking sound is not longer heard.

Important: The basic adjustment of the brake shoes is carried out using the automatic device. This is only possible if the parking brake cables are fully tensioned.



BRAKE SHOE

application list

Information in this application listing section has been compiled from data published from Original Equipment Manufacturers and other parties. This data may change from time to time and ACDelco is unable to warrant the accuracy of this data and does not accept responsibility for loss or damage of any kind caused as a result of such data being inaccurate.

MAKE	MODEL	SERIES	ENGINE	FROM	TO	OTHER	BRAKE SHOE SIZE	ACDELCO PART NUMBER
AUDI								
AUDI	80	89, 8A2, B3	JN	1989.03	1991.12	CHASS.NO 89..K..200 001 ->	200mm X 40mm SHOE	ACBS1741
CHRYSLER								
CHRYSLER	VOYAGER	GS	EGA	1997.01	1999.12		249mm X 57.2mm SHOE	ACBS1756
CHRYSLER	VOYAGER	RS	EGA	1999.09	2008.08		249mm X 57.2mm SHOE	ACBS1756
DAEWOO								
DAEWOO	CIELO		A15MF	1994.08	1997.08		200mm X 46mm SHOE	ACBS1710
DAEWOO	CIELO		G15MF	1994.08	1997.08		200mm X 46mm SHOE	ACBS1710
DAEWOO	ESPERO	KLEJ	C20LE	1993.09	1994.10		200mm X 46mm SHOE	ACBS1710
DAEWOO	KALOS	T200		2003	2015		198mm X 36mm SHOE	ACBS1870
DAEWOO	LANOS		A15SMS	2000.04	2003.05	SEDAN	200mm X 46mm SHOE	ACBS1710
DAEWOO	LANOS	KLAT		1996.11	2003.09	SEDAN	200mm X 46mm SHOE	ACBS1710
DAEWOO	LANOS	KLAT		1997.04	2003.09		200mm X 46mm SHOE	ACBS1710
DAEWOO	NUBIRA	KLAJ, J100	A16DMS	1997.09	1999.09	HATCHBACK	200mm X 46mm SHOE	ACBS1710
DAEWOO	NUBIRA	KLAJ, J100	A16DMS	1997.09	1999.09	STATION WAGON	200mm X 46mm SHOE	ACBS1710
DAEWOO	NUBIRA	KLAJ, J100	X20SED	1997.09	1999.09	STATION WAGON	200mm X 46mm SHOE	ACBS1710
DAIHATSU								
DAIHATSU	APPLAUSE		HDE	1989.06	1997.07		200mm X 31mm SHOE	ACBS1682
DAIHATSU	APPLAUSE		HDE	1989.06	1999.12		200mm X 31mm SHOE	ACBS1682
DAIHATSU	APPLAUSE		HDE	1997.09	2000.04		200mm X 31mm SHOE	ACBS1682
DAIHATSU	CHARADE	G1	CB23	1987.03	1990.10	HATCHBACK	180mm X 27.6mm SHOE	ACBS1658
DAIHATSU	CHARADE	G1	CB23	1990.11	1992.12	HATCHBACK	180mm X 27.6mm SHOE	ACBS1658
DAIHATSU	CHARADE	G1	CB61	1987.03	1988.12	HATCHBACK	180mm X 27.6mm SHOE	ACBS1658
DAIHATSU	CHARADE	G1	HCE	1988.06	1990.10	HATCHBACK	180mm X 27.6mm SHOE	ACBS1658
DAIHATSU	CHARADE	G1	HCE	1988.06	1990.10	HATCHBACK	200mm X 31mm SHOE	ACBS1682
DAIHATSU	CHARADE	G1	HCE	1990.11	1992.12	HATCHBACK	180mm X 27.6mm SHOE	ACBS1658
DAIHATSU	CHARADE	G1	HCE	1990.11	1992.12	HATCHBACK	200mm X 31mm SHOE	ACBS1682
DAIHATSU	CHARADE	G2	CB24	1993.05	1995.12	SEDAN	180mm X 27.6mm SHOE	ACBS1658
DAIHATSU	CHARADE	G2	HCE	1993.01	2000.09	HATCHBACK	180mm X 27.6mm SHOE	ACBS1658
DAIHATSU	CHARADE	G2	HCE	1993.01	2000.09	HATCHBACK	200mm X 31mm SHOE	ACBS1682
DAIHATSU	CHARADE	G2	HCE	1993.05	2003.05	SEDAN	180mm X 27.6mm SHOE	ACBS1658
DAIHATSU	CHARADE	G2	HCE	1993.05	2003.05	SEDAN	200mm X 31mm SHOE	ACBS1682
DAIHATSU	CHARADE	G2	HEEG	1994.06	2000.09	SEDAN	180mm X 27.6mm SHOE	ACBS1658
FORD								
FORD	COURIER		FE	1985.01	1989.11	4WD	260mm X 50.9mm SHOE	ACBS1587
FORD	COURIER	PB		1982.11	1986.06	2WD	260mm X 51.5mm SHOE	ACBS1665
FORD	COURIER	PB	FE	1985.09	1988.08	2WD	260mm X 50.9mm SHOE	ACBS1587
FORD	COURIER	PC		1996.03	1999.05	4WD	260mm X 51.5mm SHOE	ACBS1665
FORD	COURIER	PC	R2	1985.06	1996.05	4WD	260mm X 50.9mm SHOE	ACBS1587

MAKE	MODEL	SERIES	ENGINE	FROM	TO	OTHER	BRAKE SHOE SIZE	ACDELCO PART NUMBER
FORD	COURIER	PD		1996.03	1999.11	2WD	260mm X 51.5mm SHOE	ACBS1665
FORD	COURIER	PE		1999.02	2002.10	2WD	260mm X 51.5mm SHOE	ACBS1665
FORD	COURIER	PE		1999.02	2002.10	2WD	270mm X 56mm SHOE	ACBS1822
FORD	COURIER	PE		1999.02	2002.10	4WD	260mm X 51.5mm SHOE	ACBS1665
FORD	COURIER	PE		1999.02	2002.10	4WD	295mm X 55.8mm SHOE	ACBS1769
FORD	COURIER	PG		2002.11	2004.08	2WD	260mm X 51.5mm SHOE	ACBS1665
FORD	COURIER	PG		2002.11	2004.08	2WD	270mm X 56mm SHOE	ACBS1822
FORD	COURIER	PG		2002.11	2004.08	4WD	260mm X 51.5mm SHOE	ACBS1665
FORD	COURIER	PG		2002.11	2004.08	4WD	295mm X 55.8mm SHOE	ACBS1769
FORD	COURIER	PH		2004.08	2006.11	2WD	260mm X 51.5mm SHOE	ACBS1665
FORD	COURIER	PH		2004.08	2006.11	2WD	270mm X 56mm SHOE	ACBS1822
FORD	COURIER	PH		2004.08	2006.11	4WD	260mm X 51.5mm SHOE	ACBS1665
FORD	COURIER	PH		2004.08	2006.11	4WD	295mm X 55.8mm SHOE	ACBS1769
FORD	ECONOVAN	JG		1997.01	1999.09		260mm X 50.9mm SHOE	ACBS1587
FORD	ECONOVAN	JH		1999.10	2005.11		260mm X 50.9mm SHOE	ACBS1587
FORD	ESCAPE		DURATEC	2000.09	2008.08	4WD	228.6mm X 42.6mm SHOE	ACBS1791
FORD	ESCAPE		L3	2004.01	2014.12	4WD	228.6mm X 42.6mm SHOE	ACBS1791
FORD	ESCAPE	ZA	DURATEC	2000.09	2005.08	4WD	228.6mm X 42.6mm SHOE	ACBS1791
FORD	ESCAPE	ZB	DURATEC	2004.09	2008.08	4WD	228.6mm X 42.6mm SHOE	ACBS1791
FORD	ESCAPE	ZC		2006.06	2008.01	4WD	228.6mm X 42.6mm SHOE	ACBS1791
FORD	FESTIVA	WA	U	1991.06	1994.03		170mm X 26.4mm SHOE	ACBS1664
FORD	FESTIVA	WB	U	1994.04	1996.12		200mm X 31.7mm SHOE	ACBS1694
FORD	FESTIVA	WBII	E	1997.02	1997.12		200mm X 31.7mm SHOE	ACBS1694
FORD	FESTIVA	WBII	U	1997.02	1997.12		200mm X 31.7mm SHOE	ACBS1694
FORD	FESTIVA	WF		1998.01	2000.12		200mm X 31.7mm SHOE	ACBS1694
FORD	FOCUS	LR		2002.06	2005.05		200mm X 38.6mm SHOE	ACBS1826
FORD	FOCUS	LS		2004.06	2008.12		200mm X 38.6mm SHOE	ACBS1826
FORD	LASER	KC	B	1985.10	1987.09	HATCHBACK	200mm X 26.7mm SHOE	ACBS1604
FORD	LASER	KC	F	1985.10	1987.09	HATCHBACK	200mm X 26.7mm SHOE	ACBS1604
FORD	LASER	KE	B	1987.10	1990.02		200mm X 26.7mm SHOE	ACBS1604
FORD	LASER	KE	F	1987.10	1990.02		200mm X 26.7mm SHOE	ACBS1604
FORD	LASER	KE	T	1987.10	1990.02	HATCHBACK	200mm X 26.7mm SHOE	ACBS1604
FORD	LASER	KN	ZM	1999.03	2001.02		200mm X 36.2mm SHOE	ACBS1771
FORD	LASER	KQ	ZM	2001.03	2003.12		200mm X 36.2mm SHOE	ACBS1771
FORD	MAVERICK		TB42	1988.04	1994.12	4WD	295mm X 60.7mm SHOE	ACBS1668
FORD	MAVERICK		TDB42	1988.04	1994.12	4WD	295mm X 60.7mm SHOE	ACBS1668
FORD	METEOR	GC	B	1985.10	1987.10		200mm X 26.7mm SHOE	ACBS1604
FORD	METEOR	GC	F	1985.10	1987.10		200mm X 26.7mm SHOE	ACBS1604
FORD	RANGER	PJ, PK, PX		2006.03	2014.12	2WD	270mm X 56mm SHOE	ACBS1822
FORD	RANGER	PJ, PK, PX		2006.03	2014.12	4WD	295mm X 55.8mm SHOE	ACBS1769
GREAT WALL								
GREAT WALL	SA220	SA220		2009.03	2010.07		294mm X 45.1mm SHOE	ACBS1793
GREAT WALL	V200	V200		2009.04	2013.09		294mm X 45.1mm SHOE	ACBS1793
GREAT WALL	V240	V240	4G69S4N	2006.12	2014.12		294mm X 45.1mm SHOE	ACBS1793
HOLDEN								
HOLDEN	APOLLO	JK	3SFC	1989.08	1991.07		228.6mm X 40.4mm SHOE	ACBS1659
HOLDEN	APOLLO	JK	3SFE	1989.08	1991.07		228.6mm X 40.4mm SHOE	ACBS1659
HOLDEN	APOLLO	JL	3SFE	1991.08	1993.02		228.6mm X 40.4mm SHOE	ACBS1659

MAKE	MODEL	SERIES	ENGINE	FROM	TO	OTHER	BRAKE SHOE SIZE	ACDELCO PART NUMBER
HOLDEN	APOLLO	JM	5SFE	1993.04	1995.07		228.6mm X 40.4mm SHOE	ACBS1659
HOLDEN	ASTRA	LD	16LF	1987.07	1989.07	HATCHBACK	203.2mm X 36.1mm SHOE	ACBS1598
HOLDEN	ASTRA	LD	18LE	1987.10	1989.07	SEDAN	203.2mm X 36.1mm SHOE	ACBS1598
HOLDEN	ASTRA	TR	C16SE	1996.09	1998.09	HATCHBACK	200mm X 46mm SHOE	ACBS1710
HOLDEN	BARINA	SB	C12NZ	1994.04	1997.07		200mm X 29.4mm SHOE	ACBS1705
HOLDEN	BARINA	SB	C14NZ	1994.04	1997.07		200mm X 29.4mm SHOE	ACBS1705
HOLDEN	BARINA	SB	C16XE	1994.04	1995.11		200mm X 29.4mm SHOE	ACBS1705
HOLDEN	BARINA	TK	F16D3	2005	2011		198mm X 36mm SHOE	ACBS1870
HOLDEN	BARINA	TM	F16D4	2011	2015		198mm X 36mm SHOE	ACBS1870
HOLDEN	BARINA	XC	Z18XE	2001.09	2005.10		200mm X 29.4mm SHOE	ACBS1705
HOLDEN	BARINA SPARK	MJ		2010	2015		198mm X 36mm SHOE	ACBS1870
HOLDEN	CALAIS	VN	VH	1988.08	1990.02		160mm X 25mm PARK BRAKE SHOE	ACBS1669
HOLDEN	CALAIS	VN	VU	1988.08	1990.02		160mm X 25mm PARK BRAKE SHOE	ACBS1669
HOLDEN	CALAIS	VP	VH	1991.10	1992.12		160mm X 25mm PARK BRAKE SHOE	ACBS1669
HOLDEN	CALAIS	VP	VU	1991.10	1992.12		160mm X 25mm PARK BRAKE SHOE	ACBS1669
HOLDEN	CALAIS	VR	VH	1993.07	1994.08		160mm X 25mm PARK BRAKE SHOE	ACBS1669
HOLDEN	CALAIS	VR	VU	1993.07	1994.08		160mm X 25mm PARK BRAKE SHOE	ACBS1669
HOLDEN	CALAIS	VS	VH	1995.04	1996.05		160mm X 25mm PARK BRAKE SHOE	ACBS1669
HOLDEN	CALAIS	VS	VU	1995.04	1996.05		160mm X 25mm PARK BRAKE SHOE	ACBS1669
HOLDEN	COLORADO	RC	4JJ1	2008.07	2012.06	2WD	252mm X 50mm SHOE	ACBS1824
HOLDEN	COLORADO	RC	4JJ1	2008.07	2012.06	4WD	294mm X 45.1mm SHOE	ACBS1793
HOLDEN	COLORADO	RC	LCA	2008.07	2012.06	2WD	252mm X 50mm SHOE	ACBS1824
HOLDEN	COLORADO	RC	LCA	2008.07	2011.09	4WD	294mm X 45.1mm SHOE	ACBS1793
HOLDEN	COLORADO	RC	Y24SE	2008.07	2012.06	2WD	252mm X 50mm SHOE	ACBS1824
HOLDEN	COLORADO	RG		2013	2017	2WD	295mm X 50mm SHOE	ACBS1886
HOLDEN	COLORADO	RG		2013	2017	4WD	295mm X 50mm SHOE	ACBS1886
HOLDEN	COMMODORE	VN	VH	1988.08	1991.09		160mm X 25mm PARK BRAKE SHOE	ACBS1669
HOLDEN	COMMODORE	VN	VU	1988.08	1991.09		160mm X 25mm PARK BRAKE SHOE	ACBS1669
HOLDEN	COMMODORE	VP	VH	1991.10	1992.12		160mm X 25mm PARK BRAKE SHOE	ACBS1669
HOLDEN	COMMODORE	VP	VU	1991.10	1992.12		160mm X 25mm PARK BRAKE SHOE	ACBS1669
HOLDEN	COMMODORE	VR	VH	1993.07	1994.08		160mm X 25mm PARK BRAKE SHOE	ACBS1669
HOLDEN	COMMODORE	VR	VU	1993.07	1994.08		160mm X 25mm PARK BRAKE SHOE	ACBS1669
HOLDEN	COMMODORE	VS	VH	1995.04	1996.05		160mm X 25mm PARK BRAKE SHOE	ACBS1669
HOLDEN	COMMODORE	VS	VU	1995.04	1996.05		160mm X 25mm PARK BRAKE SHOE	ACBS1669
HOLDEN	CRUZE	YG	M15A	2003.12	2006.06	AWD	180mm X 26.1mm SHOE	ACBS1820
HOLDEN	FRONTERA	UT	X20SE OHC	1995.01	1999.03	4WD	254mm X 52mm SHOE	ACBS1662
HOLDEN	JACKAROO	UBS	C223T	1984.07	1988.06	4WD	254mm X 52mm SHOE	ACBS1662
HOLDEN	NOVA	LE	4AFC	1989.07	1991.08		200mm X 35.6mm SHOE (30mm FRICTION)	ACBS1602

MAKE	MODEL	SERIES	ENGINE	FROM	TO	OTHER	BRAKE SHOE SIZE	ACDELCO PART NUMBER
HOLDEN	NOVA	LE	6AFC	1989.07	1991.08	HATCHBACK	200mm X 35.6mm SHOE (30mm FRICTION)	ACBS1602
HOLDEN	NOVA	LF	4AFC	1991.09	1994.10	HATCHBACK	200mm X 35.6mm SHOE (30mm FRICTION)	ACBS1602
HOLDEN	NOVA	LF	4AFE	1991.09	1994.10		200mm X 35.6mm SHOE (30mm FRICTION)	ACBS1602
HOLDEN	NOVA	LF	7AFE	1992.10	1994.10	HATCHBACK	200mm X 35.6mm SHOE (30mm FRICTION)	ACBS1602
HOLDEN	NOVA	LG	4AFE	1994.09	1996.09		200mm X 34.9mm SHOE (30mm FRICTION)	ACBS1704
HOLDEN	RODEO	RA	4JH1	2003.03	2007.01	2WD	252mm X 50mm SHOE	ACBS1824
HOLDEN	RODEO	RA	4JH1	2003.03	2007.01	2WD	294mm X 45.1mm SHOE	ACBS1793
HOLDEN	RODEO	RA	6VE1	2003.03	2006.01	2WD	252mm X 50mm SHOE	ACBS1824
HOLDEN	RODEO	RA	6VE1	2003.03	2006.01	2WD	294mm X 45.1mm SHOE	ACBS1793
HOLDEN	RODEO	RA	6VE1	2003.03	2006.01	4WD	252mm X 50mm SHOE	ACBS1824
HOLDEN	RODEO	RA	6VE1	2003.03	2006.01	4WD	294mm X 45.1mm SHOE	ACBS1793
HOLDEN	RODEO	RA	C24SE	2003.03	2005.11	2WD	252mm X 50mm SHOE	ACBS1824
HOLDEN	RODEO	RA	C24SE	2003.03	2005.11	2WD	294mm X 45.1mm SHOE	ACBS1793
HOLDEN	RODEO	RA	LCA	2005.12	2008.06	2WD	252mm X 50mm SHOE	ACBS1824
HOLDEN	RODEO	RA	LCA	2005.12	2008.06	2WD	294mm X 45.1mm SHOE	ACBS1793
HOLDEN	RODEO	RA	LCA	2005.12	2008.06	4WD	252mm X 50mm SHOE	ACBS1824
HOLDEN	RODEO	RA	LCA	2005.12	2008.06	4WD	294mm X 45.1mm SHOE	ACBS1793
HOLDEN	RODEO	RA	Y24SE	2005.12	2008.06	2WD	252mm X 50mm SHOE	ACBS1824
HOLDEN	RODEO	RA	Y24SE	2005.12	2008.06	2WD	294mm X 45.1mm SHOE	ACBS1793
HOLDEN	RODEO	TF	22NE	1998.06	2000.12	2WD	295mm X 46.6mm SHOE	ACBS1757
HOLDEN	RODEO	TF	22NE	2001.01	2003.02	2WD	295mm X 46.6mm SHOE	ACBS1757
HOLDEN	RODEO	TF	4JA1	1988.07	1992.12	2WD	254mm X 52mm SHOE	ACBS1662
HOLDEN	RODEO	TF	4JA1	1988.07	1993.02	2WD	254mm X 52mm SHOE	ACBS1662
HOLDEN	RODEO	TF	4JA1	1988.07	1990.03	4WD	254mm X 52mm SHOE	ACBS1662
HOLDEN	RODEO	TF	4JB1	1990.04	1996.12	2WD	254mm X 52mm SHOE	ACBS1662
HOLDEN	RODEO	TF	4JB1	1990.04	1996.12	4WD	254mm X 52mm SHOE	ACBS1662
HOLDEN	RODEO	TF	4JB1	1997.01	2001.06	2WD	295mm X 46.6mm SHOE	ACBS1757
HOLDEN	RODEO	TF	4JB1	1997.01	2001.06	4WD	295mm X 46.6mm SHOE	ACBS1757
HOLDEN	RODEO	TF	4ZE1	1988.07	1990.12	2WD	254mm X 52mm SHOE	ACBS1662
HOLDEN	RODEO	TF	4ZE1	1988.07	1990.12	4WD	254mm X 52mm SHOE	ACBS1662
HOLDEN	RODEO	TF	4ZE1	1991.01	1995.10	4WD	254mm X 52mm SHOE	ACBS1662
HOLDEN	RODEO	TF	4ZE1	1995.11	1996.12	4WD	254mm X 52mm SHOE	ACBS1662
HOLDEN	RODEO	TF	6VD1	1998.06	2000.12	2WD	295mm X 46.6mm SHOE	ACBS1757
HOLDEN	RODEO	TF	6VD1	1998.06	2000.12	4WD	295mm X 46.6mm SHOE	ACBS1757
HOLDEN	RODEO	TF	6VD1	2001.01	2003.03	2WD	295mm X 46.6mm SHOE	ACBS1757
HOLDEN	RODEO	TF	6VD1	2001.01	2003.02	4WD	295mm X 46.6mm SHOE	ACBS1757
HONDA								
HONDA	ACCORD	AC, AD, SY	ET	1984.01	1985.12		200mm X 35.3mm SHOE	ACBS1614
HONDA	ACCORD	CA	A20A2	1985.11	1989.12		220mm X 36.6mm SHOE	ACBS1764
HONDA	ACCORD	CA, CB, CD	A20A2	1986.01	1989.05		200mm X 35.3mm SHOE	ACBS1614
HONDA	ACCORD	CA, CB, CD	A20A4	1987.04	1989.10	HATCHBACK	200mm X 35.3mm SHOE	ACBS1614
HONDA	CIVIC	EG, EH	D13B2	1991.10	1993.09		200mm X 35.3mm SHOE	ACBS1614
HONDA	CIVIC	EK	D16Y4	1995.10	2000.09		200mm X 35.3mm SHOE	ACBS1614
HONDA	CIVIC HYBRID	FD	LDA2	2006.01	2010.12		220mm X 36.6mm SHOE	ACBS1764
HONDA	CR-V	RD	B20B3	1996.09	2000.11	AWD	220mm X 36.6mm SHOE	ACBS1764

MAKE	MODEL	SERIES	ENGINE	FROM	TO	OTHER	BRAKE SHOE SIZE	ACDELCO PART NUMBER
HONDA	CR-V	RD	B20B3	1999.02	2001.12	AWD	220mm X 36.6mm SHOE	ACBS1764
HONDA	HR-V	GH	D16W1	1998.12	2001.12	AWD	200mm X 35.3mm SHOE	ACBS1614
HONDA	HR-V	GH	D16W1	1998.12	2002.07	AWD	200mm X 35.3mm SHOE	ACBS1614
HONDA	HR-V	GH	D16W1	2000.01	2005.12	AWD	220mm X 36.6mm SHOE	ACBS1764
HONDA	HR-V	GH	D16W2	1998.12	2001.12	AWD	200mm X 35.3mm SHOE	ACBS1614
HONDA	HR-V	GH	D16W2	2000.01	2005.12	AWD	220mm X 36.6mm SHOE	ACBS1764
HYUNDAI								
HYUNDAI	GETZ	TB		2002.09	2005.09		180mm X 31.7mm SHOE	ACBS1780
ISUZU								
ISUZU	D-MAX	TF	4JJ1-TC	2008	2012	HIGH RIDE SUSPENSION	294mm X 45.1mm SHOE	ACBS1793
ISUZU	D-MAX	TF	4JJ1-TC	2008	2012	STANDARD SUSPENSION	252mm X 50mm SHOE	ACBS1824
ISUZU	D-MAX	TF	4JJ1-TC	2012	2017		295mm X 50mm SHOE	ACBS1886
JEEP								
JEEP	CHEROKEE	XJ	ENC,ENO	1995.10	2001.12	4WD	228.6mm X 64.8mm SHOE	ACBS1715
JEEP	CHEROKEE	XJ	ERH	1993.09	2000.12	4WD	228.6mm X 64.8mm SHOE	ACBS1715
JEEP	CHEROKEE	XJ	ERH	2001.01	2001.08	4WD	228.6mm X 64.8mm SHOE	ACBS1715
JEEP	GRAND CHEROKEE	WJ	ERH	1998.09	2004.08	4WD	228.6mm X 64.8mm SHOE	ACBS1715
JEEP	GRAND CHEROKEE	WJ	EVA	1998.09	2004.08	4WD	228.6mm X 64.8mm SHOE	ACBS1715
JEEP	WRANGLER	TJ	ERH	1997.01	2007.12	4WD	228.6mm X 64.8mm SHOE	ACBS1715
JEEP	WRANGLER	TJ	ERH	2003.08	2006.12	4WD	228.6mm X 64.8mm SHOE	ACBS1715
KIA								
KIA	CARNIVAL	UP	K5	1998.06	2001.09		249mm X 57.2mm SHOE	ACBS1756
KIA	CARNIVAL	UP	K5	2001.10	2006.06		249mm X 57.2mm SHOE	ACBS1756
KIA	CERES		S2	1992.01	1996.12		260mm X 50.9mm SHOE	ACBS1587
KIA	CERES		SC	1997.01	2000.02		260mm X 50.9mm SHOE	ACBS1587
KIA	CERES		SC	1999.02	1999.09		260mm X 50.9mm SHOE	ACBS1587
KIA	PREGIO	TB	J2	1997.02	2006.12		260mm X 50.9mm SHOE	ACBS1587
KIA	RIO			2002.02	2005.02		200mm X 26.3mm SHOE	ACBS1829
MAZDA								
MAZDA	2	DE	ZY	2007.06	2014.12		200mm X 32mm SHOE	ACBS987
MAZDA	121	DA	B3A6	1989.04	1990.10		170mm X 26.4mm SHOE	ACBS1664
MAZDA	121	DB	B3	1990.11	1993.10		170mm X 26.4mm SHOE	ACBS1664
MAZDA	121	DB	B3	1990.11	1995.12		180mm X 31mm SHOE	ACBS1696
MAZDA	121	DB	B3	1995.11	1997.11		180mm X 31mm SHOE	ACBS1696
MAZDA	121	DB	B5	1995.11	1997.11		180mm X 31mm SHOE	ACBS1696
MAZDA	121	DB	B5M1	1993.11	1995.12		180mm X 31mm SHOE	ACBS1696
MAZDA	121	DW		2000.01	2002.12		200mm X 31.7mm SHOE	ACBS1694
MAZDA	323	BF	B6	1985.07	1987.07		200mm X 26.7mm SHOE	ACBS1604
MAZDA	323	BJ	FP	1998.07	2000.11		200mm X 36.2mm SHOE	ACBS1771
MAZDA	323	BJ	ZM	1998.07	2000.10		200mm X 36.2mm SHOE	ACBS1771
MAZDA	B2000	UF		1985.01	1989.11	2WD	260mm X 51.5mm SHOE	ACBS1665
MAZDA	B2200		R2	1987.09	1999.06	2WD	260mm X 50.9mm SHOE	ACBS1587
MAZDA	B2200		R2	1987.09	1999.06	2WD	260mm X 51.5mm SHOE	ACBS1665
MAZDA	B2500		WL	1996.09	2002.07	2WD	260mm X 51.5mm SHOE	ACBS1665
MAZDA	B2500	UF	WL	1996.03	1999.05	4WD	260mm X 51.5mm SHOE	ACBS1665
MAZDA	B2600	UF	G6	1989.08	1996.03	4WD	260mm X 51.5mm SHOE	ACBS1665
MAZDA	B2600	UF	G6	1996.03	1999.05	4WD	260mm X 51.5mm SHOE	ACBS1665
MAZDA	BRAVO			1993.09	2000.08	2WD	260mm X 51.5mm SHOE	ACBS1665

MAKE	MODEL	SERIES	ENGINE	FROM	TO	OTHER	BRAKE SHOE SIZE	ACDELCO PART NUMBER
MAZDA	BT-50	UN	WEC	2006.03	2014.12	2WD	270mm X 56mm SHOE	ACBS1822
MAZDA	BT-50	UN	WEC	2006.03	2012.07	4WD	295mm X 55.8mm SHOE	ACBS1769
MAZDA	BT-50	UN	WL3	2006.03	2014.12	2WD	270mm X 56mm SHOE	ACBS1822
MAZDA	BT-50	UN	WL3	2006.03	2014.12	4WD	295mm X 55.8mm SHOE	ACBS1769
MAZDA	BT-50	UN	WLC	2006.03	2012.07	2WD	270mm X 56mm SHOE	ACBS1822
MAZDA	BT-50	UN	WLC	2006.03	2012.07	4WD	295mm X 55.8mm SHOE	ACBS1769
MAZDA	E1800		F85	1984.01	1988.02		260mm X 50.9mm SHOE	ACBS1587
MAZDA	E2000		FE	1984.02	2003.02		260mm X 50.9mm SHOE	ACBS1587
MAZDA	E2000		RF	1990.03	1995.09		260mm X 50.9mm SHOE	ACBS1587
MAZDA	E2200		R2	1984.02	1988.08		260mm X 50.9mm SHOE	ACBS1587
MAZDA	E2200		R2	1984.07	1988.02		260mm X 50.9mm SHOE	ACBS1587
MAZDA	E2500		WL	1997.04	1999.06		260mm X 50.9mm SHOE	ACBS1587
MAZDA	PREMACY	CP	FP	2000.02	2014.12		228.6mm X 42.6mm SHOE	ACBS1791
MAZDA	TRIBUTE		AJ	2000.12	2014.12	4WD	228.6mm X 42.6mm SHOE	ACBS1791
MAZDA	TRIBUTE		L3	2004.03	2014.12	4WD	228.6mm X 42.6mm SHOE	ACBS1791
MAZDA	TRIBUTE		YF	2000.12	2014.12	4WD	228.6mm X 42.6mm SHOE	ACBS1791
MINI								
MINI	COOPER	CA	4A91	2004.10	2014.12		203mm X 31.7mm SHOE	ACBS1867
MINI	COOPER	CA	4G15 DOHC	2004.10	2006.05		203mm X 31.7mm SHOE	ACBS1867
MINI	COOPER	CA		1986.01	1990.12		254mm X 50.7mm SHOE	ACBS1594
MINI	COOPER	CA		1990.01	1991.12		254mm X 50.7mm SHOE	ACBS1594
MINI	COOPER	CA		1991.09	2016.01		254mm X 50.7mm SHOE	ACBS1594
MINI	COOPER	CA		1994.09	2001.02		254mm X 50.7mm SHOE	ACBS1594
MINI	COOPER / STARWAGON L300	SD	4G62	1985.01	1985.12		254mm X 50.7mm SHOE	ACBS1594
MINI	COOPER / STARWAGON L300	SE	4G63	1986.01	1986.09		254mm X 50.7mm SHOE	ACBS1594
MINI	COOPER L300	SC		1983	1985		254mm X 50.7mm SHOE	ACBS1594
MINI	LANCER	CB	4G15 SOHC	1990.01	1992.12		180mm X 36.8mm SHOE	ACBS1681
MINI	LANCER	CB	4G15 SOHC	1990.01	1992.12	SEDAN	180mm X 36.8mm SHOE	ACBS1681
MINI	LANCER	CB	4G61 DOHC	1990.10	1992.09		180mm X 36.8mm SHOE	ACBS1681
MINI	LANCER	CH	4G94	2002.06	2008.06		203mm X 31.7mm SHOE	ACBS1867
MINI	MIRAGE	CE	4G15 S3	1996.06	2003.12		180mm X 36.8mm SHOE	ACBS1681
MINI	OUTLANDER	ZE, ZF		2003.05	2006.10	AWD	228.6mm X 31.6mm SHOE	ACBS1796
MINI	PAJERO	NA, NB, NC, ND, NE, NF, NG	4G54	1982.12	1991.04	4WD	254mm X 50.7mm SHOE	ACBS1594
MINI	PAJERO IO	QA		1999.03	2001.09	4WD	228.6mm X 31.6mm SHOE	ACBS1796
MINI	TRITON	ME	4D56	1986.10	1988.06	4WD	254mm X 50.7mm SHOE	ACBS1594
MINI	TRITON	ME	4D56	1986.12	1988.07	2WD	254mm X 50.7mm SHOE	ACBS1594
MINI	TRITON	ME	4G54	1986.10	1988.06	2WD	254mm X 50.7mm SHOE	ACBS1594
MINI	TRITON	ME	4G54	1986.10	1988.06	4WD	254mm X 50.7mm SHOE	ACBS1594
MINI	TRITON	MF		1988.07	1989.08	2WD	254mm X 50.7mm SHOE	ACBS1594
MINI	TRITON	MF		1988.07	1989.08	4WD	254mm X 50.7mm SHOE	ACBS1594
MINI	TRITON	MG		1989.09	1990.08	2WD	254mm X 50.7mm SHOE	ACBS1594
MINI	TRITON	MG		1989.09	1990.08	4WD	254mm X 50.7mm SHOE	ACBS1594
MINI	TRITON	MH		1989.09	1992.07	2WD	254mm X 50.7mm SHOE	ACBS1594
MINI	TRITON	MH		1990.09	1992.07	4WD	254mm X 50.7mm SHOE	ACBS1594
MINI	TRITON	MJ		1991.08	1996.10	2WD	254mm X 50.7mm SHOE	ACBS1594
MINI	TRITON	MJ		1992.08	1996.09	4WD	254mm X 50.7mm SHOE	ACBS1594

MAKE	MODEL	SERIES	ENGINE	FROM	TO	OTHER	BRAKE SHOE SIZE	ACDELCO PART NUMBER
MITSUBISHI	TRITON	MJ	4D56	1992.08	1996.09	4WD	254mm X 50.7mm SHOE	ACBS1594
MITSUBISHI	TRITON	MJ	4G54	1992.08	1996.09	2WD	254mm X 50.7mm SHOE	ACBS1594
MITSUBISHI	TRITON	MK	4G64	1996.10	2003.12	2WD	254mm X 50.2mm SHOE	ACBS1760
MITSUBISHI	TRITON	MK	4M40	1996.10	2014.12	2WD	254mm X 50.2mm SHOE	ACBS1760
MITSUBISHI	TRITON	MK	4M40	1996.10	2002.12	4WD	270mm X 50.2mm SHOE	ACBS1759
MITSUBISHI	TRITON	MK	4M40	2003.01	2014.12	4WD	270mm X 50.2mm SHOE	ACBS1759
MITSUBISHI	TRITON	MK	6G72	1996.10	2007.04	4WD	254mm X 50.2mm SHOE	ACBS1760
MITSUBISHI	TRITON	MK	6G72	2004.01	2007.04	2WD	254mm X 50.2mm SHOE	ACBS1760
MITSUBISHI	TRITON	ML		2007	2015		295mm X 50mm SHOE	ACBS1886
MITSUBISHI	TRITON	MN		2009	2017		295mm X 50mm SHOE	ACBS1886
MITSUBISHI	TRITON	MQ		2015	2017		295mm X 50mm SHOE	ACBS1886
NISSAN								
NISSAN	MICRA	K13K	HR12DE	2010.07	2011.05		203mm X 39mm SHOE	ACBS1002
NISSAN	NAVARA	D21	VG30E	1992.06	1997.03	2WD	295mm X 50.3mm SHOE	ACBS1726
NISSAN	NAVARA	D22	QD32	2000.06	2001.11	4WD	295mm X 50.3mm SHOE	ACBS1726
NISSAN	NAVARA	D22	VG30E	2000.06	2005.11		295mm X 50.3mm SHOE	ACBS1726
NISSAN	PATHFINDER	R50	VG33E	1995.09	2014.12	4WD	295mm X 50.3mm SHOE	ACBS1726
NISSAN	PATROL	Y60		1992	1994	4WD	295mm X 60.7mm SHOE	ACBS1668
NISSAN	PATROL	Y60	TD42	1987.08	1997.09	4WD	295mm X 60.7mm SHOE	ACBS1668
NISSAN	PATROL	Y61	ZD30DDTI	2003.03	2014.12	4WD	295mm X 60.7mm SHOE	ACBS1668
NISSAN	PRAIRIE	M10	E15S	1982.09	1988.09		203.2mm X 36.1mm SHOE	ACBS1598
NISSAN	PULSAR	N13	16LF	1987.08	1992.10	SEDAN	203.2mm X 36.1mm SHOE	ACBS1598
NISSAN	PULSAR	N14	GA16DE	1991.08	1995.05	SEDAN	180mm X 31.5mm SHOE	ACBS1697
NISSAN	PULSAR	N14	SR20DE	1991.08	1995.05	HATCHBACK	180mm X 31.5mm SHOE	ACBS1697
NISSAN	PULSAR	N15	GA16DE	1995.08	2000.06		180mm X 31.5mm SHOE	ACBS1697
NISSAN	PULSAR	N15	GA16DE	1995.10	1999.10	HATCHBACK	180mm X 31.5mm SHOE	ACBS1697
NISSAN	PULSAR	N15	SR20DE	1995.08	2000.06	HATCHBACK	180mm X 31.5mm SHOE	ACBS1697
NISSAN	PULSAR	N16		2000.07	2006.01		203.2mm X 36.1mm SHOE	ACBS1598
NISSAN	TIIDA	C11	MR18DE	2005.01	2014.12		202.6mm X 31.5mm SHOE	ACBS1862
SEAT								
SEAT	CORDOBA	6K2	ADZ	1994.07	2002.12		200mm X 40mm SHOE	ACBS1741
SEAT	CORDOBA	6K2	AEE	1997.03	1998.12		200mm X 40mm SHOE	ACBS1741
SEAT	CORDOBA	6K2	AFT	1995.12	2002.11		200mm X 40mm SHOE	ACBS1741
SEAT	IBIZA	6K1	ABD	1993.09	1995.12		200mm X 40mm SHOE	ACBS1741
SEAT	IBIZA	6K1	AEX	1995.12	1997.12		200mm X 40mm SHOE	ACBS1741
SEAT	TOLEDO	1L2	2E	1993.11	1996.06	CHASS.NO 1L...ZD310 001 ->	200mm X 40mm SHOE	ACBS1741
SEAT	TOLEDO	1L2	ABF	1994.03	1999.03		200mm X 40mm SHOE	ACBS1741
SEAT	TOLEDO	1L2	AGG	1996.03	1999.03		200mm X 40mm SHOE	ACBS1741
SUBARU								
SUBARU	FORESTER	SF	EJ202	1998.03	2002.05	AWD	228.6mm X 36.7mm SHOE	ACBS1730
SUBARU	FORESTER	SF	EJ20J	1997.01	1998.07	AWD	228.6mm X 36.7mm SHOE	ACBS1730
SUBARU	IMPREZA	GC	EJ16J	1996.08	1998.07	2WD	228.6mm X 36.7mm SHOE	ACBS1730
SUBARU	IMPREZA	GC	EJ18E	1993.01	1996.07		228.6mm X 36.7mm SHOE	ACBS1730
SUBARU	IMPREZA	GC	EJ20E	1995.08	1998.07		228.6mm X 36.7mm SHOE	ACBS1730
SUBARU	IMPREZA	GF	EJ16J	1996.08	1998.07	2WD	228.6mm X 36.7mm SHOE	ACBS1730
SUBARU	IMPREZA	GF	EJ20E	1995.08	1998.07		228.6mm X 36.7mm SHOE	ACBS1730
SUBARU	LIBERTY	BC,BF,BJ	EJ22	1989.01	1993.12		228.6mm X 36.7mm SHOE	ACBS1730
SUBARU	LIBERTY	BD,BG	EJ22E	1994.01	1997.05		228.6mm X 36.7mm SHOE	ACBS1730

MAKE	MODEL	SERIES	ENGINE	FROM	TO	OTHER	BRAKE SHOE SIZE	ACDELCO PART NUMBER
SUBARU	LIBERTY	BD,BG	EJ25D	1996.01	1998.11	AWD	228.6mm X 36.7mm SHOE	ACBS1730
SUBARU	OUTBACK	BD,BG	EJ25D	1996.01	1999.12	AWD	228.6mm X 36.7mm SHOE	ACBS1730
SUZUKI								
SUZUKI	BALENO		G16B	1995.04	2005.04		200mm X 31mm SHOE	ACBS1682
SUZUKI	BALENO	EG	G16B	1996.08	2002.05		200mm X 31mm SHOE	ACBS1682
SUZUKI	CARRY		G13B	1999.03	2009.03		220mm X 36.6mm SHOE	ACBS1764
SUZUKI	ESCUDO		J20A	2005.05	2008.06	4WD	220mm X 41.6mm SHOE	ACBS1787
SUZUKI	ESCUDO		J24B	2008.06	2016.01	4WD	220mm X 41.6mm SHOE	ACBS1787
SUZUKI	ESCUDO		N32A	2008.06	2009.05	4WD	220mm X 41.6mm SHOE	ACBS1787
SUZUKI	GRAND VITARA			1998.02	2005.02	4WD	220mm X 41.6mm SHOE	ACBS1787
SUZUKI	GRAND VITARA			1998.04	2003.04	4WD	220mm X 41.6mm SHOE	ACBS1787
SUZUKI	GRAND VITARA			1998.04	2005.04	4WD	220mm X 41.6mm SHOE	ACBS1787
SUZUKI	GRAND VITARA			2000.02	2002.09	4WD	220mm X 41.6mm SHOE	ACBS1787
SUZUKI	IGNIS	FH	M13A	2000.10	2003.09		180mm X 26.1mm SHOE	ACBS1820
SUZUKI	IGNIS	FH	M13A	2000.10	2003.09	CHASS.NO S00170001 ->	180mm X 26.1mm SHOE	ACBS1820
SUZUKI	JIMNY	FJ	G13BB	1998.10	2008.10	4WD	220mm X 36.6mm SHOE	ACBS1764
SUZUKI	JIMNY	FJ	M13A	2000.10	2014.12	4WD	220mm X 36.6mm SHOE	ACBS1764
SUZUKI	LIANA	ER	M16A	2001.03	2008.04	HATCHBACK	200mm X 31mm SHOE	ACBS1682
SUZUKI	LIANA	ER	M16A	2002.04	2007.12	SEDAN	200mm X 31mm SHOE	ACBS1682
SUZUKI	LIANA	ER	M18A	2005.04	2007.12		200mm X 31mm SHOE	ACBS1682
SUZUKI	SWIFT	EA	G16B	1991.09	1995.09	SEDAN	200mm X 31mm SHOE	ACBS1682
SUZUKI	SWIFT	MA	G13BA	1996.06	2001.03	-> CHASS.NO *00320339, HATCHBACK	200mm X 31mm SHOE	ACBS1682
SUZUKI	SWIFT GTI	EA	G13B	1989.01	1995.09	HATCHBACK	200mm X 31mm SHOE	ACBS1682
SUZUKI	VITARA		V6	2005	2015.02		220mm X 41.6mm SHOE	ACBS1787
SUZUKI	VITARA	SQ416		2005	2015.02		220mm X 41.6mm SHOE	ACBS1787
TOYOTA								
TOYOTA	CALDINA	AT191G, AT211G	7AFE	1996.01	2002.09		200mm X 34.9mm SHOE (30mm FRICTION)	ACBS1704
TOYOTA	CALDINA	ST210G	3SFE	1997.08	2002.09		200mm X 34.9mm SHOE (30mm FRICTION)	ACBS1704
TOYOTA	CAMRY / VIENTA	SDV10	5SFE	1993.02	1994.03	SEDAN	228.6mm X 40.4mm SHOE	ACBS1659
TOYOTA	CAMRY / VIENTA	SV10		1983.03	1986.10		200mm X 37.8mm SHOE	ACBS1490
TOYOTA	CAMRY / VIENTA	SV11	2SEL	1983.03	1986.10	HATCHBACK	200mm X 37.8mm SHOE	ACBS1490
TOYOTA	CAMRY / VIENTA	SV11	2SELC	1983.03	1986.08	HATCHBACK	200mm X 37.8mm SHOE	ACBS1490
TOYOTA	CAMRY / VIENTA	SV20	1SE	1987.01	1989.06	SEDAN	228.6mm X 40.4mm SHOE	ACBS1659
TOYOTA	CAMRY / VIENTA	SV21	3SFE	1987.01	1992.11	SEDAN	228.6mm X 40.4mm SHOE	ACBS1659
TOYOTA	COROLLA	AE101	4AFE	1994.07	1998.08		200mm X 34.9mm SHOE (30mm FRICTION)	ACBS1704
TOYOTA	COROLLA	AE102	7AFE	1992.09	1999.12	SEDAN	200mm X 34.9mm SHOE (30mm FRICTION)	ACBS1704
TOYOTA	COROLLA	AE102	7AFE	1994.07	1999.12	HATCHBACK	200mm X 34.9mm SHOE (30mm FRICTION)	ACBS1704
TOYOTA	COROLLA	AE111		1995	2001		200mm X 37.8mm SHOE	ACBS1490
TOYOTA	COROLLA	AE112R	7AFE	1999.10	2001.10	SEDAN	200mm X 37.8mm SHOE	ACBS1490
TOYOTA	COROLLA	AE80	2AC	1985.04	1989.06		200mm X 35.6mm SHOE (30mm FRICTION)	ACBS1602
TOYOTA	COROLLA	AE82	4AC	1983.05	1987.08	HATCHBACK	200mm X 35.6mm SHOE (30mm FRICTION)	ACBS1602
TOYOTA	COROLLA	AE82	4AC	1985.04	1988.12	SEDAN	200mm X 35.6mm SHOE (30mm FRICTION)	ACBS1602

MAKE	MODEL	SERIES	ENGINE	FROM	TO	OTHER	BRAKE SHOE SIZE	ACDELCO PART NUMBER
TOYOTA	COROLLA	AE82	4AGE	1986.01	1988.12	HATCHBACK	200mm X 35.6mm SHOE (30mm FRICTION)	ACBS1602
TOYOTA	COROLLA	AE82	4AGELC	1986.09	1988.08	HATCHBACK	200mm X 35.6mm SHOE (30mm FRICTION)	ACBS1602
TOYOTA	DYNA	LH80	2L	1987.08	1995.05		254mm X 57.2mm SHOE	ACBS1371
TOYOTA	DYNA	LY212R,LY230R	5L	1999.11	2014.12		295mm X 50.5mm SHOE	ACBS1660
TOYOTA	DYNA	YH81	2Y	1985.08	1987.08		254mm X 57.2mm SHOE	ACBS1371
TOYOTA	DYNA	YH81	2Y	1987.08	1992.03		254mm X 57.2mm SHOE	ACBS1371
TOYOTA	DYNA	YH81	2Y	1987.08	1992.03		254mm X 57.2mm SHOE	ACBS1371
TOYOTA	DYNA	YY100L	2Y	1995.05	1999.05		254mm X 57.2mm SHOE	ACBS1648
TOYOTA	ECHO	NCP10	2NZFE	1999.09	2005.02		180mm X 28mm SHOE	ACBS1772
TOYOTA	ECHO	NCP12	1NZFE	1999.09	2014.12		180mm X 28mm SHOE	ACBS1772
TOYOTA	ECHO	NCP13	1NZFE	2006.06	2005.10		180mm X 28mm SHOE	ACBS1772
TOYOTA	HIACE	KDH 201, 221, 223	1KDFTV	2007.08	2014.12		252.6mm X 51mm SHOE	ACBS1847
TOYOTA	HIACE	KDH200/220	2KDFTV	2004.08	2007.09		252.6mm X 51mm SHOE	ACBS1847
TOYOTA	HIACE	KDH201		2006.11	ON		252.6mm X 51mm SHOE	ACBS1847
TOYOTA	HIACE	KZH106		1993	2004		295mm X 50.5mm SHOE	ACBS1660
TOYOTA	HIACE	KZN165		2000	2005		295mm X 50.5mm SHOE	ACBS1660
TOYOTA	HIACE	LH103	3L	1989.08	1993.08		270mm X 55.8mm SHOE	ACBS1678
TOYOTA	HIACE	LH103	3L	1993.09	2000.08		270mm X 56mm SHOE	ACBS1714
TOYOTA	HIACE	LH105	3L	1989.08	1993.08		270mm X 55.8mm SHOE	ACBS1678
TOYOTA	HIACE	LH105	3L	1993.09	2000.08		270mm X 56mm SHOE	ACBS1714
TOYOTA	HIACE	LH109		1989.08	2000.08		270mm X 56mm SHOE	ACBS1714
TOYOTA	HIACE	LH113/115	3L	1989.08	2000.08		270mm X 55.8mm SHOE	ACBS1678
TOYOTA	HIACE	LH115B, LH125B	3L	1989.08	1996.08		270mm X 55.8mm SHOE	ACBS1678
TOYOTA	HIACE	LH115B, LH125B	3L	1996.09	2004.12		270mm X 56mm SHOE	ACBS1714
TOYOTA	HIACE	LH119		1989.08	2000.08		270mm X 56mm SHOE	ACBS1714
TOYOTA	HIACE	LH123		1989.08	2000.08		270mm X 56mm SHOE	ACBS1714
TOYOTA	HIACE	LH162/172/182	5L	1998.08	2004.10		270mm X 56mm SHOE	ACBS1714
TOYOTA	HIACE	LH174/184	5L	1998.08	2004.10		270mm X 55.8mm SHOE	ACBS1678
TOYOTA	HIACE	LH50	L	1982.12	1984.01		254mm X 57.2mm SHOE	ACBS1371
TOYOTA	HIACE	LH60/70	2L	1982.12	1989.01		254mm X 57.2mm SHOE	ACBS1371
TOYOTA	HIACE	LH61/71	2L	1982.08	1989.08		254mm X 57.2mm SHOE	ACBS1371
TOYOTA	HIACE	LN106		1988	1999		295mm X 50.5mm SHOE	ACBS1660
TOYOTA	HIACE	RH11	12R	1982.11	1985.07		254mm X 57.2mm SHOE	ACBS1371
TOYOTA	HIACE	RH11/20/30/40	12R	1977.01	1982.10		254mm X 57.2mm SHOE	ACBS1371
TOYOTA	HIACE	RZH102		1989.08	1993.07		270mm X 55.8mm SHOE	ACBS1678
TOYOTA	HIACE	RZH102		1993.08	1996.08		270mm X 56mm SHOE	ACBS1714
TOYOTA	HIACE	RZH103	2RZ	1989.08	1993.08		270mm X 55.8mm SHOE	ACBS1678
TOYOTA	HIACE	RZH103	2RZ	1993.09	1996.08		270mm X 56mm SHOE	ACBS1714
TOYOTA	HIACE	RZH113	2RZE	1989.08	1993.08		270mm X 55.8mm SHOE	ACBS1678
TOYOTA	HIACE	RZH113	2RZE	1993.09	1996.08		270mm X 56mm SHOE	ACBS1714
TOYOTA	HIACE	RZH125		1989.09	1993.08		270mm X 55.8mm SHOE	ACBS1678
TOYOTA	HIACE	RZH125		1993.09	ON		270mm X 56mm SHOE	ACBS1714
TOYOTA	HIACE	TRH223B	2TRFE	2005.01	2014.12		252.6mm X 51mm SHOE	ACBS1847
TOYOTA	HIACE COMMUTER	KDH222B	2KDFTV	2005.01	2007.09		252.6mm X 51mm SHOE	ACBS1847
TOYOTA	HIACE COMMUTER	KZH100		1993.08	2004.07		270mm X 56mm SHOE	ACBS1714
TOYOTA	HIACE COMMUTER	LH184B, LH186B	5L	1989.08	1996.08		270mm X 55.8mm SHOE	ACBS1678
TOYOTA	HIACE COMMUTER	LH184B, LH186B	5L	1996.08	2004.12		270mm X 56mm SHOE	ACBS1714

MAKE	MODEL	SERIES	ENGINE	FROM	TO	OTHER	BRAKE SHOE SIZE	ACDELCO PART NUMBER
TOYOTA	HIACE COMMUTER	RZH124B	1RZE	1989.08	1996.08		270mm X 55.8mm SHOE	ACBS1678
TOYOTA	HIACE COMMUTER	RZH124B	1RZE	1996.08	2004.12		270mm X 56mm SHOE	ACBS1714
TOYOTA	HIACE COMMUTER	RZH125B	2RZE	1989.08	1996.08		270mm X 55.8mm SHOE	ACBS1678
TOYOTA	HIACE COMMUTER	RZH125B	2RZE	1996.08	2004.12		270mm X 56mm SHOE	ACBS1714
TOYOTA	HILUX	GGN25R	1GRFE	2005.03	2011.08	4WD	295mm X 61.7mm SHOE	ACBS1832
TOYOTA	HILUX	KUN16R	1KDFTV	2005.03	2014.12	2WD	254mm X 50.3mm SHOE	ACBS1768
TOYOTA	HILUX	KUN26R	1KDFTV	2005.03	2014.12	4WD	295mm X 61.7mm SHOE	ACBS1832
TOYOTA	HILUX	LN147R		1997.10	2005.02	2WD	254mm X 50.3mm SHOE	ACBS1768
TOYOTA	HILUX	LN167R, 172R	5L	1997.10	2005.02	4WD	295mm X 50.5mm SHOE	ACBS1660
TOYOTA	HILUX	LN40	L	1980.09	1983.08	2WD	254mm X 57.2mm SHOE	ACBS1371
TOYOTA	HILUX	LN46	L	1981.08	1983.08	4WD	254mm X 57.2mm SHOE	ACBS1371
TOYOTA	HILUX	LN50/55	L	1983.08	1984.08	2WD	254mm X 57.2mm SHOE	ACBS1371
TOYOTA	HILUX	LN51/56/60/61/65	2L	1984.08	1998.07	2WD	254mm X 57.2mm SHOE	ACBS1648
TOYOTA	HILUX	LN51/56/60/61/65	2L	1984.08	1998.07	2WD, FOR CHASS.NO LN61	295mm X 50.5mm SHOE	ACBS1660
TOYOTA	HILUX	LN51/56/60/61/65	2L	1984.08	1998.07	2WD, FOR CHASS.NO LN61	295mm X 50.7mm SHOE	ACBS1647
TOYOTA	HILUX	LN57/67	3L	1995.08	1998.07	2WD	254mm X 57.2mm SHOE	ACBS1648
TOYOTA	HILUX	LN67R	3L	1996.07	1998.08	4WD	254mm X 57.2mm SHOE	ACBS1648
TOYOTA	HILUX	LN80, LN85	2L	1988.09	1994.08	2WD	254mm X 57.2mm SHOE	ACBS1648
TOYOTA	HILUX	RN105		1988	1998	2WD	295mm X 50.5mm SHOE	ACBS1660
TOYOTA	HILUX	RN20LKR	12R	1972.05	1978.07	2WD	254mm X 57.2mm SHOE	ACBS1371
TOYOTA	HILUX	RN25LKR	12R	1972.05	1978.07	2WD	254mm X 57.2mm SHOE	ACBS1371
TOYOTA	HILUX	RN30	12R	1978.08	1983.07	2WD	254mm X 57.2mm SHOE	ACBS1371
TOYOTA	HILUX	RN36	18R	1979.01	1983.07	4WD	254mm X 57.2mm SHOE	ACBS1371
TOYOTA	HILUX	RN40	12R	1978.08	1983.07	2WD	254mm X 57.2mm SHOE	ACBS1371
TOYOTA	HILUX	RN41	18RC	1978.08	1983.07	2WD	254mm X 57.2mm SHOE	ACBS1371
TOYOTA	HILUX	RN46	18R	1979.01	1983.07	4WD	254mm X 57.2mm SHOE	ACBS1371
TOYOTA	HILUX	RN50/55/58/61/67	22R	1986.01	1998.07	2WD	254mm X 57.2mm SHOE	ACBS1648
TOYOTA	HILUX	RZN147, RZN152H	1RZE	1997.08	2004.07	2WD	270mm X 56mm SHOE	ACBS1714
TOYOTA	HILUX	RZN147R, 149R, 154R	3RZFE	1997.10	2005.02	2WD	270mm X 56mm SHOE	ACBS1714
TOYOTA	HILUX	RZN169H, RZN174H	3RZFE	1999.08	2004.07	4WD	295mm X 50.5mm SHOE	ACBS1660
TOYOTA	HILUX	TGN16		2005.02	2016.01	2WD	254mm X 50.3mm SHOE	ACBS1768
TOYOTA	HILUX	TGN26R	2TRFE	2005.06	2014.12	4WD	295mm X 61.7mm SHOE	ACBS1832
TOYOTA	HILUX	VZN130	3VZE	1989.08	1995.11	4WD	295mm X 50.5mm SHOE	ACBS1660
TOYOTA	HILUX	YN50/55	1Y	1986.08	1998.07	2WD	295mm X 50.5mm SHOE	ACBS1660
TOYOTA	HILUX	YN51/56	2Y	1983.08	1988.08	2WD	254mm X 57.2mm SHOE	ACBS1648
TOYOTA	HILUX	YN52/57/60/65	3Y	1983.09	1988.08	2WD	254mm X 57.2mm SHOE	ACBS1648
TOYOTA	HILUX	YN57R	3Y	1985.02	1985.11	2WD	254mm X 57.2mm SHOE	ACBS1648
TOYOTA	HILUX	YN58/62/63/67	4Y	1986.08	1998.07	2WD, FOR CHASS.NO LN61	295mm X 50.7mm SHOE	ACBS1647
TOYOTA	HILUX	YN63		1985	1989	2WD	295mm X 50.5mm SHOE	ACBS1660
TOYOTA	HILUX	YN67R	4Y	1986.02	1996.06	4WD	254mm X 57.2mm SHOE	ACBS1648
TOYOTA	HILUX	YN80	2Y	1988.09	1994.08	2WD	254mm X 57.2mm SHOE	ACBS1648
TOYOTA	HILUX	YN85	2Y	1988.08	1994.08	2WD	254mm X 57.2mm SHOE	ACBS1648
TOYOTA	HILUX	YN85	2Y	1988.08	1994.08	2WD	295mm X 50.5mm SHOE	ACBS1660
TOYOTA	HILUX SURF	KZN130G, KZN130W	1KZTE	1993.08	1995.11	4WD	295mm X 50.5mm SHOE	ACBS1660
TOYOTA	HILUX SURF	KZN185G, KZN185W	1KZTE	1995.11	2000.08	4WD	295mm X 50.5mm SHOE	ACBS1660
TOYOTA	HILUX SURF	LN130G	2LT	1989.04	1990.08	4WD	295mm X 50.5mm SHOE	ACBS1660
TOYOTA	HILUX SURF	LN130G, LN130W	2LTE	1990.08	1993.08	4WD	295mm X 50.5mm SHOE	ACBS1660
TOYOTA	HILUX SURF	LN131V	3L	1989.04	1993.08	4WD	295mm X 50.5mm SHOE	ACBS1660

MAKE	MODEL	SERIES	ENGINE	FROM	TO	OTHER	BRAKE SHOE SIZE	ACDELCO PART NUMBER
TOYOTA	HILUX SURF	RZN185W	3RZFE	1995.11	2002.11	4WD	295mm X 50.5mm SHOE	ACBS1660
TOYOTA	HILUX SURF	VZN130G	3VZE	1990.08	1995.11	4WD	295mm X 50.5mm SHOE	ACBS1660
TOYOTA	HILUX SURF	VZN185W	5VZFE	1995.11	2002.11	4WD	295mm X 50.5mm SHOE	ACBS1660
TOYOTA	HILUX SURF	YN130G	3YE	1989.04	1991.08	2WD	295mm X 50.5mm SHOE	ACBS1660
TOYOTA	LAND CRUISER	BJ42	3B	1980.09	1990.01	4WD	295mm X 61.5mm	ACBS1414
TOYOTA	LAND CRUISER	BJ70	3B	1984.11	1990.01	4WD	295mm X 61.5mm	ACBS1414
TOYOTA	LAND CRUISER	BJ71	13BT	1985.10	1990.01	4WD	295mm X 61.5mm	ACBS1414
TOYOTA	LAND CRUISER	BJ73	3B	1984.11	1994.02	4WD	295mm X 61.5mm	ACBS1414
TOYOTA	LAND CRUISER	BJ74		1985.10	1990.01	4WD	295mm X 61.5mm	ACBS1414
TOYOTA	LAND CRUISER	FJ40	2F	1980.08	1985.10	4WD	295mm X 61.5mm	ACBS1414
TOYOTA	LAND CRUISER	FJ45	2F	1980.08	1986.04	4WD	295mm X 61.5mm	ACBS1414
TOYOTA	LAND CRUISER	FJ60	2F	1980.08	1984.11	4WD	295mm X 61.5mm	ACBS1414
TOYOTA	LAND CRUISER	FJ62	3F	1984.11	1987.08	4WD	295mm X 61.5mm	ACBS1414
TOYOTA	LAND CRUISER	FJ62/70/73/75	3F	1987.09	1992.12	4WD	295mm X 61.5mm	ACBS1414
TOYOTA	LAND CRUISER	FJ80	3FE	1990.01	1992.08	4WD	295mm X 61.5mm	ACBS1414
TOYOTA	LAND CRUISER	FZJ78	1FZFE	1998.03	2005.04	4WD	295mm X 61.5mm	ACBS1414
TOYOTA	LAND CRUISER	FZJ80	1FZFE	1992.08	1998.01	4WD	295mm X 61.5mm	ACBS1414
TOYOTA	LAND CRUISER	HDJ80	1HDFT	1995.01	1998.01	4WD	295mm X 61.5mm	ACBS1414
TOYOTA	LAND CRUISER	HDJ80	1HDT	1990.01	1995.01	4WD	295mm X 61.5mm	ACBS1414
TOYOTA	LAND CRUISER	HJ47	2H	1980.08	1985.06	4WD	295mm X 61.5mm	ACBS1414
TOYOTA	LAND CRUISER	HJ60	2H	1987.08	1990.01	4WD	295mm X 61.5mm	ACBS1414
TOYOTA	LAND CRUISER	HJ61	12HT	1985.10	1990.01	4WD	295mm X 61.5mm	ACBS1414
TOYOTA	LAND CRUISER	HZJ70	1HZ	1990.01	1999.08	4WD	295mm X 61.5mm	ACBS1414
TOYOTA	LAND CRUISER	HZJ73	1HZ	1990.01	1999.08	4WD	295mm X 61.5mm	ACBS1414
TOYOTA	LAND CRUISER	HZJ75	1HZ	1992.08	1999.08	4WD	295mm X 61.5mm	ACBS1414
TOYOTA	LAND CRUISER	HZJ78	1HZ	1980	1984	4WD	295mm X 61.5mm	ACBS1414
TOYOTA	LAND CRUISER	HZJ78	1HZ	1998.03	2014.12	4WD	295mm X 61.5mm	ACBS1414
TOYOTA	LAND CRUISER	HZJ79	1HZ	1999.08	2001.08	4WD	295mm X 61.5mm	ACBS1414
TOYOTA	LAND CRUISER	HZJ80	1HZ	1990.01	1998.01	4WD	295mm X 61.5mm	ACBS1414
TOYOTA	LAND CRUISER	PZJ70	1PZ	1990.01	1992.08	4WD	295mm X 61.5mm	ACBS1414
TOYOTA	LAND CRUISER	PZJ73	1PZ	1990.01	1992.08	4WD	295mm X 61.5mm	ACBS1414
TOYOTA	LAND CRUISER	VDJ 79	1VDFTV	2007.03	2014.12	4WD	295mm X 61.5mm	ACBS1414
TOYOTA	LAND CRUISER PRADO	RZJ90/95	3RZFE	1996.04	2002.09	4WD	295mm X 50.5mm SHOE	ACBS1660
TOYOTA	LAND CRUISER PRADO	RZJ90/95	3RZFE	1996.10	2004.09	4WD	295mm X 50.5mm SHOE	ACBS1660
TOYOTA	LEXCEN	VN	VH	1989.06	1991.08		160mm X 25mm PARK BRAKE SHOE	ACBS1669
TOYOTA	LEXCEN	VP	VH	1991.09	1993.05		160mm X 25mm PARK BRAKE SHOE	ACBS1669
TOYOTA	LEXCEN	VR	VH	1993.06	1995.04		160mm X 25mm PARK BRAKE SHOE	ACBS1669
TOYOTA	LEXCEN	VS	VH	1995.05	1997.04		160mm X 25mm PARK BRAKE SHOE	ACBS1669
TOYOTA	STOUT	RK101	5R	1967.09	1979.02		295mm X 61.5mm	ACBS1414
TOYOTA	STOUT	RK110		1967.09	1979.02		295mm X 61.5mm	ACBS1414
TOYOTA	TOWNACE	CR21G, CR28G	2CT	1987.08	1993.09		254mm X 50.3mm SHOE	ACBS1768
TOYOTA	TOWNACE	KR42V	7KE	1998.12	2007.08		254mm X 50.3mm SHOE	ACBS1768
TOYOTA	TOWNACE	YR39	3YC	1992.04	1996.12		254mm X 50.3mm SHOE	ACBS1768
TOYOTA	YARIS	NCP92	2NZFE	2006.01	2014.12	SEDAN	200mm X 30.9mm SHOE	ACBS1852
TOYOTA	YARIS	NCP93	1NZFE	2006.01	2014.12	HATCHBACK	200mm X 30.9mm SHOE	ACBS1852

MAKE	MODEL	SERIES	ENGINE	FROM	TO	OTHER	BRAKE SHOE SIZE	ACDELCO PART NUMBER
VOLKSWAGEN								
VOLKSWAGEN	AMAROK	2H, S1	CDBA	2010.09	2012.10	2WD	295mm X 57mm SHOE	ACBS1001
VOLKSWAGEN	AMAROK	2H, S1	CDCA	2010.09	2012.05	2WD	295mm X 57mm SHOE	ACBS1001
VOLKSWAGEN	AMAROK	2H, S1	CDCA	2010.09	2012.05	4WD	295mm X 57mm SHOE	ACBS1001
VOLKSWAGEN	AMAROK	2H, S1	CFPA	2010.12	2014.12	2WD	295mm X 57mm SHOE	ACBS1001
VOLKSWAGEN	AMAROK 4MOTION	2H, S1	CSHA	2011.11	2014.12	4WD	295mm X 57mm SHOE	ACBS1001
VOLKSWAGEN	GOLF II	19, 1G	RV	1987.08	1992.11		200mm X 40mm SHOE	ACBS1741
VOLKSWAGEN	GOLF III	1E7	ADY	1994.10	1995.07	CONVERTIBLE	200mm X 40mm SHOE	ACBS1741
VOLKSWAGEN	GOLF III	1H1	1Z	1993.09	1996.07		200mm X 40mm SHOE	ACBS1741
VOLKSWAGEN	GOLF III	1H1	ADZ	1994.10	1997.12		200mm X 40mm SHOE	ACBS1741
VOLKSWAGEN	POLO	6N1	AEE	1995.07	1999.12		200mm X 40mm SHOE	ACBS1741
VOLKSWAGEN	POLO	6N2	AHW	1999.01	2001.09		200mm X 40mm SHOE	ACBS1741
VOLKSWAGEN	POLO	9N1	BBY	2001.09	2004.05		200mm X 40mm SHOE	ACBS1741
VOLKSWAGEN	POLO	9N2	BBY	2003.07	2007.05		200mm X 40mm SHOE	ACBS1741
VOLKSWAGEN	POLO	9N3	AXR	2005.04	2009.12		200mm X 40mm SHOE	ACBS1741
VOLKSWAGEN	POLO	9N3	BBZ	2005.04	2007.05		200mm X 40mm SHOE	ACBS1741
VOLKSWAGEN	POLO	9N3	BTS	2006.05	2009.12		200mm X 40mm SHOE	ACBS1741
VOLKSWAGEN	POLO	9N3	BUD	2006.05	2009.12		200mm X 40mm SHOE	ACBS1741
VOLKSWAGEN	UP!	121	CHYB	2011.12	2014.12		200mm X 40mm SHOE	ACBS1741
VOLKSWAGEN	VENTO	1H2	AGG	1995.07	1997.12		200mm X 40mm SHOE	ACBS1741

BRAKE SHOE

profiles

Shows profiles for brake shoes in alphanumeric order. Brake shoes are not shown at actual size.

REAR	SHOE OD IN MM	200	SHOE WIDTH IN MM	32.0	ACDELCO PART NUMBER	ACBS987

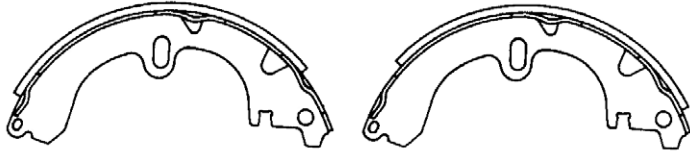
REAR	SHOE OD IN MM	293.6	SHOE WIDTH IN MM	55.0	ACDELCO PART NUMBER	ACBS1001

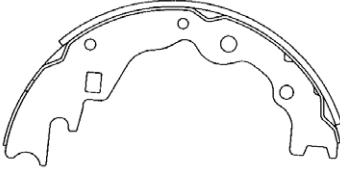
REAR	SHOE OD IN MM	202	SHOE WIDTH IN MM	37.0	ACDELCO PART NUMBER	ACBS1002

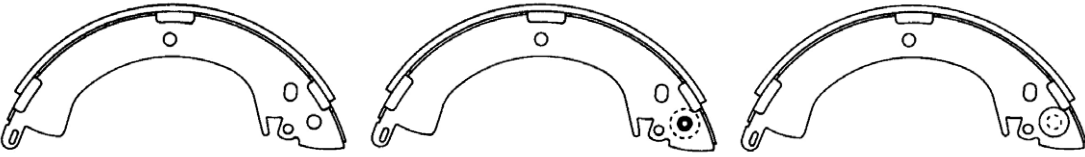
REAR	SHOE OD IN MM	254	SHOE WIDTH IN MM	57.2	ACDELCO PART NUMBER	ACBS1371

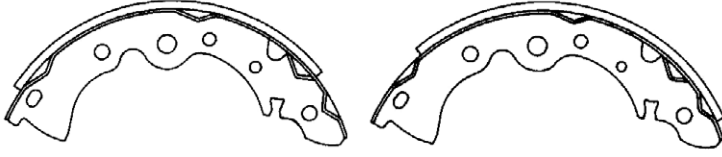
REAR	SHOE OD IN MM	295	SHOE WIDTH IN MM	61.5	ACDELCO PART NUMBER	ACBS1414

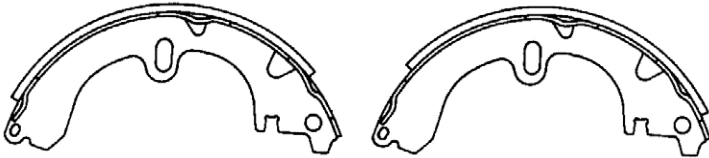
Shows profiles for brake shoes in alphanumeric order. Brake shoes are not shown at actual size.

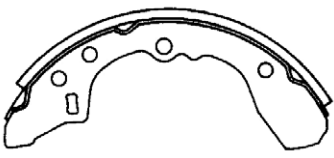
REAR	SHOE OD IN MM	200	SHOE WIDTH IN MM	37.8	ACDELCO PART NUMBER	ACBS1490
						
2 PCS						
			2 PCS			

REAR	SHOE OD IN MM	260	SHOE WIDTH IN MM	50.9	ACDELCO PART NUMBER	ACBS1587
						
4 PCS						

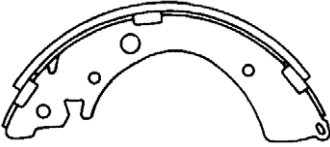
REAR	SHOE OD IN MM	254	SHOE WIDTH IN MM	50.7	ACDELCO PART NUMBER	ACBS1594
						
2 PCS					1 PCS	
		1 PCS				

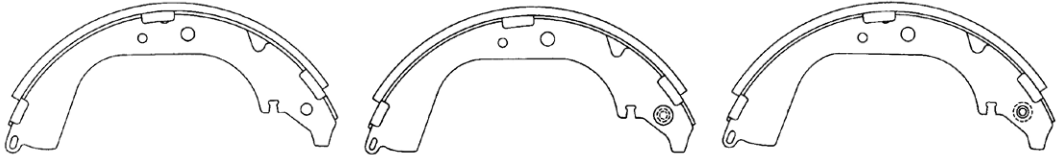
REAR	SHOE OD IN MM	203.2	SHOE WIDTH IN MM	36.1	ACDELCO PART NUMBER	ACBS1598
						
2 PCS						
			2 PCS			

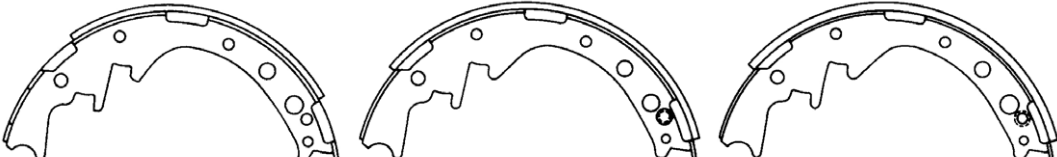
REAR	SHOE OD IN MM	200	SHOE WIDTH IN MM	35.6	ACDELCO PART NUMBER	ACBS1602
						
2 PCS						
			2 PCS			


REAR	SHOE OD IN MM	200	SHOE WIDTH IN MM	26.7	ACDELCO PART NUMBER	ACBS1604
						
4 PCS						

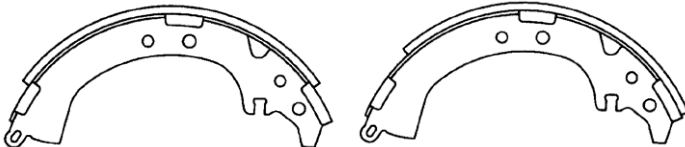
Shows profiles for brake shoes in alphanumeric order. Brake shoes are not shown at actual size.

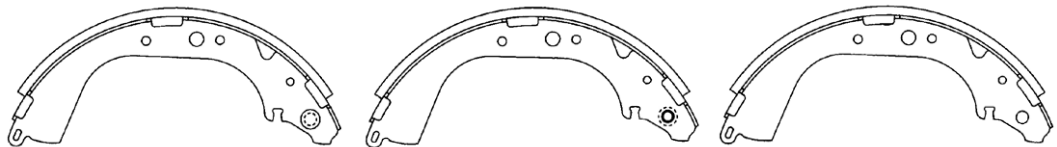
REAR	SHOE OD IN MM	200	SHOE WIDTH IN MM	35.3	ACDELCO PART NUMBER	ACBS1614
						
4 PCS						

REAR	SHOE OD IN MM	295	SHOE WIDTH IN MM	50.7	ACDELCO PART NUMBER	ACBS1647
						
2 PCS		1 PCS		1 PCS		

REAR	SHOE OD IN MM	254	SHOE WIDTH IN MM	57.2	ACDELCO PART NUMBER	ACBS1648
						
2 PCS		1 PCS		1 PCS		

REAR	SHOE OD IN MM	180	SHOE WIDTH IN MM	27.6	ACDELCO PART NUMBER	ACBS1658
						
2 PCS			2 PCS			

REAR	SHOE OD IN MM	228.6	SHOE WIDTH IN MM	40.4	ACDELCO PART NUMBER	ACBS1659
						
2 PCS			2 PCS			

REAR	SHOE OD IN MM	295	SHOE WIDTH IN MM	50.5	ACDELCO PART NUMBER	ACBS1660
						
1 PCS		1 PCS		2 PCS		

Shows profiles for brake shoes in alphanumeric order. Brake shoes are not shown at actual size.

REAR	SHOE OD IN MM	254	SHOE WIDTH IN MM	52.0	ACDELCO PART NUMBER	ACBS1662
		2 PCS			1 PCS	

REAR	SHOE OD IN MM	170	SHOE WIDTH IN MM	26.4	ACDELCO PART NUMBER	ACBS1664
		4 PCS				

REAR	SHOE OD IN MM	260	SHOE WIDTH IN MM	51.5	ACDELCO PART NUMBER	ACBS1665
		2 PCS			2 PCS	

REAR	SHOE OD IN MM	295	SHOE WIDTH IN MM	60.7	ACDELCO PART NUMBER	ACBS1668
		2 PCS			1 PCS	

PARKING	SHOE OD IN MM	160	SHOE WIDTH IN MM	25.0	ACDELCO PART NUMBER	ACBS1669
		4 PCS				

REAR	SHOE OD IN MM	270	SHOE WIDTH IN MM	55.8	ACDELCO PART NUMBER	ACBS1678
		2 PCS			1 PCS	

Shows profiles for brake shoes in alphanumeric order. Brake shoes are not shown at actual size.

REAR	SHOE OD IN MM	180	SHOE WIDTH IN MM	36.8	ACDELCO PART NUMBER	ACBS1681
		2 PCS			1 PCS	1 PCS

REAR	SHOE OD IN MM	200	SHOE WIDTH IN MM	31.0	ACDELCO PART NUMBER	ACBS1682
4 PCS						

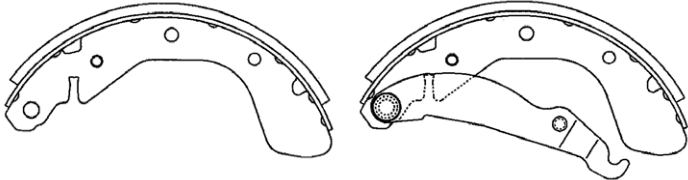
REAR	SHOE OD IN MM	200	SHOE WIDTH IN MM	31.7	ACDELCO PART NUMBER	ACBS1694
4 PCS						

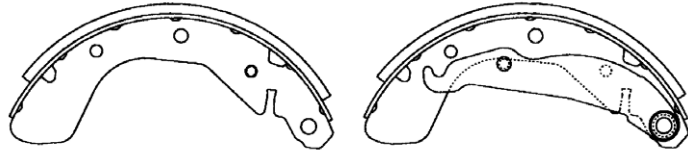
REAR	SHOE OD IN MM	180	SHOE WIDTH IN MM	31.0	ACDELCO PART NUMBER	ACBS1696
4 PCS						

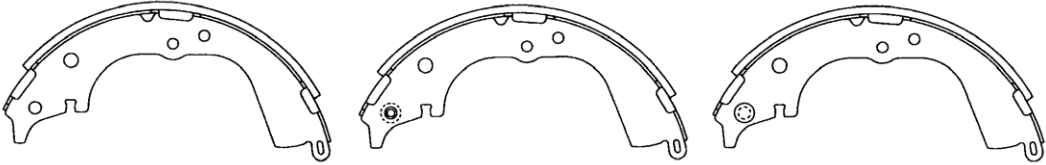
REAR	SHOE OD IN MM	180	SHOE WIDTH IN MM	31.5	ACDELCO PART NUMBER	ACBS1697
		1 PCS			1 PCS	1 PCS
		1 PCS				1 PCS

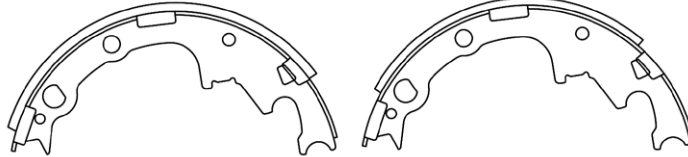
REAR	SHOE OD IN MM	200	SHOE WIDTH IN MM	34.9	ACDELCO PART NUMBER	ACBS1704
			2 PCS			
					2 PCS	

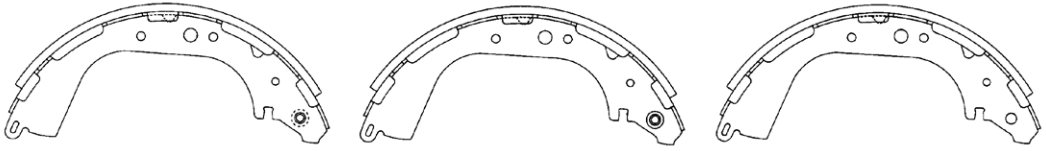
Shows profiles for brake shoes in alphanumeric order. Brake shoes are not shown at actual size.

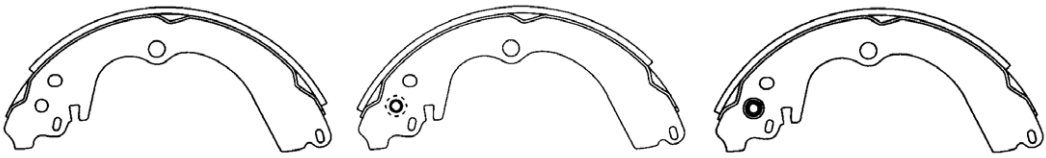
REAR	SHOE OD IN MM	200	SHOE WIDTH IN MM	29.4	ACDELCO PART NUMBER	ACBS1705
						
2 PCS						
2 PCS						

REAR	SHOE OD IN MM	200	SHOE WIDTH IN MM	46.0	ACDELCO PART NUMBER	ACBS1710
						
2 PCS						
2 PCS						

REAR	SHOE OD IN MM	270	SHOE WIDTH IN MM	56.0	ACDELCO PART NUMBER	ACBS1714
						
2 PCS		1 PCS				
1 PCS						

REAR	SHOE OD IN MM	228.6	SHOE WIDTH IN MM	64.8	ACDELCO PART NUMBER	ACBS1715
						
2 PCS						
2 PCS						

REAR	SHOE OD IN MM	295	SHOE WIDTH IN MM	50.3	ACDELCO PART NUMBER	ACBS1726
						
1 PCS		1 PCS				
1 PCS						

REAR	SHOE OD IN MM	228.6	SHOE WIDTH IN MM	36.7	ACDELCO PART NUMBER	ACBS1730
						
2 PCS		1 PCS				
1 PCS						

Shows profiles for brake shoes in alphanumeric order. Brake shoes are not shown at actual size.

REAR	SHOE OD IN MM	200	SHOE WIDTH IN MM	40.0	ACDELCO PART NUMBER	ACBS1741
		1 PCS		1 PCS		1 PCS
				1 PCS		1 PCS

REAR	SHOE OD IN MM	249	SHOE WIDTH IN MM	57.2	ACDELCO PART NUMBER	ACBS1756
						4 PCS

REAR	SHOE OD IN MM	295	SHOE WIDTH IN MM	46.6	ACDELCO PART NUMBER	ACBS1757
		2 PCS		1 PCS		1 PCS

REAR	SHOE OD IN MM	270	SHOE WIDTH IN MM	52.2	ACDELCO PART NUMBER	ACBS1759
		2 PCS		1 PCS		1 PCS

REAR	SHOE OD IN MM	254	SHOE WIDTH IN MM	50.2	ACDELCO PART NUMBER	ACBS1760
		2 PCS		1 PCS		1 PCS

REAR	SHOE OD IN MM	220	SHOE WIDTH IN MM	36.6	ACDELCO PART NUMBER	ACBS1764
		1 PCS		1 PCS		2 PCS

Shows profiles for brake shoes in alphanumeric order. Brake shoes are not shown at actual size.

REAR	SHOE OD IN MM	254	SHOE WIDTH IN MM	50.3	ACDELCO PART NUMBER	ACBS1768
		2 PCS			1 PCS	1 PCS

REAR	SHOE OD IN MM	295	SHOE WIDTH IN MM	55.8	ACDELCO PART NUMBER	ACBS1769
		1 PCS			1 PCS	2 PCS

REAR	SHOE OD IN MM	200	SHOE WIDTH IN MM	36.2	ACDELCO PART NUMBER	ACBS1771
4 PCS						

REAR	SHOE OD IN MM	180	SHOE WIDTH IN MM	28.0	ACDELCO PART NUMBER	ACBS1772
		2 PCS			2 PCS	

REAR	SHOE OD IN MM	180	SHOE WIDTH IN MM	31.7	ACDELCO PART NUMBER	ACBS1780
		2 PCS			1 PCS	1 PCS

REAR	SHOE OD IN MM	220	SHOE WIDTH IN MM	41.6	ACDELCO PART NUMBER	ACBS1787
4 PCS						

Shows profiles for brake shoes in alphanumeric order. Brake shoes are not shown at actual size.

REAR	SHOE OD IN MM	228.6	SHOE WIDTH IN MM	42.6	ACDELCO PART NUMBER	ACBS1791

REAR	SHOE OD IN MM	294	SHOE WIDTH IN MM	41.1	ACDELCO PART NUMBER	ACBS1793

REAR	SHOE OD IN MM	228.6	SHOE WIDTH IN MM	31.6	ACDELCO PART NUMBER	ACBS1796

REAR	SHOE OD IN MM	180	SHOE WIDTH IN MM	26.1	ACDELCO PART NUMBER	ACBS1820

REAR	SHOE OD IN MM	270	SHOE WIDTH IN MM	56.0	ACDELCO PART NUMBER	ACBS1822

REAR	SHOE OD IN MM	252	SHOE WIDTH IN MM	50.0	ACDELCO PART NUMBER	ACBS1824

Shows profiles for brake shoes in alphanumeric order. Brake shoes are not shown at actual size.

REAR	SHOE OD IN MM	200	SHOE WIDTH IN MM	38.6	ACDELCO PART NUMBER	ACBS1826
2 PCS		1 PCS		1 PCS		

REAR	SHOE OD IN MM	200	SHOE WIDTH IN MM	25.3	ACDELCO PART NUMBER	ACBS1829
4 PCS						

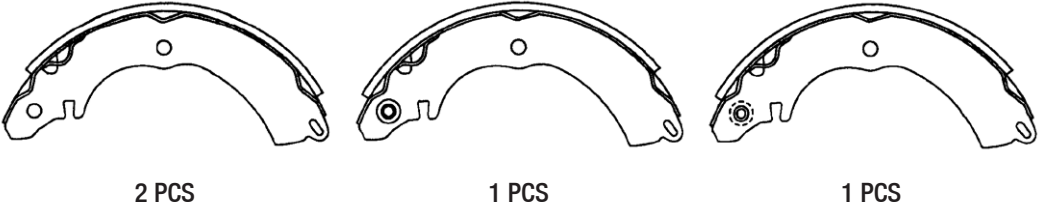
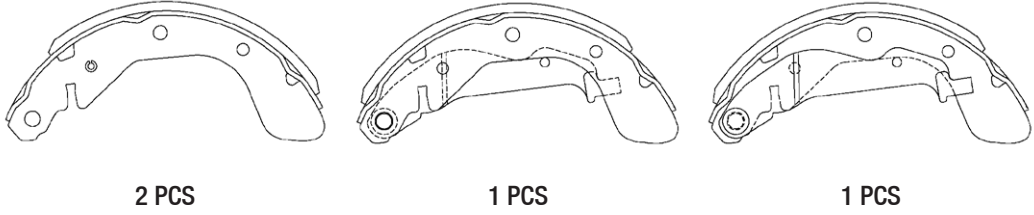
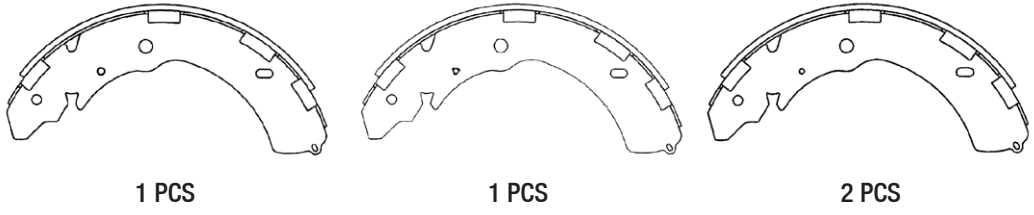
REAR	SHOE OD IN MM	295	SHOE WIDTH IN MM	61.7	ACDELCO PART NUMBER	ACBS1832
2 PCS			2 PCS			

REAR	SHOE OD IN MM	252.6	SHOE WIDTH IN MM	51.0	ACDELCO PART NUMBER	ACBS1847
2 PCS			2 PCS			

REAR	SHOE OD IN MM	200	SHOE WIDTH IN MM	31.9	ACDELCO PART NUMBER	ACBS1852
1 PCS		1 PCS		2 PCS		

REAR	SHOE OD IN MM	202.6	SHOE WIDTH IN MM	31.5	ACDELCO PART NUMBER	ACBS1862
1 PCS		1 PCS		2 PCS		

Shows profiles for brake shoes in alphanumeric order. Brake shoes are not shown at actual size.

REAR	SHOE OD IN MM	203	SHOE WIDTH IN MM	31.7	ACDELCO PART NUMBER	ACBS1867
						
REAR	SHOE OD IN MM	198	SHOE WIDTH IN MM	36.0	ACDELCO PART NUMBER	ACBS1870
						
REAR	SHOE OD IN MM	295	SHOE WIDTH IN MM	50.0	ACDELCO PART NUMBER	ACBS1886
						

BRAKE SHOE

cross reference

BOSCH	ACDELCO	BOSCH	ACDELCO	BENDIX	ACDELCO	BENDIX	ACDELCO	CLUTCH & BRAKE AUSTRALIA	ACDELCO	CLUTCH & BRAKE AUSTRALIA	ACDELCO
B1001	ACBS1001	B1764	ACBS1764	BS1371	ACBS1371	BS1769	ACBS1822	N1371	ACBS1371	N1769	ACBS1769
B1002	ACBS1002	B1768	ACBS1768	BS1414	ACBS1414	BS1771	ACBS1771	N1405	ACBS1647	N1769	ACBS1822
B1371	ACBS1371	B1769	ACBS1769	BS1587	ACBS1587	BS1772	ACBS1772	N1414	ACBS1414	N1771	ACBS1771
B1414	ACBS1414	B1771	ACBS1771	BS1594	ACBS1594	BS1787	ACBS1787	N1587	ACBS1587	N1772	ACBS1772
B1490	ACBS1490	B1772	ACBS1772	BS1598	ACBS1598	BS1793	ACBS1793	N1594	ACBS1594	N1780	ACBS1780
B1587	ACBS1587	B1780	ACBS1780	BS1602	ACBS1490	BS1793	ACBS1824	N1598	ACBS1598	N1787	ACBS1787
B1594	ACBS1594	B1787	ACBS1787	BS1602	ACBS1602	BS1820	ACBS1820	N1602	ACBS1490	N1791	ACBS1791
B1598	ACBS1598	B1791	ACBS1791	BS1604	ACBS1604	BS1870	ACBS1870	N1602	ACBS1602	N1793	ACBS1793
B1598	ACBS1598	B1793	ACBS1793	BS1614	ACBS1614	BS5002	ACBS1862	N1604	ACBS1604	N1793 (Standard Suspension) / N1824 (Heavy Duty Suspension)	ACBS1824
B1602	ACBS1602	B1796	ACBS1796	BS1647	ACBS1647	BS5004	ACBS1852	N1614	ACBS1614		
B1604	ACBS1604	B1820	ACBS1820	BS1658	ACBS1658	BS5006 / BS5014	ACBS1829	N1658	ACBS1658	N1796	ACBS1796
B1614	ACBS1614	B1822	ACBS1822	BS1659	ACBS1659	BS5007	ACBS1847	N1659	ACBS1659	N1820	ACBS1820
B1647	ACBS1647	B1824	ACBS1824	BS1660	ACBS1660	BS5008	ACBS1832	N1660	ACBS1660	N1826	ACBS1826
B1658	ACBS1658	B1826	ACBS1826	BS1662	ACBS1662	BS5009	ACBS1768	N1662	ACBS1662	N1829	ACBS1829
B1659	ACBS1659	B1829	ACBS1829	BS1664	ACBS1664	BS5018	ACBS1886	N1664	ACBS1664	N1832	ACBS1832
B1660	ACBS1660	B1832	ACBS1832	BS1665	ACBS1665	BS5022	ACBS987	N1665	ACBS1665	N1847	ACBS1847
B1662	ACBS1662	B1847	ACBS1847	BS1668	ACBS1668	BS5059	ACBS1001	N1668	ACBS1668	N1852	ACBS1852
B1664	ACBS1664	B1852	ACBS1852	BS1669	ACBS1669	BS5064	ACBS1791	N1669	ACBS1669	N1862	ACBS1862
B1665	ACBS1665	B1862	ACBS1862	BS1672	ACBS1598	NS1780	ACBS1780	N1672	ACBS1598	N1867	ACBS1867
B1668	ACBS1668	B1867	ACBS1867	BS1678	ACBS1678			N1678	ACBS1678	N1870	ACBS1870
B1669	ACBS1669	B1870	ACBS1870	BS1681	ACBS1681			N1681	ACBS1681	N1886	ACBS1886
B1678	ACBS1678	B1886	ACBS1886	BS1682	ACBS1682			N1682	ACBS1682	N1942	ACBS987
B1681	ACBS1681	B987	ACBS987	BS1694	ACBS1694			N1694	ACBS1694	N1964	ACBS1002
B1682	ACBS1682			BS1696	ACBS1696			N1696	ACBS1696	N3284	ACBS1001
B1694	ACBS1694			BS1697	ACBS1697			N1697	ACBS1697		
B1696	ACBS1696			BS1704	ACBS1704			N1704	ACBS1704		
B1697	ACBS1697			BS1705	ACBS1705			N1705	ACBS1705		
B1704	ACBS1704			BS1710	ACBS1710			N1710	ACBS1710		
B1705	ACBS1705			BS1714	ACBS1714			N1714	ACBS1714		
B1710	ACBS1710			BS1715	ACBS1715			N1715	ACBS1715		
B1714	ACBS1714			BS1726	ACBS1726			N1726	ACBS1726		
B1715	ACBS1715			BS1730	ACBS1730			N1730	ACBS1730		
B1726	ACBS1726			BS1741	ACBS1741			N1741	ACBS1741		
B1730	ACBS1730			BS1756	ACBS1756			N1756	ACBS1756		
B1741	ACBS1741			BS1757	ACBS1757			N1757	ACBS1757		
B1756	ACBS1756			BS1759	ACBS1759			N1759	ACBS1759		
B1757	ACBS1757			BS1760	ACBS1760			N1760	ACBS1760		
B1759	ACBS1759			BS1764	ACBS1764			N1764	ACBS1764		
B1760	ACBS1760			BS1769	ACBS1769			N1768	ACBS1768		

ACDELCO

Holden Trade Club

Find the latest application data specific to your vehicle by using the ACDelco Online Catalogue, exclusively available to Trade Club members.

Handy features include:

- **STANDARD SEARCH**
- **PART NUMBER SEARCH**
- **TRADE CLUB PRICING**
- **RESULT FILTER**
- **NEW VIN SEARCH**

ACDELCO PARTS PRICES AND APPLICATIONS Pick List: 0 >

Standard Search	VIN Search	Part Number Search	Vehicle Search Options			Details
Make	Model	Year	Series	Chassis	Engine	
- Popular Makes TOYOTA HOLDEN FORD MITSUBISHI NISSAN MAZDA HONDA HYUNDAI SUBARU - All Makes - ABARTH AERO WILLYS ALFA ROMEO ASIA	- Popular Models - COROLLA LANDCRUISER HILUX CAMRY RAV4 YARIS - All Models - 4 RUNNER 86 ALPHARD ALTEZZA ARISTO AURION AVAI ON	ALL 2014 2013 2012 2011 2010 2009 2008 2007 2006 2005 2004 2003 2002 2001	SHOW ALL FZJ79R GRJ120R GRJ200 HDJ100R HDJ78R HDJ79R HZJ105R HZJ78R HZJ79R KDJ120R KZJ120 UZJ100L UZJ100R	<input checked="" type="checkbox"/> Series <input checked="" type="checkbox"/> Chassis	4164 cc, DIESEL, 1HZ I6 12v SOHC Diesel Inj (96KW)	00-10/07, 4D Wagon, 4WD, MT, [JAPAN] 00-10/07, 4D Wagon, 4WD, MT, [JAPAN]

Selected Vehicle: TOYOTA LANDCRUISER HZJ105R HZJ105 2000-10/2007 4 Door Wagon 4164 cc, DIESEL, 1HZ I6 12v SOHC Diesel Inj (96KW) Hide Vehicle Selector

HOLDEN TRADE CLUB

- + Service Parts
- + Filters & Oil
- + Brakes
- + Fuel System
- + Ignition, Start & Charge
- + Electrical
- + Body Parts (Int & Ext)

Oil Filter AC032 ACDelco - 1 + Add to Cart

Engine Oil ACDelco

Part Numbers Below
9.3L Cap.
[Click for Pack Sizes \(3\)](#)

Air Filter ACA103 ACDelco - 1 + Add to Cart

Fuel Filter ACF201 ACDelco - 1 + Add to Cart



ABOUT ACDELCO

brake pads

ACDelco Disc Brake Pads are an ideal choice when it comes to quiet, confident braking.

ACDelco Disc Brake Pads provide drivers with confident braking over a wide range of operating temperatures and conditions. The ACDelco Disc Brake Pad range covers a wide range of vehicle applications and offers a longer wearing, low dust formulation with excellent stopping performance.

Features & Benefits

- Every ACDelco Disc Brake Pad has been formulated to the vehicle's requirements to ensure safe and consistent stopping ability.
- ACDelco Disc Brake Pads provide optimum noise suppression and performance using unique formulations and combined with shims, slots and chamfers where needed.
- Each disc brake pad backing plate is protected by a premium powder coated finish, ensuring professional protection and appearance.
- The ACDelco Brake Pad compounds are selected to suit specific vehicle applications and the materials utilised are 100% asbestos free.
- ACDelco Disc Brake Pads friction levels are very stable across a broad range of operating temperatures.
- All ACDelco Brake Pads are designed to provide you optimum performance, durability and to create low levels of dust.



ABOUT ACDELCO

disc rotors

ACDelco Disc Rotors are engineered to Original Equipment design criteria and manufactured to the demanding TS 16949 quality standard in a QS9001/QS9000 rated facility.

A focus on high quality casting materials, tight machining tolerances and key design features, ensure that ACDelco Disc Rotors deliver consistent levels of performance and reliability.

All ACDelco Disc Rotors are balanced during the machining process to ensure optimum performance on initial fitment, and are engineered to minimise brake shudder, improve thermal efficiency and reduce brake noise.

Features & Benefits

HIGH CARBON, GREY IRON COMPOSITION

- Low noise propensity.
- High thermal conductivity for fade and cracking resistance.
- Excellent high and low temperature mechanical strength.
- Wear resistance.

OPTIMISED ROTOR DESIGN

- Reduced rotor coning under high temperature.
- Improves thermal efficiency.

ADVANCED VENTILATION

- Optimal cooling behaviour without increased mass.
- Resistance to thermal judder.
- Low transient and permanent deformation.

PRECISE MACHINING TOLERANCES

- Minimises brake shudder.
- Extremely low DTV (Disc Thickness Variation).
- Very low levels of LRO (Lateral Runout).

MINIMUM THICKNESS DIMENSION'S

- Minimum Thickness dimension marked on outer edge.



BRAKE CONSUMABLES

brake fluid & brake parts cleaner



ACDelco BRAKE FLUID GLOBAL DOT 4 - 500ml 92286932

Brake fluid for hydraulic brake and clutch systems with a boiling point of at least 265°C and a wet boiling point of at least 175°C. Due to the low deep temperature viscosity this brake fluid is especially recommended for brake systems combined with ABS, TCS and ESP/DSC. ACDelco Global DOT 4 contains effective corrosion inhibitors and antioxidants.

Benefits

- Has high thermal stability.
- Features excellent corrosion protection for various metals.
- Leads to an appropriate swelling within the specification limits of natural rubber (NR), styrene-butadiene rubber (SBR) and EPDM rubber.



ACDelco BRAKE FLUID GLOBAL DOT 4 - 20 Litres 92286931

Brake fluid for hydraulic brake and clutch systems with a boiling point of at least 265°C and a wet boiling point of at least 175°C. Due to the low deep temperature viscosity this brake fluid is especially recommended for brake systems combined with ABS, TCS and ESP/DSC. ACDelco Global DOT 4 contains effective corrosion inhibitors and antioxidants.

Benefits

- Has high thermal stability.
- Features excellent corrosion protection for various metals.
- Leads to an appropriate swelling within the specification limits of natural rubber (NR), styrene-butadiene rubber (SBR) and EPDM rubber.



ACDelco BRAKE PARTS CLEANER 88900163

Oil, grease, grime, and brake fluid build up on brake component can cause improper operation.

Benefits:

- Removes soil, grease, grime and dust.
- Cleans disassembled brake parts.
- Also can be used for cleaning some electrical contacts, carburetor linkages, starters, alternators, electric motors.
- Dries without leaving residue.



A word about this catalogue. We have tried to make this catalogue as comprehensive and factual as possible. However, since the time of printing some of the information you'll find here may have been updated. Also, some of the equipment shown or described through this catalogue may have been changed. Further, GM Holden Ltd ABN 84 006 893 232, reserves the right to make changes at any time without notice. No Holden Dealer or other person is authorised or permitted to give or make any statement, assertion or undertaking in relation to the quality, performance characteristics, descriptions or fitness for any purpose of any AC Delco product which is at variance with any written statement, assertion or undertaking on any of these subjects given or made by Holden in its published sales literature, and Holden does not accept any liability for any such unauthorised action.

Holden has authorised Dealers in many parts of Australia for the sale of service parts and the provision of service to owners of Holden's products. Every endeavour is made to ensure that such Dealers carry adequate stocks of service parts, but Holden doesn't make any promise other than that contained in the New Vehicle Warranty given by Holden that such parts or service facilities will be available at any specific location or at any particular time.

Express warranties offered for AC Delco products are subject to the conditions set out in all vehicle handbooks. Details also available from Holden on request. Copyright Holden.



Check out the collection of drum brake shoes we offer.