



Demand the original.

Axle Components | Driveshaft Components | Repair Kits

Driveshaft Components





Demand the original.

Axle Components | Driveshaft Components | Repair Kits

Only original equipment components are guaranteed to meet the same specifications as the parts they replace. AAM components ensure that performance levels meet the vehicle manufacturer's standards.

Reliable

AAM products are designed for long-term reliability.

Durable

Advanced processes ensure AAM products withstand the high usage demand of all applications.

Quality

AAM products are manufactured to the highest-quality standards that customers demand.

Performance

AAM products are engineered, manufactured and validated to meet OEM specifications and ensure ultimate performance.



TABLE OF CONTENTS

AAM Driveshaft Assemblies	4
OE Build Sheets	5-9
U-Joints	10-11
Weld Yokes	12-14
Spline Shafts	15
Slip Yokes	16-19
Pinion Flanges and Yokes	20
CV-Joints	21
CV-Joints Assembly	22
Flange Yokes	23
Center Support Bearing Assemblies	24-26
Swaged Aluminum Tubes	27
Steel Tubes	27
Driveline Balancer Tooling <i>For Westport & Axiline Balancing Machines</i>	28





Demand the original.

Axle Components | Driveshaft Components | Repair Kits

AAM Driveshaft Assemblies

ASSEMBLY PART NUMBER	DESCRIPTION	CUSTOMER	YEARS	MODELS
52123110AA	SHAFT ASM, PROP (AUX FRT) STEEL	CHRYSLER GROUP	2003-09	RAM 2500 5.7 ENGINE, 545RFE (DGQ) TRANS
52123104AA	SHAFT ASM, PROP (REAR 2-PC) STEEL	CHRYSLER GROUP	2003-07	RAM 2500 5.9 ENGINE, 4X4, 48RG (DG8) TRANS
52123111AA	SHAFT ASM, PROP (AUX FRT) STEEL	CHRYSLER GROUP	2006-09	RAM 2500 5.7 & 5.9 ENGINE, G56 (DEG) TRANS
52105932AF	SHAFT ASM, PROP (AUX FRT) STEEL	CHRYSLER GROUP	2003-05	RAM 2500 5.9 HO ENGINE, NV5600 (DEE) TRANS
52123220AB	SHAFT ASM, PROP (REAR 1 PC) ALUMINUM	CHRYSLER GROUP	2007-09	RAM 2500 6.7 ENGINE, 68RFE (DG7) TRANS
25859867	SHAFT ASM, PROP (AUX FRT) STEEL	GM NORTH AMERICA	2005-10	H3
52123122AA	SHAFT ASM, PROPELLER (REAR 1 PC) 1415 3.5" STEEL	CHRYSLER GROUP	2003-07	RAM 2500 5.9 ENGINE, 4X4, 48RE (DG8) TRANS
25857868	SHAFT ASM, PROP (REAR 1PC) ALUMINUM	GM NORTH AMERICA	2007-09	ESCALADE, AVALANCHE, SILVERADO 1500
52123151AB	SHAFT ASM, PROP (REAR 1 PC) STEEL	CHRYSLER GROUP	2007-09	RAM 2500/3500 6.7 ENGINE, 4X4, 68RFE (DG7)TRANS
52853239AC	SHAFT ASM, PROP (FRONT AUX) STEEL	CHRYSLER GROUP	2007-09	RAM 3500 6.7ENGINE, DG0 TRANS
52123162AA	SHAFT ASM, PROP (1 PC REAR) ALUM	CHRYSLER GROUP	2007-09	RAM 2500 5.9 ENGINE, 4X4, G56 (DEG) TRANS
52123105AA	SHAFT ASM, PROP (REAR 2-PC) STEEL	CHRYSLER GROUP	2005-08	RAM 2500 5.9 ENGINE 4X4, G56 (DEG) TRANS
52853238AC	SHAFT ASM, PROP (FRONT AUX) STEEL	CHRYSLER GROUP	2007-09	RAM 3500 5.7 & 6.7 ENGINES, G56 (DEG) TRANS
52123117AA	SHAFT ASM, PROP (REAR 1-PC) 1415 3.5" STEEL	CHRYSLER GROUP	2003-09	RAM 2500 5.7 ENGINE, 4X4, 545RFE (DGQ) TRANS
15791196	SHAFT ASM, PROP (REAR 1 PC) ALUMINUM	GM NORTH AMERICA	2007-10	ESCALADE, AVALANCHE, SILVERADO 1500
25827098	SHAFT ASM, PROP (REAR 1 PC) ALUMINUM	GM NORTH AMERICA	2007-10	ESCALADE, AVALANCHE, SILVERADO 1500
19201893	SHAFT ASM, PROP (REAR 1 PC) ALUMINUM	GM NORTH AMERICA	1994-03	S TRUCK 2WD
52123100AA	SHAFT ASM, PROP (REAR 2 PC) STEEL	CHRYSLER GROUP	2003-07	RAM 2500 5.7 ENGINE 4X4, 545RFE TRANS
15814474	SHAFT ASM, PROP (REAR 1 PC) STEEL	GM NORTH AMERICA	2007-08	ESCALADE, AVALANCHE, SILVERADO 1500
10383413	SHAFT ASM, PROP (REAR 2 PC 1415 3.5") STEEL	GM NORTH AMERICA	2007-10	ESCALADE, AVALANCHE, SILVERADO 1500 2WD
25857866	SHAFT ASM, PROP (REAR 1 PC 1485 3.5") STEEL	GM NORTH AMERICA	2001-07	ESCALADE, AVALANCHE
15271492	SHAFT ASM, PROP (REAR 1 PIECE 1355 SWAGED STEEL)	GM NORTH AMERICA	2007-09	ESCALADE, AVALANCHE, SILVERADO 1500
25857885	SHAFT ASM, PROP (REAR 2 PC 1415/1485 3.5") STEEL	GM NORTH AMERICA	2007-10	ESCALADE, AVALANCHE, SILVERADO 1500 2WD

OE Build Sheets

ASSEMBLY # 52123110AA (1 PIECE 2.5" 1344-1355 DOUBLE CARDAN FRONT AUX)

APPLICATION:
RAM 2003-09 2500, 5.7 ENGINE, 545RFE (DGQ) TRANS

COMPONENT	QUANTITY	ORIGINAL PART NUMBER	PART NUMBER
FLANGE YOKE (SERRATED)	1	40019801	40019801
1344 U-JOINT	1		12479126
SLIP YOKE	1	40038575	40038575
BOOT	1	40021078	40021078
SPLINE SHAFT	1	40038577	40038577
1355 DOUBLE CARDAN	1	40027347	40027347
(IF U-JOINTS ONLY NEEDED) -1355 U-JOINT	2	40085102	19256727
TUBING, STEEL 2.5" X .095"	1	40026505	40026505

Note: The driveshaft tube part # 40026505 will need to be shortened for this application

SHAFT DIMENSIONS:

Front u-joint centerline to rear of double cardan flange 772.8mm (30.42 inches)

ASSEMBLY # 52123111AA (1 PIECE 2.5" 1344-1355 DOUBLE CARDAN FRONT AUX)

APPLICATION:
RAM 2006-09 2500, 5.7 & 5.9 ENGINES, G56 TRANS

COMPONENT	QUANTITY	ORIGINAL PART NUMBER	PART NUMBER
FLANGE YOKE (SERRATED)	1	40019801	40019801
1344 U-JOINT	1		12479126
SLIP YOKE	1	40038575	40038575
BOOT	1	40021078	40021078
SPLINE SHAFT	1	40038577	40038577
1355 DOUBLE CARDAN	1	40027347	40027347
(IF U-JOINTS ONLY NEEDED) -1355 U-JOINT	2	40085102	19256728
TUBING, STEEL 2.5" X .095"	1	40026505	40026505

Note: The driveshaft tube part # 40026505 will need to be shortened for this application

SHAFT DIMENSIONS:

Front u-joint centerline to rear of double cardan flange 850mm (33.46 inches)

ASSEMBLY # 52123104AA (2 PIECE 1415)

APPLICATION:
RAM 2003-07 2500, 5.9 ENGINE, 4X4, 48RE (DG8) TRANS

COMPONENT	QUANTITY	ORIGINAL PART NUMBER	PART NUMBER
TRANS SLIP YOKE (34T, DAMPER NOT INCLUDED)	1	40038532	40038532
1415 U-JOINT	3		74085339
1415 WELD YOKE	3	40038509	40038509
SPLINE SHAFT	1	40038581	40038581
CENTER BEARING	1	40041711	40041712
RETAINER	1	40033569	40033569
BOOT	1	40021327	40021327
SLIP YOKE (36T)	1	40038559	40038559
FLANGE YOKE	1	40038506	40055527
TUBING, STEEL 3.5" X .083"			

SHAFT DIMENSIONS:

Front u-joint centerline to center bearing 686mm (27.00 Inches)
Total length, u-joint centerline to u-joint centerline 1880.5mm (74.03 inches)

ASSEMBLY # 52105932AF (1 PIECE 2.5" 1344-1355 DOUBLE CARDAN FRONT AUX)

Supersesions AA, AB, AC, AD, AE

APPLICATION: RAM 2003-09 2500 5.7 ENGINE, NV5600 TRANS

COMPONENT	QUANTITY	ORIGINAL PART NUMBER	PART NUMBER
FLANGE YOKE (SERRATED)	1	40019801	40019801
1344 U-JOINT	1		12479126
SLIP YOKE	1	40038575	40038575
BOOT	1	40021078	40021078
SPLINE SHAFT	1	40038577	40038577
1355 DOUBLE CARDAN	1	40027347	40027347
(IF U-JOINTS ONLY NEEDED) -1355 U-JOINT	2	40085102	19256728
TUBING, STEEL 2.5" X .095"	1	40026505	40026505

SHAFT DIMENSIONS:

Front u-joint centerline to rear of double cardan flange 914mm (36.00 Inches)



Demand the original.

Axle Components | Driveshaft Components | Repair Kits

OE Build Sheets

ASSEMBLY # 52123220AB (1 PIECE ALUMINUM 1485)

APPLICATION:
RAM 2007-09 2500, 6.7 ENGINE, 4X4, 68RFE (DGQ) TRANS

COMPONENT	QUANTITY	ORIGINAL PART NUMBER	PART NUMBER
TRANS SLIP YOKE (34T)	1	40041575	40041575
1485 U-JOINT	2		74081485
1485 ALUMINUM WELD YOKE	2	40038513	40070855
FLANGE YOKE	1	40038507	40055528
TUBING, SWAGED ALUMINUM 4.55" X 5.77" X .092"	1	40045768	40045768

SHAFT DIMENSIONS:

Total length, u-joint centerline to u-joint centerline 1909.8mm (75.19 Inches)

ASSEMBLY # 25857868 (1 PIECE ALUMINUM 1485)

APPLICATION:
CADILLAC ESCALADE AWD, ESV, EXT, HYBIRD, 4WD 2007-10,
CHEVROLET AVALANCHE 4WD, SILVERADO, 4WD, 1500, 2007-10

COMPONENT	QUANTITY	ORIGINAL PART NUMBER	PART NUMBER
TRANS SLIP YOKE (31T)	1	40039594	40039594
1485 U-JOINT	2		74081485
1485 ALUMINUM WELD YOKE (VENT ONE END)	2	40021575	40021575
TUBING, SWAGED ALUMINUM 4.5" X 4.98" X 0.083" X 66.38"	1	40041287	40041287

SHAFT DIMENSIONS:

Total length, u-joint centerline to u-joint centerline 1799mm (70.83 Inches)

DRIVELINE COMPONENTS FOR SHAFT # 25859867 (1 PIECE FRONT AUX W/CVJ)

APPLICATION:
HUMMER H3, H3 SUV, H3T, 2006-10

COMPONENT	QUANTITY	ORIGINAL PART NUMBER	PART NUMBER
1315 U-JOINT	1	26010027	26010027
WELD YOKE	1	40066268	40066268
SPLINE SHAFT	1	40043585	40043585
CVJ	1	26134088	26134088
TUBING, STEEL 2.036" X .083" (TUBE LENGTH 23.63)			

SHAFT DIMENSIONS:

Front u-joint centerline to rear of CVJ 779mm (31.46 Inches)

ASSEMBLY # 52123151AB (1 PIECE 3.5" 1485)

APPLICATION: RAM 2007-09 2500/3500,
6.7 ENGINE, 4X4, 68RFE TRANS (REAR SHAFT)

COMPONENT	QUANTITY	ORIGINAL PART NUMBER	PART NUMBER
WELD YOKE	2	40038510	40038510
1485 U-JOINT	2		74081485
SLIP YOKE	1	40041575	40041575
FLANGE YOKE	1	40038507	40055528
TUBING, STEEL 3.5" X .083"			

SHAFT DIMENSIONS:

Front u-joint centerline to rear u-joint centerline 1412mm (55.59 Inches)

DRIVELINE COMPONENTS FOR SHAFT # 52123122AA (1 PIECE 3.5" 1415)

APPLICATION:
RAM 2003-07 2500, 5.9 ENGINE, 4X4, 48RE (DG8) TRANS

COMPONENT	QUANTITY	ORIGINAL PART NUMBER	PART NUMBER
WELD YOKE	2	40038509	40038509
1415 U-JOINT	2		74085339
DAMPER SLIP YOKE	1	40038537	40038537
FLANGE YOKE	1	40038506	40055527
TUBING, STEEL 3.5" X .083"			

SHAFT DIMENSIONS:

Front u-joint centerline to rear u-joint centerline 1418mm (55.83 inches)

ASSEMBLY # 52853239AC (1 PIECE 2.5" 1355-1355 DOUBLE CARDAN FRONT AUX)

APPLICATION:
RAM 3500 2007-09 6.7 ENGINE, DGO TRANS

COMPONENT	QUANTITY	ORIGINAL PART NUMBER	PART NUMBER
FLANGE YOKE (SERRATED) -1355	1	40038359	40038359
1355 U-JOINT	1	40085102	19256728
SLIP YOKE	1	40038344	40038344
BOOT	1	40021078	40021078
SPLINE SHAFT	1	40048387	40048387
1355 DOUBLE CARDAN (NEAPCO N3-28-0329)	1	40041754	40041754
(IF U-JOINTS ONLY NEEDED) -1355 U JOINT	2	40085102	19256728
TUBING, STEEL 2.5" X .125"	1	40043262	40043262

SHAFT DIMENSIONS:

Front u-joint centerline to rear of double cardan flange 923mm (36.34 Inches)

OE Build Sheets

ASSEMBLY # 52123162AA (1 PIECE ALUMINUM 1485)

APPLICATION:
RAM 2007-09 2500, 5.9 ENGINE G56 (DEG) TRANS

COMPONENT	QUANTITY	ORIGINAL PART NUMBER	PART NUMBER
TRANS SLIP YOKE (34T)	1	40038571	40038571
1485 U-JOINT	2		74081485
1485 ALUMINUM WELD YOKE	2	40038513	40070855
FLANGE YOKE	1	40038507	40055528
TUBING, SWAGED ALUMINUM 4.55" X 5.77" X .092" X 68.80"	1	40042504	40042504

SHAFT DIMENSIONS:

Total length, u-joint centerline to u-joint centerline 1871mm (73.66 Inches)

ASSEMBLY # 52123105AA (2 PIECE 1485)

APPLICATION:
RAM 2005-08 2500, 5.9 ENGINE, 4X4, G56 (DEG) TRANS

COMPONENT	QUANTITY	ORIGINAL PART NUMBER	PART NUMBER
TRANS SLIP YOKE	1	40038571	40038571
1485 U-JOINT	3		74081485
WELD YOKE	3	40038510	40038510
SPLINE SHAFT	1	40038581	40038581
CENTER BEARING	1	40041711	40041712
RETAINER	1	40033569	40033569
BOOT	1	40021327	40021327
SLIP YOKE (36T)	1	40038564	40038564
FLANGE YOKE	1	40038507	40055528
TUBING, STEEL 3.5" X .083"			

SHAFT DIMENSIONS:

Front u-joint centerline to center bearing 633mm (24.92 Inches)
Total length, u-joint centerline to u-joint centerline 1867.5mm (73.52 Inches)

ASSEMBLY # 52853238AC (1 PIECE 2.5" 1355-1355 DOUBLE CARDAN FRONT AUX)

APPLICATION:
RAM 3500 2007-09 5.7 & 6.7 ENGINES, G56 TRANS

COMPONENT	QUANTITY	ORIGINAL PART NUMBER	PART NUMBER
FLANGE YOKE (SERRATED) -1355	1	40038359	40038359
1355 U-JOINT	1	40085102	19256728
SLIP YOKE	1	40038344	40038344
BOOT	1	40021078	40021078
SPLINE SHAFT	1	40048387	40048387
1355 DOUBLE CARDAN (NEAPCO N3-28-0329)	1	40041754	40041754
(IF U-JOINTS ONLY NEEDED) -1355 U JOINT	2	40085102	19256728
TUBING, STEEL 2.5" X .125"	1	40043263	40043263

SHAFT DIMENSIONS:

Front u-joint centerline to rear of double cardan flange 857mm (33.74 Inches)

ASSEMBLY # 52123117AA (1 PIECE 3.5" 1415)

APPLICATION:
RAM 2500 2003-09 5.7 ENGINE, 4WD, 545RFE (DEG) TRANS

COMPONENT	QUANTITY	ORIGINAL PART NUMBER	PART NUMBER
WELD YOKE	2	40038509	40038509
1415 U-JOINT	2		74085339
SLIP YOKE	1	40038536	40038536
FLANGE YOKE	1	40038506	40055527
TUBING, STEEL 3.5" X .083"			

SHAFT DIMENSIONS:

Front u-joint centerline to rear u-joint centerline 1496mm (58.89 Inches)

ASSEMBLY # 15791196 (1 PIECE ALUMINUM 1415)

APPLICATION:
CADILLAC ESCALADE AWD, ESV, EXT, HYBRID 4WD, 2007-10
CHEVROLET AVALANCHE 4WD, SILVERADO 4WD 1500 2007-10

COMPONENT	QUANTITY	ORIGINAL PART NUMBER	PART NUMBER
TRANS SLIP YOKE	1	40039583	40110100
1415 U-JOINT	2		74085339
1415 ALUMINUM WELD YOKE (VENT ONE END)	2	40018761	40018761
TUBING, SWAGED ALUMINUM 4.50" X 4.98" X 0.083" X 71.09"	1	40041288	40041288

SHAFT DIMENSIONS:

Total length, u-joint centerline to u-joint centerline 1914mm (75.35 Inches)



Demand the original.

Axle Components | Driveshaft Components | Repair Kits

OE Build Sheets

ASSEMBLY # 25827098 (1 PIECE ALUMINUM 1415)

APPLICATION:
CADILLAC ESCALADE AWD, ESV, EXT, HYBRID 4WD, 2007-10
CHEVROLET AVALANCHE 4WD, SILVERADO 4WD 1500 2007-10

COMPONENT	QUANTITY	ORIGINAL PART NUMBER	PART NUMBER
TRANS SLIP YOKE	1	40039583	40110100
1415 U-JOINT	2		74085339
1415 ALUMINUM WELD YOKE (FRONT)	1	40018761	40018761
1415 ALUMINUM WELD YOKE (REAR)	1	40050554	
TUBING, SWAGED ALUMINUM 4.50" X 5.73" X 0.083" X 74.25	1	40050389	40050389

SHAFT DIMENSIONS:

Total length, u-joint centerline to u-joint centerline 2030mm (79.92 Inches)

ASSEMBLY # 19201893 (1 PIECE STEEL REAR)

APPLICATION: CHEVROLET BLAZER 2WD, TRAILBLAZER,
S-10 JIMMY 2WD, ENVOY, SONOMA 1994-03

COMPONENT	QUANTITY	ORIGINAL PART NUMBER	PART NUMBER
FLANGED SLIP YOKE (NEAPCO N3-23-9168)	1	40052005	
1355 DOUBLE CARDAN CV JOINT	2	40027347	40027347
BOLTS (7/16 X 20X 1" GRADE 8)	4	40064329	
TUBING, STEEL 2.5" X .120"	1	40044270	

SHAFT DIMENSIONS:

Total length, front cardan u-joint centerline to rear cardan joint centerline 958.78mm (37.75 Inches)

ASSEMBLY # 52123100AA (2 PIECE 1415)

APPLICATION:
RAM 2500 2003-07 5.7 ENGINE, 4X4, 545RFF TRANS

COMPONENT	QUANTITY	ORIGINAL PART NUMBER	PART NUMBER
TRANS SLIP YOKE (34T, DAMPER NOT INCLUDED)	1	40038532	40038532
1415 U-JOINT	3		74085339
1415 WELD YOKE	3	40038509	40038509
SPLINE SHAFT	1	40038581	40038581
CENTER BEARING	1	40041711	40041712
RETAINER	1	40033569	40033569
BOOT	1	40021327	40021327
SLIP YOKE (36T)	1	40038559	40038559
FLANGE YOKE	1	40038506	40055527
TUBING, STEEL 3.5" X .083"			

SHAFT DIMENSIONS:

Front u-joint centerline to center bearing 708mm (27.87 Inches)
Total length, u-joint centerline to u-joint centerline 1992.5mm (78.44 Inches)

ASSEMBLY # 15814474 (1 PIECE REAR)

APPLICATION:
CADILLAC ESCALADE AWD, ESV, EXT HYBRID 4WD, 2007-08
CHEVROLET AVALANCHE 4WD, SILVERADO 4WD 1500, 2007-2008

COMPONENT	QUANTITY	ORIGINAL PART NUMBER	PART NUMBER
1344 U JOINT	1	74089126	12479126
1344 32T SLIP YOKE	1	40032054	40032054
WELD YOKE	2	26050910	26050910
TUBING SWAGED, ALUMINUM 2.50" X 3.50" X 0.065" X 50.34"	1	40041147	40041147

SHAFT DIMENSIONS:

U-joint to u-joint centerline measurement 1370mm (53.94 Inches)

ASSEMBLY # 10383413 (2-PIECE 1415)

APPLICATION:
CADILLAC ESCALADE AWD, ESV, EXT HYBRID 4WD, 2007-10
CHEVROLET AVALANCHE 4WD, SILVERADO 4WD 1500, 2007-2010

COMPONENT	QUANTITY	ORIGINAL PART NUMBER	PART NUMBER
TRANS SLIP YOKE (36T 1415)	1	40035341	
1415 U-JOINT	3		74085339
1415 WELD YOKE	3	40019009	40019009
SPLINE SHAFT	1	40023392	40021330
SPLINE SHAFT DEFLECTOR	1	40023510	40023510
CENTER BEARING	1	40021934	40021934
RETAINER	1	40018672	40018672
BOOT	1	40021327	40021327
SLIP YOKE (36T)	1	40021321	40038559
TUBING, STEEL 3.5" X .083"			

SHAFT DIMENSIONS:

Front u-joint centerline to center bearing 1078mm (42.44 Inches)
Total length, u-joint centerline to u-joint centerline 2724.5mm (107.26 Inches)

OE Build Sheets

ASSEMBLY # 25857866 (1 PIECE 3.5" 1485)

APPLICATION:
 CADILLAC ESCALADE AWD, ESV EXT, 2001-07
 CHEVROLET AVALANCHE 4WD 1500, 2500, 2500 LS 2001-07

COMPONENT	QUANTITY	ORIGINAL PART NUMBER	PART NUMBER
WELD YOKE	2	40018885	40018885
1485 U-JOINT	2		74081485
SLIP YOKE	1	40039594	40039594
TUBING, STEEL 3.5" X .083"			

SHAFT DIMENSIONS:

Front u-joint centerline to rear u-joint centerline 1397mm (55.00 Inches)

ASSEMBLY # 15271515 (2 PIECE 3.5" 1415/1485)

APPLICATION:
 CADILLAC ESCALADE 2WD, 2WD ESV, HYBRID 2WD, 2007-09
 CHEVROLET SILVERADO 2WD 1500, 2WD 1500 CREW CAB 2007-09

COMPONENT	QUANTITY	ORIGINAL PART NUMBER	PART NUMBER
1485 U-JOINT	2		74081485
1415 U-JOINT	1		74085339
1415 WELD YOKE	1	40019009	40019009
CENTER BEARING	1	40021430	40038300
RETAINER	1	40018672	40018672
BOOT	1	40021327	40021327
SPLINE SHAFT	1	40023392	40081693
SLIP YOKE	1	40021324	40021324
1485 WELD YOKE	2	40018885	40018885

SHAFT DIMENSIONS:

Front u-joint centerline to center bearing 1127mm (44.37 Inches)
 Total length 2532.5mm (99.7 Inches)

ASSEMBLY # 25857885 (2 PIECE 3.5" 1415/1485)

APPLICATION:
 CADILLAC ESCALADE 2WD, ESV, HYBRID 2WD, 2007-10
 CHEVROLET AVALANCHE 2WD, SILVERADO 2WD 1500, 2WD 1500 CREW CAB 2007-10

COMPONENT	QUANTITY	ORIGINAL PART NUMBER	PART NUMBER
1485 U-JOINT	2		74081485
1415 U- JOINT	1		74085339
1415 WELD YOKE	1	40019009	40019009
CENTER BEARING	1	40021430	40038300
RETAINER	1	40018672	40018672
BOOT	1	40021327	40021327
SPLINE SHAFT	1	40023392	40081693
SLIP YOKE	1	40021324	40021324
1485 WELD YOKE	2	40018885	40018885

SHAFT DIMENSIONS:

Front u-joint centerline to center bearing 877mm (34.52 Inches)
 Total length 2531.5 mm (99.66 Inches)

ASSEMBLY # 15271492 (1 PIECE 1355)

APPLICATION:
 CADILLAC ESCALADE AWD, AWD ESV, EXT, HYBRID 4WD, 2007-09
 CHEVROLET AVALANCHE 4WD SILVERADO 4WD 1500, 2007-09

COMPONENT	QUANTITY	ORIGINAL PART NUMBER	PART NUMBER
TRANS SLIP YOKE	1	40021420	40021420
1355 U-OINT	2	40085102	19256728
2.75" 1355 WELD YOKE	2	7834453	7834453
TUBING, SWAGED STEEL 2.60" X 3.5" X .065"			

SHAFT DIMENSIONS:

Total length, u-joint centerline to u-joint centerline 1490mm (58.66 Inches)



Demand the original.

Axle Components | Driveshaft Components | Repair Kits

U-Joints

PART NUMBER	SERIES	DIMENSIONS			NOTES
		A (mm)	B (mm)	C (mm)	
12479126	1344	28.58mm	65.71mm	94.43mm	INCLUDES RETAINING RING – 1456507
19256728	1355	30.18mm	N/A	92.00mm	INCLUDES RETAINING RING – 26054781
74085339	1415	30.17mm	N/A	106.20mm	INCLUDES RETAINING RING – 26054781
74081485	1485	34.91mm	75.04mm	106.20mm	INCLUDES PROP. RETAINING RING – 40019119 AND AXLE RETAINING RING 40023193
74081555	1555	34.90mm	74.14mm	126.10mm	INCLUDES PROP. RETAINING RING – 40019119 AND AXLE RETAINING RING 40023193

1344/3R SERIES



1355 SERIES



U-Joints

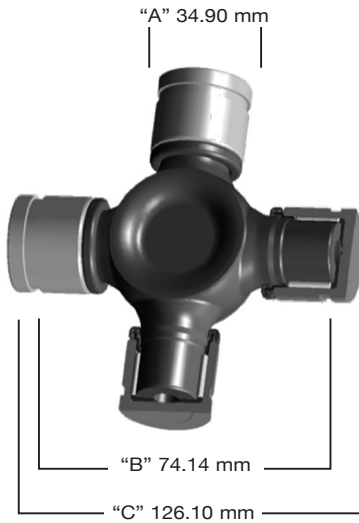
1415 SERIES



1485 SERIES



1555 SERIES





Demand the original.

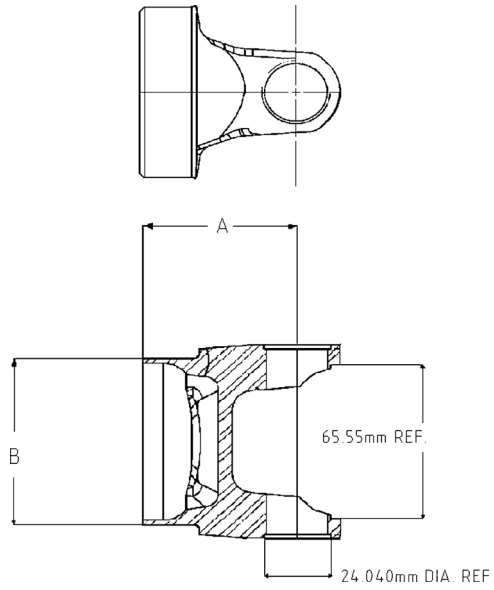
Axle Components | Driveshaft Components | Repair Kits

Weld Yokes

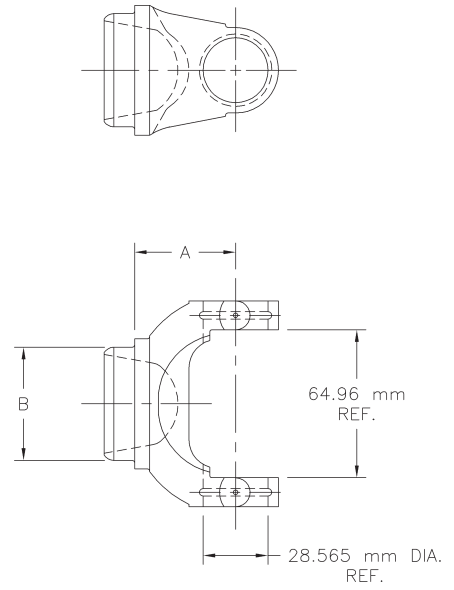
PART NUMBER	SERIES	MATERIAL	DIMENSIONS			NOTES
			TUBE O.D. (FOR USE W/TUBE DIAMETER & WALL THICKNESS)	A (CENTERLINE TO POINT OF WELD)	B (BUTT DIAMETER)	
40046285	1285	STEEL	70.00mm	40.00mm	70.80mm	
40046287	1285	STEEL	50.00mm	40.00mm	50.50mm	
26008854	1315	STEEL	2.00" X .125"	31.80mm	44.98mm	
26054207	1315	STEEL	2.00" X .083"	31.80mm	47.12mm	
40018082	1315	STEEL	2.00" X .065"	31.80mm	48.05mm	
40066268	1315	STEEL	2.00" X .065"	38.10mm	48.05mm	
26040674	1344	STEEL	2.25" X 1.62"	44.65mm	49.80mm	
26049842	1344	ALUMINUM	4.00" X .083"	68.00mm	97.74mm	
26050910	1344	STEEL	2.75"	45.72mm	66.89mm	
26053728	1344	ALUMINUM	4.00"	55.30mm	97.72mm	VENTED
40001102	1344	STEEL	2.25"	44.25mm	51.38mm	
40006893	1344	STEEL	2.00"	44.45mm	43.84mm	
40000947	1344	ALUMINUM	3.00" X .083"	57.76mm	72.30mm	VENTED
40000948	1344	ALUMINUM	3.00" X .083"	57.76mm	72.30mm	
26047927	1355	ALUMINUM	4.17" X 5" X .083"	54.14mm	98.88mm	VENTED
40023522	1355	ALUMINUM	4.00" X 5" X .083"	55.30mm	97.47mm	
40034412	1355	ALUMINUM	4.00" X .111"	68.00mm	101.60mm	
40038958	1355	ALUMINUM	4.90" X 5.75" X .083"	55.30mm	120.94mm	VENTED
40055443	1355	ALUMINUM	5.00"	64.25mm	123.08mm	
40055445	1355	ALUMINUM	5.00"	99.00mm	123.08mm	VENTED
40092105	1355	ALUMINUM	4.91"	99.00mm	120.90mm	
26002872	1355	STEEL	3.50"	49.30mm	86.22mm	
40016557	1355	STEEL	3.50"	49.30mm	85.04mm	
7834453	1355	STEEL	2.75" X .07"	41.00mm	67.36mm	
40018760	1415	ALUMINUM	4.50" X .083"	29.70mm	110.38mm	
40018761	1415	ALUMINUM	4.50"	54.10mm	110.40mm	VENTED
40038509	1415	STEEL	3.50" X .083"	59.55mm	85.36	
40038514	1415	ALUMINUM	4.50" X 5.75" X .083"	61.75mm	110.38mm	
40055491	1415	ALUMINUM	5.00"	56.35mm	123.10mm	VENTED
40055492	1415	ALUMINUM	5.00"	99.00mm	123.08mm	
40059503	1415	ALUMINUM	4.00"	54.14mm	97.72mm	VENTED
40070854	1415	ALUMINUM	4.50"	61.65mm	110.35mm	VENTED
26064280	1415	STEEL	3.50"	55.65mm	86.00mm	
26064294	1415	STEEL	2.75"	55.65mm	65.57mm	
40019009	1415	STEEL	3.50"	55.65mm	85.09mm	
40021575	1485	ALUMINUM	4.50"	56.50mm	110.34mm	
40068911	1485	ALUMINUM	5.00"	56.35mm	123.08mm	VENTED
40070855	1485	ALUMINUM	4.50"	61.75mm	110.35mm	VENTED
40089955	1485	ALUMINUM	5.00"	99.00mm	123.08mm	
40018885	1485	STEEL	3.50"	59.55mm	85.25mm	
40038510	1485	STEEL	3.50"	59.55mm	85.25mm	
40038049	1555	STEEL	3.50" X .125"	59.55mm	83.24mm	
40047280	1555	STEEL	3.50"	59.55mm	84.60mm	

Weld Yokes

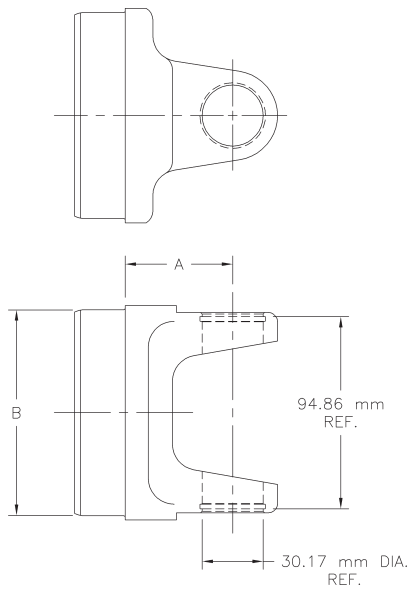
1285 SERIES



1344/s44/3R SERIES



1355/1350 SERIES



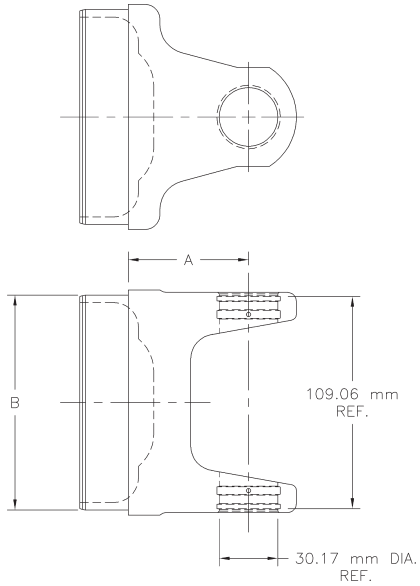


Demand the original.

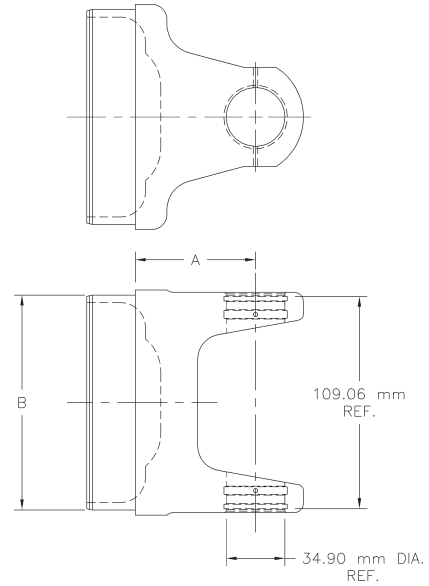
Axle Components | Driveshaft Components | Repair Kits

Weld Yokes

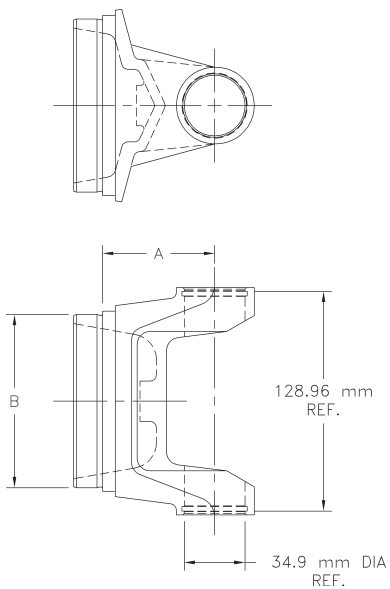
1415/1410 SERIES



1485/1480 SERIES

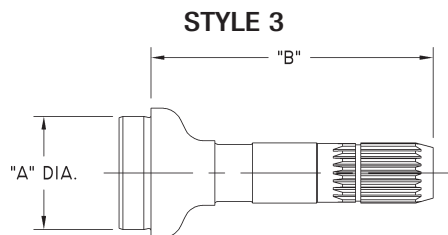
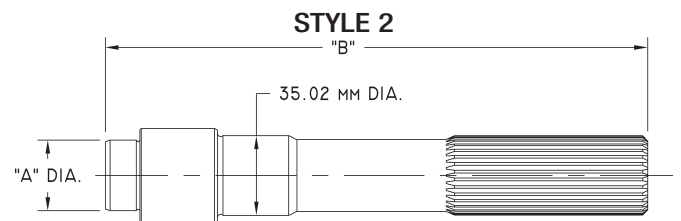
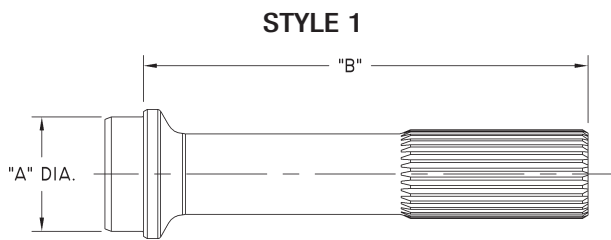


1555/1550 SERIES



Spline Shafts

PART NUMBER	STYLE	SPLINES	DIMENSIONS			NOTES
			TUBE O.D. (in/mm)	A (in/mm)	B (mm)	
26054205	3	22	2.00"	2.00"	112.18mm	
40046305	3	22	70.80mm	70.00mm	104.16mm	SETUP FOR MIAB
40020344	1	32	2.00"	2.00"	207.00mm	
40032500	1	32	2.75"	2.75"	244.21mm	COATED, 85.00mm SPLINE
40032503	2	32	2.75"	2.75"	223.80mm	
40048387	1	32	2.00"	2.00"	222.00mm	
40061878	2	32	3.50"	3.50"	199.25mm	109.00mm SPLINE LENGTH, 40.00mm BEARING
40070822	2	32	80.00mm	80.00mm	259.50mm	35.00mm DIAMETER, 85.00mm SPLINE, MIAB SETUP
4006885	N/A	32	2.00"	2.00"	199.00mm	SPLINE YOKE 1344/S44/312 SERIES
40043585	3	34	2.00"	2.00"	115.10mm	
40038581	2	36	3.50"	3.50"	244.20mm	40.00mm BEARING
40081693	1	36	3.50"	3.50"	226.20mm	85.00mm SPLINE, VENTED
40060555	1	36	3.50"	3.50"	199.25mm	





Demand the original.

Axle Components | Driveshaft Components | Repair Kits

Slip Yokes

PART NUMBER	MAKE	SERIES	STYLE	DIMENSIONS		SPLINE COUNT AND DIAMETER	NOTES
				A (CL TO END) mm)	B (BARREL OD) mm)		
26043153	GM	1344/3R	3	138.70 mm	BARREL = 38.20	26 BASED ON 27 (29.8 DIA)	W/DAMPER 684-804 HZ
26047426	GM	1344/3R	3	138.70 mm	BARREL = 38.20	26 BASED ON 27 (29.8 DIA)	W/DAMPER 383-518 HZ
40012623	GM	1344/3R	3	171.70 mm	BARREL = 38.20	26 BASED ON 27 (29.8 DIA)	
40015948	GM	1344/3R	3	155.60 mm	BARREL = 38.20	26 BASED ON 27 (29.8 DIA)	
26056867	GM	1344/3R	3	155.60 mm	BARREL = 38.20	26 BASED ON 27 (29.8 DIA)	595 - 805 HZ
26042556	GM	1344/3R	3	171.70 mm	BARREL = 38.10	26 BASED ON 27 (29.8 DIA)	W/OUT DAMPER.TRANS YOKE VENTED - RECESSED SPLINE
26051650	GM	1344/3R	3	155.60 mm	BARREL = 38.10	26 BASED ON 27 (29.8 DIA)	TRANS YOKE , NON-VENTED - W/OUT DAMPER
7848635	GM	1344/3R	1	171.70 mm	BARREL = 38.10	26 BASED ON 27 (29.8 DIA)	TRANS YOKE , VENTED - RECESSED SPLINE
26051658	GM	1344/3R	1	171.70 mm	BARREL = 38.10	26 BASED ON 27 (29.8 DIA)	TRANS YOKE , NON-VENTED
7812557	GM	1344/3R	1	138.60 mm	BARREL = 38.10	26 BASED ON 27 (29.8 DIA)	TRANS YOKE , NON-VENTED
7848635	GM	1344/3R	1	171.70 mm	BARREL = 38.10	26 BASED ON 27 (29.8 DIA)	TRANS YOKE , VENTED - RECESSED SPLINE
26039762	GM	1344/3R	3	138.70 mm	BARREL = 38.10	26 BASED ON 27 (29.8 DIA)	W/DAMPER 360-460 HZ
40024191	GM	1344/3R	3	216.90 mm	BARREL = 42.70	29 BASED ON 30 (32.6 DIA)	148-172 HZ
40012659	GM	1344/3R	3	200.00 mm	BARREL = 47.90	31 BASED ON 32 (34.9 DIA)	400-510 HZ
40022839	GM	1344/3R	3	206.70 mm	BARREL = 47.90	30 BASED ON 32 (34.9 DIA)	148-172 HZ
40026155	GM	1344/3R	3	200.00 mm	BARREL = 47.90	30 OR 31 BASED ON 32 (34.9 DIA)	370-470 HZ
7837840	GM	1344/3R	2	168.00 mm	BARREL = 49.50	31 BASED ON 32 (34.9 DIA)	VENTED
26028001	GM	1344/3R	2	187.50 mm	BARREL = 49.50	31 BASED ON 32 (34.9 DIA)	VENTED - W/SLEEVE
26056863	GM	1344/3R	1	183.00 mm	BARREL = 38.10	31 BASED ON 32 (34.9 DIA)	TRANS YOKE , NON-VENTED
40038575	RAM	1344/3R	2	183.00 mm	BARREL = 44.40	28 BASED ON 32 (34.9 DIA)	
40032054	GM	1344/3R	1	200.00 mm	BARREL = 47.90	30 OR 31 BASED ON 32 (34.9 DIA)	
20877209	GM	1355/1350	1	176.00 mm	BARREL = 38.18	27 (29.8 DIA)	
40035478	GM	1355/1350	3	176.05 mm	BARREL = 36.20	26 BASED ON 27 (29.8 DIA)	210-250 HZ
26013281	GM	1355/1350	1	176.00 mm	BARREL = 38.20	26 BASED ON 27 (29.8 DIA)	NON-VENTED
40035498	GM	1355/1350	1	176.00 mm	BARREL = 38.20	26 BASED ON 27 (29.8 DIA)	NON- VENTED
40060325	NISSAN	1355/1350	1	155.00 mm	Barrel = 43.90	30 BASED ON 32 (34.9 DIA)	NON- VENTED
26010700	GM	1355/1350	2	176.00 mm	Barrel = 54.00	32	VENTED
40021420	GM	1355/1350	1	200.00 mm	Barrel = 47.90	30 BASED ON 32 (34.9 DIA)	
26045229	GM	1355/1350	1	176.00 mm	Barrel = 47.90	30 OR 31 BASED ON 32 (34.9 DIA)	TRANS YOKE - VENTED
40038344	RAM	1355/1350	2	183.00 mm	Barrel = 44.40	29 BASED ON 32 (34.9 DIA)	
40044785	GM	1355/1350	3	200.00 mm	Barrel = 47.90	30 BASED ON 32 (34.9 DIA)	470-550 HZ
40070776	GM	1355/1350	2	200.00 mm	Barrel = 50.00	31 BASED ON 32 (34.9 DIA)	VENTED
40070696	GM	1355/1350	1	200.00 mm	Barrel = 47.90	30 BASED ON 32 (34.9 DIA)	
40022653	GM	1415/1410	3	226.00 mm	Barrel = 54.89	29 BASED ON 30 (32.5 DIA)	385 HZ
40038546	RAM	1415/1410	3	230.00 mm	Barrel = 42.70	28 BASED ON 30 (32.5 DIA)	W/OUT DAMPER

Slip Yokes

DIMENSIONS							
PART NUMBER	MAKE	SERIES	STYLE	A (CL TO END) mm	B (BARREL OD) mm	SPLINE COUNT AND DIAMETER	NOTES
40038543	RAM	1415/1410	3	230.00 mm	BARREL = 42.70	28 BASED 30 (32.5 DIA)	W/OUT DAMPER
40110100	GM	1415/1410	1	211.80 mm	BARREL = 55.90	30 BASED ON 31 (41.0 DIA)	
26064291	GM	1415/1410	2	200.00 mm	BARREL = 43.90	31 BASED ON 32 (34.9)	
26064292	GM	1415/1410	1	176.00 mm	BARREL = 47.90	32	
40021530	GM	1415/1410	1	200.00 mm	BARREL = 47.90	30 BASED ON 32 (34.9 DIA)	
40060561	NISSAN	1415/1410	1	161.30 mm	BARREL = 43.90	30 BASED ON 32 (34.9 DIA)	
40038532	RAM	1415/1410	3	242.00 mm	BARREL = 58.40	32 BASED ON 34 (44.4 DIA)	W/OUT DAMPER
40022063	RAM	1415/1410	3	238.60 mm	BARREL = 58.40	33 ON 34 (44.4 DIA)	W/OUT DAMPER
40022062	RAM	1415/1410	3	238.60 mm	BARREL = 58.40	34	W/OUT DAMPER
40038536	RAM	1415/1410	3	242.00 mm	BARREL = 58.40	32 BASED ON 34 (44.4 DIA)	W/OUT DAMPER
40022657	RAM	1415/1410	3	238.6 mm	BARREL = 58.41	34	
40022902	RAM	1415/1410	3	238.6 mm	BARREL = 58.41	33 BASED ON 34 (44.4 DIA)	84 HZ
40037953	GM	1415/1410	3	238.6 mm	BARREL = 58.41	33 BASED ON 34 (44.4 DIA)	385 HZ
40038533	RAM	1415/1410	3	242.6 mm	BARREL = 58.41	32 BASED ON 34 (44.4 DIA)	70 HZ
40038537	RAM	1415/1410	3	242.6 mm	BARREL = 58.41	32 BASED ON 34 (44.4 DIA)	70 HZ
40021321	RAM	1415/1410	2	185.00 mm	BARREL = 52.70	35 BASED ON 36 (39.3 DIA)	
40035341	GM	1415/1410	1	211.80 mm	BARREL = 55.90	36	
40038559	RAM	1415/1410	2	189.00 mm	BARREL = 52.60	35 BASED ON 36 (39.3 DIA)	
40110099	GM	1415/1410	1	211.80 mm	BARREL = 55.90	35 BASED ON 36 (39.3 DIA)	
40060551	NISSAN	1415/1410	1	182.20 mm	BARREL = 51.80	34 BASED ON 36 (39.3 DIA)	
40022508	RAM	1485/1480	3	238.60 mm	BARREL = 55.90	30 BASED ON 31 (41.0 DIA)	W/OUT DAMPER
40040694	RAM	1485/1480	3	242.00 mm	BARREL = 55.90	29 BASED ON 31 (41.0 DIA)	W/OUT DAMPER
40039594	GM	1485/1480	1	211.80 mm	BARREL = 55.90	30 BASED ON 31 (41.0 DIA)	
40110102	GM	1485/1480	1	211.80 mm	BARREL = 55.90	30 BASED ON 31 (41.0 DIA)	
40022655	RAM	1485/1480	3	238.60 mm	Barrel = 55.90	30 BASED ON 31 (41.0 DIA)	59 HZ
40038571	RAM	1485/1480	1	242.60 mm	Barrel = 58.40	32 BASED ON 34 (44.4 DIA)	
40041575	RAM	1485/1480	1	242.60 mm	Barrel = 58.41	32 BASED ON 34 (44.4 DIA)	
40058825	GM	1485/1480	1	211.80 mm	Barrel = 55.90	35 BASED ON 36 (39.3 DIA)	
40038564	RAM	1485/1480	2	189.00 mm	Barrel = 52.60	35 BASED ON 36 (39.3 DIA)	
40021324	RAM	1485/1480	2	189.00 mm	Barrel = 52.70	35 BASED 36 (39.3 DIA)	
40042217	RAM	1555	3	230.00 mm	Barrel = 46.80	28 BASED ON 30 (32.5 DIA)	W/OUT DAMPER
40046648	RAM	1555	3	242.00 mm	Barrel = 58.41	32 BASED ON 34 (44.4 DIA)	W/OUT DAMPER
40038044	RAM	1555	2	189.00 mm	Barrel = 52.60	34 BASED ON 36 (39.3 DIA)	



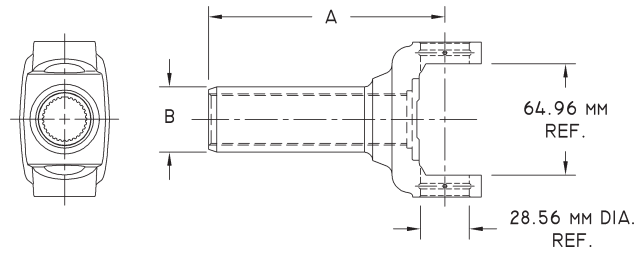
Demand the original.

Axle Components | Driveshaft Components | Repair Kits

Slip Yokes

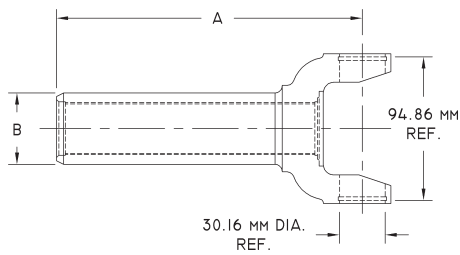
1344/1350 SERIES

Style 1



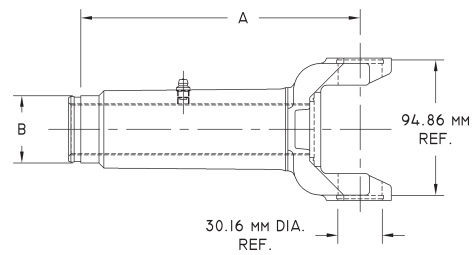
1355/1350 SERIES

Style 1



1355/1350 SERIES

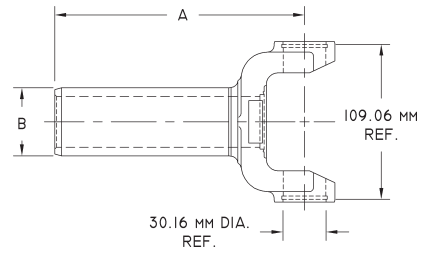
Style 2



Slip Yokes

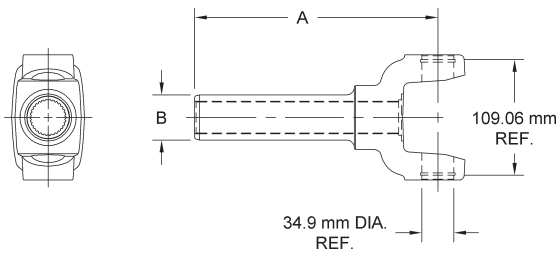
1415/1410 SERIES

Style 1



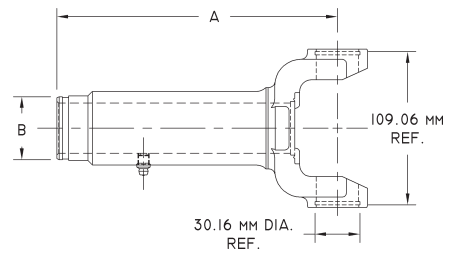
1485/1480 SERIES

Style 1



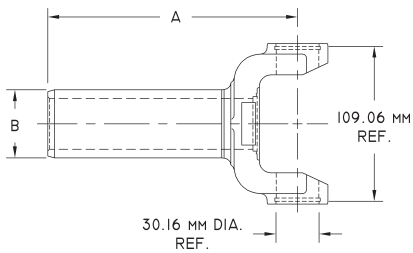
1555/1550 SERIES

Style 2



1555/1550 SERIES

Style 1





Demand the original.

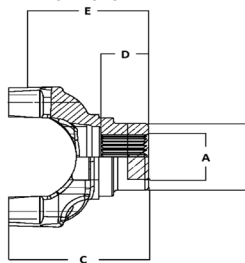
Axle Components | Driveshaft Components | Repair Kits

Pinion Flanges and Yokes

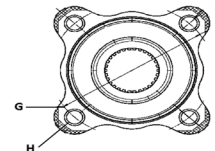
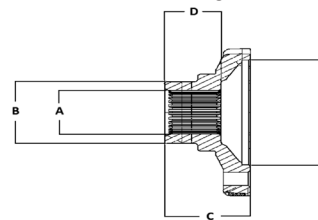
DIMENSIONS														
PART NUMBER	TYPE	SERIES	AXLE	DIM A SPLINE / MAJOR DIA.	DIM B GROUND HUB DIA.	DIM C OVERALL HEIGHT	DIM D LENGTH THROUGH HOLE	DIM E CENTERLINE OF JOINT TO END	DIM F FLANGE PILOT DIA. / TYPE	DIM G FLANGE BOLT CIRCLE	DIM H FLANGE BOLT HOLE DIA.	SLEEVE P/N	U-JOINT RETAINED BY	NOTES
14039582	YOKE	1315	GM 7.25 FRONT	27 - 30.71	38.6	80.94	37.6	77.6				N/A	STRAPS / OUTSIDE LOCK "EAR"	USES "STAMPED" STEEL DEFLECTOR
26044459	FLANGE	N/A	GM 7.25 FRONT	27 - 30.71	38.6	50.5	37.6	N/A	72.96 / MALE	4 X 100	M10 X 1.5 TAPPED	N/A	N/A	
40016660	YOKE	1344 (U-JOINT KIT 74089126)	GM 7.25 FRONT	27 - 30.71	38.6	90.75	37.6	84.84				40006690	STRAPS / INSIDE SNAP RING	TRIPLE LIP DESIGN (USES SLEEVE OVER HUB)
40035125	YOKE	1315	GM 7.6 FRONT	27 - 30.71	38.6	80.94	37.6	77.6				40006690	STRAPS / OUTSIDE LOCK "EAR"	TRIPLE LIP DESIGN - (USES SLEEVE OVER HUB)
40016324	YOKE	1344 (U-JOINT KIT 74089126)	GM 7.6 / 8.0 REAR	27 - 30.71	38.6	90.75	37.6	84.84				40006690	STRAPS / INSIDE SNAP RING	TRIPLE LIP DESIGN (USES SLEEVE OVER HUB)
40025925	YOKE	1344 (U-JOINT KIT 74089126)	GM 8.25 / 9.25 FRONT	30 - 33.39	49.3	85.66	29.1	79.76				N/A	STRAPS / INSIDE SNAP RING	
40029412	YOKE	1344 (U-JOINT KIT 74089126)	GM 8.6 REAR	30 - 33.39	49.3	85.66	29.1	79.76				26060975	STRAPS / INSIDE SNAP RING	TRIPLE LIP DESIGN (USES SLEEVE OVER HUB)
40090474	YOKE	1355 (U-JOINT KIT 40085102)	GM 8.6 REAR	30 - 33.39	49.3	85.19	29.1	79.63				N/A	STRAPS / OUTSIDE LOCK "EAR"	CAN USE SLEEVE 26060975 TO MAKE YOKE P/N 40048175
40047372	FLANGE	N/A	GM 195 IRDA (CAMARO)	27 - 29.55	43	55.78	29.79	N/A		3 X 105	M12 X 1.5 TAPPED	N/A	N/A	RUBBER COUPLING DESIGN
40081311	FLANGE	N/A	GM 218 IRDA (CAMARO)	32 - 34.65	53.7	55.78	29.79	N/A		3 X 110	M12 X 1.5 TAPPED	N/A	N/A	RUBBER COUPLING DESIGN
40088189	FLANGE	N/A	GM 250 IRDA (CAMARO)	30 - 39.5	55.9	80	41.68	N/A		3 X 110	M14 X 1.5 TAPPED	N/A	N/A	RUBBER COUPLING DESIGN
40047860	FLANGE	N/A	DODGE 9.25 FRONT	30 - 33.39	49.3	79.6	29.1	N/A	SERRATED	4 X 74	M8 X 1.25 TAPPED	40049032	N/A	TRIPLE LIP DESIGN - (USES SLEEVE OVER HUB)
26060881	YOKE	1355 (U-JOINT KIT 40085102)	GM 9.5 REAR	30 - 33.39	49.3	85.19	29.1	79.63				26060975	STRAPS / OUTSIDE LOCK "EAR"	TRIPLE LIP DESIGN - (USES SLEEVE OVER HUB)
40055350	YOKE	1415 (U-JOINT KIT 74085339)	GM 9.5 REAR	30 - 33.39	49.3	85.2	29.1	79.63				26060975	STRAPS / OUTSIDE LOCK "EAR"	TRIPLE LIP DESIGN (USES SLEEVE OVER HUB)
26060884	YOKE	1415 (U-JOINT KIT 74085339)	GM 10.5 / 11.5	30 - 40.38	55.9	99.54	41.7	93.98				26060977	STRAPS / OUTSIDE LOCK "EAR"	TRIPLE LIP DESIGN (USES SLEEVE OVER HUB)
26064017	YOKE	1415 (U-JOINT KIT 74085339)	GM 10.5 REAR	30 - 40.38	55.9	99.54	41.7	93.98				26060977	STRAPS / OUTSIDE LOCK "EAR"	TRIPLE LIP DESIGN (USES SLEEVE OVER HUB)
40047864	FLANGE	N/A	DODGE 10.5 / 11.5 REAR	30 - 40.38	55.9	63.6	41.7	N/A	95.28 / FEMALE	4 X 120.64	M12 X 1.75 TAPPED	26060977	N/A	TRIPLE LIP DESIGN (USES SLEEVE OVER HUB)
40062272	FLANGE	N/A	DODGE 10.5 / 11.5 REAR	30 - 40.38	55.9	63.6	41.7	N/A	95.28 / FEMALE	4 X 120.64	M12 X 1.75 TAPPED	26060977	N/A	TRIPLE LIP DESIGN (USES SLEEVE OVER HUB) CAN REPLACE 40047864)
40065702	YOKE	1485 (U-JOINT KIT 74081485)	GM 10.5 REAR	30 - 40.38	55.9	98.97	41.7	93.98				26060977		TRIPLE LIP DESIGN (USES SLEEVE OVER HUB)
40082168	YOKE W/ DAMPER (90HZ)	1485 (U-JOINT KIT 74081485)	GM 11.5 REAR	30 - 40.38	55.9	98.97	41.7	93.98				26060977	STRAPS / OUTSIDE LOCK "EAR"	TRIPLE LIP DESIGN (USES SLEEVE OVER HUB)
40006690	YOKE / FLANGE SLEEVE		7.25/7.6/ 8.0/8.25		SLEEVE SEAL SURFACE OD - 42.970		SLEEVE ID - 38.34							
26060975	YOKE / FLANGE SLEEVE		8.6/9.25/9.5		SLEEVE SEAL SURFACE OD - 53.635		SLEEVE ID - 49.00							
40049032 (CAN REPLACE 26060975)	YOKE / FLANGE SLEEVE		8.6/9.25/9.5		SLEEVE SEAL SURFACE OD - 53.635		SLEEVE ID - 49.00							
26060977	YOKE / FLANGE SLEEVE		10.5 / 11.5		SLEEVE SEAL SURFACE OD - 60.235		SLEEVE ID - 55.55							

** Dimensions given for reference only

Pinion Yoke

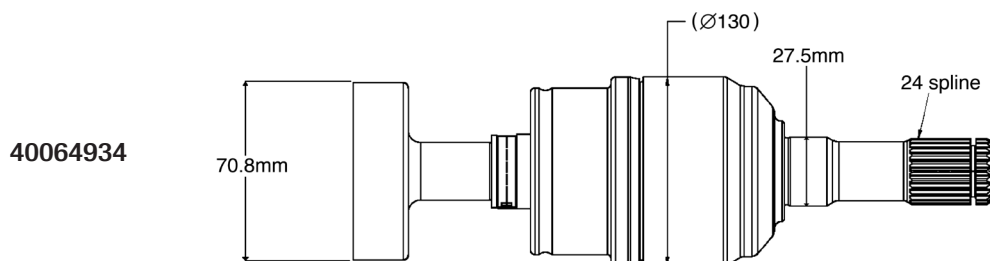
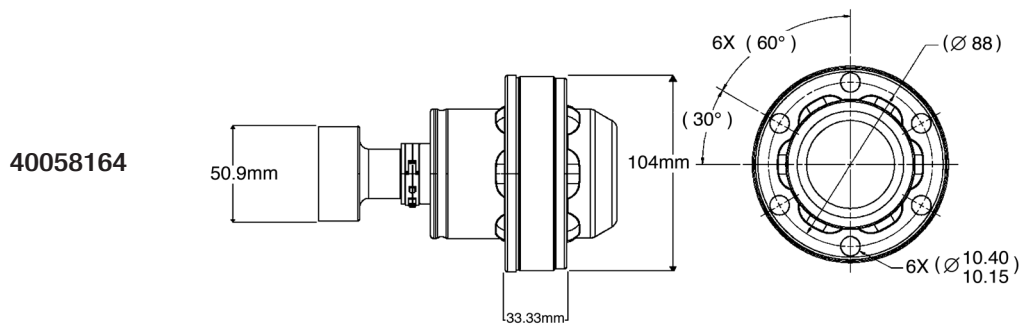
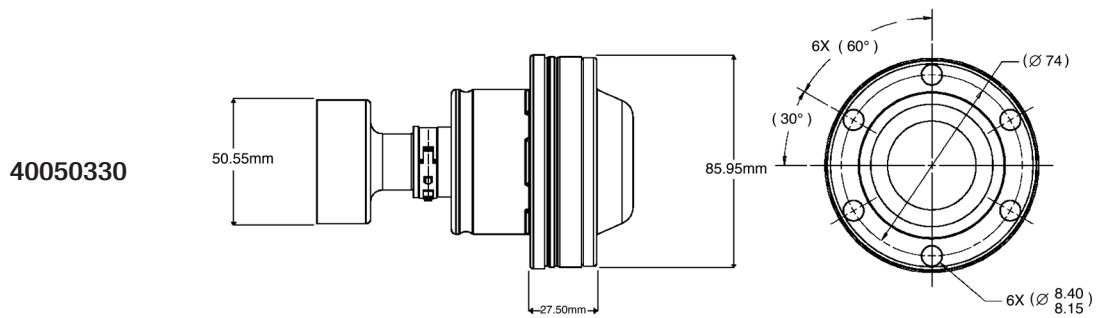
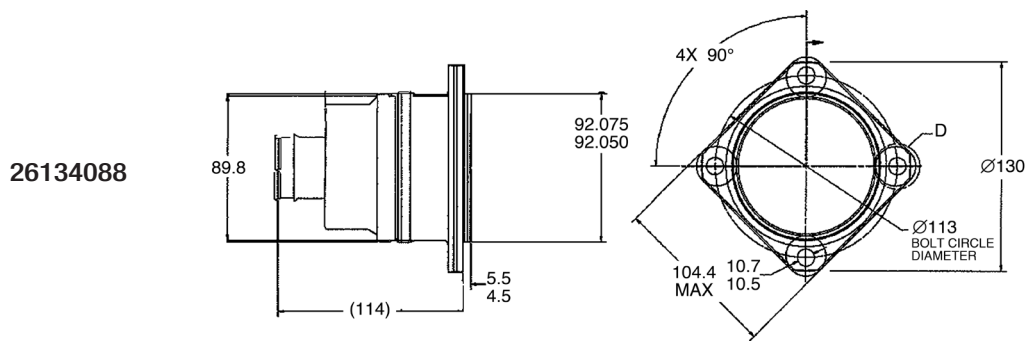


Pinion Flange



CV-Joints

PART NUMBER	MAKE	MODEL	YEAR
26134088 / 40033281	GM	COLORADO/ CANYON/H3	2005-2010
40050330	GM	CADILLAC SRX	2010 +
40058164	GM	COLORADO / CANYON	2012 +
40064934	GM	CADILLAC SRX	2010 +



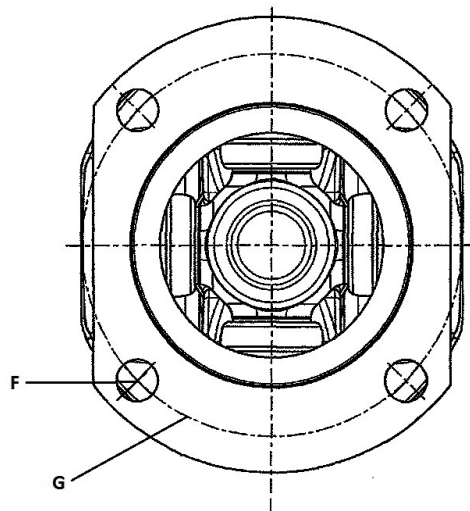
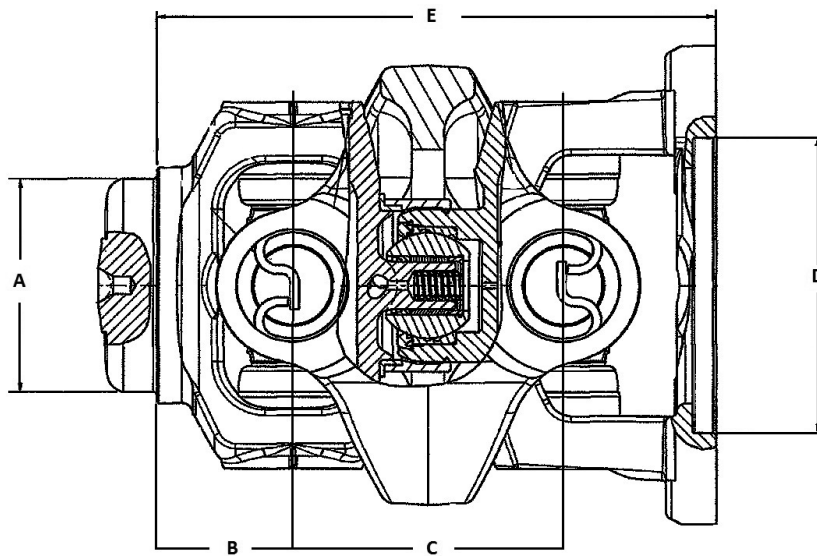


Demand the original.

Axle Components | Driveshaft Components | Repair Kits

CV-Joints Assembly

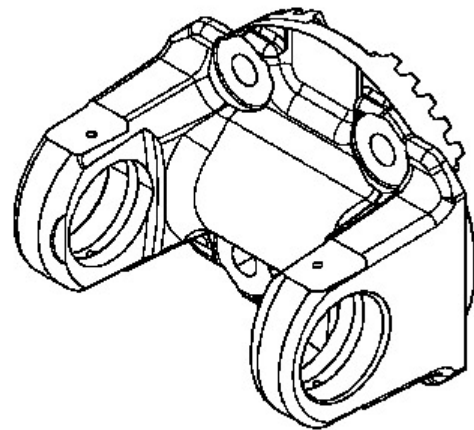
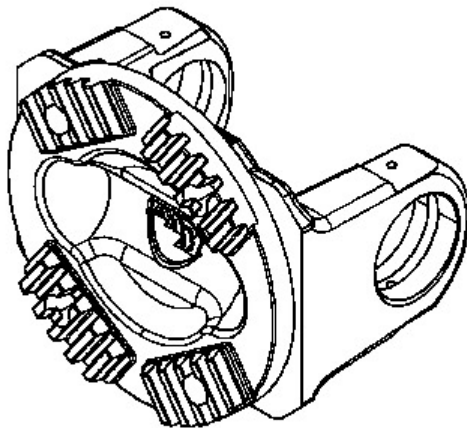
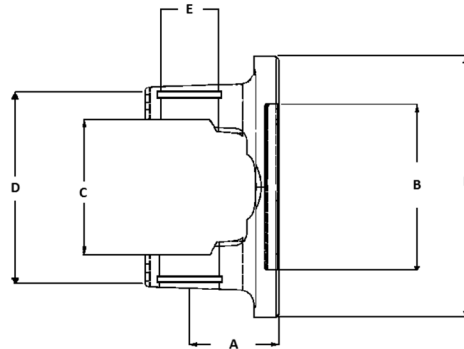
DIMENSIONS												
PART NUMBER	U-JOINT SERIES	CV STYLE	TUBING DIAMETER AND WALL	DIM A BUTT DIAMETER	DIM B CENTERLINE TO WELD	DIM C CENTERLINE TO CENTERLINE OF YOKE	DIM D PILOT DIAMETER	DIM E OVERALL LENGTH	DIM F HOLE SIZE	DIM G BOLT CIRCLE	MAKE	YEAR
40041754	1355	FLANGE	2.5 X .125"	2.26"	1.44"	2.88"	3.12"	5.94"	.46"	4.25"	RAM	2007-2009
40027347	1355	FLANGE	2.5" X .095"	2.32"	1.44"	2.88"	3.12"	5.94"	.46"	4.25"	RAM	2003+



Flange Yokes

DIMENSIONS

PART NUMBER	MAKE	APPLICATION	FIRST MODEL YEAR	SERIES	DIM A CENTERLINE TO FACE	DIM B PILOT DIAMETER AND TYPE	DIM C INSIDE SNAP RING WIDTH	DIM D OUTSIDE SNAP RING WIDTH	DIM E BEARING DIAMETER	DIM F SWING CLEARANCE	BOLT CIRCLE	BOLT HOLD DIAMETER	OE #S, REPLACEMENT #S, ETC.
40019801	RAM	FRONT AUX. PROP	2003+	1344/3R	52.5	SERRATED	64.99	N/A	28.57	98.2	4 X 74	8.5 DRILLED	05093373AA, 74089801
40038359	RAM	FRONT AUX. PROP	2006+	1355	52.5	SERRATED	N/A	94.86	30.17	98.2	4 X 74	8.5 DRILLED	68004847AA
40005913	GM	GM SAVANNA / EXPRESS REAR PROP	1996+	1355	51.2	72.58 -FEMALE	N/A	94.86	30.41	142.3	4 X 114.3	12.8 DRILLED	N3R-2-141, 12471506, 74085913
40022500	RAM	REAR PROP	2003+	1415	53.2	95.22 - MALE	N/A	109.06	30.17	149	4 X 120.65	12.8 DRILLED	05102161AA, 74082500
40055527	RAM	REAR PROP	2006+	1415	57.1	95.22 - MALE	N/A	109.06	30.17	134	4 X 120.65	12.8 DRILLED	40038506
40065822	NISSAN	REAR PROP	2010+	1415	57.1	65.02 - FEMALE	N/A	109.06	30.17	140	4 X 108	12.8 DRILLED	N/A
40055528	RAM	REAR PROP	2007+	1485	57.1	95.22 - MALE	N/A	109.06	34.9	134	4 X 120.65	12.8 DRILLED	5102158AA, 74088507, 40022502, 40038507
40038046	RAM	REAR PROP	2006+	1555	70.4	SERRATED	N/A	128.96	34.9	155	4 X 135.0	10.5 DRILLED	68004855AA
40038047	RAM	REAR PROP	2006+	1555	57.1	95.22 - MALE	N/A	128.96	34.9	153	4 X 120.65	12.8 DRILLED	68004854AA



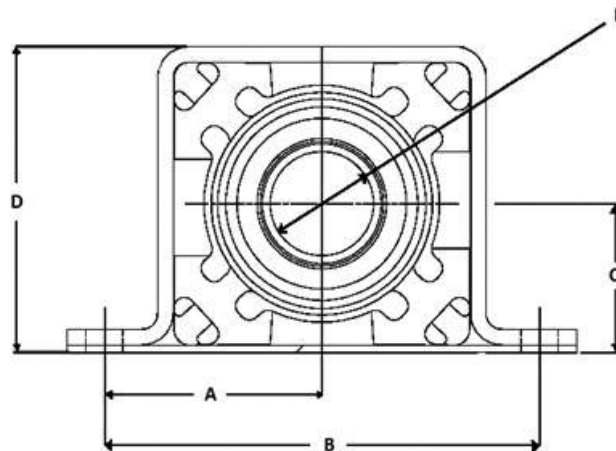


Demand the original.

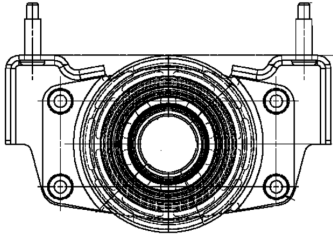
Axle Components | Driveshaft Components | Repair Kits

Center Support Bearing Assemblies

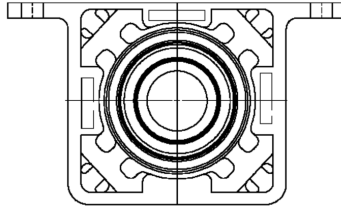
PART NUMBER	CATALOG NUMBER	MAKE	APPLICATION	FIRST MODEL YEAR	STYLE	DIMENSIONS					RETAINER	NOTES
						A (mm)	B (mm)	C (mm)	D (mm)	E (mm)		
40007020	74087020	GM	Full Size Trucks and Vans	99+	3	84.1	168.2	55.9	109.5	35	26050953	(2) PC STEEL BRACKET W/ M10 X 1.5X32.5 MM LONG STUDS
40007042	74087042	GM	S10 Pick Ups with Double Cardan Joints	99+	2	84.1	168.2	57.2	117.5	35	26050953	SQUARE STEEL BRACKET
40021334	74081334	RAM	Ram	2003+	2	84.1	168.2	57.2	117.5	40	40018672	SQUARE STEEL BRACKET
40038300		GM	Full Size Trucks and Vans	2007+	3	84.1	168.2	54.9	111	40	40018672	HEXAGON SHAPED (1) PC STEEL BRACKET W / 14MM MOUNTING HOLES
40053306		RAM	Ram	2010+	1	84.1	168.3	63.75	127.4	40	40033569	CAST ALUMINUM BRACKET W/ 11 MM MOUNT HOLES
40057873		GM	Full Size Trucks and Vans	2007+	3	84.1	168.2	67.9	111	40	40018672	HEXAGON SHAPED IN A (1) PC STEEL BRACKET W/ 10MM SHIM HAS M10X1.5 STUDS 50MM LONG
40088852		Nissan	Van	2012+	1	84.2	169.25	56.45	N/A	40	40060694	STEEL BRACKET / 10.5MM MOUNT HOLE
40093792		GM	Full Size Trucks and Vans	2011+	2	55	110	53.8	110	40	40018672	HEXAGON SHAPED IN A (2) PC SQUARE STEEL BRACKET W/ M10X1.5 STUDS 32.5MM LONG
40099621		GM	GMI-700	2011+	3	86	172	54.9	113	35	N/A	HEXAGON SHAPED IN A (2) PC HEXAGON STEEL BRACKET (MOUNTS PARALLEL TO BEARING CENTERLINE) W/ 13X17 MM MOUNT SLOTS
40100708		Cadillac	SRX	2010+	1	82	164	35.1	87.2	30	N/A	CAST ALUMINUM BRACKET W/ 10.5X13MM OPEN MOUNT SLOTS (FRONT SUPPORT)
40100709		Cadillac	SRX	2010+	1	82.5	164	35.1	87.2	30	N/A	CAST ALUMINUM BRACKET W/ 10.5 X 20MM MOUNT SLOTS (REAR SUPPORT)
40120951		GM	Full Size Trucks	2007+	1	84.1	168.2	54.9	111	40	40018672	HEXAGON SHAPED (1) PC STEEL BRACKET W/ M10X1.5 STUDS 32.5MM LONG. BEARING ID = 40MM
40021429		GM	Full size trucks	2007+	1	84.1	168.2	54.9	111	40	40018672	HEXAGON SHAPED (1) PC STEEL BRACKET W/ M10X1.5 STUDS 32.5MM LONG (HANGS AT 45 DEGREES IN VEHICLE)
40024017		GM	Full size trucks	2007+	1	84.1	168.2	54.9	111	35	26050953	HEXAGON SHAPED (1) PC STEEL BRACKET W/ M10X1.5 STUDS 32.5MM LONG
40026573	74086573	RAM	Ram	2005+	2	84.1	168.2	57.2	117.5	40	40018672	(SLOTS FOR G56 TRANS) STEEL BRACKET 13X29 MOUNT SLOTS
40048726		RAM	Ram	2006+	1	84.1	168.2	58.1	116.2	40	40033569	STEEL BRACKET / (13MM MOUNTING HOLES) 05183079AB, 40033576, 74083576, 05183075AA, 05183075AB, 05183075AC, 40048726,40041711
40041712	74081712	RAM	Ram	2006+	1	84.1	168.2	58.1	116.2	40	40033569	STEEL BRACKET (13 X 29 MOUNT SLOTS) (REPLACED BY 40048726)
40048725		RAM	Ram	2007+	1	84.1	168.2	58.1	115.7	40	40033569	STEEL BRACKET (11X27 MOUNT SLOTS)
40053305		RAM	Ram	2010+	1	84.1	168.3	63.75	N/A	40	40033569	ALUMINUM BRACKET (11X27 MOUNT SLOTS)



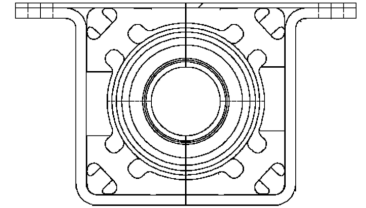
40007020



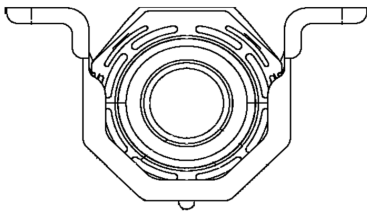
40007042



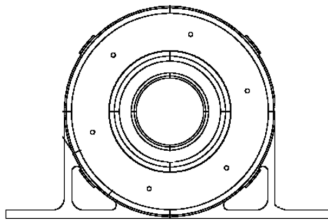
40021334



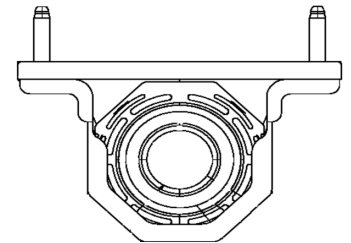
40038300



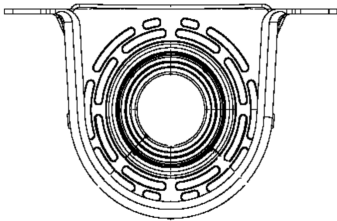
40053306



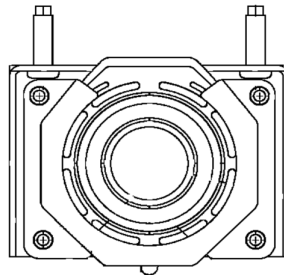
40057873



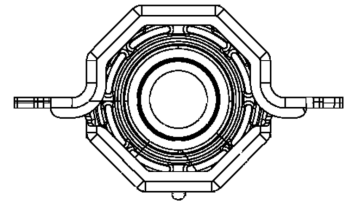
40088852



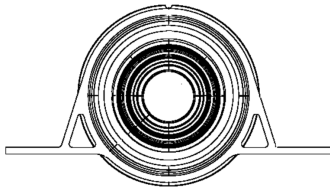
40093792



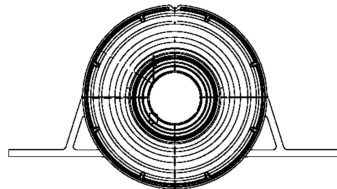
40099621



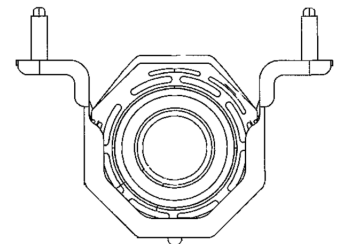
40100708



40100709



40120951 / 40021429 / 40021934

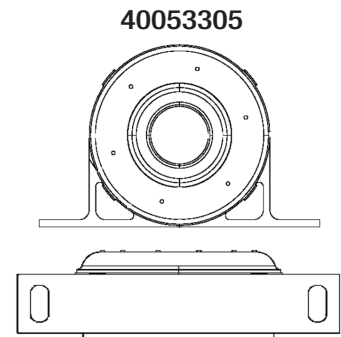
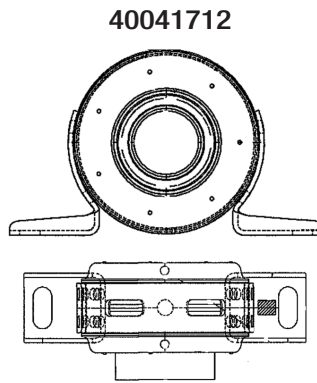
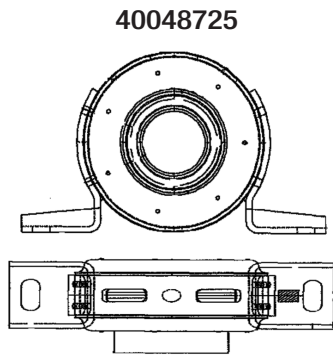
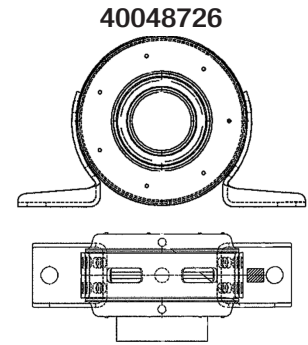
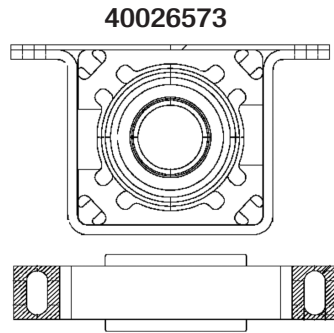
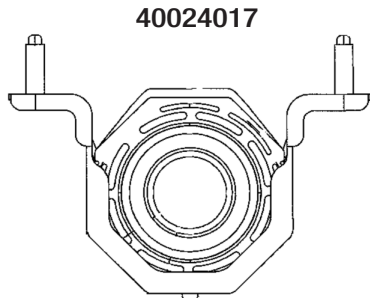




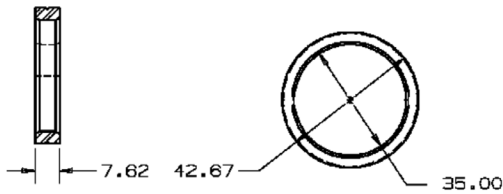
Demand the original.

Axle Components | Driveshaft Components | Repair Kits

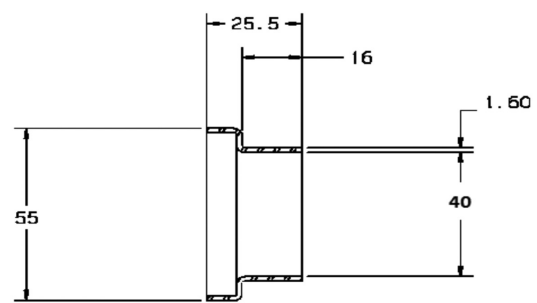
Center Support Bearing Assemblies



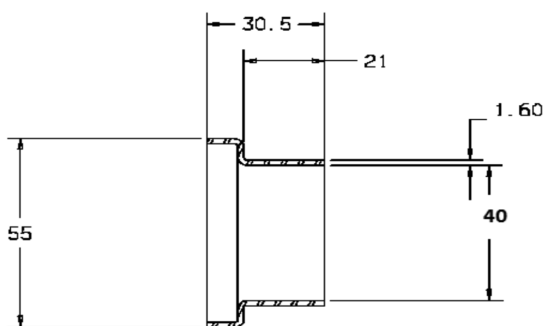
Retainer 26050953



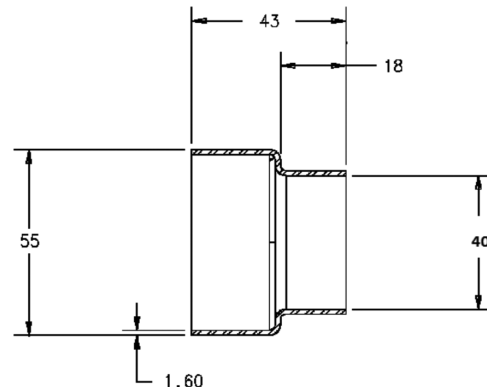
Retainer 40018672



Retainer 40033569



Retainer 40060694



Swaged Aluminum Tubes

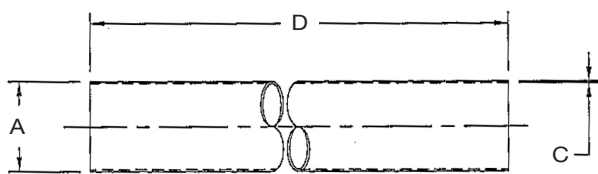
DIMENSIONS						
PART NUMBER	STYLE	DIM A TUBE DIAMETER	DIM B TUBE DIAMETER	DIM C WALL THICKNESS	DIM D TUBE LENGTH	MATERIAL
40045768	2	4.55"	5.77"	0.092"	70.25"	SWAGED ALUMINUM TUBE & LINER
40041287	2	4.50"	4.98"	0.083"	66.38"	SWAGED ALUMINUM TUBE & LINER
40050389	2	4.50"	5.73"	0.083"	74.25"	SWAGED ALUMINUM TUBE & LINER
40041147	2	2.60"	3.50"	0.065"	50.36"	SWAGED ALUMINUM TUBE & LINER
40041288	2	4.50"	4.98"	0.083"	71.09"	SWAGED ALUMINUM TUBE & LINER
40042504	2	4.55"	5.77"	0.107"	68.80"	SWAGED ALUMINUM TUBE & LINER

Steel Tubes

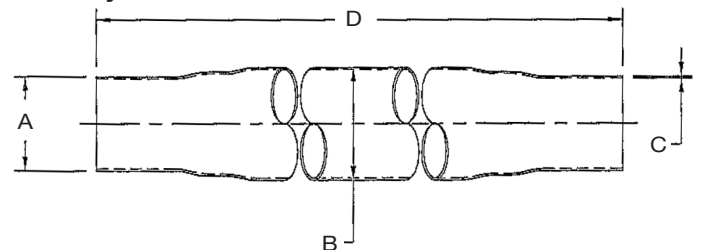
DIMENSIONS						
PART NUMBER	STYLE	DIM A TUBE DIAMETER	DIM B TUBE DIAMETER	DIM C WALL THICKNESS	DIM D TUBE LENGTH	MATERIAL
40043262	1	2.50"	2.50"	0.125"	19.30"	STEEL
40026505	1	2.50"	2.50"	0.095"	19.04"	STEEL
40043263	1	2.50"	2.50"	0.125"	16.69"	STEEL

Aluminum Tubes

Style 1



Style 2





Demand the original.

Axle Components | Driveshaft Components | Repair Kits

Driveshaft Components

DRIVELINE BALANCER TOOLING FOR WESTPORT & AXILINE BALANCING MACHINES

There are a total of six new fixtures available for each machine. The new fixtures will ensure you have the tooling required to properly balance and fabricate the AAM family of driveline components. Tooling should be ordered directly from Westport Machine.

DESCRIPTION	BALANCER APPLICATION
1344 SERIES (40025925) 3R AAM YOKE FIXTURE	WESTPORT
1355 SERIES (40090474) AAM YOKE FIXTURE	WESTPORT
1415 SERIES (40055350) AAM YOKE FIXTURE	WESTPORT
1485 SERIES (40065702) AAM YOKE FIXTURE	WESTPORT
3.750 FEMALE PILOT FLANGE FIXTURE	WESTPORT
DODGE SERRATED AAM YOKE FIXTURE	WESTPORT
1344 SERIES 3R AAM SOCKET CHUCK FIXTURE	AXILINE
1355 SERIES (40090474) AAM SOCKET CHUCK YOKE FIXTURE	AXILINE
1415 SERIES (40055350) AAM SOCKET CHUCK YOKE FIXTURE	AXILINE
1485 SERIES (40065702) AAM SOCKET CHUCK YOKE FIXTURE	AXILINE
3.750 FEMALE SOCKET CHUCK FLANGE FIXTURE	AXILINE
3.750 MALE SOCKET CHUCK FLANGE FIXTURE	AXILINE
DODGE SERRATED SOCKET CHUCK YOKE FIXTURE	AXILINE