

AP

EXHAUST PRODUCTS®



Torca Products, Inc.

**PREMIUM EXHAUST CLAMPING
PRODUCTS**

EXHAUST CLAMPING PRODUCTS

BEST



TorcTite™ PRE-FORMED EXHAUST CLAMPS W/ GASKET ATTACHED TO REACTION BLOCK

- Superior performance
- Best 360° sealing
- Serviceable connections
- Premium materials
- New OEM standard
- Packaging with new graphics
- Patented product for ease of assembly & service
- Years of tested results
- More clamping load than any other competitor

BETTER



TorcTite™ PRE-FORMED EXHAUST CLAMPS – LAP JOINT



- Innovative original reaction block design
- Patented product hardware for ease of assembly & service
- OEM industry standard & full product range of sizes
- Original wide band clamp
- Best 360° sealing
- Years of tested results

TorcTite™ PRE-FORMED EXHAUST CLAMPS – BUTT JOINT



AccuSeal™ EXHAUST CLAMPS

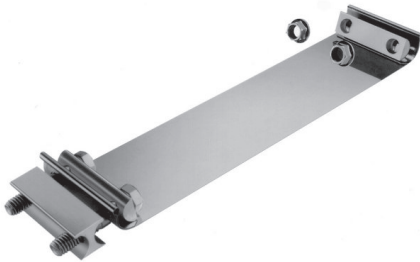


- Narrow Band Clamp
- Easy to assemble
- Use with slotted pipes
- Serviceable joint

GOOD / VALUE

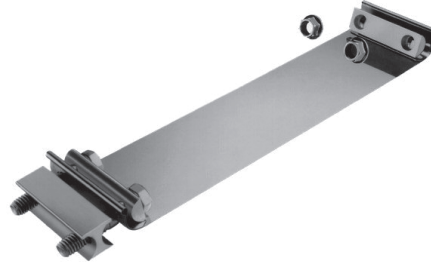


EasySeal™ FLATBAND EXHAUST CLAMPS



- Packaging in skin pack for display & saves space
- Customer identified labels include logo & part number
- Full product range of sizes

ValuSeal™ FLATBAND EXHAUST CLAMPS



- Provides joint serviceability
- Patented product hardware for ease of assembly & service
- Does not distort pipe or flex tubing

BEST



TorcTite™ PRE-FORMED EXHAUST CLAMPS W/ GASKET ATTACHED TO REACTION BLOCK

The simple, effective way to connect exhaust system components.

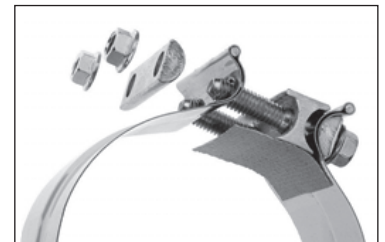
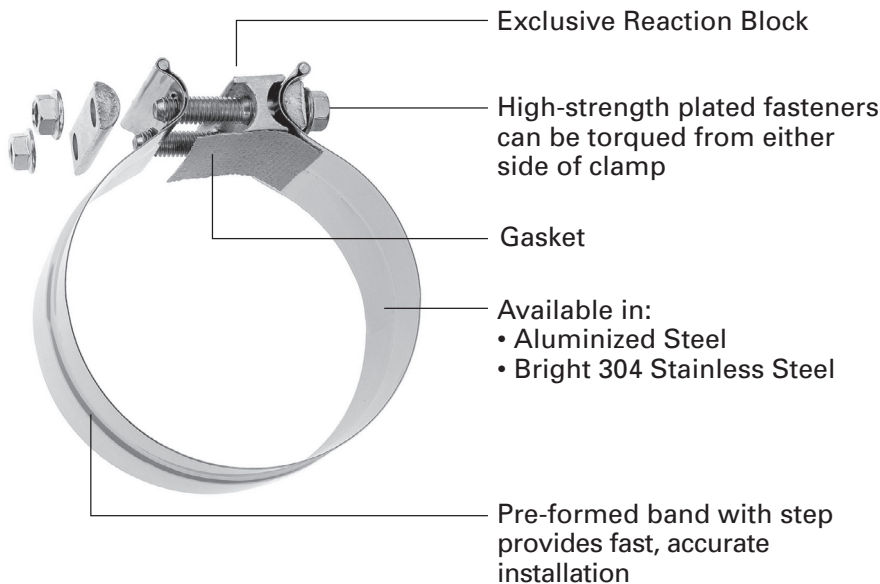
Replaces U-bolts and clamps.

Patented design with pre-attached hardware makes for fast, easy and accurate installation – there's no need to separate pipes or exhaust members before clamping.

- Temperature resistant fiberglass gasket for improved leak performance.
- Available in standard industry sizes from 2" through 5".
- The exclusive reaction block provides a full 360° equal distribution of stretching forces, prohibiting pipe distortion while completing a seal around the joined exhaust components



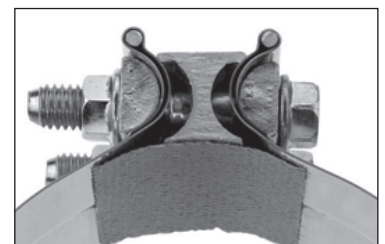
Causes no damaging distortion to pipe or flex. Band is designed for maximum stretch providing tight take-up on pipe/pipe or pipe/flex applications.



Longer bolts and pre-attached hardware make wraparound installation easy and accurate.

TorcTite™ PREFORMED CLAMPS W/ GASKET - LAP JOINT

P/N	SIZE	MATERIAL
9700	3"	ALUMINIZED STEEL
9701	3 ½"	ALUMINIZED STEEL
9702	4"	ALUMINIZED STEEL
9703	5"	ALUMINIZED STEEL
9730	3"	BRIGHT 304 STAINLESS STEEL
9731	3 ½"	BRIGHT 304 STAINLESS STEEL
9732	4"	BRIGHT 304 STAINLESS STEEL
9733	5"	BRIGHT 304 STAINLESS STEEL



The reaction block transfers bolt torque into clamp strength. With the gasket, leaks are reduced.

EXHAUST CLAMPING PRODUCTS

BETTER



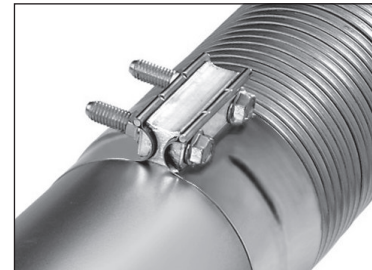
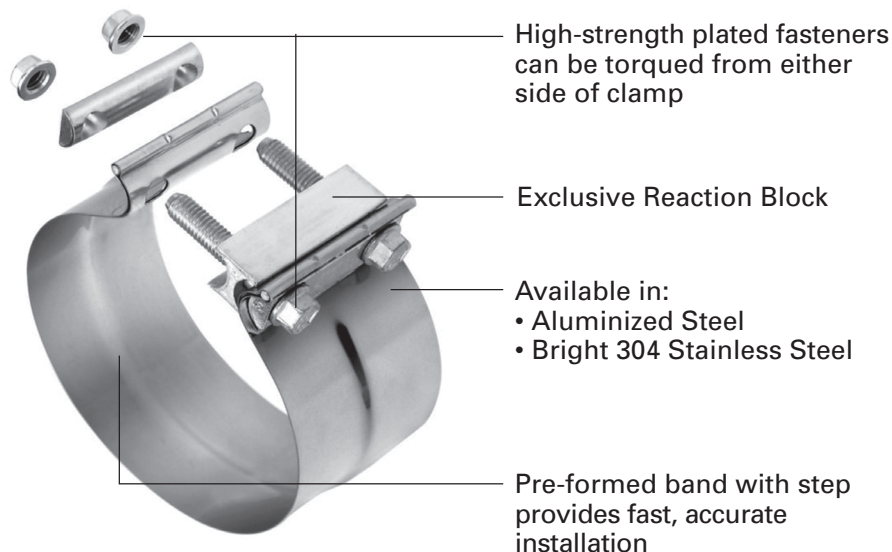
TorcTite™ PRE-FORMED EXHAUST CLAMPS - LAP JOINT

The simple, effective way to connect exhaust system components.

Replaces U-bolts and clamps.

Patented design with pre-attached hardware makes for fast, easy and accurate installation – there's no need to separate pipes or exhaust members before clamping.

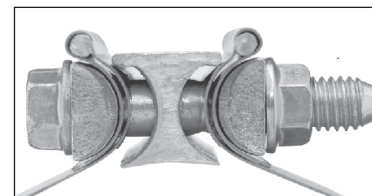
- Available in standard industry sizes from 2" through 6".
- The exclusively developed fastening system, including a force bar, bolts, nuts and the patented reaction block, creates the power to stretch the clamp band tightly around exhaust members.
- The reaction block provides a full 360° equal distribution of stretching forces, prohibiting pipe distortion while completing a seal around the joined exhaust components.



Causes no damaging distortion to pipe or flex. Band is designed for maximum stretch providing tight take-up on pipe/pipe or pipe/flex applications.



Longer bolts and pre-attached hardware make wraparound installation easy and accurate.



The reaction block transfers bolt torque into clamp strength and an assured seal.

TorcTite™ PREFORMED CLAMPS - LAP JOINT

P/N	SIZE	MATERIAL
9660	2"	ALUMINIZED STEEL
9661	2 ¼"	ALUMINIZED STEEL
9662	2 ½"	ALUMINIZED STEEL
9663	2 ¾"	ALUMINIZED STEEL
9604	3"	ALUMINIZED STEEL
9605	3 ½"	ALUMINIZED STEEL
9606	4"	ALUMINIZED STEEL
9607	5"	ALUMINIZED STEEL

P/N	SIZE	MATERIAL
9664	2"	BRIGHT 304 STAINLESS STEEL
9665	2 ¼"	BRIGHT 304 STAINLESS STEEL
9666	2 ½"	BRIGHT 304 STAINLESS STEEL
9667	2 ¾"	BRIGHT 304 STAINLESS STEEL
9668	3"	BRIGHT 304 STAINLESS STEEL
9669	3 ½"	BRIGHT 304 STAINLESS STEEL
9623	4"	BRIGHT 304 STAINLESS STEEL
9670	4 ½"	BRIGHT 304 STAINLESS STEEL
9624	5"	BRIGHT 304 STAINLESS STEEL
9671	6"	BRIGHT 304 STAINLESS STEEL



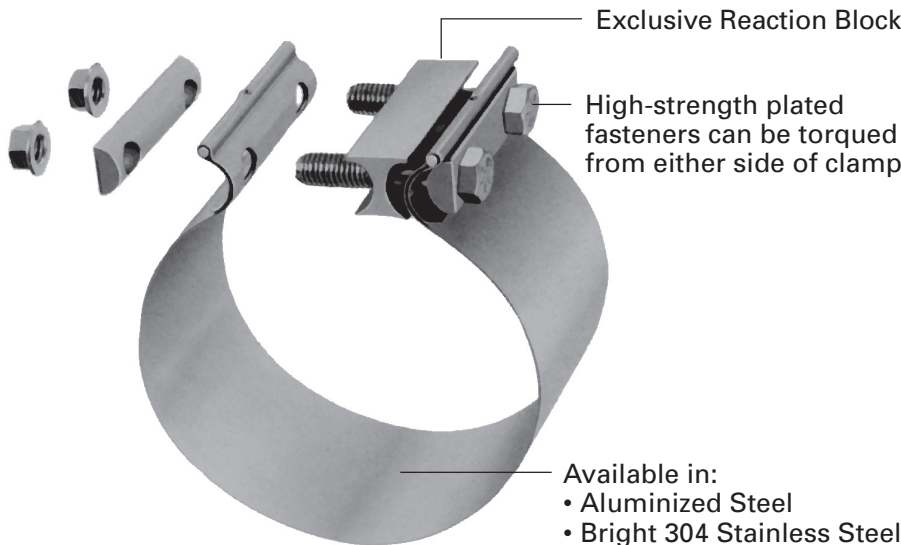
BETTER

TorcTite™ PRE-FORMED EXHAUST CLAMPS - BUTT JOINT

The simple, effective way to connect exhaust system components.

Patented design with pre-attached hardware makes for fast, easy and accurate installation.

- Available in standard industry sizes from 2" through 6".
- The exclusive reaction block provides a full 360° equal distribution of stretching forces, prohibiting pipe distortion while completing a seal around the joined exhaust components.
- The only OEM approved butt joint clamp.



Causes no damaging distortion to pipe. Band is designed for maximum stretch providing tight take-up on pipe/pipe O.D. butt applications.



Finished TorcTite installations out perform other band clamps in clamping strength and seal.



Longer bolts and pre-attached hardware make wraparound installation easy and accurate.

TorcTite™ PREFORMED CLAMPS - BUTT JOINT

P/N	SIZE	MATERIAL
9672	2"	ALUMINIZED STEEL
9673	2 ¼"	ALUMINIZED STEEL
9674	2 ½"	ALUMINIZED STEEL
9675	2 ¾"	ALUMINIZED STEEL
9676	3"	ALUMINIZED STEEL
9677	3 ¼"	ALUMINIZED STEEL
9678	3 ½"	ALUMINIZED STEEL
9679	3 ¾"	ALUMINIZED STEEL
9680	4"	ALUMINIZED STEEL
9681	4 ½"	ALUMINIZED STEEL
9682	5"	ALUMINIZED STEEL
9683	6"	ALUMINIZED STEEL

P/N	SIZE	MATERIAL
9684	2"	BRIGHT 304 STAINLESS STEEL
9685	2 ¼"	BRIGHT 304 STAINLESS STEEL
9686	2 ½"	BRIGHT 304 STAINLESS STEEL
9687	2 ¾"	BRIGHT 304 STAINLESS STEEL
9688	3"	BRIGHT 304 STAINLESS STEEL
9689	3 ¼"	BRIGHT 304 STAINLESS STEEL
9690	3 ½"	BRIGHT 304 STAINLESS STEEL
9691	3 ¾"	BRIGHT 304 STAINLESS STEEL
9692	4"	BRIGHT 304 STAINLESS STEEL
9693	4 ½"	BRIGHT 304 STAINLESS STEEL
9694	5"	BRIGHT 304 STAINLESS STEEL
9695	6"	BRIGHT 304 STAINLESS STEEL

EXHAUST CLAMPING PRODUCTS

BETTER



AccuSeal™ EXHAUST CLAMPS

The simple, effective way to connect exhaust system components.
Pipes, mufflers and converters.

Unique seal and high clamp loads are provided without permanent distortion to exhaust members. Exhaust connections are serviceable and easy to disassemble.

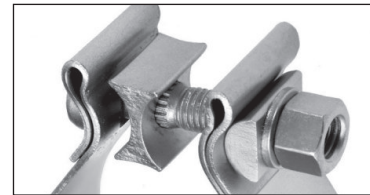
- Available in diameters from 2" through 6".
- A serviceable joint. Unitized construction reduces part number complexity.
- Unique fastening system stretches the band using its tensile strength permitting the use of thinner gauge, corrosive resistant materials.
- The exclusive reaction block provides a full 360° equal distribution of stretching forces, prohibiting pipe distortion while completing a seal around the joined exhaust components.



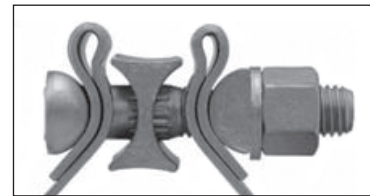
AccuSeal provides optimal seal and joint retention performance.



- Exclusive Reaction Block
- High-strength fastener hardware with corrosion resistant coating
- Easy to assemble, only one assembly torque point
- Available in:
 - Aluminized Steel
 - Bright 430 Stainless Steel



Unitized assembly. NO LOOSE hardware. Slides into place, installs easily and reliably.



The reaction block transfers bolt torque into clamp strength and an assured seal.

ACCUSEAL™ FLATBAND EXHAUST CLAMPS

P/N	SIZE	MATERIAL
AS200	2"	ALUMINIZED STEEL
AS214	2 ¼"	ALUMINIZED STEEL
AS212	2 ½"	ALUMINIZED STEEL
AS234	2 ¾"	ALUMINIZED STEEL
AS300	3"	ALUMINIZED STEEL
AS312	3 ½"	ALUMINIZED STEEL
AS400	4"	ALUMINIZED STEEL
AS500	5"	ALUMINIZED STEEL

P/N	SIZE	MATERIAL
SAS200	2"	BRIGHT 430 STAINLESS STEEL
SAS214	2 ¼"	BRIGHT 430 STAINLESS STEEL
SAS212	2 ½"	BRIGHT 430 STAINLESS STEEL
SAS234	2 ¾"	BRIGHT 430 STAINLESS STEEL
SAS300	3"	BRIGHT 430 STAINLESS STEEL
SAS312	3 ½"	BRIGHT 430 STAINLESS STEEL
SAS400	4"	BRIGHT 430 STAINLESS STEEL
SAS500	5"	BRIGHT 430 STAINLESS STEEL
SAS600	6"	BRIGHT 430 STAINLESS STEEL



GOOD

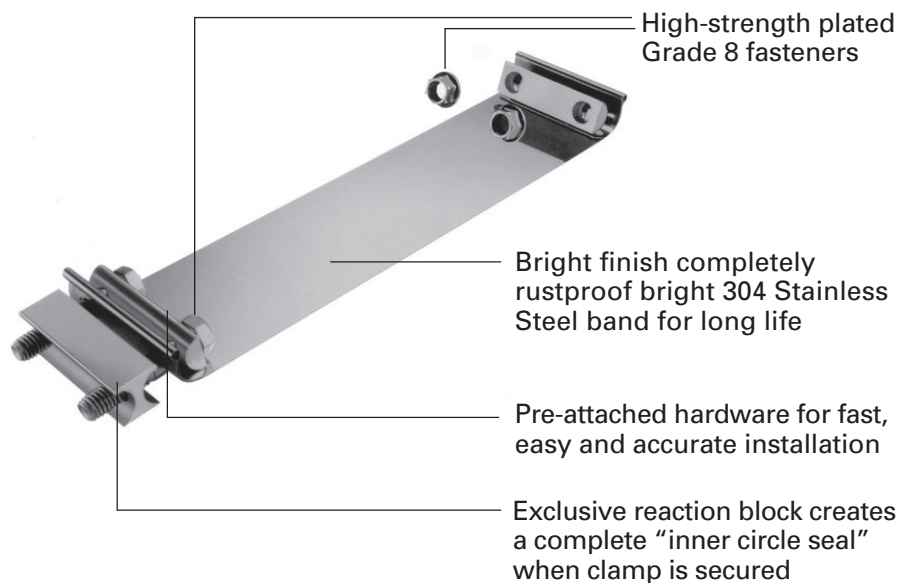
EasySeal™ FLATBAND EXHAUST CLAMPS

The simple, effective way to connect exhaust system components.

Replaces U-bolts and clamps.

Patented design with pre-attached hardware makes for fast, easy and accurate installation – there's no need to separate pipes or exhaust members before clamping.

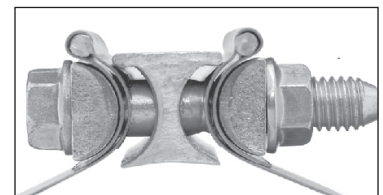
- Available in standard industry sizes from 2" through 10" and metric equivalents.
- Exclusively developed fastening system, including force bars, bolts, nuts and patented reaction block, creates the power to stretch the clamp band tightly around exhaust members.
- The reaction block provides a full 360° equal distribution of stretching forces, prohibiting pipe distortion while completing a seal around the joined exhaust components.



Longer bolts and pre-attached hardware make wraparound installation easy and accurate.



Finished TorcTite installations out perform other band clamps in clamping strength and seal.



The reaction block transfers bolt torque into clamp strength and an assured seal.

EasySeal™ FLATBAND EXHAUST CLAMPS

P/N	SIZE	MATERIAL
B200	2"	BRIGHT 304 STAINLESS STEEL
B214	2 ¼"	BRIGHT 304 STAINLESS STEEL
B212	2 ½"	BRIGHT 304 STAINLESS STEEL
B234	2 ¾"	BRIGHT 304 STAINLESS STEEL
B300	3"	BRIGHT 304 STAINLESS STEEL
B314	3 ¼"	BRIGHT 304 STAINLESS STEEL
B312	3 ½"	BRIGHT 304 STAINLESS STEEL

P/N	SIZE	MATERIAL
B400	4"	BRIGHT 304 STAINLESS STEEL
B412	4 ½"	BRIGHT 304 STAINLESS STEEL
B500	5"	BRIGHT 304 STAINLESS STEEL
B600	6"	BRIGHT 304 STAINLESS STEEL
B800	8"	BRIGHT 304 STAINLESS STEEL
B1000	10"	BRIGHT 304 STAINLESS STEEL

EXHAUST CLAMPING PRODUCTS

VALUE



ValuSeal™ FLATBAND EXHAUST CLAMPS

The best VALUE in wideband exhaust clamps. Provides the easiest installation and the best performance.

Patented design makes for fast, easy and accurate installation – there's no need to separate pipes or exhaust members before clamping.

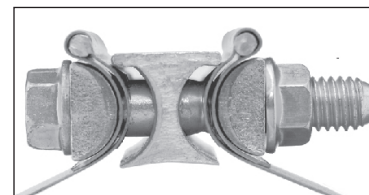
- Available in these sizes: 4" and 5" sizes.
- ValuSeal is individually boxed.
- ValuSeal's reaction block provides a full 360° equal distribution of stretching forces, prohibiting pipe distortion while completing a seal around the joined exhaust components.
- ValuSeal can be used for lap or rigid butt joint applications.
- Made by the manufacturers of the OE standard clamp.



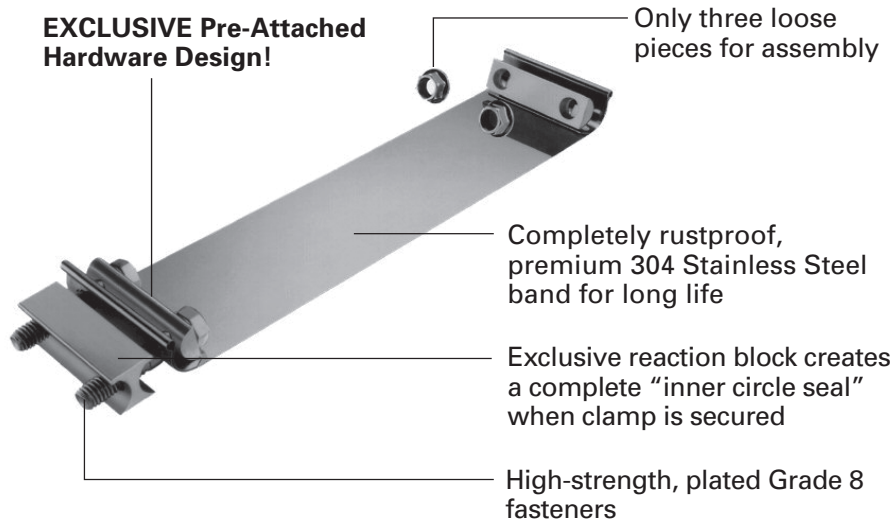
Longer bolts and pre-attached hardware make wraparound installation easy and accurate.



Finished TorcTite installations out perform other band clamps in clamping strength and seal.



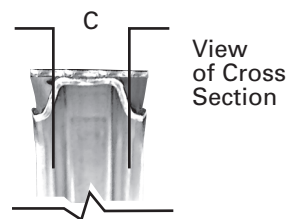
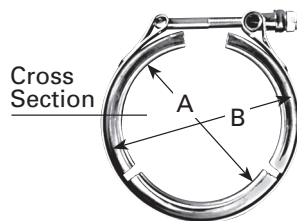
The reaction block transfers bolt torque into clamp strength and an assured seal.



ValuSeal™ FLATBAND EXHAUST CLAMPS

P/N	SIZE	MATERIAL
B400V	4"	304 STAINLESS STEEL
B500V	5"	304 STAINLESS STEEL

V-BAND CLAMPS



Manufacturer	P/N	TUBE DIA.	A	B	C	APPLICATION
UNIVERSAL						
	9398	3.00"	3.26"	4.06"	0.21"	Fits - OEM MUFFLERS.
	9399	4.00"	4.25"	4.81"	0.21"	Fits - FLARED CONNECTORS
	9616	5.00"	4.97"	5.25"	0.26"	Fits - FLARED CONNECTORS
AIRESEARCH						
	9614	4.00"	4.17"	4.61"	0.16"	TEO-699
	9616	5.00"	5.97"	5.25"	0.21"	T-1899, TH08A64
BLUE BIRD						
	9618	2.75"	2.80"	3.20"	0.26"	REPLACES BLUEBIRD #1334226
	9618	2.75"	2.80"	3.20"	0.26"	94-98 BLUEBIRD TC2000 SCHOOL BUS W/5.9L
	9651	4.00"	4.13"	4.69"	0.40"	REPLACES BLUEBIRD #125046
	9651	4.00"	4.13"	4.69"	0.40"	BLUEBIRD ALL AMERICAN W/CAT3116 /TURBO
	9399	4.00"	4.25"	4.81"	0.21"	REPLACES BLUEBIRD #0997791
	9399	4.00"	4.25"	4.81"	0.21"	1980-90 BLUEBIRD SCHOOL BUS W/8.2LT
CATERPILLAR						
	9622	3.50"	3.63"	4.19"	0.40"	3208T
	9396	3.50"	3.94"	4.50"	0.21"	3208T
	9651	4.00"	4.13"	4.69"	0.40"	3208T
	9652	4.00"	4.12"	4.81"	0.40"	3176T
	9653	4.00"	4.19"	4.75"	0.40"	3176T
	9615	5.00"	5.32"	5.88"	0.40"	3406, 3406B, 3176
CUMMINS						
	9618	2.75"	2.80"	3.20"	0.26"	6BT5.9L, 6BTA5.9L
	9612	3.00"	3.32"	3.88"	0.40"	V555, V902, V903
	9627	3.50"	3.69"	4.25"	0.40"	VT555, VT-555 MANIFOLD
	9396	3.50"	3.94"	4.50"	0.21"	VT555, VT-555 MANIFOLD
	9652	4.00"	4.12"	4.81"	0.40"	L10
	9653	4.00"	4.19"	4.75"	0.40"	L10
	9615	5.00"	5.32"	5.88"	0.40"	750, N, 88NT, NTC, VT
DETROIT DIESEL						
	9395	3.00"	3.26"	3.82"	0.21"	6V53, 6V71
	9656	3.50"	3.76"	4.04"	0.26"	
	9613	3.50"	3.77"	4.33"	0.21"	
	9396	3.50"	3.94"	4.50"	0.21"	4-53, 8V71, 8V92
	9617	4.00"	4.13"	4.75"	0.16"	8.2LT
	9399	4.00"	4.25"	4.81"	0.21"	6-71T, 8.2N, 8.2T, 12V71
	9647	4.00"	4.32"	4.91"	0.29"	6-71N
	9735	4.00"	4.97"	5.25"	0.26"	8V-71T, 16V-71, 6V-92T, 8V-92, 8V-92T, 16V-92T
	9616	5.00"	4.97"	5.25"	0.26"	8V-71T
	9654	5.00"	5.32"	5.92"	0.28"	6V-92
	9655	5.00"	5.32"	5.92"	0.28"	8V-71T (END AWAY FROM TURBO)
	9397	5.00"	5.32"	5.92"	0.28"	
	9615	5.00"	5.32"	5.88"	0.40"	SERIES 60, 6-71T

Continued

EXHAUST CLAMPING PRODUCTS

V-BAND CLAMPS (Cont.)

Manufacturer	P/N	TUBE DIA.	A	B	C	APPLICATION
FORD						
	9610	3.00"	3.25"	3.87"	0.43"	FORD #E5HZ5A231B
	9618	2.75"	2.80"	3.20"	0.26"	93-95 B600/700 W/5.9LT
	9618	2.75"	2.80"	3.20"	0.26"	REPLACES FORD #F3HZ5A281A
	9656	2.50"	3.76"	4.04"	0.26"	FORD #E0HZ5A231B
	9625	3.00"	3.05"	3.62"	0.28"	REPLACES FORD #F1HZ5C210A, E9HZ5A231B
	9625	3.00"	3.05"	3.62"	0.28"	89-95 MED/TRUCK,BUS W/370, 429 GAS
	9395	3.00"	3.26"	3.82"	0.21"	ALL MODELS W/DD 6V53, 6V71
	9395	3.00"	3.26"	3.82"	0.21"	ALL MODELS W/CUMMINS V555, V902
	9626	3.00"	3.17"	3.88"	0.40"	FORD D9HT-51210-DA
	9626	3.00"	3.17"	3.88"	0.40"	79-88 FORD MED TRUCK/BUS W/370, 429 GAS
	9611	3.00"	3.47"	4.06"	0.24"	8.2L NA
	9622	3.50"	3.50"	4.19"	0.40"	REPLACES FORD #E2HZ5A231A
	9622	3.50"	3.63"	4.19"	0.40"	87-90 B600/700 SCHOOL BUS CF600/800 W/6.6LT
	9622	3.50"	3.63"	4.19"	0.40"	REPLACES FORD #E8HZ5A231E
	9627	3.50"	3.69"	4.25"	0.40"	87-94 CF600/800, F600/800 W/7.8LT
	9627	3.50"	3.69"	4.25"	0.40"	REPLACES FORD #E7HZ5A231C
	9617	4.00"	4.13"	4.75"	0.16"	REPLACES FORD #EOHZ5A231C
	9399	4.00"	4.25"	4.81"	0.21"	ALL MODELS W/DD 6-71T, 8.2N, 8.2T, 12V71
FREIGHTLINER						
	9609	4.00"	4.19"	4.75"	0.40"	FREIGHTLINER BUS W/MERCEDES 6 CYL. ENG.
	9615	5.00"	5.32"	5.88"	0.40"	FLD MODELS W/DD SERIES 60, CAT 3406
	9615	5.00"	5.32"	5.88"	0.40"	FLD MODELS W/CUMMINS NTC, VT DIESEL
	9615	5.00"	5.32"	5.88"	0.40"	REPLACES FREIGHTLINER #0114596000
GM						
	9656	3.50"	3.76"	4.04"	0.26"	
	9611	3.00"	3.50"	4.06"	0.24"	80-90-GM MED TRUCK/BUS W/8.2L NA
	9611	3.00"	3.50"	4.06"	0.24"	REPLACES GM #2069773
	9652	4.00"	4.12"	4.81"	0.40"	TOPKICK/KODIAK W/6.6L
	9652	4.00"	4.12"	4.81"	0.40"	REPLACES GM #15647159
	9399	4.00"	4.25"	4.81"	0.21"	ALL MODELS W/DD6-71T, 8.2N, 8.2T, 12V71
INTERNATIONAL						
	9627	3.50"	3.69"	4.25"	0.40"	86-89 SERIES S TRUCK/BUS W/DT360
	9627	3.50"	3.69"	4.25"	0.40"	REPLACES INTERNATIONAL #893944R92
	9613	3.50"	3.77"	4.33"	0.21"	REPLACES INTERNATIONAL #338614C1
	9613	3.50"	3.77"	4.33"	0.21"	88-94 SERIES S TRUCK BUS W/DT466
	9396	3.50"	3.94"	4.50"	0.21"	REPLACES INTERNATIONAL #434252R91
	9396	3.50"	3.94"	4.50"	0.21"	ALL MODELS W/DD 4-53, 8V71, 8V92, CAT 3208T
	9396	3.50"	3.94"	4.50"	0.21"	ALL MODELS W/CUMMINS VT-555
	9737	3.00"	3.28"	3.84"	0.40"	T444E 1994-2000 INTERNATIONAL BUS
	9653	4.00"	4.19"	4.75"	0.40"	REPLACES INTERNATIONAL #893945R92
	9653	4.00"	4.19"	4.75"	0.40"	7.3L, DT-DTA 360, DT-DTA 466
	9647	4.00"	4.32"	4.91"	0.29"	REPLACES INTERNATIONAL #433192R91
	9647	4.00"	4.32"	4.91"	0.29"	ALL MODELS W/6-71N
	9658	4.00"	4.30"	5.00"	0.40"	INTERNATIONAL #41667161
	9735	4.00"	4.97"	5.25"	0.26"	9300 SERIES W/DD 8V71, 8V92
	9735	4.00"	4.97"	5.25"	0.26"	REPLACES INTERNATIONAL #5132650
	9735	4.00"	4.97"	5.25"	0.26"	REPLACES INTERNATIONAL # 780067C91
	9615	5.00"	5.32"	5.88"	0.40"	REPLACES INTERNATIONAL #390226C91
	9615	5.00"	5.32"	5.88"	0.40"	INTERNATIONAL #1672105C91

Continued

V-BAND CLAMPS (Cont.)

Manufacturer	P/N	TUBE DIA.	A	B	C	APPLICATION
MACK						
	9396	3.50"	3.94"	4.50"	0.21"	ALL MODELS W/DD 4-53, 8V71, 8V92, CAT 3208T
	9396	3.50"	3.94"	4.50"	0.21"	ALL MODELS W/CUMMINS VT-555
	9614	4.00"	4.17"	4.61"	0.16"	REPLACES MACK #48RU2341
	9614	4.00"	4.17"	4.61"	0.16"	DM/MR MODELS
	9399	4.00"	4.25"	4.81"	0.21"	ALL MODELS W/DD6-71T, 8.2N, 8.2T, 12V71
	9619	4.00"	4.38"	4.94"	0.18"	REPLACES MACK #11ME29
	9615	5.00"	5.32"	5.88"	0.40"	REPLACES MACK #11ME241
PETERBILT						
	9616	5.00"	4.97"	5.25"	0.26"	PETERBILT #14-11039
THOMAS						
	9622	3.50"	3.63"	4.19"	0.40"	84-90 SAF-T-LINER MODELS W/3208T
	9622	3.50"	3.63"	4.19"	0.40"	REPLACES THOMAS #61240207
	9651	4.00"	4.13"	4.69"	0.40"	84-89 THOMAS SCHOOL BUS W/ 3208T
	9651	4.00"	4.13"	4.69"	0.40"	REPLACES THOMAS #61240208
	9659	4.00"	4.19"	4.75"	0.21"	89-93 THOMAS SCHOOL BUS W/8.2LT
	9659	4.00"	4.19"	4.75"	0.21"	REPLACES THOMAS #61240209
	9654	5.00"	5.32"	5.92"	0.28"	90-93 THOMAS SCHOOL BUS W/6V92
	9654	5.00"	5.32"	5.92"	0.28"	REPLACES THOMAS #61240715

U-CLAMPS

STANDARD DUTY 5/16" U-BOLT



P/N	SIZE	BOX QTY
U118	1 1/8"	1
U114	1 1/4"	1
U112	1 1/2"	1
U158	1 5/8"	1
U134	1 3/4"	1
U178	1 7/8"	1
U200	2"	1
U218	2 1/8"	1
U214	2 1/4"	1
U212	2 1/2"	1

STANDARD DUTY 5/16" U-BOLT W/ FLANGE NUT



P/N	SIZE	BOX QTY
339976	1 1/2"	50
339977	1 5/8"	50
339978	1 3/4"	50
339979	1 7/8"	50
339980	2"	50
339981	2 1/8"	50
339982	2 1/4"	50
339983	2 1/2"	50

DGM STYLE 3/8" U-BOLT W/ FLANGE NUT



P/N	SIZE	BOX QTY	P/N	SIZE	BOX QTY
M112	1 1/2"	1	339862	1 1/2"	100
M158	1 5/8"	1			
M134	1 3/4"	1	339880	1 3/4"	100
M178	1 7/8"	1	339879	1 7/8"	100
M200	2"	1	339878	2"	100
M218	2 1/8"	1	339877	2 1/8"	100
M214	2 1/4"	1	339876	2 1/4"	100
M212	2 1/2"	1	339875	2 1/2"	100
M238	2 3/8"	1			
M258	2 5/8"	1			
M300	3"	1	9972	3"	50

SLOTTED HD 3/8" U-BOLT W/ FLANGE NUT



P/N	SIZE	BOX QTY
339893	1 1/2"	100
339892	1 3/4"	100
339891	1 7/8"	100
339890	2"	100
339889	2 1/4"	100
339888	2 1/2"	100

EXHAUST CLAMPING PRODUCTS

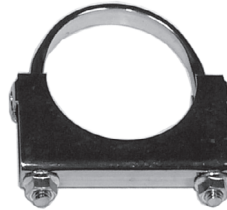
U-CLAMPS (Cont.)

STAINLESS STEEL 3/8" U-BOLT



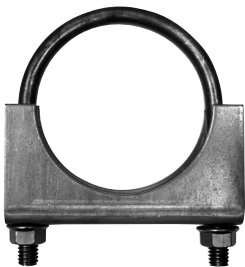
P/N	SIZE	BOX QTY
SS112	1 1/2"	1
SS134	1 3/4"	1
SS178	1 7/8"	1
SS200	2"	1
SS214	2 1/4"	1
SS212	2 1/2"	1
SS300	3"	1

FLAT BAND CLAMPS



P/N ZINC	P/N CHROME	SIZE	BOX QTY
9501	9490	3"	1
9502	—	3 1/2"	1
9503	9492	4"	1
9504	9493	5"	1
9736	—	5 1/2"	1
9506	9495	6"	1

HEAVY DUTY 3/8" U-BOLT TRUCK CLAMPS



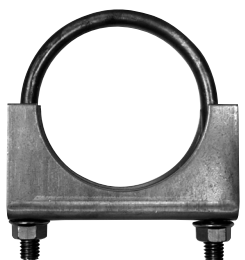
P/N	P/N ZINC	SIZE	BOX QTY
H234P	—	2 3/4"	1
H300P	H300PZ	3"	1
H312P	H312PZ	3 1/2"	1
H400P	H400PZ	4"	1
H412P	H412PZ	4 1/2"	1
H500P	H500PZ	5"	1

HEAVY DUTY GUILLOTINE CLAMPS



P/N	P/N ZINC	P/N CHROME	SIZE	BOX QTY
T234	—	—	2 3/4"	1
T300	T300Z	—	3"	1
T314	—	—	3 1/4"	1
T312	T312Z	—	3 1/2"	1
T400	T400Z	9486	4"	1
—	T412Z	—	4 1/2"	1
T500	T500Z	9487	5"	1
—	T512Z	—	5 1/2"	1
T600	T600Z	9734	6"	1

EXTRA HEAVY DUTY CLAMPS 3/8" U-BOLT 11 GAUGE SADDLE



P/N	P/N ZINC	SIZE	BOX QTY	P/N	P/N ZINC	SIZE	BOX QTY
H200	—	2"	1	H300*	H300Z	3"	1
H218	—	2 1/8"	1	H314*	—	3 1/4"	1
H214	—	2 1/4"	1	H312*	—	3 1/2"	1
H238	—	2 3/8"	1	H400*	H400Z	4"	1
H212	—	2 1/2"	1	H412*	—	4 1/2"	1
H258*	—	2 5/8"	1	H500*	H500Z	5"	1
H234*	—	2 3/4"	1	H600*	H600Z	6"	1

*Welded Saddle

AIR TUBE SADDLE CLAMPS



P/N	SIZE	BOX QTY
4904	1/2"	25
4914	5/8"	25
4907	3/4"	25
4925	1"	25

