

320111 Replacement CKM Motor Cap (Brushes)

ITEM #	QTY	DESCRIPTION	PART #	NOTES
03		O-RING, BS039		
04		MOTOR CAP ASSEMBLY	320111	

Specs:

Suits CKMA12, CKMA24, CKMP12, CKMTA12, CKMTA24, CKMTP12, CKMB12A, CKMB24A

MOTOR CAP REMOVAL:

1. Some compressor models may have brackets bolted to the MOTOR CAP ASSEMBLY (04), if so then unbolt and remove them.
2. Loosen and remove the two motor bolts (05).
3. Remove the MOTOR CAP ASSEMBLY (04) by pulling it out of the motor assembly (01). If it is a tight fit and difficult to pull out by hand then screw the motor bolt (05) into the threaded hole in the MOTOR CAP ASSEMBLY (04) and use the bolt to pull the MOTOR CAP ASSEMBLY (04) from the motor assembly (01).
4. Keep the wavy washer (02), motor bolts (05), o-rings (06) and washers (07) for re-use with the new MOTOR CAP ASSEMBLY (04).

MOTOR CAP INSTALLATION:

5. The brushes in the new MOTOR CAP ASSEMBLY should be set in the 'assembly position' to make the assembly process easier. See Figure 1, which shows the brush being pushed into the 'assembly position'. If you push the brush to this position it should "click" into place and remain there.
6. Place the O-RING (03) on to the MOTOR CAP ASSEMBLY (04) and place the wavy washer (02) in the bearing seat of the MOTOR CAP ASSEMBLY (04). Be careful in the following steps that the wavy washer (02) remains in position.
7. Align the tab on the motor assembly (01) with the cut-out on the MOTOR CAP ASSEMBLY (04) and assemble them together but leave a small gap of approximately 5mm.
8. Through the small gap, using a small screw driver, push on the brushes to set them in the 'operating position' (see Figure 2). You should see them move inwards and hear them "click" into place.
9. With the motor bolts (05), o-rings (06) and washers (07) assembled together, insert them into the assembly and tighten to 9Nm [6.6ft.lb].
10. Lastly before you resume normal use of the compressor you should allow the new brushes in the new MOTOR CAP ASSEMBLY (04) to 'run in'. This just involves operating the compressor at no-load (0 kPa/PSI) for about 10 minutes.

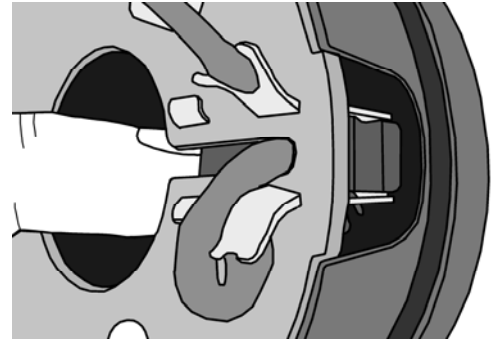


Figure 1.

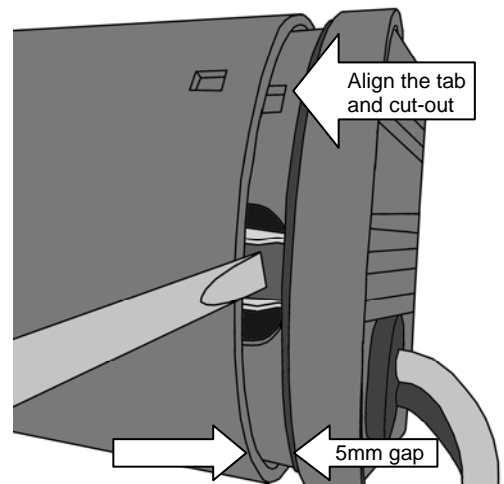
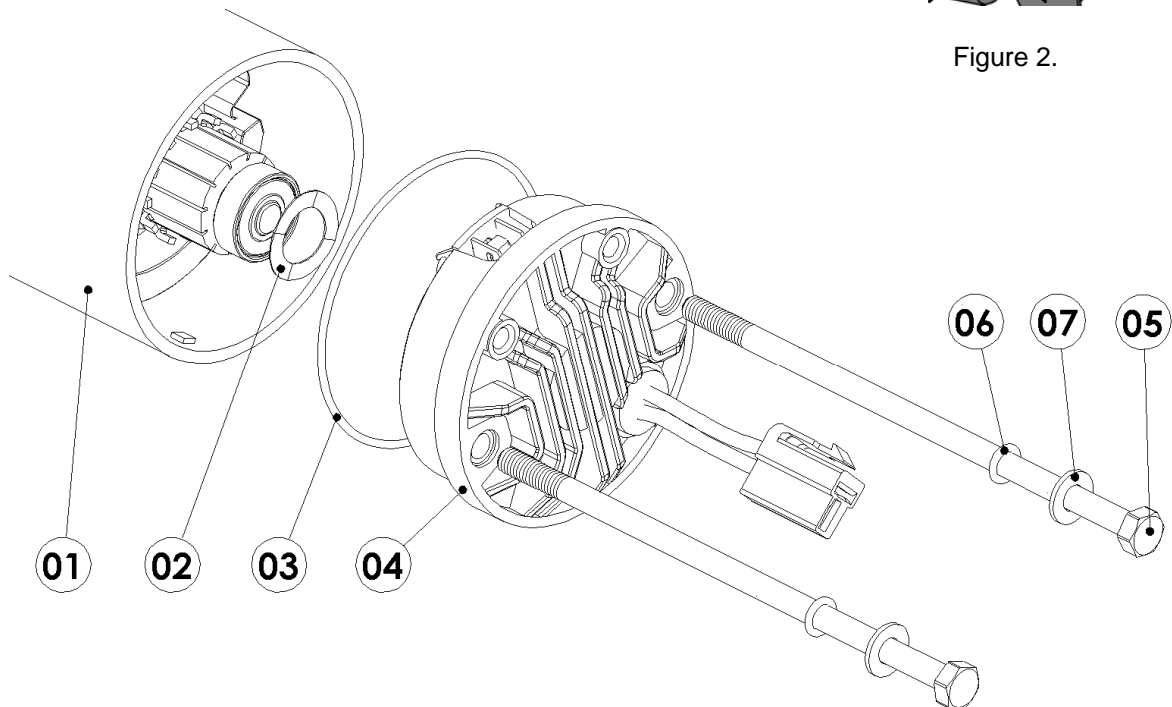


Figure 2.



320111

