

The Tablet Mounting Specialists™



Fleet



Smartphone



AMPS



VESA



Camera



Tablet



ARKON® MOUNTS

Robust Mount Series

25mm (1 inch) | 38mm (1.5 inch)
Double-Ball Socket Mounts



Quality, Innovation, & Value

ARKON ROBUST MOUNT SERIES CATALOG

Arkon's versatile Robust Mount Series is the preferred choice of enterprise customers. This catalog features our complete selection of Robust tablet, smartphone, camera mounts, as well as holders and adapters that are compatible with our Robust Mount offering.

This rugged and durable product line can be used in a variety of environments, including:

- Agriculture
- Aviation
- Commercial Trucking
- Construction
- Material Handling
- Paratransit
- Power Sports
- Public Safety
- Taxicabs
- Tow Trucks
- Warehouse

Arkon's Robust Series is compatible with third-party mounts and adapters having the 25mm (1 inch) ball or 38mm (1.5 inch) ball pattern.

ARKON'S COMMITMENT TO CUSTOMERS

Arkon stands behind the quality of its products and strives to ensure that customers have a positive user experience. We provide a 2-year limited warranty on all of our products.

ADDITIONAL MARKETING RESOURCES

Access Arkon's product images, user manuals, and other marketing content on our comprehensive FTP site. Keep track of new product releases and other information by subscribing to our quarterly e-newsletter, *The Arkon Insider*.

CUSTOM SOLUTIONS AVAILABLE

Our unique mix-and-match mounting system means you can create the solution that fits your needs. In addition to the selection of mounts in this Robust Mount Series Catalog, Arkon's complete product offering of more than 500 products can be used in various customized environments.

ARKON MOUNTS SALES TEAM



TABLE OF CONTENTS

Robust Mount Shafts	3	Camera Mounts	22
Tablet Holders	4	GPS Mounts	23
Locking Tablet Holders.....	5	AMPS Pedestals	24
Phone and Midsize Tablet Holders.....	6	Suction Pedestals	25
Locking Tablet Mounts	8	Handlebar Pedestals.....	26
Powered Tablet Mounts.....	10	Seat Rail Pedestals	27
Tablet Mounts	13	Other Pedestals	27
Phone and Midsize Tablet Mounts.....	16	25mm Spare Parts and Adapters	28
Forklift Mounts	17	38mm Spare Parts and Adapters	30
Cup Holder Mounts	21	Security Hardware Kits.....	31

ROBUST MOUNT SHAFTS

All products in Arkon's Robust Mount Series feature the distinctive Robust Shaft, providing heavy-duty double-ball adjustment. To begin the process of selecting the mount of your choice, choose from three different sizes, in aluminum or composite:



SP-RMS250

Material: Composite
Compatible with 25mm
(1 inch) Ball Components
Shaft Height: 2.75 inches
(70mm)



SPRMSMET-B

Material: Aluminum
Compatible with 25mm
(1 inch) Ball Components
Shaft Height: 2.75 inches
(70mm)



SP-RM250

Material: Composite
Compatible with 25mm
(1 inch) Ball Components
Shaft Height: 3.75 inches
(95mm)



SPRMET-B

Material: Aluminum
Compatible with 25mm
(1 inch) Ball Components
Shaft Height: 3.75 inches
(95mm)



SPRM38MM

Material: Aluminum
Compatible with 38mm
(1.5 inch) Ball Components
Shaft Height: 5.0 inches
(127mm)

SECURITY KIT AVAILABLE



SP-RMSH-KIT

Hardware kits are available to convert Robust Shafts for use in settings needing a secure mounting solution. See page 31.

TABLET HOLDERS



Model FLRM38TAB1

TAB001-AMPS

Slim-Grip® Universal Tablet Holder with 4-Hole AMPS Pattern



- Fits 7" to 18.4" screen size tablets, including iPad Pro™
- Spring-loaded design
- Customizable support legs (4 short/2 medium/4 long) and stoppers included

Dimensions:

Holder height: 6.75" (171mm)
 Holder width: 4.6" (117mm)
 Max. extension: 7.75" (197 mm)
 Holder height, long legs: 7.5" (191mm)
 Max. extension, long legs: 11.75" (298mm)



Spring-loaded holder with adjustable legs for maximum versatility



Includes:
5 Rubber Stoppers

TAB003

Universal Push-Button Tablet Holder



- Fits tablets 9" to 12" screen size
- Spring-loaded design
- One-touch push-button releases holder's grip arm

Dimensions:

Holder height: 6.0" (152mm)
 Holder width: 4.6" (117mm)
 Max. extension: 8.3" (211mm)



Also Available:

TAB001

Slim-Grip® Universal Tablet Holder with Dual T-Slot Pattern

TAB004KL-B

Universal Metal Locking Tablet Holder with Key Lock

- Fits tablets up to 10" screen size
- Included keys secure tablet
- Connects to pedestals with 4-Hole AMPS

Dimensions:

Min. width: 4.69" (119mm)
 Max. width: 7.50" (191mm)
 Min. height: 7.88" (200mm)
 Max. height: 10.38" (264mm)
 Depth: .88" (22mm)



TAB4XLKL-B **NEW**

Extra-Large Universal Metal Locking Tablet Holder with Key Lock

- Fits tablets 10" to 12.9" screen size
- Included keys secure tablet
- Connects to pedestals with 4-Hole AMPS

Dimensions:

Min. width: 4.69" (119mm)
 Max. width: 8.75" (222mm)
 Min. height: 9.88" (251mm)
 Max. height: 12.25" (311mm)
 Depth: .88" (22mm)



TAB005KL-B **NEW**

Universal Plastic Locking Tablet Holder with Key Lock

- Fits tablets 7" to 10" screen size
- Included keys secure tablet
- Connects to pedestals with 4-Hole AMPS

Dimensions:

Min. width: 7.75" (197mm)
 Max. width: 12.0" (305mm)
 Min. height: 5.5" (140mm)
 Max. height: 8.5" (216mm)
 Depth: 1.0" (25mm)



PHONE AND MIDSIZE TABLET HOLDERS



Model RVXLRM8825

RVXLWR

RoadVise® XL Phone and Midsize Tablet Holder



- Fits devices up to 5" wide
- 17mm ball mounting pattern



Dimensions:

Max. height: none
 Max. width: 5.0" (127mm)
 Max. device weight: 2lbs.

RV001WR

RoadVise® Universal Phone Holder



- Fits devices up to 4" wide
- 17mm ball mounting pattern



Dimensions:

Max. height: none
 Max. width: 4.0" (102mm)
 Max. device weight: 2lbs.

PHONE AND MIDSIZE TABLET HOLDERS

MG002WR

Mobile Grip Universal Phone Holder



- Fits phones up to 3.6" wide
- 17mm ball mounting pattern



Dimensions:

Holder height: 1.4" (35mm)
 Holder depth: .75" (19mm)
 Min. device width: 2.4" (60mm)
 Max. device width: 3.6" (91mm)

SM040-2

Mega Grip Universal Phone Holder



- Dual T-Slot mounting pattern



Dimensions:

Holder Height: 4.0" (102mm)
 Holder depth: 1.0" (25mm)
 Side grip arms, closed: 2.25" (57mm)
 Side grip arms, opened: 3.5" (89mm)

SM060-2

Slim-Grip® Ultra™ Universal Midsize Tablet and Phone Holder

- Fits devices up to 8" screen size
- Dual-T pattern compatible
- Spring-loaded design
- Customizable support legs (4 short/4 long) and stoppers included



Includes:
 5 Rubber
 Stoppers



Dimensions:

Holder width: 2.4" (60mm)
 Holder height: 4.25" (108mm)
 Holder height, long legs: 5.5" (140mm)
 Max. extension: 6.0" (152mm)
 Max. extension, long legs: 7.5" (190mm)

LOCKING TABLET MOUNTS

TAB4METKL

Universal Metal Locking Tablet Mount with 4-Hole Metal AMPS Base

- Fits tablets up to 10" screen size
- Included keys secure tablet
- 4-Hole AMPS drill base



Also available:

TAB4XLMETKL

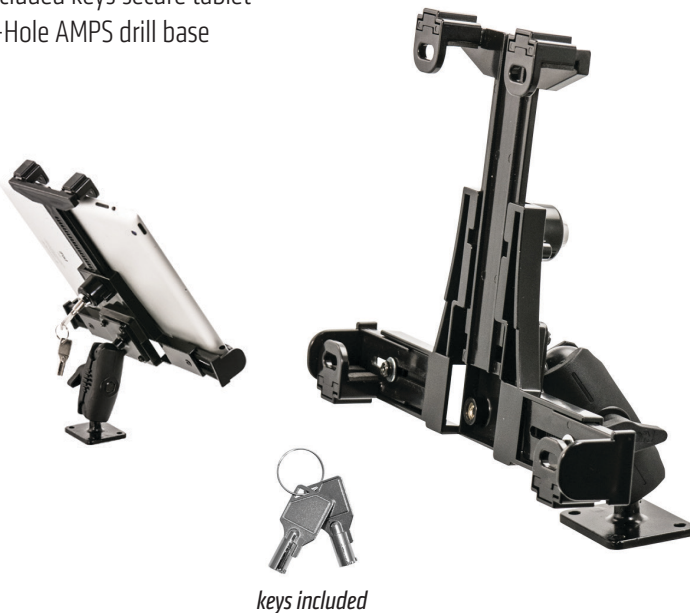
Extra-Large Universal Metal Locking Tablet Mount



TAB5METKL **NEW**

Universal Plastic Locking Tablet Mount with 4-Hole Metal AMPS Base

- Fits tablets 7" to 10" screen size
- Included keys secure tablet
- 4-Hole AMPS drill base



LOCKING TABLET MOUNTS

TAB4RMSHM4

Locking Headrest Tablet Mount

- Attaches onto most 2-post style headrests
- Security hardware kit included



TAB5RMSHM4

Plastic Locking Headrest Tablet Mount

- Attaches onto most 2-post style headrests
- Security hardware kit included



TAB48825MM **NEW**

Universal Metal Locking Seat Rail or Floor Tablet Mount

- Optional floor brackets included for drilling into vehicle floor
- Security hardware kit included



TAB58825MM **NEW**

Universal Plastic Locking Seat Rail or Floor Tablet Mount

- Optional floor brackets included for drilling into vehicle floor
- Security hardware kit included



POWERED TABLET MOUNTS

LB2000C **NEW**
GPS LOCKBOX Mount for Samsung Tab A 8.0

Includes:

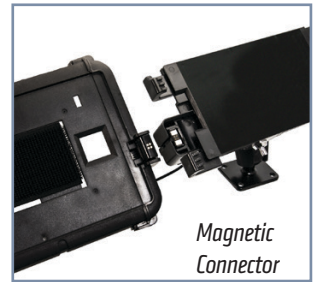
- Lock box and case with keys
- Hardwire 2.4A charger
- Magnetic changing insert module



keys included



Hand strap included



Magnetic Connector

Also available:

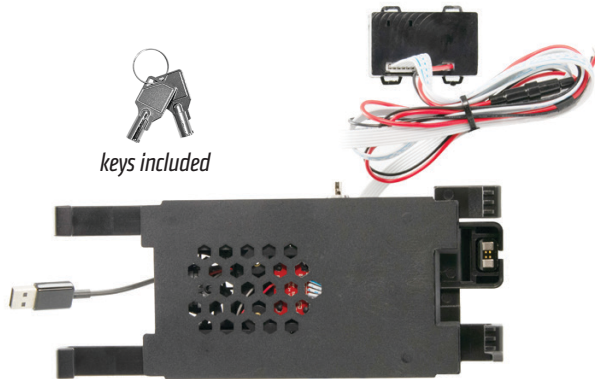
LB1000C
GPS LOCKBOX Mount for Samsung Tab E 8.0

LBATMOS **NEW**
GPS LOCKBOX Atmos Heating/Cooling Holder for Tab E 8.0

- Temperature regulation system for vehicle-mounted tablets
- Maintains tablet battery temperature at 50-80 degrees
- Compatible with Tab E Lock Box models



Built-in Fan



keys included

Also available:

LBATMOSA **NEW**
GPS LOCKBOX Atmos Heating/Cooling Holder for Tab A 8.0

LBAMPSPKR **NEW**
GPS LOCKBOX Push-to-Talk Amplified Speaker for Tab E 8.0 and Tab A 8.0

- Optional add-on allows tablet to double as push-to-talk device
- Compatible with Tab E and Tab A Lock Box models



POWERED TABLET MOUNTS

LBRM8825MM **NEW**

Seat Rail or Floor Tablet Lock Box Mount for Samsung Tab E 8.0

Includes:

- Lock box and case with keys
- Hardwire 2.4A charger
- Magnetic charging insert module
- Locking hardware
- Flexible seat rail floor mount



20.5" H
(521mm)



keys included



Hand strap
included

LBFLXTABA-L23 **NEW**

Seat Rail Tablet Lock Box Mount Bundle for Samsung Tab A 8.0

Includes:

- Lock box and case with keys
- Hardwire 2.4A charger
- Magnetic charging insert module
- Locking hardware
- 23" Flexible seat rail floor mount
- Optional drill base pedestal



measures 23"
end to end



keys included



Optional drill-base
pedestal included



Hand strap
included

Also available:

LBFLXTABE-L23

23" Seat Rail Tablet Lock Box Mount Bundle for Samsung Tab E 8.0

POWERED TABLET MOUNTS

TAB42AMPSUSB

Universal Metal Locking Tablet Holder with 4-Hole AMPS Drill Base

- Fits tablets up to 10" screen size

Includes:

- Hardwire 2.4A charger (9 foot)
- USB to Micro USB cable (3 foot)



Also available:

TAB42AMP SHW

Universal Metal Locking Tablet Mount with 4-Hole AMPS Metal Base and Fixed Install and Lightning® Cables

AIB751RM

Charging Car Dock Mount Bundle for Android Phones

Includes:

- mPro NFC™ Micro USB Car Dock (phone/case combinations from 4.7" to 5.75" wide)
- Windshield/Dash Sticky Suction Mounting Pedestal
- Adhesive Mounting Pedestal
- Adhesive Dashboard Mounting Disk
- Fixed Install USB Vehicle Power Adapter (12 - 24V Input, 2.4A Output)
- Robust 4-Hole AMPS Drill-Base Mounting Pedestal with 17mm Head

This enterprise bundle includes the mPro Android charging car dock, with four vehicle mounting options: sticky suction windshield or dash mount, dash adhesive mount, or 4-Hole AMPS drill-base mount.



Also available:

AIB450RM

Charging Car Dock Mount Bundle for Android Phones

Holder Fits Tablets 7" to 18.4" Screen Size

TABRMAMPS-MET

Tablet Mount with Metal 4-Hole AMPS Base



Also available:

TABRMAMPS

Tablet Mount with 4-Hole AMPS Base



TABRM2X023

Cup Holder Tablet Mount with Double Robust Shafts



Also available:

TABRM023

Cup Holder Tablet Mount - Single Robust Shaft



TABLET MOUNTS

Holder Fits Tablets 7" to 18.4" Screen Size

TABRM079

Universal Sticky Suction Windshield or Dash Tablet Mount



Also available:

TABRM080

Windshield Suction Tablet Mount

TABRM2X80 **NEW**

Double Windshield Suction Tablet Mount



TABRM086

Tablet Clamp Mount with Adjustable Base



C-Clamp Opening 0.25"-2.5" (6mm-64mm)

TABRMTRI

Universal Tablet Tripod Mount



Compatible with tripods with
1/4"-20 mounting bolt

TABLET MOUNTS

TAB18825MM **NEW**

Seat Rail or Floor Tablet Mount

- Fits 7" to 18.4" screen size tablets
- Spring-loaded design
- Customizable support legs (4 short/2 medium/4 long) and stoppers included
- Optional floor brackets included



Also available:

TAB188AMPS25 **NEW**

Seat Rail or Floor Tablet Mount
4-Hole AMPS Compatible

RVXLRM8825 **NEW**

RoadVise® XL Seat Rail or Floor Phone and Midsize Tablet Mount

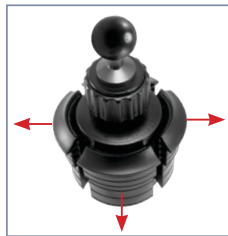
- Optional floor brackets included
- Fits devices up to 5" wide



XLRM023

RoadVise® XL Phone or Midsize Tablet Cup Holder Mount

For devices up to 5" wide (127mm)



25mm cup holder base expands to fit up to 3.5" (89mm) diameter



XLRMAMPSMET

RoadVise® XL Metal 4-Hole AMPS Phone or Midsize Tablet Mount

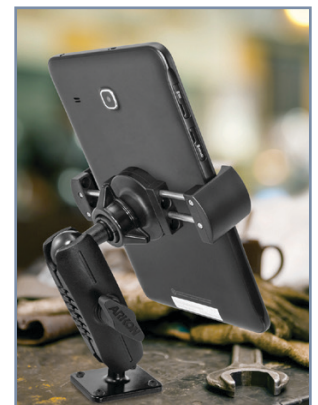
For devices up to 5" wide (127mm)



Also available:

XLRMAMPS

RoadVise® 4-Hole AMPS Mount



PHONE AND MIDSIZE TABLET MOUNTS

SM68825MM **NEW**

Slim-Grip® Ultra™ Seat Rail or Floor Phone and Midsize Tablet Mount

- Floor brackets included
- Fits devices up to 8" screen size



RM60802T

Slim-Grip® Ultra™ Windshield Suction Phone or Midsize Tablet Mount



RM6AMPS2T

Slim-Grip® Ultra™ 4-Hole AMPS Phone or Midsize Tablet Mount



SM6RMTRI

Slim-Grip® Ultra™ Phone or Midsize Tablet Tripod Mount



RM40802T

Mega Grip Windshield Suction Phone Mount



SM48825MM **NEW**

Mega Grip Seat Rail or Floor Phone Mount

- Floor brackets included
- Fits phones up to 3.5" wide



SECURE MOUNTING FOR TOUGH ENVIRONMENTS

Arkon's Forklift Mounts are designed for mounting and securing phones, tablets, barcode scanners, radios, or other devices to a forklift, pallet jack, or other warehouse vehicle. Consisting of two steel plates with black powdercoat finish and accompanying mounting hardware, these forklift mounts are made with heavy gauge steel construction to last in tough environments, including construction sites, factories, and warehouses.

Mounts are available in two sizes:

Forklift Mounts (page 17 and 18): Each of the mount's steel plates weighs just over 3 pounds and measures 10" x 7" x 1/8" (254 x 178 x .13mm). Multiple size holes (4.9mm, 5.7mm, and 8.5mm) as well as hole patterns are pre-drilled into the plate, including 4-Hole AMPS, VESA 75, and VESA 100 for mounting multiple types of devices.

Forklift Pillar Mounts (page 19 and 20): Each of the mount's steel plates weighs just under half a pound each and measures 4" x 2.75" x 1/8" (102 x 70 x .13mm).

NEW Our 38mm forklift mounts (pages 18 and 20) feature Arkon's SPRM38MM Metal 38mm Robust Shaft and are available in both forklift and forklift pillar models.

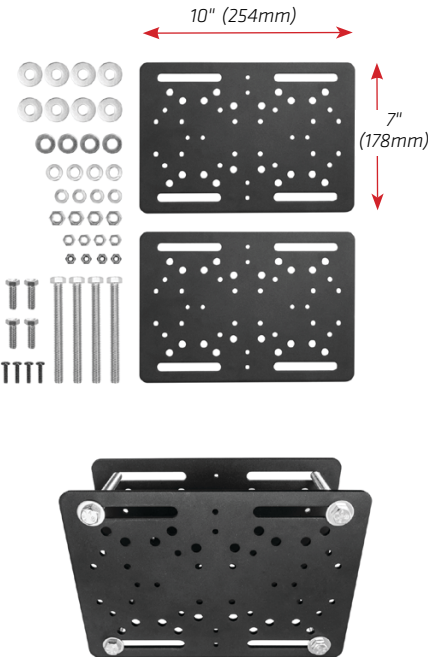
Installation is easy with no drilling required.

Common Mounting Locations

A Pillar B Overhead Guard



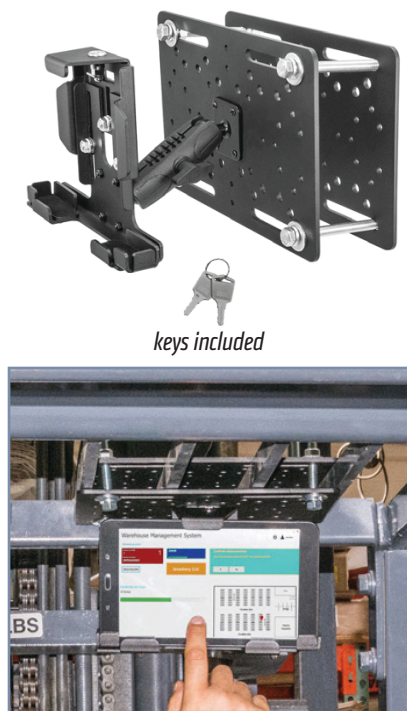
FLIFT01 Forklift Mount Plate Bundle



FLRMTAB01 Forklift Tablet Mount



FLRMTAB04 Locking Forklift Tablet Mount



FORKLIFT MOUNTS



FLB1000C
38mm Tablet Lock Box Forklift Mount for Samsung Tab E 8.0



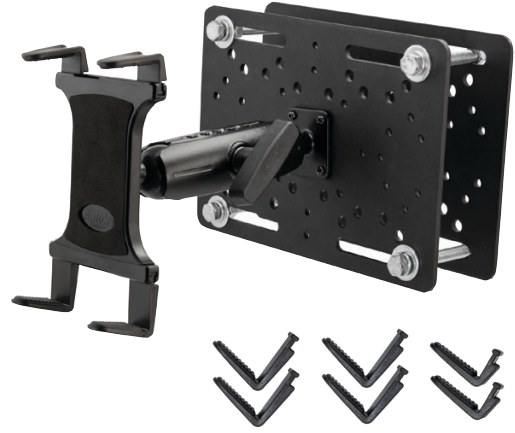
Also available:

FLBA1000C
38mm Tablet Lock Box Forklift Mount for Samsung Tab A 8.0

FLRM38TAB4
38mm Locking Forklift Tablet Mount



FLRM38TAB1
38mm Forklift Tablet Mount

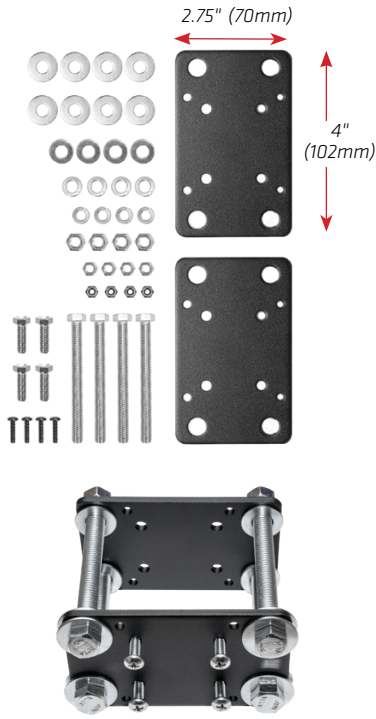


FLRM38TAB5
38mm Plastic Locking Forklift Tablet Mount



FORKLIFT PILLAR MOUNTS

FLIFT02 Forklift Pillar Mount Bundle



FLBKTAB01 Tablet Forklift Pillar Mount



FLBKTAB04 Locking Tablet Forklift Pillar Mount



FLBKTXL RoadVise® XL Phone or Midsize Tablet Forklift Pillar Mount



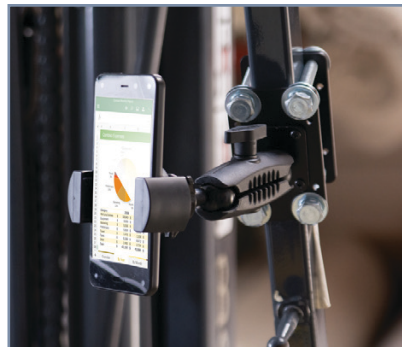
For devices up to 5" wide (127mm)



FLBKTRV RoadVise® Forklift Pillar Phone Mount



For devices up to 4" wide (102mm)



FLBKTSM4 Mega Grip Forklift Pillar Phone Mount



For devices up to 3.5" wide (89mm)



FORKLIFT PILLAR MOUNTS

FLBKT1000C

38mm Tablet Lock Box Forklift Pillar Mount for Samsung Tab E 8.0



Also available:

FLBKTA1000C

38mm Tablet Lock Box Forklift Pillar Mount for Samsung Tab A 8.0

keys included

FLBK38TAB1

38mm Forklift Pillar Tablet Mount



Model FLBK38TAB5

FLBK38TAB4

38mm Locking Forklift Pillar Tablet Mount



keys included

FLBKT38TAB5

38mm Plastic Locking Forklift Pillar Tablet Mount



keys included

CUP HOLDER MOUNTS



RM0232T-B
Cup Holder Mount
Dual T-Tab Pattern Compatible



RM023VESA
Cup Holder VESA Mount



RM0232517
Cup Holder Mount
17mm Ball Compatible



RM023AMPS-B
Cup Holder AMPS Mount



CAMERA MOUNTS



L to R: Models TABRMTRI, RM0791420, RM0861420

RM14202T

Camera Tripod Mount - Dual T-Tab Pattern Compatible



Compatible with tripods with 1/4"-20 mounting bolt



RM1420RV

RoadVise® Phone Mount with 1/4"-20 Tripod Mounting Bolt Base



Compatible with 1/4"-20 mounting pattern

RM0791420

Sticky Suction Windshield or Dash Camera Mount



Also available:

RM0801420

Heavy-Duty Windshield Suction Camera Mount

RM080CAM

Windshield Suction Camera Mount

Compatible with 1/4"-20 mounting pattern



CAMERA MOUNTS

RM0861420

Heavy-Duty C-Clamp Camera Mount



C-Clamp Opening
0.25"-2.5" (6mm-64mm)

RMAMPS1420

Heavy-Duty 4-Hole AMPS Camera Mount



Also available:

RMSAMPS1420

Heavy-Duty 4-Hole AMPS Camera Mount with Small Robust Shaft



Model GPRM086

GPRM086

C-Clamp Mount for GoPro® Action Cameras



C-Clamp Opening
0.25"-2.5"
(6mm-64mm)

GPRMS079

Sticky Suction Mount for GoPro® Action Cameras



GPS MOUNTS

RM0806000

Windshield Suction Mount for Garmin Alpha®, Astro® Models



4-HOLE AMPS PEDESTALS

RMS2XAMPS-MET-SH

4-Hole AMPS Pedestal with Small Shaft and Metal 4-Hole AMPS Head and Base with Security Hardware



Also available:

RMS2XAMPS-MET

4-Hole AMPS Pedestal with Small Shaft and Metal 4-Hole AMPS Head and Base

MRM2XAMPS

25mm (1 inch) Metal Pedestal with Metal 4-Hole AMPS Head and Base



RM382XMAMPS

38mm (1.5 inch) Metal Pedestal with Metal 4-Hole AMPS Head and Base



RMAMPS2T-MET

4-Hole AMPS Pedestal with Dual-T Head and Metal 4-Hole AMPS Base



Also available:

RMAMPS2T

4-Hole AMPS Pedestal with 4-Hole AMPS Head and Base

Also available:

RMSAMPS2T

4-Hole AMPS Pedestal with Small Shaft and Dual T-Tab Head



RM2XAMPS-MET-SH

4-Hole AMPS Pedestal with Metal 4-Hole AMPS Head and Base and Security Hardware



Also available:

RM2XAMPS-MET

4-Hole AMPS Pedestal with Metal 4-Hole AMPS Head and Base

Also available:

RM2XAMPS

4-Hole AMPS Pedestal with 4-Hole AMPS Head



RMAMPS2517

4-Hole AMPS Pedestal with 17mm Ball Head



RMEQUIP

4-Hole AMPS Pedestal with APEQUIP Mounting Plate



RMVESAMPS

4-Hole AMPS Pedestal with VESA Head



SUCTION PEDESTALS

RM0792TWD

80mm Sticky Suction
Windshield or Dash
Pedestal with Dual
T-Tab Head



RMS0792T

80mm Sticky Suction
Windshield or Dash
Pedestal with Dual
T-Tab Head



RM0792517

80mm Sticky Suction
Windshield or Dash
Pedestal with
17mm Ball Head



RM2X80AMPS **NEW**

Double 80mm Windshield Suction Pedestal
4-Hole AMPS Compatible



RM2X802T **NEW**

Double 80mm Windshield Suction Pedestal
Dual-T Compatible



SUCTION PEDESTALS

RM0802T

80mm Windshield Suction Pedestal with Dual T-Tab Head



Disk included for optional dash mounting



RM080AMPS

Robust Suction Pedestal with 4-Hole AMPS Head

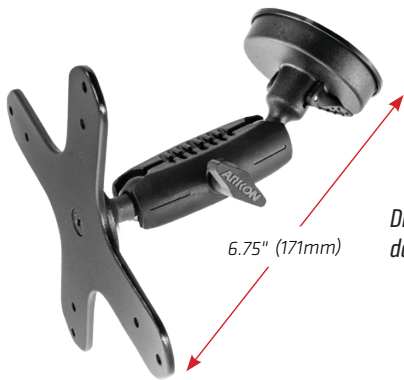


Disk included for optional dash mounting



RM080VESA

Windshield Suction Pedestal with VESA Head



Disk included for optional dash mounting



RM0802517

Windshield Suction Pedestal with 17mm Head



Disk included for optional dash mounting



HANDLEBAR PEDESTALS

MC25MM17 **NEW**

Aluminum Handlebar Pedestal
17mm Ball Compatible



Handlebar spacer rings included



MC25MM1420 **NEW**

Aluminum Handlebar Camera Mount



Handlebar spacer rings included



MC25MM2T **NEW**

Aluminum Handlebar Pedestal
Dual-T Compatible



Handlebar spacer rings included



SEAT RAIL PEDESTALS

RM08825MM **NEW**

18" 25mm Seat Rail or Floor Pedestal



- Optional floor brackets included
- Conduit included to minimize vibration



RM88MAMPS **NEW**

Seat Rail or Floor Pedestal
4-Hole AMPS Compatible



- Optional floor brackets included
- Conduit included to minimize vibration



RM8825MM2T **NEW**

Seat Rail or Floor Pedestal
Dual-T Compatible



- Optional floor brackets included
- Conduit included to minimize vibration



OTHER PEDESTALS

RMHM4AMPS **NEW**

Headrest Mount Pedestal



RMVHB2T

VHB Adhesive Pedestal with
Dual T-Tab Head



RM0862T

Heavy-Duty C-Clamp Pedestal
with 4" Adjustable Arm



25MM SPARE PARTS AND ADAPTERS

APMAMPS25MM

4-Hole Metal AMPS to 25mm
(1 inch) Ball Adapter



APAMPS25MM

4-Hole AMPS to 25mm
(1 inch) Ball Adapter



APCMAMPS25

Circular 4-Hole AMPS to 25mm (1 inch)
Ball Adapter



SP25MM25

25mm (1 inch) Ball to 25mm
Ball Adapter - Metal



SP25MMPL

25mm (1 inch) Ball to 25mm
Ball Adapter - Plastic



SP20MM25

20mm Metal Ball to
25mm (1 inch) Ball Adapter



SP25MM17

25mm (1 inch) Ball to
17mm Ball Adapter



SPBASE25MM

90mm Windshield Suction Base to 25mm (1 inch) Ball Adapter



SPRM079

80mm Sticky Suction Base to 25mm
(1 inch) Ball Adapter



Also available:

SPRM080

80mm Windshield Suction Base to 25mm
(1 inch) Ball Adapter

25MM SPARE PARTS AND ADAPTERS

SPCLAMP25MM **NEW**

25mm (1 inch) Ball to C-Clamp Adapter



Also available:

SPCLAMP

Custom Clamp Adapter - Bulk

SP-VHB25MM

Flexible VHB Adhesive Base to 25mm (1 inch) Ball Mounting Disk



SP25MMCLAMP

25mm (1 inch) Ball to C-Clamp Adapter



AP25MMVESA

25mm (1 inch) to VESA 75/ VESA 100 Pattern Adapter



APRM2T

25mm (1 inch) Ball to Dual T-Tab Adapter



HM00425MM-B

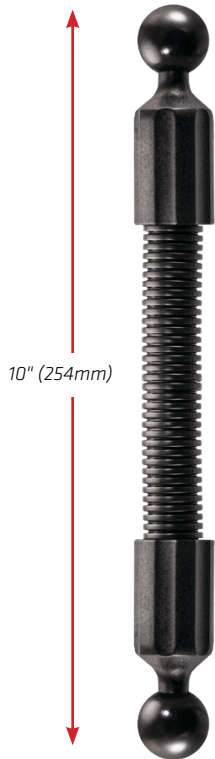
Headrest Clamp Base with 25mm (1 inch) Ball Head Adapter



25MM SPARE PARTS AND ADAPTERS

SP25EXT2510

25mm (1 inch) Ball to 25mm Ball
Extension Rod - 10 inch



SP142025MM

1/4"-20 Threaded Camera Pattern to
25mm (1 inch) Ball Adapter



SP25MMCAM

1/4"-20 Camera Screw Mount to
25mm (1 inch) Ball Adapter



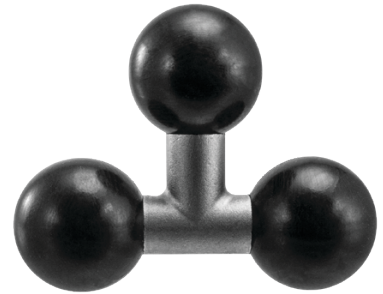
SP25MMGP

25mm (1 inch) Ball to GoPro® Lateral
Screw Pattern Adapter



APT325MM

Triple 25mm (1 inch) Ball Adapter



38MM SPARE PARTS AND ADAPTERS

APMAMPS38MM **NEW**

Universal Clamp with 38mm Ball
(1.5 inch) Adapter



AP38MMVESA **NEW**

38mm (1.5 inch) to VESA 75/ VESA 100
Pattern Adapter



APMAMPS38MM

Metal 4-Hole AMPS to 38mm (1.5 inch)
Ball Adapter



Lock It Up

Arkon's Robust Mount Shafts can be converted to accommodate environments needing a secure solution. The shaft's knob can be removed and replaced with a screw that requires a hex key or other tool to install. This simple but effective substitution deters theft and provides a clean solution for your mount.



SP-RMSH-KIT Robust Mount Security Kit

- Includes:**
- 40mm Socket Head
 - Zinc Nut
 - Allen Key



SP-RMSH30-KIT Robust Mount Security Hardware Kit with 30mm Socket Head

- Includes:**
- 30mm Socket Head
 - Zinc Nut
 - Washer
 - Allen Key



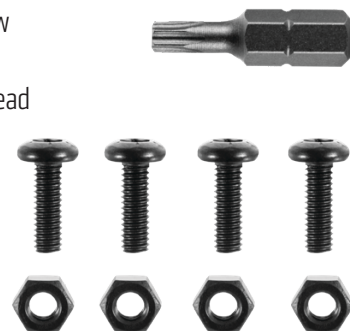
SPTAB5KL Hex Security Screw Pack for TAB005KL-B Locking Tablet Holder

- Includes:**
- (4) Hex Screw
 - Hex Key



SP-TAB4SH-KIT Security Hardware Kit for TAB004KL-B Locking Tablet Holder

- Includes:**
- (4) 12mm Screw
 - (4) M4 Nut
 - Torx Adapter Head





ARKON® MOUNTS



Celebrating over 30 years in business, Arkon Mounts is a leading global manufacturer and supplier of mobile mounting solutions and accessories designed for use with tablets, smartphones, cameras, GPS, and other mobile communication and portable devices. Arkon's customers include many of the world's most recognized brands.

Arkon's extensive Robust Mount Series provides a reliable and tough solution for commercial use, including trucking (with mounts for ELD compliance), construction and material handling, fleet transportation (taxicabs, shuttles, and paratransit, among others), and public safety.



In addition to tablet mounts, Arkon also offers tablet mounting accessories, including those for heating and cooling the tablet in extreme climates, allowing your tablet to double as a push-to-talk device (compatible with Zello, Kodiak, and Wave Push-to-Talk apps), charging the tablet (hardwire and charge port options available), and securing your tablet.