

# FORD CAR & TRUCK CATALOG



**NEVER  
TOO FAR GONE**

YOUR **GO-TO RESOURCE** FOR **FORD** FAIRLANE/TORINO, GALAXIE, F-SERIES & BRONCO



Quality you can Trust!

Don't settle for the incorrect, knock-off parts for your Ford car or truck. Get premium sheet metal from the professionals at Auto Metal Direct! Our panels are made from the proper gauge steel and include all correct-as-original clips, tabs, flanges, bends and seams. Each time a prototype body panel comes off of new tools, we test fit it on a actual vehicle. The marked up prototype is then used to change and improve the tools, and a new prototype is produced. This procedure might be repeated multiple times, but once the final part is approved, you can be assured of a quality part.





## ≡ We Install What We Sell!

You already know that you can get premium sheet metal parts for your muscle car or truck from Auto Metal Direct (AMD). Our panels fit and include all correct-as-original clips, tabs, flanges, bends and seams.

We are so confident in the quality and fit of our parts, that we have developed our own installation center! Cars that were formerly written off as hopeless have now been given a new lease on life. And since we are actually installing our own parts, we are able to develop parts that fit correctly.



# CAR - TABLE OF CONTENTS

CATEGORY	PG. #
Front Bumper	6
Front Bumper Fillers	6
Fenders	7
Fender Braces	7
Shock Tower Braces	7
Grille Support	7
Headlight	8
Inner Fenders	8
Front Frame Rails	9
Splash Shields	9
Battery	9
Radiator	10
Hoods	11
Oil Pan	11
A-Pillars	11
Cowl	12
Cowl Sides	12
Firewall	13
Floor Pans	13
Seat Brackets	14
Floor Braces	15
Rocker Panels	16
Hardware Kits	17
Interior	17
Door	18

# TRUCK PARTS - SEE PAGE #33

CATEGORY	PG. #
Door Jambs	18
Deck Fillers	19
Roof	19
Package Tray	19
Quarter Panels	20
Quarter Panel Braces	21
Inner Wheelhouses	22
Outer Wheelhouses	23
Trunk Floor	24
Trunk Lock Support	26
Trunk Gutters	25
Spare Tire	26
Cross Rail	27
Fuel	27
Tail Light Panel	28
Rear Frame Rails	29
Rear Bumpers	29
Rear Bumper Fillers	29
Glass	30
Glass Seals	31

At Auto Metal Direct, it is our goal to bring you the best sheetmetal possible to assist in preserving these great american classic muscle cars. This catalog is designed to help you easily navigate the parts you need for your restoration project. While this book mainly focuses on the Ford Fairlane / Torino and Galaxie cars, we do have some of the other Ford car parts listed here as well. All **Fairlane / Torino** specific items will be highlighted in red while all the **Galaxie** parts are highlighted in blue. This should make it easier for you to find what you are looking for.

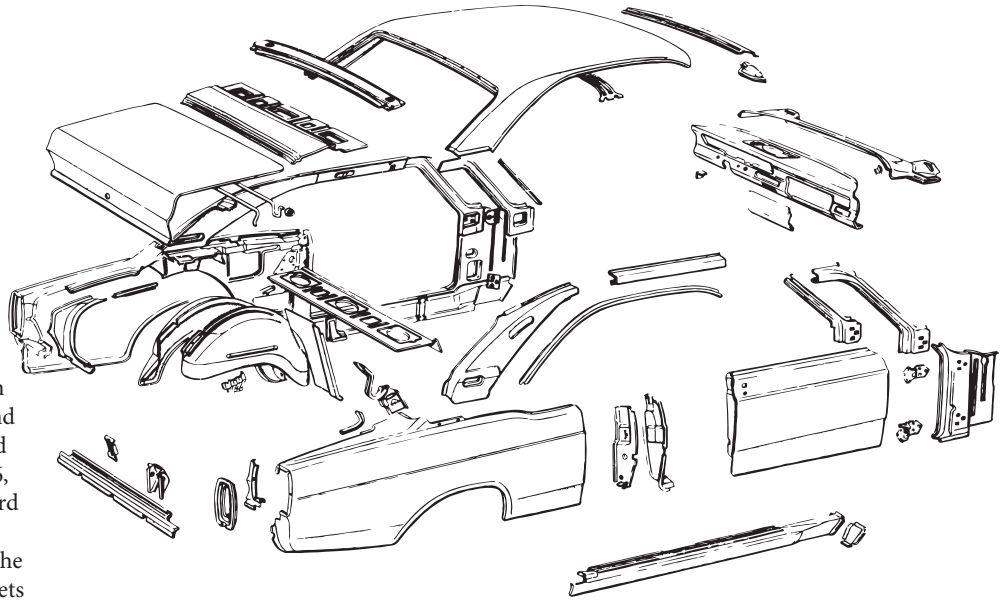




# 66-67 FAIRLANE



After years of only offering the small-block 221, 260, or 289 V8 (except for the very limited edition Thunderbolt and Comet AF/X drag cars), Ford and Mercury finally designed the Fairlane, Comet, and Cyclone to accept the big-block FE 390 V8. In '66, all GT models had the 390 ci 335 hp V8 as standard equipment. A very few '66 Fairlanes had the big 427 V8 for drag racing. '67 Fairlanes could have the 289 V8 as well as the 390 or 427 V8, and '67 Comets could have the 427 V8 as well (very rare cars!). The Ranchero switched to the Fairlane platform for the first time in '67.



# 68-69 FAIRLANE/ TORINO

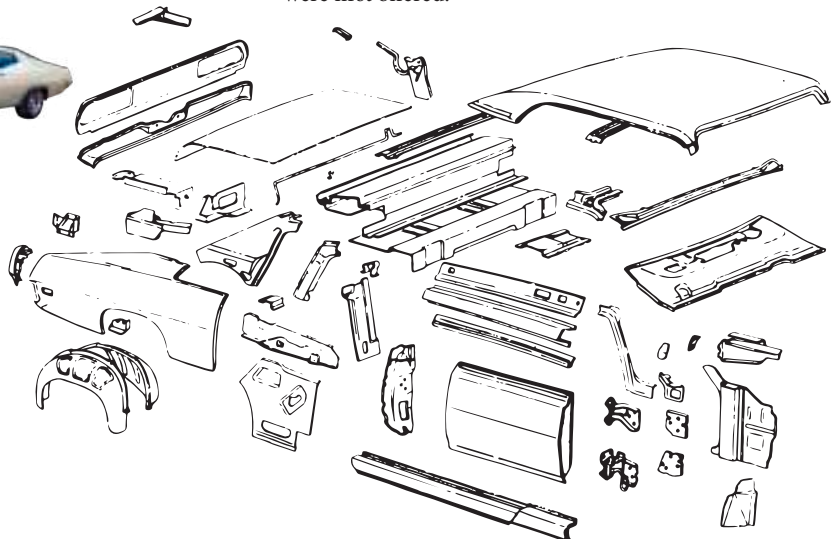


For '68, the Torino and Cyclone offered a sleek fastback roofline that added top end speed on the NASCAR tracks. Dodge responded in '69 with the special Charger 500 models with a sleek front end and a fiberglass plug filling in the back window, so Ford and Mercury responded with the awesome '69 Talladega and Cyclone Spoiler II with their own flush front end styling, which then prompted Dodge to craft the wild Charger Daytona with aero front end and wild rear wing. On the street, the 427 V8 was detuned to 390 hp but only available with automatic and no A/C, so it was quickly replaced by the awesome 428 Cobra Jet rated at a detuned 335 hp. In '69, the high performance Torino Cobra and Cyclone CJ 428 were first offered.

# 70-71 TORINO



In '70, the 429 Cobra-Jet was offered with or without Ram Air, and the awesome Drag Pack was available which turned them into the 427 Super Cobra-Jet. Cobra and Spoiler models were continued. This was the pinnacle of Ford Mid-Size Performance!



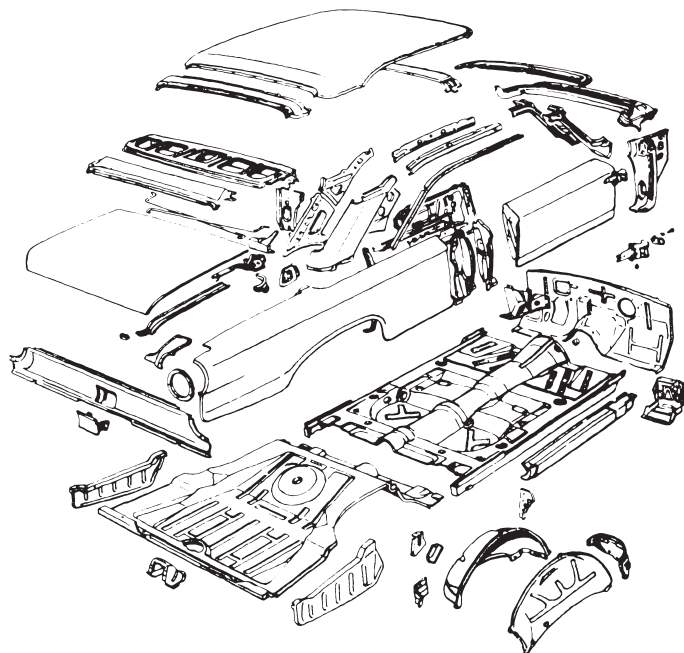
**WE OFFER MORE OFFICIALLY LICENSED FORD FAIRLANE / TORINO SHEET METAL THAN ANYONE.**



## 1963 GALAXIE

'63 Galaxies were available in 2 different kinds of hardtops...early models had as the biggest option the 406 ci V8 and more formal "Victoria" hardtop. On the NASCAR tracks, this roofline was not very aerodynamic, and Ford was getting clobbered by the 426 Max Wedge II Mopars, 421 Pontiacs, and Mystery Motor (427 ci based 409 style motor) Impalas. The body code for this style is "65" and we don't offer quarters for this body style and our parts that are specifically for "fastback" models won't fit this body. These models were phased out when the fastback body style was introduced (as shown to the left). Ford's answer to the competition was to introduce the 427 V8, as well as a more fastback roofline which allowed Ford to be more competitive on the track. The body code for this type is "63". This is the body we made our parts for...so '63 owners be sure you have the "fastback" style body when ordering some of our parts or you're going to be disappointed when the parts don't fit!

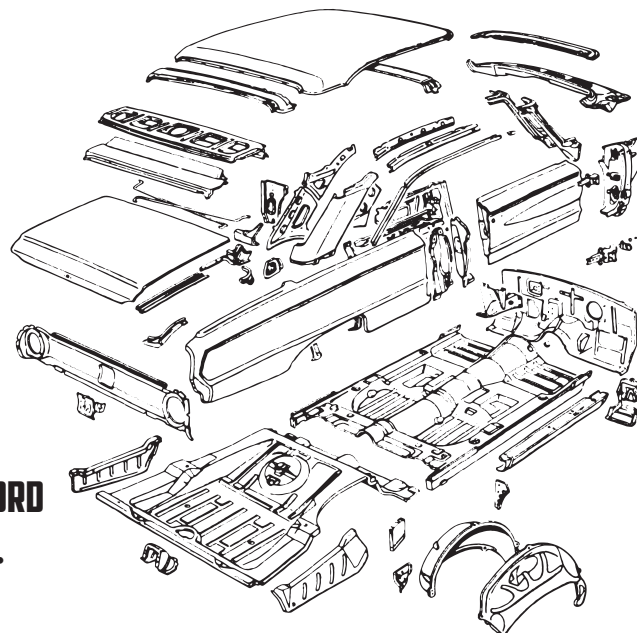
Mercury also had the same plethora of models that Galaxie did... plus they had a notched-in rear window called "Breezeway" where the rear glass retracted down like a station wagon. This body code was "65". Mid-year '63 Mercury introduced the "Marauder" hardtops with the fastback roofline...these are the "63" body code style...but Mercury kept selling the "Breezeway" style hardtops through '64 where Ford discontinued the old "65" body style hardtop.



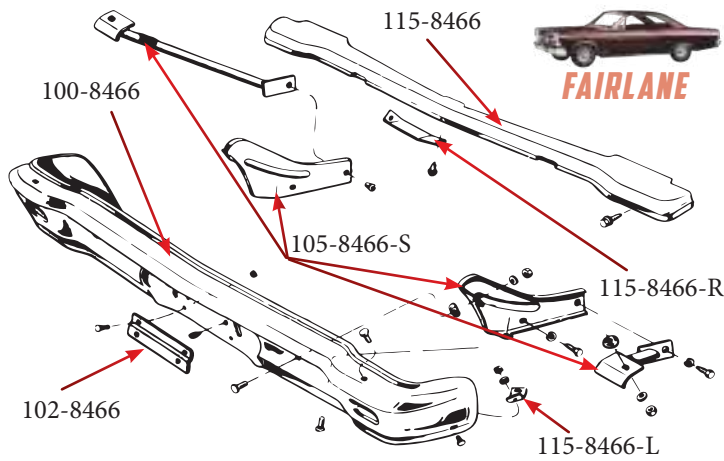
A car bred in open competition and built for total performance as described by the marketing guys from Ford, the '64 Galaxie shared a lot of under-body components but the sheetmetal is quite different. Based on the '63 fastback roof sales, all '64 Galaxies were offered with the fastback styling other than the wagon. The '64 XL two door hardtop became the best seller of any XL produced in any year and with this in mind, you will find most of our parts coordinate with those models. The '64 Galaxie changed floor pans, fire wall, seat brackets and braces, trunk floor, and almost all of the outer body panels. We highlight our new panels in the Ford factory assembly drawings as pictured to the right. Ford offered a staggering 16 different body styles in '64. Wagon's, drop tops, four door hard tops, post sedan cars with 2 or 4 doors, and the two door fastback were available.

Most models came with high performance options and make for a great restoration project. If you come across or have a highly sought after 427 car or a plain jane straight 6, you will be sure to turn some heads.

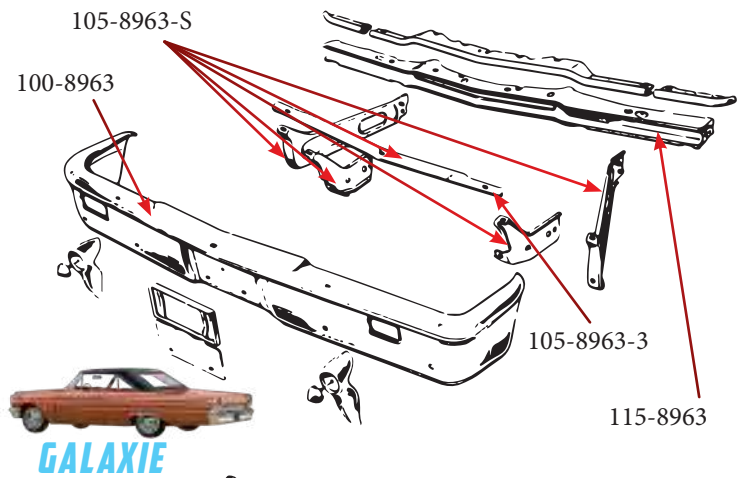
## 1964 GALAXIE



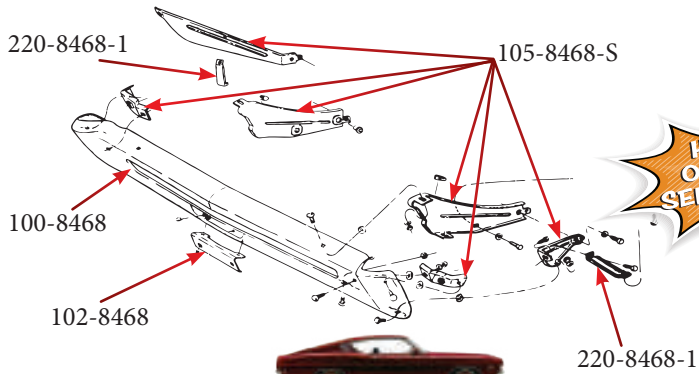
**WE OFFER MORE OFFICIALLY LICENSED FORD GALAXIE SHEET METAL THAN ANYONE.**



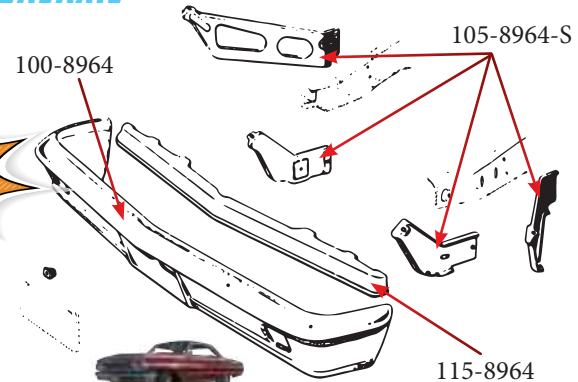
**FAIRLANE**



**GALAXIE**



**FAIRLANE / TORINO**



**GALAXIE**

**HUGE ONLINE SELECTION**

## FRONT BUMPERS



Part #	Description
100-8062	Front Bumper - 62-63 Falcon Ranchero
100-8064	Front Bumper - 64-65 Falcon Ranchero
100-8466	Front Bumper - 66-67 Fairlane; 67 Ranchero
100-8468	Front Bumper - 68-69 Fairlane Torino
100-8470	Front Bumper - 70 Fairlane; 70-71 Torino
100-8963	Front Bumper - 63 Galaxie
100-8964	Front Bumper - 64 Galaxie
101-8466-S	Front Bumper Bolt Set (28 pcs) - 66-67 Fairlane Comet Cyclone; 67 Ranchero
101-8468-S	Front Bumper Bolt Set (38 pcs) - 68-69 Fairlane Torino Ranchero Comet Cyclone Montego
101-8470-S	Front Bumper Bolt Set (32 pcs) - 70-71 Torino Ranchero Cyclone Montego

## BUMPER COMPONENTS

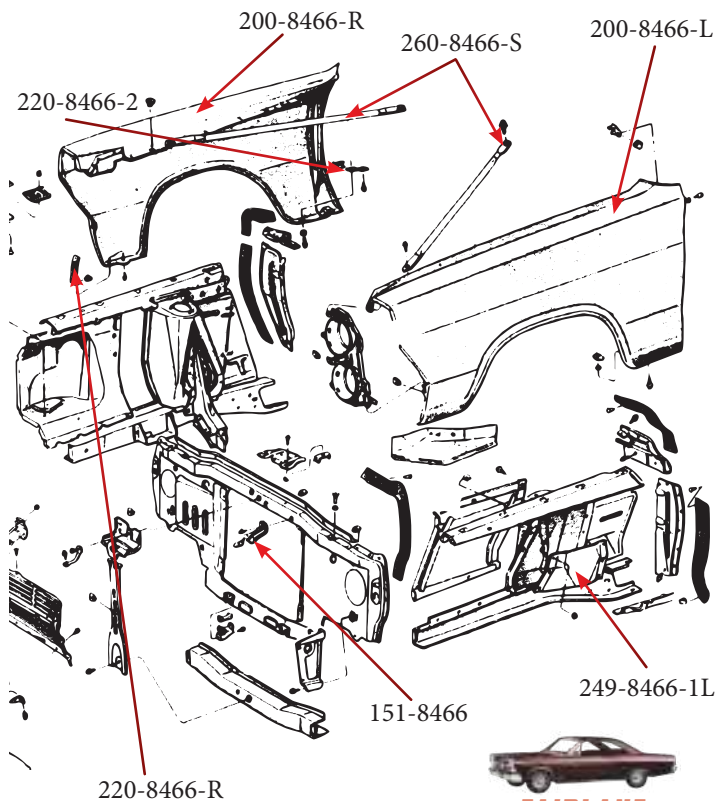


Part #	Description
105-8466-S	Front Bumper Bracket Set (4 pcs) - 66-67 Fairlane; 67 Ranchero
105-8468-S	Front Bumper Bracket Set - 6 pcs - 68-69 Fairlane Torino Ranchero
102-8466	Front License Plate Bracket - 66-67 Fairlane
102-8468	Front License Plate Bracket - 68-69 Fairlane Torino
105-8963-S	Front Bumper Bracket Set - 5 pcs - 63 Ford Galaxie
105-8963-3	Front Bumper Upper Brace - 63 Galaxie
105-8964-S	Front Bumper Bracket Set - 4 pcs - 64 Ford Galaxie
X102-8468-S	License Plate Mounting Screw and Nut Set (8 pcs) - 68-73 all Ford & Mercury Cars and Trucks

## BUMPER FILLERS



Part #	Description
115-8466	Grille to Bumper Filler - 66-67 Fairlane
115-8466-L	Bumper Filler to Radiator Bracket - LH - 66-67 Fairlane; 67 Ranchero
115-8466-R	Bumper Filler to Radiator Bracket - RH - 66-67 Fairlane; 67 Ranchero
115-8468	Front Bumper Filler - 69 Ford Fairlane Torino (Modify to fit 68)
115-8963	Grille to Bumper Filler - 63 Galaxie
115-8964	Grille to Bumper Filler - 64 Ford Galaxie



## FRONT FENDERS

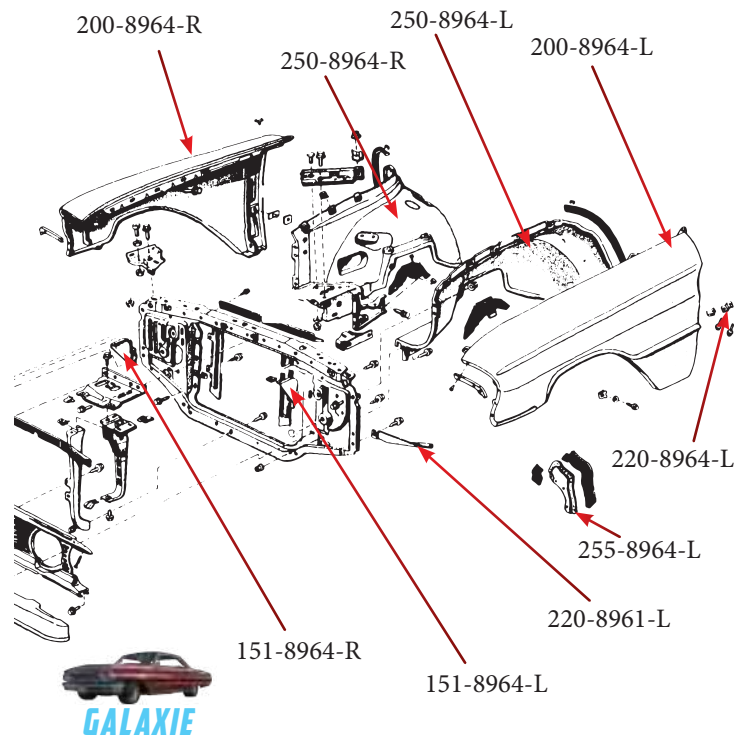


Part #	Description
200-8466-L	Front Fender - LH - 66-67 Fairlane
200-8466-R	Front Fender - RH - 66-67 Fairlane
200-8963-L	Front Fender - LH - 63 Galaxie
200-8963-R	Front Fender - RH - 63 Galaxie
200-8964-L	Front Fender - LH - 64 Galaxie
200-8964-R	Front Fender - RH - 64 Galaxie

## FENDER BRACES



Part #	Description
220-8466-2	Fender Brace - Lower - LH or RH - 66-67 Fairlane
220-8466-L	Fender Brace - LH - 66-67 Fairlane
220-8466-R	Fender Brace - RH - 66-67 Fairlane
220-8468	Lower Rear Fender Brace - LH or RH - 68-69 Fairlane Torino
220-8468-1	Fender to Bumper Brace - LH or RH - 68-69 Fairlane Torino
260-8466-S	Front Fender Apron to Dash Braces (Export Brace) - 66-67 Fairlane
220-8961-L	Fender to Radiator Support Brace - LH - 61-64 Galaxie; 64 Monterey Marauder
220-8961-R	Fender to Radiator Support Brace - RH - 61-64 Galaxie; 64 Monterey Marauder
220-8963-1	Front Fender to Inner Fender Brace - LH or RH - 63 Galaxie Monterey Marauder
220-8964-L	Rear Fender Brace - LH - 64 Galaxie Monterey Marauder
220-8964-R	Rear Fender Brace - RH - 64 Galaxie Monterey Marauder



## SHOCK TOWER BRACES



Part #	Description
249-8466-1L	Outer Shock Tower Brace - LH - 66-69 Fairlane; 68-69 Torino
249-8466-1R	Outer Shock Tower Brace - RH - 66-69 Fairlane; 68-69 Torino

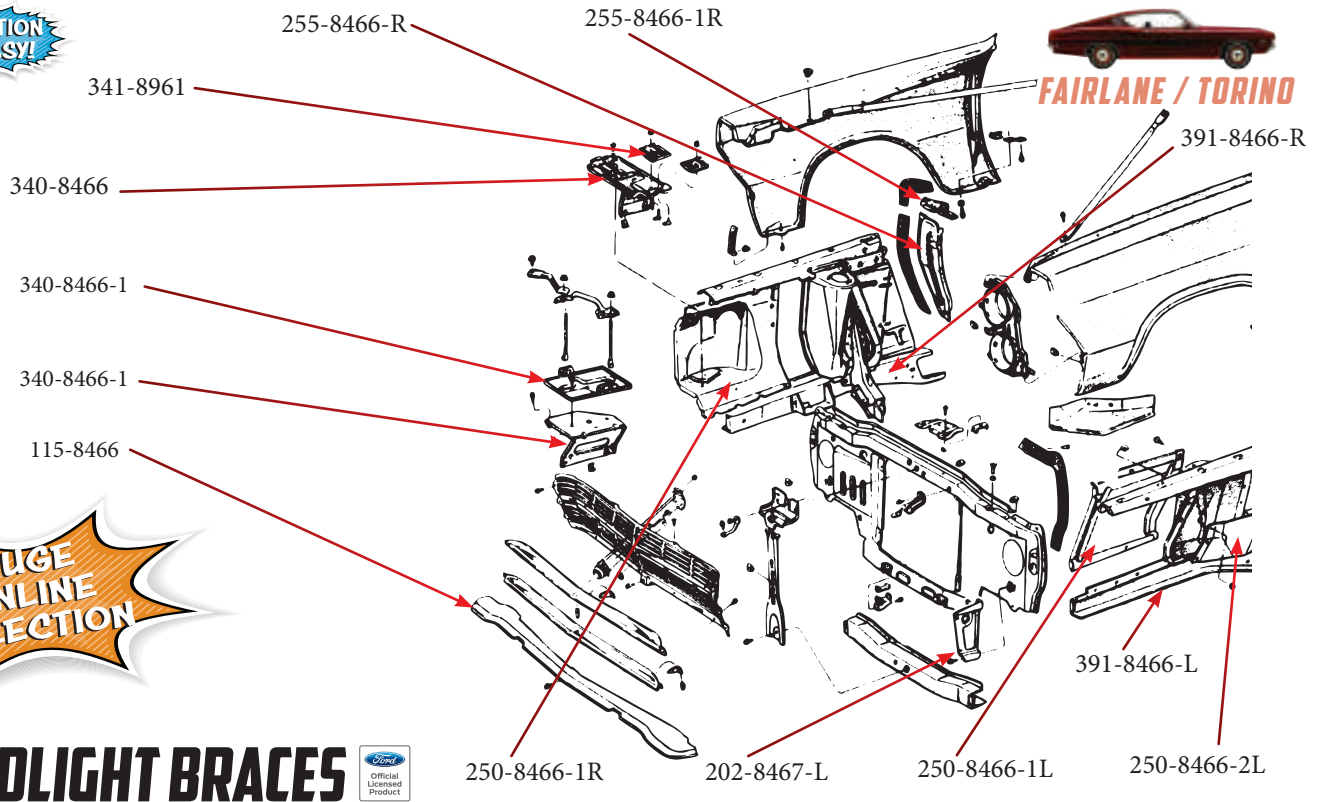
## GRILLE SUPPORT



Part #	Description
151-8466	Grille Support - Upper - LH/RH - 66 Fairlane
151-8964-L	Grille Support - LH - 64 Ford Galaxie
151-8964-R	Grille Support - RH - 64 Ford Galaxie



RESTORATION  
MADE EASY!



## HEADLIGHT BRACES

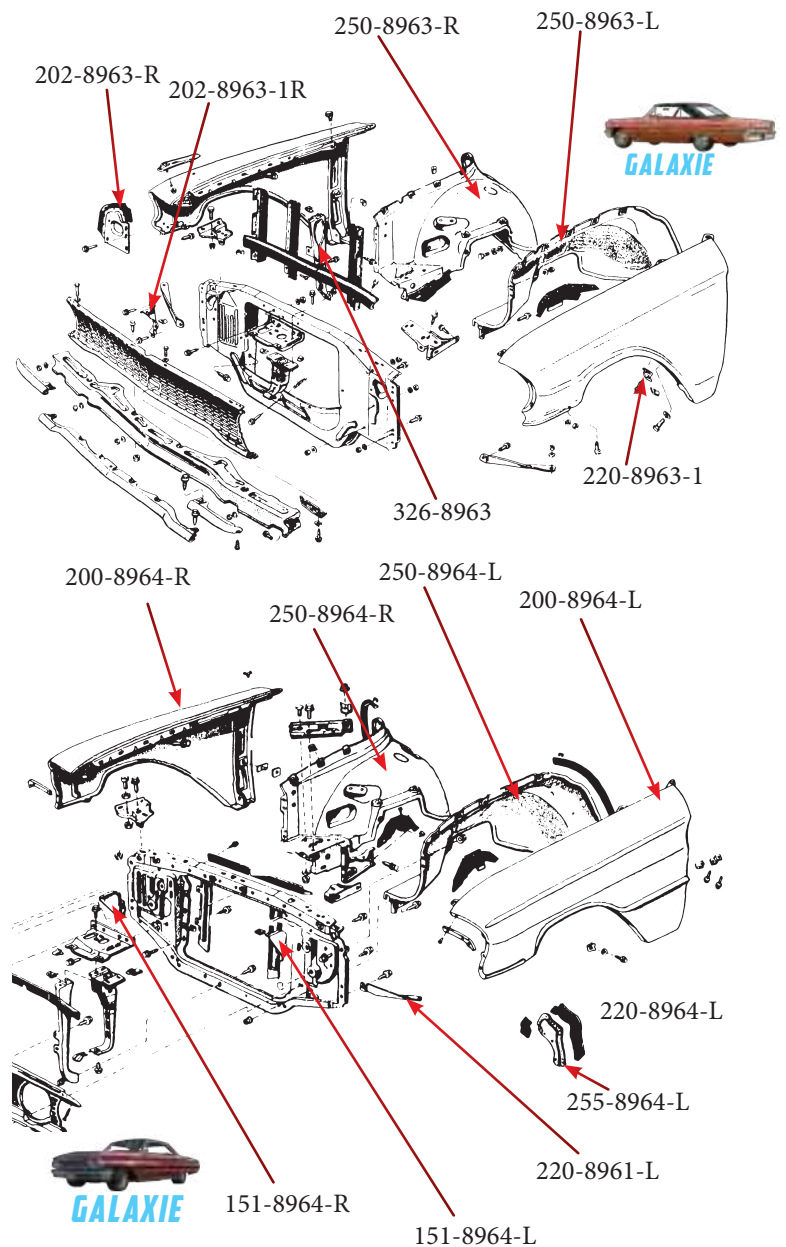
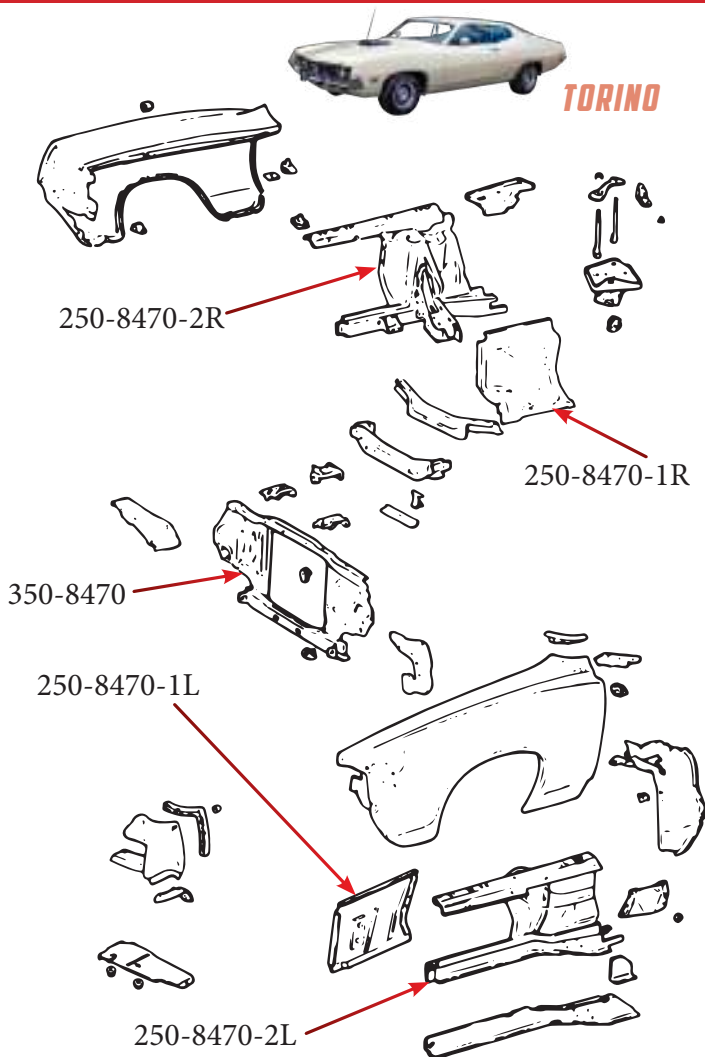


Part #	Description
202-8466-L	Headlight Brace - LH - 66 Fairlane
202-8466-R	Headlight Brace - RH - 66 Fairlane
202-8467-L	Headlight Brace - LH - 67 Fairlane
202-8467-R	Headlight Brace - RH - 67 Fairlane
202-8963-1L	Headlamp Support Bracket - Inner - LH - 63 Galaxie
202-8963-1R	Headlamp Support Bracket - Inner - RH - 63 Galaxie
202-8963-L	Headlamp Support Apron - LH - 63 Galaxie
202-8963-R	Headlamp Support Apron - RH - 63 Galaxie

## INNER FENDERS



Part #	Description
250-8466-1L	Inner Fender - Front 1/2 - LH - 66-69 Fairlane Comet Cyclone; 67-69 Ranchero; 68-69 Torino Montego
250-8466-1R	Inner Fender - Front 1/2 - RH - 66-69 Fairlane Comet Cyclone; 67-69 Ranchero; 68-69 Torino Montego
250-8466-2L	Inner Fender - Rear 1/2 - LH - 66-69 Fairlane Comet Cyclone; 67-69 Ranchero; 68-69 Torino Montego
250-8466-2R	Inner Fender - Rear 1/2 - RH - 66-68 Fairlane Comet Cyclone; 67-68 Ranchero; 68 Torino Montego
250-8469-2R	Inner Fender - Rear 1/2 - RH - 69 Fairlane Torino Ranchero Comet Cyclone Montego
250-8470-1L	Inner Fender - Front 1/2 - LH - 70-71 Torino Ranchero Montego Cyclone
250-8470-1R	Inner Fender - Front 1/2 - RH - 70-71 Torino Ranchero Montego Cyclone
250-8470-2L	Inner Fender - Rear 1/2 - LH - 70-71 Torino Ranchero Montego Cyclone
250-8470-2R	Inner Fender - Rear 1/2 - RH - 70-71 Torino Ranchero Montego Cyclone
250-8963-L	Inner Fender - LH - 63 Galaxie
250-8963-R	Inner Fender - RH - 63 Galaxie
250-8964-L	Inner Fender - LH - 64 Galaxie
250-8964-R	Inner Fender - RH - 64 Galaxie



## FRONT FRAME RAILS



Part #	Description
391-8466-L	Front Frame Rail - LH - 66-67 Fairlane Comet Cyclone; 67 Ranchero; exc. Convertible
391-8466-R	Front Frame Rail - RH - 66-69 Fairlane Comet Cyclone; 67-69 Ranchero; 68-69 Torino Montego; exc. Convertible

## SPLASH SHIELDS

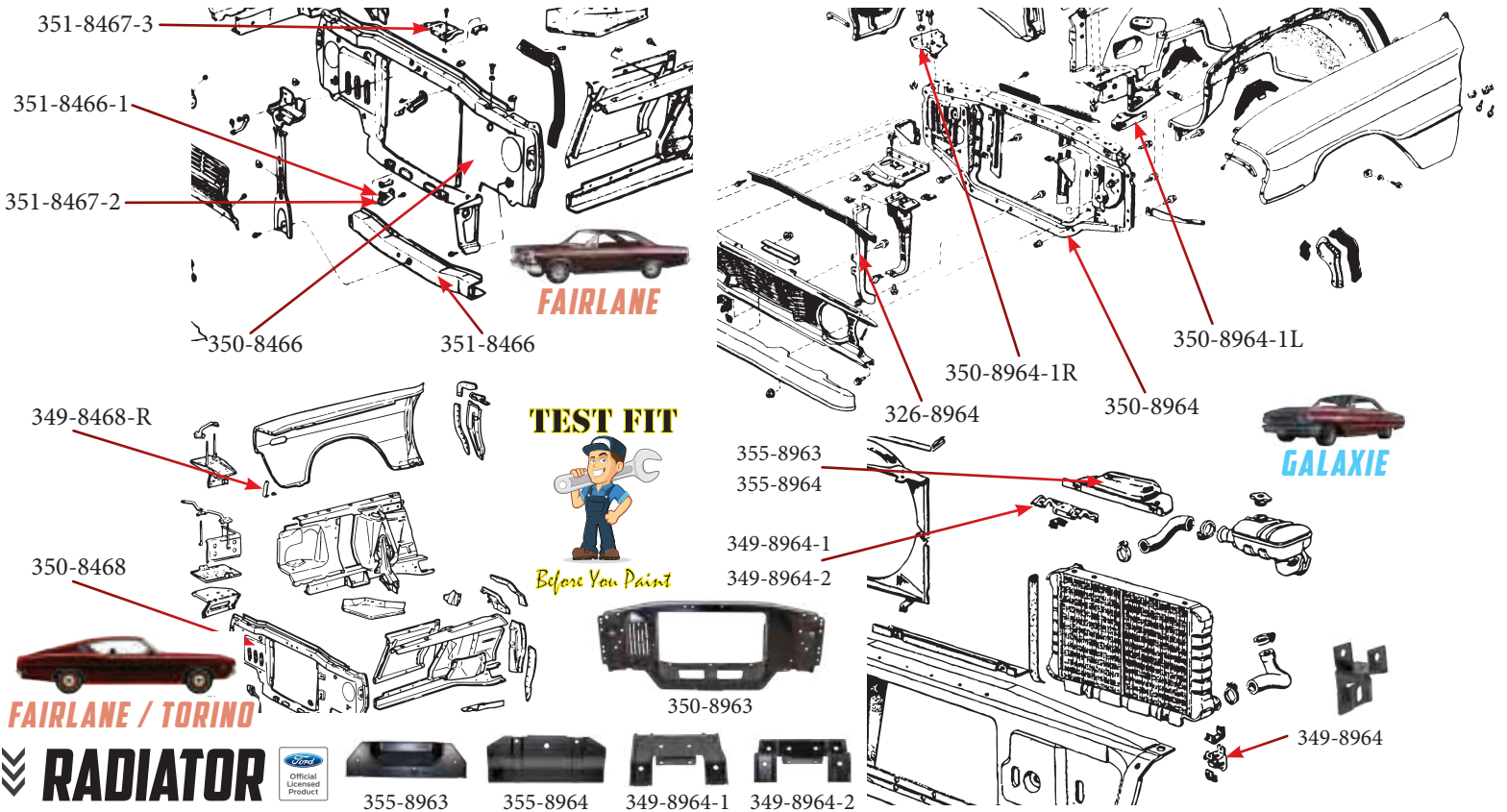


Part #	Description
255-8466-1L	Fender Splash Shield - Upper Rear - LH - 66-67 Fairlane
255-8466-1R	Fender Splash Shield - Upper Rear - RH - 66-67 Fairlane
255-8466-L	Fender Splash Shield - Lower Rear - LH - 66-67 Fairlane
255-8466-R	Fender Splash Shield - Lower Rear - RH - 66-67 Fairlane
255-8964-L	Front Fender Splash Shield - LH - 64 Galaxie; 63 Marauder Monterey
255-8964-R	Front Fender Splash Shield - RH - 64 Galaxie; 63 Marauder Monterey

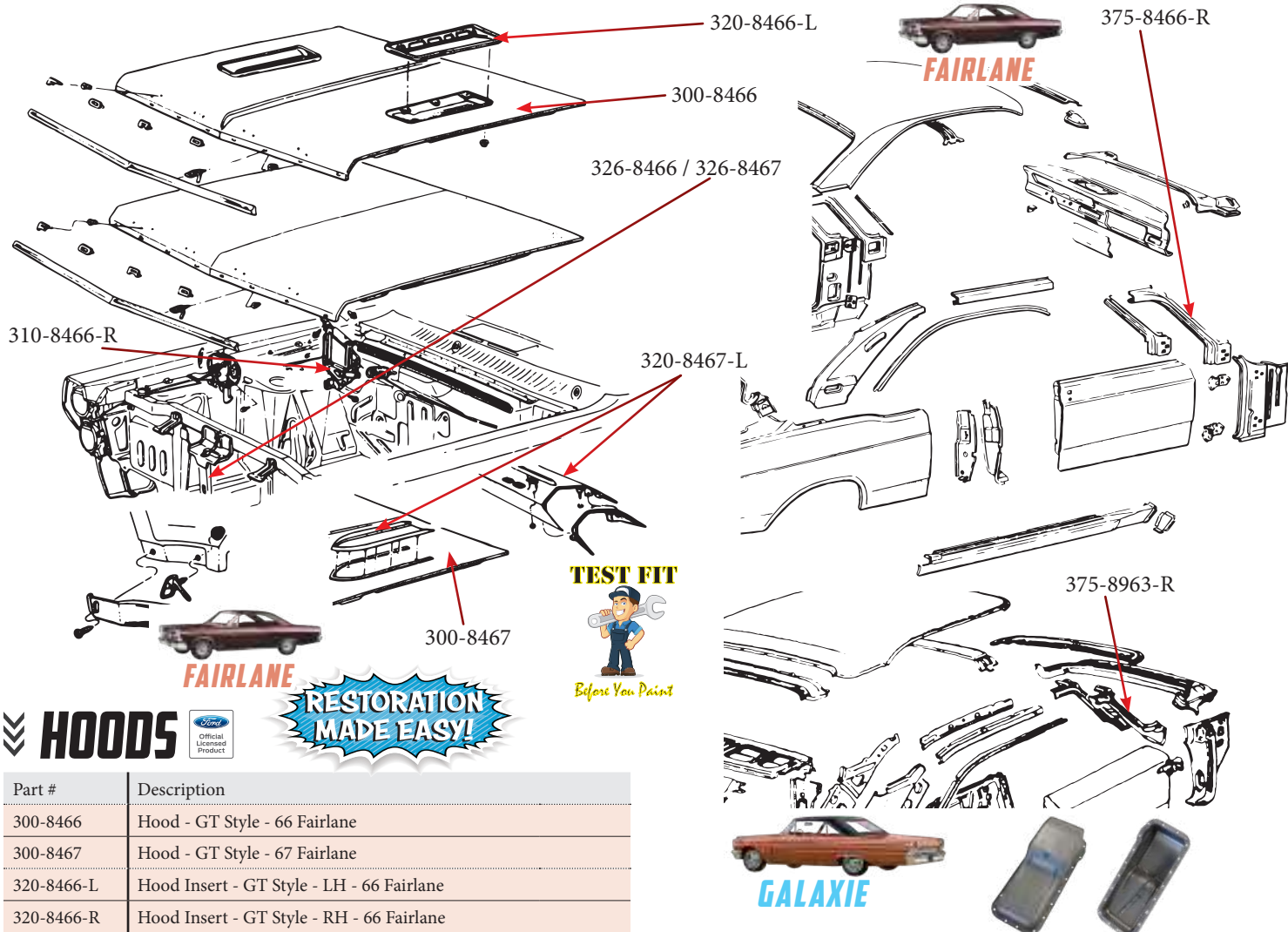
## BATTERY



Part #	Description
340-8466	Battery Tray - Small Block - 66-68 Falcon; 66-69 Fairlane Comet; 68-69 Torino Montego
340-8466-1	Battery Tray - Big Block - 66-69 Fairlane; 68-69 Torino Montego; 65-68 Galaxie Monterey Marauder
341-8466-1	Battery Tray Lower Support - Big Block - 66-69 Fairlane Comet; 68-69 Torino Montego
340-8961-1	Battery Tray - Big Block - 61-64 Galaxie Monterey Marauder
341-8961	Battery Hold Down Bracket - 59-64 Galaxie Monterey Marauder; 62-66 Fairlane Meteor
341-8963	Battery Tray Support - 61-63 Galaxie Monterey Marauder
341-8964-1	Battery Tray Support - 64 Galaxie Monterey Marauder



Part #	Description
350-8466	Radiator Support - 66 Fairlane Comet Cyclone w/ 390 or 427 V8
350-8467	Radiator Support - 67 Fairlane Comet Cyclone - Big Block
350-8468	Radiator Support - 68 Fairlane Torino - Big Block
350-8469	Radiator Support - 69 Fairlane Torino - Big Block
350-8470	Radiator Support - 70-71 Torino Ranchero Montego Cyclone (exc Conv); 71-72 Mustang Cougar (exc. Conv) (before 10/1/71)
349-8468-L	Radiator Support to Fender Bracket - LH - 68-69 Fairlane Torino
349-8468-R	Radiator Support to Fender Bracket - RH - 68-69 Fairlane Torino
351-8466	Lower Radiator Support Lower Crossmember - 66-69 Fairlane; 68-69 Torino
351-8466-1	Radiator Lower Mounting Bracket - LH or RH - 66 Fairlane Comet Cyclone 390 / 427
351-8467-2	Radiator Lower Mounting Bracket - LH or RH - 67 Fairlane Ranchero Comet Cyclone 390 / 427
351-8467-3	Upper Radiator Mounting Bracket - 67-69 Fairlane
350-8963	Radiator Support - 63 Galaxie Marauder Monterey
350-8963-S	Radiator Support & Upper Extensions Kit - 63 Galaxie Monterey Marauder
350-8964	Radiator Support - 64 Galaxie Monterey Marauder
350-8964-S	Radiator Support & Upper Extensions Kit - 64 Galaxie Monterey Marauder
350-8963-1L	Radiator Support Upper Extension - LH - 63 Galaxie Monterey Marauder
350-8963-1R	Radiator Support Upper Extension - RH - 63 Galaxie Monterey Marauder
350-8964-1L	Radiator Support Extension - LH - 64 Galaxie Monterey Marauder
350-8964-1R	Radiator Support Extension - RH - 64 Galaxie Monterey Marauder
349-8964	Radiator Support Bracket - Lower - LH or RH - 64 Galaxie Monterey Marauder
349-8964-1	Radiator Hold Down Bracket - Upper - 64 Ford Galaxie (Small Block)
349-8964-2	Radiator Hold Down Bracket - Upper - 64 Ford Galaxie (Big Block)
355-8963	Fan Guard, w/o A/C - 61-63 Galaxie Monterey Marauder (22-1/2" Long)
355-8964	Fan Guard, w/o A/C - 64 Galaxie Monterey Marauder (Big Block)



## HOODS



**RESTORATION  
MADE EASY!**

Part #	Description
300-8466	Hood - GT Style - 66 Fairlane
300-8467	Hood - GT Style - 67 Fairlane
320-8466-L	Hood Insert - GT Style - LH - 66 Fairlane
320-8466-R	Hood Insert - GT Style - RH - 66 Fairlane
320-8467-L	Hood Insert - GT Style - LH - 67 Fairlane
320-8467-R	Hood Insert - GT Style - RH - 67 Fairlane
999-8466-31S	Hood Insert Emblem - Pair - 66 Fairlane GT "390"
999-8467-31S	Hood Insert Emblem - Pair - 67 Fairlane GT "390"
310-8466-P	Hood Hinges - Pair - 66-70 Falcon; 66-69 Fairlane Ranchero Torino Comet Cyclone Montego
310-8466-L	Hood Hinge - LH - 66-70 Falcon; 66-69 Fairlane Ranchero Torino Comet Cyclone Montego
310-8466-R	Hood Hinge - RH - 66-70 Falcon; 66-69 Fairlane Ranchero Torino Comet Cyclone Montego
326-8466	Hood Latch Support - 66 Fairlane
326-8467	Hood Latch Support - 67-69 Fairlane Comet; 68-69 Torino Montego
326-8470-L	Hood Latch Support Brace - LH - 70-71 Fairlane Torino Ranchero Cyclone
326-8470-R	Hood Latch Support Brace - RH - 70-71 Fairlane Torino Ranchero
326-8963	Hood Latch Support - 63 Galaxie Monterey Marauder
326-8964	Hood Latch Support - 64 Galaxie Monterey Marauder

## OIL PAN



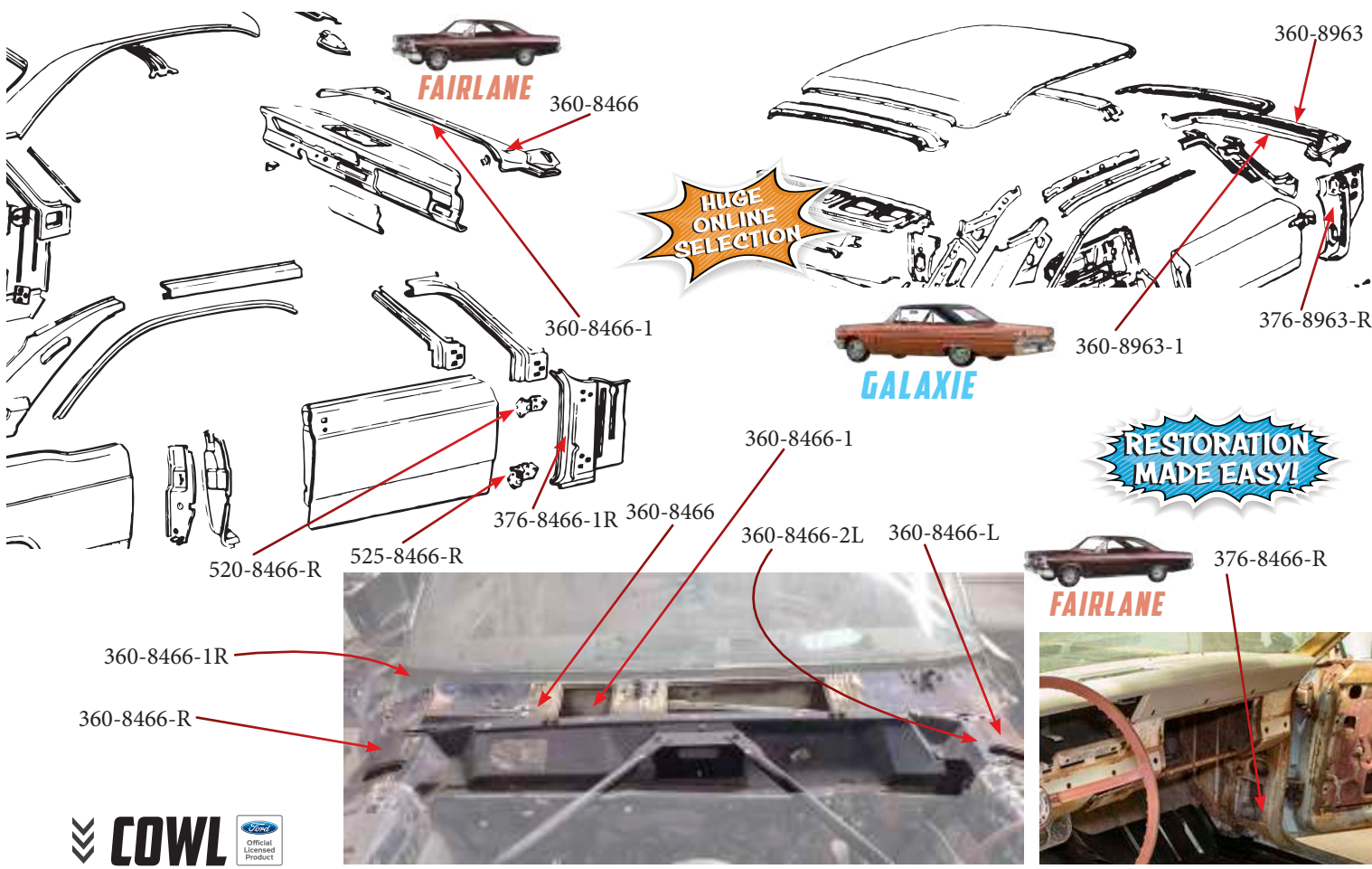
Replaces Ford part# C1AE-6675-F. Includes all the special shapes, holes, slots, etc. as original.

Part #	Description
332-8963	Oil Pan - 60-64 Ford Galaxie 352/390/406/427 (All Special HP)

## A-PILLARS



Part #	Description
375-8466-L	A-Pillar - Outer - LH - 66-67 Fairlane Comet Cyclone Fastback
375-8466-R	A-Pillar - Outer - RH - 66-67 Fairlane Comet Cyclone Fastback
375-8468-L	A-Pillar - Outer - LH - 68-69 Fairlane Torino Comet Cyclone Ranchero; Hardtop / Fastback
375-8468-R	A-Pillar - Outer - RH - 68-69 Fairlane Torino Comet Cyclone Ranchero; Hardtop / Fastback
375-8963-L	A-Pillar - Outer - LH - 63-64 Galaxie Monterey Marauder Fastback
375-8963-R	A-Pillar - Outer - RH - 63-64 Galaxie Monterey Marauder Fastback

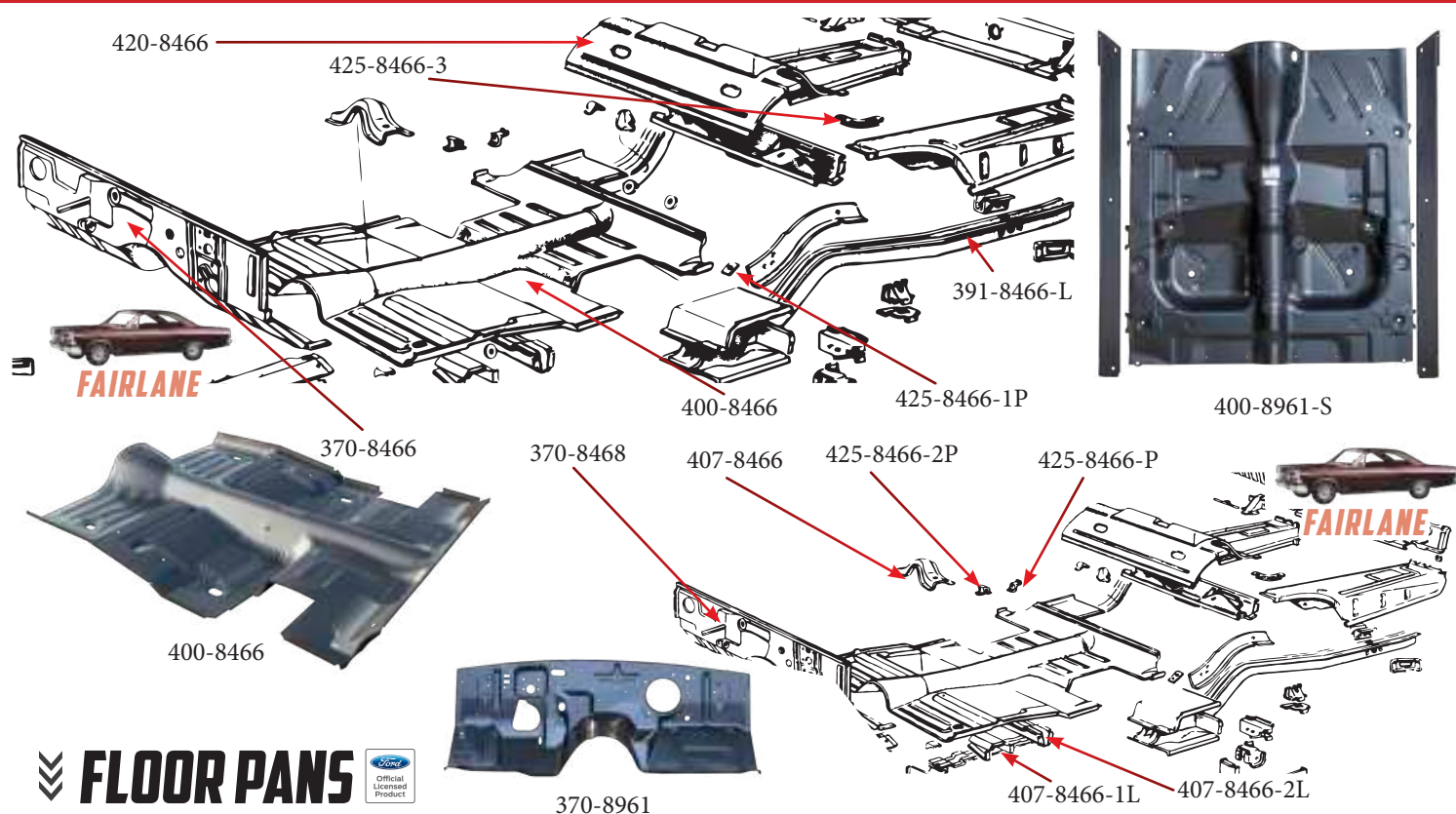


**COWL**

Part #	Description
360-8466	Upper Inner Cowl - 66-67 Fairlane Comet Cyclone; 67 Ranchero
360-8466-1	Lower Cowl Plenum - 66-67 Fairlane Comet Cyclone; 67 Ranchero
360-8466-1L	Upper Cowl to Windshield Post Bracket - LH - 66-67 Falcon Fairlane Comet Cyclone Ranchero
360-8466-1R	Upper Cowl to Windshield Post Bracket - RH - 66-67 Falcon Fairlane Comet Cyclone Ranchero
360-8466-2L	Upper Cowl to Lower Bracket - LH - 66-69 Fairlane Comet Cyclone; 67-69 Ranchero; 68-69 Torino Montego
360-8466-L	Inner Cowl Side Extension - LH - 66 Fairlane Comet Cyclone
360-8466-R	Inner Cowl Side Extension - RH - 66 Fairlane Comet Cyclone
360-8468	Upper Inner Cowl - 68-69 Fairlane Torino Ranchero Comet Cyclone Montego
360-8468-1	Lower Cowl Plenum - 68-69 Fairlane Torino Ranchero Comet Cyclone Montego
360-8468-L	Upper Cowl Bracket - LH - 68-69 Fairlane Torino Ranchero Comet Cyclone Montego
360-8468-R	Upper Cowl Bracket - RH - 68-69 Fairlane Torino Ranchero Comet Cyclone Montego
360-8963	Upper Cowl - 63 Galaxie
360-8963-1	Lower Cowl - 63 Galaxie

**COWL SIDE**

Part #	Description
376-8466-L	Inner Cowl Side Assembly - LH - 66-67 Fairlane
376-8466-R	Inner Cowl Side Assembly - RH - 66-67 Fairlane
376-8468-L	Inner Cowl Side Assembly - LH - 68-69 Fairlane Torino
376-8468-R	Inner Cowl Side Assembly - RH - 68-69 Fairlane Torino
376-8466-1L	Door Hinge Pillar, LH - 66-67 Fairlane Comet Cyclone 2d; 67 Ranchero
376-8466-1R	Door Hinge Pillar, RH - 66-67 Fairlane Comet Cyclone 2d; 67 Ranchero
376-8468-1L	Door Hinge Pillar, LH - 68-69 Fairlane Torino Ranchero Comet Cyclone Montego 2d
376-8468-1R	Door Hinge Pillar, RH - 68-69 Fairlane Torino Ranchero Comet Cyclone Montego 2d
376-8963-1L	Lower Cowl Side - Front - LH - 63 Galaxie Monterey Marauder
376-8963-1R	Lower Cowl Side - Front - RH - 63 Galaxie Monterey Marauder
376-8963-2L	Lower Cowl Side - Rear - LH - 63 Galaxie Monterey Marauder
376-8963-2R	Lower Cowl Side - Rear - RH - 63 Galaxie Monterey Marauder
376-8963-3L	Lower Cowl Side Inner - LH - 63 Galaxie Monterey Marauder
376-8963-3R	Lower Cowl Side Inner - RH - 63 Galaxie Monterey Marauder
376-8963-L	Cowl Side Assembly - LH - 63 Galaxie Monterey Marauder
376-8963-R	Cowl Side Assembly - RH - 63 Galaxie Monterey Marauder



## FLOOR PANS

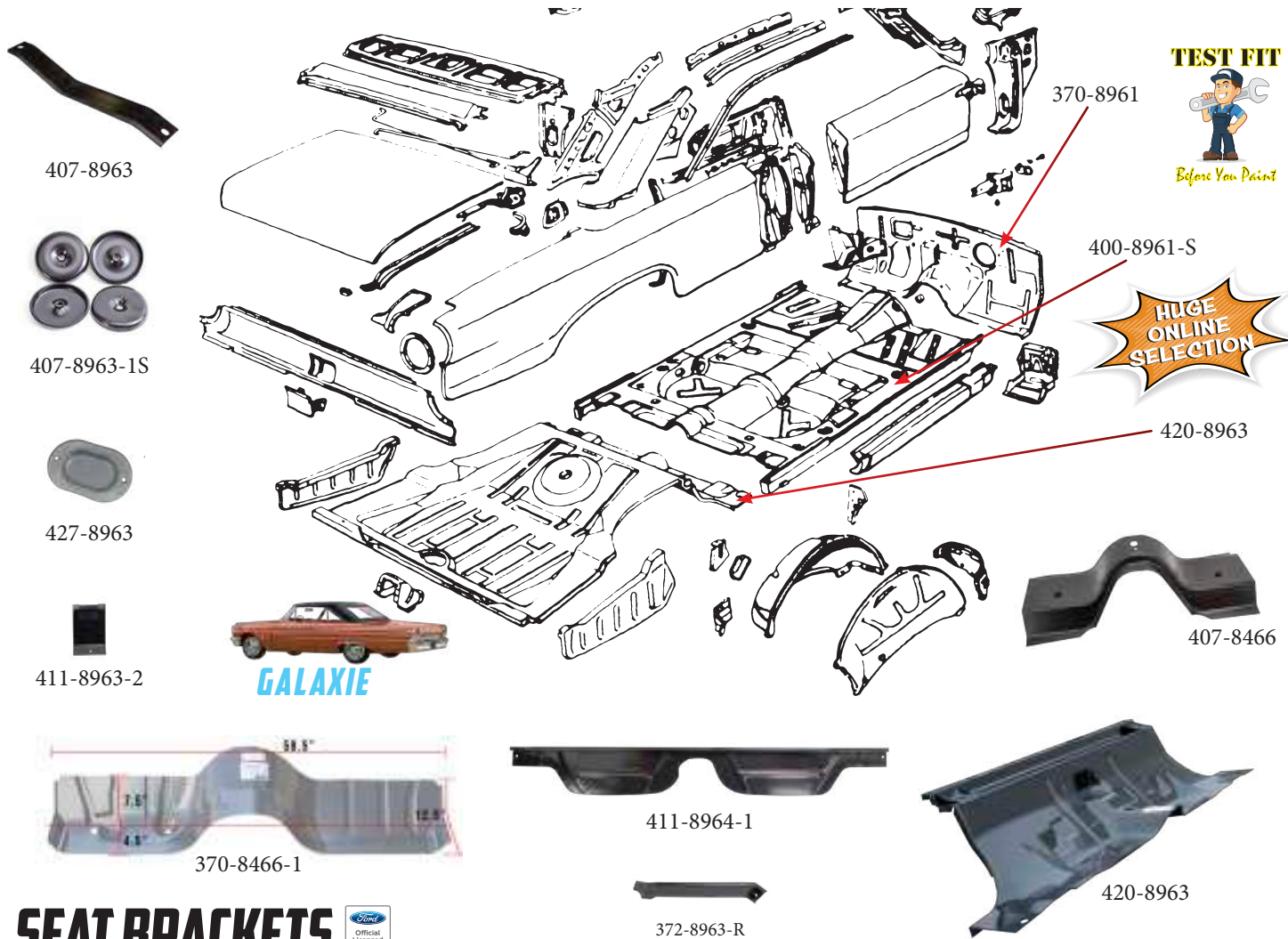


Part #	Description
400-8466	Floor Pan - Full OE Style - 66-71 Fairlane; 68-71 Torino; 66-71 Cyclone; 66-70 Comet; 68-71 Montego (Except Wagon & Ranchero)
370-8466-1	Lower Firewall (Toe Board) Patch - 66-71 Fairlane Comet Cyclone; 67-71 Ranchero; 68-71 Torino Montego
415-8466-A	Shifter Tunnel Hump - Automatic Transmission - 66-70 Fairlane Comet Cyclone; 67-71 Ranchero; 68-71 Torino Montego; 71 Cyclone
415-8466-M	Shifter Tunnel Hump - Manual Transmission - 66-69 Fairlane Comet Cyclone; 67-69 Ranchero; 68-69 Torino Montego
400-8961-1	Floor Pan - OE Style - 60-63 Galaxie; 61-63 Monterey; 63 Marauder (Except Convertible)
400-8961-S	Floor Pan Assembly - OE Style w/ Braces & Inner Rockers - 60-63 Galaxie; 61-63 Monterey; 63 Marauder (Except Convertible)
400-8964	Floor Pan Assembly - OE Style w/ Braces & Inner Rockers - 64 Galaxie Monterey Marauder (except Convertible)
400-8964-1	Floor Pan Skin (no braces) - 64 Galaxie Monterey Marauder (except Convertible)
371-8963	Lower Firewall (Toe Board) Patch - 61-63 Galaxie Monterey Marauder
370-8964-1	Lower Firewall (Toe Board) Patch - 64 Galaxie Monterey Marauder
415-8963	Floor Pan M/T Tunnel Hump - 62-63 Galaxie Monterey Marauder
415-8964	Floor Pan M/T Tunnel Hump - 64 Galaxie Monterey Marauder
427-8963	Floor Pan Plug - 61-64 Galaxie Monterey Marauder; 66-69 Fairlane Comet Cyclone; 67-69 Ranchero; 68-69 Torino Montego

## FIREWALL



Part #	Description
370-8466	Firewall - 66-67 Falcon Fairlane Ranchero Comet Cyclone
370-8468	Firewall - 68-70 Falcon; 68-69 Fairlane Torino Ranchero
370-8961	Firewall - 61-63 Galaxie Monterey Marauder
370-8964	Firewall - 64 Galaxie Monterey Marauder
372-8963-L	Rocker Panel to Firewall Brace - LH - 63 Galaxie Monterey Marauder
372-8963-R	Rocker Panel to Firewall Brace - RH - 63 Galaxie Monterey Marauder
372-8964-L	Firewall Brace - LH - 64 Galaxie Monterey Marauder
372-8964-R	Firewall Brace - RH - 64 Galaxie Monterey Marauder



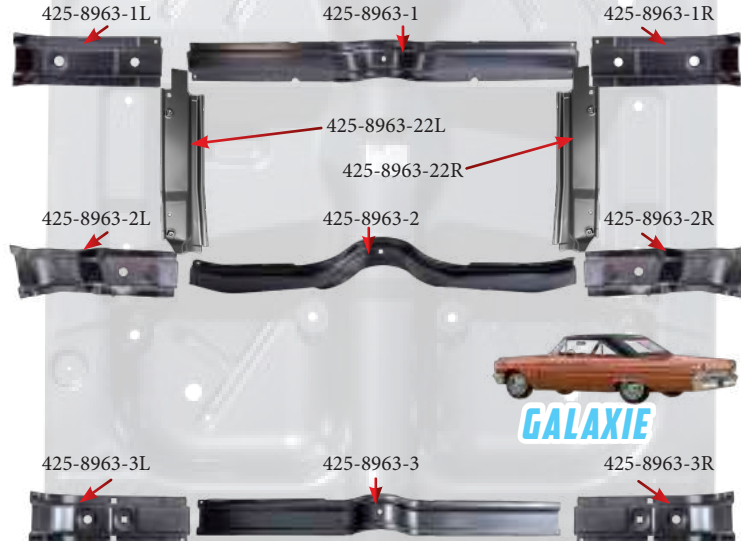
## SEAT BRACKETS



Part #	Description
407-8466	Bucket Seat Bracket - 66-71 Fairlane Comet Cyclone; 67-71 Ranchero; 68-71 Torino Montego
407-8466-1L	Front Seat Brace - LH - 66-70 Falcon; 66-71 Fairlane Comet Cyclone Ranchero; 68-71 Torino Montego (exc. Convertible)
407-8466-1R	Front Seat Brace - RH - 66-70 Falcon; 66-71 Fairlane Comet Cyclone Ranchero; 68-71 Torino Montego (exc. Convertible)
407-8466-2L	Front Seat Brace - Rear - LH - 66-70 Falcon; 66-71 Fairlane Comet Cyclone Ranchero; 68-71 Torino Montego (exc. Convertible)
407-8466-2R	Front Seat Brace - Rear - RH - 66-70 Falcon; 66-71 Fairlane Comet Cyclone Ranchero; 68-71 Torino Montego (exc. Convertible)
420-8466	Under Rear Seat Floor Panel - 66-69 Fairlane Comet Cyclone; 68-69 Torino Montego
425-8466-3	Side Floor to Rear Seat Pan Bracket - LH or RH - 66-69 Fairlane Comet Cyclone; 67-69 Ranchero; 68-69 Torino Montego
425-8466-P	Floor Pan Back Edge of Rear Seat Bracket (2pcs) - 66-67 Fairlane Comet Cyclone; 67 Ranchero
425-8466-1P	Reinforcement, Seat Belt Anchor to Floor Pan (2pcs) - 67-70 Falcon Fairlane Ranchero Comet Cyclone; 68-70 Torino Montego; 67-78 Galaxie LTD Monterey Marquis; 73-80 Pinto Bobcat; 67-78 Mustang
407-8963	Bucket Seat to Floor Pan Reinforcement - LH or RH - 62-63 Galaxie Monterey Marauder
407-8964	Bucket Seat to Floor Pan Reinforcement - LH or RH - 64 Galaxie Monterey Marauder
411-8963-1	Rear Seat Riser / Support - 63 Galaxie Marauder Fastback
411-8963-2	Under Seat Retainer Bracket - LH or RH - 63-64 Galaxie Marauder Fastback
411-8964-1	Rear Seat Riser / Support - 64 Galaxie Marauder Fastback
420-8963	Under Rear Seat Floor Panel - 61-64 Galaxie Monterey Marauder (Except Wagon)
407-8963-1S	Reinforcement, Seat Belt Anchor to Floor Pan (4pcs) - 62-66 Fairlane Falcon Ranchero Thunderbird Comet; 62-65 Galaxie Monterey Marauder; 66-67 Econoline; 65-69 F-Series w/ Bucket Seats; 64-66 Cyclone; 62-63 Meteor; 62-65 Continental



**FAIRLANE / TORINO**

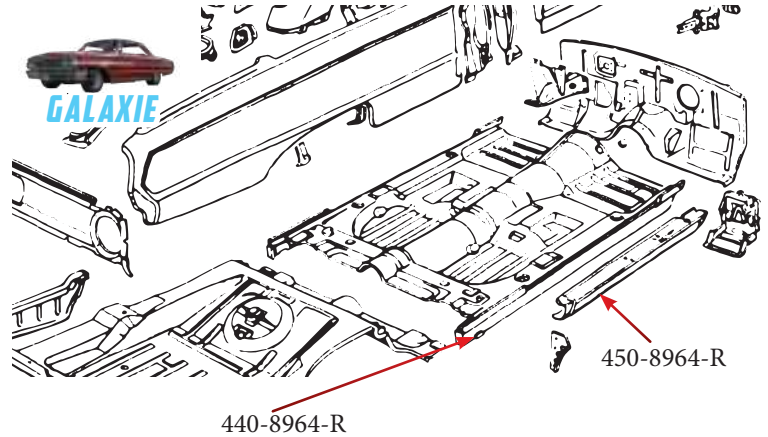
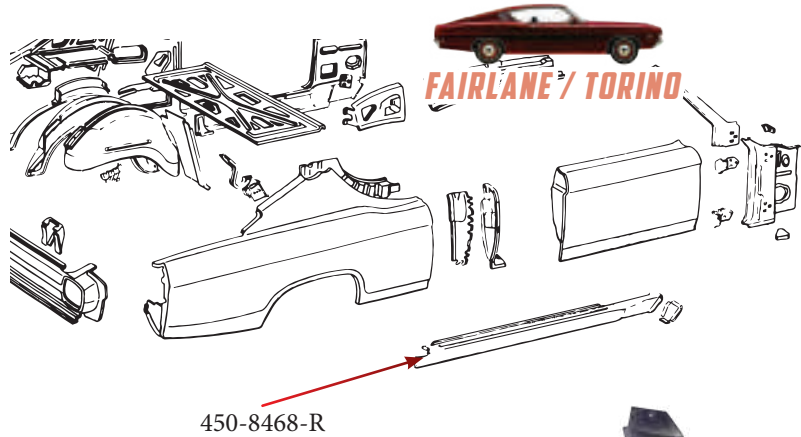
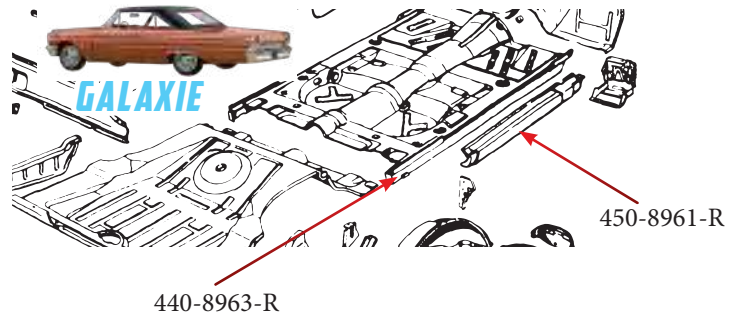
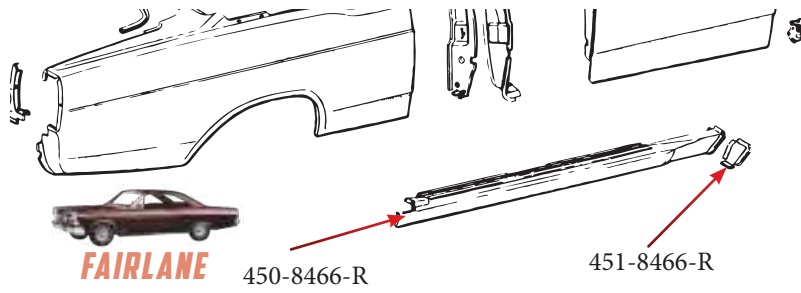


## FLOOR BRACES & REINFORCEMENTS



Part #	Description
425-8466	Floor Pan Park Brake Cable Retainer Bracket - LH - 66-71 Fairlane Comet Cyclone Ranchero; 68-71 Torino Montego; 66-70 Falcon
425-8466-2	Floor Pan Park Brake Cable J-Hook Bracket, RH - 66-71 Fairlane Comet Cyclone Ranchero; 68-71 Torino Montego; 66-70 Falcon
425-8466-2P	Floor Pan Rear Seat Back Support Brackets (2pcs) - 66-67 Fairlane Comet Cyclone 2d sdn or htp or conv; 68-71 Torino Montego conv; 66-70 Falcon (exc. Wagon)
425-8466-4L	Floor Pan Brace - Upper Rear - LH - 66-67 Fairlane Comet Cyclone; 67 Ranchero
425-8466-4R	Floor Pan Brace - Upper Rear - RH - 66-67 Fairlane Comet Cyclone; 67 Ranchero
425-8466-5L	Floor Pan Brace - Lower Rear - LH - 66-67 Fairlane Comet Cyclone; 67 Ranchero
425-8466-5R	Floor Pan Brace - Lower Rear - RH - 66-67 Fairlane Comet Cyclone; 67 Ranchero
425-8468-1	Front Floor Brace, LH or RH - 68-70 Falcon; 68-69 Fairlane Torino Ranchero Comet Cyclone Montego
425-8468-1P	Floor Pan Brackets (2pcs) - 68-69 Fairlane Torino Ranchero Comet Cyclone Montego
425-8963-1	Front Floor Brace - Center - 61-63 Galaxie Monterey Marauder
425-8963-1L	Front Floor Brace - LH - 61-63 Galaxie Monterey Marauder
425-8963-1R	Front Floor Brace - RH - 61-63 Galaxie Monterey Marauder
425-8963-2	Mid Floor Brace - Center - 61-63 Galaxie Monterey Marauder
425-8963-22L	Floor Brace Reinforcement - LH - 61-63 Galaxie Monterey Marauder
425-8963-22R	Floor Brace Reinforcement - RH - 61-63 Galaxie Monterey Marauder
425-8963-2L	Mid Floor Brace - LH - 61-63 Galaxie Monterey Marauder
425-8963-2R	Mid Floor Brace - RH - 61-63 Galaxie Monterey Marauder
425-8963-3	Rear Floor Brace - Center - 61-63 Galaxie Monterey Marauder
425-8963-3L	Rear Floor Brace - LH - 61-63 Galaxie Monterey Marauder
425-8963-3R	Rear Floor Brace - RH - 61-63 Galaxie Monterey Marauder
425-8963-S	Floor Brace Set (11pcs) - 60-63 Galaxie; 61-63 Monterey Marauder
425-8964-1	Front Floor Brace - Center - 64 Galaxie Monterey Marauder
425-8964-1L	Front Floor Brace - LH - 64 Galaxie Monterey Marauder
425-8964-1R	Front Floor Brace - RH - 64 Galaxie Monterey Marauder
425-8964-2	Mid Floor Brace - Center - 64 Galaxie Monterey Marauder
425-8964-22L	Floor Brace Reinforcement - LH - 64 Galaxie Monterey Marauder
425-8964-22R	Floor Brace Reinforcement - RH - 64 Galaxie Monterey Marauder
425-8964-2L	Mid Floor Brace - LH - 64 Galaxie Monterey Marauder
425-8964-2R	Mid Floor Brace - RH - 64 Galaxie Monterey Marauder
425-8964-3L	Rear Floor Brace - LH - 64 Galaxie Monterey Marauder
425-8964-3R	Rear Floor Brace - RH - 64 Galaxie Monterey Marauder





## INNER ROCKERS



Part #	Description
440-8466-L	Inner Rocker Panel, LH - 66-69 Fairlane Comet Cyclone; 67-69 Ranchero; 68-69 Torino Montego
440-8466-R	Inner Rocker Panel, RH - 66-69 Fairlane Comet Cyclone; 67-69 Ranchero; 68-69 Torino Montego
440-8963-L	Inner Rocker Panel - LH - 61-63 Galaxie Monterey Marauder
440-8963-R	Inner Rocker Panel - RH - 61-63 Galaxie Monterey Marauder
440-8963-1L	Inner Rocker Panel Reinforcement - LH - 61-63 Galaxie Monterey Marauder
440-8963-1R	Inner Rocker Panel Reinforcement - RH - 61-63 Galaxie Monterey Marauder
451-8963-L	Inner Rocker Panel End Cap - LH - 61-63 Galaxie Monterey Marauder
451-8963-R	Inner Rocker Panel End Cap - RH - 61-63 Galaxie Monterey Marauder
440-8964-L	Inner Rocker Panel - LH - 64 Galaxie Monterey Marauder
440-8964-R	Inner Rocker Panel - RH - 64 Galaxie Monterey Marauder

## OUTER ROCKERS



Part #	Description
450-8466-L	Outer Rocker Panel - LH - 66-67 Fairlane Comet Cyclone
450-8466-R	Outer Rocker Panel - RH - 66-67 Fairlane Comet Cyclone
451-8466-L	Rocker Panel End Cap - LH - 66-67 Fairlane
451-8466-R	Rocker Panel End Cap - LH - 66-67 Fairlane
450-8468-L	Outer Rocker Panel - LH - 68-69 Fairlane Torino Comet Cyclone Montego (except Talladega or Spoiler II)
450-8468-R	Outer Rocker Panel - RH - 68-69 Fairlane Torino Comet Cyclone Montego (except Talladega or Spoiler II)
450-8961-L	Outer Rocker Panel - LH - 61-63 Galaxie Monterey Marauder 2DR & Convertible (Except Wagon)
450-8961-R	Outer Rocker Panel - RH - 61-63 Galaxie Monterey Marauder 2DR & Convertible (Except Wagon)
450-8964-L	Outer Rocker Panel - LH - 64 Galaxie Monterey Marauder 2DR
450-8964-R	Outer Rocker Panel - RH - 64 Galaxie Monterey Marauder 2DR

# HARDWARE KITS

Typical kit includes fasteners to attach: battery tray, bumper guards & brackets, cowl braces, cowl panel, door hinges, door strikers, door latches fenders, fender splash shields, fender extensions, floorboard plates, grille, grille supports, headlamp doors, headlamp housings, hood, hood hinges, hood latch, hood latch catch, hood latch support, outside mirrors, quarter extensions, shock tower braces, stone deflector, trunk latch, trunk latch striker, trunk lid, trunk lid hinges, front valance and rear valance. Kits include all related spring nuts & clips.

Part #	Description
H-66O-M	Master Body Hardware Kit - (365pcs) - 66 Fairlane
H-67O-M	Master Body Hardware Kit - (365pcs) - 67 Fairlane
H-68O-M	Master Body Hardware Kit - (412pcs) - 68 Fairlane Torino
H-69O-M	Master Body Hardware Kit - (398pcs) - 69 Fairlane Torino
H-70O-MS	Master Body Hardware Kit - (501pcs) - 70 Torino Standard
H-70O-MC	Master Body Hardware Kit - (487pcs) - 70 Torino Standard
H-70O-MH	Master Body Hardware Kit - (489pcs) - 70 Torino Standard
H-71O-MS	Master Body Hardware Kit - (491pcs) - 71 Torino Standard
H-71O-MC	Master Body Hardware Kit - (479pcs) - 71 Torino Standard
H-71O-MH	Master Body Hardware Kit - (489pcs) - 71 Torino Standard

**GALAXIE**

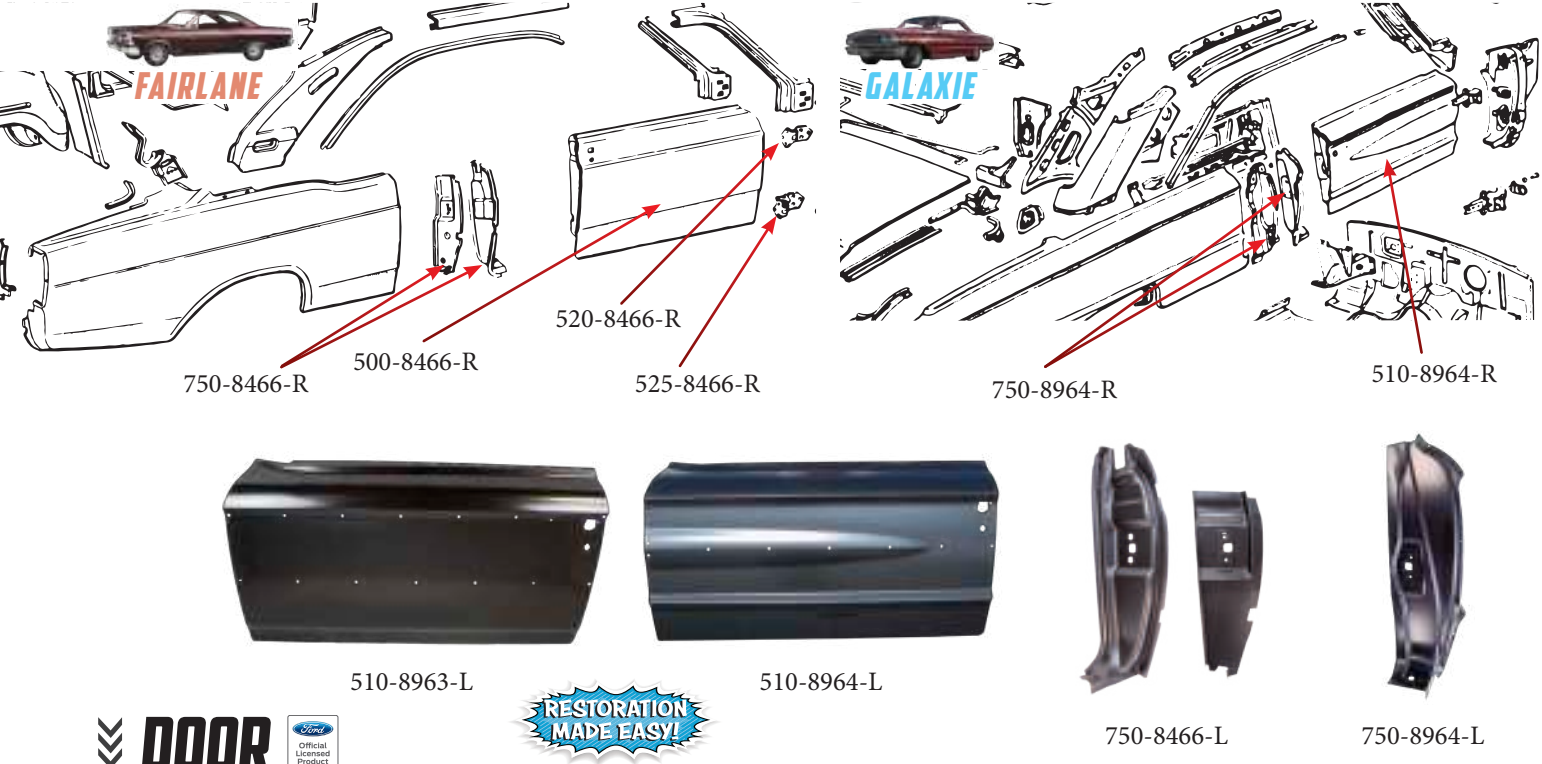
**RESTORATION MADE EASY!**

**HUGE ONLINE SELECTION**

**TEST FIT Before You Paint**

# INTERIOR

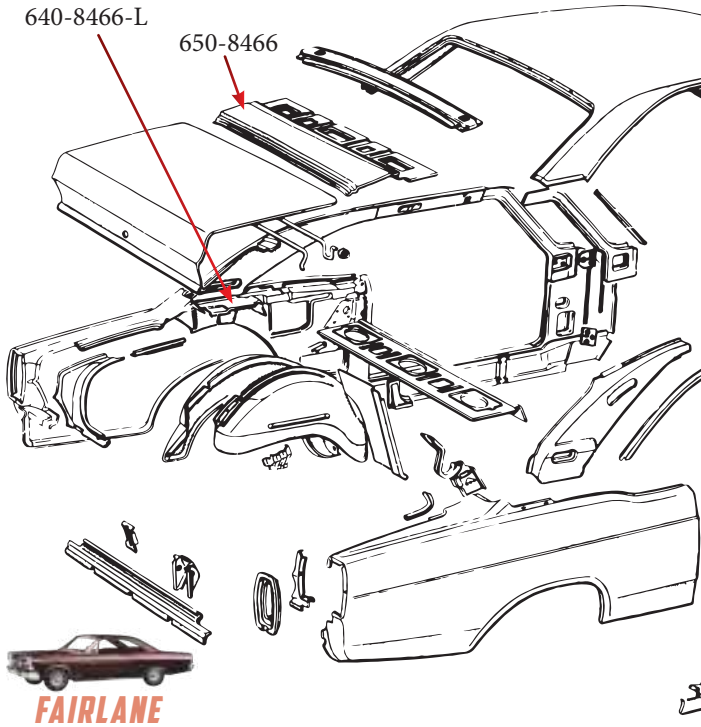
Part #	Description
458-8961-1	Steering Column Bowl - w/ Floor Shift M/T - 62-66 Falcon Ranchero Mustang Fairlane Comet Cyclone; 63-66 Galaxie Monterey Marauder; 61-72 F-Series Pickup
X540-8066	Inside Door Handle - LH or RH - 66-67 Falcon / Ranchero / Fairlane / Comet / Cyclone; 65-67 Mustang / Cougar (from 3/8/65)
X540-8070-L	Inside Door Handle - LH - 71-73 Mustang / Cougar std; 70-72 Maverick / Comet; 70-76 Torino / Montego / Cyclone / Ranchero (exc. 72-73 Sport); 77-79 LTD II / Cougar / Ranchero; 70-72 Galaxie / LTD / Monterey / Marquis
X540-8070-R	Inside Door Handle - RH - 71-73 Mustang / Cougar std; 70-72 Maverick / Comet; 70-76 Torino / Montego / Cyclone / Ranchero (exc. 72-73 Sport); 77-79 LTD II / Cougar / Ranchero; 70-72 Galaxie / LTD / Monterey / Marquis
X540-8963	Inside Door Handle - LH or RH - 64-65 Falcon / Ranchero / Comet / Cyclone; 64-65 Mustang (up to 3/8/65); 64-65 Fairlane; 63-64 Galaxie / Monterey (stalk style)
X540-8967-L	Inside Door Handle - LH - 68 Mustang / Cougar; 67 Cougar XR-7; 67 Fairlane 500/XL / GT / Cyclone; 67 Galaxie / LTD / Monterey / Marauder
X540-8967-R	Inside Door Handle - RH - 68 Mustang / Cougar; 67 Cougar XR-7; 67 Fairlane 500/XL / GT / Cyclone; 67 Galaxie / LTD / Monterey / Marauder
X546-8068-681AS	Window Crank Handle - w/ Black Knob - 68-70 Falcon; 68-69 Mustang Cougar; 68-69 Fairlane Torino Ranchero Comet Cyclone Montego; 68-69 Galaxie LTD Monterey Marquis; 68-77 Bronco; 68-72 F-Series Pickup
X546-8068-681BS	Window Crank Handle - w/ Blue Knob - 68-70 Falcon; 68-69 Mustang Cougar; 68-69 Fairlane Torino Ranchero Comet Cyclone Montego; 68-69 Galaxie LTD Monterey Marquis; 68-77 Bronco; 68-72 F-Series Pickup
X546-8068-701CS	Window Crank Handle - w/ Ginger Knob - 70 Falcon; 70-77 Bronco; 70-72 F-Series Pickup
X546-8068-681DS	Window Crank Handle - w/ White Knob - 68-70 Falcon; 68-69 Mustang Cougar; 68-69 Fairlane Torino Ranchero Comet Cyclone Montego; 68-69 Galaxie LTD Monterey Marquis; 68-77 Bronco; 68-72 F-Series Pickup
X546-8068-681ES	Window Crank Handle - w/ Red Knob - 68-70 Falcon; 68-69 Mustang Cougar; 68-69 Fairlane Torino Ranchero Comet Cyclone Montego; 68-69 Galaxie LTD Monterey Marquis; 68-77 Bronco; 68-72 F-Series Pickup
X546-8068-701FS	Window Crank Handle - w/ Green Knob - 70 Falcon; 70-77 Bronco; 70-72 F-Series Pickup



Part #	Description
500-8466-L	Door Shell - LH - 66-67 Fairlane Comet Cyclone Fastback
500-8466-R	Door Shell - RH - 66-67 Fairlane Comet Cyclone Fastback
520-8466-L	Door Hinge - Upper - LH - 66-70 Falcon; 66-69 Fairlane Ranchero Comet Cyclone; 68-69 Torino Montego
520-8466-R	Door Hinge - Upper - RH - 66-70 Falcon; 66-69 Fairlane Ranchero Comet Cyclone; 68-69 Torino Montego
525-8466-L	Door Hinge - Lower - LH - 66-70 Falcon; 66-69 Fairlane Ranchero Comet Cyclone; 68-69 Torino Montego
525-8466-R	Door Hinge - Lower - RH - 66-70 Falcon; 66-69 Fairlane Ranchero Comet Cyclone; 68-69 Torino Montego
376-8466-1L	Door Hinge Pillar, LH - 66-67 Fairlane Comet Cyclone 2d; 67 Ranchero
376-8466-1R	Door Hinge Pillar, RH - 66-67 Fairlane Comet Cyclone 2d; 67 Ranchero
376-8468-1L	Door Hinge Pillar, LH - 68-69 Fairlane Torino Ranchero Comet Cyclone Montego 2d
376-8468-1R	Door Hinge Pillar, RH - 68-69 Fairlane Torino Ranchero Comet Cyclone Montego 2d
510-8963-L	Door Skin - LH - 63 Ford Galaxie 2DR; 63-64 Marauder Monterey 2DR
510-8963-R	Door Skin - RH - 63 Ford Galaxie 2DR; 63-64 Marauder Monterey 2DR
510-8964-L	Door Skin - LH - 64 Ford Galaxie 2DR
510-8964-R	Door Skin - RH - 64 Ford Galaxie 2DR

## DOOR JAMBS

Part #	Description
750-8466-L	Door Jamb Lock Pillar w/ Reinforcement - LH - 66-67 Fairlane Comet Cyclone Fastback & Convertible
750-8466-R	Door Jamb Lock Pillar w/ Reinforcement - RH - 66-67 Fairlane Comet Cyclone Fastback & Convertible
750-8468-L	Door Jamb Lock Pillar w/ Reinforcement - LH - 68-69 Fairlane Torino Comet Cyclone Montego 2DR & Convertible
750-8468-R	Door Jamb Lock Pillar w/ Reinforcement - RH - 68-69 Fairlane Torino Comet Cyclone Montego 2DR & Convertible
750-8963-L	Door Jamb Lock Pillar - LH - 63 Galaxie 2-Door; 63-64 Monterey 2-Door
750-8963-R	Door Jamb Lock Pillar - RH - 63 Galaxie 2-Door; 63-64 Monterey 2-Door
750-8964-L	Door Jamb Lock Pillar - LH - 64 Galaxie 2-Door
750-8964-R	Door Jamb Lock Pillar - RH - 64 Galaxie 2-Door



650-8468



650-8466-R

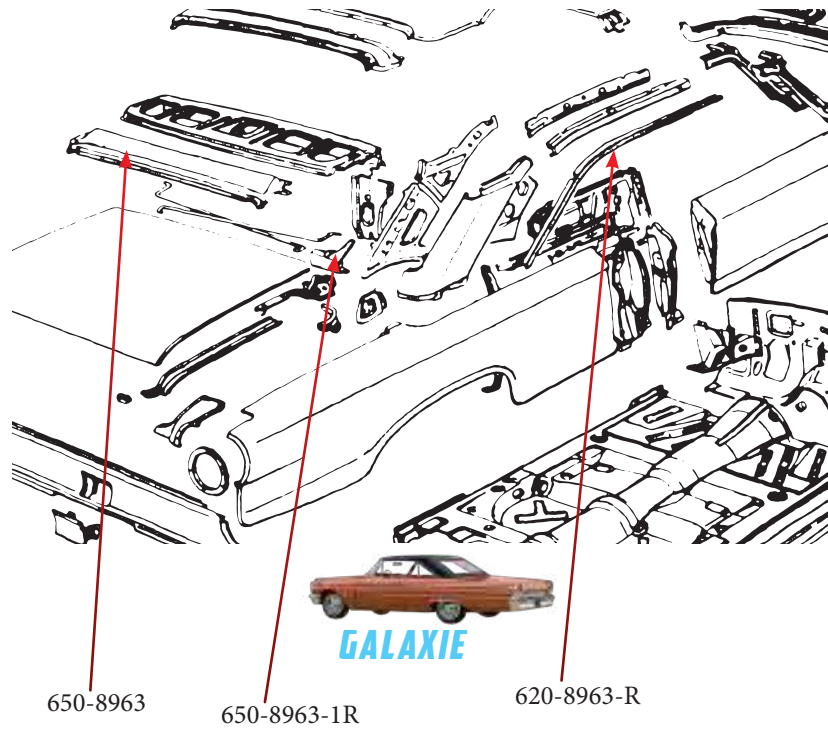


640-8466-L

## DECK FILLERS



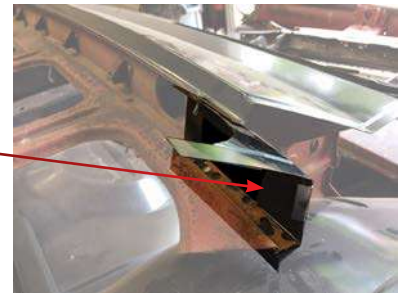
Part #	Description
650-8466	Deck Filler Panel - 66-67 Fairlane Comet Cyclone Fastback
650-8466-L	Deck Filler to Package Tray Bracket - LH - 66-67 Fairlane Comet Cyclone Fastback
650-8466-R	Deck Filler to Package Tray Bracket - RH - 66-67 Fairlane Comet Cyclone Fastback
650-8468	Deck Filler Panel - 68-69 Fairlane Torino Comet Cyclone Montego Fastback
650-8963	Deck Filler Panel - 63 Galaxie Fastback
650-8963-1L	Deck Filler Extension - LH - 63-64 Galaxie Marauder Fastback
650-8963-1R	Deck Filler Extension - RH - 63-64 Galaxie Marauder Fastback
650-8964	Deck Filler Panel - 64 Galaxie Fastback



650-8964



650-8963-1L



## ROOF

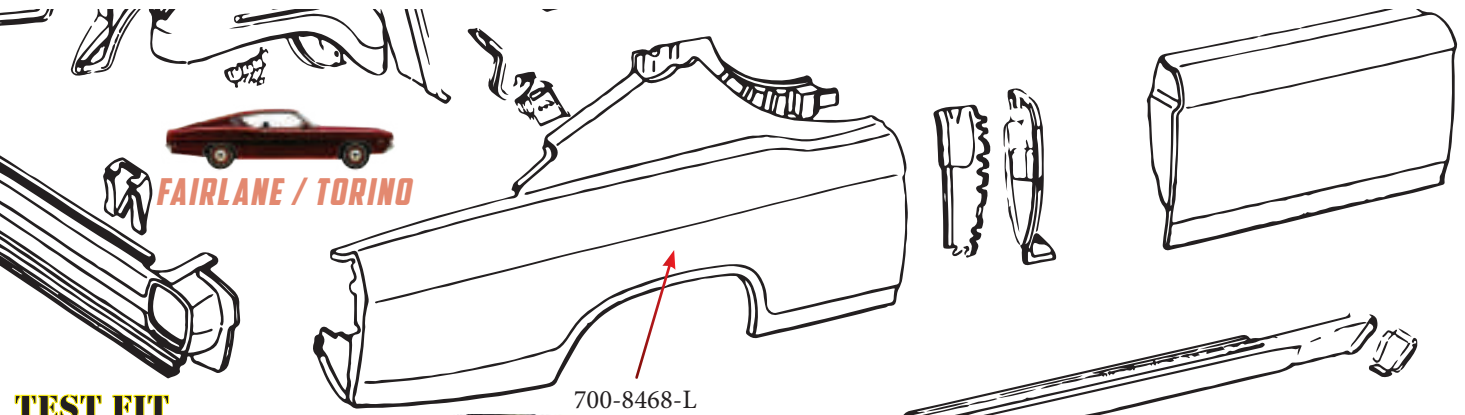
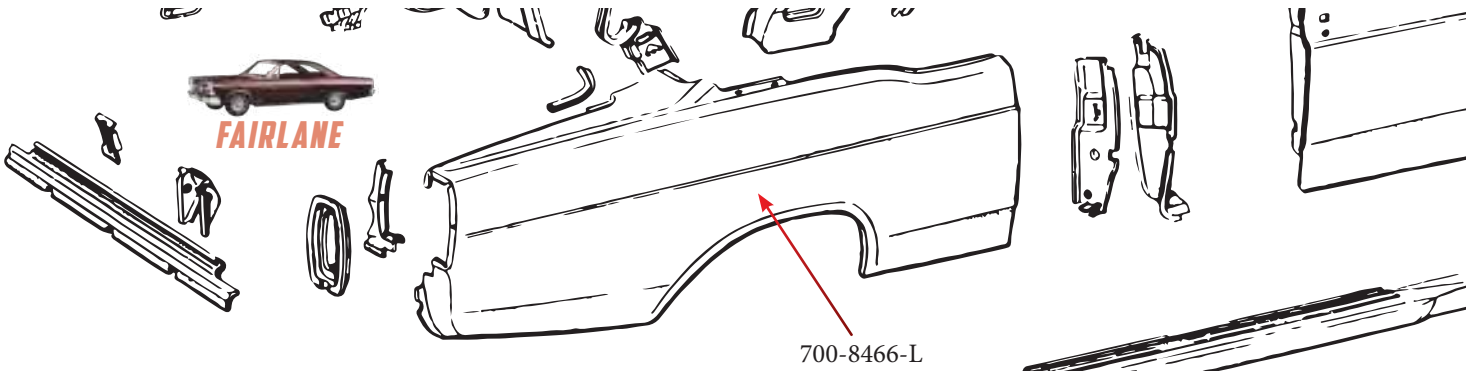


Part #	Description
630-8466-S	Drip Rail Molding Set (2 pcs) - 66-67 Fairlane Comet Cyclone 2d fastback
620-8963-L	Roof Drip Rail - LH - 63-64 Galaxie Marauder Fastback
620-8963-R	Roof Drip Rail - RH - 63-64 Galaxie Marauder Fastback

## PACKAGE TRAY EXTENSIONS



Part #	Description
640-8466-L	Package Tray Extension - LH - 66-67 Fairlane Comet Cyclone Fastback
640-8466-R	Package Tray Extension - RH - 66-67 Fairlane Comet Cyclone Fastback



**TEST FIT**



*Before You Paint*



700-8466-L



700-8467-L



700-8468-L

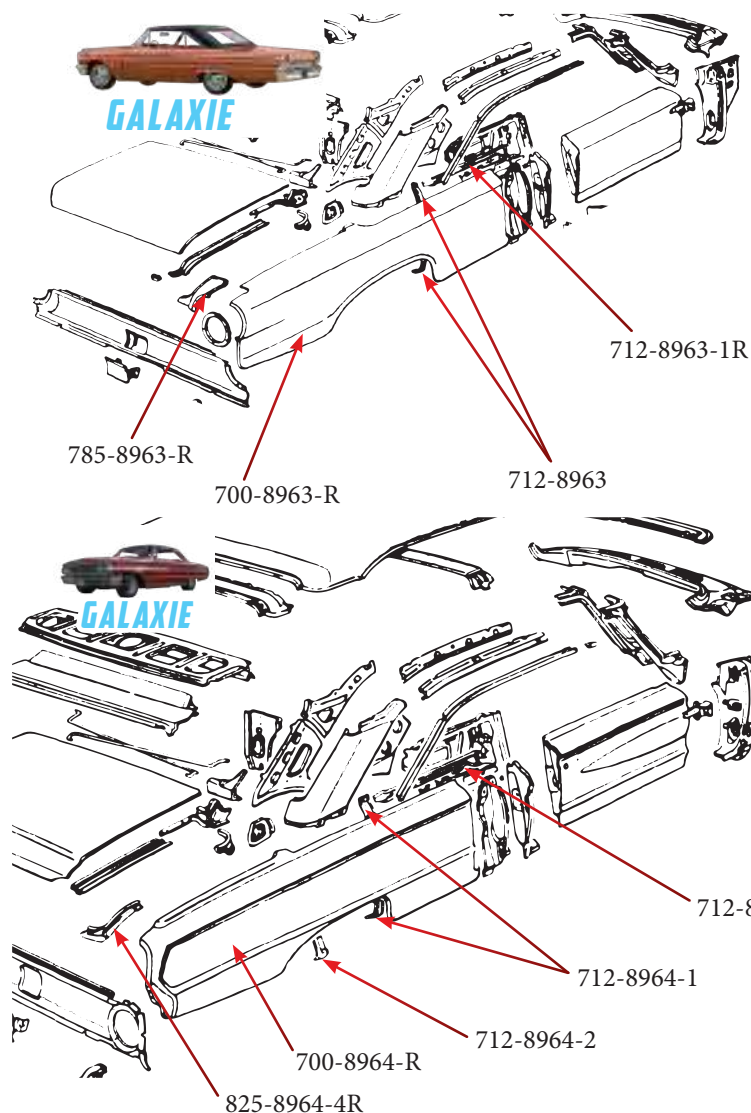


700-8469-L

## ≡ QUARTER PANELS



Part #	Description
700-8466-L	Quarter Panel - OE Style - LH - 66 Fairlane Fastback
700-8466-R	Quarter Panel - OE Style - RH - 66 Fairlane Fastback
700-8467-L	Quarter Panel - OE Style - LH - 67 Fairlane Fastback
700-8467-R	Quarter Panel - OE Style - RH - 67 Fairlane Fastback
700-8468-L	Quarter Panel - OE Style - LH - 68 Fairlane Torino Fastback
700-8468-R	Quarter Panel - OE Style - RH - 68 Fairlane Torino Fastback
700-8469-L	Quarter Panel - OE Style - LH - 69 Fairlane Torino Fastback
700-8469-R	Quarter Panel - OE Style - RH - 69 Fairlane Torino Fastback
700-8470-L	Quarter Panel - OE Style - LH - 70-71 Torino Fastback
700-8470-R	Quarter Panel - OE Style - RH - 70-71 Torino Fastback
700-8963-L	Quarter Panel - OE Style - LH - 63 Galaxie Fastback
700-8963-R	Quarter Panel - OE Style - RH - 63 Galaxie Fastback
785-8963-L	Quarter Panel Extension - LH - 63 Galaxie (except Wagon)
785-8963-R	Quarter Panel Extension - RH - 63 Galaxie (except Wagon)
700-8964-L	Quarter Panel - OE Style - LH - 64 Galaxie Fastback
700-8964-R	Quarter Panel - OE Style - RH - 64 Galaxie Fastback



700-8963-R



785-8963-R



762-8963-R



712-8963-2



712-8963-1L



712-8963-1



712-8963



700-8964-R



762-8964-L



712-8964-L

**TEST FIT**



*Before You Paint*

**QUARTER PANEL BRACES**



Part #	Description
712-8963	Quarter Panel Brace - LH or RH - 63 Galaxie Monterey 2d
712-8963-1	Lower Rear Quarter Interior Trim Panel Retainer- Long - LH or RH - 63-64 Ford Galaxie 2d; 63-64 Mercury Monterey Marauder 2d (welds to rear of inner rocker)
712-8963-1L	Quarter Panel Reinforcement - Upper - LH - 63 Ford Galaxie
712-8963-1R	Quarter Panel Reinforcement - Upper - RH - 63 Ford Galaxie
712-8963-2	Lower Rear Quarter Interior Trim Panel Retainer- Short - LH or RH - 63 Ford Galaxie Fastback; 63 Mercury Monterey Marauder Fastback (welds to top of rear of rocker)
712-8964-1	Front Quarter Panel Brace - LH or RH - 64 Galaxie
712-8964-2	Rear Quarter Panel Brace - LH or RH - 64 Galaxie
712-8964-L	Quarter Panel Reinforcement - Upper - LH - 64 Ford Galaxie
712-8964-R	Quarter Panel Reinforcement - Upper - RH - 64 Ford Galaxie
762-8964-L	Quarter Panel to Inner Wheelhouse Support - LH - 64 Galaxie except Wagon or Convertible
762-8964-R	Quarter Panel to Inner Wheelhouse Support - RH - 64 Galaxie except Wagon or Convertible
825-8964-4L	Trunk Gutter - Rear Upper Section - LH - 64 Galaxie (exc. Wagon)
825-8964-4R	Trunk Gutter - Rear Upper Section - RH - 64 Galaxie (exc. Wagon)

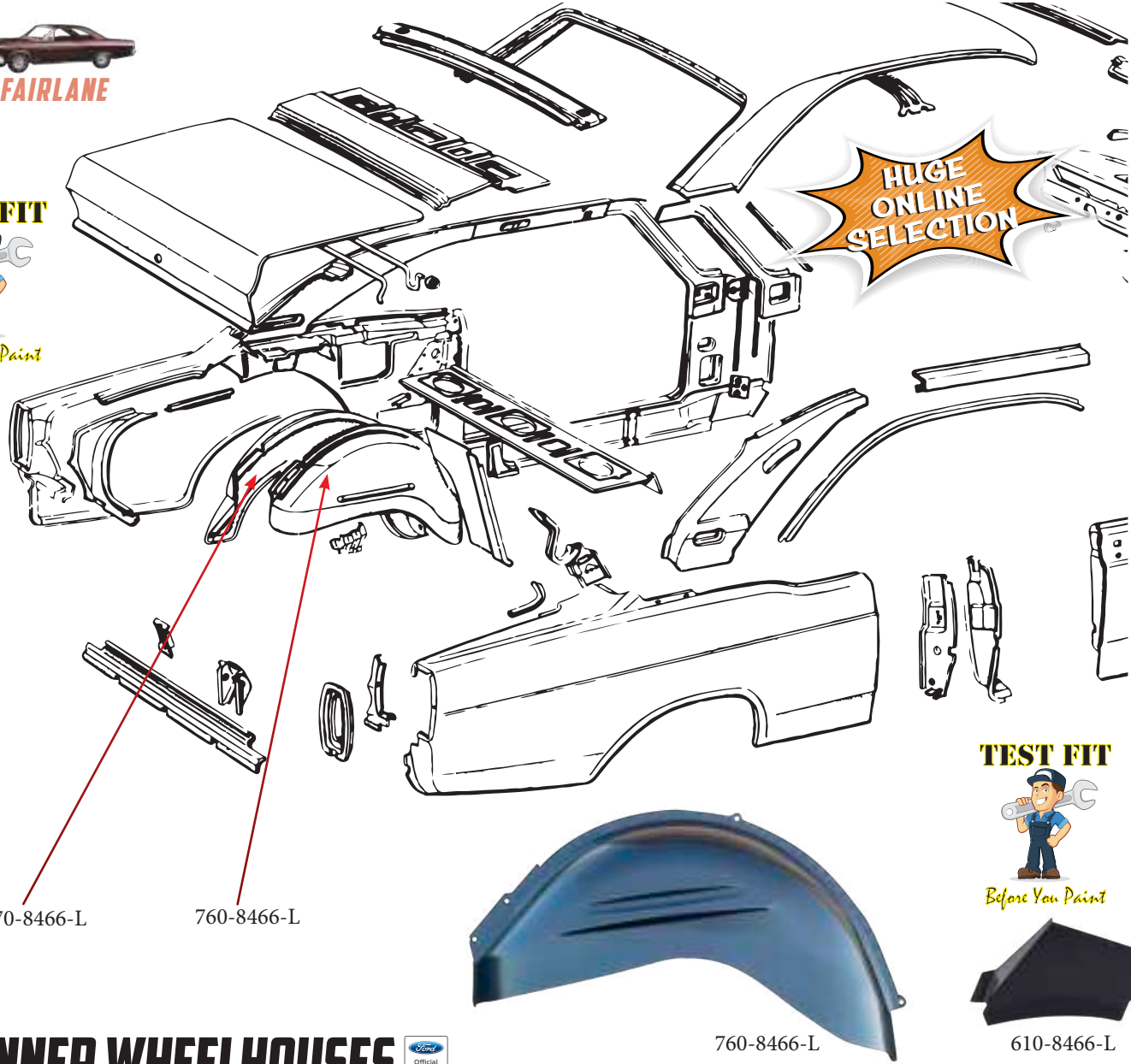


**TEST FIT**



*Before You Paint*

**HUGE ONLINE SELECTION**



770-8466-L

760-8466-L

760-8466-L

**TEST FIT**



*Before You Paint*

610-8466-L

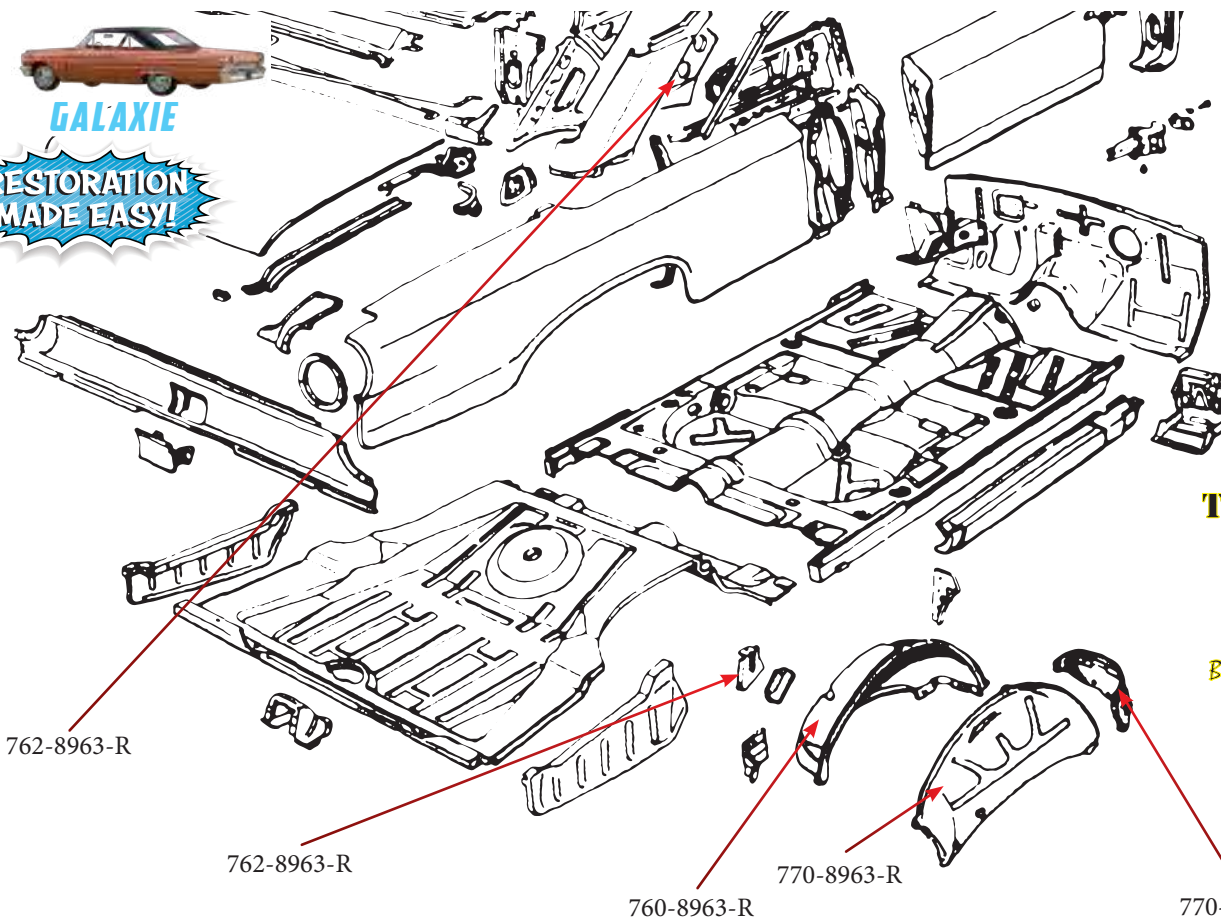
## INNER WHEELHOUSES

Part #	Description
760-8466-L	Inner Wheelhouse - LH - 66-70 Falcon; 66-69 Fairlane Ranchero Comet Cyclone; 68-69 Torino Montego
760-8466-R	Inner Wheelhouse - RH - 66-70 Falcon; 66-69 Fairlane Ranchero Comet Cyclone; 68-69 Torino Montego
760-8470-L	Inner Wheelhouse - LH - 70-71 Torino Ranchero Montego Cyclone; 70 Fairlane Comet (except Wagon)
760-8470-R	Inner Wheelhouse - RH - 70-71 Torino Ranchero Montego Cyclone; 70 Fairlane Comet (except Wagon)
760-8963-L	Inner Wheelhouse - LH - 60-63 Galaxie; 61-63 Monterey Marauder
760-8963-R	Inner Wheelhouse - RH - 60-63 Galaxie; 61-63 Monterey Marauder
760-8964-L	Inner Wheelhouse - LH - 64 Galaxie Monterey Marauder
760-8964-R	Inner Wheelhouse - RH - 64 Galaxie Monterey Marauder
762-8963-L	Inner Wheelhouse to Deck Filler Support - LH - 63 Galaxie Marauder Fastback
762-8963-R	Inner Wheelhouse to Deck Filler Support - RH - 63 Galaxie Marauder Fastback
762-8964-L	Quarter Panel to Inner Wheelhouse Support - LH - 64 Galaxie except Wagon or Convertible
762-8964-R	Quarter Panel to Inner Wheelhouse Support - RH - 64 Galaxie except Wagon or Convertible



**GALAXIE**

**RESTORATION  
MADE EASY!**



**TEST FIT**



*Before You Paint*



760-8963-R



770-8963-L



770-8964-L



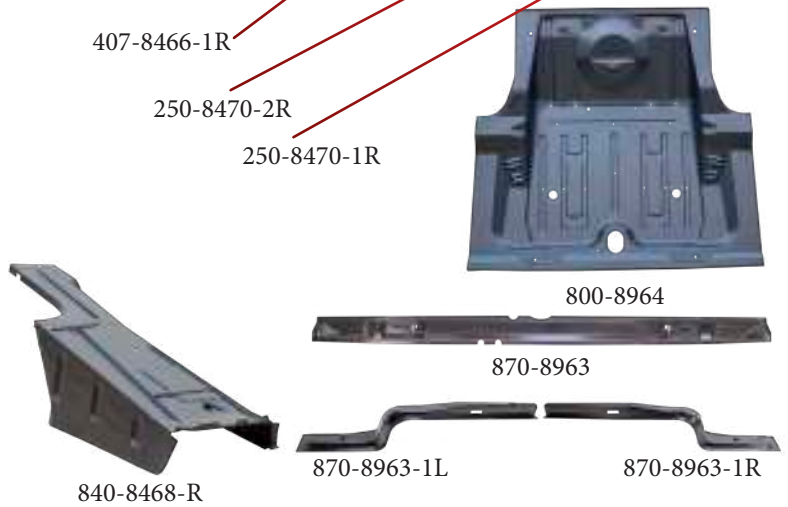
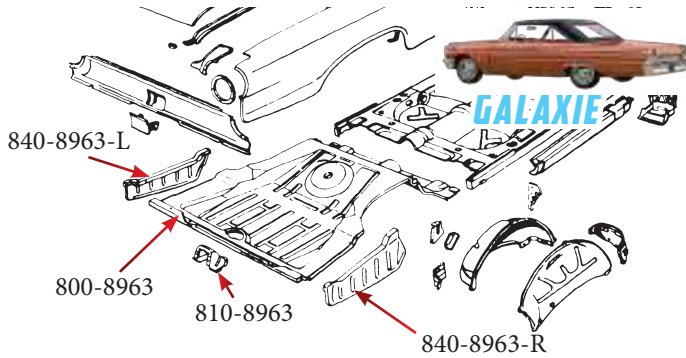
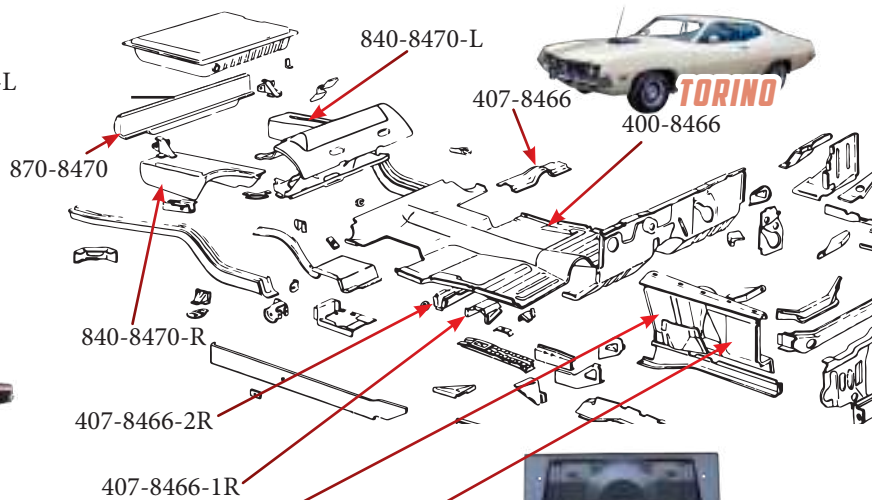
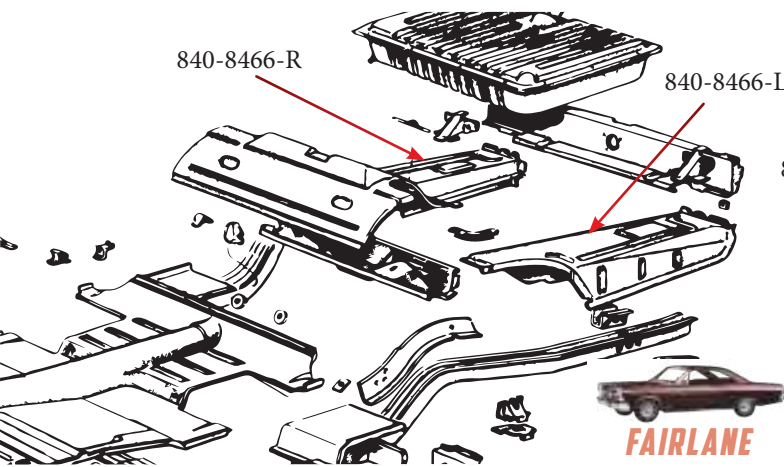
770-8963-1L

## OUTER WHEELHOUSES



Part #	Description
770-8466-L	Outer Wheelhouse - LH - 66-67 Fairlane Comet Cyclone (except Wagon)
770-8466-R	Outer Wheelhouse - RH - 66-67 Fairlane Comet Cyclone (except Wagon)
770-8468-L	Outer Wheelhouse - LH - 68-69 Fairlane Torino (except Wagon)
770-8468-R	Outer Wheelhouse - RH - 68-69 Fairlane Torino (except Wagon)
770-8470-L	Outer Wheelhouse - LH - 70-71 Torino; 70 Fairlane (except Wagon)
770-8470-R	Outer Wheelhouse - RH - 70-71 Torino; 70 Fairlane (except Wagon)
610-8466-L	Outer Wheelhouse to Roof Support - LH - 66-67 Fairlane Comet Cyclone Fastback
610-8466-R	Outer Wheelhouse to Roof Support - RH - 66-67 Fairlane Comet Cyclone Fastback
770-8963-L	Outer Wheelhouse - LH - 60-63 Galaxie; 61-64 Monterey Marauder
770-8963-R	Outer Wheelhouse - RH - 60-63 Galaxie; 61-64 Monterey Marauder
770-8963-1L	Outer Wheelhouse Extension - LH - 63 Galaxie (except Wagon)
770-8963-1R	Outer Wheelhouse Extension - RH - 63 Galaxie (except Wagon)
770-8964-L	Outer Wheelhouse - LH - 64 Galaxie
770-8964-R	Outer Wheelhouse - RH - 64 Galaxie

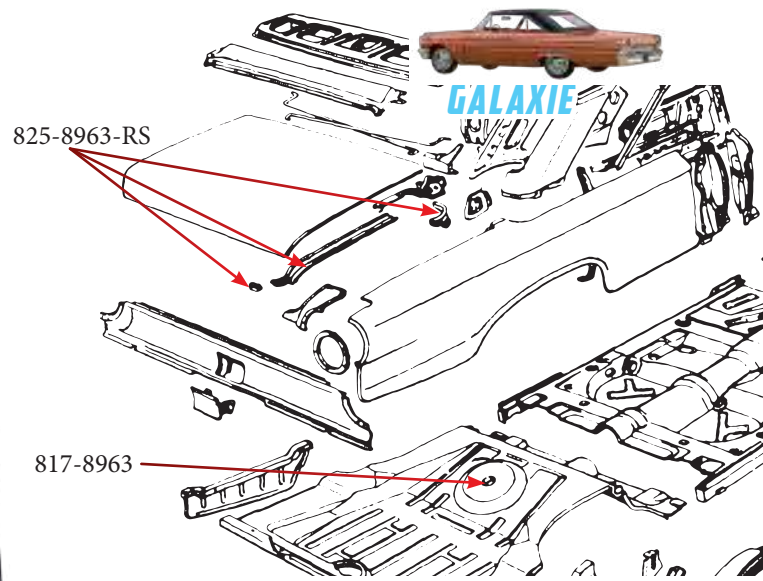
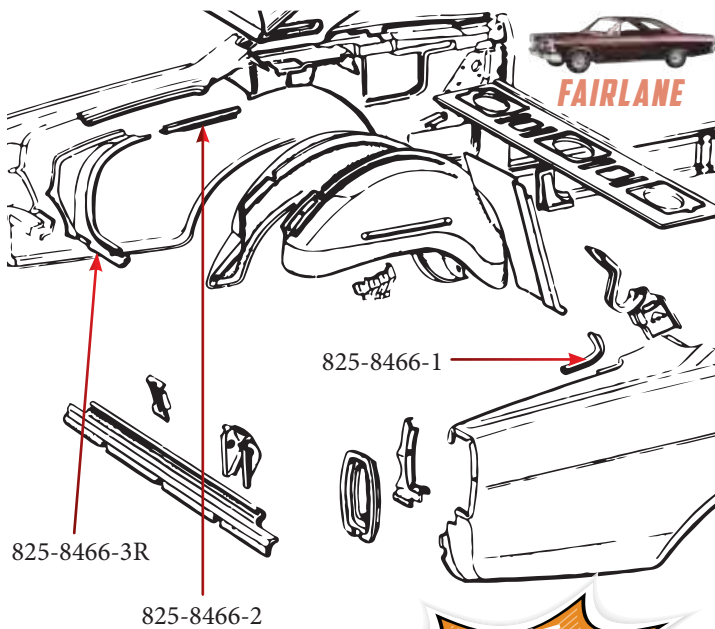




## TRUNK FLOOR



Part #	Description
850-8468	Trunk Lid - 68-69 Fairlane Comet Cyclone 2d fastback
840-8466-L	Trunk Floor Side (Extension) - LH - 66-67 Fairlane
840-8466-R	Trunk Floor Side (Extension) - RH - 66-67 Fairlane
840-8468-L	Trunk Floor Side (Extension) - LH - 68-69 Fairlane Torino
840-8468-R	Trunk Floor Side (Extension) - RH - 68-69 Fairlane Torino
840-8470-L	Trunk Floor Side (Extension) - LH - 70-71 Torino (except Wagon)
840-8470-R	Trunk Floor Side (Extension) - RH - 70-71 Torino (except Wagon)
885-8466	Inside Trunk Exhaust Hanger - 66-69 Fairlane; 68-69 Torino
800-8963	Trunk Floor - OE Style w/ Braces - 61-63 Galaxie Monterey Marauder
800-8964	Trunk Floor - OE Style w/ Braces - 64 Galaxie (except Wagon)
840-8963-L	Trunk Floor Extension - LH - 63 Galaxie
840-8963-R	Trunk Floor Extension - RH - 63 Galaxie
840-8964-L	Trunk Floor Extension - LH - 64 Galaxie
840-8964-R	Trunk Floor Extension - RH - 64 Galaxie
820-8963-1	Trunk Floor Front Crossmember Brace - 63 Galaxie
870-8963-1	Trunk Floor Brace Set - Front - 61-64 Galaxie Monterey Marauder
871-8963-L	Trunk Floor Rear Crossmember Brace - LH - 63 Galaxie
871-8963-R	Trunk Floor Rear Crossmember Brace - RH - 63 Galaxie
870-8963	Trunk Floor Cross Brace - Rear - 61-64 Galaxie Monterey Marauder
870-8963-1L	Trunk Floor Brace - Front - LH - 61-64 Galaxie Monterey Marauder
870-8963-1R	Trunk Floor Brace - Front - RH - 61-64 Galaxie Monterey Marauder



**RESTORATION  
MADE EASY!**

**HUGE  
ONLINE  
SELECTION**



825-8964-3L

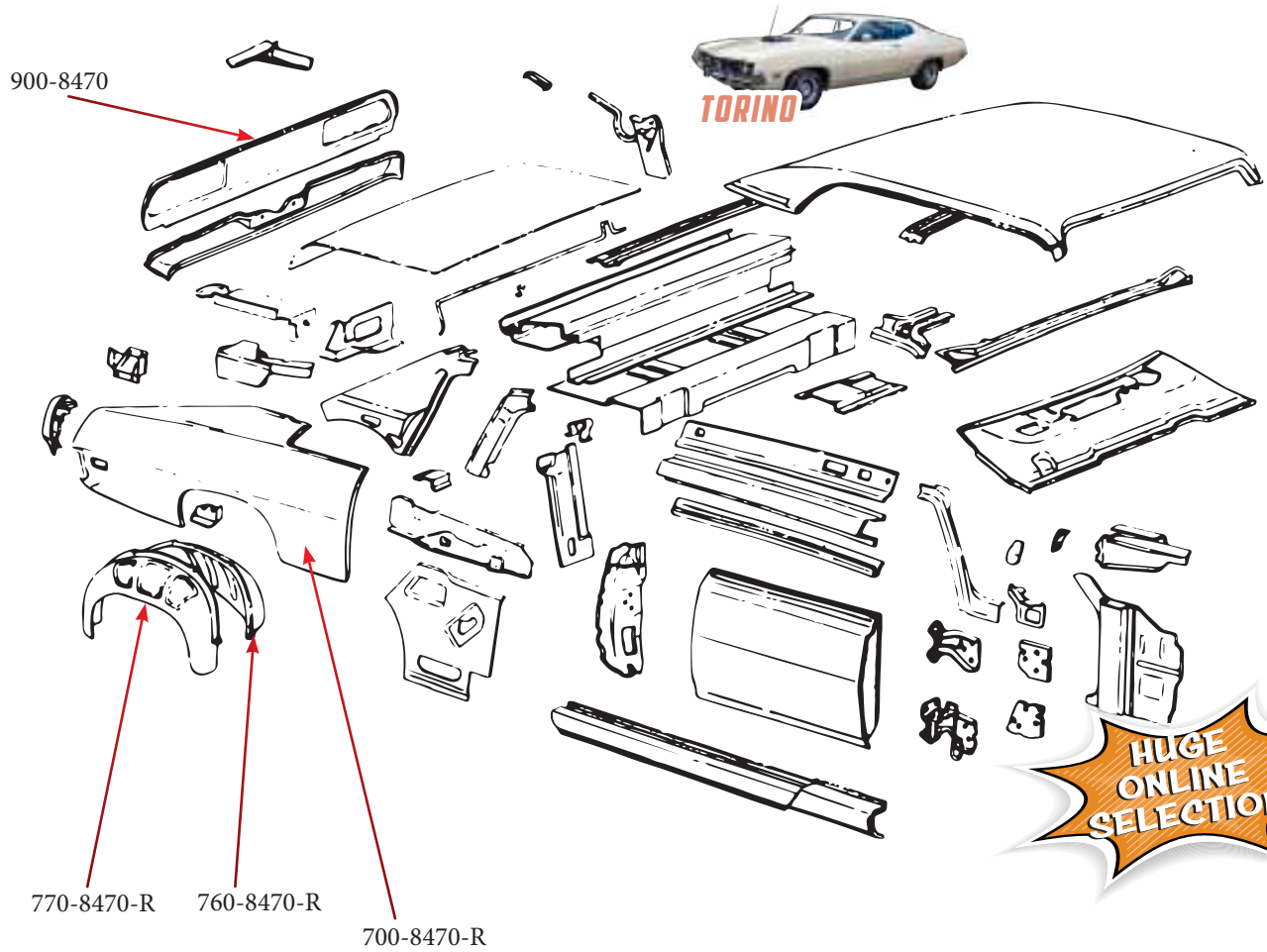


G-TS107SA

## TRUNK GUTTERS



Part #	Description
825-8466-1	Trunk Gutter - Upper - LH or RH - 66-70 Falcon; 66-71 Fairlane; 66-67 Comet Cyclone; 68-71 Torino (except Wagon or 68-71 Fastback)
825-8466-2	Trunk Gutter - Center - LH or RH - 66-69 Fairlane Torino 2d
825-8466-3L	Trunk Gutter - Lower - LH - 66-67 Fairlane (Except Ranchero & Wagon)
825-8466-3R	Trunk Gutter - Lower - RH - 66-67 Fairlane (Except Ranchero & Wagon)
825-8468-1L	Trunk Gutter - Upper - LH - 68-69 Fairlane Torino Fastback
825-8468-1R	Trunk Gutter - Upper - RH - 68-69 Fairlane Torino Fastback
825-8468-3L	Trunk Gutter - Lower - LH - 68-69 Fairlane Torino Fastback
825-8468-3R	Trunk Gutter - Lower - RH - 68-69 Fairlane Torino Fastback
825-8470-L	Trunk Gutter - Front - LH - 70-71 Torino Fastback
825-8470-R	Trunk Gutter - Front - RH - 70-71 Torino Fastback
825-8470-1L	Trunk Gutter - Upper - LH - 70-71 Torino Montego Cyclone (except Wagon)
825-8470-1R	Trunk Gutter - Upper - RH - 70-71 Torino Montego Cyclone (except Wagon)
825-8470-3L	Trunk Gutter - Lower - LH - 70-71 Torino Montego Cyclone (except Wagon)
825-8470-3R	Trunk Gutter - Lower - RH - 70-71 Torino Montego Cyclone (except Wagon)
825-8963-LS	Trunk Gutter Set (3pcs) - LH - 63 Ford Galaxie (exc. Wagon)
825-8963-RS	Trunk Gutter Set (3pcs) - RH - 63 Ford Galaxie (exc. Wagon)
825-8964-1	Trunk Gutter - Front - LH or RH - 64 Galaxie (exc. Wagon or Conv.)
825-8964-2	Trunk Gutter - Center - LH or RH - 64 Galaxie (exc. Wagon)
825-8964-3L	Trunk Gutter - Rear Lower Section - LH - 64 Galaxie (exc. Wagon)
825-8964-3R	Trunk Gutter - Rear Lower Section - RH - 64 Galaxie (exc. Wagon)
825-8964-4L	Trunk Gutter - Rear Upper Section - LH - 64 Galaxie (exc. Wagon)
825-8964-4R	Trunk Gutter - Rear Upper Section - RH - 64 Galaxie (exc. Wagon)
G-TS107SA	Trunk Weatherstrip - 62-64 Fairlane; 62-70 Falcon; 63-67 Galaxie; 63-72 Galaxie 500; 63-72 Continental; 63-72 Monterey



**HUGE ONLINE SELECTION**

**RESTORATION MADE EASY!**



818-8466

817-8963

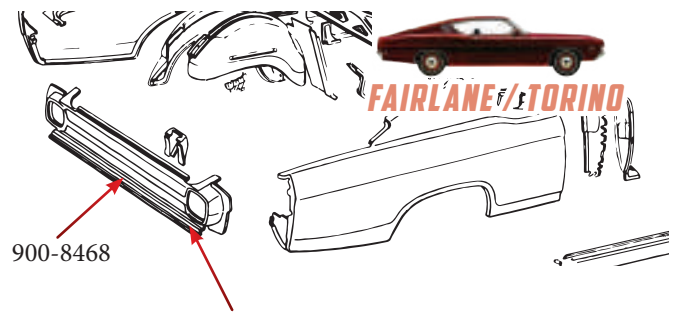
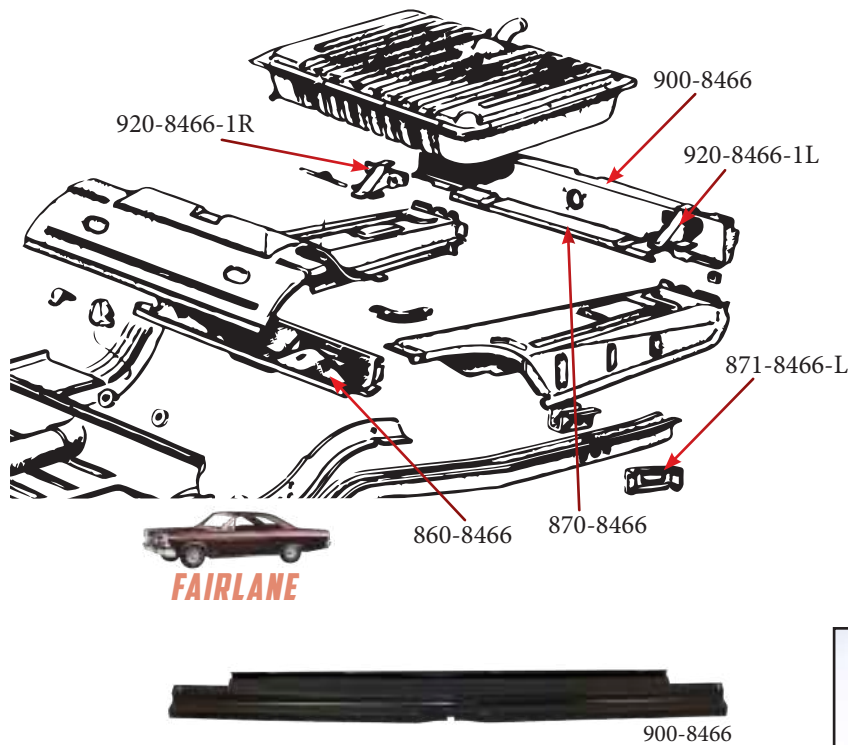
810-8466

## TRUNK LOCK SUPPORT

Part #	Description
810-8466	Trunk Lock Support - 66-67 Fairlane
810-8468	Trunk Lock Support - 68-69 Fairlane Torino Fastback
810-8470	Trunk Lock Support - 70-71 Fairlane Torino Montego Cyclone (except Wagon)
810-8963	Trunk Lock Support - 63 Galaxie (except Wagon)
810-8964	Trunk Lock Support - 64 Galaxie (except Wagon)

## SPARE TIRE BRACKET

Part #	Description
816-8466	Spare Tire Retainer Hook & Wingnut - 62-67 Fairlane Meteor; 66-67 Comet Cyclone; 61-64 Galaxie Monterey Marauder
817-8466	Spare Tire Hold Down Bracket - 66-71 Fairlane; 68-71 Torino
818-8466	Spare Tire Hold Down Anchor - 67-71 Fairlane Torino
818-8466-1	Spare Tire Hold Down Anchor - 66 Fairlane Comet Cyclone
817-8963	Spare Tire Mount - 63-64 Galaxie Marauder Fastback



**TEST FIT**



*Before You Paint*



920-8466-1R



881-8960-3



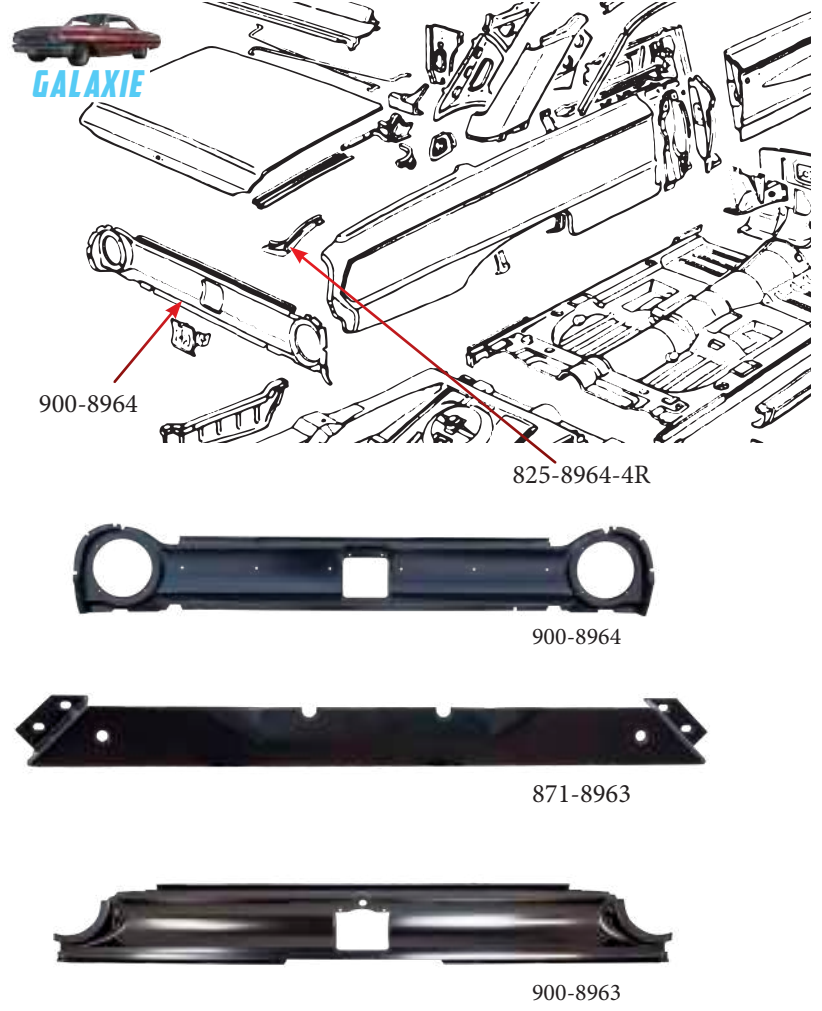
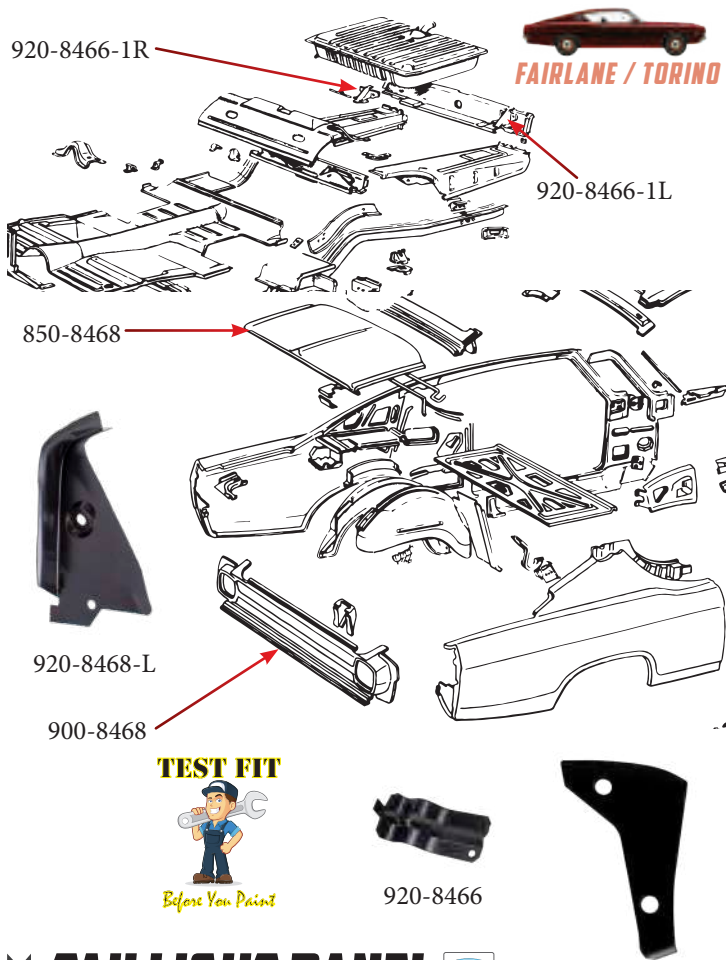
890-8964

## ≡ CROSS RAIL BRACE

Part #	Description
870-8466	Rear Crossrail - 66-67 Fairlane (except Wagon)
870-8468	Rear Crossrail - 68-69 Fairlane Torino (except Wagon)
870-8470	Rear Crossrail - 70-71 Fairlane Torino Montego Cyclone (except Wagon)
860-8466	Upper Rear Crossmember Shock Mount - 66-71 Fairlane Comet Cyclone; 68-71 Torino Montego; exc. Wagon
871-8466-L	Frame Rail to Rear Crossmember Bracket - LH - 66-69 Fairlane Comet Cyclone; 68-69 Torino Montego
871-8466-R	Frame Rail to Rear Crossmember Bracket - RH - 66-69 Fairlane Comet Cyclone; 68-69 Torino Montego
871-8468-L	Rear Crossmember Corner Reinforcement - LH - 68-69 Fairlane Torino
871-8468-R	Rear Crossmember Corner Reinforcement - RH - 68-69 Fairlane Torino
920-8466-1L	Rear Body Panel to Cross Sill Reinforcement Brace - LH - 66-69 Fairlane; 68-69 Torino
920-8466-1R	Rear Body Panel to Cross Sill Reinforcement Brace - RH - 66-69 Fairlane; 68-69 Torino
871-8963	Cross Rail Brace - Rear - 63 Galaxie
871-8963-1	Gas Tank to Rear Crossmember Bracket - LH or RH - 63-64 Galaxie

## ≡ FUEL

Part #	Description
881-8462-3	Gas Tank Sending Unit - 3/8" Outlet - 62-65 Fairlane (except Wagon)
881-8462-5	Gas Tank Sending Unit - 5/16" Outlet - 62-65 Fairlane (except Wagon)
881-8466-3	Gas Tank Sending Unit - 70 Torino / Cyclone / Montego; except Wagon; w/ 429 CJ; w/o Evap Em
881-8466-5	Gas Tank Sending Unit - 70-71 Torino / Montego / Cyclone; except Wagon; w/o 429 CJ
881-8468	Gas Tank Sending Unit - 68 Fairlane / Torino / Comet / Cyclone / Montego; except Wagon; w/ low fuel warning system; 3/8" Line
890-8964	Gas Tank - 64 Galaxie (except Wagon) (20 Gallon)
881-8960-3	Gas Tank Sending Unit - 3/8" w/o Return Line - 60-64 Galaxie; 61-64 Monterey; 63-64 Marauder 4V or 8V V8; except Wagon
881-8960-5	Gas Tank Sending Unit - 60-64 Galaxie; 63-64 Monterey Marauder 5/16" w/o Return Line; except Wagon



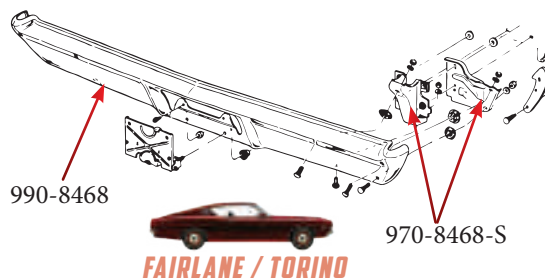
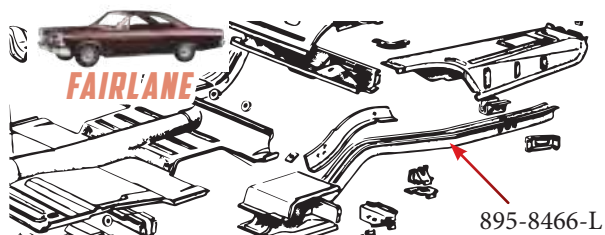
## TAILLIGHT PANEL



920-8468-1L

900-8963

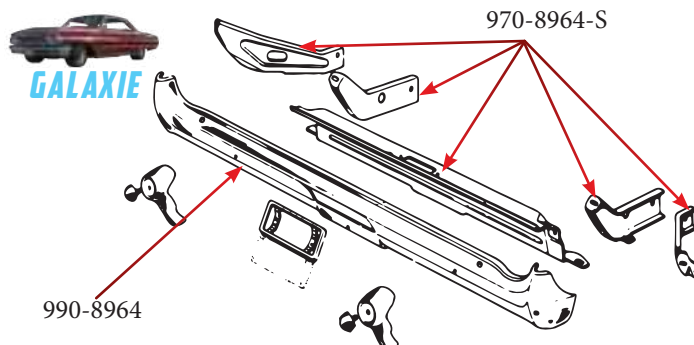
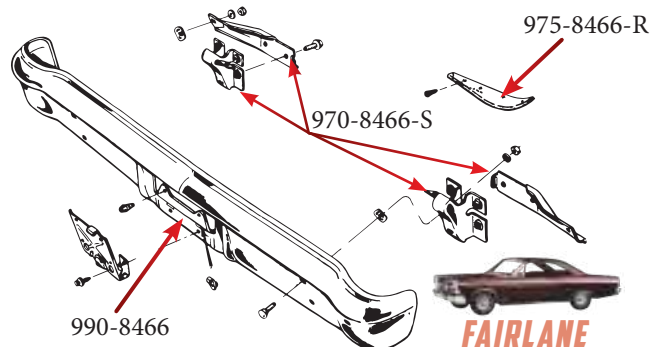
Part #	Description
900-8466-1L	Taillight Panel - LH - 66-67 Fairlane Fastback
900-8466-1R	Taillight Panel - RH - 66-67 Fairlane Fastback
900-8468	Taillight Panel - 68-69 Fairlane Torino Fastback
900-8470	Taillight Panel - 70-71 Torino (except Wagon)
920-8466-1L	Rear Body Panel to Cross Sill Reinforcement Brace - LH - 66-69 Fairlane; 68-69 Torino
920-8466-1R	Rear Body Panel to Cross Sill Reinforcement Brace - RH - 66-69 Fairlane; 68-69 Torino
900-8466	Rear Body Panel - 66-67 Fairlane
920-8466-L	Rear Body Panel Reinforcement - LH - 66-67 Fairlane
920-8466-R	Rear Body Panel Reinforcement - RH - 66-67 Fairlane
920-8466	Rear Body Panel Reinforcement Bracket - Small Inner - LH or RH - 66-67 Fairlane
920-8468-1L	Taillight Panel Reinforcement - Upper - LH - 68-69 Fairlane Torino Fastback
920-8468-1R	Taillight Panel Reinforcement - Upper - RH - 68-69 Fairlane Torino Fastback
920-8468-L	Taillight Panel Reinforcement - Lower - LH - 68-69 Fairlane Torino Fastback
920-8468-R	Taillight Panel Reinforcement - Lower - RH - 68-69 Fairlane Torino Fastback
953-8466	Taillight Bezel Reinforcement - LH or RH - 66 Fairlane
953-8467	Taillight Bezel Reinforcement - LH or RH - 67 Fairlane
900-8963	Taillight Panel - 63 Galaxie (Except Station Wagon)
900-8964	Taillight Panel - 64 Galaxie (Except Station Wagon)
900-8963-1	Taillight Bezel Reinforcement - LH or RH - 63 Galaxie



**TEST FIT**



*Before You Paint*



## REAR FRAME RAILS



Part #	Description
895-8466-1L	Rear Frame Rail Patch - LH - 24" Approx Length - 66-67 Fairlane Comet Cyclone Fastback
895-8466-1R	Rear Frame Rail Patch - RH - 24" Approx Length - 66-67 Fairlane Comet Cyclone Fastback
895-8468-1L	Rear Frame Rail Patch - LH - 24" Approx Length - 68-69 Fairlane Comet Cyclone Fastback
895-8468-1R	Rear Frame Rail Patch - RH - 24" Approx Length - 68-69 Fairlane Comet Cyclone Fastback

## REAR BUMPERS



Part #	Description
990-8060	Rear Bumper - 60-63 Falcon (exc. Ranchero & Station Wagon)
990-8064	Rear Bumper - 64-65 Falcon (exc. Ranchero & Station Wagon)
990-8466	Rear Bumper - 66-67 Fairlane (Exc. Ranchero & Station Wagon)
990-8468	Rear Bumper - 68-69 Fairlane Torino (Exc: Ranchero & Station Wagon)
990-8470	Rear Bumper - 70-71 Torino (exc. Ranchero & Station Wagon)
970-8466-S	Rear Bumper Bracket Set - 4pcs - 66-67 Fairlane (except Wagon)
970-8468-S	Rear Bumper Bracket Set - 4pcs - 68-69 Fairlane Torino (except Wagon)
990-8963	Rear Bumper - 63 Galaxie
990-8964	Rear Bumper - 64 Galaxie
970-8963-S	Rear Bumper Bracket Set - 63 Galaxie
970-8964-S	Rear Bumper Bracket Set - 64 Galaxie
970-8963-3	Rear Bumper Upper Brace - 63 Galaxie
991-8466-S	Rear Bumper Bolt Set (24 pcs) - 66-67 Fairlane Comet Cyclone (except Wagon)
991-8468-S	Rear Bumper Bolt Set (30 pcs) - 68-69 Fairlane Torino Comet Cyclone Montego (except Wagon)
991-8470-S	Rear Bumper Bolt Set (24 pcs) - 70-71 Torino Cyclone Montego (except Wagon)

## REAR BUMPER FILLERS



Part #	Description
975-8466-L	Rear Bumper Filler - LH - 66-67 Fairlane
975-8466-R	Rear Bumper Filler - RH - 66-67 Fairlane

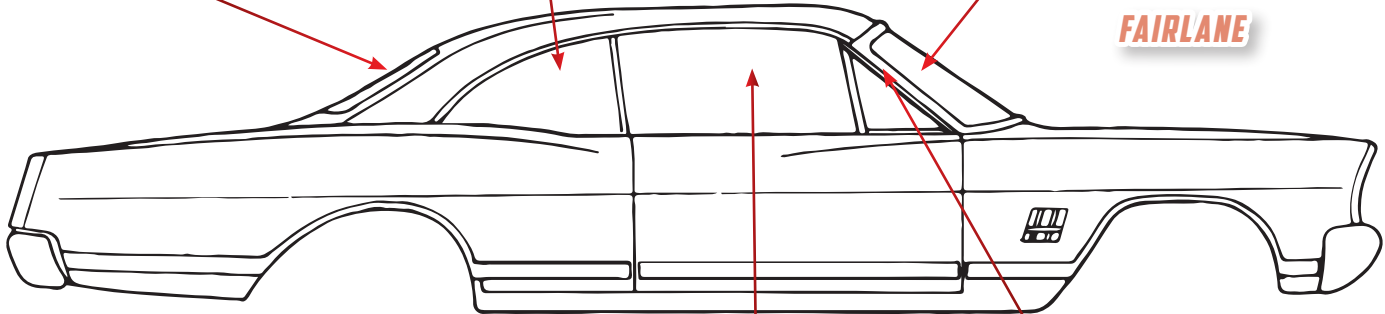


Back Glass

Quarter Glass

Windshield

**FAIRLANE**



HUGE ONLINE SELECTION

Quarter Glass

Door Glass

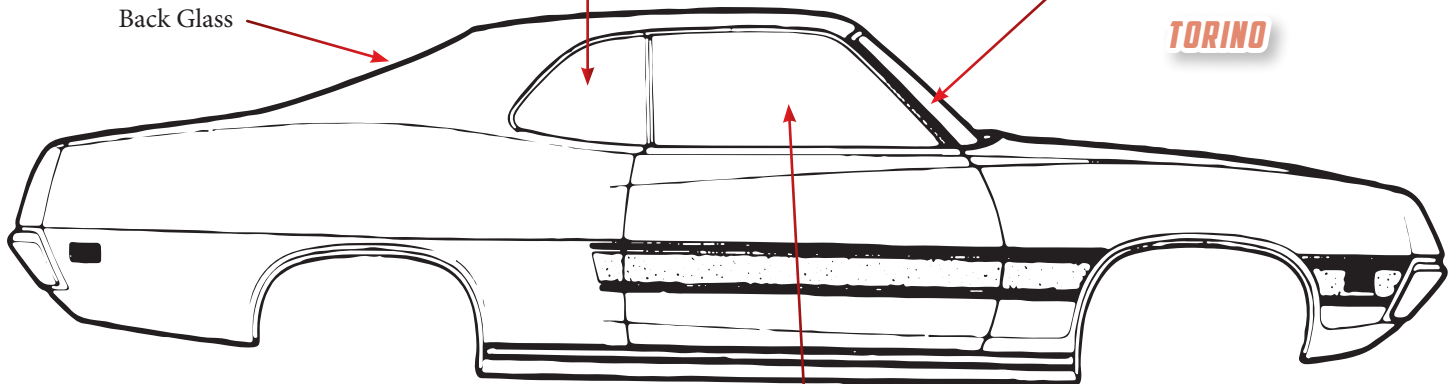
Vent Glass

RESTORATION MADE EASY!

Windshield

**TORINO**

Back Glass



Door Glass



Clear Windshield

380-8466-T



Clear Door Glass

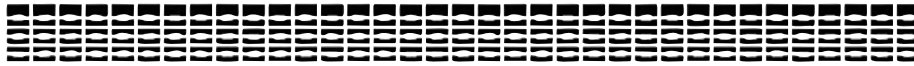
Tinted Door Glass

## GLASS, SEALS & COMPLETE KITS

Part #	Description
499-8466-CS	Glass Kit - Clear - 66-67 Fairlane Comet Cyclone Fastback
499-8466-TS	Glass Kit - Green Tint - 66-67 Fairlane Comet Cyclone Fastback
499-8470-C	Glass Kit - Clear - 6pcs - 70-71 Torino Fastback
499-8470-T	Glass Kit - Green Tint - 6pcs - 70-71 Torino Fastback
499-8963-CS	Glass Kit - Clear - 63-64 Galaxie Marauder Fastback
499-8963-TS	Glass Kit - Green Tint - 63-64 Galaxie Marauder Fastback

Part #	Description
380-8466-C	Windshield - Clear - 66-67 Fairlane Comet Cyclone Fastback Convertible
380-8466-T	Windshield - Green Tint - 66-67 Fairlane Comet Cyclone Fastback Convertible
380-8470-C	Windshield - Clear - 70-71 Torino Fastback
380-8470-T	Windshield - Green Tint w/ Tint Band - 70-71 Torino Fastback
385-8466-S	Windshield Molding Set - 5pcs - 66-67 Fairlane Comet Cyclone Fastback
385-8468-S	Windshield Molding Set - 5pcs - 68-69 Fairlane Comet Cyclone Hardtop or Fastback
380-8963-C	Windshield - Clear - 63-64 Galaxie Monterey Marauder; Htp or Cnv
380-8963-T	Windshield - Green Tint - 63-64 Galaxie Monterey Marauder; Htp or Cnv
385-8468-1S	Windshield Reveal Molding Clip Set (8 pcs) - 68-69 Fairlane Torino Ranchero Comet Cyclone Montego Hardtop or Fastback
G-WCRD633	Windshield Weatherstrip Seal w/ Trim Groove - 63-64 Galaxie / Monterey / Marauder 2d
384-1000-3	Window Ribbon Seal - 3/8" x 15'
384-1000-5	Window Ribbon Seal - 5/16" x 15'
550-8466-CL	Door Glass - Clear - LH - 66-67 Fairlane Comet Cyclone Fastback
550-8466-CR	Door Glass - Clear - RH - 66-67 Fairlane Comet Cyclone Fastback
550-8466-TL	Door Glass - Green Tint - LH - 66-67 Fairlane Comet Cyclone Fastback
550-8466-TR	Door Glass - Green Tint - RH - 66-67 Fairlane Comet Cyclone Fastback
550-8470-CL	Door Glass - Clear - LH - 70-71 Torino Fastback
550-8470-CR	Door Glass - Clear - RH - 70-71 Torino Fastback
550-8470-TL	Door Glass - Green Tint - LH - 70-71 Torino Fastback
550-8470-TR	Door Glass - Green Tint - RH - 70-71 Torino Fastback
550-8963-C	Door Glass - Clear - LH or RH - 63-64 Galaxie Marauder Fastback
550-8963-T	Door Glass - Green Tint - LH or RH - 63-64 Galaxie Marauder Fastback
U-KF1035	Vertical Glass Run Channels, Pair - 63-64 Galaxie Monterey Marauder Hardtop Convertible
560-8466-CL	Vent Glass - Clear - LH - 66-67 Fairlane Comet Cyclone Fastback Convertible
560-8466-CR	Vent Glass - Clear - RH - 66-67 Fairlane Comet Cyclone Fastback Convertible
560-8466-TL	Vent Glass - Green Tint - LH - 66-67 Fairlane Comet Cyclone Fastback Convertible
560-8466-TR	Vent Glass - Green Tint - RH - 66-67 Fairlane Comet Cyclone Fastback Convertible
560-8963-C	Vent Glass - Clear - LH or RH - 63-64 Galaxie Marauder Fastback
560-8963-T	Vent Glass - Green Tint - LH or RH - 63-64 Galaxie Marauder Fastback
795-8466-CL	Quarter Glass - Clear - LH - 66-67 Fairlane Comet Cyclone Fastback
795-8466-CR	Quarter Glass - Clear - RH - 66-67 Fairlane Comet Cyclone Fastback
795-8466-TL	Quarter Glass - Green Tint - LH - 66-67 Fairlane Comet Cyclone Fastback
795-8466-TR	Quarter Glass - Green Tint - RH - 66-67 Fairlane Comet Cyclone Fastback
795-8470-CL	Quarter Glass - Clear - LH - 70-71 Torino Fastback
795-8470-CR	Quarter Glass - Clear - RH - 70-71 Torino Fastback
795-8470-TL	Quarter Glass - Green Tint - LH - 70-71 Torino Fastback
795-8470-TR	Quarter Glass - Green Tint - RH - 70-71 Torino Fastback
795-8963-C	Quarter Glass - Clear - LH or RH - 63-64 Galaxie Marauder Fastback
795-8963-T	Quarter Glass - Green Tint - LH or RH - 63-64 Galaxie Marauder Fastback
660-8466-C	Back Glass - Clear - 66-67 Fairlane Comet Cyclone Fastback
660-8466-T	Back Glass - Green Tint - 66-67 Fairlane Comet Cyclone Fastback
660-8470-C	Back Glass - Clear - 70-71 Torino Fastback
660-8470-T	Back Glass - Green Tint - 70-71 Torino Fastback
670-8466-S	Rear Window Molding Set (4 pcs) - 66-67 Fairlane Comet Cyclone 2d fastback
670-8468-S	Rear Window Molding Set (4 pcs) - 68-69 Fairlane Comet Cyclone 2d fastback
671-8567-S	Rear Window Reveal Molding Clip Set (27 pcs) - 67-70 Mustang Fastback; 68-69 Torino Cyclone Fastback
G-WCRDB3545	Rear Window Seal - 66-67 Fairlane Comet 2DR Hardtop
660-8963-C	Back Glass - Clear - 63-64 Ford Galaxie Marauder Fastback; w/ rubber gasket
660-8963-T	Back Glass - Green Tint - 63-64 Ford Galaxie Marauder Fastback; w/ rubber gasket





M-DF1208



M-DF0521



M-DF0522

M-DF0537



M-DF0593



## DECALS



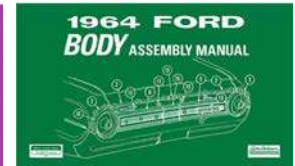
M-AM0110



M-AM0164



M-AM0167

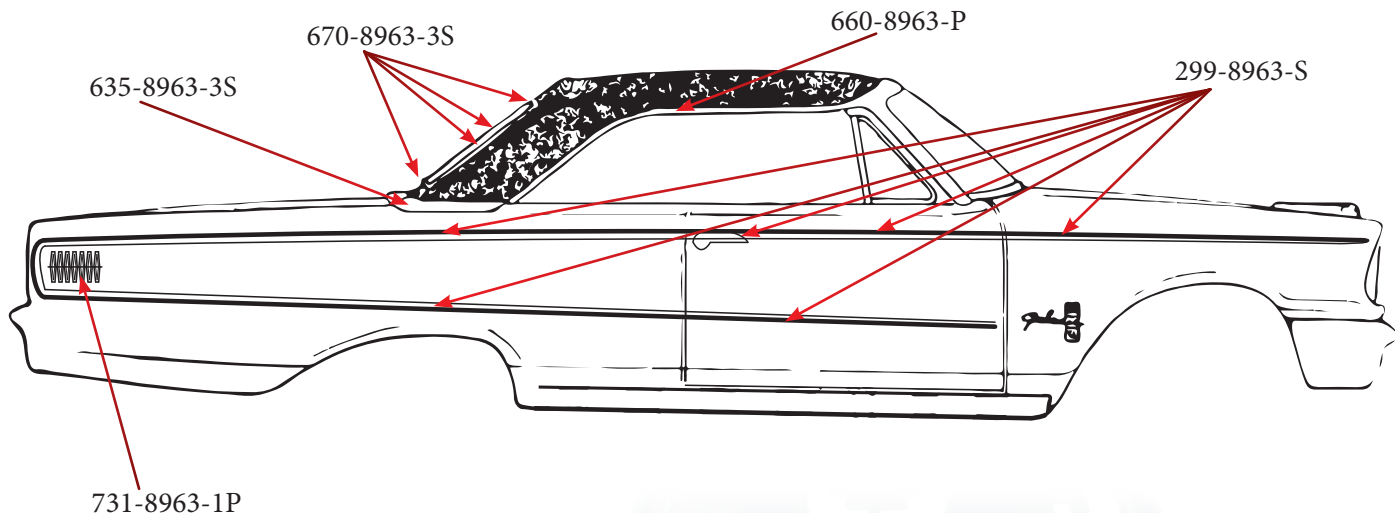


M-AM0198

Part #	Description
M-DL0051	Fender Decals - Pair - "Cale Yarborough Special" - 69 Cyclone Spoiler
M-DL0052	Fender Decals - Pair - "Dan Gurney Special" - 69 Cyclone Spoiler
M-DL0053	Quarter Decals - Pair - Black - "CYCLONE SPOILER" - 69 Cyclone
M-DL0168	Fender Decals - Pair - Black / Silver Border - "CJ 428" - 69 Cyclone
M-DL0332	Fender Decals - Pair - Silver / Black Border - "CJ 428" - 69 Cyclone
M-DL0333	Quarter Decals - Pair - Black / Silver Border - "Cyclone" - 69 Cyclone
M-DL0334	Quarter Decals - Pair - Silver / Black Border - "Cyclone" - 69 Cyclone
M-DL0400	Quarter Decals - Pair - White - "CYCLONE SPOILER" - 69 Cyclone
M-DF0521	Fender / Tail Panel Decal - RH - "COBRA" with Snake - 70 Torino Cobra
M-DF0522	Fender Decal - LH - "COBRA" with Snake - 70 Torino Cobra
M-DF0537	Quarter Decals - Pair - "Cobra" with Snake - Blue - 71 Torino Cobra
M-DF0538	Quarter Decals - Pair - "Cobra" with Snake - Brown - 71 Torino Cobra
M-DF0539	Quarter Decals - Pair - "Cobra" with Snake - Green - 71 Torino Cobra
M-DF0540	Quarter Decals - Pair - "Cobra" with Snake - Red - 71 Torino Cobra
M-DF0593	Gas Cap Decal - "T" - 69 Torino Talladega
M-DF1208	Tail Panel Trim Panel Decal Kit - 200 pieces - 63 Galaxie

## BODY ASSEMBLY MANUALS

Part #	Description
M-AM0110	Body Assembly Manual - 66 Falcon / Fairlane / Comet / Ranchero
M-AM0164	Body Assembly Manual - 67 Falcon / Fairlane / Comet / Ranchero
M-AM0167	Body Assembly Manual - 68 Falcon / Fairlane / Comet / Ranchero
M-AM0190	Body / Trim / Sealant Assembly Manual - 61 Galaxie
M-AM0192	Body Assembly Manual - 62 Galaxie
M-AM0195	Body Assembly Manual - 63 Galaxie
M-AM0198	Body Assembly Manual - 64 Galaxie



999-8963-92



999-8963-92

855-8963



930-8963-S

## TRIM & MOLDING

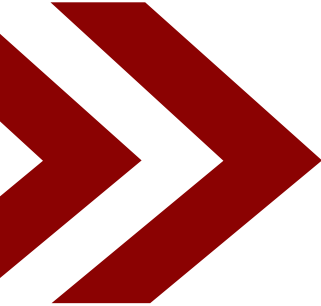
Part #	Description
460-8963-1S	Dash Panel Trim Set - 3pcs - 500 - 63 Galaxie
460-8963-2S	Dash Panel Trim Set - 3pcs - 500XL - 63 Galaxie
460-8964-1S	Dash Panel Trim Set - 3pcs - 500 - 63 Galaxie
460-8964-2S	Dash Panel Trim Set - 3pcs - 500XL - 63 Galaxie
299-8963-S	Side Molding Set - 12pcs - 63 Galaxie
660-8963-P	Drip Rail Molding Set - 2pcs - 63-64 Galaxie
635-8963-3S	Quarter Panel to Vinyl Molding Set - 3pcs - 63 Galaxie
635-8964-2S	Quarter Panel to Vinyl Molding Set - 3pcs - 64 Galaxie
660-8963-P	Drip Rail Molding Set - 2pcs - 63-64 Galaxie
670-8963-3S	Rear Window Molding Set - 4pcs - 63-64 Galaxie
855-8963	Trunk Molding Set - 3pcs - 63 Galaxie
930-8963-S	Tail Panel Cover Set - 3pcs - 63 Galaxie

## EMBLEMS

Part #	Description
999-8963-42	Glove Box Door Emblem - Galaxie - 63-64 Galaxie
999-8963-41	Glove Box Door Emblem - 500 - 63-64 Galaxie
999-8963-92	Glove Box Door Emblem - XL500 - 63-64 Galaxie
731-8963-1P	Quarter Panel Emblem - Pair - 63 Galaxie
999-8963-92	Fuel Door Emblem - 500XL - 63 Galaxie
999-8963-91	Fuel Door Emblem - 500 - 63 Galaxie

## ≡ FORD PICKUP / SUV

### 48-79 F-SERIES










When Ford created the F-Series truck in 1948, they had no idea that it would become America's best selling vehicle for decades running. They wanted to create an affordable vehicle that would be America's work horse that was dependable and rugged and they sure succeeded! The F1 started off with choice of L6 or flathead V8 power (compared to Chevy's "stovebolt" L6 the only engine offered until mid-1955). A stunning restyle in 1953 with sleek modern looks made the competition look very old-school. The Y-Block V8 replaced the flathead in 1954. Another restyle in 1957 saw the wider Styleside smooth side bed first offered. 4WD was available from the factory starting in 1959. A new restyle in 1961 brought a new short-lived Styleside unit body design with cab and bed welded into one structure that only was available through 1963. The big block 352 FE-Series V8 arrived in 1965 along with new Twin I-Beam Independent front suspension, and new 4-door Crew Cab bodies. 1968 saw new engine choices of 360 or 390 V8. 1970 saw the small block 302 finally make it into the F-Series. Another restyle for 1973 saw the mighty 460 V8 join the options list, but the short bed Flareside pickup disappeared until it came back in 1976. 1974 saw the introduction of the new Super Cab (extended cab) Pickup which was not available from rival Chevrolet until 1988. 1975 saw the new F-150 (a heavier-duty F-100) appear. The 351 and 400 V8's joined the options list in 1977, replacing the aged 360 and 390 V8's. Square headlamps were finally available in 1978, two years ahead of Chevy, but the big 460 disappeared from the options list for the F-100 and F-150.



### 66-77 BRONCO

Ford's answer to the burgeoning SUV market in 1966 was the Bronco. Initially available in Wagon, Pickup, and Roadster styles, the Wagon with Steel roof and 2-piece liftgate / tailgate was the most popular choice and by 1973 was the sole body made. It's main competition was the International Scout and Jeep CJ-Series, and unlike those competitors was available with choice of L6 or 289 V8 power (later replaced by the 302 V8 in 1970). The removable roof and folding windshield and Roadster body disappeared for 1969, making a more solid welded structure. Market demands for a bigger vehicle to compete with the Chevy Blazer, Dodge Ramcharger, and Jeep Cherokee got Ford to switch the Bronco to the bigger F-Series platform in 1978, along with new 351 or 400 V8's.

# TRUCK - TABLE OF CONTENTS

<b>48-52 FIRST GEN - F1; F2</b>		<b>36</b>
<b>53-56 SECOND GEN - F-100; F-250</b>		<b>44</b>
<b>57-60 THIRD GEN - F-100; F-250</b>		<b>51</b>
<b>61-66 FOURTH GEN - F-100; F-250</b>		<b>54</b>
<b>67-72 FIFTH GEN - F-100; F-250</b>		<b>58</b>
<b>73-79 SIXTH GEN - F-100; F-150; F-250; BRONCO</b>		<b>63</b>
<b>66-77 FIRST GEN - BRONCO</b>		<b>69</b>



## FRONT BUMPERS

**ALL BUMPERS ARE COVERED BY A 5 YEAR LIMITED RUST-THROUGH WARRANTY!**

AMD Bumpers are made from heavy gauge steel and feature OE quality chrome finish. All parts feature, depending on application, correct holes for turn signals. Installation is fast and easy as all parts are designed to be a direct bolt-on utilizing OE bumper brackets and hardware. Our bumpers are manufactured on our state of the art chrome production line.



100-4548-1 48-52 F1 / F2 Chrome



100-4548-1 48-52 F1 / F2 Paintable



**TEST FIT**



*Before You Paint*

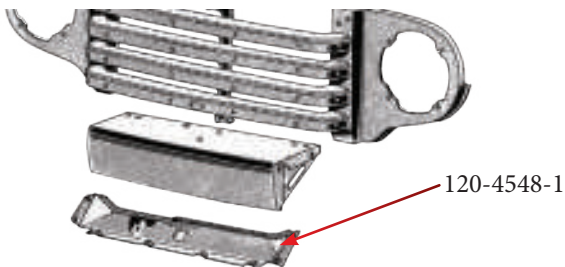
Part #	Description
100-4548-1	Front Bumper - Smooth - Chrome - 48-52 F1 F2
100-4548-1P	Front Bumper - Smooth - Paintable - 48-52 F1 F2
100-4551-1	Front Bumper - Beveled - Chrome - 51-52 F1 F2

## FRONT BUMPER BRACKETS



Part #	Description
105-4548-CS	Front Bumper Bracket Set - Chrome - LH/RH Pair w/ Hardware - 48-52 F1 F2
105-4548-S	Front Bumper Bracket Set - Paintable - LH/RH Pair w/ Hardware - 48-52 F1 F2

## LOWER RADIATOR AIR DEFLECTORS



Part #	Description
120-4548-1	Lower Air Deflector - 48-50 F1 F2
120-4551	Lower Air Deflector - 51-52 F1 F2

## UPPER AIR DEFLECTOR



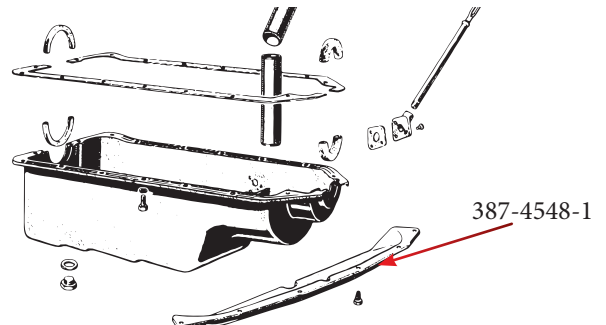
151-4548-L



151-4548-R

Part #	Description
151-4548-L	Upper Air Deflector - LH - 48-51 F1 F2 V8
151-4548-R	Upper Air Deflector - RH - 48-51 F1 F2 V8

## ENGINE SPLASH SHIELD



Part #	Description
387-4548-1	Engine Splash Shield, Lower Front - 48-52 F1 F2

## GRILLES



150-4551-P

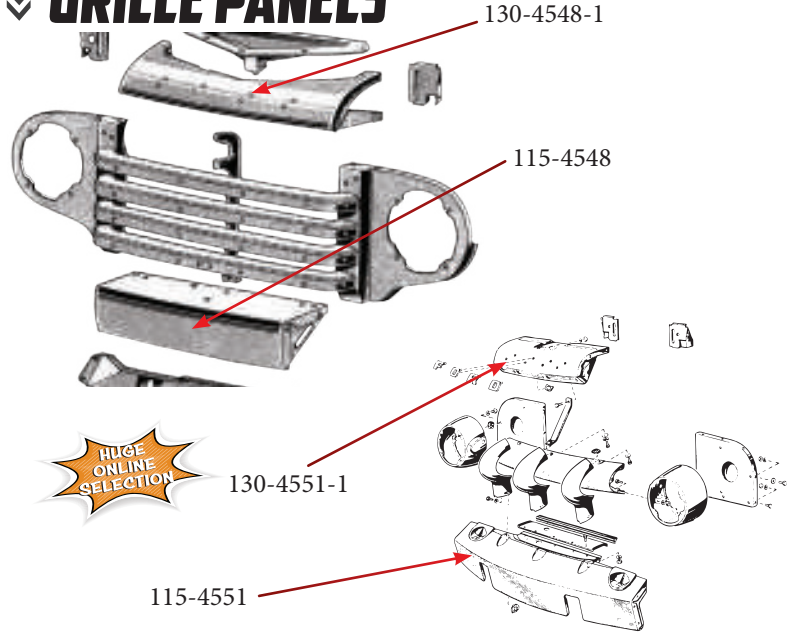
**TEST FIT**



*Before You Paint*

Part #	Description
150-4548	Grille - Chrome - w/o Molding Holes & w/ Crank Holes - 48-50 F1 F2
150-4548-1	Grille - Chrome - w/o Molding Holes & w/o Crank Holes - 48-50 F1 F2
150-4558-1P	Grille - Paintable - w/o Molding Holes & w/ Crank Holes - 48-50 F1 F2
150-4548-P	Grille - Paintable - w/ Molding Holes & Crank Holes - 48-50 F1 F2
150-4551	Grille - Chrome - 51-52 Ford F1 F2
150-4551-P	Grille - Paintable - 51-52 Ford F1 F2

## GRILLE PANELS



Part #	Description
115-4548	Lower Grille Panel - 48-50 F1 F2
115-4551	Lower Grille Panel - 51-52 F1 F2
130-4548-1	Upper Grille / Header Panel - 48-50 F1 F2
130-4551-1	Upper Grille / Header Panel - 51-52 F1 F2

## FRONT FENDERS



200-4548-L



210-4548-R

**TEST FIT**



*Before You Paint*

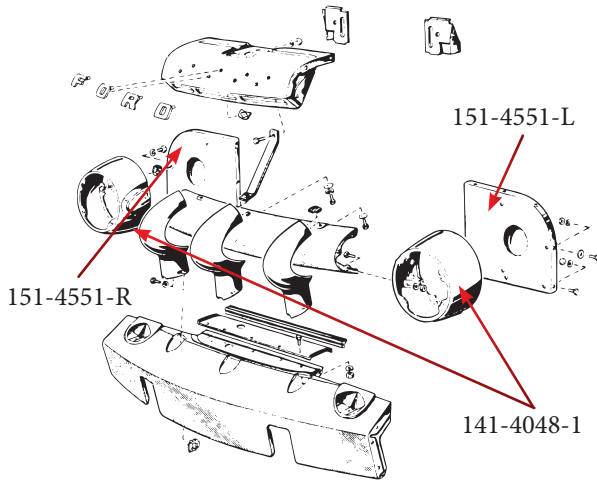


210-4548-R

210-4548-L

Part #	Description
200-4548-L	Front Fender - LH - 48-50 Ford F1 F2
200-4548-R	Front Fender - RH - 48-50 Ford F1 F2
200-4551-L	Front Fender - LH - 51-52 Ford F1 F2
200-4551-R	Front Fender - RH - 51-52 Ford F1 F2
210-4548-L	Front Fender Extension - LH - 48-50 F1 F2
210-4548-R	Front Fender Extension - RH - 48-50 F1 F2
210-4551-L	Front Fender Extension - LH - 51-52 Ford F1 F2
210-4551-R	Front Fender Extension - RH - 51-52 Ford F1 F2

## HEADLIGHT SUPPORTS



Part #	Description
141-4048-1	Headlight Bucket Assembly - LH or RH (Sold Each) - 48-52 F1 F2; 53-55 F100 F250
151-4551-L	Headlight Support - LH - 51-52 F1 F2
151-4551-R	Headlight Support - RH - 51-52 F1 F2

## INNER FENDERS



250-4548-L



250-4551-L

Part #	Description
250-4548-L	Inner Fender - LH - 48-50 Ford F1 F2
250-4548-R	Inner Fender - RH - 48-50 Ford F1 F2
250-4551-L	Inner Fender - LH - 51-52 Ford F1 F2
250-4551-R	Inner Fender - RH - 51-52 Ford F1 F2

## HOODS

TEST FIT



300-4548



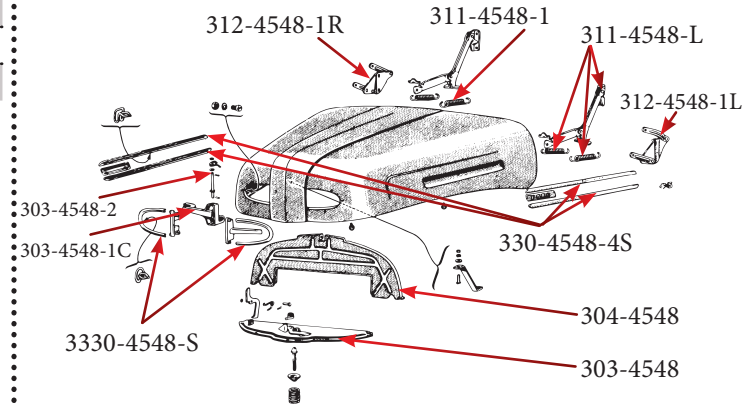
300-4551



300-4552

Part #	Description
300-4548	Hood - OE Style - 48-50 Ford F1 F2
300-4551	Hood - OE Style - 51 Ford F1 F2
300-4552	Hood - OE Style - 52 Ford F1 F2

## HOOD COMPONENTS



Part #	Description
311-4548-1	Hood Hinge Spring - 48-52 Ford F1 F2
311-4548-L	Hood Hinge w/ Springs - LH - 48-52 Ford F1 F2
311-4548-R	Hood Hinge w/ Springs - RH - 48-52 Ford F1 F2
312-4548-1L	Hood Hinge Bracket - LH - 48-52 Ford F1 F2
312-4548-1R	Hood Hinge Bracket - RH - 48-52 Ford F1 F2
303-4548	Upper Hood Lock Plate Assembly - 48-50 F1 F2
303-4548-1C	Hood Locking Handle - Chrome - 48-50 F1 F2
303-4548-2	Hood Locking Handle Spring and Pin Kit - 48-50 F1 F2
303-4548-3	Hood Latch - Upper - 48-50 F1 F2
304-4548	Hood Air Deflector - 48-52 F1 F2 V8
304-4548-1	Hood Front Locking Panel - 51-52 F1 F2
330-4548-S	Hood Front Molding Set (2pcs) - 48-50 F1 F2
330-4548-4S	Hood Side Molding Set (4pcs) - 48-50 F1 F2
330-4548-1L	Hood Ornament, LH - 48-50 F1, F2, F3 Pickup
330-4548-1R	Hood Ornament, RH - 48-50 F1, F2, F3 Pickup

## ≡ BATTERY TRAY

### TEST FIT

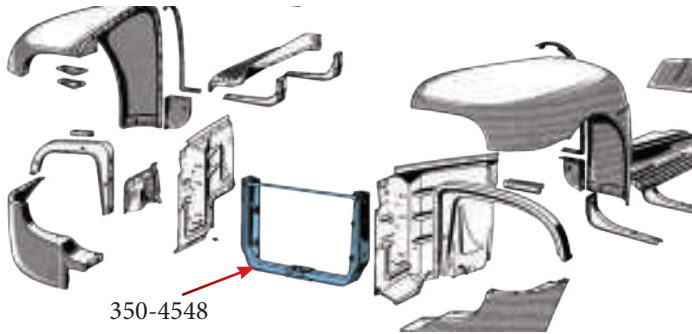


340-4548-1



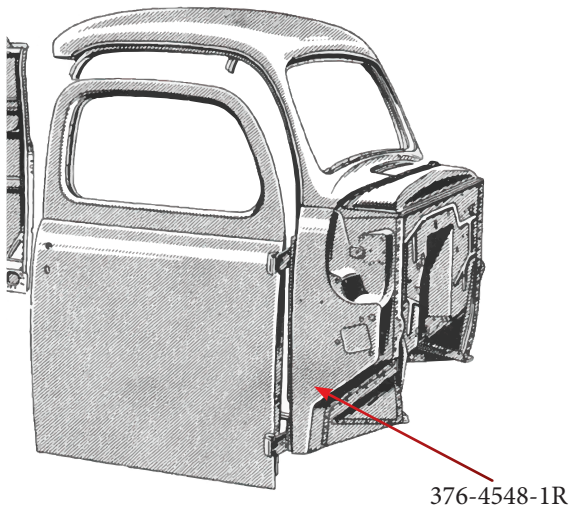
Part #	Description
340-4548-1	Battery Tray Assembly - 215/239 - 48-52 F1 F2
340-4548-2	Battery Tray Assembly - 48-52 F1 F2 226 L6

## ≡ RADIATOR SUPPORTS



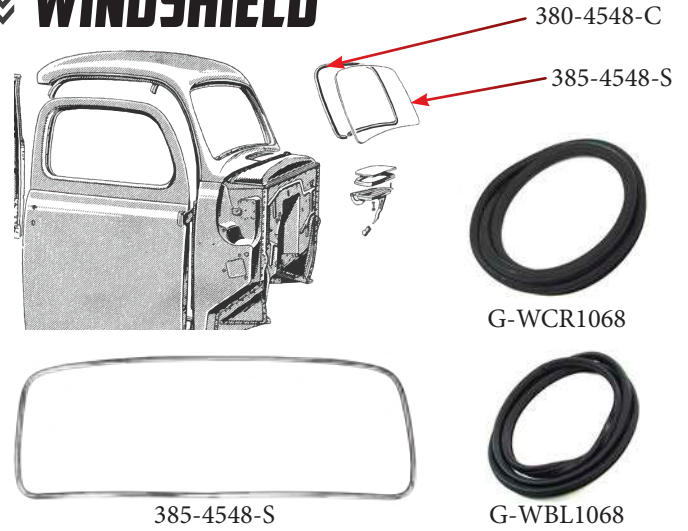
Part #	Description
350-4548	Radiator Support - 48-50 F1 F2
350-4551	Radiator Support - 51-52 F1 F2

## ≡ COWL REPAIR



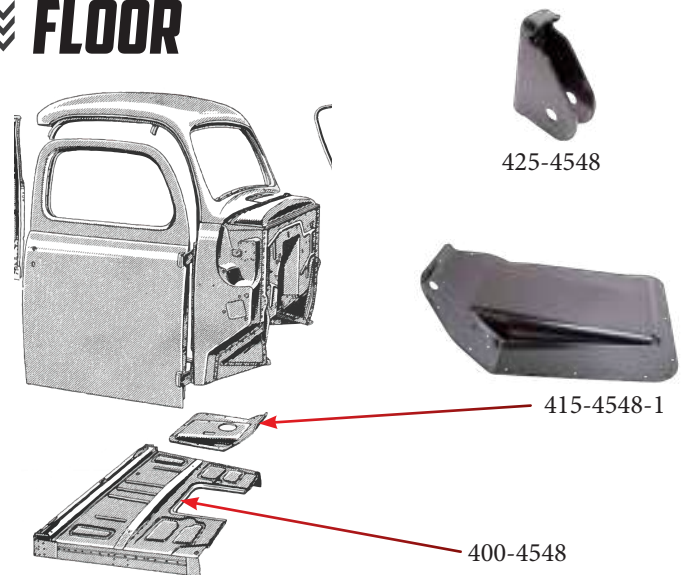
Part #	Description
376-4548-1L	Cowl Side Patch Panel - LH - 48-52 F1 F2
376-4548-1R	Cowl Side Patch Panel - RH - 48-52 F1 F2

## ≡ WINDSHIELD



Part #	Description
380-4548-C	Windshield - Clear - 48-52 Ford F1 F2
380-4548-T	Windshield - Green Tint - 48-52 Ford F1 F2
G-WBL1068	Windshield Weatherstrip Seal w/o Trim Groove - 48-52 F1
G-WCR1068	Windshield Weatherstrip Seal w/ Trim Groove For Lockstrip For Lockstrip - 48-52 F1
385-4548-S	Windshield Molding Set - 48-52 Ford F1 F2

## ≡ FLOOR



Part #	Description
400-4548	Floor Pan - 48-52 F1 F2
409-4548-1S	Cab Floor Pedal Plates - 2 Piece Set - 48-52 F1 F2 (on Toe Board)
415-4548-1	Transmission Hole Cover - 48-52 F1 F2
425-4548	Cab to Frame Arm Bracket - 48-52 Ford F1 F2; 53-56 F100 F250



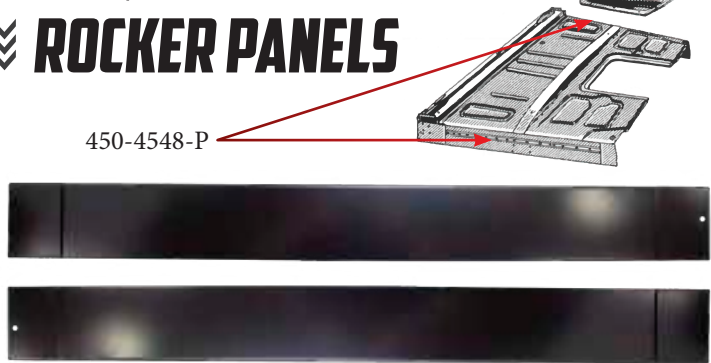
## ≡ RUNNING BOARDS



435-4548-R

Part #	Description	MSRP
435-4548-L	Running Board - LH - 48-52 F1 F2	299.99
435-4548-R	Running Board - RH - 48-52 F1 F2	299.99

## ≡ ROCKER PANELS

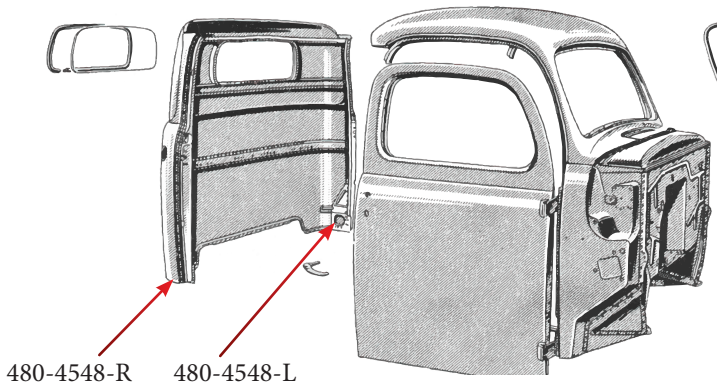


450-4548-P

450-4548-P

Part #	Description
450-4548-P	Rocker Panel Set - Pair - 48-52 F1 F2 - 38-1/2" L x 4" H

## ≡ CAB CORNERS



480-4548-R

480-4548-L

Part #	Description
480-4548-L	Cab Corner Repair Panel - LH - 48-52 F1 F2 - 14-3/4" H
480-4548-R	Cab Corner Repair Panel - RH - 48-52 F1 F3 - 14-3/4" H

## ≡ INTERIOR



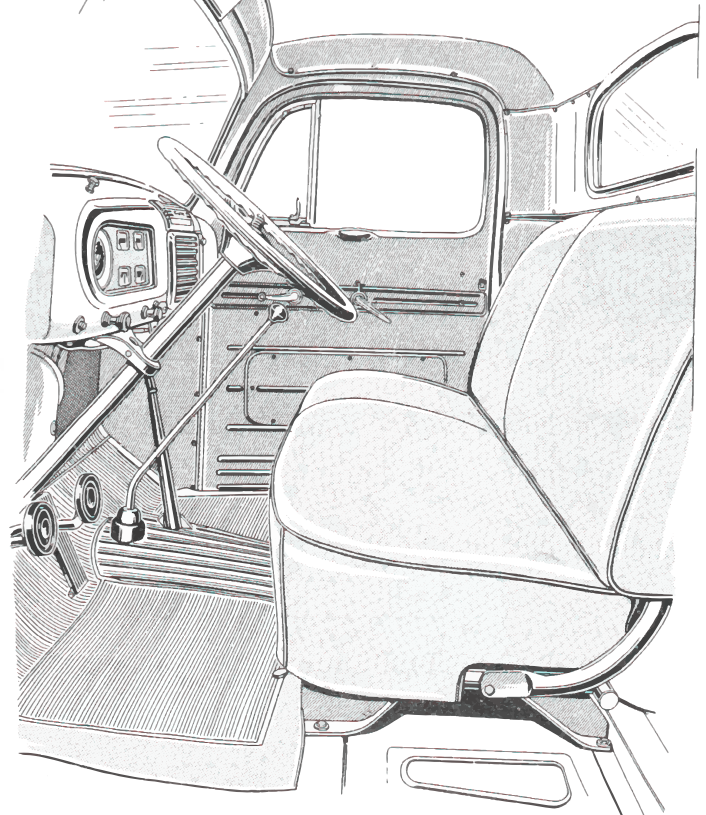
646-4548



**TEST FIT**

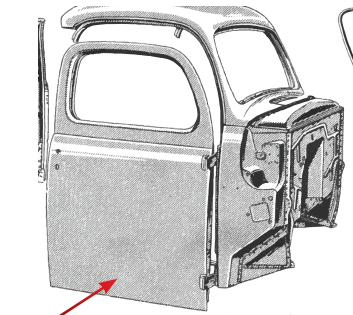


*Before You Paint*



Part #	Description
461-4548-1	Glove Box Door - 48-50 F1 F2
461-4551-1	Glove Box Door - w/ 5-Star Cab Package - 51-52 F1 F2
461-4551-2	Glove Box Door Trim - w/ 5-Star Cab Package - 51-52 F1 F2
463-4551-1	Speaker Molding - 51-52 F1 F2
453-4551-1	Ash Tray Molding - 51-52 F1 F2
645-4548-1	Rear View Mirror - 48-52 F1 F2
646-4548	Sun Visor Bracket - Paintable - 48-52 Ford F1; F2
646-4548-C	Sun Visor Bracket - Chrome - 48-52 F1; F2

## DOOR REPAIR

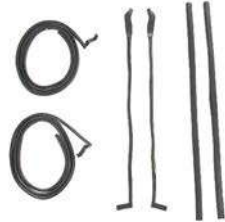


516-4548-R

### TEST FIT



Before You Paint



G-DWK211048

Part #	Description
516-4548-L	Door Skin - Lower - LH - 48-52 F1 F2
516-4548-R	Door Skin - Lower - RH - 48-52 F1 F2
515-4548-L	Inner Door Bottom - LH - 48-50 F1 F2
515-4548-R	Inner Door Bottom - RH - 48-50 F1 F2
515-4551-L	Inner Door Bottom - LH - 51-52 F1 F2
515-4551-R	Inner Door Bottom - RH - 51-52 F1 F2
G-DWK211048	Door Weatherstrip Seal Kit, Glue On Door Seals, 6 Piece Set - 48-52 F1, F2, F3 Pickup
R-FT133	Door Seal Kit - 48-52 F1

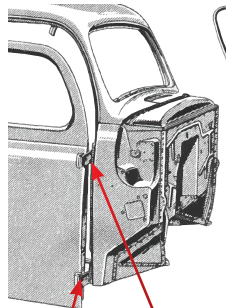
## DOOR COMPONENTS



535-4548-L



521-4548-1



525-4548-R

520-4548-R

Part #	Description
520-4548-L	Door Hinge - Upper - LH - 48-52 F1 F2
520-4548-R	Door Hinge - Upper - RH - 48-52 F1 F2
525-4548-L	Door Hinge - Lower - LH - 48-52 F1 F2
525-4548-R	Door Hinge - Lower - RH - 48-52 F1 F2
521-4548-1	Door Check Arm w/ Bumper - 48-52 Ford F1 F2
535-4548-L	Door Latch Control - LH - 48-52 F1 F2
535-4548-R	Door Latch Control - RH - 48-52 F1 F2
752-4548-1	Door Striker Plate - LH or RH - 48-52 F1 F2

## DOOR GLASS



Clear

Green Tint

Part #	Description
550-4548-C	Door Glass - Clear - LH or RH (Sold Each) - 48-52 F1 F2
550-4548-T	Door Glass - Green Tint - LH or RH (Sold Each) - 48-52 F1 F2

## VENT WINDOW



Green Tint

Clear

Part #	Description
560-4548-C	Vent Glass - Clear - LH or RH (Sold Each) - 48-52 F1 F2
560-4548-T	Vent Glass - Green Tint - LH or RH (Sold Each) - 48-52 F1 F2
X560-4548-CSL	Vent Window Assembly - Clear - LH - 48-50 F1 F2
X560-4548-CSR	Vent Window Assembly - Clear -RH - 48-50 F1 F2
X560-4548-TSL	Vent Window Assembly - Green Tint -LH - 48-50 F1 F2
X560-4548-TSR	Vent Window Assembly - Green Tint -RH - 48-50 F1 F2
X560-4551-CSL	Vent Window Assembly - Clear -LH - 51-52 F1 F2
X560-4551-CSR	Vent Window Assembly - Clear -RH - 51-52 F1 F2
X560-4551-TSL	Vent Window Assembly - Green Tint -LH - 51-52 F1 F2
X560-4551-TSR	Vent Window Assembly - Green Tint -RH - 51-52 F1 F2
552-4548-1L	Vent Window Division Bar Assembly - LH - 48-52 F1 F2
552-4548-1R	Vent Window Division Bar Assembly - RH - 48-52 F1 F2

## BACK GLASS



660-4548-C

G-WBLD1097

Part #	Description
660-4548-C	Back Glass - Clear - 48-50 F1 F2
660-4548-T	Back Glass - Green Tint - 48-50 F1 F2
660-4551-C	Back Glass - Clear - 51-52 F1 F2
660-4551-T	Back Glass - Green Tint - 51-52 F1 F2
G-WBLD2774	Rear Window Weatherstrip - w/o Trim Groove - 48-50 F1, F2, F3 Pickup
G-WBLD1097	Rear Window Weatherstrip - w/o Trim Groove - 51-52 F1, F2, F3 Pickup

## ≡ BED

**TEST FIT**



*Before You Paint*

**HUGE ONLINE SELECTION**



715-4548



721-4548-L



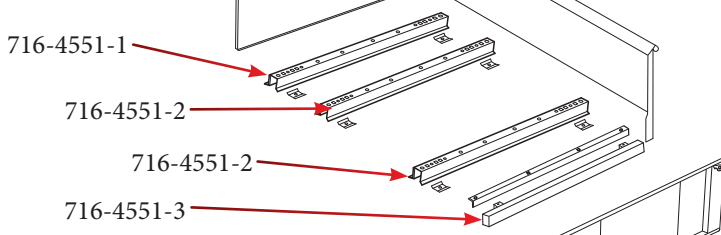
780-4548-L



721-4551-R

Part #	Description
715-4548	Front Bed Panel - 48-50 F1 Short Bed Flareside
715-4551	Front Bed Panel - 51-52 Ford F1 Short Bed Flareside; 53-72 F100 F250 Long Bed Flareside; 53-72 F100 Short Bed Flareside
721-4548-L	Bedside - OE Style - LH - 48-50 Ford F1 Short Bed Flareside
721-4548-R	Bedside - OE Style - RH - 48-50 Ford F1 Short Bed Flareside
721-4551-L	Bedside - OE Style - LH - 51-52 Ford F1 Short Bed Flareside
721-4551-R	Bedside - OE Style - RH - 51-52 Ford F1 Short Bed Flareside
780-4548-L	Rear Fender - LH - 48-50 F1 Short Bed Flareside
780-4548-R	Rear Fender - RH - 48-50 F1 Short Bed Flareside
780-4551-L	Rear Fender - LH - 51-52 F1 Short Bed Flareside
780-4551-R	Rear Fender - RH - 51-52 F1 Short Bed Flareside

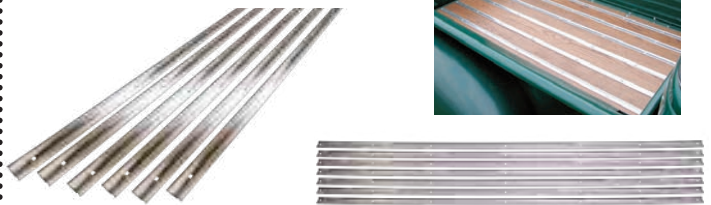
## ≡ CROSS SILLS



716-4551-2

Part #	Description
716-4551-1	Cross Sill - Front - 51-52 F1 F2 Pickup
716-4551-2	Cross Sill - Center - 51-52 F1 Short Bed Flareside; 53-60 F100 Short Bed Flareside
716-4553-3	Cross Sill - Rear - 51-52 F1 Flareside; 53-72 F100 Flareside / F250 Flareside
716-4548-3P	Crossmember Bracket Set - 48-50 F1 Short Bed Flareside

## ≡ BED STRIP SETS



Polished Stainless

Zinc = Paintable like the OEM bed strips

Part #	Description
792-4548-6PS	Bed Strip Kit - Polished - 48-52 F-Series Longbed Flareside
792-4548-8ZS	Bed Strip Kit - Zinc - 48-52 F-Series Longbed Flareside
792-4551-6PS	Bed Strip Kit - Polished - 48-52 F-Series Shortbed Flareside
792-4551-6ZS	Bed Strip Kit - Zinc - 48-52 F-Series Shortbed Flareside
716-4553-4PS	Bed Board End Cap - Polished Stainless - 51-52 F1 Short Bed Flareside; 53-72 F100 Short Bed Flareside
717-4551-4	Bed Board End Cap - Steel - 51-52 F1 Short Bed Flareside; 53-72 F100 Short Bed Flareside

## ≡ TAILGATE

**TEST FIT**



*Before You Paint*



925-4542-2



925-4551-2



Part #	Description
925-4542-1	Tailgate - Smooth - 42-50 F1 F52 Short Bed Flareside
925-4542-2	Tailgate - w/ Ford Lettering - 42-50 F1 F52 Short Bed Flareside
925-4551-1	Tailgate - Smooth - 51-52 F1 F52 Short Bed Flareside
925-4551-2	Tailgate - w/ Ford Lettering - 51-52 F1 F2 Short Bed Flareside

## ≡ REAR BUMPERS

**TEST FIT**



*Before You Paint*

990-4548-1



Part #	Description
990-4548-1	Rear Bumper - Chrome - 48-52 F1 F2 Flareside; 53-72 F100 F250 Flareside
990-4548-1P	Rear Bumper - Paintable - 48-52 F1 F2 Flareside; 53-72 F100 F250 Flareside

## ≡ REAR BUMPER BRACKETS

**RESTORATION  
MADE EASY!**

970-4553-C

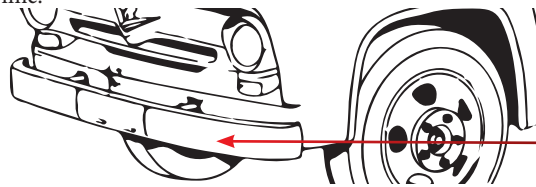
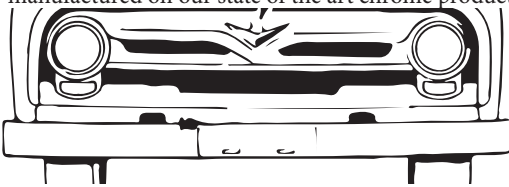


Part #	Description
970-4553-CS	Rear Bumper Bracket Set - Chrome - 48-52 F1 F2 Flareside; 53-72 F100 F250 Flareside
970-4553-S	Rear Bumper Bracket Set - Paintable - 48-52 F1 F2 Flareside; 53-72 F100 F250 Flareside

## FRONT BUMPERS

**ALL BUMPERS ARE COVERED BY A 5 YEAR LIMITED RUST-THROUGH WARRANTY!**

AMD Bumpers are made from heavy gauge steel and feature OE quality chrome finish. All parts feature, depending on application, correct holes for turn signals. Installation is fast and easy as all parts are designed to be a direct bolt-on utilizing OE bumper brackets and hardware. Our bumpers are manufactured on our state of the art chrome production line.



100-4553-1P

**TEST FIT**



Part #	Description
100-4553-1	Front Bumper - Chrome - 53-56 F100 F250
100-4553-1P	Front Bumper - Paintable - 53-56 F100 F250

## FRONT BUMPER BRACKETS

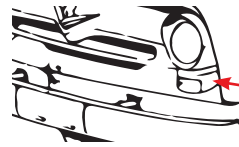


105-4553-CS

105-4553-S

Part #	Description
105-4553-CS	Front Bumper Bracket Set - Chrome - 53-56 F100 F250
105-4553-S	Front Bumper Bracket Set - Paintable - 53-56 F100 F250

## PARK LIGHT BEZELS



136-4553

Part #	Description
136-4553	Park Light Bezels - Stainless Steel - 53-54 F100 F250

## GRILLES

**RESTORATION MADE EASY!**



150-4556 1956 F100, F250 - Front



150-4556 1956 F100, F250 - Back



150-4556 included bracket

Part #	Description
150-4556	Grille w/ Bracket - Chrome - 56 F100 F250
150-4556-P	Grille w/ Bracket - Paintable - 56 F100 F250

## RADIATOR GRILLE PANELS



115-4554

115-4555

Part #	Description
115-4553	Radiator Grille Panel - OE Style - 53 F100 F250
115-4553-1	Radiator Grille Panel - Smooth - 53 F100 F250
115-4554	Radiator Grille Panel - OE Style - 54 Ford F100 F250
115-4554-1	Radiator Grille Panel - Smooth - 54 Ford F100 F250
115-4555	Radiator Grille Panel - OE Style - 55-56 F100 F250
115-4555-1	Radiator Grille Panel - Smooth - 55-56 F100 F250

## AIR DEFLECTORS



151-4553-R

151-4553-L

151-4553-R

151-4553-L

Part #	Description
151-4553-L	Air Deflector - LH - 53-55 F100 F250
151-4553-R	Air Deflector - RH - 53-55 F100 F250
151-4556-L	Air Deflector - LH - 56 F100 F250
151-4556-R	Air Deflector - RH - 56 F100 F250

## FRONT FENDERS

**TEST FIT**



*Before You Paint*



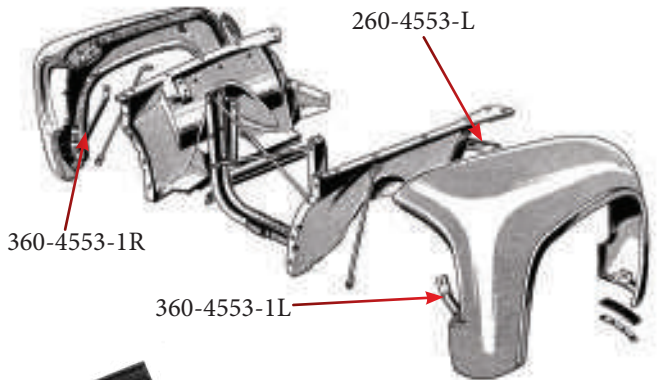
200-4553-R



200-4553-R Inside

Part #	Description
200-4553-L	Front Fender - LH - 53-56 Ford F100 F250
200-4553-R	Front Fender - RH - 53-56 Ford F100 F250

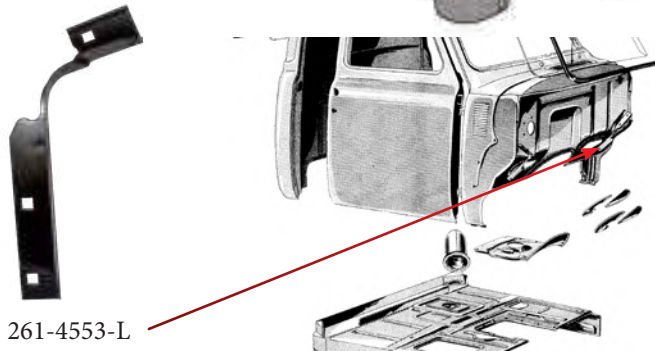
## INNER FENDER



360-4553-1R

260-4553-L

360-4553-1L



261-4553-L

Part #	Description
260-4553-L	Inner Fender Mounting Bracket - LH - 53-55 F100 F250
260-4553-R	Inner Fender Mounting Bracket - RH - 53-55 F100 F250
261-4553-L	Inner Fender to Cowl Bracket - LH - 53-56 F100 F250
261-4553-R	Inner Fender to Cowl Bracket - RH - 53-56 F100 F250
360-4553-1L	Inner Front Fender to Fender Reinforcement Brace - LH - 53-56 F100 F250
360-4553-1R	Inner Front Fender to Fender Reinforcement Brace - RH - 53-56 F100 F250

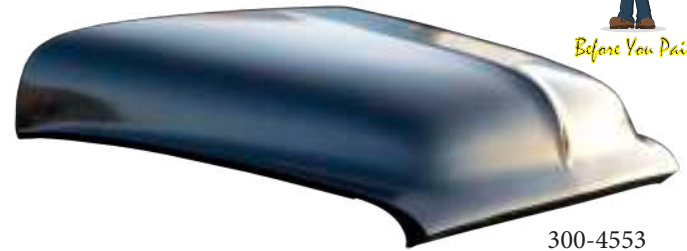
## HOODS



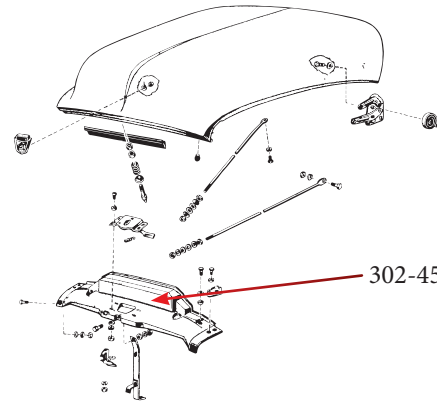
**TEST FIT**



*Before You Paint*



300-4553



302-4553-1

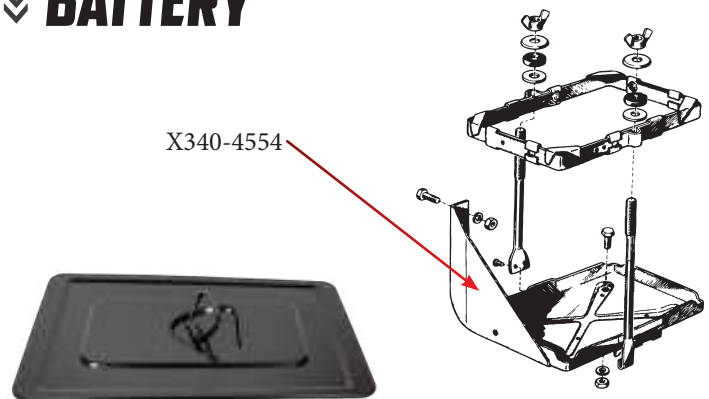


302-4553-2

Part #	Description
300-4553	Hood - OE Style - 53-56 Ford F100 F250
302-4553-1	Hood Front Locking Panel - 53-56 F100 F250
302-4553-2	Hood Front Edge - 53-56 F100 F250

## BATTERY

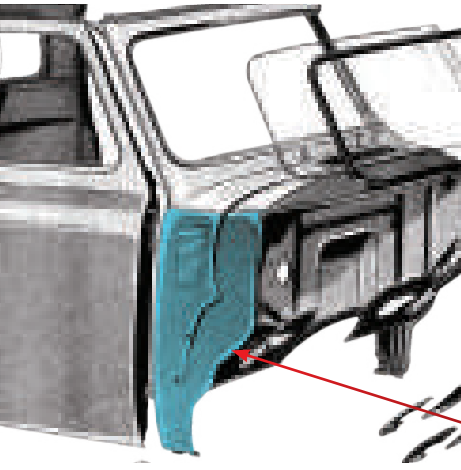
X340-4554



341-4548-1

Part #	Description
X340-4554	Battery Tray Assembly - 54-55 F100 F250
X340-4556	Battery Tray Assembly - 56-60 F100 F250
341-4553-2	Battery Hole Cover (Locking) - 53-55 F100 F251
341-4548-1	Battery Hole Cover (Locking) - 56 F100 F250

## ≡ COWL REPAIR



**TEST FIT**



*Before You Paint*



360-4553-3R

Part #	Description
376-4553-2L	Cowl Repair Panel - LH - 53-56 F100 F250
376-4553-2R	Cowl Side Repair Panel w/o Louvers - RH - 53-56 F100 F250
360-4553-L	Cowl Side Repair Panel - Lower - LH - 53-56 F100 F250 - 22" H
360-4553-R	Cowl Side Repair Panel - Lower - RH - 53-56 F100 F250 - 22" H
376-4553-3R	Cowl Side Repair Panel w/ Louvers - RH - 53-56 F100 F250
376-4553-4L	Lower Door Hinge Pillar Repair Panel - LH - 53-56 F100 F250 - 15-1/4" H
376-4553-4R	Lower Door Hinge Pillar Repair Panel - RH - 53-56 F100 F250 - 15-1/4" H

## ≡ FIREWALL



370-4553-1R



370-4553-1L

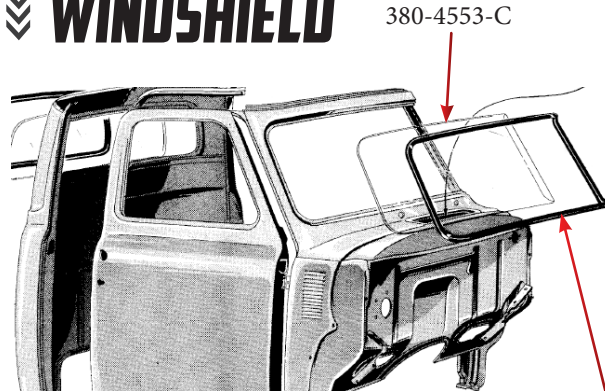
Part #	Description
370-4553-1L	Firewall Repair Panel - LH - 53-56 F100 F250 - 21-1/4" x 28-1/4"
370-4553-1R	Firewall Repair Panel - RH - 53-56 F100 F250 - 21-1/4" x 28-1/4"

## ≡ KICK PANEL REINFORCEMENT



Part #	Description
378-4553-L	Kick Panel Reinforcement - Triangle Base - LH 53-56 F100 F250
378-4553-R	Kick Panel Reinforcement - Triangle Base - RH 53-56 F100 F250

## ≡ WINDSHIELD



380-4553-C



G-WCR436D



G-WBL436



G-WBL330

Part #	Description
380-4553-C	Windshield - Clear - 53-55 F100 F250
380-4553-T	Windshield - Green Tint - 53-55 F100 F250
380-4556-C	Windshield - Clear - 56 F100 F250
380-4556-T	Windshield - Green Tint - 56 F100 F250
G-WBL330	Windshield Weatherstrip Seal w/o Trim Groove - 53-55 F-Series Pickup
G-WBL436	Windshield Weatherstrip Seal w/o Trim Groove - 56 F-Series Pickup
G-WCR436D	Windshield Weatherstrip Seal w/ Trim Groove For Steel Trim - 56 F-Series Pickup

## ≡ FLOOR PANS



405-4556-R



405-4556-L



428-4553-1

HUGE  
ONLINE  
SELECTION

Part #	Description
405-4556-L	Cab Floor Repair Panel - Front LH - 56 F100 F250
405-4556-R	Cab Floor Repair Panel - Front RH - 56 F100 F250
410-4553-1	Cab Floor Repair Panel - Rear Section (24" L x 60" W) - 53-56 F100 F250
415-4553-1	Transmission Hole Cover - 53-56 F100 F250
428-4553-1	Outer Cab Floor Brace - LH or RH - 53-56 F100 F250; measures 15" W
425-4553-1	Cab Mount Base - Rear Bracket - LH - 53-56 F100 F250
428-4553-2R	Cab Mount Base - Rear Bracket - RH - 53-56 F100 F250

## ≡ RUNNING BOARDS



Part #	Description
435-4553-P	Running Board Set - Pair - 53-56 F100 F250 Short Bed

## ≡ OUTER ROCKERS



TEST FIT



Before You Paint

Part #	Description
450-4553-L	Outer Rocker Panel - LH - 53-56 F100 F250 - 40-3/4" L x 6-3/4" H
450-4553-R	Outer Rocker Panel - RH - 53-56 F100 F250 - 40-3/4" L x 6-3/4" H

## ≡ CAB CORNERS

RESTORATION  
MADE EASY!



480-4553-L



481-4553-1L

Part #	Description
480-4553-L	Cab Corner Repair Panel - LH - 53-56 F100 F250 - 15-1/2" H
480-4553-R	Cab Corner Repair Panel - RH - 53-56 F100 F250 - 15-1/2" H
481-4548-1L	Inner Cab Corner - LH - 53-56 F100 F250
481-4548-1R	Inner Cab Corner - RH - 53-56 F100 F250

## ≡ INTERIOR DOOR HANDLES



540-4553-1



X546-8068-681AS

540-4553-2

Part #	Description
460-4556-1	Instrument Panel Frame - Chrome - 56 F100 F250
540-4553-1	Door Handle - Inside - LH or RH - 53-55 F100 F250
540-4556-1	Door Handle - Inside - LH or RH (Sold Each) - 56 F100 F250
540-4553-2	Inside Door Handle Escutcheon w/ Rubber Back - 53-55 F100 F250
540-4553-3	Inside Door Handle Escutcheon Rubber - 53-55 F100 F250
546-4556-2	Window Crank Handle w/ Clip - LH or RH (Sold Each) - 53-55 F100 F250
546-4556-1	Window Crank Handle w/ Screw - LH or RH (Sold Each) - 56 F100 F250



## DOOR



516-4553-R



515-4553-R



G-DWP211053

Part #	Description
516-4553-L	Door Skin - Lower - LH - 53-56 F100 F250
516-4553-R	Door Skin - Lower - RH - 53-56 F100 F250
515-4553-L	Door Bottom - Inner - LH - 53-56 F100 F250
515-4553-R	Door Bottom - Inner - RH - 53-56 F100 F250
G-DWP211053	Door Weatherstrip Seal Kit, L/R Pair - 53-55 F-Series Pickup
G-DWP211056	Door Weatherstrip Seal Kit, L/R Pair - 56 F-Series Pickup
R-FT101	Beltline Molding Kit, Black, 4 Piece Kit - 53-55 F-Series Pickup
R-FT102	Beltline Molding Kit, Black, 4 Piece Kit - 56 F-Series Pickup

## DOOR COMPONENTS



752-4553



525-4553-L

Part #	Description
525-4553-L	Door Handle - Outside - LH - 53-60 Ford F100 F250
525-4553-R	Door Handle - Outside - RH - 53-60 Ford F100 F250
545-4556-L	Window Reguator - LH - 56 F100 F250
545-4556-R	Window Reguator - RH - 56 F100 F250
546-4556-2	Window Crank Handle w/ Clip - LH or RH (Sold Each) - 53-55 F100 F250
546-4556-1	Window Crank Handle w/ Screw - LH or RH (Sold Each) - 56 F100 F250
752-4553	Door Striker Plate Shim - 53-56 F100 F250
570-4553-1	Outside Rear View Mirror - 6" Round - Chrome - 53-55 F1 F2

## DOOR GLASS



Part #	Description
550-4553-T	Door Glass - Green Tint - LH or RH (Sold Each) - 53-55 F100 F250
550-4556-C	Door Glass - Clear - LH or RH (Sold Each) - 56 F100 F250
550-4556-G	Door Glass - Gray - LH or RH (Sold Each) - 56 F100 F250
550-4556-T	Door Glass - Green Tint - LH or RH (Sold Each) - 56 F100 F250

## VENT GLASS



Part #	Description
560-4553-C	Vent Glass - Clear - LH or RH (Sold Each) - 53-55 F100 F250
560-4553-T	Vent Glass - Green Tint - LH or RH (Sold Each) - 53-55 F100 F250
560-4556-C	Vent Glass - Clear - LH or RH (Sold Each) - 56 F100 F250
560-4556-G	Vent Glass - Gray - LH or RH (Sold Each) - 56 F100 F250
560-4556-T	Vent Glass - Green Tint - LH or RH (Sold Each) - 56 F100 F250

## BACK GLASS



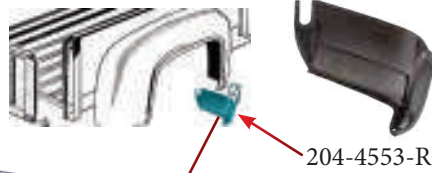
G-WBLD1103



G-WBLD0437

Part #	Description
660-4553-C	Back Glass - Clear - 53-56 F-Series Pickup w/o Large Wraparound Window
660-4553-T	Back Glass - Green Tint - 53-56 F-Series Pickup w/o Large Wraparound Window
660-4556-C	Back Glass - Clear - 56 F-Series Pickup w/ Large Wraparound Window
660-4556-T	Back Glass - Green Tint - 56 F-Series Pickup w/ Large Wraparound Window
G-WBLD1103	Rear Window Weatherstrip - w/o Trim Groove - 53-55 F-Series Pickup
G-WBLD0437	Rear Window Weatherstrip - w/o Trim Groove - 56 F-Series Pickup
G-WCRD0437	Rear Window Weatherstrip - w/ Trim Groove - 56 F-Series Pickup
665-4553	Back Glass Frame - For Large Wraparound Glass - 53-56 F100 F250 (Original for 56 only)

## ≡ BED SIDES



780-4553-R



721-4553-R



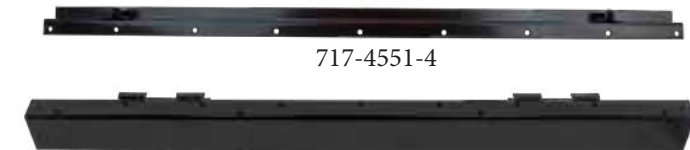
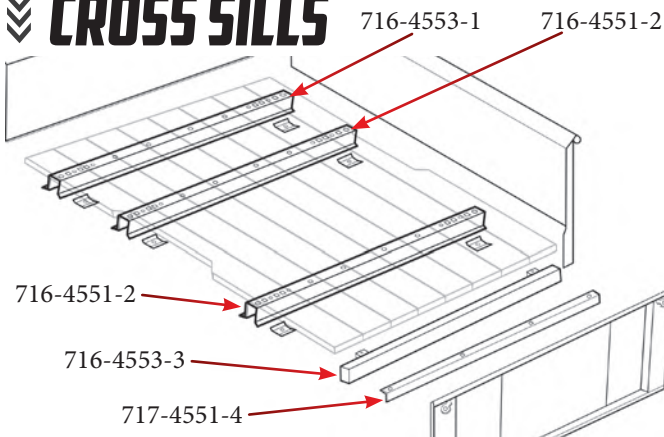
**TEST FIT**



*Before You Paint*

Part #	Description
715-4551	Front Bed Panel - 51-52 Ford F1 Short Bed Flareside; 53-72 F100 F250 Long Bed Flareside; 53-72 F100 Short Bed Flareside
721-4553-L	Bedside - OE Style w/o Stake Pocket Holes - LH - 53-56 Ford F100 Short Bed Flareside
721-4553-R	Bedside - OE Style w/o Stake Pocket Holes - RH - 53-56 Ford F100 Short Bed Flareside
780-4553-L	Rear Fender - LH - 53-56 Ford F100 F250 Flareside
780-4553-R	Rear Fender - RH - 53-56 Ford F100 F250 Flareside
204-4553-L	Rear Fender Patch - Lower Front LH - 53-56 F100 F250 - 15"x10"x10"
204-4553-R	Rear Fender Patch - Lower Front RH - 53-56 F100 F250 - 15"x10"x10"

## ≡ CROSS SILLS

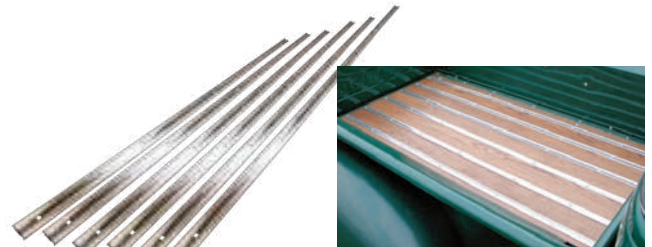


717-4551-4

716-4553-3

Part #	Description
716-4553-1	Cross Sill - Front - 53-60 F100 Short Bed Flareside
716-4551-2	Cross Sill - Center - 51-52 F1 Short Bed Flareside; 53-60 F100 Short Bed Flareside
716-4553-3	Cross Sill - Rear - 51-52 F1 Flareside; 53-72 F100 Flareside / F250 Flareside
716-4548-12	Front Cross Sill Bracket - 53-56 F1 Pickup (use 2 per truck)

## ≡ BED STRIPS



Polished Stainless



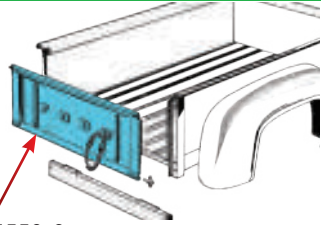
Zinc = Paintable like the OEM bed strips

Part #	Description
717-4553-6PS	Bed Strip Kit - Polished Stainless (6pcs) - 53-60 F100 F250 Flareside Short Bed
717-4553-6SS	Bed Strip Kit - Stainless Steel (6pcs) - 53-60 F100 F250 Flareside Short Bed
717-4553-6ZS	Bed Strip Kit - Zinc (6pcs) - 53-60 F100 F250 Flareside Short Bed
717-4553-8PS	Bed Strip Kit - Polished Stainless (7pcs) - 53-60 F100 F250 Flareside Long Bed
717-4553-8SS	Bed Strip Kit - Stainless Steel (7pcs) - 53-60 F100 F250 Flareside Long Bed
717-4553-8ZS	Bed Strip Kit - Zinc (7pcs) - 53-60 F100 F250 Stepside Long Bed

## TAILGATES



925-4553-1



925-4553-2

Part #	Description
925-4553-1	Tailgate w/o Ford Letters - 53-72 F100 F250 Short Bed Flareside
925-4553-2	Tailgate - w/ Ford Lettering - 53-72 F100 F250 Short Bed Flareside

## REAR BUMPERS

990-4548-1



**TEST FIT**



*Before You Paint*

Part #	Description
990-4548-1	Rear Bumper - Chrome - 48-52 F1 F2 Flareside; 53-72 F100 F250 Flareside
990-4548-1P	Rear Bumper - Paintable - 48-52 F1 F2 Flareside; 53-72 F100 F250 Flareside

## REAR BUMPER BRACKETS



970-4553-S



970-4553-CS



Part #	Description
970-4553-CS	Rear Bumper Bracket Set - Chrome - 48-52 F1 F2 Flareside; 53-72 F100 F250 Flareside
970-4553-S	Rear Bumper Bracket Set - Paintable - 48-52 F1 F2 Flareside; 53-72 F100 F250 Flareside

## GAS TANK SENDING UNIT



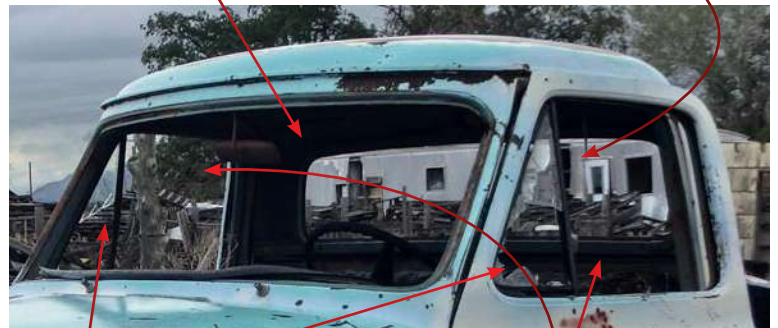
Part #	Description
881-4556	Gas Tank Sending Unit - 57-60 F100 F250 Pickup

## GLASS KITS



Windshield

Back Glass



Vent Glass

Door Glass



Part #	Description
499-4553-CS	Glass Kit, Clear - 53-55 F100 F250 Pickup
499-4553-TS	Glass Kit, Green Tinted - 53-55 F100 F250 Pickup
499-4556-CS	Glass Kit, Clear - 56 F100 F250 Pickup
499-4556-GTS	Glass Kit, Gray Tinted with Green Tinted Windshield - 56 F100 F250 Pickup
499-4556-TS	Glass Kit, Green Tinted - 56 F100 F250 Pickup

# 57-60 F SERIES

## FRONT BUMPERS

**TEST FIT**



100-4559-1

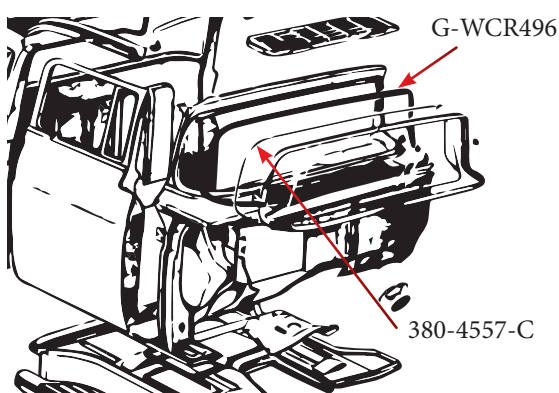
Part #	Description
100-4559-1	Front Bumper - Chrome - 57-60 F100 F250

## BATTERY



Part #	Description
X340-4556	Battery Tray Assembly - 56-60 F100 F250
X341-4557-1	Battery Hold down - 57-64 F100 F250

## WINDSHIELD



G-WBL496



G-WCR496

Part #	Description
380-4557-C	Windshield - Clear - 57-60 F100 F250
380-4557-T	Windshield - Green Tint - 57-60 F100 F250
G-WBL496	Windshield Weatherstrip Seal w/o Trim Groove - 57-60 F-Series Pickup
G-WCR496	Windshield Weatherstrip Seal w/ Trim Groove For Steel Trim - 57-60 F-Series Pickup

## DOOR GLASS



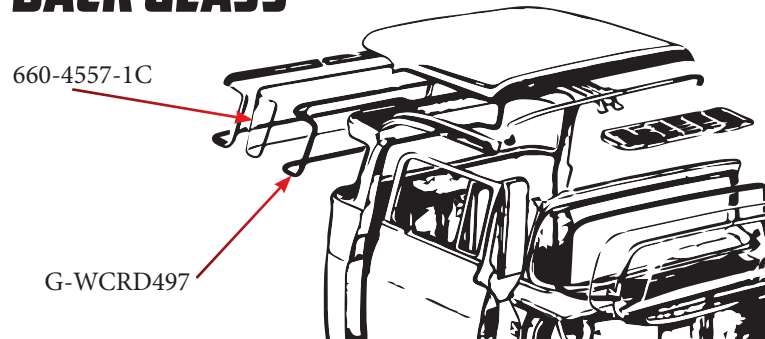
Part #	Description
550-4557-C	Door Glass - Clear - LH or RH (Sold Each) - 57-60 F100 F250
550-4557-T	Door Glass - Green Tint - LH or RH (Sold Each) - 57-60 F100 F250
R-FT103	Beltline Molding Kit, Black, 4 Piece Kit - 57-60 F-Series Pickup

## VENT GLASS



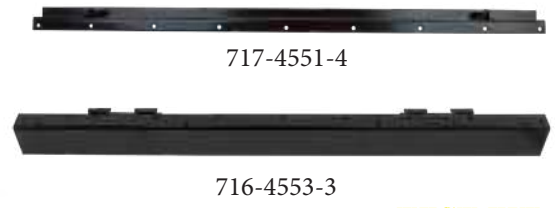
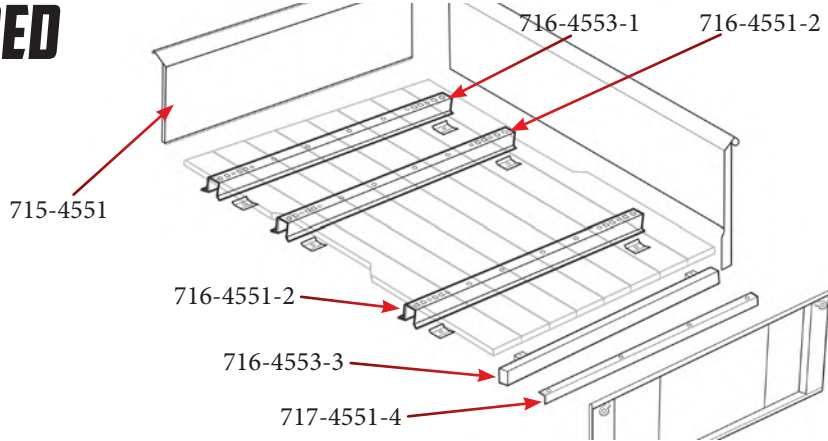
Part #	Description
560-4557-C	Vent Glass - Clear - LH or RH (Sold Each) - 57-60 F100 F250
560-4557-T	Vent Glass - Green Tint - LH or RH (Sold Each) - 57-60 F100 F250

## BACK GLASS



Part #	Description
660-4557-1C	Back Glass - Clear - 57-60 F-Series Pickup w/ Large Wraparound Window
660-4557-1T	Back Glass - Green Tint - 57-60 F-Series Pickup w/ Large Wraparound Window
660-4557-C	Back Glass - Clear - 57-60 F-Series Pickup w/o Large Wraparound Window
G-WBLD1015	Rear Window Weatherstrip - w/o Trim Groove - 57-60 F-Series Pickup
G-WCRD497	Rear Window Weatherstrip - w/ Trim Groove - 57-60 F-Series Pickup

## ≡ BED



**RESTORATION  
MADE EASY!**

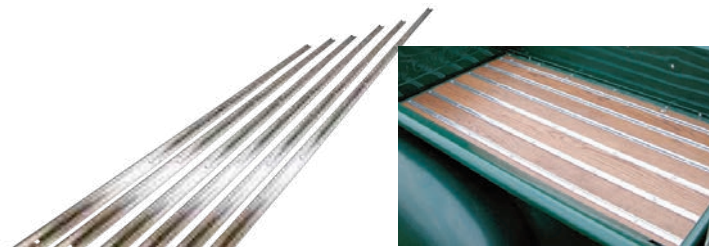
**TEST FIT**



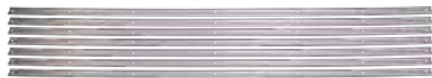
*Before You Paint*

Part #	Description
715-4551	Front Bed Panel - 51-52 Ford F1 Short Bed Flareside; 53-72 F100 F250 Long Bed Flareside; 53-72 F100 Short Bed Flareside
716-4553-1	Cross Sill - Front - 53-60 F100 Short Bed Flareside
716-4551-2	Cross Sill - Center - 51-52 F1 Short Bed Flareside; 53-60 F100 Short Bed Flareside
716-4553-3	Cross Sill - Rear - 51-52 F1 Flareside; 53-72 F100 Flareside / F250 Flareside
716-4553-4PS	Bed Board End Cap - Polished Stainless - 51-52 F1 Short Bed Flareside; 53-72 F100 Short Bed Flareside
717-4551-4	Bed Board End Cap - Steel - 51-52 F1 Short Bed Flareside; 53-72 F100 Short Bed Flareside

## ≡ BED STRIPS



Polished Stainless



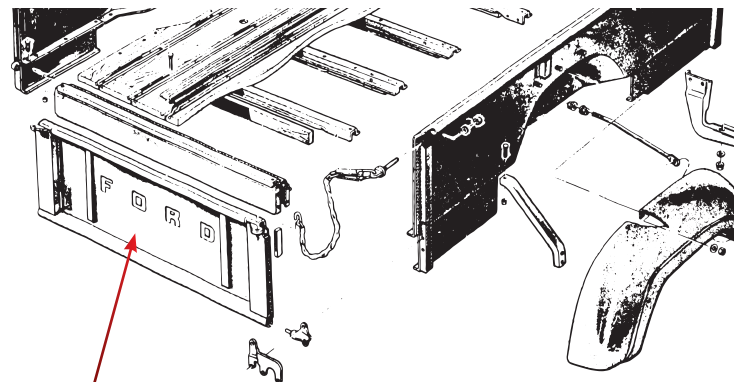
Zinc = Paintable like the OEM bed strips

Part #	Description
717-4553-6PS	Bed Strip Kit - Polished Stainless (6pcs) - 53-60 F100 F250 Flareside Short Bed
717-4553-6SS	Bed Strip Kit - Stainless Steel (6pcs) - 53-60 F100 F250 Flareside Short Bed
717-4553-6ZS	Bed Strip Kit - Zinc (6pcs) - 53-60 F100 F250 Flareside Short Bed
717-4553-8PS	Bed Strip Kit - Polished Stainless (7pcs) - 53-60 F100 F250 Flareside Long Bed
717-4553-8SS	Bed Strip Kit - Stainless Steel (7pcs) - 53-60 F100 F250 Flareside Long Bed
717-4553-8ZS	Bed Strip Kit - Zinc (7pcs) - 53-60 F100 F250 Stepside Long Bed

## ≡ TAILGATES



925-4553-1



925-4553-2

**TEST FIT**



*Before You Paint*

Part #	Description
925-4553-1	Tailgate w/o Ford Letters - 53-72 F100 F250 Short Bed Flareside
925-4553-2	Tailgate - w/ Ford Lettering - 53-72 F100 F250 Short Bed Flareside

## REAR BUMPERS

990-4548-1



990-4557-2

Part #	Description
990-4548-1	Rear Bumper - Chrome - 48-52 F1 F2 Flareside; 53-72 F100 F250 Flareside
990-4548-1P	Rear Bumper - Paintable - 48-52 F1 F2 Flareside; 53-72 F100 F250 Flareside
990-4557-2	Rear Bumper - Chrome - 57-63 F100 F250 Styleside

## REAR BUMPER BRACKET



970-4553-S



970-4553-CS

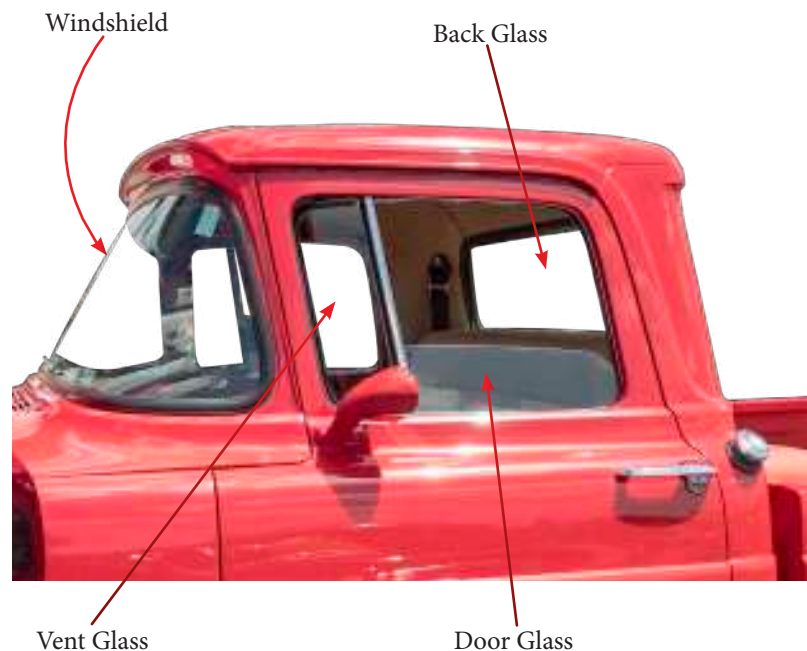
Part #	Description
970-4553-CS	Rear Bumper Bracket Set - Chrome - 48-52 F1 F2 Flareside; 53-72 F100 F250 Flareside
970-4553-S	Rear Bumper Bracket Set - Paintable - 48-52 F1 F2 Flareside; 53-72 F100 F250 Flareside

## GAS TANK SENDING UNIT



Part #	Description
881-4556	Gas Tank Sending Unit - 57-60 F100 F250 Pickup

## GLASS KITS



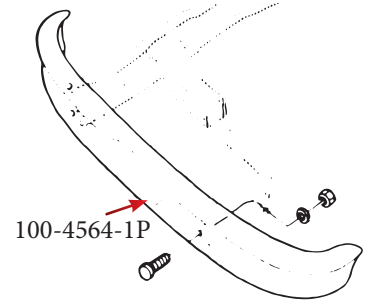
Part #	Description
499-4557-1CS	Glass Kit, Clear - 57-60 F100 F250 Pickup w/ Large Rear Window
499-4557-1TS	Glass Kit, Green Tinted - 57-60 F100 F250 Pickup w/ Large Rear Window
499-4557-CS	Glass Kit, Clear - 57-60 F100 F250 Pickup w/ Small Rear Window

## FRONT BUMPERS

### TEST FIT

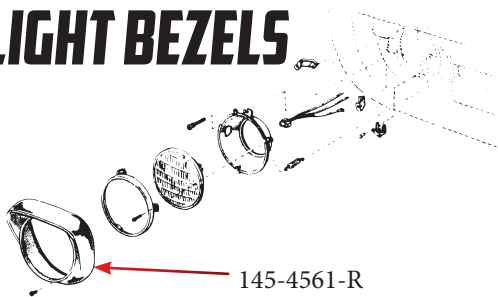


Before You Paint



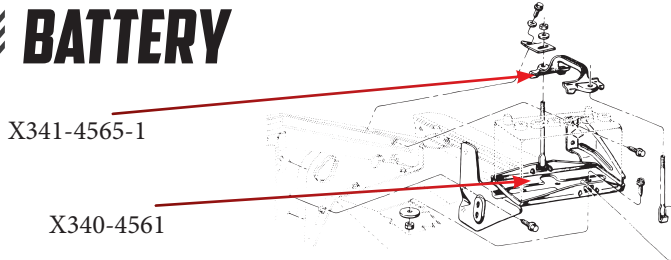
Part #	Description
100-4561-1	Front Bumper - Chrome - 61-63 F100 F250
100-4561-1P	Front Bumper - Paintable - 61-63 F100 F250
100-4564-1	Front Bumper - Chrome - 64-66 F100 F250
100-4564-1P	Front Bumper - Paintable - 64-66 F100 F250

## HEADLIGHT BEZELS



Part #	Description
145-4561-L	Headlight Bezel - Chrome - LH - 61-66 F100 F250
145-4561-R	Headlight Bezel - Chrome - RH - 61-66 F100 F250

## BATTERY



Part #	Description
X340-4561	Battery Tray Assembly - 66-72 F100 F250; 73-79 F100 F150 F250; 78-79 Bronco
X341-4557-1	Battery Hold down - 57-64 F100 F250
X341-4565-1	Battery Hold down - 65-72 F100 F250; 73-79 F100 F150 F250; 78-79 Bronco

## HOOD TO COWL SEAL



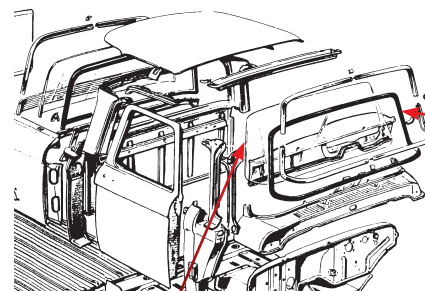
Part #	Description
U-F4046	Hood To Cowl Seal - 61-66 F-Series Pickup

## KICK PLATES



Part #	Description
X378-4561-L	Rocker Kick Plate Repair Panel, LH - 61-66 F-Series Pickup
X378-4561-R	Rocker Kick Plate Repair Panel, RH - 61-66 F-Series Pickup

## WINDSHIELDS



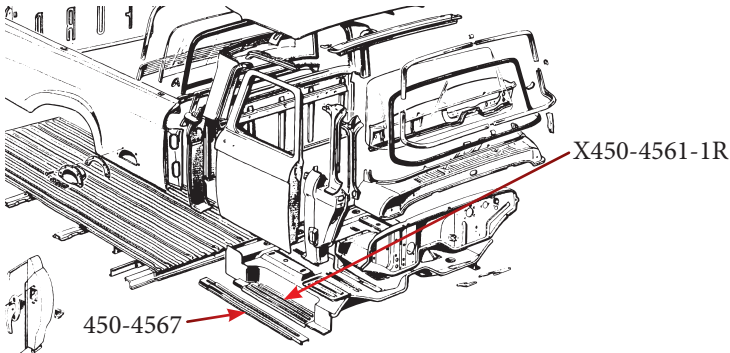
Part #	Description
380-4561-C	Windshield - Clear - 61-66 F100 F250
380-4561-T	Windshield - Green Tint - 61-66 F100 F250
380-4561-TB	Windshield - Shaded - 61-66 F100 F250
G-WBL602	Windshield Weatherstrip Seal w/o Trim Groove - 61-66 F-Series Pickup
G-WCR602	Windshield Weatherstrip Seal w/ Trim Groove For Steel Trim - 61-66 F-Series Pickup

## FRONT CAB MOUNTS



Part #	Description
427-4567-L	Front Cab Mount - LH - 65-79 F100 F250 73-79 F150 74-79 Super Cab 78-79 Bronco
427-4567-R	Front Cab Mount - RH - 65-79 F100 F250 73-79 F150 74-79 Super Cab 78-79 Bronco

## ROCKER PANELS



Part #	Description
450-4567	Rocker Panel - LH or RH (sold each) - 61-72 F100 F250 - 36-1/2" L x 3" W
X450-4561-1L	Rocker Step Plate Repair Panel - LH - 61-66 F100 F250 - 36-7/8" L x 6-3/4" W
X450-4561-1R	Rocker Step Plate Repair Panel - RH - 61-66 F100 F250 - 36-7/8" L x 6-3/4" W

## CAB CORNERS

380-4561-C



Part #	Description
X480-4561-L	Cab Corner - LH - 61-66 F-Series (18-1/4"W x 10-1/2"H)
X480-4561-R	Cab Corner - RH - 61-66 F-Series (18-1/4"W x 10-1/2"H)

## DOOR SEAL KIT



Part #	Description
R-FT167	Door Seal Kit - Complete - 61-66 F-Series Pickup

## DOOR GLASS



U-KF1018A

Part #	Description
550-4561-C	Door Glass - Clear - LH or RH (Sold Each) - 61-66 F100 F250
550-4561-T	Door Glass - Green Tint - LH or RH (Sold Each) - 61-66 F100 F250
U-KF1018A	Glass Run Channels - Pair - 61-66 F-Series Pickup

## DOOR WEATHERSTRIP



G-WFK211061C

G-DWP211061

Part #	Description
G-DWP211061	Door Weatherstrip Seal Kit, L/R Pair - 61-66 F-Series Pickup
G-WFK211061C	Beltline Molding Kit, Chrome, 4 Piece Kit - 61-66 F-Series Pickup
R-FT104	Beltline Molding Kit, Black, 4 Piece Kit - 61-66 F-Series Pickup

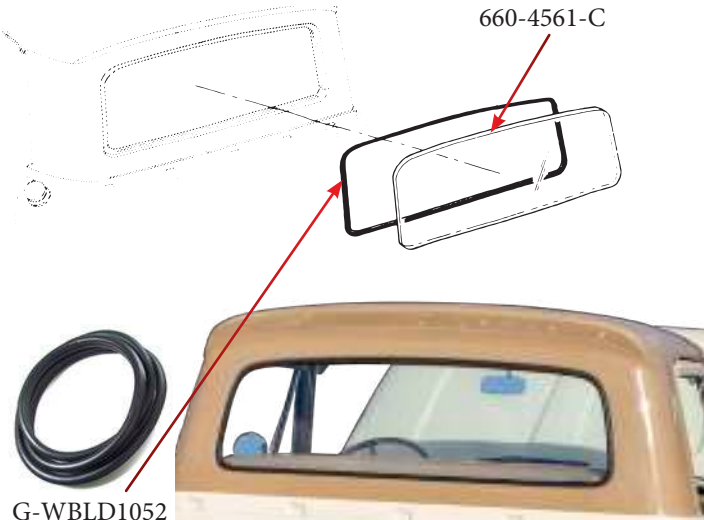


## VENT GLASS



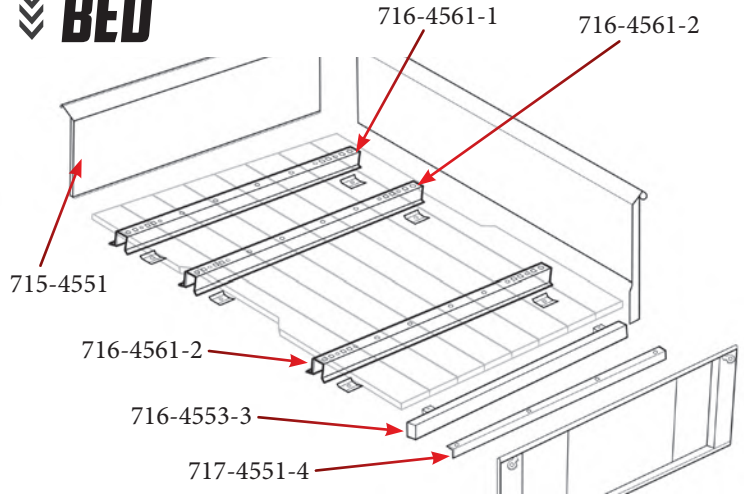
Part #	Description
560-4561-C	Vent Glass - Clear - LH or RH (Sold Each) - 61-66 F100 F250
560-4561-T	Vent Glass - Green Tint - LH or RH (Sold Each) - 61-66 F100 F250
561-4561-1L	Vent Window Frame - LH - 61-66 F100 F250
561-4561-1R	Vent Window Frame - RH - 61-66 F100 F250
G-VWK211061	Vent Glass Weatherstrip Seal Kit - 4pc Set - 61-66 F-Series Pickup

## BACK GLASS



Part #	Description
660-4561-C	Back Glass - Clear - 61-66 F100 F250 w/o Large Wraparound Window
660-4561-T	Back Glass - Green Tint - 61-66 F100 F250 w/o Large Wraparound Window
G-WBLD1052	Rear Window Weatherstrip - w/o Trim Groove - 61-66 F-Series Pickup

## BED

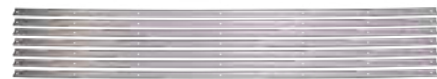


Part #	Description
715-4551	Front Bed Panel - 51-52 Ford F1 Short Bed Flareside; 53-72 F100 F250 Long Bed Flareside; 53-72 F100 Short Bed Flareside
716-4561-1	Cross Sill - Front - 61-72 F100 Short Bed Flareside
716-4561-2	Cross Sill - Center - 61-72 Short Bed Flareside (use 2 per truck)
716-4553-3	Cross Sill - Rear - 51-52 F1 Flareside; 53-72 F100 Flareside / F250 Flareside

## BED STRIPS



Polished Stainless



Zinc = Paintable like the OEM bed strips

Part #	Description
792-4561-6PS	Bed Strip Kit - Polished - 61-64 F-Series Shortbed Flareside
792-4561-6ZS	Bed Strip Kit - Zinc - 61-64 F-Series Shortbed Flareside
792-4565-6PS	Bed Strip Kit - Polished - 65-72 F-Series Shortbed Flareside
792-4565-6ZS	Bed Strip Kit - Zinc - 65-72 F-Series Shortbed Flareside
792-4561-8PS	Bed Strip Kit - Polished - 61-63 F-Series Longbed Flareside
792-4561-8ZS	Bed Strip Kit - Zinc - 61-63 F-Series Longbed Flareside
792-4564-8PS	Bed Strip Kit - Polished - 64-66 F-Series Longbed Flareside
792-4564-8ZS	Bed Strip Kit - Zinc - 64-66 F-Series Longbed Flareside

## TAILGATES



### TEST FIT



Before You Paint

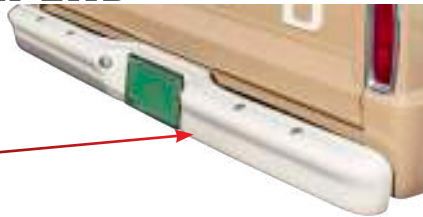


U-KF4106A

925-4564-2

Part #	Description
925-4553-1	Tailgate w/o Ford Letters - 53-72 F100 F250 Short Bed Flareside
925-4553-2	Tailgate - w/ Ford Lettering - 53-72 F100 F250 Short Bed Flareside
925-4564-2	Tailgate - w/ Ford Lettering - 64-72 F100 F250 Styleside
U-KF4106A	Tailgate Bumper Kit w/ Screws - 64-79 F-Series Pickup / Bronco; 66-77 Bronco

## REAR BUMPERS



990-4564-1P

Part #	Description
990-4548-1	Rear Bumper - Chrome - 48-52 F1 F2 Flareside; 53-72 F100 F250 Flareside
990-4548-1P	Rear Bumper - Paintable - 48-52 F1 F2 Flareside; 53-72 F100 F250 Flareside
990-4557-2	Rear Bumper - Chrome - 57-63 F100 F250 Styleside
990-4564-1	Rear Bumper - Chrome - 64-72 F100 F250 Styleside
990-4564-1P	Rear Bumper - Paintable - 64-72 F100 F250 Styleside

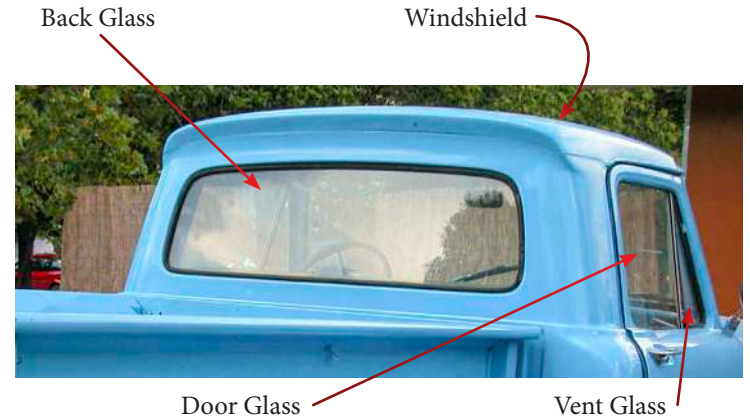
## REAR BUMPER BRACKETS



970-4553-S

Part #	Description
970-4553-CS	Rear Bumper Bracket Set - Chrome - 48-52 F1 F2 Flareside; 53-72 F100 F250 Flareside
970-4553-S	Rear Bumper Bracket Set - Paintable - 48-52 F1 F2 Flareside; 53-72 F100 F250 Flareside
970-4564-S	Rear Bumper Bracket Set - 64-72 F-Series Styleside Pickup (except 64-66 F350, 64-66 F250 4x4, 64-65 F100 4x4)

## GLASS KITS



Back Glass

Windshield

Door Glass

Vent Glass



Clear

Green Tint



Green Tint w/ Tint Band

Part #	Description
499-4561-CS	Glass Kit, Clear - 61-66 F-Series Pickup (non-Unibody)
499-4561-TNS	Glass Kit, Green Tinted w/o Windshield Tint Band - 61-66 F-Series Pickup (non-Unibody)
499-4561-TS	Glass Kit, Green Tinted w/ Windshield Tint Band - 61-66 F-Series Pickup (non-Unibody)

## GAS TANK SENDING UNIT



Part #	Description
881-4548	Gas Tank Sending Unit - f-ser 61-77 in cab tank 48-60

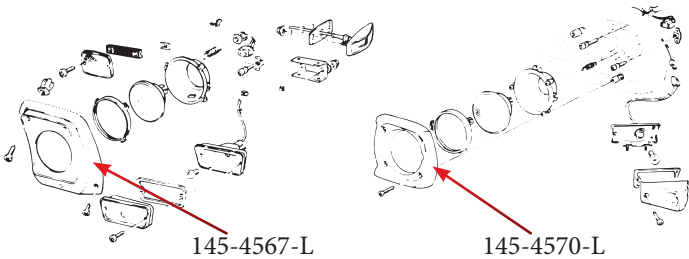
## FRONT BUMPERS



100-4567-1

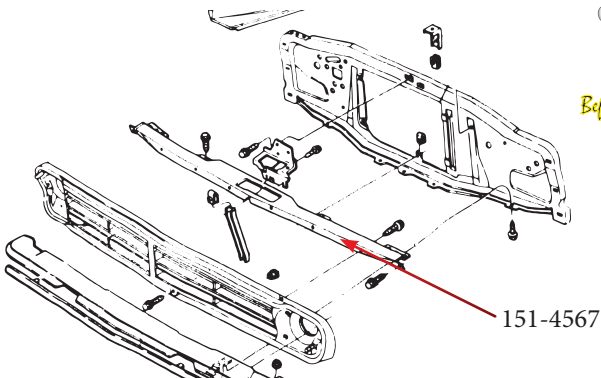
Part #	Description
100-4567-1	Front Bumper w/ License Plate Holes - Chrome - 67-78 F100 F250; 73-78 F-150
100-4567-1P	Front Bumper w/ License Plate Holes - Primer - 67-78 F100 F250; 73-78 F-150
100-4567-2	Front Bumper w/o License Plate Holes - Chrome - 67-78 F100 F250; 73-78 F-150
100-4567-2P	Front Bumper w/o License Plate Holes - Primer - 67-78 F100 F250; 73-78 F-150

## HEADLIGHT BEZELS



Part #	Description
145-4567-L	Headlight Bezel - Aluminum - LH - 67-69 F100 F250
145-4567-R	Headlight Bezel - Aluminum - RH - 67-69 F100 F250
145-4570-L	Headlight Bezel - LH - 70-72 F100 F250
145-4570-R	Headlight Bezel - RH - 70-72 F100 F250

## GRILLE PANEL



Part #	Description
151-4567	Grille Panel - Upper - 67-72 F100 F250

## FENDER SHIELD



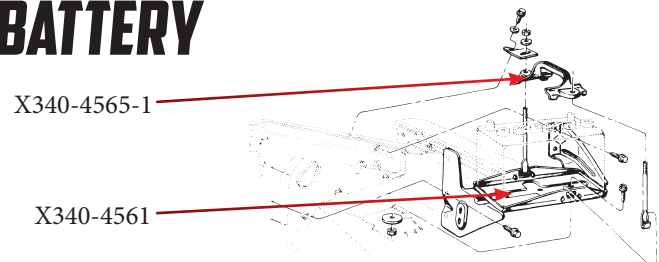
Part #	Description
250-4567-1L	Fender Shield/Hood Support - LH - 67-72 F100 F250
250-4567-1R	Fender Shield/Hood Support - RH - 67-72 F100 F250

## HOOD HINGES



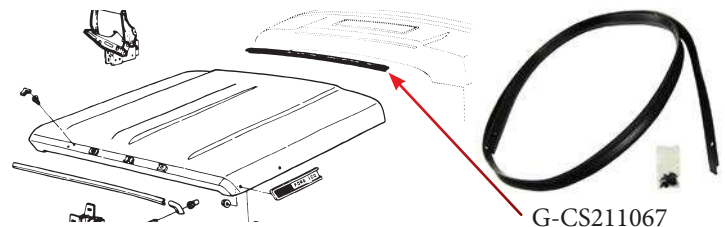
Part #	Description
U-F4100	Hood Hinge w/ Spring - 67-72 F-Series Pickup
U-F4101	Hood Hinge w/ Spring - 67-72 F-Series Pickup

## BATTERY



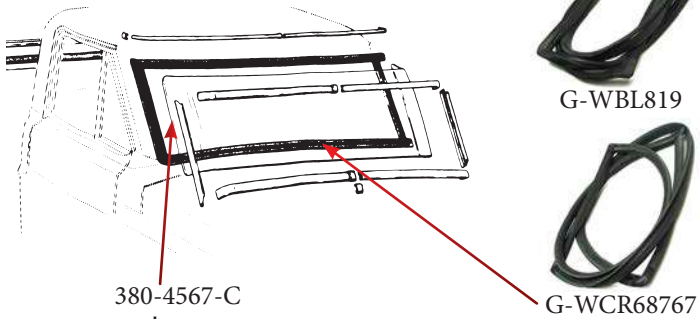
Part #	Description
X340-4561	Battery Tray Assembly - 66-72 F100 F250; 73-79 F100 F150 F250; 78-79 Bronco
X341-4565-1	Battery Hold down - 65-72 F100 F250; 73-79 F100 F150 F250; 78-79 Bronco

## HOOD TO COWL SEAL



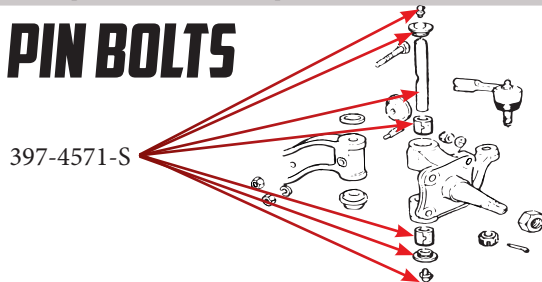
Part #	Description
G-CS211067	Hood To Cowl Seal - 67-79 F-Series Pickup / Bronco

## WINDSHIELD



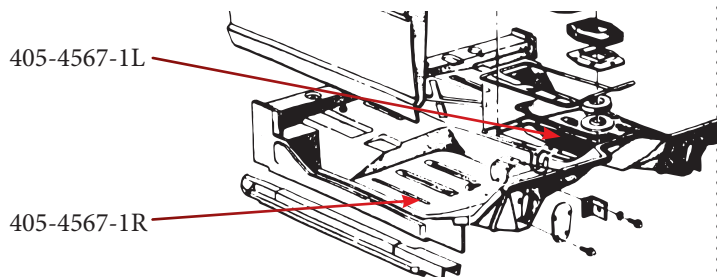
Part #	Description
380-4567-C	Windshield - Clear - 67-79 F100 F250; 73-79 F150; 78-79 Bronco
380-4567-T	Windshield w/o Tint Band - Green Tint - 67-79 F100 F250; 73-79 F150; 78-79 Bronco
380-4567-TB	Windshield w/ Tint Band - Green Tint - 67-79 F100 F250; 73-79 F150; 78-79 Bronco
G-WBL819	Windshield Weatherstrip Seal w/o Trim Groove - 67-79 F-Series Pickup / Bronco
G-WCR68767	Windshield Weatherstrip Seal w/ Trim Groove For Lockstrip - 67-72 F-Series Pickup

## KING PIN BOLTS



Part #	Description
397-4571-S	King Pin Bolt Set - 71-72 F100 F250

## FLOOR



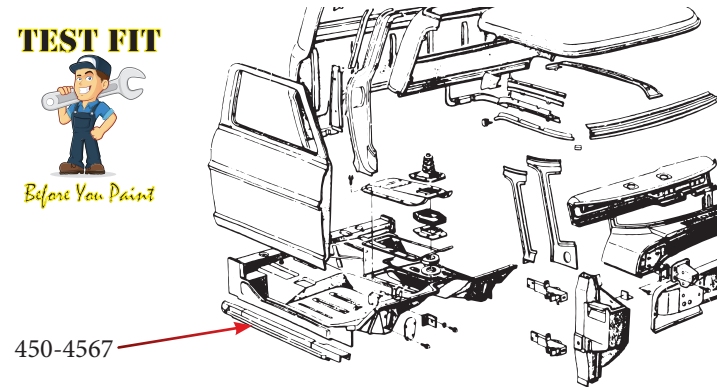
Part #	Description
405-4567-1L	Cab Floor Repair Panel - Front LH - 67-79 Ford F100 F250; 73-79 F150; 78-79 Bronco - 27" W x 37" L
405-4567-1R	Cab Floor Repair Panel - Front RH - 67-79 Ford F100 F250; 73-79 F150; 78-79 Bronco - 27" W x 37" L
427-4567-L	Front Cab Mount - LH - 65-79 F100 F250 73-79 F150 74-79 Super Cab 78-79 Bronco
427-4567-R	Front Cab Mount - RH - 65-79 F100 F250 73-79 F150 74-79 Super Cab 78-79 Bronco

## ROCKER PANEL

**TEST FIT**

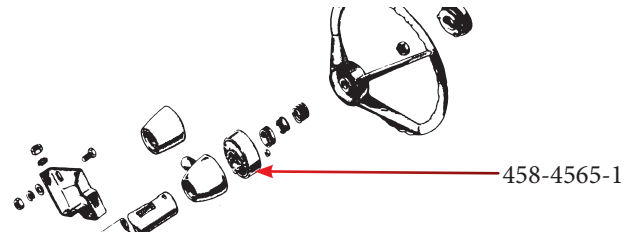


*Before You Paint*



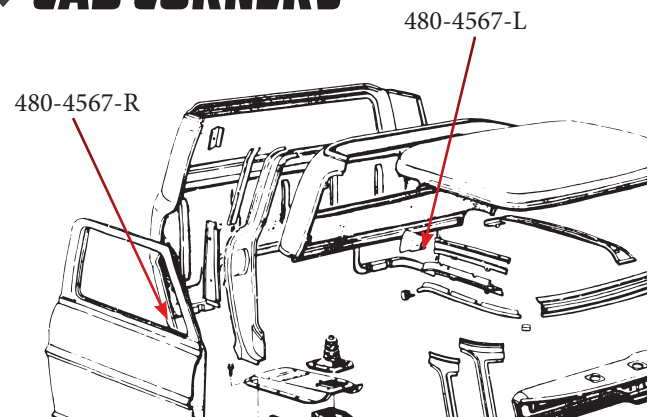
Part #	Description
450-4567	Rocker Panel - LH or RH (sold each) - 61-72 F100 F250 - 36-1/2" L x 3" W

## STEERING COLUMN BEARING



Part #	Description
458-4565-1	Steering Column Tube Flange Plate - Lower Bearing 3/8" Thick - 65-72 F100 F250 (2WD); 66-77 Bronco (75 up without Power Steering)

## CAB CORNERS



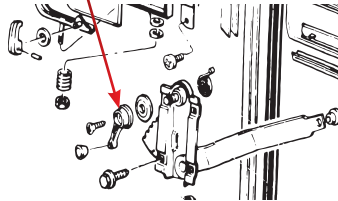
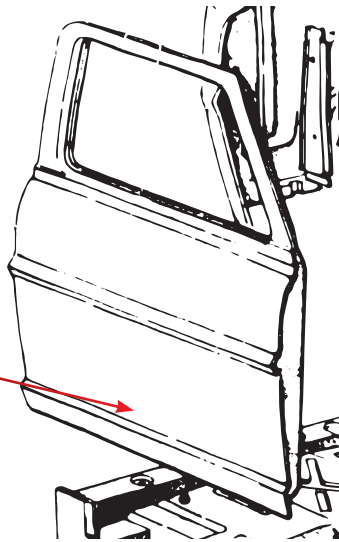
Part #	Description
480-4567-L	Cab Corner Repair Panel - LH - 67-72 F100 F250 - 13" H x 21-1/2" W
480-4567-R	Cab Corner Repair Panel - RH - 67-72 F100 F250 - 13" H x 21-1/2" W

## DOOR

**HUGE ONLINE SELECTION**

516-4567-1

X546-8068-681AS



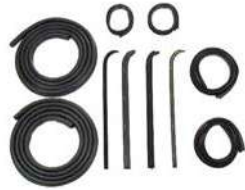
**RESTORATION MADE EASY!**

Part #	Description
516-4567-1	Door Skin - Lower Half - LH or RH (sold each) - 67-72 F100 F250
X546-8068-681AS	Window Crank Handle - w/ Black Knob - 68-77 Bronco; 68-72 F-Series Pickup
X546-8068-681BS	Window Crank Handle - w/ Blue Knob - 68-77 Bronco; 68-72 F-Series Pickup
X546-8068-681DS	Window Crank Handle - w/ White Knob - 68-77 Bronco; 68-72 F-Series Pickup
X546-8068-681ES	Window Crank Handle - w/ Red Knob - 68-77 Bronco; 68-72 F-Series Pickup
X546-8068-701CS	Window Crank Handle - w/ Ginger Knob - 70-77 Bronco; 70-72 F-Series Pickup
X546-8068-701FS	Window Crank Handle - w/ Green Knob - 70-77 Bronco; 70-72 F-Series Pickup

## DOOR SEALS



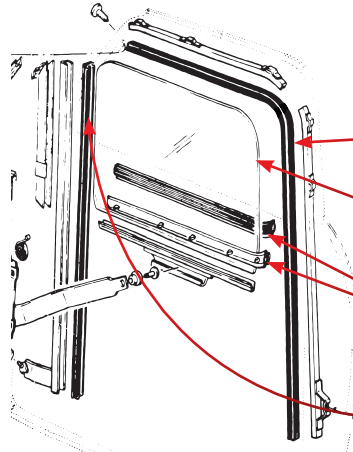
G-DK211067



G-DK211071

Part #	Description
G-DK211067	Door Seal Kit - 67-70 F-Series Pickup
G-DK211071	Door Seal Kit - 71-72 F-Series Pickup

## DOOR GLASS



U-KF3001

550-4567-C

G-WFK211067

G-GRB211167

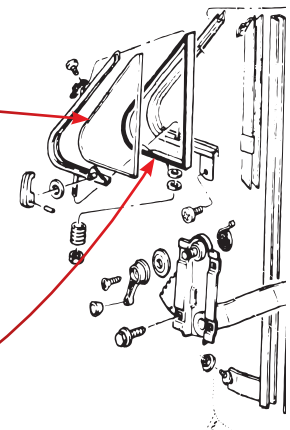
Part #	Description
550-4567-C	Door Glass - Clear - LH or RH (Sold Each) - 67-72 F100 F250
550-4567-T	Door Glass - Green Tint - LH or RH (Sold Each) - 67-72 F100 F250
G-GRK211067	Glass Run Channels - Pair - 67-72 F-Series Pickup
G-GRB211167	Vertical Glass Run Channel - LH or RH - 67-72 F-Series Pickup
U-KF3001	Door Weatherstrip Seal Kit, L/R Pair - 67-72 F-Series Pickup
G-WFK211067	Beltline Molding Kit, Black, 4 Piece Kit - 67-70 F-Series Pickup
R-FT106C	Beltline Molding Kit, Chrome, 4 Piece Kit - 67-70 F-Series Pickup
R-FT107	Beltline Molding Kit, 4 Piece Kit - 71-72 F-Series Pickup

## VENT GLASS

560-4567-C

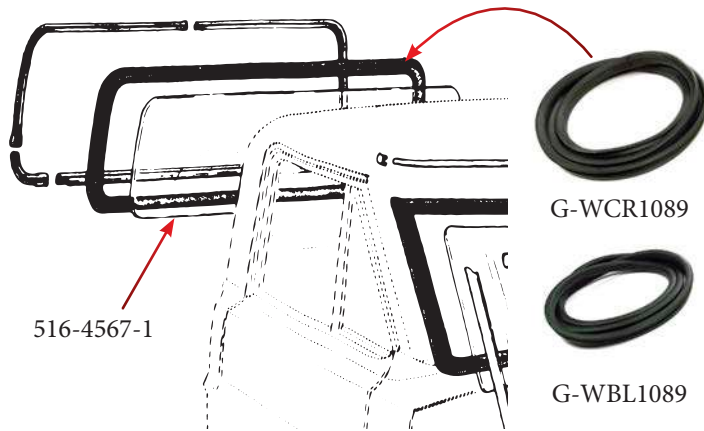


U-KF4911



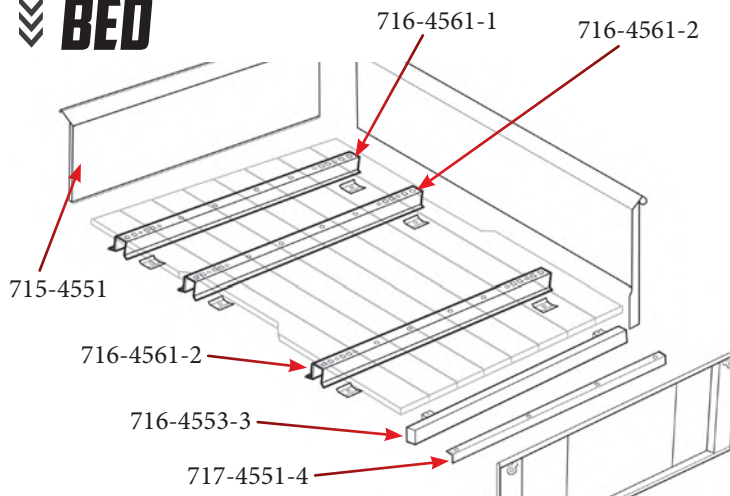
Part #	Description
560-4567-C	Vent Glass - Clear - LH or RH (Sold Each) - 67-72 F100 F250
560-4567-T	Vent Glass - Green Tint - LH or RH (Sold Each) - 67-72 F100 F250
U-KF4911	Vent Glass Weatherstrip Seal Kit - 2pc Set - 67-72 F-Series Pickup

## BACK GLASS



Part #	Description
660-4567-C	Back Glass - Clear - 67-72 - F100 F250
660-4567-T	Back Glass - Green Tint - 67-72 - F100 F250
G-WBL1089	Rear Window Weatherstrip - w/o Trim Groove - 67-72 F-Series Pickup
G-WCR1089	Rear Window Weatherstrip - w/ Trim Groove - 67-72 F-Series Pickup

## BED



Part #	Description
715-4551	Front Bed Panel - 51-52 Ford F1 Short Bed Flareside; 53-72 F100 F250 Long Bed Flareside; 53-72 F100 Short Bed Flareside
791-4567	Bed Floor Repair Panel - Universal - 67-72 F100 F250 (48"x20")
716-4561-1	Cross Sill - Front - 61-72 F100 Short Bed Flareside
716-4561-2	Cross Sill - Center - 61-72 Short Bed Flareside (use 2 per truck)
716-4553-3	Cross Sill - Rear - 51-52 F1 Flareside; 53-72 F100 Flareside / F250 Flareside
949-4567-L	Tail Light Bucket - LH - 67-77 F-100 F150 F250 Styleside
949-4567-R	Tail Light Bucket - RH - 67-77 F-100 F150 F250 Styleside

## BED STRIPS



Part #	Description
792-4565-6PS	Bed Strip Kit - Polished - 65-72 F-Series Shortbed Flareside
792-4565-6ZS	Bed Strip Kit - Zinc - 65-72 F-Series Shortbed Flareside
792-4567-8PS	Bed Strip Kit - Polished - 65-72 F-Series Longbed Flareside
792-4567-8ZS	Bed Strip Kit - Zinc - 65-72 F-Series Longbed Flareside
716-4553-4PS	Bed Board End Cap - Polished Stainless - 51-52 F1 Short Bed Flareside; 53-72 F100 Short Bed Flareside
717-4551-4	Bed Board End Cap - Steel - 51-52 F1 Short Bed Flareside; 53-72 F100 Short Bed Flareside

## TAILGATE



Part #	Description
925-4553-1	Tailgate w/o Ford Letters - 53-72 F100 F250 Short Bed Flareside
925-4553-2	Tailgate - w/ Ford Lettering - 53-72 F100 F250 Short Bed Flareside
925-4564-2	Tailgate - w/ Ford Lettering - 64-72 F100 F250 Styleside
U-KF4106A	Tailgate Bumper Kit w/ Screws - 64-79 F-Series Pickup / Bronco; 66-77 Bronco

## REAR BUMPERS

**TEST FIT**



*Before You Paint*



Part #	Description
990-4548-1	Rear Bumper - Chrome - 48-52 F1 F2 Flareside; 53-72 F100 F250 Flareside
990-4548-1P	Rear Bumper - Paintable - 48-52 F1 F2 Flareside; 53-72 F100 F250 Flareside
990-4564-1	Rear Bumper - Chrome - 64-72 F100 F250 Styleside
990-4564-1P	Rear Bumper - Paintable - 64-72 F100 F250 Styleside

## REAR BUMPER BRACKET



970-4553-S

Part #	Description
970-4553-CS	Rear Bumper Bracket Set - Chrome - 48-52 F1 F2 Flareside; 53-72 F100 F250 Flareside
970-4553-S	Rear Bumper Bracket Set - Paintable - 48-52 F1 F2 Flareside; 53-72 F100 F250 Flareside
970-4564-S	Rear Bumper Bracket Set - 64-72 F-Series Styleside Pickup (except 64-66 F350, 64-66 F250 4x4, 64-65 F100 4x4)

## BODY HARDWARE

Part #	Description
H-67T-M	Master Body Hardware Kit - (414pcs) - 67 Styleside Truck
H-68T-M	Master Body Hardware Kit - (424pcs) - 68 Styleside Truck
H-69T-M	Master Body Hardware Kit - (410pcs) - 69 Styleside Truck
H-70T-M	Master Body Hardware Kit - (410pcs) - 70-72 Styleside Truck

## GAS TANK SENDING UNIT



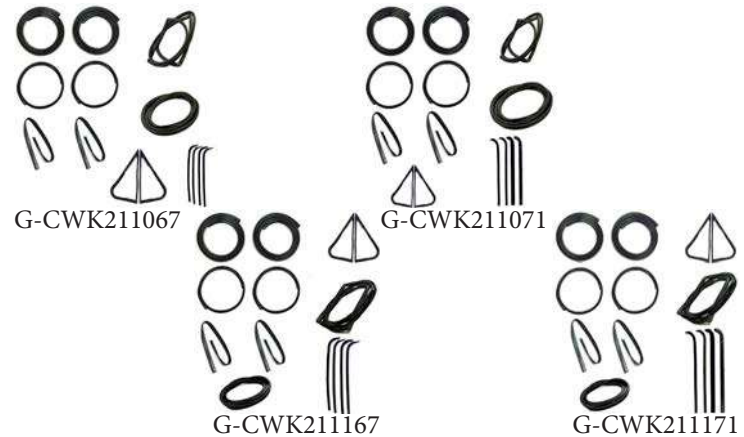
Part #	Description
881-4548	Gas Tank Sending Unit - f-ser 61-77 in cab tank 48-60
881-4567-3	Gas Tank Sending Unit - 70-76 F100 F250 Pickup with In-Cab Tank

## GLASS KITS



Part #	Description
499-4567-CS	Glass Kit, Clear - 67-72 F-Series Pickup
499-4567-TNS	Glass Kit, Green Tinted w/o Windshield Tint Band - 67-72 F-Series Pickup
499-4567-TS	Glass Kit, Green Tinted w/ Windshield Tint Band - 67-72 F-Series Pickup

## WEATHERSTRIPPING



Part #	Description
G-CWK211067	Complete Weatherstrip Seal Kit - 14 pieces - 67-70 F-Series Pickup w/ Weatherstrip Trim Groove
G-CWK211071	Complete Weatherstrip Seal Kit - 14 pieces - 71-72 F-Series Pickup w/ Weatherstrip Trim Groove
G-CWK211167	Complete Weatherstrip Seal Kit - 14 pieces - 67-70 F-Series Pickup w/o Weatherstrip Trim Groove
G-CWK211171	Complete Weatherstrip Seal Kit - 14 pieces - 71-72 F-Series Pickup w/o Weatherstrip Trim Groove

# 73-79 F SERIES/BRONCO

## FRONT BUMPERS

**TEST FIT**



*Before You Paint*



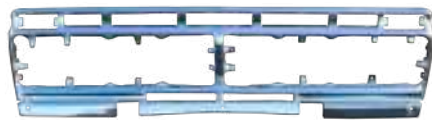
100-4567-1



100-4578-1

Part #	Description
100-4567-1	Front Bumper w/ License Plate Holes - Chrome - 67-78 F100 F250; 73-78 F-150
100-4567-1P	Front Bumper w/ License Plate Holes - Primer - 67-78 F100 F250; 73-78 F-150
100-4567-2	Front Bumper w/o License Plate Holes - Chrome - 67-78 F100 F250; 73-78 F-150
100-4567-2P	Front Bumper w/o License Plate Holes - Primer - 67-78 F100 F250; 73-78 F-150
100-4578-1	Front Bumper w/o Impact Strip Holes - 78-79 F100 F150 Bronco
100-4578-1P	Front Bumper w/o Impact Strip Holes - Primer - 78-79 F100 F150 F250 Bronco
100-4578-2	Front Bumper w/ Impact Strip Holes - 78-79 F100 F150 Bronco
100-4578-2P	Front Bumper w/ Impact Strip Holes - Primer - 78-79 F100 F150 F250 Bronco

## GRILLE SHELL



160-4573-1



160-4578-1C

Part #	Description
160-4573-1	Grille Shell - Anodized Aluminum - 73-77 Ford F100; F150; F250
160-4573-1C	Grille Shell - Chrome Steel - 73-77 Ford F100; F150; F250
160-4578-1	Grille Shell - Anodized Aluminum - 78-79 Ford F100; F150; F250; Bronco
160-4578-1C	Grille Shell - Chrome Steel - 78-79 Ford F100; F150; F250; Bronco
150-4578-1	Grille Insert - Chrome/Bright Silver - 78-79 F100 F150 F250 Bronco

## HEADLIGHT BEZELS



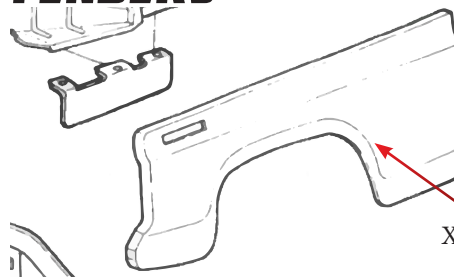
Part #	Description
145-4578-1L	Headlight Door - Bright - Square LH - 78-79 F-Series Pickup / Bronco
145-4578-1R	Headlight Door - Bright - Square RH - 78-79 F-Series Pickup / Bronco
145-4578-2L	Headlight Door - Argent - Round LH - 78-79 F-Series Pickup / Bronco
145-4578-2R	Headlight Door - Argent - Round RH - 78-79 F-Series Pickup / Bronco

## FENDERS

**TEST FIT**



*Before You Paint*



X200-4573-L

Part #	Description
X200-4573-L	Front Fender - LH - 73-79 F100 F150 F250; 78-79 Bronco; 74-79 Super Cab
X200-4573-R	Front Fender - RH - 73-79 F100 F150 F250; 78-79 Bronco; 74-79 Super Cab

## WHEEL MOLDING



X230-4573-L

X230-4573-R

Part #	Description
X230-4573-L	Wheel Opening Molding - Front LH - 73-79 F100 F150 F250; 78-79 Bronco
X230-4573-R	Wheel Opening Molding - Front RH - 73-79 F100 F150 F250; 78-79 Bronco

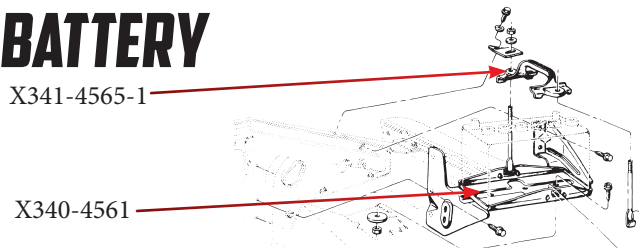


## HOOD



Part #	Description
X300-4573	Hood - 73-79 F100 F150 F250
G-CS211067	Hood To Cowl Seal - 67-79 F-Series Pickup / Bronco

## BATTERY



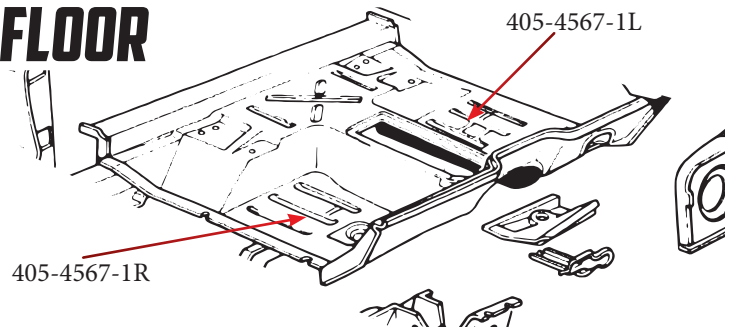
Part #	Description
X340-4561	Battery Tray Assembly - 66-72 F100 F250; 73-79 F100 F150 F250; 78-79 Bronco
X341-4565-1	Battery Hold down - 65-72 F100 F250; 73-79 F100 F150 F250; 78-79 Bronco

## WINDSHIELD



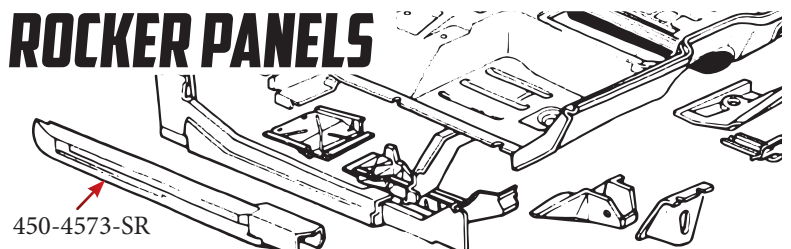
Part #	Description
380-4567-C	Windshield - Clear - 67-79 F100 F250; 73-79 F150; 78-79 Bronco
380-4567-T	Windshield w/o Tint Band - Green Tint - 67-79 F100 F250; 73-79 F150; 78-79 Bronco
380-4567-TB	Windshield w/ Tint Band - Green Tint - 67-79 F100 F250; 73-79 F150; 78-79 Bronco
G-WBL819	Windshield Weatherstrip Seal w/o Trim Groove - 67-79 F-Series Pickup / Bronco
G-WCR687	Windshield Weatherstrip Seal w/ Trim Groove For Lockstrip - 73-76 F-Series Pickup
G-WCR819	Windshield Weatherstrip Seal w/ Trim Groove For Lockstrip - 77-79 F-Series Pickup / Bronco
G-WLS100	Windshield Glass Weatherstrip Lockstrip - Chrome - 77-79 F-Series Pickup / Bronco
G-WLS101	Windshield Glass Weatherstrip Lockstrip - Black - 77-79 F-Series Pickup / Bronco
G-PRP0002	Tool For Inserting Lockstrip Into Glass Seal - 77-98 F-Series Pickup / Bronco

## FLOOR



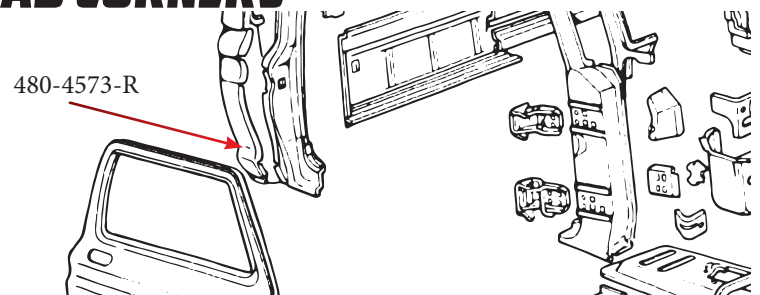
Part #	Description
405-4567-1L	Cab Floor Repair Panel - Front LH - 67-79 Ford F100 F250; 73-79 F150; 78-79 Bronco - 27" W x 37" L
405-4567-1R	Cab Floor Repair Panel - Front RH - 67-79 Ford F100 F250; 73-79 F150; 78-79 Bronco - 27" W x 37" L
427-4567-L	Front Cab Mount - LH - 65-79 F100 F250 73-79 F150 74-79 Super Cab 78-79 Bronco
427-4567-R	Front Cab Mount - RH - 65-79 F100 F250 73-79 F150 74-79 Super Cab 78-79 Bronco

## ROCKER PANELS



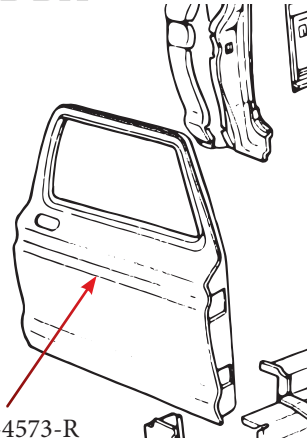
Part #	Description
450-4573-SL	Rocker Panel - Slip-On - LH - 73-79 F100 F150 F250 74-79 Super Cab 78-79 Bronco - 40" L x 2" H
450-4573-SR	Rocker Panel - Slip-On - RH - 73-79 F100 F150 F250 74-79 Super Cab 78-79 Bronco - 40" L x 2" H

## CAB CORNERS



Part #	Description
480-4573-L	Cab Corner Repair Panel - LH - 73-79 F100 F150 F250 - 17-1/2" H x 5-1/2" L x 12-1/4" W
480-4573-R	Cab Corner Repair Panel - RH - 73-79 F100 F150 F250 - 17-1/2" H x 5-1/2" L x 12-1/4" W
480-4573-1L	Cab Corner Repair Panel - LH - 74-79 Super Rear Lower Cab - 14" H x 28" L x 8" W
480-4573-1R	Cab Corner Repair Panel - RH - 74-79 Super Rear Lower Cab - 14" H x 28" L x 8" W

## DOOR



X500-4573-R

### TEST FIT



Before You Paint

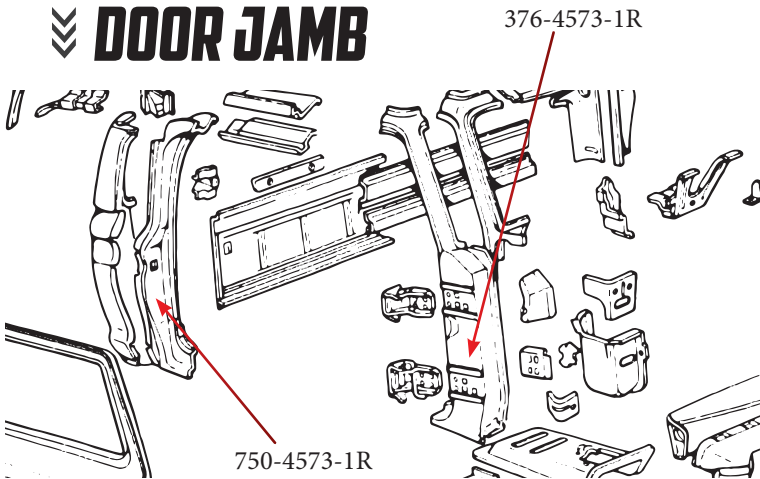


G-DWP211078

G-DK211073

Part #	Description
X500-4573-L	Door Shell - LH - 73-79 F-Series Pickup; 78-79 F-Series Bronco
X500-4573-R	Door Shell - RH - 73-79 F-Series Pickup; 78-79 F-Series Bronco
G-DK211073	Door Seal Kit - 73-79 F-Series Pickup / Bronco
G-DWP211073	Door Weatherstrip Seal Kit, L/R Pair - 73-79 F-Series Pickup / Bronco
G-DWP211078	Upper Door Weatherstrip Seal Kit, L/R Pair - 73-79 F-Series Pickup / Bronco
G-WFK211073	Beltline Molding Kit, 4 Piece Kit - 73-79 F-Series Pickup / Bronco

## DOOR JAMB



376-4573-1R

750-4573-1R

Part #	Description
376-4573-1L	Lower Door Hinge Pillar Repair Panel - LH - 73-79 F100 F150 F250; 74-79 SuperCab
376-4573-1R	Lower Door Hinge Pillar Repair Panel - RH - 73-79 F100 F150 F250; 74-79 SuperCab
750-4573-1L	Door Latch Pillar - Lower - LH - 73-79 F-Series; 78-79 F-Series Bronco (15"H x 8"L)
750-4573-1R	Door Latch Pillar - Lower - RH - 73-79 F-Series; 78-79 F-Series Bronco (15"H x 8"L)

## DOOR COMPONENTS



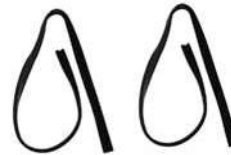
Part #	Description
X540-4573-L	Inside Front Door Handle - LH - 73-79 F100 F150 F250 F350; 78-79 Bronco
X540-4573-R	Inside Front Door Handle - RH - 73-79 F100 F150 F250 F350; 78-79 Bronco
X545-4573-L	Front Door Window Regulator - LH - 73-79 F100 F150 F250 F350
X545-4573-R	Front Door Window Regulator - RH - 73-79 F100 F150 F250 F350
X546-8068-681AS	Window Crank Handle - w/ Black Knob - 68-77 Bronco; 68-72 F-Series Pickup
X546-8068-681BS	Window Crank Handle - w/ Blue Knob - 68-77 Bronco; 68-72 F-Series Pickup
X546-8068-681DS	Window Crank Handle - w/ White Knob - 68-77 Bronco; 68-72 F-Series Pickup
X546-8068-681ES	Window Crank Handle - w/ Red Knob - 68-77 Bronco; 68-72 F-Series Pickup
X546-8068-701CS	Window Crank Handle - w/ Ginger Knob - 70-77 Bronco; 70-72 F-Series Pickup
X546-8068-701FS	Window Crank Handle - w/ Green Knob - 70-77 Bronco; 70-72 F-Series Pickup

## DOOR GLASS



Clear

Green Tint



G-GRK211073



G-GRB211073

Part #	Description
550-4573-CL	Door Glass - Clear - LH - 73-79 F-Series Bronco Crew Cab Front Door; F250 Crew Cab Rear Door
550-4573-CR	Door Glass - Clear - RH - 73-79 F-Series Bronco Crew Cab Front Door; F250 Crew Cab Rear Door
550-4573-TL	Door Glass - Green Tint - LH - 73-79 F-Series Bronco Crew Cab Front Door; F250 Crew Cab Rear Door
550-4573-TR	Door Glass - Green Tint - RH - 73-79 F-Series Bronco Crew Cab Front Door; F250 Crew Cab Rear Door
G-GRK211073	Glass Run Channels - Pair - 73-79 F-Series Pickup / Bronco
G-GRB211073	Vertical Glass Run Channel - LH or RH - 73-79 F-Series Pickup / Bronco

## VENT GLASS



U-KF4901

560-4573-CL



Part #	Description
560-4573-CL	Vent Glass - Clear - LH - 73-79 F100 F150 F250 78-79 Bronco
560-4573-CR	Vent Glass - Clear - RH - 73-79 F100 F150 F250 78-79 Bronco
560-4573-TL	Vent Glass - Green Tint - LH - 73-79 F100 F150 F250 78-79 Bronco
560-4573-TR	Vent Glass - Green Tint - RH - 73-79 F100 F150 F250 78-79 Bronco
U-KF4901	Vent Glass Weatherstrip Seal Kit - 2pc Set - 73-79 F-Series Pickup / Bronco

## SIDE GLASS



Part #	Description
795-4574-1CL	Side Window Glass - Clear - LH - Moveout Style - 74-79 F-Series Super Cab
795-4574-1CR	Side Window Glass - Clear - RH - Moveout Style - 74-79 F-Series Super Cab
795-4574-1TL	Side Window Glass - Green Tint - LH - Moveout Style - 74-79 F-Series Super Cab
795-4574-1TR	Side Window Glass - Green Tint - RH - Moveout Style - 74-79 F-Series Super Cab
795-4574-CL	Side Window Glass - Clear - LH - Stationary Style - 74-79 F-Series Super Cab
795-4574-CR	Side Window Glass - Clear - RH - Stationary Style - 74-79 F-Series Super Cab
795-4574-TL	Side Window Glass - Green Tint - LH - Stationary Style - 74-79 F-Series Super Cab
795-4574-TR	Side Window Glass - Green Tint - RH - Stationary Style - 74-79 F-Series Super Cab
795-4678-CL	Rear Side Glass - LH - Clear - 78-79 Bronco
795-4678-CR	Rear Side Glass - RH - Clear - 78-79 Bronco
795-4678-TL	Rear Side Glass - LH - Green Tint - 78-79 Bronco
795-4678-TR	Rear Side Glass - RH - Green Tint - 78-79 Bronco

## BACK GLASS



660-4573-C



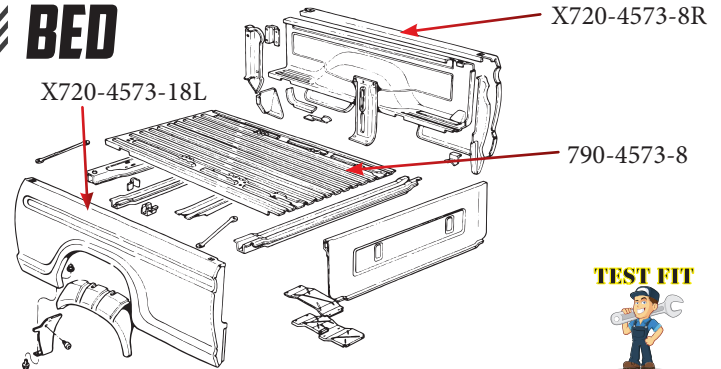
G-WLS1158C



G-LJC1158

Part #	Description
660-4573-C	Back Glass - Clear - 73-79 F100 F150 F250
660-4573-T	Back Glass - Green Tint - 73-79 F100 F150 F250
660-4678-C	Back Glass - Clear - 78-79 Bronco
660-4678-T	Back Glass - Green Tint - 78-79 Bronco
G-WBL1158	Rear Window Weatherstrip - w/o Trim Groove - 73-98 F-Series Pickup
G-WCR1158	Rear Window Weatherstrip - w/ Trim Groove For Lockstrip - 77-98 F-Series Pickup
G-WLS1158C	Rear Window Glass Weatherstrip Lockstrip - Chrome - 77-98 F-Series Pickup
G-LJC1158	Rear Window Lockstrip Joint Clip - Chrome - 77-98 F-Series Pickup

## BED



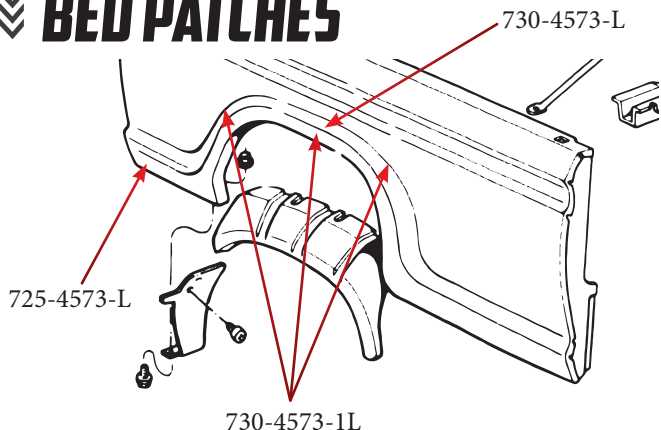
**TEST FIT**



Before You Paint

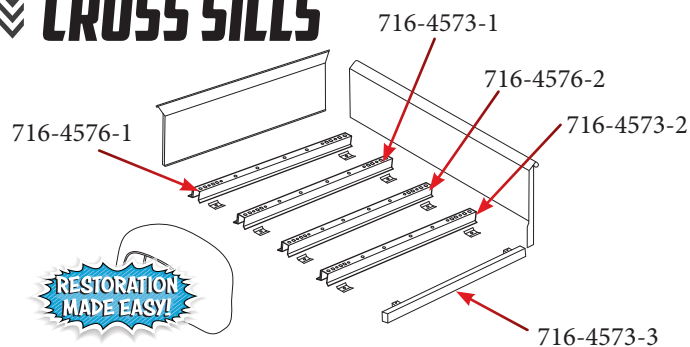
Part #	Description
X720-4573-18L	Bedside - OE-Style - LH - 78-79 Styleside Long Bed w/ Single Square Gas Filler Hole
X720-4573-28L	Bedside - OE-Style - LH - 78-79 Styleside Long Bed w/ Dual Square Gas Filler Holes
X720-4573-8R	Bedside - OE-Style - RH - 73-79 Styleside Long Bed w/o Gas Filler Hole
X700-4678-L	Quarter Panel - LH - 78-79 Bronco
X700-4678-R	Quarter Panel - RH - 78-79 Bronco w/ Swing Away Spare Wheel
790-4573-8	Bed Floor Assembly - 8' w/ Cross Sill - 73-79 F100 F150 F250
791-4573	Bed Floor Repair Panel - Universal - 73-79 F100 F150 F250
X735-4573-L	Wheel Opening Molding - Rear LH - 73-79 Style-side Pickup; 78-79 Bronco
X735-4573-R	Wheel Opening Molding - Rear RH - 73-79 Style-side Pickup; 78-79 Bronco

## ≡ BED PATCHES



Part #	Description
725-4573-L	Bedside Repair Panel - Lower Front LH - 73-79 F-Series LWB Styleside (20"H x 15"W)
725-4573-R	Bedside Repair Panel - Lower Front RH - 73-79 F-Series LWB Styleside (20"H x 15" W)
730-4573-1L	Bedside Repair Panel - Extended Wheel Arch - LH, 73-77 F-Series Styleside (w/ round gas filler hole) (63"L x 30"H)
730-4573-2L	Bedside Repair Panel Extended Wheel Arch - LH - 78-79 F-Series Styleside; 78-79 F-Series Bronco (w/ square gas filler hole)(63"L x 30"H)
730-4573-L	Bedside Repair Panel - Upper Wheel Arch - LH - 73-79 F-Series Styleside; 78-79 F-Series Bronco (42"L x 15"H)
730-4573-R	Bedside Repair Panel - Extended Wheel Arch - RH - 73-79 F-Series Styleside; 78-79 F-Series Bronco (w/o gas filler hole) (63"L x 30"H)
730-4578-R	Bedside Repair Panel - Upper Wheel Arch - RH - 73-79 F-Series Styleside; 78-79 F-Series Bronco (42"L x 15"H)
755-4573-L	Bedside Repair Panel - Lower Rear - LH - 73-79 F-Series Long Bed Styleside (38"L x 14"H)
755-4573-R	Bedside Repair Panel - Lower Rear - RH - 73-79 F-Series Long Bed Styleside (38"L x 14"H)

## ≡ CROSS SILLS



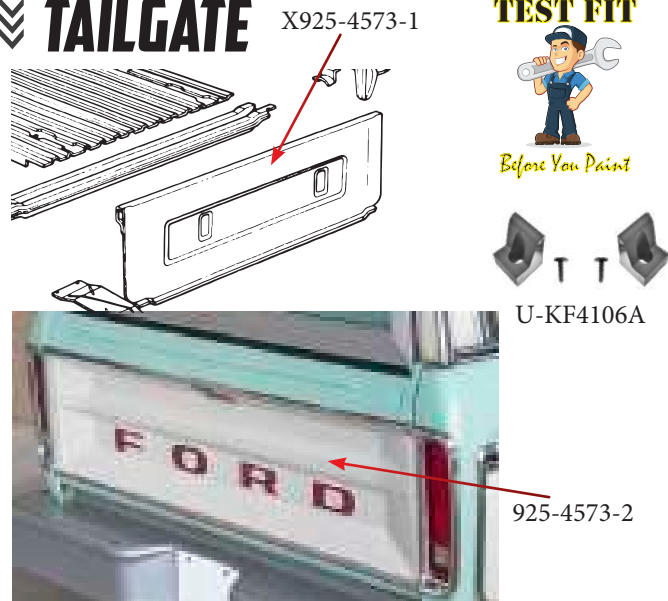
Part #	Description
716-4573-1	Cross Sill - #2 - 73-87 F100 Flareside Pickup (use 1 on SWB, 2 on LWB)
716-4573-2	Cross Sill - #4 - 73-87 F100 Flareside Pickup
716-4573-3	Cross Sill - Rear - 73-79 F100 Flareside Pickup
716-4576-1	Cross Sill - Front - 73-87 F100 F150 Short Bed Flareside w/ Brackets
716-4576-2	Cross Sill - #3 - 73-79 F100 Flareside Pickup (use 1 on SWB, 2 on LWB)

## ≡ BED STRIPS



Part #	Description
792-4573-8PS	Bed Strip Kit - Polished - 73-79 F-Series Longbed Flareside
792-4573-8ZS	Bed Strip Kit - Zinc - 73-79 F-Series Longbed Flareside
792-4576-6PS	Bed Strip Kit - Polished - 73-79 F-Series Shortbed Flareside
792-4576-6ZS	Bed Strip Kit - Zinc - 73-79 F-Series Shortbed Flareside

## ≡ TAILGATE



Part #	Description
925-4573	Tailgate - w/ Ford Lettering - 53-72 Ford F100 F250 Long Bed Flareside; 73-79 F100 F150 F250 Flareside
925-4573-2	Tailgate - w/ Ford Lettering - 73-79 F100 F250 Styleside
X925-4573-1	Tailgate - Smooth - 73-79 F100 F250 Styleside
927-4573-1	Tailgate Handle - Paintable - 73-79 F100 F150 F250 Styleside
927-4678-1	Tailgate Sill Plate w/ Screws - 78-96 Ford Bronco
U-KF4106A	Tailgate Bumper Kit w/ Screws - 64-79 F-Series Pickup / Bronco; 66-77 Bronco

## ≡ FUEL

Part #	Description
890-4678-25	FD BRONC 1978 FUEL TANK DULL 97L
890-4678-33	FD BRONC 1978 FUEL TANK DULL 125L
890-4679-25	FD BRONC 1979 FUEL TANK DULL 97L
890-4679-33	FD BRONC 1979 FUEL TANK DULL 125L
X880-4573	Gas Tank Strap Set - 73-95 F-Series Pickup (with side frame mounted tanks)
881-4548	Gas Tank Sending Unit - f-ser 61-77 in cab tank 48-60
881-4567-3	Gas Tank Sending Unit - 70-76 F100 F250 Pickup with In-Cab Tank
881-4577-3	Gas Tank Sending Unit - 76-77 F100 F250 Pickup with In-Cab Tank
890-4667	FORD/BRONCO/77/ w/o SENDING UNIT SSFG6187 (FROM SIDE TO FLANGE 160 MM)

## ≡ HARDWARE KITS

Typical kit includes fasteners to attach: battery tray, bumper guards & brackets, cowl braces, cowl panel, door hinges, door strikers, door latches fenders, fender splash shields, fender extensions, floorboard plates, grille, grille supports, headlamp doors, headlamp housings, hood, hood hinges, hood latch, hood latch catch, hood latch support, outside mirrors, quarter extensions, shock tower braces, stone deflector, trunk latch, trunk latch striker, trunk lid, trunk lid hinges, front valance and rear valance. Kits include all related spring nuts & clips.

Part #	Description
H-73T-M	Master Body Hardware Kit - (435pcs) - 73-74 Styleside Truck
H-75T-M	Master Body Hardware Kit - (439pcs) - 75 Styleside Truck
H-76T-M	Master Body Hardware Kit - (463pcs) - 76 Styleside Truck
H-77T-M	Master Body Hardware Kit - (482pcs) - 77 Styleside Truck
H-78T-M	Master Body Hardware Kit - (454pcs) - 78-79 Styleside Truck
H-78B-M	Master Body Hardware Kit - (458pcs) - 78-79 Bronco

## ≡ REAR BUMPER

**TEST FIT**



*Before You Paint*



990-4573-1



Part #	Description
990-4573-1	Rear Bumper - Chrome - 73-79 F150 F250 Styleside; 78-79 Bronco
990-4573-1P	Rear Bumper - Painted - 73-79 F150 F250 Styleside; 78-79 Bronco
990-4573-2	Rear Bumper - Chrome - 73-79 F150 F250 Flareside
990-4573-2P	Rear Bumper - Painted - 73-79 F150 F250 Flareside

## ≡ GLASS KITS



Part #	Description
499-4573-CS	Glass Kit, Clear - 73-79 F-Series Standard Cab Pickup
499-4573-TNS	Glass Kit, Green Tinted w/o Windshield Tint Band - 73-79 F-Series Standard Cab Pickup
499-4573-TS	Glass Kit, Green Tinted w/ Windshield Tint Band - 73-79 F-Series Standard Cab Pickup
499-4574-1CS	Glass Kit, Clear - 74-79 F-Series Super Cab Pickup w/ Flip-Open Cab Side Windows
499-4574-1TNS	Glass Kit, Green Tinted w/o Windshield Tint Band - 74-79 F-Series Super Cab Pickup w/ Flip-Open Cab Side Windows
499-4574-1TS	Glass Kit, Green Tinted w/ Windshield Tint Band - 74-79 F-Series Super Cab Pickup w/ Flip-Open Cab Side Windows
499-4574-2CS	Glass Kit, Clear - 74-79 F-Series Super Cab Pickup w/o Flip-Open Cab Side Windows
499-4574-2TNS	Glass Kit, Green Tinted w/o Windshield Tint Band - 74-79 F-Series Super Cab Pickup w/o Flip-Open Cab Side Windows
499-4574-2TS	Glass Kit, Green Tinted w/ Windshield Tint Band - 74-79 F-Series Super Cab Pickup w/o Flip-Open Cab Side Windows

## ≡ WEATHERSTRIPPING



G-CWK211073

G-CWK211077

G-CWK211173

Part #	Description
G-CWK211073	Complete Weatherstrip Seal Kit - 14 pieces - 73-76 F-Series Pickup w/ Weatherstrip Trim Groove
G-CWK211077	Complete Weatherstrip Seal Kit - 18 pieces - 77-79 F-Series Pickup w/ plastic chrome windshield trim
G-CWK211173	Complete Weatherstrip Seal Kit - 16 pieces - 73-79 F-Series Pickup w/o Weatherstrip Trim Groove

# 66-77 BRONCO

## FRONT BUMPER



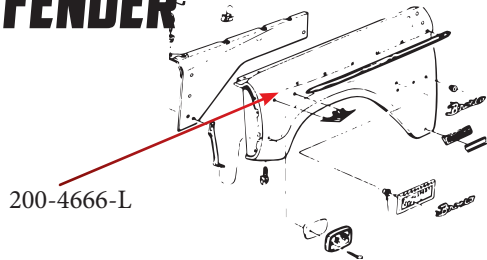
**TEST FIT**



*Before You Paint*

Part #	Description
100-4666-1	Front or Rear Bumper - Chrome - 66-77 Bronco
100-4666-1P	Front or Rear Bumper - Paintable - 66-77 Bronco

## FENDER



200-4666-L

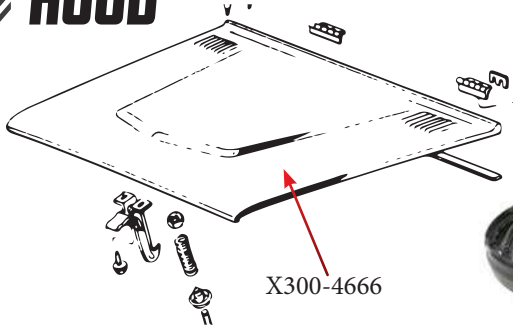
**TEST FIT**



*Before You Paint*

Part #	Description
200-4666-L	Front Fender - LH - 67-77 Bronco
200-4666-R	Front Fender - RH - 67-77 Bronco

## HOOD



X300-4666

**TEST FIT**



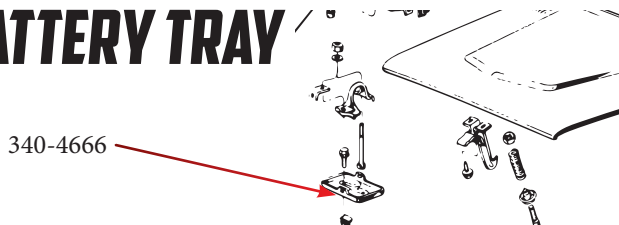
*Before You Paint*



U-F4076

Part #	Description
X300-4666	Hood - 66-68 Bronco w/ Windshield Hook Holes
X300-4669	Hood - 66-77 Bronco w/o Windshield Hook Holes
U-F4076	Hood To Cowl Seal - 66-77 Bronco

## BATTERY TRAY

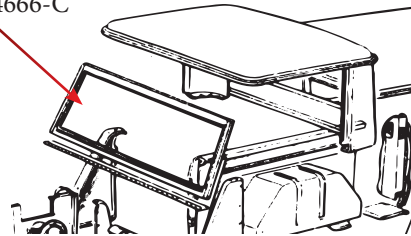


340-4666

Part #	Description
340-4666	Battery Tray Bottom - 66-77 Bronco

## WINDSHIELD

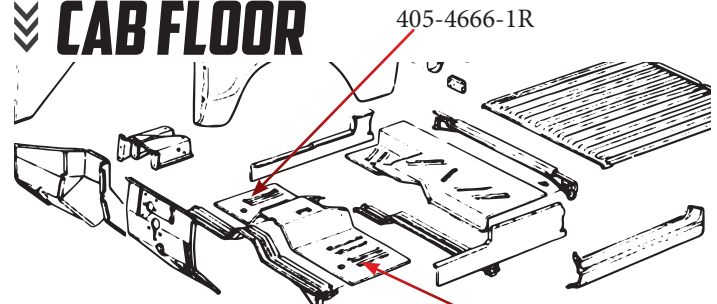
380-4666-C



G-WBLD1084T

Part #	Description
380-4666-C	Windshield - Clear - 66-77 Bronco
380-4666-T	Windshield - Green Tint - 66-77 Bronco
G-WBLD1084T	Windshield Weatherstrip Seal w/o Trim Groove - 66-77 Bronco
G-WCRD1084T	Windshield Weatherstrip Seal w/ Trim Groove For Steel Trim - 66-77 Bronco

## CAB FLOOR

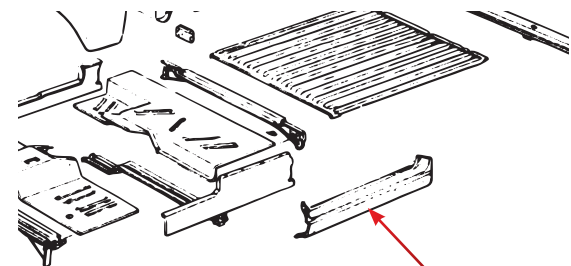


405-4666-1R

405-4666-1L

Part #	Description
405-4666-1L	Cab Floor Repair Panel - Front - LH - 66-77 Bronco - 25" L x 21" W
405-4666-1R	Cab Floor Repair Panel - Front - RH - 66-77 Bronco - 29" L x 19" W

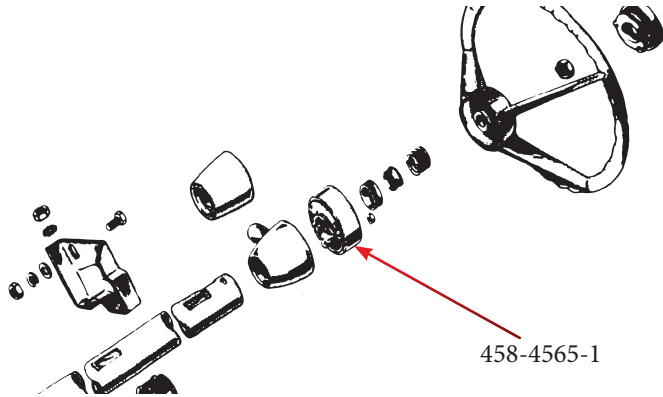
## ROCKER PANEL



450-4666-1

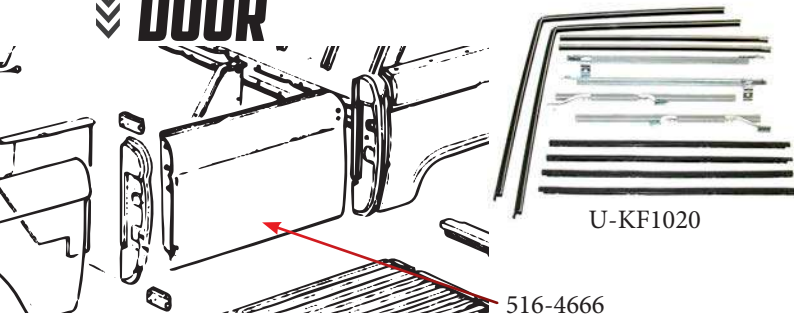
Part #	Description
450-4666	Rocker Panel - Slip-On - LH or RH (sold each) - 66-77 Bronco - 39" L
450-4666-1	Rocker Panel - OE Style - LH or RH (sold each) - 66-77 Bronco

## STEERING COLUMN SEAL



Part #	Description
458-4565-1	Steering Column Tube Flange Plate - Lower Bearing 3/8" Thick - 65-72 F100 F250 (2WD); 66-77 Bronco (75 up without Power Steering)

## DOOR



Part #	Description
516-4666	Lower Outer Door Skin Repair Panel - LH = RH - 66-77 Bronco
U-KF1020	Door Seal Kit - 66-77 Bronco
376-4666-L	Front Door Hinge Pillar Post - LH - 66-77 Bronco
376-4666-R	Front Door Hinge Pillar Post - RH - 66-77 Bronco
752-4666	Door Hinge Mount Plate - 66-77 Bronco (use 4 per truck)
X530-8064-L	Outside Door Handle - LH - 66-77 Bronco
X530-8064-R	Outside Door Handle - RH - 66-77 Bronco
G-DWP211066	Lower Door Weatherstrip Seal Kit, LH / RH Pair - 66-77 Bronco
X546-8068-681AS	Window Crank Handle - w/ Black Knob - 68-77 Bronco; 68-72 F-Series Pickup
X546-8068-681BS	Window Crank Handle - w/ Blue Knob - 68-77 Bronco; 68-72 F-Series Pickup
X546-8068-681DS	Window Crank Handle - w/ White Knob - 68-77 Bronco; 68-72 F-Series Pickup
X546-8068-681ES	Window Crank Handle - w/ Red Knob - 68-77 Bronco; 68-72 F-Series Pickup
X546-8068-701CS	Window Crank Handle - w/ Ginger Knob - 70-77 Bronco; 70-72 F-Series Pickup
X546-8068-701FS	Window Crank Handle - w/ Green Knob - 70-77 Bronco; 70-72 F-Series Pickup

## DOOR GLASS



Part #	Description
550-4666-C	Door Glass - Clear - LH or RH (Sold Each) - 66-77 Bronco
550-4666-T	Door Glass - Green Tint - LH or RH (Sold Each) - 66-77 Bronco
U-KF2030	Beltline Molding Kit, 4 Piece Kit - 66-77 Bronco
U-KF1009U	Glass Run Channels - Pair - 66-77 Bronco
U-KF1022	Front Door Glass Lower Channels w/ Brackets - L/R Pair - 66-77 Bronco
U-KF1024	Rear Door Glass Lower Channels w/ Brackets - L/R Pair - 66-77 Bronco
U-KF1020A	Vertical Glass Run Channels - Pair - 66-77 Bronco

## VENT GLASS



Part #	Description
560-4666-C	Vent Glass - Clear - LH or RH (Sold Each) - 66-77 Bronco
560-4666-T	Vent Glass - Green Tint - LH or RH (Sold Each) - 66-77 Bronco

## ROOF



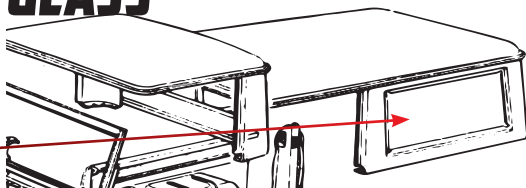
U-KF4000



U-KF3016

Part #	Description
G-BWF211078	Inner Roof Front Header Weatherstrip Seal - 78-96 F-Series Bronco
G-BWB211078	Outer Roof Front Header Weatherstrip Seal - 78-96 F-Series Bronco
U-KF3016	Roof Rail Weatherstrip Seals - LH / RH Pair - 66-77 Bronco
U-KF4000	Hardtop to Quarter Seals - LH / RH Pair - 66-77 Bronco

## SIDE GLASS

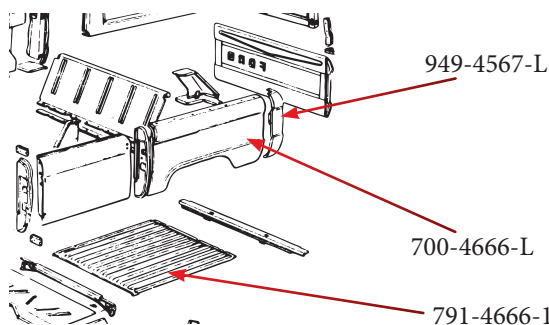


795-4666-C

Part #	Description
795-4666-C	Side Window Glass - Clear - 66-77 Bronco
795-4666-T	Side Window Glass - Green Tint - 66-77 Bronco

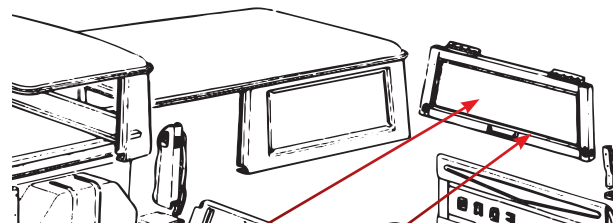
## BED

**TEST FIT**



Part #	Description	MSRP
700-4666-L	Quarter Panel - LH - 66-77 Bronco	
700-4666-R	Quarter Panel - RH - 66-77 Bronco	
760-4666-L	Rear Wheel House - LH - 66-77 Bronco	
760-4666-R	Rear Wheel House - RH - 66-77 Bronco	
791-4666	Cargo Floor - Rear - 66-77 Bronco	
791-4666-1	Cargo Floor - Rear w/ Brace - 66-77 Bronco	
949-4567-L	Tail Light Bucket - LH - 67-77 F-100 F150 F250 Styleside	
949-4567-R	Tail Light Bucket - RH - 67-77 F-100 F150 F250 Styleside	

## BACK GLASS



660-4666-C G-WBLD2529T

**RESTORATION  
MADE EASY!**



G-WBLD2529T

Part #	Description
660-4666-C	Back Glass - Clear - 66-72 Bronco
660-4666-T	Back Glass - Green Tint - 66-72 Bronco
G-WBLD2528T	Rear Window Weatherstrip - w/o Trim Groove - 66-72 Bronco Pickup
G-WBLD2529T	Rear Window Weatherstrip - w/o Trim Groove - 66-77 Bronco
G-WCRDB2528T	Rear Window Weatherstrip - w/ Trim Groove - 66-72 Bronco Pickup
G-WCRDB2529T	Rear Window Weatherstrip - w/ Trim Groove - 66-77 Bronco

## HARDWARE

Typical kit includes fasteners to attach: battery tray, bumper guards & brackets, cowl braces, cowl panel, door hinges, door strikers, door latches fenders, fender splash shields, fender extensions, floorboard plates, grille, grille supports, headlamp doors, headlamp housings, hood, hood hinges, hood latch, hood latch catch, hood latch support, outside mirrors, quarter extensions, shock tower braces, stone deflector, trunk latch, trunk latch striker, trunk lid, trunk lid hinges, front valance and rear valance. Kits include all related spring nuts & clips.

Part #	Description
H-66B-M	Master Body Hardware Kit - (298pcs) - 66 Bronco
H-67B-M	Master Body Hardware Kit - (318pcs) - 67 Bronco
H-68B-M	Master Body Hardware Kit - (324pcs) - 68 Bronco
H-69B-M	Master Body Hardware Kit - (315pcs) - 69-72 Bronco
H-73B-M	Master Body Hardware Kit - (315pcs) - 73-77 Bronco

## GLASS KITS

**RESTORATION  
MADE EASY!**

Side Glass Back Glass Windshield



Door Glass Vent Glass

Part #	Description
499-4666-CS	Glass Kit, Clear - 66-77 Bronco Wagon
499-4666-TS	Glass Kit, Tinted - 66-77 Bronco Wagon