



GM TRUCK CATALOG



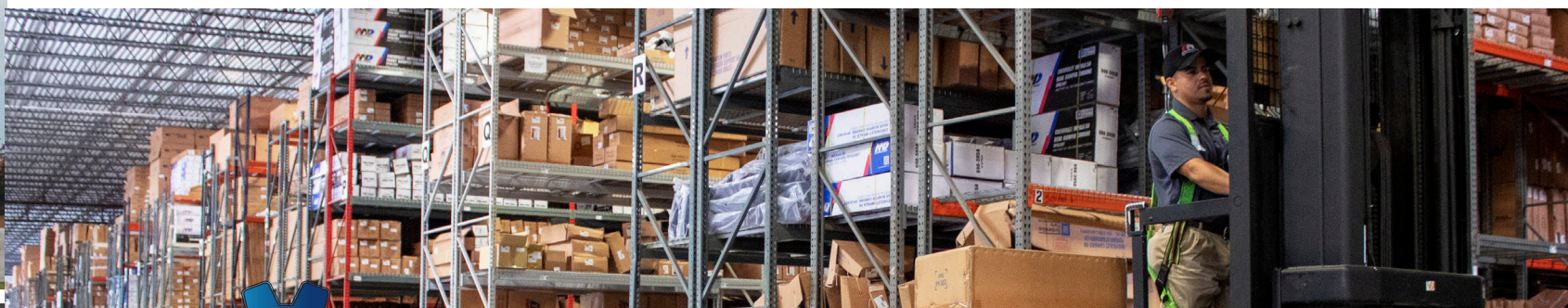
YOUR **GO-TO RESOURCE** FOR **CHEVY & GMC** TRUCKS & SUVs

TABLE OF CONTENTS



1947-1955 1ST SERIES GM TRUCKS	8-24
1955-1959 2ND SERIES GM TRUCKS	25-38
1960-1966 GM TRUCKS / SUV	39-55
1967-1972 GM TRUCKS / SUV	56-87
1973-1987 GM TRUCKS 1973-1991 SUV	88-117
1988-UP GM TRUCKS 1992-2006 SUV	118-119

Parts in this catalog are easily found throughout each section and are listed in order from the front bumper to the rear bumper. Our easy to use AMD part numbering system works in the same way, with part numbers prefixed with 100- as the front bumpers moving through to 990- as the rear bumpers. Be sure to check out our website for a easy-to-use Year/Make/Model search option, real time pricing updates and 100's of products not listed in this catalog.





Quality you can Trust!

Don't settle for the incorrect, knock-off parts for your GM truck. Get premium sheet metal from the professionals at Auto Metal Direct! Our panels are made from the proper gauge steel and include all correct-as-original clips, tabs, flanges, bends and seams. Each time a prototype body panel comes off of new tools, we test fit it on a actual vehicle. The marked up prototype is then used to change and improve the tools, and a new prototype is produced. This procedure might be repeated multiple times, but once the final part is approved, you can be assured of a quality part.





» We Install What We Sell!

You already know that you can get premium sheet metal parts for your muscle car or truck from Auto Metal Direct (AMD). Our panels fit and include all correct-as-original clips, tabs, flanges, bends and seams.



We are so confident in the quality and fit of our parts, that we have developed our own installation center! Cars that were formerly written off as hopeless have now been given a new lease on life. And since we are actually installing our own parts, we are able to develop parts that fit correctly.





IT'S ALL IN THE DETAILS!

Don't settle for incorrect, knock-off parts for your truck. Get premium sheet metal parts from the restoration professionals at AMD. Our panels are made from the proper gauge steel and include all correct-as-original clips, tabs, flanges, bends and seams. Each time a prototype body panel comes off of new tooling, we test fit it on a truck and often on multiple trucks. The marked-up prototype is then used to change and improve the tools, and a new prototype is produced. This procedure might be repeated multiple times, but once the part is finally approved, you can be assured of a quality part.



Competitor



Our panels are made from proper gauge steel and include all correct-as-original clips, tabs, flanges, bends and seams. Each time a prototype body panel comes off of a new tooling, we test fit it on a truck. The marked up prototype is then used to change and improve the tools, and a new prototype is produced. This procedure might be repeated multiple times but, once the part is finally approved, you can be assured of a quality part.

X-PARTS

X-Parts parts are third party products offered by AMD as a viable substitute for a product that we do not yet manufacture on our own tools. While not the same superior quality as new AMD parts, these body panels are considered to be a viable solution on most vehicles. Some panels may require additional body work during the installation process but, all panels have proven to be workable in the restoration world.

TEST FIT



Before You Paint

We market reproductions of original parts. What a lot of people do not realize is that car companies are in the business of selling mass produced vehicles and parts, not show cars. The tolerances and build quality of older model vehicles and their original parts should not be compared to modern cars. Often from the manufacturer, body panels and sheet metal did not have the correct fit that we have come to expect from today's vehicles. Many advancements in research, development and production of body components over the years has changed the perception of the auto enthusiast. AMD has built a reputation for quality; well-fitting parts and we do our very best to accurately develop our items and describe them for you. If you have any questions about an item's fit, finish, or application please contact one of our experienced staff to help you in any way that we can.

STATE OF THE ART CHROME FACTORY!

Our brand new state-of-the art chrome facility is now running and producing the highest quality like original bumpers on the market.



FEATURED PRODUCTS!

67-72 - HIGH HUMP TRANSMISSION COVER



pt# 415-4067

Reproduction high hump transmission cover for the 67-72 Chevy / GMC Truck & Suburban, 69-72 Chevy Blazer and 70-72 GMC Jimmy. Typically found on 4WD and Big Block applications, this cover allows for additional transmission to floor clearance.

Dimensions: 24" L x 18" W x 7 3/4" H

73-87 - 4" WIDER WHEELHOUSING



New from Auto Metal Direct, 4" wider wheelhouses for the 73-87 Chevy GMC Fleetside Truck and 73-91 Chevy GMC Blazer Jimmy. Fits both the LH (driver) and RH (passenger) side. Sold individually. (2) required per vehicle.

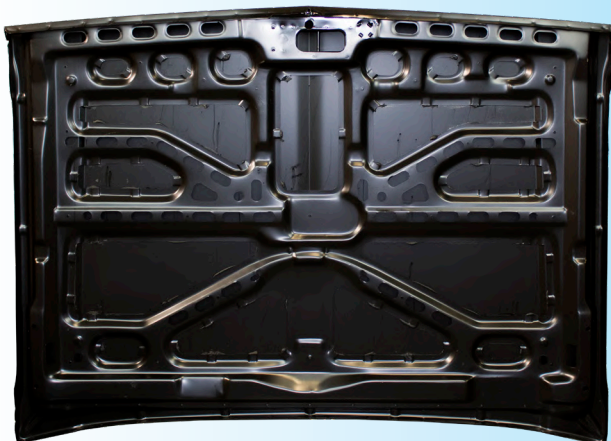
Dimensions: 43" L x 16" W x 12.5" H - Inside width 13.5"

Installation of this custom wheelhouse requires cutting / modification to the rear bed floor.



pt# 760-4073

81-87 - OE STYLE HOOD - NEW TOOLS



New for 2018, AMD's new premium OE style hood for the 81-87 Chevy / GMC Truck and 81-91 Chevy / GMC Suburban Blazer & Jimmy. Stamped from OE gauge steel on new tools, each hood features correct body lines and a fully finished factory style underside.

AMD hoods arrive EDP coated to protect against rust and corrosion.

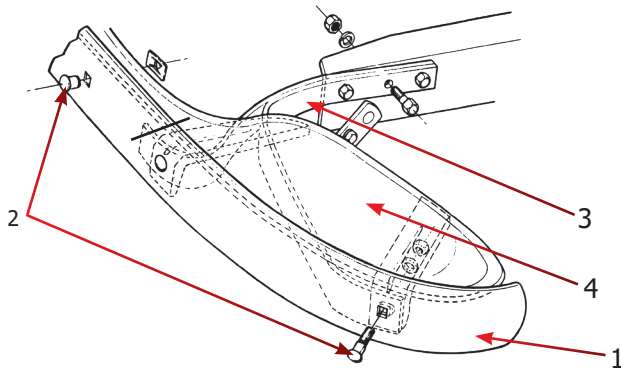
This is the best fitting hood available for this truck!

pt# 300-4081-1

FRONT BUMPERS & COMPONENTS

ALL BUMPERS ARE COVERED BY A 5 YEAR LIMITED RUST-THROUGH WARRANTY!

AMD Bumpers are made from heavy gauge steel and feature OE quality chrome finish. Installation is fast and easy as all parts are designed to be a direct bolt-on utilizing OE bumper brackets and hardware. Our bumpers are manufactured on our state of the art chrome production line.



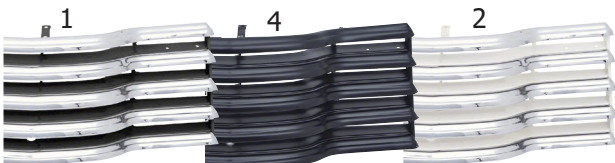
Part #	Description	Ill #
100-4047-1	Front Bumper - Chrome - 47-55 Chevy; 49-55 GMC Truck ('55 1st Series)	1
100-4047-1P	Front Bumper - Paintable - 47-55 Chevy; 49-55 GMC Truck ('55 1st Series)	-
105-4047-S	Front Bumper Bracket Set - 47-55 Chevy	3
X110-4047-P	Front Bumper Guards - Pair - Chrome - 47-55 Chevy Truck ('55 1st Series) *Fits Original Bumpers Only*	6
115-4047	Splash Apron - Front - Paintable - 47-53 Chevy Truck	4
115-4047-C	Splash Apron - Front - Chrome- 47-53 Chevy Truck	4
102-4047	Front License Plate Bracket - Chrome - 47-53 Chevy Pickup	5
102-4047-1	Front License Plate Bracket - Paintable - 47-53 Chevy Pickup	-

GRILLES & COMPONENTS

Excellent quality reproduction grill assembly for 1947-53 Chevy trucks. Using factory specifications, each grill replicates the original exactly.

47-53 Chevrolet Grille Bar Coloring Chart

Year	PICKUP / PANEL / CANOPY EXPRESS		SUBURBAN CARRYALL	
	Outer	Inner	Outer	Inner
47-48 Std.	Forester Green w/ Med. Cream Stripe	Forester Green	Chrome	Channel Green
47-48 Opt.	Chrome	Forester Green		
49-50 Std.	Forester Green	Waldorf White	Chrome	Waldorf White
49-50 Opt.	Chrome	Waldorf White		
1951	Body Color	Waldorf White	Body Color	Waldorf White
52-53	Body Color	Thistle Gray	Body Color	Thistle Gray



Part #	Description	Ill #
K-CX1242	Grille Assembly - Chrome w/ White Back Bars - 49-50 Chevy Truck	2
K-CX1928	Grille Assembly - Chrome w/ Black Primer Back Bars - 47-48 Chevy Truck	1
K-CX1929	Grille Assembly - Chrome w/ Chrome Back Bars - 47-53 Chevy Truck	3
K-CX1555	Grille Assembly - Black Primed w/ Primed Back Bars - 47-53 Chevy Truck	4
K-T70715	Grille Assembly - Chrome - 49-55 GMC Truck ('55 1st Series)	5
K-15894	Grille Support Frame - Black - 47-53 GMC Pickup	6
K-14869	Grille Support Frame - Chrome - 47-53 GMC Pickup	7
115-4047-1	Lower Grille Baffle Panel - Black - 47-53 Chevy Truck	8

FRONT FENDERS & BRACKETS

New reproduction front fenders for the 1947-1953 GM Fullsize Pickup's. Each fender is manufactured using high quality, heavy gauge steel and features, depending on application, correct as original body lines, braces, marker light holes, and antenna cut-out. Like all AMD panels these fenders arrive in a black EDP Coat finish and will require standard prep work prior to paint.

1



X200-4047-L

2



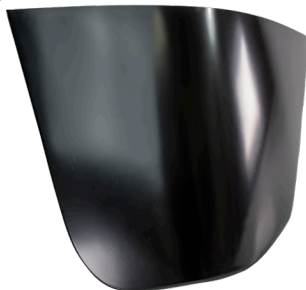
X200-4054-L

TEST FIT



Before You Paint

3

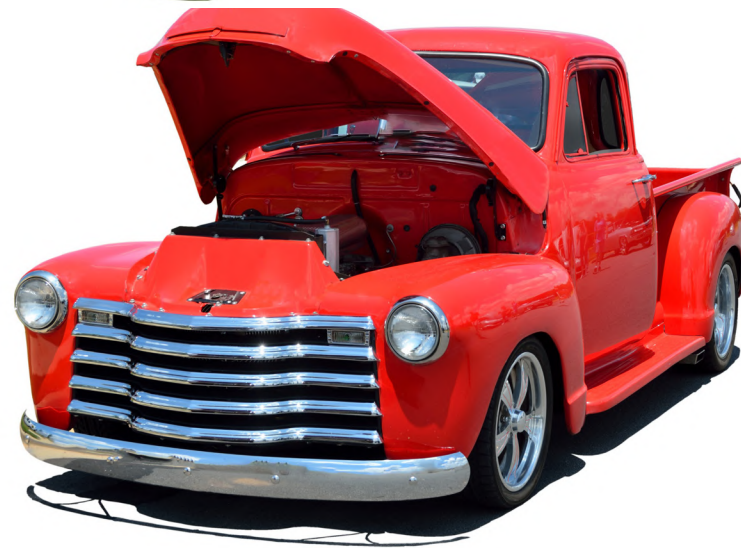


204-4047-L

4

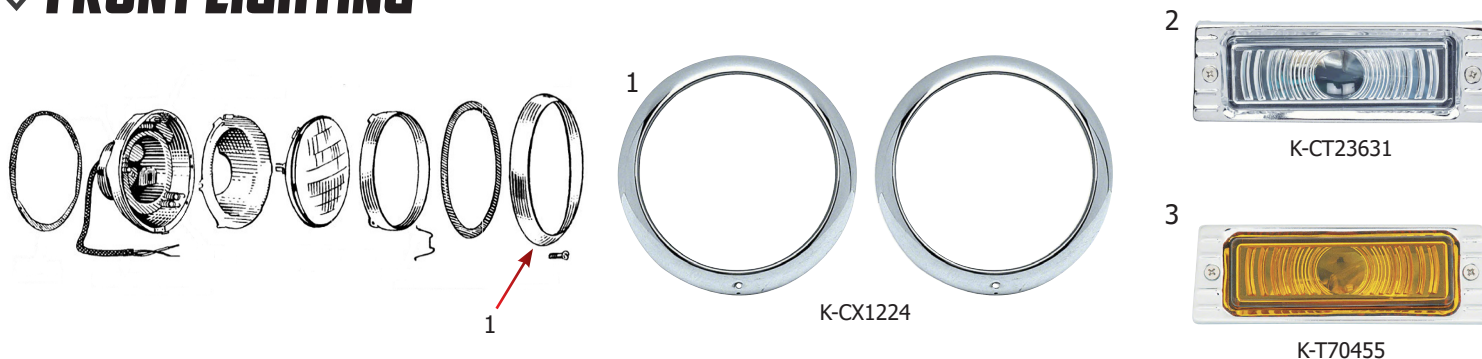


205-4047-L



Part #	Description	Ill #
X200-4047-L	Front Fender - LH - 47-53 Chevy Truck	1
X200-4047-R	Front Fender - RH - 47-53 Chevy Truck	-
X200-4054-L	Front Fender - LH - 54-55 Chevy GMC Truck ('55 1st Series)	2
X200-4054-R	Front Fender - RH - 54-55 Chevy GMC Truck ('55 1st Series)	-
204-4047-L	Lower Front Fender Patch (13" High) - LH - 47-53 Chevy Truck	3
204-4047-R	Lower Front Fender Patch (13" High) - RH - 47-53 Chevy Truck	-
205-4047-L	Lower Rear Fender Repair Panel (16" High)- LH - 47-53 Chevy GMC Truck	4
205-4047-R	Lower Rear Fender Repair Panel (16" High)- RH - 47-53 Chevy GMC Truck	-
221-4047-CS	Front Fender to Firewall Brace Kit - Chrome - 47-55 Chevy Truck (aftermarket type)	-
221-4047-S	Front Fender to Firewall Brace Kit - Paintable - 47-55 Chevy Truck (aftermarket type)	-
221-4047-SS	Front Fender to Firewall Brace Kit - SS - 47-55 Chevy Truck (aftermarket type)	-
261-4047-P	Fender to Firewall Brace Kit - LH/RH Pair - 47-55 Chevy Truck ('55 1st Series)	-
261-4047-SSP	Fender to Firewall Brace Kit - LH/RH Pair - Stainless Steel - 47-55 Chevy Truck ('55 1st Series)	-

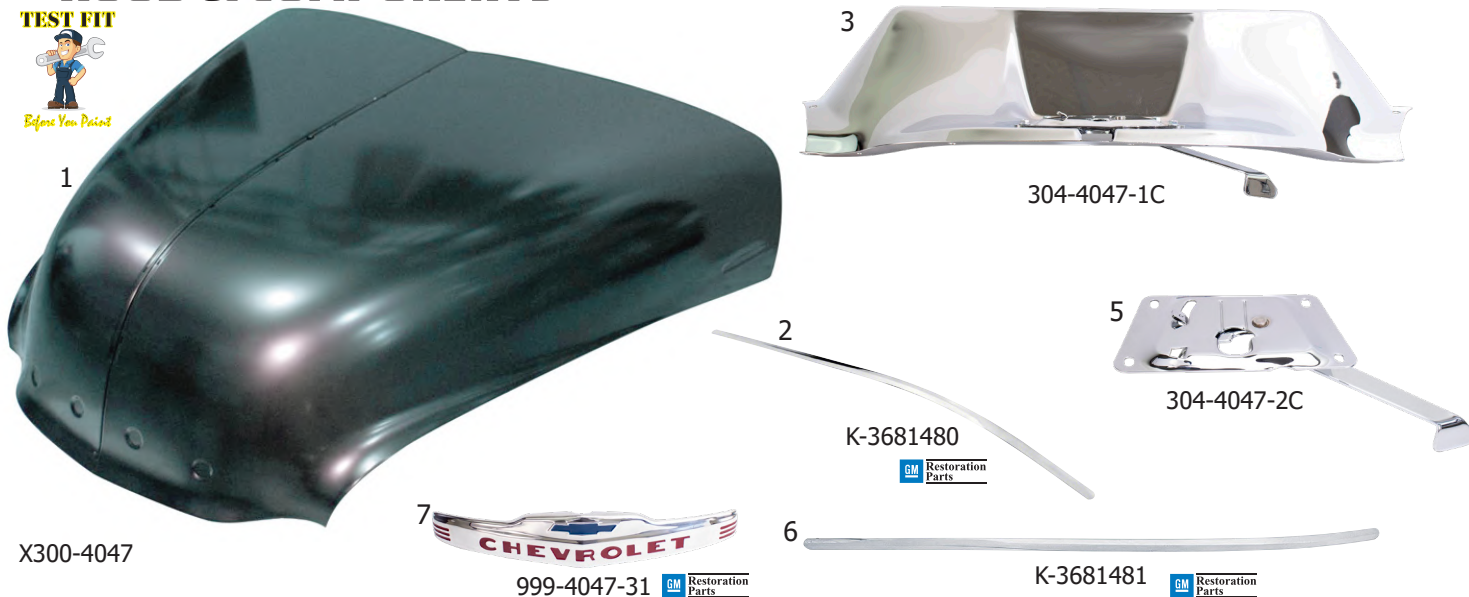
FRONT LIGHTING



Part #	Description	Ill #
K-T70455	Parking Lamp Assembly - Amber - 12 Volt - LH or RH - 47-53 Chevy Truck	3
K-T70454	Parking Lamp Assembly - Amber - 6 Volt - LH or RH - 47-53 Chevy Truck	3
K-CT23631	Parking Lamp Assembly - Clear - 12 Volt - LH or RH - 47-53 Chevy Truck	2
K-CT25630	Parking Lamp Assembly - Clear - 6 Volt - LH or RH - 47-53 Chevy Truck	2
T-A9810	Parking Lamp Lens - Clear Glass - 47-50 GMC Truck	-
K-CX1224	Headlamp Bezels - LH/RH Pair - 47-55 Chevy GMC Truck ('55 1st Series)	1

HOOD & COMPONENTS

TEST FIT



Part #	Description	Ill #
X300-4047	Hood - OE Style - 47-55 Chevy Truck ('55 1st Series)	1
304-4047-1C	Hood Latch Panel - Chrome - 47-55 Chevy GMC Truck ('55 1st Series)	3
304-4047-2C	Hood Latch - Chrome - 47-55 Chevy GMC Truck ('55 1st Series)	5
305-4047-S	Hood Bumper Kit - 10 pcs - 47-55 Chevrolet GMC Truck ('55 1st Series)	-
K-CX1456	Hood Hinge, Spring, and Link, LH - 47-55 Chevy GMC Truck ('55 1st Series)	-
K-CX1457	Hood Hinge, Spring, and Link, RH - 47-55 Chevy GMC Truck ('55 1st Series)	-
K-3681480	Hood Molding - 47-55 Chevy Truck ('55 1st Series)	2
K-3681481	Hood Molding - 47-55 GMC Truck ('55 1st Series)	6
999-4047-31	Hood Emblem - "Chevrolet" - 47-53 Chevy Truck	7

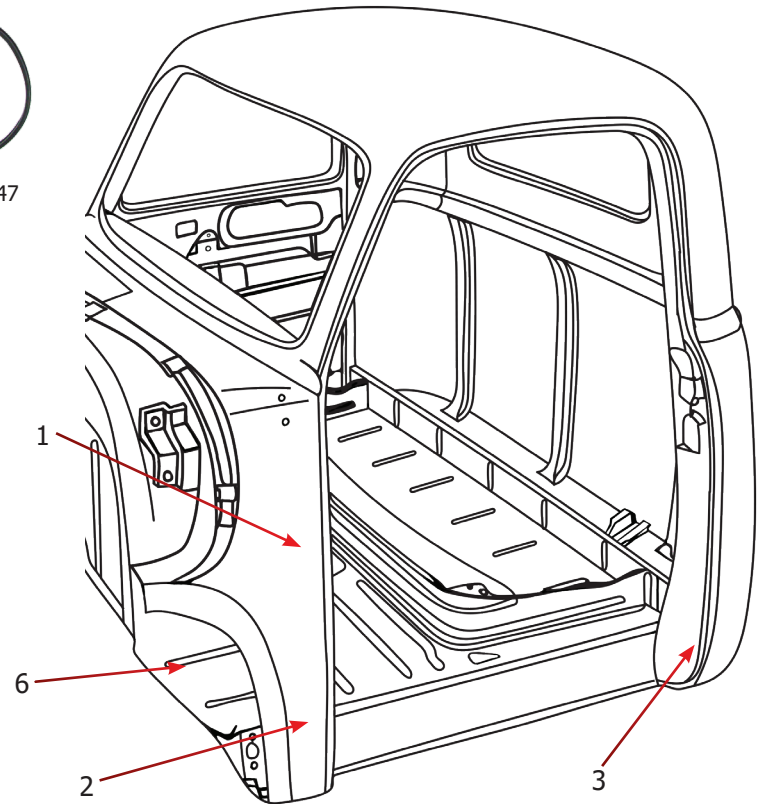
≡ COWL & PILLAR

Reproduction cowl, pillar panels and patches for the 47-55 GM 1st Series trucks. Each part is stamped from high quality heavy gauge steel and features correct as original bends and body lines. Like all AMD panels, this item arrives EDP coated to help protect against rust and corrosion.

TEST FIT



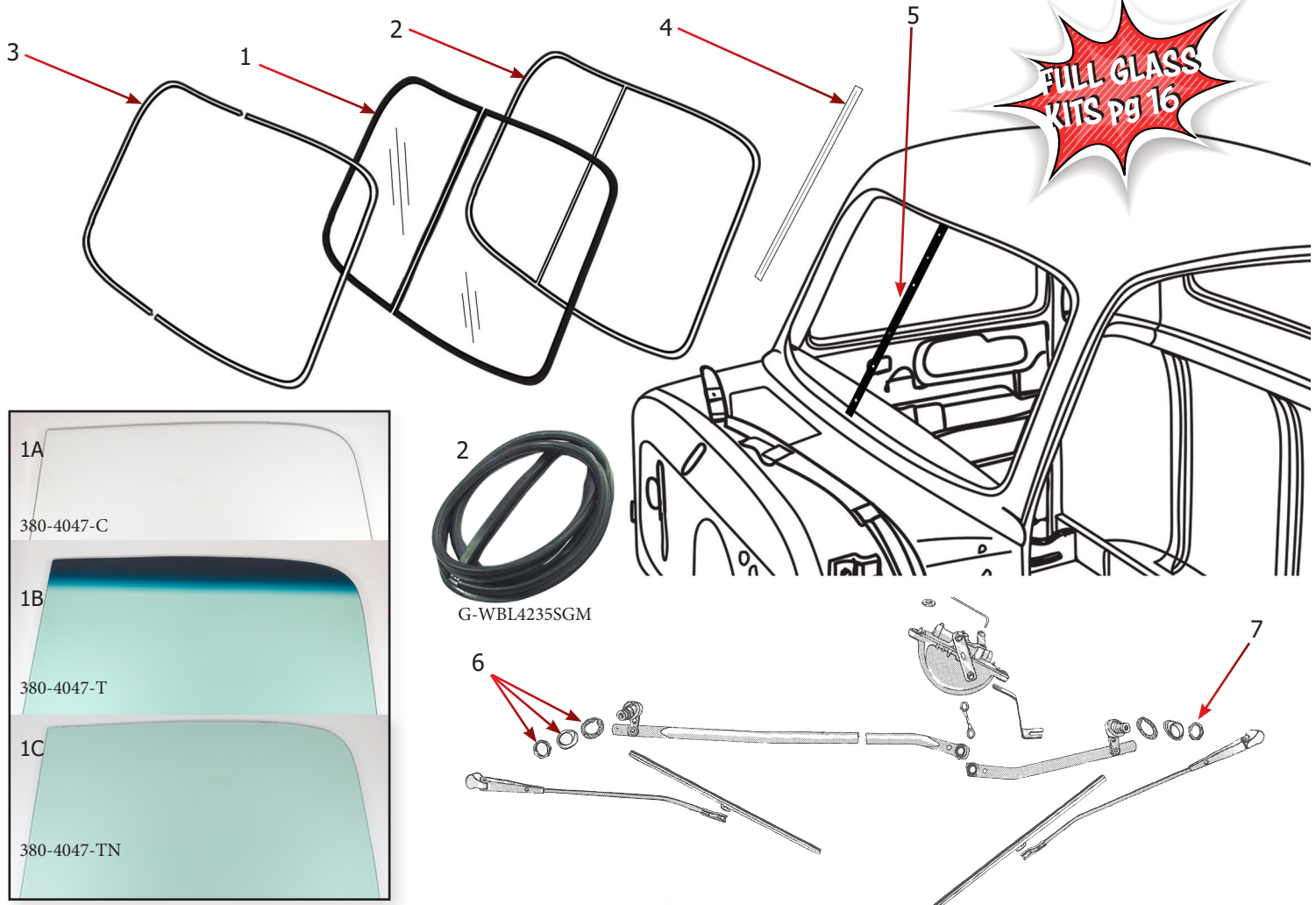
Before You Paint



Part #	Description	Ill #
G-CS111047	Hood to Cowl Seal - w/ fasteners - 47-55 Chevy GMC Truck ('55 1st Series)	-
376-4047-L	Outer Cowl Side Full Panel - LH - 47-55 Chevy GMC Truck ('55 1st Series)(modify to fit 47-50 side vent hole)	1
376-4047-R	Outer Cowl Side Full Panel - RH - 47-55 Chevy GMC Truck ('55 1st Series)	-
376-4047-1L	Lower Cowl Side Repair Panel (17" High) - LH - 47-55 Chevy GMC Truck ('55 1st Series)	2
376-4047-1R	Lower Cowl Side Repair Panel (17" High) - RH - 47-55 Chevy GMC Truck ('55 1st Series)	-
376-4047-3L	Inner Cowl Side Rail - LH - 47-55 Chevy GMC Truck ('55 2nd Series)	-
376-4047-3R	Inner Cowl Side Rail - RH - 47-55 Chevy GMC Truck ('55 2nd Series)	-
252-4047-L	Lower Front Inner Cowl Side Rail Patch (12" High) - LH - 47-55 Chevy GMC Truck ('55 1st Series)	-
252-4047-R	Lower Front Inner Cowl Side Rail Patch (12" High) - RH - 47-55 Chevy GMC Truck ('55 1st Series)	-
376-4047-4L	Inner Cowl Side Repair Panel w/ Louver Holes (25" High) - LH - 47-50 Chevy GMC Truck	-
376-4047-4R	Inner Cowl Side Repair Panel (25" High) - RH - 47-55 Chevy GMC Truck	-
376-4051-1L	Inner Cowl Side Repair Panel w/o Louver Holes (25" High) - LH - 51-55 Chevy GMC Truck	-
402-4047-L	Footwell (Kick Panel) - LH - 47-55 Chevy GMC Truck ('55 1st Series)	6
402-4047-R	Footwell (Kick Panel) - RH - 47-55 Chevy GMC Truck ('55 1st Series)	5
376-4047-5L	Lower Hinge Pillar Repair Panel - LH - 47-55 Chevy GMC Truck, measures 12" high	-
376-4047-5R	Lower Hinge Pillar Repair Panel - RH - 47-55 Chevy GMC Truck, measures 12" high	-
376-4047-2L	Lower Door Latch Pillar Repair Panel (12" High) - LH - 47-55 Chevy GMC Truck ('55 1st Series)	3
376-4047-2R	Lower Door Latch Pillar Repair Panel (12" High) - RH - 47-55 Chevy GMC Truck ('55 1st Series)	-

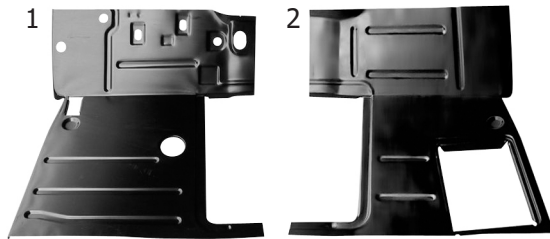
WINDSHIELD & WIPER

Finally, you can get quality, great-fitting glass for your GM Truck! This premium reproduction glass from Auto Metal Direct has the correct thickness and fit. (Glass is not date coded)



Part #	Description	Ill #
380-4047-C	Windshield - Clear - 47-53 Chevy GMC Truck (use 2 per truck - sold each)	1, 1A
380-4047-T	Windshield w/ Tint Band - Green Tint - LH or RH (2 required) - 47-53 Chevy GMC Truck	1, 1B
380-4047-TN	Windshield w/o Tint Band - Green Tint - LH or RH (2 required) - 47-53 Chevy GMC Truck	1, 1C
380-4054-C	Windshield - Clear - 54-55 Chevy GMC Truck ('55 1st Series)	1A
380-4054-T	Windshield w/ Tint Band - Green Tint - 54-55 Chevy GMC Truck ('55 1st Series)	1B
380-4054-TN	Windshield w/o Tint Band - Green Tint - 54-55 Chevy GMC Truck ('55 1st Series)	1C
G-WBL4235SGM	Windshield Gasket w/o Trim Groove - 47-53 Chevy GMC Truck	2
G-WCR4235SGM	Windshield Gasket - w/ Trim Groove - 47-53 Chevy GMC Truck	2
G-WBL362GM	Windshield Gasket - w/o Trim Groove - 54-55 Chevy GMC Truck ('55 1st Series)	2
G-WCR362GM	Windshield Gasket - w/ Trim Groove - 54-55 Chevy GMC Truck ('55 1st Series)	2
385-4047-1	Center Windshield Molding Reinforcement Bracket w/ Hardware - 47-53 Chevy GMC Truck	5
385-4047-2	Windshield Molding - Center Vertical - Stainless - 47-53 Chevy GMC Truck	4
382-4047-1P	Wiper Hold Down Nut Set - Chrome - 47-59 Chevy GMC Truck	7
382-4047	Wiper Bezel Set - Chrome - 47-53 Chevy GMC Truck	6
646-4047-1	Exterior Sun Visor w/o Bracket - Black - 47-59 Chevy GMC Fullsize Truck	-

≡ CAB FLOOR & SUPPORT



405-4047-L

405-4047-R



425-4047-L

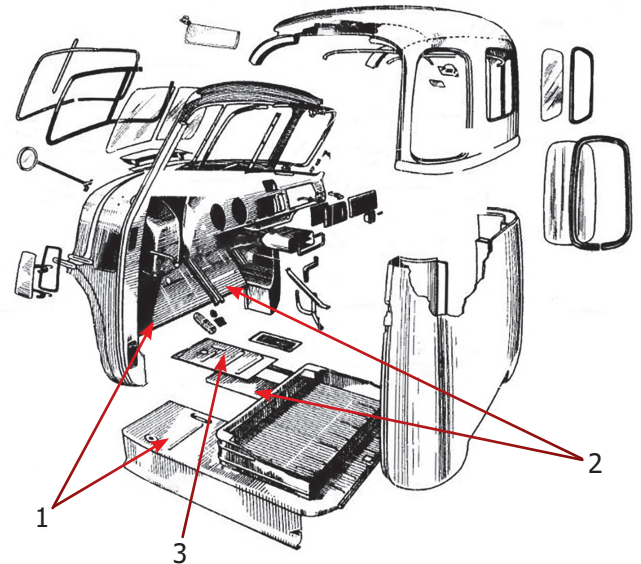
425-4047-R



415-4047-3



415-4047-4



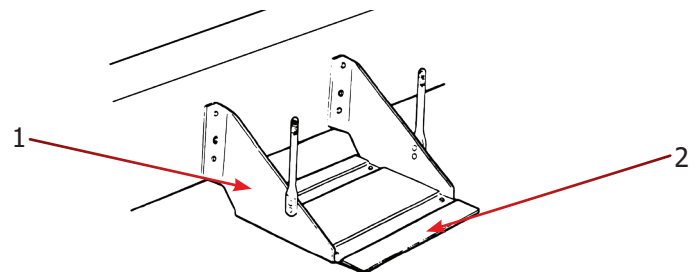
Part #	Description	Ill #
405-4047-L	Front Floor & Toe Repair Panel (27"Lx21"Wx8"H) - LH - 47-55 Chevy GMC Truck ('55 1st Series)	1
405-4047-R	Front Floor & Toe Repair Panel (27"Lx21"Wx8"H) - RH - 47-55 Chevy GMC Truck ('55 1st Series)	2
415-4047-3	Transmission Cover Plate - 3-Speed Column Shift - 48-55 Chevy GMC Truck ('55 1st Series)	3
415-4047-4	Transmission Cover Plate - 4-Speed Floor Shift - 48-55 Chevy GMC Truck ('55 1st Series)	4
425-4047-1L	Cab Floor Support - Rear - LH - 47-55 Chevy GMC Truck ('55 1st Series)	-
425-4047-1R	Cab Floor Support - Rear - RH - 47-55 Chevy GMC Truck ('55 1st Series)	-
425-4047-L	Cab Floor Support - Front - LH - 47-55 Chevy GMC Truck ('55 1st Series)	5
425-4047-R	Cab Floor Support - Front - RH - 47-55 Chevy GMC Truck ('55 1st Series)	6
J-0180	Rubber Hole Plug - Universal - 3/8 inch, used on floor, firewall & trunk	-
J-0181	Rubber Hole Plug - Universal - 1/2 inch, used on floor, firewall & trunk	-
J-0182	Rubber Hole Plug - Universal - 5/8 inch, used on floor, firewall & trunk	-
J-0183	Rubber Hole Plug - Universal - 3/4 inch, used on floor, firewall & trunk	-
J-0184	Rubber Hole Plug - Universal - 7/8 inch, used on floor, firewall & trunk	-
J-0185	Rubber Hole Plug - Universal - 1 inch, used on floor, firewall & trunk	-
J-0186	Rubber Hole Plug - Universal - 1 1/4 inch, used on floor, firewall & trunk	-

≡ BATTERY

Give your battery a new home with an AMD battery tray. Our battery trays are manufactured from thick, quality steel and feature all the bends, contours, holes, etc. of the originals. Each tray has a black EDP coating to resist corrosion--so they're built to last.



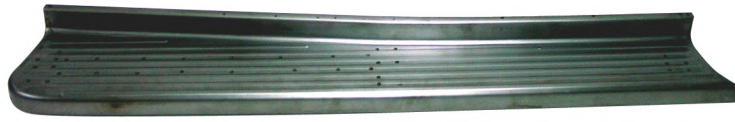
X-341-4047



Part #	Description	Ill #
X340-4047	Battery Tray Assembly - 47-55 Chevy GMC Truck ('55 1st Series)	1
340-4047-1	Battery Tray - 47-55 Chevy GMC Truck ('55 1st Series)	2
X341-4047	Battery Hold Down - Black - 47-55 Chevy GMC Truck ('55 1st Series)	3
J-BATTERYMAT1	Universal Battery Mat - 8" x 12" (Traps & Neutralizes Battery Acid)	-

≡ RUNNING BOARDS & ROCKERS

TEST FIT



435-4047-L



435-4047-CL



450-4047-L

Part #	Description	Ill #
435-4047-CL	Running Board - Chrome - LH - 47-55 Chevy GMC Truck Short Bed ('55 1st Series)	-
435-4047-CR	Running Board - Chrome - RH - 47-55 Chevy GMC Truck Short Bed ('55 1st Series)	-
435-4047-L	Running Board - Paintable - LH - 47-55 Chevy GMC Truck Short Bed ('55 1st Series)	-
435-4047-R	Running Board - Paintable - RH - 47-55 Chevy GMC Truck Short Bed ('55 1st Series)	-
450-4047-L	Rocker Panel - OE Style - LH - 47-55 Chevy GMC Truck ('55 1st Series)	-
450-4047-R	Rocker Panel - OE Style - RH - 47-55 Chevy GMC Truck ('55 1st Series)	-

≡ INTERIOR



386-4047-1L



646-4047-BLK



646-4047-BRN



646-4047-GRY



K-1796260



K-1995041



461-4047-2



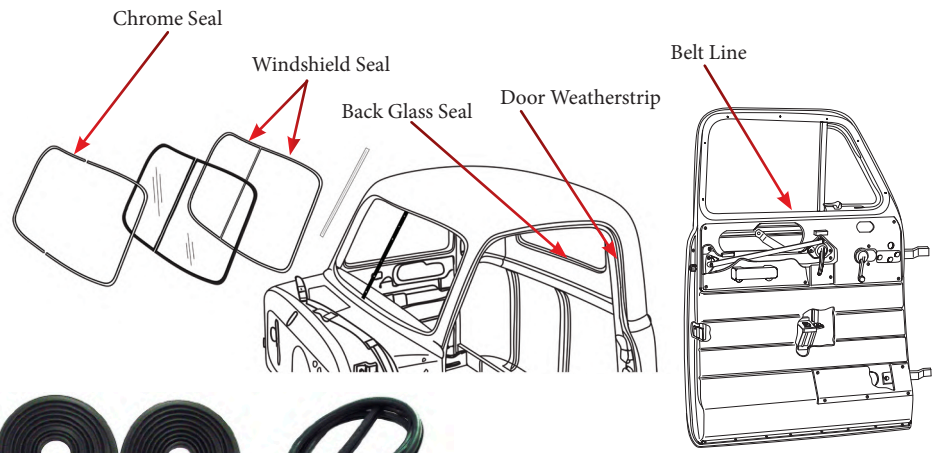
453-4047

Part #	Description	Ill #
386-4047-1L	Sun Visor Bracket - Chrome - LH - 47-53 Chevy GMC Truck	-
386-4047-1R	Sun Visor Bracket - Chrome - RH - 47-53 Chevy GMC Truck	-
646-4047-BLK	Sun Visor w/o Bracket - Black - 47-59 Chevy GMC Fullsize Truck	-
646-4047-BRN	Sun Visor w/o Bracket - Brown - 47-59 Chevy GMC Fullsize Truck	-
646-4047-GRY	Sun Visor w/o Bracket - Gray - 47-59 Chevy GMC Fullsize Truck	-
453-4047	Lighter Assembly - 47-53 Chevy GMC Truck	-
K-1995041	Truck Headlamp Switch - 6 Volt - 47-55 Chevy GMC Truck	-
K-1995082	Truck Headlamp Switch - 12 Volt - 47-55 Chevy GMC Truck	-
461-4047	Glove Box Door - Stainless - 47-53 Chevy GMC Truck	-
461-4047-1S	Glove Box Door Lock - w/ 2 Keys - 47-53 Chevy GMC Truck	-
461-4047-2	Glove Box Lock Retainer - 47-53 Chevy GMC Truck	-
462-4047-1	Ignition Switch - 47-53 Chevy GMC Truck	-
466-4047-1S	Center Dash - w/ Ashtray - 47-53 Chevy Truck	-
K-1796260	Headlamp Dimmer Switch - 6 Volt - 49-54 Chevrolet	-

WEATHER STRIPPING

Protect your vehicle's interior from the outside elements and reduce noise level while driving simply by replacing your dried-out or cracked door weatherstrip with a proven product that's accepted in the industry. Made from the OEM specs to install and fit for an authentic appearance.

**RESTORATION
MADE EASY!**



G-CWK111247



G-CWK111149



G-CWK111254



G-CWK111049



G-CWK111251

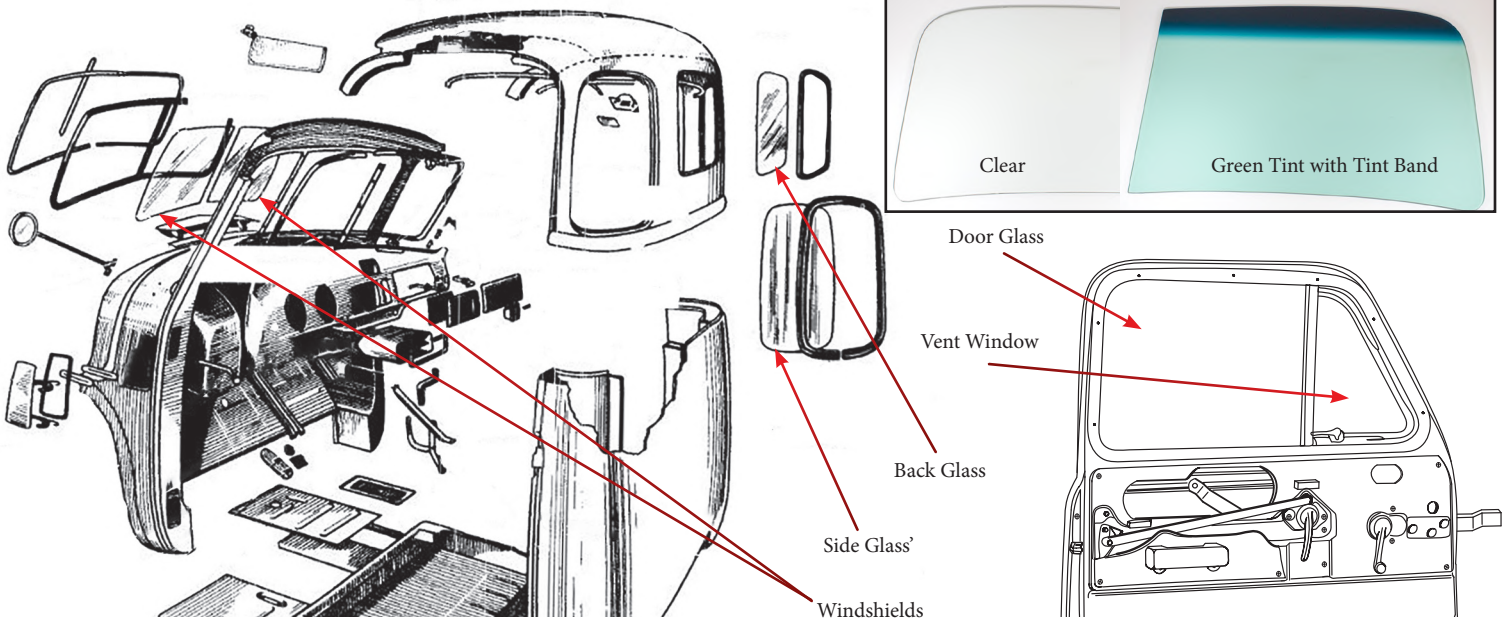


G-CWK111354

Part #	Description	Ill #
G-CWK111247	Weatherstrip Kit, Full, w/o Reveal Trim Groove - 47-48 Chevy / GMC 1st Series Pickup (11 pcs)	-
G-CWK111347	Weatherstrip Kit, Full, w/ Reveal Trim Groove - 47-48 Chevy / GMC 1st Series Pickup (11 pcs)	-
G-CWK111049	Weatherstrip Kit, Full, w/o Reveal Trim Groove - 49-50 Chevy / GMC 1st Series Pickup (11 pcs)	-
G-CWK111149	Weatherstrip Kit, Full, w/ Reveal Trim Groove - 49-50 Chevy / GMC 1st Series Pickup (11 pcs)	-
G-CWK111251	Weatherstrip Kit, Full, w/o Reveal Trim Groove - 51-53 Chevy / GMC 1st Series Pickup (14 pcs)	-
G-CWK111351	Weatherstrip Kit, Full, w/ Reveal Trim Groove - 51-53 Chevy / GMC 1st Series Pickup (13 pcs)	-
G-CWK111254	Weatherstrip Kit, Full, w/o Reveal Trim Groove - 54-55 Chevy / GMC 1st Series Pickup (14 pcs)	-
G-CWK111354	Weatherstrip Kit, Full, w/ Reveal Trim Groove - 54-55 Chevy / GMC 1st Series Pickup (13 pcs)	-
J-3M08008	3M Black Weatherstrip Adhesive	-

COMPLETE GLASS KITS

Finally, you can get quality, great fitting glass for your Chevy and GMC truck! This OE quality reproduction glass from Auto Metal Direct is the correct thickness for a better fit.



Part #	Description	Ill #
499-4047-TNS	Glass Kit w/o Windshield Tint Band - Green Tint - 47-50 Chevy GMC Truck w/ Corner Windows	-
499-4047-TS	Glass Kit w/ Windshield Tint Band - Green Tint - 47-50 Chevy GMC Truck w/ Corner Windows	-
499-4051-TNS	Glass Kit w/o Windshield Tint Band - Green Tint - 51-53 Chevy GMC Truck w/ Corner Windows	-
499-4051-TS	Glass Kit w/ Windshield Tint Band - Green Tint - 51-53 Chevy GMC Truck w/ Corner Windows	-

CAB CORNERS

Reproduction cab corner for the 47-55 GM 1st Series trucks. Each cab corner is stamped from high quality heavy gauge steel and features correct as original bends and body lines. Like all AMD panels, this item arrives EDP coated to help protect against rust and corrosion.



Part #	Description	Ill #
480-4047-L	Cab Corner (19"Wx14"H) - Outer - LH - 47-55 Chevy GMC Pickup ('55 1st Series)	-
480-4047-R	Cab Corner (19"Wx14"H) - Outer - RH - 47-55 Chevy GMC Pickup ('55 1st Series)	-
481-4047-L	Cab Corner - Inner - LH - 47-55 Chevy GMC Truck ('55 1st Series)	-
481-4047-R	Cab Corner - Inner - RH - 47-55 Chevy GMC Truck ('55 1st Series)	-

DOORS

Complete OE style door shells, these pieces contain all the internal structures required to mount glass, window regulators, door handles, etc. Reproduction door patches for the 47-55 GM 1st Series trucks. Each patch is stamped from high quality heavy gauge steel and features correct as original bends and body lines. Like all panels, these items arrive EDP coated to help protect against rust and corrosion.

TEST FIT



Before You Paint

* 1951 owners can switch out the door latch pillar on the truck and use the '52-55 style latch, strikers and outside door handles to convert your truck to use the later style door shell

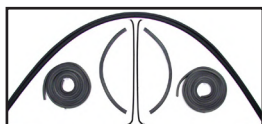
HUGE ONLINE SELECTION



X500-4047-L



X500-4052-L



G-DK111047



G-DK111051



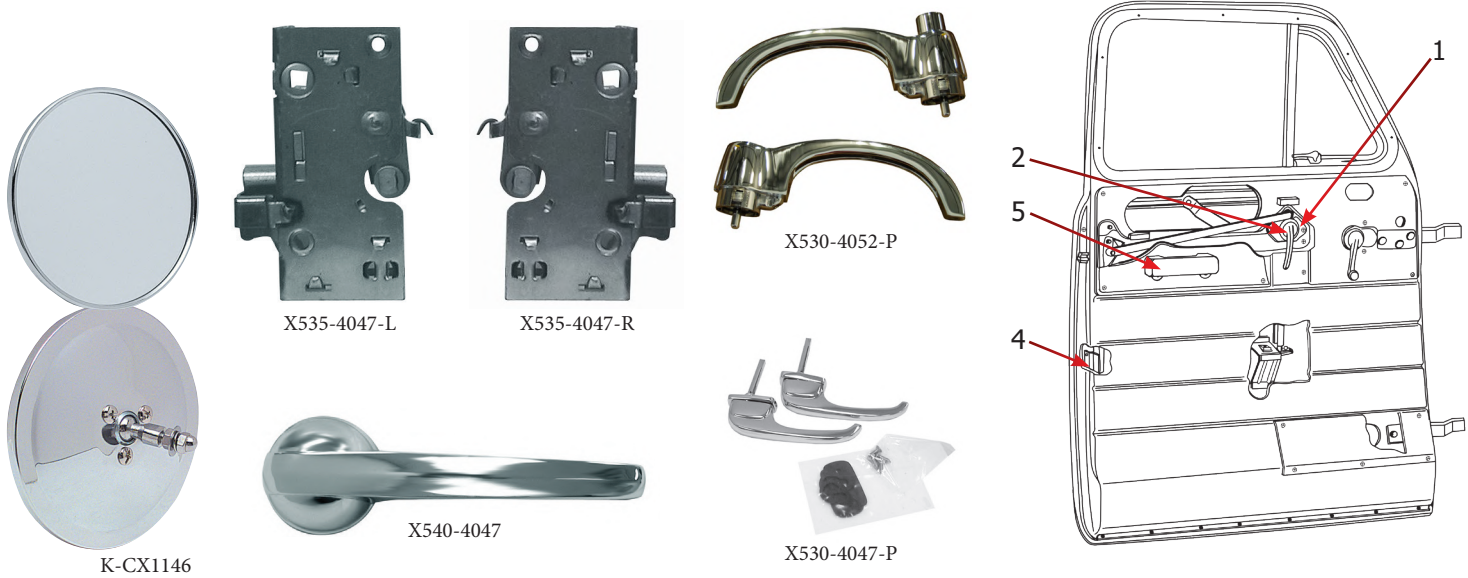
516-4047-L



515-4047-L

Part #	Description	Ill #
X500-4047-L	Front Door Shell - LH - 47-50 Chevy GMC Truck	-
X500-4047-R	Front Door Shell - RH - 47-50 Chevy GMC Truck	-
X500-4052-L	Front Door Shell - LH - 52-55 Chevy GMC Truck ('55 1st Series)	-
X500-4052-R	Front Door Shell - RH - 52-55 Chevy GMC Truck ('55 1st Series)	-
515-4047-L	Inner Front Door Bottom Repair Panel (5 1/2" High) - LH - 47-55 Chevy GMC Truck ('55 1st Series)	-
515-4047-R	Inner Front Door Bottom Repair Panel (5 1/2" High) - RH - 47-55 Chevy GMC Truck ('55 1st Series)	-
516-4047-L	Outer Front Door Skin Repair Panel (10 1/2" High) - Lower - LH - 47-55 Chevy GMC Truck ('55 1st Series)	-
516-4047-R	Outer Front Door Skin Repair Panel (10 1/2" High) - Lower - RH - 47-55 Chevy GMC Truck ('55 1st Series)	-
G-DK111047	Front Door Seal Kit - Glass Run Channels, Door Weatherstrips, Window Felts - 47-50 Chevy GMC Truck (8 pcs)	-
G-DK111051	Front Door Seal Kit - Glass Run Channels, Door Weatherstrips, Window Felts - 51-55 Chevy GMC Truck (10 pcs) ('55 1st Series)	-
J-9005	Front Door Seal Kit - Pair - 55-59 Chevy GMC C/K Truck	-

DOOR COMPONENTS

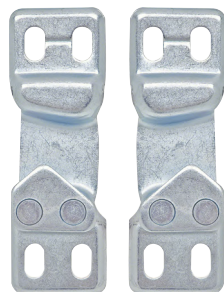


Part #	Description	Ill #
529-4047-BR	Armrest Assembly - Brown Vinyl - 47-55 Chevy GMC Truck ('55 1st Series)	5
529-4047-G	Armrest Assembly - Gray Vinyl - 47-55 Chevy GMC Truck ('55 1st Series)	5
X530-4047-P	Door Handle Set - Outside - 47-51 Chevy GMC Truck	-
X530-4052-P	Door Handle Set - Outside - 52-59 Chevy GMC Truck	3
J-9408	Door Handle Gaskets - Set - 52-59 Chevy GMC Truck	-
X535-4047-L	Door Latch - LH - 47-51 Chevy GMC Truck	4
X535-4047-R	Door Latch - RH - 47-51 Chevy GMC Truck	4
K-CX1274	Door Latch - LH - 52-55 Chevy GMC Truck ('55 1st Series)	4
K-CX1273	Door Latch - RH - 52-55 Chevy GMC Truck ('55 1st Series)	4
537-4047	Door Lock Cylinder Retaining Clip - 47-51 Chevy GMC Truck	-
537-4047-S	Door Lock Cylinder w/ Keys - 47-51 Chevy GMC Truck	-
X540-4047	Door Handle - Inside - LH or RH - 47-66 Chevy GMC Truck	2
540-4047-L	Door Relay - LH - 47-55 Chevy GMC Truck ('55 1st Series)	1
540-4047-R	Door Relay - RH - 47-55 Chevy GMC Truck ('55 1st Series)	1
K-CX1146	Outside Round Mirror Head - Chrome - 47-72 Chevy GMC Truck; 67-72 Suburban Blazer Jimmy	-

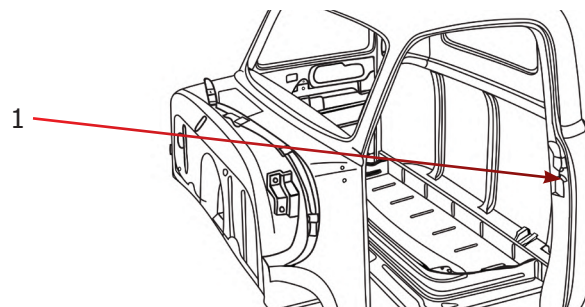
DOOR JAMB

Reproduction of the original door strikers. Each striker will replace the original exactly.

Sold as a pair.



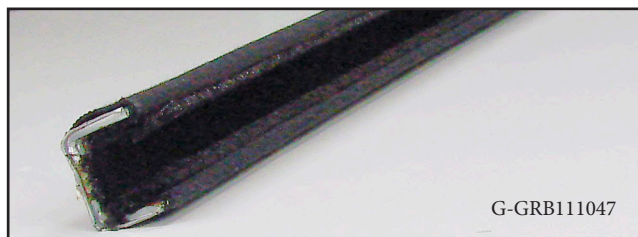
K-CX1283



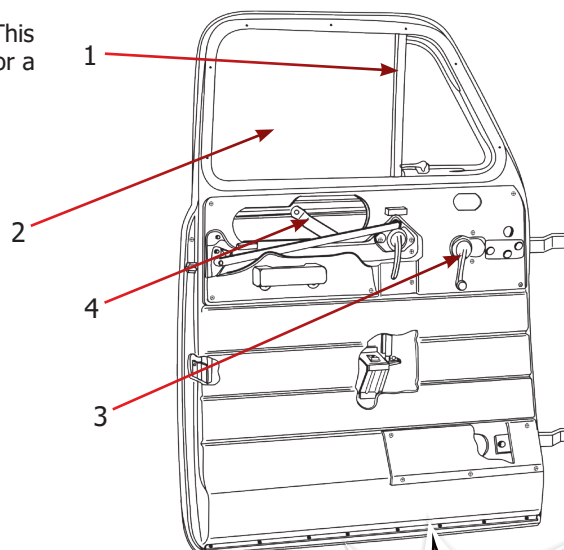
Part #	Description	Ill #
K-CX1282	Door Strikers - Pair - 47-51 Chevy GMC Truck	-
K-CX1283	Door Strikers - Pair - 52-59 Chevy GMC Truck	1

DOOR GLASS & COMPONENTS

Finally, you can get quality, great fitting glass for your Chevy and GMC truck! This OE quality reproduction glass from Auto Metal Direct is the correct thickness for a better fit.



G-GRB111151



X546-4047

**FULL GLASS
KITS pg 16**

G-GRB111051

Part #	Description	Ill #
545-4047-L	Window Regulator - LH - 47-50 Chevy GMC Truck	4
545-4047-R	Window Regulator - RH - 47-50 Chevy GMC Truck	4
545-4051-L	Window Regulator - LH - 51-55 GM Truck ('55 1st Design)	4
545-4051-R	Window Regulator - RH - 51-55 GM Truck ('55 1st Design)	4
X546-4047	Window Crank Handle - 47-66 Chevy GMC Truck	3
G-GRB111151	Vent Window Division Bar Weatherstrip - LH or RH - 51-55 Chevy GMC Truck ('55 1st Series)	-
X550-4047-1L	Door Glass Assembly w/ Chrome Frame - Clear - LH - 47-50 Chevy GMC Truck	2
X550-4047-1R	Door Glass Assembly w/ Chrome Frame - Clear - RH - 47-50 Chevy GMC Truck	2
X550-4047-2L	Door Glass Assembly w/ Black Frame - Clear - LH - 47-50 Chevy GMC Truck	2
X550-4047-2R	Door Glass Assembly w/ Black Frame - Clear - RH - 47-50 Chevy GMC Truck	2
550-4047-C	Door Glass - Clear - LH or RH - 47-50 Chevy GMC Truck	2
550-4047-G	Door Glass - Gray Tint - LH or RH (sold each)- 47-50 Chevy GMC Truck	2
550-4047-T	Door Glass - Green Tint - LH or RH - 47-50 Chevy GMC Truck	2
550-4051-C	Door Glass - Clear - LH or RH - 51-55 Chevy GMC Truck ('55 1st Series)	2
550-4051-G	Door Glass - Gray Tint - LH or RH- 51-55 Chevy GMC Truck ('55 1st Series)	2
550-4051-T	Door Glass - Green Tint - LH or RH - 51-55 Chevy GMC Truck ('55 1st Series)	2
G-GRB111047	Front Door Glass Run Channel - LH or RH - 47-50 Chevy GMC Truck	-
G-GRB111051	Front Door Glass Run Channel - LH or RH - 51-55 Chevy GMC Truck ('55 1st Series)	-
552-4051-2L	Door Glass Guide - Lower Rear of Door Jamb - LH - 51-55 Chevy GMC Truck ('55 1st Series)	-
552-4051-2R	Door Glass Guide - Lower Rear of Door Jamb - RH - 51-55 Chevy GMC Truck ('55 1st Series)	-

VENT GLASS & COMPONENTS

Finally, you can get quality, great fitting glass for your Chevy and GMC truck! This OE quality reproduction glass from Auto Metal Direct is the correct thickness for a better fit.



560-4051-T



560-4051-C



G-VWK111051

FULL GLASS KITS pg 16

Part #	Description	Ill #
560-4051-C	Vent Glass - Clear - LH or RH - 51-55 Chevy GMC Truck ('55 1st Series)	-
560-4051-G	Vent Glass - Gray Tint - LH or RH - 51-55 Chevy GMC Truck ('55 1st Series)	-
560-4051-T	Vent Glass - Green Tint - LH or RH - 51-55 Chevy GMC Truck ('55 1st Series)	-
G-VWK111051	Vent Window Weatherstrips - LH / RH Pair - 51-55 Chevy GMC Truck ('55 1st Series) (4 pcs)	-

BACK GLASS & COMPONENTS

Finally, you can get quality, great fitting glass for your Chevy and GMC truck! This OE quality reproduction glass from Auto Metal Direct is the correct thickness for a better fit.



660-4047-C



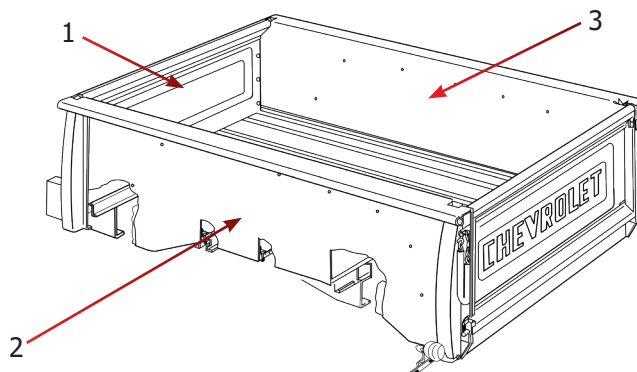
660-4047-TL



G-WKT4755DLX

Part #	Description	Ill #
660-4047-C	Back Glass - Clear - Center - 47-53 Chevy GMC Truck	-
660-4047-CL	Back Glass - Clear - LH - 47-55 Chevy GMC Truck ('55 1st Series)	-
660-4047-CR	Back Glass - Clear - RH - 47-55 Chevy GMC Truck ('55 1st Series)	-
660-4047-G	Back Glass - Gray Tint - Center - 47-55 Chevy GMC Truck ('55 1st Series)	-
660-4047-GL	Back Glass - Gray Tint - LH - 47-55 Chevy GMC Truck ('55 1st Series)	-
660-4047-GR	Back Glass - Gray Tint - RH - 47-55 Chevy GMC Truck ('55 1st Series)	-
660-4047-T	Back Glass - Green Tint - Center - 47-53 Chevy GMC Truck	-
660-4047-TL	Back Glass - Green Tint - LH - 47-53 Chevy GMC Truck	-
660-4047-TR	Back Glass - Green Tint - RH - 47-53 Chevy GMC Truck	-
G-WKT4266SGM	Rear Center Cab Window Gasket - Black Lockstrip - 47-66 Chevy GMC C/K Pickup (std window)	-
G-WKT4266SC	Rear Center Cab Window Gasket - Chrome Lockstrip - 47-66 Chevy GMC C/K Pickup (std window)	-
G-WKT4755DLX	Rear Cab Window Gasket - Center and Corners - 6-pc set - Black Lockstrip - 47-55 Chevy GMC C/K Pickup ('55 1st Series)	-
G-WKT4755DLXCH	Rear Cab Window Gasket - Center and Corners - 6-pc set - Chrome Lockstrip - 47-55 Chevy GMC C/K Pickup ('55 1st Series)	-
G-WKT5561LGM	Rear Cab Window Gasket - Black Lockstrip - 55-66 Chevy GMC C/K Pickup (Large Window)	-
G-WKT5561LC	Rear Cab Window Gasket - Chrome Lockstrip - 55-66 Chevy GMC C/K Pickup (Large Window)	-

BED PANELS



TEST FIT



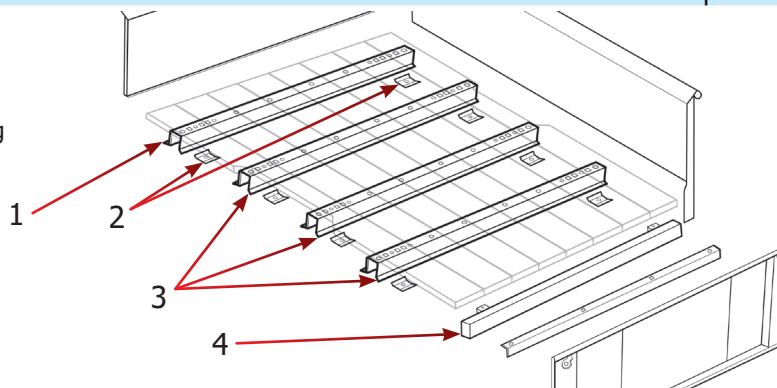
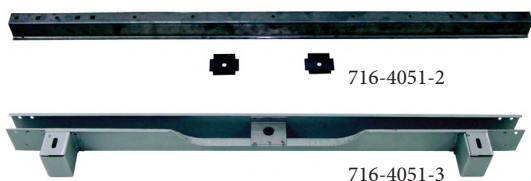
Before You Paint



Part #	Description	Ill #
715-4047	Front Bed Panel - 47-53 Chevy GMC Truck Stepside	1
715-4054-1	Front Bed Panel - 54-59 Chevy GMC Truck Stepside	1
721-4047-L	Bedside w/ Stake Pocket Hole - LH - 47-53 Chevy GMC Truck Stepside Shortbed	2
721-4047-R	Bedside w/ Stake Pocket Hole - RH - 47-53 Chevy GMC Truck Stepside Shortbed	3
722-4047-L	Step Plate Splash Apron - LH - 47-53 Chevy GMC Short Bed Stepside	-
722-4047-R	Step Plate Splash Apron - RH - 47-53 Chevy GMC Short Bed Stepside	-
722-4054-L	Step Plate Splash Apron - LH - 54-55 Chevy GMC Truck Short Bed Stepside ('55 1st Series)	-
722-4054-R	Step Plate Splash Apron - RH - 54-55 Chevy GMC Truck Short Bed Stepside ('55 1st Series)	-
780-4047-L	Rear Fender - LH - 47-55 Chevy GMC Truck Stepside ('55 1st Series)	-
780-4047-R	Rear Fender - RH - 47-55 Chevy GMC Truck Stepside ('55 1st Series)	-

BED CROSS SILLS

Replacement cross sill for the 47-55 Chevrolet & GMC Stepside Truck's. Short bed models require (3) and long bed models require (4) of this cross sill. Starting at the front bed panel and moving towards the tailgate.



Part #	Description	Ill #
716-4047-1	Cross Sill - Front - 47-50 Chevy GMC Truck 1/2 Ton Stepside	1
716-4047-2	Cross Sill - Center - 47-50 Chevy GMC Truck Stepside	3
716-4047-3	Cross Sill - Rear - 47-50 Chevy GMC Truck 1/2 Ton Stepside	4
716-4047-38	Cross Sill - Rear - 47-50 Chevy GMC Truck 3/4 Ton Stepside	4
716-4047-4	Cross Sill - w/ Bracket - 54-87 Chevy GMC C/K Stepside	-
716-4051-1	Cross Sill - Front - 51-53 Chevy GMC Truck 1/2 Ton Stepside	1
716-4051-2	Cross Sill - Center - 51-53 Chevy GMC Truck Stepside	3
716-4051-3	Cross Sill - Rear - 51-53 Chevy GMC Truck 1/2 Ton Stepside	4
716-4051-37	Cross Sill - Rear - 51-53 Chevy GMC Truck 3/4 Ton Stepside	4
716-4054-2	Cross Sill - No Hole w/ Bracket - 54-87 Chevy GMC C/K Stepside	2
716-4054-3	Cross Sill - Front / Center - 54-55 Chevy GMC Truck Stepside ('55 1st Series)	1
716-4054-31	Cross Sill - Rear - 54-55 Chevy GMC Truck 1/2 Ton Stepside ('55 1st Series)	4
716-4054-36	Cross Sill - Rear - 54-55 Chevy GMC Truck 3/4 Ton Stepside ('55 1st Series)	4

≡ BED FLOOR STRIPS



Polished Stainless

New from Auto Metal Direct, bed strips & bed strip kits for the 47-55 Chevy & GMC Stepside Short or Long Bed trucks. Each strip is stamped from high quality stainless steel.

- Bed Strips are the metal strips that bolt between the bed boards in the pickup bed flooring
- Angle Strips are similar to the bed boards except that they fit in the corners of the bed floor along the bed side panels



Zinc = Paintable like the OEM bed strips

Part #	Description	Ill #
792-4047-6P	Bed Wear Strip (77" w/ out holes) - Polished SS - Trim to Fit (sold each) - 47-87 Chevy GMC Truck Stepside Shortbed w/ wood floor	-
792-4047-6Z	Bed Wear Strip (77" w/ out holes) - Zinc - Trim to Fit (sold each) - 47-87 Chevy GMC Shortbed Stepside w/ wood floor	-
792-4047-8P	Bed Wear Strip (97" w/ out holes) - Polished SS - Trim to Fit (sold each) - 47-87 Chevy GMC Stepside Longbed w/ wood floor	-
792-4047-8Z	Bed Wear Strip (97" w/ out holes) - Zinc - Trim to Fit (sold each) - 47-87 Chevy GMC Stepside Longbed w/ wood floor	-
792-4047-6PS	Bed Strip Kit - Polished SS (8 Pcs) - 47-51 Chevy GMC Shortbed Stepside w/ wood floor	-
792-4047-6ZS	Bed Strip Kit - Zinc (8 Pcs) - 47-51 Chevy GMC Shortbed Stepside w/ wood floor	-
792-4051-6PS	Bed Strip Kit - Polished SS (7 Pcs) - 51-53 Chevy GMC Shortbed Stepside w/ wood floor	-
792-4051-6ZS	Bed Strip Kit - Zinc (7 Pcs) - 51-53 Chevy GMC Shortbed Stepside w/ wood floor	-
792-4054-6PS	Bed Strip Kit - Polished SS (7 Pcs) - 54-59 Chevy GMC Shortbed Stepside w/ wood floor	-
792-4054-6ZS	Bed Strip Kit - Zinc (7 Pcs) - 54-59 Chevy GMC Shortbed Stepside w/ wood floor	-
792-4047-8PS	Bed Strip Kit - Polished SS (8 Pcs) - 47-51 Chevy GMC Longbed Stepside w/ wood floor	-
792-4047-8ZS	Bed Strip Kit - Zinc (8 Pcs) - 47-51 Chevy GMC Longbed Stepside w/ wood floor	-
792-4051-8PS	Bed Strip Kit - Polished SS (7 Pcs) - 51-53 Chevy GMC Longbed Stepside w/ wood floor	-
792-4051-8ZS	Bed Strip Kit - Zinc (7 Pcs) - 51-53 Chevy GMC Longbed Stepside w/ wood floor	-
792-4054-8PS	Bed Strip Kit - Polished SS (7 Pcs) - 54-55 Chevy GMC Longbed Stepside w/ wood floor ('55 1st Series)	-
792-4054-8ZS	Bed Strip Kit - Zinc (7 Pcs) - 54-55 Chevy GMC Longbed Stepside w/ wood floor ('55 1st Series)	-
793-4047-26PP	Angle Strip Cover - Polished SS - Sold Each - 47-87 Chevy GMC Shortbed Stepside w/ wood floor	-
793-4047-26ZP	Angle Strip Cover - Zinc - Sold Each - 47-87 Chevy GMC Shortbed Stepside w/ wood floor	-
793-4047-28PP	Angle Strip Cover - Polished SS - Sold Each - 47-87 Chevy GMC Longbed Stepside w/ wood floor	-
793-4047-28ZP	Angle Strip Cover - Zinc - Sold Each - 47-87 Chevy GMC Longbed Stepside w/ wood floor	-
793-4047-6PP	Angle Strip Covers - Polished SS - 2 Pcs Set - 47-53 Chevy GMC Shortbed Stepside w/ wood floor	-
793-4047-6ZP	Angle Strip Covers - Zinc - 2 Pcs Set - 47-53 Chevy GMC Shortbed Stepside w/ wood floor	-
793-4047-8PP	Angle Strip Covers - Polished SS - 2 Pcs Set - 47-53 Chevy GMC Longbed Stepside w/ wood floor	-
793-4047-8ZP	Angle Strip Covers - Zinc - 2 Pcs Set - 47-53 Chevy GMC Longbed Stepside w/ wood floor	-
793-4054-8PP	Angle Strip Covers - Polished SS - 2 Pcs Set - 54-55 Chevy GMC Longbed Stepside w/ wood floor ('55 1st Series)	-
793-4054-8ZP	Angle Strip Covers - Zinc - 2 Pcs Set - 54-55 Chevy GMC Longbed Stepside w/ wood floor ('55 1st Series)	-

TAILGATE & COMPONENTS

Reproduction tailgate for the Chevrolet & GMC Fullsize trucks. Stamped from high quality OE gauge steel on new tools, each tailgate features the correct shape, size, curvature and body lines, like original. EDP coated to help protect against rust and corrosion.



925-4054-2

GM Restoration Parts



925-4054-1

TEST FIT



Before You Paint







925-4954

GM Restoration Parts



927-4047-1P


Part #	Description	Ill #
925-4047-1	Tailgate - Plain (No Logo) - 47-53 Chevy GMC Truck	-
925-4047-2	Tailgate - "Chevrolet" - 47-53 Chevy Truck 	-
925-4054-1	Tailgate - Plain - 54-87 Chevy GMC Truck Stepside	-
925-4054-2	Tailgate - "Chevrolet" - 54-87 Chevy GMC Truck Stepside 	-
925-4947	Tailgate - "GMC" Letters - 47-53 GMC Stepside 	-
925-4954	Tailgate - "GMC" Letters - 54-87 GMC Truck Stepside (63-87 "GMC" script lettering) 	-
927-4047-1P	Tailgate Hinges - Black - - LH/RH Pair - 47-53 Chevy GMC Truck Stepside	-

REAR LIGHTING

Replace your faded lenses with new ones. Our lenses are molded with UV stabilized acrylic to prevent color fade. Not everyone can say that about their lenses. Plus these lenses are licensed by General Motors!



T-A9050

Part #	Description	Ill #
T-A9050	Taillight Lens - LH or RH (Sold Each) - 47-56 Chevy GMC Panel Truck 	-

FUEL TANK

Accurately stamped reproductions with correct original light galvanized finish.

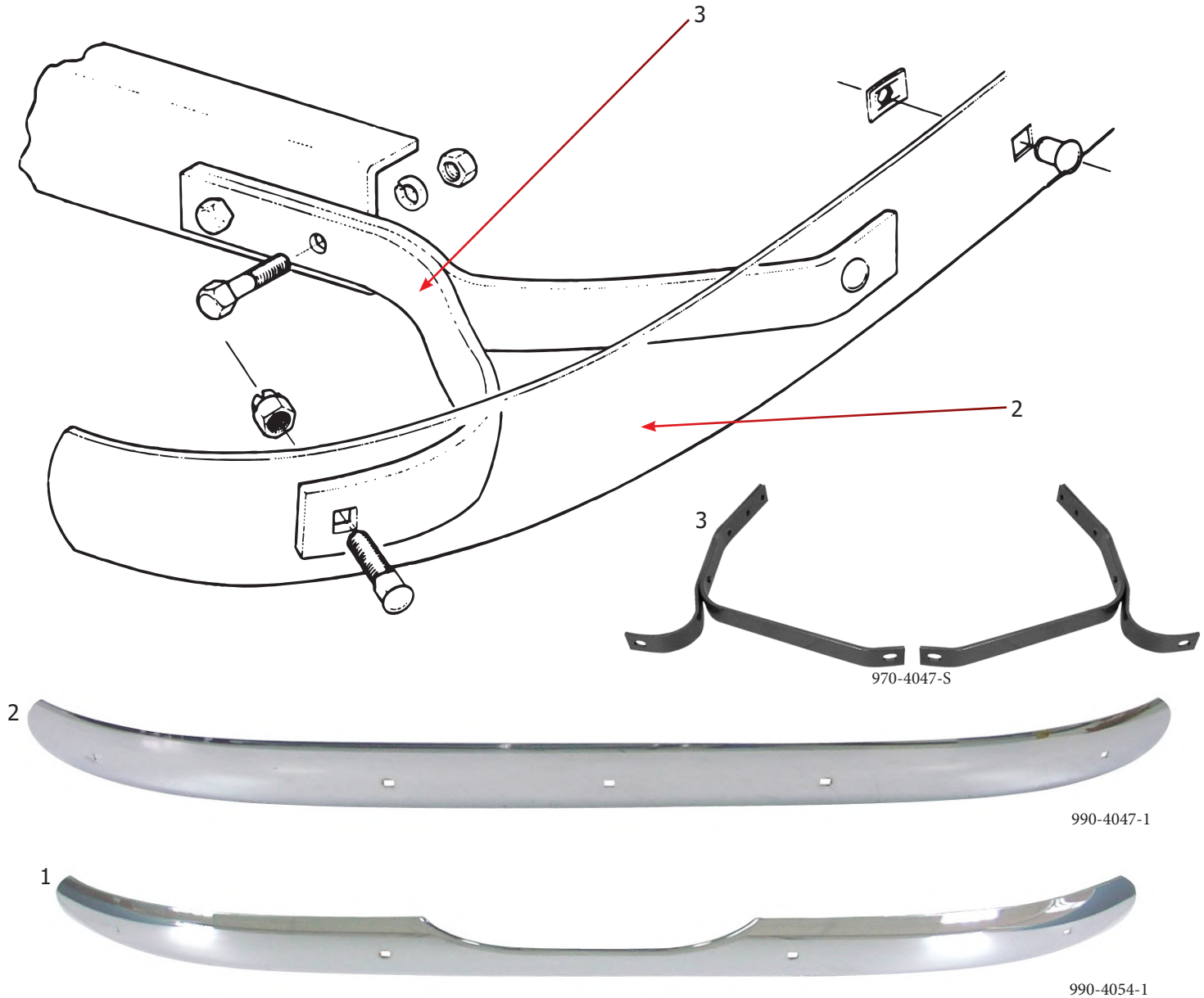
- Meets OE Specifications
- Pressure tested for a leak free tank
- Corrosion resistant steel construction



Part #	Description	Ill #
890-4047-N	Gas Tank - 49-55 Chevy GMC Pickup ('55 1st Series)	-

REAR BUMPERS **ALL BUMPERS ARE COVERED BY A 5 YEAR LIMITED RUST-THROUGH WARRANTY!**

AMD Bumpers are made from heavy gauge steel and feature OE quality chrome finish. Installation is fast and easy as all parts are designed to be a direct bolt-on utilizing OE bumper brackets and hardware. Our bumpers are manufactured on our state of the art chrome production line.



Part #	Description	Ill #
990-4047-1	Rear Bumper - Chrome - 47-53 Chevy GMC Pickup	2
990-4047-1P	Rear Bumper - Primer - 47-53 Chevy GMC Pickup	-
990-4054-1	Rear Bumper - Chrome - 54-55 Chevy GMC Stepside Pickup ('55 1st Series)	1
990-4054-1P	Rear Bumper - Primer - 54-55 Chevy GMC Stepside Pickup ('55 1st Series)	-
100-4047-1	Rear Bumper - Chrome - 47-55 Chevy GMC Suburban Panel	2
100-4047-1P	Rear Bumper - Paintable - 47-55 Chevy GMC Suburban Panel	-
970-4047-S	Rear Bumper Bracket Set - 47-55 Chevy GMC 1/2 Ton Pickup ('55 1st Series)	3
975-4047	Rear Splash Panel - 47-53 Chevy GMC Truck	-

1955 - 1959 2ND SERIES GM TRUCKS

FRONT BUMPERS & COMPONENTS

ALL BUMPERS ARE COVERED BY A 5 YEAR LIMITED RUST-THROUGH WARRANTY!

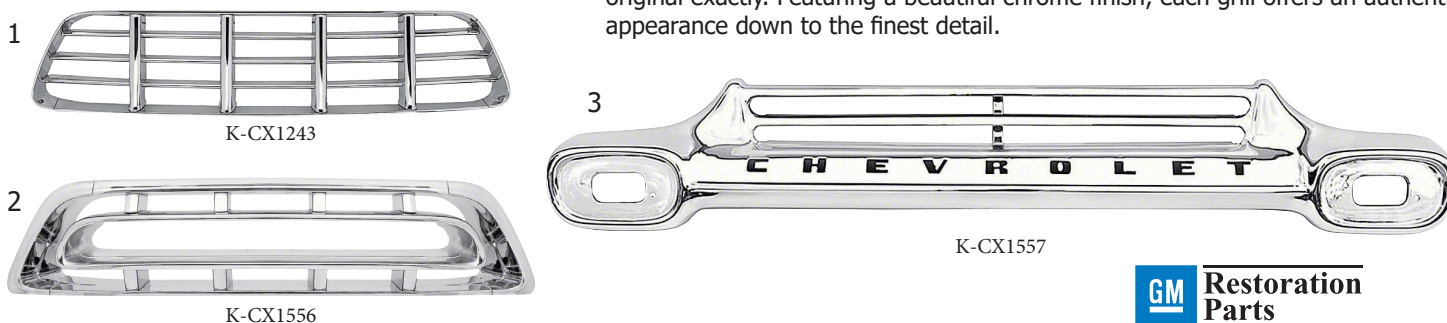
AMD Bumpers are made from heavy gauge steel and feature OE quality chrome finish. Installation is fast and easy as all parts are designed to be a direct bolt-on utilizing OE bumper brackets and hardware. Our bumpers are manufactured on our state of the art chrome production line.




Part #	Description	Ill #
100-4055-1	Front Bumper - Chrome - 55-59 Chevy GMC Truck ('55 2nd Series)	1
100-4055-1P	Front Bumper - Paintable - 55-59 Chevy GMC Truck ('55 2nd Series)	-
105-4055-S	Front Bumper Bracket Set - 55-57 Chevy GMC Truck ('55 2nd Series)	3
105-4058-S	Front Bumper Bracket Set - 58-59 Chevy GMC Truck	4
X110-4055-P	Front Bumper Guards - Pair - Chrome - 55-59 Chevy Truck ('55 2nd Series) *Fits Original Bumpers Only*	-
K-K219	Bumper Bolt Set - Chrome - Front or Rear - 47-72 Chevy GMC Truck	2

GRILLES & COMPONENTS

Excellent quality reproduction grill assemblies for 1955-59 Chevy trucks. Manufactured using factory specifications, each reproduction grill replicates the original exactly. Featuring a beautiful chrome finish, each grill offers an authentic appearance down to the finest detail.



GM Restoration Parts

Part #	Description	Ill #
K-CX1243	Grille Assembly - Chrome - 55-56 Chevy 2nd Series Truck	1
K-CX1556	Grille Assembly - Chrome - 57 Chevy 2nd Series Truck	2
K-CX1557	Grille Assembly - Chrome - 58-59 Chevy 2nd Series Truck 	3

FRONT FENDERS & BRACKETS



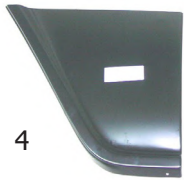
X200-4055-L



X200-4057-L



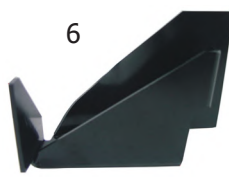
X200-4058-L



205-4055-L



205-4058-L



220-4055-1L



220-4058-L



Part #	Description	Ill #
X200-4055-L	Front Fender - LH - 55-56 Chevy GMC Truck ('55 2nd Series)	1
X200-4055-R	Front Fender - RH - 55-56 Chevy GMC Truck ('55 2nd Series)	-
X200-4057-L	Front Fender - LH - 57 Chevy GMC Truck	2
X200-4057-R	Front Fender - RH - 57 Chevy GMC Truck	-
X200-4058-L	Front Fender - LH - 58-59 Chevy GMC Truck	3
X200-4058-R	Front Fender - RH - 58-59 Chevy GMC Truck	-
205-4055-L	Lower Rear Fender Repair Panel (15" High) - LH - 55-57 Chevy GMC Truck ('55 2nd Series)	4
205-4055-R	Lower Rear Fender Repair Panel (15" High) - RH - 55-57 Chevy GMC Truck ('55 2nd Series)	-
205-4058-L	Lower Rear Fender Repair Panel (15" High) - LH - 58-59 Chevy GMC Truck	5
205-4058-R	Lower Rear Fender Repair Panel (15" High) - RH - 58-59 Chevy GMC Truck	-
210-4055-L	Fender Extension - LH - 55-59 Chevy GMC Truck ('55 2nd Series)	-
210-4055-R	Fender Extension - RH - 55-59 Chevy GMC Truck ('55 2nd Series)	-
220-4055-1L	Front Fender Lower Rear Fastening Panel - LH - 55-59 Chevy GMC Truck ('55 2nd Series)	6
220-4055-1R	Front Fender Lower Rear Fastening Panel - RH - 55-59 Chevy GMC Truck ('55 2nd Series)	-
220-4058-L	Front Fender Rear Vertical Inner Brace - LH - 58-59 Chevy GMC Truck	7
220-4058-R	Front Fender Rear Vertical Inner Brace - RH - 58-59 Chevy GMC Truck	-
T-9050	Front Fender Emblems - "3100" Spear - LH/RH - Pair - 57 Chevy Truck	-

FRONT LIGHTING



145-4058-P

Part #	Description	Ill #
145-4058-P	Headlamp Bezels - LH/RH Pair - 58-59 Chevy GMC Truck	-

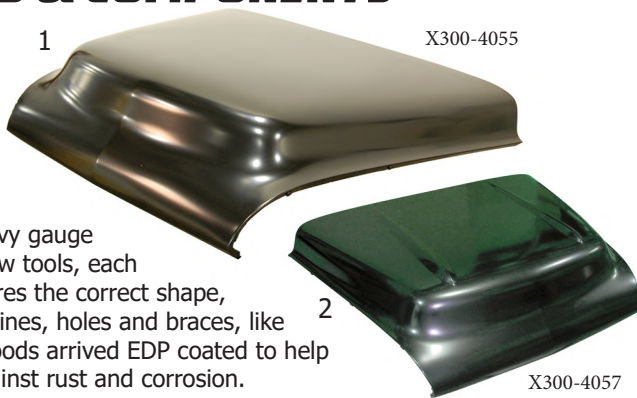
TASK FORCE

HOOD & COMPONENTS

TEST FIT



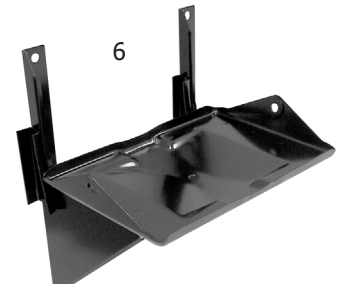
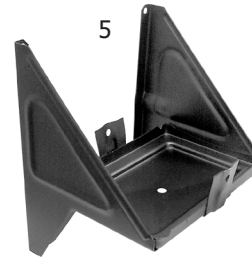
Stamped from high quality heavy gauge steel on new tools, each hood features the correct shape, size, body lines, holes and braces, like original. Hoods arrived EDP coated to help protect against rust and corrosion.



Part #	Description	Ill #
X300-4055	Hood - OE Style - 55-56 Chevy Truck ('55 2nd Series)	1
X300-4057	Hood - OE Style - 57 Chevy Truck	2
304-4055	Hood Latch Panel - 55-57 Chevy Truck ('55 2nd Series)	3
305-4055-1	Hood to Header Bar Bumper - 55-57 Chevrolet GMC Truck	-
305-4055-S	Hood Bumper Kit - 10 pcs - 55-59 Chevrolet GMC Truck	-
310-4055-P	Hood Hinges w/ Springs - Pair - 55-57 Chevy GMC Truck ('55 2nd Series)	6
310-4058-L	Hood Hinge w/ Spring - LH - 58-59 Chevy GMC Truck	5
310-4058-P	Hood Hinges w/ Springs - Pair - 58-59 Chevy GMC Truck	-
310-4058-R	Hood Hinge w/ Spring - RH - 58-59 Chevy GMC Truck	-
311-4055-P	Hood Hinge Spring Set - 55-57 Chevy GMC Truck ('55 2nd Series)	7
311-4058-P	Hood Hinge Spring Set - 58-59 Chevy GMC Truck	-
G-CS111055	Hood to Cowl Seal - w/ fasteners - 55-59 Chevy GMC Truck ('55 2nd Series)	-

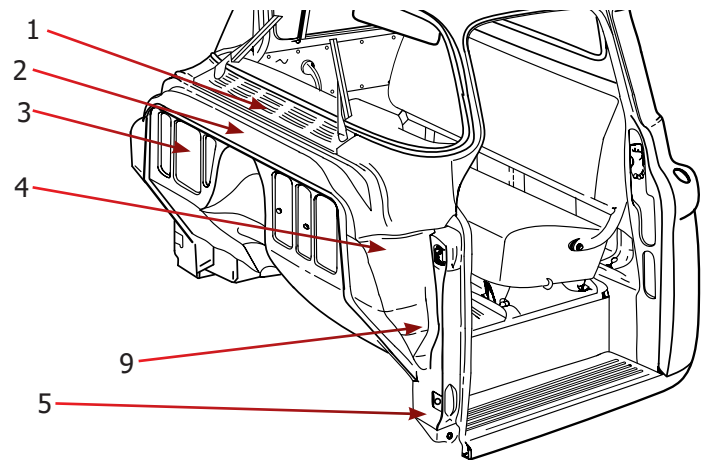
ENGINE BAY

Give your battery a new home with an AMD battery tray. Our battery trays are manufactured from thick, quality steel and feature all the bends, contours, holes, etc. of the originals. Each tray has a black EDP coating to resist corrosion--so they're built to last.



Part #	Description	Ill #
333-4055-1	Throttle Linkage (from Firewall to Carburetor) - 265 & 283 V8 - 55-59 Chevy Truck ('55 2nd Series)	-
X340-4055	Battery Tray Assembly - 55-57 Chevy GMC Truck ('55 2nd Series)	6
340-4055-1	Battery Tray - 55-57 Chevy GMC Truck ('55 2nd Series)	-
X340-4058	Battery Tray Assembly - 58-59 Chevy GMC Truck	5
X341-4055	Battery Hold Down - Black - 55-57 Chevy GMC Truck ('55 2nd Series)	4
X341-4055-SS	Battery Hold Down - Stainless- 55-57 Chevy GMC Truck ('55 2nd Series)	3
X341-4058	Battery Hold Down - Black - 58-66 Chevy GMC Truck	2
X341-4058-SS	Battery Hold Down - Stainless- 58-66 Chevy GMC Truck	1
J-BATTERYMAT1	Universal Battery Mat - 8" x 12" (Traps & Neutralizes Battery Acid)	-

≡ COWL & PILLAR

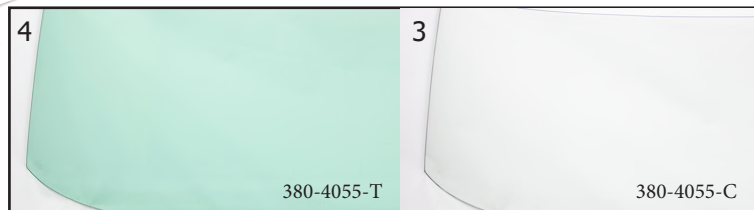


Part #	Description	Ill #
360-4055-1	Cowl Panel - Upper Outer - 55-59 Chevy GMC Truck ('55 2nd Series)	2
360-4055-1L	Cowl Panel - LH - Side Outer - 55-59 Chevy GMC Truck ('55 2nd Series)	-
360-4055-1R	Cowl Panel - RH - Side Outer - 55-59 Chevy GMC Truck ('55 2nd Series)	-
360-4055-2	Cowl Panel - Upper Inner - 55-59 Chevy GMC Truck ('55 2nd Series)	-
360-4055-3	Cowl Vent Grille - 55-59 Chevy GMC Truck ('55 2nd Series)	1
G-CS111055	Hood to Cowl Seal - w/ fasteners - 55-59 Chevy GMC Truck ('55 2nd Series)	8
370-4055	Firewall - 55-59 Chevy GMC Truck ('55 2nd Series)	3
371-4055-L	Cowl Side Plenum Lower Section - LH - 55-59 Chevy GMC Truck ('55 2nd Series)	4
371-4055-R	Cowl Side Plenum Lower Section - RH - 55-59 Chevy GMC Truck ('55 2nd Series)	-
376-4055-1L	Lower Cowl Plenum Side Panel - LH - 55-59 Chevy GMC Truck ('55 2nd Series)	5
376-4055-1R	Lower Cowl Plenum Side Panel - RH - 55-59 Chevy GMC Truck ('55 2nd Series)	5
376-4055-2L	Lower Door Hinge Pillar Repair (15" High) - Front - LH - 55-59 Chevy GMC Truck ('55 2nd Series)	6
376-4055-2R	Lower Door Hinge Pillar Repair (15" High) - Front - RH - 55-59 Chevy GMC Truck ('55 2nd Series)	6
376-4055-3L	Door Hinge Pillar Filler Panel - LH - 55-59 Chevy GMC Truck ('55 2nd Series)	7
376-4055-3R	Door Hinge Pillar Filler Panel - RH - 55-59 Chevy GMC Truck ('55 2nd Series)	7
378-4055-1L	Door Hinge Pillar - LH - 55-59 Chevy GMC Truck ('55 2nd Series)	-
378-4055-1R	Door Hinge Pillar - RH - 55-59 Chevy GMC Truck ('55 2nd Series)	-
378-4055-L	Footwell (Kick Panel) - LH - 55-59 Chevy GMC Truck ('55 2nd Series)	9
378-4055-R	Footwell (Kick Panel) - RH - 55-59 Chevy GMC Truck ('55 2nd Series)	9

≡ WINDSHIELD & WIPER



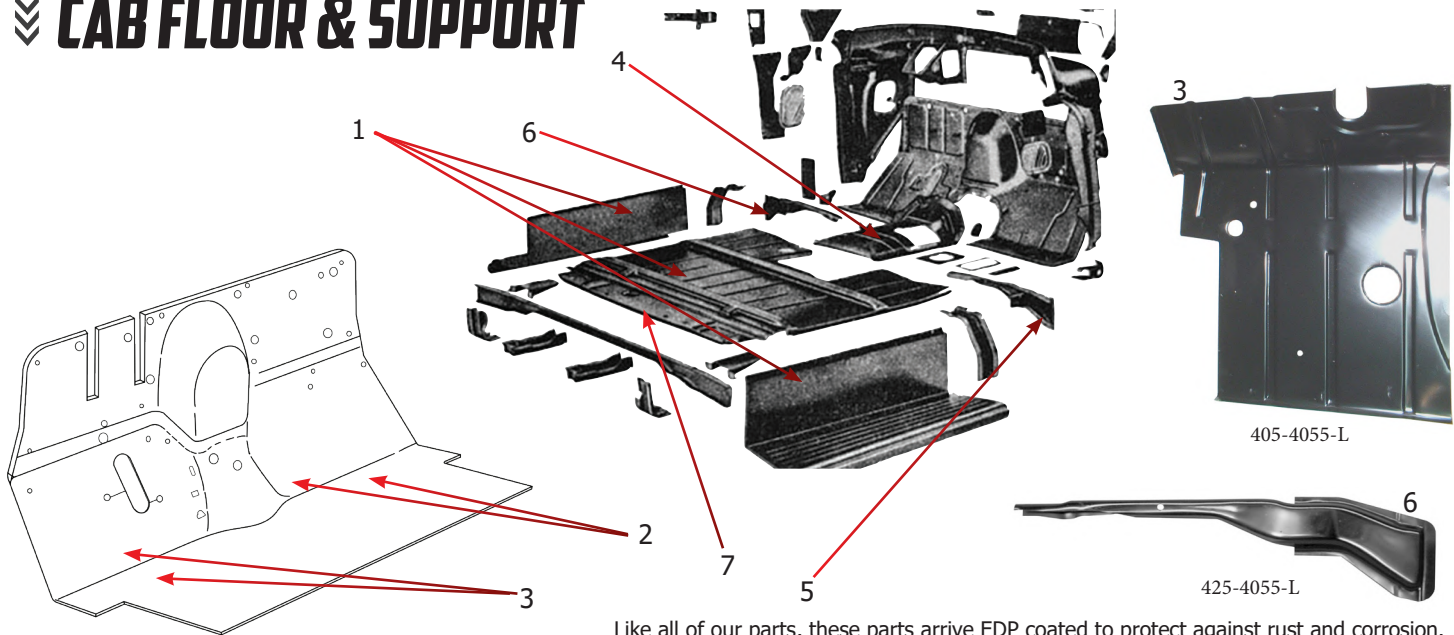
FULL GLASS KITS pg 31



Part #	Description	Ill #
380-4055-C	Windshield - Clear - 55-59 Chevy GMC Truck ('55 2nd Series)	3
380-4055-T	Windshield - Green Tint - 55-59 Chevy GMC Truck ('55 2nd Series)	4
382-4047-1P	Wiper Hold Down Nut Set - Chrome - 47-59 Chevy GMC Truck	7
G-WBL407GM	Windshield Gasket - w/o Trim Groove - 55-59 Chevy GMC Truck ('55 2nd Series)	6
G-WCR407GM	Windshield Gasket - w/ Trim Groove - 55-59 Chevy GMC Truck ('55 2nd Series)	5

TASK FORCE

≡ CAB FLOOR & SUPPORT



Like all of our parts, these parts arrive EDP coated to protect against rust and corrosion.

Part #	Description	Ill #
400-4055	Floor Pan Assembly w/ Rockers & Braces - 55-59 Chevy GMC Truck ('55 2nd Series)	1
400-4055-1	Floor Pan - 55-59 Chevy GMC Truck ('55 2nd Series)	7
405-4055-L	Front Floor & Toe Repair Panel (25"Lx21"Wx8"H)- LH - 55-59 Chevy GMC Truck ('55 2nd Series)	3
405-4055-R	Front Floor & Toe Repair Panel (25"Lx21"Wx8"H) - RH - 55-59 Chevy GMC Truck ('55 2nd Series)	2
415-4055-4	Transmission Cover - 4 Speed Floor Shift - 55-59 Chevy GMC Truck ('55 2nd Series)	4
425-4055-L	Cab Floor Brace - Front - LH - 55-59 Chevy GMC Truck ('55 2nd Series)	6
425-4055-R	Cab Floor Brace - Front - RH - 55-59 Chevy GMC Truck ('55 2nd Series)	5
J-0180	Rubber Hole Plug - Universal - 3/8 inch, used on floor, firewall & trunk	-
J-0181	Rubber Hole Plug - Universal - 1/2 inch, used on floor, firewall & trunk	-
J-0182	Rubber Hole Plug - Universal - 5/8 inch, used on floor, firewall & trunk	-
J-0183	Rubber Hole Plug - Universal - 3/4 inch, used on floor, firewall & trunk	-
J-0184	Rubber Hole Plug - Universal - 7/8 inch, used on floor, firewall & trunk	-
J-0185	Rubber Hole Plug - Universal - 1 inch, used on floor, firewall & trunk	-
J-0186	Rubber Hole Plug - Universal - 1 1/4 inch, used on floor, firewall & trunk	-

≡ ROCKER PANELS & STEP PLATES

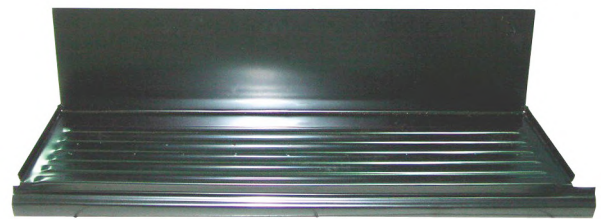
TEST FIT



Before You Paint



436-4055



450-4055-L

Part #	Description	Ill #
436-4055	Rocker Step Support Brace - LH or RH - 55-59 Chevy GMC Truck ('55 2nd Series)	-
450-4055-L	Rocker Panel & Step Plate - LH - 55-59 Chevy GMC Truck ('55 2nd Series)	-
450-4055-R	Rocker Panel & Step Plate - RH - 55-59 Chevy GMC Truck ('55 2nd Series)	-

INTERIOR

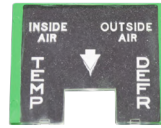
646-4047-BLK

646-4047-BRN

646-4047-GRY



612-4055



T-9025



453-4055



X468-3567

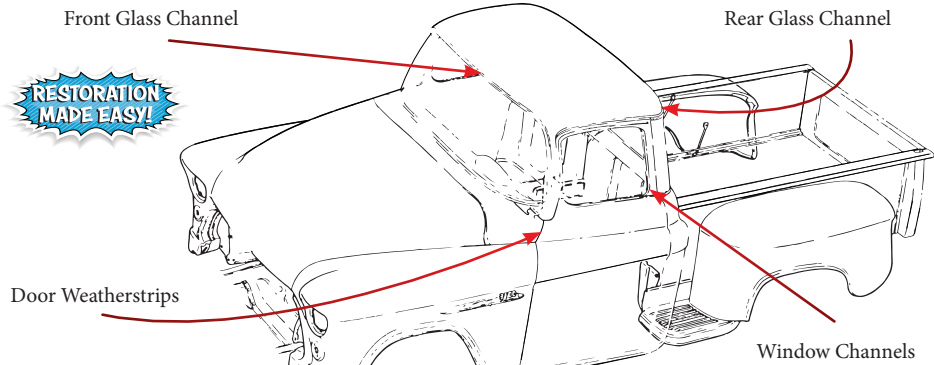
Part #	Description	Ill #
646-4047-BLK	Sun Visor w/o Bracket - Black - 47-59 Chevy GMC Fullsize Truck	-
646-4047-BRN	Sun Visor w/o Bracket - Brown - 47-59 Chevy GMC Fullsize Truck	-
646-4047-GRY	Sun Visor w/o Bracket - Gray - 47-59 Chevy GMC Fullsize Truck	-
453-4055	Lighter Assembly - 55-59 Chevy GMC Truck (*55 2nd Series)	-
T-1252	Ignition Switch Bezel - 55-59 Chevy Truck (*55 2nd Series)	-
460-4055-2	Vent Cable - Chrome Knob - 55-59 Chevy GMC Truck (*55 2nd Series)	-
T-1250	Speedometer Face - 55-59 Chevrolet and GMC Truck (Sold as Each)	-
T-9025	Heater Control Face - 55-59 Chevy Pickup (Sold as Each)	-
T-9805	Heater Knob Set - Deluxe - 55-59 GMC Truck	-
K-T10102	Glove Box Door - 55-59 Chevy Truck (*55 2nd Series)	-
463-4055-1	Speaker Cover - Chrome - 55-59 Chevy GMC Truck (*55 2nd Series)	-
466-4055-1	Dash Panel - 55-59 Chevy Truck (*55 2nd Series)	-
X468-3567	Headlamp Dimmer Switch - Floor Mount - 12 Volt - Most 58-82 GM Models	-
476-4055-1	Park Brake Lever Assembly - 55-68 Chevy GMC Truck	-
612-4055	Dome Lamp Assembly - Cream - 55-59 Chevy GMC Truck (*55 2nd Series)	-
612-4055-1	Dome Lamp Lens - Cream - 55-59 Chevy GMC Truck (*55 2nd Series)	-

WEATHER STRIPPING

Protect your vehicle's interior from the outside elements and reduce noise level while driving simply by replacing your dried-out or cracked door weatherstrip with a proven product that's accepted in the industry. Made from the OEM specs to install and fit for an authentic appearance.



G-CWK111155



Part #	Description	Ill #
U-KG2070	55-59 Chevy GMC Pickup Belt Kit Outer LH & RH w/ Vents	-
U-KG2130	55-59 Chevy GMC Pickup Belt Kit Inner & Outer LH & RH w/o Vent Window	-
G-WFK111155A	Front Door Window Felt Kit Inner & Outer - 55-59 Chevy GMC Truck (4 pcs) (*55 2nd Series)	-
G-CWK111055	Weatherstrip Kit, Full, w/o Reveal Trim Groove - 55-59 Chevy / GMC 2nd Series Pickup (9 pcs)	-
G-CWK111155	Weatherstrip Kit, Full, w/ Reveal Trim Groove - 55-59 Chevy / GMC 2nd Series Pickup (9 pcs)	-
J-3M08008	3M Black Weatherstrip Adhesive	-

TASK FORCE

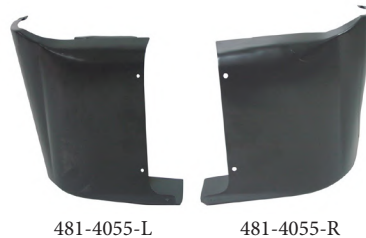
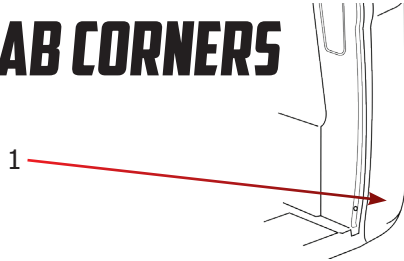
COMPLETE GLASS KITS

Finally, you can get quality, great fitting glass for your Chevy and GMC truck! This OE quality reproduction glass from Auto Metal Direct is the correct thickness for a better fit.



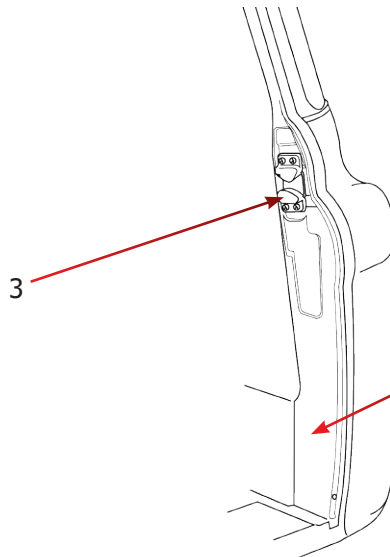
Part #	Description	Ill #
499-4055-1CS	Glass Kit - Clear - 55-59 Chevy GMC Truck w/ Large Back Glass ('55 2nd Series)	-
499-4055-1TS	Glass Kit w/ Windshield Tint Band - Green Tint - 55-59 Chevy GMC Truck w/ Large Back Glass ('55 2nd Series)	-
499-4055-CS	Glass Kit - Clear - 55-59 Chevy GMC Truck w/ Small Back Glass ('55 2nd Series)	-
499-4055-TS	Glass Kit w/ Windshield Tint Band - Green Tint - 55-59 Chevy GMC Truck w/ Small Back Glass ('55 2nd Series)	-

CAB CORNERS



Part #	Description	Ill #
480-4055-L	Cab Corner (20"Wx14"H) - Outer - LH - 55-59 Chevy GMC Pickup ('55 2nd Series)	1
480-4055-R	Cab Corner (20"Wx14"H) - Outer - RH - 55-59 Chevy GMC Pickup ('55 2nd Series)	-
481-4055-L	Cab Corner - Inner - LH - 55-59 Chevy GMC Truck ('55 2nd Series)	-
481-4055-R	Cab Corner - Inner - RH - 55-59 Chevy GMC Truck ('55 2nd Series)	-

DOOR JAMB



Dimensions: 4 1/2" W x 10 1/2" H

Part #	Description	Ill #
751-4055-1L	Lower Rear Pillar Repair Panel - LH - 55-59 Chevy GMC Truck ('55 2nd Series)	1
751-4055-1R	Lower Rear Pillar Repair Panel - RH - 55-59 Chevy GMC Truck ('55 2nd Series)	2
K-CX1283	Door Strikers - Pair - 52-59 Chevy GMC Truck	3

DOORS



1



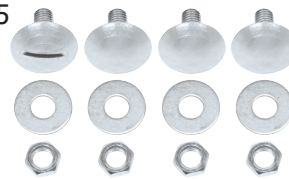
X500-4055-L

2



K-CX1349

5



K-T14301

TEST FIT



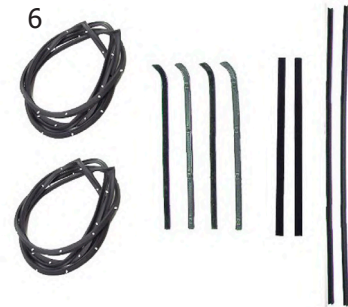
Before You Paint

3



515-4055-L

6



G-DK111055

4



516-4055-L

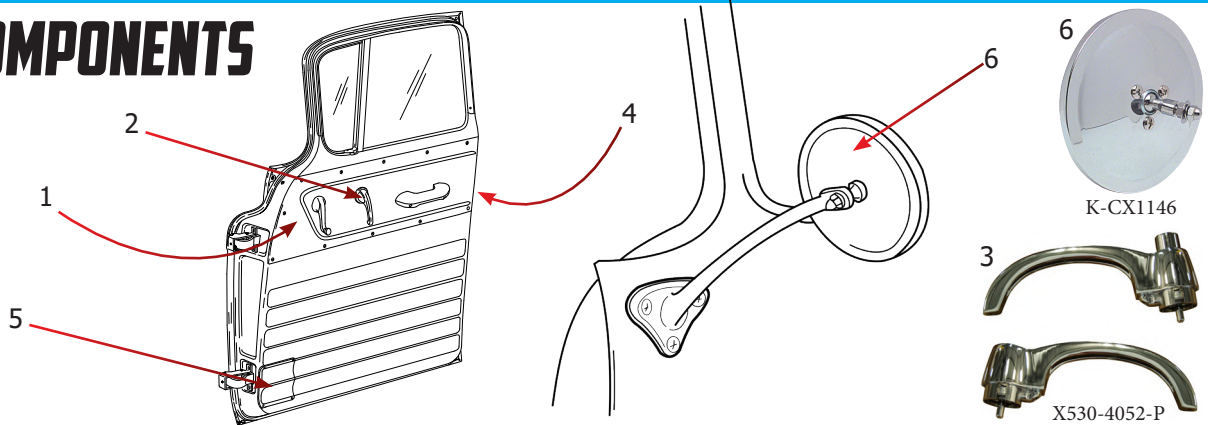
Part #	Description	Ill #
X500-4055-L	Front Door Shell - LH - 55-59 Chevy GMC Truck ('55 2nd Series)	1
X500-4055-R	Front Door Shell - RH - 55-59 Chevy GMC Truck ('55 2nd Series)	-
515-4055-L	Inner Front Door Bottom Repair Panel (11" High) - LH - 55-59 Chevy GMC Truck ('55 2nd Series)	3
515-4055-R	Inner Front Door Bottom Repair Panel (11" High) - RH - 55-59 Chevy GMC Truck ('55 2nd Series)	-
516-4055-L	Outer Front Door Skin Repair Panel (7" High) - Lower - LH - 55-59 Chevy GMC Truck ('55 2nd Series)	4
516-4055-R	Outer Front Door Skin Repair Panel (7" High) - Lower - RH - 55-59 Chevy GMC Truck ('55 2nd Series)	-
K-CX1349	Front Door Hinge - Upper - LH or RH - 55-59 Chevy GMC Truck ('55 2nd Series)	2
K-CX1350	Door Hinge - Lower - LH or RH (Sold Each) - 55-59 Chevy GMC Truck ('55 2nd Series)	-
K-T14301	Door Hinge Bolt Set - 55-59 Chevy GMC Truck	5
J-9005	Front Door Seal Kit - Pair - 55-59 Chevy GMC C/K Truck	-
G-DK111055	Front Door Seal Kit - Glass Run Channels, Door Weatherstrips, Window Felts - 55-59 Chevy GMC Truck (10 pcs) ('55 2nd Series)	-

TASK FORCE

DOOR COMPONENTS



X540-4047



K-CX1146

X530-4052-P

Part #	Description	Ill #
X530-4052-P	Door Handle Set - Outside - 52-59 Chevy GMC Truck	3
J-9408	Door Handle Gaskets - Set - 52-59 Chevy GMC Truck	-
K-CX1276	Door Latch - LH - 55-59 Chevy GMC Truck ('55 2nd Series)	4
K-CX1275	Door Latch - RH - 55-59 Chevy GMC Truck ('55 2nd Series)	4
X540-4047	Door Handle - Inside - LH or RH - 47-66 Chevy GMC Truck	2
540-4055-L	Door Relay - LH - 55-59 Chevy GMC Truck ('55 2nd Series)	1
540-4055-R	Door Relay - RH - 55-59 Chevy GMC Truck ('55 2nd Series)	1
542-4055-CL	Door Frame Trim - Inner - Chrome - LH - 55-59 Chevy GMC Truck ('55 2nd Series)	-
542-4055-CR	Door Frame Trim - Inner - Chrome - RH - 55-59 Chevy GMC Truck ('55 2nd Series)	-
542-4055-L	Door Frame Trim - Inner - Black - LH - 55-59 Chevy GMC Truck ('55 2nd Series)	-
542-4055-R	Door Frame Trim - Inner - Black - RH - 55-59 Chevy GMC Truck ('55 2nd Series)	-
548-4055-P	Front Door Access Hole Plates - LH/RH Set - 55-59 Chevy GMC Truck ('55 2nd Series)	5
K-CX1146	Outside Round Mirror Head - Chrome - 47-72 Chevy GMC Truck; 67-72 Suburban Blazer Jimmy	6

DOOR GLASS & COMPONENTS

Finally, you can get quality, great fitting glass for your Chevy and GMC truck! This OE quality reproduction glass from Auto Metal Direct is the correct thickness for a better fit.



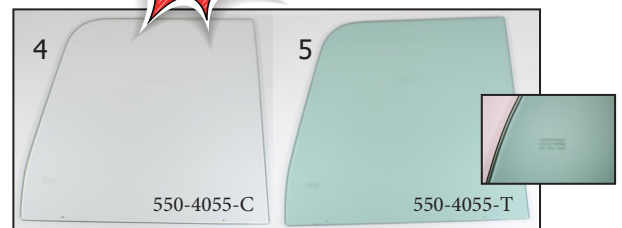
X546-4047



X545-4055-L

2

G-GRB111055



550-4055-C

550-4055-T

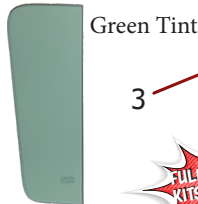
Part #	Description	Ill #
550-4055-C	Door Glass - Clear - LH or RH - 51-55 Chevy GMC Truck ('55 2nd Series)	4
550-4055-T	Door Glass - Green Tint - LH or RH - 51-55 Chevy GMC Truck ('55 2nd Series)	5
550-4055-1L	Door Glass w/ Chrome Frame - Clear - LH - 55-59 Chevy GMC Truck ('55 2nd Series)	-
550-4055-1R	Door Glass w/ Chrome Frame - Clear - RH - 55-59 Chevy GMC Truck ('55 2nd Series)	-
550-4055-2L	Door Glass w/ Primer Frame - Clear - LH - 55-59 Chevy GMC Truck ('55 2nd Series)	-
550-4055-2R	Door Glass w/ Primer Frame - Clear - RH - 55-59 Chevy GMC Truck ('55 2nd Series)	-
G-GRB111055	Front Door Glass Run Channel - LH or RH - 55-63 Chevy GMC Truck ('55 2nd Series) (w/ Metal Framed Glass)	2
X545-4055-L	Door Window Regulator - LH - 55-59 Chevy GMC Truck ('55 1st Series)	1
X545-4055-R	Door Window Regulator - RH - 55-59 Chevy GMC Truck ('55 1st Series)	-
X546-4047	Window Crank Handle - 47-66 Chevy GMC Truck	3

VENT GLASS & COMPONENTS

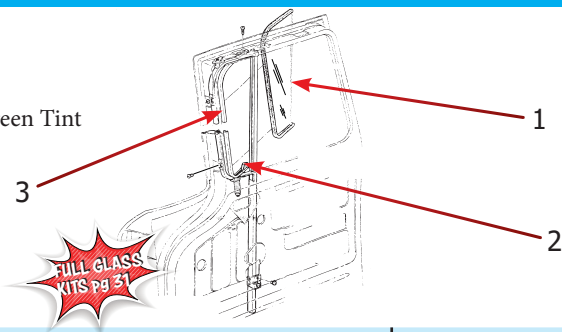
Finally, you can get quality, great fitting glass for your Chevy and GMC truck! This premium reproduction glass from Auto Metal Direct is the correct thickness for a better fit. Fits both LH and RH. Sold individually.



Clear



Green Tint



Part #	Description	Ill #
560-4055-C	Vent Glass - Clear - LH or RH - 55-59 Chevy GMC Truck ('55 2nd Series)	-
560-4055-G	Vent Glass - Gray Tint - LH or RH - 55-59 Chevy GMC Truck ('55 2nd Series)	-
560-4055-T	Vent Glass - Green Tint - LH or RH - 55-59 Chevy GMC Truck ('55 2nd Series)	-
G-VWK111055	Vent Window Weatherstrips - LH / RH Pair - 55-59 Chevy GMC Truck ('55 2nd Series) (4 pcs)	-

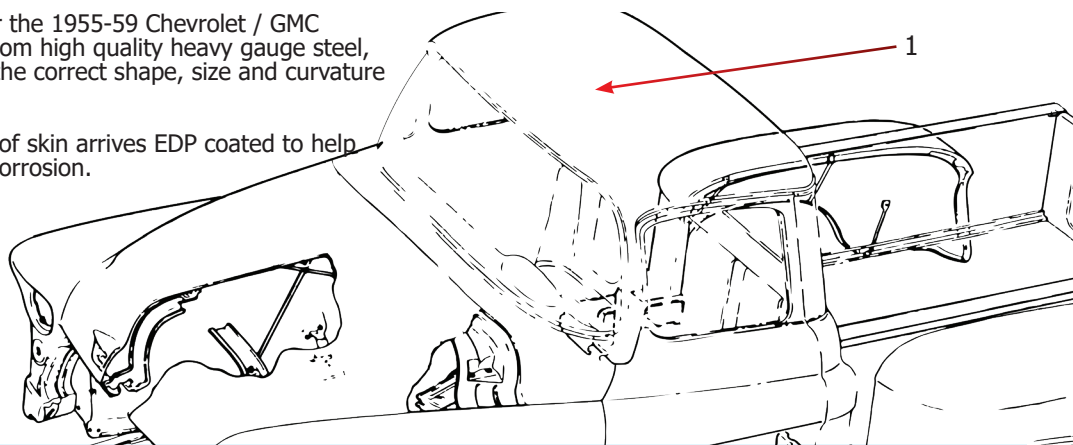
ROOF

Reproduction roof skin for the 1955-59 Chevrolet / GMC Fullsize Truck. Stamped from high quality heavy gauge steel, each roof panel features the correct shape, size and curvature like original.

Like all AMD parts, this roof skin arrives EDP coated to help protect against rust and corrosion.



612-4055



Part #	Description	Ill #
X600-4055	Roof Skin - 55-59 Chevy GMC Truck ('55 2nd Series)	1
612-4055	Dome Lamp Assembly - Cream - 55-59 Chevy GMC Truck ('55 2nd Series)	-
612-4055-1	Dome Lamp Lens - Cream - 55-59 Chevy GMC Truck ('55 2nd Series)	-

BACK GLASS

New from Auto Metal Direct, high quality reproduction back glass for 55-59 GM Trucks. All AMD reproduction glass features the correct shape, contour and thickness as original.



660-4055-1C



660-4055-T



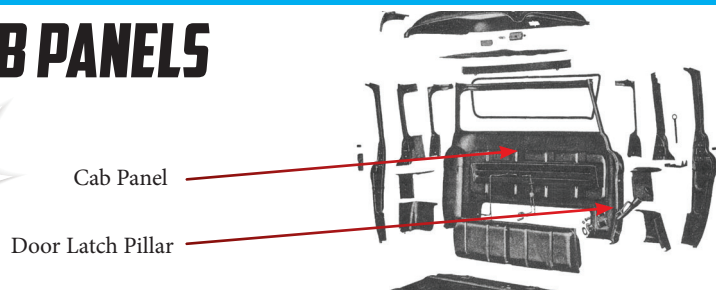
G-WKT4266SCC

Part #	Description	Ill #
660-4055-1C	Back Glass - Clear - 55-59 Chevy GMC Truck w/ Large Back Glass	-
660-4055-1T	Back Glass - Green Tint - 55-59 Chevy GMC Truck w/ Large Back Glass	-
660-4055-C	Back Glass - Clear - 55-59 Chevy GMC Truck w/ Small Back Glass	-
660-4055-T	Back Glass - Green Tint - 55-59 Chevy GMC Truck w/ Small Back Glass	-
G-WKT4266SGM	Rear Center Cab Window Gasket - Black Lockstrip - 47-66 Chevy GMC C/K Pickup (std window)	-
G-WKT4266SC	Rear Center Cab Window Gasket - Chrome Lockstrip - 47-66 Chevy GMC C/K Pickup (std window)	-
G-WKT5561LGM	Rear Cab Window Gasket - Black Lockstrip - 55-66 Chevy GMC C/K Pickup (Large Window)	-
G-WKT5561LC	Rear Cab Window Gasket - Chrome Lockstrip - 55-66 Chevy GMC C/K Pickup (Large Window)	-

TASK FORCE

REAR CAB PANELS

**NEVER
TOO FAR GONE**



#burnadebt

Part #	Description	Ill #
665-4055-1	Rear Outer Cab Panel - 55-59 Chevy GMC Pickup w/ Small Rear Window ('55 2nd Series)	-
665-4055-2	Rear Outer Cab Panel - 55-59 Chevy GMC Pickup w/ Large Rear Window ('55 2nd Series)	-
665-4055-3	Rear Outer Cab Panel - 55-59 Chevy GMC Pickup w/ Large Rear Window and Door Latch Pillars	-
665-4055-4	Rear Inner Cab Panel - 55-59 Chevy GMC Pickup w/ Large Rear Window ('55 2nd Series)	-

BED PANELS

Reproduction OE style bed panels for the 55-59 GM trucks. Stamped from high quality heavy gauge steel, each panel features the correct shape, size, length and holes, like original. Arrives EDP coated to help protect against rust and corrosion.



721-4055-L

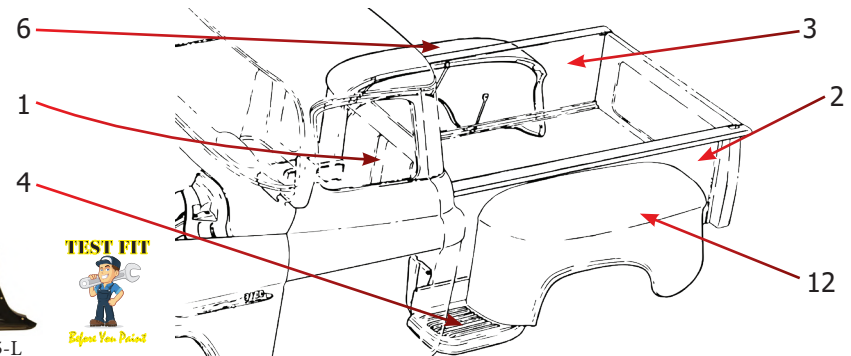


723-4055-L

TEST FIT



Before You Paint



Part #	Description	Ill #
715-4054-1	Front Bed Panel - 54-59 Chevy GMC Truck Stepside	1
715-4058-2	Front Bed Panel - 58-59 Chevy GMC Truck Fleetside	-
721-4055-L	Bedside - OE Style - LH - 55-59 Chevy GMC Truck Short Bed Stepside	2
721-4055-R	Bedside - OE Style - RH - 55-59 Chevy GMC Truck Short Bed Stepside	3
723-4055-L	Bed Step - LH - 55-66 Chevy GMC Short Bed Stepside ('55 2nd Series)	4
723-4055-R	Bed Step - RH - 55-66 Chevy GMC Short Bed Stepside ('55 2nd Series)	-
780-4055-L	Rear Fender - LH - 55-66 Chevy GMC Truck Stepside ('55 2nd Series)	12
780-4055-R	Rear Fender - RH - 55-66 Chevy GMC Truck Stepside ('55 2nd Series)	6
760-4058	Wheelhouse - LH or RH - 58-59 Chevy GMC Truck Fleetside	-

BED CROSS SILLS

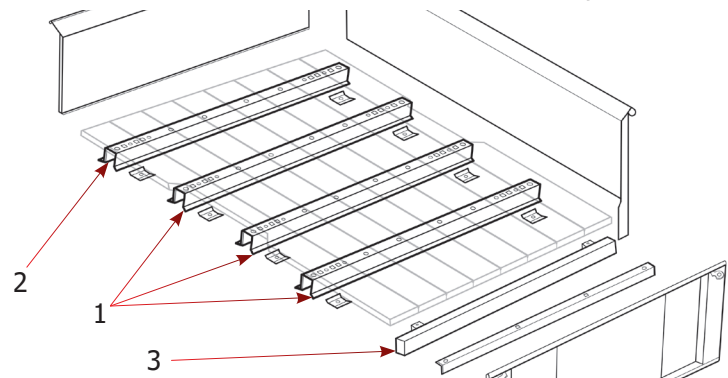
Replacement cross sill for the 55-59 Chevrolet & GMC Stepside Truck's. Short bed models require (3) and long bed models require (4) of this cross sill. Starting at the front bed panel and moving towards the tailgate.



716-4055-3



716-4054-3A



Part #	Description	Ill #
716-4054-2	Cross Sill - No Hole w/ Bracket - 54-87 Chevy GMC C/K Stepside	2
716-4054-3A	Cross Sill - Front / Center - 55-59 Chevy GMC Truck Stepside ('55 2nd Series)	1
716-4055-3	Cross Sill - Rear - 55-59 Chevy GMC Truck 1/2 Ton Stepside ('55 2nd Series)	3

≡ BED STRIPS

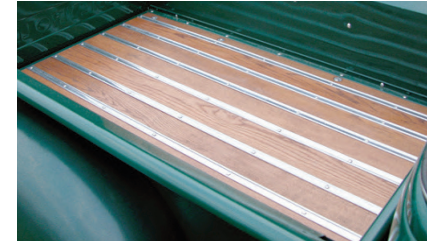


Polished Stainless

New from Auto Metal Direct, bed strip kits for the 55-59 Chevy & GMC Stepside Short or Long Bed trucks. Each strip is stamped from high quality steel and offer in zinc as paintable original or polished stainless.

- Bed Strips are the metal strips that bolt between the bed boards in the pickup bed flooring

- Angle Strips are similar to the bed boards except that they fit in the corners of the bed floor along the bed side panels



Zinc = Paintable like the OEM bed strips

Part #	Description	Ill #
792-4047-6P	Bed Wear Strip (77" w/ out holes) - Polished SS - Trim to Fit (sold each) - 47-87 Chevy GMC Truck Stepside Shortbed w/ wood floor	-
792-4047-6Z	Bed Wear Strip (77" w/ out holes) - Zinc - Trim to Fit (sold each) - 47-87 Chevy GMC Shortbed Stepside w/ wood floor	-
792-4047-8Z	Bed Wear Strip (97" w/ out holes) - Zinc - Trim to Fit (sold each) - 47-87 Chevy GMC Stepside Longbed w/ wood floor	-
792-4047-8P	Bed Wear Strip (97" w/ out holes) - Polished SS - Trim to Fit (sold each) - 47-87 Chevy GMC Stepside Longbed w/ wood floor	-
792-4054-6PS	Bed Strip Kit - Polished SS (7 Piece) - 54-59 Chevy GMC Shortbed Stepside w/ wood floor	-
792-4054-6ZS	Bed Strip Kit - Zinc (7 Piece) - 54-59 Chevy GMC Shortbed Stepside w/ wood floor	-
792-4055-8PS	Bed Strip Kit - Polished SS (7 Piece) - 55-57 Chevy GMC Longbed Stepside w/ wood floor ('55 2nd Series)	-
792-4055-8ZS	Bed Strip Kit - Zinc (7 Piece) - 55-57 Chevy GMC Longbed Stepside w/ wood floor ('55 2nd Series)	-
792-4057-8PS	Bed Strip Kit - Polished SS (7 Piece) - 57-59 Chevy GMC Longbed Stepside w/ wood floor ('55 2nd Series)	-
792-4057-8ZS	Bed Strip Kit -Zinc (7 Piece) - 57-59 Chevy GMC Longbed Stepside w/ wood floor ('55 2nd Series)	-
792-4058-16PS	Bed Strip Kit - Polished SS (15 Piece) - 58-59 Chevy GMC Shortbed Fleetside w/ wood floor	-
792-4058-16ZS	Bed Strip Kit - Zinc (15 Piece) - 58-59 Chevy GMC Shortbed Fleetside w/ wood floor	-
792-4058-18PS	Bed Strip Kit - Polished SS (15 Piece) - 58-59 Chevy GMC Longbed Fleetside w/ wood floor	-
792-4058-18ZS	Bed Strip Kit - Zinc (15 Piece) - 58-59 Chevy GMC Longbed Fleetside w/ wood floor	-
793-4047-26PP	Angle Strip Cover - Polished SS - Sold Each - 47-87 Chevy GMC Shortbed Stepside w/ wood floor	-
793-4047-26ZP	Angle Strip Cover - Zinc - Sold Each - 47-87 Chevy GMC Shortbed Stepside w/ wood floor	-
793-4047-28PP	Angle Strip Cover - Polished SS - Sold Each - 47-87 Chevy GMC Longbed Stepside w/ wood floor	-
793-4047-28ZP	Angle Strip Cover - Zinc - Sold Each - 47-87 Chevy GMC Longbed Stepside w/ wood floor	-
793-4054-6PP	Angle Strip Covers - Polished SS - 2 Piece Set - 54-59 Chevy GMC Shortbed Stepside w/ wood floor	-
793-4054-6ZP	Angle Strip Covers - Zinc - 2 Piece Set - 54-59 Chevy GMC Shortbed Stepside w/ wood floor	-
793-4055-8PP	Angle Strip Covers - Polished SS - 2 Piece Set - 55-57 Chevy GMC Longbed Stepside w/ wood floor ('55 2nd Series)	-
793-4055-8ZP	Angle Strip Covers - Zinc - 2 Piece Set - 55-57 Chevy GMC Longbed Stepside w/ wood floor ('55 2nd Series)	-
793-4057-8PP	Angle Strip Covers - Polished SS - 2 Piece Set - 57-79 Chevy GMC Longbed Stepside w/ wood floor	-
793-4057-8ZP	Angle Strip Covers - Zinc - 2 Piece Set - 57-59 Chevy GMC Longbed Stepside w/ wood floor	-

TASK FORCE

TAILGATES



Stamped from high quality OE gauge steel on new tools, each tailgate features the correct shape, size, curvature and body lines, like original. EDP coated to help protect against rust and corrosion.



925-4054-1



925-4054-2



925-4058



925-4954



925-4958

Part #	Description	Ill #
925-4054-1	Tailgate - Plain - 54-87 Chevy GMC Truck Stepside	1
925-4054-2	Tailgate - "Chevrolet" - 54-87 Chevy GMC Truck Stepside	4
925-4954	Tailgate - "GMC" Letters - 54-87 GMC Truck Stepside (63-87 "GMC" script lettering)	2
925-4058	Tailgate - Plain - 58-66 Chevy GMC Truck Fleetside	5
925-4058-2	Tailgate - "Chevrolet" - 58-66 Chevy Truck Fleetside	-
925-4958	Tailgate - "GMC" Letters - 58-66 GMC Fleetside	3

REAR LIGHTING

Replace your faded lenses with new lenses. Our lenses are molded with UV stabilized acrylic to prevent color fade. Not everyone can say that about their lenses. Plus these lenses are licensed by General Motors!



T-A9050



T-A9065



T-A9150

Part #	Description	Ill #
T-A9065	Tail Lamp Lenses - LH/RH Pair - 55-58 Chevy Cameo Carrier GMC Suburban Pickups ('55 2nd Series)	-
T-A9150	Taillight Lens - LH or RH (Sold Each) - 55-59 Chevy GMC Stepside Truck ('55 2nd Series)	-
T-A9050	Taillight Lens - LH or RH (Sold Each) - 47-56 Chevy GMC Panel Truck	-

FUEL TANK

Accurately stamped reproductions with correct original light galvanized finish.

- Meets OE Specifications
- Pressure tested for a leak free tank
- Corrosion resistant steel construction



Part #	Description	Ill #
X880-4055-P	Gas Tank Strap Set - 55-59 Chevy GMC Truck ('55 2nd Series)	-
881-4054-5	Gas Tank Sending Unit - 49-59 Chevy GMC Pickup	-
890-4055-N	Gas Tank - 55-59 Chevy GMC Pickup ('55 2nd Series)	-



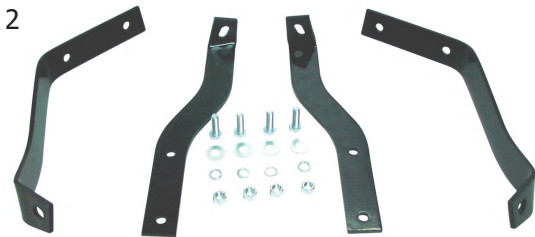
REAR BUMPER

ALL BUMPERS ARE COVERED BY A 5 YEAR LIMITED RUST-THROUGH WARRANTY!

AMD Bumpers are made from heavy gauge steel and feature OE quality chrome finish. Installation is fast and easy as all parts are designed to be a direct bolt-on utilizing OE bumper brackets and hardware. Our bumpers are manufactured on our state of the art chrome production line.



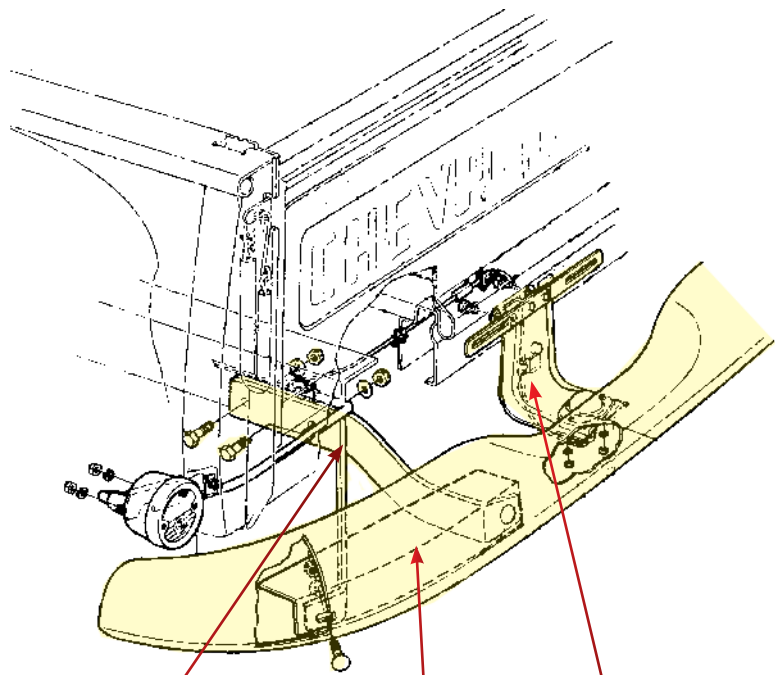
990-4055-1



970-4055-S



X945-4054



2 1 3

TEST FIT



Before You Paint

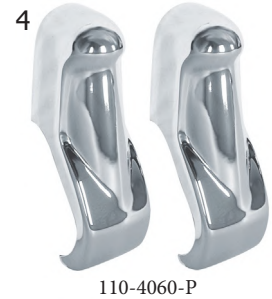
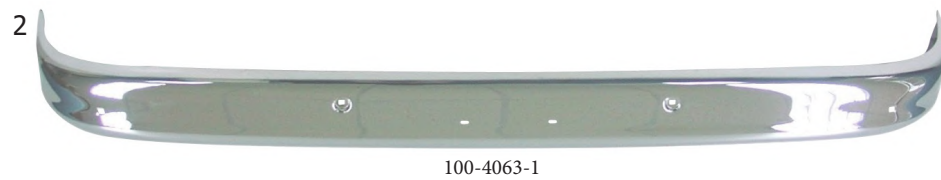
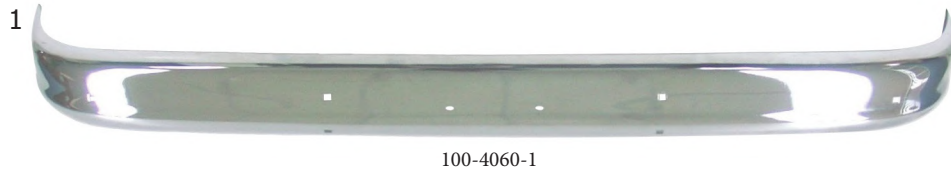


Part #	Description	Ill #
990-4055-1	Rear Bumper - Chrome - 55-59 Chevy GMC Stepside Pickup ('55 2nd Series)	1
990-4055-1P	Rear Bumper - Primer - 55-59 Chevy GMC Stepside Pickup ('55 2nd Series)	1
990-4058	Rear Bumper - Chrome - 58-59 Chevy GMC Fleetside Pickup	-
990-4058-P	Rear Bumper - Primer - 58-59 Chevy GMC Fleetside Pickup	-
100-4055-1	Rear Bumper - Chrome - 55-59 Chevy GMC Suburban Panel	-
100-4055-1P	Rear Bumper - Paintable - 55-59 Chevy GMC Suburban Panel	-
970-4055-S	Rear Bumper Bracket Set - 55-59 Chevy GMC Stepside Pickup ('55 2nd Design); 60-62 Chevy GMC 4WD Stepside Pickup	2
X945-4054	Rear License Plate Bracket w/ Lamp - 54-59 Chevy GMC Truck	3

1960-1966 GM TRUCKS

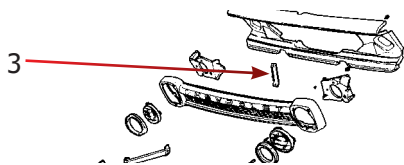
FRONT BUMPER **ALL BUMPERS ARE COVERED BY A 5 YEAR LIMITED RUST-THROUGH WARRANTY!**


AMD Bumpers are made from heavy gauge steel and feature OE quality chrome finish. Installation is fast and easy as all parts are designed to be a direct bolt-on utilizing OE bumper brackets and hardware. Our bumpers are manufactured on our state of the art chrome production line.



Part #	Description	Ill #
100-4060-1	Front Bumper - Chrome - 60-62 Chevy GMC C/K Truck	1
100-4060-1P	Front Bumper - Paintable - 60-62 Chevy GMC C/K Truck	-
100-4063-1	Front Bumper - Chrome - 63-66 Chevy GMC C/K Truck	2
100-4063-1P	Front Bumper - Paintable - 63-66 Chevy GMC C/K Truck	-
105-4060-L	Front Bumper Bracket - LH - 60-66 Chevy GMC Truck 2WD	3
105-4060-R	Front Bumper Bracket - RH - 60-66 Chevy GMC Truck 2WD	-
105-4060-S	Front Bumper Bracket Set - 60-66 Chevy GMC Truck (2WD)	-
X110-4060-P	Front Bumper Guards - Pair - Chrome - 60-62 Chevy GMC C/K Truck *Fits OE Bumpers Only*	4
X110-4063-P	Front Bumper Guards - Pair - Chrome - 63-66 Chevy GMC C/K Truck *Fits OE Bumpers Only*	5

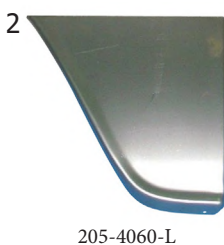
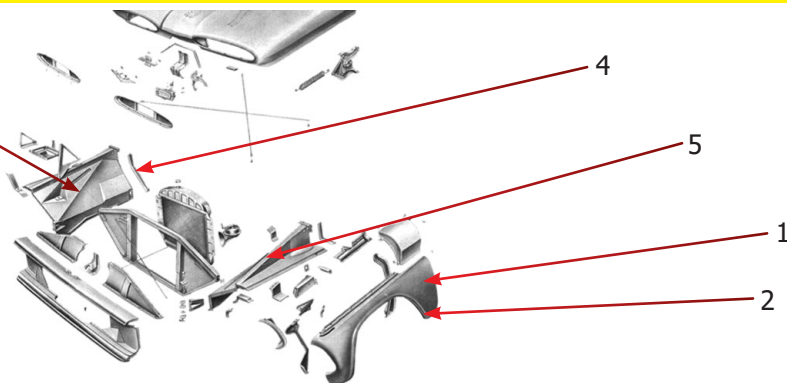
GRILLE & COMPONENTS



Part #	Description	Ill #
K-T70465	Grille Assembly - Chrome w/o "CHEVROLET" Letters - 64-66 Chevy C/K Truck	2
K-CX1244	Grille Assembly - Chrome w/ "CHEVROLET" Letters - 64-66 Chevy C/K Truck 	1
K-T70826	Center Grille Brace - 64-66 Chevy C/K Truck	3

FRONT FENDER

New reproduction front fenders and panels for the 1960-1966 GM Fullsize Pickup's. Each fender is manufactured using high quality, heavy gauge steel. These fenders arrive in a black EDP Coat finish and will require standard prep work prior to paint.



TEST FIT



Before You Paint



T-9105

T-9225



T-9150

T-9350



T-9275



T-9325

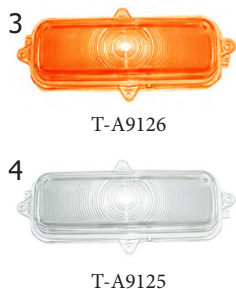
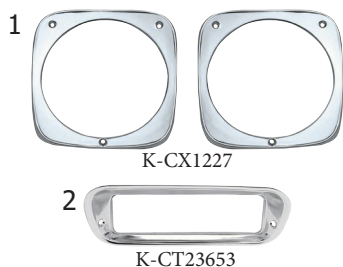






T-9375

Part #	Description	Ill #
200-4060-L	Front Fender - LH - 60-66 Chevy GMC C/K Truck	1
200-4060-R	Front Fender - RH - 60-66 Chevy GMC C/K Truck	-
205-4060-L	Lower Rear Fender Repair Panel (15" High) - LH - 60-66 Chevy GMC C/K Truck	2
205-4060-R	Lower Rear Fender Repair Panel (15" High) - RH - 60-66 Chevy GMC C/K Truck	-
206-4060-L	Front Fender Lower Rear Mounting Plate - LH - 60-66 Chevy GMC C/K Truck	3
206-4060-R	Front Fender Lower Rear Mounting Plate - RH - 60-66 Chevy GMC C/K Truck	-
220-4060-L	Front Fender Rear Vertical Inner Brace - LH - 60-66 Chevy GMC C/K Truck	7
220-4060-R	Front Fender Rear Vertical Inner Brace - RH - 60-66 Chevy GMC C/K Truck	4
250-4060-L	Inner Fender - LH - 60-66 Chevy GMC C/K Truck	5, 8
250-4060-R	Inner Fender - RH - 60-66 Chevy GMC C/K Truck	6
298-4562-1	Molding Clip - Upper - Fender / Cab Corner - 62-66 Chevy GMC Pickup Fleetside (use 6 on fender and 2 on cab corner) (w/ nut)	-
361-4060-1	60-66 Chevrolet, GMC Pickup Truck, Stepside C&K 10-30 Front fenders to cab seal	-
T-9105	Front Fender Emblems - "Chevrolet Apache 10" - LH/RH Pair - 60 Chevy C/K Truck	-
T-9150	Front Fender Emblems - "Apache 10" - LH/RH Pair - 61 Chevy C/K Truck	-
T-9225	Front Fender Emblems - "10" - LH/RH Pair - 62 Chevy C/K Truck	-
T-9275	Front Fender Emblems - "10" - LH/RH Pair - 63 Chevy C/K Truck	-
T-9325	Front Fender Emblems - "10" - LH/RH Pair - 64 Chevy C/K Truck	-
T-9350	Front Fender Emblems - "10" - LH/RH Pair - 65 Chevy C/K Truck	-
T-9375	Front Fender Emblems - "10" - LH/RH Pair - 66 Chevy C/K Truck	-

C/K TRUCKS

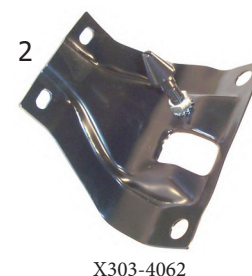
FRONT LIGHTING



Part #	Description	Ill #
133-4060	Park Lamp Housing - LH or RH - 60-66 Chevy C/K Truck	7
134-4060-P	Park Lamp Lens Gaskets - Pair - 60-66 Chevrolet GMC C/K Truck	-
T-A9125	Parking Lamp Lens - Clear - LH or RH (Sold Each) - 60-62 Chevy C/K Truck 	4
T-A9126	Parking Lamp Lens - Amber - LH or RH (Sold Each) - 63-66 Chevy C/K Truck 	3
T-A9832	Parking Lamp Lenses - Amber - LH/RH Pair - 63-66 GMC C/K Truck 	5
T-A9834	Parking Lamp Lenses - Clear - LH/RH Pair - 62 GMC C/K Truck 	6
K-CT23653	Parking Lamp Bezel - LH or RH - 62-66 Chevy C/K Truck	2
W-L0015	Headlamp Adjusting Kit (10pcs) - 62-68 Chevy C/K Truck	-
K-CX1227	Headlamp Bezels - LH/RH Pair - 64-66 Chevy Truck	1

HOOD

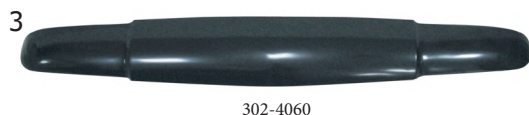
Stamped from high quality heavy gauge steel on new tooling, each hood features the correct shape, size, body lines, holes and braces, like original. Hoods arrived EDP coated to help protect against rust and corrosion.



TEST FIT



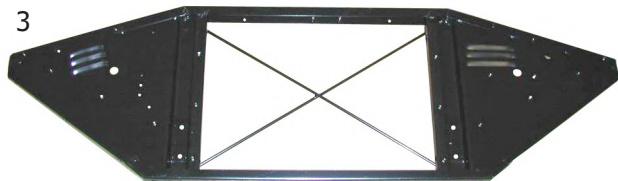
Before You Paint



Part #	Description	Ill #
300-4062	Hood - OE Style - 62-66 Chevy GMC C/K Truck	1
302-4060	Hood Patch Panel - Upper - 62-66 Chevy GMC Truck	3
302-4060-1	Hood Patch Panel - Lower - 62-66 Chevy Truck	4
X303-4062	Hood Latch Support - 62-66 Chevy GMC Truck	2
305-4060-1S	Hood Bumper Kit - 4 pcs - 60-61 Chevrolet GMC C/K Truck	-
305-4060-S	Hood Bumper - Front - 60-66 Chevrolet GMC C/K Truck Stepside	-
305-4062-1S	Hood Bumper Kit - 10 pcs - 62-66 Chevrolet GMC Truck	-
X310-4060-P	Hood Hinges - Pair - 60-66 Chevy GMC C/K Truck	5

ENGINE BAY

Give your battery a new home with an AMD battery tray. Our battery trays are manufactured from thick, quality steel and feature all the bends, contours, holes, etc. of the originals. Each tray has a black EDP coating to resist corrosion--so they're built to last.



350-4060



340-4060



X341-4058-SS



X341-4058

Part #	Description	Ill #
340-4060	Battery Tray Assembly - 60-66 Chevy GMC C/K Truck	4
X341-4058	Battery Hold Down - Black - 58-66 Chevy GMC Truck	2
X341-4058-SS	Battery Hold Down - Stainless- 58-66 Chevy GMC Truck	1
350-4060	Radiator Support (w/ 'X'-brace) - 60-66 Chevy GMC C/K Truck	3
J-BATTERYMAT1	Universal Battery Mat - 8" x 12" (Traps & Neutralizes Battery Acid)	-

COWL & PILLAR

TEST FIT



Before You Paint



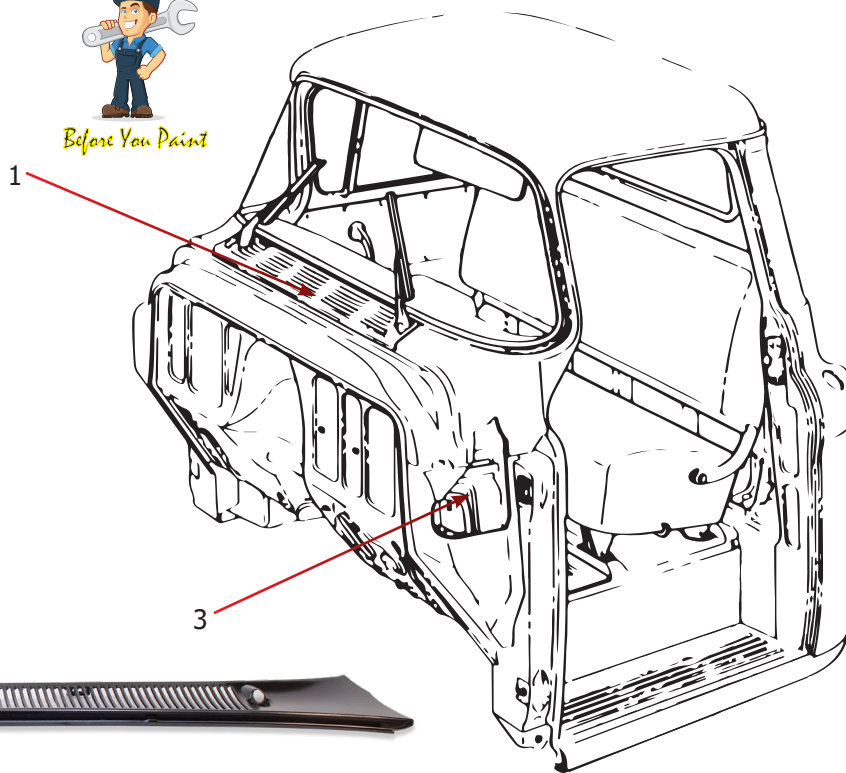
G-CS111060



376-4060-L




376-4060-1L

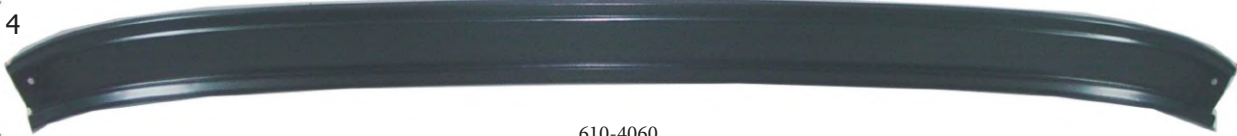
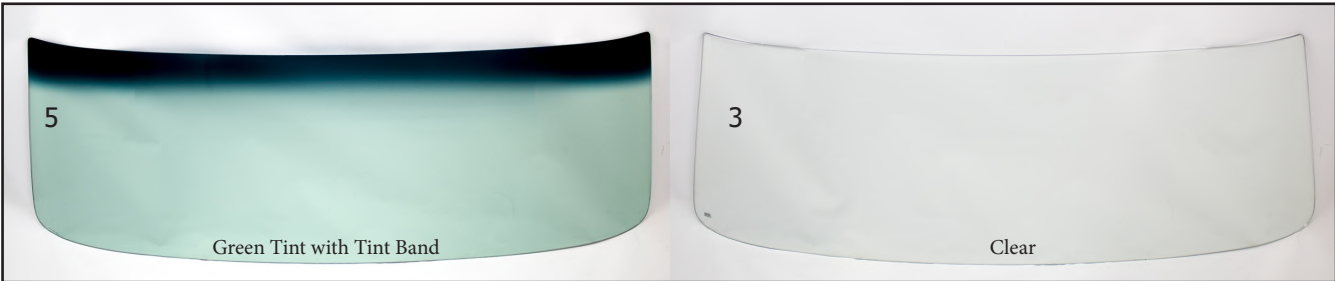
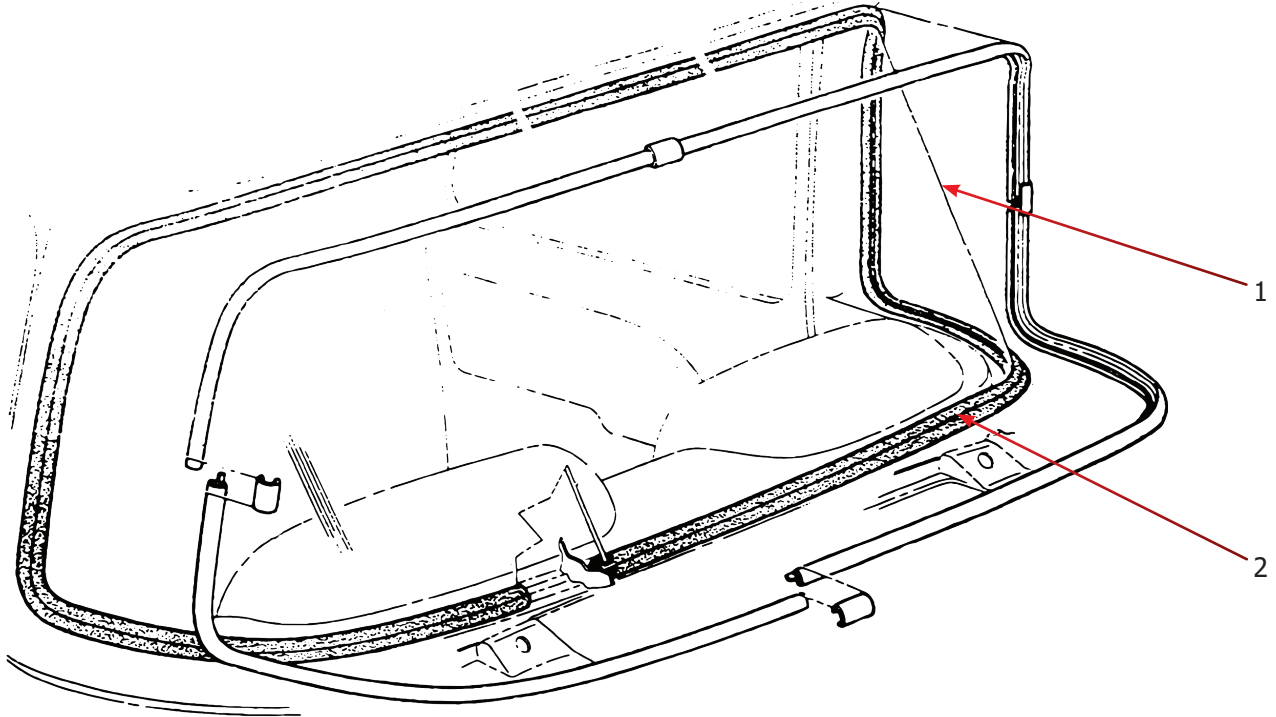


371-4060-1

Part #	Description	Ill #
371-4060-1	Upper Outer Cowl Panel - 60-66 Chevy GMC C/K Truck	1
G-CS111060	Hood to Cowl Seal - 60-66 Chevy GMC C/K Truck	5
376-4060-1L	Cowl Plenum Side Repair Panel (9 1/2" High) - Lower - LH - 60-66 Chevy GMC C/K Truck	3
376-4060-1R	Cowl Plenum Side Repair Panel (9 1/2" High) - Lower - RH - 60-66 Chevy GMC C/K Truck	-
376-4060-L	Lower Hinge Pillar Repair Panel (12" High) - LH - 60-66 Chevy GMC C/K Truck	4
376-4060-R	Lower Hinge Pillar Repair Panel (12" High) - RH - 60-66 Chevy GMC C/K Truck	-

C/K TRUCKS


WINDSHIELD Finally, you can get quality, great-fitting glass for your 60-66 GM Truck! This premium reproduction glass from Auto Metal Direct has the correct thickness and fit. (Glass is not date coded)



610-4060

Part #	Description	Ill #
380-4060-C	Windshield - Clear - 60-63 Chevy GMC C/K Truck	1, 3
380-4060-T	Windshield - Green Tint - 60-63 Chevy GMC C/K Truck	1
380-4064-C	Windshield - Clear - 64-66 Chevy GMC C/K Truck	1, 3
380-4064-T	Windshield w/ Tint Band - Green Tint - 64-66 Chevy GMC C/K Truck	1, 5
380-4064-TB	Windshield - Green Tint - 64-66 Chevy GMC C/K Truck	1
G-WBL587GM	Windshield Gasket - w/o Trim Groove - 60-63 Chevy GMC C/K Truck	2
G-WCR587DGM	Windshield Gasket - w/ Trim Groove - 60-63 Chevy GMC C/K Truck	2
G-WBL653	Windshield Gasket - w/o Trim Groove - 64-66 Chevy GMC C/K Truck	2
G-WCR653GM	Windshield Gasket - w/ Trim Groove - 64-66 Chevy GMC C/K Truck	2
610-4060	Outer Windshield Header Panel - 60-66 Chevy GMC C/K Truck	4
382-4064-1	Windshield Washer Pump - 64-72 Chevy GMC C/K Truck	-

CAB FLOOR

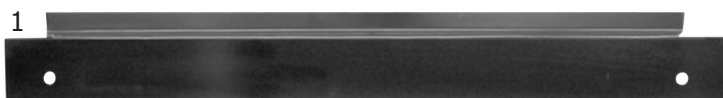


Part #	Description	Ill #
402-4060-L	Footwell (Kick Panel) - LH - 60-66 Chevy GMC C/K Truck	1
402-4060-R	Footwell (Kick Panel) - RH - 60-66 Chevy GMC C/K Truck	-
405-4060-1L	Front Cab Floor Repair Panel (26"Lx25"Wx6"H) - Universal Patch - LH - 60-66 Chevy GMC C/K Truck	2
405-4060-1R	Front Cab Floor Repair Panel (26"Lx25"Wx6"H) - Universal Patch - RH - 60-66 Chevy GMC C/K Truck	-
405-4060-L	Front Cab Floor Repair Panel (27"Lx26"Wx6"H) - OE Style - LH - 60-62 Chevy GMC C/K Truck	3
405-4060-R	Front Cab Floor Repair Panel (27"Lx26"Wx6"H) - OE Style - RH - 60-62 Chevy GMC C/K Truck	-
405-4063-L	Front Cab Floor Repair Panel (27"Lx26"Wx6"H) - OE Style - LH - 63-66 Chevy GMC C/K Truck	-
405-4063-R	Front Cab Floor Repair Panel (27"Lx26"Wx6"H) - OE Style - RH - 63-66 Chevy GMC C/K Truck	-
406-4060-1L	Cab Floor Patch (28"Lx9"Wx4"H) - Outer Rear - LH - 60-66 Chevy GMC C/K Truck	4
406-4060-1R	Cab Floor Patch (28"Lx9"Wx4"H) - Outer Rear - RH - 60-66 Chevy GMC C/K Truck	-
406-4060-L	Outer Cab Floor Patch (49"Lx8"Wx4"H) - Extended - LH - 60-66 Chevy GMC C/K Truck	5
406-4060-R	Outer Cab Floor Patch (49"Lx8"Wx4"H) - Extended - RH - 60-66 Chevy GMC C/K Truck	-
425-4060-1L	Cab Support - Rear - OE Style - LH - 60-72 Chevy GMC C/K Truck	-
425-4060-1R	Cab Support - Rear - OE Style - RH - 60-72 Chevy GMC C/K Truck	-
425-4060-2	Cab Support - Front - OE Style - LH or RH - 60-66 Chevy GMC C/K Truck	-
425-4060-2L	Cab Support - Rear Slip-On - LH - 60-72 Chevy GMC C/K Truck	-
425-4060-2R	Cab Support - Rear Slip-On - RH - 60-72 Chevy GMC C/K Truck	-
425-4060-L	Cab Floor Brace - LH - 60-66 Chevy GMC C/K Truck	-
425-4060-R	Cab Floor Brace - RH - 60-66 Chevy GMC C/K Truck	-
425-4060-S	Cab Support - Front - Slip-On - LH or RH - 60-72 Chevy GMC C/K Truck	-
J-0180	Rubber Hole Plug - Universal - 3/8 inch, used on floor, firewall & trunk	-
J-0181	Rubber Hole Plug - Universal - 1/2 inch, used on floor, firewall & trunk	-
J-0182	Rubber Hole Plug - Universal - 5/8 inch, used on floor, firewall & trunk	-
J-0183	Rubber Hole Plug - Universal - 3/4 inch, used on floor, firewall & trunk	-
J-0184	Rubber Hole Plug - Universal - 7/8 inch, used on floor, firewall & trunk	-
J-0185	Rubber Hole Plug - Universal - 1 inch, used on floor, firewall & trunk	-
J-0186	Rubber Hole Plug - Universal - 1 1/4 inch, used on floor, firewall & trunk	-
427-4060-S	Frame Mount Kit - Front & Rear - 60-66 Chevy GMC C/K Truck	-

C/K TRUCKS

ROCKER PANEL

Often severely rusted, our outer rocker panels are complete OE style and include all the shapes and contours of the originals. Provisions are made for attachment to adjoining parts where applicable.



440-4060



445-4060-L



450-4060-L

Part #	Description	Ill #
440-4060	Inner Rocker Panel (44"Lx5"H) - LH or RH - 60-72 Chevy GMC C/K Truck	3
445-4060	Door Sill Plate - No Logo - Chrome - LH or RH - 60-66 Chevy GMC C/K Truck	1
450-4060-L	Outer Rocker Panel - LH - 60-66 Chevy GMC C/K Truck	3
450-4060-R	Outer Rocker Panel - RH - 60-66 Chevy GMC C/K Truck	-

INTERIOR & DASH



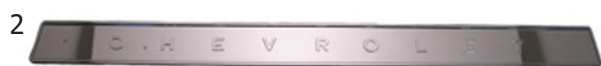
T-9330



460-4064



466-4060



T-9340A



466-4064



T-9340



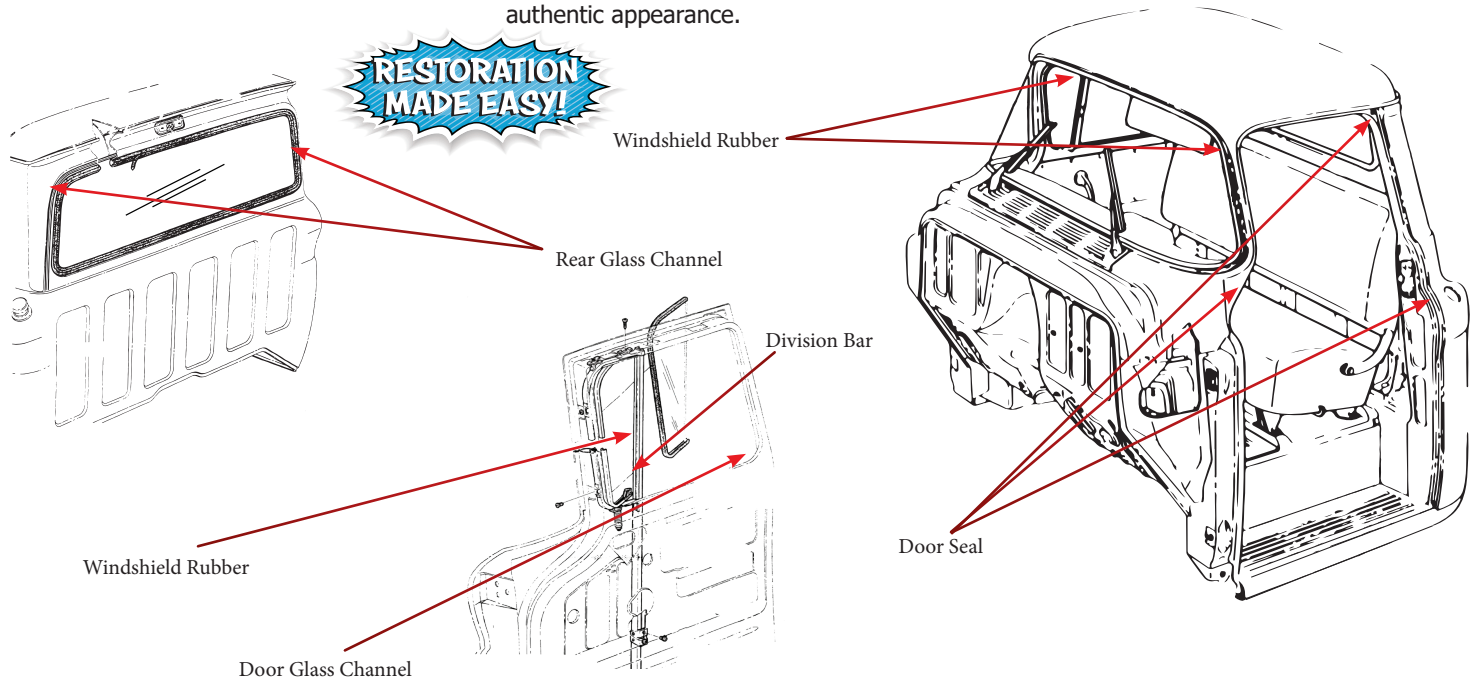
T-9579

Part #	Description	Ill #
453-4064	Lighter Assembly - 64-66 Chevy GMC Truck	-
458-4063-1	Turn Signal Lever & Knob - 63-66 Chevy GMC C/K Truck	-
458-4064-2	Turn Signal Cancelling Cam - w/o Tilt - 64-66 Chevy GMC C/K Truck	-
T-9579	Temperature Control Knobs - 60-74 Chevy / GMC Truck - Chrome (Set of 4)	5
T-9330	Air Conditioning Control Bezel Set - 63-66 Chevy C/K Truck	1
460-4064	Heater Control Block Out Plate - 64-66 Chevy C/K Truck	4
461-4064	Glove Box Door - Black - 64-66 Chevy C/K Truck	-
461-4064-1	Glove Box Door Hinge - 64-66 Chevy C/K Truck	-
461-4064-2	Glove Box Door Emblem - "Chevrolet" - 64-66 Chevrolet C/K Truck	-
461-4064-C	Glove Box Door - Chrome - 64-66 Chevy C/K Truck	-
466-4060	Radio Dash Panel - 60-63 Chevy Truck	6
466-4064	Radio Dash Panel - 64-66 Chevy Truck	7
T-9340	Glove Box Door Emblem - 64-66 - "Chevrolet"	3
T-9340A	Glove Box Door Emblem - Chrome - 64-66 - "Chevrolet"	2

WEATHERSTRIPPING

Protect your vehicle's interior from the outside elements and reduce noise level while driving simply by replacing your dried-out or cracked door weatherstrip with a proven product that's accepted in the industry. Made from the OEM specs to install and fit for an authentic appearance.

RESTORATION MADE EASY!

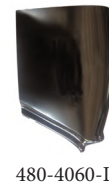
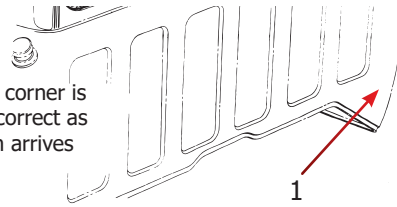


Part #	Description	Ill #
G-DK111060	Front Door Seal Kit - Glass Run Channels, Door Weatherstrips, Window Felts - 60-63 Chevy GMC C/K Truck (10 pcs) w/ Metal Framed Glass	-
G-DK111160	Front Door Seal Kit - Glass Run Channels, Door Weatherstrips, Window Felts - 60-63 Chevy GMC C/K Truck (10 pcs) w/o Metal Framed Glass	-
G-DK111064	Front Door Seal Kit - Glass Run Channels, Door Weatherstrips, Window Felts - 64-66 Chevy GMC C/K Truck (10 pcs)	-
G-WFK111160A	Front Door Window Felt Kit Inner & Outer - 60-63 Chevy GMC C/K Truck (4 pcs)	-
G-WFK111164A	Front Door Window Felt Kit Inner & Outer - 64-66 Chevy GMC C/K Truck (4 pcs)	-
G-CWK111160	Weatherstrip Kit, Full, w/o Reveal Trim Groove, w/ Metal Framed Glass - 60-63 Chevy / GMC C/K Pickup (9 pcs)	-
G-CWK111060	Weatherstrip Kit, Full, w/ Reveal Trim Groove, w/ Metal Framed Glass - 60-63 Chevy / GMC C/K Pickup (9 pcs)	-
G-CWK111360	Weatherstrip Kit, Full, w/o Reveal Trim Groove, w/o Metal Framed Glass - 60-63 Chevy / GMC C/K Pickup (12 pcs)	-
G-CWK111260	Weatherstrip Kit, Full, w/ Reveal Trim Groove, w/o Metal Framed Glass - 60-63 Chevy / GMC C/K Pickup (12 pcs)	-
G-CWK111164	Weatherstrip Kit, Full, w/o Reveal Trim Groove - 64-66 Chevy / GMC C/K Pickup (8 pcs)	-
G-CWK111064	Weatherstrip Kit, Full, w/ Reveal Trim Groove - 64-66 Chevy / GMC C/K Pickup (8 pcs)	-
J-3M08008	3M Black Weatherstrip Adhesive	-

C/K TRUCKS

≡ CAB CORNERS

Reproduction cab corner for the 60-66 GM trucks. Each cab corner is stamped from high quality heavy gauge steel and features correct as original bends and body lines. Like all AMD panels, this item arrives EDP coated to help protect against rust and corrosion.



Part #	Description	Ill #
480-4060-L	Cab Corner (10" High) - LH - 60-66 Chevy GMC C/K Pickup	-
480-4060-R	Cab Corner (10" High) - RH - 60-66 Chevy GMC C/K Pickup	1

≡ DOORS & COMPONENTS



510-4060-L



G-DWP111060



G-DWP111160

516-4060



G-DWP111360



515-4064-L



515-4060-L



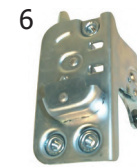
516-4060



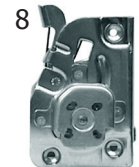
751-4060-L



K-CX1292



535-4060-L

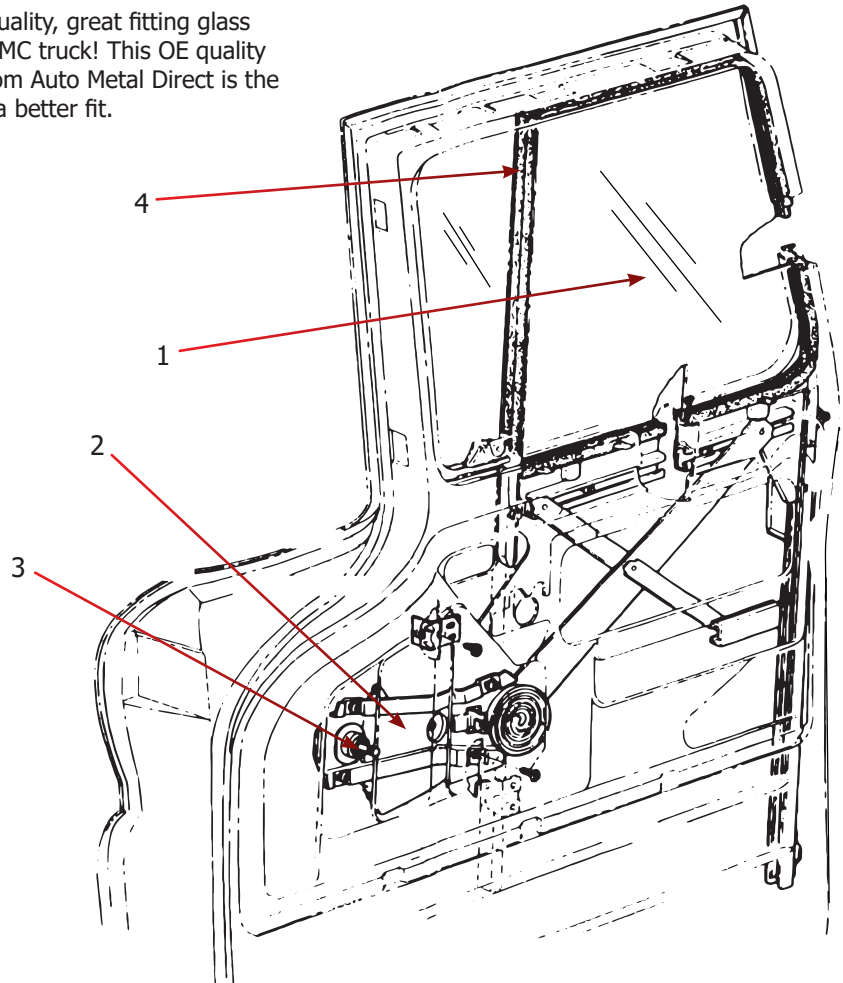
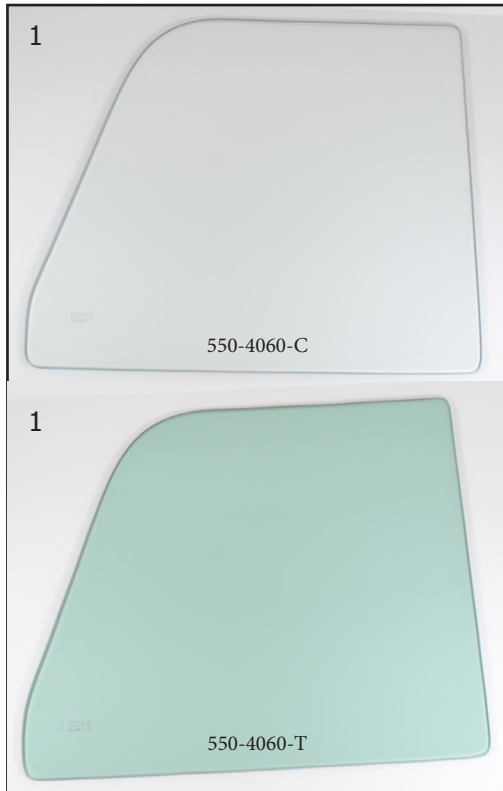


535-4064-L

Part #	Description	Ill #
510-4060-L	Front Door Skin - Outer Complete - LH - 64-66 Chevy GMC C/K Truck (can fit '60-63 if inner belt weatherstrip rail is re-used from original Front Door)	1
510-4060-R	Front Door Skin - Outer Complete - RH - 64-66 Chevy GMC C/K Truck (can fit '60-63 if inner belt weatherstrip rail is re-used from original Front Door)	-
515-4060-L	Inner Front Door Bottom Repair Panel (8" High) - LH - 60-63 Chevy GMC C/K Truck	3
515-4060-R	Inner Front Door Bottom Repair Panel (8" High) - RH - 60-63 Chevy GMC C/K Truck	-
515-4064-L	Inner Front Door Bottom Repair Panel (7" High) - LH - 64-66 Chevy GMC C/K Truck	2
515-4064-R	Inner Front Door Bottom Repair Panel (7" High) - RH - 64-66 Chevy GMC C/K Truck	-
751-4060-L	Rear Lower Door Pillar - LH - 60-66 Chevy GMC Truck	5
751-4060-R	Rear Lower Door Pillar - RH - 60-66 Chevy GMC Truck	-
516-4060	Outer Front Door Skin Repair Panel (11" High) - Lower - LH or RH - 60-66 Chevy GMC C/K Truck	4
520-4060-LS	Door Hinge - Upper or Lower - LH - 60-66 Chevy GMC Truck	-
520-4060-RS	Door Hinge - Upper or Lower - RH - 60-66 Chevy GMC Truck	-
K-CX1292	Door Handles - Outside - LH/RH Pair - 60-66 Chevy GMC Truck	7
531-4060-S	Door Handle & Lock Gaskets - Set - 60-66 Chevrolet GMC C/K Truck	-
X535-4060-L	Door Latch - LH - 60-63 Chevy GMC Truck	6
X535-4060-R	Door Latch - RH - 60-63 Chevy GMC Truck	-
X535-4064-L	Door Latch - LH - 64-66 Chevy GMC Truck	8
X535-4064-R	Door Latch - RH - 64-66 Chevy GMC Truck	-
K-CX1146	Outside Round Mirror Head - Chrome - 47-72 Chevy GMC Truck; 67-72 Suburban Blazer Jimmy	6
G-DWP111060	Front Door Seals - Pair - 60-66 Chevy GMC C/K Truck (glues on to body)	-
G-DWP111160	Front Door Seals - Pair - 60-61 Chevy GMC C/K Truck (Upper - on body)	-
G-DWP111360	Front Door Seals - Pair - 60-66 Chevy GMC C/K Truck (attaches to pinchweld - glue-on style)	-

DOOR GLASS

Finally, you can get quality, great fitting glass for your Chevy and GMC truck! This OE quality reproduction glass from Auto Metal Direct is the correct thickness for a better fit.



X545-4060-L



X545-4064-L



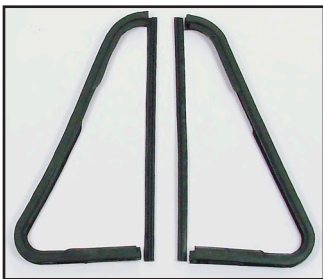
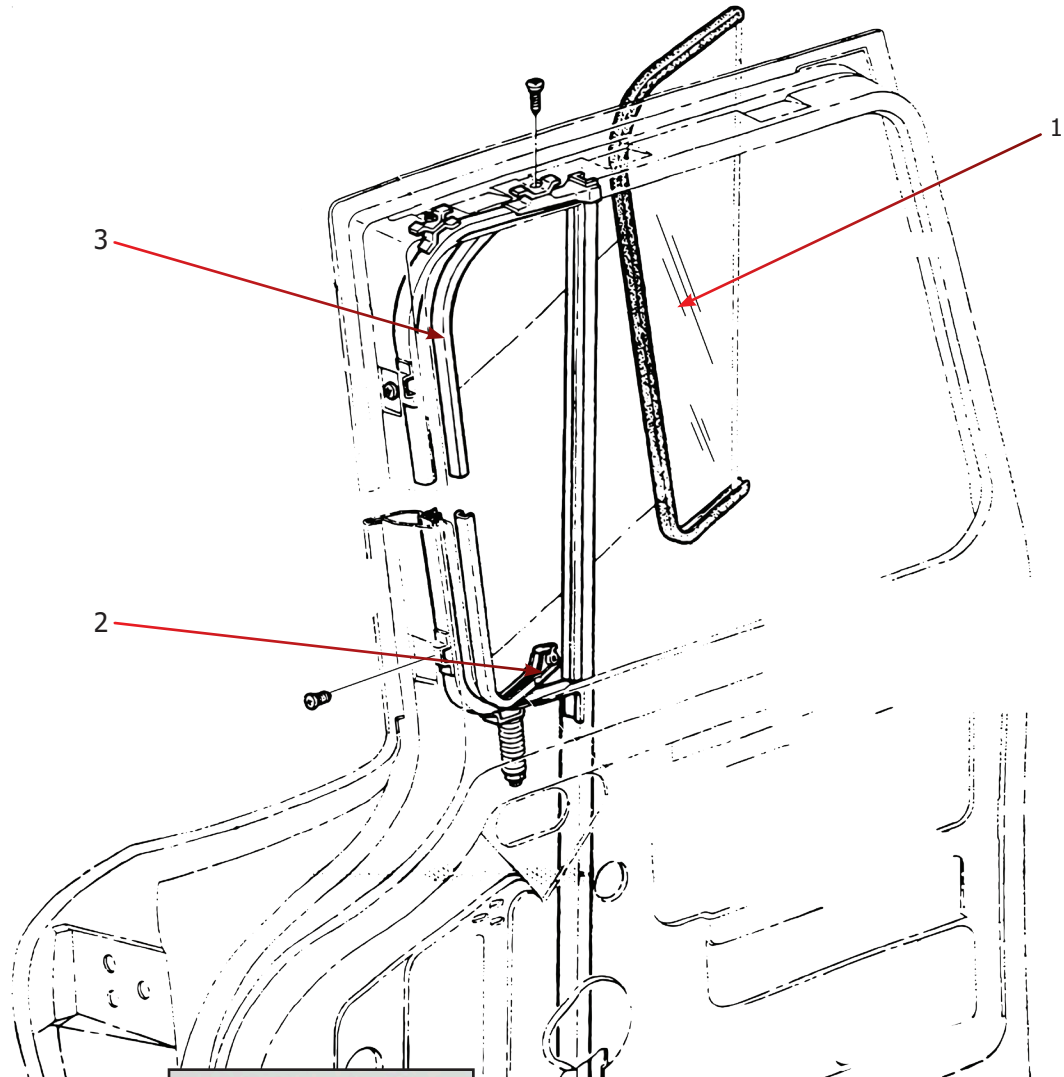
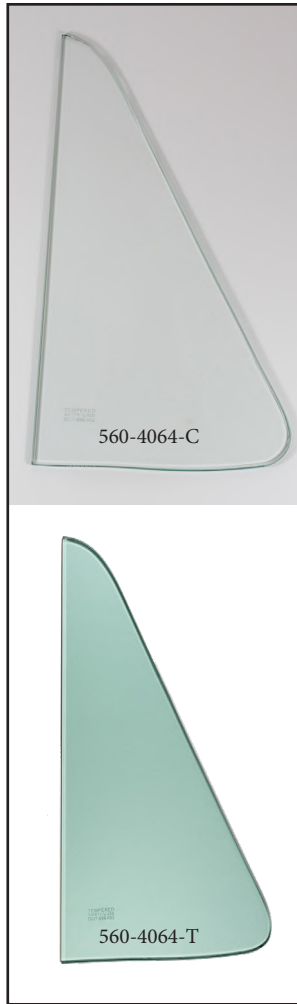
X546-4047

Part #	Description	Ill #
550-4060-C	Door Glass - Clear - LH or RH - 60-63 Chevy GMC Truck	1
550-4060-T	Door Glass - Green Tint - LH or RH - 60-63 Chevy GMC Truck	1
550-4064-C	Door Glass - Clear - LH or RH - 64-66 Chevy GMC Truck	1
550-4064-T	Door Glass - Green Tint - LH or RH - 64-66 Chevy GMC Truck	1
X545-4060-L	Door Window Regulator - LH - 60-63 Chevy GMC Truck	2
X545-4060-R	Door Window Regulator - RH - 60-63 Chevy GMC Truck	-
X545-4064-L	Door Window Regulator - LH - 64-66 Chevy GMC Truck	2
X545-4064-R	Door Window Regulator - RH - 64-66 Chevy GMC Truck	-
X546-4047	Window Crank Handle - 47-66 Chevy GMC Truck	3
U-KG1005A	Vent Window Division Bar Weatherstrip - Pair - 64-66 Chevy GMC C/K Truck	-
U-G1004	Complete Glass Run Window Channel - Upper Driver or Passenger Side - 64-66 Chevy GMC Fullsize Truck	-
G-GRB111060	Front Door Glass Run Channel - LH or RH - 60-63 Chevy GMC C/K Truck (w/o Metal Framed Glass)	-
G-GRB111064	Front Door Glass Run Channel - LH or RH - 64-66 Chevy GMC C/K Truck	4

C/K TRUCKS

VENT GLASS

Finally, you can get quality, great fitting glass for your Chevy and GMC truck! This OE quality reproduction glass from Auto Metal Direct is the correct thickness for a better fit.



G-VWK111064



G-VWK111060



Part #	Description	Ill #
560-4060-C	Vent Glass - Clear - LH or RH - 60-63 Chevy GMC Truck	1
560-4060-T	Vent Glass - Tinted - LH or RH - 60-63 Chevy GMC Truck	1
560-4064-C	Vent Glass - Clear - LH or RH - 64-66 Chevy GMC Truck	1
560-4064-T	Vent Glass - Green Tint - LH or RH - 64-66 Chevy GMC Truck	1
G-VWK111060	Vent Window Weatherstrips - LH / RH Pair - 60-63 Chevy GMC C/K Truck (4 pcs)	3
G-VWK111064	Vent Window Weatherstrips - LH / RH Pair - 64-66 Chevy GMC C/K Truck (4 pcs)	3

ROOF

Reproduction roof panel for the 1960-66 Chevrolet / GMC Fullsize Truck. Stamped from high quality heavy gauge steel, each roof panel features the correct shape, size and curvature like original. Like all AMD parts, this roof skin arrives EDP coated to help protect against rust and corrosion.



TEST FIT



Before You Paint

600-4060 Detail



600-4060

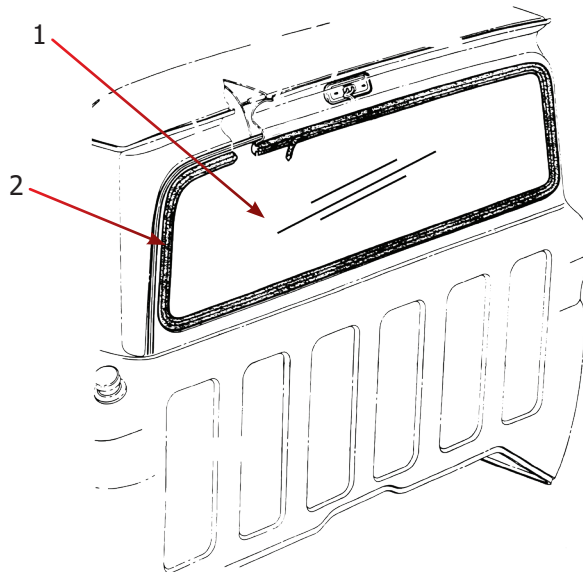
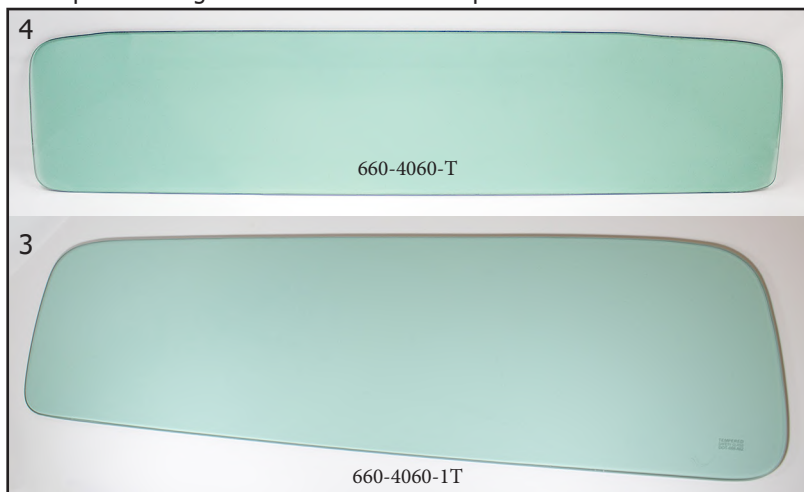


610-4060

Part #	Description	Ill #
600-4060	Roof Skin - 60-66 Chevy GMC Truck	1
610-4060	Outer Windshield Header Panel - 60-66 Chevy GMC C/K Truck	4
610-4060-1	Inner Windshield Header Panel - 64-66 Chevy GMC C/K Truck	-

BACK GLASS

Now, get great fitting glass for your GM truck, with premium quality, reproduction glass from the restoration professionals at AMD!



Part #	Description	Ill #
660-4060-1C	Back Glass - Clear - 60-66 Chevy GMC Truck w/ Large Back Glass	1
660-4060-1T	Back Glass - Green Tint - 60-66 Chevy GMC Truck w/ Large Back Glass	1, 3
660-4060-C	Back Glass - Clear - 60-66 Chevy GMC Truck w/ Small Back Glass	-
660-4060-T	Back Glass - Green Tint - 60-66 Chevy GMC Truck w/ Small Back Glass	4
G-WKT4266SGM	Rear Center Cab Window Gasket - Black Lockstrip - 47-66 Chevy GMC C/K Pickup (std window)	-
G-WKT4266SC	Rear Center Cab Window Gasket - Chrome Lockstrip - 47-66 Chevy GMC C/K Pickup (std window)	-
G-WKT5561LGM	Rear Cab Window Gasket - Black Lockstrip - 55-66 Chevy GMC C/K Pickup (Large Window)	-
G-WKT5561LC	Rear Cab Window Gasket - Chrome Lockstrip - 55-66 Chevy GMC C/K Pickup (Large Window)	-

C/K TRUCKS

» BED PANELS

Reproduction bed panels for the 60-66 GM trucks. Stamped from high quality heavy gauge steel, each front bed panel features the correct shape, size, length, ribs and holes, like original. Arrives EDP coated to protect against rust and corrosion.

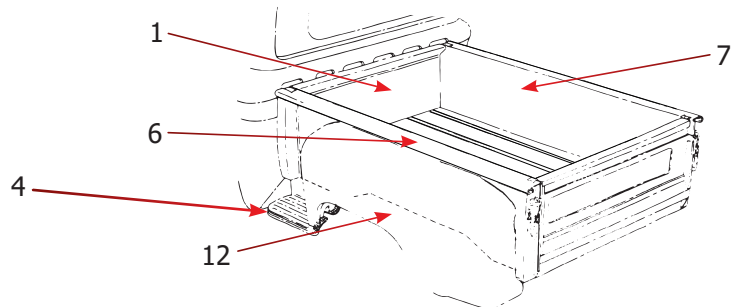
» STEPSIDE



TEST FIT



Before You Paint



Part #	Description	Ill #
715-4060-1	Front Bed Panel - 60-72 Chevy GMC Truck Stepside	1
721-4060-L	Bedside - OE Style - LH - 60-66 Chevy GMC Truck Short Bed Stepside	6
721-4060-R	Bedside - OE Style - RH - 60-66 Chevy GMC Truck Short Bed Stepside	7
780-4055-L	Rear Fender - LH - 55-66 Chevy GMC Truck Stepside ('55 2nd Series)	12
780-4055-R	Rear Fender - RH - 55-66 Chevy GMC Truck Stepside ('55 2nd Series)	6
723-4055-L	Bed Step - LH - 55-66 Chevy GMC Short Bed Stepside ('55 2nd Series)	4
723-4055-R	Bed Step - RH - 55-66 Chevy GMC Short Bed Stepside ('55 2nd Series)	-

» FLEETSIDE

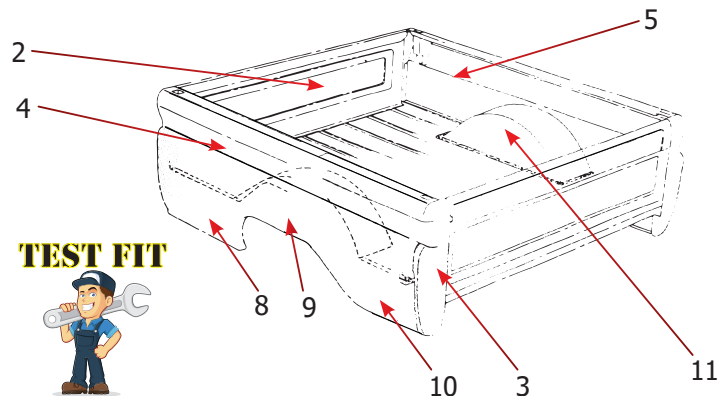


720-4060-1R

TEST FIT



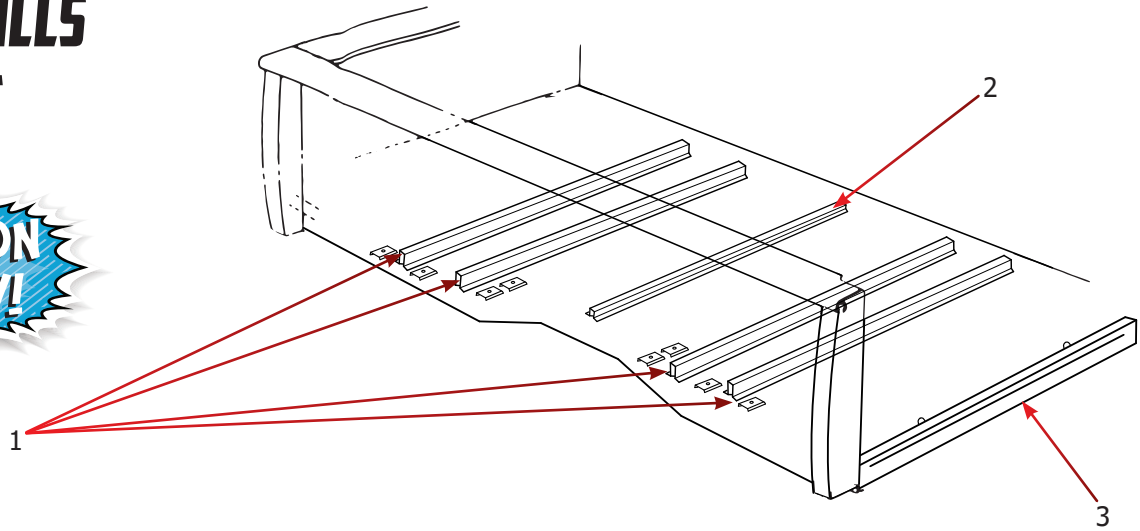
Before You Paint



Part #	Description	Ill #
715-4060-2	Front Bed Panel - 60-66 Chevy GMC Truck Fleetside	2
719-4060-L	Taillight Repair Panel - LH - 60-66 Chevy GMC Truck Fleetside	3
719-4060-R	Taillight Repair Panel - RH - 60-66 Chevy GMC Truck Fleetside	-
720-4060-1L	Bedside - OE Style - LH - 60-66 Chevy GMC Truck Fleetside Short Bed	4
720-4060-1R	Bedside - OE Style - RH - 60-66 Chevy GMC Truck Fleetside Short Bed	5
720-4060-2L	Bedside - OE Style - LH - 60-66 Chevy GMC Truck Fleetside Long Bed	-
720-4060-2R	Bedside - OE Style - RH - 60-66 Chevy GMC Truck Fleetside Long Bed	-
725-4060-6L	Bed Repair Panel - Lower Front - LH - 60-66 Chevy GMC Truck Short Bed Fleetside	8
725-4060-6R	Bed Repair Panel - Lower Front - RH - 60-66 Chevy GMC Truck Short Bed Fleetside	-
725-4060-8L	Bed Repair Panel - Lower Front - LH - 60-66 Chevy GMC Truck Long Bed Fleetside	-
725-4060-8R	Bed Repair Panel - Lower Front - RH - 60-66 Chevy GMC Truck Long Bed Fleetside	-
730-4060-L	Upper Wheel Arch Repair Panel - LH - 60-66 Chevy GMC Truck Fleetside Short Bed	9
730-4060-R	Upper Wheel Arch Repair Panel - RH - 60-66 Chevy GMC Truck Fleetside Short Bed	-
755-4060-6L	Bedside Repair Panel - Lower Rear - LH - 60-66 Chevy GMC Short Bed Fleetside	10
755-4060-6R	Bedside Repair Panel - Lower Rear - RH - 60-66 Chevy GMC Short Bed Fleetside	-
760-4060	Wheelhouse - LH or RH - 60-66 Chevy GMC Truck Fleetside	11

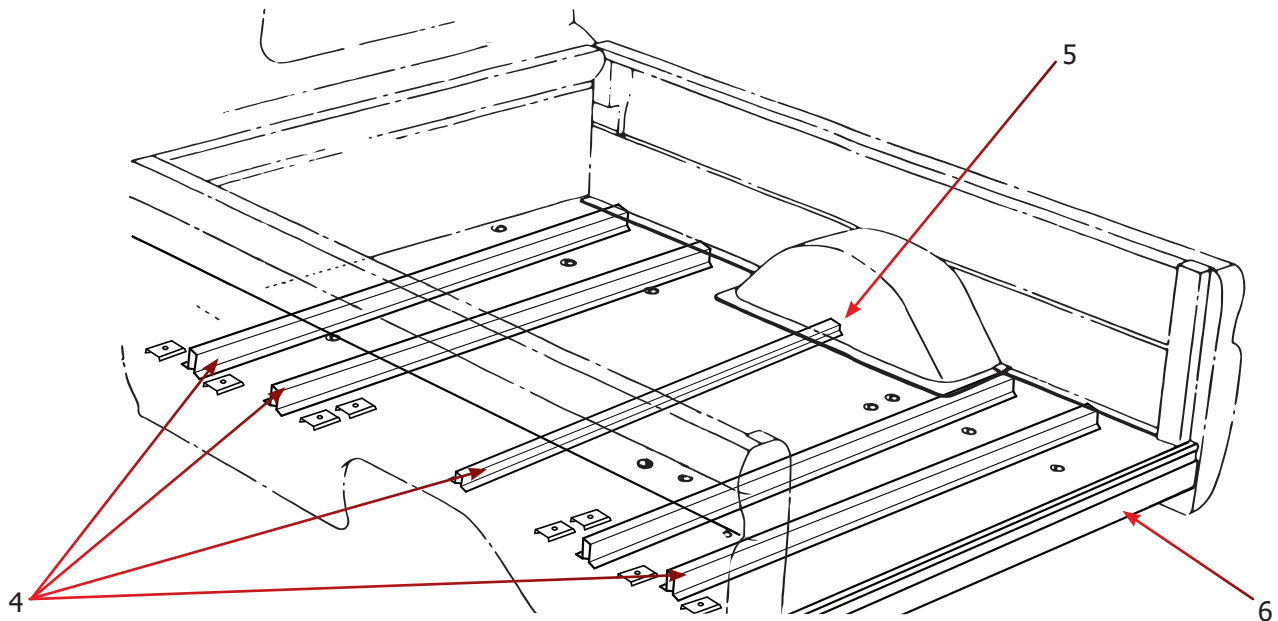
≡ BED CROSS SILLS >>> STEPSIDE

**RESTORATION
 MADE EASY!**



Part #	Description	Ill #
716-4054-2	Cross Sill - No Hole w/ Bracket - 54-87 Chevy GMC C/K Stepside	2
716-4060-1	Cross Sill - 60-62 Chevy GMC Truck Stepside w/ Wood Bed	1
716-4063-1	Cross Sill - 63-72 Chevy GMC Truck Stepside w/ Wood Floor	1
716-4063-3	Tail Panel - 63-66 Chevy GMC Truck Stepside w/ Wood Bed	3

>>> FLEETSIDE



Part #	Description	Ill #
716-4060-2	Cross Sill - 60-62 Chevy GMC Truck Fleetside w/ Steel Bed	4
716-4063-2	Cross Sill - 63-66 Chevy GMC Truck Fleetside w/ Steel Bed	4
716-4063-31	Tail Panel - 63-72 Chevy GMC Truck Fleetside w/ Wood Bed	6
717-4060-1	Bed Reinforcement Strip - 60-72 Chevy GMC Truck	5
717-4060-8	Bed Reinforcement Strip - 60-72 Chevy GMC Truck Fleetside Longbed w/ Wood Floor	5

C/K TRUCKS

≡ BED STRIPS

New from Auto Metal Direct, bed strip kits for the 60-66 Chevy & GMC Stepside & Fleetside trucks. Each strip is stamped from high quality steel and offer in zinc paintable as original or polished stainless.

**HUGE
ONLINE
SELECTION**

- Bed Strips are the metal strips that bolt between the bed boards in the pickup bed flooring

- Angle Strips are similar to the bed boards except that they fit in the corners of the bed floor along the bed side panels



Polished Stainless



»» STEPSIDE

Zinc = Paintable like the OEM bed strips

Part #	Description	Ill #
792-4060-6PS	Bed Strip Kit - Polished SS (7 Piece) - 60-66 Chevy GMC Shortbed Stepside w/ wood floor	-
792-4060-6ZS	Bed Strip Kit - Zinc (7 Piece) - 60-66 Chevy GMC Shortbed Stepside w/ wood floor	-
792-4060-8PS	Bed Strip Kit - Polished SS (7 Piece) - 60-62 Chevy GMC Longbed Stepside w/ wood floor	-
792-4060-8ZS	Bed Strip Kit - Zinc (7 Piece) - 60-62 Chevy GMC Longbed Stepside w/ wood floor	-
792-4063-8PS	Bed Strip Kit - Zinc (7 Piece) - 63-66 Chevy GMC Longbed Stepside w/ wood floor	-
792-4063-8ZS	Bed Strip Kit - Zinc (7 Piece) - 63-66 Chevy GMC Longbed Stepside w/ wood floor	-
793-4047-26PP	Angle Strip Cover - Polished SS - Sold Each - 47-87 Chevy GMC Shortbed Stepside w/ wood floor	-
793-4047-26ZP	Angle Strip Cover - Zinc - Sold Each - 47-87 Chevy GMC Shortbed Stepside w/ wood floor	-
793-4047-28PP	Angle Strip Cover - Polished SS - Sold Each - 47-87 Chevy GMC Longbed Stepside w/ wood floor	-
793-4047-28ZP	Angle Strip Cover - Zinc - Sold Each - 47-87 Chevy GMC Longbed Stepside w/ wood floor	-
793-4060-6PP	Angle Strip Covers - Polished SS - 2 Piece Set - 60-66 Chevy GMC Shortbed Stepside w/ wood floor	-
793-4060-6ZP	Angle Strip Covers - Zinc - 2 Piece Set - 60-66 Chevy GMC Shortbed Stepside w/ wood floor	-
793-4060-8PP	Angle Strip Covers - Polished SS - 2 Piece Set - 60-62 Chevy GMC Longbed Stepside w/ wood floor	-
793-4060-8ZP	Angle Strip Covers - Zinc - 2 Piece Set - 60-62 Chevy GMC Longbed Stepside w/ wood floor	-
793-4063-8PP	Angle Strip Covers - Polished SS - 2 Piece Set - 63-66 Chevy GMC Longbed Stepside w/ wood floor	-
793-4063-8ZP	Angle Strip Covers - Zinc - 2 Piece Set - 63-66 Chevy GMC Longbed Stepside w/ wood floor	-

»» FLEETSIDE

Part #	Description	Ill #
792-4060-16PS	Bed Strip Kit - Polished SS (11 Piece) - 60-66 Chevy GMC Shortbed Fleetside w/ wood floor	-
792-4060-16ZS	Bed Strip Kit - Zinc (11 Piece) - 60-66 Chevy GMC Shortbed Fleetside w/ wood floor	-
792-4060-18PS	Bed Strip Kit - Polished SS (11 Piece) - 60-62 Chevy GMC Longbed Fleetside w/ wood floor	-
792-4060-18ZS	Bed Strip Kit - Zinc (11 Piece) - 60-62 Chevy GMC Longbed Fleetside w/ wood floor	-
792-4060-PS	Bed Strip Kit - Polished SS (7 piece) - 63-66 Chevy GMC Truck Longbed Fleetside w/ wood floor	-
792-4063-18PS	Bed Strip Kit - Polished SS (11 Piece) - 63-66 Chevy GMC Longbed Fleetside w/ wood floor	-
792-4063-18ZS	Bed Strip Kit - Zinc (11 Piece) - 63-66 Chevy GMC Longbed Fleetside w/ wood floor	-

TAILGATE TEST FIT



Before You Paint



925-4054-1



925-4954



925-4054-2



925-4958



925-4058

Part #	Description	III #
925-4054-1	Tailgate - Plain - 54-87 Chevy GMC Truck Stepside	1
925-4054-2	Tailgate - "Chevrolet" - 54-87 Chevy GMC Truck Stepside	4
925-4058	Tailgate - Plain - 58-66 Chevy GMC Truck Fleetside	5
925-4058-2	Tailgate - "Chevrolet" - 58-66 Chevy Truck Fleetside	-
925-4954	Tailgate - "GMC" Letters - 54-87 GMC Truck Stepside (63-87 "GMC" script lettering)	2
925-4958	Tailgate - "GMC" Letters - 58-66 GMC Fleetside	3

REAR LIGHTING

Fleetside



K-CT25675



T-9099



T-A9100

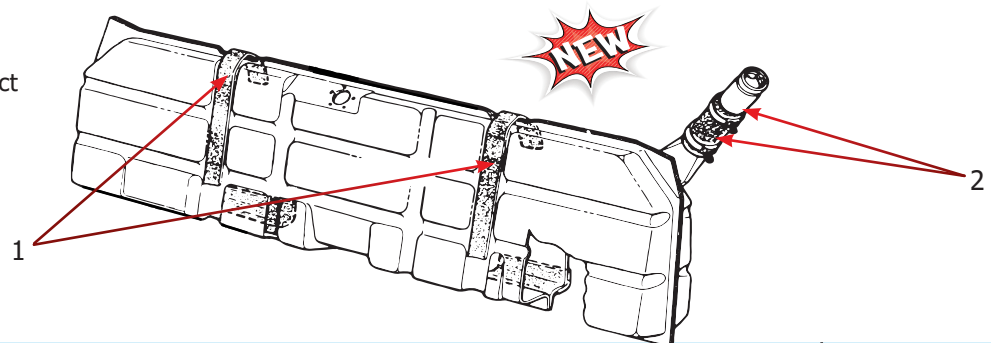


T-A9100C

Part #	Description	III #
T-A9100	Taillight Lens - Red w/ Bowtie - LH or RH (Sold Each) - 60-66 Chevy Truck Fleetside	3
T-A9100C	Taillight Lens - Clear w/ Bowtie - LH or RH (Sold Each) - 60-66 Chevy Truck Fleetside	4
T-9099	Taillight LED Conversion Kit - LH/RH Pair - 60-66 Chevy GMC Truck Fleetside	2
K-CT25675	Taillight Bezel - LH or RH (Sold Each) - 60-66 Chevy GMC Truck Fleetside	1
954-4060-1	60-66 Chevrolet, GMC Fleetside Truck Taillight lens gaskets	-
954-4060-2	60-66 Chevrolet, GMC Fleetside Truck Backup light lens gaskets	-

FUEL TANK

Accurately stamped reproductions with correct original light galvanized finish.

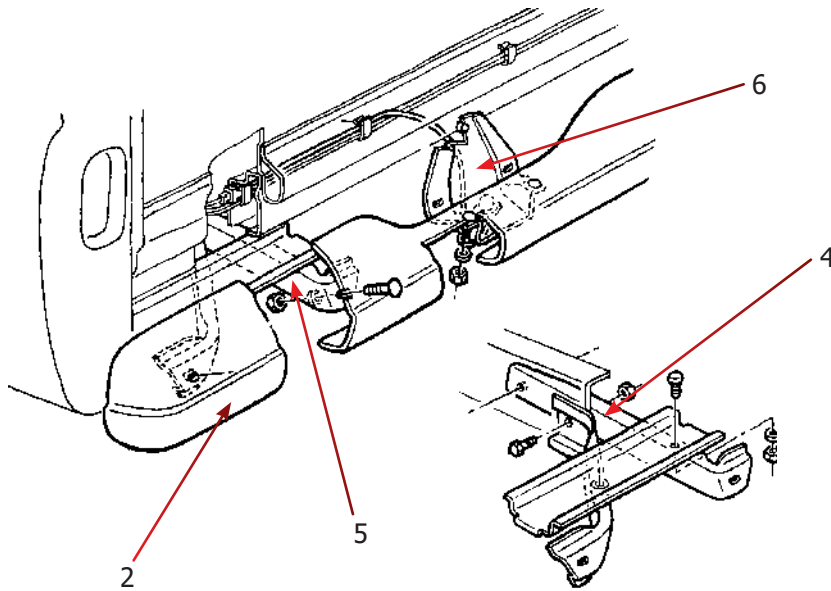


Part #	Description	III #
880-4060-P	Gas Tank Strap Set - 60-66 Chevy GMC Truck	1
K-K94763	Gas Tank Neck & Hose Kit - Black - 60-66 Chevy GMC Truck	2
K-K94761	Gas Tank Neck & Hose Kit - Chrome - 60-66 Chevy GMC Truck	2
881-4060-5	Gas Tank Sending Unit - 60-66 Chevy GMC C/K Pickup (5/16" fuel line)	-
890-4060-N	Gas Tank - 60-66 Chevy GMC C/K Pickup	-

C/K TRUCKS

≡ **REAR BUMPER** AMD Bumpers are made from heavy gauge steel and feature OE quality chrome finish. Installation is fast and easy as all parts are designed to be a direct bolt-on utilizing OE bumper brackets and hardware. Our bumpers are manufactured on our state of the art chrome production line.

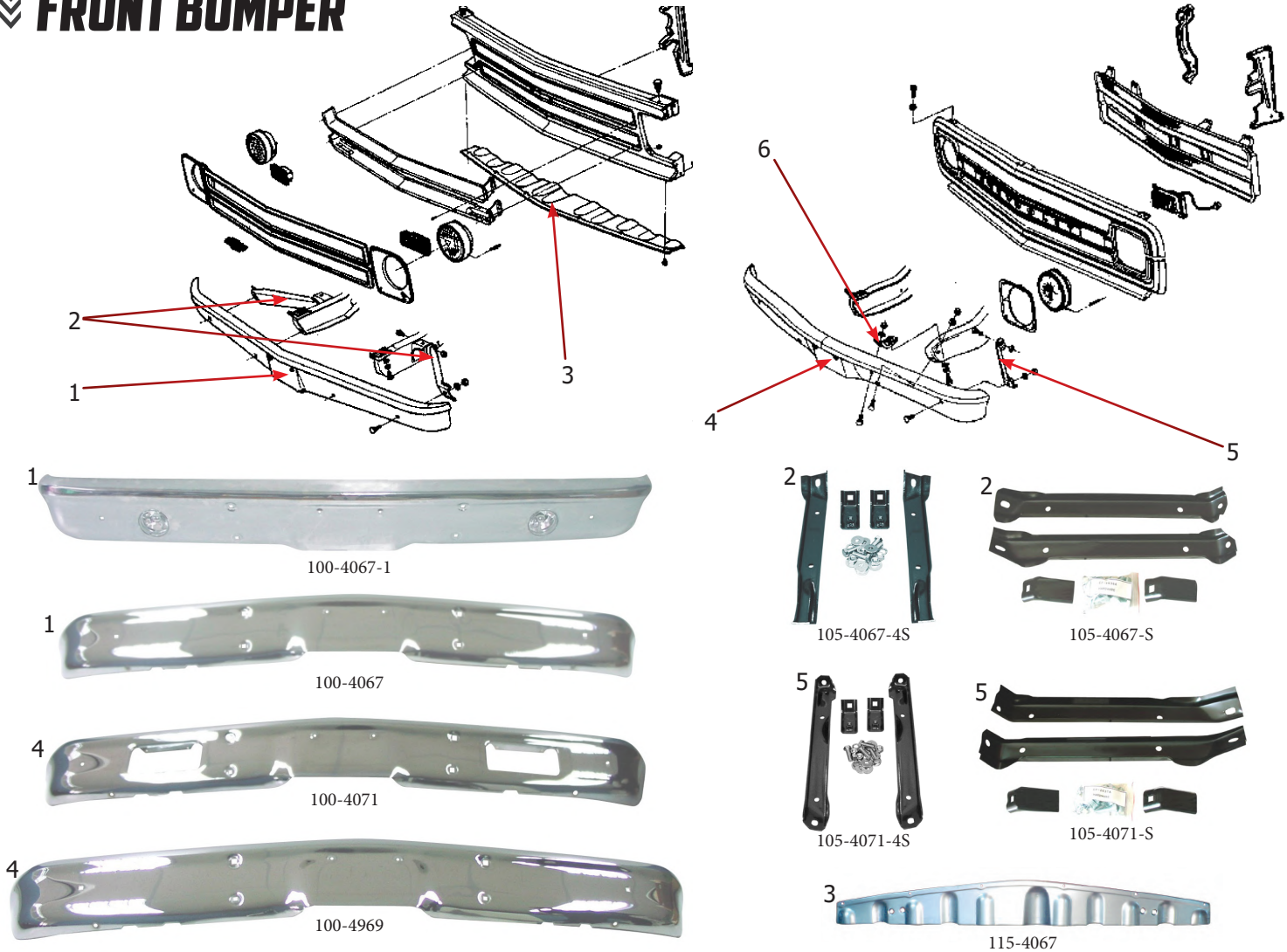
ALL BUMPERS ARE COVERED BY A 5 YEAR LIMITED RUST-THROUGH WARRANTY!



Part #	Description	Ill #
990-4060-1	Rear Bumper - Chrome - 60-66 Chevy GMC C/K Stepside Pickup	1
990-4060-1P	Rear Bumper - Primer - 60-66 Chevy GMC C/K Stepside Pickup	-
990-4060-2	Rear Bumper - Chrome - 60-62 Chevy GMC C/K Fleetside Pickup	2
990-4060-2P	Rear Bumper - Primer - 60-62 Chevy GMC C/K Fleetside Pickup	-
990-4063-2	Rear Bumper - Chrome - 63-66 Chevy GMC C/K Fleetside Pickup	3
990-4063-2P	Rear Bumper - Primer - 63-66 Chevy GMC C/K Fleetside Pickup	-
970-4060-S	Rear Bumper Bracket Set - 60-62 Chevy GMC C/K Fleetside Pickup	5
970-4063-S	Rear Bumper Bracket Set - 63-66 Chevy GMC Fleetside Pickup	4
970-4063-1S	Rear Bumper Bracket Set - 63-66 Chevy GMC C/K Stepside Pickup	-
105-4055-S	Rear Bumper Bracket Set - 60-62 Chevy GMC Stepside 4WD	-
X945-4060	Rear License Plate Bracket w/ Lamp - Black - 60-66 Chevy GMC Truck	6

FRONT BUMPER

ALL BUMPERS ARE COVERED BY A 5 YEAR LIMITED RUST-THROUGH WARRANTY!



Part #	Description	Ill #
100-4067	Front Bumper - Chrome - 67-70 Chevy C/K Truck; 67-68 GMC C/K Truck	1
100-4067-1	Front Bumper w/ Fog Light Holes - Chrome - 67-70 Chevy C/K Truck; 67-68 GMC C/K Truck	1
100-4067-P	Front Bumper - Paintable - 67-70 Chevy C/K Truck; 67-68 GMC C/K Truck	-
100-4071	Front Bumper - Chrome - 71-72 Chevy C/K Truck	4
100-4071-P	Front Bumper - Paintable - 71-72 Chevy C/K Truck	-
100-4969	Front Bumper - Chrome - 69-72 GMC C/K Truck	4
100-4969-P	Front Bumper - Paintable - 69-72 GMC C/K Truck	-
W-L0222	Front Bumper Bolt Kit - 67-72 Chevrolet and GMC Truck 24 pc kit	-
105-4067-1	Front Bumper Brace - Inner - LH or RH (Sold Each) - 1967-72 Chevy GMC Truck Blazer Jimmy Suburban	6
105-4067-4S	Front Bumper Bracket Set – 69-70 Chevy 4WD Truck; 69-72 GMC 4WD Truck	2
105-4067-S	Front Bumper Bracket Set – 67-70 Chevy 2WD Truck; 67-72 GMC 2WD Truck; 67-68 Chevy GMC 4WD Truck	2
105-4071-4S	Front Bumper Bracket Set - 71-72 Chevy Truck 4WD	5
105-4071-S	Front Bumper Bracket Set - 71-72 Chevy Truck 2WD	5
K-CX1692	Front Bumper Guards - OE Type - Pair - Chrome - 67-70 Chevy GMC C/K Truck	-
115-4067	Bumper / Radiator Deflector - 67-68 Chevy GMC C/K Truck	3

C/K TRUCKS

GRILLES

AMD reproduction grilles for 1967-72 Chevy & GMC Pickup Blazer Suburban Jimmy models. Designed using factory specifications, each grill features correct width center bar and is triple chrome plated, correct aluminum or paintable black for a beautiful, long lasting finish.

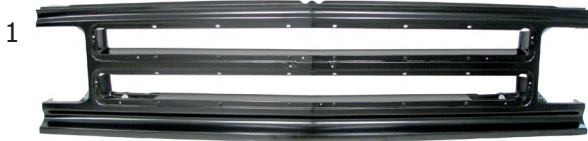
TEST FIT



Before You Paint



160-4071-1



160-4067-1



160-4071-1C



160-4069



K-CX1644



160-4069-1






K-CX1597



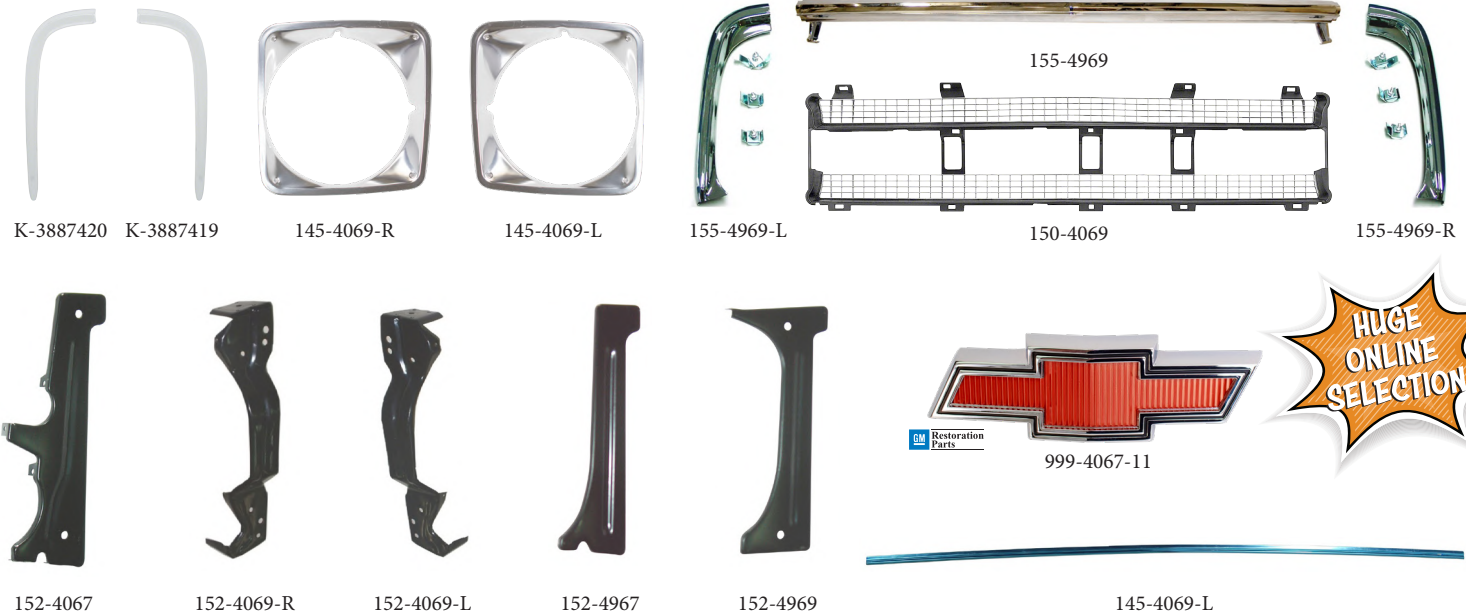
160-4071-1



K-CX1558

Part #	Description	Ill #
160-4067-1	Grille - Paintable - 67-68 Chevy C/K Truck	1
160-4069	Grille Shell - w/ Chevrolet Letters - Anodized Aluminum - 69-70 Chevy C/K Truck 	2
160-4069-1	Grille Shell - Smooth - Anodized Aluminum - 69-70 Chevy Truck Blazer Suburban	3
160-4069-CS	Grille Shell - w/ Chevrolet Letters - Chrome Steel - 69-70 Chevy Truck Blazer Suburban 	-
160-4071-1	Grille Shell - Anodized Aluminum - 71-72 Chevy Truck Blazer Suburban	6
160-4071-1C	Grille Shell - Chrome Steel - 71-72 Chevy Truck Blazer Suburban	5
K-CX1644	Grille Shell - Chrome w/ GMC Lettering - 1967 GMC C/K Truck 	10
K-CX1597	Grille Shell - Chrome/Black Accents - 68-70 GMC C/K Truck	8
K-CX1558	Grille Shell - Chrome/Black - 71-72 GMC C/K Truck	7

GRILLE COMPONENTS



Part #	Description	Ill #
K-3887419	Eyebrow Molding - LH - 68 Chevy C/K Truck	-
K-3887420	Eyebrow Molding - RH - 68 Chevy C/K Truck	-
145-4069-L	Headlamp Bezel - LH - 69-72 Chevy C/K Truck	-
145-4069-P	Headlamp Bezels - Pair - 69-72 Chevy C/K Truck	-
145-4069-R	Headlamp Bezel - RH - 69-72 Chevy C/K Truck	-
150-4069	Grille Insert - Inner - Silver - 69-70 Chevy C/K Truck	-
150-4071	Grille Insert - Inner - Silver - 71-72 Chevy C/K Truck	-
152-4067	Grille Support - Center - 67-68 Chevy C/K Truck	-
152-4069	Grille Support - Center - 69-70 Chevy C/K Truck	-
152-4069-L	Grille Support - LH - 69-72 Chevy C/K Truck	-
152-4069-R	Grille Support - RH - 69-72 Chevy C/K Truck	-
152-4071	Grille Support - Center - 71-72 Chevy C/K Truck	-
152-4967	Grille Support - Center - 67-68 GMC C/K Truck	-
152-4969	Grille Support - Center - 69-72 GMC C/K Truck	-
W-L0008	Grill Mount Kit - 69-72 Chevrolet and GM Trucks	-
X155-4067	Grille Molding - Upper or Lower - Anodized Aluminum - 67-68 Chevy C/K Truck	-
155-4969	Grille Molding - Upper - Chrome - 69-72 GMC C/K Truck	-
155-4969-L	Grille Molding - Outer Side(On Fender) - LH - 69-72 GMC C/K Truck	-
155-4969-R	Grille Molding - Outer Side(On Fender) - RH - 69-72 GMC C/K Truck	-
145-4969-L	Headlamp Bezel - LH - Chrome - 67-72 GMC C/K Truck	-
145-4969-R	Headlamp Bezel - RH - Chrome - 67-72 GMC C/K Truck	-
298-4067	Molding Clip - Grille Molding - 67-68 Chevy C/K Truck	-
298-4067-1S	Molding Clips - Set of 28 - Grille Molding - 67-68 Chevy C/K Truck	-
X330-4068	Front Hood Molding - 68 Chevy C/K Truck	-
999-4067-11	Grille Emblem - Bowtie Logo - 67-68 Chevy C/K Truck	-
999-4071-11	Grille Emblem - Bowtie Logo - 71-72 Chevy C/K Truck Suburban Blazer	-

C/K TRUCKS

FRONT FENDER

Reproduction front fenders for the 67-72 GM Fullsize Pickups & Suburbans. Each fender is manufactured using high quality, heavy gauge steel and features, depending on application, correct as original body lines, braces, marker light holes, and antenna cut-out. These fenders arrive in a black EDP Coat finish and will require standard prep work prior to paint.



TEST FIT



Before You Paint

Part #	Description	Ill #
200-4067-L	Front Fender - LH - 67 Chevy GMC C/K Truck	-
200-4067-R	Front Fender - RH - 67 Chevy GMC C/K Truck	1
200-4068-L	Front Fender - LH - 68 Chevy C/K Truck; 68-72 GMC C/K Truck	-
200-4068-R	Front Fender - RH - 68 Chevy C/K Truck; 68-72 GMC C/K Truck	2
200-4069-L	Front Fender - LH - 69-72 Chevy C/K Truck	-
200-4069-R	Front Fender - RH - 69-72 Chevy C/K Truck	3
204-4067-R	Lower Front Fender Patch (8"H x 13"W)- RH - 67-72 Chevy GMC C/K Truck (Lower Front Cup)	7
205-4067-L	Lower Rear Fender Repair Panel (14" High) - LH - 67-72 Chevy GMC C/K Truck	-
205-4067-R	Lower Rear Fender Repair Panel (14" High) - RH - 67-72 Chevy GMC C/K Truck	8
K-3887419	Eye Brow Molding - LH - 68 Chevy C/K Truck	-
K-3887420	Eye Brow Molding - RH - 68 Chevy C/K Truck	-
240-4068-2S	Side Marker Lamps - w/o Trim - 4 Piece Front & Rear Set - 68-72 Chevy GMC C/K Truck	-
250-4067-L	Inner Fender - LH - 67-72 Chevy GMC C/K Truck	4
250-4067-R	Inner Fender - RH - 67-72 Chevy GMC C/K Truck	-

FENDER EMBLEMS



T-9610



T-9611



T-9615



T-9616



T-9617



T-9618



T-9625



T-9626



T-9719



T-9721



T-9720



T-9720



T-9723



T-9825



It's all in the details. We care about quality when it comes to manufacturing our products, so you can be rest assured that we inspect every detail on a product before selling it. We guarantee a perfect fit and look every time with our emblems. Includes fasteners.

Part #	Description	III #
T-9525	Front Fender Emblems - "10" - LH/RH Pair - 67-68 Chevy C/K Truck	-
T-9526	Front Fender Emblems - "20" - LH/RH Pair - 67-68 Chevy C/K Truck	-
T-9610	Front Fender Emblems - "CST/10" - LH/RH Pair - 69-70 Chevy GMC C/K Truck	-
T-9611	Front Fender Emblems - "C/10" - LH/RH Pair - 69-70 Chevy C/K Truck	-
T-9615	Front Fender Emblems - "8 350" - LH/RH Pair - 69-72 Chevy C/K Truck	-
T-9616	Front Fender Emblems - "8 396" - LH/RH Pair - 69 Chevy C/K Truck	-
T-9617	Front Fender Emblems - "8 400" - LH/RH Pair - 70-72 Chevy C/K Truck	-
T-9618	Front Fender Emblems - "8 454" - LH/RH Pair - 69-72 Chevy C/K Truck (aftermarket)	-
999-4069-21	Front Fender Emblems - "Custom 10" - 69-72 Chevy Truck Suburban Blazer	-
T-9626	Front Fender Emblems - "Custom/20" - LH/RH Pair - 69-72 Chevy C/K Truck	-
T-9719	Front Fender Emblems - "Deluxe" - LH/RH Pair - 71-72 Chevy C/K Truck	-
T-9720	Front Fender Emblems - "Super" - LH/RH Pair - 71-72 Chevy C/K Truck	-
T-9721	Front Fender Emblems - "Cheyenne 10" - LH/RH Pair - 71-72 Chevy C/K Truck	-
T-9722	Front Fender Emblems - "Cheyenne 20" - LH/RH Pair - 71-72 Chevy C/K Truck	-
T-9723	Front Fender Emblems - "Cheyenne 30" - LH/RH Pair - 71-72 Chevy C/K Truck	-
T-9821	Front Fender Emblems - "GMC 1500 V-Eight" - LH/RH Pair - 68-72 GMC C/K Truck	-
T-9830	Front Fender Emblems - "GMC 2500 V-Eight" - LH/RH Pair - 68-72 GMC C/K Truck	-
T-9840	Front Fender Emblems - "4 WHEEL DRIVE" - LH/RH Pair - 68-72 GMC C/K Truck	-
T-9822	Front Fender Emblems - "GMC 1500 Custom" - LH/RH Pair - 71-72 GMC C/K Truck	-
T-9823	Front Fender Emblems - "GMC 1500 Super Custom" - LH/RH Pair - 71-72 GMC C/K Truck	-
T-9824	Front Fender Emblems - "GMC 1500 Sierra" - LH/RH Pair - 71-72 GMC C/K Truck	-
T-9825	Front Fender Emblems - "GMC 1500 Sierra Grande" - LH/RH Pair - 71-72 GMC C/K Truck	-
T-9831	Front Fender Emblems - "GMC 2500 Custom" - LH/RH Pair - 71-72 GMC C/K Truck	-
T-9832	Front Fender Emblems - "GMC 2500 Super Custom" - LH/RH Pair - 71-72 GMC C/K Truck	-
T-9833	Front Fender Emblems - "GMC 2500 Sierra" - LH/RH Pair - 71-72 GMC C/K Truck	-
T-9834	Front Fender Emblems - "GMC 2500 Sierra Grande" - LH/RH Pair - 71-72 GMC C/K Truck	-
T-9835	Front Fender Emblems - "GMC Jimmy" - LH/RH Pair - 71-72 GMC C/K Jimmy	-

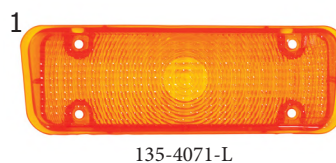
C/K TRUCKS


FENDER MOLDING



Part #	Description	Ill #
231-4067-1L	Lower Front Fender Molding - LH - 67-68 Chevy GMC C/K Truck (w/ Custom Trim)	2
231-4067-1R	Lower Front Fender Molding - RH - 67-68 Chevy GMC C/K Truck (w/ Custom Trim)	-
X231-4069-1	Upper Front Fender Molding - LH or RH - 69-72 Chevy GMC C/K Truck	1
X231-4069-2BL	Lower Front Fender Molding - LH (Black) - 69-72 Chevy GMC C/K Truck	2
X231-4069-2BR	Lower Front Fender Molding - RH (Black) - 69-72 Chevy GMC C/K Truck	-
X231-4069-2WL	Lower Front Fender Molding - LH (Woodgrain) - 69-72 Chevy GMC C/K Truck	-
X231-4069-2WR	Lower Front Fender Molding - RH (Woodgrain) - 69-72 Chevy GMC C/K Truck	-
X231-4069-3BL	Lower Rear Fender Molding - LH (Black) - 69-72 Chevy GMC C/K Truck	3
X231-4069-3BR	Lower Rear Fender Molding - RH (Black) - 69-72 Chevy GMC C/K Truck	-
X231-4069-3WL	Lower Rear Fender Molding - LH (Woodgrain) - 69-72 Chevy GMC C/K Truck	4
X231-4069-3WR	Lower Rear Fender Molding - RH (Woodgrain) - 69-72 Chevy GMC C/K Truck	-
298-4069-21	Upper Fender Molding Clip - 69-72 Chevy GMC C/K Truck	-

FRONT LIGHTING

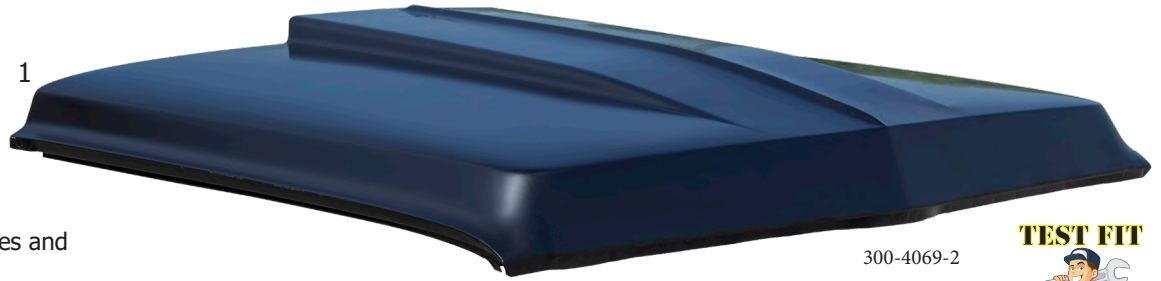


Part #	Description	Ill #
134-4067-S	Park Lamp Lens Gaskets - Pair - 67-68 Chevy C/K Truck	4
K-CT23649	Parking Lamp Lens - Clear - LH - 69-70 Chevy C/K Truck	-
K-CT23648	Parking Lamp Lens - Clear - RH - 69-70 Chevy C/K Truck	-
135-4071-L	Parking Lamp Lens - Amber - LH - 71-72 Chevy Truck Blazer Suburban	1
135-4071-R	Parking Lamp Lens - Amber - RH - 71-72 Chevy Truck Blazer Suburban	2
T-A9835	Parking Lamp Lens - 67-72 GMC C/K Truck (Sold Each) 	5
W-L0015	Headlamp Adjusting Kit (10pcs) - 62-68 Chevy C/K Truck	-
142-4069-S	Headlamp Adjusting Kit - 69-72 Chevy C/K Truck	-
X240-4069-1	Front Fender Side Marker Lamp- Amber - w/ Chrome Trim - 69-72 Chevy GMC C/K Truck	3

HOOD

AMD steel cowl hoods for the 67-72 Chevy GMC Truck, Blazer, Jimmy and Suburban. Stamped from heavy gauge steel, all hoods feature a fully finished, factory style underside. Hoods bolt on using existing hood hinges and latch.

All AMD hoods arrive EDP coated to protect against rust and corrosion.

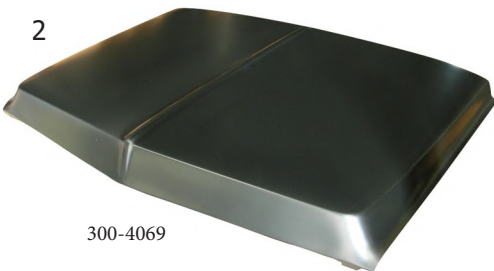


300-4069-2

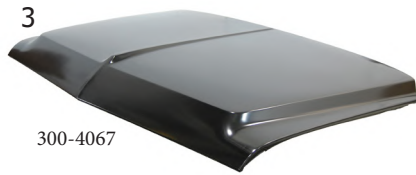
TEST FIT



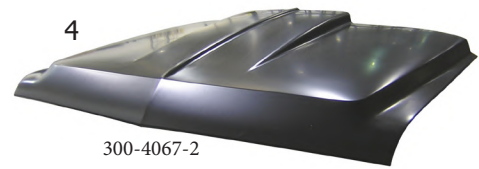
Before You Paint



300-4069



300-4067



300-4067-2



X330-4068



311-4067-P



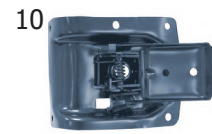
X310-4067-P



X303-4071



X303-4069



X303-4067

Part #	Description	Ill #
300-4067	Hood - OE Style - 67-68 Chevy GMC C/K Truck	3
300-4067-2	Hood - 2" Raised Cowl - 67-68 Chevy GMC C/K Truck	4
300-4069	Hood - OE Style - 69-72 Chevy GMC C/K Truck	2
300-4069-2	Hood - 2" Raised Cowl - 69-72 Chevy GMC C/K Truck	1
X303-4067	Hood Latch Assembly - 67-68 Chevy Truck	10
X303-4069	Hood Latch Assembly - 69-70 Chevy Truck Blazer Suburban	9
X303-4071	Hood Latch Assembly - 71-72 Chevy Truck Blazer Suburban	8
K-K17	Hood to Fender Bumper Kit (4pcs) - 67-72 Chevy GMC C/K Truck	-
K-K918	Hood Bumper Set - 67-72 Chevy GMC Truck Suburban; 69-72 Blazer; 70-72 Jimmy	-
X310-4067-P	Hood Hinges w/o Springs - Pair - 67-72 Chevy GMC C/K Truck	7
311-4067-P	Hood Hinge Spring Set - 67-72 Chevy GMC C/K Truck	6
X330-4068	Front Hood Molding - 68 Chevy C/K Truck	5
999-4067-3S	Hood Letters "CHEVROLET" - 67-68 Chevy C/K Truck	-
999-4069-31	Hood Emblem - Bowtie Logo - 69-70 Chevy C/K Truck Suburban Blazer	-
T-9820	Hood Letter Set - "GMC" - 68-72 GMC C/K Truck	-

C/K TRUCKS

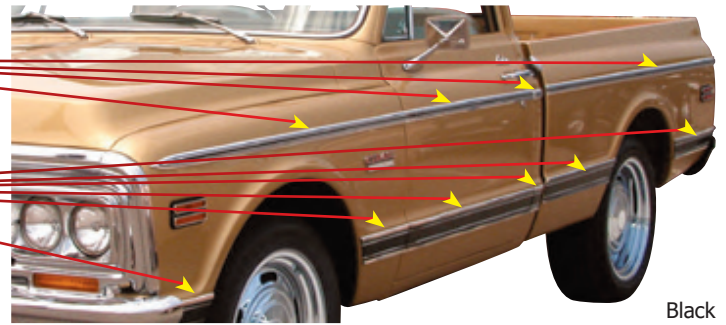
≡ SIDE MOLDING



Woodgrain

1

2



Black

Part #	Description	Ill #
X299-4069-16S	Upper Side Molding Kit w/ Hardware - 69-72 Chevy GMC Truck Fleetside Short Bed	1
X299-4069-18S	Upper Side Molding Kit w/ Hardware - 69-72 Chevy GMC Truck Fleetside Long Bed	1
X299-4069-26BS	Lower Side Molding Kit w/ Hardware - Black - 69-72 Chevy GMC Truck Fleetside Short Bed	2
X299-4069-26WS	Lower Side Molding Kit w/ Hardware - Woodgrain - 69-72 Chevy GMC Truck Fleetside Short Bed	2
X299-4069-28BS	Lower Side Molding Kit w/ Hardware - Black - 69-72 Chevy GMC Truck Fleetside Long Bed	2
X299-4069-28WS	Lower Side Molding Kit w/ Hardware - Woodgrain - 69-72 Chevy GMC Truck Fleetside Long Bed	2

≡ ENGINE BAY

1



350-4067

3



340-4067-S

5



341-4073-2

7



341-3644-1

8



341-4067-3

2



350-4069

4



340-4067-AS

6



340-4067

9



341-4067-3SS

10



X341-4067

Part #	Description	Ill #
340-4067	Battery Tray - EDP Coated - 67-72 Chevy GMC Truck Suburban; 69-72 Blazer; 70-72 Jimmy	6
340-4067-AS	Battery Tray Assembly w/ AC Hose Clamp Bracket - 67-72 Chevy GMC C/K Truck Suburban; 69-72 Blazer; 70-72 Jimmy	4
340-4067-S	Battery Tray Assembly w/o AC Hose Clamp Bracket - 67-72 Chevy GMC C/K Truck Suburban; 69-72 Blazer; 70-72 Jimmy	3
X341-4067	Battery Hold Down - Black - 67-80 Chevy GMC C/K Truck	10
341-3644-1	Battery Hold Down Bolt - 67-80 Chevy GMC Truck	7
341-4067-3	A/C Hose Clamp w/ Bolt - Black - 67-72 Chevy GMC C/K Truck Suburban; 69-72 Blazer; 70-72 Jimmy	8
341-4067-3SS	A/C Hose Clamp w/ Bolt - Stainless - 67-72 Chevy GMC C/K Truck Suburban; 69-72 Blazer; 70-72 Jimmy	9
341-4073-2	Support Assembly - Auxiliary Battery - 73-80 Chevy GMC C/K Truck Blazer Jimmy Suburban	5
350-4067	Radiator Support - 67-68 Chevy C/K Truck Suburban	1
350-4069	Radiator Support - 69-72 Chevy C/K Truck Blazer Suburban	2
349-4067	Radiator Retainer Set - 67-72 Chevy GMC C/K Truck Suburban; 69-72 Blazer; 70-72 Jimmy	-
J-BATTERYMAT1	Universal Battery Mat - 8" x 12" (Traps & Neutralizes Battery Acid)	-

≡ COWL & FIREWALL

Stamped from high quality OE gauge steel, each piece features the correct shape, size, length and holes, like original. Arrives EDP coated to help protect against rust and corrosion.



TEST FIT

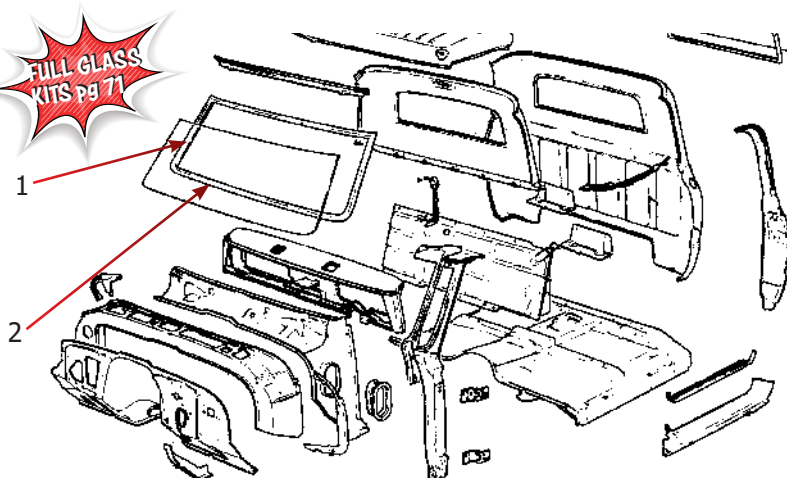


Before You Paint

Part #	Description	Ill #
360-4067-2	Cowl Panel - Inner - 67-72 Chevy GMC Truck Suburban 69-72 Blazer 70-72 Jimmy	4
371-4067	Upper Outer Cowl Panel - 67-72 Chevy GMC C/K Truck	1
G-CS111067	Hood to Cowl Seal - 67-72 Chevy GMC C/K Truck	-
376-4067-L	Lower Hinge Pillar Repair Panel (9" High) - LH - 67-72 Chevy GMC C/K Truck	3
376-4067-R	Lower Hinge Pillar Repair Panel (9" High) - RH - 67-72 Chevy GMC C/K Truck	-
466-4067-1	Brake Booster Reinforcement Panel - 67-72 Chevy GMC C/K Truck	2
370-4067-3	Firewall w/ Toe Panel - w/ Foot Operated Parking Brake - 67-72 Chevy GMC Truck Suburban 69-72 Blazer 70-72 Jimmy	-
370-4067-4	Firewall w/ Toe Panel - w/ Foot Operated Parking Brake - 67-68 Chevy GMC Truck	-

≡ WINDSHIELD

Finally, you can get quality, great-fitting glass for your 67-72 GM Truck! This quality reproduction glass from Auto Metal Direct has the correct thickness and fit. (Glass is not date coded) - Don't forget the gaskets!



FULL GLASS KITS pg 71

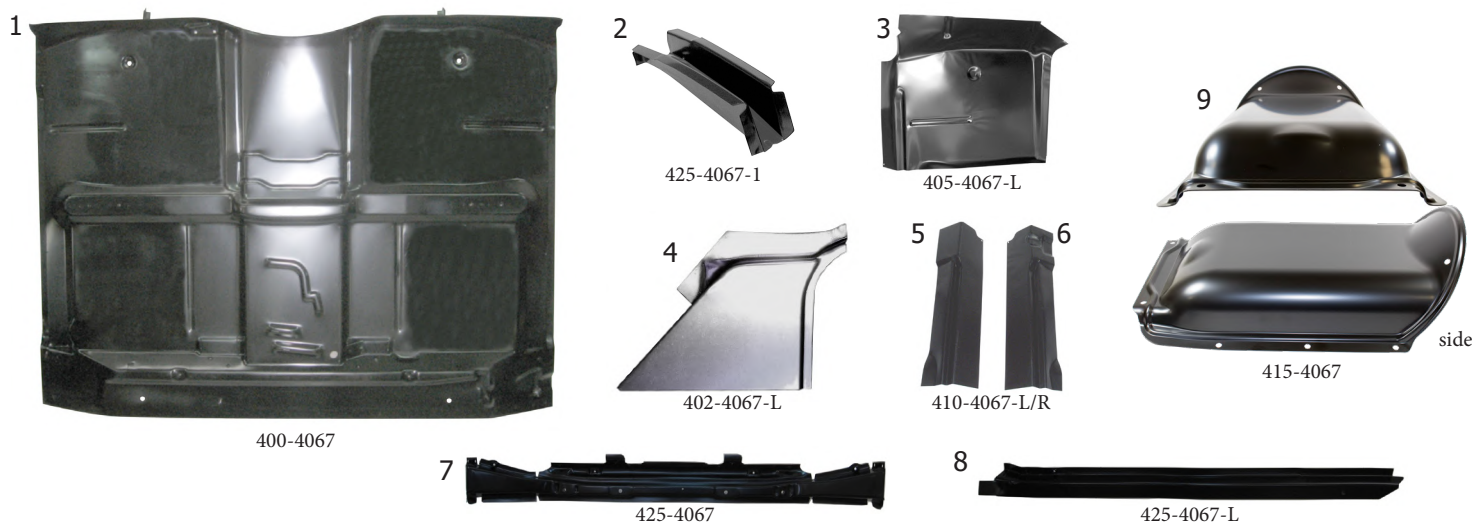


Part #	Description	Ill #
380-4067-C	Windshield - Clear - 67-72 Chevy GMC C/K Truck	1
380-4067-T	Windshield w/ Tint Band - Green Tint - 67-72 Chevy GMC C/K Truck	1
380-4067-TN	Windshield w/o Tint Band - Green Tint - 67-72 Chevy GMC C/K Truck	1
G-WBL685	Windshield Gasket - w/o Trim Groove - 67-72 Chevy GMC C/K Truck	2
G-WCR685	Windshield Gasket - w/ Trim Groove - 67-70 Chevy GMC C/K Truck	2
G-WCR685A	Windshield Gasket - w/ Trim Groove - 71-72 Chevy GMC C/K Truck	2
G-RCW110071	Windshield Reveal Molding Set - 6 pcs - 71-72 Chevy GMC C/K Truck	-
382-4064-1	Windshield Washer Pump - 64-72 Chevy GMC C/K Truck	-

C/K TRUCKS

CAB FLOOR

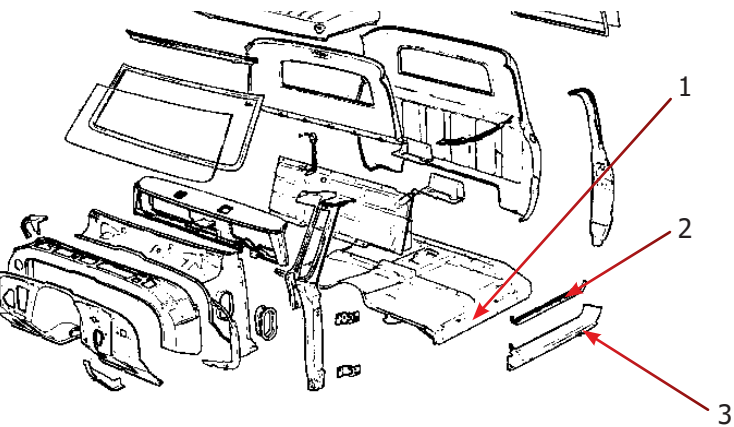
Stamped from high quality OE gauge steel, each piece features the correct shape, size, length and holes, like original. Arrives EDP coated to help protect against rust and corrosion.



Part #	Description	Ill #
400-4067	Floor Pan Assembly - 67-72 Chevy GMC C-Series Truck 2WD w/ Column Shift	1
402-4067-L	Footwell (Kick Panel) - LH - 67-72 Chevy GMC C/K Truck	4
402-4067-R	Footwell (Kick Panel) - RH - 67-72 Chevy GMC C/K Truck	-
405-4067-L	Front Cab Floor Repair Panel (27"Lx26"Wx6"H) - LH - 67-72 Chevy GMC C/K Truck	3
405-4067-R	Front Cab Floor Repair Panel (27"Lx26"Wx6"H) - RH - 67-72 Chevy GMC C/K Truck	-
406-4067-1L	Outer Cab Floor Patch (50"Lx7.5"Wx4"H) - Extended - LH - 67-72 Chevy GMC C/K Truck	-
406-4067-1R	Outer Cab Floor Patch (50"Lx7.5"Wx4"H) - Extended - RH - 67-72 Chevy GMC C/K Truck	-
410-4067-1L	Cab Floor Patch (14"Lx34"Wx2"H) - Outer Rear Corner - LH - 67-72 Chevy GMC C/K Pickup	-
410-4067-1R	Cab Floor Patch (14"Lx34"Wx2"H) - Outer Rear Corner - RH - 67-72 Chevy GMC C/K Pickup	-
410-4067-L	Cab Floor - Outer Rear - LH - 67-72 Chevy GMC C/K Truck	5
410-4067-R	Cab Floor - Outer Rear - RH - 67-72 Chevy GMC C/K Truck	6
415-4067	Transmission Cover - High Hump - 67-72 Chevy GMC 4-Speed Floor Shift or 4WD Truck	9
425-4060-1L	Cab Support - Rear - OE Style - LH - 60-72 Chevy GMC C/K Truck	-
425-4060-1R	Cab Support - Rear - OE Style - RH - 60-72 Chevy GMC C/K Truck	-
425-4060-2L	Cab Support - Rear Slip-On - LH - 60-72 Chevy GMC C/K Truck	-
425-4060-2R	Cab Support - Rear Slip-On - RH - 60-72 Chevy GMC C/K Truck	-
425-4060-S	Cab Support - Front - Slip-On - LH or RH - 60-72 Chevy GMC C/K Truck	-
425-4067	Cab Floor Crossmember - Rear - 67-72 Chevy GMC C/K Pickup	7
425-4067-1	Cab Support - Front - OE Style - LH or RH - 67-72 Chevy GMC C/K Truck	2
425-4067-2	Cab Support - Inner - Slip-On - LH or RH (sold each) - 67-72 Chevy GMC C/K Truck	-
425-4067-L	Cab Floor Brace - OE Style - LH - 67-72 Chevy GMC C/K Truck	8
425-4067-R	Cab Floor Brace - OE Style - RH - 67-72 Chevy GMC C/K Truck	-
J-0180	Rubber Hole Plug - Universal - 3/8 inch, used on floor, firewall & trunk	-
J-0181	Rubber Hole Plug - Universal - 1/2 inch, used on floor, firewall & trunk	-
J-0182	Rubber Hole Plug - Universal - 5/8 inch, used on floor, firewall & trunk	-
J-0183	Rubber Hole Plug - Universal - 3/4 inch, used on floor, firewall & trunk	-
J-0184	Rubber Hole Plug - Universal - 7/8 inch, used on floor, firewall & trunk	-
J-0185	Rubber Hole Plug - Universal - 1 inch, used on floor, firewall & trunk	-
J-0186	Rubber Hole Plug - Universal - 1 1/4 inch, used on floor, firewall & trunk	-

ROCKER & SILLS

Often severely rusted, our rocker panels are complete OE style and include all the shapes and contours of the originals. Provisions are made for attachment to adjoining parts where applicable.



440-4060



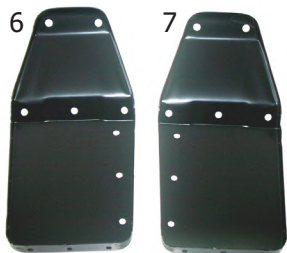
450-4067-L



450-4267-R



451-4369-L



451-4369-1L

451-4369-1R

TEST FIT



Before You Paint



K-CX1658



K-CX1920

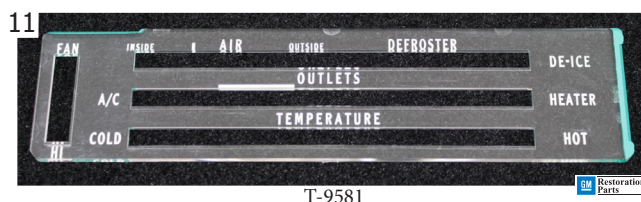


445-4067-P

Part #	Description	Ill #
440-4060	Inner Rocker Panel (44"Lx5"H) - LH or RH - 60-72 Chevy GMC C/K Truck	3
450-4067-L	Outer Rocker Panel - LH - 67-72 Chevy GMC C/K Truck	3
450-4067-R	Outer Rocker Panel - RH - 67-72 Chevy GMC C/K Truck	-
451-4369-1L	Rocker Box End Cap - LH - 69-72 Blazer; 70-72 Jimmy	6
451-4369-1R	Rocker Box End Cap - RH - 69-72 Blazer; 70-72 Jimmy	7
451-4369-L	Rocker Box - LH - 69-72 Blazer; 70-72 Jimmy	5
451-4369-R	Rocker Box - RH - 69-72 Blazer; 70-72 Jimmy	-
450-4267-R	Outer Rocker Panel - 3rd Door - RH - 67-72 Chevy GMC C/K Suburban	4
445-4067	Door Sill Plate - No Logo - Front - Chrome - LH or RH - 67-72 Chevy GMC C/K Truck	-
K-CX1920	Door Sill Plate - w/ Bowtie Logo - Front - Chrome - LH or RH - 67-72 Chevy C/K Truck	9
K-CX1658	Door Sill Plate - w/ Bowtie Logo - Front - Stainless - LH or RH - 67-72 Chevy C/K Truck	8
475-4267-3R	Door Sill Plate - 3rd Door - 67-72 Chevy GMC C/K Suburban	-

C/K TRUCKS

DASH & INTERIOR



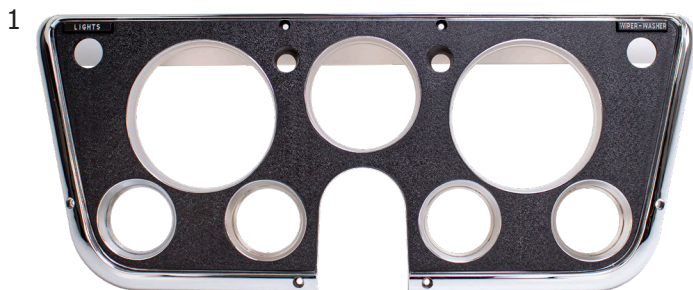
Part #	Description	Ill #
460-4067-1	Ignition Switch Bezel - 68-72 Chevy GMC C/K Truck	2
441-4066	Parking Brake Release Handle - Chrome - 69-74 Chevy GMC C/K Truck	1
441-4067	Parking Brake Release Handle - Black - 69-74 Chevy GMC C/K Truck	-
T-9579	Temperature Control Knobs - 60-74 Chevy / GMC Truck - Chrome (Set of 4)	5
460-4067-2	Headlight Switch Knob & Shaft - 67 Chevy GMC C/K Truck	-
T-9581	Temperature Control Face w/ Air - 67-72 Chevy GMC C/K Truck	11
T-9580	Heater Control Levers w/ Air - Set - 67-72 Chevy GMC C/K Truck	12
460-4067-6	Fresh Air Dash Lever Knob - 67-72 Chevy GMC C/K Truck	-
461-4067	Glove Box Door - Black - 67-72 Chevy GMC C/K Truck	-
461-4067-2	Glove Box Door Hinge w/ Spring - 67-72 Chevy GMC C/K Truck	-
T-9575	Glove Box Door Emblem - "Chevrolet" - 67-68 Chevrolet C/K Truck	-
461-4067-C	Glove Box Door - Chrome - 67-72 Chevy GMC C/K Truck	-
T-9740	Glove Box Door Emblem - 1972 - "Cheyenne Super"	7
461-4969-1	Glove Box Door Emblem - "GMC Custom" - 67-68 Chevrolet C/K Truck	-
469-4067	Emergency Brake Cover - 67-68 Chevy GMC C/K Truck	10
T-9670	Glove Box Door Emblem - 69-72 - "Chevrolet Custom"	9
T-9675	Glove Box Door Emblem - 69-70 - "Chevrolet CST"	6
T-9710	Glove Box Door Emblem - 1971 - "Cheyenne Super"	4
T-9875	Glove Box Door Emblem - 69-72 - "GMC Custom"	8

GAUGES & BEZELS

OE Reproduction Dash Bezels, with Black. Chrome or Woodgrain Face. Available for Models: with or without Factory Gauges.

Chrome Dash Bezels, with Black Face. For Models: with Factory Gauges.

Chrome Dash Bezels, with Wood Face. For Models: with Factory Gauges.



460-4069-B



460-4069-W

Part #	Description	Ill #
460-4069-3	Dash Bezel w/o Gauges - Black / Chrome - 69-72 Chevy GMC C/K Truck	-
460-4069-B	Dash Bezel w/ Gauges - Black / Chrome - 69-72 Chevy GMC C/K Truck	1
460-4069-C	Dash Bezel w/ Gauges - Chrome - 69-72 Chevy GMC C/K Truck	-
460-4069-W	Dash Bezel w/ Gauges - Woodgrain - 69-72 Chevy GMC C/K Truck	2
460-4067-31	Instrument Lens w/ Gauges w/o Tach - 67-72 Chevy GMC C/K Truck	-
460-4067-32	Instrument Lens w/ Gauges w/ Tach - 67-72 Chevy GMC C/K Truck	-

COLUMN

Is your turn signal lever not working like it should? Replace it with a brand new replacement lever, where it's sure to fit and look great!



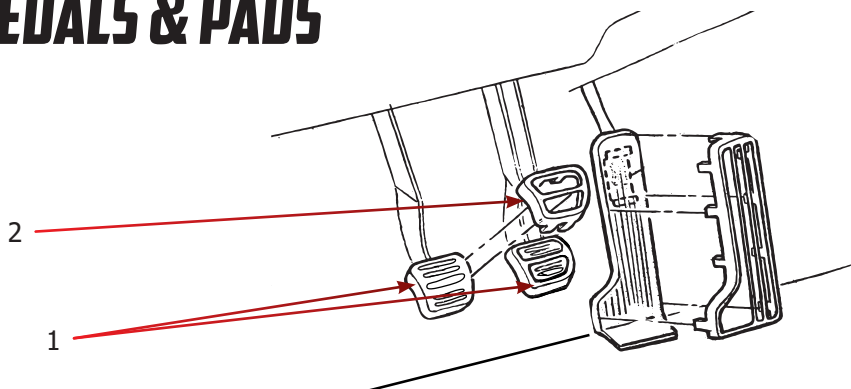
T-9300



467-4067-2

Part #	Description	Ill #
467-4067-2	Gear Shift Lever w/ Tilt - 70-72 Chevy GMC C/K Truck	-
T-9300	Turn Signal Lever - 69-72 Chevy GMC Truck w/ Tilt	-

PEDALS & PADS



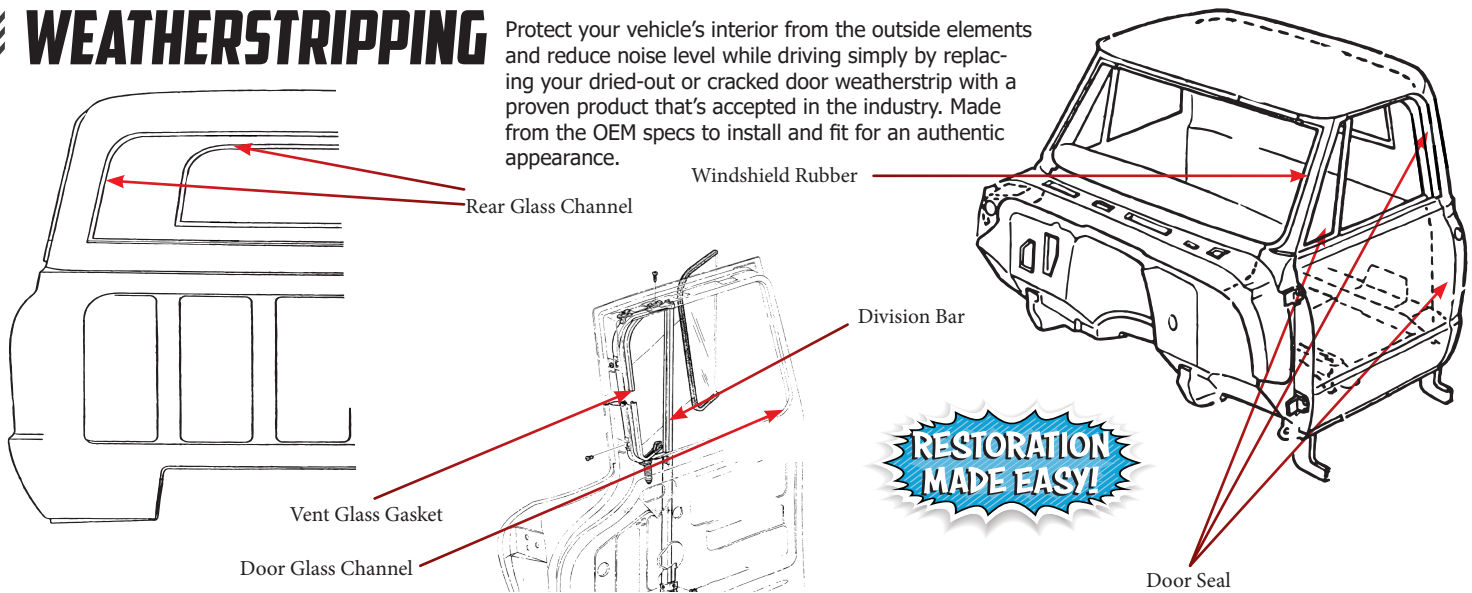
T-9660

Part #	Description	Ill #
476-4067	Clutch & Brake Pedal Pads - 67-72 Chevrolet GMC Stepside C/K Truck	1
476-4067-1S	Parking Brake Pedal Assembly - 69-72 Chevy GMC C/K Truck	-
T-9660	Brake Pedal Trim - 67-72 Chevy GMC C/K Truck (Custom Trim)	2

C/K TRUCKS

WEATHERSTRIPPING

Protect your vehicle's interior from the outside elements and reduce noise level while driving simply by replacing your dried-out or cracked door weatherstrip with a proven product that's accepted in the industry. Made from the OEM specs to install and fit for an authentic appearance.



Part #	Description	Ill #
G-CWK111667	Weatherstrip Kit, Full, w/o Reveal Trim Groove, w/ Small Rear Window, w/ Black Beltline - 67 Chevy / GMC C/K Pickup (13 pcs)	-
G-CWK111767	Weatherstrip Kit, Full, w/o Reveal Trim Groove, w/ Small Rear Window, w/ Chrome Beltline - 67 Chevy / GMC C/K Pickup (13 pcs)	-
G-CWK111567	Weatherstrip Kit, Full, w/ Reveal Trim Groove, w/ Small Rear Window, w/ Chrome Beltline - 67 Chevy / GMC C/K Pickup (13 pcs)	-
G-CWK111167	Weatherstrip Kit, Full, w/o Reveal Trim Groove, w/ Large Rear Window, w/ Black Beltline - 67-72 Chevy / GMC C/K Pickup (13 pcs)	-
G-CWK111367	Weatherstrip Kit, Full, w/o Reveal Trim Groove, w/ Large Rear Window, w/ Chrome Beltline - 67-72 Chevy / GMC C/K Pickup (13 pcs)	-
G-CWK111067	Weatherstrip Kit, Full, w/ Reveal Trim Groove, w/ Large Rear Window, w/ Black Beltline - 67-70 Chevy / GMC C/K Pickup (13 pcs)	-
G-CWK111267	Weatherstrip Kit, Full, w/ Reveal Trim Groove, w/ Large Rear Window, w/ Chrome Beltline - 67-70 Chevy / GMC C/K Pickup (13 pcs)	-
G-CWK111071	Weatherstrip Kit, Full, w/ Reveal Trim Groove, w/ Large Rear Window, w/ Black Beltline - 71-72 Chevy / GMC C/K Pickup (16 pcs)	-
G-CWK111171	Weatherstrip Kit, Full, w/ Reveal Trim Groove, w/ Large Rear Window, w/ Chrome Beltline - 71-72 Chevy / GMC C/K Pickup (12 pcs)	-
J-3M08008	3M Black Weatherstrip Adhesive	-

BODY HARDWARE

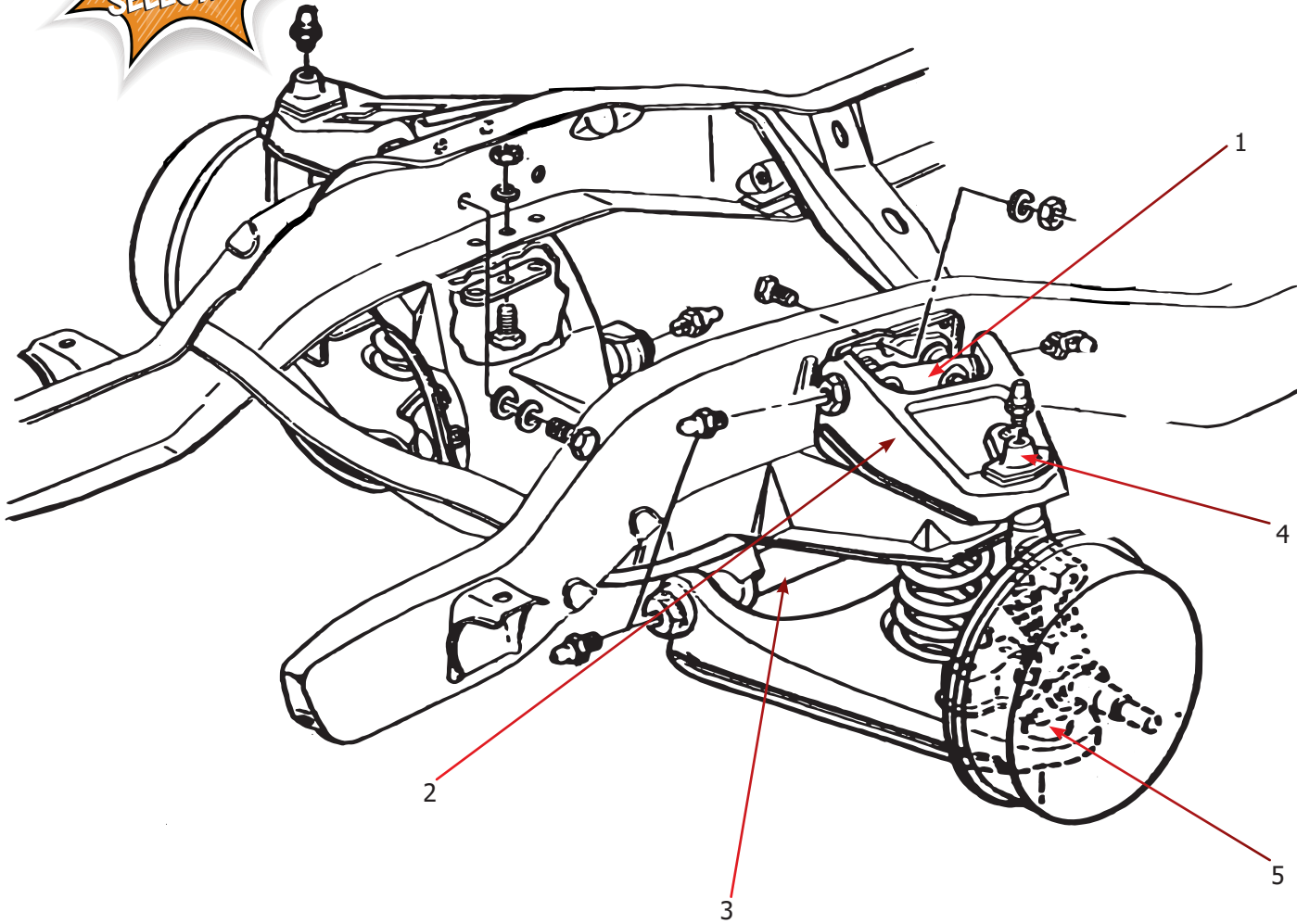
MASTER kits will provide about 85% of the fasteners found on your vehicle (if all kits available). We highly recommend that you reference the Factory Assembly Manuals. They work great in conjunction with AMK faster kits !



Part #	Description	Ill #
H-67KB-F	Master Body Hardware Kit (508pcs) - 67-68 Chevy Truck Fleetside	-
H-69KB-F	Master Body Hardware Kit (515pcs) - 69-70 Chevy Truck Fleetside	-
H-71KB-F	Master Body Hardware Kit (467pcs) - 71-72 Chevy Truck Fleetside	-
H-67GB-F	Master Body Hardware Kit (494pcs) - 67-68 GMC Truck Fleetside	-
H-69GB-F	Master Body Hardware Kit (473pcs) - 69-70 GMC Truck Fleetside	-
H-71GB-F	Master Body Hardware Kit (469pcs) - 71-72 GMC Truck Fleetside	-

SUSPENSION

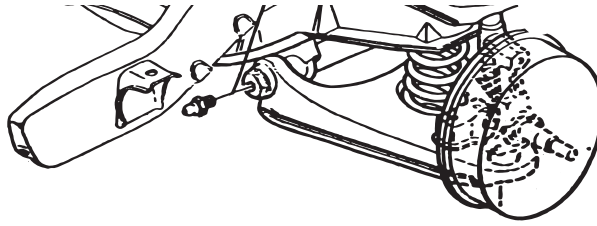
HUGE ONLINE SELECTION



Part #	Description	Ill #
392-4063-1	Control Arm Shaft - Front Upper - 63-72 Chevy GMC Truck (1/2 ton	1
392-4067-L	Control Arm - Front Upper - LH - 67-72 Chevy GMC Truck (1/2 ton	2
392-4067-R	Control Arm - Front Upper - RH - 67-72 Chevy GMC Truck (1/2 ton	-
393-4063-1S	Control Arm Shaft - Front Lower - 63-72 Chevy GMC Truck (1/2 ton	3
396-4063-1	Ball Joint Assembly - Front Upper - 63-70 Chevy GMC Truck (1/2 ton	4
396-4067-1	Steering Idler Arm - 67-82 Chevy GMC C-Series Truck (2WD only)	-
396-4070-1	Ball Joint Assembly - Lower - 71-86 Chevy GMC C10 Truck; 87-90 Chevy GMC R10 Truck	4
396-4070-2	Ball Joint Assembly - Lower - 63-70 Chevy GMC C10 Truck	5
396-4071-1	Ball Joint Assembly - Upper - 71-72 Chevy GMC C10 Truck	4
396-4071-2	Ball Joint Assembly - Lower - 71-72 Chevy GMC C10 Truck (1/2 ton	-
X861-4067-L	Rear Shock Bracket - LH - 67-72 Chevy GMC Truck Blazer Suburban Jimmy 2WD	-
X861-4067-R	Rear Shock Bracket - RH - 67-72 Chevy GMC Truck Blazer Suburban Jimmy 2WD	-

C/K TRUCKS

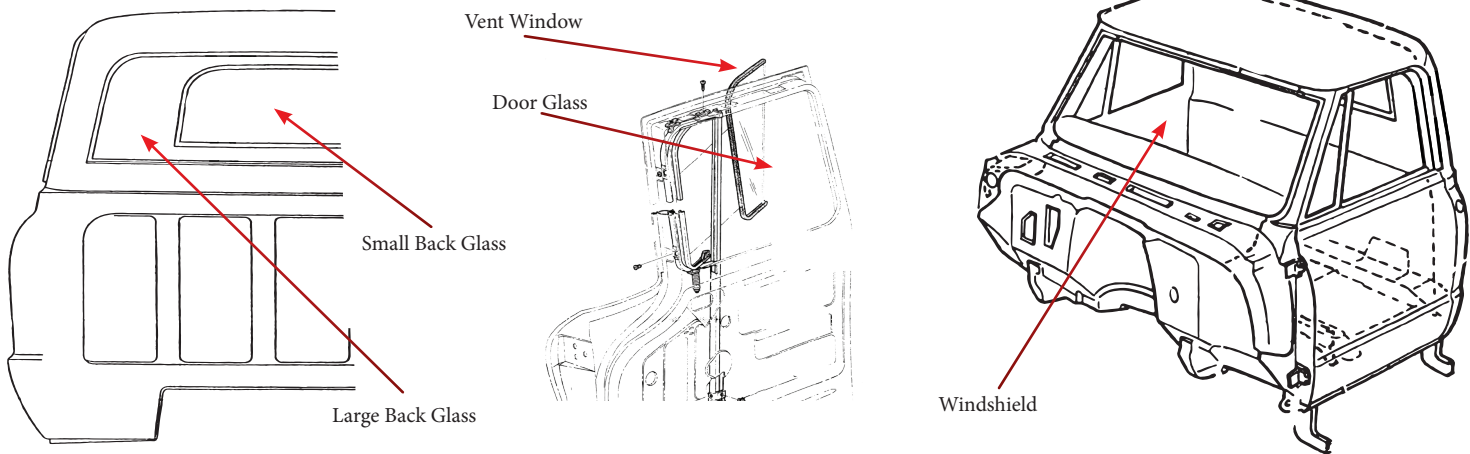
BRAKES



Part #	Description	Ill #
389-4067-P	Disc Brake Dust Shields - LH / RH Pair - 71-93 Chevy GMC C10 Truck; 87-91 Chevy GMC R10 Truck	-

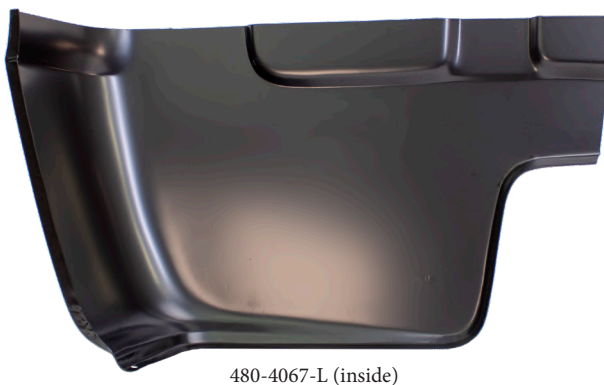
GLASS KITS

Finally, you can get quality, great fitting glass for your Chevy and GMC truck! This OE quality reproduction glass from Auto Metal Direct is the correct thickness for a better fit.



Part #	Description	Ill #
499-4067-CS	Glass Kit - Clear - 67 Chevy GMC Truck w/ Small Back Glass	-
499-4067-TS	Glass Kit - Green Tint - 67 Chevy GMC Truck w/ Small Back Glass	-
499-4068-CS	Glass Kit - Clear - 68-72 Chevy GMC Truck	-
499-4068-TNS	Glass Kit w/o Windshield Tint Band - Green Tint - 68-72 Chevy GMC Truck	-
499-4068-TS	Glass Kit w/ Windshield Tint Band - Green Tint - 68-72 Chevy GMC Truck	-

CAB CORNERS



480-4067-L (inside)



480-4067-L

Part #	Description	Ill #
480-4067-L	Cab Corner (18"Wx14"H) - LH - 67-72 Chevy GMC C/K Pickup	-
480-4067-R	Cab Corner (18"Wx14"H) - RH - 67-72 Chevy GMC C/K Pickup	-

DOORS

These are the highest quality door shells on the market. They contain all the internal structure required to mount glass, window regulators, door handles, etc.

TEST FIT



500-4067-L



500-4072-L



500-4267-L



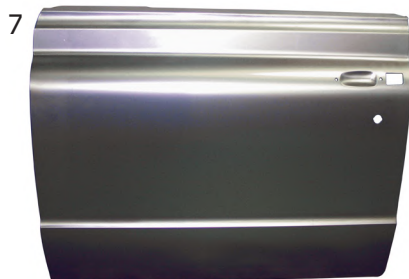
500-4272-L



500-4367-L



500-4372-L



510-4067-L



516-4067-L



515-4067-L



RUST NEVER HAS A CHANCE!

Part #	Description	Ill #
500-4067-L	Front Door Shell - LH - 67-71 Chevy GMC C/K Pickup	1
500-4067-R	Front Door Shell - RH - 67-71 Chevy GMC C/K Pickup	-
500-4072-L	Front Door Shell - LH - 72 Chevy GMC C/K Pickup	2
500-4072-R	Front Door Shell - RH - 72 Chevy GMC C/K Pickup	-
500-4267-L	Front Door Shell - Front - LH - 67-71 Suburban / Panel	3
500-4267-R	Front Door Shell - Front - RH - 67-71 Suburban / Panel	-
500-4272-L	Front Door Shell - Front - LH - 72 Suburban	4
500-4272-R	Front Door Shell - Front - RH - 72 Suburban	-
500-4367-L	Front Door Shell - LH - 69-71 Blazer Jimmy	5
500-4367-R	Front Door Shell - RH - 69-71 Blazer Jimmy	-
500-4372-L	Front Door Shell - LH - 72 Blazer Jimmy	6
500-4372-R	Front Door Shell - RH - 72 Blazer Jimmy	-
510-4067-L	Front Door Skin - Outer Complete - LH - 67-72 Chevy GMC C/K Truck	7
510-4067-R	Front Door Skin - Outer Complete - RH - 67-72 Chevy GMC C/K Truck	-
516-4067-L	Outer Front Door Skin Repair Panel (13" High) - Lower - LH - 67-72 Chevy GMC C/K Truck	8
516-4067-R	Outer Front Door Skin Repair Panel (13" High) - Lower - RH - 67-72 Chevy GMC C/K Truck	-
515-4067-L	Inner Front Door Bottom Repair Panel (13" High) - LH - 67-72 Chevy GMC C/K Truck	9
515-4067-R	Inner Front Door Bottom Repair Panel (13" High) - RH - 67-72 Chevy GMC C/K Truck	-
501-4072-S	Front Door Reinforcement Kit - 72 Chevy GMC C/K Truck	-
520-4067-L	Door Hinge - Upper - LH - 67-72 Chevy GMC Truck Suburban 69-72 Blazer 70-72 Jimmy	-
520-4067-R	Door Hinge - Upper - RH - 67-72 Chevy GMC Truck Suburban 69-72 Blazer 70-72 Jimmy	10
521-4067-S	Door Hinge Pin Kit - 67-72 Chevy GMC Truck Suburban; 69-72 Blazer; 70-72 Jimmy	-
525-4067-L	Door Hinge - Lower - LH - 67-72 Chevy GMC Truck Suburban 69-72 Blazer 70-72 Jimmy	-
525-4067-R	Door Hinge - Lower - RH - 67-72 Chevy GMC Truck Suburban 69-72 Blazer 70-72 Jimmy	11

C/K TRUCKS

DOOR COMPONENTS

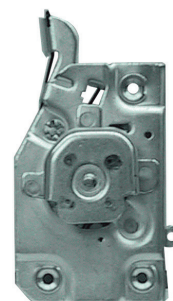


546-4067



570-4067-L

570-4067-R



X535-4067-L



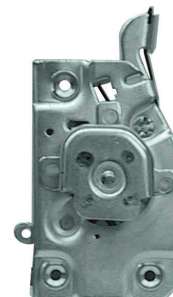
530-4067



546-4068-1



K-CX1149



X535-4067-R





542-4267-C



542-4067



542-4267-B

Part #	Description	Ill #
X530-4067	Door Handle Set - Outside - 67-72 Chevy GMC Truck Suburban; 69-72 Blazer; 70-72 Jimmy	-
W-B2042	Mirror Screw Kit, 70-72 Chevrolet and GMC Truck, 3pc	-
531-4067-S	Door Handle & Lock Gaskets - Set - 67-72 Chevrolet GMC C/K Truck	-
X535-4067-L	Door Latch - LH - 67-72 Chevy GMC Truck Suburban; 69-72 Blazer; 70-72 Jimmy	-
X535-4067-R	Door Latch - RH - 67-72 Chevy GMC Truck Suburban; 69-72 Blazer; 70-72 Jimmy	-
540-4067-L	Door Relay - LH - 67-71 Chevy GMC Truck Suburban 69-71 Blazer 70-71 Jimmy	-
540-4067-R	Door Relay - RH - 67-71 Chevy GMC Truck Suburban 69-71 Blazer 70-71 Jimmy	-
540-4072-L	Door Relay - LH - 72 Chevy GMC Truck Suburban Blazer Jimmy	-
540-4072-R	Door Relay - RH - 72 Chevy GMC Truck Suburban Blazer Jimmy	-
542-4067	Door Panel Trim Set - Chrome - 67-71 Chevy GMC Truck	-
542-4267-B	Door Panel Trim - Interior Front Pair - Black - 67-71 Chevy Suburban	-
542-4267-C	Door Panel Trim - Interior Front Pair - Chrome - 67-71 Chevy Suburban	-
542-4067-CP	Door Panel Trim Set - Chrome - LH/RH Pair - 67-71 Chevy GMC Truck	-
X546-4067	Window Crank Handle w/ Clear Knob - 67-76 Chevy GMC Truck Suburban; 69-76 Blazer; 70-76 Jimmy	-
X546-4068-1	Window Crank Handle w/ Black Knob - 68-76 Chevy GMC Truck Suburban; 69-76 Blazer; 70-76 Jimmy	-
570-4067-R	Door Mirror - RH - 70-72 Chevy GMC Truck Blazer Jimmy Suburban	-
K-CX1149	Outside Mirror - Assembly w/ Hardware - LH - 70-72 Chevy GMC Truck Blazer Jimmy Suburban	-
K-CX1150	Outside Mirror - Assembly w/ Hardware - RH - 70-72 Chevy GMC Truck Blazer Jimmy Suburban	-
T-9550	Door Emblems - "Custom" - LH/RH Pair - 67-68 Chevy C/K Truck 	-
T-9555	Door Emblems - "CST" - LH/RH Pair - 69-72 Chevy K5 Blazer 	-

DOOR MOLDING & SEALS

HUGE ONLINE SELECTION

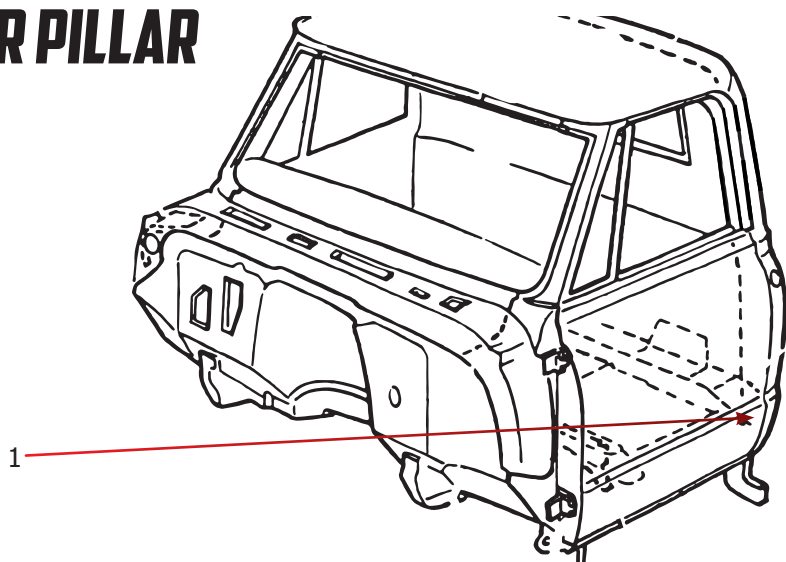


Woodgrain



Part #	Description	Ill #
X575-4069-1L	Upper Door Molding - LH (Black) -69-72 Chevrolet GMC Pickup	1
X575-4069-1R	Upper Door Molding - RH (Black) - 69-72 Chevrolet GMC Pickup	-
X575-4069-2BL	Lower Door Molding - LH (Black) - 69-72 Chevrolet GMC Pickup	2
X575-4069-2BR	Lower Door Molding - RH (Black) - 69-72 Chevrolet GMC Pickup	-
X575-4069-2WL	Lower Door Molding - Woodgrain - LH - 69-72 Chevrolet GMC Pickup	-
X575-4069-2WR	Lower Door Molding - Woodgrain - RH - 69-72 Chevrolet GMC Pickup	-
576-4067-P	Door Edge Guards - LH/RH Pair - 67-72 Chevy GMC Truck Suburban 69-72 Blazer 70-72 Jimmy	3
G-DK111067	Front Door Seal Kit - Glass Run Channels, Door Weatherstrips, Window Felts (Black) - 67-72 Chevy GMC C/K Truck (10 pcs)	-
G-DK111167	Front Door Seal Kit - Glass Run Channels, Door Weatherstrips, Window Felts (Chrome) - 67-72 Chevy GMC C/K Truck (10 pcs)	-
G-DK112067	Rear Side Door Seal Kit - Glass Run Channels, Door Weatherstrips, Window Felts - 67-72 Chevy GMC C/K Suburban RH 3rd Door (7 pcs)	-
U-KG3005	Front Door Seal Kit - Pair - 67-72 Chevy GMC C/K Suburban (glues on body)	-

DOOR PILLAR



751-4067-1L

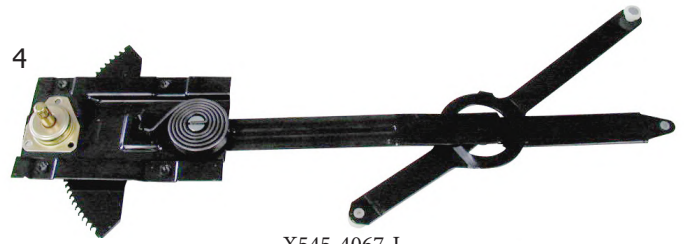


751-4067-1R

Part #	Description	Ill #
751-4067-1L	Rear Lower Door Pillar Repair Panel - LH - 67-72 Chevy GMC Truck	-
751-4067-1R	Rear Lower Door Pillar Repair Panel - RH - 67-72 Chevy GMC Truck	-

DOOR WINDOW & COMPONENTS

Finally, you can get quality, great fitting glass for your Chevy and GMC truck! This OE quality reproduction glass from Auto Metal Direct is the correct thickness for a better fit.



X545-4067-L



X545-4072-L



X546-4067



X546-4068-1



G-WFK111167A



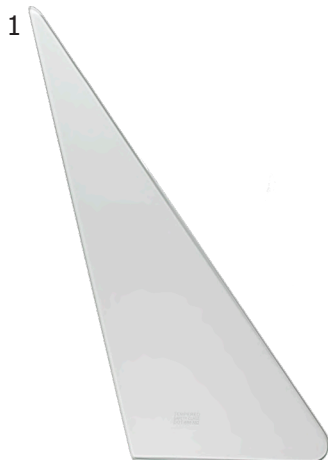
G-GRB111167

Part #	Description	Ill #
550-4067-C	Door Glass - Clear - LH or RH - 67-72 Chevy GMC Truck Suburban; 69-72 Blazer; 70-72 Jimmy	1
550-4067-T	Door Glass - Green Tint - LH or RH - 67-72 Chevy GMC Truck Suburban; 69-72 Blazer; 70-72 Jimmy	2
U-KG1006B	Front Door Glass Run Channel - Pair - 67-72 Chevy GMC C/K Pickup / Blazer / Jimmy	-
G-WFK111167A	Front Door Window Felt Kit Inner & Outer - 67-72 Chevy GMC C/K Truck (4 pcs) (Black Outer Bead)	-
G-WFK111167C	Front Door Window Felt Kit Inner & Outer - 67-72 Chevy GMC C/K Truck (4 pcs) (Chrome Outer Bead)	-
G-GRB111167	Front Door Glass Run Channel - LH or RH - 67-72 Chevy GMC C/K Suburban Panel (can trim to also fit Rear RH 3rd Door)	-
X545-4067-L	Door Window Regulator - LH - 67-71 Chevy GMC Truck Suburban; 69-71 Blazer; 70-71 Jimmy	4
X545-4067-R	Door Window Regulator - RH - 67-71 Chevy GMC Truck Suburban; 69-71 Blazer; 70-71 Jimmy	-
X545-4072-L	Door Window Regulator - LH - 72 Chevy GMC Truck Suburban Blazer Jimmy	5
X545-4072-R	Door Window Regulator - RH - 72 Chevy GMC Truck Suburban Blazer Jimmy	-
X546-4067	Window Crank Handle w/ Clear Knob - 67-76 Chevy GMC Truck Suburban; 69-76 Blazer; 70-76 Jimmy	-
X546-4068-1	Window Crank Handle w/ Black Knob - 68-76 Chevy GMC Truck Suburban; 69-76 Blazer; 70-76 Jimmy	-
581-4369-1P	Door Window End Caps - Pair - 69-72 Chevy Blazer	-

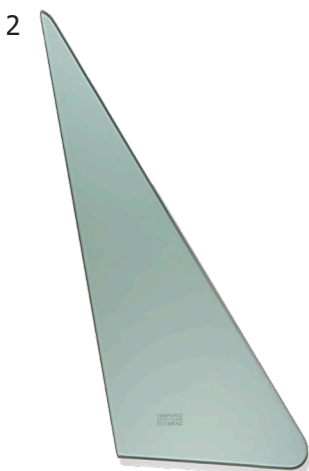
VENT WINDOW & COMPONENTS

Finally, you can get quality, great fitting glass for your Chevy and GMC truck! This OE quality reproduction glass from Auto Metal Direct is the correct thickness for a better fit.

Reproduction vent window assembly. Includes division bar with felt, stainless steel outer division bar, chrome vent glass frame, vent glass rubber, clear or tinted glass, vent glass handle and all brackets, hinges and hardware.



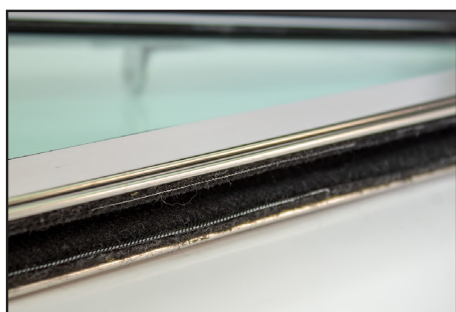
560-4067-C



560-4067-T



G-VWK111067



G-VWB112067



X561-4068-R



K-CX1549C

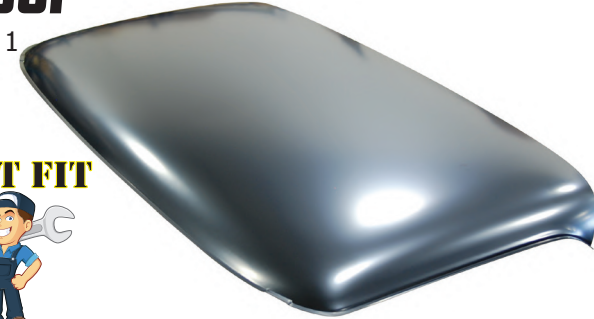
K-CX1549T



Part #	Description	Ill #
560-4067-C	Vent Glass - Clear - LH or RH - 67 Chevy GMC Truck	1
560-4067-T	Vent Glass - Green Tint - LH or RH - 67 Chevy GMC Truck	2
560-4068-C	Vent Glass - Clear - LH or RH - 68-72 Chevy GMC Truck Suburban; 69-72 Blazer; 70-72 Jimmy	-
560-4068-G	Vent Glass - Gray Tint - LH or RH - 68-72 Chevy GMC Truck Suburban; 69-72 Blazer; 70-72 Jimmy	-
560-4068-T	Vent Glass - Green Tint - LH or RH - 68-72 Chevy GMC Truck Suburban; 69-72 Blazer; 70-72 Jimmy	-
560-4068-1CL	Vent Glass Assembly - Clear - LH - 68-72 Chevy GMC Truck Suburban; 69-72 Blazer; 70-72 Jimmy	3
560-4068-1CR	Vent Glass Assembly - Clear - RH - 68-72 Chevy GMC Truck Suburban; 69-72 Blazer; 70-72 Jimmy	-
560-4068-1TL	Vent Glass Assembly - Green Tint - LH - 68-72 Chevy GMC Truck Suburban; 69-72 Blazer; 70-72 Jimmy	4
560-4068-1TR	Vent Glass Assembly - Green Tint - RH - 68-72 Chevy GMC Truck Suburban; 69-72 Blazer; 70-72 Jimmy	-
X561-4068-L	Vent Window Handle - LH - 68-79 Chevy GMC Truck Blazer Jimmy Suburban	5
X561-4068-R	Vent Window Handle - RH - 68-79 Chevy GMC Truck Blazer Jimmy Suburban	5
G-VWK111067	Vent Window Weatherstrips - LH / RH Pair - 67-72 Chevy GMC C/K Truck (4 pcs)	-
G-VWB112067	Vent Window Weatherstrips Rear Side Door - RH - 67-72 Chevy GMC C/K Suburban	-

C/K TRUCKS

≡ ROOF



1

TEST FIT



Before You Paint

X600-4067

A complete roof skin that covers the entire top of the cab.



2

610-4067-1



3

620-4067-L

4

620-4067-R

Part #	Description	Ill #
X600-4067	Roof Skin - 67-72 Chevy GMC Truck	1
610-4067-1	Inner Roof Repair Panel - 67-72 Chevy GMC Truck Suburban; 69-72 Blazer; 70-72 Jimmy	2
620-4067-L	Roof Drip Rail - LH - 67-72 Chevy GMC Truck	3
620-4067-R	Roof Drip Rail - RH - 67-72 Chevy GMC Truck	4

≡ ROOF COMPONENTS

HUGE
ONLINE
SELECTION



W-289G



631-4069



W-289D

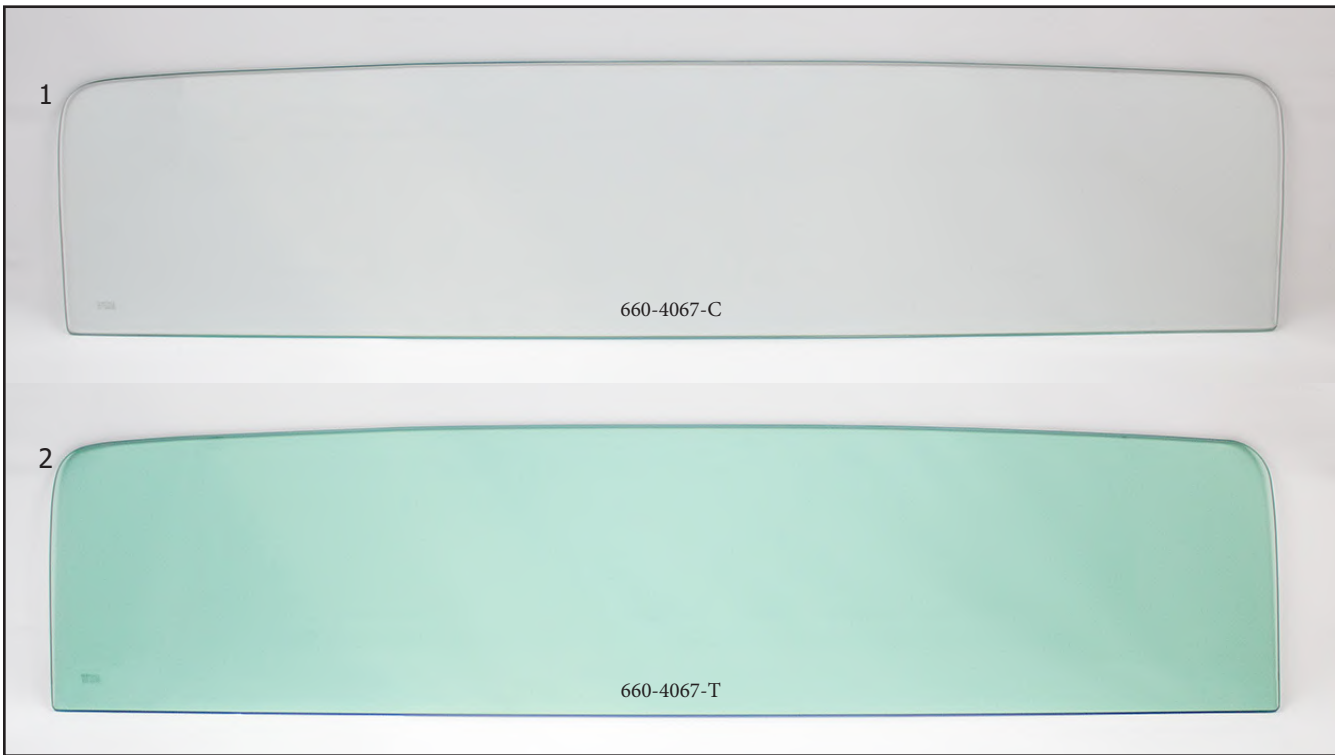
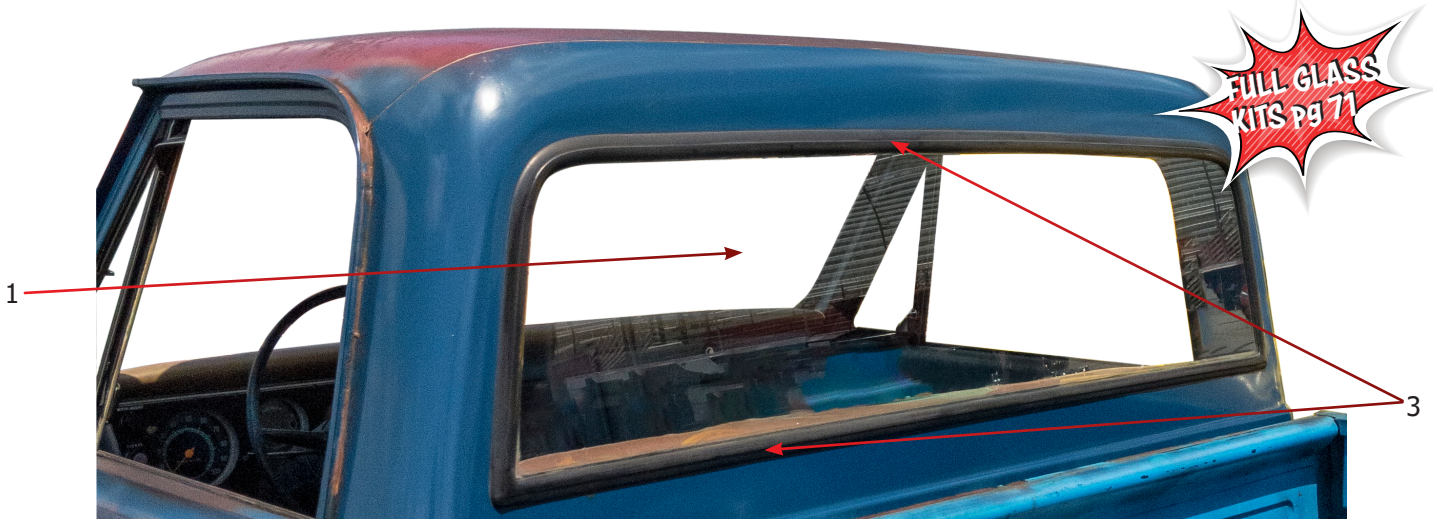


W-289F

Part #	Description	Ill #
631-4069	Cargo Lamp Switch - 69-72 Chevy GMC Truck	-
W-289B	Cargo Light Lens - 69-72 Chevy GMC C/K Pickup	-
W-289A	Cargo Light Housing - 69-72 Chevy GMC C/K Pickup	-
W-289C	Cargo Light Lens Gasket - 69-72 Chevy GMC C/K Pickup	-
W-289D	Cargo Lens Screws (2pcs) - 69-72 Chevy GMC C/K Pickup	-
W-289F	Cargo Light Mount Spacers (2pcs) - 69-72 Chevy GMC C/K Pickup	-
W-289G	Cargo Light to Cab Seal - 69-72 Chevy GMC C/K Pickup	-
W-289E	Cargo Lamp Assembly - 69-72 Chevy GMC C/K Pickup	-
644-4069-S	Headliner Trim - Set - 4 pcs - 69-72 C/K Truck	-
385-4067-2	Sun Visor Retainers (2pcs) - Chrome - 67-72 Chevy GMC C/K Truck	-
385-4067-2P	Sun Visor Retainers (2pcs) - Black - 67-72 Chevy GMC C/K Truck	-
646-4067-2P	Sun Visor Retainer Clips - Set - Chrome - 67-72 Chevy GMC C/K Truck	-

BACK GLASS & SEALS

Finally, you can get quality, great fitting glass for your Chevy and GMC truck! This OE quality reproduction glass from Auto Metal Direct is the correct thickness for a better fit.



Part #	Description	Ill #
660-4067-C	Back Glass - Clear - 67-72 Chevy GMC Truck w/ Small Back Glass	1
660-4067-G	Back Glass - Gray - 67-72 Chevy GMC Truck w/ Small Back Glass	-
660-4067-T	Back Glass - Green Tint - 67-72 Chevy GMC Truck w/ Small Back Glass	2
660-4068-C	Back Glass - Clear - 67-72 Chevy GMC Truck w/ Large Back Glass	-
660-4068-G	Back Glass - Gray Tint - 67-72 Chevy GMC Truck w/ Large Back Glass	-
660-4068-T	Back Glass - Green Tint - 67-72 Chevy GMC Truck w/ Large Back Glass	-
G-WBL1091T	Rear Cab Window Gasket, Small Rear Window w/o Chrome Reveal - 67 Chevy GMC C/K Pickup	-
G-WBLD1092T	Rear Cab Window Gasket, Large Rear Window w/o Chrome Reveal - 67-72 Chevy GMC C/K Pickup	3
G-WCR1092T	Rear Cab Window Gasket, Large Rear Window w/ Chrome Reveal - 67-72 Chevy GMC C/K Pickup	-

C/K TRUCKS

»»» BED PANELS

Reproduction OE style bed panels and patches for the 67-72 GM Trucks, Suburbans, Blazers and Jimmys. Each panel is stamped from high quality OE gauge steel and features correct as original body lines, mounting points, brackets, stake pockets and taillight bucket. Like all AMD parts, this item arrives EDP coated to help protect against rust and corrosion.

»»» STEPSIDE

TEST FIT



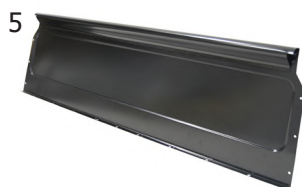
Before You Paint



721-4067-L

Part #	Description	Ill #
721-4067-L	Bedside - OE Style - LH - 67-72 Chevy GMC Stepside Short Bed	3
721-4067-R	Bedside - OE Style - RH - 67-72 Chevy GMC Stepside Short Bed	-
720-4067-4S	Stake Pocket Fillers - 4 Piece Set - 60-87 Chevy GMC Truck Stepside	-

»»» FLEETSIDE / SUV



715-4067-2



720-4067-L



X720-4067-1L



755-4067-8L



719-4267-1L



755-4267-L



725-4369-L



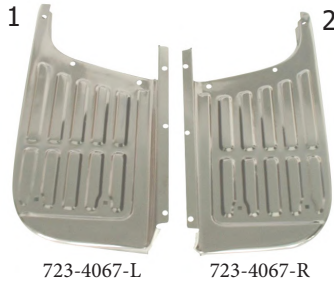
725-4369-R

Part #	Description	Ill #
715-4067-1	Front Bed Panel - 67-72 Chevy GMC Truck Fleetside w/ Steel Bed	-
715-4067-2	Front Bed Panel - 67-72 Chevy GMC Truck Fleetside w/ Wood Bed	5
X720-4067-1L	Bedside - OE Style - LH - 68-72 Chevy GMC Truck Fleetside Short Bed	4
X720-4067-1R	Bedside - OE Style - RH - 68-72 Chevy GMC Truck Fleetside Short Bed	-
720-4067-2L	Bedside - OE Style - LH - 68-72 Chevy GMC Truck Fleetside Long Bed	-
720-4067-2R	Bedside - OE Style - RH - 68-72 Chevy GMC Truck Fleetside Long Bed	-
720-4067-3L	Bedside w/o Stake Pocket Holes w/o Side Market Lamp Holes - LH - 67-72 Chevy GMC Truck Fleetside Short Bed	-
720-4067-3R	Bedside w/o Stake Pocket Holes w/o Side Market Lamp Holes - RH - 67-72 Chevy GMC Truck Fleetside Short Bed	-
720-4067-L	Bedside - OE Style - LH - 67 Chevy GMC Fleetside Short Bed	2
720-4067-R	Bedside - OE Style - RH - 67 Chevy GMC Fleetside Short Bed	-
755-4067-8L	Bedside Repair Panel - Lower Rear - LH - 67-72 Chevy GMC Long Bed Fleetside	7
755-4067-8R	Bedside Repair Panel - Lower Rear - RH - 67-72 Chevy GMC Long Bed Fleetside	-
719-4267-1L	Inner Rear Corner Panel - LH - 67-72 Chevy GMC Suburban	9
719-4267-1R	Inner Rear Corner Panel - RH - 67-72 Chevy GMC Suburban	-
719-4267-L	Taillight Repair Panel - LH - 67-72 Chevy GMC Suburban	-
719-4267-R	Taillight Repair Panel - RH - 67-72 Chevy GMC Suburban	-
725-4369-L	Bed Repair Panel - Lower Front - LH - 69-72 Blazer; 70-72 Jimmy	11
725-4369-R	Bed Repair Panel - Lower Front - RH - 69-72 Blazer; 70-72 Jimmy	12
755-4267-L	Bedside Repair Panel - Lower Rear - LH - 67-72 Chevy GMC Suburban	10
755-4267-R	Bedside Repair Panel - Lower Rear - RH - 67-72 Chevy GMC Suburban	-

REAR FENDER

Each panel is stamped from high quality OE gauge steel and features correct as original body lines, mounting points, brackets, stake pockets and taillight bucket. Like all AMD parts, this item arrives EDP coated to help protect against rust and corrosion.

STEPSIDE



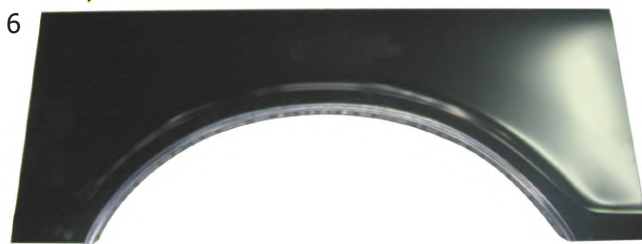
Part #	Description	Ill #
780-4068-L	Rear Fender - LH - 68-72 Chevy GMC Truck Stepside	7
780-4068-R	Rear Fender - RH - 68-72 Chevy GMC Truck Stepside	-
781-4067	Rear Fender Center Brace Set - 67-72 Chevy GMC Truck Stepside	9
723-4067-L	Bed Step - LH - 67-72 Chevy GMC Truck Short Bed Stepside	1
723-4067-R	Bed Step - RH - 67-72 Chevy GMC Truck Short Bed Stepside	2

FLEETSIDE / SUV

TEST FIT



Before You Paint

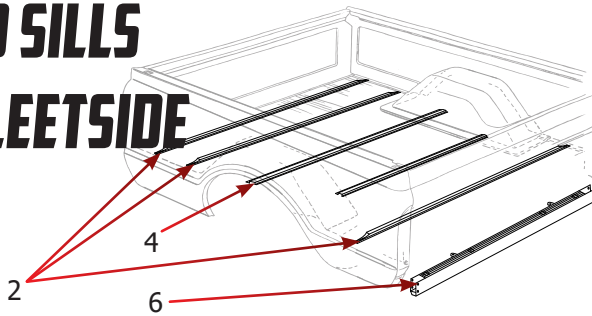


Part #	Description	Ill #
760-4067	Wheelhouse - OE Style - LH or RH - 67-72 Chevy GMC Truck Fleetside; 69-72 Blazer; 70-72 Jimmy	3
760-4067-4	Wheelhouse - 4" Wider - LH or RH - 67-72 Chevy GMC Truck Fleetside; 69-72 Blazer; 70-72 Jimmy	-
760-4067-4P	Wheelhouse - 4" Wider - Pair - 67-72 Chevy GMC Truck Fleetside; 69-72 Blazer; 70-72 Jimmy	-
763-4067-L	Splash Shield - Inner - LH - 67-72 Chevy GMC Truck Fleetside; 69-72 Blazer; 70-72 Jimmy	4
763-4067-R	Splash Shield - Inner - RH - 67-72 Chevy GMC Truck Fleetside; 69-72 Blazer; 70-72 Jimmy	5
730-4067-1L	Wheel Opening Repair Panel - LH - 67-72 Chevy GMC Truck Fleetside	8
730-4067-1R	Wheel Opening Repair Panel - RH - 67-72 Chevy GMC Truck Fleetside	-
730-4067-L	Upper Wheel Arch Repair Panel - LH - 67-72 Chevy GMC Truck Fleetside	6
730-4067-R	Upper Wheel Arch Repair Panel - RH - 67-72 Chevy GMC Truck Fleetside	-

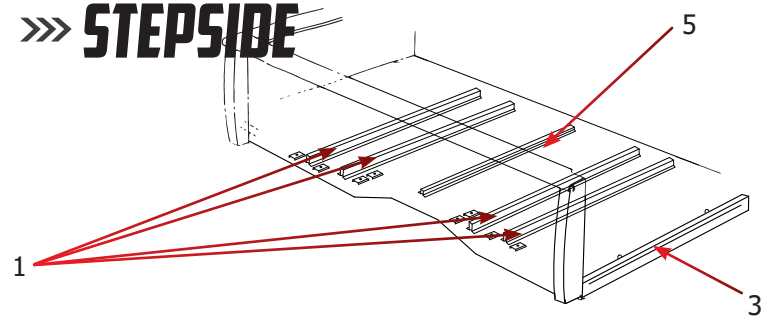
C/K TRUCKS

»» BED SILLS

»» FLEETSIDE



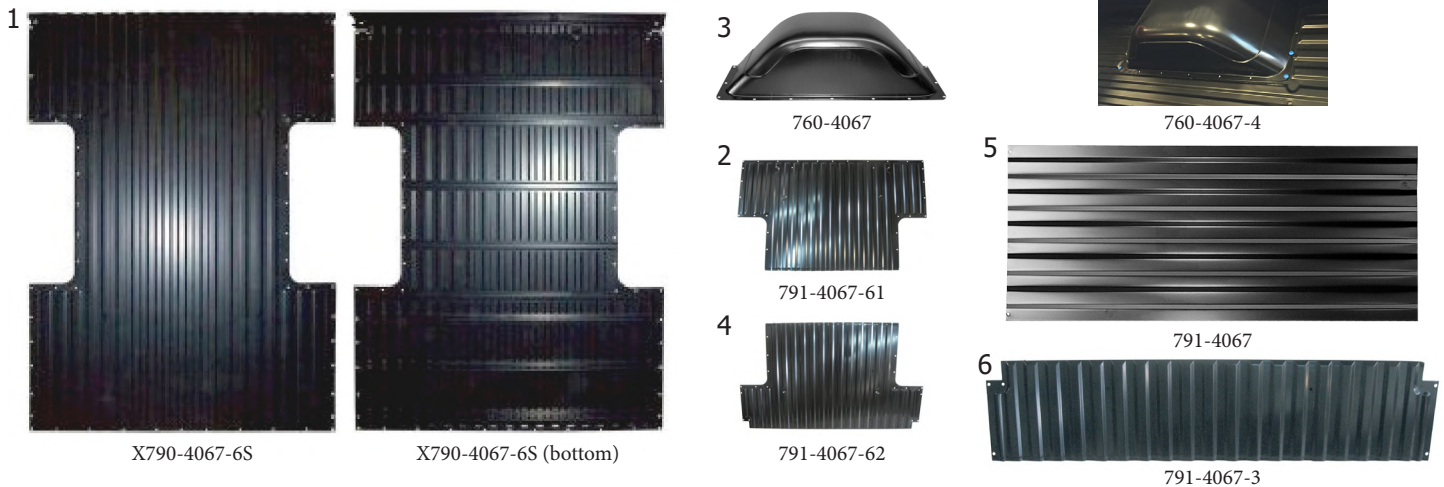
»» STEPSIDE



Part #	Description	Ill #
716-4063-1	Cross Sill - 63-72 Chevy GMC Truck Stepside w/ Wood Floor	1
716-4067-1	Cross Sill - Front / Rear - 67-72 Chevy GMC Truck Fleetside w/ Steel Bed	-
716-4067-21	Cross Sill - Front / Rear - 67-72 Chevy GMC Truck Fleetside w/ Wood Bed	-
716-4067-31	Cross Sill - Rear - 67-72 Chevy GMC Truck Stepside	3
716-4063-31	Tail Panel - 63-72 Chevy GMC Truck Fleetside w/ Wood Bed	6
716-4067-3	Tail Panel - 67-72 Chevy GMC Truck Fleetside w/ Steel Bed	-
717-4060-1	Bed Reinforcement Strip - 60-72 Chevy GMC Truck	5
717-4060-8	Bed Reinforcement Strip - 60-72 Chevy GMC Truck Fleetside Longbed w/ Wood Floor	5

»» BED FLOOR

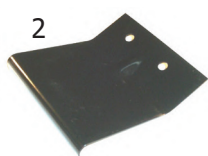
Stamped from heavy gauge steel, the bed floor comes complete with cross sills, tail panel and reinforcements. All parts arrive EDP coated to protect against rust and corrosion.



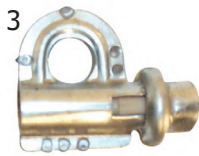
Part #	Description	Ill #
X790-4067-6S	Bed Floor Assembly - 67-72 Chevy GMC Truck Fleetside Short Bed	1
X790-4067-8S	Bed Floor Assembly - 67-72 Chevy GMC Truck Fleetside Long Bed	-
X790-4369	Bed Floor Assembly - 69-72 Blazer Jimmy	-
791-4067-3	Rear Bed Floor Repair Panel - 67-72 Chevy GMC Truck Fleetside	6
791-4067-61	Front Bed Floor Panel - 67-72 Chevy GMC Truck Fleetside Short Bed	2
791-4067-62	Rear Bed Floor Panel - 67-72 Chevy GMC Truck Fleetside Short Bed	4
791-4067-81	Front Bed Floor Panel - 67-72 Chevy GMC Truck Fleetside Long Bed	-
791-4067-82	Rear Bed Floor Panel - 67-72 Chevy GMC Truck Fleetside Long Bed	-
791-4067	Bed Floor Repair Panel - 67-72 Chevy GMC Truck Fleetside	5
760-4067	Wheelhouse - OE Style - LH or RH - 67-72 Chevy GMC Truck Fleetside; 69-72 Blazer; 70-72 Jimmy	3
760-4067-4	Wheelhouse - 4" Wider - LH or RH - 67-72 Chevy GMC Truck Fleetside; 69-72 Blazer; 70-72 Jimmy	7
760-4067-4P	Wheelhouse - 4" Wider - Pair - 67-72 Chevy GMC Truck Fleetside; 69-72 Blazer; 70-72 Jimmy	-

SPARE TIRE

Don't waste time trying to save factory worn out spare tire mounting parts. Our pieces match originals and fit correctly right out of the box.



817-4067-L

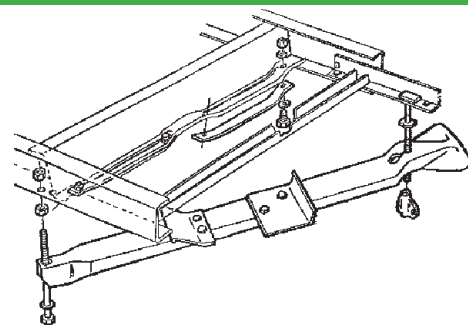


817-4067-2



817-4067-3

817-4067-1



Part #	Description	Ill #
X817-4067-1	Spare Tire Mounting Cross Strap - 67-72 Chevy GMC Truck	4
X817-4067-2	Spare Tire Mounting Cross Strap Retainer - 67-72 Chevy GMC Truck	3
X817-4067-3	Spare Tire Mounting Cross Strap Bolt - 67-72 Chevy GMC Truck	1
X817-4067-L	Spare Tire Mounting Front Bracket - 67-72 Chevy GMC Truck	2
X817-4067-R	Spare Tire Mounting Rear Bracket - 67-72 Chevy GMC Truck	-

BED STRIPS

New from Auto Metal Direct, bed strip kits for the 67-72 C/K Stepside & Fleetside trucks. Each strip is stamped from high quality steel and offer in zinc as paintable original or polished stainless.

- Bed Strips are the metal strips that bolt between the bed boards in the pickup bed flooring

- Angle Strips are similar to the bed boards except that they fit in the corners of the bed floor along the bed side panels



Polished Stainless



Zinc = Paintable like the OEM bed strips

STEPSIDE

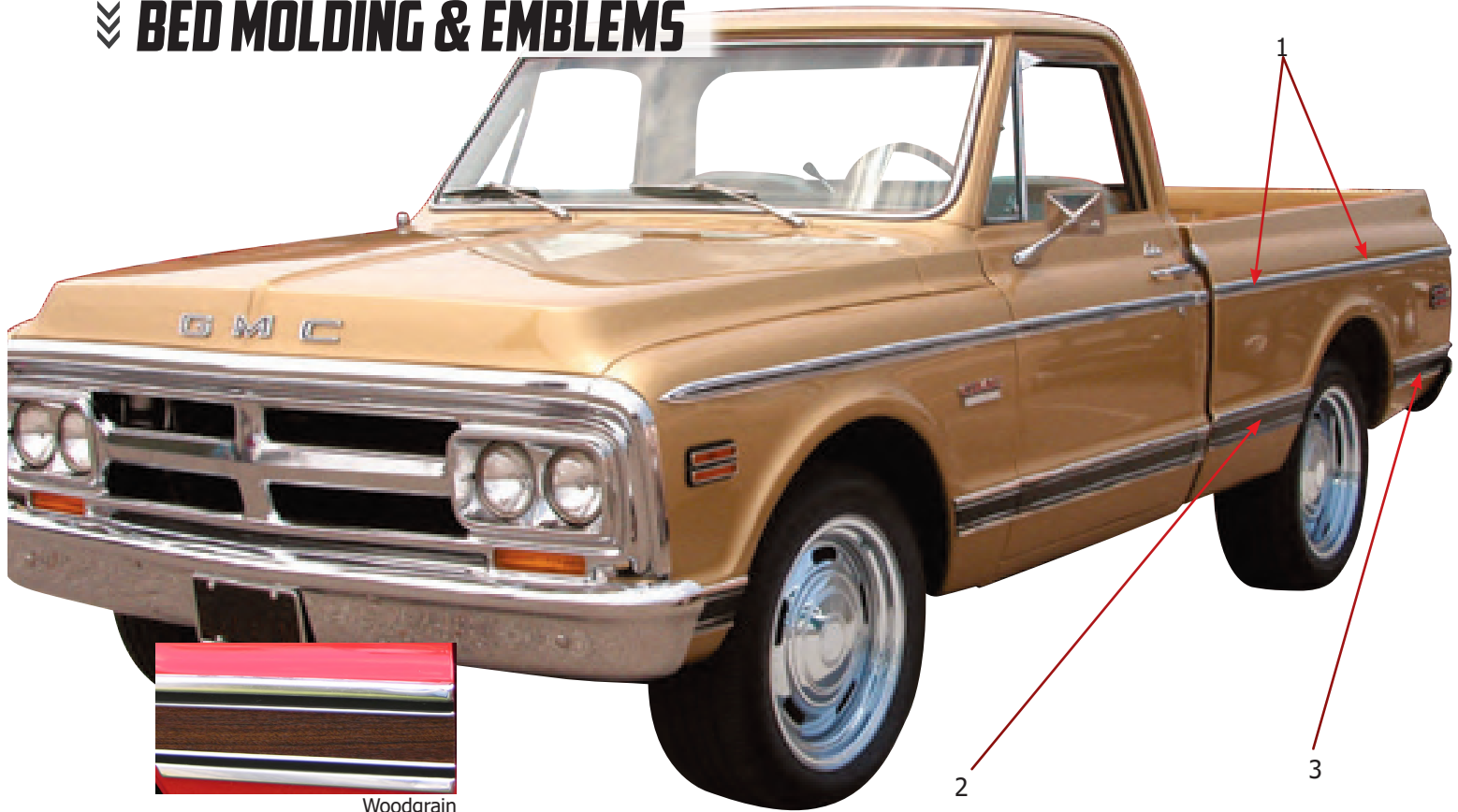
Part #	Description	Ill #
792-4067-6PS	Bed Strip Kit - Polished SS (7 Piece) - 67-72 Chevy GMC Shortbed Stepside w/ wood floor	-
792-4067-6ZS	Bed Strip Kit - Zinc (7 Piece) - 67-72 Chevy GMC Shortbed Stepside w/ wood floor	-
792-4067-8PS	Bed Strip Kit - Polished SS (7 Piece) - 67-72 Chevy GMC Longbed Stepside w/ wood floor	-
792-4067-8ZS	Bed Strip Kit - Zinc (7 Piece) - 67-72 Chevy GMC Longbed Stepside w/ wood floor	-
793-4047-26PP	Angle Strip Cover - Polished SS - Sold Each - 47-87 Chevy GMC Shortbed Stepside w/ wood floor	-
793-4047-26ZP	Angle Strip Cover - Zinc - Sold Each - 47-87 Chevy GMC Shortbed Stepside w/ wood floor	-
793-4047-28PP	Angle Strip Cover - Polished SS - Sold Each - 47-87 Chevy GMC Longbed Stepside w/ wood floor	-
793-4047-28ZP	Angle Strip Cover - Zinc - Sold Each - 47-87 Chevy GMC Longbed Stepside w/ wood floor	-
793-4067-6PP	Angle Strip Covers - Polished SS - 2 Piece Set - 67-72 Chevy GMC Shortbed Stepside w/ wood floor	-
793-4067-6ZP	Angle Strip Covers - Zinc - 2 Piece Set - 67-72 Chevy GMC Shortbed Stepside w/ wood floor	-
793-4067-8PP	Angle Strip Covers - Polished SS - 2 Piece - 67-72 Chevy GMC Longbed Stepside w/ wood floor	-
793-4067-8ZP	Angle Strip Covers - Zinc - 2 Piece Set - 67-72 Chevy GMC Longbed Stepside w/ wood floor	-

FLEETSIDE

Part #	Description	Ill #
792-4067-16PS	Bed Strip Kit - Polished SS (11 Piece) - 67-72 Chevy GMC Shortbed Fleetside w/ wood floor	-
792-4067-16ZS	Bed Strip Kit - Zinc (11 Piece) - 67-72 Chevy GMC Shortbed Fleetside w/ wood floor	-
792-4067-18PS	Bed Strip Kit - Polished SS (11 Piece) - 67-72 Chevy GMC Longbed Fleetside w/ wood floor	-
792-4067-18ZS	Bed Strip Kit - Zinc (11 Piece) - 67-72 Chevy GMC Longbed Fleetside w/ wood floor	-

C/K TRUCKS

≡ BED MOLDING & EMBLEMS



Woodgrain

Part #	Description	Ill #
X731-4069-16	Upper Bed Molding - LH or RH - 69-72 Chevy GMC Truck Short Bed Fleetside	1
X731-4069-18	Upper Bed Molding - LH or RH - 69-72 Chevy GMC Truck Long Bed Fleetside	-
X731-4069-26BL	Front Lower Bed Molding - Black - LH - 69-72 Chevy GMC Truck Short Bed Fleetside	2
X731-4069-26BR	Front Lower Bed Molding - Black - RH - 69-72 Chevy GMC Truck Short Bed Fleetside	-
X731-4069-26WL	Front Lower Bed Molding - Woodgrain - LH - 69-72 Chevy GMC Truck Short Bed Fleetside	-
X731-4069-26WR	Front Lower Bed Molding - Woodgrain - RH - 69-72 Chevy GMC Truck Short Bed Fleetside	-
X731-4069-28BL	Front Lower Bed Molding - Black - LH - 69-72 Chevy GMC Truck Long Bed Fleetside	-
X731-4069-28BR	Front Lower Bed Molding - Black - RH - 69-72 Chevy GMC Truck Long Bed Fleetside	-
X731-4069-28WL	Front Lower Bed Molding - Woodgrain - LH - 69-72 Chevy GMC Truck Long Bed Fleetside	-
X731-4069-28WR	Front Lower Bed Molding - Woodgrain - RH - 69-72 Chevy GMC Truck Long Bed Fleetside	-
X731-4069-36BL	Rear Lower Bed Molding - Black - LH - 69-72 Chevy GMC Truck Short Bed Fleetside	3
X731-4069-36BR	Rear Lower Bed Molding - Black - RH - 69-72 Chevy GMC Truck Short Bed Fleetside	-
X731-4069-36WL	Rear Lower Bed Molding - Woodgrain - LH - 69-72 Chevy GMC Truck Short Bed Fleetside	-
X731-4069-36WR	Rear Lower Bed Molding - Woodgrain - RH - 69-72 Chevy GMC Truck Short Bed Fleetside	-
X731-4069-38BL	Rear Lower Bed Molding - Black - LH - 69-72 Chevy GMC Truck Long Bed Fleetside	-
X731-4069-38BR	Rear Lower Bed Molding - Black - RH - 69-72 Chevy GMC Truck Long Bed Fleetside	-
X731-4069-38WL	Rear Lower Bed Molding - Woodgrain - LH - 69-72 Chevy GMC Truck Long Bed Fleetside	-
X731-4069-38WR	Rear Lower Bed Molding - Woodgrain - RH - 69-72 Chevy GMC Truck Long Bed Fleetside	-
T-9645	Rear Bedside Emblems - "Longhorn" - LH/RH Pair - 69-72 Chevy C/K Fleetside Pickup w/ 133" wb	-
999-4969-71P	1969-1972 Chevrolet and GMC Truck Rear Quarter Emblem, "GMC Sierra Grande", Sold as a Pair	-
T-9865	Rear Quarter Emblems - "GMC Sierra" - LH/RH Pair - 69-72 GMC C/K Truck	-

TAILGATE

Reproduction tailgate for the 67-72 Chevrolet / GMC Fullsize truck. Stamped from high quality OE gauge steel on new tools, each tailgate features the correct shape, size, curvature and body lines, like original. EDP coated to help protect against rust and corrosion.

TEST FIT



925-4054-1



925-4067-1



925-4054-2



925-4067-2



925-4954



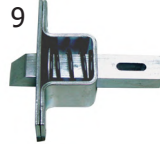
925-4967



927-4067-3C



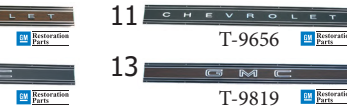
927-4067-3



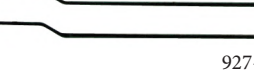
927-4067-1P



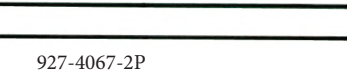
T-9655



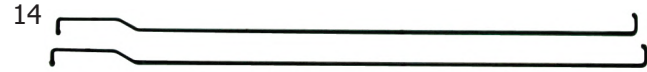
T-9656



T-9818



T-9819



927-4067-2P



X930-4069-1L

Part #	Description	Ill #
925-4054-1	Tailgate - Plain - 54-87 Chevy GMC Truck Stepside	1
925-4054-2	Tailgate - "Chevrolet" - 54-87 Chevy GMC Truck Stepside	4
925-4954	Tailgate - "GMC" Letters - 54-87 GMC Truck Stepside (63-87 "GMC" script lettering)	2
925-4067-1	Tailgate - Plain - 67-72 Chevy GMC Truck Fleetside	5
925-4067-2	Tailgate - "Chevrolet" - 67-72 Chevy Truck Fleetside	3
925-4967	Tailgate - "GMC" Letters - 67-72 GMC Fleetside	6
927-4067-1P	Tailgate Latches - LH/RH Pair - 67-72 Chevy GMC Fleetside	9
W-L0006	Tailgate UPPER Moulding Clip Kit, 67-72 Chevrolet and GMC Trucks	-
927-4067-2P	Tailgate Rods (2pcs) - 67-72 Chevy GMC Truck Fleetside; 69-72 Blazer; 70-72 Jimmy; 67-72 Suburban	14
G-L0007	Tailgate Lower Molding Clip Kit	-
927-4067-3	Tailgate Handle - Black - 67-72 Chevy GMC Truck Suburban; 69-72 Blazer; 70-72 Jimmy	8
927-4067-3C	Tailgate Handle - Chrome - 67-72 Chevy GMC Truck Suburban; 69-72 Blazer; 70-72 Jimmy	7
927-4067-4P	Tailgate Hinges - LH/RH Pair - 67-72 Chevy GMC Fleetside	-
927-4067-5	67-87 Chevrolet, GMC Truck, 69-72 Blazer Lower tailgate bumpers	-
927-4067-6	67-72 Chevrolet, GMC Truck Upper tailgate bumper	-
W-L0074	Tailgate Bezel Clip Set w/ Screws - 69-72 Chevy GMC Truck	-
X930-4069-1L	Tailgate Molding - Upper - LH - 69-72 Chevy GMC Truck Blazer; 70-72 Jimmy	15
X930-4069-1R	Tailgate Molding - Upper - RH - 69-72 Chevy GMC Truck Blazer; 70-72 Jimmy	-
X930-4069-2	Tailgate Molding - Lower - 69-72 Chevy GMC Truck Blazer; 70-72 Jimmy	-
T-9656	Tailgate Band - Black w/ "CHEVROLET" Letters - 69-72 Chevy Truck Blazer	11
T-9655	Tailgate Band - Woodgrain w/ "CHEVROLET" Letters - 69-72 Chevy Truck Blazer	10
T-9819	Tailgate Band - Woodgrain w/ "GMC" Letters - 69-72 GMC Truck; 70-72 Jimmy	13
T-9818	Tailgate Band - Black w/ "GMC" Letters - 69-72 GMC Truck; 70-72 Jimmy	12
T-9652	Tailgate Trim Panel Letter Set - "CHEVROLET" - 69-72 Chevy C/K Fleetside Pickup / Blazer	-
T-9870	Tailgate Panel Letter Set - "GMC" - 69-72 GMC C/K Fleetside; 70-72 Jimmy (with optional tailgate trim panel)	-

C/K TRUCKS

REAR LIGHTING

Reproduction of the original rear lighting for 1967-72 GM Trucks. Each part is designed to replace the original exactly. Injection molded in quality acrylic material to replicate the original lens for accuracy and authenticity. Replace the damaged or missing original lenses with these superb reproductions.



K-5958722




K-5959111



K-K1014



T-A9582 



K-5961257

K-5961258




950-4267



K-CX1772



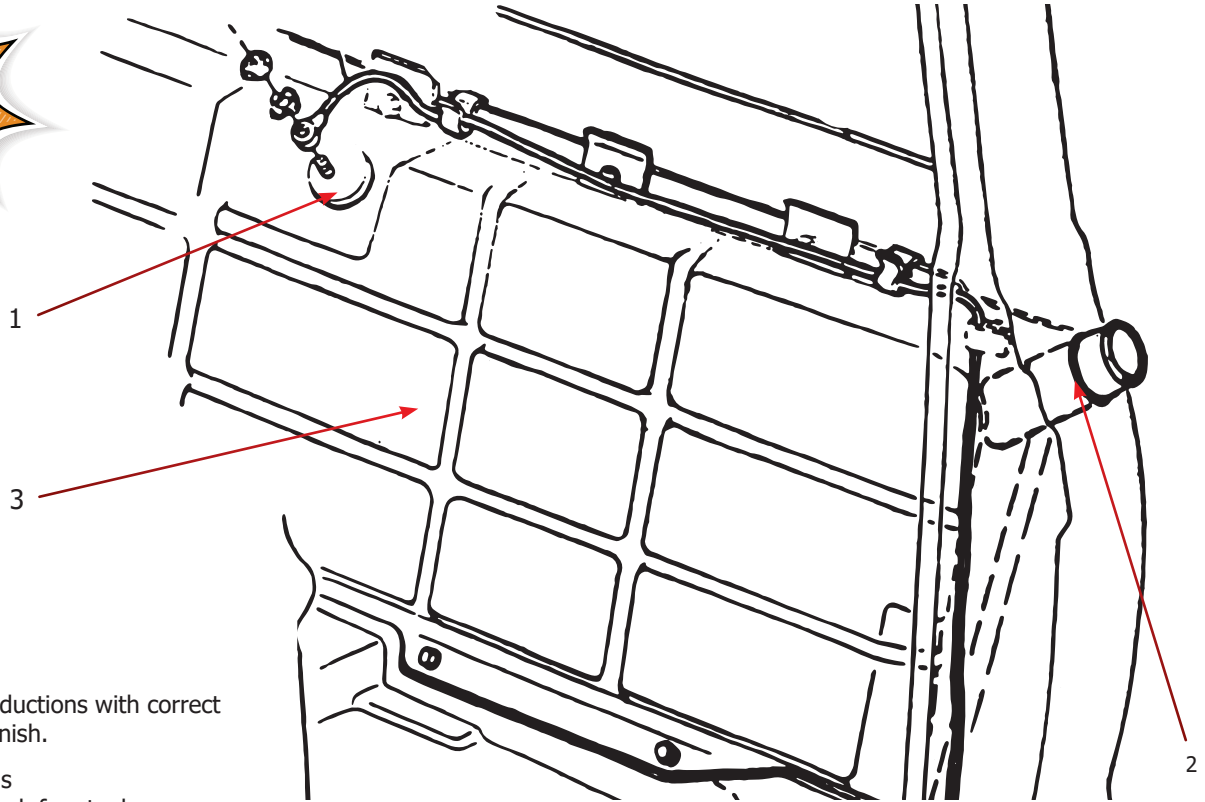
T-9101

Part #	Description	Ill #
X740-4068-1	Rear Side Marker Lamp w/ Chrome Trim - 68-72 Chevy GMC Truck Suburban; 69-72 Blazer; 70-72 Jimmy	9
K-5958722	Taillight Housing - LH or RH - 67-72 Chevy GMC Truck Fleetside; 69-72 Blazer; 70-72 Jimmy	1
K-K1014	Taillight Assembly - Red - LH or RH - 67-72 Chevy GMC Truck Fleetside; 69-72 Blazer; 70-72 Jimmy	3
K-5959111	Taillight Lens - Red - LH or RH - 67-72 Chevy GMC Truck Fleetside; 69-72 Blazer; 70-72 Jimmy	2
K-5961257	Back-up Lamp Lens - LH - 67-72 Chevy GMC Truck Fleetside; 69-72 Blazer; 70-72 Jimmy	5
K-5961258	Back-up Lamp Lens - RH - 67-72 Chevy GMC Truck Fleetside; 69-72 Blazer; 70-72 Jimmy	10
T-9101	Taillight LED Conversion Kit - LH/RH Pair - 67-72 Chevy GMC Truck Fleetside; 69-72 Blazer; 70-72 Jimmy	8
T-A9582	Taillight Lens - LH or RH (Sold Each) - 67-72 Chevy GMC Suburban 	4
K-CX1772	Backup Light Lens - LH or RH (sold each) - 67-72 Chevy GMC Suburban	7
954-4067-1	67-72 Chevrolet, GMC Truck, Fleetside Taillight lens gaskets	-
954-4067-2	67-72 Chevrolet, GMC Truck, Fleetside Bed, Fleetside Stepside Reverse light lens gaskets	-
K-917069	License Plate Lamp Assembly - Except Step Bumper - 66-91 Chevy GMC Truck Blazer Jimmy Suburban	-

FUEL TANK

Finish your project right with new fuel tank components from AMD. These top quality pieces meet or exceed the performance of the original OE parts. All AMD parts are test fitted and guaranteed to fit correctly.

HUGE ONLINE SELECTION



Accurately stamped reproductions with correct original light galvanized finish.

- Meets OE Specifications
- Pressure tested for a leak free tank
- Corrosion resistant steel construction

NEW TOOLS



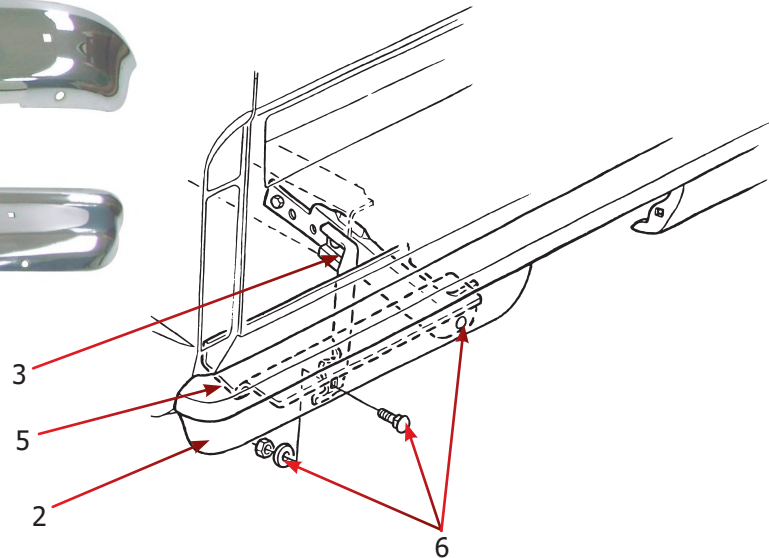
Part #	Description	Ill #
K-3886792	Gas Tank Neck Grommet - 67-70 Chevy GMC Truck	2
891-4071-1	Gas Tank Neck Grommet - 71-72 Chevy GMC Truck	2
881-4067-3	Gas Tank Sending Unit - 67-71 Chevy GMC C/K Pickup (3/8" fuel line)	1
881-4067-5	Gas Tank Sending Unit - 67-71 Chevy GMC C/K Pickup (5/16" fuel line)	1
881-4072-31	Gas Tank Sending Unit - 72 Chevy GMC C/K Pickup (3/8" fuel line w/o vent line)	1
881-4072-32	Gas Tank Sending Unit - 72 Chevy GMC C/K Pickup (3/8" fuel line w/ vent line)	1
890-4067-N	Gas Tank w/o EEC - 67-70 Chevy GMC C/K Pickup	3
890-4070-N	Gas Tank w/ EEC - 70-72 Chevy GMC C/K Pickup	3
890-4071-19	Gas Tank w/o EEC - 71-72 Chevy GMC C/K Pickup	3

C/K TRUCKS

REAR BUMPER & COMPONENTS

AMD Bumpers are made from heavy gauge steel and feature OE quality chrome finish. Installation is fast and easy as all parts are designed to be a direct bolt-on utilizing OE bumper brackets and hardware. Our bumpers are manufactured on our state of the art chrome production line.

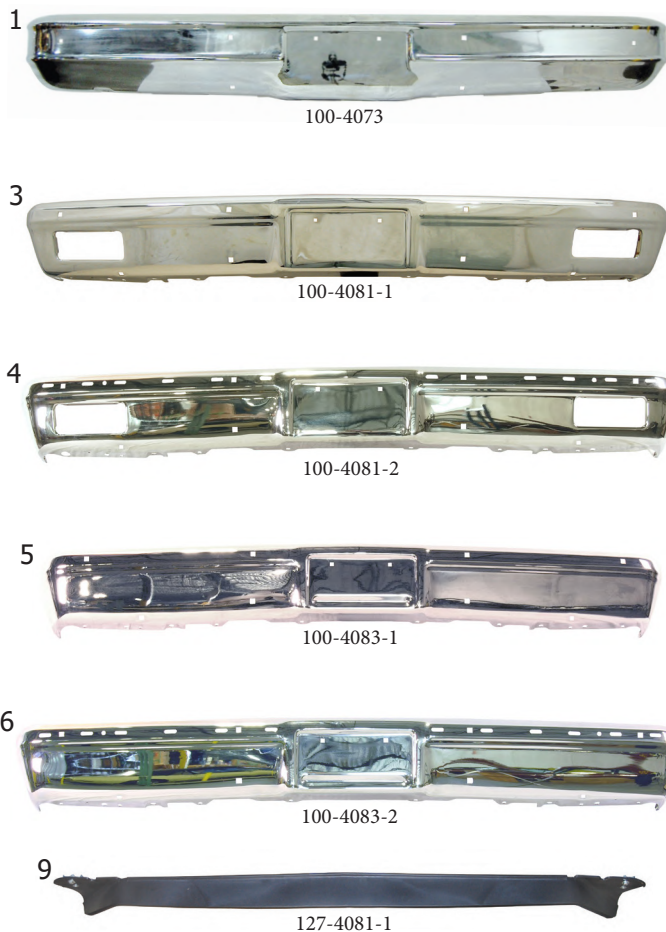
ALL BUMPERS ARE COVERED BY A 5 YEAR LIMITED RUST-THROUGH WARRANTY!



Part #	Description	Ill #
990-4067-1	Rear Bumper - Chrome - 67-72 Chevy GMC C/K Fleetside Pickup Suburban; 69-72 Chevy GMC C/K Blazer Jimmy	2
990-4067-1P	Rear Bumper - Primer - 67-72 Chevy GMC C/K Fleetside Pickup Suburban; 69-72 Chevy GMC C/K Blazer Jimmy	-
990-4067-2	Rear Bumper w/o Impact Strip Holes - Chrome - 67-87 Chevy GMC Stepside Pickup	1
990-4067-2P	Rear Bumper w/o Impact Strip Holes - Primer - 67-87 Chevy GMC Stepside Pickup	-
W-L0223	Rear Bumper Bolt Kit - 67-86 Chevy GMC C/K Truck; 87-91 Chevy GMC R/V Truck	6
970-4067-4S	Rear Bumper Bracket Set - 67-72 Chevy GMC 1/2-Ton Short Bed 4WD Truck	-
970-4067-S	Rear Bumper Bracket Set - 67-72 Chevy GMC Truck 1/2-ton 2WD w/ Rear Coil Springs	3
975-4067-L	Gravel Deflector - LH - 67-72 Chevy GMC C/K Fleetside Pickup' 69-71 Blazer Jimmy	5
975-4067-R	Gravel Deflector - RH - 67-72 Chevy GMC C/K Fleetside Pickup' 69-71 Blazer Jimmy	-
945-4067	Rear License Plate Bracket - Black - 67-87 Chevy GMC Truck; 69-91 Blazer Jimmy Suburban	4
945-4067-C	Rear License Plate Bracket - Chrome - 67-87 Chevy GMC Truck; 69-91 Blazer Jimmy Suburban	-
K-917069	License Plate Lamp Assembly - Except Step Bumper - 66-91 Chevy GMC Truck Blazer Jimmy Suburban	-

FRONT BUMPER **ALL BUMPERS ARE COVERED BY A 5 YEAR LIMITED RUST-THROUGH WARRANTY!**

AMD Bumpers are made from heavy gauge steel and feature OE quality chrome finish. All parts feature, depending on application, correct holes for turn signals. Installation is fast and easy as all parts are designed to be a direct bolt-on utilizing OE bumper brackets and hardware. Our bumpers are manufactured on our state of the art chrome production line.

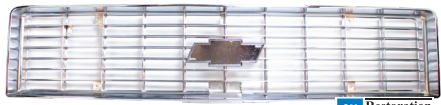


Part #	Description	Ill #
100-4073	Front Bumper w/o Impact Strip Holes - 73-80 Chevy GMC C/K Truck	1
100-4073-P	Front Bumper w/o Impact Strip Holes - Paintable - 73-80 Chevy GMC C/K Truck	-
100-4081-1	Front Bumper w/o Impact Strip Holes - Chrome - 81-82 Chevy GMC C/K Truck	3
100-4081-1P	Front Bumper w/o Impact Strip Holes - Paintable - 81-82 Chevy GMC C/K Truck	-
100-4081-2	Front Bumper w/ Impact Strip Holes - Chrome - 81-82 Chevy GMC C/K Truck	4
100-4081-2P	Front Bumper w/ Impact Strip Holes - Paintable - 81-82 Chevy GMC C/K Truck	-
100-4083-1	Front Bumper w/o Impact Strip Holes - Chrome - 83- Chevy GMC C/K & R/V Truck	5
100-4083-1P	Front Bumper w/o Impact Strip Holes - Paintable - 83-91 Chevy GMC C/K & R/V Truck	-
100-4083-2	Front Bumper w/ Impact Strip Holes - Chrome - 83-91 Chevy GMC C/K & R/V Truck	6
100-4083-2P	Front Bumper w/o Impact Strip Holes - Chrome - 83-91 Chevy GMC C/K & R/V Truck	-
100-4290-1	Front Bumper w/ Impact Strip & Bumper Guard Holes - Chrome - 89-91 Chevy GMC R/V Blazer Jimmy Suburban	-
100-4290-1P	Front Bumper w/ Impact Strip & Bumper Guard Holes - Paintable - 89-91 Chevy GMC R/V Blazer Jimmy Suburban	-
105-4073	Front Bumper Bracket - Inner - LH or RH (Sold Each) - 73-80 Chevy GMC C/K Truck	-
X105-4081-S	Front Bumper Brace Kit w/ Hardware - 81-87 Chevy GMC Truck	7,8
127-4081-1	Air Deflector - 81-87 Chevy GMC Truck (2WD)	9
115-4081	Lower Grille Panel - 81-82 Chevy GMC C/K Truck	-
115-4083	Lower Grille Panel - 83-86 Chevy GMC C/K Truck	-

C/K TRUCKS

GRILLES & EMBLEMS

Reproduction grilles for the 73-87 squarebody trucks. Each grill features the correct as original shape, size, holes, mounting tabs and finish.



150-4073-2



150-4075-2



150-4077-1



150-4077-2



150-4077-3



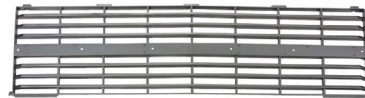
150-4080-2



150-4081-1



150-4081-2



150-4083-1



150-4085-3



X150-4085-1



150-4985



NEW

350

999-4075-12

SEE FULL SELECTION ONLINE!

Part #	Description	Ill #
150-4073-1	Grille - Gray - 73-74 Chevy C/K Truck w/ Emblem	-
150-4073-2	Grille - Chrome - 73-74 Chevy C/K Truck w/ Emblem	-
150-4075-1	Grille - Gray - 75-76 Chevy C/K Truck w/ Emblem	-
150-4075-2	Grille - Silver - 75-76 Chevy C/K Truck w/ Emblem	-
X150-4077-1	Grille - Black - 79 Chevy C/K Truck	-
150-4077-2	Grille - Argent - 77-78 Chevy C/K Truck w/ Emblem	-
X150-4077-3	Grille - Gray - 77-78 Chevy C/K Truck	-
150-4080-1	Grille - Gray - 80 Chevy C/K Truck w/ Emblem	-
150-4080-2	Grille - Chrome/Gray - 80 Chevy C/K Truck w/ Emblem	-
X150-4081-1	Grille - Chrome/Argent - 81-82 Chevy C/K Truck	-
X150-4081-2	Grille - Argent - 81-82 Chevy C/K Truck	-
X150-4083-1	Grille - Dark Argent - For Dual Headlights - 83-84 Chevy C/K Truck	-
X150-4085-1	Grille - Light Argent w/ Molding - For Dual Headlights - 85-86 Chevy C/K Truck; 87-88 Chevy R/V Truck	-
150-4085-3	Grille - Light Argent w/o Molding - For Dual Headlights - 85-86 Chevy C/K Truck; 87-88 Chevy R/V Truck	-
150-4389-4	Grille - Chrome/Silver - For Dual Headlights - 89-91 Chevy R/V Truck	-
150-4981	Grille - w/o Emblem Provisions - 81-82 GMC C/K Truck	-
150-4983	Grille - w/o GMC Emblem - For Single Headlights - 83-84 GMC C/K Truck	-
150-4983-1	Grille - w/o GMC Emblem - For Dual Headlights - 83-84 GMC C/K Truck	-
X150-4985	Grille - Silver / Gray - 85-86 GMC C/K Truck; 87-88 GMC R/V Truck	-
999-4073-11	Grille Emblem "350" - 73-74 Chevy C/K Truck	-
999-4073-12	Grille Emblem "454" - 73-74 Chevy C/K Truck	-
999-4075-12	Grille Emblem - "350" - 75-76 Chevy C/K Truck	-
999-4075-13	Grille Emblem - "400" - 75-76 Chevy C/K Truck	-
999-4075-14	Grille Emblem - "454" - 75-76 Chevy C/K Truck	-

GRILLES COMPONENTS

Reproduction headlight bezels and grille components for the 73-87 GM fullsize trucks and SUVs. Made from injection molded plastic, each part features OE correct finish, mounting points, curves and contours.



X145-4073-L



X145-4073-R



X145-4079-2L



X145-4079-2R



145-4081-3L



145-4081-3R



X145-4083-3L



X145-4083-3R



145-4083-1L



145-4083-1R



145-4085-1L



145-4085-1R



X145-4080-3L



X145-4080-3R



145-4081-2L



145-4081-2R



145-4083-2L



145-4083-2R



145-4085-3L



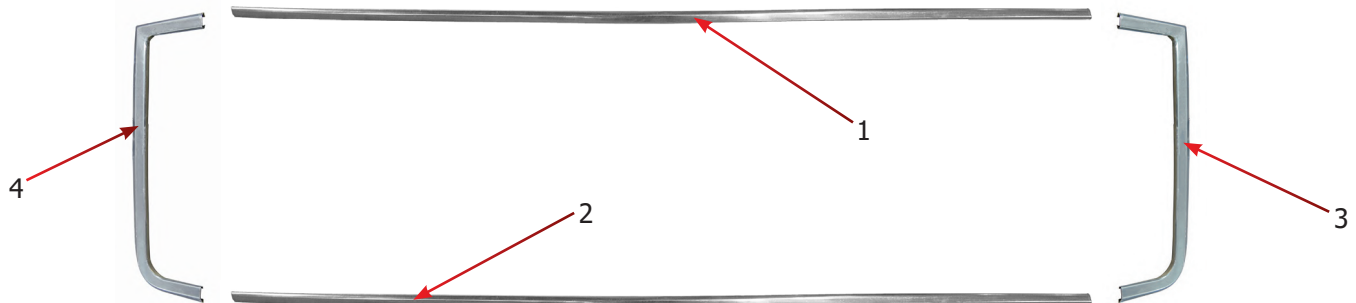
145-4085-3R

Part #	Description	Ill #
115-4081	Lower Grille Panel - 81-82 Chevy GMC C/K Truck	-
115-4083	Lower Grille Panel - 83-86 Chevy GMC C/K Truck	-
X145-4073-L	Headlamp Bezel - LH - Chrome / Dark Gray - 73-78 Chevy GMC C/K Truck	-
X145-4073-R	Headlamp Bezel - RH - Chrome / Dark Gray - 73-78 Chevy GMC C/K Truck	-
X145-4079-2L	Headlamp Bezel - LH Chrome / Dark Gray - 79-80 Chevy GMC C/K Truck	-
X145-4079-2R	Headlamp Bezel - RH Chrome / Dark Gray - 79-80 Chevy GMC C/K Truck	-
X145-4080-3L	Headlamp Bezel - LH Chrome - 80 Chevy GMC C/K Truck	-
X145-4080-3R	Headlamp Bezel - RH Chrome - 80 Chevy GMC C/K Truck	-
X145-4081-2L	Headlamp Bezel - LH - Single Headlamp - 81-82 Chevy C/K Truck	-
X145-4081-2R	Headlamp Bezel - RH - Single Headlamp - 81-82 Chevy C/K Truck	-
145-4081-3L	Headlamp Bezel - LH - Dual Headlamp - 81-82 Chevy GMC C/K Truck	-
145-4081-3R	Headlamp Bezel - RH - Dual Headlamp - 81-82 Chevy GMC C/K Truck	-
X145-4083-1L	Headlamp Bezel - LH - Single Headlamp - 83-84 Chevy GMC C/K Truck	-
X145-4083-1R	Headlamp Bezel - RH - Single Headlamp - 83-84 Chevy GMC C/K Truck	-
X145-4083-2L	Headlamp Bezel - LH - Argent - Dual Headlamp - 83-84 Chevy C/K Truck	-
X145-4083-2R	Headlamp Bezel - RH - Argent - Dual Headlamp - 83-84 Chevy C/K Truck	-
X145-4083-3L	Headlamp Bezel - LH - Dark Gray / Gray - Dual Headlamp - 83-84 GMC C/K Truck	-
X145-4083-3R	Headlamp Bezel - RH - Dark Gray / Gray - Dual Headlamp - 83-84 GMC C/K Truck	-
145-4085-1L	Headlamp Bezel - LH - Silver - Single Headlamp - 85-88 Chevy GMC C/K & R/V Truck	-
145-4085-1R	Headlamp Bezel - RH - Silver - Single Headlamp - 85-88 Chevy GMC C/K & R/V Truck	-
145-4085-2L	Headlamp Bezel - LH - Black - Single Headlamp - 85-88 Chevy GMC C/K & R/V Truck	-
145-4085-2R	Headlamp Bezel - RH - Black - Single Headlamp - 85-88 Chevy GMC C/K & R/V Truck	-
145-4085-3L	Headlamp Bezel - LH - Silver - Dual Headlamp - 85-88 Chevy GMC C/K & R/V Truck	-
145-4085-3R	Headlamp Bezel - RH - Silver - Dual Headlamp - 85-88 Chevy GMC C/K & R/V Truck	-
K-6271829	Grille Attachment Nut - 73-80 Chevy GMC C/K Truck	-

C/K TRUCKS

GRILLE MOLDING

Reproduction grille moldings for the 1973-87 GM Truck & SUV. Stamped from high quality aluminum, like original. Each grille molding features the correct shape, size, curvature and polished exterior finish.



Part #	Description	Ill #
X155-4073-1	Grille Molding - Upper - 73-78 Chevy GMC C/K Truck	1
X155-4073-2	Grille Molding - Lower - 73-78 Chevy GMC C/K Truck	2
X155-4079-1	Grille Molding - Upper - 79-80 Chevy GMC C/K Truck	1
X155-4079-2	Grille Molding - Lower - 79-80 Chevy GMC C/K Truck Blazer Jimmy Suburban	2
155-4081-1	Grille Molding - Upper - 81-82 Chevy GMC C/K Truck	1
155-4081-2	Grille Molding - Lower - 81-82 Chevy GMC C/K Truck	2
155-4081-L	Grille Molding - Side on Fender - LH - 81-82 Chevy GMC C/K Truck	3
155-4081-R	Grille Molding - Side on Fender - RH - 81-82 Chevy GMC C/K Truck	4
155-4083-1	Upper Grille Molding - 83-87 Chevy GMC Truck Blazer Jimmy Suburban	1
155-4083-2	Lower Grille Molding - 83-87 Chevy GMC Truck Blazer Jimmy Suburban	2
X155-4083-L	Outer Side Grille Molding (On Fender) - LH - 83-88 Chevy GMC C/K & R/V Truck	3
X155-4083-R	Outer Side Grille Molding (On Fender) - RH - 83-88 Chevy GMC C/K & R/V Truck	4

FRONT FENDER

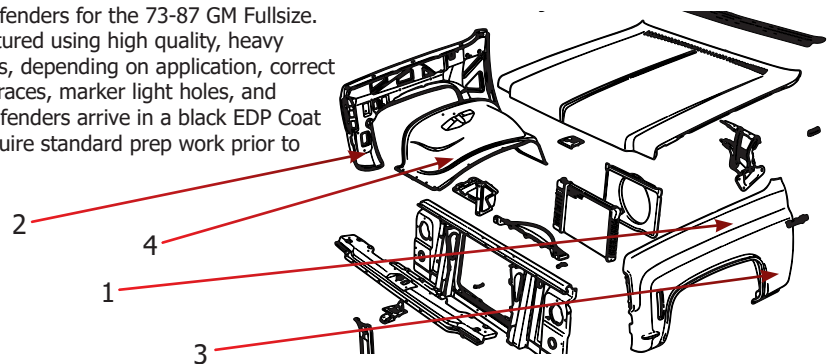
New reproduction front fenders for the 73-87 GM Fullsize. Each fender is manufactured using high quality, heavy gauge steel and features, depending on application, correct as original body lines, braces, marker light holes, and antenna cut-out. These fenders arrive in a black EDP Coat finish and will require standard prep work prior to paint.



X200-4073-L



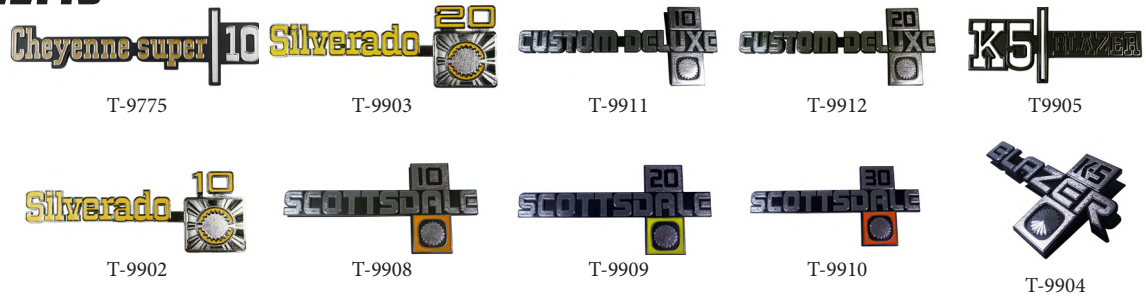
205-4073-L



Part #	Description	Ill #
X200-4073-L	Front Fender - LH - 73-80 Chevy GMC C/K Truck	1
X200-4073-R	Front Fender - RH - 73-80 Chevy GMC C/K Truck	2
X200-4081-L	Front Fender - LH - 81-86 Chevy GMC C/K Truck; 87-91 Chevy GMC R/V Truck	1
X200-4081-R	Front Fender - RH - 81-86 Chevy GMC C/K Truck; 87-91 Chevy GMC R/V Truck	2
205-4073-L	Lower Rear Fender Repair Panel (12" High) - LH - 73-91 Chevy GMC C/K & R/V Truck	3
205-4073-R	Lower Rear Fender Repair Panel (12" High) - RH - 73-91 Chevy GMC C/K & R/V Truck	-
X250-4073-L	Inner Fender - LH - 73-80 Chevy GMC C/K Truck	-
X250-4073-R	Inner Fender - RH - 73-80 Chevy GMC C/K Truck	4
X250-4081-L	Inner Fender - LH - 81-86 Chevy GMC C/K Truck; 87-91 Chevy GMC R/V Truck	-
X250-4081-R	Inner Fender - RH - 81-86 Chevy GMC C/K Truck; 87-91 Chevy GMC R/V Truck	4

≡ FENDER EMBLEMS

It's all in the details. We care about quality when it comes to manufacturing our products, so you can be rest assured that we inspect every detail on a product before selling it. These emblems are a perfect fit and look every time. Includes fasteners.



Part #	Description	III #
T-9775	Front Fender Emblems - "Cheyenne Super 10" - LH/RH Pair - 73-76 Chevy C/K Truck	-
T-9902	Front Fender Emblems - "Silverado-10" - LH/RH Pair - 75-80 Chevy C/K Truck	-
T-9903	Front Fender Emblems - "Silverado-20" - LH/RH Pair - 75-80 Chevy C/K Truck	-
T-9908	Fender Emblems - "Scottsdale 10" - LH/RH Pair - 81-86 Chevy C/K, 87-88 R/V Truck	-
T-9911	Fender Emblems - "Custom Deluxe 10" - LH/RH Pair - 81-86 Chevy C/K, 87-88 R/V Truck	-
T-9909	Fender Emblems - "Scottsdale 20" - LH/RH Pair - 81-86 Chevy C/K, 87-88 R/V Truck	-
T-9912	Fender Emblems - "Custom Deluxe 20" - LH/RH Pair - 81-86 Chevy C/K, 87-88 R/V Truck	-
T-9910	Fender Emblems - "Scottsdale 30" - LH/RH Pair - 81-86 Chevy C/K, 87-88 R/V Truck	-
T-9913	Fender Emblems - "Custom Deluxe 30" - LH/RH Pair - 81-86 Chevy C/K, 87-88 R/V Truck	-
T-9905	Fender Emblems - "K5 Blazer" - LH/RH Pair - 73-74 Chevy K5 Blazer	-
T-9904	Fender Emblems - "K5 Blazer" - LH/RH Pair - 75-80 Chevy K5 Blazer	-
T-9907	Rear Body Side Emblems - "Silverado" - LH/RH Pair - 80-88 Chevy Full Size Blazer	-

≡ WHEEL & FENDER MOLDING

New AMD wheel and fender moldings are stamped to factory specifications and features a bright finish like original for a perfect fit and authentic appearance.



Part #	Description	III #
X230-4073-L	Wheel Opening Molding - Front - LH - 73-80 Chevy GMC C/K Truck	-
X230-4073-R	Wheel Opening Molding - Front - RH - 73-80 Chevy GMC C/K Truck	-
X230-4073-S	Wheel Opening Molding Set (4pcs) - 73-80 Chevy GMC Truck Fleetside Blazer Jimmy Suburban	-
X230-4081-L	Wheel Opening Molding - Front - LH - 81-86 Chevy GMC C/K Truck; 81-91 Chevy GMC R/V Truck	-
X230-4081-R	Wheel Opening Molding - Front- RH - 81-86 Chevy GMC C/K Truck; 81-91 Chevy GMC R/V Truck	-
X230-4081-S	Wheel Opening Molding Set (4pcs) - 81-87 Chevy GMC Truck Fleetside; 81-88 Blazer Jimmy Suburban	-
X230-4081-L	Wheel Opening Molding - Front - LH - 81-87 Chevy GMC Truck Fleetside; 81-88 Blazer Jimmy Suburban	-
X230-4081-R	Wheel Opening Molding - Front - RH - 81-87 Chevy GMC Truck Fleetside; 81-88 Blazer Jimmy Suburban	-
X231-4073-1L	Upper Fender Molding - LH - 73-80 Chevy GMC C/K Truck	-
X231-4073-1R	Upper Fender Molding - RH - 73-80 Chevy GMC C/K Truck	-
X231-4073-2L	Lower Fender Molding - LH - 73-80 Chevy GMC C/K Truck	-
X231-4073-2R	Lower Fender Molding - RH - 73-80 Chevy GMC C/K Truck	-
X299-4073-1S	Fender & Cab Side Molding Set(12pcs) - 73-80 Chevy GMC Truck Std Cab	-

C/K TRUCKS

FRONT LIGHTING



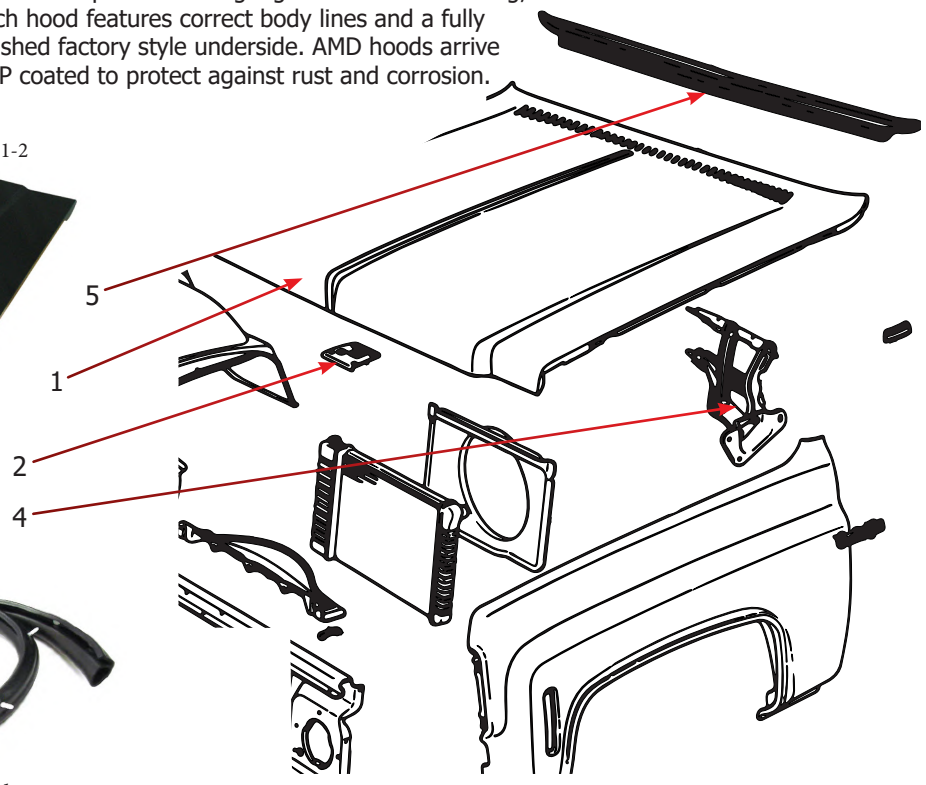
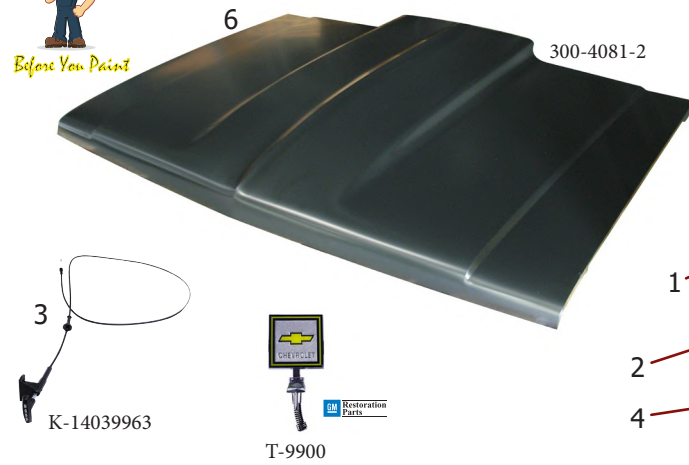
Parking Light Lens Gasket for 1973-1980 Chevrolet and GMC C/K 10-30 Truck and Blazer. Sold as a Pair


Part #	Description	Ill #
134-4073-P	Parking Lamp Lens Gaskets - Pair - 73-80 Chevrolet GMC C/K Pickup Blazer	-

HOODS & COMPONENTS

New premium OE & Cowl style hoods for the 73-87 Chevy / GMC Trucks & SUVs. Stamped from OE gauge steel on new tooling, each hood features correct body lines and a fully finished factory style underside. AMD hoods arrive EDP coated to protect against rust and corrosion.

TEST FIT



Part #	Description	Ill #
X300-4073	Hood - OE Style - 73-80 Chevy GMC C/K Truck	1
300-4073-2	Hood - 2" Raised Cowl - 73-80 Chevy GMC C/K Truck	-
X300-4081	Hood - OE Style - 81-86 Chevy GMC C/K Truck; 87-91 Chevy GMC R/V Truck	-
300-4081-1	Hood - OE Style *New Tooling* - 81-86 Chevy GMC C/K Truck; 87-91 Chevy GMC R/V Truck	-
300-4081-2	Hood - 2" Raised Cowl - 81-86 Chevy GMC C/K Truck; 87-91 Chevy GMC R/V Truck	6
300-4081-4	Hood - 4" Raised Cowl - 81-86 Chevy GMC C/K Truck; 87-91 Chevy GMC R/V Truck	-
303-4081-1	Hood Latch - 81-91 Chevy GMC C/K & R/V Truck	2
K-12337985	Hood Side Bumper - 73-86 Chevy GMC C/K Truck; 87-91 Chevy GMC R/V Truck	-
K-458065	Hood Latch Release Cable Assembly - 77-80 Chevy GMC C/K Truck	-
K-14039963	Hood Latch Release Cable Assembly - 81-86 Chevy GMC C/K Truck; 87-91 Chevy GMC R/V Truck	3
X310-4073-P	Hood Hinges - Pair - 73-80 Chevy GMC C/K Truck	-
310-4081-1L	Hood Hinge Assist - LH - 81-86 Chevy GMC C/K Truck; 87-91 Chevy GMC R/V Truck	-
310-4081-1R	Hood Hinge Assist - RH - 81-86 Chevy GMC C/K Truck; 87-91 Chevy GMC R/V Truck	-
X310-4081-L	Hood Hinge - LH - 81-86 Chevy GMC C/K Truck; 87-91 Chevy GMC R/V Truck	4
X310-4081-R	Hood Hinge - RH - 81-86 Chevy GMC C/K Truck; 87-91 Chevy GMC R/V Truck	-
G-CS111073	Hood to Cowl Seal - 73-80 Chevy GMC C/K Truck	5
G-CS111081	Hood to Cowl Seal - 81-86 Chevy GMC C/K Truck; 87-91 Chevy GMC R/V Truck	5
T-9900	Hood Ornament Assembly - Bowtie - 77-80 Chevy C/K Truck 	-

ENGINE BAY

Stamped from high quality heavy gauge steel on new tooling, each piece features the correct shape, size, body lines, holes and braces, like original. Like all AMD Sheetmetal, these arrive EDP coated to help protect against rust and corrosion.



X350-4081



340-4081-S



340-4073



X341-4067



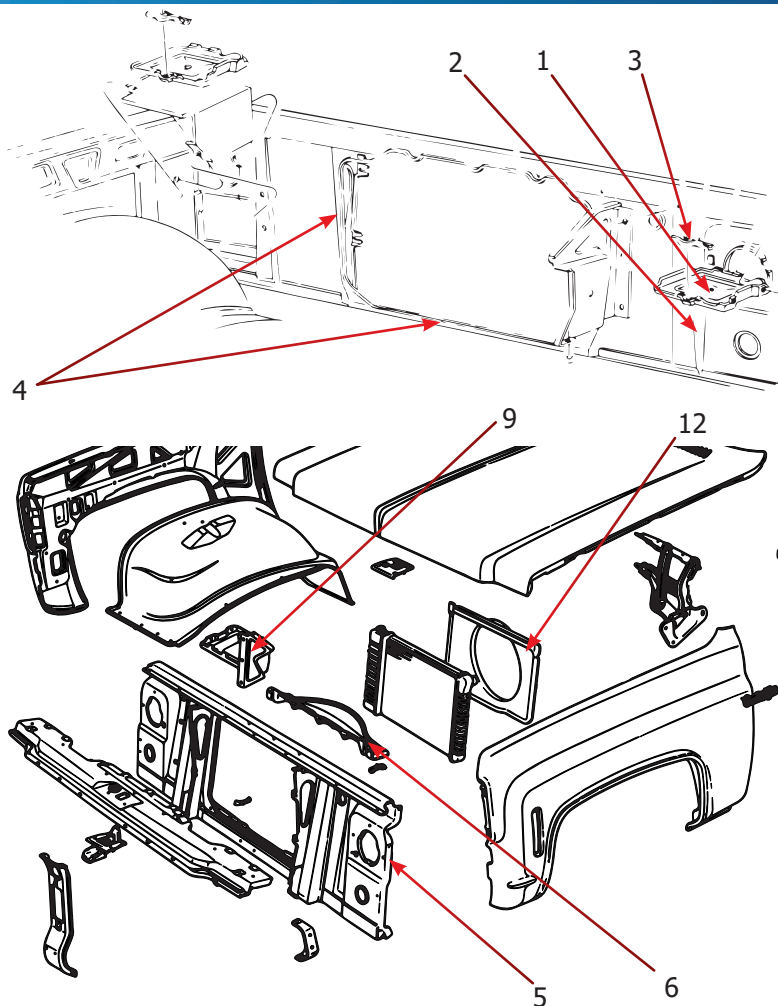
K-342866



341-4081



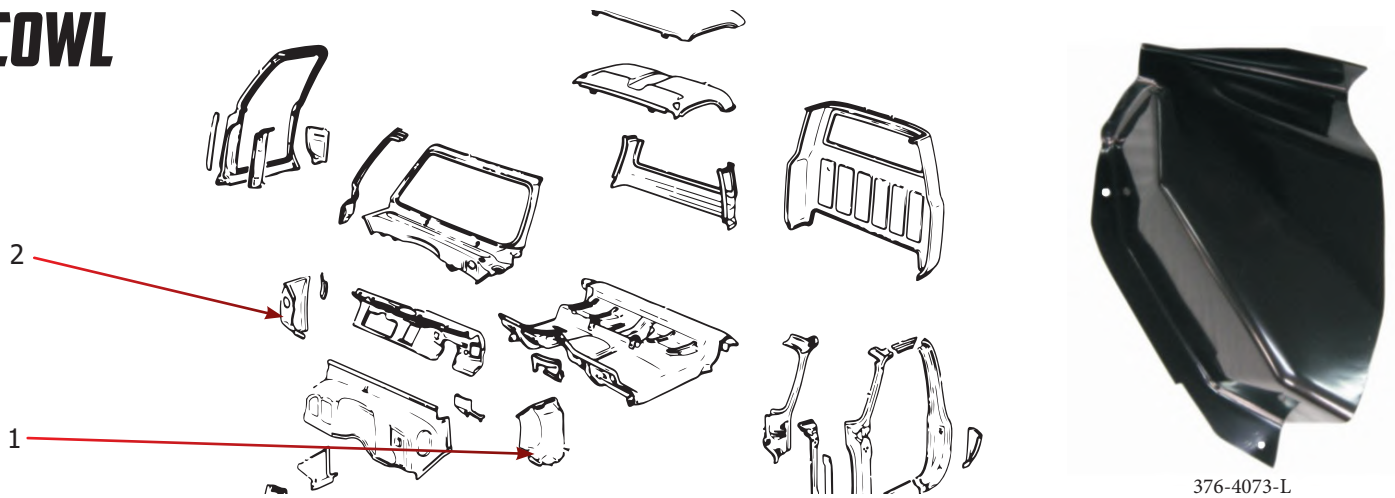
427-4073



Part #	Description	Ill #
340-4073	Battery Tray - 73-80 Chevy GMC C/K Truck Blazer Jimmy Suburban	1
340-4081-S	Battery Tray Assembly w/ Support (not for auxiliary battery) - 81-86 Chevy GMC C/K Truck; 87-91 Chevy GMC R/V Truck; 81-91 Blazer Jimmy Suburban	9
X341-4067	Battery Hold Down - Black - 67-80 Chevy GMC C/K Truck	10
341-3644-1	Battery Hold Down Bolt - 67-80 Chevy GMC Truck	-
K-342866	Battery Tray Support Hanger - 73-80 Chevy GMC C/K Truck Blazer Jimmy Suburban	2
341-4081	Battery Retainer Hold Down - 81-00 Chevy GMC C/K Truck; 87-91 Chevy GMC R/V Truck	3
X350-4073	Radiator Support - 73-80 Chevy GMC C/K Truck Blazer Jimmy Suburban	4
X350-4081	Radiator Support - Dual Headlamp - 81-86 Chevy GMC C/K Truck; 87-88 Chevy GMC R/V Truck; 81-91 Blazer Jimmy Suburban	8
X350-4081-1	Radiator Support - Single Headlamp - 81-86 Chevy GMC C/K Truck; 87-88 Chevy GMC R/V Truck; 81-91 Blazer Jimmy Suburban	5
427-4073	Body & Radiator Mount - 73-80 Chevy GMC C/K Truck	11
427-4081	Body & Radiator Mount - 81-00 Chevy GMC C/K Truck; 87-91 Chevy GMC R/V Truck	-
355-4078-1	Fan Shroud - 1 Piece for 400, 454 & Diesel - 73-87 Chevy GMC Truck 73-91 Blazer Jimmy Suburban	12
355-4081-1	Fan Shroud - Lower for 250, 292, 305 & 350 - 73-87 Chevy GMC Truck 73-91 Blazer Jimmy Suburban	-
355-4081-2	Fan Shroud - Upper for 250, 292, 305 & 350 - 73-87 Chevy GMC Truck 73-91 Blazer Jimmy Suburban	6
K-15588032	Coolant Overflow Bottle Cap - 74-84 Chevy GMC C/K Truck Blazer Jimmy Suburban	-
K-357402	Coolant Overflow Bottle - 74-80 Chevy GMC C/K Truck Blazer Jimmy Suburban	-

C/K TRUCKS

≡ COWL



376-4073-L

Part #	Description	Ill #
376-4073-L	Cowl Plenum Side Repair Panel (11" High) - Lower - LH - 73-91 Chevy GMC C/K & R/V Truck	1
376-4073-R	Cowl Plenum Side Repair Panel (11" High) - Lower - RH - 73-91 Chevy GMC C/K & R/V Truck	2

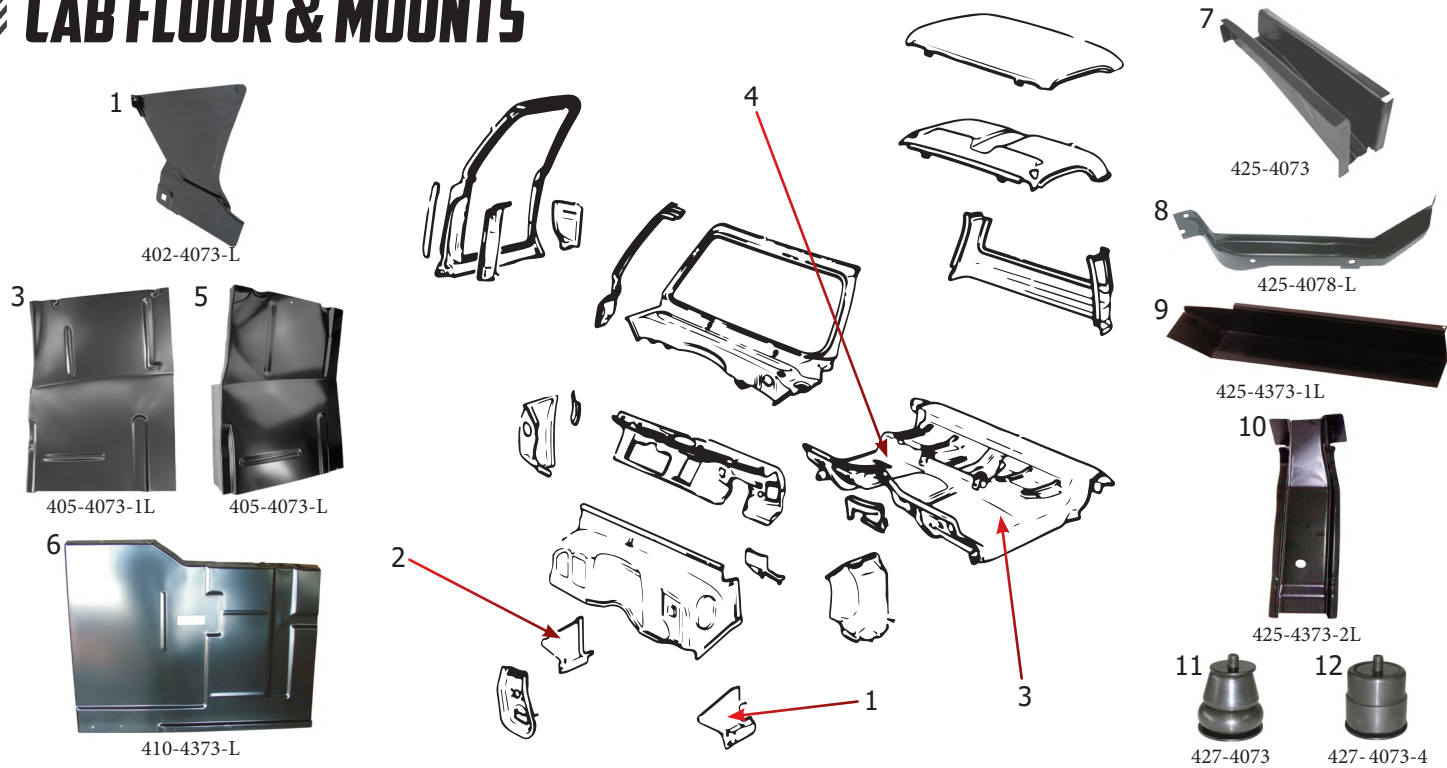
≡ WINDSHIELD AREA

Finally, you can get quality, great fitting glass for your Chevy and GMC truck! This OE quality reproduction glass from Auto Metal Direct is the correct thickness for a better fit.



Part #	Description	Ill #
382-4073-1	Wiper Arm - 73-84 Chevy GMC C/K Truck	1, 2
382-4085-1	Wiper Arm - 85-86 Chevy GMC C/K Truck; 87-91 Chevy GMC R/V Truck	1, 2
G-WCR848	Windshield Gasket - w/ Lockstrip Groove - 73-86 Chevy GMC C/K Truck; 87-91 Chevy GMC R/V Truck	-
G-WLS848	Windshield Gasket Lockstrip - Chrome - 73-86 Chevy GMC C/K Truck; 87-91 Chevy GMC R/V Truck	-
G-WLS466	Windshield Gasket Lockstrip - Black - 75-86 Chevy GMC C/K Truck; 87-91 Chevy GMC R/V Truck	3
X385-4073-S	Windshield Gasket Lock Strip - Chrome - 73-86 Chevy GMC C/K Truck; 87-91 Chevy GMC R/V Truck	-
385-4084-S	Windshield Gasket Lock Strip - Black - 73-86 Chevy GMC C/K Truck; 87-91 Chevy GMC R/V Truck	3

≡ CAB FLOOR & MOUNTS



Part #	Description	Ill #
402-4073-L	Footwell (Kick Panel) - LH - 73-86 Chevy GMC C/K Truck; 87-91 Chevy GMC R/V Truck	1
402-4073-R	Footwell (Kick Panel) - RH - 73-86 Chevy GMC C/K Truck; 87-91 Chevy GMC R/V Truck	2
405-4073-1L	Front Cab Floor Repair Panel (16"Lx22"Wx12"H) - Replacement - LH - 73-91 Chevy GMC C/K & R/V Truck	3
405-4073-1R	Front Cab Floor Repair Panel (16"Lx22"Wx12"H) - Replacement - RH - 73-91 Chevy GMC C/K & R/V Truck	4
405-4073-L	Front Cab Floor Repair Panel (16"Lx22"Wx12"H) - Drop In - LH - 73-91 Chevy GMC C/K & R/V Truck	5
405-4073-R	Front Cab Floor Repair Panel (16"Lx22"Wx12"H) - Drop In - RH - 73-91 Chevy GMC C/K & R/V Truck	-
410-4373-L	Rear Cab Floor Half (30"Lx37"Wx4"H) - LH - 73-91 C/K Blazer Jimmy Suburban (Modify to fit 73-79)	6
410-4373-R	Rear Cab Floor Half (30"Lx37"Wx4"H) - RH - 73-91 C/K Blazer Jimmy Suburban (Modify to fit 73-79)	-
425-4073	Cab Floor Support - Front - OE Style - LH or RH - 73-91 Chevy GMC C/K & R/V Truck	7
425-4078-L	Cab Floor Support - LH - 73-86 Chevy GMC C/K Truck; 87-91 Chevy GMC R/V Truck	8
425-4078-R	Cab Floor Support - RH - 73-86 Chevy GMC C/K Truck; 87-91 Chevy GMC R/V Truck	-
425-4373-1L	Subframe Cab Support - LH - 73-91 Full Size Blazer Jimmy Suburban	9
425-4373-1R	Subframe Cab Support - RH - 73-91 Full Size Blazer Jimmy Suburban	-
425-4373-2L	Cab Floor Support - Rear - LH - 73-91 Full Size Blazer Jimmy Suburban	10
425-4373-2R	Cab Floor Support - Rear - RH - 73-91 Full Size Blazer Jimmy Suburban	-
427-4073	Body & Radiator Mount - 73-80 Chevy GMC C/K Truck	11
427-4073-4	Cab Mount - 73-80 Chevy GMC K-Series Truck 4WD	12
427-4081	Body & Radiator Mount - 81-00 Chevy GMC C/K Truck; 87-91 Chevy GMC R/V Truck	-
J-0180	Rubber Hole Plug - Universal - 3/8 inch, used on floor, firewall & trunk	-
J-0181	Rubber Hole Plug - Universal - 1/2 inch, used on floor, firewall & trunk	-
J-0182	Rubber Hole Plug - Universal - 5/8 inch, used on floor, firewall & trunk	-
J-0183	Rubber Hole Plug - Universal - 3/4 inch, used on floor, firewall & trunk	-
J-0184	Rubber Hole Plug - Universal - 7/8 inch, used on floor, firewall & trunk	-
J-0185	Rubber Hole Plug - Universal - 1 inch, used on floor, firewall & trunk	-
J-0186	Rubber Hole Plug - Universal - 1 1/4 inch, used on floor, firewall & trunk	-

C/K TRUCKS

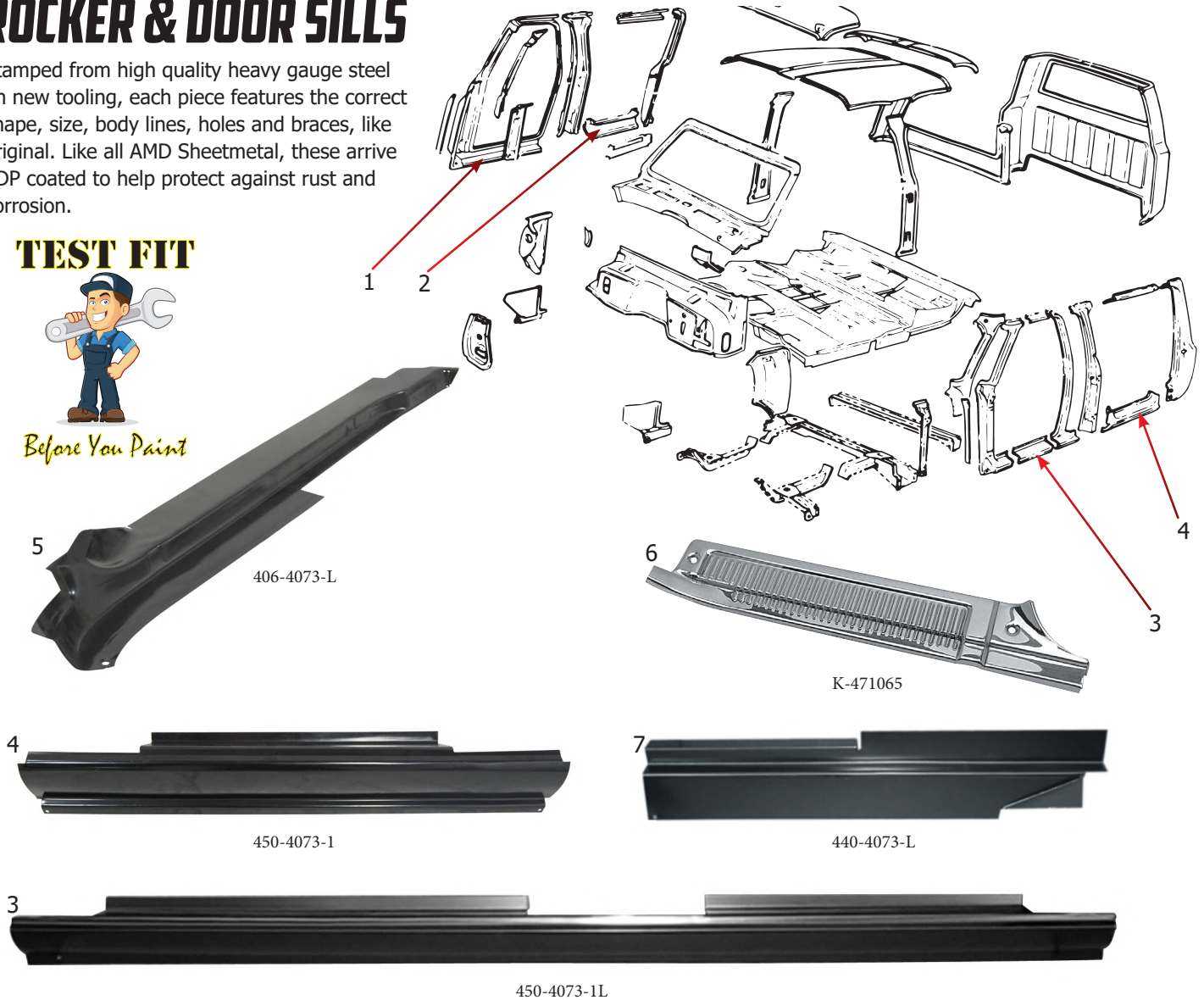
ROCKER & DOOR SILLS

Stamped from high quality heavy gauge steel on new tooling, each piece features the correct shape, size, body lines, holes and braces, like original. Like all AMD Sheetmetal, these arrive EDP coated to help protect against rust and corrosion.

TEST FIT



Before You Paint



Part #	Description	Ill #
406-4073-L	Outer Cab Floor Patch (42"Lx8"Wx4"H) - Extended - LH - 73-91 Chevy GMC C/K & R/V Truck	5
406-4073-R	Outer Cab Floor Patch (42"Lx8"Wx4"H) - Extended - RH - 73-91 Chevy GMC C/K & R/V Truck	-
440-4073-1	Rocker Panel Backing Plate (26"Lx5" H x 1" W) - LH or RH - 73-91 Chevy GMC C/K & R/V Truck	1
440-4073-L	Inner Rocker Panel (35"Lx7" H x 1" W) - Extended - LH - 73-91 Chevy GMC C/K & R/V Truck	7
440-4073-R	Inner Rocker Panel (35"Lx7" H x 1" W) - Extended - RH - 73-91 Chevy GMC C/K & R/V Truck	-
450-4073-1	Outer Rocker Repair Panel - Rear Side Door - LH or RH - 73-91 Chevy GMC C/K & R/V Crew Cab Suburban	4
450-4073-1L	Outer Rocker Repair Panel - Front / Rear Doors - LH - 73-91 Chevy GMC C/K & R/V Crew Cab Suburban	3
450-4073-1R	Outer Rocker Repair Panel - Front / Rear Doors - RH - 73-91 Chevy GMC C/K & R/V Crew Cab Suburban	-
450-4073-L	Outer Rocker Panel - Front Door - LH - 73-91 Chevy GMC C/K & R/V Truck	-
450-4073-R	Outer Rocker Panel - Front Door - RH - 73-91 Chevy GMC C/K & R/V Truck	-
K-471065	Door Sill Plate - Front LH - 73-87 Chevy GMC C/K Truck; 73-91 Blazer Jimmy Suburban	6
K-471066	Door Sill Plate - Front RH - 73-87 Chevy GMC C/K Truck; 73-91 Blazer Jimmy Suburban	-
K-473977	Door Sill Plate - Rear Portion LH - 73-86 Chevy GMC C/K Truck; 87-91 Chevy GMC R/V Truck	-
K-473978	Door Sill Plate - Rear Portion RH - 73-86 Chevy GMC C/K Truck; 87-91 Chevy GMC R/V Truck	-

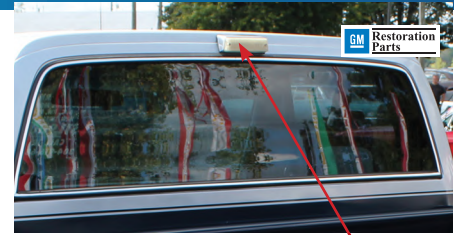
INTERIOR



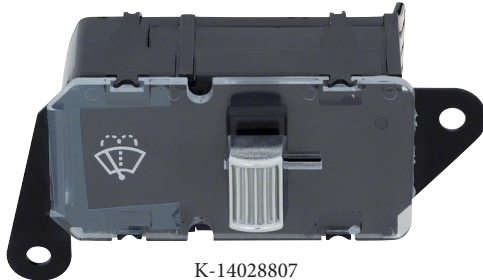
T-9579



X540-4078-L



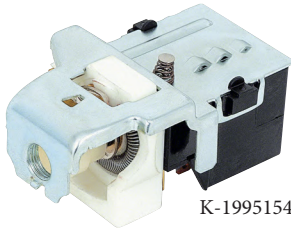
T-A9700



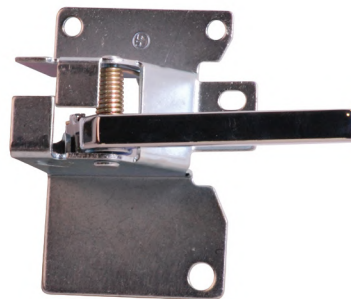
K-14028807



X546-4077



K-1995154



X540-4082-L



X546-4081



X546-4068-1

Part #	Description	III #
T-9579	Temperature Control Knobs - 60-74 Chevy / GMC Truck - Chrome (Set of 4)	-
K-1995154	Headlamp Switch (7 Pin)	-
K-14028807	Windshield Wiper Switch - w/o Intermittent Wipers - 78-83 Chevy GMC C/K Truck Suburban Blazer Jimmy	-
476-4073-1	Parking Brake Pedal Assembly - 73-83 Chevy GMC C/K Truck	-
X540-4078-L	Door Handle - Inside - LH - 77-80 Chevy GMC Truck Blazer Jimmy Suburban	-
X540-4078-R	Door Handle - Inside - RH - 77-80 Chevy GMC Truck Blazer Jimmy Suburban	-
X540-4082-L	Door Handle - Inside - LH - 81-87 Chevy GMC Truck; 81-91 Blazer Jimmy Suburban	-
X540-4082-R	Door Handle - Inside - RH - 81-87 Chevy GMC Truck; 81-91 Blazer Jimmy Suburban	-
X546-4077	Window Crank Handle - Black/Silver - 77-80 Chevy GMC Truck Blazer Jimmy Suburban	-
X546-4081	Window Crank Handle - 81-98 Chevy GMC Truck; 81-94 Blazer Jimmy Suburban	-
X546-4068-1	Window Crank Handle w/ Black Knob - 68-76 Chevy GMC Truck Suburban; 69-76 Blazer; 70-76 Jimmy	-
T-A9700	Cargo Lamp Lense - 1982-1987 Chevrolet GMC C/K Truck	-

MASTER HARDWARE

MASTER kits will provide about 85% of the fasteners found on your vehicle (if all kits available). We highly recommend that you reference the Factory Assembly Manuals. They work great in conjunction with AMK fastner kits!



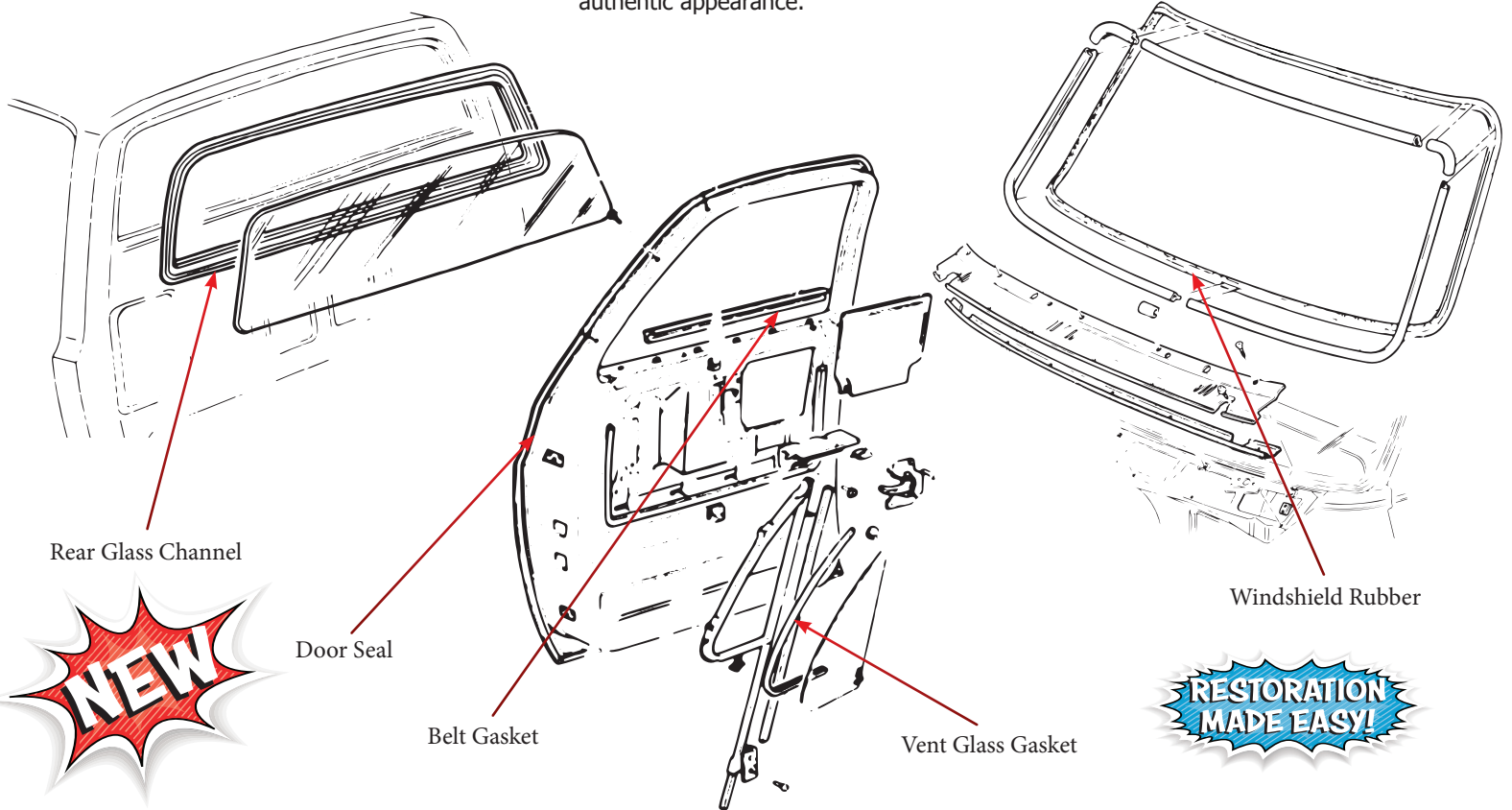
RESTORATION MADE EASY!

Part #	Description	III #
H-73KB-F	Master Body Hardware Kit (363pcs) - 73-78 Chevy GMC Truck	-
H-79KB-F	Master Body Hardware Kit (364pcs) - 79-80 Chevy GMC Truck Fleetside	-

C/K TRUCKS

WEATHER STRIPPING

Protect your vehicle's interior from the outside elements and reduce noise level while driving simply by replacing your dried-out or cracked door weatherstrip with a proven product that's accepted in the industry. Made from the OEM specs to install and fit for an authentic appearance.



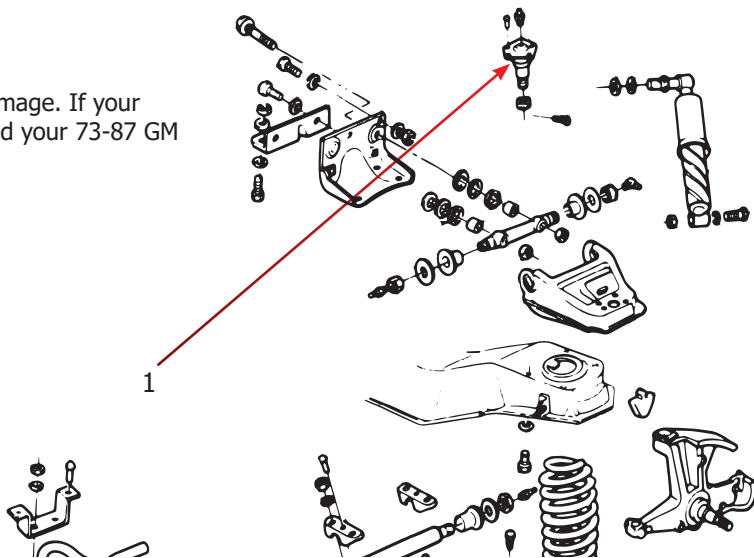
Part #	Description	Ill #
G-WFK111173A	Front Door Window Felt Kit Inner & Outer - 73-80 Chevy GMC C/K Truck (4 pcs)	-
G-WFK111181A	Front Door Window Felt Kit Inner & Outer - 81-86 Chevy GMC C/K Truck; 87-91 Chevy GMC R/V Truck (4 pcs)	-
G-WFK112081	Rear Side Door Window Felt Kit Inner & Outer - 81-86 Chevy GMC C/K Truck; 87-91 Chevy GMC R/V Truck (4 pcs)	-
G-CWK111073	Weatherstrip Kit, Full, w/o Reveal Trim Groove - 73-77 Chevy / GMC C/K 2d Pickup (18 pcs)	-
G-CWK111273	Weatherstrip Kit, Full, w/ Chrome Reveal Lock Strip - 73-77 Chevy / GMC C/K 2d Pickup (20 pcs)	-
G-CWK111078	Weatherstrip Kit, Full, w/ Black Reveal Lock Strip - 78-80 Chevy / GMC C/K 2d Pickup (18 pcs)	-
G-CWK111178	Weatherstrip Kit, Full, w/ Chrome Reveal Lock Strip - 78-80 Chevy / GMC C/K 2d Pickup (20 pcs)	-
G-CWK111081	Weatherstrip Kit, Full, w/o Reveal Trim Groove, w/ 2-pc Vent Window Weatherstrips - 81-85 Chevy / GMC C/K 2d Pickup (13 pcs)	-
G-CWK111281	Weatherstrip Kit, Full, w/ Chrome Reveal Lock Strip, w/ 2-pc Vent Window Weatherstrips - 81-85 Chevy / GMC C/K 2d Pickup (15 pcs)	-
J-3M08008	3M Black Weatherstrip Adhesive	-

≡ SUSPENSION

Suspension components are susceptible to normal wear and damage. If your steering is loose or front end is out of alignment, you can rebuild your 73-87 GM Truck with quality parts from AMD.



396-4073-2



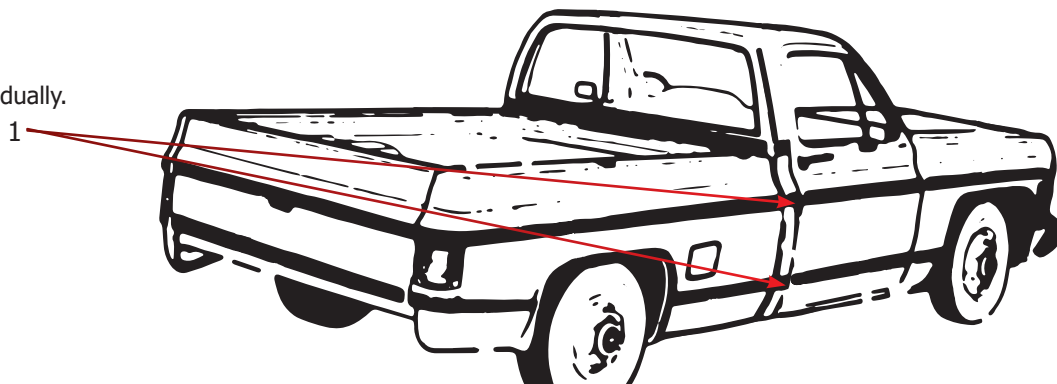
Part #	Description	Ill #
396-4073-1	Ball Joint Assembly - Upper - 73-91 Chevy GMC C10/R10 Truck	1
396-4073-2	Pitman Arm - 73-86 Chevy GMC C10-C30 Truck; 87-91 Chevy GMC R10-R30 Truck (w/ Power Steering)	2

≡ CAB MOLDING

4 required per vehicle. Sold individually.



X456-4073-1



Part #	Description	Ill #
X456-4073-1	Cab Corner Molding - Upper or Lower - 73-80 Chevy GMC Pickup Fleetside	1

≡ CAB CORNERS

Stamped from high quality heavy gauge steel on new tooling, each piece features the correct shape, size, body lines, holes and braces, like original. Like all AMD Sheetmetal, these piece arrive EDP coated to help protect against rust and corrosion.



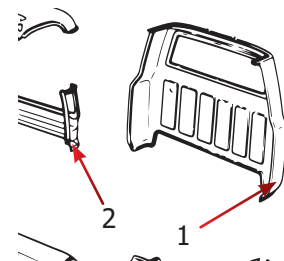
480-4073-1R



480-4073-2R



481-4073-R



Part #	Description	Ill #
480-4073-1L	Cab Corner (11 3/4"Wx18"H) - Outer - Full - LH - 73-91 Chevy GMC C/K & R/V Pickup	1
480-4073-1R	Cab Corner (11 3/4"Wx18"H) - Outer - Full - RH - 73-91 Chevy GMC C/K & R/V Pickup	3
480-4073-2L	Cab Corner (12"Wx12"H) - Outer - Partial - LH - 73-91 Chevy GMC C/K & R/V Pickup	-
480-4073-2R	Cab Corner (12"Wx12"H) - Outer - Partial - RH - 73-91 Chevy GMC C/K & R/V Pickup	4
481-4073-L	Cab Corner - Inner - Partial - LH - 73-91 Chevy GMC C/K & R/V Pickup	2
481-4073-R	Cab Corner - Inner - Partial - RH - 73-91 Chevy GMC C/K & R/V Pickup	5

C/K TRUCKS

DOOR

NEW
Restoration
Quality Parts
Coming Soon



X500-4073-L



X500-4077-L



516-4073-L



516-4073-1



515-4073-L



X520-4073-1L



X520-4073-L

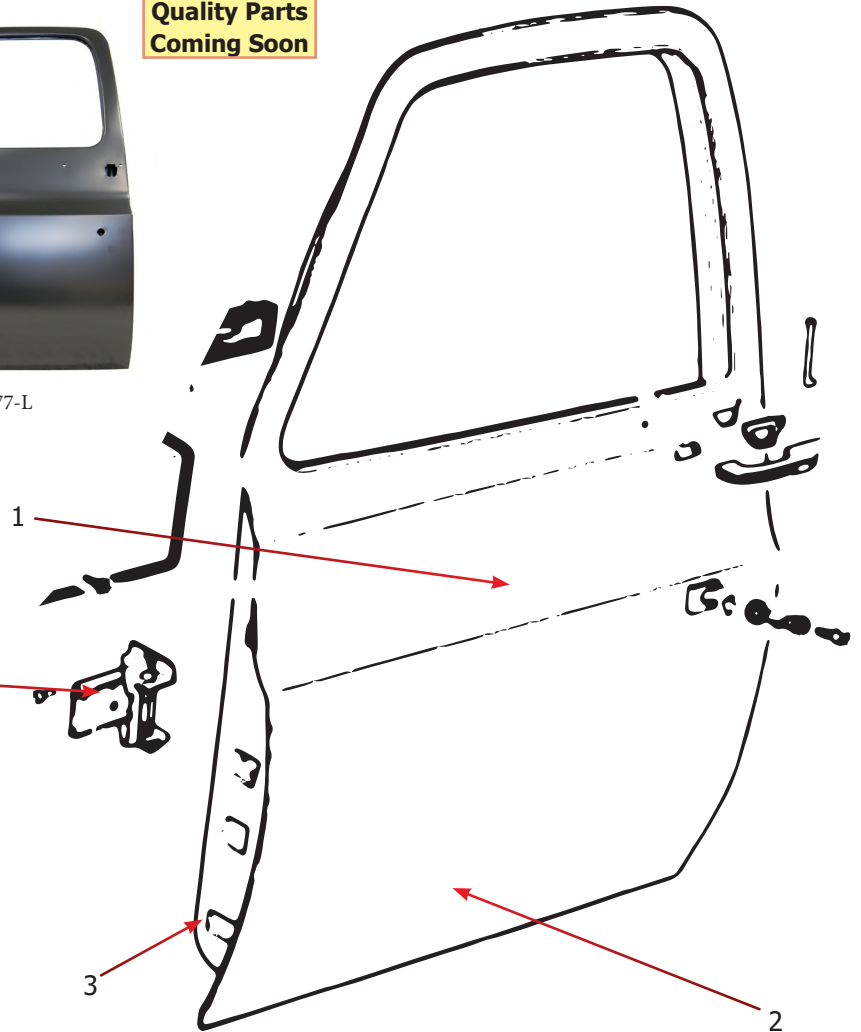


X525-4073-L

TEST FIT



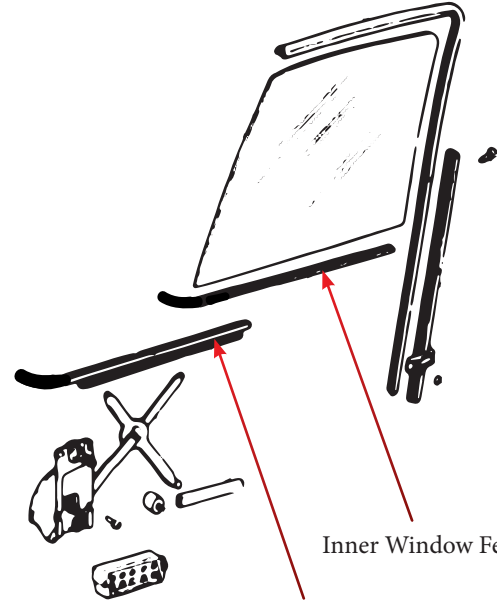
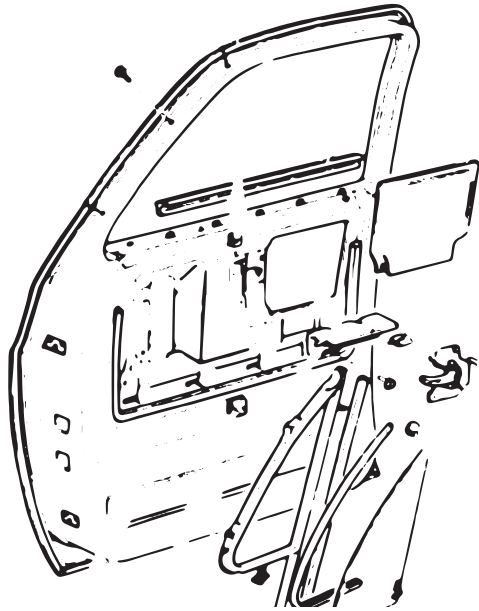
Before You Paint



Part #	Description	Ill #
X500-4073-L	Front Door Shell - LH - 73-76 Chevy GMC C/K Truck (modify window frame for '73-75 Blazer / Jimmy)	1
X500-4073-R	Front Door Shell - RH - 73-76 Chevy GMC C/K Truck (modify window frame for '73-75 Blazer / Jimmy)	-
X500-4077-L	Front Door Shell - LH - 77-86 Chevy GMC C/K Truck; 87-91 Chevy GMC R/V Truck	1
X500-4077-R	Front Door Shell - RH - 77-86 Chevy GMC C/K Truck; 87-91 Chevy GMC R/V Truck	-
516-4073-L	Outer Front Door Skin Repair Panel (7 1/2" High) - Lower - LH - 73-91 Chevy GMC C/K & R/V Truck	2
516-4073-R	Outer Front Door Skin Repair Panel (7 1/2" High) - Lower - RH - 73-91 Chevy GMC C/K & R/V Truck	-
516-4073-1	Outer Rear Side Door Skin Repair Panel (10" High) - Lower - LH or RH (sold each) - 73-91 Chevy GMC C/K & R/V Crew Cab / Suburban	2
515-4073-L	Inner Front Door Bottom Repair Panel w/ Louver (6" High) - LH - 73-91 Chevy GMC C/K & R/V Truck	3
515-4073-R	Inner Front Door Bottom Repair Panel w/ Louver (6" High) - RH - 73-91 Chevy GMC C/K & R/V Truck	-
X520-4073-1L	Door Hinge Spring - Upper - LH - 73-87 Chevy GMC Truck; 73-91 Blazer Jimmy Suburban	-
X520-4073-1R	Door Hinge Spring - Upper - RH - 73-87 Chevy GMC Truck; 73-91 Blazer Jimmy Suburban	-
X520-4073-L	Door Hinge - Upper - LH - 73-87 Chevy GMC Truck; 73-91 Blazer Jimmy Suburban	-
X520-4073-R	Door Hinge - Upper - RH - 73-87 Chevy GMC Truck; 73-91 Blazer Jimmy Suburban	-
X525-4073-L	Door Hinge - Lower - LH - 73-87 Chevy GMC Truck; 73-91 Blazer Jimmy Suburban	-
X525-4073-R	Door Hinge - Lower - RH - 73-87 Chevy GMC Truck; 73-91 Blazer Jimmy Suburban	-

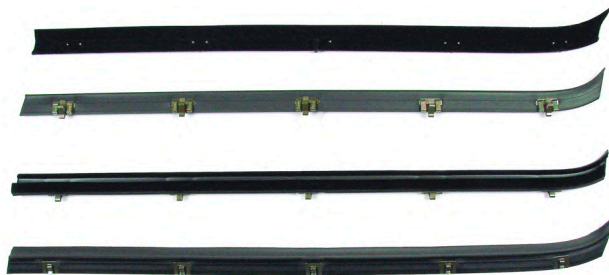
≡ WINDOW FELT & SEALS

These beltline moldings mount with the pre-applied clips on the left & right doors to sweep the inside & outside of the glass. Our product is made from the original specs and from high quality ozone resistant materials to fit your vehicle.



Inner Window Felt

Outer Window Felt



551-4073-2L

551-4073-1L

551-4073-2R

551-4073-1R



Part #	Description	Ill #
551-4073-1L	CV PU 1973-1980 FT DOOR INR BELT WEATHERSTRIP LH	-
551-4073-1R	CV PU 1973-1980 FT DOOR INR BELT WEATHERSTRIP RH	-
551-4073-2L	Window Felt - Outer - LH - 73-87 Chevy GMC Truck 73-89 Crew Cab (Front) 76-80 Blazer Jimmy 73-80 Suburban (Front)	-
551-4073-2R	Window Felt - Outer - RH - 73-87 Chevy GMC Truck 73-89 Crew Cab (Front) 76-80 Blazer Jimmy 73-80 Suburban (Front)	-
551-4073-4L	Window Felt - Rear Door Outer - LH - 73-89 Chevy GMC Crew Cab 73-91 Suburban	-
551-4073-4R	Window Felt - Rear Door Outer - RH - 73-89 Chevy GMC Crew Cab 73-91 Suburban	-
551-4081-1L	Window Felt - Inner - LH - 81-87 Chevy GMC Truck 81-91 Blazer Jimmy Suburban (Front)	-
551-4081-1R	Window Felt - Inner - RH - 81-87 Chevy GMC Truck 81-91 Blazer Jimmy Suburban (Front)	-
794-4273-1	Door Glass Seal - Rear Side Stationary Window - 73-91 Chevy GMC Suburban	-
794-4276-1	Quarter Glass Seal - LH or RH - 76-91 Chevy GMC Suburban	-
794-4376-2	Rear Side Glass Seal - 76-91 Chevy Blazer GMC Jimmy - w/ o deep tinted glass	-
794-4380-1	Rear Side Glass Seal - 80-91 Chevy Blazer GMC Jimmy w/ sliding side glass	-
794-4380-2	Rear Side Glass Seal - 80-91 Chevy Blazer GMC Jimmy w/o sliding side glass	-
794-4381-1	Rear Side Glass Seal - 76-91 Chevy Blazer GMC Jimmy - w/ deep tinted glass	-

C/K TRUCKS

DOOR COMPONENTS



X530-4073-P



X540-4078-L



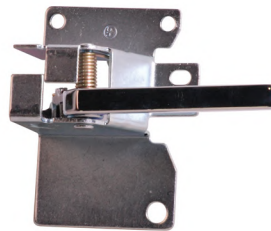
X570-4073-C



G-DK111073



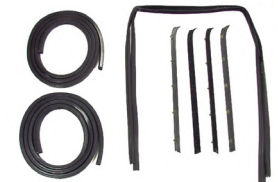
K-T70755



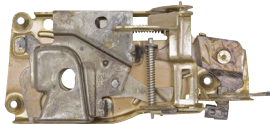
X540-4082-L



X570-4073-SS



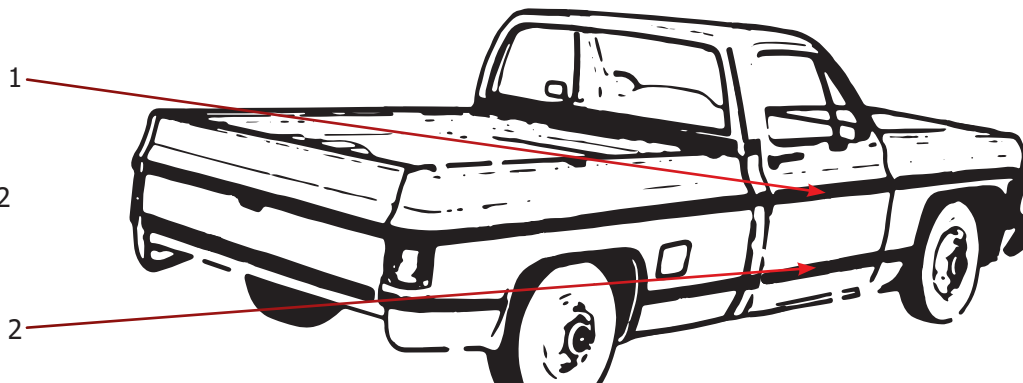
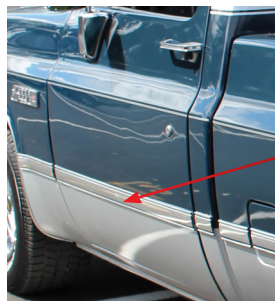
G-DK111081



K-T70757

Part #	Description	Ill #
X530-4073-P	Door Handle Set - Outside - 73-87 Chevy GMC Truck; 73-91 Blazer Jimmy	-
531-4073-S	Door Handle & Lock Gaskets - Set - 73-87 Chevrolet GMC C/K Truck Blazer Suburban	-
K-T70755	Door Latch Assembly - RH - 73-82 Chevy GMC Truck Blazer Jimmy Front Door; Crew Cab & Suburban Rear Side Door	-
K-T70756	Door Latch Assembly - LH - 73-82 Chevy GMC Truck Blazer Jimmy Front Door; Crew Cab & Suburban Rear Side Door	-
K-T70757	Door Latch Assembly - RH - 82-87 Chevy GMC Truck; 82-91 Blazer Jimmy Front Door; 82-89 Crew Cab & 82-91 Suburban Rear Side Door	-
K-T70758	Door Latch Assembly - LH - 82-87 Chevy GMC Truck; 82-91 Blazer Jimmy Front Door; 82-89 Crew Cab & 82-91 Suburban Rear Side Door	-
K-330485	Door Lock Knob Ferrule (Sold Each) - 73-91 Chevy GMC Truck Blazer Jimmy Suburban	-
X540-4078-L	Door Handle - Inside - LH - 77-80 Chevy GMC Truck Blazer Jimmy Suburban	-
X540-4078-R	Door Handle - Inside - RH - 77-80 Chevy GMC Truck Blazer Jimmy Suburban	-
X540-4082-L	Door Handle - Inside - LH - 81-87 Chevy GMC Truck; 81-91 Blazer Jimmy Suburban	-
X540-4082-R	Door Handle - Inside - RH - 81-87 Chevy GMC Truck; 81-91 Blazer Jimmy Suburban	-
X570-4073-C	Door Mirror - Chrome - LH or RH - 73-87 Chevy GMC Truck; 73-91 Blazer Jimmy Suburban	-
X570-4073-SS	Door Mirror - Stainless Steel - LH or RH - 73-87 Chevy GMC Truck; 73-91 Blazer Jimmy Suburban	-
G-DK111073	Front Door Seal Kit - Glass Run Channels, Door Weatherstrips, Window Felts - 73-80 Chevy GMC C/K Truck (10 pcs)	-
G-DK112073	Rear Side Door Seal Kit - Glass Run Channels, Door Weatherstrips, Window Felts - 73-80 Chevy GMC C/K Crew Cab / Suburban (8 pcs)	-
G-DK111081	Front Door Seal Kit - Glass Run Channels, Door Weatherstrips, Window Felts - 81-86 Chevy GMC C/K Truck; 87-91 Chevy GMC R/V Truck (8 pcs)	-
G-DK112081	Rear Side Door Seal Kit - Glass Run Channels, Door Weatherstrips, Window Felts - 81-86 Chevy GMC C/K; 87-91 Chevy GMC R/V Crew Cab / Suburban (8 pcs)	-
580-4078-1L	Door Weatherstrip on Door Top - Front Door - LH - 79-81 Chevy GMC Truck Suburban Blazer Jimmy	-
580-4078-1R	Door Weatherstrip on Door Top - Front Door - RH - 79-81 Chevy GMC Truck Suburban Blazer Jimmy	-
581-4060-S	60-72 Chevrolet, GMC Truck Stepside C&K 10-30 Door bumpers	-
581-4067-S	67-72 Chevrolet, GMC Pickup Full Size Door bumpers 4 piece	-
581-4073-S	73-87 Chevrolet, GMC Pickup, 73-91 GMC Suburban, Blazer Door bumpers	-
576-4073-L	Door Edge Guard - Front Door - LH - 73-87 Chevy GMC Truck 73-88 Crew Cab Blazer Jimmy Suburban	-
576-4073-R	Door Edge Guard - Front Door - RH - 73-87 Chevy GMC Truck 73-88 Crew Cab Blazer Jimmy Suburban	-

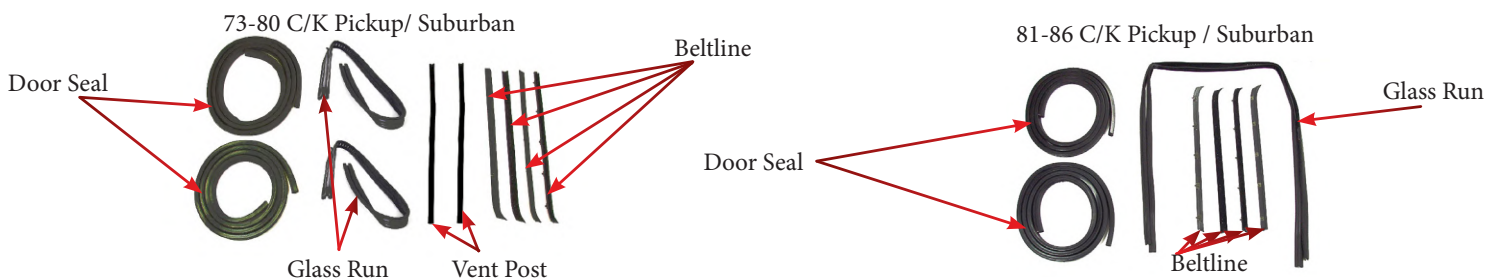
DOOR MOLDING



Part #	Description	Ill #
X575-4073-1L	Upper Front Door Molding - LH - 73-80 Chevy GMC Truck Blazer Jimmy Suburban	1
X575-4073-1R	Upper Front Door Molding - RH - 73-80 Chevy GMC Truck Blazer Jimmy Suburban	1
X575-4073-2L	Lower Front Door Molding - LH - 73-80 Chevy GMC Truck Blazer Jimmy Suburban	2
X575-4073-2R	Lower Front Door Molding - RH - 73-80 Chevy GMC Truck Blazer Jimmy Suburban	2
X575-4273-1L	Upper Rear Door Molding - LH - 73-80 Chevy GMC Suburban	-
X575-4273-1R	Upper Rear Door Molding - RH - 73-80 Chevy GMC Suburban	-
X575-4273-2L	Lower Rear Door Molding - LH - 73-80 Chevy GMC Suburban	-
X575-4273-2R	Lower Rear Door Molding - RH - 73-80 Chevy GMC Suburban	-

DOOR GLASS CHANNELS & SEALS

Door kit consists of: Door seals, beltlines and glass run channels. This kit is for the left and right front doors. Our product is made from the original specs and from high quality ozone resistant materials to fit your vehicle.

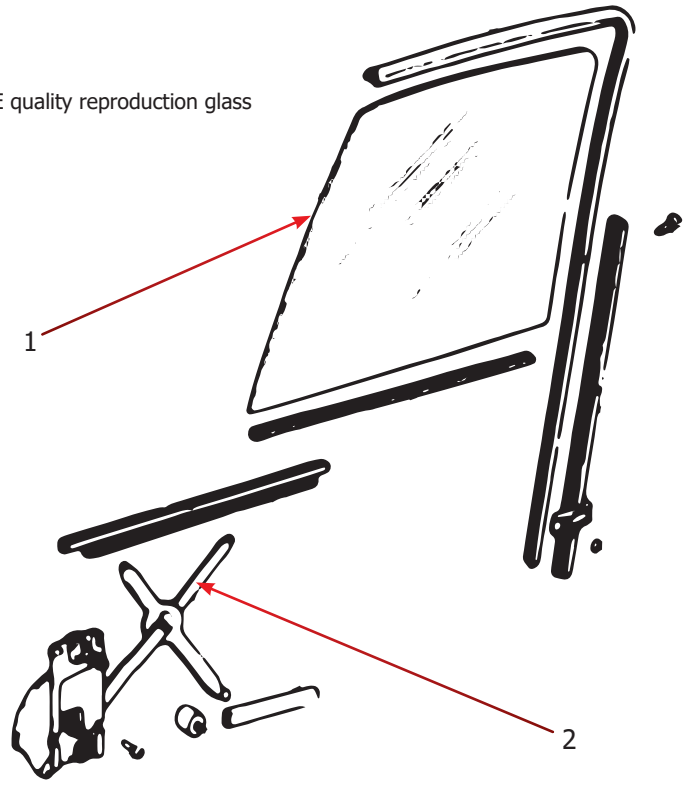


Part #	Description	Ill #
U-G1008-C	Door Vertical Run Channel - LH or RH - 73-80 Chevy GMC C/K Pickup	-
U-KG1009A	Door Glass Run Kit - Pair - 73-87 Chevy GMC C/K Pickup Blazer Suburban	-
U-KG1008B	Door Glass Run Kit - Pair - 73-87 Chevy GMC C/K Pickup Blazer Suburban w/ metal clips	-
U-G1009	Rear Door Glass Run Kit - Pair - 73-87 Chevy GMC C/K Pickup Blazer Suburban w/o metal clips	-
U-KG1031	Door Glass Run Kit - 73-91 Chevy GMC C/K Pickup Blazer Suburban	-
U-KG1009	Rear Door Glass Run Kit - 73-91 Chevy GMC C/K Pickup Blazer Suburban	-
U-G1008	Door Glass Run Set - Front - 73-91 Chevy GMC C/K Pickup Blazer Jimmy w/ tape	-
U-G1008-A	Door Glass Run Kit - LH - 73-91 Chevy GMC C/K Pickup Blazer Jimmy Suburban w/ clip	-
U-G1008-B	Door Glass Run Kit - RH - 73-91 Chevy GMC C/K Pickup Blazer Jimmy Suburban w/ clip	-
G-GRB111073	Front or Rear Door Glass Run Channel - LH or RH - 73-80 Chevy GMC C/K Truck	-
552-4081-1L	Door Glass Door Run Channel - LH - 81-87 Chevy GMC Truck 81-91 Blazer Jimmy Suburban	-
552-4081-1R	Door Glass Door Run Channel - RH - 81-87 Chevy GMC Truck 81-91 Blazer Jimmy Suburban	-
552-4081-3S	Rear Door Glass Seal Kit - 81-91 Chevy GMC Suburban w/ deep tinted windows	-
552-4281-2S	Rear Door Glass Seal Kit - 81-91 Chevy GMC Suburban w/o deep tinted windows	-

C/K TRUCKS

DOOR GLASS & COMPONENTS

Finally, you can get quality, great fitting glass for your Chevy and GMC truck! This OE quality reproduction glass from Auto Metal Direct is the correct thickness for a better fit.



X545-4082-1L



X545-4078-L



X546-4077

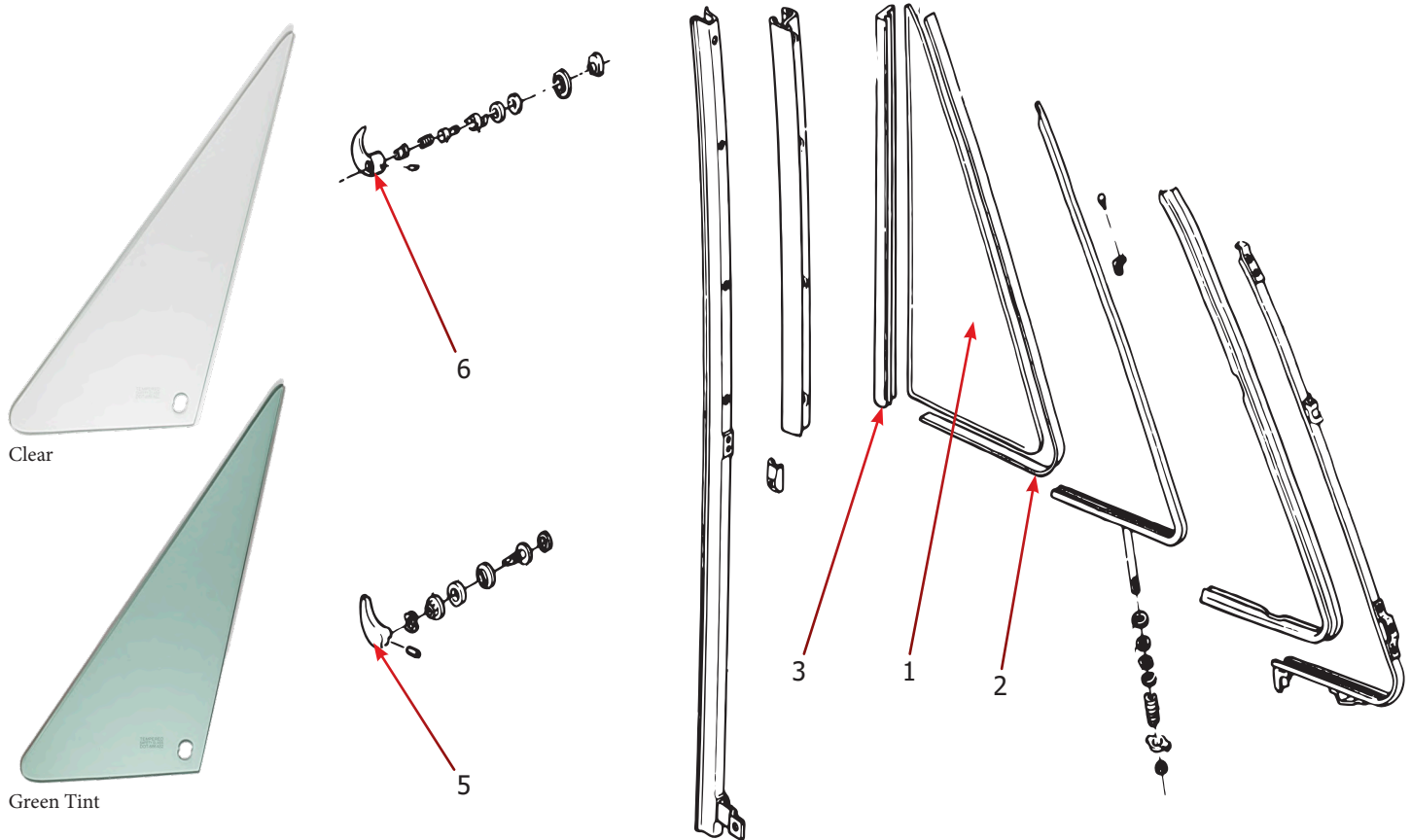


X546-4081

Part #	Description	Ill #
550-4073-CL	Door Glass - Clear - Front - LH - 73-80 Chevy GMC Truck Blazer Jimmy Suburban	1
550-4073-CR	Door Glass - Clear - Front - RH - 73-80 Chevy GMC Truck Blazer Jimmy Suburban	1
550-4073-TL	Door Glass - Tinted - Front - LH - 73-80 Chevy GMC Truck Blazer Jimmy Suburban	1
550-4073-TR	Door Glass - Tinted - Front - RH - 73-80 Chevy GMC Truck Blazer Jimmy Suburban	1
550-4081-CL	Door Glass - Clear - Front - LH - 81-87 Chevy GMC Truck 81-91 Blazer Jimmy Suburban	1
550-4081-CR	Door Glass - Clear - Front - RH - 81-87 Chevy GMC Truck 81-91 Blazer Jimmy Suburban	1
550-4081-TL	Door Glass - Tinted - Front - LH - 81-87 Chevy GMC Truck 81-91 Blazer Jimmy Suburban	1
550-4081-TR	Door Glass - Tinted - Front - RH - 81-87 Chevy GMC Truck 81-91 Blazer Jimmy Suburban	1
K-T70520	Window Regulator - LH - 74-76 Chevy GMC Truck Blazer Jimmy Suburban	2
K-T70521	Window Regulator - RH - 74-76 Chevy GMC Truck Blazer Jimmy Suburban	2
X545-4078-L	Door Window Regulator - LH - Front Manual - 77-81 Chevy GMC C/K Pickup; 77-91 Blazer Jimmy Suburban	2
X545-4078-R	Door Window Regulator - RH - Front Manual - 77-81 Chevy GMC C/K Pickup; 77-91 Blazer Jimmy Suburban	2
X545-4082-1L	Door Window Regulator - LH - Front Power - 82-87 Chevy GMC C/K Pickup; 82-91 Blazer Jimmy Suburban	2
X545-4082-1R	Door Window Regulator - RH - Front Power - 82-87 Chevy GMC C/K Pickup; 82-91 Blazer Jimmy Suburban	2
X546-4077	Window Crank Handle - Black/Silver - 77-80 Chevy GMC Truck Blazer Jimmy Suburban	-
X546-4081	Window Crank Handle - 81-98 Chevy GMC Truck; 81-94 Blazer Jimmy Suburban	-

VENT WINDOW & COMPONENTS

Finally, you can get quality, great fitting glass for your Chevy and GMC truck! This OE quality reproduction glass from Auto Metal Direct is the correct thickness for a better fit.



Part #	Description	Ill #
560-4073-CL	Vent Glass - Clear - LH - 73-87 Chevy GMC Truck 73-91 Blazer Jimmy Suburban	1
560-4073-CR	Vent Glass - Clear - RH - 73-87 Chevy GMC Truck 73-91 Blazer Jimmy Suburban	1
560-4073-TL	Vent Glass - Tinted - LH - 73-87 Chevy GMC Truck 73-91 Blazer Jimmy Suburban	1
560-4073-TR	Vent Glass - Tinted - RH - 73-87 Chevy GMC Truck 73-91 Blazer Jimmy Suburban	1
U-G4903	73-80 Chevy GMC C/K Truck Blazer Suburban Vent Window Seal Vent Window LH	-
U-G4902	73-80 Chevy GMC Fullsize Pickup Blazer Suburban Vent Window Seal Vent Window RH	-
U-G4905	78-80 Chevy GMC Jimmy Blazer Suburban Vent Window Seal Rear Vertical Vent Window LH	-
U-G4904	78-80 Chevy GMC Jimmy Blazer Suburban Vent Window Seal Rear Vertical Vent Window RH	-
U-KG4903	Vent Window Weatherstrips - LH / RH Pair - 73-80 Chevy GMC C/K Truck (4 pcs)	-
U-G4907	81-91 Chevy GMC BlazerBlazerSuburban Vent Window Seal Vent Window LH	-
U-G4906	81-91 Chevy GMC BlazerBlazerSuburban Vent Window Seal Vent Window RH	-
G-VWK111081	Vent Window Weatherstrips - LH / RH Pair - 85-86 Chevy GMC C/K Truck; 87-91 Chevy GMC R/V Truck (2 pcs)	2, 3
X561-4068-L	Vent Window Handle - LH - 68-79 Chevy GMC Truck Blazer Jimmy Suburban	5
X561-4068-R	Vent Window Handle - RH - 68-79 Chevy GMC Truck Blazer Jimmy Suburban	5
X561-4080-BL	Vent Window Handle w/ Black Knob - LH - 73-87 Chevy GMC Truck; 73-91 Blazer Jimmy Suburban	-
X561-4080-BR	Vent Window Handle w/ Black Knob - RH - 73-87 Chevy GMC Truck; 73-91 Blazer Jimmy Suburban	-
X561-4080-L	Vent Window Handle w/ Chrome Knob - LH - 73-87 Chevy GMC Truck; 73-91 Blazer Jimmy Suburban	-
X561-4080-R	Vent Window Handle w/ Chrome Knob - RH - 73-87 Chevy GMC Truck; 73-91 Blazer Jimmy Suburban	-

C/K TRUCKS

BLAZER / JIMMY TOP SEALS



G-BWF111073

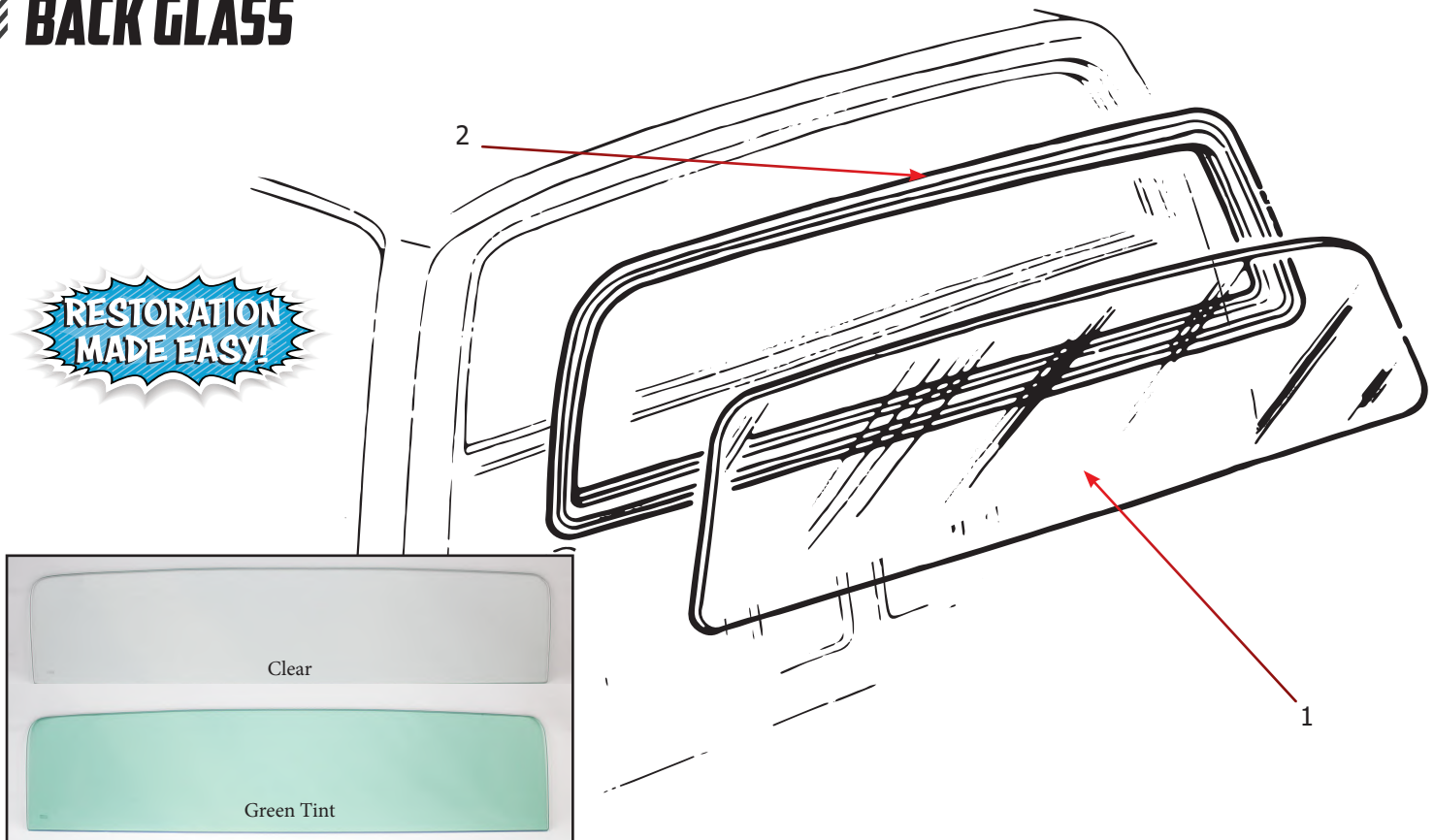
G-RWP111073

G-BWP111073

G-BWK111076

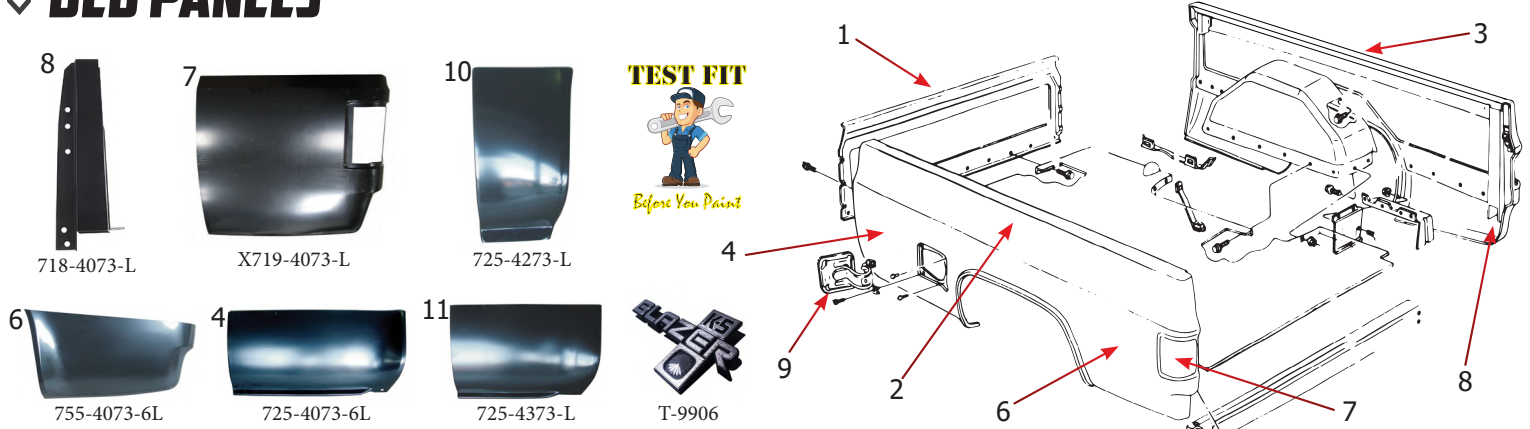
Part #	Description	Ill #
G-BWF111073	Hardtop Windshield Header Seal - 73-75 K5 Blazer / Jimmy	-
G-RWP111073	Hardtop Roof Rail to Body Weatherstrips - LH / RH Pair - 73-75 K5 Blazer / Jimmy	-
G-BWP111073	Hardtop Side Weatherstrips - LH / RH Pair - 73-75 K5 Blazer / Jimmy	-
G-BWK111076	Hardtop Weatherstrip Kit - Inner and Outer Roof Seals and LH / RH Pair Side Seals - 76-91 K5 Blazer / Jimmy	-

BACK GLASS



Part #	Description	Ill #
660-4073-C	Back Glass - Clear - 73-75 Chevy GMC Truck	1
660-4073-T	Back Glass - Green Tint - 73-75 Chevy GMC Truck	1
660-4076-C	Back Glass - Clear - 76-87 Chevy GMC Truck	1
660-4076-T	Back Glass - Green Tint - 76-87 Chevy GMC Truck	1
660-4373-1C	Back Glass - Clear - 73-81 Blazer Jimmy	1
660-4373-1T	Back Glass - Green Tint - 73-81 Blazer Jimmy	1
G-WBL1135	Rear Cab Window Gasket, Rear Window w/o Chrome Reveal - 73-86 Chevy GMC C/K Pickup; 87-91 Chevy GMC R/V Pickup	2

≡ BED PANELS

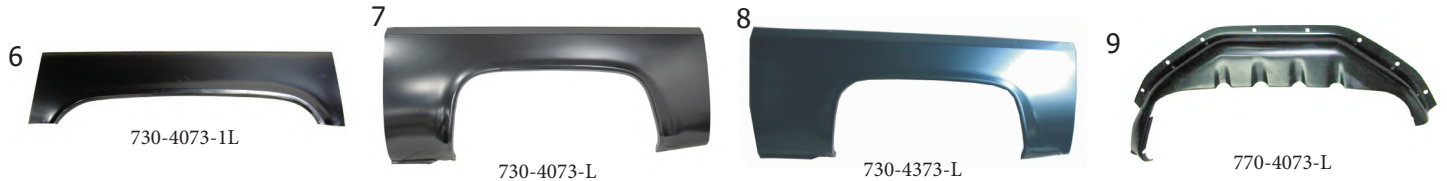


Part #	Description	Ill #
715-4073	Front Bed Panel - 73-87 Chevy GMC Truck Fleetside	1
720-4073-16L	Bedside - OE Style w/ Square Gas Hole - LH 73-88 Chevy GMC Truck Fleetside Short Bed	NEW Restoration Quality Parts Coming Soon
720-4073-16R	Bedside - OE Style w/ Square Gas Hole - RH 73-88 Chevy GMC Truck Fleetside Short Bed	
720-4073-18L	Bedside - OE Style w/ Square Gas Hole - LH 79-87 Chevy GMC Truck Fleetside Long Bed	
720-4073-18R	Bedside - OE Style wth Square Gas Hole - RH 79-87 Chevy GMC Truck Fleetside Long Bed	
720-4073-28L	Bedside - OE Style w/o Gas Hole - LH - 73-87 Chevy GMC Truck Fleetside Long Bed	
720-4073-28R	Bedside - OE Style w/o Gas Hole - RH - 73-87 Chevy GMC Truck Fleetside Long Bed	
720-4073-6L	Bedside - OE Style w/o Gas Hole - w/ Wedge Plate - LH - 73-76 Chevy GMC C/K Fleetside Short Bed	-
720-4073-6R	Bedside - OE Style w/o Gas Hole - w/ Wedge Plate - RH - 73-76 Chevy GMC C/K Fleetside Short Bed	NEW Restoration Quality Parts Coming Soon
720-4073-8L	Bedside - OE Style wth Round Gas Hole - LH - 73-80 Chevy GMC Truck Fleetside Long Bed	
720-4073-8R	Bedside - OE Style wth Round Gas Hole - RH - 73-80 Chevy GMC Truck Fleetside Long Bed	-
720-4081-6R	Bedside - OE Style w/o Gas Hole - RH - 81-86 Chevy GMC C/K, 87-81 R/V Fleetside Short Bed	NEW Restoration Quality Parts Coming Soon
720-4081-8L	Bedside - OE Style wth Rectangular Gas Hole - LH - 81-87 Chevy GMC Truck Fleetside Long Bed	
725-4073-6L	Bed Repair Panel - Lower Front - LH - 73-87 Chevy GMC Truck Short Bed Fleetside	4
725-4073-6R	Bed Repair Panel - Lower Front - RH - 73-87 Chevy GMC Truck Short Bed Fleetside	-
725-4273-L	Bedside Patch - Lower Front - LH - 73-91 Chevy GMC Suburban	10
725-4273-R	Bedside Patch - Lower Front- RH - 73-91 Chevy GMC Suburban	-
725-4373-L	Front Lower Quarter Panel Patch - LH - 73-91 Blazer Jimmy	11
725-4373-R	Front Lower Quarter Panel Patch - RH - 73-91 Blazer Jimmy	-
X724-4073-1	Gas Door - Square - 73-87 Chevy GMC Truck	9
724-4073-2	Gas Door Bumper - 79-87 Chevrolet GMC C/K Truck	-
718-4073-L	Tailgate Post - LH - 73-87 Chevy GMC Truck Fleetside; 73-91 Blazer Jimmy	8
718-4073-R	Tailgate Post - RH - 73-87 Chevy GMC Truck Fleetside; 73-91 Blazer Jimmy	8
X719-4073-L	Rear Bedside Corner - LH - 73-87 Chevy GMC Truck Fleetside	7
X719-4073-R	Rear Bedside Corner - RH - 73-87 Chevy GMC Truck Fleetside	-
755-4273-L	Bedside Repair Panel - Lower Rear - LH - 73-91 Chevy GMC Suburban	-
755-4273-R	Bedside Repair Panel - Lower Rear - RH - 73-91 Chevy GMC Suburban	-
755-4073-6L	Bedside Repair Panel - Lower Rear - LH - 73-87 Chevy GMC Truck; 73-91 Blazer Jimmy	6
755-4073-6R	Bedside Repair Panel - Lower Rear - RH - 73-87 Chevy GMC Truck; 73-91 Blazer Jimmy	-
755-4073-8L	Bedside Repair Panel - Lower Rear - LH - 73-87 Chevy GMC Truck Long Bed Fleetside	6
755-4073-8R	Bedside Repair Panel - Lower Rear - RH - 73-87 Chevy GMC Truck Long Bed Fleetside	-
T-9906	Fender Emblems - "K5 Blazer" - LH/RH Pair - 81-88 Chevy K5 Blazer	-

C/K TRUCKS

WHEEL OPENING REPAIR

Wheel opening repair panels for 73-87 Chevy & GMC Trucks and SUVs. Each patch is stamped from heavy gauge steel and arrives EDP coated to protect against rust and corrosion.



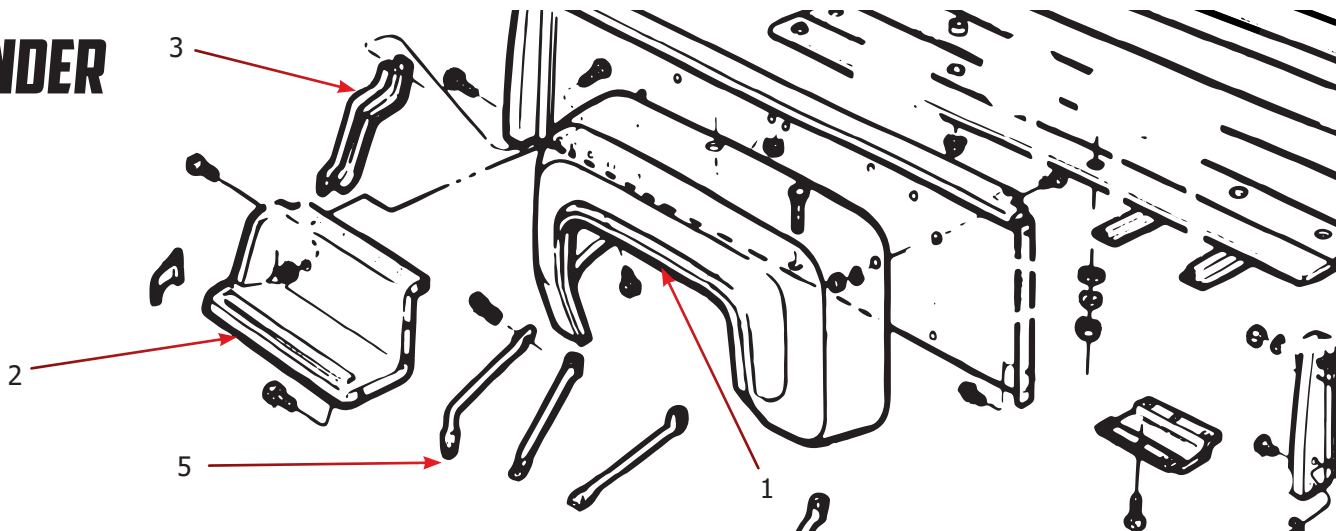
Part #	Description	Ill #
730-4073-1L	Upper Wheel Arch Repair Panel - LH - 73-87 Chevy GMC Truck Fleetside; 73-91 Blazer Jimmy Suburban	6
730-4073-1R	Upper Wheel Arch Repair Panel - RH - 73-87 Chevy GMC Truck Fleetside; 73-91 Blazer Jimmy Suburban	-
730-4073-2L	Inner Bedside Wheel Arch Patch Panel - LH - 73-86 Chevy GMC C/K; 87-91 R/V Fleetside Pickup	9
730-4073-2R	Inner Bedside Wheel Arch Patch Panel - RH - 73-86 Chevy GMC C/K; 87-91 R/V Fleetside Pickup	-
730-4073-L	Wheel Opening Repair Panel - LH - 73-87 Chevy GMC Truck Fleetside	7
730-4073-R	Wheel Opening Repair Panel - RH - 73-87 Chevy GMC Truck Fleetside	-
730-4373-L	Wheel Opening Repair Panel - LH - 73-91 Chevy GMC Blazer Jimmy	8
730-4373-R	Wheel Opening Repair Panel - RH - 73-91 Chevy GMC Blazer Jimmy	-
763-4073-L	Splash Shield - Inner - LH - 73-87 Chevy GMC Truck Fleetside; 73-87 Blazer; 73-87 Jimmy	-
763-4073-R	Splash Shield - Inner - RH - 73-87 Chevy GMC Truck Fleetside; 73-87 Blazer; 73-87 Jimmy	-

REAR FENDER

TEST FIT

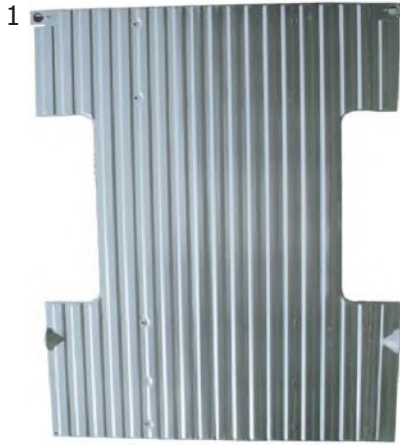


Before You Paint



Part #	Description	Ill #
780-4073-2R	Rear Fender w/ 2 Holes - RH - 73-78 Chevy GMC Truck	-
780-4073-L	Rear Fender w/ Square Hole - LH - 73-78 Chevy GMC Truck	-
780-4078-L	Rear Fender w/ out Hole - LH - 79-87 Chevy GMC Truck w/ out Auxillary Fuel Tank	1
780-4079-R	Rear Fender - RH - 79-87 Chevy GMC Truck w/ Auxillary Fuel Tank	-
X723-4073-1L	Bed Step Hanger - LH - 73-87 Chevy GMC Truck Short Bed Stepside	3
X723-4073-1R	Bed Step Hanger - RH - 73-87 Chevy GMC Truck Short Bed Stepside	-
X723-4073-6L	Bed Step - LH - 73-87 Chevy GMC Truck Short Bed Stepside	2
X723-4073-6R	Bed Step - RH - 73-87 Chevy GMC Truck Short Bed Stepside	-
X781-4073-1L	Rear Fender Brace - Front - LH - 73-87 Chevy GMC Truck Stepside	5
X781-4073-1R	Rear Fender Brace - Front - RH - 73-87 Chevy GMC Truck Stepside	-
781-4073-2	Rear Fender Brace - Center - 73-87 Chevy GMC Truck Stepside	-

≡ BED FLOOR



X790-4073-6S



760-4073



760-4073-4

TEST FIT



Before You Paint



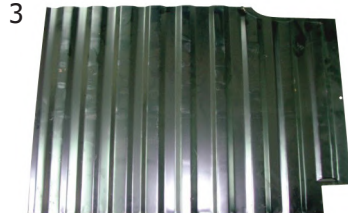
817-4075-2



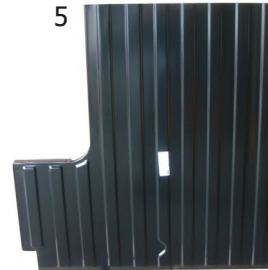
817-4075-1



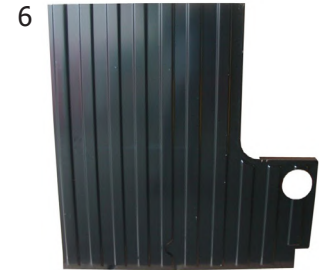
791-4073-L



791-4073-R



791-4373-L



791-4373-R



791-4073

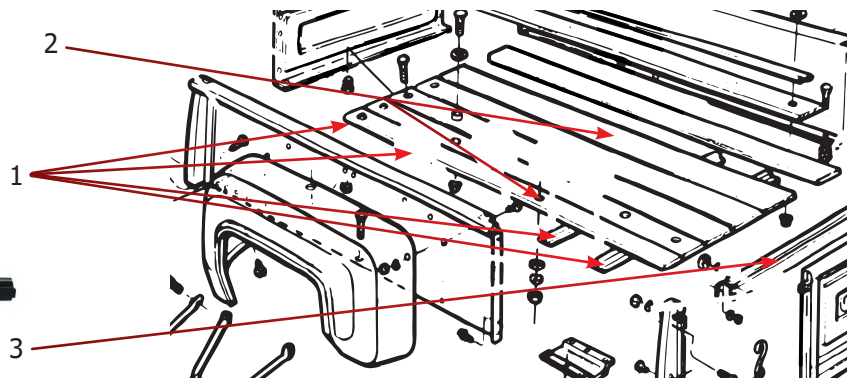


791-4373

Part #	Description	Ill #
X790-4073-6S	Bed Floor Assembly - 73-87 Chevy GMC Truck Fleetside Short Bed	1
791-4073	Bed Floor Repair Panel - 73-87 Chevy GMC Truck Fleetside	4
791-4073-L	Rear Bed Floor Section - LH - 73-87 Chevy GMC Truck Fleetside	2
791-4073-R	Rear Bed Floor Section - RH - 73-87 Chevy GMC Truck Fleetside	3
791-4373	Front Bed Floor Section - 73-91 Blazer Jimmy	7
791-4373-L	Rear Bed Floor Section - LH - 73-91 Blazer Jimmy	5
791-4373-R	Rear Bed Floor Section - RH - 73-91 Blazer Jimmy	6
760-4073	Wheelhouse - OE Style - LH or RH - 73-87 Chevy GMC Truck Fleetside; 73-91 Blazer Jimmy	8
760-4073-4	Wheelhouse - 4" Wider - LH or RH - 73-87 Chevy GMC Truck Fleetside; 73-91 Blazer Jimmy	9
760-4073-4P	Wheelhouse - 4" Wider - Pair - 73-87 Chevy GMC Truck Fleetside; 73-91 Blazer Jimmy	-
X817-4075-1	Spare Tire Mounting Hook - 75-87 Chevy GMC Truck w/ Glideout Spare Tire	11
X817-4075-2	Spare Tire Mounting Hook Support - 75-87 Chevy GMC Truck w/ Glideout Spare Tire	10

C/K TRUCKS

BED SILLS



Part #	Description	Ill #
716-4073-1	Cross Sill - 73-87 Chevy GMC Truck Stepside w/ Wood Bed	1
716-4073-31	Cross Sill - Rear - 73-87 Chevy GMC Truck Stepside w/ Wood Bed	3
717-4073	Bed Reinforcement Strip - 73-87 Chevy GMC Truck Stepside	2
900-4073	Tail Panel Outer Skin - 73-87 Chevy GMC Truck Fleetside	-
900-4073-1	Tail Panel - Complete - 73-87 Chevy GMC Truck Fleetside	-
900-4273-1	Tail Pan Support Assembly - 73-91 Chevy GMC Suburban w/ Tailgate	-
900-4273-2	Tail Pan Support Assembly - 73-91 Chevy GMC Suburban w/ Cargo Doors	-
900-4373-2	Tail Panel Complete Assembly - 73-91 Blazer	-
901-4273-1	Tail Pan - 73-91 Chevy GMC Suburban w/ Tailgate	-
901-4273-2	Tail Pan - 73-91 Chevy GMC Suburban w/ Cargo Doors	-

BED STRIPS



Polished Stainless

New from Auto Metal Direct, bed strip kits for the 73-87 Chevy & GMC Stepside Short or Long Bed trucks. Each strip is stamped from high quality steel and offered in zinc as paintable original or polished stainless.

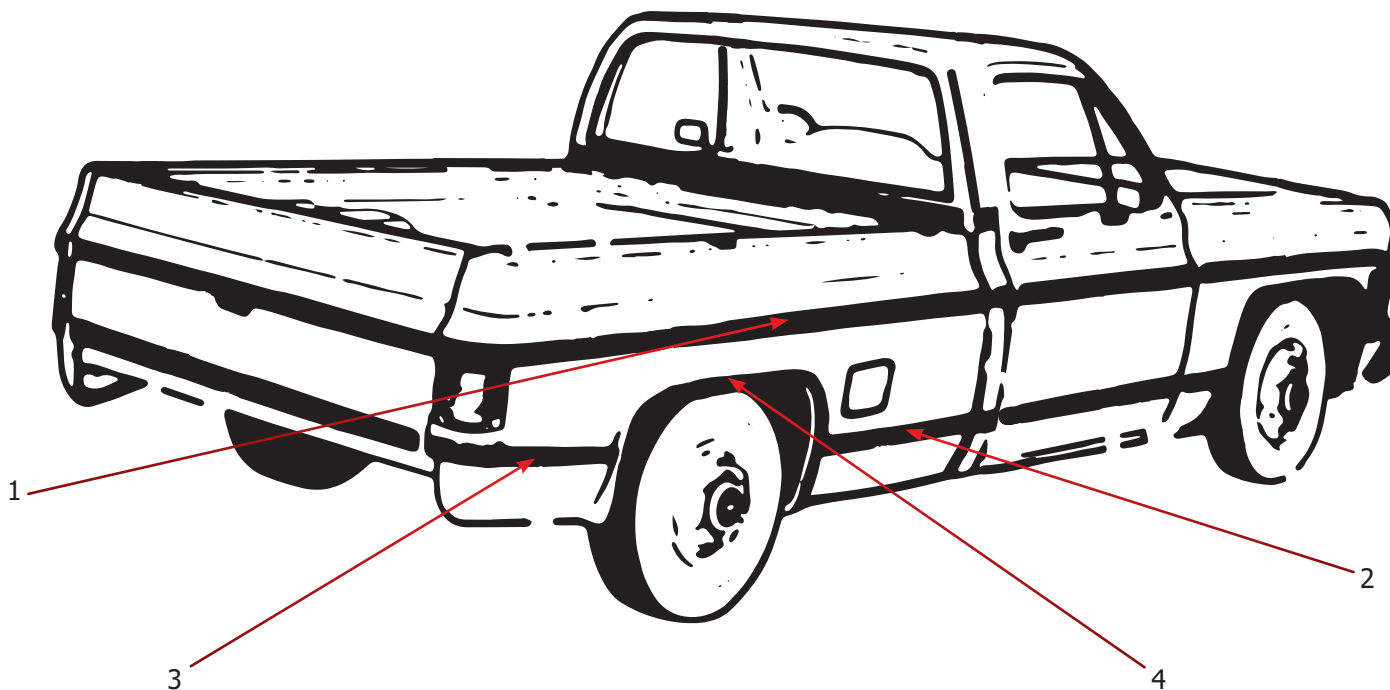
- Bed Strips are the metal strips that bolt between the bed boards in the pickup bed flooring
- Angle Strips are similar to the bed boards except that they fit in the corners of the bed floor along the bed side panels



Zinc = Paintable like the OEM bed strips

Part #	Description	Ill #
792-4073-6PS	Bed Strip Kit - Polished SS (6 Piece) - 73-87 Chevy GMC Shortbed Stepside w/ wood floor	-
792-4073-6ZS	Bed Strip Kit - Zinc (6 Piece) - 73-87 Chevy GMC Shortbed Stepside w/ wood floor	-
792-4073-8PS	Bed Strip Kit - Polished SS (6 Piece) - 67-72 Chevy GMC Longbed Stepside w/ wood floor	-
792-4073-8ZS	Bed Strip Kit - Zinc (6 Piece) - 73-87 Chevy GMC Longbed Stepside w/ wood floor	-
793-4047-26PP	Angle Strip Cover - Polished SS - Sold Each - 47-87 Chevy GMC Shortbed Stepside w/ wood floor	-
793-4047-26ZP	Angle Strip Cover - Zinc - Sold Each - 47-87 Chevy GMC Shortbed Stepside w/ wood floor	-
793-4047-28PP	Angle Strip Cover - Polished SS - Sold Each - 47-87 Chevy GMC Longbed Stepside w/ wood floor	-
793-4047-28ZP	Angle Strip Cover - Zinc - Sold Each - 47-87 Chevy GMC Longbed Stepside w/ wood floor	-
793-4073-6PP	Angle Strip Covers - Polished SS - 2 Piece Set - 73-87 Chevy GMC Shortbed Stepside w/ wood floor	-
793-4073-6ZP	Angle Strip Covers - Zinc - 2 Piece Set - 73-87 Chevy GMC Shortbed Stepside w/ wood floor	-
793-4073-8PP	Angle Strip Covers - Polished SS - 2 Piece Set - 73-87 Chevy GMC Longbed Stepside w/ wood floor	-
793-4073-8ZP	Angle Strip Covers - Zinc - 2 Piece Set - 73-87 Chevy GMC Longbed Stepside w/ wood floor	-

≡ BED MOLDING



Part #	Description	Ill #
X731-4073-18L	Upper Bed Molding - LH - 73-80 Chevy GMC Truck Long Bed Fleetside	1
X731-4073-18R	Upper Bed Molding - RH - 73-80 Chevy GMC Truck Long Bed Fleetside	1
X731-4073-26L	Front Lower Bed Molding - LH - 73-80 Chevy GMC Truck Short Bed Fleetside	2
X731-4073-26R	Front Lower Bed Molding - RH - 73-80 Chevy GMC Truck Short Bed Fleetside	2
X731-4073-28L	Front Lower Bed Molding - LH - 73-80 Chevy GMC Truck Long Bed Fleetside	2
X731-4073-28R	Front Lower Bed Molding - RH - 73-80 Chevy GMC Truck Long Bed Fleetside	2
X731-4073-36L	Rear Lower Bed Molding - LH - 73-80 Chevy GMC Truck Short Bed Fleetside	3
X731-4073-36R	Rear Lower Bed Molding - RH - 73-80 Chevy GMC Truck Short Bed Fleetside	3
X731-4073-38L	Rear Lower Bed Molding - LH - 73-80 Chevy GMC Truck Long Bed Fleetside	3
X731-4073-38R	Rear Lower Bed Molding - RH - 73-80 Chevy GMC Truck Long Bed Fleetside	3
X731-4073-6L	Upper Bed Molding - LH - 73-80 Chevy GMC Truck Short Bed Fleetside	1
X731-4073-6R	Upper Bed Molding - RH - 73-80 Chevy GMC Truck Short Bed Fleetside	1
X731-4273-1L	Upper Bed Molding - LH - 73-80 Chevy GMC Suburban	1
X731-4273-1R	Upper Bed Molding - RH - 73-80 Chevy GMC Suburban	1
X731-4273-2L	Lower Front Bed Molding - LH - 73-80 Chevy GMC Suburban	2
X731-4273-2R	Lower Front Bed Molding - RH - 73-80 Chevy GMC Suburban	2
X731-4273-3L	Lower Rear Bed Molding - LH - 73-80 Chevy GMC Suburban	3
X731-4273-3R	Lower Rear Bed Molding - RH - 73-80 Chevy GMC Suburban	3
X731-4373-1L	Upper Bed Molding - LH - 73-80 Chevy GMC Blazer Jimmy	1
X731-4373-1R	Upper Bed Molding - RH - 73-80 Chevy GMC Blazer Jimmy	1
X731-4373-2L	Lower Front Bed Molding - LH - 73-80 Chevy GMC Blazer Jimmy	2
X731-4373-2R	Lower Front Bed Molding - RH - 73-80 Chevy GMC Blazer Jimmy	2
X735-4073-L	Wheel Opening Molding - Rear - LH - 73-87 Chevy GMC Fleetside Truck; 73-88 Blazer Jimmy Suburban	4
X735-4073-R	Wheel Opening Molding - Rear - RH - 73-87 Chevy GMC Fleetside Truck; 73-88 Blazer Jimmy Suburban	4

C/K TRUCKS

TAILGATE



925-4073-1



925-4073-2



925-4077-1



925-4077-2



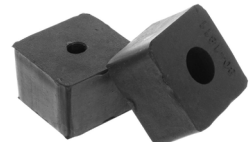
925-4081-1



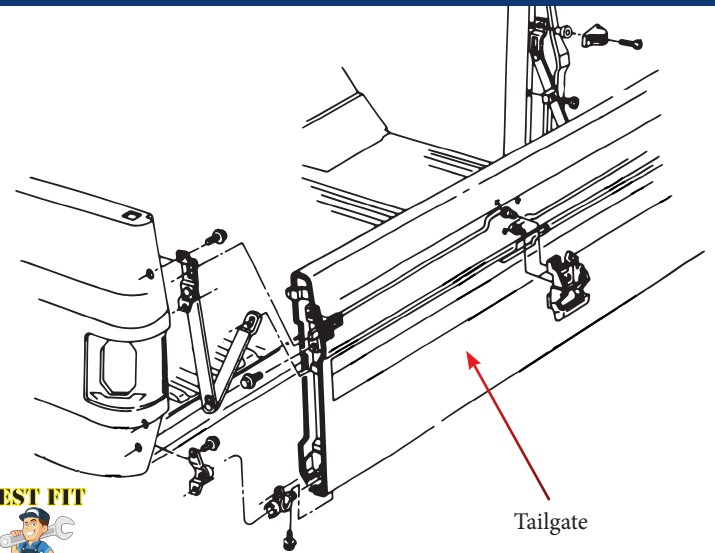
925-4081-2



926-4073-1



926-4081-1



Tailgate



925-4273



925-4973



925-4977



925-4054-1



925-4054-2



925-4954

Part #	Description	Ill #
925-4073-1	Tailgate - Plain - 73-76 Chevy GMC Truck Fleetside; 73-76 Blazer Jimmy w/o Rear Glass Slot	-
925-4073-2	Tailgate - "Chevrolet" - 73-76 Chevy Truck Fleetside; 73-76 Blazer w/o Rear Glass Slot	-
925-4077-1	Tailgate - Plain - 77-80 Chevy GMC Truck Fleetside; Blazer Jimmy w/o Rear Glass Slot	-
925-4077-2	Tailgate - " Chevrolet" Letters - 77-80 Chevy Truck Fleetside Blazer	-
925-4081-1	Tailgate - Plain - 81-87 Chevy GMC Truck Fleetside	-
925-4081-2	Tailgate - "Chevrolet" - 81-87 Chevy Truck Fleetside	-
925-4273	Tailgate - Plain - 73-91 Chevy GMC Suburban	-
925-4973	Tailgate - "GMC" Letters - 73-76 GMC Fleetside	-
925-4977	Tailgate - "GMC" Letters - 77-80 GMC Fleetside	-
925-4981	Tailgate - "GMC" - 81-87 GMC Truck Fleetside; Jimmy w/o Rear Glass Slot	-
925-4054-1	Tailgate - Plain - 54-87 Chevy GMC Truck Stepside	-
925-4054-2	Tailgate - "Chevrolet" - 54-87 Chevy GMC Truck Stepside	-
925-4954	Tailgate - "GMC" Letters - 54-87 GMC Truck Stepside (63-87 "GMC" script lettering)	-
926-4073-1	73-80 Chevrolet, GMC Pickup Fullsize Upper tailgate bumpers 2 piece	-
926-4081-1	81-87 Chevrolet Pickup Full Size Upper tailgate bumpers 2 piece, rear control arm bumpers w/ coil springs	-

≡ TAILGATE & REAR DOOR COMPONENTS



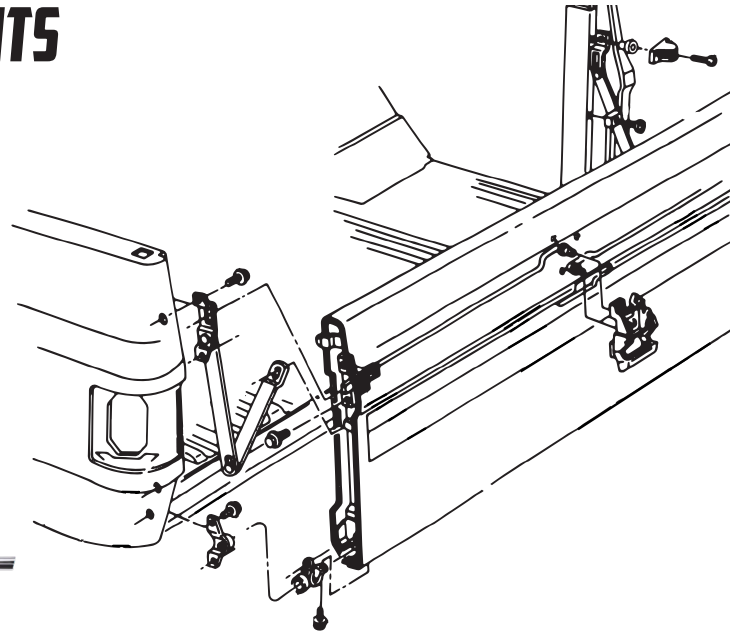
X927-4074



X927-4278-L



X927-4278-1



930-4273-1L



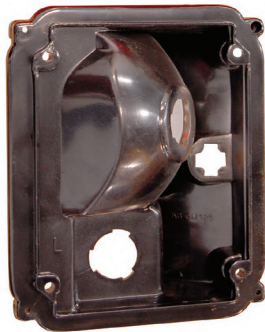
930-4273-2L

Part #	Description	Ill #
927-4081-S	Tailgate Kit - Set 11 pcs - 81-91 Chevy GMC C/K Truck	-
X927-4074	Tailgate Handle - Black - 74-80 Chevy GMC Truck Fleetside Suburban Blazer Jimmy	-
927-4081-1	Tailgate Handle - Black - 81-87 Chevy GMC C/K Truck	-
X927-4076-3L	Tailgate Link - LH - 76-87 Chevy GMC Truck Fleetside; 76-81 Blazer Jimmy	-
X927-4076-3R	Tailgate Link - RH - 76-87 Chevy GMC Truck Fleetside; 76-81 Blazer Jimmy	-
927-4078-L	Tailgate Latch Assembly - 2nd Design - LH - 76-87 Chevy GMC Truck 76-81 Blazer Jimmy	-
927-4078-R	Tailgate Latch Assembly - 2nd Design - RH - 76-87 Chevy GMC Truck 76-81 Blazer Jimmy	-
U-9068	Upper Tailgate Glass Channel - 75-91 Chevy GMC Suburban w/ Tailgate	-
U-KG2044	Tailgate Window Felt Kit - Inner and Outer - 73-91 Full Size Suburban except 78-91 Silverado / Sierra	-
U-KG2045	Tailgate Window Felt Kit - Inner and Outer - 78-91 Full Size Suburban with Silverado / Sierra Trim	-
U-G1012	Upper Tailgate Glass Channel - 76-91 Chevy GMC Full Size Blazer Jimmy	-
G-DWB113075	Tailgate Seal - 75-91 Chevy GMC Suburban	-
927-4278	Outside Door Handle - Rear Cargo Door - 73-91 Chevy GMC Suburban	-
X927-4278-1	Rear Window Handle - 73-89 Chevy GMC Blazer Jimmy Suburban w/ Manual Rear Window	-
X927-4278-L	Door Handle - Rear Cargo Door- LH - 78-91 Chevy GMC Suburban	-
G-DWP113080	Rear Cargo Door Seals - LH / RH Pair - 80-91 Chevy GMC Suburban w/ Rear Cargo Doors	-
G-GWL113069	Tailgate Lower Seal - 69-72 K5 Blazer / Jimmy	-
G-GWL113073	Tailgate Lower Seal - 73-91 Full Size Blazer / Jimmy	-
U-KG2004	Tailgate Window Felt Kit - Inner and Outer - 73-91 Full Size Blazer / Jimmy	-
G-GRB111273	Upper Tailgate Glass Channel - 73-75 Chevy GMC C/K Blazer Jimmy	-
929-4273-L	Cargo Door Skin - Lower - LH - 73-91 Chevy GMC Suburban	-
929-4273-R	Cargo Door Skin - Lower - RH - 73-91 Chevy GMC Suburban	-
X930-4073	Tailgate Molding - Upper or Lower - 73-80 Chevy GMC Truck Suburban	-
930-4273-1L	Rear Cargo Door Upper Molding - LH - 73-80 Chevy GMC Suburban	-
930-4273-1R	Rear Cargo Door Upper Molding - RH - 73-80 Chevy GMC Suburban	-
930-4273-2L	Rear Cargo Door Lower Molding - LH - 73-80 Chevy GMC Suburban	-
930-4273-2R	Rear Cargo Door Lower Molding - RH - 73-80 Chevy GMC Suburban	-
X930-4373	Tailgate Moldings - Upper & Lower 2 Piece Set - 73-80 Chevy GMC Truck Crew Cab Blazer Jimmy	-

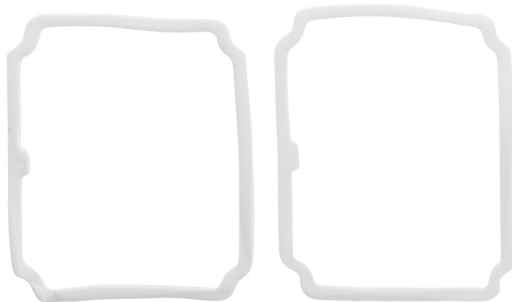
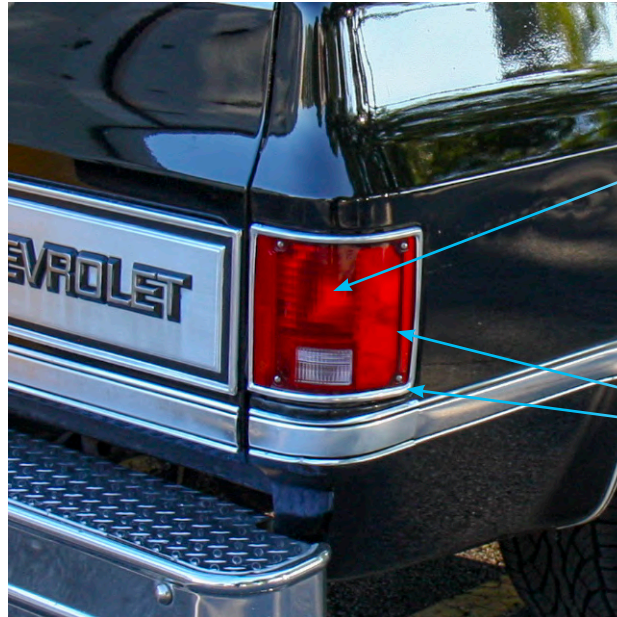
C/K TRUCKS

REAR LIGHTING

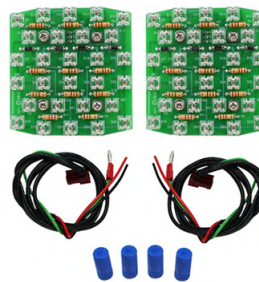
Reproduction of the original rear lighting for 73-87 GM Trucks. Each part is designed to replace the original exactly. Injection molded in quality acrylic material to replicate the original lens for accuracy and authenticity. Replace the damaged or missing original lenses with these superb reproductions.



950-4073-1L




J-SS9344



T-9102



K-917069

Part #	Description	Ill #
949-4073-L	Tail Lamp Housing - LH - 73-87 Chevy GMC Truck; 73-91 Blazer Jimmy Suburban	-
949-4073-R	Tail Lamp Housing - RH - 73-87 Chevy GMC Truck; 73-91 Blazer Jimmy Suburban	-
950-4073-1L	Tail Lamp w/ out Chrome Trim - LH - 73-87 Chevy GMC Truck 73-91 Blazer Jimmy Suburban	-
950-4073-1R	Tail Lamp w/ out Chrome Trim - RH - 73-87 Chevy GMC Truck 73-91 Blazer Jimmy Suburban	-
950-4073-L	Tail Lamp w/ Chrome Trim - LH - 73-87 Chevy GMC Truck 73-91 Blazer Jimmy Suburban	1
950-4073-R	Tail Lamp w/ Chrome Trim - RH - 73-87 Chevy GMC Truck 73-91 Blazer Jimmy Suburban	-
951-4073-1L	Tail Lamp Lense w/ out Trim - LH - 73-87 Chevy GMC Truck Fleetside; 73-91 Blazer Jimmy Suburban	-
951-4073-1R	Tail Lamp Lense w/ out Trim - RH - 73-87 Chevy GMC Truck Fleetside; 73-91 Blazer Jimmy Suburban	2
T-9102	Taillight LED Conversion Kit - LH/RH Pair - 73-87 Chevy GMC Truck Fleetside; 73-91 Blazer Jimmy Suburban	-
J-SS9344	Tail Lamp Lens Gaskets - Pair - 73-87 Chevy GMC Truck Fleetside; 73-91 Blazer Jimmy Suburban	-
K-917069	License Plate Lamp Assembly - Except Step Bumper - 66-91 Chevy GMC Truck Blazer Jimmy Suburban 	-

≡ FUEL TANK

Finish your project right with new fuel tank components from AMD. These top quality pieces meet or exceed the performance of the original OE parts. All AMD parts are test fitted and guaranteed to fit correctly.

Accurately stamped reproductions with correct original light galvanized finish.

- Meets OE Specifications
- Pressure tested for a leak free tank
- Corrosion resistant steel construction



Part #	Description	Ill #
X880-4073	Gas Tank Strap Set - 73-87 Chevy GMC Truck	-
K-334675	Gas Tank Strap Set - 73-82 Chevy GMC Truck; 73-87 Blazer Jimmy Suburban (25 Gal/Rear Mount) - EDP Coated Steel	-
880-4073-P	Gas Tank Straps - 73-81 Chevy GMC Truck	-
880-4077-P	Gas Tank Straps - 77-91 Chevy GMC Suburban w/ 40 Gallon Tank	-
880-4373-1P	Gas Tank Straps - 73-91 Chevy GMC Blazer Jimmy Suburban w/ 31 Gallon Tank	-
880-4373-P	Gas Tank Straps - 73-87 Chevy GMC Blazer Jimmy Suburban w/ 25 Gallon Tank	-
890-4087-20	Gas Tank - 87-91 Chevy GMC R/V Long Bed Pickup - 20 gallon (w/ TBI)	-
890-4273-31	Gas Tank - 73-81 Chevy GMC C/K Blazer Jimmy / Suburban - 31 gallon (w/o TBI)	-
890-4274-40	Gas Tank - 74-81 Chevy GMC C/K Suburban - 40 gallon	-
890-4282-25	Gas Tank - 82-87 Chevy GMC C/K Blazer Jimmy - 25 gallon (w/o TBI)	-
890-4282-31	Gas Tank - 82-87 Chevy GMC C/K Blazer Jimmy / Suburban - 31 gallon (w/o TBI)	-
890-4282-40	Gas Tank - 82-87 Chevy GMC C/K Suburban - 40 gallon (w/o TBI)	-
890-4287-25	Gas Tank - 87-91 Chevy GMC R/V Blazer Jimmy - 25 gallon (w/ TBI)	-
890-4287-31	Gas Tank - 87-91 Chevy GMC R/V Blazer Jimmy / Suburban - 31 gallon (w/ TBI)	-
890-4287-40	Gas Tank - 87-91 Chevy GMC R/V Suburban - 40 gallon (w/ TBI)	-

≡ FUEL SENDING UNITS

With a direct fit and OE-matched electrical connections, Auto Metal Direct's new fuel tank sending units are invaluable when replacing a faulty gas tank in your pickup. These units include a new strainer, lock ring, O-ring, and all terminals and connectors. They also include a float where the OE unit has one. These units meet or exceed the performance of the original equipment fuel tank sending units they replace. So, if you demand top quality and high performance, just equip your ride with components from AMD!

- Meets or Exceeds OE Specifications
- 100% Reliability Tested
- Improved Connectors
- Strainer Included
- Lock and O-Ring Included

**RESTORATION
MADE EASY!**



Part #	Description	Ill #
881-4073-31	Gas Tank Sending Unit - 73-75 Chevy GMC C/K Pickup, RH, 1 outlet	-
881-4073-32	Gas Tank Sending Unit - 73-79 Chevy GMC C/K Pickup, LH, 2 outlets	-
881-4073-33	Gas Tank Sending Unit - 73-79 Chevy GMC C/K Pickup, RH, 3 outlets	-
881-4073-34	Gas Tank Sending Unit - 73-79 Chevy GMC C/K Pickup, RH, 2 outlets	-
881-4073-35	Gas Tank Sending Unit - 73-77 Chevy GMC C/K Blazer Jimmy 25 gallon - 4 outlet (A/T)	-
881-4073-52	Gas Tank Sending Unit - RH - 5/16 Outlet w/o Return Line - 73-81 Chevy GMC Truck	-
881-4073-53	Gas Tank Sending Unit - 73-79 Chevy GMC C/K Pickup, LH, 3 outlets	-
881-4078-31	Gas Tank Sending Unit - 78-86 Chevy GMC C/K Blazer Jimmy 25 gallon - 4 outlet (A/T)	-
881-4078-32	Gas Tank Sending Unit - 78-86 Chevy GMC C/K Blazer Jimmy 25 gallon - 3 outlet (M/T)	-
881-4080-31	Gas Tank Sending Unit - 80-84 Chevy GMC C/K Pickup, LH, 2 outlets	-
881-4080-32	Gas Tank Sending Unit - 80-84 Chevy GMC C/K Pickup, RH, 2 outlets	-
881-4080-33	Gas Tank Sending Unit - 80-86 Chevy GMC C/K Pickup; 87-91 Chevy GMC R/V Pickup, LH, 3 outlets (with carburetor)	-
881-4080-34	Gas Tank Sending Unit - 80-86 Chevy GMC C/K Pickup; 87-91 Chevy GMC R/V Pickup, RH, 3 outlets (with carburetor)	-
881-4082-D1	Gas Tank Sending Unit - 82-83 Chevy GMC C/K Pickup, LH, 3 outlets (with Diesel)	-
881-4082-D2	Gas Tank Sending Unit - 82-83 Chevy GMC C/K Pickup, RH, 3 outlets (with Diesel)	-
881-4087-31	Gas Tank Sending Unit - 87-91 Chevy GMC R/V Pickup, LH, 3 outlets (with TBI)	-
881-4087-32	Gas Tank Sending Unit - 87-91 Chevy GMC R/V Pickup, RH, 3 outlets (with TBI)	-
881-4373-31	Gas Tank Sending Unit - 73-77 Chevy GMC C/K Blazer Jimmy / Suburban 31 gallon - 3 outlet (M/T)	-
881-4378-31	Gas Tank Sending Unit - 78-86 Chevy GMC C/K Blazer Jimmy / Suburban 31 gallon - 4 outlet (A/T)	-
881-4379-3	Gas Tank Sending Unit - 87-91 Chevy GMC R/V Blazer Jimmy 25 gallon - 4 outlet (with TBI)	-
881-4384-D	Gas Tank Sending Unit - 84-87 Chevy GMC Full Size Blazer Jimmy 25 gallon - 3 outlet (with Diesel)	-

REAR BUMPER

ALL BUMPERS ARE COVERED BY A 5 YEAR LIMITED RUST-THROUGH WARRANTY!

AMD Bumpers are made from heavy gauge steel and feature OE quality chrome finish. Installation is fast and easy as all parts are designed to be a direct bolt-on utilizing OE bumper brackets and hardware. Our bumpers are manufactured on our state of the art chrome production line.



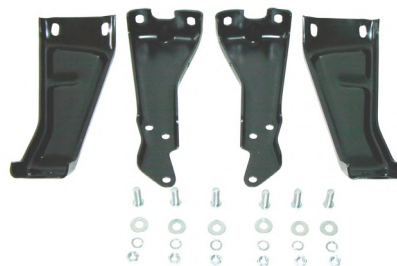
990-4073-1



990-4081-1



990-4082-2



970-4073-S



945-4067

Part #	Description	Ill #
990-4073-1	Rear Bumper w/o Impact Strip Holes - Chrome - 73-80 Chevy GMC C/K Fleetside Pickup Blazer Jimmy Suburban	-
990-4073-1P	Rear Bumper w/o Impact Strip Holes - Primer - 73-80 Chevy GMC C/K Fleetside Pickup Blazer Jimmy Suburban	-
990-4081-1	Rear Bumper w/o Impact Strip Holes - Chrome - 81-86 Chevy GMC C/K Fleetside Pickup Blazer Jimmy Suburban; 87-91 Chevy GMC R/V Fleetside Pickup 87-88 Blazer Jimmy Suburban	-
990-4081-2	Rear Bumper w/ Impact Strip Holes - Chrome - 81-86 Chevy GMC C/K Fleetside Pickup Blazer Jimmy Suburban; 87-91 Chevy GMC R/V Fleetside Pickup 87-88 Blazer Jimmy Suburban	-
990-4081-2P	Rear Bumper w/ Impact Strip Holes - Primer - 81-86 Chevy GMC C/K Fleetside Pickup Blazer Jimmy Suburban; 87-91 Chevy GMC R/V Fleetside Pickup 87-88 Blazer Jimmy Suburban	-
990-4081-P	Rear Bumper w/o Impact Strip Holes - Primer - 81-86 Chevy GMC C/K Fleetside Pickup Blazer Jimmy Suburban; 87-91 Chevy GMC R/V Fleetside Pickup 87-88 Blazer Jimmy Suburban	-
990-4289-1	Rear Bumper w/ Impact Strip Holes - Chrome - 89-91 Chevy GMC R/V Blazer Jimmy Suburban	-
990-4289-1P	Rear Bumper w/ Impact Strip Holes - Primer - 89-91 Chevy GMC R/V Blazer Jimmy Suburban	-
970-4073-S	Rear Bumper Bracket Set - 73-80 Chevy GMC C/K Fleetside Pickup Blazer Jimmy Suburban	-
945-4067	Rear License Plate Bracket - Black - 67-87 Chevy GMC Truck; 69-91 Blazer Jimmy Suburban	-
945-4067-C	Rear License Plate Bracket - Chrome - 67-87 Chevy GMC Truck; 69-91 Blazer Jimmy Suburban	-

1988-UP GM TRUCK

FRONT BUMPER

ALL BUMPERS ARE COVERED BY A 5 YEAR LIMITED RUST-THROUGH WARRANTY!

AMD Bumpers are made from heavy gauge steel and feature OE quality chrome finish. All parts feature, depending on application, correct holes for turn signals. Installation is fast and easy as all parts are designed to be a direct bolt-on utilizing OE bumper brackets and hardware. Our bumpers are manufactured on our state of the art chrome production line.



100-4088-7



100-4088-3



100-4088-1



100-4088-8



TEST FIT

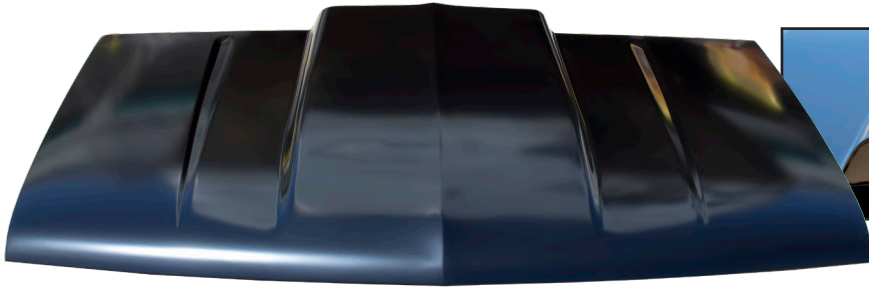


Before You Paint

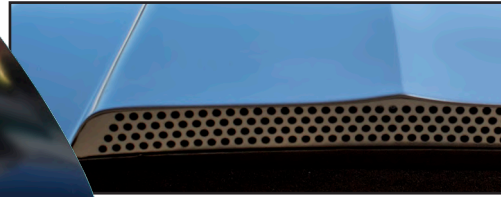


Part #	Description	Ill #
100-4088-1	Front Bumper w/o License Brkt Holes w/o Impact Strip Holes - Chrome - 88-00 Chevy GMC C/K Pickup; 92-94 C/K Blazer Jimmy; 92-00 Suburban; 95-00 Tahoe Yukon	-
100-4088-3	Front Bumper w/ License Brkt Holes w/ Air Intake Holes w/o Impact Strip Holes - Chrome - 92-00 Chevy GMC C/K Pickup; 92-94 C/K Blazer Jimmy; 92-00 C/K Suburban; 95-00 C/K Tahoe Yukon w/ Turbo Diesel	-
100-4088-6	Front Bumper w/ License Brkt Holes w/o Impact Strip Holes - Chrome - 88-00 Chevy GMC C/K Pickup; 92-94 C/K Blazer Jimmy; 92-00 C/K Suburban; 95-00 C/K Tahoe Yukon	-
100-4088-7	Front Bumper w/o License Brkt Holes w/ Impact Strip Holes - Chrome - 88-00 Chevy GMC C/K Pickup; 92-94 C/K Blazer Jimmy; 92-00 C/K Suburban; 95-00 C/K Tahoe Yukon	-
100-4088-8	Front Bumper w/ License Brkt Holes w/ Fog Lights - 88-00 Chevy GMC C/K Pickup; 92-94 C/K Blazer Jimmy; 92-00 C/K Suburban; 95-00 C/K Tahoe Yukon	-

≡ **HOODS** New premium Cowl & Ram Air Style hoods for the 88-up Chevy / GMC Trucks & SUVs. Stamped from OE gauge steel on new tooling, each hood features correct body lines and a fully finished factory style underside. AMD hoods arrive EDP coated to protect against rust and corrosion.



300-4088-2

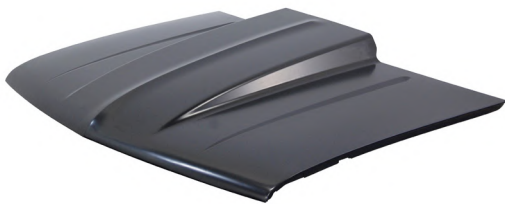


Cowl Vent

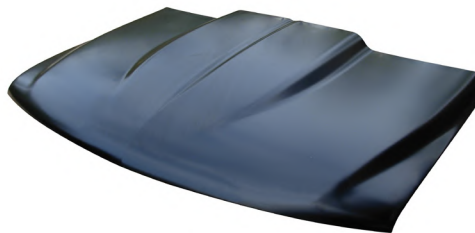
TEST FIT



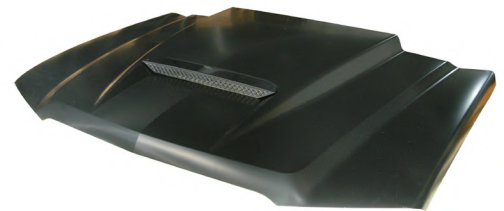
Before You Paint



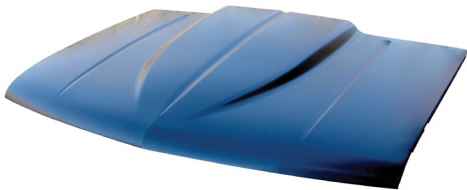
300-4088-4



300-4099-2



300-4003-3



300-4088-2B



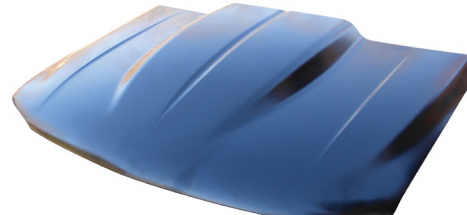
300-4099-3



Original Style Bracing



300-4088-3



300-4999-2

Part #	Description	Ill #
300-4088-2	Hood - 2" Raised Straight Cowl - 88-00 Chevy GMC C/K Pickup; 92-00 Suburban Tahoe Yukon	-
300-4088-2B	Hood - 2" Raised Curved Cowl - 88-00 Chevy GMC C/K Pickup; 92-00 Suburban Tahoe Yukon	-
300-4088-4	Hood - 4" Raised Straight Cowl - 88-00 Chevy GMC C/K Pickup; 92-00 Suburban Tahoe Yukon	-
300-4088-3	Hood - Ram Air Style - 88-00 Chevy GMC C/K Pickup; 92-00 Suburban Tahoe Yukon	-
300-4099-2	Hood - 2" Raised Cowl - 99-02 Silverado 1500 2500; 01-02 Silverado 1500HD 2500HD 3500; 00-06 Tahoe Suburban	-
300-4999-2	Hood - 2" Raised Cowl - 99-06 GMC Sierra; 00-06 GMC Yukon or Yukon XL	-
300-4099-3	Hood - Ram Air Style - 99-02 Silverado 1500 2500; 01-02 Silverado 1500HD 2500HD 3500; 00-06 Tahoe Suburban	-
300-4003-2	Hood - 2" Raised Cowl - 03-05 Silverado 1500 2500; 03-04 Silverado 1500HD 2500HD 3500; 03-06 Avalanche w/o Body Cladding	-
300-4003-3	Hood - Ram Air Style - 03-05 Silverado 1500 2500; 03-04 Silverado 1500HD 2500HD 3500; 03-06 Avalanche w/o Body Cladding	-