

TOWING ACCESSORIES

**BUILT
STRONGER.
TOUGHER.
BETTER.**

**eaz
lift**[®]
Since 1952



Weight Distribution Hitches

GOOD



- Includes sway control and hardware
- Chain package pre-installed on spring bars
- Fully assembled

elite Ready to Tow Hitch Kits



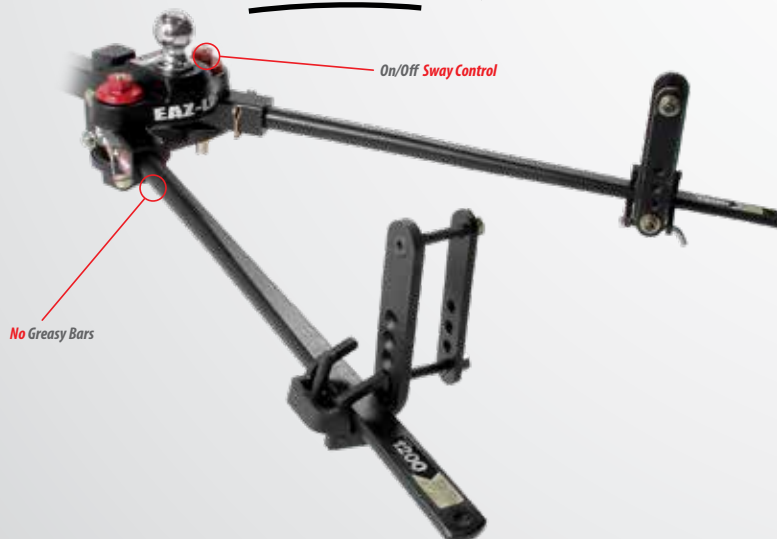
BETTER



- Hitch and trailer move as one
- No need to grease bars
- No drilling to install
- Quiet operation

Trekker

WDH with **Adaptive** Sway Control



WHICH WORKS FOR YOU?

BETTER

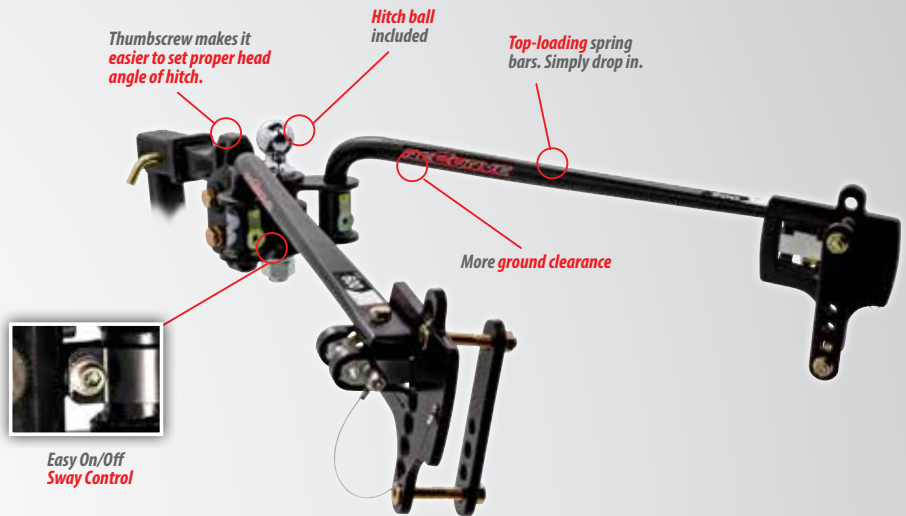


- Hitch and trailer move as one
- No need to grease bars
- No drilling to install
- Quiet operation
- One bolt adjustable sway control

RECURVE™
WDH

R3

WDH with Adjustable Sway Control



BEST



- Simple on/off sway control
- Back up without disengaging
- Hitch and trailer move as one
- Sway control can be disengaged
- No need to grease bars
- No drilling to install
- Quiet operation

RECURVE™
WDH

R6

WDH with Adaptive Sway Control



BEST

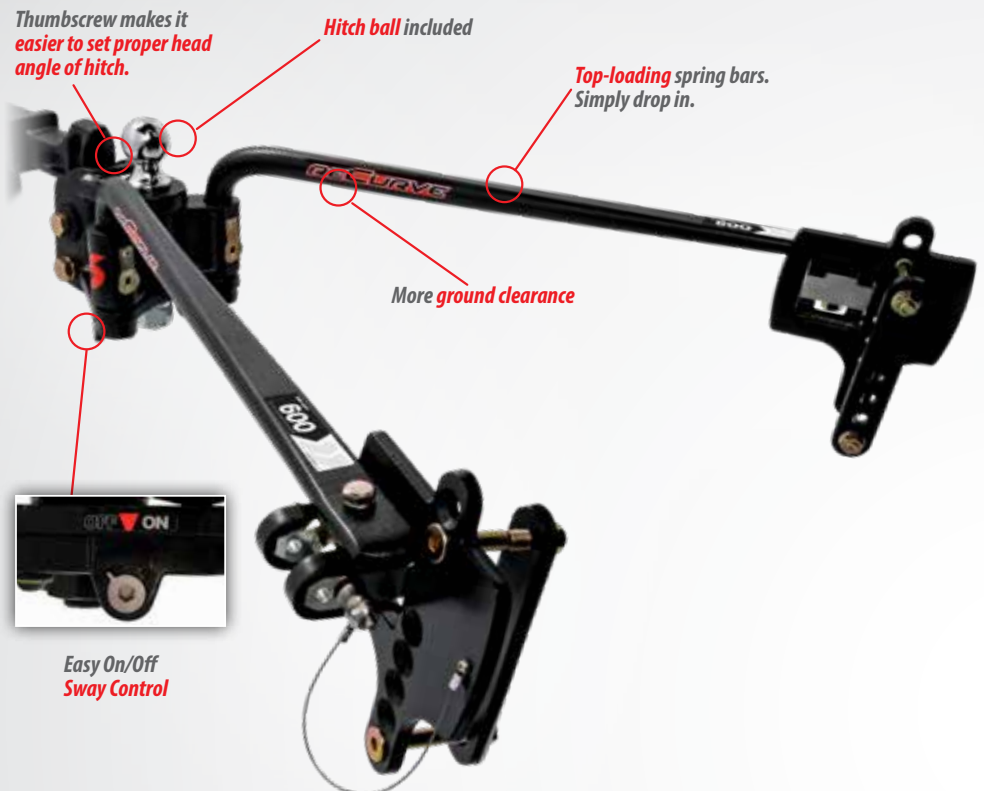
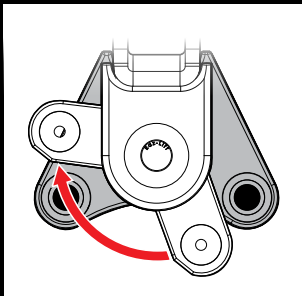


RECURVE™

WDH

WDH with **Adaptive** Sway Control

- Simple on/off sway control
- Back up without disengaging
- Hitch the trailer move as one
- Sway control can be disengaged
- No need to grease bars
- No drilling to install
- Quiet operation

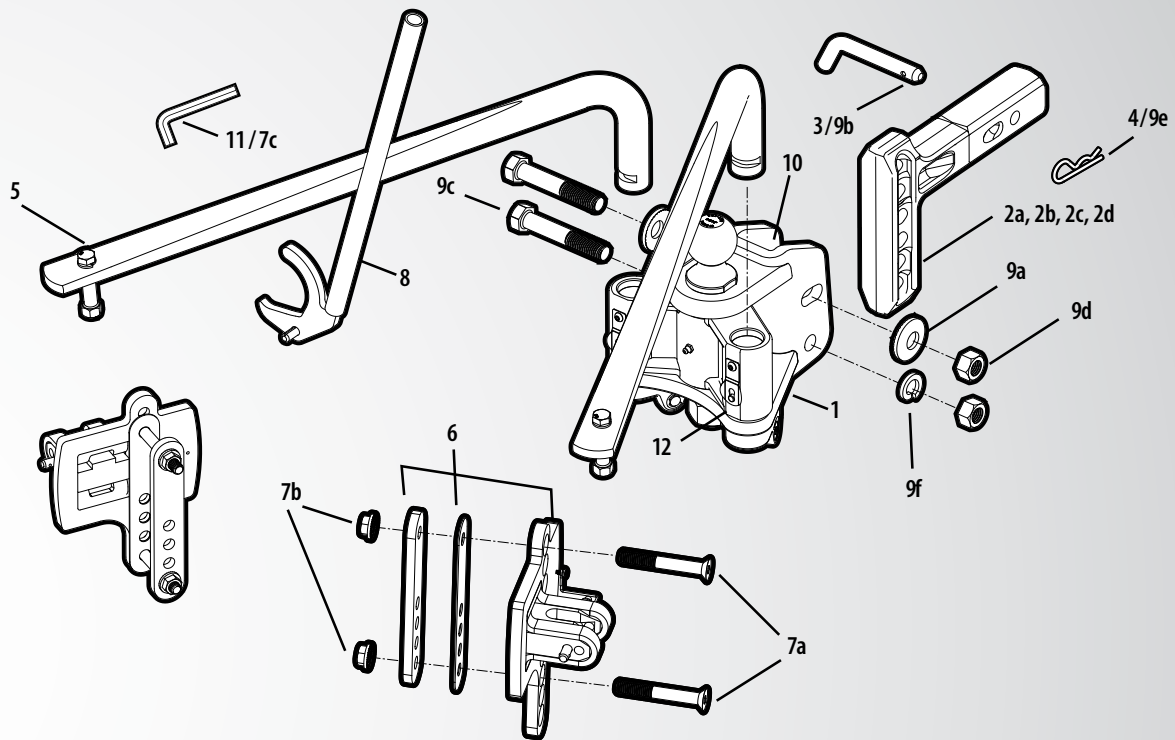


RECURVE R6

is our most user friendly weight distribution hitch, and it features premium adaptive sway control. With other sway control hitches, turning can be an even bigger hassle than it usually is with a trailer because the sway control "locks" the trailer straight. With the ReCurve R6, the hitch will control your sway for normal driving, but when you turn, the sway control will automatically disengage, making maneuvering smoother and easier on the driver. The sway control can easily be turned completely off in dangerous or icy road conditions. Its top-loading spring bars give it more ground clearance than other weight distribution hitches, and the streamlined design makes the hitch and the trailer move as one, while creating a sleek and subtle look. Hitch ball included.

- 48731 600 lb Hitch Kit
- 48733 1,000 lb Hitch Kit
- 48734 1,200 lb Hitch Kit
- 48779 600 lb Hitch Kit, 2" Ball
- 48783 800 lb Hitch Kit, 2 5/16" Ball

REPLACEMENT PARTS



Description	Part #
1 Ball Mount, with ball for ReCurve R6 600-1,000-1,200	48736
2a Adjustable 2" Square Shank Hi-Low	
12" length	48650
14" length	48121
16" length	48122
18" length	48123
2b Adjustable 2" Square Shank Extra Hi-Low Additional 3 1/4" drop/rise	
12" length	48653
14" length	48131
16" length	48133
2c Adjustable 2" Square Shank Extra Low	
12" length 9" drop	48132
2d Adjustable 2 1/2" Square Shank	
12" length	48651
Adjustable 2 1/2" Square Shank Extra Hi-Low Additional 3 1/4" drop/rise	
12" length	48652

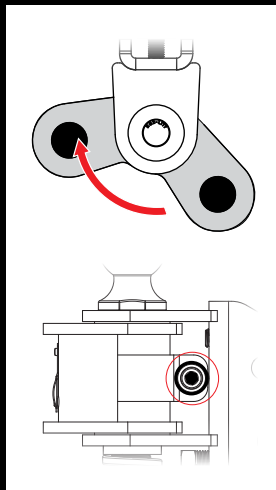
Description	Part #
3 Hitch Pin 5/8"	48021
4 Spring Clips (pair)	48766
5 Spring Bar, ReCurve R6 (Set of 2)	
600 lb rating	48737
1,000 lb rating	48738
1,200 lb rating	48739
6 Hook Up Hanger Kit	48749
7 Bolt Package - Hook Up ReCurve, R6	48741
a. (4) each flat head screw, 1/2-13 x 3 3/4"	
b. (4) each serrated flange nut, 1/2"-13	
c. (1) allen wrench (8 mm)	
8 Hook Up Tool	48742

Description	Part #
9 Bolt Package - ReCurve Ball Mount	48765
a. (2) each 3/4" conical washer	
b. (1) each hitch pin	
c. (2) each bolt 3/4" - 10 x 4 1/2"	
d. (2) each nuts 3/4"-10	
e. (1) each spring clip	
f. (1) each lock washer 3/4"	
10 Thumbscrew	48037
11 8 mm Allen Wrench	48745
12 R6 Spring Bar Lock Device Repair Kit	48748

BETTER



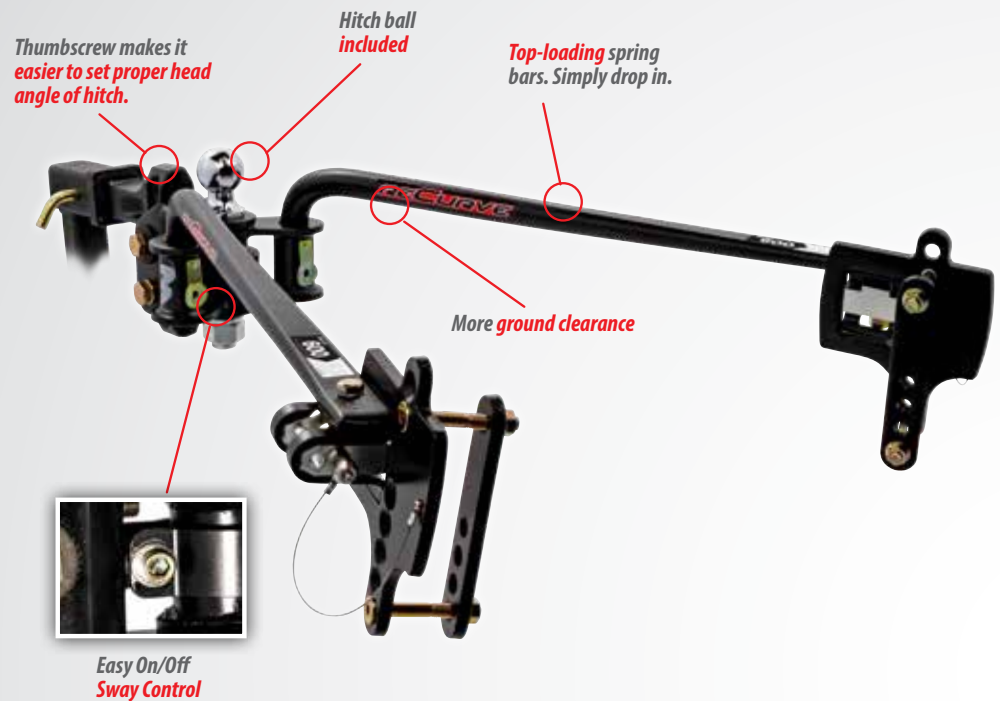
- Hitch and trailer move as one
- No need to grease bars
- No drilling to install
- Quiet operation
- One bolt adjustable sway control



RECURVE™

WDH

WDH with Adjustable Sway Control

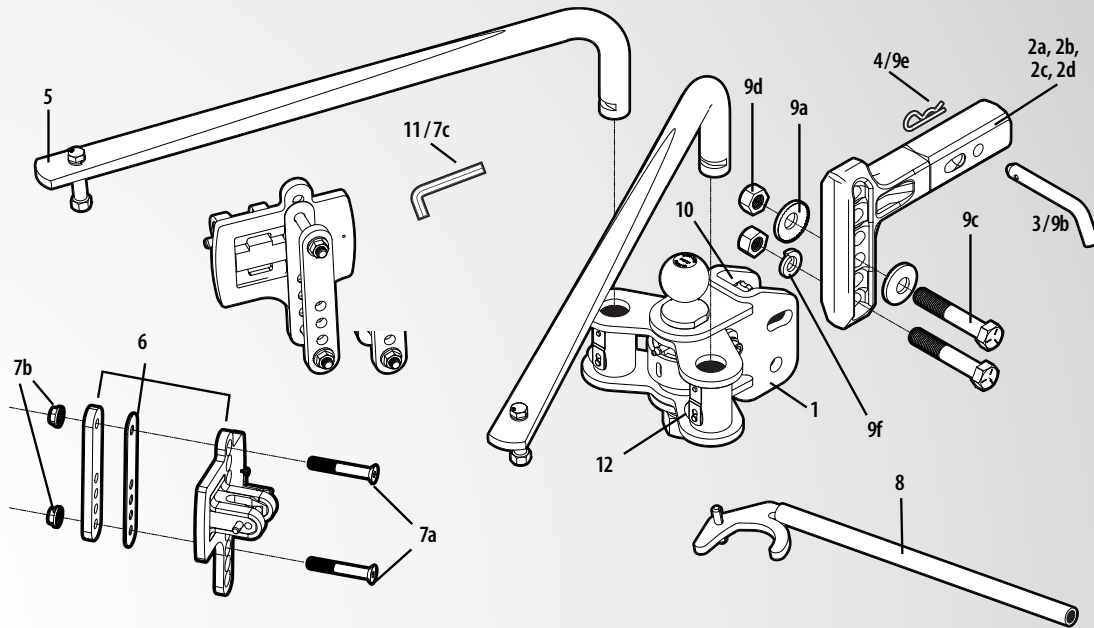


RECURVE R3

is a weight distribution hitch that features adjustable sway control. By simply adjusting the clamp, you can decide how much sway control is exerted on the trailer. The ReCurve R3 will distribute the weight of your trailer evenly across the axles of the vehicle and provide as much sway control as you choose. Or, turn the sway control completely off in dangerous or icy road conditions. Its top-loading spring bars give it more ground clearance than other hitches, and the streamlined design makes the hitch and the trailer move as one, while creating a sleek look. Hitch ball included.

- 48750 Hitch Kit, 400 lb
- 48751 Hitch Kit, 600 lb
- 48752 Hitch Kit, 1,000 lb
- 48753 Hitch Kit, 1,200 lb
- 48770 Hitch Kit 400 lb, 2" Ball
- 48771 Hitch Kit 600 lb, 2" Ball
- 48782 Hitch Kit 800 lb, 2 5/8" Ball

REPLACEMENT PARTS



Description	Part #
1 Ball Mount, with ball for ReCurve R3 400-600-1,000-1,200	48755
2a Adjustable 2" Square Shank Hi-Low	
12" length	48650
14" length	48121
16" length	48122
18" length	48123
2b Adjustable 2" Square Shank Extra Hi-Low Additional 3 3/4" drop/rise	
12" length	48653
14" length	48131
16" length	48133
2c Adjustable 2" Square Shank Extra Low	
12" length 9 1/2" drop	48132
2d Adjustable 2 1/2" Square Shank	
12" length	48651
Adjustable 2 1/2" Square Shank Extra Hi-Low Additional 3 3/4" drop/rise	48652
12" length	

Description	Part #
3 Hitch Pin 5/8"	48021
4 Spring Clips (pair)	48766
5 Spring Bar, ReCurve (Set of 2)	
400 lb rating	48735
600 lb rating	48737
1,000 lb rating	48738
1,200 lb rating	48739
6 Hook Up Hanger Kit	48749
7 Bolt Package - Hook Up ReCurve, R3	48757
a. (4) each flat head screw, 1/2-13 x 3 3/4"	
b. (4) each serrated flange nut, 1/2"-13	
c. (1) allen wrench (10 mm)	
8 Hook Up Tool	48742

Description	Part #
9 Bolt Package - ReCurve Ball Mount	48765
a. (2) each 3/4" conical washer	
b. (1) each hitch pin	
c. (2) each bolt 3/4"- 10 x 4 1/2"	
d. (2) each nuts 3/4"-10	
e. (1) each spring clip	
f. (1) each lock washer 3/4"	
10 Thumbscrew	48037
11 10 mm Allen Wrench	48758
12 Spring Bar Lock Device Repair Kit	48104

BETTER



- Hitch and trailer move as one
- No need to grease bars
- No drilling to install
- Quiet operation



Trekker

WDH with Adaptive Sway Control

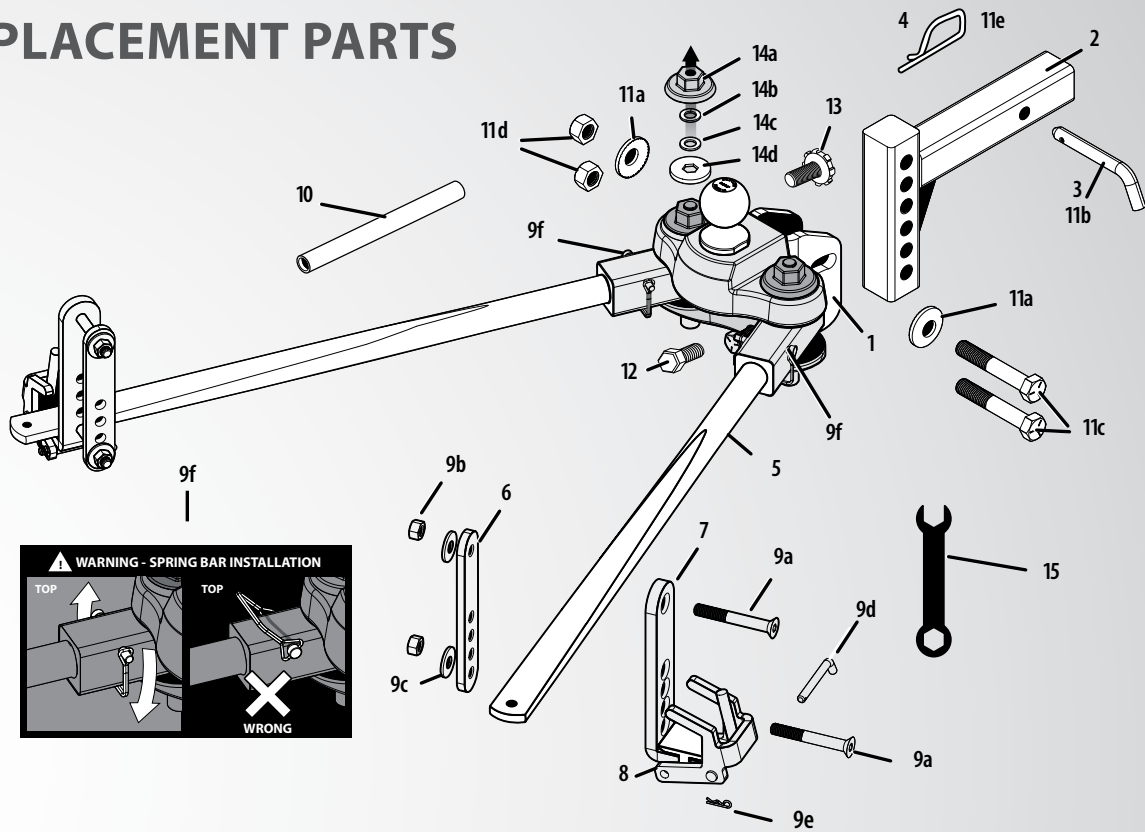


EAZ-LIFT TREKKER

is the perfect combination of premium weight distribution and sway control in an easy-to-install hitch. Trekker utilizes adaptive sway technology which goes above and beyond that of the competitors' weight distribution hitches. When towing and challenged with wind gusts and passing trucks, the Trekker reacts and increases resistance as needed! During sharp turns and maneuvering, when sway control is unnecessary, the Trekker disengages sway control completely for improved handling. When towing in dangerous conditions, such as slippery or icy roads, sway control is unwanted. Trekker's easy on/off sway control makes it a breeze to manually disengage. This feature also comes in handy when hooking-up and unhooking. Includes High-Low Shank.

- 48701 Trekker Hitch, 600 lb
- 48703 Trekker Hitch, 1,000 lb
- 48704 Trekker Hitch, 1,200 lb

REPLACEMENT PARTS



Description	Part #
1 Ball Mount, with ball for ReCurve R3 400-600-1,000-1,200	48755
2a Adjustable 2" Square Shank Hi-Low	
12" length	48650
14" length	48121
16" length	48122
18" length	48123
2b Adjustable 2" Square Shank Extra Hi-Low Additional 3/4" drop/rise	
12" length	48653
14" length	48131
16" length	48133
2c Adjustable 2" Square Shank Extra Low	
12" length 9 1/2" drop	48132
2d Adjustable 2 1/2" Square Shank	
12" length	48651
Adjustable 2 1/2" Square Shank Extra Hi-Low Additional 3/4" drop/rise	48652
12" length	

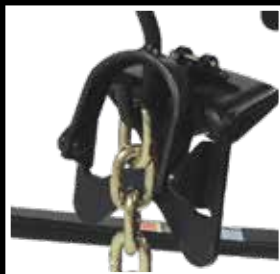
Description	Part #
3 Hitch Pin	48021
4 Spring Clips (pair)	48766
5 Spring Bar, ReCurve (Set of 2)	
400 lb rating	48735
600 lb rating	48737
1,000 lb rating	48738
1,200 lb rating	48739
6 Hook Up Hanger Kit	48749
7 Bolt Package - Hook Up ReCurve, R3	48757
a. (4) each flat head screw, 1/2"-13 x 3 3/4"	
b. (4) each serrated flange nut, 1/2"-13	
c. (1) allen wrench (10 mm)	
8 Hook Up Tool	48742

Description	Part #
9 Bolt Package - ReCurve Ball Mount	48765
a. (2) each 3/4" conical washer	
b. (1) each hitch pin	
c. (2) each bolt 3/4"-10 x 4 1/2"	
d. (2) each nuts 3/4"-10	
e. (1) each spring clip	
f. (1) each lock washer 3/4"	
10 Thumbscrew	48037
11 10 mm Allen Wrench	48758
12 Spring Bar Lock Device Repair Kit	48104

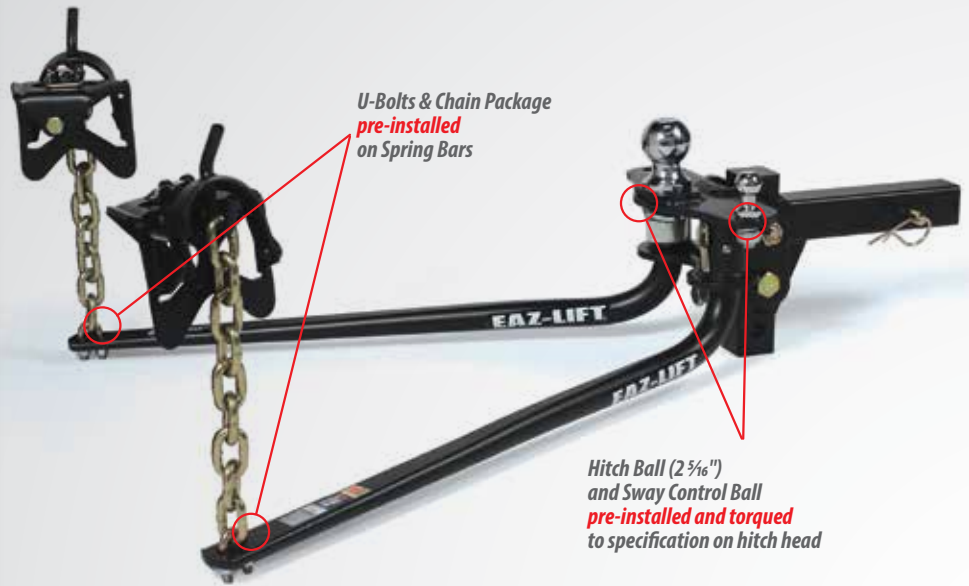
GOOD

★★★★

- Includes sway control and hardware
- Chain package pre-installed on spring bars
- Fully assembled



elite Ready to Tow Hitch Kits



Includes Sway Control and Mounting Hardware

ROUND BAR WEIGHT DISTRIBUTING HITCHES

Eaz-lift Elite Weight Distributing Hitch Kit allows you to save time with pre-installed components. It includes a round bar weight distributing hitch, sway control and hitch ball. The 2 5/16" hitch ball and sway control ball are pre-installed and torqued to specification on the hitch head. The U-bolts and chain package are pre-installed on the spring bars. Mounting hardware is also included.

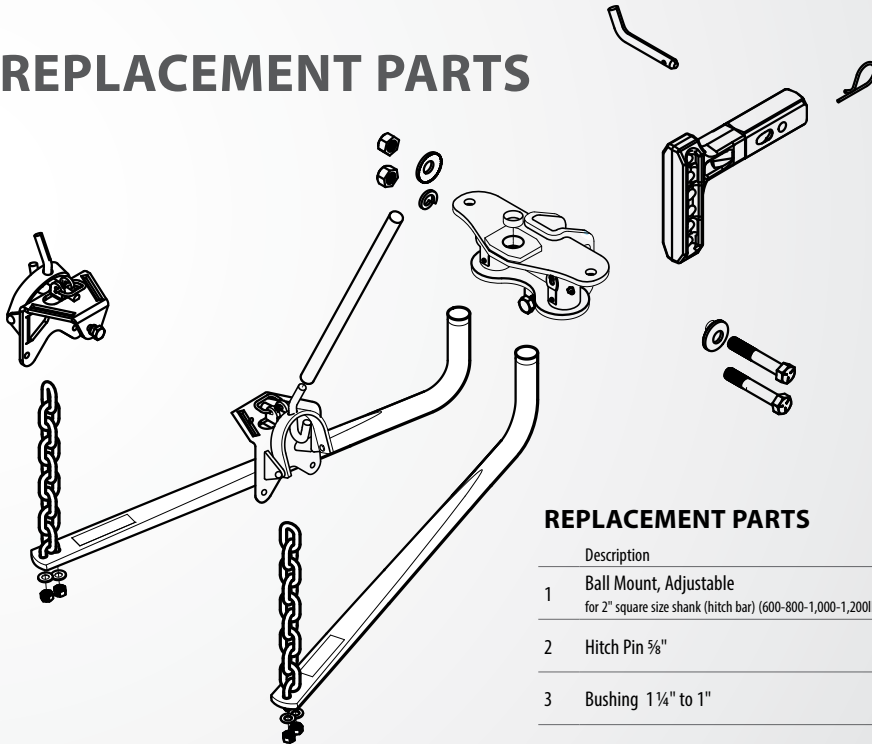
ROUND BAR WEIGHT DISTRIBUTING READY-TO-TOW HITCH KITS

Part #	Description	Maximum Tongue Weight	Maximum Gross Weight Rating
48056	Elite Hitch Kit – 600 lb	800 lb	8,000 lb
48057	Elite Hitch Kit – 800 lb	1,000 lb	10,000 lb
48058	Elite Hitch Kit – 1,000 lb	1,200 lb	12,000 lb
48069	Elite Hitch Kit – 1,200 lb	1,400 lb	14,000 lb

WEIGHT DISTRIBUTING HITCHES W/BOLT-TOGETHER ADJUSTABLE SHANK

Part #	Description	Maximum Tongue Weight	Maximum Gross Weight Rating
48051	with Adjustable Ball Mount & Shank – 600 lb	800 lb	8,000 lb
48052	with Adjustable Ball Mount & Shank – 800 lb	1,000 lb	10,000 lb
48053	with Adjustable Ball Mount & Shank – 1,000 lb	1,200 lb	12,000 lb
48059	with Adjustable Ball Mount & Shank – 1,200 lb	1,400 lb	14,000 lb

REPLACEMENT PARTS



REPLACEMENT PARTS

Description	Part #
1 Ball Mount, Adjustable for 2" square size shank (hitch bar) (600-800-1,000-1,200lb)	48081
2 Hitch Pin 5/8"	48021
3 Bushing 1 1/4" to 1"	48023
4 Spring Bar 600 Rating	48091
4 Spring Bar 800 Rating	48092
4 Spring Bar 1,000 Rating	48093
4 Spring Bar 1,200 Rating	48097
5 Hook-Up Wire Clip for 48029 (2 pk)	48028

Description	Part #
6 Quick Hook-Up	48029
7 Set Screw (for Quick Hook-Up 48029)	48100
8 Lever Bar 18"	48031
9 Bolt Package for Adjustable Ball Mount (600-800-1,000-1,200-1,400)	48101
10 Set Screw for Adjustable Ball Mount (600-800-1,000-1,200)	48103
11 Spring Bar Locking Device Repair Kit Contains two each pins, retainers and screws	48104
11 Spring Bar Locking Device Repair Kit Contains one each pins, retainers and screws	48113
12 Elite Ball Mount Kit for (600-800-1,000-1,200)	48110

Safer, easier towing



Automatic latching coupler attaches to any 2 5/16" gooseneck ball.



Drop-down style coupler allows full range of motion for easy hookup and disconnect.



5TH WHEEL **TO** GOOSENECK ADAPTER



*Works in most cases

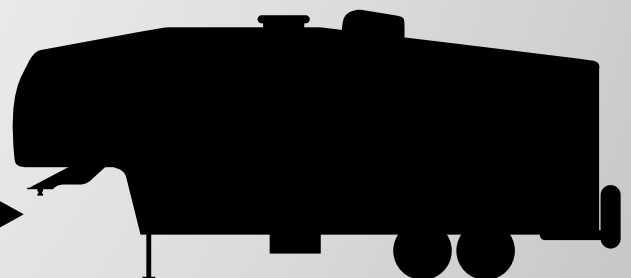
EAZ-LIFT GOOSENECK ADAPTERS

will convert most standard 5th wheel trailers to a gooseneck trailer. This allows you to have the convenience of towing two types of trailers with only one truck. You will also enjoy towing a 5th-wheel trailer without having a large hitch taking up the bed of your truck. Eaz-Lift's Gooseneck adapters feature an automatic latching coupler for a simple hookup and disconnect. They have a 30,000 lb tow rating and are available in 12", 15" and 17" heights for your specific truck and trailer setup. Easy to install and each adapter comes with all of the parts and hardware needed for installation.

- 48490 17" Gooseneck Adapter
- 48500 12" Gooseneck Adapter
- 48501 15" Gooseneck Adapter
- 48572 Bolt Pack for Gooseneck Adapter



**No bulky 5th wheel
hitch in your truck bed**



**Tow a 5th Wheel trailer
with a Gooseneck Hitch!**



5th Wheel Hitch

16K 18K 22K

EAZ-LIFT 5TH WHEEL HITCHES

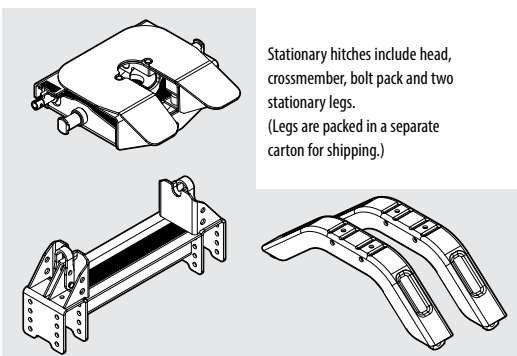
Eaz-Lift quality on a standard base-rail-style bracket system. The Stationary- and Slider- 5th Wheel Hitches' universal design allows them to be mounted to any existing base rails or to Eaz-Lift's heavy-duty rails. Ideal for a truck with a short bed, the 16KS, 18KS and 22KS models utilize the slider system to avoid truck and trailer damage by allowing additional turning clearance.

16K(S) and 18K(S) may be mounted on any existing rails. 22K(S) must be mounted on Eaz Lift 22K rated rails (48630)



5TH WHEEL HITCHES

- 48626 16K 5th Wheel Stationary Hitch
- 48624 18K 5th Wheel Stationary Hitch
- 48628 22K 5th Wheel Stationary Hitch



Stationary hitches include head, crossmember, bolt pack and two stationary legs. (Legs are packed in a separate carton for shipping.)

16K, 18K and 22K Features:

- Mounts to industry standard 4- and 10-bolt bed rails
- Durable, powder-coated finish
- 11 degree side-to-side pivot with urethane cushions
- Secondary handle lock to ensure jaws have been locked closed
- 32 degree, front-to-back pivot
- 16K : 4,000 lb vertical
- Automatic locking jaws
- 18K : 4,500 lb vertical
- Adjustable height from 14 1/2" to 18"
- 22K : 5,500 lb vertical

ADAPTER KITS AND INSTALL KITS FOR USE WITH SLIDER OR STATIONARY HITCHES

4-BOLT 5TH WHEEL ADAPTER KITS

- 48595 Dodge 1500, '09-'14, Bracket/Hardware
- 48594 Dodge 1500, '02-'08, Brackets
- 48593 Ford F-150, '04-'14, Bracket/Hardware
- 48592 Ford F-250/350/450, '04-'14 Brackets/Hdw

5TH WHEEL INSTALL KITS

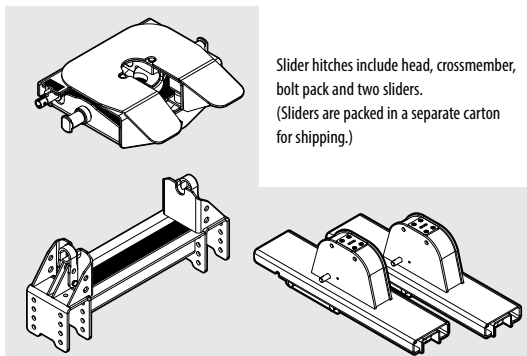
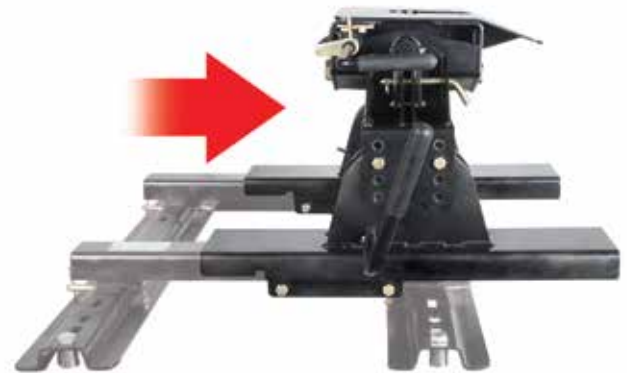
- 48630 Brackets/Hardware/Bed Rails
 - 4- & 10-Bolt Pattern Rails for 16K/18K/22K
- 48631 Bed Rails / Hardware Only
 - 4- & 10-Bolt Pattern Rails for 22K



5th Wheel Slider



16KS 18KS 22KS



Slider hitches include head, crossmember, bolt pack and two sliders. (Sliders are packed in a separate carton for shipping.)

5TH WHEEL HITCH SLIDERS

- 48625 16K 5th Wheel Slider Hitch
- 48623 18K 5th Wheel Slider Hitch
- 48627 22K 5th Wheel Slider Hitch

EAZ-LIFT NO DRILL INSTALL KIT

Install a 5th wheel hitch in the bed of your truck.

- 48596 RAM 2500 2014-2019
- 48597 Ford 150 2015-2019
- 48598 RAM 3500 2013-2018
- 48599 Chevy/GMC 2500/3500 2011-2019
- 48604 Ford F250/F350/F450 2011-2016
- 48605 Ford F250/F350/F450 2017-2019

16KS, 18KS and 22KS Features:

- Mounts to industry standard 4- and 10-bolt bed rails
- 11 degree side-to-side pivot with urethane cushions
- 32 degree, front-to-back pivot
- Automatic locking jaws
- Durable, powder-coated finish
- Secondary handle lock to ensure jaws have been locked closed
- Adjustable height from 17 1/2" to 21"
- Displaces hitch 9 inches toward tailgate for tight maneuvering
- Visible flag on each rail to show the slider has locked in either towing or maneuvering positions
- Secondary lock pin ensures primary locking mechanism is fully secured
- Fully enclosed rollers and locking mechanism to minimize debris build-up
- 16KS : 4,000 lb vertical
- 18KS : 4,500 lb vertical
- 22KS : 5,500 lb vertical

SWAY CONTROLS

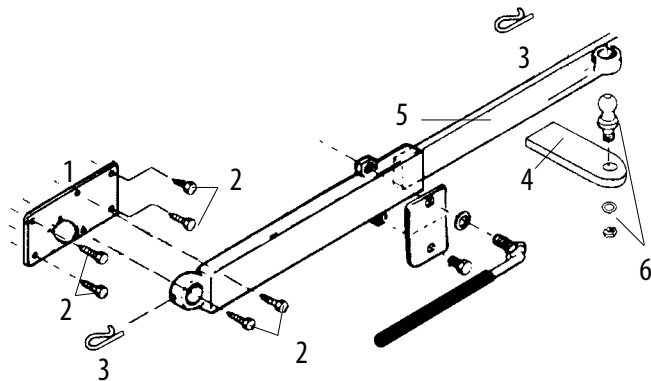
Why Eaz-Lift Sway Controls are BETTER than cam-action type sway controls:

- Eaz-Lift Sway Controls do not create noise problems as does the cam action type
- Eaz-Lift Sway Controls do not reduce road clearance
- Eaz-Lift Sway Controls are easily released when road conditions do not warrant their use...unlike cam action type sway controls that depend upon hitch weight to operate and cannot be released on icy and oily road conditions where straight line action would possibly impair driving control
- Eaz-Lift Sway Controls do not lose sway control ability in turns

EAZ-LIFT SWAY CONTROLS

minimize sway caused by passing trucks and sudden wind gusts, and they do not lose sway control ability in turns. Double friction pads provide constant sway abatement. Eaz-Lift Sway Controls attach with easy socket and spring clip connectors remove for easy storage. NOT FOR USE ON TRAILERS WITH SURGE BRAKES. Trailers over 25 feet long or smaller broad-sided trailers may require two Sway Controls. Use left hand Sway Control part number 48381.

- 48380 Sway Control Right-mounted passenger side
- 48381 Sway Control Left-mounted driver side (includes one 48390 Ball Mount Bar)



SWAY CONTROL PARTS

Replacement parts for Eaz-Lift 48380 and 48381.

1	48388	Trailer Tongue Ball Plate	5	48390	Ball Mount Bar
2	48389	Self Tap Screw 3/8" x 1 (6/pk)	6	48391	Slide Bar 3/8" (48380 & 48381)
3	48114	Self Tap Screw 3/8" x 1	7	48404	Ball, Washer, Nut
4	48028	Hook-Up Wire Clips - 2/pack			

SWAY CONTROL ADAPTER

Bolt-together adapter fits most 2" ball mounts with 1" ball shank hole. Can be used on left or right side. Durable powder coat finish (Except on balls and utility ball mounts).

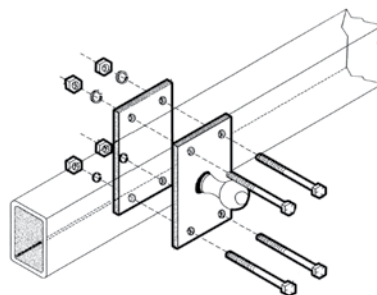
- 48386 Left or Right Ball Mount Adapter - 2"



CLAMP-ON SWAY CONTROL ADAPTER

Bolt-together adapter with no-weld installation prevents damage to wiring enclosed in framework. May be used on right or left side of 2" x 3" "A-frame" trailers. Not for use on trailers with surge brakes.

- 48385 Sway Control Adapter



CHROME-PLATED STEEL HITCH BALL

is made of solid, machined steel. To choose the correct hitch ball for your towing need, check the inside of your coupler and the desired length of the shank on the ball needed. Hitch ball is marked with size and rating; it is important to match coupler size with hitch ball size.



2" ball diameter - 1 1/4" shank diameter
6 5/8" shank length

48759 6,000 lb gross weight limit

2 5/8" ball diameter - 1 1/4" shank diameter - 2 1/2" shank length

48213 10,000 lb gross weight limit

48217 14,000 lb gross weight limit

BUSHING

Variation in hitch ball holes requires bushings to adjust for the variation of hitch ball shanks.

48023 Reduces 1 1/4" to 1"



CHAIN LOOP

Safety chain for use with fabricated receiver and hitches. Large Loops for Class III and IV.

48181 Large



EAZ-LIFT HITCH BALL

The Eaz-Lift Hitch Ball allows for easy installation and can be used with any standard ball mount. Made of resilient chrome-plated 1045 steel, you can ensure that the RV or boat you have in tow is hitched with maximum safety and strength.

48222 2" x 1" x 2 1/8",
5,000 lb Rating

48223 2" x 3/4" x 2 1/8"
3,500 lb Rating

48224 2 5/8" x 1" x 2 1/8"
7,500 lb Rating

48226 2" x 1 1/4" x 2 1/2"
8,000 lb Rating



EAZ-LIFT TOWING KIT

The Eaz-Lift Towing Kit is a ready to use hitch mount designed for 2" hitch receivers. Includes a convenient no-mess storage case for all included parts. The heavy-duty tow kit has a 5,000 lb towing capacity and is designed for use with Class III Trailers.

51952 2" Ball and 5/8" Pin w/Plastic Case



EAZ-LIFT GOOSENECK BALL PLATE

The Eaz-Lift Gooseneck Ball Plate for 5th Wheel Rails mounts to industry standard in-bed 5th wheel rails and allows you to easily tow gooseneck trailers with 5th wheel equipped trucks. It is rated to 30,000 lb Max GTWR (7,500 lb Tongue Weight) and features a 2 5/8" hitch ball that is 2" offset from center plus safety chain attachment slots on both ends of the hitch. Constructed of durable, powder coated steel.

48554 for 5th Wheel Rails



EAZ-LIFT 5TH WHEEL RAIL ADAPTER

48555 for 5th Wheel Rails

5TH WHEEL LUBE PLATES

Cushions vibrations and helps protect your 5th Wheel against friction and wear. Constructed from high-density wear-resistant plastic. No drilling or tools required for installation.

44664 10"

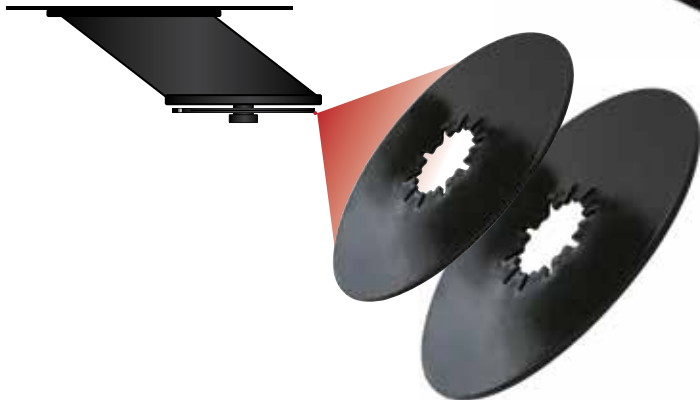
44665 10" - PDQ display packaging

44668 10" - Premium, Red w/ PTFE

44674 12"

44675 12" - PDQ display packaging

44678 12" - Premium, Red w/ PTFE



COMBO BAR

2" x 2" x 1/4" wall with collared tube, used to create under-car receivers for vehicles where standard or frame hitches are not available. Can be bolted or welded to vehicles undercarriage. Sized and punched to fit all common weight distributing hitch ball mounts or utility ball mounts. *Wt. Dist. only with 24" to 48" combo bar when properly installed. Fits 2"x2" receiver.

48170 6" Shank

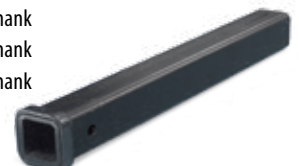
48171 10" Shank

48172 12" Shank

*48173 24" Shank

*48174 36" Shank

*48175 48" Shank



MAGNETIC HITCH ALIGNMENT KIT

Camco's Magnetic Hitch Alignment Kit is designed for one-person hook-up on the first try every time. Easily visible balls take the guesswork out of linking up your hitch. Attach one guide to the tow vehicle and one to the trailer. Guides extend to 50" for easy viewing, and a swivel base allows the guides to be positioned directly above hitch and receiver. This system works with virtually any tow vehicle and any trailer: gooseneck trailers, fifth wheel trailers, horse trailers and boat trailers.

44603 Hitch Alignment Kit



METAL LOCKING WHEEL STOP WITH WRENCH

Prevent tandem-tire shift using just one piece of equipment—Eaz-Lift's Premium Metal Wheel Stop. Zinc-plated for corrosion resistance, has raised ribs on the contact surface for increased traction which helps prevent tire shift/slippage between tandem tires spaced from 3–10" apart. It also includes a comfort-grip ratchet wrench for easy installation and a lock to keep it secure.

44662 10", Canada Item

44663 18", Canada Item



LEVELING SCISSOR JACKS

Fits pop-ups and trailers and allows for either bolt-on or weld-on installation. Powder coated for maximum rust protection. See listing below for load capacities.

48800	20", 5,000 lb, 2pk
48810	24", 5,000 lb, 1pk
48820	24", 5,000 lb, 2pk
48830	24", 7,500 lb, 2pk
48840	30", 5,000 lb, 2pk



RV SCISSOR JACK SOCKET, 3/4" WITH QUICK CONNECT

Significantly reduce the amount of time it takes to raise and lower you RV's scissor jacks with Camco's Quick Connect Scissor Jack Socket. There is no more back strain using time-consuming hand cranks, simply snap the socket into the 1/4" hex chuck of your drill and let the power drill do all the work. You can also use common 1/4" hex extensions for extra reach. It is especially convenient in inclement weather when you just want to get back inside. The Camco Leveling Scissor Jack Socket is forged in one piece from carbon steel, so it is durable and meant to last a lifetime. It is zinc plated to provide protection against corrosion.

48865 Scissor Jack Socket



SLIDE-OUT SUPPORTS

Help protect your RV's slide out mechanism by providing support to your slide out room when it is in use for prolonged periods. The universal fit top will support any slide out rail, and the space saving handle and tethered pin make the support easy to use and store. The Eaz-Lift Slide Out Support adjusts from 19" to 47", with incremental locked positions, plus minute adjustment that extends an additional 14". These durable supports are constructed of rust-resistant steel and support up to 5,000 lb each.

48866 Slide Out Supports, Pair

48867 Slide Out Support, Single



EAZ-LIFT LOCKING HITCH PIN

The Eaz-Lift Trailer Locking Hitch Pin locks your hitch to prevent theft. It is compatible with Class I & II hitches. Made of durable zinc-plated steel, the locking hitch pin features a weather-resistant cap that protects the keyhole from dirt and moisture. Includes 2 keys.

48477 1/2"

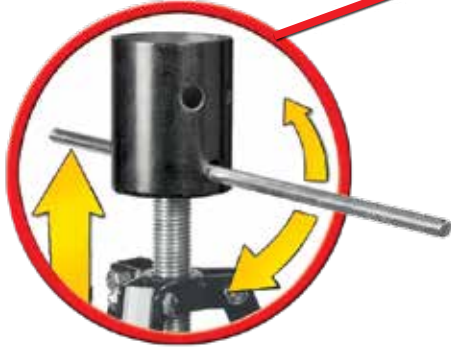
48478 3/8"



KING PIN 5TH WHEEL STABILIZING JACK

Major height adjustments are made by simply moving the adjustable foot pads inward or outward; minor adjustments are made at the screw level with the provided stabilizing adjusting lever. Designed for use with 5th wheel trailers whose coaches have a king pin height of 39" to 50". Fully assembled with steel tube construction and zinc-plated chain. Lockable for added security. Designed to allow use of padlock to secure Stabilizing Jack to trailer. 5,000 lb maximum load capacity.

48855 King Pin Stabilizing Jack



TELESCOPIC STABILIZING JACKS

Zinc-plated inner tube and screw assembly. Adjustable from 16" to 30". Sturdy steel construction, powder coated for maximum rust protection. 6,000 lb load capacity.

48860 Telescopic Jack, 2pk



GOOSENECK STABILIZER JACK

Reduces movement on trailer; works with horse trailers and 5th wheel trailers with gooseneck adapter installed. Heavy duty steel construction; powder coated for maximum rust protection. Features zinc-plated chain and large foot pads. Hooks up to Gooseneck Adapter (sold separately). Adjustable from 30 to 44". Maximum load: 7,500 lb.

48850 Gooseneck Stabilizer Jack



EAZ-LIFT SCISSOR JACK DRILL EXTENSIONS

The Eaz-Lift Scissor Jack Drill Extensions aid in raising and lowering your RV's scissor jacks. It is compatible only with manual scissor jacks and is made of durable, zinc-plated construction.

48861 3/4" Hex Jack Socket Extension
48862 Slotted Jack Drive Extension



EAZ-LIFT LIGHT WEIGHT RV TIRE LEVELER

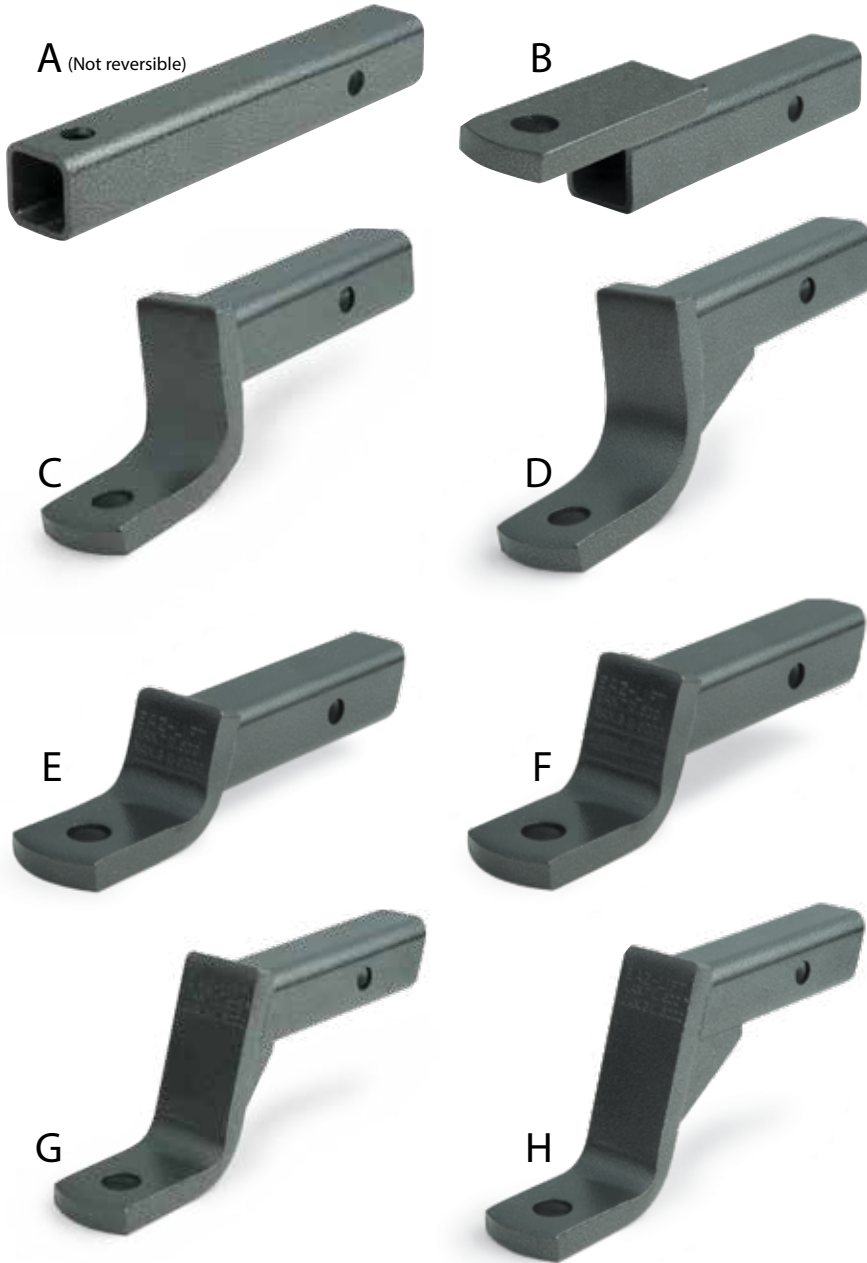
The Eaz-Lift Light Weight RV Tire Leveler allows easy leveling without using blocks or ramps. It raises a trailer axle up to 8-inches when fully extended. The leveler fits most 13", 14" and 15" wheels with up to a 27.1" tire diameter. Made out of durable, powder-coated steel with a corrosion-resistant finish, the leveler features tire pads that are embossed for added traction. Ratchet wrench included. Designed for light, single axle trailers only.

48845 Tire Leveler



BALL MOUNTS

are 2" x 2" and are used to convert a receiver from a weight distributing to a weight carrying hitch. Ball mounts create a ball platform for attaching a hitch ball. The ball mounts or utility hitch bar length are determined by measuring from the center of the pull pin to the center of the hitch ball hole. The drop or rise is determined by measuring from the top of the mount to the top of the tongue. All 2" x 2" ball mount shank holes are 1", except 48282, which has a 3/4" hole.



STRAIGHT & ANGLE, DROP/RISE, REVERSIBLE BALL MOUNTS

Fits 2" x 2" Receiver, Rated MGTWR/MTW 6000/600 All ball mounts are unboxed. Hitch ball not included.

	Part #	Length	Drop	Lift
A*	48282	8 3/4"	-	-
B	48286	9"	2"	3/4"
	48290	13"	2"	3/4"
C	48292	9"	4"	2 3/4"
	48294	11"	4"	2 3/4"
D	48296	13"	4"	2 3/4"
	48298	9"	7"	5 3/4"
E	48300	11"	7"	5 3/4"
	48312	13"	2"	3/4"
F	48314	8"	2"	3/4"
	48326	10 1/2"	2"	3/4"
G	48304	10 1/2"	3 1/4"	2"
	48316	7"	3 1/4"	2"
H	48306	11 1/2"	6"	4 3/4"
	48318	9"	5 1/4"	4"
	48320	10 1/2"	5 1/4"	4"
	48302	10"	8"	6 3/4"

*Rated MGTWR/MTW 3500/350—NOT REVERSIBLE

EAZ-LIFT BALL MOUNT KIT FOR 2" HITCH RECEIVERS

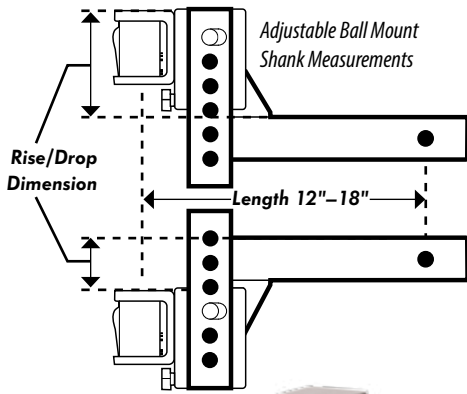
Installs to a 2" hitch receiver to create a 1 7/8" ball mount. Includes 1 7/8" ball with zinc-plated washer and nut, 5/8" hitch pin and clip. 3,500 lb tow rating.

Part #	Length	Drop	Rise
48273	8"	2"	3/4"
48275	9"	4"	2 3/4"

Installs to a 2" hitch receiver to create a 2" ball mount. Includes 2" ball with zinc-plated washer and nut, 5/8" hitch pin and clip. 6,000 lb tow rating.

Part #	Length	Drop	Rise
48274	8"	2"	3/4"
48276	9"	4"	2 3/4"





ADJUSTABLE BALL MOUNT SHANKS

Used in either the up or down position to match the ball mount to any coupler height. Long hi/low shanks provide the extra length sometimes needed to obtain clearance from bumper interference. Fits 2"x 2" Receiver.



A1. HI/LOW SHANK

2 1/2" Drop, 5 1/2" Rise

- 48650 12" Shank - forged
- 48121 14" Shank
- 48122 16" Shank
- 48123 18" Shank



A2. EXTRA HI/LOW SHANK

5 3/4" Drop, 8 3/4" Rise

- 48653 12" Shank - forged
- 48131 14" Shank
- 48133 16" Shank



Extra Low Ball Mount and Shank to be used in low position ONLY

A3. EXTRA LOW SHANK

9 1/2" Drop (BALL MOUNT AND SHANK TO BE USED IN THE LOW POSITION ONLY)

- 48132 12" Shank

SQUARE BUMPER HITCH

Clamps on to your 4" square RV bumper, creating a hitch receiver without drilling or permanent installation. The 2" hitch receiver is ideal for lightweight applications, such as bike and cargo racks. The heavy duty, durable powder-coated steel is corrosion resistant and built to last. RV BUMPER HITCH IS NOT DESIGNED FOR TOWING.

- 48473 Square Bumper Hitch



DUAL HITCH EXTENSION

allows use of hitch-mounted accessories such as bike racks, chair carriers, etc. while towing a trailer. 3,500 lb gross trailer weight capacity and a 350 lb combined tongue weight capacity. Constructed of durable steel with a powder coat finish that resists rust and corrosion, and is weather resistant. Both receivers are 2" receiver openings.

- 48472 Dual Hitch Extension



RECEIVER ADAPTER

easily adapts a 1 1/4" receiver into a 2" receiver. The adapter has a 6" extension and has a 3,500 lb gross trailer weight rating. The durable steel with powder coat finish resists rust and corrosion and is weather resistant.

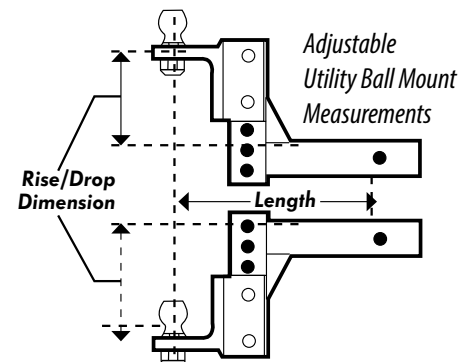
- 48471 Receiver Adapter



ADJUSTABLE UTILITY BALL MOUNT AND SHANK

Ideal for those who have more than one trailer or tow vehicle. Rated for trailer weights up to 5,000 lb and tongue weights up to 500 lb Powder coat baked-on finish. 1" Ball Hole, 8 1/2" Drop, 7 1/4" Rise, Fits 2"x 2" receiver.

- 48270 14" Shank
- 48271 16" Shank



EAZ-LIFT HITCH MOUNTED BIKE RACK

The Eaz-Lift Hitch Mounted Bike Rack easily mounts to any 2" hitch receiver and creates storage space for up to four bikes. The rack pivots back after installation to allow better access to the rear of the vehicle, so you won't have to uninstall the rack to get something out of your trunk. Simply release the pivot by removing a locking pin. The base joint on the pivoting rack tightens to help prevent excessive wobbling, and the arms of the rack fully fold down to reduce the effective vehicle length, which helps with backing up and maneuvering your vehicle. The rack also fully folds in the opposite direction. This combined with the folding arms allows you to fold up for compact storage. The Hitch Mounted Bike Rack features reflectors for added visibility, and it is constructed of durable, powder-coated steel. Maximum weight should not exceed 35 lbs per bike.

51493 Hitch Mount Bike Rack, 4 Bikes



EAZ-LIFT CARGO CARRIER HITCH MOUNT

The Camco Hitch Mounted Cargo Carrier is an easy way to add extra storage space when traveling. The Cargo Carrier is compatible with any 2" hitch receiver and easily attaches and detaches with included hitch pin. The heavy duty steel basket has a 500 lb. weight capacity and a powder coated finish. Measures 51 1/2" x 17 1/2" x 3 1/4".

48475 Cargo Carrier



EAZ-LIFT BUMPER MOUNT SPARE TIRE CARRIER

Camco's Eaz-Lift Bumper Mount Spare Tire Carrier easily mounts to your RV bumper to create an exterior spare tire location. It fits 4" RV bumpers that are hinged, so it doesn't limit access to your storage areas. Compatible with the following wheels: 4 lug x 4", 5 lug x 4 1/2" and 5 lug x 4 3/4".

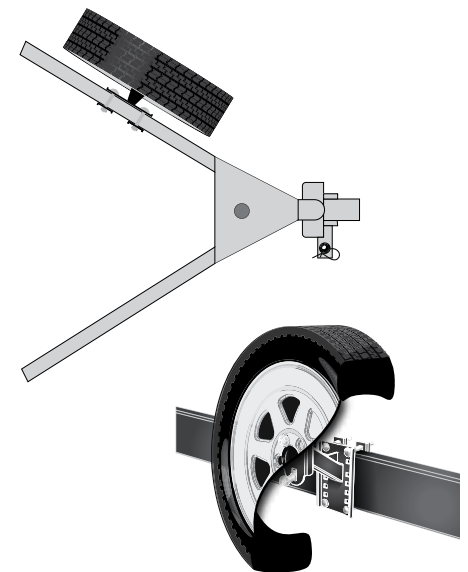
48476 Bumper Mount Spare Tire Carrier



EAZ-LIFT SPARE TIRE MOUNT, BLACK

The Camco Eaz-Lift Spare Tire Mount is an easy way to create an exterior spare tire location on your trailer. The durable, powder-coated steel mount easily attaches to your trailer with included zinc-plated hardware without the need for drilling. Spare Tire Mount fits trailer tongues up to 6 inches tall and is compatible with 4 lug x 4" diameter hole pattern, 5 lug x 4 1/2" diameter hole pattern, and 5 lug x 4 3/4" diameter hole pattern.

48474 Spare Tire Mount



DISPLAYS

EAZ-LIFT 5TH WHEEL DISPLAY STAND

Includes display rails (hitches not included)



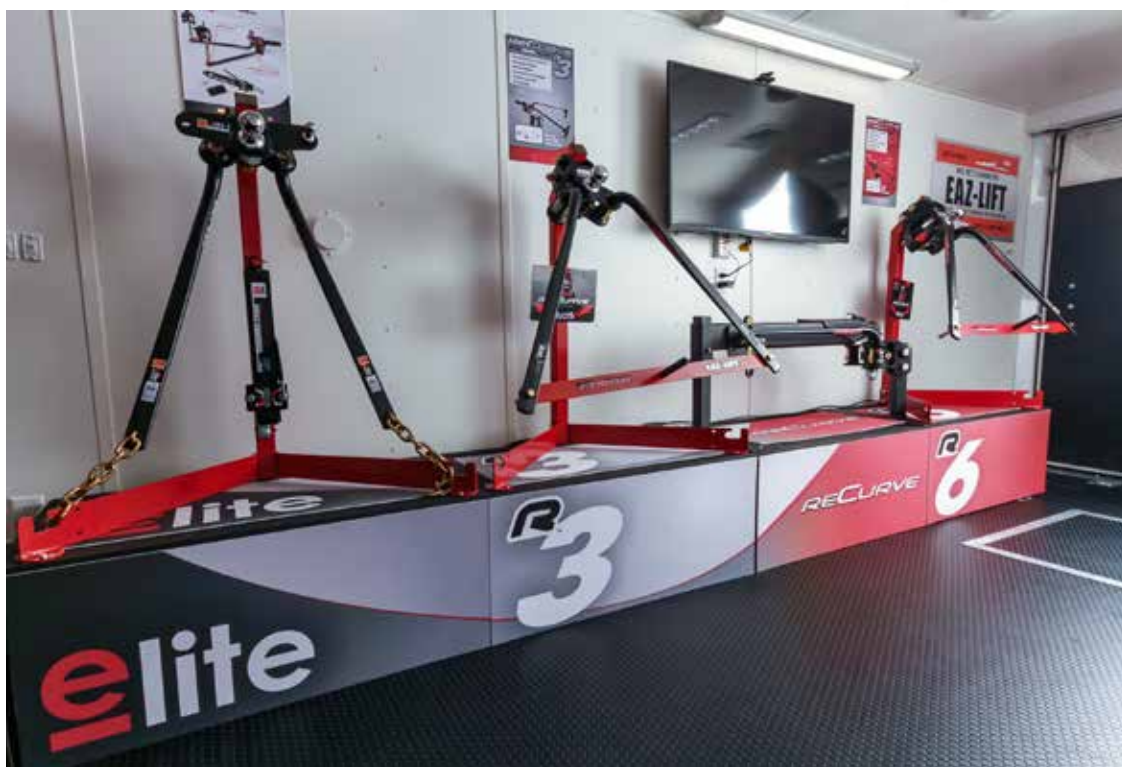
61036

EAZ-LIFT GOOSENECK ADAPTER COUNTER DISPLAY

(adapter not included)



61520



EAZ-LIFT WDH DISPLAY RACK STAND

(hitches not included)

61052

Safer Towing with **MORE CONTROL**

Weight Distribution Just Got Better

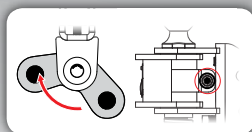
- Sway control
- No need to grease bars
- Easier hook-up
- Quiet operation



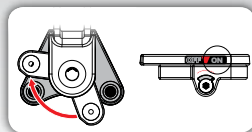
RECURVE
ADAPTIVE SWAY TECHNOLOGY **WDH**

Thumbscrew makes it easier to set proper head angle of hitch.

One bolt adjustable sway control.



Simple on/off sway control.



Top-loading spring bars. Simply drop in.



CAMCO

[View other trailer hitches and towing made by Camco on our website.](#)