



Catalog No. DT16

Weatherly No. 90

Supersedes Catalog No. DT14

CARDONE

**CONSTANT
VELOCITY
DRIVE AXLES**

**INTERMEDIATE
SHAFTS**

PROP SHAFTS

New & Reman/Domestic & Import

Passenger Cars, Trucks & SUVs



SEVERE-DUTY

CV DRIVE AXLES

A design improvement for maximum performance under extreme driving conditions!

Applications: Dodge, Ford, GM, Mazda, Nissan, Subaru and Toyota cars and trucks.

Problem: Under off-road conditions, conventional Neoprene outboard boots are prone to tears and cracks.

CARDONE Solution: CARDONE offers a severe-duty option using thermoplastic boots, which have higher spin stability, withstand higher temperatures, and are more resistant to impact tears and cracking than the standard Neoprene boots. A heavier gauge stainless steel clamp secures the boot to the CV. The result is longer performance life, even under extreme conditions.

Recently expanded
Severe-Duty CV
offering covers
73,865,129
vehicles in
operation!



60-1009HD

1988-2007 Chevy/GMC/Cadillac Trucks
VIO: 17,000,000



66-1430HD

2007-12 Chevy/GMC/Cadillac Trucks
VIO: 4,700,000



66-3316HD

2002-2005 Dodge Ram 1500 Trucks
VIO: 1,900,000

REMANUFACTURED & NEW CONSTANT VELOCITY DRIVE AXLES, REMANUFACTURED 4X4 DRIVESHAFTS / PROP SHAFTS AND NEW INTERMEDIATE SHAFTS

TABLE OF CONTENTS

ABBREVIATIONS	1
APPLICATIONS	
• Constant Velocity Drive Axles	2-141
• Intermediate Shafts	142
• 4 x 4 Driveshafts / Prop Shafts	143-155
IDENTIFICATION GUIDE	
GM BRAKE SYSTEM ID GUIDE	161
GM ENGINE ID GUIDE	156-159
GM OPTION LABEL GUIDE	160
ILLUSTRATIONS	
• Constant Velocity Drive Axles	162-163
• Intermediate Shafts	162
• Types of Drive Shafts.....	211-213
SPECIFICATIONS GUIDE	
• Constant Velocity Drive Axles	163-210
• Intermediate Shafts	216
• 4 x 4 Driveshafts / Prop Shafts	214-215

The prefix identifies the product category of each part.

PREFIX	PRODUCT CATEGORY
60-	Reman CV Axles
65-	Reman Prop Shafts
66-	New CV Axles & Intermediate Shafts

ABBREVIATIONS

ABS.....Anti-Lock Brake System	Exc.....Except	Spd.....Speed
A.C.....Air Conditioning	FWD.....Front Wheel Drive	SRW.....Single Rear Wheels
A.T.....Automatic Transmission	GVW.....Gross Vehicle Weight	Supercharger ..Surpercharged Engine
AWD.....All Wheel Drive	H.O.....High Output	T.I.R.....Total Indicated Radius
Carb.....Carburetor	I.B.....Inboard	Turbo.....Turbo Charged Engine
Cont'd.....Continued	L.....Liter	VIN.....Vehicle Identification Number
CV.....Constant Velocity	lb.....Pound	w/.....With
Cyl.....Cylinder	lbs.....Pound	w/o.....Without
DOHC.....Dual Overhead Cam	mm.....Millimeter	2WD.....Two Wheel Drive
DRW.....Dual Rear Wheels	M.T.....Manual Transmission	4WD.....Four Wheel Drive
Eng.....Engine	SOHC.....Single Overhead Cam	

NEW & REMANUFACTURED CONSTANT VELOCITY DRIVE AXLES

CV DRIVE AXLES

YEAR	APPLICATION	REMAN		NEW	
		LEFT	RIGHT	LEFT	RIGHT
		Driver Side	Pass. Side	Driver Side	Pass. Side
ACURA					
CL					
2003-01	Front	60-4166	60-4167	66-4166	66-4167
2000	None Produced				
1999-97	Front 4 Cyl. Eng. w/A.T.	60-4090	60-4092	66-4090	66-4092
	Front 4 Cyl. Eng. w/M.T.	60-4088	60-4092	66-4088	66-4092
	Front 6 Cyl. Eng.	60-4137	60-4138	66-4137	66-4138
INTEGRA					
2001-00	Front GS, LS Series	60-4121	60-4063	66-4121	66-4063
	Front GS-R, Type R	60-4168	60-4169	66-4121	66-4063
1999	Front (Exc. GS-R, Type R) w/o ABS	60-4084	60-4032	66-4121	66-4063
	Front (Exc. GS-R, Type R) w/ABS	60-4121	60-4063	66-4121	66-4063
	Front GS-R	60-4168	60-4169	66-4121	66-4063
1998	Front (Exc. GS-R, Type R) w/o ABS	60-4084	60-4032	66-4121	66-4063
	Front (Exc. GS-R, Type R) w/ABS	60-4121	60-4063	66-4121	66-4063
	Front GS-R, Type R	60-4168	60-4169	66-4121	66-4063
1997	Front (Exc. GS-R, Type R) w/o ABS	60-4084	60-4032	66-4121	66-4063
	Front (Exc. GS-R, Type R) w/ABS	60-4121	60-4063	66-4121	66-4063
	Front GS-R, Type R	60-4168	60-4169	66-4121	66-4063
1996	Front (Exc. GS-R) w/o ABS	60-4084	60-4032	66-4121	66-4063
	Front (Exc. GS-R) w/ABS	60-4121	60-4063	66-4121	66-4063
	Front GS-R	60-4168	60-4169	66-4121	66-4063
1995-94	Front (Exc. GS-R) w/o ABS	60-4084	60-4032	66-4121	66-4063
	Front (Exc. GS-R) w/ABS	60-4121	60-4063	66-4121	66-4063
	Front GS-R	60-4121	60-4063	66-4121	66-4063
1993-90	Front w/o ABS	60-4034	60-4032	66-4062	66-4063
	Front w/ABS	60-4062	60-4063	66-4062	66-4063
1989-86	Front	60-4025	60-4024	—	—
LEGEND					
1995-91	Front	60-4015	60-4072	66-4015	66-4072
1990-89	Front w/o ABS	60-4036	60-4008	—	—
	Front w/ABS	60-4014	60-4012	—	—
1988	Front w/o ABS	60-4036	60-4036	—	—
	Front w/ABS	60-4014	60-4014	—	—
1987-86	Front	60-4036	60-4036	—	—
RL					
2012-09	Rear	60-4277	60-4276	—	—
2008-05	Front	60-4148	60-4149	66-4148	66-4149
	Rear	60-4277	60-4276	—	—
2004-96	Front	60-4148	60-4149	66-4148	66-4149
RSX					
2006-02	Front Exc. Type-S	60-4209	60-4210	66-4209	66-4210
	Front Type-S	60-4211	60-4212	—	—
TL					
2014-13	Rear AWD 3.7L Eng.	60-4278	60-4278	—	—
2012-10	Front FWD or AWD w/A.T.	60-4264	60-4266	66-4264	66-4266
	Rear AWD 3.7L Eng.	60-4278	60-4278	—	—
2009	Front w/A.T.	60-4264	60-4266	66-4264	66-4266
	Rear 3.7L Eng.	60-4278	60-4278	—	—
2008-07	Front 3.2L Eng.	60-4263	60-4223	66-4263	66-4223
	Front 3.5L Eng. w/A.T.	60-4263	60-4223	66-4263	66-4223
	Front 3.5L Eng. w/M.T.	60-4221	60-4223	66-4221	66-4223
2006-04	Front 3.2L Eng. w/A.T.	60-4221	60-4222	66-4221	66-4207
	Front 3.2L Eng. w/M.T.	60-4221	60-4223	66-4221	66-4223
2003-99	Front	60-4166	60-4167	66-4166	66-4167
1998-96	Front 2.5L Eng.	60-4146	60-4147	66-4146	66-4147
	Front 3.2L Eng.	60-4148	60-4149	66-4148	66-4149
1995	Front	60-4146	60-4147	66-4146	66-4147
TSX					
2013	Front 2.4L Eng. w/A.T.	60-4250	60-4251	66-4250	66-4251
2012-09	Front 2.4L Eng.	60-4250	60-4251	66-4250	66-4251
2008-04	Front	60-4242	60-4243	66-4242	66-4243

NEW & REMANUFACTURED CONSTANT VELOCITY DRIVE AXLES

YEAR	APPLICATION	REMAN		NEW	
		LEFT	RIGHT	LEFT	RIGHT
		Driver Side	Pass. Side	Driver Side	Pass. Side
ACURA (Cont'd)					
VIGOR					
1994-92	Front.....	60-4107	60-4096	66-4107	66-4096
ACURA TRUCKS					
MDX					
2013-10	Front.....	60-4301	60-4302	66-4301	66-4302
	Rear.....	60-4285	60-4286	—	—
2009-07	Front.....	60-4261	60-4262	66-4261	66-4262
	Rear.....	60-4285	60-4286	—	—
2006-03	Front.....	60-4198	60-4199	66-4198	66-4199
	Rear.....	60-4283	60-4284	—	—
2002-01	Front.....	60-4202	60-4203	66-4202	66-4203
	Rear.....	60-4204	60-4205	—	—
SLX					
1999-96	Front (Supplied w/o Inboard Housing) ②.....	60-1349S	60-1349S	66-1349S	66-1349S
	Front (Supplied w/Inboard Housing).....	60-1310	60-1310	—	—
RDX					
2012-07	Front.....	60-4270	60-4271	66-4270	66-4271
	Rear.....	60-4287	60-4288	—	—
ZDX					
2013-10	Front.....	60-4301	60-4302	66-4301	66-4302
AMERICAN MOTORS					
EAGLE					
1988-80	Front.....	60-3027	60-3027	—	—
SPIRIT					
1983-80	Front.....	60-3027	60-3027	—	—
AUDI					
A3					
2013-11	Front 2.0L Eng. Gas.....	60-7346	60-7347	66-7346	66-7347
2010-06	Front 2.0L Eng.....	60-7346	60-7347	66-7346	66-7347
2003-00	Front 1.8L Eng.....	60-7252	60-7253	66-7252	66-7253
A3 QUATTRO					
2013	Front.....	60-7346	—	66-7346	—
	Rear To 6/04/2012.....	60-7505	60-7506	—	—
2012-11	Front 2.0L Eng.....	60-7346	—	66-7346	—
	Rear 2.0L Eng.....	60-7505	60-7506	—	—
2010	Front 2.0L Eng.....	60-7346	60-7347	66-7346	66-7347
	Rear 2.0L Eng.....	60-7505	60-7506	—	—
2009	Front.....	60-7346	—	66-7346	—
	Rear.....	60-7505	60-7506	—	—
2008-07	Front From Chassis # 8F-7-084-000.....	60-7346	—	66-7346	—
	Rear.....	60-7505	60-7506	—	—
2006	Rear.....	60-7505	60-7506	—	—
A4					
2009	Front 2.0L Eng., Cabriolet, w/CVT.....	60-7350	60-7350	66-7350	66-7350
2008-07	Front 2.0L Eng. w/CVT.....	60-7350	60-7350	66-7350	66-7350
	Front 3.2L Eng.....	60-7350	60-7350	66-7350	66-7350
2006	Front 1.8L Eng. w/CVT.....	60-7350	60-7350	66-7350	66-7350
	Front 2.0L Eng. w/CVT.....	60-7350	60-7350	66-7350	66-7350
	Front 3.2L Eng.....	60-7350	60-7350	66-7350	66-7350
2005	Front 1.8L Eng. w/CVT.....	60-7350	60-7350	66-7350	66-7350
	Front 2.0L Eng. w/CVT.....	60-7350	60-7350	66-7350	66-7350
	Front 3.0L Eng.....	60-7350	60-7350	66-7350	66-7350
2004-02	Front 1.8L Eng. w/A.T.....	60-7350	60-7350	66-7350	66-7350
	Front 3.0L Eng. w/A.T.....	60-7350	60-7350	66-7350	66-7350
	Front 3.0L Eng. w/M.T.....	60-7356	60-7357	—	—
2001	Front 1.8L Eng. w/A.T.....	60-7240	60-7241	66-7240	66-7241
	Front 2.8L Eng. w/A.T.....	60-7240	60-7241	66-7240	66-7241
	Front 2.8L Eng. w/M.T.....	60-7257	60-7258	66-7257	66-7258

CV DRIVE AXLES

② Drive Axle is supplied without the Inboard Housing as a "Time Saver Solution" for the Installer.

NEW & REMANUFACTURED CONSTANT VELOCITY DRIVE AXLES

CV DRIVE AXLES

YEAR	APPLICATION	REMAN		NEW	
		LEFT	RIGHT	LEFT	RIGHT
		Driver Side	Pass. Side	Driver Side	Pass. Side
AUDI (Cont'd)					
A4 (Cont'd)					
2000-97	Front 1.8L Eng. w/A.T.....	60-7184	60-7199	66-7184	66-7199
	Front 1.8L Eng. w/M.T.....	60-7205	60-7206	66-7205	66-7206
	Front 2.8L Eng. w/A.T.....	60-7240	60-7241	66-7240	66-7241
	Front 2.8L Eng. w/M.T.....	60-7257	60-7258	66-7257	66-7258
1996	Front w/A.T.....	60-7240	60-7241	66-7240	66-7241
	Front w/M.T.....	60-7257	60-7258	66-7257	66-7258
A4 QUATTRO					
2012	Rear 2.0L Eng.....	60-7414	60-7414	—	—
2011-10	Front 2.0L Eng.....	60-7386	60-7386	66-7386	66-7386
	Rear 2.0L Eng.....	60-7412	60-7412	—	—
2009	Front 2.0L Eng. Cabriolet.....	60-7383	60-7384	66-7383	66-7384
	Front 2.0L Eng. Sedan or Wagon.....	60-7386	60-7386	66-7386	66-7386
	Front 3.2L Eng. Cabriolet.....	60-7311	60-7351	—	66-7351
	Front 3.2L Eng. Sedan or Wagon.....	60-7386	60-7386	66-7386	66-7386
	Rear Cabriolet.....	60-7380	60-7380	—	—
2008-07	Rear Sedan or Wagon.....	60-7412	60-7412	—	—
	Front 2.0L Eng. w/A.T.....	60-7383	60-7384	66-7383	66-7384
	Front 2.0L Eng. w/M.T.....	60-7301	60-7302	—	—
	Front 3.2L Eng.....	60-7311	60-7351	—	66-7351
	Rear 2.0L Eng.....	60-7380	60-7380	—	—
2006	Rear 3.2L Eng.....	60-7380	60-7380	—	—
	Front 2.0L Eng. w/A.T.....	60-7383	60-7384	66-7383	66-7384
	Front 2.0L Eng. w/M.T.....	60-7301	60-7302	—	—
	Front 3.0L Eng.....	60-7350	60-7351	66-7350	66-7351
	Rear 2.0L Eng.....	60-7380	60-7380	—	—
2005	Rear 3.0L Eng.....	60-7380	60-7380	—	—
	Front 1.8L Eng. w/A.T.....	60-7350	60-7351	66-7350	66-7351
	Front 1.8L Eng. w/M.T. To Chassis # 8E-5-035 000.....	60-7301	60-7302	—	—
	Front 2.0L Eng. w/A.T.....	60-7383	60-7384	66-7383	66-7384
	Front 2.0L Eng. w/M.T.....	60-7301	60-7302	—	—
2004	Front 3.0L Eng.....	60-7350	60-7351	66-7350	66-7351
	Rear 1.8L Eng.....	60-7380	60-7380	—	—
	Rear 3.0L Eng.....	60-7380	60-7380	—	—
	Front 1.8L Eng. w/A.T.....	60-7350	60-7351	66-7350	66-7351
	Front 1.8L Eng. w/M.T.....	60-7301	60-7302	—	—
	Front 3.0L Eng. w/A.T.....	60-7350	60-7351	66-7350	66-7351
	Front 3.0L Eng. w/M.T.....	60-7356	60-7357	—	—
	Rear 1.8L Eng.....	60-7380	60-7380	—	—
	Rear 3.0L Eng.....	60-7380	60-7380	—	—
	Front 1.8L Eng. w/A.T.....	60-7350	60-7351	66-7350	66-7351
2003	Front 1.8L Eng. w/M.T. (Exc. Code FTZ).....	60-7301	60-7302	—	—
	Front 3.0L Eng. w/A.T.....	60-7350	60-7351	66-7350	66-7351
	Front 3.0L Eng. w/M.T.....	60-7356	60-7357	—	—
	Rear 1.8L Eng. From Chassis #8E-3-134 001.....	60-7380	60-7380	—	—
	Rear 1.8L Eng. To Chassis #8E-3-134 000.....	60-7412	60-7412	—	—
	Rear 3.0L Eng.....	60-7380	60-7380	—	—
	Front 1.8L Eng. w/A.T.....	60-7350	60-7351	66-7350	66-7351
	Front 1.8L Eng. w/M.T. (Exc. Code FTZ).....	60-7301	60-7302	—	—
	Front 3.0L Eng. w/A.T.....	60-7350	60-7351	66-7350	66-7351
	Front 3.0L Eng. w/M.T.....	60-7356	60-7357	—	—
2001	Rear.....	60-7412	60-7412	—	—
	Front 1.8L Eng. w/A.T.....	60-7052	60-7053	66-7052	66-7053
	Front 1.8L Eng. w/M.T.....	60-7242	60-7243	—	—
	Front 2.8L Eng. w/A.T.....	60-7052	60-7053	66-7052	66-7053
	Front 2.8L Eng. w/M.T.....	60-7242	60-7243	—	—
2000-99	Rear.....	60-7070	60-7070	—	—
	Front 1.8L Eng. w/A.T.....	60-7184	60-7199	66-7184	66-7199
	Front 1.8L Eng. w/M.T.....	60-7328	60-7329	66-7328	66-7329
	Front 2.8L Eng. w/A.T.....	60-7052	60-7053	66-7052	66-7053
	Front 2.8L Eng. w/M.T.....	60-7242	60-7243	—	—
1998-97	Rear.....	60-7070	60-7070	—	—
	Front 1.8L Eng. w/A.T.....	60-7184	—	66-7184	—
	Front 1.8L Eng. w/M.T.....	60-7328	60-7329	66-7328	66-7329
	Front 2.8L Eng. w/A.T.....	60-7052	60-7053	66-7052	66-7053
	Front 2.8L Eng. w/M.T.....	60-7242	60-7243	—	—
Rear.....	60-7070	60-7070	—	—	

NEW & REMANUFACTURED CONSTANT VELOCITY DRIVE AXLES

YEAR	APPLICATION	REMAN		NEW	
		LEFT	RIGHT	LEFT	RIGHT
		Driver Side	Pass. Side	Driver Side	Pass. Side
AUDI (Cont'd)					
A4 QUATTRO (Cont'd)					
1996	Front 2.8L Eng. w/A.T.....	60-7052	60-7053	66-7052	66-7053
	Front 2.8L Eng. w/M.T.....	60-7242	60-7243	—	—
	Rear.....	60-7070	60-7070	—	—
A5 QUATTRO					
2012-09	Front.....	60-7386	60-7386	66-7386	66-7386
	Rear.....	60-7414	60-7414	—	—
2008	Front.....	60-7386	60-7386	66-7386	66-7386
	Rear From Chassis #8T-8-011-011.....	60-7414	60-7414	—	—
A6					
2001-99	Front.....	60-7260	60-7261	66-7260	66-7261
1998	Front From Chassis #4B-W-000001.....	60-7260	60-7261	66-7260	66-7261
	Front To Chassis #4A-W-005000.....	60-7244	60-7245	—	—
1997-96	Front.....	60-7244	60-7245	—	—
1995	Front w/A.T.....	60-7244	60-7245	—	—
	Front w/M.T.....	60-7122	60-7123	—	—
A6 QUATTRO					
2015-13	Rear w/o Sport Differential.....	60-7483	60-7483	—	—
	Rear w/Sport Differential.....	60-7466	60-7467	—	—
2012	Rear.....	60-7483	60-7483	—	—
2011	Front.....	60-7387	60-7388	—	—
	Rear 3.0L Eng.....	60-7462	60-7462	—	—
2010-05	Front.....	60-7387	60-7388	—	—
	Rear.....	60-7462	60-7462	—	—
2004-02	Front 2.7L Eng. w/A.T.....	60-7073	60-7074	66-7073	66-7261
	Front 3.0L Eng.....	60-7260	60-7261	66-7260	66-7261
	Front 4.2L Eng.....	60-7348	—	66-7348	—
	Rear 2.7L Eng.....	60-7461	60-7461	—	—
	Rear 3.0L Eng.....	60-7461	60-7461	—	—
	Rear 4.2L Eng.....	60-7474	60-7474	—	—
2001	Front 2.7L Eng. w/A.T.....	60-7073	60-7074	66-7073	66-7261
	Front 2.8L Eng. w/A.T.....	60-7260	60-7261	66-7260	66-7261
	Front 2.8L Eng. w/M.T.....	60-7258	60-7263	66-7258	—
	Front 4.2L Eng.....	60-7348	—	66-7348	—
	Rear 2.7L Eng.....	60-7461	60-7461	—	—
	Rear 2.8L Eng. From Chassis #4B-1-12000.....	60-7474	60-7474	—	—
	Rear 2.8L Eng. To Chassis #4B-1-12000.....	60-7417	60-7417	—	—
	Rear 4.2L Eng.....	60-7461	60-7461	—	—
2000	Front 2.7L Eng. w/A.T.....	60-7073	60-7074	66-7073	66-7261
	Front 2.8L Eng. w/A.T.....	60-7260	60-7261	66-7260	66-7261
	Front 4.2L Eng.....	60-7348	—	66-7348	—
	Rear 2.7L Eng w/o 16" Wheels.....	60-7461	60-7461	—	—
	Rear 2.7L Eng w/ 16" Wheels.....	60-7415	60-7415	—	—
	Rear 2.8L Eng.....	60-7417	60-7417	—	—
1999	Front.....	60-7260	60-7261	66-7260	66-7261
	Rear.....	60-7415	60-7415	—	—
1998	Front From Chassis #4B-W-000001.....	60-7260	60-7261	66-7260	66-7261
	Front To Chassis #4A-W-005000 w/A.T.....	60-7244	60-7245	—	—
	Front To Chassis #4A-W-005000 w/M.T.....	60-7364	—	—	—
	Rear.....	60-7119	60-7119	—	—
1997-95	Front w/A.T.....	60-7244	60-7245	—	—
	Front w/M.T.....	60-7364	—	—	—
	Rear.....	60-7119	60-7119	—	—
A7 QUATTRO					
2015-12	Rear (Exc. Sport Differential).....	60-7483	60-7483	—	—
	Rear Sport Differential.....	60-7466	60-7467	—	—
A8					
1999-97	Front.....	60-7073	60-7075	66-7073	66-7260
A8 QUATTRO					
2014-11	Rear (Exc. Sport Differential).....	60-7483	60-7483	—	—
	Rear Sport Differential.....	60-7466	60-7467	—	—
2010	Rear.....	60-7464	60-7464	—	—
2009-05	Rear 4.2L Eng.....	60-7464	60-7464	—	—

CV DRIVE AXLES

NEW & REMANUFACTURED CONSTANT VELOCITY DRIVE AXLES

CV DRIVE AXLES

YEAR	APPLICATION	REMAN		NEW	
		LEFT	RIGHT	LEFT	RIGHT
		Driver Side	Pass. Side	Driver Side	Pass. Side
AUDI (Cont'd)					
A8 QUATTRO (Cont'd)					
2004	Rear	60-7464	60-7464	—	—
2003-02	Rear	60-7463	60-7463	—	—
2001-00	Front	60-7073	60-7074	66-7073	66-7261
	Rear	60-7463	60-7463	—	—
1999-97	Front	60-7073	60-7075	66-7073	66-7260
	Rear	60-7277	60-7277	—	—
ALLROAD QUATTRO					
2005-01	Front w/A.T.	60-7348	60-7349	66-7348	—
	Rear	60-7468	60-7468	—	—
CABRIOLET					
1998-94	Front	—	60-7224	—	—
COUPE QUATTRO					
1991	Front	60-7286	60-7287	—	—
1990	Front	60-7286	60-7287	—	—
COUPE, COUPE GT					
1987	Front 2.2L Eng. w/A.T. To Chassis #85H026076	60-7022	60-7027	—	—
	Front 2.2L Eng. w/M.T. To Chassis #85H026076	60-7108	60-7065	—	—
	Front 2.3L Eng. (Eng. Code NG) w/A.T.	60-7022	60-7027	—	—
	Front 2.3L Eng. (Eng. Code NG) w/M.T.	60-7108	60-7065	—	—
1986-84	Front 2.2L Eng. w/A.T.	60-7022	60-7027	—	—
	Front 2.2L Eng. w/M.T.	60-7108	60-7065	—	—
1983	Front w/A.T. From Chassis #85D079181	60-7022	60-7027	—	—
	Front w/A.T. To Chassis #85D079180	60-7187	—	—	—
	Front w/M.T. From Chassis #85D079181	60-7108	60-7065	—	—
	Front w/M.T. To Chassis #85D079180	60-7162	60-7016	—	—
1982-81	Front w/A.T.	60-7187	—	—	—
	Front w/M.T.	60-7162	60-7016	—	—
FOX					
1979-75	Front w/A.T.	60-7033	60-7032	—	—
	Front w/M.T.	60-7011	60-7011	—	—
QUATTRO					
1985-83	Front	60-7190	—	—	—
	Rear	—	60-7190	—	—
RS4					
2008-07	Rear	60-7477	60-7477	—	—
RS6					
2004-03	Front	60-7348	—	66-7348	—
	Rear	60-7474	60-7474	—	—
RS7					
2014	Rear (Exc. Sport Differential)	60-7483	60-7483	—	—
	Rear w/Sport Differential	60-7466	60-7467	—	—
S4					
2012-11	Rear (Exc. Sport Differential)	60-7414	60-7414	—	—
	Rear Sport Differential	60-7480	60-7481	—	—
2010	Rear	60-7480	60-7481	—	—
2009-06	Front w/A.T.	60-7311	60-7351	—	66-7351
	Rear w/A.T.	60-7380	60-7380	—	—
	Rear w/M.T.	60-7477	60-7477	—	—
2005-04	Front w/A.T.	60-7311	60-7351	—	66-7351
	Rear 4.2L Eng.	60-7380	60-7380	—	—
2003	None Produced				
2002-00	Front w/A.T.	60-7240	60-7241	66-7240	66-7241
	Rear w/A.T.	60-7070	60-7070	—	—
1999-95	None Produced				
1994-92	Front	60-7364	—	—	—
	Rear	60-7119	60-7119	—	—

NEW & REMANUFACTURED CONSTANT VELOCITY DRIVE AXLES

YEAR	APPLICATION	REMAN		NEW	
		LEFT	RIGHT	LEFT	RIGHT
AUDI (Cont'd)		Driver Side	Pass. Side	Driver Side	Pass. Side
S5					
2012-11	Rear (Exc. Sport Differential)	60-7478	60-7478	—	—
	Rear Sport Differential	60-7480	60-7481	—	—
2010	Rear 3.0L Eng.	60-7480	60-7481	—	—
	Rear 4.2L Eng.	60-7478	60-7478	—	—
2009	Rear	60-7478	60-7478	—	—
2008	Rear From Chassis # 8T-8-011-011.....	60-7478	60-7478	—	—
S6					
2014	Rear (Exc. Sport Differential)	60-7483	60-7483	—	—
	Rear w/Sport Differential.....	60-7466	60-7467	—	—
2013	Rear	60-7466	60-7467	—	—
2003-02	Front w/A.T.	60-7348	—	66-7348	—
	Rear	60-7474	60-7474	—	—
1996-95	Front.....	60-7364	—	—	—
	Rear	60-7119	60-7119	—	—
S7					
2014	Rear (Exc. Sport Differential)	60-7483	60-7483	—	—
	Rear w/Sport Differential.....	60-7466	60-7467	—	—
2013	Rear	60-7466	60-7467	—	—
S8					
2014	Rear (Exc. Sport Differential)	60-7483	60-7483	—	—
	Rear w/Sport Differential.....	60-7466	60-7467	—	—
2013	Rear	60-7466	60-7467	—	—
2003-02	Rear	60-7463	60-7463	—	—
2001	Front.....	60-7073	60-7074	66-7073	66-7261
	Rear	60-7463	60-7463	—	—
TT					
2002	Front Exc. 18" Wheels	60-7250	60-7253	66-7250	66-7253
2001-00	Front.....	60-7250	60-7253	66-7250	66-7253
TT QUATTRO					
2013-12	Rear 2.5L Eng.	60-7505	60-7506	—	—
2006-04	Rear	60-7502	60-7487	—	—
2003-02	Rear	60-7502	60-7487	—	—
2001	Front From Chassis #8N-1-046 001	—	60-7308	—	—
	Rear	60-7502	60-7487	—	—
2000	Front.....	—	60-7308	—	—
	Rear	60-7502	60-7487	—	—
V-8 QUATTRO					
1994-92	Rear	—	60-7119	—	—
1991-90	Rear	60-7119	60-7119	—	—
90					
1995-93	Front w/A.T.	—	60-7224	—	—
1992	None Produced				
90 QUATTRO					
1995-93	Front.....	60-7286	60-7287	—	—
	Rear	60-7070	60-7070	—	—
1992	None Produced				
1991-90	Front.....	—	60-7287	—	—
100					
1994-93	Front w/A.T.	60-7244	60-7245	—	—
	Front w/M.T.	60-7122	60-7123	—	—
1992	Front w/A.T. (Transmission Stamped AZB)	60-7330	60-7122	—	—
	Front w/A.T. (Transmission Stamped CDT)	60-7330	60-7245	—	—
	Front w/M.T.	60-7122	60-7123	—	—
1991-90	Front w/A.T.	60-7124	60-7125	—	—
	Front w/M.T.	60-7126	60-7126	—	—
1989	Front w/A.T. w/o ABS	60-7012	60-7013	—	—
	Front w/A.T. w/ABS	60-7124	60-7125	—	—
	Front w/M.T. w/o ABS	60-7127	60-7127	—	—
	Front w/M.T. w/ABS	60-7126	60-7126	—	—

CV DRIVE AXLES

NEW & REMANUFACTURED CONSTANT VELOCITY DRIVE AXLES

CV DRIVE AXLES

YEAR	APPLICATION	REMAN		NEW	
		LEFT	RIGHT	LEFT	RIGHT
		Driver Side	Pass. Side	Driver Side	Pass. Side
AUDI (Cont'd)					
100 QUATTRO					
1994-92	Front w/A.T.....	60-7244	60-7245	—	—
	Front w/M.T.....	60-7364	—	—	—
	Rear.....	60-7119	60-7119	—	—
1991-89	Front.....	60-7126	60-7126	—	—
	Rear.....	60-7119	60-7119	—	—
200					
1991-89	Front w/A.T.....	60-7124	60-7125	—	—
200 QUATTRO					
1991-89	Rear.....	60-7119	60-7119	—	—
4000, 4000S					
1987-85	Front 4 Cyl. Eng. w/A.T.....	60-7059	60-7076	—	—
	Front 4 Cyl. Eng. w/M.T.....	60-7108	60-7026	—	—
	Front 5 Cyl. Eng. w/A.T.....	60-7022	60-7027	—	—
	Front 5 Cyl. Eng. w/M.T.....	60-7108	60-7065	—	—
1984	Front 4 Cyl. Eng. w/A.T.....	60-7062	60-7016	—	—
	Front 4 Cyl. Eng. w/M.T.....	60-7025	60-7025	—	—
	Front 5 Cyl. Eng. w/A.T.....	60-7022	60-7027	—	—
	Front 5 Cyl. Eng. w/M.T.....	60-7108	60-7065	—	—
1983	Front 4 Cyl. Gas Eng. w/A.T.....	60-7062	60-7016	—	—
	Front 4 Cyl. Gas Eng. w/M.T.....	60-7025	60-7025	—	—
	Front 4 Cyl. Turbo Diesel Eng.....	60-7025	60-7025	—	—
	Front 5 Cyl. Gas Eng. w/A.T. From Chassis # 81D0 77974.....	60-7022	60-7027	—	—
	Front 5 Cyl. Gas Eng. w/A.T. To Chassis # 81D0 77973.....	60-7187	—	—	—
	Front 5 Cyl. Gas Eng. w/M.T. From Chassis # 81D0 77974.....	60-7108	60-7065	—	—
	Front 5 Cyl. Gas Eng. w/M.T. To Chassis # 81D0 77973.....	60-7162	60-7016	—	—
	Front 5 Cyl. Diesel Eng.....	60-7025	60-7025	—	—
1982	Front 4 Cyl. Gas Eng. w/A.T.....	60-7062	60-7016	—	—
	Front 4 Cyl. Gas Eng. w/M.T.....	60-7025	60-7025	—	—
	Front 4 Cyl. Diesel or Turbo Diesel Eng.....	60-7025	60-7025	—	—
	Front 5 Cyl. Gas Eng. w/A.T.....	60-7187	—	—	—
	Front 5 Cyl. Gas Eng. w/M.T.....	60-7162	60-7016	—	—
1981-80	Front 4 Cyl. Gas Eng. w/A.T.....	60-7062	60-7016	—	—
	Front 4 Cyl. Gas Eng. w/M.T.....	60-7025	60-7025	—	—
	Front 5 Cyl. Gas Eng. w/A.T.....	60-7187	—	—	—
	Front 5 Cyl. Gas Eng. w/M.T.....	60-7162	60-7016	—	—
4000CS QUATTRO, 4000S QUATTRO					
1987-86	Front w/A.T.....	60-7022	60-7027	—	—
	Front w/M.T.....	60-7108	60-7065	—	—
	Rear w/o ABS.....	—	60-7190	—	—
1985	Front w/A.T.....	60-7022	60-7027	—	—
	Front w/M.T.....	60-7108	60-7065	—	—
	Rear w/o ABS.....	—	60-7190	—	—
1984	Front w/A.T.....	60-7022	60-7027	—	—
	Front w/M.T.....	60-7108	60-7065	—	—
	Rear.....	—	60-7190	—	—
5000, 5000CS, 5000S					
1988-84	Front w/A.T. w/o ABS.....	60-7012	60-7013	—	—
	Front w/A.T. w/ABS.....	60-7147	60-7148	—	—
	Front w/M.T. w/o ABS.....	60-7127	60-7127	—	—
	Front w/M.T. w/ABS.....	60-7006	60-7006	—	—
1983-81	Front Gas Eng. w/A.T.....	60-7012	60-7013	—	—
	Front Gas Eng. w/M.T.....	60-7127	60-7127	—	—
	Front Diesel Eng.....	60-7127	60-7127	—	—
1980	Front w/A.T.....	60-7012	60-7013	—	—
	Front w/M.T.....	60-7127	60-7127	—	—
1979-78	Front w/M.T.....	60-7190	60-7190	—	—
5000CS QUATTRO, 5000S QUATTRO					
1988-86	Front w/M.T. w/ABS.....	60-7006	60-7006	—	—

NEW & REMANUFACTURED CONSTANT VELOCITY DRIVE AXLES

YEAR	APPLICATION	REMAN		NEW	
		LEFT	RIGHT	LEFT	RIGHT
AUDI TRUCKS					
		Driver Side	Pass. Side	Driver Side	Pass. Side
Q3					
2015	Front.....		—	66-7343	—
Q3 QUATTRO					
2015	Front.....		—	66-7343	—
	Rear.....	60-7505	60-7506	—	—
Q5					
2015-13	Rear.....	60-7483	60-7483	—	—
2012-11	Rear 2.0L Eng.....	60-7484	60-7484	—	—
	Rear 3.2L Eng.....	60-7483	60-7483	—	—
2010-09	Rear 3.2L Eng.....	60-7483	60-7483	—	—
Q7					
2014-11	Rear 3.0L Eng.....	60-7486	60-7486	—	—
2010	Front 3.0L Eng.....	60-7320	60-7320	66-7320	66-7320
	Front 3.6L Eng.....	60-7320	60-7320	66-7320	66-7320
	Front 4.2L Eng.....	60-7320	60-7320	66-7320	66-7320
	Rear.....	60-7485	60-7485	—	—
2009	Front.....	60-7320	60-7320	66-7320	66-7320
	Rear Gas Eng.....	60-7485	60-7485	—	—
	Rear Diesel Eng. w/o Differential Lock.....	60-7486	60-7486	—	—
2008-07	Front.....	60-7320	60-7320	66-7320	66-7320
	Rear.....	60-7485	60-7485	—	—
BMW					
ACTIVEHYBRID 7					
2013	Rear.....	60-9704	60-9705	—	—
ALPINA B7					
2015-11	Rear.....	60-9704	60-9705	—	—
ALPINA B7L					
2015-11	Rear.....	60-9704	60-9705	—	—
M3					
2012-08	Rear.....	60-9403	60-9404	—	—
2006-01	Rear.....	60-9401	60-9402	—	—
1999-97	Rear w/27mm O.D.....	60-9399	60-9399	—	—
	Rear w/38mm O.D.....	60-9400	60-9400	—	—
1996-95	Rear.....	60-9399	60-9399	—	—
1991-88	Rear.....	60-9063	60-9063	66-9063	66-9063
M5					
2010-06	Rear.....	60-9405	60-9405	—	—
2003-00	Rear.....	60-9406	60-9406	—	—
1993-87	Rear.....	60-9064	60-9064	—	—
M6					
2010-06	Rear.....	60-9405	60-9405	—	—
1988-87	Rear.....	60-9064	60-9064	—	—
Z3					
2002-01	Rear 2.5L Eng.....	60-9421	60-9421	—	—
	Rear 3.0L Eng.....	60-9423	60-9423	—	—
	Rear 3.2L Eng.....	60-9424	60-9424	—	—
2000-99	Rear (Exc. 3.2L Eng.).....	60-9421	60-9421	—	—
	Rear 3.2L Eng.....	60-9424	60-9424	—	—
1998	Rear 1.9L Eng. w/o Limited Slip Differential.....	60-9420	60-9420	—	—
	Rear 2.8L Eng.....	60-9421	60-9421	—	—
	Rear 3.2L Eng.....	60-9424	60-9424	—	—
1997	Rear 1.9L Eng. w/A.T.....	60-9421	60-9421	—	—
	Rear 1.9L Eng. w/M.T.....	60-9420	60-9420	—	—
	Rear 2.8L Eng.....	60-9421	60-9421	—	—
1996	Rear w/A.T.....	60-9421	60-9421	—	—
	Rear w/M.T.....	60-9420	60-9420	—	—
Z4					
2015-12	Rear sDRIVE 35i, 35iS.....	60-9709	60-9710	—	—

CV DRIVE AXLES

NEW & REMANUFACTURED CONSTANT VELOCITY DRIVE AXLES

CV DRIVE AXLES

YEAR	APPLICATION	REMAN		NEW	
		LEFT	RIGHT	LEFT	RIGHT
		Driver Side	Pass. Side	Driver Side	Pass. Side
BMW (Cont'd)					
Z4 (Cont'd)					
2011-10	Rear sDRIVE 30i.....	60-9431	—	—	—
	Rear sDRIVE 35i, 35iS.....	60-9709	60-9710	—	—
2009	Rear.....	60-9431	—	—	—
2008-07	Rear 3.0L Eng. w/A.T.....	60-9427	60-9428	—	—
	Rear 3.0L Eng. w/M.T.....	60-9429	60-9430	—	—
	Rear 3.2L Eng.....	60-9401	60-9402	—	—
2006	Rear 3.0L Eng. w/A.T. From 3/06.....	60-9427	60-9428	—	—
	Rear 3.0L Eng. w/A.T. Before 3/06.....	60-9425	60-9426	—	—
	Rear 3.0L Eng. w/M.T.....	60-9429	60-9430	—	—
	Rear 3.2L Eng.....	60-9401	60-9402	—	—
2005-03	Rear w/A.T.....	60-9271	60-9272	66-9271	66-9272
	Rear w/M.T.....	60-9433	60-9434	—	—
1 SERIES M					
2011	Rear.....	60-9403	60-9404	—	—
128 SERIES					
2013-08	Rear.....	60-9352	60-9353	—	—
135 SERIES					
2013-11	Rear.....	60-9374	60-9375	—	—
2010-08	Rear w/A.T.....	60-9354	60-9355	—	—
	Rear w/M.T.....	60-9374	60-9375	—	—
318 SERIES					
1999	Rear 318Ti.....	60-9420	60-9420	—	—
1998	Rear 318i.....	60-9120	60-9120	—	—
	Rear 318Ti.....	60-9420	60-9420	—	—
1997-95	Rear 318i, 318iC, 318iS.....	60-9120	60-9120	—	—
	Rear 318Ti.....	60-9420	60-9420	—	—
1994	Rear 318i, 318iC, 318iS.....	60-9120	60-9120	—	—
1993	Rear 318i, 318iS.....	60-9120	60-9120	—	—
1992	Rear 318i, 318iS.....	60-9120	60-9120	—	—
	Rear 318iC.....	60-9063	60-9063	66-9063	66-9063
1991	Rear 318i, 318iC, 318iS.....	60-9063	60-9063	66-9063	66-9063
323 SERIES					
2000-98	Rear 323Ci, 323i, 323iC, 323iS.....	60-9271	60-9272	66-9271	66-9272
325 SERIES					
2006	Front 325Xi.....	60-9310	60-9311	66-9310	66-9311
	Rear 325Ci.....	60-9271	60-9272	66-9271	66-9272
	Rear 325i w/A.T. From 1/06.....	60-9360	60-9361	—	—
	Rear 325i w/A.T. Before 1/06.....	60-9358	60-9359	—	—
	Rear 325i w/M.T.....	60-9352	60-9353	—	—
	Rear 325Xi w/A.T. From 1/06.....	60-9370	60-9371	—	—
	Rear 325Xi w/A.T. Before 1/06.....	60-9368	60-9369	—	—
	Rear 325Xi w/M.T.....	60-9354	60-9355	—	—
2005-04	Front 325Xi.....	60-9281	60-9282	66-9281	66-9282
	Rear 325Ci.....	60-9271	60-9272	66-9271	66-9272
	Rear 325i w/86mm x 31mm.....	60-9271	60-9272	66-9271	66-9272
	Rear 325i w/94mm x 38mm.....	60-9362	60-9363	—	—
	Rear 325Xi.....	60-9362	60-9363	—	—
2003-01	Front 325Xi.....	60-9281	60-9282	66-9281	66-9282
	Rear 325Ci, 325i.....	60-9271	60-9272	66-9271	66-9272
	Rear 325Xi.....	60-9362	60-9363	—	—
1995-94	Rear.....	60-9271	60-9271	66-9271	66-9271
1993-92	Rear Exc. 325iC.....	60-9271	60-9271	66-9271	66-9271
	Rear 325iC.....	60-9063	60-9063	66-9063	66-9063
1991-87	Rear 325i, 325iC, 325iS.....	60-9063	60-9063	66-9063	66-9063
328 SERIES					
2013	Front 328i xDrive.....	60-9310	60-9311	66-9310	66-9311
	Rear 328i Convertible.....	60-9354	60-9355	—	—
	Rear 328i Coupe.....	60-9352	60-9353	—	—
	Rear 328i xDrive.....	60-9688	60-9689	—	—

NEW & REMANUFACTURED CONSTANT VELOCITY DRIVE AXLES

YEAR	APPLICATION	REMAN		NEW	
		LEFT	RIGHT	LEFT	RIGHT
BMW (Cont'd)		Driver Side	Pass. Side	Driver Side	Pass. Side
328 SERIES (Cont'd)					
2012	Front 328i xDrive.....	60-9310	60-9311	66-9310	66-9311
	Rear 328i (Convertible or Wagon).....	60-9354	60-9355	—	—
	Rear 328i (Coupe or Sedan).....	60-9352	60-9353	—	—
	Rear 328i xDrive.....	60-9688	60-9689	—	—
2011-10	Front 328i xDrive.....	60-9310	60-9311	66-9310	66-9311
	Rear 328i (Convertible or Wagon).....	60-9354	60-9355	—	—
	Rear 328i (Coupe or Sedan).....	60-9352	60-9353	—	—
	Rear 328i xDrive.....	60-9688	60-9689	—	—
2009	Front 328i xDrive.....	60-9310	60-9311	66-9310	66-9311
	Rear 328i (Convertible or Wagon).....	60-9354	60-9355	—	—
	Rear 328i (Coupe or Sedan).....	60-9352	60-9353	—	—
	Rear 328i xDrive.....	60-9354	60-9355	—	—
2008	Front 328Xi.....	60-9310	60-9311	66-9310	66-9311
	Rear 328i (Convertible or Wagon).....	60-9354	60-9355	—	—
	Rear 328i (Coupe or Sedan).....	60-9352	60-9353	—	—
	Rear 328Xi.....	60-9354	60-9355	—	—
2007	Front 328Xi.....	60-9310	60-9311	66-9310	66-9311
	Rear 328i.....	60-9352	60-9353	—	—
	Rear 328Xi.....	60-9354	60-9355	—	—
2000-99	Rear 328Ci, 328i, 328iC, 328iS w/A.T.....	60-9271	60-9272	66-9271	66-9272
	Rear 328Ci, 328i, 328iC, 328iS w/M.T.....	60-9433	60-9434	—	—
1998	Rear 328i w/A.T.....	60-9271	60-9272	66-9271	66-9272
	Rear 328i, 328iC w/M.T. From 1/98.....	60-9433	60-9434	—	—
	Rear 328i, 328iC w/M.T. Before 1/98.....	60-9271	60-9272	66-9271	66-9272
	Rear 328iS.....	60-9271	60-9271	66-9271	66-9271
1997-96	Rear 328i, 328iC, 328iS.....	60-9271	60-9271	66-9271	66-9271
330 SERIES					
2006	Front 330Xi.....	60-9310	60-9311	66-9310	66-9311
	Rear 330Ci w/A.T.....	60-9366	60-9367	—	—
	Rear 330Ci w/M.T.....	60-9362	60-9363	—	—
	Rear 330i w/A.T. From 1/06.....	60-9370	60-9371	—	—
	Rear 330i w/A.T. Before 1/06.....	60-9354	60-9371	—	—
	Rear 330i w/M.T.....	60-9354	60-9355	—	—
	Rear 330Xi w/A.T. From 1/06.....	60-9370	60-9371	—	—
	Rear 330Xi w/A.T. Before 1/06.....	60-9368	60-9369	—	—
	Rear 330Xi w/M.T.....	60-9354	60-9355	—	—
	2005-02	Front 330Xi.....	60-9281	60-9282	66-9281
2001	Rear 330Ci, 330i w/A.T.....	60-9366	60-9367	—	—
	Rear 330Ci, 330i w/M.T.....	60-9362	60-9363	—	—
	Rear 330Xi.....	60-9362	60-9363	—	—
2001	Front 330Xi.....	60-9281	60-9282	66-9281	66-9282
	Rear 330Ci w/A.T.....	60-9366	60-9367	—	—
	Rear 330Ci w/M.T.....	60-9362	60-9363	—	—
	Rear 330i w/A.T.....	60-9366	60-9367	—	—
	Rear 330i w/M.T.....	60-9364	60-9365	—	—
	Rear 330Xi.....	60-9362	60-9363	—	—
335 SERIES					
2013-12	Front AWD 335i.....	60-9310	60-9311	66-9310	66-9311
	Rear AWD 335i w/A.T.....	60-9688	60-9689	—	—
	Rear AWD 335i w/M.T.....	60-9692	60-9693	—	—
	Rear RWD 335i w/A.T.....	60-9354	60-9355	—	—
	Rear RWD 335i w/M.T.....	60-9374	60-9375	—	—
	Rear RWD 335iS.....	60-9374	60-9375	—	—
2011	Front AWD 335i.....	60-9310	60-9311	66-9310	66-9311
	Rear AWD 335i w/A.T.....	60-9688	60-9689	—	—
	Rear AWD 335i w/M.T.....	60-9692	60-9693	—	—
	Rear RWD 335i w/A.T.....	60-9354	60-9355	—	—
	Rear RWD 335i w/M.T.....	60-9374	60-9375	—	—
	Rear RWD 335iS.....	60-9374	60-9375	—	—
2010-09	Rear 335D.....	60-9372	60-9373	—	—
	Front 335i.....	60-9310	60-9311	66-9310	66-9311
	Rear 335D.....	60-9372	60-9373	—	—
	Rear 335i w/A.T.....	60-9355	60-9354	—	—
	Rear 335i w/M.T.....	60-9374	60-9375	—	—

CV DRIVE AXLES

NEW & REMANUFACTURED CONSTANT VELOCITY DRIVE AXLES

CV DRIVE AXLES

YEAR	APPLICATION	REMAN		NEW	
		LEFT	RIGHT	LEFT	RIGHT
		Driver Side	Pass. Side	Driver Side	Pass. Side
BMW (Cont'd)					
335 SERIES (Cont'd)					
2008	Front 335Xi.....	60-9310	60-9311	66-9310	66-9311
	Rear 335i, 335Xi From 10/07 w/A.T.....	60-9355	60-9354	—	—
	Rear 335i, 335Xi Before 9/07 w/A.T.....	60-9376	60-9377	—	—
2007	Rear 335i, 335Xi w/M.T.....	60-9374	60-9375	—	—
	Front 335Xi.....	60-9310	60-9311	66-9310	66-9311
	Rear 335i, 335Xi w/A.T.....	60-9376	60-9377	—	—
	Rear 335i, 335Xi w/M.T.....	60-9374	60-9375	—	—
524 SERIES					
1986-85	Rear 524td.....	60-9064	60-9064	—	—
525 SERIES					
2007	Front 525Xi.....	60-9312	60-9313	—	66-9313
	Rear 525i, 525Xi w/A.T.....	60-9378	60-9378	—	—
	Rear 525i, 525Xi w/M.T.....	60-9356	60-9356	—	—
2006	Front 525Xi.....	60-9312	60-9313	—	66-9313
	Rear 525i, 525Xi w/A.T. 86mm x 27mm.....	60-9378	60-9378	—	—
	Rear 525i, 525Xi w/A.T. 86mm x 31mm.....	60-9381	60-9381	—	—
	Rear 525i, 525Xi w/M.T.....	60-9356	60-9356	—	—
2005-04	Rear 525i w/A.T. 86mm x 31mm.....	60-9381	60-9381	—	—
	Rear 525i w/M.T. 86mm x 38mm.....	60-9356	60-9356	—	—
2003-01	Rear 525i.....	60-9221	60-9221	—	—
1995-92	Rear 525i, 525iT.....	60-9222	60-9222	—	—
1991-89	Rear 525i.....	60-9222	60-9222	—	—
528 SERIES					
2011	Rear 528i.....	60-9690	60-9691	—	—
2010-09	Front 528i xDrive.....	60-9312	60-9313	—	66-9313
	Rear 528i w/A.T.....	60-9356	60-9356	—	—
	Rear 528i w/M.T.....	60-9380	60-9380	—	—
2008	Rear 528i w/A.T.....	60-9356	60-9356	—	—
	Rear 528i w/M.T.....	60-9380	60-9380	—	—
	Front 528Xi.....	60-9312	60-9313	—	66-9313
	Rear 528i, 528Xi w/A.T.....	60-9356	60-9356	—	—
	Rear 528i w/M.T.....	60-9380	60-9380	—	—
2000-99	Rear 528i, 528iT.....	60-9221	60-9221	—	—
1998-97	Rear 528i.....	60-9221	60-9221	—	—
1988-82	Rear 528e.....	60-9064	60-9064	—	—
1981-80	Rear 528, 528i.....	60-9081	60-9081	—	—
530 SERIES					
2007	Front 530Xi.....	60-9312	60-9313	—	66-9313
	Rear 530i, 530Xi w/A.T.....	60-9378	60-9378	—	—
	Rear 530i w/M.T.....	60-9380	60-9380	—	—
2006	Rear 530Xi w/M.T.....	60-9356	60-9356	—	—
	Front 530Xi.....	60-9312	60-9313	—	66-9313
	Rear 530i, 530Xi w/A.T. 86mm x 27mm.....	60-9378	60-9378	—	—
	Rear 530i, 530Xi w/A.T. 86mm x 31mm.....	60-9381	60-9381	—	—
	Rear 530i w/M.T.....	60-9380	60-9380	—	—
	Rear 530Xi w/M.T.....	60-9356	60-9356	—	—
2005-04	Rear 530i w/A.T.....	60-9381	60-9381	—	—
	Rear 530i w/M.T.....	60-9356	60-9356	—	—
2003-01	Rear 530i, w/A.T.....	60-9221	60-9221	—	—
	Rear 530i w/M.T.....	60-9379	60-9379	—	—
1995-94	Rear 530i, 530iT w/A.T.....	60-9222	60-9222	—	—
	Rear 530i, 530iT w/M.T.....	60-9064	60-9064	—	—
533 SERIES					
1984-83	Rear.....	60-9064	60-9064	—	—
535 SERIES					
2015	Rear 535i Base, w/M.T.....	60-9696	60-9697	—	—
2014	Rear 535i Base, w/M.T.....	60-9696	60-9697	—	—
	Rear 535i xDrive, w/38mm. Dia. Shaft.....	60-9690	60-9691	—	—
	Rear 535i GT, GT xDrive, w/Rear Diff Code (168, 188)K/L.....	60-9702	60-9703	—	—

NEW & REMANUFACTURED CONSTANT VELOCITY DRIVE AXLES

YEAR	APPLICATION	REMAN		NEW	
		LEFT	RIGHT	LEFT	RIGHT
BMW (Cont'd)		Driver Side	Pass. Side	Driver Side	Pass. Side
535 SERIES (Cont'd)					
2013-12	Rear 535i Base, w/A.T.	60-9694	60-9695	—	—
	Rear 535i Base, w/M.T.	60-9696	60-9697	—	—
2011	Rear 535i xDrive, w/38mm. Dia. Shaft.....	60-9690	60-9691	—	—
	Rear 535i GT, GT xDrive, w/Rear Diff Code (168, 188)K/L.....	60-9702	60-9703	—	—
	Rear 535i w/A.T. From 11/30/2010, Base	60-9694	60-9695	—	—
	Rear 535i w/A.T. To 11/29/2010, Base.....	60-9700	60-9701	—	—
	Rear 535i w/M.T., Base	60-9696	60-9697	—	—
	Rear 535i, GT	60-9702	60-9703	—	—
	Rear 535i, GT, XDrive.....	60-9391	60-9392	—	—
2010-09	Rear 535i, xDrive, w/38mm Diameter Outboard Spindle.....	60-9690	60-9691	—	—
	Front 535i AWD.....	60-9312	60-9313	—	66-9313
	Rear 535i, 535Xi w/A.T.....	60-9356	60-9356	—	—
2008	Rear 535i, 535Xi w/M.T.....	60-9357	60-9357	—	—
	Front 535Xi.....	60-9312	60-9313	—	66-9313
	Rear 535i, 535Xi w/A.T.....	60-9356	60-9356	—	—
1993-92	Rear 535i, 535Xi w/M.T.....	60-9357	60-9357	—	—
	Rear 535i w/A.T.....	60-9222	60-9222	—	—
1991	Rear 535i w/M.T.....	60-9064	60-9064	—	—
	Rear 535i From 1/91 w/A.T.	60-9222	60-9222	—	—
1990-85	Rear 535i From 1/91 w/M.T.	60-9064	60-9064	—	—
	Rear 535i Before 1/91.....	60-9064	60-9064	—	—
540 SERIES					
2003-01	Rear 540i w/A.T. (Exc. Shorter Final Drive Ratio).....	60-9383	60-9383	—	—
	Rear 540i w/A.T. Shorter Final Drive Ratio.....	60-9384	60-9384	—	—
	Rear 540i w/M.T.....	60-9382	60-9382	—	—
2000-99	Rear 540i w/A.T. (Exc. Shorter Final Drive Ratio).....	60-9383	60-9383	—	—
	Rear 540i w/A.T. Shorter Final Drive Ratio.....	60-9384	60-9384	—	—
	Rear 540i w/M.T.....	60-9382	60-9382	—	—
1998	Rear 540i w/A.T. (Exc. Shorter Final Drive Ratio).....	60-9383	60-9383	—	—
	Rear 540i w/A.T. Shorter Final Drive Ratio.....	60-9384	60-9384	—	—
	Rear 540i w/M.T.....	60-9382	60-9382	—	—
1997	Rear 540i w/A.T.....	60-9383	60-9383	—	—
	Rear 540i w/M.T.....	60-9382	60-9382	—	—
1995-94	Rear 540i w/A.T.....	60-9064	60-9064	—	—
545 SERIES					
2005	Rear 545i w/A.T. From 9/05	60-9385	60-9385	—	—
	Rear 545i w/A.T. Before 9/05.....	60-9416	60-9416	—	—
	Rear 545i w/M.T.....	60-9357	60-9357	—	—
2004	Rear 545i w/A.T.....	60-9416	60-9416	—	—
	Rear 545i w/M.T.....	60-9357	60-9357	—	—
550 SERIES					
2014	Rear 550i GT, GTX xDrive	60-9391	60-9392	—	—
2013-11	Rear 550i Base, w/A.T.	60-9700	60-9701	—	—
	Rear 550i Base, w/M.T.	60-9698	60-9699	—	—
	Rear 550i GT, GT xDrive.....	60-9391	60-9392	—	—
	Rear 550i xDrive	60-9700	60-9701	—	—
2010	Rear 550i 4.4L Eng., GT	60-9391	60-9392	—	—
	Rear 550i 4.8L Eng. w/A.T.....	60-9385	60-9385	—	—
	Rear 550i 4.8L Eng. w/M.T.....	60-9357	60-9357	—	—
2009-08	Rear 550i w/A.T.....	60-9385	60-9385	—	—
	Rear 550i w/M.T.....	60-9357	60-9357	—	—
2007-06	Rear 550i w/A.T.....	60-9416	60-9416	—	—
	Rear 550i w/M.T.....	60-9357	60-9357	—	—
633 SERIES					
1984	Rear 633CSi	60-9064	60-9064	—	—
1983	Rear 633CSi From 9/82.....	60-9064	60-9064	—	—
	Rear 633CSi Before 9/82.....	60-9081	60-9081	—	—
1982-80	Rear 633CSi	60-9081	60-9081	—	—
635 SERIES					
1989-85	Rear 635CSi	60-9064	60-9064	—	—

CV DRIVE AXLES

NEW & REMANUFACTURED CONSTANT VELOCITY DRIVE AXLES

CV DRIVE AXLES

YEAR	APPLICATION	REMAN		NEW	
		LEFT	RIGHT	LEFT	RIGHT
		Driver Side	Pass. Side	Driver Side	Pass. Side
BMW (Cont'd)					
640 SERIES					
2015-12	Rear 640i	60-9702	60-9703	—	—
645 SERIES					
2005-04	Rear 645Ci w/A.T.	60-9416	60-9416	—	—
	Rear 645Ci w/M.T.	60-9357	60-9357	—	—
650 SERIES					
2015-14	Rear 650i	60-9391	60-9392	—	—
2013	Rear 650i (Exc. Sport Differential)	60-9357	60-9357	—	—
	Rear 650i Sport Differential	60-9385	60-9385	—	—
2012	Rear 650i	60-9391	60-9392	—	—
2010-07	Rear 650i w/A.T.	60-9385	60-9385	—	—
	Rear 650i w/M.T.	60-9357	60-9357	—	—
2006	Rear 650i w/A.T. From 9/05	60-9385	60-9385	—	—
	Rear 650i w/A.T. Before 9/05	60-9416	60-9416	—	—
	Rear 650i w/M.T.	60-9357	60-9357	—	—
733 SERIES					
1984	Rear 733i From 4/84	60-9122	60-9122	—	—
1982	Rear 733i Before 9/81	60-9081	60-9081	—	—
1981-80	Rear 733i	60-9081	60-9081	—	—
735 SERIES					
1991	Rear 735i 735iL w/A.T. Before 1/91	60-9225	60-9225	—	—
1990-88	Rear 735i 735iL w/A.T. Before 1/91	60-9225	60-9225	—	—
1987	Rear 735i w/A.T.	60-9225	60-9225	—	—
1986-85	Rear 735i	60-9122	60-9122	—	—
740 SERIES					
2015-14	Rear 740i, 740Li (Exc. M Sport Package)	60-9702	60-9703	—	—
	Rear 740i, 740Li M Sport Package	60-9391	60-9392	—	—
2013-11	Rear 740i, 740Li	60-9702	60-9703	—	—
2001	Rear 740i, 740Li (Exc. Sport Package)	60-9388	60-9388	—	—
	Rear 740i, 740Li Sport Package	60-9389	60-9389	—	—
2000	Rear 740i, 740Li (Exc. Sport Package)	60-9397	60-9397	—	—
	Rear 740i, 740Li Sport Package	60-9390	60-9390	—	—
1999-95	Rear 740i, 740Li	60-9397	60-9397	—	—
1994-93	Rear 740i, 740Li	60-9225	60-9225	—	—
745 SERIES					
2005-02	Rear 745i, 745Li	60-9416	60-9416	—	—
750 SERIES					
2015-13	Rear 750i, 750Li	60-9391	60-9392	—	—
2012	Rear 750i, 750Li (Exc. Hybrid)	60-9391	60-9392	—	—
	Rear 750i, 750Li Hybrid	60-9704	60-9705	—	—
2011	Rear 750i, 750Li (Exc. Hybrid)	60-9391	60-9392	—	—
	Rear 750i, 750Li Hybrid	60-9704	60-9705	—	—
2010-09	Rear 750i, 750Li	60-9391	60-9392	—	—
2008-07	Rear 750i, 750Li	60-9385	60-9385	—	—
2006	Rear 750i, 750Li From 9/05	60-9385	60-9385	—	—
	Rear 750i, 750Li Before 9/05	60-9416	60-9416	—	—
2001-00	Rear 750iL	60-9389	60-9389	—	—
1999-95	Rear 750iL	60-9390	60-9390	—	—
1994-88	Rear 750iL	60-9225	60-9225	—	—
760 SERIES					
2015-13	Rear 760Li	60-9704	60-9705	—	—
2012-10	Rear 760Li	60-9705	60-9704	—	—
BMW TRUCKS					
X3					
2015-14	Rear 3.0L Eng.	60-9706	60-9707	—	—
2013-11	Rear	60-9706	60-9707	—	—
2010-07	Front	60-9314	60-9315	66-9314	66-9315
	Rear	60-9413	60-9414	—	—

NEW & REMANUFACTURED CONSTANT VELOCITY DRIVE AXLES

YEAR	APPLICATION	REMAN		NEW	
		LEFT	RIGHT	LEFT	RIGHT
BMW TRUCKS (Cont'd)		Driver Side	Pass. Side	Driver Side	Pass. Side
X3 (Cont'd)					
2006	Front.....	60-9314	60-9315	66-9314	66-9315
	Rear w/A.T.....	60-9407	60-9408	—	—
	Rear w/M.T.....	60-9411	60-9412	—	—
2005	Front.....	60-9314	60-9315	66-9314	66-9315
	Rear w/A.T.....	60-9407	60-9408	—	—
	Rear 2.5L Eng. w/M.T.....	60-9409	60-9410	—	—
2004	Rear 3.0L Eng. w/M.T.....	60-9411	60-9412	—	—
	Front.....	60-9314	60-9315	66-9314	66-9315
	Rear w/A.T.....	60-9407	60-9408	—	—
	Rear 2.5L Eng. w/M.T.....	60-9409	60-9410	—	—
	Rear 3.0L Eng. w/M.T.....	60-9411	60-9412	—	—
	X4				
2015	Rear 3.0L Eng.....	60-9706	60-9707	—	—
X5					
2014	Rear Dynamic Package.....	60-9419	60-9419	—	—
2013-11	Front.....	60-9318	60-9319	66-9318	66-9319
	Rear.....	60-9708	60-9708	—	—
2010	Front.....	60-9318	60-9319	66-9318	66-9319
	Rear 3.0L Eng. Gas.....	60-9418	60-9418	—	—
	Rear 3.0L Eng. Diesel.....	60-9708	60-9708	—	—
	Rear 4.4L Eng.....	60-9419	60-9419	—	—
2009	Rear 4.8L Eng.....	60-9708	60-9708	—	—
	Front.....	60-9318	60-9319	66-9318	66-9319
	Rear Gas.....	60-9418	60-9418	—	—
2008	Rear Diesel.....	60-9417	60-9417	—	—
	Front.....	60-9318	60-9319	66-9318	66-9319
2007	Rear.....	60-9418	60-9418	—	—
	Front.....	60-9318	60-9319	66-9318	66-9319
2006	Rear 3.0L Eng.....	60-9417	60-9417	—	—
	Rear 4.8L Eng.....	60-9418	60-9418	—	—
	Front.....	60-9255	60-9256	66-9255	66-9256
	Rear 3.0L Eng. w/A.T.....	60-9615	60-9615	—	—
	Rear 3.0L Eng. w/M.T.....	60-9415	60-9415	—	—
	Rear 4.8L Eng.....	60-9415	60-9415	—	—
2005-02	Front.....	60-9255	60-9256	66-9255	66-9256
	Rear w/A.T.....	60-9615	60-9615	—	—
	Rear w/M.T.....	60-9415	60-9415	—	—
2001	Front.....	60-9255	60-9256	66-9255	66-9256
	Rear w/A.T.....	60-9615	60-9615	—	—
	Rear w/M.T.....	60-9415	60-9415	—	—
2000	Front From 4/2000.....	60-9255	60-9256	66-9255	66-9256
	Rear.....	60-9615	60-9615	—	—
X5M					
2013-12	Front.....	60-9318	60-9319	66-9318	66-9319
2011	Front.....	60-9318	60-9319	66-9318	66-9319
	Rear.....	60-9708	60-9708	—	—
2010	Front.....	60-9318	60-9319	66-9318	66-9319
	Rear.....	60-9419	60-9419	—	—
X6					
2014-12	Front.....	60-9318	60-9319	66-9318	66-9319
	Rear (Except M).....	60-9419	60-9419	—	—
2011	Front (Includes Hybrid).....	60-9318	60-9319	66-9318	66-9319
	Rear (Exc. Hybrid).....	60-9419	60-9419	—	—
	Rear Hybrid.....	60-9708	60-9708	—	—
2010-08	Front.....	60-9318	60-9319	66-9318	66-9319
	Rear.....	60-9419	60-9419	—	—
X6M					
2013-12	Front.....	60-9318	60-9319	66-9318	66-9319
2011-10	Front.....	60-9318	60-9319	66-9318	66-9319
	Rear.....	60-9419	60-9419	—	—

CV DRIVE AXLES

NEW & REMANUFACTURED CONSTANT VELOCITY DRIVE AXLES

CV DRIVE AXLES

YEAR	APPLICATION	REMAN		NEW	
		LEFT	RIGHT	LEFT	RIGHT
BUICK		Driver Side	Pass. Side	Driver Side	Pass. Side
ALLURE (Canada)					
2010	Front w/2.4L Eng.....	60-1541	60-1513	66-1541	66-1513
	Front w/3.6L Eng.....	60-1512	60-1513	—	66-1513
	Rear AWD.....	60-1525	60-1526	—	—
2009	Front w/3.8L Eng.....	60-1255 ⑨	60-1250 ⑨	66-1255 ⑨	66-1250 ⑨
	Front w/3.8L Eng.....	60-1255HD ⑩	60-1250HD ⑩	66-1255HD ⑩	66-1250HD ⑩
	Front w/5.3L Eng.....	60-1434	60-1435	66-1434	66-1435
2008	Front w/3.6L Eng.....	60-1255 ⑨	60-1250 ⑨	66-1255 ⑨	66-1250 ⑨
	Front w/3.6L Eng.....	60-1255HD ⑩	60-1250HD ⑩	66-1255HD ⑩	66-1250HD ⑩
	Front w/3.8L Eng.....	60-1255 ⑨	60-1250 ⑨	66-1255 ⑨	66-1250 ⑨
	Front w/3.8L Eng.....	60-1255HD ⑩	60-1250HD ⑩	66-1255HD ⑩	66-1250HD ⑩
	Front w/5.3L Eng.....	60-1434	60-1435	66-1434	66-1435
2007-05	Front w/3.6L Eng.....	60-1255 ⑨	60-1250 ⑨	66-1255 ⑨	66-1250 ⑨
	Front w/3.6L Eng.....	60-1255HD ⑩	60-1250HD ⑩	66-1255HD ⑩	66-1250HD ⑩
	Front w/3.8L Eng.....	60-1255 ⑨	60-1250 ⑨	66-1255 ⑨	66-1250 ⑨
	Front w/3.8L Eng.....	60-1255HD ⑩	60-1250HD ⑩	66-1255HD ⑩	66-1250HD ⑩
CENTURY					
2005-00	Front.....	60-1255 ⑨	60-1250 ⑨	66-1255 ⑨	66-1250 ⑨
	Front.....	60-1255HD ⑩	60-1250HD ⑩	66-1255HD ⑩	66-1250HD ⑩
1999-97	Front.....	60-1249	60-1250 ⑨	66-1249	66-1250 ⑨
	Front.....	—	60-1250HD ⑩	—	66-1250HD ⑩
1996-94	Front w/3 Spd. A.T.....	60-1093	60-1109	—	—
	Front w/4 Spd. A.T.....	60-1126	60-1127	66-1126	66-1127
1993-90	Front w/3 Spd. A.T.....	60-1004	60-1010	—	66-1094
	Front w/4 Spd. A.T.....	60-1016	60-1025	—	—
1989-88	Front w/3 Spd. A.T. w/20mm Diameter Spindle w/4 Cyl. Eng.....	60-1008	60-1012	66-1122	—
	Front w/3 Spd. A.T. w/20mm Diameter Spindle w/6 Cyl. Eng.....	60-1001	60-1005	—	—
	Front w/3 Spd. A.T. w/24mm Diameter Spindle.....	60-1004	60-1010	—	66-1094
	Front w/4 Spd. A.T. w/20mm Diameter Spindle.....	60-1078	60-1115	—	—
	Front w/4 Spd. A.T. w/24mm Diameter Spindle w/o ABS.....	60-1016	60-1025	—	—
	Front w/4 Spd. A.T. w/24mm Diameter Spindle w/ABS.....	60-1098	60-1170	—	—
1987-84	Front w/3 Spd. A.T. w/20mm Diameter Spindle.....	60-1008	60-1012	66-1122	—
	Front w/3 Spd. A.T. w/24mm Diameter Spindle.....	60-1004	60-1010	—	66-1094
	Front w/4 Spd. A.T. w/20mm Diameter Spindle.....	60-1078	60-1115	—	—
	Front w/4 Spd. A.T. w/24mm Diameter Spindle.....	60-1016	60-1025	—	—
1983	Front w/20mm Diameter Spindle.....	60-1051	60-1012	66-1075	—
	Front w/24mm Diameter Spindle.....	60-1004	60-1010	—	66-1094
1982	Front.....	60-1051	60-1012	66-1075	—
ELECTRA					
1990-86	Front w/o ABS.....	60-1013	60-1010	66-1040	66-1094
	Front w/ABS.....	60-1040	60-1094	66-1040	66-1094
1985	Front.....	60-1013	60-1010	66-1040	66-1094
LACROSSE					
2015	Front 2.4L Eng.....	60-1541	—	66-1541	—
2014	Front 2.4L Eng.....	60-1541	60-1513	66-1541	66-1513
2013	Front 2.4L Eng.....	60-1541	60-1513	66-1541	66-1513
	Front 3.6L Eng.....	60-1512	60-1513	—	66-1513
2012	Front 2.4L Eng.....	60-1541	60-1513	66-1541	66-1513
	Front 3.6L Eng.....	60-1512	60-1513	—	66-1513
	Rear Exc.Real Time Damping Suspension.....	60-1525	60-1526	—	—
2011-10	Front 2.4L Eng.....	60-1541	60-1513	66-1541	66-1513
	Front 3.6L Eng.....	60-1512	60-1513	—	66-1513
	Rear AWD.....	60-1525	60-1526	—	—
2009	Front 3.8L Eng.....	60-1255 ⑨	60-1250 ⑨	66-1255 ⑨	66-1250 ⑨
	Front 3.8L Eng.....	60-1255HD ⑩	60-1250HD ⑩	66-1255HD ⑩	66-1250HD ⑩
	Front 5.3L Eng.....	60-1434	60-1435	66-1434	66-1435
2008	Front 3.6L Eng.....	60-1255 ⑨	60-1250 ⑨	66-1255 ⑨	66-1250 ⑨
	Front 3.6L Eng.....	60-1255HD ⑩	60-1250HD ⑩	66-1255HD ⑩	66-1250HD ⑩
	Front 3.8L Eng.....	60-1255 ⑨	60-1250 ⑨	66-1255 ⑨	66-1250 ⑨
	Front 3.8L Eng.....	60-1255HD ⑩	60-1250HD ⑩	66-1255HD ⑩	66-1250HD ⑩
	Front 5.3L Eng.....	60-1434	60-1435	66-1434	66-1435
2007-05	Front 3.6L Eng.....	60-1255 ⑨	60-1250 ⑨	66-1255 ⑨	66-1250 ⑨
	Front 3.6L Eng.....	60-1255HD ⑩	60-1250HD ⑩	66-1255HD ⑩	66-1250HD ⑩
	Front 3.8L Eng.....	60-1255 ⑨	60-1250 ⑨	66-1255 ⑨	66-1250 ⑨
	Front 3.8L Eng.....	60-1255HD ⑩	60-1250HD ⑩	66-1255HD ⑩	66-1250HD ⑩

⑨ Supplied w/Standard Neoprene Outboard Boot.
 ⑩ Supplied w/Optional Heavy Duty Thermoplastic Outboard Boot.

NEW & REMANUFACTURED CONSTANT VELOCITY DRIVE AXLES

YEAR	APPLICATION	REMAN		NEW	
		LEFT	RIGHT	LEFT	RIGHT
BUICK (Cont'd)		Driver Side	Pass. Side	Driver Side	Pass. Side
LESABRE					
2005-00	Front.....	60-1255 ⁹	60-1335	66-1255 ⁹	66-1335
	Front.....	60-1255HD ¹⁰	—	66-1255HD ¹⁰	—
1999-98	Front w/2.86 Axle Ratio (FQ3) ⁷⁹	60-1206	60-1060	66-1206	66-1060
	Front w/3.05 Axle Ratio (F83) ⁷⁹	60-1206	60-1211	66-1206	66-1060
1997	Front w/2.84 Axle Ratio (F17) ⁷⁹	60-1210	60-1060	66-1210	66-1060
	Front w/3.06 Axle Ratio (FW2) w/o Option package (WA2) ⁷⁹	60-1199	60-1092	66-1210	66-1092
1996	Front w/3.06 Axle Ratio (FW2) w/Option package (WA2) ⁷⁹	60-1210	60-1211	66-1210	66-1060
	Front w/2.84 Axle Ratio (F17) ⁷⁹	60-1210	60-1060	66-1210	66-1060
1995-92	Front.....	60-1199	60-1092	66-1210	66-1092
1991-86	Front w/o ABS.....	60-1210	60-1060	66-1210	66-1060
	Front w/ABS.....	60-1013	60-1010	66-1040	66-1094
	Front w/ABS.....	60-1040	60-1094	66-1040	66-1094
LUCERNE					
2011-09	Front 3.9L Eng.....	60-1444	60-1335	66-1444	66-1335
	Front 4.6L Eng.....	60-1327	60-1327	66-1327	66-1327
2008-06	Front 3.8L Eng.....	60-1255 ⁹	60-1335	66-1255 ⁹	66-1335
	Front 3.8L Eng.....	60-1255HD ¹⁰	—	66-1255HD ¹⁰	—
	Front 4.6L Eng.....	60-1327	60-1327	66-1327	66-1327
PARK AVENUE					
2005-00	Front (Exc. Supercharged Eng.).....	60-1255 ⁹	60-1335	66-1255 ⁹	66-1335
	Front (Exc. Supercharged Eng.).....	60-1255HD ¹⁰	—	66-1255HD ¹⁰	—
1999-97	Front Supercharged Eng.....	60-1344	60-1198	66-1444	66-1198
	Front (Exc. Supercharged Eng.).....	60-1255 ⁹	60-1194	66-1255 ⁹	66-1335
1996	Front (Exc. Supercharged Eng.).....	60-1255HD ¹⁰	—	66-1255HD ¹⁰	—
	Front Supercharged Eng.....	60-1255 ⁹	60-1198	66-1255 ⁹	66-1198
1995	Front (Exc. Supercharged Eng.) w/2.84 Axle Ratio (F17) ⁷⁹	60-1255HD ¹⁰	—	66-1255HD ¹⁰	—
	Front (Exc. Supercharged Eng.) w/3.06 Axle Ratio (FW2) ⁷⁹	60-1210	60-1060	66-1210	66-1060
1994	Front (Exc. Supercharged Eng.).....	60-1199	60-1092	66-1210	66-1092
	Front Supercharged Eng.....	60-1199	60-1200	66-1210	66-1256
1993-92	Front (Exc. Supercharged Eng.) w/2.84 Axle Ratio (F17) ⁷⁹	60-1210	60-1060	66-1210	66-1060
	Front (Exc. Supercharged Eng.) w/3.06 Axle Ratio (FW2) ⁷⁹	60-1199	60-1092	66-1210	66-1092
1991	Front Supercharged Eng.....	60-1199	60-1092	66-1210	66-1092
	Front (Exc. Supercharged Eng.).....	60-1210	60-1060	66-1210	66-1060
1991	Front (Exc. Supercharged Eng.) w/27 Splines.....	60-1210	60-1092	66-1210	66-1092
	Front (Exc. Supercharged Eng.) w/33 Splines.....	60-1040	60-1103	66-1040	—
	Front Supercharged Eng.....	60-1210	60-1060	66-1210	66-1060
	Front Supercharged Eng.....	60-1210	60-1092	66-1210	66-1092
REATTA					
1991	Front.....	60-1111	60-1082	—	—
1990-89	Front.....	60-1111	60-1011	—	—
1988	Front w/o ABS.....	60-1013	60-1010	66-1040	66-1094
	Front w/ABS.....	60-1040	60-1094	66-1040	66-1094
REGAL					
2015	Front 2.4I Eng.....	60-1541	—	66-1541	—
2014-13	Front w/A.T.....	60-1541	—	66-1541	—
2012-11	Front w/A.T.....	60-1541	60-1513	66-1541	66-1513
2004-98	Front (Exc. Supercharged Eng.).....	60-1255 ⁹	60-1250 ⁹	66-1255 ⁹	66-1250 ⁹
	Front (Exc. Supercharged Eng.).....	60-1255HD ¹⁰	60-1250HD ¹⁰	66-1255HD ¹⁰	66-1250HD ¹⁰
1997	Front Supercharged Eng.....	60-1255 ⁹	60-1256	66-1255 ⁹	66-1256
	Front Supercharged Eng.....	60-1255HD ¹⁰	—	66-1255HD ¹⁰	—
1996-94	Front (Exc. Supercharged Eng.).....	60-1249	60-1250 ⁹	66-1249	66-1250 ⁹
	Front (Exc. Supercharged Eng.).....	—	60-1250HD ¹⁰	—	66-1250HD ¹⁰
1993	Front Supercharged Eng.....	60-1255 ⁹	60-1256	66-1255 ⁹	66-1256
	Front Supercharged Eng.....	60-1255HD ¹⁰	—	66-1255HD ¹⁰	—
1992-88	Front.....	60-1112	60-1264	66-1112	66-1264
	Front w/o ABS.....	60-1036	60-1179	66-1112	66-1264
	Front w/ABS.....	60-1112	60-1264	66-1112	66-1264
	Front w/o ABS.....	60-1036	60-1037	66-1112	—
	Front w/ABS.....	60-1112	60-1083	66-1112	—

CV DRIVE AXLES

⁹ Supplied w/Standard Neoprene Outboard Boot.

¹⁰ Supplied w/Optional Heavy Duty Thermoplastic Outboard Boot.

⁷⁹ GM "Option Codes" are found on the "Service Parts Identification" sticker located on your vehicle. For further assistance, please refer to the example on page ____.

NEW & REMANUFACTURED CONSTANT VELOCITY DRIVE AXLES

CV DRIVE AXLES

YEAR	APPLICATION	REMAN		NEW	
		LEFT	RIGHT	LEFT	RIGHT
BUICK (Cont'd)		Driver Side	Pass. Side	Driver Side	Pass. Side
RIVIERA					
1999-98	Front.....	60-1255 ⑨	60-1198	66-1255 ⑨	66-1198
	Front.....	60-1255HD ⑩	—	66-1255HD ⑩	—
1997	Front (Exc. Supercharged Eng.).....	60-1255 ⑨	60-1194	66-1255 ⑨	66-1335
	Front (Exc. Supercharged Eng.).....	60-1255HD ⑩	—	66-1255HD ⑩	—
	Front Supercharged Eng.	60-1255 ⑨	60-1198	66-1255 ⑨	66-1198
	Front Supercharged Eng.	60-1255HD ⑩	—	66-1255HD ⑩	—
1996	Front (Exc. Supercharged Eng.).....	60-1249	60-1194	66-1249	66-1335
	Front Supercharged Eng.	60-1249	60-1198	66-1249	66-1198
1995	Front.....	60-1249	60-1194	66-1249	66-1335
1993-92	Front.....	60-1210	60-1092	66-1210	66-1092
1991	Front.....	60-1111	60-1082	—	—
1990-89	Front w/o ABS.....	60-1056	60-1042	—	—
	Front w/ABS.....	60-1111	60-1011	—	—
1988	Front w/o ABS.....	60-1013	60-1010	66-1040	66-1094
	Front w/ABS.....	60-1040	60-1094	66-1040	66-1094
1987-86	Front.....	60-1013	60-1010	66-1040	66-1094
1985-79	Front.....	60-1007	60-1003	—	—
SKYHAWK					
1989-87	Front w/A.T.....	60-1008	60-1006	66-1122	66-1055
	Front w/M.T.....	60-1024	60-1029	—	—
1986-84	Front w/A.T.....	60-1008	60-1006	66-1122	66-1055
	Front w/M.T. 1.8L Eng. (Exc. VIN Code J) ⑧.....	60-1024	60-1029	—	—
	Front w/M.T. 1.8L Eng. VIN Code J ⑧.....	60-1114	60-1074	—	—
1983	Front w/A.T.....	60-1051	60-1006	66-1075	66-1055
	Front w/M.T.....	60-1024	60-1046	—	—
1982	Front w/A.T. w/o A.C.....	60-1008	60-1006	66-1122	66-1055
	Front w/A.T. w/A.C.....	60-1051	60-1006	66-1075	66-1055
	Front w/M.T.....	60-1024	60-1046	—	—
SKYLARK					
1998-96	Front.....	60-1123	60-1110	66-1123	66-1110
1995-94	Front w/3 Spd. A.T.....	60-1075	60-1055	66-1075	66-1055
	Front w/4 Spd. A.T.....	60-1123	60-1110	66-1123	66-1110
1993-92	Front.....	60-1075	60-1055	66-1075	66-1055
1991	Front w/o ABS.....	60-1051	60-1006	66-1075	66-1055
	Front w/ABS.....	60-1075	60-1055	66-1075	66-1055
1990-88	Front.....	60-1051	60-1006	66-1075	66-1055
1987-86	Front w/A.T.....	60-1051	60-1006	66-1075	66-1055
	Front w/M.T.....	60-1024	60-1074	—	—
1985-80	Front w/A.T.....	60-1008	60-1012	66-1122	—
	Front w/M.T.....	60-1024	60-1062	—	—
SOMERSET					
1989-88	Front.....	60-1051	60-1006	66-1075	66-1055
1987-85	Front w/A.T.....	60-1051	60-1006	66-1075	66-1055
	Front w/M.T.....	60-1024	60-1074	—	—
BUICK TRUCKS					
ENCLAVE					
2014-12	Front.....	60-1465	60-1466	66-1465	66-1466
	Front.....	—	—	66-1465HD ⑩	66-1466HD ⑩
2011-08	Front.....	60-1465	60-1466	66-1465	66-1466
	Front.....	—	—	66-1465HD ⑩	66-1466HD ⑩
	Rear AWD.....	60-1508	60-1509	—	—
RAINIER					
2007-04	Front.....	60-1345	60-1345	66-1345	66-1345
RENDEZVOUS					
2007	Front.....	60-1444	60-1445	66-1444	66-1445
2006	Front w/3.5L Eng. FWD.....	60-1366	60-1367	66-1444	66-1445
	Front w/3.5L Eng. AWD.....	60-1366	60-1368	66-1444	66-1368
	Front w/3.6L Eng. FWD.....	60-1344	60-1367	66-1444	66-1445
	Front w/3.6L Eng. AWD.....	60-1444	60-1447	66-1444	—
	Rear 4WD (BT).....	60-1202	60-1202	66-1202	66-1202

⑨ Supplied w/Standard Neoprene Outboard Boot.

⑩ Supplied w/Optional Heavy Duty Thermoplastic Outboard Boot.

⑪ For further assistance, please refer to the GM Engine Identification Chart on pages ____ - ____.

NEW & REMANUFACTURED CONSTANT VELOCITY DRIVE AXLES

YEAR	APPLICATION	REMAN		NEW	
		LEFT	RIGHT	LEFT	RIGHT
		Driver Side	Pass. Side	Driver Side	Pass. Side
BUICK TRUCKS (Cont'd)					
RENDEZVOUS (Cont'd)					
2005-04	Front w/3.4L Eng. FWD	60-1366	60-1367	66-1444	66-1445
	Front w/3.4L Eng. AWD	60-1366	60-1368	66-1444	66-1368
	Front w/3.6L Eng. FWD	60-1344	60-1445	66-1444	66-1445
	Front w/3.6L Eng. AWD	60-1444	60-1447	66-1444	—
	Rear AWD	60-1202	60-1202	66-1202	66-1202
2003-02	Front FWD	60-1366	60-1367	66-1444	66-1445
	Front AWD	60-1366	60-1368	66-1444	66-1368
	Rear AWD	60-1202	60-1202	66-1202	66-1202
TERRAZA					
2007	Front	60-1444	60-1445	66-1444	66-1445
2006	Front FWD	60-1344	60-1445	66-1444	66-1445
	Front AWD	60-1344	—	66-1444	—
2005	Front FWD	60-1344	60-1445	66-1444	66-1445
	Front AWD	60-1344	—	66-1444	—
	Rear AWD	60-1202	60-1202	66-1202	66-1202
CADILLAC					
ALLANTE					
1993	Front	60-1172	60-1172	66-1172	66-1172
1992-89	Front	60-1111	60-1011	—	—
1988-87	Front	60-1040	60-1094	66-1040	66-1094
BLS (Mexico)					
2008	Front w/A.T.	60-9349	60-9349	—	—
	Front w/M.T.	60-9348	60-9348	—	—
2007	Front	60-9348	60-9348	—	—
2006	Front w/M.T.	60-9348	60-9348	—	—
CATERA					
2001-97	Rear	60-1429	60-1429	—	—
CIMARRON					
1988-87	Front w/A.T.	60-1064	60-1006	66-1122	66-1055
	Front w/M.T. w/o Intermediate Shaft	60-1114	60-1074	—	—
	Front w/M.T. w/Intermediate Shaft	60-1114	60-1125	—	—
1986-85	Front w/A.T., 4 Cyl. Eng.	60-1008	60-1006	66-1122	66-1055
	Front w/M.T., 4 Cyl. Eng.	60-1024	60-1029	—	—
	Front w/A.T., 6 Cyl. Eng.	60-1064	60-1006	66-1122	66-1055
	Front w/M.T., 6 Cyl. Eng. w/o Intermediate Shaft	60-1114	60-1074	—	—
	Front w/M.T., 6 Cyl. Eng. w/Intermediate Shaft	60-1114	60-1125	—	—
1984	Front w/A.T.	60-1008	60-1006	66-1122	66-1055
	Front w/M.T.	60-1024	60-1029	—	—
1983-82	Front w/A.T.	60-1051	60-1006	66-1075	66-1055
	Front w/M.T.	60-1024	60-1046	—	—
CTS					
2015	Rear 8 Cyl.	60-1528	60-1529	—	—
2014-12	Front	60-1415	60-1416	66-1415	66-1416
	Rear 8 Cyl.	60-1528	60-1529	—	—
2011	Front	60-1415	60-1416	66-1415	66-1416
	Rear 6 Cyl.	60-1491	60-1492	—	—
	Rear 8 Cyl.	60-1528	60-1529	—	—
2010	Front	60-1415	60-1416	66-1415	66-1416
	Rear 6 Cyl.	60-1491	60-1492	—	—
2009	Front AWD	60-1415	60-1416	66-1415	66-1416
	Rear 6 Cyl.	60-1491	60-1492	—	—
2008	Front AWD	60-1415	60-1416	66-1415	66-1416
	Rear RWD	60-1491	60-1492	—	—
2007-06	Rear 2.8L Eng.	60-1483	60-1484	—	—
	Rear 3.6L Eng. w/A.T.	60-1487	60-1488	—	—
	Rear 3.6L Eng. w/M.T.	60-1489	60-1490	—	—
	Rear 6.0L Eng. w/M.T.	60-1485	60-1486	—	—
2005	Rear 2.8L Eng.	60-1483	60-1484	—	—
	Rear 3.6L Eng. w/A.T.	60-1487	60-1488	—	—
	Rear 3.6L Eng. w/M.T.	60-1485	60-1486	—	—
	Rear 5.7L Eng. w/M.T.	60-1485	60-1486	—	—

CV DRIVE AXLES

NEW & REMANUFACTURED CONSTANT VELOCITY DRIVE AXLES

CV DRIVE AXLES

YEAR	APPLICATION	REMAN		NEW	
		LEFT	RIGHT	LEFT	RIGHT
		Driver Side	Pass. Side	Driver Side	Pass. Side
CADILLAC (Cont'd)					
CTS (Cont'd)					
2004	Rear 3.2L Eng.	60-1483	60-1484	—	—
	Rear 3.6L Eng. w/A.T.	60-1487	60-1488	—	—
	Rear 3.6L Eng. w/M.T.	60-1485	60-1486	—	—
	Rear 5.7L Eng. w/M.T.	60-1485	60-1486	—	—
2003	Rear 3.2L Eng.	60-1483	60-1484	—	—
DEVILLE, FLEETWOOD, COMMERCIAL CHASSIS					
2005-00	Front (Exc. Heavy Duty Suspension) (FE7) ⑨	60-1327	60-1327	66-1327	66-1327
	Front Heavy Duty Suspension (FE7) ⑨	60-1347	60-1347	66-1347	66-1347
1999-97	Front (Exc. Heavy Duty Suspension) (FE7) ⑨	60-1172	60-1172	66-1172	66-1172
	Front Heavy Duty Suspension (FE7) ⑨	60-1343	60-1343	—	—
1996	Front	60-1172	60-1172	66-1172	66-1172
1995-94	Front 4.6L Eng.	60-1172	60-1172	66-1172	66-1172
	Front 4.9L Eng.	60-1210	60-1092	66-1210	66-1092
1993	Front 4.9L Eng. w/o Heavy Duty Brakes (J41 or JM4) ⑧	60-1210	60-1092	66-1210	66-1092
	Front 4.9L Eng. w/Heavy Duty Brakes (J55) ⑧	—	60-1256	—	66-1256
1992	Front w/o Heavy Duty Brakes (J41 or JM4) ⑧	60-1210	60-1092	66-1210	66-1092
	Front w/Heavy Duty Brakes (J55) ⑧	—	60-1256	—	66-1256
1991	Front w/o Heavy Duty Brakes (J55) ⑧	60-1040	60-1103	66-1040	—
	Front w/Heavy Duty Brakes (J55) ⑧	—	60-1256	—	66-1256
1990	Front w/o Heavy Duty Brakes (J55) w/o ABS ⑧	60-1013	60-1010	66-1040	66-1094
	Front w/o Heavy Duty Brakes (J55) w/ABS ⑧	60-1040	60-1094	66-1040	66-1094
1989-86	Front w/Heavy Duty Brakes (J55) ⑧	—	60-1256	—	66-1256
	Front w/o ABS	60-1013	60-1010	66-1040	66-1094
1985	Front w/ABS	60-1040	60-1094	66-1040	66-1094
	Front	60-1013	60-1010	66-1040	66-1094
DTS					
2010-06	Front (Exc. Heavy Duty Suspension) (FE7)	60-1327	60-1327	66-1327	66-1327
	Front w/Heavy Duty Suspension (FE7)	60-1347	60-1347	66-1347	66-1347
ELDORADO					
2002-94	Front	60-1172	60-1172	66-1172	66-1172
1993	Front 4.6L Northstar Eng.	60-1172	60-1172	66-1172	66-1172
	Front 4.9L Eng.	60-1210	60-1092	66-1210	66-1092
1992	Front	60-1210	60-1092	66-1210	66-1092
1991	Front	60-1111	60-1082	—	—
1990-89	Front w/o ABS	60-1056	60-1042	—	—
	Front w/ABS	60-1111	60-1011	—	—
1988	Front w/o ABS	60-1013	60-1010	66-1040	66-1094
	Front w/ABS	60-1040	60-1094	66-1040	66-1094
1987-86	Front	60-1013	60-1010	66-1040	66-1094
1985-79	Front	60-1007	60-1003	—	—
1978-67	Front	60-1014	60-1014	—	—
SEVILLE					
2004-98	Front	60-1327	60-1327	66-1327	66-1327
1997-94	Front	60-1172	60-1172	66-1172	66-1172
1993	Front 4.6L Northstar Eng.	60-1172	60-1172	66-1172	66-1172
	Front 4.9L Eng.	60-1210	60-1092	66-1210	66-1092
1992	Front	60-1210	60-1092	66-1210	66-1092
1991	Front	60-1111	60-1082	—	—
1990-89	Front w/o ABS	60-1056	60-1042	—	—
	Front w/ABS	60-1111	60-1011	—	—
1988	Front w/o ABS	60-1013	60-1010	66-1040	66-1094
	Front w/ABS	60-1040	60-1094	66-1040	66-1094
1987-86	Front	60-1013	60-1010	66-1040	66-1094
1985-80	Front	60-1007	60-1003	—	—
STS					
2011-08	Front AWD	60-1415	60-1416	66-1415	66-1416
	Rear RWD	60-1495	60-1496	—	—
	Rear AWD	60-1454	60-1455	—	—
2007	Front AWD	60-1415	60-1416	66-1415	66-1416
	Rear	60-1495	60-1496	—	—
2006-05	Front AWD	60-1415	60-1416	66-1415	66-1416
	Rear AWD w/M22 or M82 Transmission	60-1495	60-1496	—	—
	Rear AWD w/MV3 Transmission	60-1454	60-1455	—	—

⑧ For further brake system identification, please refer to the "GM Brake System Identification Guide" on page ____.

⑨ GM "Option Codes" are found on the "Service Parts Identification" sticker located on your vehicle. For further assistance, please refer to the example on page ____.

NEW & REMANUFACTURED CONSTANT VELOCITY DRIVE AXLES

YEAR	APPLICATION	REMAN		NEW	
		LEFT	RIGHT	LEFT	RIGHT
CADILLAC (Cont'd)		Driver Side	Pass. Side	Driver Side	Pass. Side
XLR					
2006	Rear	60-1501	60-1501	—	—
2005-04	Rear	60-1502	60-1502	—	—
CADILLAC TRUCKS					
ESCALADE, ESCALADE ESV, ESCALADE EXT					
2012-07	Front	60-1430 ⁹	60-1430 ⁹	66-1430 ⁹	66-1430 ⁹
	Front	60-1430HD ¹⁰	60-1430HD ¹⁰	66-1430HD ¹⁰	66-1430HD ¹⁰
2006-02	Front	60-1009 ⁹	60-1009 ⁹	66-1009 ⁹	66-1009 ⁹
	Front	60-1009HD ¹⁰	60-1009HD ¹⁰	66-1009HD ¹⁰	66-1009HD ¹⁰
2001	None Produced				
2000-99	Front	60-1009 ⁹	60-1009 ⁹	66-1009 ⁹	66-1009 ⁹
	Front	60-1009HD ¹⁰	60-1009HD ¹⁰	66-1009HD ¹⁰	66-1009HD ¹⁰
SRX					
2013-12	Front 3.6L Eng.	—	—	66-1546	66-1547
2011-10	Front 3.0L Eng.	—	—	66-1546	66-1547
	Rear AWD	60-1530	60-1531	—	—
2009	Front AWD	60-1415	60-1416	66-1415	66-1416
	Rear AWD	60-1454	60-1455	—	—
	Rear w/3.23 Axle Ratio w/o painted prop shaft	60-1495	60-1455	—	—
	Rear w/3.23 Axle Ratio w/ painted prop shaft	60-1495	60-1496	—	—
2008	Front AWD	60-1415	60-1416	66-1415	66-1416
	Rear AWD	60-1454	60-1455	—	—
	Rear w/3.23 Axle Ratio w/o painted prop shaft	60-1495	60-1496	—	—
	Rear w/3.23 Axle Ratio w/ painted prop shaft	60-1495	60-1496	—	—
	Rear w/3.91 Axle Ratio	60-1454	60-1455	—	—
2007	Front AWD	60-1415	60-1416	66-1415	66-1416
	Rear AWD	60-1454	60-1455	—	—
	Rear w/3.23 Axle Ratio w/o painted prop shaft	60-1495	60-1327	—	66-1327
	Rear w/3.23 Axle Ratio w/ painted prop shaft	60-1495	60-1496	—	—
	Rear w/3.91 Axle Ratio	60-1454	60-1455	—	—
2006-04	Front AWD	60-1415	60-1416	66-1415	66-1416
	Rear w/M22 Transmission	60-1495	60-1496	—	—
	Rear w/MV3 or MX5 Transmission	60-1454	60-1455	—	—
CHEVROLET					
AVEO					
2015-12	Front 1.6L Eng. w/A.T. w/o ABS	60-1514	—	—	—
2011-10	Front 1.6L Eng. w/A.T. w/o ABS (Exc. Mexico)	60-1419	60-1421	66-1420	66-1422
	Front 1.6L Eng. w/A.T. w/ABS (Exc. Mexico)	60-1420	60-1422	66-1420	66-1422
	Front 1.6L Eng. w/M.T. w/o ABS (Exc. Mexico)	60-1448	60-1450	—	—
	Front 1.6L Eng. w/M.T. w/ABS (Exc. Mexico)	60-1449	60-1451	—	—
	Front 1.6L Eng. w/A.T. w/o ABS (Mexico)	60-1514	—	—	—
2009-08	Front 1.6L Eng. w/A.T. w/o ABS	60-1419	60-1421	66-1420	66-1422
	Front 1.6L Eng. w/A.T. w/ABS	60-1420	60-1422	66-1420	66-1422
	Front 1.6L Eng. w/M.T. w/o ABS	60-1448	60-1450	—	—
	Front 1.6L Eng. w/M.T. w/ABS	60-1449	60-1451	—	—
2007-04	Front 1.4L Eng. w/A.T. w/o ABS	60-1419	60-1421	66-1420	66-1422
	Front 1.4L Eng. w/A.T. w/ABS	60-1420	60-1422	66-1420	66-1422
	Front 1.4L Eng. w/M.T. w/o ABS	60-1448	60-1450	—	—
	Front 1.4L Eng. w/M.T. w/ABS	60-1449	60-1451	—	—
	Front 1.5L Eng. w/A.T. w/o ABS	60-1419	60-1421	66-1420	66-1422
	Front 1.5L Eng. w/A.T. w/ABS	60-1420	60-1422	66-1420	66-1422
	Front 1.5L Eng. w/M.T. w/o ABS	60-1448	60-1450	—	—
	Front 1.5L Eng. w/M.T. w/ABS	60-1449	60-1451	—	—
	Front 1.6L Eng. w/A.T. w/o ABS	60-1419	60-1421	66-1420	66-1422
	Front 1.6L Eng. w/A.T. w/ABS	60-1420	60-1422	66-1420	66-1422
	Front 1.6L Eng. w/M.T. w/o ABS	60-1448	60-1450	—	—
	Front 1.6L Eng. w/M.T. w/ABS	60-1449	60-1451	—	—
BERETTA, CORSICA					
1996-95	Front 2.2L Eng. w/A.T.	60-1122	60-1055	66-1122	66-1055
	Front 2.2L Eng. w/M.T.	60-1165	60-1163	—	—
	Front 3.1L Eng.	60-1123	60-1110	66-1123	66-1110

⁹ Supplied w/Standard Neoprene Outboard Boot.
¹⁰ Supplied w/Optional Heavy Duty Thermoplastic Outboard Boot.

NEW & REMANUFACTURED CONSTANT VELOCITY DRIVE AXLES

CV DRIVE AXLES

YEAR	APPLICATION	REMAN		NEW	
		LEFT	RIGHT	LEFT	RIGHT
		Driver Side	Pass. Side	Driver Side	Pass. Side
CHEVROLET (Cont'd)					
BERETTA, CORSICA (Cont'd)					
1994	Front 2.2L Eng. w/A.T.	60-1122	60-1055	66-1122	66-1055
	Front 2.2L Eng. w/M.T.	60-1165	60-1163	—	—
	Front 2.3L Eng.	60-1300	60-1299	—	—
	Front 3.1L Eng.	60-1123	60-1110	66-1123	66-1110
1993-92	Front 2.2L Eng. w/A.T.	60-1122	60-1055	66-1122	66-1055
	Front 2.2L Eng. w/M.T.	60-1165	60-1163	—	—
	Front 2.3L Eng.	60-1300	60-1299	—	—
	Front 3.1L Eng. w/A.T.	60-1122	60-1055	66-1122	66-1055
1991-90	Front 3.1L Eng. w/M.T.	60-1300	60-1299	—	—
	Front 2.2L Eng. w/A.T.	60-1008	60-1006	66-1122	66-1055
	Front 2.2L Eng. w/M.T.	60-1024	60-1029	—	—
	Front 2.3L Eng.	60-1114	60-1125	—	—
1989-88	Front 3.1L Eng. w/A.T. w/Soft Ride or Firm Ride, Handling Suspension (FE1 or F41) ⑦	60-1125	60-1049	—	66-1049
	Front 3.1L Eng. w/A.T. w/Sport or Heavy Duty Suspension (FE3 or FE7) ⑧	60-1008	60-1006	66-1122	66-1055
	Front 3.1L Eng. w/M.T.	60-1114	60-1125	—	—
	Front 4 Cyl. Eng. w/A.T.	60-1008	60-1006	66-1122	66-1055
	Front 4 Cyl. Eng. w/M.T.	60-1024	60-1029	—	—
	Front 6 Cyl. Eng. w/A.T. w/Soft Ride or Firm Ride, Handling Suspension (FE1 or F41) ⑦	60-1125	60-1049	—	66-1049
	Front 6 Cyl. Eng. w/A.T. w/Sport or Heavy Duty Suspension (FE3 or FE7) ⑧	60-1008	60-1006	66-1122	66-1055
	Front 6 Cyl. Eng. w/M.T. w/o Intermediate Shaft	60-1114	60-1074	—	—
	Front 6 Cyl. Eng. w/M.T. w/Intermediate Shaft	60-1114	60-1125	—	—
	Front 6 Cyl. Eng. w/A.T.	60-1008	60-1006	66-1122	66-1055
1987	Front 4 Cyl. Eng. w/M.T.	60-1024	60-1029	—	—
	Front 6 Cyl. Eng. w/A.T.	60-1008	60-1006	66-1122	66-1055
	Front 6 Cyl. Eng. w/M.T. w/o Intermediate Shaft	60-1114	60-1074	—	—
	Front 6 Cyl. Eng. w/M.T. w/Intermediate Shaft	60-1114	60-1125	—	—
CAMARO					
2012-11	Rear 3.6L Eng. w/A.T.	60-1532	60-1533	—	—
	Rear 3.6L Eng. w/M.T.	60-1534	60-1535	—	—
	Rear 6.2L Eng. w/A.T.	60-1534	60-1535	—	—
2010	Rear 6.2L Eng. w/M.T.	60-1536	60-1537	—	—
	Rear 3.6L Eng. w/A.T.	60-1532	60-1533	—	—
	Rear 3.6L Eng. w/M.T.	60-1534	60-1535	—	—
Rear 6.2L Eng. w/A.T.	60-1534	60-1535	—	—	
CAPRICE					
2013-11	Rear PPV	60-1476	60-1477	—	—
CAVALIER					
2005	Front 2.2L Eng. (VIN Code F) w/A.T. w/o ABS ④	60-1363 ④	60-1363 ④	66-1323 ④	66-1323 ④
	Front 2.2L Eng. (VIN Code F) w/A.T. w/ABS ⑤	60-1323 ④	60-1323 ④	66-1323 ④	66-1323 ④
	Front 2.2L Eng. (VIN Code F) w/M.T. w/o ABS ④	60-1364	60-1365	66-1219	66-1339
	Front 2.2L Eng. (VIN Code F) w/M.T. w/ABS ⑤	60-1219	60-1339	66-1219	66-1339
2004-03	Front 2.2L Eng. (VIN Code F) w/A.T. w/o ABS ④	60-1363 ④	60-1363 ④	66-1323 ④	66-1323 ④
	Front 2.2L Eng. (VIN Code F) w/A.T. w/ABS ⑤	60-1323 ④	60-1323 ④	66-1323 ④	66-1323 ④
	Front 2.2L Eng. (VIN Code F) w/M.T. w/o ABS ④	60-1364	60-1365	66-1219	66-1339
	Front 2.2L Eng. (VIN Code F) w/M.T. w/ABS ⑤	60-1219	60-1339	66-1219	66-1339
2002	Front 2.2L Eng. (VIN Code 6) w/ABS ⑤	60-1323 ④	60-1323 ④	66-1323 ④	66-1323 ④
	Front 2.2L Eng. (VIN Code F) w/A.T. ⑥	60-1323 ④	60-1323 ④	66-1323 ④	66-1323 ④
	Front 2.2L Eng. (VIN Code 4) w/A.T.	60-1216 ④	60-1216 ④	66-1323 ④	66-1323 ④
	Front 2.2L Eng. (VIN Code F) w/M.T. ⑥	60-1219	60-1339	66-1219	66-1339
2001-00	Front 2.2L Eng. (VIN Code 4) w/M.T. ⑥	60-1219	60-1339	66-1219	66-1339
	Front 2.4L Eng. w/A.T.	60-1323 ④	60-1323 ④	66-1323 ④	66-1323 ④
	Front 2.4L Eng. w/M.T.	60-1219	60-1339	66-1219	66-1339
	Front 2.2L Eng. w/3 Spd. A.T.	60-1223	60-1224	66-1223	66-1224
1999-98	Front 2.2L Eng. w/4 Spd. A.T.	60-1216 ④	60-1216 ④	66-1323 ④	66-1323 ④
	Front 2.2L Eng. w/M.T.	60-1219	60-1339	66-1219	66-1339
	Front 2.4L Eng. w/A.T.	60-1323 ④	60-1323 ④	66-1323 ④	66-1323 ④
	Front 2.4L Eng. w/M.T.	60-1219	60-1339	66-1219	66-1339
1999-98	Front 2.2L Eng. w/3 Spd. A.T.	60-1223	60-1224	66-1223	66-1224
	Front 2.2L Eng. w/4 Spd. A.T.	60-1216 ④	60-1216 ④	66-1323 ④	66-1323 ④
	Front 2.2L Eng. w/M.T.	60-1219	60-1218	66-1219	66-1218
	Front 2.4L Eng. w/A.T.	60-1323 ④	60-1323 ④	66-1323 ④	66-1323 ④
Front 2.4L Eng. w/M.T.	60-1219	60-1218	66-1219	66-1218	

④ Transfer Inner Stub Shaft from Original Axle to Replacement CV Axle.

⑦ GM "Option Codes" are found on the "Service Parts Identification" sticker located on your vehicle. For further assistance, please refer to the example on page ____.

⑧ For further assistance, please refer to the GM Engine Identification Chart on pages ____ - ____.

NEW & REMANUFACTURED CONSTANT VELOCITY DRIVE AXLES

YEAR	APPLICATION	REMAN		NEW	
		LEFT	RIGHT	LEFT	RIGHT
CHEVROLET (Cont'd)		Driver Side	Pass. Side	Driver Side	Pass. Side
CAVALIER (Cont'd)					
1997	Front 2.2L Eng. w/3 Spd. A.T.	60-1223	60-1224	66-1223	66-1224
	Front 2.2L Eng. w/4 Spd. A.T.	60-1216 ⁴	60-1216 ⁴	66-1323 ⁴	66-1323 ⁴
1996	Front 2.2L Eng. w/M.T.	60-1217	60-1220	66-1219	66-1218
	Front 2.4L Eng. w/A.T.	60-1323 ⁴	60-1323 ⁴	66-1323 ⁴	66-1323 ⁴
	Front 2.4L Eng. w/M.T.	60-1219	60-1218	66-1219	66-1218
	Front 2.2L Eng. w/3 Spd. A.T.	60-1223	60-1224	66-1223	66-1224
	Front 2.2L Eng. w/4 Spd. A.T.	60-1323 ⁴	60-1323 ⁴	66-1323 ⁴	66-1323 ⁴
	Front 2.2L Eng. w/M.T.	60-1217	60-1220	66-1219	66-1218
1995	Front 2.4L Eng. w/A.T.	60-1323 ⁴	60-1323 ⁴	66-1323 ⁴	66-1323 ⁴
	Front 2.4L Eng. w/M.T.	60-1219	60-1218	66-1219	66-1218
	Front 2.2L Eng. w/A.T.	60-1223	60-1224	66-1223	66-1224
1994-92	Front 2.2L Eng. w/M.T.	60-1217	60-1220	66-1219	66-1218
	Front 2.3L Eng. w/A.T.	60-1323 ⁴	60-1323 ⁴	66-1323 ⁴	66-1323 ⁴
	Front 2.3L Eng. w/M.T.	60-1219	60-1218	66-1219	66-1218
	Front 4 Cyl. Eng. w/A.T.	60-1122	60-1055	66-1122	66-1055
1991-89	Front 4 Cyl. Eng. w/M.T.	60-1165	60-1163	—	—
	Front 6 Cyl. Eng. w/A.T.	60-1122	60-1055	66-1122	66-1055
	Front 6 Cyl. Eng. w/M.T.	60-1300	60-1299	—	—
	Front 4 Cyl. Eng. w/A.T.	60-1008	60-1006	66-1122	66-1055
1988-85	Front 4 Cyl. Eng. w/M.T.	60-1024	60-1029	—	—
	Front 6 Cyl. Eng. w/A.T.	60-1008	60-1006	66-1122	66-1055
	Front 6 Cyl. Eng. w/M.T. w/o Intermediate Shaft	60-1114	60-1074	—	—
	Front 6 Cyl. Eng. w/M.T. w/Intermediate Shaft	60-1114	60-1125	—	—
	Front 4 Cyl. Eng. w/A.T.	60-1008	60-1006	66-1122	66-1055
	Front 4 Cyl. Eng. w/M.T.	60-1024	60-1029	—	—
1984	Front 6 Cyl. Eng. w/A.T.	60-1064	60-1006	66-1122	66-1055
	Front 6 Cyl. Eng. w/M.T. w/o Intermediate Shaft	60-1114	60-1074	—	—
	Front 6 Cyl. Eng. w/M.T. w/Intermediate Shaft	60-1114	60-1125	—	—
1983	Front w/A.T.	60-1008	60-1006	66-1122	66-1055
	Front w/M.T.	60-1024	60-1029	—	—
1982	Front w/A.T.	60-1051	60-1006	66-1075	66-1055
	Front w/M.T.	60-1024	60-1046	—	—
	Front w/A.T. w/o A.C.	60-1008	60-1006	66-1122	66-1055
1982	Front w/A.T. w/A.C.	60-1051	60-1006	66-1075	66-1055
	Front w/M.T.	60-1024	60-1046	—	—
CELEBRITY					
1990	Front w/3 Spd. A.T.	60-1004	60-1010	—	66-1094
	Front w/4 Spd. A.T.	60-1016	60-1025	—	—
1989-88	Front w/3 Spd. A.T. w/20mm Diameter Spindle, 4 Cyl. Eng.	60-1008	60-1012	66-1122	—
	Front w/3 Spd. A.T. w/20mm Diameter Spindle, 6 Cyl. Eng.	60-1001	60-1005	—	—
	Front w/3 Spd. A.T. w/24mm Diameter Spindle	60-1004	60-1010	—	66-1094
	Front w/4 Spd. A.T. w/20mm Diameter Spindle	60-1078	60-1115	—	—
	Front w/4 Spd. A.T. w/24mm Diameter Spindle	60-1016	60-1025	—	—
	Front w/M.T. w/20mm Diameter Spindle	60-1114	60-1178	—	—
1987	Front w/3 Spd. A.T. w/20mm Diameter Spindle	60-1008	60-1012	66-1122	—
	Front w/3 Spd. A.T. w/24mm Diameter Spindle	60-1004	60-1010	—	66-1094
	Front w/4 Spd. A.T. w/20mm Diameter Spindle	60-1078	60-1115	—	—
	Front w/4 Spd. A.T. w/24mm Diameter Spindle	60-1016	60-1025	—	—
1986-84	Front w/M.T. w/20mm Diameter Spindle	60-1024	60-1178	—	—
	Front w/3 Spd. A.T. w/20mm Diameter Spindle	60-1008	60-1012	66-1122	—
	Front w/3 Spd. A.T. w/24mm Diameter Spindle	60-1004	60-1010	—	66-1094
	Front w/4 Spd. A.T. w/20mm Diameter Spindle	60-1078	60-1115	—	—
	Front w/4 Spd. A.T. w/24mm Diameter Spindle	60-1016	60-1025	—	—
1983	Front w/M.T. w/20mm Diameter Spindle	60-1024	60-1062	—	—
	Front w/20mm Diameter Spindle	60-1051	60-1012	66-1075	—
	Front w/24mm Diameter Spindle	60-1004	60-1010	—	66-1094
1982	Front	60-1051	60-1012	66-1075	—
CHEVY (Mexico)					
2012-04	Front 1.6L Eng.	60-1500	—	—	—
2003-94	Front 1.4L Eng. or 1.6L Eng.	60-1500	—	—	—
CITATION					
1985-80	Front w/A.T.	60-1008	60-1012	66-1122	—
	Front w/M.T.	60-1024	60-1062	—	—

CV DRIVE AXLES

⁴ Transfer Inner Stub Shaft from Original Axle to Replacement CV Axle.

NEW & REMANUFACTURED CONSTANT VELOCITY DRIVE AXLES

CV DRIVE AXLES

YEAR	APPLICATION	REMAN		NEW	
		LEFT	RIGHT	LEFT	RIGHT
		Driver Side	Pass. Side	Driver Side	Pass. Side
CHEVROLET (Cont'd)					
COBALT					
2010-09	Front 2.0L Eng.....	60-1457	60-1457	—	—
	Front 2.2L Eng. w/A.T.....	60-1376 ④	60-1376 ④	66-1376 ④	66-1376 ④
	Front 2.2L Eng. w/M.T.....	60-1371	60-1372	66-1371	66-1372
2008	Front 2.0L Eng.....	60-1457	60-1457	—	—
	Front 2.2L Eng. w/A.T.....	60-1376 ④	60-1376 ④	66-1376 ④	66-1376 ④
	Front 2.2L Eng. w/M.T.....	60-1371	60-1372	66-1371	66-1372
	Front 2.4L Eng. w/A.T.....	60-1376 ④	60-1376 ④	66-1376 ④	66-1376 ④
	Front 2.4L Eng. w/M.T.....	60-1371	60-1372	66-1371	66-1372
2007-06	Front 2.0L Eng.....	60-1375 ④	60-1375 ④	66-1375 ④	66-1375 ④
	Front 2.2L Eng. w/A.T.....	60-1376 ④	60-1376 ④	66-1376 ④	66-1376 ④
	Front 2.2L Eng. w/M.T.....	60-1371	60-1372	66-1371	66-1372
	Front 2.4L Eng. w/A.T.....	60-1376 ④	60-1376 ④	66-1376 ④	66-1376 ④
	Front 2.4L Eng. w/M.T.....	60-1371	60-1372	66-1371	66-1372
2005	Front 2.0L Eng.....	60-1375 ④	60-1375 ④	66-1375 ④	66-1375 ④
	Front 2.2L Eng. w/A.T.....	60-1376 ④	60-1376 ④	66-1376 ④	66-1376 ④
	Front 2.2L Eng. w/M.T.....	60-1371	60-1372	66-1371	66-1372
CORSA (Mexico)					
2003	Front 1.8L Eng.....	60-1500	—	—	—
CORVETTE					
2011-10	Rear w/A.T w/o Performance Package.....	60-1502	60-1502	—	—
	Rear w/A.T w/ Performance Package.....	60-1503	60-1503	—	—
	Rear w/M.T.....	60-1503	60-1503	—	—
2009	Rear w/A.T w/o Z51 Suspension.....	60-1502	60-1502	—	—
	Rear w/A.T w/ Z51 Suspension.....	60-1503	60-1503	—	—
	Rear w/M.T. MM6 Code.....	60-1502	60-1502	—	—
	Rear w/M.T. MZ6 Code.....	60-1503	60-1503	—	—
2008	Rear w/A.T w/o Z51 Suspension.....	60-1502	60-1502	—	—
	Rear w/A.T w/ Z51 Suspension.....	60-1501	60-1501	—	—
	Rear w/M.T. MM6 Code.....	60-1502	60-1502	—	—
	Rear w/M.T. MZ6 Code.....	60-1501	60-1501	—	—
2007-06	Rear w/A.T.....	60-1502	60-1502	—	—
	Rear w/M.T.....	60-1501	60-1501	—	—
2005	Rear.....	60-1502	60-1502	—	—
2004-97	Rear.....	60-1374	60-1374	—	—
CRUZE					
2015	Front 1.4L Eng. w/A.T.....	60-1542	—	66-1542	—
	Front 1.8L Eng. w/A.T.....	—	60-1568	—	—
2014-13	Front 1.4L Eng. w/A.T.....	60-1542	60-1543	66-1542	66-1543
	Front 1.8L Eng. w/A.T.....	—	60-1568	—	—
2012-11	Front 1.4L Eng. w/A.T.....	60-1542	60-1545	66-1542	66-1545
	Front 1.8L Eng. w/A.T.....	60-1542	60-1543	66-1542	66-1543
HHR					
2011	Front w/A.T.....	60-1376 ④	60-1376 ④	66-1376 ④	66-1376 ④
	Front w/M.T.....	60-1456	60-1372	—	66-1372
2010-08	Front (Exc. 2.0L Eng.) w/A.T.....	60-1376 ④	60-1376 ④	66-1376 ④	66-1376 ④
	Front (Exc. 2.0L Eng.) w/M.T.....	60-1456	60-1372	—	66-1372
	Front 2.0L Eng. w/M.T.....	60-1457	60-1457	—	—
2007-06	Front w/A.T.....	60-1376 ④	60-1376 ④	66-1376 ④	66-1376 ④
	Front w/M.T.....	60-1456	60-1372	—	66-1372
IMPALA (Impala Limited listed separate)					
2015-14	Front 4 Cyl. Eng.....	60-1541	—	66-1541	—
2013-12	Front 3.6L Eng. (Exc. Police Car).....	60-1559	60-1560	66-1559	66-1560
2011-10	Front.....	60-1255 ⑨	60-1250 ⑨	66-1255 ⑨	66-1250 ⑨
	Front.....	60-1255HD ⑩	60-1250HD ⑩	66-1255HD ⑩	66-1250HD ⑩
2009-06	Front (Exc. Impala SS).....	60-1255 ⑨	60-1250 ⑨	66-1255 ⑨	66-1250 ⑨
	Front (Exc. Impala SS).....	60-1255HD ⑩	60-1250HD ⑩	66-1255HD ⑩	66-1250HD ⑩
	Front Impala SS.....	60-1434	60-1435	66-1434	66-1435
2005-04	Front (Exc. Impala SS).....	60-1255 ⑨	60-1250 ⑨	66-1255 ⑨	66-1250 ⑨
	Front (Exc. Impala SS).....	60-1255HD ⑩	60-1250HD ⑩	66-1255HD ⑩	66-1250HD ⑩
	Front Impala SS.....	60-1255 ⑨	60-1256	66-1255 ⑨	66-1256
	Front Impala SS.....	60-1255HD ⑩	—	66-1255HD ⑩	—
2003-00	Front.....	60-1255 ⑨	60-1250 ⑨	66-1255 ⑨	66-1250 ⑨
	Front.....	60-1255HD ⑩	60-1250HD ⑩	66-1255HD ⑩	66-1250HD ⑩

- ④ Transfer Inner Stub Shaft from Original Axle to Replacement CV Axle.
- ⑨ Supplied w/Standard Neoprene Outboard Boot.
- ⑩ Supplied w/Optional Heavy Duty Thermoplastic Outboard Boot.

NEW & REMANUFACTURED CONSTANT VELOCITY DRIVE AXLES

YEAR	APPLICATION	REMAN		NEW	
		LEFT	RIGHT	LEFT	RIGHT
CHEVROLET (Cont'd)		Driver Side	Pass. Side	Driver Side	Pass. Side
IMPALA LIMITED					
2015-14	Front 3.6L Eng. (Exc. Police Car)	60-1559	60-1560	66-1559	66-1560
LUMINA					
2001-00	Front w/o ABS	60-1348	60-1179	66-1263	66-1264
	Front w/ABS	60-1263	60-1264	66-1263	66-1264
1999-97	Front w/o ABS	60-1036	60-1179	66-1112	66-1264
	Front w/ABS 3.1L Eng.	60-1112	60-1264	66-1112	66-1264
	Front w/ABS 3.8L Eng.	60-1263	60-1264	66-1263	66-1264
1996-94	Front w/o ABS	60-1036	60-1179	66-1112	66-1264
	Front w/ABS	60-1112	60-1264	66-1112	66-1264
1993	Front w/3 Spd. A.T. w/o ABS	60-1081	60-1080	—	—
	Front w/3 Spd. A.T. w/ABS	60-1088	60-1087	—	—
	Front w/4 Spd. A.T. w/o ABS	60-1036	60-1179	66-1112	66-1264
	Front w/4 Spd. A.T. w/ABS	60-1112	60-1264	66-1112	66-1264
	Front w/M.T. w/o ABS	60-1036	60-1179	66-1112	66-1264
	Front w/M.T. w/ABS	60-1112	60-1264	66-1112	66-1264
1992	Front w/3 Spd. A.T. w/o ABS	60-1081	60-1080	—	—
	Front w/3 Spd. A.T. w/ABS	60-1088	60-1087	—	—
	Front w/4 Spd. A.T., 3.1L Eng. w/o ABS	60-1036	60-1037	66-1112	—
	Front w/4 Spd. A.T., 3.1L Eng. w/ABS	60-1112	60-1083	66-1112	—
	Front w/4 Spd. A.T., 3.4L Eng. w/o ABS	60-1036	60-1179	66-1112	66-1264
	Front w/4 Spd. A.T., 3.4L Eng. w/ABS	60-1112	60-1264	66-1112	66-1264
	Front w/M.T. w/o ABS	60-1036	60-1179	66-1112	66-1264
	Front w/M.T. w/ABS	60-1112	60-1264	66-1112	66-1264
1991	Front 2.5L Eng.	60-1081	60-1080	—	—
	Front 3.1L Eng. w/3 Spd. A.T.	60-1072	60-1067	—	—
	Front 3.1L Eng. w/4 Spd. A.T.	60-1036	60-1037	66-1112	—
	Front 3.4L Eng. w/o ABS	60-1036	60-1179	66-1112	66-1264
	Front 3.4L Eng. w/ABS	60-1112	60-1264	66-1112	66-1264
1990	Front 2.5L Eng.	60-1081	60-1080	—	—
	Front 3.1L Eng. w/3 Spd. A.T.	60-1072	60-1067	—	—
	Front 3.1L Eng. w/4 Spd. A.T.	60-1036	60-1037	66-1112	—
MALIBU					
2015	Front 2.5L Eng.	60-1541	—	66-1541	—
2014	Front 2.4L or 2.5L Eng.	60-1541	—	66-1541	—
2013	Front 2.0L Eng.	60-1512	—	—	—
	Front 2.4L or 2.5L Eng.	60-1541	—	66-1541	—
2012-11	Front 2.4L Eng.	60-1458	60-1459	66-1458	66-1459
	Front 3.6L Eng.	60-1460	60-1461	66-1460	66-1461
2010-08	Front w/4 Spd. A.T.	60-1411 ^④	60-1411 ^④	66-1243 ^④	66-1243 ^④
	Front w/6 Spd. A.T. 2.4L Eng.	60-1458	60-1459	66-1458	66-1459
	Front w/6 Spd. A.T. 3.6L Eng.	60-1460	60-1461	66-1460	66-1461
2007-06	Front (Exc. 3.9L Eng.)	60-1411 ^④	60-1411 ^④	66-1243 ^④	66-1243 ^④
	Front 3.9L Eng.	60-1412	60-1413	—	—
2005-04	Front (New Body Design)	60-1411 ^④	60-1411 ^④	66-1243 ^④	66-1243 ^④
2003-97	Front	60-1243 ^④	60-1243 ^④	66-1243 ^④	66-1243 ^④
MALIBU CLASSIC					
2005-04	Front (Old Body Design)	60-1243 ^④	60-1243 ^④	66-1243 ^④	66-1243 ^④
METRO					
2001	Front 4 Cyl. Eng. w/A.T. w/o ABS	60-1314	60-1315	66-1314	66-1315
2000-98	Front 3 Cyl. Eng. w/o ABS	60-1298	60-1297	66-1303	66-1304
	Front 3 Cyl. Eng. w/ABS	60-1303	60-1304	66-1303	66-1304
	Front 4 Cyl. Eng. w/A.T. w/o ABS	60-1314	60-1315	66-1314	66-1315
	Front 4 Cyl. Eng. w/A.T. w/ABS	60-1306	60-1305	—	—
	Front 4 Cyl. Eng. w/M.T. w/o ABS	60-1316	60-1317	66-1308	66-1307
	Front 4 Cyl. Eng. w/M.T. w/ABS	60-1308	60-1307	66-1308	66-1307
1997	See - Geo Metro	—	—	—	—
MONTE CARLO					
2007-06	Front (Exc. SS)	60-1255 ^⑨	60-1250 ^⑨	66-1255 ^⑨	66-1250 ^⑨
	Front (Exc. SS)	60-1255HD ^⑩	60-1250HD ^⑩	66-1255HD ^⑩	66-1250HD ^⑩
	Front SS	60-1434	60-1435	66-1434	66-1435
2005-04	Front (Exc. SS)	60-1255 ^⑨	60-1250 ^⑨	66-1255 ^⑨	66-1250 ^⑨
	Front (Exc. SS)	60-1255HD ^⑩	60-1250HD ^⑩	66-1255HD ^⑩	66-1250HD ^⑩
	Front SS	60-1255 ^⑨	60-1256	66-1255 ^⑨	66-1256
	Front SS	60-1255HD ^⑩	—	66-1255HD ^⑩	—

CV DRIVE AXLES

- ④ Transfer Inner Stub Shaft from Original Axle to Replacement CV Axle.
- ⑨ Supplied w/Standard Neoprene Outboard Boot.
- ⑩ Supplied w/Optional Heavy Duty Thermoplastic Outboard Boot.

NEW & REMANUFACTURED CONSTANT VELOCITY DRIVE AXLES

CV DRIVE AXLES

YEAR	APPLICATION	REMAN		NEW	
		LEFT	RIGHT	LEFT	RIGHT
		Driver Side	Pass. Side	Driver Side	Pass. Side
CHEVROLET (Cont'd)					
MONTE CARLO (Cont'd)					
2003-00	Front.....	60-1255 ⑨	60-1250 ⑨	66-1255 ⑨	66-1250 ⑨
	Front.....	60-1255HD ⑩	60-1250HD ⑩	66-1255HD ⑩	66-1250HD ⑩
1999-98	Front 3.1L Eng.....	60-1112	60-1264	66-1112	66-1264
	Front 3.8L Eng.....	60-1263	60-1264	66-1263	66-1264
1997-95	Front 3.1L Eng.....	60-1112	60-1264	66-1112	66-1264
	Front 3.4L Eng.....	60-1263	60-1264	66-1263	66-1264
MONZA (Mexico)					
2000-98	Front 1.6L Eng.....	60-1500	—	—	—
NOVA					
1988-85	Front.....	60-1002	60-1136	66-1002	66-1136
OPTRA (Canada)					
2007-04	Front.....	60-1388			
PRIZM					
2002-98	Front w/o ABS.....	60-5122	60-5124	66-5126	66-5125
	Front w/ABS.....	60-5126	60-5125	66-5126	66-5125
1997	See - Geo Prizm				
SONIC					
2015-12	Front 1.8L Eng. w/A.T.....	60-1519	60-1520		—
	Front 1.8L Eng. w/M.T.....	—	60-1524	—	—
SPECTRUM					
1989	See - Geo Spectrum				
1988-87	Front w/A.T.....	60-1091	60-1015	—	—
	Front w/M.T. (Exc. Turbo).....	60-1121	60-1077	—	—
	Front w/M.T. Turbo.....	60-1292	60-1291	—	—
1986-85	Front w/A.T.....	60-1091	60-1015	—	—
	Front w/M.T.....	60-1121	60-1077	—	—
SPRINT					
1991-89	Front w/A.T.....	60-1059	60-1104	—	—
	Front w/M.T.....	60-1099	60-1039	—	—
1988-85	Front w/A.T.....	60-1053	60-1044	—	—
	Front w/M.T.....	—	60-1033	—	—
SPRINT (Canada)					
1991-89	Front w/A.T.....	60-1059	60-1104	—	—
	Front w/M.T.....	60-1099	60-1039	—	—
VECTRA (Mexico)					
2006	Front w/A.T.....	60-9349	60-9349	—	—
	Front w/M.T.....	60-9348	60-9348	—	—
CHEVROLET/GMC TRUCKS					
ACADIA					
2015-12	Front.....	60-1465	60-1466	66-1465	66-1466
	Front.....	—	—	66-1465HD	66-1466HD
2011-07	Front.....	60-1465	60-1466	66-1465	66-1466
	Front.....	—	—	66-1465HD	66-1466HD
	Rear.....	60-1508	60-1509	—	—
ASTRO, SAFARI MINI VAN					
2005-03	Front.....	60-1379	60-1379	66-1379	66-1379
2002-97	Front.....	60-1233	60-1233	66-1233	66-1233
1996-90	Front.....	60-1057	60-1057	66-1057	66-1057
AVALANCHE					
2012-07	Front 1500.....	60-1430 ⑨	60-1430 ⑨	66-1430 ⑨	66-1430 ⑨
	Front 1500.....	60-1430HD ⑩	60-1430HD ⑩	66-1430HD ⑩	66-1430HD ⑩
2006-02	Front 1500.....	60-1009 ⑨	60-1009 ⑨	66-1009 ⑨	66-1009 ⑨
	Front 1500.....	60-1009HD ⑩	60-1009HD ⑩	66-1009HD ⑩	66-1009HD ⑩
	Front 2500.....	60-1325 ⑨	60-1325 ⑨	66-1325 ⑨	66-1325 ⑨
	Front 2500.....	—	—	66-1325HD ⑩	66-1325HD ⑩

⑨ Supplied w/Standard Neoprene Outboard Boot.
 ⑩ Supplied w/Optional Heavy Duty Thermoplastic Outboard Boot.

NEW & REMANUFACTURED CONSTANT VELOCITY DRIVE AXLES

YEAR	APPLICATION	REMAN		NEW	
		LEFT	RIGHT	LEFT	RIGHT
CHEVROLET/GMC TRUCKS (Cont'd)		Driver Side	Pass. Side	Driver Side	Pass. Side
BLAZER					
1994-92	Front w/2 Wheel ABS	60-1009 ⑨	60-1009 ⑨	66-1009 ⑨	66-1009 ⑨
	Front w/2 Wheel ABS	60-1009HD ⑩	60-1009HD ⑩	66-1009HD ⑩	66-1009HD ⑩
	Front w/4 Wheel ABS	60-1050 ⑨	60-1050 ⑨	66-1050 ⑨	66-1050 ⑨
	Front w/4 Wheel ABS	60-1050HD ⑩	60-1050HD ⑩	66-1050HD ⑩	66-1050HD ⑩
CANYON, COLORADO					
2012-04	Front	60-1418	60-1418	66-1418	66-1418
CAPTIVA SPORT					
2013-12	Rear	60-1479	60-1480	—	—
2010-08	Front 4 Cyl. Eng.	60-1467	60-1467	66-1467	66-1467
	Front 6 Cyl. Eng.	60-1468	60-1469	66-1468	66-1461
	Rear	60-1479	60-1480	—	—
EQUINOX					
2015-14	Front 6 Cyl. Eng.	60-1518	—	66-1518	—
	Front 6 Cyl. Eng.	—	—	66-1518HD	—
	Front 4 Cyl. Eng.	60-1557	—	—	—
2013-12	Front 4 Cyl. Eng.	60-1557	—	—	—
	Front 6 Cyl. Eng.	60-1518	—	66-1518	—
	Front 6 Cyl. Eng.	—	—	66-1518HD	—
	Rear AWD	60-1538	60-1539	—	—
2011-10	Front 2.4L Eng.	60-1516	60-1517	66-1516	66-1517
	Front 3.0L Eng.	60-1518	—	66-1518	—
	Front 3.0L Eng.	—	—	66-1518HD	—
	Rear AWD	60-1538	60-1539	—	—
2009	Front 3.4L Eng. FWD	60-1462	60-1463	66-1462	66-1463
	Front 3.4L Eng. AWD	60-1462	60-1464	66-1462	—
	Front 3.6L Eng.	60-1468	60-1469	66-1468	66-1461
	Rear AWD	60-1479	60-1480	—	—
2008	Front 3.4L Eng. FWD	60-1462	60-1463	66-1462	66-1463
	Front 3.4L Eng. AWD, w/o Intermediate Shaft	60-1462	60-1464	66-1462	—
	Front 3.4L Eng. AWD, w/ Intermediate Shaft	60-1462	60-1463	66-1462	66-1463
	Front 3.6L Eng.	60-1468	60-1469	66-1468	66-1461
	Rear AWD	60-1479	60-1480	—	—
2007	Front	60-1462	60-1463	66-1462	66-1463
	Rear AWD	60-1479	60-1480	—	—
2006-05	Front	60-1400	60-1401	66-1400	66-1401
	Rear AWD	60-1403	60-1404	—	—
EXPRESS 1500, SAVANA 1500					
2014-08	Front AWD	60-1438	60-1438	66-1438	66-1438
2007	Front AWD	60-1438	60-1438	66-1438	66-1438
	Rear AWD	60-1508	60-1509	—	—
2006-03	Front AWD	60-1438	60-1438	66-1438	66-1438
EXPRESS 2500, SAVANA 2500					
2005-03	Front AWD	60-1438	60-1438	66-1438	66-1438
K1500 PICKUP, CAB & CHASSIS					
1999-98	Front	60-1009 ⑨	60-1009 ⑨	66-1009 ⑨	66-1009 ⑨
	Front	60-1009HD ⑩	60-1009HD ⑩	66-1009HD ⑩	66-1009HD ⑩
1997-92	Front w/2 Wheel ABS	60-1009 ⑨	60-1009 ⑨	66-1050 ⑨	66-1050 ⑨
	Front w/2 Wheel ABS	60-1009HD ⑩	60-1009HD ⑩	66-1009HD ⑩	66-1009HD ⑩
	Front w/4 Wheel ABS	60-1050 ⑨	60-1050 ⑨	66-1050 ⑨	66-1050 ⑨
	Front w/4 Wheel ABS	60-1050HD ⑩	60-1050HD ⑩	66-1050HD ⑩	66-1050HD ⑩
1991-88	Front	60-1009 ⑨	60-1009 ⑨	66-1050 ⑨	66-1050 ⑨
	Front	60-1009HD ⑩	60-1009HD ⑩	66-1050HD ⑩	66-1050HD ⑩
K2500 PICKUP, CAB & CHASSIS					
2000-99	Front	60-1019	60-1019	66-1052	66-1052
1998	Front 7,200 lb. GVW	60-1009 ⑨	60-1009 ⑨	66-1009 ⑨	66-1009 ⑨
	Front 7,200 lb. GVW	60-1009HD ⑩	60-1009HD ⑩	66-1009HD ⑩	66-1009HD ⑩
	Front 8,600 lb. GVW	60-1019	60-1019	66-1052	66-1052
1997-92	Front 7,200 lb. GVW w/2 Wheel ABS	60-1009 ⑨	60-1009 ⑨	66-1050 ⑨	66-1050 ⑨
	Front 7,200 lb. GVW w/2 Wheel ABS	60-1009HD ⑩	60-1009HD ⑩	66-1050HD ⑩	66-1050HD ⑩
	Front 7,200 lb. GVW w/4 Wheel ABS	60-1050 ⑨	60-1050 ⑨	66-1050 ⑨	66-1050 ⑨
	Front 7,200 lb. GVW w/4 Wheel ABS	60-1050HD ⑩	60-1050HD ⑩	66-1050HD ⑩	66-1050HD ⑩
	Front 8,600 lb. GVW w/2 Wheel ABS	60-1019	60-1019	66-1052	66-1052
	Front 8,600 lb. GVW w/4 Wheel ABS	60-1052	60-1052	66-1052	66-1052

⑨ Supplied w/Standard Neoprene Outboard Boot.
 ⑩ Supplied w/Optional Heavy Duty Thermoplastic Outboard Boot.

CV DRIVE AXLES

NEW & REMANUFACTURED CONSTANT VELOCITY DRIVE AXLES

CV DRIVE AXLES

YEAR	APPLICATION	REMAN		NEW	
		LEFT	RIGHT	LEFT	RIGHT
		Driver Side	Pass. Side	Driver Side	Pass. Side
CHEVROLET/GMC TRUCKS (Cont'd)					
K2500 PICKUP, CAB & CHASSIS (Cont'd)					
1991-89	Front 7,200 lb. GVW.....	60-1009 ⑨	60-1009 ⑨	66-1050 ⑨	66-1050 ⑨
	Front 7,200 lb. GVW.....	60-1009HD ⑩	60-1009HD ⑩	66-1050HD ⑩	66-1050HD ⑩
	Front 8,600 lb. GVW.....	60-1019	60-1019	66-1052	66-1052
1988	Front.....	60-1009 ⑨	60-1009 ⑨	66-1050 ⑨	66-1050 ⑨
	Front.....	60-1009HD ⑩	60-1009HD ⑩	66-1009HD ⑩	66-1009HD ⑩
K3500 PICKUP, CAB & CHASSIS					
2000-98	Front.....	60-1019	60-1019	66-1052	66-1052
1997	Front.....	60-1052	60-1052	66-1052	66-1052
1996-92	Front w/2 Wheel ABS.....	60-1019	60-1019	66-1052	66-1052
	Front w/4 Wheel ABS.....	60-1052	60-1052	66-1052	66-1052
1991-88	Front.....	60-1019	60-1019	66-1052	66-1052
LUMINA APV					
1996	Front.....	60-1126	60-1127	66-1126	66-1127
1995-92	Front w/3 Spd. A.T.....	60-1093	60-1109	—	—
	Front w/4 Spd. A.T.....	60-1126	60-1127	66-1126	66-1127
1991-90	Front.....	60-1004	60-1010	—	66-1094
S SERIES BLAZER, JIMMY					
2001-97	Front w/o High Wider Package (ZR2) ⑦.....	60-1311	60-1312	66-1311	66-1312
	Front w/High Wider Package (ZR2) ⑦.....	60-1277	60-1278	66-1277	66-1278
1996	Front w/o High Wider Package (ZR2) ⑦.....	60-1000	60-1000	66-1000	66-1000
	Front w/High Wider Package (ZR2) ⑦.....	60-1319	60-1319	—	—
1995-82	Front.....	60-1000	60-1000	66-1000	66-1000
S SERIES JIMMY (Canada)					
2005-02	Front w/o High Wider Package (ZR2) ⑦.....	60-1311	60-1312	66-1311	66-1312
	Front w/High Wider Package (ZR2) ⑦.....	60-1277	60-1278	66-1277	66-1278
S SERIES PICKUP, SONOMA					
2004-97	Front w/o High Wider Package (ZR2) ⑦.....	60-1311	60-1312	66-1311	66-1312
	Front w/High Wider Package (ZR2) ⑦.....	60-1277	60-1278	66-1277	66-1278
1996-94	Front w/o High Wider Package (ZR2) ⑦.....	60-1000	60-1000	66-1000	66-1000
	Front w/High Wider Package (ZR2) ⑦.....	60-1319	60-1319	—	—
1993-83	Front.....	60-1000	60-1000	66-1000	66-1000
SILVERADO CLASSIC, SIERRA CLASSIC, SIERRA DENALI CLASSIC					
2007	Front 1500.....	60-1009 ⑨	60-1009 ⑨	66-1009 ⑨	66-1009 ⑨
	Front 1500.....	60-1009HD ⑩	60-1009HD ⑩	66-1009HD ⑩	66-1009HD ⑩
	Front 1500 HD, 2500 HD, 3500.....	60-1325 ⑨	60-1325 ⑨	66-1325 ⑨	66-1325 ⑨
	Front 1500 HD, 2500 HD, 3500.....	—	—	66-1325HD ⑩	66-1325HD ⑩
SILVERADO, SIERRA, SIERRA DENALI					
2014-13	Front 2500 HD, 3500 HD.....	—	—	66-1556HD ⑩	66-1556HD ⑩
2012-11	Front 1500.....	60-1430 ⑨	60-1430 ⑨	66-1430 ⑨	66-1430 ⑨
	Front 1500.....	60-1430HD ⑩	60-1430HD ⑩	66-1430HD ⑩	66-1430HD ⑩
2010-07	Front 2500 HD, 3500 HD.....	—	—	66-1556HD ⑩	66-1556HD ⑩
	Front 1500.....	60-1430 ⑨	60-1430 ⑨	66-1430 ⑨	66-1430 ⑨
	Front 1500.....	60-1430HD ⑩	60-1430HD ⑩	66-1430HD ⑩	66-1430HD ⑩
	Front 2500 HD, 3500 HD.....	60-1325 ⑨	60-1325 ⑨	66-1325 ⑨	66-1325 ⑨
2006	Front 2500 HD, 3500 HD.....	—	—	66-1325HD ⑩	66-1325HD ⑩
	Front 1500.....	60-1009 ⑨	60-1009 ⑨	66-1009 ⑨	66-1009 ⑨
	Front 1500.....	60-1009HD ⑩	60-1009HD ⑩	66-1009HD ⑩	66-1009HD ⑩
	Front 1500 HD, 2500, 3500.....	60-1325 ⑨	60-1325 ⑨	66-1325 ⑨	66-1325 ⑨
2005	Front 1500 HD, 2500, 3500.....	—	—	66-1325HD ⑩	66-1325HD ⑩
	Front 1500.....	60-1009 ⑨	60-1009 ⑨	66-1009 ⑨	66-1009 ⑨
	Front 1500.....	60-1009HD ⑩	60-1009HD ⑩	66-1009HD ⑩	66-1009HD ⑩
	Front 1500 HD, 2500, 3500.....	60-1325 ⑨	60-1325 ⑨	66-1325 ⑨	66-1325 ⑨
2004	Front 1500 HD, 2500, 3500.....	—	—	66-1325HD ⑩	66-1325HD ⑩
	Front 1500.....	60-1009 ⑨	60-1009 ⑨	66-1009 ⑨	66-1009 ⑨
	Front 1500.....	60-1009HD ⑩	60-1009HD ⑩	66-1009HD ⑩	66-1009HD ⑩
	Front 1500 HD, 2500, 3500.....	60-1325 ⑨	60-1325 ⑨	66-1325 ⑨	66-1325 ⑨
2004	Front 1500 HD, 2500, 3500.....	—	—	66-1325HD ⑩	66-1325HD ⑩
	Front 1500.....	60-1507	60-1507	—	—
	Rear 1500 Extended Cab w/4 Wheel Steering (NYS).....	60-1506	60-1506	—	—
	Rear 1500 HD Crew Cab w/4 Wheel Steering (NYS).....	60-1506	60-1506	—	—
2004	Rear 2500 HD w/4 Wheel Steering.....	60-1009 ⑨	60-1009 ⑨	66-1009 ⑨	66-1009 ⑨
	Front 1500.....	60-1009HD ⑩	60-1009HD ⑩	66-1009HD ⑩	66-1009HD ⑩
	Front 1500 HD, 2500, 3500.....	60-1325 ⑨	60-1325 ⑨	66-1325 ⑨	66-1325 ⑨
	Front 1500 HD, 2500, 3500.....	—	—	66-1325HD ⑩	66-1325HD ⑩
2004	Rear 1500 Extended Cab w/4 Wheel Steering (NYS).....	60-1507	60-1507	—	—

⑨ Supplied w/Standard Neoprene Outboard Boot.

⑩ Supplied w/Optional Heavy Duty Thermoplastic Outboard Boot.

⑦ GM "Option Codes" are found on the "Service Parts Identification" sticker located on your vehicle. For further assistance, please refer to the example on page ____.

NEW & REMANUFACTURED CONSTANT VELOCITY DRIVE AXLES

YEAR	APPLICATION	REMAN		NEW	
		LEFT	RIGHT	LEFT	RIGHT
CHEVROLET/GMC TRUCKS (Cont'd)		Driver Side	Pass. Side	Driver Side	Pass. Side
SILVERADO, SIERRA, SIERRA DENALI (Cont'd)					
2004	Rear 1500 HD Crew Cab w/4 Wheel Steering (NYS).....	60-1506	60-1506	—	—
(Cont'd)	Rear 2500, 2500 HD w/4 Wheel Steering (NYS).....	60-1506	60-1506	—	—
2003	Front 1500 Exc. Crew Cab, Exc 4 Wheel Steering (NYS) ⑨.....	60-1009 ⑨	60-1009 ⑨	66-1009 ⑨	66-1009 ⑨
	Front 1500 Exc. Crew Cab, Exc 4 Wheel Steering (NYS) ⑩.....	60-1009HD ⑩	60-1009HD ⑩	66-1009HD ⑩	66-1009HD ⑩
	Front 1500 Crew Cab, Exc 4 Wheel Steering (NYS) ⑨.....	60-1325 ⑨	60-1325 ⑨	66-1325 ⑨	66-1325 ⑨
	Front 1500 Crew Cab, Exc 4 Wheel Steering (NYS) ⑩.....	60-1325 ⑨	60-1325 ⑨	66-1325HD ⑩	66-1325HD ⑩
	Front 1500 HD, 2500, 3500.....	60-1325 ⑨	60-1325 ⑨	66-1325 ⑨	66-1325 ⑨
	Front 1500 HD, 2500, 3500.....	—	—	66-1325HD ⑩	66-1325HD ⑩
	Rear 1500 Extended Cab w/4 Wheel Steering (NYS).....	60-1507	60-1507	—	—
	Rear 1500 HD Crew Cab w/4 Wheel Steering (NYS).....	60-1506	60-1506	—	—
	Rear 2500, 2500 HD w/4 Wheel Steering (NYS).....	60-1506	60-1506	—	—
2002	Front 1500 Exc. Crew Cab, Exc 4 Wheel Steering (NYS) ⑨.....	60-1009 ⑨	60-1009 ⑨	66-1009 ⑨	66-1009 ⑨
	Front 1500 Exc. Crew Cab, Exc 4 Wheel Steering (NYS) ⑩.....	60-1009HD ⑩	60-1009HD ⑩	66-1009HD ⑩	66-1009HD ⑩
	Front 1500 Crew Cab, Exc 4 Wheel Steering (NYS) ⑨.....	60-1325 ⑨	60-1325 ⑨	66-1325 ⑨	66-1325 ⑨
	Front 1500 Crew Cab, Exc 4 Wheel Steering (NYS) ⑩.....	—	—	66-1325HD ⑩	66-1325HD ⑩
	Front 1500 HD, 2500, 3500.....	60-1325 ⑨	60-1325 ⑨	66-1325 ⑨	66-1325 ⑨
	Front 1500 HD, 2500, 3500.....	—	—	66-1325HD ⑩	66-1325HD ⑩
	Rear 1500 Extended Cab w/4 Wheel Steering (NYS).....	60-1507	60-1507	—	—
2001	Front 1500 Exc. Crew Cab, Exc 4 Wheel Steering (NYS) ⑨.....	60-1009 ⑨	60-1009 ⑨	66-1009 ⑨	66-1009 ⑨
	Front 1500 Exc. Crew Cab, Exc 4 Wheel Steering (NYS) ⑩.....	60-1009HD ⑩	60-1009HD ⑩	66-1009HD ⑩	66-1009HD ⑩
	Front 1500 Crew Cab, Exc 4 Wheel Steering (NYS) ⑨.....	60-1325 ⑨	60-1325 ⑨	66-1325 ⑨	66-1325 ⑨
	Front 1500 Crew Cab, Exc 4 Wheel Steering (NYS) ⑩.....	—	—	66-1325HD ⑩	66-1325HD ⑩
	Front 1500 HD, 2500, 3500.....	60-1325 ⑨	60-1325 ⑨	66-1325 ⑨	66-1325 ⑨
	Front 1500 HD, 2500, 3500.....	—	—	66-1325HD ⑩	66-1325HD ⑩
2000-99	Front 1500.....	60-1009 ⑨	60-1009 ⑨	66-1009 ⑨	66-1009 ⑨
	Front 1500.....	60-1009HD ⑩	60-1009HD ⑩	66-1009HD ⑩	66-1009HD ⑩
	Front 2500.....	60-1325 ⑨	60-1325 ⑨	66-1325 ⑨	66-1325 ⑨
	Front 2500.....	—	—	66-1325HD ⑩	66-1325HD ⑩
SUBURBAN, YUKON XL, YUKON DENALI XL					
2012	Front 1500.....	60-1430 ⑨	60-1430 ⑨	66-1430 ⑨	66-1430 ⑨
	Front 1500.....	60-1430HD ⑩	60-1430HD ⑩	66-1430HD ⑩	66-1430HD ⑩
2011-07	Front 1500.....	60-1430 ⑨	60-1430 ⑨	66-1430 ⑨	66-1430 ⑨
	Front 1500.....	60-1430HD ⑩	60-1430HD ⑩	66-1430HD ⑩	66-1430HD ⑩
	Front 2500.....	60-1325 ⑨	60-1325 ⑨	66-1325 ⑨	66-1325 ⑨
	Front 2500.....	—	—	66-1325HD ⑩	66-1325HD ⑩
2006-00	Front 1500.....	60-1009 ⑨	60-1009 ⑨	66-1009 ⑨	66-1009 ⑨
	Front 1500.....	60-1009HD ⑩	60-1009HD ⑩	66-1009HD ⑩	66-1009HD ⑩
	Front 2500.....	60-1325 ⑨	60-1325 ⑨	66-1325 ⑨	66-1325 ⑨
	Front 2500.....	—	—	66-1325HD ⑩	66-1325HD ⑩
1999-98	Front 1500 w/Gas Eng.....	60-1009 ⑨	60-1009 ⑨	66-1009 ⑨	66-1009 ⑨
	Front 1500 w/Gas Eng.....	60-1009HD ⑩	60-1009HD ⑩	66-1009HD ⑩	66-1009HD ⑩
	Front 1500 w/Diesel Eng.....	60-1019	60-1019	66-1052	66-1052
	Front 2500.....	60-1019	60-1019	66-1052	66-1052
1997-94	Front 1500 w/Gas Eng. w/2 Wheel ABS.....	60-1009 ⑨	60-1009 ⑨	66-1050 ⑨	66-1050 ⑨
	Front 1500 w/Gas Eng. w/2 Wheel ABS.....	60-1009HD ⑩	60-1009HD ⑩	66-1050HD ⑩	66-1050HD ⑩
	Front 1500 w/Gas Eng. w/4 Wheel ABS.....	60-1050 ⑨	60-1050 ⑨	66-1050 ⑨	66-1050 ⑨
	Front 1500 w/Gas Eng. w/4 Wheel ABS.....	60-1050HD ⑩	60-1050HD ⑩	66-1050HD ⑩	66-1050HD ⑩
	Front 1500 w/Diesel Eng. w/2 Wheel ABS.....	60-1019	60-1019	66-1052	66-1052
	Front 1500 w/Diesel Eng. w/4 Wheel ABS.....	60-1052	60-1052	66-1052	66-1052
	Front 2500 w/2 Wheel ABS.....	60-1019	60-1019	66-1052	66-1052
	Front 2500 w/4 Wheel ABS.....	60-1052	60-1052	66-1052	66-1052
1993-92	Front 1500 w/2 Wheel ABS.....	60-1009 ⑨	60-1009 ⑨	66-1050 ⑨	66-1050 ⑨
	Front 1500 w/2 Wheel ABS.....	60-1009HD ⑩	60-1009HD ⑩	66-1050HD ⑩	66-1050HD ⑩
	Front 1500 w/4 Wheel ABS.....	60-1050 ⑨	60-1050 ⑨	66-1050 ⑨	66-1050 ⑨
	Front 1500 w/4 Wheel ABS.....	60-1050HD ⑩	60-1050HD ⑩	66-1050HD ⑩	66-1050HD ⑩
	Front 2500 w/2 Wheel ABS.....	60-1019	60-1019	66-1052	66-1052
	Front 2500 w/4 Wheel ABS.....	60-1052	60-1052	66-1052	66-1052
TAHOE, YUKON					
2012-07	Front.....	60-1430 ⑨	60-1430 ⑨	66-1430 ⑨	66-1430 ⑨
	Front.....	60-1430HD ⑩	60-1430HD ⑩	66-1430HD ⑩	66-1430HD ⑩
2006-00	Front.....	60-1009 ⑨	60-1009 ⑨	66-1009 ⑨	66-1009 ⑨
	Front.....	60-1009HD ⑩	60-1009HD ⑩	66-1009HD ⑩	66-1009HD ⑩
1999-98	Front Gas Eng.....	60-1009 ⑨	60-1009 ⑨	66-1009 ⑨	66-1009 ⑨
	Front Gas Eng.....	60-1009HD ⑩	60-1009HD ⑩	66-1009HD ⑩	66-1009HD ⑩
	Front Diesel Eng.....	60-1019	60-1019	66-1052	66-1052

CV DRIVE AXLES

⑨ Supplied w/Standard Neoprene Outboard Boot.

⑩ Supplied w/Optional Heavy Duty Thermoplastic Outboard Boot.

⑦ GM "Option Codes" are found on the "Service Parts Identification" sticker located on your vehicle. For further assistance, please refer to the example on page ____.

NEW & REMANUFACTURED CONSTANT VELOCITY DRIVE AXLES

CV DRIVE AXLES

YEAR	APPLICATION	REMAN		NEW	
		LEFT	RIGHT	LEFT	RIGHT
CHEVROLET/GMC TRUCKS (Cont'd)		Driver Side	Pass. Side	Driver Side	Pass. Side
TAHOE, YUKON (Cont'd)					
1997-95	Front Gas Eng. w/2 Wheel ABS.....	60-1009 ⑨	60-1009 ⑨	66-1050 ⑨	66-1050 ⑨
	Front Gas Eng. w/2 Wheel ABS.....	60-1009HD ⑩	60-1009HD ⑩	66-1050HD ⑩	66-1050HD ⑩
	Front Gas Eng. w/4 Wheel ABS.....	60-1050 ⑨	60-1050 ⑨	66-1050 ⑨	66-1050 ⑨
	Front Gas Eng. w/4 Wheel ABS.....	60-1050HD ⑩	60-1050HD ⑩	66-1050HD ⑩	66-1050HD ⑩
	Front Diesel Eng. w/2 Wheel ABS.....	60-1019	60-1019	66-1052	66-1052
	Front Diesel Eng. w/4 Wheel ABS.....	60-1052	60-1052	66-1052	66-1052
1994-92	Front w/2 Wheel ABS.....	60-1009 ⑨	60-1009 ⑨	66-1050 ⑨	66-1050 ⑨
	Front w/2 Wheel ABS.....	60-1009HD ⑩	60-1009HD ⑩	66-1050HD ⑩	66-1050HD ⑩
	Front w/4 Wheel ABS.....	60-1050 ⑨	60-1050 ⑨	66-1050 ⑨	66-1050 ⑨
	Front w/4 Wheel ABS.....	60-1050HD ⑩	60-1050HD ⑩	66-1050HD ⑩	66-1050HD ⑩
TERRAIN					
2015-14	Front 2.4L Eng.....	60-1557	—	—	—
	Front 3.6L Eng.....	60-1518	—	66-1518	—
	Front 3.6L Eng.....	—	—	66-1518HD	—
2013	Front 2.4L Eng.....	60-1557	—	—	—
	Front 3.6L Eng.....	60-1518	—	66-1518	—
	Front 3.6L Eng.....	—	—	66-1518HD	—
2012	Rear AWD.....	60-1538	60-1539	—	—
	Front 2.4L Eng.....	60-1557	—	—	—
2011-10	Rear AWD.....	60-1538	60-1539	—	—
	Front 2.4L Eng.....	60-1516	60-1517	66-1516	66-1517
	Rear AWD.....	60-1538	60-1539	—	—
TRACKER					
2004-99	Front.....	60-1342	60-1341	66-1439	66-1443
1998	Front.....	60-1106	60-1340	66-1106	66-1340
1997-93	See - Geo Tracker				
1992-89	Front.....	60-1106	60-1085	66-1106	66-1085
TRAILBLAZER, ENVOY					
2009-02	Front.....	60-1345	60-1345	66-1345	66-1345
TRAVERSE					
2014-12	Front.....	60-1465	60-1466	66-1465	66-1466
	Front.....	—	—	66-1465HD	66-1466HD
2011-09	Front.....	60-1465	60-1466	66-1465	66-1466
	Front.....	—	—	66-1465HD	66-1466HD
	Rear.....	60-1508	60-1509	—	—
UPLANDER					
2009-07	Front.....	60-1444	60-1445	66-1444	66-1445
2006-05	Front FWD.....	60-1344	60-1367	66-1444	66-1445
	Front AWD.....	60-1344	—	66-1444	—
	Rear AWD.....	60-1202	60-1202	66-1202	66-1202
VENTURE					
2005	Front FWD.....	60-1255 ⑨	60-1250 ⑨	66-1255 ⑨	66-1250 ⑨
	Front FWD.....	60-1255HD ⑩	60-1250HD ⑩	66-1255HD ⑩	66-1250HD ⑩
2004-02	Front FWD.....	60-1255 ⑨	60-1250 ⑨	66-1255 ⑨	66-1250 ⑨
	Front FWD.....	60-1255HD ⑩	60-1250HD ⑩	66-1255HD ⑩	66-1250HD ⑩
	Front AWD.....	60-1255 ⑨	60-1346	66-1255 ⑨	66-1346
	Front AWD.....	60-1255HD ⑩	—	66-1255HD ⑩	—
	Rear AWD.....	60-1202	60-1202	66-1202	66-1202
2001-99	Front.....	60-1255 ⑨	60-1250 ⑨	66-1255 ⑨	66-1250 ⑨
	Front.....	60-1255HD ⑩	60-1250HD ⑩	66-1255HD ⑩	66-1250HD ⑩
1998-97	Front.....	60-1249	60-1250 ⑨	66-1249	66-1250 ⑨
	Front.....	—	60-1250HD ⑩	—	66-1250HD ⑩
CHRYSLER					
CIRRUS					
2006-05	Front w/ABS.....	60-3234	60-3245	66-3234	66-3245
2001	Front w/ABS.....	60-3234	—	66-3234	—
2000-98	Front w/o ABS.....	60-3115	60-3116	66-3234	66-3245
	Front w/ABS.....	60-3234	60-3245	66-3234	66-3245
1997-95	Front w/o ABS.....	60-3115	60-3116	66-3234	66-3245
	Front w/ABS.....	60-3087	60-3097	66-3087	66-3097

⑨ Supplied w/Standard Neoprene Outboard Boot.
 ⑩ Supplied w/Optional Heavy Duty Thermoplastic Outboard Boot.

NEW & REMANUFACTURED CONSTANT VELOCITY DRIVE AXLES

YEAR	APPLICATION	REMAN		NEW	
		LEFT	RIGHT	LEFT	RIGHT
CHRYSLER (Cont'd)		Driver Side	Pass. Side	Driver Side	Pass. Side
CONCORDE					
2004-02	Front.....	60-3130	60-3131	66-3130	66-3131
2001-98	Front w/o ABS.....	60-3047	60-3045	66-3130	66-3131
	Front w/ABS.....	60-3130	60-3131	66-3130	66-3131
1997-96	Front w/o ABS.....	60-3047	60-3045	66-3190	66-3188
	Front w/ABS.....	60-3190	60-3188	66-3190	66-3188
1995-93	Front w/o ABS.....	60-3047	60-3045	66-3046	66-3044
	Front w/ABS.....	60-3046	60-3044	66-3046	66-3044
CONQUEST					
1987	Rear w/o Intercooler.....	60-3101	60-3101	—	—
CROSSFIRE					
2008-07	Rear.....	60-3631	60-3631	—	—
2006	Rear (Exc. SRT-6).....	60-3631	60-3631	—	—
2005-04	Rear.....	60-3631	60-3631	—	—
DAYTONA (Canada)					
1993	Front w/o ABS.....	60-3002	60-3014 ③	66-3025	66-3034 ③
	Front w/ABS.....	60-3025	60-3034 ③	66-3025	66-3034 ③
1992	Front (Exc. Turbo) w/o ABS.....	60-3002	60-3014 ③	66-3025	66-3034 ③
	Front (Exc. Turbo) w/ABS.....	60-3025	60-3034 ③	66-3025	66-3034 ③
1991	Front Turbo w/M.T. w/ABS.....	60-3025	60-3025	66-3025	66-3025
	Front (Exc. Turbo) w/o ABS.....	60-3002	60-3014 ③	66-3025	66-3034 ③
	Front Turbo w/M.T. w/o ABS.....	60-3002	60-3002	66-3025	66-3025
	Front (Exc. Turbo) w/ABS.....	60-3025	60-3034 ③	66-3025	66-3034 ③
1990-87	Front Turbo w/M.T. w/ABS.....	60-3025	60-3025	66-3025	66-3025
	Front (Exc. Turbo).....	60-3002	60-3014 ③	66-3025	66-3034 ③
1986-84	Front Turbo.....	60-3002	60-3002	66-3025	66-3025
	Front.....	60-3015	60-3010	—	—
DYNASTY (Canada)					
1993-88	Front w/o ABS.....	60-3002	60-3014	66-3025	66-3034
	Front w/ABS.....	60-3025	60-3034	66-3025	66-3034
E CLASS					
1985	Front.....	60-3015	60-3010	—	—
1984	Front (Exc. Turbo).....	60-3015	60-3010	—	—
	Front Turbo.....	60-3015	60-3015	—	—
1983	Front From 5/21/83.....	60-3018	60-3019	—	—
	Front Before 5/21/83.....	60-3100	60-3017	—	—
EXECUTIVE LIMO					
1986-85	Front.....	60-3015	60-3010	—	—
EXECUTIVE SEDAN					
1984	Front.....	60-3015	60-3010	—	—
1983	Front From 5/21/83.....	60-3018	60-3019	—	—
	Front Before 5/21/83.....	60-3100	60-3017	—	—
IMPERIAL					
1993-92	Front w/o ABS.....	60-3002	60-3014 ③	66-3025	66-3034 ③
	Front w/ABS.....	60-3025	60-3034 ③	66-3025	66-3034 ③
1991	Front w/o ABS w/o Intermediate Shaft.....	60-3002	60-3014 ③	66-3025	66-3034 ③
	Front w/o ABS w/Intermediate Shaft.....	60-3002	60-3002	66-3025	66-3025
	Front w/ABS w/o Intermediate Shaft.....	60-3025	60-3034 ③	66-3025	66-3034 ③
	Front w/ABS w/Intermediate Shaft.....	60-3025	60-3025	66-3025	66-3025
1990	Front w/o ABS.....	60-3002	60-3014 ③	66-3025	66-3034 ③
	Front w/ABS.....	60-3025	60-3034 ③	66-3025	66-3034 ③
INTREPID (Canada)					
2004-02	Front w/ABS.....	60-3130	60-3131	66-3130	66-3131
2001-98	Front w/o ABS.....	60-3047	60-3045	66-3130	66-3131
	Front w/ABS.....	60-3130	60-3131	66-3130	66-3188
1997-96	Front w/o ABS.....	60-3047	60-3045	66-3190	66-3188
	Front w/ABS.....	60-3190	60-3188	66-3190	66-3188
1995-93	Front w/o ABS.....	60-3047	60-3045	66-3046	66-3044
	Front w/ABS.....	60-3046	60-3044	66-3046	66-3044

CV DRIVE AXLES

③ New axle is designed to compensate for motor mount wear and may be longer than original unit. Please refer to Installation Tip included in CV box for more information and installation assistance.

NEW & REMANUFACTURED CONSTANT VELOCITY DRIVE AXLES

CV DRIVE AXLES

YEAR	APPLICATION	REMAN		NEW	
		LEFT	RIGHT	LEFT	RIGHT
CHRYSLER (Cont'd)		Driver Side	Pass. Side	Driver Side	Pass. Side
LASER					
1986-84	Front (Exc. Turbo)	60-3015	60-3010	—	—
	Front Turbo.....	60-3015	60-3015	—	—
LEBARON					
1995-92	Front w/o ABS	60-3002	60-3014 ③	66-3025	66-3034 ③
	Front w/ABS	60-3025	60-3034 ③	66-3025	66-3034 ③
1991	Front (Exc. Turbo) w/M.T. w/o ABS.....	60-3002	60-3014 ③	66-3025	66-3034 ③
	Front (Exc. Turbo) w/M.T. w/ABS.....	60-3025	60-3034 ③	66-3025	66-3034 ③
	Front Turbo w/M.T. w/o ABS.....	60-3002	60-3002	66-3025	66-3025
	Front Turbo w/M.T. w/ABS.....	60-3025	60-3025	66-3025	66-3025
1990-87	Front (Exc. Turbo)	60-3002	60-3014 ③	66-3025	66-3034 ③
	Front Turbo.....	60-3002	60-3002	66-3025	66-3025
1986-84	Front (Exc. Turbo)	60-3015	60-3010	—	—
	Front Turbo.....	60-3015	60-3015	—	—
1983	Front (Exc. Turbo) From 5/21/83.....	60-3015	60-3010	—	—
	Front (Exc. Turbo) Before 5/21/83.....	60-3100	60-3017	—	—
	Front Turbo From 5/21/83.....	60-3018	60-3018	—	—
	Front Turbo Before 5/21/83.....	60-3100	60-3017	—	—
1982	Front.....	60-3100	60-3017	—	—
LHS					
2001-99	Front w/o ABS	60-3047	60-3045	66-3130	66-3131
	Front w/ABS	60-3130	60-3131	66-3130	66-3188
1997-96	Front w/o ABS	60-3047	60-3045	66-3190	66-3188
	Front w/ABS	60-3190	60-3188	66-3190	66-3188
1995-94	Front w/o ABS	60-3047	60-3045	66-3046	66-3044
	Front w/ABS	60-3046	60-3044	66-3046	66-3044
TC MASERATI					
1991-90	Front w/A.T.....	60-3250	60-3252	—	—
NEW YORKER					
1996	Front w/o ABS	60-3047	60-3045	66-3190	66-3188
	Front w/ABS	60-3190	60-3188	66-3190	66-3188
1995-94	Front w/o ABS	60-3047	60-3045	66-3046	66-3044
	Front w/ABS	60-3046	60-3044	66-3046	66-3044
1993-92	Front w/o ABS	60-3002	60-3014 ③	66-3025	66-3034 ③
	Front w/ABS	60-3025	60-3034 ③	66-3025	66-3034 ③
1991	Front w/o ABS w/o Intermediate Shaft.....	60-3002	60-3014 ③	66-3025	66-3034 ③
	Front w/o ABS w/Intermediate Shaft.....	60-3002	60-3002	66-3025	66-3025
	Front w/ABS w/o Intermediate Shaft.....	60-3025	60-3034 ③	66-3025	66-3034 ③
	Front w/ABS w/Intermediate Shaft.....	60-3025	60-3025	66-3025	66-3025
1990-89	Front w/o ABS	60-3002	60-3014 ③	66-3025	66-3034 ③
	Front w/ABS	60-3025	60-3034 ③	66-3025	66-3034 ③
1988-87	Front (Exc. Turbo) w/o ABS.....	60-3002	60-3014 ③	66-3025	66-3034 ③
	Front (Exc. Turbo) w/ABS.....	60-3025	60-3034 ③	66-3025	66-3034 ③
	Front Turbo w/o ABS.....	60-3002	60-3002	66-3025	66-3025
	Front Turbo w/ABS.....	60-3025	60-3025	66-3025	66-3025
1986-84	Front (Exc. Turbo)	60-3015	60-3010	—	—
	Front Turbo.....	60-3015	60-3015	—	—
1983	Front (Exc. Turbo) From 5/21/83.....	60-3018	60-3019	—	—
	Front (Exc. Turbo) Before 5/21/83.....	60-3100	60-3017	—	—
	Front Turbo From 5/21/83.....	60-3018	60-3018	—	—
	Front Turbo Before 5/21/83.....	60-3100	60-3017	—	—
PT CRUISER					
2010	Front.....	60-3302	60-3303	66-3302	66-3303
2009	Front (Exc. Turbo) w/o ABS.....	60-3302	60-3303	66-3302	66-3303
	Front (Exc. Turbo) w/ABS.....	60-3302	60-3303	66-3302	66-3303
	Front Turbo w/A.T.	60-3420	60-3422	—	66-3422
2008	Front (Exc. Turbo)	60-3302	60-3303	66-3302	66-3303
	Front Turbo.....	60-3420	60-3422	—	66-3422
2007-03	Front (Exc. Turbo) w/o ABS.....	60-3319	60-3320	66-3302	66-3303
	Front (Exc. Turbo) w/ABS.....	60-3302	60-3303	66-3302	66-3303
	Front Turbo w/A.T.	60-3420	60-3422	—	66-3422
2002-01	Front w/o ABS	60-3319	60-3320	66-3302	66-3303
	Front w/ABS	60-3302	60-3303	66-3302	66-3303

③ New axle is designed to compensate for motor mount wear and may be longer than original unit. Please refer to Installation Tip included in CV box for more information and installation assistance.

NEW & REMANUFACTURED CONSTANT VELOCITY DRIVE AXLES

YEAR	APPLICATION	REMAN		NEW	
		LEFT	RIGHT	LEFT	RIGHT
CHRYSLER (Cont'd)		Driver Side	Pass. Side	Driver Side	Pass. Side
PT CRUISER (Mexico)					
2007-06	Front 2.2L Eng.....	60-3683	60-3684	—	—
SEBRING (Convertible)					
2006-01	Front.....	60-3234	60-3245	66-3234	66-3245
2000-98	Front w/o ABS.....	60-3115	60-3116	66-3234	66-3245
	Front w/ABS.....	60-3234	60-3245	66-3234	66-3245
1997-96	Front w/o ABS.....	60-3115	60-3116	66-3234	66-3245
	Front w/ABS.....	60-3087	60-3097	66-3087	66-3097
SEBRING (Coupe)					
2005-04	Front 2.4L Eng.....	60-3333	60-3335	66-3334	66-3336
	Front 3.0L Eng. w/o ABS.....	60-3337	60-3339	66-3338	66-3340
	Front 3.0L Eng. w/ABS.....	60-3338	60-3340	66-3338	66-3340
2003-01	Front 2.4L Eng. w/o ABS.....	60-3333	60-3335	66-3334	66-3336
	Front 2.4L Eng. w/ABS.....	60-3334	60-3336	66-3334	66-3336
	Front 3.0L Eng. w/o ABS.....	60-3337	60-3339	66-3338	66-3340
	Front 3.0L Eng. w/ABS.....	60-3338	60-3340	66-3338	66-3340
2000	Front 2.5L Eng. w/o ABS.....	60-3103	60-3283	66-3164	66-3340
	Front 2.5L Eng. w/ABS.....	60-3164	60-3279	66-3164	66-3340
1999-95	Front 2.0L Eng. w/o ABS.....	60-3103	60-3104	66-3164	66-3166
	Front 2.0L Eng. w/ABS.....	60-3164	60-3166	66-3164	66-3166
	Front 2.5L Eng. w/o ABS.....	60-3103	60-3283	66-3164	66-3340
	Front 2.5L Eng. w/ABS.....	60-3164	60-3279	66-3164	66-3340
SEBRING (Sedan)					
2010	Front 2.4L Eng.....	60-3518	60-3641	66-3518	66-3641
	Front 2.7L Eng.....	60-3518	—	66-3518	—
	Front 3.5L Eng.....	60-3521	60-3522	66-3521	66-3522
2009-07	Front 2.4L Eng.....	60-3518	60-3520	66-3518	66-3520
	Front 2.7L Eng.....	60-3518	60-3519	66-3518	66-3519
	Front 3.5L Eng.....	60-3521	60-3522	66-3521	66-3522
2006-01	Front 2.7L Eng.....	60-3234	60-3245	66-3234	66-3245
TOWN & COUNTRY					
1988-87	Front 2.2L Eng.....	60-3002	60-3010	66-3025	—
	Front 2.5L Eng.....	60-3002	60-3014 ③	66-3025	66-3034 ③
1986-84	Front (Exc. Turbo).....	60-3015	60-3010	—	—
	Front Turbo.....	60-3015	60-3015	—	—
1983	Front From 5/21/83.....	60-3018	60-3019	—	—
	Front Before 5/21/83.....	60-3100	60-3017	—	—
1982	Front.....	60-3100	60-3017	—	—
200					
2014	Front 2.4L Eng. w/4 Spd A.T.....	—	60-3641	—	66-3641
	Front 2.4L Eng. w/6 Spd A.T.....	—	60-3729	—	66-3519
	Front 3.6L Eng.....	60-3521	60-3522	66-3521	66-3522
2013	Front 2.4L Eng. w/4 Spd A.T.....	—	60-3641	—	66-3641
	Front 2.4L Eng. w/6 Spd A.T.....	60-3521	60-3729	66-3521	66-3519
	Front 3.6L Eng.....	60-3521	60-3522	66-3521	66-3522
2012	Front 2.4L Eng. w/4 Spd A.T.....	60-3518	60-3641	66-3518	66-3641
	Front 2.4L Eng. w/6 Spd A.T.....	—	60-3729	—	66-3519
	Front 3.6L Eng.....	60-3521	60-3522	66-3521	66-3522
2011	Front 2.4L Eng. w/4 Spd A.T.....	—	60-3641	—	66-3641
	Front 2.4L Eng. w/6 Spd A.T.....	—	60-3729	—	66-3519
	Front 3.6L Eng.....	60-3521	60-3522	66-3521	66-3522
300					
2014	Front.....	60-3557 ①	60-3558 ①	66-3557 ①	66-3558 ①
	Rear RWD 3.6L Eng. w/215 mm Rear Axle.....	60-3688	60-3689	—	—
	Rear RWD 3.6L Eng. w/248 mm Rear Axle.....	60-3690	—	—	—
	Rear RWD 5.7L Eng. w/248 mm Rear Axle.....	60-3690	—	—	—
	Rear RWD 6.4L Eng.....	60-3694	60-3695	—	—
	Rear AWD 3.6L Eng. w/215 mm Rear Axle.....	60-3679	60-3680	—	—
	Rear AWD 3.6L Eng. w/248 mm Rear Axle.....	60-3681	—	—	—
	Rear AWD 5.7L Eng. w/215 mm Rear Axle.....	60-3679	60-3680	—	—
	Rear AWD 5.7L Eng. w/248 mm Rear Axle.....	60-3681	—	—	—

CV DRIVE AXLES

③ New axle is designed to compensate for motor mount wear and may be longer than original unit. Please refer to Installation Tip included in CV box for more information and installation assistance.

① Includes Rubber Coated ABS Ring.

NEW & REMANUFACTURED CONSTANT VELOCITY DRIVE AXLES

CV DRIVE AXLES

YEAR	APPLICATION	REMAN		NEW	
		LEFT	RIGHT	LEFT	RIGHT
CHRYSLER (Cont'd)		Driver Side	Pass. Side	Driver Side	Pass. Side
300 (Cont'd)					
2013	Front.....	60-3557 ①	60-3558 ①	66-3557 ①	66-3558 ①
	Rear RWD 6.4L Eng.....	60-3694	60-3695	—	—
	Rear AWD 3.6L Eng. w/215 mm Rear Axle.....	60-3688	60-3689	—	—
	Rear AWD 3.6L Eng. w/248 mm Rear Axle.....	60-3690	60-3691	—	—
	Rear AWD 5.7L Eng. w/215 mm Rear Axle.....	60-3679	60-3680	—	—
2012	Rear AWD 5.7L Eng. w/248 mm Rear Axle.....	60-3682	60-3681	—	—
	Front AWD.....	60-3557 ①	60-3558 ①	66-3557 ①	66-3558 ①
	Rear RWD 3.6L Eng.....	60-3690	60-3691	—	—
	Rear RWD 5.7L Eng.....	60-3688	60-3689	—	—
	Rear AWD 3.6L Eng.....	60-3681	60-3682	—	—
2011	Rear AWD 5.7L Eng.....	60-3679	60-3680	—	—
	Front AWD.....	60-3557 ①	60-3558 ①	66-3557 ①	66-3558 ①
	Rear RWD 3.6L Eng. w/215 mm Rear Axle.....	60-3688	60-3689	—	—
	Rear RWD 3.6L Eng. w/248 mm Rear Axle.....	60-3690	60-3691	—	—
	Rear AWD 5.7L Eng. w/215 mm Rear Axle.....	60-3679	60-3680	—	—
2010	Rear AWD 5.7L Eng. w/248 mm Rear Axle.....	60-3681	60-3682	—	—
	Front AWD.....	60-3557 ①	60-3558 ①	66-3557 ①	66-3558 ①
	Rear RWD 3.5L Eng.....	60-3559 ①	60-3560 ①	—	—
	Rear RWD 5.7L Eng.....	60-3698	60-3699	—	—
	Rear RWD 6.1L Eng.....	60-3694	60-3695	—	—
2009	Rear AWD 3.5L Eng.....	60-3681	60-3682	—	—
	Rear AWD 5.7L Eng.....	60-3679	60-3680	—	—
	Front AWD.....	60-3557 ①	60-3558 ①	66-3557 ①	66-3558 ①
	Rear RWD 2.7L Eng.....	60-3696	60-3697	—	—
	Rear RWD 3.5L Eng.....	60-3559 ①	60-3560 ①	—	—
2008-05	Rear RWD 5.7L Eng.....	60-3698	60-3699	—	—
	Rear RWD 6.1L Eng.....	60-3694	60-3695	—	—
	Rear AWD 3.5L Eng.....	60-3681	60-3682	—	—
	Rear AWD 5.7L Eng.....	60-3679	60-3680	—	—
	Front AWD.....	60-3557 ①	60-3558 ①	66-3557 ①	66-3558 ①
300M	Rear RWD 2.7L Eng.....	60-3559 ①	60-3560 ①	—	—
	Rear RWD 3.5L Eng.....	60-3559 ①	60-3560 ①	—	—
	Rear RWD 5.7L Eng.....	60-3561 ①	60-3562 ①	—	—
	Rear RWD 6.1L Eng.....	60-3692	60-3693	—	—
	Rear AWD 3.5L Eng.....	60-3649 ①	60-3650 ①	—	—
Rear AWD 5.7L Eng.....	60-3649 ①	60-3650 ①	—	—	
2004-02	Front (Exc. Special).....	60-3130	60-3131	66-3130	66-3131
	Front Special.....	60-3441	60-3442	—	—
2001-99	Front.....	60-3130	60-3131	66-3130	66-3131
CHRYSLER TRUCKS					
ASPEN					
2009-07	Front.....	60-3382	60-3382	66-3382	66-3382
GRAND VOYAGER					
2002-01	Front.....	60-3109	60-3108	66-3109	66-3108
2000-96	Front w/o ABS.....	60-3227	60-3228	66-3109	66-3108
	Front w/ABS.....	60-3109	60-3108	66-3109	66-3108
PACIFICA					
2008	Front 4.0L Eng.....	60-3555	60-3556	—	—
	Rear AWD.....	60-3602	60-3603	—	—
2007	Front 4.0L Eng.....	60-3555	60-3556	—	—
	Rear AWD.....	60-3600	60-3601	—	—
2006-04	Front FWD.....	60-3399	60-3401	66-3399	66-3401
	Front AWD.....	60-3399	60-3400	66-3399	66-3400
	Rear AWD.....	60-3415	60-3416	—	—
TOWN & COUNTRY MINI VAN					
2015	Front.....	60-3553	—	66-3553	—
2014-13	Front.....	60-3553	60-3639	66-3553	66-3639
2012-11	Front 3.6L Eng.....	60-3553	60-3554	66-3553	66-3554
2010-08	Front 3.3L Eng.....	60-3551	60-3552	66-3551	66-3552
	Front 3.8L Eng.....	60-3553	60-3554	66-3553	66-3554
	Front 4.0L Eng.....	60-3553	60-3639	66-3553	66-3639

① Includes Rubber Coated ABS Ring.

NEW & REMANUFACTURED CONSTANT VELOCITY DRIVE AXLES

YEAR	APPLICATION	REMAN		NEW	
		LEFT	RIGHT	LEFT	RIGHT
CHRYSLER TRUCKS (Cont'd)		Driver Side	Pass. Side	Driver Side	Pass. Side
TOWN & COUNTY MINI VAN (Cont'd)					
2007	Front FWD	60-3109	60-3386	66-3109	66-3108
2006-05	Front FWD	60-3227	60-3385	66-3109	—
	Front FWD	60-3109	60-3386	66-3109	66-3108
2004	Front FWD	60-3109	60-3386	66-3109	66-3108
	Front AWD	60-3109	60-3287	66-3109	66-3251
2003	Front FWD (From 12/21/02)	60-3109	60-3386	66-3109	66-3108
	Front FWD (Before 12/20/02)	60-3109	60-3108	66-3109	66-3108
2002-01	Front AWD	60-3109	60-3287	66-3109	66-3251
	Front FWD	60-3109	60-3108	66-3109	66-3108
2000-97	Front AWD	60-3109	60-3287	66-3109	66-3251
	Front FWD	60-3109	60-3108	66-3109	66-3108
1996	Front AWD	60-3109	60-3251	66-3109	66-3251
	Rear	60-3111	60-3111	66-3111	66-3111
1995-92	Front FWD	60-3109	60-3108	66-3109	66-3108
	Front FWD w/o Intermediate Shaft	60-3038 ③⑤	60-3035 ③	66-3038 ③⑤	66-3035 ③
	Front FWD w/o Intermediate Shaft, Extended length	60-3038S ⑥	—	—	—
	Front FWD w/Intermediate Shaft	60-3038 ③⑤	60-3038 ③⑤	66-3038 ③⑤	66-3038 ③⑤
	Front FWD w/Intermediate Shaft, Extended length	60-3038S ⑥	60-3038S ⑥	—	—
	Front AWD w/o Intermediate Shaft	60-3038 ③⑤	60-3107	66-3038 ③⑤	66-3107
	Front AWD w/o Intermediate Shaft, Extended length	60-3038S ⑥	—	—	—
	Front AWD w/Intermediate Shaft	60-3038 ③⑤	60-3038 ③⑤	66-3038 ③⑤	66-3038 ③⑤
	Front AWD w/Intermediate Shaft, Extended length	60-3038S ⑥	60-3038S ⑥	—	—
	Rear	60-3052	60-3052	—	—
1991	Front FWD w/o Intermediate Shaft	60-3038 ③⑤	60-3035 ③	66-3038 ③⑤	66-3035 ③
	Front FWD w/o Intermediate Shaft, Extended length	60-3038S ⑥	—	—	—
	Front FWD w/Intermediate Shaft	60-3038 ③⑤	60-3038 ③⑤	66-3038 ③⑤	66-3038 ③⑤
	Front FWD w/Intermediate Shaft	60-3038S ⑥	60-3038S ⑥	—	—
1990	Front FWD w/Intermediate Shaft	60-3038S ⑥	60-3038S ⑥	—	—
	Front FWD	60-3001 ③⑤	60-3021 ③	66-3038 ③⑤	66-3035 ③
	Front FWD, Extended length	60-3001S ⑥	—	—	—
VOYAGER					
2007-06	Front	60-3109	60-3386	66-3109	66-3108
2005-04	Front FWD w/ABS	60-3109	60-3386	66-3109	66-3108
2003	Front FWD w/o ABS w/o Speedo Gear on right side (From 12/21/02)	60-3227	60-3385	66-3109	—
	Front FWD w/o ABS w/Speedo Gear on right side (Before 12/20/02)	60-3227	60-3228	66-3109	66-3108
	Front FWD w/ABS w/o Speedo Gear on right side (From 12/21/02)	60-3109	60-3386	66-3109	66-3108
	Front FWD w/ABS w/Speedo Gear on right side (Before 12/20/02)	60-3109	60-3108	66-3109	66-3108
2002	Front FWD w/o ABS	60-3227	60-3228	66-3109	66-3108
	Front FWD w/ABS	60-3109	60-3108	66-3109	66-3108
2001	Front FWD w/o ABS (Exc. Mexico)	60-3227	60-3228	66-3109	66-3108
	Front FWD w/ABS (Exc. Mexico)	60-3109	60-3108	66-3109	66-3108
2000	Front FWD w/ABS Mexico	60-3109	60-3287	66-3109	66-3251
	Front FWD w/o ABS	60-3227	60-3228	66-3109	66-3108
1999-96	Front FWD w/ABS	60-3109	60-3108	66-3109	66-3108
	Front FWD w/ABS	60-3109	60-3108	66-3109	66-3108
1995-91	Front FWD w/o Intermediate Shaft w/o ABS	60-3001 ③⑤	60-3021 ③	66-3038 ③⑤	66-3035 ③
	Front FWD w/o Intermediate Shaft w/o ABS, Extended length	60-3001S ⑥	—	—	—
	Front FWD w/o Intermediate Shaft w/ABS	60-3038 ③⑤	60-3035 ③	66-3038 ③⑤	66-3035 ③
	Front FWD w/o Intermediate Shaft w/ABS, Extended length	60-3038S ⑥	—	—	—
	Front FWD w/Intermediate Shaft w/o ABS	60-3001 ③⑤	60-3001 ③	66-3038 ③⑤	66-3035 ③
	Front FWD w/Intermediate Shaft w/o ABS, Extended length	60-3001S ⑥	60-3001S ⑥	—	—
	Front FWD w/Intermediate Shaft w/ABS	60-3038 ③⑤	60-3038 ③	66-3038 ③⑤	66-3035 ③
	Front FWD w/Intermediate Shaft w/ABS, Extended length	60-3038S ⑥	60-3038S ⑥	—	—
1990	Front w/o Intermediate Shaft	60-3001 ③⑤	60-3021 ③	66-3038 ③⑤	66-3035 ③
	Front w/o Intermediate Shaft, Extended length	60-3001S ⑥	—	—	—
	Front w/Intermediate Shaft	60-3001 ③⑤	60-3001 ③⑤	66-3038 ③⑤	66-3038 ③⑤
	Front w/Intermediate Shaft, Extended length	60-3001S ⑥	60-3001S ⑥	—	—
DAEWOO					
LANOS					
2002-99	Front w/A.T. w/o ABS	60-1380	60-1382	—	—
LEGANZA					
2002-00	Front w/o ABS	60-1388	60-1390	—	—
	Front w/ABS	60-1389	60-1391	—	—

CV DRIVE AXLES

③ New axle is designed to compensate for motor mount wear and may be longer than original unit. Please refer to Installation Tip included in CV box for more information and installation assistance.

⑤ Original OE Length.

⑥ Extended length axle to compensate for motor mount wear.

NEW & REMANUFACTURED CONSTANT VELOCITY DRIVE AXLES

CV DRIVE AXLES

YEAR	APPLICATION	REMAN		NEW	
		LEFT	RIGHT	LEFT	RIGHT
		Driver Side	Pass. Side	Driver Side	Pass. Side
DAEWOO (Cont'd)					
LEGANZA (Cont'd)					
1999	Front w/ABS	60-1389	60-1391	—	—
NUBIRA					
2002-99	Front w/A.T. w/o ABS	60-1392	60-1392	—	—
	Front w/A.T. w/ABS	60-1393	60-1393	—	—
DAIHATSU					
CHARADE					
1992-89	Front 1.0L Eng.	60-7218	60-7217	—	—
	Front 1.3L Eng. w/A.T.	60-7202	60-7203	—	—
	Front 1.3L Eng. w/M.T.	60-7216	60-7215	—	—
1988	Front 1.0L Eng. w/M.T.	60-7193	60-7172	—	—
DAIHATSU TRUCKS					
ROCKY					
1992-90	Front	—	60-7195	—	—
DATSUN					
SEE - NISSAN/DATSUN					
DODGE					
ARIES					
1989-87	Front 2.2L Eng.	60-3002	60-3010	66-3025	—
	Front 2.5L Eng.	60-3002	60-3014 ③	66-3025	66-3034 ③
1986-84	Front (Exc. Turbo)	60-3015	60-3010	—	—
	Front Turbo	60-3015	60-3015	—	—
1983	Front From 5/21/83	60-3018	60-3019	—	—
	Front Before 5/21/83	60-3100	60-3017	—	—
1982	Front	60-3100	60-3017	—	—
1981	Front	60-3050	60-3029	—	—
ATOS (Mexico)					
2004-01	Front	60-3567	60-3568	—	—
ATTITUDE (Mexico)					
2010-07	Front 1.4L GL w/A.T. w/o ABS	60-3448	60-3445	66-3448	66-3449
	Front 1.4L GL w/A.T. w/ABS	60-3448	60-3449	66-3448	66-3449
	Front 1.4L GL w/M.T. w/o ABS	60-3451	60-3452	66-3451	66-3453
	Front 1.4L GL w/M.T. w/ABS	60-3451	60-3453	66-3451	66-3453
	Front 1.6L w/A.T w/o ABS	60-3443	60-3445	66-3448	66-3449
	Front 1.6L w/A.T w/ ABS	60-3448	60-3449	66-3448	66-3449
AVENGER					
2014	Front 2.4L Eng. w/4 Spd A.T.	—	60-3641	—	66-3641
	Front 2.4L Eng. w/6 Spd A.T.	—	60-3729	—	66-3519
	Front 3.6L Eng.	60-3521	60-3522	66-3521	66-3522
2013	Front 2.4L Eng. w/4 Spd A.T.	60-3518	60-3641	66-3518	66-3641
	Front 2.4L Eng. w/6 Spd A.T.	60-3521	60-3729	66-3521	66-3519
	Front 3.6L Eng.	60-3521	60-3522	66-3521	66-3522
2012	Front 2.4L Eng. w/4 Spd A.T.	60-3518	60-3641	66-3518	66-3641
	Front 2.4L Eng. w/6 Spd A.T.	—	60-3729	—	66-3519
	Front 3.6L Eng.	60-3521	60-3522	66-3521	66-3522
2011	Front 2.4L Eng. w/4 Spd A.T.	60-3518	60-3641	66-3518	66-3641
	Front 3.6L Eng.	60-3521	60-3522	66-3521	66-3522
2010	Front 2.4L Eng.	60-3518	60-3641	66-3518	66-3641
	Front 2.7L Eng.	60-3518	—	66-3518	—
	Front 3.5L Eng.	60-3521	60-3522	66-3521	66-3522
2009	Front 2.4L Eng.	60-3518	60-3641	66-3518	66-3641
	Front 2.7L Eng.	60-3518	60-3519	66-3518	66-3519
	Front 3.5L Eng.	60-3521	60-3522	66-3521	66-3522
2008	Front 2.4L Eng.	60-3518	60-3522	66-3518	66-3522
	Front 2.7L Eng.	60-3518	60-3519	66-3518	66-3519
	Front 3.5L Eng.	60-3521	60-3522	66-3521	66-3522
2000	Front 2.5L Eng. w/o ABS	60-3103	60-3283	66-3164	66-3340
	Front 2.5L Eng. w/ABS	60-3164	60-3279	66-3164	66-3340

③ New axle is designed to compensate for motor mount wear and may be longer than original unit. Please refer to Installation Tip included in CV box for more information and installation assistance.

NEW & REMANUFACTURED CONSTANT VELOCITY DRIVE AXLES

YEAR	APPLICATION	REMAN		NEW		
		LEFT	RIGHT	LEFT	RIGHT	
		Driver Side	Pass. Side	Driver Side	Pass. Side	
DODGE (Cont'd)						
AVENGER (Cont'd)						
1999-95	Front 2.0L Eng. w/o ABS.....	60-3103	60-3104	66-3164	66-3166	
	Front 2.0L Eng. w/ABS.....	60-3164	60-3166	66-3164	66-3166	
	Front 2.5L Eng. w/o ABS.....	60-3103	60-3283	66-3164	66-3340	
	Front 2.5L Eng. w/ABS.....	60-3164	60-3279	66-3164	66-3340	
CALIBER						
2012	Front 2.0L Eng. w/A.T.....	60-3511	60-3513	66-3511	66-3513	
2011-10	Front 2.0L Eng. (Exc. CVT).....	60-3511	60-3513	66-3511	66-3513	
	Front 2.0L Eng. w/CVT.....	60-3511	60-3512	66-3511	66-3512	
2009	Front 2.4L Eng.	60-3511	60-3513	66-3511	66-3513	
	Front 1.8L Eng. w/M.T.....	60-3511	60-3513	66-3511	66-3513	
	Front 2.0L Eng. w/CVT.....	60-3511	60-3512	66-3511	66-3512	
2008-07	Front 2.4L Eng.	60-3511	60-3513	66-3511	66-3513	
	Front 1.8L Eng. w/M.T.....	60-3511	60-3513	66-3511	66-3513	
	Front 2.0L Eng. w/CVT.....	60-3511	60-3512	66-3511	66-3512	
	Front 2.4L Eng. FWD.....	60-3511	60-3513	66-3511	66-3513	
	Front 2.4L Eng. AWD.....	60-3511	60-3514	66-3511	66-3514	
	Rear 2.4L Eng. AWD.....	60-3598	60-3599	—	—	
CHALLENGER						
2014	Rear 3.6L Eng w/215mm Rear Axle.....	60-3688	60-3689	—	—	
	Rear 3.6L Eng w/248mm Rear Axle.....	60-3690	—	—	—	
	Rear 5.7L Eng.	60-3687	—	—	—	
	Rear 6.4L Eng.	60-3694	60-3695	—	—	
2013-12	Rear 3.6L Eng w/215mm Rear Axle.....	60-3688	60-3689	—	—	
	Rear 3.6L Eng w/248mm Rear Axle.....	60-3690	60-3691	—	—	
	Rear 5.7L Eng.	60-3687	—	—	—	
2011	Rear 6.4L Eng.	60-3694	60-3695	—	—	
	Rear 3.6L Eng.	60-3690	60-3691	—	—	
	Rear 5.7L Eng. w/A.T.....	60-3688	60-3689	—	—	
2010	Rear 5.7L Eng. w/M.T.....	60-3687	60-3689	—	—	
	Rear 6.4L Eng.	60-3694	60-3695	—	—	
	Rear 5.7L Eng.	60-3694	—	—	—	
2009	Rear 6.1L Eng.	60-3694	60-3695	—	—	
	Rear w/Standard Suspension.....	60-3694	60-3695	—	—	
2008	Rear w/Touring Suspension w/o ABS.....	60-3685	60-3686	—	—	
	Rear w/Touring Suspension w/ ABS.....	60-3559 ①	60-3560 ①	—	—	
	Rear 6.1L Eng.	60-3692	60-3693	—	—	
CHARGER						
2014	Front AWD.....	60-3557 ①	60-3558 ①	66-3557 ①	66-3558 ①	
	Rear RWD 3.6L Eng w/215mm Rear Axle.....	60-3688	60-3689	—	—	
	Rear RWD 3.6L Eng w/248mm Rear Axle.....	60-3690	—	—	—	
	Rear RWD 5.7L Eng w/215mm Rear Axle.....	60-3688	60-3689	—	—	
	Rear RWD 5.7L Eng w/248mm Rear Axle.....	60-3690	—	—	—	
	Rear AWD 3.6L Eng w/215mm Rear Axle.....	60-3679	60-3680	—	—	
	Rear AWD 3.6L Eng w/248mm Rear Axle.....	60-3681	—	—	—	
	Rear AWD 5.7L Eng w/215mm Rear Axle.....	60-3679	60-3680	—	—	
	Rear AWD 5.7L Eng w/248mm Rear Axle.....	60-3681	—	—	—	
	Rear 6.4L Eng.	60-3694	60-3695	—	—	
	2013	Front AWD.....	60-3557 ①	60-3558 ①	66-3557 ①	66-3558 ①
		Rear 3.6L Eng w/215mm Rear Axle.....	60-3688	60-3689	—	—
		Rear 3.6L Eng w/248mm Rear Axle.....	60-3690	60-3691	—	—
Rear 5.7L Eng w/215mm Rear Axle.....		60-3679	60-3680	—	—	
Rear 5.7L Eng w/248mm Rear Axle.....		60-3681	60-3682	—	—	
2012	Rear 6.4L Eng.	60-3694	60-3695	—	—	
	Front AWD.....	60-3557 ①	60-3558 ①	66-3557 ①	66-3558 ①	
	Rear 3.6L Eng w/215mm Rear Axle.....	60-3688	60-3689	—	—	
	Rear 3.6L Eng w/248mm Rear Axle.....	60-3690	60-3691	—	—	
	Rear 5.7L Eng. R/T w/215mm Rear Axle.....	60-3688	60-3689	—	—	
	Rear 5.7L Eng. R/T w/248mm Rear Axle.....	60-3690	60-3691	—	—	
	Rear 5.7L Eng. SE w/215mm Rear Axle.....	60-3679	60-3680	—	—	
	Rear 5.7L Eng. SE w/248mm Rear Axle.....	60-3681	60-3682	—	—	
Rear 6.4L Eng w/215mm Rear Axle.....	60-3688	60-3689	—	—		
	Rear 6.4L Eng w/248mm Rear Axle.....	60-3690	60-3691	—	—	

CV DRIVE AXLES

① Includes Rubber Coated ABS Ring.

NEW & REMANUFACTURED CONSTANT VELOCITY DRIVE AXLES

CV DRIVE AXLES

YEAR	APPLICATION	REMAN		NEW	
		LEFT	RIGHT	LEFT	RIGHT
		Driver Side	Pass. Side	Driver Side	Pass. Side
DODGE (Cont'd)					
CHARGER (Cont'd)					
2011	Front AWD.....	60-3557 ①	60-3558 ①	66-3557 ①	66-3558 ①
	Rear 3.6L Eng w/215mm Rear Axle.....	60-3688	60-3689	—	—
	Rear 3.6L Eng w/248mm Rear Axle.....	60-3690	60-3691	—	—
	Rear 5.7L Eng w/215mm Rear Axle.....	60-3679	60-3680	—	—
	Rear 5.7L Eng w/248mm Rear Axle.....	60-3681	60-3682	—	—
2010	Front AWD.....	60-3557 ①	60-3558 ①	66-3557 ①	66-3558 ①
	Rear 3.5L Eng RWD.....	60-3559 ①	60-3560 ①	—	—
	Rear 3.5L Eng AWD.....	60-3681	60-3682	—	—
	Rear 5.7L Eng RWD.....	60-3698	60-3699	—	—
	Rear 5.7L Eng AWD.....	60-3679	60-3680	—	—
2009	Rear 6.1L Eng. RWD.....	60-3698	60-3699	—	—
	Front AWD.....	60-3557 ①	60-3558 ①	66-3557 ①	66-3558 ①
	Rear 2.7L Eng RWD.....	60-3696	60-3697	—	—
	Rear 3.5L Eng RWD.....	60-3559 ①	60-3560 ①	—	—
	Rear 3.5L Eng AWD.....	60-3681	60-3682	—	—
2008-07	Rear 5.7L Eng RWD.....	60-3698	60-3699	—	—
	Rear 5.7L Eng AWD.....	60-3679	60-3680	—	—
	Rear 6.1L Eng. RWD.....	60-3698	60-3699	—	—
	Front AWD.....	60-3557 ①	60-3558 ①	66-3557 ①	66-3558 ①
	Rear 2.7L Eng RWD.....	60-3559 ①	60-3560 ①	—	—
2006	Rear 3.5L Eng RWD.....	60-3559 ①	60-3560 ①	—	—
	Rear 3.5L Eng AWD.....	60-3649 ①	60-3650 ①	—	—
	Rear 5.7L Eng. RWD.....	60-3561 ①	60-3562 ①	—	—
	Rear 5.7L Eng. AWD.....	60-3649 ①	60-3650 ①	—	—
	Rear 6.1L Eng. RWD.....	60-3692	60-3693	—	—
1987-86	Rear 2.7L Eng.....	60-3559 ①	60-3560 ①	—	—
	Rear 3.5L Eng.....	60-3559 ①	60-3560 ①	—	—
	Rear 5.7L Eng.....	60-3561 ①	60-3562 ①	—	—
	Rear 6.1L Eng.....	60-3692	60-3693	—	—
	Front (Exc. Turbo) w/o High Output Eng.....	60-3018	60-3019	—	—
1985	Front (Exc. Turbo) w/High Output Eng.....	60-3033	—	—	—
	Front Turbo.....	60-3018	60-3018	—	—
	Front (Exc. Turbo).....	60-3018	60-3019	—	—
	Front Turbo.....	60-3018	60-3018	—	—
	COLT				
1994-93	Front 1.5L Eng.....	60-3144	60-3071	—	—
	Front 1.8L Eng. w/o ABS.....	60-3143	60-3185	—	—
	Front 1.8L Eng. w/ABS.....	60-3218	60-3219	—	—
1992-91	Front.....	60-3008	60-3006	—	—
	1990	Front Hatchback w/1.5L Eng.....	60-3008	60-3006	—
1989	Front Hatchback w/1.6L Eng. w/A.T.....	60-3040	60-3006	—	—
	Front Hatchback w/1.6L Eng. w/M.T.....	60-3040	60-3177	—	—
	Front AWD Wagon w/M.T.....	60-3160	60-3222	—	—
	Front Hatchback w/1.5L Eng.....	60-3008	60-3006	—	—
	Front Hatchback w/1.6L Turbo Eng.....	—	60-3223	—	—
1988-87	Front AWD Wagon w/M.T.....	60-3160	60-3222	—	—
	Front (Exc. Turbo).....	60-3176	60-3013	—	—
	Front Turbo.....	60-3160	60-3053	—	—
1986-85	Front (Exc. Turbo) w/A.T.....	60-3132	60-3165	—	—
	Front (Exc. Turbo) w/4 Spd. M.T.....	60-3134	60-3066	—	—
	Front (Exc. Turbo) w/5 Spd. M.T.....	60-3132	60-3165	—	—
	Front Turbo w/M.T.....	60-3141	60-3053	—	—
1984	Front (Exc. Turbo).....	60-3003	60-3000	—	—
	1983-79	Front.....	60-3003	60-3000	—
COLT VISTA					
1991	Front 2WD.....	60-3012	60-3159	—	—
	Front 4WD.....	60-3163	60-3078	—	—
1990-85	Front 2WD.....	60-3012	60-3159	—	—
	Front 4WD.....	60-3163	60-3078	—	—
	Rear.....	60-3270	60-3270	—	—
1984	Front.....	60-3012	60-3159	—	—
CONQUEST					
1986-84	Rear w/o Intercooler.....	60-3101	60-3101	—	—

① Includes Rubber Coated ABS Ring.

NEW & REMANUFACTURED CONSTANT VELOCITY DRIVE AXLES

YEAR	APPLICATION	REMAN		NEW	
		LEFT	RIGHT	LEFT	RIGHT
DODGE (Cont'd)		Driver Side	Pass. Side	Driver Side	Pass. Side
DART					
1989-87	Front.....	60-3135	60-3136	—	—
DAYTONA					
1993	Front w/o ABS.....	60-3002	60-3014 ③	66-3025	66-3034 ③
	Front w/ABS.....	60-3025	60-3034 ③	66-3025	66-3034 ③
1992	Front (Exc. Turbo) w/o ABS.....	60-3002	60-3014 ③	66-3025	66-3034 ③
	Front (Exc. Turbo) w/ABS.....	60-3025	60-3034 ③	66-3025	66-3034 ③
	Front Turbo w/M.T. w/ABS.....	60-3025	60-3025	66-3025	66-3025
1991	Front (Exc. Turbo) w/o ABS.....	60-3002	60-3014 ③	66-3025	66-3034 ③
	Front Turbo w/M.T. w/o ABS.....	60-3002	60-3002	66-3025	66-3025
	Front (Exc. Turbo) w/ABS.....	60-3025	60-3034 ③	66-3025	66-3034 ③
	Front Turbo w/M.T. w/ABS.....	60-3025	60-3025	66-3025	66-3025
1990-87	Front (Exc. Turbo).....	60-3002	60-3014 ③	66-3025	66-3034 ③
	Front Turbo.....	60-3002	60-3002	66-3025	66-3025
1986-84	Front (Exc. Turbo).....	60-3015	60-3010	—	—
	Front Turbo.....	60-3015	60-3015	—	—
DYNASTY					
1993-92	Front w/o ABS.....	60-3002	60-3014 ③	66-3025	66-3034 ③
	Front w/ABS.....	60-3025	60-3034 ③	66-3025	66-3034 ③
1991	Front w/o ABS w/o Intermediate Shaft.....	60-3002	60-3014 ③	66-3025	66-3034 ③
	Front w/o ABS w/Intermediate Shaft.....	60-3002	60-3002	66-3025	66-3025
	Front w/ABS w/o Intermediate Shaft.....	60-3025	60-3034 ③	66-3025	66-3034 ③
	Front w/ABS w/Intermediate Shaft.....	60-3025	60-3025	66-3025	66-3025
1990	Front w/o ABS.....	60-3002	60-3014 ③	66-3025	66-3034 ③
	Front w/ABS.....	60-3025	60-3034 ③	66-3025	66-3034 ③
1989-88	Front w/o ABS.....	60-3002	60-3014 ③	66-3025	66-3034 ③
INTREPID					
2004-02	Front w/ABS.....	60-3130	60-3131	66-3130	66-3131
2001-98	Front w/o ABS.....	60-3047	60-3045	66-3130	66-3131
	Front w/ABS.....	60-3130	60-3131	66-3130	66-3188
1997-96	Front w/o ABS.....	60-3047	60-3045	66-3190	66-3188
	Front w/ABS.....	60-3190	60-3188	66-3190	66-3188
1995-93	Front w/o ABS.....	60-3047	60-3045	66-3046	66-3044
	Front w/ABS.....	60-3046	60-3044	66-3046	66-3044
LANCER					
1989-87	Front (Exc. Turbo).....	60-3002	60-3014 ③	66-3025	66-3034 ③
	Front Turbo.....	60-3002	60-3002	66-3025	66-3025
1986-85	Front (Exc. Turbo).....	60-3015	60-3010	—	—
	Front Turbo.....	60-3015	60-3015	—	—
MAGNUM					
2008-06	Front AWD.....	60-3557 ①	60-3558 ①	66-3557 ①	66-3558 ①
	Rear RWD 2.7L Eng.....	60-3559 ①	60-3560 ①	—	—
	Rear RWD 3.5L Eng.....	60-3559 ①	60-3560 ①	—	—
	Rear AWD 3.5L Eng.....	60-3649 ①	60-3650 ①	—	—
	Rear RWD 5.7L Eng.....	60-3561 ①	60-3562 ①	—	—
	Rear RWD 5.7L Eng.....	60-3649 ①	60-3650 ①	—	—
	Rear RWD 6.1L Eng.....	60-3692	60-3693	—	—
2005	Front AWD.....	60-3557 ①	60-3558 ①	66-3557 ①	66-3558 ①
	Rear RWD 2.7L Eng.....	60-3559 ①	60-3560 ①	—	—
	Rear AWD 3.5L Eng.....	60-3559 ①	60-3650 ①	—	—
	Rear RWD 5.7L Eng.....	60-3561 ①	60-3562 ①	—	—
	Rear AWD 5.7L Eng.....	60-3559 ①	60-3650 ①	—	—
MONACO					
1992	Front w/o ABS.....	60-3099	60-3155	—	—
	Front w/ABS.....	60-3093	60-3094	—	—
1991-90	Front.....	60-3099	60-3155	—	—
NEON					
2005	Front SE, SXT w/A.T. w/o ABS.....	60-3319	60-3320	66-3302	66-3303
	Front SE, SXT w/A.T. w/ABS.....	60-3302	60-3303	66-3302	66-3303
	Front SE, SXT w/M.T. w/o ABS.....	60-3305	60-3308	66-3302	66-3303
	Front SE, SXT w/M.T. w/ABS.....	60-3305	60-3309	66-3302	66-3303
	Front SRT-4.....	60-3421	60-3422	66-3421	66-3422

CV DRIVE AXLES

③ New axle is designed to compensate for motor mount wear and may be longer than original unit. Please refer to Installation Tip included in CV box for more information and installation assistance.

① Includes Rubber Coated ABS Ring.

NEW & REMANUFACTURED CONSTANT VELOCITY DRIVE AXLES

CV DRIVE AXLES

YEAR	APPLICATION	REMAN		NEW	
		LEFT	RIGHT	LEFT	RIGHT
		Driver Side	Pass. Side	Driver Side	Pass. Side
DODGE (Cont'd)					
NEON (Cont'd)					
2004-03	Front SE, SXT w/A.T. w/o ABS.....	60-3319	60-3320	66-3302	66-3303
	Front SE, SXT w/A.T. w/ABS.....	60-3302	60-3303	66-3302	66-3303
	Front SE, SXT w/M.T. w/o ABS.....	60-3305	60-3308	66-3302	66-3303
	Front SE, SXT w/M.T. w/ABS.....	60-3305	60-3309	66-3302	66-3303
	Front SRT-4.....	60-3421	60-3422	66-3421	66-3422
	Front RT w/M.T. w/o ABS.....	60-3319	60-3320	66-3302	66-3303
	Front RT w/M.T. w/ABS.....	60-3302	60-3303	66-3302	66-3303
	Front w/A.T. w/o ABS.....	60-3319	60-3320	66-3302	66-3303
	Front w/A.T. w/ABS.....	60-3302	60-3303	66-3302	66-3303
	Front ACR w/M.T. w/ABS.....	60-3302	60-3303	66-3302	66-3303
2002	Front SE, SXT w/M.T. (Exc. 2.0L High Performance Eng.) w/o ABS.....	60-3305	60-3308	66-3302	66-3303
	Front SE, SXT w/M.T. (Exc. 2.0L High Performance Eng.) w/ABS.....	60-3305	60-3309	66-3302	66-3303
	Front w/3 Spd. A.T. w/o ABS.....	60-3304	60-3306	66-3302	66-3307
	Front w/3 Spd. A.T. w/ABS.....	60-3305	60-3307	66-3302	66-3307
	Front w/4 Spd. A.T. w/o ABS.....	60-3319	60-3320	66-3302	66-3303
	Front w/4 Spd. A.T. w/ABS.....	60-3302	60-3303	66-3302	66-3303
	Front w/M.T. w/o ACR Competition Suspension, w/o ABS.....	60-3304	60-3308	66-3302	66-3303
	Front w/M.T. w/o ACR Competition Suspension, w/ABS.....	60-3305	60-3309	66-3302	66-3303
	Front w/M.T. w/ACR Competition Suspension, w/o ABS.....	60-3319	60-3320	66-3302	66-3303
	Front w/M.T. w/ACR Competition Suspension, w/ABS.....	60-3302	60-3303	66-3302	66-3303
2000	Front w/A.T. w/o ABS.....	60-3304	60-3306	66-3302	66-3307
	Front w/A.T. w/ABS.....	60-3305	60-3307	66-3302	66-3307
	Front w/M.T. w/o ABS.....	60-3304	60-3308	66-3302	66-3303
	Front w/M.T. w/ABS.....	60-3305	60-3309	66-3302	66-3303
1999-97	Front w/A.T. w/o ABS.....	60-3073	60-3058	66-3106	66-3105
	Front w/A.T. w/ABS.....	60-3106	60-3105	66-3106	66-3105
	Front w/M.T. w/o ABS.....	60-3073	60-3072	66-3106	66-3056
1996-95	Front w/M.T. w/ABS.....	60-3239	—	—	—
	Front w/A.T. w/o ABS.....	60-3073	60-3058	66-3106	66-3105
	Front w/A.T. w/ABS.....	60-3106	60-3105	66-3106	66-3105
	Front w/M.T. w/o ABS.....	60-3073	60-3072	66-3106	66-3056
Front w/M.T. w/ABS.....	60-3106	60-3056	66-3106	66-3056	
NEON (Mexico)					
2001	Front 1.6L or 1.8L Eng. w/A.T. 3 Speed.....	60-3305	—	66-3302	—
	Front 1.6L, 1.8L or 2.0L w/M.T. w/o ABS.....	60-3305	60-3308	66-3302	66-3303
	Front 2.0L Eng. w/A. T. 3 Speed w/o ABS.....	60-3305	60-3306	66-3302	66-3307
OMNI, CHARGER, 024					
1990-88	Front.....	60-3022	60-3028	—	—
1987-86	Front (Exc. Turbo or 2.2L H.O. Eng.).....	60-3018	60-3019	—	—
	Front Turbo.....	60-3018	60-3018	—	—
1985	Front 2.2L H.O. Eng.....	60-3033	—	—	—
	Front (Exc. Turbo).....	60-3018	60-3019	—	—
1984	Front Turbo.....	60-3018	60-3018	—	—
	Front.....	60-3018	60-3019	—	—
1983	Front 1.6L or 2.2L Eng. From 5/21/83.....	60-3018	60-3019	—	—
	Front 1.7L Eng. w/A.T. From 5/21/83.....	60-3018	60-3019	—	—
	Front 1.7L Eng. w/A.T. Before 5/21/83.....	60-3100	60-3067	—	—
	Front 1.7L Eng. w/M.T. (NAG-A460) ⑧.....	60-3018	60-3019	—	—
	Front 1.7L Eng. w/M.T. (VW-A412) ⑧.....	60-3004	60-3005	—	—
1982-81	Front 1.7L Eng. w/A.T.....	60-3100	60-3067	—	—
	Front 1.7L Eng. w/M.T. (NAG-A460) w/Cir Clip Style I.B. Housing ⑧.....	60-3050	60-3095	—	—
	Front 1.7L Eng. w/M.T. (NAG-A460) w/Spring Loaded Style I.B. Housing ⑧.....	60-3018	60-3019	—	—
	Front 1.7L Eng. w/M.T. (VW-A412) ⑧.....	60-3004	60-3005	—	—
1980-79	Front 1.7L Eng. w/A.T.....	60-3096	60-3054	—	—
	Front 1.7L Eng. w/M.T.....	60-3043	60-3041	—	—
SHADOW					
1994-93	Front w/o ABS.....	60-3002	60-3014 ③	66-3025	66-3034 ③
	Front w/ABS.....	60-3025	60-3034 ③	66-3025	66-3034 ③
1992-91	Front (Exc. Turbo) w/M.T.....	60-3002	60-3014 ③	66-3025	66-3034 ③
	Front Turbo w/M.T.....	60-3002	60-3002	66-3025	66-3025
1990-87	Front (Exc. Turbo).....	60-3002	60-3014 ③	66-3025	66-3034 ③
	Front Turbo.....	60-3002	60-3002	66-3025	66-3025

③ New axle is designed to compensate for motor mount wear and may be longer than original unit. Please refer to Installation Tip included in CV box for more information and installation assistance.

⑧ Chrysler Corporation "Sales Codes" are found on the "Body Code" plate located on the left front side shield, wheel housing, or the upper radiator support of your vehicle.

NEW & REMANUFACTURED CONSTANT VELOCITY DRIVE AXLES

YEAR	APPLICATION	REMAN		NEW	
		LEFT	RIGHT	LEFT	RIGHT
DODGE (Cont'd)		Driver Side	Pass. Side	Driver Side	Pass. Side
SPIRIT					
1995-92	Front w/o ABS	60-3002	60-3014 ③	66-3025	66-3034 ③
	Front w/ABS	60-3025	60-3034 ③	66-3025	66-3034 ③
1991	Front (Exc. Turbo) w/o ABS	60-3002	60-3014 ③	66-3025	66-3034 ③
	Front Turbo w/o ABS	60-3002	60-3002	66-3025	66-3025
	Front (Exc. Turbo) w/ABS	60-3025	60-3034 ③	66-3025	66-3034 ③
	Front Turbo w/ABS	60-3025	60-3025	66-3025	66-3025
1990	Front (Exc. Turbo)	60-3002	60-3014 ③	66-3025	66-3034 ③
	Front Turbo	60-3002	60-3002	66-3025	66-3025
1989	Front (Exc. Turbo) (Exc. Mexico)	60-3002	60-3014 ③	66-3025	66-3034 ③
	Front Turbo (Exc. Mexico)	60-3002	60-3002	66-3025	66-3025
	Front 2.5L (Mexico)	60-3001	60-3021 ③	66-3038	66-3035 ③
STEALTH					
1996-93	Front FWD SOHC Eng. w/A.T.	60-3142	60-3076	66-3142	—
	Front FWD DOHC Eng. w/A.T.	60-3142	—	66-3142	—
	Front FWD SOHC Eng. w/M.T.	60-3142	60-3074	66-3142	—
1992-91	Front FWD w/A.T.	60-3142	60-3077	66-3142	66-3173
	Front FWD w/M.T.	60-3142	60-3059	66-3142	—
	Front AWD	60-3061	60-3217	—	—
STRATUS COUPE					
2005-04	Front 2.4L Eng. w/A.T. w/o ABS	60-3333	60-3335	66-3334	66-3336
	Front 2.4L Eng. w/M.T. w/o ABS	60-3333	60-3335	66-3334	66-3336
	Front 3.0L Eng. w/o ABS	60-3337	60-3339	66-3338	66-3340
	Front 3.0L Eng. w/ABS	60-3338	60-3340	66-3338	66-3340
2003-02	Front 2.4L Eng. w/A.T. w/o ABS	60-3333	60-3335	66-3334	66-3336
	Front 2.4L Eng. w/A.T. w/ABS	60-3334	60-3336	66-3334	66-3336
	Front 2.4L Eng. w/M.T. w/o ABS	60-3333	60-3335	66-3334	66-3336
	Front 3.0L Eng. w/o ABS	60-3337	60-3339	66-3338	66-3340
	Front 3.0L Eng. w/ABS	60-3338	60-3340	66-3338	66-3340
2001	Front 2.4L Eng. w/A.T. w/o ABS	60-3333	60-3335	66-3334	66-3336
	Front 2.4L Eng. w/A.T. w/ABS	60-3334	60-3336	66-3334	66-3336
	Front 2.4L Eng. w/M.T. w/o ABS	60-3333	60-3335	66-3334	66-3336
	Front 2.4L Eng. w/M.T. w/ABS	60-3334	60-3336	66-3334	66-3336
	Front 3.0L Eng. w/o ABS	60-3337	60-3339	66-3338	66-3340
	Front 3.0L Eng. w/ABS	60-3338	60-3340	66-3338	66-3340
STRATUS SEDAN					
2006-05	Front 2.4L Eng.	60-3234	60-3245	66-3234	66-3245
	Front 2.7L Eng.	60-3234	60-3245	66-3234	66-3245
2004-02	Front 2.4L Eng.	60-3234	60-3245	66-3234	66-3245
	Front 2.7L Eng. w/A.T.	60-3234	60-3245	66-3234	66-3245
2001	Front 2.4L Eng.	60-3234	60-3245	66-3234	66-3245
	Front 2.7L Eng.	60-3234	60-3245	66-3234	66-3245
2000-98	Front w/o ABS	60-3115	60-3116	66-3234	66-3245
	Front w/ABS	60-3234	60-3245	66-3234	66-3245
1997-95	Front w/o ABS	60-3115	60-3116	66-3234	66-3245
	Front w/ABS	60-3087	60-3097	66-3087	66-3097
SX 2.0 (Canada)					
2005-03	Front w/A.T.	60-3319	60-3320	66-3302	66-3303
	Front w/M.T.	60-3305	60-3308	66-3302	66-3303
VERNA (Mexico)					
2006	Front	60-3315	—	—	66-3315
2004	Front 1.5L Eng. w/M.T. w/o ABS	60-3314	60-3196	66-3314	66-3184
	Front 1.6L Eng. w/A.T. w/o ABS	60-3310	60-3312	66-3311	66-3313
	Front 1.6L Eng. w/M.T. w/o ABS	60-3314	60-3196	66-3314	66-3184
VIPER					
2010-03	Rear	60-3432	60-3432	—	—
400					
1983	Front From 5/21/83	60-3018	60-3019	—	—
	Front Before 5/21/83	60-3100	60-3017	—	—
1982	Front	60-3100	60-3017	—	—

CV DRIVE AXLES

③ New axle is designed to compensate for motor mount wear and may be longer than original unit. Please refer to Installation Tip included in CV box for more information and installation assistance.

NEW & REMANUFACTURED CONSTANT VELOCITY DRIVE AXLES

CV DRIVE AXLES

YEAR	APPLICATION	REMAN		NEW	
		LEFT	RIGHT	LEFT	RIGHT
DODGE (Cont'd)		Driver Side	Pass. Side	Driver Side	Pass. Side
600					
1988-87	Front (Exc. Turbo)	60-3002	60-3014 ③	66-3025	66-3034 ③
	Front Turbo.....	60-3002	60-3002	66-3025	66-3025
1986-84	Front (Exc. Turbo)	60-3015	60-3010	—	—
	Front Turbo.....	60-3015	60-3015	—	—
1983	Front (Exc. Turbo) From 5/21/83.....	60-3018	60-3019	—	—
	Front Turbo, From 5/21/83	60-3018	60-3018	—	—
	Front Before 5/21/83	60-3100	60-3017	—	—
1982	Front.....	60-3100	60-3017	—	—
DODGE/RAM TRUCKS					
1500					
2015-12	Front.....	—	—	66-3740 ⑨	66-3740 ⑨
	Front.....	—	—	66-3740HD ⑩	66-3740HD ⑩
2011	Front.....	60-3404 ⑨	60-3404 ⑨	66-3404 ⑨	66-3404 ⑨
	Front.....	—	—	66-3404HD ⑩	66-3404HD ⑩
C/V					
2014-13	Front.....	60-3553	—	66-3553	—
2012	Front.....	60-3553	60-3554	66-3553	66-3554
CARAVAN, GRAND CARAVAN, MINI RAM VAN					
2014-13	Front.....	60-3553	60-3639	66-3553	—
2012	Front 3.6L Eng.....	60-3553	60-3554	66-3553	66-3554
2011	Front 3.6L Eng.....	60-3553	60-3554	66-3553	66-3554
2010	Front 3.3L Eng.....	60-3551	60-3552	66-3551	66-3552
	Front 3.8L Eng.....	60-3553	60-3554	66-3553	66-3554
2009	Front 4.0L Eng.....	60-3553	60-3639	66-3553	66-3639
	Front 3.3L Eng.....	60-3551	60-3552	66-3551	66-3552
	Front 3.8L Eng.....	60-3553	60-3554	66-3553	66-3554
2008	Front 4.0L Eng.....	60-3553	60-3639	66-3553	66-3639
	Front 3.3L Eng.....	60-3551	60-3552	66-3551	66-3552
2008	Front 3.8L Eng.....	60-3553	60-3554	66-3553	66-3554
	Front 4.0L Eng.....	60-3553	60-3639	66-3553	66-3639
2007	Front FWD.....	60-3109	60-3386	66-3109	66-3108
2006-05	Front FWD w/o ABS.....	60-3227	60-3385	66-3109	—
	Front FWD w/ABS.....	60-3109	60-3386	66-3109	66-3108
2004	Front FWD w/o ABS.....	60-3227	60-3385	66-3109	—
	Front FWD w/ABS.....	60-3109	60-3386	66-3109	66-3108
2003	Front AWD.....	60-3109	60-3287	66-3109	66-3251
	Front FWD w/o ABS w/o Speedo Gear on right side (From 12/21/02).....	60-3227	60-3385	66-3109	—
	Front FWD w/o ABS w/Speedo Gear on right side (Before 12/20/02).....	60-3227	60-3228	66-3109	66-3108
	Front FWD w/ABS w/o Speedo Gear on right side (From 12/21/02).....	60-3109	60-3386	66-3109	66-3108
	Front FWD w/ABS w/Speedo Gear on right side (Before 12/20/02).....	60-3109	60-3108	66-3109	66-3108
	Front AWD.....	60-3109	60-3287	66-3109	66-3251
	Front FWD w/o ABS.....	60-3227	60-3228	66-3109	66-3108
2002-01	Front FWD w/ABS.....	60-3109	60-3108	66-3109	66-3108
	Front AWD.....	60-3109	60-3287	66-3109	66-3251
	Front FWD w/o ABS.....	60-3227	60-3228	66-3109	66-3108
2000-97	Front FWD w/ABS.....	60-3109	60-3108	66-3109	66-3108
	Front AWD.....	60-3109	60-3251	66-3109	66-3251
	Rear.....	60-3111	60-3111	66-3111	66-3111
1996	Front FWD w/o ABS.....	60-3227	60-3228	66-3109	66-3108
	Front FWD w/ABS.....	60-3109	60-3108	66-3109	66-3108
1995-91	Front FWD w/o Intermediate Shaft w/o ABS.....	60-3001 ③⑤	60-3021 ③	66-3038 ③⑤	66-3035 ③
	Front FWD w/o Intermediate Shaft w/o ABS, Extended length.....	60-3001S ⑥	—	—	—
	Front FWD w/o Intermediate Shaft w/ABS.....	60-3038 ③⑤	60-3035 ③	66-3038 ③⑤	66-3035 ③
	Front FWD w/o Intermediate Shaft w/ABS, Extended length.....	60-3038S ⑥	—	—	—
	Front FWD w/Intermediate Shaft w/o ABS.....	60-3001 ③⑤	60-3001 ③⑤	66-3038 ③⑤	66-3038 ③⑤
	Front FWD w/Intermediate Shaft w/o ABS, Extended length.....	60-3001S ⑥	60-3001S ⑥	—	—
	Front FWD w/Intermediate Shaft w/ABS.....	60-3038 ③⑤	60-3038 ③⑤	66-3038 ③⑤	66-3038 ③⑤
	Front FWD w/Intermediate Shaft w/ABS, Extended length.....	60-3038S ⑥	60-3038S ⑥	—	—
	Front AWD w/o Intermediate Shaft w/o ABS.....	60-3001 ③⑤	60-3070	66-3038 ③⑤	66-3107
	Front AWD w/o Intermediate Shaft w/o ABS, Extended length.....	60-3001S ⑥	—	—	—

③ New axle is designed to compensate for motor mount wear and may be longer than original unit. Please refer to Installation Tip included in CV box for more information and installation assistance.

⑤ Original OE Length.

⑥ Extended length axle to compensate for motor mount wear.

⑨ Supplied w/Standard Neoprene Outboard Boot.

⑩ Supplied w/Optional Heavy Duty Thermoplastic Outboard Boot.

NEW & REMANUFACTURED CONSTANT VELOCITY DRIVE AXLES

YEAR	APPLICATION	REMAN		NEW	
		LEFT	RIGHT	LEFT	RIGHT
DODGE/RAM TRUCKS (Cont'd)		Driver Side	Pass. Side	Driver Side	Pass. Side
CARAVAN, GRAND CARAVAN, MINI RAM VAN (Cont'd)					
1995-91 (Cont'd)	Front AWD w/o Intermediate Shaft w/ABS	60-3038 ^{③⑤}	60-3107	66-3038 ^{③⑤}	66-3107
	Front AWD w/o Intermediate Shaft w/ABS, Extended length	60-3038S ^⑥	—	—	—
	Front AWD w/Intermediate Shaft w/o ABS	60-3001 ^{③⑤}	60-3001 ^{③⑤}	66-3038 ^{③⑤}	66-3038 ^{③⑤}
	Front AWD w/Intermediate Shaft w/o ABS, Extended length	60-3001S ^⑥	60-3001S ^⑥	—	—
	Front AWD w/Intermediate Shaft w/ABS	60-3038 ^{③⑤}	60-3038 ^{③⑤}	66-3038 ^{③⑤}	66-3038 ^{③⑤}
	Front AWD w/Intermediate Shaft w/ABS, Extended length	60-3038S ^⑥	60-3038S ^⑥	—	—
	Rear w/o ABS	60-3042	60-3042	—	—
	Rear w/ABS	60-3052	60-3052	—	—
1990-87	Front w/o Intermediate Shaft	60-3001 ^{③⑤}	60-3021 ^③	66-3038 ^{③⑤}	66-3035 ^③
	Front w/o Intermediate Shaft, Extended length	60-3001S ^⑥	—	—	—
	Front w/Intermediate Shaft	60-3001 ^{③⑤}	60-3001 ^{③⑤}	66-3038 ^{③⑤}	66-3038 ^{③⑤}
	Front w/Intermediate Shaft, Extended length	60-3001S ^⑥	60-3001S ^⑥	—	—
1986-84	Front	60-3007	60-3011	—	—
D50 PICKUP					
1982	Front	60-3135	60-3136	—	—
DAKOTA					
2011-10	Front (Exc. TRX4)	60-3408	60-3408	66-3408	66-3408
	Front TRX4	60-3545	60-3545	—	—
2009-05	Front	60-3408	60-3408	66-3408	66-3408
2004-02	Front	60-3324	60-3324	66-3324	66-3324
2001	Front From 9/12/00 (Retaining ring groove located 1/2" from end of Female Inboard Housing)	60-3324	60-3324	66-3324	66-3324
	Front Before 9/12/00 (Retaining ring groove located 1 5/16" from end of Female Inboard Housing)	60-3323	60-3323	66-3323	66-3323
2000	Front	60-3323	60-3323	66-3323	66-3323
1999-97	Front	60-3232	60-3232	66-3232	66-3232
1996-93	Front w/2 Wheel ABS	60-3036	60-3036	66-3318	66-3318
	Front w/4 Wheel ABS	60-3318	60-3318	66-3318	66-3318
1992-91	Front	60-3036	60-3036	66-3318	66-3318
1990-87	Front	60-3023	60-3023	66-3023	66-3023
DURANGO					
2015-12	Front	60-3732	—	—	—
2011	Front	60-3732	—	—	—
	Rear w/215MM	60-3704	60-3704	—	—
	Rear w/225MM	60-3705	60-3705	—	—
2009-04	Front	60-3382	60-3382	66-3382	66-3382
2003-02	Front	60-3324	60-3324	66-3324	66-3324
2001	Front From 9/12/00 (Retaining ring groove located 1/2" from end of Female Inboard Housing)	60-3324	60-3324	66-3324	66-3324
	Front Before 9/12/00 (Retaining ring groove located 1 5/16" from end of Female Inboard Housing)	60-3323	60-3323	66-3323	66-3323
2000	Front	60-3323	60-3323	66-3323	66-3323
1999-98	Front	60-3232	60-3232	66-3232	66-3232
JOURNEY					
2014	Front FWD 3.6L Eng.	60-3521	—	66-3521	—
	Rear AWD 3.6L Eng.	60-3608	60-3609	—	—
2013	Front FWD 2.4L Eng.	60-3518	—	66-3518	—
	Front FWD 3.6L Eng.	60-3521	—	66-3521	—
2012-11	Rear AWD 3.6L Eng.	60-3608	60-3609	—	—
	Front FWD 2.4L Eng.	60-3518	—	66-3518	—
	Front FWD 3.6L Eng.	60-3521	60-3522	66-3521	66-3522
2010	Rear AWD 3.6L Eng.	60-3608	60-3609	—	—
	Front 2.4L Eng.	60-3518	60-3641	66-3518	66-3641
	Front 3.5L Eng.	60-3521	60-3522	66-3521	66-3522
2009	Rear 3.5L Eng.	60-3608	60-3609	—	—
	Front 2.4L Eng.	60-3518	60-3520	66-3518	66-3520
	Front 3.5L Eng.	60-3521	60-3522	66-3521	66-3522
	Rear 3.5L Eng.	60-3608	60-3609	—	—
NITRO					
2011-07	Front	60-3563	60-3564	66-3563	66-3564

CV DRIVE AXLES

③ New axle is designed to compensate for motor mount wear and may be longer than original unit. Please refer to Installation Tip included in CV box for more information and installation assistance.

⑤ Original OE Length.

⑥ Extended length axle to compensate for motor mount wear.

NEW & REMANUFACTURED CONSTANT VELOCITY DRIVE AXLES

CV DRIVE AXLES

YEAR	APPLICATION	REMAN		NEW	
		LEFT	RIGHT	LEFT	RIGHT
DODGE/RAM TRUCKS (Cont'd)		Driver Side	Pass. Side	Driver Side	Pass. Side
RAIDER					
1989	Front 2.6L Eng.....	60-3135	60-3136	—	—
	Front 3.0L Eng. w/A.T.....	60-3135	60-3136	—	—
	Front 3.0L Eng. w/M.T.....	60-3081	60-3082	—	—
1988-87	Front.....	60-3135	60-3136	—	—
RAM 1500 PICKUP					
2010-06	Front.....	60-3404 ⑨	60-3404 ⑨	66-3404 ⑨	66-3404 ⑨
	Front.....	—	—	66-3404HD ⑩	66-3404HD ⑩
2005-02	Front.....	60-3316 ⑨	60-3316 ⑨	66-3404 ⑨	66-3404 ⑨
	Front.....	—	—	66-3316HD ⑩	66-3316HD ⑩
RAM 50, POWER RAM 50					
1993-92	Front.....	60-3135	60-3136	—	—
1991-90	Front 2.4L Eng.....	60-3135	60-3136	—	—
	Front 3.0L Eng. w/A.T.....	60-3135	60-3136	—	—
	Front 3.0L Eng. w/M.T.....	60-3081	60-3082	—	—
1989-82	Front.....	60-3135	60-3136	—	—
RAMPAGE					
1984	Front.....	60-3018	60-3019	—	—
1983	Front From 5/21/83 (w/o Retaining ring groove on Male end of Inboard Housing).....	60-3018	60-3019	—	—
EAGLE					
MEDALLION					
1989-88	Front.....	60-3064	60-3064	—	—
PREMIER					
1992	Front w/o ABS.....	60-3099	60-3155	—	—
	Front w/ABS.....	60-3093	60-3094	—	—
1991-90	Front.....	60-3099	60-3155	—	—
1989-88	Front 6 Cyl. Eng.	60-3099	60-3155	—	—
SUMMIT					
1996-95	Front 1.5L Eng. Sedan, w/A.T. w/o ABS.....	60-3144	60-3185	—	—
	Front 1.5L Eng. Sedan, w/M.T. w/o ABS.....	60-3144	60-3071	—	—
	Front 1.8L Eng. Sedan, w/o ABS.....	60-3143	60-3185	—	—
	Front 1.8L Eng. Sedan, w/ABS.....	60-3218	60-3219	—	—
	Front 2.4L Eng. FWD.....	60-3291	60-3292	—	—
	Front 2.4L Eng. AWD.....	60-3121	60-3102	66-3375	66-3102
1994	Front 1.5L Eng. Sedan.....	60-3144	60-3071	—	—
	Front 1.8L Eng. Sedan, w/o ABS.....	60-3143	60-3185	—	—
	Front 1.8L Eng. Sedan, w/ABS.....	60-3218	60-3219	—	—
	Front 2.4L Eng. FWD.....	60-3291	60-3292	—	—
	Front 2.4L Eng. 4WD.....	60-3121	60-3102	66-3375	66-3102
1993	Front 1.5L Eng. (Sedan).....	60-3144	60-3071	—	—
	Front 1.8L Eng. FWD, Sedan, w/o ABS.....	60-3143	60-3185	—	—
	Front 1.8L Eng. FWD, Sedan, w/ABS.....	60-3218	60-3219	—	—
	Front 1.8L Eng. 4WD.....	60-3121	60-3219	66-3375	—
	Front 2.4L Eng. FWD w/A.T.....	60-3291	—	—	—
	Front 2.4L Eng. 4WD.....	60-3121	—	66-3375	—
1992	Front 1.5L Eng.....	60-3008	60-3006	—	—
	Front 1.8L Eng. FWD.....	—	60-3102	—	66-3102
	Front 1.8L Eng. 4WD.....	60-3121	—	66-3375	—
	Front 2.4L Eng. FWD w/A.T.....	60-3291	—	—	—
	Front 2.4L Eng. 4WD.....	60-3121	—	66-3375	—
1991	Front.....	60-3008	60-3006	—	—
1990-89	Front 1.5L Eng. (Exc. Turbo).....	60-3008	60-3006	—	—
	Front 1.6L Eng. w/A.T.....	60-3040	60-3006	—	—
	Front 1.6L Eng. w/M.T.....	60-3040	60-3177	—	—
TALON					
1998-95	Front FWD (Exc. Turbo) w/o ABS.....	60-3103	60-3104	66-3164	66-3166
	Front FWD Turbo w/A.T. w/o ABS.....	60-3277	—	—	—
	Front FWD (Exc. Turbo) w/ABS.....	60-3164	60-3166	66-3164	66-3166
	Front FWD Turbo w/A.T. w/ABS.....	60-3261	—	—	—
	Front FWD Turbo w/M.T. w/o ABS.....	60-3262	60-3263	—	—
	Front FWD Turbo w/M.T. w/ABS.....	60-3275	60-3264	—	—

⑨ Supplied w/Standard Neoprene Outboard Boot.

⑩ Supplied w/Optional Heavy Duty Thermoplastic Outboard Boot.

NEW & REMANUFACTURED CONSTANT VELOCITY DRIVE AXLES

YEAR	APPLICATION	REMAN		NEW	
		LEFT	RIGHT	LEFT	RIGHT
		Driver Side	Pass. Side	Driver Side	Pass. Side
EAGLE (Cont'd)					
TALON (Cont'd)					
1998-95 (Cont'd)	Front AWD w/A.T. w/o ABS.....	60-3121	60-3280	66-3375	66-3274
	Front AWD w/A.T. w/ABS.....	60-3375	60-3274	66-3375	66-3274
	Front AWD w/M.T. w/o ABS.....	60-3121	60-3146	66-3375	66-3145
	Front AWD w/M.T. w/ABS.....	60-3375	60-3145	66-3375	66-3145
1994-93	Front FWD (Exc. Turbo) w/o ABS.....	60-3092	60-3102	66-3092	66-3102
	Front FWD Turbo w/o ABS.....	60-3273	60-3272	—	—
	Front AWD w/A.T. w/o ABS.....	60-3121	60-3102	66-3375	66-3102
	Front AWD w/M.T. w/o ABS w/o Intermediate Shaft.....	60-3121	60-3102	66-3375	66-3102
1992	Front AWD w/M.T. w/o ABS w/Intermediate Shaft.....	60-3092	60-3102	66-3092	66-3102
	Front FWD w/o ABS.....	60-3092	60-3102	66-3092	66-3102
	Front AWD w/A.T. w/o ABS.....	60-3092	60-3102	66-3092	66-3102
	Front AWD w/M.T. w/o ABS w/o Intermediate Shaft.....	60-3121	60-3102	66-3375	66-3102
1991	Front AWD w/M.T. w/o ABS w/Intermediate Shaft.....	60-3092	60-3102	66-3092	66-3102
	Front FWD w/o ABS.....	60-3092	60-3102	66-3092	66-3102
1990	Front AWD w/o ABS.....	60-3121	60-3102	66-3375	66-3102
	Front FWD.....	60-3092	60-3102	66-3092	66-3102
	Front AWD w/M.T.....	60-3121	60-3102	66-3375	66-3102
VISION					
1997-96	Front w/o ABS.....	60-3047	60-3045	66-3190	66-3188
	Front w/ABS.....	60-3190	60-3188	66-3190	66-3188
1995-93	Front w/o ABS.....	60-3047	60-3045	66-3046	66-3044
	Front w/ABS.....	60-3046	60-3044	66-3046	66-3044
2000 GTX (Canada)					
1991	Front FWD.....	60-3092	60-3102	66-3092	66-3102
	Front AWD.....	60-3121	60-3102	66-3375	66-3102
FORD					
ASPIRE					
1997-94	Front w/A.T. w/o ABS.....	60-2108	60-2106	66-2072	66-2070
	Front w/A.T. w/ABS.....	60-2072	60-2070	66-2072	66-2070
	Front w/M.T. w/o ABS.....	60-2107	60-2109	—	66-2074
	Front w/M.T. w/ABS.....	60-2076	60-2074	—	66-2074
COBRA					
1971-69	Rear (For Kit Car Replica using Thunderbird Rear Suspension).....	60-2155	60-2155	—	—
CONTOUR					
2000-95	Front 4 Cyl. Eng. w/A.T. w/o ABS.....	60-2050	60-2052	66-2051	66-2053
	Front 4 Cyl. Eng. w/A.T. w/ABS.....	60-2051	60-2053	66-2051	66-2053
	Front 4 Cyl. Eng. w/M.T. w/o ABS.....	60-2054	60-2052	66-2055	66-2053
	Front 4 Cyl. Eng. w/M.T. w/ABS.....	60-2055	60-2053	66-2055	66-2053
	Front 6 Cyl. Eng. w/A.T. w/o ABS.....	60-2058	60-2060	66-2059	66-2061
	Front 6 Cyl. Eng. w/A.T. w/ABS.....	60-2059	60-2061	66-2059	66-2061
	Front 6 Cyl. Eng. w/M.T. w/o ABS.....	60-2062	60-2060	—	66-2061
	Front 6 Cyl. Eng. w/M.T. w/ABS.....	60-2063	60-2061	—	66-2061
COUGAR (Mexico)					
1996-91	Rear 6 Cyl. Eng. w/o ABS.....	60-2023	60-2023		
1990-89	Rear w/o ABS.....	60-2023	60-2023		
ESCORT, EXP					
2003	Front w/M.T. w/o ABS (ZX-2).....	60-2114	60-2115	66-2040	66-8099
	Front w/M.T. w/ABS (ZX-2).....	60-2116	60-2117	66-2040	66-8099
2002-98	Front w/A.T. w/o ABS.....	60-2011	60-2012	66-2105	66-2136
	Front w/A.T. w/ABS.....	60-2105	60-2136	66-2105	66-2136
	Front w/M.T. w/o ABS (Exc. ZX-2).....	60-2036	60-2132	66-2040	66-2134
	Front w/M.T. w/o ABS, ZX-2.....	60-2114	60-2115	66-2040	66-8099
	Front w/M.T. w/ABS (Exc. ZX-2).....	60-2040	60-2134	66-2040	66-2134
	Front w/M.T. w/ABS, ZX-2.....	60-2116	60-2117	66-2040	66-8099
1997	Front w/A.T. w/o ABS.....	60-2011	60-2012	66-2105	66-2136
	Front w/A.T. w/ABS.....	60-2105	60-2136	66-2105	66-2136
	Front w/M.T. w/o ABS.....	60-2036	60-2132	66-2040	66-2134
	Front w/M.T. w/ABS.....	60-2040	60-2134	66-2040	66-2134

CV DRIVE AXLES

NEW & REMANUFACTURED CONSTANT VELOCITY DRIVE AXLES

CV DRIVE AXLES

YEAR	APPLICATION	REMAN		NEW	
		LEFT	RIGHT	LEFT	RIGHT
FORD (Cont'd)		Driver Side	Pass. Side	Driver Side	Pass. Side
ESCORT, EXP (Cont'd)					
1996-94	Front 1.8L Eng. w/A.T. w/o ABS.....	60-2011	60-2030	66-2105	66-2033
	Front 1.8L Eng. w/A.T. w/ABS.....	60-2105	60-2033	66-2105	66-2033
	Front 1.8L Eng. w/M.T. w/o ABS.....	60-2036	60-2030	66-2040	66-2033
	Front 1.8L Eng. w/M.T. w/ABS.....	60-2040	60-2033	66-2040	66-2033
	Front 1.9L Eng.....	60-2011	60-2012	66-2105	66-2136
1993-91	Front 1.8L Eng. w/A.T.....	60-2011	60-2030	66-2105	66-2033
	Front 1.8L Eng. w/M.T.....	60-2036	60-2030	66-2040	66-2033
	Front 1.9L Eng.....	60-2011	60-2012	66-2105	66-2136
1990-86	Front w/A.T.....	60-2003	60-2000	—	—
	Front w/M.T.....	60-2004	60-2000	—	—
1985	Front (Exc. Turbo) w/A.T.....	60-2003	60-2000	—	—
	Front (Exc. Turbo) w/M.T.....	60-2004	60-2000	—	—
	Front Turbo w/M.T. w/25 Spline I.B. Housing.....	60-2013	60-2010	—	—
1984	Front (Exc. Turbo) w/A.T. From 12/83.....	60-2003	60-2000	—	—
	Front (Exc. Turbo) w/A.T. Before 12/83.....	60-2003	60-2028	—	—
	Front (Exc. Turbo) w/M.T. From 12/83.....	60-2004	60-2000	—	—
	Front (Exc. Turbo) w/M.T. Before 12/83.....	60-2004	60-2028	—	—
	Front Turbo w/M.T. w/25 Spline I.B. Housing.....	60-2013	60-2010	—	—
1983	Front w/A.T. From 6/83.....	60-2003	60-2028	—	—
	Front w/A.T. From 1/83 To 5/83.....	60-2078	60-2009	—	—
	Front w/A.T. Before 1/83.....	60-2014	60-2009	—	—
	Front w/M.T. From 6/83.....	60-2004	60-2028	—	—
	Front w/M.T. Before 6/83.....	60-2014	60-2009	—	—
1982-81	Front.....	60-2014	60-2009	—	—
FESTIVA					
1993-89	Front w/A.T.....	60-2029	60-2026	—	—
	Front w/M.T.....	60-2016	60-2018	—	—
1988	Front.....	60-2016	60-2018	—	—
FIESTA (Mexico)					
2001	Front 1.3L Eng.....	60-2256	60-2256	—	—
FIVE HUNDRED					
2007-06	Front FWD w/A.T.....	60-2162	60-2163	66-2162	66-2163
	Front FWD w/CVT.....	60-2164	60-2165	66-2164	66-2165
	Front AWD w/CVT.....	60-2164	60-2166	66-2164	66-2166
	Rear AWD w/CVT.....	60-2234	60-2234	—	—
2005	Front FWD w/A.T.....	60-2162	60-2163	66-2162	66-2163
	Front FWD w/CVT.....	60-2164	60-2165	66-2164	66-2165
	Front AWD w/CVT.....	60-2164	60-2166	66-2164	66-2166
	Rear AWD w/CVT.....	60-2234	60-2234	—	—
FOCUS					
2011	Front w/A.T.....	60-2143	60-2144	66-2143	66-2144
	Front w/M.T.....	60-2172	60-2195	66-2172	66-2195
2010-06	Front w/A.T.....	60-2143	60-2144	66-2143	66-2144
	Front w/M.T.....	60-2172	60-2195	66-2172	66-2195
2005	Front w/A.T.....	60-2143	60-2144	66-2143	66-2144
	Front Sedan w/5 Spd. M.T. (Trans. Code MTX75).....	60-2172	60-2173	66-2172	66-2173
	Front Wagon w/5 Spd. M.T.....	60-2143	60-2144	66-2143	66-2144
2004	Front Hatchback (Vin Code 3) w/A.T.....	60-2170	60-2144	—	66-2144
	Front Hatchback (Vin Code Z) w/A.T.....	60-2143	60-2144	66-2143	66-2144
	Front Hatchback w/5 Spd. M.T.....	—	60-2144	—	66-2144
	Front Hatchback w/6 Spd. M.T.....	60-2170	60-2171	—	66-2171
	Front 4 Door w/A.T.....	60-2143	60-2144	66-2143	66-2144
	Front 4 Door Sedan w/5 Spd. M.T. (Trans. Code B5, IB5).....	60-2145	60-2146	66-2145	66-2146
	Front 4 Door Sedan w/5 Spd. M.T. (Trans. Code MTX75).....	60-2172	60-2173	66-2172	66-2173
Front 4 Door Wagon w/5 Spd. M.T. (Trans. Code MTX75).....	60-2143	60-2144	66-2143	66-2144	
2003-02	Front w/A.T.....	60-2143	60-2144	66-2143	66-2144
	Front w/5 Spd. M.T. SOHC Eng.....	60-2145	60-2146	66-2145	66-2146
	Front w/5 Spd. M.T. DOHC Eng.....	60-2143	60-2144	66-2143	66-2144
	Front w/6 Spd. M.T. DOHC Eng.....	60-2170	60-2171	—	66-2171
2001-00	Front w/A.T.....	60-2143	60-2144	66-2143	66-2144
	Front w/5 Spd. M.T. SOHC Eng.....	60-2145	60-2146	66-2145	66-2146
	Front w/5 Spd. M.T. DOHC Eng. (Exc. SV).....	60-2143	60-2144	66-2143	66-2144

NEW & REMANUFACTURED CONSTANT VELOCITY DRIVE AXLES

YEAR	APPLICATION	REMAN		NEW	
		LEFT	RIGHT	LEFT	RIGHT
FORD (Cont'd)		Driver Side	Pass. Side	Driver Side	Pass. Side
FUSION					
2012	Front 2.5L Eng. w/A.T.	60-2272	60-2251	66-2272	66-8154
	Front 2.5L Eng. w/CVT, Hybrid.....	60-2279	60-2251	—	66-8154
	Front 2.5L Eng. w/M.T.	—	60-2251	—	66-8154
	Front 3.0L Eng.	60-2250	60-8183	66-2250	66-8183
	Front 3.5L Eng.	60-2196	60-2197	66-2196	66-2197
	Rear AWD	60-2265	60-2266	—	—
2011	Front 2.5L Eng. w/A.T.	60-2272	60-2251	66-2272	66-8154
	Front 2.5L Eng. w/CVT, Hybrid.....	60-2279	60-2251	—	66-8154
	Front 2.5L Eng. w/M.T.	—	60-2251	—	66-8154
	Front 3.0L Eng.	60-2250	60-8183	66-2250	66-8183
	Front 3.5L Eng.	60-2196	60-2197	66-2196	66-2197
2010	Front 2.5L Eng. w/A.T.	60-2272	60-2251	66-2272	66-8154
	Front 2.5L Eng. w/CVT, Hybrid.....	60-2279	60-2251	—	66-8154
	Front 2.5L Eng. w/M.T.	—	60-2251	—	66-8154
	Front 3.0L Eng.	60-2272	60-2251	66-2272	—
	Front 3.5L Eng.	60-2196	60-2197	66-2196	66-2197
	Rear AWD	60-2265	60-2266	—	—
2009-08	Front 2.3L Eng.	60-8152	60-8154	66-8152	66-8154
	Front 3.0L Eng.	60-8182	60-8183	66-8182	66-8183
	Rear AWD	60-2265	60-2266	—	—
2007-06	Front 2.3L Eng.	60-8152	60-8154	66-8152	66-8154
	Front 3.0L Eng.	60-8182	60-8183	66-8182	66-8183
KA (Mexico)					
2008-01	Front	60-2257	60-2258	—	—
MUSTANG					
2004-03	Rear Cobra, w/IRS	60-2233	60-2233	—	—
2002	Rear Cobra - None Produced				
MYSTIQUE (Mexico)					
2000-95	Front 4 Cyl. Eng. w/A.T. w/o ABS.....	60-2050	60-2052	66-2051	66-2053
	Front 4 Cyl. Eng. w/A.T. w/ABS.....	60-2051	60-2053	66-2051	66-2053
	Front 4 Cyl. Eng. w/M.T. w/o ABS.....	60-2054	60-2052	66-2055	66-2053
	Front 4 Cyl. Eng. w/M.T. w/ABS.....	60-2055	60-2053	66-2055	66-2053
	Front 6 Cyl. Eng. w/A.T. w/o ABS.....	60-2058	60-2060	66-2059	66-2061
	Front 6 Cyl. Eng. w/A.T. w/ABS.....	60-2059	60-2061	66-2059	66-2061
	Front 6 Cyl. Eng. w/M.T. w/o ABS.....	60-2062	60-2060	—	66-2061
	Front 6 Cyl. Eng. w/M.T. w/ABS.....	60-2063	60-2061	—	66-2061
PROBE					
1997-94	Front 2.0L Eng. w/A.T. w/o ABS.....	60-8059	60-8096	66-8032	66-8097
	Front 2.0L Eng. w/A.T. w/ABS.....	60-8032	60-8097	66-8032	66-8097
	Front 2.0L Eng. w/M.T. w/o ABS.....	60-8094	60-8096	66-8095	66-8097
	Front 2.0L Eng. w/M.T. w/ABS.....	60-8095	60-8097	66-8095	66-8097
	Front 2.5L Eng. w/o ABS	60-8094	60-8096	66-8095	66-8097
	Front 2.5L Eng. w/ABS	60-8095	60-8097	66-8095	66-8097
1993	Front w/o ABS	60-8094	60-8096	66-8095	66-8097
	Front w/ABS	60-8095	60-8097	66-8095	66-8097
1992-90	Front 2.2L Eng. (Exc. Turbo) w/o ABS.....	60-8001	60-8000	66-8027	66-8023
	Front 2.2L Eng. (Exc. Turbo) w/ABS.....	60-8027	60-8023	66-8027	66-8023
	Front 2.2L Eng. Turbo w/o ABS.....	60-8005	60-8004	—	—
	Front 2.2L Eng. Turbo w/ABS.....	60-8016	60-8017	—	—
	Front 3.0L Eng. w/o ABS	60-8005	60-8004	—	—
	Front 3.0L Eng. w/ABS	60-8016	60-8017	—	—
1989	Front 2.2L Eng. (Exc. Turbo) w/o ABS.....	60-8001	60-8000	66-8027	66-8023
	Front 2.2L Eng. (Exc. Turbo) w/ABS.....	60-8027	60-8023	66-8027	66-8023
	Front 2.2L Eng. Turbo w/o ABS.....	60-8005	60-8004	—	—
	Front 2.2L Eng. Turbo w/ABS.....	60-8016	60-8017	—	—
TAURUS					
2014	Front 3.5L Eng. (Exc. Turbo)	60-2186	—	66-2186	—
	Rear AWD	60-2245	60-2246	—	—
2013	Front (Exc. SHO)	60-2186	—	66-2186	—
	Rear AWD	60-2245	60-2246	—	—
2012	Front AWD Exc. SHO	60-2186	—	66-2186	—
	Front AWD SHO	60-2254	60-2255	—	—
	Rear AWD	60-2245	60-2246	—	—

CV DRIVE AXLES

NEW & REMANUFACTURED CONSTANT VELOCITY DRIVE AXLES

CV DRIVE AXLES

YEAR	APPLICATION	REMAN		NEW	
		LEFT	RIGHT	LEFT	RIGHT
		Driver Side	Pass. Side	Driver Side	Pass. Side
FORD (Cont'd)					
TAURUS (Cont'd)					
2011-10	Front FWD.....	60-2186	60-2187	66-2186	66-2187
	Front AWD (Exc. SHO).....	60-2186	60-2208	66-2186	—
	Front AWD SHO.....	60-2254	60-2255	—	—
	Rear AWD.....	60-2245	60-2246	—	—
2009	Front FWD.....	60-2186	60-2187	66-2186	66-2187
	Front AWD.....	60-2186	60-2208	66-2186	—
	Rear AWD.....	60-2245	60-2246	—	—
2008	Front FWD.....	60-2186	60-2187	66-2186	66-2187
	Rear AWD.....	60-2243	60-2244	—	—
2007	Front w/o ABS.....	60-2138	60-2141	66-2008	66-2042
	Front w/ABS.....	60-2138	60-2142	66-2008	66-2042
2006-04	Front w/o ABS (4F50N Transmission).....	60-2138	60-2142	66-2008	66-2042
	Front w/ABS (4F50N Transmission).....	60-2138	60-2142	66-2008	66-2042
2003-02	Front w/o ABS (4F50N Transmission).....	60-2138	60-2142	66-2008	66-2042
	Front w/ABS (4F50N Transmission).....	60-2138	60-2142	66-2008	66-2042
	Front w/o ABS (AX4S Transmission).....	60-2138	60-2140	66-2008	66-2005
2001	Front w/ABS (AX4S Transmission).....	60-2138	60-2140	66-2008	66-2005
	Front w/o ABS (AX4N Transmission).....	60-2137	60-2141	66-2008	66-2042
	Front w/o ABS (AX4S Transmission).....	60-2137	60-2139	66-2008	66-2005
2000	Front w/ABS (AX4N Transmission).....	60-2138	60-2142	66-2008	66-2042
	Front w/ABS (AX4S Transmission).....	60-2138	60-2140	66-2008	66-2005
	Front w/o ABS (Exc. AX4N Transmission) (17 bolt pan).....	60-2137	60-2139	66-2008	66-2005
	Front w/o ABS (AX4N Transmission) (19 bolt pan).....	60-2137	60-2141	66-2008	66-2042
1999-96	Front w/ABS (Exc. AX4N Transmission) (17 bolt pan).....	60-2138	60-2140	66-2008	66-2005
	Front w/ABS (AX4N Transmission) (19 bolt pan).....	60-2138	60-2142	66-2008	66-2042
	Front 3.0L Eng. w/o ABS (Exc. AX4N Transmission) (17 bolt pan).....	60-2137	60-2139	66-2008	66-2005
	Front 3.0L Eng. w/ABS (Exc. AX4N Transmission) (17 bolt pan).....	60-2137	60-2141	66-2008	66-2042
1995-94	Front 3.0L Eng. w/ABS (AX4N Transmission) (19 bolt pan).....	60-2138	60-2140	66-2008	66-2005
	Front 3.4L Eng.....	60-2020	60-2089	66-2008	—
	Front (Exc. SHO) 3.0L or 3.8L Eng. w/A.T. (Exc. AX4N Transmission) w/o ABS (17 bolt pan).....	60-2002	60-2001	66-2008	66-2005
	Front (Exc. SHO) 3.0L or 3.8L Eng. w/A.T. (AX4N Transmission) w/o ABS (19 bolt pan).....	60-2002	60-2041	66-2008	66-2042
1993	Front (Exc. SHO) 3.0L or 3.8L Eng. w/A.T. (Exc. AX4N Transmission) w/ABS (17 bolt pan).....	60-2008	60-2005	66-2008	66-2005
	Front (Exc. SHO) 3.0L or 3.8L Eng. w/A.T. (AX4N Transmission) w/ABS (19 bolt pan).....	60-2008	60-2042	66-2008	66-2042
	Front SHO 3.0L Eng. w/M.T.....	60-2031	60-2034	—	—
	Front SHO 3.2L Eng.....	60-2020	60-2022	66-2008	66-2005
1992	Front (Exc. SHO) w/A.T. w/o ABS.....	60-2002	60-2001	66-2008	66-2005
	Front (Exc. SHO) w/A.T. w/ABS.....	60-2008	60-2005	66-2008	66-2005
	Front SHO 3.0L Eng. w/M.T. w/ABS.....	60-2031	60-2034	—	—
	Front SHO 3.2L Eng.....	60-2020	60-2022	66-2008	66-2005
1991	Front (Exc. SHO) w/A.T. w/o ABS.....	60-2002	60-2001	66-2008	66-2005
	Front (Exc. SHO) w/A.T. w/ABS.....	60-2008	60-2005	66-2008	66-2005
	Front SHO 3.0L Eng. w/M.T. w/ABS.....	60-2031	60-2034	—	—
	Front 4 Cyl. Eng. w/A.T.....	60-2006	60-2007	—	—
1990-89	Front 6 Cyl. Eng. (Exc. SHO) w/A.T. w/o ABS.....	60-2002	60-2001	66-2008	66-2005
	Front 6 Cyl. Eng. (Exc. SHO) w/A.T. w/ABS.....	60-2008	60-2005	66-2008	66-2005
	Front 6 Cyl. Eng. SHO.....	60-2031	60-2034	—	—
	Front 4 Cyl. Eng. w/A.T.....	60-2006	60-2007	—	—
1988-86	Front 6 Cyl. Eng. (Exc. SHO) w/A.T. w/o ABS.....	60-2002	60-2001	66-2008	66-2005
	Front 6 Cyl. Eng. (Exc. SHO) w/A.T. w/ABS.....	60-2008	60-2005	66-2008	66-2005
	Front 6 Cyl. Eng. SHO.....	60-2080	60-2079	—	—
	Front 4 Cyl. Eng. w/A.T.....	60-2006	60-2007	—	—
TEMPO	Front 4 Cyl. Eng. w/M.T.....	60-2025	60-2079	—	—
	Front 6 Cyl. Eng. w/A.T. w/o ABS.....	60-2002	60-2001	66-2008	66-2005
	Front 6 Cyl. Eng. w/A.T. w/ABS.....	60-2008	60-2005	66-2008	66-2005
	Front 6 Cyl. Eng. w/M.T. w/o ABS.....	60-2080	60-2079	—	—
1994-92	Front 6 Cyl. Eng. w/M.T. w/ABS.....	60-2031	60-2034	—	—
	Front w/A.T.....	60-2082	60-2032	66-2082	66-2032
	Front w/M.T.....	60-2037	60-2032	66-2037	66-2032
	Front w/A.T.....	60-2019	60-2017	—	—
1991	Front w/M.T.....	60-2043	60-2017	—	—
	Front w/M.T.....	60-2003	60-2000	—	—
1990-86	Front w/A.T.....	60-2004	60-2000	—	—
	Front w/M.T.....	60-2003	60-2000	—	—
1985-84	Front w/A.T.....	60-2003	60-2000	—	—
	Front w/M.T. (Exc. 2.3L H.O. Eng. w/25 Spline I.B. Housing).....	60-2004	60-2000	—	—
	Front w/M.T., 2.3L H.O. Eng. w/25 Spline I.B. Housing.....	60-2013	60-2010	—	—

NEW & REMANUFACTURED CONSTANT VELOCITY DRIVE AXLES

YEAR	APPLICATION	REMAN		NEW	
		LEFT	RIGHT	LEFT	RIGHT
FORD TRUCKS (Cont'd)		Driver Side	Pass. Side	Driver Side	Pass. Side
THUNDERBIRD					
2005-02	Rear	60-2180	60-2181	—	—
1997-96	Rear 6 Cyl. Eng. w/o ABS	60-2023	60-2023	—	—
	Rear 6 Cyl. Eng. w/ABS	60-2128	60-2128	—	—
	Rear 8 Cyl. Eng. w/o ABS	60-2123	60-2123	—	—
1995-93	Rear 8 Cyl. Eng. w/ABS	60-2125	60-2125	—	—
	Rear 6 Cyl. Eng. (Exc. Supercharged) w/o ABS	60-2023	60-2023	—	—
	Rear 6 Cyl. Eng. (Exc. Supercharged) w/ABS	60-2128	60-2128	—	—
	Rear 6 Cyl. Eng. Supercharged w/o ABS	60-2123	60-2123	—	—
	Rear 6 Cyl. Eng. Supercharged w/ABS	60-2125	60-2125	—	—
	Rear 8 Cyl. Eng. w/o ABS	60-2123	60-2123	—	—
	Rear 8 Cyl. Eng. w/ABS	60-2125	60-2125	—	—
1992-89	Rear 7.5" Ring Gear w/o ABS	60-2023	60-2023	—	—
	Rear 7.5" Ring Gear w/ABS	60-2128	60-2128	—	—
	Rear 8.8" Ring Gear w/o ABS	60-2123	60-2123	—	—
	Rear 8.8" Ring Gear w/ABS	60-2125	60-2125	—	—
TOPAZ (Mexico)					
1994-92	Front 4 Cyl. Eng. w/M.T.	60-2037	—	66-2037	—
	Front 6 Cyl. Eng. w/A.T.	—	60-2032	—	66-2032
	Front 6 Cyl. Eng. w/M.T.	60-2037	60-2032	66-2037	66-2032
FORD TRUCKS					
AEROSTAR					
1997-92	Front	60-2099	60-2099	66-2099	66-2099
1991	Front w/3.27 Axle Ratio	60-2097	60-2097	—	—
	Front w/3.73 Axle Ratio From 8/91	60-2099	60-2099	66-2099	66-2099
	Front w/3.73 Axle Ratio Before 8/91	60-2097	60-2097	—	—
1990	Front	60-2097	60-2097	—	—
EDGE					
2015-14	Front FWD	60-2188	60-2190	66-2188	66-2190
	Front FWD	—	—	66-2188HD	66-2190HD
	Front AWD	60-2188	—	66-2188	—
2013-11	Front AWD	—	—	66-2188HD	—
	Front FWD	60-2188	60-2190	66-2188	66-2190
	Front FWD	—	—	66-2188HD	66-2190HD
	Front AWD	60-2188	60-2189	66-2188	66-2189
	Front AWD	—	—	66-2188HD	66-2189HD
2010-07	Rear AWD	60-2259	—	—	—
	Front FWD	60-2188	60-2190	66-2188	66-2190
	Front FWD	—	—	66-2188HD	66-2190HD
	Front AWD	60-2188	60-2189	66-2188	66-2189
	Front AWD	—	—	66-2188HD	66-2189HD
	Rear AWD	60-2235	60-2236	—	—
ESCAPE					
2012	Front 2.5L Eng. w/CVT, Hybrid	60-2167	60-2086	66-2167	66-2086
	Front 2.5L Eng. w/M.T. FWD	60-2182	60-2086	66-2182	66-2086
	Front 2.5L Eng. w/M.T. 4WD	—	60-2086	—	66-2086
	Front 3.0L Eng. w/A.T.	60-2249	60-2086	66-2249	66-2086
	Rear 4WD	60-2241	60-2242	—	—
2011-09	Front 2.5L Eng. w/A.T.	60-2249	60-2086	66-2249	66-2086
	Front 2.5L Eng. w/CVT, Hybrid	60-2167	60-2086	66-2167	66-2086
	Front 2.5L Eng. w/M.T.	60-2182	60-2086	66-2182	66-2086
	Front 3.0L Eng. w/A.T.	60-2249	60-2086	66-2249	66-2086
	Rear 4WD	60-2241	60-2242	—	—
2008	Front 2.3L Eng. w/A.T.	60-2084	60-2086	66-2084	66-2086
	Front 2.3L Eng. w/CVT, Hybrid	60-2167	60-2086	66-2167	66-2086
	Front 2.3L Eng. w/M.T. FWD	60-2182	60-2095	66-2182	66-2095
	Front 2.3L Eng. w/M.T. 4WD	—	60-2095	—	66-2095
	Front 3.0L Eng. w/A.T.	60-2084	60-2086	66-2084	66-2086
	Rear 4WD	60-2241	60-2242	—	—
2007	Front 2.3L Eng. w/A.T.	60-2084	60-2086	66-2084	66-2086
	Front 2.3L Eng. w/CVT, Hybrid	60-2167	60-2086	66-2167	66-2086
	Front 2.3L Eng. w/M.T. FWD	60-2182	60-2095	66-2182	66-2095
	Front 2.3L Eng. w/M.T. 4WD	—	60-2095	—	66-2095
	Front 3.0L Eng. w/A.T.	60-2084	60-2086	66-2084	66-2086
	Rear 4WD	60-2098	60-2102	—	—

CV DRIVE AXLES

NEW & REMANUFACTURED CONSTANT VELOCITY DRIVE AXLES

CV DRIVE AXLES

YEAR	APPLICATION	REMAN		NEW		
		LEFT	RIGHT	LEFT	RIGHT	
FORD TRUCKS (Cont'd)		Driver Side	Pass. Side	Driver Side	Pass. Side	
ESCAPE (Cont'd)						
2006-05	Front 2.3L Eng. w/A.T.....	60-2084	60-2086	66-2084	66-2086	
	Front 2.3L Eng. w/CVT, Hybrid.....	60-2167	60-2086	66-2167	66-2086	
	Front 2.3L Eng. w/M.T. FWD.....	60-2182	60-2095	66-2182	66-2095	
	Front 2.3L Eng. w/M.T. 4WD.....	—	60-2095	—	66-2095	
	Front 3.0L Eng. w/A.T. w/o ABS.....	60-2083	60-2085	66-2084	66-2086	
	Front 3.0L Eng. w/A.T. w/ABS.....	60-2084	60-2086	66-2084	66-2086	
	Rear 4WD.....	60-2098	60-2102	—	—	
	Rear Hybrid.....	60-2247	60-2248	—	—	
	2004	Front 2.0L Eng. w/A.T. w/o ABS.....	60-2083	60-2085	66-2084	66-2086
		Front 2.0L Eng. w/A.T. w/ABS.....	60-2084	60-2086	66-2084	66-2086
Front 2.0L Eng. w/M.T. w/o ABS.....		60-2087	60-2094	66-2090	66-2095	
Front 2.0L Eng. w/M.T. w/ABS.....		60-2090	60-2095	66-2090	66-2095	
Front 3.0L Eng. w/A.T. w/o ABS.....		60-2083	60-2085	66-2084	66-2086	
Front 3.0L Eng. w/A.T. w/ABS.....		60-2084	60-2086	66-2084	66-2086	
Rear w/o ABS.....		60-2096	60-2100	—	—	
Rear w/ABS.....		60-2098	60-2102	—	—	
2003-01		Front 2.0L Eng. w/A.T. w/o ABS.....	60-2083	60-2085	66-2084	66-2086
		Front 2.0L Eng. w/A.T. w/ABS.....	60-2084	60-2086	66-2084	66-2086
	Front 2.0L Eng. w/M.T. w/o ABS.....	60-2087	60-2094	66-2090	66-2095	
	Front 2.0L Eng. w/M.T. w/ABS.....	60-2090	60-2095	66-2090	66-2095	
	Front 3.0L Eng. w/A.T. w/o ABS.....	60-2083	60-2085	66-2084	66-2086	
	Front 3.0L Eng. w/A.T. w/ABS.....	60-2084	60-2086	66-2084	66-2086	
	Rear w/o ABS.....	60-2096	60-2100	—	—	
	Rear w/ABS.....	60-2098	60-2102	—	—	
	EXPEDITION					
	2014	Front.....	60-2191	60-2192	66-2191	66-2192
2013-11	Front.....	60-2191	60-2192	66-2191	66-2192	
	Rear.....	60-2263	60-2260	—	—	
2010	Front.....	60-2191	60-2192	66-2191	66-2192	
	Rear.....	60-2239	60-2264	—	—	
2009	Front.....	60-2191	60-2192	66-2191	66-2192	
	Rear.....	60-2239	60-2240	—	—	
2008-07	Front.....	60-2191	60-2192	66-2191	66-2192	
	Rear.....	60-2237	60-2238	—	—	
2006-03	Front.....	60-2103	60-2103	66-2103	66-2103	
	Rear w/8.8" Rear Axle.....	60-2158	60-2159	66-2158	66-2159	
	Rear w/9.75" Rear Axle.....	60-2160	60-2161	—	—	
2002-97	Front.....	60-2112	60-2112	66-2112	66-2112	
EXPLORER						
2014-11	Rear AWD.....	60-2261	60-2262	—	—	
2010-06	Front.....	60-2184	60-2185	66-2184	66-2185	
	Rear.....	60-2193	60-2194	66-2193	66-2194	
2005	Front.....	60-2153	60-2154	66-2153	66-2154	
	Rear w/o Advance Trac From 3/18/05.....	60-2230	60-2231	—	—	
	Rear w/Advance Trac.....	60-2178	60-2179	66-2193	66-2194	
2004-02	Front.....	60-2153	60-2154	66-2153	66-2154	
	Rear w/Advance Trac.....	60-2178	60-2179	66-2193	66-2194	
2001-95	Front.....	60-2101	60-2027	66-2101	66-2027	
EXPLORER SPORT						
2003	Front.....	60-2168	60-2169	66-2168	66-2169	
2002-01	Front.....	60-2101	60-2027	66-2101	66-2027	
EXPLORER SPORT TRAC						
2010-07	Front.....	60-2184	60-2185	66-2184	66-2185	
	Rear.....	60-2193	60-2194	66-2193	66-2194	
2005-03	Front.....	60-2168	60-2169	66-2168	66-2169	
2002-01	Front.....	60-2101	60-2027	66-2101	66-2027	
FLEX						
2014	Front (Exc. Turbo).....	60-2186	—	66-2186	—	
2013-12	Front FWD.....	60-2186	—	66-2186	—	
	Front AWD (Exc. Turbo).....	60-2186	60-2211	66-2186	—	
	Front AWD Turbo.....	60-2254	60-2255	—	—	
	Rear AWD.....	60-2245	60-2246	—	—	

NEW & REMANUFACTURED CONSTANT VELOCITY DRIVE AXLES

YEAR	APPLICATION	REMAN		NEW	
		LEFT	RIGHT	LEFT	RIGHT
FORD TRUCKS (Cont'd)		Driver Side	Pass. Side	Driver Side	Pass. Side
FLEX (Cont'd)					
2011	Front FWD	60-2186	60-2187	66-2186	66-2187
	Front AWD (Exc. Turbo)	60-2186	60-2211	66-2186	—
	Front AWD Turbo	60-2254	60-2255	—	—
	Rear AWD	60-2245	60-2246	—	—
2010-09	Front FWD	60-2186	60-2187	66-2186	66-2187
	Front AWD	60-2186	60-2211	66-2186	—
	Rear AWD	60-2245	60-2246	—	—
F SERIES					
2014	Front F150	60-2191	60-2192	66-2191	66-2192
2013-10	Front F150 (Exc. SVT Raptor)	60-2191	60-2192	66-2191	66-2192
2009	Front F150	60-2191	60-2192	66-2191	66-2192
2008-05	Front F150	60-2103	60-2103	66-2103	66-2103
2004	Front F150 (Exc. Heritage)	60-2103	60-2103	66-2103	66-2103
	Front F150 Heritage	60-2112	60-2112	66-2112	66-2112
	Front F250 (Mexico)	60-2112	60-2112	66-2112	66-2112
2003-00	Front F150	60-2112	60-2112	66-2112	66-2112
	Front F250 (Mexico)	60-2112	60-2112	66-2112	66-2112
1999-97	Front F150, F250 (w/GVW Under 8,500 lbs.)	60-2112	60-2112	66-2112	66-2112
FREESTAR					
2007-04	Front	60-2156	60-2157	66-2156	66-2157
FREESTYLE					
2007	Front FWD	60-2164	60-2165	66-2164	66-2165
	Front AWD	60-2164	60-2166	66-2164	66-2166
	Rear AWD	60-2234	60-2234	—	—
2006-05	Front FWD	60-2164	60-2165	66-2164	66-2165
	Front AWD	60-2164	60-2166	66-2164	66-2166
	Rear AWD	60-2234	60-2234	—	—
LOBO (Mexico)					
2011-09	Front	60-2191	60-2192	66-2191	66-2192
2008-03	Front	60-2103	60-2103	66-2103	66-2103
RANGER					
2011-03	Front	60-2168	60-2169	66-2168	66-2169
2002-01	Front	60-2101	60-2027	66-2101	66-2027
2000	Front w/Threaded Outboard Shaft end	60-2101	60-2027	66-2101	66-2027
	Front w/Splined Outboard Shaft end	60-2147	60-2148	66-2147	66-2148
1999-98	Front	60-2147	60-2148	66-2147	66-2148
TAURUS X					
2009	Front FWD	60-2186	60-2187	66-2186	66-2187
	Front AWD	60-2186	60-2208	66-2186	—
	Rear AWD	60-2245	60-2246	—	—
2008	Front FWD	60-2186	60-2187	66-2186	66-2187
	Front AWD	60-2186	—	66-2186	—
	Rear AWD	60-2243	60-2244	—	—
TRANSIT CONNECT					
2013-10	Front	60-2252	60-2253	66-2252	66-2173
WINDSTAR					
2003-01	Front	60-2091	60-2093	66-2091	66-2005
2000-99	Front	60-2091	60-2092	66-2091	66-2092
1998-95	Front	60-2068	60-2069	66-2068	66-2069
GEO					
METRO					
1998	See - Chevrolet Metro				
1997-95	Front 3 Cyl. Eng. w/o ABS	60-1298	60-1297	66-1303	66-1304
	Front 3 Cyl. Eng. w/ABS	60-1303	60-1304	66-1303	66-1304
	Front 4 Cyl. Eng. w/A.T. w/o ABS	60-1314	60-1315	66-1314	66-1315
	Front 4 Cyl. Eng. w/A.T. w/ABS	60-1306	60-1305	—	—
	Front 4 Cyl. Eng. w/M.T. w/o ABS	60-1316	60-1317	66-1308	66-1307
	Front 4 Cyl. Eng. w/M.T. w/ABS	60-1308	60-1307	66-1308	66-1307

CV DRIVE AXLES

NEW & REMANUFACTURED CONSTANT VELOCITY DRIVE AXLES

CV DRIVE AXLES

YEAR	APPLICATION	REMAN		NEW	
		LEFT	RIGHT	LEFT	RIGHT
		Driver Side	Pass. Side	Driver Side	Pass. Side
GEO (Cont'd)					
METRO (Cont'd)					
1994-89	Front w/A.T.	60-1059	60-1104	—	—
	Front w/M.T.	60-1099	60-1039	—	—
PRIZM					
1998	See - Chevrolet Prizm				
1997-93	Front w/o ABS	60-5122	60-5124	66-5126	66-5125
	Front w/ABS	60-5126	60-5125	66-5126	66-5125
1992-89	Front	60-1002	60-1136	66-1002	66-1136
SPECTRUM					
1989	Front w/A.T.	60-1091	60-1015	—	—
	Front w/M.T. (Exc. Turbo)	60-1121	60-1077	—	—
	Front w/M.T. Turbo	60-1292	60-1291	—	—
1988	See - Chevrolet Spectrum				
STORM					
1993-90	Front SOHC Eng. w/A.T.	60-1032	60-1028	66-1032	66-1028
	Front DOHC Eng. w/A.T.	60-1063	60-1058	—	—
	Front SOHC Eng. w/M.T.	60-1031	60-1026	66-1031	66-1026
	Front DOHC Eng. w/M.T.	60-1063	60-1079	—	—
GEO TRUCKS					
TRACKER					
1998	See - Chevrolet Tracker				
1997-96	Front	60-1106	60-1340	66-1106	66-1340
1995-89	Front	60-1106	60-1085	66-1106	66-1085
GMC TRUCKS					
SEE - CHEVROLET/GMC TRUCKS					
HONDA					
ACCORD					
2012-08	Front 4 Cyl. Eng. w/A.T.	60-4250	60-4260	66-4250	66-4251
	Front 4 Cyl. Eng. w/M.T.	60-4250	60-4251	66-4250	66-4251
	Front 6 Cyl. Eng. (Code J35Z2) w/A.T.	60-4254	60-4255	66-4254	66-4255
	Front 6 Cyl. Eng. (Code J35Z3) w/M.T.	60-4252	60-4253	66-4252	66-4253
2007-05	Front 4 Cyl. Eng. 2-Door w/A.T.	60-4217	60-4218	66-4217	66-4218
	Front 4 Cyl. Eng. 2-Door w/M.T.	60-4219	60-4220	66-4206	66-4220
	Front 4 Cyl. Eng. 4-Door w/A.T.	60-4217	60-4218	66-4217	66-4218
	Front 4 Cyl. Eng. 4-Door w/M.T.	60-4219	60-4220	66-4206	66-4220
	Front 6 Cyl. Eng. w/A.T. (Exc. Hybrid)	60-4221	60-4222	66-4221	66-4207
	Front 6 Cyl. Eng. w/A.T. Hybrid	60-4228	60-4229	—	—
	Front 6 Cyl. Eng. w/M.T.	60-4221	60-4222	66-4221	66-4207
2004-03	Front 4 Cyl. Eng. 2-Door w/A.T.	60-4217	60-4218	66-4217	66-4218
	Front 4 Cyl. Eng. 2-Door w/M.T.	60-4219	60-4220	66-4206	66-4220
	Front 4 Cyl. Eng. 4-Door w/A.T.	60-4217	60-4218	66-4217	66-4218
	Front 4 Cyl. Eng. 4-Door w/M.T.	60-4219	60-4220	66-4206	66-4220
	Front 6 Cyl. Eng. w/A.T. (Exc. Hybrid)	60-4221	60-4222	66-4221	66-4207
	Front 6 Cyl. Eng. w/M.T.	60-4221	60-4222	66-4221	66-4207
2002-98	Front 4 Cyl. Eng. w/A.T. w/o ABS	60-4150	60-4152	66-4151	66-4153
	Front 4 Cyl. Eng. w/A.T. w/ABS	60-4151	60-4153	66-4151	66-4153
	Front 4 Cyl. Eng. w/M.T. w/o ABS	60-4154	60-4152	66-4155	66-4153
	Front 4 Cyl. Eng. w/M.T. w/ABS	60-4155	60-4153	66-4155	66-4153
	Front 6 Cyl. Eng.	60-4166	60-4167	66-4166	66-4167
1997-95	Front 4 Cyl. Eng. w/A.T. w/o ABS	60-4091	60-4097	66-4090	66-4092
	Front 4 Cyl. Eng. w/A.T. w/ABS	60-4090	60-4092	66-4090	66-4092
	Front 4 Cyl. Eng. w/M.T. w/o ABS	60-4108	60-4097	66-4088	66-4092
	Front 4 Cyl. Eng. w/M.T. w/ABS	60-4088	60-4092	66-4088	66-4092
	Front 6 Cyl. Eng. w/o ABS	60-4135	60-4136	66-4137	66-4138
	Front 6 Cyl. Eng. w/ABS	60-4137	60-4138	66-4137	66-4138
1994	Front w/A.T. w/o ABS	60-4091	60-4097	66-4090	66-4092
	Front w/A.T. w/ABS	60-4090	60-4092	66-4090	66-4092
	Front w/M.T. w/o ABS	60-4108	60-4097	66-4088	66-4092
	Front w/M.T. w/ABS	60-4088	60-4092	66-4088	66-4092

NEW & REMANUFACTURED CONSTANT VELOCITY DRIVE AXLES

YEAR	APPLICATION	REMAN		NEW	
		LEFT	RIGHT	LEFT	RIGHT
HONDA (Cont'd)		Driver Side	Pass. Side	Driver Side	Pass. Side
ACCORD (Cont'd)					
1993	Front (Exc. DX or LX) w/A.T.	60-4066	60-4075	66-4066	66-4075
	Front DX or LX, w/A.T.	60-4016	60-4093	66-4066	66-4075
	Front (Exc. EX) w/M.T.	60-4026	60-4093	66-4071	66-4075
1992	Front EX, w/M.T.	60-4071	60-4075	66-4071	66-4075
	Front (Exc. EX) w/A.T.	60-4016	60-4093	66-4066	66-4075
	Front EX, w/A.T.	60-4066	60-4075	66-4066	66-4075
1991	Front (Exc. EX) w/M.T.	60-4093	60-4093	66-4075	66-4075
	Front EX w/M.T.	60-4075	60-4075	66-4075	66-4075
	Front (Exc. SE) w/A.T.	60-4016	60-4093	66-4066	66-4075
1990	Front SE, w/A.T.	60-4066	60-4075	66-4066	66-4075
	Front Coupe w/M.T.	60-4093	60-4093	66-4075	66-4075
	Front Sedan (Exc. SE) w/M.T.	60-4026	60-4093	66-4071	66-4075
1989-86	Front Sedan SE, w/M.T.	60-4093	60-4075	66-4075	66-4075
	Front Wagon w/M.T.	60-4093	60-4093	66-4075	66-4075
	Front w/A.T. w/o ABS.	60-4016	60-4093	66-4066	66-4075
1985	Front w/M.T. w/o ABS.	60-4026	60-4093	66-4071	66-4075
	Front w/A.T.	60-4001	60-4000	66-4001	66-4000
	Front w/M.T.	60-4006	60-4000	66-4006	66-4000
1984	Front w/A.T. w/Carb.	60-4023	60-4010	—	—
	Front w/A.T. w/Fuel Injection.	60-4073	60-4056	—	—
	Front w/M.T. w/Carb.	60-4020	60-4010	—	—
1983	Front w/M.T. w/Fuel Injection.	60-4070	60-4056	—	—
	Front w/A.T.	60-4023	60-4010	—	—
	Front w/M.T.	60-4020	60-4010	—	—
1982	Front 3 Door From Chassis #DC099355.	60-4052	60-4010	—	—
	Front 3 Door To Chassis #DC099354.	60-4013	60-4018	—	—
	Front 4 Door From Chassis #DC101604.	60-4052	60-4010	—	—
1981	Front 4 Door To Chassis #DC101603.	60-4013	60-4018	—	—
	Front.	60-4013	60-4018	—	—
	Front.	60-4030	60-4033	—	—
1980	Front.	60-4041	60-4043	—	—
1979-76	Front.	60-4044	60-4040	—	—
CIVIC					
2011	Front 1.8L Gas Eng. w/A.T.	60-4232	60-4233	66-4232	66-4233
	Front 1.8L Gas Eng. w/M.T.	60-4234	60-4235	66-4234	66-4235
	Front 1.8L CNG Eng. w/A.T.	60-4232	60-4233	66-4232	66-4233
2010	Front 2.0L	60-4238	60-4239	66-4238	66-4239
	Front 1.3L Hybrid w/CVT.	60-4236	60-4237	—	—
	Front 1.8L Gas Eng. w/A.T.	60-4232	60-4233	66-4232	66-4233
2009	Front 1.8L Gas Eng. w/M.T.	60-4234	60-4235	66-4234	66-4235
	Front 1.8L CNG Eng. w/A.T.	60-4232	60-4233	66-4232	66-4233
	Front 2.0L w/M.T. (6 Spd.)	60-4238	60-4239	66-4238	66-4239
2008-06	Front 1.3L Hybrid w/CVT.	60-4236	60-4237	—	—
	Front Hybrid w/CVT.	60-4236	60-4237	—	—
	Front w/A.T.	60-4232	60-4233	66-4232	66-4233
2005-03	Front 5 Spd. w/M.T.	60-4234	60-4235	66-4234	66-4235
	Front 6 Spd. w/M.T.	60-4238	60-4239	66-4238	66-4239
	Front Coupe w/A.T. w/o ABS.	60-4069	60-4188	66-4060	66-4189
2005-03	Front Coupe w/A.T. w/ABS.	60-4060	60-4189	66-4060	66-4189
	Front Coupe w/CVT.	60-4069	60-4188	66-4060	66-4189
	Front Coupe w/M.T. w/o ABS.	60-4190	60-4192	66-4191	66-4193
2005-03	Front Coupe w/M.T. w/ABS.	60-4191	60-4193	66-4191	66-4193
	Front Hatchback (Si).	60-4208	60-4121	66-4209	66-4121
	Front Sedan w/A.T. w/o ABS.	60-4069	60-4188	66-4060	66-4189
2005-03	Front Sedan w/A.T. w/ABS.	60-4060	60-4189	66-4060	66-4189
	Front Sedan w/CVT w/o ABS.	60-4069	60-4188	66-4060	66-4189
	Front Sedan w/CVT w/ABS (Exc. Hybrid).	60-4060	60-4189	66-4060	66-4189
2005-03	Front Sedan w/CVT w/ABS Hybrid.	60-4230	60-4231	—	—
	Front Sedan w/M.T. w/o ABS.	60-4190	60-4192	66-4191	66-4193
	Front Sedan w/M.T. w/ABS (Exc. Hybrid).	60-4191	60-4193	66-4191	66-4193
2005-03	Front Sedan w/M.T. w/ABS Hybrid.	60-4230	60-4231	—	—

CV DRIVE AXLES

NEW & REMANUFACTURED CONSTANT VELOCITY DRIVE AXLES

CV DRIVE AXLES

YEAR	APPLICATION	REMAN		NEW			
		LEFT	RIGHT	LEFT	RIGHT		
		Driver Side	Pass. Side	Driver Side	Pass. Side		
HONDA (Cont'd)							
CIVIC (Cont'd)							
2002	Front Coupe w/A.T. w/o ABS.....	60-4069	60-4188	66-4060	66-4189		
	Front Coupe w/A.T. w/ABS.....	60-4060	60-4189	66-4060	66-4189		
	Front Coupe w/CVT.....	60-4069	60-4188	66-4060	66-4189		
	Front Coupe w/M.T. w/o ABS.....	60-4190	60-4192	66-4191	66-4193		
	Front Coupe w/M.T. w/ABS.....	60-4191	60-4193	66-4191	66-4193		
	Front Hatchback (Si).....	60-4208	60-4121	66-4209	66-4121		
	Front Sedan w/A.T. w/o ABS.....	60-4069	60-4188	66-4060	66-4189		
	Front Sedan w/A.T. w/ABS.....	60-4060	60-4189	66-4060	66-4189		
	Front Sedan w/CVT w/o ABS.....	60-4069	60-4188	66-4060	66-4189		
	Front Sedan w/CVT w/ABS.....	60-4060	60-4189	66-4060	66-4189		
	Front Sedan w/M.T. w/o ABS.....	60-4190	60-4192	66-4191	66-4193		
	Front Sedan w/M.T. w/ABS.....	60-4191	60-4193	66-4191	66-4193		
	2001	Front Coupe w/A.T. w/o ABS.....	60-4069	60-4188	66-4060	66-4189	
		Front Coupe w/A.T. w/ABS.....	60-4060	60-4189	66-4060	66-4189	
		Front Coupe w/CVT.....	60-4069	60-4188	66-4060	66-4189	
Front Coupe w/M.T. w/o ABS.....		60-4190	60-4192	66-4191	66-4193		
Front Coupe w/M.T. w/ABS.....		60-4191	60-4193	66-4191	66-4193		
Front Sedan w/A.T. w/o ABS.....		60-4069	60-4188	66-4060	66-4189		
Front Sedan w/A.T. w/ABS.....		60-4060	60-4189	66-4060	66-4189		
Front Sedan w/M.T. w/o ABS.....		60-4190	60-4192	66-4191	66-4193		
Front Sedan w/M.T. w/ABS.....		60-4191	60-4193	66-4191	66-4193		
2000-99		Front (Exc. Si) w/o ABS.....	60-4069	60-4061	66-4060	66-4064	
		Front (Exc. Si) w/ABS.....	60-4060	60-4064	66-4060	66-4064	
		Front Si.....	60-4084	60-4032	66-4121	66-4063	
		1998-92	Front w/o ABS.....	60-4069	60-4061	66-4060	66-4064
			Front w/ABS.....	60-4060	60-4064	66-4060	66-4064
		1991-88	Front FWD w/Outboard Joint 23 Splines.....	60-4009	60-4017	66-4009	66-4017
	Front FWD w/Outboard Joint 26 Splines.....		60-4003	60-4002	66-4060	66-4002	
	Front 4WD Wagon.....		60-4067	60-4074	—	—	
	1987-85	Rear 4WD Wagon.....	60-4131	—	—	—	
Front (Exc. 1.3L Eng. or 4WD Wagon).....		60-4004	60-4005	—	—		
Front 1.3L Eng.....		60-4051	60-4046	—	—		
1984	Front 4WD Wagon.....	60-4054	60-4055	—	—		
	Front (Exc. 1.3L Eng.).....	60-4004	60-4005	—	—		
1983-80	Front 1.3L Eng.....	60-4051	60-4046	—	—		
	Front.....	60-4011	60-4007	—	—		
CIVIC DEL SOL							
1997-95	Front (Exc. VTEC).....	60-4069	60-4061	66-4060	66-4064		
	Front VTEC w/o ABS.....	60-4084	60-4032	66-4121	66-4063		
	Front VTEC w/ABS.....	60-4121	60-4063	66-4121	66-4063		
1994	Front SOHC Eng.....	60-4069	60-4061	66-4060	66-4064		
	Front DOHC Eng.....	60-4084	60-4032	66-4121	66-4063		
1993	Front.....	60-4069	60-4061	66-4060	66-4064		
CRX							
1991-88	Front HF (OBJ 23 Splines).....	60-4009	60-4017	66-4009	66-4017		
	Front DX, Si (OBJ 26 Splines).....	60-4003	60-4002	66-4060	66-4002		
1987-85	Front DX, Si.....	60-4004	60-4005	—	—		
	Front HF, 1500.....	60-4045	60-4038	—	—		
1984	Front 1.3L Eng.....	60-4045	60-4038	—	—		
	Front 1.5L Eng.....	60-4004	60-4005	—	—		
FIT							
2011-09	Front w/A.T.....	60-4267	60-4268	66-4267	66-4268		
	Front w/M.T.....	60-4267	60-4269	66-4267	66-4269		
2008-07	Front w/A.T.....	60-4246	60-4247	66-4246	66-4247		
	Front w/M.T.....	60-4246	60-4249	66-4246	66-4249		
INSIGHT							
2014-13	Front.....	—	60-4300	—	—		
2012-10	Front.....	60-4299	60-4300	—	—		
PRELUDE							
2001-97	Front (Exc. SH).....	60-4162	60-4163	66-4162	66-4163		
	Front SH.....	60-4162	60-4194	66-4162	66-4145		

NEW & REMANUFACTURED CONSTANT VELOCITY DRIVE AXLES

YEAR	APPLICATION	REMAN		NEW	
		LEFT	RIGHT	LEFT	RIGHT
		Driver Side	Pass. Side	Driver Side	Pass. Side
HONDA (Cont'd)					
PRELUDE (Cont'd)					
1996-92	Front w/A.T. w/o ABS	60-4102	60-4116	66-4128	66-4127
	Front w/A.T. w/ABS	60-4128	60-4127	66-4128	66-4127
	Front w/M.T. w/o ABS	60-4114	60-4116	66-4113	66-4127
	Front w/M.T. w/ABS	60-4113	60-4127	66-4113	66-4127
1989	Front	60-4022	60-4021	66-4022	66-4000
1987-85	Front w/A.T. w/Carb.	60-4047	60-4019	—	—
	Front w/A.T. w/Fuel Injection.....	60-4042	60-4027	—	—
	Front w/M.T. w/Carb.	60-4035	60-4019	—	—
	Front w/M.T. w/Fuel Injection.....	60-4028	60-4027	—	—
1984	Front w/A.T.	60-4047	60-4019	—	—
	Front w/M.T.	60-4035	60-4019	—	—
1983	Front	60-4053	60-4049	—	—
1982-81	Front	60-4048	60-4037	—	—
1980-79	Front	60-4041	60-4043	—	—
S2000					
2009-00	Rear	60-4200	60-4201	66-4200	66-4201
WAGOVAN					
1989-88	Front	60-4003	60-4002	66-4060	66-4002
1987-84	Front	60-4004	60-4005	—	—
1983-82	Front	60-4011	60-4007	—	—
HONDA TRUCKS					
ACCORD CROSSTOUR					
2011	Front	60-4311	—	—	—
	Rear	60-4303	60-4304	—	—
2010	Front	60-4311	—	—	—
	Front	60-4250	60-4251	66-4250	66-4251
CROSSTOUR					
2015-13	Rear	60-4303	60-4304	—	—
2012	Front	60-4311	—	—	—
	Rear	60-4303	60-4304	—	—
CR-V					
2011-10	Front	60-4256	60-4257	66-4256	66-4257
	Rear (Exc. Japan Built)	60-4305	60-4306	—	—
	Rear Japan Built	60-4293	60-4294	—	—
2009-07	Front	60-4256	60-4257	66-4256	66-4257
	Rear	60-4293	60-4294	—	—
2006-03	Front	60-4206	60-4207	66-4206	66-4207
	Rear U.K. Built	60-4289	60-4290	—	—
	Rear Japan Built	—	60-4176	—	—
2002	Front	60-4206	60-4207	66-4206	66-4207
	Rear	—	60-4176	—	—
2001-98	Front w/A.T. w/o ABS	60-4170	60-4172	66-4147	66-4173
	Front w/A.T. w/ABS	60-4147	60-4173	66-4147	66-4173
	Front w/M.T. w/o ABS	60-4170	60-4174	66-4147	66-4175
	Front w/M.T. w/ABS	60-4147	60-4175	66-4147	66-4175
	Rear w/o ABS	60-4176	—	—	—
	Rear w/ABS	60-4177	—	—	—
1997	Front w/o ABS	60-4170	60-4172	66-4147	66-4173
	Front w/ABS	60-4147	60-4173	66-4147	66-4173
	Rear w/o ABS	60-4176	—	—	—
	Rear w/ABS	60-4177	—	—	—
ELEMENT					
2011-09	Front	60-4213	60-4214	66-4213	66-4214
	Rear	60-4297	60-4298	—	—
2008-03	Front	60-4213	60-4214	66-4213	66-4214
	Rear	60-4215	60-4216	—	—
ODYSSEY					
2013-11	Front w/5 Spd. A.T.	60-4309	—	—	—
	Front w/6 Spd. A.T.	60-4307	—	66-4307	66-4308
2010-07	Front	60-4258	60-4225	66-4258	66-4225

CV DRIVE AXLES

NEW & REMANUFACTURED CONSTANT VELOCITY DRIVE AXLES

CV DRIVE AXLES

YEAR	APPLICATION	REMAN		NEW	
		LEFT	RIGHT	LEFT	RIGHT
HONDA TRUCKS (Cont'd)		Driver Side	Pass. Side	Driver Side	Pass. Side
ODYSSEY (Cont'd)					
2006-05	Front.....	60-4224	60-4225	66-4224	66-4225
2004-99	Front.....	60-4164	60-4165	66-4164	66-4165
1998-95	Front.....	60-4144	60-4145	66-4144	66-4145
PASSPORT					
2002	Front (Supplied w/o Inboard Housing) ②.....	60-1370S	60-1370S	66-1370S	66-1370S
	Front (Supplied w/Inboard Housing).....	60-1369	60-1369	—	—
2001-98	Front (Supplied w/o Inboard Housing) ②.....	60-1351S	60-1351S	66-1351S	66-1351S
	Front (Supplied w/Inboard Housing).....	60-4158	60-4158	—	—
1997	Front (Supplied w/o Inboard Housing) ②.....	60-1352S	60-1352S	66-1352S	66-1352S
	Front (Supplied w/Inboard Housing).....	60-4159	60-4159	—	—
1996	Front From 12/95 (Supplied w/o Inboard Housing) ②.....	60-1352S	60-1352S	66-1352S	66-1352S
	Front From 12/95 (Supplied w/Inboard Housing).....	60-4159	60-4159	—	—
	Front Before 12/95 (Supplied w/o Inboard Housing) w/3 9/16" Smooth Cylindrical Housing Stamped NSK ②.....	60-1353S	60-1353S	66-1353S	66-1353S
	Front Before 12/95 (Supplied w/o Inboard Housing) w/3 11/16" Ribbed Cylindrical Housing Stamped NTN ②.....	60-1354S	60-1354S	66-1354S	66-1354S
	Front Before 12/95 (Supplied w/Inboard Housing).....	60-4094	60-4081	—	—
1995-94	Front (Supplied w/o Inboard Housing) w/3 9/16" Smooth Cylindrical Housing Stamped NSK ②.....	60-1353S	60-1353S	66-1353S	66-1353S
	Front (Supplied w/o Inboard Housing) w/3 11/16" Ribbed Cylindrical Housing Stamped NTN ②.....	60-1354S	60-1354S	66-1354S	66-1354S
	Front (Supplied w/Inboard Housing).....	60-4094	60-4081	—	—
PILOT					
2014-12	Front.....	60-4261	—	66-4261	—
	Rear.....	60-4281	—	—	—
2011-09	Front.....	60-4261	60-4262	66-4261	66-4262
	Rear.....	60-4281	60-4282	—	—
2008-06	Front.....	60-4240	60-4199	66-4198	66-4199
	Rear.....	60-4279	60-4280	—	—
2005	Front.....	60-4240	60-4241	66-4198	66-4241
	Rear.....	60-4279	60-4280	—	—
2004-03	Front.....	60-4202	60-4203	66-4202	66-4203
	Rear.....	60-4279	60-4280	—	—
RIDGELINE					
2014	Front.....	60-4226	60-4227	66-4258	66-4225
2013-06	Front.....	60-4226	60-4227	66-4258	66-4225
	Rear.....	60-4295	60-4296	—	—
HUMMER TRUCKS					
H2					
2009-03	Front.....	60-1325 ⑨	60-1325 ⑨	66-1325 ⑨	66-1325 ⑨
	Front.....	—	—	66-1325HD ⑩	66-1325HD ⑩
H3					
2010-06	Front.....	60-1417	60-1417	66-1417	66-1417
H3T					
2010-09	Front.....	60-1417	60-1417	66-1417	66-1417
HYUNDAI					
ACCENT					
2011-08	Front w/A.T w/o ABS.....	60-3443	60-3445	66-3448	66-3449
	Front w/A.T w/ABS.....	60-3448	60-3449	66-3448	66-3449
	Front w/M.T w/o ABS.....	60-3450	60-3453	66-3451	66-3453
	Front w/M.T w/ABS.....	60-3451	60-3453	66-3451	66-3453
2007-06	Front w/A.T w/o ABS.....	60-3443	60-3445	66-3448	66-3449
	Front w/A.T w/ABS.....	60-3448	60-3449	66-3448	66-3449
	Front w/M.T w/o ABS.....	60-3450	60-3452	66-3451	66-3453
	Front w/M.T w/ABS.....	60-3451	60-3453	66-3451	66-3453
2005-02	Front w/A.T.....	—	—	—	66-3313
	Front w/M.T.....	60-3315	60-3317	66-3315	66-3317
2001-00	Front w/A.T. w/o ABS.....	60-3310	60-3312	66-3311	66-3313
	Front w/M.T. w/o ABS.....	60-3314	60-3196	66-3314	66-3184
	Front w/M.T. w/ABS.....	60-3315	60-3317	66-3315	66-3317

② Drive Axle is supplied without the Inboard Housing as a "Time Saver Solution" for the Installer.

⑨ Supplied w/Standard Neoprene Outboard Boot.

⑩ Supplied w/Optional Heavy Duty Thermoplastic Outboard Boot.

NEW & REMANUFACTURED CONSTANT VELOCITY DRIVE AXLES

YEAR	APPLICATION	REMAN		NEW	
		LEFT	RIGHT	LEFT	RIGHT
		Driver Side	Pass. Side	Driver Side	Pass. Side
HYUNDAI (Cont'd)					
ACCENT (Cont'd)					
1999-95	Front w/A.T. w/o ABS.....	60-3179	60-3196	66-3180	66-3184
	Front w/A.T. w/ABS.....	60-3180	60-3184	66-3180	66-3184
	Front w/M.T. w/o ABS.....	60-3195	60-3196	66-3180	66-3184
	Front w/M.T. w/ABS.....	60-3194	60-3184	66-3180	66-3184
AZERA					
2011	Front 3.8L Eng. w/5 Spd A.T.....	60-3494	60-3495	66-3494	66-3495
2010-06	Front.....	60-3494	60-3495	66-3494	66-3495
ELANTRA					
2015-13	Front 1.8L Eng.....	—	—	66-3655	66-3656
2012-11	Front 1.8L Eng.....	—	—	66-3655	66-3656
	Front 2.0L Eng.....	60-3651	60-3524	—	66-3524
2010-09	Front Touring.....	60-3651	60-3524	—	66-3524
	Front (Exc. Touring) w/A.T. w/o ABS.....	60-3726	60-3524	—	66-3524
	Front (Exc. Touring) w/A.T. w/ ABS.....	60-3523	60-3524	66-3523	66-3524
2008	Front w/A.T. w/ ABS From 6/27/08.....	60-3523	60-3524	66-3523	66-3524
	Front w/A.T. w/o ABS.....	60-3726	60-3524	—	66-3524
2007	Front w/A.T. w/o ABS.....	60-7326	60-3524	—	66-3524
	Front w/A.T. w/ ABS.....	—	60-3524	—	66-3524
2006-01	Front w/A.T. w/o ABS.....	60-3348	60-3346	66-3467	66-3469
	Front w/A.T. w/ABS.....	60-3347	60-3345	66-3467	66-3469
	Front w/M.T. w/o ABS.....	60-3344	60-3342	66-3471	66-3473
	Front w/M.T. w/ABS.....	60-3343	60-3341	66-3471	66-3473
2000-99	Front w/A.T. w/o ABS.....	60-3265	60-3266	66-3254	66-3236
	Front w/A.T. w/ABS.....	60-3409	60-3410	66-3409	—
	Front w/M.T. w/o ABS.....	60-3265	60-3266	66-3254	66-3236
	Front w/M.T. w/ABS.....	60-3411	60-3410	—	—
1998-97	Front 1.8L Eng. w/A.T. w/o ABS.....	60-3265	60-3266	66-3254	66-3236
	Front 1.8L Eng. w/A.T. w/ABS.....	60-3254	60-3236	66-3254	66-3236
	Front 1.8L Eng. w/M.T. w/o ABS.....	60-3265	60-3266	66-3254	66-3236
	Front 1.8L Eng. w/M.T. w/ABS.....	60-3322	60-3236	—	66-3236
1996	Front 1.8L Eng. w/o ABS From 12/95 w/A.T.....	60-3265	60-3266	66-3254	66-3236
	Front 1.8L Eng. w/o ABS From 12/95 w/M.T.....	60-3265	60-3266	66-3254	66-3236
	Front 1.8L Eng. w/o ABS Before 12/95.....	60-3192	60-3224	—	—
	Front 1.8L Eng. w/ABS From 12/95 w/A.T.....	60-3254	60-3236	66-3254	66-3236
	Front 1.8L Eng. w/ABS From 12/95 w/M.T.....	60-3322	60-3236	—	66-3236
	Front 1.8L Eng. w/ABS Before 12/95.....	60-3237	60-3233	—	—
1995-94	Front 1.6L Eng. w/A.T.....	60-3200	60-3006	—	—
	Front 1.6L Eng. w/M.T.....	60-3192	60-3177	—	—
	Front 1.8L Eng. w/o ABS.....	60-3192	60-3224	—	—
	Front 1.8L Eng. w/ABS.....	60-3237	60-3233	—	—
1993	Front 1.6L Eng. w/A.T.....	60-3200	60-3006	—	—
	Front 1.6L Eng. w/M.T. From 7/93.....	60-3192	60-3177	—	—
	Front 1.6L Eng. w/M.T. Before 7/93.....	60-3192	60-3159	—	—
	Front 1.8L Eng. From 7/93 w/o ABS.....	60-3192	60-3224	—	—
	Front 1.8L Eng. From 7/93 w/ABS.....	60-3237	60-3233	—	—
	Front 1.8L Eng. Before 7/93.....	60-3192	60-3223	—	—
1992	Front w/A.T.....	60-3200	60-3006	—	—
	Front w/M.T.....	60-3192	60-3159	—	—
EXCEL					
1994-90	Front.....	60-3158	60-3006	—	—
1989-86	Front.....	60-3003	60-3000	—	—
EQUUS					
2014-11	Rear.....	60-3659	60-3660	—	—
GENESIS					
2014-13	Rear 5.0L Eng.....	60-3659	60-3660	—	—
2012	Rear 4.6L Eng.....	60-3659	60-3660	—	—
	Rear 5.0L Eng.....	60-3659	60-3660	—	—
2011-09	Rear 3.8L Eng.....	60-3657	60-3658	—	—
	Rear 4.6L Eng.....	60-3659	60-3660	—	—
GENESIS COUPE					
2012-10	Rear w/A.T.....	60-3661	60-3662	—	—
	Rear w/M.T.....	60-3663	60-3664	—	—

CV DRIVE AXLES

NEW & REMANUFACTURED CONSTANT VELOCITY DRIVE AXLES

CV DRIVE AXLES

YEAR	APPLICATION	REMAN		NEW	
		LEFT	RIGHT	LEFT	RIGHT
HYUNDAI (Cont'd)		Driver Side	Pass. Side	Driver Side	Pass. Side
SCOUPE					
1995-93	Front (Exc. Turbo)	60-3223	60-3068	—	—
	Front Turbo	60-3223	60-3150	—	—
1992-91	Front	60-3158	60-3006	—	—
SONATA					
2014-11	Front 2.4L Eng. w/A.T. (Exc. Hybrid)	60-3720	60-3721	66-3720	66-3721
2010	Front 4 Cyl. Eng. w/A.T.	60-3596	60-3597	66-3596	66-3597
	Front 4 Cyl. Eng. w/M.T.	60-3491	60-3597	66-3596	66-3597
	Front 6 Cyl. Eng.	60-3494	60-3495	66-3494	66-3495
2009-08	Front 4 Cyl. Eng. w/A.T.	60-3596	60-3597	66-3596	66-3597
	Front 6 Cyl. Eng.	60-3494	60-3495	66-3494	66-3495
2007-06	Front 4 Cyl. Eng. w/A.T.	60-3489	60-3490	66-3489	66-3490
	Front 4 Cyl. Eng. w/M.T. Korean Built	60-3491	60-3492	66-3596	66-3597
	Front 4 Cyl. Eng. w/M.T. USA Built	60-3596	—	66-3596	—
	Front 6 Cyl. Eng.	60-3494	60-3495	66-3494	66-3495
2005-02	Front 4 Cyl. Eng. w/o ABS	60-3402	60-3357	66-3406	66-3405
	Front 4 Cyl. Eng. w/ABS	60-3403	60-3405	66-3406	66-3405
	Front 6 Cyl. Eng.	60-3406	60-3407	66-3406	66-3407
2001-99	Front 4 Cyl. Eng. w/A.T. w/o ABS	60-3402	60-3357	66-3406	66-3405
	Front 4 Cyl. Eng. w/A.T. w/ABS	60-3403	60-3405	66-3406	66-3405
	Front 4 Cyl. Eng. w/M.T. w/o ABS	60-3402	60-3357	66-3406	66-3405
	Front 4 Cyl. Eng. w/M.T. w/ABS	60-3403	60-3405	66-3406	66-3405
	Front 6 Cyl. Eng. w/A.T. w/o ABS	60-3533	60-3534	66-3406	66-3407
	Front 6 Cyl. Eng. w/A.T. w/ABS	60-3406	60-3407	66-3406	66-3407
	Front 6 Cyl. Eng. w/M.T. w/o ABS	60-3533	60-3534	66-3406	66-3407
	Front 6 Cyl. Eng. w/M.T. w/ABS	60-3406	60-3407	66-3406	66-3407
1998-94	Front 4 Cyl. Eng. w/o ABS	60-3211	60-3210	66-3229	66-3230
	Front 4 Cyl. Eng. w/ABS	60-3229	60-3230	66-3229	66-3230
	Front 6 Cyl. Eng. w/o ABS	60-3127	60-3231	—	—
	Front 6 Cyl. Eng. w/ABS	60-3209	60-3293	—	—
1993-92	Front 4 Cyl. Eng. w/o ABS	60-3149	60-3079	—	—
	Front 4 Cyl. Eng. w/ABS	60-3214	60-3215	—	—
	Front 6 Cyl. Eng. w/o ABS	60-3127	60-3171	—	—
	Front 6 Cyl. Eng. w/ABS	60-3209	60-3208	—	—
1991-90	Front 4 Cyl. Eng.	60-3153	60-3224	—	—
	Front 6 Cyl. Eng.	60-3057	60-3079	—	—
1989	Front 4 Cyl. Eng.	60-3153	60-3224	—	—
TIBURON					
2008-06	Front 4 Cyl. Eng. w/A.T.	60-3347	60-3345	66-3467	66-3469
	Front 4 Cyl. Eng. w/M.T.	60-3343	60-3341	66-3471	66-3473
	Front 6 Cyl. Eng.	60-3461	60-3463	—	—
2005	Front 4 Cyl. Eng. w/A.T. w/o ABS	60-3348	60-3345	66-3467	66-3469
	Front 4 Cyl. Eng. w/A.T. w/ABS	60-3347	60-3345	66-3467	66-3469
	Front 4 Cyl. Eng. w/M.T. w/o ABS	60-3344	60-3342	66-3471	66-3473
	Front 4 Cyl. Eng. w/M.T. w/ABS	60-3343	60-3341	66-3471	66-3473
	Front 6 Cyl. Eng. w/A.T.	60-3461	60-3463	—	—
	Front 6 Cyl. Eng. w/5 Spd. M.T. w/o ABS	60-3460	60-3462	—	—
	Front 6 Cyl. Eng. w/5 Spd. M.T. w/ABS	60-3461	60-3463	—	—
	Front 6 Cyl. Eng. w/6 Spd. M.T. w/o ABS	60-3464	60-3462	—	—
	Front 6 Cyl. Eng. w/6 Spd. M.T. w/ABS	—	60-3463	—	—
2004	Front 4 Cyl. Eng. w/A.T. w/o ABS	60-3348	60-3346	66-3467	66-3469
	Front 4 Cyl. Eng. w/A.T. w/ABS	60-3347	60-3345	66-3467	66-3469
	Front 4 Cyl. Eng. w/M.T. w/o ABS	60-3344	60-3342	66-3471	66-3473
	Front 4 Cyl. Eng. w/M.T. w/ABS	60-3343	60-3341	66-3471	66-3473
	Front 6 Cyl. Eng. w/A.T. w/o ABS	60-3460	60-3462	—	—
	Front 6 Cyl. Eng. w/A.T. w/ABS	60-3461	60-3463	—	—
	Front 6 Cyl. Eng. w/5 Spd. M.T. w/o ABS	60-3460	60-3462	—	—
	Front 6 Cyl. Eng. w/5 Spd. M.T. w/ABS	60-3461	60-3463	—	—
	Front 6 Cyl. Eng. w/6 Spd. M.T. w/o ABS	60-3464	60-3462	—	—
	Front 6 Cyl. Eng. w/6 Spd. M.T. w/ABS	—	60-3463	—	—
2003	Front 4 Cyl. Eng. w/A.T. w/o ABS	60-3348	60-3346	66-3467	66-3469
	Front 4 Cyl. Eng. w/A.T. w/ABS	60-3347	60-3345	66-3467	66-3469
	Front 4 Cyl. Eng. w/M.T. w/o ABS	60-3344	60-3342	66-3471	66-3473
	Front 4 Cyl. Eng. w/M.T. w/ABS	60-3343	60-3341	66-3471	66-3473
	Front 6 Cyl. Eng. w/A.T. w/o ABS	60-3461	60-3463	—	—
	Front 6 Cyl. Eng. w/5 Spd. M.T. w/ABS	60-3461	60-3463	—	—
	Front 6 Cyl. Eng. w/6 Spd. M.T. w/ABS	—	60-3463	—	—

NEW & REMANUFACTURED CONSTANT VELOCITY DRIVE AXLES

YEAR	APPLICATION	REMAN		NEW		
		LEFT	RIGHT	LEFT	RIGHT	
HYUNDAI (Cont'd)		Driver Side	Pass. Side	Driver Side	Pass. Side	
TIBURON (Cont'd)						
2002	None Produced					
2001-00	Front w/A.T. w/o ABS	60-3265	60-3266	66-3254	66-3236	
	Front w/A.T. w/ABS	60-3409	60-3410	66-3409	—	
	Front w/M.T. w/o ABS	60-3265	60-3266	66-3254	66-3236	
	Front w/M.T. w/ABS	60-3411	60-3410	—	—	
1999-97	Front w/A.T. w/o ABS	60-3265	60-3266	66-3254	66-3236	
	Front w/A.T. w/ABS	60-3254	60-3236	66-3254	66-3236	
	Front w/M.T. w/o ABS	60-3265	60-3266	66-3254	66-3236	
	Front w/M.T. w/ABS	60-3322	60-3236	—	66-3236	
XG300						
2001	Front	60-3383	60-3384	66-3383	—	
XG350						
2005-02	Front	60-3383	60-3384	66-3383	—	
HYUNDAI TRUCKS						
ENTOURAGE						
2008-07	Front	60-8158	60-8159	66-8158	66-8159	
SANTA FE						
2012-10	Front w/A.T.	60-3653	60-3654	66-3653	66-3654	
	Front w/M.T.	—	60-3654	—	66-3654	
	Rear AWD	60-3665	60-3665	—	—	
2009	Front 2.7L Eng. w/A.T.	60-3538	60-3540	66-3538	66-3540	
	Front 3.3L Eng. w/A.T.	60-3539	60-3540	66-3539	66-3540	
2008	Rear AWD	60-3637	60-3637	—	—	
	Front 2.7L Eng. w/A.T.	60-3538	60-3540	66-3538	66-3540	
	Front 2.7L Eng. w/M.T.	—	60-3540	—	66-3540	
	Front 3.3L Eng. From 6/2008	60-3539	60-3540	66-3539	66-3540	
	Front 3.3L Eng. Before 6/2008	—	60-3540	—	66-3540	
2007	Rear AWD	60-3637	60-3637	—	—	
	Front 2.7L Eng. w/A.T.	60-3538	60-3540	66-3538	66-3540	
	Front 2.7L Eng. w/M.T.	—	60-3540	—	66-3540	
	Front 3.3L Eng. w/A.T.	60-3539	60-3540	66-3539	66-3540	
2006	Rear AWD	60-3637	60-3637	—	—	
	Front FWD 2.4L Eng. w/M.T. w/ABS (Canada)	60-3396	60-3398	—	—	
	Front FWD 2.7L Eng. w/o ABS	60-3359	60-3361	66-3360	66-3362	
	Front FWD 2.7L Eng. w/ABS	60-3360	60-3362	66-3360	66-3362	
	Front FWD 3.5L Eng.	60-3364	60-3366	66-3364	66-3366	
	Front AWD 2.7L Eng. w/o ABS	60-3367	60-3370	66-3368	66-3370	
	Front AWD 2.7L Eng. w/ABS	60-3368	60-3370	66-3368	66-3370	
	Front AWD 3.5L Eng.	60-3364	60-3370	66-3364	66-3370	
	Rear w/ABS	60-3374	60-3374	—	—	
	2005	Front FWD 2.4L Eng. w/M.T. w/ABS (Canada)	60-3396	60-3398	—	—
		Front FWD 2.7L Eng. w/4 Spd. A.T. w/o ABS	60-3359	60-3361	66-3360	66-3362
		Front FWD 2.7L Eng. w/4 Spd. A.T. w/ABS	60-3360	60-3362	66-3360	66-3362
Front FWD 2.7L Eng. w/5 Spd. A.T. w/o ABS		60-3363	60-3365	—	66-3366	
Front FWD 2.7L Eng. w/5 Spd. A.T. w/ABS		60-3364	60-3366	66-3364	66-3366	
Front FWD 3.5L Eng. w/o ABS		60-3363	60-3365	—	66-3366	
Front FWD 3.5L Eng. w/ABS		60-3364	60-3366	66-3364	66-3366	
Front AWD 2.7L Eng. w/A.T. w/o ABS		60-3367	60-3369	66-3368	66-3370	
Front AWD 2.7L Eng. w/A.T. w/ABS		60-3368	60-3370	66-3368	66-3370	
Front AWD 3.5L Eng. w/ABS		60-3364	60-3394	66-3364	66-3366	
Rear w/o ABS		60-3373	60-3373	—	—	
2004		Rear w/ABS	60-3374	60-3374	—	—
	Front FWD 2.4L Eng. w/A.T. w/o ABS	60-3355	60-3357	66-3356	66-3358	
	Front FWD 2.4L Eng. w/A.T. w/ABS	60-3356	60-3358	66-3356	66-3358	
	Front FWD 2.4L Eng. w/M.T. w/ABS	60-3396	60-3398	—	—	
	Front FWD 2.7L Eng. w/A.T. w/o ABS	60-3359	60-3361	66-3360	66-3362	
	Front FWD 2.7L Eng. w/A.T. w/ABS	60-3360	60-3362	66-3360	66-3362	
	Front FWD 3.5L Eng. w/o ABS	60-3363	60-3365	—	66-3366	
	Front FWD 3.5L Eng. w/ABS	60-3364	60-3366	66-3364	66-3366	
	Front AWD 2.7L Eng. w/A.T. w/o ABS	60-3367	60-3369	66-3368	66-3370	
	Front AWD 2.7L Eng. w/A.T. w/ABS	60-3368	60-3370	66-3368	66-3370	
	Front AWD 3.5L Eng. w/4 Spd. A.T. w/o ABS	60-3367	60-3369	66-3368	66-3370	
	Front AWD 3.5L Eng. w/4 Spd. A.T. w/ABS	60-3368	60-3370	66-3368	66-3370	
Front AWD 3.5L Eng. w/5 Spd. A.T. w/ABS	60-3364	60-3394	66-3364	66-3366		

CV DRIVE AXLES

NEW & REMANUFACTURED CONSTANT VELOCITY DRIVE AXLES

CV DRIVE AXLES

YEAR	APPLICATION	REMAN		NEW	
		LEFT	RIGHT	LEFT	RIGHT
HYUNDAI TRUCKS (Cont'd)		Driver Side	Pass. Side	Driver Side	Pass. Side
SANTA FE (Cont'd)					
2004	Rear w/o ABS	60-3373	60-3373	—	—
(Cont'd)	Rear w/ABS.....	60-3374	60-3374	—	—
2003	Front FWD 2.4L Eng. w/A.T. w/o ABS.....	60-3355	60-3357	66-3356	66-3358
	Front FWD 2.4L Eng. w/A.T. w/ABS.....	60-3356	60-3358	66-3356	66-3358
	Front FWD 2.4L Eng. w/M.T. w/ABS.....	60-3396	60-3398	—	—
	Front FWD 2.7L & 3.5L Eng. w/A.T. w/o ABS.....	60-3359	60-3361	66-3360	66-3362
	Front FWD 2.7L & 3.5L Eng. w/A.T. w/ABS.....	60-3360	60-3362	66-3360	66-3362
	Front AWD 2.7L & 3.5L Eng. w/A.T. w/o ABS.....	60-3367	60-3369	66-3368	66-3370
	Front AWD 2.7L & 3.5L Eng. w/A.T. w/ABS.....	60-3368	60-3370	66-3368	66-3370
	Rear 2.7L & 3.5L Eng. w/o ABS.....	60-3373	60-3373	—	—
	Rear 2.7L & 3.5L Eng. w/ABS.....	60-3374	60-3374	—	—
2002	Front FWD 2.4L Eng. w/A.T. w/o ABS.....	60-3355	60-3357	66-3356	66-3358
	Front FWD 2.4L Eng. w/A.T. w/ABS.....	60-3356	60-3358	66-3356	66-3358
	Front FWD 2.4L Eng. w/M.T. w/ABS.....	60-3396	60-3398	—	—
	Front FWD 2.7L Eng. w/A.T. w/o ABS.....	60-3359	60-3361	66-3360	66-3362
	Front FWD 2.7L Eng. w/A.T. w/ABS.....	60-3360	60-3362	66-3360	66-3362
	Front AWD 2.7L Eng. w/A.T. w/o ABS.....	60-3367	60-3369	66-3368	66-3370
	Front AWD 2.7L Eng. w/A.T. w/ABS.....	60-3368	60-3370	66-3368	66-3370
	Rear 2.7L Eng. w/o ABS.....	60-3373	60-3373	—	—
	Rear 2.7L Eng. w/ABS.....	60-3374	60-3374	—	—
2001	Front FWD 2.4L Eng. w/A.T. w/o ABS.....	60-3355	60-3357	66-3356	66-3358
	Front FWD 2.4L Eng. w/A.T. w/ABS.....	60-3356	60-3358	66-3356	66-3358
	Front FWD 2.4L Eng. w/M.T. w/ABS.....	60-3396	60-3398	—	—
	Front FWD 2.7L Eng. w/A.T. w/o ABS.....	60-3359	60-3361	66-3360	66-3362
	Front FWD 2.7L Eng. w/A.T. w/ABS.....	60-3360	60-3362	66-3360	66-3362
	Front AWD 2.7L Eng. w/A.T. w/o ABS.....	60-3367	60-3369	66-3368	66-3370
	Front AWD 2.7L Eng. w/A.T. w/ABS.....	60-3368	60-3370	66-3368	66-3370
	Rear 2.7L Eng. w/o ABS.....	60-3373	60-3373	—	—
	Rear 2.7L Eng. w/ABS.....	60-3374	60-3374	—	—
TUCSON					
2013	Rear AWD.....	60-3667	60-3668	—	—
2012-10	Rear AWD.....	60-3667	60-3668	—	—
2009-07	Front 2.0L Eng. w/A.T.....	60-3504	60-3505	66-3504	66-3505
	Front 2.0L Eng. w/M.T. FWD.....	60-3435	60-3505	66-3504	66-3505
	Front 2.0L Eng. w/M.T. AWD.....	60-3435	60-3439	66-3504	66-3439
	Front 2.7L Eng.....	60-3438	60-3439	66-3504	66-3439
	Rear.....	60-3429	60-3429	—	—
VERACRUZ					
2012-07	Front.....	60-3541	60-3540	—	66-3540
	Rear AWD.....	60-3636	60-3636	—	—
INFINITI					
G20					
2002-99	Front (Exc. Touring Package).....	60-6220	60-6221	66-6220	66-6221
	Front Touring Package w/A.T.....	60-6222	60-6223	66-6222	66-6223
	Front Touring Package w/M.T.....	60-6224	—	—	—
1998-97	None Produced.....	—	—	—	—
1996-93	Front w/o Limited Slip Differential.....	60-6075	60-6057	66-6075	66-6057
	Front w/Limited Slip Differential, From 1/93 w/A.T.....	60-6226	—	—	—
	Front w/Limited Slip Differential, From 1/93 w/M.T.....	—	60-6229	—	—
1992-91	Front.....	60-6075	60-6057	66-6075	66-6057
G25					
2012	Front.....	60-6283	60-6284	66-6283	66-6282
	Rear.....	60-6393	60-6394	—	—
2011	Front.....	60-6283	60-6284	66-6283	66-6282
	Rear Before 10/2010.....	60-6309	60-6310	—	—
	Rear From 10/2010.....	60-6393	60-6394	—	—
G35					
2008	Front.....	60-6283	60-6284	66-6283	66-6282
	Rear.....	60-6309	60-6310	—	—
2007	Front Engine code VQ35HR.....	60-6283	60-6284	66-6283	66-6282
	Rear Engine code VQ35DE.....	60-6247	60-6249	—	—
	Rear Engine code VQ35HR.....	60-6309	60-6310	—	—

NEW & REMANUFACTURED CONSTANT VELOCITY DRIVE AXLES

YEAR	APPLICATION	REMAN		NEW	
		LEFT	RIGHT	LEFT	RIGHT
		Driver Side	Pass. Side	Driver Side	Pass. Side
INFINITI (Cont'd)					
G35 (Cont'd)					
2006-04	Front.....	60-6281	60-6282	66-6281	66-6282
	Rear.....	60-6247	60-6249	—	—
2003	Rear.....	60-6247	60-6249	—	—
G37					
2014	Rear AWD Sedan.....	60-6393	60-6394	—	—
2013-11	Front AWD Coupe.....	—	60-6300	66-6299	66-6300
	Front AWD Sedan.....	60-6283	60-6284	66-6283	66-6282
	Rear Convertible.....	60-6401	60-6402	—	—
	Rear Coupe.....	60-6395	60-6396	—	—
	Rear Sedan.....	60-6393	60-6394	—	—
2010-09	Front AWD Coupe.....	—	60-6300	66-6299	66-6300
	Front AWD Sedan.....	60-6283	60-6284	66-6283	66-6282
	Rear Convertible.....	60-6320	60-6321	—	—
	Rear Coupe.....	60-6311	60-6312	—	—
	Rear Sedan.....	60-6309	60-6310	—	—
2008	Rear.....	60-6309	60-6310	—	—
I30					
2001-00	Front w/o Touring Package.....	60-6192	60-6190	66-6192	66-6190
	Front w/Touring Package.....	60-6196	60-6190	66-6196	66-6190
1999-96	Front w/A.T. w/o Locking Differential ¹⁶	60-6150	60-6147	66-6150	66-6147
	Front w/A.T. w/Locking Differential ¹⁶	60-6159	60-6147	66-6159	66-6147
	Front w/M.T. w/o Locking Differential ¹⁶	60-6146	60-6147	66-6150	66-6147
	Front w/M.T. w/Locking Differential ¹⁶	60-6157	60-6156	66-6157	66-6156
I35					
2004-02	Front.....	60-6192	60-6190	66-6192	66-6190
J30					
1997-95	Rear.....	60-6313	60-6180	—	—
1994	Rear From 1/94.....	60-6313	60-6180	—	—
M35					
2010-09	Front.....	—	60-6300	66-6299	66-6300
	Rear.....	60-6320	60-6321	—	—
2008	Rear.....	60-6320	60-6321	—	—
2007	Rear From 4/07.....	60-6320	60-6321	—	—
	Rear Before 4/07.....	60-6318	60-6319	—	—
2006	Rear.....	60-6318	60-6319	—	—
M37					
2013-11	Rear.....	60-6397	60-6398	—	—
M45					
2010-08	Front.....	—	60-6300	—	—
2007-06	Rear.....	60-6325	60-6324	—	—
2005	None Produced				
2004-03	Rear.....	60-6322	60-6323	—	—
Q45					
2006-02	Rear.....	60-6249	60-6328	—	—
2001-97	Rear.....	60-6195	60-6194	—	—
1996-90	Rear.....	60-6091	60-6092	—	—
Q60					
2014	Rear Convertible.....	60-6401	60-6402	—	—
	Rear Coupe.....	60-6395	60-6396	—	—
Q70					
2014	Rear 3.7L Eng.....	60-6397	60-6398	—	—
INFINITI TRUCKS					
EX35					
2012	Front.....	—	60-6300	66-6299	66-6300
	Rear.....	60-6401	60-6402	—	—
2011	Front.....	—	60-6300	66-6299	66-6300
	Rear From 10/2010.....	60-6401	60-6402	—	—

CV DRIVE AXLES

¹⁶ Locking Differential is identified by a tag on the transmission.

NEW & REMANUFACTURED CONSTANT VELOCITY DRIVE AXLES

CV DRIVE AXLES

YEAR	APPLICATION	REMAN		NEW		
		LEFT	RIGHT	LEFT	RIGHT	
INFINITI TRUCKS (Cont'd)		Driver Side	Pass. Side	Driver Side	Pass. Side	
EX35 (Cont'd)						
2010-08	Rear Before 10/2010.....	60-6320	60-6321	—	—	
	Front.....	—	60-6300	66-6299	66-6300	
	Rear.....	60-6320	60-6321	—	—	
EX37						
2013	Front.....	—	60-6300	66-6299	66-6300	
	Rear.....	60-6401	60-6402	—	—	
FX35						
2012-09	Rear.....	60-6331	60-6332	—	—	
	2008-03	Front.....	60-6276	60-6278	—	—
		Rear.....	60-6329	60-6330	—	—
FX37						
2013	Rear.....	60-6331	60-6332	—	—	
FX45						
2008-03	Front.....	60-6277	60-6278	—	—	
	Rear.....	60-6333	60-6334	—	—	
QX4						
2003-97	Front.....	60-6185	60-6185	66-6185	66-6185	
QX50						
2014	Rear.....	60-6401	60-6402	—	—	
QX56						
2012-04	Front.....	60-6238 ⑨	60-6238 ⑨	66-6238 ⑨	66-6238 ⑨	
	Front.....	—	—	66-6238HD ⑩	66-6238HD ⑩	
	Rear.....	60-6342	60-6342	—	—	
QX70						
2014	Rear.....	—	60-6332	—	—	
ISUZU						
I-MARK						
1989-87	Front w/A.T.....	60-1091	60-1015	—	—	
	Front w/M.T. (Exc. Turbo).....	60-1121	60-1077	—	—	
	Front w/M.T. Turbo.....	60-1292	60-1291	—	—	
1986-85	Front w/A.T.....	60-1091	60-1015	—	—	
	Front w/M.T.....	60-1121	60-1077	—	—	
IMPULSE						
1992-90	Front 2WD w/A.T. w/o ABS.....	60-1063	60-1058	—	—	
	Front 2WD w/A.T. w/ABS.....	60-1294	60-1318	—	—	
	Front 2WD w/M.T. w/o ABS.....	60-1063	60-1079	—	—	
	Front 2WD w/M.T. w/ABS.....	60-1294	60-1293	—	—	
STYLUS						
1993	Front 1.6L Eng. w/A.T.....	60-1032	60-1028	66-1032	66-1028	
	Front 1.6L Eng. w/M.T.....	60-1031	60-1026	66-1031	66-1026	
1992	Front 1.6L Eng. w/A.T.....	60-1032	60-1028	66-1032	66-1028	
	Front 1.6L Eng. w/M.T.....	60-1031	60-1026	66-1031	66-1026	
1991	Front 1.8L Eng.....	60-1063	60-1079	—	—	
	Front 1.6L Eng. w/A.T., SOHC.....	60-1032	60-1028	66-1032	66-1028	
	Front 1.6L Eng. w/M.T., SOHC.....	60-1031	60-1026	66-1031	66-1026	
	Front 1.6L Eng. DOHC.....	60-1063	60-1079	—	—	
ISUZU TRUCKS						
AMIGO						
2000-98	Front (Supplied w/o Inboard Housing) ②.....	60-1351S	60-1351S	66-1351S	66-1351S	
	Front (Supplied w/Inboard Housing).....	60-4158	60-4158	—	—	
1994-89	Front (Supplied w/o Inboard Housing) w/3 9/16" Smooth Cylindrical Housing Stamped NSK ②.....	60-1353S	60-1353S	66-1353S	66-1353S	
	Front (Supplied w/o Inboard Housing) w/3 11/16" Ribbed Cylindrical Housing Stamped NTN ②.....	60-1354S	60-1354S	66-1354S	66-1354S	
	Front (Supplied w/Inboard Housing).....	60-4094	60-4081	—	—	

② Drive Axle is supplied without the Inboard Housing as a "Time Saver Solution" for the Installer.

⑨ Supplied w/Standard Neoprene Outboard Boot.

⑩ Supplied w/Optional Heavy Duty Thermoplastic Outboard Boot.

NEW & REMANUFACTURED CONSTANT VELOCITY DRIVE AXLES

YEAR	APPLICATION	REMAN		NEW	
		LEFT	RIGHT	LEFT	RIGHT
ISUZU TRUCKS (Cont'd)		Driver Side	Pass. Side	Driver Side	Pass. Side
ASCENDER					
2008-03	Front.....	60-1345	60-1345	66-1345	66-1345
AXIOM					
2004	Front (Supplied w/o Inboard Housing) ②	—	60-1370S	—	66-1370S
	Front (Supplied w/Inboard Housing)	—	60-1369	—	—
2003-02	Front (Supplied w/o Inboard Housing) ②	60-1370S	60-1370S	66-1370S	66-1370S
	Front (Supplied w/Inboard Housing)	60-1369	60-1369	—	—
HOMBRE, PICKUP					
2000-98	Front	60-1311	60-1312	66-1311	66-1312
1995-88	Front (Supplied w/o Inboard Housing) w/3 9/16" Smooth Cylindrical Housing Stamped NSK ②	60-1353S	60-1353S	66-1353S	66-1353S
	Front (Supplied w/o Inboard Housing) w/3 11/16" Ribbed Cylindrical Housing Stamped NTN ②	60-1354S	60-1354S	66-1354S	66-1354S
	Front (Supplied w/Inboard Housing)	60-4094	60-4081	—	—
I-350					
2006	Front 3.5L Eng.....	60-1418	60-1418	66-1418	66-1418
I-370					
2008-07	Front 3.7L Eng.....	60-1418	60-1418	66-1418	66-1418
OASIS					
1999-96	Front	60-4144	60-4145	66-4144	66-4145
RODEO					
2004-02	Front (Supplied w/o Inboard Housing) ②	60-1370S	60-1370S	66-1370S	66-1370S
	Front (Supplied w/Inboard Housing)	60-1369	60-1369	—	—
2001-98	Front (Supplied w/o Inboard Housing) ②	60-1351S	60-1351S	66-1351S	66-1351S
	Front (Supplied w/Inboard Housing)	60-4158	60-4158	—	—
1997	Front (Supplied w/o Inboard Housing) ②	60-1352S	60-1352S	66-1352S	66-1352S
	Front (Supplied w/Inboard Housing)	60-4159	60-4159	—	—
1996	Front From 12/95 (Supplied w/o Inboard Housing) ②	60-1352S	60-1352S	66-1352S	66-1352S
	Front From 12/95 (Supplied w/Inboard Housing)	60-4159	60-4159	—	—
	Front Before 12/95 (Supplied w/o Inboard Housing) w/3 9/16" Smooth Cylindrical Housing Stamped NSK ②	60-1353S	60-1353S	66-1353S	66-1353S
	Front Before 12/95 (Supplied w/o Inboard Housing) w/3 11/16" Ribbed Cylindrical Housing Stamped NTN ②	60-1354S	60-1354S	66-1354S	66-1354S
	Front Before 12/95 (Supplied w/Inboard Housing)	60-4094	60-4081	—	—
1995-91	Front (Supplied w/o Inboard Housing) w/3 9/16" Smooth Cylindrical Housing Stamped NSK ②	60-1353S	60-1353S	66-1353S	66-1353S
	Front (Supplied w/o Inboard Housing) w/3 11/16" Ribbed Cylindrical Housing Stamped NTN ②	60-1354S	60-1354S	66-1354S	66-1354S
	Front (Supplied w/Inboard Housing)	60-4094	60-4081	—	—
RODEO SPORT					
2003-02	Front (Supplied w/o Inboard Housing) ②	60-1370S	60-1370S	66-1370S	66-1370S
	Front (Supplied w/Inboard Housing)	60-1369	60-1369	—	—
2001	Front (Supplied w/o Inboard Housing) ②	60-1351S	60-1351S	66-1351S	66-1351S
	Front (Supplied w/Inboard Housing)	60-4158	60-4158	—	—
TROOPER, TROOPER II					
2002-96	Front (Supplied w/o Inboard Housing) ②	60-1349S	60-1349S	66-1349S	66-1349S
	Front (Supplied w/Inboard Housing)	60-1310	60-1310	—	—
1995	Front From 11/94 (Supplied w/o Inboard Housing) ②	60-1349S	60-1349S	66-1349S	66-1349S
	Front From 11/94 (Supplied w/Inboard Housing)	60-1334	60-1310	—	—
	Front Before 11/94 (Supplied w/o Inboard Housing) ②	60-1350S	60-1350S	66-1350S	66-1350S
	Front Before 11/94 (Supplied w/Inboard Housing)	60-1158	60-1157	—	—
1994-92	Front (Supplied w/o Inboard Housing) ②	60-1350S	60-1350S	66-1350S	66-1350S
	Front (Supplied w/Inboard Housing)	60-1158	60-1157	—	—
1991-88	Front (Supplied w/o Inboard Housing) w/3 9/16" Smooth Cylindrical Housing Stamped NSK ②	60-1353S	60-1353S	66-1353S	66-1353S
	Front (Supplied w/o Inboard Housing) w/3 11/16" Ribbed Cylindrical Housing Stamped NTN ②	60-1354S	60-1354S	66-1354S	66-1354S
	Front (Supplied w/Inboard Housing)	60-4094	60-4081	—	—
1987	Front (Supplied w/o Inboard Housing) ②	60-1356S	60-1356S	—	—
	Front (Supplied w/Inboard Housing)	60-1120	60-1137	—	—

CV DRIVE AXLES

② Drive Axle is supplied without the Inboard Housing as a "Time Saver Solution" for the Installer.

NEW & REMANUFACTURED CONSTANT VELOCITY DRIVE AXLES

CV DRIVE AXLES

YEAR	APPLICATION	REMAN		NEW	
		LEFT	RIGHT	LEFT	RIGHT
ISUZU TRUCKS (Cont'd)		Driver Side	Pass. Side	Driver Side	Pass. Side
VEHICROSS					
2001-99	Front (Supplied w/o Inboard Housing) ②	—	60-1349S	—	66-1349S
	Front (Supplied w/Inboard Housing)	—	60-1310	—	—
JAGUAR					
F-TYPE					
2014	Rear 5.0L Eng.	60-2269	60-2268	—	—
S-TYPE					
2008-07	Rear	60-2216	60-2217	—	—
2006-03	Rear 3.0L Eng.	60-2224	60-2225	—	—
	Rear 4.2L Eng. Exc. Supercharged Engine	60-2224	60-2225	—	—
	Rear 4.2L Eng. Supercharged Engine	60-2214	60-2215	—	—
2002-00	Rear 3.0L Eng.	60-2220	60-2221	—	—
	Rear 4.0L Eng.	60-2218	60-2219	—	—
SUPER V8					
2008-06	Rear	60-2216	60-2217	—	—
2005	Rear From VIN G43162	60-2216	60-2215	—	—
	Rear To VIN G43161	60-2214	60-2215	—	—
VANDEN PLAS					
2008-06	Rear	60-2216	60-2217	—	—
2005-04	Rear	60-2224	60-2225	—	—
2002-01	Rear	60-2212	60-2212	—	—
2000	Rear From VIN # F12668	60-2212	60-2212	—	—
	Rear To VIN # F12667	60-2213	60-2213	—	—
XF					
2015-14	Rear 2.0L Eng.	60-2267	60-2268	—	—
	Rear 3.0L Eng.	60-2267	60-2268	—	—
2013	Rear 2.0L Eng.	60-2267	60-2268	—	—
	Rear 3.0L Eng.	60-2269	60-2268	—	—
	Rear 5.0L Eng.	60-2269	60-2268	—	—
2012	Rear 5.0L Eng. (Exc. Supercharged Eng.)	60-2267	60-2268	—	—
	Rear 5.0L Eng. Supercharged Eng.	60-2268	60-2269	—	—
2011-10	Rear (Exc. Supercharged Eng.)	60-2267	60-2268	—	—
	Rear Supercharged Eng.	60-2268	60-2269	—	—
2009	Rear	60-2226	60-2227	—	—
XFR					
2013-10	Rear	60-2269	60-2268	—	—
XJ					
2015-14	Rear 3.0L Eng.	60-2267	60-2268	—	—
2013	Rear 3.0L Eng.	60-2267	60-2268	—	—
	Rear 5.0L Eng. (Exc. Supercharged)	60-2269	60-2268	—	—
	Rear 5.0L Eng. Supercharged	60-2267	60-2268	—	—
2012-10	Rear (Exc. Supercharged Eng.)	60-2269	60-2268	—	—
	Rear Supercharged Eng.	60-2267	60-2268	—	—
XJ8					
2008-06	Rear	60-2216	60-2217	—	—
2005-04	Rear	60-2224	60-2225	—	—
2003	Rear	60-2214	60-2215	—	—
2002-01	Rear	60-2212	60-2212	—	—
2000	Rear From VIN # F12668	60-2212	60-2212	—	—
	Rear To VIN # F12667	60-2213	60-2213	—	—
XJR					
2008-06	Rear	60-2216	60-2217	—	—
2005-04	Rear	60-2214	60-2215	—	—
2003-01	Rear	60-2212	60-2212	—	—
2000	Rear From VIN # F13121	60-2212	60-2212	—	—
	Rear To VIN # F13120	60-2213	60-2213	—	—
XK					
2014-10	Rear	60-2267	60-2268	—	—
2009-07	Rear	60-2216	60-2217	—	—

② Drive Axle is supplied without the Inboard Housing as a "Time Saver Solution" for the Installer.

NEW & REMANUFACTURED CONSTANT VELOCITY DRIVE AXLES

YEAR	APPLICATION	REMAN		NEW	
		LEFT	RIGHT	LEFT	RIGHT
JAGUAR (Cont'd)		Driver Side	Pass. Side	Driver Side	Pass. Side
XK8					
2005-01	Rear	60-2212	60-2212	—	—
2000	Rear From Chassis # A068845	60-2212	60-2212	—	—
	Rear To Chassis # A0688444	60-2213	60-2213	—	—
XKR					
2015-10	Rear	60-2269	60-2268	—	—
2009-07	Rear	60-2216	60-2217	—	—
2005-01	Rear	60-2212	60-2212	—	—
2000	Rear From Chassis # A068845	60-2212	60-2212	—	—
	Rear To Chassis # A0688444	60-2213	60-2213	—	—
XKR-S					
2015-12	Rear	60-2269	60-2268	—	—
X-TYPE					
2008-02	Front	60-2176	60-2177	66-2176	66-2177
	Rear	60-2228	60-2229	—	—
JEEP TRUCKS					
CHEROKEE					
1987-84	Front w/CV Joint Design Axle	60-3032	60-3037	—	—
COMANCHE					
1987-86	Front w/CV Joint Design Axle	60-3032	60-3037	—	—
COMMANDER					
2010-06	Front w/o Limited Slip Differential	60-3417	60-3418	66-3417	66-3418
	Front w/Limited Slip Differential	60-3419	60-3418	66-3419	66-3418
COMPASS					
2015-13	Rear 4WD	60-3598	60-3599	—	—
2012	Front 4WD 2.4L Eng.	60-3511	60-3514	66-3511	66-3514
	Rear 4WD 2.4L Eng.	60-3598	60-3599	—	—
2011	Front FWD 2.0L Eng. w/A.T.	60-3511	60-3512	66-3511	66-3512
	Front FWD 2.0L Eng. w/M.T.	60-3511	60-3513	66-3511	66-3513
	Front FWD 2.4L Eng.	60-3511	60-3513	66-3511	66-3513
	Front 4WD 2.4L Eng.	60-3511	60-3514	66-3511	66-3514
	Rear 4WD 2.4L Eng.	60-3598	60-3599	—	—
2010	Front FWD 2.0L Eng. w/A.T.	60-3511	60-3512	66-3511	66-3512
	Front FWD 2.0L Eng. w/M.T.	60-3511	60-3513	66-3511	66-3513
	Front FWD 2.4L Eng.	60-3511	60-3513	66-3511	66-3513
	Front 4WD 2.4L Eng.	60-3511	60-3514	66-3511	66-3514
	Rear 4WD 2.4L Eng.	60-3598	60-3599	—	—
2009-07	Front FWD 2.0L Eng. w/CVT	60-3511	60-3512	66-3511	66-3512
	Front FWD 2.0L Eng. w/M.T.	60-3511	60-3513	66-3511	66-3513
	Front FWD 2.4L Eng. w/CVT	60-3511	60-3513	66-3511	66-3513
	Front FWD 2.4L Eng. w/M.T.	60-3511	60-3513	66-3511	66-3513
	Front 4WD 2.4L Eng.	60-3511	60-3514	66-3511	66-3514
	Rear 4WD	60-3598	60-3599	—	—
GRAND CHEROKEE					
2015-14	Front	60-3732	—	—	—
2013-12	Front	60-3732	—	—	—
	Rear w/230MM	60-3701	60-3703	—	—
2011	Front	60-3732	—	—	—
	Rear RWD w/215MM	60-3702	60-3702	—	—
	Rear RWD w/225MM	60-3700	60-3700	—	—
	Rear AWD w/215MM	60-3704	60-3704	—	—
	Rear AWD w/225MM	60-3705	60-3705	—	—
	Rear w/230MM	60-3701	60-3703	—	—
2010-05	Front w/o Limited Slip Differential	60-3417	60-3418	66-3417	66-3418
	Front w/Limited Slip Differential	60-3419	60-3418	66-3419	66-3418
2004-99	Front w/Part Time 4WD	60-3298	60-3299	66-3298	66-3299
	Front w/ Quadra Drive Full Time 4WD	60-3300	60-3301	66-3300	66-3301
1998-93	Front w/CV Joint Design Axle	60-3220	60-3221	66-3220	66-3221

CV DRIVE AXLES

NEW & REMANUFACTURED CONSTANT VELOCITY DRIVE AXLES

CV DRIVE AXLES

YEAR	APPLICATION	REMAN		NEW	
		LEFT	RIGHT	LEFT	RIGHT
		Driver Side	Pass. Side	Driver Side	Pass. Side
JEEP (Cont'd)					
GRAND WAGONEER					
1993	Front w/CV Joint Design Axle.....	60-3220	60-3221	66-3220	66-3221
LIBERTY					
2012-08	Front.....	60-3563	60-3564	66-3563	66-3564
2007-02	Front 3.7L Eng.....	60-3351	60-3352	66-3351	66-3352
PATRIOT					
2015-14	Rear AWD 2.4L Eng.....	—	60-3599	—	—
2013	Rear AWD 2.4L Eng.....	60-3598	60-3599	—	—
2012	Front FWD 2.0L Eng. w/A.T.....	60-3511	—	66-3511	—
	Front FWD 2.0L Eng. w/M.T.....	60-3511	60-3513	66-3511	66-3513
	Front FWD 2.4L Eng.....	60-3511	60-3513	66-3511	66-3513
	Front AWD 2.4L Eng.....	60-3511	60-3514	66-3511	66-3514
	Rear AWD 2.4L Eng.....	60-3598	60-3599	—	—
2011	Front FWD 2.0L Eng. w/A.T.....	60-3511	60-3512	66-3511	66-3512
	Front FWD 2.0L Eng. w/M.T.....	60-3511	60-3513	66-3511	66-3513
	Front FWD 2.4L Eng.....	60-3511	60-3513	66-3511	66-3513
	Front AWD 2.4L Eng.....	60-3511	60-3514	66-3511	66-3514
	Rear AWD 2.4L Eng.....	60-3598	60-3599	—	—
2010	Front FWD 2.0L Eng. w/A.T.....	60-3511	60-3512	66-3511	66-3512
	Front FWD 2.0L Eng. w/M.T.....	60-3511	60-3513	66-3511	66-3513
	Front FWD 2.4L Eng.....	60-3511	60-3513	66-3511	66-3513
	Front AWD 2.4L Eng.....	60-3511	60-3514	66-3511	66-3514
	Rear AWD 2.4L Eng.....	60-3599	60-3599	—	—
2009-07	Front FWD 2.0L Eng. w/A.T.....	60-3511	60-3512	66-3511	66-3512
	Front FWD 2.0L Eng. w/M.T.....	60-3511	60-3513	66-3511	66-3513
	Front FWD 2.4L Eng.....	60-3511	60-3513	66-3511	66-3513
	Front AWD 2.4L Eng.....	60-3511	60-3514	66-3511	66-3514
	Rear AWD.....	60-3598	60-3599	—	—
WAGONEER					
1987-84	Front w/CV Joint Design Axle.....	60-3032	60-3037	—	—
KIA					
AMANTI					
2009-07	Front.....	60-3549	60-3550	—	—
2006-04	Front.....	60-3454	60-3455	—	—
FORTE					
2013-12	Front 2.0L Eng. w/A.T.....	—	—	—	66-3744
2011	Front 2.0L Eng. w/A.T.....	—	—	—	66-3744
	Front 2.4L Eng. w/M.T.....	60-3669	60-3670	—	—
2010	Front 2.0L Eng. w/M.T.....	—	60-3524	—	66-3524
	Front 2.4L Eng. w/M.T.....	60-3669	60-3670	—	—
FORTE5					
2011	Front 2.4L Eng. w/M.T.....	60-3669	60-3670	—	—
MAGENTIS (Canada)					
2010	Front 2.4L Eng. w/A.T. w/o ABS.....	—	60-3730	—	—
	Front 2.4L Eng. w/M.T w/ ABS.....	60-3672	60-3674	—	—
2009	Front 2.4L Eng. w/A.T. w/o ABS.....	60-3584	60-3586	66-3593	66-3587
	Front 2.4L Eng. w/A.T. w/ABS.....	60-3585	60-3587	66-3593	66-3587
	Front 2.4L Eng. w/M.T. w/o ABS.....	—	60-3586	—	66-3587
	Front 2.4L Eng. w/M.T. w/ABS.....	—	60-3587	—	66-3587
	Front 2.7L Eng. w/o ABS.....	60-3593	60-3532	66-3593	66-3532
	Front 2.7L Eng. w/ABS.....	60-3593	60-3532	66-3593	66-3532
2008	Front 2.4L Eng. w/A.T. w/o ABS.....	60-3584	60-3586	66-3593	66-3587
	Front 2.4L Eng. w/A.T. w/ABS.....	60-3585	60-3587	66-3593	66-3587
	Front 2.4L Eng. w/M.T. w/o ABS.....	—	60-3586	—	66-3587
	Front 2.4L Eng. w/M.T. w/ABS.....	—	60-3587	—	66-3587
	Front 2.7L Eng. w/o ABS.....	60-3592	60-3532	66-3593	66-3532
	Front 2.7L Eng. w/ABS.....	60-3593	60-3532	66-3593	66-3532
2007	Front 2.4L Eng. w/A.T. w/o ABS.....	60-3584	60-3586	66-3593	66-3587
	Front 2.4L Eng. w/A.T. w/ABS.....	60-3585	60-3587	66-3593	66-3587
	Front 2.4L Eng. w/M.T. w/o ABS.....	—	60-3586	—	66-3587
	Front 2.4L Eng. w/M.T. w/ABS.....	—	60-3587	—	66-3587

NEW & REMANUFACTURED CONSTANT VELOCITY DRIVE AXLES

YEAR	APPLICATION	REMAN		NEW	
		LEFT	RIGHT	LEFT	RIGHT
		Driver Side	Pass. Side	Driver Side	Pass. Side
KIA (Cont'd)					
MAGENTIS (Canada) (Cont'd)					
2007	Front 2.7L Eng. w/o ABS.....	60-3592	60-3532	66-3593	66-3532
(Cont'd)	Front 2.7L Eng. w/ABS.....	60-3593	60-3532	66-3593	66-3532
2006	Front 2.4L Eng. w/o ABS.....	60-3402	60-3357	66-3406	66-3405
	Front 2.4L Eng. w/ABS.....	60-3403	60-3405	66-3406	66-3405
	Front 2.7L Eng. (Vin 8) w/o ABS.....	60-3533	60-3534	66-3406	66-3407
	Front 2.7L Eng. (Vin 8) w/ABS.....	60-3406	60-3407	66-3406	66-3407
2005-02	Front 2.4L Eng. w/o ABS.....	60-3402	60-3357	66-3406	66-3405
	Front 2.4L Eng. w/ABS.....	60-3403	60-3405	66-3406	66-3405
	Front 2.7L Eng.	60-3406	60-3534	66-3406	66-3407
2001	Front 2.4L Eng. w/o ABS.....	60-3402	60-3357	66-3406	66-3405
	Front 2.4L Eng. w/ABS.....	60-3403	60-3405	66-3406	66-3405
	Front 2.5L Eng.....	60-3406	60-3407	66-3406	66-3407
OPTIMA					
2010	Front 2.4L Eng. w/A.T. w/ABS.....	—	60-3730	—	—
	Front 2.4L Eng. w/M.T w/ABS.....	60-3672	60-3674	—	—
2009	Front 2.4L Eng. w/A.T. w/o ABS.....	60-3584	60-3586	66-3593	66-3587
	Front 2.4L Eng. w/A.T. w/ABS.....	60-3585	60-3587	66-3593	66-3587
	Front 2.4L Eng. w/M.T. w/o ABS.....	—	—	—	66-3587
	Front 2.4L Eng. w/M.T. w/ABS.....	—	—	—	66-3587
	Front 2.7L Eng.....	60-3593	60-3532	66-3593	66-3532
2008	Front 2.4L Eng. w/A.T. w/o ABS.....	60-3584	60-3586	66-3593	66-3587
	Front 2.4L Eng. w/A.T. w/ABS.....	60-3585	60-3587	66-3593	66-3587
	Front 2.4L Eng. w/M.T. w/o ABS.....	—	60-3586	—	66-3587
	Front 2.4L Eng. w/M.T. w/ABS.....	—	60-3587	—	66-3587
	Front 2.7L Eng. w/o ABS.....	60-3592	60-3532	66-3593	66-3532
	Front 2.7L Eng. w/ABS.....	60-3593	60-3532	66-3593	66-3532
2007	Front 2.4L Eng. w/A.T. w/o ABS.....	60-3584	60-3586	66-3593	66-3587
	Front 2.4L Eng. w/A.T. w/ABS.....	60-3585	60-3587	66-3593	66-3587
	Front 2.4L Eng. w/M.T. w/o ABS.....	—	60-3586	—	66-3587
	Front 2.4L Eng. w/M.T. w/ABS.....	—	60-3587	—	66-3587
	Front 2.7L Eng. w/o ABS.....	60-3592	60-3532	66-3593	66-3532
	Front 2.7L Eng. w/ABS.....	60-3593	60-3532	66-3593	66-3532
2006	Front 2.4L Eng. (Vin 3) w/A.T. w/o ABS.....	60-3584	60-3586	66-3593	66-3587
	Front 2.4L Eng. (Vin 3) w/A.T. w/ABS.....	60-3585	60-3587	66-3593	66-3587
	Front 2.4L Eng. (Vin 3) w/M.T. w/o ABS.....	—	60-3586	—	66-3587
	Front 2.4L Eng. (Vin 3) w/M.T. w/ABS.....	—	60-3587	—	66-3587
	Front 2.4L Eng. (VIN 6) w/o ABS.....	60-3402	60-3357	66-3406	66-3405
	Front 2.4L Eng. (VIN 6) w/ABS.....	60-3403	60-3405	66-3406	66-3405
	Front 2.7L Eng. (VIN 4) w/o ABS.....	60-3592	60-3532	66-3593	66-3532
	Front 2.7L Eng. (VIN 4) w/ABS.....	60-3593	60-3532	66-3593	66-3532
	Front 2.7L Eng. (VIN 8) w/o ABS.....	60-3533	60-3534	66-3406	66-3407
	Front 2.7L Eng. (VIN 8) w/ABS.....	60-3406	60-3407	66-3406	66-3407
2005-02	Front 2.4L Eng. w/o ABS.....	60-3402	60-3357	66-3406	66-3405
	Front 2.4L Eng. w/ABS.....	60-3403	60-3405	66-3406	66-3405
	Front 2.7L Eng. w/o ABS.....	60-3533	60-3534	66-3406	66-3407
	Front 2.7L Eng. w/ABS.....	60-3406	60-3407	66-3406	66-3407
2001	Front 2.4L Eng. w/o ABS.....	60-3402	60-3357	66-3406	66-3405
	Front 2.4L Eng. w/ABS.....	60-3403	60-3405	66-3406	66-3405
	Front 2.5L Eng.....	60-3406	60-3407	66-3406	66-3407
RIO					
2014-13	Front w/A.T.	60-3761	—	—	—
2012	Front EX, SX.....	60-3448	60-3449	66-3448	66-3449
	Front LX w/A.T.	60-3448	60-3449	66-3448	66-3449
	Front LX w/M.T.	—	60-3453	—	66-3453
2011	Front w/A.T. w/o ABS.....	60-3450	—	66-3451	—
	Front w/A.T. w/ABS.....	60-3448	60-3449	66-3448	66-3449
	Front w/M.T. w/o ABS.....	60-3450	60-3453	66-3451	66-3453
	Front w/M.T. w/ABS.....	—	60-3453	—	66-3453
2010-08	Front w/A.T.....	60-3448	60-3449	66-3448	66-3449
	Front w/M.T. w/o ABS.....	60-3450	60-3453	66-3451	66-3453
	Front w/M.T. w/ABS.....	—	60-3453	—	66-3453
2007-06	Front w/A.T. w/o ABS.....	60-3443	60-3445	66-3448	66-3449
	Front w/A.T. w/ABS.....	60-3448	60-3449	66-3448	66-3449
	Front w/M.T. w/o ABS.....	60-3450	60-3452	66-3451	66-3453
	Front w/M.T. w/ABS.....	—	60-3453	—	66-3453

CV DRIVE AXLES

NEW & REMANUFACTURED CONSTANT VELOCITY DRIVE AXLES

CV DRIVE AXLES

YEAR	APPLICATION	REMAN		NEW	
		LEFT	RIGHT	LEFT	RIGHT
		Driver Side	Pass. Side	Driver Side	Pass. Side
KIA (Cont'd)					
RIO (Cont'd)					
2005-01	Front w/A.T. w/o ABS.....	60-8137	60-8139	66-8138	66-8140
	Front w/A.T. w/ABS.....	60-8138	60-8140	66-8138	66-8140
	Front w/M.T. w/o ABS.....	60-8141	60-8143	—	—
	Front w/M.T. w/ABS.....	60-8142	60-8144	—	—
RIO5					
2011	Front w/A.T. w/o ABS.....	60-3450	—	66-3451	—
	Front w/A.T. w/ABS.....	60-3448	60-3449	66-3448	66-3449
	Front w/M.T. w/o ABS.....	60-3450	60-3453	66-3451	66-3453
	Front w/M.T. w/ABS.....	—	60-3453	—	66-3453
2010-08	Front w/A.T.....	60-3448	60-3449	66-3448	66-3449
	Front w/M.T. w/o ABS.....	60-3450	60-3453	66-3451	66-3453
	Front w/M.T. w/ABS.....	—	60-3453	—	66-3453
2007-06	Front w/A.T. w/o ABS.....	60-3443	60-3445	66-3448	66-3449
	Front w/A.T. w/ABS.....	60-3448	60-3449	66-3448	66-3449
	Front w/M.T. w/o ABS.....	60-3450	60-3452	66-3451	66-3453
	Front w/M.T. w/ABS.....	—	60-3453	—	66-3453
SEPHIA					
2001	Front w/A.T. w/o ABS.....	60-8131	60-8133	66-8132	66-8134
	Front w/A.T. w/ABS.....	60-8132	60-8134	66-8132	66-8134
	Front w/M.T. w/o ABS.....	60-8135	60-8133	66-8136	66-8134
	Front w/M.T. w/ABS.....	60-8136	60-8134	66-8136	66-8134
2000-98	Front w/A.T. w/o ABS.....	60-2011	60-8113	66-2105	66-8114
	Front w/A.T. w/ABS.....	60-2105	60-8114	66-2105	66-8114
	Front w/M.T. w/o ABS.....	60-8115	60-8113	66-8098	66-8114
	Front w/M.T. w/ABS.....	60-8116	60-8114	66-8098	66-8114
1997-96	Front 1.6L Eng.....	60-8024	60-8108	66-8084	66-8108
	Front 1.8L Eng. w/A.T. w/o ABS.....	60-2011	60-8111	66-2105	66-8112
	Front 1.8L Eng. w/A.T. w/ABS.....	60-2105	60-8112	66-2105	66-8112
	Front 1.8L Eng. w/M.T. w/o ABS.....	60-8109	60-8111	66-8098	66-8112
1995	Front 1.8L Eng. w/M.T. w/ABS.....	60-8110	60-8112	66-8098	66-8112
	Front 1.6L SOHC Eng.....	60-8024	60-8107	66-8084	66-2136
	Front 1.6L DOHC Eng.....	60-8024	60-8108	66-8084	66-8108
	Front 1.8L Eng. w/A.T. w/o ABS.....	60-2011	60-8111	66-2105	66-8112
1994	Front 1.8L Eng. w/A.T. w/ABS.....	60-2105	60-8112	66-2105	66-8112
	Front 1.8L Eng. w/M.T. w/o ABS.....	60-8109	60-8111	66-8098	66-8112
	Front 1.8L Eng. w/M.T. w/ABS.....	60-8110	60-8112	66-8098	66-8112
	Front.....	60-8024	60-8107	66-8084	66-2136
SPECTRA					
2009-07	Front 2.0L Eng. w/A.T. w/o ABS.....	60-3525	60-3527	66-3526	66-3528
	Front 2.0L Eng. w/A.T. w/ABS.....	60-3526	60-3528	66-3526	66-3528
	Front 2.0L Eng. w/M.T. w/o ABS.....	60-3470	60-3472	66-3471	66-3473
	Front 2.0L Eng. w/M.T. w/ABS.....	60-3471	60-3473	66-3471	66-3473
2006	Front 2.0L Eng. w/A.T. w/o ABS w/25 Spline Inboard Joint.....	60-3466	60-3468	66-3467	66-3469
	Front 2.0L Eng. w/A.T. w/ ABS w/25 Spline Inboard Joint.....	60-3467	60-3469	66-3467	66-3469
	Front 2.0L Eng. w/A.T. w/o ABS w/27 Spline Inboard Joint.....	60-3525	60-3527	66-3526	66-3528
	Front 2.0L Eng. w/A.T. w/ ABS w/27 Spline Inboard Joint.....	60-3526	60-3528	66-3526	66-3528
2005	Front 2.0L Eng. w/M.T. w/o ABS.....	60-3470	60-3472	66-3471	66-3473
	Front 2.0L Eng. w/M.T. w/ABS.....	60-3471	60-3473	66-3471	66-3473
	Front 2.0L Eng. w/A.T. w/o ABS.....	60-3466	60-3468	66-3467	66-3469
	Front 2.0L Eng. w/A.T. w/ABS.....	60-3467	60-3469	66-3467	66-3469
2004	Front 2.0L Eng. w/M.T. w/o ABS.....	60-3470	60-3472	66-3471	66-3473
	Front 2.0L Eng. w/M.T. w/ABS.....	60-3471	60-3473	66-3471	66-3473
	Front 1.8L Eng. w/A.T. w/o ABS.....	60-8131	60-8133	66-8132	66-8134
	Front 1.8L Eng. w/A.T. w/ABS.....	60-8132	60-8134	66-8132	66-8134
	Front 1.8L Eng. w/M.T. w/o ABS.....	60-8135	60-8133	66-8136	66-8134
	Front 1.8L Eng. w/M.T. w/ABS.....	60-8136	60-8134	66-8136	66-8134
	Front 2.0L Eng. w/A.T. w/o ABS.....	60-3466	60-3468	66-3467	66-3469
	Front 2.0L Eng. w/A.T. w/ABS.....	60-3467	60-3469	66-3467	66-3469
2003-01	Front 2.0L Eng. w/M.T. w/o ABS.....	60-3470	60-3472	66-3471	66-3473
	Front 2.0L Eng. w/M.T. w/ABS.....	60-3471	60-3473	66-3471	66-3473
	Front w/A.T. w/o ABS.....	60-8131	60-8133	66-8132	66-8134
	Front w/A.T. w/ABS.....	60-8132	60-8134	66-8132	66-8134
	Front w/M.T. w/o ABS.....	60-8135	60-8133	66-8136	66-8134
	Front w/M.T. w/ABS.....	60-8136	60-8134	66-8136	66-8134

NEW & REMANUFACTURED CONSTANT VELOCITY DRIVE AXLES

YEAR	APPLICATION	REMAN		NEW	
		LEFT	RIGHT	LEFT	RIGHT
		Driver Side	Pass. Side	Driver Side	Pass. Side
KIA (Cont'd)					
SPECTRA (Cont'd)					
2000	Front w/A.T. w/o ABS.....	60-2011	60-8113	66-2105	66-8114
	Front w/A.T. w/ABS.....	60-2105	60-8114	66-2105	66-8114
	Front w/M.T. w/o ABS.....	60-8115	60-8113	66-8098	66-8114
	Front w/M.T. w/ABS.....	60-8116	60-8114	66-8098	66-8114
SPECTRA5					
2009-07	Front 2.0L Eng. w/A.T. w/o ABS.....	60-3525	60-3527	66-3526	66-3528
	Front 2.0L Eng. w/A.T. w/ABS.....	60-3526	60-3528	66-3526	66-3528
	Front 2.0L Eng. w/M.T. w/o ABS.....	60-3470	60-3472	66-3471	66-3473
	Front 2.0L Eng. w/M.T. w/ABS.....	60-3471	60-3473	66-3471	66-3473
2006-05	Front 2.0L Eng. w/A.T. w/o ABS.....	60-3466	60-3468	66-3467	66-3469
	Front 2.0L Eng. w/A.T. w/ABS.....	60-3467	60-3469	66-3467	66-3469
	Front 2.0L Eng. w/M.T. w/o ABS.....	60-3470	60-3472	66-3471	66-3473
	Front 2.0L Eng. w/M.T. w/ABS.....	60-3471	60-3473	66-3471	66-3473
KIA TRUCKS					
BORREGO					
2011	Rear 3.8L Eng.....	60-3714	60-3714	—	—
	Rear 4.6L Eng.....	60-3713	60-3713	—	—
2010	None Produced				
2009	Rear.....	60-3713	60-3713	—	—
RONDO					
2011-09	Front 2.4L Eng.....	60-3529	60-3530	—	66-3505
	Front 2.7L Eng.....	60-3505	60-3532	66-3505	66-3532
2008	Front 2.4L Eng.....	60-3529	60-3530	—	66-3505
	Front 2.7L Eng. From 3/04/08.....	60-3505	60-3532	66-3505	66-3532
	Front 2.7L Eng. Before 3/05/08.....	60-3593	60-3532	66-3593	66-3532
2007	Front 2.4L Eng.....	60-3529	60-3530	—	66-3505
	Front 2.7L Eng.....	60-3593	60-3532	66-3593	66-3532
SEDONA					
2011-09	Front.....	60-8158	—	66-8158	—
2008-06	Front.....	60-8158	60-8159	66-8158	66-8159
2005-02	Front w/o ABS.....	60-8127	60-8129	66-8128	66-8130
	Front w/ABS.....	60-8128	60-8130	66-8128	66-8130
SORENTO					
2013-12	Front.....	60-3653	60-3654	66-3653	66-3654
	Rear.....	60-3665	60-3665	—	—
2011	Front w/A.T.....	60-3653	60-3654	66-3653	66-3654
	Front w/M.T.....	—	60-3654	—	66-3654
	Rear.....	60-3715	60-3715	—	—
2009-03	Front.....	60-8125	60-8126	66-8125	66-8126
SPORTAGE					
2013-11	Rear 4WD.....	60-3718	60-3719	—	—
2010-08	Front 2.0L Eng. FWD.....	60-3504	60-3505	66-3504	66-3505
	Front 2.0L Eng. 4WD.....	60-3504	60-3439	66-3504	66-3439
	Front 2.7L Eng. FWD.....	60-3435	60-3439	66-3504	66-3439
	Front 2.7L Eng. 4WD.....	60-3435	60-3439	66-3504	66-3439
	Rear 4WD.....	60-3717	60-3717	—	—
2007-05	Front 2.0L Eng. FWD.....	60-3504	60-3505	66-3504	66-3505
	Front 2.0L Eng. 4WD.....	60-3504	60-3439	66-3504	66-3439
	Front 2.7L Eng. FWD.....	60-3435	60-3439	66-3504	66-3439
	Front 2.7L Eng. 4WD.....	60-3435	60-3439	66-3504	66-3439
2004-03	None Produced				
2002	Front.....	60-8147	60-8148	—	—
2001	Front From 10/20/2000.....	60-8147	60-8148	—	—
	Front Before 10/20/2000.....	60-8105	60-8106	—	—
2000-95	Front.....	60-8105	60-8106	—	—
LAND ROVER TRUCKS					
FREELANDER					
2005-03	Front.....	60-9285	60-9286	—	—
	Rear.....	60-9618	60-9618	—	—
2002	Rear.....	60-9617	60-9617	—	—

CV DRIVE AXLES

NEW & REMANUFACTURED CONSTANT VELOCITY DRIVE AXLES

CV DRIVE AXLES

YEAR	APPLICATION	REMAN		NEW	
		LEFT	RIGHT	LEFT	RIGHT
LAND ROVER TRUCKS (Cont'd)		Driver Side	Pass. Side	Driver Side	Pass. Side
LR2					
2012-10	Rear	60-9684	60-9684	—	—
2009-08	Rear	60-9619	60-9619	—	—
LR3					
2009-05	Front	60-9287	60-9288	66-9287	66-9288
	Rear w/o Locking Differential	60-9622	60-9623	—	—
	Rear w/ Locking Differential	60-9620	60-9621	—	—
LR4					
2013-10	Front	60-9287	60-9288	66-9287	66-9288
	Rear w/o Locking Differential	60-9622	60-9623	—	—
	Rear w/ Locking Differential	60-9620	60-9621	—	—
RANGE ROVER					
2012-06	Front	60-9216	60-9217	—	—
	Rear	60-9624	60-9625	—	—
2005-03	Front	60-9216	60-9217	—	—
	Rear	60-9218	60-9218	—	—
RANGE ROVER SPORT					
2013-09	Front	60-9287	60-9288	66-9287	66-9288
	Rear HSE, w/o Locking Differential	60-9622	60-9623	—	—
	Rear HSE, w/Locking Differential	60-9620	60-9621	—	—
	Rear Supercharged	60-9620	60-9621	—	—
2008-06	Front	60-9287	60-9288	66-9287	66-9288
	Rear w/o Locking Differential	60-9622	60-9623	—	—
	Rear w/Locking Differential	60-9620	60-9621	—	—
LEXUS					
CT200H					
2013-11	Front	60-5392	60-5393	—	66-5393
ES250					
1991-90	Front	60-5003	60-5003	66-5003	66-5003
ES300					
2003-02	Front	60-5262	60-5263	66-5264	66-5265
2001-97	Front	60-5168	60-5169	66-5168	66-5169
1996-92	Front	60-5039	60-5039	66-5039	66-5039
ES330					
2006-04	Front	60-5262	60-5263	66-5264	66-5265
ES350					
2012-07	Front	60-5279	60-5280	66-5279	66-5265
GS300					
2006	Front	60-5310	60-5311	—	66-5311
	Rear RWD	60-5319	60-5320	—	—
	Rear AWD From 06/05	60-5321	60-5322	—	—
	Rear AWD Before 06/05	60-5323	60-5324	—	—
2005-93	Rear	60-5059	60-5061	—	—
GS350					
2011	Front AWD	—	60-5311	—	66-5311
	Rear	60-5325	60-5326	—	—
2010-07	Front AWD	60-5310	60-5311	—	66-5311
	Rear	60-5325	60-5326	—	—
GS400					
2000-98	Rear	60-5059	60-5061	—	—
GS430					
2007-06	Rear	60-5325	60-5326	—	—
2005-01	Rear	60-5059	60-5061	—	—
GS450h					
2011-07	Rear	60-5325	60-5326	—	—

NEW & REMANUFACTURED CONSTANT VELOCITY DRIVE AXLES

YEAR	APPLICATION	REMAN		NEW	
		LEFT	RIGHT	LEFT	RIGHT
LEXUS (Cont'd)		Driver Side	Pass. Side	Driver Side	Pass. Side
GS460					
2011-08	Rear	60-5325	60-5326	—	—
HS250H					
2012-10	Rear Hybrid	60-5327	60-5328	—	—
IS F					
2014-08	Rear	60-5325	60-5326	—	—
IS250					
2013-11	Front AWD	—	60-5311	—	66-5311
	Rear	60-5329	60-5330	—	—
2010	Front AWD	60-5310	60-5311	—	66-5311
	Rear RWD	60-5325	60-5326	—	—
	Rear AWD	60-5329	60-5330	—	—
2009-06	Front AWD	60-5310	60-5311	—	66-5311
	Rear RWD	60-5329	60-5330	—	—
	Rear AWD	60-5321	60-5322	—	—
IS250C					
2013-10	Rear	60-5329	60-5330	—	—
IS350					
2013	Front AWD	60-5310	60-5311	—	66-5311
	Rear AWD	60-5325	60-5326	—	—
2012-11	Front AWD	60-5310	60-5311	—	66-5311
	Rear RWD	60-5329	60-5330	—	—
	Rear AWD	60-5325	60-5326	—	—
2010	Rear	60-5325	60-5326	—	—
2009-06	Rear	60-5325	60-5326	—	—
IS350C					
2013	Rear	60-5325	60-5326	—	—
2012-11	Rear	60-5329	60-5330	—	—
LS400					
2000-95	Rear	60-5331	60-5332	—	—
1994-90	Rear	—	60-5138	—	—
LS430					
2006-04	Rear	60-5335	60-5336	—	—
2003-01	Rear	60-5333	60-5334	—	—
LS460					
2014-07	Rear	60-5337	60-5338	—	—
LS460L					
2014-07	Rear	60-5337	60-5338	—	—
LS600h L					
2015-08	Rear Hybrid	60-5337	60-5338	—	—
RC F					
2015	Rear	—	60-5340	—	—
SC300					
1997-92	Rear	60-5059	60-5061	—	—
SC400					
2000-92	Rear	60-5059	60-5061	—	—
SC430					
2010-06	Rear	60-5339	60-5340	—	—
2005-02	Rear	60-5059	60-5061	—	—
LEXUS TRUCKS					
GX460					
2014-10	Front	60-5235 ⁹	60-5235 ⁹	66-5235 ⁹	66-5235 ⁹
	Front	—	—	66-5235HD ¹⁰	66-5235HD ¹⁰

CV DRIVE AXLES

⁹ Supplied w/Standard Neoprene Outboard Boot.

¹⁰ Supplied w/Optional Heavy Duty Thermoplastic Outboard Boot.

NEW & REMANUFACTURED CONSTANT VELOCITY DRIVE AXLES

CV DRIVE AXLES

YEAR	APPLICATION	REMAN		NEW	
		LEFT	RIGHT	LEFT	RIGHT
LEXUS TRUCKS (Cont'd)		Driver Side	Pass. Side	Driver Side	Pass. Side
GX470					
2009-03	Front.....	60-5235 ⑨	60-5235 ⑨	66-5235 ⑨	66-5235 ⑨
	Front.....	—	—	66-5235HD ⑩	66-5235HD ⑩
LX470					
2006-99	Front.....	60-5185 ⑨	60-5185 ⑨	66-5185 ⑨	66-5185 ⑨
	Front.....	—	—	66-5185HD ⑩	66-5185HD ⑩
RX300					
2003-01	Front FWD.....	60-5186	60-5186	66-5039	66-5039
	Front AWD.....	60-5195	60-5196	66-5195	66-5196
	Rear AWD.....	60-5259	60-5259	—	—
2000	Front FWD.....	60-5186	60-5186	66-5039	66-5039
	Front AWD.....	60-5195	60-5196	66-5195	66-5196
	Rear AWD.....	60-5342	60-5342	—	—
1999	Front FWD.....	60-5186	60-5186	66-5039	66-5039
	Front AWD.....	60-5195	60-5196	66-5195	66-5196
	Rear From 04/98.....	60-5342	60-5342	—	—
	Rear Before 04/98.....	60-5341	60-5341	—	—
RX330					
2006-04	Front FWD.....	60-5264	60-5265	66-5264	66-5265
	Front AWD.....	60-5255	60-5256	66-5255	66-5256
RX350					
2015-14	Front.....	60-5383	—	66-5308	—
2013	Front.....	60-5383	—	66-5308	—
	Rear AWD, USA Built.....	60-5394	60-5394	—	—
2012-10	Front.....	60-5383	—	66-5308	—
	Rear AWD, Japan Built.....	60-5395	60-5395	—	—
	Rear AWD, USA Built.....	60-5394	60-5394	—	—
2009-07	Front FWD.....	60-5264	60-5265	66-5264	66-5265
	Front AWD.....	60-5255	60-5256	66-5255	66-5256
RX400h					
2008-06	Front AWD.....	60-5257	60-5258	—	66-5258
	Rear AWD.....	60-5343	60-5343	—	—
RX450h					
2013-12	Rear AWD.....	60-5396	60-5396	—	—
2011	Front.....	—	—	66-5308	—
	Rear AWD.....	60-5396	60-5396	—	—
2010	Rear AWD.....	60-5396	60-5396	—	—
LINCOLN					
CONTINENTAL					
2002-95	Front.....	60-2038	60-2039	66-2038	66-2039
1994-89	Front.....	60-2020	60-2022	66-2008	66-2005
1988	Front.....	60-2008	60-2005	66-2008	66-2005
LS					
2006-03	Rear.....	60-2180	60-2181	—	—
2002-00	Rear.....	60-2149	60-2150	—	—
MARK VIII					
1998-93	Rear.....	60-2125	60-2125	—	—
MKS					
2014	Front FWD 3.7L Eng.....	60-2186	—	66-2186	—
	Rear AWD.....	60-2245	60-2246	—	—
2012	Front FWD 3.7L Eng.....	60-2186	—	66-2186	—
	Front AWD 3.5L Eng.....	60-2254	60-2255	—	—
	Rear AWD.....	60-2245	60-2246	—	—
2011-10	Front FWD 3.7L Eng.....	60-2186	60-2187	66-2186	66-2187
	Front AWD 3.5L Eng.....	60-2254	60-2255	—	—
	Front AWD 3.7L Eng.....	60-2186	60-2208	66-2186	—
	Rear AWD.....	60-2245	60-2246	—	—
2009	Front FWD 3.7L Eng.....	60-2186	60-2187	66-2186	66-2187
	Front AWD 3.7L Eng.....	60-2186	60-2208	66-2186	—
	Rear AWD.....	60-2245	60-2246	—	—

⑨ Supplied w/Standard Neoprene Outboard Boot.
 ⑩ Supplied w/Optional Heavy Duty Thermoplastic Outboard Boot.

NEW & REMANUFACTURED CONSTANT VELOCITY DRIVE AXLES

YEAR	APPLICATION	REMAN		NEW	
		LEFT	RIGHT	LEFT	RIGHT
LINCOLN (Cont'd)		Driver Side	Pass. Side	Driver Side	Pass. Side
MKZ					
2012	Front 2.5L Eng.....	60-2279	60-2251	—	—
	Front 3.5L Eng.....	60-2196	60-2197	66-2196	66-2197
	Rear 3.5L Eng.....	60-2265	60-2266	—	—
2011	Front.....	60-2196	60-2197	66-2196	66-2197
2010-07	Front.....	60-2196	60-2197	66-2196	66-2197
	Rear.....	60-2265	60-2266	—	—
ZEPHYR					
2006	Front.....	60-8182	60-8183	66-8182	66-8183
LINCOLN TRUCKS					
AVIATOR					
2005	Front.....	60-2153	60-2154	66-2153	66-2154
	Rear w/o Advance Trac From 3/18/05.....	60-2230	60-2231	—	—
	Rear w/Advance Trac.....	60-2178	60-2179	66-2193	66-2194
2004-03	Front.....	60-2153	60-2154	66-2153	66-2154
	Rear w/Advance Trac.....	60-2178	60-2179	66-2193	66-2194
MARK LT					
2008-06	Front.....	60-2103	60-2103	66-2103	66-2103
MKT					
2012	Front FWD 3.7L Eng.....	60-2186	—	66-2186	—
	Front AWD 3.5L Eng.....	60-2254	60-2255	—	—
	Front AWD 3.7L Eng.....	60-2186	60-2211	66-2186	—
	Rear.....	60-2245	60-2246	—	—
2011-10	Front FWD.....	60-2186	60-2187	66-2186	66-2187
	Front AWD 3.5L Eng.....	60-2254	60-2255	—	—
	Front AWD 3.7L Eng.....	60-2186	60-2211	66-2186	—
	Rear.....	60-2245	60-2246	—	—
MKX					
2015-14	Front FWD.....	60-2188	60-2190	66-2188	66-2190
	Front FWD.....	—	—	66-2188HD	66-2190HD
2013-11	Front FWD.....	60-2188	60-2190	66-2188	66-2190
	Front FWD.....	—	—	66-2188HD	66-2190HD
	Front AWD.....	60-2188	60-2189	66-2188	66-2189
	Front AWD.....	—	—	66-2188HD	66-2189HD
2010-07	Rear.....	60-2259	—	—	—
	Front FWD.....	60-2188	60-2190	66-2188	66-2190
	Front FWD.....	—	—	66-2188HD	66-2190HD
	Front AWD.....	60-2188	60-2189	66-2188	66-2189
	Front AWD.....	—	—	66-2188HD	66-2189HD
	Rear.....	60-2235	60-2236	—	—
NAVIGATOR					
2014-11	Front.....	60-2191	60-2192	66-2191	66-2192
2013	Front.....	60-2191	60-2192	66-2191	66-2192
	Rear Before 9/6/2012.....	60-2263	60-2260	—	—
2012-11	Front.....	60-2191	60-2192	66-2191	66-2192
	Rear.....	60-2263	60-2263	—	—
2010	Front.....	60-2191	60-2192	66-2191	66-2192
	Rear.....	60-2239	60-2264	—	—
2009	Front.....	60-2191	60-2192	66-2191	66-2192
	Rear.....	60-2239	60-2240	—	—
2008-07	Front.....	60-2191	60-2192	66-2191	66-2192
	Rear.....	60-2237	60-2238	—	—
2006-03	Front.....	60-2103	60-2103	66-2103	66-2103
	Rear.....	60-2160	60-2161	—	—
2002-98	Front.....	60-2112	60-2112	66-2112	66-2112
MAZDA					
GLC					
1985-81	Front.....	60-8014	60-8007	66-2072	66-2070
MIATA					
2014-09	Rear.....	60-8201	60-8202	—	—

CV DRIVE AXLES

NEW & REMANUFACTURED CONSTANT VELOCITY DRIVE AXLES

CV DRIVE AXLES

YEAR	APPLICATION	REMAN		NEW		
		LEFT	RIGHT	LEFT	RIGHT	
		Driver Side	Pass. Side	Driver Side	Pass. Side	
MAZDA (Cont'd)						
MIATA (Cont'd)						
2008-06	Rear w/o ABS	60-8204	60-8203	—	—	
	Rear w/ABS	60-8201	60-8202	—	—	
2005-04	Rear Exc. Turbo	60-8038	60-8038	66-8038	66-8038	
	Rear Turbo	60-8200	60-8200	—	—	
2003-99	Rear w/o ABS	60-8039	60-8039	—	—	
	Rear w/ABS	60-8038	60-8038	66-8038	66-8038	
1998	None Produced					
1997-96	Rear w/o ABS	60-8039	60-8039	—	—	
	Rear w/ABS	60-8038	60-8038	66-8038	66-8038	
1995	Rear From Chassis #NA35-614193 w/o ABS	60-8039	60-8039	—	—	
	Rear From Chassis #NA35-614193 w/ABS	60-8038	60-8038	66-8038	66-8038	
1993-91	Rear w/o ABS	60-8040	60-8040	—	—	
	Rear w/ABS	60-8041	60-8041	—	—	
1990	Rear	60-8040	60-8040	—	—	
MILLENNIA						
2002-01	Front 2.3L Eng.	—	60-8150	—	—	
	Front 2.5L Eng.	60-8076	60-8075	66-8076	66-8075	
2000-96	Front 2.3L Eng.	60-8093	60-8075	66-8093	66-8075	
	Front 2.5L Eng.	60-8076	60-8075	66-8076	66-8075	
1995	Front 2.3L Eng. From Chassis #138177	60-8093	60-8075	66-8093	66-8075	
	Front 2.3L Eng. To Chassis #138176	60-8082	60-8081	—	—	
	Front 2.5L Eng.	60-8076	60-8075	66-8076	66-8075	
MX-3						
1995-94	Front 4 Cyl. Eng. w/o ABS	60-8024	60-8089	66-8084	66-8083	
	Front 4 Cyl. Eng. w/ABS	60-8084	60-8083	66-8084	66-8083	
	Front 6 Cyl. Eng. w/A.T.	60-8024	60-8053	66-8084	66-8099	
	Front 6 Cyl. Eng. w/M.T. w/o ABS	60-8054	60-8053	66-8098	66-8099	
1993-92	Front 6 Cyl. Eng. w/M.T. w/ABS	60-8098	60-8099	66-8098	66-8099	
	Front 4 Cyl. Eng.	60-8024	60-8056	66-8084	66-8100	
	Front 6 Cyl. Eng. w/A.T.	60-8024	60-2115	66-8084	66-8099	
	Front 6 Cyl. Eng. w/M.T. w/o ABS	60-8054	60-2115	66-8098	66-8099	
1990	Front 6 Cyl. Eng. w/M.T. w/ABS	60-8098	60-2117	66-8098	66-8099	
MX-6						
	See - 626					
PROTEGE						
2003-01	Front 1.6L Eng. w/A.T. w/o ABS (Canada)	60-8121	60-8122	66-2040	66-8099	
	Front 1.6L Eng. w/A.T. w/ABS (Canada)	60-2040	60-8099	66-2040	66-8099	
	Front 1.6L Eng. w/M.T. w/o ABS (Canada)	60-8013	60-8122	66-2105	66-8099	
	Front 1.6L Eng. w/M.T. w/ABS (Canada)	60-2105	60-8099	66-2105	66-8099	
	Front 2.0L Eng. w/A.T. w/o ABS	60-2036	60-8053	66-2040	66-8099	
	Front 2.0L Eng. w/A.T. w/ABS	60-2040	60-8099	66-2040	66-8099	
	Front 2.0L Eng. w/M.T. w/o ABS	60-8054	60-8053	66-8098	66-8099	
	Front 2.0L Eng. w/M.T. w/ABS (Exc. MPS2 Susp.)	60-8098	60-8099	66-8098	66-8099	
	Front 2.0L Eng. w/M.T. w/ABS (MPS2 Susp.)	60-8168	60-8169	—	—	
	2000-99	Front 1.6L Eng. w/A.T. w/o ABS	60-8121	60-8122	66-2040	66-8099
		Front 1.6L Eng. w/A.T. w/ABS	60-2040	60-8099	66-2040	66-8099
Front 1.6L Eng. w/M.T. w/o ABS		60-8013	60-8122	66-2105	66-8099	
Front 1.6L Eng. w/M.T. w/ABS		60-2105	60-8099	66-2105	66-8099	
Front 1.8L Eng. w/A.T. w/o ABS		60-2036	60-8053	66-2040	66-8099	
Front 1.8L Eng. w/A.T. w/ABS		60-2040	60-8099	66-2040	66-8099	
Front 1.8L Eng. w/M.T. w/o ABS		60-8123	60-8053	—	66-8099	
Front 1.8L Eng. w/M.T. w/ABS		60-8124	60-8099	—	66-8099	
1998-97	Front 1.5L Eng. w/o ABS w/o Intermediate Shaft	60-8024	60-8056	66-8084	66-8100	
	Front 1.5L Eng. w/o ABS w/Intermediate Shaft	60-8024	60-8089	66-8084	66-8083	
	Front 1.5L Eng. w/ABS w/o Intermediate Shaft	60-8084	60-8100	66-8084	66-8100	
	Front 1.5L Eng. w/ABS w/Intermediate Shaft	60-8084	60-8083	66-8084	66-8083	
	Front 1.8L Eng. w/o ABS	60-8024	60-8101	66-8084	66-8087	
1996	Front 1.8L Eng. w/ABS	60-8084	60-8087	66-8084	66-8087	
	Front 1.5L Eng. w/o ABS	60-8024	60-8089	66-8084	66-8083	
	Front 1.5L Eng. w/ABS	60-8084	60-8083	66-8084	66-8083	
	Front 1.8L Eng. w/o ABS	60-8024	60-8101	66-8084	66-8087	
	Front 1.8L Eng. w/ABS	60-8084	60-8087	66-8084	66-8087	

NEW & REMANUFACTURED CONSTANT VELOCITY DRIVE AXLES

YEAR	APPLICATION	REMAN		NEW	
		LEFT	RIGHT	LEFT	RIGHT
		Driver Side	Pass. Side	Driver Side	Pass. Side
MAZDA (Cont'd)					
PROTEGE (Cont'd)					
1995	Front 1.5L Eng. w/o ABS.....	60-8024	60-8089	66-8084	66-8083
	Front 1.5L Eng. w/ABS.....	60-8084	60-8083	66-8084	66-8083
	Front 1.8L Eng. w/A.T. w/o ABS.....	60-8024	60-8101	66-8084	66-8087
	Front 1.8L Eng. w/A.T. w/ABS.....	60-8084	60-8087	66-8084	66-8087
	Front 1.8L Eng. w/M.T. w/o ABS.....	60-8054	60-8101	66-8098	66-8087
1994-92	Front 1.8L Eng. w/M.T. w/ABS.....	60-8098	60-8087	66-8098	66-8087
	Front SOHC Eng.	60-2011	60-2012	66-2105	66-2136
	Front DOHC Eng. w/A.T.....	60-2011	60-2030	66-2105	66-2033
1991-90	Front DOHC Eng. w/M.T.....	60-2036	60-2030	66-2040	66-2033
	Front FWD SOHC Eng.	60-2011	60-2012	66-2105	66-2136
	Front FWD DOHC Eng. w/A.T.....	60-2011	60-2030	66-2105	66-2033
	Front FWD DOHC Eng. w/M.T.....	60-2036	60-2030	66-2040	66-2033
	Front AWD SOHC Eng. w/A.T.....	60-8102	60-8103	—	—
	Front AWD SOHC Eng. w/M.T.....	60-8104	60-8103	—	—
PROTEGE5					
2003-02	Front 2.0L Eng. w/A.T. w/o ABS.....	60-2036	60-8053	66-2040	66-8099
	Front 2.0L Eng. w/A.T. w/ABS.....	60-2040	60-8099	66-2040	66-8099
	Front 2.0L Eng. w/M.T. w/o ABS.....	60-8054	60-8053	66-8098	66-8099
	Front 2.0L Eng. w/M.T. w/ABS.....	60-8098	60-8099	66-8098	66-8099
RX-7					
1991-86	Rear (Exc. Turbo).....	60-8030	60-8030	—	—
RX-8					
2011-09	Rear w/A.T.....	60-8205	60-8206	—	—
2008-07	Rear w/A.T.....	60-8205	60-8206	—	—
	Rear w/M.T.....	60-8207	60-8208	—	—
2006	Rear.....	60-8201	60-8202	—	—
2005-04	Rear w/A.T.....	60-8205	60-8206	—	—
	Rear w/M.T.....	60-8207	60-8208	—	—
3					
2013-12	Front 2.0L Exc. SkyActive Eng w/A.T.....	60-8175	60-8173	66-8175	66-8173
	Front 2.0L Exc. SkyActive Eng w/M.T.....	60-8226	60-8227	66-8175	66-8227
	Front 2.5L Eng. w/A.T.....	60-8175	60-8173	66-8175	66-8173
2011-10	Front 2.5L Eng. w/M.T.....	60-8226	60-8227	66-8175	66-8227
	Front Exc. Mazdaspeed w/A.T.....	60-8175	60-8173	66-8175	66-8173
	Front Exc. Mazdaspeed w/M.T.....	60-8226	60-8227	66-8175	66-8227
2009	Front 2.0L Eng. w/A.T.....	60-8170	60-8171	66-8170	66-8173
	Front 2.0L Eng. w/M.T.....	60-8174	60-8177	66-8175	66-8227
	Front 2.3L Eng. w/A.T.....	60-8174	60-8171	66-8175	66-8173
2008	Front 2.3L Eng. w/M.T.....	60-8174	60-8177	66-8175	66-8227
	Front 2.0L Eng. w/A.T.....	60-8170	60-8171	66-8170	66-8173
	Front 2.0L Eng. w/M.T.....	60-8174	60-8177	66-8175	66-8227
2007	Front 2.3L Eng. w/A.T.....	60-8174	60-8171	66-8175	66-8173
	Front 2.3L Eng. w/M.T. w/o Turbo.....	60-8174	60-8177	66-8175	66-8227
	Front 2.0L Eng. w/A.T.....	60-8170	60-8171	66-8170	66-8173
2006	Front 2.0L Eng. w/M.T.....	60-8174	60-8177	66-8175	66-8227
	Front 2.3L Eng. w/A.T.....	60-8174	60-8171	66-8175	66-8173
	Front 2.3L Eng. w/M.T. w/o Turbo.....	60-8174	60-8177	66-8175	66-8227
2005	Front 2.0L Eng. w/A.T.....	60-8170	60-8171	66-8170	66-8173
	Front 2.0L Eng. w/M.T.....	60-8174	—	66-8175	—
	Front 2.3L Eng. w/A.T.....	60-8172	60-8173	66-8172	66-8173
2004	Front 2.3L Eng. w/M.T.....	60-8174	60-8177	66-8175	66-8227
	Front 2.0L Eng. w/A.T. From 1/06/2005.....	60-8170	60-8171	66-8170	66-8173
	Front 2.0L Eng. w/A.T. Before 1/06/2005.....	60-8160	60-8161	66-8160	66-8163
	Front 2.0L Eng. w/M.T. From 1/06/2005.....	60-8174	—	66-8175	—
	Front 2.0L Eng. w/M.T. Before 1/06/2005.....	60-8164	60-8165	—	—
	Front 2.3L Eng. w/A.T.....	60-8162	60-8163	66-8162	66-8163
2004	Front 2.3L Eng. w/M.T. From 1/06/2005.....	60-8174	60-8177	66-8175	66-8227
	Front 2.3L Eng. w/M.T. Before 1/06/2005.....	60-8166	60-8167	—	—
	Front 2.0L Eng. w/A.T.....	60-8160	60-8161	66-8160	66-8163
	Front 2.0L Eng. w/M.T.....	60-8164	60-8165	—	—
	Front 2.3L Eng. w/A.T.....	60-8162	60-8163	66-8162	66-8163
	Front 2.3L Eng. w/M.T.....	60-8166	60-8167	—	—

CV DRIVE AXLES

NEW & REMANUFACTURED CONSTANT VELOCITY DRIVE AXLES

CV DRIVE AXLES

YEAR	APPLICATION	REMAN		NEW	
		LEFT	RIGHT	LEFT	RIGHT
MAZDA (Cont'd)		Driver Side	Pass. Side	Driver Side	Pass. Side
6					
2013	Front 2.5L Eng. w/A.T.....	60-8184	—	66-8184	—
	Front 2.5L Eng. w/M.T.....	60-8184	60-8185	66-8184	—
2012-09	Front 2.5L Eng.....	60-8184	60-8185	66-8184	—
2008	Front 2.3L Eng. w/A.T.....	60-8152	60-8154	66-8152	66-8154
	Front 2.3L Eng. w/M.T.....	60-8152	60-8154	66-8152	66-8154
2007-06	Front 3.0L Eng. w/A.T.....	60-8182	60-8157	66-8182	66-8157
	Front 3.0L Eng. w/M.T.....	60-8156	60-8157	—	66-8157
	Front 2.3L Eng. w/A.T.....	60-8152	60-8154	66-8152	66-8154
	Front 2.3L Eng. w/M.T. w/o Turbo	60-8152	60-8154	66-8152	66-8154
2005	Front 2.3L Eng. w/M.T. w/Turbo AWD	60-8190	60-8191	—	—
	Front 3.0L Eng. w/A.T.....	60-8182	60-8157	66-8182	66-8157
	Front 3.0L Eng. w/M.T.....	60-8156	60-8157	—	66-8157
	Rear w/Turbo AWD	60-8198	60-8199	—	—
	Front 2.3L Eng. w/A.T.....	60-8152	60-8154	66-8152	66-8154
	Front 2.3L Eng. w/M.T.....	60-8152	60-8154	66-8152	66-8154
2004-03	Front 3.0L Eng. w/A.T.....	60-8155	60-8157	66-8145	66-8157
	Front 3.0L Eng. w/M.T.....	60-8156	60-8157	—	66-8157
	Front 2.3L Eng. w/A.T. w/o ABS	60-8151	60-8153	66-8152	66-8154
	Front 2.3L Eng. w/A.T. w/ABS	60-8152	60-8154	66-8152	66-8154
2004-03	Front 2.3L Eng. w/M.T.....	60-8152	60-8154	66-8152	66-8154
	Front 3.0L Eng. w/A.T.....	60-8155	60-8157	66-8145	66-8157
	Front 3.0L Eng. w/M.T.....	60-8156	60-8157	—	66-8157
	Front 3.0L Eng. w/M.T.....	60-8156	60-8157	—	66-8157
323					
1994-90	Front.....	60-8013	60-8015	66-2105	66-2136
1989-88	Front FWD (Exc. Turbo).....	60-8014	60-8007	66-2072	66-2070
	Front AWD.....	60-8031	60-8026	—	—
1987-86	Front.....	60-8014	60-8007	66-2072	66-2070
626, MX-6					
2002-94	Front 2.0L Eng. w/A.T. w/o ABS.....	60-8059	60-8096	66-8032	66-8097
	Front 2.0L Eng. w/A.T. w/ABS.....	60-8032	60-8097	66-8032	66-8097
	Front 2.0L Eng. w/M.T. w/o ABS.....	60-8094	60-8096	66-8095	66-8097
	Front 2.0L Eng. w/M.T. w/ABS.....	60-8095	60-8097	66-8095	66-8097
	Front 2.5L Eng. w/o ABS.....	60-8094	60-8096	66-8095	66-8097
	Front 2.5L Eng. w/ABS.....	60-8095	60-8097	66-8095	66-8097
1993	Front w/o ABS.....	60-8094	60-8096	66-8095	66-8097
	Front w/ABS.....	60-8095	60-8097	66-8095	66-8097
1992-90	Front (Exc. Turbo) w/o ABS.....	60-8001	60-8000	66-8027	66-8023
	Front (Exc. Turbo) w/ABS.....	60-8027	60-8023	66-8027	66-8023
	Front Turbo w/o ABS.....	60-8005	60-8004	—	—
	Front Turbo w/ABS.....	60-8016	60-8017	—	—
1989-88	Front w/A.T. (Exc. Turbo) w/o ABS.....	60-8001	60-8000	66-8027	66-8023
	Front w/A.T. Turbo w/o ABS.....	60-8005	60-8004	—	—
	Front w/M.T. (Exc. Turbo) w/o ABS.....	60-8001	60-8000	66-8027	66-8023
	Front w/M.T. Turbo w/ABS.....	60-8005	60-8017	—	—
1987-83	Front.....	60-8003	60-8002	—	—
929					
1995-92	Rear.....	60-8029	60-8029	—	—
MAZDA TRUCKS					
B SERIES PICKUP					
2005-01	Front.....	60-2101	60-2027	66-2101	66-2027
2000	Front w/o Pulse Vacuum Hub Locks.....	60-2101	60-2027	66-2101	66-2027
	Front w/Pulse Vacuum Hub Locks.....	60-2147	60-2148	66-2147	66-2148
1999-98	Front.....	60-2147	60-2148	66-2147	66-2148
1993-86	Front.....	60-8020	60-8019	66-8020	66-8019
CX-7					
2012	Front 2.3L Eng.....	60-8192	—	66-8192	—
	Front 2.3L Eng.....	—	—	66-8192HD	—
	Rear.....	60-8222	60-8223	—	—
2011	Front 2.3L Eng.....	60-8192	60-2189	66-8192	66-2189
	Front 2.3L Eng.....	—	—	66-8192HD	66-2189HD
	Rear.....	60-8222	60-8223	—	—

NEW & REMANUFACTURED CONSTANT VELOCITY DRIVE AXLES

YEAR	APPLICATION	REMAN		NEW	
		LEFT	RIGHT	LEFT	RIGHT
MAZDA TRUCKS (Cont'd)		Driver Side	Pass. Side	Driver Side	Pass. Side
CX-7 (Cont'd)					
2010-07	Front 2.3L Eng.....	60-8192	60-2189	66-8192	66-2189
	Front 2.3L Eng.....	—	—	66-8192HD	66-2189HD
	Rear.....	60-8211	60-8212	—	—
CX-9					
2014-13	Rear.....	60-8224	60-8225	—	—
2012-11	Front.....	60-8192	60-8194	66-8192	—
	Front.....	—	—	66-8192HD	—
2010-09	Rear.....	60-8224	60-8225	—	—
	Front.....	60-8192	60-8194	66-8192	—
2008	Front.....	—	—	66-8192HD	—
	Rear.....	60-8213	60-8214	—	—
2007	Front.....	60-8192	60-2189	66-8192	66-2189
	Rear.....	—	—	66-8192HD	66-2189HD
2007	Front.....	60-8213	60-8214	—	—
	Rear.....	60-8192	60-2189	66-8192	66-2189
2007	Front.....	—	—	66-8192HD	66-2189HD
	Rear.....	60-8213	60-8213	—	—
MPV					
2006-02	Front.....	60-8145	60-8146	66-8145	66-8146
2001-00	Front w/o ABS.....	60-8117	60-8119	66-8095	66-8157
	Front w/ABS.....	60-8118	60-8120	66-8095	66-8157
1999	None Produced	—	—	—	—
1998-96	Front.....	60-8047	60-8048	66-8047	66-8048
1995-89	Front.....	60-8021	60-8070	66-8047	66-8048
TRIBUTE					
2011-10	Front 2.5L Eng. w/A.T.....	60-2249	—	66-2249	—
	Front 2.5L Eng. w/M.T.....	60-2182	—	66-2182	—
	Front 3.0L Eng. w/A.T.....	60-2249	—	66-2249	—
	Rear.....	60-8215	60-8216	—	—
2009	Front 2.5L Eng. w/A.T.....	60-2249	60-2086	66-2249	66-2086
	Front 2.5L Eng. w/M.T.....	60-2182	60-2086	66-2182	66-2086
	Front 3.0L Eng. w/A.T.....	60-2249	60-2086	66-2249	66-2086
	Rear.....	60-8215	60-8216	—	—
2008	Front 2.3L Eng. w/A.T.....	60-2084	60-2086	66-2084	66-2086
	Front 2.3L Eng. w/CVT, Hybrid.....	—	60-2086	—	66-2086
	Front 2.3L Eng. w/M.T. FWD.....	60-2182	60-2095	66-2182	66-2095
	Front 2.3L Eng. w/M.T. AWD.....	—	60-2095	—	66-2095
	Front 3.0L Eng. w/A.T.....	60-2084	60-2086	66-2084	66-2086
	Rear AWD.....	60-8215	60-8216	—	—
	Rear.....	60-2084	60-2086	66-2084	66-2086
2007	None Produced	—	—	—	—
2006	Front 2.3L Eng. w/A.T.....	60-2084	60-2086	66-2084	66-2086
	Front 2.3L Eng. w/M.T. FWD.....	60-2182	60-2095	66-2182	66-2095
	Front 2.3L Eng. w/M.T. AWD.....	—	60-2095	—	66-2095
	Front 3.0L Eng. w/A.T.....	60-2084	60-2086	66-2084	66-2086
2005	Rear AWD.....	60-2098	60-2102	—	—
	Front 2.3L Eng. w/A.T.....	60-2084	60-2086	66-2084	66-2086
	Front 2.3L Eng. w/M.T. FWD.....	60-2182	60-2095	66-2182	66-2095
	Front 2.3L Eng. w/M.T. AWD.....	60-2084	60-2095	66-2084	66-2095
2004-03	Front 3.0L Eng. w/A.T.....	60-2084	60-2086	66-2084	66-2086
	Rear AWD.....	60-2098	60-2102	—	—
	Front 2.0L Eng. w/M.T. w/o ABS.....	60-2087	60-2094	66-2090	66-2095
	Front 2.0L Eng. w/M.T. w/ABS.....	60-2090	60-2095	66-2090	66-2095
	Front 3.0L Eng. w/A.T. w/o ABS.....	60-2083	60-2085	66-2084	66-2086
	Front 3.0L Eng. w/A.T. w/ABS.....	60-2084	60-2086	66-2084	66-2086
	Rear w/o ABS.....	60-2096	60-2100	—	—
Rear w/ABS.....	60-2098	60-2102	—	—	
2002-01	Front 2.0L Eng. w/A.T. w/o ABS.....	60-2083	60-2085	66-2084	66-2086
	Front 2.0L Eng. w/A.T. w/ABS.....	60-2084	60-2086	66-2084	66-2086
	Front 2.0L Eng. w/M.T. w/o ABS.....	60-2087	60-2094	66-2090	66-2095
	Front 2.0L Eng. w/M.T. w/ABS.....	60-2090	60-2095	66-2090	66-2095
	Front 3.0L Eng. w/A.T. w/o ABS.....	60-2083	60-2085	66-2084	66-2086
	Front 3.0L Eng. w/A.T. w/ABS.....	60-2084	60-2086	66-2084	66-2086
	Rear w/o ABS.....	60-2096	60-2100	—	—
	Rear w/ABS.....	60-2098	60-2102	—	—

CV DRIVE AXLES

NEW & REMANUFACTURED CONSTANT VELOCITY DRIVE AXLES

CV DRIVE AXLES

YEAR	APPLICATION	REMAN		NEW	
		LEFT	RIGHT	LEFT	RIGHT
MAZDA TRUCKS (Cont'd)		Driver Side	Pass. Side	Driver Side	Pass. Side
5					
2014-12	Front w/M.T.....	60-8226	60-8227	66-8175	66-8227
2010-09	Front 2.3L Eng. w/A.T.....	60-8175	60-8173	66-8175	66-8173
	Front 2.3L Eng. w/M.T.....	60-8174	60-8177	66-8175	66-8227
2008-06	Front 2.3L Eng. w/A.T.....	60-8172	60-8173	66-8172	66-8173
	Front 2.3L Eng. w/M.T.....	60-8174	60-8177	66-8175	66-8227
MERCEDES					
190 SERIES					
1993-91	Rear 190E, 2.3L Eng. w/A.T.....	60-9440	60-9440	—	—
	Rear 190E, 2.6L Eng. w/A.T.....	60-9437	60-9437	—	—
	Rear 190E, 2.6L Eng. w/M.T.....	60-9438	60-9438	—	—
1990	Rear 190E w/A.T.....	60-9437	60-9437	—	—
	Rear 190E w/M.T. Early.....	60-9437	60-9437	—	—
	Rear 190E w/M.T. Late.....	60-9438	60-9438	—	—
1989	Rear 190E, 2.6L Eng.....	60-9437	60-9437	—	—
1988	Rear 190E, 2.3L Eng.....	60-9440	60-9440	—	—
	Rear 190E, 2.6L Eng.....	60-9437	60-9437	—	—
1987	Rear 190E, 2.3L Eng. (Exc. 16 Valve).....	60-9440	60-9440	—	—
	Rear 190E, 2.3L Eng. 16 Valve.....	60-9437	60-9437	—	—
	Rear 190E, 2.6L Eng.....	60-9437	60-9437	—	—
1986	Rear 190E (Exc. 16 Valve).....	60-9440	60-9440	—	—
	Rear 190E 16 Valve.....	60-9437	60-9437	—	—
1985-84	Rear 190E.....	60-9440	60-9440	—	—
220 SERIES					
1973-67	Rear 220, 220D w/ 24 13/16" Axle Overall Length.....	60-9022	60-9022	—	—
	Rear 220, 220D w/ 26 1/16" Axle Overall Length.....	60-9036	60-9036	—	—
230 SERIES					
1978-73	Rear w/ 24 13/16" Axle Overall Length.....	60-9022	60-9022	—	—
	Rear w/ 26 1/16" Axle Overall Length.....	60-9036	60-9036	—	—
240 SERIES					
1983-73	Rear 240D w/ 24 13/16" Axle Overall Length.....	60-9022	60-9022	—	—
	Rear 240D w/ 26 1/16" Axle Overall Length.....	60-9036	60-9036	—	—
250 SERIES					
1972-67	Rear 250, 250C w/ 24 13/16" Axle Overall Length.....	60-9022	60-9022	—	—
	Rear 250, 250C w/ 26 1/16" Axle Overall Length.....	60-9036	60-9036	—	—
260 SERIES					
1989-87	Rear 260E.....	60-9443	60-9443	—	—
280 SERIES					
1981	Rear 280E w/ 24 13/16" Axle Overall Length.....	60-9022	60-9022	—	—
	Rear 280E w/ 26 1/16" Axle Overall Length.....	60-9036	60-9036	—	—
1980-78	Rear 280CE w/ 24 13/16" Axle Overall Length.....	60-9022	60-9022	—	—
	Rear 280CE w/ 26 1/16" Axle Overall Length.....	60-9036	60-9036	—	—
	Rear 280E w/ 24 13/16" Axle Overall Length.....	60-9022	60-9022	—	—
	Rear 280E w/ 26 1/16" Axle Overall Length.....	60-9036	60-9036	—	—
	Rear 280SE w/ 24 13/16" Axle Overall Length.....	60-9022	60-9022	—	—
	Rear 280SE w/ 26 1/16" Axle Overall Length.....	60-9036	60-9036	—	—
1977	Rear 280SE w/ 24 13/16" Axle Overall Length.....	60-9022	60-9022	—	—
	Rear 280SE w/ 26 1/16" Axle Overall Length.....	60-9036	60-9036	—	—
1976-73	Rear 280 w/ 24 13/16" Axle Overall Length.....	60-9022	60-9022	—	—
	Rear 280 w/ 26 1/16" Axle Overall Length.....	60-9036	60-9036	—	—
	Rear 280C w/ 24 13/16" Axle Overall Length.....	60-9022	60-9022	—	—
	Rear 280C w/ 26 1/16" Axle Overall Length.....	60-9036	60-9036	—	—
	Rear 280S w/ 24 13/16" Axle Overall Length.....	60-9022	60-9022	—	—
	Rear 280S w/ 26 1/16" Axle Overall Length.....	60-9036	60-9036	—	—
300 SERIES					
1993	Rear 300D w/o Limited Slip Differential.....	60-9443	60-9443	—	—
	Rear 300D w/Limited Slip Differential.....	60-9457	60-9457	—	—
	Rear 300E RWD w/o Traction Control.....	60-9441	60-9441	—	—
	Rear 300E RWD w/Traction Control.....	60-9457	60-9457	—	—
	Rear 300E AWD.....	60-9457	60-9457	—	—
	Rear 300TE Exc. 4MATIC w/o Traction Control.....	60-9441	60-9441	—	—

NEW & REMANUFACTURED CONSTANT VELOCITY DRIVE AXLES

YEAR	APPLICATION	REMAN		NEW		
		LEFT	RIGHT	LEFT	RIGHT	
		Driver Side	Pass. Side	Driver Side	Pass. Side	
MERCEDES (Cont'd)						
300 SERIES (Cont'd)						
1993 (Cont'd)	Rear 300TE Exc. 4MATIC w/ Traction Control.....	60-9457	60-9457	—	—	
	Rear 300TE 4MATIC.....	60-9457	60-9457	—	—	
1992	Rear 300CE, 300SL w/A.T. w/o Traction Control.....	60-9441	60-9441	—	—	
	Rear 300CE, 300SL w/A.T. w/ Traction Control.....	60-9457	60-9457	—	—	
	Rear 300SE w/o Limited Slip Differential.....	60-9522	60-9522	—	—	
	Rear 300SE w/ Limited Slip Differential.....	60-9519	60-9519	—	—	
	Rear 300D w/o Limited Slip Differential.....	60-9443	60-9443	—	—	
	Rear 300D w/Limited Slip Differential.....	60-9457	60-9457	—	—	
	Rear 300E RWD w/o Limited Slip Differential.....	60-9443	60-9443	—	—	
	Rear 300E RWD w/Limited Slip Differential.....	60-9457	60-9457	—	—	
	Rear 300E AWD.....	60-9457	60-9457	—	—	
	Rear 300TE Exc. 4MATIC w/o Traction Control.....	60-9443	60-9443	—	—	
	Rear 300TE Exc. 4MATIC w/ Traction Control.....	60-9457	60-9457	—	—	
	Rear 300TE 4MATIC.....	60-9457	60-9457	—	—	
	Rear 300CE, 300SL w/A.T. w/o Traction Control.....	60-9441	60-9441	—	—	
	Rear 300CE, 300SL w/A.T. w/ Traction Control.....	60-9457	60-9457	—	—	
	Rear 300SE w/o Limited Slip Differential.....	60-9522	60-9522	—	—	
	Rear 300SE w/ Limited Slip Differential.....	60-9519	60-9519	—	—	
1991-90	Rear 300CE, 300SL w/A.T. w/o Traction Control.....	60-9441	60-9441	—	—	
	Rear 300CE, 300SL w/A.T. w/ Traction Control.....	60-9457	60-9457	—	—	
	Rear 300D w/o Limited Slip Differential.....	60-9443	60-9443	—	—	
	Rear 300D w/Limited Slip Differential.....	60-9457	60-9457	—	—	
	Rear 300E RWD w/o Limited Slip Differential.....	60-9443	60-9443	—	—	
	Rear 300E RWD w/Limited Slip Differential.....	60-9457	60-9457	—	—	
	Rear 300E AWD.....	60-9457	60-9457	—	—	
	Rear 300TE Exc. 4MATIC w/o Traction Control.....	60-9443	60-9443	—	—	
	Rear 300TE Exc. 4MATIC w/ Traction Control.....	60-9457	60-9457	—	—	
	Rear 300TE 4MATIC.....	60-9457	60-9457	—	—	
1989-88	Rear 300CE, 300E, 300TE.....	60-9443	60-9443	—	—	
	1987-86	Rear 300E.....	60-9443	60-9443	—	—
		1985-79	Rear 300D w/ 24 13/16" Axle Overall Length.....	60-9022	60-9022	—
Rear 300D w/ 26 1/16" Axle Overall Length.....	60-9036		60-9022	—	—	
Rear 300TD w/ 24 13/16" Axle Overall Length.....	60-9022		60-9022	—	—	
Rear 300TD w/ 26 1/16" Axle Overall Length.....	60-9036		60-9022	—	—	
1978	Rear 300D w/ 24 13/16" Axle Overall Length.....		60-9022	60-9022	—	—
	Rear 300D w/ 26 1/16" Axle Overall Length.....	60-9036	60-9022	—	—	
1977	Rear 300D w/ 24 13/16" Axle Overall Length.....	60-9022	60-9022	—	—	
	Rear 300D w/ 26 1/16" Axle Overall Length.....	60-9036	60-9022	—	—	
380 SERIES						
1985-84	Rear 380SE, 380SL w/ 24 13/16" Axle Overall Length.....	60-9022	60-9036	—	—	
	Rear 380SE, 380SL w/ 26 1/16" Axle Overall Length.....	60-9036	60-9036	—	—	
1983-82	Rear 380SEC w/ 24 13/16" Axle Overall Length.....	60-9022	60-9036	—	—	
	Rear 380SEC w/ 26 1/16" Axle Overall Length.....	60-9036	60-9036	—	—	
	Rear 380SEL w/ 24 13/16" Axle Overall Length.....	60-9022	60-9036	—	—	
	Rear 380SEL w/ 26 1/16" Axle Overall Length.....	60-9036	60-9036	—	—	
	Rear 380SL w/ 24 13/16" Axle Overall Length.....	60-9022	60-9022	—	—	
	Rear 380SL w/ 26 1/16" Axle Overall Length.....	60-9036	60-9022	—	—	
1981	Rear 380SEL w/ 24 13/16" Axle Overall Length.....	60-9022	60-9036	—	—	
	Rear 380SEL w/ 26 1/16" Axle Overall Length.....	60-9036	60-9036	—	—	
	Rear 380SL w/ 24 13/16" Axle Overall Length.....	60-9022	60-9022	—	—	
	Rear 380SL w/ 26 1/16" Axle Overall Length.....	60-9036	60-9022	—	—	
	Rear 380SLC w/ 24 13/16" Axle Overall Length.....	60-9022	60-9022	—	—	
Rear 380SLC w/ 26 1/16" Axle Overall Length.....	60-9036	60-9022	—	—		
400 SERIES						
1993-92	Rear 400E w/o Traction Control.....	60-9442	60-9442	—	—	
	Rear 400E w/Traction Control.....	60-9447	60-9447	—	—	
	Rear 400SE, 400SEL w/o Traction Control.....	60-9527	60-9527	—	—	
	Rear 400SE, 400SEL w/Traction Control.....	60-9528	60-9528	—	—	
420 SERIES						
1991-86	Rear 420 SEL.....	60-9454	60-9454	—	—	
450 SERIES						
1980-72	Rear 450SE, 450SEL Exc. 6.9L Eng. w/ 24 13/16" Axle Overall Length.....	60-9022	60-9036	—	—	
	Rear 450SE, 450SEL Exc. 6.9L Eng. w/ 26 1/16" Axle Overall Length.....	60-9036	60-9036	—	—	
	Rear 450SLC w/ 24 13/16" Axle Overall Length.....	60-9022	60-9022	—	—	
	Rear 450SLC w/ 26 1/16" Axle Overall Length.....	60-9036	60-9022	—	—	

CV DRIVE AXLES

NEW & REMANUFACTURED CONSTANT VELOCITY DRIVE AXLES

CV DRIVE AXLES

YEAR	APPLICATION	REMAN		NEW	
		LEFT	RIGHT	LEFT	RIGHT
MERCEDES (Cont'd)		Driver Side	Pass. Side	Driver Side	Pass. Side
500E					
1993-92	Rear w/o Traction Control.....	60-9442	60-9442	—	—
	Rear w/ Traction Control.....	60-9447	60-9447	—	—
500SEC					
1993	Rear Standard.....	60-9520	60-9520	—	—
	Rear Optional.....	60-9444	60-9444	—	—
500SEL					
1993-92	Rear w/o Traction Control.....	60-9453	60-9453	—	—
	Rear w/ Traction Control.....	60-9520	60-9520	—	—
500SL					
1992-90	Rear w/o Traction Control.....	60-9442	60-9442	—	—
	Rear w/ Traction Control.....	60-9447	60-9447	—	—
560SEC					
1991-86	Rear.....	60-9454	60-9454	—	—
560SEL					
1991-86	Rear.....	60-9454	60-9454	—	—
560SL					
1989-86	Rear.....	60-9455	60-9455	—	—
600SEC					
1993	Rear Standard.....	60-9520	60-9520	—	—
	Rear Optional.....	60-9444	60-9444	—	—
600SEL					
1993-92	Rear.....	60-9520	60-9520	—	—
C220					
1996-95	Rear w/o Limited Slip Differential.....	60-9460	60-9460	—	—
	Rear w/ Limited Slip Differential.....	60-9459	60-9459	—	—
1994	Rear w/o Limited Slip Differential.....	60-9460	60-9460	—	—
C230					
2007-06	Rear w/A.T.....	60-9470	60-9470	—	—
	Rear w/M.T.....	60-9461	60-9461	—	—
2005-04	Rear w/A.T.....	60-9465	60-9465	—	—
	Rear w/M.T.....	60-9464	60-9464	—	—
2003	Rear.....	60-9465	60-9465	—	—
2002	Rear.....	60-9463	60-9463	—	—
2000-99	Rear w/o Traction Control.....	60-9457	60-9457	—	—
	Rear w/ Traction Control.....	60-9445	60-9445	—	—
1998-97	Rear w/o Traction Control.....	60-9460	60-9460	—	—
	Rear w/ Traction Control.....	60-9459	60-9459	—	—
C240					
2005-04	Front 4MATIC.....	60-9293	60-9294	66-9293	66-9294
	Rear (Exc. 4MATIC).....	60-9465	60-9465	—	—
	Rear 4MATIC.....	60-9464	60-9464	—	—
2003	Front 4MATIC.....	60-9293	60-9294	66-9293	66-9294
	Rear (Exc. 4MATIC) w/A.T.....	60-9462	60-9462	—	—
	Rear (Exc. 4MATIC) w/M.T.....	60-9465	60-9465	—	—
	Rear 4MATIC.....	60-9465	60-9465	—	—
2002-01	Rear w/A.T.....	60-9462	60-9462	—	—
C250					
2015-12	Rear.....	60-9475	60-9475	—	—
C280					
2007-06	Front.....	60-9293	60-9294	66-9293	66-9294
	Rear RWD.....	60-9468	60-9468	—	—
	Rear 4WD.....	60-9470	60-9470	—	—
2000-98	Rear.....	60-9467	60-9467	—	—
1997	Rear w/o Traction Control.....	60-9457	60-9457	—	—
	Rear w/ Traction Control.....	60-9467	60-9467	—	—

NEW & REMANUFACTURED CONSTANT VELOCITY DRIVE AXLES

YEAR	APPLICATION	REMAN		NEW	
		LEFT	RIGHT	LEFT	RIGHT
		Driver Side	Pass. Side	Driver Side	Pass. Side
MERCEDES (Cont'd)					
C280 (Cont'd)					
1996-95	Rear w/o Traction Control.....	60-9457	60-9457	—	—
	Rear w/ Traction Control.....	60-9445	60-9445	—	—
1994	Rear w/o Traction Control.....	60-9457	60-9457	—	—
C300					
2014-13	Rear w/A.T.....	60-9471	60-9471	—	—
2012	Rear.....	60-9471	60-9471	—	—
2011	Rear w/A.T.....	60-9471	60-9471	—	—
	Rear w/M.T.....	60-9475	60-9475	—	—
2010-09	Front w/A.T.....	60-9306	60-9307	—	—
	Rear w/A.T.....	60-9471	60-9471	—	—
	Rear w/M.T.....	60-9475	60-9475	—	—
2008	Front 4MATIC w/A.T.....	60-9306	60-9307	—	—
	Rear (Exc. 4MATIC) w/A.T.....	60-9471	60-9471	—	—
	Rear (Exc. 4MATIC) w/M.T.....	60-9475	60-9475	—	—
	Rear 4MATIC.....	60-9471	60-9471	—	—
C32					
2004-03	Rear.....	60-9472	60-9472	—	—
C320					
2005	Front 4MATIC.....	60-9293	60-9294	66-9293	66-9294
	Rear (Exc. 4MATIC) Coupe.....	60-9465	60-9465	—	—
	Rear (Exc. 4MATIC) Sedan w/A.T.....	60-9489	60-9489	—	—
	Rear (Exc. 4MATIC) Sedan w/M.T.....	60-9474	60-9474	—	—
	Rear 4MATIC.....	60-9465	60-9465	—	—
2004	Front 4MATIC.....	60-9293	60-9294	66-9293	66-9294
	Rear (Exc. 4MATIC) From Chassis #390375.....	60-9489	60-9489	—	—
	Rear (Exc. 4MATIC) To Chassis #390374.....	60-9472	60-9472	—	—
	Rear 4MATIC.....	60-9465	60-9465	—	—
2003	Front 4MATIC.....	60-9293	60-9294	66-9293	66-9294
	Rear (Exc. 4MATIC).....	60-9472	60-9472	—	—
	Rear 4MATIC.....	60-9465	60-9465	—	—
2002-01	Rear.....	60-9472	60-9472	—	—
C350					
2015-13	Rear RWD.....	60-9475	60-9475	—	—
	Rear AWD.....	60-9471	60-9471	—	—
2012-08	Rear.....	60-9475	60-9475	—	—
2007	Front.....	60-9293	60-9294	66-9293	66-9294
	Rear RWD.....	60-9468	60-9468	—	—
	Rear 4WD.....	60-9470	60-9470	—	—
2006	Front.....	60-9293	60-9294	66-9293	66-9294
	Rear RWD w/A.T.....	60-9468	60-9468	—	—
	Rear RWD w/M.T.....	60-9469	60-9469	—	—
	Rear 4WD.....	60-9470	60-9470	—	—
C36					
1997	Rear w/o Traction Control.....	60-9457	60-9457	—	—
	Rear w/Traction Control.....	60-9467	60-9467	—	—
1996-95	Rear w/o Traction Control.....	60-9457	60-9457	—	—
	Rear w/Traction Control.....	60-9445	60-9445	—	—
C55					
2006-05	Rear AMG.....	60-9477	60-9477	—	—
C63					
2015-08	Rear AMG.....	60-9478	60-9478	—	—
CL500					
2006-04	Rear.....	60-9550	60-9550	—	—
2003	Rear From Chassis #A026028.....	60-9550	60-9550	—	—
	Rear To Chassis #A026027.....	60-9436	60-9436	—	—
2002	Rear.....	60-9436	60-9436	—	—
1998	Rear.....	60-9444	60-9444	—	—
CL55 AMG					
2006-03	Rear.....	60-9479	60-9479	—	—

CV DRIVE AXLES

NEW & REMANUFACTURED CONSTANT VELOCITY DRIVE AXLES

CV DRIVE AXLES

YEAR	APPLICATION	REMAN		NEW	
		LEFT	RIGHT	LEFT	RIGHT
MERCEDES (Cont'd)		Driver Side	Pass. Side	Driver Side	Pass. Side
CL55 AMG (Cont'd)					
2002	Rear From Chassis #A026028.....	60-9550	60-9550	—	—
	Rear To Chassis #A026027.....	60-9436	60-9436	—	—
CL550					
2014-11	Front.....	60-9483	60-9484	—	—
	Rear.....	60-9541	60-9541	—	—
2010	Front From 2/19/10.....	60-9483	60-9484	—	—
	Front Before 11/26/09 To 2/18/10.....	60-9483	—	—	—
	Rear.....	60-9480	60-9480	—	—
2009	Rear.....	60-9480	60-9480	—	—
2008-07	Rear.....	60-9480	60-9480	—	—
CL600					
2014-08	Rear.....	60-9485	60-9485	—	—
2007-03	Rear.....	60-9479	60-9479	—	—
2002	Rear w/Bolt-On Shaft.....	60-9436	60-9436	—	—
	Rear w/Plug-In Shaft.....	60-9550	60-9550	—	—
1998	Rear.....	60-9444	60-9444	—	—
CL63 AMG					
2014-11	Rear AMG.....	60-9485	60-9485	—	—
2010-08	Rear AMG.....	60-9495	60-9495	—	—
CLK320					
2005-04	Rear Coupe.....	60-9489	60-9489	—	—
2003	Rear Coupe.....	60-9489	60-9489	—	—
	Rear Convertible.....	60-9488	60-9488	—	—
2002-98	Rear.....	60-9488	60-9488	—	—
CLK350					
2009	Rear.....	60-9490	60-9490	—	—
2008-06	Rear.....	60-9477	60-9477	—	—
CLK430					
2003-99	Rear.....	60-9488	60-9488	—	—
CLK500					
2006	Rear.....	60-9477	60-9477	—	—
2005	Rear.....	60-9491	60-9491	—	—
2004-03	Rear.....	60-9493	60-9493	—	—
CLK55 AMG					
2006	Rear.....	60-9477	60-9477	—	—
2005	Rear.....	60-9491	60-9491	—	—
2004-03	Rear.....	60-9493	60-9493	—	—
CLK550					
2009-07	Rear.....	60-9477	60-9477	—	—
CLS400					
2015	Rear.....	60-9726	60-9726	—	—
CLS500					
2006	Rear.....	60-9550	60-9550	—	—
CLS55 AMG					
2006	Rear.....	60-9515	60-9515	—	—
CLS550					
2015-14	Rear 4Matic.....	60-9541	60-9541	—	—
2011-07	Rear.....	60-9518	60-9518	—	—
CLS63 AMG					
2013-12	Rear.....	60-9712	60-9712	—	—
2011-09	Rear.....	60-9515	60-9515	—	—
2008-07	Rear.....	60-9495	60-9495	—	—
CLS63 AMG S					
2015-14	Rear w/o Limited Slip Differential.....	60-9541	60-9541	—	—
	Rear w/Limited Slip Differential.....	60-9712	60-9712	—	—

NEW & REMANUFACTURED CONSTANT VELOCITY DRIVE AXLES

YEAR	APPLICATION	REMAN		NEW	
		LEFT	RIGHT	LEFT	RIGHT
MERCEDES (Cont'd)		Driver Side	Pass. Side	Driver Side	Pass. Side
E300D					
1999-98	Rear	60-9501	60-9501	—	—
1995	Rear w/o Limited Slip Differential	60-9443	60-9443	—	—
	Rear w/Limited Slip Differential	60-9457	60-9457	—	—
E320					
2009-07	Rear Diesel	60-9500	60-9500	—	—
2006	Rear CDI	60-9513	60-9513	—	—
2005	Front	60-9685	—	—	—
	Rear (Exc. CDI)	60-9502	60-9502	—	—
	Rear CDI	60-9513	60-9513	—	—
	Rear 4Matic	60-9502	60-9502	—	—
2004	Front	60-9685	—	—	—
	Rear	60-9502	60-9502	—	—
2003	Rear RWD Eng. (Code 112.949)	60-9502	60-9502	—	—
	Rear RWD Eng. (Code 112.941) w/Bolted Prop Shaft	60-9498	60-9498	—	—
	Rear AWD Wagon Bolted Prop Shaft	60-9498	60-9498	—	—
2002	Rear Sedan Bolted Prop Shaft	60-9501	60-9501	—	—
	Rear Sedan Plugged-In Prop Shaft	60-9509	60-9509	—	—
	Rear Wagon Bolted Prop Shaft	60-9498	60-9498	—	—
2001-00	Rear Sedan Bolted Prop Shaft	60-9501	60-9501	—	—
	Rear Wagon Bolted Prop Shaft	60-9498	60-9498	—	—
1999	Rear Sedan	60-9501	60-9501	—	—
	Rear Wagon	60-9498	60-9498	—	—
1998	Rear Sedan	60-9501	60-9501	—	—
	Rear Wagon	60-9498	60-9498	—	—
1997	Rear	60-9497	60-9497	—	—
1996	Rear	60-9501	60-9501	—	—
1995-94	Rear w/o Traction Control	60-9441	60-9441	—	—
	Rear w/Traction Control	60-9457	60-9457	—	—
E350					
2015	Rear RWD	60-9541	60-9541	—	—
	Rear AWD	60-9726	60-9726	—	—
2014-13	Rear RWD	60-9475	60-9475	—	—
	Rear AWD	60-9726	60-9726	—	—
2012	Rear RWD Sedan	60-9541	60-9541	—	—
	Rear RWD Coupe, Convertible	60-9475	60-9475	—	—
	Rear 4WD	60-9726	60-9726	—	—
2011	Rear RWD (Eng. Code 272.980)	60-9541	60-9541	—	—
	Rear RWD (Eng. Code 272.988)	60-9475	60-9475	—	—
	Rear 4WD	60-9726	60-9726	—	—
2010	Front 4WD	60-9505	60-9506	—	—
	Rear RWD (Eng. Code 272.980)	60-9541	60-9541	—	—
	Rear RWD (Eng. Code 272.988)	60-9475	60-9475	—	—
	Rear 4WD	60-9726	60-9726	—	—
2009-08	Front AWD	60-9685	—	—	—
	Rear RWD	60-9504	60-9504	—	—
	Rear AWD	60-9503	60-9503	—	—
2007-06	Front AWD	60-9685	—	—	—
	Rear	60-9502	60-9502	—	—
E400					
2015	Rear Exc. Hybrid	60-9475	60-9475	—	—
	Rear Hybrid	60-9541	60-9541	—	—
2014-13	Rear Hybrid	60-9541	60-9541	—	—
E420					
1997	Rear	60-9501	60-9501	—	—
1995-94	Rear w/o Traction Control	60-9442	60-9442	—	—
	Rear w/Traction Control	60-9447	60-9447	—	—
E430					
2002	Rear RWD To Chassis #486481	60-9507	60-9507	—	—
	Rear 4WD From Chassis #486482	60-9509	60-9509	—	—
	Rear 4WD To Chassis #486481	60-9501	60-9501	—	—
2001	Rear RWD	60-9507	60-9507	—	—
	Rear 4WD	60-9501	60-9501	—	—
2000-99	Rear	60-9507	60-9507	—	—
1998	Rear	60-9501	60-9501	—	—

CV DRIVE AXLES

NEW & REMANUFACTURED CONSTANT VELOCITY DRIVE AXLES

CV DRIVE AXLES

YEAR	APPLICATION	REMAN		NEW	
		LEFT	RIGHT	LEFT	RIGHT
MERCEDES (Cont'd)		Driver Side	Pass. Side	Driver Side	Pass. Side
E500					
2006	Front AWD.....	60-9685	—	—	—
	Rear RWD.....	60-9512	60-9512	—	—
	Rear 4WD.....	60-9511	60-9511	—	—
2005	Rear RWD.....	60-9512	60-9512	—	—
	Rear 4WD.....	60-9511	60-9511	—	—
2004-03	Rear.....	60-9510	60-9510	—	—
1994	Rear w/o Traction Control.....	60-9442	60-9442	—	—
	Rear w/Traction Control.....	60-9447	60-9447	—	—
E55 AMG					
2006-05	Rear.....	60-9515	60-9515	—	—
2002-00	Rear.....	60-9507	60-9507	—	—
1999	Rear From Chassis #A604351.....	60-9507	60-9507	—	—
	Rear To Chassis #A604350.....	60-9501	60-9501	—	—
E550					
2014-12	Rear 4Matic.....	60-9541	60-9541	—	—
2011	Rear RWD (Eng. Code 273.966).....	60-9711	60-9711	—	—
	Rear RWD (Eng. Code 273.971).....	60-9480	60-9480	—	—
	Rear 4WD.....	60-9726	60-9726	—	—
2010	Front 4WD From 11/30/09.....	60-9505	60-9506	—	—
	Rear RWD (Eng. Code 273.966).....	60-9711	60-9711	—	—
	Rear RWD (Eng. Code 273.971).....	60-9480	60-9480	—	—
	Rear 4WD.....	60-9726	60-9726	—	—
2009	Front AWD.....	60-9685	—	—	—
	Rear RWD.....	60-9518	60-9518	—	—
	Rear 4WD.....	60-9503	60-9503	—	—
2008	Front AWD.....	60-9685	—	—	—
	Rear.....	60-9518	60-9518	—	—
2007	Front AWD.....	60-9685	—	—	—
	Rear RWD.....	60-9515	60-9515	—	—
	Rear 4WD.....	60-9518	60-9518	—	—
E63 AMG					
2014	Rear w/o Limited Slip Differential.....	60-9541	60-9541	—	—
	Rear w/ Limited Slip Differential.....	60-9712	60-9712	—	—
2013-10	Rear.....	60-9712	60-9712	—	—
2009-07	Rear.....	60-9515	60-9515	—	—
E63 AMG S					
2015-14	Rear w/o Limited Slip Differential.....	60-9541	60-9541	—	—
	Rear w/ Limited Slip Differential.....	60-9712	60-9712	—	—
S320					
1999-97	Rear Standard w/o Limited Slip Differential.....	60-9522	60-9522	—	—
	Rear Standard w/ Limited Slip Differential.....	60-9519	60-9519	—	—
	Rear Optional.....	60-9523	60-9523	—	—
1996	Rear Standard w/o Limited Slip Differential.....	60-9522	60-9522	—	—
	Rear Standard w/ Limited Slip Differential.....	60-9519	60-9519	—	—
1995-94	Rear w/o Limited Slip Differential.....	60-9522	60-9522	—	—
	Rear w/ Limited Slip Differential.....	60-9519	60-9519	—	—
S350					
2013-12	Front.....	60-9483	60-9484	—	—
2006	Rear.....	60-9534	60-9534	—	—
S400					
2013	Rear Hybrid.....	60-9480	60-9480	—	—
2012-10	Rear Hybrid.....	60-9541	60-9541	—	—
S420					
1999-96	Rear Optional.....	60-9526	60-9526	—	—
	Rear Standard w/o Traction Control.....	60-9527	60-9527	—	—
	Rear Standard w/ Traction Control.....	60-9528	60-9528	—	—
1995-94	Rear w/o Traction Control.....	60-9527	60-9527	—	—
	Rear w/ Traction Control.....	60-9528	60-9528	—	—

NEW & REMANUFACTURED CONSTANT VELOCITY DRIVE AXLES

YEAR	APPLICATION	REMAN		NEW	
		LEFT	RIGHT	LEFT	RIGHT
MERCEDES (Cont'd)		Driver Side	Pass. Side	Driver Side	Pass. Side
S430					
2006	Rear RWD Bolt-In	60-9531	60-9531	—	—
	Rear RWD Plug-In	60-9530	60-9530	—	—
	Rear 4WD Bolt-In	60-9536	60-9536	—	—
	Rear 4WD Plug-In	60-9534	60-9534	—	—
2005	Rear	60-9530	60-9530	—	—
	Rear RWD	60-9529	60-9529	—	—
2004	Rear AWD	60-9538	60-9538	—	—
	Rear AWD From Chassis #A305636	60-9538	60-9538	—	—
2003	Rear AWD To Chassis #A305635	60-9536	60-9536	—	—
	Rear RWD From Chassis #A305636	60-9529	60-9529	—	—
	Rear RWD To Chassis #A305635	60-9531	60-9531	—	—
	Rear	60-9531	60-9531	—	—
2002-00	Rear	60-9531	60-9531	—	—
S500					
2006	Rear 4WD Bolt-In	60-9536	60-9536	—	—
	Rear 4WD Plug-In	60-9534	60-9534	—	—
	Rear RWD	60-9436	60-9436	—	—
2005	Rear 4WD Bolt-In	60-9536	60-9536	—	—
	Rear 4WD Plug-In	60-9538	60-9538	—	—
	Rear RWD	60-9436	60-9436	—	—
2004-03	Rear 4WD	60-9538	60-9538	—	—
	Rear RWD w/o Armored Body Equipment	60-9550	60-9550	—	—
	Rear RWD w/ Armored Body Equipment	60-9544	60-9544	—	—
2002	Rear w/o Armored Body Equipment From Chassis #A305636	60-9550	60-9550	—	—
	Rear w/o Armored Body Equipment To Chassis #A305635	60-9436	60-9436	—	—
	Rear w/ Armored Body Equipment	60-9544	60-9544	—	—
	Rear	60-9436	60-9436	—	—
1999-96	Rear	60-9444	60-9444	—	—
1995	Rear From VIN #212245	60-9444	60-9444	—	—
	Rear To VIN #212244, w/o Traction Control	60-9453	60-9453	—	—
	Rear To VIN #212244, w/ Traction Control	60-9520	60-9520	—	—
1994	Rear w/o Traction Control	60-9453	60-9453	—	—
	Rear w/ Traction Control	60-9520	60-9520	—	—
S55 AMG					
2006-05	Rear	60-9554	60-9554	—	—
2004-03	Rear	60-9547	60-9547	—	—
2002-01	Rear	60-9436	60-9436	—	—
S550					
2013	Rear 4WD	60-9541	60-9541	—	—
2012	Front 4WD	60-9483	60-9484	—	—
2011	Front 4WD	60-9483	60-9484	—	—
	Rear RWD	60-9480	60-9480	—	—
2010-08	Rear 4WD	60-9541	60-9541	—	—
	Rear RWD	60-9480	60-9480	—	—
2007	Rear 4WD	60-9541	60-9541	—	—
	Rear	60-9480	60-9480	—	—
S600					
2013-10	Rear	60-9485	60-9485	—	—
2008	Rear	60-9485	60-9485	—	—
2007	Rear From 1/31/2007	60-9485	60-9485	—	—
2006-05	Rear	60-9554	60-9554	—	—
2004	Rear w/ Armored Body Equipment	60-9554	60-9554	—	—
2003	Rear From 4/26/03	60-9554	60-9554	—	—
	Rear Before 4/26/03	60-9547	60-9547	—	—
	Rear w/o Armored Body Equipment From Chassis #A305636	60-9550	60-9550	—	—
2002	Rear w/o Armored Body Equipment To Chassis #A305635	60-9436	60-9436	—	—
	Rear w/ Armored Body Equipment	60-9544	60-9544	—	—
2001	Rear w/o Armored Body Equipment	60-9436	60-9436	—	—
	Rear w/ Armored Body Equipment	60-9544	60-9544	—	—
1999-96	Rear	60-9444	60-9444	—	—
1995	Rear From VIN #212245	60-9444	60-9444	—	—
	Rear To VIN #212244	60-9520	60-9520	—	—
1994	Rear	60-9520	60-9520	—	—

CV DRIVE AXLES

NEW & REMANUFACTURED CONSTANT VELOCITY DRIVE AXLES

CV DRIVE AXLES

YEAR	APPLICATION	REMAN		NEW	
		LEFT	RIGHT	LEFT	RIGHT
MERCEDES (Cont'd)		Driver Side	Pass. Side	Driver Side	Pass. Side
S63 AMG					
2013-11	Rear	60-9485	60-9485	—	—
2010-08	Rear	60-9495	60-9495	—	—
SL320					
1994	Rear w/o Traction Control.....	60-9441	60-9441	—	—
	Rear w/ Traction Control.....	60-9457	60-9457	—	—
SL500					
2006-05	Rear	60-9558	60-9558	—	—
2004-03	Rear	60-9557	60-9557	—	—
2002	Rear	60-9569	60-9569	—	—
1999	Rear	60-9569	60-9569	—	—
1998-94	Rear	60-9561	60-9561	—	—
SL55 AMG					
2007-05	Rear	60-9567	60-9567	—	—
2004-03	Rear	60-9564	60-9564	—	—
SL550					
2012-11	Rear	60-9568	60-9568	—	—
2009-07	Rear	60-9568	60-9568	—	—
SL600					
2002-01	Rear	60-9569	60-9569	—	—
1999	Rear	60-9569	60-9569	—	—
1998-94	Rear	60-9561	60-9561	—	—
SL63 AMG					
2015-14	Rear w/o Limited Slip Differential.....	60-9712	60-9712	—	—
2013	Rear	60-9712	60-9712	—	—
SLK230					
2004-03	Rear	60-9573	60-9573	—	—
2002	Rear From Chassis#F261706.....	60-9573	60-9573	—	—
	Rear To Chassis#F261705.....	60-9445	60-9445	—	—
2001-98	Rear	60-9445	60-9445	—	—
SLK280					
2008-06	Rear	60-9580	60-9580	—	—
SLK300					
2011-09	Rear	60-9580	60-9580	—	—
SLK320					
2004-02	Rear Bolt-On Shaft.....	60-9584	60-9584	—	—
	Rear Plug-In Shaft.....	60-9501	60-9501	—	—
2001	Rear Bolt-On Shaft.....	60-9488	60-9488	—	—
SLK55 AMG					
2010-05	Rear	60-9595	60-9595	—	—
SLS					
2013-11	Rear AMG.....	60-9716	60-9716	—	—
MERCEDES TRUCKS					
GL320					
2009	Front (Exc. Off Road Package).....	60-9295	60-9296	66-9295	66-9296
	Rear (Exc. Off Road Package).....	60-9299	60-9299	—	—
	Rear Off Road Package.....	60-9608	60-9605	—	—
2008-07	Front.....	60-9295	60-9296	66-9295	66-9296
	Rear (Exc. Off Road Package).....	60-9299	60-9299	—	—
	Rear Off Road Package.....	60-9608	60-9605	—	—
GL350					
2012-10	Front.....	60-9295	60-9296	66-9295	66-9296
	Rear	60-9299	60-9718	—	—

NEW & REMANUFACTURED CONSTANT VELOCITY DRIVE AXLES

YEAR	APPLICATION	REMAN		NEW	
		LEFT	RIGHT	LEFT	RIGHT
MERCEDES TRUCKS (Cont'd)		Driver Side	Pass. Side	Driver Side	Pass. Side
GL450					
2012	Front (Exc. Off Road Package).....	60-9295	60-9296	66-9295	66-9296
	Rear (Exc. Off Road Package).....	60-9299	60-9718	—	—
2011	Front (Exc. Off Road Package).....	60-9295	60-9296	66-9295	66-9296
	Rear (Exc. Off Road Package).....	60-9299	60-9718	—	—
2010	Rear Off Road Package.....	60-9721	60-9717	—	—
	Front (Exc. Off Road Package).....	60-9295	60-9296	66-9295	66-9296
	Rear (Exc. Off Road Package).....	60-9299	60-9718	—	—
2009	Rear Off Road Package.....	60-9719	60-9717	—	—
	Front (Exc. Off Road Package).....	60-9295	60-9296	66-9295	66-9296
	Rear (Exc. Off Road Package).....	60-9299	60-9299	—	—
2008-07	Rear Off Road Package.....	60-9608	60-9605	—	—
	Front (Exc. Off Road Package).....	60-9295	60-9296	66-9295	66-9296
	Front Off Road Package.....	60-9295	—	66-9295	—
	Rear (Exc. Off Road Package).....	60-9299	60-9299	—	—
	Rear Off Road Package.....	60-9608	60-9605	—	—
GL550					
2012-11	Front.....	60-9295	60-9296	66-9295	66-9296
	Rear.....	60-9299	60-9718	—	—
2010	Front (Exc. Off Road Package).....	60-9295	60-9296	66-9295	66-9296
	Rear (Exc. Off Road Package).....	60-9299	60-9718	—	—
	Rear Off Road Package.....	60-9719	60-9717	—	—
2009	Front (Exc. Off Road Package).....	60-9295	60-9296	66-9295	66-9296
	Rear (Exc. Off Road Package).....	60-9299	60-9299	—	—
	Rear Off Road Package.....	60-9608	60-9605	—	—
2008	Front (Exc. Off Road Package).....	60-9295	60-9296	66-9295	66-9296
	Front Off Road Package.....	60-9295	—	66-9295	—
	Rear (Exc. Off Road Package).....	60-9299	60-9299	—	—
	Rear Off Road Package.....	60-9608	60-9605	—	—
GLK350					
2015-11	Rear RWD.....	60-9541	60-9541	—	—
	Rear AWD.....	60-9726	60-9726	—	—
2010	Front.....	60-9606	60-9607	—	—
	Rear RWD.....	60-9541	60-9541	—	—
	Rear AWD.....	60-9726	60-9726	—	—
ML320					
2009	Front (Exc. Off Road Package).....	60-9295	60-9296	66-9295	66-9296
	Rear (Exc. Off Road Package).....	60-9299	60-9299	—	—
	Rear Off Road Package.....	60-9608	60-9605	—	—
2008-07	Front.....	60-9295	60-9296	66-9295	66-9296
	Rear (Exc. Off Road Package).....	60-9299	60-9299	—	—
	Rear Off Road Package.....	60-9608	60-9605	—	—
2003-98	Front.....	60-9015	60-9016	66-9015	66-9016
	Rear.....	60-9017	60-9017	—	—
ML350					
2011	Front.....	60-9295	60-9296	66-9295	66-9296
	Rear.....	60-9299	60-9718	—	—
2010	Front (Exc. Off Road Package).....	60-9295	60-9296	66-9295	66-9296
	Rear (Exc. Off Road Package).....	60-9299	60-9718	—	—
	Rear Off Road Package.....	60-9721	60-9717	—	—
2009-06	Front (Exc. Off Road Package).....	60-9295	60-9296	66-9295	66-9296
	Rear (Exc. Off Road Package).....	60-9299	60-9299	—	—
	Rear Off Road Package.....	60-9608	60-9605	—	—
2005-03	Front.....	60-9015	60-9016	66-9015	66-9016
	Rear.....	60-9017	60-9017	—	—
ML430					
2001-99	Front.....	60-9015	60-9016	66-9015	66-9016
	Rear.....	60-9017	60-9017	—	—
ML450					
2011-10	Front.....	60-9295	60-9296	66-9295	66-9296
	Rear.....	—	60-9718	—	—

CV DRIVE AXLES

NEW & REMANUFACTURED CONSTANT VELOCITY DRIVE AXLES

CV DRIVE AXLES

YEAR	APPLICATION	REMAN		NEW		
		LEFT	RIGHT	LEFT	RIGHT	
MERCEDES TRUCKS (Cont'd)		Driver Side	Pass. Side	Driver Side	Pass. Side	
ML500						
2007-06	Front.....	60-9295	60-9296	66-9295	66-9296	
	Rear (Exc. Off Road Package).....	60-9299	60-9299	—	—	
	Rear Off Road Package.....	60-9608	60-9605	—	—	
2005-02	Front.....	60-9015	60-9016	66-9015	66-9016	
	Rear.....	60-9017	60-9017	—	—	
ML55 AMG						
2003-01	Front.....	60-9015	60-9016	66-9015	66-9016	
	Rear.....	60-9017	60-9017	—	—	
2000	Front.....	60-9015	60-9016	66-9015	66-9016	
ML550						
2011	Front.....	60-9295	60-9296	66-9295	66-9296	
	Rear.....	60-9299	60-9718	—	—	
2010	Front (Exc. Off Road Package).....	60-9295	60-9296	66-9295	66-9296	
	Rear (Exc. Off Road Package).....	60-9299	60-9718	—	—	
	Rear Off Road Package.....	60-9721	60-9717	—	—	
2009-08	Front.....	60-9295	60-9296	66-9295	66-9296	
	Rear (Exc. Off Road Package).....	60-9299	60-9299	—	—	
	Rear Off Road Package.....	60-9608	60-9605	—	—	
ML63 AMG						
2011-07	Front.....	—	60-9296	—	66-9296	
	Rear.....	60-9609	60-9609	—	—	
R320						
2009-07	Front.....	60-9297	60-9298	—	—	
	Rear.....	60-9300	—	—	—	
R350						
2012	Front 4MATIC Bluetec.....	60-9297	60-9298	—	—	
	Rear.....	—	60-9725	—	—	
2011	Front.....	60-9297	60-9298	—	—	
	Rear.....	—	60-9725	—	—	
2010	Front.....	60-9297	60-9298	—	—	
2009-08	Front 4WD.....	60-9297	60-9298	—	—	
	Rear 4WD.....	60-9300	—	—	—	
2007-06	Front 4WD.....	60-9297	60-9298	—	—	
	Rear 4WD.....	60-9300	—	—	—	
R500						
2007-06	Front.....	60-9297	60-9298	—	—	
	Rear.....	60-9300	—	—	—	
R63 AMG						
2007	Front AMG.....	60-9297	60-9298	—	—	
MERCURY						
CAPRI						
1994-91	Front Exc. Turbo XR-2 Package.....	60-8014	60-8007	66-2072	66-2070	
COUGAR						
2002-99	Front 4 Cyl. Eng. w/A.T. w/o ABS.....	60-2050	60-2052	66-2051	66-2053	
	Front 4 Cyl. Eng. w/A.T. w/ABS.....	60-2051	60-2053	66-2051	66-2053	
	Front 4 Cyl. Eng. w/M.T. w/o ABS.....	60-2054	60-2052	66-2055	66-2053	
	Front 4 Cyl. Eng. w/M.T. w/ABS.....	60-2055	60-2053	66-2055	66-2053	
	Front 6 Cyl. Eng. w/A.T. w/o ABS.....	60-2058	60-2060	66-2059	66-2061	
	Front 6 Cyl. Eng. w/A.T. w/ABS.....	60-2059	60-2061	66-2059	66-2061	
	Front 6 Cyl. Eng. w/M.T. w/o ABS.....	60-2062	60-2060	—	66-2061	
	Front 6 Cyl. Eng. w/M.T. w/ABS.....	60-2063	60-2061	—	66-2061	
	1997-93	Rear 6 Cyl. Eng. w/o ABS.....	60-2023	60-2023	—	—
		Rear 6 Cyl. Eng. w/ABS.....	60-2128	60-2128	—	—
		Rear 8 Cyl. Eng. w/o ABS.....	60-2123	60-2123	—	—
1992-89	Rear 8 Cyl. Eng. w/ABS.....	60-2125	60-2125	—	—	
	Rear 7.5" Ring Gear w/o ABS.....	60-2023	60-2023	—	—	
	Rear 7.5" Ring Gear w/ABS.....	60-2128	60-2128	—	—	
	Rear 8.8" Ring Gear w/o ABS.....	60-2123	60-2123	—	—	
Rear 8.8" Ring Gear w/ABS.....	60-2125	60-2125	—	—		

NEW & REMANUFACTURED CONSTANT VELOCITY DRIVE AXLES

YEAR	APPLICATION	REMAN		NEW	
		LEFT	RIGHT	LEFT	RIGHT
MERCURY (Cont'd)		Driver Side	Pass. Side	Driver Side	Pass. Side
LYNX, LN7					
1987-86	Front w/A.T.....	60-2003	60-2000	—	—
	Front w/M.T.....	60-2004	60-2000	—	—
1985	Front Exc. Turbo w/A.T.....	60-2003	60-2000	—	—
	Front Exc. Turbo w/M.T.....	60-2004	60-2000	—	—
1984	Front Turbo w/M.T. w/25 Spline I.B. Housing.....	60-2013	60-2010	—	—
	Front Exc. Turbo w/A.T. From 12/83.....	60-2003	60-2000	—	—
	Front Exc. Turbo w/A.T. Before 12/83.....	60-2003	60-2028	—	—
	Front Exc. Turbo w/M.T. From 12/83.....	60-2004	60-2000	—	—
	Front Exc. Turbo w/M.T. Before 12/83.....	60-2004	60-2028	—	—
1983	Front Turbo w/M.T. w/25 Spline I.B. Housing.....	60-2013	60-2010	—	—
	Front w/A.T. From 6/83.....	60-2003	60-2028	—	—
	Front w/A.T. From 1/83 To 5/83.....	60-2078	60-2009	—	—
	Front w/A.T. Before 1/83.....	60-2014	60-2009	—	—
	Front w/M.T. From 6/83.....	60-2004	60-2028	—	—
1982-81	Front w/M.T. Before 6/83.....	60-2014	60-2009	—	—
	Front.....	60-2014	60-2009	—	—
MILAN					
2011	Front 2.5L Eng. w/A.T.....	60-2272	60-2251	66-2272	—
	Front 2.5L Eng. w/CVT Hybrid.....	60-2279	60-2251	—	—
	Front 3.0L Eng.....	60-2250	60-8183	66-2250	66-8183
2010	Front 2.5L Eng. w/A.T.....	60-2272	60-2251	66-2272	—
	Front 2.5L Eng. w/CVT Hybrid.....	60-2279	60-2251	—	—
	Front 3.0L Eng.....	60-2250	60-8183	66-2250	66-8183
2009-08	Rear AWD.....	60-2265	60-2266	—	—
	Front 2.3L Eng.....	60-8152	60-8154	66-8152	66-8154
	Front 3.0L Eng.....	60-8182	60-8183	66-8182	66-8183
2007-06	Rear AWD.....	60-2265	60-2266	—	—
	Front 2.3L Eng.....	60-8152	60-8154	66-8152	66-8154
	Front 3.0L Eng.....	60-8182	60-8183	66-8182	66-8183
MONTEGO					
2007-06	Front FWD w/A.T.....	60-2162	60-2163	66-2162	66-2163
	Front FWD w/CVT.....	60-2164	60-2165	66-2164	66-2165
	Front AWD w/CVT.....	60-2164	60-2166	66-2164	66-2166
	Rear AWD w/CVT.....	60-2234	60-2234	—	—
2005	Front FWD w/A.T.....	60-2162	60-2163	66-2162	66-2163
	Front FWD w/CVT.....	60-2164	60-2165	66-2164	66-2165
	Front AWD w/CVT.....	60-2164	60-2166	66-2164	66-2166
2000-95	Rear AWD w/CVT.....	60-2234	60-2234	—	—
	Front 4 Cyl. Eng. w/A.T. w/o ABS.....	60-2050	60-2052	66-2051	66-2053
	Front 4 Cyl. Eng. w/A.T. w/ABS.....	60-2051	60-2053	66-2051	66-2053
MYSTIQUE	Front 4 Cyl. Eng. w/M.T. w/o ABS.....	60-2054	60-2052	66-2055	66-2053
	Front 4 Cyl. Eng. w/M.T. w/ABS.....	60-2055	60-2053	66-2055	66-2053
	Front 6 Cyl. Eng. w/A.T. w/o ABS.....	60-2058	60-2060	66-2059	66-2061
	Front 6 Cyl. Eng. w/A.T. w/ABS.....	60-2059	60-2061	66-2059	66-2061
	Front 6 Cyl. Eng. w/M.T. w/o ABS.....	60-2062	60-2060	—	66-2061
	Front 6 Cyl. Eng. w/M.T. w/ABS.....	60-2063	60-2061	—	66-2061
SABLE					
2009	Front FWD.....	60-2186	60-2187	66-2186	66-2187
	Front AWD.....	60-2186	60-2208	66-2186	—
	Rear AWD.....	60-2245	60-2246	—	—
2008	Front FWD.....	60-2186	60-2187	66-2186	66-2187
	Front AWD.....	60-2186	—	66-2186	—
	Rear AWD.....	60-2243	60-2244	—	—
2005	Front w/ABS 4F50N Transmission) (19 bolt pan).....	60-2138	60-2142	66-2008	66-2042
	Front w/o ABS (Exc. 4F50N Transmission) (17 bolt pan).....	60-2137	60-2139	66-2008	66-2005
	Front w/o ABS (4F50N Transmission) (19 bolt pan).....	60-2137	60-2141	66-2008	66-2042
2004-01	Front w/ABS (Exc. 4F50N Transmission) (17 bolt pan).....	60-2138	60-2140	66-2008	66-2005
	Front w/ABS (4F50N Transmission) (19 bolt pan).....	60-2138	60-2142	66-2008	66-2042
	Front w/o ABS (Exc. AX4N Transmission) (17 bolt pan).....	60-2137	60-2139	66-2008	66-2005
	Front w/o ABS (AX4N Transmission) (19 bolt pan).....	60-2137	60-2141	66-2008	66-2042
	Front w/ABS (Exc. AX4N Transmission) (17 bolt pan).....	60-2138	60-2140	66-2008	66-2005
2000-96	Front w/ABS (AX4N Transmission) (19 bolt pan).....	60-2138	60-2142	66-2008	66-2042

CV DRIVE AXLES

NEW & REMANUFACTURED CONSTANT VELOCITY DRIVE AXLES

CV DRIVE AXLES

YEAR	APPLICATION	REMAN		NEW	
		LEFT	RIGHT	LEFT	RIGHT
		Driver Side	Pass. Side	Driver Side	Pass. Side
MERCURY (Cont'd)					
SABLE (Cont'd)					
1995-94	Front w/o ABS (Exc. AX4N Transmission) (17 bolt pan).....	60-2002	60-2001	66-2008	66-2005
	Front w/o ABS (AX4N Transmission) (19 bolt pan).....	60-2002	60-2041	66-2008	66-2042
	Front w/ABS (Exc. AX4N Transmission) (17 bolt pan).....	60-2008	60-2005	66-2008	66-2005
	Front w/ABS (AX4N Transmission) (19 bolt pan).....	60-2008	60-2042	66-2008	66-2042
1993-87	Front w/o ABS.....	60-2002	60-2001	66-2008	66-2005
	Front w/ABS.....	60-2008	60-2005	66-2008	66-2005
1986	Front 4 Cyl. Eng. w/A.T.....	60-2006	60-2007	—	—
	Front 6 Cyl. Eng. w/o ABS.....	60-2002	60-2001	66-2008	66-2005
	Front 6 Cyl. Eng. w/ABS.....	60-2008	60-2005	66-2008	66-2005
TOPAZ					
1994-92	Front w/A.T.....	60-2082	60-2032	66-2082	66-2032
	Front w/M.T.....	60-2037	60-2032	66-2037	66-2032
1991	Front w/A.T.....	60-2019	60-2017	—	—
	Front w/M.T.....	60-2043	60-2017	—	—
1990-86	Front w/A.T.....	60-2003	60-2000	—	—
	Front w/M.T.....	60-2004	60-2000	—	—
1985-84	Front w/A.T.....	60-2003	60-2000	—	—
	Front w/M.T. (Exc. 2.3L H.O. Eng. w/25 Spline I.B. Housing).....	60-2004	60-2000	—	—
	Front w/M.T. 2.3L H.O. Eng. w/25 Spline I.B. Housing.....	60-2013	60-2010	—	—
TRACER					
1999-97	Front w/A.T. w/o ABS.....	60-2011	60-2012	66-2105	66-2136
	Front w/A.T. w/ABS.....	60-2105	60-2136	66-2105	66-2136
	Front w/M.T. w/o ABS.....	60-2036	60-2132	66-2040	66-2134
	Front w/M.T. w/ABS.....	60-2040	60-2134	66-2040	66-2134
1996-94	Front 1.8L Eng. w/A.T. w/o ABS.....	60-2011	60-2030	66-2105	66-2033
	Front 1.8L Eng. w/A.T. w/ABS.....	60-2105	60-2033	66-2105	66-2033
	Front 1.8L Eng. w/M.T. w/o ABS.....	60-2036	60-2030	66-2040	66-2033
	Front 1.8L Eng. w/M.T. w/ABS.....	60-2040	60-2033	66-2040	66-2033
1993-91	Front 1.9L Eng.....	60-2011	60-2012	66-2105	66-2136
	Front 1.8L Eng. w/A.T.....	60-2011	60-2030	66-2105	66-2033
	Front 1.8L Eng. w/M.T.....	60-2036	60-2030	66-2040	66-2033
1990-87	Front 1.9L Eng.....	60-2011	60-2012	66-2105	66-2136
	Front.....	60-8014	60-8007	66-2072	66-2070
MERCURY TRUCKS					
MARINER					
2011-09	Front 2.5L Eng. w/A.T.....	60-2249	60-2086	66-2249	66-2086
	Front 2.5L Eng. w/CVT Hybrid.....	60-2167	60-2086	66-2167	66-2086
	Front 3.0L Eng. w/A.T.....	60-2249	60-2086	66-2249	66-2086
	Rear Includes Hybrid.....	60-2241	60-2242	—	—
2008	Front 2.3L Eng. w/A.T.....	60-2084	60-2086	66-2084	66-2086
	Front 2.3L Eng. w/CVT Hybrid.....	60-2167	60-2086	66-2167	66-2086
	Front 3.0L Eng. w/A.T.....	60-2084	60-2086	66-2084	66-2086
	Rear (Includes Hybrid).....	60-2241	60-2242	—	—
2007	Front 2.3L Eng. w/A.T.....	60-2084	60-2086	66-2084	66-2086
	Front 2.3L Eng. w/CVT Hybrid.....	60-2167	60-2086	66-2167	66-2086
	Front 3.0L Eng. w/A.T.....	60-2084	60-2086	66-2084	66-2086
	Rear (Includes Hybrid).....	60-2098	60-2102	—	—
2006	Front 2.3L Eng. w/A.T.....	60-2084	60-2086	66-2084	66-2086
	Front 2.3L Eng. w/CVT Hybrid.....	60-2167	60-2086	66-2167	66-2086
	Front 3.0L Eng. w/A.T.....	60-2084	60-2086	66-2084	66-2086
	Rear Exc. Hybrid.....	60-2098	60-2102	—	—
2005	Rear Hybrid.....	60-2247	60-2248	—	—
	Front.....	60-2084	60-2086	66-2084	66-2086
	Rear w/ABS.....	60-2098	60-2102	—	—
MONTEREY					
2007-04	Front.....	60-2156	60-2157	66-2156	66-2157
MOUNTAINEER					
2010-06	Front.....	60-2184	60-2185	66-2184	66-2185
	Rear.....	60-2193	60-2194	66-2193	66-2194
2005	Front.....	60-2153	60-2154	66-2153	66-2154
	Rear w/o Advance Trac From 3/18/05.....	60-2230	60-2231	—	—
	Rear w/Advance Trac.....	60-2178	60-2179	66-2193	66-2194

NEW & REMANUFACTURED CONSTANT VELOCITY DRIVE AXLES

YEAR	APPLICATION	REMAN		NEW	
		LEFT	RIGHT	LEFT	RIGHT
		Driver Side	Pass. Side	Driver Side	Pass. Side
MERCURY TRUCKS (Cont'd)					
MOUNTAINEER (Cont'd)					
2004-03	Front.....	60-2153	60-2154	66-2153	66-2154
	Rear w/Advance Trac.....	60-2178	60-2179	66-2193	66-2194
2002	Front.....	60-2153	60-2154	66-2153	66-2154
2001-97	Front.....	60-2101	60-2027	66-2101	66-2027
VILLAGER					
2002-93	Front w/o ABS.....	60-2044	60-2045	66-2066	66-2067
	Front w/ABS.....	60-2066	60-2067	66-2066	66-2067
MERKUR					
SCORPIO, XR4TI					
1989-85	Rear.....	60-7018		—	—
MINI					
COOPER					
2015-14	Front w/ A.T.....	60-9322	60-9323	66-9322	66-9323
2013	Front w/ A.T.....	60-9322	60-9323	66-9322	66-9323
	Front w/ M.T. (Eng. Code N16B16A).....	60-9324	60-9325	—	—
2012-11	Front w/ A.T.....	60-9322	60-9323	66-9322	66-9323
	Front w/ M.T. Exc. Turbocharged.....	60-9324	60-9325	—	—
	Front w/ M.T. Turbocharged.....	60-9326	—	—	—
2010-09	Front w/ A.T.....	60-9322	60-9323	66-9322	66-9323
	Front w/ M.T. Exc. Turbocharged.....	60-9324	60-9325	—	—
	Front w/ M.T. Turbocharged.....	60-9326	60-9327	—	—
2008	Front Exc. S Model w/A.T. (Eng. Code N12B16A).....	60-9322	60-9323	66-9322	66-9323
	Front Exc. S Model w/A.T. (Eng. Code W10B16A).....	60-9275	60-9276	66-9275	66-9276
	Front Exc. S Model w/A.T. (Eng. Code W10B16A), (Supplied without inboard housing) ②.....	—	60-9276S	—	—
	Front Exc. S Model w/M.T. (Eng. Code N12B16A).....	60-9324	60-9325	—	—
	Front Exc. S Model w/M.T. (Eng. Code W10B16A).....	—	60-9613	—	66-9278
	Front S Model w/A.T Supercharged.....	60-9320	—	—	—
	Front S Model w/A.T Turbocharged.....	60-9322	60-9323	66-9322	66-9323
	Front S Model w/M.T Supercharged.....	60-9279	60-9280	66-9279	66-9280
	Front S Model w/M.T Turbocharged.....	60-9326	60-9327	—	—
2007	Front Exc. S Model w/A.T. (Eng. Code N12B16A).....	60-9322	60-9323	66-9322	66-9323
	Front Exc. S Model w/CVT. (Eng. Code W10B16A).....	60-9275	60-9276	66-9275	66-9276
	Front Exc. S Model w/CVT. (Eng. Code W10B16A), (Supplied without inboard housing) ②.....	—	60-9276S	—	—
	Front Exc. S Model w/M.T. (Eng. Code N12B16A).....	60-9324	60-9325	—	—
	Front Exc. S Model w/M.T. (Eng. Code W10B16A).....	—	60-9613	—	66-9278
	Front S Model w/A.T Supercharged.....	60-9320	—	—	—
	Front S Model w/A.T Turbocharged.....	60-9322	60-9323	66-9322	66-9323
	Front S Model w/M.T Supercharged (Eng. Code W11B16A).....	60-9279	60-9280	66-9279	66-9280
	Front S Model w/M.T Turbocharged.....	60-9326	60-9326	—	—
2006	Front Exc. S Model w/A.T.....	60-9275	60-9276	66-9275	66-9276
	Front Exc. S Model w/A.T. (Supplied without inboard housing) ②.....	—	60-9276S	—	—
	Front Exc. S Model w/M.T. (Eng. Code W10B16A).....	—	60-9613	—	66-9278
	Front S Model w/A.T.....	60-9320	—	—	—
	Front S Model w/M.T.....	60-9279	60-9280	66-9279	66-9280
2005	Front Exc. S Model w/A.T.....	60-9275	60-9276	66-9275	66-9276
	Front Exc. S Model w/CVT.....	—	60-9276	—	66-9276
	Front Exc. S Model w/CVT (Supplied without inboard housing) ②.....	—	60-9276S	—	—
	Front Exc. S Model w/M.T. (Eng. Code W10B16A).....	—	60-9613	—	66-9278
	Front S Model w/A.T.....	60-9320	—	—	—
	Front S Model w/M.T.....	60-9279	60-9280	66-9279	66-9280
2004	Front Exc. S Model w/A.T.....	60-9275	60-9276	66-9275	66-9276
	Front Exc. S Model w/CVT.....	—	60-9276	—	66-9276
	Front Exc. S Model w/CVT (Supplied without inboard housing) ②.....	—	60-9276S	—	—
	Front Exc. S Model w/M.T. From 07/04.....	—	60-9613	—	66-9278
	Front Exc. S Model w/M.T. Before 07/04.....	60-9762	60-9763	66-9277	66-9278
	Front S Model w/M.T.....	60-9279	60-9280	66-9279	66-9280
2003-02	Front Exc. S Model w/A.T.....	60-9275	60-9276	66-9275	66-9276
	Front Exc. S Model w/CVT.....	—	60-9276	—	66-9276
	Front Exc. S Model w/CVT (Supplied without inboard housing) ②.....	—	60-9276S	—	—
	Front Exc. S Model w/M.T.....	60-9762	60-9763	66-9277	66-9278
	Front S Model w/M.T.....	60-9279	60-9280	66-9279	66-9280

CV DRIVE AXLES

② Drive Axle is supplied without the Inboard Housing as a "Time Saver Solution" for the Installer.

NEW & REMANUFACTURED CONSTANT VELOCITY DRIVE AXLES

CV DRIVE AXLES

YEAR	APPLICATION	REMAN		NEW	
		LEFT	RIGHT	LEFT	RIGHT
		Driver Side	Pass. Side	Driver Side	Pass. Side
MITSUBISHI					
CORDIA					
1988-84	Front 1.8L Eng. Turbo	60-3012	60-3078	—	—
	Front 2.0L Eng. Exc. Turbo	60-3012	60-3159	—	—
1983	Front	60-3008	60-3006	—	—
DIAMANTE					
2004-98	Front	60-3267	60-3268	—	66-3268
1997	Front w/o ABS	60-3391	60-3392	—	—
	Front w/ABS	60-3267	60-3268	—	66-3268
1996	Front	60-3142	60-3212	66-3142	—
1995-93	Front Sedan	60-3142	60-3212	66-3142	—
	Front Wagon	60-3142	60-3173	66-3142	66-3173
1992	Front	60-3142	60-3173	66-3142	66-3173
ECLIPSE					
2012	Front 2.4L Eng.	60-3474	60-3475	66-3474	66-3475
2011-10	Front 2.4L Eng.	60-3474	60-3475	66-3474	66-3475
2009-08	Front 2.4L Eng.	60-3474	60-3475	66-3474	66-3475
	Front 3.8L w/A.T.	60-3476	—	—	—
2007-06	Front 2.4L Eng.	60-3474	60-3475	66-3474	66-3475
	Front 3.8L w/A.T.	60-3476	—	—	—
2005-04	Front 2.4L Eng. w/A.T. w/o ABS	60-3333	60-3335	66-3334	66-3336
	Front 2.4L Eng. w/M.T. w/o ABS	60-3333	60-3335	66-3334	66-3336
	Front 3.0L Eng. w/o ABS	60-3425	60-3427	—	66-3340
	Front 3.0L Eng. w/ABS	60-3426	60-3428	66-3426	66-3340
2003	Front 2.4L Eng. w/o ABS	60-3333	60-3335	66-3334	66-3336
	Front 2.4L Eng. w/ABS	60-3334	60-3336	66-3334	66-3336
	Front 3.0L Eng. w/o ABS	60-3425	60-3427	—	66-3340
	Front 3.0L Eng. w/ABS	60-3426	60-3428	66-3426	66-3340
2002-00	Front 2.4L Eng. w/o ABS	60-3333	60-3335	66-3334	66-3336
	Front 2.4L Eng. w/ABS	60-3334	60-3336	66-3334	66-3336
	Front 3.0L Eng. w/o ABS	60-3337	60-3339	66-3338	66-3340
	Front 3.0L Eng. w/ABS	60-3338	60-3340	66-3338	66-3340
1999-96	Front FWD 2.0L Eng. (Exc. Turbo) w/o ABS	60-3103	60-3104	66-3164	66-3166
	Front FWD 2.0L Eng. (Exc. Turbo) w/ABS	60-3164	60-3166	66-3164	66-3166
	Front FWD 2.0L Eng. Turbo w/A.T. w/o ABS	60-3277	—	—	—
	Front FWD 2.0L Eng. Turbo w/A.T. w/ABS	60-3261	—	—	—
	Front FWD 2.0L Eng. Turbo w/M.T. w/o ABS	60-3262	60-3263	—	—
	Front FWD 2.0L Eng. Turbo w/M.T. w/ABS	60-3275	60-3264	—	—
	Front FWD 2.4L Eng. w/o ABS	60-3148	60-3146	66-3167	66-3145
	Front FWD 2.4L Eng. w/ABS	60-3167	60-3145	66-3167	66-3145
	Front AWD w/A.T. w/o ABS	60-3121	60-3280	66-3375	66-3274
	Front AWD w/A.T. w/ABS	60-3375	60-3274	66-3375	66-3274
	Front AWD w/M.T. w/o ABS	60-3121	60-3146	66-3375	66-3145
	Front AWD w/M.T. w/ABS	60-3375	60-3145	66-3375	66-3145
1995	Front FWD (Exc. Turbo) w/o ABS	60-3103	60-3104	66-3164	66-3166
	Front FWD (Exc. Turbo) w/ABS	60-3164	60-3166	66-3164	66-3166
	Front FWD Turbo w/A.T. w/o ABS	60-3277	—	—	—
	Front FWD Turbo w/A.T. w/ABS	60-3261	—	—	—
	Front FWD Turbo w/M.T. w/o ABS	60-3262	60-3263	—	—
	Front FWD Turbo w/M.T. w/ABS	60-3275	60-3264	—	—
	Front AWD w/A.T. w/o ABS	60-3121	60-3280	66-3375	66-3274
	Front AWD w/A.T. w/ABS	60-3375	60-3274	66-3375	66-3274
	Front AWD w/M.T. w/o ABS	60-3121	60-3146	66-3375	66-3145
	Front AWD w/M.T. w/ABS	60-3375	60-3145	66-3375	66-3145
1994-93	Front FWD (Exc. Turbo) w/o ABS	60-3092	60-3102	66-3092	66-3102
	Front FWD Turbo w/o ABS	60-3273	60-3272	—	—
	Front AWD w/A.T. w/o ABS	60-3092	60-3102	66-3092	66-3102
	Front AWD w/M.T. w/o ABS	60-3121	60-3102	66-3375	66-3102
1992	Front FWD w/o ABS	60-3092	60-3102	66-3092	66-3102
	Front AWD w/A.T. w/o ABS	60-3092	60-3102	66-3092	66-3102
	Front AWD w/M.T. w/o ABS	60-3121	60-3102	66-3375	66-3102
1991	Front FWD w/o ABS	60-3092	60-3102	66-3092	66-3102
	Front AWD w/A.T. w/o ABS	60-3092	60-3102	66-3092	66-3102
	Front AWD w/M.T. w/o ABS	60-3121	60-3102	66-3375	66-3102
1990	Front FWD	60-3092	60-3102	66-3092	66-3102
	Front AWD w/M.T.	60-3121	60-3102	66-3375	66-3102

NEW & REMANUFACTURED CONSTANT VELOCITY DRIVE AXLES

YEAR	APPLICATION	REMAN		NEW	
		LEFT	RIGHT	LEFT	RIGHT
MITSUBISHI (Cont'd)		Driver Side	Pass. Side	Driver Side	Pass. Side
GALANT					
2011-10	Front SE.....	60-3474	60-3475	66-3474	66-3475
2009-07	Front ES.....	60-3480	60-3482	66-3480	66-3482
	Front SE.....	60-3474	60-3475	66-3474	66-3475
2006	Front DE.....	60-3479	60-3481	66-3480	66-3482
	Front ES.....	60-3480	60-3482	66-3480	66-3482
	Front SE.....	60-3474	60-3475	66-3474	66-3475
2005-04	Front 2.4L Eng. w/o ABS.....	60-3479	60-3481	66-3480	66-3482
	Front 2.4L Eng. w/ABS.....	60-3480	60-3482	66-3480	66-3482
2003-99	Front 2.4L Eng. w/A.T. w/o ABS.....	60-3333	60-3335	66-3334	66-3336
	Front 2.4L Eng. w/A.T. w/ABS.....	60-3334	60-3336	66-3334	66-3336
	Front 3.0L Eng. w/o ABS.....	60-3337	60-3339	66-3338	66-3340
	Front 3.0L Eng. w/ABS.....	60-3338	60-3340	66-3338	66-3340
1998-95	Front 2.4L Eng. w/o ABS.....	60-3148	60-3146	66-3167	66-3145
	Front 2.4L Eng. w/ABS.....	60-3167	60-3145	66-3167	66-3145
1994	Front SOHC Eng. w/o ABS.....	60-3148	60-3146	66-3167	66-3145
	Front SOHC Eng. w/ABS.....	60-3167	60-3145	66-3167	66-3145
	Front DOHC Eng. w/A.T. w/o ABS.....	60-3262	60-3146	—	66-3145
	Front DOHC Eng. w/A.T. w/ABS.....	60-3275	60-3145	—	66-3145
	Front DOHC Eng. w/M.T. w/o ABS.....	60-3148	60-3146	66-3167	66-3145
	Front DOHC Eng. w/M.T. w/ABS.....	60-3167	60-3145	66-3167	66-3145
1993	Front.....	60-3092	60-3102	66-3092	66-3102
1992-90	Front w/A.T.....	60-3092	60-3102	66-3092	66-3102
	Front w/M.T.....	60-3121	60-3102	66-3375	66-3102
1989	Front.....	60-3092	60-3102	66-3092	66-3102
1987-85	Front.....	60-3040	60-3177	—	—
GALANT SIGMA					
1990-89	Front.....	60-3080	60-3156	—	—
1988	Front From 6/88.....	60-3080	60-3156	—	—
	Front Before 6/88.....	60-3063	60-3079	—	—
LANCER					
2011	Rear Evolution MR, GSR.....	60-3615	60-3616	—	—
2010	Front DE, ES w/CVT.....	60-3573	60-3574	—	—
	Front DE, ES w/M.T.....	60-3575	60-3576	—	—
	Rear.....	60-3615	60-3616	—	—
2009	Front GTS, DE, ES w/CVT.....	60-3573	60-3574	—	—
	Front GTS, DE, ES w/M.T.....	60-3575	60-3576	—	—
	Rear Evolution MR, GSR.....	60-3615	60-3616	—	—
2008	Front (Exc. Evolution w/CVT).....	60-3573	60-3574	—	—
	Front (Exc. Evolution w/M.T.).....	60-3575	60-3576	—	—
	Rear Evolution MR, GSR.....	60-3615	60-3616	—	—
2007	Front w/ABS.....	60-3377	60-3379	66-3377	66-3379
2006	Front ES, O-Z Rally, SE.....	60-3377	60-3379	66-3377	66-3379
	Rear Evolution.....	60-3613	60-3614	—	—
2005	Front ES, O-Z Rally.....	60-3377	60-3379	66-3377	66-3379
	Rear Evolution.....	60-3613	60-3614	—	—
2004	Front w/o ABS (Exc. ES).....	60-3377	60-3379	66-3377	66-3379
	Front w/o ABS ES.....	60-3371	60-3378	66-3377	66-3379
	Front w/ABS ES, LS, O-Z Rally.....	60-3377	60-3379	66-3377	66-3379
	Rear Evolution.....	60-3613	60-3614	—	—
2003	Front w/o ABS (Exc. ES).....	60-3376	60-3372	66-3377	66-3379
	Front w/o ABS ES.....	60-3371	60-3378	66-3377	66-3379
	Front w/ABS LS, O-Z Rally.....	60-3377	60-3379	66-3377	66-3379
	Rear Evolution.....	60-3613	60-3614	—	—
2002	Front w/o ABS (Exc. ES).....	60-3376	60-3372	66-3377	66-3379
	Front w/o ABS ES.....	60-3377	60-3378	66-3377	66-3379
	Front w/ABS.....	60-3377	60-3379	66-3377	66-3379
MIRAGE					
2001-97	Front 1.5L Eng.....	60-3325	60-3326	66-3328	66-3330
	Front 1.8L Eng. w/o ABS.....	60-3327	60-3329	66-3328	66-3330
	Front 1.8L Eng. w/ABS.....	60-3328	60-3330	66-3328	66-3330
1996-93	Front 1.5L Eng.....	60-3144	60-3071	—	—
	Front 1.8L Eng. w/o ABS.....	60-3143	60-3185	—	—
	Front 1.8L Eng. w/ABS.....	60-3218	60-3219	—	—

NEW & REMANUFACTURED CONSTANT VELOCITY DRIVE AXLES

CV DRIVE AXLES

YEAR	APPLICATION	REMAN		NEW	
		LEFT	RIGHT	LEFT	RIGHT
		Driver Side	Pass. Side	Driver Side	Pass. Side
MITSUBISHI (Cont'd)					
MIRAGE (Cont'd)					
1992-91	Front 1.5L Eng.....	60-3008	60-3006	—	—
	Front 1.6L Eng. w/A.T.....	60-3040	60-3006	—	—
	Front 1.6L Eng.w/M.T.....	60-3040	60-3177	—	—
1990	Front.....	60-3008	60-3006	—	—
1989	Front Exc. Turbo.....	60-3008	60-3006	—	—
	Front Turbo.....	60-3040	60-3177	—	—
1988-87	Front Exc. Turbo.....	60-3176	60-3013	—	—
	Front Turbo.....	60-3160	60-3053	—	—
1986-85	Front (Exc. Turbo) w/A.T.....	60-3132	60-3165	—	—
	Front (Exc. Turbo) w/4 Spd. M.T.....	60-3134	60-3066	—	—
	Front (Exc. Turbo) w/5 Spd. M.T.....	60-3132	60-3165	—	—
	Front Turbo w/M.T.....	60-3141	60-3053	—	—
PRECIS					
1993-90	Front.....	60-3158	60-3006	—	—
1989-87	Front.....	60-3003	60-3000	—	—
STARION					
1987-84	Rear w/o Intercooler.....	60-3101	60-3101	—	—
TREDIA					
1988-84	Front 1.8L Eng.....	60-3012	60-3078	—	—
	Front 2.0L Eng.....	60-3012	60-3159	—	—
1983	Front.....	60-3008	60-3006	—	—
3000GT					
1999-93	Front FWD w/A.T. SOHC Eng.....	60-3142	60-3076	66-3142	—
	Front FWD w/A.T. DOHC Eng.....	60-3142	—	66-3142	—
	Front FWD w/M.T. SOHC Eng.....	60-3142	60-3074	66-3142	—
	Front FWD w/M.T. DOHC Eng.....	60-3142	60-3074	66-3142	—
1992-91	Front FWD w/A.T.....	60-3142	60-3077	66-3142	66-3173
	Front FWD w/M.T.....	60-3142	60-3059	66-3142	—
	Front AWD.....	60-3061	60-3217	—	—
MITSUBISHI TRUCKS					
ENDEAVOR					
2011-10	Front FWD.....	—	60-3488	—	66-3488
	Front AWD.....	60-3543	60-3544	—	—
	Rear AWD.....	60-3619	60-3620	—	—
2008-06	Front FWD.....	—	60-3488	—	66-3488
	Front AWD.....	60-3543	60-3544	—	—
2005-04	Front FWD w/o ABS.....	60-3485	60-3487	—	66-3488
	Front FWD w/ABS.....	—	60-3488	—	66-3488
	Front AWD.....	60-3543	60-3544	—	—
	Rear AWD.....	60-3619	60-3620	—	—
EXPO					
1995-94	Front FWD.....	60-3291	60-3292	—	—
	Front 4WD.....	60-3121	60-3102	66-3375	66-3102
1993	Front FWD w/A.T.....	60-3291	—	—	—
	Front 4WD.....	60-3121	—	66-3375	—
1992	Front FWD w/A.T.....	60-3291	60-3292	—	—
	Front FWD w/M.T.....	—	60-3292	—	—
	Front 4WD.....	60-3121	60-3102	66-3375	66-3102
EXPO LRV					
1994	Front FWD 2.4L Eng.....	60-3291	60-3292	—	—
1993	Front FWD 2.4L Eng. w/A.T.....	60-3291	60-3292	—	—
	Front FWD 2.4L Eng. w/M.T.....	—	60-3292	—	—
	Front 4WD 1.8L Eng.....	60-3121	—	66-3375	—
	Front 4WD 2.4L Eng.....	60-3121	60-3102	66-3375	66-3102
1992	Front FWD.....	—	60-3102	—	66-3102
	Front 4WD.....	60-3121	—	66-3375	—
MIGHTY MAX (Pickup)					
1991-90	Front 4 Cyl. Eng.....	60-3135	60-3136	—	—
	Front 6 Cyl. Eng. w/A.T.....	60-3135	60-3136	—	—
	Front 6 Cyl. Eng. w/M.T.....	60-3081	60-3082	—	—
1989-83	Front.....	60-3135	60-3136	—	—

NEW & REMANUFACTURED CONSTANT VELOCITY DRIVE AXLES

YEAR	APPLICATION	REMAN		NEW	
		LEFT	RIGHT	LEFT	RIGHT
MITSUBISHI TRUCKS (Cont'd)		Driver Side	Pass. Side	Driver Side	Pass. Side
MONTERO					
2006-01	Front.....	60-3412	60-3413	66-3412	66-3413
	Rear.....	60-3414	60-3414	—	—
2000-99	Front.....	60-3353	60-3354	—	66-3354
1998	Front.....	60-3353	—	—	—
1997	Front From 11/96.....	60-3353	—	—	—
1996	Front 3.0L Eng. w/A.T.....	—	60-3354	—	66-3354
	Front 3.0L Eng. w/M.T.....	60-3353	60-3354	—	66-3354
1995-94	Front 3.0L Eng. w/M.T.....	60-3353	60-3354	—	66-3354
1993-92	Front w/M.T.....	60-3353	60-3354	—	66-3354
1991-90	Front w/A.T.....	60-3135	60-3136	—	—
	Front w/M.T.....	60-3081	60-3082	—	—
1989	Front 4 Cyl. Eng.....	60-3135	60-3136	—	—
	Front 6 Cyl. Eng. w/A.T.....	60-3135	60-3136	—	—
	Front 6 Cyl. Eng. w/M.T.....	60-3081	60-3082	—	—
1988-83	Front.....	60-3135	60-3136	—	—
MONTERO SPORT					
2004-00	Front.....	60-3353	60-3354	—	66-3354
1999	Front 3.0L Eng.....	60-3353	60-3354	—	66-3354
	Front 3.5L Eng. From 10/98.....	60-3353	60-3354	—	66-3354
1998-97	Front.....	60-3353	60-3354	—	66-3354
OUTLANDER					
2011-09	Front FWD 2.4L Eng.....	60-3571	—	—	—
	Front AWD 2.4L Eng.....	60-3571	—	—	—
	Rear AWD 2.4L Eng. w/o 3rd Row Seating.....	60-3623	60-3624	—	—
	Rear AWD 2.4L Eng. w/ 3rd Row Seating.....	60-3621	60-3622	—	—
	Rear AWD 3.0L Eng.....	60-3621	60-3622	—	—
2008-07	Rear AWD.....	60-3621	60-3622	—	—
OUTLANDER SPORT					
2011	Front.....	60-3571	—	—	—
	Rear.....	60-3623	60-3624	—	—
RAIDER					
2009-08	Front w/o Off Road Package.....	60-3408	60-3408	66-3408	66-3408
	Front w/Off Road Package.....	60-3545	60-3545	—	—
2007	Front.....	60-3408	60-3408	66-3408	66-3408
2006	Front Exc. XLS.....	60-3408	60-3408	66-3408	66-3408
	Front XLS.....	60-3545	60-3545	—	—
NISSAN/DATSUN					
ALMERA (Mexico)					
2005-00	Front 1.8L Eng. w/o ABS.....	60-6152	60-6199	66-6163	66-6200
	Front 1.8L Eng. w/ABS.....	60-6163	60-6200	66-6163	66-6200
ALTIMA					
2013	Front 2.5L Eng. Coupe.....	60-6262	60-6264	66-6262	66-6264
2012	Front 2.5L Eng. w/CVT.....	60-6262	60-6264	66-6262	66-6264
	Front 2.5L Eng. w/M.T.....	—	60-6267	—	—
2011-07	Front 3.5L Eng. w/CVT.....	60-6268	—	66-6268	—
	Front 2.5L Eng. w/CVT (Exc. Hybrid).....	60-6262	60-6264	66-6262	66-6264
2006-05	Front 2.5L Eng. w/M.T.....	—	60-6267	—	—
	Front 3.5L Eng. w/CVT.....	60-6268	60-6269	66-6268	66-6269
	Front 2.5L Eng. w/A.T. w/o ABS.....	60-6127	60-6129	66-6128	66-6130
	Front 2.5L Eng. w/A.T. w/ABS.....	60-6128	60-6130	66-6128	66-6130
	Front 2.5L Eng. w/M.T. w/o ABS.....	60-6131	60-6133	66-6132	66-6134
	Front 2.5L Eng. w/M.T. w/ABS.....	60-6132	60-6134	66-6132	66-6134
	Front 3.5L Eng. w/A.T. w/ABS.....	60-6218	60-6219	66-6218	66-6219
	Front 3.5L Eng. w/M.T. w/o ABS.....	60-6212	60-6214	66-6213	66-6215
	Front 3.5L Eng. w/M.T. w/ABS.....	60-6213	60-6215	66-6213	66-6215
	2004	Front 2.5L Eng. w/A.T. w/o ABS.....	60-6127	60-6129	66-6128
2004	Front 2.5L Eng. w/A.T. w/ABS.....	60-6128	60-6130	66-6128	66-6130
	Front 2.5L Eng. w/M.T. w/o ABS.....	60-6131	60-6133	66-6132	66-6134
	Front 2.5L Eng. w/M.T. w/ABS.....	60-6132	60-6134	66-6132	66-6134
	Front 3.5L Eng. w/A.T. w/o ABS Before 1/04.....	60-6208	60-6210	66-6209	66-6211
	Front 3.5L Eng. w/A.T. w/ABS From 1/04.....	60-6218	60-6219	66-6218	66-6219

CV DRIVE AXLES

NEW & REMANUFACTURED CONSTANT VELOCITY DRIVE AXLES

CV DRIVE AXLES

YEAR	APPLICATION	REMAN		NEW	
		LEFT	RIGHT	LEFT	RIGHT
NISSAN/DATSUN (Cont'd)		Driver Side	Pass. Side	Driver Side	Pass. Side
ALTIMA (Cont'd)					
2004 (Cont'd)	Front 3.5L Eng. w/A.T. w/ABS Before 1/04.....	60-6209	60-6211	66-6209	66-6211
	Front 3.5L Eng. w/M.T. w/o ABS.....	60-6212	60-6214	66-6213	66-6215
2003-02	Front 3.5L Eng. w/M.T. w/ABS.....	60-6213	60-6215	66-6213	66-6215
	Front 2.5L Eng. w/A.T. w/o ABS.....	60-6127	60-6129	66-6128	66-6130
	Front 2.5L Eng. w/A.T. w/ABS.....	60-6128	60-6130	66-6128	66-6130
	Front 2.5L Eng. w/M.T. w/o ABS.....	60-6131	60-6133	66-6132	66-6134
	Front 2.5L Eng. w/M.T. w/ABS.....	60-6132	60-6134	66-6132	66-6134
	Front 3.5L Eng. w/A.T. w/o ABS.....	60-6208	60-6210	66-6209	66-6211
	Front 3.5L Eng. w/A.T. w/ABS.....	60-6209	60-6211	66-6209	66-6211
2001-98	Front 3.5L Eng. w/M.T. w/o ABS.....	60-6212	60-6214	66-6213	66-6215
	Front 3.5L Eng. w/M.T. w/ABS.....	60-6213	60-6215	66-6213	66-6215
	Front w/A.T. w/o ABS.....	60-6177	60-6161	66-6179	66-6171
	Front w/A.T. w/ABS.....	60-6179	60-6171	66-6179	66-6171
	Front w/M.T. w/o ABS.....	60-6176	60-6169	66-6178	66-6170
1997-94	Front w/M.T. w/ABS.....	60-6178	60-6170	66-6178	66-6170
	Front w/A.T. w/o ABS.....	60-6044	60-6045	66-6054	66-6056
	Front w/A.T. w/ABS.....	60-6054	60-6056	66-6054	66-6056
	Front w/M.T. w/o ABS.....	60-6139	60-6138	66-6141	66-6140
1993	Front w/M.T. w/ABS.....	60-6141	60-6140	66-6141	66-6140
	Front w/A.T. w/o ABS w/o Locking Differential ⑬.....	60-6044	60-6045	66-6054	66-6056
	Front w/A.T. w/o ABS w/ Locking Differential ⑬.....	60-6136	60-6045	66-6135	66-6056
	Front w/A.T. w/ABS w/o Locking Differential ⑬.....	60-6054	60-6056	66-6054	66-6056
	Front w/A.T. w/ABS w/ Locking Differential ⑬.....	60-6135	60-6056	66-6135	66-6056
	Front w/M.T. w/o ABS w/o Locking Differential ⑬.....	60-6139	60-6138	66-6141	66-6140
	Front w/M.T. w/o ABS w/ Locking Differential ⑬.....	60-6175	60-6166	—	—
	Front w/M.T. w/ABS w/o Locking Differential ⑬.....	60-6141	60-6140	66-6141	66-6140
Front w/M.T. w/ABS w/ Locking Differential ⑬.....	60-6160	60-6167	—	—	
CUBE					
2014-09	Front w/CVT.....	60-6252	60-6253	66-6250	66-6253
	Front w/M.T.....	—	60-6255	—	—
F10					
1978-76	Front.....	—	60-6013	—	—
GT-R					
2014-13	Rear.....	60-6357	60-6357	—	—
2012-09	Rear.....	60-6357	60-6357	—	—
LUCINO (Mexico)					
2000-98	Front 1.6L Eng. w/o ABS.....	60-6152	60-6153	66-6163	66-6162
	Front 1.6L Eng. w/ABS.....	60-6163	60-6162	66-6163	66-6162
	Front 2.0L Eng. w/o ABS.....	60-6067	60-6068	—	66-6165
	Front 2.0L Eng. w/ABS.....	60-6182	60-6168	—	66-6165
1997-96	Front 2.0L Eng. w/A.T.....	—	60-6165	—	66-6165
	Front 2.0L Eng. w/M.T.....	60-6172	60-6112	66-6172	66-6113
MAXIMA					
2014-12	Front w/CVT.....	60-6295	—	66-6295	—
2011-09	Front w/CVT.....	60-6295	60-6306	66-6295	66-6306
2008-07	Front w/CVT.....	60-6192	60-6256	66-6192	66-6256
2006	Front w/5 Spd. A.T.....	60-6218	60-6219	66-6218	66-6219
	Front w/M.T.....	60-6213	60-6215	66-6213	66-6215
2005	Front w/A.T.....	60-6218	60-6219	66-6218	66-6219
	Front w/M.T.....	60-6213	60-6215	66-6213	66-6215
2004	Front w/4 Spd. A.T.....	60-6209	60-6211	66-6209	66-6211
	Front w/5 Spd. A.T.....	60-6218	60-6219	66-6218	66-6219
	Front w/M.T.....	60-6213	60-6215	66-6213	66-6215
2003-02	Front w/A.T.....	60-6192	60-6190	66-6192	66-6190
2001	Front w/A.T. Exc. 20th Anniversary Edition.....	60-6192	60-6190	66-6192	66-6190
	Front w/A.T. 20th Anniversary Edition.....	60-6196	60-6190	66-6196	66-6190
	Front w/M.T. Exc. 20th Anniversary Edition.....	60-6191	60-6190	—	66-6190
2000	Front w/A.T.....	60-6192	60-6190	66-6192	66-6190
	Front w/M.T.....	60-6191	60-6190	—	66-6190
1999-95	Front w/A.T. w/o ABS w/o Locking Differential ⑬.....	60-6148	60-6145	66-6150	66-6147
	Front w/A.T. w/o ABS w/ Locking Differential ⑬.....	60-6158	60-6145	66-6159	66-6147
	Front w/A.T. w/ABS w/o Locking Differential ⑬.....	60-6150	60-6147	66-6150	66-6147
	Front w/A.T. w/ABS w/ Locking Differential ⑬.....	60-6159	60-6147	66-6159	66-6147

⑬ Locking Differential is identified by a tag on the transmission.

NEW & REMANUFACTURED CONSTANT VELOCITY DRIVE AXLES

YEAR	APPLICATION	REMAN		NEW	
		LEFT	RIGHT	LEFT	RIGHT
NISSAN/DATSUN (Cont'd)		Driver Side	Pass. Side	Driver Side	Pass. Side
MAXIMA (Cont'd)					
1999-95 (Cont'd)	Front w/M.T. w/o ABS w/o Locking Differential ¹⁶	60-6144	60-6145	66-6150	66-6147
	Front w/M.T. w/o ABS w/Locking Differential ¹⁶	60-6155	60-6154	66-6157	66-6156
	Front w/M.T. w/ABS w/o Locking Differential ¹⁶	60-6146	60-6147	66-6150	66-6147
	Front w/M.T. w/ABS w/Locking Differential ¹⁶	60-6157	60-6156	66-6157	66-6156
1994-92	Front SOHC Eng. w/o ABS.....	60-6006	60-6021	66-6048	66-6049
	Front SOHC Eng. w/ABS.....	60-6048	60-6049	66-6048	66-6049
	Front DOHC Eng. w/A.T. w/o ABS w/o Locking Differential ¹⁶	60-6109	60-6111	66-6108	66-6107
	Front DOHC Eng. w/A.T. w/o ABS w/Locking Differential ¹⁶	60-6076	60-6111	66-6084	66-6107
	Front DOHC Eng. w/A.T. w/ABS w/o Locking Differential ¹⁶	60-6108	60-6107	66-6108	66-6107
	Front DOHC Eng. w/A.T. w/ABS w/Locking Differential ¹⁶	60-6084	60-6107	66-6084	66-6107
	Front DOHC Eng. w/M.T. w/o ABS w/o Locking Differential ¹⁶	60-6083	60-6111	66-6108	66-6107
	Front DOHC Eng. w/M.T. w/o ABS w/Locking Differential ¹⁶	60-6010	60-6074	—	—
	Front DOHC Eng. w/M.T. w/ABS w/o Locking Differential ¹⁶	60-6072	60-6107	66-6108	66-6107
	Front DOHC Eng. w/M.T. w/ABS w/Locking Differential ¹⁶	60-6043	60-6073	—	—
1991-89	Front w/o ABS.....	60-6006	60-6021	66-6048	66-6049
	Front w/ABS.....	60-6048	60-6049	66-6048	66-6049
1988-85	Front.....	60-6006	60-6008	66-6048	66-6008
PLATINA (Mexico)					
2010-07	Front w/A.T.....	60-6366	60-6367	—	—
	Front w/M.T. w/ABS.....	60-6364	60-6365	—	—
2006-03	Front.....	60-6364	60-6367	—	—
2002	Front w/A.T. w/o ABS.....	60-6362	60-6363	—	—
	Front w/A.T. w/ABS.....	60-6366	60-6367	—	—
	Front w/M.T. w/o ABS.....	60-6360	60-6361	—	—
	Front w/4 Spd. M.T. w/ABS.....	60-6364	60-6365	—	—
	Front w/5 Spd. M.T. w/ABS.....	60-6358	60-6359	—	—
PULSAR, NX					
1993-91	Front 1.6L Eng. w/o ABS.....	60-6022	60-6023	66-6163	66-6162
	Front 1.6L Eng. w/ABS.....	60-6143	60-6142	66-6163	66-6162
	Front 2.0L Eng. w/A.T. w/o ABS.....	60-6042	60-6060	66-6061	66-6165
	Front 2.0L Eng. w/A.T. w/ABS.....	60-6104	60-6082	66-6061	66-6165
	Front 2.0L Eng. w/M.T. w/o ABS.....	60-6032	60-6112	66-6061	66-6113
	Front 2.0L Eng. w/M.T. w/ABS.....	60-6061	60-6113	66-6061	66-6113
1990-88	Front SOHC Eng.....	60-6000	60-6001	—	—
	Front DOHC Eng.....	60-6017	60-6085	—	—
1987	Front SOHC Eng.....	60-6000	60-6001	—	—
	Front DOHC Eng. From 8/87.....	60-6034	60-6027	—	—
	Front DOHC Eng. Before 8/87.....	60-6105	60-6024	—	—
1986-85	Front.....	60-6002	60-6003	—	—
1984-83	Front Exc. Turbo.....	60-6002	60-6003	—	—
	Front Turbo.....	60-6002	—	—	—
1982	Front.....	60-6002	60-6003	—	—
SENTRA					
2012-07	Front 2.0L Eng. w/CVT.....	60-6258	60-6259	66-6258	66-6259
	Front 2.5L Eng. w/CVT.....	60-6262	60-6263	66-6262	66-6263
	Front 2.5L Eng. w/M.T.....	—	60-6267	—	—
2006-04	Front 1.8L Eng. w/A.T. w/o ABS (Exc. Mexico).....	60-6152	60-6199	66-6163	66-6200
	Front 1.8L Eng. w/A.T. w/ABS (Exc. Mexico).....	60-6163	60-6200	66-6163	66-6200
	Front 1.8L Eng. w/M.T. w/o ABS (Exc. Mexico).....	60-6152	60-6201	66-6163	66-6202
	Front 1.8L Eng. w/M.T. w/ABS (Exc. Mexico).....	60-6163	60-6202	66-6163	66-6202
	Front 1.8L Eng. w/M.T. (Mexico).....	60-6408	—	—	—
	Front 2.5L Eng. w/A.T. w/o ABS.....	60-6230	60-6232	—	—
	Front 2.5L Eng. w/A.T. w/ABS.....	60-6231	60-6233	—	—
	Front 2.5L Eng. w/M.T. w/o ABS.....	60-6234	60-6236	—	—
	Front 2.5L Eng. w/M.T. w/ABS.....	60-6235	60-6237	66-6235	66-6237
2003-02	Front 1.8L Eng. w/A.T. w/o ABS.....	60-6152	60-6199	66-6163	66-6200
	Front 1.8L Eng. w/A.T. w/ABS.....	60-6163	60-6200	66-6163	66-6200
	Front 1.8L Eng. w/M.T. w/o ABS.....	60-6152	60-6201	66-6163	66-6202
	Front 1.8L Eng. w/M.T. w/ABS.....	60-6163	60-6202	66-6163	66-6202
	Front 2.5L Eng. w/A.T. w/o ABS.....	60-6230	60-6232	—	—
	Front 2.5L Eng. w/A.T. w/ABS.....	60-6231	60-6233	—	—
	Front 2.5L Eng. w/M.T. w/o ABS.....	60-6234	60-6236	—	—
	Front 2.5L Eng. w/M.T. w/ABS.....	60-6235	60-6237	66-6235	66-6237

CV DRIVE AXLES

¹⁶ Locking Differential is identified by a tag on the transmission.

NEW & REMANUFACTURED CONSTANT VELOCITY DRIVE AXLES

CV DRIVE AXLES

YEAR	APPLICATION	REMAN		NEW		
		LEFT	RIGHT	LEFT	RIGHT	
NISSAN/DATSUN (Cont'd)		Driver Side	Pass. Side	Driver Side	Pass. Side	
SENTRA (Cont'd)						
2001	Front 1.8L Eng. w/A.T. w/o ABS.....	60-6152	60-6199	66-6163	66-6200	
	Front 1.8L Eng. w/A.T. w/ABS.....	60-6163	60-6200	66-6163	66-6200	
	Front 1.8L Eng. w/M.T. w/o ABS.....	60-6152	60-6201	66-6163	66-6202	
	Front 1.8L Eng. w/M.T. w/ABS.....	60-6163	60-6202	66-6163	66-6202	
	Front 2.0L Eng. w/o ABS w/o Locking Differential ⑩.....	60-6203	60-6205	66-6163	—	
	Front 2.0L Eng. w ABS w/o Locking Differential ⑩.....	60-6204	60-6206	66-6163	—	
	Front 2.0L Eng. w/Locking Differential ⑩.....	60-6207	60-6113	—	66-6113	
	2000	Front 1.6L Eng. w/ABS.....	60-6163	60-6162	66-6163	66-6162
		Front 1.8L Eng. w/A.T. w/o ABS.....	60-6152	60-6199	66-6163	66-6200
		Front 1.8L Eng. w/A.T. w/ABS.....	60-6163	60-6200	66-6163	66-6200
Front 1.8L Eng. w/M.T. w/o ABS.....		60-6152	60-6201	66-6163	66-6202	
Front 1.8L Eng. w/M.T. w/ABS.....		60-6163	60-6202	66-6163	66-6202	
Front 2.0L Eng. w/o ABS w/o Locking Differential ⑩.....		60-6203	60-6205	66-6163	—	
Front 2.0L Eng. w/ ABS w/o Locking Differential ⑩.....		60-6204	60-6206	66-6163	—	
Front 2.0L Eng. w/Locking Differential ⑩.....		60-6207	60-6113	—	66-6113	
1999-98		Front 1.6L Eng. w/o ABS.....	60-6152	60-6153	66-6163	66-6162
		Front 1.6L Eng. w/ABS.....	60-6163	60-6162	66-6163	66-6162
	Front 2.0L Eng. w/o ABS.....	60-6067	60-6068	—	66-6165	
	Front 2.0L Eng. w/ABS.....	60-6182	60-6168	—	66-6165	
1997-96	Front 1.6L Eng. w/o ABS.....	60-6152	60-6153	66-6163	66-6162	
	Front 1.6L Eng. w/ABS.....	60-6163	60-6162	66-6163	66-6162	
	Front 2.0L Eng. w/A.T. w/o ABS (Mexico).....	60-6032	60-6069	66-6061	66-6165	
1995	Front 2.0L Eng. w/M.T. w/o ABS (Mexico).....	60-6036	60-6112	66-6172	66-6113	
	Front w/o ABS.....	60-6152	60-6153	66-6163	66-6162	
1994-93	Front w/ABS.....	60-6163	60-6162	66-6163	66-6162	
	Front 1.6L Eng. w/o ABS.....	60-6022	60-6023	66-6163	66-6162	
	Front 1.6L Eng. w/ABS.....	60-6143	60-6142	66-6163	66-6162	
	Front 2.0L Eng. w/A.T. w/o ABS.....	60-6042	60-6060	66-6061	66-6165	
1992-91	Front 2.0L Eng. w/A.T. w/ABS.....	60-6104	60-6082	66-6061	66-6165	
	Front 2.0L Eng. w/M.T. w/o ABS.....	60-6032	60-6112	66-6061	66-6113	
	Front 2.0L Eng. w/M.T. w/ABS.....	60-6061	60-6113	66-6061	66-6113	
	Front 1.6L Eng. (Exc. 3 Spd. A.T.) w/o ABS.....	60-6022	60-6023	66-6163	66-6162	
	Front 1.6L Eng. (Exc. 3 Spd. A.T.) w/ABS.....	60-6143	60-6142	66-6163	66-6162	
	Front 1.6L Eng. w/3 Spd. A.T. w/o ABS.....	60-6026	60-6030	—	—	
	Front 2.0L Eng. w/A.T. w/o ABS.....	60-6042	60-6060	66-6061	66-6165	
	Front 2.0L Eng. w/A.T. w/ABS.....	60-6104	60-6082	66-6061	66-6165	
	Front 2.0L Eng. w/M.T. w/o ABS.....	60-6032	60-6112	66-6061	66-6113	
	Front 2.0L Eng. w/M.T. w/ABS.....	60-6061	60-6113	66-6061	66-6113	
1990-89	Front FWD SOHC Eng. (Coupe).....	60-6000	60-6001	—	—	
	Front FWD DOHC Eng. (Sedan & Wagon).....	60-6017	60-6085	—	—	
1988	Front FWD SOHC Eng. (Coupe).....	60-6000	60-6001	—	—	
	Front FWD DOHC Eng. (Sedan & Wagon).....	60-6017	60-6085	—	—	
1987	Front FWD SOHC Eng. (Coupe).....	60-6000	60-6001	—	—	
	Front FWD DOHC Eng. (Sedan & Wagon).....	60-6017	60-6085	—	—	
1986-83	Rear AWD.....	60-6344	60-6344	—	—	
	Front Gas Eng.....	60-6002	60-6003	—	—	
	Front Diesel Eng. w/A.T.....	60-6070	60-6003	—	—	
	Front Diesel Eng. w/M.T.....	60-6070	—	—	—	
1982	Front.....	60-6002	60-6003	—	—	
STANZA						
1992	Front GXE w/o ABS.....	60-6086	60-6117	66-6063	66-6065	
	Front GXE w/ABS.....	60-6063	60-6065	66-6063	66-6065	
	Front SE w/o ABS.....	60-6086	60-6117	66-6063	66-6065	
	Front SE w/ABS.....	60-6063	60-6065	66-6063	66-6065	
	Front XE w/o Locking Differential ⑩.....	60-6006	60-6008	66-6048	66-6008	
	Front XE w/Locking Differential ⑩.....	60-6086	60-6117	66-6063	66-6065	
1991-90	Front GXE w/o ABS.....	60-6086	60-6117	66-6063	66-6065	
	Front GXE w/ABS.....	60-6063	60-6065	66-6063	66-6065	
	Front XE w/o Locking Differential ⑩.....	60-6006	60-6008	66-6048	66-6008	
	Front XE w/Locking Differential ⑩.....	60-6086	60-6117	66-6063	66-6065	
1989	Front Exc. Wagon.....	60-6006	60-6008	66-6048	66-6008	
	Front Wagon 2WD.....	60-6009	60-6007	—	—	
1988-87	Front Exc. Wagon.....	60-6006	60-6008	66-6048	66-6008	
	Front Wagon 2WD.....	60-6009	60-6007	—	—	
	Front Wagon 4WD.....	60-6055	60-6035	—	—	

⑩ Locking Differential is identified by a tag on the transmission.

NEW & REMANUFACTURED CONSTANT VELOCITY DRIVE AXLES

YEAR	APPLICATION	REMAN		NEW	
		LEFT	RIGHT	LEFT	RIGHT
NISSAN/DATSUN (Cont'd)		Driver Side	Pass. Side	Driver Side	Pass. Side
STANZA (Cont'd)					
1986	Front Exc. Wagon.....	60-6005	60-6004	—	—
	Front Wagon 2WD.....	60-6009	60-6007	—	—
	Front Wagon 4WD.....	60-6055	60-6035	—	—
1985-84	Front.....	60-6005	60-6004	—	—
1983-82	Front.....	60-6011	60-6064	—	—
TIIDA (Mexico)					
2012-07	Front 1.8L Eng. w/A.T.....	60-6250	60-6251	66-6250	66-6251
	Front 1.8L Eng. w/M.T.....	60-6254	60-6255	—	—
TSURU (Mexico)					
2010	Front w/A.T.....	60-6406	—	—	—
	Front w/M.T.....	60-6406	60-6384	—	—
2009-04	Front.....	60-6406	60-6384	—	—
2003	Front w/A.T.....	60-6379	60-6380	—	—
	Front w/M.T.....	60-6381	60-6382	—	—
2002	Front w/A.T.....	60-6375	60-6376	—	—
	Front w/M.T.....	60-6406	60-6378	—	—
2001	Front w/A.T.....	60-6371	60-6384	—	—
	Front w/M.T.....	60-6373	60-6374	—	—
2000-98	Front w/M.T. (DOHC).....	60-6391	60-6392	—	—
1997	Front 1.6L Eng. w/M.T.....	60-6391	60-6392	—	—
1996	Front 1.6L Eng. w/M.T. (SOHC).....	60-6391	60-6392	—	—
	Front 1.6L Eng. w/M.T. (DOHC).....	60-6387	60-6388	—	—
	Front 2.0L Eng. w/A.T. w/o ABS.....	60-6032	—	66-6061	—
1995	Front 1.6L Eng. w/A.T.....	—	60-6112	—	66-6113
	Front 1.6L Eng. w/M.T. (SOHC).....	60-6385	60-6386	—	—
	Front 1.6L Eng. w/M.T. (DOHC).....	60-6391	60-6392	—	—
1994-92	Front 2.0L Eng. w/A.T. w/o ABS.....	60-6032	—	66-6061	—
	Front 1.6L Eng. w/A.T. w/o ABS.....	—	60-6112	—	66-6113
	Front 1.6L Eng. w/A.T. w/ ABS.....	60-6022	60-6023	66-6163	66-6162
1991	Front 1.6L Eng. w/M.T. (SOHC).....	60-6385	60-6386	—	—
	Front 1.6L Eng. w/M.T. (DOHC).....	60-6022	60-6023	66-6163	66-6162
	Front 2.0L Eng. w/M.T. w/o ABS.....	60-6391	60-6392	—	—
	Front 1.6L Eng. w/A.T. w/o ABS.....	60-6032	60-6112	66-6061	66-6113
	Front 1.6L Eng. w/A.T. w/ ABS.....	60-6022	60-6023	66-6163	66-6162
	Front 1.6 Liters;w/A.T.;w/OEM #39100-F4201.....	—	60-6386	—	—
	Front 1.6 Liters;w/A.T.;w/OEM #39100-F4210.....	—	60-6384	—	—
	Front 1.6 Liters;w/A.T.;w/OEM #39100-F4211.....	—	60-6376	—	—
	Front 1.6 Liters;w/A.T.;w/OEM #39100-F4212.....	—	60-6380	—	—
	Front 1.6 Liters;w/A.T.;w/OEM #39101-F4201.....	60-6385	—	—	—
	Front 1.6 Liters;w/A.T.;w/OEM #39101-F4210.....	60-6371	—	—	—
	Front 1.6 Liters;w/A.T.;w/OEM #39101-F4211.....	60-6375	—	—	—
Front 1.6 Liters;w/A.T.;w/OEM #39101-F4268.....	60-6406	—	—	—	
Front 1.6 Liters;w/M.T.;w/OEM #39100-F4215.....	—	60-6374	—	—	
Front 1.6 Liters;w/M.T.;w/OEM #39100-F4216.....	—	60-6378	—	—	
Front 1.6 Liters;w/M.T.;w/OEM #39100-F4218.....	—	60-6382	—	—	
Front 1.6 Liters;w/M.T.;w/OEM #39100-F4269.....	—	60-6384	—	—	
Front 1.6 Liters;w/M.T.;w/OEM #39101-F4215.....	60-6373	—	—	—	
Front 1.6 Liters;w/M.T.;w/OEM #39101-F4216.....	60-6406	—	—	—	
Front 1.6 Liters;w/M.T.;w/OEM #39101-F4269.....	60-6406	—	—	—	
Front 1.6 Liters;w/M.T.;w/OEM #39100-F4200.....	—	60-6392	—	—	
Front 1.6 Liters;w/M.T.;w/OEM #39100-F4205.....	—	60-6388	—	—	
Front 1.6 Liters;w/M.T.;w/OEM #39101-F4200.....	60-6391	—	—	—	
Front 1.6 Liters;w/M.T.;w/OEM #39101-F4205.....	60-6387	—	—	—	
Front 1.6L Eng. w/M.T. w/o ABS.....	60-6022	60-6023	66-6163	66-6162	
Front 1.6L Eng. w/M.T. (SOHC).....	60-6391	60-6392	—	—	
Front 1.6L Eng. w/M.T. (DOHC).....	60-6387	60-6388	—	—	
Front 2.0L Eng. w/M.T. w/o ABS.....	60-6032	60-6112	66-6061	66-6113	
1986	Front 1.5L Eng. w/OEM #39100-13A00.....	60-6002	60-6003	—	—
	Front 1.6L Eng. w/OEM #39100-55A00.....	60-6000	60-6001	—	—
1985	Front 1.5L Eng. w/OEM #39100-13A00.....	60-6002	60-6003	—	—
	Front 1.5L Eng. w/OEM #39100-50A00.....	60-6017	60-6085	—	—
1984	Front 1.5L Eng. w/OEM #39100-13A00.....	60-6002	60-6003	—	—

CV DRIVE AXLES

NEW & REMANUFACTURED CONSTANT VELOCITY DRIVE AXLES

CV DRIVE AXLES

YEAR	APPLICATION	REMAN		NEW	
		LEFT	RIGHT	LEFT	RIGHT
NISSAN/DATSUN (Cont'd)		Driver Side	Pass. Side	Driver Side	Pass. Side
VERSA					
2013	Front 1.6L Eng. w/ CVT.....	60-6289	60-6290	66-6289	66-6290
	Front 1.6L Eng. w/ M.T.....	—	60-6292	—	—
2012	Front 1.8L Eng. w/A.T.....	60-6250	60-6251	66-6250	66-6251
	Front 1.8L Eng. w/CVT.....	60-6252	60-6253	66-6250	66-6253
	Front 1.8L Eng. w/M.T.....	60-6254	60-6255	—	—
2011-09	Front 1.6L Eng. w/A.T.....	60-6289	60-6290	66-6289	66-6290
	Front 1.6L Eng. w/M.T.....	—	60-6292	—	—
	Front 1.8L Eng. w/A.T.....	60-6250	60-6251	66-6250	66-6251
	Front 1.8L Eng. w/CVT.....	60-6252	60-6253	66-6250	66-6253
	Front 1.8L Eng. w/M.T.....	60-6254	60-6255	—	—
2008-07	Front 1.8L Eng. w/A.T.....	60-6250	60-6251	66-6250	66-6251
	Front 1.8L Eng. w/CVT.....	60-6252	60-6253	66-6250	66-6253
	Front 1.8L Eng. w/M.T.....	60-6254	60-6255	—	—
200SX					
1998	Front 1.6L Eng. w/o ABS.....	60-6152	60-6153	66-6163	66-6162
	Front 1.6L Eng. w/ABS.....	60-6163	60-6162	66-6163	66-6162
	Front 2.0L Eng. w/o ABS.....	60-6067	60-6068	—	66-6165
	Front 2.0L Eng. w/ABS.....	60-6182	60-6168	—	66-6165
1997-95	Front 1.6L Eng. w/o ABS.....	60-6152	60-6153	66-6163	66-6162
	Front 1.6L Eng. w/ABS.....	60-6163	60-6162	66-6163	66-6162
	Front 2.0L Eng. w/A.T. w/o ABS.....	60-6032	60-6069	66-6061	66-6165
	Front 2.0L Eng. w/A.T. w/ABS.....	60-6061	60-6165	66-6061	66-6165
	Front 2.0L Eng. w/M.T. w/o ABS.....	60-6036	60-6112	66-6172	66-6113
	Front 2.0L Eng. w/M.T. w/ABS.....	60-6172	60-6113	66-6172	66-6113
1988-87	Rear 2.0L Eng. (Exc. Turbo).....	60-6081	60-6081	—	—
1986-84	Rear Exc. Turbo.....	60-6081	60-6081	—	—
240SX					
1998-95	Rear.....	60-6047	60-6337	—	—
1994-89	Rear.....	60-6047	—	—	—
310					
1982	Front.....	60-6029	60-6040	—	—
1981-79	Front.....	60-6013	60-6013	—	—
350Z					
2009-03	Rear.....	60-6247	60-6249	—	—
370Z					
2014-10	Rear.....	60-6355	60-6356	—	—
2009	Rear Exc. Nismo.....	60-6340	60-6341	—	—
	Rear Nismo.....	60-6355	60-6356	—	—
NISSAN/DATSUN TRUCKS					
ARMADA					
2014-04	Front.....	60-6238 ⑨	60-6238	66-6238 ⑨	66-6238
	Front.....	—	—	66-6238HD ⑩	66-6238HD
	Rear.....	60-6342	60-6342	—	—
AXXESS					
1995-90	Front FWD (Canada).....	60-6031	60-6007	—	—
	Front AWD (Canada).....	60-6033	60-6038	—	—
CAMIONES (Mexico)					
2010	Front w/M.T.....	60-6193	60-6193	66-6193	66-6193
D21 PICKUP					
1997-96	Front.....	60-6185	60-6185	66-6185	66-6185
1995	Front 4 Cyl. Eng.	60-6185	60-6185	66-6185	66-6185
	Front 6 Cyl. Eng.	60-6051	60-6051	66-6051	66-6051
1994	Front 4 Cyl. Eng. From 07/1993.....	60-6185	60-6185	66-6185	66-6185
	Front 6 Cyl. Eng.	60-6051	60-6051	66-6051	66-6051
1993-91	Front 4 Cyl. Eng.	60-6012	60-6012	66-6012	66-6012
	Front 6 Cyl. Eng.	60-6051	60-6051	66-6051	66-6051
1990	Front 4 Cyl. Eng.	60-6012	60-6012	66-6012	66-6012
	Front 6 Cyl. Eng. From 08/1989.....	60-6051	60-6051	66-6051	66-6051
	Front 6 Cyl. Eng. Before 08/1989.....	60-6012	60-6012	66-6012	66-6012
1989-86	Front.....	60-6012	60-6012	66-6012	66-6012

⑨ Supplied w/Standard Neoprene Outboard Boot.

⑩ Supplied w/Optional Heavy Duty Thermoplastic Outboard Boot.

NEW & REMANUFACTURED CONSTANT VELOCITY DRIVE AXLES

YEAR	APPLICATION	REMAN		NEW	
		LEFT	RIGHT	LEFT	RIGHT
NISSAN/DATSUN TRUCKS (Cont'd)		Driver Side	Pass. Side	Driver Side	Pass. Side
FRONTIER PICKUP					
2014-05	Front.....	60-6239	60-6239	66-6239	66-6239
2004-98	Front.....	60-6193	60-6193	66-6193	66-6193
JUKE					
2014-11	Rear AWD.....	60-6368	60-6368	—	—
MURANO					
2014-09	Front FWD.....	60-6301	60-6302	66-6301	66-6302
	Front AWD.....	60-6301	60-6303	66-6301	66-6303
	Rear AWD.....	60-6349	60-6349	—	—
2008	Front (Mexico).....	60-6302	60-6302	66-6302	66-6302
2007-03	Front FWD.....	60-6244	60-6245	66-6244	66-6245
	Front AWD.....	60-6244	60-6246	66-6244	66-6246
	Rear AWD.....	60-6348	60-6348	—	—
NP300					
2011-10	Front w/M.T.....	60-6193	60-6193	66-6193	66-6193
PATHFINDER					
2012-08	Front 4.0L Eng.....	60-6239	60-6239	66-6239	66-6239
	Rear 4.0L Eng.....	60-6350	60-6350	—	—
	Rear 5.6L Eng.....	60-6351	60-6351	—	—
2007-05	Front.....	60-6239	60-6239	66-6239	66-6239
	Rear.....	60-6350	60-6350	—	—
2004-96	Front.....	60-6185	60-6185	66-6185	66-6185
1995-90	Front.....	60-6051	60-6051	66-6051	66-6051
1989-87	Front.....	60-6012	60-6012	66-6012	66-6012
QUEST					
2009-07	Front w/5 Spd. A.T.....	60-6240	60-6241	66-6240	66-6241
2006-04	Front w/4 Spd. A.T.....	60-6242	60-6243	66-6242	66-6243
	Front w/5 Spd. A.T.....	60-6240	60-6241	66-6240	66-6241
2003	None Produced				
2002-93	Front w/o ABS.....	60-2044	60-2045	66-2066	66-2067
	Front w/ABS.....	60-2066	60-2067	66-2066	66-2067
ROGUE					
2015	Front 4WD.....	60-6285	—	66-6285	—
	Front FWD.....	60-6262	—	66-6262	—
2014	Front FWD.....	—	60-6264	—	66-6264
2013-08	Front FWD.....	60-6262	60-6264	66-6262	66-6264
	Front 4WD.....	60-6285	60-6287	66-6285	66-6287
	Rear 4WD.....	60-6352	60-6352	—	—
ROGUE SELECT					
2014	Front FWD.....	60-6262	60-6264	66-6262	66-6264
	Front AWD.....	60-6285	—	66-6285	—
	Rear AWD.....	60-6352	60-6352	—	—
TITAN					
2014-04	Front.....	60-6238 ⁹	60-6238 ⁹	66-6238 ⁹	66-6238 ⁹
	Front.....	—	—	66-6238HD ¹⁰	66-6238HD ¹⁰
XTERRA					
2014-05	Front.....	60-6239	60-6239	66-6239	66-6239
2004-00	Front.....	60-6193	60-6193	66-6193	66-6193
OLDSMOBILE					
ACHIEVA					
1998-97	Front w/A.T.....	60-1123	60-1110	66-1123	66-1110
	Front w/M.T.....	60-1165	60-1238	—	—
1996	Front w/A.T.....	60-1123	60-1110	66-1123	66-1110
	Front w/M.T. (Round I.B. Housing).....	60-1300	60-1299	—	—
	Front w/M.T. ("Y" Shaped I.B. Housing).....	60-1165	60-1238	—	—
1995	Front w/3 Spd. A.T.....	60-1075	60-1055	66-1075	66-1055
	Front w/4 Spd. A.T.....	60-1123	60-1110	66-1123	66-1110
	Front w/M.T.....	60-1300	60-1299	—	—

⁹ Supplied w/Standard Neoprene Outboard Boot.

¹⁰ Supplied w/Optional Heavy Duty Thermoplastic Outboard Boot.

NEW & REMANUFACTURED CONSTANT VELOCITY DRIVE AXLES

CV DRIVE AXLES

YEAR	APPLICATION	REMAN		NEW	
		LEFT	RIGHT	LEFT	RIGHT
		Driver Side	Pass. Side	Driver Side	Pass. Side
OLDSMOBILE (Cont'd)					
ACHIEVA (Cont'd)					
1994	Front w/3 Spd. A.T.	60-1075	60-1055	66-1075	66-1055
	Front w/4 Spd. A.T.	60-1123	60-1110	66-1123	66-1110
	Front w/M.T. w/2.3L Eng. (VIN Code A) ⑧	60-1300	60-1299	—	—
	Front w/M.T. w/2.3L Eng. (VIN Code 3) ⑧	60-1165	60-1163	—	—
1993-92	Front w/A.T.	60-1075	60-1055	66-1075	66-1055
	Front w/M.T. w/2.3L Eng. (VIN Code A) ⑧	60-1300	60-1299	—	—
	Front w/M.T. w/2.3L Eng. (VIN Code 3) ⑧	60-1165	60-1163	—	—
ALERO					
2004-99	Front w/A.T.	60-1243 ④	60-1243 ④	66-1243 ④	66-1243 ④
	Front w/M.T.	60-1336	60-1337	66-1336	66-1337
AURORA					
2003	Front 4.0L Eng.	60-1327	60-1327	66-1327	66-1327
2002-01	Front 3.5L Eng.	60-1255 ⑨	60-1335	66-1255 ⑨	66-1335
	Front 3.5L Eng.	60-1255HD ⑩	—	66-1255HD ⑩	—
	Front 4.0L Eng.	60-1327	60-1327	66-1327	66-1327
2000	None Produced				
1999-95	Front 4.0L Eng.	60-1327	60-1327	66-1327	66-1327
CALAIS					
1987-85	Front w/A.T.	60-1051	60-1006	66-1075	66-1055
	Front w/M.T.	60-1024	60-1074	—	—
CUTLASS (N-Body)					
1999-97	Front	60-1243 ④	60-1243 ④	66-1243 ④	66-1243 ④
CUTLASS CALAIS					
1991	Front w/A.T. w/o ABS	60-1051	60-1006	66-1075	66-1055
	Front w/A.T. w/ABS	60-1075	60-1055	66-1075	66-1055
	Front w/M.T. w/2.3L Eng. w/o ABS	60-1114	60-1125	—	—
	Front w/M.T. w/2.3L Eng. w/ABS	60-1300	60-1299	—	—
	Front w/M.T. w/2.5L Eng. w/o ABS	60-1024	60-1074	—	—
1990-88	Front w/A.T.	60-1051	60-1006	66-1075	66-1055
	Front w/M.T. w/2.3L Eng.	60-1114	60-1125	—	—
	Front w/M.T. w/2.5L Eng.	60-1024	60-1074	—	—
CUTLASS CIERA (A-Body)					
1996-94	Front w/3 Spd. A.T.	60-1093	60-1109	—	—
	Front w/4 Spd. A.T.	60-1126	60-1127	66-1126	66-1127
1993-90	Front w/3 Spd. A.T.	60-1004	60-1010	—	66-1094
	Front w/4 Spd. A.T.	60-1016	60-1025	—	—
1989-88	Front w/3 Spd. A.T. w/20mm Diameter Spindle w/4 Cyl. Eng.	60-1008	60-1012	66-1122	—
	Front w/3 Spd. A.T. w/20mm Diameter Spindle w/6 Cyl. Eng.	60-1001	60-1005	—	—
	Front w/3 Spd. A.T. w/24mm Diameter Spindle	60-1004	60-1010	—	66-1094
	Front w/4 Spd. A.T. w/20mm Diameter Spindle	60-1078	60-1115	—	—
	Front w/4 Spd. A.T. w/24mm Diameter Spindle	60-1016	60-1025	—	—
1987-84	Front w/3 Spd. A.T. w/20mm Diameter Spindle	60-1008	60-1012	66-1122	—
	Front w/3 Spd. A.T. w/24mm Diameter Spindle	60-1004	60-1010	—	66-1094
	Front w/4 Spd. A.T. w/20mm Diameter Spindle	60-1078	60-1115	—	—
	Front w/4 Spd. A.T. w/24mm Diameter Spindle	60-1016	60-1025	—	—
1983	Front w/A.T. w/20mm Diameter Spindle	60-1051	60-1012	66-1075	—
	Front w/A.T. w/24mm Diameter Spindle	60-1004	60-1010	—	66-1094
1982	Front w/A.T.	60-1051	60-1012	66-1075	—
CUTLASS, CUTLASS SUPREME (W-Body)					
1997-94	Front	60-1112	60-1264	66-1112	66-1264
1993	Front w/3 Spd. A.T. w/o ABS	60-1081	60-1080	—	—
	Front w/3 Spd. A.T. w/ABS	60-1088	60-1087	—	—
	Front w/4 Spd. A.T. w/o ABS	60-1036	60-1179	66-1112	66-1264
	Front w/4 Spd. A.T. w/ABS	60-1112	60-1264	66-1112	66-1264
1992	Front w/3 Spd. A.T. w/o ABS	60-1081	60-1080	—	—
	Front w/3 Spd. A.T. w/ABS	60-1088	60-1087	—	—
	Front w/4 Spd. A.T. w/3.1L Eng. w/o ABS	60-1036	60-1037	66-1112	—
	Front w/4 Spd. A.T. w/3.1L Eng. w/ABS	60-1112	60-1083	66-1112	—
	Front w/4 Spd. A.T. w/3.4L Eng. w/o ABS	60-1036	60-1179	66-1112	66-1264
	Front w/4 Spd. A.T. w/3.4L Eng. w/ABS	60-1112	60-1264	66-1112	66-1264

- ④ Transfer Inner Stub Shaft from Original Axle to Replacement CV Axle.
- ⑨ Supplied w/Standard Neoprene Outboard Boot.
- ⑩ Supplied w/Optional Heavy Duty Thermoplastic Outboard Boot.
- ⑧ For further assistance, please refer to the GM Engine Identification Chart on pages ____ - ____.

NEW & REMANUFACTURED CONSTANT VELOCITY DRIVE AXLES

YEAR	APPLICATION	REMAN		NEW	
		LEFT	RIGHT	LEFT	RIGHT
		Driver Side	Pass. Side	Driver Side	Pass. Side
OLDSMOBILE (Cont'd)					
CUTLASS, CUTLASS SUPREME (W-Body) (Cont'd)					
1992	Front w/M.T. w/o ABS.....	60-1036	60-1179	66-1112	66-1264
(Cont'd)	Front w/M.T. w/ABS.....	60-1112	60-1264	66-1112	66-1264
1991	Front w/3 Spd. A.T. w/o ABS.....	60-1072	60-1067	—	—
	Front w/3 Spd. A.T. w/ABS.....	60-1173	60-1090	—	—
	Front w/4 Spd. A.T. w/3.1L Eng. w/o ABS.....	60-1036	60-1037	66-1112	—
	Front w/4 Spd. A.T. w/3.1L Eng. w/ABS.....	60-1112	60-1083	66-1112	—
	Front w/4 Spd. A.T. w/3.4L Eng. w/o ABS.....	60-1036	60-1179	66-1112	66-1264
	Front w/4 Spd. A.T. w/3.4L Eng. w/ABS.....	60-1112	60-1264	66-1112	66-1264
	Front w/M.T. w/o ABS.....	60-1036	60-1179	66-1112	66-1264
	Front w/M.T. w/ABS.....	60-1112	60-1264	66-1112	66-1264
1990	Front w/3 Spd. A.T. w/o ABS.....	60-1072	60-1067	—	—
	Front w/3 Spd. A.T. w/ABS.....	60-1173	60-1090	—	—
	Front w/4 Spd. A.T. w/o ABS.....	60-1036	60-1037	66-1112	—
	Front w/4 Spd. A.T. w/ABS.....	60-1112	60-1083	66-1112	—
	Front w/M.T. w/o ABS.....	60-1070	60-1071	—	—
1989	Front w/A.T. w/o ABS.....	60-1036	60-1037	66-1112	—
	Front w/A.T. w/ABS.....	60-1112	60-1083	66-1112	—
	Front w/M.T. w/o ABS.....	60-1070	60-1071	—	—
1988	Front w/A.T.....	60-1036	60-1037	66-1112	—
	Front w/M.T.....	60-1070	60-1071	—	—
FIRENZA					
1988	Front w/A.T.....	60-1008	60-1006	66-1122	66-1055
	Front w/M.T.....	60-1024	60-1029	—	—
1987-85	Front w/A.T. w/4 Cyl. Eng.....	60-1008	60-1006	66-1122	66-1055
	Front w/A.T. w/6 Cyl. Eng.....	60-1064	60-1006	66-1122	66-1055
	Front w/M.T. w/4 Cyl. Eng.....	60-1024	60-1029	—	—
	Front w/M.T. w/6 Cyl. Eng. w/o Intermediate Shaft.....	60-1114	60-1074	—	—
	Front w/M.T. w/6 Cyl. Eng. w/Intermediate Shaft.....	60-1114	60-1125	—	—
1984	Front w/A.T.....	60-1008	60-1006	66-1122	66-1055
	Front w/M.T.....	60-1024	60-1029	—	—
1983	Front w/A.T.....	60-1051	60-1006	66-1075	66-1055
	Front w/M.T.....	60-1024	60-1046	—	—
1982	Front w/A.T. w/o A.C.....	60-1008	60-1006	66-1122	66-1055
	Front w/A.T. w/A.C.....	60-1051	60-1006	66-1075	66-1055
	Front w/M.T.....	60-1024	60-1046	—	—
INTRIGUE					
2002-00	Front.....	60-1255 ⑨	60-1250 ⑨	66-1255 ⑨	66-1250 ⑨
	Front.....	60-1255HD ⑩	60-1250HD ⑩	66-1255HD ⑩	66-1250HD ⑩
1999	Front 3.5L Eng.....	60-1255 ⑨	60-1309 ⑨	66-1255 ⑨	66-1250 ⑨
	Front 3.5L Eng.....	60-1255HD ⑩	—	66-1255HD ⑩	66-1250HD ⑩
	Front 3.8L Eng.....	60-1255 ⑨	60-1250 ⑨	66-1255 ⑨	66-1250 ⑨
	Front 3.8L Eng.....	60-1255HD ⑩	60-1250HD ⑩	66-1255HD ⑩	66-1250HD ⑩
1998	Front 3.8L Eng.....	60-1255 ⑨	60-1250 ⑨	66-1255 ⑨	66-1250 ⑨
	Front 3.8L Eng.....	60-1255HD ⑩	60-1250HD ⑩	66-1255HD ⑩	66-1250HD ⑩
OMEGA					
1984-80	Front w/A.T.....	60-1008	60-1012	66-1122	—
	Front w/M.T.....	60-1024	60-1062	—	—
TORONADO					
1992	Front.....	60-1210	60-1092	66-1210	66-1092
1991	Front.....	60-1111	60-1082	—	—
1990-89	Front w/o ABS.....	60-1056	60-1042	—	—
	Front w/ABS.....	60-1111	60-1011	—	—
1988	Front w/o ABS.....	60-1013	60-1010	66-1040	66-1094
	Front w/ABS.....	60-1040	60-1094	66-1040	66-1094
1987-86	Front.....	60-1013	60-1010	66-1040	66-1094
1985-79	Front.....	60-1007	60-1003	—	—
1978-67	Front.....	60-1014	60-1014	—	—
88, LSS					
1999-98	Front (Exc. Supercharged Eng.) w/2.86 Axle Ratio (FQ3) ⑭.....	60-1206	60-1060	66-1206	66-1060
	Front (Exc. Supercharged Eng.) w/3.05 Axle Ratio (F83) ⑭.....	60-1206	60-1211	66-1206	66-1060
	Front Supercharged Eng.....	60-1206	60-1200	66-1206	66-1256

CV DRIVE AXLES

⑨ Supplied w/Standard Neoprene Outboard Boot.

⑩ Supplied w/Optional Heavy Duty Thermoplastic Outboard Boot.

⑭ GM "Option Codes" are found on the "Service Parts Identification" sticker located on your vehicle. For further assistance, please refer to the example on page ____.

NEW & REMANUFACTURED CONSTANT VELOCITY DRIVE AXLES

CV DRIVE AXLES

YEAR	APPLICATION	REMAN		NEW	
		LEFT	RIGHT	LEFT	RIGHT
		Driver Side	Pass. Side	Driver Side	Pass. Side
OLDSMOBILE (Cont'd)					
88, LSS (Cont'd)					
1997	Front (Exc. Supercharged Eng.) w/2.84 Axle Ratio (F17) ⑦	60-1210	60-1060	66-1210	66-1060
	Front (Exc. Supercharged Eng.) w/3.06 Axle Ratio (FW2) ⑦	60-1210	60-1211	66-1210	66-1060
	Front Supercharged Eng.	60-1206	60-1200	66-1206	66-1256
1996	Front (Exc. Supercharged Eng.) w/2.84 Axle Ratio (F17) ⑦	60-1210	60-1060	66-1210	66-1060
	Front (Exc. Supercharged Eng.) w/3.06 Axle Ratio (FW2) ⑦	60-1199	60-1092	66-1210	66-1092
	Front Supercharged Eng.	60-1199	60-1200	66-1210	66-1256
1995	Front (Exc. Supercharged Eng.) w/2.84 Axle Ratio (F17) ⑦	60-1210	60-1060	66-1210	66-1060
	Front (Exc. Supercharged Eng.) w/3.06 Axle Ratio (FW2) ⑦	60-1199	60-1092	66-1210	66-1092
	Front Supercharged Eng.	60-1199	60-1092	66-1210	66-1092
1994-92	Front	60-1210	60-1060	66-1210	66-1060
1991-87	Front w/o ABS	60-1013	60-1010	66-1040	66-1094
	Front w/ABS	60-1040	60-1094	66-1040	66-1094
1986	Front	60-1013	60-1010	66-1040	66-1094
98, REGENCY					
1998	Front w/2.86 Axle Ratio (F03) ⑦	60-1206	60-1060	66-1206	66-1060
	Front w/3.05 Axle Ratio (F83) ⑦	60-1206	60-1211	66-1206	66-1060
1997	Front w/2.84 Axle Ratio (F17) ⑦	60-1210	60-1060	66-1210	66-1060
	Front w/3.06 Axle Ratio (FW2) ⑦	60-1210	60-1211	66-1210	66-1060
1996	Front w/2.84 Axle Ratio (F17) ⑦	60-1210	60-1060	66-1210	66-1060
	Front w/3.06 Axle Ratio (FW2) ⑦	60-1199	60-1092	66-1210	66-1092
1995	Front (Exc. Supercharged Eng.) w/2.84 Axle Ratio (F17) ⑦	60-1210	60-1060	66-1210	66-1060
	Front (Exc. Supercharged Eng.) w/3.06 Axle Ratio (FW2) ⑦	60-1199	60-1092	66-1210	66-1092
	Front Supercharged Eng.	60-1199	60-1092	66-1210	66-1092
1994	Front Exc. Supercharged Eng.	60-1210	60-1060	66-1210	66-1060
	Front Supercharged Eng.	60-1199	60-1092	66-1210	66-1092
1993-92	Front Exc. Supercharged Eng.	60-1210	60-1060	66-1210	66-1060
	Front Supercharged Eng.	60-1210	60-1092	66-1210	66-1092
1991	Front	60-1040	60-1103	66-1040	—
1990-86	Front w/o ABS	60-1013	60-1010	66-1040	66-1094
	Front w/ABS	60-1040	60-1094	66-1040	66-1094
1985	Front	60-1013	60-1010	66-1040	66-1094
OLDSMOBILE TRUCKS					
BRAVADA					
2004-02	Front	60-1345	60-1345	66-1345	66-1345
2001-97	Front	60-1311	60-1312	66-1311	66-1312
1996	Front	60-1000	60-1000	66-1000	66-1000
1995	None Produced				
1994-91	Front	60-1000	60-1000	66-1000	66-1000
SILHOUETTE					
2004-02	Front FWD	60-1255 ⑨	60-1250 ⑨	66-1255 ⑨	66-1250 ⑨
	Front FWD	60-1255HD ⑩	60-1250HD ⑩	66-1255HD ⑩	66-1250HD ⑩
	Front AWD	60-1255 ⑨	60-1346	66-1255 ⑨	66-1346
	Front AWD	60-1255HD ⑩	—	66-1255HD ⑩	—
	Rear AWD	60-1202	60-1202	66-1202	66-1202
2001-99	Front	60-1255 ⑨	60-1250 ⑨	66-1255 ⑨	66-1250 ⑨
	Front	60-1255HD ⑩	60-1250HD ⑩	66-1255HD ⑩	66-1250HD ⑩
1998-97	Front	60-1249	60-1250 ⑨	66-1249	66-1250 ⑨
	Front	—	60-1250HD ⑩	—	66-1250HD ⑩
1996	Front	60-1126	60-1127	66-1126	66-1127
1995-92	Front w/3 Spd. A.T.	60-1093	60-1109	—	—
	Front w/4 Spd. A.T.	60-1126	60-1127	66-1126	66-1127
1991-90	Front	60-1004	60-1010	—	66-1094
PLYMOUTH					
ACCLAIM					
1995-91	Front w/o ABS	60-3002	60-3014 ③	66-3025	66-3034 ③
	Front w/ABS	60-3025	60-3034 ③	66-3025	66-3034 ③
1990	Front	60-3002	60-3014 ③	66-3025	66-3034 ③
1989	Front Exc. Turbo	60-3002	60-3014 ③	66-3025	66-3034 ③
	Front Turbo	60-3002	60-3002	66-3025	66-3025

③ New axle is designed to compensate for motor mount wear and may be longer than original unit. Please refer to Installation Tip included in CV box for more information and installation assistance.

⑨ Supplied w/Standard Neoprene Outboard Boot.

⑩ Supplied w/Optional Heavy Duty Thermoplastic Outboard Boot.

⑦ GM "Option Codes" are found on the "Service Parts Identification" sticker located on your vehicle. For further assistance, please refer to the example on page ____.

NEW & REMANUFACTURED CONSTANT VELOCITY DRIVE AXLES

YEAR	APPLICATION	REMAN		NEW	
		LEFT	RIGHT	LEFT	RIGHT
PLYMOUTH (Cont'd)		Driver Side	Pass. Side	Driver Side	Pass. Side
BREEZE					
2000-98	Front w/o ABS	60-3115	60-3116	66-3234	66-3245
	Front w/ABS	60-3234	60-3245	66-3234	66-3245
1997-96	Front w/o ABS	60-3115	60-3116	66-3234	66-3245
	Front w/ABS	60-3087	60-3097	66-3087	66-3097
CARAVELLE					
1988-87	Front Exc. Turbo	60-3002	60-3014 ③	66-3025	66-3034 ③
	Front Turbo	60-3002	60-3002	66-3025	66-3025
1986-85	Front Exc. Turbo	60-3015	60-3010	—	—
	Front Turbo	60-3015	60-3015	—	—
COLT, CHAMP					
1994-93	Front 1.5L Eng.	60-3144	60-3071	—	—
	Front 1.8L Eng. w/o ABS	60-3143	60-3185	—	—
	Front 1.8L Eng. w/ABS	60-3218	60-3219	—	—
1992-91	Front	60-3008	60-3006	—	—
1990	Front 1.5L Eng.	60-3008	60-3006	—	—
	Front 1.6L Eng. w/A.T.	60-3040	60-3006	—	—
1989	Front 1.6L Eng. w/M.T.	60-3040	60-3177	—	—
	Front 1.5L Eng.	60-3008	60-3006	—	—
1988-87	Front 1.6L Eng. Turbo	—	60-3223	—	—
	Front 1.8L Eng 4WD	60-3160	60-3222	—	—
	Front Exc. Turbo	60-3176	60-3013	—	—
1986-85	Front Turbo	60-3160	60-3053	—	—
	Front (Exc. Turbo) w/A.T.	60-3132	60-3165	—	—
1984	Front (Exc. Turbo) w/4 Spd. M.T.	60-3134	60-3066	—	—
	Front (Exc. Turbo) w/5 Spd. M.T.	60-3132	60-3165	—	—
	Front w/M.T. Turbo	60-3141	60-3053	—	—
1983	Front Exc. Turbo	60-3003	60-3000	—	—
1982-79	Front	60-3003	60-3000	—	—
COLT VISTA					
1994	Front FWD 2.4L Eng.	60-3291	60-3292	—	—
	Front 4WD 1.8L Eng.	60-3121	—	66-3375	—
	Front 4WD 2.4L Eng.	60-3121	60-3102	66-3375	66-3102
1993	Front FWD 2.4L Eng. w/A.T.	60-3291	—	—	—
	Front 4WD 1.8L Eng.	60-3121	—	66-3375	—
1992	Front 4WD 2.4L Eng.	60-3121	—	66-3375	—
	Front FWD 1.8L Eng.	60-3121	60-3102	66-3375	66-3102
	Front FWD 2.4L Eng. w/A.T.	60-3291	—	—	—
1991	Front 4WD 1.8L Eng.	60-3121	—	66-3375	—
	Front 4WD 2.4L Eng.	60-3121	—	66-3375	—
	Front FWD	60-3012	60-3159	—	—
1990-85	Front AWD	60-3163	60-3078	—	—
	Front FWD	60-3012	60-3159	—	—
1984	Front AWD	60-3163	60-3078	—	—
	Rear	60-3270	60-3270	—	—
1984	Front	60-3012	60-3159	—	—
CONQUEST					
1986-84	Rear w/o Intercooler	60-3101	60-3101	—	—
HORIZON, TURISMO, TC3					
1990-88	Front	60-3022	60-3028	—	—
1987-86	Front (Exc. Turbo) or 2.2L H.O. Eng.	60-3018	60-3019	—	—
	Front Turbo	60-3018	60-3018	—	—
	Front 2.2L H.O. Eng.	60-3033	—	—	—
1985	Front Exc. Turbo	60-3018	60-3019	—	—
	Front Turbo	60-3018	60-3018	—	—
1984	Front	60-3018	60-3019	—	—
1983	Front 1.6L or 2.2L Eng. From 5/21/83	60-3018	60-3019	—	—
	Front 1.7L Eng. w/A.T. From 5/21/83	60-3018	60-3019	—	—
	Front 1.7L Eng. w/A.T. Before 5/21/83	60-3100	60-3067	—	—
	Front 1.7L Eng. w/M.T. (NAG-A460) ⑧	60-3018	60-3019	—	—
	Front 1.7L Eng. w/M.T. (VW-A412) ⑧	60-3004	60-3005	—	—

CV DRIVE AXLES

③ New axle is designed to compensate for motor mount wear and may be longer than original unit. Please refer to Installation Tip included in CV box for more information and installation assistance.

⑧ Chrysler Corporation "Sales Codes" are found on the "Body Code" plate located on the left front side shield, wheel housing, or the upper radiator support of your vehicle.

NEW & REMANUFACTURED CONSTANT VELOCITY DRIVE AXLES

CV DRIVE AXLES

YEAR	APPLICATION	REMAN		NEW		
		LEFT	RIGHT	LEFT	RIGHT	
		Driver Side	Pass. Side	Driver Side	Pass. Side	
PLYMOUTH (Cont'd)						
HORIZON, TURISMO, TC3 (Cont'd)						
1982-81	Front 1.7L Eng. w/A.T.	60-3100	60-3067	—	—	
	Front 1.7L Eng. w/M.T. (NAG-A460) w/Cir Clip Style I.B. Housing Ⓢ	60-3050	60-3095	—	—	
	Front 1.7L Eng. w/M.T. (NAG-A460) w/Spring Loaded Style I.B. Housing Ⓢ	60-3018	60-3019	—	—	
	Front 1.7L Eng. w/M.T. (VW-A412) Ⓢ	60-3004	60-3005	—	—	
1980-79	Front 1.7L Eng. w/A.T.	60-3096	60-3054	—	—	
	Front 1.7L Eng. w/M.T.	60-3043	60-3041	—	—	
LASER						
1994-93	Front FWD (Exc. Turbo) w/o ABS	60-3092	60-3102	66-3092	66-3102	
	Front FWD Turbo w/o ABS	60-3273	60-3272	—	—	
	Front AWD w/A.T. w/o ABS	60-3092	60-3102	66-3092	66-3102	
	Front AWD w/M.T. w/o ABS	60-3121	60-3102	66-3375	66-3102	
1992	Front FWD w/o ABS	60-3092	60-3102	66-3092	66-3102	
	Front AWD w/o ABS	60-3121	60-3102	66-3375	66-3102	
1991-90	Front FWD	60-3092	60-3102	66-3092	66-3102	
NEON						
2001	Front w/3 Spd. A.T. w/o ABS	60-3304	60-3306	66-3302	66-3307	
	Front w/3 Spd. A.T. w/ABS	60-3305	60-3307	66-3302	66-3307	
	Front w/4 Spd. A.T. w/o ABS	60-3319	60-3320	66-3302	66-3303	
	Front w/4 Spd. A.T. w/ABS	60-3302	60-3303	66-3302	66-3303	
	Front w/M.T. w/o ACR Competition Suspension w/o ABS	60-3304	60-3308	66-3302	66-3303	
	Front w/M.T. w/o ACR Competition Suspension w/ABS	60-3305	60-3309	66-3302	66-3303	
	Front w/M.T. w/ACR Competition Suspension w/o ABS	60-3319	60-3320	66-3302	66-3303	
	Front w/M.T. w/ACR Competition Suspension w/ABS	60-3302	60-3303	66-3302	66-3303	
	2000	Front w/A.T. w/o ABS	60-3304	60-3306	66-3302	66-3307
		Front w/A.T. w/ABS	60-3305	60-3307	66-3302	66-3307
Front w/M.T. w/o ABS		60-3304	60-3308	66-3302	66-3303	
1999-97	Front w/M.T. w/ABS	60-3305	60-3309	66-3302	66-3303	
	Front w/A.T. w/o ABS	60-3073	60-3058	66-3106	66-3105	
	Front w/A.T. w/ABS	60-3106	60-3105	66-3106	66-3105	
1996-95	Front w/M.T. w/o ABS	60-3073	60-3072	66-3106	66-3056	
	Front w/M.T. w/ABS	60-3239	—	—	—	
	Front w/A.T. w/o ABS	60-3073	60-3058	66-3106	66-3105	
	Front w/A.T. w/ABS	60-3106	60-3105	66-3106	66-3105	
	Front w/M.T. w/o ABS	60-3073	60-3072	66-3106	66-3056	
Front w/M.T. w/ABS	60-3106	60-3056	66-3106	66-3056		
RELIANT						
1989-87	Front 2.2L Eng.	60-3002	60-3010	66-3025	—	
	Front 2.5L Eng.	60-3002	60-3014 ③	66-3025	66-3034 ③	
1986-84	Front Exc. Turbo	60-3015	60-3010	—	—	
	Front Turbo	60-3015	60-3015	—	—	
1983	Front From 5/21/83	60-3018	60-3019	—	—	
	Front Before 5/21/83	60-3100	60-3017	—	—	
1982	Front	60-3100	60-3017	—	—	
1981	Front	60-3050	60-3029	—	—	
SUNDANCE						
1994-93	Front w/o ABS	60-3002	60-3014 ③	66-3025	66-3034 ③	
	Front w/ABS	60-3025	60-3034 ③	66-3025	66-3034 ③	
1992	Front	60-3002	60-3014 ③	66-3025	66-3034 ③	
1991	Front (Exc. Turbo) w/M.T.	60-3002	60-3014 ③	66-3025	66-3034 ③	
	Front Turbo w/M.T.	60-3002	60-3002	66-3025	66-3025	
1990-87	Front Exc. Turbo	60-3002	60-3014 ③	66-3025	66-3034 ③	
	Front Turbo	60-3002	60-3002	66-3025	66-3025	
PLYMOUTH TRUCKS						
SCAMP						
1983	Front From 5/21/83	60-3018	60-3019	—	—	
VOYAGER, GRAND VOYAGER						
2000	Front FWD w/o ABS	60-3227	60-3228	66-3109	66-3108	
	Front FWD w/ABS	60-3109	60-3108	66-3109	66-3108	
1999-97	Front FWD w/o ABS	60-3227	60-3228	66-3109	66-3108	
	Front FWD w/ABS	60-3109	60-3108	66-3109	66-3108	
1996	Front FWD w/o ABS	60-3227	60-3228	66-3109	66-3108	
	Front FWD w/ABS	60-3109	60-3108	66-3109	66-3108	

③ New axle is designed to compensate for motor mount wear and may be longer than original unit. Please refer to Installation Tip included in CV box for more information and installation assistance.

Ⓢ Chrysler Corporation "Sales Codes" are found on the "Body Code" plate located on the left front side shield, wheel housing, or the upper radiator support of your vehicle.

NEW & REMANUFACTURED CONSTANT VELOCITY DRIVE AXLES

YEAR	APPLICATION	REMAN		NEW	
		LEFT	RIGHT	LEFT	RIGHT
PLYMOUTH TRUCKS (Cont'd)		Driver Side	Pass. Side	Driver Side	Pass. Side
VOYAGER, GRAND VOYAGER (Cont'd)					
1995-91	Front FWD w/o Intermediate Shaft w/o ABS	60-3001 ^{③⑤}	60-3021 ^③	66-3038 ^{③⑤}	66-3035 ^③
	Front FWD w/o Intermediate Shaft w/o ABS (Extended Length)	60-3001S ^⑥	—	—	—
	Front FWD w/o Intermediate Shaft w/ABS	60-3038 ^{③⑤}	60-3035 ^③	66-3038 ^{③⑤}	66-3035 ^③
	Front FWD w/o Intermediate Shaft w/ABS (Extended Length)	60-3038S ^⑥	—	—	—
	Front FWD w/Intermediate Shaft w/o ABS	60-3001 ^{③⑤}	60-3001 ^{③⑤}	66-3038 ^{③⑤}	66-3038 ^{③⑤}
	Front FWD w/Intermediate Shaft w/o ABS (Extended Length)	60-3001S ^⑥	60-3001S ^⑥	—	—
	Front FWD w/Intermediate Shaft w/ABS	60-3038 ^{③⑤}	60-3038 ^{③⑤}	66-3038 ^{③⑤}	66-3038 ^{③⑤}
	Front FWD w/Intermediate Shaft w/ABS (Extended Length)	60-3038S ^⑥	60-3038S ^⑥	—	—
	Front AWD w/o Intermediate Shaft w/o ABS	—	60-3070	—	66-3107
	Rear w/o ABS	60-3042	60-3042	—	—
Rear w/ABS	60-3052	60-3052	—	—	
1990-87	Front w/o Intermediate Shaft	60-3001 ^{③⑤}	60-3021 ^③	66-3038 ^{③⑤}	66-3035 ^③
	Front w/o Intermediate Shaft (Extended Length)	60-3001S ^⑥	—	—	—
	Front w/Intermediate Shaft	60-3001 ^{③⑤}	60-3001 ^{③⑤}	66-3038 ^{③⑤}	66-3038 ^{③⑤}
	Front w/Intermediate Shaft (Extended Length)	60-3001S ^⑥	60-3001S ^⑥	—	—
1986-84	Front	60-3007	60-3011	—	—
PONTIAC					
BONNEVILLE					
2005-04	Front w/3.8L Eng.	60-1255 ^⑨	60-1335	66-1255 ^⑨	66-1335
	Front w/3.8L Eng.	60-1255HD ^⑩	—	66-1255HD ^⑩	—
	Front w/4.6L Eng.	60-1327	60-1327	66-1327	66-1327
2003-00	Front Exc. Supercharged Eng.	60-1255 ^⑨	60-1335	66-1255 ^⑨	66-1335
	Front Exc. Supercharged Eng.	60-1255HD ^⑩	—	66-1255HD ^⑩	—
1999-98	Front Supercharged Eng.	60-1344	60-1198	66-1444	66-1198
	Front (Exc. Supercharged Eng.) w/2.86 Axle Ratio (FQ3) ^{⑦⑨}	60-1206	60-1060	66-1206	66-1060
	Front (Exc. Supercharged Eng.) w/3.05 Axle Ratio (F83) ^{⑦⑨}	60-1206	60-1211	66-1206	66-1060
1997	Front Supercharged Eng.	60-1206	60-1200	66-1206	66-1256
	Front (Exc. Supercharged Eng.) w/2.86 Axle Ratio (F17) ^{⑦⑨}	60-1210	60-1060	66-1210	66-1060
	Front (Exc. Supercharged Eng.) w/3.06 Axle Ratio (FW2) ^{⑦⑨}	60-1210	60-1211	66-1210	66-1060
1996	Front Supercharged Eng.	60-1206	60-1200	66-1206	66-1256
	Front (Exc. Supercharged Eng.) w/2.86 Axle Ratio (F17) ^{⑦⑨}	60-1210	60-1060	66-1210	66-1060
	Front (Exc. Supercharged Eng.) w/3.06 Axle Ratio (FW2) ^{⑦⑨}	60-1199	60-1092	66-1210	66-1092
1995	Front Supercharged Eng.	60-1199	60-1200	66-1210	66-1256
	Front (Exc. Supercharged Eng.) w/2.86 Axle Ratio (F17) ^{⑦⑨}	60-1210	60-1060	66-1210	66-1060
	Front (Exc. Supercharged Eng.) w/3.06 Axle Ratio (FW2) ^{⑦⑨}	60-1199	60-1092	66-1210	66-1092
1994	Front Supercharged Eng.	60-1199	60-1092	66-1210	66-1092
	Front Exc. Supercharged Eng.	60-1210	60-1060	66-1210	66-1060
	Front Supercharged Eng.	60-1199	60-1092	66-1210	66-1092
1993-92	Front Exc. Supercharged Eng.	60-1210	60-1060	66-1210	66-1060
	Front Supercharged Eng.	60-1210	60-1092	66-1210	66-1092
1991-88	Front w/o ABS	60-1013	60-1010	66-1040	66-1094
	Front w/ABS	60-1040	60-1094	66-1040	66-1094
1987	Front	60-1013	60-1010	66-1040	66-1094
FIERO					
1988-85	Rear w/A.T.	60-1008	60-1012	66-1122	—
	Rear w/M.T.	60-1114	60-1178	—	—
1984	Rear w/A.T.	60-1008	60-1012	66-1122	—
	Rear w/M.T.	60-1008	—	66-1122	—
FIREFLY (Canada)					
1988-85	Front w/A.T.	60-1053	60-1044	—	—
	Front w/M.T.	—	60-1033	—	—
G3					
2009	Front w/A.T. w/o ABS	60-1419	60-1421	66-1420	66-1422
	Front w/A.T. w/ABS	60-1420	60-1422	66-1420	66-1422
	Front w/M.T. w/o ABS	60-1448	60-1450	—	—
	Front w/M.T. w/ABS	60-1449	60-1451	—	—
2008	Front w/M.T. w/o ABS	60-1448	—	—	—

CV DRIVE AXLES

^③ New axle is designed to compensate for motor mount wear and may be longer than original unit. Please refer to Installation Tip included in CV box for more information and installation assistance.

^⑤ Original OE Length.

^⑥ Extended length axle to compensate for motor mount wear.

^⑨ Supplied w/Standard Neoprene Outboard Boot.

^⑩ Supplied w/Optional Heavy Duty Thermoplastic Outboard Boot.

^{⑦⑨} GM "Option Codes" are found on the "Service Parts Identification" sticker located on your vehicle. For further assistance, please refer to the example on page ____.

NEW & REMANUFACTURED CONSTANT VELOCITY DRIVE AXLES

CV DRIVE AXLES

YEAR	APPLICATION	REMAN		NEW	
		LEFT	RIGHT	LEFT	RIGHT
		Driver Side	Pass. Side	Driver Side	Pass. Side
PONTIAC (Cont'd)					
G3 (Cont'd)					
2007	Front w/A.T. w/o ABS.....	—	60-1421	—	66-1422
	Front w/A.T. w/ABS.....	60-1420	—	66-1420	—
	Front w/M.T. w/o ABS.....	60-1448	—	—	—
2006	Front w/M.T. w/o ABS.....	60-1448	—	—	—
G3 Wave (Canada)					
2009	Front w/A.T. w/o ABS.....	60-1419	60-1421	66-1420	66-1422
	Front w/A.T. w/ABS.....	60-1420	60-1422	66-1420	66-1422
	Front w/M.T. w/o ABS.....	60-1448	60-1450	—	—
	Front w/M.T. w/ABS.....	60-1449	60-1451	—	—
G4 (Mexico)					
2006	Front 2.2L Eng. w/A.T.....	60-1376 ④	60-1376 ④	66-1376 ④	66-1376 ④
	Front 2.2L Eng. w/M.T.....	60-1371	60-1372	66-1371	66-1372
	Front 2.4L Eng. w/A.T.....	60-1376	60-1376	66-1376	66-1376
	Front 2.4L Eng. w/M.T.....	60-1371	60-1372	66-1371	66-1372
2005	Front 2.2L Eng. w/A.T.....	60-1376 ④	60-1376 ④	66-1376 ④	66-1376 ④
	Front 2.2L Eng. w/M.T.....	60-1371	60-1372	66-1371	66-1372
G5					
2010-07	Front w/A.T.....	60-1376 ④	60-1376 ④	66-1376 ④	66-1376 ④
	Front w/M.T.....	60-1371	60-1372	66-1371	66-1372
G6					
2010	Front 2.4L Eng. w/4 Spd. A.T.....	60-1411 ④	60-1411 ④	66-1243 ④	66-1243 ④
	Front 2.4L Eng. w/6 Spd. A.T.....	60-1458	60-1459	66-1458	66-1459
	Front 3.5L Eng. w/4 Spd. A.T. Code MN5.....	60-1411 ④	60-1411 ④	66-1243 ④	66-1243 ④
2009	Front 2.4L Eng. w/4 Spd. A.T. Code MN5.....	60-1411 ④	60-1411 ④	66-1243 ④	66-1243 ④
	Front 2.4L Eng. w/6 Spd. A.T. Code MH8.....	60-1458	60-1459	66-1458	66-1459
	Front 3.5L Eng. w/4 Spd. A.T. Code MN5.....	60-1411 ④	60-1411 ④	66-1243 ④	66-1243 ④
	Front 3.6L Eng. w/6 Spd. A.T. Code MH2.....	60-1460	60-1461	66-1460	66-1461
2008	Front 3.9L Eng. w/4 Spd. A.T. Code M15.....	60-1412	60-1413	—	—
	Front 2.4L Eng.....	60-1411 ④	60-1411 ④	66-1243 ④	66-1243 ④
	Front 3.5L Eng. w/4 Spd. A.T. Code MN5.....	60-1411 ④	60-1411 ④	66-1243 ④	66-1243 ④
	Front 3.6L Eng. w/6 Spd. A.T. Code MH2.....	60-1460	60-1461	66-1460	66-1461
2007	Front 3.9L Eng. w/4 Spd. A.T. Code M15.....	60-1412	60-1413	—	—
	Front 2.4L Eng.....	60-1411 ④	60-1411 ④	66-1243 ④	66-1243 ④
	Front 3.5L Eng. w/4 Spd. A.T. Code MN5.....	60-1411 ④	60-1411 ④	66-1243 ④	66-1243 ④
	Front 3.6L Eng. w/6 Spd. A.T. Code MH2.....	60-1460	60-1461	66-1460	66-1461
2006	Front 3.9L Eng. w/4 Spd. A.T. Code M15.....	60-1412	60-1413	—	—
	Front 3.9L Eng. w/6 Spd. M.T.....	—	60-1437	—	—
	Front 2.4L Eng.....	60-1411 ④	60-1411 ④	66-1243 ④	66-1243 ④
	Front 3.5L Eng. w/4 Spd. A.T. Code MN5.....	60-1411 ④	60-1411 ④	66-1243 ④	66-1243 ④
2005	Front 3.9L Eng. w/4 Spd. A.T. Code M15.....	60-1412	60-1413	—	—
	Front 3.9L Eng. w/6 Spd. M.T.....	—	60-1437	—	—
	Front 3.5L Eng. w/4 Spd. A.T. Code MN5.....	60-1411 ④	60-1411 ④	66-1243 ④	66-1243 ④
G8					
2009-08	Rear 6 Cyl.....	60-1474	60-1475	—	—
	Rear 8 Cyl.....	60-1476	60-1477	—	—
GRAND AM					
2005	Front w/A.T.....	60-1243 ④	60-1243 ④	66-1243 ④	66-1243 ④
2004-99	Front w/A.T.....	60-1243 ④	60-1243 ④	66-1243 ④	66-1243 ④
	Front w/M.T.....	60-1336	60-1337	66-1336	66-1337
1998-97	Front w/A.T.....	60-1123	60-1110	66-1123	66-1110
	Front w/M.T.....	60-1165	60-1238	—	—
1996	Front w/A.T.....	60-1123	60-1110	66-1123	66-1110
	Front w/M.T. Round I.B. Housing.....	60-1300	60-1299	—	—
	Front w/M.T. "Y" Shaped I.B. Housing.....	60-1165	60-1238	—	—
1995	Front w/3 Spd. A.T.....	60-1075	60-1055	66-1075	66-1055
	Front w/4 Spd. A.T.....	60-1123	60-1110	66-1123	66-1110
	Front w/M.T.....	60-1300	60-1299	—	—
1994	Front w/3 Spd. A.T.....	60-1075	60-1055	66-1075	66-1055
	Front w/4 Spd. A.T.....	60-1123	60-1110	66-1123	66-1110
	Front w/M.T. w/2.3L Eng. VIN Code A ⑧.....	60-1300	60-1299	—	—
	Front w/M.T. w/2.3L Eng. VIN Code 3 ⑧.....	60-1165	60-1163	—	—

④ Transfer Inner Stub Shaft from Original Axle to Replacement CV Axle.

⑧ For further assistance, please refer to the GM Engine Identification Chart on pages ____ - ____.

NEW & REMANUFACTURED CONSTANT VELOCITY DRIVE AXLES

YEAR	APPLICATION	REMAN		NEW	
		LEFT	RIGHT	LEFT	RIGHT
		Driver Side	Pass. Side	Driver Side	Pass. Side
PONTIAC (Cont'd)					
GRAND AM (Cont'd)					
1993-92	Front w/A.T.	60-1075	60-1055	66-1075	66-1055
	Front w/M.T. w/2.3L Eng. VIN Code A ⑧	60-1300	60-1299	—	—
1991	Front w/M.T. w/2.3L Eng. VIN Code 3 ⑧	60-1165	60-1163	—	—
	Front 2.3L Eng. w/A.T. w/o ABS	60-1051	60-1006	66-1075	66-1055
	Front 2.3L Eng. w/A.T. w/ABS	60-1075	60-1055	66-1075	66-1055
	Front 2.3L Eng. w/M.T. w/o ABS	60-1114	60-1125	—	—
	Front 2.3L Eng. w/M.T. w/ABS	60-1300	60-1299	—	—
	Front 2.5L Eng. w/A.T.	60-1051	60-1006	66-1075	66-1055
	Front 2.5L Eng. w/M.T.	60-1024	60-1074	—	—
1990	Front w/A.T. w/o ABS	60-1051	60-1006	66-1075	66-1055
	Front w/M.T. w/o ABS w/2.3L Eng.	60-1114	60-1125	—	—
	Front w/M.T. w/o ABS w/2.5L Eng.	60-1024	60-1074	—	—
1989-88	Front w/A.T. w/o ABS	60-1051	60-1006	66-1075	66-1055
	Front w/M.T. w/2.0L Eng.	60-1114	60-1005	—	—
	Front w/M.T. w/2.3L Eng.	60-1114	60-1125	—	—
1987-85	Front w/M.T. w/2.5L Eng.	60-1024	60-1074	—	—
	Front w/A.T.	60-1051	60-1006	66-1075	66-1055
	Front w/M.T.	60-1024	60-1074	—	—
GRAND PRIX					
2008	Front 3.8L Eng.	60-1255 ⑨	60-1250 ⑨	66-1255 ⑨	66-1250 ⑨
	Front 3.8L Eng.	60-1255HD ⑩	60-1250HD ⑩	66-1255HD ⑩	66-1250HD ⑩
	Front 5.3L Eng.	60-1434	60-1435	66-1434	66-1435
2007-05	Front 3.8L Eng. (Exc. Supercharged Eng.)	60-1255 ⑨	60-1250 ⑨	66-1255 ⑨	66-1250 ⑨
	Front 3.8L Eng. (Exc. Supercharged Eng.)	60-1255HD ⑩	60-1250HD ⑩	66-1255HD ⑩	66-1250HD ⑩
	Front 3.8L Eng. Supercharged Eng.	60-1255 ⑨	60-1256	66-1255 ⑨	66-1256
	Front 3.8L Eng. Supercharged Eng.	60-1255HD ⑩	—	66-1255HD ⑩	—
	Front 5.3L Eng.	60-1434	60-1435	66-1434	66-1435
2004	Front 3.8L Eng. (Exc. Supercharged Eng.)	60-1255 ⑨	60-1250 ⑨	66-1255 ⑨	66-1250 ⑨
	Front 3.8L Eng. (Exc. Supercharged Eng.)	60-1255HD ⑩	60-1250HD ⑩	66-1255HD ⑩	66-1250HD ⑩
	Front 3.8L Eng. Supercharged Eng.	60-1255 ⑨	60-1256	66-1255 ⑨	66-1256
	Front 3.8L Eng. Supercharged Eng.	60-1255HD ⑩	—	66-1255HD ⑩	—
2003-00	Front 3.1L Eng.	60-1255 ⑨	60-1250 ⑨	66-1255 ⑨	66-1250 ⑨
	Front 3.1L Eng.	60-1255HD ⑩	60-1250HD ⑩	66-1255HD ⑩	66-1250HD ⑩
	Front 3.8L Eng.	60-1255 ⑨	60-1250 ⑨	66-1255 ⑨	66-1250 ⑨
1999-98	Front 3.8L Eng.	60-1255HD ⑩	60-1250HD ⑩	66-1255HD ⑩	66-1250HD ⑩
	Front 3.1L Eng.	60-1249	60-1250 ⑨	66-1249	66-1250 ⑨
	Front 3.1L Eng.	—	60-1250HD ⑩	—	66-1250HD ⑩
	Front 3.8L Eng. (Exc. Supercharged Eng.)	60-1255 ⑨	60-1309 ⑨	66-1255 ⑨	66-1250 ⑨
	Front 3.8L Eng. (Exc. Supercharged Eng.)	60-1255HD ⑩	—	66-1255HD ⑩	66-1250HD ⑩
1997	Front 3.8L Eng. Supercharged Eng.	60-1255 ⑨	60-1256	66-1255 ⑨	66-1256
	Front 3.8L Eng. Supercharged Eng.	60-1255HD ⑩	—	66-1255HD ⑩	—
	Front 3.1L Eng.	60-1249	60-1250 ⑨	66-1249	66-1250 ⑨
	Front 3.1L Eng.	—	60-1250HD ⑩	—	66-1250HD ⑩
	Front 3.8L Eng. (Exc. Supercharged Eng.)	60-1249	60-1309 ⑨	66-1249	66-1250 ⑨
1996-94	Front 3.8L Eng. Supercharged Eng.	60-1255 ⑨	60-1256	66-1255 ⑨	66-1256
	Front 3.8L Eng. Supercharged Eng.	60-1255HD ⑩	—	66-1255HD ⑩	—
	Front w/o ABS	60-1036	60-1179	66-1112	66-1264
	Front w/ABS	60-1112	60-1264	66-1112	66-1264
	1993	Front w/3 Spd. A.T. w/o ABS	60-1081	60-1080	—
Front w/3 Spd. A.T. w/ABS		60-1088	60-1087	—	—
Front w/4 Spd. A.T. w/o ABS		60-1036	60-1179	66-1112	66-1264
Front w/4 Spd. A.T. w/ABS		60-1112	60-1264	66-1112	66-1264
Front w/M.T. w/o ABS		60-1036	60-1179	66-1112	66-1264
Front w/M.T. w/ABS		60-1112	60-1264	66-1112	66-1264
Front w/3 Spd. A.T. w/o ABS		60-1081	60-1080	—	—
1992	Front w/3 Spd. A.T. w/ABS	60-1088	60-1087	—	—
	Front w/4 Spd. A.T. w/3.1L Eng. w/o ABS	60-1036	60-1037	66-1112	—
	Front w/4 Spd. A.T. w/3.1L Eng. w/ABS	60-1112	60-1083	66-1112	—
	Front w/4 Spd. A.T. w/3.4L Eng. w/o ABS	60-1036	60-1179	66-1112	66-1264
	Front w/4 Spd. A.T. w/3.4L Eng. w/ABS	60-1112	60-1264	66-1112	66-1264
	Front w/M.T. w/o ABS	60-1036	60-1179	66-1112	66-1264
	Front w/M.T. w/ABS	60-1112	60-1264	66-1112	66-1264
	Front w/3 Spd. A.T. w/o ABS	60-1072	60-1067	—	—
1991	Front w/3 Spd. A.T. w/ABS	60-1173	60-1090	—	—
	Front w/4 Spd. A.T. w/3.1L Eng. w/o ABS	60-1036	60-1037	66-1112	—
	Front w/4 Spd. A.T. w/3.1L Eng. w/ABS	60-1112	60-1083	66-1112	—

CV DRIVE AXLES

⑨ Supplied w/Standard Neoprene Outboard Boot.
 ⑩ Supplied w/Optional Heavy Duty Thermoplastic Outboard Boot.
 ⑧ For further assistance, please refer to the GM Engine Identification Chart on pages ____-____.

NEW & REMANUFACTURED CONSTANT VELOCITY DRIVE AXLES

CV DRIVE AXLES

YEAR	APPLICATION	REMAN		NEW	
		LEFT	RIGHT	LEFT	RIGHT
		Driver Side	Pass. Side	Driver Side	Pass. Side
PONTIAC (Cont'd)					
GRAND PRIX (Cont'd)					
1991	Front w/4 Spd. A.T. w/3.4L Eng. w/o ABS.....	60-1036	60-1179	66-1112	66-1264
(Cont'd)	Front w/4 Spd. A.T. w/3.4L Eng. w/ABS.....	60-1112	60-1264	66-1112	66-1264
	Front w/M.T. w/o ABS.....	60-1036	60-1179	66-1112	66-1264
	Front w/M.T. w/ABS.....	60-1112	60-1264	66-1112	66-1264
1990	Front w/3 Spd. A.T. w/o ABS.....	60-1072	60-1067	—	—
	Front w/3 Spd. A.T. w/ABS.....	60-1173	60-1090	—	—
	Front w/4 Spd. A.T. w/o ABS.....	60-1036	60-1037	66-1112	—
	Front w/4 Spd. A.T. w/ABS.....	60-1112	60-1083	66-1112	—
	Front w/M.T. w/o ABS.....	60-1070	60-1071	—	—
1989	Front w/A.T. w/o ABS.....	60-1036	60-1037	66-1112	—
	Front w/A.T. w/ABS.....	60-1112	60-1083	66-1112	—
	Front w/M.T. w/o ABS.....	60-1070	60-1071	—	—
1988	Front w/A.T.....	60-1036	60-1037	66-1112	—
	Front w/M.T.....	60-1070	60-1071	—	—
GTO					
2006-05	Rear.....	60-1478	60-1478	—	—
LEMANS, OPTIMA (Canada)					
1993-92	Front w/A.T.....	60-1018	60-1021	—	—
	Front w/M.T.....	60-1038	60-1043	—	—
1991	Front w/A.T.....	60-1018	60-1021	—	—
	Front w/M.T.....	60-1038	60-1043	—	—
1990-89	Front 1.6L Eng. w/A.T.....	60-1018	60-1021	—	—
	Front 1.6L Eng. w/M.T.....	60-1038	60-1043	—	—
	Front 2.0L Eng. w/A.T.....	60-1108	60-1101	—	—
	Front 2.0L Eng. w/M.T.....	60-1154	—	—	—
1988	Front w/A.T.....	60-1018	60-1021	—	—
	Front w/M.T.....	60-1069	—	—	—
PHOENIX					
1984-80	Front w/A.T.....	60-1008	60-1012	66-1122	—
	Front w/M.T.....	60-1024	60-1062	—	—
PURSUIT (Canada)					
2006-05	Front w/A.T.....	60-1376 ④	60-1376 ④	66-1376 ④	66-1376 ④
	Front w/M.T (M86).....	60-1371	60-1372	66-1371	66-1372
SOLSTICE					
2009-08	Rear 2.0L Eng.....	60-1454	60-1455	—	—
	Rear 2.4L Eng.....	60-1452	60-1453	—	—
2007	Rear 2.0L Eng.....	60-1454	60-1455	—	—
	Rear 2.4L Eng.....	60-1452	60-1453	—	—
2006	Rear 2.4L Eng.....	60-1452	60-1453	—	—
SUNBIRD, J2000					
1994-92	Front 4 Cyl. Eng. w/A.T.....	60-1122	60-1055	66-1122	66-1055
	Front 4 Cyl. Eng. w/M.T.....	60-1165	60-1163	—	—
	Front 6 Cyl. Eng. w/A.T.....	60-1122	60-1055	66-1122	66-1055
	Front 6 Cyl. Eng. w/M.T.....	60-1300	60-1299	—	—
1991	Front 4 Cyl. Eng. w/A.T.....	60-1008	60-1006	66-1122	66-1055
	Front 4 Cyl. Eng. w/M.T. (Exc. Turbo).....	60-1024	60-1029	—	—
	Front 4 Cyl. Eng. w/M.T. Turbo.....	60-1114	60-1125	—	—
	Front 6 Cyl. Eng. w/A.T.....	60-1008	60-1006	66-1122	66-1055
	Front 6 Cyl. Eng. w/M.T. w/o Intermediate Shaft.....	60-1114	60-1074	—	—
	Front 6 Cyl. Eng. w/M.T. w/Intermediate Shaft.....	60-1114	60-1125	—	—
1990	Front w/A.T.....	60-1008	60-1006	66-1122	66-1055
	Front w/M.T. (Exc. Turbo).....	60-1024	60-1029	—	—
	Front w/M.T. Turbo.....	60-1114	60-1125	—	—
1989-88	Front w/A.T.....	60-1008	60-1006	66-1122	66-1055
	Front w/M.T. (Exc. Turbo).....	60-1024	60-1029	—	—
	Front w/M.T. Turbo.....	60-1114	60-1005	—	—
1987	Front w/A.T.....	60-1008	60-1006	66-1122	66-1055
	Front w/M.T.....	60-1024	60-1029	—	—
1986-85	Front w/A.T.....	60-1008	60-1006	66-1122	66-1055
	Front w/M.T. w/1.8L Eng. (VIN Code J) ⑧.....	60-1114	60-1125	—	—
	Front w/M.T. w/1.8L Eng. (VIN Code O) ⑧.....	60-1024	60-1029	—	—
	Front w/M.T. w/2.0L Eng. (VIN Code L) ⑧.....	60-1024	60-1029	—	—
1984	Front w/A.T.....	60-1008	60-1006	66-1122	66-1055
	Front w/M.T.....	60-1024	60-1029	—	—

④ Transfer Inner Stub Shaft from Original Axle to Replacement CV Axle.

⑧ For further assistance, please refer to the GM Engine Identification Chart on pages ____ - ____.

NEW & REMANUFACTURED CONSTANT VELOCITY DRIVE AXLES

YEAR	APPLICATION	REMAN		NEW	
		LEFT	RIGHT	LEFT	RIGHT
		Driver Side	Pass. Side	Driver Side	Pass. Side
PONTIAC (Cont'd)					
SUNBIRD, J2000 (Cont'd)					
1983	Front w/A.T.	60-1051	60-1006	66-1075	66-1055
	Front w/M.T.	60-1024	60-1046	—	—
1982	Front w/A.T. w/o A.C.	60-1008	60-1006	66-1122	66-1055
	Front w/A.T. w/A.C.	60-1051	60-1006	66-1075	66-1055
	Front w/M.T.	60-1024	60-1046	—	—
SUNBURST (Canada)					
1988-87	Front w/A.T.	60-1091	60-1015	—	—
	Front w/M.T. (Exc. Turbo)	60-1121	60-1077	—	—
	Front w/M.T. Turbo	60-1292	60-1291	—	—
1986-85	Front w/A.T.	60-1091	60-1015	—	—
	Front w/M.T.	60-1121	60-1077	—	—
SUNFIRE					
2005-03	Front 2.2L Eng. w/A.T. w/o ABS (VIN Code F) ⑧	60-1363 ④	60-1363 ④	66-1323 ④	66-1323 ④
	Front 2.2L Eng. w/A.T. w/ABS (VIN Code F) ⑧	60-1323 ④	60-1323 ④	66-1323 ④	66-1323 ④
	Front 2.2L Eng. w/M.T. w/o ABS (VIN Code F) ⑧	60-1364	60-1365	66-1219	66-1339
2002	Front 2.2L Eng. w/M.T. w/ABS (VIN Code F) ⑧	60-1219	60-1339	66-1219	66-1339
	Front 2.2L Eng. w/A.T. (VIN Code F) ⑧	60-1323 ④	60-1323 ④	66-1323 ④	66-1323 ④
	Front 2.2L Eng. w/A.T. (VIN Code 4) ⑧	60-1216 ④	60-1216 ④	66-1323 ④	66-1323 ④
	Front 2.2L Eng. w/M.T. (VIN Code F) ⑧	60-1219	60-1339	66-1219	66-1339
	Front 2.2L Eng. w/M.T. (VIN Code 4) ⑧	60-1219	60-1339	66-1219	66-1339
	Front 2.4L Eng. w/A.T.	60-1323 ④	60-1323 ④	66-1323 ④	66-1323 ④
	Front 2.4L Eng. w/M.T.	60-1219	60-1339	66-1219	66-1339
2001-00	Front 2.2L Eng. w/3 Spd. A.T.	60-1223	60-1224	66-1223	66-1224
	Front 2.2L Eng. w/4 Spd. A.T.	60-1216 ④	60-1216 ④	66-1323 ④	66-1323 ④
	Front 2.2L Eng. w/M.T.	60-1219	60-1339	66-1219	66-1339
1999-98	Front 2.4L Eng. w/A.T.	60-1323 ④	60-1323 ④	66-1323 ④	66-1323 ④
	Front 2.4L Eng. w/M.T.	60-1219	60-1339	66-1219	66-1339
	Front 2.2L Eng. w/3 Spd. A.T.	60-1223	60-1224	66-1223	66-1224
1997	Front 2.2L Eng. w/4 Spd. A.T.	60-1216 ④	60-1216 ④	66-1323 ④	66-1323 ④
	Front 2.2L Eng. w/M.T.	60-1219	60-1218	66-1219	66-1218
	Front 2.4L Eng. w/A.T.	60-1323 ④	60-1323 ④	66-1323 ④	66-1323 ④
	Front 2.4L Eng. w/M.T.	60-1219	60-1218	66-1219	66-1218
	Front 2.2L Eng. w/3 Spd. A.T.	60-1223	60-1224	66-1223	66-1224
1996	Front 2.2L Eng. w/4 Spd. A.T.	60-1216 ④	60-1216 ④	66-1323 ④	66-1323 ④
	Front 2.2L Eng. w/M.T.	60-1217	60-1220	66-1219	66-1218
	Front 2.4L Eng. w/A.T.	60-1323 ④	60-1323 ④	66-1323 ④	66-1323 ④
	Front 2.4L Eng. w/M.T.	60-1219	60-1218	66-1219	66-1218
	Front 2.2L Eng. w/3 Spd. A.T.	60-1223	60-1224	66-1223	66-1224
1995	Front 2.2L Eng. w/4 Spd. A.T.	60-1323 ④	60-1323 ④	66-1323 ④	66-1323 ④
	Front 2.2L Eng. w/M.T.	60-1217	60-1220	66-1219	66-1218
	Front 2.4L Eng. w/A.T.	60-1323 ④	60-1323 ④	66-1323 ④	66-1323 ④
	Front 2.4L Eng. w/M.T.	60-1219	60-1218	66-1219	66-1218
	Front 2.2L Eng. w/A.T.	60-1223	60-1224	66-1223	66-1224
TEMPEST (Canada)	Front 2.2L Eng. w/A.T.	60-1217	60-1220	66-1219	66-1218
	Front 2.2L Eng. w/M.T.	60-1323 ④	60-1323 ④	66-1323 ④	66-1323 ④
	Front 2.3L Eng. w/A.T.	60-1219	60-1218	66-1219	66-1218
1991-90	Front 2.2L Eng. w/M.T.	60-1219	60-1218	66-1219	66-1218
	Front 2.3L Eng.	60-1219	60-1218	66-1219	66-1218
	Front 3.1L Eng. w/A.T. w/Soft Ride or Firm Ride, Handling Suspension (FE1 or F41) ⑦	60-1008	60-1006	66-1122	66-1055
	Front 3.1L Eng. w/A.T. w/Sport or Heavy Duty Suspension (FE3 or FE7) ⑦	60-1008	60-1006	66-1122	66-1055
	Front 3.1L Eng. w/M.T.	60-1114	60-1125	—	—
	Front 2.0L Eng. w/A.T.	60-1008	60-1006	66-1122	66-1055
	Front 2.0L Eng. w/M.T.	60-1024	60-1029	—	—
	Front 2.8L Eng. w/A.T. w/Soft Ride or Firm Ride, Handling Suspension (FE1 or F41) ⑦	60-1125	60-1049	—	66-1049
	Front 2.8L Eng. w/A.T. w/Sport or Heavy Duty Suspension (FE3 or FE7) ⑦	60-1008	60-1006	66-1122	66-1055
	Front 2.8L Eng. w/M.T. w/o Intermediate Shaft	60-1114	60-1074	—	—
	Front 2.8L Eng. w/M.T. w/Intermediate Shaft	60-1114	60-1125	—	—
	Front 2.0L Eng. w/A.T.	60-1008	60-1006	66-1122	66-1055
	Front 2.0L Eng. w/M.T.	60-1024	60-1029	—	—
	Front 2.8L Eng. w/A.T.	60-1008	60-1006	66-1122	66-1055
	Front 2.8L Eng. w/M.T. w/o Intermediate Shaft	60-1114	60-1074	—	—
Front 2.8L Eng. w/M.T. w/Intermediate Shaft	60-1114	60-1125	—	—	

CV DRIVE AXLES

④ Transfer Inner Stub Shaft from Original Axle to Replacement CV Axle.
 ⑦ GM "Option Codes" are found on the "Service Parts Identification" sticker located on your vehicle. For further assistance, please refer to the example on page ____.
 ⑧ For further assistance, please refer to the GM Engine Identification Chart on pages ____ - ____.

NEW & REMANUFACTURED CONSTANT VELOCITY DRIVE AXLES

CV DRIVE AXLES

YEAR	APPLICATION	REMAN		NEW	
		LEFT	RIGHT	LEFT	RIGHT
PONTIAC (Cont'd)		Driver Side	Pass. Side	Driver Side	Pass. Side
VIBE					
2010-09	Front 1.8L Eng. FWD.....	60-5287	60-5288	66-5228	66-5224
	Front 2.4L Eng. FWD.....	60-5289	60-5417	66-5289	66-5290
	Front 2.4L Eng. AWD.....	60-5291	60-5292	—	—
	Rear AWD.....	60-1481	60-1481	—	—
2008-07	Front w/A.T. w/o ABS.....	60-5225	60-5219	66-5226	66-5220
	Front w/A.T. w/ABS.....	60-5226	60-5220	66-5226	66-5220
	Front w/5 Spd. M.T. w/o ABS.....	60-5227	60-5223	66-5228	66-5224
	Front w/5 Spd. M.T. w/ABS.....	60-5228	60-5224	66-5228	66-5224
2006-03	Front FWD (Exc. GT) w/A.T. w/o ABS.....	60-5225	60-5219	66-5226	66-5220
	Front FWD (Exc. GT) w/A.T. w/ABS.....	60-5226	60-5220	66-5226	66-5220
	Front FWD (Exc. GT) w/5 Spd. M.T. w/o ABS.....	60-5227	60-5223	66-5228	66-5224
	Front FWD (Exc. GT) w/5 Spd. M.T. w/ABS.....	60-5228	60-5224	66-5228	66-5224
	Front FWD GT w/6 Spd. M.T.	60-5229	60-5230	66-5229	66-5230
	Rear AWD.....	60-5188	60-5232	—	66-5232
WAVE, WAVE 5 (Canada)					
2008	Front 1.6L Eng. w/A.T. w/o ABS.....	60-1419	60-1421	66-1420	66-1422
	Front 1.6L Eng. w/A.T. w/ABS.....	60-1420	60-1422	66-1420	66-1422
	Front 1.6L Eng. w/M.T. w/o ABS.....	60-1448	60-1450	—	—
	Front 1.6L Eng. w/M.T. w/ABS.....	60-1449	60-1451	—	—
2007-05	Front 1.6L Eng. w/A.T. w/o ABS.....	60-1419	60-1421	66-1420	66-1422
	Front 1.6L Eng. w/A.T. w/ABS.....	60-1420	60-1422	66-1420	66-1422
	Front 1.6L Eng. w/M.T. w/o ABS.....	60-1448	60-1450	—	—
6000					
1991	Front w/3 Spd. A.T.	60-1004	60-1010	—	66-1094
	Front w/4 Spd. A.T.	60-1016	60-1025	—	—
1990	Front FWD w/3 Spd. A.T.....	60-1004	60-1010	—	66-1094
	Front FWD w/4 Spd. A.T.....	60-1016	60-1025	—	—
1989-88	Front AWD.....	60-1168	60-1168	—	—
	Front FWD w/3 Spd. A.T. w/20mm Diameter Spindle w/4 Cyl. Eng.	60-1008	60-1012	66-1122	—
	Front FWD w/3 Spd. A.T. w/20mm Diameter Spindle w/6 Cyl. Eng.	60-1001	60-1005	—	—
	Front FWD w/3 Spd. A.T. w/24mm Diameter Spindle	60-1004	60-1010	—	66-1094
	Front FWD w/4 Spd. A.T. w/20mm Diameter Spindle	60-1078	60-1115	—	—
	Front FWD w/4 Spd. A.T. w/24mm Diameter Spindle w/o ABS.....	60-1016	60-1025	—	—
	Front FWD w/4 Spd. A.T. w/24mm Diameter Spindle w/ABS.....	60-1098	60-1170	—	—
	Front FWD w/M.T. w/20mm Diameter Spindle.....	60-1114	60-1178	—	—
	Front AWD.....	60-1168	60-1168	—	—
	1987	Front w/3 Spd. A.T. w/20mm Diameter Spindle	60-1008	60-1012	66-1122
Front w/3 Spd. A.T. w/24mm Diameter Spindle		60-1004	60-1010	—	66-1094
Front w/4 Spd. A.T. w/20mm Diameter Spindle		60-1078	60-1115	—	—
Front w/4 Spd. A.T. w/24mm Diameter Spindle w/o ABS.....		60-1016	60-1025	—	—
Front w/4 Spd. A.T. w/24mm Diameter Spindle w/ABS.....		60-1098	60-1170	—	—
1986-85	Front w/M.T. w/20mm Diameter Spindle.....	60-1114	60-1178	—	—
	Front w/3 Spd. A.T. w/20mm Diameter Spindle.....	60-1008	60-1012	66-1122	—
	Front w/3 Spd. A.T. w/24mm Diameter Spindle	60-1004	60-1010	—	66-1094
	Front w/4 Spd. A.T. w/20mm Diameter Spindle.....	60-1078	60-1115	—	—
1984	Front w/4 Spd. A.T. w/24mm Diameter Spindle	60-1016	60-1025	—	—
	Front w/3 Spd. A.T. w/20mm Diameter Spindle.....	60-1008	60-1012	66-1122	—
	Front w/3 Spd. A.T. w/24mm Diameter Spindle	60-1004	60-1010	—	66-1094
1983	Front w/4 Spd. A.T. w/24mm Diameter Spindle.....	60-1016	60-1025	—	—
	Front w/A.T. w/20mm Diameter Spindle.....	60-1051	60-1012	66-1075	—
1982	Front w/A.T. w/24mm Diameter Spindle.....	60-1004	60-1010	—	66-1094
	Front w/A.T.....	60-1051	60-1012	66-1075	—
PONTIAC TRUCKS					
AZTEK					
2005-01	Front FWD.....	60-1366	60-1367	66-1444	66-1445
	Front AWD.....	60-1366	60-1368	66-1444	66-1368
	Rear AWD.....	60-1202	60-1202	66-1202	66-1202
MONTANA					
2005	Front FWD.....	60-1255 ⑨	60-1250 ⑨	66-1255 ⑨	66-1250 ⑨
	Front FWD.....	60-1255HD ⑩	60-1250HD ⑩	66-1255HD ⑩	66-1250HD ⑩

⑨ Supplied w/Standard Neoprene Outboard Boot.
 ⑩ Supplied w/Optional Heavy Duty Thermoplastic Outboard Boot.

NEW & REMANUFACTURED CONSTANT VELOCITY DRIVE AXLES

YEAR	APPLICATION	REMAN		NEW	
		LEFT	RIGHT	LEFT	RIGHT
		Driver Side	Pass. Side	Driver Side	Pass. Side
PONTIAC TRUCKS (Cont'd)					
MONTANA (Cont'd)					
2004-02	Front FWD.....	60-1255 ⁹	60-1250 ⁹	66-1255 ⁹	66-1250 ⁹
	Front FWD.....	60-1255HD ¹⁰	60-1250HD ¹⁰	66-1255HD ¹⁰	66-1250HD ¹⁰
	Front AWD.....	60-1255 ⁹	60-1346	66-1255 ⁹	66-1346
	Front AWD.....	60-1255HD ¹⁰	—	66-1255HD ¹⁰	—
	Rear AWD.....	60-1202	60-1202	66-1202	66-1202
2001-99	Front.....	60-1255 ⁹	60-1250 ⁹	66-1255 ⁹	66-1250 ⁹
	Front.....	60-1255HD ¹⁰	60-1250HD ¹⁰	66-1255HD ¹⁰	66-1250HD ¹⁰
MONTANA SV6					
2009-07	Front FWD (Canada and Mexico).....	60-1444	60-1445	66-1444	66-1445
2006	Front FWD.....	60-1344	60-1367	66-1444	66-1445
	Front AWD.....	60-1344	—	66-1444	—
	Rear AWD.....	60-1202	60-1202	66-1202	66-1202
2005	Front FWD.....	60-1344	60-1445	66-1444	66-1445
	Front AWD.....	60-1344	—	66-1444	—
	Rear AWD.....	60-1202	60-1202	66-1202	66-1202
SUNRUNNER (Canada)					
1997-96	Front.....	60-1106	60-1340	66-1106	66-1340
1995-94	Front.....	60-1106	60-1085	66-1106	66-1085
TORRENT					
2009	Front 3.4L Eng. FWD.....	60-1462	60-1463	66-1462	66-1463
	Front 3.4L Eng. AWD.....	60-1462	60-1464	66-1462	—
	Front 3.6L Eng.....	60-1468	60-1469	66-1468	66-1461
	Rear.....	60-1479	60-1480	—	—
2008	Front 3.4L Eng. FWD.....	60-1462	60-1463	66-1462	66-1463
	Front 3.4L Eng. AWD w/o Intermediate Shaft.....	60-1462	60-1464	66-1462	—
	Front 3.4L Eng. AWD w/ Intermediate Shaft.....	60-1462	60-1463	66-1462	66-1463
	Front 3.6L Eng.....	60-1468	60-1469	66-1468	66-1461
	Rear.....	60-1479	60-1480	—	—
2007	Front.....	60-1462	60-1463	66-1462	66-1463
	Rear.....	60-1479	60-1480	—	—
2006	Front.....	60-1400	60-1401	66-1400	66-1401
	Rear.....	60-1403	60-1404	—	—
TRANS SPORT					
1998-97	Front.....	60-1249	60-1250 ⁹	66-1249	66-1250 ⁹
	Front.....	—	60-1250HD ¹⁰	—	66-1250HD ¹⁰
1996	Front.....	60-1126	60-1127	66-1126	66-1127
1995-92	Front w/3 Spd. A.T.....	60-1093	60-1109	—	—
	Front w/4 Spd. A.T.....	60-1126	60-1127	66-1126	66-1127
1991-90	Front.....	60-1004	60-1010	—	66-1094
PORSCHE					
911 SERIES					
1975-72	Rear.....	60-9118	60-9118	—	—
912 SERIES					
1968-66	Rear.....	60-7023	60-7023	—	—
924 SERIES					
1988-87	Rear 924, 924S w/M.T.....	60-7077	60-7077	66-7077	66-7077
1982-77	Rear 924, 924S (Exc. Turbo) w/M.T.....	60-9055	60-9055	—	—
	Rear 924, 924S Turbo.....	60-9055	60-9055	—	—
930 SERIES					
1975-72	Rear.....	60-9118	60-9118	—	—
944 SERIES					
1991-86	Rear w/M.T.....	60-7077	60-7077	66-7077	66-7077
1985	Rear w/M.T. From 3/85.....	60-7077	60-7077	66-7077	66-7077
	Rear w/M.T. Before 3/85.....	60-9055	60-9055	—	—
1984-83	Rear w/M.T.....	60-9055	60-9055	—	—

CV DRIVE AXLES

⁹ Supplied w/Standard Neoprene Outboard Boot.
¹⁰ Supplied w/Optional Heavy Duty Thermoplastic Outboard Boot.

NEW & REMANUFACTURED CONSTANT VELOCITY DRIVE AXLES

CV DRIVE AXLES

YEAR	APPLICATION	REMAN		NEW	
		LEFT	RIGHT	LEFT	RIGHT
PORSCHE TRUCKS		Driver Side	Pass. Side	Driver Side	Pass. Side
CAYENNE					
2010-08	Front.....	60-7320	60-7320	66-7320	66-7320
2007	None Produced				
2006-03	Front.....	60-7320	60-7320	66-7320	66-7320
RAM TRUCKS					
(SEE DODGE/RAM TRUCKS)					
RENAULT					
ALLIANCE, ENCORE, GTA					
1987-83	Front.....	60-7191	60-7192	—	—
FUEGO, SPORTWAGON, 18i					
1987-80	Front.....	60-7198	60-7198	—	—
LeCAR					
1983-76	Front (Round I.B. Housing).....	60-7072	60-7072	—	—
	Front (Tulip I.B. Housing).....	60-7197	60-7197	—	—
MEDALLION					
1989-88	Front.....	60-3064	60-3064	—	—
R18i					
1986-81	Front.....	60-7198	60-7198	—	—
SAAB					
9-2X					
2005	Rear Linear.....	60-7028	—	66-7029	—
9-3					
2012	Rear Aero.....	60-9678	60-9679	—	—
	Rear Turbo4.....	60-9677	60-9679	—	—
2011	Front.....	60-9348	60-9348	—	—
	Rear Aero.....	60-9678	60-9679	—	—
	Rear Turbo4.....	60-9677	60-9679	—	—
2010	Front.....	60-9348	60-9348	—	—
	Rear.....	60-9678	60-9679	—	—
2009-08	Front 2.0L Eng.	60-9348	60-9348	—	—
	Front 2.8L Eng w/A.T.....	60-9349	60-9349	—	—
	Front 2.8L Eng w/M.T.....	60-9348	60-9348	—	—
	Rear 2.8L Eng. w/o Electronic Limited Slip Differential.....	60-9677	60-9679	—	—
	Rear 2.8L Eng. w/ Electronic Limited Slip Differential.....	60-9678	60-9679	—	—
2007	Front 2.0L Eng. w/A.T.....	60-9242	60-9242	66-9242	66-9242
	Front 2.0L Eng w/M.T.....	60-9348	60-9348	—	—
	Front 2.8L Eng w/A.T.....	60-9349	60-9349	—	—
	Front 2.8L Eng w/M.T.....	60-9348	60-9348	—	—
2006	Front 2.0L Eng.	60-9242	60-9242	66-9242	66-9242
	Front 2.8L Eng. w/A.T.....	60-9349	60-9349	—	—
	Front 2.8L Eng. w/M.T.....	60-9348	60-9348	—	—
2005-03	Front 2.0L Eng. w/A.T.....	60-9242	60-9242	66-9242	66-9242
	Front 2.0L Eng. w/M.T.....	60-9348	60-9348	—	—
2002-99	Front 2.0L Eng.....	60-9244	60-9249	—	—
9-3X					
2011	Front.....	60-9348	60-9348	—	—
	Rear.....	60-9678	60-9679	—	—
2010	Front w/ A.T.....	60-9348	60-9348	—	—
	Front w/ M.T.....	60-9348	—	—	—
	Rear.....	60-9678	60-9679	—	—
9-5					
2009-02	Front.....	60-9273	60-9273	66-9273	66-9273
2001-99	Front.....	60-9274	60-9274	—	—
900					
1998	Front 2.0L Eng. w/A.T.....	60-9244	60-9245	—	—
	Front 2.3L Eng. w/A.T.....	60-9244	60-9245	—	—
	Front 2.3L Eng. w/M.T.....	60-9246	60-9247	—	—

NEW & REMANUFACTURED CONSTANT VELOCITY DRIVE AXLES

YEAR	APPLICATION	REMAN		NEW	
		LEFT	RIGHT	LEFT	RIGHT
		Driver Side	Pass. Side	Driver Side	Pass. Side
SAAB (Cont'd)					
900 (Cont'd)					
1997-95	Front 2.0L Eng.....	60-9244	60-9245	—	—
	Front 2.3L Eng. w/A.T.....	60-9244	60-9245	—	—
	Front 2.3L Eng. w/M.T.....	60-9246	60-9247	—	—
1994	Front 2.5L Eng.....	60-9244	60-9248	—	—
	Front 2.0L Eng.....	60-9244	60-9245	—	—
	Front 2.1L Eng.....	60-9207	60-9207	—	—
	Front 2.3L Eng. w/A.T.....	60-9244	60-9245	—	—
	Front 2.3L Eng. w/M.T.....	60-9246	60-9247	—	—
1993-90	Front 2.5L Eng.....	60-9244	60-9248	—	—
	Front.....	60-9207	60-9206	—	—
1989-81	Front 8 Valve Eng.....	60-9172	60-9173	—	—
	Front 16 Valve Eng.....	60-9045	60-9039	—	—
1980-79	Front.....	60-9200	60-9201	—	—
9000					
1998	Front 2.3L Eng. Turbo w/A.T.....	60-9000	60-9000	—	—
	Front 2.3L Eng. Turbo w/M.T.....	60-9170	60-9170	—	—
1997	Front 2.3L Eng. Turbo w/A.T.....	60-9000	60-9000	—	—
	Front 2.3L Eng. Turbo w/M.T.....	60-9170	60-9170	—	—
	Front 3.0L Eng. w/A.T.....	60-9170	60-9170	—	—
1996-95	Front 3.0L Eng. w/M.T.....	60-9170	60-9170	—	—
	Front 2.3L Eng. w/A.T.....	60-9000	60-9000	—	—
	Front 2.3L Eng. w/M.T.....	60-9170	60-9170	—	—
	Front 3.0L Eng. w/A.T.....	60-9000	60-9000	—	—
	Front 3.0L Eng. w/M.T.....	60-9170	60-9170	—	—
1994	Front 2.3L Eng. w/A.T. (Exc. Turbo).....	60-9170	60-9170	—	—
	Front 2.3L Eng. w/A.T. Turbo.....	60-9000	60-9000	—	—
	Front 2.3L Eng. w/M.T.....	60-9170	60-9170	—	—
1993-90	Front 2.0L Eng. w/A.T.....	60-9170	60-9169	—	—
	Front 2.0L Eng. w/M.T.....	60-9169	60-9169	—	—
	Front 2.3L Eng. (Exc. Turbo) w/A.T.....	60-9170	60-9170	—	—
	Front 2.3L Eng. (Exc. Turbo) w/M.T.....	60-9169	60-9170	—	—
1989-86	Front 2.3L Eng. Turbo w/A.T.....	60-9000	60-9000	—	—
	Front 2.0L Eng. w/A.T. w/o ABS.....	60-9092	60-9049	—	—
	Front 2.0L Eng. w/A.T. w/ABS.....	60-9091	60-9171	—	—
	Front 2.0L Eng. w/M.T. w/o ABS.....	60-9049	60-9049	—	—
	Front 2.0L Eng. w/M.T. w/ABS.....	60-9171	60-9171	—	—
SAAB TRUCKS					
9-7X					
2009-05	Front.....	60-1345	60-1345	66-1345	66-1345
SATURN					
AURA					
2009	Front 2.4L Eng. (Exc. Hybrid).....	60-1458	60-1459	66-1458	66-1459
	Front 2.4L Eng. Hybrid.....	60-1411 ④	60-1411 ④	66-1243 ④	66-1243 ④
	Front 3.6L Eng. w/A.T.....	60-1460	60-1461	66-1460	66-1461
2008-07	Front 2.4L Eng. or 3.5L Eng.....	60-1411 ④	60-1411 ④	66-1243 ④	66-1243 ④
	Front 3.6L Eng. w/A.T.....	60-1460	60-1461	66-1460	66-1461
ION					
2007-06	Front 2.0L Eng.....	60-1375 ④	60-1375 ④	66-1375 ④	66-1375 ④
	Front 2.2L or 2.4L Eng. w/A.T.....	60-1376 ④	60-1376 ④	66-1376 ④	66-1376 ④
	Front 2.2L or 2.4L Eng. w/M.T.....	60-1371	60-1372	66-1371	66-1372
2005	Front 2.0L Eng.....	60-1375 ④	60-1375 ④	66-1375 ④	66-1375 ④
	Front 2.2L Eng. w/A.T.....	60-1376 ④	60-1376 ④	66-1376 ④	66-1376 ④
2004	Front 2.2L Eng. w/M.T.....	60-1371	60-1372	66-1371	66-1372
	Front 2.0L Eng.....	60-1375 ④	60-1375 ④	66-1375 ④	66-1375 ④
	Front 2.2L Eng. w/A.T.....	60-1371	60-1372	66-1371	66-1372
	Front 2.2L Eng. w/CVT.....	60-1371	60-1373	66-1371	—
2003	Front 2.2L Eng. w/M.T.....	60-1371	60-1372	66-1371	66-1372
	Front w/A.T.....	60-1371	60-1372	66-1371	66-1372
	Front w/CVT.....	60-1371	60-1373	66-1371	—
	Front w/M.T.....	60-1371	60-1372	66-1371	66-1372

CV DRIVE AXLES

④ Transfer Inner Stub Shaft from Original Axle to Replacement CV Axle.

NEW & REMANUFACTURED CONSTANT VELOCITY DRIVE AXLES

CV DRIVE AXLES

YEAR	APPLICATION	REMAN		NEW	
		LEFT	RIGHT	LEFT	RIGHT
SATURN (Cont'd)		Driver Side	Pass. Side	Driver Side	Pass. Side
L SERIES					
2005-04	Front.....	60-1358	60-1358	66-1358	66-1358
2003	Front 2.2L Eng. w/A.T. w/o ABS.....	60-1358	60-1357	66-1358	66-1358
	Front 2.2L Eng. w/A.T. w/ABS.....	60-1358	60-1358	66-1358	66-1358
	Front 3.0L Eng. w/A.T. w/o ABS.....	60-1357	60-1358	66-1358	66-1358
2002	Front 3.0L Eng. w/A.T. w/ABS.....	60-1358	60-1358	66-1358	66-1358
	Front 2.2L Eng. w/A.T.....	60-1358	60-1358	66-1358	66-1358
	Front 3.0L Eng.	60-1358	60-1358	66-1358	66-1358
2001	Front 2.2L Eng. w/A.T. w/o ABS.....	60-1357	60-1358	66-1358	66-1358
	Front 2.2L Eng. w/A.T. w/ABS.....	60-1358	60-1358	66-1358	66-1358
	Front 3.0L Eng. w/A.T. w/o ABS.....	60-1357	60-1358	66-1358	66-1358
2000	Front 3.0L Eng. w/A.T. w/ABS.....	60-1358	60-1358	66-1358	66-1358
	Front w/A.T. w/o ABS.....	60-1357	60-1357	66-1358	66-1358
	Front w/A.T. w/ABS.....	60-1358	60-1358	66-1358	66-1358
S SERIES					
2002-94	Front w/o ABS.....	60-1271	60-1272	66-1273	66-1274
	Front w/ABS.....	60-1273	60-1274	66-1273	66-1274
1993-91	Front w/o ABS.....	60-1119	60-1100	—	—
	Front w/ABS.....	60-1150	60-1151	—	—
SKY					
2010-09	Rear 2.0L Eng.....	60-1454	60-1455	—	—
	Rear 2.4L Eng.....	60-1452	60-1453	—	—
2008-07	Rear 2.0L Eng.....	60-1454	60-1455	—	—
	Rear 2.4L Eng.....	60-1452	60-1453	—	—
SATURN TRUCKS					
OUTLOOK					
2010-07	Front.....	60-1465	60-1466	66-1465	66-1466
	Front.....	—	—	66-1465HD	66-1466HD
	Rear AWD.....	60-1508	60-1509	—	—
RELAY					
2007	Front.....	60-1444	60-1445	66-1444	66-1445
2006-05	Front FWD.....	60-1444	60-1445	66-1444	66-1445
	Front AWD.....	60-1444	—	66-1444	—
	Rear AWD.....	60-1202	60-1202	66-1202	66-1202
VUE					
2010-09	Front 2.4L Eng.....	60-1467	60-1467	66-1467	66-1467
	Front 3.5L Eng or 3.6L Eng.....	60-1468	60-1469	66-1468	66-1461
	Rear.....	60-1479	60-1480	—	—
2008	Front 2.4L Eng. (Exc. Hybrid).....	60-1467	60-1467	66-1467	66-1467
	Front 2.4L Eng. Hybrid.....	60-1378	60-1378	66-1378	66-1378
	Front 3.5L Eng or 3.6L Eng.....	60-1468	60-1469	66-1468	66-1461
2007	Rear 2.4L Eng.....	60-1403	60-1404	—	—
	Rear 3.5L Eng or 3.6L Eng.....	60-1479	60-1480	—	—
	Front 2.2L Eng. w/A.T.....	60-1378	60-1378	66-1378	66-1378
	Front 2.2L Eng. w/M.T.....	60-1394	60-1395	—	—
	Front 2.4L Eng. w/A.T.....	60-1378	60-1378	66-1378	66-1378
	Front 3.5L Eng.....	60-1398	60-1399	66-1398	66-1399
2006	Rear.....	60-1403	60-1404	—	—
	Front 2.2L Eng. w/A.T.....	60-1378	60-1378	66-1378	66-1378
	Front 2.2L Eng. w/M.T.....	60-1394	60-1395	—	—
2005	Front 3.5L Eng.....	60-1398	60-1399	66-1398	66-1399
	Rear.....	60-1403	60-1404	—	—
	Front 2.2L Eng. w/A.T.....	60-1378	60-1378	66-1378	66-1378
2004	Front 2.2L Eng. w/CVT.....	60-1396	60-1397	66-1396	66-1397
	Front 2.2L Eng. w/M.T.....	60-1394	60-1395	—	—
	Front 3.5L Eng.....	60-1398	60-1399	66-1398	66-1399
	Rear.....	60-1403	60-1404	—	—
	Front 2.2L Eng. w/A.T.....	60-1398	60-1399	66-1398	66-1399
	Front 2.2L Eng. w/CVT.....	60-1396	60-1397	66-1396	66-1397

NEW & REMANUFACTURED CONSTANT VELOCITY DRIVE AXLES

YEAR	APPLICATION	REMAN		NEW	
		LEFT	RIGHT	LEFT	RIGHT
SATURN (Cont'd)		Driver Side	Pass. Side	Driver Side	Pass. Side
VUE (Cont'd)					
2003	Front 2.2L Eng. w/CVT FWD	60-1396	60-1397	66-1396	66-1397
	Front 2.2L Eng. w/CVT AWD	60-1396	60-1397	66-1396	66-1397
	Front 2.2L Eng. w/M.T.	60-1394	60-1395	—	—
	Front 3.0L Eng. w/A.T. FWD	60-1400	60-1400	66-1400	66-1400
	Front 3.0L Eng. w/A.T. AWD	60-1400	60-1402	66-1400	66-1402
2002	Rear	60-1403	60-1404	—	—
	Front 2.2L Eng. w/CVT FWD	60-1396	60-1395	66-1396	—
	Front 2.2L Eng. w/CVT AWD	60-1396	60-1397	66-1396	66-1397
	Front 2.2L Eng. w/M.T.	60-1394	60-1395	—	—
	Front 3.0L Eng.	60-1400	60-1402	66-1400	66-1402
Rear	60-1403	60-1404	—	—	
SCION					
tC					
2010-05	Front	60-5237	60-5239	66-5237	66-5239
xA					
2006-04	Front	60-5191	60-5193	66-5191	66-5193
xB					
2015-08	Front	60-5281	60-5282	66-5281	66-5282
2007	None Produced				
2006-04	Front	60-5191	60-5193	66-5191	66-5193
xD					
2014-08	Front 1.8L Eng.	60-5283	60-5284	—	—
STERLING					
825SL					
1990-86	Front w/o ABS	60-9023	60-9023	—	—
	Front w/ABS	60-9025	60-9025	—	—
SUBARU					
IMPREZA					
2014-12	Front WRX STI	60-7310	60-7310	66-7310HD	66-7310HD
	Front WRX, WRX Limited, WRX Premium	60-7381	60-7381	66-7381	66-7381
2011	Rear	60-7425	60-7425	—	—
	Front WRX, WRX Limited, WRX Premium	60-7381	60-7381	66-7381	66-7381
	Front WRX STI	60-7310	60-7310	66-7310HD	66-7310HD
	Front 2.5i, 2.5i Premium, Outback Sport	60-7355	60-7355	66-7355	66-7355
	Front 2.5i, 2.5i Premium, Outback Sport	—	—	66-7355HD	66-7355HD
2010	Rear 2.5i, 2.5i Premium, Outback Sport, Before 5/31/2010	60-7378	60-7378	—	—
	Rear WRX, WRX Limited, WRX Premium	60-7425	60-7425	—	—
	Front (Exc. WRX STI)	60-7355	60-7355	66-7355	66-7355
	Front (Exc. WRX STI)	—	—	66-7355HD	66-7355HD
	Front WRX STI	60-7310	60-7310	66-7310HD	66-7310HD
2009-08	Rear (Exc. WRX STI) From 9/1/09	60-7378	60-7378	—	—
	Rear WRX STI Before 6/1/09	60-7377	60-7377	—	—
	Front (Exc. WRX STI)	60-7355	60-7355	66-7355	66-7355
	Front (Exc. WRX STI)	—	—	66-7355HD	66-7355HD
	Front WRX STI	60-7310	60-7310	66-7310HD	66-7310HD
2007	Rear (Exc. WRX STI)	60-7378	60-7378	—	—
	Rear WRX STI	60-7377	60-7377	—	—
	Front	60-7360	60-7360	66-7360	66-7360
	Rear Outback Sport Wagon	60-7029	60-7029	66-7029	66-7029
	Rear WRX Sedan	60-7376	60-7029	—	66-7029
2006	Rear WRX Wagon	60-7029	60-7029	66-7029	66-7029
	Rear 2.5i Sedan	60-7376	60-7376	—	—
	Rear 2.5i Wagon	60-7029	60-7029	66-7029	66-7029
	Rear WRX STI, WRX STI Limited	60-7373	60-7373	66-7373	66-7373
	Front Outback Sport Wagon	60-7363	60-7363	66-7363	66-7363
2006	Front WRX Sedan	60-7281	60-7281	66-7281	66-7281
	Front WRX STI	60-7360	60-7360	66-7360	66-7360
	Front WRX Wagon	60-7363	60-7363	66-7363	66-7363
	Front 2.5i Sedan	60-7281	60-7281	66-7281	66-7281
	Front 2.5i Wagon	60-7363	60-7363	66-7363	66-7363

CV DRIVE AXLES

NEW & REMANUFACTURED CONSTANT VELOCITY DRIVE AXLES

CV DRIVE AXLES

YEAR	APPLICATION	REMAN		NEW	
		LEFT	RIGHT	LEFT	RIGHT
SUBARU (Cont'd)		Driver Side	Pass. Side	Driver Side	Pass. Side
IMPREZA (Cont'd)					
2006	Rear Outback Sport Wagon.....	60-7028	60-7029	66-7029	66-7029
(Cont'd)	Rear WRX Sedan	60-7029	60-7376	66-7029	—
	Rear WRX STI	60-7373	60-7373	66-7373	66-7373
	Rear WRX Wagon	60-7028	60-7029	66-7029	66-7029
	Rear 2.5i Sedan	60-7029	60-7376	66-7029	—
	Rear 2.5i Wagon	60-7028	60-7029	66-7029	66-7029
2005	Front Outback Sport Wagon	60-7281	60-7281	66-7281	66-7281
	Front RS Sedan	60-7363	60-7363	66-7363	66-7363
	Front RS Wagon	60-7281	60-7281	66-7281	66-7281
	Front WRX Sedan	60-7281	60-7281	66-7281	66-7281
	Front WRX STI	60-7360	60-7360	66-7360	66-7360
	Front WRX Wagon	60-7363	60-7363	66-7363	66-7363
	Rear Outback Sport Wagon From 1/14/05.....	60-7028	60-7029	66-7029	66-7029
	Rear Outback Sport Wagon Before 1/14/05.....	60-7028	60-7420	66-7029	—
	Rear RS Sedan From 1/14/05.....	60-7029	60-7376	66-7029	—
	Rear RS Sedan Before 1/14/05.....	60-7423	60-7376	—	—
	Rear RS Wagon From 1/14/05.....	60-7028	60-7029	66-7029	66-7029
	Rear RS Wagon Before 1/14/05.....	60-7028	60-7420	66-7029	—
	Rear WRX Sedan From 2/21/05.....	60-7029	60-7376	66-7029	—
	Rear WRX Sedan Before 2/21/05.....	60-7422	60-7376	—	—
	Rear WRX Wagon From 1/14/05.....	60-7028	60-7029	66-7029	66-7029
	Rear WRX Wagon Before 1/14/05.....	60-7419	60-7029	—	66-7029
	Rear WRX STI	60-7373	60-7373	66-7373	66-7373
2004	Front Outback From 9/03.....	60-7363	60-7363	66-7363	66-7363
	Front Outback Before 9/03.....	60-7259	60-7259	66-7259	66-7259
	Front RS Before 9/03.....	60-7259	60-7259	66-7259	66-7259
	Front TS From 9/03.....	60-7363	60-7363	66-7363	66-7363
	Front TS Before 9/03.....	60-7259	60-7259	66-7259	66-7259
	Front WRX Sedan From 9/03.....	60-7281	60-7281	66-7281	66-7281
	Front WRX Sedan Before 9/03.....	60-7259	60-7259	66-7259	66-7259
	Front WRX Wagon From 9/03.....	60-7363	60-7363	66-7363	66-7363
	Front WRX Wagon Before 9/03.....	60-7259	60-7259	66-7259	66-7259
	Rear RS.....	60-7423	60-7376	—	—
	Rear TS or Outback	60-7028	60-7420	66-7029	—
	Rear WRX Sedan	60-7422	60-7376	—	—
	Rear WRX STI Sedan	60-7373	60-7373	66-7373	66-7373
	Rear WRX Wagon	60-7419	60-7029	—	66-7029
2003	Front.....	60-7259	60-7259	66-7259	66-7259
	Front.....	—	—	66-7259HD	66-7259HD
	Rear RS.....	60-7423	60-7376	—	—
	Rear Outback, TS.....	60-7028	60-7420	66-7029	—
	Rear WRX Sedan	60-7422	60-7376	—	—
	Rear WRX Wagon	60-7419	60-7029	—	66-7029
2002	Front.....	60-7259	60-7259	66-7259	66-7259
	Front.....	—	—	66-7259HD	66-7259HD
	Rear Outback or TS.....	60-7028	60-7420	66-7029	—
	Rear RS.....	60-7423	60-7376	—	—
	Rear WRX Sedan	60-7422	60-7376	—	—
	Rear WRX Wagon	60-7419	60-7029	—	66-7029
2001	Front L.....	60-7007 ④	60-7007 ④	66-7055 ④	66-7055 ④
	Front Outback, RS	60-7259	60-7259	66-7259	66-7259
	Front Outback, RS	—	—	66-7259HD	66-7259HD
	Rear RS w/A.T.	60-7028	60-7029	66-7029	66-7029
	Rear w/M.T.	60-7028	60-7029	66-7029	66-7029
2000	Front L.....	60-7007 ④	60-7007 ④	66-7055 ④	66-7055 ④
	Front Outback, RS	60-7259	60-7259	66-7259	66-7259
	Front Outback, RS	—	—	66-7259HD	66-7259HD
	Rear w/A.T.	60-7264	60-7264	66-7264	66-7264
	Rear w/M.T.	60-7028	60-7029	66-7029	66-7029
1999-97	Front.....	60-7007 ④	60-7007 ④	66-7055 ④	66-7055 ④
	Rear w/A.T.	60-7264	60-7264	66-7264	66-7264
	Rear w/M.T.	60-7028	60-7029	66-7029	66-7029
1996-95	Front.....	60-7007 ④	60-7007 ④	66-7055 ④	66-7055 ④
	Rear 1.8L Eng.	60-7264	60-7264	66-7264	66-7264
	Rear 2.2L Eng.	60-7028	60-7029	66-7029	66-7029
1994-93	Front 2WD w/A.T.	60-7007 ④	60-7007 ④	66-7055 ④	66-7055 ④
	Front 2WD w/M.T.	60-7229	60-7229	—	—
	Front AWD.....	60-7007 ④	60-7007 ④	66-7055 ④	66-7055 ④
	Rear	60-7264	60-7264	66-7264	66-7264

④ Transfer Inner Stub Shaft from Original Axle to Replacement CV Axle.

NEW & REMANUFACTURED CONSTANT VELOCITY DRIVE AXLES

YEAR	APPLICATION	REMAN		NEW	
		LEFT	RIGHT	LEFT	RIGHT
SUBARU (Cont'd)		Driver Side	Pass. Side	Driver Side	Pass. Side
JUSTY					
1994-91	Front.....	60-7227	60-7227	—	—
1990	Front From 1/90.....	60-7227	60-7227	—	—
	Front Before 1/90.....	60-7227	60-7226	—	—
1989	Front.....	60-7227	60-7226	—	—
1988	Front.....	60-7220	60-7219	—	—
	Rear.....	60-7051	60-7213	—	—
1987	Front.....	60-7220	60-7219	—	—
LEGACY					
2014-10	Front.....	60-7509	60-7509	66-07509	66-07509
2009-08	Front.....	60-7355	60-7355	66-7355	66-7355
	Front.....	—	—	66-7355HD	66-7355HD
	Rear 2.5i, 2.5i Limited, 2.5i Special Edition w/A.T.....	60-7372	60-7372	—	—
	Rear 2.5i, 2.5i Limited, 2.5i Special Edition w/M.T.....	60-7375	60-7375	—	—
	Rear GT Limited, 3.0R Limited.....	60-7375	60-7375	—	—
	Front.....	60-7355	60-7355	66-7355	66-7355
2007	Front.....	—	—	66-7355HD	66-7355HD
	Rear GT Limited.....	60-7374	60-7374	—	—
2006-05	Rear 2.5i, 2.5i Limited, 2.5i Special Edition.....	60-7375	60-7375	—	—
	Front.....	60-7355	60-7355	66-7355	66-7355
	Front.....	—	—	66-7355HD	66-7355HD
	Rear w/A.T.....	60-7372	60-7372	—	—
	Rear w/M.T.....	60-7375	60-7375	—	—
2004-03	Front.....	60-7259	60-7259	66-7259	66-7259
	Front.....	—	—	66-7259HD	66-7259HD
	Rear w/o Auto Stick.....	60-7370	60-7370	—	—
	Rear w/ Auto Stick.....	60-7369	60-7374	—	—
	Rear w/M.T.....	60-7369	60-7374	—	—
	Front.....	60-7259	60-7259	66-7259	66-7259
2002	Front.....	—	—	66-7259HD	66-7259HD
	Rear w/A.T.....	60-7370	60-7370	—	—
2001	Rear w/M.T.....	60-7369	60-7374	—	—
	Front.....	60-7259	60-7259	66-7259	66-7259
	Front.....	—	—	66-7259HD	66-7259HD
	Rear w/A.T.....	60-7370	60-7370	—	—
	Rear w/M.T.....	60-7369	60-7374	—	—
2000	Front.....	60-7259	60-7259	66-7259	66-7259
	Front.....	—	—	66-7259HD	66-7259HD
1999-97	Rear w/M.T.....	60-7369	60-7374	—	—
	Front.....	60-7007 ^④	60-7007 ^④	66-7055 ^④	66-7055 ^④
1996	Rear w/A.T.....	60-7264	60-7264	66-7264	66-7264
	Rear w/M.T.....	60-7028	60-7029	66-7029	66-7029
	Front w/A.T.....	60-7007 ^④	60-7007 ^④	66-7055 ^④	66-7055 ^④
1995	Front w/M.T.....	60-7055 ^④	60-7055 ^④	66-7055 ^④	66-7055 ^④
	Rear.....	60-7028	60-7029	66-7029	66-7029
1994	Front 2WD w/A.T.....	60-7007 ^④	60-7007 ^④	66-7055 ^④	66-7055 ^④
	Front 2WD w/M.T.....	60-7055 ^④	60-7055 ^④	66-7055 ^④	66-7055 ^④
1993-90	Front 4WD.....	60-7007 ^④	60-7007 ^④	66-7055 ^④	66-7055 ^④
	Rear.....	60-7028	60-7029	66-7029	66-7029
	Front 2WD w/A.T. From 4/93.....	60-7007 ^④	60-7007 ^④	66-7055 ^④	66-7055 ^④
	Front 2WD w/A.T. Before 4/93.....	60-7055 ^④	60-7055 ^④	66-7055 ^④	66-7055 ^④
1993-90	Front 2WD.....	60-7055 ^④	60-7055 ^④	66-7055 ^④	66-7055 ^④
	Front 4WD.....	60-7007 ^④	60-7007 ^④	66-7055 ^④	66-7055 ^④
	Rear.....	60-7041	60-7214	—	—
	Rear.....	60-7055 ^④	60-7055 ^④	66-7055 ^④	66-7055 ^④
	Rear.....	60-7007 ^④	60-7007 ^④	66-7055 ^④	66-7055 ^④
	Rear.....	60-7041	60-7214	—	—
LOYALE					
1994	Front.....	60-7008	60-7008	66-7008	66-7008
	Rear.....	60-7036	60-7036	—	—
1993-92	Front 2WD w/A.T.....	60-7000	60-7000	66-7008	66-7008
	Front 2WD w/M.T.....	60-7008	60-7008	66-7008	66-7008
	Front 4WD.....	60-7008	60-7008	66-7008	66-7008
	Rear.....	60-7036	60-7036	—	—
1991	Front 2WD w/A.T.....	60-7000	60-7000	66-7008	66-7008
	Front 2WD w/M.T.....	60-7008	60-7008	66-7008	66-7008
	Front 4WD.....	60-7008	60-7008	66-7008	66-7008
	Rear.....	60-7036	60-7036	—	—

CV DRIVE AXLES

④ Transfer Inner Stub Shaft from Original Axle to Replacement CV Axle.

NEW & REMANUFACTURED CONSTANT VELOCITY DRIVE AXLES

CV DRIVE AXLES

YEAR	APPLICATION	REMAN		NEW	
		LEFT	RIGHT	LEFT	RIGHT
		Driver Side	Pass. Side	Driver Side	Pass. Side
SUBARU (Cont'd)					
LOYALE (Cont'd)					
1990	Front 2WD (Exc. Turbo) w/A.T.....	60-7000	60-7000	66-7008	66-7008
	Front 2WD Turbo w/A.T.....	60-7008	60-7008	66-7008	66-7008
	Front 2WD (Exc. Turbo) w/M.T.....	60-7008	60-7008	66-7008	66-7008
	Front 2WD Turbo w/M.T.....	60-7009	60-7009	—	—
	Front 4WD (Exc. Turbo).....	60-7008	60-7008	66-7008	66-7008
	Front 4WD Turbo w/A.T.....	60-7008	60-7008	66-7008	66-7008
	Front 4WD Turbo w/M.T.....	60-7009	60-7009	—	—
	Rear.....	60-7036	60-7036	—	—
OUTBACK					
2014-10	Front.....	60-7509	60-7509	66-07509	66-07509
	Rear.....	60-7444	60-7444	—	—
2009	Front.....	60-7355	60-7355	66-7355	66-7355
	Front.....	—	—	66-7355HD	66-7355HD
	Rear 2.5i, 2.5i Limited w/A.T.....	60-7372	60-7372	—	—
	Rear 2.5i w/M.T.....	60-7375	60-7375	—	—
	Rear XT Limited.....	60-7375	60-7375	—	—
	Rear 3.0R Limited.....	60-7375	60-7375	—	—
2008-07	Front.....	60-7355	60-7355	66-7355	66-7355
	Front.....	—	—	66-7355HD	66-7355HD
	Rear.....	60-7375	60-7375	—	—
2006	Front.....	60-7355	60-7355	66-7355	66-7355
	Front.....	—	—	66-7355HD	66-7355HD
	Rear 2.5L Eng. (Exc. Turbo) w/A.T.....	60-7372	60-7372	—	—
	Rear 2.5L Eng. (Exc. Turbo) w/M.T.....	60-7375	60-7375	—	—
	Rear 2.5L Eng. Turbo.....	60-7375	60-7375	—	—
	Rear 3.0L Eng.....	60-7372	60-7372	—	—
2005	Front.....	60-7355	60-7355	66-7355	66-7355
	Front.....	—	—	66-7355HD	66-7355HD
	Rear 2.5L Eng. (Exc. Turbo) w/A.T.....	60-7372	60-7372	—	—
	Rear 2.5L Eng. (Exc. Turbo) w/M.T.....	60-7375	60-7375	—	—
	Rear 2.5L Eng. Turbo.....	60-7375	60-7375	—	—
	Rear 3.0L Eng.....	60-7375	60-7375	—	—
2004	Front.....	60-7259	60-7259	66-7259	66-7259
	Front.....	—	—	66-7259HD	66-7259HD
	Rear w/A.T. EJ253, 59 Eng.....	60-7370	60-7370	—	—
	Rear w/M.T. EJ253, 59 Eng.....	60-7369	60-7374	—	—
	Rear EZ30D Eng.....	60-7369	60-7374	—	—
2003-02	Front.....	60-7259	60-7259	66-7259	66-7259
	Front.....	—	—	66-7259HD	66-7259HD
	Rear w/A.T. EJ253 Eng.....	60-7370	60-7370	—	—
	Rear w/M.T. EJ253 Eng.....	60-7369	60-7374	—	—
	Rear EZ30D Eng.....	60-7369	60-7374	—	—
2001	Front.....	60-7259	60-7259	66-7259	66-7259
	Front.....	—	—	66-7259HD	66-7259HD
	Rear w/A.T.....	60-7370	60-7370	—	—
	Rear w/M.T.....	60-7369	60-7374	—	—
2000	Front.....	60-7259	60-7259	66-7259	66-7259
	Front.....	—	—	66-7259HD	66-7259HD
	Rear.....	60-7369	60-7374	—	—
SVX					
1997-96	Front.....	60-7209 ④	60-7209 ④	—	—
1995-94	Front 2WD.....	60-7228	60-7228	—	—
	Front 4WD.....	60-7209 ④	60-7209 ④	—	—
1993	Front 2WD.....	60-7228	60-7228	—	—
	Front 4WD.....	60-7209 ④	60-7209 ④	—	—
1992	Front.....	60-7209 ④	60-7209 ④	—	—
WAGON					
1989-88	Front 2WD w/A.T.....	60-7000	60-7000	66-7008	66-7008
	Front 2WD w/M.T.....	60-7008	60-7008	66-7008	66-7008
	Front 4WD w/A.T.....	60-7008	60-7008	66-7008	66-7008
	Front 4WD w/M.T.....	60-7009	60-7009	—	—
	Rear.....	60-7036	60-7036	—	—

④ Transfer Inner Stub Shaft from Original Axle to Replacement CV Axle.

NEW & REMANUFACTURED CONSTANT VELOCITY DRIVE AXLES

YEAR	APPLICATION	REMAN		NEW	
		LEFT	RIGHT	LEFT	RIGHT
		Driver Side	Pass. Side	Driver Side	Pass. Side
SUBARU (Cont'd)					
WAGON (Cont'd)					
1987	Front 2WD w/Carb.....	60-7000	60-7000	66-7008	66-7008
	Front 2WD w/Fuel Injection (Exc. Turbo) w/A.T.....	60-7000	60-7000	66-7008	66-7008
	Front 2WD w/Fuel Injection Turbo w/A.T.....	60-7008	60-7008	66-7008	66-7008
	Front 2WD w/Fuel Injection (Exc. Turbo) w/M.T.....	60-7008	60-7008	66-7008	66-7008
	Front 2WD w/Fuel Injection Turbo w/M.T.....	60-7009	60-7009	—	—
	Front 4WD w/Carb.....	60-7008	60-7008	66-7008	66-7008
	Front 4WD w/Fuel Injection w/A.T.....	60-7008	60-7008	66-7008	66-7008
	Front 4WD w/Fuel Injection w/M.T.....	60-7009	60-7009	—	—
Rear.....	60-7036	60-7036	—	—	
1986-85	Front 2WD w/Carb.....	60-7000	60-7000	66-7008	66-7008
	Front 2WD w/Fuel Injection (Exc. Turbo) w/A.T.....	60-7000	60-7000	66-7008	66-7008
	Front 2WD w/Fuel Injection (Exc. Turbo) w/M.T.....	60-7008	60-7008	66-7008	66-7008
	Front 2WD w/Fuel Injection Turbo w/A.T.....	60-7008	60-7008	66-7008	66-7008
	Front 2WD w/Fuel Injection Turbo w/M.T.....	60-7009	60-7009	—	—
	Front 4WD w/Carb.....	60-7008	60-7008	66-7008	66-7008
	Front 4WD w/Fuel Injection w/A.T.....	60-7008	60-7008	66-7008	66-7008
	Front 4WD w/Fuel Injection w/M.T.....	60-7009	60-7009	—	—
Rear.....	60-7034	60-7034	—	—	
1984-80	Front.....	60-7001	60-7001	66-7001	66-7001
XT					
1991-90	Front 1.8L Eng. w/A.T.....	60-7009	60-7009	—	—
	Front 1.8L Eng. w/M.T.....	60-7008	60-7008	66-7008	66-7008
	Front 2.7L Eng.....	60-7019	60-7019	—	—
1989	Rear 1.8L Eng. Eng.....	60-7036	60-7036	—	—
	Front 1.8L Eng. w/A.T.....	60-7009	60-7009	—	—
	Front 1.8L Eng. w/M.T.....	60-7008	60-7008	66-7008	66-7008
1988	Front 2.7L Eng.....	60-7019	60-7019	—	—
	Rear 1.8L Eng.....	60-7036	60-7036	—	—
	Front 1.8L Eng. w/A.T.....	60-7009	60-7009	—	—
1987	Front 1.8L Eng. w/M.T.....	60-7008	60-7008	66-7008	66-7008
	Front 2.7L Eng.....	60-7019	60-7019	—	—
	Rear 1.8L Eng.....	60-7036	60-7036	—	—
1986-85	Front 1.8L Eng. (Exc. Turbo).....	60-7008	60-7008	66-7008	66-7008
	Front 1.8L Eng. Turbo w/3 Spd. A.T.....	60-7008	60-7008	66-7008	66-7008
	Front 1.8L Eng. Turbo w/4 Spd. A.T.....	60-7009	60-7009	—	—
	Front 1.8L Eng. Turbo w/M.T.....	60-7008	60-7008	66-7008	66-7008
	Rear 1.8L Eng.....	60-7036	60-7036	—	—
1986-85	Front 1.8L Eng. (Exc. Turbo).....	60-7008	60-7008	66-7008	66-7008
	Front 1.8L Eng. Turbo w/3 Spd. A.T.....	60-7008	60-7008	66-7008	66-7008
	Front 1.8L Eng. Turbo w/4 Spd. A.T.....	60-7009	60-7009	—	—
	Front 1.8L Eng. Turbo w/M.T.....	60-7008	60-7008	66-7008	66-7008
	Rear 1.8L Eng.....	60-7034	60-7034	—	—
XV CROSSTREK					
2014	Front Before 01/11/2014.....	60-7381	60-7381	66-7381	66-7381
2012	Front.....	60-7381	60-7381	66-7381	66-7381
2 DOOR					
1984-80	Front Coupe, Hardtop.....	60-7001	60-7001	66-7001	66-7001
3 DOOR					
1989-88	Front 2WD w/A.T.....	60-7000	60-7000	66-7008	66-7008
	Front 2WD w/M.T.....	60-7008	60-7008	66-7008	66-7008
	Front 4WD w/A.T.....	60-7008	60-7008	66-7008	66-7008
	Front 4WD w/M.T.....	60-7009	60-7009	—	—
	Rear.....	60-7036	60-7036	—	—
1987	Front 2WD w/Carb.....	60-7000	60-7000	66-7008	66-7008
	Front 2WD w/Fuel Injection (Exc. Turbo) w/A.T.....	60-7000	60-7000	66-7008	66-7008
	Front 2WD w/Fuel Injection (Exc. Turbo) w/M.T.....	60-7008	60-7008	66-7008	66-7008
	Front 2WD w/Fuel Injection Turbo w/A.T.....	60-7008	60-7008	66-7008	66-7008
	Front 2WD w/Fuel Injection Turbo w/M.T.....	60-7009	60-7009	—	—
	Front 4WD w/Carb.....	60-7008	60-7008	66-7008	66-7008
	Front 4WD w/Fuel Injection w/A.T.....	60-7008	60-7008	66-7008	66-7008
	Front 4WD w/Fuel Injection w/M.T.....	60-7009	60-7009	—	—
Rear.....	60-7036	60-7036	—	—	

CV DRIVE AXLES

NEW & REMANUFACTURED CONSTANT VELOCITY DRIVE AXLES

CV DRIVE AXLES

YEAR	APPLICATION	REMAN		NEW	
		LEFT	RIGHT	LEFT	RIGHT
		Driver Side	Pass. Side	Driver Side	Pass. Side
SUBARU (Cont'd)					
3 DOOR (Cont'd)					
1986	Front 2WD w/Carb.....	60-7000	60-7000	66-7008	66-7008
	Front 2WD w/Fuel Injection (Exc. Turbo) w/A.T.....	60-7000	60-7000	66-7008	66-7008
	Front 2WD w/Fuel Injection (Exc. Turbo) w/M.T.....	60-7008	60-7008	66-7008	66-7008
	Front 2WD w/Fuel Injection Turbo w/A.T.....	60-7008	60-7008	66-7008	66-7008
	Front 2WD w/Fuel Injection Turbo w/M.T.....	60-7009	60-7009	—	—
	Front 4WD w/Carb.....	60-7008	60-7008	66-7008	66-7008
	Front 4WD w/Fuel Injection w/A.T.....	60-7008	60-7008	66-7008	66-7008
	Front 4WD w/Fuel Injection w/M.T.....	60-7009	60-7009	—	—
	Rear.....	60-7034	60-7034	—	—
4 DOOR					
1989-88	Front 2WD w/A.T.....	60-7000	60-7000	66-7008	66-7008
	Front 2WD w/M.T.....	60-7008	60-7008	66-7008	66-7008
	Front 4WD w/A.T.....	60-7008	60-7008	66-7008	66-7008
	Front 4WD w/M.T.....	60-7009	60-7009	—	—
	Rear.....	60-7036	60-7036	—	—
1987	Front 2WD w/Carb.....	60-7000	60-7000	66-7008	66-7008
	Front 2WD w/Fuel Injection (Exc. Turbo) w/A.T.....	60-7000	60-7000	66-7008	66-7008
	Front 2WD w/Fuel Injection (Exc. Turbo) w/M.T.....	60-7008	60-7008	66-7008	66-7008
	Front 2WD w/Fuel Injection Turbo w/A.T.....	60-7008	60-7008	66-7008	66-7008
	Front 2WD w/Fuel Injection Turbo w/M.T.....	60-7009	60-7009	—	—
	Front 4WD w/Carb.....	60-7008	60-7008	66-7008	66-7008
	Front 4WD w/Fuel Injection w/A.T.....	60-7008	60-7008	66-7008	66-7008
	Front 4WD w/Fuel Injection w/M.T.....	60-7009	60-7009	—	—
	Rear.....	60-7036	60-7036	—	—
1986-85	Front 2WD w/Carb.....	60-7000	60-7000	66-7008	66-7008
	Front 2WD w/Fuel Injection (Exc. Turbo) w/A.T.....	60-7000	60-7000	66-7008	66-7008
	Front 2WD w/Fuel Injection (Exc. Turbo) w/M.T.....	60-7008	60-7008	66-7008	66-7008
	Front 2WD w/Fuel Injection Turbo w/A.T.....	60-7008	60-7008	66-7008	66-7008
	Front 2WD w/Fuel Injection Turbo w/M.T.....	60-7009	60-7009	—	—
	Front 4WD w/Carb.....	60-7008	60-7008	66-7008	66-7008
	Front 4WD w/Fuel Injection w/A.T.....	60-7008	60-7008	66-7008	66-7008
	Front 4WD w/Fuel Injection w/M.T.....	60-7009	60-7009	—	—
	Rear.....	60-7034	60-7034	—	—
1984-80	Front.....	60-7001	60-7001	66-7001	66-7001
SUBARU TRUCKS					
B9 TRIBECA					
2007-06	Front.....	60-7382	60-7382	66-7382	66-7382
	Rear.....	60-7379	60-7379	—	—
BAJA					
2006	Front Exc. Turbo.....	60-7259	60-7259	66-7259	66-7259
	Front Exc. Turbo.....	—	—	66-7259HD	66-7259HD
	Front Turbo w/A.T.....	60-7363	60-7363	66-7363	66-7363
	Rear Sport w/A.T.....	60-7370	60-7370	—	—
	Rear Sport w/M.T.....	60-7369	60-7374	—	—
	Rear Turbo.....	60-7369	60-7374	—	—
2005	Front Exc. Turbo.....	60-7259	60-7259	66-7259	66-7259
	Front Exc. Turbo.....	—	—	66-7259HD	66-7259HD
	Front Turbo w/A.T.....	60-7363	60-7363	66-7363	66-7363
	Rear (Exc. Turbo) w/A.T.....	60-7370	60-7370	—	—
	Rear (Exc. Turbo) w/M.T.....	60-7369	60-7374	—	—
	Rear Turbo.....	60-7369	60-7374	—	—
2004	Front w/A.T. EJ253 Eng.....	60-7259	60-7259	66-7259	66-7259
	Front w/A.T. EJ253 Eng.....	—	—	66-7259HD	66-7259HD
	Front w/A.T. EJ255 Eng.....	60-7363	60-7363	66-7363	66-7363
	Front w/M.T.....	60-7259	60-7259	66-7259	66-7259
	Front w/M.T.....	—	—	66-7259HD	66-7259HD
	Rear w/A.T. EJ253 Eng.....	60-7370	60-7370	—	—
2003	Rear w/M.T. EJ253 Eng.....	60-7369	60-7374	—	—
	Rear EJ255 Eng.....	60-7369	60-7374	—	—
	Front.....	60-7259	60-7259	66-7259	66-7259
	Front.....	—	—	66-7259HD	66-7259HD
	Rear w/A.T.....	60-7370	60-7370	—	—
	Rear w/M.T.....	60-7369	60-7374	—	—

NEW & REMANUFACTURED CONSTANT VELOCITY DRIVE AXLES

YEAR	APPLICATION	REMAN		NEW	
		LEFT	RIGHT	LEFT	RIGHT
SUBARU TRUCKS (Cont'd)		Driver Side	Pass. Side	Driver Side	Pass. Side
BRAT, MPV					
1984-82	Front.....	60-7001	60-7001	66-7001	66-7001
FORESTER					
2013-10	Front 2.5L Eng.....	60-7381	60-7381	66-7381	66-7381
	Rear 2.5L Eng.....	60-7425	60-7425	—	—
2009	Front.....	60-7381	60-7381	66-7381	66-7381
	Rear.....	60-7425	60-7425	—	—
2008	Front.....	60-7281	60-7281	66-7281	66-7281
	Rear Exc. Turbo.....	60-7029	60-7376	66-7029	—
	Rear Turbo.....	60-7029	60-7029	66-7029	66-7029
2007-06	Front.....	60-7281	60-7281	66-7281	66-7281
	Rear.....	60-7029	60-7029	66-7029	66-7029
2005	Front.....	60-7281	60-7281	66-7281	66-7281
	Rear (Exc. Turbo) From 1/14/05.....	60-7376	60-7029	—	—
	Rear (Exc. Turbo) To 1/13/05.....	60-7423	60-7376	—	—
	Rear Turbo From 1/14/05.....	60-7029	60-7376	66-7029	—
	Rear Turbo To 1/13/05.....	60-7422	60-7376	—	—
2004	Front.....	60-7281	60-7281	66-7281	66-7281
	Rear Exc. Turbo.....	60-7423	60-7376	—	—
	Rear Turbo.....	60-7422	60-7376	—	—
2003	Front.....	60-7281	60-7281	66-7281	66-7281
	Rear.....	60-7423	60-7376	—	—
2002	Front.....	60-7259	60-7259	66-7259	66-7259
	Front.....	—	—	66-7259HD	66-7259HD
	Rear.....	60-7028	60-7420	66-7029	—
2001	Front.....	60-7259	60-7259	66-7259	66-7259
	Front.....	—	—	66-7259HD	66-7259HD
	Rear.....	60-7028	60-7029	66-7029	66-7029
2000	Front From 2/00.....	60-7259	60-7259	66-7259	66-7259
	Front From 2/00.....	—	—	66-7259HD	66-7259HD
	Front Before 2/00.....	60-7007 ^④	60-7007 ^④	66-7055 ^④	66-7055 ^④
	Rear From 2/00.....	60-7028	60-7029	66-7029	66-7029
	Rear Before 2/00.....	60-7028	60-7029	66-7029	66-7029
1999-98	Front.....	60-7007 ^④	60-7007 ^④	66-7055 ^④	66-7055 ^④
	Rear.....	60-7028	60-7029	66-7029	66-7029
TRIBECA					
2014-12	Front.....	60-7382	60-7382	66-7382	66-7382
	Rear.....	60-7379	60-7379	—	—
2011-08	Front.....	60-7382	60-7382	66-7382	66-7382
	Rear.....	60-7379	60-7379	—	—
SUZUKI					
AERIO					
2007-06	Front.....	60-7325	60-7327	66-7325	66-7327
	Rear.....	60-7426	60-7427	—	—
2005-04	Front w/A.T. w/o ABS.....	60-7324	60-7326	66-7325	66-7327
	Front w/A.T. w/ABS.....	60-7325	60-7327	66-7325	66-7327
	Rear.....	60-7426	60-7427	—	—
2003	Front FWD w/A.T. w/o ABS.....	60-7291	60-7293	66-7292	66-7294
	Front FWD w/A.T. w/ABS.....	60-7292	—	66-7292	66-7294
	Front AWD w/A.T. w/o ABS.....	60-7291	—	66-7292	—
	Front AWD w/A.T. w/ABS.....	60-7292	—	66-7292	—
	Rear AWD.....	60-7426	60-7427	—	—
2002	Front w/A.T. w/o ABS.....	60-7291	60-7293	66-7292	66-7294
	Front w/A.T. w/ABS.....	60-7292	—	66-7292	66-7294
ESTEEM					
2002-01	Front w/A.T. w/o ABS.....	60-7291	60-7293	66-7292	66-7294
	Front w/A.T. w/ABS.....	60-7292	—	66-7292	66-7294
	Front w/M.T. w/o ABS.....	60-7295	60-7293	—	66-7294
2000-99	Front 1.6L Eng. w/A.T. w/o ABS.....	60-7231	60-7233	66-7232	66-7234
	Front 1.6L Eng. w/A.T. w/ABS.....	60-7232	60-7234	66-7232	66-7234
	Front 1.6L Eng. w/M.T. w/o ABS.....	60-7235	60-7237	66-7236	66-7238
	Front 1.8L Eng. w/A.T. w/o ABS.....	60-7291	60-7293	66-7292	66-7294
	Front 1.8L Eng. w/A.T. w/ABS.....	60-7292	—	66-7292	66-7294
	Front 1.8L Eng. w/M.T. w/o ABS.....	60-7295	60-7293	—	66-7294

CV DRIVE AXLES

^④ Transfer Inner Stub Shaft from Original Axle to Replacement CV Axle.

NEW & REMANUFACTURED CONSTANT VELOCITY DRIVE AXLES

CV DRIVE AXLES

YEAR	APPLICATION	REMAN		NEW	
		LEFT	RIGHT	LEFT	RIGHT
		Driver Side	Pass. Side	Driver Side	Pass. Side
SUZUKI (Cont'd)					
ESTEEM (Cont'd)					
1998-95	Front w/A.T. w/o ABS	60-7231	60-7233	66-7232	66-7234
	Front w/A.T. w/ABS	60-7232	60-7234	66-7232	66-7234
	Front w/M.T. w/o ABS	60-7235	60-7237	66-7236	66-7238
FORENZA					
2008-04	Front w/A.T. w/o ABS	60-1423	60-1425	66-1424	66-1426
	Front w/A.T. w/ABS	60-1424	60-1426	66-1424	66-1426
	Front w/M.T. w/o ABS	60-1388	60-1427	—	66-1427
	Front w/M.T. w/ABS	60-1389	60-1428	—	—
RENO					
2008-05	Front w/A.T. w/o ABS	60-1423	60-1425	66-1424	66-1426
	Front w/A.T. w/ABS	60-1424	60-1426	66-1424	66-1426
	Front w/M.T. w/o ABS	60-1388	60-1427	—	66-1427
	Front w/M.T. w/ABS	60-1389	60-1428	—	—
SWIFT					
2001	Front w/A.T. w/o ABS	60-1314	60-1315	66-1314	66-1315
	Front w/A.T. w/ABS	60-1306	60-1305	—	—
2000-95	Front w/A.T. w/o ABS	60-1314	60-1315	66-1314	66-1315
	Front w/A.T. w/ABS	60-1306	60-1305	—	—
	Front w/M.T. w/o ABS	60-1316	60-1317	66-1308	66-1307
	Front w/M.T. w/ABS	60-1308	60-1307	66-1308	66-1307
1994-89	Front 1.3L Eng. w/SOHC Eng. w/A.T.	60-7094	60-7088	—	—
	Front 1.3L Eng. w/DOHC Eng. w/A.T.	60-7085	60-7078	—	—
	Front 1.3L Eng. w/DOHC Eng. w/M.T.	60-7095	60-7204	—	—
SWIFT+ (Canada)					
	See Aveo				
SX4					
2013-10	Rear AWD	60-7432	60-7433	—	—
2009	Front w/A.T.	60-7389	60-7398	—	—
	Front w/M.T.	60-7391	—	—	—
	Rear AWD	60-7432	60-7433	—	—
2008-07	Front w/A.T.	60-7389	—	—	—
	Front w/M.T.	60-7391	—	—	—
	Rear AWD	60-7432	60-7433	—	—
VERONA					
2006-04	Front	60-7361	60-7362	—	—
SUZUKI TRUCKS					
EQUATOR					
2012-09	Front	60-6239	60-6239	66-6239	66-6239
GRAND VITARA					
2013	Rear 2.4L Eng RWD	60-7438	60-7439	—	—
2012	Rear 2.4L Eng 4WD w/A.T.	60-7438	60-7439	—	—
	Rear 2.4L Eng 4WD w/M.T.	—	60-7437	—	—
	Rear 2.4L Eng RWD	60-7438	60-7439	—	—
2011-09	Rear 2.4L Eng RWD	60-7438	60-7439	—	—
	Rear 2.4L Eng 4WD w/A.T.	60-7438	60-7439	—	—
	Rear 2.4L Eng 4WD w/M.T.	—	60-7437	—	—
	Rear 3.2L Eng. 4WD	—	60-7435	—	—
2008-06	Rear RWD	60-7435	60-7435	—	—
	Rear AWD w/A.T.	60-7437	60-7437	—	—
	Rear AWD w/M.T.	60-7435	60-7435	—	—
2005-99	Front w/A.T.	60-1342	60-1341	66-1439	66-1443
	Front w/M.T.	60-1439	60-1443	66-1439	66-1443
SIDEKICK					
1998-96	Front 1.6L Eng. 4WD	60-1106	60-1340	66-1106	66-1340
	Front 1.8L Eng.	60-1342	—	66-1439	—
1995-90	Front 1.6L Eng. 4WD	60-1106	60-1085	66-1106	66-1085
1989	Front 1.3L Eng.	60-1106	60-1085	66-1106	66-1085

NEW & REMANUFACTURED CONSTANT VELOCITY DRIVE AXLES

YEAR	APPLICATION	REMAN		NEW	
		LEFT	RIGHT	LEFT	RIGHT
SUZUKI TRUCKS (Cont'd)		Driver Side	Pass. Side	Driver Side	Pass. Side
VITARA					
2004	Front w/A.T.	60-1342	60-1341	66-1439	66-1443
	Front w/M.T.	60-1439	60-1443	66-1439	66-1443
2003-99	Front w/A.T.	60-1342	60-1341	66-1439	66-1443
X-90					
1998-96	Front	60-1106	60-1340	66-1106	66-1340
XL-7					
2009-07	Front	60-1470	60-1469	—	66-1461
	Rear	60-7440	60-7441	—	—
2006-04	Front	60-1439	60-1341	66-1439	—
2003-02	Front w/A.T.	60-1342	60-1341	66-1439	66-1443
	Front w/M.T.	60-1439	60-1443	66-1439	66-1443
2001	Front	60-1439	60-1443	66-1439	66-1443
TOYOTA					
AVALON					
2010-09	Front	—	60-5286	—	66-5265
2008	Front From 7/07	—	60-5286	—	66-5265
	Front Before 7/07	60-5285	60-5286	66-5285	66-5265
2007-05	Front	60-5285	60-5286	66-5285	66-5265
2004-98	Front	60-5168	60-5169	66-5168	66-5169
1997	Front (Bolt-On Style I.B. Housing)	60-5039	60-5039	66-5039	66-5039
	Front (Plug-In Style I.B. Housing)	60-5168	60-5169	66-5168	66-5169
1996-95	Front w/o ABS	60-5032	60-5032	66-5039	66-5039
	Front w/ABS	60-5039	60-5039	66-5039	66-5039
CAMRY					
2011-10	Front 4Cyl. Eng. w/A.T. (Japan Built)	60-5390	60-5391	66-5279	—
	Front 4Cyl. Eng. w/A.T. (USA Built)	60-5390	60-5391	66-5279	66-5265
	Front 4Cyl. Eng. w/CVT (Hybrid)	60-5293	60-5294	66-5293	66-5294
	Front 6 Cyl. Eng. w/6 Spd. A.T.	60-5279	60-5280	66-5279	66-5265
2009-07	Front 4 Cyl. Eng. w/A.T. (Exc. Hybrid)	60-5274 ⑨	60-5275 ⑨	66-5245 ⑨	66-5247 ⑨
	Front 4 Cyl. Eng. w/A.T. (Exc. Hybrid)	—	—	66-5245HD ⑩	66-5247HD ⑩
	Front 4Cyl. Eng. w/CVT (Hybrid)	60-5293	60-5294	66-5293	66-5294
	Front 6 Cyl. Eng. w/A.T.	60-5279	60-5280	66-5279	66-5265
2006-05	Front 4 Cyl. Eng.	60-5245 ⑨	60-5247 ⑨	66-5245 ⑨	66-5247 ⑨
	Front 4 Cyl. Eng.	—	—	66-5245HD ⑩	66-5247HD ⑩
2004	Front 6 Cyl. Eng.	60-5264	60-5265	66-5264	66-5265
	Front 4 Cyl. Eng. w/o ABS	60-5244 ⑨	60-5246 ⑨	66-5245 ⑨	66-5247 ⑨
2003	Front 4 Cyl. Eng. w/o ABS	—	—	66-5245HD ⑩	66-5247HD ⑩
	Front 4 Cyl. Eng. w/ABS (Japan Built)	60-5245 ⑨	60-5247 ⑨	66-5245 ⑨	66-5247 ⑨
	Front 4 Cyl. Eng. w/ABS	—	—	66-5245HD ⑩	66-5247HD ⑩
	Front 6 Cyl. Eng.	60-5264	60-5265	66-5264	66-5265
2003	Front 4 Cyl. Eng. w/o ABS	60-5244 ⑨	60-5246 ⑨	66-5245 ⑨	66-5247 ⑨
	Front 4 Cyl. Eng. w/o ABS	—	—	66-5245HD ⑩	66-5247HD ⑩
	Front 4 Cyl. Eng. w/ABS	60-5245 ⑨	60-5247 ⑨	66-5245 ⑨	66-5247 ⑨
	Front 4 Cyl. Eng. w/ABS	—	—	66-5245HD ⑩	66-5247HD ⑩
2002	Front 6 Cyl. Eng. w/4 Spd. A.T.	60-5262	60-5263	66-5264	66-5265
	Front 6 Cyl. Eng. w/5 Spd. A.T.	60-5264	60-5265	66-5264	66-5265
	Front 4 Cyl. Eng. w/o ABS	60-5244 ⑨	60-5246 ⑨	66-5245 ⑨	66-5247 ⑨
	Front 4 Cyl. Eng. w/o ABS	—	—	66-5245HD ⑩	66-5247HD ⑩
2001-97	Front 4 Cyl. Eng. w/ABS	60-5245 ⑨	60-5247 ⑨	66-5245 ⑨	66-5247 ⑨
	Front 4 Cyl. Eng. w/ABS	—	—	66-5245HD ⑩	66-5247HD ⑩
	Front 6 Cyl. Eng.	60-5262	60-5263	66-5264	66-5265
	Front 4 Cyl. Eng. w/o ABS	60-5017 ⑦	60-5019 ⑦	66-5038 ⑦	66-5044 ⑦
1996-92	Front 4 Cyl. Eng. w/ABS	60-5038	60-5044	66-5038	66-5044
	Front 6 Cyl. Eng. w/A.T. (Bolt-On Style I.B. Housing)	60-5039	60-5039	66-5039	66-5039
	Front 6 Cyl. Eng. w/A.T. (Plug-In Style I.B. Housing)	60-5168	60-5169	66-5168	66-5169
	Front 6 Cyl. Eng. w/M.T. (USA Built)	60-5205	—	—	—
1991	Front 4 Cyl. Eng. 2WD (Japan Built) w/A.T. (GKN Axle)	60-5017 ⑦	60-5019 ⑦	66-5038 ⑦	66-5044 ⑦
	Front 4 Cyl. Eng. w/ABS	60-5038	60-5044	66-5038	66-5044
	Front 6 Cyl. Eng. w/o ABS	60-5032	60-5032	66-5039	66-5039
	Front 6 Cyl. Eng. w/ABS	60-5039	60-5039	66-5039	66-5039
1991	Front 4 Cyl. Eng. 2WD (Japan Built) w/A.T.	60-5022	60-5022	66-5022	66-5022
	Front 4 Cyl. Eng. 2WD (USA Built)	60-5000	60-5000	66-5000	66-5000
		60-5022	60-5010	66-5022	66-5010

CV DRIVE AXLES

- ⑦ Installer must reuse snap ring from original unit if one is not supplied with the replacement part.
- ⑨ Supplied w/Standard Neoprene Outboard Boot.
- ⑩ Supplied w/Optional Heavy Duty Thermoplastic Outboard Boot.

NEW & REMANUFACTURED CONSTANT VELOCITY DRIVE AXLES

CV DRIVE AXLES

YEAR	APPLICATION	REMAN		NEW	
		LEFT	RIGHT	LEFT	RIGHT
		Driver Side	Pass. Side	Driver Side	Pass. Side
TOYOTA (Cont'd)					
CAMRY (Cont'd)					
1991	Front 4 Cyl. Eng. 2WD w/M.T.	60-5022	60-5010	66-5022	66-5010
(Cont'd)	Front 6 Cyl. Eng.	60-5003	60-5003	66-5003	66-5003
1990	Front 4 Cyl. Eng. 2WD (Japan Built) w/A.T. GKN Axle.....	60-5022	60-5022	66-5022	66-5022
	Front 4 Cyl. Eng. 2WD (Japan Built) w/A.T.	60-5000	60-5000	66-5000	66-5000
	Front 4 Cyl. Eng. 2WD (Japan Built) w/M.T. From 08/1989	60-5022	60-5010	66-5022	66-5010
	Front 4 Cyl. Eng. 2WD (Japan Built) w/M.T. Before 08/1989.....	60-5000	60-5000	66-5000	66-5000
	Front 4 Cyl. Eng. 2WD (USA Built).....	60-5022	60-5010	66-5022	66-5010
	Front 4 Cyl. Eng. 4WD w/M.T.	60-5048	60-5049	—	—
	Front 6 Cyl. Eng.	60-5003	60-5003	66-5003	66-5003
1989	Front 4 Cyl. Eng. 2WD (Japan Built) w/A.T. GKN Axle.....	60-5022	60-5022	66-5022	66-5022
	Front 4 Cyl. Eng. 2WD (Exc. GKN Axle).....	60-5000	60-5000	66-5000	66-5000
	Front 4 Cyl. Eng. 2WD (USA Built).....	60-5022	60-5010	66-5022	66-5010
	Front 4 Cyl. Eng. 4WD w/M.T.	60-5048	60-5049	—	—
	Front 6 Cyl. Eng.	60-5003	60-5003	66-5003	66-5003
1988	Front 4 Cyl. Eng. 2WD w/A.T.	60-5000	60-5000	66-5000	66-5000
	Front AWD w/ABS	60-5022	60-5116	66-5022	66-5010
	Front 6 Cyl. Eng.	60-5003	60-5003	66-5003	66-5003
1987	Front w/A.T.	60-5000	60-5000	66-5000	66-5000
1986-84	Front Gas Eng.	60-5000	60-5000	66-5000	66-5000
	Front Diesel Eng.	60-5000	60-5027	66-5000	—
1983	Front.....	60-5000	60-5000	66-5000	66-5000
CELICA					
2005-00	Front GT w/A.T. w/o ABS.....	60-5197	60-5199	—	—
	Front GT w/A.T. w/ABS.....	60-5198	60-5200	—	—
	Front GT w/M.T., w/o ABS.....	60-5201	60-5203	66-5202	66-5204
	Front GT w/M.T. w/ABS.....	60-5202	60-5204	66-5202	66-5204
	Front GTS w/o ABS	60-5201	60-5203	66-5202	66-5204
	Front GTS w/ABS	60-5202	60-5204	66-5202	66-5204
1999-98	Front 2.2L Eng. w/A.T. w/o ABS.....	60-5136	60-5144	66-5091	66-5092
	Front 2.2L Eng. w/A.T. w/ABS.....	60-5091	60-5092	66-5091	66-5092
	Front 2.2L Eng. w/M.T. w/o ABS.....	60-5145	60-5144	66-5091	66-5092
	Front 2.2L Eng. w/M.T. w/ABS.....	60-5147	60-5092	66-5091	66-5092
1997-94	Front 1.8L Eng. w/o ABS.....	60-5099	60-5101	66-5098	66-5100
	Front 1.8L Eng. w/ABS.....	60-5098	60-5100	66-5098	66-5100
	Front 2.2L Eng. w/A.T. w/o ABS.....	60-5136	60-5144	66-5091	66-5092
	Front 2.2L Eng. w/A.T. w/ABS.....	60-5091	60-5092	66-5091	66-5092
	Front 2.2L Eng. w/M.T. w/o ABS.....	60-5145	60-5144	66-5091	66-5092
	Front 2.2L Eng. w/M.T. w/ABS.....	60-5147	60-5092	66-5091	66-5092
1993-90	Front All-Trac	60-5031	60-5031	—	—
	Front GT, GTS w/o ABS.....	60-5022	60-5116	66-5022	66-5010
	Front GT, GTS w/ABS.....	60-5141	60-5140	—	—
	Front ST w/A.T.	60-5020	60-5056	66-5208	—
	Front ST w/M.T.	60-5122	60-5124	66-5126	66-5125
1989-88	Front All-Trac	60-5031	60-5031	—	—
	Front GT, ST.....	60-5007	60-5007	66-5000	66-5000
	Front GTS Series.....	60-5003	60-5041	66-5003	66-5010
1987-86	Front GT, ST.....	60-5007	60-5007	66-5000	66-5000
	Front GTS Series.....	60-5022	60-5041	66-5022	66-5010
1985-82	Rear.....	60-5170	60-5170	—	—
COROLLA					
2015-14	Front 1.8L Eng. L, S.....	60-5287	—	66-5228	—
2013	Front 1.8L Eng. Before 08/2012	60-5287	60-5288	66-5228	66-5224
2012	Front 1.8L Eng. (Exc. LE).....	60-5287	60-5288	66-5228	66-5224
	Front 1.8L Eng. LE.....	—	60-5288	—	66-5224
2011	Front 1.8L Eng.....	60-5287	60-5288	66-5228	66-5224
2010-09	Front 1.8L Eng.....	60-5287	60-5288	66-5228	66-5224
	Front 2.4L Eng.....	60-5289	60-5417	66-5289	66-5290
2008-07	Front w/A.T. w/o ABS.....	60-5217	60-5219	66-5218	66-5220
	Front w/A.T. w/ABS.....	60-5218	60-5220	66-5218	66-5220
	Front w/5 Spd. M.T. w/o ABS.....	60-5221	60-5223	66-5222	66-5224
	Front w/5 Spd. M.T. w/ABS.....	60-5222	60-5224	66-5222	66-5224
2006-05	Front w/A.T. w/o ABS.....	60-5217	60-5219	66-5218	66-5220
	Front w/A.T. w/ABS.....	60-5218	60-5220	66-5218	66-5220
	Front w/5 Spd. M.T. w/o ABS.....	60-5221	60-5223	66-5222	66-5224

NEW & REMANUFACTURED CONSTANT VELOCITY DRIVE AXLES

YEAR	APPLICATION	REMAN		NEW	
		LEFT	RIGHT	LEFT	RIGHT
		Driver Side	Pass. Side	Driver Side	Pass. Side
TOYOTA (Cont'd)					
COROLLA (Cont'd)					
2006-05	Front w/5 Spd. M.T. w/ABS.....	60-5222	60-5224	66-5222	66-5224
(Cont'd)	Front w/6 Spd. M.T. w/ABS.....	—	60-5204	—	66-5204
2004-03	Front w/A.T. w/o ABS.....	60-5217	60-5219	66-5218	66-5220
	Front w/A.T. w/ABS.....	60-5218	60-5220	66-5218	66-5220
	Front w/5 Spd. M.T. w/o ABS.....	60-5221	60-5223	66-5222	66-5224
	Front w/5 Spd. M.T. w/ABS.....	60-5222	60-5224	66-5222	66-5224
2002-93	Front w/o ABS.....	60-5122	60-5124	66-5126	66-5125
	Front w/ABS.....	60-5126	60-5125	66-5126	66-5125
1992-91	Front FWD.....	60-1002	60-1136	66-1002	66-1136
	Front AWD.....	60-5023	60-5053	66-5215	66-5216
1990-89	Front FWD.....	60-1002	60-1136	66-1002	66-1136
	Front AWD.....	60-5023	60-5053	66-5215	66-5216
1988	Front FWD (Exc. FX16 or FX16 GTS).....	60-1002	60-1136	66-1002	66-1136
	Front AWD (Exc. FX).....	60-5023	60-5053	66-5215	66-5216
	Front FX, w/SOHC Eng.....	60-1002	60-1136	66-1002	66-1136
	Front FX w/DOHC Eng.....	60-5117	60-5118	—	—
1987	Front (Exc. FX).....	60-5117	60-5118	—	—
	Front FX, w/SOHC Eng.....	60-1002	60-1136	66-1002	66-1136
	Front FX w/DOHC Eng.....	60-5117	60-5118	—	—
1986-84	Front Gas Eng.....	60-5117	60-5118	—	—
	Front Diesel Eng.....	60-5025	60-5030	—	—
CRESSIDA					
1988-85	Rear.....	60-5142	60-5142	—	—
ECHO					
2005-00	Front w/o ABS.....	60-5190	60-5192	66-5191	66-5193
	Front w/ABS.....	60-5191	60-5193	66-5191	66-5193
MATRIX					
2014	Front 1.8L Eng.....	60-5287	—	66-5228	—
2013	Front 1.8L Eng. Before 10/2012.....	60-5287	60-5288	66-5228	66-5224
	Front 2.4L Eng FWD.....	60-5289	60-5417	66-5289	66-5290
	Front 2.4L Eng AWD.....	60-5291	60-5292	—	—
2012	Front 1.8L Eng.....	60-5287	60-5288	66-5228	66-5224
	Front 2.4L Eng FWD.....	60-5289	60-5417	66-5289	66-5290
	Front 2.4L Eng AWD.....	60-5291	60-5292	—	—
2011-09	Front 1.8L Eng.....	60-5287	60-5288	66-5228	66-5224
	Front 2.4L Eng FWD.....	60-5289	60-5417	66-5289	66-5290
	Front 2.4L Eng AWD.....	60-5291	60-5292	—	—
2008-07	Front FWD w/A.T. w/o ABS.....	60-5225	60-5219	66-5226	66-5220
	Front FWD w/A.T. w/ABS.....	60-5226	60-5220	66-5226	66-5220
	Front FWD w/5 Spd. M.T. w/o ABS.....	60-5227	60-5223	66-5228	66-5224
	Front FWD w/5 Spd. M.T. w/ABS.....	60-5228	60-5224	66-5228	66-5224
2006-04	Front FWD (Exc. XRS) w/A.T. w/o ABS.....	60-5225	60-5219	66-5226	66-5220
	Front FWD (Exc. XRS) w/A.T. w/ABS.....	60-5226	60-5220	66-5226	66-5220
	Front FWD (Exc. XRS) w/5 Spd. M.T. w/o ABS.....	60-5227	60-5223	66-5228	66-5224
	Front FWD (Exc. XRS) w/5 Spd. M.T. w/ABS.....	60-5228	60-5224	66-5228	66-5224
	Front FWD XRS w/6 Spd. M.T.....	60-5229	60-5230	66-5229	66-5230
	Front AWD w/A.T.....	60-5188	60-5232	—	66-5232
	Rear AWD.....	60-5276	60-5276	—	—
2003	Front FWD (Exc. XRS) w/A.T. w/o ABS.....	60-5225	60-5219	66-5226	66-5220
	Front FWD (Exc. XRS) w/A.T. w/ABS.....	60-5226	60-5220	66-5226	66-5220
	Front FWD (Exc. XRS) w/5 Spd. M.T. w/o ABS.....	60-5227	60-5223	66-5228	66-5224
	Front FWD (Exc. XRS) w/5 Spd. M.T. w/ABS.....	60-5228	60-5224	66-5228	66-5224
	Front FWD XRS.....	60-5229	60-5230	66-5229	66-5230
	Front AWD w/A.T.....	60-5188	60-5232	—	66-5232
	Rear AWD.....	60-5276	60-5276	—	—
MR2					
1995-92	Rear (Exc. Turbo) w/ABS.....	60-5074	—	—	—
	Rear Turbo w/ABS w/Limited Slip Differential.....	60-5020	—	66-5208	—
1991	Rear (Exc. Turbo) w/ABS.....	60-5074	—	—	—
1990	None Produced	—	—	—	—
1989	Rear (Exc. Supercharger) w/A.T.....	60-5122	—	66-5126	—
1988	Rear (Exc. Supercharger) w/A.T.....	60-5122	—	66-5126	—
1987	Rear w/A.T.....	60-5122	—	66-5126	—

NEW & REMANUFACTURED CONSTANT VELOCITY DRIVE AXLES

CV DRIVE AXLES

YEAR	APPLICATION	REMAN		NEW	
		LEFT	RIGHT	LEFT	RIGHT
TOYOTA (Cont'd)		Driver Side	Pass. Side	Driver Side	Pass. Side
MR2 SPYDER					
2005-03	Rear	60-5365	60-5366	—	—
2002-00	Rear	60-5363	60-5364	—	—
PASEO					
1998-93	Front w/o ABS	60-5013	60-5015	66-5013	66-5015
	Front w/ABS	60-5034	60-5035	—	—
1992	Front	60-5013	60-5015	66-5013	66-5015
PRIUS					
2015-10	Front	60-5392	60-5393	—	66-5393
2009-04	Front	60-5266	60-5267	66-5266	66-5267
2003-01	Front	60-5188	60-5189	—	—
PRIUS V					
2015-12	Front	60-5392	—	—	—
SOLARA					
2008-04	Front 4 Cyl. Eng.	60-5245 ⑨	60-5247 ⑨	66-5245 ⑨	66-5247 ⑨
	Front 4 Cyl. Eng.	—	—	66-5245HD ⑩	66-5247HD ⑩
	Front 6 Cyl. Eng.	60-5264	60-5265	66-5264	66-5265
2003	Front 4 Cyl. Eng. w/A.T. w/o ABS.....	60-5268	60-5270	66-5268	—
	Front 4 Cyl. Eng. w/A.T. w/ABS	—	60-5271	—	—
	Front 6 Cyl. Eng. w/A.T.	60-5168	60-5169	66-5168	66-5169
2002	Front 4 Cyl. Eng. w/A.T. w/o ABS.....	60-5268	60-5270	66-5268	—
	Front 4 Cyl. Eng. w/M.T. w/o ABS (Before 3/02).....	60-5268	—	66-5268	—
	Front 4 Cyl. Eng. w/A.T. w/ABS.....	—	60-5271	—	—
	Front 6 Cyl. Eng. w/A.T.	60-5168	60-5169	66-5168	66-5169
2001-99	Front 4 Cyl. Eng. w/o ABS.....	60-5017 ⑦	60-5019 ⑦	66-5038 ⑦	66-5044 ⑦
	Front 4 Cyl. Eng. w/ABS.....	60-5038	60-5044	66-5038	66-5044
	Front 6 Cyl. Eng. w/A.T. (Bolt-On Style I.B. Housing).....	60-5039	60-5039	66-5039	66-5039
	Front 6 Cyl. Eng. w/A.T. (Plug-In Style I.B. Housing).....	60-5168	60-5169	66-5168	66-5169
	Front 6 Cyl. Eng. w/M.T.	60-5205	—	—	—
SUPRA					
1998	Rear w/Turbo A.T.....	60-5059	60-5061	—	—
	Rear w/Turbo M.T.....	—	60-5061	—	—
1997	Rear w/A.T. w/ Turbo.....	60-5059	60-5061	—	—
	Rear w/M.T. w/Turbo	—	60-5061	—	—
1996-93	Rear w/A.T.	60-5059	60-5061	—	—
	Rear w/M.T. w/o Turbo	60-5059	60-5061	—	—
	Rear w/M.T. w/Turbo	—	60-5061	—	—
TERCEL					
1999-93	Front w/o ABS	60-5013	60-5015	66-5013	66-5015
	Front w/ABS	60-5034	60-5035	—	—
1992-89	Front	60-5013	60-5015	66-5013	66-5015
1988-87	Front Liftback, Sedan.....	60-5013	60-5015	66-5013	66-5015
	Front Wagon.....	60-5002	60-5001	—	—
1986-83	Front	60-5002	60-5001	—	—
1982-80	Front	60-5005	60-5004	—	—
YARIS					
2014	Front, (Japan Built).....	60-5277	60-5278	66-5277	66-5278
2013-06	Front	60-5277	60-5278	66-5277	66-5278
TOYOTA TRUCKS					
FJ CRUISER					
2014-07	Front	60-5235 ⑨	60-5235 ⑨	66-5235 ⑨	66-5235 ⑨
	Front	—	—	66-5235HD ⑩	66-5235HD ⑩
HIGHLANDER					
2015-14	Front FWD 2.7L Eng.	—	60-5305	66-5308	66-5305
2013	Front FWD w/2.7L Eng. (Exc. Japan Built)	—	60-5305	66-5308	66-5305
	Front FWD w/2.7L Eng. (Japan Built)	60-5285	—	66-5285	—
	Front FWD w/3.5L Eng.	60-5304	60-5305	66-5304	66-5305
	Front AWD (Exc. Hybrid)	60-5302	60-5303	66-5302	66-5303
	Front AWD w/3.5L Eng. Hybrid	60-5285	—	66-5285	—
	Rear AWD w/3.5L Eng. Hybrid.....	60-5370	60-5370	—	—

- ⑦ Installer must reuse snap ring from original unit if one is not supplied with the replacement part.
- ⑨ Supplied w/Standard Neoprene Outboard Boot.
- ⑩ Supplied w/Optional Heavy Duty Thermoplastic Outboard Boot.

NEW & REMANUFACTURED CONSTANT VELOCITY DRIVE AXLES

YEAR	APPLICATION	REMAN		NEW		
		LEFT	RIGHT	LEFT	RIGHT	
TOYOTA TRUCKS (Cont'd)		Driver Side	Pass. Side	Driver Side	Pass. Side	
HIGHLANDER (Cont'd)						
2012-11	Front FWD w/2.7L Eng.	—	60-5305	66-5308	66-5305	
	Front FWD w/3.5L Eng.	60-5304	60-5305	66-5304	66-5305	
	Front AWD w/3.5L Eng. (Exc. Hybrid)	60-5302	60-5303	66-5302	66-5303	
	Front AWD w/3.5L Eng. Hybrid	60-5285	—	66-5285	—	
2010	Rear AWD w/3.5L Eng. Hybrid	60-5370	60-5370	—	—	
	Front FWD w/3.5L Eng. (Exc. Hybrid)	60-5304	60-5305	66-5304	66-5305	
	Front AWD w/3.5L Eng. (Exc. Hybrid)	60-5302	60-5303	66-5302	66-5303	
	Front AWD Hybrid	60-5285	—	66-5285	—	
2009	Rear AWD Hybrid	60-5370	60-5370	—	—	
	Front FWD w/3.5L Eng. (Exc. Hybrid)	60-5304	60-5305	66-5304	66-5305	
	Front AWD w/3.5L Eng. (Exc. Hybrid)	60-5302	60-5303	66-5302	66-5303	
	Front AWD Hybrid	60-5285	—	66-5285	—	
2008	Rear AWD Hybrid	60-5343	60-5343	—	—	
	Front FWD (Exc. Hybrid)	60-5304	60-5305	66-5304	66-5305	
	Front AWD (Exc. Hybrid)	60-5302	60-5303	66-5302	66-5303	
	Front AWD Hybrid	60-5285	—	66-5285	—	
2007-06	Rear AWD Hybrid	60-5370	60-5370	—	—	
	Front FWD w/4 Cyl. Eng.	60-5245 ⑨	60-5247 ⑨	66-5245 ⑨	66-5247 ⑨	
	Front FWD w/4 Cyl. Eng.	—	—	66-5245HD ⑩	66-5247HD ⑩	
	Front FWD w/6 Cyl. Eng. (Exc. Hybrid)	60-5264	60-5265	66-5264	66-5265	
	Front w/6 Cyl. Eng. Hybrid	60-5257	60-5258	—	66-5258	
	Front AWD w/4 Cyl. Eng.	60-5248	60-5249	66-5248	66-5249	
	Front AWD w/6 Cyl. Eng. (Exc. Hybrid)	60-5248	60-5249	66-5248	66-5249	
	Rear AWD Hybrid	60-5343	60-5343	—	—	
	2005	Front FWD w/4 Cyl. Eng.	60-5245 ⑨	60-5247 ⑨	66-5245 ⑨	66-5247 ⑨
		Front FWD w/4 Cyl. Eng.	—	—	66-5245HD ⑩	66-5247HD ⑩
Front FWD w/6 Cyl. Eng.		60-5264	60-5265	66-5264	66-5265	
Front AWD		60-5248	60-5249	66-5248	66-5249	
2004	Front FWD w/4 Cyl. Eng.	60-5245 ⑨	60-5247 ⑨	66-5245 ⑨	66-5247 ⑨	
	Front FWD w/4 Cyl. Eng.	—	—	66-5245HD ⑩	66-5247HD ⑩	
	Front FWD w/6 Cyl. Eng.	60-5264	60-5265	66-5264	66-5265	
	Front AWD	60-5248	60-5249	66-5248	66-5249	
2003-01	Rear Before 8/03	60-5259	60-5259	—	—	
	Front FWD w/4 Cyl. Eng.	60-5245 ⑨	60-5247 ⑨	66-5245 ⑨	66-5247 ⑨	
	Front FWD w/4 Cyl. Eng.	—	—	66-5245HD ⑩	66-5247HD ⑩	
	Front FWD w/6 Cyl. Eng.	60-5253	60-5254	66-5253	66-5254	
	Front AWD	60-5248	60-5249	66-5248	66-5249	
	Rear	60-5259	60-5259	—	—	
LAND CRUISER						
2007-98	Front	60-5185 ⑨	60-5185 ⑨	66-5185 ⑨	66-5185 ⑨	
	Front	—	—	66-5185HD ⑩	66-5185HD ⑩	
1990-88	Front w/o Locking Differential	60-5055	—	—	—	
1987-79	Front	60-5055	—	—	—	
PICKUP						
1995-86	Front	60-5009	60-5009	66-5009	66-5009	
1985-79	Front	60-5055	—	—	—	
PREVIA						
1997-91	Front w/o ABS	60-5143	60-5143	66-5050	66-5050	
	Front w/ABS	60-5050	60-5050	66-5050	66-5050	
RAV4						
2014-13	Front 2.5L Eng. 4WD (Japan built)	—	60-5301	—	66-5301	
2012-10	Front 2.5L Eng. FWD	60-5295	60-5296	66-5295	66-5296	
	Front 2.5L Eng. AWD	60-5297	60-5298	66-5297	66-5298	
	Front 3.5L Eng. FWD	—	60-5301	66-5299	66-5301	
	Front 3.5L Eng. AWD	—	—	66-5299	66-5300	
2009	Rear	60-5382	60-5382	66-5382	66-5382	
	Front 2.5L Eng. FWD	60-5297	60-5298	66-5297	66-5298	
	Front 2.5L Eng. AWD	60-5295	60-5296	66-5295	66-5296	
	Front 3.5L Eng. FWD	—	—	66-5299	66-5300	
	Front 3.5L Eng. AWD	—	60-5301	66-5299	66-5301	
	Rear	60-5382	60-5382	66-5382	66-5382	

CV DRIVE AXLES

⑨ Supplied w/Standard Neoprene Outboard Boot.
 ⑩ Supplied w/Optional Heavy Duty Thermoplastic Outboard Boot.

NEW & REMANUFACTURED CONSTANT VELOCITY DRIVE AXLES

CV DRIVE AXLES

YEAR	APPLICATION	REMAN		NEW	
		LEFT	RIGHT	LEFT	RIGHT
		Driver Side	Pass. Side	Driver Side	Pass. Side
TOYOTA TRUCKS (Cont'd)					
RAV4 (Cont'd)					
2008-06	Front 2.4L Eng. FWD.....	60-5297	60-5298	66-5297	66-5298
	Front 2.4L Eng. AWD.....	60-5295	60-5296	66-5295	66-5296
	Front 3.5L Eng. FWD.....	—	—	66-5299	66-5300
	Front 3.5L Eng. AWD.....	—	60-5301	66-5299	66-5301
2005-01	Rear.....	60-5382	60-5382	66-5382	66-5382
	Front FWD w/A.T. w/o ABS.....	60-5236	60-5238	66-5237	66-5239
	Front FWD w/A.T. w/ABS.....	60-5237	60-5239	66-5237	66-5239
	Front FWD w/M.T. w/ABS.....	60-5237	60-5239	66-5237	66-5239
	Front AWD w/A.T. w/o ABS.....	60-5240	60-5242	66-5241	66-5243
	Front AWD w/A.T. w/ABS.....	60-5241	60-5243	66-5241	66-5243
	Front AWD w/M.T. w/o ABS.....	60-5240	—	66-5241	—
	Front AWD w/M.T. w/ABS.....	60-5241	—	66-5241	—
	Rear AWD w/o ABS.....	60-5371	60-5374	—	—
	Rear AWD w/ ABS.....	60-5372	60-5373	—	—
2000-96	Front FWD w/A.T. w/o ABS.....	60-5207	60-5010	66-5208	66-5210
	Front FWD w/A.T. w/ABS.....	60-5208	60-5210	66-5208	66-5210
	Front AWD w/o ABS.....	60-5023	60-5053	66-5215	66-5216
	Front AWD w/ABS.....	60-5215	60-5216	66-5215	66-5216
	Rear AWD w/o ABS.....	60-5181	60-5182	—	—
	Rear AWD w/ABS.....	60-5183	—	—	—
SEQUOIA					
2014-08	Front.....	60-5252 ⑨	60-5252 ⑨	66-5252 ⑨	66-5252 ⑨
	Front.....	—	—	66-5252HD ⑩	66-5252HD ⑩
	Rear.....	60-5377	60-5378	—	—
2007-05	Front.....	60-5194	60-5194	66-5194	66-5194
	Rear.....	60-5376	60-5376	—	—
2004	Front.....	60-5194	60-5194	66-5194	66-5194
	Rear From 08/04.....	60-5376	60-5376	—	—
	Rear Before 08/04.....	60-5375	60-5375	—	—
2003-01	Front.....	60-5194	60-5194	66-5194	66-5194
	Rear.....	60-5375	60-5375	—	—
SIENNA					
2010-04	Front FWD.....	60-5260	60-5261	66-5260	66-5261
	Front AWD.....	60-5250	60-5251	66-5250	66-5251
	Rear AWD.....	60-5379	60-5379	—	—
2003-98	Front.....	60-5168	60-5169	66-5168	66-5169
T100 PICKUP					
1998-93	Front.....	60-5065	60-5065	66-5065	66-5065
TACOMA, PICKUP					
2015-05	Front.....	60-5235 ⑨	60-5235 ⑨	66-5235 ⑨	66-5235 ⑨
	Front.....	—	—	66-5235HD ⑩	66-5235HD ⑩
2004-01	Front.....	60-5134	60-5134	66-5134	66-5134
2000-95	Front w/o Automatic Disconnecting Differential w/O.B. Circlip end.....	60-5132	60-5132	66-5132	66-5132
	Front w/Automatic Disconnecting Differential w/O.B. Nut end.....	60-5134	60-5134	66-5134	66-5134
TUNDRA					
2015-07	Front.....	60-5252 ⑨	60-5252 ⑨	66-5252 ⑨	66-5252 ⑨
	Front.....	—	—	66-5252HD ⑩	66-5252HD ⑩
2006-00	Front.....	60-5194	60-5194	66-5194	66-5194
VAN					
1989-87	Front.....	60-5090	60-5090	—	—
VENZA					
2015	Front 2.7L Eng. FWD.....	—	60-5305	—	66-5305
	Front 2.7L Eng. AWD.....	—	—	66-5308	66-5307
	Front 3.5L Eng. FWD.....	60-5308	60-5305	66-5308	66-5305
	Front 3.5L Eng. AWD.....	60-5308	—	66-5308	66-5307
	Rear AWD.....	60-5380	60-5381	—	—
2014	Front 2.7L Eng. FWD.....	60-5308	60-5305	66-5308	66-5305
	Front 2.7L Eng. AWD.....	60-5308	—	66-5308	66-5307
	Front 3.5L Eng. FWD.....	60-5308	60-5305	66-5308	66-5305
	Front 3.5L Eng. AWD.....	60-5308	—	66-5308	66-5307
	Rear AWD.....	60-5380	60-5381	—	—

⑨ Supplied w/Standard Neoprene Outboard Boot.

⑩ Supplied w/Optional Heavy Duty Thermoplastic Outboard Boot.

NEW & REMANUFACTURED CONSTANT VELOCITY DRIVE AXLES

YEAR	APPLICATION	REMAN		NEW	
		LEFT	RIGHT	LEFT	RIGHT
TOYOTA TRUCKS (Cont'd)		Driver Side	Pass. Side	Driver Side	Pass. Side
VENZA (Cont'd)					
2013	Front 2.7L Eng. FWD.....	—	60-5305	66-5308	66-5305
	Front 2.7L Eng. AWD.....	—	—	66-5308	66-5307
	Front 3.5L Eng. FWD.....	60-5308	60-5305	66-5308	66-5305
	Front 3.5L Eng. AWD.....	60-5308	—	66-5308	66-5307
	Rear AWD.....	60-5380	60-5381	—	—
2012	Front 2.7L Eng. FWD.....	—	60-5305	66-5308	66-5305
	Front 2.7L Eng. AWD.....	—	—	66-5308	66-5307
	Front 3.5L Eng. FWD.....	60-5308	60-5305	66-5308	66-5305
	Front 3.5L Eng. AWD.....	60-5308	—	66-5308	66-5307
	Rear AWD.....	60-5380	60-5381	—	—
2011	Front FWD.....	60-5308	60-5305	66-5308	66-5305
	Front AWD.....	60-5308	—	66-5308	66-5307
	Rear AWD.....	60-5380	60-5381	—	—
2010-09	Front 2.7L Eng. FWD.....	—	60-5305	66-5308	66-5305
	Front 2.7L Eng. AWD.....	—	—	66-5308	66-5307
	Front 3.5L Eng. FWD.....	60-5308	60-5305	66-5308	66-5305
	Front 3.5L Eng. AWD.....	60-5308	—	66-5308	66-5307
	Rear AWD.....	60-5380	60-5381	—	—
4 RUNNER					
2014-03	Front.....	60-5235 ⁹	60-5235 ¹⁰	66-5235 ⁹	66-5235 ¹⁰
	Front.....	—	—	66-5235HD ¹⁰	66-5235HD
2002-96	Front.....	60-5134	60-5134	66-5134	66-5134
1995-86	Front.....	60-5009	60-5009	66-5009	66-5009
VOLKSWAGEN					
BEETLE					
2010	Front 2.5L Eng. w/A.T.....	60-7449	60-7313	66-7449	66-7313
	Front 2.5L Eng. w/M.T.....	60-7107	—	66-7252	—
2009	Front 2.5L Eng. w/A.T.....	60-7449	60-7313	66-7449	66-7313
	Front 2.5L Eng. w/M.T.....	60-7107	—	66-7252	—
2008	Front 2.0L Eng. w/A.T. (Mexico).....	60-7312	60-7312	66-7312	66-7312
	Front 2.0L Eng. w/M.T. (Mexico).....	—	60-7251	—	66-7251
	Front 2.5L Eng. w/A.T.....	60-7449	60-7313	66-7449	66-7313
2007	Front 2.5L Eng. w/M.T.....	60-7107	—	66-7252	—
	Front 2.5L Eng. w/A.T.....	60-7449	60-7313	66-7449	66-7313
2006	Front 1.9L Eng. w/M.T.....	60-7252	60-7250	66-7252	66-7250
	Front 2.5L Eng. w/A.T.....	60-7449	60-7313	66-7449	66-7313
	Front 2.5L Eng. w/M.T.....	60-7107	—	66-7252	—
2005	Front 1.8L Eng. w/A.T.....	60-7312	60-7313	66-7312	66-7313
	Front 1.8L Eng. w/M.T.....	60-7250	60-7253	66-7250	66-7253
	Front 1.9L Eng. w/M.T.....	60-7252	60-7250	66-7252	66-7250
	Front 2.0L Eng. w/A.T. 6 Spd.....	60-7312	60-7313	66-7312	66-7313
	Front 2.0L Eng. w/M.T. 5 Spd.....	60-7252	60-7251	66-7252	66-7251
2004	Front 1.8L Eng. w/A.T. 6 Spd.....	60-7312	60-7313	66-7312	66-7313
	Front 1.8L Eng. w/M.T. 5 Spd.....	60-7250	60-7253	66-7250	66-7253
	Front 1.9L Eng. w/A.T. 4 Spd.....	60-7250	60-7253	66-7250	66-7253
	Front 1.9L Eng. w/M.T. 5 Spd. (ALH Eng.).....	60-7256	60-7251	66-7252	66-7251
	Front 1.9L Eng. w/M.T. 5 Spd. (BEW Eng.).....	60-7252	60-7250	66-7252	66-7250
	Front 2.0L Eng. w/A.T. 4 Spd.....	60-7250	60-7253	66-7250	66-7253
	Front 2.0L Eng. w/A.T. 6 Spd.....	60-7312	60-7313	66-7312	66-7313
	Front 2.0L Eng. w/M.T. 5 Spd.....	60-7252	60-7251	66-7252	66-7251
	Front 1.8L Eng. w/A.T. 4 Spd.....	60-7250	60-7253	66-7250	66-7253
	Front 1.8L Eng. w/A.T. 6 Spd.....	60-7312	60-7313	66-7312	66-7313
2003	Front 1.8L Eng. w/M.T. 5 Spd.....	60-7250	60-7253	66-7250	66-7253
	Front 1.9L Eng. w/A.T. 4 Spd.....	60-7250	60-7253	66-7250	66-7253
	Front 1.9L Eng. w/M.T. 5 Spd.....	60-7256	60-7251	66-7252	66-7251
	Front 2.0L Eng. w/A.T. 4 Spd.....	60-7250	60-7253	66-7250	66-7253
	Front 2.0L Eng. w/A.T. 6 Spd.....	60-7312	60-7313	66-7312	66-7313
	Front 2.0L Eng. w/M.T. 5 Spd. (Exc. AZG Eng.).....	60-7252	60-7251	66-7252	66-7251
	Front 1.8L Eng. w/A.T. 4Spd.....	60-7250	60-7253	66-7250	66-7253
	Front 1.8L Eng. w/M.T. 5 Spd.....	60-7250	60-7253	66-7250	66-7253
	Front 1.9L Eng. w/A.T. 4 Spd.....	60-7250	60-7253	66-7250	66-7253
	Front 1.9L Eng. w/M.T. 5 Spd.....	60-7256	60-7251	66-7252	66-7251
2002	Front 2.0L Eng. w/A.T. 4 Spd.....	60-7250	60-7253	66-7250	66-7253
	Front 2.0L Eng. w/M.T. 5 Spd.....	60-7252	60-7251	66-7252	66-7251
	Front 2.0L Eng. w/A.T. 4 Spd.....	60-7250	60-7253	66-7250	66-7253

CV DRIVE AXLES

⁹ Supplied w/Standard Neoprene Outboard Boot.
¹⁰ Supplied w/Optional Heavy Duty Thermoplastic Outboard Boot.

NEW & REMANUFACTURED CONSTANT VELOCITY DRIVE AXLES

CV DRIVE AXLES

YEAR	APPLICATION	REMAN		NEW	
		LEFT	RIGHT	LEFT	RIGHT
		Driver Side	Pass. Side	Driver Side	Pass. Side
VOLKSWAGEN (Cont'd)					
BEETLE (Cont'd)					
2001	Front 1.8L Eng.....	60-7250	60-7253	66-7250	66-7253
	Front 1.9L Eng. w/A.T.....	60-7288	60-7253	66-7250	66-7253
	Front 1.9L Eng. w/M.T.....	60-7256	60-7251	66-7252	66-7251
	Front 2.0L Eng. w/A.T.....	60-7250	60-7253	66-7250	66-7253
	Front 2.0L Eng. w/M.T. (AVH Eng.).....	60-7252	60-7251	66-7252	66-7251
2000-99	Front 1.8L Eng. w/A.T.....	60-7250	60-7253	66-7250	66-7253
	Front 1.8L Eng. w/M.T.....	60-7252	60-7251	66-7252	66-7251
	Front 1.9L Eng. w/A.T.....	60-7288	60-7253	66-7250	66-7253
	Front 1.9L Eng. w/M.T.....	60-7256	60-7251	66-7252	66-7251
	Front 2.0L Eng. w/A.T.....	60-7250	60-7253	66-7250	66-7253
1998	Front 2.0L Eng. w/M.T.....	60-7252	60-7251	66-7252	66-7251
	Front 1.9L Eng. w/A.T.....	60-7288	60-7253	66-7250	66-7253
	Front 1.9L Eng. w/M.T.....	60-7256	60-7251	66-7252	66-7251
	Front 2.0L Eng. w/A.T.....	60-7289	60-7290	66-7289	66-7290
1979-66	Rear.....	60-7252	60-7251	66-7252	66-7251
1979-66	Rear.....	60-7023	60-7023	—	—
BORA (Mexico)					
2010	Front 1.9L Eng. TDI.....	60-7346	60-7347	66-7346	66-7347
	Front 2.5L Eng. w/A.T.....	60-7333	60-7334	66-7333	66-7334
	Front 2.5L Eng. w/M.T.....	60-7316	60-7317	—	—
2009	Front 2.5L Eng. w/A.T.....	60-7333	60-7334	66-7333	66-7334
2008	Front 1.9L Eng. TDI.....	60-7346	60-7347	66-7346	66-7347
	Front 2.5L Eng. w/A.T.....	60-7333	60-7334	66-7333	66-7334
	Front 2.5L Eng. w/M.T.....	60-7316	60-7317	—	—
2007-06	Front 2.5L Eng. w/A.T.....	60-7333	60-7334	66-7333	66-7334
	Front 2.5L Eng. w/M.T.....	60-7316	60-7317	—	—
2005	Front 2.5L Eng. w/A.T.....	60-7333	60-7334	66-7333	66-7334
CABRIO					
2002-95	Front w/A.T.....	60-7101	60-7100	66-7101	66-7100
	Front w/M.T.....	60-7114	60-7171	66-7114	66-7171
CABRIOLET					
1993-85	Front.....	60-7005	60-7014	66-7005	—
CC					
2015-12	Front 2.0L Eng. FWD w/A.T.....	60-7346	—	66-7346	—
	Front 2.0L Eng. FWD w/M.T.....	60-7346	—	66-7346	—
	Rear 3.6L Eng. AWD.....	60-7505	60-7506	—	—
2011	Front 2.0L Eng. FWD w/A.T.....	60-7346	—	66-7346	—
	Front 3.6L Eng. AWD.....	—	—	66-7343	—
2010	Rear 3.6L Eng. AWD.....	60-7505	60-7506	—	—
	Front 2.0L Eng. FWD w/A.T.....	60-7346	60-7347	66-7346	66-7347
	Front 2.0L Eng. FWD w/M.T. Before 01/31/2010.....	60-7346	60-7347	66-7346	66-7347
2009	Front 3.6L Eng. AWD.....	—	—	66-7343	—
	Rear 3.6L Eng. AWD.....	60-7505	60-7506	—	—
	Front 2.0L Eng. FWD w/A.T.....	60-7333	60-7334	66-7333	66-7334
	Front 2.0L Eng. FWD w/M.T.....	60-7346	60-7347	66-7346	66-7347
	Front 3.6L Eng.	—	—	66-7343	—
2009	Rear 3.6L Eng. AWD.....	60-7505	60-7506	—	—
CLASICO CL					
2012	Front w/M.T. (Mexico).....	—	60-7251	—	66-7251
2011	Front w/M.T. (Mexico).....	60-7346	—	66-7346	—
CORRADO					
1995-92	Front.....	60-7107	60-7093	66-7252	66-7093
1991-90	Front.....	60-7005	60-7046	66-7005	—
DASHER					
1981-74	Front w/A.T.....	60-7033	60-7032	—	—
	Front w/M.T.....	60-7011	60-7011	—	—
EOS					
2013-12	Front.....	60-7346	60-7347	66-7346	66-7347
2011-10	Front w/A.T.....	60-7346	60-7347	66-7346	66-7347
	Front w/M.T.....	60-7346	—	66-7346	—
2009-07	Front 2.0L Eng.....	60-7346	60-7347	66-7346	66-7347

NEW & REMANUFACTURED CONSTANT VELOCITY DRIVE AXLES

YEAR	APPLICATION	REMAN		NEW	
		LEFT	RIGHT	LEFT	RIGHT
VOLKSWAGEN (Cont'd)		Driver Side	Pass. Side	Driver Side	Pass. Side
FOX					
1993-87	Front.....	60-7011	60-7011	—	—
GOLF					
2014	Front 2.0L Diesel Eng.....	60-7250	—	66-7250	—
	Front 2.5L Eng. w/A.T.....	60-7333	60-7334	66-7333	66-7334
2013-12	Front 2.0L Eng.....	60-7346	—	66-7346	—
	Front 2.5L Eng. w/A.T.....	60-7333	60-7334	66-7333	66-7334
	Front 2.5L Eng. w/M.T.....	—	60-7317	—	66-7317
	Rear 2.0L Eng. Gas.....	60-7505	60-7506	—	—
2011	Front 2.0L Eng w/M.T.....	60-7346	—	66-7346	—
	Front 2.5L Eng w/A.T.....	60-7333	60-7334	66-7333	66-7334
	Front 2.5L Eng w/M.T.....	—	60-7317	—	66-7317
2010	Front 2.0L Eng. w/A.T. Aluminum Wheels.....	60-7396	—	66-7396	—
	Front 2.0L Eng. w/A.T. Steel Wheels.....	60-7500	—	—	—
	Front 2.0L Eng. w/M.T. Aluminum Wheels.....	60-7346	—	66-7346	—
	Front 2.0L Eng. w/M.T. Steel Wheels.....	60-7501	—	—	—
	Front 2.5L Eng w/A.T.....	60-7333	60-7334	66-7333	66-7334
	Front 2.5L Eng w/M.T.....	—	60-7317	—	66-7317
2006	Front 1.8L Eng. w/A.T.....	60-7314	60-7315	66-7314	66-7315
	Front 1.8L Eng. w/M.T.....	60-7250	60-7253	66-7250	66-7253
	Front 1.9L Eng. w/A.T.....	60-7314	60-7315	66-7314	66-7315
	Front 1.9L Eng. w/M.T.....	60-7252	—	66-7252	—
	Front 2.0L Eng. w/A.T.....	60-7250	60-7253	66-7250	66-7253
	Front 2.0L Eng. w/M.T.....	60-7252	60-7251	66-7252	66-7251
2005	Front 1.8L Eng. w/A.T.....	60-7314	60-7315	66-7314	66-7315
	Front 1.8L Eng. w/M.T.....	60-7250	60-7253	66-7250	66-7253
	Front 1.9L Eng. w/A.T.....	60-7314	60-7315	66-7314	66-7315
	Front 1.9L Eng. w/M.T.....	60-7252	—	66-7252	—
	Front 2.0L Eng. w/A.T.....	60-7250	60-7253	66-7250	66-7253
	Front 2.0L Eng. w/M.T.....	60-7252	60-7251	66-7252	66-7251
2004	Front 1.8L Eng. w/A.T.....	60-7314	60-7315	66-7314	66-7315
	Front 1.8L Eng. w/M.T.....	60-7250	60-7253	66-7250	66-7253
	Front 1.9L Eng. w/A.T. (ALH Eng.).....	—	60-7253	—	66-7253
	Front 1.9L Eng. w/A.T. (BEW Eng.).....	60-7314	60-7315	66-7314	66-7315
	Front 1.9L Eng. w/M.T. (ALH Eng.).....	60-7250	—	66-7250	—
	Front 1.9L Eng. w/M.T. (BEW Eng.).....	60-7252	—	66-7252	—
	Front 2.0L Eng. w/A.T.....	60-7250	60-7253	66-7250	66-7253
	Front 2.0L Eng. w/M.T.....	60-7252	60-7251	66-7252	66-7251
2003	Rear 3.2L Eng.....	60-7502	60-7487	—	—
	Front 1.8L Eng. w/A.T.....	60-7314	60-7315	66-7314	66-7315
	Front 1.8L Eng. w/M.T.....	60-7250	60-7253	66-7250	66-7253
	Front 1.9L Eng. w/A.T.....	—	60-7253	—	66-7253
	Front 1.9L Eng. w/M.T.....	60-7250	—	66-7250	—
	Front 2.0L Eng. w/A.T.....	60-7250	60-7253	66-7250	66-7253
	Front 2.0L Eng. w/M.T.....	60-7252	60-7251	66-7252	66-7251
2002	Front 1.8L Eng. w/A.T.....	60-7314	60-7315	66-7314	66-7315
	Front 1.8L Eng. w/M.T.....	60-7250	60-7253	66-7250	66-7253
	Front 1.9L Eng.....	—	60-7253	—	66-7253
	Front 2.0L Eng. w/A.T.....	60-7250	60-7253	66-7250	66-7253
	Front 2.0L Eng. w/MT. Aluminium Wheels.....	60-7252	60-7251	66-7252	66-7251
	Front 2.0L Eng. w/MT. (AVH Eng.).....	60-7252	60-7251	66-7252	66-7251
	Front 2.0L Eng. w/MT. (AZG Eng.).....	60-7250	60-7251	66-7250	66-7251
	Front 2.8L Eng. w/M.T.....	60-7250	60-7253	66-7250	66-7253
2001	Front 1.8L Eng.....	60-7250	60-7253	66-7250	66-7253
	Front 1.9L Eng. w/A.T.....	60-7288	60-7253	66-7250	66-7253
	Front 1.9L Eng. w/M.T. (Exc. German Built).....	60-7256	60-7251	66-7252	66-7251
	Front 1.9L Eng. w/M.T. German Built.....	60-7250	—	66-7250	—
	Front 2.0L Eng. w/A.T.....	60-7250	60-7253	66-7250	66-7253
	Front 2.0L Eng. w/M.T.....	60-7252	60-7251	66-7252	66-7251
2000	Front 2.8L Eng.....	60-7250	60-7253	66-7250	66-7253
	Front 1.8L Eng. w/A.T.....	60-7250	60-7253	66-7250	66-7253
	Front 1.8L Eng. w/M.T.....	60-7252	60-7251	66-7252	66-7251
	Front 1.9L Eng. w/A.T.....	60-7288	60-7253	66-7250	66-7253
	Front 1.9L Eng. w/M.T.....	60-7256	60-7251	66-7252	66-7251
	Front 2.0L Eng. w/A.T.....	60-7250	60-7253	66-7250	66-7253
	Front 2.0L Eng. w/M.T.....	60-7252	60-7251	66-7252	66-7251
	Front 2.8L Eng.....	60-7250	60-7253	66-7250	66-7253

CV DRIVE AXLES

NEW & REMANUFACTURED CONSTANT VELOCITY DRIVE AXLES

CV DRIVE AXLES

YEAR	APPLICATION	REMAN		NEW	
		LEFT	RIGHT	LEFT	RIGHT
VOLKSWAGEN (Cont'd)		Driver Side	Pass. Side	Driver Side	Pass. Side
GOLF (Cont'd)					
1999	Front 1.9L Eng. w/A.T. (New Body Style).....	60-7288	60-7253	66-7250	66-7253
	Front 1.9L Eng. w/A.T. (Old Body Style).....	60-7101	60-7100	66-7101	66-7100
	Front 1.9L Eng. w/M.T. (New Body Style).....	60-7256	60-7251	66-7252	66-7251
	Front 1.9L Eng. w/M.T. (Old Body Style).....	60-7114	60-7171	66-7114	66-7171
	Front 2.0L Eng. w/A.T. (New Body Style).....	60-7250	60-7253	66-7250	66-7253
	Front 2.0L Eng. w/A.T. (Old Body Style).....	60-7101	60-7100	66-7101	66-7100
	Front 2.0L Eng. w/M.T. (New Body Style).....	60-7252	60-7251	66-7252	66-7251
	Front 2.0L Eng. w/M.T. (Old Body Style).....	60-7114	60-7171	66-7114	66-7171
	Front 2.8L Eng. (New Body Style).....	60-7250	60-7253	66-7250	66-7253
	Front 2.8L Eng. (Old Body Style).....	60-7107	60-7093	66-7252	66-7093
1998-95	Front 2.0L Eng. w/A.T.....	60-7101	60-7100	66-7101	66-7100
	Front 2.0L Eng. w/M.T.....	60-7114	60-7171	66-7114	66-7171
	Front 2.8L Eng.....	60-7107	60-7093	66-7252	66-7093
1994-93	Front w/A.T.....	60-7101	60-7100	66-7101	66-7100
	Front w/M.T.....	60-7114	60-7171	66-7114	66-7171
1992-85	Front w/90mm Diameter I.B. Housing.....	60-7002	60-7003	66-7002	—
	Front w/100mm Diameter I.B. Housing.....	60-7005	60-7010	66-7005	—
GTI					
2013-06	Front.....	60-7346	60-7347	66-7346	66-7347
JETTA					
2015	Front 1.8L Eng. w/A.T.....	60-7333	60-7334	66-7333	66-7334
	Front 2.0L Gas Eng. w/A.T.....	60-7346	—	66-7346	—
	Front 2.0L Diesel Eng. w/A.T.....	60-7396	60-7346	66-7396	66-7346
	Front 2.0L Gas Eng. w/M.T. (CBPA Eng.).....	60-7316	60-7317	66-7316	66-7317
	Front 2.0L Diesel Eng. w/M.T. (CVCA Eng.).....	—	—	—	66-07529
2014	Front 1.8L Eng. w/A.T.....	60-7333	60-7334	66-7333	66-7334
	Front 2.0L Gas Eng. w/A.T.....	60-7346	—	66-7346	—
	Front 2.0L Diesel Eng. w/A.T.....	60-7396	60-7446	66-7396	66-7446
	Front 2.0L Gas Eng. w/M.T. (CBPA Eng.).....	60-7316	60-7317	66-7316	66-7317
	Front 2.0L Gas Eng. w/M.T. (CPLA Eng.).....	60-7346	—	66-7346	—
2013	Front 2.0L Diesel Eng. w/M.T.....	—	—	—	66-07529
	Front 2.5L Eng. w/A.T.....	60-7333	60-7334	66-7333	66-7334
	Front 2.5L Eng. w/M.T.....	60-7316	60-7317	66-7316	66-7317
	Front 2.0L Gas Eng.....	60-7346	—	66-7346	—
	Front 2.0L Diesel Eng. w/A.T.....	60-7396	60-7446	66-7396	66-7446
2012	Front 2.0L Diesel Eng. w/M.T.....	—	—	—	66-07529
	Front 2.5L Eng. w/A.T.....	60-7333	60-7334	66-7333	66-7334
	Front 2.5L Eng. w/M.T.....	60-7316	60-7317	66-7316	66-7317
	Front 2.0L Gas Eng.....	60-7346	—	66-7346	—
	Front 2.0L Diesel Eng. w/A.T.....	60-7396	60-7446	66-7396	66-7446
2011	Front 2.0L Diesel Eng. w/M.T.....	—	—	—	66-07529
	Front 2.5L Eng. w/A.T.....	60-7333	60-7334	66-7333	66-7334
	Front 2.5L Eng. w/M.T.....	60-7316	60-7317	66-7316	66-7317
	Front 2.5L Eng. w/M.T.....	60-7316	60-7317	66-7316	66-7317
	Front 1.8L Gas Eng. (Mexico).....	60-7250	60-7250	66-7250	66-7250
2010	Front 1.9L Diesel Eng. (Mexico).....	60-7250	60-7250	66-7250	66-7250
	Front 2.0L Diesel Eng. w/A.T.....	60-7396	60-7446	66-7396	66-7446
	Front 2.0L Gas Eng. w/M.T.....	60-7346	60-7347	66-7346	66-7347
	Front 2.0L Diesel Eng. w/M.T.....	60-7346	—	66-7346	66-07529
	Front 2.5L Eng. w/A.T.....	60-7333	60-7334	66-7333	66-7334
2009	Front 2.5L Eng. w/M.T.....	60-7316	60-7317	66-7316	66-7317
	Front 1.9L Eng. Diesel w/M.T.....	60-7250	60-7253	66-7250	66-7253
	Front 2.0L Gas Eng.....	60-7346	60-7347	66-7346	66-7347
	Front 2.0L Diesel Eng. w/A.T.....	60-7396	60-7446	66-7396	66-7446
	Front 2.5L Eng. w/A.T.....	60-7333	60-7334	66-7333	66-7334
2008	Front 2.5L Eng. w/M.T.....	60-7316	60-7317	66-7316	66-7317
	Front 1.9L Diesel Eng.....	60-7250	—	66-7250	—
	Front 2.0L Eng.....	60-7346	60-7347	66-7346	66-7347
2007	Front 2.5L Eng. w/A.T.....	60-7333	60-7334	66-7333	66-7334
	Front 2.5L Eng. w/M.T.....	60-7316	60-7317	66-7316	66-7317
	Front 2.0L Eng.....	60-7346	60-7347	66-7346	66-7347
	Front 2.5L Eng. w/A.T.....	60-7333	60-7334	66-7333	66-7334
	Front 2.5L Eng. w/M.T.....	60-7316	60-7317	66-7316	66-7317

NEW & REMANUFACTURED CONSTANT VELOCITY DRIVE AXLES

YEAR	APPLICATION	REMAN		NEW	
		LEFT	RIGHT	LEFT	RIGHT
VOLKSWAGEN (Cont'd)		Driver Side	Pass. Side	Driver Side	Pass. Side
JETTA (Cont'd)					
2006	Front 1.9L Eng. w/A.T.....	60-7396	—	66-7396	—
	Front 1.9L Eng. w/M.T.....	60-7316	—	66-7316	—
	Front 2.0L Eng.....	60-7346	60-7347	66-7346	66-7347
2005	Front 2.5L Eng. w/A.T.....	60-7333	60-7334	66-7333	66-7334
	Front 2.5L Eng. w/M.T.....	60-7316	60-7317	66-7316	66-7317
	Front 1.8L Eng. w/A.T.....	60-7314	60-7315	66-7314	66-7315
	Front 1.9L Eng. w/A.T. (BEW Eng.).....	60-7314	60-7315	66-7314	66-7315
	Front 1.9L Eng. w/A.T. (BRM Eng.).....	60-7396	—	66-7396	—
	Front 1.9L Eng. w/M.T. (BEW Eng.).....	60-7252	60-7251	66-7252	66-7251
	Front 1.9L Eng. w/M.T. (BRM Eng.).....	60-7316	—	66-7316	—
	Front 2.0L Eng. w/A.T.....	60-7250	60-7253	66-7250	66-7253
	Front 2.0L Eng. w/M.T.....	60-7252	60-7251	66-7252	66-7251
	Front 2.5L Eng. w/A.T.....	60-7333	60-7334	66-7333	66-7334
2004	Front 2.5L Eng. w/M.T.....	60-7316	60-7317	66-7316	66-7317
	Front 1.8L Eng. w/A.T.....	60-7314	60-7315	66-7314	66-7315
	Front 1.8L Eng. w/M.T.....	60-7250	60-7253	66-7250	66-7253
	Front 1.9L Eng. w/A.T. (ALH Eng.).....	60-7250	60-7253	66-7250	66-7253
	Front 1.9L Eng. w/A.T. (BEW Eng.).....	60-7314	60-7315	66-7314	66-7315
	Front 1.9L Eng. w/M.T. (ALH Eng.).....	60-7256	60-7251	66-7252	66-7251
	Front 1.9L Eng. w/M.T. (BEW Eng.).....	60-7252	—	66-7252	—
	Front 2.0L Eng. w/A.T.....	60-7250	60-7253	66-7250	66-7253
	Front 2.0L Eng. w/M.T.....	60-7252	60-7251	66-7252	66-7251
	Front 2.8L Eng. w/A.T.....	60-7314	60-7315	66-7314	66-7315
2003	Front 1.8L Eng. w/A.T.....	60-7314	60-7315	66-7314	66-7315
	Front 1.8L Eng. w/M.T.....	60-7250	60-7253	66-7250	66-7253
	Front 1.9L Eng. w/A.T.....	60-7288	60-7253	66-7250	66-7253
	Front 1.9L Eng. w/M.T.....	60-7256	60-7251	66-7252	66-7251
	Front 2.0L Eng. w/A.T.....	60-7250	60-7253	66-7250	66-7253
	Front 2.0L Eng. w/M.T.....	60-7252	60-7251	66-7252	66-7251
	Front 2.8L Eng., GLX.....	—	60-7315	—	66-7315
	Front 1.8L Eng. w/A.T.....	60-7314	60-7315	66-7314	66-7315
	Front 1.8L Eng. w/M.T.....	60-7250	60-7253	66-7250	66-7253
	Front 1.9L Eng. w/A.T.....	60-7288	60-7253	66-7250	66-7253
2002	Front 1.9L Eng. w/M.T.....	60-7256	60-7251	66-7252	66-7251
	Front 2.0L Eng. w/A.T.....	60-7250	60-7253	66-7250	66-7253
	Front 2.0L Eng. w/M.T.....	60-7252	60-7251	66-7252	66-7251
	Front 2.8L Eng. w/A.T. (AFP Eng.).....	60-7250	60-7253	66-7250	66-7253
	Front 2.8L Eng. w/A.T. (BDF Eng.).....	—	60-7315	—	66-7315
	Front 2.8L Eng.....	60-7250	60-7253	66-7250	66-7253
	Front 1.8L Eng.....	60-7250	60-7253	66-7250	66-7253
	Front 1.9L Eng. w/A.T.....	60-7288	60-7253	66-7250	66-7253
	Front 1.9L Eng. w/M.T.....	60-7256	60-7251	66-7252	66-7251
	Front 2.0L Eng. w/A.T.....	60-7250	60-7253	66-7250	66-7253
2001	Front 2.0L Eng. w/M.T.....	60-7252	60-7251	66-7252	66-7251
	Front 2.8L Eng.....	60-7250	60-7253	66-7250	66-7253
	Front 1.8L Eng.....	60-7250	60-7253	66-7250	66-7253
	Front 1.9L Eng. w/A.T.....	60-7288	60-7253	66-7250	66-7253
	Front 1.9L Eng. w/M.T.....	60-7256	60-7251	66-7252	66-7251
	Front 2.0L Eng. w/A.T.....	60-7250	60-7253	66-7250	66-7253
	Front 2.0L Eng. w/M.T.....	60-7252	60-7251	66-7252	66-7251
	Front 2.8L Eng.....	60-7250	60-7253	66-7250	66-7253
	Front 1.8L Eng. w/A.T.....	60-7250	60-7253	66-7250	66-7253
	Front 1.8L Eng. w/M.T.....	60-7252	60-7251	66-7252	66-7251
2000	Front 1.9L Eng. w/A.T.....	60-7288	60-7253	66-7250	66-7253
	Front 1.9L Eng. w/M.T.....	60-7256	60-7251	66-7252	66-7251
	Front 2.0L Eng. w/A.T.....	60-7250	60-7253	66-7250	66-7253
	Front 2.0L Eng. w/M.T.....	60-7252	60-7251	66-7252	66-7251
	Front 2.8L Eng.....	60-7250	60-7253	66-7250	66-7253
	Front 1.8L Eng. w/A.T.....	60-7250	60-7253	66-7250	66-7253
	Front 1.8L Eng. w/M.T.....	60-7252	60-7251	66-7252	66-7251
	Front 1.9L Eng. w/A.T.....	60-7288	60-7253	66-7250	66-7253
	Front 1.9L Eng. w/M.T.....	60-7256	60-7251	66-7252	66-7251
	Front 2.0L Eng. w/A.T.....	60-7250	60-7253	66-7250	66-7253
1999	Front 2.0L Eng. w/M.T.....	60-7252	60-7251	66-7252	66-7251
	Front 2.8L Eng.....	60-7250	60-7253	66-7250	66-7253
	Front 1.9L Eng. w/A.T. (New Body Style).....	60-7288	60-7253	66-7250	66-7253
	Front 1.9L Eng. w/A.T. (Old Body Style).....	60-7101	60-7100	66-7101	66-7100
	Front 1.9L Eng. w/M.T. (New Body Style).....	60-7256	60-7251	66-7252	66-7251
	Front 1.9L Eng. w/M.T. (Old Body Style).....	60-7114	60-7171	66-7114	66-7171
	Front 2.0L Eng. w/A.T. (New Body Style).....	60-7250	60-7253	66-7250	66-7253
	Front 2.0L Eng. w/A.T. (Old Body Style).....	60-7101	60-7100	66-7101	66-7100
	Front 2.0L Eng. w/M.T. (New Body Style).....	60-7252	60-7251	66-7252	66-7251
	Front 2.0L Eng. w/M.T. (Old Body Style).....	60-7114	60-7171	66-7114	66-7171
1998-95	Front 2.8L Eng. (New Body Style).....	60-7250	60-7253	66-7250	66-7253
	Front 2.8L Eng. (Old Body Style).....	60-7107	60-7093	66-7252	66-7093
	Front 1.9L Eng. w/A.T.....	60-7101	60-7100	66-7101	66-7100
	Front 1.9L Eng. w/M.T.....	60-7114	60-7171	66-7114	66-7171
	Front 2.0L Eng. w/A.T.....	60-7101	60-7100	66-7101	66-7100
	Front 2.0L Eng. w/M.T.....	60-7114	60-7171	66-7114	66-7171
Front 2.8L Eng.....	60-7107	60-7093	66-7252	66-7093	

CV DRIVE AXLES

NEW & REMANUFACTURED CONSTANT VELOCITY DRIVE AXLES

CV DRIVE AXLES

YEAR	APPLICATION	REMAN		NEW	
		LEFT	RIGHT	LEFT	RIGHT
VOLKSWAGEN (Cont'd)		Driver Side	Pass. Side	Driver Side	Pass. Side
JETTA (Cont'd)					
1994	Front 2.0L Eng. w/A.T.....	60-7101	60-7100	66-7101	66-7100
	Front 2.0L Eng. w/M.T.....	60-7114	60-7171	66-7114	66-7171
	Front 2.8L Eng.....	60-7107	60-7093	66-7252	66-7093
1993	Front w/A.T.....	60-7101	60-7100	66-7101	66-7100
	Front w/M.T.....	60-7114	60-7171	66-7114	66-7171
1992-85	Front w/90mm Diameter I.B. Housing.....	60-7002	60-7003	66-7002	—
	Front w/100mm Diameter I.B. Housing.....	60-7005	60-7010	66-7005	—
1984-80	Front w/A.T.....	60-7005	—	66-7005	—
	Front w/M.T.....	60-7002	—	66-7002	—
JETTA CITY					
2009-08	Front 2.0L Eng. (Canada).....	60-7346	60-7347	66-7346	66-7347
PASSAT					
2015	Front w/A.T.....	—	60-7521	—	—
2014-13	Front w/A.T.....	60-7520	60-7521	—	—
2012	Front 5 Cyl. Eng. w/A.T. (Exc. SE).....	60-7520	60-7521	—	—
	Front 5 Cyl. Eng. w/A.T., SE.....	—	60-7334	—	66-7334
2010	Front 4 Cyl. Eng. From 2/22/2010.....	60-7346	—	66-7346	—
	Front 4 Cyl. Eng. Before 2/21/2010.....	60-7346	60-7347	66-7346	66-7347
2009	Front 4 Cyl. Eng. w/A.T.....	60-7333	60-7334	66-7333	66-7334
2008-06	Front 4 Cyl. Eng. w/A.T.....	60-7333	60-7334	66-7333	66-7334
	Front 4 Cyl. Eng. w/M.T.....	60-7346	60-7347	66-7346	66-7347
2005	Front 6 Cyl. Eng. AWD.....	—	60-7345	66-7343	—
	Rear 6 Cyl. Eng.....	60-7505	60-7506	—	—
2005	Front 4 Cyl. Eng. w/A.T.....	60-7240	60-7241	66-7240	66-7241
	Front 4 Cyl. Eng. w/M.T.....	60-7257	60-7258	66-7257	66-7258
2004	Front 6 Cyl. Eng. FWD w/A.T.....	60-7240	60-7241	66-7240	66-7241
	Front 6 Cyl. Eng. FWD w/M.T.....	60-7257	60-7258	66-7257	66-7258
2004	Front 6 Cyl. Eng. AWD.....	60-7052	60-7053	66-7052	66-7053
	Rear AWD.....	60-7038	60-7038	—	—
2004	Front 4 Cyl. Eng. w/A.T.....	60-7240	60-7241	66-7240	66-7241
	Front 4 Cyl. Eng. w/M.T.....	60-7257	60-7258	66-7257	66-7258
2003	Front 6 Cyl. Eng. FWD w/A.T.....	60-7240	60-7241	66-7240	66-7241
	Front 6 Cyl. Eng. FWD w/M.T.....	60-7257	60-7258	66-7257	66-7258
2003	Front 6 Cyl. Eng. AWD.....	60-7052	60-7053	66-7052	66-7053
	Front 8 Cyl. Eng. AWD w/A.T.....	60-7240	60-7241	66-7240	66-7241
2003	Front 8 Cyl. Eng. AWD w/M.T.....	60-7257	60-7258	66-7257	66-7258
	Rear 8 Cyl. AWD.....	60-7503	60-7503	—	—
2003	Front 4 Cyl. Eng. FWD w/A.T.....	60-7240	60-7241	66-7240	66-7241
	Front 4 Cyl. Eng. FWD w/M.T.....	60-7257	60-7258	66-7257	66-7258
2003	Front 6 Cyl. Eng. FWD w/A.T.....	60-7240	60-7241	66-7240	66-7241
	Front 6 Cyl. Eng. FWD w/M.T.....	60-7257	60-7258	66-7257	66-7258
2003	Front 6 Cyl. Eng. AWD.....	60-7052	60-7053	66-7052	66-7053
	Front 8 Cyl. Eng. AWD w/A.T.....	60-7240	60-7241	66-7240	66-7241
2003	Front 8 Cyl. Eng. AWD w/M.T.....	60-7257	60-7258	66-7257	66-7258
	Rear 6 Cyl. Eng. AWD.....	60-7038	60-7038	—	—
2003	Rear 8 Cyl. AWD.....	60-7503	60-7503	—	—
	Front 4 Cyl. Eng. FWD w/A.T. (AWM Eng.).....	60-7240	60-7241	66-7240	66-7241
2002	Front 4 Cyl. Eng. FWD w/M.T.....	60-7257	60-7258	66-7257	66-7258
	Front 6 Cyl. Eng. FWD w/A.T.....	60-7240	60-7241	66-7240	66-7241
2002	Front 6 Cyl. Eng. FWD w/M.T.....	60-7257	60-7258	66-7257	66-7258
	Front 6 Cyl. Eng. AWD w/A.T.....	60-7052	60-7053	66-7052	66-7053
2002	Front 6 Cyl. Eng. AWD w/M.T.....	60-7257	60-7258	66-7257	66-7258
	Front 8 Cyl. Eng. AWD w/A.T.....	60-7240	60-7241	66-7240	66-7241
2002	Rear 6 Cyl. Eng. AWD.....	60-7038	60-7038	—	—
	Rear 8 Cyl. AWD.....	60-7503	60-7503	—	—
2001	Front 4 Cyl. Eng. FWD w/A.T. (ATW, AUG Eng.).....	60-7184	—	66-7184	—
	Front 4 Cyl. Eng. FWD w/A.T. (AWM Eng.).....	60-7240	60-7241	66-7240	66-7241
2001	Front 4 Cyl. Eng. FWD w/M.T. (ATW, AUG Eng.).....	60-7205	60-7206	66-7205	66-7206
	Front 4 Cyl. Eng. FWD w/M.T. (AWM Eng.).....	60-7257	60-7258	66-7257	66-7258
2001	Front 6 Cyl. Eng. FWD w/A.T.....	60-7240	60-7241	66-7240	66-7241
	Front 6 Cyl. Eng. FWD w/M.T.....	60-7257	60-7258	66-7257	66-7258
2001	Front 6 Cyl. Eng. AWD w/A.T.....	60-7052	60-7053	66-7052	66-7053
	Rear 6 Cyl. Eng. AWD.....	60-7038	60-7038	—	—

NEW & REMANUFACTURED CONSTANT VELOCITY DRIVE AXLES

YEAR	APPLICATION	REMAN		NEW	
		LEFT	RIGHT	LEFT	RIGHT
		Driver Side	Pass. Side	Driver Side	Pass. Side
VOLKSWAGEN (Cont'd)					
PASSAT (Cont'd)					
2000	Front 4 Cyl. Eng. FWD w/A.T.	60-7184	60-7199	66-7184	66-7199
	Front 4 Cyl. Eng. FWD w/M.T.	60-7205	60-7206	66-7205	66-7206
	Front 6 Cyl. Eng. FWD w/A.T.	60-7240	60-7241	66-7240	66-7241
	Front 6 Cyl. Eng. FWD w/M.T.	60-7257	60-7258	66-7257	66-7258
	Front 6 Cyl. Eng. AWD w/A.T.	60-7052	60-7053	66-7052	66-7053
	Rear 6 Cyl. Eng. AWD.....	60-7038	60-7038	—	—
1999	Front 4 Cyl. Eng. FWD w/A.T.	60-7184	60-7199	66-7184	66-7199
	Front 4 Cyl. Eng. FWD w/M.T.	60-7205	60-7206	66-7205	66-7206
	Front 6 Cyl. Eng. FWD w/A.T.	60-7240	60-7241	66-7240	66-7241
	Front 6 Cyl. Eng. FWD w/M.T.	60-7257	60-7258	66-7257	66-7258
1998	Front 4 Cyl. Eng. FWD w/A.T.	60-7184	60-7199	66-7184	66-7199
	Front 4 Cyl. Eng. FWD w/M.T.	60-7205	60-7206	66-7205	66-7206
	Front 6 Cyl. Eng. FWD w/A.T.	60-7240	60-7241	66-7240	66-7241
1997	Front 4 Cyl. Eng. FWD w/A.T.	60-7101	60-7100	66-7101	66-7100
	Front 4 Cyl. Diesel Eng. w/M.T.	60-7114	60-7171	66-7114	66-7171
	Front 6 Cyl. Eng.	60-7252	60-7093	66-7252	66-7093
1996	Front 4 Cyl. Gas Eng. w/A.T.	60-7101	60-7100	66-7101	66-7100
	Front 4 Cyl. Gas Eng. w/M.T.	60-7047	60-7171	66-7114	66-7171
	Front 4 Cyl. Diesel Eng. w/A.T.	60-7101	60-7100	66-7101	66-7100
	Front 4 Cyl. Diesel Eng. w/M.T.	60-7114	60-7171	66-7114	66-7171
1995	Front 6 Cyl. Eng.	60-7252	60-7093	66-7252	66-7093
	Front 4 Cyl. Eng. w/A.T.	60-7101	60-7100	66-7101	66-7100
	Front 4 Cyl. Eng. w/M.T.	60-7047	60-7171	66-7114	66-7171
1994-93	Front 6 Cyl. Eng.	60-7252	60-7093	66-7252	66-7093
	Front 4 Cyl. Eng.	60-7114	60-7171	66-7114	66-7171
1992	Front 4 Cyl. Eng. From Chassis #31N-105279	60-7114	60-7171	66-7114	66-7171
	Front 4 Cyl. Eng. To Chassis #31N-105278.....	60-7047	60-7171	66-7114	66-7171
	Front 6 Cyl. Eng.	60-7252	60-7093	66-7252	66-7093
1991-90	Front 4 Cyl. Eng.	60-7047	60-7171	66-7114	66-7171
QUANTUM					
1988	Front w/A.T.	60-7022	60-7027	—	—
	Front w/M.T.	60-7108	60-7065	—	—
	Rear	60-7026	60-7026	—	—
1987	Front w/A.T.	60-7022	60-7027	—	—
	Front w/M.T.	60-7108	60-7065	—	—
	Rear From Chassis # 33H086637.....	60-7026	60-7026	—	—
1986	Rear To Chassis # 33H086636.....	60-7025	60-7025	—	—
	Front w/A.T.	60-7022	60-7027	—	—
	Front w/M.T.	60-7108	60-7065	—	—
1985	Rear	60-7025	60-7025	—	—
	Front 4 Cyl. Eng. w/A.T.	60-7062	60-7016	—	—
	Front 4 Cyl. Eng. w/M.T.	60-7025	60-7025	—	—
1984	Front 5 Cyl. Eng. w/A.T.	60-7022	60-7027	—	—
	Front 5 Cyl. Eng. w/M.T.	60-7108	60-7065	—	—
	Front 4 Cyl. Eng. w/A.T.	60-7062	60-7016	—	—
1983	Front 4 Cyl. Eng. w/M.T.	60-7025	60-7025	—	—
	Front 5 Cyl. Eng. w/A.T.	60-7022	60-7027	—	—
	Front 5 Cyl. Eng. w/M.T.	60-7108	60-7065	—	—
1982	Front 4 Cyl. Eng. w/A.T.	60-7062	60-7016	—	—
	Front 4 Cyl. Eng. w/M.T.	60-7025	60-7025	—	—
	Front 5 Cyl. Eng. w/A.T. From Chassis #32D-099298	60-7022	60-7027	—	—
	Front 5 Cyl. Eng. w/A.T. To Chassis #32D-099297	60-7187	—	—	—
	Front 5 Cyl. Eng. w/M.T. From Chassis #32D-099298	60-7108	60-7065	—	—
1982	Front 5 Cyl. Eng. w/M.T. To Chassis # 32D-099297	60-7162	60-7016	—	—
	Front w/A.T.	60-7062	60-7016	—	—
	Front w/M.T.	60-7025	60-7025	—	—
R32					
2008	Front	60-7346	—	66-7346	—
	Rear	60-7505	60-7506	—	—
RABBIT					
2009-06	Front w/A.T.	60-7333	60-7334	66-7333	66-7334
	Front w/M.T.	60-7316	60-7317	66-7316	66-7317

CV DRIVE AXLES

NEW & REMANUFACTURED CONSTANT VELOCITY DRIVE AXLES

CV DRIVE AXLES

YEAR	APPLICATION	REMAN		NEW	
		LEFT	RIGHT	LEFT	RIGHT
		Driver Side	Pass. Side	Driver Side	Pass. Side
VOLKSWAGEN (Cont'd)					
RABBIT (Cont'd)					
1984-75	Front w/A.T.....	60-7005	—	66-7005	—
	Front w/M.T.....	60-7002	—	66-7002	—
RABBIT CONVERTIBLE					
1984-80	Front w/A.T.....	60-7005	—	66-7002	—
	Front w/M.T.....	60-7002	—	66-7002	—
SCIROCCO					
1988-85	Front w/90mm Diameter I.B. Housing.....	60-7002	—	66-7002	—
	Front w/100mm Diameter I.B. Housing.....	60-7005	60-7014	66-7005	—
1984-75	Front.....	60-7002	—	66-7002	—
VOLKSWAGEN TRUCKS					
EUROVAN					
1996-93	Front w/A.T. w/o ABS.....	60-7103	—	—	—
RABBIT PICKUP					
1983-80	Front w/A.T.....	60-7005	—	66-7005	—
	Front w/M.T.....	60-7002	—	66-7002	—
ROUTAN					
2011	Front.....	60-3553	60-3639	66-3553	66-3639
2010-09	Front 3.8L Eng.....	60-3553	60-3554	66-3553	66-3554
	Front 4.0L Eng.....	60-3553	60-3639	66-3553	66-3639
TIGUAN					
2015-13	Front 2.0L Eng.....	—	—	66-7343	—
2012-09	Front 2.0L Eng.....	—	—	66-7343	—
	Rear AWD.....	60-7505	60-7506	—	—
TOUAREG					
2015-11	Rear w/o Locking Differential.....	60-7508	60-7508	—	—
2010-09	Front.....	60-7320	60-7320	66-7320	66-7320
	Rear w/o Locking Differential.....	60-7322	60-7322	—	—
2008	Rear w/ Locking Differential.....	60-7507	60-7507	—	—
	Front 3.6L Eng.....	60-7320	60-7320	66-7320	66-7320
	Front 4.2 L Eng.....	60-7321	60-7321	66-7321	66-7321
	Front 5.0 L Eng.....	60-7320	60-7320	66-7320	66-7320
	Rear w/o Locking Differential.....	60-7322	60-7322	—	—
2007	Rear w/ Locking Differential.....	60-7507	60-7507	—	—
	Front 3.6L Eng.....	60-7320	60-7320	66-7320	66-7320
	Front 4.2 L Eng.....	60-7321	60-7321	66-7321	66-7321
	Front 5.0 L Eng.....	60-7321	60-7321	66-7321	66-7321
	Rear w/o Locking Differential.....	60-7322	60-7322	—	—
2006	Rear w/ Locking Differential.....	60-7507	60-7507	—	—
	Front 3.2L Eng.....	60-7320	60-7320	66-7320	66-7320
	Front 4.2L Eng. From Chassis # 7L-6-090-001.....	60-7320	60-7320	66-7320	66-7320
	Front 4.2L Eng. To Chassis # 7L-6-090-000.....	60-7321	60-7321	66-7321	66-7321
	Rear w/o Locking Differential.....	60-7322	60-7322	—	—
2005	Rear w/ Locking Differential.....	60-7507	60-7507	—	—
	Front 3.2L Eng.....	60-7320	60-7320	66-7320	66-7320
	Front 4.2L Eng.....	60-7321	60-7321	66-7321	66-7321
	Front 5.0L Eng.....	60-7321	60-7321	66-7321	66-7321
	Rear 3.2L Eng. w/o Locking Differential.....	60-7322	60-7322	—	—
2004	Rear 3.2L Eng. w/ Locking Differential.....	60-7507	60-7507	—	—
	Rear 4.2L Eng.....	60-7507	60-7507	—	—
	Rear 5.0L Eng.....	60-7507	60-7507	—	—
	Front 3.2L Eng.....	60-7320	60-7320	66-7320	66-7320
	Front 4.2 L Eng.....	60-7321	60-7321	66-7321	66-7321
2004	Rear 3.2L Eng. w/o Locking Differential.....	60-7322	60-7322	—	—
	Rear 3.2L Eng. w/ Locking Differential.....	60-7507	60-7507	—	—
	Rear 4.2L Eng.....	60-7507	60-7507	—	—
	Front 4.2L Eng.....	60-7507	60-7507	—	—
TRANSPORTER					
1979-66	Rear w/M.T.....	60-7018	60-7018	—	—

NEW & REMANUFACTURED CONSTANT VELOCITY DRIVE AXLES

YEAR	APPLICATION	REMAN		NEW	
		LEFT	RIGHT	LEFT	RIGHT
VOLKSWAGEN TRUCKS (Cont'd)		Driver Side	Pass. Side	Driver Side	Pass. Side
VANAGON					
1991-86	Front w/5 Spd. M.T.	60-7101	60-7101	66-7101	66-7101
	Rear w/M.T.	60-7077	60-7077	66-7077	66-7077
1985-83	Rear w/M.T.	60-7077	60-7077	66-7077	66-7077
1982-80	Rear w/A.T.	60-7068	60-7045	—	—
	Rear w/M.T.	60-7044	60-7044	—	—
VOLVO					
C30					
2013-08	Front w/A.T.	60-9350	60-9351	66-9350	—
C70					
2013-12	Front w/A.T.	60-9350	60-9351	66-9350	—
2011	Front w/A.T.	60-9350	60-9351	66-9350	—
	Front w/M.T.	—	60-9351	—	—
2010-08	Front w/A.T.	60-9350	60-9351	66-9350	—
2007-06	Front w/A.T.	60-9250	60-9251	—	—
2005	None Produced				
2004-03	Front w/A.T.	60-9250	60-9251	—	—
2002-00	Front w/A.T.	60-9264	60-9265	—	—
1999	Front 2.3L	60-9264	60-9265	—	—
	Front 2.4L	60-9208	60-9209	66-9208	66-9209
1998	Front	60-9208	60-9209	66-9208	66-9209
S40					
2012-10	Front FWD w/A.T.	60-9350	60-9351	66-9350	—
2009-08	Front FWD 2.5L Eng. w/A.T.	60-9350	60-9351	66-9350	—
2007	Front 2.4L Eng (B5244S4 Eng.) w/A.T.	60-9350	60-9351	66-9350	—
	Front 2.4L Eng (B5244S7 Eng.)	60-9350	60-9351	66-9350	—
	Front 2.5L Eng. FWD	60-9350	60-9351	66-9350	—
2006-05	Front 2.4L Eng.	60-9350	—	66-9350	—
	Front 2.5L Eng. w/A.T.	60-9350	—	66-9350	—
2004	Front 1.9L Turbo	60-9229	60-9230	66-9229	66-9230
	Front 2.4L Eng.	60-9350	—	66-9350	—
2003-01	Front 1.9L Turbo	60-9229	60-9230	66-9229	66-9230
2000-99	Front w/A.T.	60-9231	60-9232	66-9231	66-9232
S60					
2009	Front 2.4L w/A.T. Turbo	60-9252	60-9253	66-9252	66-9253
	Front 2.5L w/A.T. Turbo FWD	60-9252	60-9253	66-9252	66-9253
	Front 2.5L w/A.T. Turbo AWD	60-9252	60-9254	66-9252	—
	Rear 2.5L w/A.T. Turbo	60-9270	60-9270	—	—
2008	Front 2.4L w/A.T. Turbo	60-9252	60-9253	66-9252	66-9253
	Front 2.5L w/A.T. Turbo FWD	60-9252	60-9253	66-9252	66-9253
	Front 2.5L w/A.T. Turbo AWD	60-9252	60-9254	66-9252	—
	Rear 2.5L w/A.T. Turbo	60-9270	60-9270	—	—
2007	Front 2.4L w/A.T. Turbo	60-9252	60-9253	66-9252	66-9253
	Front 2.5L w/A.T. Turbo FWD	60-9252	60-9253	66-9252	66-9253
	Front 2.5L w/A.T. Turbo AWD	60-9252	60-9254	66-9252	—
	Rear 2.5L Eng.	60-9270	60-9270	—	—
2006	Front 2.4L w/A.T. Turbo	60-9252	60-9253	66-9252	66-9253
	Front 2.5L w/A.T. Turbo FWD	60-9252	60-9253	66-9252	66-9253
	Front 2.5L w/A.T. Turbo AWD	60-9252	60-9254	66-9252	—
	Rear 2.5L Eng.	60-9270	60-9270	—	—
2005	Front 2.4L w/A.T. (Exc. Turbo)	60-9236	60-9237	66-9252	66-9253
	Front 2.4L w/A.T. Turbo	60-9252	60-9253	66-9252	66-9253
	Front 2.5L w/A.T. Turbo FWD	60-9252	60-9253	66-9252	66-9253
	Front 2.5L w/A.T. Turbo AWD	60-9252	60-9254	66-9252	—
	Rear 2.5L Eng.	60-9270	60-9270	—	—
2004	Front 2.3L w/A.T. Turbo	60-9252	60-9253	66-9252	66-9253
	Front 2.4L w/A.T.	60-9236	60-9237	66-9252	66-9253
	Front 2.5L w/A.T. Turbo, FWD (B5254T2 Eng.)	60-9252	60-9253	66-9252	66-9253
	Front 2.5L w/A.T. Turbo, AWD (B5254T2 Eng.)	60-9252	60-9254	66-9252	—
	Front 2.5L w/A.T. Turbo (B5254T4 Eng.)	60-9252	60-9254	66-9252	—
	Rear 2.5L Eng.	60-9270	60-9270	—	—

CV DRIVE AXLES

NEW & REMANUFACTURED CONSTANT VELOCITY DRIVE AXLES

CV DRIVE AXLES

YEAR	APPLICATION	REMAN		NEW	
		LEFT	RIGHT	LEFT	RIGHT
		Driver Side	Pass. Side	Driver Side	Pass. Side
VOLVO (Cont'd)					
S60 (Cont'd)					
2003	Front 2.3L w/A.T. Turbo	60-9252	60-9253	66-9252	66-9253
	Front 2.4L w/A.T. (Exc. Turbo)	60-9236	60-9237	66-9252	66-9253
	Front 2.4L w/A.T. Turbo	60-9252	60-9253	66-9252	66-9253
	Front 2.5L w/A.T. Turbo	60-9252	60-9253	66-9252	66-9253
	Rear 2.5L Eng.	60-9270	60-9270	—	—
2002	Front 2.3L w/A.T. Turbo	60-9252	60-9253	66-9252	66-9253
	Front 2.4L w/A.T. (Exc. Turbo)	60-9236	60-9237	66-9252	66-9253
	Front 2.4L w/A.T. Turbo	60-9252	60-9253	66-9252	66-9253
	Rear 2.4L Eng.	60-9270	60-9270	—	—
2001	Front 2.3L w/A.T. Turbo	60-9252	60-9253	66-9252	66-9253
	Front 2.4L w/A.T. (Exc. Turbo)	60-9252	60-9253	66-9252	66-9253
	Front 2.4L w/A.T. Turbo	60-9252	60-9253	66-9252	66-9253
S70					
2000	Front 2.3L Turbo w/A.T.	60-9264	60-9265	—	—
	Front 2.4L w/o Turbo w/A.T.	60-9250	60-9251	—	—
	Front 2.4L w/o Turbo w/M.T.	60-9240	60-9241	66-9240	—
	Front 2.4L w/Turbo	60-9264	60-9265	—	—
1999	Front 2.3L Turbo w/A.T.	60-9264	60-9265	—	—
	Front 2.4L w/o Turbo	60-9240	60-9241	66-9240	—
	Front 2.4L w/Turbo	60-9264	—	—	—
1998	Rear 2.4L w/Turbo	60-9266	60-9266	—	—
	Front (Exc. Turbo)	60-9199	60-9198	66-9208	66-9209
	Front w/Turbo	60-9208	60-9209	66-9208	66-9209
S80					
2009-07	Front 3.2L Eng.	60-9252	—	66-9252	—
2006	Front 2.5L Eng.	60-9304	—	—	—
	Rear	60-9270	60-9270	—	—
2005	Front 2.5L Eng.	60-9304	—	—	—
	Front 2.9L Eng. w/A.T. w/o Viscous Clutch	60-9233	60-9234	66-9233	66-9234
2004	Front 2.9L Eng. w/Viscous Clutch	60-9233	60-9235	66-9233	66-9235
	Front 2.5L Eng.	60-9304	—	—	—
2003-99	Front 2.9L Eng. w/A.T. w/o Viscous Clutch	60-9233	60-9234	66-9233	66-9234
	Front 2.9L Eng. w/A.T. w/Viscous Clutch	60-9233	60-9235	66-9233	66-9235
	Front w/A.T. 4T65EV w/o Viscous Clutch	60-9233	60-9234	66-9233	66-9234
	Front w/A.T. 4T65EV w/Viscous Clutch	60-9233	60-9235	66-9233	66-9235
S90					
1998	Rear w/3.73 Axle Ratio	60-9268	60-9268	—	—
	Rear w/3.91 & 4.10 Axle Ratio	60-9269	60-9269	—	—
V40					
2004-01	Front 1.9L Turbo	60-9229	60-9230	66-9229	66-9230
2000	Front w/A.T.	60-9231	60-9232	66-9231	66-9232
V50					
2011-08	Front FWD	60-9350	60-9351	66-9350	—
2007	Front 2.4L Eng. w/A.T.	60-9350	—	66-9350	—
2006-05	Front 2.5L Eng. w/A.T.	60-9350	—	66-9350	—
V70					
2008	Front 3.2L Eng.	60-9252	—	66-9252	—
2007-06	Front 2.4L Eng. w/A.T.	60-9236	60-9237	66-9252	66-9253
	Front 2.5L Eng.	60-9252	60-9253	66-9252	66-9253
	Rear AWD	60-9270	60-9270	—	—
2005	Front 2.4L Eng. w/A.T. (Exc. Turbo), FWD	60-9236	60-9237	66-9252	66-9253
	Front 2.4L Eng. w/A.T. Turbo, AWD	—	60-9253	—	66-9253
	Front 2.5L Eng. w/A.T. Turbo, AWD	60-9252	60-9253	66-9252	66-9253
2004	Rear AWD	60-9270	60-9270	—	—
	Front 2.3L Eng. w/A.T. Turbo, FWD	60-9252	60-9253	66-9252	66-9253
	Front 2.4L Eng. w/A.T., (Exc. Turbo) FWD	60-9236	60-9237	66-9252	66-9253
	Front 2.5L Eng. w/A.T. Turbo, FWD	60-9252	60-9253	66-9252	66-9253
	Front 2.5L Eng. w/A.T. Turbo (Exc. R), AWD	60-9252	60-9254	66-9252	—
	Front 2.5L Eng. w/A.T. Turbo, R, AWD	60-9252	60-9253	66-9252	66-9253
	Rear AWD	60-9270	60-9270	—	—

NEW & REMANUFACTURED CONSTANT VELOCITY DRIVE AXLES

YEAR	APPLICATION	REMAN		NEW	
		LEFT	RIGHT	LEFT	RIGHT
		Driver Side	Pass. Side	Driver Side	Pass. Side
VOLVO (Cont'd)					
V70 (Cont'd)					
2003	Front 2.3L Eng. w/A.T. Turbo, FWD	60-9252	60-9253	66-9252	66-9253
	Front 2.4L Eng. w/A.T. (Exc. Turbo), FWD	60-9236	60-9237	66-9252	66-9253
	Front 2.4L Eng. w/A.T. Turbo, FWD	60-9252	60-9253	66-9252	66-9253
	Front 2.5L Eng. w/A.T. Turbo, AWD	60-9252	60-9254	66-9252	—
	Rear AWD	60-9270	60-9270	—	—
2002	Front 2.3L Eng. w/A.T. Turbo, FWD	60-9252	60-9253	66-9252	66-9253
	Front 2.4L Eng. w/A.T. (Exc. Turbo), FWD	60-9236	60-9237	66-9252	66-9253
	Front 2.4L Eng. w/A.T. Turbo, FWD	60-9252	60-9253	66-9252	66-9253
	Front 2.4L Eng. w/Turbo (Exc X/C), AWD	60-9252	60-9254	66-9252	—
	Front 2.4L Eng. w/Turbo, X/C, AWD	60-9262	60-9263	66-9262	66-9263
	Rear AWD	60-9270	60-9270	—	—
2001	Front 2.3L Eng.w/A.T. w/Turbo, FWD.....	60-9236	60-9237	66-9252	66-9253
	Front 2.4L Eng. w/A.T. (Exc. Turbo), FWD	60-9236	60-9237	66-9252	66-9253
	Front 2.4L Eng. w/A.T. w/Turbo, AWD	60-9262	60-9263	66-9262	66-9263
2000	Front 2.3L Eng. or 2.4L Eng. w/A.T. w/Turbo, FWD	60-9264	60-9265	—	—
	Front 2.4L Eng w/A.T. (Exc. Turbo), FWD	60-9250	60-9251	—	—
	Front 2.4L Eng w/M.T. (Exc. Turbo), FWD	60-9240	60-9241	66-9240	—
	Front AWD	60-9264	—	—	—
	Rear AWD	60-9266	60-9266	—	—
1999	Front 2.3L or 2.4L w/A.T., Turbo, FWD.....	60-9264	—	—	—
	Front 2.3L Eng. w/A.T., Turbo, FWD	—	60-9265	—	—
	Front 2.4L Eng w/A.T. (Exc. Turbo), FWD	60-9240	60-9241	66-9240	—
	Front 2.4L Eng w/M.T. (Exc. Turbo), FWD	60-9240	60-9241	66-9240	—
	Front AWD	60-9264	—	—	—
	Rear AWD	60-9266	60-9266	—	—
1998	Front Base (Exc.Turbo).....	60-9199	60-9198	66-9208	66-9209
	Front Base w/Turbo	60-9208	—	66-9208	—
	Front R, XC/AWC	60-9208	—	66-9208	—
	Rear R, XC/AWC.....	60-9266	60-9266	—	—
	Front T5, GLT	60-9208	60-9209	66-9208	66-9209
V90					
1998	Rear w/3.73 Axle Ratio	60-9268	60-9268	—	—
	Rear w/3.91 or 4.10 Axle Ratio	60-9269	60-9269	—	—
850					
1997-94	Front (Exc. 2.3L Turbo)	60-9199	60-9198	66-9208	66-9209
	Front 2.3L Turbo	60-9208	60-9209	66-9208	66-9209
1993	Front	60-9199	60-9198	66-9208	66-9209
VOLVO TRUCKS					
XC70					
2007-03	Front	60-9262	60-9263	66-9262	66-9263
	Rear	60-9270	60-9270	—	—
YUGO					
GV					
1991-86	Front To Chassis #367845	60-9013	60-9012	—	—
	Front To Chassis #367846	60-9043	—	—	—

CV DRIVE AXLES

NEW INTERMEDIATE SHAFTS

INTERMEDIATE SHAFTS

YEAR	APPLICATION	PART NO.	
		LEFT	RIGHT
CHRYSLER TRUCKS			
ASPEN			
2007	All	66-3990IS	—
DODGE/RAM TRUCKS			
1500			
2011	All	66-3990IS	66-3993IS
DAKOTA			
2011-01	All	66-3990IS	66-3991IS
2000	From 9-12-00.....	66-3990IS	66-3991IS
DURANGO			
2009-00	All	66-3990IS	66-3991IS
RAM 1500 PICKUP			
2013-12	All	66-3994IS	66-3994IS
2010	All	66-3993IS	66-3993IS
	All	66-3990IS	66-3993IS
	All	66-3990IS	66-3993IS
2009-08	All	66-3990IS	—
2007-06	All	66-3990IS	—
2005-02	All	66-3990IS	66-3991IS
FORD			
FOCUS			
2011-06	w/M.T.....	—	66-2195IS

YEAR	APPLICATION	PART NO.	
		LEFT	RIGHT
FORD TRUCKS			
ESCAPE			
2012-09	Front FWD w/A.T.	—	66-2903IS
	Front 4WD w/A.T.	—	66-2902IS
	Front FWD w/CVT.....	—	66-2900IS
	Front 4WD w/CVT.....	—	66-2901IS
2008	Front FWD w/CVT.....	—	66-2900IS
	Front 4WD w/CVT.....	—	66-2901IS
2007	Front 4WD	—	66-2901IS
2006-05	Front	—	66-2901IS
HYUNDAI TRUCKS			
SANTA FE			
2012-10	Front	—	66-3992IS
KIA TRUCKS			
SORENTO			
2013-11	2.4L Eng. w/A.T.	—	66-3992IS
NISSAN TRUCKS			
MURANO			
2007-03	All	—	66-6246IS
RAM TRUCKS			
(SEE DODGE RAM/TRUCKS)			

REMANUFACTURED 4X4 DRIVESHAFTS / PROP SHAFTS

YEAR	APPLICATION	PART NO.
AUDI TRUCKS		
Q7		
2009-07	Rear 3.6L AWD	65-7011
	Rear 4.2L Eng. AWD	65-7011
BMW		
325XI		
2005-01	Front w/28 3/16" Prop Shaft	65-7000
330XI		
2004-01	Front w/28 3/16" Prop Shaft	65-7000
BMW TRUCKS		
X3		
2011-07	Front w/28 3/16" Prop Shaft	65-7000
2006	Front w/27 9/16" Prop Shaft From 12/05	65-7004
BUICK TRUCKS		
RAINIER		
2007-04	Front 4.2L	65-9398
CADILLAC TRUCKS		
ESCALADE, ESV, EXT		
2006-05	Front	65-9363
2004-02	Front	65-9363
	Rear Escalade 4WD	65-9390
2000	Front w/4 Spd. A.T. (4L60E)	65-9361
	Front w/4 Spd. A.T. (4L80E)	65-9362
	Rear Escalade 4WD	65-9390
1999	Front w/4 Spd. A.T. (4L60E)	65-9361
	Front w/4 Spd. A.T. (4L80E)	65-9362
CHEVROLET/GMC TRUCKS		
AVALANCHE 1500		
2006-03	Front w/o active brake control	65-9392
	Front w/active brake control	65-9391
2002	Front	65-9395
AVALANCHE 2500		
2006-02	Front	65-9394
ASTRO, SAFARI MINI VAN		
2005-04	Front	65-9146
2003-99	Front	65-9146
	Rear (Code GY5)	65-9396
1998-90	Front	65-9355
BLAZER, JIMMY FULL SIZE		
1996-95	Rear 4WD w/35" Prop Shaft	65-9369
1994-92	Front Gas Eng. w/28 1/2" Prop Shaft	65-9346
	Front Diesel Eng. w/A.T. w/28 3/4" Prop Shaft	65-9348
	Rear 4WD w/35" Prop Shaft	65-9369
1991-81	Front	65-9339
1980-78	Front w/A.T.	65-9337
	Front w/M.T.	65-9338
1977	Front w/A.T. (Flange at Transfer Case)	65-9337
	Front w/A.T. (Yoke at Transfer Case)	65-9333
	Front w/M.T. (Flange at Transfer Case)	65-9338
	Front w/M.T. (Yoke at Transfer Case)	65-9334
1976-73	Front w/A.T.	65-9333
	Front w/M.T.	65-9334
1972-70	Front	65-9321
1969	Front w/23 1/4" Prop Shaft	65-9320
	Front w/26 3/32" Prop Shaft	65-9321
1968-66	Front	65-9320
COLORADO, CANYON		
2012-04	Front w/Square flange on CV	65-9516

YEAR	APPLICATION	PART NO.
CHEVROLET/GMC TRUCKS (Cont'd)		
ENVOY, TRAILBLAZER		
2009-02	Front 4.2L	65-9398
K SERIES 1/2 TON PICKUP (4WD)		
2000-99	Front w/4 Spd. A.T. (4L80)	65-9362
	Front w/4 Spd. Electronic A.T. (4L60E)	65-9361
1998-97	Front w/4 Spd. A.T. (4L80)	65-9362
	Front w/4 Spd. Electronic A.T. (4L60E)	65-9361
	Front w/M.T.	65-9360
1996-95	Front w/4 Spd. A.T. (4L80)	65-9362
	Front w/4 Spd. Electronic A.T. (4L60E)	65-9361
	Front w/M.T.	65-9360
1994	Front Gas Eng. w/28 1/2" Prop Shaft	65-9346
	Front Diesel Eng. w/A.T.	65-9348
1993-92	Front w/28 1/2" Prop Shaft	65-9346
1991-88	Front w/28 1/2" Prop Shaft	65-9346
1987-81	Front	65-9339
1980-78	Front w/A.T.	65-9337
	Front w/M.T.	65-9338
1977	Front w/A.T. (Flange at Transfer Case)	65-9337
	Front w/A.T. (Yoke at Transfer Case)	65-9333
	Front w/M.T. (Flange at Transfer Case)	65-9338
	Front w/M.T. (Yoke at Transfer Case)	65-9334
1976-73	Front 250 Eng. w/M.T.	65-9334
	Front 350 Eng. w/A.T.	65-9333
1972-70	Front	65-9321
1969	Front w/23 1/4" Prop Shaft	65-9320
	Front w/26 3/32" Prop Shaft	65-9321
1968-66	Front	65-9320
K SERIES 3/4 TON PICKUP (4WD)		
2000-97	Front 7200 lb. GVW w/4 Spd. A.T. (4L80)	65-9362
	Front 7200 lb. GVW w/4 Spd. Electronic A.T. (4L60E)	65-9361
	Front 7200 lb. GVW w/M.T.	65-9360
	Front 8600 lb. GVW w/4 Spd. A.T.	65-9361
	Front 8600 lb. GVW w/M.T.	65-9366
1996-95	Front 7200 lb. GVW w/4 Spd. A.T. (4L80)	65-9362
	Front 7200 lb. GVW w/4 Spd. Electronic A.T. (4L60E)	65-9361
	Front 7200 lb. GVW w/M.T.	65-9360
	Front 8600 lb. GVW w/4 Spd. A.T.	65-9361
	Front 8600 lb. GVW w/M.T.	65-9366
1994-92	Front 7200 lb. GVW Gas Eng. w/28 1/2" Prop Shaft	65-9346
	Front 7200 lb. GVW Diesel Eng. w/A.T.	65-9348
	Front 8600 lb. GVW (Exc. Saginaw Flange)	65-9344
1991-88	Front 7200 lb. GVW Gas Eng. w/28 1/2" Prop Shaft	65-9346
	Front 8600 lb. GVW (Exc. Saginaw Flange)	65-9344
1987-81	Front 7200 lb. or 8600 lb. GVW	65-9339
1980-78	Front 7200 lb. or 8600 lb. GVW w/A.T.	65-9337
	Front 7200 lb. or 8600 lb. GVW w/M.T.	65-9338
1977	Front 7200 lb. or 8600 lb. GVW w/A.T. (Flange at Transfer Case)	65-9337
	Front 7200 lb. or 8600 lb. GVW w/A.T. (Yoke at Transfer Case)	65-9333
	Front 7200 lb. or 8600 lb. GVW w/M.T. (Flange at Transfer Case)	65-9338
	Front 7200 lb. or 8600 lb. GVW w/M.T. (Yoke at Transfer Case)	65-9334
1976-73	Front 7200 lb. GVW 250 Eng. w/M.T. (Part Time 4WD)	65-9334
	Front 7200 lb. GVW 350 Eng. w/A.T. (Full Time 4WD)	65-9333
	Front 8600 lb. GVW 250 Eng. w/M.T.	65-9334
	Front 8600 lb. GVW 350 Eng. w/A.T.	65-9333
1972-70	Front 8600 lb. GVW	65-9321
1969	Front 8600 lb. GVW w/26 3/32" Prop Shaft	65-9321
	Front 8600 lb. GVW w/23 1/4" Prop Shaft	65-9320
1968-66	Front 8600 lb. GVW	65-9320
K SERIES 1 TON PICKUP (4WD)		
2000-97	Front w/4 Spd. A.T.	65-9361
	Front w/5 Spd. M.T.	65-9366
1996-95	Front w/4 Spd. A.T.	65-9361
	Front w/5 Spd. M.T.	65-9366

REMANUFACTURED 4X4 DRIVESHAFTS / PROP SHAFTS

PROP SHAFTS

YEAR	APPLICATION	PART NO.
CHEVROLET/GMC TRUCKS (Cont'd)		
K SERIES 1 TON PICKUP (4WD) (Cont'd)		
1994-92	Front w/28 1/2" Prop Shaft.....	65-9346
	Front w/5 Spd. M.T.	65-9347
1991	Front Exc. 4 Door Crew Cab.....	65-9347
	Front 4 Door Crew Cab w/4 Spd. A.T.	65-9351
	Front 4 Door Crew Cab w/M.T. (Exc. 4 Spd.).....	65-9353
1990-88	Front Exc. 4 Door Crew Cab.....	65-9347
	Front 4 Door Crew Cab.....	65-9353
1987	Front.....	65-9353
1986-80	Front w/A.T.	65-9351
	Front w/M.T.	65-9353
1979-77	Front w/A.T.	65-9336
	Front w/M.T.	65-9331
S SERIES BLAZER, JIMMY		
2005	Front Transfer Case NP1 Prop Code CNR.....	65-9359
	Front Transfer Case NP8 w/19" Prop Shaft.....	65-9329
	Front Transfer Case NP8 w/19 1/4" Length.....	65-9332
2004	Front Transfer Case NP1 Prop Code CNR.....	65-9359
	Front Transfer Case NP8 w/19" Prop Shaft.....	65-9329
	Front Transfer Case NP8 w/19 1/4" Length.....	65-9332
	Rear 4WD 2 Door w/A.T. Prop Code GWO.....	65-9501
	Rear 4WD 2 Door w/M.T. Prop Code GYO.....	65-9502
	Rear 4WD 4 Door w/A.T. Prop Code HJO.....	65-9515
2003-02	Front Transfer Case NP1 Prop Code CNR.....	65-9359
	Front Transfer Case NP8 w/19" Prop Shaft.....	65-9329
	Front Transfer Case NP8 w/19 1/4" Length.....	65-9332
	Rear 4WD 2 Door w/A.T. Prop Code GWO.....	65-9501
	Rear 4WD 2 Door w/M.T. Prop Code GYO.....	65-9502
	Rear 4WD 4 Door w/A.T. Prop Code HJO.....	65-9515
2001-00	Front Transfer Case NP1 Prop Code CNR.....	65-9359
	Front Transfer Case NP8.....	65-9329
	Rear 4WD 2 Door w/A.T. Prop Code GWO.....	65-9501
	Rear 4WD 2 Door w/M.T. Prop Code GYO.....	65-9502
	Rear 4WD 4 Door w/A.T. Prop Code HJO.....	65-9515
1999	Front Transfer Case NP1 Prop Code CNR.....	65-9359
	Front Transfer Case NP8.....	65-9329
	Rear 4WD 2 Door w/A.T. Prop Code GWO.....	65-9501
	Rear 4WD 2 Door w/M.T. Prop Code GYO.....	65-9502
	Rear 4WD 4 Door w/A.T. Prop Code HJO.....	65-9515
1998	Front Transfer Case NP8.....	65-9329
	Rear 4WD 2 Door w/M.T. Prop Code GYO.....	65-9502
1997	Rear 4WD 2 Door w/M.T. Prop Code GYO.....	65-9502
1996-95	Front Transfer Case NP1 Prop Code CNR.....	65-9359
	Rear w/208 or 241 Transfer Case.....	65-9370
1994-92	Front Transfer Case NP1 Prop Code CNR.....	65-9359
	Front Transfer Case NP1 Prop Code CAN.....	65-9358
	Rear w/208 or 241 Transfer Case Prop Code CWA or CWM.....	65-9370
	Rear w/208 or 241 Transfer Case Prop Code CLD.....	65-9354
1991-83	Front Prop Code CAN.....	65-9358
S SERIES PICKUP, SONOMA		
2005-04	Front Transfer Case NP1 Prop Code CNR.....	65-9359
	Front Transfer Case NP8.....	65-9329
2003-02	Front Transfer Case NP1 Prop Code CNR.....	65-9359
	Front Transfer Case NP8.....	65-9329
	Rear w/208 or 241 Transfer Case.....	65-9371
2001-00	Front Transfer Case NP1 Prop Code CNR.....	65-9359
	Front Transfer Case NP8.....	65-9329
1999	Front Transfer Case NP1 Prop Code CNR.....	65-9359
	Front Transfer Case NP8.....	65-9329
1998	Front Transfer Case NP8.....	65-9329
1996-95	Front Transfer Case NP1 Prop Code CNR.....	65-9359
1994-92	Front Transfer Case NP1 Prop Code CNR.....	65-9359
	Front Transfer Case NP1 Prop Code CAN.....	65-9358
	Rear Prop Code CLD.....	65-9354
1991-83	Front Prop Code CAN.....	65-9358

YEAR	APPLICATION	PART NO.
CHEVROLET/GMC TRUCKS (Cont'd)		
SILVERADO, SIERRA 1500 SERIES PICKUP		
2007-06	Front w/4 Spd. A.T. w/24 7/8" Prop Shaft.....	65-9519
2005-04	Front w/4 Spd. A.T. w/24 7/8" Prop Shaft.....	65-9519
	Rear 4WD w/43 1/4" Prop Shaft Code KW1.....	65-9529
2003-02	Front w/4 Spd. A.T. w/24 7/8" Prop Shaft.....	65-9519
	Rear 4WD w/43 1/4" Prop Shaft Code KW1.....	65-9529
	Rear 4WD w/68 1/4" Prop Shaft w/208, 241 Transfer Case.....	65-9371
2001	Front w/4 Spd. A.T. w/24 7/8" Prop Shaft.....	65-9519
	Front w/31" Prop Shaft.....	65-9307
	Rear 4WD w/43 1/4" Prop Shaft Code KW1.....	65-9529
	Rear 4WD w/68 1/4" Prop Shaft w/208, 241 Transfer Case.....	65-9371
2000-99	Front.....	65-9307
	Rear 4WD w/43 1/4" Prop Shaft Code KW1.....	65-9529
	Rear 4WD w/54 1/2" Prop Shaft Code DPB.....	65-9527
SILVERADO, SIERRA 2500 SERIES PICKUP		
2007-06	Front w/4 Spd. A.T. (MN8), w/26" Prop Shaft.....	65-9518
	Front w/4 Spd. A.T. (MT1), w/26" Prop Shaft.....	65-9518
	Front w/5 Spd. A.T. (M74) w/27 1/8" Prop Shaft.....	65-9520
	Front w/6 Spd. M.T. (ML6) w/27 1/8" Prop Shaft.....	65-9520
2005-04	Front w/4 Spd. A.T. (MN8), w/26" Prop Shaft.....	65-9518
	Front w/4 Spd. A.T. (MT1), w/26" Prop Shaft.....	65-9518
	Front w/5 Spd. A.T. (M74) w/27 1/8" Prop Shaft.....	65-9520
	Front w/6 Spd. M.T. (ML6) w/27 1/8" Prop Shaft.....	65-9520
2003-02	Front w/4 Spd. A.T. (MN8), w/26" Prop Shaft.....	65-9518
	Front w/4 Spd. A.T. (MT1), w/26" Prop Shaft.....	65-9518
	Front w/5 Spd. A.T. (M74) w/27 1/8" Prop Shaft.....	65-9520
	Front w/6 Spd. M.T. (ML6) w/27 1/8" Prop Shaft.....	65-9520
	Rear 4WD w/61" Prop Shaft Code GF1.....	65-9528
	Rear 4WD w/68 1/4" Prop Shaft w/208, 241 Transfer Case.....	65-9371
2001	Front w/5 Spd. M.T. w/26" Prop Shaft.....	65-9309
	Front w/5 Spd. M.T. (MW3), w/24 1/2" Prop Shaft.....	65-9827
	Front w/6 Spd. M.T. (ML6) w/27 1/8" Prop Shaft.....	65-9520
	Rear 4WD w/61" Prop Shaft Code GF1.....	65-9528
	Rear 4WD w/68 1/4" Prop Shaft w/208, 241 Transfer Case.....	65-9371
2000-99	Front w/A.T.	65-9310
	Rear 4WD w/54 1/2" Prop Shaft Code DPB.....	65-9527
SILVERADO, SIERRA 2500 HD SERIES PICKUP		
2007-06	Front w/4 Spd. A.T. (MN8), w/26" Prop Shaft.....	65-9518
	Front w/5 Spd. A.T. (M74) w/27 1/8" Prop Shaft.....	65-9520
	Front w/5 Spd. A.T. (MT1), w/24 1/2" Prop Shaft.....	65-9827
2005-04	Front w/4 Spd. A.T. (MN8), w/26" Prop Shaft.....	65-9518
	Front w/5 Spd. A.T. (M74) w/27 1/8" Prop Shaft.....	65-9520
	Front w/5 Spd. A.T. (MT1), w/24 1/2" Prop Shaft.....	65-9827
2003-02	Front w/4 Spd. A.T. (MN8), w/26" Prop Shaft.....	65-9518
	Front w/5 Spd. A.T. (M74) w/27 1/8" Prop Shaft.....	65-9520
	Front w/5 Spd. A.T. (MT1), w/24 1/2" Prop Shaft.....	65-9827
	Rear 4WD w/68 1/4" Prop Shaft w/208, 241 Transfer Case.....	65-9371
2001	Front w/4 Spd. A.T. (MN8), w/26" Prop Shaft.....	65-9518
	Front w/5 Spd. A.T. (M74) w/27 1/8" Prop Shaft.....	65-9520
	Front w/5 Spd. A.T. (MT1), w/24 1/2" Prop Shaft.....	65-9827
	Front w/5 Spd. M.T. w/26" Prop Shaft.....	65-9309
	Rear 4WD w/68 1/4" Prop Shaft w/208, 241 Transfer Case.....	65-9371
SILVERADO, SIERRA 3500 SERIES PICKUP		
2007-06	Front w/4 Spd. A.T. (MN8), w/26" Prop Shaft.....	65-9518
	Front w/4 Spd. A.T. (MT1), w/26" Prop Shaft.....	65-9518
	Front w/5 Spd. A.T. (M74) w/27 1/8" Prop Shaft.....	65-9520
	Front w/6 Spd. M.T. (ML6) w/27 1/8" Prop Shaft.....	65-9520
2005-04	Front w/4 Spd. A.T. (MN8), w/26" Prop Shaft.....	65-9518
	Front w/4 Spd. A.T. (MT1), w/26" Prop Shaft.....	65-9518
	Front w/5 Spd. A.T. (M74) w/27 1/8" Prop Shaft.....	65-9520
	Front w/6 Spd. M.T. (ML6) w/27 1/8" Prop Shaft.....	65-9520

REMANUFACTURED 4X4 DRIVESHAFTS / PROP SHAFTS

YEAR	APPLICATION	PART NO.
CHEVROLET/GMC TRUCKS (Cont'd)		
SILVERADO, SIERRA 3500 SERIES PICKUP (Cont'd)		
2003-02	Front w/4 Spd. A.T. (MN8), w/26" Prop Shaft.....	65-9518
	Front w/4 Spd. A.T. (MT1), w/26" Prop Shaft.....	65-9518
	Front w/5 Spd. A.T. (M74) w/27 1/8" Prop Shaft.....	65-9520
	Front w/6 Spd. M.T. (ML6) w/27 1/8" Prop Shaft.....	65-9520
	Rear 4WD w/68 1/4" Prop Shaft w/208, 241 Transfer Case.....	65-9371
	Front w/4 Spd. A.T. (MN8), w/26" Prop Shaft.....	65-9518
2001	Front w/4 Spd. A.T. (MT1), w/26" Prop Shaft.....	65-9518
	Front w/5 Spd. A.T. (M74) w/27 1/8" Prop Shaft.....	65-9520
	Front w/5 Spd. M.T. w/26" Prop Shaft.....	65-9309
	Front w/5 Spd. M.T. (MW3), w/24 1/2" Prop Shaft.....	65-9827
	Front w/6 Spd. M.T. (ML6) w/27 1/8" Prop Shaft.....	65-9520
	Rear 4WD w/68 1/4" Prop Shaft w/208, 241 Transfer Case.....	65-9371
SILVERADO, SIERRA 3500 HD SERIES PICKUP		
2007-06	Front w/5 Spd. A.T. (MT1), w/24 1/2" Prop Shaft.....	65-9827
2005-04	Front w/5 Spd. A.T. (MT1), w/24 1/2" Prop Shaft.....	65-9827
2003-02	Front w/5 Spd. A.T. (MT1), w/24 1/2" Prop Shaft.....	65-9827
	Rear 4WD w/68 1/4" Prop Shaft w/208, 241 Transfer Case.....	65-9371
2001	Front w/5 Spd. A.T. (MT1), w/24 1/2" Prop Shaft.....	65-9827
	Rear 4WD w/68 1/4" Prop Shaft w/208, 241 Transfer Case.....	65-9371
SUBURBAN, YUKON XL		
2006-05	Front 1500 w/o active brake control JL4.....	65-9530
	Front 1500 w/active brake control JL4.....	65-9363
	Front 2500.....	65-9518
	Front 1500 w/o active brake control JL4.....	65-9530
2004-03	Front 1500 w/active brake control JL4.....	65-9363
	Front 2500.....	65-9518
	Rear w/54 1/4" Prop Shaft.....	65-9531
	Front 1500.....	65-9307
2002	Front 2500.....	65-9307
	Rear w/54 1/4" Prop Shaft.....	65-9531
2001	Front 1500.....	65-9307
	Front 2500.....	65-9306
2000	Front 1500.....	65-9307
	Front 2500.....	65-9310
1999-97	Front w/4 Spd. A.T. (4L80).....	65-9362
	Front w/4 Spd. Electronic A.T. (4L60E).....	65-9361
1996-95	Front w/4 Spd. A.T. (4L80).....	65-9362
	Front w/4 Spd. Electronic A.T. (4L60E).....	65-9361
	Front w/M.T.....	65-9360
	Rear w/58 1/8" Prop Shaft.....	65-9370
1994	Front Gas Eng. w/28 1/2" Prop Shaft.....	65-9346
	Front Diesel Eng. w/A.T. w/28 3/4" Prop Shaft.....	65-9348
	Rear w/58 1/8" Prop Shaft.....	65-9370
	Front w/28 1/2" Prop Shaft.....	65-9346
1993-92	Rear w/58 1/8" Prop Shaft.....	65-9370
	Front w/4 Spd. A.T.....	65-9349
1991	Front.....	65-9339
1990-81	Front.....	65-9339
SYCLONE, TYPHOON		
1993-92	Front.....	65-9357
TAHOE, YUKON		
2006-05	Front w/active brake control (JL4) Exc. Denali.....	65-9363
2004-03	Front w/o active brake control (JL4).....	65-9532
	Front w/active brake control (JL4) Exc. Denali.....	65-9363
2002	Front w/o active brake control (JL4).....	65-9532
	Front w/active brake control (JL4) Exc. Denali.....	65-9363
2001	Front.....	65-9307
	Front w/4 Spd. A.T. (4L80E).....	65-9362
2000	Front w/4 Spd. Electronic A.T. (4L60E).....	65-9361
	Exc. Yukon Denali.....	65-9361
	Front w/5 Spd. M.T.....	65-9360

YEAR	APPLICATION	PART NO.
CHEVROLET/GMC TRUCKS (Cont'd)		
TAHOE, YUKON (Cont'd)		
1999-97	Front w/4 Spd. A.T. (4L80E).....	65-9362
	Front w/4 Spd. Electronic A.T. (4L60E).....	65-9361
	Front w/5 Spd. M.T.....	65-9360
	Front w/4 Spd. A.T. (4L80E).....	65-9362
1996-95	Front w/4 Spd. Electronic A.T. (4L60E).....	65-9361
	Front w/5 Spd. M.T.....	65-9360
	Rear 4WD w/35" Prop Shaft.....	65-9369
	Front Gas Eng. w/28 1/2" Prop Shaft.....	65-9346
1994-92	Front Diesel Eng. w/A.T. w/28 3/4" Prop Shaft.....	65-9348
	Rear 4WD w/35" Prop Shaft.....	65-9369
TRACKER		
2003-01	Front w/A.T.....	65-9287
	Front w/M.T.....	65-9288
2000-99	Front w/A.T.....	65-9287
	Front w/M.T.....	65-9286
1998	Front 2 Door.....	65-9470
	Front 4 Door w/A.T.....	65-9471
1997	Front 4 Door w/M.T.....	65-9470
	See - Geo Trucks	
DODGE/RAM TRUCKS		
DAKOTA		
2007	Front 3.7L Eng. w/4 Spd A.T. (To 1/24/07).....	65-9514
2006-05	Front 3.7L Eng. w/4 Spd A.T.....	65-9514
	Front w/5 Spd A.T.....	65-9151
	Front w/M.T.....	65-9514
	Front w/A.T.....	65-9151
2004	Front w/M.T.....	65-9514
	Front w/A.T.....	65-9151
2003-01	Front w/A.T.....	65-9514
	Front w/M.T.....	65-9151
2000-99	Front w/A.T.....	65-9150
	Front w/M.T.....	65-9513
1998-97	Front w/A.T.....	65-9484
	Front w/M.T.....	65-9483
1996	Front w/A.T. (42RE or 46RE) w/Transfer Case (NV231).....	65-9701
	Front w/M.T. (A630 Aisin Seiki) w/Transfer Case (NV231).....	65-9700
1995-94	Front w/A.T. w/Transfer Case (NV231).....	65-9717
	Front w/M.T. (A630 Aisin Seiki) w/Transfer Case (NV231).....	65-9700
1993-87	Front w/A.T.....	65-9717
	Front w/M.T.....	65-9700
DURANGO		
2006-04	Front w/144 Transfer Case.....	65-9195
	Front w/244 Transfer Case.....	65-9196
2003-01	Front.....	65-9151
2000	Front.....	65-9150
	Rear 4WD.....	65-9708
1999-98	Front.....	65-9707
	Rear 4WD.....	65-9708
RAM 1500 PICKUP, CAB & CHASSIS		
2004-03	Front 4.7L Eng. w/A.T.....	65-9198
	Front 4.7L Eng. w/M.T.....	65-9197
	Front 5.7L Eng. w/A.T.....	65-9198
	Front 5.7L Eng. w/M.T.....	65-9197
2002	Front 4.7L Eng. w/A.T.....	65-9198
	Front 4.7L Eng. w/M.T.....	65-9197
	Front 5.2L Eng. w/A.T. (46RE) Model 44 Front Axle NV 231 Heavy Duty Transfer Case.....	65-9101
	Front 5.2L Eng. w/M.T. (A630) Model 44 Front Axle NV 231 Heavy Duty Transfer Case.....	65-9102
	Front 5.7L Eng. w/A.T.....	65-9198
	Front 5.7L Eng. w/M.T.....	65-9197
	Front 5.9L Eng. w/A.T. (46RE) Model 44 Front Axle NV 231 Heavy Duty Transfer Case.....	65-9101

PROP SHAFTS

REMANUFACTURED 4X4 DRIVESHAFTS / PROP SHAFTS

PROP SHAFTS

YEAR	APPLICATION	PART NO.
DODGE/RAM TRUCKS (Cont'd)		
RAM 1500 PICKUP, CAB & CHASSIS (Cont'd)		
2001-99	Front 5.2L Eng. w/A.T. (46RE) Model 44 Front Axle NV 231 Heavy Duty Transfer Case.....	65-9101
	Front 5.2L Eng. w/M.T. (A630) Model 44 Front Axle NV 231 Heavy Duty Transfer Case.....	65-9102
1998-94	Front 5.9L Eng. w/A.T. (46RE) Model 44 Front Axle NV 231 Heavy Duty Transfer Case.....	65-9101
	Front w/A.T. (46RE).....	65-9870
	Front w/A.T. (46RH) w/NV231 Heavy Duty Transfer Case.....	65-9814
	Front w/A.T. (47RE) w/NV241 Light Duty Transfer Case...	65-9871
	Front w/M.T. w/32 1/2" Prop Shaft.....	65-9812
	Front w/M.T. w/27 1/2" Prop Shaft.....	65-9814
RAM 2500 PICKUP, CAB & CHASSIS		
2006	Front 5.7L Eng. w/A.T.	65-9533
	Front 5.7L Eng. w/M.T. w/Aftermarket Design.....	65-9534
	Front 5.9L Eng. w/A.T.	65-9535
2005-03	Front 5.9L Eng. w/M.T. w/Aftermarket Design.....	65-9534
	Front 5.7L Eng. w/A.T. w/Aftermarket Design.....	65-9536
	Front 5.7L Eng. w/M.T.	65-9537
2002-00	Front 5.9L Diesel Eng. w/4 Spd. A.T. w/Aftermarket Design.....	65-9540
	Front 5.9L Diesel Eng. w/5 Spd. A.T. w/Aftermarket Design.....	65-9541
	Front 5.9L Diesel Eng. w/M.T. w/16 1/2" Prop Shaft. w/Aftermarket Design.....	65-9539
	Front 5.9L Biodiesel Eng. w/M.T. w/19" Prop Shaft. w/Aftermarket Design.....	65-9538
	Front 5.9L Gas Eng. w/A.T. (46RE) Model 60 Front Axle, NV241 Heavy Duty Transfer Case w/27 9/16" Prop Shaft Length.....	65-9107
	Front 5.9L Diesel Eng. w/A.T. (47RE) Model 60 Front Axle, NV241 Heavy Duty Transfer Case w/29 1/8" Prop Shaft Length.....	65-9106
	Front 5.9L Diesel Eng. w/5 Spd M.T. Heavy Duty (A636) Model 60 Front Axle, NV241 Heavy Duty Transfer Case w/27 9/16" Prop Shaft Length.....	65-9107
	Front 5.9L Diesel Eng. w/5 Spd M.T. Exc. Heavy Duty (NV4500) Model 60 Front Axle NV241 H/D Transfer Case w/27 1/8" Prop Shaft Length.....	65-9109
	Front 5.9L Diesel Eng. w/M.T. (NV5600) Model 60 Front Axle, NV241 Heavy Duty Transfer Case w/32 13/16" Prop Shaft Length.....	65-9105
	Front 8.0L Eng. w/A.T. (47RE) Model 60 Front Axle, NV241 Heavy Duty Transfer Case w/29 1/8" Prop Shaft Length.....	65-9106
1999	Front 5.2L Gas Eng. w/A.T. (46RE) Model 44 Front Axle, NV241 Transfer Case (Conventional Cab only).....	65-9101
	Front 5.2L Gas Eng. w/A.T. (46RE) Model 60 Front Axle, NV241 Transfer Case.....	65-9102
	Front 5.2L Gas Eng. w/M.T. (NV4500) Model 44 Front Axle, NV241 Transfer Case (Conventional Cab only)....	65-9102
	Front 5.2L Gas Eng. w/M.T. (NV4500) Model 60 Front Axle, NV241 Transfer Case (Conventional Cab only)....	65-9104
	Front 5.9L Gas Eng. w/A.T (46RE) Model 44 Front Axle, NV241 Transfer Case (Conventional Cab only).....	65-9101
	Front 5.9L Gas Eng. w/A.T (46RE) Model 60 Front Axle, NV241 Transfer Case.....	65-9102
	Front 5.9L Gas Eng. w/M.T (NV4500) Model 44 Front Axle, NV241 Transfer Case (Conventional Cab only)....	65-9102
	Front 5.9L Gas Eng. w/M.T (NV4500) Model 60 Front Axle, NV241 Heavy Duty Transfer Case.....	65-9104
	Front 5.9L Diesel Eng. w/A.T. (47RE) Model 60 Front Axle, NV241 Light Duty Transfer Case (Conventional Cab only).....	65-9101
	Front 5.9L Diesel Eng. w/A.T. (47RE) Model 60 Front Axle, NV241 Heavy Duty Transfer Case.....	65-9103
	Front 5.9L Diesel Eng. w/M.T. (A636) Model 60 Front Axle, NV241 Heavy Duty Transfer Case.....	65-9102

YEAR	APPLICATION	PART NO.
DODGE/RAM TRUCKS (Cont'd)		
RAM 2500 PICKUP, CAB & CHASSIS (Cont'd)		
1999 (Cont'd)	Front 5.9L Diesel Eng. w/M.T. (NV5600) Model 60 Front Axle, NV241 Heavy Duty Transfer Case w/32 13/16" Prop Shaft Length.....	65-9105
	Front 8.0L Eng. w/A.T. (47RE) Model 60 Front Axle NV241, Light Duty Transfer Case (Conventional Cab only).....	65-9101
1998-96	Front 8.0L Eng. w/A.T. (47RE) Model 60 Front Axle NV241, Heavy Duty Transfer Case.....	65-9103
	Front 8.0L Eng. w/M.T. (A636) Model 60 Front Axle NV241, Heavy Duty Transfer Case w/27 9/16" Prop Shaft.....	65-9102
	Front w/A.T. (46RH).....	65-9870
	Front w/A.T. (47RE) w/NV241 Light Duty Transfer Case ...	65-9871
	Front w/A.T. (47RE) w/NV241 Heavy Duty Transfer Case..	65-9813
	Front w/M.T.	65-9873
1995-94	Front w/A.T. (46RH).....	65-9872
	Front w/A.T. (47RH) w/NV241 Light Duty Transfer Case...	65-9814
	Front w/A.T. (47RH) w/NV241 Heavy Duty Transfer Case..	65-9874
	Front w/M.T.	65-9873
RAM 3500 PICKUP, CAB & CHASSIS		
2008	Front 6.7L Eng w/M.T. w/32 1/2" Prop Shaft.....	65-9548
2006	Front 5.7L Eng. w/A.T.	65-9533
	Front 5.7L Eng. w/M.T. w/Aftermarket Design.....	65-9534
2005-03	Front 5.9L Eng. w/A.T.	65-9535
	Front 5.9L Eng. w/M.T. w/Aftermarket Design.....	65-9534
	Front 5.7L Eng. w/A.T. w/Aftermarket Design.....	65-9536
2002-00	Front 5.7L Eng. w/M.T.	65-9537
	Front 5.9L Diesel Eng. w/4 Spd. A.T. w/Aftermarket Design.....	65-9540
	Front 5.9L Diesel Eng. w/5 Spd. A.T. w/Aftermarket Design.....	65-9541
	Front 5.9L Diesel Eng. w/M.T. w/16 1/2" Prop Shaft w/Aftermarket Design.....	65-9539
	Front 5.9L Biodiesel Eng. w/M.T. w/19" Prop Shaft. w/Aftermarket Design.....	65-9538
	Front 5.9L Gas Eng. w/A.T. (46RE) Model 60 Front Axle, NV241 Heavy Duty Transfer Case w/27 9/16" Prop Shaft Length.....	65-9107
	Front 5.9L Diesel Eng. w/A.T. (47RE) Model 60 Front Axle, NV241 Heavy Duty Transfer Case w/29 1/8" Prop Shaft Length.....	65-9106
	Front 5.9L Diesel Eng. w/5 Spd M.T. Heavy Duty (A636) Model 60 Front Axle, NV241 Heavy Duty Transfer Case w/27 9/16" Prop Shaft Length.....	65-9107
	Front 5.9L Diesel Eng. w/5 Spd M.T. Exc. Heavy Duty (NV4500) Model 60 Front Axle NV241 H/D Transfer Case w/27 1/8" Prop Shaft Length.....	65-9109
	Front 5.9L Diesel Eng. w/M.T. (NV5600) Model 60 Front Axle, NV241 Heavy Duty Transfer Case w/32 13/16" Prop Shaft Length.....	65-9105
1999	Front 8.0L Eng. w/A.T. (47RE) Model 60 Front Axle, NV241 Heavy Duty Transfer Case w/29 1/8" Prop Shaft Length.....	65-9106
	Front 5.9L Diesel Eng. w/5 Spd M.T. Exc. Heavy Duty (NV4500) Model 60 Front Axle NV241 H/D Transfer Case w/27 1/8" Prop Shaft Length.....	65-9109
	Front 5.9L Diesel Eng. w/M.T. (NV5600) Model 60 Front Axle, NV241 Heavy Duty Transfer Case w/32 13/16" Prop Shaft Length.....	65-9105
	Front 8.0L Eng. w/A.T. (46RE) Model 60 Front Axle, NV241 Heavy Duty Transfer Case w/27 9/16" Prop Shaft Length.....	65-9107
	Front 8.0L Eng. w/A.T. (47RE) Model 60 Front Axle, NV241 Heavy Duty Transfer Case w/29 1/8" Prop Shaft Length.....	65-9106
	Front 8.0L Eng. w/M.T. (A636) Model 60 Front Axle, NV241 Heavy Duty Transfer Case w/27 9/16" Prop Shaft Length.....	65-9107
	Front 5.9L Gas Eng. w/A.T. (46RE) Model 60 Front Axle, NV241 Heavy Duty Transfer Case.....	65-9102
	Front 5.9L Gas Eng. w/M.T. (NV4500) Model 60 Front Axle, NV241 H/D Transfer Case.....	65-9104
	Front 5.9L Diesel Eng. w/A.T. (47RE) Model 60 Front Axle, NV241 Heavy Duty Transfer Case.....	65-9103
	Front 5.9L Diesel Eng. w/M.T. (A636) Model 60 Front Axle, NV241 H/D Transfer Case.....	65-9102

REMANUFACTURED 4X4 DRIVESHAFTS / PROP SHAFTS

YEAR	APPLICATION	PART NO.
DODGE/RAM TRUCKS (Cont'd)		
RAM 3500 PICKUP, CAB & CHASSIS (Cont'd)		
1999	Front 5.9L Diesel Eng. w/M.T. (NV5600) Model 60 Front Axle, NV241 Heavy Duty Transfer Case w/32 13/16" Prop Shaft Length	65-9105
	Front 8.0L Eng. w/A.T. (47RE) Model 60 Front Axle, NV241 Heavy Duty Transfer Case	65-9103
	Front 8.0L Eng. w/M.T. (A636) Model 60 Front Axle, NV241 H/D Transfer Case	65-9102
1998-96	Front w/A.T. (46RH)	65-9870
	Front w/A.T. (47RE)	65-9813
	Front w/M.T.	65-9873
1995-94	Front w/A.T. (46RH)	65-9872
	Front w/A.T. (47RH)	65-9874
	Front w/M.T.	65-9873
RAMCHARGER		
1993-90	Front w/A.T.	65-9875
	Front w/M.T.	65-9710
1989-76	Front	65-9710
1975	Front (Flange at Transfer Case)	65-9710
	Front (Yoke at Transfer Case)	65-9333
1974	Front	65-9333
W SERIES 1/2 TON PICKUP, CAB & CHASSIS		
1993-90	Front w/3 Spd. A.T.	65-9710
	Front w/4 Spd. A.T.	65-9875
	Front w/M.T.	65-9710
1989-84	Front	65-9710
1977-76	Front	65-9710
W SERIES 3/4 TON PICKUP, CAB & CHASSIS		
1993-90	Front w/3 Spd. A.T. w/3500 lb. Dana 44 Front Axle	65-9710
	Front w/3 Spd. A.T. w/4500 lb. Dana 44 Front Axle	65-9318
	Front w/4 Spd. A.T. w/3500 lb. Dana 44 Front Axle	65-9875
	Front w/4 Spd. A.T. w/4500 lb. Dana 44 Front Axle	65-9711
	Front w/M.T. w/3500 lb. Dana 44 Front Axle	65-9710
	Front w/M.T. w/4500 lb. Dana 44 Front Axle	65-9318
	Front w/M.T. w/4500 lb. Dana 60 Front Axle, H.D. Transfer Case	65-9327
1989-87	Front w/3500 lb. Dana 44 Front Axle	65-9710
	Front w/4500 lb. Dana 44 Front Axle	65-9318
1986-76	Front w/3500 lb. Dana 44 Front Axle	65-9710
	Front w/4500 lb. Dana 44 Front Axle w/Full Time 4WD	65-9319
	Front w/4500 lb. Dana 44 Front Axle w/Part Time 4WD	65-9318
1975	Front w/3500 lb. Dana 44 Front Axle (Flange at Transfer Case)	65-9710
	Front w/3500 lb. Dana 44 Front Axle (Yoke at Transfer Case)	65-9333
	Front w/4500 lb. Dana 44 Front Axle (Flange at Transfer Case) Full Time 4WD	65-9319
	Front w/4500 lb. Dana 44 Front Axle (Flange at Transfer Case) Part Time 4WD	65-9318
	Front w/4500 lb. Dana 44 Front Axle (Yoke at Transfer Case)	65-9333
W SERIES 1 TON PICKUP, CAB & CHASSIS		
1993-90	Front w/3 Spd. A.T.	65-9318
	Front w/4 Spd. A.T.	65-9711
	Front w/M.T.	65-9318
1989-82	Front w/3500 lb. Dana 44 Front Axle	65-9710
	Front w/4500 lb. Dana 44 Front Axle w/Full Time 4WD	65-9319
	Front w/4500 lb. Dana 44 Front Axle w/Part Time 4WD	65-9318
1981-76	Front w/Full Time 4WD	65-9319
	Front w/Part Time 4WD	65-9318
1975	Front	65-9333
FORD TRUCKS		
AEROSTAR		
1996-91	Front 4.0L Eng. w/A.T. (A4LD)	65-9618

YEAR	APPLICATION	PART NO.
FORD TRUCKS (Cont'd)		
BRONCO (Full Size)		
1996-94	Front w/A.T. (E40D)	65-9444
	Front w/5 Spd. M.T.	65-9443
	Rear 5.0L Eng. w/A.T. (AOT) w/3.55 or 4.10 Axle Ratios	65-9664
	Rear 5.0L Eng. w/A.T. (C6) w/3.08 or 3.55 Axle Ratio	65-9665
	Rear 5.0L Eng. w/A.T. (E40D) w/3.08 or 3.55 Axle Ratio	65-9660
	Rear 5.0L Eng. w/M.T. w/3.08, 3.55 or 4.10 Axle Ratio	65-9663
	Rear 5.8L Eng. w/A.T. (E40D) w/3.08 or 3.55 Axle Ratio	65-9660
1993-91	Front w/A.T. (AOT)	65-9441
	Front w/A.T. (E40D)	65-9444
	Front w/M.T.	65-9443
	Rear 4.9L Eng. w/A.T. (C6) w/3.08 or 3.55 Axle Ratio	65-9665
	Rear 4.9L Eng. w/A.T. (E40D) w/3.08 or 3.55 Axle Ratio	65-9660
	Rear 4.9L Eng. w/M.T. w/3.08, 3.55 or 4.10 Axle Ratio	65-9663
	Rear 5.0L Eng. w/A.T. (AOT) w/3.55 or 4.10 Axle Ratios	65-9664
	Rear 5.0L Eng. w/A.T. (C6) w/3.08 or 3.55 Axle Ratio	65-9665
	Rear 5.0L Eng. w/A.T. (E40D) w/3.08 or 3.55 Axle Ratio	65-9660
	Rear 5.0L Eng. w/M.T. w/3.08, 3.55 or 4.10 Axle Ratio	65-9663
	Rear 5.8L Eng. w/A.T. (E40D) w/3.08 or 3.55 Axle Ratio	65-9660
1990	Front w/A.T. (AOT)	65-9441
	Front w/A.T. (C6)	65-9442
	Front w/A.T. (E40D) 4.9L Eng.	65-9442
	Front w/A.T. (E40D) 5.0L Eng.	65-9444
	Front w/A.T. (E40D) 5.8L Eng.	65-9442
	Front w/4 Spd. M.T.	65-9442
	Front w/5 Spd. M.T.	65-9443
	Rear 4.9L Eng. w/A.T. (C6) w/3.08 or 3.55 Axle Ratio	65-9665
	Rear 4.9L Eng. w/A.T. (E40D) w/3.08 or 3.55 Axle Ratio	65-9660
	Rear 4.9L Eng. w/4 Spd. M.T. w/3.08 or 3.55 Axle Ratio	65-9665
	Rear 4.9L Eng. w/5 Spd. M.T. w/3.08, 3.55 or 4.10 Axle Ratio	65-9663
	Rear 5.0L Eng. w/A.T. (AOT) w/3.55 or 4.10 Axle Ratios	65-9664
	Rear 5.0L Eng. w/A.T. (C6) w/3.08 or 3.55 Axle Ratio	65-9665
	Rear 5.0L Eng. w/A.T. (E40D) w/3.08 or 3.55 Axle Ratio	65-9660
	Rear 5.0L Eng. w/4 Spd. M.T. w/3.08 or 3.55 Axle Ratio	65-9665
	Rear 5.0L Eng. w/5 Spd. M.T. w/3.08, 3.55 or 4.10 Axle Ratio	65-9663
	Rear 5.8L Eng. w/A.T. (E40D) w/3.08 or 3.55 Axle Ratio	65-9660
1989-88	Front w/A.T. (AOD)	65-9441
	Front w/A.T. (C6)	65-9442
	Front w/4 Spd. M.T.	65-9442
	Front w/5 Spd. M.T.	65-9443
	Rear 4.9L Eng. w/A.T. (AOT)	65-9431
	Rear 4.9L Eng. w/A.T. (C6) w/3.08 or 3.55 Axle Ratio	65-9431
	Rear 4.9L Eng. w/5 Spd. M.T. w/3.08, 3.55 or 4.10 Axle Ratio	65-9400
	Rear 5.0L Eng. w/A.T. (AOT) w/3.08 or 3.55 Axle Ratio w/o Fuel Injection	65-9431
	Rear 5.0L Eng. w/A.T. (AOT) w/3.08 or 3.55 Axle Ratio w/Fuel Injection	65-9416
	Rear 5.0L Eng. w/A.T. (C6) w/3.50 Axle	65-9580
	Rear 5.0L Eng. w/4 Spd. M.T. w/3.50 Axle	65-9580
	Rear 5.0L Eng. w/5 Spd. M.T. w/3.08, 3.55 or 4.10 Axle Ratio w/Fuel Injection	65-9400
	Rear 5.8L Eng. w/A.T. (C6) w/3.50 Axle w/o Fuel Injection	65-9580
	Rear 5.8L Eng. w/A.T. (C6) w/3.08 or 3.55 Axle w/Fuel Injection	65-9431
1987	Front	65-9440
	Rear 4.9L Eng. w/A.T. (AOT)	65-9431
	Rear 4.9L Eng. w/A.T. (C6) w/3.08 or 3.55 Axle Ratio	65-9431
	Rear 4.9L Eng. w/5 Spd. M.T. w/3.08, 3.55 or 4.10 Axle Ratio	65-9400
	Rear 5.0L Eng. w/A.T. (AOT) w/3.08 or 3.55 Axle Ratio w/o Fuel Injection	65-9431
	Rear 5.0L Eng. w/A.T. (AOT) w/3.08 or 3.55 Axle Ratio w/Fuel Injection	65-9416
	Rear 5.0L Eng. w/A.T. (C6) w/3.50 Axle	65-9580
	Rear 5.0L Eng. w/4 Spd. M.T. w/3.50 Axle	65-9580

PROP SHAFTS

REMANUFACTURED 4X4 DRIVESHAFTS / PROP SHAFTS

PROP SHAFTS

YEAR	APPLICATION	PART NO.
FORD TRUCKS (Cont'd)		
BRONCO (Full Size) (Cont'd)		
1987 (Cont'd)	Rear 5.0L Eng. w/5 Spd. M.T. w/3.08, 3.55 or 4.10 Axle Ratio w/Fuel Injection	65-9400
	Rear 5.8L Eng. w/A.T. (C6) w/3.08 or 3.55 Axle w/Fuel Injection	65-9431
	Rear 5.8L Eng. w/A.T. (C6) w/3.50 Axle	65-9580
1986-85	Front	65-9440
	Rear 4.9L Eng. w/A.T. (AOT) w/3.08 or 3.55 Axle Ratio	65-9585
	Rear 4.9L Eng. w/A.T. (AOT) w/4.11 Axle Ratio	65-9585
	Rear 4.9L Eng. w/4 Spd. M.T. w/3.00 or 3.50 Axle Ratio	65-9430
	Rear 5.0L Eng. w/A.T. (AOT) w/3.55 Axle Ratio	65-9431
	Rear 5.0L Eng. w/A.T. (AOT) w/4.11 Axle Ratio	65-9585
	Rear 5.0L Eng. w/A.T. (C6) w/3.50 Axle Ratio	65-9430
	Rear 5.0L Eng. w/4 Spd. M.T. w/3.00 or 3.50 Axle Ratio	65-9430
	Rear 5.8L Eng. w/A.T. (C6) w/3.50 Axle Ratio	65-9430
1984	Front w/35 1/2" Prop Shaft	65-9440
	Rear w/30 1/16" Prop Shaft	65-9832
1983	Front	65-9440
	Rear	65-9832
1982	Front	65-9160
	Rear	65-9160
1981	Front w/30 5/8" Prop Shaft	65-9160
	Front w/33 1/2" Prop Shaft	65-9193
	Rear	65-9160
1980	Front w/30 5/8" Prop Shaft	65-9160
	Front w/32 3/4" Prop Shaft	65-9192
	Front w/33 1/2" Prop Shaft	65-9193
	Rear	65-9160
1979	Front 351 Eng. w/A.T. w/Full Time 4WD	65-9166
	Front 351 Eng. w/A.T. w/Part Time 4WD ①	65-9191
	Front 351 Eng. w/A.T. w/Part Time 4WD ②	65-9190
	Front 351 Eng. w/M.T. w/Part Time 4WD	65-9161
	Rear 351 Eng. w/A.T. w/Part Time 4WD	65-9164
	Rear 351 Eng. w/M.T. w/Part Time 4WD	65-9162
1978	Front 351 Eng. w/A.T. w/Full Time 4WD w/3.00 Axle Ratio	65-9157
	Rear 351 Eng. w/A.T. w/Part Time 4WD w/3.00 Axle Ratio	65-9170
	Rear 351 Eng. w/M.T. w/Part Time 4WD w/3.50 or 4.11 Axle Ratio	65-9165
	Rear 400 Eng. w/A.T. w/Part Time 4WD w/3.00 Axle Ratio	65-9174
	Rear 400 Eng. w/M.T. w/Part Time 4WD w/3.50 or 4.11 Axle Ratio	65-9165
1977-74	Front	65-9149
	Rear 302 Eng.	65-9153
1973-71	Front	65-9149
	Rear	65-9153
1970-66	Front	65-9152
	Rear	65-9153
BRONCO II		
1990	Rear 2WD w/A.T. (GKN Conversion Design Replacement)	65-9823
	Rear 2WD w/M.T. w/36 5/8" Prop Shaft (GKN Conversion Design Replacement)	65-9825
	Rear 2WD w/M.T. w/39 11/16" Prop Shaft (GKN Conversion Design Replacement)	65-9824
	Rear 4WD w/A.T. (GKN Conversion Design Replacement)	65-9822
	Rear 4WD w/M.T. w/30 1/4" Prop Shaft (GKN Conversion Design Replacement)	65-9822
	Rear 4WD w/M.T. w/32 11/16" Prop Shaft (GKN Conversion Design Replacement)	65-9821
	Rear 4WD w/M.T. w/36 5/8" Prop Shaft (GKN Conversion Design Replacement)	65-9825
1989	Rear 2WD w/A.T. From 6/89 (GKN Conversion Design Replacement)	65-9823
	Rear 2WD w/A.T. Before 6/89 (GKN Conversion Design Replacement)	65-9822

YEAR	APPLICATION	PART NO.
FORD TRUCKS (Cont'd)		
BRONCO II (Cont'd)		
1989 (Cont'd)	Rear 2WD w/M.T. From 6/89 w/36 5/8" Prop Shaft (GKN Conversion Design Replacement)	65-9825
	Rear 2WD w/M.T. From 6/89 w/39 11/16" Prop Shaft (GKN Conversion Design Replacement)	65-9824
	Rear 2WD w/M.T. Before 6/89 w/32 11/16" Prop Shaft (GKN Conversion Design Replacement)	65-9821
	Rear 2WD w/M.T. Before 6/89 w/36 5/8" Prop Shaft (GKN Conversion Design Replacement)	65-9825
	Rear 4WD w/A.T. (GKN Conversion Design Replacement)	65-9822
	Rear 4WD w/M.T. w/30 1/4" Prop Shaft (GKN Conversion Design Replacement)	65-9822
	Rear 4WD w/M.T. w/32 11/16" Prop Shaft (GKN Conversion Design Replacement)	65-9821
	Rear 4WD w/M.T. w/36 5/8" Prop Shaft (GKN Conversion Design Replacement)	65-9825
1988	Rear w/A.T. (GKN Conversion Design Replacement)	65-9822
	Rear w/M.T. w/30 1/4" Prop Shaft (GKN Conversion Design Replacement)	65-9822
	Rear w/M.T. w/32 11/16" Prop Shaft (GKN Conversion Design Replacement)	65-9821
	Rear w/M.T. w/36 5/8" Prop Shaft (GKN Conversion Design Replacement)	65-9825
1987-86	Rear w/A.T. (GKN Conversion Design Replacement)	65-9822
	Rear w/M.T. w/32 11/16" Prop Shaft (GKN Conversion Design Replacement)	65-9821
	Rear w/M.T. w/36 5/8" Prop Shaft (GKN Conversion Design Replacement)	65-9825
1985	Rear w/A.T. (GKN Conversion Design Replacement)	65-9822
	Rear w/M.T. (GKN Conversion Design Replacement)	65-9821
1984	Rear w/A.T. (GKN Conversion Design Replacement)	65-9822
	Rear w/M.T. (GKN Conversion Design Replacement)	65-9821
ESCAPE		
2005-01	Rear (Front Section of 2 Piece Driveshaft)	65-9463
EXCURSION		
2005-04	Front 5.4L Eng. w/38 1/2" Prop Shaft	65-9302
2003	Front 5.4L Eng. w/38 1/2" Prop Shaft	65-9302
	Front 6.8L Eng. w/36" Prop Shaft	65-9300
	Front 7.3L Eng. w/39 3/8" Prop Shaft	65-9303
	Front 7.3L Eng. w/40 1/2" Prop Shaft (Over 8500 GVW) ..	65-9304
2002	Front 5.4L Eng. w/34 7/8" Prop Shaft	65-9301
	Front 5.4L Eng. w/37 1/4" Prop Shaft	65-9325
	Front 5.4L Eng. w/38 1/2" Prop Shaft	65-9302
	Front 6.8L Eng. w/37 1/4" Prop Shaft	65-9325
	Front 7.3L Eng. w/39 3/8" Prop Shaft	65-9303
	Front 7.3L Eng. w/40 1/2" Prop Shaft (Over 8500 GVW) ..	65-9304
2001	Front 5.4L Eng. w/36" Prop Shaft	65-9300
	Front 5.4L Eng. w/37 1/4" Prop Shaft	65-9325
	Front 5.4L Eng. w/38 1/2" Prop Shaft	65-9302
	Front 6.8L Eng. w/37 1/4" Prop Shaft	65-9325
	Front 7.3L Eng. w/39 3/8" Prop Shaft	65-9303
	Front 7.3L Eng. w/40 1/2" Prop Shaft (Over 8500 GVW) ..	65-9304
2000	Front 5.4L Eng. w/37 1/4" Prop Shaft	65-9325
	Front 6.8L Eng. w/37 1/4" Prop Shaft	65-9325
	Front 7.3L Eng. w/39 3/8" Prop Shaft	65-9303
	Front 7.3L Eng. w/40 1/2" Prop Shaft (Over 8500 GVW) ..	65-9304
EXPEDITION		
2014-06	Front w/22 1/4" Prop Shaft	65-9792
	Front w/30 1/2" Prop Shaft	65-2001
2005-03	Front	65-9542
2002	Front 5.4L Eng. w/38 5/8" Prop Shaft	65-9543
2001-99	Front 4.6L Eng. w/40 1/4" Prop Shaft	65-9869
	Front 5.4L Eng. w/25" Prop Shaft	65-9317
	Front 5.4L Eng. w/38 5/8" Prop Shaft	65-9543
	Rear 4.6L Eng. 4WD w/39 7/8" Prop Shaft	65-9864
	Rear 5.4L Eng. 4WD w/34 7/16" Prop Shaft Std. Susp.	65-9512
	Rear 5.4L Eng. 4WD w/34 1/2" Prop Shaft	65-9511

① 1310/1330 Series with 3 1/4" Diameter Joint on Slip Yoke End and 3 5/8" Diameter Joint on CV End.
 ② 1330 Series with 3 5/8" Diameter Joint on Both Ends.

REMANUFACTURED 4X4 DRIVESHAFTS / PROP SHAFTS

YEAR	APPLICATION	PART NO.
FORD TRUCKS (Cont'd)		
EXPEDITION (Cont'd)		
1998-97	Front 5.4L Eng. w/38 5/8" Prop Shaft.....	65-9543
EXPLORER		
2005-02	Front 4.0L Eng.....	65-9462
2001-99	Front 4.0L Eng. 4WD.....	65-9293
	Front 5.0L Eng. 4WD.....	65-9294
1998	Front 4.0L Eng. 4 Door.....	65-9451
	Front 5.0L Eng.....	65-9450
1997	Front 4.0L Eng. 4 Door.....	65-9451
1996	Front 4.0L Eng. 4 Door.....	65-9623
	Front 5.0L Eng.....	65-9622
	Rear 2 Door.....	65-9624
1995	Front 4 Door.....	65-9623
	Rear 2 Door.....	65-9624
1994-91	Front 4.0L Eng. 4 Spd. A.T.....	65-9661
	Front 4.0L Eng. 5 Spd. M.T.....	65-9661
EXPLORER SPORT		
2003-01	Front 4.0L Eng.....	65-9451
EXPLORER SPORT TRAC		
2005-01	Front 4.0L Eng.....	65-9451
F-150 PICKUP		
2014-09	Front w/22 1/4" Prop Shaft.....	65-9792
	Front w/30 1/2" Prop Shaft.....	65-2001
2004	Front 4.2L Eng. (Heritage).....	65-9545
	Front 4.6L Eng. (Heritage).....	65-9545
	Front 5.4L Eng. (Heritage) w/A.T. (4R100).....	65-9544
2003-99	Front 4.2L Eng.....	65-9545
	Front 4.6L Eng.....	65-9545
	Front 5.4L Eng. w/A.T. (4R70W).....	65-9545
1998	Front 4.2L Eng.....	65-9545
	Front 4.6L Eng. w/A.T. (4R70W).....	65-9545
	Front 5.4L Eng. w/A.T. (4R70W).....	65-9545
	Rear 4.2L Eng. w/A.T. (4R70W).....	65-9453
	Rear 4.2L Eng. w/M.T. (M50D).....	65-9453
	Rear 4.6L Eng. w/M.T. (M50D).....	65-9453
	Rear 5.0L Eng. w/A.T. (E40D).....	65-9454
1997	Rear 4.2L Eng. w/A.T. (4R70W).....	65-9453
	Rear 4.2L Eng. w/M.T. (M50D).....	65-9453
	Rear 4.6L Eng. w/A.T. (4R70W).....	65-9453
	Rear 4.6L Eng. w/M.T. (M50D).....	65-9453
	Rear 5.0L Eng. w/A.T. (E40D).....	65-9454
1996-94	Front w/A.T. (C6).....	65-9442
	Front w/A.T. (E40D).....	65-9444
	Front w/A.T. (4R70W).....	65-9445
	Front w/4 Spd. M.T.....	65-9442
	Front w/5 Spd. M.T.....	65-9443
1993-91	Front w/A.T. (AOT).....	65-9441
	Front w/A.T. (C6).....	65-9442
	Front w/A.T. (E40D).....	65-9444
	Front w/4 Spd. M.T.....	65-9442
	Front w/5 Spd. M.T.....	65-9443
1990	Front w/A.T. (AOT).....	65-9441
	Front w/A.T. (C6).....	65-9442
	Front w/A.T. (E40D) 6 Cyl. Eng.....	65-9442
	Front w/A.T. (E40D) 8 Cyl. Eng.....	65-9444
	Front w/4 Spd. M.T.....	65-9442
	Front w/5 Spd. M.T.....	65-9443
1989-88	Front w/A.T. (AOT).....	65-9441
	Front w/A.T. (C6).....	65-9442
	Front w/4 Spd. M.T.....	65-9442
	Front w/5 Spd. M.T.....	65-9443
1987-85	Front w/A.T. (AOT).....	65-9441
	Front w/A.T. (C6).....	65-9440
	Front w/M.T.....	65-9440
1984-83	Front.....	65-9440

YEAR	APPLICATION	PART NO.
FORD TRUCKS (Cont'd)		
F-150 PICKUP (Cont'd)		
1982	Front 300, 302, 351 Eng. w/A.T. (C6).....	65-9192
	Front 300, 302, 351 Eng. w/4 Spd. M.T.....	65-9192
1981	Front 300, 302, 351 Eng. w/A.T. (C6).....	65-9193
	Front 300, 302, 351 Eng. w/4 Spd. M.T.....	65-9193
1980	Front 300, 302, 351, 400 Eng. w/A.T. (C6).....	65-9193
	Front 300, 302, 351, 400 Eng. w/4 Spd. M.T.....	65-9193
1979	Front 117" Wheelbase w/A.T.....	65-9166
	Front 133" Wheelbase w/A.T.....	65-9166
	Front 155" Wheelbase 400 Eng. w/M.T. w/Part Time 4WD.....	65-9178
	Rear 117" Wheelbase w/Part Time 4WD w/M.T. ⑦.....	65-9158
1978	Front 113" or 166.8" Wheelbase w/Full Time 4WD Exc. 3.00 Axle Ratio w/A.T. ⑧.....	65-9157
	Rear 117" Wheelbase w/Part Time 4WD ⑨.....	65-9159
1977	Rear 117" Wheelbase w/Part Time 4WD 351 or 400 Eng. w/A.T. (C6) ⑩.....	65-9159
	Rear 117" Wheelbase w/Part Time 4WD 351 or 400 Eng. w/A.T. (C6) ⑪.....	65-9180
1976	Rear 117" Wheelbase w/M.T.....	65-9180
F-250 PICKUP		
1996-94	Front w/A.T. (C6).....	65-9442
	Front w/A.T. (E40D).....	65-9444
	Front w/4 Spd. M.T.....	65-9442
	Front w/5 Spd. M.T.....	65-9443
1993-88	Front w/A.T. (AOT).....	65-9441
	Front w/A.T. (C6).....	65-9442
	Front w/A.T. (E40D).....	65-9444
	Front w/4 Spd. M.T.....	65-9442
	Front w/5 Spd. M.T.....	65-9443
1987-85	Front w/A.T.....	65-9441
	Front w/M.T.....	65-9440
1984-83	Front.....	65-9440
F-350 PICKUP		
1996-95	Front 133", 137" or 168" Wheelbase w/A.T. (C6).....	65-9446
	Front 133", 137" or 168" Wheelbase w/A.T. (E40D).....	65-9449
	Front 133", 137" or 168" Wheelbase w/M.T.....	65-9447
1994-89	Front 4.9L Eng. w/A.T. (E40D).....	65-9667
	Front 5.8L Eng. w/A.T. (C6).....	65-9721
	Front 5.8L Eng. w/A.T. (E40D).....	65-9667
	Front 5.8L Eng. w/5 Spd. M.T.....	65-9739
	Front 7.3L Eng. w/A.T. (E40D).....	65-9667
	Front 7.3L Eng. w/5 Spd. M.T.....	65-9721
	Front 7.5L Eng. w/A.T. (C6).....	65-9721
	Front 7.5L Eng. w/A.T. (E40D).....	65-9667
	Front 7.5L Eng. w/5 Spd. M.T.....	65-9721
1988-85	Front.....	65-9721
1984-82	Front.....	65-9440
1979	Front Full Time 4WD 351 or 400 Eng. w/A.T. w/30 1/16" Prop Shaft.....	65-9166
	Front Part Time 4WD 300 Eng. w/M.T. 133" or 155" Wheelbase.....	65-9161
	Front Part Time 4WD 351 or 400 Eng. 133" Wheelbase w/o Snowplow Option.....	65-9163
	Front Part Time 4WD 351 or 400 Eng. 133" Wheelbase w/Snowplow Option.....	65-9187
	Front Part Time 4WD 351 or 400 Eng. 155" Wheelbase w/Snowplow Option.....	65-9187
F-250 SUPER DUTY PICKUP		
2010-07	Front 6.4L Eng. SRW w/A.T.....	65-9302
2006-05	Front 5.4L Eng. w/A.T. w/36" Prop Shaft.....	65-9300
	Front 6.0L Eng. SRW w/A.T.....	65-9302
	Front 6.0L Eng. SRW w/M.T. w/39 3/8" Prop Shaft.....	65-9303
	Front 6.8L Eng. w/A.T. w/36" Prop Shaft.....	65-9300
2004	Front 5.4L Eng. w/A.T. w/36" Prop Shaft.....	65-9300
	Front 6.0L Eng. SRW w/A.T.....	65-9302

⑨ 1310/1330 Series with 3 1/4" Diameter Joint on Slip Yoke End and 3 5/8" Diameter Joint on CV End.
 ⑦ 1330 Series with 3 5/8" Diameter Joint on Both Ends.
 ⑧ 1310 Series with 3 1/4" Diameter Joint on Both Ends.

PROP SHAFTS

REMANUFACTURED 4X4 DRIVESHAFTS / PROP SHAFTS

PROP SHAFTS

YEAR	APPLICATION	PART NO.
FORD TRUCKS (Cont'd)		
F-250 SUPER DUTY PICKUP (Cont'd)		
2004 (Cont'd)	Front 6.0L Eng. SRW w/M.T. w/39 3/8" Prop Shaft.....	65-9303
	Front 6.8L Eng. w/A.T. SRW w/36" Prop Shaft.....	65-9300
2003	Front 6.8L Eng. w/A.T. SRW w/39 3/8" Prop Shaft.....	65-9303
	Front 5.4L Eng. w/A.T. 4R 100 w/39 3/8" Prop Shaft.....	65-9303
2002	Front 6.0L Eng. SRW w/A.T.....	65-9302
	Front 6.0L Eng. SRW w/M.T. w/39 3/8" Prop Shaft.....	65-9303
	Front 6.8L Eng. w/A.T. w/36" Prop Shaft.....	65-9300
	Front 6.8L Eng. w/A.T. 4R 100 w/39 3/8" Prop Shaft.....	65-9303
	Front 7.3L Eng. w/39 3/8" Prop Shaft.....	65-9303
	Front 5.4L Eng. w/A.T. 4R 100 w/39 3/8" Prop Shaft.....	65-9303
	Front 6.0L Eng. SRW w/M.T. w/39 3/8" Prop Shaft.....	65-9303
	Front 6.8L Eng. w/A.T. w/36" Prop Shaft.....	65-9300
	Front 6.8L Eng. w/A.T. 4R 100 w/39 3/8" Prop Shaft.....	65-9303
	Front 7.3L Eng. w/39 3/8" Prop Shaft.....	65-9303
	Rear 5.4L Eng. w/A.T. 137" Wheelbase.....	65-9110
	Rear 5.4L Eng. w/A.T. 141.8" Wheelbase.....	65-9113
	Rear 5.4L Eng. w/M.T. 137" Wheelbase.....	65-9116
	Rear 5.4L Eng. w/M.T. 141.8" Wheelbase.....	65-9128
	Rear 6.8L Eng. w/A.T. 137" Wheelbase.....	65-9111
	Rear 6.8L Eng. w/A.T. 141.8" Wheelbase.....	65-9114
	Rear 6.8L Eng. w/M.T. 137" Wheelbase.....	65-9117
	Rear 6.8L Eng. w/M.T. 141.8" Wheelbase.....	65-9129
	Rear 7.3L Eng. w/A.T. 137" Wheelbase.....	65-9112
	Rear 7.3L Eng. w/A.T. 141.8" Wheelbase.....	65-9115
Rear 7.3L Eng. w/M.T. 137" Wheelbase.....	65-9127	
Rear 7.3L Eng. w/M.T. 141.8" Wheelbase.....	65-9115	
2001	Front 5.4L Eng. w/A.T. w/36" Prop Shaft.....	65-9300
	Front 5.4L Eng. w/A.T. 4R 100 w/39 3/8" Prop Shaft.....	65-9303
	Front 5.4L Eng. w/M.T. w/37 3/4" Prop Shaft.....	65-9305
	Front 6.8L Eng. w/A.T. w/36" Prop Shaft.....	65-9300
	Front 6.8L Eng. w/A.T. 4R 100 w/39 3/8" Prop Shaft.....	65-9303
	Front 6.8L Eng. w/M.T. w/37 3/4" Prop Shaft.....	65-9305
	Front 7.3L Eng. w/38 1/4" Prop Shaft.....	65-9302
	Front 7.3L Eng. w/39 3/8" Prop Shaft.....	65-9303
	Rear 5.4L Eng. w/A.T. 137" Wheelbase.....	65-9110
	Rear 5.4L Eng. w/A.T. 141.8" Wheelbase.....	65-9113
	Rear 5.4L Eng. w/M.T. 137" Wheelbase.....	65-9116
	Rear 5.4L Eng. w/M.T. 141.8" Wheelbase.....	65-9128
2000	Rear 6.8L Eng. w/A.T. 137" Wheelbase.....	65-9111
	Rear 6.8L Eng. w/A.T. 141.8" Wheelbase.....	65-9114
	Rear 6.8L Eng. w/M.T. 137" Wheelbase.....	65-9117
	Rear 6.8L Eng. w/M.T. 141.8" Wheelbase.....	65-9129
	Rear 7.3L Eng. w/A.T. 137" Wheelbase.....	65-9112
	Rear 7.3L Eng. w/A.T. 141.8" Wheelbase.....	65-9115
	Rear 7.3L Eng. w/M.T. 137" Wheelbase.....	65-9127
	Rear 7.3L Eng. w/M.T. 141.8" Wheelbase.....	65-9115
	Front 5.4L Eng. w/A.T. w/36" Prop Shaft.....	65-9300
	Front 5.4L Eng. w/A.T. 4R 100 w/39 3/8" Prop Shaft.....	65-9303
	Front 5.4L Eng. w/M.T. w/37 3/4" Prop Shaft.....	65-9305
	Front 6.8L Eng. w/A.T. w/36" Prop Shaft.....	65-9300
Front 6.8L Eng. w/A.T. 4R 100 w/39 3/8" Prop Shaft.....	65-9303	
Front 6.8L Eng. w/M.T. w/37 3/4" Prop Shaft.....	65-9305	
Front 7.3L Eng. w/38 1/4" Prop Shaft.....	65-9302	
Rear 5.4L Eng. w/A.T. 137" Wheelbase.....	65-9110	
Rear 5.4L Eng. w/A.T. 141.8" Wheelbase.....	65-9113	
Rear 5.4L Eng. w/M.T. 137" Wheelbase.....	65-9116	
Rear 5.4L Eng. w/M.T. 141.8" Wheelbase.....	65-9128	
Rear 6.8L Eng. w/A.T. 137" Wheelbase.....	65-9111	
Rear 6.8L Eng. w/A.T. 141.8" Wheelbase.....	65-9114	
Rear 6.8L Eng. w/M.T. 137" Wheelbase.....	65-9117	
Rear 6.8L Eng. w/M.T. 141.8" Wheelbase.....	65-9129	
Rear 7.3L Eng. w/A.T. 137" Wheelbase.....	65-9112	
Rear 7.3L Eng. w/A.T. 141.8" Wheelbase.....	65-9115	
Rear 7.3L Eng. w/M.T. 137" Wheelbase.....	65-9127	
Rear 7.3L Eng. w/M.T. 141.8" Wheelbase.....	65-9115	

YEAR	APPLICATION	PART NO.
FORD TRUCKS (Cont'd)		
F-250 SUPER DUTY PICKUP (Cont'd)		
1999	Front 5.4L Eng. w/A.T. w/36" Prop Shaft.....	65-9300
	Front 5.4L Eng. w/M.T. w/37 3/4" Prop Shaft.....	65-9305
1998	Front 6.8L Eng. w/A.T. w/36" Prop Shaft.....	65-9300
	Front 6.8L Eng. w/A.T. 4R 100 w/39 3/8" Prop Shaft.....	65-9303
	Front 6.8L Eng. w/M.T. w/37 3/4" Prop Shaft.....	65-9305
	Front 7.3L Eng. w/38 1/4" Prop Shaft.....	65-9302
	Rear 5.4L Eng. w/A.T. 137" Wheelbase.....	65-9110
	Rear 5.4L Eng. w/A.T. 141.8" Wheelbase.....	65-9113
	Rear 5.4L Eng. w/M.T. 137" Wheelbase.....	65-9116
	Rear 5.4L Eng. w/M.T. 141.8" Wheelbase.....	65-9128
	Rear 6.8L Eng. w/A.T. 137" Wheelbase.....	65-9111
	Rear 6.8L Eng. w/A.T. 141.8" Wheelbase.....	65-9114
	Rear 6.8L Eng. w/M.T. 137" Wheelbase.....	65-9117
	Rear 6.8L Eng. w/M.T. 141.8" Wheelbase.....	65-9129
	Rear 7.3L Eng. w/A.T. 137" Wheelbase.....	65-9112
	Rear 7.3L Eng. w/A.T. 141.8" Wheelbase.....	65-9115
	Rear 7.3L Eng. w/M.T. 137" Wheelbase.....	65-9127
	Rear 7.3L Eng. w/M.T. 141.8" Wheelbase.....	65-9115
	Front Full Time 4WD w/A.T. w/30 1/16" Prop Shaft (351 or 400 Eng.).....	65-9166
	Front Full Time 4WD w/A.T. w/26 11/16" Prop Shaft w/Snowplow Option.....	65-9187
	Front Full Time 4WD w/A.T. w/28" Prop Shaft (351 or 400 Eng.).....	65-9163
	Front Part Time 4WD w/M.T. 133" Wheelbase w/24 3/8" Prop Shaft (300 Eng.).....	65-9161
Front Part Time 4WD w/M.T. 133" Wheelbase w/25 1/8" Prop Shaft.....	65-9148	
Front Part Time 4WD w/M.T. 155" Wheelbase w/24 3/8" Prop Shaft (300 Eng.).....	65-9161	
1978	Front Full Time 4WD w/A.T. 133" Wheelbase w/26 1/16" Prop Shaft.....	65-9185
	Front Full Time 4WD 351 or 400 Eng. w/A.T. 133" Wheelbase w/57 7/16" Prop Shaft.....	65-9154
1977	Front Part Time 4WD w/A.T. 133" Wheelbase w/25 1/8" Prop Shaft.....	65-9148
	Front Full Time 4WD 351 or 400 Eng. w/A.T. 133" Wheelbase.....	65-9154
F-350 SUPER DUTY PICKUP		
2010-07	Front 5.4L Eng. w/36 3/4" Prop Shaft.....	65-9713
	Front 6.8L Eng. w/36 3/4" Prop Shaft.....	65-9713
2006-05	Front 5.4L Eng. w/36" Prop Shaft SRW.....	65-9300
	Front 5.4L Eng. w/36 3/4" Prop Shaft.....	65-9713
2004	Front 6.0L Eng. w/A.T. w/38" Prop Shaft SRW.....	65-9546
	Front 6.0L Eng. w/M.T. w/39 3/8" Prop Shaft.....	65-9303
	Front 6.8L Eng. w/36" Prop Shaft SRW.....	65-9300
	Front 6.8L Eng. w/36 3/4" Prop Shaft.....	65-9713
	Front 6.0L Eng. w/A.T. w/38" Prop Shaft SRW.....	65-9546
	Front 6.0L Eng. w/M.T. w/39 3/8" Prop Shaft.....	65-9303
	Front 5.4L Eng. w/A.T. w/39 3/8" Prop Shaft SRW.....	65-9303
	Front 6.8L Eng. w/A.T. w/39 3/8" Prop Shaft SRW.....	65-9303
	Front 7.3L Eng. w/39 3/8" Prop Shaft.....	65-9303
	Front 7.3L Eng. w/40 1/2" Prop Shaft.....	65-9304
	Front 5.4L Eng. w/A.T. w/39 3/8" Prop Shaft SRW.....	65-9303
	Front 6.8L Eng. w/A.T. w/39 3/8" Prop Shaft SRW.....	65-9303
	Front 7.3L Eng. w/39 3/8" Prop Shaft.....	65-9303
	Rear 5.4L Eng. w/A.T. 137" Wheelbase SRW.....	65-9110
	Rear 5.4L Eng. w/A.T. 137" Wheelbase DRW.....	65-9110
	Rear 5.4L Eng. w/A.T. 141.8" Wheelbase.....	65-9135
	Rear 5.4L Eng. w/M.T. 137" Wheelbase SRW.....	65-9116
	Rear 5.4L Eng. w/M.T. 137" Wheelbase DRW.....	65-9116
	Rear 6.8L Eng. w/A.T. 137" Wheelbase SRW.....	65-9111
	Rear 6.8L Eng. w/A.T. 141.8" Wheelbase.....	65-9114
Rear 6.8L Eng. w/M.T. 137" Wheelbase SRW.....	65-9129	
Rear 6.8L Eng. w/M.T. 141.8" Wheelbase.....	65-9137	
Rear 7.3L Eng. w/A.T. 137" Wheelbase SRW w/54 7/16" Prop Shaft.....	65-9115	

REMANUFACTURED 4X4 DRIVESHAFTS / PROP SHAFTS

YEAR	APPLICATION	PART NO.
FORD TRUCKS (Cont'd)		
F-550 SUPER DUTY PICKUP (Cont'd)		
2002-00 (Cont'd)	Rear 7.3L Eng. w/A.T. 137" Wheelbase DRW w/50 7/8" Prop Shaft.....	65-9131
	Rear 7.3L Eng. w/A.T. 141.8" Wheelbase w/54 5/16" Prop Shaft.....	65-9117
	Rear 7.3L Eng. w/M.T. 137" Wheelbase SRW w/54 7/16" Prop Shaft.....	65-9115
	Rear 7.3L Eng. w/M.T. 137" Wheelbase DRW w/54 5/16" Prop Shaft.....	65-9133
	Rear 7.3L Eng. w/M.T. 141.8" Wheelbase w/50 7/8" Prop Shaft.....	65-9130
1999	Front 7.3L Eng. w/39 3/8" Prop Shaft.....	65-9303
	Rear 5.4L Eng. w/A.T. 137" Wheelbase.....	65-9110
	Rear 5.4L Eng. w/A.T. 141.8" Wheelbase.....	65-9135
	Rear 5.4L Eng. w/M.T. 137" Wheelbase.....	65-9116
	Rear 6.8L Eng. w/A.T. 137" Wheelbase SRW.....	65-9111
	Rear 6.8L Eng. w/A.T. 141.8" Wheelbase.....	65-9114
	Rear 6.8L Eng. w/M.T. 137" Wheelbase SRW.....	65-9129
	Rear 6.8L Eng. w/M.T. 141.8" Wheelbase.....	65-9137
	Rear 7.3L Eng. w/A.T. 137" Wheelbase SRW w/54 7/16" Prop Shaft.....	65-9115
	Rear 7.3L Eng. w/A.T. 137" Wheelbase DRW w/50 7/8" Prop Shaft.....	65-9131
	Rear 7.3L Eng. w/A.T. 141.8" Wheelbase w/54 5/16" Prop Shaft.....	65-9117
	Rear 7.3L Eng. w/M.T. 137" Wheelbase SRW, w/54 7/16" Prop Shaft.....	65-9115
	Rear 7.3L Eng. w/M.T. 137" Wheelbase DRW, w/54 5/16" Prop Shaft.....	65-9133
	Rear 7.3L Eng. w/M.T. 141.8" Wheelbase w/50 7/8" Prop Shaft.....	65-9130
F-450 SUPER DUTY PICKUP		
2010-08	Front 6.4L Eng. w/32 1/2" Prop Shaft.....	65-4491
2006-04	Front 6.0L Eng. DRW w/M.T.....	65-9550
	Front 6.0L Eng. DRW w/A.T.....	65-9551
2003	Front 6.0L Eng. DRW w/M.T.....	65-9550
	Front 6.0L Eng. DRW w/A.T.....	65-9551
	Front 6.8L Eng. DRW w/A.T.....	65-9550
2002	Front 6.8L Eng. DRW w/A.T.....	65-9550
2001	Front 6.8L Eng. DRW w/M.T.....	65-9551
F-550 SUPER DUTY PICKUP		
2010-08	Front 6.4L Eng. w/32 1/2" Prop Shaft.....	65-4491
2006-04	Front 6.0L Eng. DRW w/A.T.....	65-9551
	Front 6.0L Eng. DRW w/M.T.....	65-9550
2003	Front 6.0L Eng. DRW w/A.T.....	65-9551
	Front 6.0L Eng. DRW w/M.T.....	65-9550
	Front 6.8L Eng. DRW w/A.T.....	65-9550
2002	Front 6.8L Eng. DRW w/A.T.....	65-9550
2001	Front 6.8L Eng. DRW w/M.T.....	65-9551
RANGER		
2009-07	Front 4.0L Eng. XL w/Pickup-Extended Cab.....	65-9293
2006-99	Front 4.0L Eng.....	65-9293
1998	Front 4.0L Eng.....	65-9293
	Rear.....	65-9455
1997-95	Front 2.3L Eng.....	65-9672
	Front 3.0L Eng.....	65-9672
	Front 4.0L Eng.....	65-9661
	Rear.....	65-9675
1994-93	Front 2.3L Eng.....	65-9672
	Front 3.0L Eng.....	65-9672
	Front 4.0L Eng.....	65-9661
	Rear w/Short Wheelbase.....	65-9662
1992-90	Front.....	65-9661
	Rear w/Short Wheelbase.....	65-9662
1989	Front.....	65-9638
	Rear w/STX Trim w/Short Wheelbase.....	65-9642

YEAR	APPLICATION	PART NO.
FORD TRUCKS (Cont'd)		
RANGER (Cont'd)		
1988	Front w/4 Spd. A.T.....	65-9638
	Front w/5 Spd. M.T. w/STX Trim.....	65-9638
	Rear 2.3L Eng. w/4 Spd. A.T. w/STX Trim w/Short Wheelbase.....	65-9423
	Rear 2.3L Eng. w/5 Spd. M.T. w/STX Trim w/Short Wheelbase w/39 13/16" Prop Shaft.....	65-9423
	Rear 2.3L Eng. w/5 Spd. M.T. w/STX Trim w/Short Wheelbase w/42 1/4" Prop Shaft.....	65-9636
	Rear 2.9L Eng. w/4 Spd. A.T. w/STX Trim w/Short Wheelbase.....	65-9423
	Rear 2.9L Eng. w/5 Spd. M.T. w/STX Trim w/Short Wheelbase w/39 13/16" Prop Shaft.....	65-9423
	Rear 2.9L Eng. w/5 Spd. M.T. w/STX Trim w/Short Wheelbase w/42 1/4" Prop Shaft.....	65-9636
1987	Front 2.9L Eng. w/4 Spd. A.T. w/STX Trim.....	65-9641
	Front 2.9L Eng. w/5 Spd. M.T.....	65-9641
	Rear 2.9L Eng. w/4 Spd. A.T. w/STX Trim w/Short Wheelbase.....	65-9423
1986	Rear 2.3L Eng. w/5 Spd. M.T. w/Short Wheelbase.....	65-9432
	Rear 2.3L Diesel Eng. w/5 Spd. M.T. w/Short Wheelbase.....	65-9432
	Rear 2.9L Eng. w/4 Spd. A.T. w/Short Wheelbase.....	65-9433
1985	Rear 2.3L Eng. w/4 Spd. A.T. w/Short Wheelbase.....	65-9423
	Rear 2.3L Eng. w/4 Spd. M.T. w/Short Wheelbase.....	65-9830
	Rear 2.3L Eng. w/5 Spd. M.T. w/Short Wheelbase.....	65-9831
	Rear 2.8L Eng. w/4 Spd. A.T. w/Short Wheelbase w/39 13/16" Prop Shaft.....	65-9423
	Rear 2.8L Eng. w/4 Spd. A.T. w/Short Wheelbase w/44 1/4" Prop Shaft.....	65-9830
	Rear 2.8L Eng. w/4 Spd. M.T. w/Short Wheelbase.....	65-9830
	Rear 2.8L Eng. w/5 Spd. M.T. w/Short Wheelbase.....	65-9831
1984-83	Rear 2.3L Eng. w/4 Spd. M.T. w/Short Wheelbase.....	65-9830
	Rear 2.3L Eng. w/5 Spd. M.T. w/Short Wheelbase.....	65-9831
	Rear 2.8L Eng. w/4 Spd. A.T. w/Short Wheelbase.....	65-9830
	Rear 2.8L Eng. w/4 Spd. M.T. w/Short Wheelbase.....	65-9830
	Rear 2.8L Eng. w/5 Spd. M.T. w/Short Wheelbase.....	65-9831
GEO TRUCKS		
TRACKER		
1998	See - Chevrolet/GMC Trucks	
1997-96	Front 2 Door.....	65-9470
	Front 4 Door w/A.T.....	65-9471
	Front 4 Door w/M.T.....	65-9470
1995-89	Front.....	65-9470
HUMMER TRUCKS		
H2		
2009-03	Front.....	65-9490
H3		
2010-06	Front.....	65-9492
H3T		
2010-09	Front.....	65-9492
ISUZU TRUCKS		
AMIGO		
1994	Front.....	65-9472
1993-89	Front.....	65-9481
ASCENDER		
2005-03	Front 4.2L Eng.....	65-9329
	Front 5.3L Eng.....	65-9330
CHEVROLET/GMC TRUCKS		
I-350		
2006	Front w/Square flange on CV.....	65-9516

PROP SHAFTS

REMANUFACTURED 4X4 DRIVESHAFTS / PROP SHAFTS

PROP SHAFTS

YEAR	APPLICATION	PART NO.
CHEVROLET/GMC TRUCKS (Cont'd)		
I-370		
2008-07	Front w/Square flange on CV.....	65-9516
ISUZU TRUCKS		
PICKUP		
1995-88	Front.....	65-9481
RODEO		
1997-93	Front w/M.T.....	65-9472
TROOPER		
2002-98	Front w/o Torque on Demand System.....	65-9285
1997-92	Front w/M.T.....	65-9472
JEEP TRUCKS		
CHEROKEE		
2001	Front 4.0L Eng. w/A.T.....	65-9311
2000	Front 2.5L Eng. w/5 Spd. M.T. 231 Transfer Case, Dana Model 30 Axle w/27 5/8" Prop Shaft.....	65-9737
	Front 4.0L Eng. w/4 Spd. A.T. (Aisin Warner), Kanda Transfer Case, Dana Model 44 Axle.....	65-9140
1999	Front 2.5L Eng. w/5 Spd. M.T. 231 Transfer Case, Dana Model 30 Axle w/27 5/8" Prop Shaft.....	65-9737
	Front 4.0L Eng. w/4 Spd. A.T. (Aisin Warner), Kanda Transfer Case, Dana Model 44 Axle.....	65-9140
	Front 4.0L Eng. w/4 Spd. A.T. (Aisin Warner), 231 or 242 Transfer Case, Dana Model 30 Axle.....	65-9143
	Front 4.0L Eng. w/5 Spd. M.T. 231 or Kanda Transfer Case, Dana Model 30 Axle.....	65-9144
1998-95	Front 2.5L Eng. w/5 Spd. M.T. 231 Transfer Case, Dana Model 30 Axle w/25 5/16" Prop Shaft.....	65-9668
	Front 2.5L Eng. w/5 Spd. M.T. 231 Transfer Case, Dana Model 30 Axle w/27 5/8" Prop Shaft.....	65-9737
	Front 4.0L Eng. w/4 Spd. A.T. (Aisin Warner), Kanda Transfer Case, Dana Model 44 Axle.....	65-9764
	Front 4.0L Eng. w/4 Spd. A.T. (Aisin Warner), 231 or 242 Transfer Case, Dana Model 30 Axle.....	65-9776
	Front 4.0L Eng. w/5 Spd. M.T. (Aisin Seiki), Kanda Transfer Case, Dana Model 44 Axle.....	65-9752
	Front 4.0L Eng. w/5 Spd. M.T. (Aisin Seiki), 231 or Kanda Transfer Case, Dana Model 30 Axle.....	65-9670
1994-90	Front 2.5L Eng. w/A.T. 231 Transfer Case, Dana Model 30 Axle.....	65-9671
	Front 2.5L Eng. w/5 Spd. M.T. 231 Transfer Case, Dana Model 30 Axle.....	65-9668
	Front 4.0L Eng. w/A.T. (Aisin Warner), Kanda Transfer Case, Dana Model 44 Axle.....	65-9764
	Front 4.0L Eng. w/A.T. (Aisin Warner), 231 or 242 Transfer Case, Dana Model 30 Axle.....	65-9669
	Front 4.0L Eng. w/5 Spd. M.T. (Aisin Seiki), Kanda Transfer Case, Dana Model 44 Axle.....	65-9752
	Front 4.0L Eng. w/5 Spd. M.T. (Aisin Seiki), 231 or Kanda Transfer Case, Dana Model 30 Axle.....	65-9670
1988	Front 2.5L Eng. w/M.T. (Aisin), 231 Transfer Case, 3.55 or 4.11 Axle Ratio.....	65-9436
	Front 6 Cyl. Eng. w/A.T. (Peugeot), Kanda Part Time Transfer Case, 4.11 Axle Ratio.....	65-9671
	Front 6 Cyl. Eng. w/A.T. (Peugeot), 242 or 231 Transfer Case, 3.08 Axle Ratio.....	65-9438
	Front 6 Cyl. Eng. w/A.T. (Peugeot), 242 or 231 Transfer Case, 3.55 Axle Ratio.....	65-9738
1986-85	Front Exc. GKN Design.....	65-9749
	Front GKN Design.....	65-9820
1984	Front GKN Design.....	65-9820
1983-82	Front 6 Cyl. Eng. w/A.T.....	65-9438
	Front 6 Cyl. Eng. w/5 Spd. M.T.....	65-9438
	Front 8 Cyl. Eng. w/A.T.....	65-9436

YEAR	APPLICATION	PART NO.
JEEP TRUCKS (Cont'd)		
CHEROKEE (Cont'd)		
1981-80	Front 6 Cyl. Eng. w/A.T.....	65-9438
	Front 8 Cyl. Eng. w/A.T.....	65-9436
1977-74	Front w/3 Spd. A.T.....	65-9754
	Front w/4 Spd. A.T.....	65-9755
CJ SERIES		
1983-82	Front w/M.T.....	65-9764
1979-77	Front w/A.T. CJ7.....	65-9757
COMANCHE		
1992-90	Front 2.5L Eng. w/A.T. 231 Transfer Case, Dana Model 30 Axle.....	65-9671
	Front 2.5L Eng. w/5 Spd. M.T. 231 Transfer Case, Dana Model 30 Axle.....	65-9668
	Front 4.0L Eng. w/A.T. (Aisin Warner), Kanda Transfer Case, Dana Model 44 Axle.....	65-9764
	Front 4.0L Eng. w/A.T. (Aisin Warner), 231 or 242 Transfer Case, Dana Model 30 Axle.....	65-9669
	Front w/4.0L Eng. w/5 Spd. M.T. (Aisin Seiki), Kanda Transfer Case, Dana Model 44 Axle.....	65-9752
	Front 4.0L Eng. w/5 Spd. M.T. (Aisin Seiki), 231 or Kanda Transfer Case, Dana Model 30 Axle.....	65-9670
1988	Front 4 Cyl. Eng. w/M.T. (Aisin), 231 Transfer Case, 3.55 or 4.11 Axle Ratio.....	65-9436
	Front 6 Cyl. Eng. w/A.T. (Peugeot), Kanda Part Time Transfer Case, 4.11 Axle Ratio.....	65-9671
	Front 6 Cyl. Eng. w/A.T. (Peugeot), 242 or 231 Transfer Case, 3.08 Axle Ratio.....	65-9438
	Front 6 Cyl. Eng. w/A.T. (Peugeot), 242 or 231 Transfer Case, 3.55 Axle Ratio.....	65-9738
1986	Front Exc. GKN Design.....	65-9749
	Front GKN Design.....	65-9820
COMMANDER		
2010	Front 3.7L Eng. NV150 Transercase (Quadra-Trac II).....	65-9789
	Front 3.7L Eng. NV140 Transercase.....	65-9789
	Front 5.7L Eng.....	65-9789
2009-07	Front 3.7L Eng. NV150 Transercase (Quadra-Trac II).....	65-9789
	Front 3.7L Eng. NV140 Transercase.....	65-9789
	Front 4.7L Eng.....	65-9789
	Front 5.7L Eng.....	65-9789
GRAND CHEROKEE		
2010-07	Front 3.7L Eng. AOD, w/15 1/4" Prop Shaft.....	65-9909
	Front 3.7L Eng. NV245 Transercase (Quadra-Trac II), w/19" Prop Shaft.....	65-9907
	Front 3.7L Eng. NV245 Transercase (Quadra-Trac II), w/19" Prop Shaft.....	65-9907
2006	Front 3.7L Eng. AOD, w/15 1/4" Prop Shaft.....	65-9909
	Front 3.7L Eng. NV245 Transercase (Quadra-Trac II), w/19" Prop Shaft.....	65-9907
	Front 4.7L Eng. NV245 Transercase (Quadra-Trac II), w/19" Prop Shaft.....	65-9907
	Front 5.7L Eng. NV245 Transercase (Quadra-Trac II), w/19" Prop Shaft.....	65-9907
2005	Front 3.7L Eng. AOD, w/15 1/4" Prop Shaft.....	65-9909
	Front 3.7L Eng. w/18 7/8" Prop Shaft.....	65-9780
	Front 3.7L Eng. NV245 Transercase (Quadra-Trac II), w/19" Prop Shaft.....	65-9907
	Front 4.7L Eng. w/18 7/8" Prop Shaft.....	65-9780
	Front 4.7L Eng. NV245 Transercase (Quadra-Trac II), w/19" Prop Shaft.....	65-9907
	Front 5.7L Eng. w/18 7/8" Prop Shaft.....	65-9780
	Front 5.7L Eng. NV245 Transercase (Quadra-Trac II), w/19" Prop Shaft.....	65-9907
2004	Front 4.0L Eng.....	65-9767
2003	Front 4.0L Eng.....	65-9767
	Front 4.7L Eng. w/19" Prop Shaft.....	65-9782
	Front 4.7L Eng. w/32" Prop Shaft.....	65-9781

REMANUFACTURED 4X4 DRIVESHAFTS / PROP SHAFTS

YEAR	APPLICATION	PART NO.
JEEP TRUCKS (Cont'd)		
GRAND CHEROKEE (Cont'd)		
2002	Front 4.0L Eng.	65-9767
	Front 4.7L Eng. w/20" Prop Shaft.....	65-9314
2001-99	Front 4.7L Eng. w/32" Prop Shaft.....	65-9781
	Front 4.0L Eng.	65-9313
1998	Front 4.7L Eng.	65-9314
	Front 4.0L Eng. w/A.T. 249 Transfer Case, Dana Model 30 Axle	65-9762
1997	Front 5.2L Eng. w/A.T. 249 Transfer Case, Dana Model 30 Axle ③	65-9779
	Front 5.9L Eng. w/A.T. 249 Transfer Case, Dana Model 30 Axle ③	65-9779
1997	Front 4.0L Eng. w/A.T. 249 Transfer Case, Dana Model 30 Axle	65-9762
	Front 5.2L Eng. w/A.T. 249 Transfer Case, Dana Model 30 Axle ③	65-9779
1997	Front 5.2L Eng. w/A.T. 249 Transfer Case, Dana Model 30 Axle ②	65-9761
	Front 5.9L Eng. w/A.T. 249 Transfer Case, Dana Model 30 Axle ③	65-9779
1996	Front 4.0L Eng. w/A.T. 249 Transfer Case, Dana Model 30 Axle 30 1/2" Prop Shaft.....	65-9770
	Front 4.0L Eng. w/A.T. 249 Transfer Case, Dana Model 30 Axle 31 1/2" Prop Shaft.....	65-9762
1996	Front 4.0L Eng. w/M.T. 231 Transfer Case, Dana Model 30 Axle	65-9737
	Front 5.2L Eng. w/A.T. 249 Transfer Case, Dana Model 30 Axle ③	65-9779
1996	Front 5.2L Eng. w/A.T. 249 Transfer Case, Dana Model 30 Axle From 11/1/95 29 15/16" Prop Shaft ②	65-9761
	Front 5.2L Eng. w/A.T. 249 Transfer Case, Dana Model 30 Axle Before 11/1/95 28 1/4" Prop Shaft ②	65-9769
1995	Front 5.9L Eng. w/A.T. 249 Transfer Case, Dana Model 30 Axle ③	65-9779
	Front 4.0L Eng. w/A.T. 231 or 242 Transfer Case, Dana Model 30 Axle	65-9774
1995	Front 4.0L Eng. w/A.T. 249 Transfer Case, Dana Model 30 Axle From 11/1/95 30 1/2" Prop Shaft.....	65-9770
	Front 4.0L Eng. w/A.T. 249 Transfer Case, Dana Model 30 Axle From 11/1/95 31 1/2" Prop Shaft.....	65-9762
1995	Front 4.0L Eng. w/A.T. 249 Transfer Case, Dana Model 30 Axle Before 11/1/95.....	65-9774
	Front 4.0L Eng. w/5 Spd. M.T. 231 Transfer Case, Dana Model 30 Axle	65-9775
1995	Front 5.2L Eng. w/A.T. 8 Cyl. 231 Transfer Case, Dana Model 30 Axle	65-9773
	Front 5.2L Eng. w/A.T. 8 Cyl. 249 Transfer Case, Dana Model 30 Axle ②	65-9771
1994	Front 4.0L Eng. w/A.T. 249 Transfer Case, Dana Model 30 Axle Before 11/1/95.....	65-9774
	Front 4.0L Eng. w/5 Spd. M.T. 231 Transfer Case, Dana Model 30 Axle	65-9775
1994	Front 5.2L Eng. w/A.T. 8 Cyl. 231 Transfer Case, Dana Model 30 Axle	65-9773
	Front 4.0L Eng. w/A.T. (Exc. Aisin Warner) 231 or 242 Transfer Case, Dana Model 30 Axle	65-9774
1993	Front 4.0L Eng. w/A.T. (Aisin Warner), 231, 242 or 249 Transfer Case, Dana Model 30 Axle....	65-9776
	Front 4.0L Eng. w/5 Spd. M.T. 231 Transfer Case, Dana Model 30 Axle	65-9775
1993	Front 5.2L Eng. w/A.T. 8 Cyl. 231 Transfer Case, Dana Model 30 Axle	65-9773
	GRAND WAGONEER	
1993	Front 5.2L Eng. w/A.T. 8 Cyl. 231 Transfer Case, Dana Model 30 Axle	65-9773

③ It is recommended that the front yoke be replaced when installing a replacement driveshaft.
② Prop Shaft has one Double Cardan Joint and one CV Joint.

YEAR	APPLICATION	PART NO.
JEEP TRUCKS (Cont'd)		
GRAND WAGONEER (Cont'd)		
1991-90	Front 5.9L Eng. w/A.T. (727) 229 Transfer Case, Dana Model 44 Axle	65-9436
J SERIES PICKUP		
1983-80	Front 6 Cyl. Eng. w/29 1/4" Prop Shaft	65-9438
	Front 8 Cyl. Eng. w/25 3/4" Prop Shaft	65-9436
1979	Front 8 Cyl. Eng. w/20" Prop Shaft.....	65-9754
	Front 8 Cyl. Eng. w/25 5/16" Prop Shaft	65-9751
1978	Front 8 Cyl. Eng. w/25 5/16" Prop Shaft	65-9751
1977-74	Front 6 Cyl. Eng. w/20" Prop Shaft.....	65-9754
	Front 6 Cyl. Eng. w/24 3/8" Prop Shaft	65-9755
1977-74	Front 8 Cyl. Eng. w/20" Prop Shaft.....	65-9754
	Front 8 Cyl. Eng. w/24 3/8" Prop Shaft	65-9755
1973	Front 8 Cyl. Eng. w/25 5/16" Prop Shaft	65-9751
	Front 8 Cyl. Eng. w/27 1/16" Prop Shaft	65-9752
1972	Front 8 Cyl. Eng. w/25 5/16" Prop Shaft	65-9751
	Front 8 Cyl. Eng. w/27 1/16" Prop Shaft	65-9752
1971	Front 8 Cyl. Eng. w/25 5/16" Prop Shaft	65-9751
LIBERTY		
2010-08	Front 3.7L Eng.	65-9789
2007	Front 3.7L Eng. w/16 1/2" Prop Shaft.....	65-9324
2006-05	Front 2.8L Eng. w/A.T. w/20" Prop Shaft.....	65-9323
	Front 3.7L Eng. w/16 1/2" Prop Shaft.....	65-9324
2004	Front 3.7L Eng. w/16 1/2" Prop Shaft.....	65-9324
2003	Front 3.7L Eng. w/A.T. (Trans Code DG6) w/16 1/2" Prop Shaft	65-9324
	Front 3.7L Eng. w/A.T. (Trans Code DG4) w/19" Prop Shaft	65-9326
2002	Front 3.7L Eng. w/M.T. w/16 1/2" Prop Shaft	65-9324
	Front 3.7L Eng. w/A.T. w/19" Prop Shaft.....	65-9326
2002	Front 3.7L Eng. w/M.T. w/16 1/2" Prop Shaft	65-9324
	Front 3.7L Eng. w/M.T. w/16 1/2" Prop Shaft	65-9324
TJ (Canada)		
2001-98	Front 2.5L Eng.	65-9315
	Front 4.0L Eng. w/A.T.	65-9315
1997	Front 4.0L Eng. w/M.T.	65-9316
	Front 2.5L Eng. w/A.T. 231 or 242 Transfer Case, Dana Model 30 Axle	65-9765
1997	Front 4.0L Eng. w/A.T. 231 or 242 Transfer Case, Dana Model 30 Axle	65-9765
	Front 4.0L Eng. w/5 Spd. M.T. Dana Model 30 Front Axle 231/242	65-9766
WAGONEER		
1990	Front 2.5L Eng. w/A.T. 231 Transfer Case, Dana Model 30 Axle	65-9671
	Front 2.5L Eng. w/5 Spd. M.T. 231 Transfer Case, Dana Model 30 Axle	65-9668
1990	Front 4.0L Eng. w/A.T. (Aisin Warner), Kanda Transfer Case, Dana Model 44 Axle	65-9764
	Front 4.0L Eng. w/A.T. (Aisin Warner), 231 or 242 Transfer Case, Dana Model 30 Axle	65-9669
1990	Front 4.0L Eng. w/5 Spd. M.T. (Aisin Seiki), Kanda Transfer Case, Dana Model 44 Axle.....	65-9752
	Front 4.0L Eng. w/5 Spd. M.T. (Aisin Seiki), 231 or Kanda Transfer Case, Dana Model 30 Axle	65-9670
1988	Front 4 Cyl. Eng. w/M.T. (Aisin), 231 Transfer Case, 3.55 or 4.11 Axle Ratio.....	65-9436
	Front 6 Cyl. Eng. w/A.T. (Peugeot), Kanda Part Time Transfer Case, 4.11 Axle Ratio.....	65-9671
1988	Front 6 Cyl. Eng. w/A.T. (Peugeot), 242 or 231 Transfer Case, 3.08 Axle Ratio.....	65-9438
	Front 6 Cyl. Eng. w/A.T. (Peugeot), 242 or 231 Transfer Case, 3.55 Axle Ratio.....	65-9738
1986-85	Front Exc. GKN Design	65-9749
	Front GKN Design.....	65-9820
1984	Front GKN Design.....	65-9820

PROP SHAFTS

REMANUFACTURED 4X4 DRIVESHAFTS / PROP SHAFTS

PROP SHAFTS

YEAR	APPLICATION	PART NO.
JEEP TRUCKS (Cont'd)		
WAGONEER (Cont'd)		
1983-82	Front 6 Cyl. Eng. w/A.T.	65-9438
	Front 6 Cyl. Eng. w/5 Spd. M.T.	65-9438
	Front 8 Cyl. Eng. w/A.T.	65-9436
1981-80	Front 6 Cyl. Eng. w/A.T.	65-9438
	Front 8 Cyl. Eng. w/A.T.	65-9436
1979	Front 8 Cyl. Eng. w/20" Prop Shaft.....	65-9754
	Front 8 Cyl. Eng. w/25 5/16" Prop Shaft.....	65-9751
1978	Front 8 Cyl. Eng. w/25 5/16" Prop Shaft.....	65-9751
1977-74	Front w/3 Spd. A.T.	65-9754
	Front w/4 Spd. A.T.	65-9755
1973	Front 8 Cyl. Eng. w/25 5/16" Prop Shaft.....	65-9751
	Front 8 Cyl. Eng. w/27 1/16" Prop Shaft.....	65-9752
1972	Front 8 Cyl. Eng. w/25 5/16" Prop Shaft.....	65-9751
	Front 8 Cyl. Eng. w/27 1/16" Prop Shaft.....	65-9752
1971	Front 8 Cyl. Eng. w/25 5/16" Prop Shaft.....	65-9751
WRANGLER		
2001-98	Front 2.5L Eng.	65-9315
	Front 4.0L Eng. w/A.T.	65-9315
	Front 4.0L Eng. w/M.T.	65-9316
1997	Front 2.5L Eng. w/A.T. 231 or 242 Transfer Case, Dana Model 30 Axle	65-9765
	Front 4.0L Eng. w/A.T. 231 or 242 Transfer Case, Dana Model 30 Axle	65-9765
	Front 4.0L Eng. w/5 Spd. M.T. Dana Model 30 Front Axle 231/242	65-9766
KIA TRUCKS		
SORENTO		
2006-03	Front AWD w/A.T. Electric Shift Transfer Case	65-3500
LANDROVER		
DEFENDER		
1997-94	Front	65-9921
DISCOVERY		
2002-00	Front	65-9271
1999	Front Exc. Series II	65-9921
	Front Series II	65-9271
1998	Front	65-9921
RANGE ROVER		
2001-96	Front	65-9273
1995	Front 4.0L Eng. (SE)	65-9273
1988-87	Front	65-9921
LEXUS TRUCKS		
LX 450		
1997-96	Front	65-9851
LX 470		
2001-98	Front	65-9269
LINCOLN TRUCKS		
AVIATOR		
2005-02	Front w/22 1/4" Prop Shaft.....	65-9462
NAVIGATOR		
2014-06	Front w/22 1/4" Prop Shaft.....	65-9792
	Front w/30 1/2" Prop Shaft.....	65-2001
2005	Front	65-9792
2004-03	Front	65-9542
2002	Front	65-9317
2001-99	Front	65-9317
	Rear 4WD	65-9511
1998	Front	65-9543

YEAR	APPLICATION	PART NO.
LINCOLN TRUCKS (Cont'd)		
MARK LT		
2014-09	Front w/22 1/4" Prop Shaft.....	65-9792
MAZDA TRUCKS		
B2300 PICKUP		
1997-95	Front w/30 3/4" Prop Shaft.....	65-9672
	Rear w/40 1/2" Prop Shaft.....	65-9675
1994	Rear w/40 9/16" Prop Shaft.....	65-9662
B3000 PICKUP		
2005-99	Front	65-9293
1998	Front	65-9293
	Rear 4WD	65-9455
1997-95	Front w/30 3/4" Prop Shaft.....	65-9672
	Rear w/40 1/2" Prop Shaft.....	65-9675
1994	Front w/30 3/4" Prop Shaft.....	65-9672
	Rear w/40 9/16" Prop Shaft.....	65-9662
B4000 PICKUP		
2005-99	Front	65-9293
1998	Front	65-9293
	Rear 4WD	65-9455
1997-95	Front	65-9661
	Rear w/40 1/2" Prop Shaft.....	65-9675
1994	Front w/29 7/16" Prop Shaft.....	65-9661
	Front w/30 3/4" Prop Shaft.....	65-9672
	Rear w/40 9/16" Prop Shaft.....	65-9662
NAVAJO		
1994-91	Front	65-9661
TRIBUTE		
2005-01	Rear (Front Section of 2 Piece Driveshaft).....	65-9463
MERCEDES TRUCKS		
ML55 AMG		
2003-00	Front 4WD	65-7002
	Rear 4WD	65-7003
ML430		
2001-98	Front 4WD	65-7002
	Rear 4WD	65-7003
ML500		
2005-02	Front 4WD	65-7002
	Rear 4WD	65-7003
MERCURY TRUCKS		
MOUNTAINEER		
2010-06	Front 4.0L Eng. w/22 1/4" Prop Shaft, From 1/30/06.....	65-9792
	Front 4.6L Eng. w/22 1/4" Prop Shaft, From 1/30/06.....	65-9792
2005-02	Front 4.0L Eng. AWD.....	65-9462
2001-99	Front 4.0L Eng. 4WD	65-9293
	Front 5.0L Eng. AWD.....	65-9294
1998	Front 4.0L Eng.	65-9451
	Front 5.0L Eng.	65-9450
1997	Front 5.0L Eng.	65-9450
MITSUBISHI TRUCKS		
MONTERO		
1995	Front 3.0L Eng. LS w/A.T.	65-9478
MONTERO SPORT		
2001	Front 3.0L Eng.	65-9282
2000	Front 3.0L Eng.	65-9282

REMANUFACTURED 4X4 DRIVESHAFTS / PROP SHAFTS

YEAR	APPLICATION	PART NO.
NISSAN TRUCKS		
D21 PICKUP		
1997-96	Front 4 Cyl. Eng. w/M.T.	65-9478
1995-90	Front w/A.T.	65-9479
	Front w/M.T.	65-9478
FRONTIER PICKUP		
2004-01	Front 6 Cyl. Eng.	65-9291
2000	Front 6 Cyl. Eng. From 6/00.....	65-9291
	Front 6 Cyl. Eng. Before 6/00.....	65-9290
1999	Front 6 Cyl. Eng.	65-9290
PATHFINDER		
2001	Front w/o all-mode 4X4 system.....	65-9480
2000-96	Front.....	65-9480
1995-88	Front w/A.T.....	65-9479
	Front w/M.T.....	65-9478
1987	Front.....	65-9478
XTERRA		
2004-01	Front 6 Cyl. Eng.	65-9291
2000	Front.....	65-9290
OLDSMOBILE TRUCKS		
BRAVADA		
2004-02	Front.....	65-9329
2001-99	Front.....	65-9332
1998-96	Front Prop Code CRL.....	65-9364
1994-92	Front.....	65-9356
	Rear AWD Prop Code CLD.....	65-9354
1991	Front.....	65-9356
PLYMOUTH TRUCKS		
TRAILDUSTER		
1981-76	Front.....	65-9710
1975	Front Flange at Transfer Case.....	65-9710
	Front Yoke at Transfer Case.....	65-9333
1974	Front.....	65-9333
SAAB TRUCKS		
9-7X		
2009-05	Front 4.2L.....	65-9398
SUBARU		
OUTBACK		
2009-05	Rear.....	65-7001
SUBARU TRUCKS		
FORESTER		
2012-09	Rear w/A.T.	65-7005

YEAR	APPLICATION	PART NO.
TOYOTA TRUCKS		
LAND CRUISER		
2001-98	Front.....	65-9269
1997-91	Front.....	65-9851
PICKUP		
1995-89	Front 4 Cyl. Eng. w/M.T. Code G 33.....	65-9917
	Front 4 Cyl. Eng. w/M.T. Code W 34.....	65-9919
	Front 6 Cyl. Eng. w/A.T.	65-9918
1988-87	Front 4 Cyl. Eng.	65-9915
1986-84	Front.....	65-9376
1983-78	Front.....	65-9375
PREVIA		
1997-91	Front AWD Shaft from eng. to power steering or A.C. systems (This is an accessories driveshaft).....	65-9842
TACOMA PICKUP		
2004-95	Front 4 Cyl. Eng. w/A.T.	65-9261
	Front 4 Cyl. Eng. w/M.T.	65-9264
	Front 6 Cyl. Eng. w/A.T.	65-9259
	Front 6 Cyl. Eng. w/M.T.	65-9265
T100 PICKUP		
1998-95	Front 6 Cyl. Eng. w/A.T.	65-9266
	Front 6 Cyl. Eng. w/M.T.	65-9268
1994-93	Front 6 Cyl. Eng. w/A.T.	65-9266
	Front 6 Cyl. Eng. w/M.T.	65-9918
4RUNNER		
2014-10	Front 4.0L Eng. w/A.T.....	65-5002
2009-03	Front 4.0L Eng. w/A.T.....	65-5002
	Rear 4.0L Eng. w/A.T.....	65-5003
2002-01	Front 6 Cyl. Eng. w/A.T.	65-9263
2000-99	Front 4 Cyl. Eng. w/A.T.	65-9261
	Front 6 Cyl. Eng. w/A.T. Limited.....	65-9263
	Front 6 Cyl. Eng. w/A.T. SR5.....	65-9259
1998-96	Front 4 Cyl. Eng. w/A.T.	65-9261
	Front 6 Cyl. Eng. w/A.T.	65-9259
1995-89	Front 4 Cyl. Eng. w/M.T. Code G 33.....	65-9917
	Front 4 Cyl. Eng. w/M.T. Code W 34.....	65-9919
	Front 6 Cyl. Eng. w/A.T.	65-9918
1988-87	Front 4 Cyl. Eng.	65-9915
VOLKSWAGEN TRUCKS		
TOUAREG		
2007	Rear 3.2L AWD.....	65-7011
	Rear 3.6L AWD.....	65-7011
	Rear 4.2L Eng. AWD.....	65-7011
2006-04	Rear 3.2L AWD.....	65-7011
	Rear 4.2L Eng. AWD.....	65-7011

PROP SHAFTS

IDENTIFICATION GUIDE

GM ENGINE IDENTIFICATION CHART

(The VIN Code is visible through the driver's side of the windshield)

The Engine Code may be determined by referring to the 5th digit of the VIN in model years 1980-70 and the 8th digit of the VIN in model years 2015-81.

Engine VIN Code	Liters / CID	Years	Fuel System	Engine VIN Code	Liters / CID	Years	Fuel System
0	1.6L 98"	1979	1 Bbl. Carb.	6	1.6L 98"	1991-89	EFI
0	1.6L 98"	1980	2 Bbl. Carb.	6	1.6L 98"	1993-88	TBI
0	1.8L 112"	1986-82	TBI	6	1.6L 98"	2001-89	MFI
0	2.0L 122"	1976	EFI	6	1.6L 98"	2007-04	MFI (DOHC)
0	2.4L 145"	2012-09	FI	6	2.2L 134"	2004-03	FI
0	5.3L 323"	2014-07	FI	6	2.8L 170"	2011	FI
1	2.0L 122"	1989-87	TBI	6	3.5L 211"	2006-04	FI
1	2.4L 145"	2011	FI	6	4.6L 281"	2011	FI
1	2.5L 151"	1979-78	2 Bbl. Carb.	6	5.2L 317"	2009	Diesel
1	2.8L 173"	1984-82	2 Bbl. Carb.	6	5.7L 350"	1988-80	4 Bbl. Carb.
1	3.8L 231"	1994-92	SFI	6	6.0L 368"	1984-80	DFI
1	3.8L 231"	2005-92	MFI (Supercharged)	6	6.0L 368"	1985	4 Bbl. Carb.
1	3.9L 237"	2007-06	FI	6	6.2L 376"	2015	FI
1	3.9L 237"	2009	FI	6	6.6L 400"	2010-09	Diesel
1	6.6L 400"	2005-01	Diesel	7	1.5L 92"	1989-86	2 Bbl. Carb.
2	1.0L 61"	1991-87	Turbo	7	1.6L 98"	1992	MFI
2	1.3L 79"	2003-98	MFI	7	1.9L 119"	2001-91	MFI (DOHC)
2	2.5L 151"	1986-82	TBI	7	2.8L 173"	1980	2 Bbl. Carb.
2	3.8L 231"	1979-78	2 Bbl. Carb.	7	3.6L 217"	2007-05	FI (DOHC)
2	3.8L 231"	2007-05	MFI	7	3.6L 217"	2012-08	FI
2	6.0L 364"	2015-11	FI	7	3.6L 231"	2006-04	FI
2	6.2L 379"	2012-09	FI	7	3.8L 231"	1987-86	Turbo
2	6.6L 400"	2006-04	Diesel	7	3.8L 231"	1989	Turbo
3	2.0L 122"	2015	FI	7	4.1L 252"	1988-87	MFI
3	2.3L 138"	1994-92	MFI	7	4.3L 262"	1985	Diesel
3	3.6L 217"	2015-12	FI	7	5.0L 305"	1982	TBI
3	3.8L 231"	1982-78	Turbo	7	5.0L 305"	1983	4 Bbl. Carb.
3	3.8L 231"	1988-83	MFI	7	5.3L 325"	2014-12	FI
3	3.9L 237"	2009	FI	7	5.7L 350"	1993-90	TBI
3	4.5L 273"	1991-90	MFI	7	6.2L 376"	2015-14	FI
3	5.3L 323"	2007	FI (Flex Fuel)	8	1.4L 83"	2015-13	FI
3	5.3L 325"	2011-10	FI	8	1.6L 98"	1991	MFI
4	1.4L 85"	2014-11	Electric/Gas	8	1.8L 110"	2006-92	MFI
4	1.6L 98"	1988-85	2 Bbl. Carb.	8	1.9L 119"	2001-95	MFI (SOHC)
4	2.2L 134"	1998-92	MFI	8	2.8L 173"	2005-04	MFI
4	2.2L 134"	2003-99	SFI	8	3.5L 211"	2006-04	FI
4	2.5L 151"	2004	FI	8	3.8L 231"	1985-83	Turbo
4	2.8L 170"	2010	FI	8	4.1L 252"	1987-82	DFI
4	3.8L 231"	2006-05	MFI	8	4.3L 260"	1982	2 Bbl. Carb.
4	4.1L 252"	1984-80	4 Bbl. Carb.	8	4.5L 273"	1992-89	MFI
4	5.3L 325"	2014-09	FI	8	5.7L 350"	1992-79	MFI
4	5.7L 350"	1979-78	4 Bbl. Carb.	8	6.2L 378"	2007	FI
5	1.0L 61"	1988-86	2 Bbl. Carb.	8	6.6L 400"	2015-11	FI
5	1.5L 92"	1986-85	Diesel	8	6.6L 400"	2012-11	Diesel
5	1.6L 98"	1992	MFI	9	1.2L 76"	2015-13	FI
5	1.6L 98"	1991-88	EFI	9	1.3L 79"	1995	TBI
5	2.2L 134"	2001-00	Flex Fuel	9	1.3L 79"	1997-92	MFI
5	2.4L 145"	2009	Electric/Gas	9	1.4L 83"	2011	FI
5	2.5L 151"	1984-80	2 Bbl. Carb.	9	1.5L 92"	1989-86	Turbo
5	3.0L 182"	2014-11	FI	9	1.6L 98"	1981-80	2 Bbl. Carb.
5	4.5L 273"	1989-88	TBI	9	1.6L 98"	1992-91	MFI
5	5.7L 350"	1996	MFI	9	1.9L 119"	1994-91	TBI
5	6.0L 364"	2009	Electric/Gas	9	2.5L 151"	1979	2 Bbl. Carb.
5	102KW	2001-97	Electric	9	2.8L 173"	1988-85	MFI
6	1.0L 61"	2003-89	TBI	9	2.9L 178"	2012-07	FI
				9	3.8L 229"	1985-83	2 Bbl. Carb.

IDENTIFICATION GUIDE

GM ENGINE IDENTIFICATION CHART

(The VIN Code is visible through the driver's side of the windshield)

The Engine Code may be determined by referring to the 5th digit of the VIN in model years 1980-70
and the 8th digit of the VIN in model years 2015-81.

Engine VIN Code	Liters / CID	Years	Fuel System	Engine VIN Code	Liters / CID	Years	Fuel System
9	4.6L 281"	2001-93	MFI	D	3.1L 189"	1995-90	TBI
9	4.6L 281"	2010-08	FI	D	3.6L 217"	2015-09	FI
9	4.6L 281"	2007-02	SFI	D	4.1L 250"	1984-79	2 Bbl. Carb.
9	5.0L 307"	1990-83	4 Bbl. Carb.	D	4.1L 250"	1979-72	1 Bbl. Carb.
9	6.0L 368"	1984-80	DFI	D	4.4L 267"	2007-06	MFI
9	6.6L 400"	2009	Diesel				(Supercharged)
A	1.9L 119"	1985-82	2 Bbl. Carb.	D	4.4L 267"	2009	FI
A	2.3L 138"	1994-89	MFI	D	6.6L 400"	2007-06	Diesel
A	2.3L 140"	1975-73	1 Bbl. Carb.	E	1.6L 98"	1979-76	1 Bbl. Carb.
A	2.5L 150"	2015-13	FI	E	1.6L 98"	2011-09	FI
A	2.5L 151"	1993-91	TBI	E	2.0L 122"	1975	EFI
A	3.8L 231"	1987-77	2 Bbl. Carb.	E	2.5L 151"	1991-85	TBI
A	4.6L 281"	2007-03	SFI	E	3.0L 181"	1986-82	2 Bbl. Carb.
A	4.6L 281"	2010-08	FI	E	3.4L 207"	2005-96	MFI
A	4.8L 294"	2015-10	FI	E	3.7L 223"	2012-07	FI
A	5.7L 350"	1984-79	2 Bbl. Carb.	E	5.0L 305"	1993-88	TBI
A	5.7L 350"	1996	CPI	E	5.7L 350"	1975	4 Bbl. Carb.
A	5.7L 350"	1995-93	TBI	E	5.7L 350"	1984	4 Bbl. Carb.
A	7.2L 441"	2009	Diesel	E	7.0L 427"	1985-79	4 Bbl. Carb.
B	1.4L 83"	2015-13	FI	E	7.0L 427"	2015-06	FI
B	1.8L 111"	1979-76	2 Bbl. Carb.	F	2.2L 134"	2007-00	MFI
B	2.0L 121"	1984-82	2 Bbl. Carb.	F	2.5L 151"	1984-82	2 Bbl. Carb.
B	2.2L 134"	2010-09	FI	F	3.4L 207"	2007-05	FI
B	2.3L 140"	1977-71	2 Bbl. Carb.	F	3.4L 207"	2009	FI
B	2.4L 145"	2010-09	FI	F	4.3L 260"	1981-75	2 Bbl. Carb.
B	2.4L 146"	2007-06	FI	F	5.0L 305"	1986-81	4 Bbl. Carb.
B	2.8L 173"	1985-82	2 Bbl. Carb.	F	5.0L 305"	1992-85	MFI
B	3.8L 231"	1986	MFI	F	6.2L 376"	2014-10	FI
B	3.8L 231"	2002	MFI	F	6.5L 395"	2003-92	Diesel
B	4.3L 262"	1991-90	TBI	G	1.6L 98"	2012	FI
B	4.9L 300"	1995-91	MFI	G	1.8L 110"	2015-13	FI
B	5.3L 323"	2007-05	FI	G	1.8L 112"	1982	2 Bbl. Carb.
B	5.7L 350"	1981	4 Bbl. Carb.	G	2.2L 134"	1991-90	TBI
B	5.7L 350"	1979-78	EFI	G	2.3L 138"	1994-93	MFI
B	6.0L 364"	2015-11	CNG	G	3.0L 182"	2010	FI
B	6.0L 366"	1985-67	4 Bbl. Carb.	G	3.8L 231"	1978	Turbo
C	1.4L 83"	2012	FI	G	4.3L 262"	1976-75	2 Bbl. Carb.
C	1.6L 98"	1987-82	2 Bbl. Carb.	G	5.0L 305"	1981-79	2 Bbl. Carb.
C	2.0L 122"	2004-00	FI	G	5.0L 305"	1988-84	4 Bbl. Carb.
C	2.4L 145"	2012-11	FI	G	5.7L 350"	1977	2 Bbl. Carb.
C	3.2L 196"	1979-78	2 Bbl. Carb.	G	5.7L 350"	2004-97	MFI
C	3.8L 231"	1975	1 Bbl. Carb.	G	6.0L 364"	2015-10	FI
C	3.8L 231"	1977-75	2 Bbl. Carb.	G	8.1L 496"	2007-01	MFI
C	3.8L 231"	1991-88	MFI	H	1.8L 110"	2015-10	FI
C	4.0L 244"	1998-95	MFI	H	2.0L 122"	1994-92	MFI
C	4.0L 244"	2003-99	SFI	H	2.2L 134"	2010-09	FI
C	4.8L 294"	2007	MFI	H	3.5L 214"	1999-98	SFI
C	4.8L 294"	2009	FI	H	3.5L 214"	2003-00	MFI
C	5.3L 325"	2007-06	FI	H	3.9L 239"	1992-91	Diesel
C	5.3L 325"	2015-09	FI	H	4.3L 262"	2015-14	FI
C	7.2L 441"	2009	FI	H	5.0L 305"	1988-78	4 Bbl. Carb.
C	6.2L 379"	1993-82	Diesel	H	5.0L 305"	1995-87	TBI
D	1.6L 98"	2006-04	FI	H	5.7L 350"	1978-72	2 Bbl. Carb.
D	1.8L 111"	1986-81	Diesel	H	6.0L 364"	2007-05	FI
D	2.2L 134"	2007-06	FI	H	6.0L 364"	2009	FI
D	2.3L 138"	1995-87	MFI	H	6.0L 366"	2006-05	MFI

IDENTIFICATION GUIDE

GM ENGINE IDENTIFICATION CHART

(The VIN Code is visible through the driver's side of the windshield)

The Engine Code may be determined by referring to the 5th digit of the VIN in model years 1980-70 and the 8th digit of the VIN in model years 2015-81.

Engine VIN Code	Liters / CID	Years	Fuel System	Engine VIN Code	Liters / CID	Years	Fuel System
H	85KW	1998-97	Electric	M	5.3L 323"	2007-05	FI
I	1.4L 85"	1977-76	1 Bbl. Carb.	M	5.3L 323"	2009	FI
J	1.6L 98"	1978	1 Bbl. Carb.	M	5.7L 350"	1979	2 Bbl. Carb.
J	1.8L 112"	1986-83	Turbo	M	5.7L 350"	1976-72	2 Bbl. Carb.
J	3.1L 189"	2005-99	SFI	M	5.7L 350"	1989-80	4 Bbl. Carb.
J	4.4L 267"	1982-79	2 Bbl. Carb.	M	6.6L 400"	1975	4 Bbl. Carb.
J	5.3L 323"	2007	FI	M	7.0L 425"	1997-91	TBI
J	5.3L 323"	2009	FI	N	1.8L 111"	1982-72	2 Bbl. Carb.
J	5.7L 350"	1977-72	4 Bbl. Carb.	N	3.3L 204"	1993-89	MFI
J	5.7L 350"	1994-90	DFI	N	3.5L 213"	2007-06	FI
J	5.7L 350"	1995-90	MFI	N	3.5L 213"	2010-08	FI
J	6.0L 364"	2013-10	Electric/Flex	N	3.6L 217"	2015	FI
J	6.2L 376"	2015-10	FI	N	4.3L 262"	1986-85	4 Bbl. Carb.
J	6.2L 379"	1992	Diesel	N	4.6L 281"	2003	MFI
J	6.2L 379"	1993-82	Diesel	N	5.7L 350"	1985-78	Diesel
J	6.6L 403"	1997-91	Diesel	N	6.0L 366"	2006-02	MFI (HO)
J	7.4L 454"	2000-96	MFI	N	6.6L 400"	1976	2 Bbl. Carb.
K	1.5L 92"	1985	2 Bbl. Carb.	N	7.4L 454"	1997-87	TBI
K	2.0L 122"	1991-87	TBI	P	2.0L 121"	1986-83	TBI
K	2.4L 145"	2015-12	FI	P	2.0L 122"	2007-04	FI
K	3.5L 213"	2007-06	Flex Fuel	P	2.4L 146"	2007-06	FI
K	3.5L 213"	2013	FI	P	2.8L 173"	1986	Diesel
K	3.8L 229"	1982-79	2 Bbl. Carb.	P	4.3L 260"	1979	Diesel
K	3.8L 231"	2005-95	MFI	P	5.3L 323"	2005-04	FI
K	3.9L 239"	1996-93	Diesel	P	5.3L 325"	2012-10	FI
K	5.7L 350"	1984	4 Bbl. Carb.	P	5.7L 350"	1983-79	2 Bbl. Carb.
K	5.7L 350"	1975-72	4 Bbl. Carb.	P	5.7L 350"	1977-76	4 Bbl. Carb.
K	5.7L 350"	1987-86	LPG	P	5.7L 350"	1997-92	MFI
K	5.7L 350"	1996-87	TBI	P	6.0L 368"	1997-91	TBI
K	6.0L 364"	2012-07	FI	P	6.2L 376"	2015-09	FI
K	6.6L 403"	1979-77	4 Bbl. Carb.	P	6.5L 395"	1995-94	Diesel
L	1.2L 73"	2006-04	FI	Q	4.1L 250"	1976-73	1 Bbl. Carb.
L	1.8L 110"	2006-03	SFI	Q	5.0L 305"	1977-76	2 Bbl. Carb.
L	2.5L 151"	2006-05	FI	R	2.4L 145"	2015-13	Electric/Gas
L	2.5L 153"	2015-14	FI	R	2.5L 151"	1992-82	TBI
L	2.8L 173"	1984-83	2 Bbl. Carb.	R	2.8L 173"	1993-86	TBI
L	3.0L 181"	1988-85	MFI	R	3.0L 181"	2003-97	MFI
L	3.5L 213"	2007-05	FI	R	3.9L 237"	2007	FI
L	3.8L 231"	1995-90	MFI	R	5.7L 350"	1977-75	EFI
L	3.9L 239"	1991-89	Diesel	R	5.7L 350"	1980-76	4 Bbl. Carb.
L	5.3L 323"	2009	FI	R	5.7L 350"	2003-96	MFI
L	5.7L 350"	1986-72	4 Bbl. Carb.	R	6.2L 376"	2009	FI
L	6.6L 400"	1977	4 Bbl. Carb.	R	6.6L 400"	1975-72	2 Bbl. Carb.
L	6.6L 400"	2015-10	Diesel	R	6.6L 400"	1980-77	4 Bbl. Carb.
L	7.4L 454"	1975-74	4 Bbl. Carb.	S	2.2L 137"	1982-81	Diesel
M	1.0L 61"	1985	2 Bbl. Carb.	S	2.8L 173"	1989-85	MFI
M	1.4L 85"	2003	MFI	S	3.4L 207"	1995-93	MFI
M	2.0L 122"	1990-87	Turbo	S	4.2L 256"	2007-02	FI
M	2.0L 122"	2010	FI	S	4.2L 256"	2009	FI
M	2.4L 145"	2012	FI	S	4.6L 281"	2011	FI
M	2.6L 156"	2003	MFI	S	4.3L 265"	1981-80	2 Bbl. Carb.
M	3.1L 189"	1999-93	MFI	S	5.0L 305"	1984-83	TBI
M	3.3L 200"	1979-78	2 Bbl. Carb.	S	5.7L 350"	2005-02	SFI
M	3.9L 237"	2011-09	FI	S	6.5L 395"	2000-94	Diesel
M	3.9L 239"	1991	Diesel	S	6.6L 400"	1976-72	4 Bbl. Carb.
M	5.0L 305"	2001-96	EFI	S	7.0L 425"	1979-77	4 Bbl. Carb.

IDENTIFICATION GUIDE

GM ENGINE IDENTIFICATION CHART

(The VIN Code is visible through the driver's side of the windshield)

The Engine Code may be determined by referring to the 5th digit of the VIN in model years 1980-70 and the 8th digit of the VIN in model years 2015-81.

Engine VIN Code	Liters / CID	Years	Fuel System	Engine VIN Code	Liters / CID	Years	Fuel System
S	7.4L 454"	1980-76	4 Bbl. Carb.	W	2.8L 173"	1989-85	MFI
S	7.5L 455"	1976	4 Bbl. Carb.	W	3.1L 189"	1993	MFI
S	8.2L 500"	1976	EFI	W	3.9L 237"	2009	FI
S	8.2L 500"	1976-70	4 Bbl. Carb.	W	4.3L 262"	1994-91	TBI
T	2.4L 146"	2003-96	MFI	W	4.3L 262"	1996-93	MFI
T	2.8L 170"	2007-05	FI	W	4.3L 262"	2005-92	CPI
T	2.8L 173"	2006-05	MFI	W	4.9L 301"	1981-78	4 Bbl. Carb.
T	3.1L 189"	1994-88	MFI	W	6.2L 376"	2015-09	FI
T	4.3L 260"	1985-82	Diesel	W	7.4L 454"	1989-80	4 Bbl. Carb.
T	4.8L 292"	1989-73	1 Bbl. Carb.	W	7.5L 455"	1976-72	4 Bbl. Carb.
T	4.9L 301"	1981-80	Turbo	X	2.0L 122"	2015-09	FI
T	4.9L 301"	1981-80	4 Bbl. Carb.	X	2.8L 173"	1986-81	2 Bbl. Carb.
T	5.3L 323"	2007-99	SFI	X	3.4L 207"	1997-92	MFI
T	5.7L 350"	1975-73	4 Bbl. Carb.	X	4.3L 262"	1996	CFI
T	6.2L 376"	2013-10	FI	X	4.3L 262"	1997	MFI
T	7.0L 425"	1979-77	EFI	X	4.3L 262"	2007-99	FI
T	7.5L 455"	1976-72	4 Bbl. Carb.	X	4.3L 262"	2014-08	FI
U	1.6L 98"	1991-89	MFI	X	5.7L 350"	1981-76	4 Bbl. Carb.
U	1.6L 98"	1991-89	EFI	X	6.6L 400"	1980	4 Bbl. Carb.
U	1.6L 98"	1995-92	TBI	Y	2.0L 122"	1984-83	2 Bbl. Carb.
U	2.4L 145"	2012-09	FI	Y	3.0L 182"	2012-10	FI
U	2.5L 151"	1991-85	TBI	Y	4.6L 281"	2007-93	MFI
U	5.0L 305"	1979-77	2 Bbl. Carb.	Y	4.6L 281"	2010-08	FI
U	6.0L 364"	2007-99	SFI	Y	5.0L 301"	1979-77	2 Bbl. Carb.
U	6.0L 364"	2009	FI	Y	5.0L 307"	1990-80	4 Bbl. Carb.
U	6.5L 395"	1994-93	Diesel	Y	5.7L 350"	1975-73	4 Bbl. Carb.
U	6.6L 400"	1992	Diesel	Y	6.0L 364"	2007	FI
U	6.6L 400"	1976-74	4 Bbl. Carb.	Y	6.0L 364"	2009	FI
V	2.0L 122"	2015-14	FI	Y	6.5L 395"	1999-94	Diesel
V	2.4L 145"	2010-09	FI	Y	7.4L 454"	1977-73	4 Bbl. Carb.
V	2.5L 151"	1980-77	2 Bbl. Carb.	Y	7.5L 455"	1976	4 Bbl. Carb.
V	3.1L 189"	1990-89	Turbo	Z	2.0L 119"	2015-14	Diesel
V	3.6L 217"	2010-09	FI	Z	2.0L 122"	2007-03	MFI
V	4.3L 260"	1985-82	Diesel	Z	2.4L 145"	2010	Electric/Gas
V	4.8L 294"	2007-99	FI	Z	2.8L 173"	1984-81	2 Bbl. Carb.
V	5.7L 350"	1976	4 Bbl. Carb.	Z	4.3L 262"	1995-85	TBI
V	5.7L 350"	1976-74	2 Bbl. Carb.	Z	5.3L 323"	2007-02	MFI (Flex Fuel)
W	2.2L 134"	2003	MFI	Z	5.7L 350"	1982-78	Diesel
W	2.2L 134"	2011	FI	Z	6.6L 400"	1979-76	4 Bbl. Carb.
W	2.4L 145"	2010	FI	Z	7.4L 454"	1975-73	4 Bbl. Carb.

IDENTIFICATION GUIDE

GM OPTION LABEL GUIDE

On some General Motors cars and light trucks, the system option code must be determined in order to identify the proper part number required. This code can be found on the "Service Parts Identification" sticker located in the following places:

Passenger Cars

- inside trunk on spare tire cover
- inside console glove compartment
- on underbody spare tire well
- on deck lid
- on jack storage container
- on right rear wheel well

Light Trucks

- inside glove compartment

Vans

- inside of hood or glove compartment

Example

Service Parts Identification										DO NOT REMOVE					
1G1AW1422F61ABC95										AXLE RATIO OPTION CODE (EXAMPLE)					
AB3	A01	A52	B3W	B9K	C60	D14	D35	D71	E5Z	E7Z	E9Z	FA7	FA8	F17	
F41	GB2	GB3	G92	K64	LR8	MD9	MX1	NA5	NK5	OKL	QFF	TR9	T63	UL5	
U25	U26	U27	U28	U29	VK3	V73	YT9	1AY	6JX	62D	62I	62L	62U	629	
7JW	SNU	9NU	SUSPENSION SYSTEM OPTION CODE (EXAMPLE)												

GM BRAKE SYSTEM IDENTIFICATION GUIDE

On some General Motors cars and light trucks, the brake system option code must be determined in order to identify the proper part number required. This Brake System Option Code can be found on the "Service Parts Identification" sticker located in the following places:

Passenger Cars — inside trunk on spare tire cover or inside console glove compartment.

Light Trucks — inside glove compartment.

Vans — inside of hood or glove compartment.

Example:

Service Parts Identification													DO NOT REMOVE		
1G1AW1422F61ABC95															
AB3	A01	A52	B3W	B9K	C60	D14	D35	D71	E5Z	E7Z	E9Z	FA7	FA8	F17	
GB2	GB3	B92	JA2	K64	LR8	MD9	MX1	NA5	NK5	OKL	QFF	TR9	T63	UL5	
U25	U26	U27	U28	U29	VK3	V73	YT9	1AY	6JX	62D	62I	62L	62U	629	
7JW	SNU	9NU	← BRAKE SYSTEM OPTION CODE (EXAMPLE)												

The Charts below will also assist you in determining the Brake System Option Code:

1983-82 GM A-Body Brake Systems

On some GM vehicles the gross vehicle weight can be used to better determine the type of brake system the vehicle is equipped with. Vehicle gross weight is on certification label on inside of driver's door.

GVW	BRAKE SYSTEM
Under 1670 KG	JA-6 Extra Lt., Manual Brk.
1670 KG to 1784 KG	JA-1 Light Duty w/PB
1784 KG to 1815 KG	JA-8 Medium Duty w/PB
1815 KG to 2000 KG	JA-2 Heavy Duty w/PB JA-3 Wagon w/PB

GENERAL MOTORS 2013-75 Car & Light Truck Brake Systems

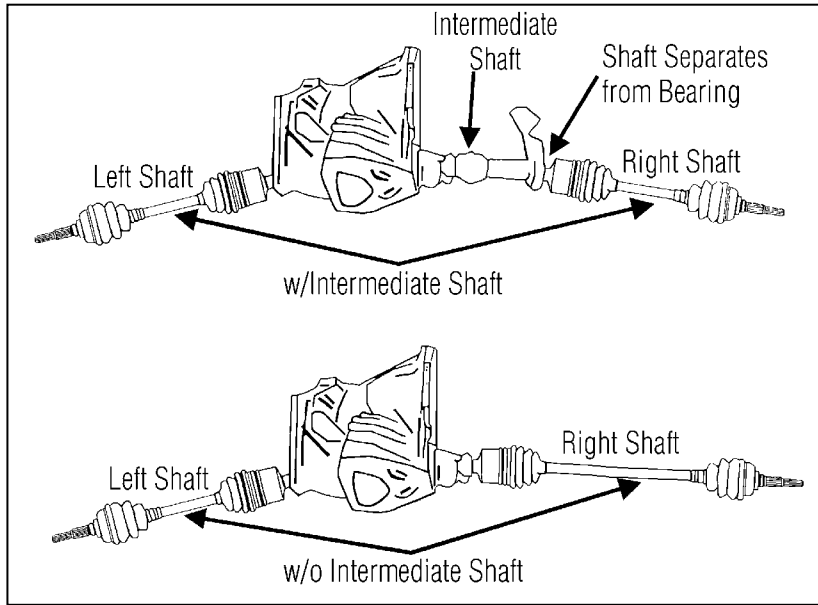
ENGINE	LINE	OPTION #	ROTOR	REAR DRUM/ROTOR	POWER BOOSTER
Gas	Passenger Car	J 41	-	8.86" x 1.77"	-
Gas	Passenger Car	J 55	-	11" x 2.00"	-
Gas	Passenger Car (A-Body)	JA 1	9.86"	8.86" x 1.77"	8.75" Tandem Diaphragm
Gas	Passenger Car (A-Body)	JA 2	10.41"	8.86" x 1.77"	8.75" Tandem Diaphragm
Gas	Passenger Car (A-Body)	JA 3	10.41"	8.86" x 1.77"	8.75" Tandem Diaphragm
Gas	Passenger Car (A-Body)	JA 8	10.41"	8.86" x 1.77"	8.75" Tandem Diaphragm
Gas	Light Truck	JB 1	11.86" x 1.28"	11" x 2.00"	None
Gas	Light Truck	JB 3	11.86" x 1.28"	11" x 2.00"	11" Single Diaphragm
Gas	Light Truck	JB 5	11.86" x 1.28"	11.25" X 2.75"	11" Diameter Tandem Diaphragm
Gas	Light Truck	JB 6	12.5" x 1.28"	11.15" x 2.75"	11" Diameter Tandem Diaphragm
Gas	Light Truck	JB 7	12.5" x 1.28"	13" x 2.50"	11" Diameter Tandem Diaphragm
Gas & Diesel	Light Truck	JB 8	12.5" x 1.53"	13" x 3.50"	Hydro-Boost
Gas	Light Truck	JB 9	14.25" x 1.53"	15" x 4.00"	Hydro-Boost
Gas	Light Truck	JC 1	-	-	11" Diameter Tandem Diaphragm
Gas	Light Truck	JC 5	-	-	11" Diameter Tandem Diaphragm
Diesel	Light Truck	JD 3	11.86" x 1.28"	11" x 2.00"	Hydro-Boost
Diesel	Light Truck	JD 5	11.86" x 1.28"	11.15" x 2.75"	Hydro-Boost
Diesel	Light Truck	JD 6	12.5" x 1.28"	11.15" x 2.75"	Hydro-Boost
Diesel	Light Truck	JD 7	12.5" x 1.28"	13" x 2.50"	Hydro-Boost
Gas	Light Truck	JF 9	14.25" x 1.53"	13.75" x 1.53"	Hydro-Boost
Gas	Light Truck	JH 5	-	-	Hydro-Boost
Gas	Light Truck	JH 6	-	-	Hydro-Boost
Gas	Light Truck (S Series)	JM 3	-	-	11" Diameter Tandem Diaphragm
Gas	Passenger Car	JM 4	-	8.86" x 1.77"	11" Diameter Tandem Diaphragm
Gas	Light Truck (S Series)	JM 5	-	-	9" Diameter Tandem Diaphragm
Gas	Light Truck (S Series)	JM 7	-	-	11" Diameter Single Diaphragm

IDENTIFICATION GUIDE

GENERAL MOTORS SHAFT TYPE IDENTIFICATION

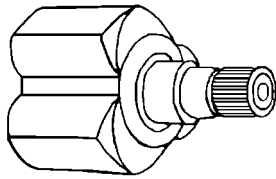
General Motors vehicles are equipped with either Light, Medium, or Heavy Duty Brakes. Spindle diameter is determined by the vehicles brake type.

INTERMEDIATE SHAFT STYLE DRIVETRAIN

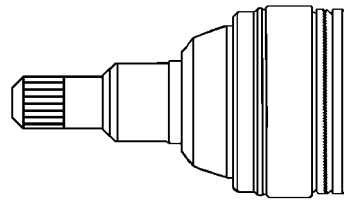


GENERAL MOTORS INTERCHANGEABLE INBOARD HOUSING

"Y" Shaped



Round



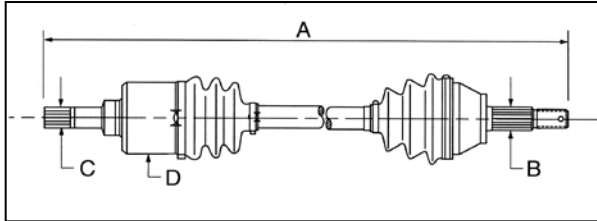
REMANUFACTURED CV IDENTIFICATION GUIDE

CV Drive Axle Identification Guide and Specification Chart

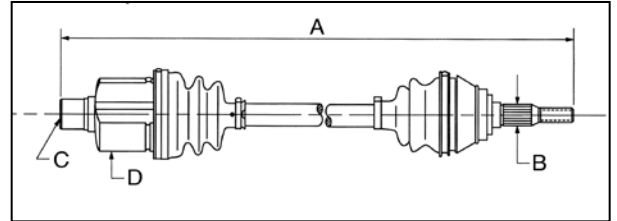
The CV Drive Axle Specifications listed in this catalog are for reference use only. They are not to be used as a substitute for our catalog's applications. Any units sold for vehicles not listed in this catalog, based solely on having similar specifications to another part number, will not be accepted for credit under warranty.

Please use the following CV Drive Axle Drawings as a guide for measuring your customers unit.

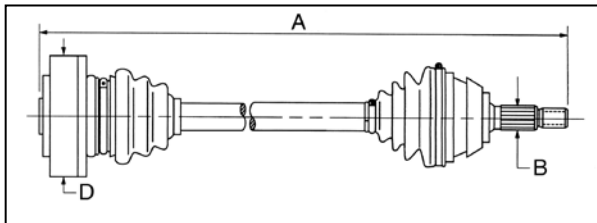
Male Inboard Joint Type



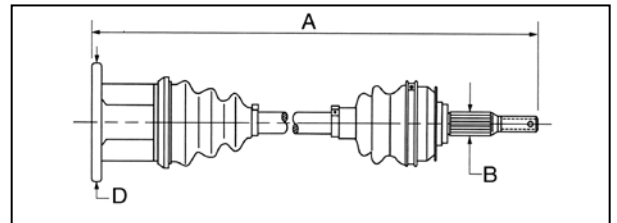
Female Inboard Joint Type



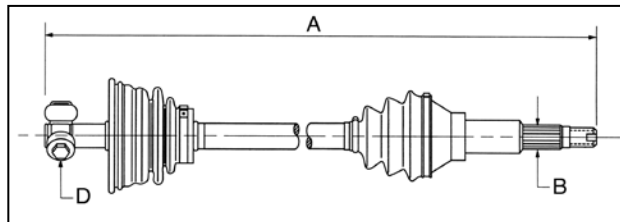
Bolt-On Cross Groove Inboard Joint Type



Flanged, Bolt-On Inboard Joint Type



Open Inboard Joint Type



REMAN PART NO.	OVERALL LENGTH (A) ①	LENGTH MEAS. METHOD	OUTBOARD SPLINE COUNT (B)	OUTBOARD JOINT TYPE	INBOARD SPLINE COUNT (C)	INBOARD JOINT TYPE (D)	ABS RING TOOTH COUNT	AXLE NUT LOCKING TYPE	AXLE NUT HEX HEAD SIZE	AXLE NUT INCLUDED
60-1000	18 9/16" To 19 3/8" ⑤	Compressed	27	Spline	N/A	Bolt-On	N/A	Self Lock	36mm	Yes
60-1001	20 11/16"	Compressed	33	Spline	34	Male	N/A	Self Lock	30mm	Yes
60-1002	23 5/16"	Compressed	26	Spline	23	Male	N/A	Castle	30mm	Yes
60-1003	20 11/16"	Compressed	27	Spline	N/A	Bolt-On	N/A	N/A	N/A	No
60-1004	21"	Compressed	27	Spline	34	Female	N/A	Self Lock	36mm	Yes
60-1005	26 7/8"	Compressed	33	Spline	34	Male	N/A	Self Lock	30mm	Yes
60-1006	24 11/16"	Compressed	33	Spline	34	Male	N/A	Self Lock	30mm	Yes
60-1007	20 11/16"	Compressed	27	Spline	N/A	Bolt-On	N/A	N/A	N/A	No
60-1008	20 5/8"	Compressed	33	Spline	34	Female	N/A	Self Lock	30mm	Yes
60-1009	21"	Compressed	33	Spline	N/A	Bolt-On	N/A	Self Lock	21mm	Yes
60-1009HD	21"	Compressed	33	Spline	N/A	Bolt-On	N/A	Self Lock	36mm	Yes
60-1010	27 3/16"	Compressed	27	Spline	34	Male	N/A	Self Lock	21mm	Yes

① Length measurements are approximate and may vary plus or minus 1/8 of an inch.

⑤ Length ranges are the result of various optional Outboard Housings used on this Drive Axle.

REMANUFACTURED CV IDENTIFICATION GUIDE

REMAN PART NO.	OVERALL LENGTH (A) ①	LENGTH MEAS. METHOD	OUTBOARD SPLINE COUNT (B)	OUTBOARD JOINT TYPE	INBOARD SPLINE COUNT (C)	INBOARD JOINT TYPE (D)	ABS RING TOOTH COUNT	AXLE NUT LOCKING TYPE	AXLE NUT HEX HEAD SIZE	AXLE NUT INCLUDED
60-1011	26 3/4"	Compressed	33	Spline	34	Male	47	Self Lock	21mm	Yes
60-1012	26 7/8"	Compressed	33	Spline	34	Male	N/A	Self Lock	30mm	Yes
60-1013	21 1/2"	Compressed	27	Spline	35	Female	N/A	Self Lock	21mm	Yes
60-1014	24 3/4"	Compressed	33	Spline	N/A	Bolt-On	N/A	N/A	N/A	No
60-1015	36 1/16"	Compressed	22	Spline	34	Male	N/A	Stake	30mm	Yes
60-1016	20 7/8"	Compressed	27	Spline	35	Female	N/A	Self Lock	21mm	Yes
60-1018	20 7/16"	Compressed	22	Spline	34	Female	N/A	N/A	N/A	No
60-1019	21 1/16"	Compressed	33	Spline	N/A	Bolt-On	N/A	Self Lock	21mm	Yes
60-1021	24 1/8"	Compressed	22	Spline	34	Male	N/A	N/A	N/A	No
60-1024	23"	Compressed	33	Spline	34	Male	N/A	Self Lock	30mm	Yes
60-1025	25 7/16"	Compressed	27	Spline	34	Male	N/A	Self Lock	21mm	Yes
60-1026	34 13/16"	Compressed	22	Spline	34	Male	N/A	Stake	28mm	Yes
60-1028	36 9/16"	Compressed	22	Spline	34	Male	N/A	Stake	28mm	Yes
60-1029	36 7/16"	Compressed	33	Spline	34	Male	N/A	Self Lock	30mm	Yes
60-1031	24 1/4"	Compressed	22	Spline	34	Male	N/A	Stake	30mm	Yes
60-1032	22 9/16"	Compressed	22	Spline	34	Male	N/A	Stake	30mm	Yes
60-1033	29 3/4"	Compressed	23	Spline	22	Male	N/A	N/A	N/A	No
60-1036	20 7/16"	Compressed	33	Spline	35	Female	N/A	Self Lock	36mm	Yes
60-1037	25 1/8"	Compressed	33	Spline	34	Male	N/A	Self Lock	36mm	Yes
60-1038	22 1/2"	Compressed	22	Spline	34	Male	N/A	N/A	N/A	No
60-1039	30 3/8"	Compressed	23	Spline	22	Male	N/A	Stake	30mm	Yes
60-1040	21 3/4"	Compressed	27	Spline	35	Female	47	Self Lock	36mm	Yes
60-1042	26 1/2"	Compressed	33	Spline	34	Male	N/A	Self Lock	36mm	Yes
60-1043	35 3/4"	Compressed	22	Spline	34	Male	N/A	N/A	N/A	No
60-1044	31 5/8"	Compressed	23	Spline	22	Male	N/A	N/A	N/A	No
60-1046	37"	Compressed	33	Spline	34	Male	N/A	Self Lock	30mm	Yes
60-1049	24 1/2"	Compressed	33	Spline	34	Male	N/A	Self Lock	30mm	Yes
60-1050	21 1/16"	Compressed	33	Spline	N/A	Bolt-On	55	Self Lock	36mm	Yes
60-1050HD	21 1/16"	Compressed	33	Spline	N/A	Bolt-On	55	Self Lock	36mm	Yes
60-1051	20 7/16"	Compressed	33	Spline	34	Female	N/A	Self Lock	30mm	Yes
60-1052	21"	Compressed	33	Spline	N/A	Bolt-On	55	Self Lock	36mm	Yes
60-1053	24 9/16"	Compressed	23	Spline	22	Male	N/A	N/A	N/A	No
60-1055	24 11/16"	Compressed	33	Spline	34	Male	48	Self Lock	30mm	Yes
60-1056	21 7/16"	Compressed	33	Spline	35	Female	N/A	Self Lock	36mm	Yes
60-1057	20 1/2"	Compressed	33	Spline	N/A	Bolt-On	N/A	Self Lock	36mm	Yes
60-1058	35"	Compressed	24	Spline	34	Male	N/A	Stake	30mm	Yes
60-1059	24 15/16"	Compressed	23	Spline	22	Male	N/A	Stake	30mm	Yes
60-1060	24 3/8"	Compressed	33	Spline	34	Male	N/A	Self Lock	34mm	Yes
60-1062	39 3/8"	Compressed	33	Spline	34	Male	N/A	Self Lock	30mm	Yes
60-1063	24 5/16"	Compressed	24	Spline	34	Male	N/A	Stake	30mm	Yes
60-1064	21 1/8"	Compressed	33	Spline	34	Female	N/A	Self Lock	30mm	Yes
60-1067	26 3/4"	Compressed	33	Spline	34	Male	N/A	Self Lock	36mm	Yes
60-1069	22 5/8"	Compressed	22	Spline	22	Male	N/A	N/A	N/A	No
60-1070	22 13/16"	Compressed	33	Spline	34	Male	N/A	Self Lock	36mm	Yes
60-1071	21 1/8"	Compressed	33	Spline	34	Female	N/A	Self Lock	36mm	Yes
60-1072	20 1/2"	Compressed	33	Spline	34	Female	N/A	Self Lock	36mm	Yes
60-1074	36 3/4"	Compressed	33	Spline	34	Male	N/A	Self Lock	30mm	Yes
60-1075	20 5/16"	Compressed	33	Spline	34	Female	48	Self Lock	30mm	Yes
60-1077	34 1/2"	Compressed	22	Spline	34	Male	N/A	Stake	30mm	Yes
60-1078	20 3/8"	Compressed	33	Spline	35	Female	N/A	Self Lock	30mm	Yes
60-1079	22 3/8"	Compressed	24	Spline	24 + 2 Blank	Female	N/A	Stake	30mm	Yes
60-1080	26 3/8"	Compressed	33	Spline	34	Male	N/A	Self Lock	36mm	Yes
60-1081	20 3/4"	Compressed	33	Spline	34	Female	N/A	Self Lock	36mm	Yes
60-1082	25"	Compressed	33	Spline	34	Male	47	Self Lock	36mm	Yes
60-1083	25 1/8"	Compressed	26	Spline	34	Male	47	Self Lock	36mm	Yes
60-1085	23 1/2"	Compressed	26	Spline	22	Male	N/A	N/A	N/A	No
60-1087	26 11/16"	Compressed	33	Spline	34	Male	47	Self Lock	36mm	Yes
60-1088	20 5/8"	Compressed	33	Spline	34	Female	47	Self Lock	36mm	Yes
60-1090	26 7/8"	Compressed	33	Spline	34	Male	47	Self Lock	36mm	Yes
60-1091	22 7/16"	Compressed	22	Spline	34	Male	N/A	Stake	30mm	Yes

① Length measurements are approximate and may vary plus or minus 1/8 of an inch.

REMANUFACTURED CV IDENTIFICATION GUIDE

REMAN PART NO.	OVERALL LENGTH (A) ①	LENGTH MEAS. METHOD	OUTBOARD SPLINE COUNT (B)	OUTBOARD JOINT TYPE	INBOARD SPLINE COUNT (C)	INBOARD JOINT TYPE (D)	ABS RING TOOTH COUNT	AXLE NUT LOCKING TYPE	AXLE NUT HEX HEAD SIZE	AXLE NUT INCLUDED
60-1092	24 7/8"	Compressed	33	Spline	34	Male	N/A	Self Lock	34mm	Yes
60-1093	20 7/16"	Compressed	33	Spline	34	Female	N/A	Self Lock	34mm	Yes
60-1094	27 3/16"	Compressed	27	Spline	34	Male	47	Self Lock	36mm	Yes
60-1098	21"	Compressed	27	Spline	35	Female	98	Self Lock	36mm	Yes
60-1099	26 3/4"	Compressed	23	Spline	22	Male	N/A	Stake	30mm	Yes
60-1100	22 5/16"	Compressed	31	Spline	34	Female	N/A	Self Lock	30mm	Yes
60-1101	25"	Compressed	33	Spline	34	Male	N/A	N/A	N/A	No
60-1103	25 7/16"	Compressed	27	Spline	34	Male	47	Self Lock	36mm	Yes
60-1104	32 1/8"	Compressed	23	Spline	22	Male	N/A	Stake	30mm	Yes
60-1106	19 1/4"	Compressed	26	Spline	N/A	Bolt-On	N/A	N/A	N/A	No
60-1108	21 1/16"	Compressed	33	Spline	34	Female	N/A	N/A	N/A	No
60-1109	26 9/16"	Compressed	33	Spline	34	Male	N/A	Self Lock	34mm	Yes
60-1110	21 1/4"	Compressed	33	Spline	34	Male	48	Self Lock	30mm	Yes
60-1111	21 1/2"	Compressed	33	Spline	35	Female	47	Self Lock	36mm	Yes
60-1112	20 3/8"	Compressed	33	Spline	35	Female	47	Self Lock	36mm	Yes
60-1114	22 5/8"	Compressed	33	Spline	34	Male	N/A	Self Lock	30mm	Yes
60-1115	25 1/16"	Compressed	33	Spline	34	Male	N/A	Self Lock	30mm	Yes
60-1119	24 3/4"	Compressed	31	Spline	34	Male	N/A	Self Lock	30mm	Yes
60-1120	37 3/4"	Compressed	17	Spline	23	Male	N/A	N/A	N/A	No
60-1121	23 7/8"	Compressed	22	Spline	34	Male	N/A	Stake	30mm	Yes
60-1122	20 3/4"	Compressed	33	Spline	34	Female	48	Self Lock	30mm	Yes
60-1123	20 1/4"	Compressed	33	Spline	35	Female	48	Self Lock	30mm	Yes
60-1125	20 7/8" To 21 3/16" ⑤	Compressed	33	Spline	34	Female	N/A	Self Lock	30mm	Yes
60-1126	20 1/4"	Compressed	33	Spline	35	Female	N/A	Self Lock	34mm	Yes
60-1127	23 3/8"	Compressed	33	Spline	34	Male	N/A	Self Lock	34mm	Yes
60-1136	35 9/16"	Compressed	26	Spline	23	Male	N/A	Standard	30mm	Yes
60-1137	22 1/2"	Compressed	17	Spline	23	Male	N/A	N/A	N/A	No
60-1150	24 11/16"	Compressed	31	Spline	34	Male	47	Self Lock	30mm	Yes
60-1151	22 3/8"	Compressed	31	Spline	34	Female	47	Self Lock	30mm	Yes
60-1154	23 1/8"	Compressed	33	Spline	34	Male	N/A	N/A	N/A	No
60-1157	23"	Compressed	17	Spline	17	Male	N/A	N/A	N/A	No
60-1158	39 1/2"	Compressed	17	Spline	17	Male	N/A	N/A	N/A	No
60-1163	36 1/2"	Compressed	33	Spline	34	Male	48	Self Lock	30mm	Yes
60-1165	22 3/4"	Compressed	33	Spline	34	Male	48	Self Lock	30mm	Yes
60-1168	21 1/16"	Compressed	27	Spline	34	Female	98	Self Lock	36mm	Yes
60-1170	25 13/16"	Compressed	27	Spline	34	Male	98	Self Lock	36mm	Yes
60-1172	21 5/16"	Compressed	33	Spline	41	Female	N/A	Self Lock	34mm	Yes
60-1173	20 5/8"	Compressed	33	Spline	34	Female	47	Self Lock	36mm	Yes
60-1178	39"	Compressed	33	Spline	34	Male	N/A	Self Lock	30mm	Yes
60-1179	23 1/2"	Compressed	33	Spline	34	Male	N/A	Self Lock	36mm	Yes
60-1194	25 1/2"	Compressed	33	Spline	34	Male	N/A	Self Lock	34mm	Yes
60-1198	25 1/4"	Compressed	33	Spline	39	Male	N/A	Self Lock	34mm	Yes
60-1199	21 3/8"	Compressed	33	Spline	39	Female	N/A	Self Lock	34mm	Yes
60-1200	24 7/16"	Compressed	33	Spline	39	Male	N/A	Self Lock	34mm	Yes
60-1202	32"	Extended	33	Spline	34	Female	N/A	Self Lock	34mm	Yes
60-1206	21 1/8"	Compressed	33	Spline	34	Male	N/A	Self Lock	34mm	Yes
60-1210	20 3/4"	Compressed	33	Spline	35	Female	N/A	Self Lock	34mm	Yes
60-1211	24 11/16"	Compressed	33	Spline	34	Male	N/A	Self Lock	34mm	Yes
60-1216	20 3/4"	Compressed	33	Spline	34	Female	48	Self Lock	30mm	Yes
60-1217	23 5/8"	Compressed	33	Spline	34	Male	48	Self Lock	30mm	Yes
60-1218	37 5/8"	Compressed	33	Spline	34	Male	48	Self Lock	30mm	Yes
60-1219	23 5/16"	Compressed	33	Spline	34	Male	48	Self Lock	30mm	Yes
60-1220	37 9/16"	Compressed	33	Spline	34	Male	48	Self Lock	30mm	Yes
60-1223	21 1/4"	Compressed	33	Spline	34	Female	48	Self Lock	30mm	Yes
60-1224	25 5/8"	Compressed	33	Spline	34	Male	48	Self Lock	30mm	Yes
60-1233	22 5/16"	Compressed	33	Spline	26	Female	N/A	Self Lock	36mm	Yes
60-1238	22"	Compressed	33	Spline	34	Female	48	Self Lock	30mm	Yes
60-1243	21"	Compressed	30	Spline	34	Female	N/A	Self Lock	36mm	Yes
60-1249	21 13/16"	Compressed	33	Spline	35	Female	N/A	Self Lock	34mm	Yes
60-1250	24 3/4"	Compressed	33	Spline	34	Male	N/A	Self Lock	34mm	Yes

① Length measurements are approximate and may vary plus or minus 1/8 of an inch.

⑤ Length ranges are the result of various optional Outboard Housings used on this Drive Axle.

REMANUFACTURED CV IDENTIFICATION GUIDE

REMAN PART NO.	OVERALL LENGTH (A) ①	LENGTH MEAS. METHOD	OUTBOARD SPLINE COUNT (B)	OUTBOARD JOINT TYPE	INBOARD SPLINE COUNT (C)	INBOARD JOINT TYPE (D)	ABS RING TOOTH COUNT	AXLE NUT LOCKING TYPE	AXLE NUT HEX HEAD SIZE	AXLE NUT INCLUDED
60-1250HD	24 13/16"	Compressed	33	Spline	34	Male	N/A	Self Lock	34mm	Yes
60-1255	21 7/8"	Compressed	33	Spline	34	Female	N/A	Self Lock	34mm	Yes
60-1255HD	21 7/8"	Compressed	33	Spline	34	Female	N/A	Self Lock	34mm	Yes
60-1256	24 9/16"	Compressed	33	Spline	39	Male	N/A	Self Lock	34mm	Yes
60-1263	20 3/8"	Compressed	33	Spline	34	Female	47	Self Lock	36mm	Yes
60-1264	23 3/4"	Compressed	33	Spline	34	Male	47	Self Lock	36mm	Yes
60-1271	24 11/16"	Compressed	33	Spline	34	Male	N/A	Self Lock	30mm	Yes
60-1272	22 3/8"	Compressed	33	Spline	34	Female	N/A	Self Lock	30mm	Yes
60-1273	24 11/16"	Compressed	33	Spline	34	Male	47	Self Lock	30mm	Yes
60-1274	22 3/8"	Compressed	33	Spline	34	Female	47	Self Lock	30mm	Yes
60-1277	25 3/8"	Compressed	27	Spline	26	Male	N/A	Self Lock	36mm	Yes
60-1278	23 5/16"	Compressed	27	Spline	26	Female	N/A	Self Lock	36mm	Yes
60-1291	22 1/16"	Compressed	24	Spline	24 + 2 Blank	Female	N/A	Stake	30mm	Yes
60-1292	24"	Compressed	24	Spline	34	Male	N/A	Stake	30mm	Yes
60-1293	22 3/8"	Compressed	24	Spline	24	Female	42	Stake	30mm	Yes
60-1294	24 3/8"	Compressed	24	Spline	34	Male	42	Stake	30mm	Yes
60-1297	30 5/8"	Compressed	23	Spline	22	Male	N/A	Stake	30mm	Yes
60-1298	27 1/8"	Compressed	23	Spline	22	Male	N/A	Stake	30mm	Yes
60-1299	20 7/8"	Compressed	33	Spline	34	Female	48	Self Lock	30mm	Yes
60-1300	22 1/2"	Compressed	33	Spline	34	Male	48	Self Lock	30mm	Yes
60-1303	27 1/8"	Compressed	23	Spline	22	Male	42	Stake	30mm	Yes
60-1304	30 5/8"	Compressed	23	Spline	22	Male	42	Stake	30mm	Yes
60-1305	35 3/16"	Compressed	23	Spline	22	Male	42	Stake	30mm	Yes
60-1306	22 1/2"	Compressed	23	Spline	22	Male	42	Stake	30mm	Yes
60-1307	23 5/8"	Compressed	23	Spline	22	Female	42	Stake	30mm	Yes
60-1308	24 3/8"	Compressed	23	Spline	22	Male	42	Stake	30mm	Yes
60-1309	25"	Compressed	33	Spline	34	Male	N/A	Self Lock	34mm	Yes
60-1310	24 1/8"	Compressed	17	Spline	17	Male	N/A	N/A	N/A	No
60-1311	23 3/8"	Compressed	27	Spline	26	Male	N/A	Self Lock	36mm	Yes
60-1312	21 3/8"	Compressed	27	Spline	26	Female	N/A	Self Lock	36mm	Yes
60-1314	22 9/16"	Compressed	23	Spline	22	Male	N/A	Stake	30mm	Yes
60-1315	35 1/8"	Compressed	23	Spline	22	Male	N/A	Stake	30mm	Yes
60-1316	24 3/8"	Compressed	23	Spline	22	Male	N/A	Stake	30mm	Yes
60-1317	23 9/16"	Compressed	23	Spline	22	Female	N/A	Stake	30mm	Yes
60-1318	35"	Compressed	24	Spline	34	Male	42	Stake	30mm	Yes
60-1319	21 3/8"	Compressed	27	Spline	N/A	Bolt-On	N/A	Self Lock	36mm	Yes
60-1323	20 11/16"	Compressed	33	Spline	34	Female	48	Self Lock	30mm	Yes
60-1325	21 11/16"	Compressed	33	Spline	N/A	Bolt-On	N/A	Self Lock	36mm	Yes
60-1327	22 1/8"	Compressed	33	Spline	41	Female	N/A	Self Lock	34mm	Yes
60-1334	40 3/4"	Compressed	17	Spline	17	Male	N/A	N/A	N/A	No
60-1335	25 7/8"	Compressed	33	Spline	34	Male	N/A	Self Lock	34mm	Yes
60-1336	23 3/4"	Compressed	30	Spline	34	Male	N/A	Self Lock	36mm	Yes
60-1337	37 1/16"	Compressed	30	Spline	34	Male	N/A	Self Lock	36mm	Yes
60-1339	37"	Compressed	33	Spline	34	Male	48	Self Lock	30mm	Yes
60-1340	23 5/8"	Compressed	26	Spline	26	Male	N/A	N/A	N/A	No
60-1341	23 15/16"	Compressed	26	Spline	26	Male	N/A	N/A	N/A	No
60-1342	21 3/16"	Compressed	26	Spline	N/A	Bolt-On	N/A	N/A	N/A	No
60-1343	21 1/2"	Compressed	33	Spline	41	Female	N/A	Self Lock	36mm	Yes
60-1344	22 3/8"	Compressed	33	Spline	34	Female	N/A	Self Lock	34mm	Yes
60-1345	27 5/8"	Compressed	27	Spline	26	Male	N/A	Self Lock	36mm	Yes
60-1346	20 13/16"	Compressed	33	Spline	34	Female	N/A	Self Lock	34mm	Yes
60-1347	22 5/8"	Compressed	33	Spline	41	Female	N/A	Self Lock	36mm	Yes
60-1348	20 5/8"	Compressed	33	Spline	34	Female	N/A	Self Lock	36mm	Yes
60-1357	21 5/8"	Compressed	33	Spline	34	Female	N/A	N/A	N/A	No
60-1358	21 5/8"	Compressed	33	Spline	34	Female	29	N/A	N/A	No
60-1363	20 11/16"	Compressed	33	Spline	34	Female	N/A	Self Lock	30mm	Yes
60-1364	23 1/4" To 23 5/8" ⑤	Compressed	33	Spline	34	Male	N/A	Self Lock	30mm	Yes
60-1365	37"	Compressed	33	Spline	34	Male	N/A	Self Lock	30mm	Yes
60-1366	22 5/8"	Compressed	33	Spline	34	Female	N/A	Self Lock	34mm	Yes
60-1367	25 5/8"	Compressed	33	Spline	34	Male	N/A	Self Lock	34mm	Yes

① Length measurements are approximate and may vary plus or minus 1/8 of an inch.

⑤ Length ranges are the result of various optional Outboard Housings used on this Drive Axle.

REMANUFACTURED CV IDENTIFICATION GUIDE

REMAN PART NO.	OVERALL LENGTH (A) ①	LENGTH MEAS. METHOD	OUTBOARD SPLINE COUNT (B)	OUTBOARD JOINT TYPE	INBOARD SPLINE COUNT (C)	INBOARD JOINT TYPE (D)	ABS RING TOOTH COUNT	AXLE NUT LOCKING TYPE	AXLE NUT HEX HEAD SIZE	AXLE NUT INCLUDED
60-1368	25 3/4"	Compressed	33	Spline	34	Male	N/A	Self Lock	34mm	Yes
60-1369	21 7/8"	Compressed	17	Spline	17	Male	N/A	Stake	35-36mm	Yes
60-1371	23 3/16"	Compressed	33	Spline	34	Male	N/A	Self Lock	30mm	Yes
60-1372	37 1/2"	Compressed	33	Spline	34	Male	N/A	Self Lock	30mm	Yes
60-1373	37 7/8"	Compressed	33	Spline	34	Male	N/A	Self Lock	30mm	Yes
60-1374	28 13/16"	Compressed	30	Spline	41	Female	N/A	Self Lock	34mm	Yes
60-1375	23 1/16"	Compressed	33	Spline	27	Male	N/A	Self Lock	30mm	Yes
60-1376	20 9/16"	Compressed	33	Spline	34	Female	N/A	Self Lock	30mm	Yes
60-1378	22 1/8"	Compressed	33	Spline	34	Female	N/A	Self Lock	34mm	Yes
60-1379	23 7/16"	Compressed	33	Spline	26	Female	N/A	Self Lock	36mm	Yes
60-1380	19 1/4"	Compressed	33	Spline	34	Female	N/A	Stake	32mm	Yes
60-1382	18 3/4"	Compressed	33	Spline	34	Female	N/A	Stake	32mm	Yes
60-1388	24 3/8"	Compressed	33	Spline	34	Male	N/A	Stake	30mm	Yes
60-1389	24 3/8"	Compressed	33	Spline	34	Male	47	Stake	30mm	Yes
60-1390	38 1/8"	Compressed	33	Spline	34	Male	N/A	Stake	30mm	Yes
60-1391	38 1/8"	Compressed	33	Spline	34	Male	47	Stake	30mm	Yes
60-1392	20 7/16"	Compressed	33	Spline	34	Female	N/A	Stake	30mm	Yes
60-1393	20 7/16"	Compressed	33	Spline	34	Female	47	Stake	30mm	Yes
60-1394	24 3/4"	Compressed	33	Spline	34	Male	N/A	Self Lock	34mm	Yes
60-1395	24 1/16"	Compressed	33	Spline	34	Female	N/A	Self Lock	34mm	Yes
60-1396	24 1/2"	Compressed	33	Spline	34	Male	N/A	Self Lock	34mm	Yes
60-1397	29 13/16"	Compressed	33	Spline	34	Female	N/A	Self Lock	34mm	Yes
60-1398	25 3/8"	Compressed	33	Spline	29	Male	N/A	Self Lock	34mm	Yes
60-1399	23 7/8"	Compressed	33	Spline	34	Female	N/A	Self Lock	34mm	Yes
60-1400	24 1/4"	Compressed	33	Spline	27	Male	N/A	Self Lock	34mm	Yes
60-1401	21 7/8"	Compressed	33	Spline	34	Female	N/A	Self Lock	34mm	Yes
60-1402	29 1/8"	Compressed	33	Spline	34	Female	N/A	Self Lock	34mm	Yes
60-1403	30 1/4"	Compressed	33	Spline	22	Male	N/A	Self Lock	30mm	Yes
60-1404	32 9/16"	Compressed	33	Spline	22	Male	N/A	Self Lock	30mm	Yes
60-1411	21 5/8"	Compressed	30	Spline	34	Female	N/A	Self Lock	36mm	Yes
60-1412	21 7/8"	Compressed	30	Spline	34	Female	N/A	Self Lock	36mm	Yes
60-1413	23 1/3"	Compressed	30	Spline	34	Male	N/A	Self Lock	36mm	Yes
60-1415	25 5/8"	Compressed	30	Spline	33 + 1 Blank	Female	N/A	Self Lock	36mm	Yes
60-1416	23 13/16"	Compressed	30	Spline	34	Male	N/A	Self Lock	36mm	Yes
60-1417	24 7/8"	Compressed	33	Spline	28	Male	N/A	Self Lock	36mm	Yes
60-1418	22 15/16"	Compressed	27	Spline	28	Male	N/A	Self Lock	36mm	Yes
60-1419	23 5/8"	Compressed	22	Spline	22	Male	N/A	Stake	32mm	Yes
60-1420	23 5/8"	Compressed	22	Spline	22	Male	47	Stake	32mm	Yes
60-1421	36 5/8"	Compressed	22	Spline	22	Male	N/A	Stake	32mm	Yes
60-1422	36 5/8"	Compressed	22	Spline	22	Male	47	Stake	32mm	Yes
60-1423	23 3/16"	Compressed	33	Spline	34	Male	N/A	Stake	32mm	Yes
60-1424	23 3/16"	Compressed	33	Spline	34	Male	47	Stake	32mm	Yes
60-1425	36 15/16"	Compressed	33	Spline	34	Male	N/A	Stake	32mm	Yes
60-1426	36 15/16"	Compressed	33	Spline	34	Male	47	Stake	32mm	Yes
60-1427	36 7/8"	Compressed	33	Spline	34	Male	N/A	Stake	32mm	Yes
60-1428	36 7/8"	Compressed	33	Spline	34	Male	47	Stake	32mm	Yes
60-1429	25"	Compressed	27	Spline	N/A	Bolt-On	48	N/A	N/A	No
60-1430	22 7/8"	Compressed	33	Spline	N/A	Bolt-On	N/A	Self Lock	36mm	Yes
60-1430HD	22 7/8"	Compressed	33	Spline	N/A	Bolt-On	N/A	Self Lock	36mm	Yes
60-1434	21 3/8"	Compressed	33	Spline	34	Female	N/A	Self Lock	34mm	Yes
60-1435	25 3/4"	Compressed	33	Spline	39	Male	N/A	Self Lock	34mm	Yes
60-1437	21 11/16"	Compressed	30	Spline	27	Female	N/A	Self Lock	36mm	Yes
60-1438	21 3/4"	Compressed	33	Spline	N/A	Bolt-On	N/A	Self Lock	36mm	Yes
60-1439	21"	Compressed	36	Spline	N/A	Bolt-On	N/A	N/A	N/A	No
60-1443	24"	Compressed	26	Spline	26	Male	N/A	N/A	N/A	No
60-1444	22 1/2"	Compressed	33	Spline	34	Female	N/A	Self Lock	34mm	Yes
60-1445	25 1/4"	Compressed	33	Spline	34	Male	N/A	Self Lock	34mm	Yes
60-1447	25 1/4"	Compressed	33	Spline	34	Male	N/A	Self Lock	34mm	Yes
60-1448	24 1/16"	Compressed	22	Spline	34	Male	N/A	Stake	32mm	Yes
60-1449	24 1/16"	Compressed	22	Spline	34	Male	47	Stake	32mm	Yes

① Length measurements are approximate and may vary plus or minus 1/8 of an inch.

REMANUFACTURED CV IDENTIFICATION GUIDE

REMAN PART NO.	OVERALL LENGTH (A) ①	LENGTH MEAS. METHOD	OUTBOARD SPLINE COUNT (B)	OUTBOARD JOINT TYPE	INBOARD SPLINE COUNT (C)	INBOARD JOINT TYPE (D)	ABS RING TOOTH COUNT	AXLE NUT LOCKING TYPE	AXLE NUT HEX HEAD SIZE	AXLE NUT INCLUDED
60-1450	36 3/8"	Compressed	22	Spline	34	Male	N/A	Stake	32mm	Yes
60-1451	36 3/8"	Compressed	22	Spline	34	Male	47	Stake	32mm	Yes
60-1452	31 1/4"	Compressed	30	Spline	27	Male	N/A	Self Lock	36mm	Yes
60-1453	33 15/16"	Compressed	30	Spline	27	Male	N/A	Self Lock	36mm	Yes
60-1454	31 1/2"	Compressed	30	Spline	27	Male	N/A	Self Lock	36mm	Yes
60-1455	34 1/4"	Compressed	30	Spline	27	Male	N/A	Self Lock	36mm	Yes
60-1456	23 5/8"	Compressed	33	Spline	34	Male	N/A	Self Lock	30mm	Yes
60-1457	23 5/8"	Compressed	30	Spline	27	Male	N/A	Self Lock	36mm	Yes
60-1458	25 3/8"	Compressed	30	Spline	34	Male	N/A	Self Lock	36mm	Yes
60-1459	20 2/3"	Compressed	30	Spline	34	Female	N/A	Self Lock	36mm	Yes
60-1460	23 1/8"	Compressed	30	Spline	27	Male	N/A	Self Lock	36mm	Yes
60-1461	21 7/16"	Compressed	30	Spline	27	Female	N/A	Self Lock	36mm	Yes
60-1462	24 5/8"	Compressed	30	Spline	27	Male	N/A	Self Lock	36mm	Yes
60-1463	22 1/8"	Compressed	30	Spline	34	Female	N/A	Self Lock	36mm	Yes
60-1464	29 11/16"	Compressed	30	Spline	34	Female	N/A	Self Lock	36mm	Yes
60-1465	27 5/16"	Compressed	33	Spline	27	Male	N/A	Self Lock	34mm	Yes
60-1466	23 4/5"	Compressed	33	Spline	27	Female	N/A	Self Lock	34mm	Yes
60-1467	22 3/8"	Compressed	30	Spline	34	Female	N/A	Self Lock	36mm	Yes
60-1468	23 15/16"	Compressed	30	Spline	27	Male	N/A	Self Lock	36mm	Yes
60-1469	21 9/16"	Compressed	30	Spline	27	Female	N/A	Self Lock	36mm	Yes
60-1470	24 5/8"	Compressed	30	Spline	27	Male	N/A	Self Lock	36mm	Yes
60-1478	20 1/4"	Compressed	②	Bolt-On	N/A	Bolt-On	N/A	N/A	N/A	No
60-1508	38 1/16"	Compressed	33	Spline	27	Male	N/A	Self Lock	34mm	Yes
60-1516	26 11/16"	Compressed	30	Spline	34	Male	N/A	Self Lock	36mm	Yes
60-1517	22 7/16"	Compressed	30	Spline	27	Female	N/A	Self Lock	36mm	Yes
60-1518	24 5/16"	Compressed	30	Spline	27	Male	N/A	Self Lock	36mm	Yes
60-1519	24 3/4"	Compressed	25	Spline	22	Male	N/A	Stake	35-36mm	Yes
60-1520	36 3/8"	Compressed	25	Spline	22	Male	N/A	Stake	35-36mm	Yes
60-1524	37 3/16"	Compressed	25	Spline	22	Male	N/A	Stake	35-36mm	Yes
60-1541	26"	Compressed	30	Spline	34	Male	N/A	Self Lock	36mm	Yes
60-1542	25 5/16"	Compressed	33	Spline	34	Male	N/A	Self Lock	32mm	Yes
60-1543	37 3/8"	Compressed	33	Spline	34	Male	N/A	Self Lock	32mm	Yes
60-1545	23 1/8"	Compressed	33	Spline	34	Female	N/A	Self Lock	32mm	Yes
60-1559	24 5/16"	Compressed	33	Spline	27	Male	N/A	N/A	N/A	No
60-1568	37 13/16"	Compressed	33	Spline	22	Male	N/A	Self Lock	32mm	Yes
60-2000	35 1/16"	Compressed	26	Spline	23	Male	N/A	Stake	29mm	Yes
60-2001	26 13/16"	Compressed	26	Spline	35	Male	N/A	Self Lock	30mm	Yes
60-2002	21 3/4"	Compressed	26	Spline	35	Female	N/A	Self Lock	30mm	Yes
60-2003	22 1/4"	Compressed	26	Spline	23	Male	N/A	Self Lock	30mm	Yes
60-2004	22 3/16"	Compressed	26	Spline	23	Male	N/A	Stake	29mm	Yes
60-2005	26 13/16"	Compressed	26	Spline	35	Male	50	Self Lock	30mm	Yes
60-2006	26"	Compressed	26	Spline	23	Male	N/A	Self Lock	30mm	Yes
60-2007	23 7/16"	Compressed	26	Spline	35	Female	N/A	Self Lock	30mm	Yes
60-2008	21 3/4"	Compressed	26	Spline	35	Female	50	Self Lock	30mm	Yes
60-2009	34 15/16"	Compressed	23	Spline	23	Male	N/A	Stake	29mm	Yes
60-2010	35 3/16"	Compressed	26	Spline	25	Male	N/A	Stake	29mm	Yes
60-2011	24 5/8"	Compressed	26	Spline	24	Male	N/A	Stake	32mm	Yes
60-2012	35 1/2"	Compressed	26	Spline	24	Male	N/A	Stake	32mm	Yes
60-2013	22 1/8"	Compressed	26	Spline	25	Male	N/A	Stake	29mm	Yes
60-2014	22 3/8"	Compressed	23	Spline	23	Male	N/A	Stake	29mm	Yes
60-2016	23 7/8"	Compressed	24	Spline	22	Male	N/A	Stake	29mm	Yes
60-2017	35 7/8"	Compressed	26	Spline	23	Male	N/A	Self Lock	30mm	Yes
60-2018	34 5/8"	Compressed	24	Spline	22	Male	N/A	Stake	30mm	Yes
60-2019	23"	Compressed	26	Spline	23	Male	N/A	Self Lock	30mm	Yes
60-2020	21 3/4"	Compressed	26	Spline	35	Female	50	Self Lock	30mm	Yes
60-2022	27"	Compressed	26	Spline	35	Male	50	Self Lock	30mm	Yes
60-2023	31 3/4"	Compressed	28	Spline	28	Male	N/A	Self Lock	36mm	Yes
60-2025	24 1/2"	Compressed	26	Spline	23	Male	N/A	Self Lock	30mm	Yes
60-2026	34 3/4"	Compressed	24	Spline	24	Male	N/A	Stake	29mm	Yes
60-2027	20 9/16"	Compressed	27	Spline	26 + 1 Blank	Female	N/A	Self Lock	32mm	Yes

① Length measurements are approximate and may vary plus or minus 1/8 of an inch.

② This Drive Axle uses a Bolt-On style Outboard Joint.

REMANUFACTURED CV IDENTIFICATION GUIDE

REMAN PART NO.	OVERALL LENGTH (A) ①	LENGTH MEAS. METHOD	OUTBOARD SPLINE COUNT (B)	OUTBOARD JOINT TYPE	INBOARD SPLINE COUNT (C)	INBOARD JOINT TYPE (D)	ABS RING TOOTH COUNT	AXLE NUT LOCKING TYPE	AXLE NUT HEX HEAD SIZE	AXLE NUT INCLUDED
60-2028	35 1/16"	Compressed	26	Spline	23	Male	N/A	Stake	29mm	Yes
60-2029	23 1/2"	Compressed	24	Spline	24	Male	N/A	Stake	29mm	Yes
60-2030	24 3/8"	Compressed	26	Spline	24 + 2 Blank	Female	N/A	Stake	32mm	Yes
60-2031	24 1/2"	Compressed	26	Spline	26	Male	50	Self Lock	30mm	Yes
60-2032	35 3/4"	Compressed	26	Spline	25	Male	N/A	Self Lock	30mm	Yes
60-2033	24 3/8"	Compressed	26	Spline	24 + 2 Blank	Female	44	Stake	32mm	Yes
60-2034	24 7/8"	Compressed	26	Spline	35	Female	50	Self Lock	30mm	Yes
60-2036	23 15/16"	Compressed	26	Spline	26	Male	N/A	Stake	32mm	Yes
60-2037	22 7/8"	Compressed	26	Spline	25	Male	N/A	Self Lock	30mm	Yes
60-2038	22 1/2"	Compressed	26	Spline	35	Female	50	Self Lock	30mm	Yes
60-2039	26 1/4"	Compressed	26	Spline	35	Male	50	Self Lock	30mm	Yes
60-2040	24"	Compressed	26	Spline	26	Male	44	Stake	32mm	Yes
60-2041	25 7/16"	Compressed	26	Spline	35	Male	N/A	Self Lock	30mm	Yes
60-2042	25 7/16"	Compressed	26	Spline	35	Male	50	Self Lock	30mm	Yes
60-2043	22 15/16"	Compressed	26	Spline	23	Male	N/A	Self Lock	30mm	Yes
60-2044	26 15/16"	Compressed	32	Spline	29	Male	N/A	N/A	N/A	No
60-2045	40 1/2"	Compressed	32	Spline	29	Male	N/A	N/A	N/A	No
60-2050	26 1/8"	Compressed	27	Spline	35	Male	N/A	Self Lock	32mm	Yes
60-2051	26 1/8"	Compressed	27	Spline	35	Male	44	Self Lock	32mm	Yes
60-2052	22 1/4"	Compressed	27	Spline	34 + 1 Blank	Female	N/A	Self Lock	32mm	Yes
60-2053	22 1/4"	Compressed	27	Spline	34 + 1 Blank	Female	44	Self Lock	32mm	Yes
60-2054	24 5/16"	Compressed	27	Spline	26	Male	N/A	Self Lock	32mm	Yes
60-2055	24 5/16"	Compressed	27	Spline	26	Male	44	Self Lock	32mm	Yes
60-2058	26 1/8"	Compressed	27	Spline	35	Male	N/A	Self Lock	32mm	Yes
60-2059	26 1/8"	Compressed	27	Spline	35	Male	44	Self Lock	32mm	Yes
60-2060	22 1/4"	Compressed	27	Spline	34 + 1 Blank	Female	N/A	Self Lock	32mm	Yes
60-2061	22 1/4"	Compressed	27	Spline	34 + 1 Blank	Female	44	Self Lock	32mm	Yes
60-2062	24 5/16"	Compressed	27	Spline	26	Male	N/A	Self Lock	32mm	Yes
60-2063	24 5/16"	Compressed	27	Spline	26	Male	44	Self Lock	32mm	Yes
60-2066	26 15/16"	Compressed	32	Spline	29	Male	50	N/A	N/A	No
60-2067	40 1/2"	Compressed	32	Spline	29	Male	50	N/A	N/A	No
60-2068	23 3/16"	Compressed	26	Spline	35	Female	50	Self Lock	30mm	Yes
60-2069	28 1/4"	Compressed	26	Spline	35	Male	50	Self Lock	30mm	Yes
60-2070	35 3/8"	Compressed	24	Spline	24	Male	44	Stake	29mm	Yes
60-2072	23 5/8"	Compressed	24	Spline	24	Male	44	Stake	29mm	Yes
60-2074	34 13/16"	Compressed	24	Spline	22	Male	44	Stake	30mm	Yes
60-2076	24 1/8"	Compressed	24	Spline	22	Male	44	Stake	30mm	Yes
60-2078	22 3/8"	Compressed	23	Spline	23	Male	N/A	Stake	29mm	Yes
60-2079	24 7/8"	Compressed	26	Spline	35	Female	N/A	Self Lock	30mm	Yes
60-2080	24 9/16"	Compressed	26	Spline	26	Male	N/A	Self Lock	30mm	Yes
60-2082	23 1/16"	Compressed	26	Spline	25	Male	N/A	Self Lock	30mm	Yes
60-2083	26 1/16" to 26 7/16" ⑤	Compressed	28	Spline	35	Male	N/A	Self Lock	30mm	Yes
60-2084	26 1/16" to 26 7/16" ⑤	Compressed	28	Spline	35	Male	44	Self Lock	30mm	Yes
60-2085	21 1/8" To 21 1/2" ⑤	Compressed	28	Spline	34 + 1 Blank	Female	N/A	Self Lock	30mm	Yes
60-2086	21 1/8" To 21 1/2" ⑤	Compressed	28	Spline	34 + 1 Blank	Female	44	Self Lock	30mm	Yes
60-2087	24 13/16"	Compressed	28	Spline	28	Male	N/A	Self Lock	30mm	Yes
60-2089	25 9/16"	Compressed	26	Spline	35	Male	50	Self Lock	30mm	Yes
60-2090	24 11/16" To 25" ⑤	Compressed	28	Spline	28	Male	44	Self Lock	32mm	Yes
60-2091	23 1/8"	Compressed	26	Spline	35	Female	50	Self Lock	30mm	Yes
60-2092	28 1/4"	Compressed	26	Spline	35	Male	50	Self Lock	30mm	Yes
60-2093	26 15/16"	Compressed	26	Spline	35	Male	50	Self Lock	30mm	Yes
60-2094	22 1/16" To 22 7/16" ⑤	Compressed	28	Spline	34 + 1 Blank	Female	N/A	Self Lock	32mm	Yes
60-2095	22 1/16" To 22 7/16" ⑤	Compressed	28	Spline	34 + 1 Blank	Female	44	Self Lock	32mm	Yes
60-2096	31 7/16"	Compressed	26	Spline	23	Male	N/A	Self Lock	32mm	Yes
60-2097	22 1/4"	Compressed	26	Spline	N/A	U-Joint	N/A	Self Lock	30mm	Yes
60-2098	31 7/16"	Compressed	26	Spline	23	Male	44	Self Lock	32mm	Yes
60-2099	22 5/16"	Compressed	26	Spline	N/A	Bolt-On	N/A	Self Lock	30mm	Yes
60-2100	33 1/2"	Compressed	26	Spline	23	Male	N/A	Self Lock	32mm	Yes
60-2101	23 5/16"	Compressed	27	Spline	27	Male	N/A	Self Lock	32mm	Yes
60-2102	33 1/2"	Compressed	26	Spline	23	Male	44	Self Lock	32mm	Yes

① Length measurements are approximate and may vary plus or minus 1/8 of an inch.

⑤ Length ranges are the result of various optional Outboard Housings used on this Drive Axle.

REMANUFACTURED CV IDENTIFICATION GUIDE

REMAN PART NO.	OVERALL LENGTH (A) ①	LENGTH MEAS. METHOD	OUTBOARD SPLINE COUNT (B)	OUTBOARD JOINT TYPE	INBOARD SPLINE COUNT (C)	INBOARD JOINT TYPE (D)	ABS RING TOOTH COUNT	AXLE NUT LOCKING TYPE	AXLE NUT HEX HEAD SIZE	AXLE NUT INCLUDED
60-2103	19 1/2"	Compressed	45	Spline	N/A	Bolt-On	N/A	Nylon Lock	17mm	Yes
60-2105	24 5/8"	Compressed	26	Spline	24	Male	44	Stake	32mm	Yes
60-2106	35 3/8"	Compressed	24	Spline	24	Male	N/A	Stake	29mm	Yes
60-2107	24 1/8"	Compressed	24	Spline	22	Male	N/A	Stake	30mm	Yes
60-2108	23 5/8"	Compressed	24	Spline	24	Male	N/A	Stake	30mm	Yes
60-2109	34 13/16"	Compressed	24	Spline	22	Male	N/A	Stake	30mm	Yes
60-2112	19 7/8"	Compressed	33	Spline	N/A	Bolt-On	N/A	N/A	N/A	No
60-2114	23 3/4"	Compressed	26	Spline	26	Male	N/A	Stake	32mm	Yes
60-2115	23 7/16"	Compressed	26	Spline	26 + 2 Blank	Female	N/A	Stake	32mm	Yes
60-2116	23 3/4"	Compressed	26	Spline	26	Male	44	Stake	32mm	Yes
60-2117	23 7/16"	Compressed	26	Spline	26 + 2 Blank	Female	44	Stake	32mm	Yes
60-2123	31 5/8"	Compressed	28	Spline	28	Male	N/A	Self Lock	36mm	Yes
60-2125	31 5/8"	Compressed	28	Spline	28	Male	50	Self Lock	36mm	Yes
60-2128	31 3/4"	Compressed	28	Spline	28	Male	50	Self Lock	36mm	Yes
60-2132	36 1/8"	Compressed	26	Spline	26	Male	N/A	Stake	32mm	Yes
60-2134	36 1/8"	Compressed	26	Spline	26	Male	44	Stake	32mm	Yes
60-2136	35 5/16"	Compressed	26	Spline	24	Male	44	Stake	32mm	Yes
60-2137	21 3/4"	Compressed	26	Spline	35	Female	N/A	Self Lock	30mm	Yes
60-2138	21 3/4"	Compressed	26	Spline	35	Female	50	Self Lock	30mm	Yes
60-2139	26 13/16"	Compressed	26	Spline	35	Male	N/A	Self Lock	30mm	Yes
60-2140	26 13/16"	Compressed	26	Spline	35	Male	50	Self Lock	30mm	Yes
60-2141	25 7/16"	Compressed	26	Spline	35	Male	N/A	Self Lock	30mm	Yes
60-2142	25 7/16"	Compressed	26	Spline	35	Male	50	Self Lock	30mm	Yes
60-2143	24 3/16"	Compressed	25	Spline	26	Male	N/A	Self Lock	32mm	Yes
60-2144	37 1/4"	Compressed	25	Spline	26	Male	N/A	Self Lock	32mm	Yes
60-2145	25"	Compressed	25	Spline	23	Male	N/A	Self Lock	32mm	Yes
60-2146	36 5/8"	Compressed	25	Spline	23	Male	N/A	Self Lock	32mm	Yes
60-2147	23 1/16"	Compressed	27	Spline	27	Male	N/A	N/A	N/A	No
60-2148	20 1/4"	Compressed	27	Spline	27	Female	N/A	N/A	N/A	No
60-2149	31 5/8"	Compressed	28	Spline	28	Male	46	Self Lock	36mm	Yes
60-2150	32 13/16"	Compressed	28	Spline	28	Male	46	Self Lock	36mm	Yes
60-2153	26"	Compressed	27	Spline	27	Male	N/A	Self Lock	30mm	Yes
60-2154	23 1/4"	Compressed	27	Spline	26 + 1 Blank	Female	N/A	Self Lock	30mm	Yes
60-2155	27 5/8"	Compressed	28	Spline	28	Male	N/A	Self Lock	36mm	Yes
60-2156	23 1/4"	Compressed	26	Spline	35	Male	N/A	Self Lock	30mm	Yes
60-2157	27"	Compressed	26	Spline	35	Male	N/A	Self Lock	30mm	Yes
60-2158	36"	Compressed	33	Spline	31	Male	N/A	Castle	36mm	Yes
60-2159	34 1/2"	Compressed	33	Spline	31	Male	N/A	Castle	36mm	Yes
60-2160	36"	Compressed	33	Spline	34	Male	N/A	Castle	36mm	Yes
60-2161	34 3/8"	Compressed	33	Spline	34	Male	N/A	Castle	36mm	Yes
60-2162	26 1/2"	Compressed	38	Spline	28	Male	N/A	Self Lock	32mm	Yes
60-2163	40 5/16"	Compressed	38	Spline	28	Male	N/A	Self Lock	32mm	Yes
60-2164	25 5/16"	Compressed	38	Spline	37	Male	N/A	Self Lock	32mm	Yes
60-2165	41 1/2"	Compressed	38	Spline	37	Male	N/A	Self Lock	32mm	Yes
60-2166	41 1/2"	Compressed	38	Spline	37	Male	N/A	Self Lock	32mm	Yes
60-2167	25"	Compressed	28	Spline	35	Male	44	Self Lock	32mm	Yes
60-2168	23 1/16"	Compressed	27	Spline	27	Male	N/A	Self Lock	32mm	Yes
60-2169	20 3/8"	Compressed	27	Spline	26 + 1 Blank	Female	N/A	Self Lock	32mm	Yes
60-2170	23 11/16"	Compressed	25	Spline	34	Male	N/A	Self Lock	32mm	Yes
60-2171	37 3/8"	Compressed	25	Spline	34	Male	N/A	Self Lock	32mm	Yes
60-2172	34 3/8"	Compressed	25	Spline	26	Male	N/A	Self Lock	32mm	Yes
60-2173	37 1/2"	Compressed	25	Spline	26	Male	N/A	Self Lock	32mm	Yes
60-2176	24 13/16"	Compressed	27	Spline	26	Male	N/A	Self Lock	32mm	Yes
60-2177	24 1/4"	Compressed	27	Spline	23	Male	N/A	Self Lock	32mm	Yes
60-2178	31 5/8"	Compressed	29	Spline	31	Male	54	Castle	36mm	Yes
60-2179	32 3/4"	Compressed	29	Spline	31	Male	54	Castle	36mm	Yes
60-2180	31 1/16"	Compressed	28	Spline	28	Male	46	Castle	36mm	Yes
60-2181	33 1/4"	Compressed	28	Spline	28	Male	46	Castle	36mm	Yes
60-2182	24 1/8" To 24 1/2" ⑤	Compressed	28	Spline	30	Male	44	Self Lock	32mm	Yes
60-2184	25 3/4"	Compressed	27	Spline	27	Male	N/A	Self Lock	32mm	Yes

① Length measurements are approximate and may vary plus or minus 1/8 of an inch.

⑤ Length ranges are the result of various optional Outboard Housings used on this Drive Axle.

REMANUFACTURED CV IDENTIFICATION GUIDE

REMAN PART NO.	OVERALL LENGTH (A) ①	LENGTH MEAS. METHOD	OUTBOARD SPLINE COUNT (B)	OUTBOARD JOINT TYPE	INBOARD SPLINE COUNT (C)	INBOARD JOINT TYPE (D)	ABS RING TOOTH COUNT	AXLE NUT LOCKING TYPE	AXLE NUT HEX HEAD SIZE	AXLE NUT INCLUDED
60-2185	23 1/16"	Compressed	27	Spline	26 + 1 Blank	Female	N/A	Self Lock	32mm	Yes
60-2186	25 13/16"	Compressed	38	Spline	27	Male	N/A	Self Lock	32mm	Yes
60-2187	41 11/16"	Compressed	38	Spline	27	Male	N/A	Self Lock	32mm	Yes
60-2188	25 1/3"	Compressed	31	Spline	27	Male	44	Self Lock	36mm	Yes
60-2189	23 3/4"	Compressed	31	Spline	29 + 2 Blank	Female	44	Self Lock	36mm	Yes
60-2190	22 3/4"	Compressed	31	Spline	29 + 2 Blank	Female	44	Self Lock	36mm	Yes
60-2191	24 15/16"	Compressed	45	Spline	31	Male	N/A	Nylon Lock	17mm	Yes
60-2192	22"	Compressed	45	Spline	31	Female	N/A	Nylon Lock	17mm	Yes
60-2193	32"	Compressed	29	Spline	31	Male	54	Castle	36mm	Yes
60-2194	33 1/16"	Compressed	29	Spline	31	Male	54	Castle	36mm	Yes
60-2195	22 1/8"	Compressed	25	Spline	26 + 2 Blank	Female	N/A	Self Lock	32mm	Yes
60-2196	22 13/16"	Compressed	28	Spline	31	Male	44	Stake	32mm	Yes
60-2197	21 13/16"	Compressed	28	Spline	26 + 2 Blank	Female	44	Stake	32mm	Yes
60-2208	41 5/8"	Compressed	38	Spline	37	Male	N/A	Self Lock	32mm	Yes
60-2211	41 3/4"	Compressed	38	Spline	27	Male	N/A	Self Lock	32mm	Yes
60-2249	25 13/16"	Compressed	35	Spline	28	Male	44	Self Lock	32mm	Yes
60-2250	26 1/4"	Compressed	28	Spline	35	Male	44	Stake	32mm	Yes
60-2251	23 7/8"	Compressed	28	Spline	26 + 2 Blank	Female	44	Stake	32mm	Yes
60-2252	24 3/4"	Compressed	25	Spline	26	Male	N/A	Self Lock	32mm	Yes
60-2253	37 7/8"	Compressed	25	Spline	26	Male	N/A	Self Lock	32mm	Yes
60-2254	25 1/2"	Compressed	38	Spline	27	Male	N/A	Self Lock	32mm	Yes
60-2255	21 5/16"	Compressed	38	Spline	29 + 2 Blank	Female	N/A	Self Lock	32mm	Yes
60-2272	26 3/4"	Compressed	28	Spline	35	Male	44	Stake	32mm	Yes
60-2279	25 3/4"	Compressed	28	Spline	35	Male	44	Stake	32mm	Yes
60-3000	23 1/8"	Compressed	25	Spline	25	Male	N/A	N/A	N/A	No
60-3001	25 1/2" To 25 3/4" ⑤	Extended	26	Spline	25	Male	N/A	N/A	N/A	No
60-3002	25" To 25 5/16" ⑤	Extended	26	Spline	25	Male	N/A	N/A	N/A	No
60-3003	35 9/16"	Compressed	25	Spline	25	Male	N/A	N/A	N/A	No
60-3004	20 1/8"	Compressed	26	Spline	N/A	Bolt-On	N/A	N/A	N/A	No
60-3005	31 1/2"	Compressed	26	Spline	N/A	Bolt-On	N/A	N/A	N/A	No
60-3006	23 1/2"	Compressed	25	Spline	25	Male	N/A	N/A	N/A	No
60-3007	26 1/4"	Extended	26	Spline	23	Male	N/A	N/A	N/A	No
60-3008	36 3/8"	Compressed	25	Spline	25	Male	N/A	N/A	N/A	No
60-3010	38 13/16"	Extended	26	Spline	23	Male	N/A	N/A	N/A	No
60-3011	40 3/8"	Extended	26	Spline	23	Male	N/A	N/A	N/A	No
60-3012	36 1/2"	Compressed	25	Spline	25	Male	N/A	N/A	N/A	No
60-3013	23 1/8"	Compressed	25	Spline	25	Male	N/A	N/A	N/A	No
60-3014	39 1/2" To 39 3/4" ⑤	Extended	26	Spline	25	Male	N/A	N/A	N/A	No
60-3015	25 5/8"	Extended	26	Spline	23	Male	N/A	N/A	N/A	No
60-3017	38 13/16"	Extended	26	Spline	23	Male	N/A	N/A	N/A	No
60-3018	24 3/4"	Extended	26	Spline	23	Male	N/A	N/A	N/A	No
60-3019	38 3/8"	Extended	26	Spline	23	Male	N/A	N/A	N/A	No
60-3021	41 1/8"	Extended	26	Spline	25	Male	N/A	N/A	N/A	No
60-3022	24 1/4"	Extended	26	Spline	25	Male	N/A	N/A	N/A	No
60-3023	18 5/8"	Compressed	26	Spline	N/A	Bolt-On	N/A	N/A	N/A	No
60-3025	25" To 25 5/16" ⑤	Extended	26	Spline	25	Male	47	N/A	N/A	No
60-3027	18 1/4"	Compressed	27	Spline	N/A	Bolt-On	N/A	N/A	N/A	No
60-3028	39 1/8"	Extended	26	Spline	25	Male	N/A	N/A	N/A	No
60-3029	37"	Compressed	26	Spline	23	Male	N/A	N/A	N/A	No
60-3032	22 3/4"	Compressed	27	Spline	27	Male ③	N/A	N/A	N/A	No
60-3033	24 11/16"	Extended	26	Spline	23	Male	N/A	N/A	N/A	No
60-3034	39 1/2" To 39 3/4" ⑤	Extended	26	Spline	25	Male	47	N/A	N/A	No
60-3035	41 1/8"	Extended	26	Spline	25	Male	47	N/A	N/A	No
60-3036	18 7/8"	Compressed	31	Spline	N/A	Bolt-On	N/A	N/A	N/A	No
60-3037	38 7/16"	Compressed	27	Spline	27	Male ③	N/A	N/A	N/A	No
60-3038	25 1/2" To 25 3/4" ⑤	Extended	26	Spline	25	Male	47	N/A	N/A	No
60-3040	37 3/16"	Compressed	25	Spline	25	Male	N/A	N/A	N/A	No
60-3041	31 3/8"	Compressed	26	Spline	N/A	Bolt-On	N/A	N/A	N/A	No
60-3042	29"	Extended	26	Spline	N/A	Bolt-On	N/A	N/A	N/A	No
60-3043	20 5/16"	Compressed	26	Spline	N/A	Bolt-On	N/A	N/A	N/A	No

① Length measurements are approximate and may vary plus or minus 1/8 of an inch.

③ An Inboard Joint is not required on this style Drive Axle.

⑤ Length ranges are the result of various optional Outboard Housings used on this Drive Axle.

REMANUFACTURED CV IDENTIFICATION GUIDE

REMAN PART NO.	OVERALL LENGTH (A) ①	LENGTH MEAS. METHOD	OUTBOARD SPLINE COUNT (B)	OUTBOARD JOINT TYPE	INBOARD SPLINE COUNT (C)	INBOARD JOINT TYPE (D)	ABS RING TOOTH COUNT	AXLE NUT LOCKING TYPE	AXLE NUT HEX HEAD SIZE	AXLE NUT INCLUDED
60-3044	20 5/8" To 21 1/8" ⑤	Compressed	33	Spline	27	Female	50	Self Lock	34mm	Yes
60-3045	20 5/8" To 21 1/8" ⑤	Compressed	33	Spline	27	Female	N/A	Self Lock	34mm	Yes
60-3046	26 15/16"	Compressed	33	Spline	27	Female	50	Self Lock	34mm	Yes
60-3047	26 15/16" To 27 7/16" ⑤	Compressed	33	Spline	27	Female	N/A	Self Lock	34mm	Yes
60-3050	24 1/8"	Compressed	26	Spline	23	Male	N/A	N/A	N/A	No
60-3052	29"	Extended	26	Spline	N/A	Bolt-On	47	N/A	N/A	No
60-3053	22 3/4"	Compressed	25	Spline	25	Male	N/A	N/A	N/A	No
60-3054	35 1/2"	Compressed	26	Spline	23	Male	N/A	N/A	N/A	No
60-3056	37 1/16" To 37 7/16" ⑤	Compressed	23	Spline	25	Male	56	N/A	N/A	No
60-3057	22 3/4"	Compressed	25	Spline	24 + 2 Blank	Female	N/A	N/A	N/A	No
60-3058	37 3/16"	Compressed	23	Spline	25	Male	N/A	N/A	N/A	No
60-3059	25 7/8"	Compressed	27	Spline	25	Male	N/A	N/A	N/A	No
60-3061	24 9/16"	Compressed	27	Spline	24 + 2 Blank	Female	47	N/A	N/A	No
60-3063	22 5/8"	Compressed	25	Spline	24 + 2 Blank	Female	N/A	N/A	N/A	No
60-3064	27 1/8"	Compressed	23	Spline	23	Female	N/A	Self Lock	30mm	Yes
60-3066	22 7/16"	Extended	25	Spline	23	Male	N/A	Castle	32mm	Yes
60-3067	37 1/16"	Compressed	26	Spline	23	Male	N/A	N/A	N/A	No
60-3068	35"	Compressed	25	Spline	25	Male	N/A	N/A	N/A	No
60-3070	41"	Extended	26	Spline	25	Male	N/A	N/A	N/A	No
60-3071	24 1/16"	Compressed	25	Spline	25	Male	N/A	N/A	N/A	No
60-3072	37 3/16" To 37 9/16" ⑤	Compressed	23	Spline	25	Male	N/A	N/A	N/A	No
60-3073	23 1/16"	Compressed	23	Spline	25	Male	N/A	N/A	N/A	No
60-3074	25 7/8"	Compressed	27	Spline	27	Male	N/A	N/A	N/A	No
60-3076	25 3/8"	Compressed	27	Spline	27	Male	N/A	N/A	N/A	No
60-3077	25 5/16"	Compressed	27	Spline	25	Male	N/A	N/A	N/A	No
60-3078	23 3/16"	Compressed	25	Spline	25	Male	N/A	N/A	N/A	No
60-3079	24 3/8"	Compressed	25	Spline	25	Male	N/A	N/A	N/A	No
60-3080	22 5/8"	Compressed	25	Spline	24 + 2 Blank	Female	N/A	N/A	N/A	No
60-3081	23"	Compressed	28	Spline	28	Male	N/A	N/A	N/A	No
60-3082	19 13/16"	Compressed	28	Spline	N/A	Bolt-On	N/A	N/A	N/A	No
60-3087	24 3/8"	Compressed	26	Spline	25	Male	56	N/A	N/A	No
60-3092	37 5/16"	Compressed	25	Spline	25	Male	N/A	N/A	N/A	No
60-3093	24 5/8"	Compressed	23	Spline	37	Female	47	Nylon Lock	30mm	Yes
60-3094	19 3/4"	Compressed	23	Spline	37	Female	47	Nylon Lock	30mm	Yes
60-3095	35 1/2"	Compressed	26	Spline	23	Male	N/A	N/A	N/A	No
60-3096	24 3/16"	Compressed	26	Spline	23	Male	N/A	N/A	N/A	No
60-3097	38 15/16"	Compressed	26	Spline	25	Male	56	N/A	N/A	No
60-3099	24 5/8"	Compressed	23	Spline	37	Female	N/A	Nylon Lock	30mm	Yes
60-3100	25 5/8"	Compressed	26	Spline	23	Male	N/A	N/A	N/A	No
60-3101	19 1/2"	Compressed	25	Spline	N/A	Bolt-On	N/A	N/A	N/A	No
60-3102	24"	Compressed	25	Spline	25	Male	N/A	N/A	N/A	No
60-3103	24 9/16"	Compressed	25	Spline	25	Male	N/A	N/A	N/A	No
60-3104	38 5/16"	Compressed	25	Spline	25	Male	N/A	N/A	N/A	No
60-3105	37 1/16"	Compressed	23	Spline	25	Male	56	N/A	N/A	No
60-3106	23 1/16"	Compressed	23	Spline	25	Male	56	N/A	N/A	No
60-3107	41"	Extended	26	Spline	25	Male	47	N/A	N/A	No
60-3108	40 1/2"	Compressed	26	Spline	25	Male	47	N/A	N/A	No
60-3109	25 1/8"	Compressed	26	Spline	25	Male	47	N/A	N/A	No
60-3111	30"	Extended	26	Spline	N/A	Bolt-On	47	N/A	N/A	No
60-3115	24 5/16"	Compressed	26	Spline	25	Male	N/A	N/A	N/A	No
60-3116	38 13/16"	Compressed	26	Spline	25	Male	N/A	N/A	N/A	No
60-3121	22 3/16"	Compressed	25	Spline	24 + 2 Blank	Female	N/A	N/A	N/A	No
60-3127	23 5/16"	Compressed	25	Spline	24 + 2 Blank	Female	N/A	N/A	N/A	No
60-3130	27 3/8"	Compressed	33	Spline	27	Female	50	Self Lock	34mm	Yes
60-3131	21 1/8"	Compressed	33	Spline	27	Female	50	Self Lock	34mm	Yes
60-3132	35 5/8"	Compressed	25	Spline	25	Male	N/A	N/A	N/A	No
60-3134	36"	Compressed	25	Spline	23	Male	N/A	N/A	N/A	No
60-3135	23 1/16"	Compressed	28	Spline	25	Male	N/A	N/A	N/A	No
60-3136	20 1/8"	Compressed	28	Spline	N/A	Bolt-On	N/A	N/A	N/A	No
60-3141	36 5/16"	Compressed	25	Spline	25	Male	N/A	N/A	N/A	No

① Length measurements are approximate and may vary plus or minus 1/8 of an inch.

⑤ Length ranges are the result of various optional Outboard Housings used on this Drive Axle.

REMANUFACTURED CV IDENTIFICATION GUIDE

REMAN PART NO.	OVERALL LENGTH (A) ①	LENGTH MEAS. METHOD	OUTBOARD SPLINE COUNT (B)	OUTBOARD JOINT TYPE	INBOARD SPLINE COUNT (C)	INBOARD JOINT TYPE (D)	ABS RING TOOTH COUNT	AXLE NUT LOCKING TYPE	AXLE NUT HEX HEAD SIZE	AXLE NUT INCLUDED
60-3142	24 1/4"	Compressed	27	Spline	24 + 2 Blank	Female	N/A	N/A	N/A	No
60-3143	37 1/16"	Compressed	25	Spline	25	Male	N/A	N/A	N/A	No
60-3144	36 9/16"	Compressed	25	Spline	25	Male	N/A	N/A	N/A	No
60-3145	25 1/4"	Compressed	25	Spline	25	Male	43	N/A	N/A	No
60-3146	25 1/4"	Compressed	25	Spline	25	Male	N/A	N/A	N/A	No
60-3148	37 1/2"	Compressed	25	Spline	25	Male	N/A	N/A	N/A	No
60-3149	38"	Compressed	25	Spline	25	Male	N/A	N/A	N/A	No
60-3150	21 3/4"	Compressed	25	Spline	24 + 2 Blank	Female	N/A	N/A	N/A	No
60-3153	37 1/2"	Compressed	25	Spline	25	Male	N/A	N/A	N/A	No
60-3155	19 3/4"	Compressed	23	Spline	37	Female	N/A	Nylon Lock	30mm	Yes
60-3156	24 3/8"	Compressed	25	Spline	25	Male	N/A	N/A	N/A	No
60-3158	35 1/8"	Compressed	25	Spline	25	Male	N/A	N/A	N/A	No
60-3159	23 5/16"	Compressed	25	Spline	25	Male	N/A	N/A	N/A	No
60-3160	21 1/4"	Compressed	25	Spline	24 + 2 Blank	Female	N/A	N/A	N/A	No
60-3163	31"	Compressed	25	Spline	25	Male	N/A	N/A	N/A	No
60-3164	24 9/16"	Compressed	25	Spline	25	Male	43	N/A	N/A	No
60-3165	22 11/16"	Compressed	25	Spline	25	Male	N/A	N/A	N/A	No
60-3166	38 5/16"	Compressed	25	Spline	25	Male	43	N/A	N/A	No
60-3167	37 9/16"	Compressed	25	Spline	25	Male	43	N/A	N/A	No
60-3171	25 1/16"	Compressed	25	Spline	25	Male	N/A	N/A	N/A	No
60-3173	25 1/8"	Compressed	27	Spline	25	Male	N/A	N/A	N/A	No
60-3176	36"	Compressed	25	Spline	25	Male	N/A	N/A	N/A	No
60-3177	23 11/16"	Compressed	25	Spline	25	Male	N/A	N/A	N/A	No
60-3179	24 3/16"	Compressed	25	Spline	25	Male	N/A	N/A	N/A	No
60-3180	24 1/16"	Compressed	25	Spline	25	Male	29	N/A	N/A	No
60-3184	35 11/16"	Compressed	25	Spline	25	Male	29	N/A	N/A	No
60-3185	23 7/8"	Compressed	25	Spline	25	Male	N/A	N/A	N/A	No
60-3188	21 1/8"	Compressed	33	Spline	27	Female	50	Self Lock	34mm	Yes
60-3190	27 1/4"	Compressed	33	Spline	27	Female	50	Self Lock	34mm	Yes
60-3192	37"	Compressed	25	Spline	25	Male	N/A	N/A	N/A	No
60-3194	24 1/8"	Compressed	25	Spline	25	Male	29	N/A	N/A	No
60-3195	24 1/8"	Compressed	25	Spline	25	Male	N/A	N/A	N/A	No
60-3196	35 11/16"	Compressed	25	Spline	25	Male	N/A	N/A	N/A	No
60-3200	36 1/2"	Compressed	25	Spline	25	Male	N/A	N/A	N/A	No
60-3208	25"	Compressed	25	Spline	25	Male	47	N/A	N/A	No
60-3209	23 1/4"	Compressed	25	Spline	24 + 2 Blank	Female	47	N/A	N/A	No
60-3210	24 7/8"	Compressed	25	Spline	25	Male	N/A	N/A	N/A	No
60-3211	38 7/16"	Compressed	25	Spline	25	Male	N/A	N/A	N/A	No
60-3212	25 1/16"	Compressed	27	Spline	27	Male	N/A	N/A	N/A	No
60-3214	37 7/8"	Compressed	25	Spline	25	Male	47	N/A	N/A	No
60-3215	24 7/16"	Compressed	25	Spline	25	Male	47	N/A	N/A	No
60-3217	25 1/4"	Compressed	27	Spline	27	Male	47	N/A	N/A	No
60-3218	37"	Compressed	25	Spline	25	Male	43	N/A	N/A	No
60-3219	23 7/8"	Compressed	25	Spline	25	Male	43	N/A	N/A	No
60-3220	22 5/8"	Compressed	27	Spline	27	Male ③	54	N/A	N/A	No
60-3221	38 1/2"	Compressed	27	Spline	27	Male ③	54	N/A	N/A	No
60-3222	23 1/16"	Compressed	25	Spline	25	Male	N/A	N/A	N/A	No
60-3223	23 9/16"	Compressed	25	Spline	25	Male	N/A	N/A	N/A	No
60-3224	24"	Compressed	25	Spline	25	Male	N/A	N/A	N/A	No
60-3227	25 1/4"	Compressed	26	Spline	25	Male	N/A	N/A	N/A	No
60-3228	40 1/2"	Compressed	26	Spline	25	Male	N/A	N/A	N/A	No
60-3229	38 3/8"	Compressed	25	Spline	25	Male	47	N/A	N/A	No
60-3230	24 7/8"	Compressed	25	Spline	25	Male	47	N/A	N/A	No
60-3231	25 9/16"	Compressed	25	Spline	27	Male	N/A	N/A	N/A	No
60-3232	20 1/2"	Compressed	31	Spline	N/A	Bolt-On	N/A	N/A	N/A	No
60-3233	24"	Compressed	25	Spline	25	Male	44	N/A	N/A	No
60-3234	24 3/8"	Compressed	26	Spline	25	Male	46	N/A	N/A	No
60-3236	36 3/8"	Compressed	25	Spline	25	Male	29	N/A	N/A	No
60-3237	37"	Compressed	25	Spline	25	Male	44	N/A	N/A	No
60-3239	23 To 23 7/16" ⑤	Compressed	23	Spline	25	Male	46	N/A	N/A	No

① Length measurements are approximate and may vary plus or minus 1/8 of an inch.

⑤ Length ranges are the result of various optional Outboard Housings used on this Drive Axle.

REMANUFACTURED CV IDENTIFICATION GUIDE

REMAN PART NO.	OVERALL LENGTH (A) ①	LENGTH MEAS. METHOD	OUTBOARD SPLINE COUNT (B)	OUTBOARD JOINT TYPE	INBOARD SPLINE COUNT (C)	INBOARD JOINT TYPE (D)	ABS RING TOOTH COUNT	AXLE NUT LOCKING TYPE	AXLE NUT HEX HEAD SIZE	AXLE NUT INCLUDED
60-3245	38 7/8"	Compressed	26	Spline	25	Male	46	N/A	N/A	No
60-3250	25 1/8"	Compressed	26	Spline	25	Male	47	N/A	N/A	No
60-3251	42 5/16"	Compressed	26	Spline	25	Male	47	N/A	N/A	No
60-3252	39 1/2" To 39 3/4" ②	Extended	26	Spline	25	Male	N/A	N/A	N/A	No
60-3254	25 1/4"	Compressed	25	Spline	25	Male	29	N/A	N/A	No
60-3261	38"	Compressed	25	Spline	27	Male	43	N/A	N/A	No
60-3262	37 1/2"	Compressed	25	Spline	27	Male	N/A	N/A	N/A	No
60-3263	25 1/2"	Compressed	25	Spline	27	Male	N/A	N/A	N/A	No
60-3264	25 1/2"	Compressed	25	Spline	25 + 2 Blank	Male	43	N/A	N/A	No
60-3265	25 1/4"	Compressed	25	Spline	25	Male	N/A	N/A	N/A	No
60-3266	36 3/8"	Compressed	25	Spline	25	Male	N/A	N/A	N/A	No
60-3267	25 5/8"	Compressed	27	Spline	27	Male	43	N/A	N/A	No
60-3268	24 1/8"	Compressed	27	Spline	26 + 2 Blank	Female	43	N/A	N/A	No
60-3270	19 3/4"	Compressed	22	Spline	N/A	Bolt-On	N/A	N/A	N/A	No
60-3272	24"	Compressed	25	Spline	27	Male	N/A	N/A	N/A	No
60-3273	37 1/4"	Compressed	25	Spline	27	Male	N/A	N/A	N/A	No
60-3274	24 3/4"	Compressed	25	Spline	25	Male	43	N/A	N/A	No
60-3275	37 1/2"	Compressed	25	Spline	27	Male	43	N/A	N/A	No
60-3277	38"	Compressed	25	Spline	27	Male	N/A	N/A	N/A	No
60-3279	23 3/4"	Compressed	25	Spline	24 + 2 Blank	Female	43	N/A	N/A	No
60-3280	24 3/4"	Compressed	25	Spline	25	Male	N/A	N/A	N/A	No
60-3283	23 3/4"	Compressed	25	Spline	24 + 2 Blank	Female	N/A	N/A	N/A	No
60-3287	42 7/16"	Extended	26	Spline	25	Male	47	N/A	N/A	No
60-3291	37 1/4"	Compressed	25	Spline	25	Male	N/A	N/A	N/A	No
60-3292	24 1/8"	Compressed	25	Spline	25	Male	N/A	N/A	N/A	No
60-3293	25 9/16"	Compressed	25	Spline	27	Male	47	N/A	N/A	No
60-3298	25 5/16"	Compressed	27	Spline	27	Male ③	48	N/A	N/A	No
60-3299	40 3/16"	Compressed	27	Spline	27	Male ③	48	N/A	N/A	No
60-3300	23 1/4"	Compressed	27	Spline	27	Male ③	48	N/A	N/A	No
60-3301	41 1/8"	Compressed	27	Spline	27	Male ③	48	N/A	N/A	No
60-3302	23 1/2"	Compressed	26	Spline	25	Male	46	Self Lock	32mm	Yes
60-3303	37 7/16"	Compressed	26	Spline	25	Male	46	Self Lock	32mm	Yes
60-3304	23 1/2"	Compressed	26	Spline	25	Male	N/A	Self Lock	32mm	Yes
60-3305	23 1/2"	Compressed	26	Spline	25	Male	46	Self Lock	32mm	Yes
60-3306	37 7/16"	Compressed	26	Spline	25	Male	N/A	Self Lock	32mm	Yes
60-3307	37 7/16"	Compressed	26	Spline	25	Male	46	Self Lock	32mm	Yes
60-3308	37 7/16"	Compressed	26	Spline	25	Male	N/A	Self Lock	32mm	Yes
60-3309	37 7/16"	Compressed	26	Spline	25	Male	46	Self Lock	32mm	Yes
60-3310	24 5/8"	Compressed	25	Spline	25	Male	N/A	N/A	N/A	No
60-3312	35 13/16"	Compressed	25	Spline	25	Male	N/A	N/A	N/A	No
60-3314	24 7/16"	Compressed	25	Spline	25	Male	N/A	N/A	N/A	No
60-3315	24 7/16"	Compressed	25	Spline	25	Male	44	N/A	N/A	No
60-3316	23 5/8"	Compressed	33	Spline	29	Female	N/A	Self Lock	36mm	Yes
60-3317	35 11/16"	Compressed	25	Spline	25	Male	44	N/A	N/A	No
60-3318	18 7/8"	Compressed	26	Spline	N/A	Bolt-On	56	N/A	N/A	No
60-3319	23 1/2"	Compressed	26	Spline	25	Male	N/A	Self Lock	32mm	Yes
60-3320	37 7/16"	Compressed	26	Spline	25	Male	N/A	Self Lock	32mm	Yes
60-3322	25 1/4"	Compressed	25	Spline	25	Male	29	N/A	N/A	No
60-3323	20 13/16"	Compressed	31	Spline	29	Female	N/A	N/A	N/A	No
60-3324	20 13/16"	Compressed	31	Spline	29	Female	N/A	N/A	N/A	No
60-3325	24"	Compressed	25	Spline	25	Male	N/A	N/A	N/A	No
60-3326	36 11/16"	Compressed	25	Spline	25	Male	N/A	N/A	N/A	No
60-3327	24"	Compressed	25	Spline	25	Male	N/A	N/A	N/A	No
60-3328	24"	Compressed	25	Spline	25	Male	43	N/A	N/A	No
60-3329	36 11/16"	Compressed	25	Spline	25	Male	N/A	N/A	N/A	No
60-3330	36 11/16"	Compressed	25	Spline	25	Male	43	N/A	N/A	No
60-3333	25 11/16"	Compressed	25	Spline	27	Male	N/A	N/A	N/A	No
60-3334	25 11/16"	Compressed	25	Spline	27	Male	43	N/A	N/A	No
60-3335	37 5/8"	Compressed	25	Spline	27	Male	N/A	N/A	N/A	No
60-3336	37 5/8"	Compressed	25	Spline	27	Male	43	N/A	N/A	No

① Length measurements are approximate and may vary plus or minus 1/8 of an inch.

② Length ranges are the result of various optional Outboard Housings used on this Drive Axle.

REMANUFACTURED CV IDENTIFICATION GUIDE

REMAN PART NO.	OVERALL LENGTH (A) ①	LENGTH MEAS. METHOD	OUTBOARD SPLINE COUNT (B)	OUTBOARD JOINT TYPE	INBOARD SPLINE COUNT (C)	INBOARD JOINT TYPE (D)	ABS RING TOOTH COUNT	AXLE NUT LOCKING TYPE	AXLE NUT HEX HEAD SIZE	AXLE NUT INCLUDED
60-3337	25 1/16"	Compressed	25	Spline	27	Male	N/A	N/A	N/A	No
60-3338	25 1/16"	Compressed	25	Spline	27	Male	43	N/A	N/A	No
60-3339	23 5/8"	Compressed	25	Spline	24 + 2 Blank	Female	N/A	N/A	N/A	No
60-3340	23 5/8"	Compressed	25	Spline	24 + 2 Blank	Female	43	N/A	N/A	No
60-3341	36 7/8"	Compressed	25	Spline	25	Male	44	N/A	N/A	No
60-3342	36 7/8"	Compressed	25	Spline	25	Male	N/A	N/A	N/A	No
60-3343	25 3/4"	Compressed	25	Spline	25	Male	44	N/A	N/A	No
60-3344	25 3/4"	Compressed	25	Spline	25	Male	N/A	N/A	N/A	No
60-3345	36 11/16"	Compressed	25	Spline	25	Male	44	N/A	N/A	No
60-3346	36 11/16"	Compressed	25	Spline	25	Male	N/A	N/A	N/A	No
60-3347	25 1/2"	Compressed	25	Spline	25	Male	44	N/A	N/A	No
60-3348	25 1/2"	Compressed	25	Spline	25	Male	N/A	N/A	N/A	No
60-3351	24 1/2"	Compressed	27	Spline	27	Male	N/A	Self Lock	36mm	Yes
60-3352	22 3/4"	Compressed	27	Spline	29	Female	N/A	Self Lock	36mm	Yes
60-3353	24"	Compressed	28	Spline	28	Male	N/A	N/A	N/A	No
60-3354	20 7/8"	Compressed	28	Spline	N/A	Bolt-On	N/A	N/A	N/A	No
60-3355	25 1/2"	Compressed	27	Spline	27	Male	N/A	N/A	N/A	No
60-3356	25 1/2"	Compressed	27	Spline	27	Male	52	N/A	N/A	No
60-3357	38 3/16"	Compressed	27	Spline	27	Male	N/A	N/A	N/A	No
60-3358	38 3/16"	Compressed	27	Spline	27	Male	52	N/A	N/A	No
60-3359	25 5/8"	Compressed	27	Spline	27	Male	N/A	N/A	N/A	No
60-3360	25 5/8"	Compressed	27	Spline	27	Male	52	N/A	N/A	No
60-3361	23 13/16"	Compressed	27	Spline	24 + 2 Blank	Female	N/A	N/A	N/A	No
60-3362	23 13/16"	Compressed	27	Spline	24 + 2 Blank	Female	52	N/A	N/A	No
60-3363	25 7/16"	Compressed	27	Spline	28	Male	N/A	N/A	N/A	No
60-3364	25 7/16"	Compressed	27	Spline	28	Male	52	N/A	N/A	No
60-3365	23 3/8"	Compressed	27	Spline	26 + 2 Blank	Female	N/A	N/A	N/A	No
60-3366	23 3/8"	Compressed	27	Spline	26 + 2 Blank	Female	52	N/A	N/A	No
60-3367	25 1/2"	Compressed	27	Spline	27	Male	N/A	N/A	N/A	No
60-3368	25 1/2"	Compressed	27	Spline	27	Male	52	N/A	N/A	No
60-3369	24"	Compressed	27	Spline	24 + 2 Blank	Female	N/A	N/A	N/A	No
60-3370	24"	Compressed	27	Spline	24 + 2 Blank	Female	52	N/A	N/A	No
60-3371	24 1/4"	Compressed	25	Spline	25	Male	N/A	Self Lock	32mm	Yes
60-3372	37"	Compressed	25	Spline	25	Male	N/A	Self Lock	32mm	Yes
60-3373	32 1/4"	Compressed	27	Spline	27	Male	N/A	N/A	N/A	No
60-3374	32 1/4"	Compressed	27	Spline	27	Male	52	N/A	N/A	No
60-3375	22 1/8"	Compressed	25	Spline	24 + 2 Blank	Female	43	N/A	N/A	No
60-3376	24 1/4"	Compressed	25	Spline	25	Male	N/A	Self Lock	32mm	Yes
60-3377	24 3/16"	Compressed	25	Spline	25	Male	43	Self Lock	32mm	Yes
60-3378	37"	Compressed	25	Spline	25	Male	N/A	Self Lock	32mm	Yes
60-3379	37"	Compressed	25	Spline	25	Male	43	Self Lock	32mm	Yes
60-3382	22 1/4"	Compressed	33	Spline	29	Female	N/A	Self Lock	36mm	Yes
60-3383	25 9/16"	Compressed	27	Spline	28	Male	47	N/A	N/A	No
60-3384	23 15/16"	Compressed	27	Spline	28	Female	47	N/A	N/A	No
60-3385	40 1/2"	Compressed	26	Spline	25	Male	N/A	N/A	N/A	No
60-3386	40 1/2"	Compressed	26	Spline	25	Male	47	N/A	N/A	No
60-3391	25 5/8"	Compressed	27	Spline	27	Male	N/A	N/A	N/A	No
60-3392	24 1/8"	Compressed	27	Spline	26 + 2 Blank	Female	N/A	N/A	N/A	No
60-3394	23 3/4"	Compressed	27	Spline	26 + 2 Blank	Female	52	N/A	N/A	No
60-3396	26 1/8"	Compressed	27	Spline	27	Male	52	N/A	N/A	No
60-3398	37 1/2"	Compressed	27	Spline	27	Male	52	N/A	N/A	No
60-3399	27"	Compressed	26	Spline	25	Male	N/A	N/A	N/A	No
60-3400	42 1/2"	Compressed	26	Spline	25	Male	N/A	N/A	N/A	No
60-3401	42 1/2"	Compressed	26	Spline	25	Male	N/A	N/A	N/A	No
60-3402	26"	Compressed	27	Spline	27	Male	N/A	N/A	N/A	No
60-3403	26"	Compressed	27	Spline	27	Male	47	N/A	N/A	No
60-3404	23 3/4"	Compressed	33	Spline	29	Female	N/A	Self Lock	36mm	Yes
60-3405	38 1/4"	Compressed	27	Spline	27	Male	47	N/A	N/A	No
60-3406	25 7/8"	Compressed	27	Spline	27	Male	47	N/A	N/A	No
60-3407	24 3/16"	Compressed	27	Spline	26	Female	47	N/A	N/A	No

① Length measurements are approximate and may vary plus or minus 1/8 of an inch.

REMANUFACTURED CV IDENTIFICATION GUIDE

REMAN PART NO.	OVERALL LENGTH (A) ①	LENGTH MEAS. METHOD	OUTBOARD SPLINE COUNT (B)	OUTBOARD JOINT TYPE	INBOARD SPLINE COUNT (C)	INBOARD JOINT TYPE (D)	ABS RING TOOTH COUNT	AXLE NUT LOCKING TYPE	AXLE NUT HEX HEAD SIZE	AXLE NUT INCLUDED
60-3408	21 1/16"	Compressed	33	Spline	29	Female	N/A	Self Lock	36mm	Yes
60-3409	25 1/4"	Compressed	25	Spline	25	Male	44	N/A	N/A	No
60-3410	36 1/4"	Compressed	25	Spline	25	Male	44	N/A	N/A	No
60-3411	25 1/4"	Compressed	25	Spline	25	Male	44	N/A	N/A	No
60-3412	23 1/2"	Compressed	30	Spline	28	Male	50	N/A	N/A	No
60-3413	20 9/16"	Compressed	30	Spline	N/A	Bolt-On	50	N/A	N/A	No
60-3414	26 5/8"	Compressed	33	Spline	N/A	Bolt-On	50	N/A	N/A	No
60-3415	33 3/16"	Compressed	26	Spline	25	Male	N/A	N/A	N/A	No
60-3416	35 7/8"	Compressed	26	Spline	25	Male	N/A	N/A	N/A	No
60-3417	26 1/2"	Compressed	29	Spline	29	Male	N/A	Standard	36mm	Yes
60-3418	24"	Compressed	29	Spline	29	Female	N/A	Standard	36mm	Yes
60-3419	25 3/4"	Compressed	29	Spline	29	Male	N/A	Standard	36mm	Yes
60-3420	23 7/16"	Compressed	26	Spline	25	Male	46	N/A	N/A	No
60-3421	23 3/8"	Compressed	26	Spline	27	Male	46	N/A	N/A	No
60-3422	20 5/8"	Compressed	26	Spline	32	Female	46	Self Lock	32mm	Yes
60-3425	25 1/4"	Compressed	25	Spline	27	Male	N/A	N/A	N/A	No
60-3426	25 1/4"	Compressed	25	Spline	27	Male	43	N/A	N/A	No
60-3427	23 3/16"	Compressed	25	Spline	24 + 2 Blank	Female	N/A	N/A	N/A	No
60-3428	23 3/16"	Compressed	25	Spline	24 + 2 Blank	Female	43	N/A	N/A	No
60-3435	26 9/16"	Compressed	27	Spline	27	Male	48	N/A	N/A	No
60-3438	26 5/16"	Compressed	27	Spline	27	Male	48	N/A	N/A	No
60-3439	23 5/8"	Compressed	27	Spline	24 + 2 Blank	Female	48	N/A	N/A	No
60-3441	26 7/8"	Compressed	33	Spline	27	Female	50	N/A	N/A	No
60-3442	20 7/8"	Compressed	33	Spline	27	Female	50	N/A	N/A	No
60-3443	24 7/8"	Compressed	25	Spline	25	Male	N/A	N/A	N/A	No
60-3445	36 5/16"	Compressed	25	Spline	25	Male	N/A	N/A	N/A	No
60-3448	24 7/8"	Compressed	25	Spline	25	Male	48	N/A	N/A	No
60-3449	36 5/16"	Compressed	25	Spline	25	Male	48	N/A	N/A	No
60-3450	25 1/16"	Compressed	25	Spline	25	Male	N/A	N/A	N/A	No
60-3451	25 1/16"	Compressed	25	Spline	25	Male	48	N/A	N/A	No
60-3452	36 3/8"	Compressed	25	Spline	25	Male	N/A	N/A	N/A	No
60-3453	36 5/16"	Compressed	25	Spline	25	Male	48	N/A	N/A	No
60-3454	25 3/4"	Compressed	27	Spline	28	Male	47	N/A	N/A	No
60-3455	24"	Compressed	27	Spline	28	Female	47	N/A	N/A	No
60-3460	25 1/2"	Compressed	27	Spline	27	Male	N/A	N/A	N/A	No
60-3461	25 1/2"	Compressed	27	Spline	27	Male	44	N/A	N/A	No
60-3462	22 7/8"	Compressed	27	Spline	24 + 2 Blank	Female	N/A	N/A	N/A	No
60-3463	22 7/8"	Compressed	27	Spline	24 + 2 Blank	Female	44	N/A	N/A	No
60-3464	24 7/8"	Compressed	27	Spline	29	Male	N/A	N/A	N/A	No
60-3466	25 1/4"	Compressed	25	Spline	25	Male	N/A	N/A	N/A	No
60-3467	25 1/4"	Compressed	25	Spline	25	Male	44	N/A	N/A	No
60-3468	36 5/8"	Compressed	25	Spline	25	Male	N/A	N/A	N/A	No
60-3469	36 5/8"	Compressed	25	Spline	25	Male	44	N/A	N/A	No
60-3470	25 7/16"	Compressed	25	Spline	25	Male	N/A	N/A	N/A	No
60-3471	25 7/16"	Compressed	25	Spline	25	Male	44	N/A	N/A	No
60-3472	36 5/8"	Compressed	25	Spline	25	Male	N/A	N/A	N/A	No
60-3473	36 5/8"	Compressed	25	Spline	25	Male	44	N/A	N/A	No
60-3474	26 5/16"	Compressed	27	Spline	27	Male	43	N/A	N/A	No
60-3475	38 15/16"	Compressed	27	Spline	27	Male	43	N/A	N/A	No
60-3476	26 1/8"	Compressed	27	Spline	28	Male	43	N/A	N/A	No
60-3479	26 5/16"	Compressed	25	Spline	27	Male	N/A	N/A	N/A	No
60-3480	26 5/16"	Compressed	25	Spline	27	Male	43	N/A	N/A	No
60-3481	39"	Compressed	25	Spline	27	Male	N/A	N/A	N/A	No
60-3482	39"	Compressed	25	Spline	27	Male	43	N/A	N/A	No
60-3485	26 11/16"	Compressed	27	Spline	28	Male	N/A	N/A	N/A	No
60-3487	25 5/16"	Compressed	27	Spline	26 + 2 Blank	Female	N/A	N/A	N/A	No
60-3488	25 5/16"	Compressed	27	Spline	26 + 2 Blank	Female	43	N/A	N/A	No
60-3489	26 11/16"	Compressed	27	Spline	27	Male	47	N/A	N/A	No
60-3490	38 1/16"	Compressed	27	Spline	27	Male	47	N/A	N/A	No
60-3491	26 1/15"	Compressed	27	Spline	27	Male	47	N/A	N/A	No

① Length measurements are approximate and may vary plus or minus 1/8 of an inch.

REMANUFACTURED CV IDENTIFICATION GUIDE

REMAN PART NO.	OVERALL LENGTH (A) ①	LENGTH MEAS. METHOD	OUTBOARD SPLINE COUNT (B)	OUTBOARD JOINT TYPE	INBOARD SPLINE COUNT (C)	INBOARD JOINT TYPE (D)	ABS RING TOOTH COUNT	AXLE NUT LOCKING TYPE	AXLE NUT HEX HEAD SIZE	AXLE NUT INCLUDED
60-3492	38 11/16"	Compressed	27	Spline	27	Male	47	N/A	N/A	No
60-3494	25 7/8"	Compressed	30	Spline	28	Male	47	N/A	N/A	No
60-3495	38 7/16"	Compressed	30	Spline	28	Male	47	N/A	N/A	No
60-3504	26 3/8"	Compressed	27	Spline	27	Male	48	N/A	N/A	No
60-3505	37 11/16"	Compressed	27	Spline	27	Male	48	N/A	N/A	No
60-3511	25 1/16"	Compressed	28	Spline	27	Male	N/A	N/A	N/A	No
60-3512	37 3/4"	Compressed	28	Spline	27	Male	N/A	N/A	N/A	No
60-3513	23 1/16"	Compressed	28	Spline	26 + 2 Blank	Female	N/A	N/A	N/A	No
60-3514	37 7/8"	Compressed	28	Spline	27	Male	N/A	N/A	N/A	No
60-3518	25 3/8"	Compressed	32	Spline	25	Male	N/A	Self Lock	32mm	Yes
60-3519	22 3/16"	Compressed	32	Spline	28	Female	N/A	Self Lock	32mm	Yes
60-3520	22 15/16"	Compressed	32	Spline	28	Female	N/A	Self Lock	32mm	Yes
60-3521	25 1/4"	Compressed	32	Spline	29	Male	N/A	Self Lock	32mm	Yes
60-3522	20 11/16"	Compressed	32	Spline	28	Female	N/A	Self Lock	32mm	Yes
60-3523	26 3/8"	Compressed	27	Spline	27	Male	46	N/A	N/A	No
60-3524	36 15/16"	Compressed	27	Spline	27	Male	46	N/A	N/A	No
60-3525	25 3/16"	Compressed	25	Spline	27	Male	N/A	N/A	N/A	No
60-3526	25 3/16"	Compressed	25	Spline	27	Male	44	N/A	N/A	No
60-3527	36 1/2"	Compressed	25	Spline	27	Male	N/A	N/A	N/A	No
60-3528	36 1/2"	Compressed	25	Spline	27	Male	44	N/A	N/A	No
60-3529	27 1/16"	Compressed	27	Spline	27	Male	48	N/A	N/A	No
60-3530	37 5/8"	Compressed	27	Spline	27	Male	48	N/A	N/A	No
60-3532	23 5/8"	Compressed	27	Spline	26 + 2 Blank	Female	48	N/A	N/A	No
60-3533	25 7/8"	Compressed	27	Spline	27	Male	N/A	N/A	N/A	No
60-3534	24 1/8"	Compressed	27	Spline	24 + 2 Blank	Female	N/A	N/A	N/A	No
60-3538	26 3/8"	Compressed	30	Spline	27	Male	52	N/A	N/A	No
60-3539	26 3/8"	Compressed	30	Spline	28	Male	52	N/A	N/A	No
60-3540	24 1/16"	Compressed	30	Spline	26 + 2 Blank	Female	52	N/A	N/A	No
60-3541	26 5/16"	Compressed	30	Spline	31	Male	52	N/A	N/A	No
60-3543	24 1/8"	Compressed	27	Spline	27 + 2 Blank	Female	43	N/A	N/A	No
60-3544	27 3/4"	Compressed	27	Spline	24 + 2 Blank	Female	43	N/A	N/A	No
60-3545	21 1/8"	Compressed	33	Spline	29	Female	N/A	Self Lock	36mm	Yes
60-3549	25 13/16"	Compressed	30	Spline	28	Male	47	N/A	N/A	No
60-3550	23 7/16"	Compressed	30	Spline	28	Female	47	N/A	N/A	No
60-3551	26 3/8"	Compressed	32	Spline	25	Male	N/A	Self Lock	32mm	Yes
60-3552	41 5/8"	Compressed	32	Spline	25	Male	N/A	Self Lock	32mm	Yes
60-3553	26 5/16"	Compressed	32	Spline	29	Male	N/A	Self Lock	32mm	Yes
60-3554	41 5/8"	Compressed	32	Spline	29	Male	N/A	Self Lock	32mm	Yes
60-3555	26 3/4"	Compressed	32	Spline	29	Male	N/A	Self Lock	32mm	Yes
60-3556	23 5/8"	Compressed	32	Spline	27	Female	N/A	Self Lock	32mm	Yes
60-3557	22 13/16"	Compressed	27	Spline	34	Female	96	Self Lock	32mm	Yes
60-3558	23 7/8"	Compressed	27	Spline	24	Male	96	Self Lock	32mm	Yes
60-3559	31 7/16"	Compressed	27	Spline	27	Male	96	Self Lock	32mm	Yes
60-3560	32"	Compressed	27	Spline	27	Male	96	Self Lock	32mm	Yes
60-3561	31 7/16"	Compressed	27	Spline	27	Male	96	Self Lock	32mm	Yes
60-3562	32"	Compressed	27	Spline	27	Male	96	Self Lock	32mm	Yes
60-3563	24 1/8"	Compressed	32	Spline	27	Male	N/A	Self Lock	36mm	Yes
60-3564	21 3/8"	Compressed	32	Spline	29	Female	N/A	Self Lock	36mm	Yes
60-3571	25 9/16"	Compressed	28	Spline	27	Male	N/A	N/A	N/A	No
60-3573	25 9/16"	Compressed	28	Spline	27	Male	N/A	N/A	N/A	No
60-3574	37 15/16"	Compressed	28	Spline	27	Male	N/A	N/A	N/A	No
60-3575	24 15/16"	Compressed	28	Spline	24	Male	N/A	N/A	N/A	No
60-3576	38 9/16"	Compressed	28	Spline	24	Male	N/A	N/A	N/A	No
60-3584	26 5/8"	Compressed	27	Spline	27	Male	N/A	N/A	N/A	No
60-3585	26 5/8"	Compressed	27	Spline	27	Male	48	N/A	N/A	No
60-3586	38"	Compressed	27	Spline	27	Male	N/A	N/A	N/A	No
60-3587	38"	Compressed	27	Spline	27	Male	48	N/A	N/A	No
60-3592	26 3/4"	Compressed	27	Spline	27	Male	N/A	N/A	N/A	No
60-3593	26 3/4"	Compressed	27	Spline	27	Male	48	N/A	N/A	No
60-3596	26"	Compressed	27	Spline	27	Male	47	N/A	N/A	No

① Length measurements are approximate and may vary plus or minus 1/8 of an inch.

REMANUFACTURED CV IDENTIFICATION GUIDE

REMAN PART NO.	OVERALL LENGTH (A) ①	LENGTH MEAS. METHOD	OUTBOARD SPLINE COUNT (B)	OUTBOARD JOINT TYPE	INBOARD SPLINE COUNT (C)	INBOARD JOINT TYPE (D)	ABS RING TOOTH COUNT	AXLE NUT LOCKING TYPE	AXLE NUT HEX HEAD SIZE	AXLE NUT INCLUDED
60-3597	38 3/8"	Compressed	27	Spline	27	Male	47	N/A	N/A	No
60-3598	29 7/32"	Compressed	25	Spline	23	Male	N/A	N/A	N/A	No
60-3599	32 11/32"	Compressed	25	Spline	23	Male	N/A	N/A	N/A	No
60-3639	23"	Compressed	32	Spline	27	Female	N/A	Self Lock	32mm	Yes
60-3641	39 1/8"	Compressed	32	Spline	25	Male	N/A	Self Lock	32mm	Yes
60-3649	32 9/16"	Compressed	27	Spline	27	Male	96	Self Lock	32mm	Yes
60-3650	33 1/8"	Compressed	27	Spline	27	Male	96	Self Lock	32mm	Yes
60-3651	26 1/2"	Compressed	27	Spline	27	Male	45	N/A	N/A	No
60-3653	26"	Compressed	30	Spline	28	Male	52	N/A	N/A	No
60-3654	23 1/2"	Compressed	30	Spline	26 + 2 Blank	Female	52	N/A	N/A	No
60-3720	26 3/8"	Compressed	27	Spline	28	Male	48	N/A	N/A	No
60-3721	38 1/16"	Compressed	27	Spline	28	Male	48	Cotter	N/A	No
60-3726	26 5/16"	Compressed	27	Spline	27	Male	N/A	N/A	N/A	No
60-3729	21 7/8"	Compressed	32	Spline	28	Female	N/A	Self Lock	32mm	Yes
60-3730	37 3/4"	Compressed	27	Spline	27	Male	48	Stake Nut	32mm	Yes
60-3732	26 1/4"	Compressed	32	Spline	37	Male	0	Self Lock	32 mm	Yes
60-3761	24 7/8"	Compressed	25	Spline	27	Male	48	Stake	32mm	Yes
60-4000	24 3/8"	Compressed	26	Spline	27	Male	N/A	Stake	32mm	Yes
60-4001	36 3/8"	Compressed	26	Spline	27	Male	N/A	Stake	32mm	Yes
60-4002	23 11/16"	Compressed	26	Spline	25	Male	N/A	Stake	32mm	Yes
60-4003	35 9/16"	Compressed	26	Spline	25	Male	N/A	Stake	32mm	Yes
60-4004	34 5/8"	Compressed	23	Spline	25	Male	N/A	Stake	32mm	Yes
60-4005	22 15/16"	Compressed	23	Spline	25	Male	N/A	Stake	32mm	Yes
60-4006	36 7/16"	Compressed	26	Spline	27	Male	N/A	Stake	32mm	Yes
60-4007	22 7/16"	Compressed	23	Spline	25	Male	N/A	Stake	32mm	Yes
60-4008	25 7/16"	Compressed	28	Spline	29	Male	N/A	Stake	35-36mm	Yes
60-4009	35 11/16"	Compressed	23	Spline	25	Male	N/A	Stake	32mm	Yes
60-4010	23 7/8"	Compressed	24	Spline	25	Male	N/A	Stake	32mm	Yes
60-4011	34 3/16"	Compressed	23	Spline	25	Male	N/A	Stake	32mm	Yes
60-4012	25 7/16"	Compressed	28	Spline	29	Male	50	Stake	35-36mm	Yes
60-4013	35"	Compressed	24	Spline	25	Male	N/A	Stake	32mm	Yes
60-4014	25 7/16"	Compressed	28	Spline	29	Male	50	Stake	35-36mm	Yes
60-4015	26 9/16"	Compressed	30	Spline	31	Female	50	Stake	36mm	Yes
60-4016	37 11/16"	Compressed	28	Spline	27	Male	N/A	Stake	35-36mm	Yes
60-4017	23 11/16"	Compressed	23	Spline	25	Male	N/A	Stake	32mm	Yes
60-4018	23 7/8"	Compressed	24	Spline	25	Male	N/A	Stake	32mm	Yes
60-4019	24 1/2"	Compressed	24	Spline	25	Male	N/A	Stake	32mm	Yes
60-4020	35 3/8"	Compressed	24	Spline	25	Male	N/A	Stake	32mm	Yes
60-4021	24 1/4"	Compressed	26	Spline	27	Male	N/A	Stake	32mm	Yes
60-4022	24 5/16"	Compressed	26	Spline	27	Male	N/A	Stake	32mm	Yes
60-4023	35 1/2"	Compressed	24	Spline	25	Male	N/A	Stake	32mm	Yes
60-4024	23 1/8"	Compressed	26	Spline	27	Male	N/A	Stake	32mm	Yes
60-4025	23 1/8"	Compressed	26	Spline	27	Male	N/A	Stake	32mm	Yes
60-4026	23 1/2"	Compressed	28	Spline	27	Male	N/A	Stake	35-36mm	Yes
60-4027	24 3/8"	Compressed	26	Spline	27	Male	N/A	Stake	32mm	Yes
60-4028	36 7/16"	Compressed	26	Spline	27	Male	N/A	Stake	32mm	Yes
60-4030	24 9/16"	Compressed	24	Spline	25	Male	N/A	Stake	32mm	Yes
60-4032	23 3/8"	Compressed	26	Spline	27	Male	N/A	Stake	32mm	Yes
60-4033	23 7/16"	Compressed	24	Spline	25	Male	N/A	Stake	32mm	Yes
60-4034	23 3/8"	Compressed	26	Spline	27	Male	N/A	Stake	32mm	Yes
60-4035	36 1/16"	Compressed	24	Spline	25	Male	N/A	Stake	32mm	Yes
60-4036	25 7/16"	Compressed	28	Spline	29	Male	N/A	Stake	35-36mm	Yes
60-4037	23 1/2"	Compressed	24	Spline	25	Male	N/A	Stake	32mm	Yes
60-4038	23"	Compressed	23	Spline	25	Male	N/A	Stake	32mm	Yes
60-4040	23 11/16"	Compressed	23	Spline	25	Male	N/A	N/A	N/A	No
60-4041	34 5/8"	Compressed	23	Spline	25	Male	N/A	Stake	32mm	Yes
60-4042	36 1/8"	Compressed	26	Spline	27	Male	N/A	Stake	32mm	Yes
60-4043	23 9/16"	Compressed	23	Spline	25	Male	N/A	Stake	32mm	Yes
60-4044	34 9/16"	Compressed	23	Spline	25	Male	N/A	N/A	N/A	No
60-4045	34 3/4"	Compressed	23	Spline	25	Male	N/A	Stake	32mm	Yes

① Length measurements are approximate and may vary plus or minus 1/8 of an inch.

REMANUFACTURED CV IDENTIFICATION GUIDE

REMAN PART NO.	OVERALL LENGTH (A) ①	LENGTH MEAS. METHOD	OUTBOARD SPLINE COUNT (B)	OUTBOARD JOINT TYPE	INBOARD SPLINE COUNT (C)	INBOARD JOINT TYPE (D)	ABS RING TOOTH COUNT	AXLE NUT LOCKING TYPE	AXLE NUT HEX HEAD SIZE	AXLE NUT INCLUDED
60-4046	23"	Compressed	23	Spline	25	Male	N/A	Stake	32mm	Yes
60-4047	36 3/16"	Compressed	24	Spline	25	Male	N/A	Stake	32mm	Yes
60-4048	34 13/16"	Compressed	24	Spline	25	Male	N/A	Stake	32mm	Yes
60-4049	24 7/16"	Compressed	24	Spline	25	Male	N/A	Stake	32mm	Yes
60-4051	34 5/8"	Compressed	23	Spline	25	Male	N/A	Stake	32mm	Yes
60-4052	34 7/8"	Compressed	24	Spline	25	Male	N/A	Stake	32mm	Yes
60-4053	36 3/16"	Compressed	24	Spline	25	Male	N/A	Stake	32mm	Yes
60-4054	22 13/16"	Compressed	26	Spline	27	Male	N/A	Stake	32mm	Yes
60-4055	22 3/4"	Compressed	26	Spline	27	Male	N/A	Stake	32mm	Yes
60-4056	23 7/8"	Compressed	26	Spline	27	Male	N/A	Stake	32mm	Yes
60-4060	35 9/16"	Compressed	26	Spline	25	Male	50	Stake	32mm	Yes
60-4061	24 1/2"	Compressed	26	Spline	25	Male	N/A	Stake	32mm	Yes
60-4062	23 3/8"	Compressed	26	Spline	27	Male	50	Stake	32mm	Yes
60-4063	23 1/2"	Compressed	26	Spline	27	Male	50	Stake	32mm	Yes
60-4064	24 1/2"	Compressed	26	Spline	25	Male	50	Stake	32mm	Yes
60-4066	37 11/16"	Compressed	28	Spline	27	Male	50	Stake	35-36mm	Yes
60-4067	23 3/4"	Compressed	26	Spline	27	Male	N/A	Stake	32mm	Yes
60-4069	35 9/16"	Compressed	26	Spline	25	Male	N/A	Stake	32mm	Yes
60-4070	35 5/16"	Compressed	26	Spline	27	Male	N/A	Stake	32mm	Yes
60-4071	23 1/2"	Compressed	28	Spline	27	Male	50	Stake	35-36mm	Yes
60-4072	25 1/8"	Compressed	30	Spline	31	Male	50	Stake	36mm	Yes
60-4073	35 5/16"	Compressed	26	Spline	27	Male	N/A	Stake	32mm	Yes
60-4074	23 3/4"	Compressed	26	Spline	27	Male	N/A	Stake	32mm	Yes
60-4075	23 5/8"	Compressed	28	Spline	27	Male	50	Stake	35-36mm	Yes
60-4081	21 3/4"	Compressed	17	Spline	17	Male	N/A	N/A	N/A	No
60-4084	22 3/16"	Compressed	26	Spline	27	Female	N/A	Stake	32mm	Yes
60-4088	24 1/4"	Compressed	28	Spline	27	Male	50	Stake	35-36mm	Yes
60-4090	38 1/2"	Compressed	28	Spline	27	Male	50	Stake	35-36mm	Yes
60-4091	38 1/2"	Compressed	28	Spline	27	Male	N/A	Stake	35-36mm	Yes
60-4092	24 9/16"	Compressed	28	Spline	27	Male	50	Stake	35-36mm	Yes
60-4093	23 5/8"	Compressed	28	Spline	27	Male	N/A	Stake	35-36mm	Yes
60-4094	38 1/4"	Compressed	17	Spline	17	Male	N/A	N/A	N/A	No
60-4096	23 15/16"	Compressed	28	Spline	29	Female	50	Stake	35-36mm	Yes
60-4097	24 9/16"	Compressed	28	Spline	27	Male	N/A	Stake	35-36mm	Yes
60-4102	39"	Compressed	28	Spline	27	Male	N/A	Stake	35-36mm	Yes
60-4107	25 3/16"	Compressed	28	Spline	29	Male	50	Stake	35-36mm	Yes
60-4108	24 1/4"	Compressed	28	Spline	27	Male	N/A	Stake	35-36mm	Yes
60-4113	23"	Compressed	28	Spline	27	Female	50	Stake	35-36mm	Yes
60-4114	23"	Compressed	28	Spline	27	Female	N/A	Stake	35-36mm	Yes
60-4116	24 11/16"	Compressed	28	Spline	27	Male	N/A	Stake	35-36mm	Yes
60-4121	22 3/16"	Compressed	26	Spline	27	Female	50	Stake	32mm	Yes
60-4127	24 3/4"	Compressed	28	Spline	27	Male	50	Stake	35-36mm	Yes
60-4128	39"	Compressed	28	Spline	27	Male	50	Stake	35-36mm	Yes
60-4131	29 13/16"	Compressed	23	Spline	25	Male	N/A	Stake	32mm	Yes
60-4135	25 1/16"	Compressed	28	Spline	29	Male	N/A	Stake	35-36mm	Yes
60-4136	25 3/8"	Compressed	28	Spline	27	Male	N/A	Stake	35-36mm	Yes
60-4137	25 1/16"	Compressed	28	Spline	29	Male	50	Stake	35-36mm	Yes
60-4138	25 3/8"	Compressed	28	Spline	27	Male	50	Stake	35-36mm	Yes
60-4144	22 7/16"	Compressed	28	Spline	27	Female	50	Stake	35-36mm	Yes
60-4145	24 3/16"	Compressed	28	Spline	27	Male	50	Stake	35-36mm	Yes
60-4146	25 1/8"	Compressed	28	Spline	27	Male	50	Stake	35-36mm	Yes
60-4147	23 11/16"	Compressed	28	Spline	27	Female	50	Stake	35-36mm	Yes
60-4148	26 1/2"	Compressed	28	Spline	29 + 2 Blank	Female	50	Stake	35-36mm	Yes
60-4149	25 3/16"	Compressed	28	Spline	31	Male	50	Stake	35-36mm	Yes
60-4150	39 5/8"	Compressed	28	Spline	27	Male	N/A	Stake	35-36mm	Yes
60-4151	39 5/8"	Compressed	28	Spline	27	Male	50	Stake	35-36mm	Yes
60-4152	24 15/16"	Compressed	28	Spline	27	Male	N/A	Stake	35-36mm	Yes
60-4153	24 15/16"	Compressed	28	Spline	27	Male	50	Stake	35-36mm	Yes
60-4154	24 15/16"	Compressed	28	Spline	27	Male	N/A	Stake	35-36mm	Yes
60-4155	24 15/16"	Compressed	28	Spline	27	Male	50	Stake	35-36mm	Yes

① Length measurements are approximate and may vary plus or minus 1/8 of an inch.

REMANUFACTURED CV IDENTIFICATION GUIDE

REMAN PART NO.	OVERALL LENGTH (A) ①	LENGTH MEAS. METHOD	OUTBOARD SPLINE COUNT (B)	OUTBOARD JOINT TYPE	INBOARD SPLINE COUNT (C)	INBOARD JOINT TYPE (D)	ABS RING TOOTH COUNT	AXLE NUT LOCKING TYPE	AXLE NUT HEX HEAD SIZE	AXLE NUT INCLUDED
60-4158	23 7/8"	Compressed	17	Spline	17	Male	N/A	N/A	N/A	No
60-4159	23"	Compressed	17	Spline	17	Male	N/A	N/A	N/A	No
60-4162	22 13/16"	Compressed	28	Spline	25 + 2 Blank	Female	50	Stake	35-36mm	Yes
60-4163	24 3/4"	Compressed	28	Spline	27	Male	50	Stake	35-36mm	Yes
60-4164	28 3/4"	Compressed	28	Spline	29	Male	50	Stake	35-36mm	Yes
60-4165	26"	Compressed	28	Spline	27 + 2 Blank	Female	50	Stake	35-36mm	Yes
60-4166	26 5/8"	Compressed	28	Spline	29	Male	50	Stake	35-36mm	Yes
60-4167	26 3/16"	Compressed	28	Spline	27	Male	50	Stake	35-36mm	Yes
60-4168	22 1/8"	Compressed	26	Spline	27	Female	50	Stake	32mm	Yes
60-4169	23 1/2"	Compressed	26	Spline	27	Male	50	Stake	32mm	Yes
60-4170	23 3/4"	Compressed	28	Spline	27	Female	N/A	Stake	35-36mm	Yes
60-4172	25 3/16"	Compressed	28	Spline	27	Male	N/A	Stake	35-36mm	Yes
60-4173	25 3/16"	Compressed	28	Spline	27	Male	50	Stake	35-36mm	Yes
60-4174	25 1/8"	Compressed	28	Spline	27	Male	N/A	Stake	35-36mm	Yes
60-4175	25 1/8"	Compressed	28	Spline	27	Male	50	Stake	35-36mm	Yes
60-4176	31 1/8"	Compressed	23	Spline	23	Male	N/A	Stake	32mm	Yes
60-4177	31 1/8"	Compressed	23	Spline	23	Male	50	Stake	32mm	Yes
60-4188	24"	Compressed	26	Spline	25	Male	N/A	Stake	32mm	Yes
60-4189	24"	Compressed	26	Spline	25	Male	50	Stake	32mm	Yes
60-4190	35 1/4"	Compressed	26	Spline	25	Male	N/A	Stake	32mm	Yes
60-4191	35 1/4"	Compressed	26	Spline	25	Male	50	Stake	32mm	Yes
60-4192	24 3/16"	Compressed	26	Spline	25	Male	N/A	Stake	32mm	Yes
60-4193	24 3/16"	Compressed	26	Spline	25	Male	50	Stake	32mm	Yes
60-4194	24 3/16"	Compressed	28	Spline	27	Male	50	Stake	35-36mm	Yes
60-4198	27 7/8"	Compressed	30	Spline	29	Male	50	Stake	36mm	Yes
60-4199	26 5/8"	Compressed	30	Spline	27 + 2 Blank	Female	50	Stake	36mm	Yes
60-4200	26 3/4"	Compressed	28	Spline	N/A	Bolt-On	50	Stake	35-36mm	Yes
60-4201	28 1/2"	Compressed	28	Spline	N/A	Bolt-On	50	Stake	35-36mm	Yes
60-4202	27 7/8"	Compressed	28	Spline	29	Male	50	Stake	35-36mm	Yes
60-4203	26"	Compressed	28	Spline	29	Female	50	Stake	35-36mm	Yes
60-4204	27"	Compressed	28	Spline	27 + 2 Blank	Female	50	Stake	35-36mm	Yes
60-4205	28 1/16"	Compressed	28	Spline	27 + 2 Blank	Female	50	Stake	35-36mm	Yes
60-4206	26 1/16"	Compressed	28	Spline	27	Male	N/A	Stake	35-36mm	Yes
60-4207	24 5/16"	Compressed	28	Spline	25 + 2 Blank	Female	N/A	Stake	35-36mm	Yes
60-4208	23 15/16"	Compressed	26	Spline	27	Male	50	Stake	32mm	Yes
60-4209	24 1/8"	Compressed	26	Spline	27	Male	50	Stake	32mm	Yes
60-4210	22 1/2"	Compressed	26	Spline	25 + 2 Blank	Female	50	Stake	32mm	Yes
60-4211	24 9/16"	Compressed	28	Spline	27	Male	50	Stake	35-36mm	Yes
60-4212	22 13/16"	Compressed	28	Spline	25 + 2 Blank	Female	50	Stake	35-36mm	Yes
60-4213	26 11/16"	Compressed	28	Spline	27	Male	N/A	Stake	35-36mm	Yes
60-4214	24 13/16"	Compressed	28	Spline	25 + 2 Blank	Female	N/A	Stake	35-36mm	Yes
60-4215	29 5/8"	Compressed	23	Spline	23	Male	N/A	Stake	32mm	Yes
60-4216	31 9/16"	Compressed	23	Spline	23	Male	N/A	Stake	32mm	Yes
60-4217	26"	Compressed	26	Spline	27	Male	N/A	Stake	32mm	Yes
60-4218	37 13/16"	Compressed	26	Spline	27	Male	N/A	Stake	32mm	Yes
60-4219	26 1/4"	Compressed	28	Spline	29	Male	N/A	Stake	35-36mm	Yes
60-4220	22 1/2"	Compressed	28	Spline	27	Female	N/A	Stake	35-36mm	Yes
60-4221	26 5/8"	Compressed	28	Spline	29	Male	N/A	Stake	35-36mm	Yes
60-4222	24 1/16"	Compressed	28	Spline	25 + 2 Blank	Female	N/A	Stake	35-36mm	Yes
60-4223	24 1/8"	Compressed	28	Spline	27 + 2 Blank	Female	N/A	Stake	35-36mm	Yes
60-4224	27 1/2"	Compressed	30	Spline	29	Male	N/A	Stake	36mm	Yes
60-4225	26 3/4"	Compressed	30	Spline	27 + 2 Blank	Female	N/A	Stake	36mm	Yes
60-4226	28 3/8"	Compressed	30	Spline	29	Male	N/A	Stake	36mm	Yes
60-4227	27"	Compressed	30	Spline	27 + 2 Blank	Female	N/A	Stake	36mm	Yes
60-4228	24 7/8"	Compressed	28	Spline	29	Male	N/A	Stake	35-36mm	Yes
60-4229	22 3/4"	Compressed	28	Spline	25 + 2 Blank	Female	N/A	Stake	35-36mm	Yes
60-4230	23 3/16"	Compressed	26	Spline	25	Male	50	Stake	32mm	Yes
60-4231	20 13/16"	Compressed	26	Spline	25 + 2 Blank	Female	50	Stake	32mm	Yes
60-4232	24 1/2"	Compressed	26	Spline	25	Male	N/A	Stake	32mm	Yes
60-4233	36 1/16"	Compressed	26	Spline	25	Male	N/A	Stake	32mm	Yes

① Length measurements are approximate and may vary plus or minus 1/8 of an inch.

REMANUFACTURED CV IDENTIFICATION GUIDE

REMAN PART NO.	OVERALL LENGTH (A) ①	LENGTH MEAS. METHOD	OUTBOARD SPLINE COUNT (B)	OUTBOARD JOINT TYPE	INBOARD SPLINE COUNT (C)	INBOARD JOINT TYPE (D)	ABS RING TOOTH COUNT	AXLE NUT LOCKING TYPE	AXLE NUT HEX HEAD SIZE	AXLE NUT INCLUDED
60-4234	24 1/8"	Compressed	26	Spline	27	Male	N/A	Stake	32mm	Yes
60-4235	22 7/8"	Compressed	26	Spline	25 + 2 Blank	Female	N/A	Stake	32mm	Yes
60-4236	23 5/8"	Compressed	26	Spline	25	Male	N/A	Stake	32mm	Yes
60-4237	21 3/16"	Compressed	26	Spline	25 + 2 Blank	Female	N/A	Stake	32mm	Yes
60-4238	24 15/16"	Compressed	28	Spline	27	Male	N/A	Stake	35-36mm	Yes
60-4239	23 3/8"	Compressed	28	Spline	25 + 2 Blank	Female	N/A	Stake	35-36mm	Yes
60-4240	27 7/8"	Compressed	30	Spline	29	Male	50	Stake	36mm	Yes
60-4241	26 1/8"	Compressed	30	Spline	27 + 2 Blank	Female	50	Stake	36mm	Yes
60-4242	25 3/4"	Compressed	28	Spline	27	Male	50	Stake	35-36mm	Yes
60-4243	21 5/8"	Compressed	28	Spline	25 + 2 Blank	Female	N/A	Stake	35-36mm	Yes
60-4246	24 1/4"	Compressed	26	Spline	25	Male	N/A	Stake	32mm	Yes
60-4247	22 7/16"	Compressed	26	Spline	25 + 2 Blank	Female	N/A	Stake	32mm	Yes
60-4249	35 5/16"	Compressed	26	Spline	25	Male	N/A	Stake	32mm	Yes
60-4250	26 11/16"	Compressed	30	Spline	27	Male	N/A	Stake	36mm	Yes
60-4251	22 3/4"	Compressed	30	Spline	25 + 2 Blank	Female	N/A	Stake	36mm	Yes
60-4252	27 1/16"	Compressed	30	Spline	29	Male	N/A	Stake	36mm	Yes
60-4253	24 1/12"	Compressed	30	Spline	27 + 2 Blank	Female	N/A	Stake	36mm	Yes
60-4254	27 1/4"	Compressed	30	Spline	29	Male	N/A	Stake	36mm	Yes
60-4255	24 5/16"	Compressed	30	Spline	25 + 2 Blank	Female	N/A	Stake	36mm	Yes
60-4256	26 1/4"	Compressed	30	Spline	27	Male	N/A	Stake	36mm	Yes
60-4257	22 1/8"	Compressed	30	Spline	25 + 2 Blank	Female	N/A	Stake	36mm	Yes
60-4258	28 3/8"	Compressed	30	Spline	29	Male	N/A	Stake	36mm	Yes
60-4260	22 9/16"	Compressed	30	Spline	25 + 2 Blank	Female	N/A	Stake	36mm	Yes
60-4261	28 13/16"	Compressed	30	Spline	29	Male	N/A	Stake	36mm	Yes
60-4262	27 3/8"	Compressed	30	Spline	27 + 2 Blank	Female	N/A	Stake	36mm	Yes
60-4263	26 7/8"	Compressed	28	Spline	29	Male	N/A	Stake	35-36mm	Yes
60-4264	27 5/8"	Compressed	30	Spline	29	Male	N/A	Stake	36mm	Yes
60-4266	24 7/8"	Compressed	30	Spline	27 + 2 Blank	Female	N/A	Stake	36mm	Yes
60-4267	25 5/16"	Compressed	26	Spline	25	Male	N/A	Stake	32mm	Yes
60-4268	22 7/16"	Compressed	26	Spline	25 + 2 Blank	Female	N/A	Stake	32mm	Yes
60-4269	35 3/16"	Compressed	26	Spline	25	Male	N/A	Stake	32mm	Yes
60-4270	25 1/16"	Compressed	30	Spline	29	Male	N/A	Stake	36mm	Yes
60-4271	22 1/8"	Compressed	30	Spline	27 + 2 Blank	Female	N/A	Stake	36mm	Yes
60-4279	26 11/16"	Compressed	28	Spline	27 + 2 Blank	Female	50	Stake	35-36mm	Yes
60-4280	27 13/16"	Compressed	28	Spline	27 + 2 Blank	Female	50	Stake	35-36mm	Yes
60-4283	27"	Compressed	28	Spline	27 + 2 Blank	Female	50	Stake	35-36mm	Yes
60-4284	28 1/16"	Compressed	28	Spline	27 + 2 Blank	Female	50	Stake	35-36mm	Yes
60-4295	26 11/16"	Compressed	28	Spline	27 + 2 Blank	Female	N/A	Stake	35-36mm	Yes
60-4296	27 13/16"	Compressed	28	Spline	27 + 2 Blank	Female	N/A	Stake	35-36mm	Yes
60-4299	23 13/16"	Compressed	26	Spline	25	Male	N/A	Stake	32mm	Yes
60-4300	36 1/2"	Compressed	26	Spline	25	Male	N/A	Stake	32mm	Yes
60-4301	28 3/16"	Compressed	30	Spline	31	Male	N/A	Stake	36mm	Yes
60-4302	27 7/16"	Compressed	30	Spline	29 + 2 Blank	Female	N/A	Stake	36mm	Yes
60-4307	28 3/8"	Compressed	30	Spline	31	Male	N/A	Stake	36mm	Yes
60-4309	29"	Compressed	30	Spline	29	Male	N/A	Stake	36mm	Yes
60-4311	28 1/2"	Compressed	30	Spline	29	Male	0	Stake	36 mm	Yes
60-5000	20 7/8"	Compressed	26	Spline	N/A	Bolt-On	N/A	Standard	30mm	Yes
60-5001	26 7/8"	Compressed	23	Spline	20	Male	N/A	N/A	N/A	No
60-5002	30 11/16"	Compressed	23	Spline	20	Male	N/A	N/A	N/A	No
60-5003	19 3/4"	Compressed	26	Spline	N/A	Bolt-On	N/A	Standard	30mm	Yes
60-5004	26 1/16"	Extended	23	Spline	20	Male	N/A	N/A	N/A	No
60-5005	29 13/16"	Compressed	23	Spline	20	Male	N/A	N/A	N/A	No
60-5007	20 1/2"	Compressed	26	Spline	N/A	Bolt-On	N/A	Standard	30mm	Yes
60-5009	21 1/16"	Compressed	26	Spline	N/A	Bolt-On	N/A	N/A	N/A	No
60-5010	35 15/16"	Compressed	26	Spline	20	Male	N/A	Standard	30mm	Yes
60-5013	24 7/16"	Compressed	26	Spline	23	Male	N/A	Standard	30mm	Yes
60-5015	33 5/8"	Compressed	26	Spline	23	Male	N/A	Standard	30mm	Yes
60-5017	26 13/16"	Compressed	26	Spline	20	Male	N/A	Standard	30mm	Yes
60-5019	37"	Compressed	26	Spline	20	Male	N/A	Standard	30mm	Yes
60-5020	23 15/16"	Compressed	26	Spline	20	Male	N/A	Standard	30mm	Yes

① Length measurements are approximate and may vary plus or minus 1/8 of an inch.

REMANUFACTURED CV IDENTIFICATION GUIDE

REMAN PART NO.	OVERALL LENGTH (A) ①	LENGTH MEAS. METHOD	OUTBOARD SPLINE COUNT (B)	OUTBOARD JOINT TYPE	INBOARD SPLINE COUNT (C)	INBOARD JOINT TYPE (D)	ABS RING TOOTH COUNT	AXLE NUT LOCKING TYPE	AXLE NUT HEX HEAD SIZE	AXLE NUT INCLUDED
60-5022	24 11/16"	Compressed	26	Spline	20	Male	N/A	Standard	30mm	Yes
60-5023	22 1/2"	Compressed	26	Spline	23	Male	N/A	Standard	30mm	Yes
60-5025	19 1/2"	Compressed	26	Spline	N/A	Bolt-On	N/A	N/A	N/A	No
60-5027	31 3/16"	Compressed	26	Spline	N/A	Bolt-On	N/A	N/A	N/A	No
60-5030	30 1/2"	Compressed	26	Spline	N/A	Bolt-On	N/A	N/A	N/A	No
60-5031	20 1/8"	Compressed	26	Spline	N/A	Bolt-On	48	Standard	30mm	Yes
60-5032	21 3/4"	Compressed	30	Spline	N/A	Bolt-On	N/A	N/A	N/A	No
60-5034	24 5/8"	Compressed	26	Spline	23	Male	48	N/A	N/A	No
60-5035	33 1/2"	Compressed	26	Spline	23	Male	48	N/A	N/A	No
60-5038	26 3/4"	Compressed	26	Spline	20	Male	48	N/A	N/A	No
60-5039	21 3/4"	Compressed	30	Spline	N/A	Bolt-On	48	N/A	N/A	No
60-5041	35 7/8" to 36 1/4" ⑤	Compressed	26	Spline	20	Male	N/A	Standard	30mm	Yes
60-5044	36 3/4" to 37 1/16" ⑤	Compressed	26	Spline	20	Male	48	N/A	N/A	No
60-5048	22 15/16"	Compressed	26	Spline	23	Male	N/A	Standard	30mm	Yes
60-5049	23 1/16"	Compressed	26	Spline	23	Male	N/A	Standard	30mm	Yes
60-5050	22 1/8"	Compressed	26	Spline	N/A	Bolt-On	48	Standard	30mm	Yes
60-5053	22 11/16"	Compressed	26	Spline	23	Male	N/A	Standard	30mm	Yes
60-5055	39 7/16"	Compressed	30	Spline	30	Male ③	N/A	N/A	N/A	No
60-5056	36 11/16"	Compressed	26	Spline	20	Male	N/A	Standard	30mm	Yes
60-5059	25 15/16"	Compressed	30	Spline	N/A	Bolt-On	48	Standard	32mm	Yes
60-5061	27 9/16"	Compressed	30	Spline	N/A	Bolt-On	48	Standard	32mm	Yes
60-5065	24 5/16"	Compressed	26	Spline	N/A	Bolt-On	N/A	N/A	N/A	No
60-5074	23 7/8"	Compressed	26	Spline	20	Male	48	Standard	30mm	Yes
60-5090	19 3/8"	Compressed	26	Spline	N/A	Bolt-On	N/A	N/A	N/A	No
60-5091	25 5/16"	Compressed	26	Spline	20	Male	48	N/A	N/A	No
60-5092	36 7/16"	Compressed	26	Spline	20	Male	48	N/A	N/A	No
60-5098	24 9/16"	Compressed	26	Spline	23	Male	48	N/A	N/A	No
60-5099	24 5/8"	Compressed	26	Spline	23	Male	N/A	N/A	N/A	No
60-5100	37 1/8"	Compressed	26	Spline	23	Male	48	N/A	N/A	No
60-5101	37 1/8"	Compressed	26	Spline	23	Male	N/A	N/A	N/A	No
60-5116	35 1/2"	Compressed	26	Spline	20	Male	N/A	Standard	30mm	Yes
60-5117	19 3/4"	Compressed	26	Spline	N/A	Bolt-On	N/A	Standard	30mm	Yes
60-5118	30 9/16"	Compressed	26	Spline	N/A	Bolt-On	N/A	Standard	30mm	Yes
60-5122	23 15/16"	Compressed	26	Spline	23	Male	N/A	Standard	30mm	Yes
60-5124	36 1/2"	Compressed	26	Spline	23	Male	N/A	Standard	30mm	Yes
60-5125	36 1/2"	Compressed	26	Spline	23	Male	48	N/A	N/A	No
60-5126	24"	Compressed	26	Spline	23	Male	48	N/A	N/A	No
60-5132	23 7/8"	Compressed	26	Spline	27	Male	N/A	N/A	N/A	No
60-5134	24 1/4"	Compressed	30	Spline	27	Male	N/A	N/A	N/A	No
60-5136	25 5/16"	Compressed	26	Spline	20	Male	N/A	N/A	N/A	No
60-5138	29"	Compressed	30	Spline	N/A	Bolt-On	48	Standard	32mm	Yes
60-5140	36 1/8"	Compressed	26	Spline	20	Male	48	Standard	30mm	Yes
60-5141	24 3/4" to 25" ⑤	Compressed	26	Spline	20	Male	48	Standard	30mm	Yes
60-5142	16 15/16"	Compressed	②	Bolt-On	N/A	Bolt-On	N/A	N/A	N/A	No
60-5143	22 1/8"	Compressed	26	Spline	N/A	Bolt-On	N/A	Standard	30mm	Yes
60-5144	36 3/8"	Compressed	26	Spline	20	Male	N/A	N/A	N/A	No
60-5145	25 3/16"	Compressed	26	Spline	20	Male	N/A	N/A	N/A	No
60-5147	25 1/4"	Compressed	26	Spline	20	Male	48	N/A	N/A	No
60-5168	25 11/16"	Compressed	30	Spline	24	Male	48	N/A	N/A	No
60-5169	37 3/8"	Compressed	30	Spline	24	Male	48	N/A	N/A	No
60-5170	15 15/16"	Compressed	②	Bolt-On	N/A	Bolt-On	N/A	N/A	N/A	No
60-5181	24 13/16"	Compressed	26	Spline	N/A	Bolt-On	N/A	Standard	30mm	Yes
60-5182	26 11/16"	Compressed	26	Spline	N/A	Bolt-On	N/A	N/A	N/A	No
60-5183	24 13/16"	Compressed	26	Spline	N/A	Bolt-On	48	Standard	30mm	Yes
60-5185	27 13/16"	Compressed	30	Spline	30	Male	N/A	N/A	N/A	No
60-5186	22 1/4"	Compressed	30	Spline	N/A	Bolt-On	48	N/A	N/A	No
60-5188	25 3/16"	Compressed	26	Spline	20	Male	48	Stake	32mm	Yes
60-5189	35 7/16"	Compressed	26	Spline	20	Male	48	Stake	32mm	Yes
60-5190	25 1/8"	Compressed	24	Spline	23	Male	N/A	Stake	32mm	Yes
60-5191	25 1/8"	Compressed	24	Spline	23	Male	48	Stake	32mm	Yes

- ① Length measurements are approximate and may vary plus or minus 1/8 of an inch.
- ② This Drive Axle uses a Bolt-On style Outboard Joint.
- ③ An Inboard Joint is not required on this style Drive Axle.
- ⑤ Length ranges are the result of various optional Outboard Housings used on this Drive Axle.

REMANUFACTURED CV IDENTIFICATION GUIDE

REMAN PART NO.	OVERALL LENGTH (A) ①	LENGTH MEAS. METHOD	OUTBOARD SPLINE COUNT (B)	OUTBOARD JOINT TYPE	INBOARD SPLINE COUNT (C)	INBOARD JOINT TYPE (D)	ABS RING TOOTH COUNT	AXLE NUT LOCKING TYPE	AXLE NUT HEX HEAD SIZE	AXLE NUT INCLUDED
60-5192	34 1/2"	Compressed	24	Spline	23	Male	N/A	Stake	32mm	Yes
60-5193	34 1/2"	Compressed	24	Spline	23	Male	48	Stake	32mm	Yes
60-5194	27 7/8"	Compressed	30	Spline	27	Male	N/A	N/A	N/A	No
60-5195	25 1/4"	Compressed	26	Spline	23	Male	48	N/A	N/A	No
60-5196	39 1/16"	Compressed	26	Spline	23	Male	48	N/A	N/A	No
60-5197	24 11/16"	Compressed	26	Spline	20	Male	N/A	Stake	32mm	Yes
60-5198	24 11/16"	Compressed	26	Spline	20	Male	48	Stake	32mm	Yes
60-5199	35 7/8"	Compressed	26	Spline	20	Male	N/A	Stake	32mm	Yes
60-5200	35 7/8"	Compressed	26	Spline	20	Male	48	Stake	32mm	Yes
60-5201	24 15/16"	Compressed	26	Spline	20	Male	N/A	Stake	32mm	Yes
60-5202	24 15/16"	Compressed	26	Spline	20	Male	48	Stake	32mm	Yes
60-5203	36"	Compressed	26	Spline	20	Male	N/A	Stake	32mm	Yes
60-5204	36"	Compressed	26	Spline	20	Male	48	Stake	32mm	Yes
60-5205	26 5/16"	Compressed	30	Spline	24	Male	48	N/A	N/A	No
60-5207	24 1/4"	Compressed	26	Spline	20	Male	N/A	Standard	30mm	Yes
60-5208	24 1/4"	Compressed	26	Spline	20	Male	48	N/A	N/A	No
60-5210	35 3/4"	Compressed	26	Spline	20	Male	48	Standard	30mm	Yes
60-5215	22 9/16"	Compressed	26	Spline	23	Male	48	N/A	N/A	No
60-5216	22 11/16"	Compressed	26	Spline	23	Male	48	N/A	N/A	No
60-5217	25 1/16"	Compressed	26	Spline	23	Male	N/A	Stake	32mm	Yes
60-5218	25 1/16"	Compressed	26	Spline	23	Male	48	Stake	32mm	Yes
60-5219	36 1/16"	Compressed	26	Spline	23	Male	N/A	Stake	32mm	Yes
60-5220	36 1/16"	Compressed	26	Spline	23	Male	48	Stake	32mm	Yes
60-5221	25 1/16"	Compressed	26	Spline	20	Male	N/A	Stake	32mm	Yes
60-5222	25 1/6"	Compressed	26	Spline	20	Male	48	Stake	32mm	Yes
60-5223	36 1/16"	Compressed	26	Spline	20	Male	N/A	Stake	32mm	Yes
60-5224	36 1/16"	Compressed	26	Spline	20	Male	48	Stake	32mm	Yes
60-5225	25 1/2"	Compressed	26	Spline	23	Male	N/A	Stake	32mm	Yes
60-5226	25 1/2"	Compressed	26	Spline	23	Male	48	Stake	32mm	Yes
60-5227	25 1/2"	Compressed	26	Spline	20	Male	N/A	Stake	32mm	Yes
60-5228	25 1/2"	Compressed	26	Spline	20	Male	48	Stake	32mm	Yes
60-5229	25 5/16"	Compressed	26	Spline	20	Male	48	Stake	32mm	Yes
60-5230	36 9/16"	Compressed	26	Spline	20	Male	48	Stake	32mm	Yes
60-5232	36 1/2"	Compressed	26	Spline	20	Male	48	Stake	32mm	Yes
60-5235	25 1/2"	Compressed	30	Spline	30	Male	N/A	N/A	N/A	No
60-5236	24 5/8"	Compressed	26	Spline	24	Male	N/A	Stake	32mm	Yes
60-5237	24 5/8" To 24 13/16" ⑤	Compressed	26	Spline	24	Male	48	Stake	32mm	Yes
60-5238	37 5/16"	Compressed	26	Spline	24	Male	N/A	Stake	32mm	Yes
60-5239	37 5/16"	Compressed	26	Spline	24	Male	48	Stake	32mm	Yes
60-5240	23 1/4"	Compressed	26	Spline	23	Male	N/A	Stake	32mm	Yes
60-5241	23 1/4"	Compressed	26	Spline	23	Male	48	Stake	32mm	Yes
60-5242	39"	Compressed	26	Spline	23	Male	N/A	Stake	32mm	Yes
60-5243	39"	Compressed	26	Spline	23	Male	48	Stake	32mm	Yes
60-5244	26"	Compressed	26	Spline	24	Male	N/A	Stake	32mm	Yes
60-5245	26"	Compressed	26	Spline	24	Male	48	Stake	32mm	Yes
60-5246	37 3/4"	Compressed	26	Spline	24	Male	N/A	Stake	32mm	Yes
60-5247	37 3/4"	Compressed	26	Spline	24	Male	48	Stake	32mm	Yes
60-5248	24 9/16"	Compressed	26	Spline	23	Male	48	Stake	32mm	Yes
60-5249	39 7/16"	Compressed	26	Spline	23	Male	48	Stake	32mm	Yes
60-5250	26 15/16"	Compressed	30	Spline	23	Male	48	Stake	32mm	Yes
60-5251	41 3/4"	Compressed	30	Spline	23	Male	48	Stake	32mm	Yes
60-5252	27 13/16"	Compressed	36	Spline	34	Male	N/A	N/A	N/A	No
60-5253	21 13/16"	Compressed	30	Spline	N/A	Bolt-On	48	Stake	32mm	Yes
60-5254	22 3/4"	Compressed	30	Spline	N/A	Bolt-On	48	Stake	32mm	Yes
60-5255	24 5/8"	Compressed	30	Spline	23	Male	48	Stake	32mm	Yes
60-5256	39 7/16"	Compressed	30	Spline	23	Male	48	Stake	32mm	Yes
60-5257	25 1/16"	Compressed	30	Spline	24	Male	48	Stake	32mm	Yes
60-5258	38 9/16"	Compressed	30	Spline	24	Male	48	Stake	32mm	Yes
60-5259	27 1/4"	Compressed	26	Spline	N/A	Bolt-On	48	N/A	N/A	No
60-5260	28"	Compressed	30	Spline	24	Male	48	Stake	32mm	Yes

① Length measurements are approximate and may vary plus or minus 1/8 of an inch.

⑤ Length ranges are the result of various optional Outboard Housings used on this Drive Axle.

REMANUFACTURED CV IDENTIFICATION GUIDE

REMAN PART NO.	OVERALL LENGTH (A) ①	LENGTH MEAS. METHOD	OUTBOARD SPLINE COUNT (B)	OUTBOARD JOINT TYPE	INBOARD SPLINE COUNT (C)	INBOARD JOINT TYPE (D)	ABS RING TOOTH COUNT	AXLE NUT LOCKING TYPE	AXLE NUT HEX HEAD SIZE	AXLE NUT INCLUDED
60-5261	40 7/16"	Compressed	30	Spline	24	Male	48	Stake	32mm	Yes
60-5262	25 7/16"	Compressed	30	Spline	24	Male	48	Stake	32mm	Yes
60-5263	38"	Compressed	30	Spline	24	Male	48	Stake	32mm	Yes
60-5264	25 11/16"	Compressed	30	Spline	24	Male	48	Stake	32mm	Yes
60-5265	38 1/8"	Compressed	30	Spline	24	Male	48	Stake	32mm	Yes
60-5266	25 7/8"	Compressed	26	Spline	20	Male	48	Stake	32mm	Yes
60-5267	36 1/8"	Compressed	26	Spline	20	Male	48	Stake	32mm	Yes
60-5268	26 3/16"	Compressed	26	Spline	24	Male	N/A	N/A	N/A	No
60-5270	37 1/8"	Compressed	26	Spline	24	Male	N/A	N/A	N/A	No
60-5271	37 1/8"	Compressed	26	Spline	24	Male	48	N/A	N/A	No
60-5274	26 5/16"	Compressed	26	Spline	24	Male	48	Stake	32mm	Yes
60-5275	38 1/16"	Compressed	26	Spline	24	Male	48	Stake	32mm	Yes
60-5276	29 7/8"	Compressed	26	Spline	23	Male	48	Stake	32mm	Yes
60-5277	25 11/16"	Compressed	26	Spline	23	Male	N/A	Stake	32mm	Yes
60-5278	35 1/4"	Compressed	26	Spline	23	Male	N/A	Stake	32mm	Yes
60-5279	25 7/8"	Compressed	30	Spline	24	Male	48	Stake	32mm	Yes
60-5280	38 3/8"	Compressed	30	Spline	24	Male	48	Stake	32mm	Yes
60-5281	25 1/16"	Compressed	26	Spline	24	Male	N/A	Stake	32mm	Yes
60-5282	37 9/16"	Compressed	26	Spline	24	Male	N/A	Stake	32mm	Yes
60-5283	24 15/16"	Compressed	26	Spline	20	Male	N/A	Stake	32mm	Yes
60-5284	35 3/4"	Compressed	26	Spline	20	Male	N/A	Stake	32mm	Yes
60-5285	26"	Compressed	30	Spline	24	Male	48	Stake	32mm	Yes
60-5286	38 5/8"	Compressed	30	Spline	24	Male	48	Stake	32mm	Yes
60-5287	25 7/16"	Compressed	26	Spline	20	Male	48	Stake	32mm	Yes
60-5288	36 1/3"	Compressed	26	Spline	20	Male	48	Stake	32mm	Yes
60-5289	24 5/8"	Compressed	26	Spline	24	Male	48	Stake	32mm	Yes
60-5291	24 1/8"	Compressed	26	Spline	24	Male	48	Stake	32mm	Yes
60-5292	37 7/16"	Compressed	26	Spline	24	Male	48	Stake	32mm	Yes
60-5293	25 13/16"	Compressed	26	Spline	24	Male	48	Stake	32mm	Yes
60-5294	38 5/8"	Compressed	26	Spline	24	Male	48	Stake	32mm	Yes
60-5295	25 5/16"	Compressed	26	Spline	24	Male	N/A	Stake	32mm	Yes
60-5296	39 1/16"	Compressed	26	Spline	24	Male	N/A	Stake	32mm	Yes
60-5297	25 15/16"	Compressed	26	Spline	24	Male	N/A	Stake	32mm	Yes
60-5298	38 7/16"	Compressed	26	Spline	24	Male	N/A	Stake	32mm	Yes
60-5301	39 1/16"	Compressed	30	Spline	24	Male	N/A	Stake	32mm	Yes
60-5302	26"	Compressed	25	Spline	24 + 2 Blank	Female	N/A	Stake	32mm	Yes
60-5303	40 3/8"	Compressed	26	Spline	23	Male	48	Stake	32mm	Yes
60-5304	40 3/8"	Compressed	26	Spline	23	Male	48	Stake	32mm	Yes
60-5305	39 1/16"	Compressed	30	Spline	24	Male	48	Stake	32mm	Yes
60-5308	26 9/16"	Compressed	30	Spline	24	MAle	48	Stake	32mm	Yes
60-5310	23 1/4"	Compressed	30	Spline	23	Male	N/A	Stake	32mm	Yes
60-5311	38 1/4"	Compressed	30	Spline	23	Male	N/A	Stake	32mm	Yes
60-5382	31 13/16"	Compressed	26	Spline	20	Male	N/A	Stake	32mm	Yes
60-5383	26 1/2"	Compressed	30	Spline	24	Male	48	Stake	32mm	Yes
60-5390	25 7/8"	Compressed	30	Spline	24	Male	48	Stake	32mm	Yes
60-5391	38 3/8"	Compressed	30	Spline	24	Male	48	Stake	32mm	Yes
60-5392	24 1/2"	Compressed	26	Spline	24	male	N/A	Stake	32mm	Yes
60-5393	38 1/5"	Compressed	26	Spline	24	male	N/A	Stake	32mm	Yes
60-5417	37 1/16"	Compressed	26	Spline	24	Male	48	Stake	32 mm	Yes
60-6000	24 3/4"	Compressed	25	Spline	24	Male	N/A	N/A	N/A	No
60-6001	35 1/16"	Compressed	25	Spline	24	Male	N/A	N/A	N/A	No
60-6002	23 15/16"	Compressed	24	Spline	24	Male	N/A	N/A	N/A	No
60-6003	35"	Compressed	24	Spline	24	Male	N/A	N/A	N/A	No
60-6004	36 7/8"	Compressed	24	Spline	24	Male	N/A	N/A	N/A	No
60-6005	24 1/4"	Compressed	24	Spline	24	Male	N/A	N/A	N/A	No
60-6006	24 5/8"	Compressed	27	Spline	27	Male	N/A	N/A	N/A	No
60-6007	36 13/16"	Compressed	27	Spline	27	Male	N/A	N/A	N/A	No
60-6008	36 3/4"	Compressed	27	Spline	27	Male	N/A	N/A	N/A	No
60-6009	23 9/16"	Compressed	27	Spline	27	Male	N/A	N/A	N/A	No
60-6010	24 15/16"	Compressed	29	Spline	29 / 31	Male	N/A	N/A	N/A	No

① Length measurements are approximate and may vary plus or minus 1/8 of an inch.

REMANUFACTURED CV IDENTIFICATION GUIDE

REMAN PART NO.	OVERALL LENGTH (A) ①	LENGTH MEAS. METHOD	OUTBOARD SPLINE COUNT (B)	OUTBOARD JOINT TYPE	INBOARD SPLINE COUNT (C)	INBOARD JOINT TYPE (D)	ABS RING TOOTH COUNT	AXLE NUT LOCKING TYPE	AXLE NUT HEX HEAD SIZE	AXLE NUT INCLUDED
60-6011	24 1/16"	Compressed	24	Spline	24	Male	N/A	N/A	N/A	No
60-6012	20 1/2"	Compressed	27	Spline	N/A	Bolt-On	N/A	N/A	N/A	No
60-6013	25 3/16"	Compressed	24	Spline	N/A	Bolt-On	N/A	N/A	N/A	No
60-6017	24 11/16"	Compressed	25	Spline	24	Male	N/A	N/A	N/A	No
60-6021	38"	Compressed	27	Spline	27	Male	N/A	N/A	N/A	No
60-6022	24 1/2"	Compressed	25	Spline	25	Male	N/A	N/A	N/A	No
60-6023	35 3/4"	Compressed	25	Spline	25	Male	N/A	N/A	N/A	No
60-6024	35 7/8"	Compressed	25	Spline	25	Male	N/A	N/A	N/A	No
60-6026	24 3/8"	Compressed	25	Spline	24	Male	N/A	N/A	N/A	No
60-6027	35 7/8"	Compressed	25	Spline	27	Male	N/A	N/A	N/A	No
60-6029	24 3/16"	Compressed	24	Spline	24	Male	N/A	N/A	N/A	No
60-6030	35 7/8"	Compressed	25	Spline	24	Male	N/A	N/A	N/A	No
60-6031	24 1/2"	Compressed	27	Spline	27	Male	N/A	N/A	N/A	No
60-6032	24 1/4"	Compressed	25	Spline	25	Male	N/A	N/A	N/A	No
60-6033	19 9/16"	Compressed	57	Spline	N/A	Bolt-On	N/A	N/A	N/A	No
60-6034	23 1/2"	Compressed	25	Spline	27	Male	N/A	N/A	N/A	No
60-6035	36 13/16"	Compressed	27	Spline	27	Male	N/A	N/A	N/A	No
60-6036	24 1/2"	Compressed	25	Spline	25	Male	N/A	N/A	N/A	No
60-6038	24 11/16"	Compressed	27	Spline	27	Male	N/A	N/A	N/A	No
60-6040	33 7/8"	Compressed	24	Spline	24	Male	N/A	N/A	N/A	No
60-6042	23 3/4"	Compressed	25	Spline	25	Male	N/A	N/A	N/A	No
60-6043	24 15/16"	Compressed	29	Spline	29 / 31	Male	46	N/A	N/A	No
60-6044	24 1/8"	Compressed	27	Spline	29	Male	N/A	N/A	N/A	No
60-6045	36 5/8"	Compressed	27	Spline	29	Male	N/A	N/A	N/A	No
60-6047	25 3/4"	Extended	29	Spline	N/A	Bolt-On	N/A	N/A	N/A	No
60-6048	24 9/16"	Compressed	27	Spline	27	Male	46	N/A	N/A	No
60-6049	38"	Compressed	27	Spline	27	Male	46	N/A	N/A	No
60-6051	20 3/4"	Compressed	28	Spline	N/A	Bolt-On	N/A	N/A	N/A	No
60-6054	24 1/8"	Compressed	27	Spline	29	Male	44	N/A	N/A	No
60-6055	23 3/4"	Compressed	27	Spline	27	Male	N/A	N/A	N/A	No
60-6056	36 9/16"	Compressed	27	Spline	29	Male	44	N/A	N/A	No
60-6057	37"	Compressed	27	Spline	25	Male	42	N/A	N/A	No
60-6060	36 13/16"	Compressed	25	Spline	25	Male	N/A	N/A	N/A	No
60-6061	24 1/8"	Compressed	25	Spline	25	Male	42	N/A	N/A	No
60-6063	24 7/8"	Compressed	27	Spline	27 / 31	Male	44	N/A	N/A	No
60-6064	36 3/4"	Compressed	24	Spline	24	Male	N/A	N/A	N/A	No
60-6065	36 7/16"	Compressed	27	Spline	27	Male	44	N/A	N/A	No
60-6067	24 5/16"	Compressed	25	Spline	25	Male	N/A	N/A	N/A	No
60-6068	36 7/8"	Compressed	25	Spline	25	Male	N/A	N/A	N/A	No
60-6069	37 1/8"	Compressed	25	Spline	25	Male	N/A	N/A	N/A	No
60-6070	22 1/2"	Compressed	24	Spline	24	Male	N/A	N/A	N/A	No
60-6072	25 3/16"	Compressed	29	Spline	29	Male	46	N/A	N/A	No
60-6073	37 11/16"	Compressed	29	Spline	29	Male	46	N/A	N/A	No
60-6074	37 5/8"	Compressed	29	Spline	29	Male	N/A	N/A	N/A	No
60-6075	24 1/2"	Compressed	27	Spline	25	Male	42	N/A	N/A	No
60-6076	24 1/2"	Compressed	29	Spline	29 / 31	Male	N/A	N/A	N/A	No
60-6081	22 1/4"	Extended	25	Spline	N/A	Bolt-On	N/A	N/A	N/A	No
60-6082	36 3/4"	Compressed	25	Spline	25	Male	42	N/A	N/A	No
60-6083	24 1/2"	Compressed	29	Spline	29	Male	N/A	N/A	N/A	No
60-6084	24 1/2"	Compressed	29	Spline	29 / 31	Male	46	N/A	N/A	No
60-6085	35"	Compressed	25	Spline	24	Male	N/A	N/A	N/A	No
60-6086	24 13/16"	Compressed	27	Spline	27 / 31	Male	N/A	N/A	N/A	No
60-6091	25"	Compressed	32	Spline	N/A	Bolt-On	N/A	N/A	N/A	No
60-6092	27"	Compressed	32	Spline	N/A	Bolt-On	N/A	N/A	N/A	No
60-6104	23 3/4"	Compressed	25	Spline	25	Male	42	N/A	N/A	No
60-6105	23 11/16"	Compressed	25	Spline	25	Male	N/A	N/A	N/A	No
60-6107	38"	Compressed	29	Spline	29	Male	46	N/A	N/A	No
60-6108	24 5/16"	Compressed	29	Spline	29	Male	46	N/A	N/A	No
60-6109	24 5/16"	Compressed	29	Spline	29	Male	N/A	N/A	N/A	No
60-6111	38"	Compressed	29	Spline	29	Male	N/A	N/A	N/A	No

① Length measurements are approximate and may vary plus or minus 1/8 of an inch.

REMANUFACTURED CV IDENTIFICATION GUIDE

REMAN PART NO.	OVERALL LENGTH (A) ①	LENGTH MEAS. METHOD	OUTBOARD SPLINE COUNT (B)	OUTBOARD JOINT TYPE	INBOARD SPLINE COUNT (C)	INBOARD JOINT TYPE (D)	ABS RING TOOTH COUNT	AXLE NUT LOCKING TYPE	AXLE NUT HEX HEAD SIZE	AXLE NUT INCLUDED
60-6112	36 5/8"	Compressed	25	Spline	25	Male	N/A	N/A	N/A	No
60-6113	36 3/8"	Compressed	25	Spline	25	Male	42	N/A	N/A	No
60-6117	36 3/8"	Compressed	27	Spline	27	Male	N/A	N/A	N/A	No
60-6127	25 9/16"	Compressed	27	Spline	29	Male	N/A	N/A	N/A	No
60-6128	25 9/16"	Compressed	27	Spline	29	Male	44	N/A	N/A	No
60-6129	38 9/16"	Compressed	27	Spline	29	Male	N/A	N/A	N/A	No
60-6130	38 9/16"	Compressed	27	Spline	29	Male	44	N/A	N/A	No
60-6131	24 9/16"	Compressed	27	Spline	29	Male	N/A	N/A	N/A	No
60-6132	24 9/16"	Compressed	27	Spline	29	Male	44	N/A	N/A	No
60-6133	39 5/8"	Compressed	27	Spline	29	Male	N/A	N/A	N/A	No
60-6134	39 5/8"	Compressed	27	Spline	29	Male	44	N/A	N/A	No
60-6135	24 1/4"	Compressed	27	Spline	29 / 31	Male	44	N/A	N/A	No
60-6136	24 1/4"	Compressed	27	Spline	29 / 31	Male	N/A	N/A	N/A	No
60-6138	36 9/16"	Compressed	27	Spline	27	Male	N/A	N/A	N/A	No
60-6139	24 5/16"	Compressed	27	Spline	27	Male	N/A	N/A	N/A	No
60-6140	36 5/8"	Compressed	27	Spline	27	Male	44	N/A	N/A	No
60-6141	24 1/4"	Compressed	27	Spline	27	Male	44	N/A	N/A	No
60-6142	35 3/4"	Compressed	25	Spline	25	Male	42	N/A	N/A	No
60-6143	24 1/2"	Compressed	25	Spline	25	Male	42	N/A	N/A	No
60-6144	25 1/8"	Compressed	29	Spline	29	Male	N/A	N/A	N/A	No
60-6145	38 1/16"	Compressed	29	Spline	29	Male	N/A	N/A	N/A	No
60-6146	25 1/8"	Compressed	29	Spline	29	Male	46	N/A	N/A	No
60-6147	38 1/16"	Compressed	29	Spline	29	Male	46	N/A	N/A	No
60-6148	24 15/16"	Compressed	29	Spline	29	Male	N/A	N/A	N/A	No
60-6150	24 15/16"	Compressed	29	Spline	29	Male	46	N/A	N/A	No
60-6152	25"	Compressed	25	Spline	25	Male	N/A	N/A	N/A	No
60-6153	36 1/8"	Compressed	25	Spline	25	Male	N/A	N/A	N/A	No
60-6154	37 3/4"	Compressed	29	Spline	29	Male	N/A	N/A	N/A	No
60-6155	25 9/16"	Compressed	29	Spline	29 / 31	Male	N/A	N/A	N/A	No
60-6156	37 3/4"	Compressed	29	Spline	29	Male	46	N/A	N/A	No
60-6157	25 1/2"	Compressed	29	Spline	29 / 31	Male	46	N/A	N/A	No
60-6158	25 1/8"	Compressed	29	Spline	29 / 31	Male	N/A	N/A	N/A	No
60-6159	25"	Compressed	29	Spline	29 / 31	Male	46	N/A	N/A	No
60-6160	24 3/4"	Compressed	27	Spline	27 / 31	Male	44	N/A	N/A	No
60-6161	37 1/2"	Compressed	27	Spline	29	Male	N/A	N/A	N/A	No
60-6162	36"	Compressed	25	Spline	25	Male	42	N/A	N/A	No
60-6163	25"	Compressed	25	Spline	25	Male	42	N/A	N/A	No
60-6165	37 1/8"	Compressed	25	Spline	25	Male	42	N/A	N/A	No
60-6166	36 3/16"	Compressed	27	Spline	27	Male	N/A	N/A	N/A	No
60-6167	36 3/16"	Compressed	27	Spline	27	Male	44	N/A	N/A	No
60-6168	36 7/8"	Compressed	25	Spline	25	Male	42	N/A	N/A	No
60-6169	37 7/16"	Compressed	27	Spline	27	Male	N/A	N/A	N/A	No
60-6170	37 7/16"	Compressed	27	Spline	27	Male	44	N/A	N/A	No
60-6171	37 1/2"	Compressed	27	Spline	29	Male	44	N/A	N/A	No
60-6172	24 1/2"	Compressed	25	Spline	25	Male	42	N/A	N/A	No
60-6175	24 5/8"	Compressed	27	Spline	27 / 31	Male	N/A	N/A	N/A	No
60-6176	25 1/8"	Compressed	27	Spline	27	Male	N/A	N/A	N/A	No
60-6177	24 15/16"	Compressed	27	Spline	29	Male	N/A	N/A	N/A	No
60-6178	25 1/8"	Compressed	27	Spline	27	Male	44	N/A	N/A	No
60-6179	24 15/16"	Compressed	27	Spline	29	Male	44	N/A	N/A	No
60-6180	28 1/4"	Extended	29	Spline	N/A	Bolt-On	N/A	N/A	N/A	No
60-6182	24 5/16"	Compressed	25	Spline	25	Male	42	N/A	N/A	No
60-6185	20 9/16"	Compressed	28	Spline	N/A	Bolt-On	N/A	N/A	N/A	No
60-6190	38 1/8"	Compressed	29	Spline	29	Male	44	N/A	N/A	No
60-6191	25 1/8"	Compressed	29	Spline	29	Male	44	N/A	N/A	No
60-6192	24 15/16"	Compressed	29	Spline	29	Male	44	N/A	N/A	No
60-6193	22 1/4"	Compressed	28	Spline	N/A	Bolt-On	N/A	N/A	N/A	No
60-6194	26 1/8"	Compressed	29	Spline	N/A	Bolt-On	N/A	N/A	N/A	No
60-6195	24 3/16"	Compressed	29	Spline	N/A	Bolt-On	N/A	N/A	N/A	No
60-6196	25 1/4"	Compressed	29	Spline	29 / 31	Male	44	N/A	N/A	No

① Length measurements are approximate and may vary plus or minus 1/8 of an inch.

REMANUFACTURED CV IDENTIFICATION GUIDE

REMAN PART NO.	OVERALL LENGTH (A) ①	LENGTH MEAS. METHOD	OUTBOARD SPLINE COUNT (B)	OUTBOARD JOINT TYPE	INBOARD SPLINE COUNT (C)	INBOARD JOINT TYPE (D)	ABS RING TOOTH COUNT	AXLE NUT LOCKING TYPE	AXLE NUT HEX HEAD SIZE	AXLE NUT INCLUDED
60-6199	36 1/2"	Compressed	25	Spline	25	Male	N/A	N/A	N/A	No
60-6200	36 1/2"	Compressed	25	Spline	25	Male	42	N/A	N/A	No
60-6201	36 1/2"	Compressed	25	Spline	25	Male	N/A	N/A	N/A	No
60-6202	36 1/2"	Compressed	25	Spline	25	Male	42	N/A	N/A	No
60-6203	24 11/16"	Compressed	25	Spline	25	Male	N/A	N/A	N/A	No
60-6204	24 11/16"	Compressed	26	Spline	23	Male	42	N/A	N/A	No
60-6205	36 5/8"	Compressed	25	Spline	25	Male	N/A	N/A	N/A	No
60-6206	36 5/8"	Compressed	25	Spline	25	Male	42	N/A	N/A	No
60-6207	24 15/16"	Compressed	25	Spline	25	Male	42	N/A	N/A	No
60-6208	25 3/8"	Compressed	29	Spline	29	Male	N/A	N/A	N/A	No
60-6209	25 9/16"	Compressed	29	Spline	29	Male	44	N/A	N/A	No
60-6210	38 7/16"	Compressed	29	Spline	29	Male	N/A	N/A	N/A	No
60-6211	38 7/16"	Compressed	29	Spline	29	Male	44	N/A	N/A	No
60-6212	24 7/16"	Compressed	29	Spline	29	Male	N/A	N/A	N/A	No
60-6213	24 7/16"	Compressed	29	Spline	29	Male	44	N/A	N/A	No
60-6214	39 1/2"	Compressed	29	Spline	29	Male	N/A	N/A	N/A	No
60-6215	39 1/2"	Compressed	29	Spline	29	Male	44	N/A	N/A	No
60-6218	24 3/4"	Compressed	29	Spline	26	Male	44	N/A	N/A	No
60-6219	38 3/8"	Compressed	29	Spline	26	Male	44	N/A	N/A	No
60-6220	24 1/2"	Compressed	27	Spline	25	Male	44	N/A	N/A	No
60-6221	37 1/8"	Compressed	27	Spline	25	Male	44	N/A	N/A	No
60-6222	24 5/16"	Compressed	27	Spline	25	Male	44	N/A	N/A	No
60-6223	37 3/8"	Compressed	27	Spline	25	Male	44	N/A	N/A	No
60-6224	24 3/4"	Compressed	27	Spline	25	Male	44	N/A	N/A	No
60-6226	24 1/4"	Compressed	27	Spline	25	Male	42	N/A	N/A	No
60-6229	36 7/8"	Compressed	27	Spline	25	Male	42	N/A	N/A	No
60-6230	24 1/8"	Compressed	27	Spline	29	Male	N/A	N/A	N/A	No
60-6231	24 1/8"	Compressed	27	Spline	29	Male	42	N/A	N/A	No
60-6232	36 7/16"	Compressed	27	Spline	29	Male	N/A	N/A	N/A	No
60-6233	36 7/16"	Compressed	27	Spline	29	Male	42	N/A	N/A	No
60-6234	23"	Compressed	27	Spline	29	Male	N/A	N/A	N/A	No
60-6235	23"	Compressed	27	Spline	29	Male	42	N/A	N/A	No
60-6236	37 5/8"	Compressed	27	Spline	29	Male	N/A	N/A	N/A	No
60-6237	37 5/8"	Compressed	27	Spline	29	Male	42	N/A	N/A	No
60-6238	22 3/4"	Compressed	29	Spline	N/A	Bolt-On	N/A	N/A	N/A	No
60-6239	24 15/16"	Compressed	29	Spline	27	Male	N/A	N/A	N/A	No
60-6240	27 11/16"	Compressed	29	Spline	26	Male	N/A	N/A	N/A	No
60-6241	41 3/8"	Compressed	29	Spline	26	Male	N/A	N/A	N/A	No
60-6242	28 1/2"	Compressed	29	Spline	29	Male	N/A	N/A	N/A	No
60-6243	41 1/2"	Compressed	29	Spline	29	Male	44	N/A	N/A	No
60-6244	26 3/8"	Compressed	29	Spline	29	Male	N/A	N/A	N/A	No
60-6245	39 15/16"	Compressed	29	Spline	29	Male	N/A	N/A	N/A	No
60-6246	22 11/16"	Compressed	29	Spline	28 + 2 Blank	Female	N/A	N/A	N/A	No
60-6247	23 7/8"	Compressed	29	Spline	N/A	Bolt-On	N/A	N/A	N/A	No
60-6249	25 1/2"	Compressed	29	Spline	N/A	Bolt-On	N/A	N/A	N/A	No
60-6250	25 1/2"	Compressed	25	Spline	25	Male	N/A	N/A	N/A	No
60-6251	35 7/8"	Compressed	25	Spline	25	Male	N/A	N/A	N/A	No
60-6252	25 1/4"	Compressed	25	Spline	25	Male	N/A	N/A	N/A	No
60-6253	36 1/16"	Compressed	25	Spline	25	Male	N/A	N/A	N/A	No
60-6254	25 1/2"	Compressed	25	Spline	26	Male	N/A	N/A	N/A	No
60-6255	35 15/16"	Compressed	25	Spline	26	Male	N/A	N/A	N/A	No
60-6256	38 3/4"	Compressed	29	Spline	29	Male	44	N/A	N/A	No
60-6258	26 13/16"	Compressed	29	Spline	27	Male	N/A	N/A	N/A	No
60-6259	36 5/8"	Compressed	29	Spline	27	Male	N/A	N/A	N/A	No
60-6262	26 1/8"	Compressed	29	Spline	27	Male	N/A	N/A	N/A	No
60-6263	37 7/8"	Compressed	29	Spline	27	Male	N/A	N/A	N/A	No
60-6264	38 3/16"	Compressed	29	Spline	27	Male	N/A	N/A	N/A	No
60-6267	38 13/16"	Compressed	29	Spline	29	Male	N/A	N/A	N/A	No
60-6268	25 1/16"	Compressed	32	Spline	29	Male	N/A	N/A	N/A	No
60-6269	39 1/8"	Compressed	32	Spline	29	Male	N/A	N/A	N/A	No

① Length measurements are approximate and may vary plus or minus 1/8 of an inch.

REMANUFACTURED CV IDENTIFICATION GUIDE

REMAN PART NO.	OVERALL LENGTH (A) ①	LENGTH MEAS. METHOD	OUTBOARD SPLINE COUNT (B)	OUTBOARD JOINT TYPE	INBOARD SPLINE COUNT (C)	INBOARD JOINT TYPE (D)	ABS RING TOOTH COUNT	AXLE NUT LOCKING TYPE	AXLE NUT HEX HEAD SIZE	AXLE NUT INCLUDED
60-6276	27"	Compressed	27	Spline	N/A	Bolt-On	N/A	N/A	N/A	No
60-6277	26 11/16"	Compressed	27	Spline	N/A	Bolt-On	48	N/A	N/A	No
60-6278	24 3/4"	Compressed	27	Spline	25	Male	N/A	N/A	N/A	No
60-6281	27"	Compressed	27	Spline	N/A	Bolt-On	46	N/A	N/A	No
60-6282	23 1/4"	Compressed	27	Spline	25	Male	46	N/A	N/A	No
60-6283	24 5/8"	Compressed	27	Spline	N/A	Bolt-On	N/A	N/A	N/A	No
60-6284	23 3/16"	Compressed	27	Spline	25	Male	N/A	N/A	N/A	No
60-6285	26 5/16"	Compressed	29	Spline	27	Male	N/A	N/A	N/A	No
60-6287	38 1/8"	Compressed	29	Spline	27	Male	N/A	N/A	N/A	No
60-6289	25 7/8"	Compressed	25	Spline	25	Male	N/A	N/A	N/A	No
60-6290	35 3/8"	Compressed	25	Spline	25	Male	N/A	N/A	N/A	No
60-6292	35 9/16"	Compressed	25	Spline	26	Male	N/A	N/A	N/A	No
60-6295	25 7/8"	Compressed	32	Spline	29	Male	N/A	N/A	N/A	No
60-6300	23 5/8"	Compressed	27	Spline	25	Male	N/A	N/A	N/A	No
60-6301	26 3/8"	Compressed	32	Spline	29	Male	N/A	N/A	N/A	No
60-6302	40 3/8"	Compressed	32	Spline	29	Male	N/A	N/A	N/A	No
60-6303	22 1/4"	Compressed	32	Spline	28 + 1 Blank	Female	N/A	N/A	N/A	No
60-6306	39 15/16"	Compressed	32	Spline	29	Male	N/A	N/A	N/A	No
60-6384	35 1/4"	Compressed	25	Spline	25	Male	N/A	N/A	N/A	No
60-6406	24"	Compressed	25	Spline	25	Male	N/A	N/A	N/A	No
60-6408	24 3/4"	Compressed	25	Spline	25	Male	N/A	N/A	N/A	No
60-7000	27 1/4"	Compressed	30	Spline	23	Female	N/A	N/A	N/A	No
60-7001	25 5/8"	Compressed	30	Spline	23	Female	N/A	N/A	N/A	No
60-7002	21 1/8"	Compressed	22	Spline	N/A	Bolt-On	N/A	Self Lock	30mm	Yes
60-7003	30 5/16"	Compressed	22	Spline	N/A	Bolt-On	N/A	Self Lock	30mm	Yes
60-7005	21 1/8"	Compressed	22	Spline	N/A	Bolt-On	N/A	Self Lock	30mm	Yes
60-7006	26"	Compressed	26	Spline	N/A	Bolt-On	96	Self Lock	32mm	Yes
60-7007	26 15/16"	Compressed	27	Spline	25	Female	N/A	Stake	32mm	Yes
60-7008	27 5/16"	Compressed	30	Spline	23	Female	N/A	N/A	N/A	No
60-7009	27 3/8"	Compressed	30	Spline	25	Female	N/A	N/A	N/A	No
60-7010	30 1/4"	Compressed	22	Spline	N/A	Bolt-On	N/A	Self Lock	30mm	Yes
60-7011	23 13/16"	Compressed	22	Spline	N/A	Bolt-On	N/A	Self Lock	30mm	Yes
60-7012	27 1/4"	Compressed	26	Spline	N/A	Bolt-On	N/A	Self Lock	32mm	Yes
60-7013	25 1/4"	Compressed	26	Spline	N/A	Bolt-On	N/A	Self Lock	32mm	Yes
60-7014	29 1/2"	Compressed	22	Spline	N/A	Bolt-On	N/A	Self Lock	30mm	Yes
60-7016	23 1/4"	Compressed	22	Spline	N/A	Bolt-On	N/A	Self Lock	30mm	Yes
60-7018	18 3/4"	Compressed	②	Bolt-On	N/A	Bolt-On	N/A	N/A	N/A	No
60-7019	26 5/8"	Compressed	27	Spline	25	Female	N/A	N/A	N/A	No
60-7022	26 1/2"	Compressed	22	Spline	N/A	Bolt-On	N/A	Self Lock	30mm	Yes
60-7023	16 3/8"	Compressed	②	Bolt-On	N/A	Bolt-On	N/A	N/A	N/A	No
60-7025	24 5/8"	Compressed	22	Spline	N/A	Bolt-On	N/A	Self Lock	30mm	Yes
60-7026	24 5/8"	Compressed	22	Spline	N/A	Bolt-On	N/A	N/A	N/A	No
60-7027	22 11/16"	Compressed	22	Spline	N/A	Bolt-On	N/A	N/A	N/A	No
60-7028	29 13/16"	Compressed	24	Spline	25	Male	N/A	Stake	32mm	Yes
60-7029	30 1/4"	Compressed	24	Spline	25	Male	N/A	Stake	32mm	Yes
60-7032	22 1/16"	Compressed	22	Spline	N/A	Bolt-On	N/A	Self Lock	30mm	Yes
60-7033	26 1/8"	Compressed	22	Spline	N/A	Bolt-On	N/A	Self Lock	30mm	Yes
60-7034	20 3/8"	Compressed	23	Spline	23	Female	N/A	N/A	N/A	No
60-7036	20 3/4"	Compressed	23	Spline	23	Female	N/A	N/A	N/A	No
60-7038	24 1/4"	Compressed	33	Spline	N/A	Bolt-On	45	N/A	N/A	No
60-7041	26 3/4"	Compressed	24	Spline	23	Female	N/A	Stake	32mm	Yes
60-7044	21 5/8"	Compressed	②	Bolt-On	N/A	Bolt-On	N/A	N/A	N/A	No
60-7045	22 13/16"	Compressed	②	Bolt-On	N/A	Bolt-On	N/A	N/A	N/A	No
60-7046	30 1/4"	Compressed	22	Spline	N/A	Bolt-On	N/A	Self Lock	30mm	Yes
60-7047	21 3/4"	Compressed	22	Spline	N/A	Bolt-On	N/A	Self Lock	30mm	Yes
60-7051	23 5/16"	Compressed	24	Spline	22	Female	N/A	N/A	N/A	No
60-7052	20 13/16"	Compressed	38	Spline	N/A	Bolt-On	45	N/A	N/A	No
60-7053	19 11/16"	Compressed	38	Spline	N/A	Bolt-On	45	N/A	N/A	No
60-7055	26 7/8"	Compressed	27	Spline	25	Female	N/A	Stake	32mm	Yes
60-7059	26 13/16"	Compressed	22	Spline	N/A	Bolt-On	N/A	Self Lock	30mm	Yes

① Length measurements are approximate and may vary plus or minus 1/8 of an inch.

② This Drive Axle uses a Bolt-On style Outboard Joint.

REMANUFACTURED CV IDENTIFICATION GUIDE

REMAN PART NO.	OVERALL LENGTH (A) ①	LENGTH MEAS. METHOD	OUTBOARD SPLINE COUNT (B)	OUTBOARD JOINT TYPE	INBOARD SPLINE COUNT (C)	INBOARD JOINT TYPE (D)	ABS RING TOOTH COUNT	AXLE NUT LOCKING TYPE	AXLE NUT HEX HEAD SIZE	AXLE NUT INCLUDED
60-7062	26 15/16"	Compressed	22	Spline	N/A	Bolt-On	N/A	Self Lock	30mm	Yes
60-7065	23 11/16"	Compressed	22	Spline	N/A	Bolt-On	N/A	Self Lock	30mm	Yes
60-7068	20 3/4"	Compressed	②	Bolt-On	N/A	Bolt-On	N/A	N/A	N/A	No
60-7070	23 7/16"	Compressed	33	Spline	N/A	Bolt-On	45	N/A	N/A	No
60-7072	27 1/4"	Extended	23	Spline	22	Male	N/A	Nylon Lock	24mm	Yes
60-7073	22"	Compressed	38	Spline	N/A	Bolt-On	45	N/A	N/A	No
60-7074	20 7/16"	Compressed	38	Spline	N/A	Bolt-On	45	N/A	N/A	No
60-7075	21 1/2"	Compressed	38	Spline	N/A	Bolt-On	45	N/A	N/A	No
60-7076	23"	Compressed	22	Spline	N/A	Bolt-On	N/A	Self Lock	30mm	Yes
60-7077	21 3/8"	Compressed	②	Bolt-On	N/A	Bolt-On	N/A	N/A	N/A	No
60-7078	21 7/16"	Compressed	25	Spline	22	Female	N/A	Stake	30mm	Yes
60-7085	21 13/16"	Compressed	25	Spline	22	Male	N/A	Stake	30mm	Yes
60-7088	21 13/16"	Compressed	23	Spline	22	Female	N/A	Stake	30mm	Yes
60-7093	30 13/16"	Compressed	36	Spline	N/A	Bolt-On	N/A	Self Lock	30mm	Yes
60-7094	22 3/16"	Compressed	23	Spline	22	Male	N/A	Stake	30mm	Yes
60-7095	23 3/8"	Compressed	25	Spline	22	Male	N/A	Stake	30mm	Yes
60-7100	30 5/8"	Compressed	22	Spline	N/A	Bolt-On	N/A	Self Lock	30mm	Yes
60-7101	21 1/2"	Compressed	22	Spline	N/A	Bolt-On	N/A	Self Lock	30mm	Yes
60-7103	20 1/2"	Compressed	38	Spline	N/A	Bolt-On	N/A	N/A	N/A	No
60-7107	21 9/16"	Compressed	36	Spline	N/A	Bolt-On	N/A	Self Lock	30mm	Yes
60-7108	25 3/8"	Compressed	22	Spline	N/A	Bolt-On	N/A	Self Lock	30mm	Yes
60-7114	22"	Compressed	22	Spline	N/A	Bolt-On	N/A	Self Lock	30mm	Yes
60-7119	24 7/16"	Compressed	38	Spline	N/A	Bolt-On	45	N/A	N/A	No
60-7122	24 1/2"	Compressed	38	Spline	N/A	Bolt-On	45	N/A	N/A	No
60-7123	25 7/16"	Compressed	38	Spline	N/A	Bolt-On	45	N/A	N/A	No
60-7124	27 1/4"	Compressed	26	Spline	N/A	Bolt-On	45	Self Lock	32mm	Yes
60-7125	25 3/16"	Compressed	26	Spline	N/A	Bolt-On	45	Self Lock	32mm	Yes
60-7126	26"	Compressed	26	Spline	N/A	Bolt-On	45	Self Lock	32mm	Yes
60-7127	26"	Compressed	26	Spline	N/A	Bolt-On	N/A	Self Lock	32mm	Yes
60-7147	27 1/4"	Compressed	26	Spline	N/A	Bolt-On	96	Self Lock	32mm	Yes
60-7148	25 3/16"	Compressed	26	Spline	N/A	Bolt-On	96	N/A	N/A	No
60-7162	25 3/16"	Compressed	22	Spline	N/A	Bolt-On	N/A	Self Lock	30mm	Yes
60-7171	31 1/8"	Compressed	22	Spline	N/A	Bolt-On	N/A	Self Lock	30mm	Yes
60-7172	32 13/16"	Compressed	24	Spline	23	Male	N/A	N/A	N/A	No
60-7184	20 5/8"	Compressed	33	Spline	N/A	Bolt-On	45	N/A	N/A	No
60-7187	26 13/16"	Compressed	22	Spline	N/A	Bolt-On	N/A	Self Lock	30mm	Yes
60-7190	26 1/8"	Compressed	26	Spline	N/A	Bolt-On	N/A	Self Lock	32mm	Yes
60-7191	24 3/4"	Compressed	21	Spline	N/A	Tripod ④	N/A	Nylon Lock	30mm	Yes
60-7192	28 11/16"	Compressed	21	Spline	23	Female	N/A	Nylon Lock	30mm	Yes
60-7193	25 3/16"	Compressed	24	Spline	23	Male	N/A	N/A	N/A	No
60-7195	25 3/4"	Compressed	24	Spline	25	Male	N/A	N/A	N/A	No
60-7197	26 5/16"	Extended	23	Spline	22	Male	N/A	Nylon Lock	24mm	Yes
60-7198	26 15/16"	Compressed	23	Spline	23	Female	N/A	Self Lock	30mm	Yes
60-7199	19 9/16"	Compressed	33	Spline	N/A	Bolt-On	45	N/A	N/A	No
60-7202	22 7/16"	Compressed	24	Spline	23	Male	N/A	N/A	N/A	No
60-7203	35 13/16"	Compressed	24	Spline	23	Male	N/A	N/A	N/A	No
60-7204	22 3/4"	Compressed	25	Spline	22	Female	N/A	Stake	30mm	Yes
60-7205	24 1/16"	Compressed	33	Spline	N/A	Bolt-On	45	N/A	N/A	No
60-7206	24 15/16"	Compressed	33	Spline	N/A	Bolt-On	45	N/A	N/A	No
60-7209	27 3/8"	Compressed	27	Spline	25	Female	N/A	Stake	32mm	Yes
60-7213	24 5/8"	Compressed	24	Spline	22	Female	N/A	N/A	N/A	No
60-7214	27 1/16"	Compressed	24	Spline	23	Female	N/A	Stake	32mm	Yes
60-7215	34 3/4"	Compressed	24	Spline	25	Male	N/A	N/A	N/A	No
60-7216	23 5/8"	Compressed	24	Spline	25	Male	N/A	N/A	N/A	No
60-7217	32 3/4"	Compressed	24	Spline	23	Male	N/A	N/A	N/A	No
60-7218	25 1/8"	Compressed	24	Spline	23	Male	N/A	N/A	N/A	No
60-7219	27 7/16"	Compressed	24	Spline	23	Female	N/A	N/A	N/A	No
60-7220	22 1/8"	Compressed	24	Spline	23	Female	N/A	N/A	N/A	No
60-7224	20 9/16"	Compressed	38	Spline	N/A	Bolt-On	45	N/A	N/A	No
60-7226	27 1/2"	Compressed	27	Spline	23	Female	N/A	N/A	N/A	No

① Length measurements are approximate and may vary plus or minus 1/8 of an inch.

② This Drive Axle uses a Bolt-On style Outboard Joint.

④ The Inboard Housing is not supplied with this Drive Axle.

REMANUFACTURED CV IDENTIFICATION GUIDE

REMAN PART NO.	OVERALL LENGTH (A) ①	LENGTH MEAS. METHOD	OUTBOARD SPLINE COUNT (B)	OUTBOARD JOINT TYPE	INBOARD SPLINE COUNT (C)	INBOARD JOINT TYPE (D)	ABS RING TOOTH COUNT	AXLE NUT LOCKING TYPE	AXLE NUT HEX HEAD SIZE	AXLE NUT INCLUDED
60-7227	22 1/8"	Compressed	27	Spline	23	Female	N/A	N/A	N/A	No
60-7228	27 3/8"	Compressed	27	Spline	25	Female	N/A	Stake	32mm	Yes
60-7229	26 15/16"	Compressed	27	Spline	23	Female	N/A	Stake	32mm	Yes
60-7231	23 3/4"	Compressed	25	Spline	22	Male	N/A	Stake	30mm	Yes
60-7232	23 3/4"	Compressed	25	Spline	22	Male	42	Stake	30mm	Yes
60-7233	34 7/8"	Compressed	25	Spline	22	Male	N/A	Stake	30mm	Yes
60-7234	34 7/8"	Compressed	25	Spline	22	Male	42	Stake	30mm	Yes
60-7235	24 7/8"	Compressed	25	Spline	22	Male	N/A	Stake	30mm	Yes
60-7237	24 1/16"	Compressed	25	Spline	22	Female	N/A	Stake	30mm	Yes
60-7240	20 3/4"	Compressed	38	Spline	N/A	Bolt-On	45	N/A	N/A	No
60-7241	19 5/8"	Compressed	38	Spline	N/A	Bolt-On	45	N/A	N/A	No
60-7242	24 1/4"	Compressed	38	Spline	N/A	Bolt-On	45	N/A	N/A	No
60-7243	25 1/8"	Compressed	38	Spline	N/A	Bolt-On	45	N/A	N/A	No
60-7244	22 1/4"	Compressed	38	Spline	N/A	Bolt-On	45	N/A	N/A	No
60-7245	19 5/16"	Compressed	38	Spline	N/A	Bolt-On	45	N/A	N/A	No
60-7250	21 1/2"	Compressed	36	Spline	N/A	Bolt-On	N/A	Self Lock	30mm	Yes
60-7251	32 1/2"	Compressed	36	Spline	N/A	Bolt-On	N/A	Self Lock	30mm	Yes
60-7252	21 7/8"	Compressed	36	Spline	N/A	Bolt-On	N/A	Self Lock	30mm	Yes
60-7253	31 7/8"	Compressed	36	Spline	N/A	Bolt-On	N/A	Self Lock	30mm	Yes
60-7256	21 13/16"	Compressed	36	Spline	N/A	Bolt-On	N/A	Self Lock	30mm	Yes
60-7257	23 5/8"	Compressed	38	Spline	N/A	Bolt-On	45	N/A	N/A	No
60-7258	24 1/2"	Compressed	38	Spline	N/A	Bolt-On	45	N/A	N/A	No
60-7259	26 7/8"	Compressed	27	Spline	25	Female	44	Stake	32mm	Yes
60-7260	21 5/8"	Compressed	38	Spline	N/A	Bolt-On	45	N/A	N/A	No
60-7261	20 1/2"	Compressed	38	Spline	N/A	Bolt-On	45	N/A	N/A	No
60-7263	25 3/8"	Compressed	38	Spline	N/A	Bolt-On	45	N/A	N/A	No
60-7264	30"	Compressed	24	Spline	22	Male	N/A	Stake	32mm	Yes
60-7277	25 15/16"	Compressed	38	Spline	N/A	Bolt-On	45	N/A	N/A	No
60-7281	30 3/4"	Compressed	27	Spline	25	Male	44	Stake	32mm	Yes
60-7286	23 1/8"	Compressed	38	Spline	N/A	Bolt-On	45	N/A	N/A	No
60-7287	22 11/16"	Compressed	38	Spline	N/A	Bolt-On	45	N/A	N/A	No
60-7288	21 1/2"	Compressed	36	Spline	N/A	Bolt-On	N/A	Self Lock	30mm	Yes
60-7289	21 3/8"	Compressed	36	Spline	N/A	Bolt-On	N/A	Self Lock	30mm	Yes
60-7290	31 7/8"	Compressed	36	Spline	N/A	Bolt-On	N/A	Self Lock	30mm	Yes
60-7291	23 3/8"	Compressed	25	Spline	22	Male	N/A	Stake	30mm	Yes
60-7292	23 3/8"	Compressed	25	Spline	22	Male	42	Stake	30mm	Yes
60-7293	22 3/8"	Compressed	25	Spline	26	Female	N/A	Stake	30mm	Yes
60-7295	23 5/16"	Compressed	25	Spline	26	Male	N/A	N/A	N/A	No
60-7301	23 3/8"	Compressed	38	Spline	N/A	Bolt-On	45	N/A	N/A	No
60-7302	24 3/16"	Compressed	38	Spline	N/A	Bolt-On	45	N/A	N/A	No
60-7308	25 11/16"	Compressed	36	Spline	N/A	Bolt-On	N/A	Self Lock	30mm	Yes
60-7310	31 9/16"	Compressed	27	Spline	25	Male	N/A	Stake	32mm	Yes
60-7311	22 5/8"	Compressed	38	Spline	N/A	Bolt-On	45	N/A	N/A	No
60-7312	24 7/16"	Compressed	36	Spline	26	Male	N/A	Self Lock	30mm	Yes
60-7313	35 7/16"	Compressed	36	Spline	26	Male	N/A	Self Lock	30mm	Yes
60-7314	20 5/16"	Compressed	36	Spline	N/A	Bolt-On	N/A	Self Lock	30mm	Yes
60-7315	31 7/8"	Compressed	36	Spline	N/A	Bolt-On	N/A	Self Lock	30mm	Yes
60-7316	20 1/8"	Compressed	36	Spline	N/A	Bolt-On	N/A	N/A	N/A	No
60-7317	32"	Compressed	36	Spline	N/A	Bolt-On	N/A	N/A	N/A	No
60-7320	20 5/8"	Compressed	30	Spline	N/A	Bolt-On	N/A	Self Lock	36mm	Yes
60-7321	20 5/8"	Compressed	30	Spline	N/A	Bolt-On	N/A	Self Lock	36mm	Yes
60-7322	28 5/8"	Compressed	30	Spline	N/A	Bolt-On	N/A	Self Lock	36mm	Yes
60-7324	23 3/8"	Compressed	25	Spline	26	Male	N/A	Stake	30mm	Yes
60-7325	23 3/8"	Compressed	25	Spline	26	Male	42	Stake	30mm	Yes
60-7326	24 3/8"	Compressed	25	Spline	26	Female	N/A	Stake	30mm	Yes
60-7327	24 3/8"	Compressed	25	Spline	26	Female	42	Stake	30mm	Yes
60-7328	24 3/16"	Compressed	33	Spline	N/A	Bolt-On	45	N/A	N/A	No
60-7329	25"	Compressed	33	Spline	N/A	Bolt-On	45	N/A	N/A	No
60-7330	20 1/8"	Compressed	38	Spline	N/A	Bolt-On	45	N/A	N/A	No
60-7333	23"	Compressed	36	Spline	26	Male	N/A	N/A	N/A	No

① Length measurements are approximate and may vary plus or minus 1/8 of an inch.

REMANUFACTURED CV IDENTIFICATION GUIDE

REMAN PART NO.	OVERALL LENGTH (A) ①	LENGTH MEAS. METHOD	OUTBOARD SPLINE COUNT (B)	OUTBOARD JOINT TYPE	INBOARD SPLINE COUNT (C)	INBOARD JOINT TYPE (D)	ABS RING TOOTH COUNT	AXLE NUT LOCKING TYPE	AXLE NUT HEX HEAD SIZE	AXLE NUT INCLUDED
60-7334	34 3/4"	Compressed	36	Spline	26	Male	N/A	N/A	N/A	No
60-7345	23 5/16"	Compressed	36	Spline	26	Female	N/A	N/A	N/A	No
60-7346	19 3/16"	Compressed	36	Spline	N/A	Bolt-On	N/A	N/A	N/A	No
60-7347	30 7/8"	Compressed	36	Spline	N/A	Bolt-On	N/A	N/A	N/A	No
60-7348	20 7/8"	Compressed	38	Spline	N/A	Bolt-On	45	N/A	N/A	No
60-7349	19 5/8"	Compressed	38	Spline	N/A	Bolt-On	45	N/A	N/A	No
60-7350	20 7/16"	Compressed	38	Spline	N/A	Bolt-On	45	N/A	N/A	No
60-7351	19 3/16"	Compressed	38	Spline	N/A	Bolt-On	45	N/A	N/A	No
60-7355	30 9/16"	Compressed	27	Spline	25	Male	N/A	Stake	32mm	Yes
60-7356	24 1/16"	Compressed	38	Spline	N/A	Bolt-On	45	N/A	N/A	No
60-7357	24 15/16"	Compressed	38	Spline	N/A	Bolt-On	45	N/A	N/A	No
60-7360	30 5/8"	Compressed	27	Spline	25	Male	44	Stake	32mm	Yes
60-7361	23 7/16"	Compressed	28	Spline	34	Male	N/A	Stake	35-36mm	Yes
60-7362	21 11/16"	Compressed	28	Spline	24 + 2 Blank	Female	N/A	Stake	35-36mm	Yes
60-7363	30 1/4"	Compressed	27	Spline	25	Male	44	Stake	32mm	Yes
60-7364	24 9/16"	Compressed	38	Spline	N/A	Bolt-On	45	N/A	N/A	No
60-7369	29 9/16"	Compressed	25	Spline	25	Male	44	Stake	32mm	Yes
60-7370	29 3/4"	Compressed	25	Spline	22	Male	44	Stake	32mm	Yes
60-7372	30 1/4"	Compressed	25	Spline	22	Male	N/A	Stake	32mm	Yes
60-7373	30 7/16"	Compressed	27	Spline	27	Male	N/A	Stake	32mm	Yes
60-7374	29 15/16"	Compressed	25	Spline	25	Male	44	Stake	32mm	Yes
60-7375	30 1/4"	Compressed	25	Spline	25	Male	N/A	Stake	32mm	Yes
60-7376	30 5/8"	Compressed	24	Spline	25	Male	N/A	Stake	32mm	Yes
60-7378	30 5/8"	Compressed	27	Spline	25	Male	N/A	N/A	N/A	No
60-7379	32 3/16"	Compressed	27	Spline	25	Male	N/A	Stake	32mm	Yes
60-7380	24 1/4"	Compressed	38	Spline	N/A	Bolt-On	45	N/A	N/A	No
60-7381	31 1/4"	Compressed	27	Spline	25	Male	N/A	Stake	32mm	Yes
60-7382	32 1/2"	Compressed	27	Spline	25	Male	N/A	Stake	32mm	Yes
60-7383	22 5/8"	Compressed	38	Spline	N/A	Bolt-On	45	N/A	N/A	No
60-7384	19"	Compressed	38	Spline	N/A	Bolt-On	45	N/A	N/A	No
60-7386	18 5/16"	Compressed	42	Spline	N/A	Bolt-On	N/A	N/A	N/A	No
60-7387	23 9/16"	Compressed	38	Spline	N/A	Bolt-On	N/A	N/A	N/A	No
60-7388	20 1/2"	Compressed	38	Spline	N/A	Bolt-On	N/A	N/A	N/A	No
60-7389	24 3/16"	Compressed	28	Spline	26	Male	N/A	Stake	32mm	Yes
60-7391	24 3/16"	Compressed	28	Spline	26	Male	N/A	Stake	32mm	Yes
60-7396	18 11/16"	Compressed	36	Spline	N/A	Bolt-On	N/A	N/A	N/A	No
60-7398	26 3/4"	Compressed	28	Spline	26	Female	N/A	Stake	32mm	Yes
60-7444	31 1/2"	Compressed	27	Spline	25	Male	N/A	Stake	32mm	Yes
60-7446	29 5/8"	Compressed	36	Spline	N/A	Bolt-On	N/A	N/A	N/A	No
60-7449	23 15/16"	Compressed	36	Spline	26	Male	N/A	Self Lock	30mm	Yes
60-7509	31 13/16"	Compressed	27	Spline	25	Male	N/A	Stake	32mm	Yes
60-7520	23 5/16"	Compressed	36	Spline	26	Male	N/A	N/A	N/A	No
60-7521	35 1/8"	Compressed	36	Spline	26	Male	0	N/A	N/A	No
60-8000	21 3/4"	Compressed	26	Spline	24 + 2 Blank	Female	N/A	Stake	32mm	Yes
60-8001	23 7/8"	Compressed	26	Spline	26	Male	N/A	Stake	32mm	Yes
60-8002	21 9/16"	Compressed	26	Spline	24 + 2 Blank	Female	N/A	Stake	29mm	Yes
60-8003	23 5/8"	Compressed	26	Spline	26	Male	N/A	Stake	29mm	Yes
60-8004	21 7/8"	Compressed	28	Spline	26 + 2 Blank	Female	N/A	Stake	32mm	Yes
60-8005	23 7/8"	Compressed	28	Spline	28	Male	N/A	Stake	32mm	Yes
60-8007	35"	Compressed	24	Spline	24	Male	N/A	Stake	29mm	Yes
60-8013	24 1/2"	Compressed	26	Spline	24	Male	N/A	Stake	32mm	Yes
60-8014	24"	Compressed	24	Spline	24	Male	N/A	Stake	29mm	Yes
60-8015	35 9/16"	Compressed	26	Spline	24	Male	N/A	Stake	32mm	Yes
60-8016	23 7/8"	Compressed	28	Spline	28	Male	90	Stake	32mm	Yes
60-8017	21 7/8"	Compressed	28	Spline	26 + 2 Blank	Female	90	Stake	32mm	Yes
60-8019	24"	Compressed	26	Spline	26	Male	N/A	N/A	N/A	No
60-8020	21 1/4"	Compressed	26	Spline	24 + 2 Blank	Female	N/A	N/A	N/A	No
60-8021	18 7/8"	Compressed	26	Spline	24 + 2 Blank	Female	N/A	Stake	35-36mm	Yes
60-8023	21 7/8"	Compressed	26	Spline	24 + 2 Blank	Female	90	Stake	32mm	Yes
60-8024	25"	Compressed	26	Spline	24	Male	N/A	Stake	32mm	Yes

① Length measurements are approximate and may vary plus or minus 1/8 of an inch.

REMANUFACTURED CV IDENTIFICATION GUIDE

REMAN PART NO.	OVERALL LENGTH (A) ①	LENGTH MEAS. METHOD	OUTBOARD SPLINE COUNT (B)	OUTBOARD JOINT TYPE	INBOARD SPLINE COUNT (C)	INBOARD JOINT TYPE (D)	ABS RING TOOTH COUNT	AXLE NUT LOCKING TYPE	AXLE NUT HEX HEAD SIZE	AXLE NUT INCLUDED
60-8026	21 1/2"	Compressed	24	Spline	24 + 2 Blank	Female	N/A	Stake	29mm	Yes
60-8027	23 7/8"	Compressed	26	Spline	26	Male	90	Stake	32mm	Yes
60-8029	27 3/16"	Compressed	31	Spline	N/A	Bolt-On	48	Stake	35-36mm	Yes
60-8030	24 5/8"	Compressed	28	Spline	N/A	Bolt-On	N/A	Stake	32mm	Yes
60-8031	23 15/16"	Compressed	24	Spline	24	Male	N/A	Stake	29mm	Yes
60-8032	26 1/2"	Compressed	28	Spline	35	Male	44	Stake	32mm	Yes
60-8038	24 1/2"	Compressed	26	Spline	26	Male	44	N/A	N/A	No
60-8039	24 1/2"	Compressed	26	Spline	26	Male	N/A	Stake	32mm	Yes
60-8040	25 1/4"	Compressed	26	Spline	N/A	Bolt-On	N/A	Stake	30mm	Yes
60-8041	25 5/16"	Compressed	26	Spline	N/A	Bolt-On	44	Stake	30mm	Yes
60-8047	18 7/8"	Compressed	26	Spline	24 + 2 Blank	Female	44	Stake	35-36mm	Yes
60-8048	21 9/16"	Compressed	26	Spline	26	Male	44	Stake	35-36mm	Yes
60-8053	23 1/8"	Compressed	26	Spline	26 + 2 Blank	Female	N/A	Stake	32mm	Yes
60-8054	24 3/8"	Compressed	26	Spline	28	Male	N/A	Stake	32mm	Yes
60-8056	36"	Compressed	26	Spline	24	Male	N/A	Stake	32mm	Yes
60-8059	26 1/2"	Compressed	28	Spline	35	Male	N/A	Stake	32mm	Yes
60-8070	21 5/8"	Compressed	26	Spline	26	Male	N/A	Stake	35-36mm	Yes
60-8075	23 3/16"	Compressed	28	Spline	26 + 2 Blank	Female	44	Stake	32mm	Yes
60-8076	25 7/8"	Compressed	28	Spline	28	Male	44	Stake	32mm	Yes
60-8081	23 1/4"	Compressed	31	Spline	26 + 2 Blank	Female	44	Stake	35-36mm	Yes
60-8082	25 3/8"	Compressed	31	Spline	30	Male	44	Stake	35-36mm	Yes
60-8083	22 3/4"	Compressed	26	Spline	26 + 2 Blank	Female	44	Stake	32mm	Yes
60-8084	25"	Compressed	26	Spline	24	Male	44	Stake	32mm	Yes
60-8087	24 5/8"	Compressed	26	Spline	26 + 2 Blank	Female	44	Stake	32mm	Yes
60-8089	22 3/4"	Compressed	26	Spline	26 + 2 Blank	Female	N/A	Stake	32mm	Yes
60-8093	25 1/4"	Compressed	28	Spline	30	Male	44	Stake	32mm	Yes
60-8094	24 13/16"	Compressed	28	Spline	28	Male	N/A	Stake	32mm	Yes
60-8095	24 13/16"	Compressed	28	Spline	28	Male	44	Stake	32mm	Yes
60-8096	22 7/8"	Compressed	28	Spline	26 + 2 Blank	Female	N/A	Stake	32mm	Yes
60-8097	22 7/8"	Compressed	28	Spline	26 + 2 Blank	Female	44	Stake	32mm	Yes
60-8098	24 3/8"	Compressed	26	Spline	28	Male	44	Stake	32mm	Yes
60-8099	23 1/8"	Compressed	26	Spline	26 + 2 Blank	Female	44	Stake	32mm	Yes
60-8100	36"	Compressed	26	Spline	24	Male	44	Stake	32mm	Yes
60-8101	24 5/8"	Compressed	26	Spline	26 + 2 Blank	Female	N/A	Stake	32mm	Yes
60-8102	24 3/16"	Compressed	26	Spline	24	Male	N/A	Stake	32mm	Yes
60-8103	22 15/16"	Compressed	26	Spline	26 + 2 Blank	Female	N/A	Stake	32mm	Yes
60-8104	24 13/16"	Compressed	26	Spline	24	Male	N/A	Stake	32mm	Yes
60-8105	20 1/8"	Compressed	26	Spline	24 + 2 Blank	Female	N/A	N/A	N/A	No
60-8106	22 3/4"	Compressed	26	Spline	26	Male	N/A	N/A	N/A	No
60-8107	35 1/8"	Compressed	26	Spline	24	Male	N/A	Stake	32mm	Yes
60-8108	22"	Compressed	26	Spline	26 + 2 Blank	Female	N/A	Stake	32mm	Yes
60-8109	24 1/16"	Compressed	26	Spline	28	Male	N/A	Stake	32mm	Yes
60-8110	24 1/16"	Compressed	26	Spline	28	Male	44	Stake	32mm	Yes
60-8111	24 1/4"	Compressed	26	Spline	26 + 2 Blank	Female	N/A	Stake	32mm	Yes
60-8112	24 1/4"	Compressed	26	Spline	26 + 2 Blank	Female	44	Stake	32mm	Yes
60-8113	24 1/2"	Compressed	26	Spline	26 + 2 Blank	Female	N/A	Stake	32mm	Yes
60-8114	24 1/2"	Compressed	26	Spline	26 + 2 Blank	Female	44	N/A	N/A	No
60-8115	24 1/4"	Compressed	26	Spline	28	Male	N/A	Stake	32mm	Yes
60-8116	24 1/4"	Compressed	26	Spline	28	Male	44	Stake	32mm	Yes
60-8117	24 9/16"	Compressed	28	Spline	28	Male	N/A	Stake	32mm	Yes
60-8118	24 9/16"	Compressed	28	Spline	28	Male	44	Stake	32mm	Yes
60-8119	22 1/2"	Compressed	28	Spline	26 + 2 Blank	Female	N/A	Stake	32mm	Yes
60-8120	22 1/2"	Compressed	28	Spline	26 + 2 Blank	Female	44	Stake	32mm	Yes
60-8121	23 15/16"	Compressed	26	Spline	26	Male	N/A	Stake	32mm	Yes
60-8122	23 3/16"	Compressed	26	Spline	26 + 2 Blank	Female	N/A	Stake	32mm	Yes
60-8123	24 13/16"	Compressed	26	Spline	24	Male	N/A	Stake	32mm	Yes
60-8124	24 13/16"	Compressed	26	Spline	24	Male	44	Stake	32mm	Yes
60-8125	25"	Compressed	28	Spline	30	Male	N/A	Stake	32mm	Yes
60-8126	22 3/8"	Compressed	28	Spline	28	Female	N/A	Stake	32mm	Yes
60-8127	26 5/16"	Compressed	28	Spline	28	Male	N/A	Stake	32mm	Yes

① Length measurements are approximate and may vary plus or minus 1/8 of an inch.

REMANUFACTURED CV IDENTIFICATION GUIDE

REMAN PART NO.	OVERALL LENGTH (A) ①	LENGTH MEAS. METHOD	OUTBOARD SPLINE COUNT (B)	OUTBOARD JOINT TYPE	INBOARD SPLINE COUNT (C)	INBOARD JOINT TYPE (D)	ABS RING TOOTH COUNT	AXLE NUT LOCKING TYPE	AXLE NUT HEX HEAD SIZE	AXLE NUT INCLUDED
60-8128	26 5/16"	Compressed	28	Spline	28	Male	54	Stake	32mm	Yes
60-8129	26 1/8"	Compressed	28	Spline	26 + 2 Blank	Female	N/A	Stake	32mm	Yes
60-8130	26 1/8"	Compressed	28	Spline	26 + 2 Blank	Female	54	Stake	32mm	Yes
60-8131	24 1/2"	Compressed	28	Spline	24	Male	N/A	Stake	32mm	Yes
60-8132	24 1/2"	Compressed	28	Spline	24	Male	46	Stake	32mm	Yes
60-8133	24 3/8"	Compressed	28	Spline	26 + 2 Blank	Female	N/A	Stake	32mm	Yes
60-8134	24 3/8"	Compressed	28	Spline	26 + 2 Blank	Female	46	Stake	32mm	Yes
60-8135	24 1/16"	Compressed	28	Spline	28	Male	N/A	Stake	32mm	Yes
60-8136	24 1/16"	Compressed	28	Spline	28	Male	46	Stake	32mm	Yes
60-8137	24 1/8"	Compressed	24	Spline	24	Male	N/A	Stake	29mm	Yes
60-8138	24 1/8"	Compressed	24	Spline	24	Male	44	Stake	29mm	Yes
60-8139	34 3/4"	Compressed	24	Spline	24	Male	N/A	Stake	29mm	Yes
60-8140	34 3/4"	Compressed	24	Spline	24	Male	44	Stake	29mm	Yes
60-8141	23 13/16"	Compressed	24	Spline	26	Male	N/A	Stake	29mm	Yes
60-8142	23 13/16"	Compressed	24	Spline	26	Male	44	Stake	29mm	Yes
60-8143	34 15/16"	Compressed	24	Spline	26	Male	N/A	Stake	29mm	Yes
60-8144	34 15/16"	Compressed	24	Spline	26	Male	44	Stake	29mm	Yes
60-8145	23 7/8"	Compressed	28	Spline	30	Male	44	Stake	32mm	Yes
60-8146	21 1/2"	Compressed	28	Spline	26 + 2 Blank	Female	44	Stake	32mm	Yes
60-8147	20 1/16"	Compressed	26	Spline	24 + 2 Blank	Female	N/A	N/A	N/A	No
60-8148	22 13/16"	Compressed	26	Spline	26	Male	N/A	N/A	N/A	No
60-8150	23 1/4"	Compressed	31	Spline	26 + 2 Blank	Female	44	Stake	35-36mm	Yes
60-8151	25 3/8"	Compressed	28	Spline	28	Male	N/A	Stake	32mm	Yes
60-8152	25 3/8"	Compressed	28	Spline	28	Male	44	Stake	32mm	Yes
60-8153	23 5/8"	Compressed	28	Spline	26 + 2 Blank	Female	N/A	Stake	32mm	Yes
60-8154	23 5/8"	Compressed	28	Spline	26 + 2 Blank	Female	44	Stake	32mm	Yes
60-8155	24 1/8"	Compressed	28	Spline	30	Male	44	Stake	32mm	Yes
60-8156	25 3/16"	Compressed	28	Spline	30	Male	44	Stake	32mm	Yes
60-8157	22 3/8"	Compressed	28	Spline	26 + 2 Blank	Female	44	Stake	32mm	Yes
60-8158	27 15/16"	Compressed	31	Spline	28	Male	54	Stake	35-36mm	Yes
60-8159	25 11/16"	Compressed	31	Spline	28	Female	54	Stake	35-36mm	Yes
60-8160	22 5/8"	Compressed	36	Spline	26	Male	N/A	N/A	N/A	No
60-8161	19 7/8"	Compressed	36	Spline	26 + 2 Blank	Female	N/A	N/A	N/A	No
60-8162	22 11/16"	Compressed	36	Spline	28	Male	N/A	N/A	N/A	No
60-8163	19 15/16"	Compressed	36	Spline	26 + 2 Blank	Female	N/A	N/A	N/A	No
60-8164	23 3/16"	Compressed	36	Spline	28	Male	N/A	N/A	N/A	No
60-8165	21 1/8"	Compressed	36	Spline	26 + 2 Blank	Female	N/A	N/A	N/A	No
60-8166	23 3/16"	Compressed	36	Spline	28	Male	N/A	N/A	N/A	No
60-8167	21 1/16"	Compressed	36	Spline	26 + 2 Blank	Female	N/A	N/A	N/A	No
60-8168	23 1/8"	Compressed	26	Spline	26 + 2 Blank	Female	44	Stake	32mm	Yes
60-8169	23 1/8"	Compressed	26	Spline	26 + 2 Blank	Female	44	Stake	32mm	Yes
60-8170	24 1/2"	Compressed	28	Spline	26	Male	N/A	Stake	32mm	Yes
60-8171	21 3/4"	Compressed	28	Spline	26 + 2 Blank	Female	N/A	Stake	32mm	Yes
60-8172	24 9/16"	Compressed	28	Spline	28	Male	N/A	Stake	32mm	Yes
60-8173	21 3/4"	Compressed	28	Spline	26 + 2 Blank	Female	N/A	Stake	32mm	Yes
60-8174	25"	Compressed	28	Spline	28	Male	N/A	Stake	32mm	Yes
60-8175	24 15/16"	Compressed	28	Spline	28	Male	N/A	Self Lock	32mm	Yes
60-8177	23 1/4"	Compressed	28	Spline	26 + 2 Blank	Female	N/A	Stake	32mm	Yes
60-8182	23 1/8"	Compressed	28	Spline	31	Male	44	Stake	32mm	Yes
60-8183	20 5/8"	Compressed	28	Spline	26 + 2 Blank	Female	44	Stake	32mm	Yes
60-8184	26 7/8"	Compressed	28	Spline	28	Male	N/A	Self Lock	32mm	Yes
60-8185	25 1/16"	Compressed	28	Spline	26 + 2 Blank	Female	N/A	Self Lock	32mm	Yes
60-8190	24 1/16"	Compressed	31	Spline	30	Male	44	Stake	35-36mm	Yes
60-8191	21 7/8"	Compressed	31	Spline	29 + 2 Blank	Female	44	Stake	35-36mm	Yes
60-8192	25 3/16"	Compressed	31	Spline	31	Male	44	Stake	35-36mm	Yes
60-8194	24 1/8"	Compressed	31	Spline	29 + 2 Blank	Female	44	Stake	35-36mm	Yes
60-8226	25"	Compressed	28	Spline	28	Male	N/A	Self Lock	32mm	Yes
60-8227	23 1/8"	Compressed	28	Spline	26 + 2 Blank	Female	N/A	Self Lock	32mm	Yes
60-9000	19 5/8"	Compressed	26	Spline	N/A	Tripod ④	46	Self Lock	32mm	Yes
60-9012	33 1/8"	Compressed	20	Spline	N/A	Tripod ④	N/A	Stake	29mm	Yes

- ① Length measurements are approximate and may vary plus or minus 1/8 of an inch.
 ④ The Inboard Housing is not supplied with this Drive Axle.

REMANUFACTURED CV IDENTIFICATION GUIDE

REMAN PART NO.	OVERALL LENGTH (A) ①	LENGTH MEAS. METHOD	OUTBOARD SPLINE COUNT (B)	OUTBOARD JOINT TYPE	INBOARD SPLINE COUNT (C)	INBOARD JOINT TYPE (D)	ABS RING TOOTH COUNT	AXLE NUT LOCKING TYPE	AXLE NUT HEX HEAD SIZE	AXLE NUT INCLUDED
60-9013	20 13/16"	Compressed	20	Spline	N/A	Tripod ④	N/A	Stake	29mm	Yes
60-9015	24 13/16"	Compressed	30	Spline	37	Male	48	Self Lock	36mm	Yes
60-9016	37 13/16"	Compressed	30	Spline	37	Male	48	Self Lock	36mm	Yes
60-9017	31 3/16"	Compressed	30	Spline	32	Male	48	Self Lock	36mm	Yes
60-9022	24 13/16"	Compressed	27	Spline	27	Male	N/A	N/A	N/A	No
60-9023	25 3/8"	Compressed	28	Spline	29	Male	N/A	Stake	35-36mm	Yes
60-9025	25 7/16"	Compressed	28	Spline	29	Male	45	Stake	35-36mm	Yes
60-9036	26 1/16"	Compressed	27	Spline	27	Male	N/A	N/A	N/A	No
60-9039	24 1/4"	Compressed	25	Spline	N/A	Tripod ④	N/A	Self Lock	32mm	Yes
60-9043	20 9/16"	Compressed	20	Spline	N/A	Tripod ④	N/A	Stake	29mm	Yes
60-9045	21 15/16"	Compressed	25	Spline	N/A	Tripod ④	N/A	Self Lock	32mm	Yes
60-9049	20 5/16"	Compressed	26	Spline	N/A	Tripod ④	N/A	Self Lock	32mm	Yes
60-9055	16 3/16"	Compressed	②	Bolt-On	N/A	Bolt-On	N/A	N/A	N/A	No
60-9063	22 7/16"	Compressed	27	Spline	N/A	Bolt-On	48	N/A	N/A	No
60-9064	17 13/16"	Compressed	②	Bolt-On	N/A	Bolt-On	N/A	N/A	N/A	No
60-9081	16 3/8"	Compressed	②	Bolt-On	N/A	Bolt-On	N/A	N/A	N/A	No
60-9091	19 1/2"	Compressed	26	Spline	N/A	Tripod ④	94	Self Lock	32mm	Yes
60-9092	19 1/2"	Compressed	26	Spline	N/A	Tripod ④	N/A	Self Lock	32mm	Yes
60-9118	19 3/16"	Compressed	②	Bolt-On	N/A	Bolt-On	N/A	N/A	N/A	No
60-9120	24 5/16"	Compressed	27	Spline	N/A	Bolt-On	48	Stake	38mm	Yes
60-9122	18 1/2"	Compressed	②	Bolt-On	N/A	Bolt-On	N/A	N/A	N/A	No
60-9169	20 1/4"	Compressed	26	Spline	N/A	Tripod ④	46	Self Lock	32mm	Yes
60-9170	19 1/2"	Compressed	26	Spline	N/A	Tripod ④	46	Self Lock	32mm	Yes
60-9171	20 5/16"	Compressed	26	Spline	N/A	Tripod ④	94	Self Lock	32mm	Yes
60-9172	22 3/8"	Compressed	25	Spline	N/A	Tripod ④	N/A	Self Lock	32mm	Yes
60-9173	24 5/8"	Compressed	25	Spline	N/A	Tripod ④	N/A	Self Lock	32mm	Yes
60-9198	40 7/16"	Compressed	26	Spline	26	Male	48	Stake	36mm	Yes
60-9199	22 5/8"	Compressed	26	Spline	26	Male	48	Stake	36mm	Yes
60-9200	24 3/16"	Compressed	30	Spline	N/A	Tripod ④	N/A	Stake	32mm	Yes
60-9201	26 1/4"	Compressed	30	Spline	N/A	Tripod ④	N/A	Stake	32mm	Yes
60-9206	24 1/2"	Compressed	25	Spline	N/A	Tripod ④	46	Self Lock	32mm	Yes
60-9207	22 3/8"	Compressed	25	Spline	N/A	Tripod ④	46	Self Lock	32mm	Yes
60-9208	22 3/4"	Compressed	26	Spline	26	Male	48	Stake	36mm	Yes
60-9209	40 1/2"	Compressed	26	Spline	26	Male	48	Stake	36mm	Yes
60-9216	24 1/8"	Compressed	30	Spline	30	Male	48	Stake	43mm	Yes
60-9217	38 1/16"	Compressed	30	Spline	30	Male	48	Stake	43mm	Yes
60-9218	27 3/16"	Compressed	30	Spline	N/A	Bolt-On	48	Stake	43mm	Yes
60-9221	24 9/16"	Compressed	30	Spline	N/A	Bolt-On	N/A	Stake	43mm	Yes
60-9222	18 5/8"	Compressed	②	Bolt-On	N/A	Bolt-On	N/A	N/A	N/A	No
60-9225	19 3/16"	Compressed	②	Bolt-On	N/A	Bolt-On	N/A	N/A	N/A	No
60-9229	23 3/16"	Compressed	26	Spline	26	Male	43	Self Lock	36mm	Yes
60-9230	37"	Compressed	26	Spline	26	Male	43	Self Lock	36mm	Yes
60-9231	23 1/2"	Compressed	26	Spline	26	Male	43	Self Lock	36mm	Yes
60-9232	37 7/16"	Compressed	26	Spline	26	Male	43	Self Lock	36mm	Yes
60-9233	17"	Compressed	36	Spline	35	Female	48	N/A	N/A	No
60-9234	26 5/16"	Compressed	36	Spline	39	Male	48	N/A	N/A	No
60-9235	26 1/8"	Compressed	36	Spline	39 / 30	Male	48	N/A	N/A	No
60-9236	20 11/16"	Compressed	36	Spline	26	Male	48	N/A	N/A	No
60-9237	38 7/16"	Compressed	36	Spline	26	Male	48	N/A	N/A	No
60-9240	20 7/16"	Compressed	36	Spline	26	Male	48	N/A	N/A	No
60-9241	38"	Compressed	36	Spline	26	Male	48	N/A	N/A	No
60-9242	23 3/4"	Compressed	30	Spline	27	Male	N/A	Self Lock	36mm	Yes
60-9244	23 5/16"	Compressed	33	Spline	34	Male	29	Self Lock	32mm	Yes
60-9245	22 1/16" To 21 7/8" ⑤	Compressed	33	Spline	34	Female	29	Self Lock	32mm	Yes
60-9246	22 15/16" To 23 3/16" ⑤	Compressed	33	Spline	34	Male	29	Self Lock	32mm	Yes
60-9247	21 3/8" To 21 5/8" ⑤	Compressed	33	Spline	34	Female	29	Self Lock	32mm	Yes
60-9248	25 15/16" To 25 11/16" ⑤	Compressed	33	Spline	34	Female	29	Self Lock	32mm	Yes
60-9249	19 1/4"	Compressed	33	Spline	N/A	Tripod ④	29	Self Lock	32mm	Yes
60-9250	19 7/8"	Compressed	36	Spline	26	Male	48	N/A	N/A	No
60-9251	37 9/16"	Compressed	36	Spline	26	Male	48	N/A	N/A	No

① Length measurements are approximate and may vary plus or minus 1/8 of an inch.

② This Drive Axle uses a Bolt-On style Outboard Joint.

④ The Inboard Housing is not supplied with this Drive Axle.

⑤ Length ranges are the result of various optional Outboard Housings used on this Drive Axle.

REMANUFACTURED CV IDENTIFICATION GUIDE

REMAN PART NO.	OVERALL LENGTH (A) ①	LENGTH MEAS. METHOD	OUTBOARD SPLINE COUNT (B)	OUTBOARD JOINT TYPE	INBOARD SPLINE COUNT (C)	INBOARD JOINT TYPE (D)	ABS RING TOOTH COUNT	AXLE NUT LOCKING TYPE	AXLE NUT HEX HEAD SIZE	AXLE NUT INCLUDED
60-9252	20 3/4"	Compressed	36	Spline	26	Male	48	N/A	N/A	No
60-9253	38 7/16"	Compressed	36	Spline	26	Male	48	N/A	N/A	No
60-9254	38 3/16"	Compressed	36	Spline	26	Male	48	N/A	N/A	No
60-9255	23"	Compressed	30	Spline	27	Male	N/A	Stake	43mm	Yes
60-9256	38 1/8"	Compressed	30	Spline	27	Male	N/A	Stake	43mm	Yes
60-9262	21 3/4"	Compressed	36	Spline	26	Male	48	N/A	N/A	No
60-9263	39 9/16"	Compressed	36	Spline	26	Male	48	N/A	N/A	No
60-9264	20 7/16"	Compressed	36	Spline	26	Male	48	N/A	N/A	No
60-9265	38 1/8"	Compressed	36	Spline	26	Male	48	N/A	N/A	No
60-9266	29 1/2"	Compressed	26	Spline	26	Male	48	Self Lock	36mm	Yes
60-9268	29 1/8"	Compressed	26	Spline	26	Male	N/A	Self Lock	36mm	Yes
60-9270	29 15/16"	Compressed	36	Spline	26	Male	N/A	N/A	N/A	No
60-9271	24 1/8"	Compressed	27	Spline	N/A	Bolt-On	48	Stake	38mm	Yes
60-9272	26 1/4"	Compressed	27	Spline	N/A	Bolt-On	48	Stake	38mm	Yes
60-9273	24 1/16"	Compressed	30	Spline	27	Male	29	Self Lock	36mm	Yes
60-9274	24 1/8"	Compressed	33	Spline	27	Male	29	Self Lock	32mm	Yes
60-9275	24 1/4"	Compressed	26	Spline	23	Male	N/A	Stake	32mm	Yes
60-9276	35 1/8"	Compressed	26	Spline	23	Male	N/A	Stake	32mm	Yes
60-9279	23 1/4"	Compressed	26	Spline	34	Male	N/A	Stake	32mm	Yes
60-9280	36 1/16"	Compressed	26	Spline	34	Male	N/A	Stake	32mm	Yes
60-9281	22 3/4"	Compressed	30	Spline	27	Male	N/A	Stake	43mm	Yes
60-9282	35 7/16"	Compressed	30	Spline	27	Male	N/A	Stake	43mm	Yes
60-9285	24 13/16"	Compressed	28	Spline	25	Male	N/A	Stake	35-36mm	Yes
60-9286	23 3/8"	Compressed	28	Spline	25	Male	N/A	Stake	35-36mm	Yes
60-9287	25 1/16"	Compressed	29	Spline	29	Male	48	Stake	38mm	Yes
60-9288	39 1/4"	Compressed	29	Spline	29	Male	48	Stake	38mm	Yes
60-9293	19 1/8"	Compressed	35	Spline	34	Female	96	N/A	N/A	No
60-9294	19 15/16"	Compressed	35	Spline	24	Male	96	N/A	N/A	No
60-9295	26 1/8"	Compressed	30	Spline	37	Male	N/A	Self Lock	36mm	Yes
60-9296	39 3/8"	Compressed	30	Spline	37	Male	N/A	Self Lock	36mm	Yes
60-9297	26 7/8"	Compressed	30	Spline	27	Male	N/A	Self Lock	36mm	Yes
60-9298	40"	Compressed	30	Spline	37	Male	N/A	Self Lock	36mm	Yes
60-9299	32 7/8"	Compressed	30	Spline	37	Male	N/A	Self Lock	36mm	Yes
60-9300	33 1/2"	Compressed	30	Spline	37	Male	N/A	Self Lock	36mm	Yes
60-9304	21 1/8"	Compressed	36	Spline	26	Male	48	N/A	N/A	No
60-9306	19 9/16"	Compressed	30	Spline	34	Female	N/A	N/A	N/A	No
60-9307	20 3/4"	Compressed	30	Spline	27	Male	N/A	N/A	N/A	No
60-9310	22 7/16"	Compressed	30	Spline	27	Male	48	Stake	43mm	Yes
60-9311	35"	Compressed	30	Spline	27	Male	48	Stake	43mm	Yes
60-9312	25 15/16"	Compressed	30	Spline	27	Male	48	Stake	43mm	Yes
60-9313	39 9/16"	Compressed	30	Spline	27	Male	48	Stake	43mm	Yes
60-9314	23 1/2"	Compressed	30	Spline	27	Male	N/A	Stake	43mm	Yes
60-9315	36 1/8"	Compressed	30	Spline	27	Male	N/A	Stake	43mm	Yes
60-9318	24 15/16"	Compressed	30	Spline	27	Male	N/A	Stake	43mm	Yes
60-9319	40 1/8"	Compressed	30	Spline	27	Male	N/A	Stake	43mm	Yes
60-9320	23 9/16"	Compressed	26	Spline	26	Male	N/A	Stake	32mm	Yes
60-9322	23 3/4"	Compressed	26	Spline	26	Male	N/A	Stake	32mm	Yes
60-9323	34 7/16"	Compressed	26	Spline	26	Male	N/A	Stake	32mm	Yes
60-9324	24 3/8"	Compressed	26	Spline	33	Male	N/A	Stake	32mm	Yes
60-9325	35 7/16"	Compressed	26	Spline	33	Male	N/A	Stake	32mm	Yes
60-9326	23 3/16"	Compressed	26	Spline	34	Male	N/A	Stake	32mm	Yes
60-9327	36 1/16"	Compressed	26	Spline	34	Male	N/A	Stake	32mm	Yes
60-9348	23 9/16"	Compressed	30	Spline	27	Male	N/A	Self Lock	36mm	Yes
60-9349	23 9/16"	Compressed	30	Spline	27	Male	N/A	Self Lock	36mm	Yes
60-9350	20 7/16"	Compressed	36	Spline	26	Male	N/A	N/A	N/A	No
60-9351	37 1/4"	Compressed	36	Spline	26	Male	N/A	N/A	N/A	No
60-9613	36 5/16"	Compressed	26	Spline	33	Male	N/A	Stake	32mm	Yes
60-9615	25 9/16"	Compressed	30	Spline	N/A	Bolt-On	N/A	Stake	43mm	Yes
60-9685	19 9/16"	Compressed	35	Spline	34	Female	96	N/A	N/A	No
60-9762	24 3/8"	Compressed	26	Spline		Male	0	Stake	32 mm	Yes

① Length measurements are approximate and may vary plus or minus 1/8 of an inch.

REMANUFACTURED CV IDENTIFICATION GUIDE

REMAN PART NO.	OVERALL LENGTH (A) ①	LENGTH MEAS. METHOD	OUTBOARD SPLINE COUNT (B)	OUTBOARD JOINT TYPE	INBOARD SPLINE COUNT (C)	INBOARD JOINT TYPE (D)	ABS RING TOOTH COUNT	AXLE NUT LOCKING TYPE	AXLE NUT HEX HEAD SIZE	AXLE NUT INCLUDED
60-9763	34 15/16"	Compressed	26	Spline		Male	0	Stake	32 mm	Yes
60-1349S	19 13/16"	Compressed	17	Spline	N/A	Race & Cage ④	N/A	N/A	N/A	No
60-1350S	18 5/8"	Compressed	17	Spline	N/A	Race & Cage ④	N/A	N/A	N/A	No
60-1351S	19 7/16"	Compressed	17	Spline	N/A	Race & Cage ④	N/A	N/A	N/A	No
60-1352S	18 5/8"	Compressed	17	Spline	N/A	Race & Cage ④	N/A	N/A	N/A	No
60-1353S	17 3/8"	Compressed	17	Spline	N/A	Race & Cage ④	N/A	N/A	N/A	No
60-1354S	17 3/16"	Compressed	17	Spline	N/A	Race & Cage ④	N/A	N/A	N/A	No
60-1356S	18 1/8"	Compressed	17	Spline	N/A	Race & Cage ④	N/A	N/A	N/A	No
60-1370S	36 3/8"	Compressed	22	Spline	N/A	Race & Cage ④	N/A	Stake	35-36mm	Yes
60-3001S	26"	Extended	26	Spline	25	Male	N/A	N/A	N/A	No
60-3038S	26"	Extended	26	Spline	25	Male	47	N/A	N/A	No
60-9276S	20 3/8"	Compressed	26	Spline	N/A	Tripod ④	N/A	Stake	32mm	Yes

① Length measurements are approximate and may vary plus or minus 1/8 of an inch.

④ The Inboard Housing is not supplied with this Drive Axle.

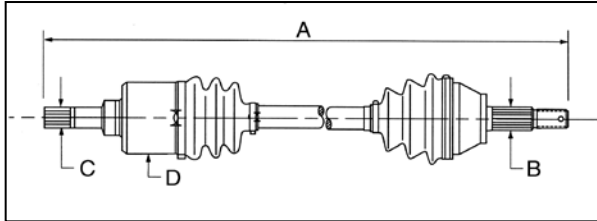
NEW CV IDENTIFICATION GUIDE

CV Drive Axle Identification Guide and Specification Chart

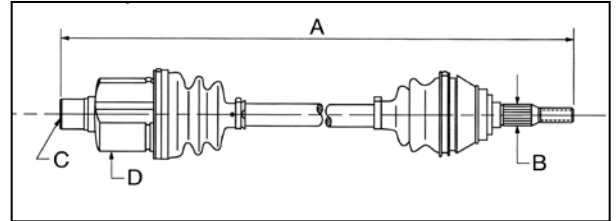
The CV Drive Axle Specifications listed in this catalog are for reference use only. They are not to be used as a substitute for our catalog's applications. Any units sold for vehicles not listed in this catalog, based solely on having similar specifications to another part number, will not be accepted for credit under warranty.

Please use the following CV Drive Axle Drawings as a guide for measuring your customers unit.

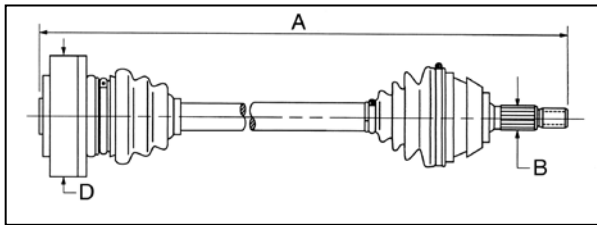
Male Inboard Joint Type



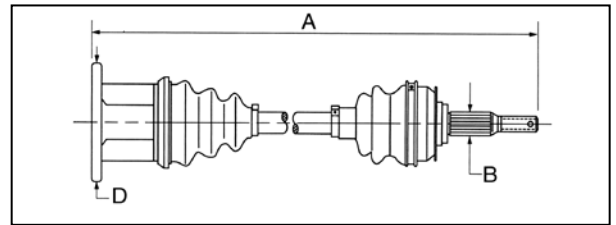
Female Inboard Joint Type



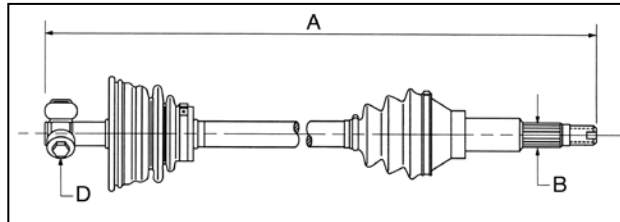
Bolt-On Cross Groove Inboard Joint Type



Flanged, Bolt-On Inboard Joint Type



Open Inboard Joint Type



NEW PART NO.	OVERALL LENGTH (A) ①	LENGTH MEAS. METHOD	OUTBOARD SPLINE COUNT (B)	OUTBOARD JOINT TYPE	INBOARD SPLINE COUNT (C)	INBOARD JOINT TYPE (D)	ABS RING TOOTH COUNT	AXLE NUT LOCKING TYPE	AXLE NUT HEX HEAD SIZE	AXLE NUT INCLUDED
66-07509	31 3/4"	Compressed	27	Spline	25	Male	N/A	Stake	32mm	Yes
66-07529	30 3/16"	Compressed	36	Spline	N/A	Bolt-On	N/A	Bolt	19mm	Yes
66-1000	19 3/8"	Compressed	27	Spline	N/A	Bolt-On	N/A	Self Lock	36mm	Yes
66-1002	23 7/16"	Compressed	26	Spline	23	Male	N/A	Standard	30mm	Yes
66-1009	21 3/16"	Compressed	33	Spline	N/A	Bolt-On	N/A	Self Lock	36mm	Yes
66-1009HD	21 3/16"	Compressed	33	Spline	N/A	Bolt-On	N/A	Self Lock	36mm	Yes
66-1026	34 13/16"	Compressed	22	Spline	34	Male	N/A	Stake	30mm	Yes
66-1028	36 9/16"	Compressed	22	Spline	34	Male	N/A	Stake	30mm	Yes
66-1031	24 1/4"	Compressed	22	Spline	34	Male	N/A	Stake	30mm	Yes
66-1032	22 9/16"	Compressed	22	Spline	34	Male	N/A	Stake	30mm	Yes
66-1040	21 3/4"	Compressed	27	Spline	35	Female	47	Self Lock	36mm	Yes
66-1050	21 1/16"	Compressed	33	Spline	N/A	Bolt-On	55	Self Lock	36mm	Yes

① Length measurements are approximate and may vary plus or minus 1/8 of an inch.

NEW CV IDENTIFICATION GUIDE

NEW PART NO.	OVERALL LENGTH (A) ①	LENGTH MEAS. METHOD	OUTBOARD SPLINE COUNT (B)	OUTBOARD JOINT TYPE	INBOARD SPLINE COUNT (C)	INBOARD JOINT TYPE (D)	ABS RING TOOTH COUNT	AXLE NUT LOCKING TYPE	AXLE NUT HEX HEAD SIZE	AXLE NUT INCLUDED
66-1050HD	21 3/16"	Compressed	33	Spline	N/A	Bolt-On	55	Self Lock	36mm	Yes
66-1052	21 1/16"	Compressed	33	Spline	N/A	Bolt-On	55	Self Lock	36mm	Yes
66-1055	24 5/8"	Compressed	33	Spline	34	Male	48	Self Lock	30mm	Yes
66-1057	20 7/16"	Compressed	33	Spline	N/A	Bolt-On	N/A	Self Lock	36mm	Yes
66-1060	24 1/2"	Compressed	33	Spline	34	Male	N/A	Self Lock	34mm	Yes
66-1075	20 1/2"	Compressed	33	Spline	34	Female	48	Self Lock	30mm	Yes
66-1085	23 1/4"	Compressed	26	Spline	22	Male	N/A	N/A	N/A	Yes
66-1092	24 3/4"	Compressed	33	Spline	34	Male	N/A	Self Lock	34mm	Yes
66-1094	27 1/4"	Compressed	27	Spline	35	Male	47	Self Lock	36mm	Yes
66-1106	19 1/4"	Compressed	26	Spline	N/A	Bolt-On	N/A	N/A	N/A	Yes
66-1110	21 1/4"	Compressed	33	Spline	34	Male	48	Self Lock	30mm	Yes
66-1112	20 7/16"	Compressed	33	Spline	35	Male	47	Self Lock	36mm	Yes
66-1122	20 11/16"	Compressed	33	Spline	34	Female	48	Self Lock	30mm	Yes
66-1123	20 1/8"	Compressed	33	Spline	35	Female	48	Self Lock	30mm	Yes
66-1126	20 1/4"	Compressed	33	Spline	35	Female	N/A	Self Lock	34mm	Yes
66-1127	23 3/8"	Compressed	33	Spline	34	Male	N/A	Self Lock	34mm	Yes
66-1136	35 3/4"	Compressed	26	Spline	23	Male	N/A	Standard	30mm	Yes
66-1172	21 5/16"	Compressed	33	Spline	41	Female	N/A	Self Lock	34mm	Yes
66-1198	25 1/4"	Compressed	33	Spline	39	Male	N/A	Self Lock	34mm	Yes
66-1202	31 1/4"	Compressed	33	Spline	34	Female	N/A	Self Lock	34mm	Yes
66-1206	21 3/16"	Compressed	33	Spline	34	Female	N/A	Self Lock	34mm	Yes
66-1210	20 15/16"	Compressed	33	Spline	35	Female	N/A	Self Lock	34mm	Yes
66-1218	37 5/8"	Compressed	33	Spline	34	Male	48	Self Lock	30mm	Yes
66-1219	23 5/16"	Compressed	33	Spline	34	Male	48	Self Lock	30mm	Yes
66-1223	21 1/8"	Compressed	33	Spline	34	Female	48	Self Lock	30mm	Yes
66-1224	25 9/16"	Compressed	33	Spline	34	Male	48	Self Lock	30mm	Yes
66-1233	22 3/8"	Compressed	33	Spline	26	Female	N/A	Self Lock	36mm	Yes
66-1243	21 1/4"	Compressed	30	Spline	34	Female	N/A	Self Lock	36mm	Yes
66-1249	21 3/4"	Compressed	33	Spline	35	Female	N/A	Self Lock	34mm	Yes
66-1250	24 7/8"	Compressed	33	Spline	34	Male	N/A	Self Lock	34mm	Yes
66-1250HD	24 7/8"	Compressed	33	Spline	34	Male	N/A	Self Lock	34mm	Yes
66-1255	21 13/16"	Compressed	33	Spline	34	Female	N/A	Self Lock	34mm	Yes
66-1255HD	21 13/16"	Compressed	33	Spline	34	Female	N/A	Self Lock	34mm	Yes
66-1256	24 1/2"	Compressed	33	Spline	39	Male	N/A	Self Lock	34mm	Yes
66-1263	20 3/16"	Compressed	33	Spline	34	Female	47	Self Lock	36mm	Yes
66-1264	23 1/2"	Compressed	33	Spline	34	Male	47	Self Lock	36mm	Yes
66-1273	24 11/16"	Compressed	33	Spline	34	Male	47	Self Lock	30mm	Yes
66-1274	22 3/8"	Compressed	33	Spline	34	Female	47	Self Lock	30mm	Yes
66-1277	25 3/8"	Compressed	27	Spline	26	Male	N/A	Self Lock	36mm	Yes
66-1278	23 5/16"	Compressed	27	Spline	26	Female	N/A	Self Lock	36mm	Yes
66-1303	27"	Compressed	23	Spline	22	Male	42	Stake	30mm	Yes
66-1304	30 9/16"	Compressed	23	Spline	22	Male	42	Stake	30mm	Yes
66-1307	23 9/16"	Compressed	23	Spline	22	Female	42	Stake	30mm	Yes
66-1308	24 3/8"	Compressed	23	Spline	22	Male	42	Stake	30mm	Yes
66-1311	23 3/8"	Compressed	27	Spline	26	Male	N/A	Self Lock	36mm	Yes
66-1312	21 1/4"	Compressed	27	Spline	26	Female	N/A	Self Lock	36mm	Yes
66-1314	22 9/16"	Compressed	23	Spline	22	Male	N/A	Stake	30mm	Yes
66-1315	35 1/8"	Compressed	23	Spline	22	Male	N/A	Stake	30mm	Yes
66-1323	20 11/16"	Compressed	33	Spline	34	Female	48	Self Lock	30mm	Yes
66-1325	21 11/16"	Compressed	33	Spline	N/A	Bolt-On	N/A	Self Lock	36mm	Yes
66-1325HD	21 11/16"	Compressed	33	Spline	N/A	Bolt-On	N/A	Self Lock	36mm	Yes
66-1327	22 1/4"	Compressed	33	Spline	41	Female	N/A	Self Lock	34mm	Yes
66-1335	25 5/8"	Compressed	33	Spline	34	Male	N/A	Self Lock	34mm	Yes
66-1336	23 3/4"	Compressed	30	Spline	34	Male	N/A	Self Lock	36mm	Yes
66-1337	37 1/16"	Compressed	30	Spline	34	Male	N/A	Self Lock	36mm	Yes
66-1339	37"	Compressed	33	Spline	34	Male	48	Self Lock	30mm	Yes
66-1345	27 5/8"	Compressed	27	Spline	26	Male	N/A	Self Lock	36mm	Yes
66-1347	22 3/4"	Compressed	33	Spline	41	Female	N/A	Self Lock	36mm	Yes
66-1358	21 5/8"	Compressed	33	Spline	34	Female	29	Castle	30mm	Yes
66-1368	25 3/4"	Compressed	33	Spline	34	Male	N/A	Self Lock	34mm	Yes

① Length measurements are approximate and may vary plus or minus 1/8 of an inch.

NEW CV IDENTIFICATION GUIDE

NEW PART NO.	OVERALL LENGTH (A) ①	LENGTH MEAS. METHOD	OUTBOARD SPLINE COUNT (B)	OUTBOARD JOINT TYPE	INBOARD SPLINE COUNT (C)	INBOARD JOINT TYPE (D)	ABS RING TOOTH COUNT	AXLE NUT LOCKING TYPE	AXLE NUT HEX HEAD SIZE	AXLE NUT INCLUDED
66-1371	23 3/16"	Compressed	33	Spline	34	Male	N/A	Self Lock	30mm	Yes
66-1372	37 1/2"	Compressed	33	Spline	34	Male	N/A	Self Lock	30mm	Yes
66-1375	23 1/16"	Compressed	33	Spline	27	Male	N/A	Self Lock	30mm	Yes
66-1376	20 5/8"	Compressed	33	Spline	34	Female	N/A	Self Lock	30mm	Yes
66-1378	22 1/8"	Compressed	33	Spline	34	Female	N/A	Self Lock	34mm	Yes
66-1379	23 7/16"	Compressed	33	Spline	26	Female	N/A	Self Lock	36mm	Yes
66-1398	25 5/16"	Compressed	33	Spline	29	Male	N/A	Self Lock	34mm	Yes
66-1399	23 13/16"	Compressed	33	Spline	34	Female	N/A	Self Lock	34mm	Yes
66-1400	24 3/8"	Compressed	33	Spline	27	Male	N/A	Self Lock	34mm	Yes
66-1401	21 13/16"	Compressed	33	Spline	34	Female	N/A	Self Lock	34mm	Yes
66-1415	26 5/8"	Compressed	30	Spline	33 + 1 Blank	Female	N/A	Self Lock	36mm	Yes
66-1416	23 13/16"	Compressed	30	Spline	34	Male	N/A	Self Lock	36mm	Yes
66-1417	24 15/16"	Compressed	33	Spline	28	Male	N/A	Self Lock	36mm	Yes
66-1418	22 15/16"	Compressed	27	Spline	28	Male	N/A	Self Lock	36mm	Yes
66-1420	23 11/16"	Compressed	22	Spline	22	Male	47	Stake	30mm	Yes
66-1422	36 11/16"	Compressed	22	Spline	22	Male	47	Stake	30mm	Yes
66-1424	23"	Compressed	33	Spline	34	Male	47	Stake	30mm	Yes
66-1426	36 15/16"	Compressed	33	Spline	34	Male	47	Stake	30mm	Yes
66-1430	22 7/8"	Compressed	33	Spline	N/A	Bolt-On	N/A	Self Lock	36mm	Yes
66-1430HD	22 7/8"	Compressed	33	Spline	N/A	Bolt-On	N/A	Self Lock	36mm	Yes
66-1434	21 5/16"	Compressed	33	Spline	34	Male	N/A	Self Lock	34mm	Yes
66-1435	25 11/16"	Compressed	33	Spline	39	Male	N/A	Self Lock	34mm	Yes
66-1438	21 13/16"	Compressed	33	Spline		Bolt-On	N/A	Self Lock	36mm	Yes
66-1439	20 15/16"	Compressed	26	Spline	N/A	Bolt-On	N/A	N/A	N/A	No
66-1443	23 7/8"	Compressed	26	Spline	26	Male	N/A	N/A	N/A	No
66-1444	22 1/2"	Compressed	33	Spline	34	Female	N/A	Self Lock	34mm	Yes
66-1445	25 1/4"	Compressed	33	Spline	34	Male	N/A	Self Lock	34mm	Yes
66-1458	25 5/16"	Compressed	30	Spline	34	Male	N/A	Self Lock	36mm	Yes
66-1459	20 3/4"	Compressed	30	Spline	34	Female	N/A	Self Lock	36mm	Yes
66-1460	23"	Compressed	30	Spline	27	Male	N/A	Self Lock	36mm	Yes
66-1461	21 7/16"	Compressed	30	Spline	27	Female	N/A	Self Lock	36mm	Yes
66-1462	24 11/16"	Compressed	30	Spline	27	Male	N/A	Self Lock	36mm	Yes
66-1463	22 1/4"	Compressed	30	Spline	34	Female	N/A	Self Lock	36mm	Yes
66-1465	27 1/4"	Compressed	33	Spline	27	Male	N/A	Self Lock	34mm	Yes
66-1465HD	27 1/4"	Compressed	33	Spline	27	Male	N/A	Self Lock	34mm	Yes
66-1466	23 13/16"	Compressed	33	Spline	27	Female	N/A	Self Lock	34mm	Yes
66-1466HD	23 13/16"	Compressed	33	Spline	27	Female	N/A	Self Lock	34mm	Yes
66-1467	22 3/8"	Compressed	30	Spline	34	Female	N/A	Self Lock	36mm	Yes
66-1468	24"	Compressed	30	Spline	27	Male	N/A	Self Lock	36mm	Yes
66-1516	26 9/16"	Compressed	30	Spline	34	Male	N/A	Self Lock	36mm	Yes
66-1517	22 7/16"	Compressed	30	Spline	27	Female	N/A	Self Lock	36mm	Yes
66-1518	24 9/16"	Compressed	30	Spline	27	Male	N/A	Self Lock	35mm	Yes
66-1518HD	24 9/16"	Compressed	30	Spline	27	Male	N/A	Self Lock	35mm	Yes
66-1542	25 5/16"	Compressed	33	Spline	34	Male	N/A	Self Lock	32mm	Yes
66-1543	37 3/16"	Compressed	33	Spline	34	Male	N/A	Self Lock	32mm	Yes
66-1545	23 1/8"	Compressed	33	Spline	34	Female	N/A	Self Lock	32mm	Yes
66-1546	24 13/16"	Compressed	30	Spline	27	Male	N/A	Self Lock	32mm	Yes
66-1547	25 5/16"	Compressed	30	Spline	27	Male	N/A	Self Lock	32mm	Yes
66-1556HD	22 7/8"	Compressed	36	Spline	N/A	Bolt-On	N/A	Self Lock	34mm	Yes
66-1559	24"	Compressed	33	Spline	27	Male	N/A	Self Lock	34mm	Yes
66-1560	24 3/4"	Compressed	33	Spline	27	Male	N/A	Self Lock	34mm	Yes
66-2005	26 7/8"	Compressed	26	Spline	35	Male	50	Self Lock	30mm	Yes
66-2008	21 3/4"	Compressed	26	Spline	35	Female	50	Self Lock	30mm	Yes
66-2027	20 9/16"	Compressed	27	Spline	27	Female	N/A	Self Lock	32mm	Yes
66-2032	35 3/4"	Compressed	26	Spline	25	Male	N/A	Self Lock	30mm	Yes
66-2033	24 3/8"	Compressed	26	Spline	24 + 2 Blank	Female	44	Stake	32mm	Yes
66-2037	23"	Compressed	26	Spline	25	Male	N/A	Self Lock	30mm	Yes
66-2038	22 1/2"	Compressed	26	Spline	35	Female	50	Self Lock	30mm	Yes
66-2039	26 1/4"	Compressed	26	Spline	35	Male	50	Self Lock	30mm	Yes
66-2040	23 11/16"	Compressed	26	Spline	26	Male	44	Stake	32mm	Yes

① Length measurements are approximate and may vary plus or minus 1/8 of an inch.

NEW CV IDENTIFICATION GUIDE

NEW PART NO.	OVERALL LENGTH (A) ①	LENGTH MEAS. METHOD	OUTBOARD SPLINE COUNT (B)	OUTBOARD JOINT TYPE	INBOARD SPLINE COUNT (C)	INBOARD JOINT TYPE (D)	ABS RING TOOTH COUNT	AXLE NUT LOCKING TYPE	AXLE NUT HEX HEAD SIZE	AXLE NUT INCLUDED
66-2042	25 7/16"	Compressed	26	Spline	35	Male	50	Self Lock	30mm	Yes
66-2051	26 1/16"	Compressed	27	Spline	35	Male	44	Self Lock	32mm	Yes
66-2053	22 5/16"	Compressed	27	Spline	34 + 1 Blank	Female	44	Self Lock	32mm	Yes
66-2055	24 3/8"	Compressed	27	Spline	26	Male	44	Self Lock	32mm	Yes
66-2059	26 1/8"	Compressed	27	Spline	35	Male	44	Self Lock	32mm	Yes
66-2061	22 1/4"	Compressed	27	Spline	34 + 1 Blank	Female	44	Self Lock	32mm	Yes
66-2066	26 3/4"	Compressed	32	Spline	29	Male	50	Standard	36mm	Yes
66-2067	40 3/8"	Compressed	32	Spline	29	Male	50	Standard	36mm	Yes
66-2068	23 3/16"	Compressed	26	Spline	35	Female	50	Self Lock	30mm	Yes
66-2069	28 1/4"	Compressed	26	Spline	35	Male	50	Self Lock	30mm	Yes
66-2070	34 15/16"	Compressed	24	Spline	24	Male	44	Stake	30mm	Yes
66-2072	23 3/4"	Compressed	24	Spline	24	Male	44	Stake	30mm	Yes
66-2074	34 3/4"	Compressed	24	Spline	22	Male	44	Stake	30mm	Yes
66-2082	23"	Compressed	26	Spline	25	Male	N/A	Self Lock	30mm	Yes
66-2084	26 7/16"	Compressed	28	Spline	35	Male	44	Self Lock	32mm	Yes
66-2086	21 7/16"	Compressed	28	Spline	34 + 1 Blank	Female	44	Self Lock	32mm	Yes
66-2090	24 15/16"	Compressed	28	Spline	28	Male	50	Stake	32mm	Yes
66-2091	23 1/8"	Compressed	26	Spline	35	Female	50	Self Lock	30mm	Yes
66-2092	28 1/4"	Compressed	26	Spline	35	Male	50	Self Lock	30mm	Yes
66-2095	22 7/16"	Compressed	28	Spline	35 + 1 Blank	Female	44	Self Lock	32mm	Yes
66-2099	22 3/8"	Compressed	26	Spline	N/A	Bolt-On	N/A	Self Lock	6mm	Yes
66-2101	23 3/8"	Compressed	27	Spline	27	Male	N/A	Self Lock	32mm	Yes
66-2103	19 3/8"	Compressed	45	Spline	N/A	Bolt-On	N/A	Standard	13mm	Yes
66-2105	24 1/2"	Compressed	26	Spline	24	Male	44	Stake	32mm	Yes
66-2112	19 15/16"	Compressed	33	Spline	N/A	Bolt-On	N/A	Self Lock	36mm	Yes
66-2134	36 1/8"	Compressed	26	Spline	26	Male	44	Stake	32mm	Yes
66-2136	35 1/4"	Compressed	26	Spline	24	Male	44	Stake	32mm	Yes
66-2143	24 1/4"	Compressed	25	Spline	26	Male	N/A	Self Lock	32mm	Yes
66-2144	37 3/16"	Compressed	25	Spline	26	Male	N/A	Self Lock	32mm	Yes
66-2145	25"	compressed	25	Spline	23	Male	N/A	Self Lock	32mm	Yes
66-2146	36 5/8"	compressed	25	Spline	23	Male	N/A	Self Lock	32mm	Yes
66-2153	26"	Compressed	27	Spline	27	Male	N/A	Self Lock	30mm	Yes
66-2154	23 1/4"	Compressed	27	Spline	26 + 1 Blank	Female	N/A	Self Lock	30mm	Yes
66-2156	23 1/4"	Compressed	26	Spline	35	Male	N/A	Self Lock	30mm	Yes
66-2157	27"	Compressed	26	Spline	35	Male	N/A	Self Lock	30mm	Yes
66-2162	26 1/2"	Compressed	38	Spline	28	Male	N/A	Self Lock	32mm	Yes
66-2163	40 5/16"	Compressed	38	Spline	28	Male	N/A	Self Lock	32mm	Yes
66-2164	25 5/16"	Compressed	38	Spline	37	Male	N/A	Self Lock	32mm	Yes
66-2165	41 1/2"	Compressed	38	Spline	37	Male	N/A	Self Lock	32mm	Yes
66-2166	41 1/2"	Compressed	38	Spline	37	Male	N/A	Self Lock	32mm	Yes
66-2167	25"	Compressed	28	Spline	35	Male	44	Self Lock	32mm	Yes
66-2168	23 3/16"	Compressed	27	Spline	27	Male	N/A	Self Lock	32mm	Yes
66-2169	20 3/8"	Compressed	27	Spline	26 + 1 Blank	Female	N/A	Self Lock	32mm	Yes
66-2172	24 1/4"	Compressed	25	Spline	26	Male	N/A	Self Lock	32mm	Yes
66-2173	37 7/8"	Compressed	25	Spline	26	Male	N/A	Self Lock	25mm	Yes
66-2176	24 3/4"	Compressed	27	Spline	26	Male	N/A	Self Lock	32mm	Yes
66-2177	24 1/4"	Compressed	27	Spline	23	Male	N/A	Self Lock	32mm	Yes
66-2182	24 5/16"	Compressed	28	Spline	30	Male	44	Self Lock	32mm	Yes
66-2184	25 3/4"	Compressed	27	Spline	27	Male	N/A	Self Lock	32mm	Yes
66-2185	23 1/16"	Compressed	27	Spline	26 + 1 Blank	Female	N/A	Self Lock	32mm	Yes
66-2186	25 3/4"	Compressed	38	Spline	27	Male	N/A	Self Lock	32mm	Yes
66-2187	41 3/4"	Compressed	38	Spline	27	Male	N/A	Self Lock	32mm	Yes
66-2188	25 5/16"	Compressed	31	Spline	27	Male	44	Standard	32mm	Yes
66-2188HD	25 5/16"	Compressed	31	Spline	27	Male	44	Standard	32mm	Yes
66-2189	23 3/4"	Compressed	31	Spline	29 + 2 Blank	Female	44	Standard	32mm	Yes
66-2189HD	23 3/4"	Compressed	31	Spline	29 + 2 Blank	Female	44	Standard	32mm	Yes
66-2190	22 5/8"	Compressed	31	Spline	29 + 2 Blank	Female	44	Standard	32mm	Yes
66-2190HD	22 5/8"	Compressed	31	Spline	29 + 2 Blank	Female	44	Standard	32mm	Yes
66-2191	24 15/16"	Compressed	45	Spline	31	Male	54	Self Lock	36mm	Yes
66-2192	22"	Compressed	45	Spline	31	Female	54	Self Lock	36mm	Yes

① Length measurements are approximate and may vary plus or minus 1/8 of an inch.

NEW CV IDENTIFICATION GUIDE

NEW PART NO.	OVERALL LENGTH (A) ①	LENGTH MEAS. METHOD	OUTBOARD SPLINE COUNT (B)	OUTBOARD JOINT TYPE	INBOARD SPLINE COUNT (C)	INBOARD JOINT TYPE (D)	ABS RING TOOTH COUNT	AXLE NUT LOCKING TYPE	AXLE NUT HEX HEAD SIZE	AXLE NUT INCLUDED
66-2193	31 15/16"	Compressed	29	Spline	31	Male	54	Self Lock	36mm	Yes
66-2194	33"	Compressed	29	Spline	31	Male	54	Self Lock	36mm	Yes
66-2195	22 3/16"	Compressed	25	Spline	26 + 2 Blank	Female	N/A	Self Lock	32mm	Yes
66-2196	22 3/4"	Compressed	28	Spline	31	Male	44	Stake	32mm	Yes
66-2197	21 3/4"	Compressed	28	Spline	26 + 2 Blank	Female	44	Stake	32mm	Yes
66-2249	25 3/4"	Compressed	28	Spline	35	Male	44	Self Lock	32mm	Yes
66-2250	26 5/16"	Compressed	28	Spline	35	Male	44	Self Lock	32mm	Yes
66-2252	24 3/4"	Compressed	25	Spline	26	Male	N/A	Self Lock	32mm	Yes
66-2272	26 11/16"	Compressed	28	Spline	35	Male	44	Self Lock	32mm	Yes
66-3023	18 5/8"	Extended	26	Spline	N/A	Bolt-On	N/A	Lock Nut	32mm	Yes
66-3025	25 3/8"	Extended	26	Spline	25	Male	47	Lock Nut	32mm	Yes
66-3034	39 11/16"	Extended	26	Spline	25	Male	47	Lock Nut	32mm	Yes
66-3035	41 1/8"	Extended	26	Spline	25	Male	47	Lock Nut	32mm	Yes
66-3038	26 1/16"	Extended	26	Spline	25	Male	47	Lock Nut	32mm	Yes
66-3044	21 1/8"	Compressed	33	Spline	27	Female	50	Standard	32mm	Yes
66-3046	27 3/8"	Compressed	33	Spline	27	Female	50	Standard	33mm	Yes
66-3056	37 1/16"	Compressed	23	Spline	25	Male	56	Lock Nut	32mm	Yes
66-3087	24 1/2"	Compressed	26	Spline	25	Male	56	Lock Nut	32mm	Yes
66-3092	37 5/16"	Compressed	25	Spline	25	Male	N/A	Castle	32mm	Yes
66-3097	38 13/16"	Compressed	26	Spline	25	Male	56	Standard	32mm	Yes
66-3102	23 15/16"	Compressed	25	Spline	25	Male	N/A	Castle	32mm	Yes
66-3105	37 1/8"	Compressed	23	Spline	25	Male	56	Lock Nut	32mm	Yes
66-3106	23 1/8"	Compressed	23	Spline	25	Male	56	Lock Nut	32mm	Yes
66-3107	41 1/8"	Extended	26	Spline	25	Male	47	Lock Nut	32mm	Yes
66-3108	40 9/16"	Compressed	26	Spline	25	Male	47	Lock Nut	32mm	Yes
66-3109	25 3/16"	Compressed	26	Spline	25	Male	47	Lock Nut	32mm	Yes
66-3111	29 15/16"	Extended	26	Spline	N/A	Bolt-On	47	Standard	32mm	Yes
66-3130	27 3/8"	Compressed	33	Spline	27	Female	50	Standard	34mm	Yes
66-3131	21 1/8"	Compressed	33	Spline	27	Female	50	Standard	34mm	Yes
66-3142	24 5/16"	Compressed	27	Spline	24 + 2 Blank	Female	N/A	Castle	32mm	Yes
66-3145	25 1/4"	Compressed	25	Spline	25	Male	43	Castle	32mm	Yes
66-3164	24 9/16"	Compressed	25	Spline	25	Male	43	Castle	32mm	Yes
66-3166	38 5/16"	Compressed	25	Spline	25	Male	43	Castle	32mm	Yes
66-3167	37 11/16"	Compressed	25	Spline	25	Male	43	Castle	32mm	Yes
66-3173	25 5/16"	Compressed	27	Spline	25	Male	N/A	Castle	32mm	Yes
66-3180	24"	Compressed	25	Spline	25	Male	29	Castle	32mm	Yes
66-3184	35 11/16"	Compressed	25	Spline	25	Male	29	Castle	32mm	Yes
66-3188	21 1/8"	Compressed	33	Spline	27	Female	50	Standard	34mm	Yes
66-3190	27 5/16"	Compressed	33	Spline	27	Female	50	Standard	34mm	Yes
66-3220	22 11/16"	N/A	27	Spline	27	Male ③	54	Standard	36mm	Yes
66-3221	38 9/16"	N/A	27	Spline	27	Male ③	54	Standard	36mm	Yes
66-3229	38 3/8"	Compressed	25	Spline	25	Male	47	Castle	32mm	Yes
66-3230	24 15/16"	Compressed	25	Spline	25	Male	47	Standard	32mm	Yes
66-3232	20 1/2"	Compressed	31	Spline	N/A	Bolt-On	N/A	Standard	32mm	Yes
66-3234	24 7/16"	Compressed	26	Spline	25	Male	46	Self Lock	32mm	Yes
66-3236	36 1/2"	Compressed	25	Spline	25	Male	29	Castle	32mm	Yes
66-3245	38 7/8"	Compressed	26	Spline	25	Male	46	Standard	32mm	Yes
66-3251	42 3/8"	Extended	26	Spline	25	Male	47	Standard	32mm	Yes
66-3254	25 5/16"	Compressed	25	Spline	25	Male	29	Castle	32mm	Yes
66-3274	24 3/4"	Compressed	25	Spline	25	Male	43	Castle	32mm	Yes
66-3298	24 5/16"	N/A	27	Spline	27	Male ③	48	Standard	36mm	Yes
66-3299	40 1/8"	N/A	27	Spline	27	Male ③	48	Standard	36mm	Yes
66-3300	23 1/4"	N/A	27	Spline	27	Male ③	48	Standard	36mm	Yes
66-3301	41 1/8"	N/A	27	Spline	27	Male ③	48	Standard	36mm	Yes
66-3302	23 1/2"	Compressed	26	Spline	25	Male	46	Self Lock	32mm	Yes
66-3303	37 7/16"	Compressed	26	Spline	25	Male	46	Self Lock	32mm	Yes
66-3307	37 1/2"	Compressed	26	Spline	25	Male	46	Self Lock	32mm	Yes
66-3311	24 1/2"	Compressed	25	Spline	25	Male	44	Castle	32mm	Yes
66-3313	35 13/16"	Compressed	25	Spline	25	Male	44	Castle	32mm	Yes
66-3314	24 7/16"	Compressed	25	Spline	25	Male	N/A	Castle	32mm	Yes

① Length measurements are approximate and may vary plus or minus 1/8 of an inch.

③ An Inboard Joint is not required on this style Drive Axle.

NEW CV IDENTIFICATION GUIDE

NEW PART NO.	OVERALL LENGTH (A) ①	LENGTH MEAS. METHOD	OUTBOARD SPLINE COUNT (B)	OUTBOARD JOINT TYPE	INBOARD SPLINE COUNT (C)	INBOARD JOINT TYPE (D)	ABS RING TOOTH COUNT	AXLE NUT LOCKING TYPE	AXLE NUT HEX HEAD SIZE	AXLE NUT INCLUDED
66-3316HD	23 3/4"	Compressed	33	Spline	29	Female	N/A	Self Lock	36mm	Yes
66-3318	18 7/8"	Compressed	31	Spline	N/A	Bolt-On	56	Standard	32mm	Yes
66-3323	20 7/8"	Compressed	31	Spline	29	Female	N/A	Standard	32mm	Yes
66-3324	20 13/16"	Compressed	31	Spline	29	Female	N/A	Standard	32mm	Yes
66-3328	24"	Compressed	25	Spline	25	Male	43	Castle	32mm	Yes
66-3330	36 11/16"	Compressed	25	Spline	25	Male	43	Castle	32mm	Yes
66-3334	25 11/16"	Compressed	25	Spline	27	Male	43	Castle	32mm	Yes
66-3336	37 5/8"	Compressed	25	Spline	27	Male	43	Castle	32mm	Yes
66-3338	25"	Compressed	25	Spline	27	Male	43	Castle	32mm	Yes
66-3340	23 1/2"	Compressed	25	Spline	24 + 2 Blank	Female	43	Castle	32mm	Yes
66-3351	24 7/16"	Compressed	27	Spline	27	Male	N/A	Self Lock	36mm	Yes
66-3352	22 9/16"	Compressed	27	Spline	29	Male	N/A	Self Lock	36mm	Yes
66-3356	25 1/2"	Compressed	27	Spline	27	Male	52	Castle	32mm	Yes
66-3358	38 1/4"	Compressed	27	Spline	27	Male	52	Castle	32mm	Yes
66-3360	25 5/8"	Compressed	27	Spline	27	Male	52	Castle	32mm	Yes
66-3362	23 13/16"	Compressed	27	Spline	24 + 2 Blank	Female	52	Castle	32mm	Yes
66-3364	25 7/16"	Compressed	27	Spline	28	Male	52	Castle	32mm	Yes
66-3366	23 1/2"	Compressed	27	Spline	26 + 2 Blank	Female	52	Castle	32mm	Yes
66-3368	22 11/16"	Compressed	26	Spline	23	Male	52	Castle	32mm	Yes
66-3370	22 5/8"	Compressed	25	Spline	26	Female	52	Castle	32mm	Yes
66-3375	22 3/16"	Compressed	25	Spline	24 + 2 Blank	Female	43	Castle	32mm	Yes
66-3377	24 1/4"	Compressed	25	Spline	25	Male	43	Castle	32mm	Yes
66-3379	37"	Compressed	25	Spline	25	Male	43	Castle	32mm	Yes
66-3382	22 3/16"	Compressed	33	Spline	29	Female	N/A	Stake	36mm	Yes
66-3399	27 1/16"	Compressed	26	Spline	25	Male	N/A	Standard	32mm	Yes
66-3400	42 5/8"	Compressed	26	Spline	25	Male	N/A	Standard	32mm	Yes
66-3401	42 5/8"	Compressed	26	Spline	25	Male	N/A	Standard	32mm	Yes
66-3404	23 3/4"	Compressed	33	Spline	29	Female	N/A	Self Lock	36mm	Yes
66-3404HD	23 3/4"	Compressed	33	Spline	29	Female	N/A	Self Lock	36mm	Yes
66-3405	38 1/4"	Compressed	27	Spline	27	Male	47	Castle	32mm	Yes
66-3406	25 7/8"	Compressed	27	Spline	27	Male	47	Castle	32mm	Yes
66-3407	24 3/16"	Compressed	27	Spline	26	Female	47	Castle	32mm	Yes
66-3408	21 1/16"	Compressed	33	Spline	29	Female	N/A	Self Lock	36mm	Yes
66-3417	26 9/16"	Compressed	29	Spline	29	Male	N/A	Stake	36mm	Yes
66-3418	23 15/16"	Compressed	29	Spline	29	Female	N/A	Stake	36mm	Yes
66-3419	25 3/4"	Compressed	29	Spline	29	Male	N/A	Stake	36mm	Yes
66-3421	23 5/16"	Compressed	26	Spline	27	Male	46	Standard	32mm	Yes
66-3422	20 11/16"	Compressed	26	Spline	32	Female	46	Standard	32mm	Yes
66-3439	23 5/8"	Compressed	27	Spline	24 + 2 Blank	Female	48	Castle	32mm	Yes
66-3448	24 7/8"	Compressed	25	Spline	25	Male	48	Castle	32mm	Yes
66-3449	36 5/16"	Compressed	25	Spline	25	Male	48	Castle	32mm	Yes
66-3451	25 1/16"	Compressed	25	Spline	25	Male	48	Castle	32mm	Yes
66-3453	36 5/16"	Compressed	25	Spline	25	Male	48	Castle	32mm	Yes
66-3467	25 1/2"	Compressed	25	Spline	25	Male	44	Self Lock	32mm	Yes
66-3469	36 11/16"	Compressed	25	Spline	25	Male	44	Self Lock	32mm	Yes
66-3471	25 11/16"	Compressed	25	Spline	25	Male	44	Self Lock	32mm	Yes
66-3473	36 7/8"	Compressed	25	Spline	25	Male	44	Self Lock	32mm	Yes
66-3474	26 3/8"	Compressed	27	Spline	27	Male	43	Castle	32mm	Yes
66-3475	38 15/16"	Compressed	27	Spline	27	Male	43	Castle	32mm	Yes
66-3480	26 5/16"	Compressed	25	Spline	27	Male	43	Castle	32mm	Yes
66-3482	39"	Compressed	25	Spline	27	Male	43	Castle	32mm	Yes
66-3488	25 5/16"	Compressed	27	Spline	26 + 2 Blank	Female	43	Castle	32mm	Yes
66-3489	26 5/8"	Compressed	27	Spline	27	Male	47	Castle	32mm	Yes
66-3490	38"	Compressed	27	Spline	27	Male	47	Castle	32mm	Yes
66-3494	25 7/8"	Compressed	30	Spline	28	Male	47	Castle	32mm	Yes
66-3495	38 3/8"	Compressed	30	Spline	28	Male	47	Castle	32mm	Yes
66-3504	26 3/8"	Compressed	27	Spline	27	Male	48	Castle	32mm	Yes
66-3505	37 5/8"	Compressed	27	Spline	27	Male	48	Castle	32mm	Yes
66-3511	25 1/16"	Compressed	28	Spline	27	Male	N/A	Castle	32mm	Yes
66-3512	37 3/4"	Compressed	28	Spline	27	Male	N/A	Castle	32mm	Yes

① Length measurements are approximate and may vary plus or minus 1/8 of an inch.

NEW CV IDENTIFICATION GUIDE

NEW PART NO.	OVERALL LENGTH (A) ①	LENGTH MEAS. METHOD	OUTBOARD SPLINE COUNT (B)	OUTBOARD JOINT TYPE	INBOARD SPLINE COUNT (C)	INBOARD JOINT TYPE (D)	ABS RING TOOTH COUNT	AXLE NUT LOCKING TYPE	AXLE NUT HEX HEAD SIZE	AXLE NUT INCLUDED
66-3513	23"	Compressed	28	Spline	26 + 2 Blank	Female	N/A	Castle	32mm	Yes
66-3514	37 13/16"	Compressed	28	Spline	27	Male	N/A	Castle	32mm	Yes
66-3518	25 5/16"	Compressed	32	Spline	25	Male	N/A	Self Lock	32mm	Yes
66-3519	22 1/8"	Compressed	32	Spline	28	Female	N/A	Self Lock	32mm	Yes
66-3520	22 15/16"	Compressed	32	Spline	28	Female	N/A	Self Lock	32mm	Yes
66-3521	25 1/4"	Compressed	32	Spline	29	Male	N/A	Self Lock	32mm	Yes
66-3522	20 11/16"	Compressed	32	Spline	28	Female	N/A	Self Lock	32mm	Yes
66-3523	26 3/8"	Compressed	27	Spline	27	Male	46	Castle	32mm	Yes
66-3524	37"	Compressed	27	Spline	27	Male	46	Castle	32mm	Yes
66-3526	25 1/4"	Compressed	25	Spline	27	Male	44	Self Lock	32mm	Yes
66-3528	36 11/16"	Compressed	25	Spline	27	Male	44	Self Lock	32mm	Yes
66-3532	23 5/8"	Compressed	27	Spline	26	Female	48	Castle	32mm	Yes
66-3538	26 3/8"	Compressed	30	Spline	27	Male	52	Castle	32mm	Yes
66-3539	26 1/4"	Compressed	30	Spline	28	Male	52	Castle	32mm	Yes
66-3540	24 1/16"	Compressed	30	Spline	26 + 2 Blank	Female	52	Castle	32mm	Yes
66-3551	26 5/16"	Compressed	32	Spline	25	Male	N/A	Self Lock	32mm	Yes
66-3552	41 9/16"	Compressed	32	Spline	25	Male	N/A	Self Lock	32mm	Yes
66-3553	26 1/4"	Compressed	32	Spline	29	Male	N/A	Self Lock	32mm	Yes
66-3554	41 9/16"	Compressed	32	Spline	29	Male	N/A	Self Lock	32mm	Yes
66-3557	22 13/16"	Compressed	27	Spline	34	Female	Magnetic	Self Lock	32mm	Yes
66-3558	23 7/8"	Compressed	27	Spline	24	Male	Magnetic	Self Lock	32mm	Yes
66-3563	24 1/8"	Compressed	32	Spline	27	Male	N/A	Self Lock	36mm	Yes
66-3564	21 3/8"	Compressed	32	Spline	29	Female	N/A	Self Lock	36mm	Yes
66-3587	38"	Compressed	27	Spline	27	Male	48	Castle	32mm	Yes
66-3593	26 3/4"	Compressed	27	Spline	27	Male	48	Castle	32mm	Yes
66-3596	26 1/8"	Compressed	27	Spline	27	Male	47	Castle	32mm	Yes
66-3597	38 7/16"	Compressed	27	Spline	27	Male	47	Castle	32mm	Yes
66-3639	23 1/4"	Compressed	32	Spline	27	Female	N/A	Self Lock	32mm	Yes
66-3641	39 3/16"	Compressed	32	Spline	25	Male	N/A	Self Lock	32mm	Yes
66-3653	25 13/16"	Compressed	30	Spline	28	Male	52	Castle	32mm	Yes
66-3654	23 9/16"	Compressed	30	Spline	26 + 2 Blank	Male	52	Castle	30mm	Yes
66-3655	26 7/8"	Compressed	27	Spline	27	Male	46	Stake	32mm	Yes
66-3720	26 3/8"	Compressed	27	Spline	28	Male	48	Castle	32mm	Yes
66-3721	38 3/16"	Compressed	27	Spline	28	Male	48	Castle	32mm	Yes
66-3740	24 3/8"	Compressed	33	Spline	29	Female	N/A	Self Lock	35mm	Yes
66-3744	37"	Compressed	27	Spline	27	Male	46	Stake	32mm	Yes
66-4000	24 5/16"	Compressed	26	Spline	27	Male	N/A	Stake	32mm	Yes
66-4001	36 3/8"	Compressed	26	Spline	27	Male	N/A	Stake	32mm	Yes
66-4002	23 3/4"	Compressed	26	Spline	25	Male	N/A	Stake	32mm	Yes
66-4006	36 3/8"	Compressed	26	Spline	27	Male	N/A	Stake	32mm	Yes
66-4009	35 11/16"	Compressed	23	Spline	25	Male	N/A	Stake	32mm	Yes
66-4015	26 9/16"	Compressed	30	Spline	31	Female	50	Stake	36mm	Yes
66-4017	23 3/4"	Compressed	23	Spline	25	Male	N/A	Stake	32mm	Yes
66-4022	24 1/4"	Compressed	26	Spline	27	Male	N/A	Stake	32mm	Yes
66-4060	35 5/8"	Compressed	26	Spline	25	Male	50	Stake	32mm	Yes
66-4062	23 3/8"	Compressed	26	Spline	27	Male	50	Stake	32mm	Yes
66-4063	23 7/16"	Compressed	26	Spline	27	Male	50	Stake	32mm	Yes
66-4064	24 1/2"	Compressed	26	Spline	25	Male	50	Stake	32mm	Yes
66-4066	37 3/4"	Compressed	28	Spline	27	Male	50	Stake	36mm	Yes
66-4071	23 1/2"	Compressed	28	Spline	27	Male	50	Stake	36mm	Yes
66-4072	25 1/8"	Compressed	30	Spline	31	Male	50	Stake	36mm	Yes
66-4075	23 5/8"	Compressed	28	Spline	27	Male	50	Stake	36mm	Yes
66-4088	24 3/8"	Compressed	28	Spline	27	Male	50	Stake	36mm	Yes
66-4090	38 9/16"	Compressed	28	Spline	27	Male	50	Stake	36mm	Yes
66-4092	24 9/16"	Compressed	28	Spline	27	Male	50	Stake	36mm	Yes
66-4096	23 13/16"	Compressed	28	Spline	29	Female	50	Stake	36mm	Yes
66-4107	25 1/8"	Compressed	28	Spline	29	Male	50	Stake	36mm	Yes
66-4113	23"	Compressed	28	Spline	27	Female	50	Stake	36mm	Yes
66-4121	22 1/8"	Compressed	26	Spline	27	Female	50	Stake	36mm	Yes
66-4127	24 13/16"	Compressed	28	Spline	27	Male	50	Stake	36mm	Yes

① Length measurements are approximate and may vary plus or minus 1/8 of an inch.

NEW CV IDENTIFICATION GUIDE

NEW PART NO.	OVERALL LENGTH (A) ①	LENGTH MEAS. METHOD	OUTBOARD SPLINE COUNT (B)	OUTBOARD JOINT TYPE	INBOARD SPLINE COUNT (C)	INBOARD JOINT TYPE (D)	ABS RING TOOTH COUNT	AXLE NUT LOCKING TYPE	AXLE NUT HEX HEAD SIZE	AXLE NUT INCLUDED
66-4128	38 15/16"	Compressed	28	Spline	27	Male	50	Stake	36mm	Yes
66-4137	25 1/16"	Compressed	28	Spline	29	Male	50	Stake	36mm	Yes
66-4138	25 3/8"	Compressed	28	Spline	27	Male	50	Stake	36mm	Yes
66-4144	22 5/8"	Compressed	28	Spline	27	Female	50	Stake	36mm	Yes
66-4145	24 5/16"	Compressed	28	Spline	27	Male	50	Stake	36mm	Yes
66-4146	25 1/16"	Compressed	28	Spline	27	Male	50	Stake	36mm	Yes
66-4147	23 7/8"	Compressed	28	Spline	27	Female	50	Stake	36mm	Yes
66-4148	26 1/2"	Compressed	28	Spline	29 + 2 Blank	Female	50	Stake	36mm	Yes
66-4149	25 3/16"	Compressed	28	Spline	31	Male	50	Stake	36mm	Yes
66-4151	39 9/16"	Compressed	28	Spline	27	Male	50	Stake	36mm	Yes
66-4153	25"	Compressed	28	Spline	27	Male	50	Stake	36mm	Yes
66-4155	25 9/16"	Compressed	28	Spline	27	Male	50	Stake	36mm	Yes
66-4162	22 7/8"	Compressed	28	Spline	25 + 2 Blank	Female	50	Stake	36mm	Yes
66-4163	24 3/4"	Compressed	28	Spline	27	Male	50	Stake	36mm	Yes
66-4164	28 3/4"	Compressed	28	Spline	29	Male	50	Stake	36mm	Yes
66-4165	26"	Compressed	28	Spline	27 + 2 Blank	Female	50	Stake	36mm	Yes
66-4166	26 9/16"	Compressed	28	Spline	29	Male	50	Stake	36mm	Yes
66-4167	26 1/8"	Compressed	28	Spline	27	Male	50	Stake	36mm	Yes
66-4173	25 3/16"	Compressed	28	Spline	27	Male	50	Stake	36mm	Yes
66-4175	25 1/16"	Compressed	28	Spline	27	Male	50	Stake	36mm	Yes
66-4189	24 1/16"	Compressed	26	Spline	25	Male	50	Stake	32mm	Yes
66-4191	35 3/16"	Compressed	26	Spline	25	Male	50	Stake	32mm	Yes
66-4193	24 1/8"	Compressed	26	Spline	25	Male	50	Stake	32mm	Yes
66-4198	27 15/16"	Compressed	30	Spline	29	Male	50	Stake	36mm	Yes
66-4199	26 1/2"	Compressed	30	Spline	27 + 2 Blank	Female	50	Stake	36mm	Yes
66-4202	27 7/8"	Compressed	28	Spline	29	Male	50	Stake	36mm	Yes
66-4203	26"	Compressed	28	Spline	29	Female	50	Stake	36mm	Yes
66-4206	26 1/16"	Compressed	28	Spline	27	Male	N/A	Stake	36mm	Yes
66-4207	24 5/16"	Compressed	28	Spline	25 + 2 Blank	Female	N/A	Stake	36mm	Yes
66-4209	24"	Compressed	26	Spline	27	Male	50	Stake	32mm	Yes
66-4210	22 7/16"	Compressed	25 + 2 Blank	Spline	27	Female	50	Stake	32mm	Yes
66-4213	26 11/16"	Compressed	28	Spline	27	Male	N/A	Stake	36mm	Yes
66-4214	24 13/16"	Compressed	28	Spline	25 + 2 Blank	Female	N/A	Stake	36mm	Yes
66-4217	26"	Compressed	26	Spline	27	Male	N/A	Stake	32mm	Yes
66-4218	37 13/16"	Compressed	26	Spline	27	Male	N/A	Stake	32mm	Yes
66-4220	22 1/2"	Compressed	28	Spline	25 + 2 Blank	Female	N/A	Stake	36mm	Yes
66-4221	26 5/8"	Compressed	28	Spline	29	Male	N/A	Stake	36mm	Yes
66-4223	24 1/8"	Compressed	28	Spline	27 + 2 Blank	Female	N/A	Stake	36mm	Yes
66-4224	27 3/8"	Compressed	30	Spline	29	Male	N/A	Stake	36mm	Yes
66-4225	26 3/4"	Compressed	30	Spline	27 + 2 Blank	Female	N/A	Stake	36mm	Yes
66-4232	24 5/16"	Compressed	26	Spline	25	Male	N/A	Stake	32mm	Yes
66-4233	36"	Compressed	26	Spline	25	Male	N/A	Stake	32mm	Yes
66-4234	23 7/8"	Compressed	26	Spline	27	Male	N/A	Stake	32mm	Yes
66-4235	22 13/16"	Compressed	26	Spline	25 + 2 Blank	Female	N/A	Stake	32mm	Yes
66-4238	24 15/16"	Compressed	28	Spline	27	Male	N/A	Stake	36mm	Yes
66-4239	23 5/16"	Compressed	28	Spline	25 + 2 Blank	Female	N/A	Stake	36mm	Yes
66-4241	26 1/8"	Compressed	30	Spline	27 + 2 Blank	Female	50	Stake	36mm	Yes
66-4242	25 3/4"	Compressed	28	Spline	27	Male	N/A	Stake	36mm	Yes
66-4243	21 5/8"	Compressed	28	Spline	25 + 2 Blank	Female	N/A	Stake	36mm	Yes
66-4246	24 3/16"	Compressed	26	Spline	25	Male	N/A	Stake	32mm	Yes
66-4247	22 3/8"	Compressed	26	Spline	25 + 2 Blank	Female	N/A	Stake	32mm	Yes
66-4249	35 5/16"	Compressed	26	Spline	25	Male	N/A	Stake	32mm	Yes
66-4250	26 11/16"	Compressed	30	Spline	27	Male	N/A	Stake	36mm	Yes
66-4251	22 3/4"	Compressed	30	Spline	25 + 2 Blank	Female	N/A	Stake	36mm	Yes
66-4252	27 1/16"	Compressed	30	Spline	29	Male	N/A	Stake	36mm	Yes
66-4253	24 1/2"	Compressed	30	Spline	27 + 2 Blank	Female	N/A	Stake	36mm	Yes
66-4254	27 1/4"	Compressed	30	Spline	29	Male	N/A	Stake	36mm	Yes
66-4255	24 5/16"	Compressed	30	Spline	25 + 2 Blank	Female	N/A	Stake	36mm	Yes
66-4256	26 1/4"	Compressed	30	Spline	27	Male	N/A	Stake	36mm	Yes
66-4257	22 1/16"	Compressed	30	Spline	25 + 2 Blank	Female	N/A	Stake	36mm	Yes

① Length measurements are approximate and may vary plus or minus 1/8 of an inch.

NEW CV IDENTIFICATION GUIDE

NEW PART NO.	OVERALL LENGTH (A) ①	LENGTH MEAS. METHOD	OUTBOARD SPLINE COUNT (B)	OUTBOARD JOINT TYPE	INBOARD SPLINE COUNT (C)	INBOARD JOINT TYPE (D)	ABS RING TOOTH COUNT	AXLE NUT LOCKING TYPE	AXLE NUT HEX HEAD SIZE	AXLE NUT INCLUDED
66-4258	28 3/8"	Compressed	30	Spline	29	Male	N/A	Stake	36mm	Yes
66-4261	28 3/4"	Compressed	30	Spline	29	Male	N/A	Stake	36mm	Yes
66-4262	27 3/8"	Compressed	30	Spline	27 + 2 Blank	Female	N/A	Stake	36mm	Yes
66-4263	26 13/16"	Compressed	28	Spline	29	Male	N/A	Stake	36mm	Yes
66-4264	27 3/4"	Compressed	30	Spline	29	Male	N/A	Stake	36mm	Yes
66-4266	25"	Compressed	30	Spline	27 + 2 Blank	Female	N/A	Stake	36mm	Yes
66-4267	25 3/8"	Compressed	26	Spline	25	Male	N/A	Stake	32mm	Yes
66-4268	22 7/16"	Compressed	26	Spline	25 + 2 Blank	Female	N/A	Stake	32mm	Yes
66-4269	35 1/4"	Compressed	26	Spline	25	Male	N/A	Stake	32mm	Yes
66-4270	25 3/16"	Compressed	30	Spline	29	Male	N/A	Stake	36mm	Yes
66-4271	25 3/16"	Compressed	30	Spline	27 + 2 Blank	Female	N/A	Stake	36mm	Yes
66-4301	28 5/16"	Compressed	30	Spline	31	Male	N/A	Stake	36mm	Yes
66-4302	27 1/2"	Compressed	30	Spline	29 + 2 Blank	Female	N/A	Stake	36mm	Yes
66-4307	28 1/2"	Compressed	30	Spline	31	Male	N/A	Stake	36mm	Yes
66-4308	40 15/16"	Compressed	30	Spline	31	Male	N/A	Stake	36mm	Yes
66-5000	20 3/4"	Compressed	26	Spline	N/A	Bolt-On	N/A	Standard	30mm	Yes
66-5003	20"	Compressed	26	Spline	N/A	Bolt-On	N/A	Standard	30mm	Yes
66-5009	21 3/16"	Compressed	26	Spline	N/A	Bolt-On	N/A	N/A	N/A	No
66-5010	35 7/8"	Compressed	26	Spline	20	Male	N/A	Standard	30mm	Yes
66-5013	24 3/8"	Compressed	26	Spline	23	Male	N/A	Standard	30mm	Yes
66-5015	33 9/16"	Compressed	26	Spline	23	Male	N/A	Standard	30mm	Yes
66-5022	24 5/8"	Compressed	26	Spline	20	Male	N/A	Standard	30mm	Yes
66-5038	26 13/16"	Compressed	26	Spline	20	Male	48	Standard	30mm	Yes
66-5039	21 3/4"	Compressed	30	Spline	N/A	Bolt-On	48	Standard	30mm	Yes
66-5044	36 13/16"	Compressed	26	Spline	20	Male	48	Standard	30mm	Yes
66-5050	22 3/16"	Compressed	26	Spline	N/A	Bolt-On	48	Standard	30mm	Yes
66-5065	24 5/16"	Compressed	26	Spline	N/A	Bolt-On	N/A	N/A	N/A	No
66-5091	25 9/16"	Compressed	26	Spline	20	Male	48	Standard	30mm	Yes
66-5092	36 11/16"	Compressed	26	Spline	20	Male	48	Standard	30mm	Yes
66-5098	24 5/8"	Compressed	26	Spline	23	Male	48	Standard	30mm	Yes
66-5100	37 3/16"	Compressed	26	Spline	23	Male	48	Standard	30mm	Yes
66-5125	36 1/2"	Compressed	26	Spline	23	Male	48	Standard	30mm	Yes
66-5126	23 15/16"	Compressed	26	Spline	23	Male	48	Standard	30mm	Yes
66-5132	24 3/16"	Compressed	26	Spline	27	Male	N/A	N/A	N/A	No
66-5134	24 3/8"	Compressed	30	Spline	27	Male	N/A	Standard	35mm	Yes
66-5168	25 11/16"	Compressed	30	Spline	24	Male	48	Standard	30mm	Yes
66-5169	37 3/8"	Compressed	30	Spline	24	Male	48	Standard	30mm	Yes
66-5185	27 7/8"	Compressed	30	Spline	30	Male	N/A	N/A	N/A	Yes
66-5185HD	27 7/8"	Compressed	30	Spline	30	Male	N/A	N/A	N/A	Yes
66-5191	25 1/8"	Compressed	24	Spline	23	Male	48	Stake	30mm	Yes
66-5193	34 1/2"	Compressed	24	Spline	23	Male	48	Stake	30mm	Yes
66-5194	27 7/8"	Compressed	30	Spline	27	Male	N/A	Standard	35mm	Yes
66-5195	25 1/4"	Compressed	26	Spline	23	Male	48	Standard	30mm	Yes
66-5196	39 1/16"	Compressed	36	Spline	23	Male	48	Standard	30mm	Yes
66-5202	24 15/16"	Compressed	26	Spline	20	Male	48	Stake	30mm	Yes
66-5204	36"	Compressed	26	Spline	20	Male	48	Stake	30mm	Yes
66-5208	24 1/4"	Compressed	26	Spline	20	Male	48	Stake	30mm	Yes
66-5210	35 3/4"	Compressed	26	Spline	20	Male	48	Standard	30mm	Yes
66-5215	22 5/8"	Compressed	26	Spline	23	Male	48	Standard	30mm	Yes
66-5216	25 1/2"	Compressed	27	Spline	27	Male	48	Standard	30mm	Yes
66-5218	25 1/16"	Compressed	26	Spline	23	Male	48	Stake	30mm	Yes
66-5220	36 1/16"	Compressed	26	Spline	23	Male	48	Stake	30mm	Yes
66-5222	25 1/6"	Compressed	26	Spline	20	Male	48	Stake	30mm	Yes
66-5224	36 1/16"	Compressed	26	Spline	20	Male	48	Stake	30mm	Yes
66-5226	25 1/2"	Compressed	26	Spline	23	Male	48	Stake	30mm	Yes
66-5228	25 1/2"	Compressed	26	Spline	20	Male	48	Stake	30mm	Yes
66-5235	25 3/8"	Compressed	30	Spline	30	Male	N/A	Standard	35mm	Yes
66-5235HD	25 3/8"	Compressed	30	Spline	30	Male	N/A	Standard	35mm	Yes
66-5237	24 5/8"	Compressed	26	Spline	24	Male	48	Stake	30mm	Yes
66-5239	37 5/16"	Compressed	26	Spline	24	Male	48	Stake	30mm	Yes

① Length measurements are approximate and may vary plus or minus 1/8 of an inch.

NEW CV IDENTIFICATION GUIDE

NEW PART NO.	OVERALL LENGTH (A) ①	LENGTH MEAS. METHOD	OUTBOARD SPLINE COUNT (B)	OUTBOARD JOINT TYPE	INBOARD SPLINE COUNT (C)	INBOARD JOINT TYPE (D)	ABS RING TOOTH COUNT	AXLE NUT LOCKING TYPE	AXLE NUT HEX HEAD SIZE	AXLE NUT INCLUDED
66-5241	23 1/4"	Compressed	26	Spline	23	Male	48	Stake	30mm	Yes
66-5243	39"	Compressed	26	Spline	23	Male	48	Stake	30mm	Yes
66-5245	26 5/16"	Compressed	26	Spline	24	Male	48	Stake	30mm	Yes
66-5245HD	26 5/16"	Compressed	26	Spline	24	Male	48	Stake	30mm	Yes
66-5247	38 1/16"	Compressed	26	Spline	24	Male	48	Stake	30mm	Yes
66-5247HD	38 1/16"	Compressed	26	Spline	24	Male	48	Stake	30mm	Yes
66-5248	24 11/16"	Compressed	26	Spline	23	Male	48	Stake	30mm	Yes
66-5249	39 1/2"	Compressed	26	Spline	23	Male	48	Stake	30mm	Yes
66-5250	26 15/16"	Compressed	30	Spline	23	Male	48	Stake	30mm	Yes
66-5251	41 3/4"	Compressed	30	Spline	23	Male	48	Stake	30mm	Yes
66-5252	27 3/4"	Compressed	36	Spline	34	Male	N/A	Stake	39mm	Yes
66-5252HD	27 9/16"	Compressed	36	Spline	34	Male	N/A	Stake	39mm	Yes
66-5253	21 13/16"	Compressed	30	Spline	24	Bolt-On	48	Stake	30mm	Yes
66-5254	22 3/4"	Compressed	30	Spline	24	Bolt-On	48	Stake	30mm	Yes
66-5255	24 11/16"	Compressed	30	Spline	23	Male	48	Stake	30mm	Yes
66-5256	39 7/16"	Compressed	30	Spline	23	Male	48	Stake	30mm	Yes
66-5258	38 1/2"	Compressed	30	Spline	24	Male	48	Stake	32mm	Yes
66-5260	28"	Compressed	30	Spline	24	Male	48	Stake	30mm	Yes
66-5261	40 3/8"	Compressed	30	Spline	24	Male	48	Stake	30mm	Yes
66-5264	25 9/16"	Compressed	30	Spline	24	Male	48	Stake	30mm	Yes
66-5265	38 1/8"	Compressed	30	Spline	24	Male	48	Stake	30mm	Yes
66-5266	25 7/8"	Compressed	26	Spline	20	Male	48	Stake	30mm	Yes
66-5267	36 1/8"	Compressed	26	Spline	20	Male	48	Stake	30mm	Yes
66-5277	25 11/16"	Compressed	26	Spline	23	Male	N/A	Stake	30mm	Yes
66-5278	35 1/4"	Compressed	26	Spline	23	Male	N/A	Stake	30mm	Yes
66-5279	25 13/16"	Compressed	30	Spline	24	Male	48	Stake	30mm	Yes
66-5281	25 1/8"	Compressed	26	Spline	24	Male	N/A	Stake	30mm	Yes
66-5282	37 5/8"	Compressed	26	Spline	24	Male	N/A	Stake	30mm	Yes
66-5285	26"	Compressed	30	Spline	24	Male	48	Stake	30mm	Yes
66-5289	24 7/16"	Compressed	26	Spline	24	Male	48	Stake	30mm	Yes
66-5290	37 1/16"	Compressed	26	Spline	24	Male	48	Stake	30mm	Yes
66-5293	25 3/4"	Compressed	26	Spline	24	Male	48	Stake	30mm	Yes
66-5294	38 1/2"	Compressed	26	Spline	24	Male	48	Stake	30mm	Yes
66-5295	25 3/8"	Compressed	26	Spline	24	Male	N/A	Stake	30mm	Yes
66-5296	39"	Compressed	26	Spline	24	Male	48	Stake	30mm	Yes
66-5297	25 15/16"	Compressed	26	Spline	24	Male	48	Stake	30mm	Yes
66-5298	38 7/16"	Compressed	26	Spline	24	Male	N/A	Stake	30mm	Yes
66-5299	25 3/8"	Compressed	30	Spline	24	Male	48	Stake	30mm	Yes
66-5300	38 15/16"	Compressed	30	Spline	24	Bolt-On / Spline	48	Stake	30mm	Yes
66-5301	39 1/16"	Compressed	30	Spline	24	Male	N/A	Stake	30mm	Yes
66-5302	25 5/8"	Compressed	26	Spline	23	Male	48	Stake	30mm	Yes
66-5303	40 3/8"	Compressed	26	Spline	23	Male	48	Stake	30mm	Yes
66-5304	26 1/2"	Compressed	30	Spline	24	Male	48	Stake	30mm	Yes
66-5305	39 1/16"	Compressed	30	Spline	24	Male	48	Stake	30mm	Yes
66-5307	39 1/8"	Compressed	30	Spline	24	Male	48	Stake	30mm	Yes
66-5308	26 9/16"	Compressed	30	Spline	24	Male	48	Stake	30mm	Yes
66-5311	38 1/4"	Compressed	30	Spline	23	Male	N/A	Stake	30 mm	Yes
66-5393	38 3/8"	Compressed	26	Spline	24	Male	N/A	Stake	30mm	Yes
66-6008	36 3/4"	Compressed	27	Spline	27	Male	N/A	Standard	36mm	Yes
66-6012	20 1/2"	Compressed	27	Spline	N/A	Bolt-On	N/A	N/A	N/A	No
66-6048	24 9/16"	Compressed	27	Spline	27	Male	46	Standard	36mm	Yes
66-6049	38"	Compressed	27	Spline	27	Male	46	Standard	36mm	Yes
66-6051	20 3/4"	Compressed	28	Spline	N/A	Bolt-On	N/A	N/A	N/A	No
66-6054	24 1/8"	Compressed	27	Spline	29	Male	44	Standard	36mm	Yes
66-6056	36 9/16"	Compressed	27	Spline	29	Male	44	Standard	36mm	Yes
66-6057	37"	Compressed	27	Spline	25	Male	42	Standard	36mm	Yes
66-6061	23 13/16"	Compressed	25	Spline	25	Male	42	Standard	32mm	Yes
66-6063	24 3/4"	Compressed	27	Spline	27 / 31	Male	44	Standard	36mm	Yes
66-6065	36 7/16"	Compressed	27	Spline	27	Male	44	Standard	36mm	Yes
66-6075	24 7/16"	Compressed	27	Spline	25	Male	42	Standard	36mm	Yes

① Length measurements are approximate and may vary plus or minus 1/8 of an inch.

NEW CV IDENTIFICATION GUIDE

NEW PART NO.	OVERALL LENGTH (A) ①	LENGTH MEAS. METHOD	OUTBOARD SPLINE COUNT (B)	OUTBOARD JOINT TYPE	INBOARD SPLINE COUNT (C)	INBOARD JOINT TYPE (D)	ABS RING TOOTH COUNT	AXLE NUT LOCKING TYPE	AXLE NUT HEX HEAD SIZE	AXLE NUT INCLUDED
66-6084	24 7/16"	Compressed	29	Spline	29 / 31	Male	46	Standard	36mm	Yes
66-6107	38"	Compressed	29	Spline	29	Male	46	Standard	36mm	Yes
66-6108	24 5/16"	Compressed	29	Spline	29	Male	46	Standard	36mm	Yes
66-6113	36 3/8"	Compressed	25	Spline	25	Male	42	Standard	32mm	Yes
66-6128	25 9/16"	Compressed	27	Spline	29	Male	44	Standard	36mm	Yes
66-6130	38 9/16"	Compressed	27	Spline	29	Male	44	Standard	36mm	Yes
66-6132	24 9/16"	Compressed	27	Spline	29	Male	44	Standard	36mm	Yes
66-6134	39 1/2"	Compressed	27	Spline	29	Male	44	Standard	36mm	Yes
66-6135	24 1/8"	Compressed	27	Spline	29 / 31	Male	44	Standard	36mm	Yes
66-6140	36 5/8"	Compressed	27	Spline	27	Male	44	Standard	36mm	Yes
66-6141	24 1/4"	Compressed	27	Spline	27	Male	44	Standard	36mm	Yes
66-6147	38 1/8"	Compressed	29	Spline	29	Male	46	Standard	36mm	Yes
66-6150	24 15/16"	Compressed	29	Spline	29	Male	46	Standard	36mm	Yes
66-6156	37 7/8"	Compressed	29	Spline	29	Male	46	Standard	36mm	Yes
66-6157	25 9/16"	Compressed	29	Spline	29 / 31	Male	46	Standard	36mm	Yes
66-6159	25 1/16"	Compressed	29	Spline	29 / 31	Male	46	Standard	36mm	Yes
66-6162	35 3/4"	Compressed	25	Spline	25	Male	42	Standard	32mm	Yes
66-6163	24 11/16"	Compressed	25	Spline	25	Male	42	Standard	32mm	Yes
66-6165	37 1/8"	Compressed	25	Spline	25	Male	42	Standard	32mm	Yes
66-6170	37 7/16"	Compressed	27	Spline	27	Male	44	Standard	36mm	Yes
66-6171	37 7/16"	Compressed	27	Spline	29	Male	44	Standard	36mm	Yes
66-6172	24 9/16"	Compressed	25	Spline	25	Male	42	Standard	32mm	Yes
66-6178	25 1/8"	Compressed	27	Spline	27	Male	44	Standard	36mm	Yes
66-6179	24 15/16"	Compressed	27	Spline	29	Male	44	Standard	36mm	Yes
66-6185	20 5/8"	Compressed	28	Spline	N/A	Bolt-On	N/A	N/A	N/A	No
66-6190	38 1/8"	Compressed	29	Spline	29	Male	44	Standard	36mm	Yes
66-6192	24 15/16"	Compressed	29	Spline	29	Male	44	Standard	36mm	Yes
66-6193	22 1/4"	Compressed	28	Spline	N/A	Bolt-On	N/A	N/A	N/A	No
66-6196	25 1/4"	Compressed	29	Spline	29/31	Male	44	Standard	36mm	Yes
66-6200	36 1/2"	Compressed	25	Spline	25	Male	42	Standard	32mm	Yes
66-6202	36 1/4"	Compressed	25	Spline	25	Male	42	Standard	32mm	Yes
66-6209	25 1/2"	Compressed	29	Spline	29	Male	44	Standard	36mm	Yes
66-6211	38 7/16"	Compressed	29	Spline	29	Male	44	Standard	36mm	Yes
66-6213	24 3/8"	Compressed	29	Spline	29	Male	44	Standard	32mm	Yes
66-6215	39 1/2"	Compressed	29	Spline	29	Male	44	Standard	32mm	Yes
66-6218	24 11/16"	Compressed	29	Spline	26	Male	44	Standard	36mm	Yes
66-6219	38 7/16"	Compressed	29	Spline	26	Male	44	Standard	36mm	Yes
66-6220	24 1/2"	Compressed	27	Spline	25	Male	44	Standard	36mm	Yes
66-6221	37 1/8"	Compressed	27	Spline	25	Male	44	Standard	36mm	Yes
66-6222	24 5/16"	Compressed	27	Spline	25	Male	44	Standard	36mm	Yes
66-6223	37 3/8"	Compressed	27	Spline	25	Male	44	Standard	36mm	Yes
66-6238	22 3/4"	Compressed	29	Spline	N/A	Bolt-On	N/A	Standard	32mm	Yes
66-6238HD	22 3/4"	Compressed	29	Spline	N/A	Bolt-On	N/A	Standard	32mm	Yes
66-6239	24 15/16"	Compressed	29	Spline	27	Male	N/A	Standard	32mm	Yes
66-6240	27 1/2"	Compressed	29	Spline	26	Male	N/A	Standard	36mm	Yes
66-6241	41 5/16"	Compressed	29	Spline	26	Male	N/A	Standard	36mm	Yes
66-6242	28 1/2"	Compressed	29	Spline	29	Male	N/A	Standard	36mm	Yes
66-6243	41 1/2"	Compressed	29	Spline	29	Male	N/A	Standard	36mm	Yes
66-6244	26 1/2"	Compressed	29	Spline	29	Male	N/A	Standard	36mm	Yes
66-6245	39 7/8"	Compressed	29	Spline	29	Male	N/A	Standard	36mm	Yes
66-6246	22 11/16"	Compressed	29	Spline	28 + 2 Blank	Female	N/A	Standard	36mm	Yes
66-6250	25 1/4"	Compressed	25	Spline	25	Male	N/A	Standard	30mm	Yes
66-6251	35 13/16"	Compressed	25	Spline	25	Male	N/A	Standard	30mm	Yes
66-6253	36 1/8"	Compressed	25	Spline	25	Male	N/A	Standard	25mm	Yes
66-6256	38 3/4"	Compressed	29	Spline	29	Bolt-On / Spline	44	Standard	29mm	Yes
66-6258	26 3/4"	Compressed	29	Spline	27	Male	N/A	Standard	32mm	Yes
66-6259	36 5/8"	Compressed	29	Spline	27	Male	N/A	Standard	32mm	Yes
66-6262	26 3/16"	Compressed	29	Spline	27	Male	N/A	Standard	32mm	Yes
66-6264	38 1/8"	Compressed	29	Spline	27	Male	N/A	Standard	32mm	Yes
66-6268	25 1/16"	Compressed	32	Spline	29	Male	N/A	Standard	32mm	Yes

① Length measurements are approximate and may vary plus or minus 1/8 of an inch.

NEW CV IDENTIFICATION GUIDE

NEW PART NO.	OVERALL LENGTH (A) ①	LENGTH MEAS. METHOD	OUTBOARD SPLINE COUNT (B)	OUTBOARD JOINT TYPE	INBOARD SPLINE COUNT (C)	INBOARD JOINT TYPE (D)	ABS RING TOOTH COUNT	AXLE NUT LOCKING TYPE	AXLE NUT HEX HEAD SIZE	AXLE NUT INCLUDED
66-6269	39 1/8"	Compressed	32	Spline	29	Bolt-On / Spline	N/A	Standard	32mm	Yes
66-6281	25 3/4"	Compressed	27	Spline	N/A	Bolt-On	46	Self Lock	36mm	Yes
66-6282	23 5/16"	Compressed	27	Spline	25	Male	46	Self Lock	36mm	Yes
66-6283	24 11/16"	Compressed	27	Spline	N/A	Bolt-On	N/A	Self Lock	36mm	Yes
66-6285	26 1/4"	Compressed	29	Spline	27	Male	N/A	Standard	32mm	Yes
66-6287	38 3/16"	Compressed	29	Spline	27	Male	N/A	Standard	32mm	Yes
66-6289	25 7/8"	Compressed	25	Spline	25	Male	N/A	Standard	30mm	Yes
66-6290	35 1/2"	Compressed	25	Spline	25	Male	N/A	Standard	30mm	Yes
66-6295	25 7/8"	Compressed	32	Spline	29	Male	N/A	Standard	32mm	Yes
66-6299	25 1/8"	Compressed	27	Spline	N/A	Bolt-On	N/A	Self Lock	36mm	Yes
66-6300	24"	Compressed	27	Spline	25	Male	N/A	Self Lock	36mm	Yes
66-6301	26 3/8"	Compressed	32	Spline	29	Male	N/A	Standard	32mm	Yes
66-6302	40 3/8"	Compressed	32	Spline	29	Male	N/A	Standard	32mm	Yes
66-6303	22 1/2"	Compressed	32	Spline	28 + 1	Female	N/A	Standard	32mm	Yes
66-6306	39 15/16"	Compressed	32	Spline	29	Bolt-On / Spline	N/A	Standard	32mm	Yes
66-7005	21"	Compressed	22	Spline	N/A	Bolt-On	N/A	Self Lock	30mm	Yes
66-7008	27 1/4"	Compressed	30	Spline	23	Female	N/A	Castle	36mm	Yes
66-7029	30"	Compressed	24	Spline	25	Male	N/A	Stake	32mm	Yes
66-7052	20 7/8"	Compressed	38	Spline	N/A	Bolt-On	45	Bolt	19mm	Yes
66-7053	19 11/16"	Compressed	38	Spline	N/A	Bolt-On	45	Bolt	19mm	Yes
66-7055	26 7/8"	Compressed	27	Spline	25	Female	N/A	Stake	32mm	Yes
66-7073	22"	Compressed	38	Spline	N/A	Bolt-On	45	Bolt	19mm	Yes
66-7077	21 3/8"	Compressed	②	Bolt-On	N/A	Bolt-On	N/A	N/A	N/A	No
66-7093	30 15/16"	Compressed	36	Spline	N/A	Bolt-On	N/A	Self Lock	30mm	Yes
66-7100	30 5/8"	Compressed	22	Spline	N/A	Bolt-On	N/A	Self Lock	30mm	Yes
66-7101	21 7/16"	Compressed	22	Spline	N/A	Bolt-On	N/A	Self Lock	30mm	Yes
66-7114	21 15/16"	Compressed	22	Spline	N/A	Bolt-On	N/A	Self Lock	30mm	Yes
66-7171	31 1/4"	Compressed	22	Spline	N/A	Bolt-On	N/A	Self Lock	30mm	Yes
66-7184	20 5/8"	Compressed	33	Spline	N/A	Bolt-On	45	Bolt	24mm	Yes
66-7199	19 5/8"	Compressed	33	Spline	N/A	Bolt-On	45	Bolt	24mm	Yes
66-7205	24 1/16"	Compressed	33	Spline	N/A	Bolt-On	45	Bolt	24mm	Yes
66-7206	24 15/16"	Compressed	33	Spline	N/A	Bolt-On	45	Bolt	24mm	Yes
66-7232	23 7/8"	Compressed	25	Spline	22	Male	42	Stake	30mm	Yes
66-7234	34 7/8"	Compressed	25	Spline	22	Male	42	Stake	30mm	Yes
66-7236	24 13/16"	Compressed	25	Spline	22	Male	42	Stake	30mm	Yes
66-7238	24 1/16"	Compressed	25	Spline	22	Female	42	Stake	30mm	Yes
66-7240	20 3/4"	Compressed	38	Spline	N/A	Bolt-On	45	Bolt	19mm	Yes
66-7241	19 5/8"	Compressed	38	Spline	N/A	Bolt-On	45	Bolt	19mm	Yes
66-7250	21 1/2"	Compressed	36	Spline	N/A	Bolt-On	N/A	Self Lock	30mm	Yes
66-7251	32 1/2"	Compressed	36	Spline	N/A	Bolt-On	N/A	Self Lock	30mm	Yes
66-7252	21 13/16"	Compressed	36	Spline	N/A	Bolt-On	N/A	Self Lock	30mm	Yes
66-7253	31 7/8"	Compressed	36	Spline	N/A	Bolt-On	N/A	Self Lock	30mm	Yes
66-7257	23 5/8"	Compressed	38	Spline	N/A	Bolt-On	45	Bolt	19mm	Yes
66-7258	24 1/2"	Compressed	38	Spline	N/A	Bolt-On	45	Bolt	19mm	Yes
66-7259	26 13/16"	Compressed	27	Spline	25	Female	44	Stake	32mm	Yes
66-7259HD	26 13/16"	Compressed	27	Spline	25	Female	44	Stake	32mm	Yes
66-7260	21 5/8"	Compressed	38	Spline	N/A	Bolt-On	45	Bolt	19mm	Yes
66-7261	20 1/2"	Compressed	38	Spline	N/A	Bolt-On	45	Bolt	19mm	Yes
66-7264	30"	Compressed	24	Spline	22	Male	N/A	Stake	32mm	Yes
66-7281	30 11/16"	Compressed	27	Spline	25	Male	44	Stake	32mm	Yes
66-7292	23 5/16"	Compressed	25	Spline	22	Male	42	Stake	30mm	Yes
66-7294	24"	Compressed	27	Spline	27	Female	42	Stake	30mm	Yes
66-7310HD	31 9/16"	Compressed	27	Spline	25	Male	N/A	Stake	27mm	Yes
66-7312	24 3/8"	Compressed	36	Spline	26	Male	N/A	Self Lock	30mm	Yes
66-7313	35 7/16"	Compressed	36	Spline	26	Male	N/A	Self Lock	30mm	Yes
66-7314	20 3/8"	Compressed	36	Spline	N/A	Bolt-On	N/A	Self Lock	30mm	Yes
66-7315	31 7/8"	Compressed	36	Spline	N/A	Bolt-On	N/A	Self Lock	30mm	Yes
66-7316	20 1/2"	Compressed	36	Spline	N/A	Bolt-On	N/A	Bolt	N/A	Yes
66-7317	32 1/16"	Compressed	36	Spline	N/A	Bolt-On	N/A	Bolt	19mm	Yes
66-7320	20 9/16"	Compressed	30	Spline	N/A	Bolt-On	N/A	Self Lock	32mm	Yes

① Length measurements are approximate and may vary plus or minus 1/8 of an inch.

② This Drive Axle uses a Bolt-On style Outboard Joint.

NEW CV IDENTIFICATION GUIDE

NEW PART NO.	OVERALL LENGTH (A) ①	LENGTH MEAS. METHOD	OUTBOARD SPLINE COUNT (B)	OUTBOARD JOINT TYPE	INBOARD SPLINE COUNT (C)	INBOARD JOINT TYPE (D)	ABS RING TOOTH COUNT	AXLE NUT LOCKING TYPE	AXLE NUT HEX HEAD SIZE	AXLE NUT INCLUDED
66-7321	20 5/8"	Compressed	30	Spline	N/A	Bolt-On	N/A	Self Lock	32mm	Yes
66-7325	23 3/8"	Compressed	25	Spline	26	Male	42	Stake	30mm	Yes
66-7327	24 3/8"	Compressed	25	Spline	26	Female	42	Stake	30mm	Yes
66-7333	23 1/16"	Compressed	36	Spline	26	Male	N/A	Bolt	27mm	Yes
66-7334	34 3/4"	Compressed	36	Spline	26	Male	N/A	Bolt	27mm	Yes
66-7346	19 1/8"	Compressed	36	Spline	N/A	Bolt-On	N/A	Bolt	19mm	Yes
66-7347	31 1/16"	Compressed	36	Spline	N/A	Bolt-On	N/A	Bolt	19mm	Yes
66-7350	20 7/16"	Compressed	38	Spline	N/A	Bolt-On	45	Bolt	19mm	Yes
66-7351	19 1/8"	Compressed	38	Spline	N/A	Bolt-On	45	Bolt	19mm	Yes
66-7355	30 9/16"	Compressed	27	Spline	25	Male	N/A	Stake	32mm	Yes
66-7355HD	30 9/16"	Compressed	27	Spline	25	Male	N/A	Stake	32mm	Yes
66-7360	30 11/16"	Compressed	27	Spline	25	Male	44	Stake	32mm	Yes
66-7363	30 1/4"	Compressed	27	Spline	25	Male	44	Stake	32mm	Yes
66-7381	31 1/4"	Compressed	27	Spline	25	Male	N/A	Stake	32mm	Yes
66-7382	32 1/2"	Compressed	27	Spline	25	Male	N/A	Stake	32mm	Yes
66-7383	22 5/8"	Compressed	38	Spline	N/A	Bolt-On	45	Bolt	19mm	Yes
66-7384	19 1/16"	Compressed	38	Spline	N/A	Bolt-On	45	Bolt	19mm	Yes
66-7386	18 1/2"	Compressed	42	Spline	N/A	Bolt-On	N/A	Bolt	19mm	Yes
66-7396	18 5/8"	Compressed	36	Spline	N/A	Bolt-On	N/A	Bolt	19mm	Yes
66-7446	29 15/16"	Compressed	36	Spline	N/A	Bolt-On	N/A	Bolt	19mm	Yes
66-7449	23 7/8"	Compressed	36	Spline	26	Male	N/A	Self Lock	30mm	Yes
66-8023	21 7/8"	Compressed	26	Spline	24 + 2 Blank	Female	90	Stake	32mm	Yes
66-8027	23 7/8"	Compressed	26	Spline	26	Male	90	Stake	32mm	Yes
66-8032	26 7/16"	Compressed	28	Spline	35	Male	44	Stake	32mm	Yes
66-8047	18 7/8"	Compressed	26	Spline	24 + 2 Blank	Female	44	Stake	36mm	Yes
66-8048	21 9/16"	Compressed	26	Spline	26	Male	44	Stake	36mm	Yes
66-8075	23 1/8"	Compressed	28	Spline	26 + 2 Blank	Female	44	Stake	32mm	Yes
66-8076	25 7/8"	Compressed	28	Spline	28	Male	44	Stake	32mm	Yes
66-8083	22 3/4"	Compressed	26	Spline	26 + 2 Blank	Female	44	Stake	32mm	Yes
66-8084	24 7/8"	Compressed	26	Spline	24	Male	44	Stake	32mm	Yes
66-8087	24 9/16"	Compressed	26	Spline	26 + 2 Blank	Female	44	Stake	32mm	Yes
66-8093	25 1/4"	Compressed	28	Spline	30	Male	44	Stake	32mm	Yes
66-8095	24 5/8"	Compressed	28	Spline	28	Male	44	Stake	32mm	Yes
66-8097	22 7/8"	Compressed	28	Spline	26 + 2 Blank	Female	44	Stake	32mm	Yes
66-8098	24 1/16"	Compressed	26	Spline	28	Male	44	Stake	32mm	Yes
66-8099	23 3/16"	Compressed	26	Spline	26 + 2 Blank	Female	44	Stake	32mm	Yes
66-8100	35 7/8"	Compressed	26	Spline	24	Male	44	Stake	32mm	Yes
66-8108	22 1/16"	Compressed	26	Spline	26 + 2 Blank	Female	N/A	Stake	32mm	Yes
66-8112	24 1/4"	Compressed	26	Spline	26 + 2 Blank	Female	44	Stake	32mm	Yes
66-8114	24 7/16"	Compressed	26	Spline	26 + 2 Blank	Female	44	Stake	32mm	Yes
66-8125	25"	Compressed	28	Spline	30	Male	N/A	Stake	32mm	Yes
66-8126	22 5/16"	Compressed	28	Spline	26 + 2 Blank	Female	N/A	Stake	32mm	Yes
66-8128	26 3/8"	Compressed	28	Spline	28	Male	54	Stake	32mm	Yes
66-8130	26 1/8"	Compressed	28	Spline	26 + 2 Blank	Female	54	Stake	32mm	Yes
66-8132	24 1/2"	Compressed	28	Spline	24	Male	46	Stake	32mm	Yes
66-8134	24 3/8"	Compressed	28	Spline	26 + 2 Blank	Female	46	Stake	32mm	Yes
66-8136	24 1/16"	Compressed	28	Spline	28	Male	46	Stake	32mm	Yes
66-8138	24 1/8"	Compressed	24	Spline	24	Male	44	Stake	29mm	Yes
66-8140	34 7/8"	Compressed	24	Spline	24	Male	44	Stake	29mm	Yes
66-8145	23 15/16"	Compressed	28	Spline	30	Male	44	Stake	32mm	Yes
66-8146	21 1/4"	Compressed	28	Spline	26 + 2 Blank	Female	44	Stake	32mm	Yes
66-8152	25 5/16"	Compressed	28	Spline	28	Male	44	Stake	32mm	Yes
66-8154	23 5/8"	Compressed	28	Spline	28	Female	44	Stake	32mm	Yes
66-8157	22 1/2"	Compressed	28	Spline	26 + 2 Blank	Female	44	Stake	32mm	Yes
66-8158	27 7/8"	Compressed	31	Spline	28	Male	54	Stake	36mm	Yes
66-8159	25 5/8"	Compressed	31	Spline	26 + 2 Blank	Female	54	Stake	36mm	Yes
66-8160	22 5/8"	Compressed	36	Spline	26	Male	N/A	Bolt	12.8mm	Yes
66-8162	22 5/8"	Compressed	36	Spline	28	Male	N/A	Bolt	12.8mm	Yes
66-8163	19 15/16"	Compressed	36	Spline	26 + 2 Blank	Female	N/A	Bolt	12.8mm	Yes
66-8170	25 5/8"	Compressed	28	Spline	26	Male	N/A	Stake	32mm	Yes

① Length measurements are approximate and may vary plus or minus 1/8 of an inch.

NEW CV IDENTIFICATION GUIDE





























NEW PART NO.	OVERALL LENGTH (A) ①	LENGTH MEAS. METHOD	OUTBOARD SPLINE COUNT (B)	OUTBOARD JOINT TYPE	INBOARD SPLINE COUNT (C)	INBOARD JOINT TYPE (D)	ABS RING TOOTH COUNT	AXLE NUT LOCKING TYPE	AXLE NUT HEX HEAD SIZE	AXLE NUT INCLUDED
66-8172	24 7/16"	Compressed	28	Spline	28	Male	N/A	Stake	32mm	Yes
66-8173	21 3/4"	Compressed	28	Spline	26 + 2 Blank	Female	N/A	Stake	32mm	Yes
66-8175	25"	Compressed	28	Spline	28	Male	N/A	Stake	32mm	Yes
66-8182	23 3/16"	Compressed	28	Spline	31	Male	44	Stake	32mm	Yes
66-8183	20 5/8"	Compressed	28	Spline	26 + 2 Blank	Female	44	Stake	32mm	Yes
66-8184	26 7/8"	Compressed	28	Spline	28	Male	N/A	Stake	32mm	Yes
66-8192	24 15/16"	Compressed	31	Spline	31	Male	44	Self Lock	32mm	Yes
66-8192HD	24 15/16"	Compressed	31	Spline	31	Male	44	Self Lock	32mm	Yes
66-8227	23 1/16"	Compressed	28	Spline	26 + 2 Blank	Female	N/A	Stake	32mm	Yes
66-9015	24 3/4"	Compressed	30	Spline	37	Male	48	Self Lock	36mm	Yes
66-9016	37 3/4"	Compressed	30	Spline	37	Male	48	Self Lock	36mm	Yes
66-9208	22 11/16"	Compressed	26	Spline	26	Male	48	Self Lock	32mm	Yes
66-9209	40 1/2"	Compressed	26	Spline	26	Male	48	Self Lock	32mm	Yes
66-9229	23 1/4"	Compressed	26	Spline	26	Male	43	Self Lock	36mm	Yes
66-9230	37 1/8"	Compressed	26	Spline	26	Male	43	Self Lock	36mm	Yes
66-9233	17"	Compressed	36	Spline	35	Female	48	Bolt	12.8mm	Yes
66-9234	26 3/16"	Compressed	36	Spline	39	Male	48	Bolt	12.8mm	Yes
66-9235	26 1/4"	Compressed	36	Spline	30	Male	48	Bolt	12.8mm	Yes
66-9242	23 3/4"	Compressed	30	Spline	27	Male	N/A	Self Lock	32mm	Yes
66-9252	20 5/8"	Compressed	36	Spline	26	Male	48	Bolt	12.8mm	Yes
66-9253	38 5/8"	Compressed	36	Spline	26	Male	48	Bolt	12.8mm	Yes
66-9255	23 1/8"	Compressed	30	Spline	27	Male	N/A	Castle	36mm	Yes
66-9256	38 1/8"	Compressed	30	Spline	27	Male	N/A	Castle	36mm	Yes
66-9262	21 3/4"	Compressed	36	Spline	26	Male	48	Bolt	12.8mm	Yes
66-9263	39 9/16"	Compressed	36	Spline	26	Male	48	Bolt	12.8mm	Yes
66-9271	24"	Compressed	27	Spline	N/A	Bolt-On	48	Stake	35mm	Yes
66-9272	26 1/4"	Compressed	27	Spline	N/A	Bolt-On	48	Stake	35mm	Yes
66-9273	23 7/8"	Compressed	30	Spline	27	Male	29	Self Lock	32mm	Yes
66-9275	24 3/16"	Compressed	26	Spline	23	Male	N/A	Stake	32mm	Yes
66-9276	35 1/8"	Compressed	26	Spline	23	Male	N/A	Stake	32mm	Yes
66-9277	24 7/16"	Compressed	26	Spline	22	Male	N/A	Stake	32mm	Yes
66-9278	34 15/16"	Compressed	26	Spline	22	Bolt-On / Spline	N/A	Stake	32mm	Yes
66-9279	23 1/4"	Compressed	26	Spline	34	Male	N/A	Stake	32mm	Yes
66-9280	36 1/8"	Compressed	26	Spline	34	Male	N/A	Stake	32mm	Yes
66-9281	22 3/4"	Compressed	27	Spline	30	Male	N/A	Castle	36mm	Yes
66-9282	35 7/16"	Compressed	27	Spline	30	Male	N/A	Castle	36mm	Yes
66-9287	25 1/16"	Compressed	29	Spline	29	Male	48	Self Lock	32mm	Yes
66-9288	39 5/16"	Compressed	29	Spline	29	Male	48	Self Lock	32mm	Yes
66-9293	19 1/16"	Compressed	35	Spline	34	Female	Magnetic	Bolt	27mm	Yes
66-9294	20"	Compressed	35	Spline	24	Male	Magnetic	Bolt	27mm	Yes
66-9295	26 3/16"	Compressed	30	Spline	37	Male	N/A	Self Lock	32mm	Yes
66-9296	39 11/16"	Compressed	30	Spline	37	Male	N/A	Self Lock	32mm	Yes
66-9314	23 7/16"	Compressed	30	Spline	27	Male	N/A	Stake	36mm	Yes
66-9315	36 1/4"	Compressed	30	Spline	27	Male	N/A	Stake	36mm	Yes
66-9318	25 1/16"	Compressed	30	Spline	27	Male	N/A	Self Lock	36mm	Yes
66-9319	40 1/8"	Compressed	30	Spline	27	Male	N/A	Stake	36mm	Yes
66-9322	23 3/4"	Compressed	26	Spline	26	Male	N/A	Stake	32mm	Yes
66-9350	20 9/16"	Compressed	36	Spline	26	Male	N/A	Bolt	12.8mm	Yes
66-1349S	19 13/16"	Compressed	17	Spline	N/A	Race & Cage ④	N/A	N/A	N/A	Yes
66-1350S	18 11/16"	Compressed	17	Spline	N/A	Race & Cage ④	N/A	N/A	N/A	Yes
66-1351S	19 7/16"	Compressed	17	Spline	N/A	Race & Cage ④	N/A	N/A	N/A	Yes
66-1352S	18 5/8"	Compressed	17	Spline	N/A	Race & Cage ④	N/A	N/A	N/A	Yes
66-1353S	17 7/16"	Compressed	17	Spline	N/A	Race & Cage ④	N/A	N/A	N/A	Yes
66-1354S	17 1/4"	Compressed	17	Spline	N/A	Race & Cage ④	N/A	N/A	N/A	Yes
66-1370S	17 3/8"	Compressed	17	Spline	N/A	Race & Cage ④	N/A	N/A	N/A	Yes

① Length measurements are approximate and may vary plus or minus 1/8 of an inch.

④ The Inboard Housing is not supplied with this Drive Axle.















IDENTIFICATION GUIDE

TYPES OF DRIVESHAFTS

A1		A15	
A2		A16	
A3		A17	
A4		A18	
A5		A19	
A6		A20	
A7		A21	
A8		A15	
A9		A16	
A10		A17	
A11		A18	
A12		A19	
A13		A20	
A14		A21	

IDENTIFICATION GUIDE

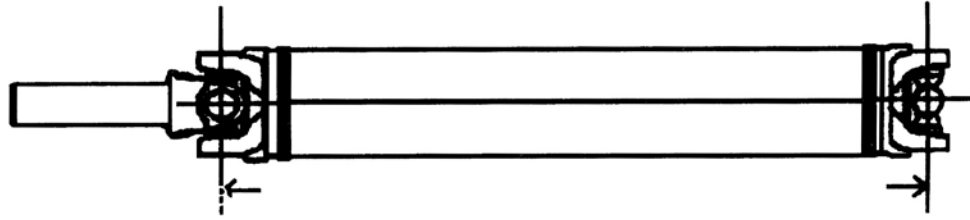
TYPES OF DRIVESHAFTS

A25 	A32SF 
A26 	A33 
A27 	A34 
A28 	A35 
A29 	A36 
A30 	A37 
A31 	A39 

IDENTIFICATION GUIDE

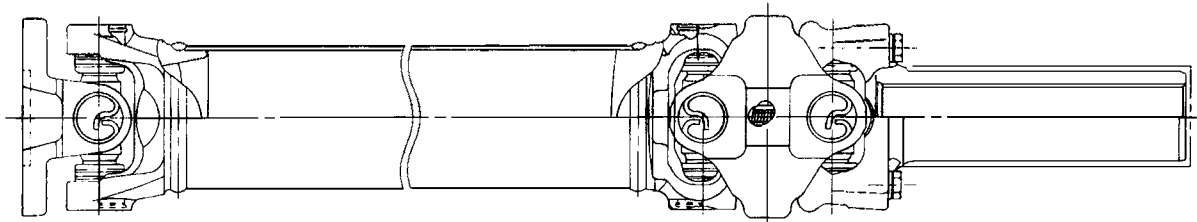
4X4 DRIVESHAFTS / PROP SHAFTS TECHNICAL INFORMATION

A22



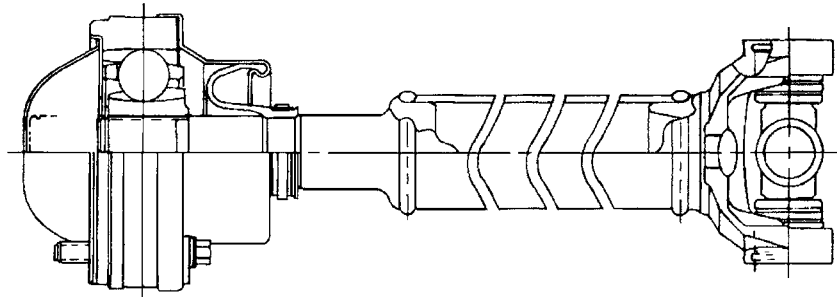
Single with Joint Type

A23



Double Cardan Ford Design with Flange

A24

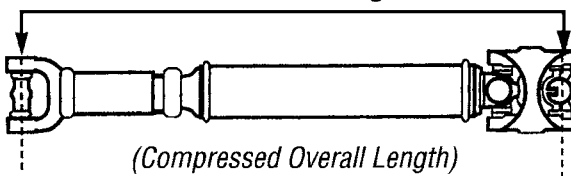


Plunge Type with Single Joint

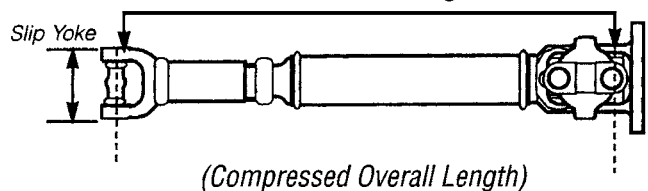
MEASURING DRIVESHAFTS

To properly measure a driveshaft, the driveshaft should always be compressed to the shortest possible length. Most typical driveshafts are measured from the center of the U-joint located at the slip yoke end to the center of the rear (furthest U-joint) on the opposite end of the driveshaft. In addition, you may need to measure the size of the U-joint by measuring across the slip yoke ears.

Measure Length



Measure Length



IDENTIFICATION GUIDE

4X4 DRIVESHAFTS / PROP SHAFTS MEASUREMENT I.D. GUIDE

PART NO.	LENGTH	CODE	TYPE	PART NO.	LENGTH	CODE	TYPE	PART NO.	LENGTH	CODE	TYPE
65-2001	30 1/2"	C	A41	65-9190	27 5/16"	B	A20	65-9332	19 1/4"	W	A17SB
65-5003	43 1/8"		A10C	65-9191	27 5/16"	B	A1	65-9333	27 7/8"	B	A1
65-4491	32 1/2"	B	A4B	65-9192	32 3/4"	B	A15	65-9334	24 5/8"	B	A1
65-7000	28 3/16"	C	A45	65-9193	33 1/2"	B	A20	65-9336	29"	B	A1
65-7004	27 9/16"	C	A45	65-9195	16"	W	A34	65-9337	27 1/4"	B	A2
65-9101	28 9/16"	B	A4	65-9196	19 1/2"	W	A34	65-9338	23 7/8"	B	A2
65-9102	27 9/16"	B	A4	65-9197	18 7/8"	W	A34	65-9339	29 1/2"	B	A2
65-9103	29 1/8"	B	A4	65-9198	19 1/2"	W	A34	65-9344	30"	B	A15
65-9104	27 1/8"	B	A4	65-9259	24 1/4"	C	A12	65-9346	28 1/2"	B	A14
65-9105	32 13/16"	B	A4	65-9261	24 1/4"	C	A12	65-9347	26 1/2"	B	A13
65-9106	29 1/8"	B	A4	65-9263	29"	C	A12	65-9348	28 3/4"	B	A13
65-9107	27 9/16"	B	A4	65-9264	25 1/4"	C	A12	65-9349	29 1/2"	B	A14
65-9109	27 1/8"	B	A4	65-9265	25"	C	A12	65-9351	26 1/8"	B	A2
65-9110	50 7/8"	B	A4	65-9266	37 1/4"	C	A4	65-9353	22 3/4"	B	A2
65-9111	50 13/16"	B	A4	65-9268	23 1/4"	C	A16	65-9354	31"	B	A22
65-9112	49 5/8"	B	A4	65-9269	23"	C	A12	65-9355	30 1/4"	C	A10
65-9113	57 1/4"	B	A4	65-9271	25 1/4"	C	A4A	65-9356	24 1/4"	C	A10
65-9114	57 1/4"	B	A4	65-9273	24 1/4"	C	A9A	65-9357	25 1/4"	C	A11
65-9115	54 7/16"	B	A4	65-9282	12 1/2"	W	A30	65-9358	26"	B	A12
65-9116	54 5/16"	B	A4	65-9285	23"	W	A17	65-9359	29 1/2"	C	A17
65-9117	54 5/16"	B	A4	65-9286	17 1/2"	W	A22F	65-9360	32 1/2"	B	A21
65-9127	51 5/8"	B	A4	65-9287	17 1/4"	W	A22	65-9361	31 3/4"	B	A21
65-9128	60 9/16"	B	A4	65-9288	17"	W	A22F	65-9362	33 1/2"	B	A21
65-9129	60 13/16"	B	A4	65-9290	24 1/2"	C	A12A	65-9363	27 1/4"	W	A26
65-9130	50 7/8"	B	A4	65-9291	25"	C	A12	65-9364	24 15/16"	B	A19
65-9131	50 7/8"	B	A4	65-9293	24"	W	A18	65-9366	30 1/8"	B	A21
65-9133	54 5/16"	B	A4	65-9294	23"	W	A18	65-9369	35"	B	A22
65-9135	58 1/4"	B	A4	65-9300	36"	B	A4	65-9370	58 1/8"	B	A22
65-9137	48 13/16"	B	A4	65-9301	34 7/8"	B	A4	65-9371	68 1/4"	B	A22
65-9140	28 5/8"	B	A1	65-9302	38 1/2"	B	A4	65-9375	18 5/8"	C	A16
65-9143	30 5/8"	B	A1	65-9302	38 1/4"	B	A4	65-9376	22"	C	A16
65-9144	29 1/4"	B	A1	65-9303	39 3/8"	B	A4	65-9390	40 1/4"	B	A22
65-9146	26"	W	A17F	65-9304	40 1/2"	B	A4	65-9391	29 5/8"	B	A25
65-9148	25 1/8"	B	A1	65-9305	38 1/4"	B	A4	65-9392	26 1/4"	W	A25
65-9149	22 1/4"	B	A1	65-9306	26"	W	A27	65-9394	26 1/4"	W	A28
65-9150	24 1/4"	B	A1	65-9307	31 1/8"	B	A26	65-9395	26 1/4"	W	A25
65-9151	26 1/4"	C	A33	65-9309	26"	W	A25	65-9396	35 1/4"	B	A22
65-9152	23 5/16"	B	A1	65-9310	29 7/8"	B	A26	65-9398	26 3/4"	W	A17
65-9153	31 1/4"	B	A1	65-9311	30 11/16"	B	A1	65-9400	26 1/2"	B	A20
65-9154	57 7/16"	B	A1	65-9313	21"	W	A37	65-9416	28 5/8"	B	A20
65-9157	30 1/16"	B	A1	65-9314	20"	W	A37	65-9423	39 13/16"	B	A5
65-9158	51"	B	A1	65-9315	38"	B	A1	65-9430	31 5/16"	B	A20
65-9159	50 15/16"	B	A1	65-9316	39 1/2"	B	A1	65-9431	29 5/8"	B	A20
65-9160	30 5/8"	B	A20	65-9317	25"	W	A9A	65-9432	42 11/16"	B	A3
65-9161	24 3/8"	B	A1	65-9318	24 3/4"	B	A2	65-9433	40 1/4"	B	A3
65-9162	37 5/16"	B	A20	65-9319	26 1/4"	B	A2	65-9436	25 3/4"	B	A1
65-9163	28"	B	A20	65-9320	23 1/4"	B	A1	65-9438	29 1/4"	B	A1
65-9164	34 5/16"	B	A20	65-9321	26 3/32"	B	A1	65-9440	35 1/2"	B	A15
65-9165	37 5/16"	B	A1	65-9323	20"	W	A7	65-9441	33 1/4"	B	A15
65-9166	30 1/16"	B	A20	65-9324	16 1/2"	W	A37	65-9442	39 1/2"	B	A20
65-9170	34 3/8"	B	A1	65-9325	37 1/4"	B	A4	65-9443	37 1/2"	B	A15
65-9174	27 5/16"	B	A1	65-9326	19"	W	A7	65-9444	39 1/2"	B	A15
65-9178	25 5/16"	B	A20	65-9327	24 3/4"	B	A2	65-9445	35 1/4"	B	A15
65-9180	50 15/16"	B	A1	65-9329	19 1/4"	W	A17	65-9446	36 1/4"	B	A20
65-9185	26 1/16"	B	A1	65-9330	26 1/2"	W	A17	65-9447	38 1/4"	B	A20
65-9187	26 11/16"	B	A20	65-9331	23 5/32"	B	A1	65-9449	35 1/4"	B	A20

CODE

- B Measurement is taken from the centerline of the U-Joint located at the slip yoke end to the centerline of the furthest U-Joint on the opposite end of the collapsed Prop Shaft.
- C Measurement is taken from the face of the flange on one end to the face of the flange on the other end of a collapsed Prop Shaft. Applications that only have a flange on one end should be measured from that flange to the center line of the furthest U-Joint.
- D Measurement is taken from the base of the bolt on the outer plate of the CV Joint to the center line of the furthest U-Joint on the opposite end of the collapsed Prop Shaft.
- W Measurement is taken by measuring the Tube length only. Measure from the centerline of the weld on one end to the centerline of the weld on the opposite end of the collapsed Prop Shaft.

Refer to illustrations on pages 211-213 for Prop Shaft type.

IDENTIFICATION GUIDE

4X4 DRIVESHAFTS / PROP SHAFTS MEASUREMENT I.D. GUIDE

PART NO.	LENGTH	CODE	TYPE	PART NO.	LENGTH	CODE	TYPE	PART NO.	LENGTH	CODE	TYPE
65-9450	23"	W	A18	65-9548	32 1/2"		A3F	65-9766	39 1/2"	B	A1
65-9451	24"	W	A18	65-9550	38 3/4"	B	A4B	65-9767	21"	W	A35
65-9453	41 1/2"	B	A23	65-9550	36 1/4"	B	A4B	65-9769	28 1/4"	D	A7
65-9454	36"	B	A23	65-9551	38"	B	A4B	65-9770	30 1/2"	D	A7
65-9455	24 1/4"	W	A18	65-9580	30 11/16"	B	A20	65-9771	32 7/8"	D	A7
65-9462	22 1/4"	W	A18	65-9585	30 1/4"	B	A1	65-9773	32 7/8"	D	A1
65-9463	22 1/4"	W	A39	65-9618	31 15/16"	B	A25	65-9774	30 1/2"	B	A1
65-9470	17 1/2"	W	A22	65-9622	27 13/16"	B	A2	65-9775	28"	B	A1
65-9471	15 1/2"	W	A22	65-9623	28 1/4"	B	A1	65-9776	30 1/2"	B	A1
65-9472	24 1/2"	C	A12	65-9624	32 15/16"	B	A4A	65-9779	29 5/8"	B	A1
65-9478	23 3/4"	C	A9A	65-9636	42 1/4"	B	A5	65-9780	18 7/8"	W	A18
65-9479	24 1/4"	C	A12	65-9638	26 1/2"	B	A20	65-9781	32"	B	A1
65-9480	24"	C	A9A	65-9641	26 1/2"	B	A1	65-9782	19"	W	A36
65-9481	23"	C	A9A	65-9642	40 1/2"	B	A4A	65-9789	15 1/2"	W	A36
65-9483	23 7/8"	B	A1	65-9660	23 3/8"	B	A4A	65-9789	31 1/4"		A37
65-9484	26 1/4"	B	A1	65-9661	29 7/16"	B	A1	65-9792	22 1/4"	W	A37
65-9490	23 3/4"	W	A27	65-9662	40 9/16"	B	A4A	65-9792	22 1/2"	W	A37
65-9492	23 5/8"	W	A29	65-9663	25 7/8"	B	A4A	65-9792	22 1/4"	W	A18
65-9501	30 3/8"	B	A22	65-9664	28 5/16"	B	A4A	65-9812	33 1/2"	B	A2
65-9502	29 1/2"	B	A22	65-9665	29 5/16"	B	A4A	65-9813	33 1/2"	B	A2
65-9511	34 1/2"	B	A23	65-9667	38 3/16"	B	A2	65-9814	20"	B	A4
65-9512	34 7/16"	B	A22	65-9668	25 5/16"	B	A1	65-9820	25 1/8"	B	A8
65-9513	26 1/4"	C	A18	65-9669	30 11/16"	B	A1	65-9821	32 11/16"	C	A9A
65-9514	24 1/4"	C	A33	65-9670	29 1/4"	B	A1	65-9822	30 1/4"	C	A9A
65-9515	36 3/8"	B	A22	65-9671	28"	B	A1	65-9823	36 1/4"	C	A9A
65-9516	22 1/4"	W	A29	65-9672	30 3/4"	B	A1	65-9824	39 11/16"	C	A9A
65-9518	26 1/16"	W	A28	65-9675	40 1/2"	B	A3	65-9825	36 5/8"	C	A9A
65-9519	24 7/8"	W	A25	65-9700	25"	B	A1	65-9827	24 1/2"	W	A27
65-9520	27 1/8"	W	A26	65-9701	27"	B	A1	65-9830	44 1/4"	B	A5
65-9527	54 1/2"	B	A22	65-9707	26 1/8"	B	A1	65-9831	42 5/16"	B	A5
65-9528	61"	B	A22	65-9708	45 1/4"	B	A22	65-9832	30 1/16"	B	A20
65-9529	43 1/4"	B	A22	65-9710	27 1/2"	B	A2	65-9842	25 1/4"	W	A31
65-9530	26 1/4"	W	A26	65-9711	30 1/4"	B	A2	65-9850	29 1/4"	C	A16
65-9531	54 1/4"	B	A22	65-9713	36 3/4"	B	A4	65-9851	30 1/4"	C	A9A
65-9532	26"	W	A25	65-9717	31 1/4"	B	A1	65-9864	39 7/8"	B	A23
65-9533	13 1/2"	W	A32SF	65-9721	32 3/4"	B	A1	65-9869	40 1/4"	B	A3
65-9534	16 1/2"	W	A32SF	65-9737	27 5/8"	B	A1	65-9870	20"	W	A4
65-9535	14 1/2"	W	A32SF	65-9738	30 11/16"	B	A1	65-9871	15 1/2"	W	A4
65-9536	13 1/2"	W	A32SF	65-9739	35 11/16"	B	A20	65-9872	20"	W	A4
65-9537	12 3/4"	W	A32SF	65-9749	25 1/16"	B	A1	65-9873	14 1/2"	W	A4
65-9538	19"	W	A32SF	65-9751	25 5/16"	B	A1	65-9874	14"	W	A4
65-9539	16 1/2"	W	A32SF	65-9752	27 1/16"	B	A1	65-9875	19"	W	A2
65-9540	14 1/2"	W	A32SF	65-9754	20"	B	A1	65-9907	19"	W	A36
65-9541	13 1/4"	W	A32SF	65-9755	24 3/8"	B	A1	65-9909	15 1/4"	W	A36
65-9542	20"	W	A9A	65-9757	36 5/8"	B	A1	65-9915	22 1/4"	C	A16
65-9543	38 5/8"	C	A9A	65-9761	29 15/16"	D	A7	65-9917	24 1/4"	C	A16
65-9544	21"	W	A12	65-9762	31 1/2"	D	A7	65-9918	24 3/4"	C	A16
65-9545	22"	W	A12	65-9764	28 3/4"	B	A1	65-9919	24 1/2"	C	A16
65-9546	38"	B	A4	65-9765	38"	B	A1	65-9921	23 1/4"	C	A3

CODE

- B Measurement is taken from the centerline of the U-Joint located at the slip yoke end to the centerline of the furthest U-Joint on the opposite end of the collapsed Prop Shaft.
- C Measurement is taken from the face of the flange on one end to the face of the flange on the other end of a collapsed Prop Shaft. Applications that only have a flange on one end should be measured from that flange to the center line of the furthest U-Joint.
- D Measurement is taken from the base of the bolt on the outer plate of the CV Joint to the center line of the furthest U-Joint on the opposite end of the collapsed Prop Shaft.
- W Measurement is taken by measuring the Tube length only. Measure from the centerline of the weld on one end to the centerline of the weld on the opposite end of the collapsed Prop Shaft.

Refer to illustrations on pages 211-213 for Prop Shaft type.

IDENTIFICATION GUIDE

INTERMEDIATE SHAFTS MEASUREMENT I.D. GUIDE

PART NO.	OVERALL LENGTH (A) ①	LENGTH MEASUREMENT METHOD	OUTBOARD SPLINE COUNT (B)	OUTBOARD CONNECTION STYLE	INBOARD SPLINE COUNT (C)	INBOARD JOINT TYPE (D)	MATERIAL
66-2195IS	—	Compress	29	Spline	N/A	Spline	Steel
66-2900IS	—	Compress	35	Spline	35	Spline	Steel
66-2901IS	—	Compress	35	Spline	35	Spline	Steel
66-2902IS	—	Compress	35	Spline	35	Spline	Steel
66-2903IS	—	Compress	35	Spline	35	Spline	Steel
66-3990IS	6 1/4"	Compress	29	Male	29	Male	Steel
66-3991IS	19 5/16"	Compress	29	Male	29	Male	Steel
66-3992IS	16 5/8"	Compress	28	Male	28	Male	Steel
66-3993IS	—	Compress	28	Spline	26	Spline	Steel
66-3994IS	—	Compress	34	Spline	29	Spline	Steel
66-6246IS	18 15/16"	Compress	30	Male	29	Male	Steel

REMANUFACTURED **DRIVETRAIN**

BROAD COVERAGE

The most complete drivetrain coverage in the industry.

- CV Drive Axles
- 4x4 Prop Shafts
- Intermediate Shafts

HIGH QUALITY

- Shafts are measured for straightness to ensure proper function.
- High-tech grinding machines maintain the original design of the outer housing, race and cage.
- High-temperature grease preserves the life of the joint.
- High-quality neoprene boots are tested to ensure durability and longevity.
- Clamps are tightened with pneumatic machinery, creating a perfect seal between the boot and the housing.
- New axle nuts are supplied on torque-prevailing applications, as necessary.
- Threads and splines are 100% renewed to ensure proper fit the first time.

CARDONE SOLUTIONS

- Dedicated, factory-trained Direct Sales Force
- E-business solutions – MyCARDONE, CARDONE WebCat and Mobile WebCat
- Priority Plus emergency overnight shipping
- Product installation guides, tips and videos
- ASE-certified technical advisors
- Rebuild and Return Service

New Intermediate Shafts available to compliment CV Axles

Intermediate Shafts connect the female splines of the inboard CV joints to the differential of the transmission.



66-2901IS
Ford Trucks
2005-2012
VIO: 122,880



65-9151
Dodge Trucks 2001-06 F/R
VIO: 420,000

60-5310
Lexus Family 2006-13 F/R
VIO: 4,000