



CARR



2017

ACCESSORIES CATALOG

TRUCKS | SUVs | OFF-ROAD | INDUSTRIAL | COMMERCIAL

TABLE OF CONTENTS

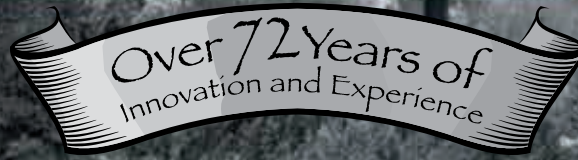


TABLE OF CONTENTS

NEW PRODUCTS	2
LD STEP	3-4
SUPER HOOP	5-6
HOOP II	7-8
HEAVY DUTY UNIVERSAL HITCH STEP.....	9
TOOL BOX FLIP STEP 10	10
CARGO VAN STEPS	11
WORK TRUCK STEPS	12
MEGA STEPS	13
GRAB HANDLES	14
31" DEPLOYABLE PLATFORM STEP	15
XRS JEEP ROTA LIGHT BAR	16
LIGHT BARS.....	17-20
XRS JEEP ADJUSTABLE LED BRACKETS	21
LIGHT WINGS.....	21
PROMO ITEMS	22

“All CARR accessories are manufactured for a precise fit for today’s vehicles. Our manufacturing process allows us to design products that give your vehicle that unique personal style and appeal. Our cast aluminum construction has proven, over time, its durability and strength. All of the CARR’s steps are designed to easily attach to your vehicle for a strong and stable installation. All CARR products carry a limited lifetime warranty.”

– Jeff Carr

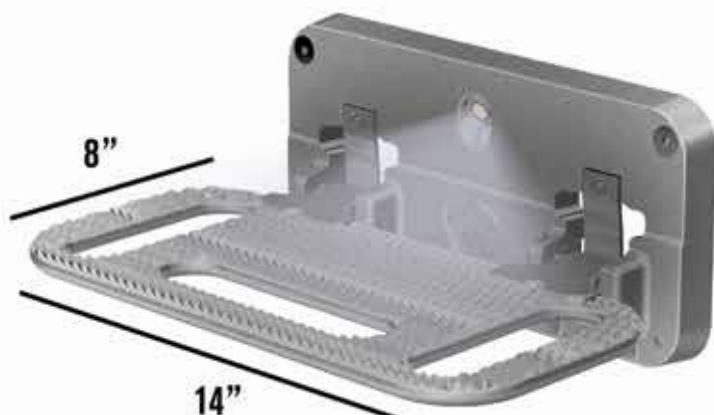




NEW LD STEP

A wider and deeper step for easier access to the vehicle. Available in three finishes. See page 3 for details.

MADE
IN THE
USA



NEW HD MEGA STEP

A heavy-duty foldable step that is illuminated with a grab handle step. See page 13 for details.



NFPA COMPLIANT

LD STEP



LD STEP

The LD step was actually inspired by Jeff Carr's wife, Lynn. Hence the name "LD Step" (Lynn's Design). This step will give the user easier access to the vehicle due to the wider and deeper stepping surface which extends further than our other steps. The LD step is available in our three durable finishes, and installation is a cinch with our mounting system.

POLISHED

CARR's Xtreme Mechanical Polished finish won't rust, crack or peel and requires very little maintenance.



XM3

TITANIUM SILVER

CARR's Xtreme Titanium Silver Powder Coat finish features a lightly textured matte finish that resists scratches, peeling and fading.



XP4

BLACK

CARR's Xtreme Black Powder Coat finish features a lightly textured matte finish that resists scratches, peeling and fading.



XP3

FEATURES

- Easier entry and exit from your vehicle
- 14" wide functional step area
- Extends further than our current steps
- Made of corrosion-resistant, durable cast aluminum alloy for extreme longevity
- NEW aggressive and appealing tread design for a non-slip surface
- Rocker panel installation provides for the strongest and easiest installation of any step products
- Unique design that enhances the looks of current vehicle body styles
- Limited lifetime warranty on materials and craftsmanship

DIMENSION: 14" width

STEP PAD: Aggressive and appealing tread design for a non-slip surface

STEP: Flat step area for increased safety

MADE
IN THE
USA





LD STEP APPLICATIONS

		XM3 POLISH	XP4 SILVER	XP3 BLACK
CHEVY / GMC				
'15 - '17	Colorado/Canyon	113332	113334	113331
'02 - '09	Trail Blazer/Envoy	114032	114034	114031
'02 - '13	Avalanche	114032	114034	114031
'02 - '17	Denali Truck	114032	114034	114031
'88 - '17	Sierra/Silverado 1500 C&K PU / Fullsize	114032	114034	114031
'88 - '17	Sierra/Silverado 2500/3500 HD (All Doors)	114032	114034	114031
'11 - '17	Sierra/Silverado 2500/3500 HD (All Cabs/Diesel Only)	116332	116334	116331
'88 - '17	Fullsize Crew Cab 1500-3500 (All Doors)	114032	114034	114031
'73 - '87	*Fullsize Pickups/Blazer/Suburban	114032	114034	114031
'76 - '91	Suburban	114032	114034	114031
'76 - '93	S10/Sonoma Pickups, Blazer/Jimmy	114032	114034	114031
'67 - '96	Fullsize Van	114032	114034	114031
DODGE				
'09 - '17	Ram GAS 1500-5500	119772	119774	119771
'09 - '17	Ram DIESEL 1500-5500 Pickup beds only	119772	119774	119771
'11 - '17	Ram DIESEL 3500-5500 Chassis beds only	117442	117444	117441
'09 - '10	Ram Diesel 1500-5500	119772	119774	119771
'94 - '08	Ram 1500-5500	114032	114034	114031
'74 - '93	Fullsize Pickups	114032	114034	114031
'97 - '09	Dakota 2-Door Only	114032	114034	114031
'02 - '06	Sprinter Van	114502	114504	114501
'07 - '09	Sprinter Van	114032	114034	114031
'74 - '92	Ram Charger	114032	114034	114031
'83 - '91	Raider	114032	114034	114031
FORD / MERCURY				
'17	Super Duty Aluminum body (All Cabs/All Doors)	118222	118224	118221
'99 - '16	Super Duty (All Cabs/All Doors)	114872	114874	114871
'15 - '17	F-150 Aluminum body (All Cabs/All Doors)	118222	118224	118221
'04 - '14	F-150 (All Cabs/All Doors)	114032	114034	114031
'01 - '03	F-150 SuperCrew (All Doors)	114032	114034	114031
'97 - '04	F-150/F-250 LD/F-150 Heritage Pickup (All Doors)	114032	114034	114031
'97 - '03	F-150 Quad Cab (All Doors)	114032	114034	114031
'98 - '11	Ranger 2-Door Only	114992	114994	114991
'00 - '05	Excursion (All Doors)	114872	114874	114871
'97 - '17	Expedition (All Doors)	114032	114034	114031
'91 - '01	Explorer (ot Eddie Bauer)	114032	114034	114031
'96 - '01	Mercury Mountaineer	114032	114034	114031
'75½ - '02	Fullsize E-Series Van	114032	114034	114031
'05 - '14	Fullsize E-Series Van	114032	114034	114031

* Does not fit vehicles with saddle tanks
NOTE: Vehicles not listed have no applications

		XM3 POLISH	XP4 SILVER	XP3 BLACK
ISUZU				
'84 - '02	Trooper	114032	114034	114031
'91 - '02	Rodeo	114032	114034	114031
'91 - '02	Amigo	114032	114034	114031
'89 - '93	Pickup	114032	114034	114031
JEEP				
'06 - '10	Commander	114502	114504	114501
'07 - '17	JK Wrangler (Front Doors Only, All Styles)	111142	111144	111141
'97 - '06	TJ Wrangler	110552	110554	110551
'02 - '17	KJ Liberty (Caution: Ground clearance problem on stock vehicle)	114502	114504	114501
'93 - '98	Grand Cherokee	114032	114034	114031
MAZDA				
'91 - '94	Navajo	114032	114034	114031
'98 - '11	B-Series Pickup 2-Door Only	114992	114994	114991
'83 - '93	B-Series Pickup	114032	114034	114031
MERCEDES BENZ				
'10 - '17	Sprinter Van	114032	114034	114031
MITSUBISHI				
'78 - '94	Pickup	114032	114034	114031
'83 - '99	Montero	114032	114034	114031
'97 - '02	Montero Sport	114032	114034	114031
NISSAN				
'98 - '01	Frontier Reg Cab	114032	114034	114031
'02 - '17	Frontier (All Cabs)	114032	114034	114031
'00 - '16	Xterra (Front Doors Only)	114032	114034	114031
'86 - '01	Pathfinder	114032	114034	114031
'86 - '97	Hardbody P/U	114032	114034	114031
'72 - '86	Pickup	114032	114034	114031
TOYOTA				
'05 - '17	Tacoma Crew Cab (All Doors)	114502	114504	114501
'01 - '04	Tacoma Crew Cab (All Doors)	114032	114034	114031
'05 - '16	Tacoma / Prerunner	114502	114504	114501
'96 - '04	Tacoma / Prerunner	114032	114034	114031
'00 - '17	Tundra	114502	114504	114501
'01 - '07	Sequoia	114502	114504	114501
'74 - '95	Pickup	114032	114034	114031
'05 - '09	4 Runner	114502	114504	114501
'84 - '04	4 Runner	114032	114034	114031
'91 - '98	FJ80 Land Cruiser	114032	114034	114031
'80 - '91½	FJ60/FJ62 L/C	114032	114034	114031
'07 - '14	FJ Cruiser	114502	114504	114501

SUPER HOOP



THE SUPER HOOP

The stylish and innovative design of these steps add to a vehicle's rugged off-road look. Available in three, low-maintenance, extremely durable finishes. This step is made to compliment your vehicle's appearance. It is easily installed using our multi-mount system for superior strength and rigidity.

POLISHED

CARR's Xtreme Mechanical Polished finish won't rust, crack or peel and requires very little maintenance.



TITANIUM SILVER

CARR's Xtreme Titanium Silver Powder Coat finish features a lightly textured matte finish that resists scratches, peeling and fading.



BLACK

CARR's Xtreme Black Powder Coat finish features a lightly textured matte finish that resists scratches, peeling and fading.



FEATURE

- Made of corrosion-resistant, durable cast aluminum alloy
- Rugged tread pattern provides a safe and attractive non-slip surface
- Rocker panel installation provides for the strongest and easiest installation of any step products
- Unique design gives the vehicle a rugged off-road look, while also maintaining a stylish accent for today's vehicles
- Limited lifetime warranty on materials and craftsmanship

DIMENSION: Large 20" width

STEP PAD: Exclusive diamond, non-slip tread pattern

STEP: Flat step area for increased safety

MADE
IN THE
USA



SUPER HOOP



SUPER HOOP APPLICATIONS

	XM3 POLISH	XP4 SILVER	XP3 BLACK
CHEVY / GMC			
'15 - '17 Colorado/Canyon	123332	123334	123331
'02 - '09 Trail Blazer/Envoy	124032	124034	124031
'02 - '13 Avalanche	124032	124034	124031
'02 - '17 Denali Truck	124032	124034	124031
'88 - '17 Sierra/Silverado 1500 C&K PU / Fullsize	124032	124034	124031
'88 - '17 Sierra/Silverado 2500/3500 HD (All Doors)	124032	124034	124031
'11 - '17 *Sierra/Silverado 2500/3500 HD (All Cabs/Diesel Only)	126332	126334	126331
'88 - '17 Fullsize Crew Cab 1500-3500 (All Doors)	124032	124034	124031
'73 - '87 **Fullsize Pickups/Blazer/Suburban	124032	124034	124031
'92 - '99 Suburban	120162	120164	120161
'76 - '91 Suburban	124032	124034	124031
'92 - '99 Yukon/Tahoe	120162	120164	120161
'76 - '93 S10/Sonoma Pickups, Blazer/Jimmy	124032	124034	124031
'67 - '96 Fullsize Van	124032	124034	124031
DODGE			
'09 - '17 Ram GAS 1500-5500	129772	129774	129771
'09 - '17 Ram DIESEL 1500-5500 Pickup beds only	129772	129774	129771
'11 - '17 * Ram DIESEL 3500-5500 Chassis beds only	127442	127444	127441
'09 - '10 Ram DIESEL 3500-5500 Chassis beds only	129772	129774	129771
'94 - '08 Ram 1500-5500	124032	124034	124031
'74 - '93 Fullsize Pickups	124032	124034	124031
'97 - '09 Dakota 2-Door Only	124032	124034	124031
'02 - '06 Sprinter Van	124502	124504	124501
'07 - '09 Sprinter Van	124032	124034	124031
'74 - '92 Ram Charger	124032	124034	124031
'83 - '91 Raider	124032	124034	124031
FORD / MERCURY			
'17 Super Duty Aluminum body All Cabs (All Doors)	128222	128224	128221
'99 - '16 Super Duty All Cabs (All Doors)	124872	124874	124871
'15 - '17 F-150 Aluminum body (All Cabs/All Doors)	128222	128224	128221
'04 - '14 F-150 All Cabs (All Doors)	124032	124034	124031
'01 - '03 F-150 SuperCrew (All Doors)	124032	124034	124031
'97 - '04 F-150/F-250 LD/F-150 Heritage Pickup (All Doors)	124032	124034	124031
'97 - '03 F-150 Quad Cab (All Doors)	124032	124034	124031
'81 - '96 F-150 & 250 Light Duty/Pickup/Bronco (All Cabs/All Doors)	120252	120254	120251
'81 - '98 F-250-550 Heavy Duty Pickup (All Cabs/All Doors)	120252	120254	120251
'98 - '11 Ranger 2-Door Only	124992	124994	124991
'00 - '05 Excursion (All Doors)	124872	124874	124871
'97 - '17 Expedition (All Doors)	124032	124034	124031
'91 - '01 Explorer (Not Eddie Bauer)	124032	124034	124031
'96 - '01 Mercury Mountaineer	124032	124034	124031
'95 - '96 F-150 Lightning	120252	120254	120251
'75½-'02 Fullsize E-Series Van	124032	124034	124031
'05 - '14 Fullsize E-Series Van	124032	124034	124031
NO-DRILL APPLICATION '99 - '16 Super Duty (All Cabs/All Doors)	125002	125004	125001

* Will fit gas engine pickups to allow the steps to extend an additional 1"

** Does not fit vehicles with saddle tanks

NOTE: Vehicles not listed have no applications

	XM3 POLISH	XP4 SILVER	XP3 BLACK
ISUZU			
'84 - '02 Trooper	124032	124034	124031
'91 - '02 Rodeo	124032	124034	124031
'91 - '02 Amigo	124032	124034	124031
'89 - '93 Pickup	124032	124034	124031
JEEP			
'06 - '10 Commander	124502	124504	124501
'07 - '17 JK Wrangler (Front Doors Only & All Styles)	121242	121244	121241
'97 - '06 TJ Wrangler	120552	120554	120551
'02 - '17 KJ Liberty (Caution: Ground clearance problem on stock vehicle)	124502	124504	124501
'93 - '98 Grand Cherokee	124032	124034	124031
MAZDA			
'91 - '94 Navajo	124032	124034	124031
'98 - '11 B-Series Pickup 2-Door Only	124992	124994	124991
'83 - '93 B-Series Pickup	124032	124034	124031
MERCEDES BENZ			
'10 - '17 Sprinter Van	124032	124034	124031
MITSUBISHI			
'78 - '94 Pickup	124032	124034	124031
'83 - '99 Montero	124032	124034	124031
'97 - '02 Montero Sport	124032	124034	124031
NISSAN			
'98 - '01 Frontier Reg Cab	124032	124034	124031
'02 - '17 Frontier (All Cabs)	124032	124034	124031
'00 - '16 Xterra (Front Doors Only)	124032	124034	124031
'86 - '01 Pathfinder	124032	124034	124031
'86 - '97 Hardbody P/U	124032	124034	124031
'72 - '86 Pickup	124032	124034	124031
TOYOTA			
'05 - '17 Tacoma Crew Cab (All Doors)	124502	124504	124501
'01 - '04 Tacoma Crew Cab (All Doors)	124032	124034	124031
'05 - '17 Tacoma / Prerunner	124502	124504	124501
'96 - '04 Tacoma / Prerunner	124032	124034	124031
'00 - '17 Tundra	124502	124504	124501
'01 - '07 Sequoia	124502	124504	124501
'74 - '95 Pickup	124032	124034	124031
'05 - '09 4 Runner	124502	124504	124501
'84 - '04 4 Runner	124032	124034	124031
'91 - '98 FJ80 Land Cruiser	124032	124034	124031
'80 - '91½ FJ60/FJ62 L/C	124032	124034	124031
'07 - '14 FJ Cruiser	124502	124504	124501

HOOP II



THE HOOP II

This uniquely designed diamond tread pattern provides a safe, non-slip surface on the flat step area. Our exclusive multi-mount system is designed for a precision fit and easier installation. The Hoop II step is constructed from extremely strong die-cast aluminum alloy for maximum quality and durability.

POLISHED

CARR's Xtreme Mechanical Polished finish won't rust, crack or peel and requires very little maintenance.



TITANIUM SILVER

CARR's Xtreme Titanium Silver Powder Coat finish features a lightly textured matte finish that resists scratches, peeling and fading.



BLACK

CARR's Xtreme Black Powder Coat finish features a lightly textured matte finish that resists scratches, peeling and fading.



FEATURES

- Made of corrosion-resistant, durable cast aluminum alloy
- Rugged tread pattern provides a safe and attractive non-slip surface
- Rocker panel installation provides for one of the strongest and easiest installations on the market
- Unique design gives the vehicle a rugged off-road look, while also maintaining a stylish accent for today's vehicles
- Limited lifetime warranty on materials and craftsmanship

DIMENSION: Compact 10" width

STEP PAD: Exclusive diamond, non-slip tread pattern

STEP: Flat step area for increased safety

MADE
IN THE
USA



HOOP II



HOOP II APPLICATIONS

	XM3 POLISH	XP4 SILVER	XP3 BLACK
CHEVY / GMC			
'15 - '17 Colorado/Canyon	103332	103334	103331
'02 - '09 Trail Blazer/Envoy	103992	103994	103991
'02 - '13 Avalanche	103992	103994	103991
'02 - '17 Denali Truck	103992	103994	103991
'88 - '17 Sierra/Silverado 1500 C&K PU / Fullsize	103992	103994	103991
'88 - '17 Sierra/Silverado 2500/3500 HD (All Doors)	103992	103994	103991
'11 - '17 *Sierra/Silverado 2500/3500 HD (All Cabs/Diesel Only)	106332	106334	106331
'88 - '17 Fullsize Crew Cab 1500-3500 (All Doors)	103992	103994	103991
'73 - '87 **Fullsize Pickups/Blazer/Suburban	103992	103994	103991
'92 - '99 Suburban	102562	102564	102561
'76 - '91 Suburban	103992	103994	103991
'92 - '99 Yukon/Tahoe	102562	102564	102561
'76 - '93 S10/Sonoma Pickups, Blazer/Jimmy	103992	103994	103991
'67 - '96 Fullsize Van	103992	103994	103991

DODGE

'09 - '17 Ram GAS 1500-5500	109772	109774	109771
'09 - '17 Ram DIESEL 1500-5500 (Pickup Beds Only)	109772	109774	109771
'11 - '17 * Ram DIESEL 3500-5500 (Chassis Beds Only)	107442	107444	107441
'09 - '10 Ram DIESEL 3500-5500 (Chassis Beds Only)	109772	109774	109771
'94 - '08 Ram 1500-5500	103992	103994	103991
'74 - '93 Fullsize Pickups	103992	103994	103991
'97 - '09 Dakota 2-Door Only	103992	103994	103991
'14 - '17 ProMaster Van - (Front Doors Only)	105772	105774	105771
'02 - '06 Sprinter Van	104502	104504	104501
'07 - '09 Sprinter Van	103992	103994	103991
'74 - '92 Ram Charger	103992	103994	103991
'83 - '91 Raider	103992	103994	103991

FORD / MERCURY

'17 Super Duty Aluminum body (All Cabs/All Doors)	108222	108224	108221
'99 - '16 Super Duty (All Cabs/All Doors)	104812	104814	104811
'15 - '17 F-150 Aluminum body (All Cabs/All Doors)	108222	108224	108221
'04 - '14 F-150 All Cabs (All Doors)	103992	103994	103991
'01 - '03 F-150 SuperCrew (All Doors)	103992	103994	103991
'97 - '04 F-150/F-250 LD/F-150 Heritage Pick-up (All Doors)	103992	103994	103991
'97 - '03 F-150 Quad Cab (All Doors)	103992	103994	103991
'81 - '96 F-150 & 250 Light Duty/Pickup/Bronco (All Cabs/All Doors)	102522	102524	102521
'81 - '98 F-250-550 Heavy Duty Pickup (All Cabs/All Doors)	102522	102524	102521
'98 - '11 Ranger 2-Door Only	104992	104994	104991
'00 - '05 Excursion (All Doors)	104812	104814	104811
'97 - '17 Expedition (All Doors)	103992	103994	103991
'91 - '01 Explorer (Not Eddie Bauer)	103992	103994	103991
'96 - '01 Mercury Mountaineer	103992	103994	103991
'95 - '96 F-150 Lightning	102522	102524	102521
'75½ - '02 Fullsize E-Series Van	103992	103994	103991
'05 - '14 Fullsize E-Series Van	103992	103994	103991

ISUZU

	XM3 POLISH	XP4 SILVER	XP3 BLACK
'84 - '02 Trooper	103992	103994	103991
'91 - '02 Rodeo	103992	103994	103991
'91 - '02 Amigo	103992	103994	103991
'89 - '93 Pickup	103992	103994	103991

JEEP

'06 - '10 Commander	104502	104504	104501
'07 - '17 JK Wrangler (All Doors, All Styles)	101242	101244	101241
'97 - '06 TJ Wrangler	102552	102554	102551
'02 - '17 KJ Liberty (Caution: Ground clearance problem on stock vehicle)	104502	104504	104501
'93 - '98 Grand Cherokee	103992	103994	103991

MAZDA

'91 - '94 Navajo	103992	103994	103991
'98 - '11 B-Series Pickup 2-Door Only	104992	104994	104991
'83 - '93 B-Series Pickup	103992	103994	103991

MERCEDES BENZ

'10 - '17 Sprinter Van	103992	103994	103991
------------------------	--------	--------	--------

MITSUBISHI

'78 - '94 Pickup	103992	103994	103991
'83 - '99 Montero	103992	103994	103991
'97 - '02 Montero Sport	103992	103994	103991

NISSAN

'98 - '01 Frontier Reg cab	103992	103994	103991
'02 - '17 Frontier (All Cabs)	103992	103994	103991
'00 - '16 Xterra (All Doors)	103992	103994	103991
'86 - '01 Pathfinder	103992	103994	103991
'86 - '97 Hardbody P/U	103992	103994	103991
'72 - '86 Pickup	103992	103994	103991

TOYOTA

'05 - '17 Tacoma Crew Cab (All Doors)	104502	104504	104501
'01 - '04 Tacoma Crew Cab (All Doors)	103992	103994	103991
'05 - '17 Tacoma / Prerunner	104502	104504	104501
'96 - '04 Tacoma / Prerunner	103992	103994	103991
'00 - '17 Tundra	104502	104504	104501
'01 - '07 Sequoia	104502	104504	104501
'74 - '95 Pickup	103992	103994	103991
'05 - '09 4 Runner	104502	104504	104501
'84 - '04 4 Runner	103992	103994	103991
'91 - '98 FJ80 Land Cruiser	103992	103994	103991
'80 - '91½ FJ60/FJ62 L/C	103992	103994	103991
'07 - '14 FJ Cruiser	104502	104504	104501

* Will fit gas engine pickups to allow the steps to extend an additional 1"

** Does not fit vehicles with saddle tanks

NOTE: Vehicles not listed have no applications

HD UNIVERSAL HITCH STEP



HD UNIVERSAL HITCH STEP

FEATURES

- Non-slip surface
- Requires standard pin & clip
- Folds up when not in use
- Provides easy access to back of vehicle
- Fits all 2" hitch receivers



**HOLDS UP TO
650 lb.**

**MADE
IN THE
USA**



GRAPHICS FOR TOW HOOK AND UNIVERSAL HITCH STEPS



HD UNIVERSAL HITCH STEPS APPLICATIONS (SOLD AS SINGLES)

XM3 POLISH

Universal Hitch Step	Application	Part Number
Universal Hitch Step	Blank	183012
Universal Hitch Step	USA	183022
Universal Hitch Step	American Flag	183032
Universal Hitch Step	Horse	183042
Universal Hitch Step	MY TOY	183052
Universal Hitch Step	CARR Logo	183062
Universal Hitch Step	Checkered Flags	183082
Universal Hitch Step	U.S. Air Force	183132
Universal Hitch Step	U.S. Marines	183142
Universal Hitch Step	Dirt Bike	183152
Universal Hitch Step	Quad	183162
Universal Hitch Step	Pickup	183172
Universal Hitch Step	Jeep	183182
Universal Hitch Step	SUV	183192
Universal Hitch Step	Coast Guard	183202
Universal Hitch Step	Fire & Rescue	183212
Universal Hitch Step	Law Enforcement	183222
Universal Hitch Step	National Guard	183232
Universal Hitch Step	Reflector	183242
Universal Hitch Step	Blackout (All Black)	183252

TOOL BOX FLIP STEP 10



TOOL BOX FLIP STEP 10

The Tool Box Flip Step 10 mounts to existing holes or clamps on for a quick and easy installation. The Hoop II step is flipped up and down by the operator's foot, allowing easy access to the side bed area of a pickup truck. The step is made from rugged alloyed aluminum and the mounting brackets are 3/16" steel plate, powder coated for extreme durability. Rated at 500 lb, this step carries an extremely high load capacity.



WE ARE NOW OFFERING OUR CUSTOMERS A LOW COST, BUT EXTREMELY RUGGED, STEP TO MAKE ACCESS TO TOOLBOXES AND OTHER EQUIPMENT IN TRUCK BEDS SEEM EFFORTLESS.

FEATURES

- Mounts to existing holes or clamps on
- Rotating step actuated by operator's foot
- Utilizes our popular Hoop II Step
- Heavy 3/16" steel plate mounting brackets
- Powder coated step and brackets
- Delrin spring actuator

BENEFITS

- Easy installation
- Allows easy access to the side bed area of pickup truck
- 500 lb. load capacity
- Longevity even in severe weather conditions
- Flips up out of the way when not in use
- Ultimate wear resistance

**MADE
IN THE
USA**



XM3

POLISHED

CARR's Xtreme Mechanical Polished finish won't rust, crack or peel and requires very little maintenance.



XP4

TITANIUM SILVER

CARR's Xtreme Titanium Silver Powder Coat finish features a lightly textured matte finish that resists scratches, peeling and fading.



XP3

BLACK

CARR's Xtreme Black Powder Coat finish features a lightly textured matte finish that resists scratches, peeling and fading.



FORD / MERCURY (SOLD AS SINGLES)

	XM3 POLISH	XP4 SILVER	XP3 BLACK
'09 - '14 F-150 All Cabs, Short Beds Only (DRIVER)*	173012	173014	173011
'09 - '14 F-150 All Cabs, Short Beds Only (PASSENGER)*	174012	174014	174011
'11 - '16 F-250, 350 Super Duty All Cabs, All Beds (DRIVER)*	175012	175014	175011
'11 - '16 F-250, 350 Super Duty All Cabs, All Beds (PASSENGER)*	176012	176014	176011

NOTE: Vehicles not listed have no applications

*Will not fit vehicles with a cab vibration dampner or Dually body style

MORE APPLICATIONS COMING SOON!

CARGO VAN



CARGO VAN STEP

This hands-free deployable step gives you maximum safety and accessibility when entering and exiting the side door of your van. You will also reduce the step height for better accessibility by a minimum of 7”.



Load Capacity
500 lb.

HEAVY-DUTY AND HANDS-FREE



DEPLOY AND CLOSE WITH YOUR FEET!



FEATURES

- Hands-free
- Fully assembled
- 500 lb. weight capacity
- Easy to install and easy to use
- Conveniently tucked away when not in use
- When in the “out” position, both feet fit on step
- Large 24” non-skid step surface for increased safety
- Limited lifetime warranty on all materials and craftsmanship
- Push the step in to deploy it to its “out” position and push it in again to lock it when not in use!

**MADE
IN THE
USA**

CARGO VAN / Transit Vehicles WORK TRUCK STEP APPLICATIONS

XM4 MATTE

'03 - '17	24" WTS - Chevy Cargo Van (Grip Strut/Side Door)	501050
'13 - '17	24" WTS - Ford Transit Van (Grip Strut/Side Door)	501070
'12 - '17	24" WTS - Mercedes Sprinter (Grip Strut/Side Door)	501080
'14 - '17	24" WTS - Dodge Promaster Van (Grip Strut/Side Door)	501090

WORK TRUCK STEP



WORK TRUCK STEP

Gives safe and easy access to the side and top rack of any service truck where exterior tool boxes are used.

FEATURES

MADE
IN THE
USA

- Hands-free
- Fully assembled
- 500 lb. weight capacity
- Easy to install and easy to use
- Conveniently tucked away when not in use
- Interior steel straps for additional strength
- When in the "out" position, both feet fit on the step
- Large 24" or 12" non-skid step surface for increased safety
- Limited lifetime warranty on all materials and craftsmanship
- Push the step in to deploy it to its "out" position and push it in again to lock it when not in use!



DEPLOY AND CLOSE WITH YOUR FEET!

WORK TRUCK STEP APPLICATIONS

XM4 MATTE

WTS 12" CS (Cast Step)	501010
WTS 24" GSS (Grip Strut Step)	501020
WTS 12" GSS (Grip Strut Step)	501030

NOTE: These steps fit any flat surface with access to the other side

HANDS-FREE OPERATION



PART# 501010



PART# 501030



PART# 501020

MORE APPLICATIONS COMING SOON!

MEGA STEP & HD MEGA STEP



MEGA STEP

FEATURES

- Heavy-duty foldable steps are large—14" by 6"
- Specifically developed for all 2" & 2-1/2" hitch receivers
- Flat-mount version also available with hardware
- Safe and easy access to any vehicle with a trailer hitch
- Back plate and the deck are made out of heavy-duty aluminum alloy
- Fold down for use and then fold back up when not in use
- Has a 500 lb. weight capacity
- Simple to install and use
- Limited lifetime warranty



MEGA STEP APPLICATIONS (SOLD AS SINGLES)	XM4 MATTE
Mega Step Flat Mount	190001
Mega Hitch Step 2" or 2-1/2" receivers	190011

NEW HD MEGA STEP

FEATURES

- Heavy-duty foldable steps are large—14" by 8"
- Illuminated with grab handle slots
- Flat-mount version also available with hardware
- Safe and easy access to any vehicle with a 2" or 2-1/2" hitch receivers
- Back plate and the deck are made out of heavy-duty aluminum alloy
- Fold down for use and then fold back up when not in use
- Has a 500 lb. weight capacity
- Simple to install and use
- Limited lifetime warranty

MADE
IN THE
USA



HOLDS UP TO
500 lb.



HD MEGA STEP APPLICATIONS (SOLD AS SINGLES)	XM4 MATTE
HD Mega Step Flat Mount	193001
HD Mega Hitch Step 2" or 2-1/2" receivers	193011
HD Mega Step Retro Fit	193021

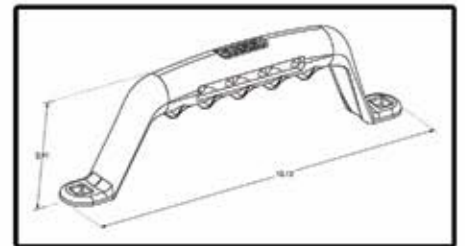
GRAB HANDLES



GRAB HANDLES

FEATURES

- Easy bolt-on installation
- Cast from alloyed aluminum
- Powder coated and polished finishes
- Secure grip for added safety

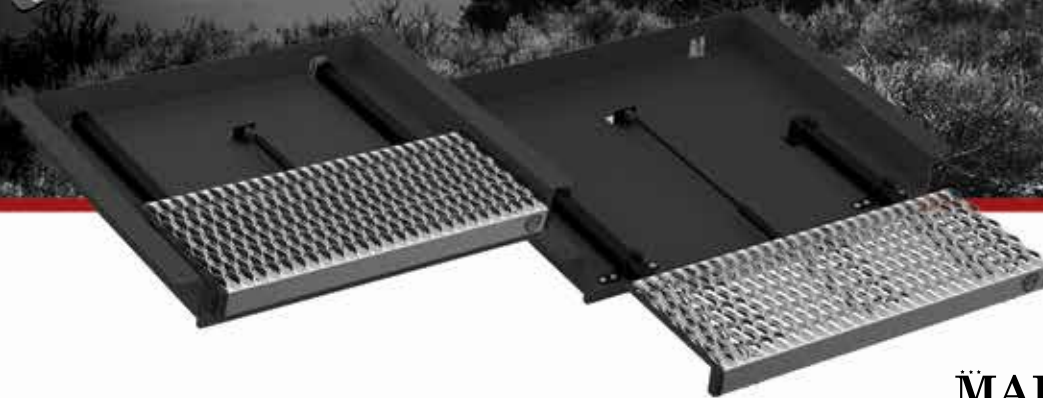


XM3 POLISHED 200032

XP3 BLACK 200031

**MADE
IN THE
USA**

31" DEPLOYABLE PLATFORM STEP



31" DEPLOYABLE PLATFORM STEP

This step provides safe and easy access to the side and top rack of any service truck where exterior tool boxes, cabinets and ladder racks are used.

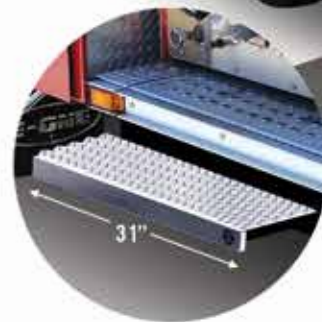
**MADE
IN
THE
USA**

FEATURES

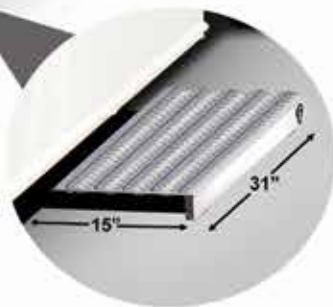
- Hands-free
- Fully assembled
- 500 lb. weight capacity
- Easy to install and easy to use
- Conveniently tucked away when not in use
- When in the "out" position, both feet fit on the step
- Large 31" non-skid step surface for increased safety
- Limited lifetime warranty on all materials and craftsmanship
- Push the step in to deploy it to its "out" position and push it in again to lock it when not in use!



**HOLDS UP TO
500 lb.**



**HEAVY-DUTY AND HANDS-FREE
DEPLOY AND CLOSE WITH YOUR FEET!**



31" DEPLOYABLE PLATFORM STEP APPLICATIONS

XM4 MATTE

31" GSS (Grip Strut Step)

501060

NOTE: Mounts to all flat surfaces where access to both sides is available

XRS JEEP ROTA LIGHT BAR



JK Jeep Wrangler All Styles

2007-2017 PART # 210221

WILL ACCOMMODATE LED LIGHTS

Forty-one years of Jeeps covered with just three part numbers!



TJ Jeep Wrangler

1997-2006 PART # 210661



CJ7/YJ Jeep Wrangler

1976-1995 PART # 210881



FEATURES

- Absolutely no drilling or cutting
- Bar rotates down for additional clearance
- Mounts to existing factory holes

LIGHTS NOT INCLUDED

LIGHT BARS



DELUXE, DELUXE ROTA & M-PROFILE LIGHT BARS

**MADE
IN THE
USA**

Available in three finishes. The XM3 bars feature a stainless steel crossbar. The XP3 and XP4 bars feature a powder coated crossbar. All light bars are designed to securely mount to the roof gutter of many vehicles with internal gutters, and can be installed with our stainless steel gutter mount kit. All CARR light bars come with special bolts that are keyed to protect your investment.

ALL OF OUR LIGHT BARS WILL ACCOMMODATE LED AND RALLY LIGHTS

LIGHTS NOT INCLUDED

DELUXE LIGHT BAR



FEATURES

- Wide cast aluminum mounting base
- Universal fit

DELUXE ROTA LIGHT BAR



FEATURES

- A CARR exclusive feature that allows the light bar to rotate down for extra clearance or to protect your lighting investment
- Universal fit

M-PROFILE LIGHT BAR



FEATURES

- Medium profile design looks great on any vehicle
- Universal fit

RAIN GUTTER KIT

Our Rain Gutter brackets are now available in stainless steel and black powder coated stainless steel. All of these brackets are uniquely designed to fit your vehicle. All of our roof mounted light bars simply clamp onto these brackets to make installation easy and secure.

LIGHT BAR APPLICATIONS

CHEVY/GMC

	DELUXE LIGHT BAR			DELUXE ROTA BAR			M-PROFILE LIGHT BAR			RAIN GUTTER	
	XM3 POL	XP4 SLV	XP3 BLK	XM3 POL	XP4 SLV	XP3 BLK	XM3 POL	XP4 SLV	XP3 BLK	STAINLESS	XP3 BLK
'04 - '17 Colorado/Canyon	210342	210344	210341	210872	210874	210871	210702	210704	210701	220052	220051
'02 - '09 Trail Blazer/Envoy	210342	210344	210341	210872	210874	210871	210702	210704	210701	220542	220541
'02 - '13 Avalanche	210342	210344	210341	210872	210874	210871	210702	210704	210701	220542	220541
'02 - '17 Denali Truck	210342	210344	210341	210872	210874	210871	210702	210704	210701	220542	220541
'00 - '13 Sierra/Silverado C&K PU / Fullsize & HD	210342	210344	210341	210872	210874	210871	210702	210704	210701	220542	220541
'14 - '17 Sierra/Silverado C&K PU / Fullsize & HD	210342	210344	210341	210872	210874	210871	210702	210704	210701	220062	220061
'88 - '99 Sierra/Silverado C&K PU / Fullsize	210342	210344	210341	210872	210874	210871	210702	210704	210701	223412	223411
'73 - '87 Fullsize Pickup	210342	210344	210341	210872	210874	210871	210702	210704	210701	NR	NR
'00 - '17 Fullsize Crew Cab	210342	210344	210341	210872	210874	210871	210702	210704	210701	220542	220541
'92 - '99 Fullsize Crew Cab	210342	210344	210341	210872	210874	210871	210702	210704	210701	223412	223411
'73 - '91 Fullsize Crew Cab	210342	210344	210341	210872	210874	210871	210702	210704	210701	NR	NR
'00 - '17 Suburban/Yukon XL Tahoe/Yukon	210342	210344	210341	210872	210874	210871	210702	210704	210701	220542	220541
'92 - '99 Suburban	210342	210344	210341	210872	210874	210871	210702	210704	210701	223412	223411
'76 - '91 Suburban	210342	210344	210341	210872	210874	210871	210702	210704	210701	NR	NR
'92 - '99 Yukon/Tahoe	210342	210344	210341	210872	210874	210871	210702	210704	210701	223412	223411
'76 - '93 S10/Sonoma Pickup, Blazer/Jimmy	210342	210344	210341	210872	210874	210871	210702	210704	210701	220042	220041
'67 - '96 Fullsize Van	210342	210344	210341	210872	210874	210871	N/A	N/A	N/A	NR	NR

NOTE: Vehicles not listed have no applications

LIGHT BARS

LIGHT BAR APPLICATIONS

			DELUXE LIGHT BAR			DELUXE ROTA BAR			M-PROFILE LIGHT BAR			RAIN GUTTER	
			XM3 POL	XP4 SLV	XP3 BLK	XM3 POL	XP4 SLV	XP3 BLK	XM3 POL	XP4 SLV	XP3 BLK	STAINLESS	XP3 BLK
DODGE													
'14 - '17	Ram 1500-5500 All Cabs/All Doors	210342	210344	210341	210872	210874	210871	210702	210704	210701	220082	220081	
'09 - '13	Ram 1500 All Cabs/All Doors	210342	210344	210341	210872	210874	210871	210702	210704	210701	220062	220061	
'02 - '08	Ram 1500 All Cabs/All Doors	210342	210344	210341	210872	210874	210871	210702	210704	210701	220542	220541	
'94 - '01	Ram 1500 Pickups All Cabs/All Doors	210342	210344	210341	210872	210874	210871	210702	210704	210701	221502	221501	
'03 - '13	Ram 2500-5500 All Cabs/All Doors	210342	210344	210341	210872	210874	210871	210702	210704	210701	220062	220061	
'94 - '02	Ram 2500-5500 All Cabs/All Doors	210342	210344	210341	210872	210874	210871	210702	210704	210701	221502	221501	
'74 - '93	Fullsize Pickup	210342	210344	210341	210872	210874	210871	N/A	N/A	N/A	NR	NR	
'05 - '09	Durango	210342	210344	210341	210872	210874	210871	210702	210704	210701	220542	220541	
'05 - '11	Dakota	210342	210344	210341	210872	210874	210871	210702	210704	210701	220542	220541	
'97 - '04	Dakota	210342	210344	210341	210872	210874	210871	210702	210704	210701	220052	220051	
'74 - '92	Ram Charger	210342	210344	210341	210872	210874	210871	210702	210704	210701	NR	NR	
'83 - '91	Raider	210342	210344	210341	210872	210874	210871	210702	210704	210701	NR	NR	
FORD/MERCURY													
'99 - '16	Super Duty All Cabs	210342	210344	210341	210872	210874	210871	210702	210704	210701	220052	220051	
'04 - '14	F-150	210342	210344	210341	210872	210874	210871	N/A	N/A	N/A	220062	220061	
'81 - '96	F-150 & 250 Light Duty/Pickup/Bronco	210342	210344	210341	210872	210874	210871	210702	210704	210701	NR	NR	
'81 - '98	F-250-550 Heavy Duty Pickup	210342	210344	210341	210872	210874	210871	210702	210704	210701	NR	NR	
'67 - '80	Fullsize Pickup/Bronco	210342	210344	210341	210872	210874	210871	210702	210704	210701	NR	NR	
'00 - '05	Excursion	210342	210344	210341	210872	210874	210871	210702	210704	210701	220052	220051	
'91 - '01	Explorer (not Eddie Bauer)	210342	210344	210341	210872	210874	210871	210702	210704	210701	222742	222741	
'96 - '01	Mercury Mountaineer (same as Explorer)	210342	210344	210341	210872	210874	210871	210702	210704	210701	222742	222741	
'95 - '96	F-150 Lightning	210342	210344	210341	210872	210874	210871	210702	210704	210701	NR	NR	
'75½ - '02	Fullsize E-Series Van	210342	210344	210341	210872	210874	210871	210702	210704	210701	NR	NR	
'05 - '14	Fullsize E-Series Van	210342	210344	210341	210872	210874	210871	210702	210704	210701	NR	NR	
ISUZU													
'84 - '02	Trooper	210342	210344	210341	210872	210874	210871	210702	210704	210701	220042	220041	
'91 - '02	Rodeo	210342	210344	210341	210872	210874	210871	210702	210704	210701	220052	220051	
'91 - '02	Amigo	210342	210344	210341	210872	210874	210871	210702	210704	210701	220052	220051	
'89 - '93	Pickup	210342	210344	210341	210872	210874	210871	210702	210704	210701	NR	NR	
JEEP													
'05 - '17	Grand Cherokee	210342	210344	210341	210872	210874	210871	210702	210704	210701	220052	220051	
'93 - '98	Grand Cherokee	210342	210344	210341	210872	210874	210871	210702	210704	210701	223412	223411	
'06 - '10	Commander	210342	210344	210341	210872	210874	210871	210702	210704	210701	220052	220051	
'84 - '00	Cherokee	210342	210344	210341	210872	210874	210871	210702	210704	210701	NR	NR	
MAZDA													
'91 - '94	Navajo	210342	210344	210341	210872	210874	210871	210702	210704	210701	222742	222741	
'83 - '93	B-Series Pickup	210342	210344	210341	210872	210874	210871	210702	210704	210701	220052	220051	
MINI													
'78 - '94	Pickup	210342	210344	210341	210872	210874	210871	210702	210704	210701	NR	NR	
'83 - '99	Montero	210342	210344	210341	210872	210874	210871	210702	210704	210701	NR	NR	
'97 - '02	Montero Sport	210342	210344	210341	210872	210874	210871	210702	210704	210701	220042	220041	
NISSAN													
'98 - '01	Frontier Reg cab	210342	210344	210341	210872	210874	210871	210702	210704	210701	220052	220051	
'02 - '17	Frontier Crew Cab	210342	210344	210341	210872	210874	210871	210702	210704	210701	220062	220061	
'00 - '16	Xterra (without option roof rack)	210342	210344	210341	210872	210874	210871	210702	210704	210701	220062	220061	
'04 - '11	Pathfinder	210342	210344	210341	210872	210874	210871	210702	210704	210701	220062	220061	
'86 - '97	Hardbody P/U	210342	210344	210341	210872	210874	210871	210702	210704	210701	220052	220051	
'72 - '86	Pickup	210342	210344	210341	210872	210874	210871	210702	210704	210701	NR	NR	
TOYOTA													
'05 - '17	Tacoma/Prerunner/Crew Cab	210342	210344	210341	210872	210874	210871	210702	210704	210701	220042	220041	
'96 - '04	Tacoma/Prerunner/Crew Cab	210342	210344	210341	210872	210874	210871	210702	210704	210701	220052	220051	
'07 - '17	Tundra	210342	210344	210341	210872	210874	210871	210702	210704	210701	220042	220041	
'00 - '06	Tundra	210342	210344	210341	210872	210874	210871	210702	210704	210701	220052	220051	
'01 - '07	Sequoia	210342	210344	210341	210872	210874	210871	210702	210704	210701	220052	220051	
'89 - '95	Pickup	210342	210344	210341	210872	210874	210871	210702	210704	210701	220052	220051	
'74 - '88	Pickup	210342	210344	210341	210872	210874	210871	210702	210704	210701	NR	NR	
'05 - '07	4 Runner	210342	210344	210341	210872	210874	210871	210702	210704	210701	220042	220041	
'96 - '04	4 Runner	210342	210344	210341	210872	210874	210871	210702	210704	210701	220052	220051	
'84 - '95	4 Runner	210342	210344	210341	210872	210874	210871	210702	210704	210701	220052	220051	
'93 - '99	T-100	210342	210344	210341	210872	210874	210871	210702	210704	210701	220052	220051	
'80 - '91½	FJ60/FJ62 L/C	210342	210344	210341	210872	210874	210871	210702	210704	210701	NR	NR	
'07 - '14	FJ Cruiser	210342	210344	210341	210872	210874	210871	210702	210704	210701	220042	220041	

NOTE: Vehicles not listed have no applications

LIGHT BARS



MADE
in the
USA

LOW PROFILE & C-PROFILE ROTA LIGHT BARS

Available in three finishes, the XM3 bars feature a stainless steel crossbar. The XP3 and XP4 bars feature a powder coated crossbar. All light bars are designed to securely mount to the roof gutter of many vehicles with internal gutters, and can be installed with our stainless steel gutter mount kit. All light bars come with special bolts that are keyed to protect your investment.

LIGHTS NOT INCLUDED

ALL OF OUR LIGHT BARS WILL ACCOMMODATE LED AND RALLY LIGHTS

LOW PROFILE LIGHT BAR



FEATURES

- Low profile design to give your truck a subtle appearance

C-PROFILE ROTA LIGHT BAR



FEATURES

- Universal fit
- Cast end brackets, heavy gauge steel
- Easy installation
- Crossbar rotates 180 degrees
- Stylish with rugged durability

RAIN GUTTER KIT

Our Rain Gutter brackets are now available in stainless steel and black powder coated stainless steel. All of these brackets are uniquely designed to fit your vehicle. All of our roof mounted light bars simply clamp onto these brackets to make installation easy and secure.

LIGHT BAR APPLICATIONS

	LOW PROFILE		C-PROFILE ROTA LIGHT BAR			RAIN GUTTER	
	XP4 SLV	XP3 BLK	XM3 POL	XP4 SLV	XP3 BLK	STAINLESS	XP3 BLK
CHEVY/GMC							
'04 - '17 Colorado/Canyon	210504	210501	210112	210114	210111	220052	220051
'02 - '09 Trail Blazer/Envoy	210504	210501	210112	210114	210111	220542	220541
'02 - '13 Avalanche	210504	210501	210112	210114	210111	220542	220541
'02 - '17 Denali Truck	210504	210501	210112	210114	210111	220542	220541
'00 - '13 Sierra/Silverado C&K PU / Fullsize & HD	210504	210501	210112	210114	210111	220542	220541
'14 - '17 Sierra/Silverado C&K PU / Fullsize & HD	210504	210501	210112	210114	210111	220062	220061
'88 - '99 Sierra/Silverado C&K PU / Fullsize	210504	210501	210112	210114	210111	223412	223411
'73 - '87 Fullsize Pickup	N/A	N/A	210112	210114	210111	NR	NR
'00 - '17 Fullsize Crew Cab	210504	210501	210112	210114	210111	220542	220541
'92 - '99 Fullsize Crew Cab	N/A	N/A	210112	210114	210111	223412	223411
'73 - '91 Fullsize Crew Cab	N/A	N/A	210112	210114	210111	NR	NR
'00 - '17 Suburban/Yukon XL Tahoe/Yukon	N/A	N/A	210112	210114	210111	220542	220541
'92 - '99 Suburban	N/A	N/A	210112	210114	210111	223412	223411
'76 - '91 Suburban	N/A	N/A	210112	210114	210111	NR	NR
'92 - '99 Yukon/Tahoe	N/A	N/A	210112	210114	210111	223412	223411
'76 - '93 S10/Sonoma Pickup, Blazer/Jimmy	N/A	N/A	210112	210114	210111	220042	220041
'67 - '96 Fullsize Van	N/A	N/A	210112	210114	210111	NR	NR

NOTE: Vehicles not listed have no applications

LIGHT BARS

LIGHT BAR APPLICATIONS

	LOW PROFILE		C-PROFILE ROTA LIGHT BAR			RAIN GUTTER		
	XP4 SLV	XP3 BLK	XM3 POL	XP4 SLV	XP3 BLK	STAINLESS	XP3 BLK	
DODGE								
'14 - '17	Ram 1500-5500 (All Cabs/All Doors)	N/A	N/A	210112	210114	210111	220082	220081
'09 - '13	Ram 1500 (All Cabs/All Doors)	N/A	N/A	210112	210114	210111	220062	220061
'02 - '08	Ram 1500 (All Cabs/All Doors)	210504	210501	210112	210114	210111	220542	220541
'94 - '01	Ram 1500 Pickups (All Cabs/All Doors)	210504	210501	210112	210114	210111	221502	221501
'03 - '13	Ram 2500-5500 (All Cabs/All Doors)	N/A	N/A	210112	210114	210111	220062	220061
'94 - '02	Ram 2500-5500 (All Cabs/All Doors)	N/A	N/A	210112	210114	210111	221502	221501
'74 - '93	Fullsize Pickup	N/A	N/A	210112	210114	210111	NR	NR
'05 - '09	Durango	N/A	N/A	210112	210114	210111	220542	220541
'05 - '11	Dakota	N/A	N/A	210112	210114	210111	220542	220541
'97 - '04	Dakota	210504	210501	210112	210114	210111	220052	220051
'74 - '92	Ram Charger	N/A	N/A	210112	210114	210111	NR	NR
'83 - '91	Raider	N/A	N/A	210112	210114	210111	NR	NR
FORD/MERCURY								
'99 - '16	Super Duty (All Cabs)	N/A	N/A	210112	210114	210111	220052	220051
'04 - '14	F-150	N/A	N/A	210112	210114	210111	220062	220061
'81 - '96	F-150 & 250 Light Duty/Pickup/Bronco	N/A	N/A	210112	210114	210111	NR	NR
'81 - '98	F-250-550 Heavy Duty Pickup	N/A	N/A	210112	210114	210111	NR	NR
'67 - '80	Fullsize Pickup/Bronco	N/A	N/A	210112	210114	210111	NR	NR
'00 - '05	Excursion	N/A	N/A	210112	210114	210111	220052	220051
'91 - '01	Explorer (not Eddie Bauer)	N/A	N/A	210112	210114	210111	222742	222741
'96 - '01	Mercury Mountaineer (same as Explorer)	N/A	N/A	210112	210114	210111	222742	222741
'95 - '96	F-150 Lightning	N/A	N/A	210112	210114	210111	NR	NR
'75½ - '02	Fullsize E-Series Van	N/A	N/A	210112	210114	210111	NR	NR
'05 - '14	Fullsize E-Series Van	N/A	N/A	210112	210114	210111	NR	NR
ISUZU								
'84 - '02	Trooper	N/A	N/A	210112	210114	210111	220042	220041
'91 - '02	Rodeo	N/A	N/A	210112	210114	210111	220052	220051
'91 - '02	Amigo	N/A	N/A	210112	210114	210111	220052	220051
'89 - '93	Pickup	N/A	N/A	210112	210114	210111	NR	NR
JEEP								
'05 - '17	Grand Cherokee	210504	210501	210112	210114	210111	220052	220051
'93 - '98	Grand Cherokee	N/A	N/A	210112	210114	210111	223412	223411
'06 - '10	Commander	210504	210501	210112	210114	210111	220052	220051
'84 - '00	Cherokee	N/A	N/A	210112	210114	210111	NR	NR
MAZDA								
'91 - '94	Navajo	N/A	N/A	210112	210114	210111	222742	222741
'83 - '93	B-Series Pick-up	210504	210501	210112	210114	210111	220052	220051
MITSUBISHI								
'78 - '94	Pickup	N/A	N/A	210112	210114	210111	NR	NR
'83 - '99	Montero	N/A	N/A	210112	210114	210111	NR	NR
'97 - '02	Montero Sport	N/A	N/A	210112	210114	210111	220042	220041
NISSAN								
'98 - '01	Frontier Reg cab	210504	210501	210112	210114	210111	220052	220051
'02 - '17	Frontier Crew Cab	210504	210501	210112	210114	210111	220062	220061
'00 - '16	Xterra (without option roof rack)	210504	210501	210112	210114	210111	220062	220061
'04 - '11	Pathfinder	N/A	N/A	210112	210114	210111	220062	220061
'86 - '97	Hardbody P/U	N/A	N/A	210112	210114	210111	220052	220051
'72 - '86	Pickup	N/A	N/A	210112	210114	210111	NR	NR
TOYOTA								
'05 - '17	Tacoma/Prerunner/Crew Cab	N/A	N/A	210112	210114	210111	220042	220041
'96 - '04	Tacoma/Prerunner/Crew Cab	210504	210501	210112	210114	210111	220052	220051
'07 - '17	Tundra	N/A	N/A	210112	210114	210111	220042	220041
'00 - '06	Tundra	210504	210501	210112	210114	210111	220052	220051
'01 - '07	Sequoia	210504	210501	210112	210114	210111	220052	220051
'89 - '95	Pickup	N/A	N/A	210112	210114	210111	220052	220051
'74 - '88	Pickup	N/A	N/A	210112	210114	210111	NR	NR
'05 - '07	4 Runner	210504	210501	210112	210114	210111	220042	220041
'96 - '04	4 Runner	210504	210501	210112	210114	210111	220052	220051
'84 - '95	4 Runner	N/A	N/A	210112	210114	210111	220052	220051
'93 - '99	T-100	N/A	N/A	210112	210114	210111	220052	220051
'80 - '91½	FJ60/FJ62 L/C	N/A	N/A	210112	210114	210111	NR	NR
'07 - '14	FJ Cruiser	N/A	N/A	210112	210114	210111	220042	220041

NOTE: Vehicles not listed have no applications

XRS JEEP ADJUSTABLE LED BRACKET & LIGHT WING



**Forty-one years of
Jeeps covered with just
three part numbers!**

XRS JEEP ADJUSTABLE BRACKETS

FEATURES

- Absolutely no drilling or cutting
- Adjustable brackets will allow for a 48" to 50" LED light to fit all three part numbers
- Mounts to existing factory holes

LIGHTS NOT INCLUDED

XRS JEEP ADJUSTABLE BRACKETS

- '07 - '17 JK Wrangler All Styles
- '97 - '06 TJ Wrangler
- '76 - '95 CJ7/YJ Wrangler



XP3 BLACK

'07 - '17 JK Wrangler All Styles	210991
'97 - '06 TJ Wrangler	210771
'76 - '95 CJ7/YJ Wrangler	210551

LIGHT WING MOUNTING SYSTEM

The CARR Light Wing mounts to virtually any bumper that has a solid mounting area for the vehicle license plate. The Light Wing is extremely universal, and most vehicles do not require a mounting kit. Its unique style accents your vehicle's appearance. The durable cast aluminum alloy is available in three corrosion-resistant finishes.



FEATURES

LIGHTS NOT INCLUDED

- 36" wing span
- Universal design that can easily mount to virtually any bumper that has a solid mounting area for the vehicle license plate
- Wing swept design contours to today's trucks and SUVs
- Will fit urethane bumpers as long as there is a metal sub-structure behind the urethane cover
- Strong die-cast construction
- Solid mount with virtually no vibration
- Special keyed security bolt to protect your investment
- Affordable alternative to expensive grille guards

BLACK

CARR's Xtreme Black Powder Coat finish features a lightly textured matte finish that resists scratches, peeling and fading.



XP3

TITANIUM SILVER

CARR's Xtreme Titanium Silver Powder Coat finish features a lightly textured matte finish that resists scratches, peeling and fading.



XP4

CHROME

CARR's Xtreme Chrome Plated Aluminum features the luster of chrome that will not rust.



XC3

LIGHT WING APPLICATIONS

LIGHT WING APPLICATIONS	XP4 SILVER	XP3 BLACK	XC3 CHROME
LIGHT WING	167304	167301	167303

PROMO ITEMS



POP DISPLAY

FEATURES

PART # 993334

- Increase sales and awareness with these 'point of purchase' displays
- Includes actual step samples for customers to see and touch
- Pockets with tri-fold brochures to show complete product line
- P/N 993334 mounts to slatwall or pegboard. P/N 993336 sets on the floor up against a wall
- Full color with graphics, descriptions and features

ADDED FEATURES

- Factory direct
- Free freight
- Proven to increase sales
- 24" x 30" wall mount color poster
- Two actual CARR steps
- Fifty mini-catalogs
- Get preferred dealer status



T-SHIRT (BLACK SHIRT)

PART #

SMALL	994411
MEDIUM	994412
LARGE	994413
X-LARGE	994414
XX-LARGE	994415



CARR WORK TRUCK DISPLAY

FEATURES

PART # 993336

- Work Truck Step
- Mega Step
- Grab Handle
- 50 Tri-Fold Brochures

**INTERACTIVE DISPLAY
THAT YOU CAN DEPLOY,
STAND ON AND RETRACT**



50 TRI-FOLD BROCHURES

FEATURES

PART # 993334F

- 8 1/2" x 3 3/4" tri-fold brochures fit into accessible display pocket
- Shows product lines, descriptions, styles and features

PROMOTIONAL ITEMS



ICE CREAM SCOOP

PART # 996661