

CATALOG
2019

DEEZEE®

The Quality Truck Accessory People



8

SIDE STEPS

- 10** HEX SIDE STEPS
- 11** 6" SIDE STEPS
- 12** NXc RUNNING BOARDS
- 13** NXt RUNNING BOARDS
- 14** LOUVERED SIDE STEPS
- 15** ROUGH STEPS
- 16** 3" & 4" NERF BARS
- 17** BRITE-TREAD RUNNING BOARDS

36

VEHICLE ACCESSORIES

- 38** FLOOR MATS
- 39** MUD FLAPS
- 40** BUMPER GUARDS
- 40** GRILL GUARDS
- 41** BULL BARS
- 41** NXb BULL BARS
- 42** K-SERIES BUMPERS
- 44** HITCH STEP
- 45** BUMPER STEP

86

HALL OF FAME

18

CAB RACKS

- 20** ALUMINUM CAB RACKS
- 22** HEX SERIES TRUCK RACK
- 24** STEEL CAB RACKS
- 25** SPORT BAR
- 26** INVIS-A-RACK™
- 26** HALF LADDER RACK
- 27** CAB RACK ACCESSORIES

47

TOOL BOXES

- 48** PLATINUM TOOL BOX
- 50** BLUE LABEL TOOL BOXES
- 54** PADLOCK TOOL BOXES
- 56** RED LABEL TOOL BOXES
- 62** STEEL TOOL BOXES
- 65** POLY TOOL BOXES
- 67** SPECIALTY TOOL BOXES
- 70** TOPSIDER TOOL BOXES
- 72** UNDERBED TOOL BOXES
- 74** TOOL BOX ACCESSORIES

28

BED ACCESSORIES

- 30** HEX SERIES SIDE RAILS
- 31** STAINLESS STEEL SIDE RAILS
- 31** SIDE BED CAPS
- 32** FRONT BED CAPS
- 32** TAILGATE PROTECTORS
- 33** BED MATS & TAILGATE MATS
- 34** TRUCK BED TIE DOWNS
- 35** TAILGATE ASSIST

76

TANKS

- 78** TRANSFER TANKS
- 80** COMBO TANKS
- 82** AUXILIARY TANKS
- 83** CONNECTOR KITS
- 84** TANK ACCESSORIES



HEX PRODUCTS



HEX TRUCK RACK P. 22

Finally, a customizable truck rack that gives you options! The six horizontal hex rails can be moved independently up and down for the perfect placement. Now hauling cargo, adding lights, or spacing the rails between your third brake light and cab window has been made possible.



HEX SIDE RAILS P. 30

Truck bed rails are a great accent piece but they've never seen functionality like this! Using a smaller 1.75" diameter rail, the Hex Side Rails mount into your truck's stake pocket holes with cast aluminum stanchions. Now you can anchor cargo at any point along your truck bed.



HEX SIDE STEPS P. 10

Function meets style! Hex Side Steps offer a drop down step at each door in three finishes to match all the accessories on your truck. The hoops can be placed at any point along the rail, giving you the ability to place the step in a customized position specific to your comfort.



WHAT IS HEX?

Lightweight. Durable. Game Changer.

The integrated channel defines Dee Zee's Hex Series products. Made from lightweight aluminum, the lineup of products are constructed from 1.75" and 2.5" diameter extruded rails. M8 size bolts can be slid into the channel to mount accessories at any location.

WHY HEX?

Function. Style. Customization.

No matter your lifestyle, Dee Zee's Hex Series gives you the ability to make the most out of your truck. It is available in Silver, Gloss Black, or Textured Black powder coat finishes. Each rail has black plastic end caps. Best of all, it is made in the USA and offers a limited lifetime warranty.





HEX CARGO RACK

Load up your tent and gear onto a versatile roof rack. The extruded channels allow you to move tie down anchors where you need them and provide a mounting point for tents.



A-PILLAR ACCESSORY MOUNTS

The A-Pillar mount gives you options. Mount lights, GoPros, or other accessories along the channel. Sold in pairs for customization on both sides of your Wrangler.

HOOD MOUNT BRACKETS

Using existing OEM holes, Dee Zee's hood mount brackets can accommodate a 20" light bar of your choice to light up the road.



HOOD COWL LIGHT MOUNTS

Cowl mounts for JK or JL give you even more versatility for lights and accessories. Mount directly to the cowl mount or add one of our double cube light brackets or GoPro mount.



ALUMINUM JEEP DOORS

Jeep screams freedom and it's time to let your hair down. Dee Zee's open frame doors are lightweight extruded aluminum and mount in minutes. We offer hooks to leave your OEM doors in the garage.

JEEP BOX

Now that your Jeep is stripped, how do you keep valuables protected? Our Jeep tool box pivots to give you access to the rear storage area and it's designed to avoid interference with the rear door.

2019 JEEP LINE-UP

Whether you use your Jeep as a daily driver or get a little aggressive off-roading on the weekends, Jeeps are built for you to leave your daily grind in the rear view mirror. They are built to empower your freedom and the accessories you add should ooze your personality and lifestyle.

JEEP WRANGLER JK & JL PRODUCTS

Dee Zee is introducing a new line of products dedicated to Jeep JK and JL. Our innovative designs optimize placement for lights or GoPros and enhance the style with open frame doors. You can add lockable storage when it's stripped to the frame or add function with a variety of side steps.

SINGLE LIGHT MOUNT



JK GRAB HANDLE



DOUBLE LIGHT MOUNT



FRONT BUMPER

Get an aggressive look with a front bumper that can accommodate a winch and a matching rear bumper to complete the look.

HEX SIDE STEP

Lift kit? No problem. Dee Zee's Hex Series Side Steps add convenience and allow you to place the hoop step in the perfect spot.



SIDE STEPS

MADE FOR A BOOST UP

Trucks these days keep getting bigger and bigger. Dee Zee Side Steps come in a wide variety of styles and finishes to complement any ride - providing a safe step for climbing in and out of your truck.

- 10 HEX SIDE STEPS
- 11 6" SIDE STEPS
- 12 NXc RUNNING BOARDS
- 13 NXt RUNNING BOARDS
- 14 LOUVERED SIDE STEPS
- 15 ROUGH STEPS
- 16 3" & 4" NERF BARS
- 17 BRITE-TREAD RUNNING BOARDS

HEX SERIES SIDE STEP

Made of extruded aluminum and overlaid with a powder coat protection to stop corrosion in its tracks

No drilling required for installation



Available in Textured Black, Gloss Black, or Silver

Integrated channel design allows you to adjust the position of the drop steps for customized placement

Custom-fit bracket kit for most applications ensures quick and easy installation
Sold Separately

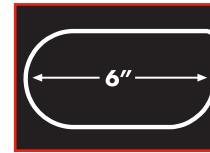


CAB LENGTHS

Regular, Extended, and Crew Cab



6" SIDE STEP



Constructed from tough, 16-gauge steel for a sleek clean look or Brite-Tread aluminum for more of a rugged off-road look

No drilling required for installation



Available in polished stainless steel, Brite-Tread aluminum, or with a textured black powder coat finish

Custom-fit bracket kit for most applications ensures quick and easy installation
Sold Separately

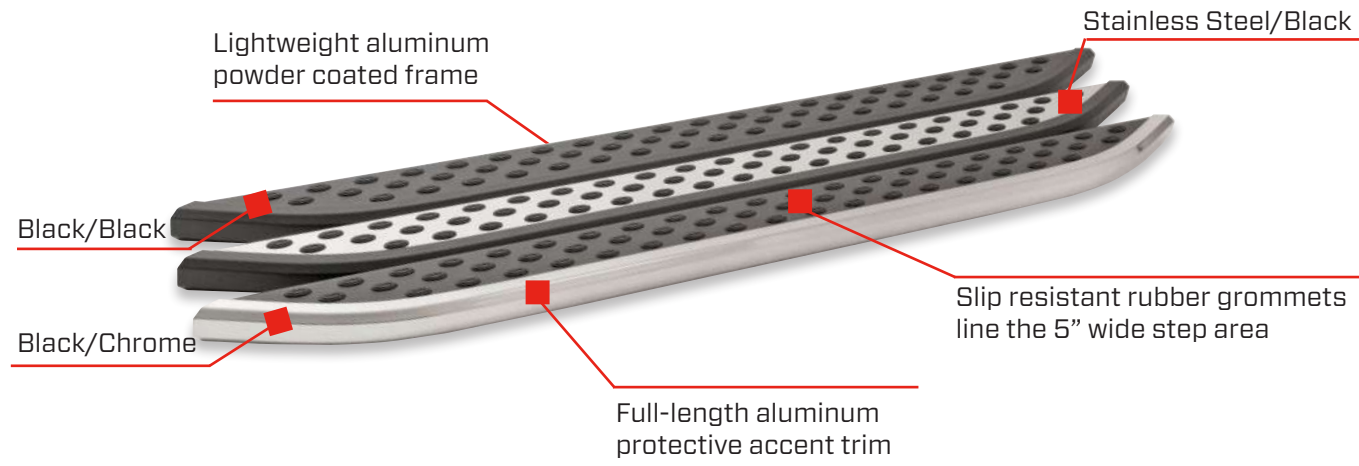


UNIVERSAL LENGTHS

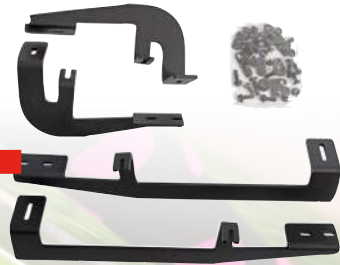
Regular Cab = 51" (1.3m)
Extended Cab = 73" (1.85m)
Crew Cab = 86" (2.2m)



NXc RUNNING BOARDS



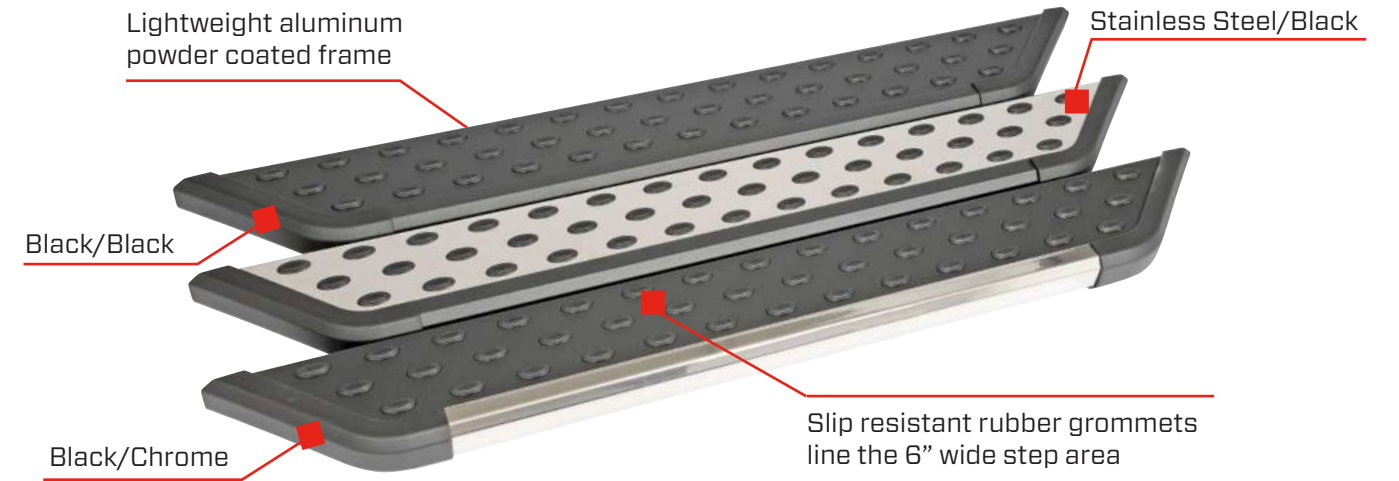
Custom-fit bracket kit for most applications ensures quick and easy installation
Sold Separately



UNIVERSAL LENGTHS

Standard = 71.5" (1.82m)
Compact = 65.5" (1.66m)

NXt RUNNING BOARDS

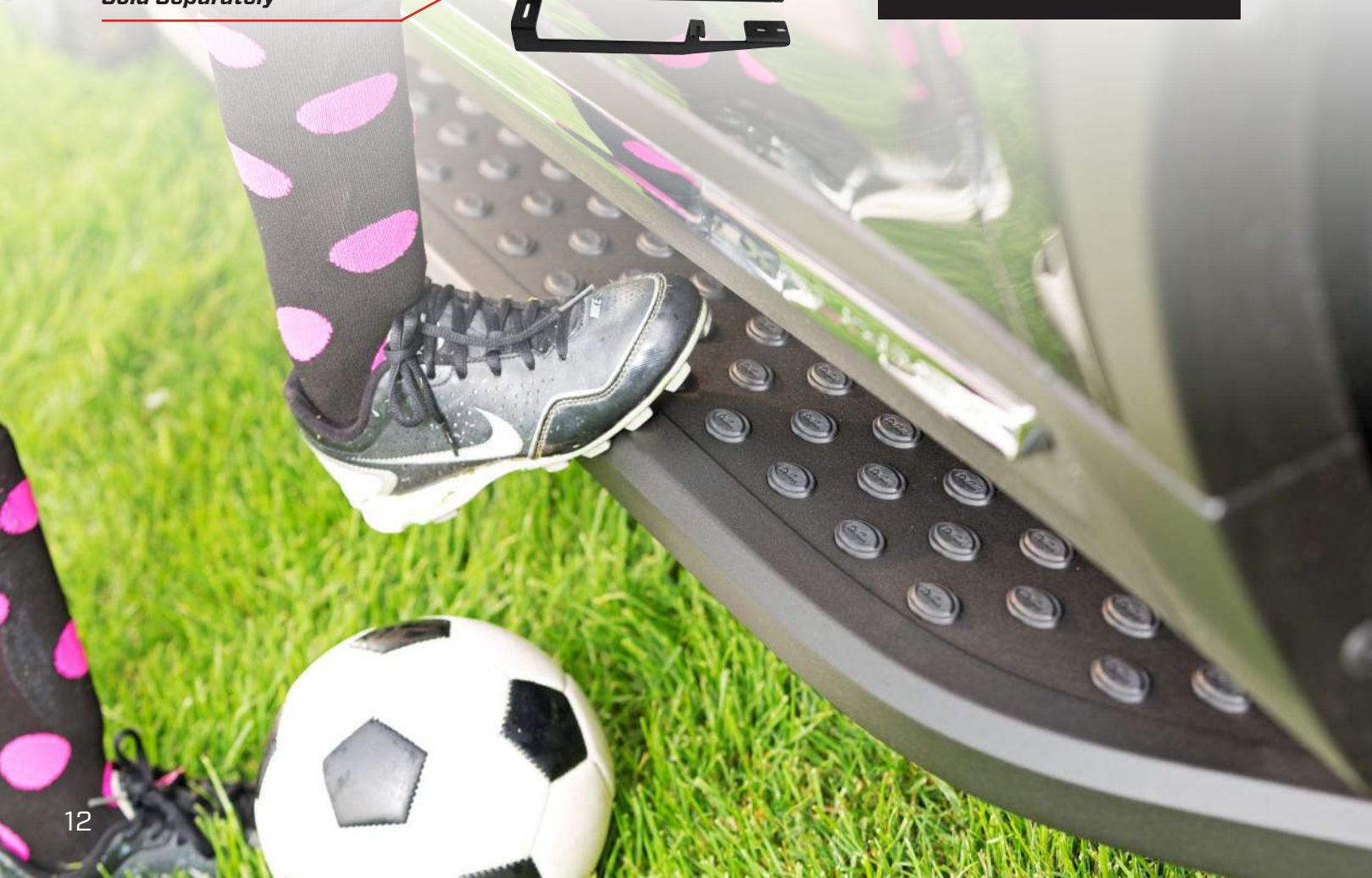


Custom-fit bracket kit for most applications ensures quick and easy installation
Sold Separately



UNIVERSAL LENGTHS

Regular Cab = 51" (1.3m)
Extended Cab = 73" (1.85m)
Crew Cab = 86" (2.2m)



LOUVERED SIDE STEPS

Allows water and debris to drain through the board and keep the step area clear and slip free



Made of heavy-duty steel with a textured black powder coat finish

UNIVERSAL LENGTHS

Extended Cab = 73" (1.85m)
Crew Cab = 86" (2.2m)

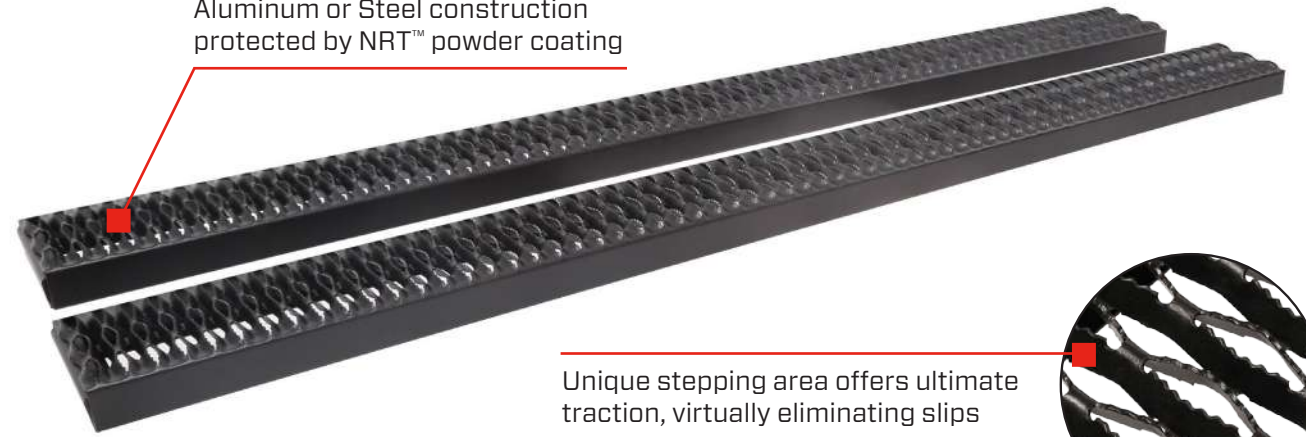


Custom-fit bracket kit for most applications ensures quick and easy installation
Sold Separately



ROUGH STEPS

Aluminum or Steel construction protected by NRT™ powder coating



Unique stepping area offers ultimate traction, virtually eliminating slips

Custom-fit bracket kit for most applications ensures quick and easy installation
Sold Separately



UNIVERSAL LENGTHS

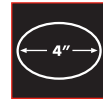
Regular Cab = 51" (1.3m)
Extended Cab = 73" (1.85m)
Crew Cab = 86" (2.2m)



3" ROUND & 4" OVAL NERF BARS

Constructed from tough, 14-gauge 304 stainless steel material

90° bends



Molded plastic step pads ensure secure footing on the step area

Constructed from tough, black, 14-gauge

No drill, custom-fit bracing tucks under the vehicle to create a sleek look



Universal Nerf Bars are available for older applications.

BRITE-TREAD RUNNING BOARDS

Non-rusting Brite-Tread aluminum construction with front mud flap

No drill, custom-fit bracing tucks under the vehicle to create a sleek look

The classic style that started it all for Dee Zee



FX Running Boards are still available in limited applications.

CAB RACKS



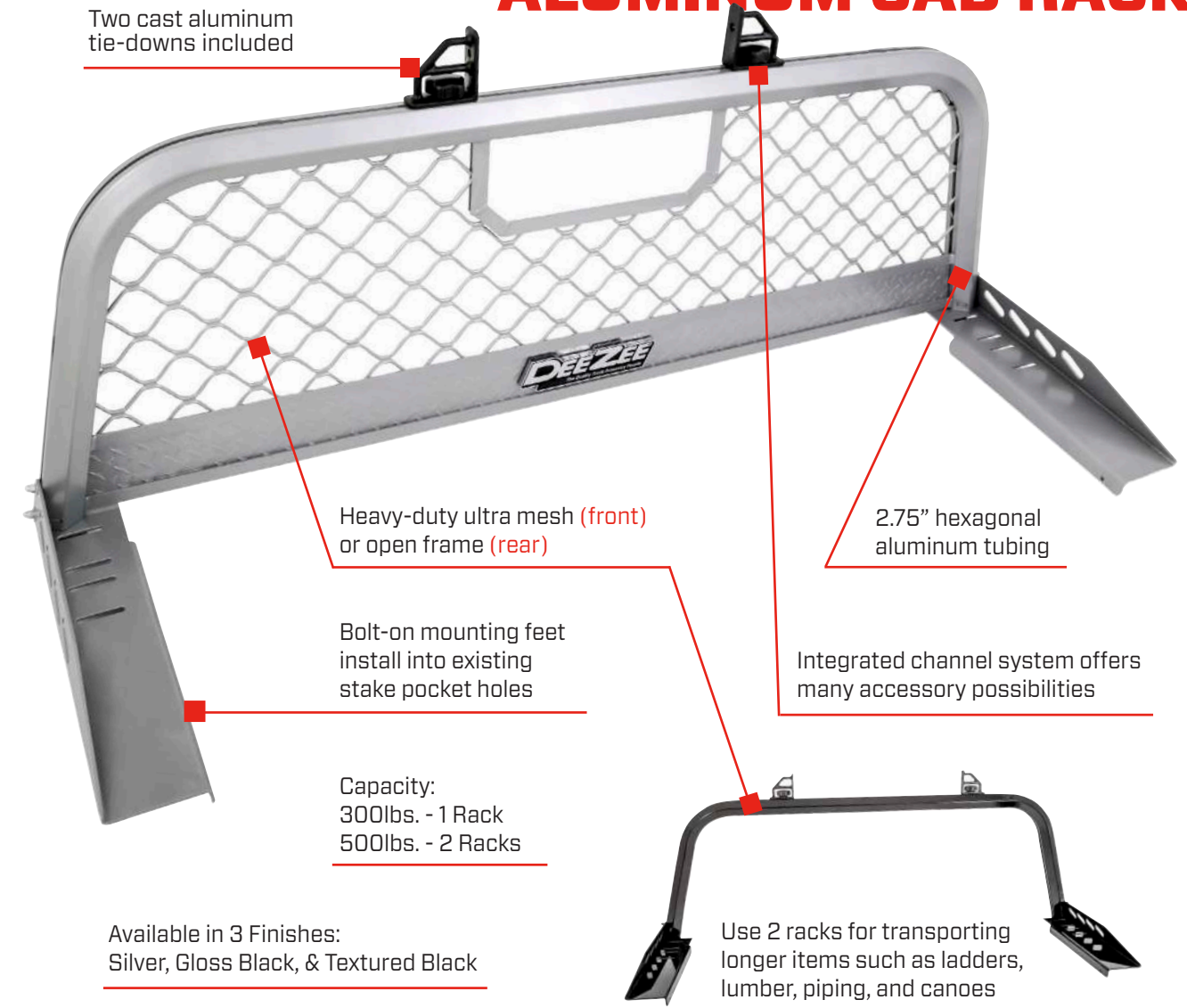
MADE FOR THE TRANSPORTER

Dee Zee Cab Racks are designed for transporting longer items like ladders, canoes...whatever your lifestyle demands.

- 20 ALUMINUM CAB RACKS
- 22 HEX SERIES TRUCK RACK
- 24 STEEL CAB RACKS
- 25 SPORT BAR
- 26 INVIS-A-RACK™
- 26 HALF LADDER RACK
- 27 ACCESSORIES

ALUMINUM CAB RACKS

ALUMINUM CAB RACKS

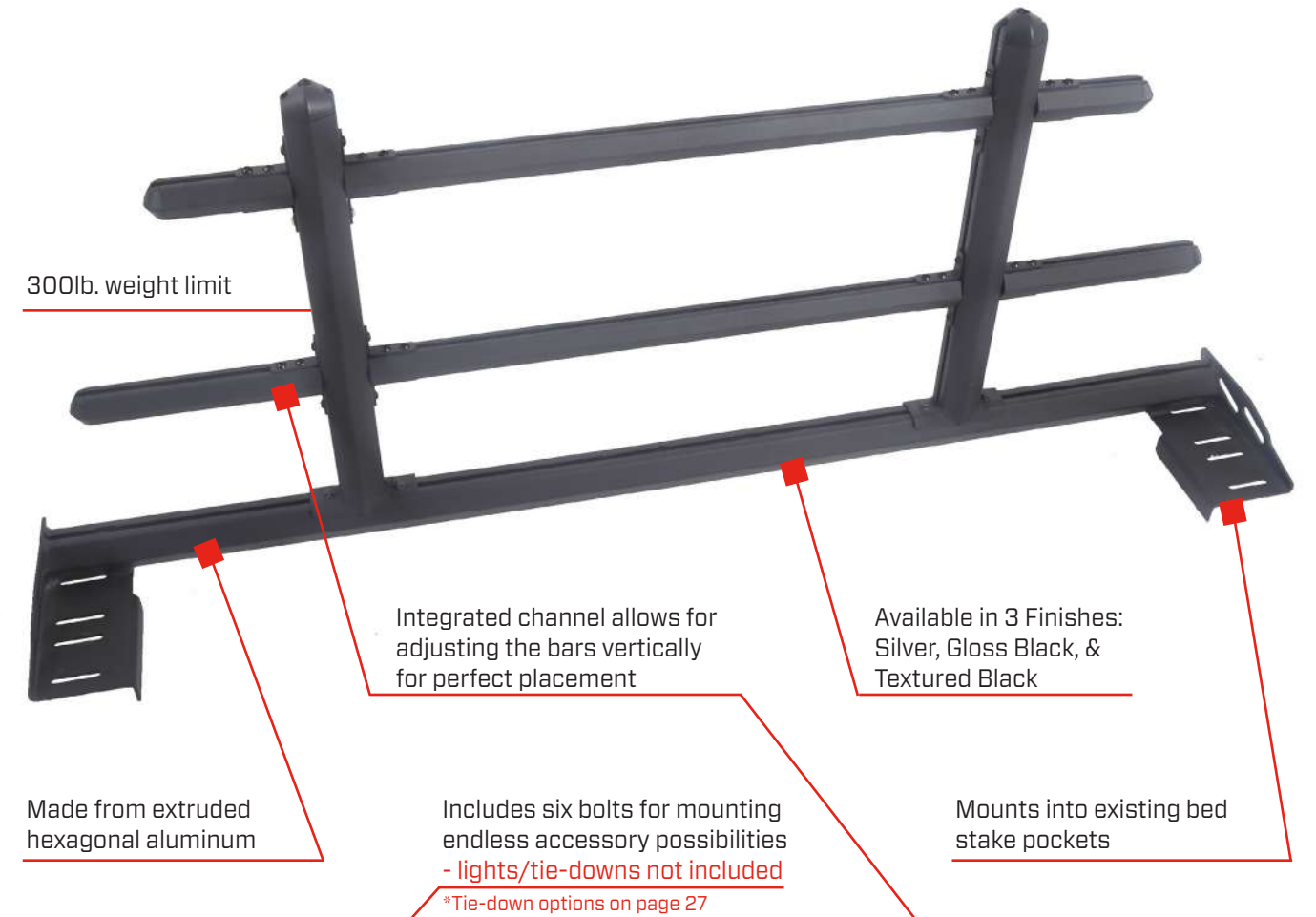


MAKE / MODEL	YEARS	SILVER MESH PART # (FRONT)	GLOSS BLACK MESH PART # (FRONT)	TEXTURED BLACK MESH PART # (FRONT)	SILVER NO MESH PART # (REAR)	GLOSS BLACK NO MESH PART # (REAR)	TEXTURED BLACK NO MESH PART # (REAR)
GM SILVERADO/SIERRA	1973-2018	DZ95050R	DZ95050RB	DZ95050RTB	DZ95054R	DZ95054RB	DZ95054RTB
GM COLORADO/CANYON	2015-2019	DZ95070R	DZ95070RB	DZ95070RTB	DZ95071R	DZ95071RB	-
DODGE RAM 1500	2019	DZ95050R	DZ95050RB	DZ95050RTB	-	-	-
DODGE RAM 1500	2009-2018	DZ95050R	DZ95050RB	DZ95050RTB	DZ95054R	DZ95054RB	DZ95054RTB
DODGE RAM 2500/3500	2013-2019	DZ95058R	DZ95058RB	DZ95058RTB	DZ95054R	DZ95054RB	DZ95054RTB
DODGE RAM 2500/3500	2010-2012	DZ95057R	DZ95057RB	-	DZ95054R	DZ95054RB	DZ95054RTB
FORD F-150	1973-2018	DZ95050R	DZ95050RB	DZ95050RTB	DZ95054R	DZ95054RB	DZ95054RTB
FORD SUPER DUTY	2017-2018	DZ95072R	DZ95072RB	DZ95072RTB	DZ95073R	DZ95073RB	DZ95073RTB
FORD SUPER DUTY	1999-2016	DZ95050WR	DZ95050WRB	DZ95050WRTB	DZ95054WR	DZ95054WRB	DZ95054WRTB
TOYOTA TUNDRA	2007-2018	DZ95050R	DZ95050RB	DZ95050RTB	-	-	-

HEX SERIES TRUCK RACK



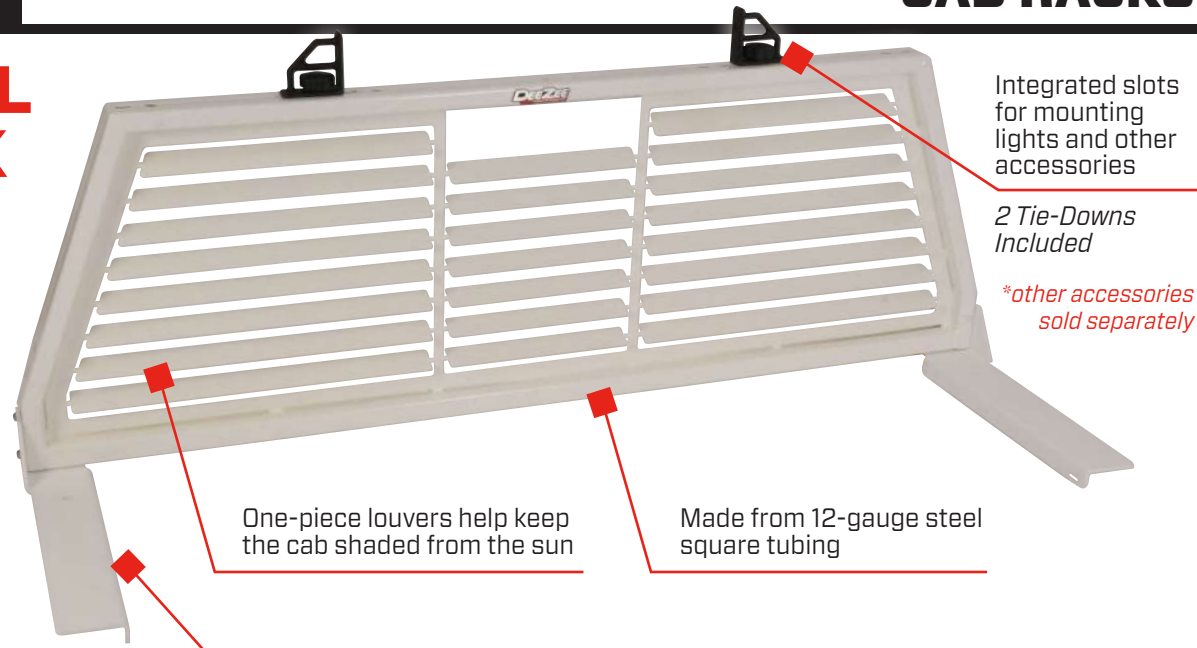
HEX SERIES TRUCK RACK



MAKE / MODEL	YEARS	SILVER	GLOSS BLACK	TEXTURED BLACK
CHEVY SILVERADO / GMC SIERRA	2009-2019	DZ95250	DZ95250B	DZ95250TB
DODGE RAM 1500	2009-2019	DZ95252	DZ95252B	DZ95252TB
DODGE RAM 2500/3500	2010-2019	DZ95251	DZ95251B	DZ95251TB
FORD F150	2015-2019	DZ95252	DZ95252B	DZ95252TB
FORD SUPER DUTY	2016-2019	DZ95253	DZ95253B	DZ95253TB

CAB RACKS

STEEL RACK



Integrated slots for mounting lights and other accessories

2 Tie-Downs Included

**other accessories sold separately*

One-piece louvers help keep the cab shaded from the sun

Made from 12-gauge steel square tubing

Custom-fit mounting brackets - *sold separately*

E-Coated with protective NRT™ powder coat in white or black

Mounts into bed stake pockets - *minimal drilling required*

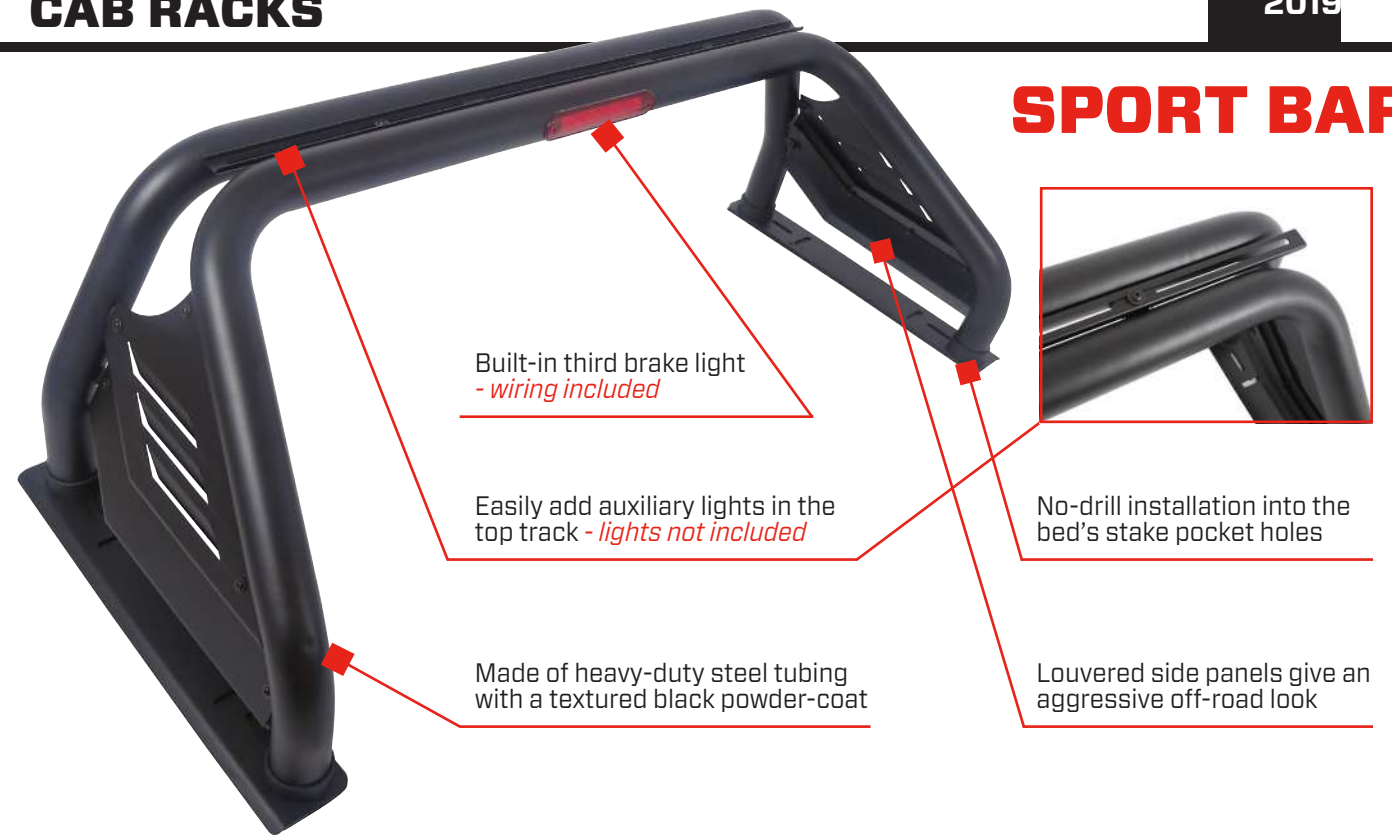
MAKE / MODEL	YEARS	STEEL RACK	MOUNTING BRACKETS
GM SILVERADO/SIERRA	2007-2018	DZ95050SL(B)	DZ950510(B)
DODGE RAM - 5.5' BEDS	2009-2018	DZ95050SL(B)	DZ950530(B)
DODGE RAM - 6' & 8' BEDS	2010-2018	DZ95050SL(B)	DZ950531(B)
FORD F-150	2004-2014	DZ95050SL(B)	DZ950520(B)
FORD SUPER DUTY	2017-2018	DZ95050WSL(B)	DZ950522(B)
FORD SUPER DUTY	1999-2016	DZ95050WSL(B)	DZ950521(B)

Add "B" to indicate NRT™ Black Powder Coat Finish



CAB RACKS

SPORT BAR



Built-in third brake light - *wiring included*

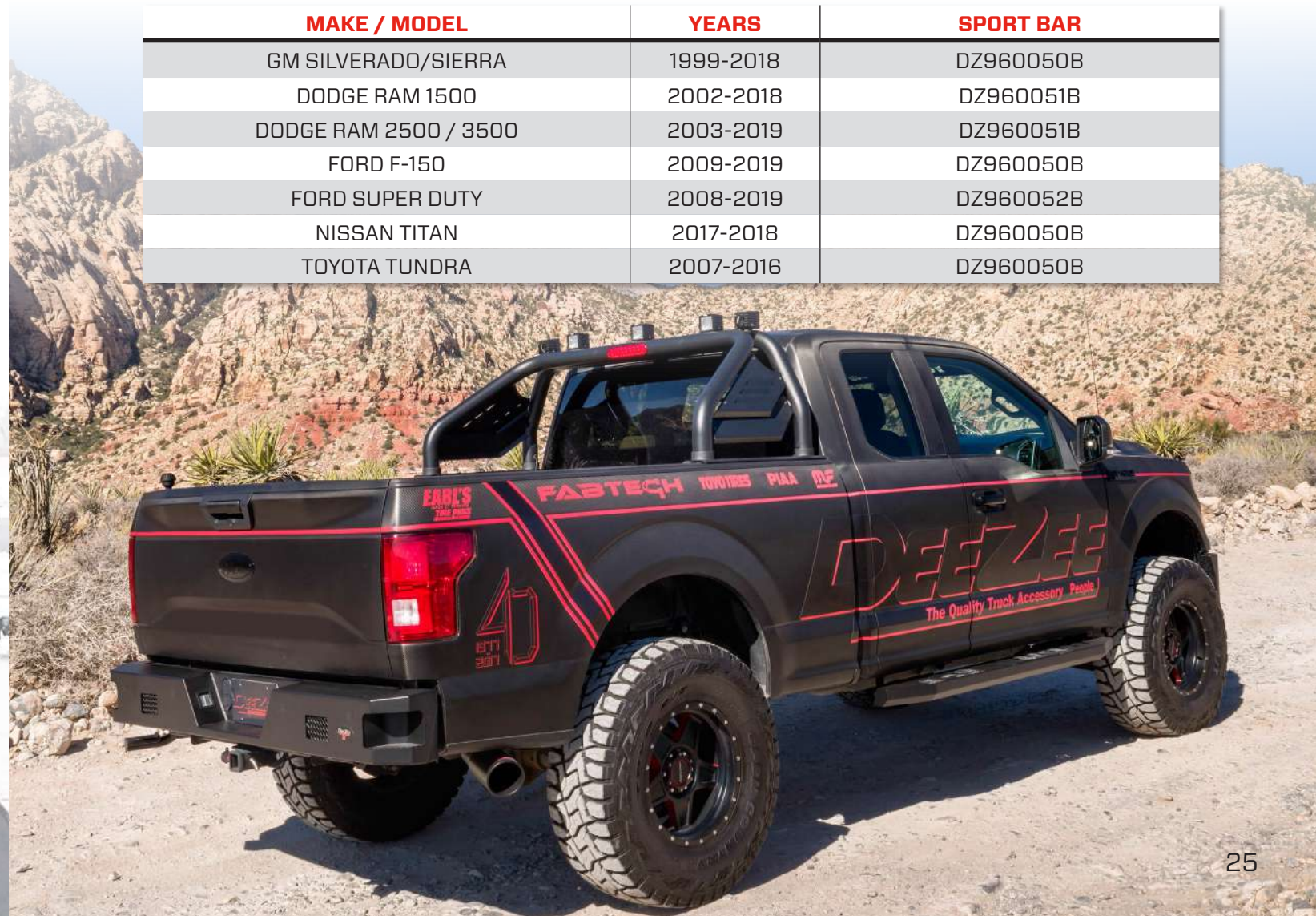
Easily add auxiliary lights in the top track - *lights not included*

Made of heavy-duty steel tubing with a textured black powder-coat

No-drill installation into the bed's stake pocket holes

Louvered side panels give an aggressive off-road look

MAKE / MODEL	YEARS	SPORT BAR
GM SILVERADO/SIERRA	1999-2018	DZ960050B
DODGE RAM 1500	2002-2018	DZ960051B
DODGE RAM 2500 / 3500	2003-2019	DZ960051B
FORD F-150	2009-2019	DZ960050B
FORD SUPER DUTY	2008-2019	DZ960052B
NISSAN TITAN	2017-2018	DZ960050B
TOYOTA TUNDRA	2007-2016	DZ960050B



INVIS-A-RACK™

- Innovative cargo rack system
- Uprights hide away when not in use and pop-up in seconds for use with ladders, kayaks, and more!
- Textured black powder coated aluminum construction
- Installs easily without drilling • 500lb. capacity

FULL-SIZE TRUCKS*	
5.5' Beds	DZ951550
6' & 6.5' Beds	DZ951600
8' Beds	DZ951800
MID-SIZE TRUCKS*	
5.5' Beds	DZ951551
6' & 6.5' Beds	DZ951601
ACCESSORIES	
Crossbar Pads	DZ951902



CROSSBAR PADS - 2pk

- 16" wide foam blocks with hook/loop straps
- Also works with most OEM and aftermarket roof racks (round/oval)



HALF LADDER RACK

- #DZ95053 - Set of 2 Uprights**
- Heavy-duty 1/8" thick steel tubing
 - Gloss black powder-coated finish
 - Hook and loop straps and ladder stop included
 - Adjustable height and width
 - Bolt-on installation - drilling required
 - Rated for 200lb. weight capacity per set (2)
 - Width: 23" x Height: 52.5"



- #DZ95002 TIE-DOWNS - 2pk**
- Cast-aluminum construction
 - Add anchor points to the integrated channels on Dee Zee Cab Racks



- LIGHT MOUNTS**
- Black powder-coated steel
 - Designed to work with Dee Zee Aluminum and Steel Cab Racks
 - Sold individually

Small 5" x 2"	DZ95060
Medium 7" x 2"	DZ95061
Large 7" x 9"	DZ95062
Extra Large 14" x 9"	DZ95063
Side Mount 5.5" x 7"	DZ95064

Mount Only - Light Not Included



- #DZ99700TB HEX TIE-DOWNS - 2pk**
- Add convenient anchor points to the integrated channels on Dee Zee Hex Series Truck Rack and Side Rails
 - Slide and lock design
 - Rated for 200 lbs.



BED ACCESSORIES

MADE FOR UTILITY

Dee Zee Bed Accessories add more function to your truck's cargo bay. Tie-down anchors/side rails for securing loads, bed mats/caps for protection, or our popular Tailgate Assist for safety & convenience.

HEX SERIES SIDE RAILS 30

STAINLESS STEEL SIDE RAILS 31

SIDE BED CAPS 31

FRONT BED CAPS 32

TAILGATE PROTECTORS 32

BED MATS / TAILGATE MATS 33

TRUCK BED TIE-DOWNS 34

TAILGATE ASSIST 35

HEX SERIES SIDE RAILS

Hexagonal aluminum tubing with built-in channel for endless accessory options

Add-on tie downs!
DZ99700TB P. 27



Durable plastic end caps

Available in three powder coat finishes:



Silver



Gloss Black



Textured Black

Cast stanchions mount in your stake pockets without drilling

Add 3D protection and tie-down points to your truck's bed rail



STAINLESS STEEL SIDE RAILS



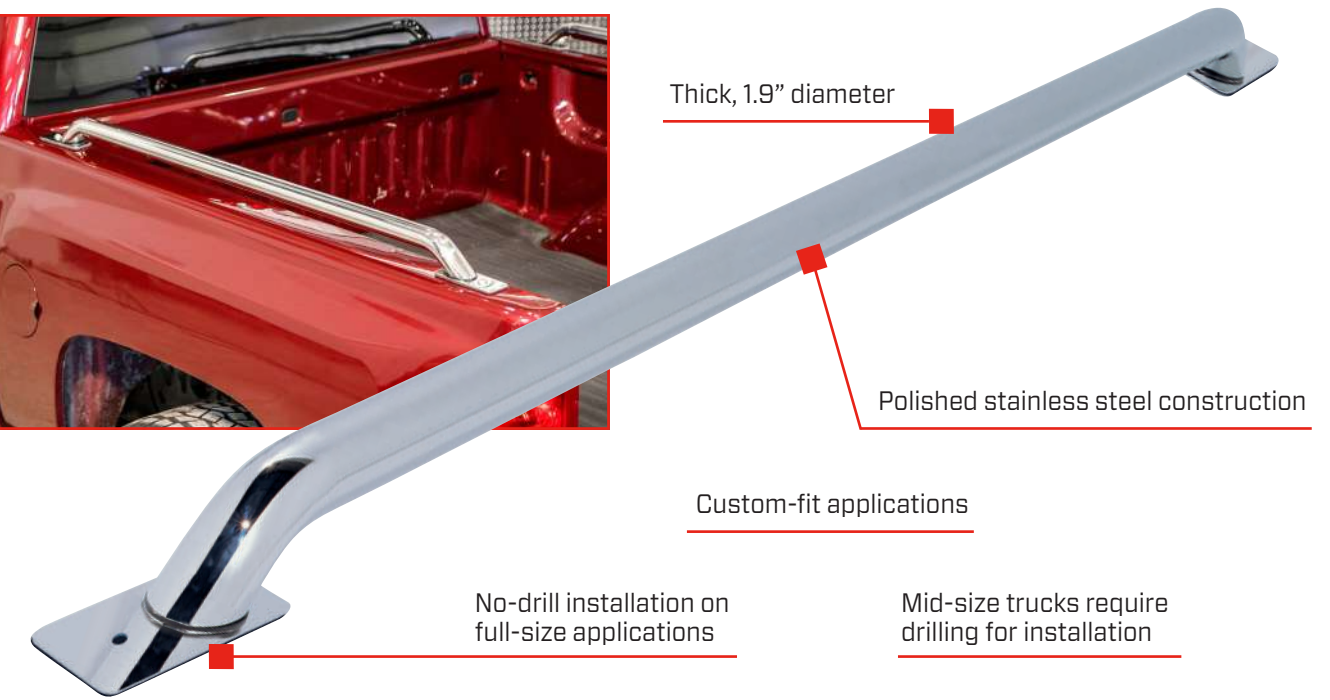
Thick, 1.9" diameter

Polished stainless steel construction

Custom-fit applications

No-drill installation on full-size applications

Mid-size trucks require drilling for installation



SIDE BED CAPS

- Brite-Tread aluminum construction, also available with gloss black powder coat
- Custom-fit applications
- Available with or without stake pocket holes
- Fits perfectly over factory plastic
- Bed caps cannot be installed if factory plastic has been removed



Standard - No Holes

With Stake Pocket Holes



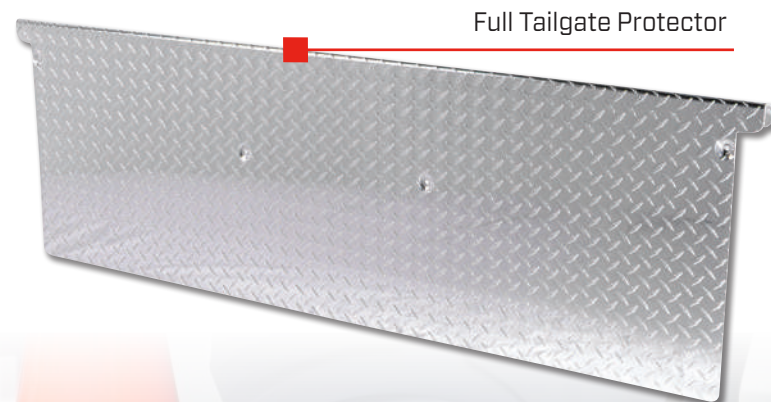
FRONT BED CAPS



- Made from non-rusting Brite-Tread aluminum
- Custom-fit applications for a perfect fit
- Style complements other great Dee Zee Products
- Designed to install over the top of factory trim
- **Bed Caps cannot be installed if factory plastic has been removed**

TAILGATE PROTECTORS

- 2 Styles available:
 - Standard Tailgate Cap
 - Full Tailgate Protector
- Brite-Tread aluminum construction, also available with gloss black powder coat
- Custom-fit applications
- Fits perfectly over factory plastic
- **Tailgate protectors cannot be installed if factory plastic has been removed**

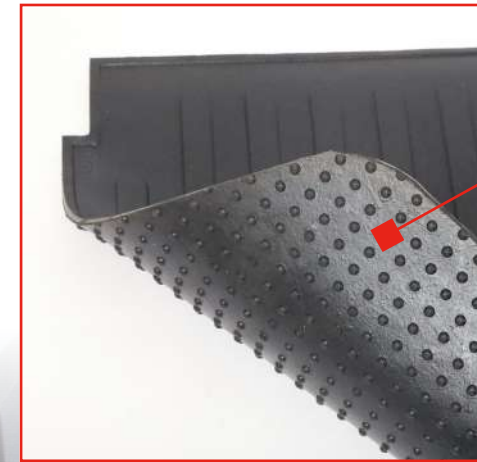


Full Tailgate Protector



Standard Tailgate Cap

BED MATS



- Prevent cargo from shifting and damaging your truck's bed
- Rubber cleats help keep the mat in place & allow water to drain
- Resists most chemical spills
- Custom-fit applications for most pickups - contours wheel wells
- Extra thick 3/8" (9.52mm) tear-resistant rubber construction
- Universal utility mats also available



TAILGATE MATS

#DZ86700

- Universal width fits most full-size pickups
- 60" x 19.5" - some trimming may be needed
- Extra thick, 3/8" cord-enhanced rubber
- Can be trimmed to fit mid-size trucks
- Mounting hardware included
- Drilling required for installation



TRUCK BED TIE-DOWNS



Shown: GM

- An easy way to add tie-down points for securing cargo
- Rated for up to 250 lbs
- No drill installation into existing bed mounting points
- Made from cast aluminum
- Sold in pair (2)
- Custom-fit by make/model

MAKE / MODEL	YEARS	TIE-DOWNS
GM SILVERADO/SIERRA	2007-2019	DZ97903
GM COLORADO/CANYON	2015-2019	DZ97903
DODGE RAM 1500	2019	DZ97913
FORD F-150	2015-2019	DZ97909
FORD SUPER DUTY	2018-2019	DZ97909
FORD RANGER	2019	DZ97914
TOYOTA TUNDRA	2006-2019	DZ97911
TOYOTA TACOMA	2005-2019	DZ97911
NISSAN TITAN	2004-2019	DZ97912
NISSAN FRONTIER	2005-2019	DZ97912



Shown: Ford



Shown: GM

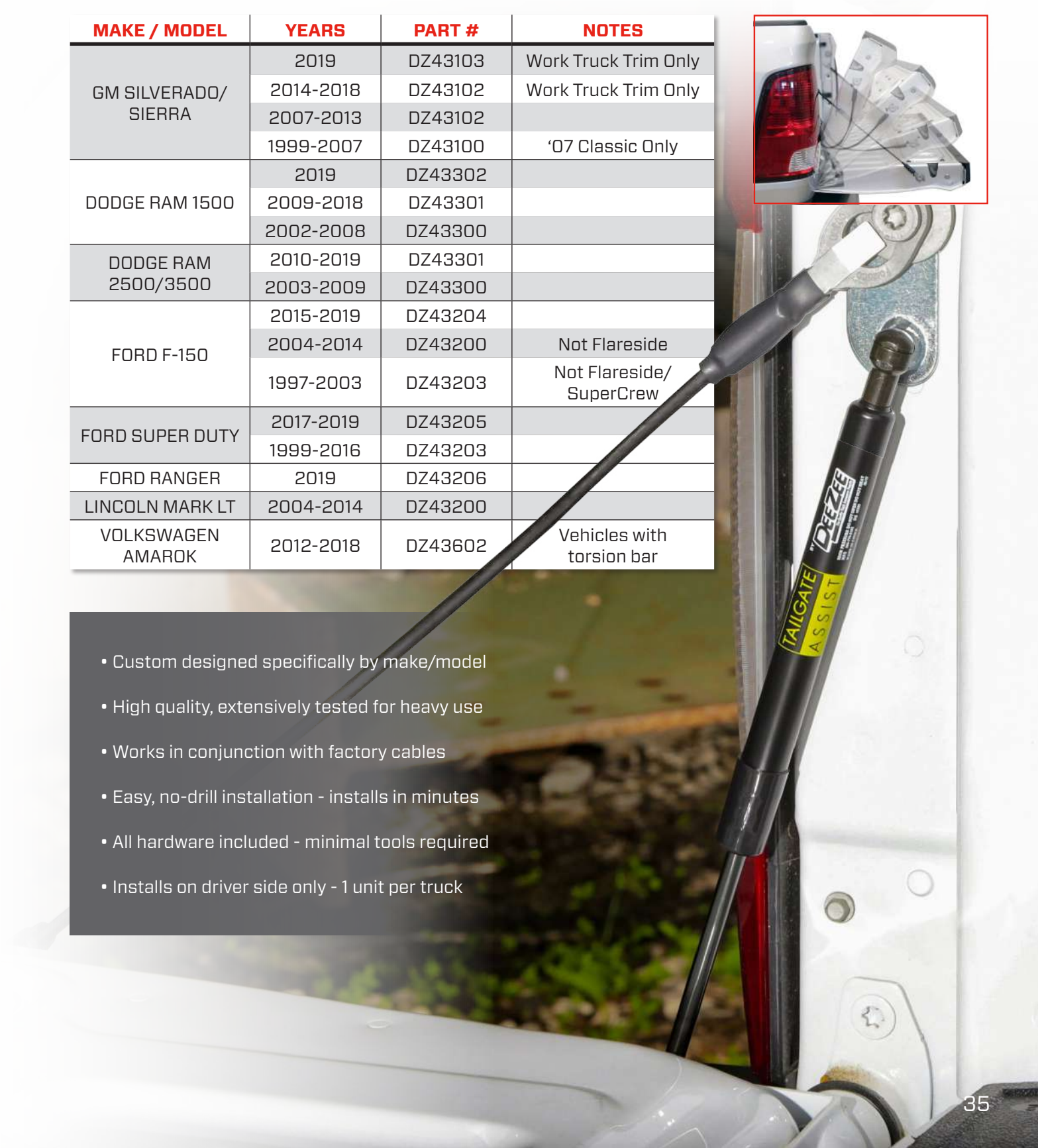
TAILGATE ASSIST

Safely control the drop rate of your truck's tailgate!

MAKE / MODEL	YEARS	PART #	NOTES
GM SILVERADO/ SIERRA	2019	DZ43103	Work Truck Trim Only
	2014-2018	DZ43102	Work Truck Trim Only
	2007-2013	DZ43102	
	1999-2007	DZ43100	'07 Classic Only
DODGE RAM 1500	2019	DZ43302	
	2009-2018	DZ43301	
	2002-2008	DZ43300	
DODGE RAM 2500/3500	2010-2019	DZ43301	
	2003-2009	DZ43300	
FORD F-150	2015-2019	DZ43204	
	2004-2014	DZ43200	Not Flareside
	1997-2003	DZ43203	Not Flareside/ SuperCrew
FORD SUPER DUTY	2017-2019	DZ43205	
	1999-2016	DZ43203	
FORD RANGER	2019	DZ43206	
LINCOLN MARK LT	2004-2014	DZ43200	
VOLKSWAGEN AMAROK	2012-2018	DZ43602	Vehicles with torsion bar



- Custom designed specifically by make/model
- High quality, extensively tested for heavy use
- Works in conjunction with factory cables
- Easy, no-drill installation - installs in minutes
- All hardware included - minimal tools required
- Installs on driver side only - 1 unit per truck



MADE FOR STYLE & FUNCTION

Trucks can be an expensive investment. Accent your ride with functional accessories, offering protection to both the interior and exterior. From mud flaps to grill protection, Dee Zee has it all.



- 38 FLOOR MATS
- 39 MUD FLAPS
- 40 BUMPER GUARDS
- 40 GRILL GUARDS
- 41 BULL BARS
- 41 NXb BULL BARS
- 42 BUMPERS
- 44 HITCH STEP
- 45 BUMPER STEP

FLOOR MATS

#DZ90709

ALL WEATHER TREAD MATS

- Brite-Tread aluminum insert
- 20.5" x 27"



#DZ90715

ALL WEATHER COMPLETE SET

- Includes front and rear mats for complete interior protection
- Front: 28.9" x 19.8" • Rear: 19.7" x 16.9"



#DZ90713

ALL WEATHER REAR MATS

- 17" x 17"



#DZ90710

ALL WEATHER FRONT MATS

- 19" x 28"



#DZ90711

ALL WEATHER FULL-WIDTH MAT

- Sold individually
- 61" x 27" Overall



ALL WEATHER FLOOR MATS

- Thick, OEM-style rubber
- Cleated back prevents sliding
- Sold in pairs (except #DZ90711)
- Various styles to fit most needs

MUD FLAPS

#DZ1808TB

UNIVERSAL BLACK-TREAD

- 11" x 19" (with radius notch)
- Textured black powder coat finish
- Fits front or rear wheels



#DZ17939

UNIVERSAL PLASTIC

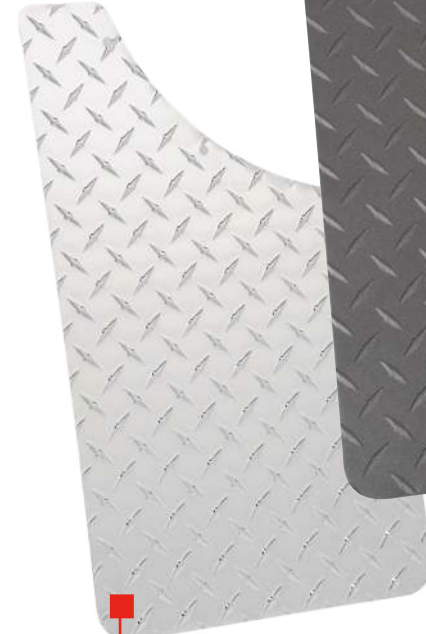
- 11" x 18" - with notch
- Fits front or rear wheels



#DZ1808

UNIVERSAL BRITE-TREAD

- 11" x 19" (with radius notch)
- Raw Brite-Tread aluminum
- Fits front or rear wheels



#DZ1800

BRITE-TREAD

- 12" x 16"
- Classic Brite-Tread aluminum finish
- Fits full size trucks
- -measure for clearance
- Fits rear wheels only



MUD FLAPS

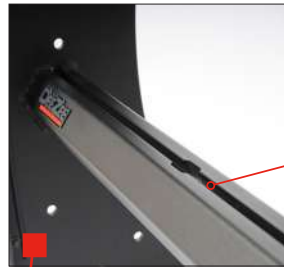
- Fits most trucks, vans, and SUVs
- Installs in minutes
- Mounting hardware included

BUMPER GUARD

Custom fit steel braces are protected by NRT™ powder coat **Sold Separately**

Protective and stylish textured black powder coat finish

Heavy-duty rubber bumper trim



Channeled design allows for mounting lights & accessories **Not Included**

Strong lightweight aluminum construction



GRILL GUARD

Custom-fit applications allow for easy no-drill installation

Heavy-duty rubber bumper pads protect the steel

1.5" diameter, 18-gauge steel tubing

Available in polished stainless steel or with a protective black powder coat



Note: Not designed for use with proximity sensors, laser speed control sensors, etc.

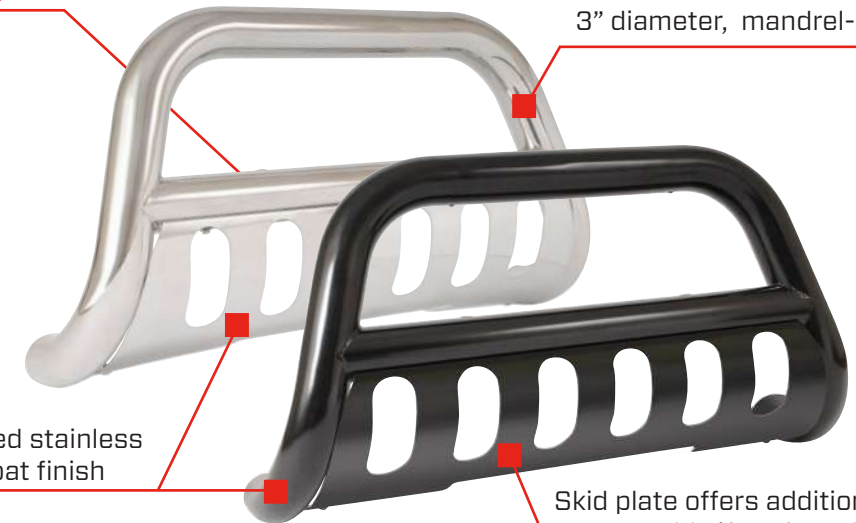
BULL BAR

Pre-drilled holes for auxiliary lights. **(lights not included)**

3" diameter, mandrel-bent steel

Available in polished stainless or black powder coat finish

Skid plate offers additional protection - Removable if preferred



Bull Bar License Plate Mount

#DZLPMOUNT - Standard

#DZLEDLPM - NXb

- Legally relocate your front license plate



FRONT



BACK

NXb BULL BAR

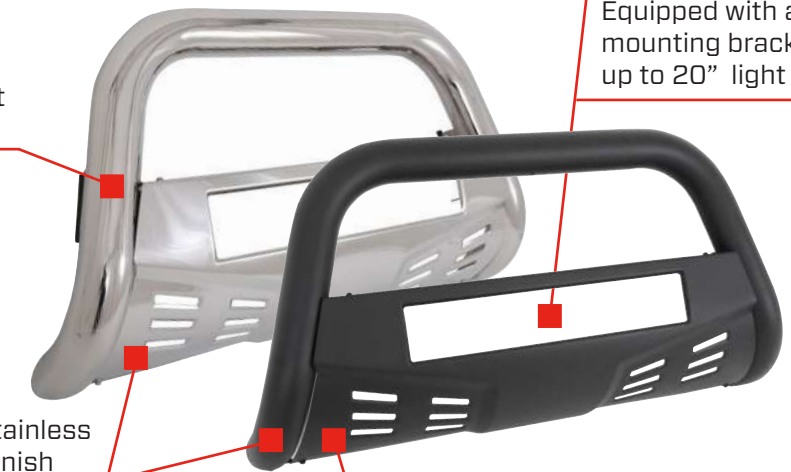
Boost visibility by adding an LED light bar **(not included)**

Equipped with adjustable light bar mounting bracket to accommodate up to 20" light bar

3" diameter, mandrel-bent 18-gauge steel

Available in polished stainless or black powder coat finish

Durable skid plate with stylish diagonal vents



Note: Not designed for use with proximity sensors, laser speed control sensors, etc.

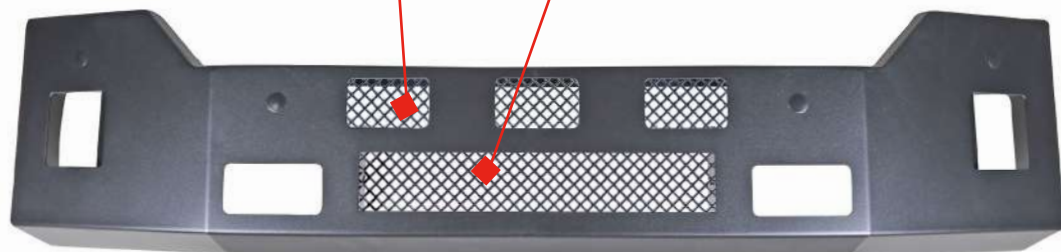
K-SERIES BUMPERS

MESH PLATES

Removable mesh inserts for an alternate look

LIGHT BAR OPTION

Cut-outs provided on each side for standardized LED lighting sizes plus a center opening for up to 20" light bar ***Lights not included**



HALF TON FRONT BUMPER

WINCH PLATE

With 1" thick shackle mounts available for Heavy Duty models (up to 16,500 lb. winch) ***Sold separately**

FOG LIGHTS

Cut-outs provided on each side to accommodate OEM fog lights or customize with LED cube lights ***Lights not included**



HEAVY DUTY FRONT BUMPER

NRT™ (No Rust Technology)

Bumpers are first e-coated then powder-coated textured black featuring NRT™ to inhibit corrosion

BUILT IN STEP

Integrated steps on either side of the rear bumper provide easy bed access



REAR BUMPER

Designed by:



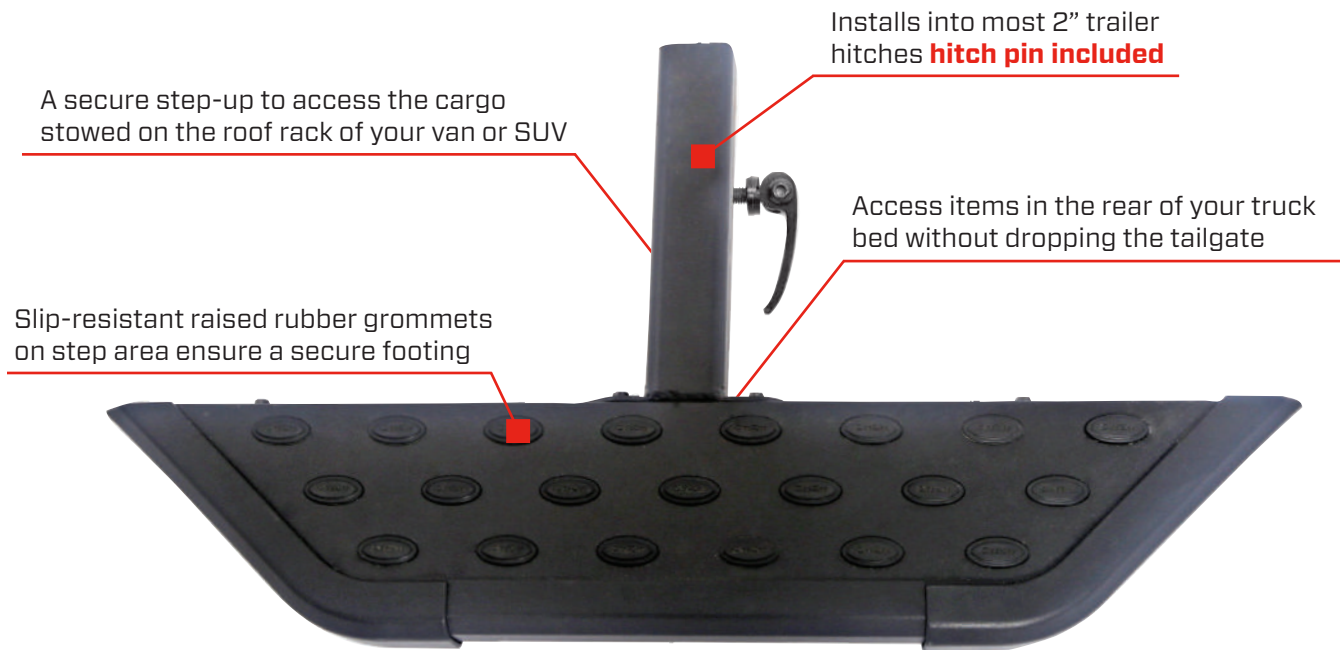
- Custom crafted for your specific year, make, and model
- Hassle-free installation - no drilling, welding, or cutting
- Limited lifetime warranty on manufacturing, 1-year warranty on black powder coat finish

K-SERIES BUMPERS



HITCH STEP

Complements NXc and NXt boards on page 12 and 13



A secure step-up to access the cargo stowed on the roof rack of your van or SUV

Installs into most 2" trailer hitches **hitch pin included**

Access items in the rear of your truck bed without dropping the tailgate

Slip-resistant raised rubber grommets on step area ensure a secure footing

#DZ16300
30" x 5"



BUMPER STEP

Cast aluminum attaches to the rear frame of your truck - **driver side only**



Custom Fit - Installs without drilling into your truck's frame

Non-slip surface helps you gain access to your bumper or truck bed, even with the tailgate down

- Custom-fit
- Available for newer applications to avoid drilling

PART #	MAKE/MODEL	YEARS
DZ6201S	SILVERADO/SIERRA	13-07
DZ6203S	DODGE RAM	18-10
DZ6204S	FORD F150	2015+
DZ6205S	FORD SUPER DUTY	2017+





MADE FOR SECURE STORAGE

It's not the Tool Box, it's what inside that matters. From contractors, to DIY-ers, to weekend warriors, and more. If you need safe and secure storage for your lifestyle, Dee Zee offers a wide-variety of sizes, styles, and features.

- 49 PLATINUM TOOL BOX
- 50 BLUE LABEL TOOL BOXES
- 54 PADLOCK TOOL BOXES
- 56 RED LABEL TOOL BOXES
- 62 STEEL TOOL BOXES
- 64 POLY TOOL BOXES
- 66 SPECIALTY TOOL BOXES
- 70 TOPSIDER TOOL BOXES
- 72 UNDERBED TOOL BOXES
- 74 TOOL BOX ACCESSORIES

PLATINUM TOOL BOX



ENHANCED FEATURES

DURABLE & STRONG

Constructed of heavy gauge .090 Brite-Tread aluminum

REINFORCED LID

Features smooth extruded aluminum



TWO FINISHES

Silver or textured black powder coat protects and prevents oxidation

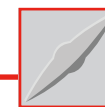
RUBBER BULB SEAL

Automotive-grade; keeps out the elements

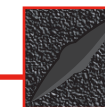
AUTOMOTIVE-GRADE HANDLES

Allow for smooth operation and secure closure

FINISHES



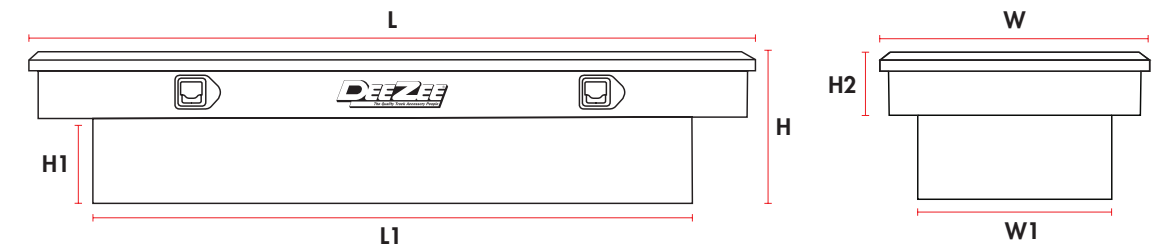
Aluminum
Brite-Tread



Textured
Black-Tread

Add (TB)

*See individual part numbers for exact finish availability



BRITE-TREAD	TEXTURED BLACK	L	W	H	L1	W1	W2	H2	Vol.
DZ93170	DZ93170TB	70.5"	29.25"	16.5"	60.25"	27	2.4	11"	17.5"

ENHANCED FEATURES

RUBBER BULB SEAL

Automotive-grade; keeps out the elements

SELF-ADJUSTING STRIKERS

Closes tightly no matter how hard you push

RUGGED REDESIGNED LID

Added security with push button latches

HIDDEN HINGE

Full length piano hinge for extra strength

INTEGRATED END PIECE

Built-in divider for convenience and strength

REMOVABLE TOOL TRAY

Keep smaller items organized
Select styles only



FINISHES

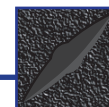


Aluminum
Brite-Tread



Gloss
Black-Tread

Add (B)



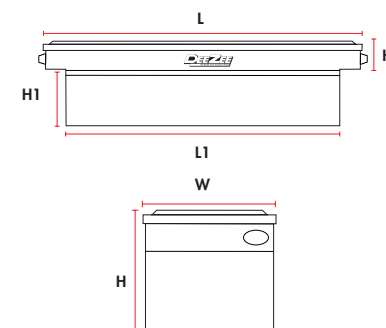
Textured
Black-Tread

Add (TB)

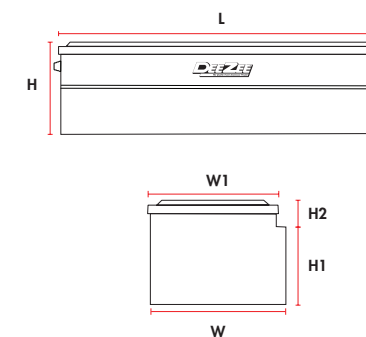
*See individual part numbers for exact finish availability

STYLES

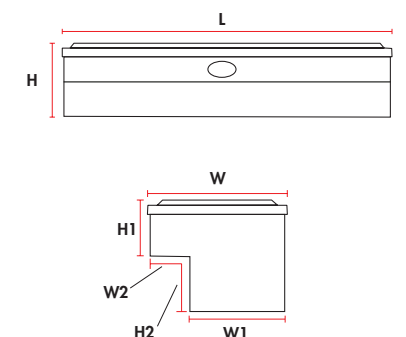
Crossover



Utility Chest



Side Mount



BLUE LABEL TOOL BOXES

BLUE LABEL TOOL BOXES



STANDARD CROSSOVER
Shown: Brite-Tread



STANDARD CROSSOVER
Shown: Textured Black



STANDARD CHEST
Shown: Gloss Black



STANDARD CHEST
Shown: Brite-Tread



SIDE MOUNT
Shown: Brite-Tread

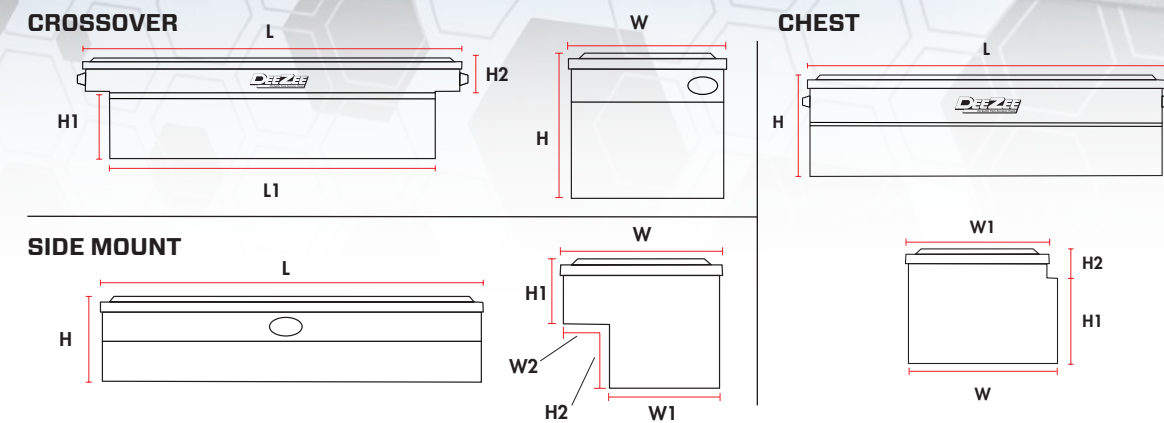


SIDE MOUNT
Shown: Gloss-Black

STANDARD CROSSOVER
Part #: DZ9170TB

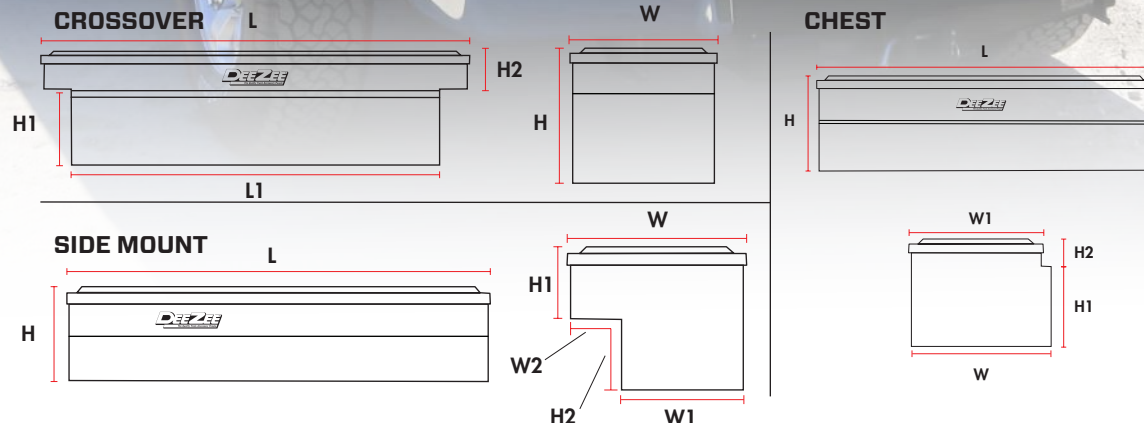


BLUE LABEL TOOL BOXES



STYLE	BRITE-TREAD	GLOSS BLACK	TEXTURED BLACK	L	W	H	L1	W1	H1	W2	H2	Vol.
CROSSOVERS												
STANDARD	DZ9170	DZ9170B	DZ9170TB	69.75"	19.875"	18.5"	60.75"	-	12.5"	-	6"	12.8 cu. ft.
LOW PROFILE	DZ9170L	DZ9170LB	-	69.75"	19.875"	18.5"	60.75"	-	12.5"	-	6"	12.5 cu. ft.
WIDE	DZ9170W	DZ9170WB	-	69.75"	25.8"	15.6"	60.75"	-	9.6"	-	6"	13.9 cu. ft.
CHESTS												
STANDARD	DZ9546	DZ9546B	DZ9546TB	46.5"	20.125"	15.2"	-	-	11.4"	1.4"	-	7.6 cu. ft.
SIDE MOUNTS												
48" SIDE MOUNT	DZ9748	DZ9748B	-	48"	14.25"	12"	-	10"	6"	4.25"	5"	3.75 cu. ft.
68" SIDE MOUNT	DZ9768	DZ9768B	-	68"	14.25"	12"	-	10"	6"	4.25"	5"	5.3 cu. ft.

CROSSOVER & SIDE MOUNTS
Part #: DZ6170LOCK & DZ6768LOCK



STYLE	BRITE-TREAD	TEXTURED BLACK	L	W	H	L1	W1	H1	W2	H2	Vol.
CROSSOVERS											
STANDARD	DZ6170LOCK	DZ6170LOCKTB	69.75"	20"	13.2"	60.75"	17.125"	7.2"	1.44"	6"	8.4 cu. ft.
DEEP	DZ6170LOCKD	DZ6170LOCKDTB	69.75"	20"	19.25"	60.75"	17.125"	16.25"	1.44"	6"	12 cu. ft.
WIDE	DZ6170LOCKW	DZ6170LOCKWTB	69.75"	25.8"	13.2"	60.75"	23"	7.2"	1.44"	3"	10.5 cu. ft.
CHESTS											
STANDARD	DZ6546LOCK	DZ6546LOCKTB	46.5"	19"	17"	-	-	13.1"	2.4"	3.9"	8 cu. ft.
SIDE MOUNTS											
48" SIDE MOUNT	DZ6748LOCK	DZ6748LOCKTB	48"	16"	14"	-	12"	9"	4.25"	5.14"	5 cu. ft.
60" SIDE MOUNT	DZ6760LOCK	DZ6760LOCKTB	60"	16"	14"	-	12"	9"	4.25"	5.14"	6.2 cu. ft.
68" SIDE MOUNT	DZ6768LOCK	DZ6768LOCKTB	68"	16"	14"	-	12"	9"	4.25"	5.14"	7 cu. ft.

TOOL BOXES

PADLOCK TOOL BOXES

*Sliding latch design is patent pending.
**Utility chests come with a heavy-duty plastic tray. Side mount models do not come with a tray.

20% THICKER ALUMINUM

Pick it up and feel the difference!

STRONG

Keyhole latch design takes twice the force to pry open as our standard boxes.*

SECURE

Designed to use a padlock for security, the recessed placement makes the shackle virtually impossible to cut.

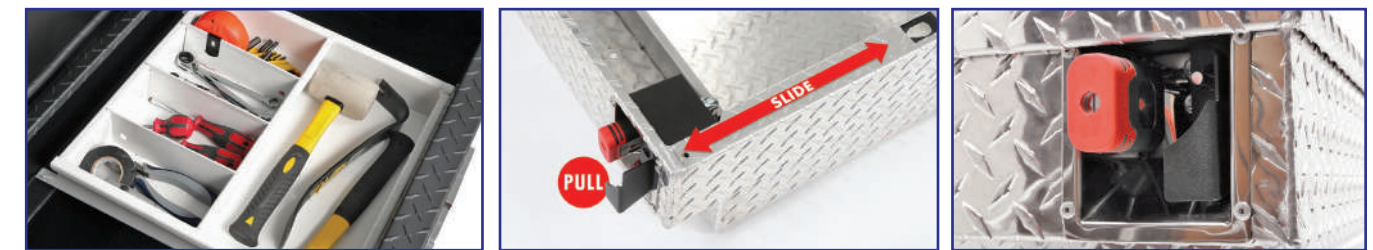
90° LID OPENING

PROFESSIONAL FEATURES

Includes a steel tool tray** with dividers (Crossover models only), an electrical access point, and a real rubber seal to protect your tools.

ONE MOVING PART

No more buttons or handles binding up, rods bending, or springs breaking.



RED LABEL TOOL BOXES



ENHANCED FEATURES

SELF-OPENING LID

Dampened gas shocks for ease of use and opens to a 90° angle

DOUBLE-V FULL PAN LID SUPPORT

SRT (sound reducing technology) for extra rigidity

SELF-ADJUSTING STRIKERS

Closes tightly every time

HIDDEN HINGE

Full length piano hinge for extra strength

CLOSED CELL FOAM GASKETS

Helps keep the elements out of the box

PADDLE HANDLES WITH GUIDE PLATE

Lockable, stainless steel handles

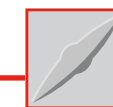
FRONT, BACK, & BOTTOM

All one piece for increased body strength

REMOVABLE PLASTIC TOOL TRAY

Keep smaller items organized - *Select styles only*

FINISHES

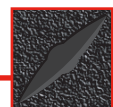


Aluminum
Brite-Tread



Gloss
Black-Tread

Add (B)



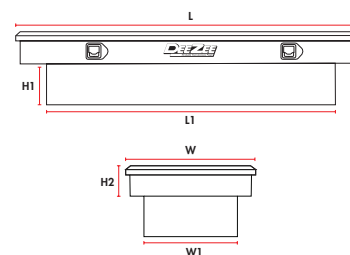
Textured
Black-Tread

Add (TB)

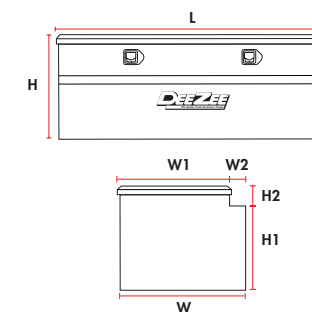
*See individual part numbers for exact finish availability

STYLES

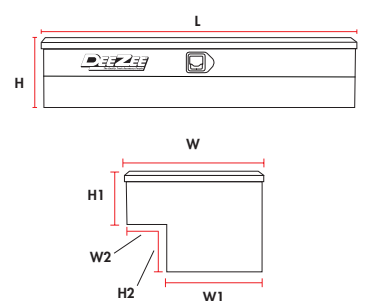
Crossover



Utility Chest



Side Mount



CROSSOVER TOOL BOXES



STANDARD CROSSOVER
Shown: Gloss Black



LOW-PROFILE CROSSOVER
Shown: Textured Black



DOUBLE-LID CROSSOVER
Shown: Brite-Tread



DEEP LOW-PROFILE CROSSOVER
Shown: Brite-Tread



DEEP CROSSOVER
Shown: Gloss Black



PADDLE HANDLE



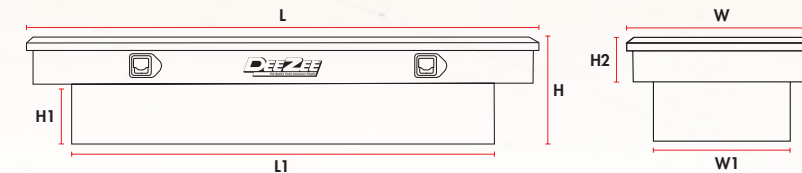
PULL HANDLE

STANDARD CROSSOVER

Part #: DZ8170



CROSSOVER TOOL BOX



CROSSOVER STYLE	HANDLE	BRITE-TREAD	GLOSS BLACK	TEXTURED BLACK	L	W	H	L1	W1	H1	W2	H2	Vol.
STANDARD	PADDLE	DZ8170	DZ8170B	DZ8170TB	69.75"	20"	13.2"	60.75"	17.125"	7.2"	1.44"	6"	8.4 cu. ft.
	PULL	DZ10170	-	DZ10170TB									
MID-SIZE - STANDARD	PADDLE	DZ8163	DZ8163B	-	63"	20"	13.2"	54"	17.125"	7.2"	1.44"	6"	7.4 cu. ft.
DEEP	PADDLE	DZ8170D	DZ8170DB	-	69.75"	20"	19.25"	60.75"	17.125"	13.25"	1.44"	6"	12 cu. ft.
LOW-PROFILE	PADDLE	DZ8170L	DZ8170LB	DZ8170LTB	69.75"	20"	13.2"	60.75"	17.125"	11.2"	1.44"	2"	8 cu. ft.
	PULL	DZ10170L	-	DZ10170LTB									
DEEP / LOW-PROFILE	PADDLE	DZ8170DL	DZ8170DLB	-	69.75"	20"	19.25"	60.75"	17.125"	17.25"	1.44"	2"	11.7 cu. ft.
DOUBLE-LID	PADDLE	DZ8370	DZ8370B	DZ8370TB	69.75"	20"	13.2"	60.75"	17.125"	7.2"	1.44"	6"	8.4 cu. ft.
	PULL	DZ10370	-	DZ10370TB									
MID-SIZE - DOUBLE-LID	PADDLE	DZ8363	-	-	63"	20"	13.2"	54"	17.125"	7.2"	1.44"	6"	7.4 cu. ft.
EASY SHIP CROSSOVER	PADDLE	DZ8270A	-	-	69.75"	16"	16.5"	61"	12.25"	9.5"	1.44"	6"	7.9 cu. ft.

CHESTS & SIDE MOUNTS



SMALL CHEST
Shown: Brite-Tread



SLANTED CHEST
Shown: Brite-Tread



STANDARD CHEST
Shown: Textured-Black



LARGE CHEST
Shown: Gloss-Black



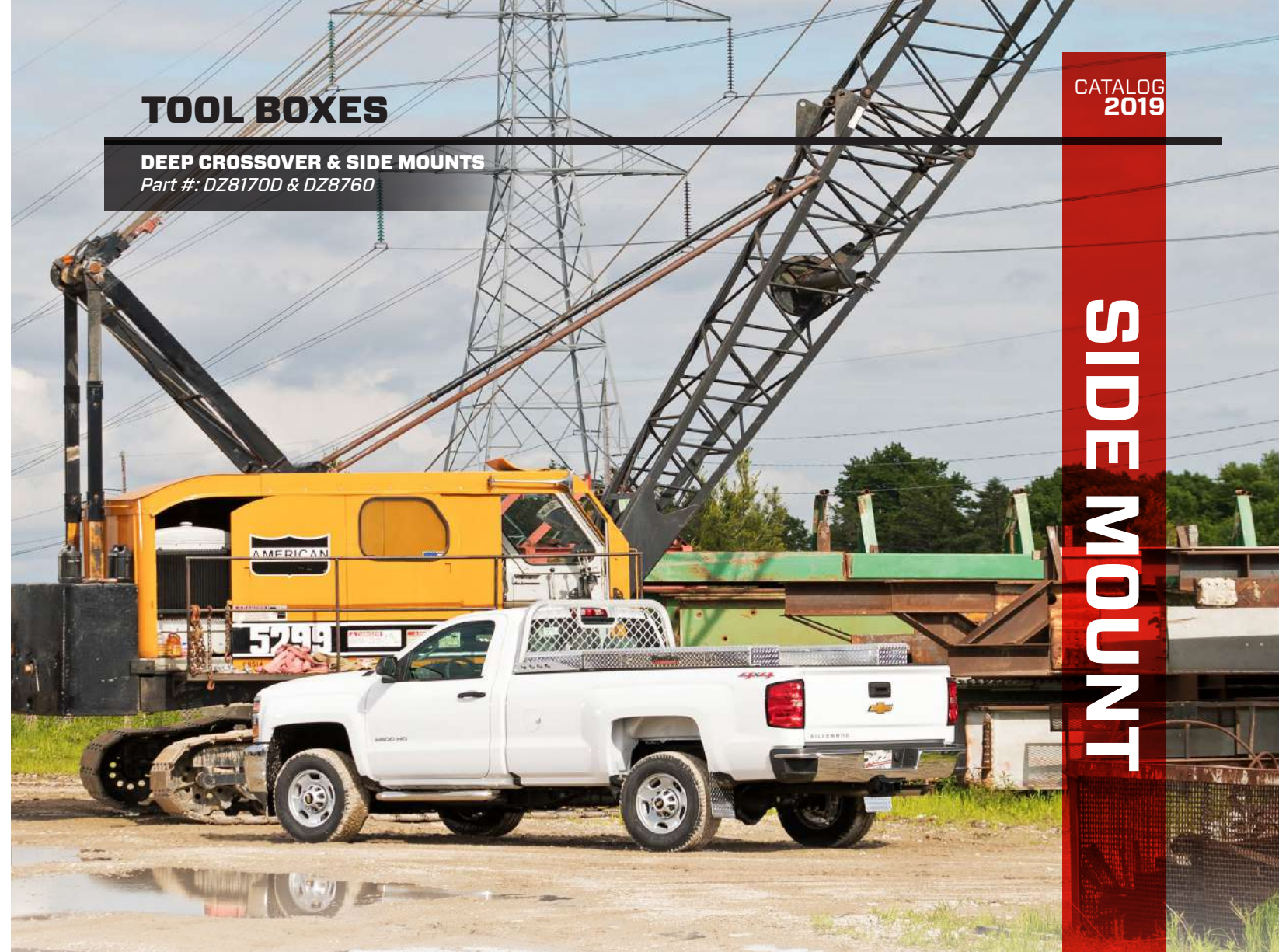
SIDE MOUNT
Shown: Brite-Tread



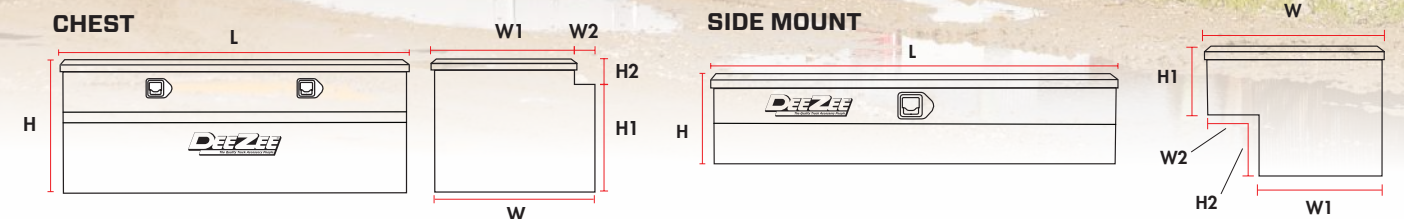
SIDE MOUNT
Shown: Brite-Tread

TOOL BOXES

DEEP CROSSOVER & SIDE MOUNTS
Part #: DZ8170D & DZ8760



SIDE MOUNT



STYLE	HANDLE	BRITE-TREAD	GLOSS BLACK	TEXTURED BLACK	L	W	H	W1	H1	W2	H2	Vol.
CHESTS												
SMALL CHEST	PADDLE	DZ8537	DZ8537B	-	37.125"	19"	17"	-	13.1"	2.4"	3.9"	6.4 cu. ft.
MID SIZED CHEST	PADDLE	DZ8546	DZ8546B	DZ8546TB	46.5"	19"	17"	16.6"	13.1"	2.4"	3.9"	8 cu. ft.
	PULL	DZ10546	-	DZ10546TB								
STANDARD CHEST	PADDLE	DZ8556F	DZ8556FB	-	56"	19"	17"	16.6"	13.1"	2.4"	3.9"	9.8 cu. ft.
SLANTED CHEST	PADDLE	DZ8556	DZ8556B	-	56"	19"	17"	12.375"	13.1"	6.625"	3.9"	8.9 cu. ft.
WIDE CHEST	PADDLE	DZ8560W	DZ8560WB	-	60"	24"	19.1"	-	15.4"	2.4"	3.9"	14.9 cu. ft.
SIDE MOUNTS												
48" SIDE MOUNT	PADDLE	DZ8748	-	-	48"	12.75"	11.1"	8.5"	6"	4.25"	5"	3 cu. ft.
60" SIDE MOUNT	PADDLE	DZ8760	-	-	60"	12.75"	11.1"	8.5"	6"	4.25"	5"	3.7 cu. ft.
68" SIDE MOUNT	PADDLE	DZ8768	-	-	68"	12.75"	11.1"	8.5"	6"	4.25"	5"	5.1 cu. ft.

HARDWARE TOOL BOXES

Storage products built with the contractor in mind but versatile enough for the rest of us

- Sturdy 20-gauge steel
- NRT™ corrosion resistant powder coating
- Paddle handle latches and self-adjusting strikers
- Full length piano hinge for extra strength
- Closed cell foam gasket



CROSSOVER
Shown: Black Steel



Chest
Shown: White Steel



DOUBLE LID
Shown: White Steel



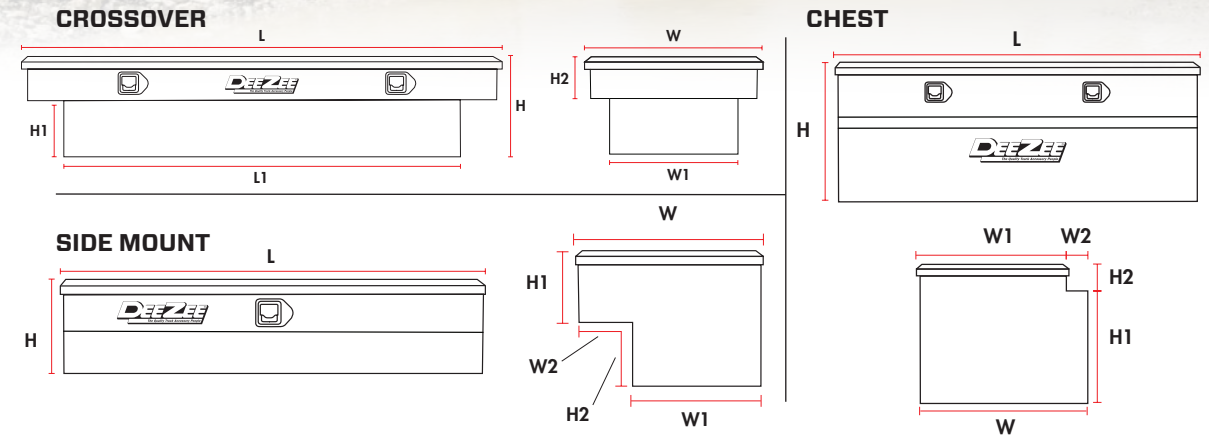
SIDE MOUNT
Shown: Black Steel

TOOL BOXES

STEEL CROSSOVER & SIDE MOUNTS
Part #: DZ8370SB & DZ8748SB



HARDWARE



STYLE	WHITE STEEL	BLACK STEEL	L	W	H	L1	W1	H1	W2	H2	Vol.
CROSSOVER											
MID SIZE CROSSOVER	DZ8163S	DZ8163SB	63"	20"	13.2"	54"	17.125"	8.2"	1.44"	6"	7.4 cu. ft.
STANDARD CROSSOVER	DZ8170S	DZ8170SB	69.75"	20"	13.2"	60.75"	17.125"	8.2"	1.44"	6"	8.4 cu. ft.
DOUBLE-LID	DZ8370S	DZ8370SB	69.75"	20"	13.2"	60.75"	17.125"	8.2"	1.44"	6"	8.4 cu. ft.
CHESTS											
46" CHEST	DZ8546S	DZ8546SB	46.5"	19"	17"	-	-	14.1"	2.4"	3.9"	8 cu. ft.
56" CHEST	DZ8556FS	DZ8556FSB	56"	19"	17"	-	-	14.1"	2.4"	3.9"	9.8 cu. ft.
SIDE MOUNTS											
48" SIDE MOUNT	DZ8748S	DZ8748SB	48"	12.75"	11"	-	8.5"	6"	4.25"	5"	3 cu. ft.
60" SIDE MOUNT	DZ8760S	DZ8760SB	60"	12.75"	11"	-	8.5"	6"	4.25"	5"	3.7 cu. ft.

TOOL BOXES

POLY CROSSOVER & SMALL CHEST
Part #: DZ6163P & DZ6535P

POLY TOOL BOXES

POLY CROSSOVER FEATURES

- Combines the functionality of a crossover box with the benefits of a poly plastic container
- Features a full-length locking rod that engages strikers built into the lid
- Single cam lock secures the lid tightly
- Overlapping lid deflects water
- Double-walled lid for extra support
- Rigid plastic frame resists warping
- Integrated frame supports
- Installation bracket included
- Textured poly plastic with brite-tread pattern

TOOL BOXES

POLY TOOL BOXES

POLY CROSSOVER TOOL BOX



LARGE POLY CHEST

- Rigid frame resists warping
- Molded locking tabs - **padlock not included**
- Double wall lid for extra support



SMALL POLY CHEST

- Rigid frame resists warping
- Molded locking tabs - **padlock not included**
- Double wall lid for extra support



LARGE TRIANGLE TRAILER BOX

- Steel hasp provides security
padlock not included



POLY WHEEL WELL BOX

- Reversible lid allows mounting on either side
- Lockable lid with integrated cup holders

STYLE	PART #	L	W	H	L1	H2	Vol.
CROSSOVER							
MID SIZE CROSSOVER	DZ6163P	63"	14.75"	14.37"	54"	-	5.4 cu. ft.
STANDARD CROSSOVER	DZ6170P	70.5"	14.75"	14.37"	60.5"	-	6.2 cu. ft.
CHESTS							
SMALL CHEST	DZ6535P	35"	14"	13"	-	-	3.6 cu. ft.
LARGE CHEST	DZ6537P	39"	27"	17"	-	-	10.35 cu. ft.
SPECIALTY BOXES							
TRIANGLE TRAILER BOX	DZ91717P	36" (back)	18.75"	18"	18" (front)	-	6 cu. ft.
WHEEL WELL BOX	DZ95P	37"	7.75"	19.5"	14"	8.5"	2.2 cu. ft.

TOOL BOXES

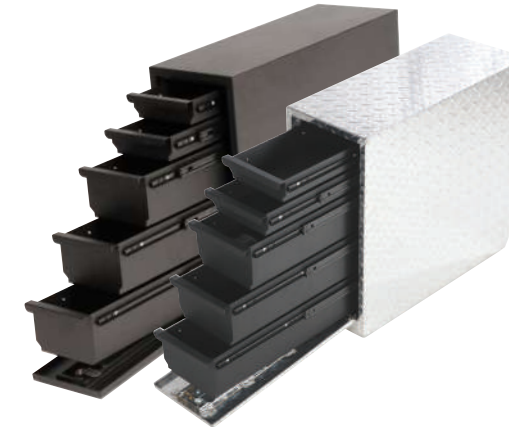
POLY WHEEL WELL BOX
Part #: DZ95P

SPECIALTY TOOL BOXES



TOOL BOXES

SPECIALTY TOOL BOXES



5 DRAWER WHEEL WELL BOX

- 5 drawers with single door opening and cam lock
- Quick release mounting plate for easy removal
- Steel constructed drawers with guide rails for smooth operation



POLY WHEEL WELL BOX

- Reversible lid allows mounting on either side
- Lockable lid with integrated cup holders



TRIANGLE TRAILER BOX

- Lockable paddle handle
- Gas shock to support the lid



ALUMINUM WHEEL WELL BOX

- Lockable lift-up lid on a sturdy piano hinge
- Fits full size trucks with 6' and 8' beds

STYLE	STEEL	POLY	BRITE-TREAD	GLOSS BLACK	L	W	H	L1	H2	Vol.
DRAWER WHEEL WELL										
BLACK POWDER COATED STEEL	DZ95D	-	-	-	20.5"	8.5"	18.88"	-	-	1.9 cu. ft.
BRITE-TREAD ALUMINUM BODY	-	-	DZ95DA	-	20.5"	8.5"	18.88"	-	-	1.9 cu. ft.
WHEEL WELL										
DRIVER SIDE (ALUMINUM)	-	-	DZ94	DZ94B	37"	7.75"	19.5"	14"	8.5"	2.2 cu. ft.
PASSENGER SIDE (ALUMINUM)	-	-	DZ95	DZ95B	37"	7.75"	19.5"	14"	8.5"	2.2 cu. ft.
REVERSIBLE POLY	-	DZ95P	-	-	37"	7.75"	19.5"	14"	8.5"	2.2 cu. ft.
TRIANGLE TRAILER										
SMALL ALUMINUM	-	-	DZ91716	-	34" (back)	14.25"	18"	16" (front)	-	3.71 cu. ft.
LARGE ALUMINUM	-	-	DZ91717	-	34" (back)	19"	22.75"	20.75" (front)	-	7.24 cu. ft.
POLY	-	DZ91717P	-	-	37"	19.5"	10"	14"	8.5"	2.2 cu. ft.

TOOL BOXES

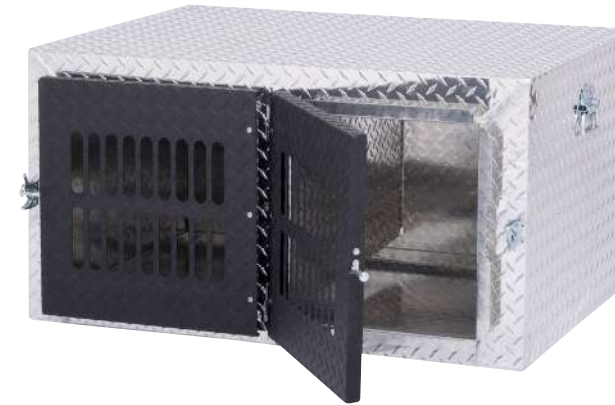
DOUBLE DOOR DOG BOX
Part #: DZ91781

SPECIALTY TOOL BOXES



TOOL BOXES

SPECIALTY TOOL BOXES



CHEST STYLE DOG BOX

- Fits most truck bed sizes
- Two independent doors and divider
- * Door design eliminates sharp edges and vents allow for air circulation



SINGLE STYLE DOG BOX

- Bolt together - can be linked together
- * Door design eliminates sharp edges with vents for air circulation



NARROW TOOL BOXES

- Narrow profile design fits great for today's short bed trucks



ATV TOOL BOXES

- Worry free storage for your ATV
- Black-Tread powder coating
- Mounting hardware included

STYLE	BRITE-TREAD	GLOSS BLACK		L	W	H	L1	H1	H2	Vol.
DOG BOXES										
SINGLE DOOR	DZ91782	-		18.75"	28"	20"	-	-	-	6 cu. ft.
DOUBLE DOOR	DZ91781	-		38"	29"	20"	-	-	-	12.75 cu. ft.
NARROW BOXES										
MID SIZE	DZ6163N	DZ6163NB		63"	14"	15.25"	53.5"	9.25"	5"	5 cu. ft.
FULL SIZE	DZ6170N	DZ6170NB		69.75"	12"	15.25"	60.75"	9.25"	5"	5.75 cu. ft.
ATV BOX										
SMALL	-	M206		35"	12"	9"	-	-	-	2 cu. ft.
LARGE	-	M207		35"	12"	12.5"	-	-	-	3 cu. ft.

TOOL BOXES

TEXTURED WHITE TOPSIDERS
Part #: DZ71WH

- Storage for the top rail of the truck bed
- Lockable stainless steel t-handle latch
- Drop down doors for easy access
- Safety chains to support the door
- Water resistant c-channel and bulb seal
- All mounting hardware included



TOOL BOXES

TOPSIDER TOOL BOXES



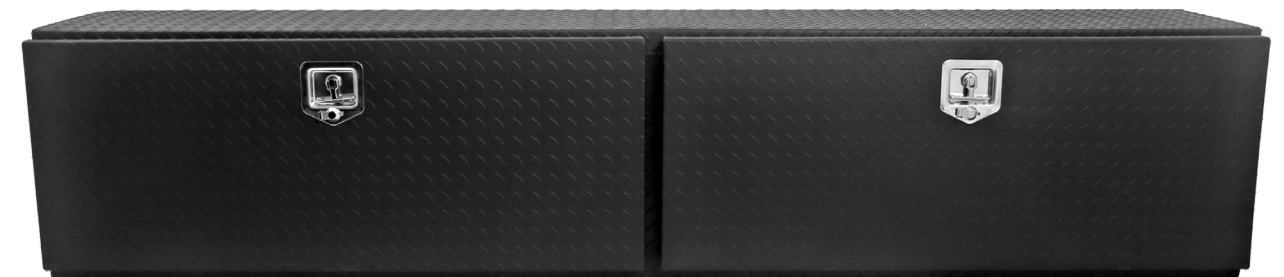
DZ70TB
Shown: Textured Black



DZ79
Shown: Brite Tread



DZ79WH
Shown: Textured White

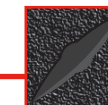


DZ67TB
Shown: Textured Black

FINISHES



**Aluminum
Brite-Tread**



**Textured
Black-Tread**

Add (TB)



**Textured
White**

Add (TB)

*See individual part numbers for exact finish availability

BRITE-TREAD	TEXTURED BLACK	TEXTURED WHITE	L	W	H	Vol.
DZ70	DZ70TB	DZ70WH	48"	12"	16"	5.33 cu. ft.
DZ59	DZ59TB	DZ59WH	60"	15.5"	20"	10.75 cu. ft.
DZ79	DZ79TB	DZ79WH	72"	15.5"	20"	12.75 cu. ft.
DZ71	DZ71TB	DZ71WH	90"	15.5"	20"	16 cu. ft.
DZ67	DZ67TB	DZ67WH	96"	15.5"	20"	17.22 cu. ft.

TOOL BOXES

TEXTURED BLACK UNDERBEDS
Part #: DZ61TB & DZ77TB

- Brite-Tread aluminum and steel storage with mounting versatility
- Water-channel and bulb seal help keep out water
- T-handle creates a tight barrier when closed
- Take 4.5" from length & height to get opening dimensions
- Mounting brackets **sold separately**

UNDERBED TOOL BOXES



UNDERBED BOX MOUNTING BRACKETS

- Securely mount underbed boxes
- Heavy duty welded steel construction
- Sold in pairs

#DB-2502 18" x 18"

TOOL BOXES

UNDERBED TOOL BOXES



DZ61TB
Shown: Textured Black



DZ77
Shown: Brite Tread

ALUMINUM UNDERBEDS

BRITE-TREAD	TEXTURED BLACK	L	W	H	Vol.
DZ61	DZ61TB	24"	18"	18"	4.5 cu. ft.
DZ74	DZ74TB	30"	20"	18"	5.94 cu. ft.
DZ77	DZ77TB	36"	20"	18"	7 cu. ft.
DZ75	DZ75TB	48"	20"	18"	9.5 cu. ft.
DZ76	DZ76TB	60"	20"	18"	11.9 cu. ft.



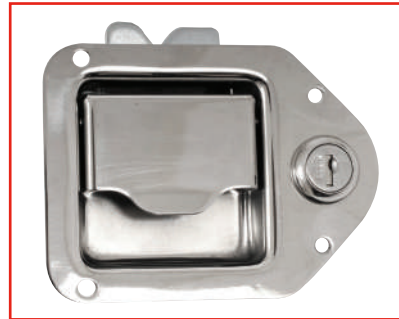
DB-2601
Shown: Black Steel



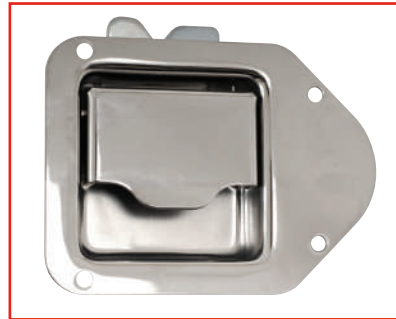
DB-2602
Shown: Black Steel

STEEL UNDERBEDS

BLACK STEEL	L	W	H	Vol.
DB-2600	24"	18"	18"	4.5 cu. ft.
DB-2603	30"	18"	18"	5.63 cu. ft.
DB-2601	36"	18"	18"	6.75 cu. ft.
DB-2602	48"	18"	18"	9 cu. ft.
DB-2604	60"	18"	18"	11.25 cu. ft.



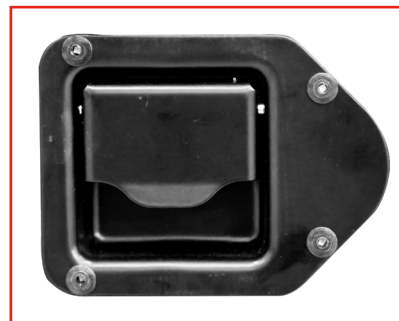
#DZTBLATCH1 (stainless steel)
Locking - hook style latch
*Lock and keys included.



#DZTBLATCH2 (stainless steel)
Non-locking - hook style latch



#DZTBLATCH3 (stainless steel)
Locking - post style latch
*Lock and keys included



#DZTBLATCH1B (black steel)
Locking - hook style latch
*Lock and keys included.



#DZTBLATCH4 (stainless steel)
Locking - pull-handle latch.
*Lock and keys included



#DZTBLATCH4B (black steel)
Locking - pull-handle latch.
*Lock and keys included



#DZTBLOCK1
Replacement lock cylinder
with keys



#DZTBSTRIKER
Striker/lid catch for post style
latches
2pk with rivets



#DZ46 GRIP TAPE
2-11/16" x 12' black adhesive tape
*Use it anywhere for a non-slip surface



#DZTBTRAY1
Tool box tray
• Molded plastic construction
• 10lb. weight limit



#DZTBTRAYHD
Professional steel tool box tray
• Adjustable steel dividers
• White powder coated finish



#DZTBMAT2
Non-slip mat with norust™ by
Zerust® vapor shield
• 70" x 20"
• .042 thickness



#DZTBSHOCK1
10.5" 80 lb. Shock - ball & socket mount



#DZTBSHOCK2
10" 70 lb. Shock - blade/eyelet mount



#DZTBSHOCK3
10.5" 60 lb. Shock - ball & socket mount



#DZTBSHOCK4
10.875" 40 lb. Shock - ball & socket mount
*Protective sleeve

Premium Tool Box Mounting Kits



#DZ97904
Premium Mounting Kit
*Replaces standard J-bolt
*Not recommended for Ford Aluminum Beds



#DZ97910
Ford Aluminum Bed Premium Mounting Kit
*Custom-designed for secure fit

TRANSFER TANKS



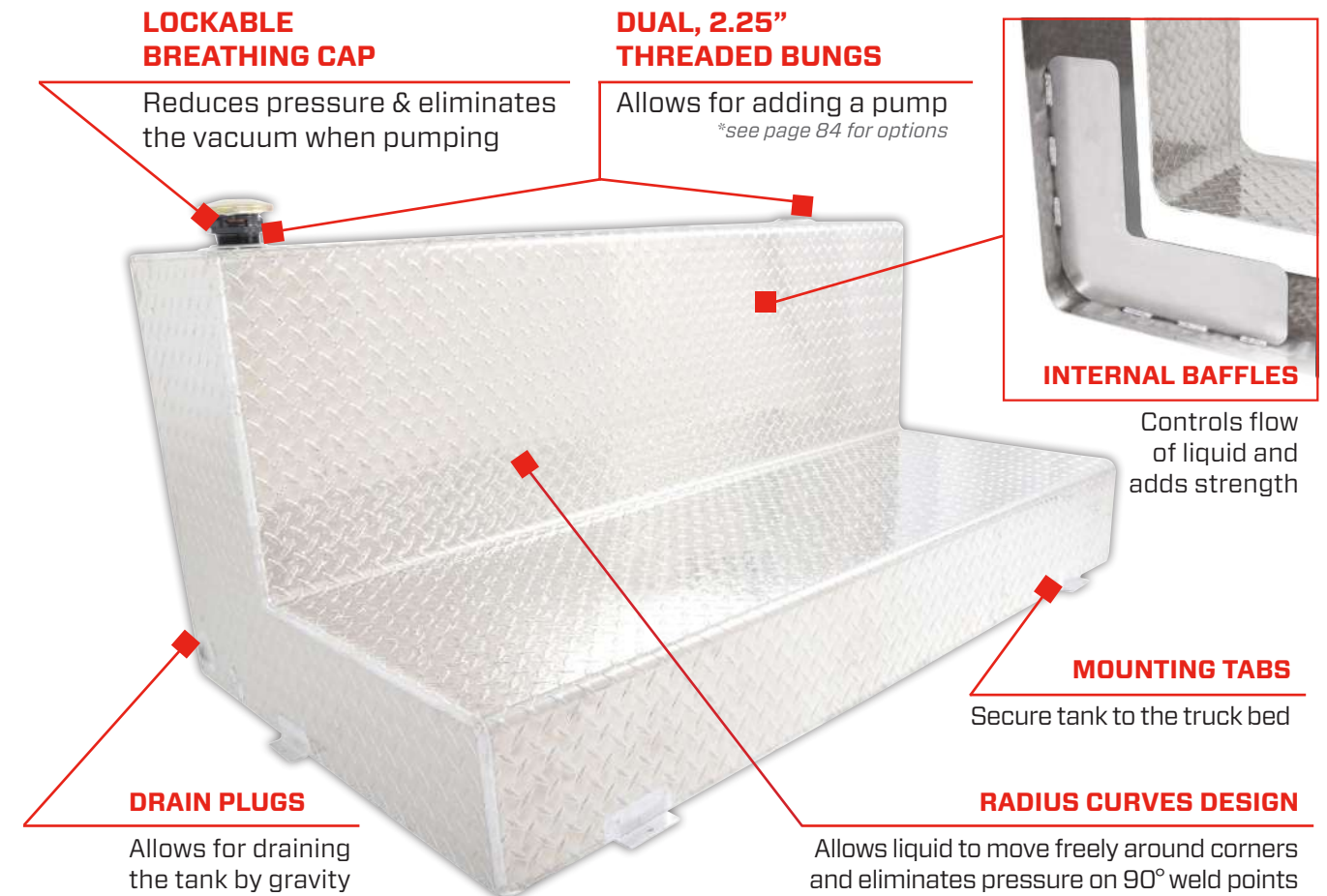
MADE FOR THE LONG HAUL

Dee Zee Transfer Tanks allow for the safe transportation of non-flammable liquids, so you can keep working longer.

- 78** RECTANGLE + L-SHAPED
- 80** COMBO TANKS
- 82** AUXILIARY TANKS
- 83** CONNECTOR KITS
- 84** ACCESSORIES

TANKS

FEATURES



FINISHES

**See individual part numbers for exact finish and material availability*

BRITE-TREAD
ALUMINUM



Raw Brite-Tread

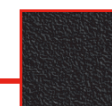


Gloss Black-Tread
Add (B)

14-GAUGE
STEEL



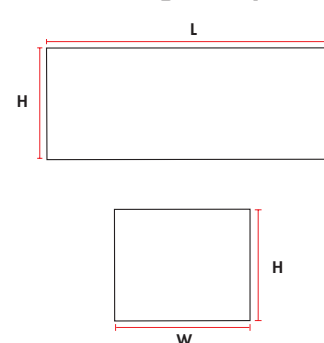
White Steel
Add (S)



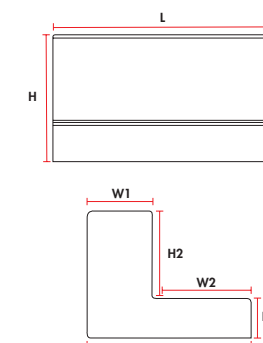
Black Steel
Add (SB)

STYLES

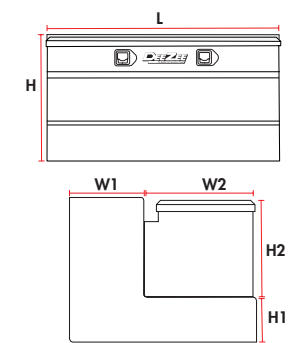
Rectangle + Square



L-Shaped



Combo Tanks



RECTANGLE & L SHAPED



RECTANGLE
Shown: Black Steel

Angled design works great with Fifth-Wheel Trailers!



WEDGE
Shown: Brite-Tread



SQUARE
Shown: White Steel

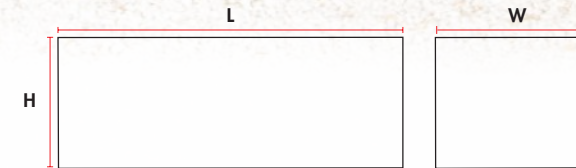


L-SHAPED
Shown: Black-Tread

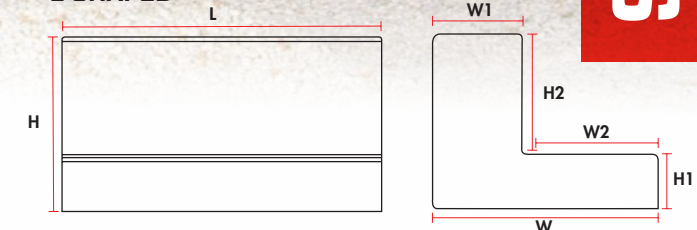
L-Shape fits nicely under Crossover Tool Boxes



RECTANGLE + SQUARE



L-SHAPED



STYLE	BRITE-TREAD ALUMINUM	BLACK-TREAD ALUMINUM	WHITE STEEL	BLACK STEEL	L	W	H	W1	H1	W2	H2	Vol.
RECTANGLE + SQUARE												
WEDGE	DZ92556	DZ92556B	-	-	56"	20"	20"	8.3"	8.3"	-	-	72 gal.
SQUARE	DZ91750	-	DZ91750S	DZ91750SB	24"	24"	24"	-	-	-	-	55 gal.
NARROW RECTANGLE	DZ92556N	DZ92556NB	DZ92556NS	DZ92556NSB	56"	9.625"	19"	-	-	-	-	40 gal.
HIGH CAPACITY RECTANGLE	DZ91753	-	DZ91753S	DZ91753SB	48"	24"	24"	-	-	-	-	108 gal.
L-SHAPED												
29" BASE	-	-	DZ91754S	DZ91754SB	29"	31"	24"	10"	8"	21"	16"	55 gal.
48" BASE	DZ92747	DZ92747B	DZ92747S	DZ92747SB	46.75"	32.75"	25.5"	13"	7.75"	19.75"	17.75"	92 gal.
56" BASE	DZ92756	DZ92756B	DZ92756S	DZ92756SB	56"	32.75"	25.5"	13"	7.75"	19.75"	17.75"	111 gal.

Non-Flammable Liquids Only - Not for Use with Gasoline

Measure for Fitment

For private use only. Not for commercial applications of interstate commerce. Not designed for use as an auxiliary fuel system as they do not meet title 49 of the United States Federal Register governing transportation or Transport of Canada regulation CGSB 43.146 governing Transportation of Dangerous Goods.

Vented caps add 3.5" to overall height. Mounting tabs and drain plugs alter dimensions slightly. Center weighted pumps are highly recommended. Off-center pumps must be supported by brackets to ensure warranty of tank.

COMBO TANKS

Fits under tonneau covers



54" LOW-PROFILE
Shown: Brite-Tread Aluminum



56" BASE
Shown: Black Steel



47" BASE
Shown: Black-Tread Aluminum



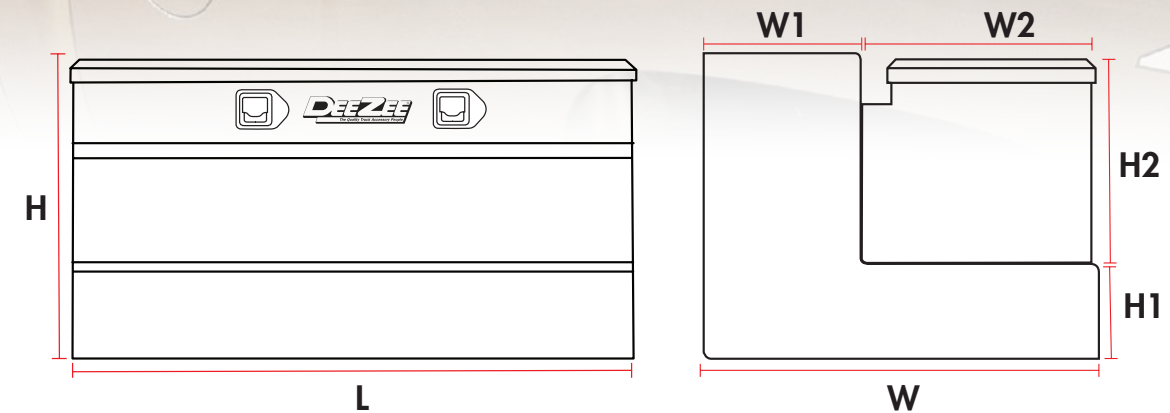
54" BASE
Shown: White Steel

BEST OF BOTH WORLDS

The convenience of a Utility Chest mounted to a Transfer Tank



COMBO TANKS



STYLE	BRITE-TREAD ALUMINUM	BLACK-TREAD ALUMINUM	WHITE STEEL	BLACK STEEL	L	W	H	W1	H1	W2	H2	Vol.
COMBO TANK + TOOL CHEST												
47" BASE	DZ92647	DZ92647B	-	DZ927647SB	46.75"	32.75"	25.5"	13"	7.75"	19"	16"	92 gal.
54" BASE	-	-	DZ91740S	DZ91740SB	54"	18"	20"	9"	6.5"	11.5"	12.5"	50 gal.
54" BASE LOW PROFILE	DZ92740	DZ92740B	-	-	54"	18"	16"	6.5"	9"	11.5"	7"	43 gal.
56" BASE	DZ92656	DZ92656B	-	DZ92656SB	56.25"	32.75"	25.5"	13"	7.75"	19"	16"	111 gal.

Non-Flammable Liquids Only - Not for Use with Gasoline

Measure for Fitment

For private use only. Not for commercial applications of interstate commerce. Not designed for use as an auxiliary fuel system as they do not meet title 49 of the United States Federal Register governing transportation or Transport of Canada regulation CGSB 43.146 governing Transportation of Dangerous Goods.

Vented caps add 3.5" to overall height. Mounting tabs and drain plugs alter dimensions slightly. Center weighted pumps are highly recommended. Off-center pumps must be supported by brackets to ensure warranty of tank.

The same great tanks you rely on, now with the ability to feed directly into the fuel line of your diesel vehicle.

ALL STANDARD TANK FEATURES

Lockable-Breathing Caps, Drain Plugs, Radius Curves...

PRESSURE TESTED TO 29 PSI

Federal Regulation 178.814



48" L-SHAPED
Shown: Brite-Tread Aluminum



48" COMBO
Shown: Black-Tread Aluminum

CONNECTOR KITS *Sold Separately**

- Feed diesel directly into your fuel line
- All hoses and hardware included
- Some cutting required to OEM fuel hose
- Not designed for continuous flow. Valve must be closed during vehicle operation



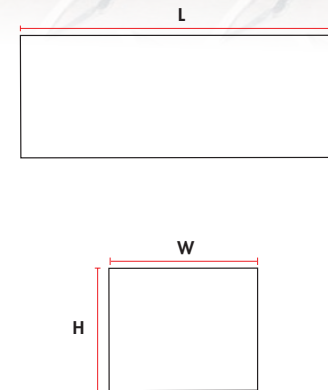
#DZ97960
2011+ Chevrolet/GMC
99-12 Dodge
1999+ Ford
2016+ Nissan Titan XD

#DZ97961
99-10 Chevrolet/GMC

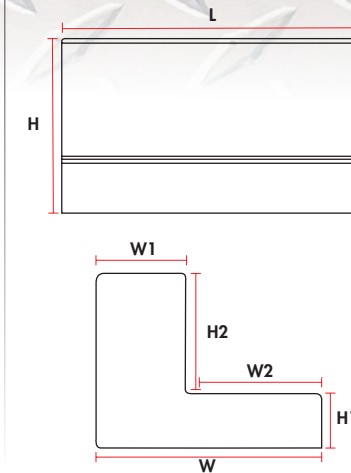
#DZ97962
2013+ Dodge

**Required for auxiliary functionality*

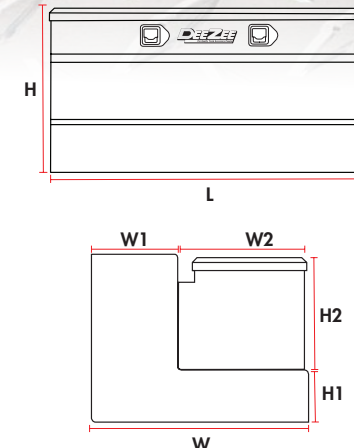
RECTANGLE



L-SHAPED



COMBO TANKS



STYLE	BRITE-TREAD ALUMINUM	BLACK-TREAD ALUMINUM	WHITE STEEL	BLACK STEEL	L	W	H	W1	H1	W2	H2	Vol.
RECTANGLE												
HIGH CAPACITY RECTANGLE	DZ91753X	DZ91753XB	DZ91753XS	DZ91753XSB	48"	24"	24"	-	-	-	-	108 gal.
L-SHAPED												
48" BASE	DZ91767X	DZ91767XB	-	-	48"	29"	24"	9"	9"	21"	15"	80 gal.
56" BASE	DZ91768X	DZ91768XB	-	-	56"	29"	24"	9"	9"	21"	15"	92 gal.
60" BASE	DZ91751X	DZ91751XB	DZ91751XS	DZ91751XSB	60"	29"	29"	9"	9"	21"	17.5"	84 gal.
COMBO TANK + TOOL CHEST												
48" BASE	DZ91741X	DZ91741XB	-	-	48"	29"	24"	9"	9"	20"	15"	80 gal.
54" BASE LOW-PROFILE	DZ92740X	DZ92740XB	-	-	54"	18"	16"	6.5"	9"	11.5"	7"	43 gal.
56" BASE	DZ91742X	DZ91742XB	-	-	56"	29"	24"	9"	9"	20"	15"	92 gal.

Non-Flammable Liquids Only - Not for Use with Gasoline

Measure for Fitment

For private use only. Not for commercial applications of interstate commerce. Always check local rules and regulations before altering your OEM fuel system. Meet Federal DOT requirements for UN31A and UN31B tanks.

Vented caps add 3.5" to overall height. Mounting tabs and drain plugs alter dimensions slightly. Center weighted pumps are highly recommended. Off-center pumps must be supported by brackets to ensure warranty of tank.

TANK ACCESSORIES



#123000-06
ROTARY HAND PUMP

- Built-in strainer and anti-siphon valve
- Includes pipe and 8' of 3/4" hose
- UL Listed - manual shut-off



#137100-01
12-VOLT ELECTRIC PUMP

- Up to 8 gal./min., for up to 120 gal. tanks.
- Includes 3-pc suction pipe and 10' of 5/8" hose
- UL Listed - manual shut-off



#110000-107
12-VOLT ELECTRIC PUMP

- Up to 15 gal./min.
- Includes 2-pc suction pipe and 10' of hose
- UL Listed - manual shut-off



#DZGASCAP

- Vented cap and neck for transfer tanks - padlockable



#DZGASCAP2

- Replacement vented cap only - does not include neck



#DZGASCAP3

- Built-in lock, vented cap, and neck for transfer tanks

CREATE YOUR OWN COMBO TANK

Mix and Match Finishes!



#DZBKTCOMBO

+

48" BASE
56" BASE



#DZ8546(B)(S)(SB)

+

OR

+



#DZ92747(B)(S)(SB)



#DZ8556F(B)(S)(SB)



#DZ92756(B)(S)(SB)

*Aluminum: Add "B" for Gloss Black Finish
**Steel: Add "S" for NRT™ White Finish / Add "SB" for NRT™ Black Finish

