

Dynacorn International LLC

The muscle car people



**2019
ACCESSORIES**

Radios

RetroSound

Direct-Fit Radios



Mustang



AM-APACHE2

1955-59 Chevy/GMC Truck

Radio, "Apache 2" Model w/Remote (Use AM-1210 Install Kit)

AM-MAL6768

1967-68 Ford Mustang

Radio, "Mailbu" w/Black Face & Knobs (Direct fit for Mustang)

Muscle Car Parts & Molding • Muscle Car Parts & Molding • Muscle Car Parts & Molding

Basic Unit

Box Size:
11" x 9" x 3.5"
Weight:
2 lbs.



Fits:
59-72 Impala & El Camino
64-74 Nova
65-73 Mustang
67-72 Chevelle
67-73 Camaro
70-72 Monte Carlo

AM-RC900

See Makes Above

Radio, Model RC900C, Basic Unit (no remote)

AM-HERMOSA-B

Box Size:
11.5" x 9" x 3.5"
Weight:
3 lbs.



AM-HERMOSA-B & AM-MERMOSA-C are replacing ZUMA models & Model 1 & 2 radios.

AM-HERMOSA-C

Box Size:
11.5" x 9" x 3.5"
Weight:
3 lbs.



AM-HERMOSA-B

1967-81

Radio, "Hermosa B" w/Black Face & Buttons (Use make-specific faceplate & knob kit)

AM-HERMOSA-C

1967-81

Radio, "Hermosa C" w/Chrome Face & Buttons (Use make-specific faceplate & knob kit)



Use make-specific
bezel & knob kits.

AM-ZUMA-B*

Box Size:
11.5" x 8.75" x 3.25"
Weight:
2.66 lbs.



***Discontinued; While
supplies last.**

Replaced by
HERMOSA models;
see page A3



Box Size:
11.5" x 8.75" x 3.25"
Weight:
2.66 lbs.

AM-ZUMA-V*



AM-ZUMA-C*

Box Size:
11.5" x 8.75" x 3.25"
Weight:
2.66 lbs.

- | | | |
|------------|-----------|---|
| AM-ZUMA-B* | All Makes | Radio, "Zuma B" with Black Face & Knobs (Use make-specific faceplate & knob kit) |
| AM-ZUMA-C* | All Makes | Radio, "Zuma C" with Chrome Face & Knobs (Use make-specific faceplate & knob kit) |
| AM-ZUMA-V* | All Makes | Radio, "Zuma V" w/Chrome Face, Ivory Knobs (Use make-specific faceplate & knob kit) |

AM-MOD2C*

Box Size:
11.5" x 8.75" x 3.25"
Weight:
2.94 lbs.

***Discontinued; While
supplies last.**

Replaced by
HERMOSA models;
see page A3



Box Size:
11.5" x 8.75" x 13.25"
Weight:
2.98 lbs.

AM-MOD2V*



- | | | |
|-----------|-----------|---|
| AM-MOD2B* | All Makes | Radio, "Model 2B" with Black Face (Use make-specific faceplate & knob kit) |
| AM-MOD2C* | All Makes | Radio, "Model 2C" with Chrome Face (Use make-specific faceplate & knob kit) |
| AM-MOD2V* | All Makes | Radio, "Model 2V" with Ivory Knobs (Use make-specific faceplate & knob kit) |

RetroSound

AM-1000



Camaro

AM-1005



AM-1000	1967-68 Camaro	Radio Bezel & Knob Kit, Black Face Plate
AM-1005	1967-68 Camaro	Radio Bezel & Knob Kit, Walnut Face Plate
AM-1010	1969 Camaro	Radio Bezel & Knob Kit, Chrome Face, Black & Chrome Knobs
AM-1015	1970-81 Camaro	Radio Bezel & Knob Kit, Chrome Face Plate & Knobs

Chevelle/El Camino/Monte Carlo



AM-1400	1964-65 Chevelle	Radio Bezel & Knob Kit, Chrome Face Plate & Knobs
AM-1410	1966-67 Chevelle/El Camino	Radio Bezel & Knob Kit, Chrome Face Plate & Knobs
AM-1415	1968-72 Chevelle/El Camino	Radio Bezel & Knob Kit, Chrome Face Plate & Knobs
AM-UNIKIT*	1970-85 Monte Carlo	Radio Bezel & Knob Kit, Universal GM Design Discontinued; While supplies last.

Chevy/GMC Truck



AM-1200	1947-53 Chevy truck	Radio Bezel & Knob Kit, Chrome Face Plate & Knobs
AM-1205	1954 Chevy/GMC truck	Radio Bezel & Knob Kit, Chrome Face Plate & Knobs
AM-1210	1955-59 Chevy/GMC truck	Radio Bezel & Knob Kit, Chrome Face Plate & Knobs
AM-1215	1960-63 Chevy/GMC truck	Radio Bezel & Knob Kit, Black Face Plate & Chrome Knobs
AM-1220	1964-66 Chevy/GMC truck	Radio Bezel & Knob Kit, Chrome Face Plate, Black & Chrome Knobs
AM-1225	1967-72 Chevy/GMC truck	Radio Bezel & Knob Kit, Black Face Plate & Knobs

Falcon



AM-3460C	Ford Falcon	Radio Bezel & Knob Kit, Chrome Face Plate & Knobs
AM-3460W	Ford Falcon	Radio Bezel & Knob Kit, Chrome Face Plate & Ivory Knobs

RetroSound

AM-4053



AM-4057



Full Size Chevy



AM-4055



AM-4058

AM-4053	1953-54 Full Size Chevy	Radio Bezel & Knob Kit, Chrome Face Plate & Knobs
AM-4055	1955-56 Full Size Chevy	Radio Bezel & Knob Kit, Chrome Face Plate & Knobs
AM-4057	1957 Full Size Chevy	Radio Bezel & Knob Kit, Chrome Face Plate & Knobs
AM-4058	1958 Full Size Chevy	Radio Bezel & Knob Kit, Chrome Face Plate & Knobs

Impala

AM-1700



AM-1715



AM-1710



AM-1720

AM-1700	1959-60 Impala/El Camino	Radio Bezel & Knob Kit, Chrome Face Plate & Knobs
AM-1710	1961-62 Impala	Radio Bezel & Knob Kit, Chrome Face Plate & Knobs
AM-1715	1963-64 Impala	Radio Bezel & Knob Kit, Chrome Face Plate & Knobs
AM-1720	1965-66 Impala	Radio Bezel & Knob Kit, Chrome Face Plate & Knobs
AM-1725*	1967-68 Impala	Radio Bezel & Knob Kit Discontinued; While supplies last.
AM-1730*	1969-72 Impala	Radio Bezel & Knob Kit Discontinued; While supplies last.

Mustang

AM-3600



AM-3610



AM-3600	1965-66 Mustang	Radio Bezel & Knob Kit, Chrome Face Plate & Knobs
AM-3610	1967-73 Mustang	Radio Bezel & Knob Kit, Chrome Face Plate & Knobs

RetroSound

Fits:

- 67-69 Camaro
- 64-65, 68-69 Chevelle/El Camino
- 66-76 Chevy II/Nova
- 60-72 Chevy/GMC Trucks
- 60-65 Falcon
- 64-67 GTO/LeMans/Tempest
- 63-64 Impala (Dash only)
- 67-68 Impala
- 64-65, 68-69 Malibu
- 67-78 Mustang



AMR-410UK



Fits:

- 67-81 Camaro/Firebird
- 66-69 Chevelle/Malibu
- 62-76 Chevy II/Nova
- 67-87 Chevy/GMC Trucks
- 61-72 Cutlass
- 61-62, 66-69, 78-85 El Camino
- 66-70 Falcon
- 68-72 GTO
- 61-62, 65-68 Impala
- 61-63, 68-72 LeMans
- 78-85 Monte Carlo
- 68-72 MOPAR
- 65-68 Mustang
- 60-75 Ranchero
- 61-63, 68-70 Tempest

AM-SUB8100



AMR-57UK

See Makes Above

Dash Speaker with Bracket, 5 x 7 Dual Voice Coil, 2-way, 100 watt

AMR-410UK

See Makes Above

Dash Speaker with Bracket, 4 x 10 Dual Voice Coil, 2-way, 160 watt, w/bracket kit

AM-SUB8100

Amplified Sub-Woofer, 8", 100 watt

RetroSound[®]

Muscle Car Parts & Molding • Muscle Car Parts & Molding • Muscle Car Parts & Molding



AM-BT1

Digital LCD Battery Monitor, 12 Volt Cigarette Lighter Plug

AM-EX1

Battery Charger/Maintainer

AM-EX1-PKG

Battery Charger/Maintainer w/LED, Includes Battery Status Indicator

L.E.D. Light Bulbs

LED04
(9 LED)



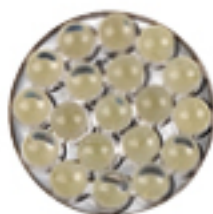
Base

LED56C12
(12 LED)



Base

LED56C19
(19 LED)



Base

LED57A19
(19 LED)



Base



LED94A



LED94C



LED94L



LED94M



LED



LED95

LED04	LED Bulb #1004 Base, 9 LED	Package of 5	Clear Lamp
LED56C12	LED Bulb #1156 Base, 12 LED	Package of 5	Clear Lamp
LED56C19	LED Bulb #1156 Base, 19 LED	Package of 5	Clear Lamp
LED57A12	LED Bulb #1157 Base, 12 LED	Package of 5	Amber Lamp
LED57A19	LED Bulb #1157 Base, 19 LED	Package of 5	Amber Lamp
LED57C12	LED Bulb #1157 Base, 12 LED	Package of 5	Clear Lamp
LED57C19	LED Bulb #1157 Base, 19 LED	Package of 5	Clear Lamp
LED94A	LED Bulb #194 Base, 1 LED	Package of 10	Amber Lamp
LED94C	LED Bulb #194 Base, 1 LED	Package of 10	Clear Lamp
LED94L	LED Bulb #194 Base, 1 LED (T6)	Package of 10	Clear Lamp
LED94M	LED Bulb #194 Base, 4 LED	Package of 10	Clear Lamp
LED95	LED Bulb #1895 Base, 1 LED	Package of 10	Clear Lamp

Spark Plugs



Box Size:
6" x 3.5" x 1"
Weight:
1.15 lbs.

SP43



Box Size:
6" x 3.5" x 1"
Weight:
1.15 lbs.

SP44



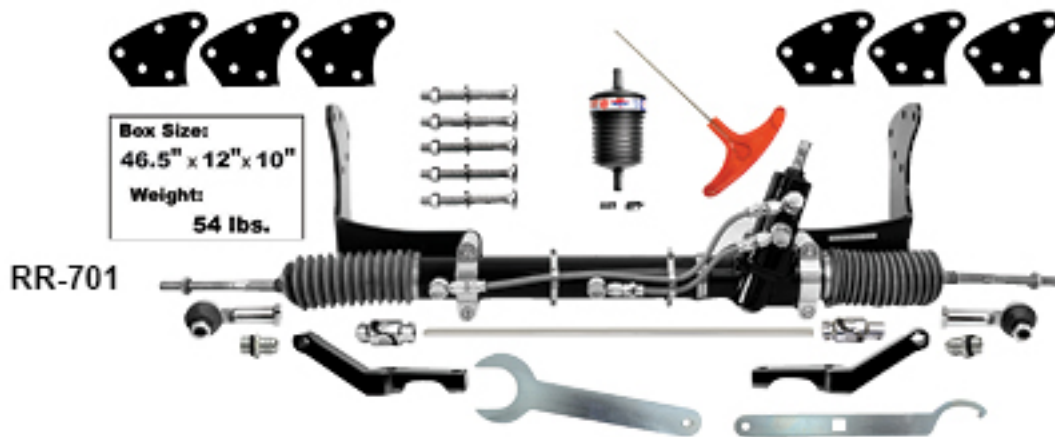
Box Size:
6" x 3.5" x 1"
Weight:
1.15 lbs.

SP45

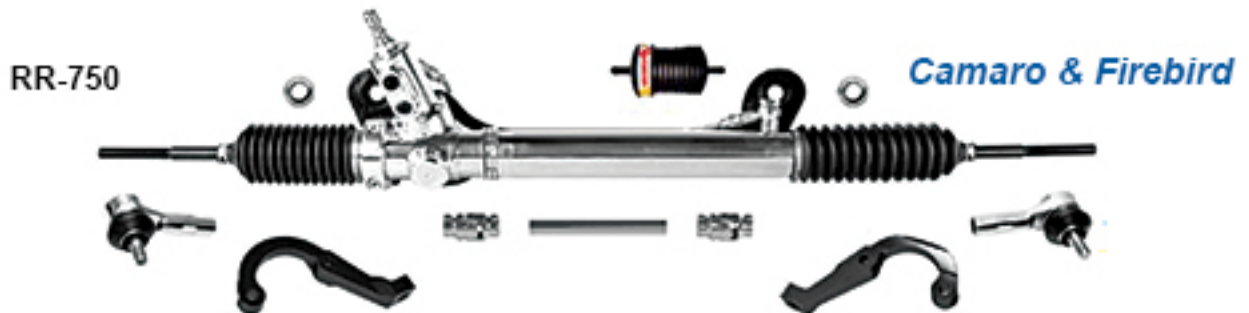
SP43	GM	Reproduction Spark Plug Set, Large Plugs w/Seal Rings, Set of 8
SP44	GM	Reproduction Spark Plug Set, Large Plugs w/Seal Rings, Set of 8
SP44	GM	Reproduction Spark Plug Set, Large Plugs w/Seal Rings, Set of 8



Full Size Chevy



RR-700	1955-57 Chevy	Rack & Pinion Conversion Kit, Polished
RR-701	1955-57 Chevy	Rack & Pinion Conversion Kit, Black Anodized



RR-750	1967-69 "F" Body	Rack & Pinion Conversion Kit
--------	------------------	------------------------------

Mustang

RR-703



RR-744



RR-746



RR-703	Mustang II	Universal Hotrod Fabricator Kit
RR-744	1967-70 Mustang	Rack & Pinion Conversion Kit
RR-746	1965-66 Mustang	Rack & Pinion Conversion Kit

Muscle Car Parts & Molding • Muscle Car Parts & Molding • Muscle Car Parts & Molding



Alternate colors available by special order. Call a Dynacorn salesperson for details.



Push Button Detail



Tan
SBP-TAN60



SBP-BK60	Seat Belt with Push Button, 60 Inch.	Black
SBP-BK74	Seat Belt with Push Button, 74 Inch.	Black
SBP-GR60	Seat Belt with Push Button, 60 Inch.	Grey
SBP-GR74	Seat Belt with Push Button, 74 Inch.	Grey
SBP-TAN60	Seat Belt with Push Button, 60 Inch.	Tan
SBP-TAN74	Seat Belt with Push Button, 74 Inch.	Tan
SBP-NB60	Seat Belt with Push Button, 60 Inch.	Navy Blue
SBP-NB74	Seat Belt with Push Button, 74 Inch.	Navy Blue
SBP-RED60	Seat Belt with Push Button, 60 Inch.	Red
SBP-RED74	Seat Belt with Push Button, 74 Inch.	Red
SBP-MAR60	Seat Belt with Push Button, 60 Inch.	Maroon
SBP-MAR74	Seat Belt with Push Button, 74 Inch.	Maroon

Seat Belts with Lift Latch

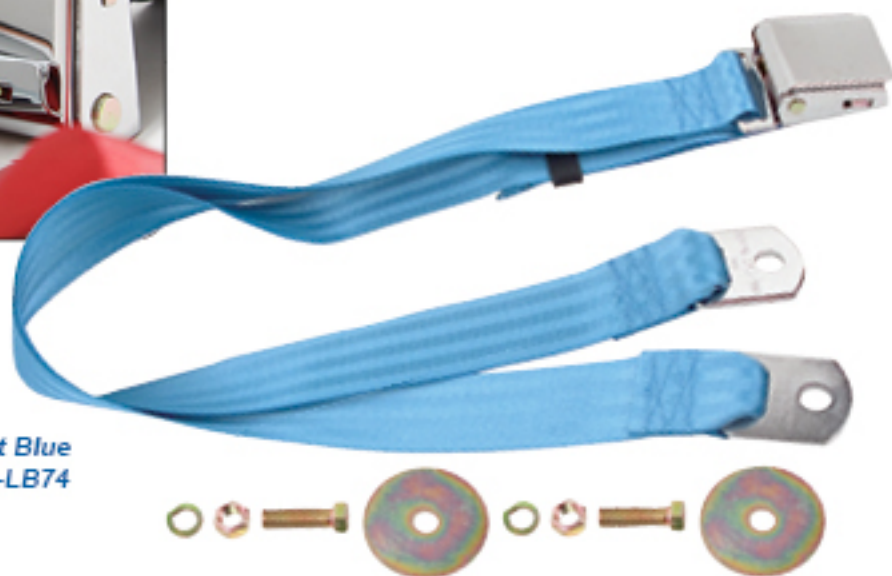


Lift Latch Detail



Alternate colors available by special order. Call a Dynacorn salesperson for details.

Light Blue SBL-LB74



SBL-BK60	Seat Belt with Lift Latch, 60 Inch.	Black
SBL-BK74	Seat Belt with Lift Latch, 74 Inch.	Black
SBL-WT60	Seat Belt with Lift Latch, 60 Inch.	White
SBL-WT74	Seat Belt with Lift Latch, 74 Inch.	White
SBL-LG60	Seat Belt with Lift Latch, 60 Inch.	Light Grey
SBL-LG74	Seat Belt with Lift Latch, 74 Inch.	Light Grey
SBL-DG60	Seat Belt with Lift Latch, 60 Inch.	Dark Grey
SBL-DG74	Seat Belt with Lift Latch, 74 Inch.	Dark Grey
SBL-LT60	Seat Belt with Lift Latch, 60 Inch.	Light Tan
SBL-LT74	Seat Belt with Lift Latch, 74 Inch.	Light Tan
SBL-DT60	Seat Belt with Lift Latch, 60 Inch.	Dark Tan
SBL-DT74	Seat Belt with Lift Latch, 74 Inch.	Dark Tan
SBL-LB60	Seat Belt with Lift Latch, 60 Inch.	Light Blue
SBL-LB74	Seat Belt with Lift Latch, 74 Inch.	Light Blue
SBL-DB60	Seat Belt with Lift Latch, 60 Inch.	Dark Blue
SBL-DB74	Seat Belt with Lift Latch, 74 Inch.	Dark Blue
SBL-BR60	Seat Belt with Lift Latch, 60 Inch.	Bright Red
SBL-BR74	Seat Belt with Lift Latch, 74 Inch.	Bright Red
SBL-DR60	Seat Belt with Lift Latch, 60 Inch.	Dark Red
SBL-DR74	Seat Belt with Lift Latch, 74 Inch.	Dark Red

Muscle Car Parts & Molding • Muscle Car Parts & Molding • Muscle Car Parts & Molding



*Lift
Latch
Detail*



*Black
SBL-BK74BLK*



Alternate colors available by special order. Call a Dynacorn salesperson for details.



*Black
SBL-BK60BLK*

SBL-BK60BLK
SBL-BK74BLK

Seat Belt w/Black Wrinkle Finish Lift Latch, 60 inch. Black
Seat Belt w/Black Wrinkle Finish Lift Latch, 74 inch. Black

Retractable 3-Point Seat Belts



SBR-BK Retractable 3 Point Seat Belt w/Push Button Black

Seat Belt Extender Kit



SBEXT-BK Seat Belt Extender, 12 In. extension Black



SB3-WHITE	Mustang	3-Point Seat Belt w/Chrome Lift Latch	White
SB3-BLACK	Mustang	3-Point Seat Belt w/Chrome Lift Latch	Black
SB3-AQUA	Mustang	3-Point Seat Belt w/Chrome Lift Latch	Aqua
SB3-BLUE	Mustang	3-Point Seat Belt w/Chrome Lift Latch	Blue
SB3-BURG	Mustang	3-Point Seat Belt w/Chrome Lift Latch	Burgundy
SB3-GRAY	Mustang	3-Point Seat Belt w/Chrome Lift Latch	Gray
SB3-RED	Mustang	3-Point Seat Belt w/Chrome Lift Latch	Red
SB3-GREEN	Mustang	3-Point Seat Belt w/Chrome Lift Latch	Green
SB3-TAN	Mustang	3-Point Seat Belt w/Chrome Lift Latch	Tan

3-Point Seat Belt w/Chrome Push Button

Box Size:
4.5" x 4.25" x 12.25"
Weight:
6 lbs.



Box Size:
4.5" x 4.25" x 12.25"
Weight:
6 lbs.



SB4-BLACK	Chevy Pickup	3-Point Seat Belt w/Chrome Push Button	Black
SB4-GRAY	Chevy Pickup	3-Point Seat Belt w/Chrome Push Button	Gray
SB4-BLUE	Chevy Pickup	3-Point Seat Belt w/Chrome Push Button	Blue
SB4-BURG	Chevy Pickup	3-Point Seat Belt w/Chrome Push Button	Burgundy

Muscle Car Parts & Molding • Muscle Car Parts & Molding • Muscle Car Parts & Molding

Black 80/20 Loop Carpet



**Auto
Custom
Carpets, Inc.**

Bronco

37B53431	1966-77	Carpet, Black, 80/20 Loop <i>Bronco</i> ®
----------	---------	---

Camaro

10B53140	1967-69	Carpet, Black, 80/20 Loop (1 pc.) <i>Camaro</i> ®
10B53140-2	1967-69	Carpet, Black, 80/20 Loop (2 pc.) <i>Camaro</i> ®
10B52200	1970-74	Carpet, Black, 80/20 Loop (1 pc.) <i>Camaro</i> ®

Challenger

60B23629	1970	Carpet, Black, 80/20 Loop, Automatic <i>Challenger</i> ®
60B53641	1970	Carpet, Black, 80/20 Loop, 4-Speed <i>Challenger</i> ®
60B53658	1971-74	Carpet, Black, 80/20 Loop, Automatic <i>Challenger</i> ®
60B53625	1971-74	Carpet, Black, 80/20 Loop, 4-Speed <i>Challenger</i> ®

Chevelle

14B53130	1964-67	Carpet, Black, 80/20 Loop <i>Chevelle</i> ®
14B53134	1964-67	Carpet, Black, 80/20 Loop, 4-Speed without console <i>Chevelle</i> ®
14B53131	1968-72	Carpet, Black, 80/20 Loop <i>Chevelle</i> ®
14B53164	1968-72	Carpet, Black, 80/20 Loop, 4-Speed without console <i>Chevelle</i> ®

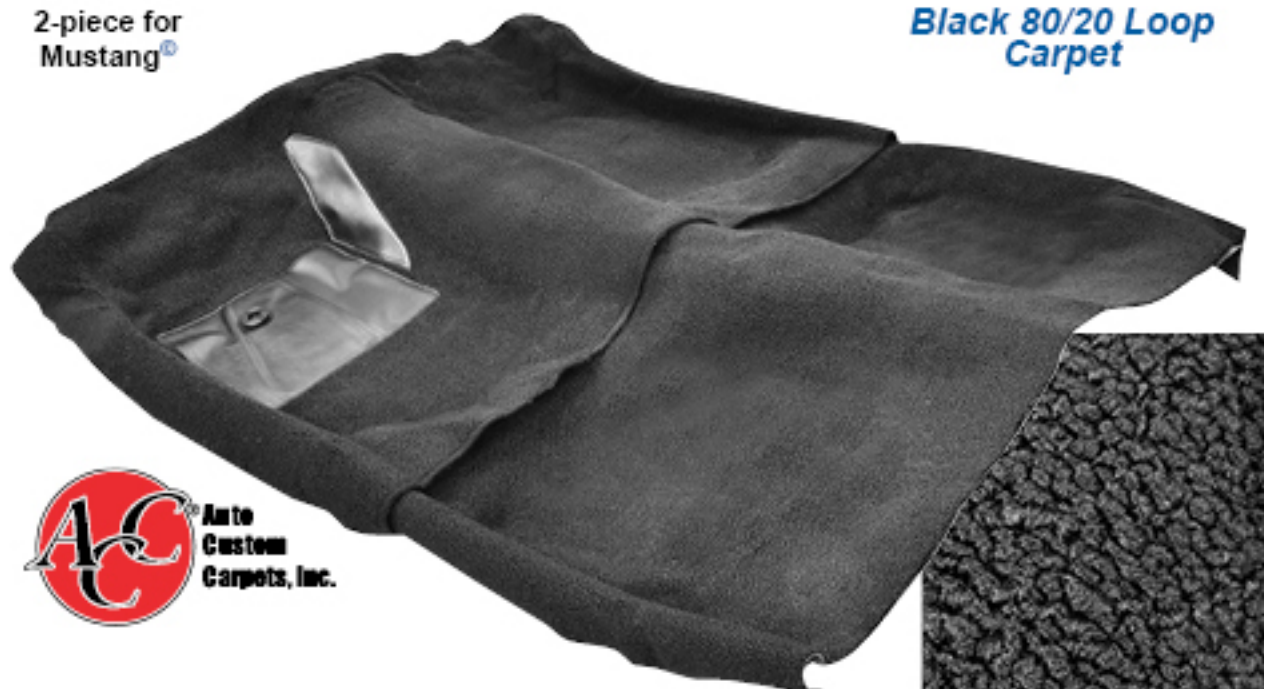
Chevy Pickup

12B53033	1947-55 early	Carpet, Black, 80/20 Loop, Early '55 without riser cut-out <i>Chevy</i> ® Pickup
12B53003	late 1955-59	Carpet, Black, 80/20 Loop, Late '55 with low tunnel <i>Chevy</i> ® Pickup
12B53003H	late 1955-59	Carpet, Black, 80/20 Loop, Late '55 with high tunnel <i>Chevy</i> ® Pickup
12B53004	1960-66	Carpet, Black, 80/20 Loop, 2WD with column shift <i>Chevy</i> ® Pickup
12B53005	1960-66	Carpet, Black, 80/20 Loop, Floor shift 2WD & all 4WD <i>Chevy</i> ® Pickup
12B53724	1967-72	Carpet, Black, 80/20 Loop, 2WD w/column shift, no tank in cab <i>Chevy</i> ® Pickup
12B53006	1967-72	Carpet, Black, 80/20 Loop, 2WD w/column shift & tank in cab <i>Chevy</i> ® Pickup
12B53726	1967-72	Carpet, Black, 80/20 Loop, Floor shift 2WD & 4WD, no tank in cab <i>Chevy</i> ® Pickup
12B53008	1973-80	Carpet, Black, 80/20 Loop, Column shift 2WD <i>Chevy</i> ® Pickup
12B53009	1973-80	Carpet, Black, 80/20 Loop, Floor shift 2WD & 4WD <i>Chevy</i> ® Pickup

Carpet

35B53511
2-piece for
Mustang®

*Black 80/20 Loop
Carpet*



Nova

16B53148	1962-67	Carpet, Black, 80/20 Loop, 2 Door without Factory 4 speed Transmission
16B53215	1962-67	Carpet, Black, 80/20 Loop, Factory 4-Speed Transmission
16B53146	1968-79	Carpet, Black, 80/20 Loop, Factory Console w/4-Spd. or Auto. Transmission
16B53149	1968-79	Carpet, Black, 80/20 Loop, Column Shift or None-Console

El Camino

14B53136	1964-67	Carpet, Black, 80/20 Loop, Factory 4-Speed w/o console El Camino®
14B53138	1968-72	Carpet, Black, 80/20 Loop, Factory 4-Speed w/o console El Camino®
14B53139	1968-72	Carpet, Black, 80/20 Loop El Camino®

Falcon

34B53527	1960-65	Carpet, Black, 80/20 Loop, Factory 4-Speed Falcon®
34B53528	1960-65	Carpet, Black, 80/20 Loop, Except factory 4-Speed Falcon®

GTO & Cutlass

14B53130	1964-67	Carpet, Black, 80/20 Loop Chevelle®, Cutlass™, Tempest™
15B53219	1964-65	Carpet, Black, 80/20 Loop, Factory 4-Speed w/o console GTO®
15B53220	1964-65	Carpet, Black, 80/20 Loop, Automatic or all with console GTO®
14B53134	1964-67	Carpet, Black, 80/20 Loop, 4-Speed without console Cutlass®
15B53221	1966-67	Carpet, Black, 80/20 Loop, Factory 4-Speed w/o console GTO®
14B53131	1968-72	Carpet, Black, 80/20 Loop GTO®
14B53164	1968-72	Carpet, Black, 80/20 Loop, 4-Speed w/o console (1 Pc.) GTO®

Maverick

39B53534	1969-77	Carpet, Black, 80/20 Loop Maverick®
----------	---------	-------------------------------------

Mustang

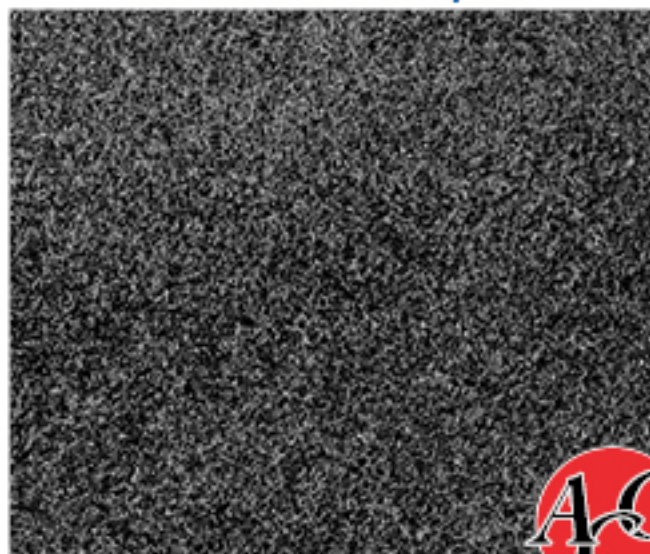
35B53511	1965-68	Carpet, Black, 80/20 Loop, (2 Pc.) Mustang® Coupe
35B53512	1965-68	Carpet, Black, 80/20 Loop, (2 Pc.) Mustang® Convertible
35B53513	1965-68	Carpet, Black, 80/20 Loop, (2 Pc.) Mustang® Fastback

Muscle Car Parts & Molding • Muscle Car Parts & Molding • Muscle Car Parts & Molding



35B53515
1-piece for
Mustang®

Black Cut Pile Carpet

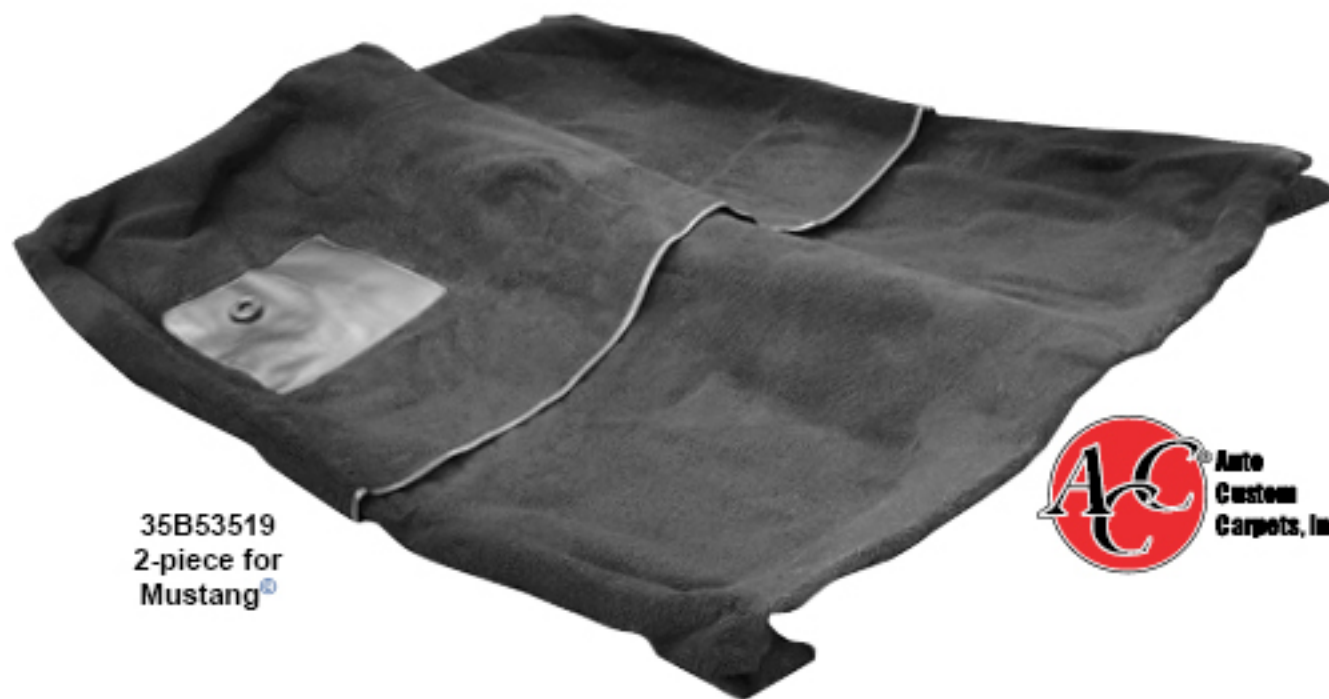


Muscle Car Parts & Molding • Muscle Car Parts & Molding • Muscle Car Parts & Molding

Mustang

35B53515	1969-70	Carpet, Black, Cut Pile, (1 Pc.) Mustang® Convertible
35B53516	1969-70	Carpet, Black, Cut Pile, (1 Pc.) Mustang® Fastback

Carpet



35B53519
2-piece for
Mustang®



Black Nylon Loop Carpet



Mustang

35B53517	1971-73	Carpet, Black, Nylon Loop, (2 Pc.)	Mustang® Coupe
35B53518	1971-73	Carpet, Black, Nylon Loop, (2 Pc.)	Mustang® Convertible

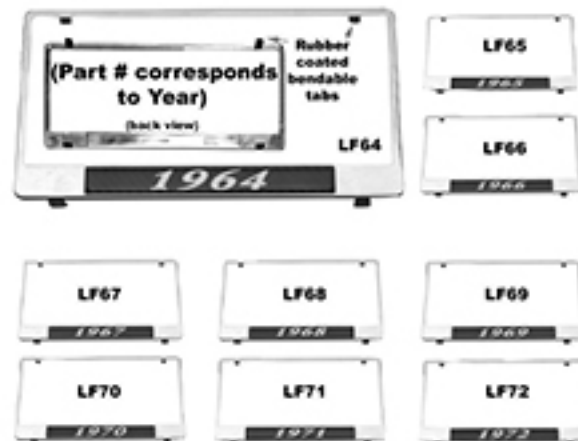
Muscle Car Parts & Molding • Muscle Car Parts & Molding • Muscle Car Parts & Molding



Ice Chest with Bottle Opener

IBBK Ice Chest with Bottle Opener, BLACK

dii Exclusive



License Plate Frames

GM



GW157

Box Size:
17" x 17" x 10.25"
Weight:
19 lbs.



5" x 4 3/4" Bolt Pattern



GW157P

Box Size:
17" x 17" x 9"
Weight:
20 lbs.



Improved Tooling & Finish



GW158

Box Size:
17" x 17" x 10.25"
Weight:
20 lbs.



GW157 GM ('64-'81) Magnum Alloy Wheel 15"x7" w/Center Cap, no offset, 4" Backspace

GW157P New GM ('64-'81) Magnum Alloy Wheel 15"x7" w/Center Cap, 4" Backspace

GW158 GM ('64-'81) Magnum Alloy Wheel 15"x8" w/Center Cap, 10mm negative offset (-.4"), 4.07" Backspace

5" x 4 3/4" Bolt Pattern



GW158P

Box Size:
17" x 17" x 10"
Weight:
20 lbs.



GW150

Box Size:
17" x 17" x 10.25"
Weight:
22 lbs.



GW177

Box Size:
19" x 19" x 9"
Weight:
23 lbs.



Muscle Car Parts & Molding • Muscle Car Parts & Molding • Muscle Car Parts & Molding

GW158P New GM ('64-'81) Magnum Alloy Wheel 15"x8", 4" Backspace

GW150 GM ('64-'81) Magnum Alloy Wheel 15"x10" w/Center Cap, 21mm negative offset (-.8"), 4.65" Backspace

GW177 GM ('64-'81) Magnum Alloy Wheel 17"x7" w/Center Cap and decal, no offset

GM

5" x 4 3/4" Bolt Pattern



GW177C

Box Size:
19" x 19" x 9"
Weight:
23 lbs.



GW178

Box Size:
19.5" x 19.5" x 10"
Weight:
24 lbs.



GW178C

Box Size:
19.25" x 19.25" x 10.25"
Weight:
24 lbs.



FW-CAP

GW177C	GM ('64-'81)	Magnum Alloy Wheel 17"x7" w/Center Cap and decal, no offset, Chrome
GW178	GM ('64-'81)	Magnum Alloy Wheel 17"x8" w/Center Cap and decal, 10mm negative offset
GW178C	GM ('64-'81)	Magnum Alloy Wheel 17"x8" w/Center Cap and decal, 10mm negative offset, Chrome
FW-CAP	GM ('64-'81)	Magnum Wheel Cap with decal, 3/4" tall, Chrome (for 17" rims)

FORD/MOPAR

Magnum Alloy Wheels

Muscle Car Parts & Molding • Muscle Car Parts & Molding • Muscle Car Parts & Molding



FW157

Box Size:
17" x 17" x 9"
Weight:
20 lbs.



5" x 4 1/2" Bolt Pattern



FW157P

Box Size:
17" x 17" x 9"
Weight:
20 lbs.



Improved Tooling & Finish



FW158

Box Size:
17" x 17" x 10"
Weight:
20 lbs.



1 1/4" tall cap included
with 15" wheels

FW157	FORD/MOPAR ('65-'73)	Magnum Alloy Wheel 15"x7" w/Center Cap, no offset, 4" Backspace
FW157P	New FORD/MOPAR ('65-'73)	Magnum Alloy Wheel 15"x7" w/Center Cap, 4" Backspace
FW158	FORD/MOPAR ('65-'73)	Magnum Alloy Wheel 15"x8" w/Center Cap, 10mm negative offset (-.4"), 4.07" Backspace

FORD/MOPAR

5" x 4 1/2" Bolt Pattern



FW158P

Box Size:
17" x 17" x 10"
Weight:
20 lbs.



1 1/4" tall cap included
with 15" wheels



FW150

Box Size:
17" x 17" x 12"
Weight:
21 lbs.



FW177

Box Size:
19" x 19" x 9"
Weight:
23 lbs.



FW158P New FORD/MOPAR ('65-'73) Magnum Alloy Wheel 15"x8", New Design, w/Cap, 4" Backspace

FW150 FORD/MOPAR ('65-'73) Magnum Alloy Wheel 15"x10" w/Center Cap, 21mm negative offset (-.8"), 4.65" Backspace

FW177 FORD/MOPAR ('64-'81) Magnum Alloy Wheel 17"x7" w/Center Cap and decal, no offset

5" x 4 1/2" Bolt Pattern



FW177C

Box Size:
19" x 19" x 9"
Weight:
23 lbs.



FW178

Box Size:
19.5" x 19.5" x 10"
Weight:
24 lbs.



FW178C

Box Size:
19.5" x 19.5" x 10"
Weight:
24 lbs.



FW-CAP

FW177C	FORD/MOPAR ('64-'81)	Magnum Alloy Wheel 17"x7" w/Center Cap and decal, no offset, Chrome
FW178	FORD/MOPAR ('64-'81)	Magnum Alloy Wheel 17"x8" w/Center Cap and decal, 10mm negative offset
FW178C	FORD/MOPAR ('64-'81)	Magnum Alloy Wheel 17"x8" w/Center Cap and decal, 10mm negative offset, Chrome
FW-CAP	FORD/MOPAR ('64-'81)	Magnum Wheel Cap with decal, 3/4" tall, Chrome (for 17" rims)