

Dynacorn International LLC

The muscle car people



2019
CAMARO®

Camaro® Index

Index

A

Accelerator Bracket: 7
Accelerator Pedals: 73
A/C Vent: 21, 22
A/C Vent Ball: 21
Air Conditioning Dash Outlets: 21, 22
Air Vent Vacuum Motor: 72
Alternator Brackets: 6
Antenna: 66
Aprons, Front: 4
Ash Tray: 22

B

Back-Up Lamps: 66, 68
Battery Charger/Maintainer: 88
Battery Monitor: 88
Battery Trays & Clamps: 7
Body Bushing Kit: 90
Body Shims & Washers: 8
Bumper Bolt Bulk Box: 1, 2, 3
Bumpers & Guards: 1, 2, 3
Bumper Brackets: 3, 4

C

Carpet: 85
Cigarette Lighters: 89
Clothes Hanger Hooks: 76
Coil Spring Upper Mounts: 7
Control Arms & Bumpers: 8
Convertible Top Frame & Brackets: 35
Convertible Top Header Bow: 35
Convertible Top Latches, Springs & Hooks: 35
Convertible Top Well Moldings: 64
Cowl Panels: 17, 18
Crossmember Trans. Supports: 24, 25
Crossrail, Rear: 25, 49

D

Dash Air Vent Control (Vent & Bezel): 22
Dash Carrier Assemblies & Lenses: 21, 22
Dash Panels & Glove Boxes: 20, 21, 22
Dash Panel Centers: 77
Deck Filler Panels, Rear: 47
Disc Brake Plates: 90
Dome Light Bases & Lenses: 89
Door Frame, Inner: 32, 33, 34
Door Handles & Cranks: 42

Door Hinges, Latches & Striker: 38, 39, 40, 41
Door Jamb Vent Grilles: 78
Door Lock Striker: 38, 40, 41
Door Shells & Skins: 38, 39, 40, 41, 42
Door Sill Decal: 90
Door Sill Scuff Plates: 79
Door Trims, Lock Knobs & Arm Rests: 77, 78, 79
Door Window Guide Stabilizers: 38, 39, 40
Drip Rails: 37
Drip Rail Molding: 61

E

Emblems: 64, 65
Engine Mounts: 7

F

Fan & Shroud Bracket: 6
Fender Brace Inner: 11
Fender Brace Skirt: 9, 10
Fender Patch Panel: 11
Fenders & Extensions, Front: 9, 10, 11
Firewalls, Brackets & Braces: 15, 16, 17
Floor Pans & Braces: 23, 24, 25, 26, 27
Frame Rails & Extensions: 32
Fuel Caps: 55
Fuel Sending Units: 54
Fuel Tank Braces & Straps: 53
Fuel Tank Fill Neck: 50
Fuel Tanks: 50, 51, 52

G

Glass, Weatherstrip & Seals: 68, 69, 70, 71
Glove Box Doors: 20, 22
Grilles & Molding: 55, 56, 57, 58, 59
Grille Reinforcement Bar: 56

H

Header Moldings: 76
Header Panels: 5
Headlamp Bezel: 55, 56, 57, 58
Headlamp Buckets & Brackets: 55, 56
Headlamp Housings & Retainers: 55, 56, 58
Headlamp Switches: 89
Headliner Moldings: 76
Heater Blower Motor: 72
Heater Boxes & Cores: 72
Hood Safety Catch & Spring: 14
Hoods & Hinges: 12, 13, 14
Hood Latches & Supports: 12, 13

Hood Louvers: 13
Hood Safety Catch & Spring: 12, 13
Hood Trim: 60
Horns: 88
Horn Caps: 75

I

Ignition Coil Mounting Bracket: 20
Ignition Switch Bracket: 20, 21
Interior Windshield Molding: 76

K

Kick Panels & Speaker Grilles: 80
Kick Panel Air Vent Controls: 80

L

Leaf Spring Shackle Kit & Brackets: 7
License Plate Bracket, Front: 5
License Plate Bracket, Rear: 50
License Plate Lamps: 66
Locks: 95

M

Magnum Alloy Wheels: 91, 92, 93, 94
Mirrors, Exterior: 60
Mirrors & Brackets, Interior: 75

O

Outer Door Moldings: 62

P

Package Shelf Extensions: 48
Package Shelf Panels & Supports: 28
Parking Brakes & Handles: 72, 73
Parking Lamps & Lenses: 66, 67
Pedal Pads (Accelerator, Brake, Clutch): 72, 73
Pillar Post Moldings: 79
Power Wheel Adjustment Bracket: 7
Power Window Motor: 38, 39, 89

Q

Quarter / Door Frame Assemblies: 32, 33, 34
Quarter Panel Ornaments: 63
Quarter Panels & Skins: 43, 44, 45
Quarter Panel Inner Bracket: 46

R

Radiator Supports: 6
Radio Components: 85, 86, 87
Rear Deck Filler Panels: 47

Rocker Panels: 31
Roof Drip Rails: 37
Roof Panels & Braces: 36, 37
Roof Rail Retainer: 61

S

Safety Catch & Spring: 12, 13, 14
Seat Mount Panel, Rear: 24
Seat Platforms: 24, 25
Seats Frames & Springs: 81, 82, 83
Seat Back Latches & Knobs: 82
Seat Belts: 84
Seat Belt Buckle Cover: 82
Seat Tracks: 82
Shifter Handle for Auto. Trans.: 73
Shock Mounts: 7
Shoulder Harness Hooks: 76
Side Markers: 66, 67, 68
Sill Decal: 90
Spindle Kit: 7
Spoilers, Front: 5
Spoilers, Rear: 48
Stabilizer Rod & Bushing: 72
Steering Column Clamp Plate: 15
Steering Column Cover: 22
Steering Wheels, Mounts & Hubs: 74
Subframe Assembly: 8
Subframe Mounting Brackets: 24
Sun Visor Bracket: 75

T

Tail Lamps, Lenses & Bezels: 66, 67, 68
Tail Light Panels & Braces: 49
Torsion Bar Chassis for Convertible: 35
Transition Pans: 27
Transmission Covers: 26
Trans. Tunnel Reinforcement Plate: 24
Trunk Hinge Torsion Rods: 48
Trunk Latches & Catches: 48
Trunk Lids & Hinges: 48
Trunk Lid Luggage Rack: 48
Trunk Pans & Drop Offs: 28, 29, 30

V

Valance, Front: 4
Valance, Rear: 50
Valve Covers: 6
Vinyl Top Molding: 64

W

Wheelhouses: 46, 47
Wheel Center & Retainer: 62
Wheel Opening Moldings: 62
Window Crank: 42
Window Guides & Stop: 41
Window Molding, Rear: 63
Window Regulators: 38, 39, 40
Window Trim Molding: 76

Windshield / Cowl Assembly: 18, 19
Windshield Moldings: 61
Windshield Washer Bottle Bracket: 6
Windshield Wiper Switches: 89
Wiper Arms & Blades: 60
Wiper Motor Transmission Arms: 59
Wire Loom Shields: 32



1967-68



1049



1049B



1049BK



1049BB

Box Size:
67.5" x 3.5" x 11"
Weight:
12 lbs.

1049W



Box Size:
6.5" x 3.75" x 6.5"
Weight:
3.5 lbs.



1049N



1049P

1049	1967-68	Front Bumper
1049B	1967-68	Rear Bumper
1049BK	1967-68	Front Bumper, Painted
1049BB	1967-68	Rear Bumper, Painted
1049N	1967-68	Rear Bumper Guards, Chrome <i>Standard</i>
1049P	1967-68	Rear Bumper Guard, Chrome <i>Deluxe</i>
1049W	1967-73	Bumper Bolt Bulk Box, 3/8" x 1", 60 pcs.
1049X	1967-73	Bumper Bolt Bulk Box, 3/8" x 1.5", 60 pcs.



1049A



1049AB



1049C



1049CB



Box Size:
71.5" x 4" x 8.5"
Weight:
12 lbs.



1049Q



1049S



1049R

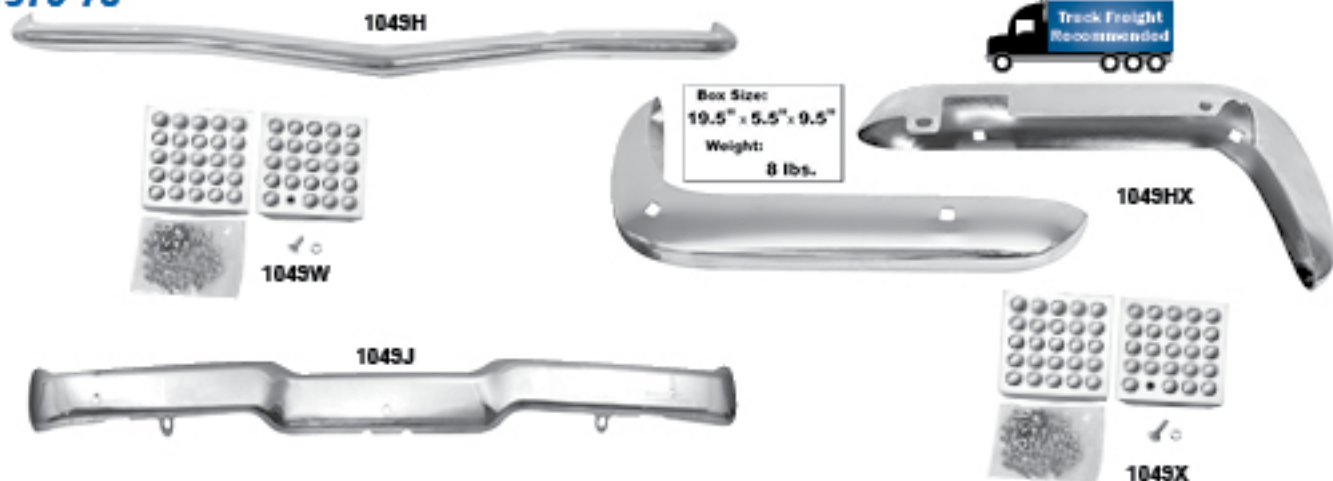


Box Size:
6.5" x 4" x 6.5"
Weight:
4 lbs.

1049X

1049A	1969	Front Bumper
1049AB	1969	Front Bumper, Painted
1049Q	1969	Front Bumper Guards, Chrome Deluxe (Fits 1968-69 whizzer inserts)
1049C	1969	Rear Bumper
1049CB	1969	Rear Bumper, Painted
1049R	1969	Rear Bumper Guards, Chrome Standard
1049S	1969	Rear Bumper Guards, Chrome Deluxe
1049W	1967-73	Bumper Bolt Bulk Box, 3/8" X 1", 50 pcs.
1049X	1967-73	Bumper Bolt Bulk Box, 3/8" X 1.5", 50 pcs.

1970-73



1049H	1970-73	Front Bumper
1049HX	1970-73	Front Bumper, Rally Sport, 2 pcs.
1049J	1970-73	Rear Bumper
1049W	1967-73	Bumper Bolt Bulk Box, 3/8" X 1", 50 pcs.
1049X	1967-73	Bumper Bolt Bulk Box, 3/8" X 1.5", 50 pcs.

1967-68



1048B	1967-68	Front Inner Bumper Bracket, RH
1048C	1967-68	Front Inner Bumper Bracket, LH
1048QA	1967-68	Rear Center Bumper Bracket
1048M	1967	Front Outer Bumper Bracket, RH (Will work for 1966)
1048N	1967	Front Outer Bumper Bracket, LH (Will work for 1966)
1048MA	1968	Front Outer Bumper Bracket, RH
1048NA	1968	Front Outer Bumper Bracket, LH

1969



1048D	1969	Front Inner Bumper Bracket, RH
1048E	1969	Front Inner Bumper Bracket, LH
1048K	1969	Front Inner Extension Bracket, RH
1048L	1969	Front Inner Extension Bracket, LH
1048P	1969	Front Outer Bumper Brackets
1048Q	1969	Rear Bumper Bracket Set, 4 pcs.

1970-73

Bumper Brackets



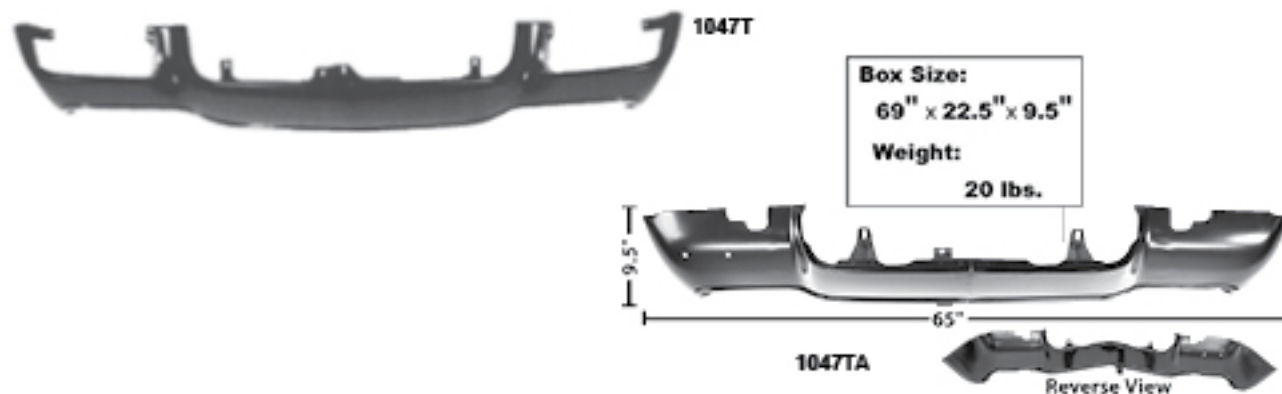
1048QD	1970-73	Front Inner Bumper Brace
1048QF	1970-72	Rear Bumper Brackets, 5 pcs.

Front Aprons



1047A	1967	Front Apron, Rally Sport
1047B	1968	Front Apron, Rally Sport
1047C	1967-68	Front Apron, Standard
1047D	1969	Front Apron

Front Valances



1047T	1970-73	Front Valance, Standard
1047TA	1970-73	Front Valance, Rally Sport

Front Spoilers



1047U



1047V

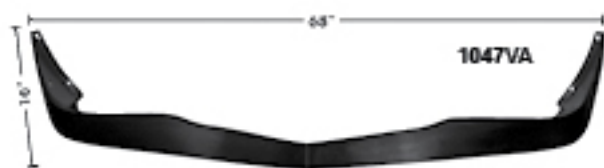


1065B



1065C

1047U	1967-68	Front Spoiler, Fastback
1065B	1967-68	Spoiler Mounting Kit, 3 Pieces (Also fits '69 Fastback)
1047V	1969	Front Spoiler, Fastback
1065C	1969	Spoiler Mounting Kit, 3 Pieces



1047VA



1047VB

1047VA	1970-73	Front Spoiler, Standard
1047VB	1970-73	Front Spoiler, Rally Sport



1049Y



1049Z

Rear license plate brackets on pg. C50...

1049Z	1967-68	Front License Plate Bracket
1049Y	1969	Front License Plate Bracket

Header Panels Fr. Lic. Bracket



1047J



1047W

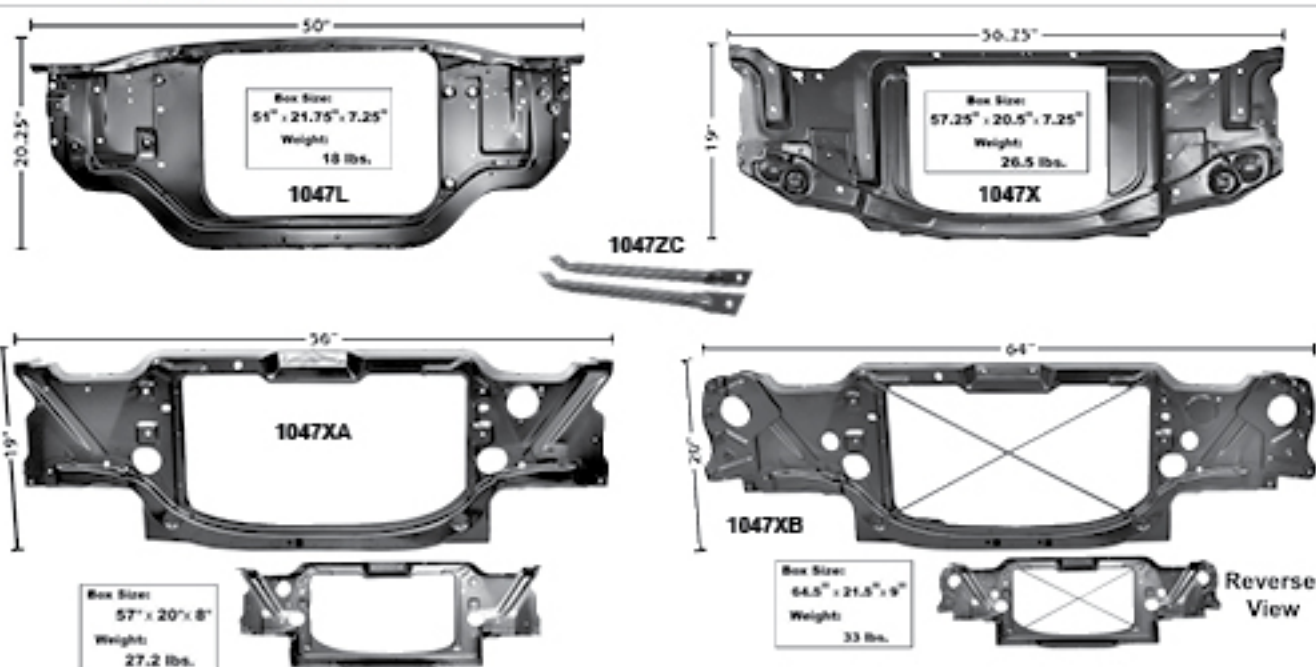


1047K

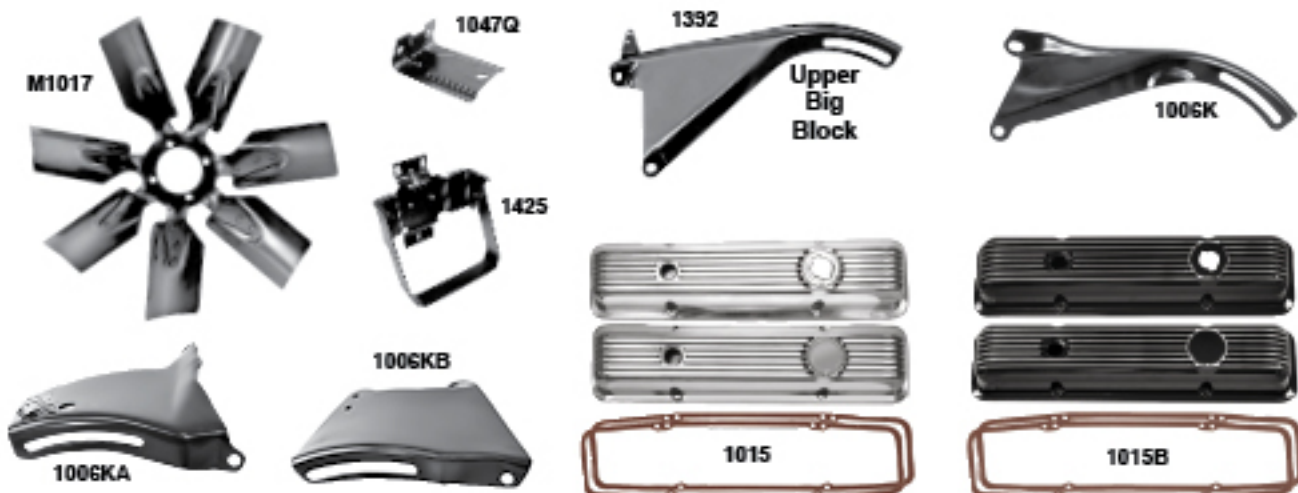


1047WA

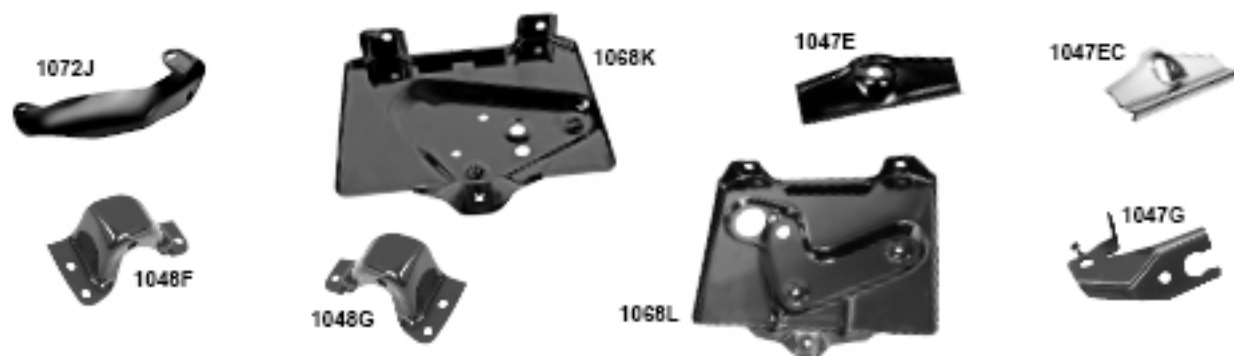
1047J	1967-68	Header Panel
1047K	1969	Header Panel
1047W	1970-73	Header Panel, Standard
1047WA	1970-73	Header Panel, Rally Sport



1047L	1967-69	Radiator Support
1047X	1970-73	Radiator Support
1047ZC	1970-73	Fender-To-Radiator Reinforcement Bars
1047XA	1974-77	Radiator Support
1047XB	1978-81	Radiator Support



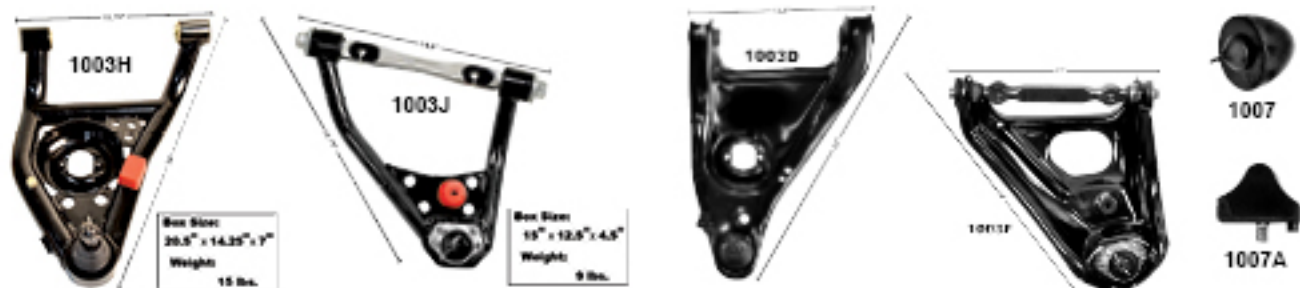
M1017	1967-70	Fan, 7 blade
1047Q	1967-69	Fan Shroud Bracket
1392	1967-68	Alternator Bracket, Upper Big Block
1006K	1967-68	Alternator Bracket, Upper Small Block
1006KA	1969	Alternator Bracket, Upper Small Block
1006KB	1969	Alternator Bracket, Upper Big Block
1425	1967-69	Windshield Washer Bottle Bracket
1015	1967-82	Valve Covers, Polished Aluminum w/Gaskets, Small Block, LT1 Style
1015B	1967-82	Valve Covers, Painted Aluminum w/Gaskets, Small Block, LT1 Style



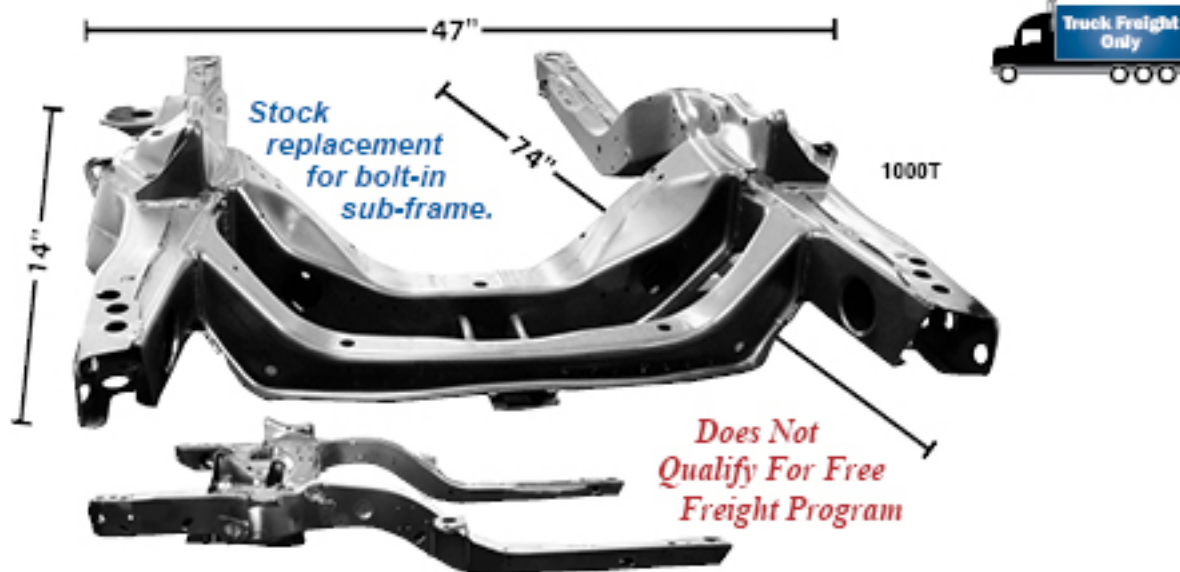
1072J	1969	Power Wheel Adjustment Bracket, Small Block
1068K	1967-69	Battery Tray
1047E	1967-81	Battery Tray Clamp (Also fits 1967-69 Firebird®)
1047EC	1967-81	Battery Tray Clamp, Stainless (Also fits 1967-69 Firebird®)
1048F	1967-69	Engine Mount, RH Small Block
1048G	1967-69	Engine Mount, LH Small Block
1068L	1970-81	Battery Tray
1047G	1970-72	Accelerator Bracket



1006J	1967-69	Upper Shock Mount for Rear Shocks
1003B	1967-69	Coil Spring Upper Mounts, 2 pcs.
1047M	1967-70	Leaf Spring Shackle Kit, (2 per car)
1006E	1967-69	Leaf Spring Front Eye Brackets, Pair
1006L	1970-73	Leaf Spring Front Eye Brackets
1003C	1967-69	Spindle Kit



1003H	1967-69	Lower Control Arm, RH (tubular)
1003I	1967-69	Lower Control Arm, LH (tubular)
1003J	1967-69	Upper Control Arm, RH (tubular)
1003K	1967-69	Upper Control Arm, LH (tubular)
1003D	1967-69	Lower Control Arm, RH (OE Type)
1003E	1967-69	Lower Control Arm, LH (OE Type)
1003F	1967-69	Upper Control Arm, RH (OE Type)
1003G	1967-69	Upper Control Arm, LH (OE Type)
1007	1967-69	Control Arm Bumper, Upper
1007A	1967-69	Control Arm Bumper, Lower



1000M	1967	Sub-frame Assy
1000N	1968	Sub-frame Assy
1000T	1969	Sub-frame Assy



1000D	1967-73	Body Shims, 3 mm, 10 piece Set
1000E	1967-73	Body Shims, 1.6 mm, 10 piece Set
1000F	1967-73	Body Shims, 6 mm, 10 piece Set
GM03		Body Washers, 20 piece Set

1967-68



1039J	1967	Fender w/Extension RH, Standard
1039K	1967	Fender w/Extension LH, Standard
1039N	1967	Fender w/Ext. RH, Rally Sport
1039P	1967	Fender w/Ext. LH, Rally Sport
1039L	1968	Fender w/Extension RH, STD
1039M	1968	Fender w/Extension LH, STD
1039Q	1968	Fender w/Ext. RH, Rally Sport
1039R	1968	Fender w/Ext. LH, Rally Sport
1045A	1967-68	Fender Extension RH (Also fits 1967 Firebird®)
1045B	1967-68	Fender Extension LH (Also fits 1967 Firebird®)
1038A	1967-69	Fender Brace Skirt RH
1038B	1967-69	Fender Brace Skirt LH



Front Fenders continued next page...

1039S	1969	Fender w/Extension RH
1039T	1969	Fender w/Extension LH
1039SA	1969	Fender w/Apron Assembly w/Headlamp Bucket, RH
1039TA	1969	Fender w/Apron Assembly w/Headlamp Bucket, LH
1039SB	1969	Custom Fender without lamp holes, RH
1039TB	1969	Custom Fender without lamp holes, LH
1045C	1969	Fender Extension RH
1045D	1969	Fender Extension LH
1038A	1967-69	Fender Brace Skirt RH
1038B	1967-69	Fender Brace Skirt LH

1970-81



Box Size:
17" x 16" x 7"
Weight:
6 lbs.



1040	1970-77	Front Fender RH
1041	1970-77	Front Fender LH
1038G	1970-73	Inner Fender Brace RH
1038H	1970-73	Inner Fender Brace LH
1042	1978-81	Front Fender RH, STD
1043	1978-81	Front Fender LH, STD
1043B	1978-81	Fender Patch Panel Rear, LH
1044	1978-81	Front Fender RH, Z28
1045	1978-81	Front Fender LH, Z28
1042C	1978-81	Front Fender Extensions, STD
1042A	1978-81	Front Fender Extension, RH, STD/ Z28
1042B	1978-81	Front Fender Extension, LH, STD/Z28



1039W	1967-68	Front Inner Fender, RH
1039X	1967-68	Front Inner Fender, LH
1039Y	1969	Front Inner Fender, RH
1039Z	1969	Front Inner Fender, LH
1041M	1970-81	Front Inner Fender, RH
1041N	1970-81	Front Inner Fender, LH



1068



1967-69

1069K

Box Size:
57.75" x 53" x 9.75"
Weight:
67 lbs.



1068QC



1068Q



1068A



1068B



1068J



BH01

Mid-Duty Struts
Heavy-Duty Struts

Box Size:
17.5" x 7" x 7.5"
Weight:
12 lbs.



1068G



1069AY



1069AZ



1068M



1068N

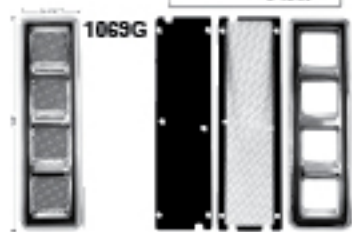
1069D	1967-69	Standard Hood
1068	1967-69	Hood With Cowl Induction
1069K	1967-69	Hood with 4" Cowl Induction
1068G	1967-69	Hood Hinge, RH
1068H	1967-69	Hood Hinge, LH
1069AY	1967-70	Hood Hinge Spring for Cowl & "SS" Hoods, Camaro® (Also fits 1967-70 Firebird®)
1069AZ	1967-79	Hood Hinge Spring for Standard Hood (Also fits 1971-81 Firebird®)
BH01	New 1967-69	Billet Hood Hinge, Pair
1068A	1967	Hood Latch (Excluding Rally Sport)
1068B	1968	Hood Latch (Excluding Rally Sport)
1068M	1967-68	Hood Latch Support
1068J	1969	Hood Latch Assembly
1068N	1969	Hood Latch Support
1068QC	1967-73	Safety Catch & Spring, Chrome
1068Q	1967-73	Safety Catch & Spring



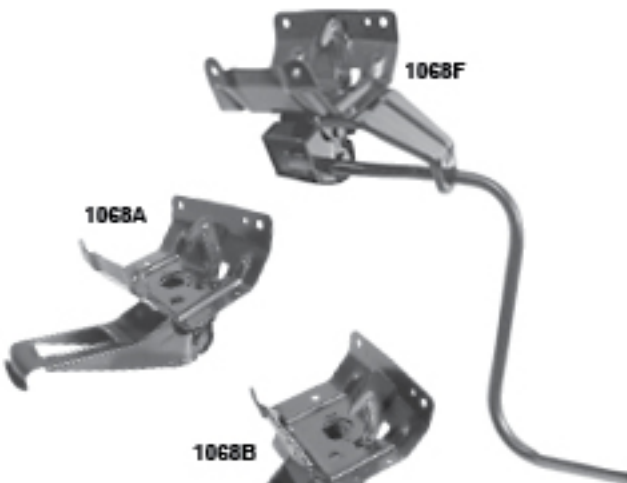
1967-69 "SS", "RS"



Box Size:
19.5" x 6" x 3"
Weight:
6 lbs.



GM Restoration Parts 1069



1069	1967-69	Hood for SS
1069F	1967	Hood Louvers for "SS"
1069G	1968-69	Hood Louvers for "SS"
1068G	1967-69	Hood Hinge, RH
1068H	1967-69	Hood Hinge, LH
1069AY	1967-69	Hood Hinge Spring for Cowl & "SS" Hoods (Also fits 1967-70 Firebird®/Trans Am®)
1068F	1967-68	Hood Latch Assembly for "Rally Sport"
1068A	1967	Hood Latch (Excluding Rally Sport)
1068B	1968	Hood Latch (Excluding Rally Sport)
1068M	1967-68	Hood Latch Support
1068J	1969	Hood Latch Assembly
1068N	1969	Hood Latch Support
1068QC	1967-73	Safety Catch & Spring, Chrome
1068Q	1967-73	Safety Catch & Spring

1970-81

Hoods & Components

Muscle Car Parts & Molding • Muscle Car Parts & Molding • Muscle Car Parts & Molding



1069A	1970-81	Hood With Cowl Induction
1068P	1970-73	Hood Latch Assembly
1068NA	1970-73	Hood Latch Support
1069T	1970-81	Hood Hinge, RH (Also fits 1970-81 Firebird®/Trans Am®)
1069U	1970-81	Hood Hinge, LH (Also fits 1970-81 Firebird®/Trans Am®)
1069AY	1967-70	Hood Hinge Spring for Cowl & "SS" HOODS (Also fits 1967-70 Firebird®/Trans Am®)
1068QC	1967-73	Safety Catch & Spring, Chrome
1068Q	1967-73	Safety Catch & Spring

1967



1046D



1046F



1046Q

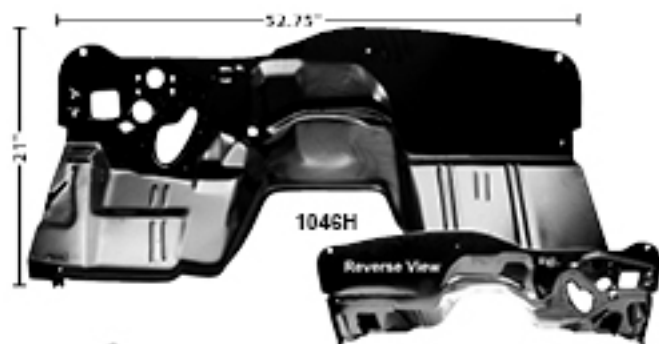
1046D	1967	Firewall, A/C
1046F	1967	Firewall, Heater Delete
1046Q	1967	Firewall, Heater



1968-69



1046G



1046H



1046L



1072F



1046I



1046GA

Box Size:
70" x 16" x 2.5"
Weight:
13 lbs.

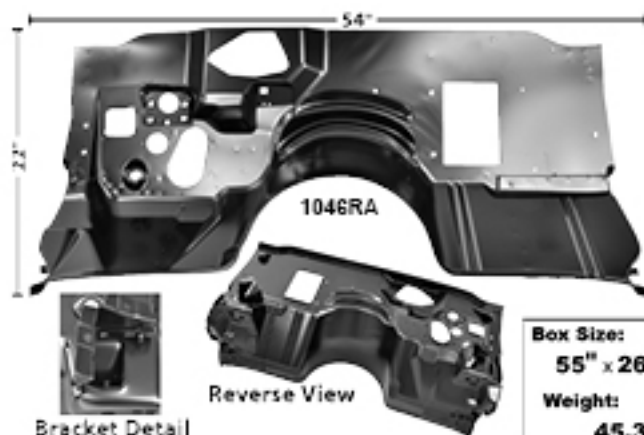
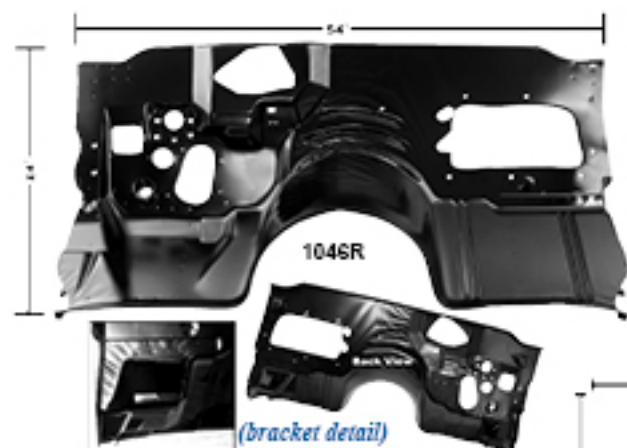
Firewall Not Included

1046G	1968-69	Firewall, Heater
1046H	1968-69	Firewall, Heater Delete
1046I	1968-69	Firewall, A/C
1046GA	1969	Custom Firewall Cover
1072F	1969	Column Clamp Plates, 2 pcs.
1046L	1969	Firewall to Floor Brace, RH
1046M	1969	Firewall to Floor Brace, LH

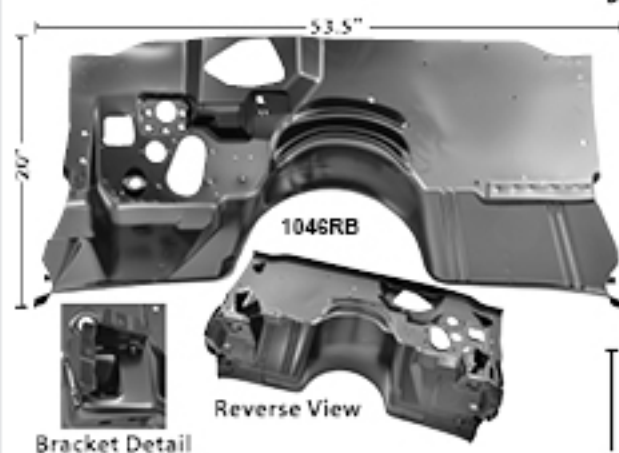
1970-81

Firewalls & Components

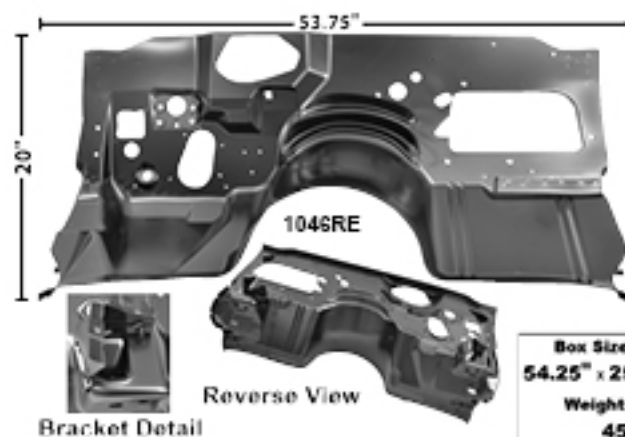
Muscle Car Parts & Molding • Muscle Car Parts & Molding • Muscle Car Parts & Molding



Box Size:
55" x 26" x 21"
Weight:
45.3 lbs.



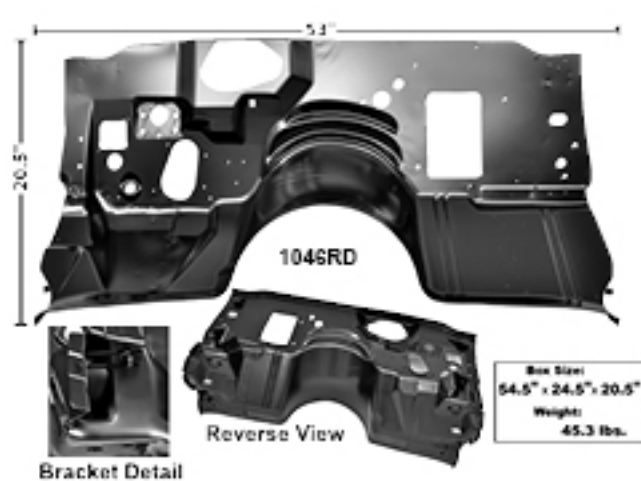
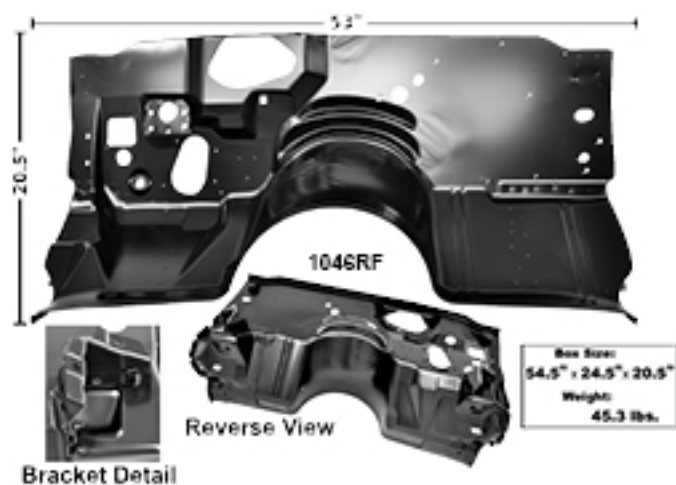
Box Size:
55" x 26" x 21"
Weight:
46 lbs.



Box Size:
54.25" x 25.5" x 20"
Weight:
45.1 lbs.

1046R	1970-73	Firewall with Brackets, Heater
1046S	1970-73	Firewall Brackets, 2 pos.
1046RA	1970-73	Firewall, A/C
1046RB	1970-73	Firewall, Heater Delete
1046RE	1978-81	Firewall, Heater

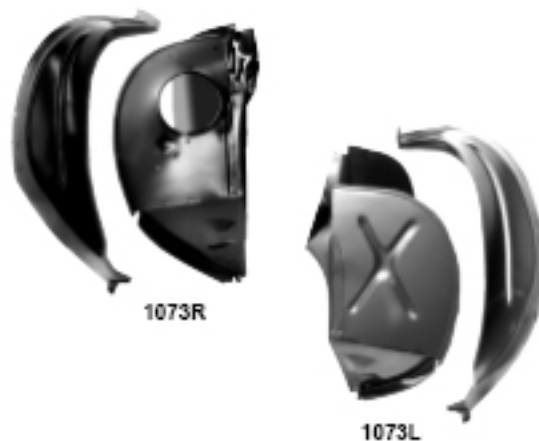
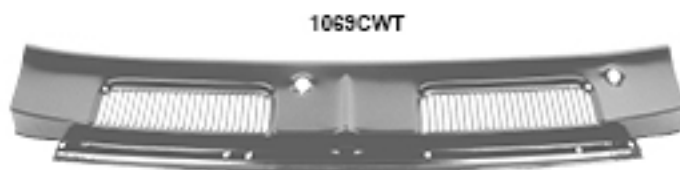




1046RF	1978-81	Firewall, Heater Delete
1046RD	1978-81	Firewall, A/C

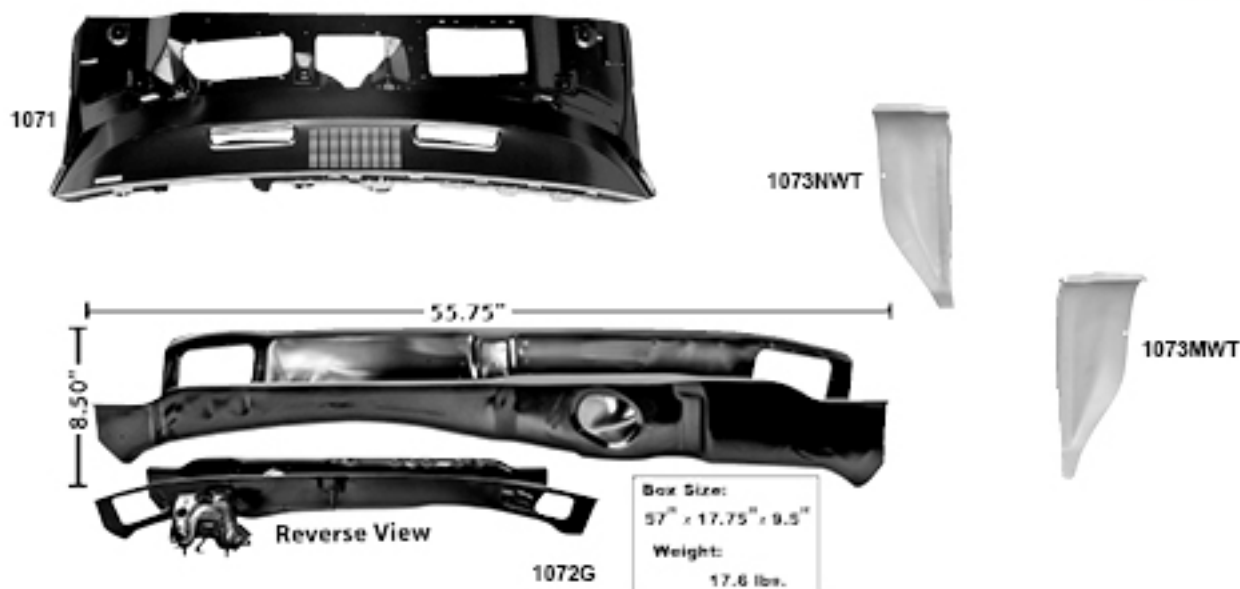


1967-69



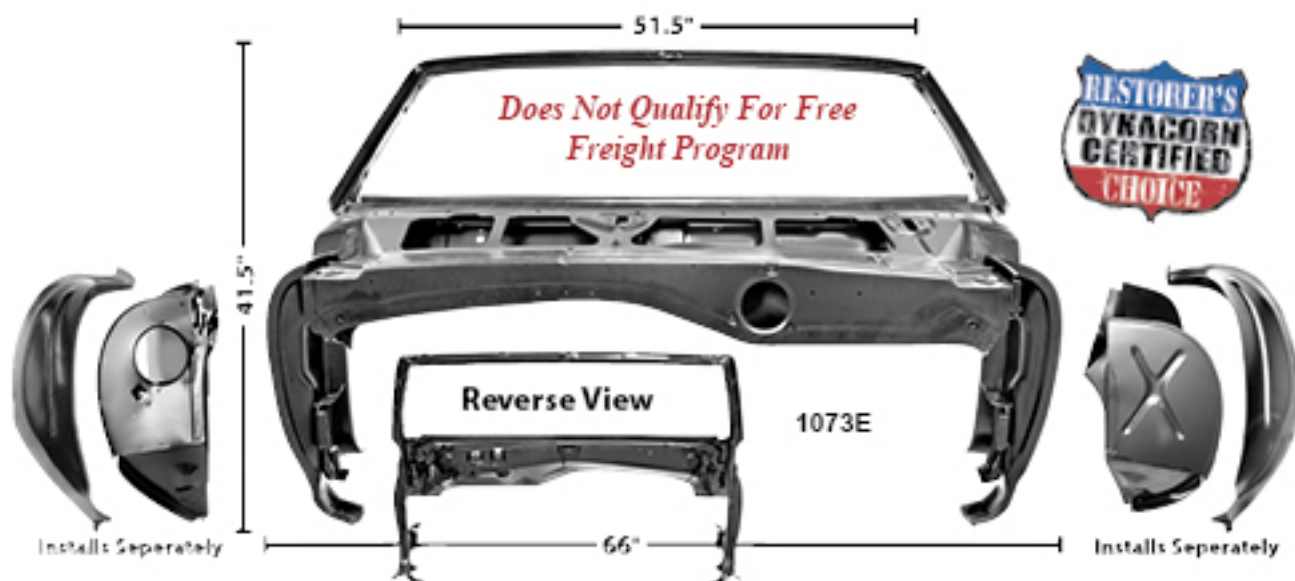
1069CWT	1967-69	Hood Cowl Vent Grille, Weld-Through Primer
1072	1967	Lower Cowl Panel With A/C
1072A	1968	Lower Cowl Panel
1072B	1969	Lower Cowl Panel
1073R	1967-69	Cowl Shoulder Assembly (2 pcs.), RH
1073L	1967-69	Cowl Shoulder Assembly (2 pcs.), LH

1970-73

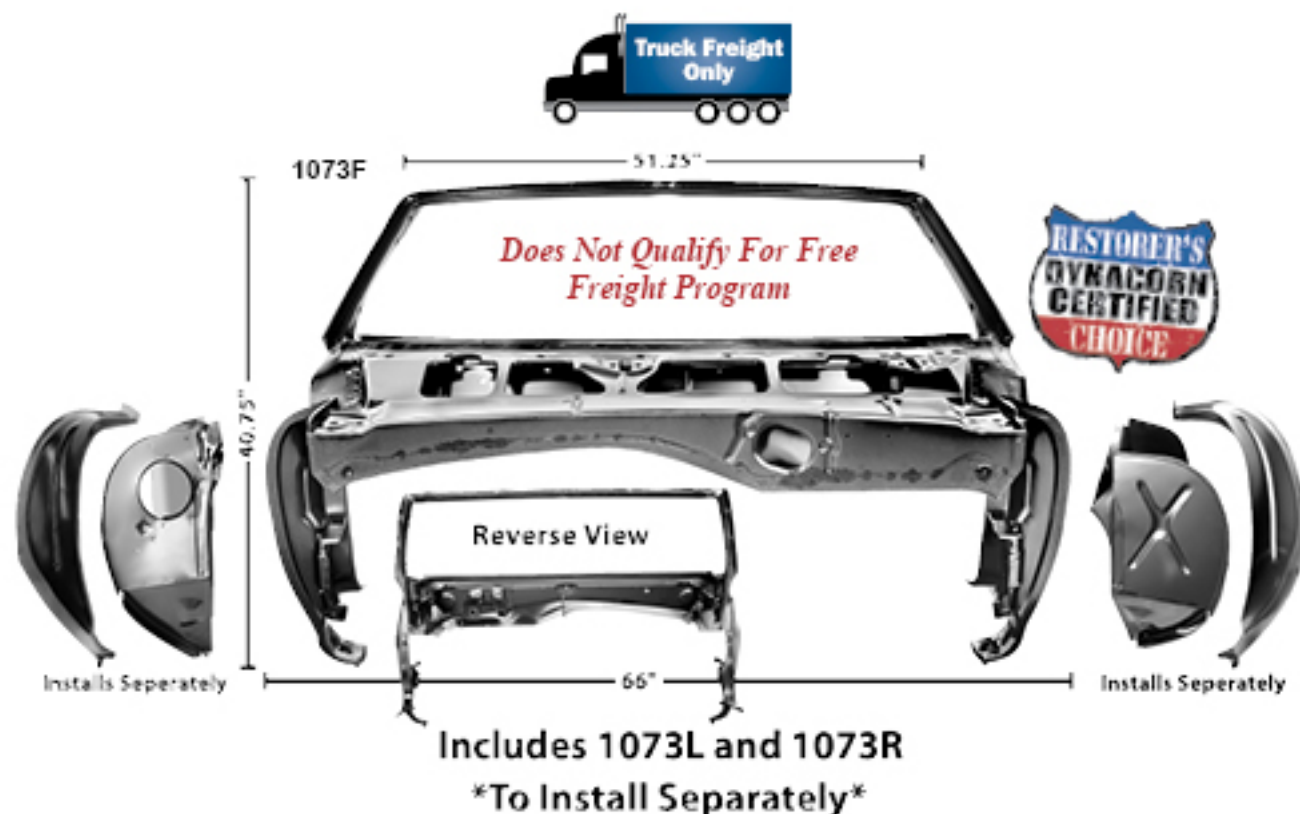


1071	1970-73	Hood Cowl Vent Grille
1072G	1970-73	Lower Cowl Panel
1073MWT	1970-73	Cowl Shoulder Panel, Weld-Through Primer, RH
1073NWT	1970-73	Cowl Shoulder Panel, Weld-Through Primer, LH

Muscle Car Parts & Molding • Muscle Car Parts & Molding • Muscle Car Parts & Molding



1073E	1967	Windshield/Cowl Assembly, Convertible
-------	------	---------------------------------------



1073F	1968	Windshield/Cowl Assembly, Convertible
1073G	1969	Windshield/Cowl Assembly, Convertible



1068C



See pg. C85-87 for radio components...



1068D



1001B



1001G

1068ED



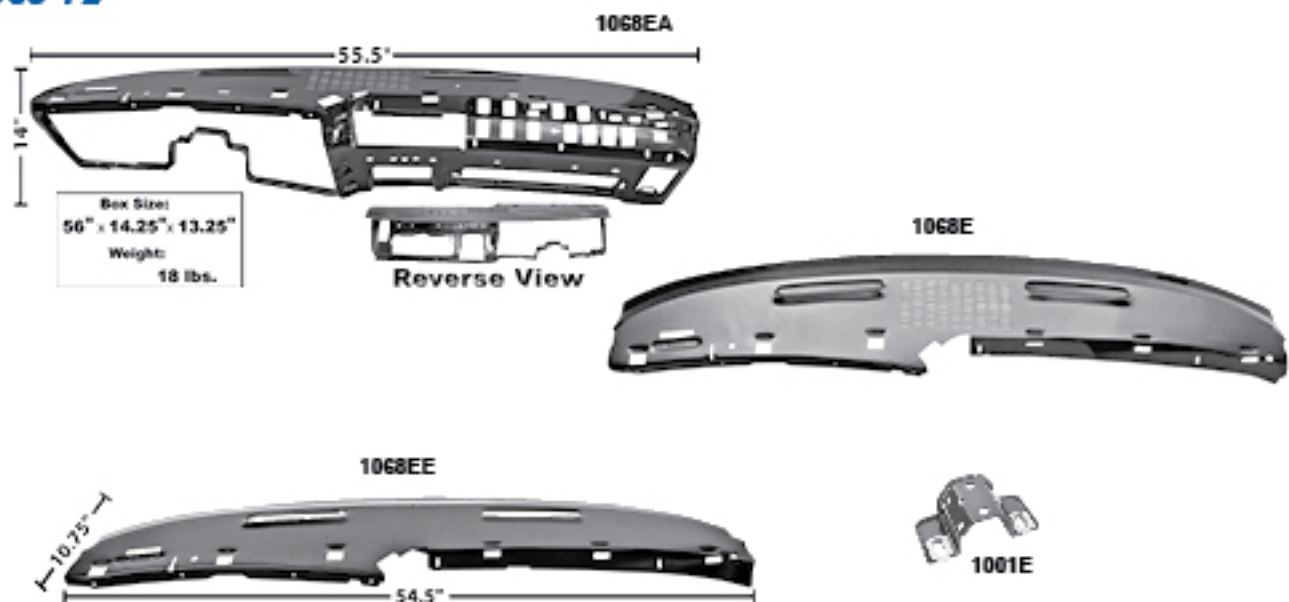
1068CA	1967	Complete Dash Panel
1068C	1967	Steel Dash Panel, Upper
1068DA	1968	Complete Dash Panel
1068D	1968	Steel Dash Panel
1001B	1967-68	Ignition Switch Bracket
1001G	1967-69	Ignition Coil Mounting Bracket
1068ED	1967-68	Glove Box Door

1967-68

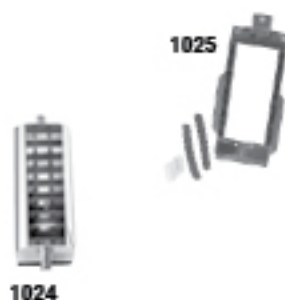
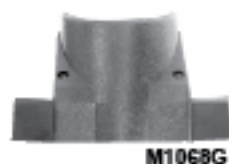


6480760	1967-68	Dash Carrier Assembly
6459869	1967	Dash Carrier Lens Assembly
6481576	1968	Dash Carrier Lens Assembly
3856472	1967-68	A/C Vent Ball, (1967 WAC, all 1968 Astro-vent)
K851	1967-68	A/C Vent Ball Bezel
3891761	1967-68	Air Conditioning Dash Outlet
1452J	1969	A/C Center Vent, Chrome
1452K	1969-81	A/C Center Vent, Black with trim
1028	1968	Dash Pad Dog Leg Clips (Also fits 1965-69 Firebird [®])

1969-72



1068EA	1969	Complete Dash Panel
1068E	1969	Steel Dash Panel
1068EE	1969	Upper Dash Panel, Custom (no vent hole)
1001E	1969	Ignition Switch Bracket



See pg. C85-87 for radio components...

M1068G	1969	Steering Column Cover
1068EB	1969	Glove Box Door
1068EC	1969	Ash Tray
M1068E	1969	Dash Carrier Assembly
M1068F	1969	"Astro-Ventilation" Dash Carrier Emblem
1024	1969	A/C - Astro-Vent (Ends of dash)
1025	1969	A/C - Astro-Vent Bezel
3937166	1969	A/C Vent.Assembly. (Center Dash)
1026	1969	Dash Air Vent Control (Vent & Bezel)
1452J	1969	A/C Center Vent, Chrome
1452K	1969-81	A/C Center Vent, Black with trim
K968	1970-72	Dash Carrier Assembly With Chrome Trim
1001F	1970-72	Console Mounting Brackets, 3 pcs.
3963781	1970-78	Center Dash Air Vent Assembly

1967-69



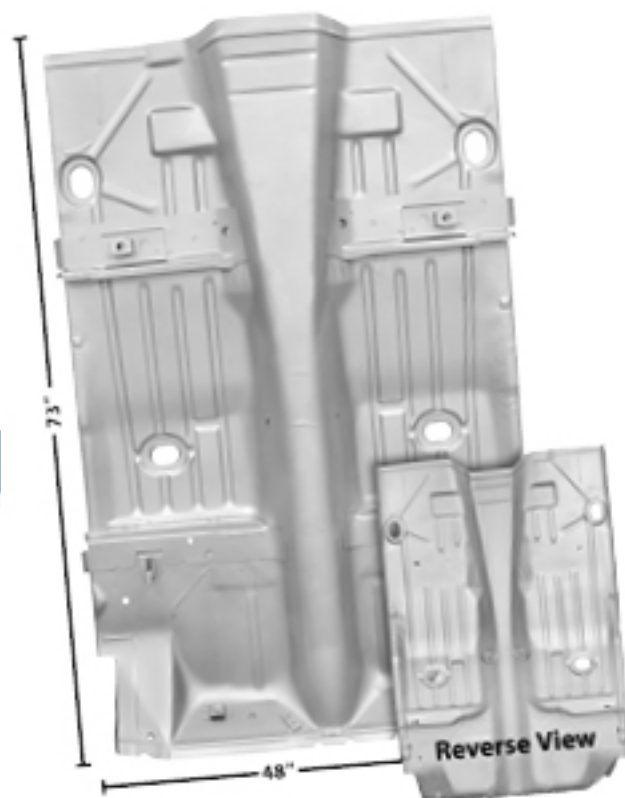
1046A



1047F



1048H

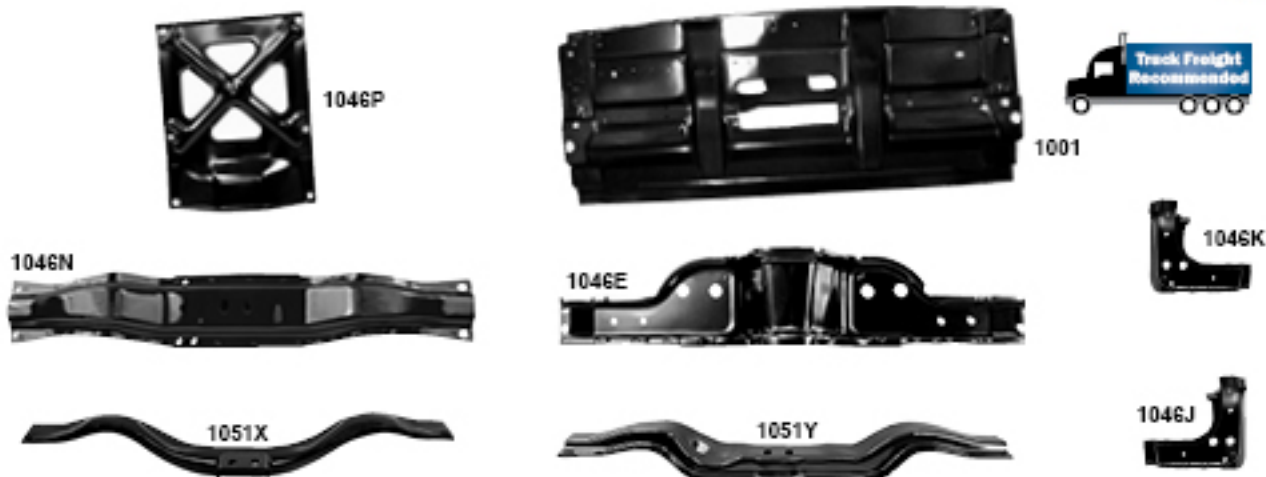


1046AXWT

1046A	1967-69	Complete Floor Pan, (1 Piece)
1046AXWT	1969	Complete Floor Pan, Cut-out for 6" Wide Inner Wheelhouse, Weld-Through Primer
1048H	1967-69	Floor Pan, RH
1048J	1967-69	Floor Pan, LH
1047F	1967-81	Floor Pan Plug, Fits most GM cars

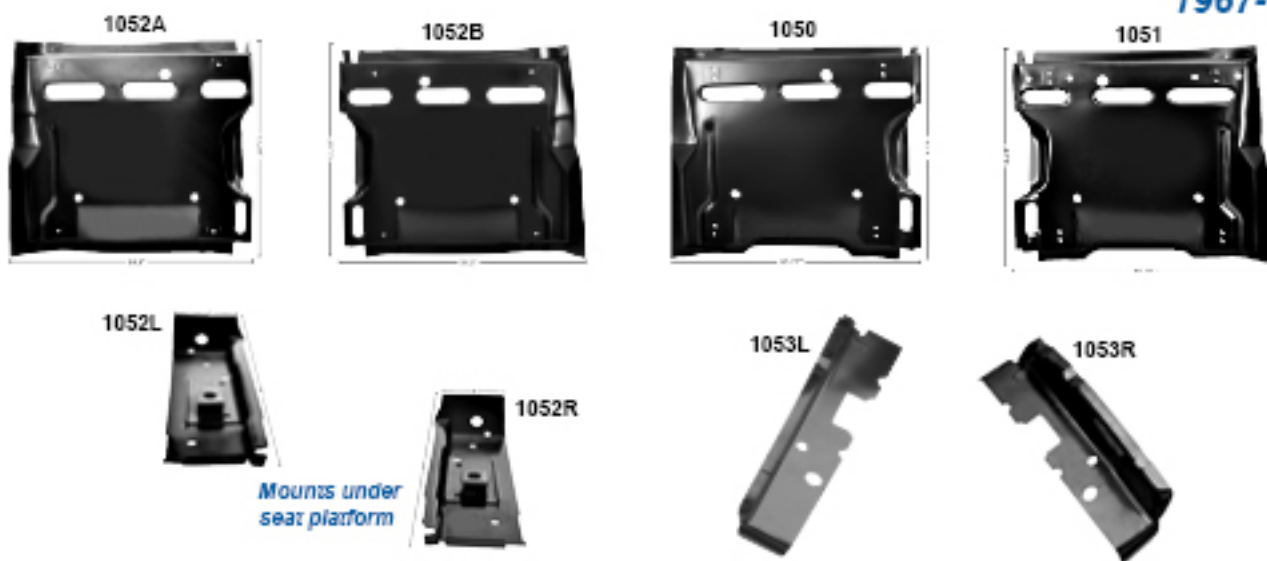
1969

Floor Pans & Components



1046P	1967-69	Transmission Tunnel Reinforcement Plate, Convertible
1001	1967-69	Rear Seat Mount Panel, Convertible
1046N	1967-69	Crossmember Trans. Support, (TH350, Powerglide or Manual Transmission)
1051X	1967-69	Crossmember Trans. Support for Turbo 400
1051Y	1967-69	Crossmember Trans. Support for 4 speed, Big Block
1046E	1967-69	Floor Pan Under Brace, Convertible
1046J	1967-69	Front Floor Pan Brace, Convertible, RH
1046K	1967-69	Front Floor Pan Brace, Convertible, LH

1967-69



1052A	1967-68	Seat Platform, RH, 1 Set of track Mounting holes
1052B	1967-68	Seat Platform, LH
1050	1969	Seat Platform, RH
1051	1969	Seat Platform, LH, 2 Sets of track Mounting holes
1052R	1967-69	Sub-frame Mounting Bracket, RH
1052L	1967-69	Sub-frame Mounting Bracket, LH
1053R	1967-69	Rear Seat Shelf Brace, RH
1053L	1967-69	Rear Seat Shelf Brace, LH

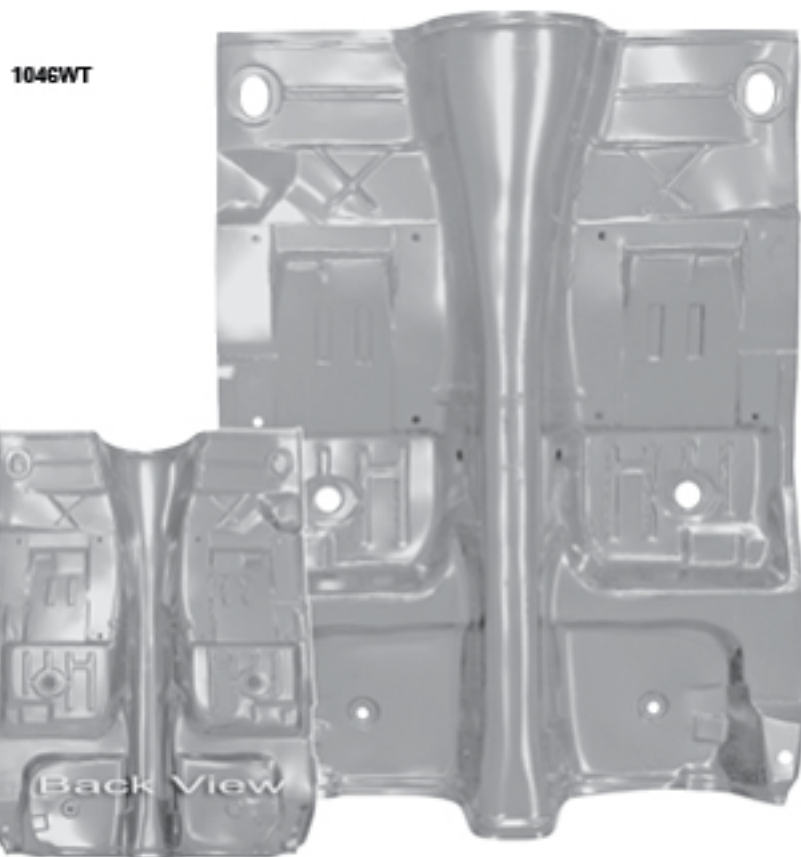
Muscle Car Parts & Molding • Muscle Car Parts & Molding • Muscle Car Parts & Molding

1969



1050	1969	Seat Platform, RH
1051	1969	Seat Platform, LH

1970-81

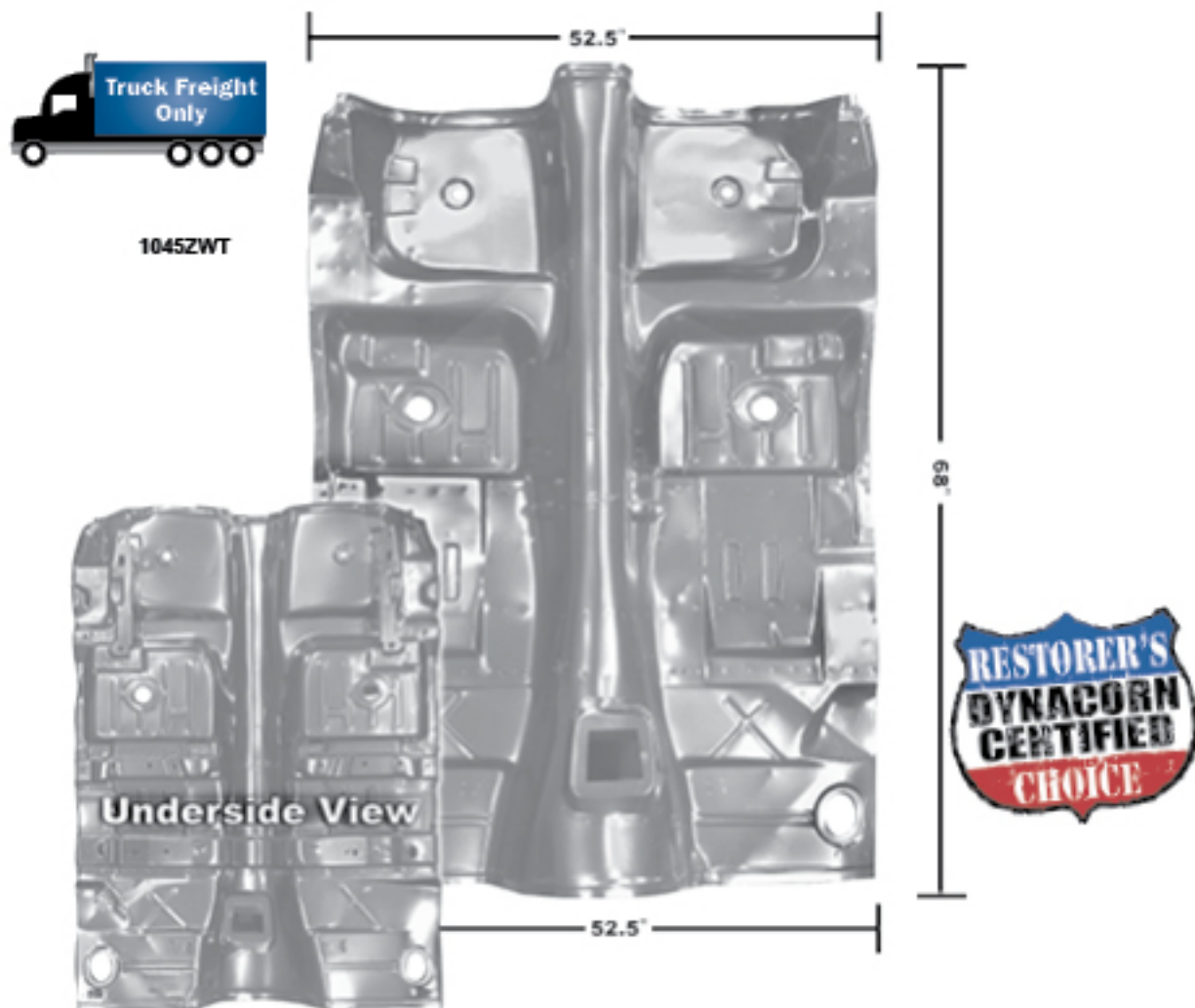


1046WT	1970-73	Complete Floor Pan, Weld-Through Primer
1067QA	1970-81	Crossmember Trans. Support for Turbo 400
1067MB	1974-81	Rear Crossrail

1970-81

Floor Pans & Components

Muscle Car Parts & Molding • Muscle Car Parts & Molding • Muscle Car Parts & Molding

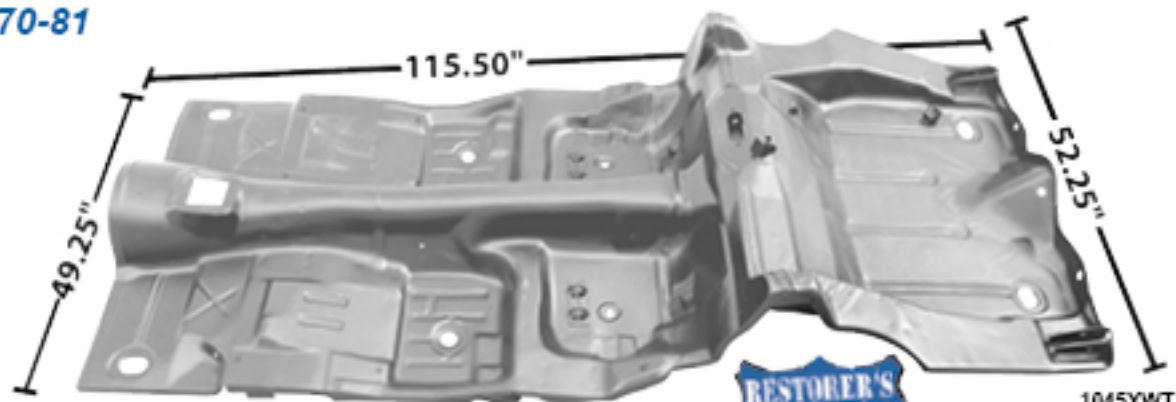


1067QB



1045ZWT	1970-73	Complete Floor Pan with Braces, Weld-Through Primer
1075HWT	1970-73	Front Floor Braces, Weld-Through Primer, 3 Pcs.
1067QB	New 1970-73	Transmission Cover

1970-81



1045YWT

Does Not Qualify For Free Freight Program



1046TA



Box Size:
77" x 66" x 13"
Weight:
106 lbs.

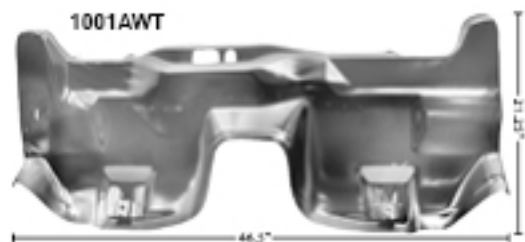


1046UA



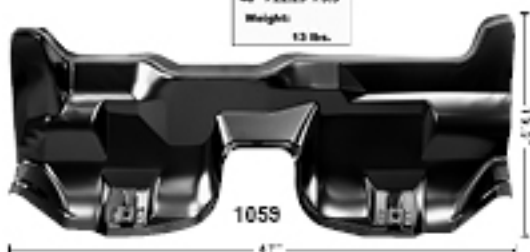
Box Size:
77" x 66" x 13"
Weight:
106.3 lbs.

1045YWT	1970-73	Complete Floor Pan With Trunk Floor Pan, Coupe, Limited availability
1046TA	1975-81	Complete Floor Pan With Braces & Inner Rockers, Auto. Transmission
1046UA	1975-81	Complete Floor Pan With Braces & Inner Rockers, Manual Transmission



1001AWT

Box Size:
48" x 22.25" x 9.5"
Weight:
13 lbs.



1059

1001AWT	1970-73	Rear Floor/Transition Pan, Weld-Through Primer (Behind Rear Seat Backrest)
1059	1970-81	Rear Floor/Transition Pan without Reinforcement Brace





Box Size:
44.5" x 27.25" x 4.75"
Weight:
15.1 lbs.



Box Size:
53.5" x 9.5" x 22"
Weight:
14 lbs.



1001C	1967-69	Package Shelf Panel Kit w/Reinforcements, Coupe
1001D	1967-69	Rear Seat Back Braces
1001H	1970-73	Package Shelf Panel
1001J	1970-73	Package Tray Extension, RH
1001K	1970-73	Package Tray Extension, LH

1967-68

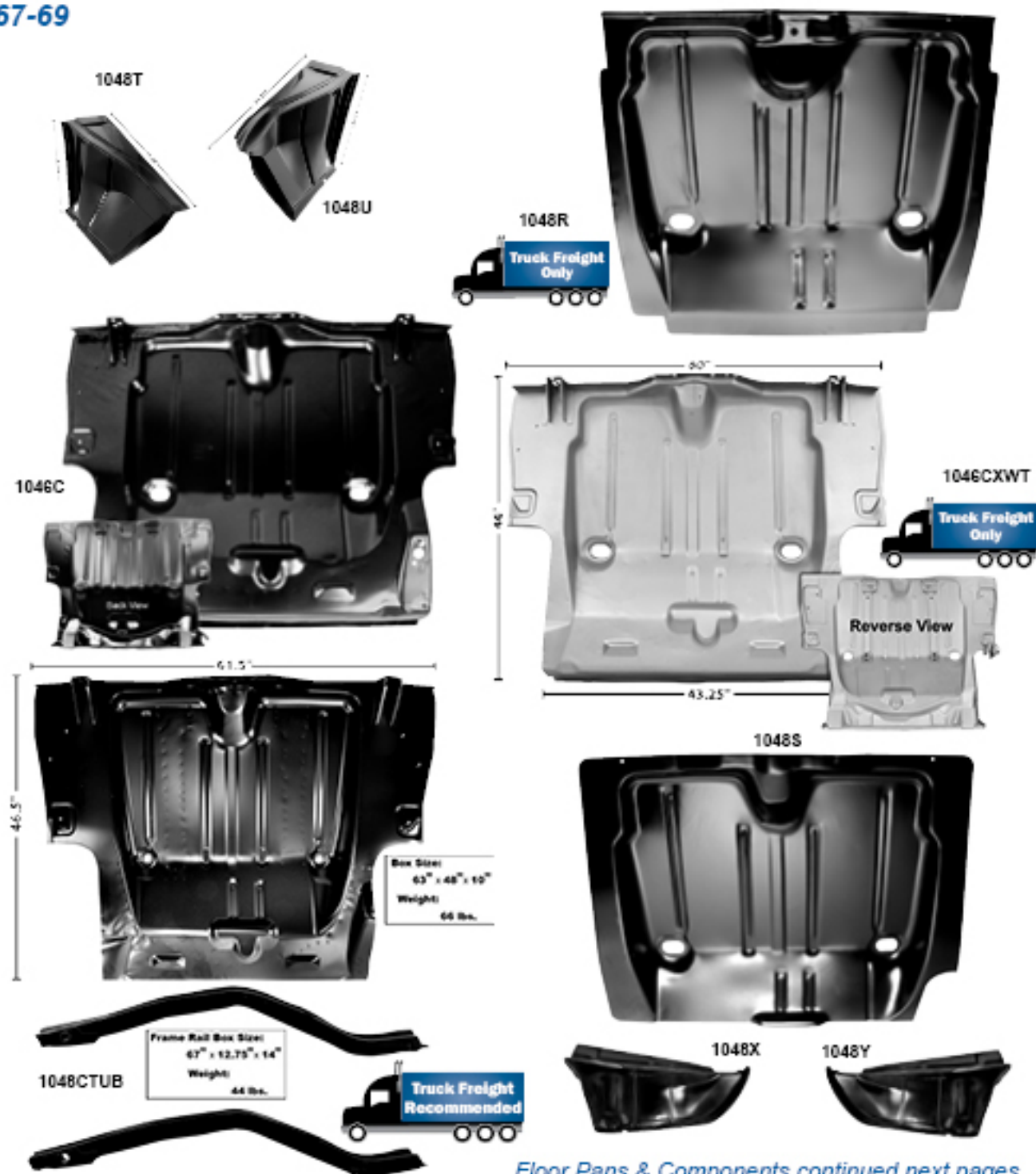


Trunk Pans cont'd. next pg...

1046B	1967	Full Trunk Floor Pan (Not Staggered Shocks)
1046BB	1968	Full Trunk Floor Pan
1006J	1967-69	Upper Shock Mount, Rear Shock



1967-69



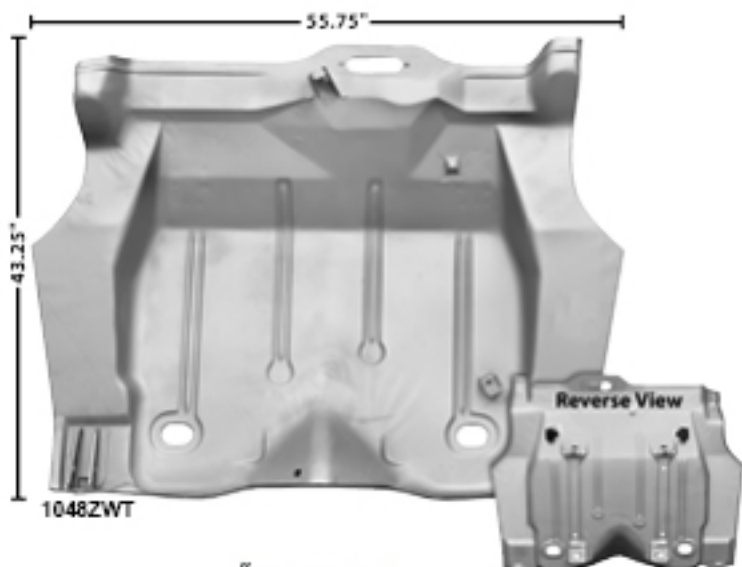
Floor Pans & Components continued next pages...

1048R	1967-68	Trunk Floor Repair Panel
1048T	1967-68	Trunk Floor Drop-Off, RH
1048U	1967-68	Trunk Floor Drop-Off, LH
1046C	1969	Full Trunk Floor Pan, CV
1046CXWT	1969	Full Trunk Floor Pan, 6" Inner Wheelhouse Cut, Weld-Through Primer
1048CTUB	1969	Custom Trunk Floor & Frame Rail Kit for Extra Wide Tubs
1048S	1969	Trunk Floor Repair Panel
1048X	1969	Trunk Floor Drop-Off, RH
1048Y	1969	Trunk Floor Drop-Off, LH

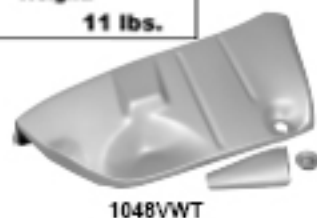
1970-81

Trunk Pans & Components

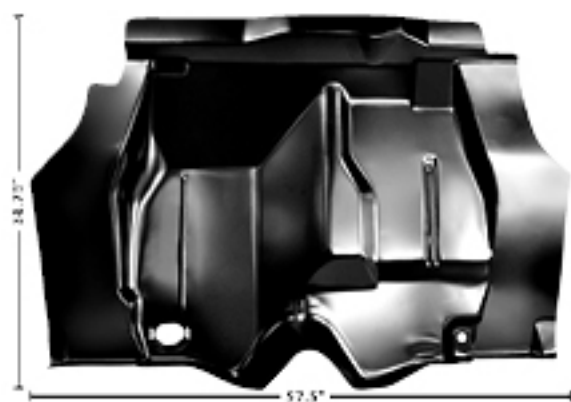
Muscle Car Parts & Molding • Muscle Car Parts & Molding • Muscle Car Parts & Molding



Box Size:
27.75" x 14.5" x 7"
Weight:
11 lbs.

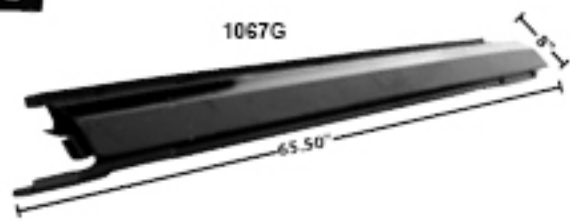


1048ZD



1048ZC

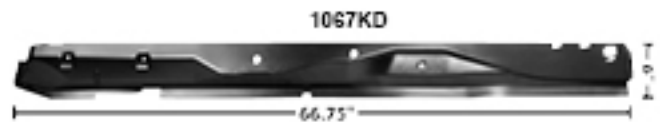
1048ZWT	1970-73	Full Trunk Floor Pan, Weld-Through Primer
1048VWT	1970-73	Trunk Floor Drop-Off, Weld-Through Primer R.H
1048WWT	1970-73	Trunk Floor Drop-Off, Weld-Through Primer L.H
1048ZD	1970-73	Trunk Floor Repair Panel
1048ZC	1974-81	Trunk Floor Pan



1067R	1967-69	Inner Rocker Panel RH, Coupe
1067S	1967-69	Inner Rocker Panel LH, Coupe
1067G	1967-69	Outer Rocker Panel, RH, Coupe
1067H	1967-69	Outer Rocker Panel, LH, Coupe



1067T	1967-69	Rocker Panel (Inner & Outer), RH, Convertible
1067U	1967-69	Rocker Panel (Inner & Outer), LH, Convertible
1067GA	1967-69	Rocker Panel (Inner & Outer), RH, Coupe
1067HA	1967-69	Rocker Panel (Inner & Outer), LH, Coupe

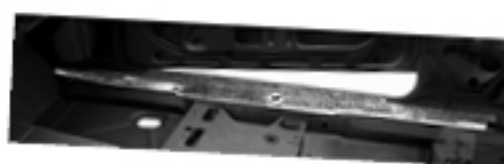


1067KC	1970-81	Inner Rocker Panel RH
1067KD	1970-81	Inner Rocker Panel LH
1067J	1970-81	Outer Rocker Panel, RH
1067K	1970-81	Outer Rocker Panel, LH

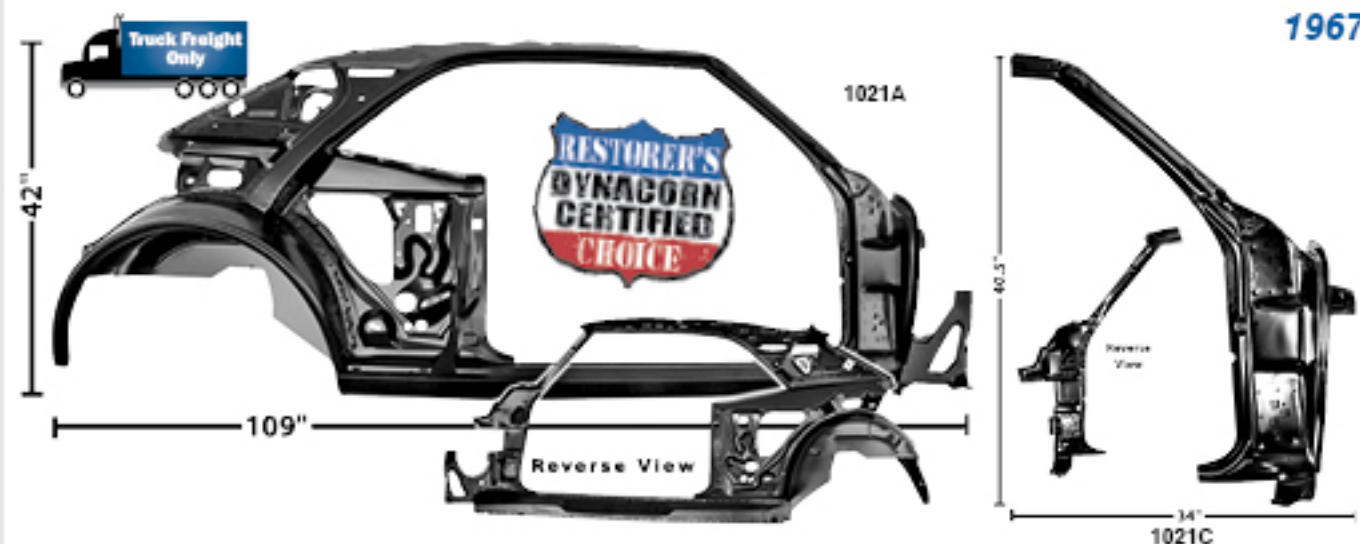


1068T	1967	Frame Rail, RH, (Professional installation only)
1068U	1967	Frame Rail, LH, (Professional installation only)
1068R	1968-69	Frame Rail, RH, (Professional installation only)
1068S	1968-69	Frame Rail, LH, (Professional installation only)
1068RXWT	1968-69	Frame Rail, 6" Wide, Weld-Through Primer, RH
1068SXWT	1968-69	Frame Rail, 6" Wide, Weld-Through Primer, LH
1068WWT	1970-73	Frame Rail, Weld-Through Primer, RH
1068XWT	1970-73	Frame Rail, Weld-Through Primer LH

(Shown attached to body)

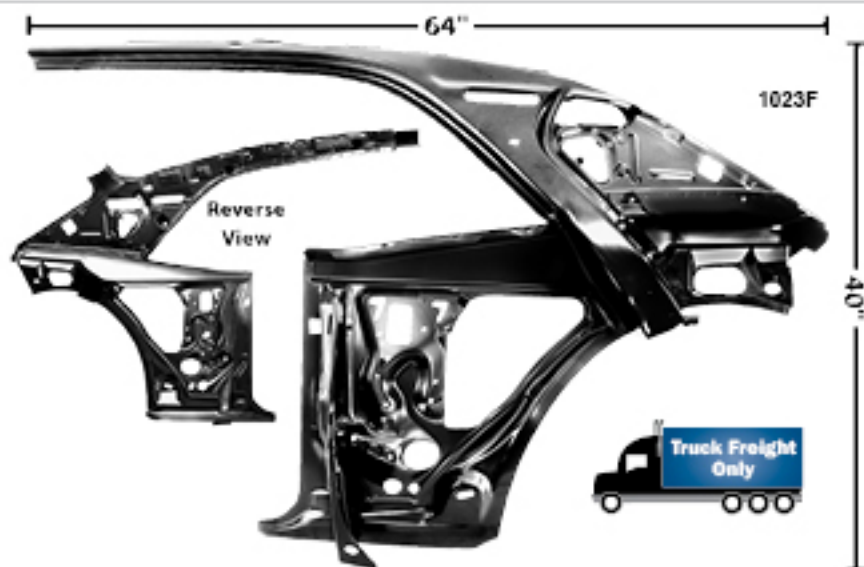


1008	1967-69	Wire Loom Shields 4 pcs., Coupe
------	---------	---------------------------------



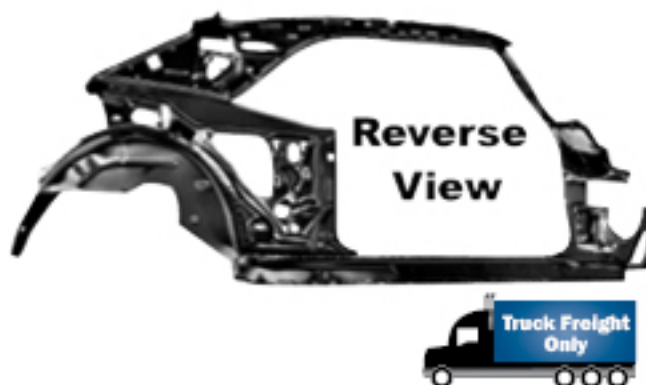
1021A	1967	Quarter/Door Frame Assembly, RH, Coupe
1021B	1967	Quarter/Door Frame Assembly, LH, Coupe
1021C	1967	Inner Door Frame, RH
1021D	1967	Inner Door Frame, LH

1967-69



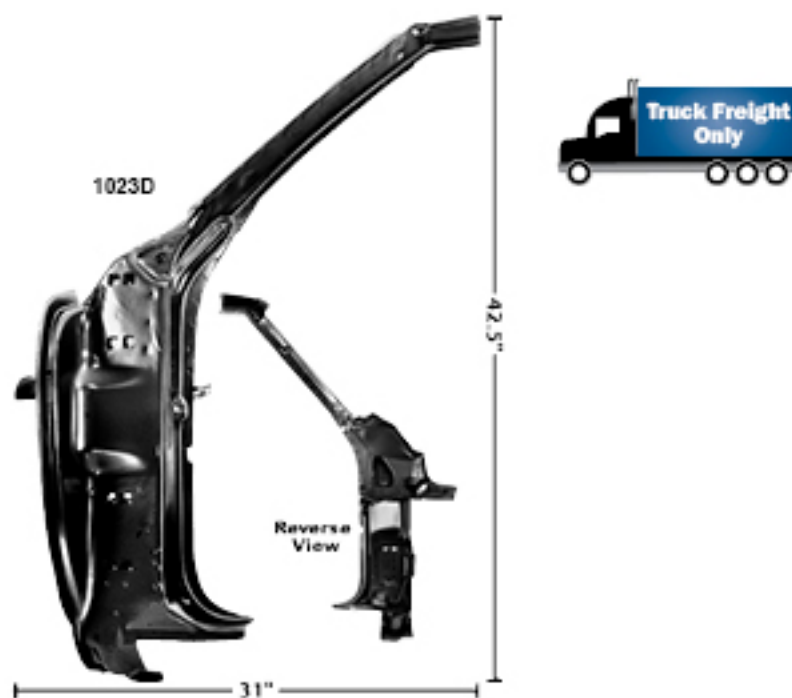
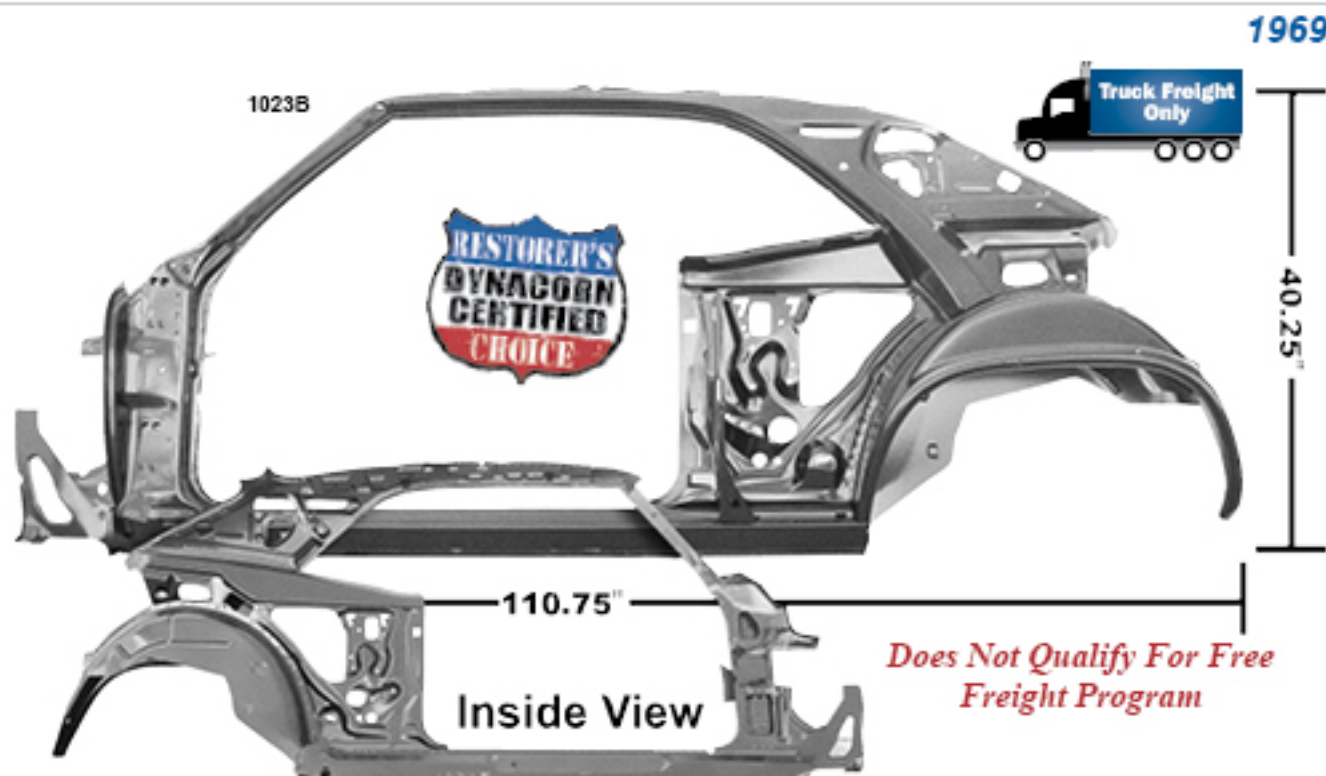
1023E	1967-69	Quarter/Door Inner Frame Assembly, RH
1023F	1967-69	Quarter/Door Inner Frame Assembly, LH

1968

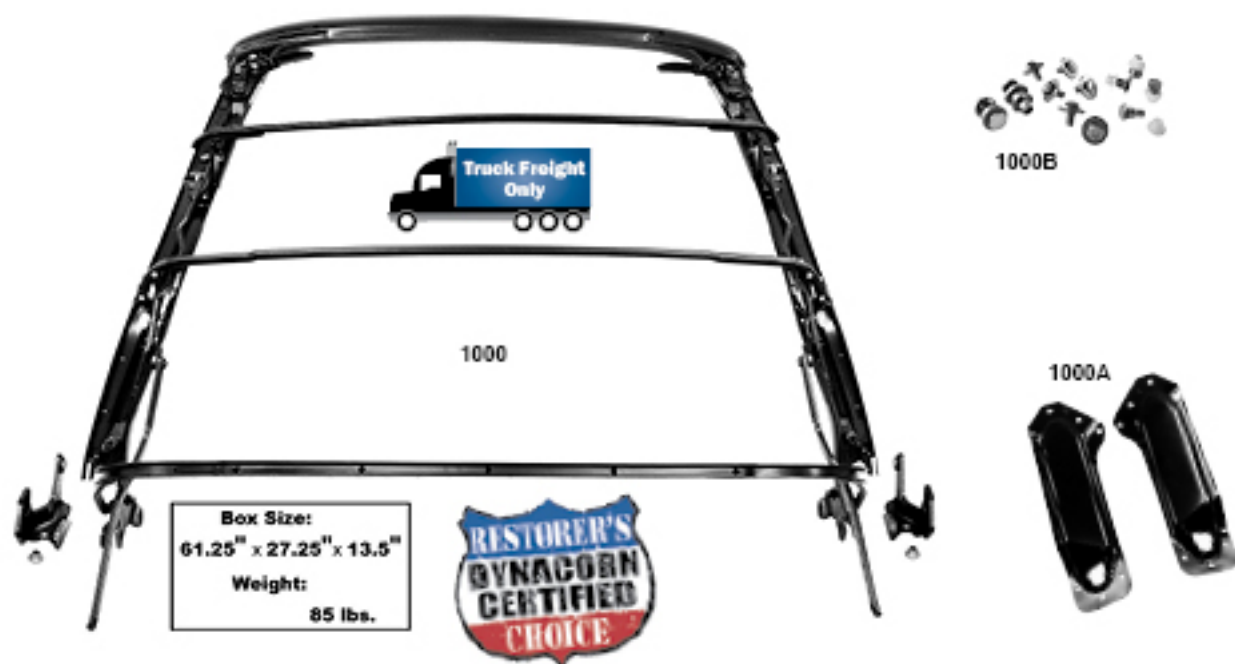


1022	1968	Quarter/Door Frame Assembly, RH
1023	1968	Quarter/Door Frame Assembly, LH
1023G	1968	Inner Door Frame, RH
1023H	1968	Inner Door Frame, LH

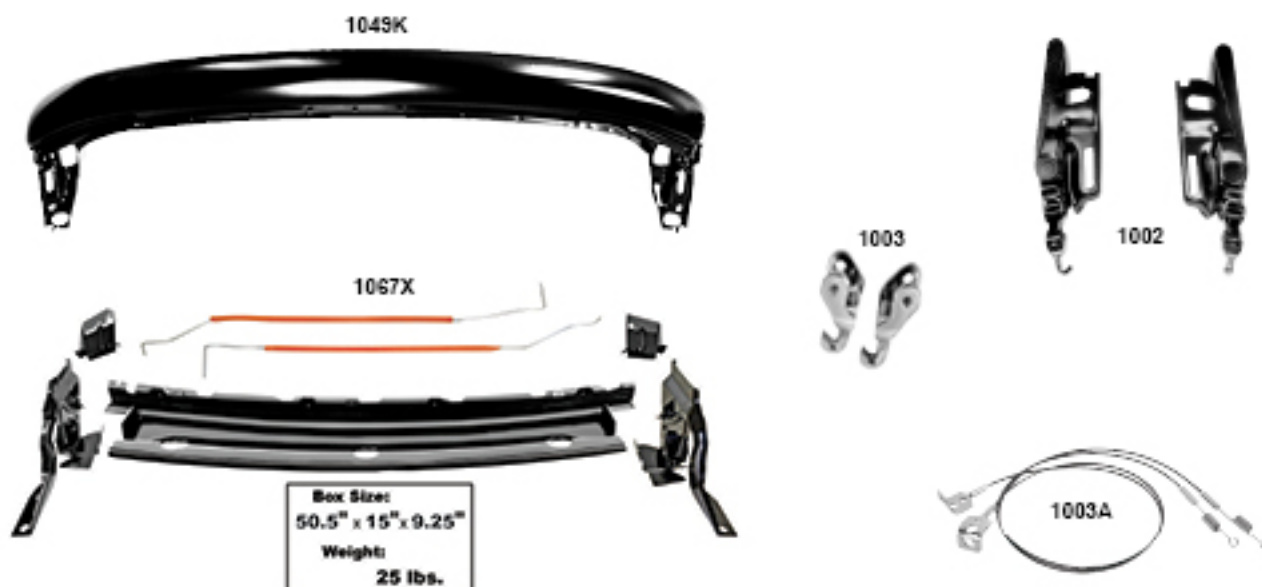
Muscle Car Parts & Molding • Muscle Car Parts & Molding • Muscle Car Parts & Molding



1023A	1969	Quarter/Door Frame Assembly, RH
1023B	1969	Quarter/Door Frame Assembly, LH
1023C	1969	Inner Door Frame, RH
1023D	1969	Inner Door Frame, LH



1000	1967-69	Convertible Top Frame Assembly, Power Top
1000A	1967-69	Convertible "B" Pillar Support Brackets
1000B	1967-69	Convertible Top Pivot Bolt Set, 16 pcs.

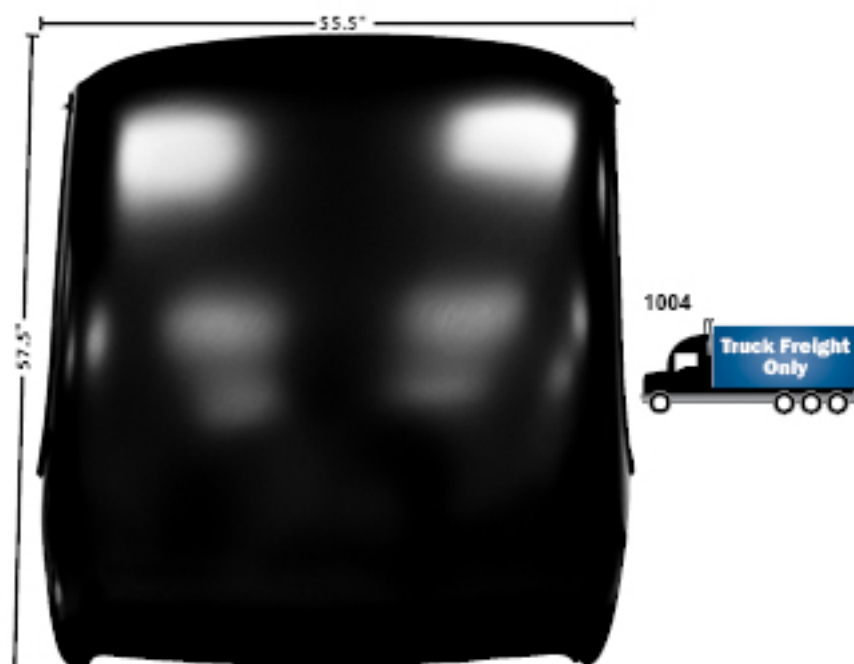


1049K	1967-69	Convertible Top Header Bow
1067X	1967-69	Torsion Bar Chassis for Convertible
1002	1967-69	Convertible Top Latch Assemblies (Top Components)
1003	1967-69	Convertible Top Latches (Hooks & Knuckles only)
1003A	1967-69	Convertible Top Springs

1967-69

Roof Panels & Components

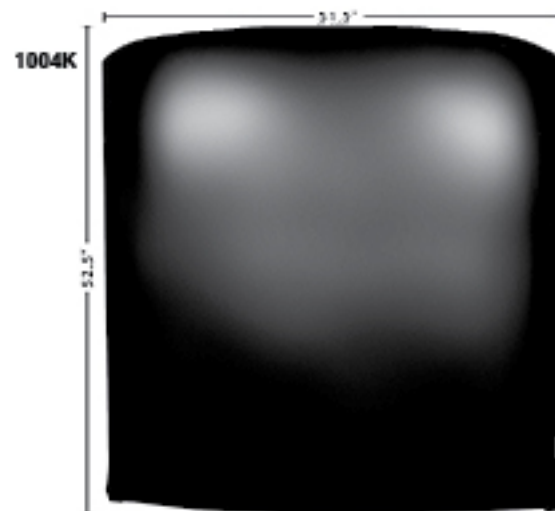
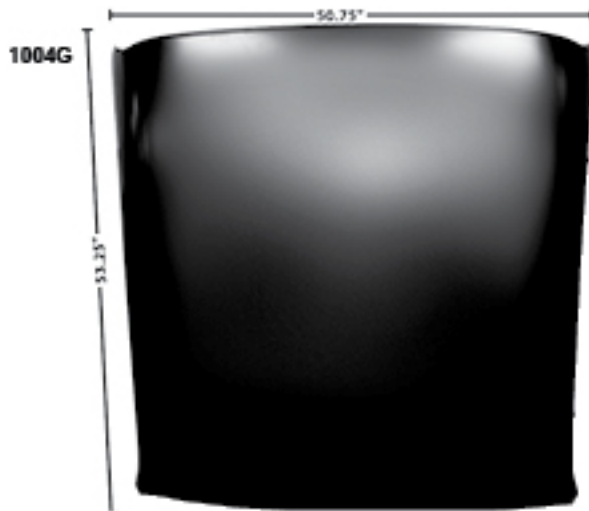
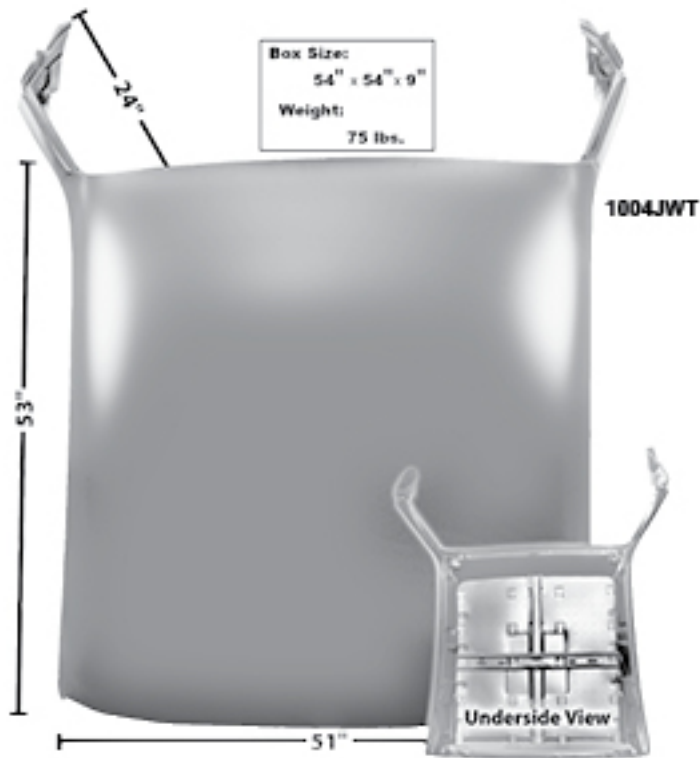
Muscle Car Parts & Molding • Muscle Car Parts & Molding • Muscle Car Parts & Molding



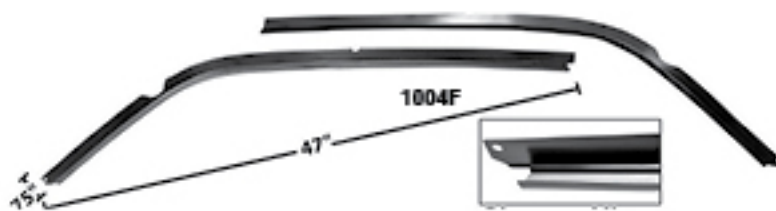
Box Size:
50.25" x 11" x 5.25"
Weight:
23 lbs.

1004	1967-69	Roof Panel, Improved Steel
1004A	1967-68	Roof Panel Brace Kit, 14 Pcs. set
1004CA	1967-69	Roof Rail Weatherstrip Retainer Clips, 4 pcs.
1004B	1969	Roof Panel Brace/Bow Kit, 14Pcs., with Headliner Bows

1970-81



1004G	1970-74	Roof Panel
1004JWT	1970-73	Roof Assembly w/Windshield Posts, Weld-Through Primer
1004K	1975-81	Roof Panel



1004F	1967-69	Roof Drip Rails
1004H	1967-69	Windshield Pillar Drip Rails

1967



1076A



1075A

Door Glass on pg. C70...

Door Handles on pg. C42...

1556Y



1556W



7648724



1076FE



1076H

Doors & Hardware continued next pages...

1076A	1967	Door Shell RH
1076B	1967	Door Shell LH
1075A	1967	Door Skin RH
1075B	1967	Door Skin LH
1556Y	1967	Door Hinge, Upper RH
1556Z	1967	Door Hinge, Upper LH
1556W	1967	Door Hinge, Lower RH
1556X	1967	Door Hinge, Lower LH
7648724	1967	Door Latch RH
7648725	1967	Door Latch LH
1076FE	1967-81	Door Lock Striker (Also 1967-75 Firebird®)
1076H	1967-69	Door Window Guide Stabilizers



7651904



1463JM

Box Size:
6.75" x 6" x 3.75"
Weight:
4 lbs.



7651903

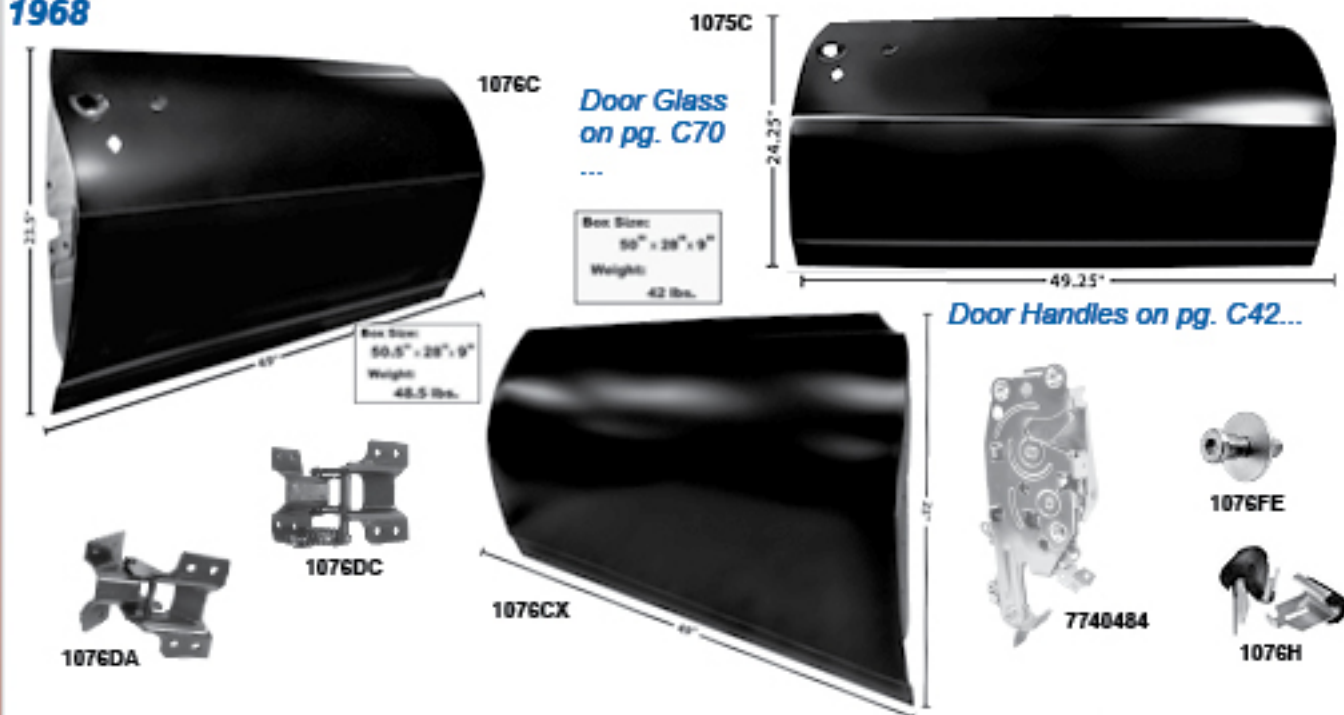


7660238

1463JM	1967-68	Power Window Motor, RH
1463KM	1967-68	Power Window Motor, LH
7651903	1967	Window Regulator, Deluxe RH
7651904	1967	Window Regulator, Deluxe LH
7681466	1967	Window Regulator, Standard RH
7681467	1967	Window Regulator, Standard LH
7660238	1967-69	Quarter Window Regulator, RH
7660239	1967-69	Quarter Window Regulator, LH

Window Motors on
pg. C89

1968



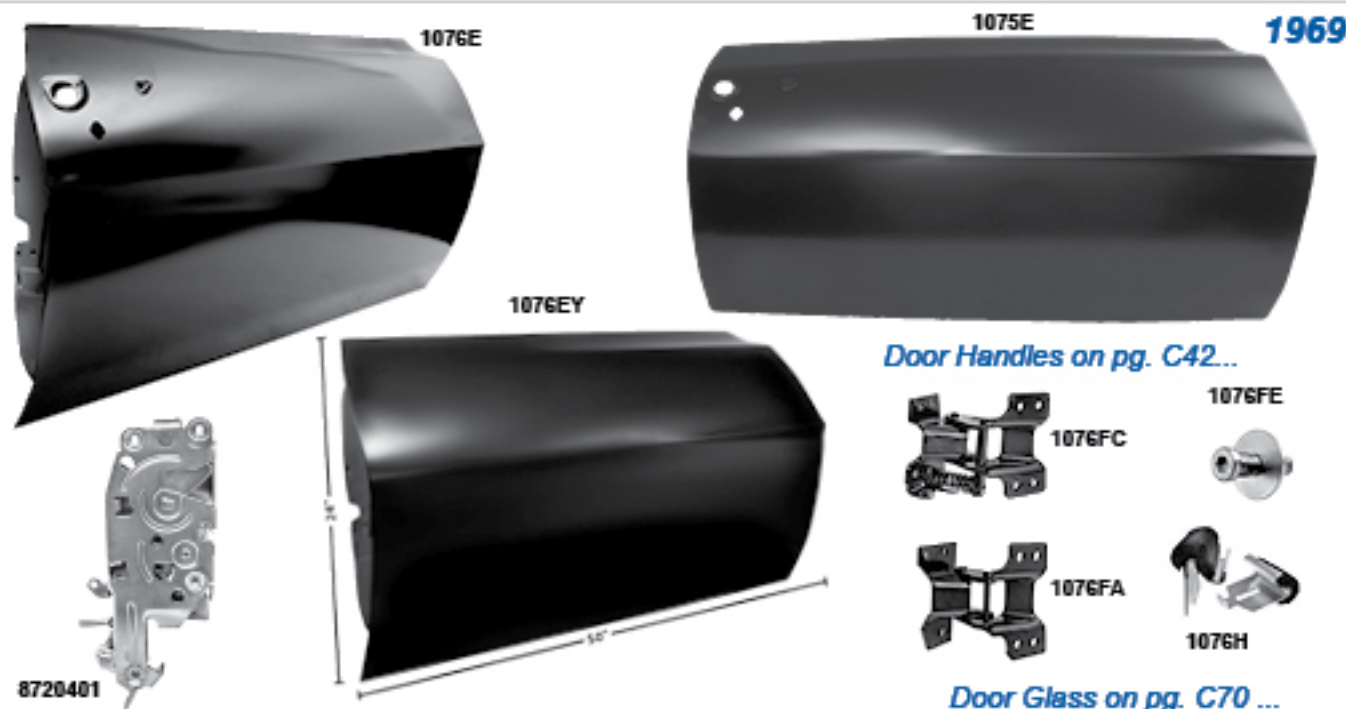
1076C	1968	Door Shell RH
1076D	1968	Door Shell LH
1076CX	1968	Door Shell, Custom, RH (No holes for door handle, lock or mirror)
1076DX	1968	Door Shell, Custom, LH (No holes for door handle, lock or mirror)
1075C	1968	Door Skin RH
1075D	1968	Door Skin LH
1076DA	1968	Door Hinge, Upper RH
1076DB	1968	Door Hinge, Upper LH
1076DC	1968	Door Hinge, Lower RH
1076DD	1968	Door Hinge, Lower LH
7740484	1968	Door Latch RH
7740485	1968	Door Latch LH
1076FE	1967-81	Door Lock Striker (Also 1967-75 Firebird®)
1076H	1967-69	Door Window Guide Stabilizers



1463JM	1967-68	Power Window Motor, RH
1463KM	1967-68	Power Window Motor, LH
7726801	1968-69	Window Regulator, Deluxe RH
7726802	1968-69	Window Regulator, Deluxe LH
7740411	1968-69	Window Regulator, Standard RH
7740412	1968-69	Window Regulator, Standard LH
7660238	1967-69	Quarter Window Regulator, RH
7660239	1967-69	Quarter Window Regulator, LH

Window Motors on
pg. C89

Muscle Car Parts & Molding • Muscle Car Parts & Molding • Muscle Car Parts & Molding



1076E	1969	Door Shell RH
1076F	1969	Door Shell LH
1076EY	1969	Door Shell, Custom (No holes for door handle, lock or mirror) RH
1076FY	1969	Door Shell, Custom (No holes for door handle, lock or mirror) LH
1075E	1969	Door Skin RH
1075F	1969	Door Skin LH
1076FA	1969	Door Hinge, Upper RH
1076FB	1969	Door Hinge, Upper LH
1076FC	1969	Door Hinge, Lower RH
1076FD	1969	Door Hinge, Lower LH
8720401	1969	Door Latch RH
8720402	1969	Door Latch LH
1076FE	1967-81	Door Lock Striker (Also 1967-75 Flexbed [®])
1076H	1967-69	Door Window Guide Stabilizers



7726802



7740411



7660238

7726801	1968-69	Window Regulator, Deluxe RH
7726802	1968-69	Window Regulator, Deluxe LH
7740411	1968-69	Window Regulator, Standard RH
7740412	1968-69	Window Regulator, Standard LH
7660238	1967-69	Quarter Window Regulator, RH
7660239	1967-69	Quarter Window Regulator, LH

Window Motors on
pg. C89

1970-74



1076P

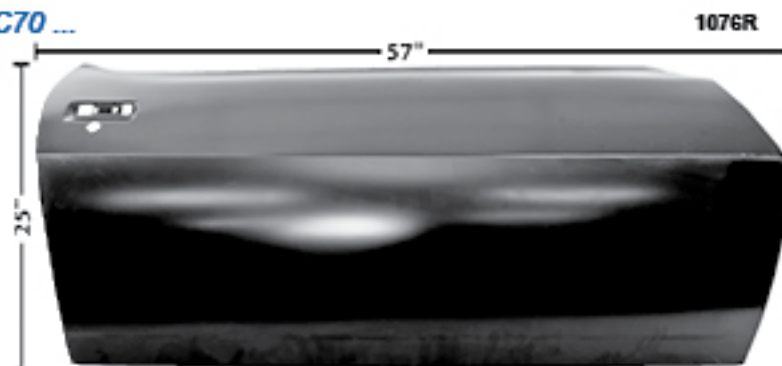


1076QC



1076QA

Door Glass on pg. C70 ...



1076R



1748553



1076FE



1076T



1076W

1076P	1970-73	Door Shell RH
1076Q	1970-73	Door Shell LH
1076R	1970-73	Door Skin RH
1076S	1970-73	Door Skin LH
1076QC	1970-81	Door Hinge, Upper RH
1076QD	1970-81	Door Hinge, Upper LH
1076QA	1970-81	Door Hinge, Lower <i>Fits both sides</i>
1748553	1970-81	Door Latch RH
1748554	1970-81	Door Latch LH
1076FE	1967-75	Door Lock Striker <i>(Also fits 1967-81 Camaro®)</i>
1076T	1970-81	Window Guides & Stop, 4 pcs.
1076W	1970-81	Window Rear Guides, RH, 2 pcs
1076X	1970-81	Window Rear Guides, LH, 2 pcs



1975-81



Box Size:
59.5" x 29.5" x 10.5"
Weight:
67 lbs.



Door Glass on pg. C70 ...

1076ZA	1975-81	Door Shell, RH
1076ZB	1975-81	Door Shell, LH



Door locks on
pg. C93 ...

Fits
standard
door
panels

M1037	1967-69	Exterior Door Handle Assemblies With Push Buttons
M1037C	1967-69	Door Handle Push Buttons
7712035	1967	Interior Door Handle, Deluxe RH
7712036	1967	Interior Door Handle, Deluxe LH
M1037F	1967	Interior Door Handle, Standard, Fits both sides
M1037A	1967-81	Window Crank, Black
M1037B	1967-81	Window Crank, Clear
M1037D	1968-69	Interior Door Handle, Standard RH
M1037E	1968-69	Interior Door Handle, Standard LH
1076FG	1968-69	Door Handle Relay RH
1076FH	1968-69	Door Handle Relay LH
1077A	1970-81	Exterior Door Handle, Chrome RH
1077B	1970-81	Exterior Door Handle, Chrome LH

1967



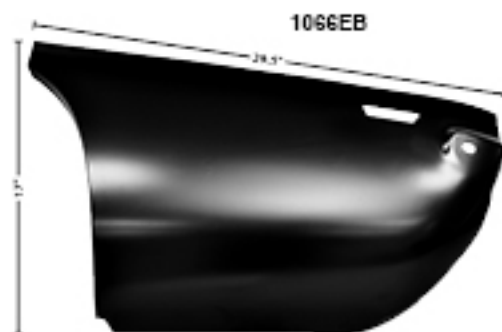
1066	1967	Full Quarter Panel RH, Coupe	Truck Freight Only
1066A	1967	Full Quarter Panel LH, Coupe	Truck Freight Only
1066W	1967	Full Quarter Panel RH, Convertible	Truck Freight Only
1066X	1967	Full Quarter Panel LH, Convertible	Truck Freight Only
1067A	1967-68	Quarter Panel Skin RH (Cut quarter marker hole for '68)	
1067B	1967-68	Quarter Panel Skin LH (Cut quarter marker hole for '68)	

1968



1066B	1968	Full Quarter Panel RH, Coupe	
1066C	1968	Full Quarter Panel LH, Coupe	
1066Y	1968	Full Quarter Panel RH, Convertible	
1066Z	1968	Full Quarter Panel LH, Convertible	
1067A	1967-68	Quarter Panel Skin RH (Cut quarter marker hole for '68)	
1067B	1967-68	Quarter Panel Skin LH (Cut quarter marker hole for '68)	

Muscle Car Parts & Molding • Muscle Car Parts & Molding • Muscle Car Parts & Molding



Quarter Panels continued next pages ...

1066D	1969	Full Quarter Panel RH, Coupe
1066E	1969	Full Quarter Panel LH, Coupe
1066F	1969	Full Quarter Panel RH, Convertible
1066G	1969	Full Quarter Panel LH, Convertible
1067C	1969	Quarter Panel Skin RH
1067D	1969	Quarter Panel Skin LH
1066EA	1969	Quarter Patch Panel, Lower Rear RH
1066EB	1969	Quarter Patch Panel, Lower Rear LH

1970-73



1066J



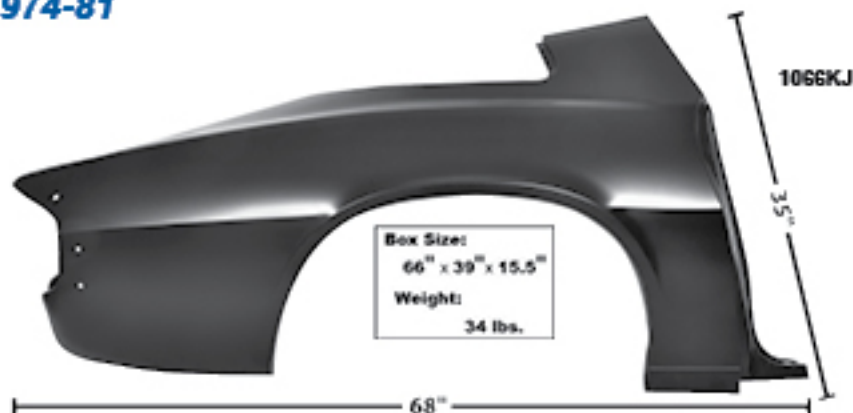
1066JA

Box Size:
67" x 38" x 15"
Weight:
37.5 lbs.

1066J	1970-73	Full Quarter Panel, RH
1066K	1970-73	Full Quarter Panel, LH
1066JA	1970-73	Full Quarter Panel without Lamp Holes, RH
1066JB	1970-73	Full Quarter Panel without Lamp Holes, LH



1974-81



1066KJ

Box Size:
66" x 39" x 15.5"
Weight:
34 lbs.

1067DA



1066KJ	1974-81	Quarter Panel, RH
1066KK	1974-81	Quarter Panel, LH
1067DA	1974-81	Quarter Panel Skins, RH
1067DB	1974-81	Quarter Panel Skins, LH



1967-69

1000J	1967-68	Quarter Panel Inner Bracket RH, Convertible
1000K	1967-68	Quarter Panel Inner Bracket LH, Convertible
1000R	1969	Quarter Panel Inner Bracket RH, Convertible
1000L	1969	Quarter Panel Inner Bracket LH, Convertible



1967-68

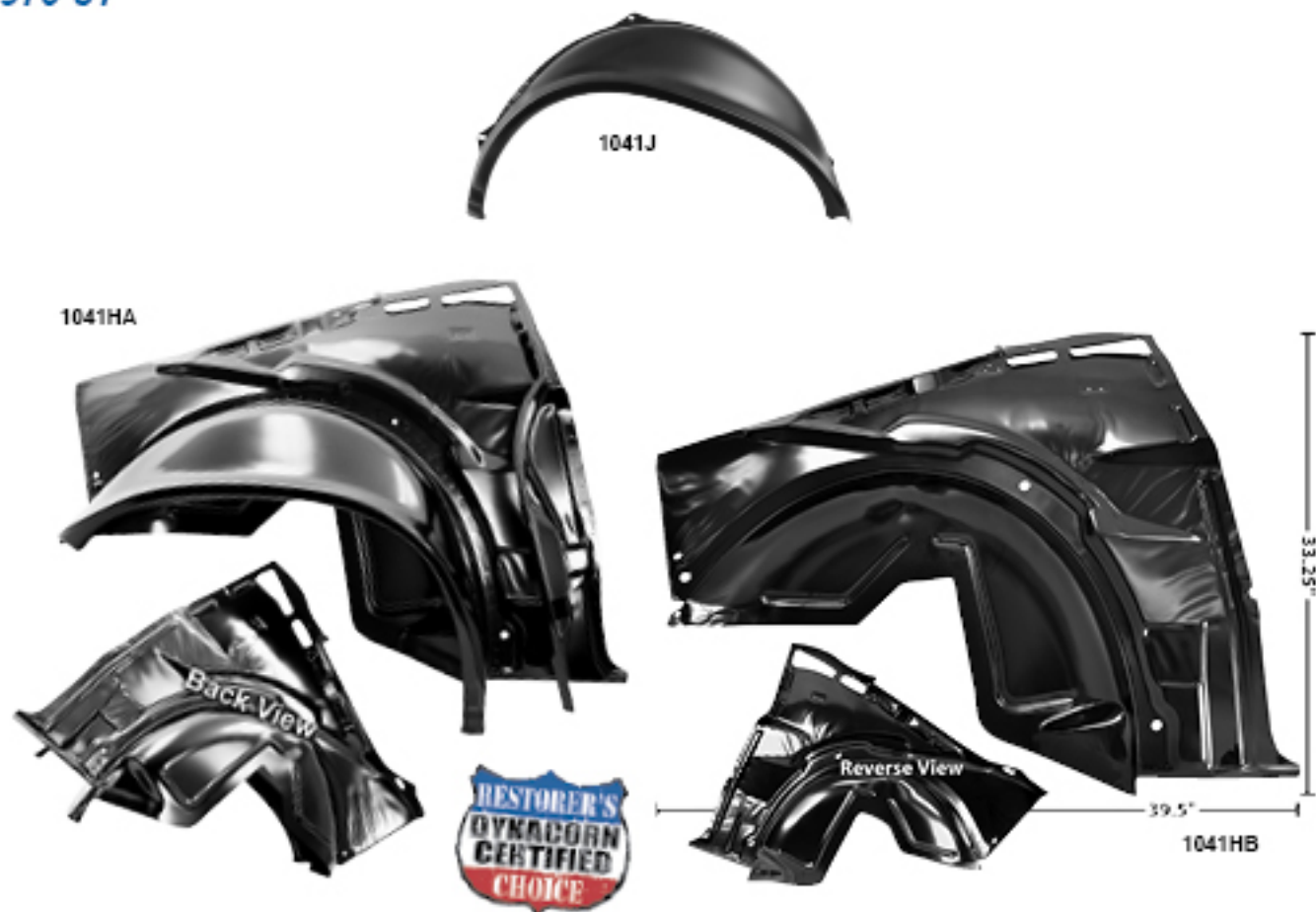
1041A	1967	Inner Wheelhouse LH
1041B	1968-69	Inner Wheelhouse LH
1041C	1967-69	Inner Wheelhouse RH
1041FD	1967-69	6 inch Inner Wheelhouse RH
1041GD	1968-69	6 inch Inner Wheelhouse LH
1041D	1967-68	Outer Wheelhouse RH
1041E	1967-68	Outer Wheelhouse LH



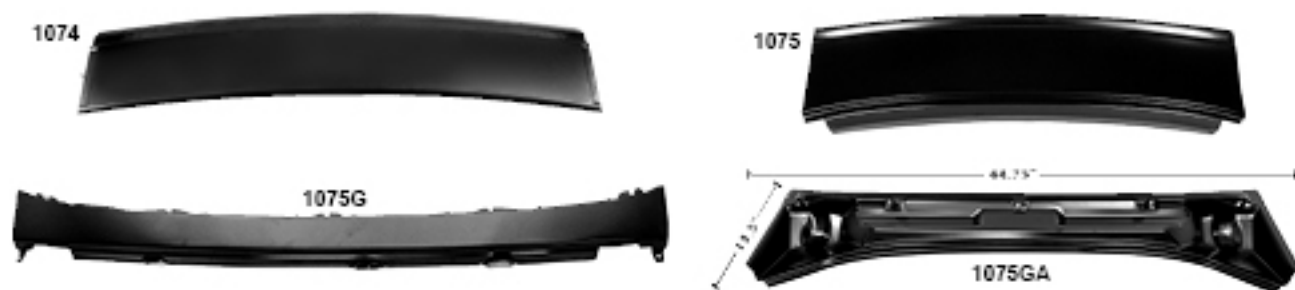
1969

1041F	1969	Outer Wheelhouse RH
1041G	1969	Outer Wheelhouse LH
1041GA	1969	Complete Wheelhouse (Outer & 3 3/4" Inner) RH
1041GB	1969	Complete Wheelhouse (Outer & 3 3/4" Inner) LH
1041FC	1969	Complete Wheelhouse (Outer & 6" Wide Inner) RH
1041GC	1969	Complete Wheelhouse (Outer & 6" Wide Inner) LH

1970-81

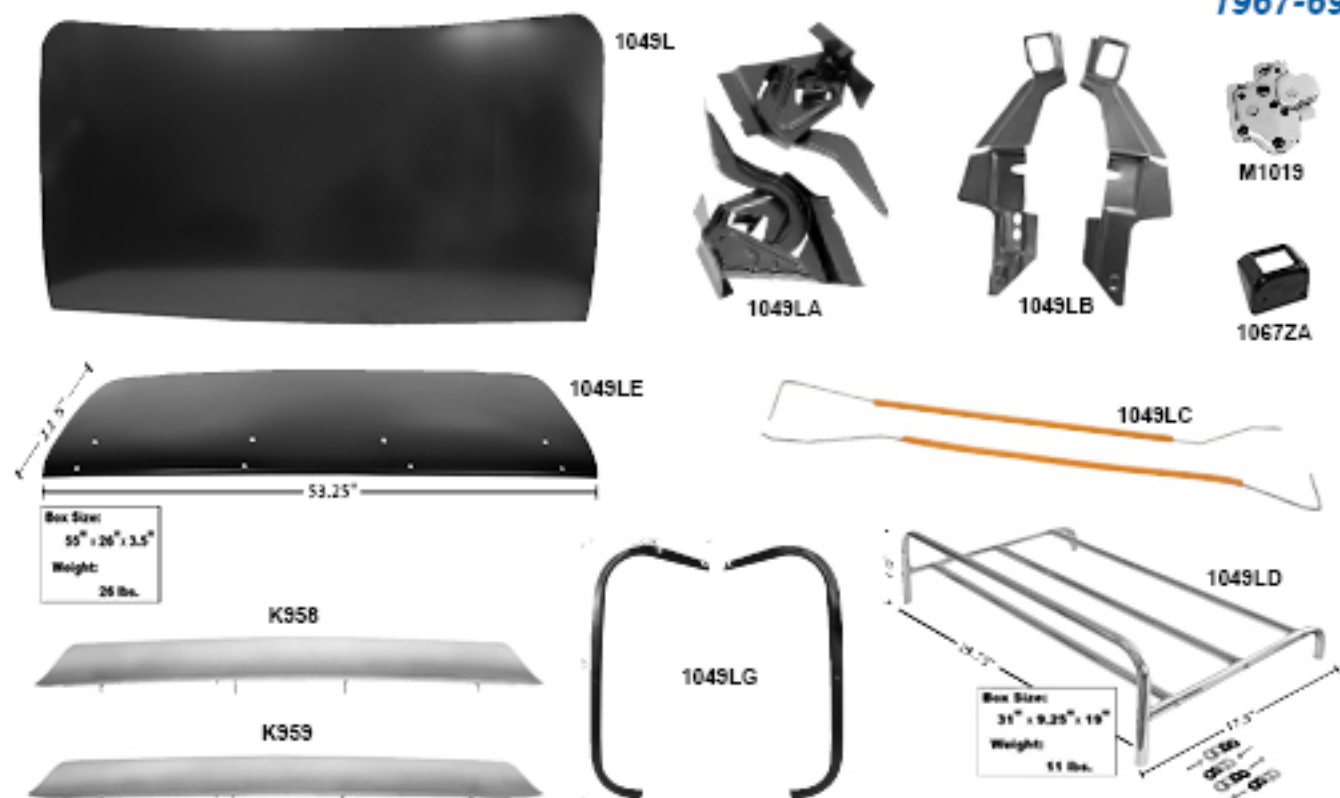


1041H	1970-81	Outer Wheelhouse RH
1041J	1970-81	Outer Wheelhouse LH
1041HA	1970-81	Wheelhouse & Quarter Structure RH, Coupe
1041JA	1970-81	Wheelhouse & Quarter Structure LH, Coupe
1041HB	1970-81	Quarter Structure Inner Wheelhouse (No Outer Wheelhouse), RH
1041JB	1970-81	Quarter Structure Inner Wheelhouse (No Outer Wheelhouse), LH



1074	1967-69	Rear Deck Filler Panel, Convertible
1075	1967-69	Rear Deck Filler Panel, OE Type, Coupe
1075G	1970-81	Rear Window Filler Panel
1075GA	1970-81	Rear Deck Inner Filler Panel, Coupe

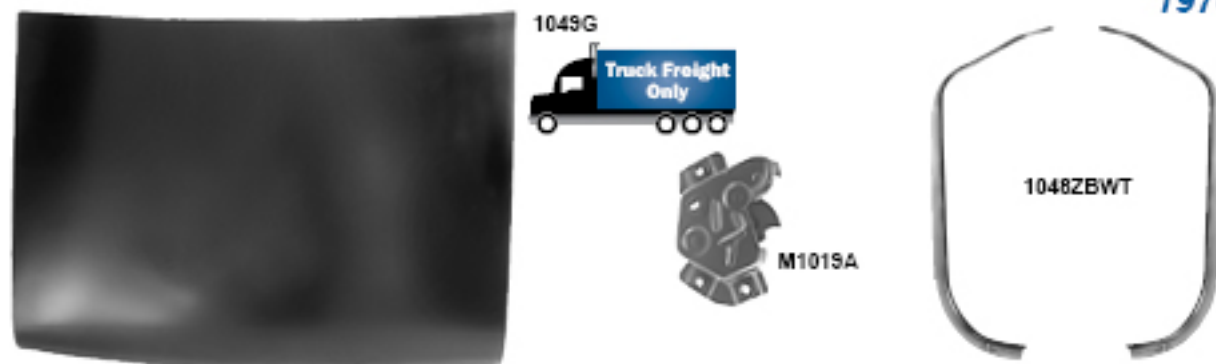
1967-69



1049L	1967-69	Trunk Lid - without spoiler holes
1049LE	1967-69	Trunk Lid with spoiler holes
1049LA	1967-69	Trunk Hinges
1049LC	1967-69	Trunk Hinge Torsion Rods
1049LB	1967-69	Package Shelf Extensions, Coupe
M1019	1967-69	Trunk Latch
1067ZA	1967-69	Trunk Lid Catch
1049LD	1967-69	Trunk Lid Luggage Rack
K958	1967-68	Rear Spoiler
K959	1969	Rear Spoiler
1049LG	1967-69	Trunk Weatherstrip Channels



1970-81



1049G	1970-81	Trunk Lid
M1019A	1970-81	Trunk Latch
1048ZBWT	1970-73	Trunk Weatherstrip Channels, Weld-Through Primer



1067E	1967-68	Tall Light Panel, Std.
1067EA	1967-68	Tall Light Panel, Rally Sport
1067Y	1967-68	Inner Tail Light Panel
1067Z	1967-68	Inner Tail Light Panel Brace



1067F	1969	Tall Light Panel, Std.
1067FA	1969	Tall Light Panel, Rally Sport
1067W	1969	Inner Tail Light Panel Brace
1067Q	1969	Rear Cross Rail



1067M	1970-73	Tall Light Panel
1067VWT	1970-73	Tall Light Panel Brace, Weld-Through Primer



1067N	1974-77	Tall Light Panel
1067P	1978-81	Rear Inner Filler Panel

Muscle Car Parts & Molding • Muscle Car Parts & Molding • Muscle Car Parts & Molding



1067PA 1971-73 Rear Valance Panel



1067PB 1974-81 Rear Valance Panel

Rear Valances



1078



1078A

Front license plate brackets on pg. C5...

1078 1969 Rear License Plate Bracket

1078A 1970-77 Rear License Plate Bracket

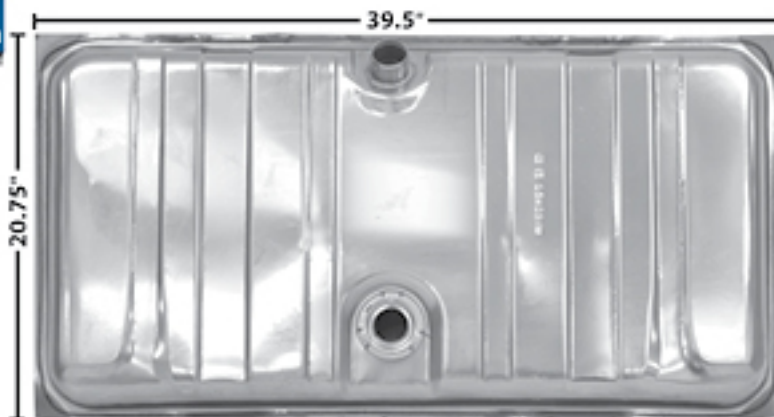


T10

1967-68



K963



T10A

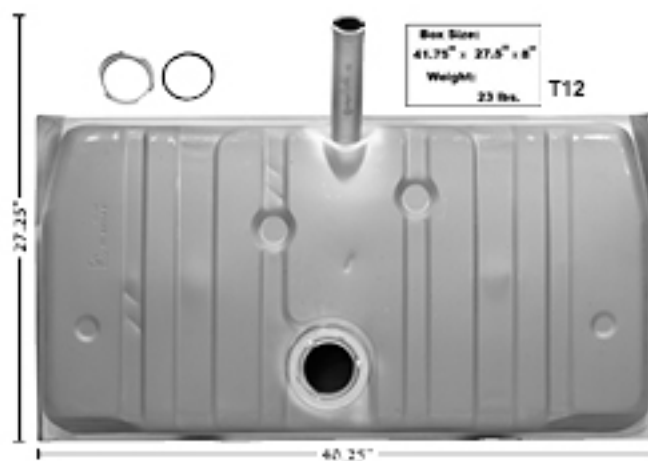
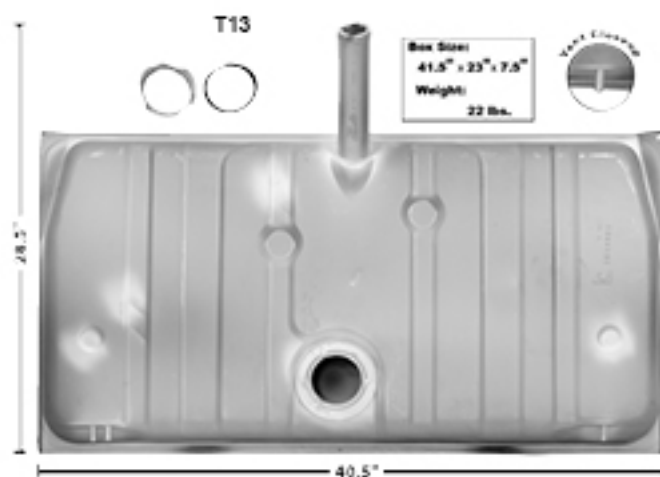
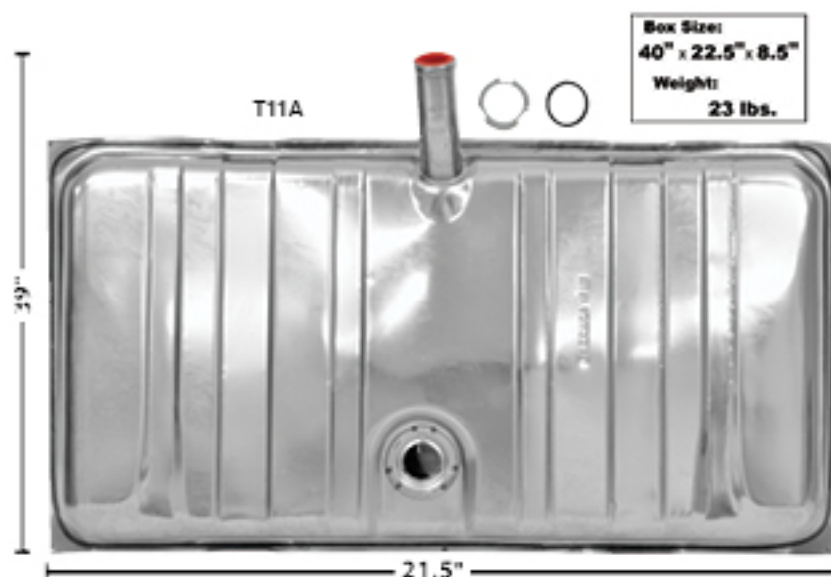


Box Size:
40.5" x 21.5" x 8.5"
Weight:
22 lbs.

**Fuel Tanks
continued
next page...**

T10	1967-68	Fuel Tank
T10A	1967-68	Fuel Tank, Stainless
K963	1967-68	Fuel Tank Fill Neck

1969-73

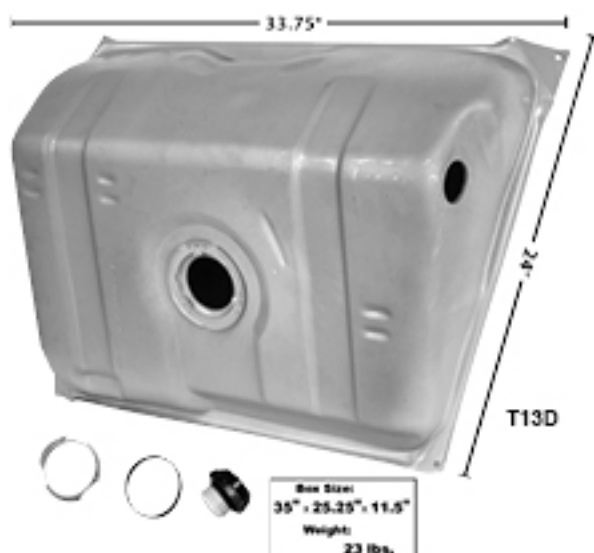
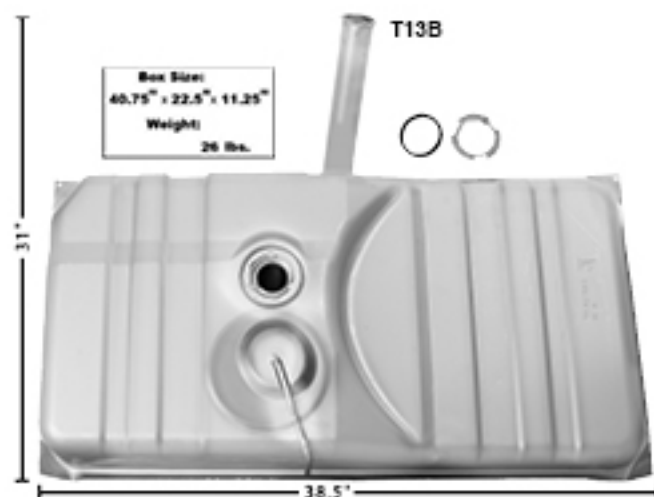
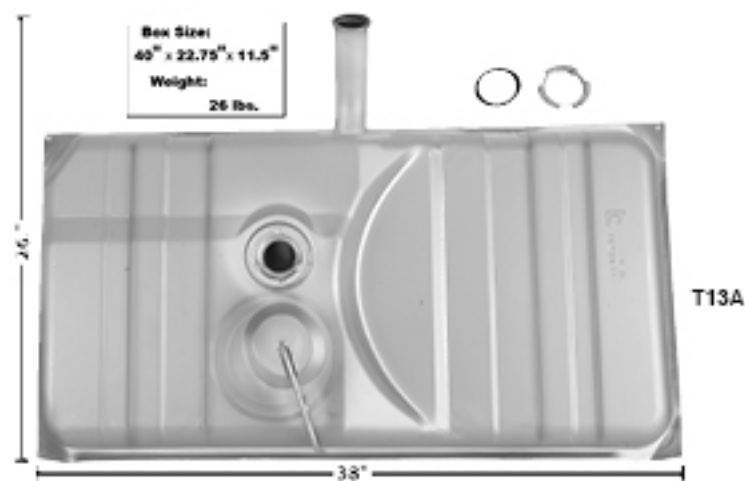


T11	1969	Fuel Tank
T11A	1969	Fuel Tank, Stainless
T12	1970	Fuel Tank (18 gal) w/o vent pipe & Evaporation Emission Control
T13	1971-73	Fuel Tank with vent pipe

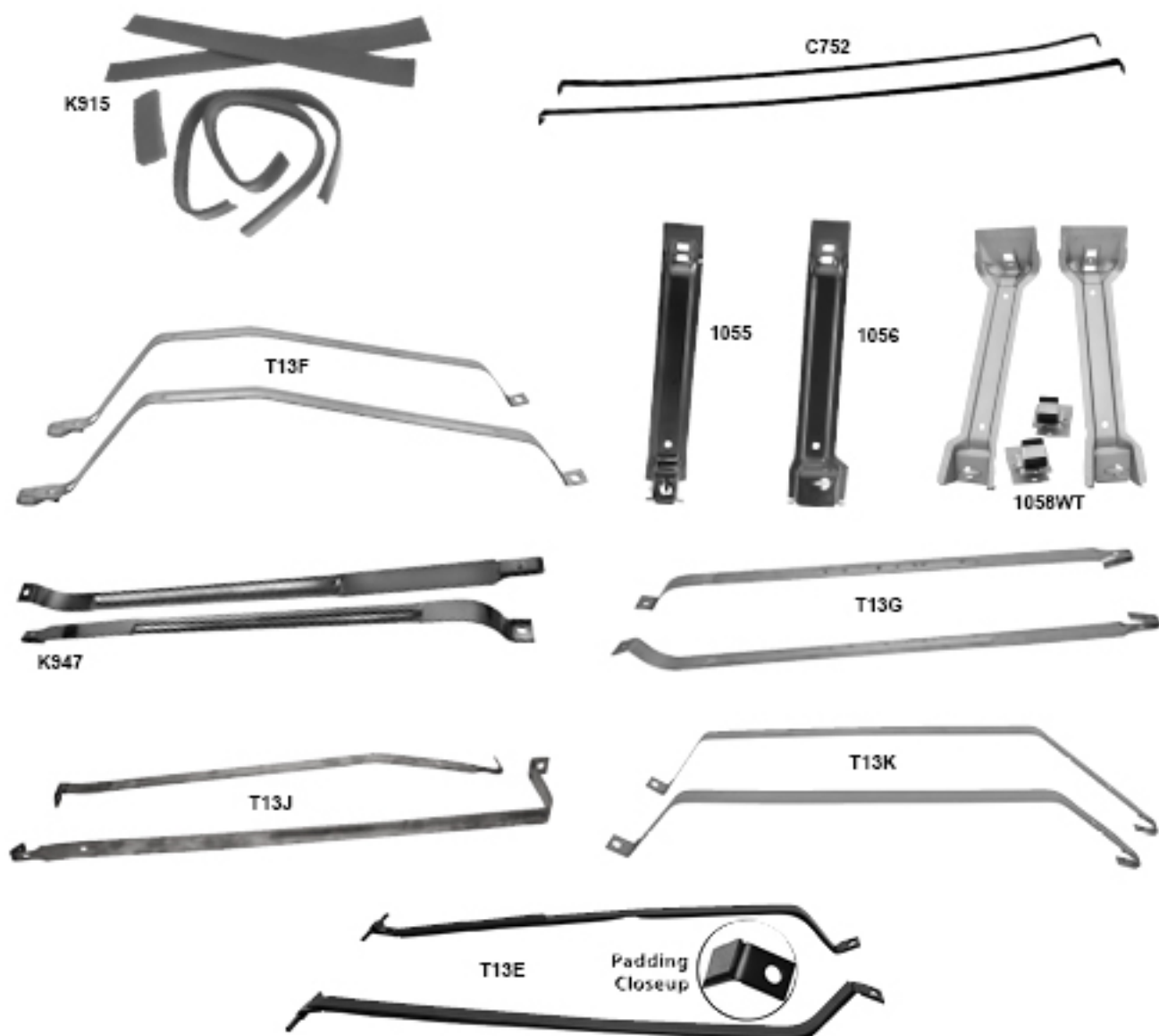
1975-89

Fuel Tanks

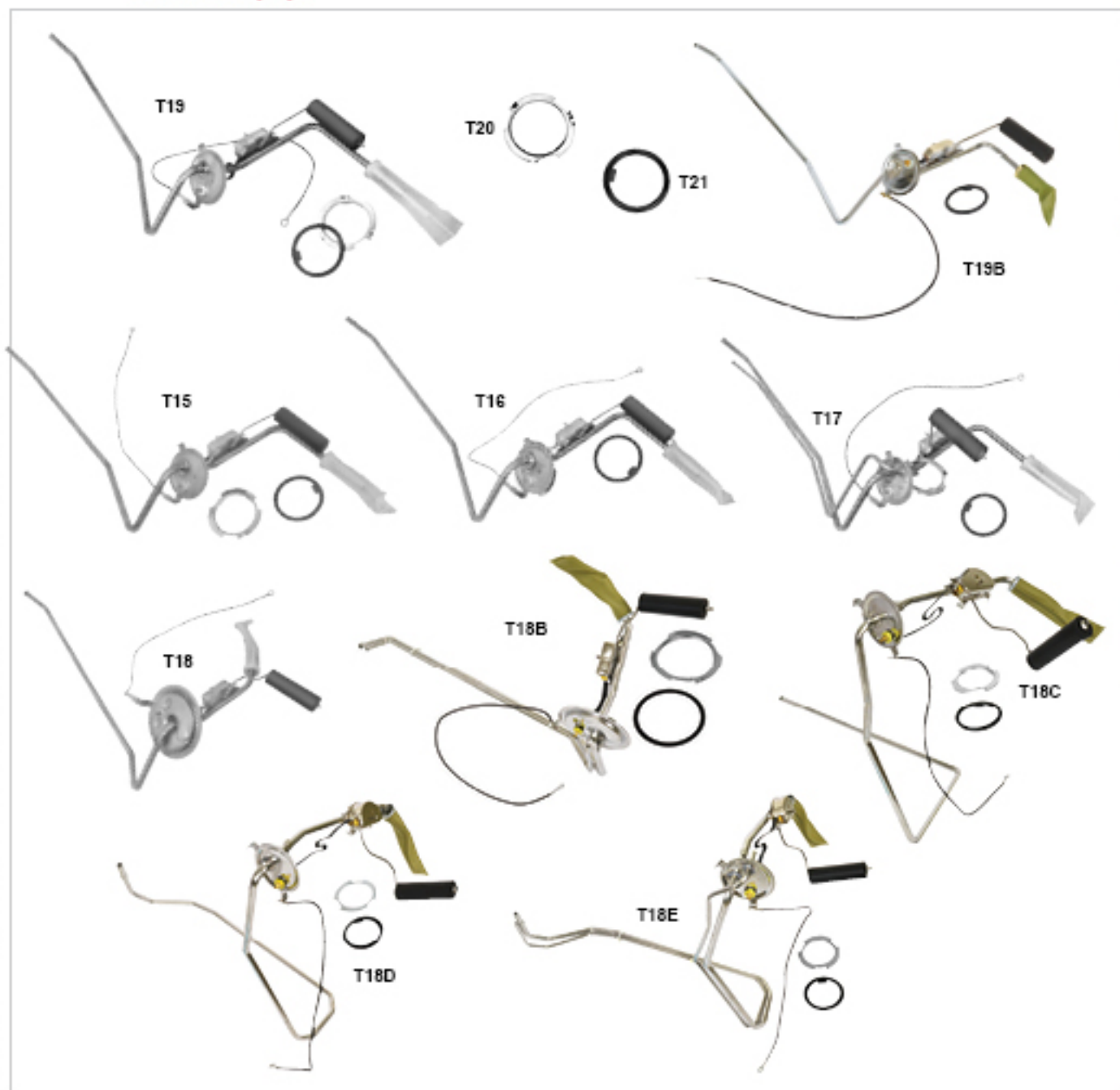
Muscle Car Parts & Molding • Muscle Car Parts & Molding • Muscle Car Parts & Molding



T13A	1975-77	Fuel Tank
T13B	1978-81	Fuel Tank with filler neck
T13D	1982-89	Fuel Tank with pan in tank



K915	1967-69	Fuel Tank Anti-Squeak Kit, 5 pcs.
C752	1967-69	Gas Tank Mounting Straps
T13F	1967-69	Gas Tank Mounting Straps, Stainless
1055	1967-68	Gas Tank Brace, Fits both sides
1056	1969	Gas Tank Brace, RH
1057	1969	Gas Tank Brace, LH
K947	1970-73	Gas Tank Mounting Straps
T13G	1970-73	Gas Tank Mounting Straps, Stainless
1058WT	1970-73	Gas Tank Braces, Weld-Through Primer, 4 Pcs.
T13H	1973-75	Gas Tank Mounting Straps
T13J	1973-75	Gas Tank Mounting Straps, Stainless
T13K	1976-81	Gas Tank Mounting Straps
T13L	1976-81	Gas Tank Mounting Straps, Stainless
T13E	1982-02	Gas Tank Mounting Strap

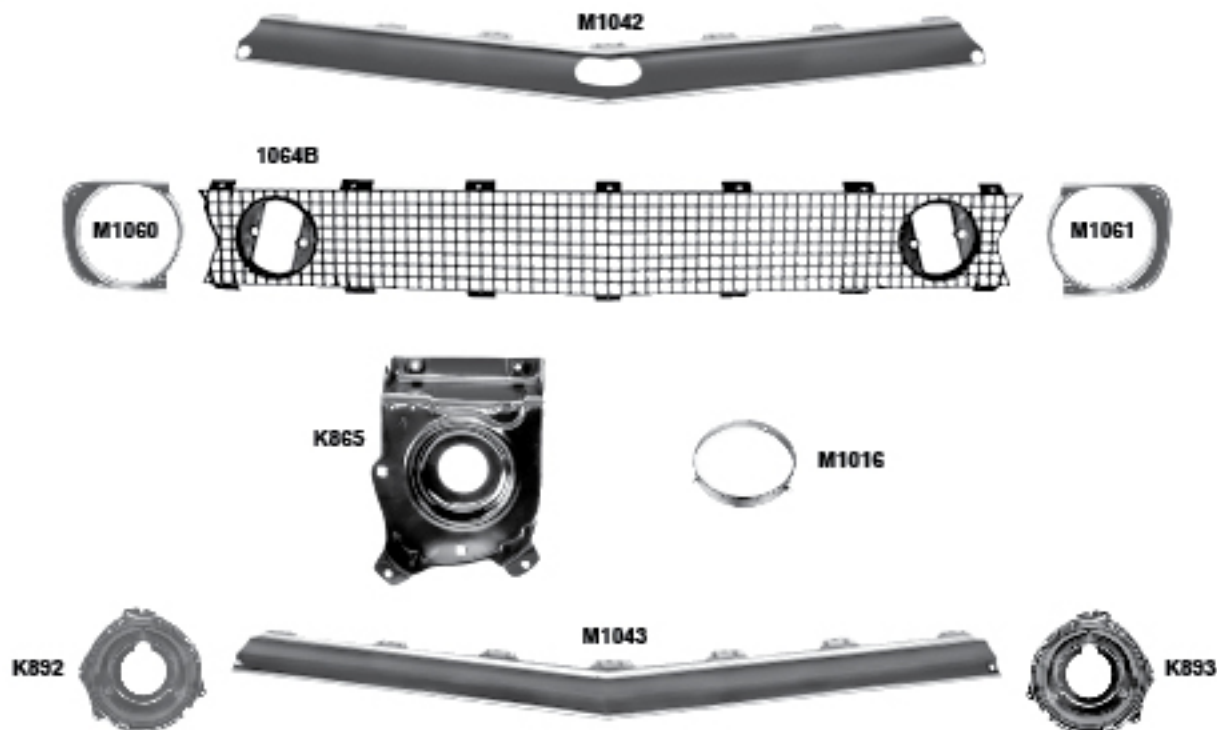


T20	1967-81	Fuel Sending Unit Locking Ring
T21	1967-81	Fuel Sending Unit Gasket
T19	1967	Fuel Sending Unit, 3/8" (M21) (For 302, Z28, 327, 350, 396 Single Line)
T16	1967-68 1969	Fuel Sending Unit, V8, 3/8" (M23) and 8 cyl, 3/8" and 396, 2 BBL
T15	1968-69	Fuel Sending Unit 6 cyl, 5/16" (M22)
T17	1969	Fuel Sending Unit, For 350, 4 BBL, 3/8" & 1/4" (M24)
T18	1970-73	Fuel Sending Unit, 3/8" (M25)
T18B	1970-73	Fuel Sending Unit, 3/8" & 1/4" Stainless
T18C	1974-75	Fuel Sending Unit, 3/8" Stainless
T18D	1976-81	Fuel Sending Unit, 3/8" Stainless
T18E	1976-81	Fuel Sending Unit, 3/8" & 1/4" Stainless



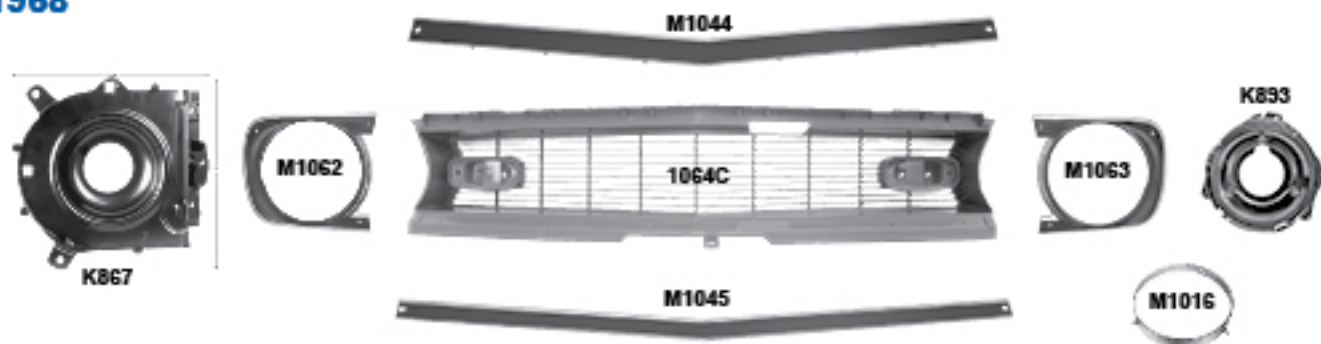
T42	1967-68	Fuel Cap, "SS 350"
T43	1967-68	Fuel Cap, "SS"
T44	1967-68	Fuel Cap, "RS"
T45	1967-68	Fuel Cap, Standard
T46	1969-70	Fuel Cap, Vented

1967



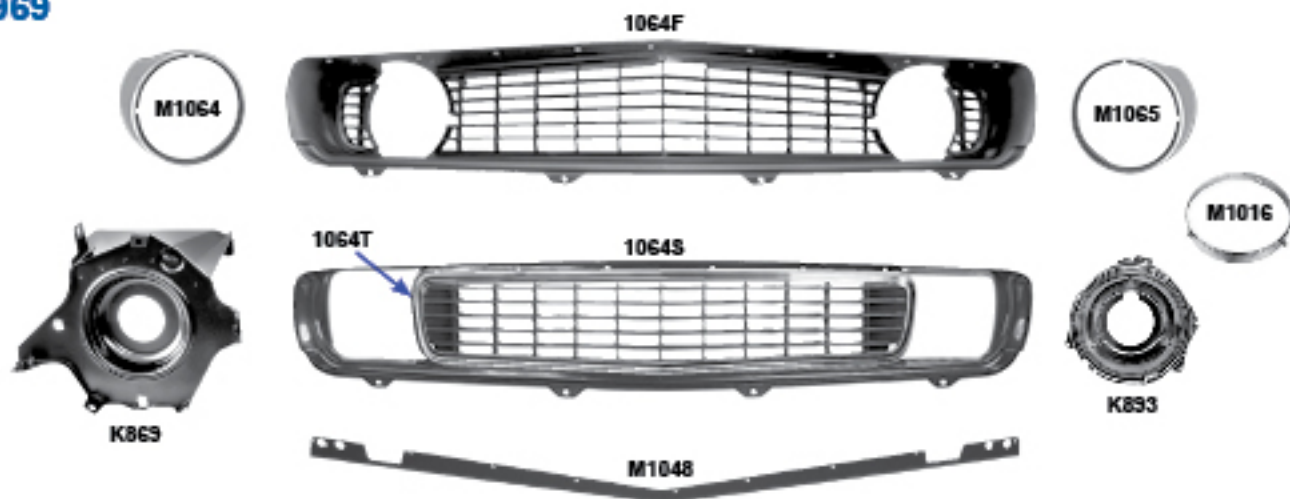
1064B	1967	Standard Grille
M1042	1967	Upper Standard Grille Molding
M1043	1967	Lower Standard Grille Molding
M1060	1967	Headlamp Bezel for Standard Grille, RH
M1061	1967	Headlamp Bezel for Standard Grille, LH
M1016	1967-73	Headlamp Retainer Ring, <i>File both sides</i>
K892	1967-69	Headlamp Mounting Bucket, RH
K893	1967-69	Headlamp Mounting Bucket, LH
K865	1967	Headlamp Housing, Standard, RH
K866	1967	Headlamp Housing, Standard, LH

1968



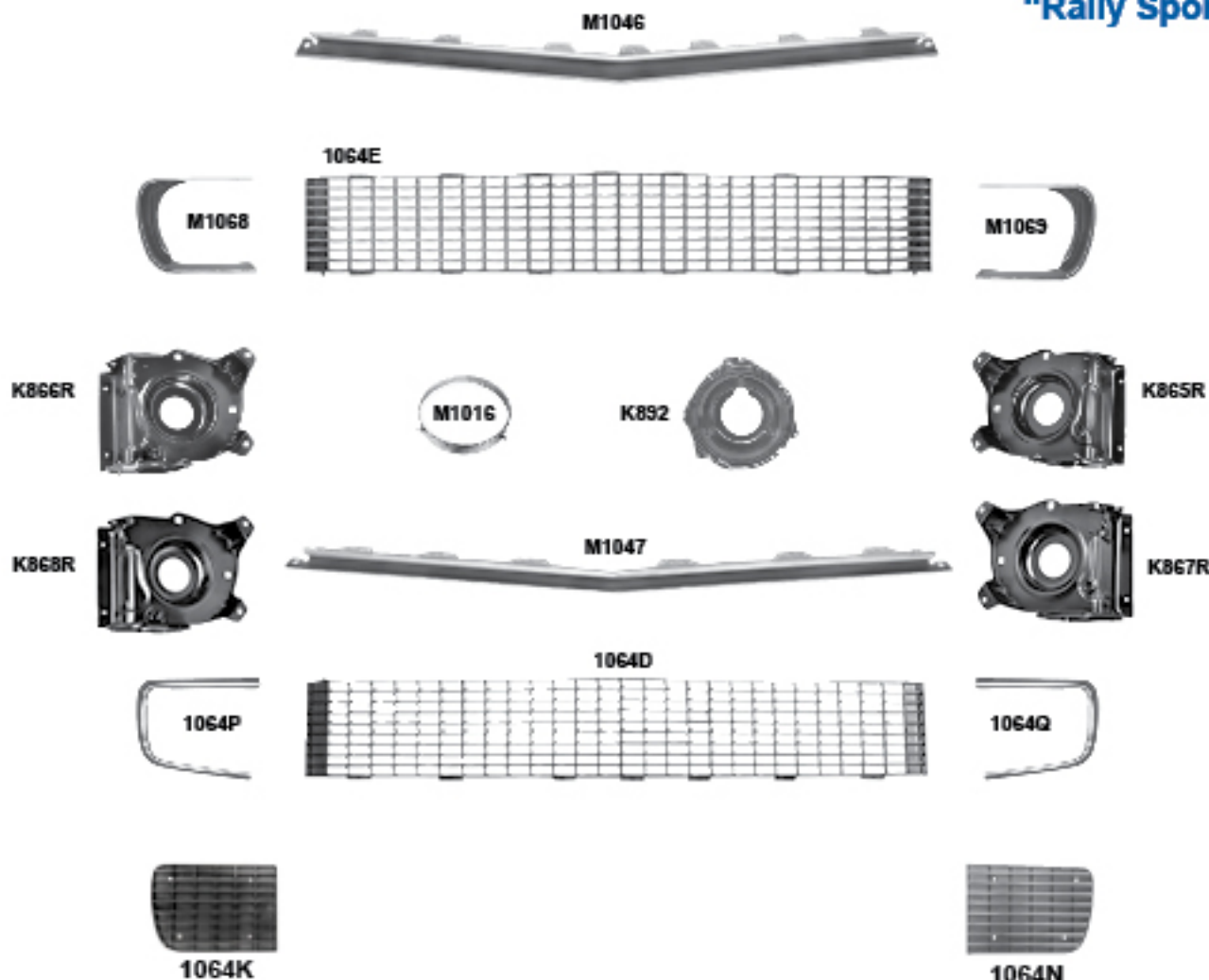
1064C	1968	Standard Grille
M1044	1968	Upper Standard Grille Molding
M1045	1968	Lower Standard Grille Molding
M1062	1968	Headlamp Bezel for Standard Grille, RH
M1063	1968	Headlamp Bezel for Standard Grille, LH
M1016	1967-73	Headlamp Retainer Ring, Fits both sides
K892	1967-69	Headlamp Mounting Bucket, RH
K893	1967-69	Headlamp Mounting Bucket, LH
K867	1968	Headlamp Housing, Standard, RH
K868	1968	Headlamp Housing, Standard, LH

1969



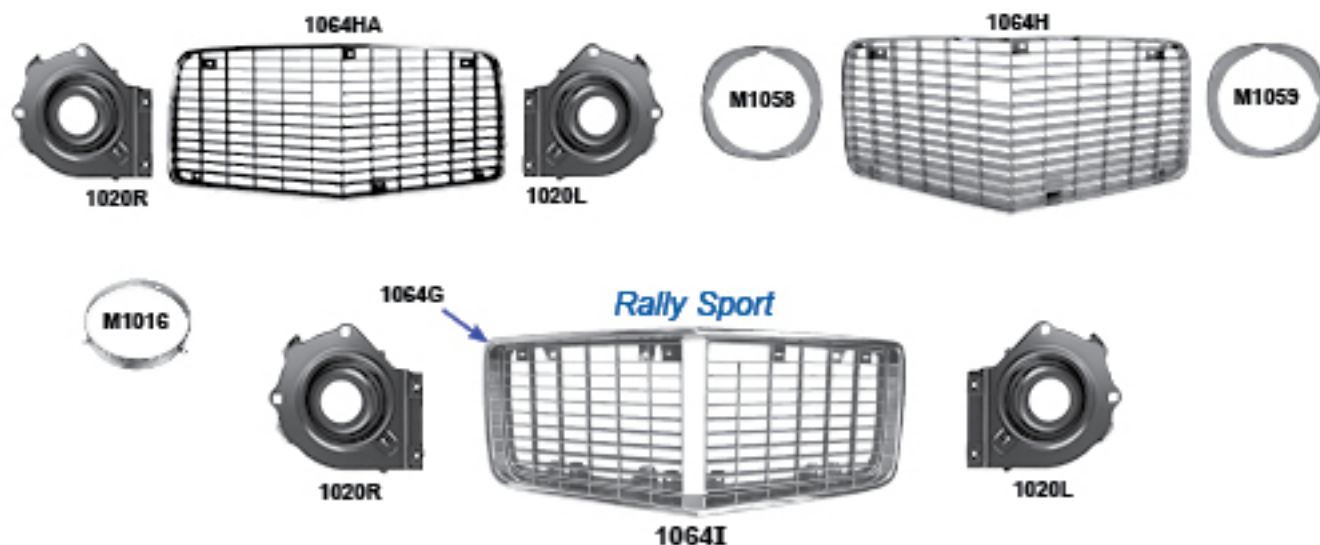
1064F	1969	Standard Grille, Black
1064R	1969	Standard Grille, Silver
1064S	1969	Rally Sport Grille
1064T	1969	Rally Sport Grille Molding
M1064	1969	Headlamp Bezel, Standard Grille, RH w/Chrome
M1065	1969	Headlamp Bezel, Standard Grille, LH w/Chrome
M1066	1969	Headlamp Bezel, Standard Grille, RH w/O Chrome
M1067	1969	Headlamp Bezel, Standard Grille, LH w/O Chrome
M1048	1969	Grille Reinforcement Bar
M1016	1967-73	Headlamp Retainer Ring, Fits both sides
K892	1967-69	Headlamp Mounting Bucket, RH
K893	1967-69	Headlamp Mounting Bucket, LH
K869	1969	Headlamp Housing, Standard, RH
K870	1969	Headlamp Housing, Standard, LH

1967-68
"Rally Sport"



1064D	1967	Rally Sport Grille, Black (No headlamp cover)
1064E	1967-68	Rally Sport Grille, WChrome (No headlamp cover)
M1046	1967-68	Upper Rally Sport Grille Molding
M1047	1967-68	Lower Rally Sport Grille Molding
M1068	1967-68	Headlamp Bezel for Rally Sport Grille, RH
M1069	1967-68	Headlamp Bezel for Rally Sport Grille, LH
M1016	1967-73	Headlamp Retainer Ring, Fits both sides
K892	1967-69	Headlamp Mounting Bucket, RH
K893	1967-69	Headlamp Mounting Bucket, LH
K865R	1967	Headlamp Housing for Rally Sport, RH
K866R	1967	Headlamp Housing for Rally Sport, LH
K867R	1968	Headlamp Housing for Rally Sport, RH
K868R	1968	Headlamp Housing for Rally Sport, LH
1064K	1967-68	Headlamp Cover Return for Rally Sport, RH Black
1064L	1967-68	Headlamp Cover Return for Rally Sport, LH Black
1064M	1967-68	Headlamp Cover Return for Rally Sport, RH Chrome trim
1064N	1967-68	Headlamp Cover Return for Rally Sport, LH Chrome trim
1064P	1967-68	Headlamp Cover Opening Molding for Rally Sport, RH
1064Q	1967-68	Headlamp Cover Opening Molding for Rally Sport, LH

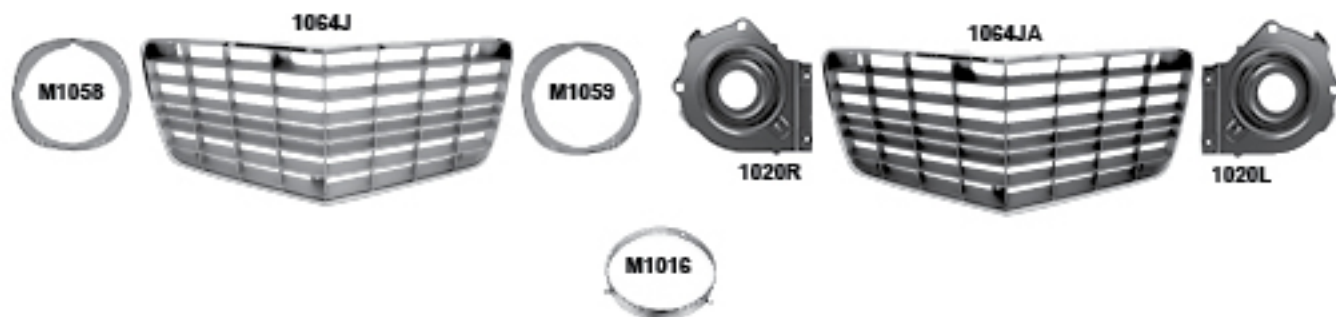
1970-73



1064H	1970-71	Standard Grille, Silver with trim
1064HA	1970-71	Grille for Z28 and SS, Black with trim
1064I	1970-73	Rally Sport Grille, 2 pcs.
1064G	1970-73	Rally Sport Grille Surround
M1058	1970-73	Headlamp Bezel, Standard Grille, RH
M1059	1970-73	Headlamp Bezel, Standard Grille, LH
K897	New 1970-73	Headlamp Housing, RH
K899	New 1970-73	Headlamp Housing, LH
M1016	1967-73	Headlamp Retainer Ring, Fits both sides
1020R	1970-73	Headlamp Mounting Bucket, RH
1020L	1970-73	Headlamp Mounting Bucket, LH

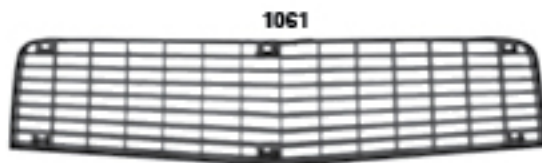
Coming Soon!
Coming Soon!

1972-73



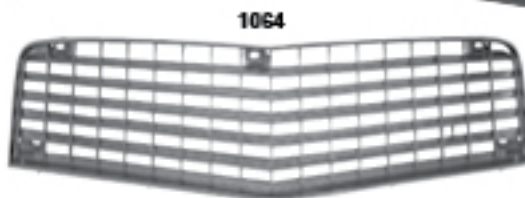
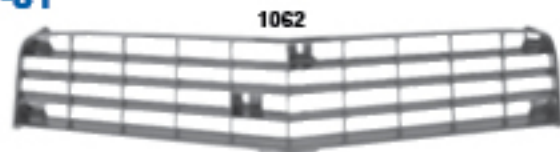
1064J	1972-73	Standard Grille, Silver with trim
1064JA	1972-73	Grille for Z28 and SS, Black with trim
M1058	1970-73	Headlamp Bezel, Standard Grille, RH
M1059	1970-73	Headlamp Bezel, Standard Grille, LH
M1016	1967-73	Headlamp Retainer Ring,
1020R	1970-73	Headlamp Mounting Bucket, RH
1020L	1970-73	Headlamp Mounting Bucket, LH

1974-77

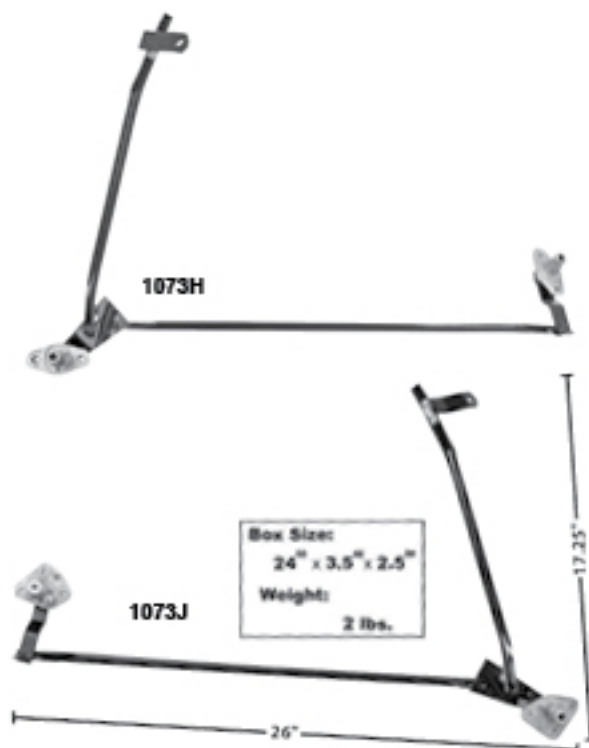
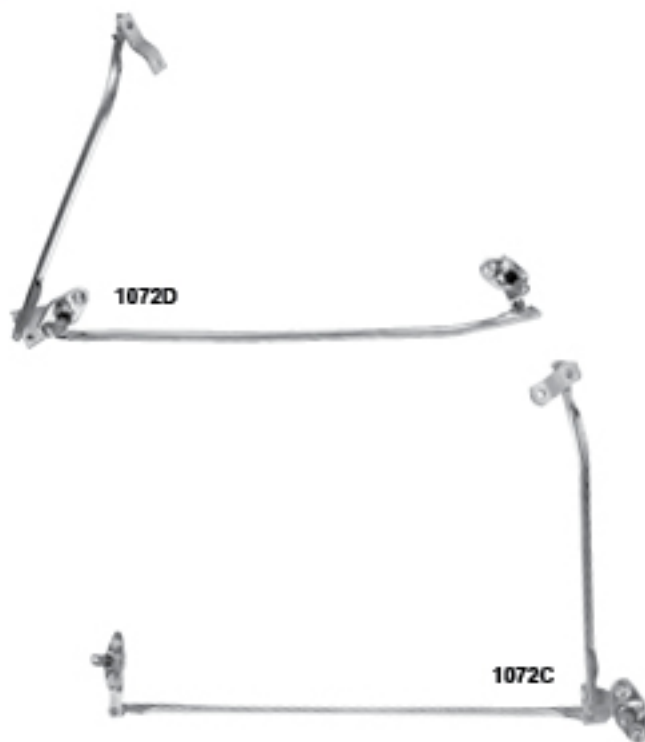


1060	1974-77	Upper Grille, Gray
1061	1974-77	Upper Grille, Black

1978-81



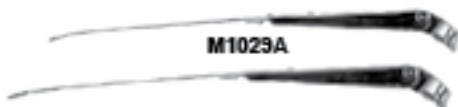
1062	1978-79	Upper Grille, Silver
1063	1978-79	Upper Grille, Black
1064	1980-81	Upper Grille, Argent



1072C	1967-68	Wiper Motor Transmission Arm
1072D	1969	Wiper Motor Transmission Arm
1073H	1970-73	Wiper Motor Transmission Arm, Standard (not hidden)
1073J	1970-73	Wiper Motor Transmission Arms, 2 speed (with hidden wiper option)



M1029B



M1029A



M1029C



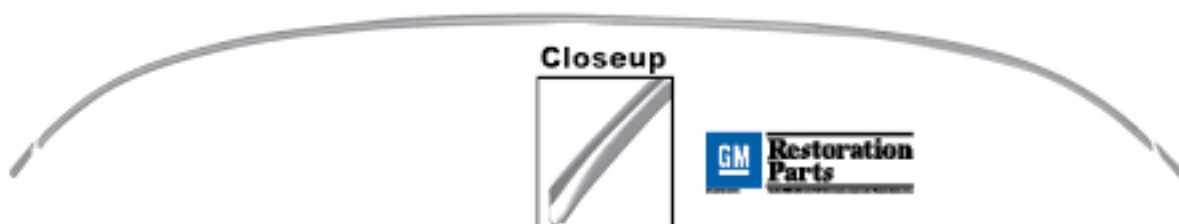
M1029D

M1029M



M1029E

M1029M	New	1967-69	Washer Nozzle Kit
M1029A		1967-69	Chrome Wiper Arms, Coupe
M1029B		1967-69	Brushed Chrome Wiper Arms, Coupe
M1029C		1967-69	Chrome Wiper Arms, Convertible
M1029D		1967-69	Brushed Chrome Wiper Arms, Convertible
M1029E		1967-69	Wiper Blades



Closeup

R677	1970-81	Rear Hood & Fender Ledge Molding
------	---------	----------------------------------



M1032	1967	Round Mirror with "bow-tie"
M1032A	1967-69	Round Mirror without "bow-tie"
M1030A	1967-69	Mirror mounting kit
M1030	1968-69	Rectangular Mirror, RH
M1031	1968-69	Rectangular Mirror, LH
3899857	1967	Remote Mirror, LH
3921816	1968	Remote Mirror, LH
3957203	1969	Remote Mirror, LH
M1036	1970-81	Standard Mirror, Fits both sides

Windshield Moldings

1967-69



M1025A	1967-69	Windshield Moldings, 5 pcs., Coupe
M1033	1967-69	Windshield Moldings, 5 pcs., Convertible

1970-81



M1029F	1970-81	Windshield Moldings, 5 pcs.
9828343	1970-81	Window Reveal Molding, RH
9828344	1970-81	Window Reveal Molding, LH

Drip Rail Molding



M1050A	1967-69	Drip Rail Moldings, 6 pcs.
--------	---------	----------------------------

Roof Rail Retainer



1004C	1967-69	Roof Rail Weatherstrip Retainers, 6 pcs.
-------	---------	--



M1000



M1003



M1004

1967-68

M1000	1967-68	Wheel Opening Molding, Front RH
M1001	1967-68	Wheel Opening Molding, Front LH
M1002	1967	Wheel Opening Molding, Rear RH
M1003	1967	Wheel Opening Molding, Rear LH
M1004	1968	Wheel Opening Molding, Rally Sport, Rear RH
M1005	1968	Wheel Opening Molding, Rally Sport, Rear LH



M1006



M1008

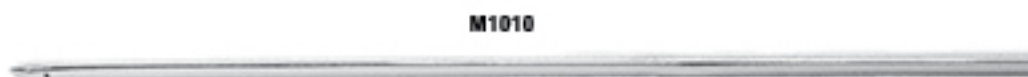


M1345

M1346

1969

M1006	1969	Wheel Opening Molding, Front RH
M1007	1969	Wheel Opening Molding, Front LH
M1008	1969	Wheel Opening Molding, Rear RH
M1009	1969	Wheel Opening Molding, Rear LH
M1346	1969	Wheel Center Cap (Camaro® w/ Sport Wheels)
M1345	1969	Wheel Cap Retainer (Camaro® w/ Sport Wheels)



M1010



M1012

M1010	1967-69	Rocker Panel Molding, Fits both sides
M1012	1976-81	Rocker Panel Molding, Fits both sides (Also fits 1970-81 Firebird®)

7669268



Closeup View

7669268	1967	Molding Deluxe Upper Door
---------	------	---------------------------

Ledge Moldings

Qtr. Ornaments

Rear Window Molding



K262	1968	Quarter Ledge Moldings, Coupe
K263	1968	Quarter Ledge Moldings, Convertible
K257	1968	Door Ledge Moldings



M1038	1969	Quarter Panel Ornaments, Camaro®
-------	------	----------------------------------



M1070	1967-69	Rear Window Moldings, 5 Pcs.
M1029G	1970-74	Rear Window Moldings, 5 Pcs.
M1029H	1975-77	Rear Window Moldings, 4 Pcs. Chrome
M1029J	1978-81	Rear Window Moldings, 4 Pcs. Black

Vinyl Top Molding



K863 1967-68 Vinyl Top Moldings, 2 pcs.



K653 1969 Vinyl Top Moldings, 4 pcs.



M1041 1967-69 Convertible Top Well Moldings



(Clips are sold as singles; multiple clips shown to illustrate shape of clip. Six are needed per well.)

M1041A 1967-69 Convertible Top Well Molding Clips, (6 per well)

CV Top Well Molding

Emblems

1967-68



M1344

EM4220



EM3080

3918871



EM6715



EM6742



EM6740



EM6750

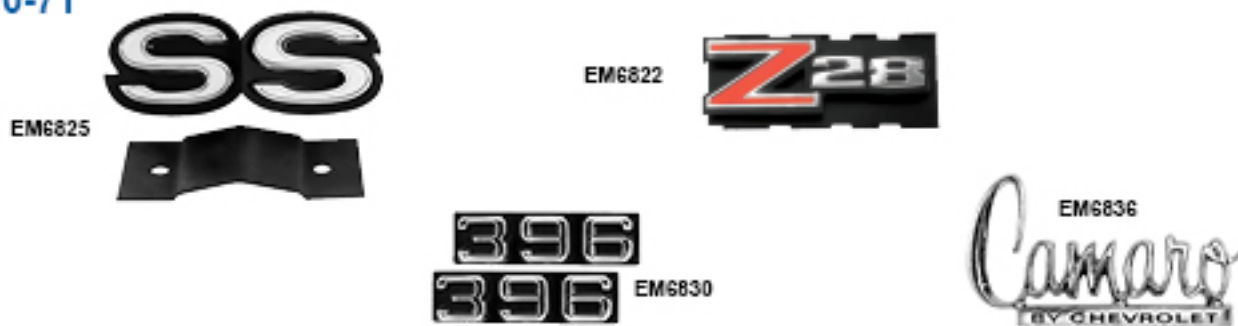
EM4220	1967	"396 Turbo-Jet" Crossed Flags Fender Emblems
M1344	1967-69	"Cowl Induction" Emblem, 4 pcs.
EM3080	1967	"SS" Grille Emblem, 350/396
3918871	1967-68	"SS" Grille Emblem
EM6715	1967-68	"RS" Grille Emblem
EM6742	1968	"SS 396" Grille Emblem
EM6740	1968	"SS" Grille Emblem, 350/396 with Rally Sport grille
EM6750	1968	"SS" Fender Emblems

1969



EM6766	1969	"SS 396" Grille Emblem, with mounting brackets
EM6767	1969	"SS 427" Grille Emblem, with mounting brackets
EM6768	1969	"SS 396" Grille Emblem
EM6760	1969	"396" Fender Emblems, Chrome/White
EM6759	1969	"Z28" Fender Emblems
EM6761	1969	"Rally Sport" Fender Emblem
EM6810	1969-72	"SS" Fender Emblems (2 Individual letters), Chrome/White
EM6811	1969-72	"SS" Fender Emblems (2 Individual letters) Chrome/Black
EM6772	1969	"SS" Rear Panel Emblem
EM6771	1969	"Z28" Rear Panel Emblem

1970-71

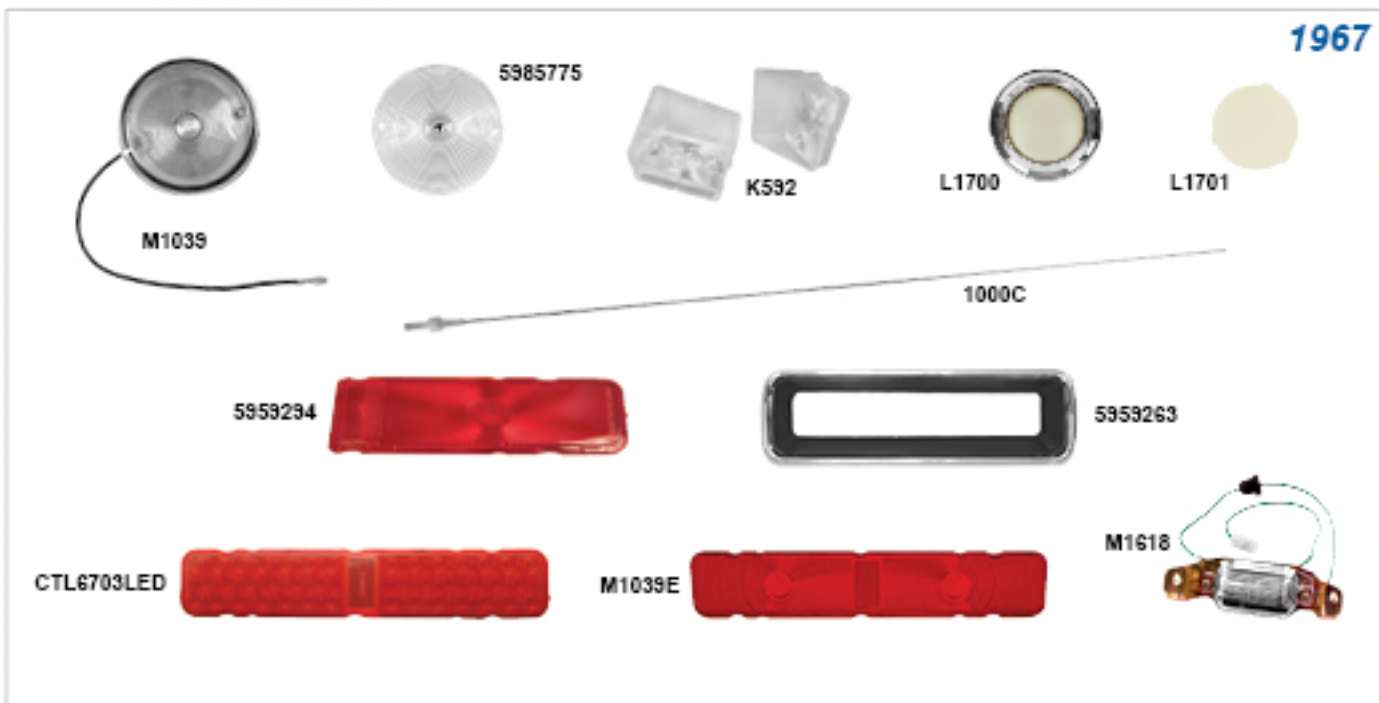


EM6825	1970-71	"SS" Grille Emblem, with retainer
EM6822	1970-71	"Z28" Grille Emblem, with retainer
EM6830	1970-71	"396" Fender Emblems
EM6836	1970	"Camaro by Chevy" Trunk Emblem

1967

Exterior Electrical & Components

Muscle Car Parts & Molding • Muscle Car Parts & Molding • Muscle Car Parts & Molding



1000C	1967-69	Replacement Antenna Mast, no cable
M1039	1967	Standard Parking Lamp Assembly, RH
M1039A	1967	Standard Parking Lamp Assembly, LH
5985775	1967	Parking Lamp Lens
K592	1967-68	Parking Lamp Lenses For Rally Sport
L1700	1967	Quarter Lamp Assembly, Deluxe (2 per car)
L1701	1967	Quarter Lamp Lens, Deluxe (2 per car)
CTL6703LED	1967	L.E.D. Tail Lamp, Rally Sport
M1039E	1967	Tail Lamp Lens, Rally Sport
5959294	1967	Tail Lamp Lens, Standard
5959264	1967	Tail Lamp Bezel, RH
5959263	1967	Tail Lamp Bezel, LH
M1618	1967-69	License Plate Lamp

1968



1968 continued next page...

K70	1968	Front Side Marker Lens
K71	1968	Rear Side Marker Lens
K72	1968	Side Marker Lamp Bezel (Fits Front or Rear)
916896	1968	Standard Parking Lamp, Fits both sides
CBL6853LED	1968	L.E.D. Back-Up Lamp

1968

CTL6803LED



CTL6805LED



M1039F



M1039G



5959942



CTL6803LED	1968	L.E.D. Tail Lamp, Standard
CTL6805LED	1968	L.E.D. Tail Lamp, Rally Sport
M1039F	1968	Tail Lamp Lens, Standard, Fits both sides
M1039G	1968	Tail Lamp Lens, Rally Sport, Fits both sides
5959942	1968	Tail Lamp Bezel, RH
5959941	1968	Tail Lamp Bezel, LH

1969



916813



916847



K995



K996



916911



K658

5961568



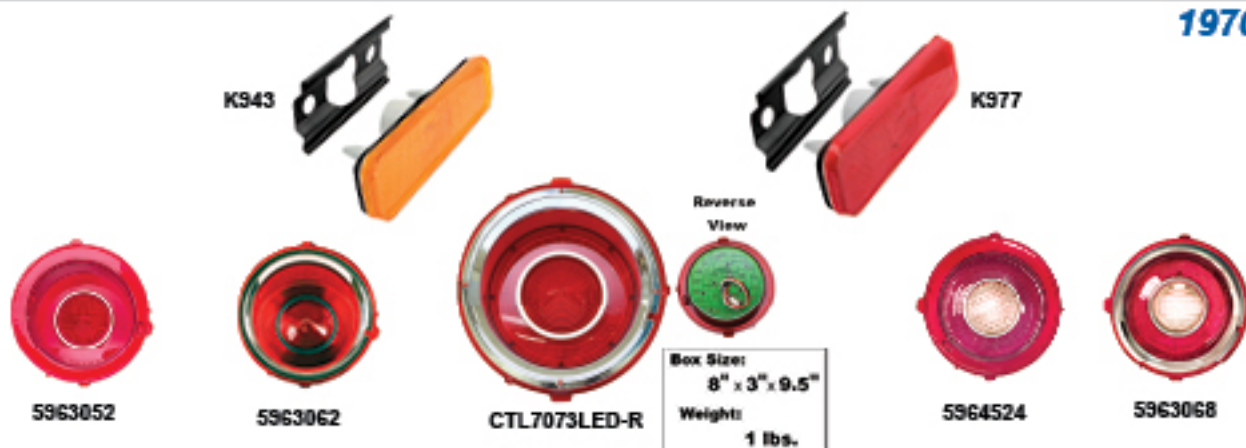
5960964

CTL6901LED-R



916813	1969	Front Side Marker
K996	1969	Front Side Marker Bezel
916847	1969	Rear Side Marker
K995	1969	Rear Side Marker Bezel
916911	1969	Standard Parking Lamp, Fits both sides
K658	1969	Parking Lamp Lens
CTL6901LED-R	1969	L.E.D. Tail Lamp, RH, Rally Sport
CTL6901LED-L	1969	L.E.D. Tail Lamp, LH, Rally Sport
5961568	1969	Standard Tail Lamp Lens, RH
5961567	1969	Standard Tail Lamp Lens, LH
5960964	1969	Rally Sport Tail Lamp Lens, RH
5960963	1969	Rally Sport Tail Lamp Lens, LH

1970-77



K943	1970-77	Front Side Marker
K977	1970-77	Rear Side Marker
5963052	1970-73	Standard Tail Lamp Lens, RH
5963051	1970-73	Standard Tail Lamp Lens, LH
5963062	1970-73	Rally Sport Tail Lamp Lens, RH
5963061	1970-73	Rally Sport Tail Lamp Lens, LH
5964524	1970-73	Standard Back Up Lamp, RH
5964523	1970-73	Standard Back Up Lamp, LH
5963068	1970-73	Rally Sport Back Up Lamp, RH
5963067	1970-73	Rally Sport Back Up Lamp, LH
CTL7073LED-L	1970-73	LED Tail Lamp, LH
CTL7073LED-R	1970-73	LED Tail Lamp, RH

Exterior Electrical & Components

1967-69
Front & Rear
Window Glass

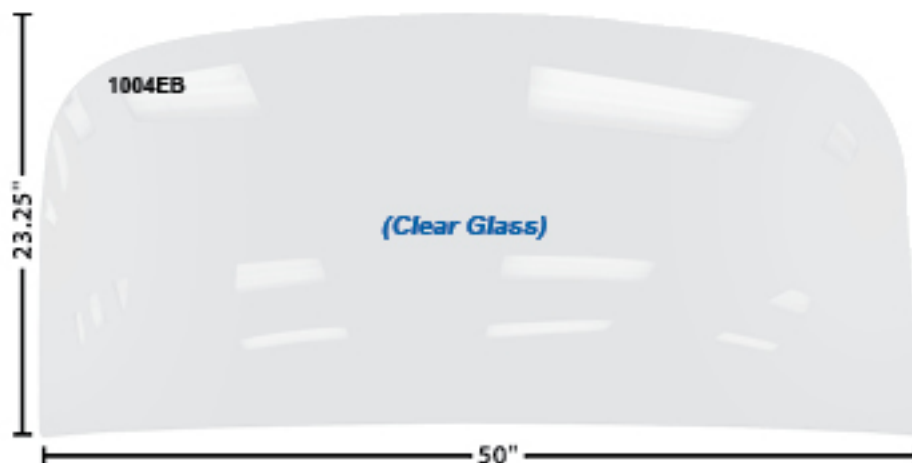


Glass, Weatherstrip & Seals cont'd. next page...

1004D	1967-69	Front Window Glass, Shaded/Green, Coupe
1004E	1967-69	Rear Window Glass, Shaded/Green, Coupe

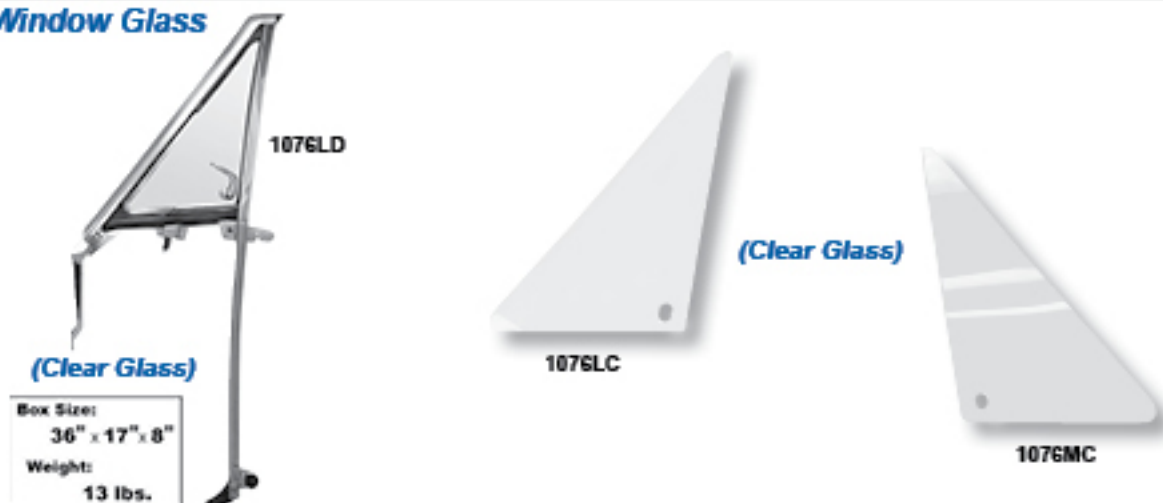
Glass, Weatherstrip & Seals

**1970-81
Front
& Rear
Window
Glass**



1004DB	1970-81	Front Window Glass, Shaded with Antenna
1004EB	1970-74	Rear Window Glass, Clear

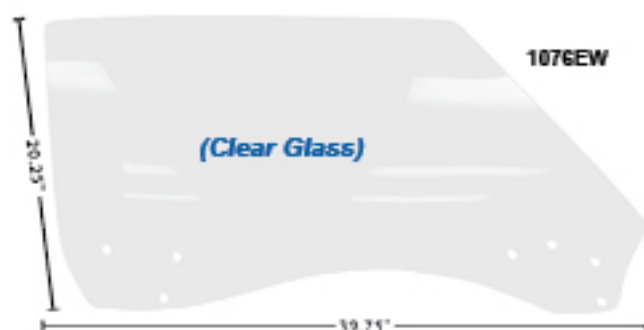
Vent Window Glass



1076LD	1967	Vent Window Assembly, Clear, RH
1076MD	1967	Vent Window Assembly, Clear, LH
1076LC	1967	Vent Window Glass, Clear, RH, Coupe/Convertible
1076MC	1967	Vent Window Glass, Clear, LH, Coupe/Convertible

Door Window Glass

Muscle Car Parts & Molding • Muscle Car Parts & Molding • Muscle Car Parts & Molding

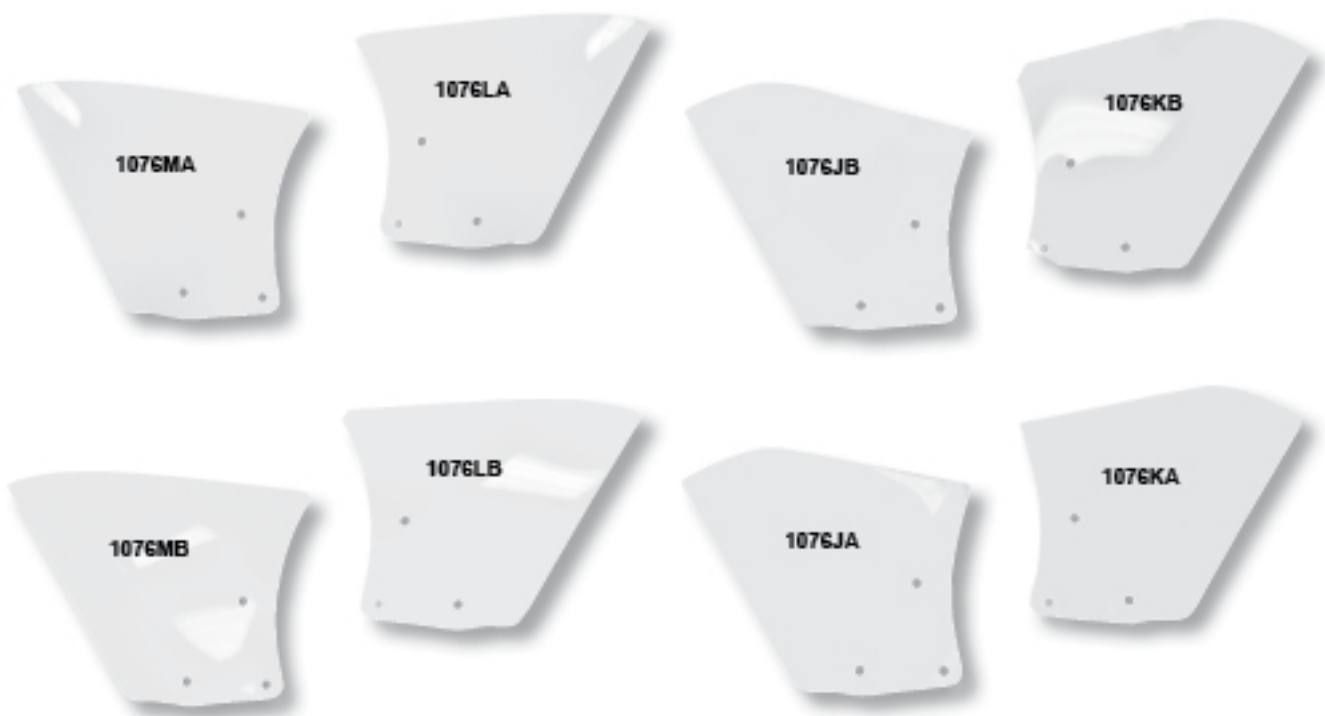


1076ET	1967	Door Glass, Clear Glass, RH	Coupe/Convertible
1076FT	1967	Door Glass, Clear Glass, LH	Coupe/Convertible
1075L	1968-69	Door Frame Weatherstrips w/steel inserts.	<i>Best reproduction available!</i>
1076EX	1968-69	Door Glass Assembly, RH	
1076FX	1968-69	Door Glass Assembly, LH	
1076EW	1968-69	Door Glass, Clear Glass, RH	Coupe/Convertible
1076FW	1968-69	Door Glass, Clear Glass, LH	Coupe/Convertible
1076U	1970-74	Door Glass Assembly, RH	
1076V	1970-74	Door Glass Assembly, LH	
1076EZ	1971-81	Door Glass, Clear Glass, RH	
1076FZ	1971-81	Door Glass, Clear Glass, LH	

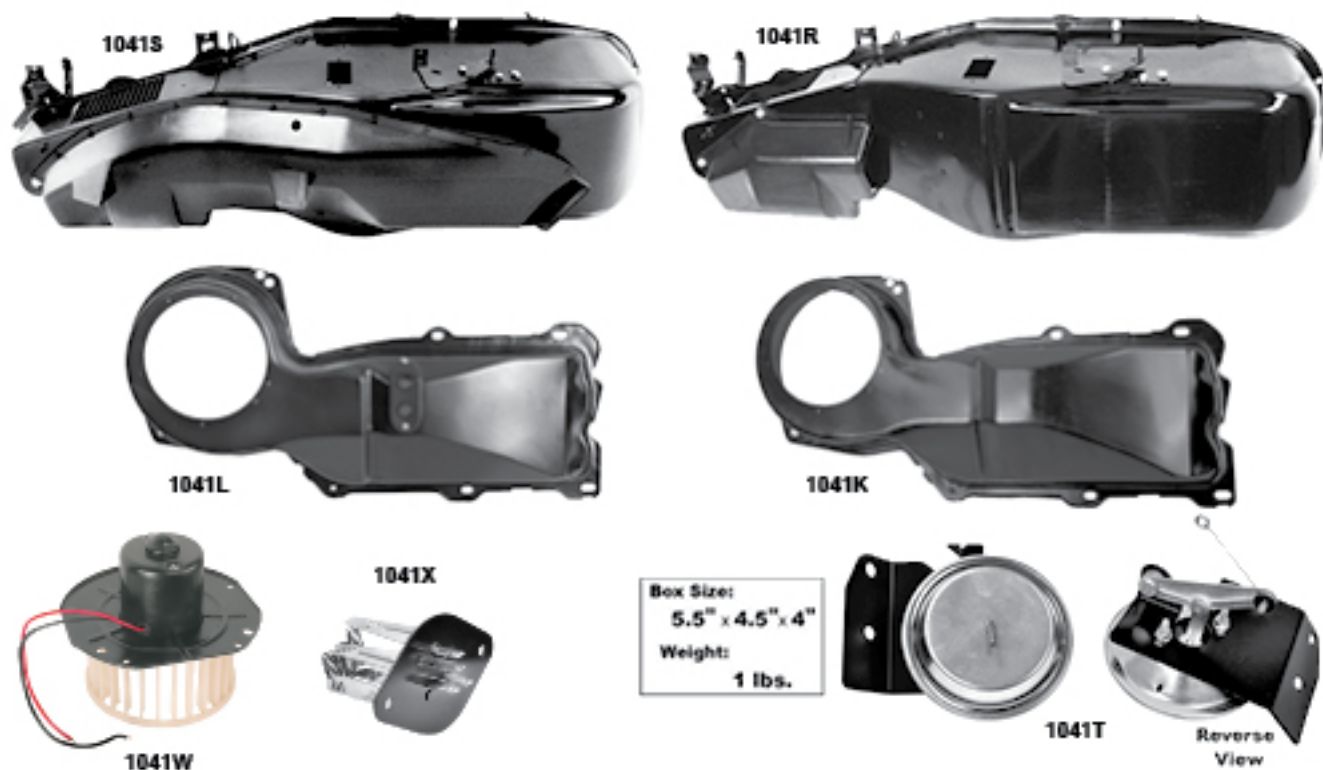
Quarter Windows & Glass



1076L	1968-69	Quarter Window Assembly, RH Coupe
1076M	1968-69	Quarter Window Assembly, LH Coupe
1076J	1968-69	Quarter Window Assembly, RH Convertible
1076K	1968-69	Quarter Window Assembly, LH Convertible



1076MA	1967	Quarter Window Glass, Clear, RH Coupe
1076LA	1967	Quarter Window Glass, Clear, LH Coupe
1076JB	1967	Quarter Window Glass, Clear, RH Convertible
1076KB	1967	Quarter Window Glass, Clear, LH Convertible
1076MB	1968-69	Quarter Window Glass, Clear, RH Coupe
1076LB	1968-69	Quarter Window Glass, Clear, LH Coupe
1076JA	1968-69	Quarter Window Glass, Clear, RH Convertible
1076KA	1968-69	Quarter Window Glass, Clear, LH Convertible

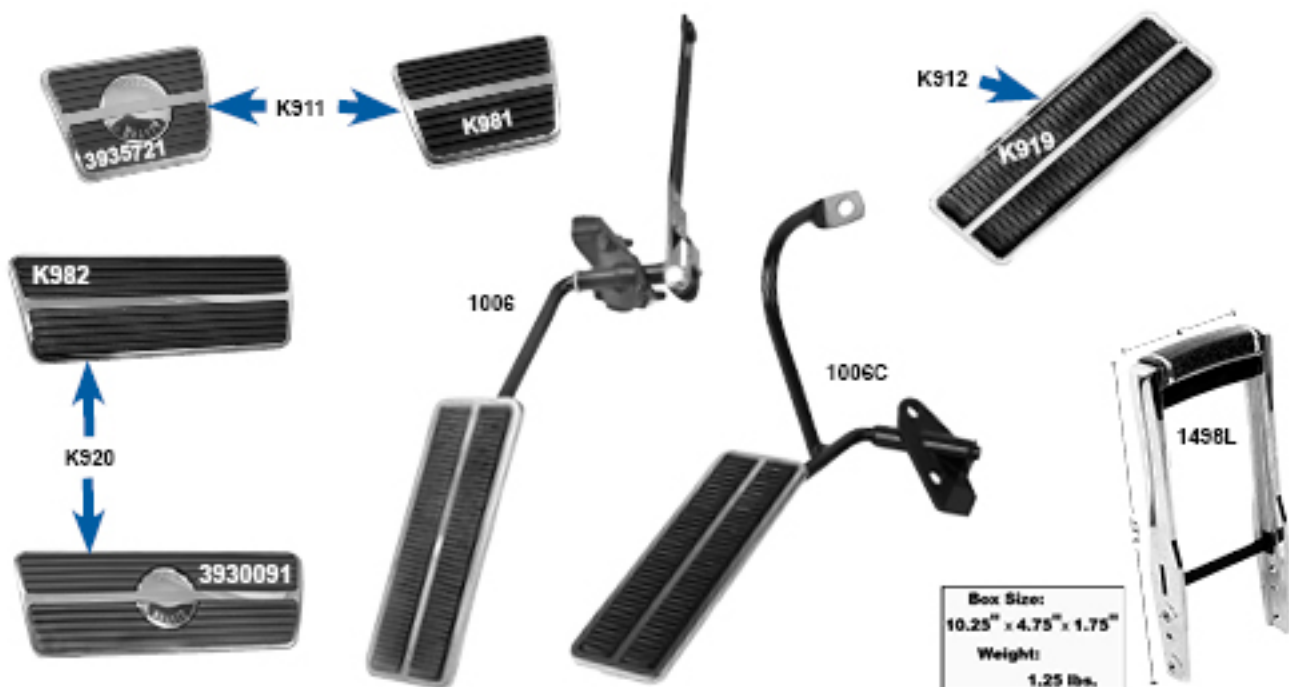


1041S	1967	Heater Core, Without A/C		
1041R	1968-69	Heater Core, Without A/C (Also fits 1967-69 <i>Plebird</i>)		
1041L	1967-69	Heater Box, Big Block		
1041K	1967-81	Heater Box, Small Block without A/C		
1041LA	New	1970-73	Heater Box, Big Block	<i>Coming Soon!</i>
1041W	1967-76	Heater Blower Motor without A/C		
1041X	1969	Heater Blower Motor Resistor		
1041T	1967-69	Air Vent Vacuum Motor Assembly		



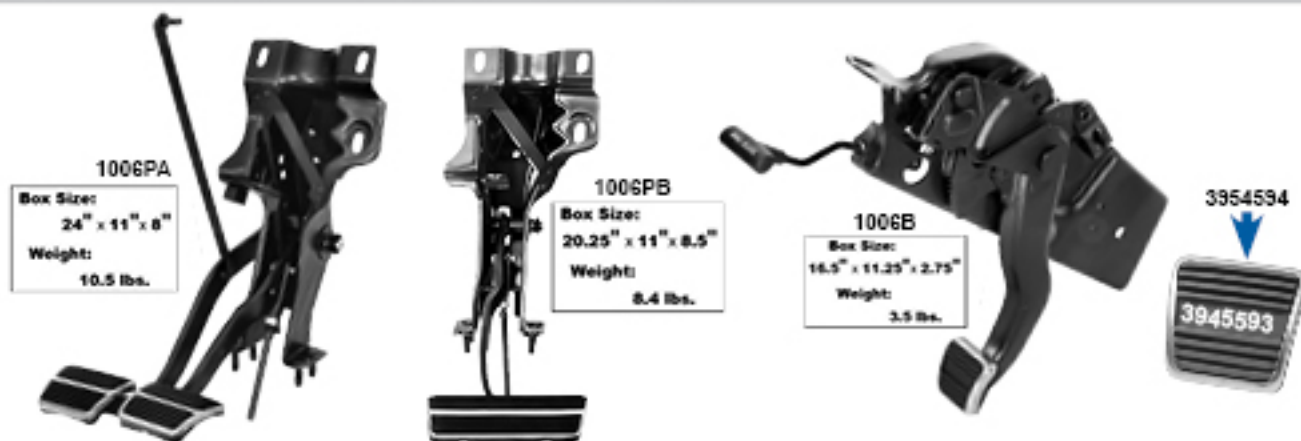
Pedal & Shifter Components continued next page...

1006A	1967-68	Parking Brake Assembly
3893179	1967-74	Parking Brake Release Handle
3893181	1967-68	Parking Brake Pedal Pad
3893182	1967-68	Parking Brake Pedal Pad Trim
1005	1967-68	Stabilizer Rod & Bushing



Box Size:
10.25" x 4.75" x 1.75"
Weight:
1.25 lbs.

3935721	1967-81	Disc Brake Pedal Pad, Manual Transmission
K981	1967-75	Clutch / Manual Trans. Disc Brake Pad
K911	1967-75	Clutch / Manual Trans. Disc Brake Trim
K982	1967-81	Drum Brake Pedal Pad, Automatic Transmission
3930091	1967-81	Disc Brake Pedal Pad, Automatic Transmission
K920	1967-81	Brake Pedal Pad Trim
1006	1967-69	Accelerator Pedal Assembly, Bell Crank Style, vs
1006C	1967-69	Accelerator Pedal Assembly, Cable Style, 6 Cyl. / Dual Carb.
K919	1967-81	Accelerator Pedal Pad
K912	1967-81	Accelerator Pedal Pad Trim, Chrome
1498L	1968-72	Shifter Handle, Automatic Transmission



1006PA
Box Size:
24" x 11" x 8"
Weight:
10.5 lbs.

1006PB
Box Size:
20.25" x 11" x 8.5"
Weight:
8.4 lbs.

1006B
Box Size:
16.5" x 11.25" x 2.75"
Weight:
3.5 lbs.

3954594
3945593

1006PA	1967-68	Clutch/Brake Pedal Assembly (Pedals w/pads and hanger), 4-speed Manual Trans.
1006PB	1967-68	Brake Pedal Assembly (Pedals w/pads and hanger), Automatic Transmission
1006B	1969	Parking Brake Assembly
3945593	1969-81	Parking Brake Pedal Pad
3954594	1969-81	Parking Brake Pedal Pad Trim



9746436



9747536



9745977



9746195



3939731



3960722

Box Size:
17.25" x 17.5" x 5"
Weight:
5.5 lbs.



SW12



M1336



K579



M1337

9746436	1967	Steering Wheel, Deluxe
9747536	1968	Steering Wheel, Deluxe
9745977	1967-68	Steering Wheel, Standard
9746195	1967-68	Steering Wheel, Walnut
3939731	1969	Steering Wheel, Black
3960722	1969	Steering Wheel, Rosewood
SW12	1969-70	Steering Wheel, Three Spoke Comfort Grip
K579	1967-68	Wood Steering Wheel Mounting Kit
M1336	1967-68	Steering Wheel Hub, 3 1/8" diameter x 1 1/2" tall (Fits Comfort Grip Steering Wheel SW12)
M1337	1969	Steering Wheel Hub, 4" diameter x 1 3/8" tall (Fits Comfort Grip Steering Wheel SW12)

Horn Caps



3905583



3928354



3945461

3945461 1967-69 Wood Wheel Center Cap

3905583 1967 Deluxe Horn Cap

3928354 1968 Deluxe Horn Cap

Rear View Mirrors & Sun Visor Bracket

M1035C



916177



911366



1154F



M1338



Now includes bushing and screws!

M1035C 1967-68 Rear View Mirror, Standard

916177 1967-68 Rear View Mirror, 8 Inch, Day/Night

911366 1969 R. View Mirror, 10 Inch (Also fits 1967-69 **Firebird**)

1154F 1970-81 Rear View Mirror, Day/Night, 10 Inch

M1338 1967-69 Sun Visor Support Bracket, Coupe

Wheel Ctr. Shrouds

3939760



3972735



3939760 1969-70 Wheel Center Shroud, Black

3972735 1969-70 Wheel Center Shroud, Cherry Wood

Interior Mirror Brackets & Boots

8752692



9711724



7740300



M1035G

Box Size:
5.75" x 1.25" x 3"
Weight:
1 lbs.



M1035G 1967 Rear View Mirror Bracket with Boot

9711724 1967 Rear View Mirror Bracket, Convertible

8752692 1968-69 Rear View Mirror Bracket, Coupe

7740300 1968-69 Rear View Mirror Bracket, Convertible

K25B



K34W



K22B



K25B 1967 Mirror Bracket Boot, CP Black

K34B 1967 Mirror Bracket Boot, CV Black

K34W 1967 Mirror Bracket Boot, CV Paintable

K24B 1968-69 Mirror Bracket Boot, CP Black

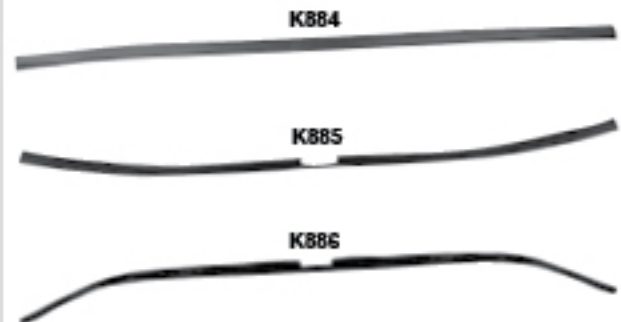
K22B 1968-69 Mirror Bracket Boot, CV Black

Muscle Car Parts & Molding • Muscle Car Parts & Molding • Muscle Car Parts & Molding



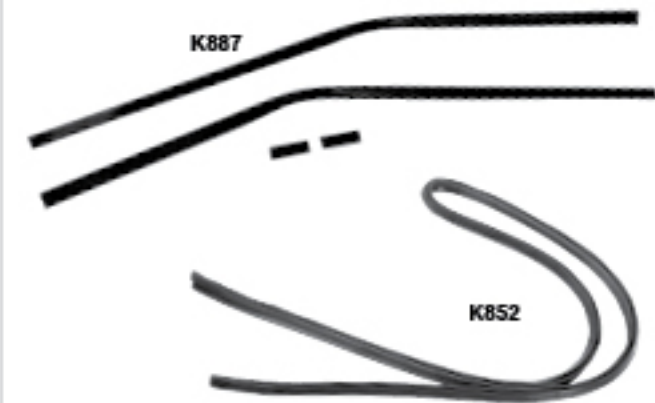
K848	1967	Header Molding, Convertible
K847	1968-69	Header Molding, Convertible

Header Moldings



K884	1967	Upper Inner Windshield Molding
K885	1968	Upper Inner Windshield Molding
K886	1969	Upper Inner Windshield Molding

Interior Windshield Molding



K887	1967-68	Interior Rear Window Trim Moldings, 4 Pcs.
K852	1969	Interior Rear Window Trim Molding

Window Trim Molding



R346	1967	Headliner Moldings, 6 Pcs.
------	------	----------------------------



K347	1968	Headliner Moldings, 6 Pcs.
------	------	----------------------------

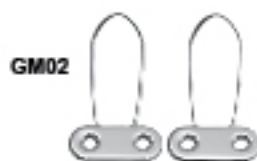


R345	1969	Headliner Moldings, 4 Pcs.
------	------	----------------------------



M1029K	1970-73	Headliner Retaining Strip
--------	---------	---------------------------

Headliner Moldings



GM02	1967-73	Shoulder Harness Hooks
------	---------	------------------------



GM01	1967-73	Clothes Hangers
------	---------	-----------------

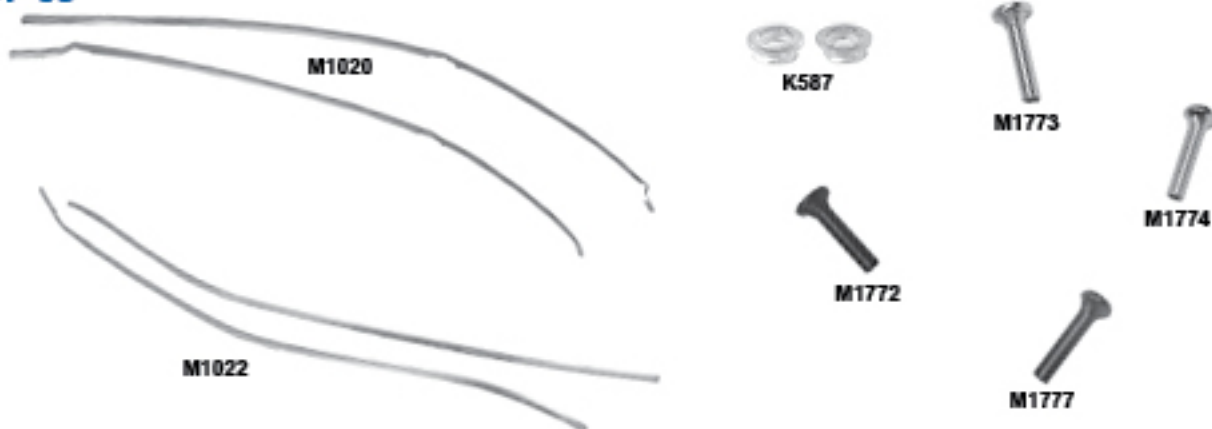
Interior Hooks

1967-68



K202R	1967-68	Panel Center W/O Air/Radio, Black
K202	1967-68	Panel Center W/O Air Conditioning, Black
K203	1967-68	Panel Center With Air Conditioning, Black
K204	1968	Panel Center W/O Air Conditioning, Walnut
K205	1968	Panel Center With Air Conditioning, Walnut

1967-69



M1020	1967-68	Door Edge Guards
M1022	1969	Door Edge Guards
M1772	1967	Door Lock Knobs, Black
M1773	1967	Door Lock Knobs, Chrome
K587	1967	Door Lock Knob Ferrules
M1777	1968	Door Lock Knobs, Black
M1774	1969-70	Door Lock Knobs, Chrome



K921	1968-69	Door Jamb Vent Grille, without backing vent
K985	1968-69	Full Door Jamb Vent Grille, with backing vent & flap
M1603	1967	Front Arm Rest Bases, Chrome
M1040	1968-69	Arm Rest Base, Black, RH
M1040A	1968-69	Arm Rest Base, Black, LH
M1040B	1968-69	Arm Rest Base, Red
M1040C	1968-69	Arm Rest Base, Medium Blue
M1040D	1968-69	Arm Rest Base, Ivy Gold
M1040E	1968-69	Arm Rest Base, White
M1040F	1968-69	Arm Rest Base, Dark Blue
M1040G	1968-69	Arm Rest Base, Dark Green
K967	1968	Arm Rest Base Trim, Stainless
M1040P	1977-81	Arm Rest Bases with Door Handles

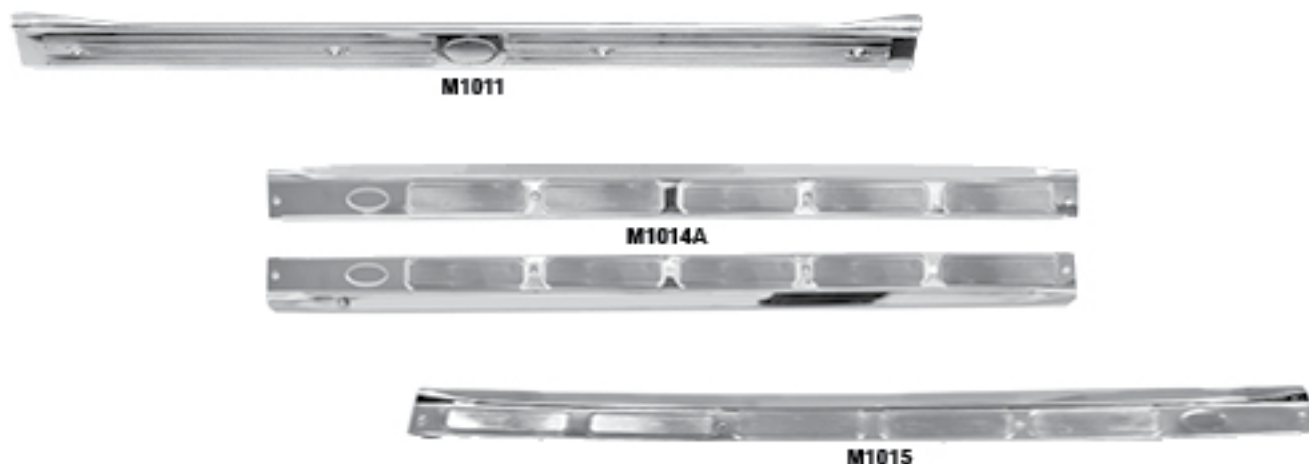
Door Trims & Arm Rests

1970-81



M1024	1970-81	Door Edge Guards
M1775	1971-81	Door Lock Knobs, Chrome
1076G	1970-73	Plastic Inner Upper Door Panels
1485H	1970-81	Door Jamb Vent Grille, with backing vent & flap

Sill Scuff Plates

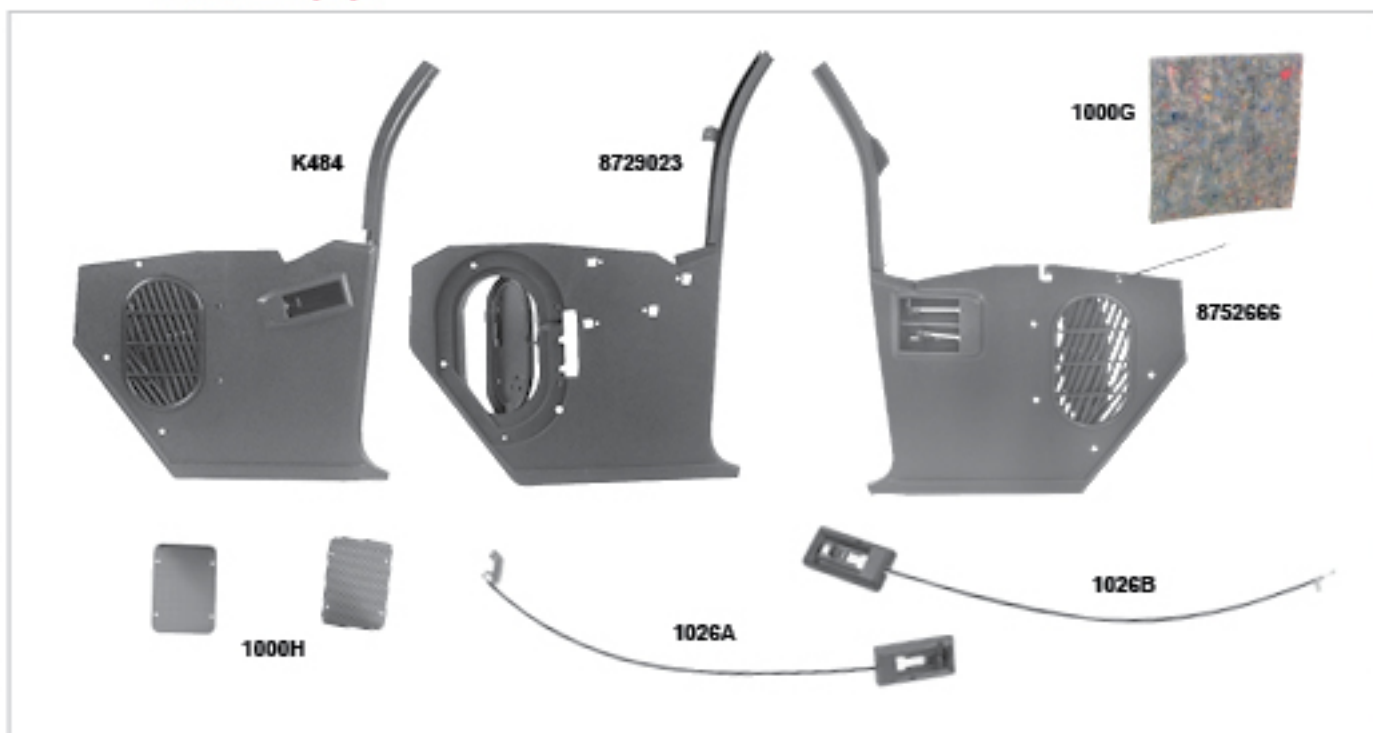


M1011	1967-69	Scuff Plate Fits both sides
M1015	1970-81	Scuff Plate LH
M1014	1970-81	Scuff Plate RH
M1014A	1970-81	Scuff Plates, Stainless, Pair

Pillar Post Molding



K901	1967	Pillar Post Moldings for Coupe, Black
K902	1967	Pillar Post Moldings for Coupe, Chrome
K903	1967	Pillar Post Moldings for Convertible, Black
K904	1967	Pillar Post Moldings for Convertible, Chrome
K696001	1968	Pillar Post Moldings for Coupe, Black
K696301	1968	Pillar Post Moldings for Convertible, Black
K696201	1969	Pillar Post Moldings for Coupe, Black
K696101	1969	Pillar Post Moldings for Convertible, Black



7664684	1967-68	Kick Panel With A/C, RH
7664685	1967-68	Kick Panel With A/C, LH
K484	1967-68	Kick Panel Without A/C, RH (Also fits 1967-69 Firebird®)
K485	1967-68	Kick Panel Without A/C, LH (Also fits 1967-69 Firebird®)
8729022	1969	Kick Panel With A/C, RH
8729023	1969	Kick Panel With A/C, LH
8752666	1969	Kick Panel Without A/C, RH
8752667	1969	Kick Panel Without A/C, LH
1026A	1969	Kick Panel Air Vent Control, RH
1026B	1969	Kick Panel Air Vent Control, LH
1000G	1967-69	Kick Panel Insulation
1000H	1967-68	Kick Panel Speaker Grilles



9816746	1970-81	Kick Panel With A/C, RH
9816747	1970-81	Kick Panel With A/C, LH
9816728	1970-81	Kick Panel Without A/C, RH
9816729	1970-81	Kick Panel Without A/C, LH

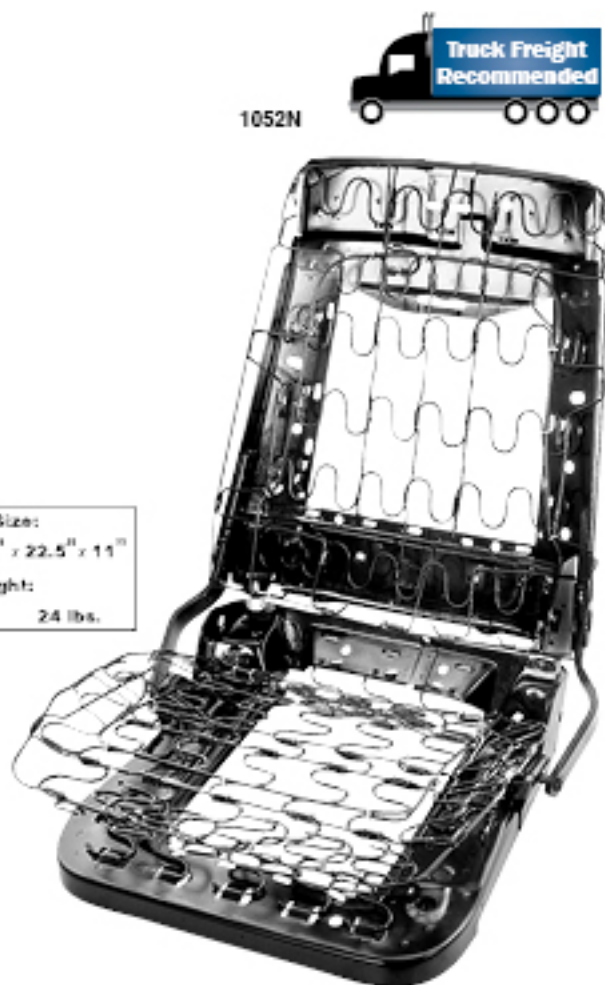
1967-69



1052M

Truck Freight
Recommended

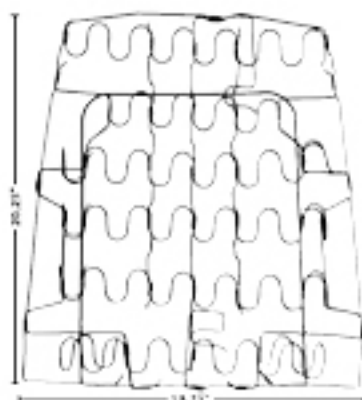
Box Size:
33.5" x 22.5" x 11"
Weight:
24 lbs.



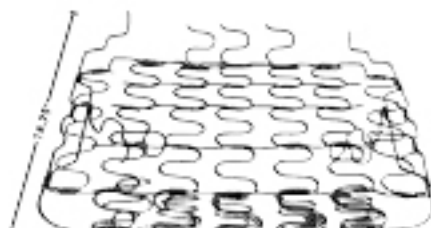
1052N

Truck Freight
Recommended

Box Size:
33.5" x 22.5" x 11"
Weight:
24 lbs.



1052P



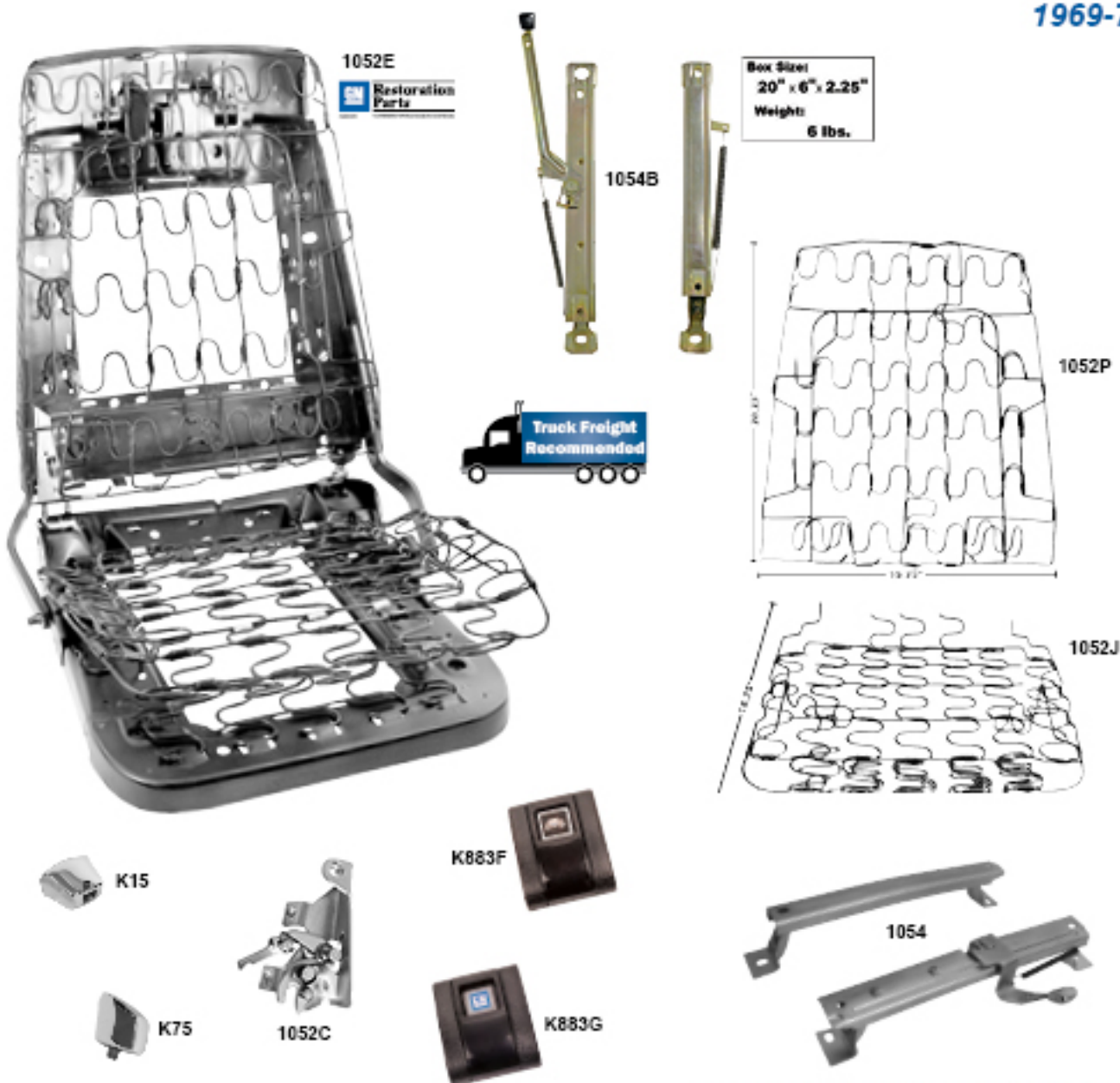
1052J

1052M	1967-68	Seat Frame Assembly, RH
1052N	1967-68	Seat Frame Assembly, LH
1052P	1967-69	Front Seat Back Spring, Fits both sides
1052J	1967-69	Front Seat Bottom Spring, Fits both sides

1969-74

Seats & Components

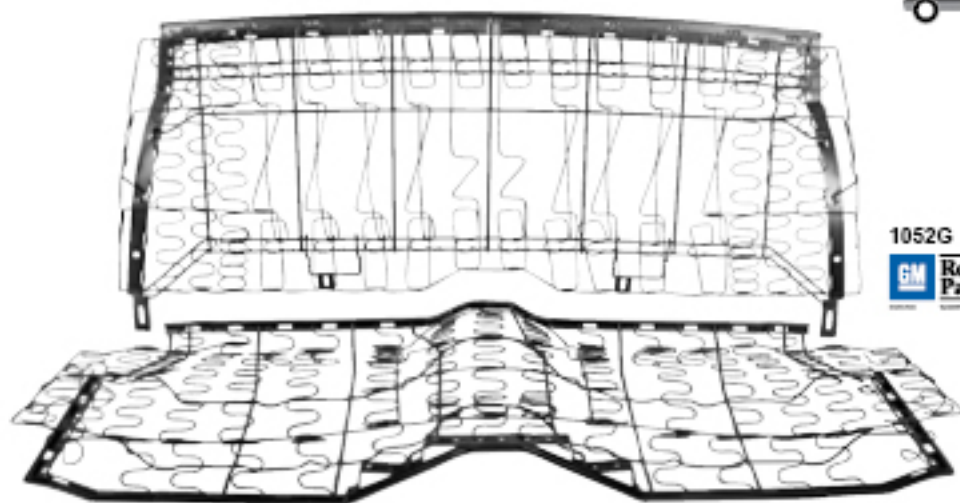
Muscle Car Parts & Molding • Muscle Car Parts & Molding • Muscle Car Parts & Molding



Seats & Components continued next page...

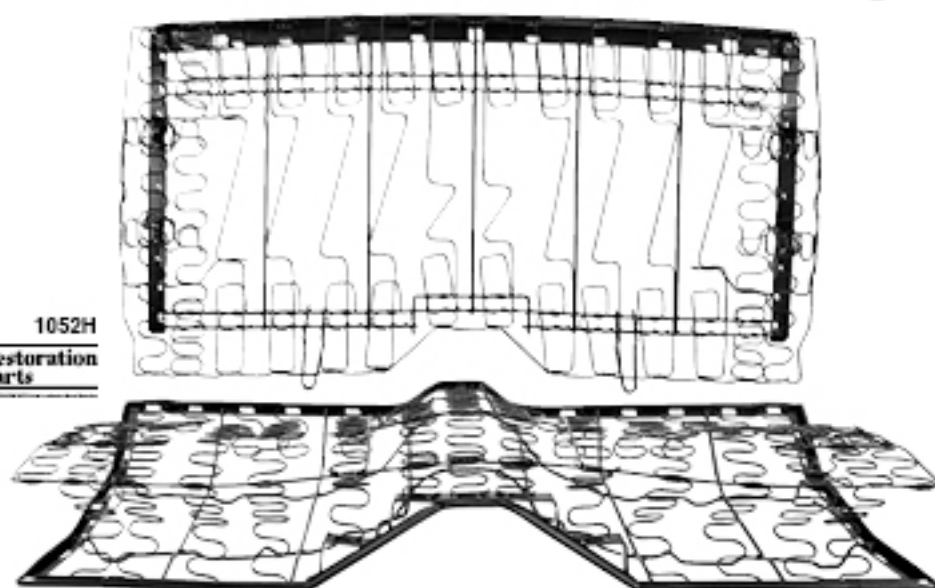
1052E	1969	Seat Frame Assembly, RH (requires headrest hardware)
1052F	1969	Seat Frame Assembly, LH (requires headrest hardware)
1052P	1967-69	Front Seat Back Spring, Fits both sides
1052J	1967-69	Front Seat Bottom Spring, Fits both sides
1052C	1969	Seat Back Latch RH
1052D	1969	Seat Back Latch LH
1054	1967-69	Seat Track, RH, 2 pcs.
1054A	1967-69	Seat Track, LH, 2 pcs.
1054B	1970-74	Seat Track, Pair
K15	1967-70	Seat Track Adjusting Knob (2 per car)
K75	1967-70	Seat Back Locking Knob, (2 per car)
K883F	1967	Standard Buckle Cover w/Fisher Coach Decal
K883G	1968-72	Standard Buckle Cover With "GM" Decal

1967-69



1052G
GM Restoration Parts

1052G 1967-69 Rear Seat Spring/Frame Set Coupe Standard



1052H
GM Restoration Parts

1052H 1967-69 Rear Seat Spring/Frame Set Convertible & Coupe Deluxe



Seat Belts with Push Button:
6 colors to choose from

60 Inch Belts

SBP-BK60	Seat Belt with Push Button	Black
SBP-GR60	Seat Belt with Push Button	Grey
SBP-TAN60	Seat Belt with Push Button	Tan
SBP-NB60	Seat Belt with Push Button	Navy Blue
SBP-RED60	Seat Belt with Push Button	Red
SBP-MAR60	Seat Belt with Push Button	Maroon



74 Inch Belts

SBP-BK74	Seat Belt with Push Button	Black
SBP-GR74	Seat Belt with Push Button	Grey
SBP-TAN74	Seat Belt with Push Button	Tan
SBP-NB74	Seat Belt with Push Button	Navy Blue
SBP-RED74	Seat Belt with Push Button	Red
SBP-MAR74	Seat Belt with Push Button	Maroon



SBR-BK	Retractable 3 Point Seat Belt with Push Button	Black
SBEXT-BK	Seat Belt Extension, 12 In.	Black

See also Accessory Section for more details...



Seat Belts with Lift Latch:
10 colors to choose from

60 Inch Belts

SBL-BK60	Seat Belt with Lift Latch	Black
SBL-WT60	Seat Belt with Lift Latch	White
SBL-LG60	Seat Belt with Lift Latch	Light Grey
SBL-DG60	Seat Belt with Lift Latch	Dark Grey
SBL-LT60	Seat Belt with Lift Latch	Light Tan
SBL-DT60	Seat Belt with Lift Latch	Dark Tan
SBL-LB60	Seat Belt with Lift Latch	Light Blue
SBL-DB60	Seat Belt with Lift Latch	Dark Blue
SBL-BR60	Seat Belt with Lift Latch	Bright Red
SBL-DR60	Seat Belt with Lift Latch	Dark Red



74 Inch Belts

SBL-BK74	Seat Belt with Lift Latch	Black
SBL-WT74	Seat Belt with Lift Latch	White
SBL-LG74	Seat Belt with Lift Latch	Light Grey
SBL-DG74	Seat Belt with Lift Latch	Dark Grey
SBL-LT74	Seat Belt with Lift Latch	Light Tan
SBL-DT74	Seat Belt with Lift Latch	Dark Tan
SBL-LB74	Seat Belt with Lift Latch	Light Blue
SBL-DB74	Seat Belt with Lift Latch	Dark Blue
SBL-BR74	Seat Belt with Lift Latch	Bright Red
SBL-DR74	Seat Belt with Lift Latch	Dark Red

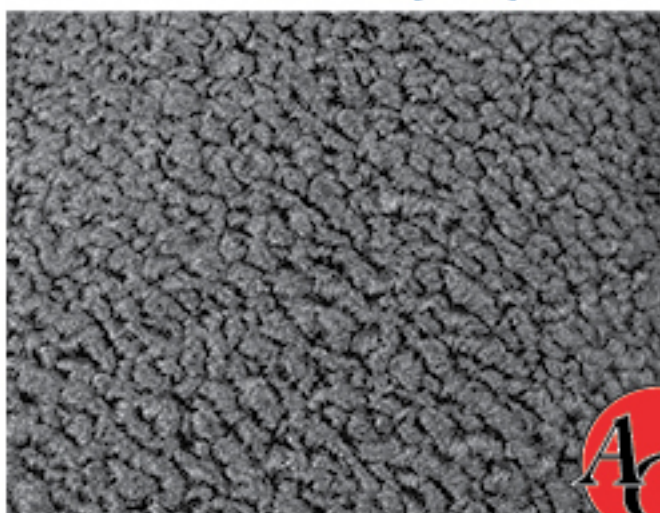
SBL-BK60BLK



SBL-BK60BLK	Seat Belt w/Black Wrinkle-Finish Latch	Black
SBL-BK74BLK	Seat Belt w/Black Wrinkle-Finish Latch	Black

1967-74

Black 80/20 Loop Carpet



10B53140	1967-69	Carpet, Black, 80/20 Loop (1 pc.)
10B53140-2	1967-69	Carpet, Black, 80/20 Loop (2 pc.)
10B52200	1970-74	Carpet, Black, 80/20 Loop (1 pc.)

RetroSound®



AM-HERMOSA-B

Box Size:
11.5" x 9" x 3.5"
Weight:
3 lbs.



AM-HERMOSA-C

AM-HERMOSA-B	1967-81	Radio, "Hermosa B" w/Black Face & Buttons (Use make-specific faceplate & knob kit)
AM-HERMOSA-C	1967-81	Radio, "Hermosa C" w/Chrome Face & Buttons (Use make-specific faceplate & knob kit)

RetroSound®

AM-RC900

Box Size:
11" x 9" x 3.5"
Weight:
2 lbs.



Box Size:
11.5" x 8.75" x 3.25"
Weight:
2.66 lbs.

AM-ZUMA-B



AM-ZUMA-V

Box Size:
11.5" x 8.75" x 3.25"
Weight:
2.66 lbs.



**Zuma Models
~ DISCONTINUED ~
Available while
supplies last.
(Replaced by
Hermosa)**

AM-RC900	1967-73	Radio, Model RC900C, Basic Unit, no remote (Use make-specific faceplate & knob kit)
AM-ZUMA-B	1967-81	Radio, "Zuma B" w/Black Face & Black Buttons (Use make-specific faceplate & knob kit)
AM-ZUMA-V	1967-81	Radio, "Zuma V" w/Chrome Face, Ivory Knobs (Use make-specific faceplate & knob kit)

RetroSound®

AM-MOD2B

Box Size:
11.75" x 8.75" x 3.5"
Weight:
3 lbs.



**Model 2 Radios
~ DISCONTINUED ~
Available while supplies
last.
(Replaced by Hermosa)**



Box Size:
11.5" x 8.75" x 3.25"
Weight:
2.94 lbs.

AM-MOD2C

Box Size:
11.5" x 8.75" x 13.25"
Weight:
2.98 lbs.

AM-MOD2V

AM-MOD2B	1967-81	Radio, "Model 2B" with Black Face (Use make-specific faceplate & knob kit)
AM-MOD2C	1967-81	Radio, "Model 2C" with Chrome Face (Use make-specific faceplate & knob kit)
AM-MOD2V	1967-81	Radio, "Model 2V" with Ivory Knobs (Use make-specific faceplate & knob kit)

RetroSound®

AM-1000 AM-1005

AM-1010 AM-1015

AM-1000	1967-68	Radio Bezel & Knob Kit, Black Face Plate
AM-1005	1967-68	Radio Bezel & Knob Kit, Walnut Face Plate
AM-1010	1969	Radio Bezel & Knob Kit
AM-1015	1970-81	Radio Bezel & Knob Kit

RetroSound®

AMR-57UK

Reverse View

Fits:
1967-89 Factory A/C

Box Size:
9.5" x 6.25" x 2.5"
Weight:
1.6 lbs.

AMR-410UK

Reverse View

Fits:
1967-89 Non-A/C,
1970-81 Mono Radio

Box Size:
11.5" x 4.75" x 2.5"
Weight:
1.52 lbs.

AM-SUB8100

Box Size:
20" x 10" x 4"
Weight:
11 lbs.

AMR-57UK	1967-69	Dash Speaker with Bracket, 6 x 7 Dual Voice Coil, 2-way, 100 watt
AMR-410UK	1967-81	Dash Speaker with Bracket, 4 x 10 Dual Voice Coil, 2-way, 160 watt
AM-SUB8100		Amplified Sub-Woofer, 8", 100 Watt



AM-BT1

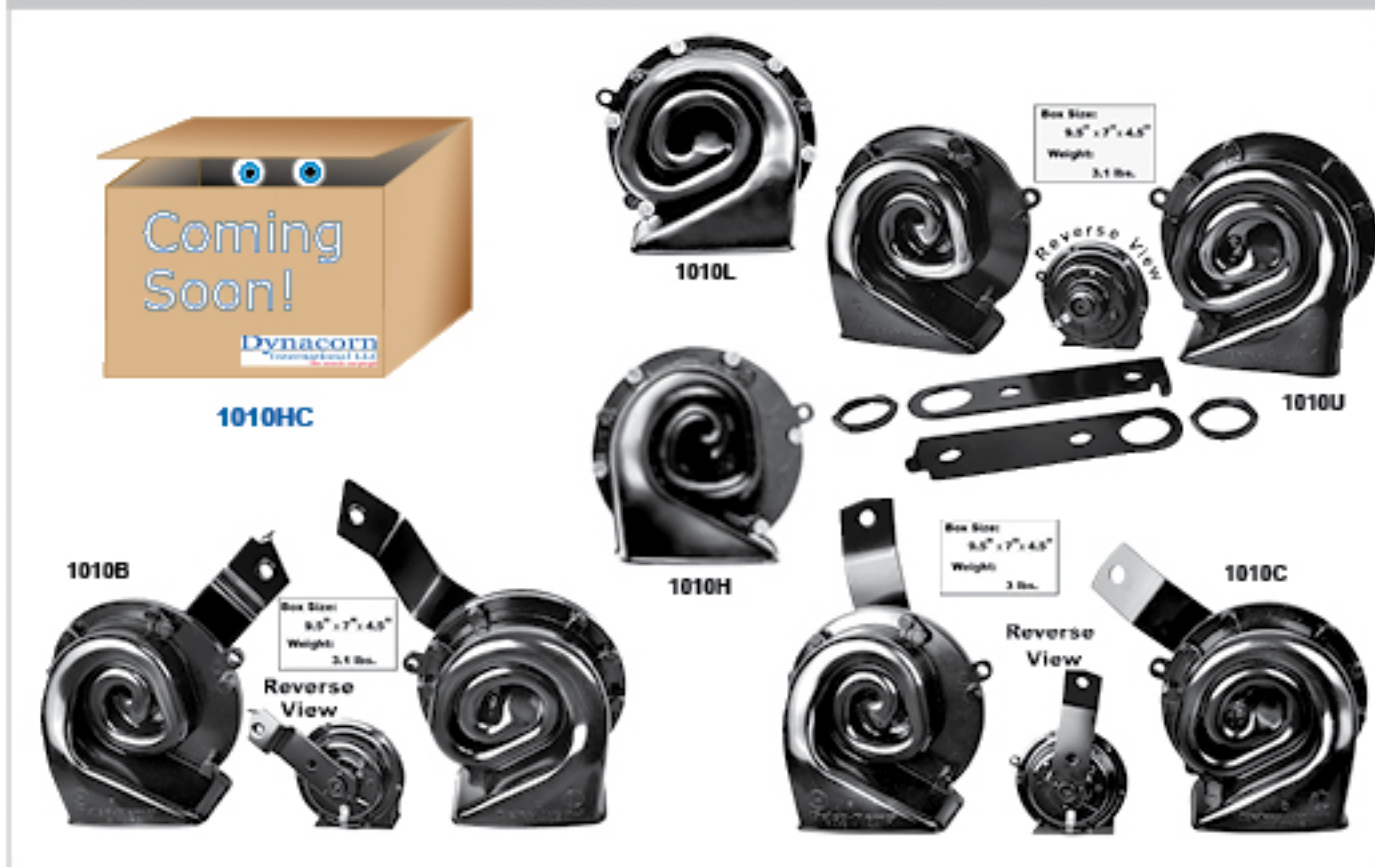
Digital LCD Battery Monitor, 12 Volt Cigarette Lighter Plug

AM-EX1

Battery Charger/Maintainer

AM-EX1-PKG

Battery Charger/Maintainer w/LED, Includes Battery Status Indicator



1010HC New 1967-69 Horn High + Low Note Chrome Plate w/ Mounting Bracket and Hardware

1010H 1967-69 Horn, High

1010L 1967-69 Horn, Low

1010B 1967-68 Horn Set with Welded Brackets

1010U 1967-81 Horn Set with Universal Brackets, 6 pcs.

1010C 1969 Horn Set with Welded Brackets



LH47



LH52



Box Size:
8.75" x 6" x 3.75"
Weight:
4 lbs.

1463JM



M1013



LH01



M1013B

LH47	1967-68	Windshield Wiper Switch, 2-speed, Camaro®
LH52	1969	Windshield Wiper Switch
1463JM	1967-68	Power Window Motor, RH
1463KM	1967-68	Power Window Motor, LH
M1013	1967-68	Standard Headlamp Switch
LH01	1967-73	Headlamp Dimmer Switch
M1013B	1969-81	Headlamp Switch



K35

8732777



7031884



4866918

20030351



7027625

K35	1967-69	Dome Light Lens
4866918	1967-69	Dome Light Base
8732777	1970-81	Dome Light Lens
20030351	1970-81	Dome Light Base
7031884	1967-68	Cigarette Lighter
7027625	1969	Cigarette Lighter



M1609 1967-69 Body Bushing Kit

Body Bushing Kit

GM Restoration Parts



FL01 1967-69 "Body By Fisher" Decal



1006F



1006G

1006F 1967-68 Front Disc Brake Backing Plates

1006G 1969 Front Disc Brake Backing Plates



1006H



1006M

1006H 1970-72 Front Disc Brake Backing Plates

1006M 1977-81 Front Disc Brake Backing Plates



GW157

Box Size:
17" x 17" x 10.25"
Weight:
19 lbs.



5" x 4 3/4"
Bolt Pattern



GW157C

Box Size:
17" x 17" x 9"
Weight:
20 lbs.



Improved Tooling & Finish



GW157P

Box Size:
17" x 17" x 9"
Weight:
20 lbs.



GW157 Magnum Alloy Wheel 15"x7" w/Center Cap, no offset, 4" Backspace

GW157C Magnum Alloy Wheel 15"x7", Coated, w/Center Cap, no offset, 4" Backspace

GW157P New GM Magnum Alloy Wheel 15"x7" w/Center Cap, 4" Backspace



GW158P

Box Size:
17" x 17" x 10"
Weight:
20 lbs.



GW158

Box Size:
17" x 17" x 10.25"
Weight:
20 lbs.



GW158C

Box Size:
17" x 17" x 10"
Weight:
21 lbs.



GW158P	New	GM	Magnum Alloy Wheel 15"x8" New Design, 4.75 Bolt Pattern, 4" Backspace
GW158			Magnum Alloy Wheel 15"x8" w/Center Cap, 10mm negative offset (-.4"), 4.07" Backspace
GW158C			Magnum Alloy Wheel 15"x8", Coated w/Center Cap, 10mm negative offset (-.4"), 4.07" Backspace



GW150

Box Size:
17" x 17" x 10.25"
Weight:
22 lbs.



GW150C

Box Size:
17" x 17" x 12"
Weight:
23 lbs.



GW177

Box Size:
19" x 19" x 9"
Weight:
23 lbs.



GW150

Magnum Alloy Wheel 15"x10" w/Center Cap, 21mm negative offset (-.8"), 4.65" Backspace

GW150C

Magnum Alloy Wheel 15"x10", Coated, w/Center Cap, 21mm negative offset (-.8"), 4.65" Backspace

GW177

Magnum Alloy Wheel 17"x7" w/Center Cap and decal, no offset



GW177C

Box Size:
19" x 19" x 9"
Weight:
23 lbs.



FW-CAP

5" x 4 3/4" Bolt Pattern



GW178

Box Size:
19.5" x 19.5" x 10"
Weight:
24 lbs.



GW178C

Box Size:
19.25" x 19.25" x 10.25"
Weight:
24 lbs.



GW177C	Magnum Alloy Wheel 17"x7" w/Center Cap and decal, no offset, Coated
GW178	Magnum Alloy Wheel 17"x8" w/Center Cap and decal, 10mm negative offset
GW178C	Magnum Alloy Wheel 17"x8" w/Center Cap and decal, 10mm negative offset, Coated
FW-CAP	Magnum Wheel Cap with decal, 3/4" tall, Chrome (for 17" rims)

Ignition Locks



100	1967	Later
100A	1967	Original
101	1968	Later
101A	1968	Original
102	1969-78	Later

Ign., Door, Glove, Trunk Kits



+Cylinder & Keys ONLY. Case not included.

288+	1967	Original
289+	1968	Original
290+	1969	Later

Trunk Locks



112	1967	Later
112A	1967	Original
113A	1968	Original (Also fits 1967-69 Firebird®)
113	1968-69	Later (Also fits 1967-69 Firebird®)
114	1970-73	Later
115	1974-77	Later

Trunk Lock Kits



1575	1967	Later (Also '79-'81 Firebird)
1576	1968-69	Later

Ignition & Door Locks



104	1967	Later
104A	1967	Original
105	1968	Later
105A	1968	Original
106	1969	Later (Also '70 without door cylinders)
107	1970-78	Later

Glove Box Locks



+Cylinder & Keys ONLY. Case not included.

CL-955	1967-74	Key-less
CL-960	1967-74	Key-less, Brushed Stainless
118+	1967-68	Later
118A+	1967	Original
118B+	1968	Original
119	1969	Later
120	1970-81	Later (Also 1972-81 Firebird®)

See our Locks Catalog for more details...

Glove Box & Trunk Lock Kits



Cylinder & Keys ONLY. Case not included.

121	1967	Later
121A	1967	Original
122	1968	Later
122A	1968	Original
123	1969	Later
124	1970-73	Later

Muscle Car Parts & Molding • Muscle Car Parts & Molding • Muscle Car Parts & Molding