

Dynacorn International LLC

The muscle car people



**2019
CHEVELLE™ &
MONTE CARLO®**

Chevelle™ / Monte Carlo® Index

Index

A

'A' Body Skeleton: 39
Accelerator Pedal: 84, 85
A/C Plenum: 83
A/C Vent: 25
A/C Vent Ball & Bezel: 23, 24
Accelerator Bracket: 9
Accelerator Pedal Assembly: 85
Air Cleaner Spacer (Cowl Induction): 9
Air Vent Vacuum Motor: 83
Alternator Bracket: 9
Antennas: 75, 76, 77, 78
Arm Rest Bases, Front & Rear: 89, 90
Ash Tray, Dash: 25
Ash Tray, Rear Arm Rest: 89, 90

B

Back-Up Lamps & Lenses: 75, 76, 77, 79
Battery Charger: 99
Battery Monitor: 99
Battery Trays & Hold Downs: 7, 9
Belt Buckle Cover: 92, 93, 94
Bench Seat Hinge Covers: 92, 94
Body Shims & Washers: 12
Body Side Molding: 71
Brake Backing Plate, Front Disc: 106
Brake Release Handles: 84
Bucket Seat Covers: 106
Bucket Seat Release Button: 92
Bumpers & Guards: 1, 2, 3
Bumper Brackets: 3, 4
Bumper Fillers: 5
Bushings: 101

C

Carpet: 94
Clothes Hanger Hooks: 91
Clutch Boot Fork: 84
Clutch Rod Boot: 84
Clutch Rod Boot & Boot Fork: 84
Console Auto Dial Assembly: 25
Console Base: 86
Console Boot Retainer: 84
Console Door Assembly: 86
Console Mounted Clock & Lens: 23
Console Slider: 86
Console Top Plate: 86
Console Trans. Indicator Insert: 86
Control Arms: 9, 10
Convertible Top Frame Assembly: 41
Convertible Top & Hardware: 41

Convertible Top Hook & Knuckle Latches: 41
Convertible Top Latch Assembly: 41
Convertible Top Pivot Bolt Set: 41
Convertible Top Torsion Bar Chassis: 41
Convertible Top Well Molding: 73
Cowl Panels: 21, 22
Cross Rail, Rear: 34, 35, 36

D

Dash Assembly: 24, 25
Dash Carrier: 22
Dash Carriers: 22, 24, 25
Dash Gauge Plate: 22, 25
Dash Pads: 89
Dash Panels: 22, 23, 24, 25
Dash Speaker: 98
Dash Vent Block-Off Plate: 25
Deck Filler Panels: 55
Door Bumpers: 90
Door Edge Moldings: 89, 90
Door Glass Channel Support, Front: 45
Door Glass Stopper: 45
Door Handles & Cranks: 47, 48, 49
Door Hinge Pillar Assembly: 42
Door Hinges: 42, 43, 44, 45
Door Jamb Vent Grille & Bumpers: 90
Door Latches & Striker: 41, 42, 43, 44, 45
Door Lock Knobs: 89, 90
Door Sash: 69
Door Shells: 42, 43, 44, 45, 46
Door Sill Decal: 101
Door Sill Scuff Plates: 90, 91
Door Skins: 41, 42, 43, 44, 45, 46
Door Trims & Arm Rests: 89, 90
Door Window Glass: 80, 81, 82
Door Window Guide Plates: 43, 44
Door Window Guide Stabilizers & Stop: 45
Drip Rail Moldings: 69

E

Emblems: 74, 75
Engine Mounts: 9
Evaporator Box: 83
Eyebrow Moldings: 61, 62, 63, 64

F

Fender Patch Panels: 13
Fenders, Front: 11, 12
Fenders, Front Inner: 13
Fender Extensions, Front: 12
Fender Lamps, Lower: 78
Firewalls & Brackets: 20
Firewall Wiper Plate: 20
Floor Pans & Supports: 26, 27, 28, 29, 30, 31

Floor Trim Panels: 91
Frame Brackets: 26
Front Disc Brake Backing Plate: 106
Front Seat Mounting Rails: 26, 28, 29, 30, 31, 32
Fuel Cap: 57
Fuel Senders: 60
Fuel Tanks: 58, 59
Fuel Tank Braces & Straps: 57

G

Galvanized Floor Plug: 26, 28, 30, 32
Glass & Weatherstripping: 79, 80, 81, 82
Glove Box Door: 25
Grilles & Components: 63, 64, 65, 66
Grilles & Molding: 61, 62, 63, 64, 65, 66
Grille Plate, Upper: 61, 63

H

Header Panel: 5
Headlamp Bezels: 61, 62, 63, 64, 65, 66
Headlamp Molding: 61
Headlamp Mounting Buckets: 61, 62, 63, 64, 65
Headlamp Retaining Rings: 61, 63, 64, 65, 66
Headliner Molding: 88
Headliner Retainer Kit: 39, 40
Headrest Release & Guides: 92, 93
Heater Boxes & Blower Motor: 83
Heater Control: 83
Hoods & Hinges: 14, 15, 16, 17, 18, 19
Hood Bumpers: 14, 15
Hood Latches, Catches & Supports: 14, 15, 16, 17, 18
Hood Louvers: 15, 16, 17
Hood Moldings & Spears: 67

I

Ignition Switch Bracket: 23, 24, 25
Instrument Bezel: 23
Instrument Housing Kits & Lens: 25
Interior Electrical: 99, 100

K

Kick Panels: 91

L

Lap Cooler w/ Air Diverter: 83
License Plate Bracket, Front: 5
License Plate Bracket, Rear: 57
License Plate Lamps: 76, 77, 78, 79
Locks: 107

M

Magnum Alloy Wheels: 102, 103, 104, 105
Manual Regulator: 42, 43, 44, 45
Mirrors, Exterior: 68
Mirrors, Interior: 88

O

Outer Grille Extensions: 63

P

Package Shelf: 33
Parking Brake Control: 84
Parking Brake Pad: 84, 85
Parking Lamps & Lenses: 75, 76, 77, 78, 79
Parking Lamp Bezels: 79
Pedal Pads & Trim (Accelerator, Brake): 84, 85, 86
Pedal & Shifter Components: 86
Push Button Kit: 47

Q

Quarter / Door Frame Assemblies: 37, 38
Quarter Lamps & Bezels: 78
Quarter Panels: 50, 51
Quarter Patch Panels: 52
Quarter Window Glass: 80, 81, 82

R

Radiator Fan & Shrouds: 8
Radiator Supports: 5, 6, 7
Radio Bezel & Knob Kit: 98
Radios: 96, 97, 98
Rear Panel Moldings: 73
Rear Seat Retainer Kit: 92
Rear View Mirror Bracket: 88
Rocker Panel Extension Molding: 72
Rocker Panels: 37
Rocker Panel Moldings: 71, 72
Rocker-to-Cowl Reinforcements: 37
Roof Drip Rails: 40
Roof Panel Skin: 39
Roof Panels & Supports: 39, 40
Roof Rail Weatherstrip: 79, 80, 81, 82
Round Head with "Bow-tie": 68

S

Seat Assemblies: 93
Seat Back Lock Assembly: 93
Seat Back Release Assembly: 93
Seat Belt Buckle Covers: 93
Seat Belts: 95
Seat Belt Buckle Covers: 92, 94
Seat Covers: 106
Seat Floor Pan, Rear: 32
Seat Frames & Springs: 92, 93, 94
Seat Frame Brackets, Front: 26
Seat Mounting Rails, Front: 26, 28, 29, 30,

31, 32

Seat Track Assemblies: 92, 93
Shifter Assemblies, Cables & Levers: 84, 85
Shifter Bases & Handle: 84
Shoulder Harness Hooks: 91
Speedometer Grommet: 22, 23
Spindle Kit: 10
Steering Column Clamp Plates: 20
Steering Column Cover: 24, 25
Steering Wheels, Hubs & Ctr. Shroud: 87
Sun Visor Support Bracket: 88
Sway Bar Link Set: 10

T

Tachometers (Dash Mount): 23
Tail Lamp Gasket: 75
Tail Lamps & Lenses: 75, 76, 77, 78, 79
Tail Lamp Panels: 56, 57
Tail Light Bezels: 76, 77, 78
Torsion Bar Chassis (Convertible Top): 41
Transmission Crossmember Mount: 30, 31
Transmission Tunnel Plate: 26, 28, 30
Trunk Floor: 33, 34, 35, 36
Trunk Floor Drop Offs: 34, 35, 36
Trunk Latch Anchor Plate: 56
Trunk Latch Mount: 57
Trunk Lid Rubber Seal: 56
Trunk Lids & Hinges: 36, 55
Trunk Lid Latches: 55, 56
Trunk Pans & Braces: 33, 34, 35, 36
Trunk Weatherstrip Channels: 56

V

Valances, Rear: 57
Valve Covers: 8
Vent Window Assembly: 80
Vent Window Glass: 80
Vinyl Top Moldings: 73

W

Wheelhouses: 53, 54
Wheel Centers: 70
Wheel Center & Retainer: 70
Wheel Opening Moldings: 70, 71
Window Crank: 47
Window Moldings, Rear: 72
Window Regulators: 42, 43, 44, 45
Windshield Channels & Pillars: 19
Windshield Frame Bridge: 40
Windshield Moldings: 68, 69
Windshield Washer Bottle Bracket: 9
Wiper Transmission Arms: 66



General Motors Trademarks
are under License to
DynaCom International Inc.

*Items marked with * also fit El Camino of
the same year, unless noted otherwise.*

1964-65



1457







1458



1459



1460

1457	1964*	Front Bumper, Premium Quality		New Chrome Process
1458	1964*	Rear Bumper, Premium Quality		New Chrome Process
1459	1965*	Front Bumper, Premium Quality		New Chrome Process
1460	1965*	Rear Bumper, Premium Quality		New Chrome Process

1966





1460A



1460B



1460X

1460A	1966*	Front Bumper, Premium Quality		New Chrome Process
1460B	1966	Rear Bumper, Premium Quality		New Chrome Process
1460X	1966	Front & Rear Bumper Guards, 4 pcs.		

1967





1460C



1460D



1460Y

1460C	1967*	Front Bumper, Premium Quality		New Chrome Process
1460D	1967	Rear Bumper, Premium Quality		New Chrome Process
1460Y	1967	Front & Rear Bumper Guards, 4 pcs.		



1968



1460E



1460F

1460E	1968*	Front Bumper, Premium Quality	 New Chrome Process
1460F	1968	Rear Bumper, Premium Quality	 New Chrome Process

1969



1460G



1460H



1460G	1969*	Front Bumper, Premium Quality	New Chrome Process
1460H	1969	Rear Bumper, Premium Quality	New Chrome Process

1970-72 Chevelle



1460J



1460K



1460W



1460L



1460M

1460J	1970	Front Bumper, Premium Quality	New Chrome Process
1460K	1970	Rear Bumper, Premium Quality	New Chrome Process
1460L	1971-72*	Front Bumper, Premium Quality	New Chrome Process
1460M	1971-72	Rear Bumper, Premium Quality	New Chrome Process
1460W	1971-72	Front Bumper Guards	

1970-72 Monte Carlo



1460R



1460T



1460U



1460R	1970	Front Bumper, Monte Carlo®
1460T	1971	Front Bumper, Monte Carlo®
1460U	1972	Front Bumper, Monte Carlo®

1964-65



1408B



1411F



1408A

1408B	1964*	Front Bumper Brackets, 4 pcs.
1411F	1965*	Front Bumper Brackets, 4 pcs.
1408A	1964-65	Rear Bumper Brackets, 5 pcs.

1966-67



1408D



1408E



1411W

1408D	1966*	Front Bumper Brackets, 4 pcs.
1408E	1967*	Front Bumper Brackets, 4 pcs.
1411W	1966-67	Rear Bumper Brackets, 4 pcs.

1968-69



1411I



1411J



1411Y



1411Z

1411I	1968*	Front Bumper Brackets, 4 pcs.
1411Y	1968	Rear Bumper Brackets, 5 pcs.
1411J	1969*	Front Bumper Brackets, 4 pcs.
1411Z	1969	Rear Bumper Brackets, 3 pcs.

1970



1411K



1413



1412

1411K	1970*	Front Bumper Brackets, 4 pcs.
1413	1970	Front Bumper Brackets, 4 pcs., Monte Carlo®
1412	1970	Rear Bumper Brackets, 4 pcs.

1971-72



1411R



1411E

1411R	1971-72*	Front Bumper Bracket, 8 pcs.
1411E	1971-72	Rear Bumper Brackets, 4 pcs.

Bumper Fillers



1491A



1491

1491A 1966* Bumper Filler

1491 1967* Bumper Filler



1492



1492A



1493

1492 1968* Bumper Filler

1492A 1969* Bumper Filler

1493 1970* Bumper Filler

Header Panel



Bracket
Closeup

1468H 1968-69* Header Panel

Fr. Lic. Plate Brkt.



1424D 1970-72 Front License Plate Bracket

Radiator Supports

1965-66



1488



1488A

1488 1965* Radiator Support

1488A 1966* Radiator Support

1967-69

Radiator Supports



1488B



1488L



1488C



1488B	1967*	Radiator Support
1488C	1968-69*	Radiator Support
1488L	1968-72*	Radiator Bridge Plate, small block

1970-72



1488E



1488P

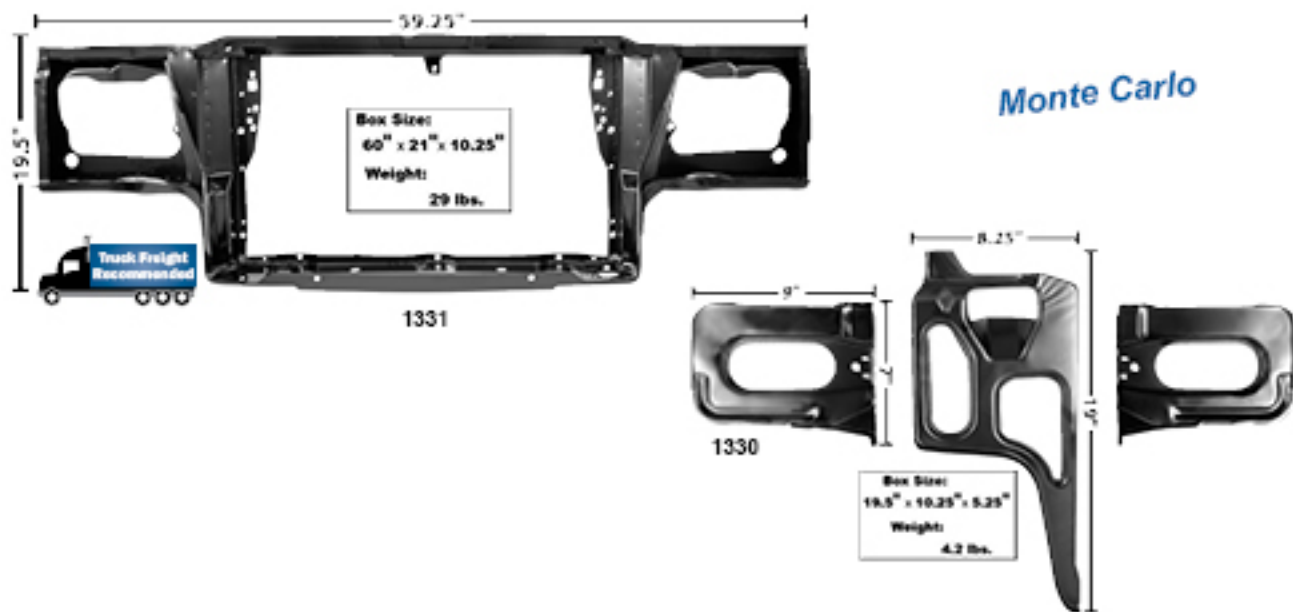


1488D

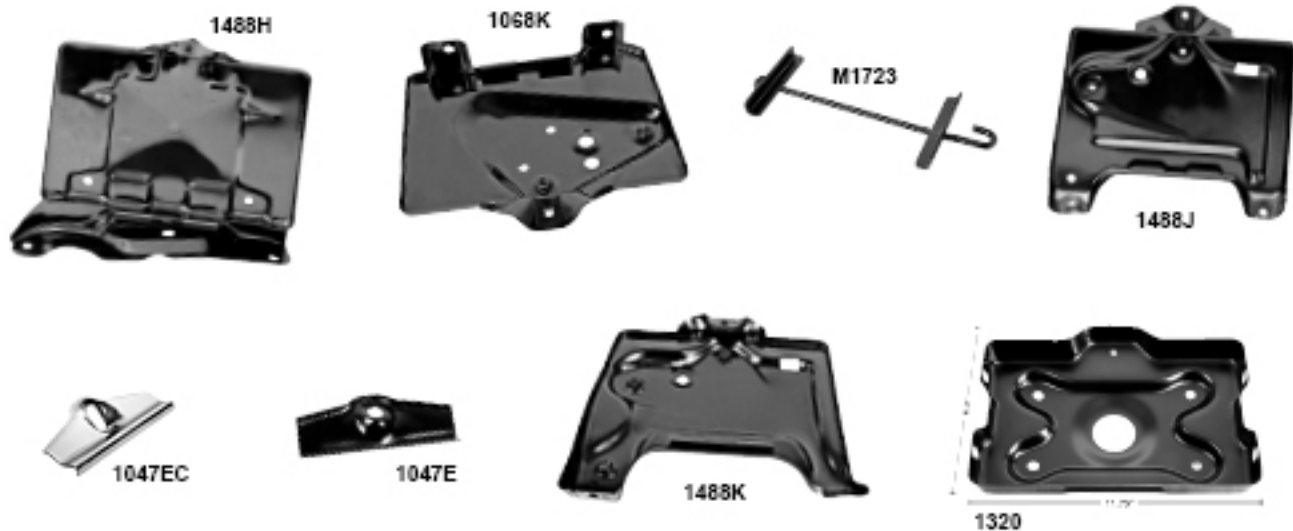


1488E	1970*	Radiator Support
1488P	1970-72	Upper Radiator Plate
1488D	1971-72*	Radiator Support

Radiator Supports cont'd next page...



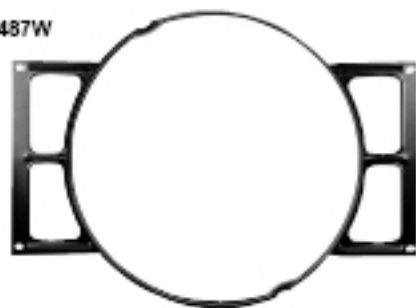
1331	1981-88	Radiator Support, Monte Carlo®
1330	1981-88	Radiator Support Brace, Monte Carlo®



1488H	1964-65*	Battery Tray
M1723	1964-65*	Battery Tray Clamp
1068K	1966*	Battery Tray
1488J	1967*	Battery Tray
1047E	1966-72*	Battery Tray Clamp
1047EC	1966-72*	Battery Tray Clamp, Stainless
1488K	1968-72*	Battery Tray, (Also fits Monte Carlo®)
1320	1981-88	Battery Tray, Monte Carlo™

Muscle Car Parts & Molding • Muscle Car Parts & Molding • Muscle Car Parts & Molding

1487W



1488W



M1017



1488X



1488Y



1487W	1964-65*	Radiator Fan Shroud
1488W	1966-67*	Radiator Fan Shroud, Small Block
1488X	1966-67*	Radiator Fan Shroud, Big Block
1488Y	1968*	Radiator Fan Shroud, Big Block
M1017	1968-72*	Fan, 7 blade

1015

Box Size:
20.25" x 11" x 3.25"
Weight:
7 lbs.



1015B

Box Size:
20.25" x 11" x 3.25"
Weight:
7 lbs.



1015	1962-74	Valve Covers, Polished Aluminum w/Gaskets, Small Block, LT1 Style
1015B	1962-74	Valve Covers, Painted Aluminum w/Gaskets, Small Block, LT1 Style

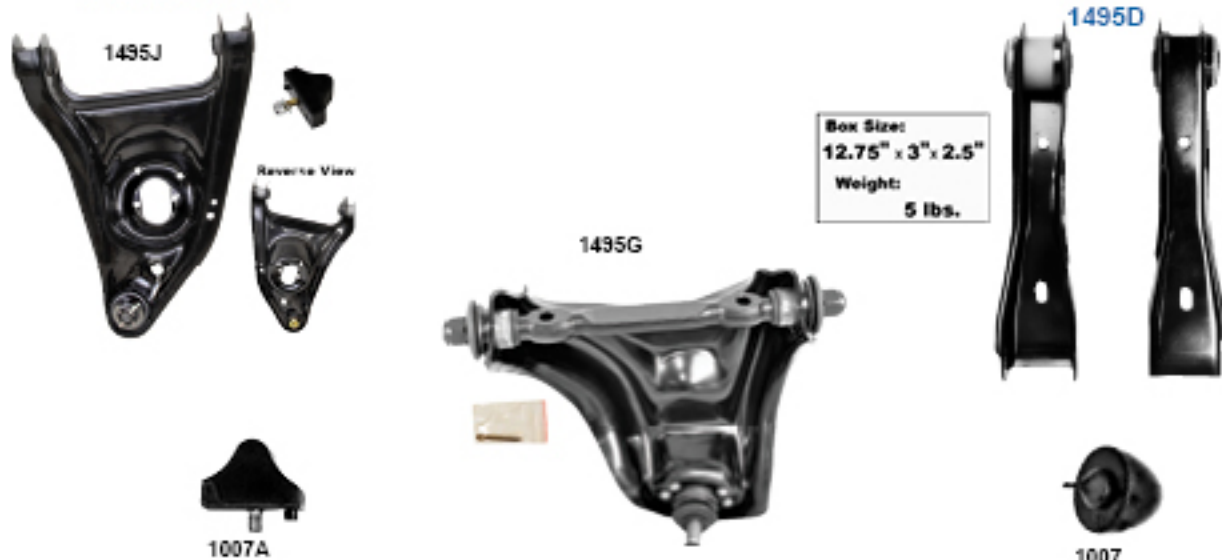


1427A	1964-67	Engine Mounts, Small Block
1426	1966-67	Engine Mounts, Big Block
1427	1968-72*	Engine Mounts, vs
1425	1964-69*	Windshield Washer Bottle Bracket
1392	1965-68*	Big Block Alternator Bracket
1047G	1969-72*	Accelerator Bracket, Holley Only
M1394	1970-72*	Cowl Induction Air Cleaner Spacer



1495M	1964-72	Upper Control Arm, (Tubular Style) RH
1495MD	1964-72	Upper Control Arm, (Tubular Style) RH W Drop
1495N	1964-72	Upper Control Arm, (Tubular Style) LH
1495ND	1964-72	Upper Control Arm, (Tubular Style) LH W Drop
1495P	1964-72	Lower Control Arm, (Tubular Style) RH
1495PD	1964-72	Lower Control Arm, (Tubular Style) RH W Drop
1495Q	1964-72	Lower Control Arm, (Tubular Style) LH
1495QD	1964-72	Lower Control Arm, (Tubular Style) LH W Drop

Includes 1007A



1495D	New	1964-72	Upper Rear Control Arm, (A body) Pair
1495J		1964-72	Lower Control Arm, (OE style) RH
1495K		1964-72	Lower Control Arm, (OE style) LH
1007		1964-72*	Upper Control Arm Bumper
1007A		1964-72*	Lower Control Arm Bumper
1495G		1966-72	Upper Control Arm, (OE style) RH
1495H		1966-72	Upper Control Arm, (OE style) LH



1495E		1964-72*	Rear Lower Control Arms
1403D		1964-72*	Sway Bar Link Set
1403F		1964-72	Sway Bar Bushing, 1 1/4" set
1003C		1964-72*	Spindle Kit

Front Fenders

1965-66



1475W	1965*	Front Fender RH
1475X	1965*	Front Fender LH
1476	1966*	Front Fender RH
1477	1966*	Front Fender LH

1967-69



1478	1967*	Front Fender RH
1479	1967*	Front Fender LH
1479A	1968*	Front Fender RH
1479B	1968*	Front Fender LH
1479C	1969*	Front Fender RH
1479D	1969*	Front Fender LH

1970

Front Fenders



1481C



1481D



1480

1480	1970	Front Fender RH, Chevelle™
1481	1970	Front Fender LH, Chevelle™
1481C	1970	Fender Extension RH
1481D	1970	Fender Extension LH

1971-72



1482



1483

1482	1971-72	Front Fender RH, Chevelle™
1483	1971-72	Front Fender LH, Chevelle™



1000F



1000D



1000E

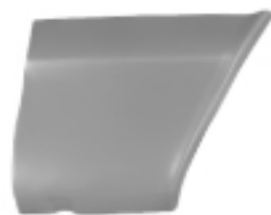


GM03

1000F	1964-72	Body Shims, 8mm, 10 pc. set
1000D	1964-72	Body Shims, 3mm, 10 pc. set
1000E	1964-72	Body Shims, 1.6 mm, 10 pc. set
GM03		Body Washers, 20 pc. set

Body Shims

Fender Patch Panels



1475WA



1477A



1479E



1482A

1475WA	1964-65*	Fender Patch Panel, Lower Rear RH
1475XA	1964-65*	Fender Patch Panel, Lower Rear LH
1476A	1966-67*	Fender Patch Panel, Lower Rear RH
1477A	1966-67*	Fender Patch Panel, Lower Rear LH
1479E	1968-69*	Fender Patch Panel, Lower Rear RH
1479F	1968-69*	Fender Patch Panel, Lower Rear LH
1482A	1970-72	Fender Patch Panel, Lower Rear RH
1482B	1970-72	Fender Patch Panel, Lower Rear LH

Front Inner Fenders

1964-67



1472



1471P



1472B



1471N	1965*	Front Inner Fender RH
1471P	1965*	Front Inner Fender LH
1472	1966*	Front Inner Fender RH
1472A	1966*	Front Inner Fender LH
1472B	1967*	Front Inner Fender RH
1472C	1967*	Front Inner Fender LH

1968-72



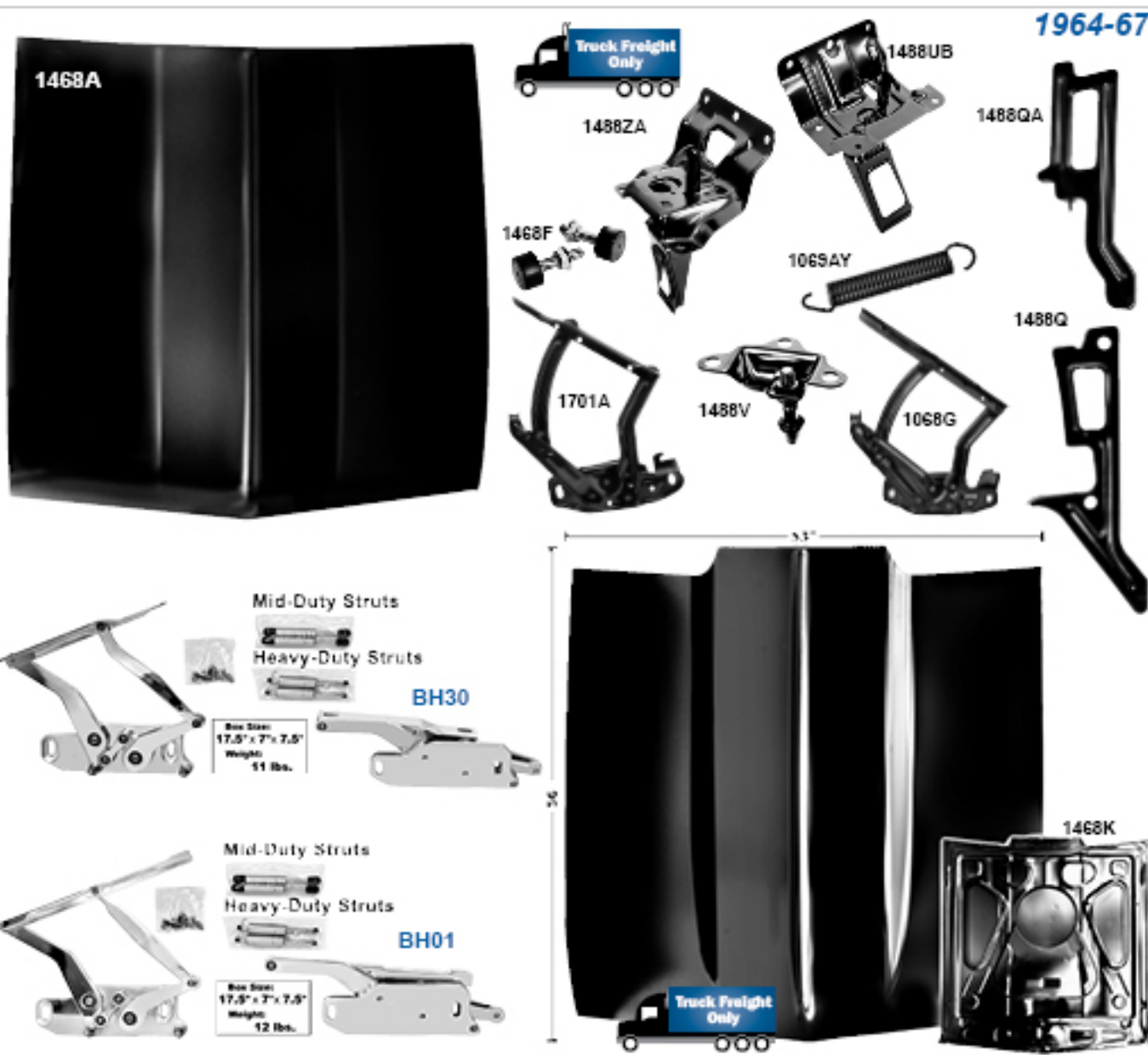
1472D



1472T



1472D	1968-72*	Front Inner Fender RH
1472E	1968-72*	Front Inner Fender LH
1472T	1968-72*	Plastic Front Inner Fender RH
1472U	1968-72*	Plastic Front Inner Fender LH



BH30	New	1964	Billet Hood Hinge, Pair
1701A		1964*	Hood Hinge RH
1701B		1964*	Hood Hinge LH
1468F		1964-66*	Hood Bumpers
1488UB		1965*	Hood Latch
1488QA		1965*	Hood Latch Support
1468A		1966*	Standard Hood
1468K		1966*	Cowl Induction Hood
1068G		1965-67*	Hood Hinge RH
1068H		1965-67*	Hood Hinge LH
BH01	New	1965-67	Billet Hood Hinge, Pair
1069AY		1964-72*	Hood Hinge Spring
1488V		1966*	Hood Catch
1488ZA		1966*	Hood Latch
1488Q		1966*	Hood Latch Support

1966-67

1468B



1468F

1468D



1488Q



1468C



1068G



1488ZA



1488V

1468B	1966*	"SS" Hood
1468C	1966*	Hood Louvers
1468D	1966*	Hood Louver Inserts
1068G	1965-67*	Hood Hinge RH
1068H	1965-67*	Hood Hinge LH
1488V	1966*	Hood Catch
1488ZA	1966*	Hood Latch
1488Q	1966*	Hood Latch Support
1468F	1964-66*	Hood Bumpers

1967-72

1468



1468E



1068G



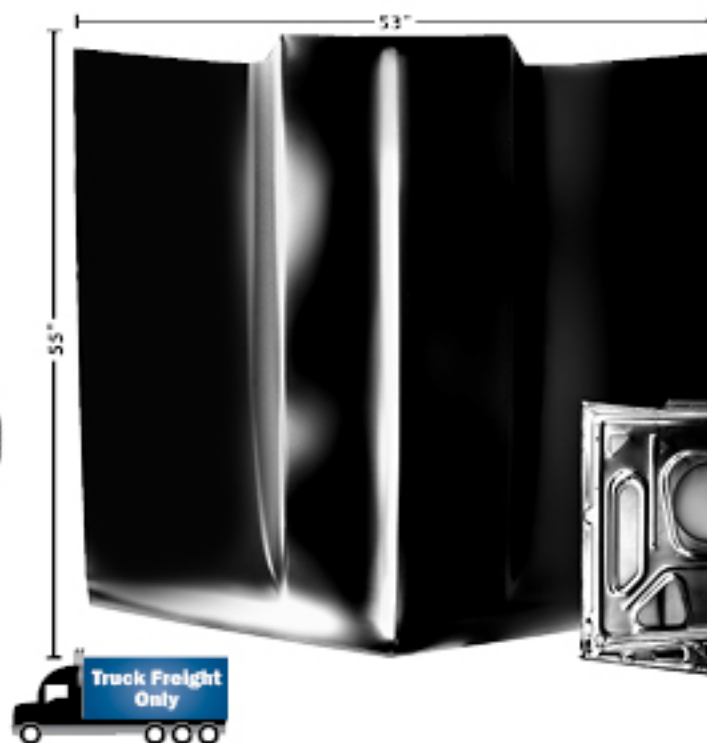
1488U



1488R



1069AY



1468G

Box Size:
58" x 55.25" x 8.5"
Weight:
72 lbs.

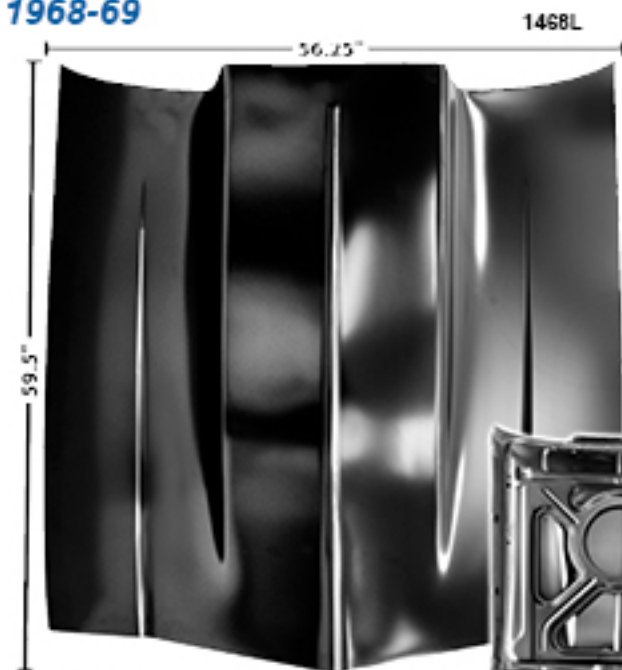


Hoods & Components continued on next page...

Muscle Car Parts & Molding • Muscle Car Parts & Molding • Muscle Car Parts & Molding

1468G	1967*	Cowl Induction Hood, 2"
1468	1967*	"SS" Hood
1468E	1967*	Hood Louvers
1068G	1965-67*	Hood Hinge RH
1068H	1965-67*	Hood Hinge LH
1069AY	1964-72*	Hood Hinge Spring
1488U	1967*	Hood Latch
1488R	1967*	Hood Latch Support

1968-69



Box Size:
 64.75" x 59" x 7.5"
 Weight:
 73 lbs.



BH12 Heavy-Duty Struts

Box Size:
 19.5" x 7" x 7.5"
 Weight:
 13.5 lbs.



1469



1488UA

1488S



1069AY

M1379



1468L	1968-69*	Cowl Induction Hood (Use 1969 hinges)
1469	1968-69*	"SS" Hood (Fits 1968 with 1969 hinges)
M1379	1969*	Hood Louvers
1464Y	1968*	Hood Hinge RH
1464Z	1968*	Hood Hinge LH
BH12	New 1968*	Billet Hood Hinge, Pair
1069AY	1964-72*	Hood Hinge Spring
1488UA	1968*	Hood Latch
1488RA	1968*	Hood Latch Support
1464	1969*	Hood Hinge RH
1465	1969*	Hood Hinge LH
1468S	1969*	Hood Latch Support





Heavy-Duty Struts

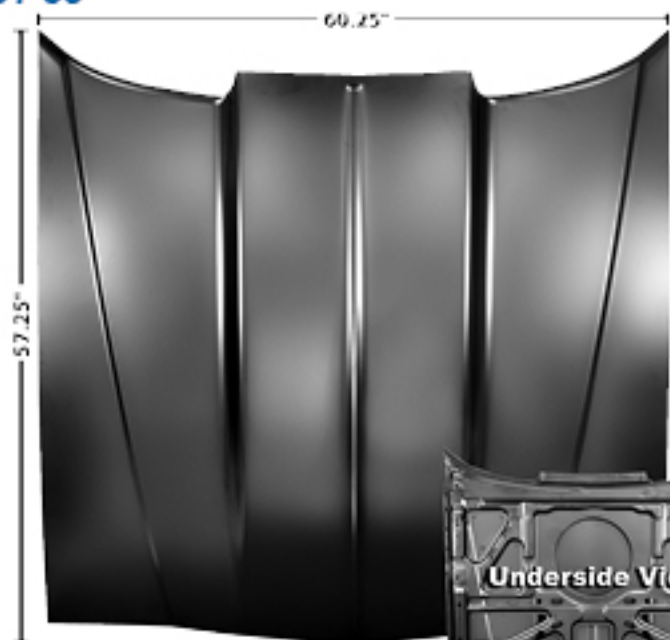
Box Size:
19.5" x 7" x 7.5"
Weight:
13.5 lbs.



BH13

1471		1970-72*	Cowl Induction Hood
1470		1970-72*	"SS" Hood
1470A		1970-72	"SS" Hood Pins with Hardware
BH13	New	1969-72	Billet Hood Hinge, Pair
1466		1970-72*	Hood Hinge RH
1467		1970-72*	Hood Hinge LH
1069AY		1964-72*	Hood Hinge Spring
1488F		1970-72*	Hood Catch and Spring
1488Z		1970-72*	Hood Latch
1488T		1970*	Hood Latch Support (Also fits 1970-72 Monte Carlo)
1488G		1971-72*	Hood Latch Support

1981-88



1312

Box Size:
 63" x 62" x 8.5"
Weight:
 81 lbs.



1312	1981-88	Hood with Cowl Induction	Monte Carlo™
1310	1981-88	Hood Hinge, RH	Monte Carlo™
1311	1981-88	Hood Hinge, LH	Monte Carlo™

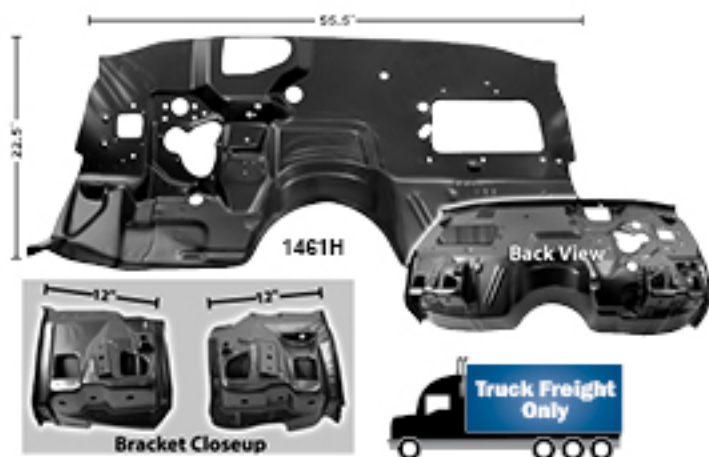
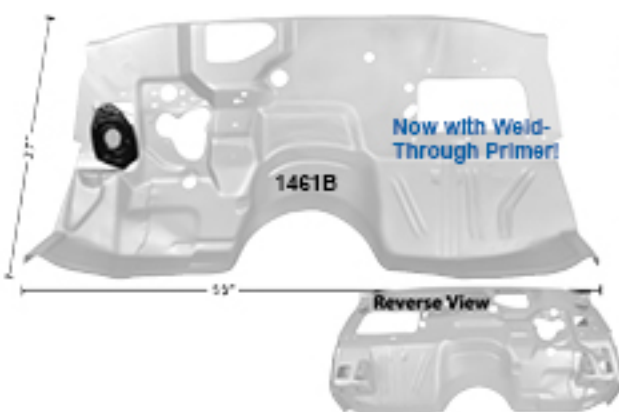


1490DWT	1964-67*	Windshield Channel, Weld-Through Primer
M1424BWT	1968-72*	Windshield Channel, Weld-Through Primer



1461J	1966-67*	Windshield Pillar, RH	Coupe
1461K	1966-67*	Windshield Pillar, LH	Coupe
1461L	1968-72	Windshield Pillar, RH	
1461M	1968-72	Windshield Pillar, LH	

Muscle Car Parts & Molding • Muscle Car Parts & Molding • Muscle Car Parts & Molding



1461I	1964-67*	Firewall
1461A	1968-72*	Firewall with A/C, Weld-Through Primer
1461B	1968-72*	Firewall without A/C, Weld-Through Primer
1461IA	New 1964-67*	Firewall, Heater Delete
1461C	1968-72*	Firewall with Heater Delete, Weld-Through Primer
1461H	1968-72	Firewall for Convertible

Firewall Components



1461G	1968-69*	Firewall Wiper Plate
1509F	1968-69	Firewall Brackets, EDP Coating
1461F	1968-72*	Firewall Brackets, EDP Coating
1400L	1968-72	Steering Column Clamp Plates

Cowl Panels



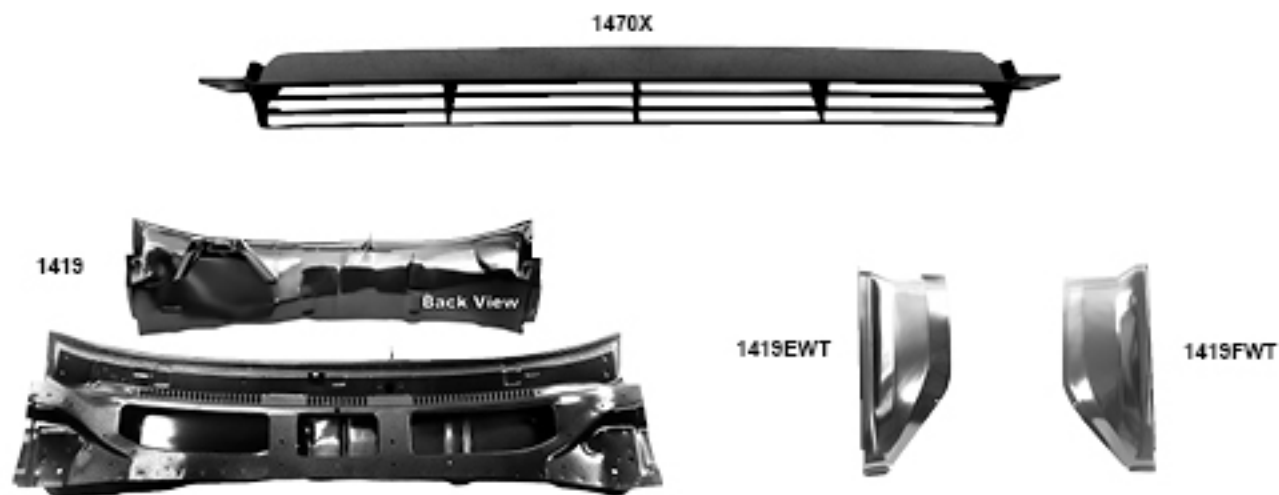
1419G	1966-67	Inner Cowl (Filler) Panel, RH
1419H	1966-67	Inner Cowl (Filler) Panel, LH



1419A	1968-69*	Lower Cowl Panel, EDP Coating
1419CWT	1968-72	Cowl Shoulder Assembly RH, Weld-Through Primer
1419DWT	1968-72	Cowl Shoulder Assembly LH, Weld-Through Primer

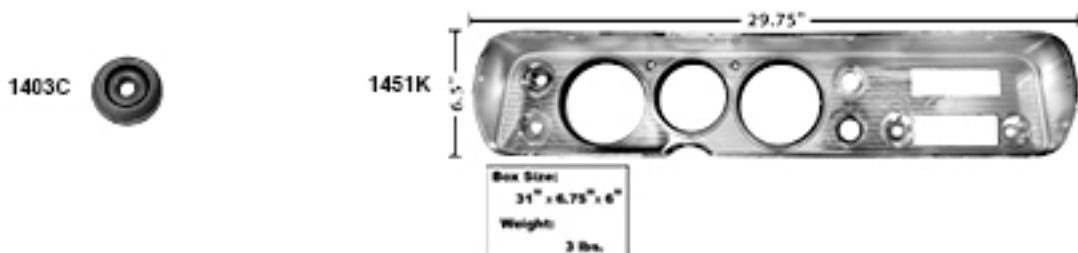


1418Z	1968-69	Cowl Grille Panel, EDP Coating
1471C	1970-72	Cowl Grille Panel, EDP Coating

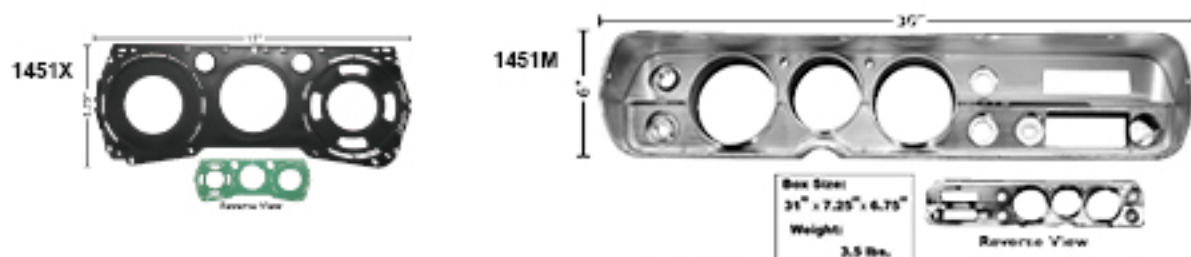


1470X	1970-72	Hood Cowl Grille
1419	1970-72	Lower Cowl Panel, EDP Coating
1419EWT	1968-72	Cowl Outer Panel RH, Weld-Through Primer
1419FWT	1968-72	Cowl Outer Panel LH, Weld-Through Primer

1964-65



See pg. CH88 for dash pads, & pgs. CH95-CH97 for radios and bezels.



Dash Panels & Components continued next page...

1451K	1964	Dash Carrier with A/C
1451M	1965	Dash Carrier with A/C
1451X	1964-65	Dash Gauge Plate
1403C	1964-72	Speedometer Cable Grommet

1966-67



M1359B



1400B



1400A

Box Size:
4.25" x 4.5" x 4.25"
Weight:
.5 lbs.



1403C



1403E



Reverse View

See pg. CH95-97 for radio components...



1400R



1400S

Box Size:
5.25" x 5.25" x 4.75"
Weight:
1 lbs.



1400T

Box Size:
5.25" x 5.25" x 4.75"
Weight:
1 lbs.

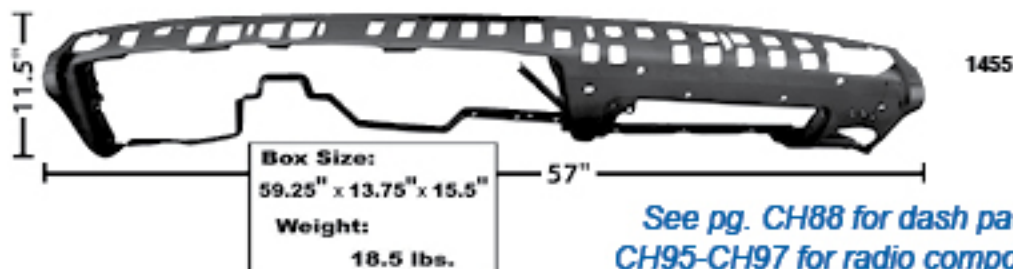


1400U

Box Size:
5.25" x 5.25" x 4.75"
Weight:
1 lbs.

M1359B	1966-67*	Instrument Bezel
1400A	1966-67	Console Mounted Clock
1400B	1966-67	Console Clock Acrylic Lens
1400R	1966	Tachometer, Chrome 5600 Red line
1400S	1966	Tachometer, Chrome 6200 Red line
1400T	1967	Tachometer, Black 5500 Red line
1400U	1967	Tachometer, Black 6000 Red line
1403E	1966-67	Speedometer Faceplate with Floor Shifter Indicator
1403C	1964-72	Speedometer Grommet

1968-69



See pg. CH88 for dash pads, pgs. CH95-CH97 for radio components...



1498D



1455	1968*	Steel Dash Panel, EDP Coating
1498D	1968-72*	Ignition Switch Bracket
3856472	1967-68*	A/C Vent Ball Chrome
K851	1966-69*	A/C Vent Bezel

1968-69

Dash Panels & Components

Muscle Car Parts & Molding • Muscle Car Parts & Molding • Muscle Car Parts & Molding



1451A



1451B



1451C



1452K



1452J

See pg. CH88 for dash pads, pgs. CH95-CH97 for radio components...



1498D



1451D



K851

3856472

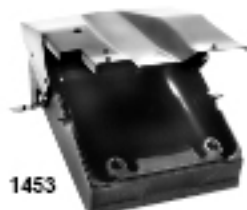
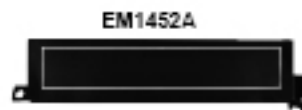
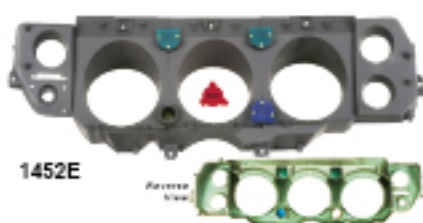
1498D	1968-72*	Ignition Switch Bracket
1451A	1969*	Dash Assembly w/o Astro-Ventilation w/o A/C Instrument Carrier
1451B	1969*	Dash Assembly with Astro-Ventilation w/o A/C Instrument Carrier
1451C	1969*	Dash Assembly w/A/C Instrument Carrier
1451D	1969*	Steering Column Cover
3856472	1966-69*	A/C Vent Ball Chrome
K851	1966-69*	A/C Vent Bezel
1452K	1968-72	A/C Center Vent, Black with trim
1452J	1969-72	A/C Center Vent, Chrome

Dash Panels & Components continued on next page...

1970-72



See pg. CH88 for dash pads, pgs. CH95-CH97 for radios...



1452	1970-72*	Dash Assembly, "SS" Only With 3 Vent Registers, Also fits Monte Carlo®	
1452D	1970	Instrument Housing Kit (Green Reverse), "SS", 3 pcs.	
1452E	1971-72	Instrument Housing Kit (Light Blue Reverse), "SS", 3 pcs.	
1452F	1970-72	Instrument Cluster Lens	
N1583	New	Console Auto Dial Assy., White w/sealing strips & lens	Coming Soon
EM1452	1970-72*	Dash Vent Block-Off Plate with "Chevrolet" logo (includes 2 screws)	
EM1452A	1970-72*	Dash Vent Block-Off Plate without logo (includes 2 screws)	
1452C	1970-72*	Dash Gauge Backing Plate	
1498D	1968-72*	Ignition Switch Bracket	
1451G	1970-72*	Steering Column Cover	
1454	1970-72*	Glove Box Door, Also fits Monte Carlo®	
1453	1970-72*	Dash Ash Tray, Also fits Monte Carlo®	
1452K	1968-72	A/C Center Vent, Black with trim	
1452J	1969-72	A/C Center Vent, Chrome	

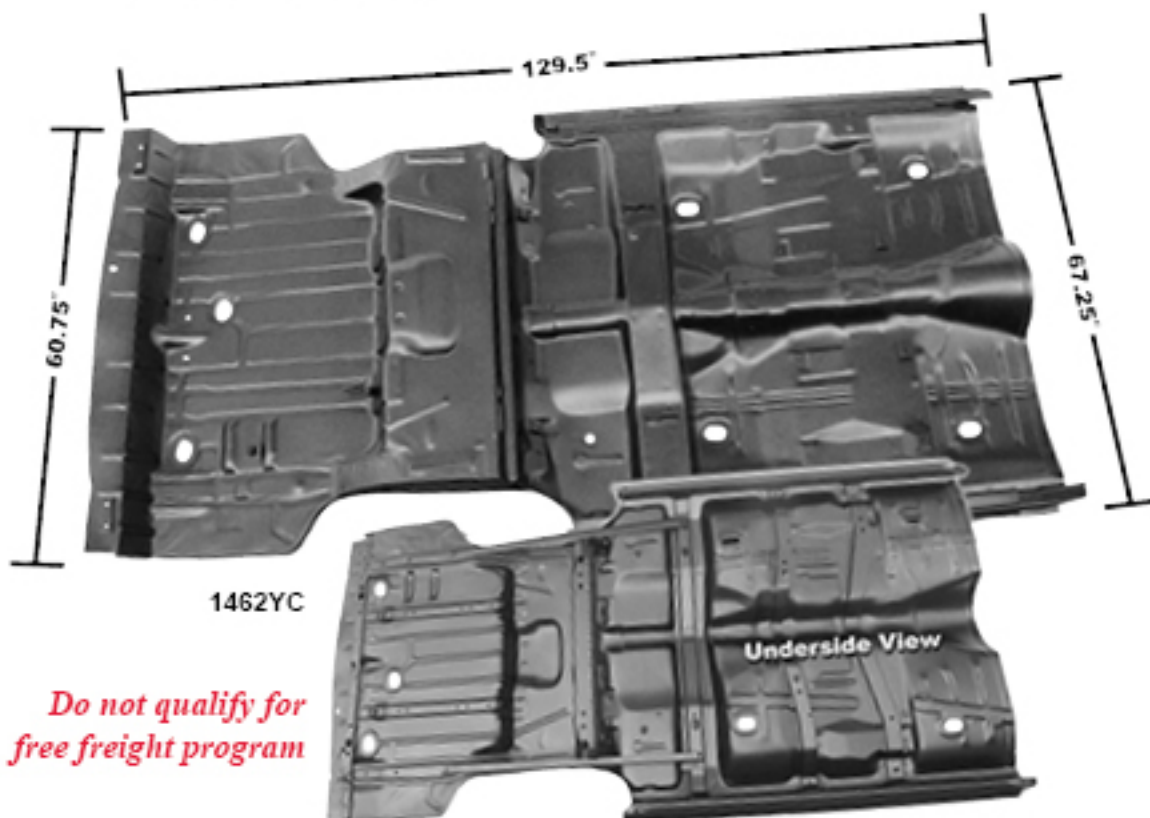
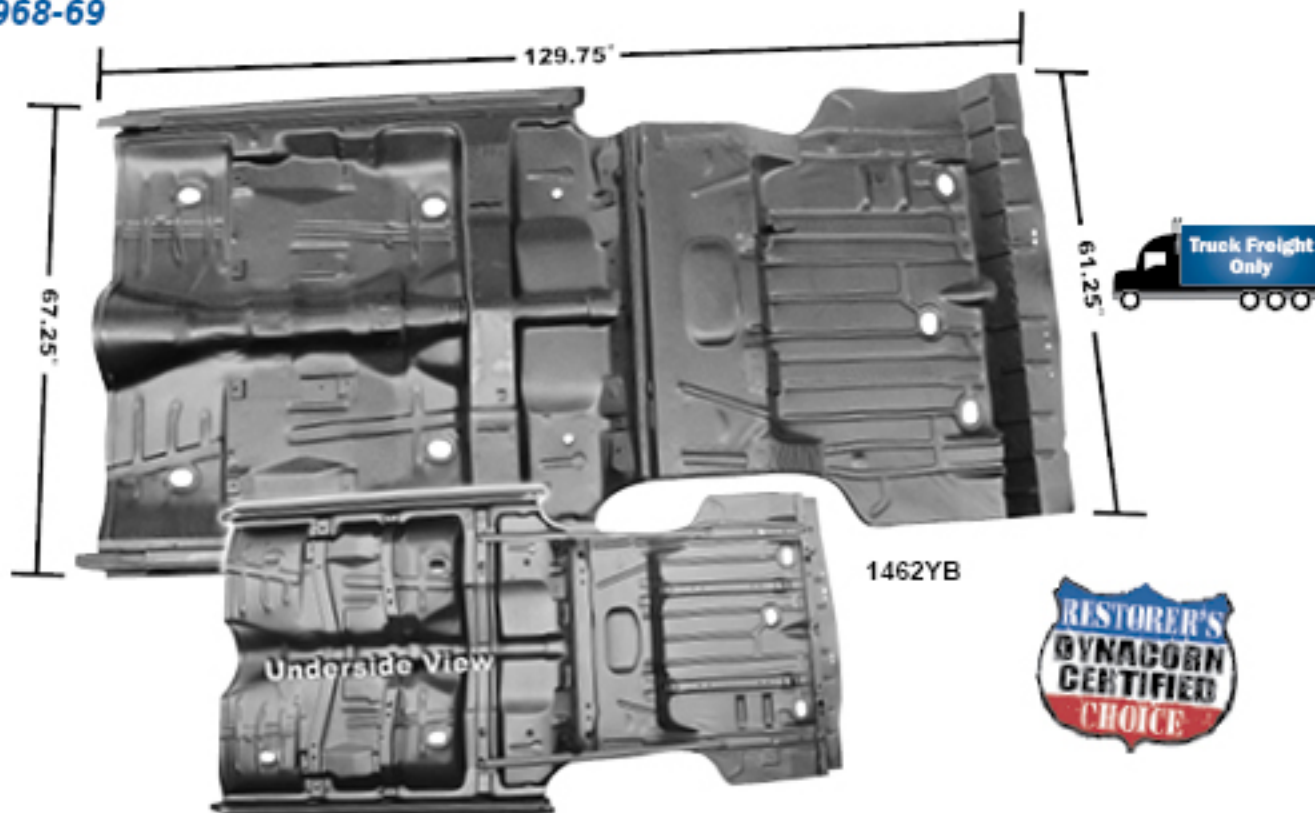
Muscle Car Parts & Molding • Muscle Car Parts & Molding • Muscle Car Parts & Molding



Floor Pans & Components
cont'd on next page...

1462WA	1964-67	"A" Body Complete Floor Pan Includes Front, Center & Rear Under Floor Pan Supports, Rear Seat Floor Pan.
1462WWT	1964-67	"A" Body Floor Pan and Rear Seat Floor Pan, Weld-Through Primer
1462J	1964-67*	Full Floor Pan RH
1462K	1964-67*	Full Floor Pan LH
1462WB	1964-67	Transmission Tunnel Plate, with console
1462WC	1964-67	Transmission Tunnel Plate, without console
1461Y	1964-69*	Under Floor Pan Support - Front
1461Z	1964-69*	Under Floor Pan Support - Center
1461ZA	1964-67*	Under Floor Pan Support - Rear
1047F	1964-72*	Galvanized Floor Plug
1402EWT	1964-72	Front Seat Mounting Rails, 4 pcs., Weld-Through Primer
1402G	1964-67	Front Seat Frame Brackets, 9 pcs.

1968-69



1462YB

1968

Complete Floor Pan W/Trunk Floor, R. Seat Pan, Braces & Rockers

1462YC

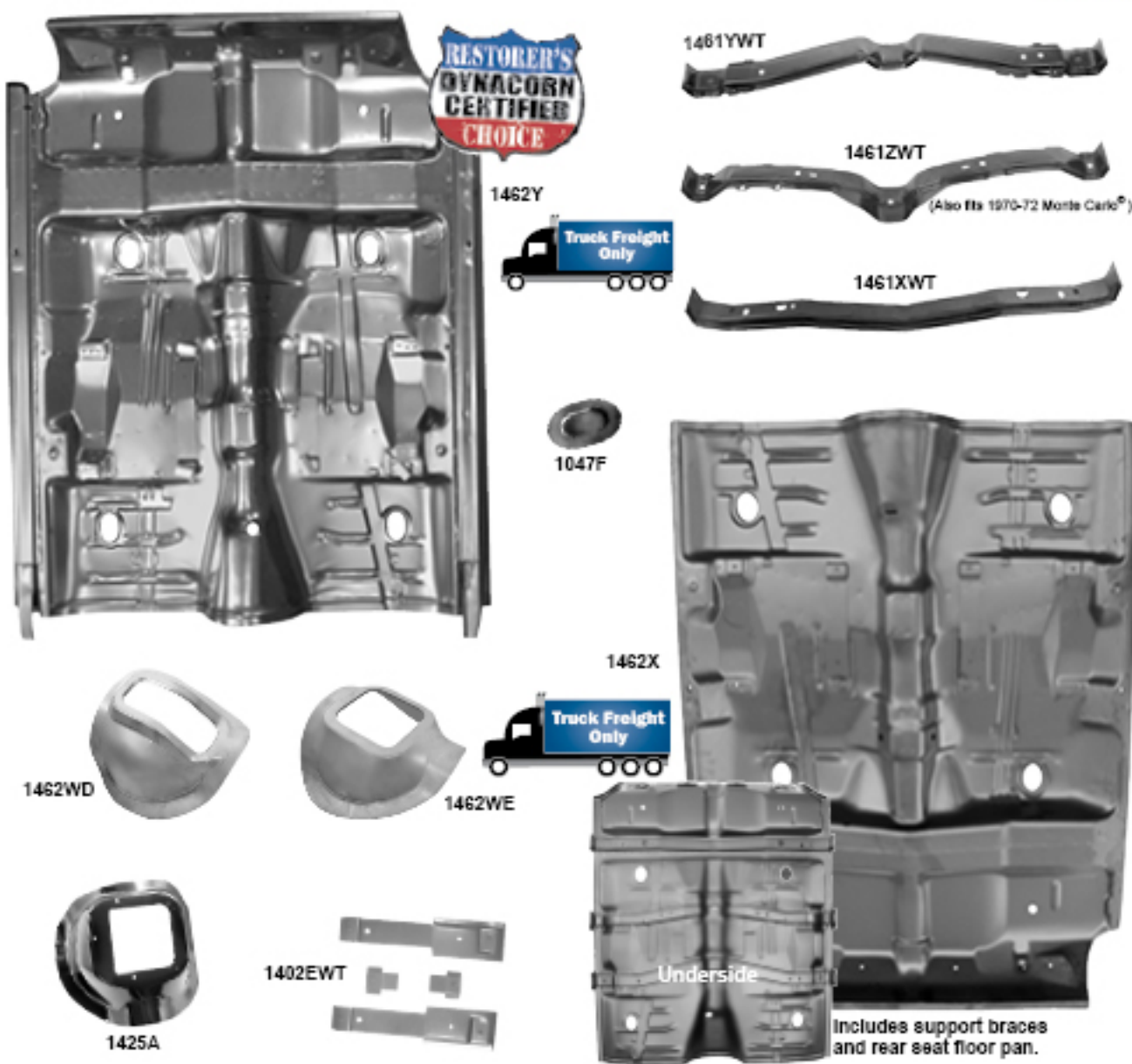
1969

Complete Floor Pan W/Trunk Floor, R. Seat Pan, Braces & Rockers

1968-69

Floor Pans & Components

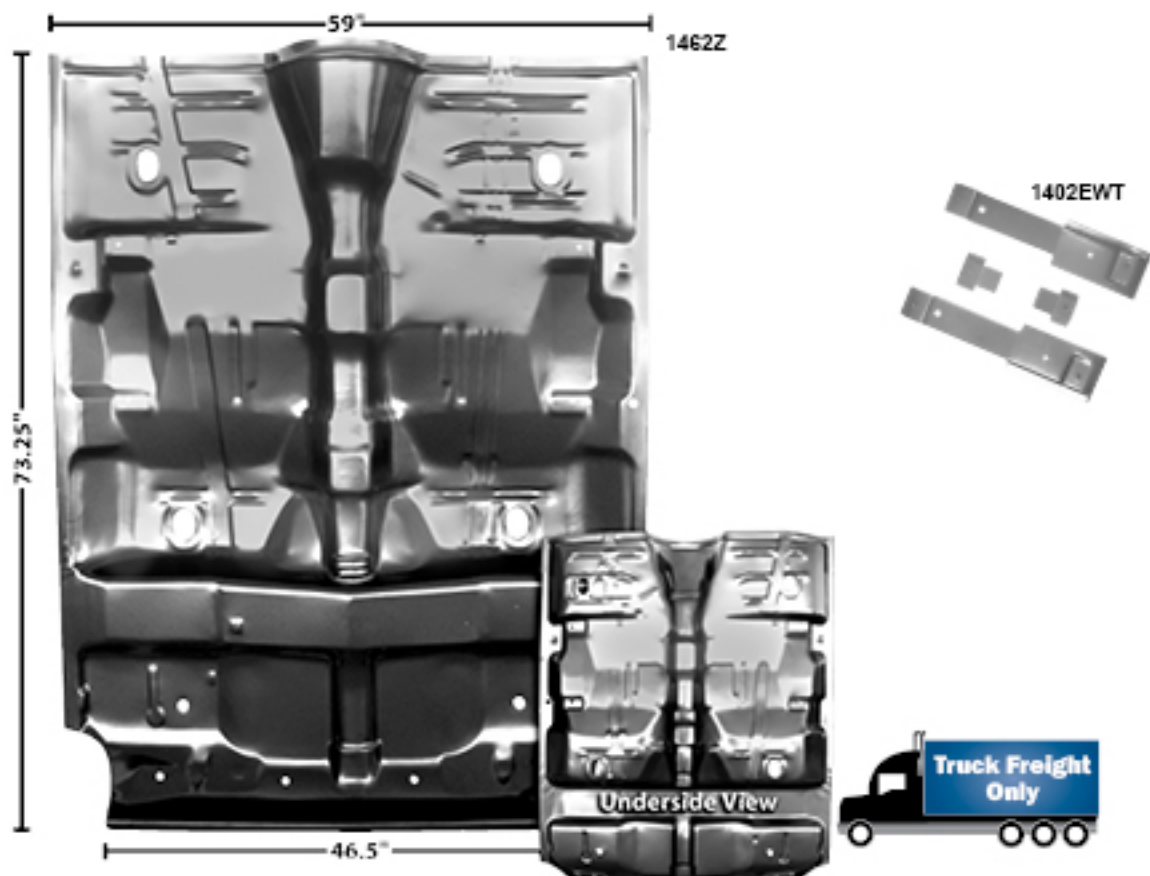
Muscle Car Parts & Molding • Muscle Car Parts & Molding • Muscle Car Parts & Molding



Floor Pans & Components continued on next page...

1462Y	1968-69	"A" Body Complete Floor Pan With Rocker Panels Includes Front, Center & Rear Under Floor Pan Supports, Rear Seat Floor Pan, and Rocker Panels
1462X	1968-69	"A" Body Complete Floor Pan (no rocker panels) Includes Front, Center & Rear Under Floor Pan Supports, and Rear Seat Floor Pan.
1462WD	1968-72	Transmission Tunnel Plate, with console
1462WE	1968-72	Transmission Tunnel Plate, without console
1425A	1968-72	Transmission Tunnel Plate, Std. shift
1461Y	1964-69*	Under Floor Pan Support - Front
1461Z	1964-69*	Under Floor Pan Support - Center
1461X	1968-72	Under Floor Pan Support - Rear
1047F	1964-72*	Galvanized Floor Plug
1402EWT	1964-72	Front Seat Mounting Rails, 4 pos., Weld-Through Primer

1968-72

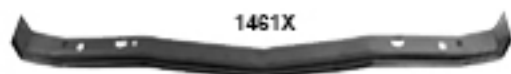


1461Y



1461Z

(Also fits 1970-72 Monte Carlo®)



1461X



1461YA



1461ZB

1968-72 components continued on next page...

1462Z	1968-72	Full Floor and Rear Seat Floor Pan
1461Y	1964-69*	Under Floor Pan Support - Front
1461Z	1964-69*	Under Floor Pan Support - Center
1461X	1968-72	Under Floor Pan Support - Rear
1461YA	1970-72	Under Floor Pan Support - Front
1461ZB	1970-72	Under Floor Pan Support - Center
1402EWT	1964-72	Front Seat Mounting Rails, 4 pcs., Weld-Through Primer

1968-72

Floor Pans & Components

Muscle Car Parts & Molding • Muscle Car Parts & Molding • Muscle Car Parts & Molding



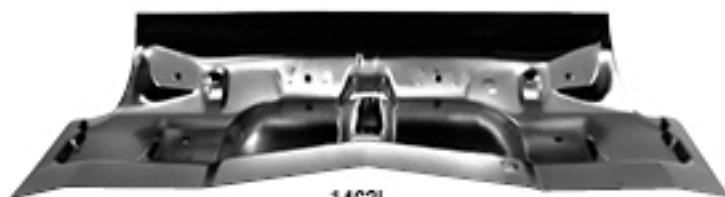
1047F



1462



Underside View



1462L



1488N



1462WD



1462WE



1425A



1402EWT

1462	1968-72	"A" Body Full Floor Pan (Also fits 1970-72 Monte Carlo®)
1462L	1968-72	Rear Seat Floor Pan
1462WD	1968-72	Transmission Tunnel Plate, with console
1462WE	1968-72	Transmission Tunnel Plate, without console
1425A	1968-72	Transmission Tunnel Plate, Std. shift
1488N	1968-72	Transmission Crossmember Mount
1047F	1964-72*	Galvanized Floor Plug
1402EWT	1964-72	Front Seat Mounting Rails, 4 pcs., Weld-Through Primer

1970-72



1462YA



1488N



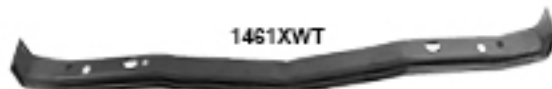
1461ZBWT



1461YA



1461XWT



1402EWT



Floor Pans & Components continued on next page...

1462YA	1970-72	"A" Body Complete Floor Pan With Rocker Panels Includes Front, Center & Rear Under Floor Pan Supports, Rear Seat Floor Pan, and rocker Panels
1488N	1968-72	Transmission Crossmember Mount
1461YA	1970-72	Under Floor Pan Support - Front
1461ZB	1970-72	Under Floor Pan Support - Center
1461X	1968-72	Under Floor Pan Support - Rear
1402EWT	1964-72	Front Seat Mounting Rails, 4 pcs., Weld-Through Primer

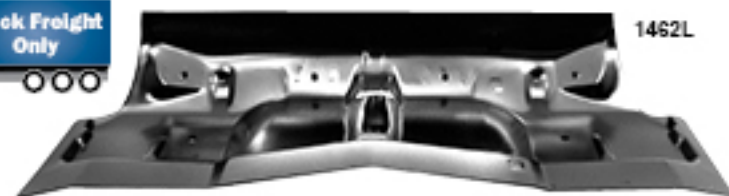
1970-72

Floor Pans & Components



1462XA

Back View



1462L



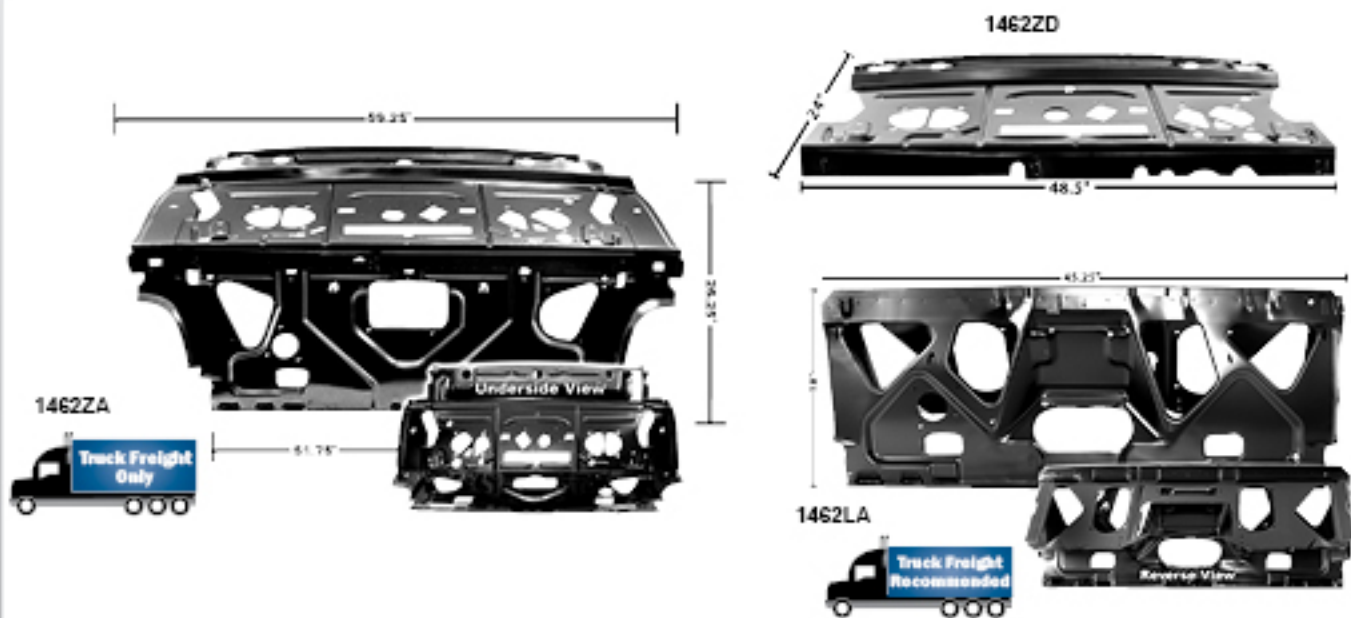
1047F



1402EWT

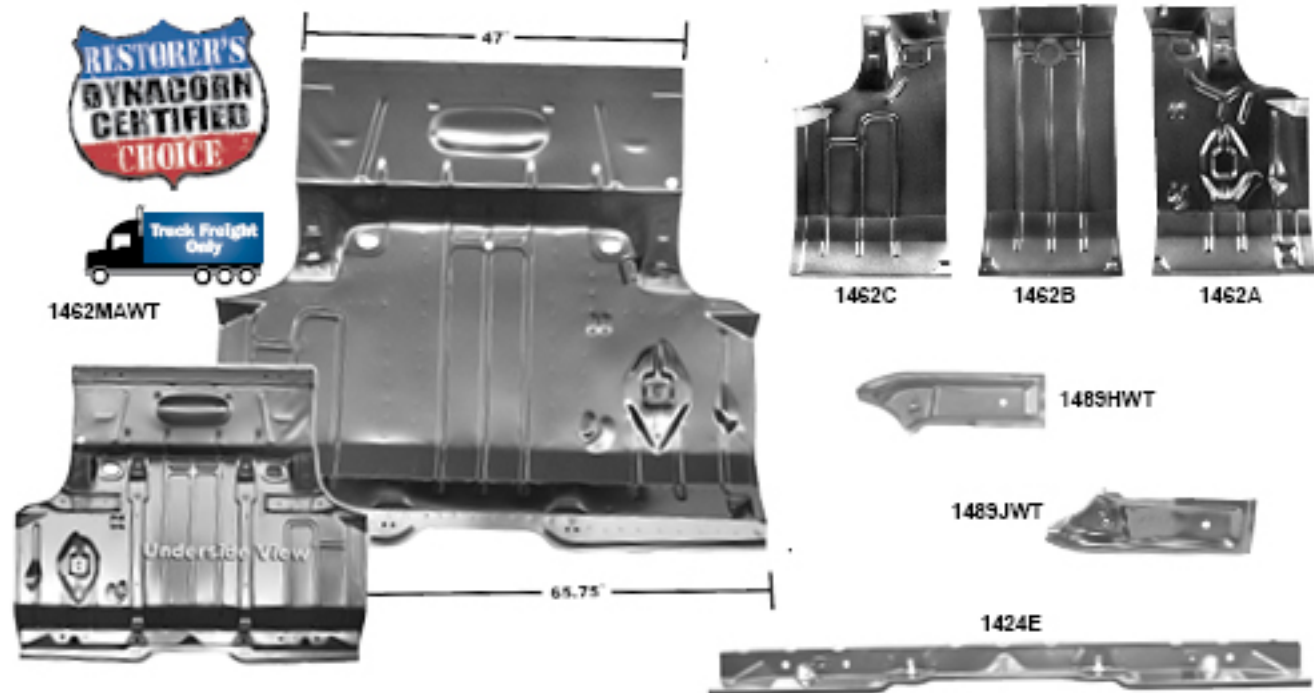
Muscle Car Parts & Molding • Muscle Car Parts & Molding • Muscle Car Parts & Molding

1462XA	1970-72	"A" Body Complete Floor Pan (no rocker panels) Includes Front, Center & Rear Under Floor Pan Supports, Rear Seat Floor Pan.
1462L	1968-72	Rear Seat Floor Pan
1047F	1964-72*	Galvanized Floor Plug
1402EWT	1964-72	Front Seat Mounting Rails, 4 pcs., Weld-Through Primer



1462ZA	1968-72	R. Seat Divider/Package Shelf (Meaty to fit 1971-72), EDP Coating
1462ZD	1968-72	Package Shelf Panel with Reinforcements, EDP Coating
1462LA	1970-72	Rear Seat Mount Panel, Convertible, EDP Coating

1964-65

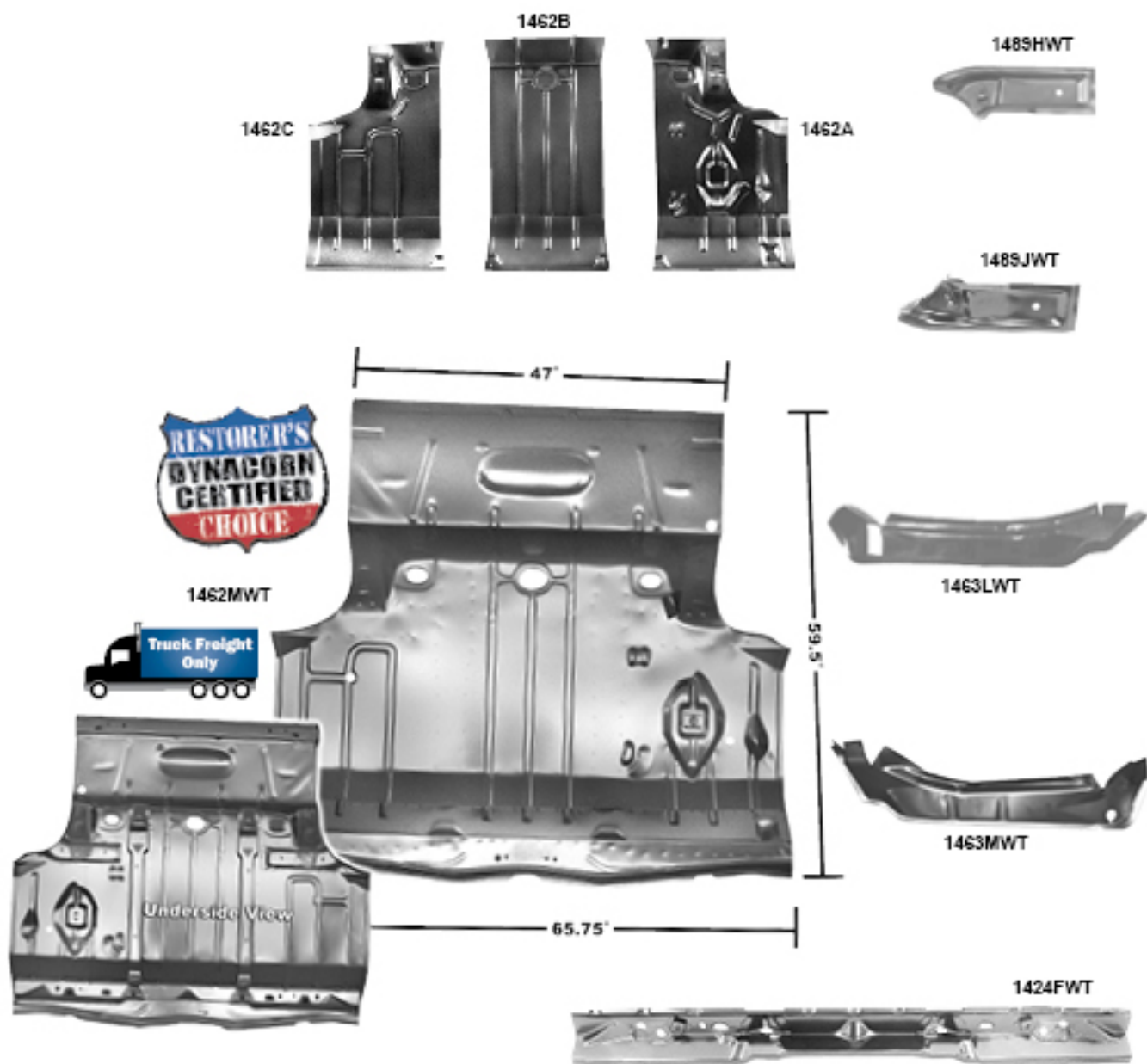


1462MAWT	1964-65	Complete Trunk Floor, W/Brace & Crossrail Weld-Through Primer
1462A	1964-67	Trunk Floor, RH
1462B	1964-67	Trunk Floor, Center
1462C	1964-67	Trunk Floor, LH
1489HWT	1964-67	Trunk Side Brace, Weld-Through Primer, RH
1489JWT	1964-67	Trunk Side Brace, Weld-Through Primer, LH
1424E	1964-65	Rear Crossrail

1966-67

Trunk Pans & Components

Muscle Car Parts & Molding • Muscle Car Parts & Molding • Muscle Car Parts & Molding



Trunk Pans & Components continued on next page...

1462MWT	1966-67	Complete Trunk Floor w/Brace & Crossrail, Weld-Through Primer
1462A	1964-67	Trunk Floor, RH
1462B	1964-67	Trunk Floor, Center
1462C	1964-67	Trunk Floor, LH
1489HWT	1964-67	Trunk Side Brace, Weld-Through Primer, RH
1489JWT	1964-67	Trunk Side Brace, Weld-Through Primer, LH
1463LWT	1966-67	Trunk Floor Drop Off, Weld-Through Primer, RH
1463MWT	1966-67	Trunk Floor Drop Off, Weld-Through Primer, LH
1424FWT	1966-67	Rear Crossrail, Weld-Through Primer

1968-69



1462N	1968	Complete Trunk Floor w/Brace & Crossrail
1463NWT	1968	Trunk Floor Drop Off, Weld-Through Primer, RH
1463PWT	1968	Trunk Floor Drop Off, Weld-Through Primer, LH
1462S	1969	Complete Trunk Floor w/Brace & Crossrail
1463RWT	1969	Trunk Floor Drop Off, Weld-Through Primer, RH
1463SWT	1969	Trunk Floor Drop Off, Weld-Through Primer, LH
1424J	1969	Rear Crossrail
1462D	1968-72	Trunk Floor, RH (Also fits 1970-72 Monte Carlo®)
1462E	1968-72	Trunk Floor, Center (Also fits 1970-72 Monte Carlo®)
1462F	1968-72	Trunk Floor, LH (Also fits 1970-72 Monte Carlo®)
1489F	1968-72	Trunk Floor Brace, RH
1489G	1968-72	Trunk Floor Brace, LH

1970-72

Trunk Pans & Components

Muscle Car Parts & Molding • Muscle Car Parts & Molding • Muscle Car Parts & Molding

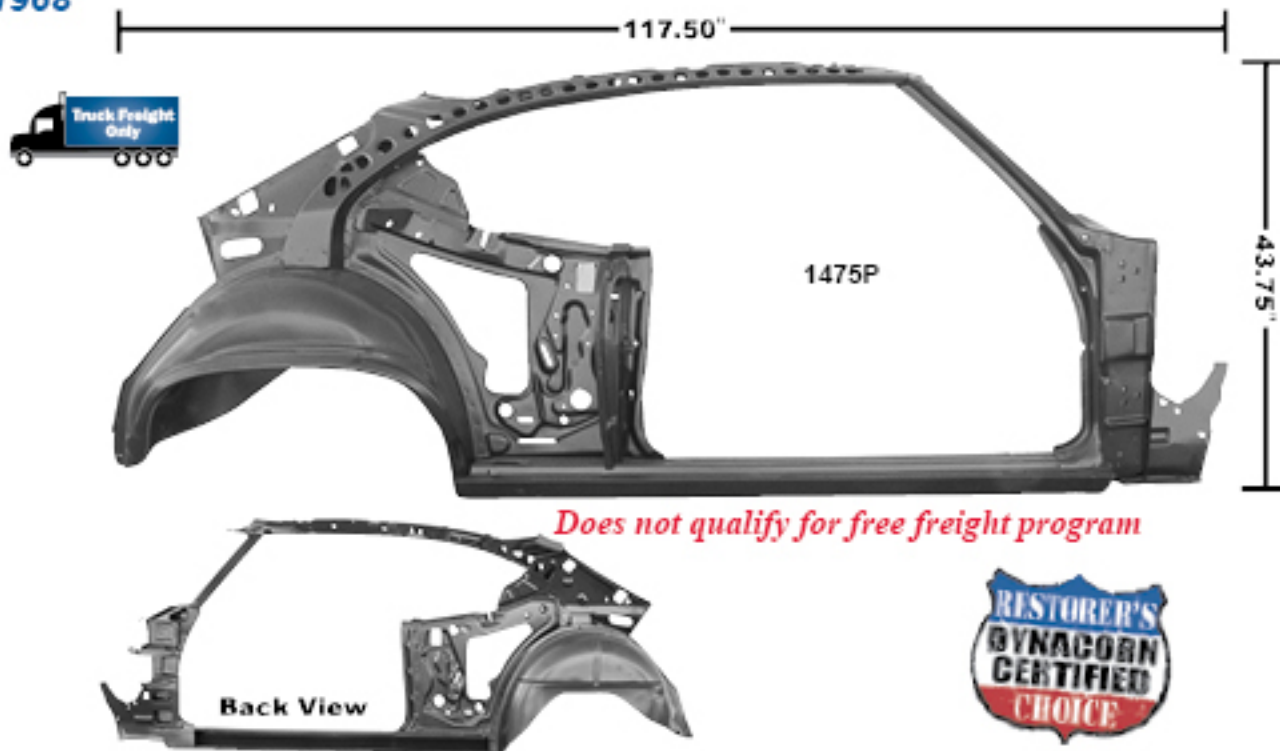


1462H	1970	Complete Trunk Floor
1462G	1971-72	Complete Trunk Floor
1462D	1968-72	Trunk Floor RH (Also fits 1970-72 Monte Carlo®)
1462E	1968-72	Trunk Floor Center (Also fits 1970-72 Monte Carlo®)
1462F	1968-72	Trunk Floor LH (Also fits 1970-72 Monte Carlo®)
1489F	1968-72	Trunk Floor Brace RH (Also fits 1970-72 Monte Carlo®)
1489G	1968-72	Trunk Floor Brace, LH (Also fits 1970-72 Monte Carlo®)
1489DA1	1968-72	Trunk Hinge Package Shelf Extensions, Coupe
1463T	1970-72	Trunk Floor Drop Off, EDP Coating, RH
1463U	1970-72	Trunk Floor Drop Off, EDP Coating, LH
1424K	1970-72	Rear Cross Rail

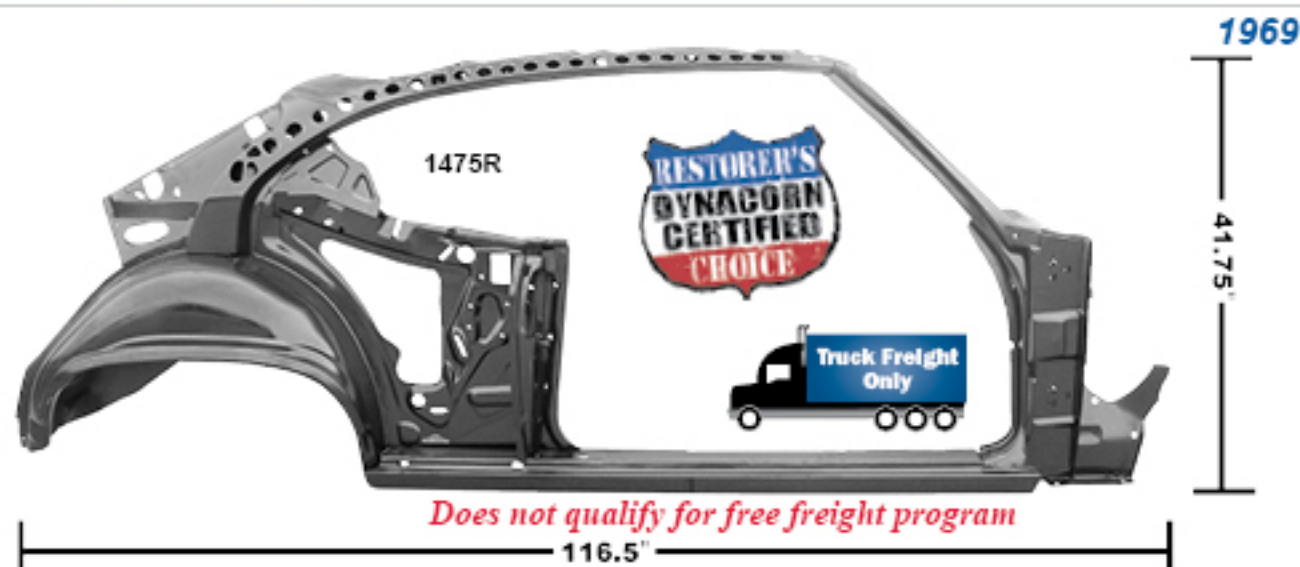


1489WWT	1964-67	Inner Rocker Panel, Weld-Through Primer, RH
1489XWT	1964-67	Inner Rocker Panel, Weld-Through Primer, LH
1489Y	1964-67	Outer Rocker Panel RH
1489Z	1964-67	Outer Rocker Panel LH
1489	1968-72	Rocker Panel, RH, 2 door
1489A	1968-72	Rocker Panel, LH, 2 door
1489S	1968-72	Inner Rocker Panel, RH, 2 door
1489T	1968-72	Inner Rocker Panel, LH, 2 door
1419L	1968-72	Rocker-to-Cowl Reinforcements

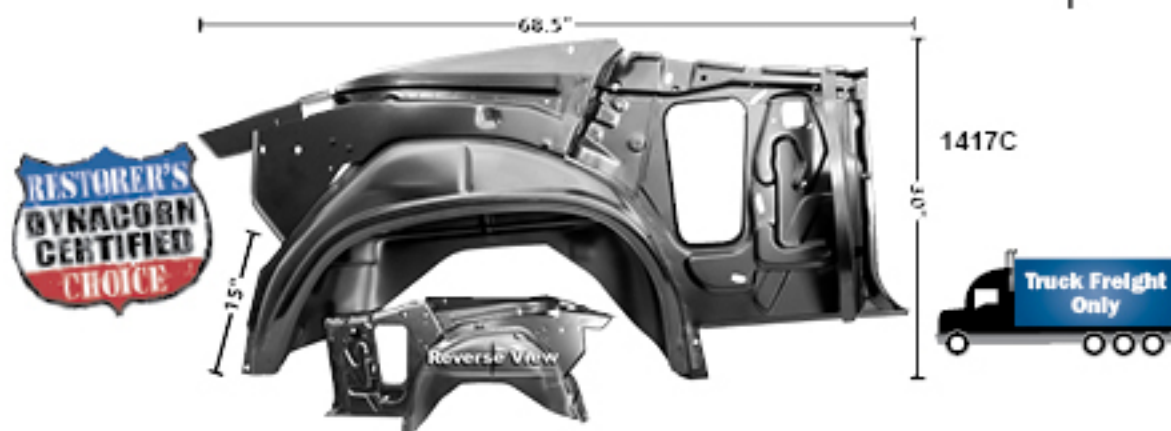
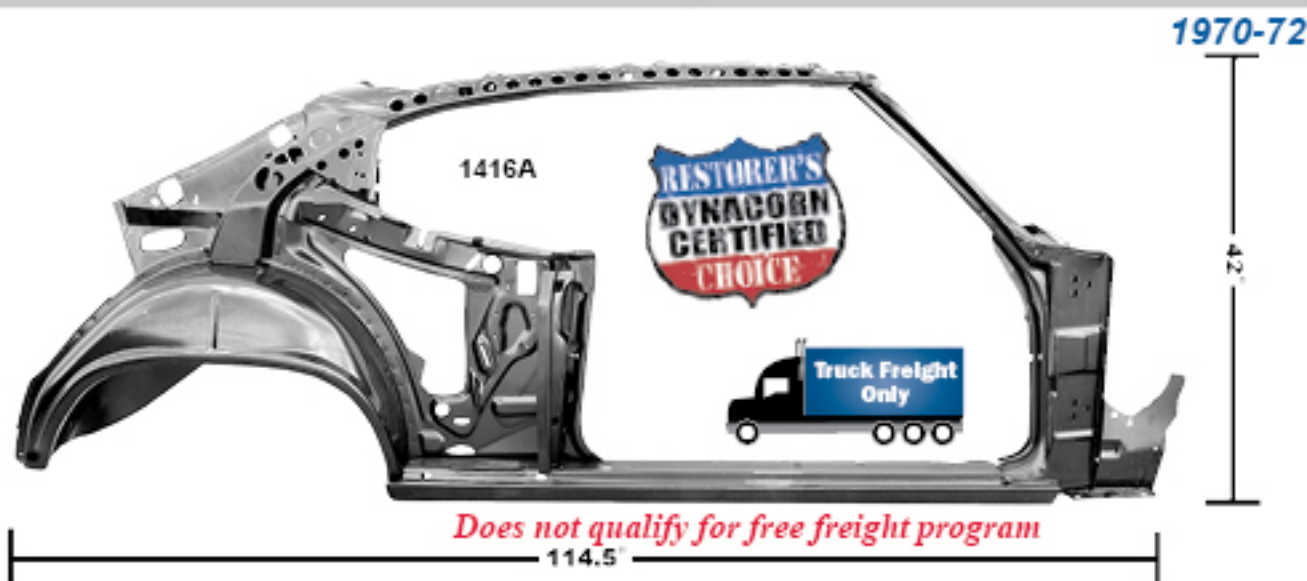
1968



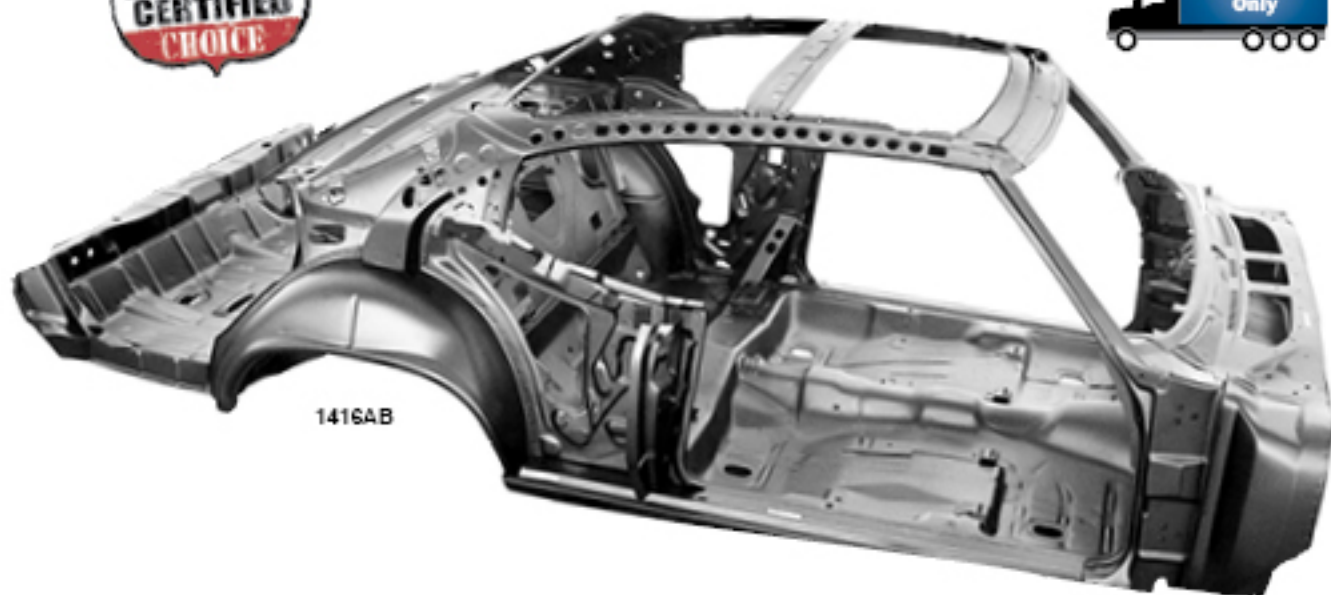
1475P	1968	Quarter/Door Frame Assembly RH
1475Q	1968	Quarter/Door Frame Assembly LH



1475R	1969	Quarter/Door Frame Assembly RH
1475S	1969	Quarter/Door Frame Assembly LH



1416A	1970	Quarter/Door Frame Assembly RH Coupe
1416B	1970	Quarter/Door Frame Assembly LH Coupe
1417C	1970-72	Quarter/Wheelhouse Assembly, RH Convertible
1417D	1970-72	Quarter/Wheelhouse Assembly, LH Convertible



1416AB

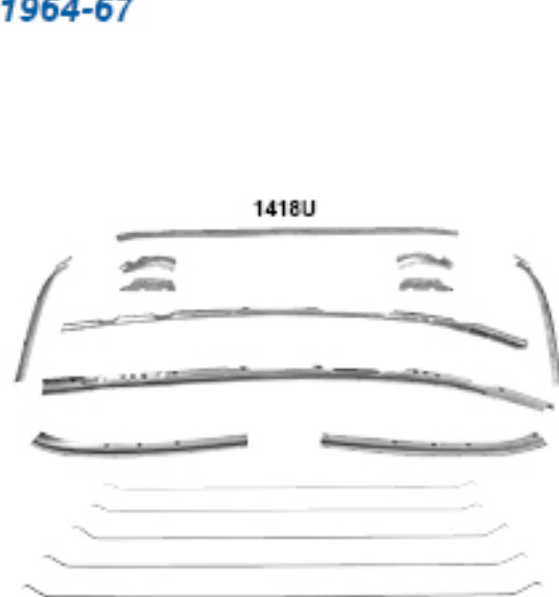
1417E	New	1968-72	Inner Door Frame, RH
1417F	New	1968-72	Inner Door Frame, LH
1416AB		1970	*A* Body Skeleton

Coming Soon!
Coming Soon!

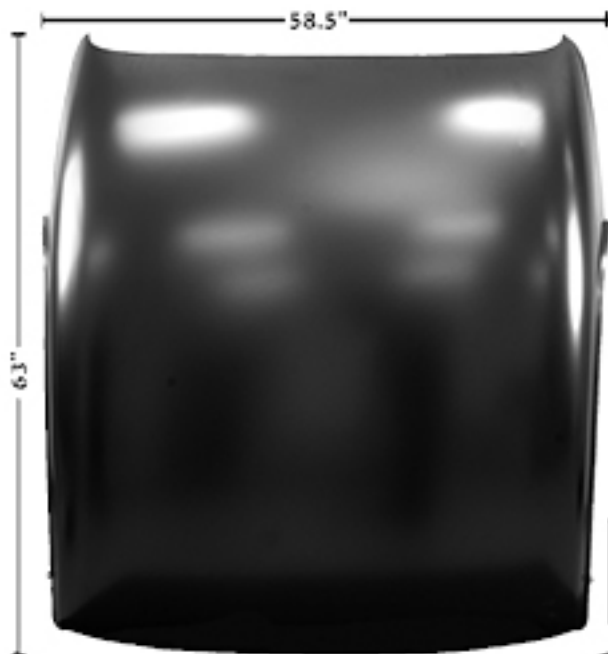
"A" Body Skeleton & Inner Door Frames

Roof Panel & Components

1964-67



1418U



1417X

Box Size:
66.5" x 59.5" x 3"
Weight:
47 lbs.

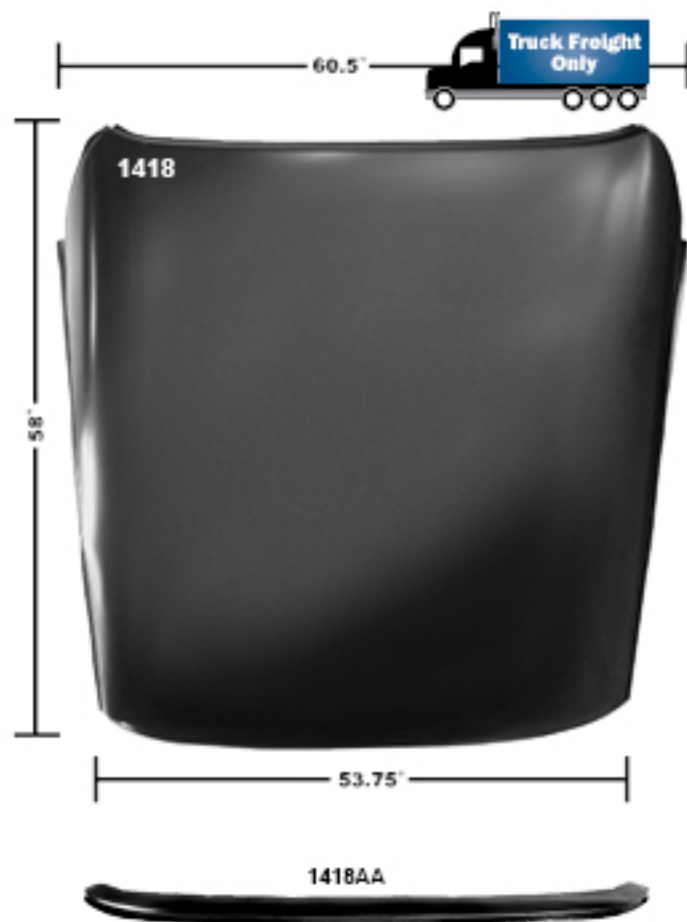


1418U	1964-65	Headliner Retainer Kit (for fabric or vinyl headliner), 16 pcs.
1417X	1966-67	Roof Panel Skin

Muscle Car Parts & Molding • Muscle Car Parts & Molding • Muscle Car Parts & Molding

1968-72

Roof Panels & Components

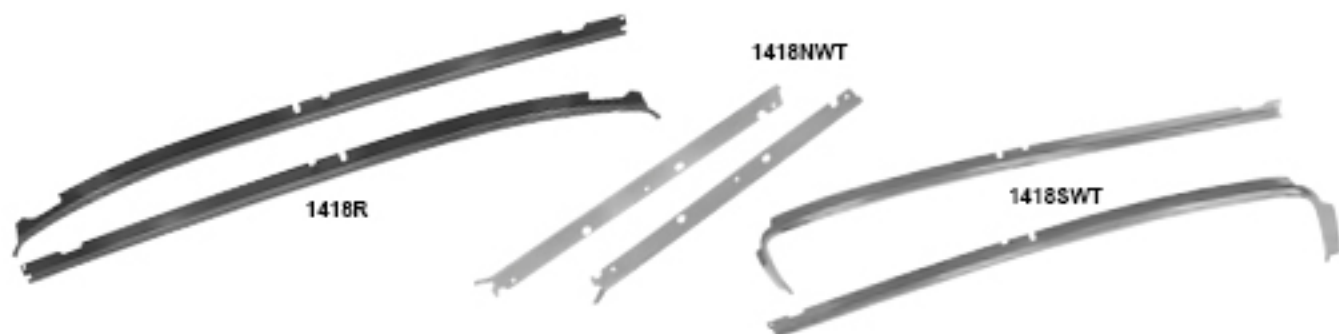


Muscle Car Parts & Molding • Muscle Car Parts & Molding • Muscle Car Parts & Molding

1418		1968-72	Roof Panel, Also fits 1968-72 GTO® & Cutlass™ (Excluding Supreme)
1418PWT		1968-72	Headliner Retainer Kit (for fabric or vinyl headliner), 16 pcs.
1418AA		1970-72	Windshield Frame Bridge, EDP Coating, Convertible
1418A		1970-72	Roof Panel Braces, 7 pcs., EDP Coating
1416W	New	1968-72	Quarter/Roof/B-Pillar Inner Assembly, RH
1416X	New	1968-72	Quarter/Roof/B-Pillar Inner Assembly, LH

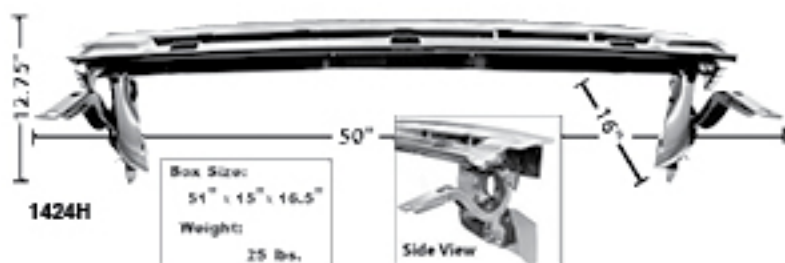
Coming Soon!

Coming Soon!



Roof Drip Rails

1418R		1968-69	Roof Drip Rails
1418NWT		1968-72	Roof Drip Rail Pillar Supports, Weld-Through Primer
1418SWT		1970-72	Roof Drip Rails, Weld Through Primer



1417Y	1970-72	Convertible Top Frame Assembly, Fits 68-72 'A' Body
1538	1968-72	Convertible Top Latch Assembly
1003	1967-72	Convertible Top Hook & Knuckle Latches
1000B	1968-72	Convertible Top Pivot Bolt Set, 16 pcs.
1424H	1970-72	Convertible Top Torsion Bar Chassis

1964-65



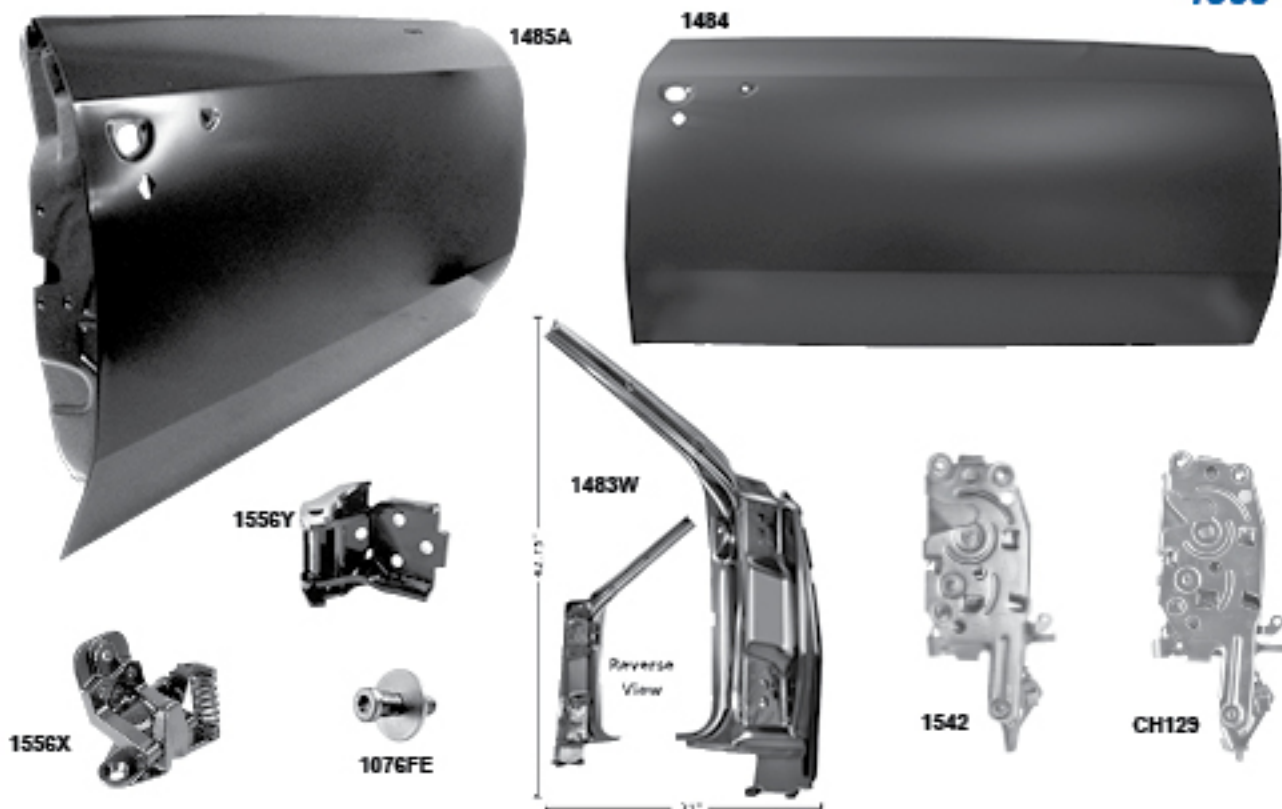
*Window Motors
on pg. CH99*

1487A	1964-65*	Door Skin RH
1487B	1964-65*	Door Skin LH
1542	1964-66*	Door Latch RH
1543	1964-66*	Door Latch LH
1076FE	1964-72*	Door Lock Striker

1966-67

Doors & Hardware

Muscle Car Parts & Molding • Muscle Car Parts & Molding • Muscle Car Parts & Molding



1485A	1966-67	Door Shell RH
1485B	1966-67	Door Shell LH
1484	1966-67*	Door Skin, RH
1485	1966-67*	Door Skin, LH
1483W	1966	Door Hinge Pillar Assembly, RH
1483X	1966	Door Hinge Pillar Assembly, LH
1556W	1966-67*	Door Hinge, Lower RH
1556X	1966-67*	Door Hinge, Lower LH
1556Y	1966-67*	Door Hinge, Upper RH
1556Z	1966-67*	Door Hinge, Upper LH
1542	1964-66*	Door Latch RH
1543	1964-66*	Door Latch LH
CH130	1967*	Door Latch RH
CH129	1967*	Door Latch LH
1076FE	1964-72*	Door Lock Striker



1547R

Window Motors on
pg. CH99



1547L

Doors & Hardware continued on next page...

1547R	1966-67*	Manual Regulator RH
1547L	1966-67*	Manual Regulator LH

1968



Box Size:
52" x 29" x 9.25"
Weight:
52 lbs.



1556T



1556U



CH132



1076FE



1485Y

1485C	1968	Door Shell RH
1485D	1968	Door Shell LH
1487C	1968	Door Skin RH
1487D	1968	Door Skin LH
1556S	1968-72*	Door Hinge, Lower RH
1556T	1968-72*	Door Hinge, Lower LH
1556U	1968-72*	Door Hinge, Upper, Fits both sides
CH132	1968*	Door Latch RH
CH131	1968*	Door Latch LH
1076FE	1964-72*	Door Lock Striker
1485Y	1968-72	Door Window Guide Plates



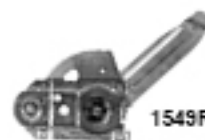
1548R



1548L



1549L



1549R

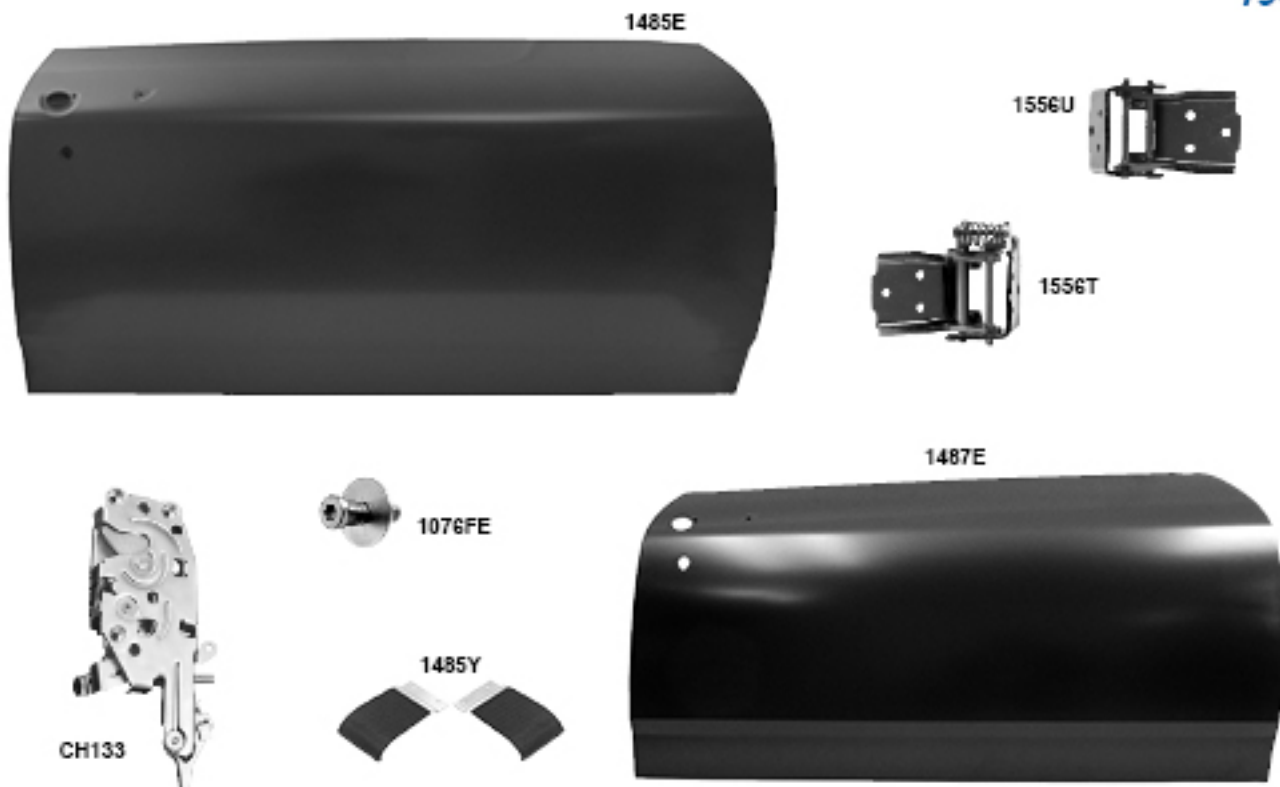
*Window Motors on
 pg. CH99*

1548R	1968*	Manual Regulator RH
1548L	1968*	Manual Regulator LH
1549R	1968	Manual 1/4 Regulator RH
1549L	1968	Manual 1/4 Regulator LH

1969

Doors & Hardware

Muscle Car Parts & Molding • Muscle Car Parts & Molding • Muscle Car Parts & Molding



1485E	1969	Door Shell RH
1485F	1969	Door Shell LH
1487E	1969	Door Skin RH
1487F	1969	Door Skin LH
1556S	1968-72*	Door Hinge, Lower RH
1556T	1968-72*	Door Hinge, Lower LH
1556U	1968-72*	Door Hinge, Upper, Fits both sides
CH134	1969*	Door Latch RH
CH133	1969*	Door Latch LH
1076FE	1964-72*	Door Lock Striker
1485Y	1968-72	Door Window Guide Plates



1463A

Window Motors on
pg.CH99



1463

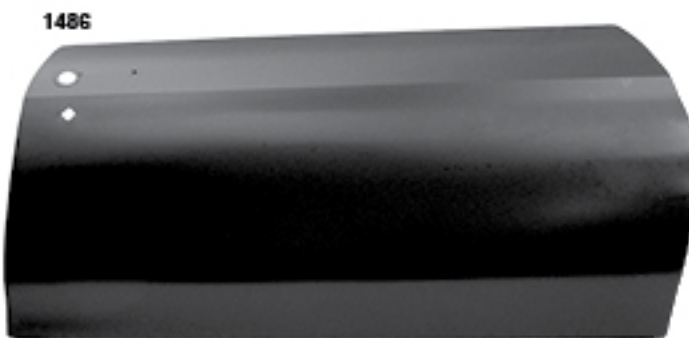
Doors & Hardware continued on next page...

1463	1969	Manual Regulator RH
1463A	1969	Manual Regulator LH

1970-72



Box Size:
53.25" x 9" x 29"
Weight:
75 lbs.



1556T



1556U



CH127



1076FE



1485Y



1485N



1485P



1485Q

1485L	1970-72	Door Shell RH
1485M	1970-72	Door Shell LH
1486	1970-72	Door Skin, RH
1487	1970-72	Door Skin, LH
1556S	1968-72*	Door Hinge, Lower RH
1556T	1968-72*	Door Hinge, Lower LH
1556U	1968-72*	Door Hinge, Upper, Fits both sides
CH128	1970-72*	Door Latch RH
CH127	1970-72*	Door Latch LH
1076FE	1964-72*	Door Lock Striker
1485N	1970-72	Front Door Glass Channel Support
1485P	1970-72	Door Glass Stopper
1485Q	1970-72	Door Window Guide Stabilizers
1485Y	1968-72	Door Window Guide Plates



1463E



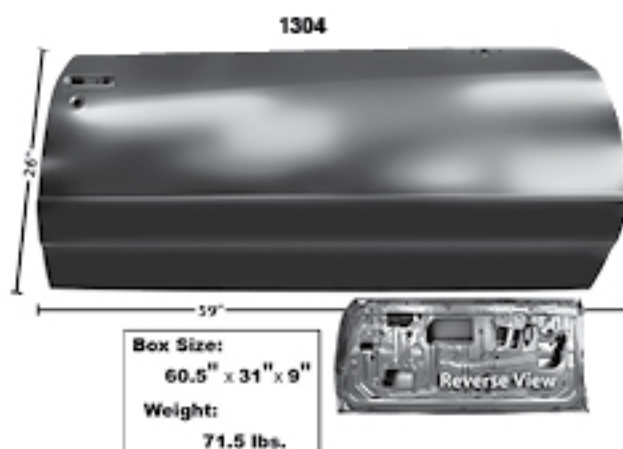
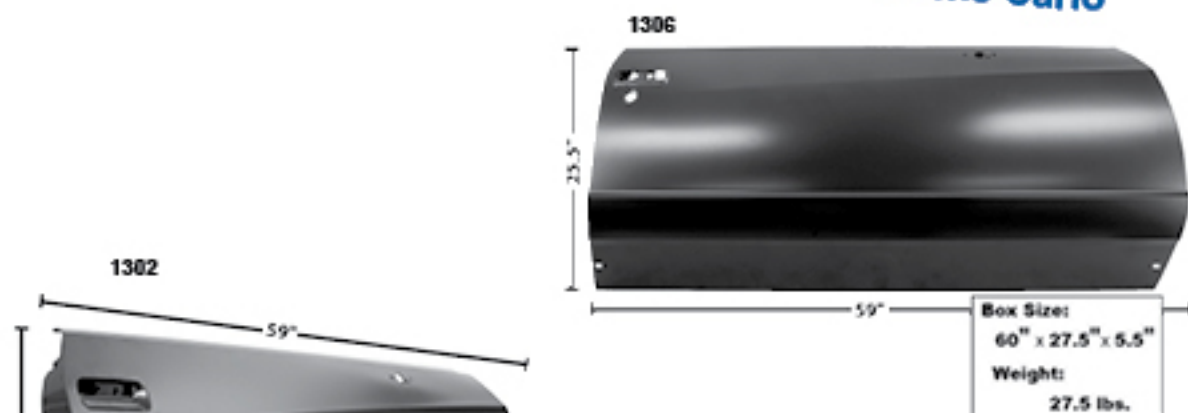
1463D

Window Motors on pg. CH99

1463D	1970-72	Manual Regulator RH
1463E	1970-72	Manual Regulator LH

1981-88

Monte Carlo

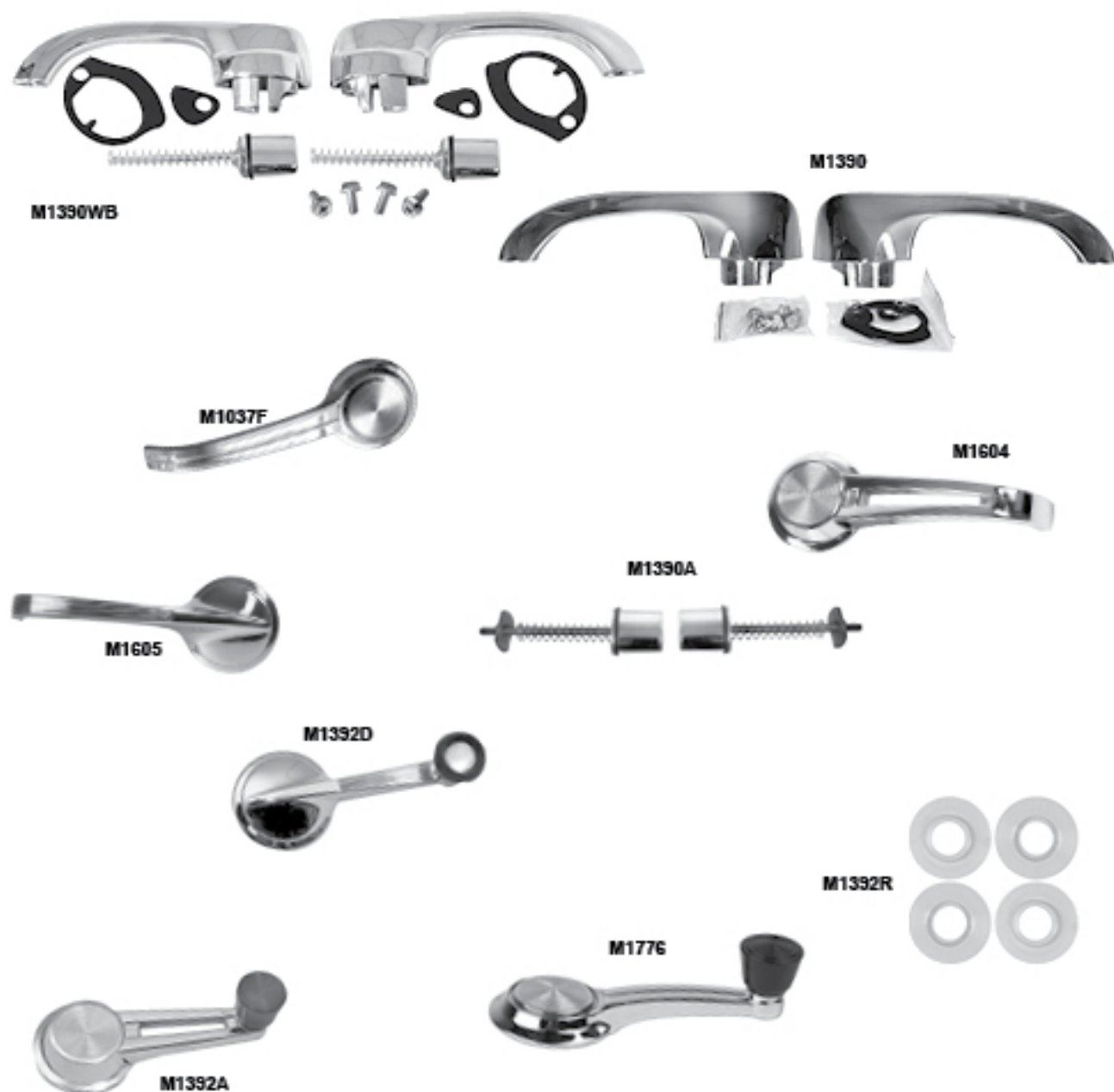


Muscle Car Parts & Molding • Muscle Car Parts & Molding • Muscle Car Parts & Molding

1302	1981-85	Door Shell RH Monte Carlo™
1303	1981-85	Door Shell LH Monte Carlo™
1306	1981-85	Door Skin RH Monte Carlo™
1307	1981-85	Door Skin LH Monte Carlo™
1304	1986-88	Door Shell RH Monte Carlo™
1305	1986-88	Door Shell LH Monte Carlo™
1308	1986-88	Door Skin RH Monte Carlo™
1309	1986-88	Door Skin LH Monte Carlo™



1964-67



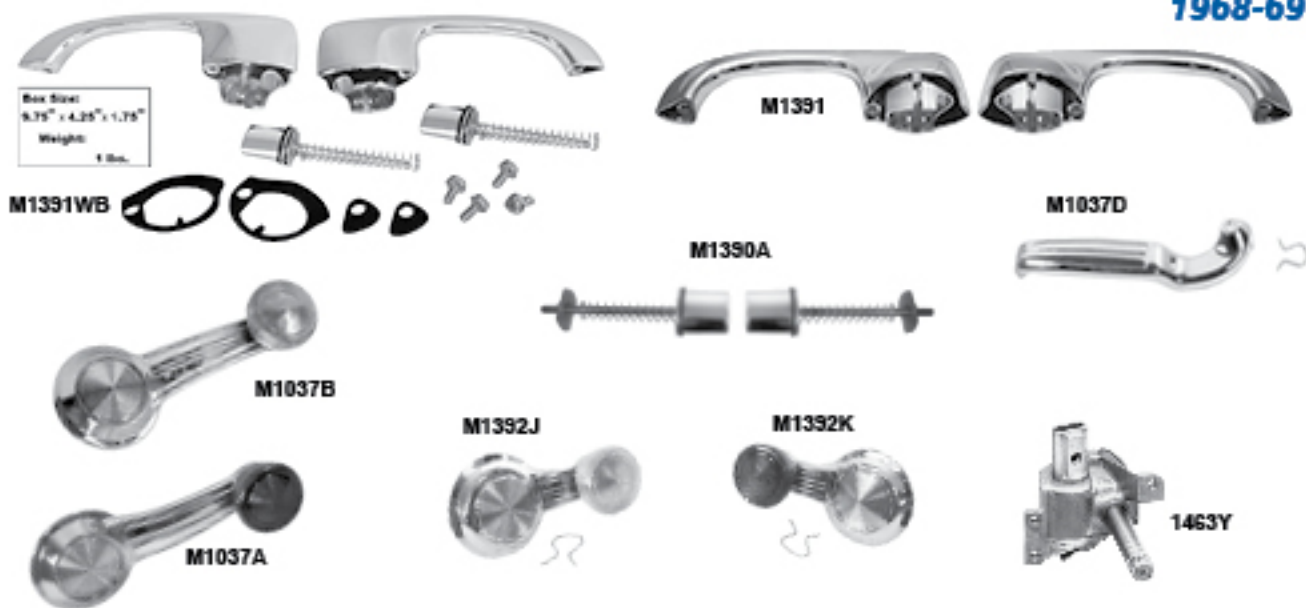
M1390WB	1964-67	Exterior Door Handle Kit with Buttons
M1390	1964-67*	Exterior Door Handles w/o Button Kit
M1390A	1964-72*	Push Button Kit for Exterior Door Handles
M1605	1964*	Interior Door Handle, Single Arm
M1604	1964*	Interior Door Handle, Double Arm
M1037F	1965-67*	Interior Door Handle, Standard
M1392A	1964*	Double Arm Window Crank, Black Knob (Malibu & SS)
M1392D	1964*	Window Crank, Black Knob w/Chrome Button
M1776	1965*	Window Crank, Black Knob
M1392R	1964-72*	Window Crank Gasket

1966-67



M1037F	1965-67*	Interior Door Handle, Standard
M1382	1966*	Window Crank, Chrome Knob (Also 1966-67 El Camino)
M1382A	1967*	Window Crank, Black Knob
M1392R	1964-72*	Window Crank Gaskets, 4 pcs.
M1392I	1966-67*	Vent Window Handles

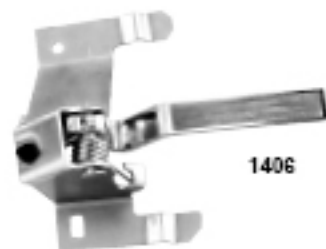
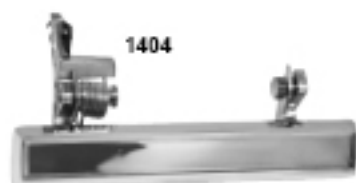
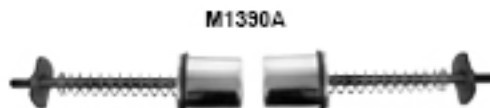
1968-69



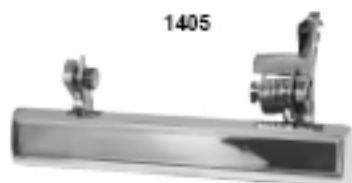
M1391WB	1968-69	Exterior Door Handle Kit with Buttons
M1391	1968-69*	Exterior Door Handles w/o Button Kit (Also fits 1968-72 El Camino)
M1390A	1964-72*	Push Button Kit for Exterior Door Handles
M1037D	1968-72*	Interior Door Handle, Standard RH
M1037E	1968-72*	Interior Door Handle, Standard LH
M1037A	1969-72*	Window Crank, Black Knob
M1037B	1969-72*	Window Crank, Clear Knob
M1392R	1964-72*	Window Crank Gaskets, 4 pcs.
M1392J	1968-72*	Vent Window Crank, Clear Knob
M1392K	1968-72*	Vent Window Crank, Black Knob
1463Y	1968	Vent Window Actuator, RH (Also 1968-72 El Camino)
1463Z	1968	Vent Window Actuator, LH (Also 1968-72 El Camino)

1970-72

Box Size:
9.75" x 4.25" x 1.75"
Weight:
1 lbs.



Monte Carlo



Also fit El Camino®

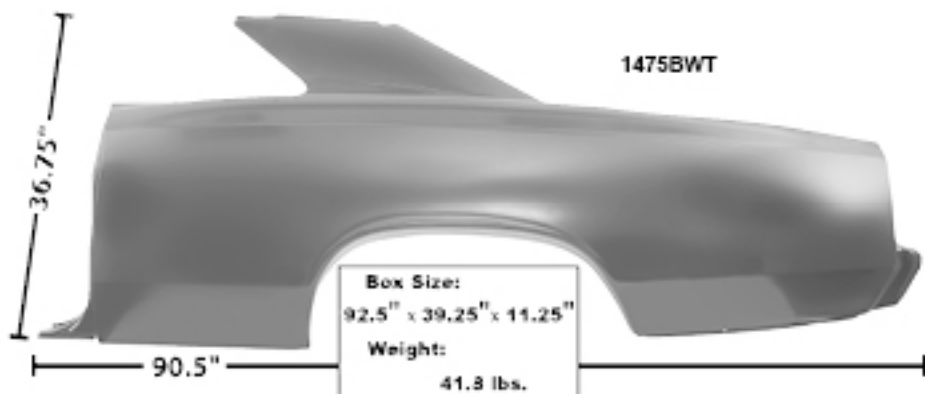
M1392WB	1970-72	Exterior Door Handle Kit with Buttons
M1392	1970-72	Exterior Door Handles w/o Button, pair
M1390A	1964-72*	Push Button Kit for Exterior Door Handles
M1037D	1968-72*	Interior Door Handle, Standard RH
M1037E	1968-72*	Interior Door Handle, Standard LH
1404	1978-87	Exterior Door Handle, RH Monte Carlo™
1405	1978-87	Exterior Door Handle, LH Monte Carlo™
1406	1978-87	Interior Door Handle, RH Monte Carlo™
1407	1978-87	Interior Door Handle, LH Monte Carlo™

1966-68

Door Accessories

Quarter Panels

Muscle Car Parts & Molding • Muscle Car Parts & Molding • Muscle Car Parts & Molding • Muscle Car Parts & Molding



Chevelle

1473C



1475N



*Quarter Panels
continued on next page...*

1475AWT	1966-67	Full Coupe Quarter Panel RH w/Sail, Weld-Through Primer
1475BWT	1966-67	Full Coupe Quarter Panel LH w/Sail, Weld-Through Primer
1473C	1966-67	Full Coupe Quarter Skin RH
1473D	1966-67	Full Coupe Quarter Skin LH
1475M	1968	Full Quarter Panel RH w/Sail
1475N	1968	Full Quarter Panel LH w/Sail

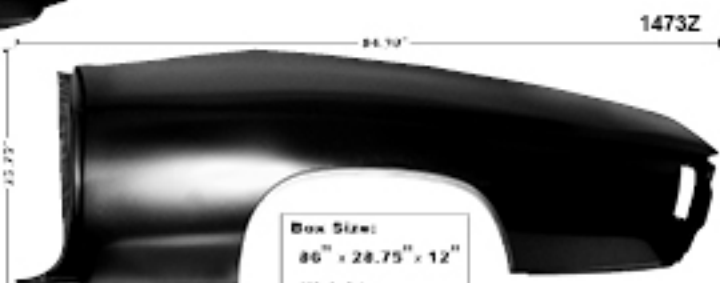
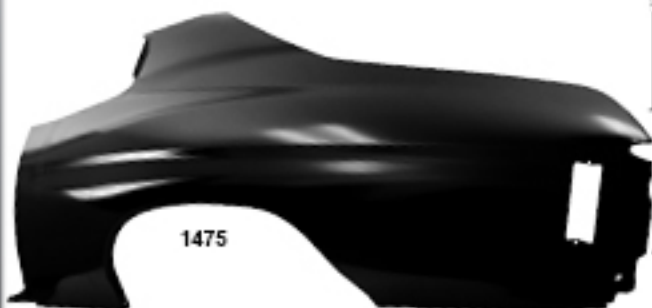
Quarter Panels

1969-72

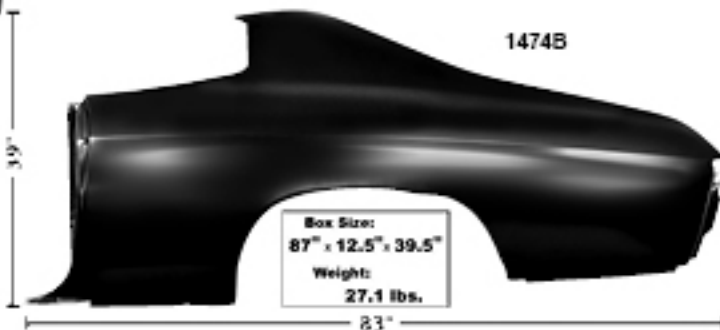


Chevelle

New Tooling!
 Thicker Material!



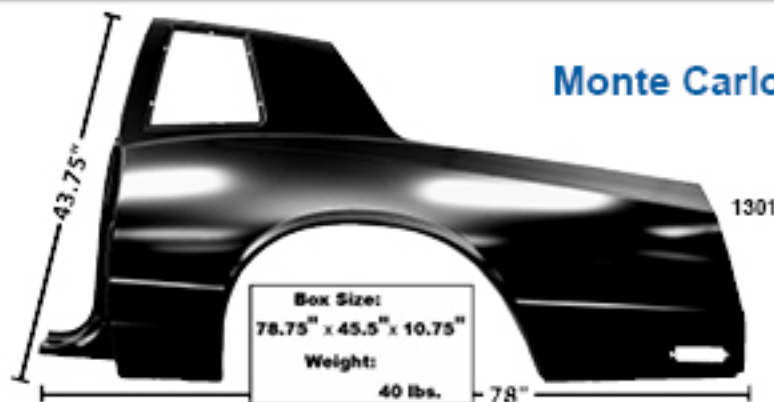
Box Size:
 86" x 28.75" x 12"
 Weight:
 35 lbs.



Box Size:
 87" x 12.5" x 39.5"
 Weight:
 27.1 lbs.

1475J	1969	Full Quarter Panel RH w/Sail
1475K	1969	Full Quarter Panel LH w/Sail
1473Y	1970-72	Full Convertible Quarter Panel, RH
1473Z	1970-72	Full Convertible Quarter Panel, LH
1474	1970-72	Full Coupe 1 Piece Quarter Panel with Sail, RH
1475	1970-72	Full Coupe 1 Piece Quarter Panel with Sail, LH
1474A	1970-72	Quarter Panel without Lamp Holes, RH
1474B	1970-72	Quarter Panel without Lamp Holes, LH

1981-88

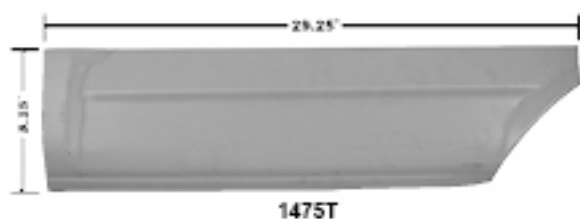


Monte Carlo

Box Size:
 78.75" x 45.5" x 10.75"
 Weight:
 40 lbs.

1300	1981-88	Quarter Panel, RH Monte Carlo™
1301	1981-88	Quarter Panel, LH Monte Carlo™

Muscle Car Parts & Molding • Muscle Car Parts & Molding • Muscle Car Parts & Molding



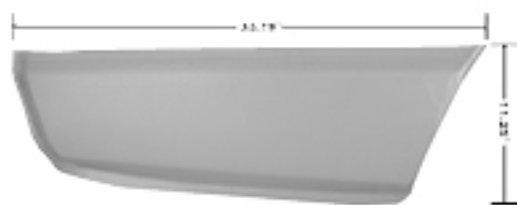
1475T



1473A

1964-65

1475T	1964-65	Quarter Patch Panel, Lower RH
1475U	1964-65	Quarter Patch Panel, Lower LH
1473A	1964-65	Quarter Lip Patch Panel, RH
1473B	1964-65	Quarter Lip Patch Panel, LH



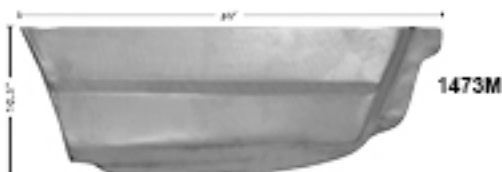
1475Y



1473E

1966-67

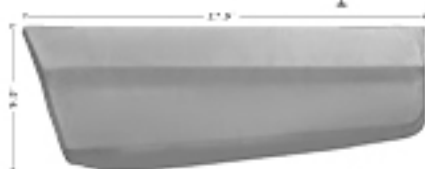
1475Y	1966-67	Quarter Patch Panel, Lower RH
1475Z	1966-67	Quarter Patch Panel, Lower LH
1473E	1966-67	Quarter Lip Patch Panel, RH
1473F	1966-67	Quarter Lip Patch Panel, LH



1473M



1473G



1473P



1473R



1473J

1968-72

1473L	1968	Quarter Patch Panel, Lower RH
1473M	1968	Quarter Patch Panel, Lower LH
1473N	1969	Quarter Patch Panel, Lower RH
1473P	1969	Quarter Patch Panel, Lower LH
1473G	1968-69	Quarter Lip Patch Panel, RH
1473H	1968-69	Quarter Lip Patch Panel, LH
1473Q	1970-72	Quarter Patch Panel, Lower RH
1473R	1970-72	Quarter Patch Panel, Lower LH
1473J	1970-72	Quarter Lip Patch Panel, RH
1473K	1970-72	Quarter Lip Patch Panel, LH

1964-67

Chevelle



1471Y



1472H



1471Z



1471R

1471Y	1964-65	Rear Outer Wheel House RH
1471Z	1964-65	Rear Outer Wheel House LH
1472H	1966-67	Rear Outer Wheel House RH
1472J	1966-67	Rear Outer Wheel House LH
1471R	1964-67	Rear Inner Wheel House RH
1471S	1964-67	Rear Inner Wheel House LH

1968-72

Chevelle



1472K



1472P



1472W



1472K	1968-69	Rear Outer Wheel House RH (Also 1968-72 El Camino)
1472L	1968-69	Rear Outer Wheel House LH (Also 1968-72 El Camino)
1472P	1970-72	Outer Wheel House RH, Convertible
1472PA	1970-72	Outer Wheel House LH, Convertible
1472W	1968-72	Rear Inner Wheel House RH
1472X	1968-72	Rear Inner Wheel House LH



1472R	1970-72	Complete Wheel House RH (Inner & Outer) Coupe
1472S	1970-72	Complete Wheel House LH (Inner & Outer) Coupe
1472Y	1970-72	Complete Wheel House, EDP Coating, RH (Inner & Outer) Convertible
1472Z	1970-72	Complete Wheel House, EDP Coating, LH (Inner & Outer) Convertible
1472F	1970-72	Rear Outer Wheel House RH
1472G	1970-72	Rear Outer Wheel House LH
1472Q	1970-72	Inner Wheel House RH, Convertible
1472QA	1970-72	Inner Wheel House LH, Convertible
1472W	1968-72	Rear Inner Wheel House RH
1472X	1968-72	Rear Inner Wheel House LH

1981-88



1340	1981-88	Complete Wheel House RH (Inner & Outer) Monte Carlo™
1341	1981-88	Complete Wheel House LH (Inner & Outer) Monte Carlo™
1342	1981-88	Rear Inner Wheel House RH Monte Carlo™
1343	1981-88	Rear Inner Wheel House LH Monte Carlo™
1344	1981-88	Rear Inner Wheel House Bracket Monte Carlo™
1346	1981-88	Rear Outer Wheel House RH Monte Carlo™
1347	1981-88	Rear Outer Wheel House LH Monte Carlo™

1489LWT



1489B



1489C



1489M



1489LWT	1964-65	Rear Filler Panel, Weld-Through Primer
1489B	1966-67	Rear Filler Panel
1489C	1968-72	Rear Filler Panel, EDP Coating (Also fits 1970-72 Monte Carlo®)
1489M	1970-72	Deck Lid Filler Panel, Convertible

1966-67



1489R



M1019



1489R	1966-67	Trunk Lid
M1019	1964-72	Trunk Lid Latch (Also fits 1970-72 Monte Carlo®)

1968-72



1489D



1489DA



1489DD



1489D	1968-72	Trunk Lid (Also fits 1970-72 Monte Carlo®)
1489DA	1968-72	Trunk Lid Hinges, Coupe
1489DD	1970-72	Trunk Lid Hinges, Convertible

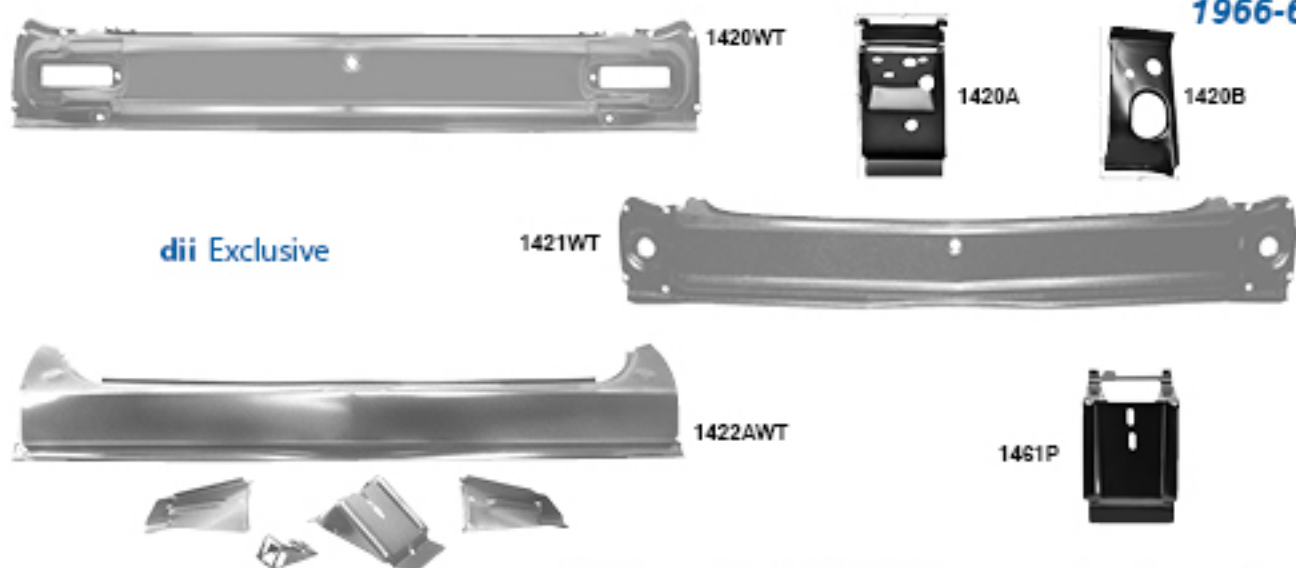
1968-72



1489DB	1968-69	Trunk Lid Rubber Seal
1489DC	1970-72	Trunk Lid Rubber Seal
M1019	1964-72	Trunk Lid Latch (Also fits 1970-72 Monte Carlo®)
M1019A	1973-77	Trunk Lid Latch
1462U	1970-72	Trunk Lid Catch



1419XWT	1970-72	Trunk Weatherstrip Channels, Weld-Through Primer
---------	---------	--

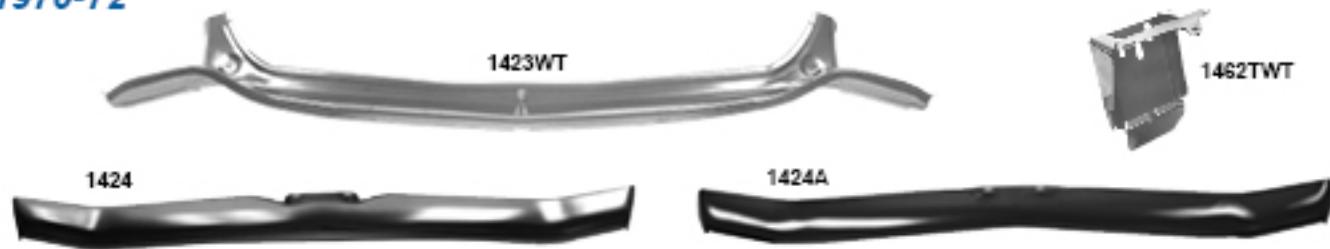


1966-69

Tail Lamp Panels & R. Valances continued on next pg...

1420WT	1966	Tail Lamp Panel, Weld-Through Primer
1420A	1966	Tail Lamp Panel Center Brace
1420B	1966	Tail Lamp Panel Inner RH Brace
1420C	1966	Tail Lamp Panel Inner LH Brace
1421WT	1967	Tail Lamp Panel, Weld-Through Primer
1422AWT	1968-69	Tail Lamp Panel with Brackets, Weld-Through Primer
1461P	1968-69	Trunk Latch Anchor Plate

1970-72



1423WT	1970-72	Tail Lamp Panel, Weld-Through Primer
1462TWT	1970-72	Trunk Latch Mount, Weld-Through Primer
1424	1970	Rear Valance Panel
1424A	1971-72	Rear Valance Panel



1424C	1964-65	Rear License Plate Bracket, 2 pcs.
1424B	1968-72*	Rear License Plate Bracket, Spring-loaded 4.5" Mounting Bolt Spread
1078	1968-72	Rear License Plate Bracket, Spring-loaded 5.25" Mounting Bolt Spread

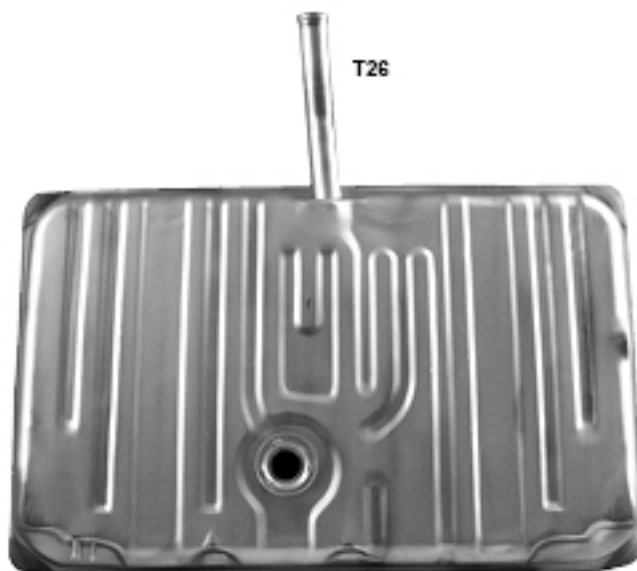


T32A	1964-72*	OE Style Fuel Cap (Not Vented)
------	----------	--------------------------------



1489EWT	1964-67	Fuel Tank Mounting Brace, Weld-Through Primer
1489K	1968-72	Fuel Tank Mounting Brace
T13M	1964-67	Fuel Tank Straps <i>Chevelle® Wagon & El Camino®</i>
1462PB	1966-67	Fuel Tank Straps
1462P	1968-72	Fuel Tank Straps
T31B	1973	Fuel Tank Straps <i>Also fits 1973-77 Malibu® & Monte Carlo®</i>

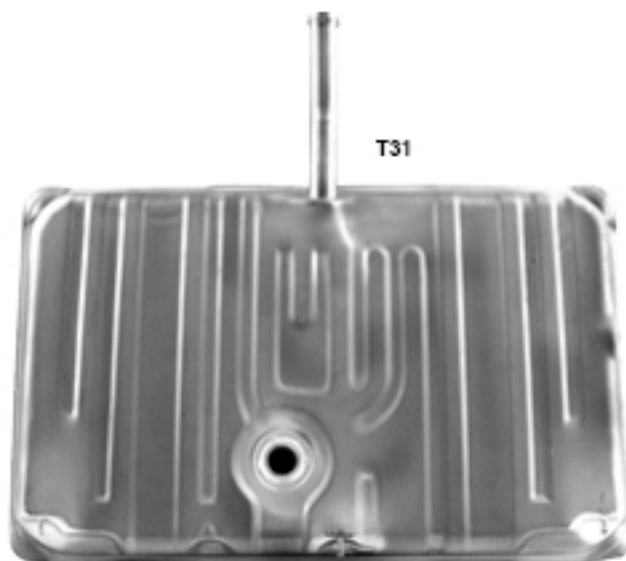
1964-69



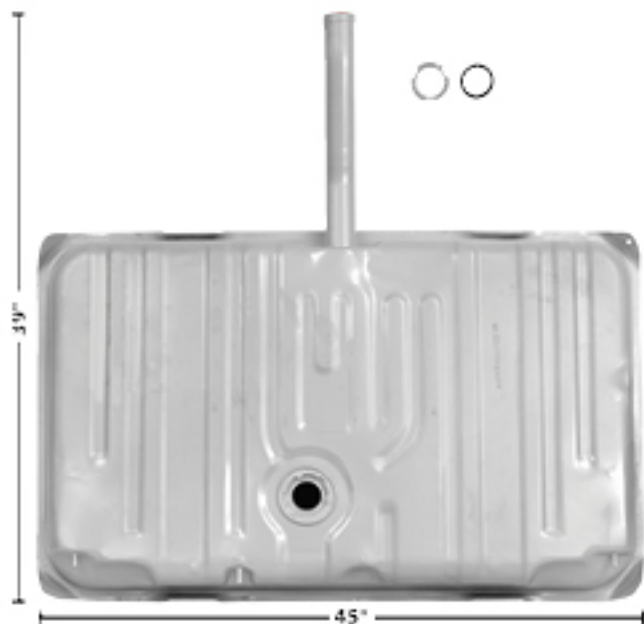
Muscle Car Parts & Molding • Muscle Car Parts & Molding • Muscle Car Parts & Molding

T32	1964-67	Galvanized Fuel Tank w/side neck & vent Also fits Malibu®
T25	1964-67	Galvanized Fuel Tank
T26	1968-69	Galvanized Fuel Tank w/o EEC Also fits 1970-72 Monte Carlo®

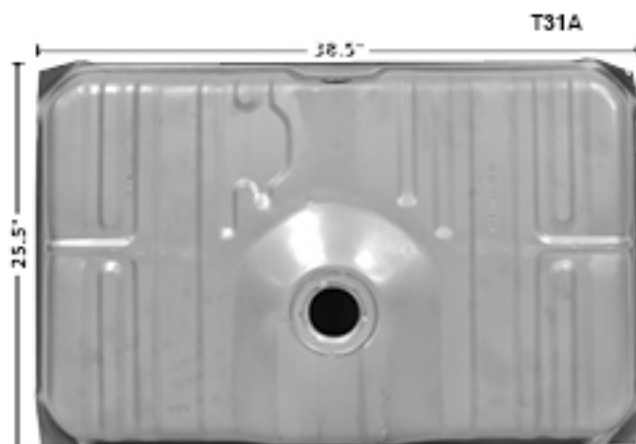
1970-77



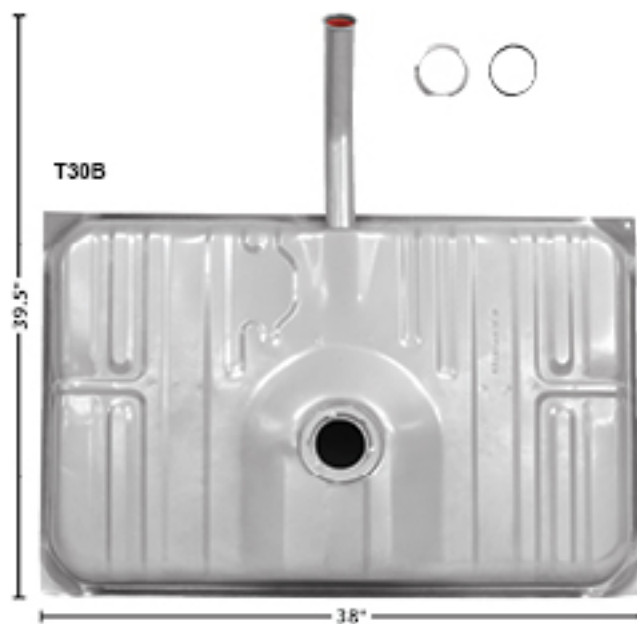
T30	1970	Galvanized Fuel Tank w/o EEC Also fits Monte Carlo®
T31	1970-72	Galvanized Fuel Tank with EEC 3 vent



T30A
Box Size:
40.5" x 26.5" x 8"
Weight:
28 lbs.



T31A
Box Size:
41" x 28" x 11"
Weight:
30 lbs.



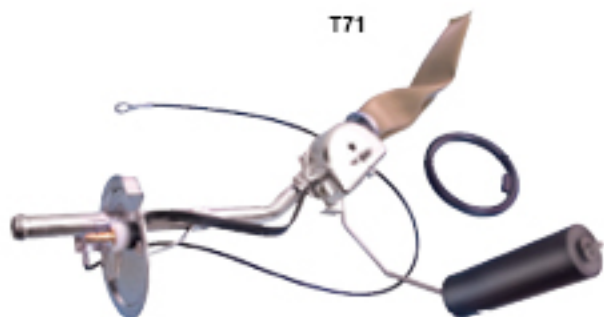
T30B
Box Size:
41" x 28" x 11"
Weight:
30 lbs.

T30A	1971-72	Galvanized Fuel Tank w/Neck, 3 vent, 20 gallon	Monte Carlo®
T31A	1973	Galvanized Fuel Tank w/Neck, 3 vent, 19 gallon	Malibu®/Monte Carlo®
T30B	1973-77	Galvanized Fuel Tank, 19 gallon	Malibu®/Chevelle®

1964-72

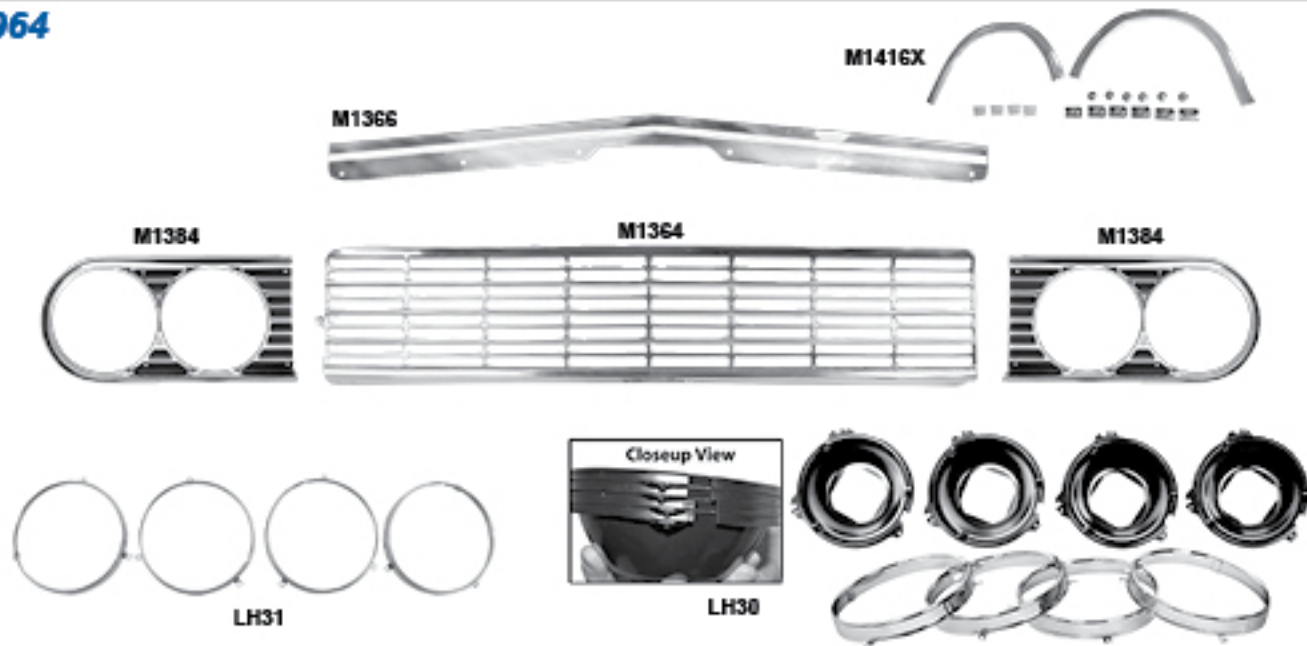
Fuel Senders

Muscle Car Parts & Molding • Muscle Car Parts & Molding • Muscle Car Parts & Molding • Muscle Car Parts & Molding



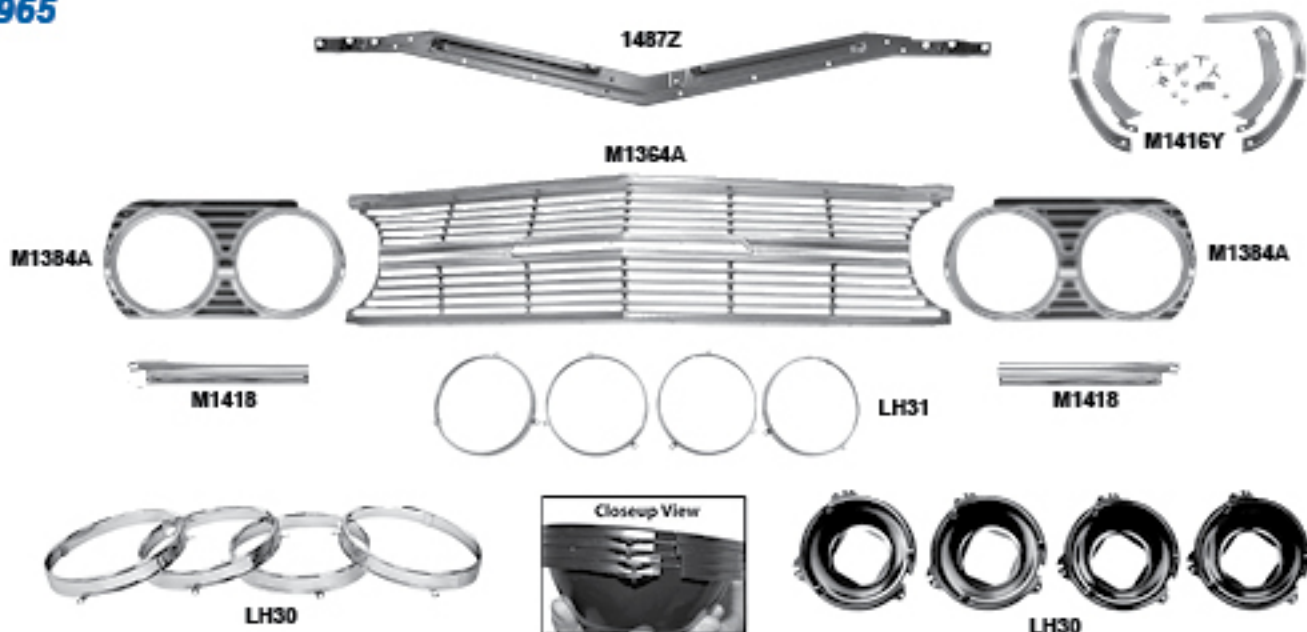
T70	1964*	All
T71	1965-67*	All V-8 4bbl 3/8 Line
T72	1968-70*	V-8 350, 400, 454, 396 4bbl w/A/C
T73	1971-72*	V-8 350 4bbl w/A/C, 400 2bbl, 454 4bbl
T20	1964-72*	Fuel Sending Unit Locking Ring
T21	1964-72*	Fuel Sending Unit Gasket

1964



M1364	1964*	Standard Grille
M1366	1964*	Grille Molding Upper
M1416X	1964*	Eyebrow Moldings
M1384	1964*	Headlamp Bezels
LH30	1964-70*	Headlamp Mounting Buckets with Retaining Rings, 8 pcs.
LH31	1964-70*	Headlamp Retaining Rings, 4 pcs.

1965

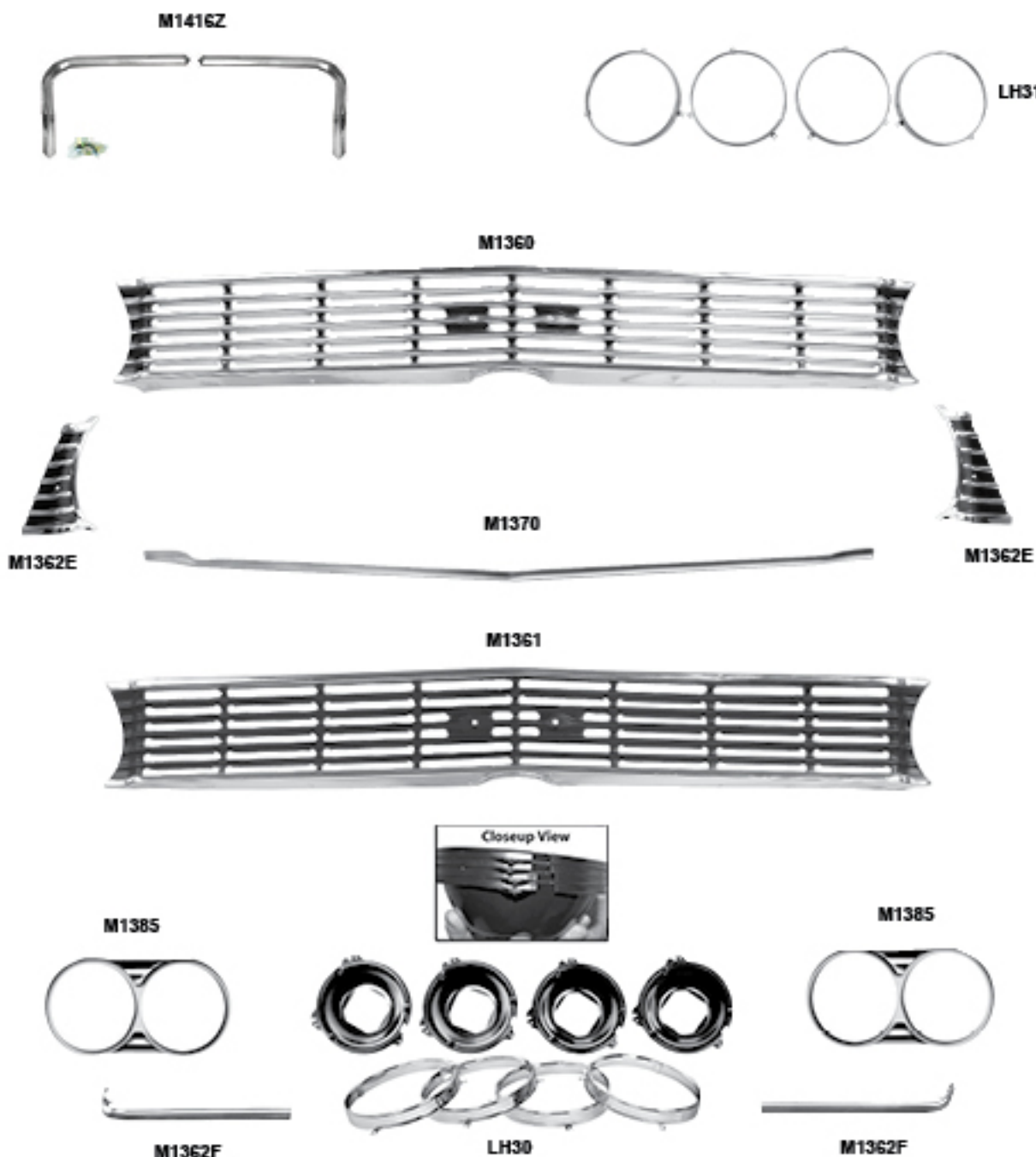


M1364A	1965*	Standard Grille
1487Z	1965*	Upper Grille Plate
M1384A	1965*	Headlamp Bezels
M1416Y	1965*	Eyebrow Moldings (4 pc. set)
M1418	1965*	Under Headlamp Molding
LH30	1964-70*	Headlamp Mounting Buckets with Retaining Rings, 8 pcs.
LH31	1964-70*	Headlamp Retaining Rings, 4 pcs.

1966

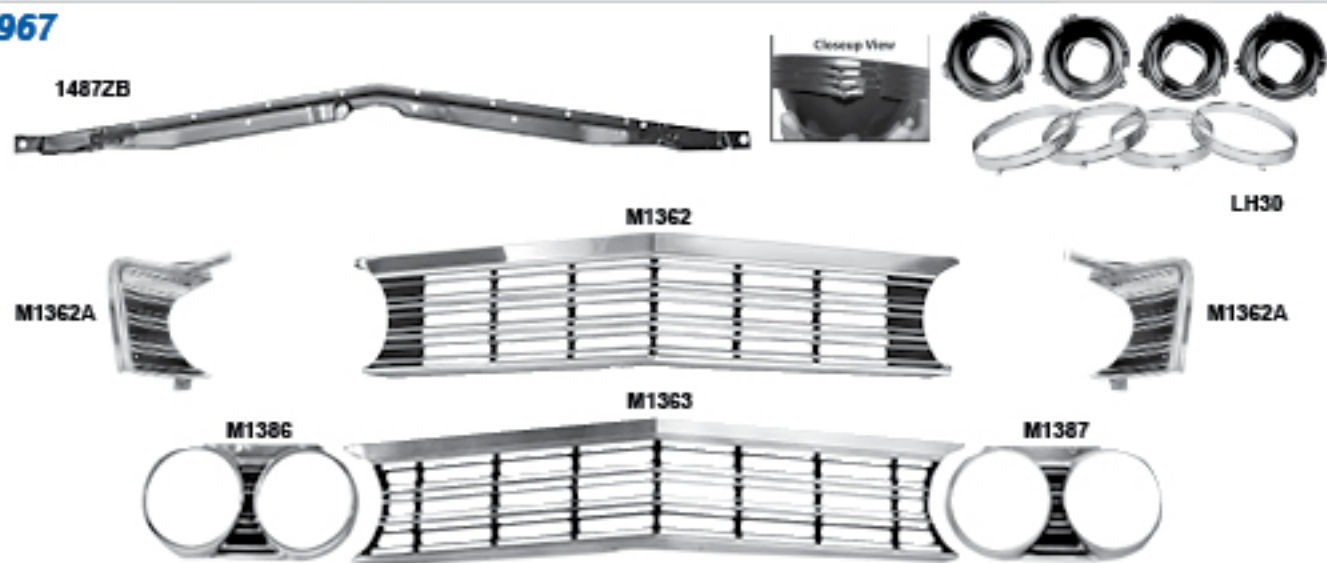
Grilles & Components

Muscle Car Parts & Molding • Muscle Car Parts & Molding • Muscle Car Parts & Molding



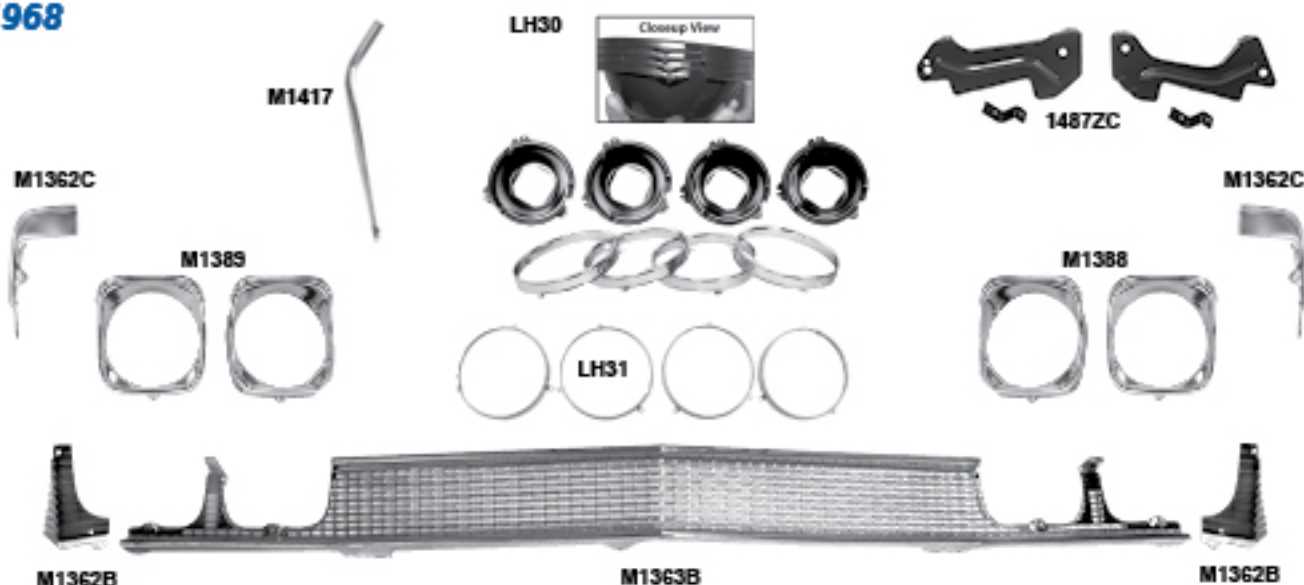
M1360	1966*	Standard Grille
M1361	1966*	"SS" Grille
M1416Z	1966*	Eyebrow Moldings
M1362F	1966*	Lower Outer Grille Molding
M1370	1966*	Lower Center Grille Molding
M1385	1966*	Headlamp Bezels
M1362E	1966*	Outer Grille Extensions
LH30	1964-70*	Headlamp Mounting Buckets with Retaining Rings, 8 pcs.
LH31	1964-70*	Headlamp Retaining Rings, 4 pcs.

1967



M1362	1967*	Standard Grille
M1363	1967*	*SS Grille
14872B	1967*	Upper Grille Plate
M1386	1967*	Headlamp Bezel RH
M1387	1967*	Headlamp Bezel LH
M1362A	1967*	Outer Grille Extensions
LH30	1964-70*	Headlamp Mounting Buckets with Retaining Rings, 8 pcs.
LH31	1964-70*	Headlamp Retaining Rings, 4 pcs.

1968

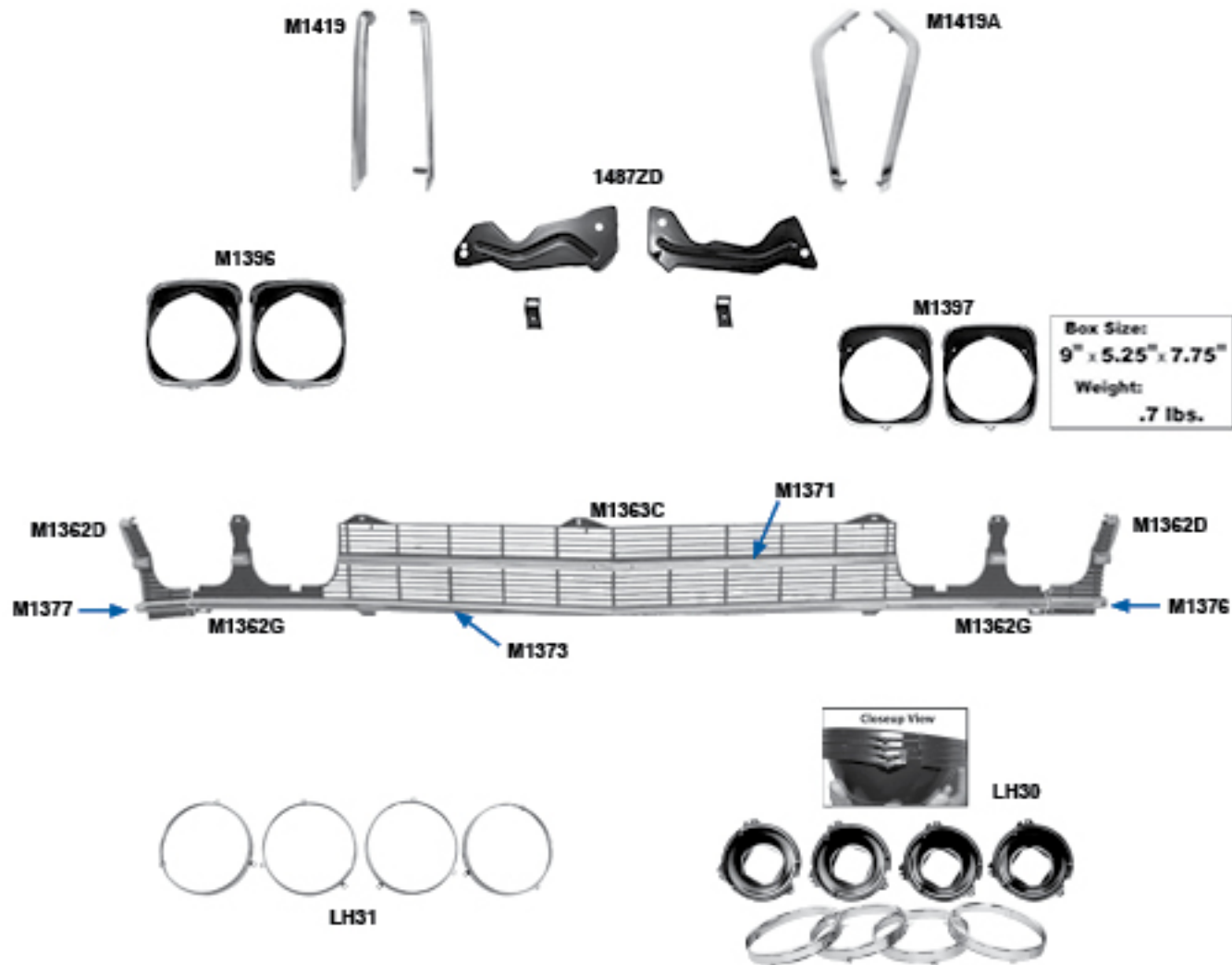


M1363B	1968*	Standard Grille
M1417	1968*	Eyebrow Moldings
M1388	1968*	Inner & Outer Headlamp Bezels, RH
M1389	1968*	Inner & Outer Headlamp Bezels, LH
M1362B	1968*	Outer Grille Extensions
M1362C	1968*	Grille Extension Moldings
LH30	1964-70*	Headlamp Mounting Buckets with Retaining Rings, 8 pcs.
LH31	1964-70*	Headlamp Retaining Rings, 4 pcs.
14872C	1968	Grille Supports, 4 pcs.

1969

Grilles & Components

Muscle Car Parts & Molding • Muscle Car Parts & Molding • Muscle Car Parts & Molding



Box Size:
9" x 5.25" x 7.75"
Weight:
.7 lbs.

M1363C	1969*	Standard Grille with molding holes
M1363A	1969*	Standard Grille without molding holes
M1419	1969*	Eye Brow Moldings (3000LX/989 396)
M1419A	1969*	Eye Brow Moldings, Long
M1396	1969*	Inner & Outer Headlamp Bezels, RH
M1397	1969*	Inner & Outer Headlamp Bezels, LH
M1362D	1969*	Outer Grille Extensions
M1371	1969*	Grille Molding, Center
M1373	1969*	Grille Molding, Lower
M1376	1969*	Grille Molding, Lower RH
M1377	1969*	Grille Molding, Lower LH
M1362G	1969*	Grille Molding, Outer (Between Headlamps)
LH30	1964-70*	Headlamp Mounting Buckets with Retaining Rings, 8 pcs.
LH31	1964-70*	Headlamp Retaining Rings, 4 pcs.
1487ZD	1969	Grille Supports, 4 pcs.

Grilles & Components continued next page...

1970



Box Size:
19.5" x 10.25" x 3"
Weight:
3 lbs.



1487ZF



M1397A



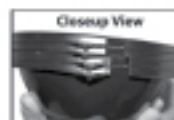
M1365



M1397A



LH31



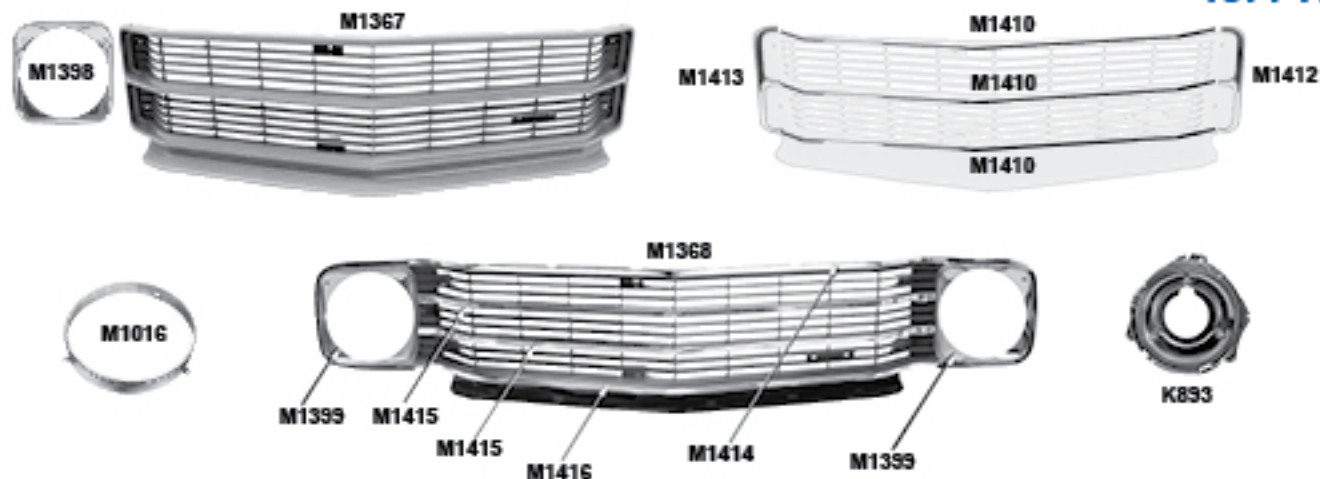
Closeup View
LH30



M1365	1970*	Standard Grille
M1397A	1970*	Headlamp Bezels, 4 pcs.
M1372	1970*	Grille Molding, Inner (4 per car)
M1374	1970*	Grille Molding, Outer RH (2 per side)
M1375	1970*	Grille Molding, Outer LH (2 per side)
M1378	1970*	Grille Molding, Vertical (2 per car)
M1372A	1970*	Grille Molding Kit for "SS" Grille, 10 pcs.
LH30	1964-70*	Headlamp Mounting Buckets with Retaining Rings, 8 pcs.
LH31	1964-70*	Headlamp Retaining Rings, 4 pcs.
1488P	1970-72	Upper Grille Support
1487ZF	1970	Grille Supports, 3 pcs.

1971-72

Grilles & Components



M1367	1971*	Standard Grille
M1398	1971*	Chrome Headlamp Bezels
M1410	1971*	Grille Molding Center (3 per car)
M1412	1971*	Grille Molding, Outer RH
M1413	1971*	Grille Molding, Outer LH
M1368	1972*	Standard Grille
M1399	1972*	Chrome Headlamp Bezels
M1414	1972*	Grille Molding, Upper
M1415	1972*	Grille Molding, Center (2 per car)
M1416	1972*	Grille Molding, Lower
K892	1971-72	Headlamp Mounting Bucket, RH
K893	1971-72	Headlamp Mounting Bucket, LH
M1016	1971-72*	Headlamp Retaining Ring



Wiper Arms

1418X	1964-65*	Wiper Motor Transmission Arm
1400J	1966-67*	Wiper Motor Transmission Arm
1400K	1968-72*	Wiper Motor Transmission Arm
M1029A	1967-69	Chrome Wiper Arms, Coupe
M1029B	1967-69	Brushed Chrome Wiper Arms, Coupe
M1029E	1967-69	Wiper Blades



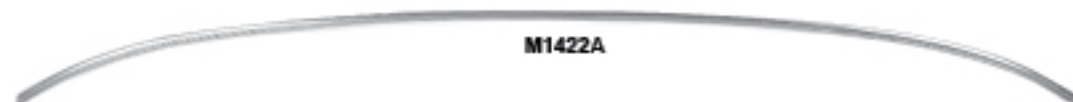
M1350	1964*	Hood Lip Molding
M1351	1965*	Hood Lip Molding



M1393



M1352	1966*	Hood Lip Molding
M1393	1966*	Hood Spear
M1353	1967*	Hood Lip Molding



M1354	1968-69*	Header Molding
M1422A	1968-72*	Hood Rear Edge Molding, Standard
M1420	1970-72*	Hood Cowl Rear Edge Molding
M1421	1970-72*	Upper Rear Edge Fender Molding

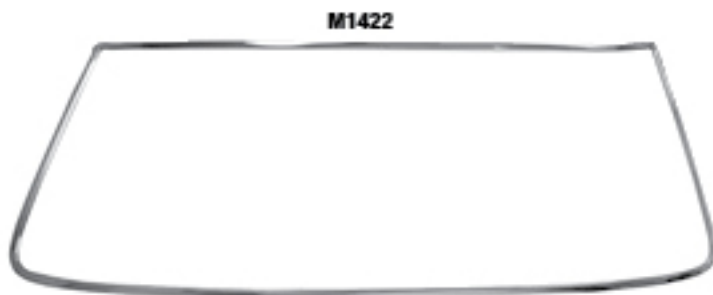


M1035	1964-65*	Round Head with "Bow-tie"	
M1032	1966-68*	Round Head with "Bow-tie"	
M1032A	1966-68*	Round Head without "Bow-tie"	
3899857	1967	Remote Mirror	
3921816	1968*	Remote Mirror, LH	
M1030A	1968-69*	Mirror Mounting Kit	
M1030	1968-69*	Standard Rectangular Head, RH	
M1031	1968-69*	Standard Rectangular Head, LH	
M1034	1970-72*	Standard Rectangular Head, (Also Monte Carlo®)	

1964-65



M1422B



M1422

M1422B	1964-65	Windshield Moldings, 5 pcs. Convertible
M1422	1964-65*	Windshield Moldings, 5 pcs. Coupe

Windshield Moldings

1966-67



M1423A



M1423

M1423A	1966-67	Windshield Moldings, 5 pcs. Convertible
M1423	1966-67*	Windshield Moldings, 5 pcs. Coupe

1968-72



M1424D

M1424C

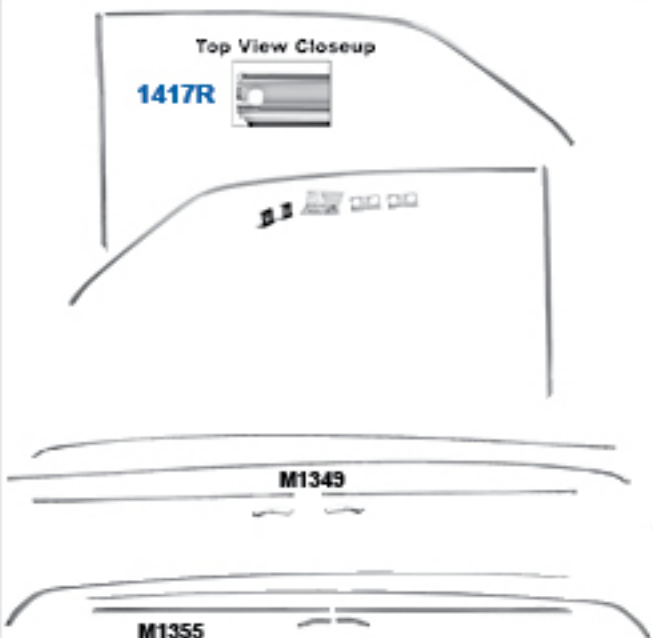
M1424A



M1424

M1424C	1968-72	Windshield Molding, Convertible
M1424D	1968-72	Windshield Molding, Upper Convertible
M1424	1968-72*	Windshield Moldings, 3 pcs. (Also fits 1970-72 Monte Carlo®) Coupe
M1424A	1968-72*	Windshield Molding, LOWER (Also fits 1970-72 Monte Carlo®) Coupe

Drip Rail Moldings



1417R

M1349

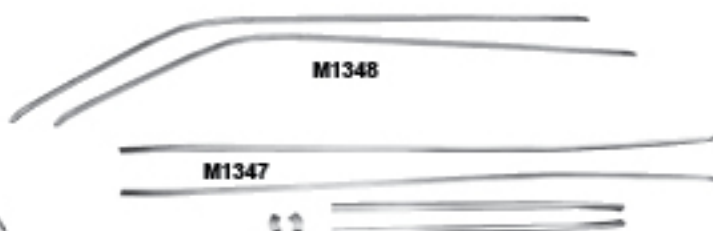
M1355



Coming Soon!



1417Q



M1348

M1347

1417Q	New	1964-65	Door Sash (Holds Roof Rail Seal)
M1347		1964-65	Drip Rail Moldings, 6 Pcs.
M1348		1966-67	Drip Rail Moldings, 2 Pcs.
1417R	New	1966-67	Door Sash (Holds Roof Rail Seal)
M1349		1968-69	Drip Rail Moldings, 6 Pcs.
M1355		1970-72	Drip Rail Moldings, 6 Pcs.

Muscle Car Parts & Molding • Muscle Car Parts & Molding • Muscle Car Parts & Molding

1964-65



M1300	1964*	Wheel Opening Molding, Front RH
M1301	1964*	Wheel Opening Molding, Front LH
M1302	1964	Wheel Opening Molding, Rear RH
M1303	1964	Wheel Opening Molding, Rear LH
M1306	1965*	Wheel Opening Molding, Front RH
M1307	1965*	Wheel Opening Molding, Front LH
M1308	1965	Wheel Opening Molding, Rear RH
M1309	1965	Wheel Opening Molding, Rear LH

1966-67



M1312	1966*	Wheel Opening Molding, Front RH
M1313	1966*	Wheel Opening Molding, Front LH
M1314	1966	Wheel Opening Molding, Rear RH
M1315	1966	Wheel Opening Molding, Rear LH
M1318	1967*	Wheel Opening Molding, Front RH
M1319	1967*	Wheel Opening Molding, Front LH
M1320	1967	Wheel Opening Molding, Rear RH
M1321	1967	Wheel Opening Molding, Rear LH

1968-72



M1324	1968-69*	Wheel Opening Molding, Front RH
M1325	1968-69*	Wheel Opening Molding, Front LH
M1326	1968-69	Wheel Opening Molding, Rear RH
M1327	1968-69	Wheel Opening Molding, Rear LH
M1346	1969-70*	Wheel Center
M1345	1969-70*	Wheel Center Retainer
M1328	1970-72	Wheel Opening Molding, Front RH
M1329	1970-72	Wheel Opening Molding, Front LH
M1330	1970-72	Wheel Opening Molding, Rear RH
M1331	1970-72	Wheel Opening Molding, Rear LH

Whl. Opening Mldgs.

1970-72 Monte Carlo

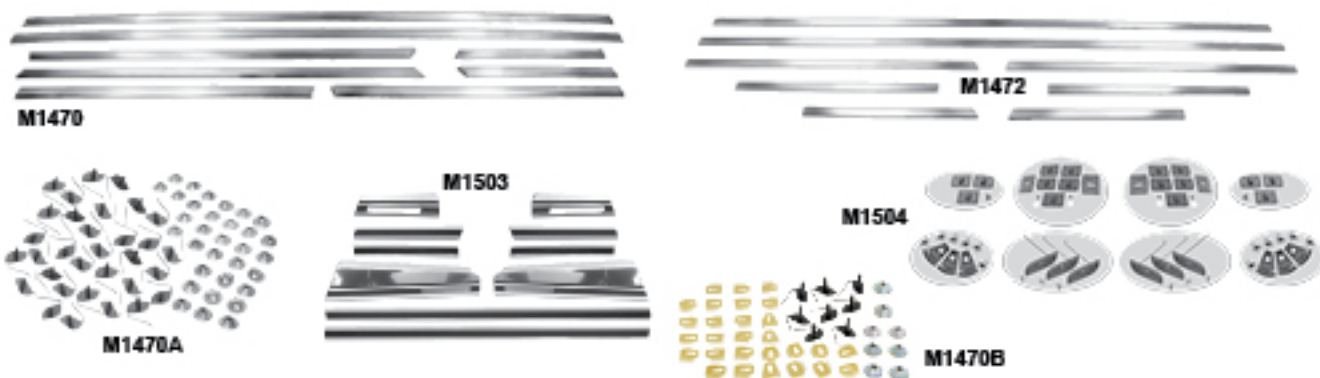


M1502 1970-72 Wheel Opening Molding Set, 4 pieces, **Monte Carlo®**



M1402 1978-83 Wheel Opening Molding, Rear RH
M1403 1978-83 Wheel Opening Molding, Rear LH

Body Side Molding



M1470 1967 Body Side Moldings, 8 Pc. Set
M1470A 1967 Body Side Molding Clip Set, 64 Pcs.
M1471 1968 Body Side Moldings, 8 Pc. Set
M1472 1969 Body Side Moldings, 8 Pc. Set
M1470B 1968-72 Body Side Molding Clip Set, 34 Pcs.
M1503 1970-72 Body Side Moldings, 10 Pc. Set, **Monte Carlo®**
M1504 1970-72 Body Side Molding Clip Set, **Monte Carlo®**

Rocker Panel Moldings

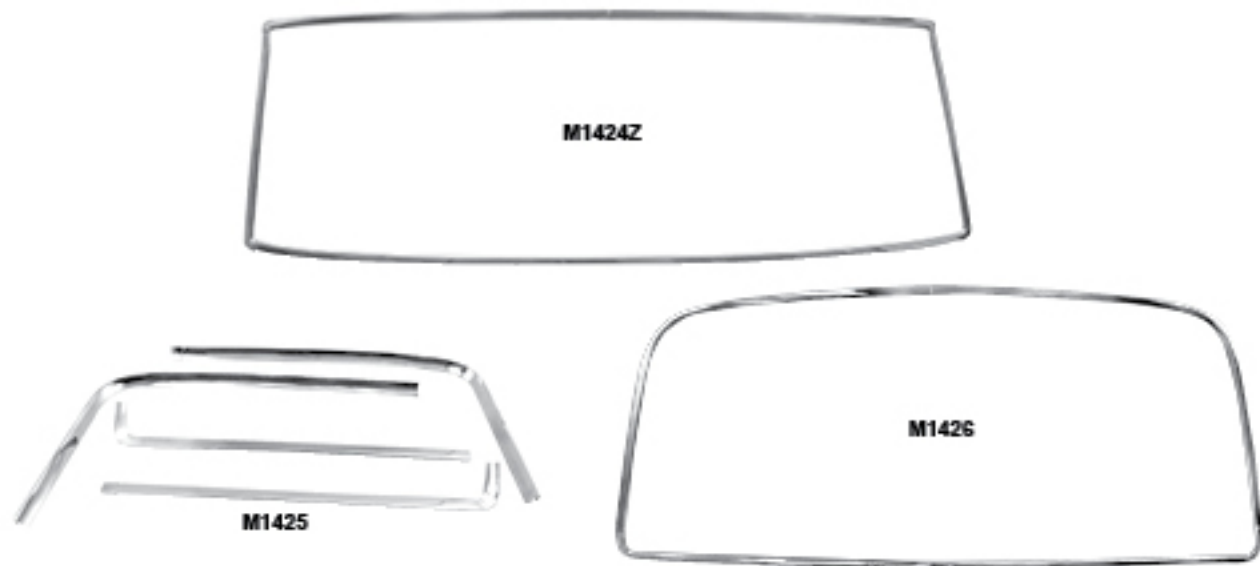


M1349A 1964 Rocker Panel Molding, Standard RH w/clips
M1349B 1964 Rocker Panel Molding, Standard LH w/clips
M1349C 1964 Rocker Panel Molding, "SS" RH w/clips
M1349D 1964 Rocker Panel Molding, "SS" LH w/clips
M1430 1965 Rocker Panel Molding, "SS" RH w/clips
M1431 1965 Rocker Panel Molding, "SS" LH w/clips

Muscle Car Parts & Molding • Muscle Car Parts & Molding • Muscle Car Parts & Molding

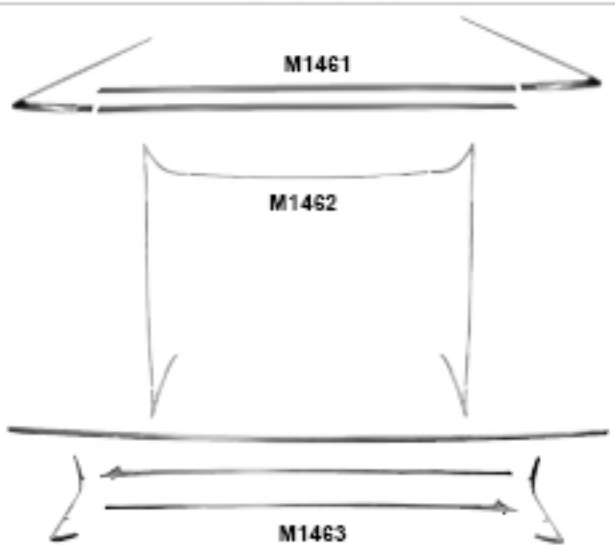


M1430CLP	1964-72	Rocker Panel Molding Clips
M1432	1966	Rocker Panel Molding, "SS" RH w/clips
M1433	1966	Rocker Panel Molding, "SS" LH w/clips
M1433A	1966	Rocker Panel Molding, Malibu, RH w/clips
M1433B	1966	Rocker Panel Molding, Malibu, LH w/clips
M1433C	1966	Rocker Panel Extension Molding, RH
M1433D	1966	Rocker Panel Extension Molding, LH
M1434	1967	Rocker Panel Molding, "SS" RH w/clips
M1435	1967	Rocker Panel Molding, "SS" LH w/clips
M1436	1970-72	Rocker Panel Molding, Standard RH w/clips
M1437	1970-72	Rocker Panel Molding, Standard LH w/clips
M1430CLP	1964-72	Rocker Panel Molding Clips
M1505	1970-72	Rocker Panel Moldings with Clips, Monte Carlo®



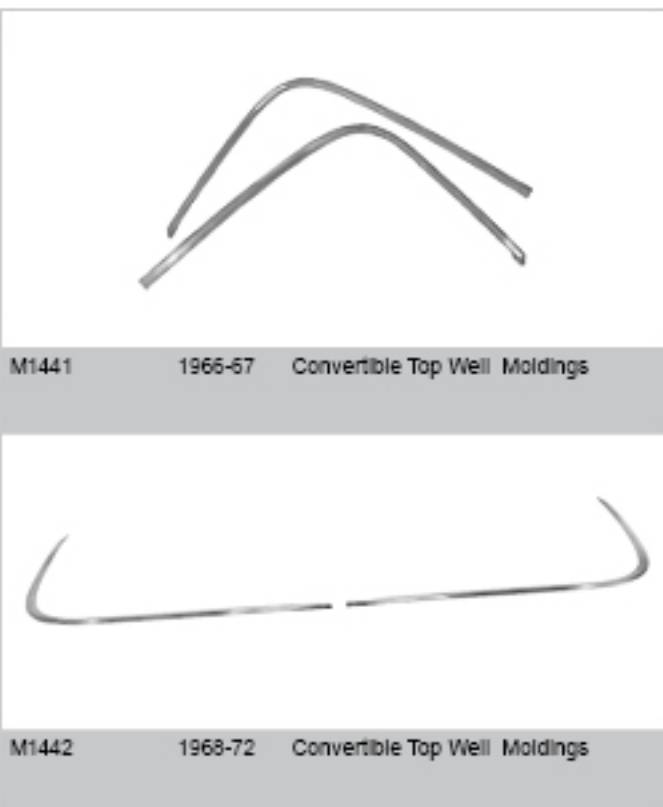
M1424Z	1964-65	Rear Window Moldings for Hardtop Chevelle™, 5 pcs.
M1425	1966-67	Rear Window Moldings, 4 pcs.
M1426	1968-72	Rear Window Moldings, 4 pcs.

Vinyl Top Moldings



M1461	1966-67	Vinyl Top Moldings, 4 pcs.
M1462	1968-69	Vinyl Top Moldings, 7 pcs.
M1463	1970-72	Vinyl Top Moldings, 7 pcs.

Convertible Top Well Molding



M1441	1966-67	Convertible Top Well Moldings
M1442	1968-72	Convertible Top Well Moldings

Rear Panel Moldings



M1480	1964	Rear Cove Molding
M1481	1965	Upper Rear End Molding
M1482	1965	Lower Rear End Molding
M1483	1966	Rear End Molding
M1484	1967	Deck Lid Molding w/clips
M1484A	1967	Upper Panel Molding
M1484B	1967	Lower Panel Molding w/Clips
M1485	1968	Lower Rear End Molding
M1485A	1968	Upper Rear End Molding
M1486	1969	Lower Rear End Molding
M1486A	1969	Upper Rear End Molding

1964-66



EM4012	1964*	"Chevrolet" Hood Letters
EM4010	1964*	"Malibu SS" Quarter Panel Emblems
EM4005	1964*	"SS" Trunk Lid Emblem
EM4216	1965*	"Chevrolet" Hood Letters
EM4220	1965-67*	"396 Turbo-Jet" Crossed Flags Fender Emblems
EM4215	1965	"Malibu SS" Trunk Emblem
EM4309	1966	"Chevelle" Grille Emblem
EM4312	1966*	"SS 427" Grille Emblem (Also for 1966-67 Rear Panel)
EM4310	1966*	"SS 396" Grille Emblem
EM4315	1966*	"Super Sport" Quarter Panel Emblems
EM4311	1966*	"SS 396" Rear Panel Emblem

1967-68



EM1300	1967*	"SS 396" Grille Emblem
EM1301	1967*	"SS 396" Rear Panel Emblem
EM4352	1967*	"Super Sport" Quarter Panel Emblems, Chrome/White
EM4500	1968*	"SS 396" Grille Emblem
EM4501	1968*	"SS 396" Rear Panel Emblem

1969



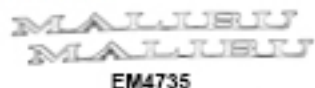
EM1302	1969*	"SS 396" Grille Emblem
EM1304	1969-72*	"SS" Fender Emblems
EM4620	1969-72*	"SS" Fender Emblems (2 individual letters), Chrome/White
EM4621	1969-72*	"SS" Fender Emblems (2 individual letters), Chrome/Black
EM4640	1969	"Chevelle by Chevrolet" Trunk Emblem
EM4601	1969	"SS 396" Rear Panel Emblem

1970



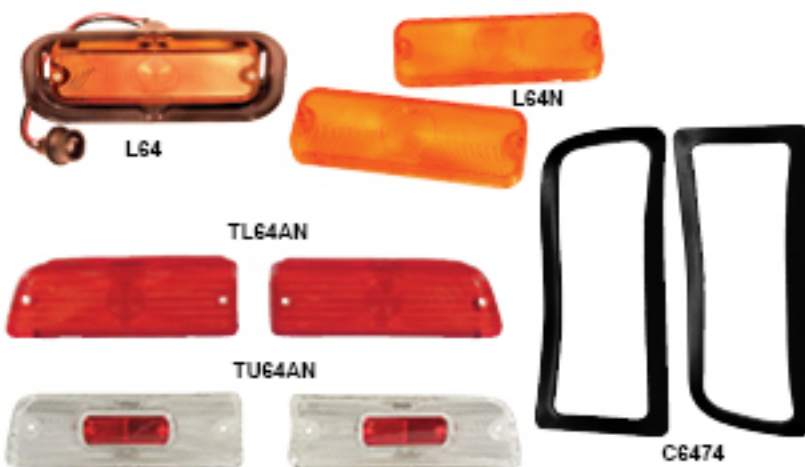
M1344	1970-72*	*Cowl Induction* Emblem, 4 pcs.
EM1303	1970*	*SS* Grille Emblem
EM4651	1970-72	*350* Fender Emblems, Chrome/White
EM4673	1970	*Mailbu* Fender Emblems, Chrome/White
EM4676	1970	*Chevelle by Chevrolet* Trunk Emblem

1971-73

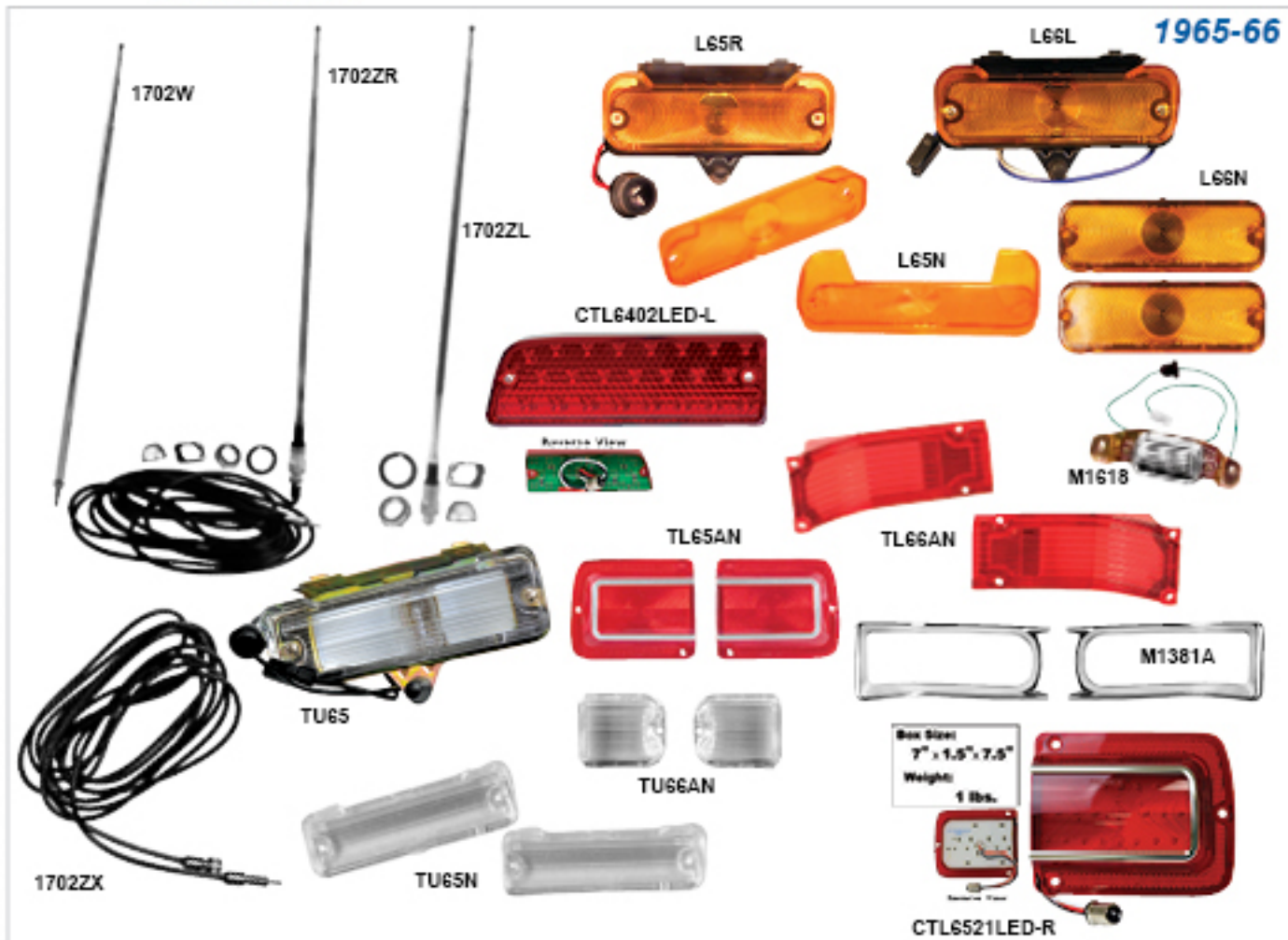


EM4735	1971-72	*Mailbu* Fender Emblems
EM4743	1971	*SS* Grille Emblem
EM4750	1971-72	*Chevelle by Chevrolet* Trunk Emblem
EM4755	1971-72	*SS* Rear Bumper Emblem (Grey Letters)
EM4770	1972	*SS* Grille Emblem
EM4775	1973	*SS* Grille Emblem

1964

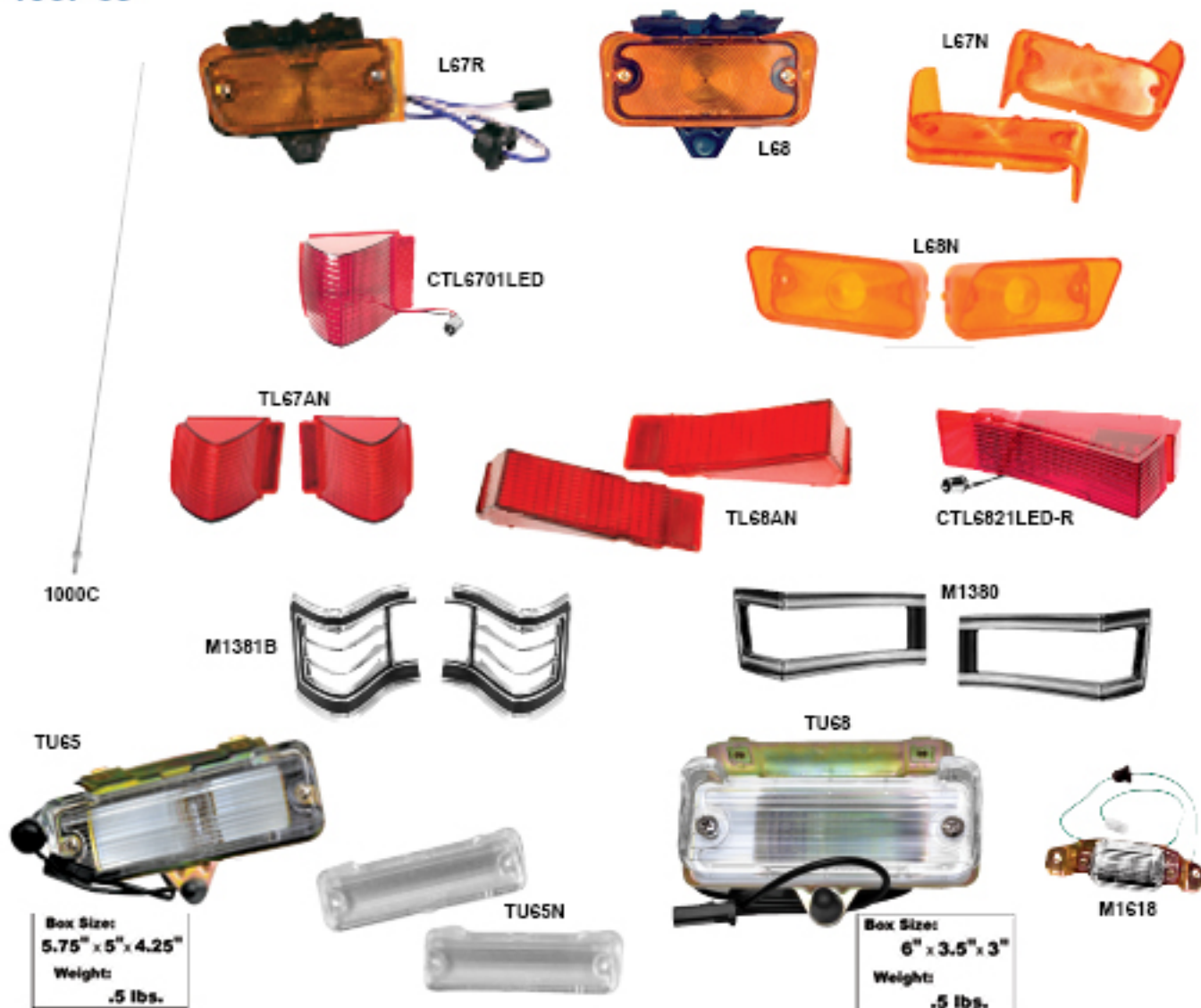


1702YR	1964	Telescoping Antenna with Cable & Hardware, Right Rear
1702YL	1964	Telescoping Antenna with Hardware (NO Cable), Left Rear
1702W	1964-66*	Telescoping Antenna Mast
1702ZX	1964-66	Antenna Cable
L64	1964*	Parking Lamp Assembly, Fits both sides
L64N	1964*	Parking Lamp Lenses
C6474	1964	Tall Lamp Gasket, Pair
TL64AN	1964	Tall Lamp Lenses
TU64AN	1964	Back-Up Lenses

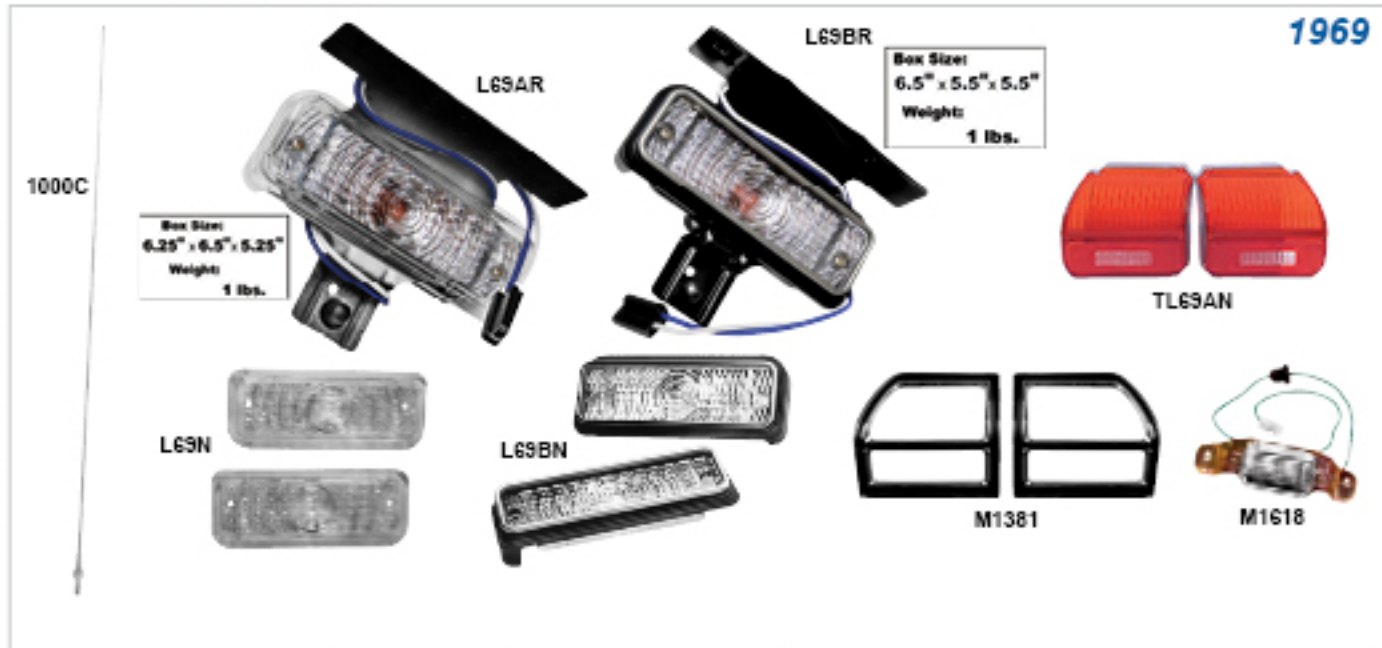


CTL6402LED-R	1964	Tall Lamp Assembly, L.E.D. RH
CTL6402LED-L	1964	Tall Lamp Assembly, L.E.D. LH
1702W	1964-66*	Telescoping Antenna Mast
CTL6521LED-R	1965	Tall Lamp Lens, RH, L.E.D.
CTL6521LED-L	1965	Tall Lamp Lens, LH, L.E.D.
1702ZL	1965-66	Telescoping Antenna with Hardware (NO Cable)
1702ZR	1965-66	Telescoping Antenna with Cable & Hardware
1702ZX	1964-66	Antenna Cable
L65R	1965*	Parking Lamp Assembly, RH
L65L	1965*	Parking Lamp Assembly, LH
L65N	1965*	Parking Lamp Lenses
TL65AN	1965	Tall Lamp Lenses
TU65	1965 & 1967*	Back-Up Lamp Assembly
TU65N	1965 & 1967*	Back-Up Lenses
L66R	1966*	Parking Lamp Assembly, RH
L66L	1966*	Parking Lamp Assembly, LH
L66N	1966*	Parking Lamp Lenses
TL66AN	1966	Tall Lamp Lenses
M1381A	1966	Tall Light Bezels
TU66AN	1966	Back-Up Lenses
M1618	1966-72**	License Plate Lamp

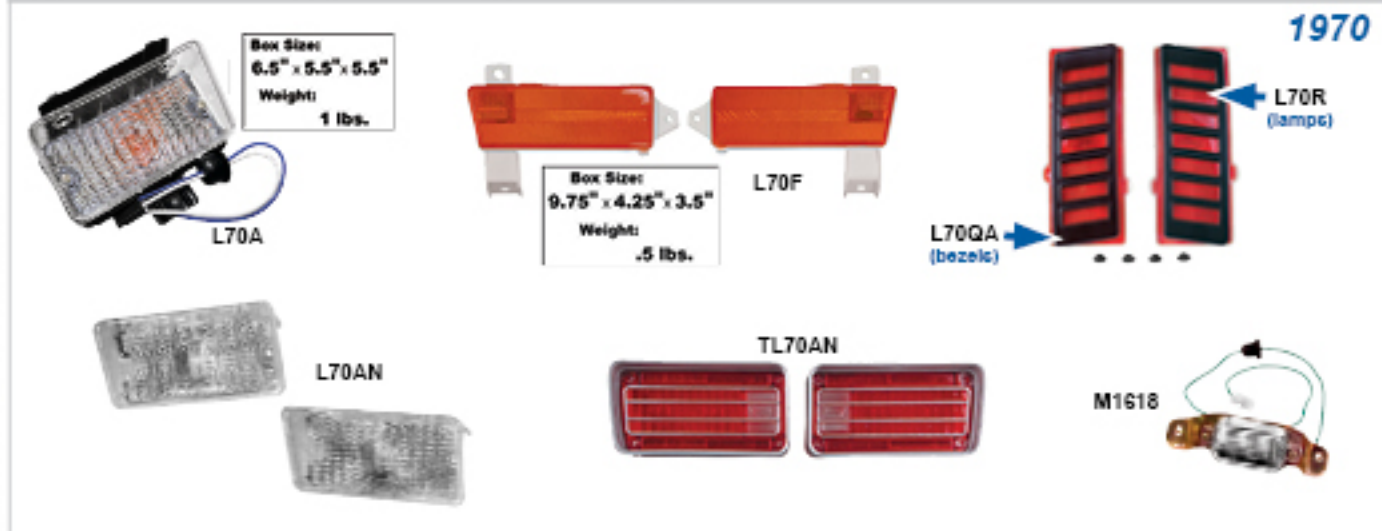
1967-68



1000C	1967-69*	Replacement Antenna Mast
L67R	1967*	Parking Lamp Assembly, RH
L67L	1967*	Parking Lamp Assembly, LH
L67N	1967*	Parking Lamp Lenses
CTL6701LED	1967	LED Tail Lamp Assembly
TL67AN	1967	Tail Lamp Lenses
M1381B	1967	Tail Light Bezels
TU65	1965 & 1967*	Back-Up Lamp Assembly
TU65N	1965 & 1967*	Back-Up Lenses
L68	1968*	Parking Lamp Assembly, Fits both sides
L68N	1968*	Parking Lamp Lenses
CTL6821LED-R	1968	LED Tail Lamp Assembly, RH
CTL6821LED-L	1968	LED Tail Lamp Assembly, LH
TL68AN	1968	Tail Lamp Lenses
M1380	1968	Tail Light Bezels
TU68	1968*	Back-Up Lamp Assembly
M1618	1966-72**	License Plate Lamp

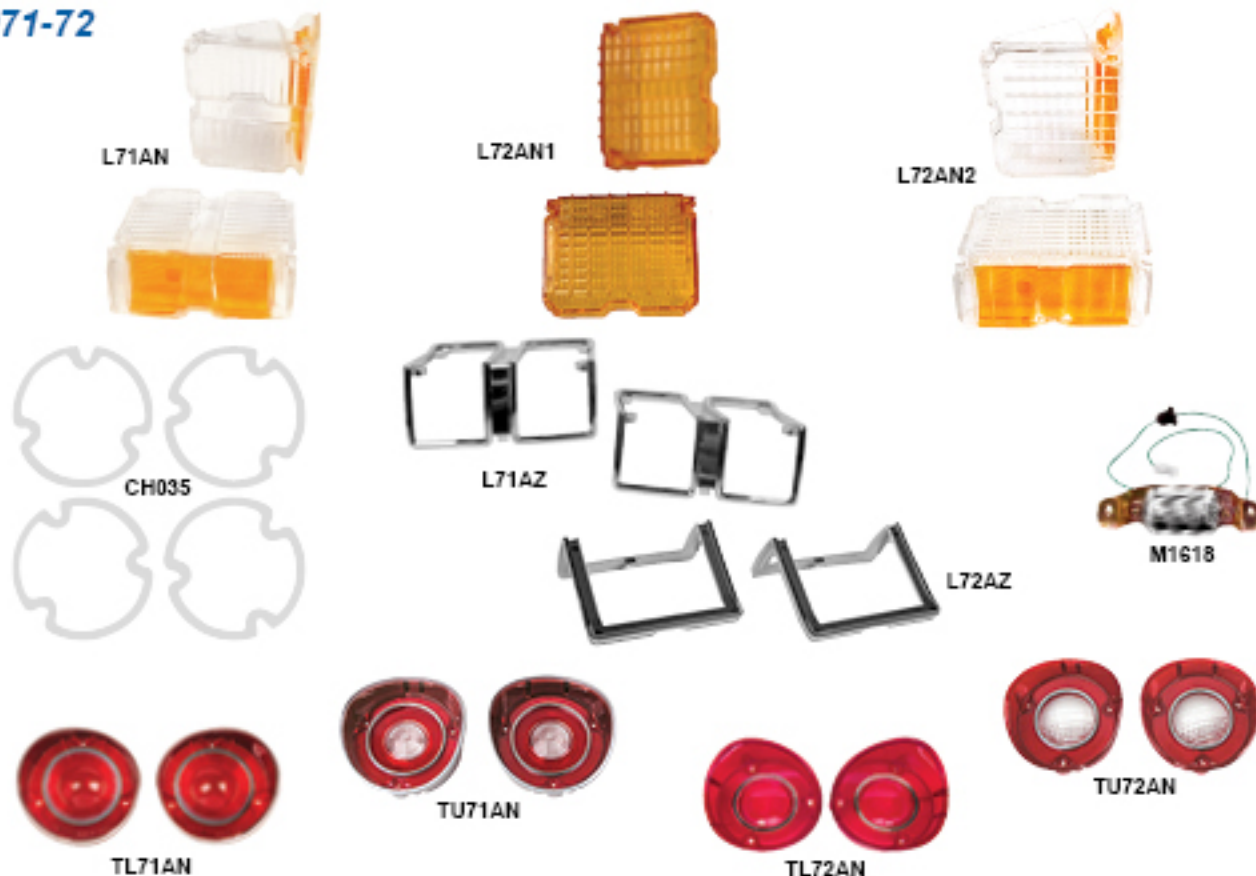


1000C	1967-69*	Telescoping Antenna (NO Cable or Hardware)
L69AR	1969	Parking Lamp Assembly, RH
L69AL	1969	Parking Lamp Assembly, LH
L69N	1969*	Parking Lamp Lenses, Standard
L69BR	1969	Parking Lamp Assembly for "SS", RH
L69BL	1969	Parking Lamp Assembly for "SS", LH
L69BN	1969	Parking Lamp Lenses for "SS"
TL69AN	1969	Tail Lamp Lenses
M1381	1969	Tail Light Bezels
M1618	1966-72**	License Plate Lamp



L70A	1970	Parking Lamp Assembly, Fits both sides
L70AN	1970	Parking Lamp Lenses
L70F	1970	Lower Fender Lamps
L70R	1970-72	Quarter Lamps
L70QA	1970-72	Quarter Lamp Bezels
TL70AN	1970	Tail Lamp Lenses
M1618	1966-72**	License Plate Lamp

1971-72



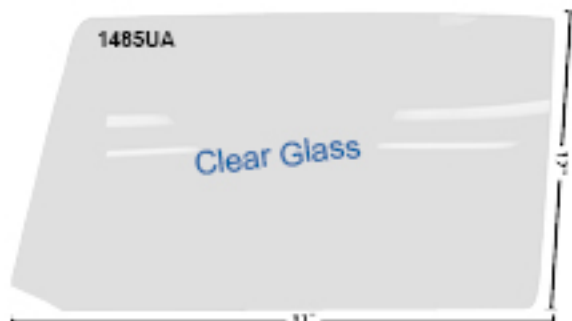
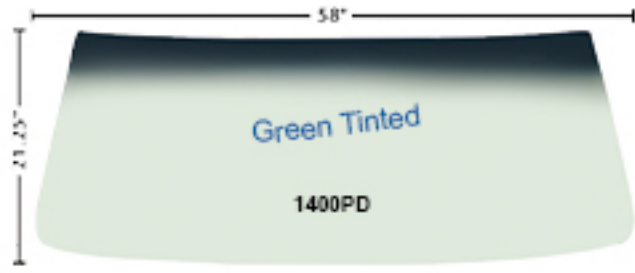
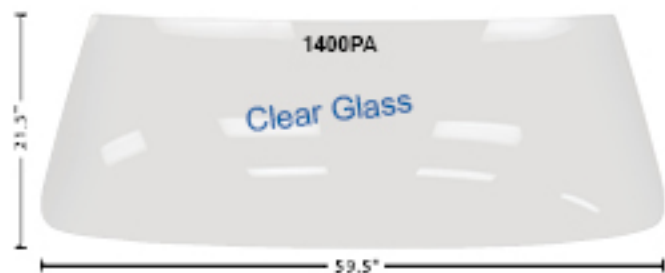
CH035	1971-72	Tail Lamp Gasket Set, 4 Pieces
L71AN	1971	Parking Lamp Lenses
L71AZ	1971	Parking Lamp Bezels
TL71AN	1971	Tail Lamp Lenses
TU71AN	1971	Back-Up Lenses
L72AN1	1972	Parking Lamp Lenses, Amber
L72AZ	1972	Parking Lamp Bezels
L72AN2	1972	Parking Lamp Lenses, Clear
TL72AN	1972	Tail Lamp Lenses
TU72AN	1972	Back-Up Lenses
M1618	1966-72**	License Plate Lamp

1964-65

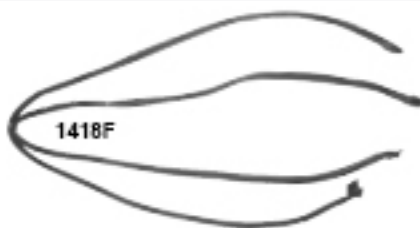
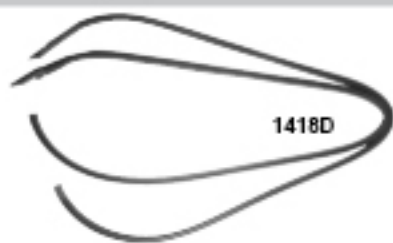


1418B	1964-65	Roof Rail Weatherstrip
1418H	1964-65	Door Frame Weatherstrip

1966-67

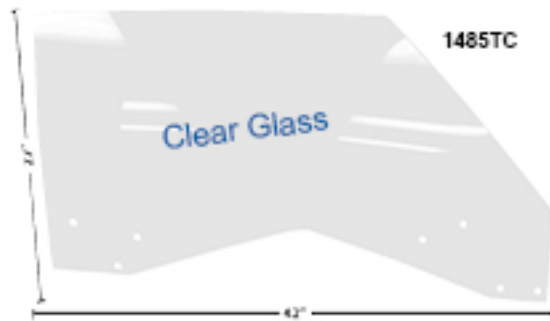
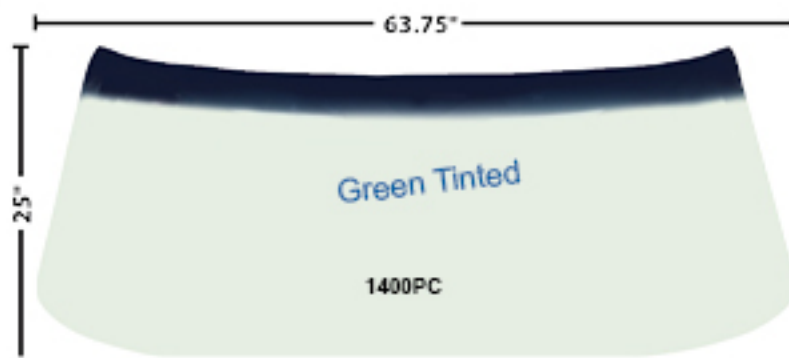


1400PA	1966-67	Windshield Glass, Clear Hard Top & Convertible
1400PD	1966-67	Windshield Glass, Green Tint, Hard Top & Convertible
1400QA	1966-67	Rear Window Glass, Clear Hard Top
1485J	1966-67*	Vent Window Assembly, RH
1485K	1966-67*	Vent Window Assembly, LH
1485JA	1966-67	Vent Window Glass, RH, Clear Hard Top & Convertible
1485JB	1966-67	Vent Window Glass, LH, Clear Hard Top & Convertible
1485T	1966-67*	Door Window Glass with Track, RH, Coupe & Convertible
1485U	1966-67*	Door Window Glass with Track, LH, Coupe & Convertible
1485TA	1966-67	Door Window Glass, RH, Clear Hard Top & Convertible
1485UA	1966-67	Door Window Glass, LH, Clear Hard Top & Convertible
1485KE	1966-67	Quarter Window Glass, RH, Clear
1485KF	1966-67	Quarter Window Glass, LH, Clear

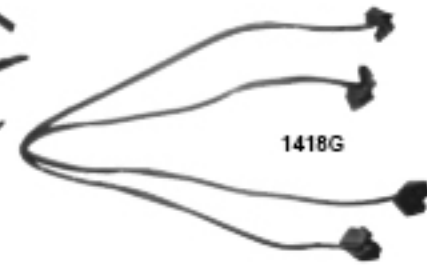
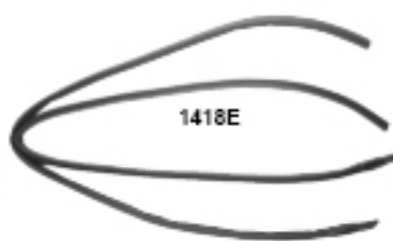
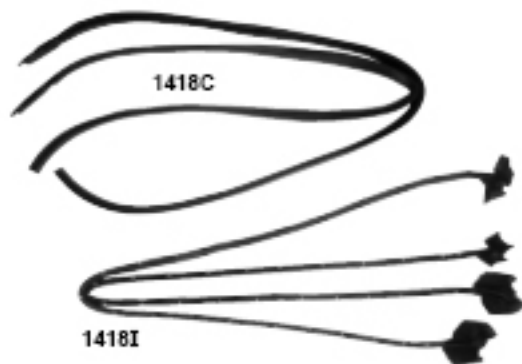


1418D	1966-67	Roof Rail Weatherstrip
1418F	1966-67	Door Frame Weatherstrip

1968-69



1400P	1968-72	Windshield Glass, Clear <i>(Photo next page)</i>
1400PC	1968-72	Windshield Glass, Green Tinted
1485TB	1968	Door Window Glass, RH, Clear Coupe, Hard Top & Convertible
1485UB	1968	Door Window Glass, LH, Clear Coupe, Hard Top & Convertible
1485TC	1969	Door Window Glass, RH, Clear Coupe, Hard Top & Convertible
1485UC	1969	Door Window Glass, LH, Clear Coupe, Hard Top & Convertible
1485KA	1968-69	Quarter Window Assembly, RH
1485KB	1968-69	Quarter Window Assembly, LH
1485KG	1968-69	Quarter Window Glass, RH, Clear
1485KH	1968-69	Quarter Window Glass, LH, Clear

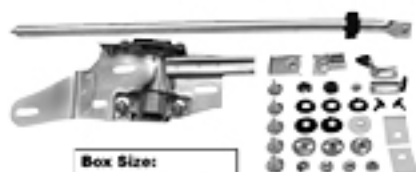
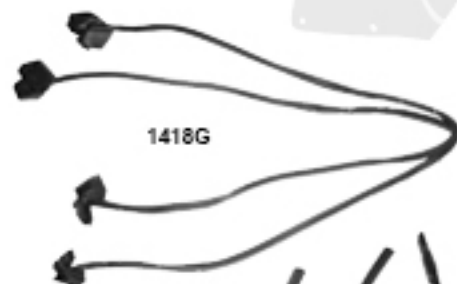


1418C	1968	Roof Rail Weatherstrip
1418I	1968	Door Frame Weatherstrip
1418E	1969-72	Roof Rail Weatherstrip
1418G	1969-72	Door Frame Weatherstrip

1970-72

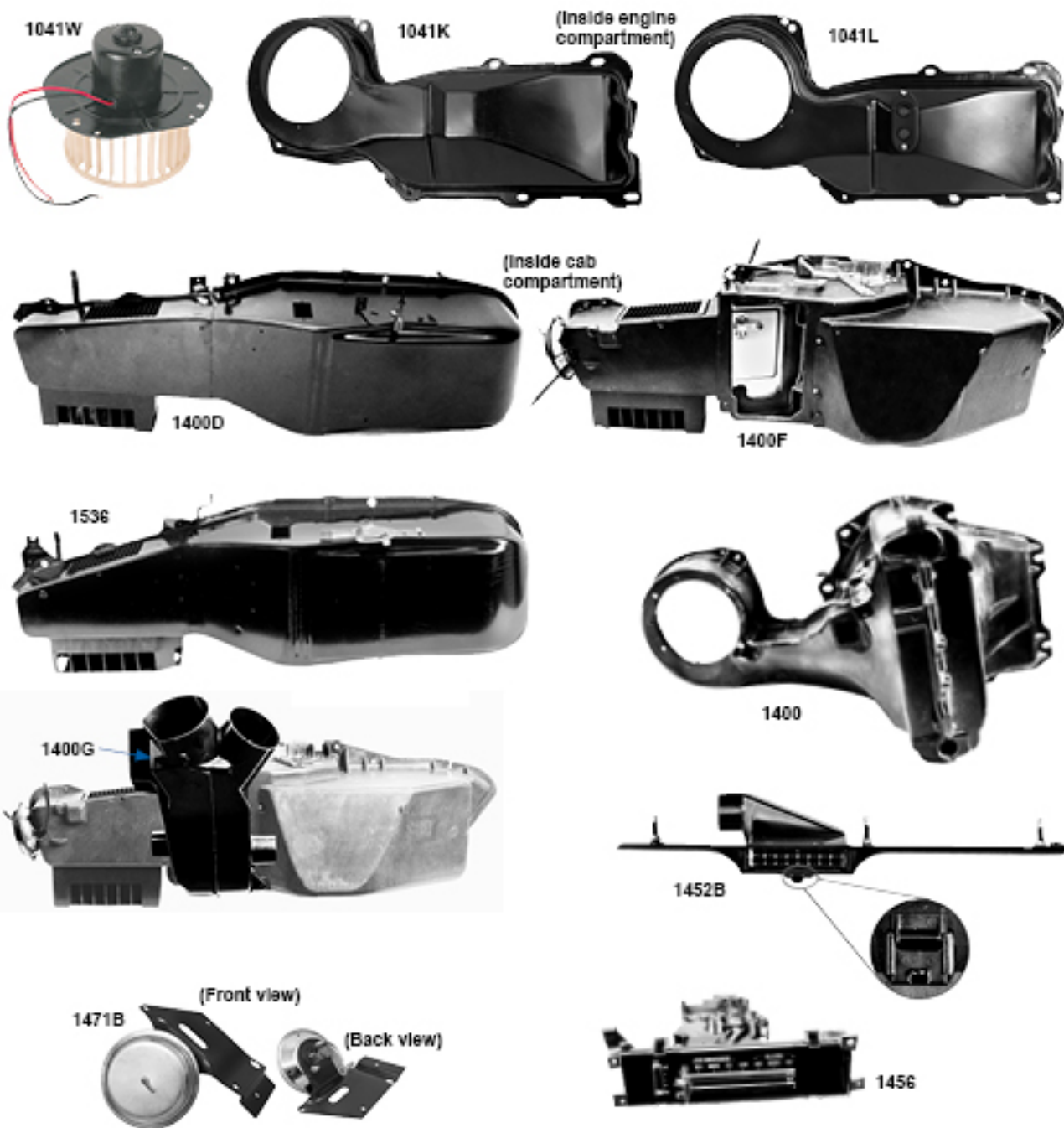
Glass & Weatherstripping

Muscle Car Parts & Molding • Muscle Car Parts & Molding • Muscle Car Parts & Molding

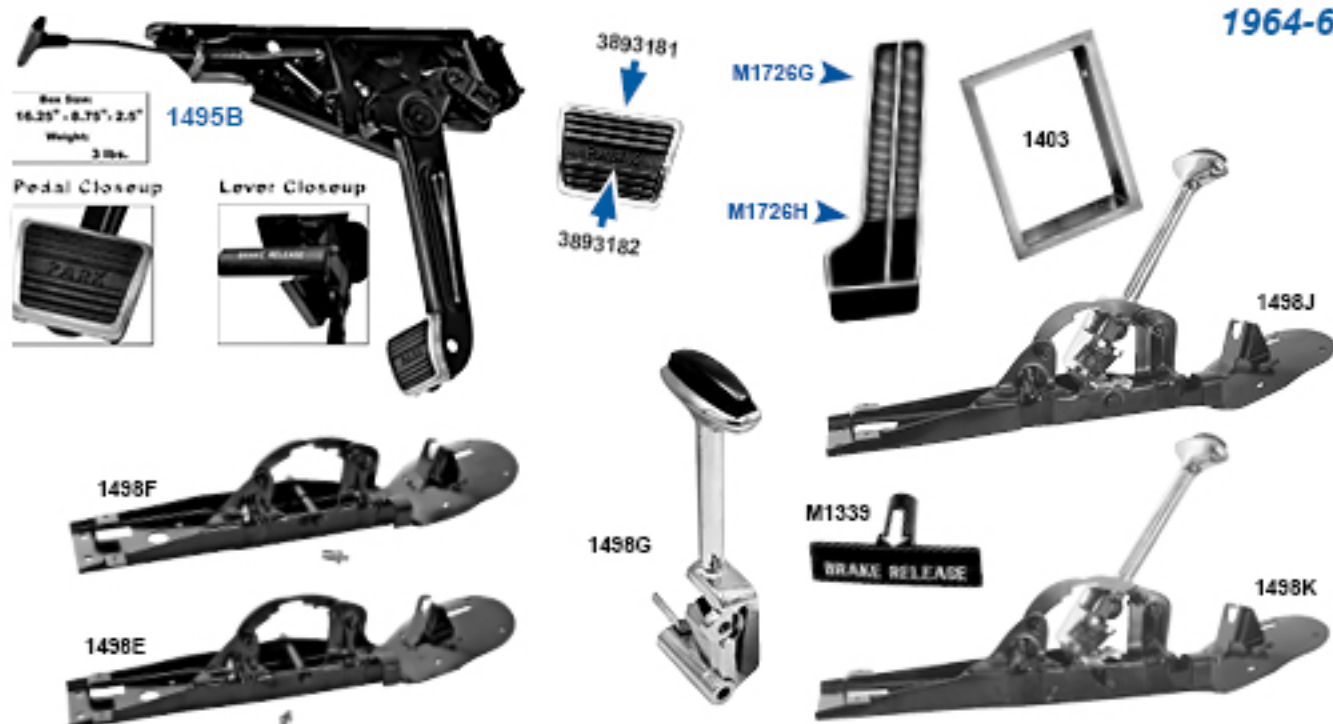


Box Size:
23" x 6" x 2.5"
Weight:
4 lbs.

1400P	1968-72	Windshield Glass, Clear
1400PC	1968-72	Windshield Glass, Green Tinted <i>(Photo previous page)</i>
1400Q	1970-72	Rear Window Glass, Clear
1485MA	1970-72	Door Glass (no track), RH
1485MB	1970-72	Door Glass (no track), LH
1485ZA	1970-72	Door Window Glass with Track, RH
1485ZB	1970-72	Door Window Glass with Track, LH
1485ZC	1970-72	Door Glass Track Assembly, RH
1485ZD	1970-72	Door Glass Track Assembly, LH
1485SA	1970-72	Quarter Window Assembly with Track, RH
1485SB	1970-72	Quarter Window Assembly with Track, LH
1485KC	1970-72	Quarter Window Glass, RH, Clear
1485KD	1970-72	Quarter Window Glass, LH, Clear
1418E	1969-72	Roof Rail Weatherstrip
1418G	1969-72	Door Frame Weatherstrip



1041W	1964-72	Heater Blower Motor w/o A/C
1041K	1968-72*	Heater BOX, Small Block No A/C
1041L	1968-70*	Heater BOX, Big Block
1400	1968-72*	Evaporator Box
1536	1966-67	Heater Case, w/o A/C (Also fits GTO®)
1400D	1969*	A/C Heater Box Assembly
1400F	1970-72	A/C Heater Box Assembly
1400G	1970-72*	A/C Plenum
1452B	1970-72*	Lap Cooler w/ Air Diverter
1471B	1970-72*	Air Vent Vacuum Motor Assembly (with A/C)
1456	1971-72*	Heater Control



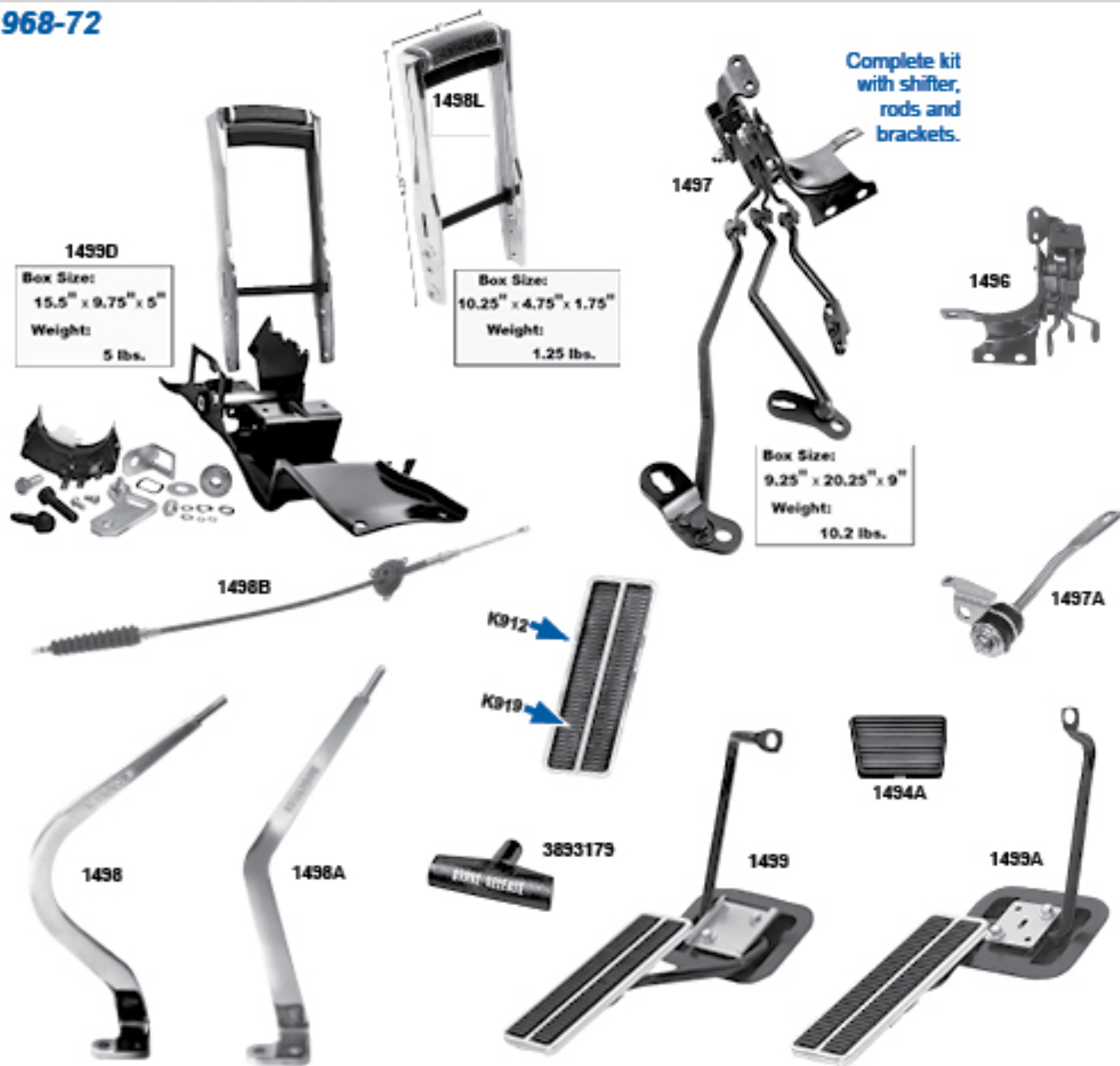
1495B	New	1964-67	Parking Brake Control
M1339		1964-67*	Brake Release Handle
3893181		1964-69	Parking Brake Pad
3893182		1964-69	Parking Brake Pad Trim
M1726G		1964-67*	Accelerator Pedal
M1726H		1964-67*	Accelerator Pedal Trim
1403		1966-67*	Console Boot Retainer
1498G		1964-67*	Shifter Lever with Button, Automatic Transmission
1498F		1966-67*	Shift Base, Automatic 3-speed
1498E		1966-67*	Shift Base, Automatic 4-speed
1498J		1966-67*	Shift Assembly with Handle, Automatic 3-speed
1498K		1966-67*	Shift Assembly with Handle, Automatic 4-speed



*Pedal & Shifter Components
continued on next page...*

1495		1969*	Parking Brake Control
1495A		1970-72*	Parking Brake Control
1403A		1970-72*	Brake Release Handle
1495Z		1968-72*	Clutch Rod Boot
1403B		1964-72*	Clutch Boot Fork

1968-72

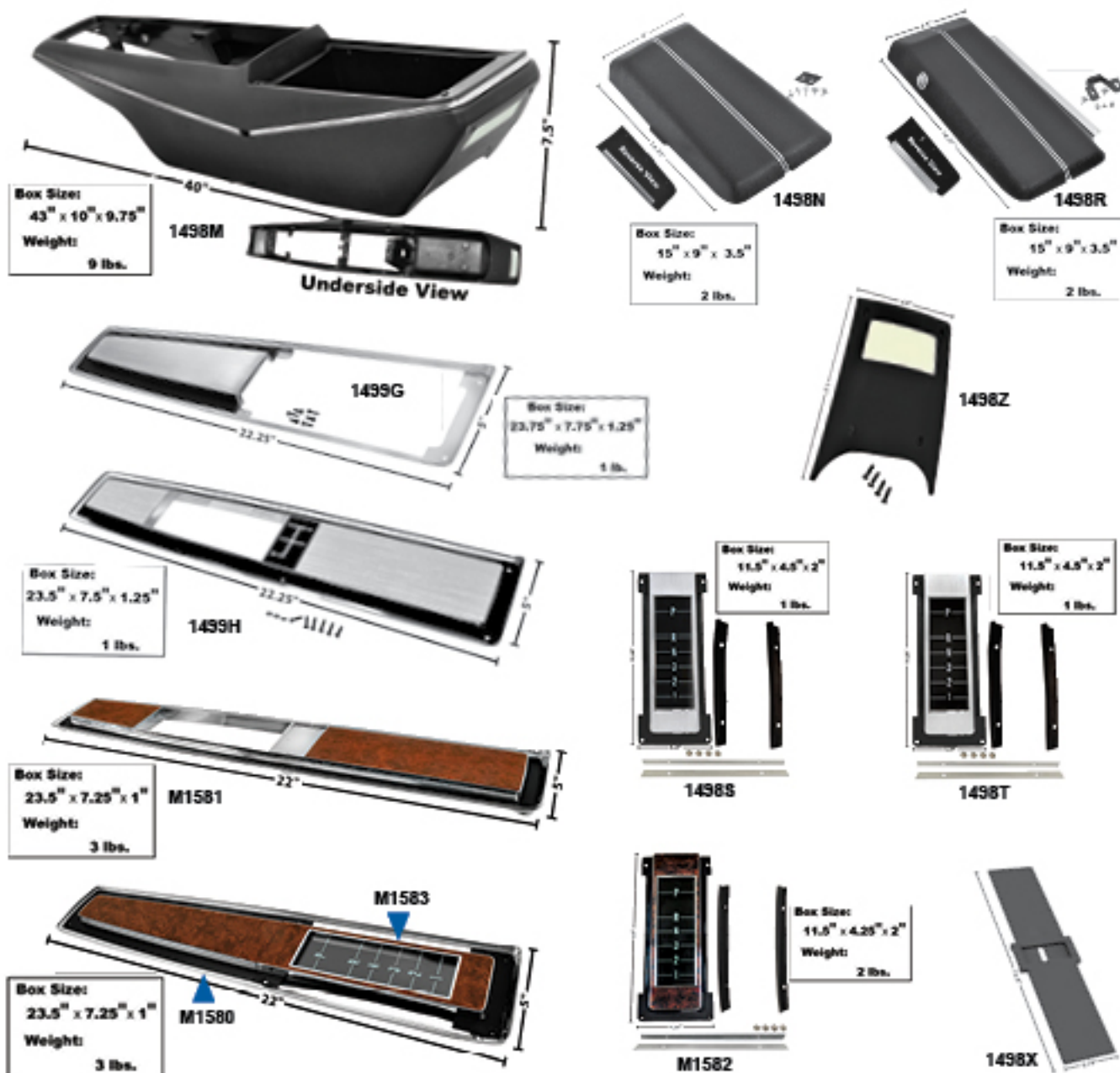


1499D	1968-72*	Shift Assembly, with Handle, Automatic 4 speed (Also fits '70-72 Monte Carlo®)
1497	1968-72*	Shifter Assembly w/o Console, 5 pcs.
1496	1968-72*	Shifter without Rod
1497A	1968-72	Shift Mounting Arm w/Bushing
1498B	1968-72*	Shift Cable, Automatic w/Floor Shifter
1498	1968-72*	Shift Lever, without Console
1498A	1968-72*	Shift Lever, with Console
1498L	1968-72*	Shift Lever, Automatic (Also fits '70-72 Monte Carlo®)
1499	1968-69*	Accelerator Pedal Assembly
1499A	1970-72*	Accelerator Pedal Assembly
K919	1968-72*	Accelerator Pedal
K912	1968-72*	Accelerator Pedal Trim
3893179	1968-72	Parking Brake Release Handle
1494A	1964-72	Brake Pedal Pad, Standard

1968-72

Pedal & Shifter Components

Muscle Car Parts & Molding • Muscle Car Parts & Molding • Muscle Car Parts & Molding



1498M	1968-72	Console Base with Trim & Light Panel, Chevelle®
1499G	1968-72	Console Top Plate for Automatic, Chevelle®
1499H	1968-72	Console Top Plate for 4-speed Manual, Chevelle®
1498S	1968-70	Console Trans. Indicator Insert for Auto., Green letters, Chevelle®
1498T	1971-72	Console Trans. Indicator Insert for Auto., White letters, Chevelle®
1498N	1968-69	Console Door Assembly w/Hinge, Latch & Hardware, Chevelle®
1498R	1970-72	Console Door Assembly w/Hinge, Latch & Hardware, Chevelle®
1498X	1968-69	Console Slider, 4-speed Manual, Chevelle®
1498Z	1968-72	Console Rear Light Panel, Chevelle®
M1580	1970-72	Console Top Plate for Automatic, Burlwood Monte Carlo®
M1581	1970-72	Console Top Plate for 4-speed Manual, Burlwood Monte Carlo®
M1582	1968-70*	Console Trans. Indicator Insert for Auto., Green letters (Also fits 1970 Monte Carlo®)
M1583	1971-72*	Console Trans. Indicator Insert for Auto., White letters (Also fits '71-72 Monte Carlo®)

Steering Wheels



9745764



9746195



9747536



3945461



3960722



3939731

Box Size:
17.25" x 17.5" x 9"
Weight:
5.5 lbs.



SW12

9745764	1967*	Steering Wheel, DLX SS
9746195	1967-68*	Steering Wheel, Walnut
9747536	1968*	Steering Wheel, Black
3945461	1967-69	Wheel Center Cap Wood Style Steering Wheel, with comfort grip wheel
3960722	1969*	Steering Wheel, Rosewood
3939731	1969-70*	Steering Wheel, Black
SW12	1969-70*	Steering Wheel, 3-Spoke Comfort

Center Shroud



3939760 1969-70* Wheel Center Shroud, Black

Steering Wheel Hubs



M1336



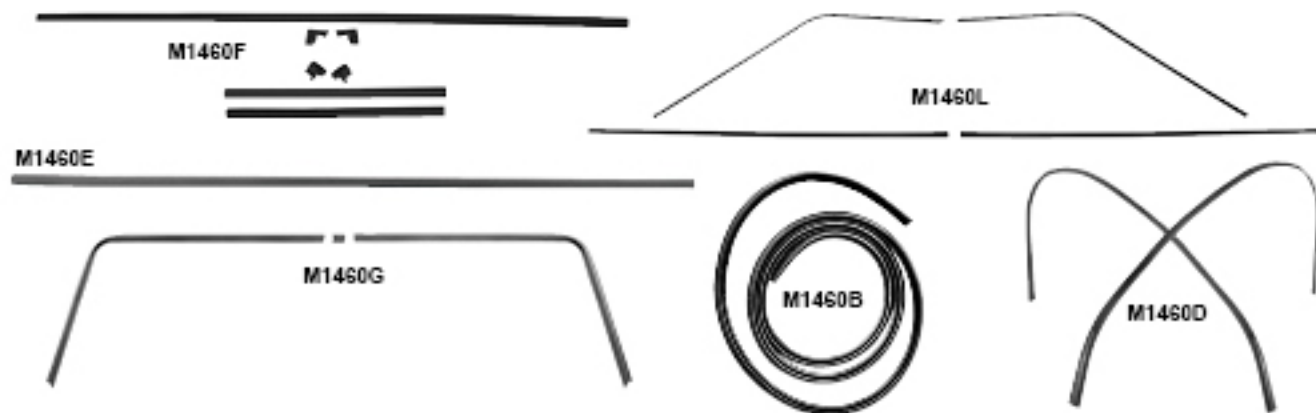
M1337

M1336	1967-68*	Steering Wheel Hub, 3 1/8" diameter x 1 1/8" tall
M1337	1969-72*	Steering Wheel Hub, 4 1/8" diameter x 1 1/8" tall

Muscle Car Parts & Molding • Muscle Car Parts & Molding • Muscle Car Parts & Molding



916177	1964-67*	8" Rear View Mirror
911366	1964-67*	10" Rear View Mirror
M1035C	1964-67*	Standard Rear View Mirror
M1338	1964-72*	Sun Visor Support Bracket (Also 1970-72 Monte Carlo®)
M1035A	1969-72*	12" Rear View Mirror
M1035E	1964-65	Rear View Mirror Bracket
M1035F	1966	Rear View Mirror Bracket
M1035G	1967	Rear View Mirror Bracket with Boot
7729476	1967	Rear View Mirror Bracket
K25B	1967	Rear View Mirror Bracket Boot
K22B	1968-69	Rear View Mirror Bracket Boot
M1034A	1971-72	Rear View Mirror Bracket Boot



M1460F	1964-65	Rear Headliner Moldings, Hard Top, 7 pcs.
M1460H	1964-65	Rear Headliner Moldings, Sedan, 3 pcs.
M1460E	1964-67*	Front Headliner Molding, Hard Top
M1460L	1964-65	Side Headliner Moldings, Wagon, 4 pcs.
M1460	1966-67	Interior Headliner Moldings, 4 Pcs.
M1460G	1966-67*	Rear Headliner Moldings, Hard Top, 3 pcs.
M1460J	1966-67	Rear Headliner Moldings, Sedan, 3 pcs.
M1460A	1968-72*	Front Headliner Molding
M1460B	1968-72*	Rear Headliner Molding
M1460C	1968-72	Rear Headliner Corner Moldings
M1460D	1970-72	Side Headliner Corner Moldings

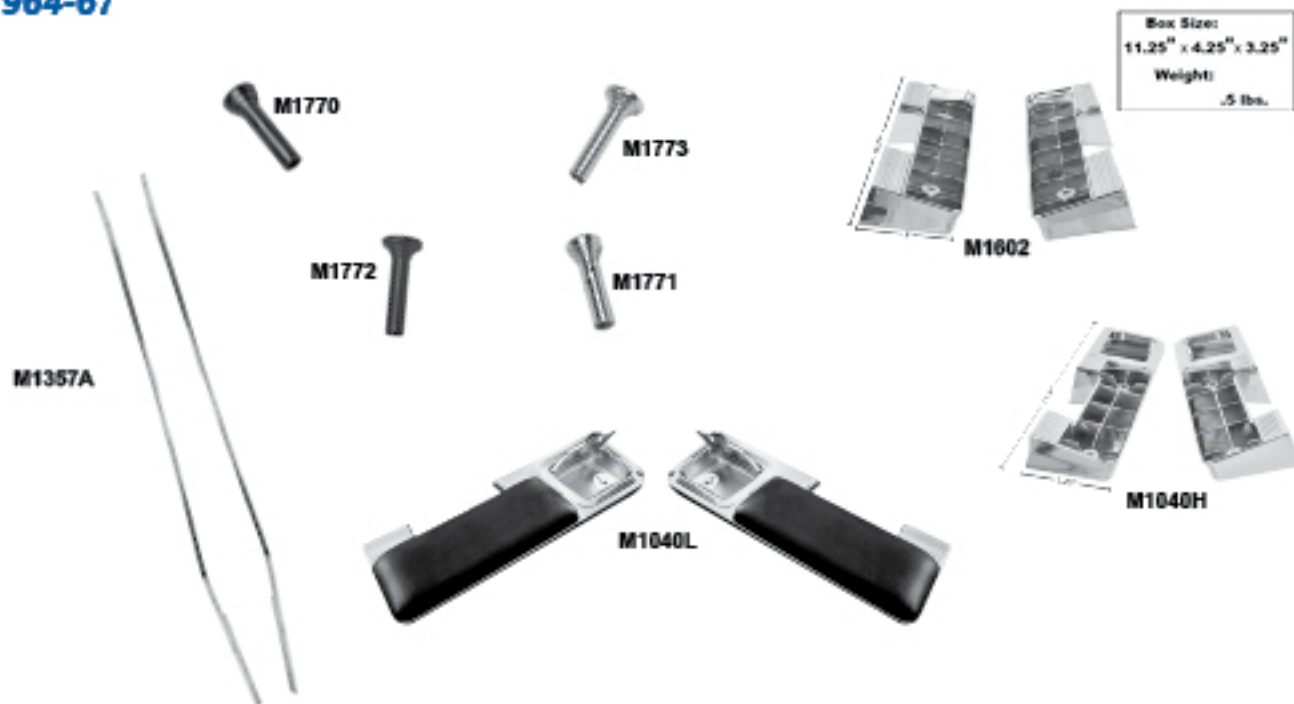
Dash Pads



D14405	1964-65*	Vinyl Dash Pad	Dye-able, Also fits Malibu
D14605	1966*	Vinyl Dash Pad	Dye-able, Also fits Malibu
EM4303	1966*	"Super Sport" Dash Emblem	
D14705	1967*	Vinyl Dash Pad	Dye-able, Also fits Malibu
EM4445	1967*	"Super Sport" Dash Emblem	
D14805	1968-69*	Vinyl Dash Pad	Dye-able, Also fits Malibu

Door Trims & Arm Rests

1964-67



Box Size:
11.25" x 4.25" x 3.25"
Weight:
.5 lbs.

Door Trims & Arm Rests continued on next page...

M1357A	1966-67*	Door Edge Moldings
M1770	1964-66*	Door Lock Knobs, Black
M1771	1964-66*	Door Lock Knobs, Chrome
M1772	1967*	Door Lock Knobs, Black
M1773	1967*	Door Lock Knobs, Chrome
M1602	1964-67*	Front Arm Rest Bases, Chrome
M1040L	1966-67	Rear Arm Rests with Ashtray & Pad
M1040H	1964-67*	Rear Arm Rest Bases

Muscle Car Parts & Molding • Muscle Car Parts & Molding • Muscle Car Parts & Molding

1968-72



M1358	1968-69*	Door Edge Moldings
M1359	1970-72*	Door Edge Moldings
1485G	1968-72*	Door Bumpers
1485H	1970-72*	Door Jamb Vent Grille
M1777	1968*	Door Lock Knobs, Black
M1774	1969-70*	Door Lock Knobs, Chrome
M1775	1971-72*	Door Lock Knobs, Chrome
M1040	1968-72*	Arm Rest Base, Black RH
M1040A	1968-72*	Arm Rest Base, Black LH
M1040B	1968-72*	Arm Rest Bases, Red
M1040C	1968-72*	Arm Rest Bases, Medium Blue
M1040D	1968-72*	Arm Rest Bases, Ivy Gold
M1040E	1968-72*	Arm Rest Bases, White
M1040F	1968-72*	Arm Rest Bases, Dark Blue
M1040G	1968-72*	Arm Rest Bases, Dark Green
M1040J	1968-69	Rear Arm Rests (no trim), w/Ash Tray & Pad
M1040K	1968-69	Rear Arm Rests w/Chrome Trim, Ash Tray & Pad
M1040N	1970-72	Rear Arm Rest Ash Tray



M1340

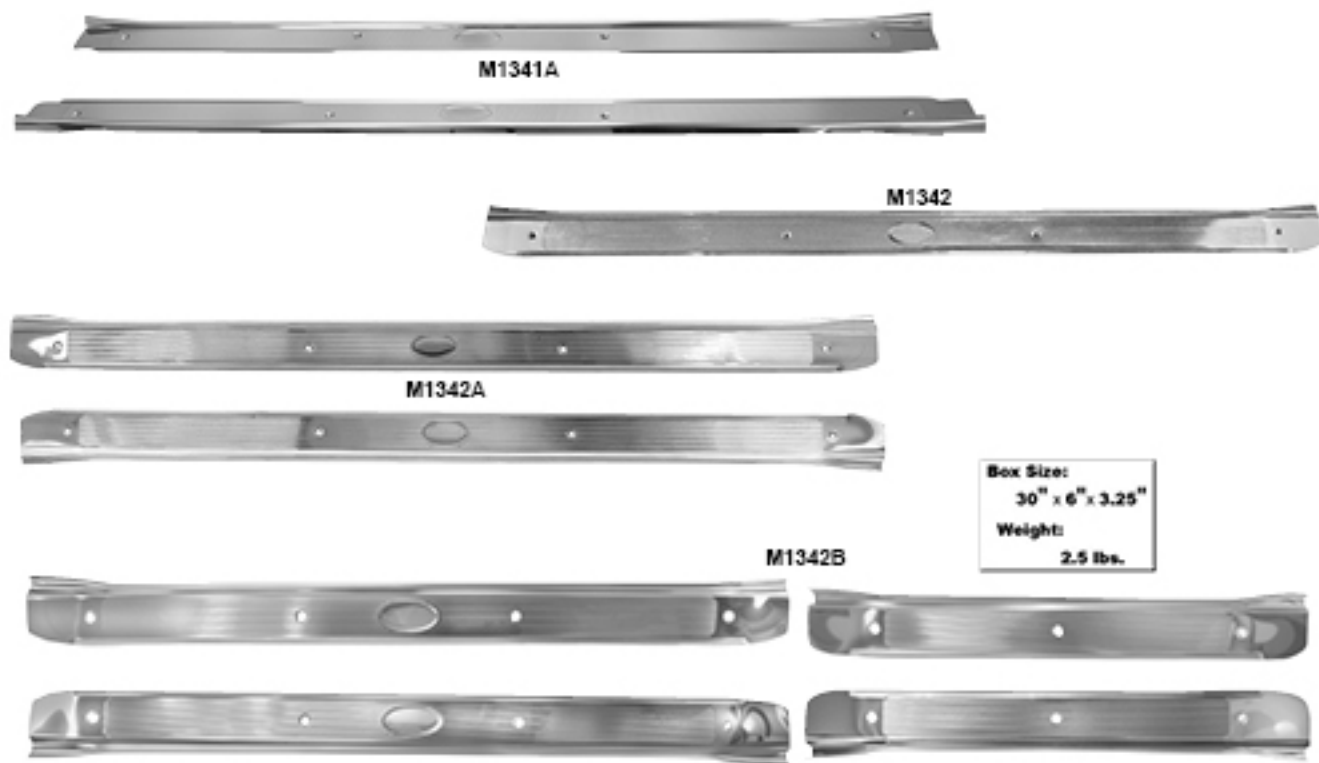


M1340A

M1341

M1340	1964-67*	Scuff Plate, Fits both sides Without Ribs
M1340A	1964-67*	Scuff Plates, Fits both sides Stainless Steel without Ribs, pr.
M1341	1964-67*	Scuff Plate, Fits both sides With Ribs

Door Scuff Plates



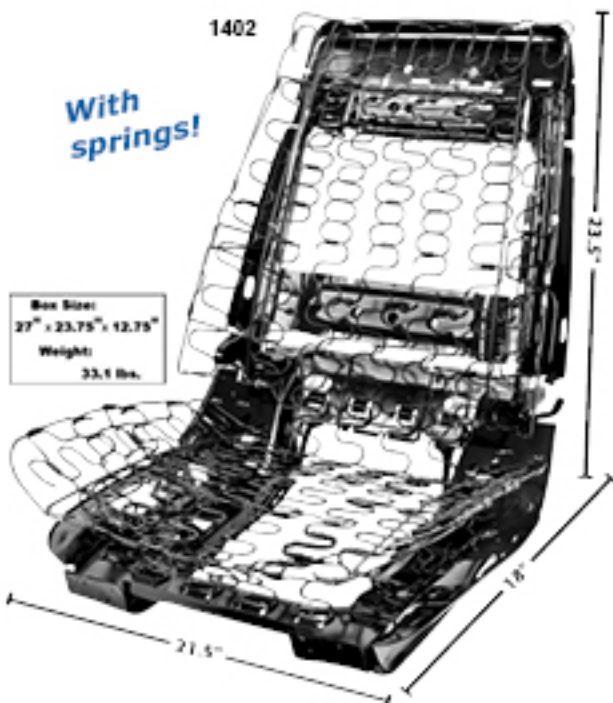
M1341A	1964-67*	Scuff Plates, Fits both sides, Stainless Steel with Ribs, pr.
M1342	1968-72*	Scuff Plate, RH
M1343	1968-72*	Scuff Plate, LH
M1342A	1968-72*	Scuff Plates, Stainless
M1342B	1968-72	Scuff Plates for 4 Door, Stainless

Interior Trim & Kick Panels



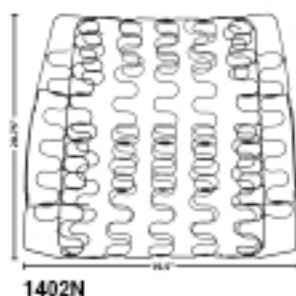
GM01	1964-72*	Clothes Hanger Hooks
GM02	1968-72*	Shoulder Harness Hooks
1451E	1967*	Floor Trim Panel
1451F	1968-72*	Floor Trim Panel
1438	1967*	Kick Panel (No A/C), RH
1439	1967*	Kick Panel (No A/C), LH
1440	1968-72*	Kick Panels

1964-68

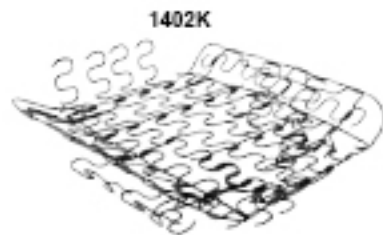
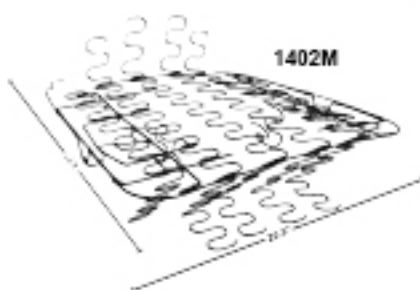


With springs!

Box Size:
27" x 23.75" x 12.75"
Weight:
33.1 lbs.



Box Size:
17" x 7" x 4"
Weight:
6.25 lbs.

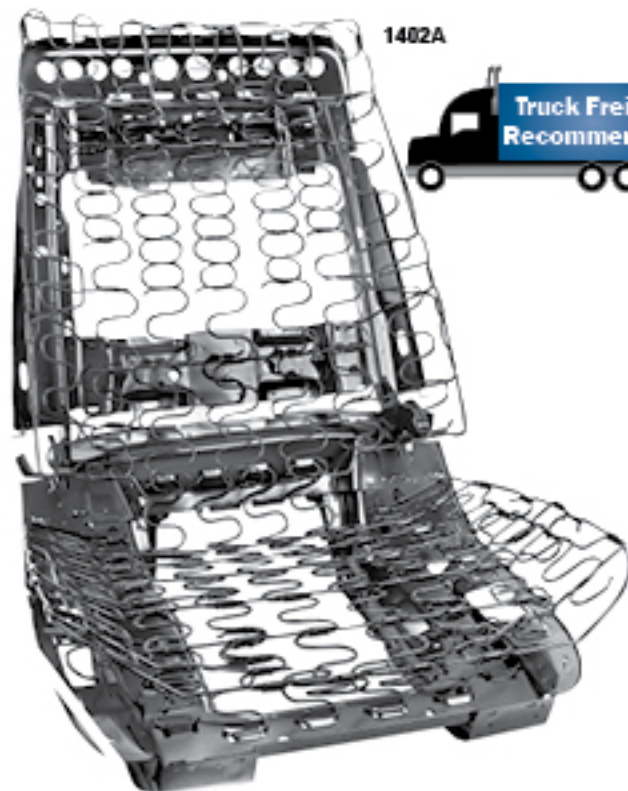


See page CH94 for seat belts...

1402N	1964-65	Seat Back Spring
1402M	1964-65	Seat Bottom Spring
1401	1966-68*	Seat Assembly, RH
1402	1966-68*	Seat Assembly, LH
1402L	1966-72	Seat Back Spring, Fits both sides (Also fits 1970-72 Monte Carlo®)
1402K	1966-72	Seat Bottom Spring, Fits both sides (Also fits 1970-72 Monte Carlo®)
1402F	1964-72	Rear Seat Retainer Kit, 4 pcs.
1402C	1966-72	Head Rest Guides (One Set) for Strato-Bucket Seats
1402J	1968-72	Headrest Release
M1392P	1967-68*	Bucket Seat Release Button
1560	1968-72*	Seat Track Assembly, RH
1561	1968-72*	Seat Track Assembly, LH
M1392Q	1966-72	Bench Seat Hinge Covers
K883F	1967*	Belt Buckle Cover w/Fisher Insert
K883G	1968-72*	Belt Buckle Cover w/GM Insert

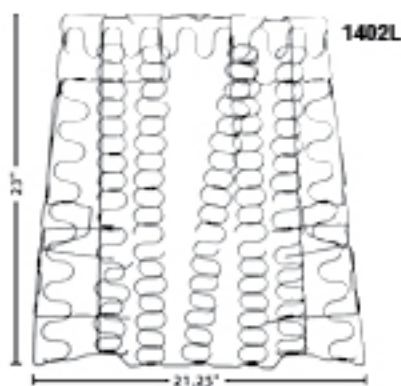


1969-72

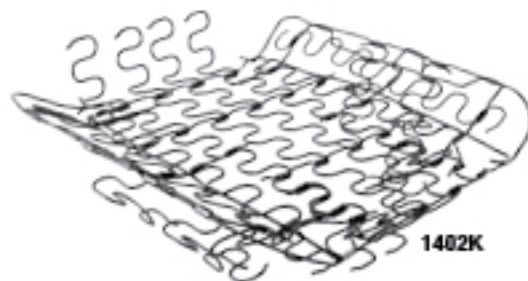


1402A

Truck Freight
Recommended



1402L



1402K



1402C



1402J

1402B



1402D



K883G



1561

Box Size:
17" x 7" x 4"
Weight:
6.25 lbs.

See page CH94 for seat belts...

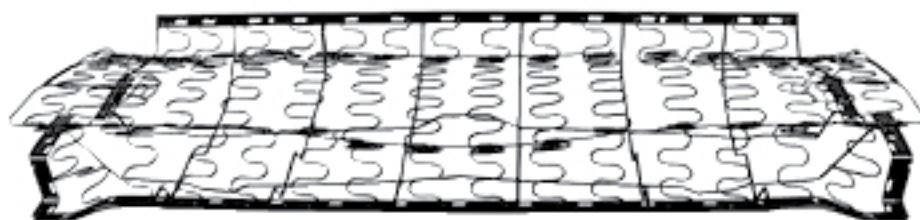
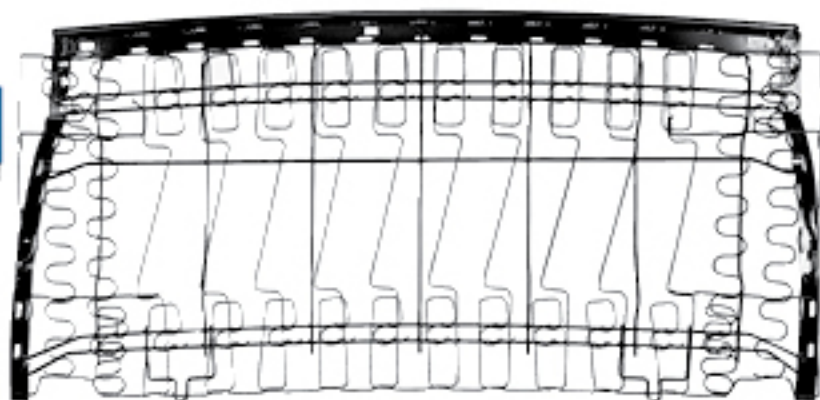
1402A	1969-72*	Seat Assembly, Fits both sides (Also fits 1970-72 Monte Carlo®)
1402L	1966-72	Seat Back Spring, Fits both sides (Also fits 1970-72 Monte Carlo®)
1402K	1966-72	Seat Bottom Spring, Fits both sides (Also fits 1970-72 Monte Carlo®)
1402C	1966-72	Head Rest Guides (One Set) for Strato-Bucket Seats
1402J	1968-72	Headrest Release
1402B	1969-72	Seat Back Lock Assembly
1402D	1969-72	Seat Back Release Assembly
1560	1968-72*	Seat Track Assembly, RH
1561	1968-72*	Seat Track Assembly, LH
K883G	1968-72*	Belt Buckle Cover w/GM Insert

1969-72

Seats & Components



1402H



1402F

M1392Q



K883G



See page CH94 for seat belts...

1402H	1970-72*	Rear Seat Frame (Back & Bottom)
1402F	1964-72	Rear Seat Retainer Kit, 4 pcs.
M1392Q	1966-72	Bench Seat Hinge Covers
K883G	1968-72*	Belt Buckle Cover w/GM Insert

Black 80/20 Loop Carpet



Carpet

14B53130	1964-67	Carpet, Black, 80/20 Loop <i>Chevelle®</i>
14B53134	1964-67	Carpet, Black, 80/20 Loop, 4-Speed without console <i>Chevelle®</i>
14B53131	1968-72	Carpet, Black, 80/20 Loop <i>Chevelle®</i>
14B53164	1968-72	Carpet, Black, 80/20 Loop, 4-Speed without console <i>Chevelle®</i>



Seat Belts with Push Button:
6 colors to choose from

60 Inch Belts

SBP-BK60	Seat Belt with Push Button	Black
SBP-GR60	Seat Belt with Push Button	Grey
SBP-TAN60	Seat Belt with Push Button	Tan
SBP-NB60	Seat Belt with Push Button	Navy Blue
SBP-RED60	Seat Belt with Push Button	Red
SBP-MAR60	Seat Belt with Push Button	Maroon



74 Inch Belts

SBP-BK74	Seat Belt with Push Button	Black
SBP-GR74	Seat Belt with Push Button	Grey
SBP-TAN74	Seat Belt with Push Button	Tan
SBP-NB74	Seat Belt with Push Button	Navy Blue
SBP-RED74	Seat Belt with Push Button	Red
SBP-MAR74	Seat Belt with Push Button	Maroon



SBR-BK	Retractable 3 Point Seat Belt with Push Button	Black
SBEXT-BK	Seat Belt Extension, 12 In.	Black

See also Accessory Section for more details...



Seat Belts with Lift Latch:
10 colors to choose from

60 Inch Belts

SBL-BK60	Seat Belt with Lift Latch	Black
SBL-WT60	Seat Belt with Lift Latch	White
SBL-LG60	Seat Belt with Lift Latch	Light Grey
SBL-DG60	Seat Belt with Lift Latch	Dark Grey
SBL-LT60	Seat Belt with Lift Latch	Light Tan
SBL-DT60	Seat Belt with Lift Latch	Dark Tan
SBL-LB60	Seat Belt with Lift Latch	Light Blue
SBL-DB60	Seat Belt with Lift Latch	Dark Blue
SBL-BR60	Seat Belt with Lift Latch	Bright Red
SBL-DR60	Seat Belt with Lift Latch	Dark Red



74 Inch Belts

SBL-BK74	Seat Belt with Lift Latch	Black
SBL-WT74	Seat Belt with Lift Latch	White
SBL-LG74	Seat Belt with Lift Latch	Light Grey
SBL-DG74	Seat Belt with Lift Latch	Dark Grey
SBL-LT74	Seat Belt with Lift Latch	Light Tan
SBL-DT74	Seat Belt with Lift Latch	Dark Tan
SBL-LB74	Seat Belt with Lift Latch	Light Blue
SBL-DB74	Seat Belt with Lift Latch	Dark Blue
SBL-BR74	Seat Belt with Lift Latch	Bright Red
SBL-DR74	Seat Belt with Lift Latch	Dark Red

SBL-BK60BLK



SBL-BK60BLK	Seat Belt w/Black Wrinkle-Finish Latch	Black
SBL-BK74BLK	Seat Belt w/Black Wrinkle-Finish Latch	Black

Basic Unit

Box Size:
11" x 9" x 3.5"
Weight:
2 lbs.



Fits:
67-72 Chevelle
70-72 Monte Carlo

AM-RC900

See Makes Above

Radio, Model RC900C, Basic Unit (no remote)

Muscle Car Parts & Molding • Muscle Car Parts & Molding • Muscle Car Parts & Molding



AM-HERMOSA-B

Box Size:
11.5" x 9" x 3.5"
Weight:
3 lbs.

AM-HERMOSA-B &
AM-MERMOSA-C
are replacing
ZUMA models &
Model 1 & 2 radios.

AM-HERMOSA-C

Box Size:
11.5" x 9" x 3.5"
Weight:
3 lbs.



AM-HERMOSA-B

1967-81

Radio, "Hermosa B" w/Black Face & Buttons (Use make-specific receptacle & knob kit)

AM-HERMOSA-C

1967-81

Radio, "Hermosa C" w/Chrome Face & Buttons (Use make-specific receptacle & knob kit)

Box Size:
11.5" x 8.75" x 3.25"
Weight:
2.66 lbs.



AM-ZUMA-B*

RetroSound

Box Size:
11.5" x 8.75" x 3.25"
Weight:
2.66 lbs.



AM-ZUMA-C*



AM-ZUMA-V*

Box Size:
11.5" x 8.75" x 3.25"
Weight:
2.66 lbs.

Box Size:
11.5" x 8.75" x 3.25"
Weight:
2.94 lbs.



AM-MOD2C*

***Discontinued; While supplies last.**

Replaced by
HERMOSA models;
see page CH95



AM-MOD2V*

Box Size:
11.5" x 8.75" x 13.25"
Weight:
2.98 lbs.

AM-ZUMA-B*

All Makes

Radio, "Zuma B" with Black Face & Knobs (Use make-specific faceplate & knob kit)

AM-ZUMA-C*

All Makes

Radio, "Zuma C" with Chrome Face & Knobs (Use make-specific faceplate & knob kit)

AM-ZUMA-V*

All Makes

Radio, "Zuma V" w/Chrome Face, Ivory Knobs (Use make-specific faceplate & knob kit)

AM-MOD2B*

All Makes

Radio, "Model 2B" with Black Face (Use make-specific faceplate & knob kit)

AM-MOD2C*

All Makes

Radio, "Model 2C" with Chrome Face (Use make-specific faceplate & knob kit)

AM-MOD2V*

All Makes

Radio, "Model 2V" with Ivory Knobs (Use make-specific faceplate & knob kit)



AM-1400



AM-1410



AM-1415

AM-1400	1964-65*	Radio Bezel & Knob Kit
AM-1410	1966-67*	Radio Bezel & Knob Kit
AM-1415	1968-72*	Radio Bezel & Knob Kit



AMR-57UK

Box Size:
9.5" x 6.25" x 2.5"
Weight:
1.6 lbs.

Fits:
Chevelle/Malibu; 1964-65
Chevelle/Malibu; 1968-69 w/Factory A/C



AMR-410UK
Fits:
Chevelle/Malibu; 1966-67, Non-A/C (tight fit)
Chevelle/Malibu; 1968-69, Non-A/C
Monte Carlo; 1978-85, Mono Radio



Box Size:
11.5" x 4.75" x 2.5"
Weight:
1.52 lbs.



AM-SUB8100

Box Size:
20" x 10" x 4"
Weight:
11 lbs.

AMR-57UK	1964-69	Dash Speaker with Bracket, 6 x 7 Dual Voice Coil, 2-way, 100 watt
AMR-410UK	1966-85	Dash Speaker with Bracket, 4 x 10 Dual Voice Coil, 2-way, 150 watt
AM-SUB8100		Amplified Sub-Woofers, 8", 100 watt

AM-BT1



Box Size:
10.5" x 7.5" x 2.5"
Weight:
2 lbs.

AM-EX1



Includes Battery Status Indicator

Battery Status Indicator
Box Size:
5" x 1.75" x 1.75"
Weight:
.5 lbs.

AM-EX1-PKG

AM-EX1 Box Size:
10.5" x 7.5" x 2.5"
Weight:
2 lbs.

AM-BT1

Digital LCD Battery Monitor, 12 Volt Cigarette Lighter Plug

AM-EX1

Battery Charger/Maintainer

AM-EX1-PKG

Battery Charger/Maintainer w/LED, Includes Battery Status Indicator



1010HC



1010H



1010L



1010U

Reverse View



1010D

Reverse View



1702Q



M1013



LH01



M1013B



LH47



LH52



7031884

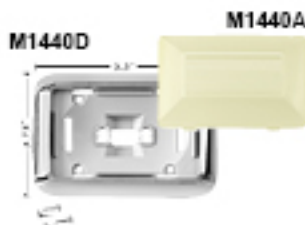


1463JM

Interior Electrical cont'd. next page...

1010HC	New	1964-72	Horn High + Low Note Chrome Plate w/ Mounting Bracket and Hardware
1010H		1964-72*	Horn, High
1010L		1964-72*	Horn, Low
1010U		1964-77	Horn Set with Universal Brackets, 6 pcs.
1010D		1970-72	Horn Set with Welded Brackets, Pair
M1013		1964-72*	Headlamp Switch
LH01		1964-72*	Headlamp Dimmer Switch
M1013B		1970*	Headlamp Switch
1702Q		1965-66*	Windshield Wiper Switch
LH47		1967	Windshield Wiper Switch, 2-speed
LH52		1969-71	Windshield Wiper Switch (Also El Camino® W/O recessed park)
7031884		1967*	Cigarette Lighter
1463JM		1964-68	Power Window Motor, RH (Also fits 1970-72 Monte Carlo)
1463KM		1964-68	Power Window Motor, LH (Also fits 1970-72 Monte Carlo)

Interior Electrical



K35	1964-67	Dome Light Lens
4866918	1964-67	Dome Light Base
M1440A	1968-70	Dome Light Lens
M1440D	1968-70	Dome Light Base
8732777	1970-81	Dome Light Lens
20030351	1970-81	Dome Light Base

Sill Decal



FL01*	"Body by Fisher" Door Sill Decal
-------	----------------------------------

Bushings



M1450	1965-67*	Radiator Support Bushings
M1452	1964-67	Coupe Body Bushings
M1452A	1964-67	Convertible Body Bushings



M1451	1968-72*	Radiator Support Bushings
M1453	1968-72	Coupe Body Bushings
M1454	1968-72	Convertible Body Bushings

Muscle Car Parts & Molding • Muscle Car Parts & Molding • Muscle Car Parts & Molding

5" x 4 3/4" Bolt Pattern



GW157

Box Size:
17" x 17" x 10.25"
Weight:
19 lbs.



GW157C

Box Size:
17" x 17" x 9"
Weight:
20 lbs.



GW158

Box Size:
17" x 17" x 10.25"
Weight:
20 lbs.



GW157P	New	GM	Magnum Alloy Wheel 15"x7" w/Center Cap, 4" Backspace, Photo on pg A24
GW157			Magnum Alloy Wheel 15"x7" w/Center Cap, no offset, 4" Backspace
GW157C			Magnum Alloy Wheel 15"x7", Coated, w/Center Cap, no offset, 4" Backspace
GW158			Magnum Alloy Wheel 15"x8" w/Center Cap, 10mm negative offset (-.4"), 4.07" Backspace



GW158P

Box Size:
17" x 17" x 10"
Weight:
20 lbs.



GW158C

Box Size:
17" x 17" x 10"
Weight:
21 lbs.



GW150

Box Size:
17" x 17" x 10.25"
Weight:
22 lbs.



GW158P New GM Magnum Alloy Wheel 15"x8" New Design, 4.75 Bolt Pattern, 4" Backspace

GW158C Magnum Alloy Wheel 15"x8", Coated w/Center Cap, 10mm negative offset (-.4"), 4.07" Backspace

GW150 Magnum Alloy Wheel 15"x10" w/Center Cap, 21mm negative offset (-.8"), 4.65" Backspace



GW150C

Box Size:
17" x 17" x 12"
Weight:
23 lbs.



GW177

Box Size:
19" x 19" x 9"
Weight:
23 lbs.



GW177C

Box Size:
19" x 19" x 9"
Weight:
23 lbs.



GW150C

Magnum Alloy Wheel 15"x10", Coated, w/Center Cap, 21mm negative offset (-.8"), 4.65" Backspace

GW177

Magnum Alloy Wheel 17"x7" w/Center Cap and decal, no offset

GW177C

Magnum Alloy Wheel 17"x7" w/Center Cap and decal, no offset, Chrome



GW178

Box Size:
19.5" x 19.5" x 10"
Weight:
24 lbs.



FW-CAP

5" x 4 3/4" Bolt Pattern



GW178C

Box Size:
19.25" x 19.25" x 10.25"
Weight:
24 lbs.



GW178 Magnum Alloy Wheel 17"x8" w/Center Cap and decal, 10mm negative offset

GW178C Magnum Alloy Wheel 17"x8" w/Center Cap and decal, 10mm negative offset, Chrome

FW-CAP Magnum Wheel Cap with decal, 3/4" tall, Chrome (for 17" rims)



1005G

1968-72

Front Disc Brake Backing Plate, Pair



SC71A

1971-72

Bucket Seat Covers, 4 Pc. Set

Ignition Locks



157	1964*	Octagon
161	1964*	Original
158	1965*	Octagon
158A	1965*	Original
100	1966-67*	Later
100A	1966-67*	Original
101	1968*	Later
101A	1968*	Original
102	1969-78*	Later, Also Monte Carlo®

Ign., Door, Glove, Trunk Locks



291	1964	Original
292	1965	Original
293	1966	Original
294	1967	Original
336	1968	Original
337	1969	Original
338	1970-77	Original

See also our Locks Catalog for more details...

Trunk Locks & Kits



Kits come complete with lock, keys, spring, shaft, bracket and gasket. (non GM keys)

112	1964-66, 68-72	Later
112A	1964-66	Original
113	1967	Later
113A	1967	Original
112B	1968	Original
1575	1964-66, 68-72*	Later
1576	1967*	Later

Ignition & Door Lock Kits



142	1964*	Octagon
142A	1964*	Original
143A	1965*	Original
104	1966-67*	Later
104A	1966-67*	Original
105	1968*	Later
105A	1968*	Original
106	1969-78*	Later, Also Monte Carlo®

Glove Box Locks



CL-955	1964-72	Key-less
CL-960	1964-72	Key-less, Brushed Stainless
145	1964-65*	Later
145A	1964-65*	Original
146+	1966-67*	Later
146A+	1966-67*	Original
119A	1968*	Original
119	1968-69*	Later
120	1970-77*	Later, Also Monte Carlo®

+ Cylinder & Keys ONLY. Case not included.

Glove Box & Trunk Lock Kits



162	1964-65*	Later
162A	1964-65*	Original
148+	1966*	Later
148A+	1966*	Original
149+	1967*	Later
149A+	1967*	Original
150A	1968*	Original
150	1968-69*	Later
151	1970-77*	Later

+ Cylinder & Keys ONLY. Case not included.