

# Dynacorn

International LLC  
The muscle car people



**2019**  
**CHEVY® & GMC® TRUCK**

# Chevy®/GMC® Truck Index

## Index

- A**  
A/C Vent Ball & Bezel: 27  
Ammeter Gauge: 110  
Antennas: 84, 85, 86, 87
- B**  
Back-up Lamps: 86, 89  
Battery Charger/Maintainer: 108  
Battery Gauge: 109  
Battery Monitor: 108  
Battery Trays & Hold Downs: 9, 10  
Bed Floor Pans: 35, 36  
Bed Rear Cross Sill: 37, 38  
Bedside Panels: 59, 60, 61  
Bed Moldings: 82, 83  
Bed Panels: 57, 58, 59  
Bed Reinforcement: 37, 38  
Bed Steps & Hangers: 63  
Bed Strip Kits: 37  
Body Shims & Washers: 10  
Bumper Braces: 5  
Bumper Brackets: 5  
Bumpers & Guards: 1, 2, 3, 4  
Bumper Fillers: 6
- C**  
Cab Braces: 42  
Cab Corners: 42, 43, 44  
Cab Floor Battery Cover: 29  
Cab Floor Drop-In: 34  
Cab Floor Pans & Supports: 28, 29, 30, 31, 32, 33, 34  
Cab Floor Shifter Covers: 29, 30  
Cab Floor Support: 34  
Cab Floor Transmission Cover: 30  
Cab Moldings: 81  
Cab Mount Kit: 44  
Cab Rear Panels & Braces: 42, 43  
Carpet: 105  
Coil Spring Retainer: 10  
Control Arms, Rear: 38  
Cowl Panels: 23, 24, 25  
Cowl Vent: 46  
Cowl Vent Cover: 23  
Cowl Vent Grille: 24, 25  
Crossmember Mount: 29
- D**  
Dash Bezels & Appliques: 100  
Dash Pad: 27  
Dash Panels: 27  
Dash Radio Panels: 27  
Dash Speaker Grilles: 26  
Dash Speaker with Bracket: 107  
Dash Trim: 26  
Defroster Ducts: 96  
Dome Lamp Assembly: 110  
Dome Lamps: 109, 110  
Door Drip Rail Moldings: 79  
Door Edge Guard: 102  
Door Frame Panels & Cowls: 44, 45, 46  
Door Glass Channel Run: 96  
Door Handles, Cranks & Relays: 56  
Door Hinges & Latches: 45, 46, 47, 48, 50, 52, 53  
Door Lock Knobs: 102  
Door Molding, Outer: 81  
Door Pillar: 44, 45, 46  
Door Relays: 47, 48, 50  
Door Shells: 46, 47, 48, 49, 51, 52, 53, 54  
Door Sill Scuff Plates: 103  
Door Skins/Inner Panels: 46, 48, 49, 50, 51, 53, 55  
Door Step W/Inner Rocker: 63  
Door Trims & Arm Rests: 102  
Door Upper Guide Rails: 49  
Door Window Frames: 80, 90, 92  
Door Window Glass: 90, 91, 92, 93, 94  
Door Window Glass Track: 91, 94  
Door Window Run Channel: 94  
Drip Rail/Door Crown Trims: 46, 47, 52, 53  
Drip Rail Molding: 79
- E**  
Electrical, Interior: 108  
Emblem: 84  
Emergency Brake, Cable & Equalizer: 97  
Engine Mounts: 9  
Evaporator Box: 96  
Eyebrow Molding: 74
- F**  
Fenders, Braces & Extensions, Front: 11, 12, 13, 14  
Fenders, Rear: 61, 62  
Fender Moldings: 80  
Fender Splash Shield, Inner: 14  
Firewalls: 22  
Floor / Bed Front Enforcement Bar Strip: 38  
Floor Panel Bolt Set: 35, 36  
Floor Pans & Components: 28, 29, 30, 31, 32, 33, 34  
Floor Section: 35  
Foot Well Panels: 23  
Fuel Gauge: 109  
Fuel Senders: 69  
Fuel Tank Brackets & Straps: 70  
Fuel Tank Filler Kits: 70  
Fuel Tanks: 66, 67, 68
- G**  
Gauges (Fuel, Speedo., Temp., Oil, etc.): 109, 110  
Glass, Weatherstrip & Seals: 89, 91, 92, 93, 94, 95  
Glove Box Door Hinge Bushing: 27  
Glove Box Door: 25, 26  
Gravel Shield: 7  
Grilles: 70, 71, 72, 73, 74, 75  
Grille Moldings: 75, 76  
Grille Shell: 76  
Grille Supports: 71, 72, 75
- H**  
Headlamp Buckets & Bezels: 70, 71, 72, 74, 75  
Headlamp Dimmer Switch: 110  
Headlamp Retaining Rings: 72, 73, 74, 75, 76  
Head Lamp Switch: 109, 110  
Head Lamp Switches: 109, 110  
Heater Box: 96  
Hood Hinges & Latches: 17, 18, 19  
Hood Lower Valance: 17  
Hood Ornament: 77  
Hoods: 16, 17, 18, 19, 20, 21  
Hood Hinges & Latches: 16, 17  
Hood Latch Panels: 21  
Hood Moldings: 77  
Hood Ornament Grille: 72  
Horns: 111
- I**  
Instrument Bezels: 25, 26, 27  
Instrument Cluster Lenses: 26, 27
- K**  
Kick Panels: 45  
Kick Panel Vent Doors: 103
- L**  
License Plate Bracket & Panel, Rear: 66  
License Plate Lamp: 84, 89  
Locks: 111
- M**  
Magnum Alloy Wheels: 112, 113  
Magnum Wheel Cap: 113  
Manual Regulator: 49, 52, 53  
Marker Lamp: 89  
Mirrors & Brackets, Exterior: 78  
Mirrors & Brackets, Interior: 100, 101
- O**  
Oil Pressure Gauge: 109, 110  
Outer Cab Floor/Inner Rockers: 32, 34

P  
Parking Lamps: 84, 85, 86, 87  
Parking Lamp Bezels: 84, 85, 86  
Pedal Pads & Trim: 97

Q  
Quarter Trim: 83

R  
Radiator Supports: 7, 8  
Radios & Components: 105, 106, 107  
Radio Speaker Cover (Door): 102  
Rear Control Arm: 38  
Rocker Panels: 39  
Roll Pans: 7  
Roof Panels & Braces: 39, 40  
Roof Panel Skin: 40  
Roof to Windshield Panel: 40  
Running Boards & Brackets: 62  
Running Board to Bed Aprons: 62, 63

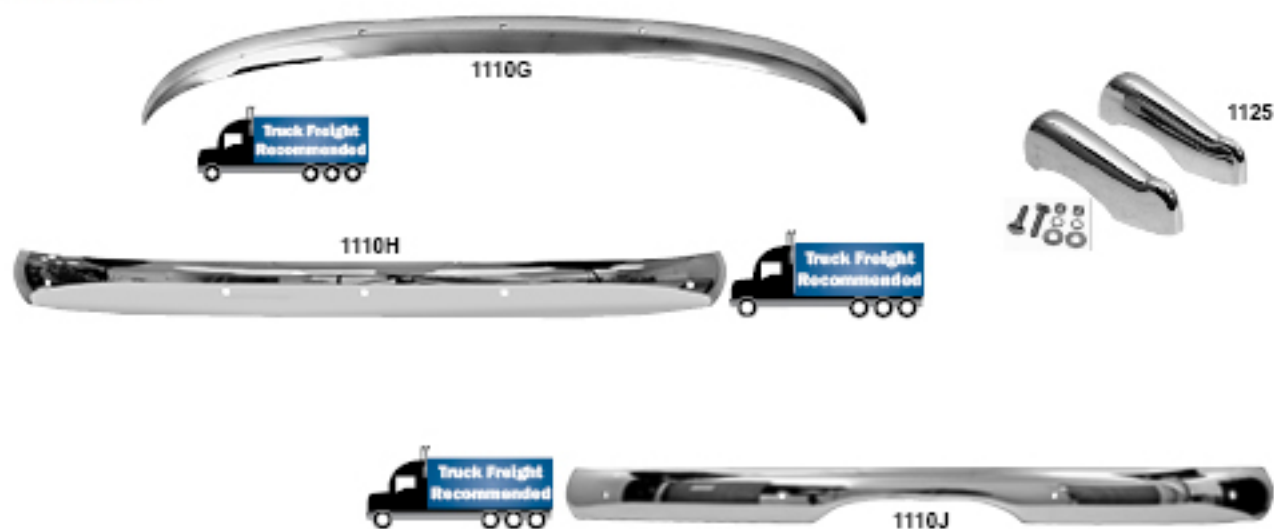
S  
Seat Adjustment Handle: 103  
Seat Belts: 103, 104  
Shift Lever: 97  
Shock Absorbers & Bracket: 10  
Side Markers: 87  
Speedometer: 109, 110  
Steering Wheels: 98, 99  
Stone Deflectors: 7  
Sun Visors & Brackets: 101

T  
Tachometer: 110  
Tailgates, Hinges & Chains: 64, 65  
Tailgate Molding: 84  
Tail Lamp Lens: 86, 87, 88, 89  
Tail Lamps: 84, 85, 86, 88  
Tail Lamp Bezels, Lenses & Housings:  
84, 85, 86, 88, 89  
Temperature Gauge: 109, 110  
Throttle Linkage for V-8: 97  
Timing Chain Cover: 9  
Transmission Shift Cover: 28, 29, 30  
Transmission Shifter Indicator: 97

V  
Vacuum Gauge: 110  
Valance: 17  
Vent Window: 91  
Vent Window Assemblies: 91, 92, 93, 95  
Vent Window Frames: 91, 92  
Vent Window Glass: 91, 92, 93, 95  
Vent Window Handles: 56

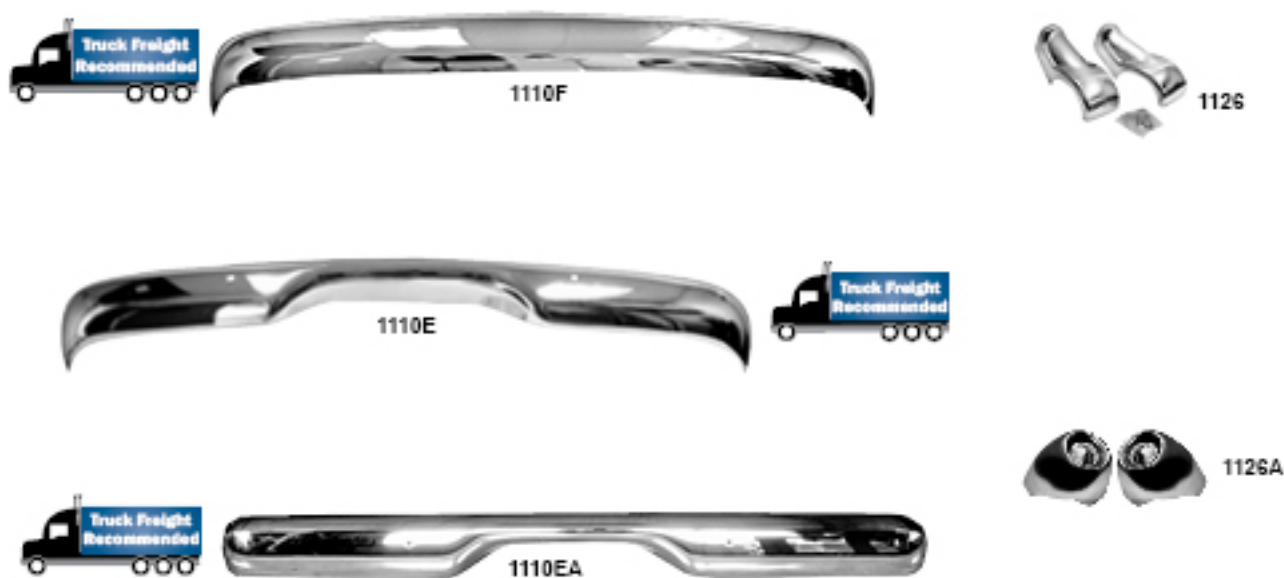
W  
Wheel Arch Panel: 59  
Wheelhouses & Inner Fenders: 15, 16  
Wheel Opening Moldings: 81, 82  
Window Cranks & Handles: 56  
Window Moldings, Rear: 82  
Window Motor: 55, 110  
Window Panels: 41  
Window Regulators: 47, 49, 50, 52, 53  
Windshield Fillers & Pillars: 25  
Windshield Moldings: 79  
Windshield Washer Bottle Bracket: 10  
Wiper Arm: 77  
Wiper Knob: 26  
Wiper Motor Transmission Arms: 77

**1947-54**



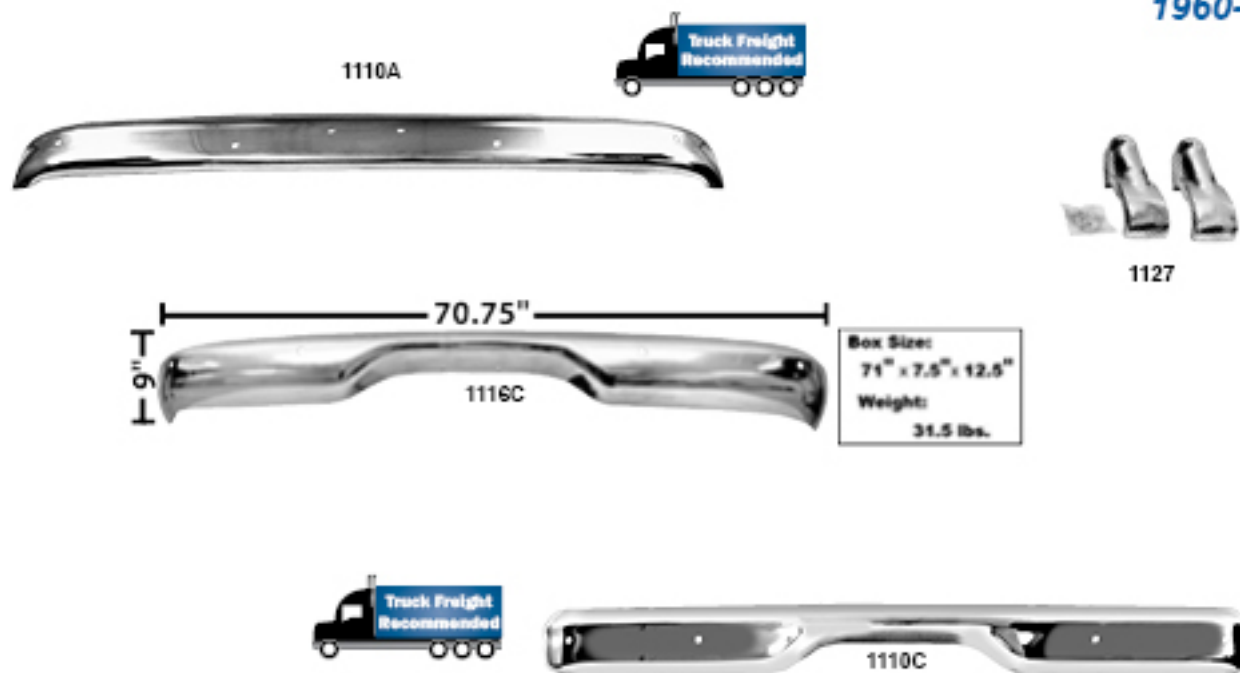
1110G	1947-55 1 <sup>st</sup> Series	Front Bumper
1125	1947-55	Front Bumper Guards
1110H	1947-53	Rear Stepside Bumper
1110J	1954-55 1 <sup>st</sup> Series	Rear Stepside Bumper

**1955-59**



1110F	1955-59	Front Bumper
1126	1955-59	Front Bumper Guards, Chevy
1110E	1955-59	Rear Stepside Bumper
1110EA	1958-59	Rear Fleetside Bumper
1126A	1957	Front Bumper Guards, GMC

1960-62



*Bumpers & Guards continued next page...*

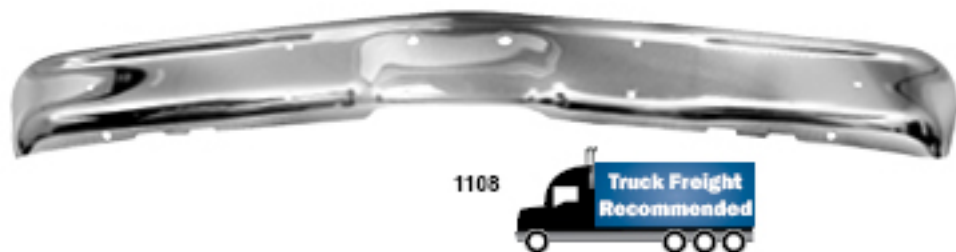
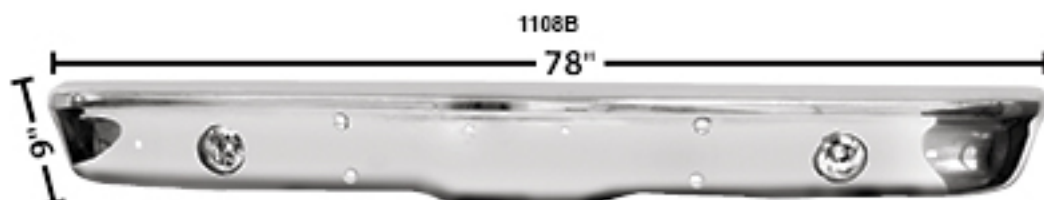
1110A	1960-62	Front Bumper
1127	1960-62	Front Bumper Guards
1116C	1960-66	Rear Stepside Bumper
1110C	1960-62	Rear Fleetside Bumper, without license plate hole
1110CA	1960-62	Rear Fleetside Bumper, with license plate hole

1963-66

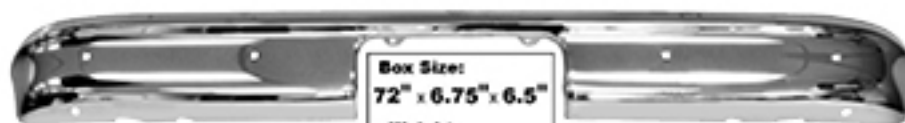


1110B	1963-66	Front Bumper
1128	1963-66	Front Bumper Guards
1110D	1963-66	Rear Fleetside Bumper

1967-72



1108	1967-70	Front Bumper (no holes), Chevy/Blazer. Also fits 1967-68 GMC
1108A	1969-72	Front Bumper, GMC with notches at top bumper
1108B	1967-70	Front Bumper Chrome, with Fog Lamp, Fleetside



Box Size:  
72" x 6.75" x 6.5"  
Weight:  
21.6 lbs.

1116A

Box Size:  
11.5" x 8.5" x 3"  
Weight:  
5 lbs.



1129



1116B

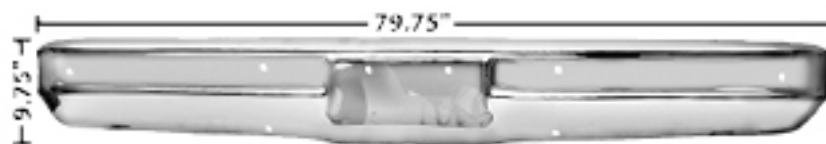


1109



1116A	1967-87	Rear Stepside Bumper
1116B	1967-72	Rear Fleetside Bumper
1109	1971-72	Front Bumper
1129	1967-72	Front Bumper Guards

**1973-80**



1109A

Box Size:  
80.5" x 9.5" x 9.25"  
Weight:  
34 lbs.



1109C

Box Size:  
78.25" x 7.5" x 9"  
Weight:  
35 lbs.



Box Size:  
50.5" x 10" x 9"  
Weight:  
36 lbs.

Reverse View



1109E

1109A	1973-80	Front Bumper, Fleetside
1109C	1973-80	Rear Fleetside Bumper without pad holes
1109E	1973-80	Bumper Front, with fog lamp, Chrome

1947-59



1111V	1947-55 1 <sup>st</sup> Series	Front Bumper Brackets
1101	1947-55 1 <sup>st</sup> Series	Rear Bumper Brackets
1111W	1955-57	Front Bumper Brackets
1101A	1955-59	Rear Bumper Brackets
1111X	1958-59	Front Bumper Brackets

1960-66



Box Size:  
20.75" x 7" x 5"  
Weight:  
13 lbs.

1111Y	1960-66	Front Bumper Bracket RH
1111Z	1960-66	Front Bumper Bracket LH
1109I	1960-62	Rear Bumper Brackets, 4 pcs, Fleetside
1109J	1963-66	Rear Bumper Brackets, 2 pcs, Fleetside
1109L	1963-66	Rear Bumper Bracket, Stepside

1967-80



Box Size:  
17" x 8" x 8"  
Weight:  
20.7 lbs.

1112E	1967-70	Front Bumper Braces, 4 pcs. (Also fits 1967-72 GMC)
1109K	1967-72	Rear Bumper Brackets, 4 pcs.
1112F	1971-72	Front Bumper Braces, 4 pcs
1109Z	1973-80	Rear Bumper Brackets, Fleetside

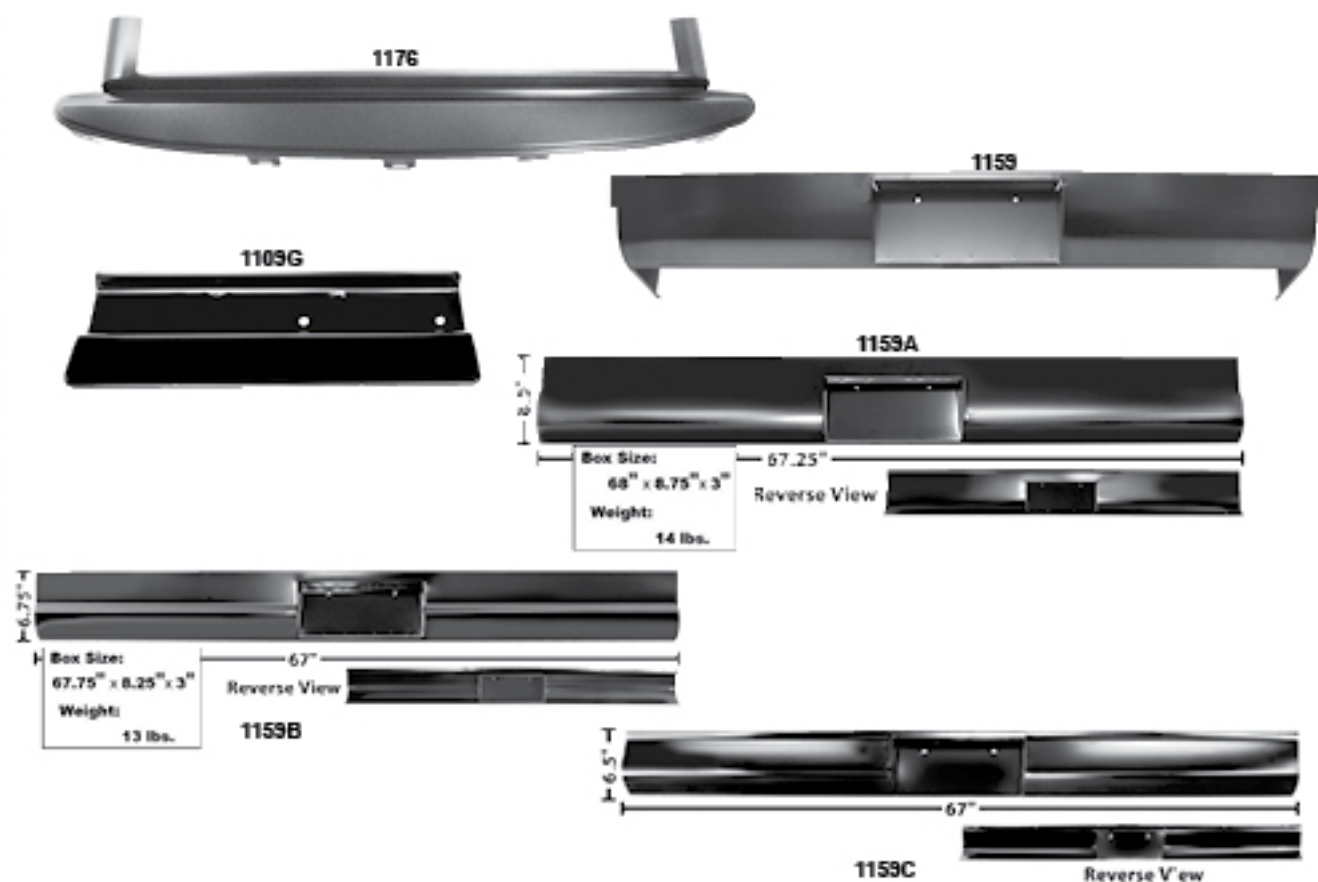


Muscle Car Parts & Molding • Muscle Car Parts & Molding • Muscle Car Parts & Molding



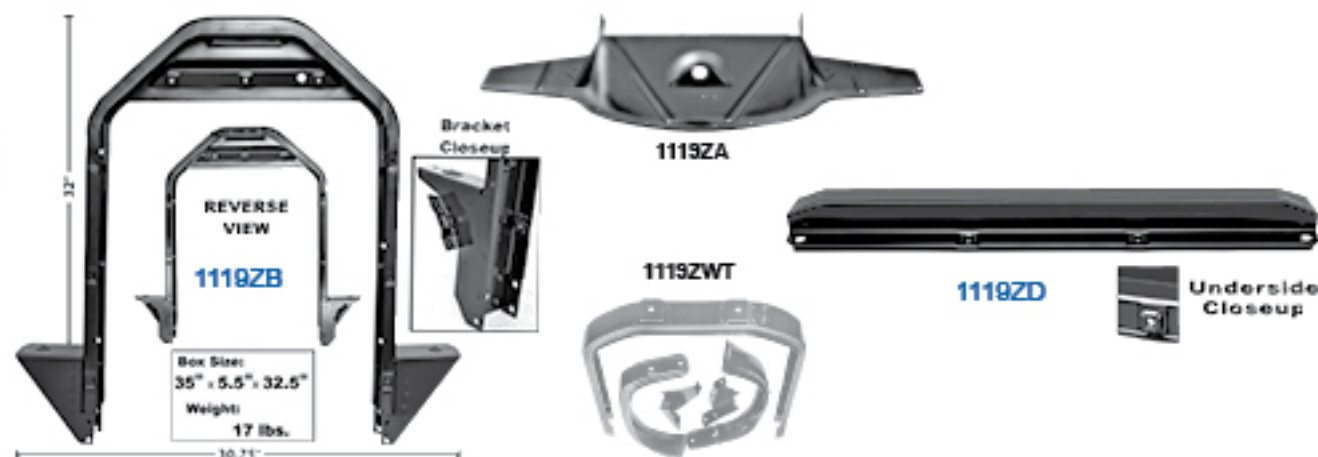
1096A	1947-53	Bumper Filler
1096	1947-54	Bumper Filler, GMC
1096B	1954-55 1 <sup>st</sup> Series	Bumper Filler
1096H	1955-56	Bumper Filler w/ Grille Brackets
1096G	1957	Bumper Filler w/o Grille Brackets
1096F	1958-59	Bumper Filler
1096C	1967-68	Bumper Filler
1096J	1969-72	Bumper Filler

Stone Deflectors/Roll Pans



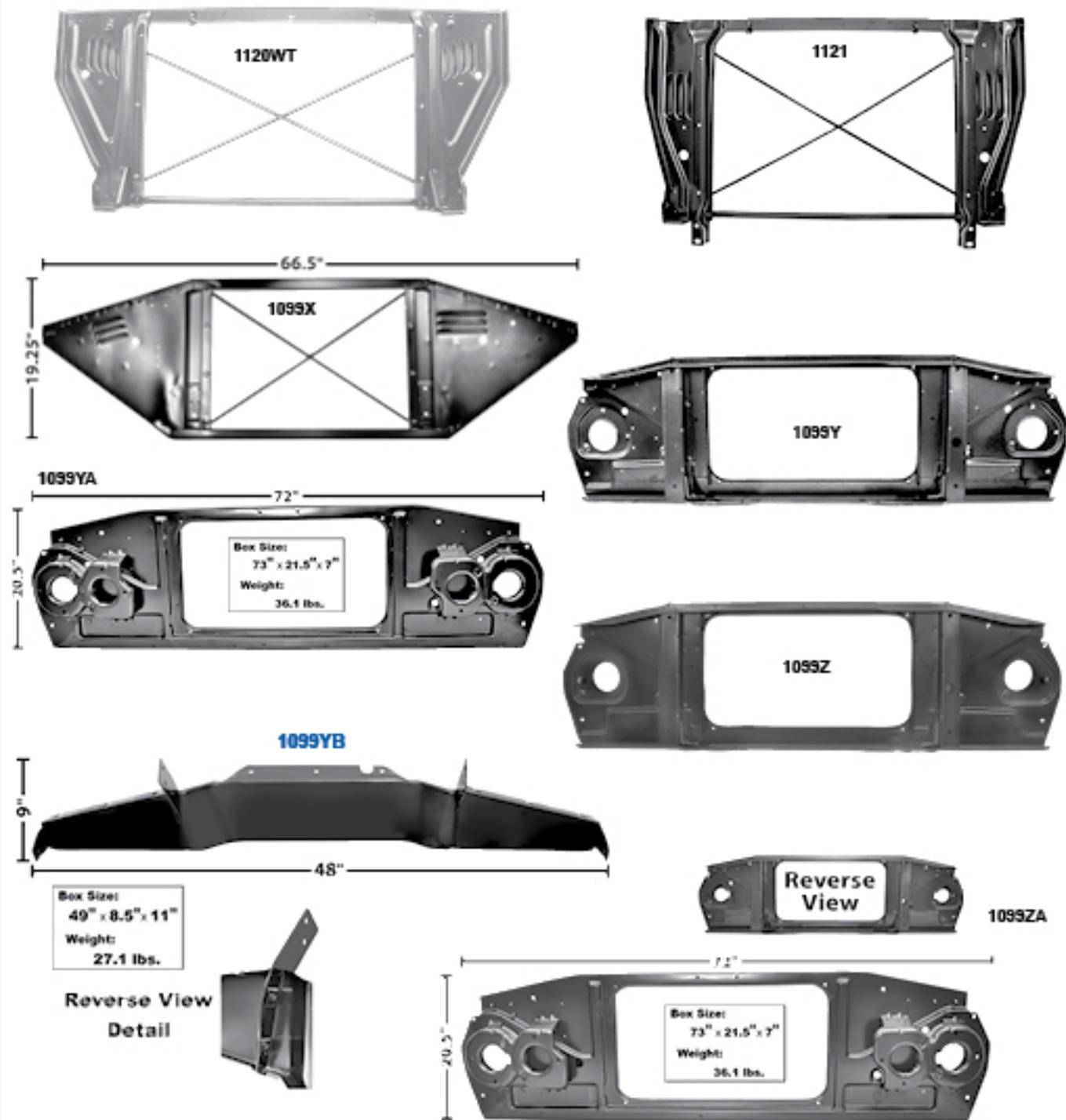
1176	1947-54	Rear Gravel Shield
1159	1954-87	Rear Roll Pan for Stepside w/License Box (NO license lamp holes)
1159A	1960-66	Rear Roll Pan for Fleetside w/License Box (NO license lamp holes)
1159B	1967-72	Rear Roll Pan for Fleetside w/License Box (NO license lamp holes)
1109H	1967-72	Rear Bumper Deflector for Fleetside RH
1109G	1967-72	Rear Bumper Deflector for Fleetside LH
1159C	1973-87	Rear Roll Pan for Fleetside w/License Box (NO license lamp holes)

Radiator Supports



1119ZB	New	1947-54	Radiator Support, <i>gmc</i>
1119ZWT		1947-54	Radiator Support w/Ledge Bracket, Weld-Through Primer, <i>Chevy</i>
1119ZA		1947-54	Radiator Grille Lower Support, <i>Chevy</i>
1119ZD	New	1947-54	Radiator Support Upper Cross

Muscle Car Parts & Molding • Muscle Car Parts & Molding • Muscle Car Parts & Molding

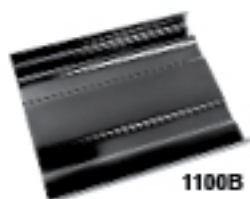


1099YB	New	1947-54	Radiator Support Lower Apron Set, 6pcs, omc
1120WT		1955-57	Radiator Support, Weld-Through Primer, Chevy
1121		1958-59	Radiator Support, Chevy
1099X		1960-66	Radiator Support, Chevy
1099Y		1967-68	Radiator Support, Chevy
1099YA		1967-68	Radiator Support, omc
1099Z		1969-72	Radiator Support, Chevy
1099ZA		1969-72	Radiator Support, omc

**1947-59**



1100K



1100B



1100D



1201



1203



1205



1204

1100K	1947-55 1 <sup>st</sup> Series	Battery Tray Hold Down
1100B	1947-55 1 <sup>st</sup> Series	Battery Tray Bottom
1100D	1947-55 1 <sup>st</sup> Series	Battery Tray Assembly
1201	1947-54	Front Engine Mount, 6 cylinder
1203	1947-55	Front Engine Mount Base Plate, 6 cylinder
1204	1947-53	Rear Engine Mount, 6 cylinder
1205	1947-59	Engine Mount, V8 Small Block

**1955-66**



1100E



1100EC



1100P



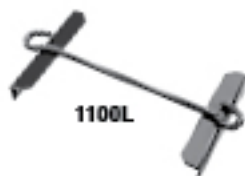
1100C



1100N



1100NC



1100L



1100LC



1207



1200



1202

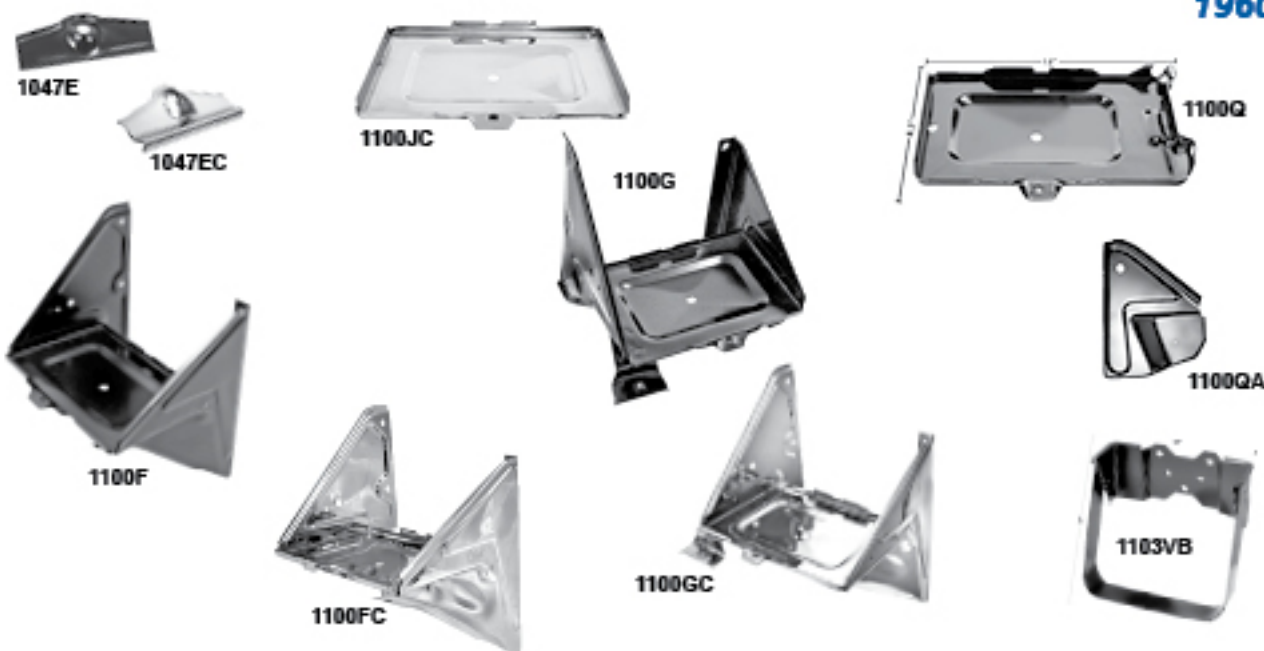


1100H

1100E	1955-57	Battery Tray Hold Down
1100EC	1955-57	Battery Tray Hold Down, Stainless
1100N	1955-57	Battery Tray Assembly
1100NC	1955-57	Battery Tray Bottom, Stainless
1100P	1955-66	Battery Tray Hold Down J-Bolt
1100L	1958-66	Battery Tray Hold Down
1100LC	1958-66	Battery Tray Hold Down, Stainless
1100C	1958-59	Battery Tray
1200	1954-62	Timing Chain Cover, 6 cyl., Painted
1202	1954-62	Timing Chain Cover, 6 cyl., Chrome
1207	1955-59	Front Engine Mounts, V8
1100H	1960-66	Battery Tray

1960-87

Engine Compartment



1047E	1967-80	Battery Tray Clamp
1047EC	1967-80	Battery Tray Clamp, Stainless
1100JC	1967-72	Battery Tray Bottom, Stainless
1100F	1967-72	Battery Tray Assembly W/O AC Bracket
1100FC	1967-72	Battery Tray Assembly W/O AC Bracket, Stainless
1100G	1967-72	Battery Tray Assembly With AC Bracket
1100GC	1967-72	Battery Tray Assembly With AC Bracket, Stainless
1103VB	1967-72	Windshield Washer Bottle Bracket
1100Q	1973-80	Battery Tray
1100QA	1973-87	Battery Tray Support



1011B	1947-54	Shock Absorber Bracket
1012B	1960-72	Coil Spring Rear Retainer



1000F	1964-72	Body Shims, 6 mm, 10 pcs.
1000D	1964-72	Body Shims, 3 mm, 10 pcs.
1000E	1964-72	Body Shims, 1.6 mm, 10 pcs.
GM03		Body Washers, 20 pcs.

Suspension

Body Shims

Muscle Car Parts & Molding • Muscle Car Parts & Molding • Muscle Car Parts & Molding

1947-56



1097PA	New	1947-52	Fender RH, omc
1097PB	New	1947-52	Fender LH, omc
1097P		1947-53	Front Fender RH
1097Q		1947-53	Front Fender LH
1097QA		1947-53	Lower Fender Panel, Front RH
1097QB		1947-53	Lower Fender Panel, Front LH
1097QC		1947-55 1 <sup>st</sup> Series	Lower Fender Panel, Rear RH
1097QD		1947-55 1 <sup>st</sup> Series	Lower Fender Panel, Rear LH
1091C		1947-54	Fender Skirt Brace, LH
1097R		1954-55 1 <sup>st</sup> Series	Front Fender RH
1097S		1954-55 1 <sup>st</sup> Series	Front Fender LH
1097T		1955-56	Front Fender RH
1097U		1955-56	Front Fender LH
1096W		1955-57	Front Extension RH
1096X		1955-57	Front Extension LH
1097QE		1955-57	Lower Fender Panel, Rear RH
1097QF		1955-57	Lower Fender Panel, Rear LH
1097ZA		1955-57	Lower Fender Mount, Rear RH
1097ZB		1955-57	Lower Fender Mount, Rear LH

1957

Front Fenders & Components

Muscle Car Parts & Molding • Muscle Car Parts & Molding • Muscle Car Parts & Molding



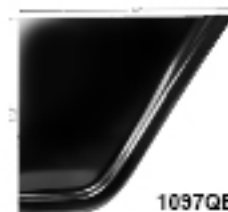
1097W



1096W



1097ZA



1097QE

1097W	1957	Front Fender RH
1097X	1957	Front Fender LH
1096W	1955-57	Front Extension RH
1096X	1955-57	Front Extension LH
1097QE	1955-57	Lower Fender Panel, Rear RH
1097QF	1955-57	Lower Fender Panel, Rear LH
1097ZA	1955-59	Lower Fender Mount, Rear RH
1097ZB	1955-59	Lower Fender Mount, Rear LH

1958-59



1097Y



1097QG



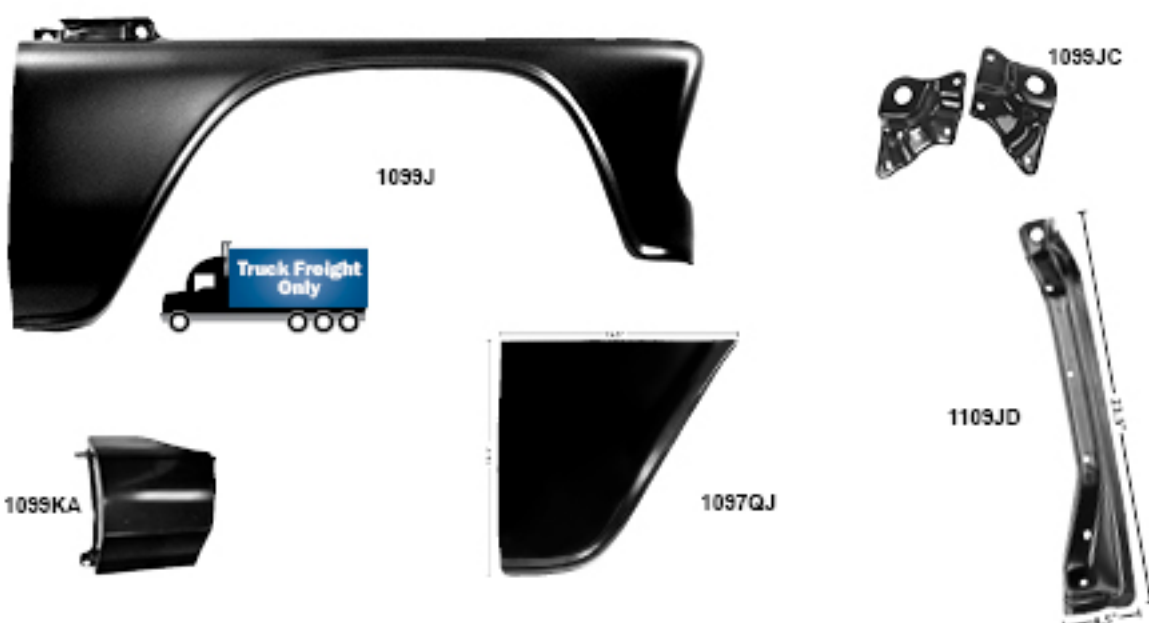
1097ZB



1097ZD

1097Y	1958-59	Front Fender RH
1097Z	1958-59	Front Fender LH
1097QG	1958-59	Lower Fender Panel, Rear RH
1097QH	1958-59	Lower Fender Panel, Rear LH
1097ZC	1958-59	Lower Fender Inner Brace, Rear RH
1097ZD	1958-59	Lower Fender Inner Brace, Rear LH
1097ZA	1955-59	Lower Fender Mount, Rear RH
1097ZB	1955-59	Lower Fender Mount, Rear LH

1960-66



1099J	1960-66	Front Fender RH
1099K	1960-66	Front Fender LH
1099JC	1960-66	Fender Shield Brackets
1099JA	1960-66	Front Fender Extension RH
1099KA	1960-66	Front Fender Extension LH
1097QJ	1960-66	Lower Fender Panel, Rear RH
1097QK	1960-66	Lower Fender Panel, Rear LH
1109JD	1960-66	Lower Fender Brace, Rear RH
1109KD	1960-66	Lower Fender Brace, Rear LH



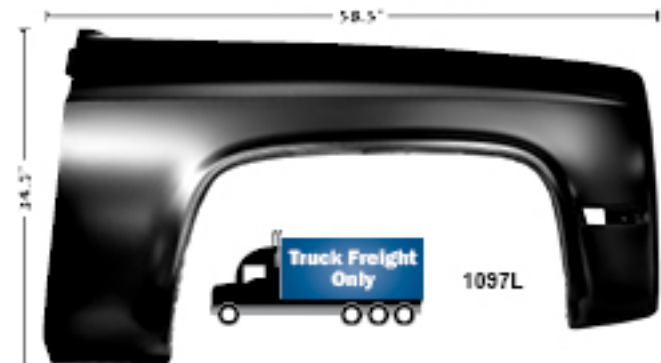
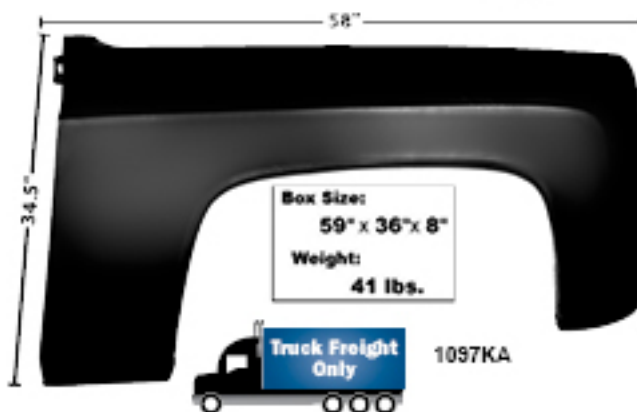
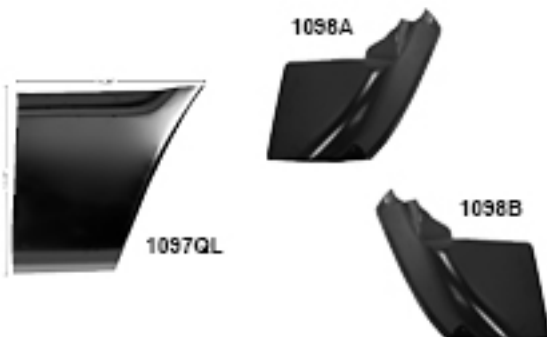
1099C	1967	Front Fender RH
1099D	1967	Front Fender LH
1097QL	1967-72	Lower Fender Panel, Rear RH
1097QM	1967-72	Lower Fender Panel, Rear LH



1968-87

Front Fenders & Components

Muscle Car Parts & Molding • Muscle Car Parts & Molding • Muscle Car Parts & Molding



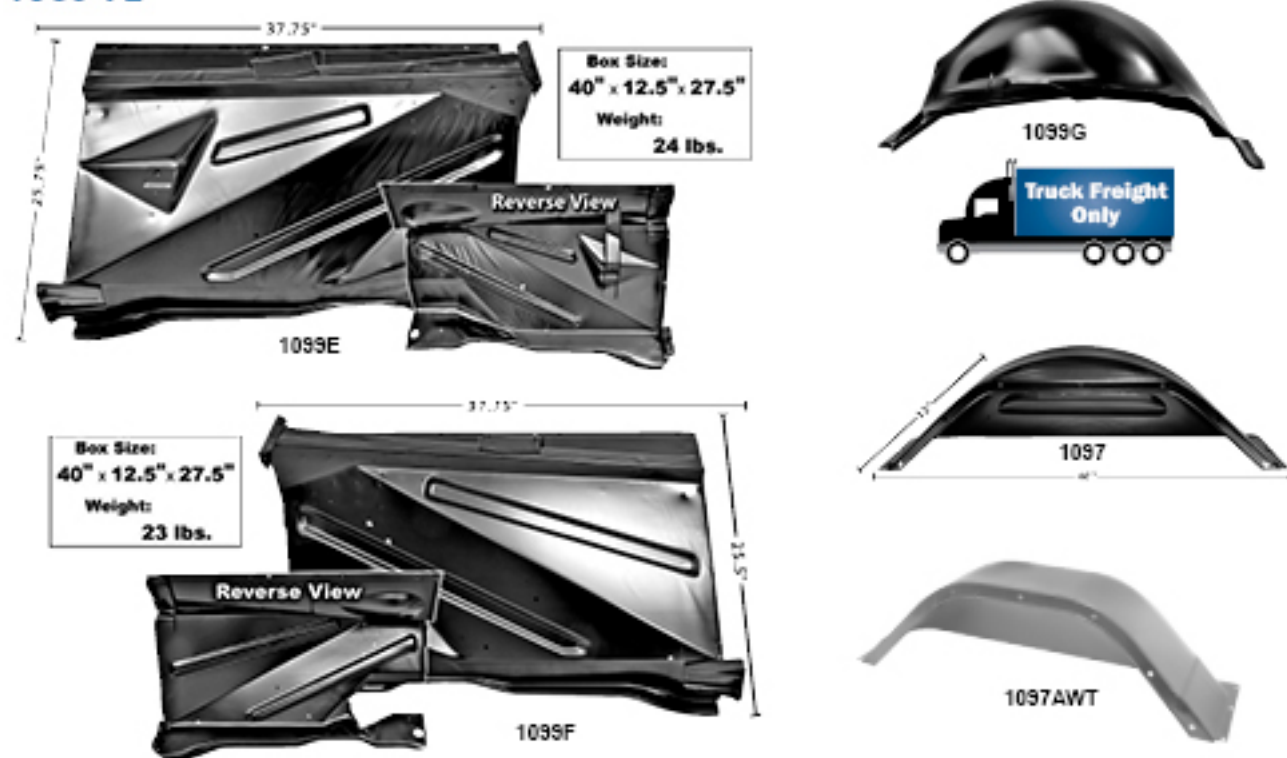
1099A	1968	Front Fender RH
1099B	1968	Front Fender LH
1098	1969-72	Front Fender RH
1099	1969-72	Front Fender LH
1097QL	1967-72	Lower Fender Panel, Rear RH
1097QM	1967-72	Lower Fender Panel, Rear LH
1098A	1967-72	Inner Fender Splash Shield, RH
1098B	1967-72	Inner Fender Splash Shield, LH
1097J	1973-80	Front Fender RH
1097K	1973-80	Front Fender LH
1097KA	1973-80	Front Fender, No lamp hole RH
1097KB	1973-80	Front Fender, No lamp hole LH
1097L	1981-87	Front Fender RH
1097M	1981-87	Front Fender LH

**1947-59**



1090AWT	1947-54	Inner Fender RH Chevy
1090BWT	1947-54	Inner Fender LH Chevy
1090BA	1947-55	Inner Fender, Lower Rear Section, RH Chevy
1090BB	1947-55	Inner Fender, Lower Rear Section, LH Chevy
1090C	1955-57	Inner Fender RH Chevy or GMC
1090D	1955-57	Inner Fender LH Chevy or GMC
1090E	1958-59	Inner Fender RH Chevy
1090F	1958-59	Inner Fender LH Chevy
1090G	1958-59	Inner Wheelhouse for Fleetside, Fits both sides Chevy

**1960-72**



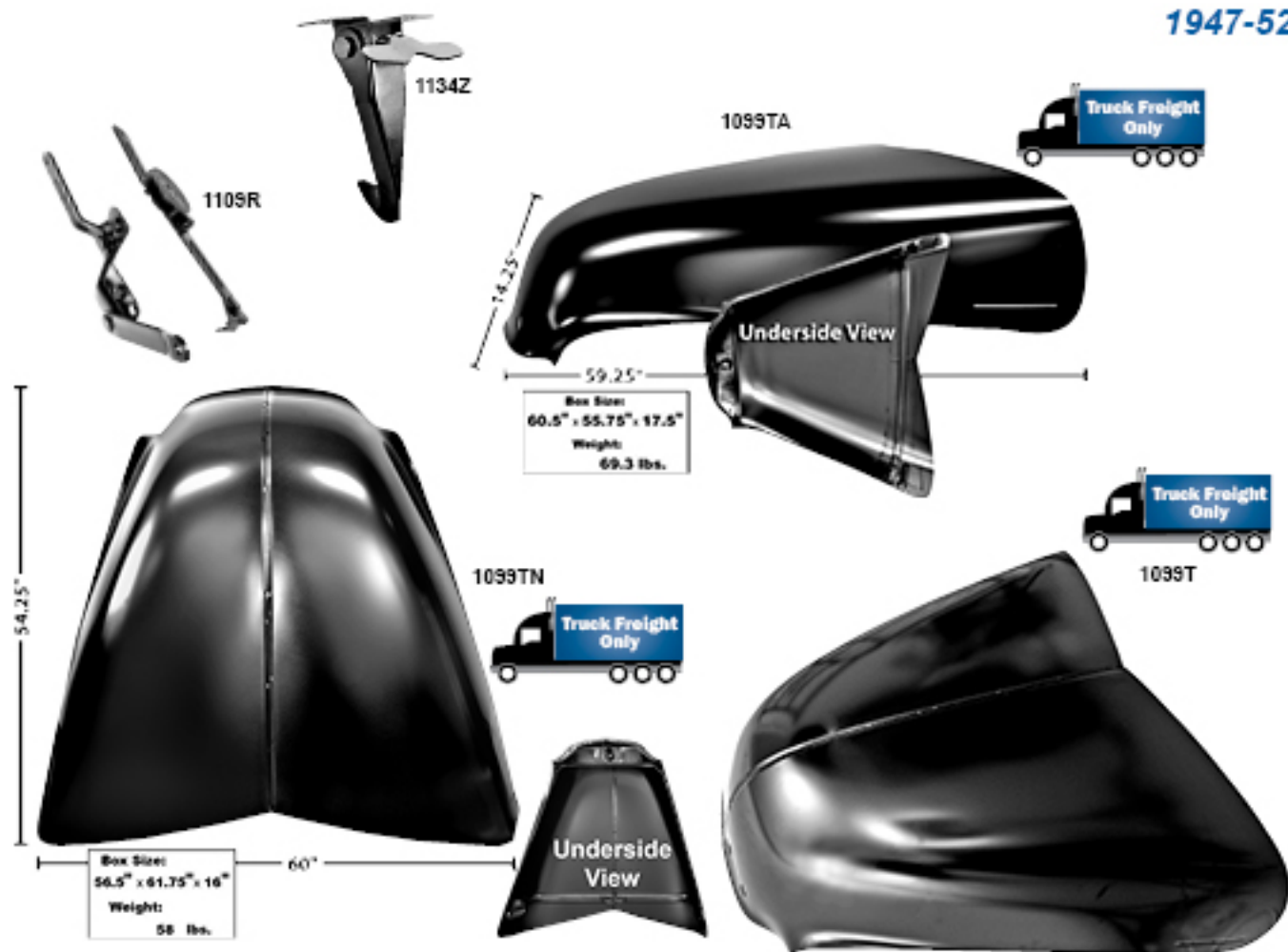
1099E	1960-66	Inner Fender RH Chevy
1099F	1960-66	Inner Fender LH Chevy
1097	1960-66	Rear Inner Wheelhouse, Fits both sides, Fleetside Chevy
1099G	1967-72	Inner Fender RH Chevy
1099H	1967-72	Inner Fender LH Chevy
1097AWT	1967-72	Rear Inner Wheelhouse, Weld-Through Primer, Fits both sides, Fleetside Chevy

**1973-87**



1099HA	1973-80	Inner Fender RH Chevy
1099HB	1973-80	Inner Fender LH Chevy
1099HC	1981-87	Inner Fender RH Chevy
1099HD	1981-87	Inner Fender LH Chevy
1099HE	1973-87	Inner Wheelhouse for Fleetside, Fits both sides, Chevy

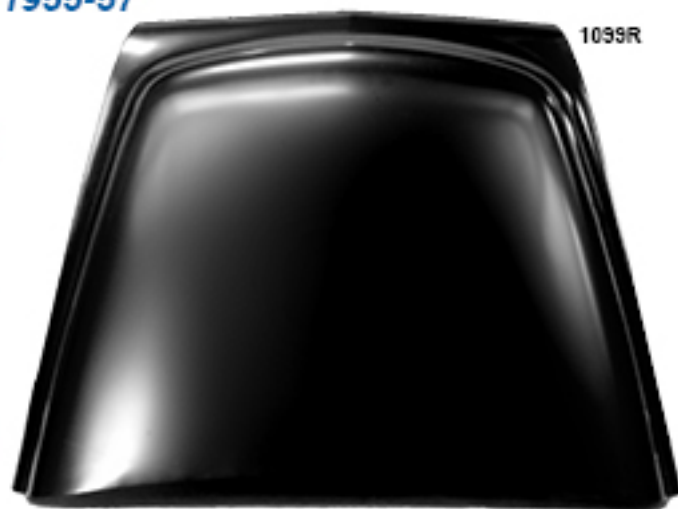
**1947-52**



1099T	1947-52	Hood (2 piece) Chevy
1099TA	1947-55 1st Series	Hood (Seamless 1 piece) Chevy
1099TB	New 1947-52	Hood GMC
1099TN	1947-52	Custom Hood (2 piece), no emblem holes Chevy
1109R	1947-55	Hood Hinge RH
1109S	1947-55	Hood Hinge LH
1134Z	1947-54	Hood Latch

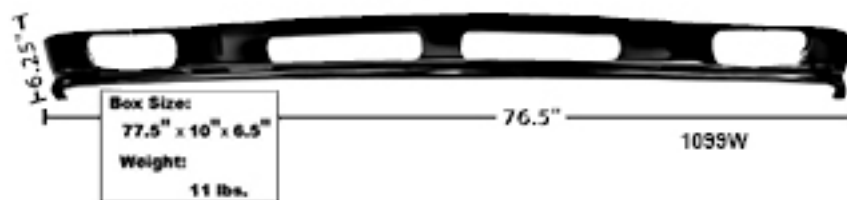
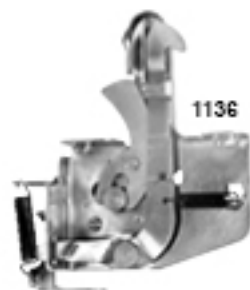
*Coming Soon!*

1955-57



1099R	1955-56	Hood
1099S	1957	Hood
1109T	1955-57	Hood Hinge with Spring RH
1109U	1955-57	Hood Hinge with Spring LH
1135	1955-57	Hood Latch

1958-66



1109V	1958-59	Hood Hinge with Spring RH
1109W	1958-59	Hood Hinge with Spring LH
1136	1958-59	Hood Latch
1109X	1960-66	Hood Hinge RH
1109Y	1960-66	Hood Hinge LH
1099W	1962-66	Hood Lower Valance

Muscle Car Parts & Molding • Muscle Car Parts & Molding • Muscle Car Parts & Molding

**Front End View**



Will fit back to 1960-61  
1099V

Box Size:  
80" x 15.5" x 50"  
Weight:  
110 lbs.

**Underside View**



1099V    New    1962-66    Hood, will fit back to 1960-61

**1967-72**



1099P



1099Q

1099P    1967-68    Hood - Standard  
1099Q    1967-68    Hood - With Cowl Induction





1099L



1138



1099M



1111



1110

Mid-Duty Struts

Heavy-Duty Struts



BH50



Box Size:  
19.5" x 7.5" x 7"  
Weight:  
13.5 lbs.



1137

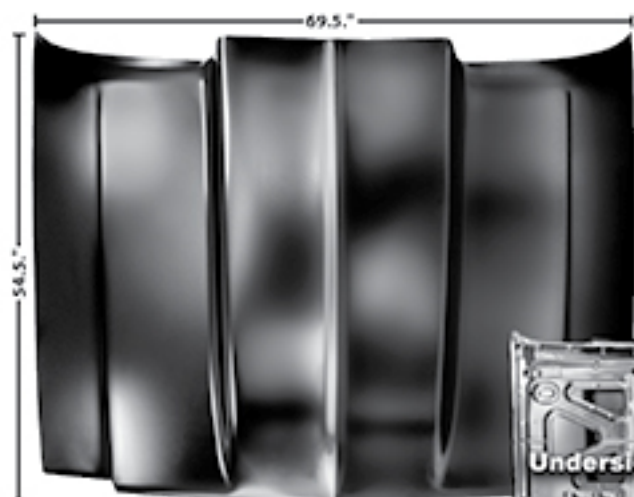


1139

BH50	New	1967-72	Billet Hood Hinge, Pair
1099L		1969-72	Hood -Standard
1099M		1969-72	Hood - With Cowl Induction
1111		1967-72	Hood Hinge RH
1110		1967-72	Hood Hinge LH
1137		1967-68	Hood Latch
1138		1969-70	Hood Latch
1139		1971-72	Hood Latch



1973-80



1099MA

**Box Size:**  
59.75" x 72" x 9"  
**Weight:**  
90 lbs.



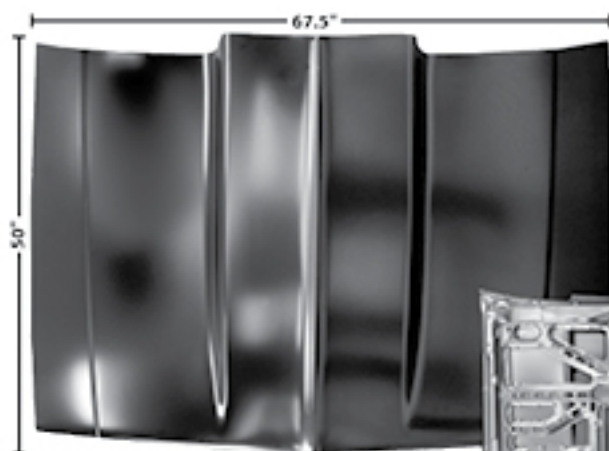
1099MC

**Box Size:**  
69.75" x 57" x 4.5"  
**Weight:**  
68 lbs.



1099MA	1973-80	Hood with Cowl Induction 2" Chevy
1099MC	1973-80	Hood Chevy

1981-87



1099MB

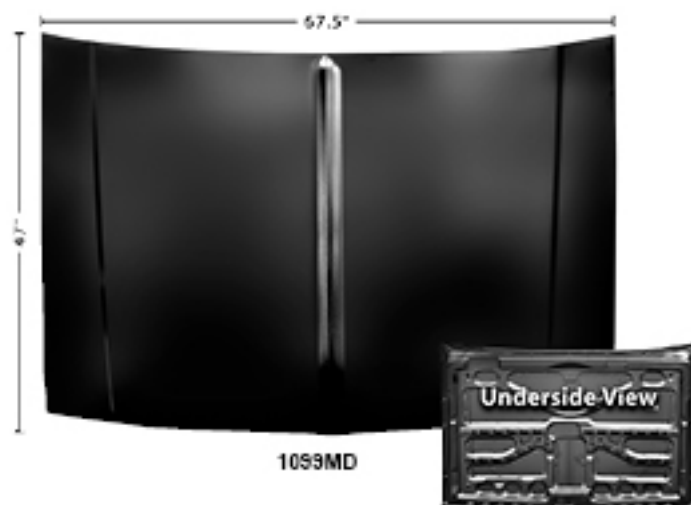
**Box Size:**  
53.25" x 72" x 8.5"  
**Weight:**  
80 lbs.



1099MB	1981-87	Hood with Cowl Induction 2" Chevy
--------	---------	-----------------------------------

*Hoods & Components continued on next page...*

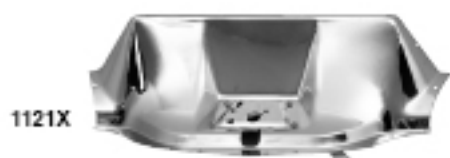
1981-87



Box Size:  
71" x 52" x 3"  
Weight:  
58 lbs.

1099MD	1981-87	Hood Chevy (Also fits 1961-81 Blazers/Jimmy)
1099ME	New 1981-87	Hood w/ 4" Inch Cowl Induction and Bug Screen

1947-54  
Chevy



1121X	1947-54	Chevy Hood Latch Panel - Stainless
1121W	1947-54	Chevy Hood Latch Panel - Painted

1947-54  
GMC



1121Z	1947-54	GMC Hood Latch Panel - Painted
-------	---------	--------------------------------

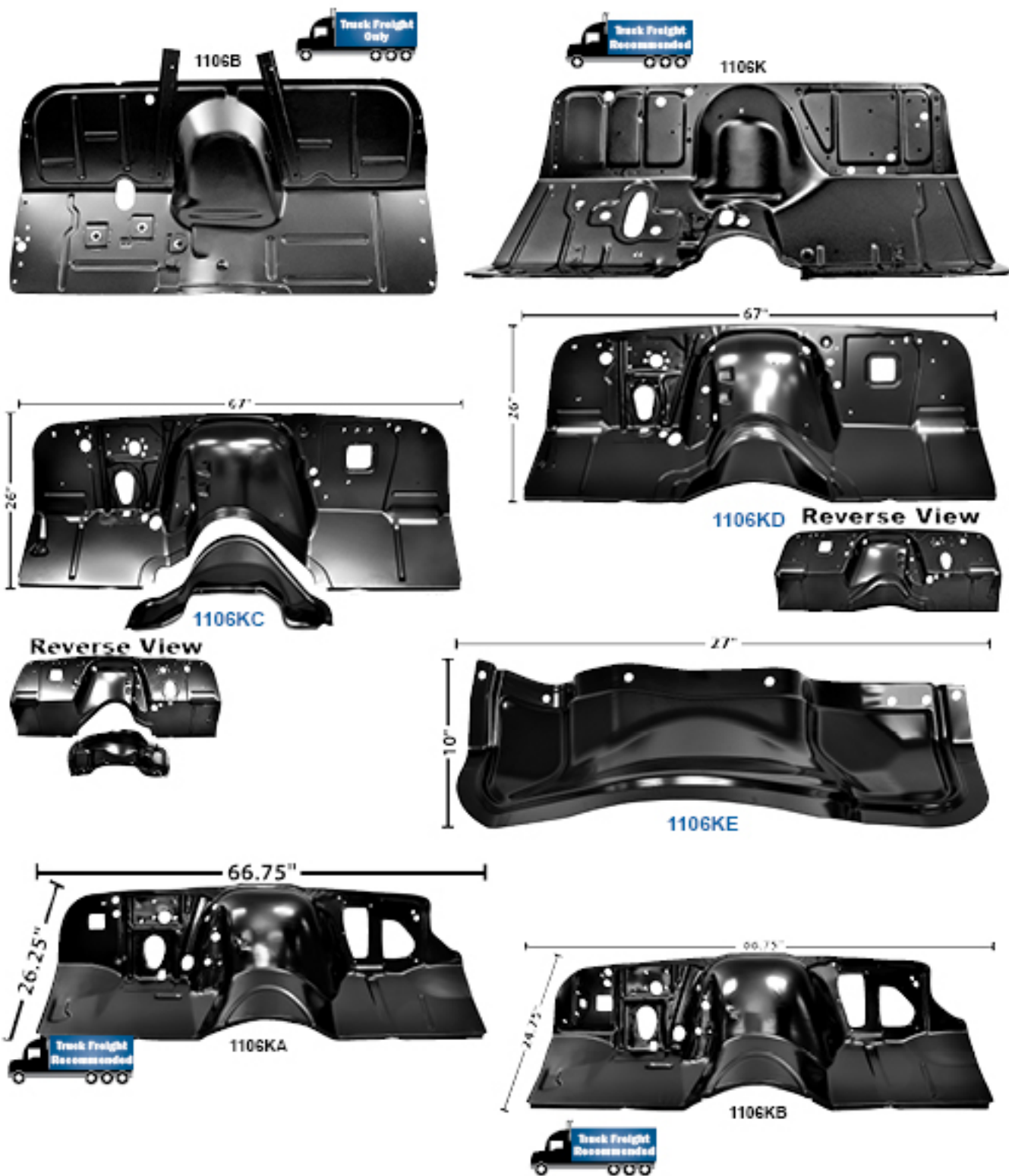
1955-59



1122	1955-57	Hood Latch Panel
1123	1958-59	Hood Latch Panel

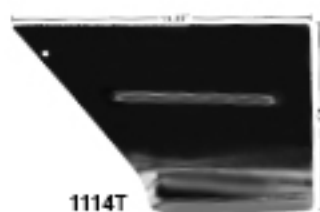


Muscle Car Parts & Molding • Muscle Car Parts & Molding • Muscle Car Parts & Molding

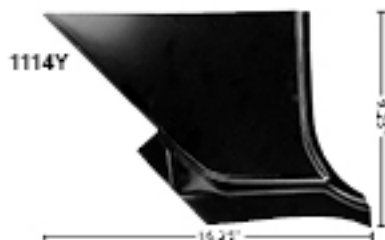


1106B		1947-54	Firewall without Heater Holes
1106K		1955-59	Firewall with Toe Board (2+ Truck Only)
1106KE	New	1960-62	Firewall Transmission Cover
1106KC	New	1960-62	Firewall with Lower Hump Hole
1106KD	New	1963-66	Firewall
1106KA		1967-68	Firewall (2+ Truck Only)
1106KB		1969-72	Firewall (2+ Truck Only)

Foot Well Panels



1114T



1114Y



1114W



1114ZA

1114T	1947-55	Foot Well Panel, RH
1114U	1947-55	Foot Well Panel, LH
1114W	1960-66	Foot Well Panel, RH
1114X	1960-66	Foot Well Panel, LH
1114Y	1967-72	Foot Well Panel, RH
1114Z	1967-72	Foot Well Panel, LH
1114ZA	1973-87	Foot Well Panel, RH
1114ZB	1973-87	Foot Well Panel, LH

Cowl Panels

1947-53



1106H



1099U



Box Size:  
34" x 17.25" x 6.25"  
Weight:  
6 lbs.

1106DA



Box Size:  
34" x 17.25" x 6.25"  
Weight:  
6 lbs.

1106D



1106DB



1106DC



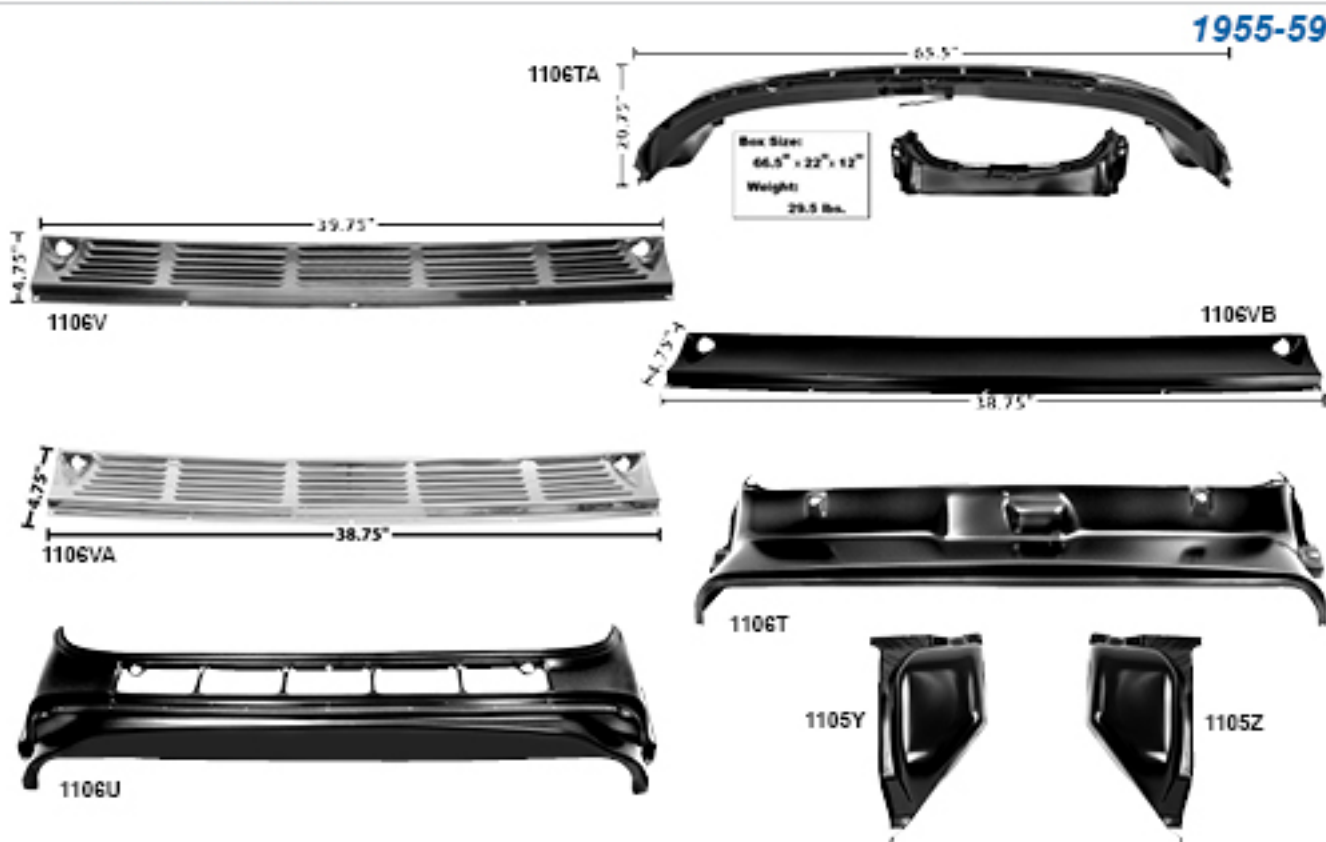
1106DD



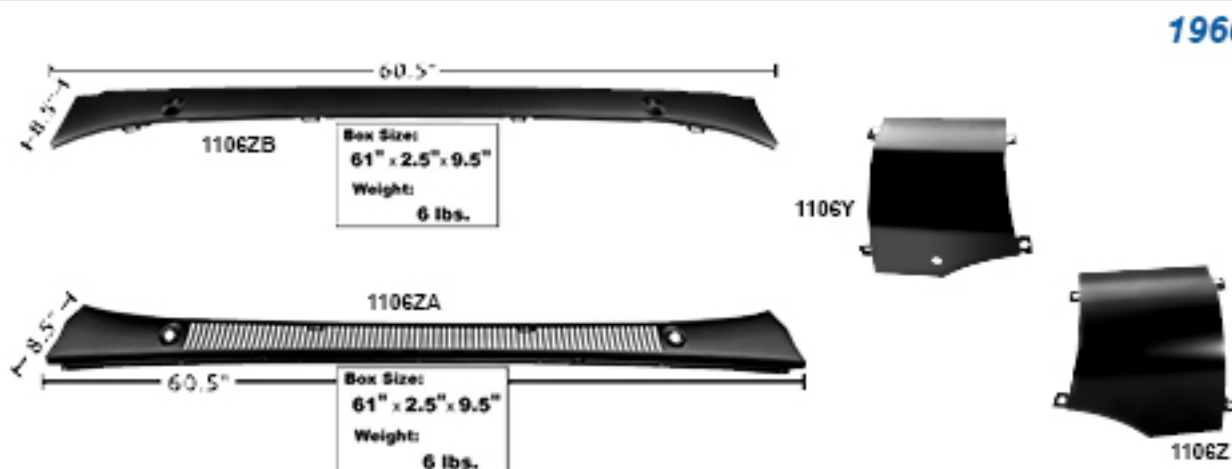
1106DE

1106H	1947-53	Lower Cowl Panel
1099U	1947-53	Cowl Vent Cover
1106D	1947-54	Cowl Outer Patch, EDP Coating, RH
1106DA	1947-54	Cowl Outer Patch, EDP Coating, LH
1106DB	1947-55	Lower Outer Cowl Patch, RH
1106DC	1947-55	Lower Outer Cowl Patch, LH
1106DD	1947-55	Lower Inner to Outer Cowl Patch, RH
1106DE	1947-55	Lower Inner to Outer Cowl Patch, LH

Muscle Car Parts & Molding • Muscle Car Parts & Molding • Muscle Car Parts & Molding



1106TA	1955-59	Complete Cowl Grille (Inner & Outer)
1106V	1955-59	Cowl Vent Grille, Painted
1106VB	1955-59	Custom Cowl Vent Grille (no vent slots), Painted
1106VA	1955-59	Cowl Vent Grille, Chrome
1106T	1955-59	Inner Cowl Panel
1106U	1955-59	Outer Cowl Panel
1105Y	1955-59	Outer Cowl Panel, RH
1105Z	1955-59	Outer Cowl Panel, LH



1106Y	1960-66	Outer Cowl Panel, RH, Weld-Through Primer
1106Z	1960-66	Outer Cowl Panel, LH, Weld-Through Primer
1106ZB	1960-66	Cowl Vent Grille, no vent hole
1106ZA	1964-66	Cowl Vent Grille

Cowl Panels



**Box Size:**  
73" x 14" x 6"  
**Weight:**  
12 lbs.

**Box Size:**  
75" x 21" x 12.25"  
**Weight:**  
28 lbs.



1106X	1967-72	Cowl Vent Grille
1106XA	1967-72	Lower Cowl Panel

Windshield Fillers



1106PA	1947-54	Windshield Pillar, RH
1106PB	1947-54	Windshield Pillar, LH
1145WT	1955-59	Windshield Filler Panel, Weld-Through Primer

Dash Panels & Components

**1947-53**



See pg. PU99 for dash bezels & appliques...



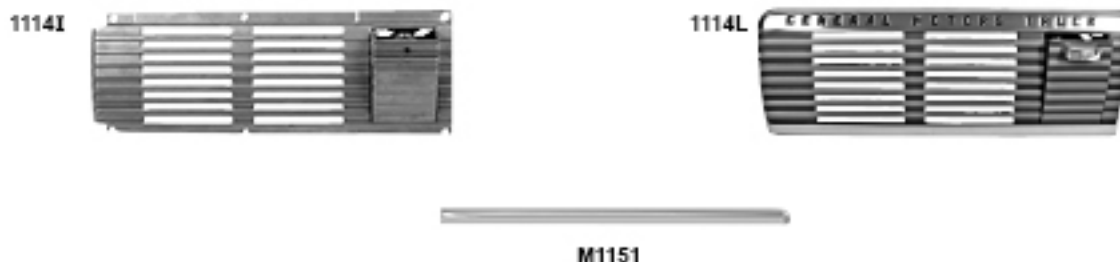
**1102UP**  
**Box Size:**  
16" x 5.75" x 1.75"  
**Weight:**  
1 lbs.



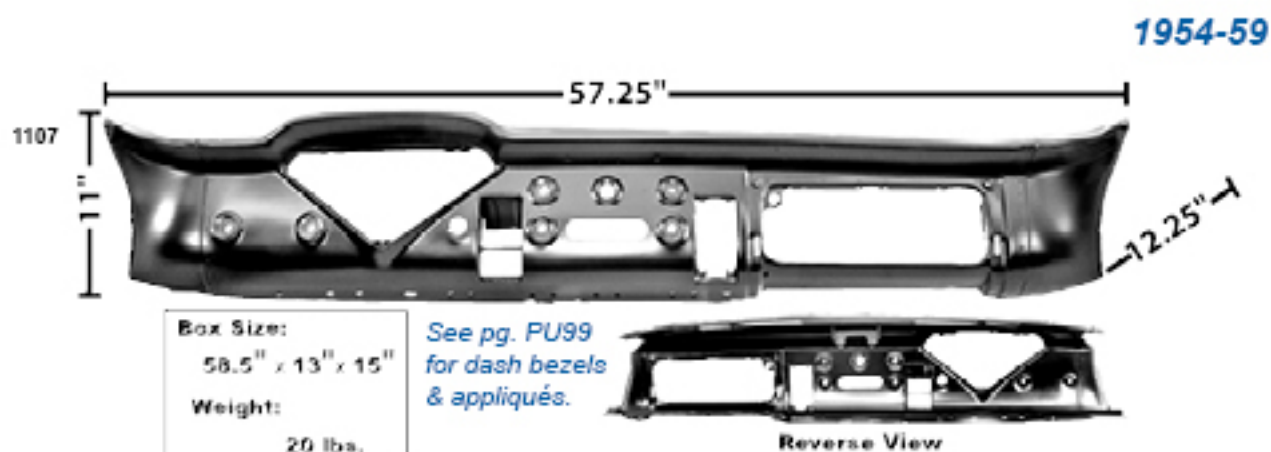
See pg. PU104-106 for new radio components...

1102UP	1947-53	Glove Box Door, Polished, Stainless
1106E	1947-53	Dash Panel, Steel
1102U	1947-54	Glove Box Door, Stainless
1102UA	1947-54	Glove Box Door Hinges
1148A	1947-53	Instrument Bezel, Chrome

Muscle Car Parts & Molding • Muscle Car Parts & Molding • Muscle Car Parts & Molding



1114I	1947-53	Dash Speaker Grille With Ash Tray, "Chevrolet"
1114L	1947-53	Dash Speaker Grille W/Ash Tray, "General Motors Truck"
M1151	1947-54	Lower Dash Trim



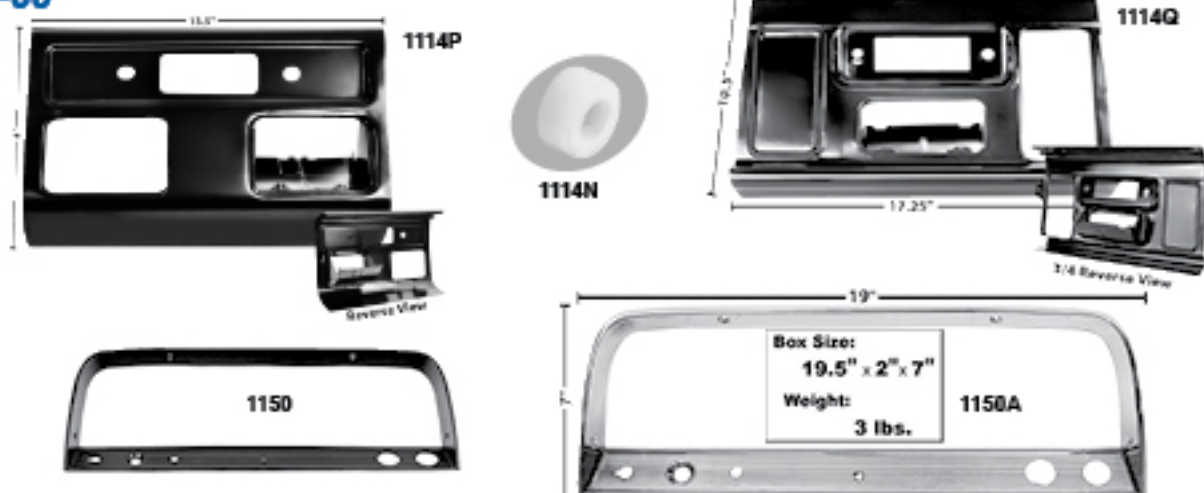
See pg. PU104-106 for new radio components...



Dash Panels & Components continued next pg...

1148B	1954-55	Instrument Bezel, Stainless
1148C	1954-55	Instrument Bezel, Chrome
1107	1955-59	Dash Panel, Steel
1114J	1955-59	Glove Box Door W/Hinges & Screws, Chevy Only
1149	1955-59	Instrument Bezel, Chrome
1147A	1955-59	Instrument Cluster Lens
1103VA	1955-59	Wiper Knob, Black, GMC Only

**1960-66**



1114N	1960-66	Glove Box Door Hinge Bushing
1114P	1960-63	Dash Radio Panel
1150A	1964-66	Instrument Panel, Chrome
1114Q	1964-66	Dash Radio Panel
1150	1964-66	Instrument Bezel, Black

**1967-72**



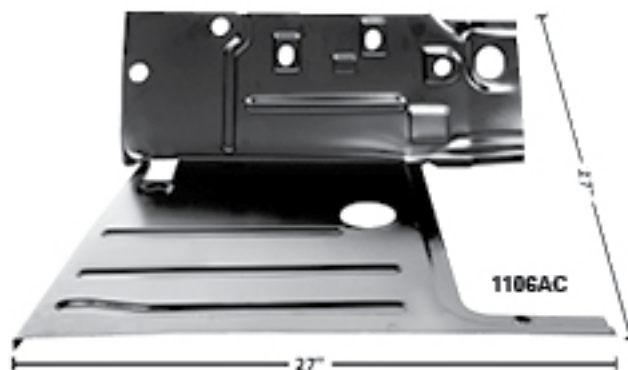
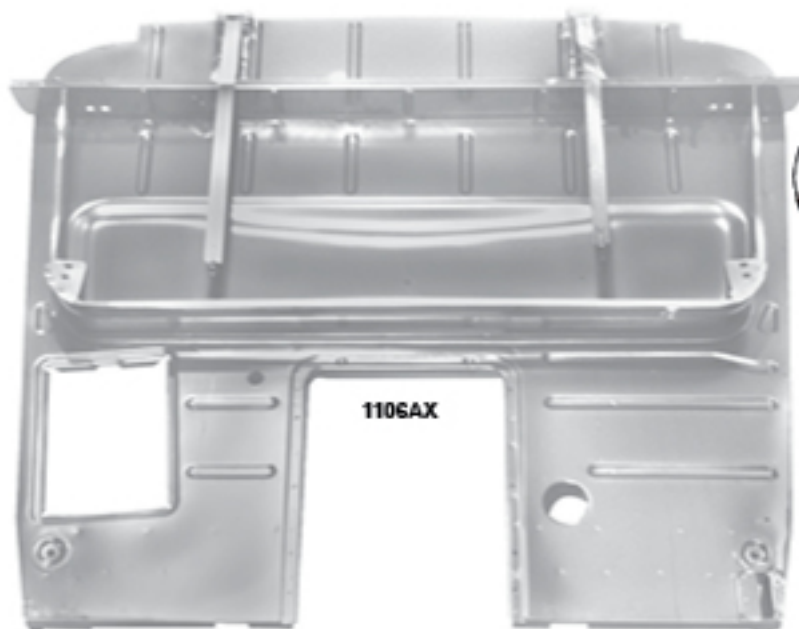
See pg. PU104-106 for new radio components...

1107AA	New	1967-68	Complete Dash Panel, with A/C
1107AB	New	1969-72	Complete Dash Panel, with A/C
1146		1967-72	Dash Pad, Black
1114M		1967-72	Glove Box Door, Black
1147B		1967-72	Instrument Cluster Lens, 3 Hole
1147C		1967-72	Instrument Cluster Lens, W/O Tachometer, Vacuum
1147D		1967-72	Instrument Cluster Lens, With Tachometer, W/O Vacuum
1147E		1967-72	Instrument Cluster Lens, With Tachometer, Vacuum
3856472		1967-68	A/C Vent Ball Chrome

1947-54

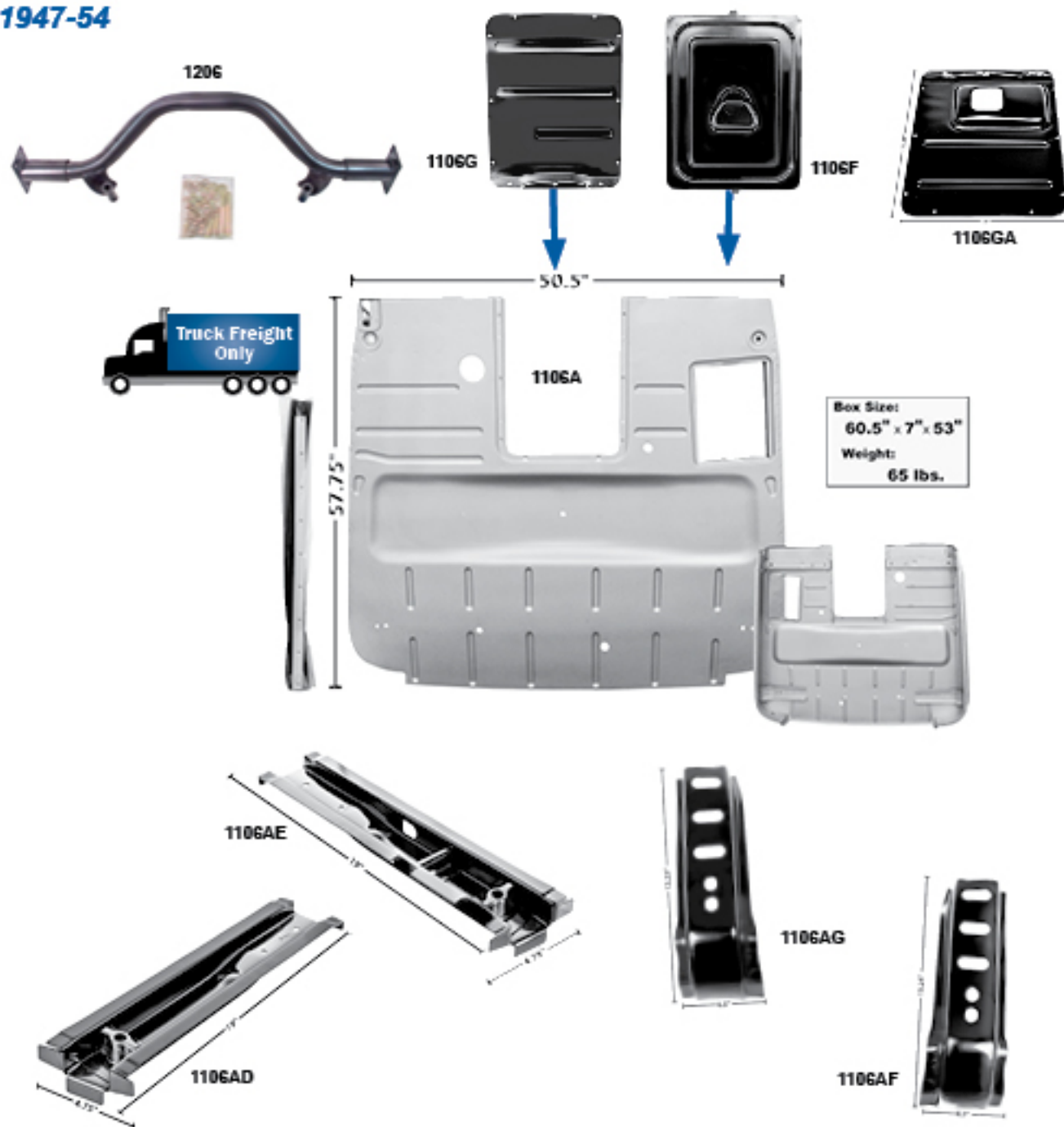
Cab Floor Pans & Components

Muscle Car Parts & Molding • Muscle Car Parts & Molding • Muscle Car Parts & Molding



1106AX	1947-54	Complete Cab Floor Pan
1106AB	1947-54	Cab Floor Pan, RH
1106AC	1947-54	Cab Floor Pan, LH
1106GA	1947-55	Transmission Shift Cover for 4 Speed

1947-54



1106A	1947-54	Cab Floor Panel
1106AD	1947-55	Cab Floor Front Support, RH
1106AE	1947-55	Cab Floor Front Support, LH
1106AF	1947-55	Cab Floor Rear Support, RH
1106AG	1947-55	Cab Floor Rear Support, LH
1106F	1947-54	Cab Floor Battery Cover
1106G	1947-53	Transmission Shift Cover for 3 Speed
1106GA	1947-55	Transmission Shift Cover for 4 Speed
1206	1947-59	Crossmember Mount with hardware, vs engine

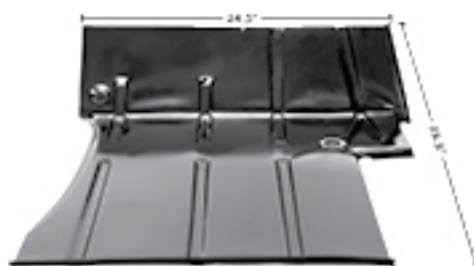


1955-58

Cab Floor Pans & Components



1107CB



1107CA



1106AJ



1106AH

1107C	1955-58	Complete Floor Pan
1107CA	1955-59	Cab Floor Pan, RH
1107CB	1955-59	Cab Floor Pan, LH
1106AH	1955-59	Cab Floor Support, Front RH
1106AJ	1955-59	Cab Floor Support, Front LH
1107A	1955-58	Transmission Shift Cover for 4 Speed
1114K	1955-59	Transmission Cover for 3 Speed & Auto. Transmission, Also fits GMC

Muscle Car Parts & Molding • Muscle Car Parts & Molding • Muscle Car Parts & Molding

1960-66

1106AU



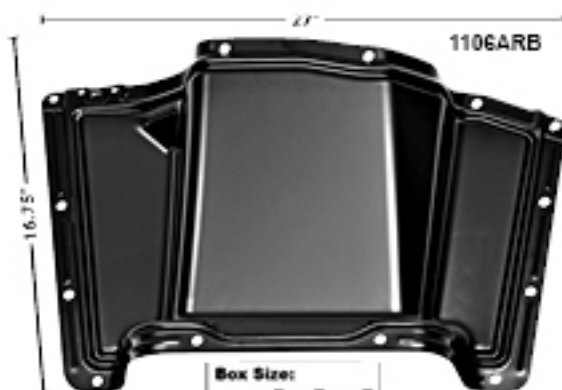
1106AT



1106AS



1106AR



Box Size:  
27.5" x 6" x 18"  
Weight:  
8 lbs.

67.5"

1106ARC

Box Size:  
70.5" x 12.5" x 51"  
Weight:  
95 lbs.



1106BE

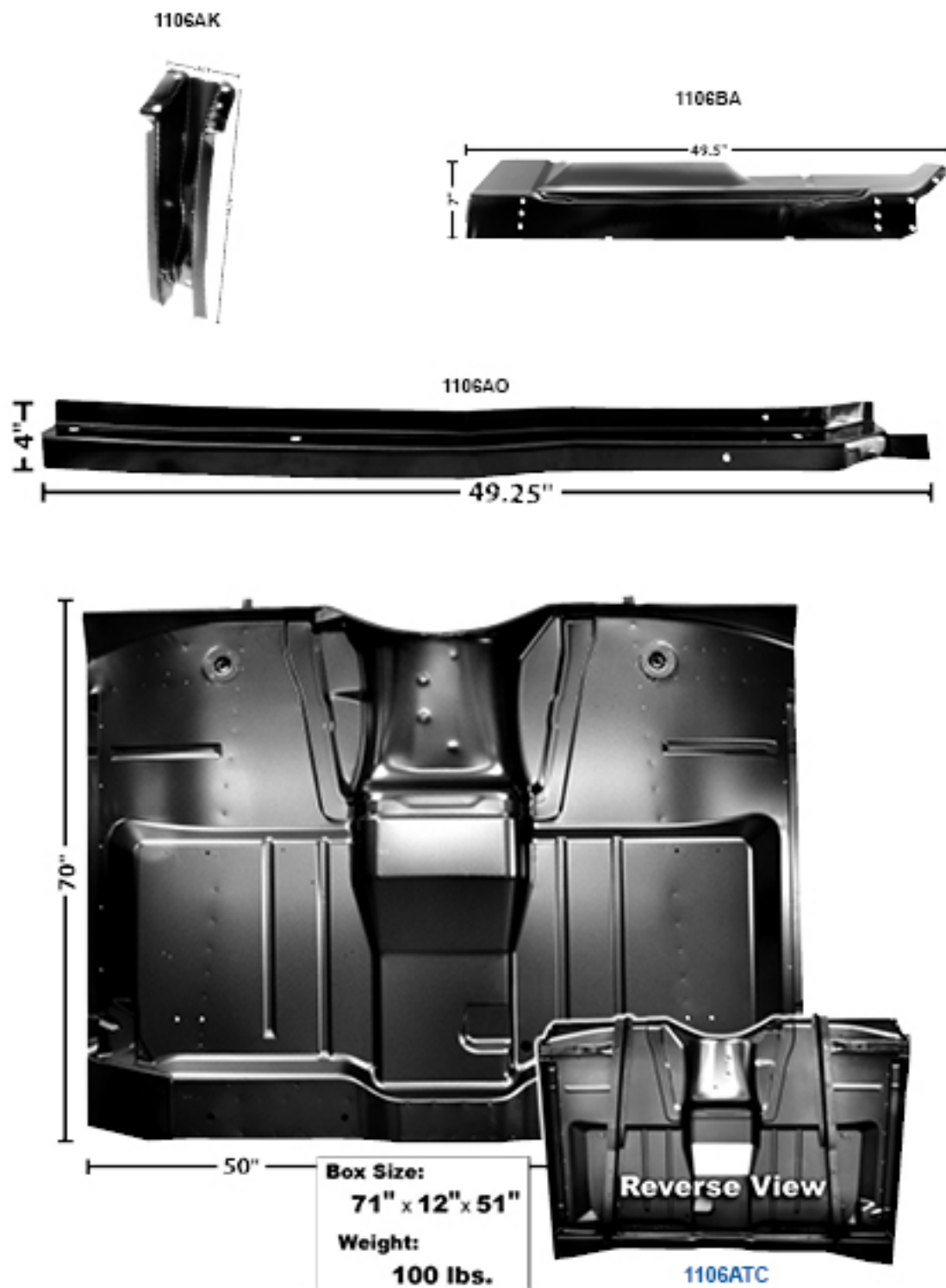


Underside  
View



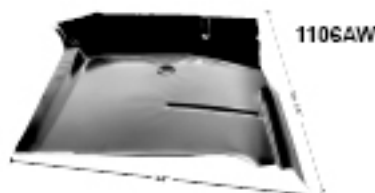
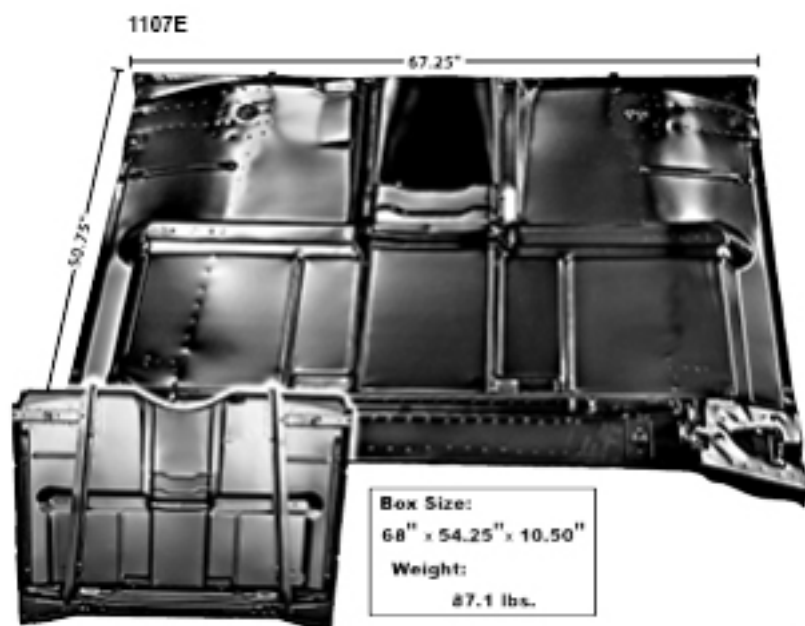
1105AR	1960-62	Cab Floor Pan, RH
1105AS	1960-62	Cab Floor Pan, LH
1105ARB	1960-63	Cab Floor Lower Hump Cover Panel
1105ARC	1960-63	Cab Floor Complete
1106AT	1963-66	Cab Floor Pan, RH
1106AU	1963-66	Cab Floor Pan, LH
1105BE	1960-66	Cab Floor, Rear Outer Section, RH
1105BF	1960-66	Cab Floor, Rear Outer Section, LH

Muscle Car Parts & Molding • Muscle Car Parts & Molding • Muscle Car Parts & Molding



1106BA	1960-66	Outer Cab Floor/Inner Rocker, RH
1106BB	1960-66	Outer Cab Floor/Inner Rocker, LH
1106AK	1960-66	Cab Floor Support, Fits both sides
1106AO	1960-66	Cab Floor Support Brace, RH
1106AP	1960-66	Cab Floor Support Brace, LH
1106ATC New	1964-66	Cab Floor Complete

1967-87



1107E	1967-72	Complete Cab Floor Pan, with brace, 8 ft. bed
1107H	1967-72	Complete Cab Floor Pan, without brace, 8 ft. bed
1106AW	1967-72	Cab Floor Pan, RH
1106AY	1967-72	Cab Floor Pan, LH

1967-87

Cab Floor Pans & Components

Muscle Car Parts & Molding • Muscle Car Parts & Molding • Muscle Car Parts & Molding

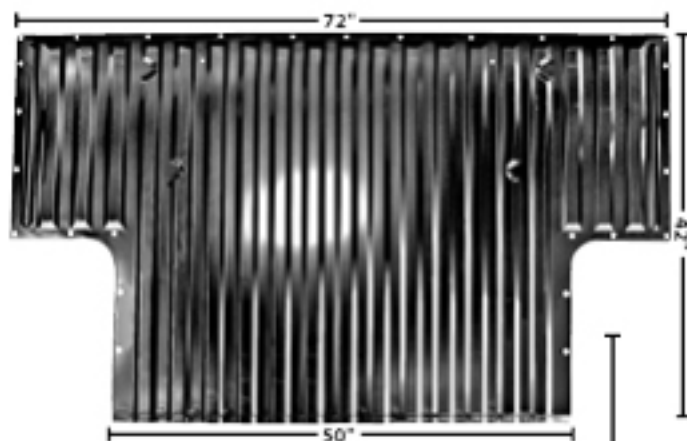
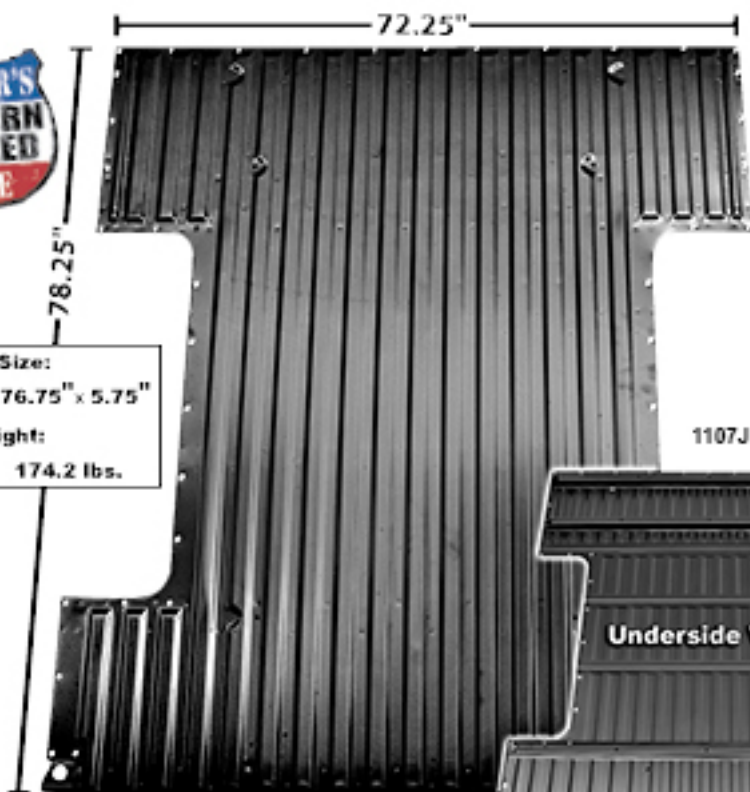


1106AL	1967-72	Cab Floor Support, Fibs both sides
1106AQ	1967-72	Cab Floor Support Brace
1106BL	1967-72	Cab Floor Brace, RH
1106BM	1967-72	Cab Floor Brace, LH
1106AM	1960-72	Rear Cab Floor Support, RH
1106AN	1960-72	Rear Cab Floor Support, LH
1106BC	1967-72	Outer Cab Floor/Inner Rocker, RH
1106BD	1967-72	Outer Cab Floor/Inner Rocker, LH
1106BG	1973-87	Cab Floor Drop-In, RH
1106BH	1973-87	Cab Floor Drop-In, LH

1967-72



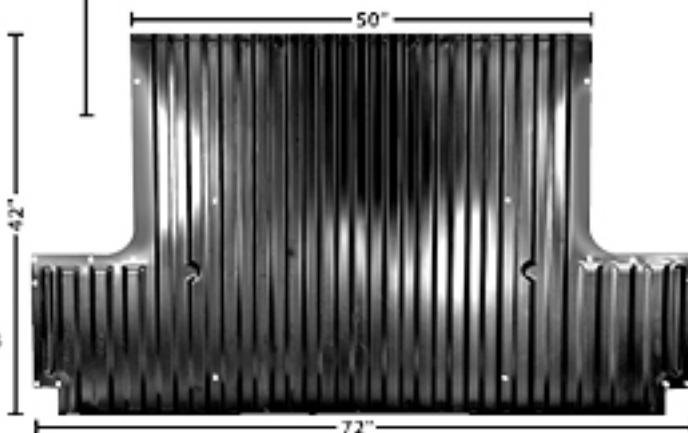
**Box Size:**  
79.5" x 76.75" x 5.75"  
**Weight:**  
174.2 lbs.



1107JA

6.5 foot bed

1107JB



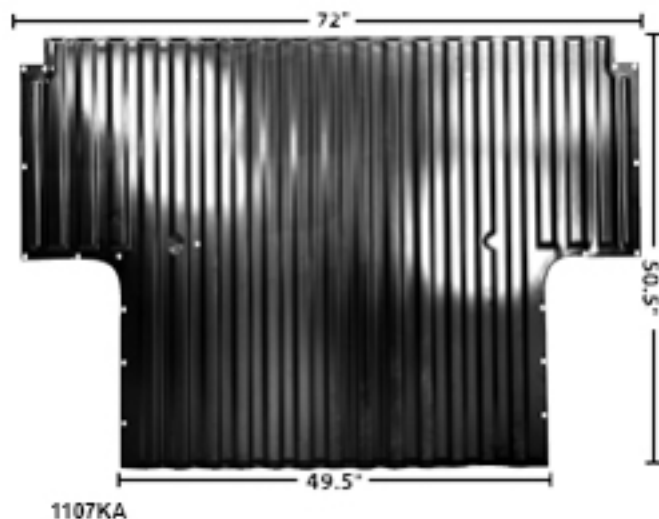
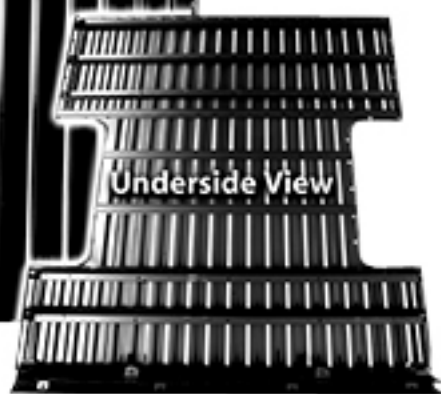
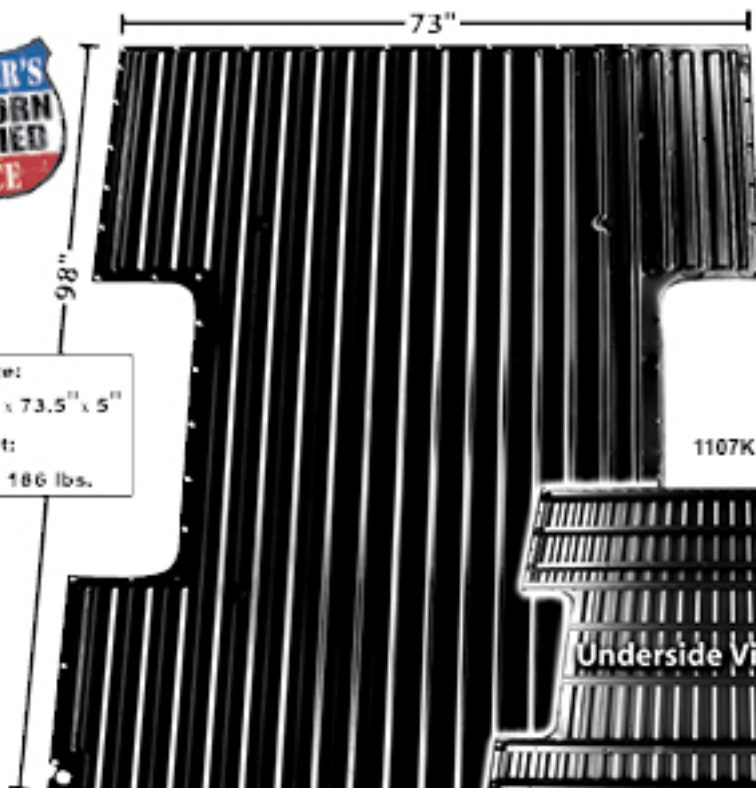
1107J	1967-72	Complete Bed Floor Pan for 6.5' Foot Bed
1107JA	1967-72	Front Floor Section of 6.5 Foot Bed
1107JB	1967-72	Rear Floor Section of 6.5 Foot Bed
1106AA	1967-72	Floor Panel Bolt Set

1967-72

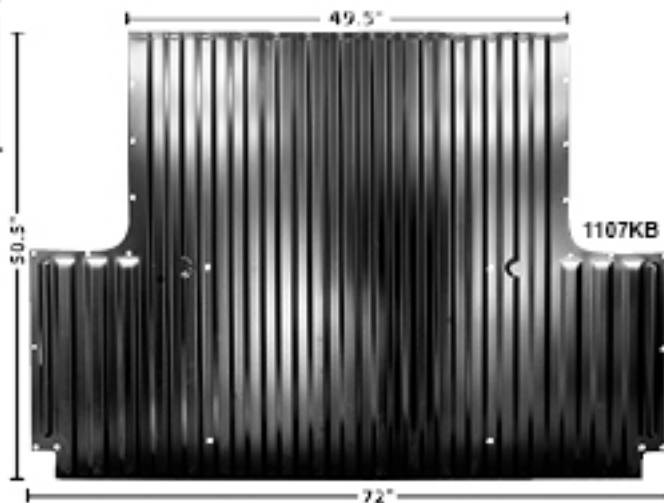
Bed Floor Pans



Box Size:  
93.5" x 73.5" x 5"  
Weight:  
186 lbs.



8 foot bed



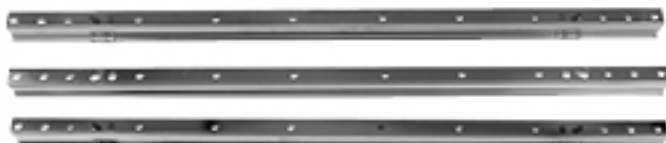
Muscle Car Parts & Molding • Muscle Car Parts & Molding • Muscle Car Parts & Molding

1107K	1967-72	Complete Bed Floor Pan for 8 Foot Bed
1106AA	1967-72	Floor Panel Bolt Set
1107KA	1967-72	Front Floor Section of 8 Foot Bed
1107KB	1967-72	Rear Floor Section of 8 Foot Bed

1947-59



1107W



1107U



1107T

Box Size:  
77.75" x 2" x 2"  
Weight:  
16.5 lbs.

1107W	1947-50	Bed Rear Cross Sill
1107U	1947-50	Floor/Bed Cross Braces, 3 pcs.
1107S	1947-50	Bed Strip Kit, Stainless, 8 pcs., Short Bed
1107T	1947-50	Bed Strip Kit, Painted, 8 pcs.



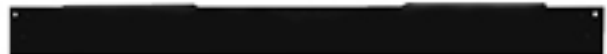
Box Size:  
89.75" x 2.25" x 2"  
Weight:  
17 lbs.

1107LB



Box Size:  
77.5" x 2.25" x 2"  
Weight:  
14 lbs.

1107SA



Box Size:  
56.5" x 7" x 6"  
Weight:  
19 lbs.

1107WA Reverse View



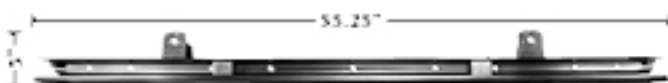
Box Size:  
90" x 2.25" x 2"  
Weight:  
17 lbs.

1107SB



Box Size:  
57.5" x 7" x 5.25"  
Weight:  
16 lbs.

1107WB Reverse View



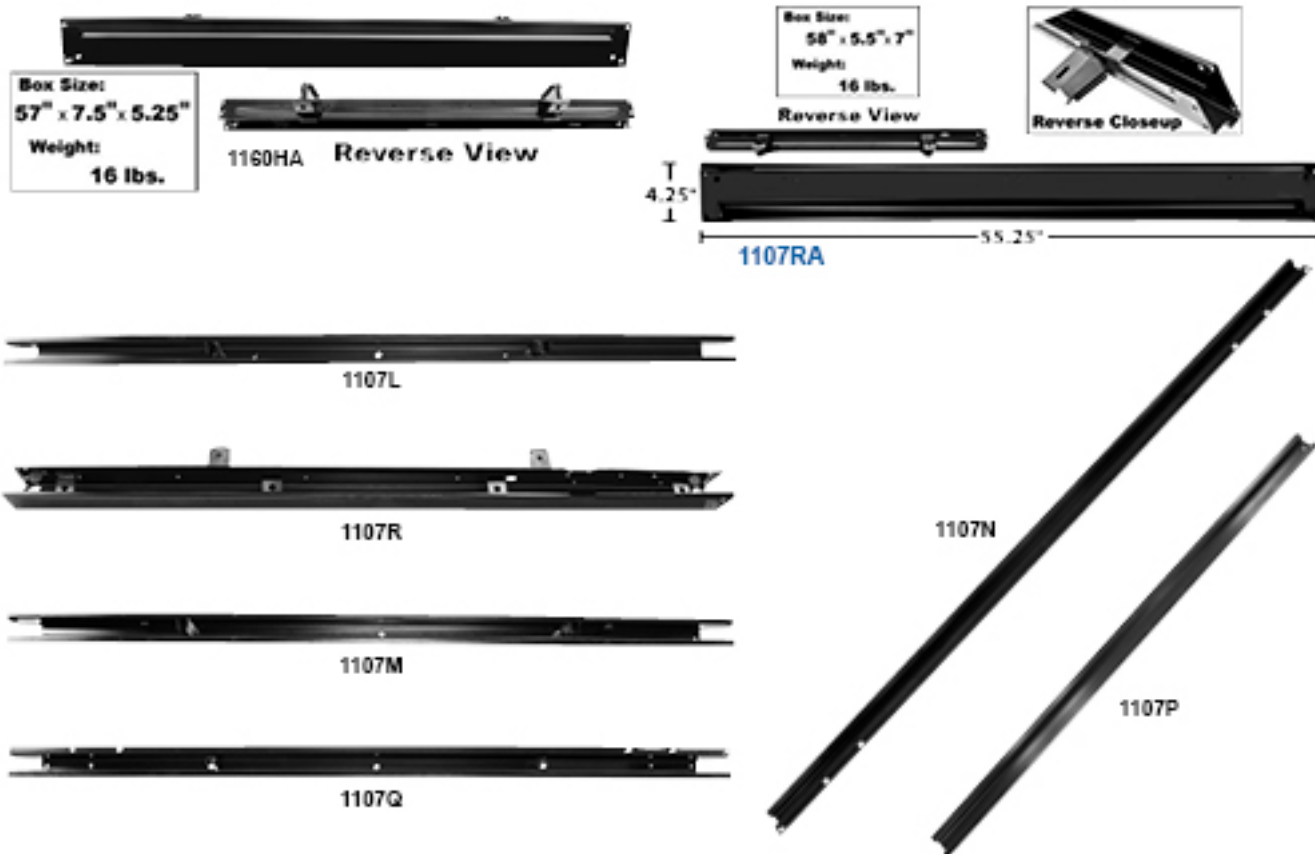
1160H

1107WA	1951-53	Bed Rear Cross Sill
1107UA	1951-54	Floor / Bed Cross Brace (For 8-board floor), 3 pcs.
1107SA	1951-53	Short Bed Strip Kit, Stainless, 7 pcs.
1107WB	1954-55	Bed Rear Cross Sill
1107LB	1954-59	Bedstrip Kit Long Bed 7pcs
1107SB	1954-59	Short Bed Strip Kit, Stainless, 7 pcs.
1160H	1955-59	Bed Rear Cross Sill, Stepside

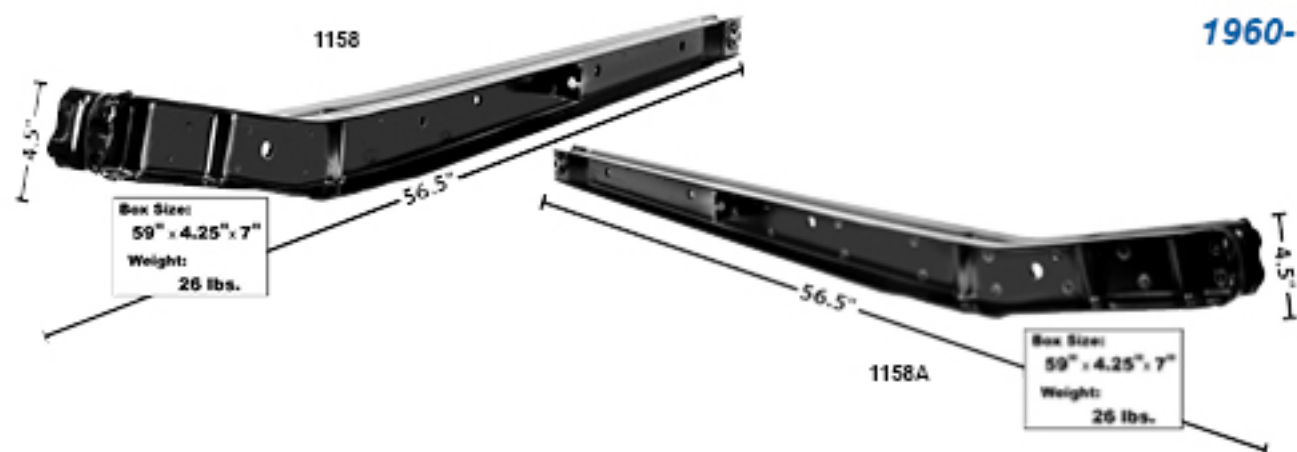


1963-72

Bed Reinforcement



1160HA		1963-66	Bed Rear Cross Sill, Stepside
1107RA	New	1967-72	Floor / Bed Rear Cross Sill, Stepside
1107L		1967-72	Floor / Bed Front Cross Sill, Steel Bed, Fleetside
1107R		1967-72	Floor / Bed Rear Cross Sill, Steel Bed, Fleetside
1107M		1967-72	Floor / Bed Front Wheelhouse Cross Sill
1107Q		1967-72	Floor / Bed Rear Wheelhouse Cross Sill
1107N		1967-72	Floor / Bed Front Enforcement Bar Strip, Steel Bed, Long
1107P		1967-72	Floor / Bed Rear Enforcement Bar Strip, Steel Bed, Short



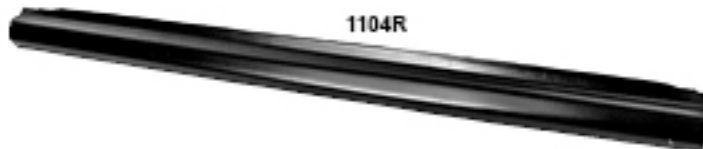
Rear Control Arms

1158		1960-72	Rear Control Arm, RH
1158A		1960-72	Rear Control Arm, LH

Rocker Panels



1104E

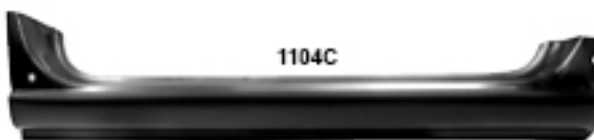


1104R

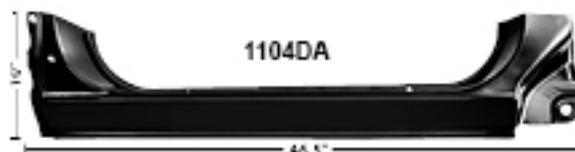
1104E	1947-55 1 <sup>st</sup> Series	Rocker Panel RH
1104F	1947-55 1 <sup>st</sup> Series	Rocker Panel LH
1104R	1955-59	Rocker Panel RH
1104S	1955-59	Rocker Panel LH



1104A



1104C



1104DA

1104A	1960-66	Rocker Panel RH
1104B	1960-66	Rocker Panel LH
1104C	1967-72	Rocker Panel RH
1104D	1967-72	Rocker Panel LH
1104DA	1973-87	Rocker Panel, OE Style, RH
1104DB	1973-87	Rocker Panel, OE Style, LH

Roof Panels & Components

1947-55



1112N

Back View



1112L

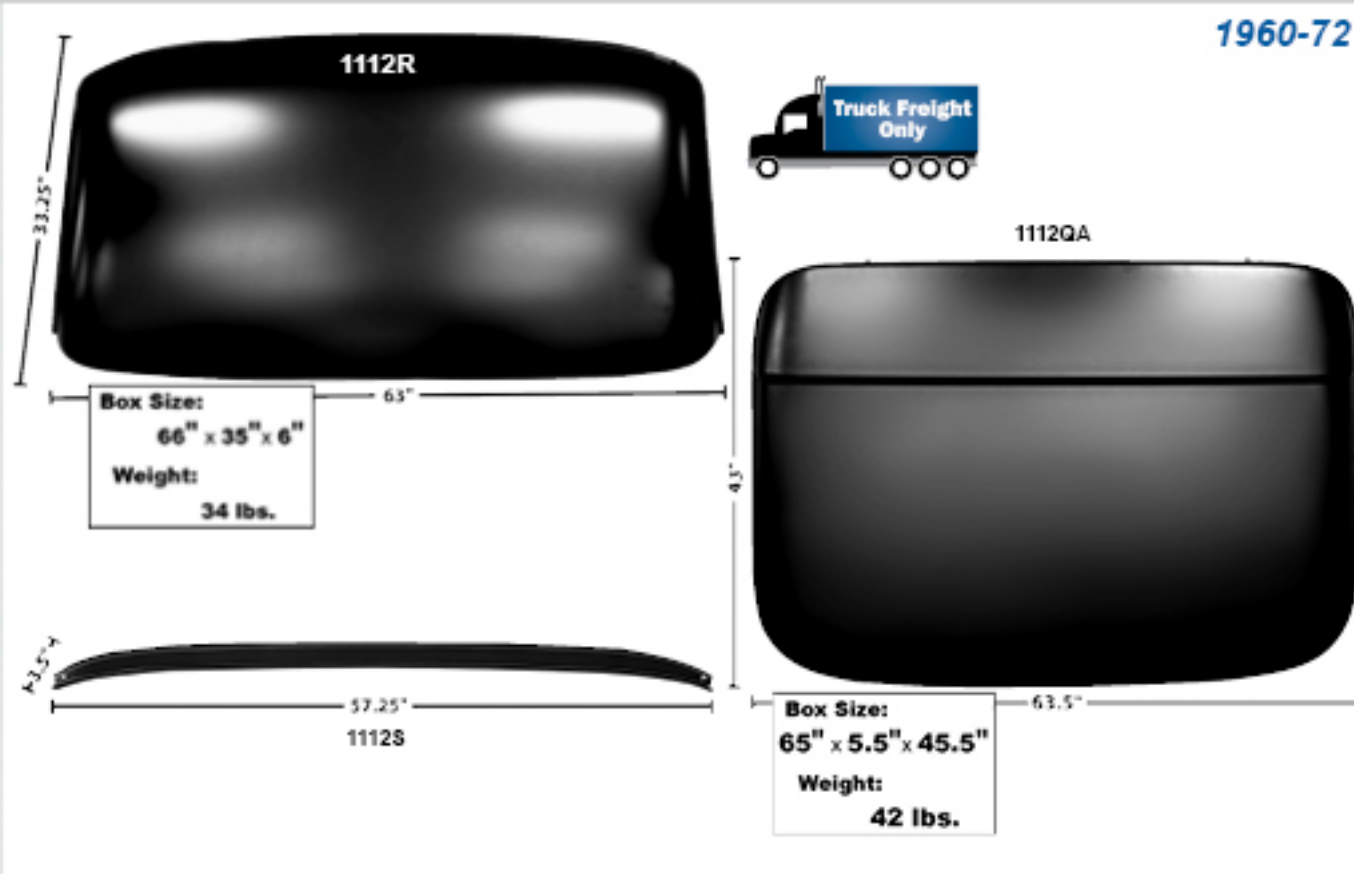


1112N	1947-55 1 <sup>st</sup> Series	Roof Panel
1112L	1947-54	Front Roof Panel Brace, EDP Coating

Muscle Car Parts & Molding • Muscle Car Parts & Molding • Muscle Car Parts & Molding



1112P	1955-59	Roof Panel Skin
1112Q	1955-59	Inner Roof Panel
1103DJ	1955-59	Roof Front Filler Brace
1103DK	1955-59	Exterior Windshield Sun Visor



1112QA	1960-66	Roof Panel Skin
1112S	1960-63	Roof to Windshield Panel
1112R	1967-72	Roof Panel

1947-54



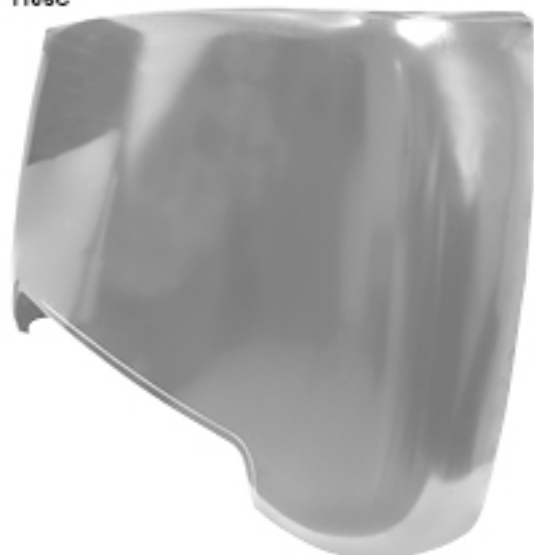
1106M	1947-53	Inner Rear Window Panel	3 Window
1106J	1947-53	Outer Rear Window Panel	3 Window

1955-59



1107F	1955-59	Inner Rear Window Panel, Small Window	
1107G	1955-59	Inner Rear Window Panel, Big Window	

1106C

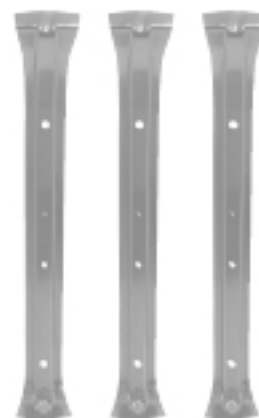
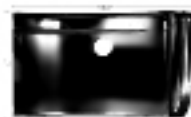


1947-54



1114G

1114FA



1106CB



1106CC

1106C	1947-54	Cab Rear Lower Outer Panel
1106CB	1947-54	Cab Rear Outer Braces, 3 pieces
1106CC	1947-54	Cab Rear Outer Cross Panel
1114G	1947-54	Cab Corner, Outer RH
1114H	1947-54	Cab Corner, Outer LH
1114FA	1947-54	Cab Corner, Inner RH
1114FB	1947-54	Cab Corner, Inner LH

1955-59



1107X

1955-59

Cab Rear Inner Panel, Big Window 'B' Pillar

**1955-59**



1107B

*Does Not Qualify For Free Freight Program*



1107D

56.75"



*Does Not Qualify For Free Freight Program*

1114A



1114R

1107B	1955-59	Cab Rear Outer Panel Small Window
1107D	1955-59	Cab Rear Outer Panel Large Window
1114A	1955-59	Cab Corner, Outer RH
1114B	1955-59	Cab Corner, Outer LH
1114R	1955-59	Cab Corner, Inner RH
1114S	1955-59	Cab Corner, Inner LH

**1960-66**

1114C



1099JB

1114C	1960-66	Outer Cab Corner RH
1114D	1960-66	Outer Cab Corner LH
1099JB	1960-66	Cab Corner Mud Guard RH
1099KB	1960-66	Cab Corner Mud Guard LH



1114E



1106BJ



Box Size:  
8.5" x 6.5" x 3"  
Weight:  
6 lbs.

1221



1967-87

1114FE

1114FC



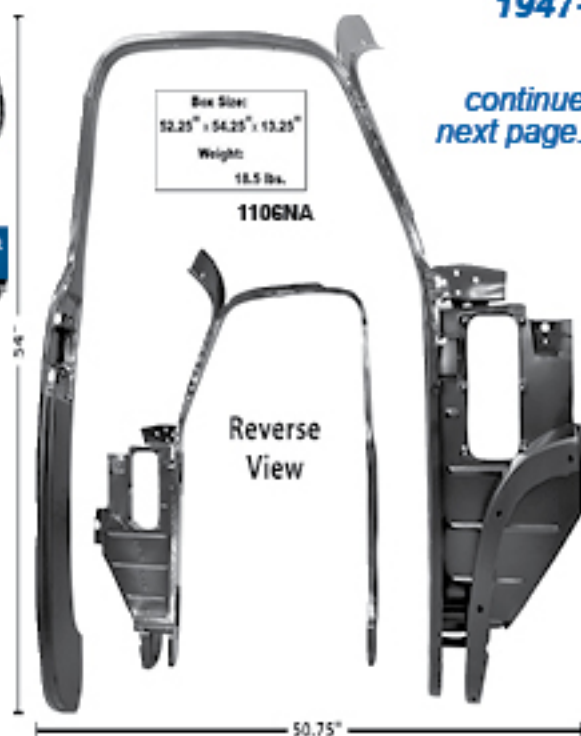
1221	1967-72	Cab Mount Kit, 38 pieces
1114E	1967-72	Cab Corner RH
1114F	1967-72	Cab Corner LH
1106BJ	1967-72	Cab Corner Patch Plate, RH
1106BK	1967-72	Cab Corner Patch Plate, LH
1114FE	1973-87	Inner Cab Corner, RH
1114FF	1973-87	Inner Cab Corner, LH
1114FC	1973-87	Cab Corner Patch Plate, RH
1114FD	1973-87	Cab Corner Patch Plate, LH



1106P

1102BG

1102BE



Box Size:  
52.25" x 54.25" x 13.25"  
Weight:  
18.5 lbs.

1106NA

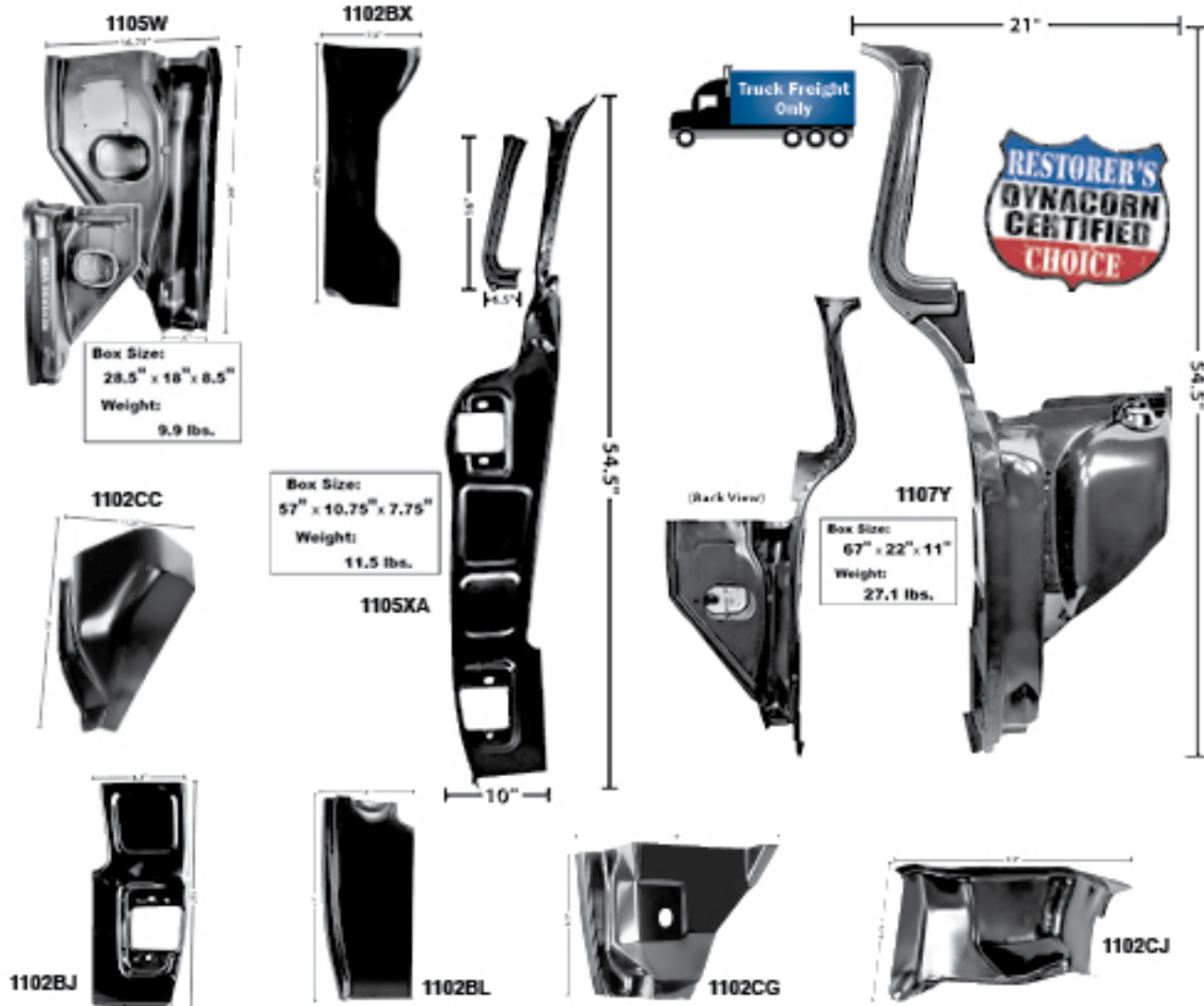
Reverse View

1947-54

continued next page...

1106NA	1947-51	Door Frame Outer Panel RH
1106PC	1947-51	Door Frame Outer Panel LH
1106N	1952-54	Door Frame Outer Panel RH
1106P	1952-54	Door Frame Outer Panel LH
1102BE	1947-54	Front Lower Door Pillar, RH
1102BF	1947-54	Front Lower Door Pillar, LH
1102BG	1947-54	Rear Lower Door Pillar, RH
1102BH	1947-54	Rear Lower Door Pillar, LH

1955-59



1105W	1955-59	Inner Kick Panel, RH
1105X	1955-59	Inner Kick Panel, LH
1107Y	1955-59	Kick Panel / "A" Pillar Assembly, RH
1107Z	1955-59	Kick Panel / "A" Pillar Assembly, LH
1105XA	1955-59	"A" Pillar Frame, RH (2pcs)
1105XB	1955-59	"A" Pillar Frame, LH (2pcs)
1102BX	1955-59	Cowl Inner Kick Plate, RH
1102BY	1955-59	Cowl Inner Kick Plate, LH
1102CC	1955-59	Lower Cowl Vent, RH
1102CD	1955-59	Lower Cowl Vent, LH
1102BJ	1955-59	Front Lower Door Pillar, RH
1102BK	1955-59	Front Lower Door Pillar, LH
1102BL	1955-59	Rear Lower Door Pillar, RH
1102BM	1955-59	Rear Lower Door Pillar, LH
1102CG	1955-59	Outer Door Hinge Pillar Pocket, RH
1102CH	1955-59	Outer Door Hinge Pillar Pocket, LH
1102CJ	1955-59	Inner Door Hinge Pillar Pocket, RH
1102CK	1955-59	Inner Door Hinge Pillar Pocket, LH

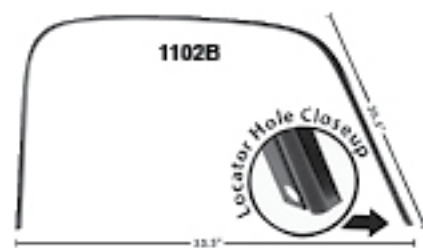




1102CE	1960-66	Lower Cowl Vent, RH
1102CF	1960-66	Lower Cowl Vent, LH
1102BQ	1960-66	Front Lower Door Pillar, RH
1102BR	1960-66	Front Lower Door Pillar, LH
1102BN	1960-66	Rear Lower Door Pillar, RH
1102BP	1960-66	Rear Lower Door Pillar, LH
1102BS	1967-72	Front Lower Door Pillar, RH
1102BT	1967-72	Front Lower Door Pillar, LH
1102BU	1967-72	Rear Lower Door Pillar, RH
1102BW	1967-72	Rear Lower Door Pillar, LH



1102XB



1102S	1947-50	Door Shell, RH
1102T	1947-50	Door Shell, LH
1102AK	1947-55	Outer Door Skin, Lower Half, (35.5" x 10.5"), RH
1102AL	1947-55	Outer Door Skin, Lower Half, (35.5" x 10.5"), LH
1102SB	1947-54	Door Inner Panel RH
1102TB	1947-54	Door Inner Panel LH
1102AM	1947-55	Inner Door Panel, Lower Half, (35.5" x 10.5"), RH
1102AN	1947-55	Inner Door Panel, Lower Half, (35.5" x 10.5"), LH
1102B	1947-54	Drip Rail/Door Crown Trim RH
1102C	1947-54	Drip Rail/Door Crown Trim LH
1101C	1947-54	Door Hinges, Upper/Lower RH
1101D	1947-54	Door Hinges, Upper/Lower LH
1103L	1947-51	Door Latch RH
1103M	1947-51	Door Latch LH
1102XB	1947-51	Door Latch Strikers

1947-50

1960-72

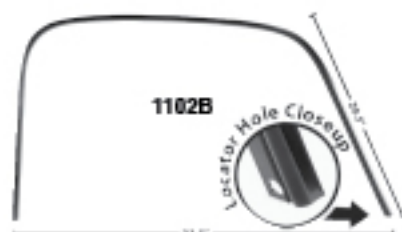
1952-54



1102Z



1102AN



1102B



1103L



1101C



1103Z



1102XC

Box Size:  
7.5" x 2.75" x 1.75"  
Weight:  
27.1 lbs.

See pg. PU55 for Door Accessories...

1102Y	1952-54	Door Shell, RH
1102Z	1952-54	Door Shell, LH
1102AM	1947-55	Inner Door Panel, Lower Half, (35.5" x 10.5"), RH
1102AN	1947-55	Inner Door Panel, Lower Half, (35.5" x 10.5"), LH
1102B	1947-54	Drip Rail/Door Crown Trim RH
1102C	1947-54	Drip Rail/Door Crown Trim LH
1101C	1947-54	Door Hinges, Upper/Lower RH
1101D	1947-54	Door Hinges, Upper/Lower LH
1103L	1947-51	Door Latch RH
1103M	1947-51	Door Latch LH
1103Y	1952-55	Door Latch RH
1103Z	1952-55	Door Latch LH
1102XC	1952-63	Door Latch Strikers



1103E

1115U

1115X

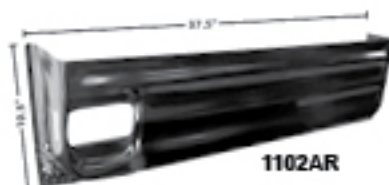
1103E	1947-54	Door Relay RH
1103F	1947-54	Door Relay LH
1115T	1947-50	Manual Regulator, RH
1115U	1947-50	Manual Regulator, LH
1115W	1951-55	Manual Regulator, RH
1115X	1951-55	Manual Regulator, LH

Doors & Hardware continued next page...



1103C

See pg. PU55 for Door Accessories...



1102AR



1103CC



1101T



18RH



1103CB

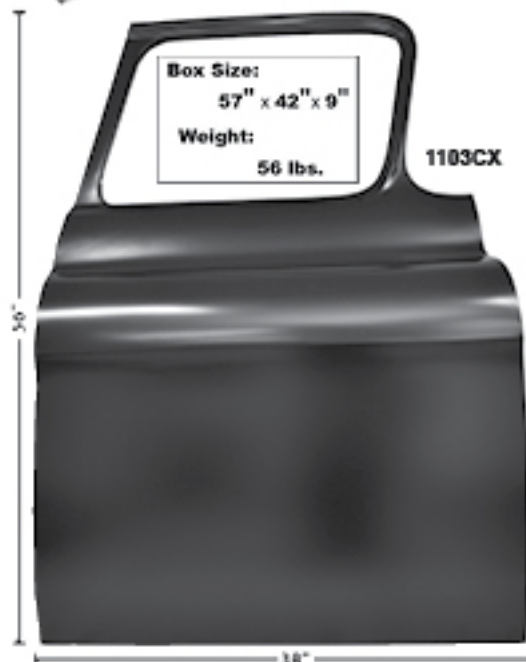
1102AP



1103H



1102XC



1103CX

1103C	1955-59	Door Shell, RH
1103D	1955-59	Door Shell, LH
1103CX	1955-59	Door Shell, Custom, RH (No holes for door handle, mirror or lock)
1103CY	1955-59	Door Shell, Custom, LH (No holes for door handle, mirror or lock)
1102AP	1955-59	Outer Door Skin, Lower Half, RH
1102AQ	1955-59	Outer Door Skin, Lower Half, LH
1103CB	1955-59	Door Inner Panel RH
1103DB	1955-59	Door Inner Panel LH
1102AR	1955-59	Inner Door Panel, Lower Half, RH
1102AS	1955-59	Inner Door Panel, Lower Half, LH
1103CC	1955-59	Door Hinge Access Plates
1101T	1955-59	Door Hinge, Upper, Fits both sides
1101U	1955-59	Door Hinge, Lower, Fits both sides
18RH	1955-59	Door Latch RH
18LH	1955-59	Door Latch LH
1102XC	1952-63	Door Latch Strikers
1103G	1955-59	Door Relay RH
1103H	1955-59	Door Relay LH



1115C



1103DE

*Now sold in pairs!*

1115C	1955-59	Manual Regulator, RH
1115D	1955-59	Manual Regulator, LH
1103DE	1955-59	Door Upper Guide Rails for Regulator

**1960-66**

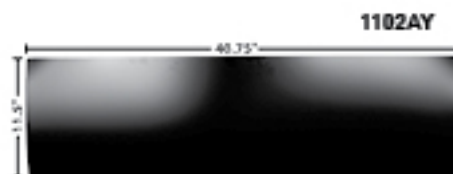


1103DC

*See pg. PU55 for Door Accessories...*



1102AH



1102AY



1102AT



1103DC	1964-66	Door Shell, RH
1103DD	1964-66	Door Shell, LH
1102AH	1960-66	Door Skin, RH
1102AJ	1960-66	Door Skin, LH
1102AY	1960-66	Outer Door Skin, Lower Half, <i>Fits both sides</i>
1102AT	1960-63	Inner Door Panel, Lower Half, RH
1102AU	1960-63	Inner Door Panel, Lower Half, LH

Muscle Car Parts & Molding • Muscle Car Parts & Molding • Muscle Car Parts & Molding



**1102XD**  
Box Size:  
6.5" x 3.5" x 3"  
Weight:  
1.25 lbs.

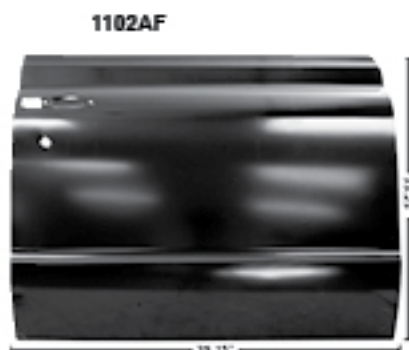


1102AW	1964-66	Inner Door Panel, Lower Half, RH
1102AX	1964-66	Inner Door Panel, Lower Half, LH
1101G	1964-66	Door Inner Panel RH
1101H	1964-66	Door Inner Panel LH
1101V	1960-66	Door Hinges, Upper/Lower RH
1101W	1960-66	Door Hinges, Upper/Lower LH
1103N	1960-63	Door Latch RH
1103P	1960-63	Door Latch LH
1103IA	1960-63	Door Relay RH
1103IB	1960-63	Door Relay LH
1103Q	1964-66	Door Latch RH
1103R	1964-66	Door Latch LH
1103IC	1964-66	Door Relay RH
1103ID	1964-66	Door Relay LH
1102XC	1952-63	Door Latch Strikers
1102XD	1964-66	Door Latch Strikers



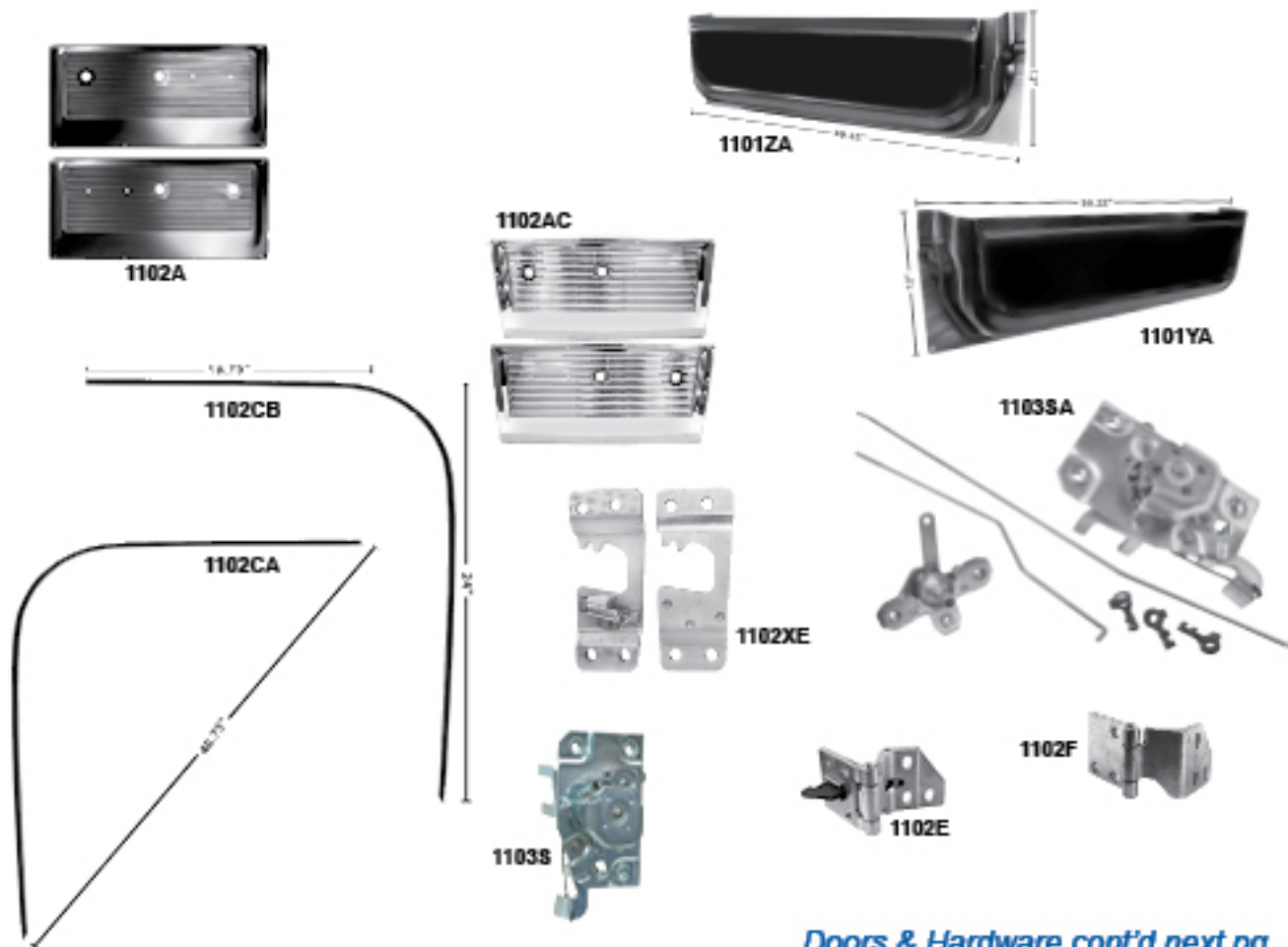
1115A	1960-63	Manual Regulator, RH
1115B	1960-63	Manual Regulator, LH
1115P	1964-66	Manual Regulator, RH
1115Q	1964-66	Manual Regulator, LH

1967-71



1102	1967-71	Door Shell, RH
1103	1967-71	Door Shell, LH
1103BE	1967-71	Door Shell without handle or door lock holes, RH
1103BF	1967-71	Door Shell without handle or door lock holes, LH
1102AF	1967-72	Door Skin, RH
1102AG	1967-72	Door Skin, LH
1101Y	1967-72	Outer Door Skin, Lower Half, RH
1101Z	1967-72	Outer Door Skin, Lower Half, LH

Muscle Car Parts & Molding • Muscle Car Parts & Molding • Muscle Car Parts & Molding



*Doors & Hardware cont'd next pg...*

1102A	1967-72	Door Inner Panels, Painted
1102AC	1967-72	Door Inner Panels, Chrome
1101YA	1967-72	Inner Door Panel, Lower Half, RH
1101ZA	1967-72	Inner Door Panel, Lower Half, LH
1102CA	1967-72	Drip Rail/Door Crown Trim RH
1102CB	1967-72	Drip Rail/Door Crown Trim LH
1102D	1967-72	Door Hinge, Upper RH
1102E	1967-72	Door Hinge, Upper LH
1102F	1967-72	Door Hinge, Lower RH
1102G	1967-72	Door Hinge, Lower LH
1103S	1967-72	Door Latch RH
1103T	1967-72	Door Latch LH
1103SA	1967-71	Door Latch w/Rods & Remote RH
1103SB	1967-71	Door Latch w/Rods & Remote LH
1102XE	1967-72	Door Latch Strikers



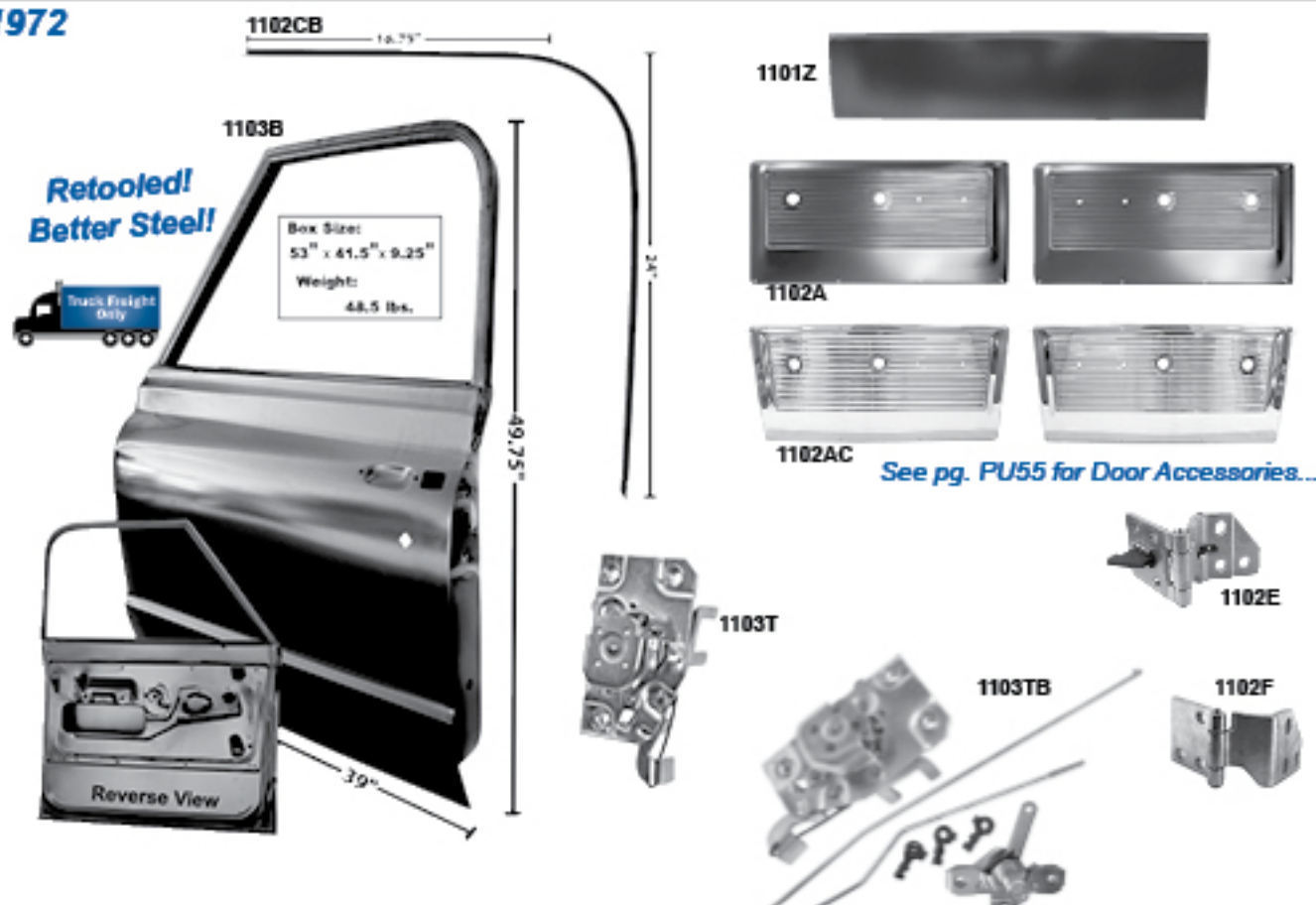
1115J



1115K

1115J	1967-71	Manual Regulator, RH
1115K	1967-71	Manual Regulator, LH

1972

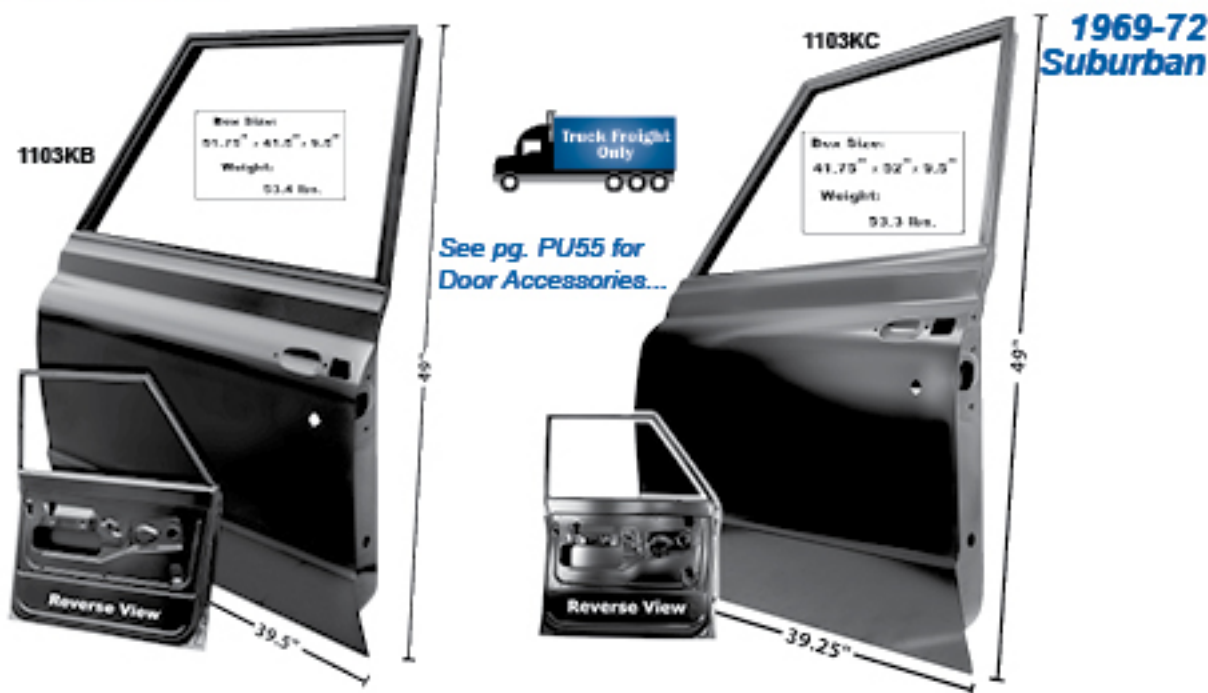


1103A	1972	Door Shell, RH
1103B	1972	Door Shell, LH
1101Y	1967-72	Outer Door Skin, Lower Half, RH
1101Z	1967-72	Outer Door Skin, Lower Half, LH
1102A	1967-72	Inner Door Panels, Painted
1102AC	1967-72	Inner Door Panels, Chrome
1102CA	1967-72	Drip Rail/Door Crown Trim RH
1102CB	1967-72	Drip Rail/Door Crown Trim LH
1102D	1967-72	Door Hinge, Upper RH
1102E	1967-72	Door Hinge, Upper LH
1102F	1967-72	Door Hinge, Lower RH
1102G	1967-72	Door Hinge, Lower LH
1103S	1967-72	Door Latch RH
1103T	1967-72	Door Latch LH
1103TA	1972	Door Latch w/Rods & Remote RH
1103TB	1972	Door Latch w/Rods & Remote LH

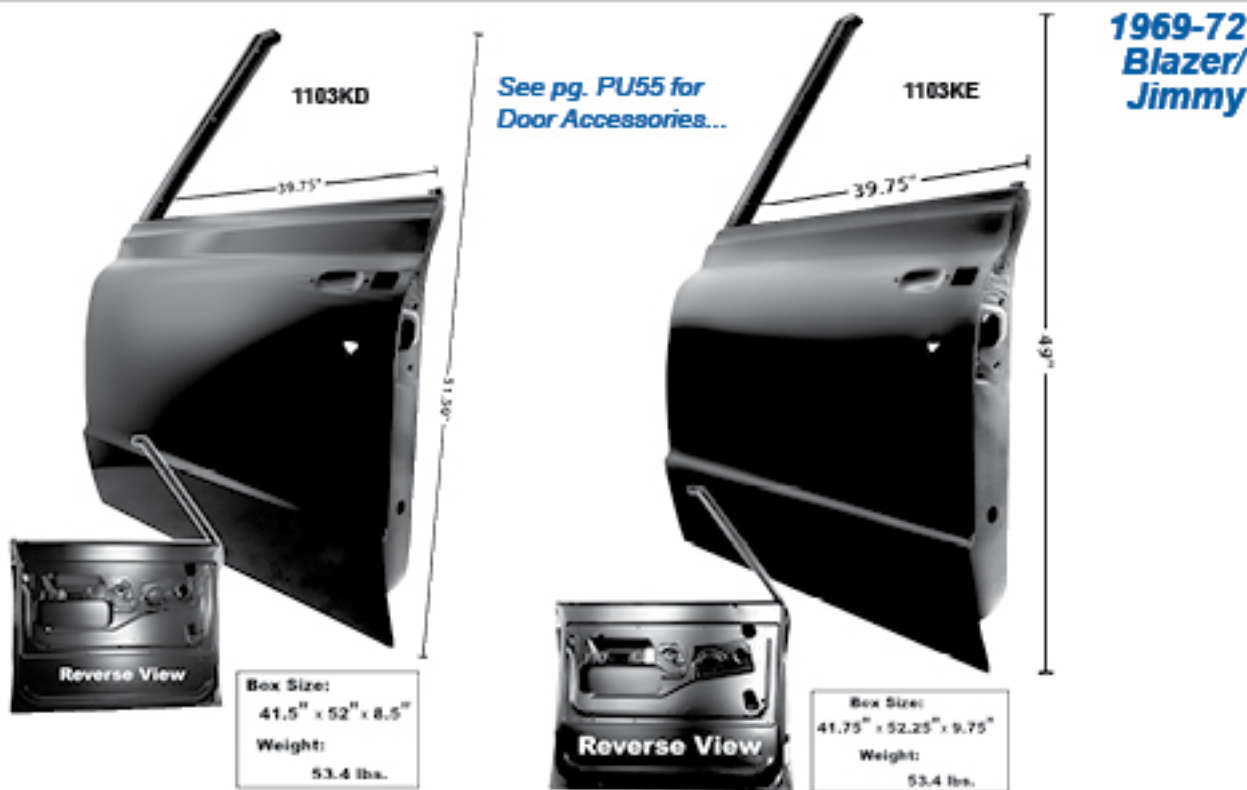


1115L	1972	Manual Regulator, RH
1115M	1972	Manual Regulator, LH



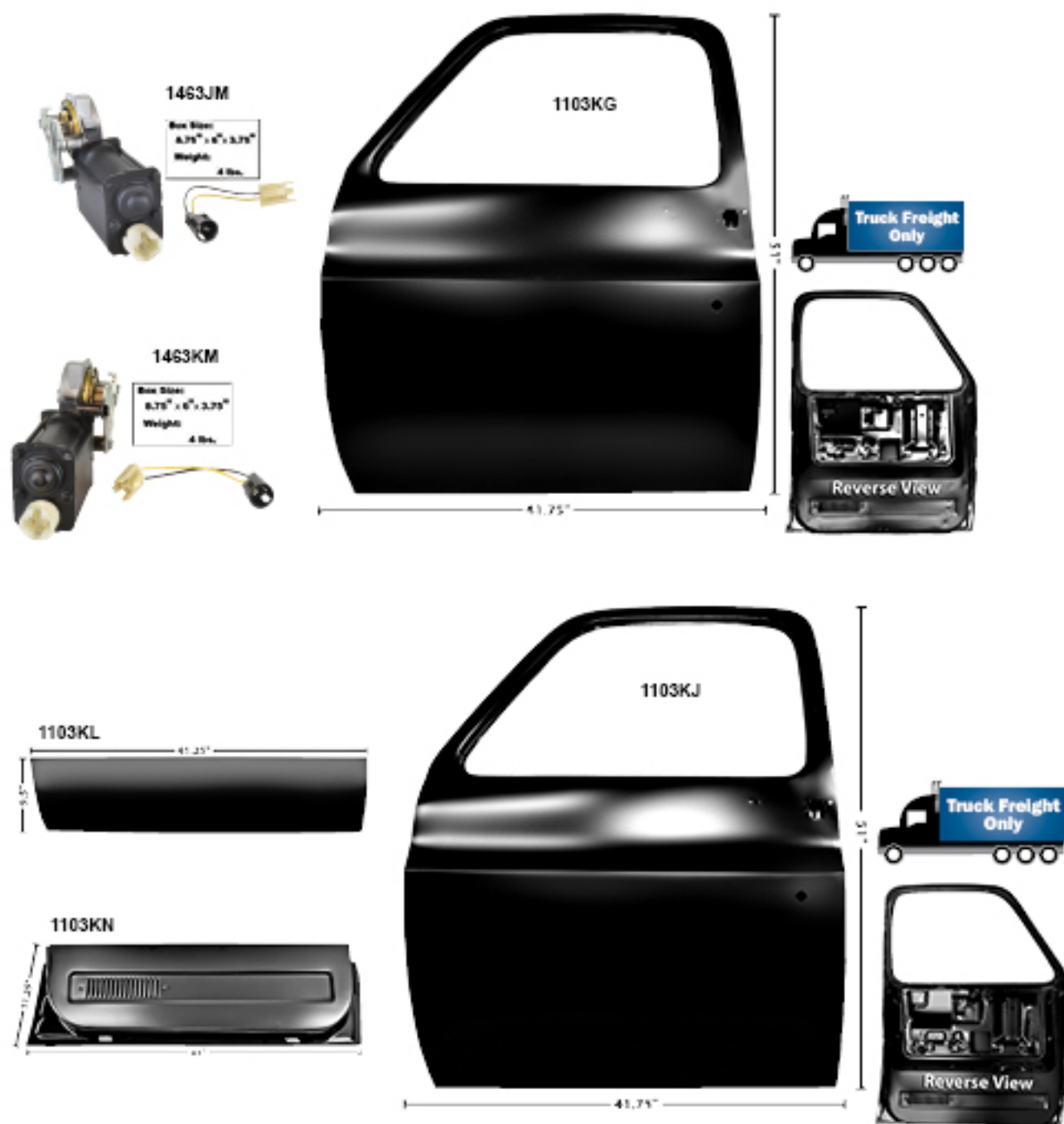


1103JB	1969-71	Door Shell, RH, Suburban
1103KB	1969-71	Door Shell, LH, Suburban
1103JC	1972	Door Shell, RH, Suburban
1103KC	1972	Door Shell, LH, Suburban



1103JD	1969-71	Door Shell, RH, Blazer / Jimmy
1103KD	1969-71	Door Shell, LH, Blazer / Jimmy
1103JE	1972	Door Shell, RH, Blazer / Jimmy
1103KE	1972	Door Shell, LH, Blazer / Jimmy

1973-91



1463JM	1967-68	Power Window Motor, RH
1463KM	1967-68	Power Window Motor, LH
1103KF	1973-76	Door Shell, RH Chevy®
1103KG	1973-76	Door Shell, LH Chevy®
1103KH	1977-91	Door Shell, RH Chevy® (Also fits 1977-87 Blazer, Jimmy & Suburban)
1103KJ	1977-91	Door Shell, LH Chevy® (Also fits 1977-87 Blazer, Jimmy & Suburban)
1103KK	1973-87	Outer Door Skin, Lower Half, RH
1103KL	1973-87	Outer Door Skin, Lower Half, LH
1103KM	1973-87	Inner Door Panel, Lower Half, RH
1103KN	1973-87	Inner Door Panel, Lower Half, LH

1947-66



1132	1947-51	Exterior Door Handles
1133	1952-59	Exterior Door Handles
1134	1960-66	Exterior Door Handles
1130	1947-66	Interior Door Handle
1134C	1947-67	Interior Door Handle Trim Washer, Black
1131	1947-66	Window Crank Handle
1130E	1951-55	Vent Window Handles
1130F	1955-59	Vent Window Handles
1130G	1960-67	Vent Window Handles

1967-76



1134A	1967-72	Exterior Door Handles
1134B	1973-91	Exterior Door Handles
1130A	1967-72	Interior Door Handle
1134C	1947-67	Interior Door Handle Trim Washer, Black
M1037A	1967-76	Window Crank Handle, Black Knob
M1037B	1967-76	Window Crank Handle, Clear Knob
1103IE	1967-71	Door Handle Relay RH
1103IF	1967-71	Door Handle Relay LH
1103IG	1972	Door Handle Relay RH
1103IH	1972	Door Handle Relay LH
1130H	1968-72	Vent Window Handles

**1947-59**

1119A



1119B



1119C



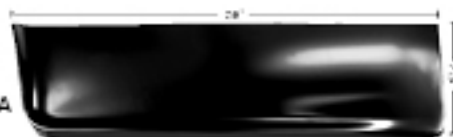
1119A	1947-53	Front Bed Panel with 2 mm steel
1119B	1954-59	Front Bed Panel for Stepside
1119C	1958-59	Front Bed Panel for Fleetside

**1960-72**

1119D



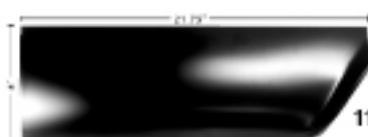
1160QA



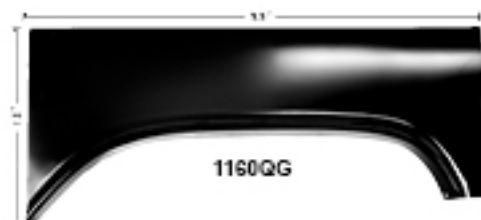
1160QJ



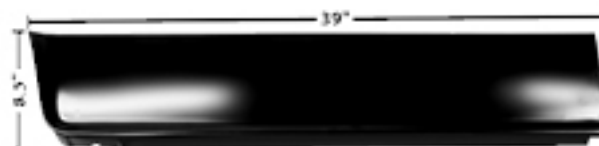
1160QE



1160QG



1119G



1160QC

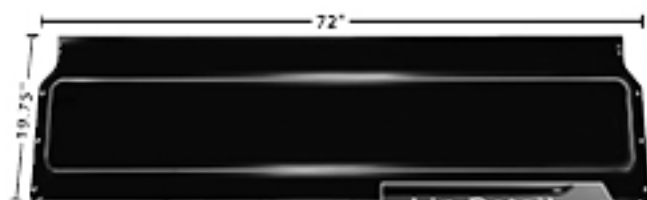
1119D	1960-66	Front Bed Panel for Fleetside
1160QA	1960-66	Front RH Lower Panel Section for Fleetside, 6 ft. Bed
1160QB	1960-66	Front LH Lower Panel Section for Fleetside, 6 ft. Bed
1160QE	1960-66	Rear RH Lower Panel Section for Fleetside, 6 ft. Bed
1160QF	1960-66	Rear LH Lower Panel Section for Fleetside, 6 ft. Bed
1160QG	1960-66	Center Bed Wheel Arch Panel, RH, for Fleetside, 6 ft. Bed
1160QH	1960-66	Center Bed Wheel Arch Panel, LH, for Fleetside, 6 ft. Bed
1160QJ	1960-66	Rear RH Corner Section for Fleetside
1160QK	1960-66	Rear LH Corner Section for Fleetside
1160QC	1960-66	Front RH Lower Panel Section for Fleetside, 8 ft. Bed
1160QD	1960-66	Front LH Lower Panel Section for Fleetside, 8 ft. Bed
1119G	1960-72	Front Bed Panel For Stepside

1967-72

Bed Panels

Muscle Car Parts & Molding • Muscle Car Parts & Molding • Muscle Car Parts & Molding

1119G



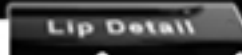
Box Size:  
73" x 20.5" x 2.75"  
Weight:  
35.1 lbs.

1119E



Box Size:  
73" x 20.5" x 2.75"  
Weight:  
35.1 lbs.

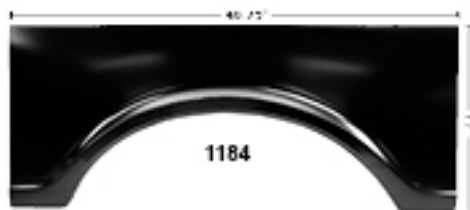
1119F



1180



1182



1184



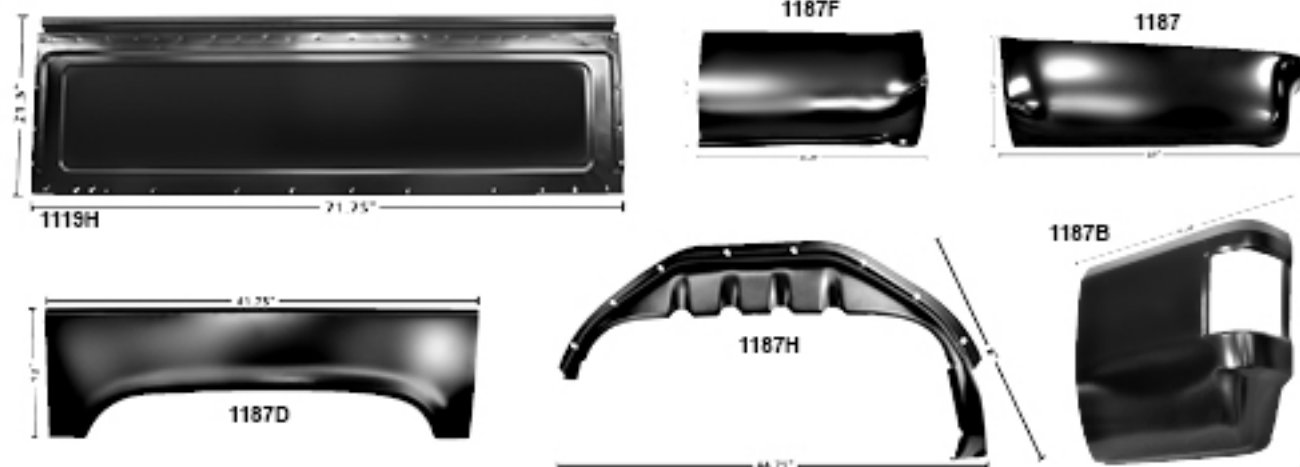
1185

1119G	1960-72	Front Bed Panel For Stepside
1119E	1967-72	Front Bed Panel Fleetside, Steel Floor
1119F	1967-72	Front Bed Panel Fleetside, Wood Floor
1180	1967-72	Front Lower Bed Panel, RH
1181	1967-72	Front Lower Bed Panel, LH
1182	1967-72	Lower Rear Bed Panel, RH
1183	1967-72	Lower Rear Bed Panel, LH
1184	1967-72	Center Bed Wheel Arch Panel, RH, for Fleetside, 6 ft. Bed
1185	1967-72	Center Bed Wheel Arch Panel, LH, for Fleetside, 6 ft. Bed

Bed Panels continued next page...

**Bed Panels**

**1973-91**



1119H	1973-87	Front Bed Panel
1187E	1973-91	Front Lower Bed Panel, RH
1187F	1973-91	Front Lower Bed Panel, LH
1187C	1973-87	Rear Upper Wheel Arch Panel, RH
1187D	1973-87	Rear Upper Wheel Arch Panel, LH
1187G	1973-87	Rear Inner Wheel Panel, RH
1187H	1973-87	Rear Inner Wheel Panel, LH
1186	1973-87	Bed Rear Lower Section, RH
1187	1973-87	Bed Rear Lower Section, LH
1187A	1973-87	Rear Bed Corner, RH
1187B	1973-87	Rear Bed Corner, LH

**Beside Panels**

**1947-53  
Shortbed**

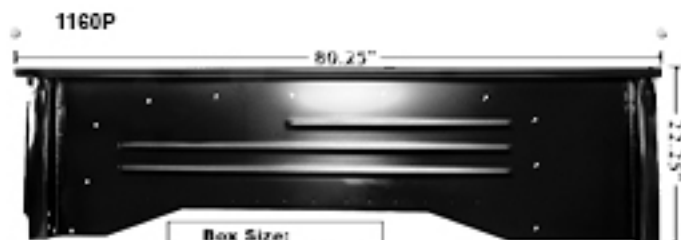


1160C	1947-53	Beside for Shortbed, RH (Open Stake Pockets)
1160D	1947-53	Beside for Shortbed, LH (Open Stake Pockets)

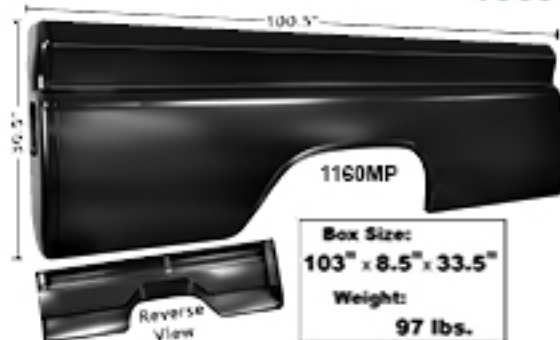
**1955-59  
Shortbed**



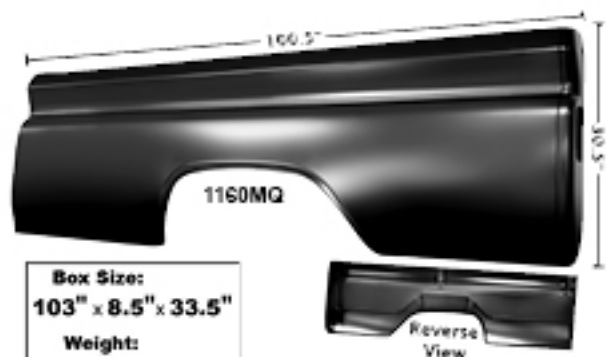
1119J	1955-59	Beside for Shortbed, RH
1119K	1955-59	Beside for Shortbed, LH



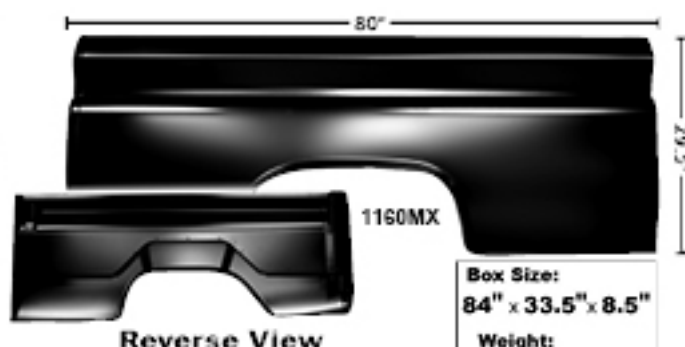
**Box Size:**  
82.25" x 26.25" x 8.5"  
**Weight:**  
62 lbs.



**Box Size:**  
103" x 8.5" x 33.5"  
**Weight:**  
97 lbs.

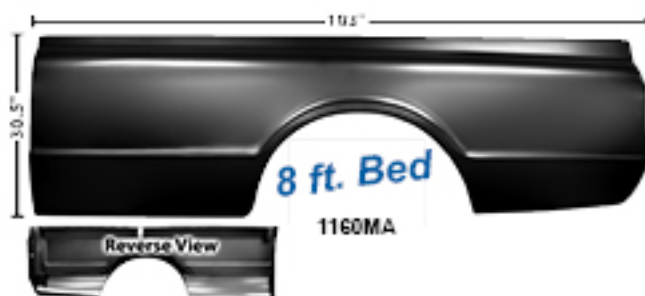


**Box Size:**  
103" x 8.5" x 33.5"  
**Weight:**  
97 lbs.

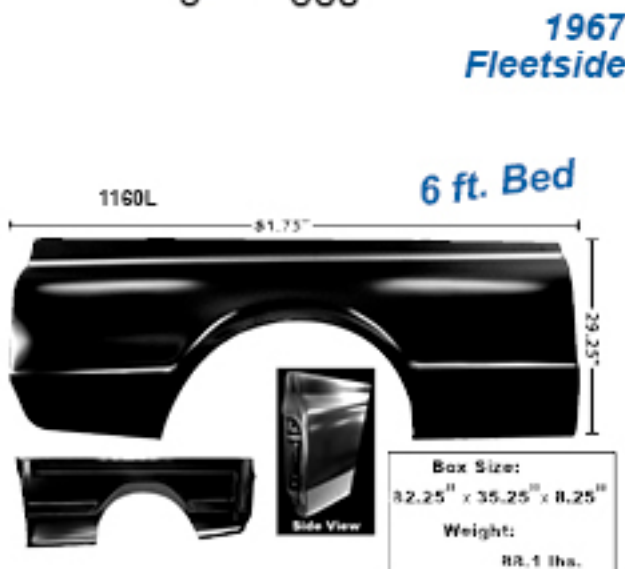


**Box Size:**  
84" x 33.5" x 8.5"  
**Weight:**  
79 lbs.

1160P	1960-66	Bedside for Shortbed, Stepside, RH
1160Q	1960-66	Bedside for Shortbed, Stepside, LH
1160MX	1960-66	Bedside for Shortbed, Fleetside, RH
1160MY	1960-66	Bedside for Shortbed, Fleetside, LH
1160MP	1960-66	Bedside for Longbed, Fleetside, RH
1160MQ	1960-66	Bedside for Longbed, Fleetside, LH



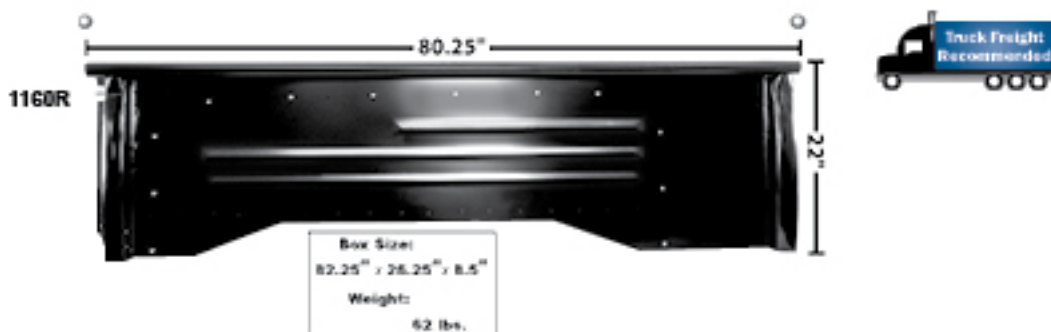
**Box Size:**  
104" x 36" x 8.5"  
**Weight:**  
100 lbs.



**Box Size:**  
82.25" x 35.25" x 8.25"  
**Weight:**  
88.1 lbs.

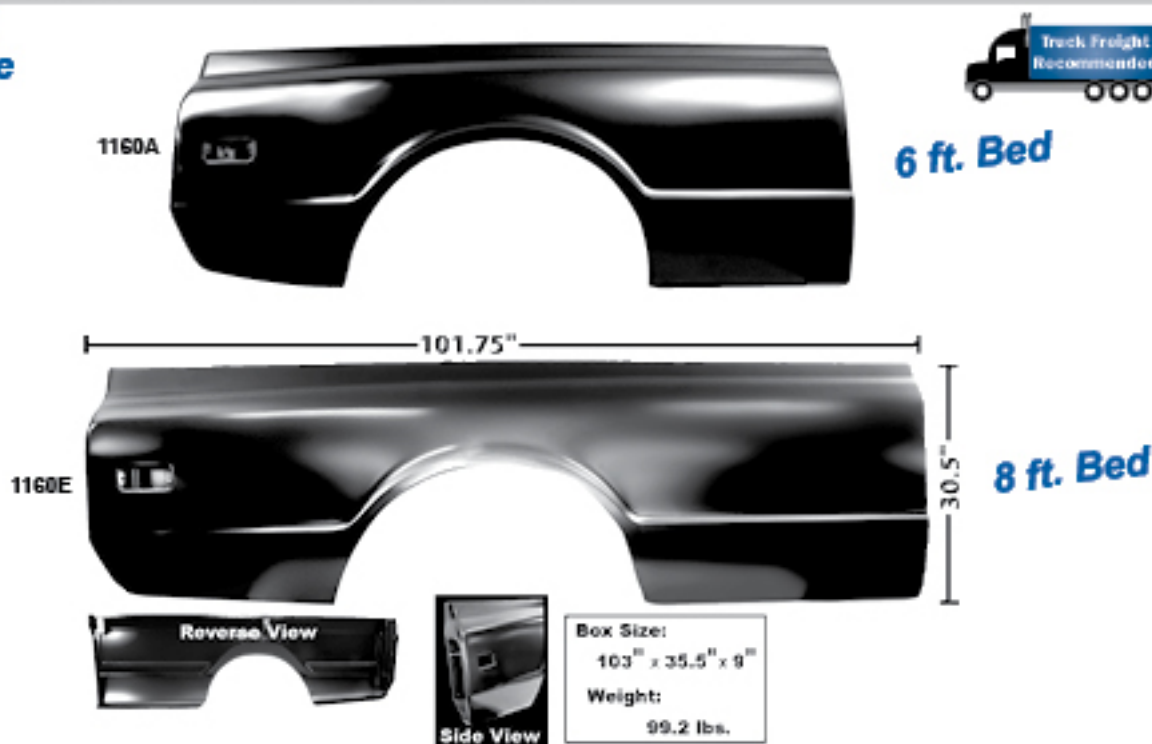
1160L	1967	6 Ft. Fleetside Bedside, RH
1160M	1967	6 Ft. Fleetside Bedside, LH
1160LA	1967	8 Ft. Fleetside Bedside, RH
1160MA	1967	8 Ft. Fleetside Bedside, LH

**1967-72  
Shortbed  
Stepside**



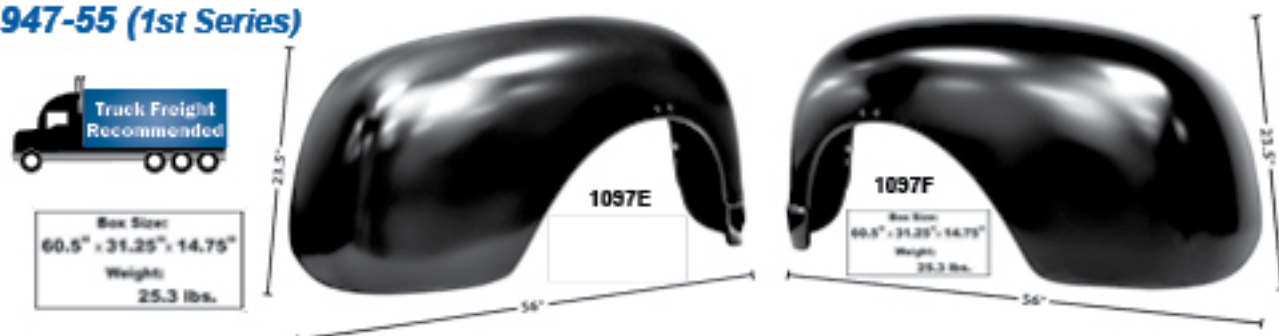
1160R	1967-72	Bedside for Stepside, Shortbed, RH
1160S	1967-72	Bedside for Stepside, Shortbed, LH

**1968-72  
Fleetside**



1160A	1968-72	6 Ft. Bedside for Fleetside, RH
1160B	1968-72	6 Ft. Bedside for Fleetside, LH
1160E	1968-72	8 Ft. Bedside for Fleetside, RH
1160F	1968-72	8 Ft. Bedside for Fleetside, LH

**1947-55 (1st Series)**



1097E	1947-55 1 <sup>st</sup> Series	Rear Fender Stepside, RH
1097F	1947-55 1 <sup>st</sup> Series	Rear Fender Stepside, LH



1955-72

Rear Fenders



1097C



1097DA



1097H

1097C	1955-66	Rear Fender Stepside, RH (Also fits 1955-66 GMC)
1097D	1955-66	Rear Fender Stepside, LH (Also fits 1955-66 GMC)
1097DA	1955-66	Rear Fender Brace, 3 pieces
1097G	1968-72	Rear Fender Stepside, RH
1097H	1968-72	Rear Fender Stepside, LH



1104XC



1104WC



1104X



1104W



1104WA



1107JD

1104WC	1947-54	Running Board, Chrome, RH <i>Short Bed</i>
1104XC	1947-54	Running Board, Chrome, LH <i>Short Bed</i>
1104W	1947-54	Running Board, Painted, RH <i>Short Bed</i>
1104X	1947-54	Running Board, Painted, LH <i>Short Bed</i>
1104WA	1947-54	Running Board Bracket, 3 pcs., RH
1104XA	1947-54	Running Board Bracket, 3 pcs., LH
1107JC	1947-53	Running Board to Bed Apron w/hardware, RH <i>Short Bed</i>
1107JD	1947-53	Running Board to Bed Apron w/hardware, LH <i>Short Bed</i>

Muscle Car Parts & Molding • Muscle Car Parts & Molding • Muscle Car Parts & Molding

Running Boards

**1955-66**



1104G	1955-59	Door Step W/Inner Rocker, Painted RH
1104H	1955-59	Door Step W/Inner Rocker, Painted LH
1104I	1955-66	Bed Step for Longbed, Painted RH
1104J	1955-66	Bed Step for Longbed, Painted LH
1104IC	1955-66	Bed Step for Longbed, Chrome RH
1104JC	1955-66	Bed Step for Longbed, Chrome LH
1104K	1955-66	Bed Step for Shortbed, Painted RH
1104L	1955-66	Bed Step for Shortbed, Painted LH
1104KC	1955-66	Bed Step for Shortbed, Chrome RH
1104LC	1955-66	Bed Step for Shortbed, Chrome LH
1104T	1955-59	Bed Step Hanger RH
1104U	1955-59	Bed Step Hanger LH
1107JE	1954-55	Running Board to Bed Apron w/hardware, RH
1107JF	1954-55	Running Board to Bed Apron w/hardware, LH

**1960-72**



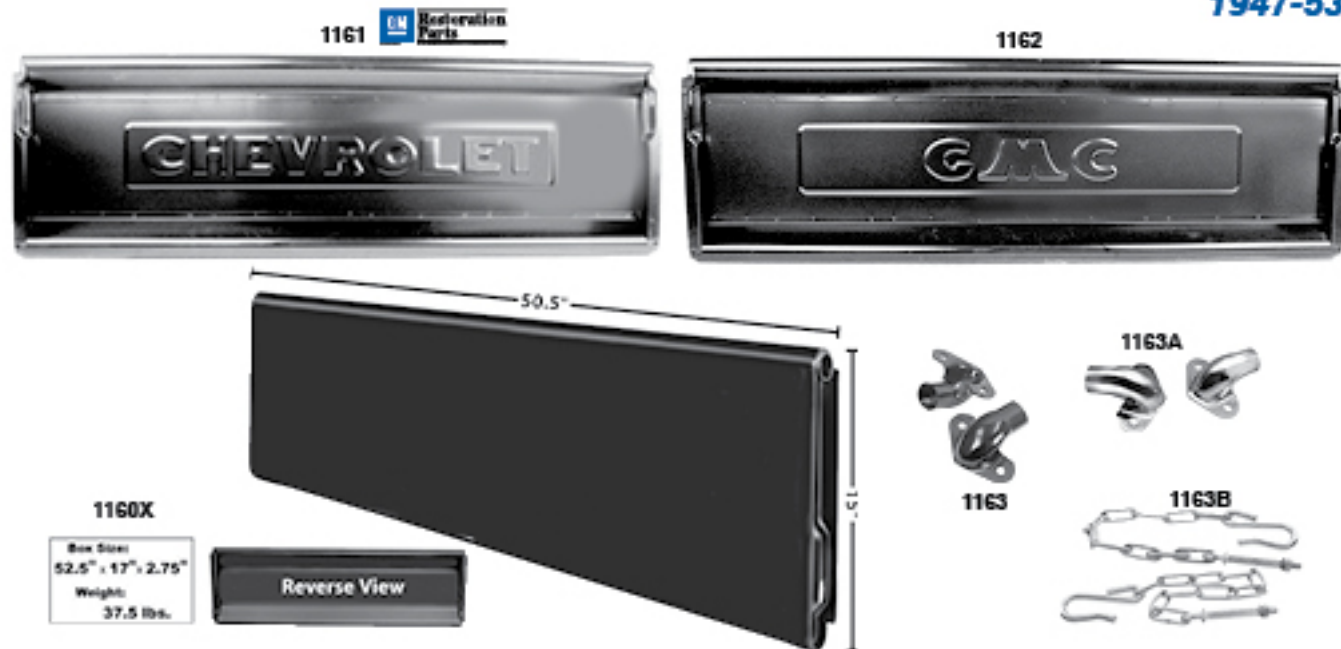
1104Y	1960-66	Bed Step Hanger RH
1104Z	1960-66	Bed Step Hanger LH
1104LE	1967-72	Bed Step for Shortbed, Painted RH
1104LF	1967-72	Bed Step for Shortbed, Painted LH

**1973-87**



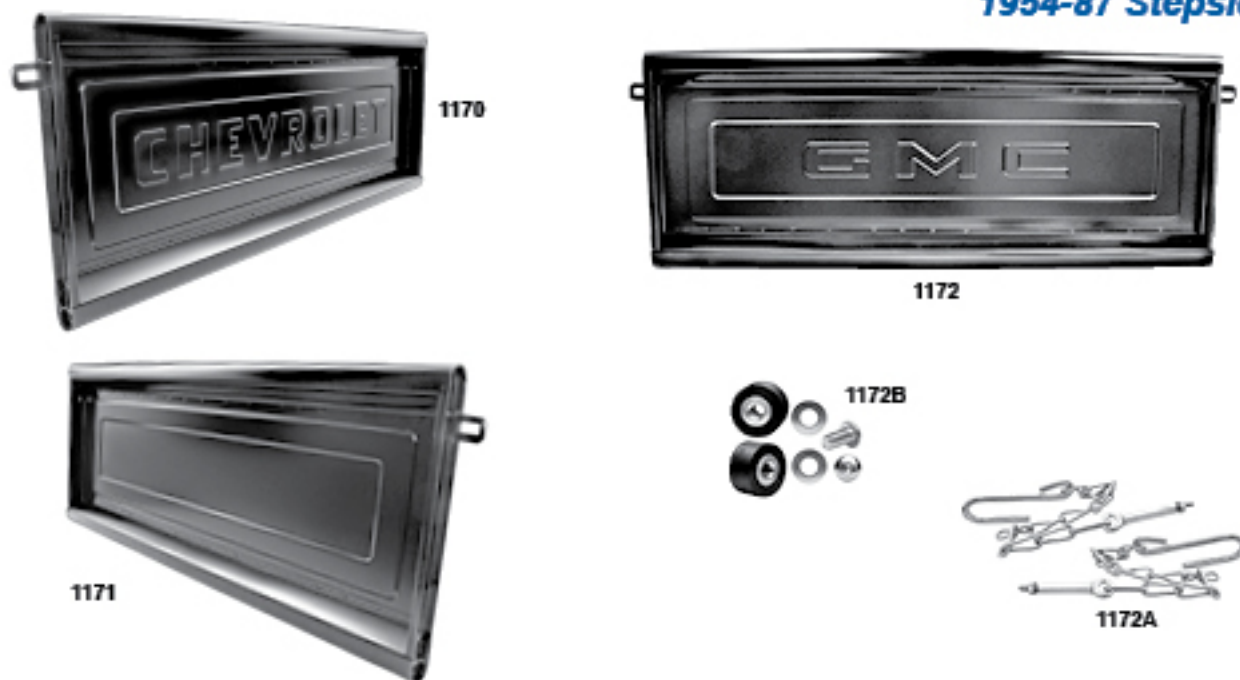
1113A	1973-87	Bed Step for Stepside RH
1113B	1973-87	Bed Step for Stepside LH
1113C	1973-87	Bed Step Hanger for Stepside RH
1113D	1973-87	Bed Step Hanger for Stepside LH

1947-53



1161	1947-53	Tailgate, "Chevrolet"
1162	1947-53	Tailgate, "GMC"
1160X	1947-53	Tailgate with 2 mm steel, unmarked
1163	1947-53	Tailgate Hinges
1163A	1947-53	Tailgate Hinges, Chrome
1163B	1947-53	Tailgate Chain for Stepside, Stainless

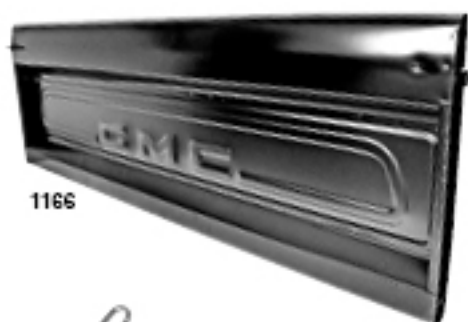
1954-87 Stepside



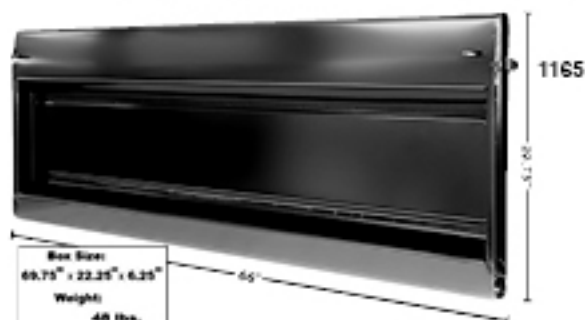
1170	1954-87	Tailgate for Stepside, "Chevrolet"
1172	1954-87	Tailgate for Stepside, "GMC"
1171	1954-87	Tailgate for Stepside, unmarked
1172B	1955-87	Tailgate Hinge Trunnions for Stepside, Polyurethane
1172A	1954-87	Tailgate Chain for Stepside, Stainless

1958-66

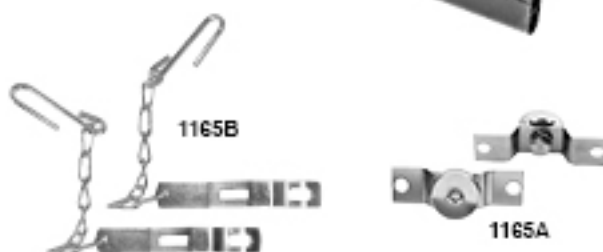
1167



1166



Box Size:  
69.75" x 22.25" x 6.25"  
Weight:  
48 lbs.



1165B

1165A

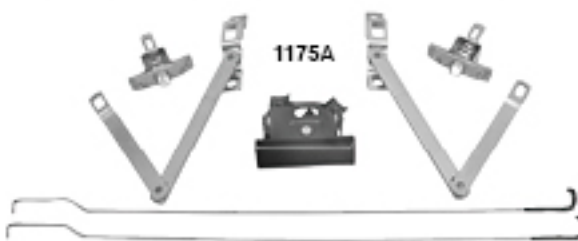
1167	1958-66	Tailgate for Fleetside, "Chevrolet"
1166	1958-66	Tailgate for Fleetside, "GMC"
1165	1958-66	Tailgate for Fleetside, unmarked
1165A	1958-66	Tailgate Hinge Trunnions for Fleetside
1165B	1958-66	Tailgate Chain for Fleetside, Stainless

1967-72

1168



1169



1175A

1175 Restoration Parts



1175B

Box Size:  
5" x 4.5" x 2.5"  
Weight:  
1.75 lbs.



1175D

Box Size:  
5.5" x 5" x 3.5"  
Weight:  
1 lbs.



1175C

1168	1967-72	Tailgate for Fleetside, "Chevrolet"
1175	1967-72	Tailgate for Fleetside, "GMC"
1169	1967-72	Tailgate for Fleetside, unmarked
1175A	1967-72	Tailgate Hinge Assembly for Fleetside, 7 Pcs
1175B	1967-72	Tailgate Hinge Trunnions for Fleetside
1175D	1967-72	Tailgate Latches
1175C	1967-72	Tailgate Handle for Fleetside



1109M



1109NA



1109P



1109NB



1109Q



1109N



1109B

1109M	1947-53	Front License Plate Bracket
1109N	1954-55	Front License Plate Bracket
1109P	1954-59	Rear License Plate Bracket with lamp
1109NA	1955-57	Front License Plate Bracket
1109NB	1958-59	Front License Plate Bracket
1109Q	1960-66	Rear License Plate Bracket with lamp
1109B	1967-67	Rear License Panel <small>Stepside, Also fits 1967-69 Fleetside</small>

**1947-59**



T50

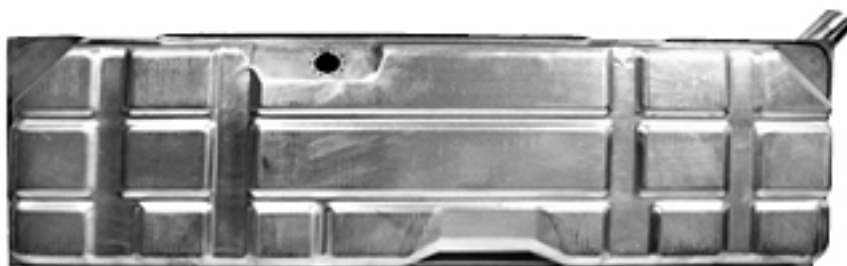


T51

T50	1949-54	Galvanized Fuel Tank, 18 gal.
T51	1955-59	Galvanized Fuel Tank, 15 gal.

*Fuel tanks continued next page...*

1960-72

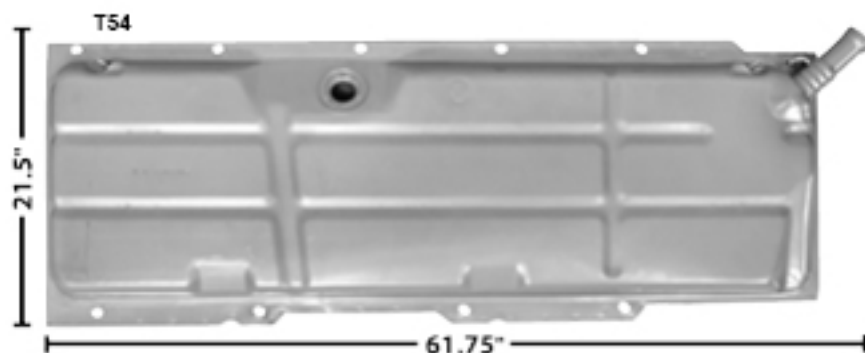


T52 1960-66 Galvanized Fuel Tank, 20 gal.



**Box Size:**  
64.5" x 24.5" x 9"  
**Weight:**  
33.5 lbs.

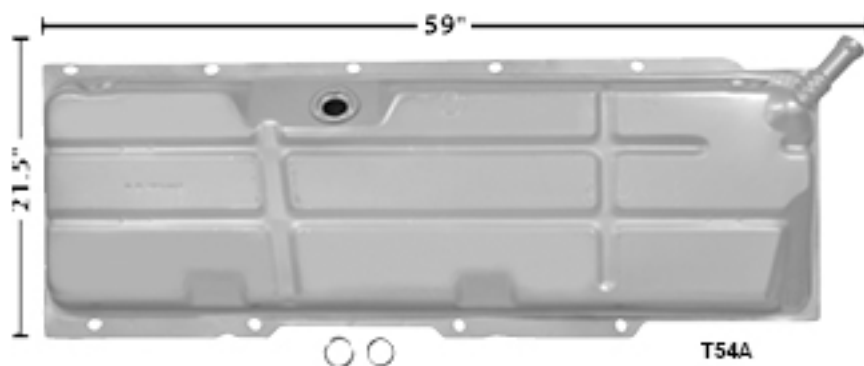
T53 1967-72 Galvanized Fuel Tank Without E.E.C., 20.5 gal.



**Box Size:**  
64" x 8.5" x 24.25"  
**Weight:**  
34.5 lbs.



**Box Size:**  
65" x 24.5" x 9"  
**Weight:**  
34 lbs.



T54A

T54 1970-72 Galvanized Fuel Tank With E.E.C., 18 gal.  
T54A 1971-72 Galvanized Fuel Tank Without E.E.C., 18 gal.

1973-81



Box Size:

44.5" x 14" x 11.25"

Weight:

19.5 lbs.

Box Size:

30" x 29.5" x 12.5"

Weight:

25 lbs.



T55B



Box Size:

58.25" x 13.5" x 12"

Weight:

27.1 lbs.

T55A

T55	1973-81	Galvanized Fuel Tank, 16 gal.
T55A	1973-81	Galvanized Fuel Tank, 20 gal. (Fits in front of rear axle)
T55B	1973-81	Galvanized Fuel Tank, 25 gal.

1982-87



Box Size:

44.5" x 14" x 11.25"

Weight:

20.5 lbs.

T55C



Box Size:

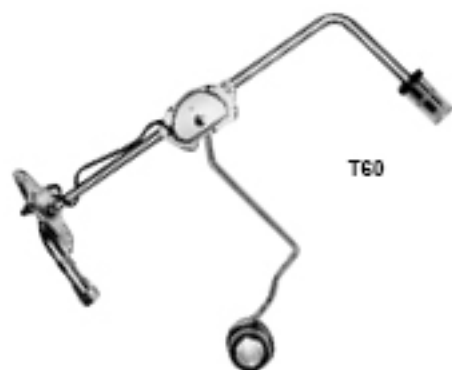
58.75" x 14" x 12"

Weight:

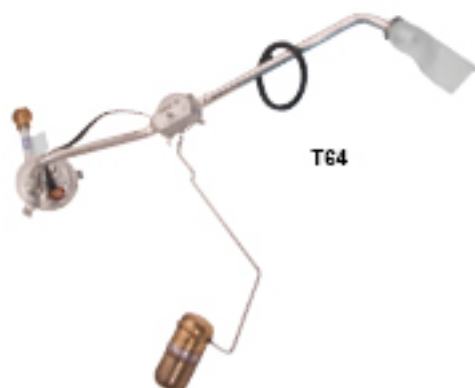
25 lbs.

T55D

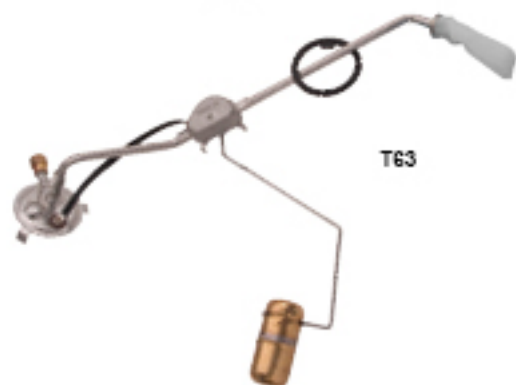
T55C	1982-87	Galvanized Fuel Tank, 16 gal. Shorted
T55D	1982-87	Galvanized Fuel Tank, 20 gal.



T60



T64



T63



T61

T60	1947-59	Fuel Sender, 3/8"
T61	1960-66	Fuel Sender, Stainless, 3/8"
T63	1967-71	Fuel Sender, 6 cylinder, 5/16"
T64	1967-71	Fuel Sender, 8 cylinder, 3/8"



T62



T65



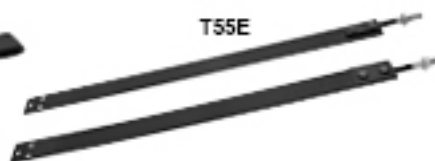
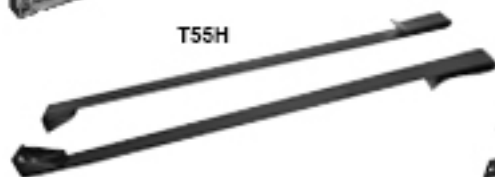
T66

T62	1969-72	Fuel Sender, Suburban/Blazer
T65	1972	Fuel Sender, Stainless, Standard Transmission, 3/8"
T66	1972	Fuel Sender, Stainless, Automatic Transmission, 3/8" & 5/16"





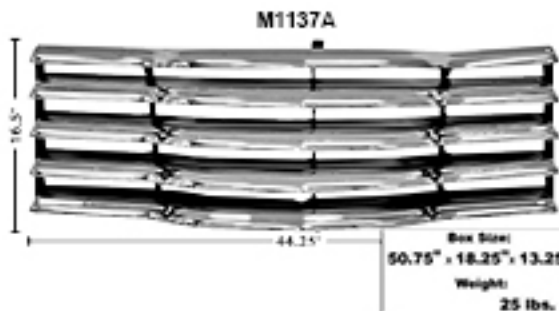
T56	1947-54	Fuel Tank Filler Kit
T57	1955-59	Fuel Tank Filler Kit



T60AWT	1947-54	Fuel Tank Brackets W/Straps, (Weld-Through Primer)
T55F	1949-54	Fuel Tank Straps
T55G	1955-59	Fuel Tank Straps
T55H	1960-66	Fuel Tank Straps
T55E	1973-91	Fuel Tank Straps

Chevy

1947-53



M1137A	1947-53	Chrome Grille Assembly with Black Back
M1138	1947-53	Black Grille Assembly
LH10	1947-54	Headlamp Bucket with Retainer Ring
1115I	1947-55	Headlamp Bezels

**1947-54**

**GMC**



LH10



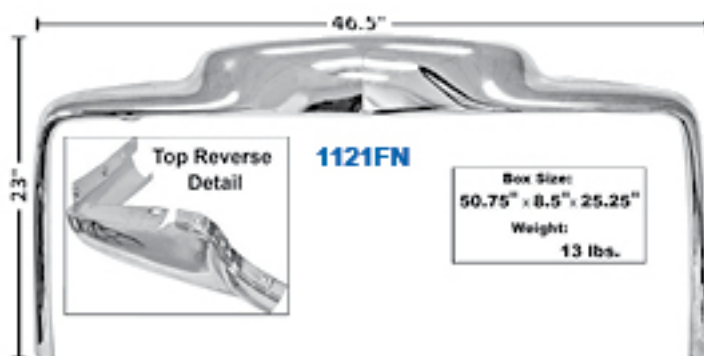
M1137F



LH10



1115I



1121FN

23"

46.5"

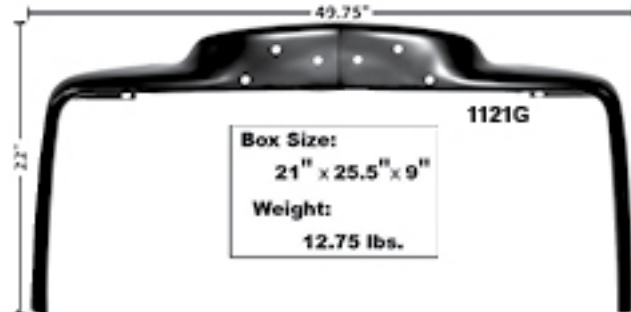


Top Reverse Detail

Box Size:  
50.75" x 8.5" x 25.25"  
Weight:  
13 lbs.



1121F



1121G

22"

49.75"

Box Size:  
21" x 25.5" x 9"  
Weight:  
12.75 lbs.

M1137F	1947-54	Chrome Grille Assembly For GMC
1121F	1947-53	Grille Support Frame, Chrome For GMC
1121FN	New 1947-53	Grille Support Frame, Chrome, without Emblem Hole
1121G	1947-54	Grille Support Frame, Painted For GMC
LH10	1947-54	Headlamp Bucket with Retainer Ring
1115I	1947-55	Headlamp Bezels

**1954-55 (1st Series)**

**Chevy**

M1137D



M1137B



M1137E

M1137B	1954-55 1st Series	Chrome Grille Assembly
M1137D	1954-55 1st Series	Chrome Grille Nose Bar
M1137E	1954-55 1st Series	Black Grille Nose Bar

**GMC**

**1955-56**



M1137G	1955	Hood Ornament Grille, For GMC
M1125	1955-56	Chrome Grille
LH11	1955-57	Headlamp Bucket with Retainer Ring
1115R	1955-57	Chrome Headlamp Bezels with Seals
1096D	1955-56	Upper Grille Bar, Chevy Only

**Chevy**

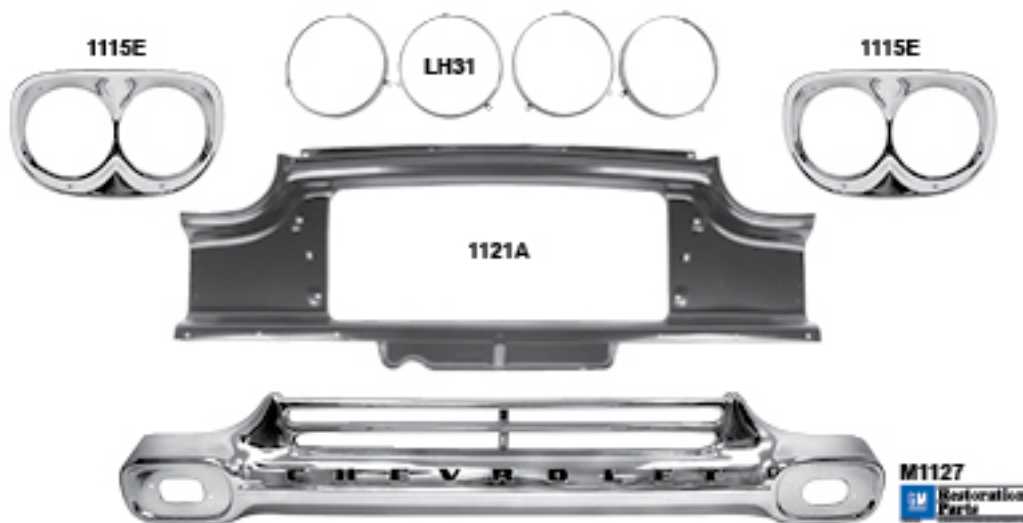
**1957**



M1126	1957	Chrome Grille
LH11	1955-57	Headlamp Bucket with Retainer Ring
1115R	1955-57	Chrome Headlamp Bezels with Seals
1096E	1957	Upper Grille Bar, Chevy

**Chevy**

**1958-59**



M1127	1958-59	Chrome Grille, "Chevrolet"
1115E	1958-59	Chrome Headlamp Bezels
1121A	1958-59	Grille Support Panel
LH31	1958-61	Headlamp Retaining Rings, 4 pcs. Chevy



1958-66

Chevy



M1129



M1016



1115F



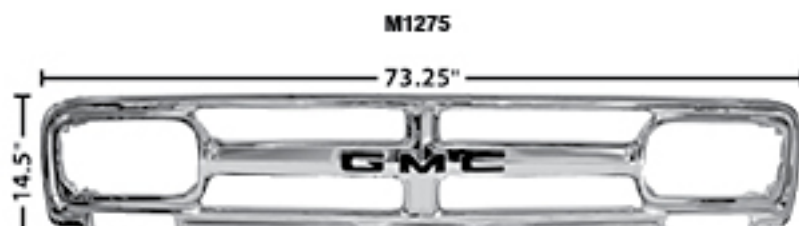
1115F

LH31	1958-61	Headlamp Retaining Rings, 4 pcs. Chevy
1115S	1963	Chrome Headlamp Bezels
M1016	1962-78	Headlamp Retainer Ring, Chevy
M1129	1964-66	Chrome Grille, "Chevrolet"
1115F	1964-66	Chrome Headlamp Bezels
M1016	1962-78	Headlamp Retainer Ring, Chevy

1967



M1276A



M1275

73.25"

14.5"

M1275	1967	Grille, GMC
M1276A	1967-68	Grille Vertical Support, GMC

**GMC**

Box Size:  
6.5" x 6.25" x 5"



LH20	1958-66	Headlamp Buckets & Rings, 8 pcs. <i>gmc</i>
LH21A	1967-72	Headlamp Buckets & Rings, 8 pcs., <i>gmc</i>

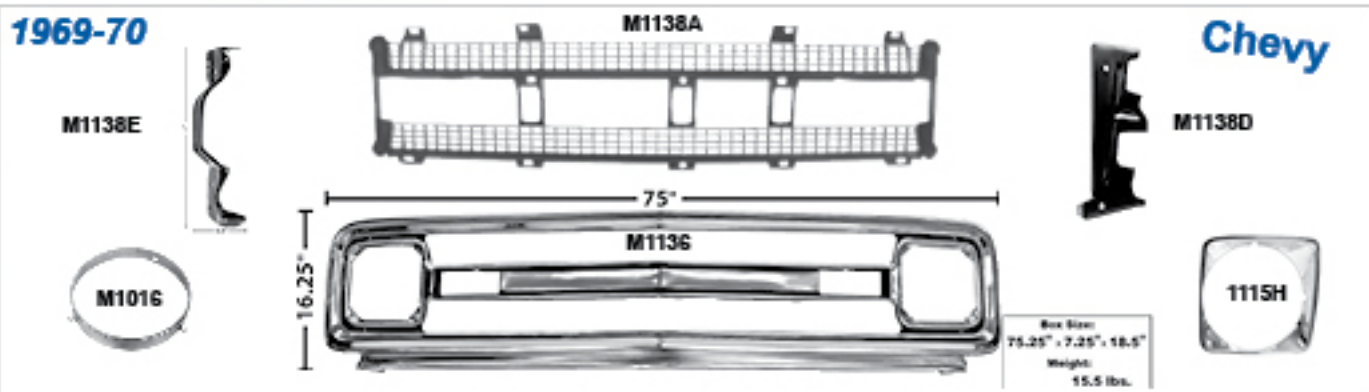
**Chevy**

**1967-68**



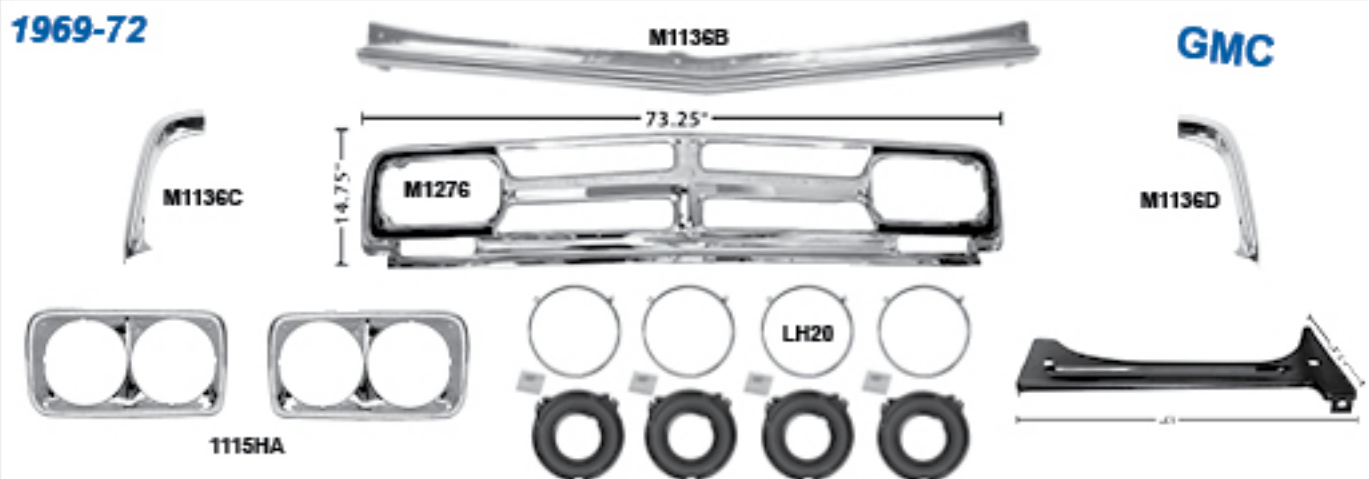
M1274	1967-68	Grille Surround with 14 clips, (2 per truck) <i>chevy</i>
M1138C	1967-68	Grille Vertical Support, <i>chevy</i>
1121J	1967-68	Grille Support Panel, <i>chevy</i>
1115G	1967-68	Headlamp Bezels, <i>chevy</i>
M1016	1962-78	Headlamp Retaining Ring, <i>chevy</i>
M1272	1968	Eye Brow Molding, RH
M1273	1968	Eye Brow Molding, LH

**1969-70**



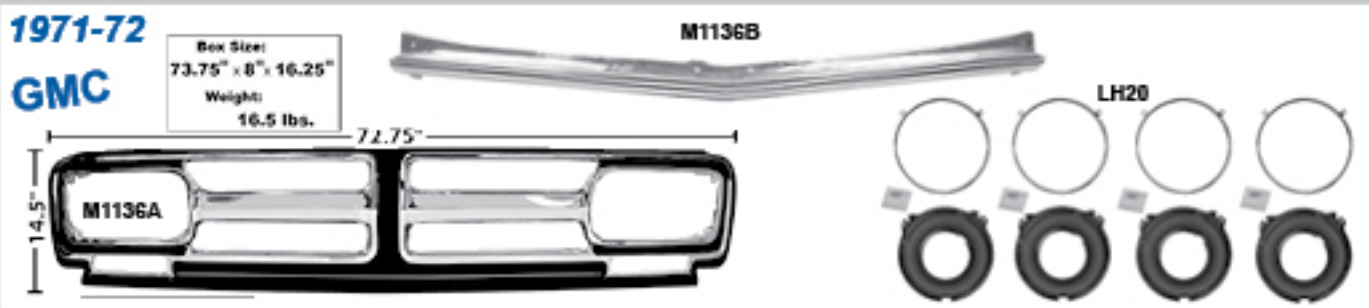
M1136	1969-70	Chrome Grille Shell with Center Bar, <i>chevy</i>
M1138A	1969-70	Grille Insert
M1138D	1969-72	Grille Vertical Support
M1138E	1969-72	Grille Mounting Bracket, RH
M1138F	1969-72	Grille Mounting Bracket, LH
1115H	1969-72	Headlamp Bezels, <i>chevy</i>
M1016	1962-78	Headlamp Retaining Ring, <i>chevy</i>

**1969-72**



M1136B	1969-72	Grille Top Bar Molding, <i>gmc</i>
M1276	1968-70	Grille, Chrome, <i>gmc</i>
M1276B	1969-70	Grille Vertical Support, <i>gmc</i>
1115HA	1969-72	Headlamp Bezels, <i>gmc</i>
LH20	1958-72	Headlamp Buckets & Rings, 8 pc., <i>gmc</i>
M1136C	1969-72	Front Fender Molding, RH <i>gmc</i>
M1136D	1969-72	Front Fender Molding, LH <i>gmc</i>

**1971-72**



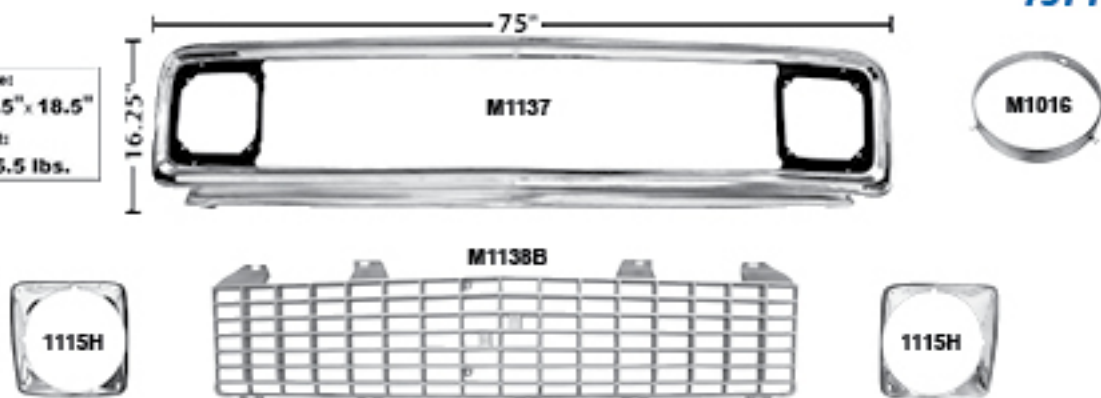
M1136A	1971-72	Chrome Grille, <i>gmc</i>
M1136B	1969-72	Grille Top Bar Molding, <i>gmc</i>
LH20	1958-72	Headlamp Buckets & Rings, 8 pc. <i>gmc</i>

Muscle Car Parts & Molding • Muscle Car Parts & Molding • Muscle Car Parts & Molding

**Chevy**

**1971-72**

Box Size:  
75.25" x 7.5" x 18.5"  
Weight:  
15.5 lbs.



M1137	1971-72	Chrome Grille Shell without Center Bar
M1138B	1971-72	Grille Insert
1115H	1969-72	Headlamp Bezels, Chevy
M1016	1962-78	Headlamp Retaining Ring, Chevy

**1973-80**



M1110	1973-78	Upper Grille Molding
M1111	1973-78	Lower Grille Molding
M1112	1979-80	Upper Grille Molding
M1113	1979-80	Lower Grille Molding

**1981-82**



M1114	1981-82	Upper Grille Molding
M1115	1981-82	Lower Grille Molding
M1164	1981-82	Side Grille Molding RH
M1165	1981-82	Side Grille Molding LH

**1983-88**



M1116	1983-88	Upper Grille Molding
M1117	1983-88	Lower Grille Molding
M1166	1983-87	Side Grille Molding RH
M1167	1983-87	Side Grille Molding LH

Grille Moldings

Hood Moldings



M1271	1947-52	Hood Ornament
1099N	1947-54	Hood Center Molding, Chevrolet
1099O	1947-54	Hood Center Molding, GMC
M1270	1968	Hood Molding, Chevrolet

Wiper Arm



1103VC	1947-53	Wiper Arm, RH
1103VD	1947-53	Wiper Arm, LH
1103VE	1955-59	Wiper Arm, RH
1103VF	1955-59	Wiper Arm, LH
1103VG	1960-66	Wiper Arm, RH
1103VH	1960-66	Wiper Arm, LH
1103VJ	1967-72	Wiper Arm, Fits both sides

Wiper Motor Trans. Arms



1103VX	1947-53	Wiper Motor Transmission Arms
1103V	1954, 55 1st Series	Wiper Motor Transmission Arms with hardware
1100	1960-66	Wiper Motor Transmission Arm
1106W	1967-72	Wiper Motor Transmission Arm

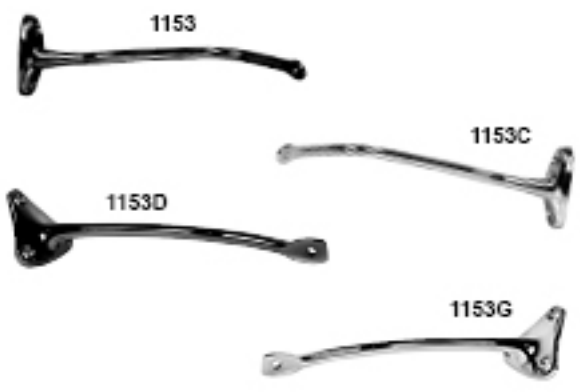




**Box Size:**  
17.5" x 9.5" x 3"  
**Weight:**  
1 lbs.

1151	1947-72	Exterior Round, Black, 5 in. Ribbed Back
1151A	1947-72	Exterior Round, Chrome, 5 in. Ribbed Back
1151B	1947-72	Exterior Round, Chrome, 5 in. Smooth Back
1151C	1947-72	Exterior Round, Stainless, 5/16 in. Star
1151D	1947-72	Exterior Rectangle, Black
1151E	1947-72	Exterior Rectangle, Stainless
1152R	1970-72	Exterior Rectangle Mirror Assembly RH
1152L	1970-72	Exterior Rectangle Mirror Assembly LH
1152F	1973-87	Exterior Mirror, Chrome

**Exterior Mirrors**



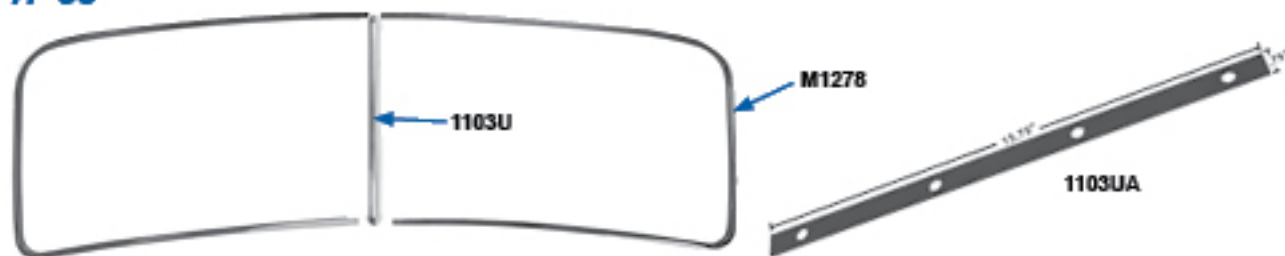
1153B	1947-55	Mirror Arm, Black RH
1153	1947-55	Mirror Arm, Black LH
1153C	1947-55	Mirror Arm, Chrome RH
1153A	1947-55	Mirror Arm, Chrome LH
1153F	1955-59	Mirror Arm, Black RH
1153D	1955-59	Mirror Arm, Black LH
1153G	1955-59	Mirror Arm, Chrome RH
1153E	1955-59	Mirror Arm, Chrome LH



1153J	1960-66	Mirror Arm, Black RH
1153H	1960-66	Mirror Arm, Black LH
1153K	1960-66	Mirror Arm, Chrome RH
1153I	1960-66	Mirror Arm, Chrome LH
1153N	1967-72	Mirror Arm, Black RH
1153L	1967-72	Mirror Arm, Black LH
1153P	1967-72	Mirror Arm, Stainless RH
1153M	1967-72	Mirror Arm, Stainless LH

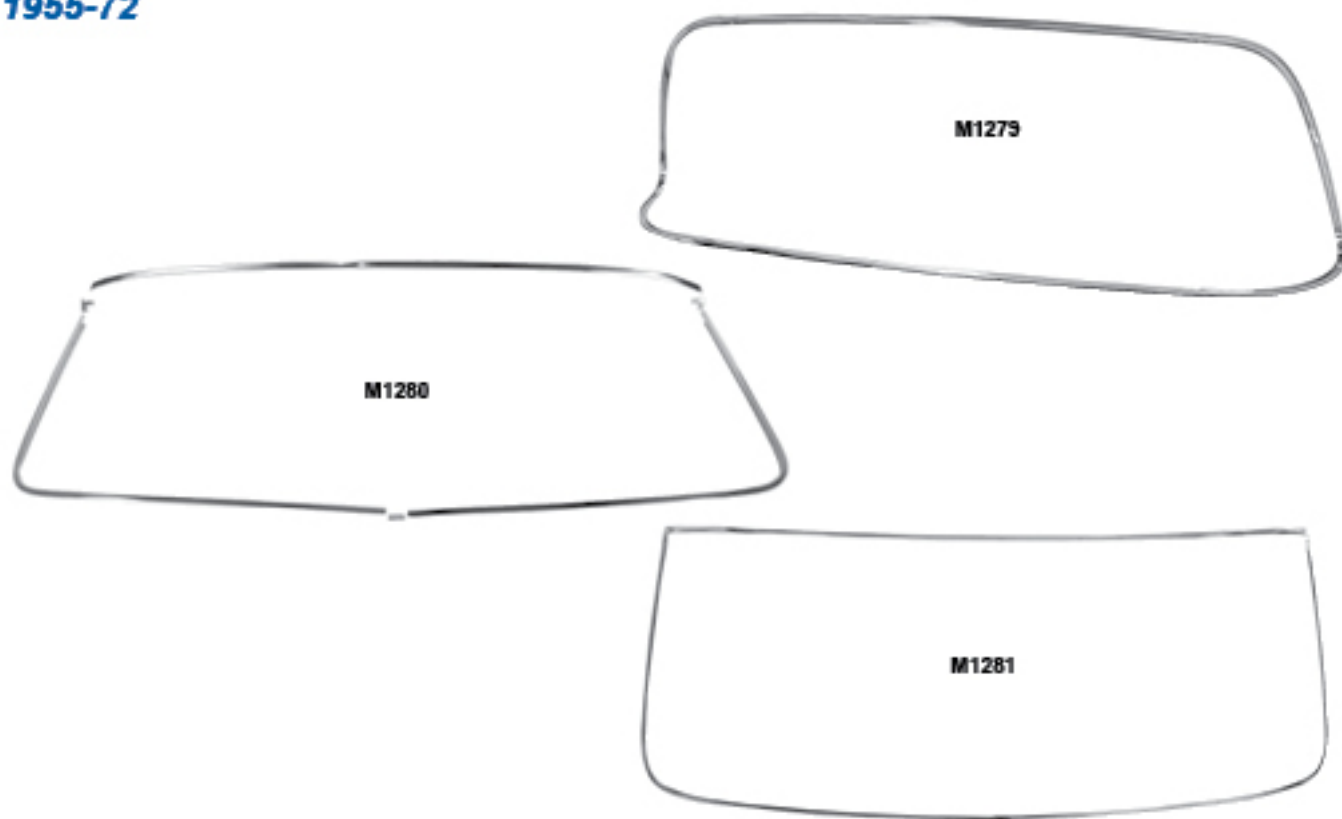
**Exterior Mirror Arms**

**1947-53**



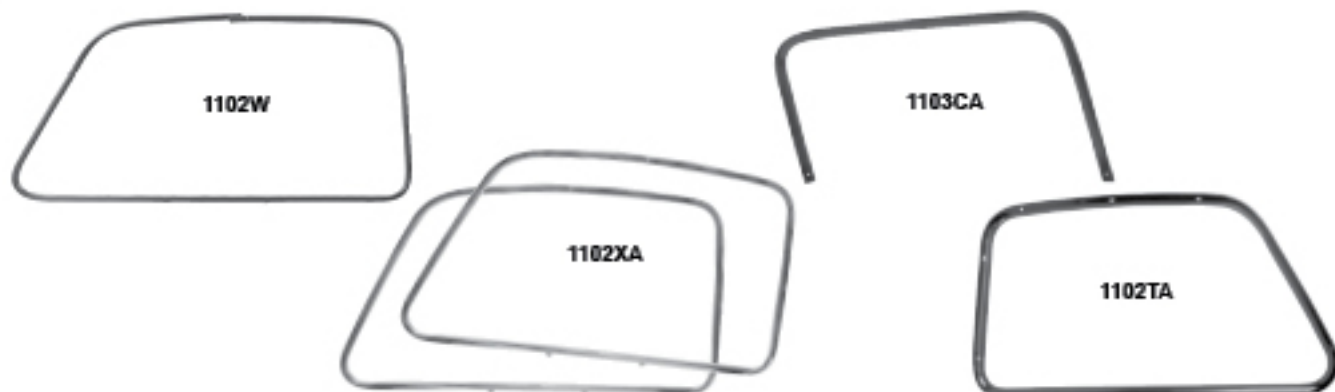
M1278	1947-53	Front Windshield Molding
1103U	1947-53	Windshield Vertical Center Molding, Front
1103UA	1947-53	Windshield Vertical Divider/ Trim Base

**1955-72**



M1279	1955-59	Front Windshield Midg, w/clips, 4 pcs.
M1280	1967-70	Front Windshield Midg, w/clips, 6 pcs.
M1281	1971-72	Front Windshield Midg, w/clips, 6 pcs.





1102W	1947-50	Door Window Outer Frame RH
1102X	1947-50	Door Window Outer Frame LH
1102XA	1947-54	Door Window Frames (Exterior), Stainless
1102SA	1947-50	Inner Door Window Frame RH
1102TA	1947-50	Inner Door Window Frame LH
1103CA	1955-59	Door Window Frame RH
1103DA	1955-59	Door Window Frame LH



M1220	1969-72	Lower Front Fender Molding W/Clips, RH Black
M1221	1969-72	Lower Front Fender Molding W/Clips, LH Black
M1224	1969-72	Lower Rear Fender Molding W/Clips, RH Black
M1225	1969-72	Lower Rear Fender Molding W/Clips, LH Black



M1222	1969-72	Lower Front Fender Molding W/Clips, RH Woodgrain
M1223	1969-72	Lower Front Fender Molding W/Clips, LH Woodgrain
M1226	1969-72	Lower Rear Fender Molding W/Clips, RH Woodgrain
M1227	1969-72	Lower Rear Fender Molding W/Clips, LH Woodgrain



M1210	1969-72	Side Fender Molding With Clips, Fits both sides
M1120	1973-80	Upper Fender Molding RH
M1121	1973-80	Upper Fender Molding LH
M1122	1973-80	Lower Fender Molding RH
M1123	1973-80	Lower Fender Molding LH

**Cab Moldings**



M1234	1969-72	Lower Corner RH Black With Clips
M1214	1969-72	Upper Corner RH With Clips
M1215	1969-72	Upper Corner LH With Clips
M1235	1969-72	Lower Corner LH Black With Clips
M1236	1969-72	Lower Corner RH Wood
M1237	1969-72	Lower Corner LH Wood
M1174	1973-80	Upper/Lower Cab Molding

**Outer Door Molding**

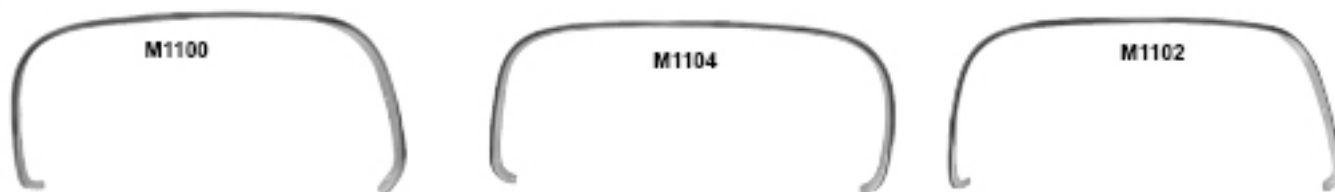


M1212	1969-72	Upper Door Molding Black w/clips RH
M1213	1969-72	Upper Door Molding Black w/clips LH
M1230	1969-72	Lower Door Molding, Black w/clips RH
M1231	1969-72	Lower Door Molding, Black w/clips LH
M1232	1969-72	Lower Door Molding, Wood w/clips RH
M1233	1969-72	Lower Door Molding, Wood w/clips LH



M1130	1973-80	Upper Door Molding <small>Front</small> RH
M1131	1973-80	Upper Door Molding <small>Front</small> LH
M1132	1973-80	Lower Door Molding <small>Front</small> RH
M1133	1973-80	Lower Door Molding <small>Front</small> LH

**Wheel Opening Moldings**



M1100	1973-80	Wheel Opening Molding, Front RH
M1101	1973-80	Wheel Opening Molding, Front LH
M1104	1973-87	Wheel Opening Molding, Rear RH
M1105	1973-87	Wheel Opening Molding, Rear LH
M1102	1981-87	Wheel Opening Molding, Front RH
M1103	1981-87	Wheel Opening Molding, Front LH



M1106	1988-91	Wheel Opening Molding, Aluminum, Front RH	Also Yukon & 1988-89 & 1992-97 Blazer
M1107	1988-91	Wheel Opening Molding, Aluminum, Front LH	Also Yukon & 1988-89 & 1992-97 Blazer
M1108	1988-91	Wheel Opening Molding, Aluminum, Rear RH	Also Yukon & 1988-89 & 1992-97 Blazer
M1109	1988-91	Wheel Opening Molding, Aluminum, Rear LH	Also Yukon & 1988-89 & 1992-97 Blazer
M1140	1988-97	Wheel Opening Molding, Chrome, Front RH	Also Yukon & 1988-89 & 1992-97 Blazer
M1141	1988-97	Wheel Opening Molding, Chrome, Front LH	Also Yukon & 1988-89 & 1992-97 Blazer
M1142	1988-97	Wheel Opening Molding, Chrome, Rear RH	Also Yukon & 1988-89 & 1992-97 Blazer
M1143	1988-97	Wheel Opening Molding, Chrome, Rear LH	Also Yukon & 1988-89 & 1992-97 Blazer
M1144	1988-97	Wheel Opening Molding, Black, Front RH	Also Yukon & 1988-89 & 1992-97 Blazer
M1145	1988-97	Wheel Opening Molding, Black, Front LH	Also Yukon & 1988-89 & 1992-97 Blazer
M1146	1988-97	Wheel Opening Molding, Black, Rear RH	Also Yukon & 1988-89 & 1992-97 Blazer
M1147	1988-97	Wheel Opening Molding, Black, Rear LH	Also Yukon & 1988-89 & 1992-97 Blazer



M1277



M1282

M1277	1955-59	Cab & Door Molding Set, 6 pcs
M1282	1967-72	Rear Window Moldings, Fleetside, 3 pc.

For 6 Foot Bed



1969-72

Cont'd. next page...

M1216	1969-72	Upper Short Bed Molding, Fits both sides
M1240	1969-72	Lower Front, RH Black, for Short Bed
M1241	1969-72	Lower Front, LH Black, for Short Bed
M1242	1969-72	Lower Front, RH Wood, for Short Bed
M1243	1969-72	Lower Front, LH Wood, for Short Bed
M1250	1969-72	Lower Rear, RH Black, for Short Bed
M1251	1969-72	Lower Rear, LH Black, for Short Bed

**1969-72**

For 6 Foot Bed

M1243



M1252

M1252	1969-72	Lower Rear, RH Wood, for Short Bed
M1253	1969-72	Lower Rear, LH Wood, for Short Bed

**1973-80**

M1190



M1192



M1194

M1190	1973-80	Upper Molding, RH 6.5 Foot
M1191	1973-80	Upper Molding, LH 6.5 Foot
M1192	1973-80	Lower Front Molding, RH 6.5 Foot
M1193	1973-80	Lower Front Molding, LH 6.5 Foot
M1194	1973-80	Lower Rear Molding, RH 6.5 Foot
M1195	1973-80	Lower Rear Molding, LH 6.5 Foot

**1969-72**

For 8 Foot Bed

M1244



M1217

M1246



M1257

M1217	1969-72	Upper Long Bed Molding, Fits both sides
M1244	1969-72	Lower Front, RH Black, for Long Bed
M1245	1969-72	Lower Front, LH Black, for Long Bed
M1246	1969-72	Lower Front, RH Wood, for Long Bed
M1247	1969-72	Lower Front, LH Wood, for Long Bed
M1254	1969-72	Lower Rear, RH Black, for Long Bed
M1255	1969-72	Lower Rear, LH Black, for Long Bed
M1256	1969-72	Lower Rear, RH Wood, for Long Bed
M1257	1969-72	Lower Rear, LH Wood, for Long Bed

**1973-80**

M1180



M1182



M1184

M1180	1973-80	Upper Molding, RH 8 Foot
M1181	1973-80	Upper Molding, LH 8 Foot
M1182	1973-80	Lower Front Molding, RH 8 Foot
M1183	1973-80	Lower Front Molding, LH 8 Foot
M1184	1973-80	Lower Rear Molding, RH 8 Foot
M1185	1973-80	Lower Rear Molding, LH 8 Foot

**Blazer/Jimmy**

M1198



M1196



M1196	1973-80	Quarter Trim, Upper RH, For Blazer/Jimmy
M1197	1973-80	Quarter Trim, Upper LH, For Blazer/Jimmy
M1198	1973-80	Quarter Trim, Lower Front 1/2 RH, For Blazer/Jimmy
M1199	1973-80	Quarter Trim, Lower Front 1/2 LH, For Blazer/Jimmy



M1260	1967-72	Upper Tailgate Molding, RH
M1262	1967-72	Upper Tailgate Molding, LH
M1263	1967-72	Lower Tailgate Molding (no clips)
M1186	1973-80	Upper/Lower Tailgate Molding



EM1271	1947-53	Chevy Emblem
--------	---------	--------------



*continued next page...*

LP17	1940-53	Tall Lamp Assembly, Black With Chrome RH
LP18	1940-53	Tall Lamp Assembly, Black With Chrome LH
C7031RR	1940-53	L.E.D. Tall Lamp, Black Housing RH
C7031RL	1940-53	L.E.D. Tall Lamp, Black Housing LH
C7032RR	1940-53	L.E.D. Tall Lamp, Chrome Housing RH
C7032RL	1940-53	L.E.D. Tall Lamp, Chrome Housing LH
C7033RR	1940-53	L.E.D. Tall Lamp, Stainless Housing RH
C7033RL	1940-53	L.E.D. Tall Lamp, Stainless Housing LH
LP19	1940-53	Tall Lamp Assembly, Chrome RH
LP20	1940-53	Tall Lamp Assembly, Chrome LH
LP40	1940-53	Tall Lamp Bezel, Chrome
LP16A	1940-53	License Plate Lamp Lens, clear
1190A	1947-55 1 <sup>st</sup> Series	Antenna
LP02	1947-53	Parking Lamp Assembly, Amber 6V
LP01	1947-53	Parking Lamp Assembly, Amber 12V
LP03	1947-53	Parking Lamp Assembly, Clear 6V
LP04	1947-53	Parking Lamp Assembly, Clear 12V
LP05A	1947-53	Parking Lamp Bezel

**1947-54**



CPL4753A-A8	1947-53	Parking Lamp, LED, Amber, Stainless
LP70	1947-54	Tail Lamp, Bullet Style, Chrome
LP71	1947-54	Tail Lamp, Bullet Style, Painted
CPL5153C	1951-53	Parking Lamp, LED, Amber also fits GMC

**1954-59**

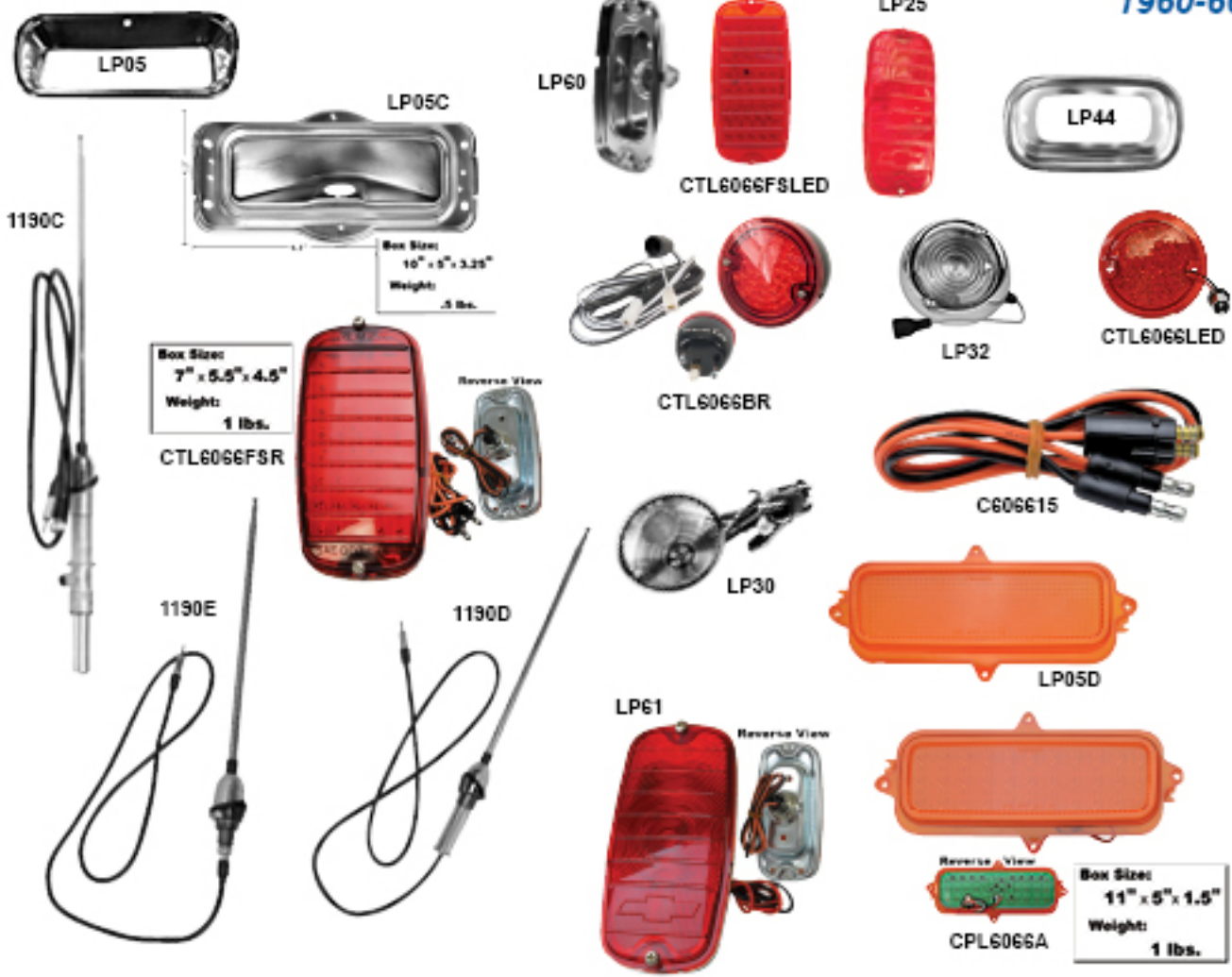


1190B	1955-59	Antenna
LP06	1954-55	Parking Lamp Assembly, Clear 6V
LP07	1954-55	Parking Lamp Assembly, Clear 12V
LP08	1955-57	Parking Lamp Assembly, Clear 12V
LP09	1955-57	Parking Lamp Assembly, Amber 12V
LP21	1954-55	Tail Lamp Assembly, Black With Stainless
LP22	1954-55	Tail Lamp Assembly, Stainless
LP41	1954-55	Tail Lamp Bezel, Chrome
LP23	1955-59	Tail Lamp Assembly, Black With Stainless
LP24	1955-59	Tail Lamp Assembly, Stainless
LP42	1955-59	Tail Lamp Bezel, Stainless
CTL5459BR	1954-59	L.E.D. Tail Lamp, Black Housing
CTL5459SR	1954-59	L.E.D. Tail Lamp, Stainless Housing
CTL5459LED	1954-59	L.E.D. Tail Lamp, Lens For Stepside
LP10	1958-59	Parking Lamp Assembly, Clear
LP11	1958-59	Parking Lamp Assembly, Amber
LP05B	1958-59	Parking Lamp Bezel
CTL5859LED	1958-59	L.E.D. Tail Lamp, For Fleetside
LP43	1958-59	Tail Lamp Bezel, For Fleetside



Muscle Car Parts & Molding • Muscle Car Parts & Molding • Muscle Car Parts & Molding

1960-66

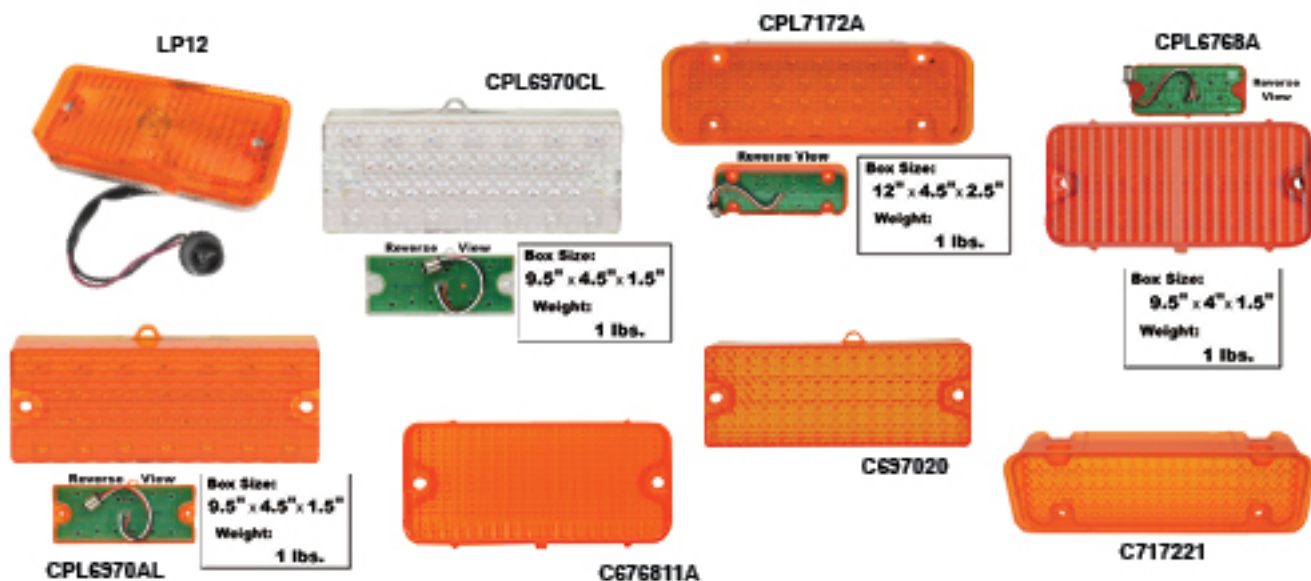


1190C	1960-62	Antenna
1190D	1963	Antenna
1190E	1964-66	Antenna
CPL6066A	1960-66	Parking Lamp Lens, L.E.D.
LP05	1962-66	Parking Lamp Bezel
LP05D	1960-66	Parking Lamp Lens
LP05C	1960-66	Parking Lamp Housing
LP29	1960-66	Tail Lamp Assembly, Black, Stepside
LP30	1960-66	Tail Lamp Assembly, Stainless, Stepside
LP61	1960-66	Tail Lamp Assembly, Fleetside
C606615	1960-66	Tail Lamp Wire, Fleetside
CTL6066BR	1960-66	L.E.D. Tail Lamp, Black Housing, Stepside
CTL6066SR	1960-66	L.E.D. Tail Lamp, Stainless Housing
CTL6066FSR	1960-66	Tail Lamp, Assembly, Fleetside
CTL6066FSLED	1960-66	L.E.D. Tail Lamp, Lens Fleetside
CTL6066LED	1960-66	L.E.D. Tail Lamp, Stepside
LP60	1960-66	Tail Lamp Housing, Fleetside
LP25	1960-66	Tail Lamp Lens, Red, Fleetside
LP44	1960-66	Tail Lamp Bezel, Fleetside
LP32	1960-66	Back-up Lamp, Chrome

1967-72



1190F	1967-72	Antenna
1000C	1967-72	Antenna without Cable
L1154	1968-72	Front Side Amber Marker Without Chrome, Standard
L1153	1968-72	Rear Side Red Marker Without Chrome, Standard
L1155	1968-72	Front Side Marker With Chrome, Amber
L1153A	1968-72	Rear Side Marker With Chrome, Red
L1155A	1968-72	L.E.D. Front Marker Lamp, Amber
L1153B	1968-72	L.E.D. Rear Marker Lamp, Red

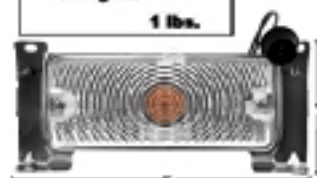


C676811A	1967-68	Parking Lamp Lens, Amber
C697020	1969-70	Parking Lamp Lens, LH Amber
C697021	1969-70	Parking Lamp Lens, RH Amber
CPL6970AL	1969-70	Parking Lamp Lens, L.E.D. LH Amber
CPL6970AR	1969-70	Parking Lamp Lens, L.E.D. RH Amber
C717221	1971-72	Parking Lamp Lens, Amber
CPL7172A	1971-72	Parking Lamp Lens, L.E.D. Amber
CPL6768A	1967-68	Parking Lamp Assembly, L.E.D. Amber
LP12	1967-68	Parking Lamp Assembly, LH Amber
LP13	1967-68	Parking Lamp Assembly, RH Amber
CPL6970CR	1969-70	Parking Lamp Assembly, LH L.E.D.
CPL6970CL	1969-70	Parking Lamp Assembly, RH L.E.D.



Box Size:  
10.25" x 5.25" x 5.25"  
Weight:  
1.5 lbs.

Box Size:  
10.25" x 5.25" x 5.75"  
Weight:  
1 lbs.



Box Size:  
12" x 4.5" x 2.5"  
Weight:  
1 lbs.

LP13A	1969-70	Parking Lamp Assembly, RH Clear
LP13B	1969-70	Parking Lamp Assembly, LH Clear
CPL7172C	1971-72	Parking Lamp Assembly, Fits both sides L.E.D.
LP14	1971-72	Parking Lamp Assembly, RH Amber
LP15	1971-72	Parking Lamp Assembly, LH Amber

CTL6772LED



LP31A



LP31



CTL6721LED



LP26



LP27



LP28



LP49



LP45



LP47

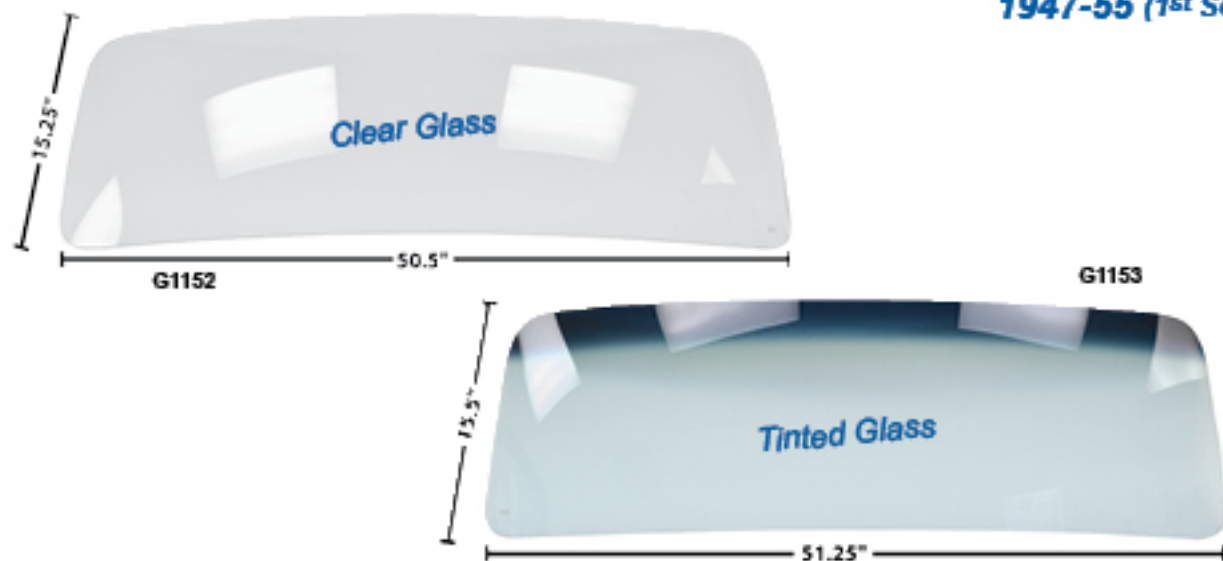


LP31	1967-72	Tail Lamp Assembly, Black, Stepside
LP31A	1967-72	Tail Lamp Assembly, Stainless, Stepside
CTL6721LED	1967-72	L.E.D. Tail Lamp, Fleetside
CTL6772LED	1967-72	L.E.D. Tail Lamp, Stepside
LP49	1967-72	Tail Lamp Housing, Fleetside
LP26	1967-72	Tail Lamp Lens, Red, Fleetside
LP27	1967-72	Tail Lamp Lens, Clear, Fleetside
LP28	1967-72	Tail Lamp Lens, Red, Suburban
LP45	1967-68	Tail Lamp Bezel, RH, Fleetside
LP46	1967-68	Tail Lamp Bezel, LH, Fleetside
LP47	1969-72	Tail Lamp Bezel, RH, Fleetside
LP48	1969-72	Tail Lamp Bezel, LH, Fleetside

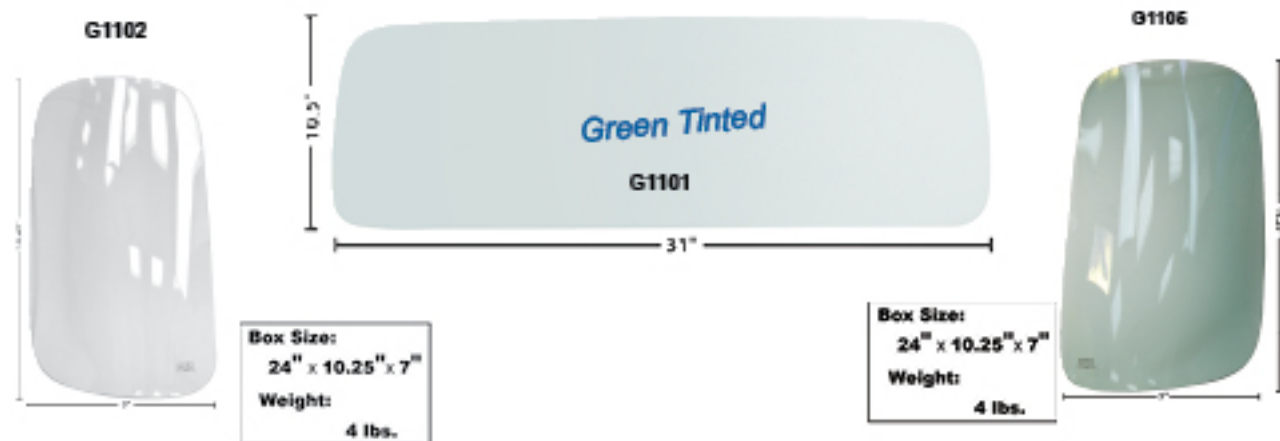


LP35	1967-72	Back-up Lamp Assembly, RH, Fleetside
LP36	1967-72	Back-up Lamp Assembly, LH, Fleetside
LP33	1967-72	Back-up Lamp Lens, RH, Fleetside
LP34	1967-72	Back-up Lamp Lens, LH, Fleetside
CML7380A	1973-80	Marker Lamp Front, L.E.D., Amber
CML7380R	1973-80	Marker Lamp Rear, L.E.D., Red
LP16	1967-87	License Plate Lamp
LP80	1973-87	Tail Lamp Assembly, RH, with tin
LP81	1973-87	Tail Lamp Assembly, LH, with tin
LP82	1973-87	Tail Lamp Lens, RH, with tin
LP83	1973-87	Tail Lamp Lens, LH, with tin

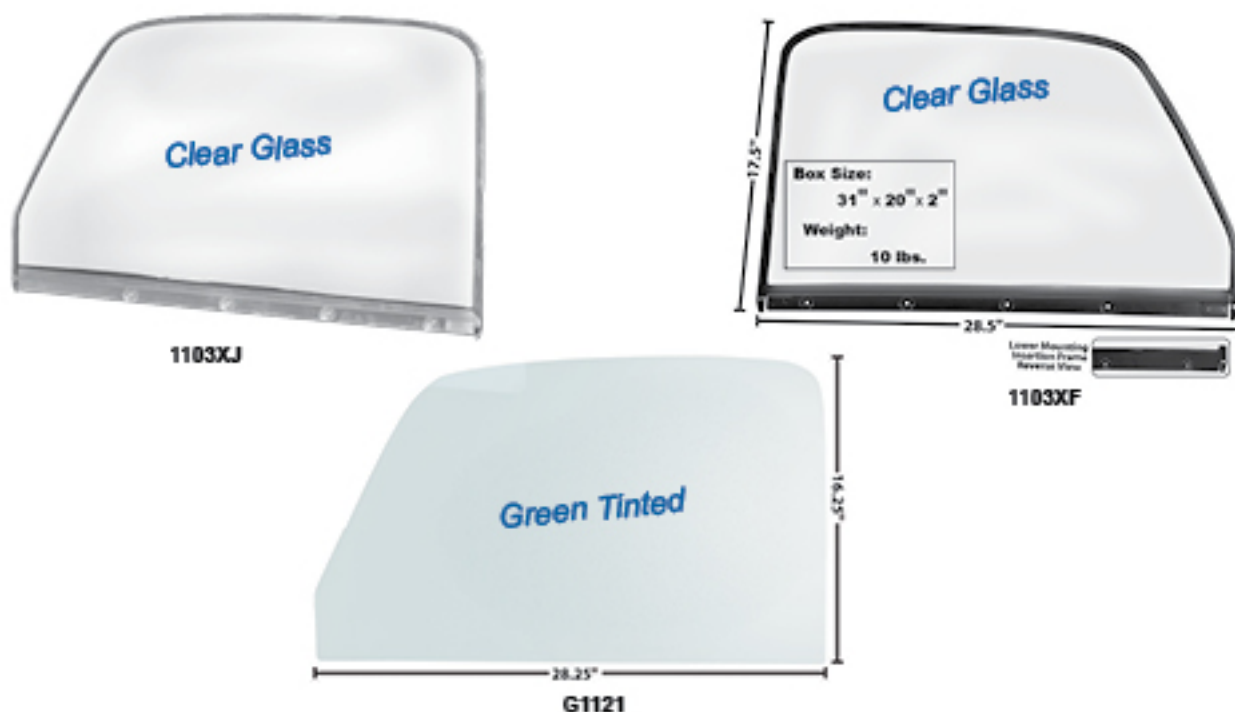
**1947-55 (1st Series)**



G1150	1947-50	Windshield, Clear, Fits both sides
G1151	1947-50	Windshield, Green Tint, Fits both sides
G1152	1954-55 1st Series	Windshield, Clear
G1153	1954-55 1st Series	Windshield, Green Tint with Blue Shaded Top



G1100	1947-55 1st Series	Rear Window, Center, Clear
G1102	1947-55 1st Series	Rear Window, RH Corner, Clear
G1103	1947-55 1st Series	Rear Window, LH Corner, Clear
G1101	1947-55 1st Series	Rear Window, Center, Green Tint
G1104	1947-55 1st Series	Rear Window, RH Corner, Green Tint
G1105	1947-55 1st Series	Rear Window, LH Corner, Green Tint



1103XJ	1947-50	Door Window Frame W/Glass, Chrome RH
1103XK	1947-50	Door Window Frame W/Glass, Chrome LH
1103XE	1947-50	Door Window Frame W/Glass, Painted RH
1103XF	1947-50	Door Window Frame W/Glass, Painted LH
G1120	1947-50	Door Window Glass, Clear, Fits both sides
G1121	1947-50	Door Window Glass, Green Tint, Fits both sides

**1947-55 (1st Series)**



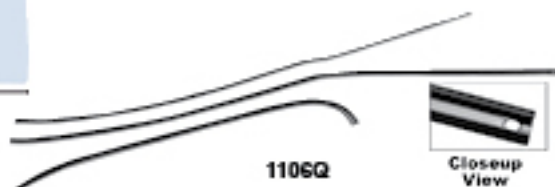
1103XH



G1123



1103DF



1106Q

Closeup View

1103XG	1951-54	Door Window Glass W/Lower Frame RH
1103XH	1951-54	Door Window Glass W/Lower Frame LH
G1122	1951-55 1st Series	Door Window Glass, Clear, Fits both sides
G1123	1951-55 1st Series	Door Window Glass, Green Tint, Fits both sides
1103DF	1951-54	Door Window Glass Track
1106Q	1947-54	Door Trim Channels, RH 3 Pcs.
1106R	1947-54	Door Trim Channels, LH 3 Pcs.



1103WC

Clear Glass



1103WE

Clear Glass



Clear Glass

1103XC



1103WA



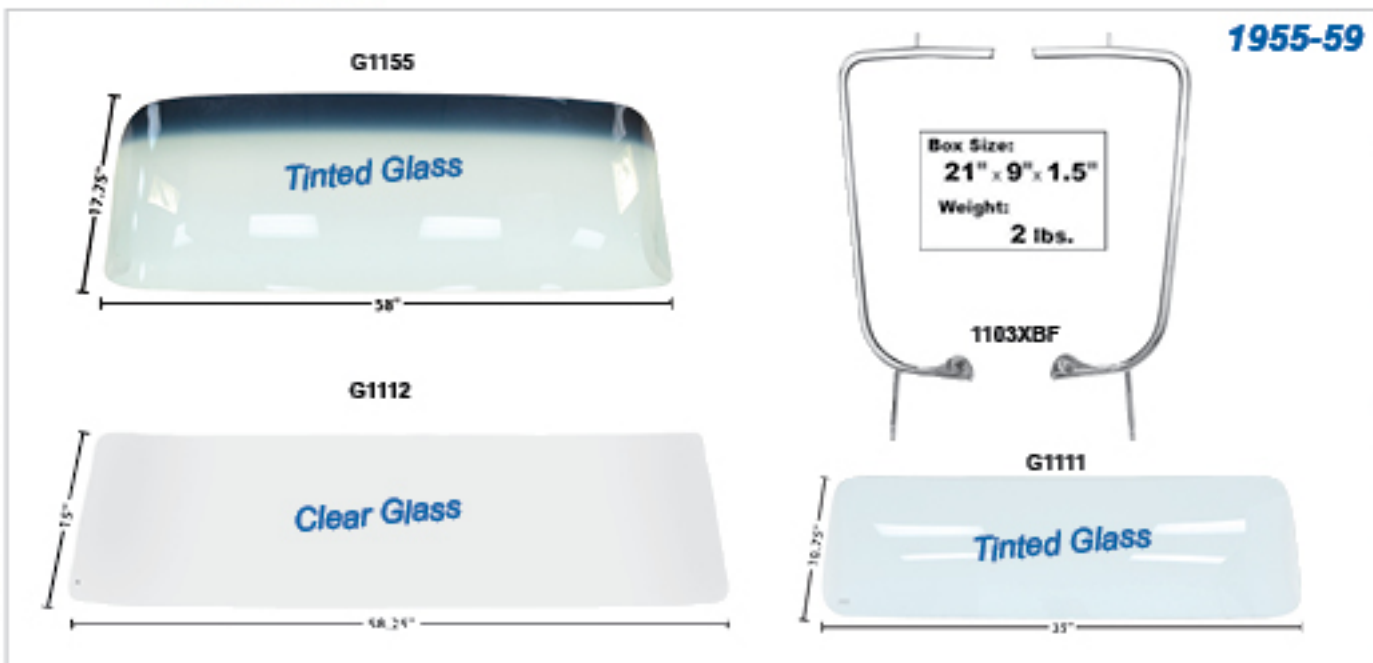
G1140



Tinted Glass

G1141

1103WB	1951-54	Vent Window Assembly W/Glass, Chrome RH
1103WC	1951-54	Vent Window Assembly W/Glass, Chrome LH
1103WD	1951-54	Vent Window Assembly W/Glass, Painted RH
1103WE	1951-54	Vent Window Assembly W/Glass, Painted LH
1103XC	1951-54	Vent Window, RH
1103XD	1951-54	Vent Window, LH
1103W	1951-54	Vent Window Frame with Seals, RH
1103WA	1951-54	Vent Window Frame with Seals, LH
G1140	1951-55 1st Series	Vent Window Glass, Clear, Fits both sides
G1141	1951-55 1st Series	Vent Window Glass, Green Tint, Fits both sides

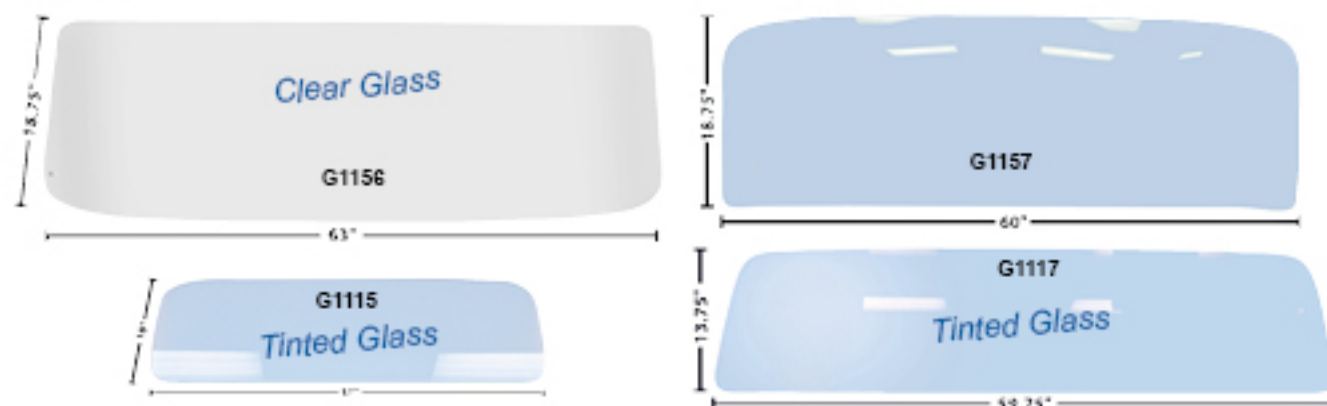


1103XBF	1955-59	Vent Window Frame, Pair
G1154	1955-59	Windshield, Clear
G1155	1955-59	Windshield, Green Tint with Blue Shaded Top
G1110	1955-59	Small Rear Window, Clear
G1111	1955-59	Small Rear Window, Green Tint
G1112	1955-59	Large Rear Window, Clear
G1113	1955-59	Large Rear Window, Green Tint



1103CD	1955-59	Door Window Frame W/Glass, Chrome RH
1103CE	1955-59	Door Window Frame W/Glass, Chrome LH
1103CF	1955-59	Door Window Frame W/Glass, Painted RH
1103CG	1955-59	Door Window Frame W/Glass, Painted LH
G1124	1955-59	Door Window Glass, Clear, Fits both sides
G1125	1955-59	Door Window Glass, Green Tint, Fits both sides
1103XA	1955-59	Vent Window Assembly W/Glass, Chrome RH
1103XB	1955-59	Vent Window Assembly W/Glass, Chrome LH
G1142	1955-59	Vent Window Glass, Clear, Fits both sides
G1143	1955-59	Vent Window Glass, Green Tint, Fits both sides

1960-66



G1156	1964-66	Windshield, Clear
G1157	1964-66	Windshield, Green Tint
G1114	1960-66	Small Rear Window, Clear
G1115	1960-66	Small Rear Window, Green Tint
G1116	1960-66	Large Rear Window, Clear
G1117	1960-66	Large Rear Window, Green Tint



1103XR	1960-63	Door Window Glass Assembly RH
1103XS	1960-63	Door Window Glass Assembly LH
1103XT	1964-66	Door Window Glass Assembly RH
1103XU	1964-66	Door Window Glass Assembly LH
G1126	1960-63	Door Window Glass, Clear, Fits both sides
G1127	1960-63	Door Window Glass, Green Tint, Fits both sides
G1128	1964-66	Door Window Glass, Clear, Fits both sides
G1129	1964-66	Door Window Glass, Green Tint, Fits both sides
1103XP	1960-63	Vent Window Assembly w/Glass, Chrome RH
1103XQ	1960-63	Vent Window Assembly w/Glass, Chrome LH
1103XL	1964-66	Vent Window Assembly w/Clear Glass RH
1103XM	1964-66	Vent Window Assembly w/Clear Glass LH
G1144	1960-63	Vent Window Glass, Clear, Fits both sides
G1145	1960-63	Vent Window Glass, Green Tint, Fits both sides
G1146	1964-66	Vent Window Glass, Clear, Fits both sides
G1147	1964-66	Vent Window Glass, Green Tint, Fits both sides



1967-72



G1158	1967-72	Windshield, Clear
G1159	1967-72	Windshield, Green Tint with Blue Shaded Top
G1118	1967-72	Small Rear Window, Clear
G1118A	1967-72	Small Rear Window, Tinted
G1119	1968-72	Large Rear Window, Clear
G1119A	1967-72	Large Rear Window, Tinted



1103BA  
Pickup



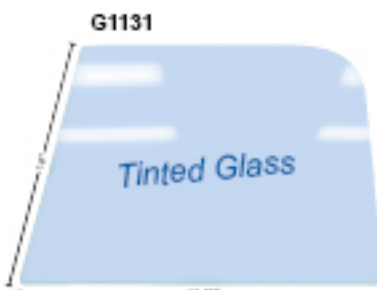
1103DG



1103BC  
Suburban



G1130



G1131

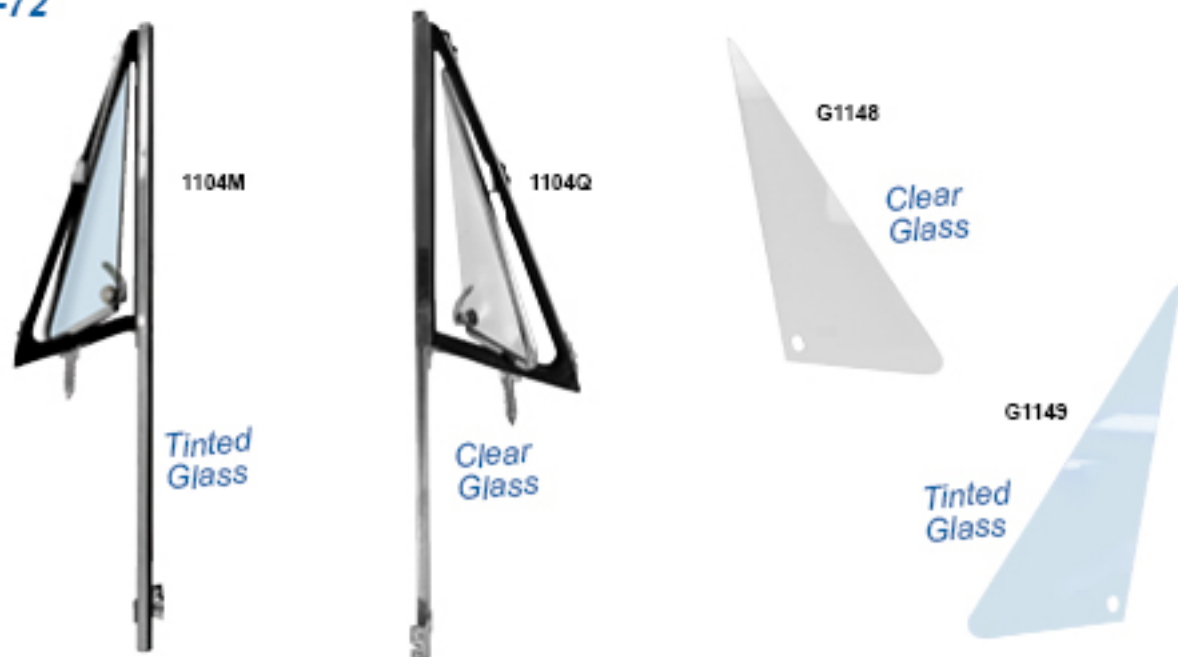


1102AE

1967-72 continued  
next page...

1103BA	1967-72	Door Window Glass With Lower Frame, Clear Glass, RH Chevy Pickup
1103BB	1967-72	Door Window Glass With Lower Frame, LH Chevy Pickup
1103BC	1967-72	Door Window Glass W/Lower Frame, Clear Glass, RH Suburban
1103BD	1967-72	Door Window Glass W/Lower Frame, LH Suburban
G1130	1967-72	Door Window Glass, Clear, Fits both sides
G1131	1967-72	Door Window Glass, Green Tint, Fits both sides
1103DG	1967-72	Door Window Run Channel, RH
1103DH	1967-72	Door Window Run Channel, LH
1102AD	1967-72	Door Window Glass Track, RH
1102AE	1967-72	Door Window Glass Track, LH

1967-72



1104M	1968-72	Vent Window Assembly, Tinted Glass RH
1104N	1968-72	Vent Window Assembly, Tinted Glass LH
1104P	1968-72	Vent Window Assembly, Clear Glass RH
1104Q	1968-72	Vent Window Assembly, Clear Glass LH
G1148	1967-72	Vent Window Glass, Clear, Fits both sides
G1149	1967-72	Vent Window Glass, Green Tinted, Fits both sides

1973-87



1143H	1973-80	Front Door Glass Channel Sash
1143B	1973-80	Top Weatherstrip, Front RH
1143C	1973-80	Top Weatherstrip, Front LH
1143D	1973-80	Inner Weatherstrip, Front RH
1143E	1973-80	Inner Weatherstrip, Front LH
1143A	1973-91	Weatherstrip (On Cab)
1143F	1973-87	Outer Weatherstrip, Front RH (Also fits 1973-91 Blazer)
1143G	1973-87	Outer Weatherstrip, Front LH (Also fits 1973-91 Blazer)

1981-92

Weatherstrip & Seals

Muscle Car Parts & Molding • Muscle Car Parts & Molding • Muscle Car Parts & Molding

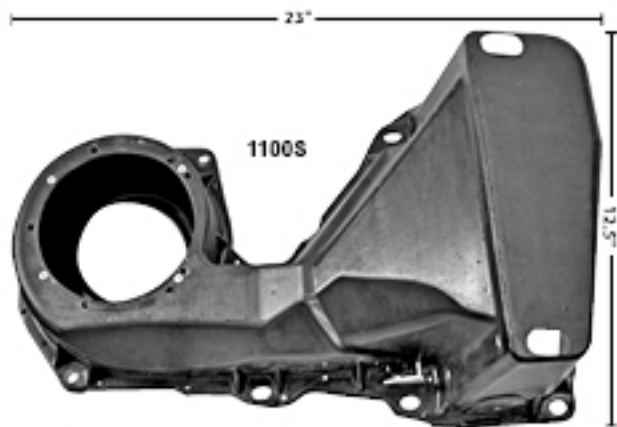


1143L	1981-91	Door Glass Channel Run, Front RH
1143M	1981-91	Door Glass Channel Run, Front LH
1143P	1981-92	Inner Weatherstrip, Front RH
1143Q	1981-92	Inner Weatherstrip, Front LH

Heating/Cooling



1100R

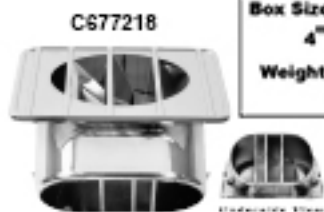


1100S

Box Size:  
24" x 14" x 9"  
Weight:  
9 lbs.



Reverse View

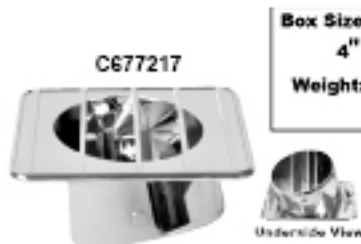


C677218

Box Size:  
4" x 2.5" x 4"  
Weight:  
.5 lbs.



Under Side View



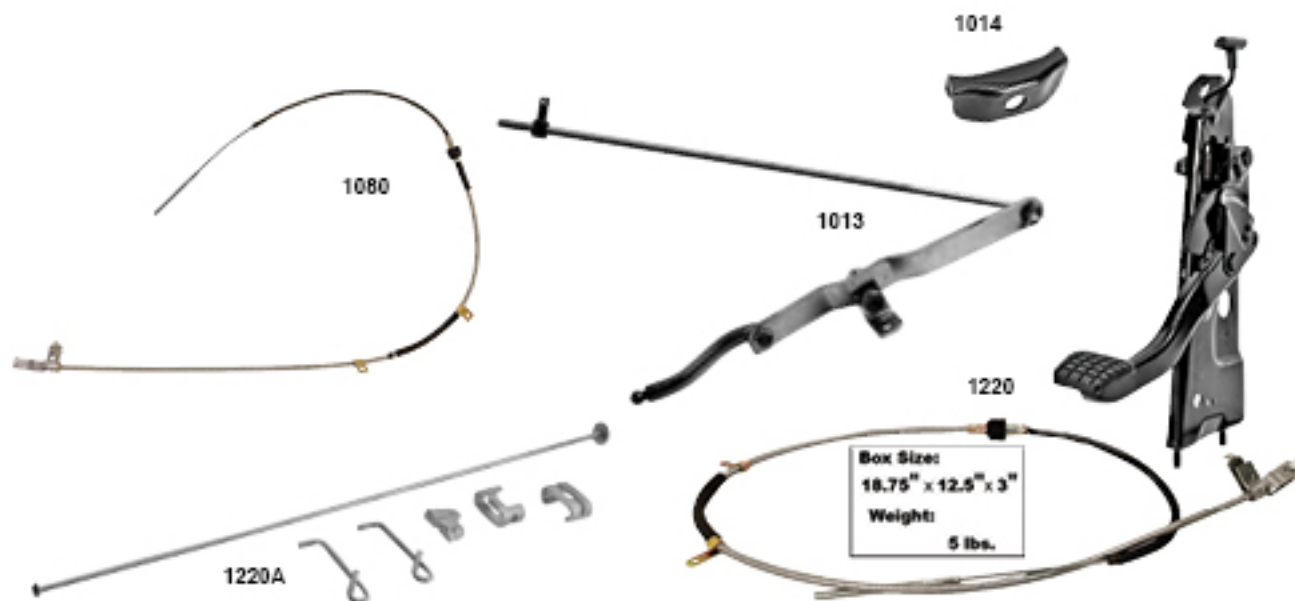
C677217

Box Size:  
4" x 2.5" x 4"  
Weight:  
.5 lbs.



Under Side View

1100R	1947-54	Heater Box
1100S	1967-72	Evaporator Box
C677218	1968-72	Defroster Ducts, RH
C677217	1968-72	Defroster Ducts, LH



1106	New	1955-57	Accelerator Pedal Assembly	<i>Coming Soon!</i>
1013		1955-59	Throttle Linkage for V-8	
1220		1967-72	Emergency Brake Assembly	
1080		1969-72	Emergency Brake Cable	
1220A		1967-72	Emergency Brake Cable Guide, 6 pcs.	
1014		1966-72	Emergency Brake Equalizer	



1220B



1220C



1220D



1220E



1220F



3935721

K911



1105



1014A

1220B		1947-55	Brake or Clutch Pedal Pad
1220C		1955-59	Brake or Clutch Pedal Pad
1220D		1960-72	Brake or Clutch Pedal Pad, Standard
1220E		1967-72	Brake or Clutch Pedal Pad, Deluxe
1220F		1967-72	Brake or Clutch Pedal Pad Trim, Deluxe
3935721		1967-81	Disc Brake Pedal Pad, 4 speed
K911		1967-75	Clutch Pedal Pad Trim, Manual Trans. & '67-'81 Brake Pedal Pad Trim
1105		1968-72	Shift Lever With Tilt, C-10
1014A		1969-70	Transmission Shifter Indicator for Column Shift, Automatic Transmission

1947-68

Steering Wheels

Muscle Car Parts & Molding • Muscle Car Parts & Molding • Muscle Car Parts & Molding



SW20



SW29



SW21



SW22

*Steering Wheels  
continued on  
next page...*



SW23



SW24

SW29	1947-66	Steering Wheel Horn Contact Pin Spring
SW20	1947-53	Steering Wheel, Black
SW21	1954-56	Steering Wheel, Black
SW22	1957-59	Steering Wheel, Black
SW23	1960-66	Steering Wheel, Black
SW24	1967-68	Steering Wheel, Black

1967-72



SW12



SW25



SW26



SW27



SW28



M1336



M1337

SW12	1967-87	Steering Wheel, Three Spoke Comfort Grip
SW25	1969-72	Steering Wheel, Black
SW26	1969-72	Steering Wheel, Blue
SW27	1969-72	Steering Wheel, Green
SW28	1969-72	Steering Wheel, Saddle
M1336	1967-72	Steering Wheel Hub, 3 1/2" diameter x 1 1/2" tall (Fits Comfort Grip Steering Wheel SW12)
M1337	1973-87	Steering Wheel Hub, 4 1/2" diameter x 1 1/2" tall (Fits Comfort Grip Steering Wheel SW12)



1146A	1967-68	Dash Bezel, Black With Trim
1146B	1967-68	Dash Bezel, Chrome
1146C	1969-72	Dash Bezel, Black With Trim
1146D	1969-72	Dash Bezel, Chrome
1146E	1969-72	Dash Bezel, 3-Hole Black & Chrome
1146F	1969-72	Dash Bezel, 3-Hole Chrome



1146G	1967-68	Dash Bezel Appliqué, Woodgrain
1146H	1969-72	Dash Bezel Appliqué, Woodgrain

1154A



1154



1947-59



1155A

1154A	1947-53	Rear View Mirror, Day/Night
1154	1947-59	Rear View Mirror, Stainless
1155A	1947-53	Rear View Mirror Bracket, Chrome

1154B



1155B



1155C



1154B	1954-59	Rear View Mirror, Day/Night
1155B	1954-55	Rear View Mirror Bracket
1155C	1955-59	Rear View Mirror Bracket

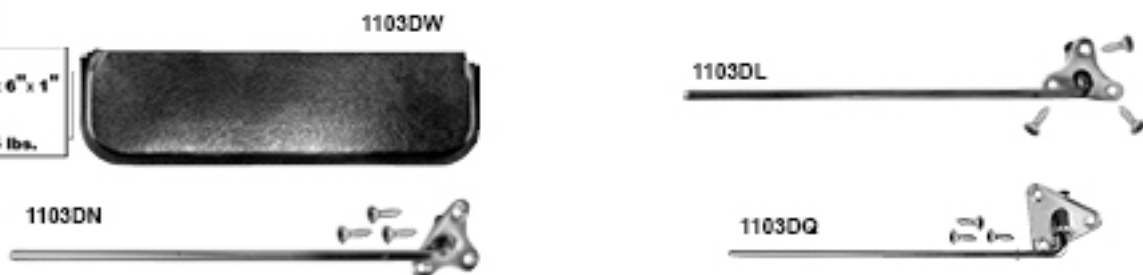
**1960-92**



1154D	1960-62	Rear View Mirror, Day/Night, 10 inch
1154C	1960-71	Rear View Mirror, Stainless
1154E	1963-65	Rear View Mirror, Day/Night, 10 inch
911366	1966-71	Rear View Mirror, Stainless, 10 inch
1155E	1969-71	Rear View Mirror Bracket, Chrome W/Back Cover
1155D	1960-71	Rear View Mirror Bracket
1154F	1972-92	Rear View Mirror, Day/Night

**1947-59**

Box Size:  
18.5" x 6" x 1"  
Weight:  
1.5 lbs.

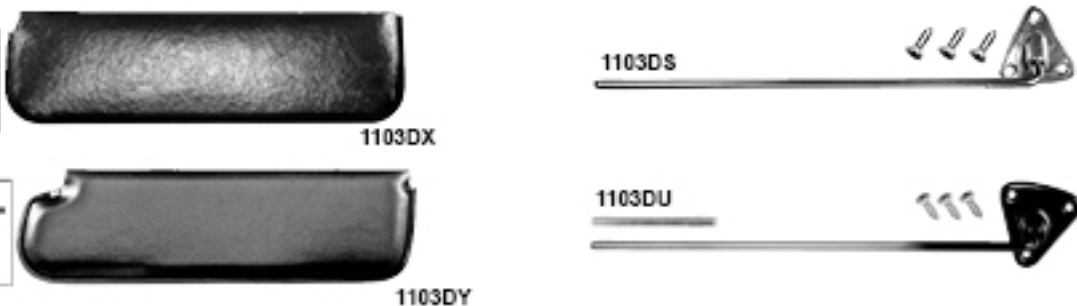


1103DW	1947-59	Windshield Sun Visor Pad, Black
1103DL	1947-53	Windshield Sun Visor Bracket, RH
1103DM	1947-53	Windshield Sun Visor Bracket, LH
1103DN	1954-55 1 <sup>st</sup> Series	Windshield Sun Visor Bracket, RH
1103DP	1954-55 1 <sup>st</sup> Series	Windshield Sun Visor Bracket, LH
1103DQ	1955-59	Windshield Sun Visor Bracket, RH
1103DR	1955-59	Windshield Sun Visor Bracket, LH

**1960-72**

Box Size:  
22.5" x 6.5" x 1"  
Weight:  
2 lbs.

Box Size:  
22.25" x 7" x 1"  
Weight:  
2 lbs.



1103DX	1960-66	Windshield Sun Visor Pad, Black
1103DS	1960-66	Windshield Sun Visor Bracket, RH
1103DT	1960-66	Windshield Sun Visor Bracket, LH
1103DY	1967-72	Windshield Sun Visor Pad, Black
1103DU	1967-72	Windshield Sun Visor Bracket, Fits both sides





21100



1485H



M1770



M1135



M1134

21100	1955-59	Radio Speaker Cover, Chrome
M1770	1967-91	Door Lock Knobs
1485H	1971-72	Door Jamb Vent
M1134	1973-83	Door Edge Guard, Front RH
M1135	1973-83	Door Edge Guard, Front LH



1102H



1102J



1102K

Box Size:  
10.75" x 4.25" x 2.25"  
Weight:  
.5 lbs.

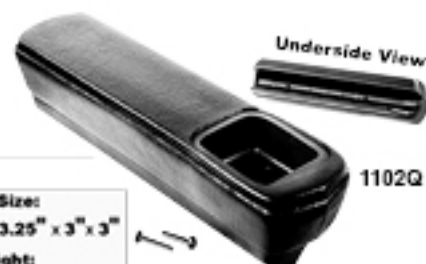


1102L

Box Size:  
10.5" x 6.25" x 3.75"  
Weight:  
1.25 lbs.



1102N



1102Q

Box Size:  
13.25" x 3" x 3"  
Weight:  
.5 lbs.

1102H	1947-55 1st Series	Door Arm Rest, Black, Fits both sides
1102J	1955-59	Door Arm Rest, Black, Fits both sides
1102K	1964-67	Door Arm Rest, Black, Fits both sides
1102L	1968-71	Door Arm Rest, Black, Fits both sides
1102M	1972	Door Arm Rest, RH, Black
1102N	1972	Door Arm Rest, LH, Black
1102P	1969-72	Door Arm Rest, RH, Rear (For Blazer or Suburban with rear bench seats)
1102Q	1969-72	Door Arm Rest, LH, Rear (For Blazer or Suburban with rear bench seats)

Door Sill Scuff Plates



M1119B	1960-66	Door Scuff Plate with Bow-tie, stainless
M1119	1960-66	Door Scuff Plate
M1119A	1960-66	Door Scuff Plate For GMC
M1118	1967-72	Door Scuff Plate
M1118C	1967-72	Door Scuff Plate, Stainless
M1118A	1967-72	Door Scuff Plate with Bow-tie, Chrome, Fits both sides
M1118B	1967-72	Door Scuff Plate with Bow-tie, stainless, Fits both sides

Kick Panel Vent Doors



1009A	1967-72	Kick Panel Vent Door RH
1009B	1967-72	Kick Panel Vent Door LH

Seat Adjust Handle



1105D	1955-66	Seat Adjustment Handle
-------	---------	------------------------

3-Pt Push Button Seat Belts

**Box Size:**  
4.5" x 4.25" x 12.25"  
**Weight:**  
6 lbs.



**Burgundy**  
SB4-BURG

SB4-BLACK	3-Point Seat Belt w/Chrome Push Button	Black
SB4-GRAY	3-Point Seat Belt w/Chrome Push Button	Gray
SB4-BLUE	3-Point Seat Belt w/Chrome Push Button	Blue
SB4-BURG	3-Point Seat Belt w/Chrome Push Button	Burgundy



**Seat Belts with Push Button:**  
6 colors to choose from

**60 Inch Belts**

SBP-BK60	Seat Belt with Push Button	Black
SBP-GR60	Seat Belt with Push Button	Grey
SBP-TAN60	Seat Belt with Push Button	Tan
SBP-NB60	Seat Belt with Push Button	Navy Blue
SBP-RED60	Seat Belt with Push Button	Red
SBP-MAR60	Seat Belt with Push Button	Maroon



**74 Inch Belts**

SBP-BK74	Seat Belt with Push Button	Black
SBP-GR74	Seat Belt with Push Button	Grey
SBP-TAN74	Seat Belt with Push Button	Tan
SBP-NB74	Seat Belt with Push Button	Navy Blue
SBP-RED74	Seat Belt with Push Button	Red
SBP-MAR74	Seat Belt with Push Button	Maroon



SBR-BK	Retractable 3 Point Seat Belt with Push Button	Black
SBEXT-BK	Seat Belt Extension, 12 In.	Black

See also Accessory Section for more details...



**Seat Belts with Lift Latch:**  
10 colors to choose from

**60 Inch Belts**

SBL-BK60	Seat Belt with Lift Latch	Black
SBL-WT60	Seat Belt with Lift Latch	White
SBL-LG60	Seat Belt with Lift Latch	Light Grey
SBL-DG60	Seat Belt with Lift Latch	Dark Grey
SBL-LT60	Seat Belt with Lift Latch	Light Tan
SBL-DT60	Seat Belt with Lift Latch	Dark Tan
SBL-LB60	Seat Belt with Lift Latch	Light Blue
SBL-DB60	Seat Belt with Lift Latch	Dark Blue
SBL-BR60	Seat Belt with Lift Latch	Bright Red
SBL-DR60	Seat Belt with Lift Latch	Dark Red



**74 Inch Belts**

SBL-BK74	Seat Belt with Lift Latch	Black
SBL-WT74	Seat Belt with Lift Latch	White
SBL-LG74	Seat Belt with Lift Latch	Light Grey
SBL-DG74	Seat Belt with Lift Latch	Dark Grey
SBL-LT74	Seat Belt with Lift Latch	Light Tan
SBL-DT74	Seat Belt with Lift Latch	Dark Tan
SBL-LB74	Seat Belt with Lift Latch	Light Blue
SBL-DB74	Seat Belt with Lift Latch	Dark Blue
SBL-BR74	Seat Belt with Lift Latch	Bright Red
SBL-DR74	Seat Belt with Lift Latch	Dark Red

**SBL-BK60BLK**



SBL-6K60BLK	Seat Belt w/Black Wrinkle-Finish Latch	Black
SBL-6K74BLK	Seat Belt w/Black Wrinkle-Finish Latch	Black

**Black 80/20 Loop Carpet**



12B53033	1947-55 <i>early</i>	Carpet, Black, 80/20 Loop, Early '55 without riser cut-out	Chevy® Pickup
12B53003	<i>late</i> 1955-59	Carpet, Black, 80/20 Loop, Late '55 with low tunnel	Chevy® Pickup
12B53003H	<i>late</i> 1955-59	Carpet, Black, 80/20 Loop, Late '55 with high tunnel	Chevy® Pickup
12B53004	1960-66	Carpet, Black, 80/20 Loop, 2WD with column shift	Chevy® Pickup
12B53005	1960-66	Carpet, Black, 80/20 Loop, Floor shift 2WD & all 4WD	Chevy® Pickup
12B53724	1967-72	Carpet, Black, 80/20 Loop, 2WD w/column shift, no tank in cab	Chevy® Pickup
12B53006	1967-72	Carpet, Black, 80/20 Loop, 2WD w/column shift & tank in cab	Chevy® Pickup
12B53726	1967-72	Carpet, Black, 80/20 Loop, Floor shift 2WD & 4WD, no tank in cab	Chevy® Pickup
12B53008	1973-80	Carpet, Black, 80/20 Loop, Column shift 2WD	Chevy® Pickup
12B53009	1973-80	Carpet, Black, 80/20 Loop, Floor shift 2WD & 4WD	Chevy® Pickup



**Direct-Fit Radio**

AM-APACHE2



Box Size:  
11.25" x 9" x 3.5"  
Weight:  
3 lbs.



AM-APACHE2	1955-59 Chevy/GMC Truck	Radio, "Apache 2" Model w/Remote (Use AM-1210 install kit)
------------	-------------------------	--

AM-HERMOSA-B



Box Size:  
11.5" x 9" x 3.5"  
Weight:  
3 lbs.



AM-HERMOSA-C



Box Size:  
11.5" x 9" x 3.5"  
Weight:  
3 lbs.



AM-HERMOSA-B & AM-MERMOSA-C are replacing ZUMA models & Model 2 radios.

AM-HERMOSA-B	1967-81	Radio, "Hermosa B" w/Black Face & Buttons (Use make-specific faceplate & knob kit)
AM-HERMOSA-C	1967-81	Radio, "Hermosa C" w/Chrome Face & Buttons (Use make-specific faceplate & knob kit)

*RetroSound*

**\*Discontinued; While supplies last.**

Replaced by  
HERMOSA models; see  
page PU104

Box Size:  
11.5" x 6.75" x 3.25"  
Weight:  
2.66 lbs.



AM-ZUMA-B\*



Box Size:  
11.5" x 6.75" x 3.25"  
Weight:  
2.66 lbs.



AM-ZUMA-C\*



Box Size:  
11.5" x 6.75" x 3.25"  
Weight:  
2.66 lbs.



AM-ZUMA-V\*



Box Size:  
11.5" x 6.75" x 3.25"  
Weight:  
2.94 lbs.



AM-MOD2C\*



AM-MOD2V\*

Box Size:  
11.5" x 6.75" x 13.25"  
Weight:  
2.98 lbs.



AM-ZUMA-B*	All Makes	Radio, "Zuma B" with Black Face & Knobs (Use make-specific faceplate & knob kit)
AM-ZUMA-C*	All Makes	Radio, "Zuma C" with Chrome Face & Knobs (Use make-specific faceplate & knob kit)
AM-ZUMA-V*	All Makes	Radio, "Zuma V" w/Chrome Face, Ivory Knobs (Use make-specific faceplate & knob kit)
AM-MOD2B*	All Makes	Radio, "Model 2B" with Black Face (Use make-specific faceplate & knob kit)
AM-MOD2C*	All Makes	Radio, "Model 2C" with Chrome Face (Use make-specific faceplate & knob kit)
AM-MOD2V*	All Makes	Radio, "Model 2V" with Ivory Knobs (Use make-specific faceplate & knob kit)



AM-1200



AM-1205



AM-1210



AM-1215



AM-1220



AM-1225

AM-1200	1947-53	Radio Bezel & Knob Kit
AM-1205	1954	Radio Bezel & Knob Kit
AM-1210	1955-59	Radio Bezel & Knob Kit
AM-1215	1960-63	Radio Bezel & Knob Kit
AM-1220	1964-66	Radio Bezel & Knob Kit
AM-1225	1967-72	Radio Bezel & Knob Kit



AMR-57UK

Fits:  
1960-66  
1967-72 Factory A/C

Box Size:  
9.5" x 6.25" x 2.5"  
Weight:  
1.6 lbs.



Box Size:  
20" x 10" x 4"  
Weight:  
11 lbs.

AM-SUB8100



AMR-410UK

Box Size:  
11.5" x 4.75" x 2.5"  
Weight:  
4.63 lbs.

Fits:  
1967-72 w/Factory A/C or Non-A/C  
1973-88 Mono Radio

AMR-57UK	1960-72	Dash Speaker with Bracket, 5 x 7 Dual Voice Coil, 2-way, 100 watt
AMR-410UK	1973-88	Dash Speaker with Bracket, 4 x 10 Dual Voice Coil, 2-way, 160 watt
AM-SUB8100		Amplified Sub-Woofer, 8", 100 Watt

*RetroSound*

Interior Electrical

Muscle Car Parts & Molding • Muscle Car Parts & Molding • Muscle Car Parts & Molding



AM-BT1

Digital LCD Battery Monitor, 12 Volt Cigarette Lighter Plug

AM-EX1

Battery Charger/Maintainer

AM-EX1-PKG

Battery Charger/Maintainer w/LED, Includes Battery Status Indicator

**1947-54**



L231	1947-54	Head Lamp Switch, 6 Volt, Without fused dome, stop light & glove box
L232	1947-54	Head Lamp Switch, 6 Volt, With fused dome, stop light & glove box
L233	1947-54	Head Lamp Switch, 12 Volt, Without fused dome, stop light & glove box
L234	1947-54	Head Lamp Switch, 12 Volt, With fused dome, stop light & glove box
LP50	1947-55 1 <sup>st</sup> Series	Dome Lamp Assembly, Painted
LP51	1947-55 1 <sup>st</sup> Series	Dome Lamp Assembly, Chrome
G01	1947-49	Speedometer, 0-80 MPH
G02	1947-49	Fuel Gauge, Red Needle, 6 Volt
G03	1947-49	Fuel Gauge, Red Needle, 12 Volt
G04	1947-49	Amp Gauge, Red Needle
G05	1947-49	Oil Pressure Gauge, Red Needle
G06	1947-49	Temperature Gauge, Red Needle, 6 cyl. length line
G07	1947-49	Temperature Gauge, Red Needle, 8 cyl. length line



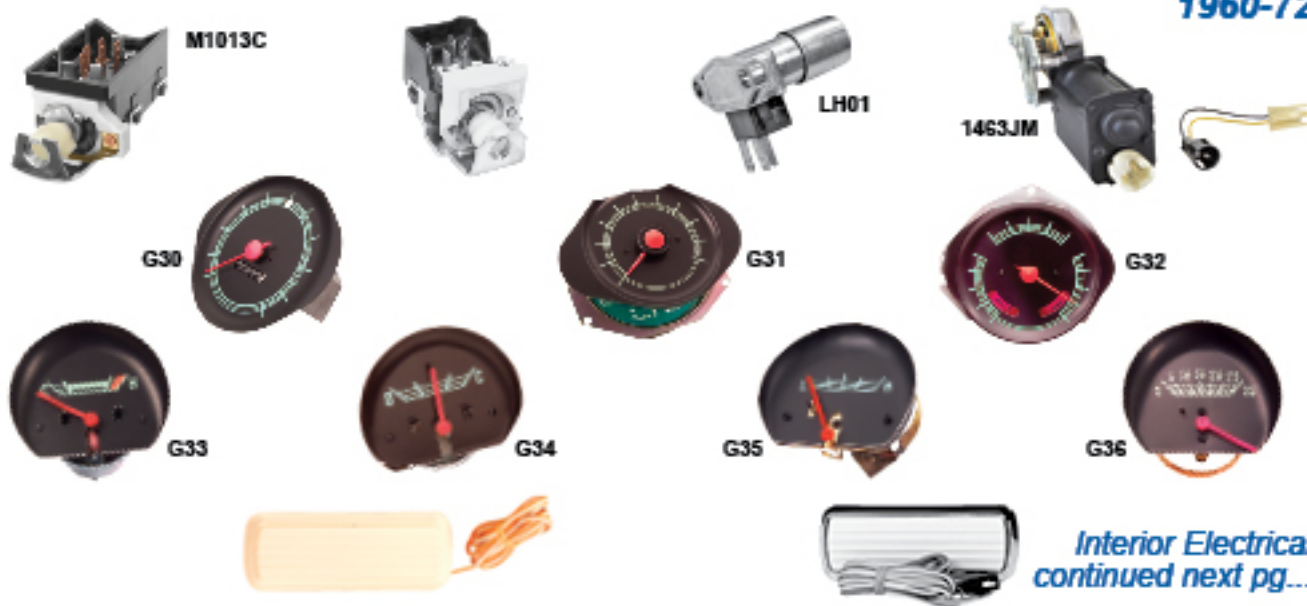
G12	1950-53	Speedometer, 0-80 MPH
G10	1950-53	Fuel Gauge, White Needle, 6 Volt
G11	1950-53	Fuel Gauge, White Needle, 12 Volt
G13	1950-53	Battery Gauge, White Needle, 0-30 lbs.
G14	1950-53	Oil Pressure Gauge, White Needle
G15	1950-53	Temperature Gauge, White Needle, 6 cyl. length line
G16	1950-53	Temperature Gauge, White Needle, 8 cyl. length line





1955-59

L230	1955-59	Head Lamp Switch, 12 Volt
G20	1955-59	Speedometer
G21	1955-59	Fuel Gauge
G22	1955-59	Temperature Gauge, Electric
G24	1955-59	Oil Pressure Gauge
LP52	1955-59	Dome Lamp Assembly, Chrome



1960-72

M1013C	1960-63	Head Lamp Switch
M1013	1964-72	Head Lamp Switch
LH01	1960-83	Headlamp Dimmer Switch
1463JM	1977-81	Power Window Motor, RH
1463KM	1977-81	Power Window Motor, LH
G30	1967-72	Speedometer
G31	1967-72	Tachometer
G32	1967-72	Fuel Gauge
G33	1967-72	Temperature Gauge
G34	1967-72	Ammeter Gauge
G35	1967-72	Oil Pressure Gauge
G36	1967-72	Vacuum Gauge
LP53	1960-72	Dome Lamp Assembly, White Base
LP54	1960-72	Dome Lamp Assembly, Chrome Base

Interior Electrical continued next pg...

**Horns**



**1010HC**



1010HC	New	1964-72	Horn High + Low Note Chrome Plate w/ Mounting Bracket and Hardware
1010H		1964-72	Horn, High
1010L		1964-72	Horn, Low
1010U		1955-79	Horn Set with Welded Brackets

**Ignition Locks**



158	1965	Ignition Lock, Non-GM Octagonal
158A	1965	Ignition Lock, Original Octagonal



100A	1967-68	Ignition Lock, Original
100	1967-72	Ignition Lock, Later
102	1973-78	Ignition Lock, Later



285	1967-68	Ignition/Door/Glove Kit, Original
284	1967-72	Ignition/Door/Glove Kit, Later

**Ignition & Door Kits**



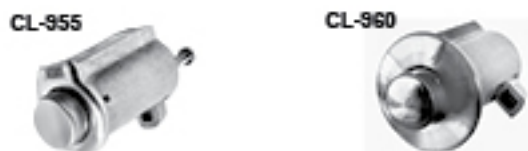
104A	1967-68	Ignition & Door Kit, Original
104	1967-72	Ignition & Door Kit, Later
106	1973-78	Ignition & Door Kit, Later

*See our Locks Catalog for more details...*

**Glove Box Locks**



169A	1954-72	Glove Box Lock, Original
169	1954-72	Glove Box Lock, Later



CL-955	1947-72	Key-less
CL-960	1947-72	Key-less, Brushed Stainless

**Ign., Door & Glove Box Kits**

**5" x 4 3/4" Bolt Pattern**



**GW157**

**Box Size:**  
17" x 17" x 10.25"  
**Weight:**  
19 lbs.



**GW150**

**Box Size:**  
17" x 17" x 10.25"  
**Weight:**  
22 lbs.



**GW158**

**Box Size:**  
17" x 17" x 10.25"  
**Weight:**  
20 lbs.



**GW150C**

**Box Size:**  
17" x 17" x 12"  
**Weight:**  
23 lbs.



Muscle Car Parts & Molding • Muscle Car Parts & Molding • Muscle Car Parts & Molding

GW157P	New	GM	Magnum Alloy Wheel 15"x7" w/Center Cap, 4" Backspace, Photo on pg A24
GW157			Magnum Alloy Wheel 15"x7" w/Center Cap, no offset, 4" Backspace
GW158			Magnum Alloy Wheel 15"x8" w/Center Cap, 10mm negative offset (-.4"), 4.07" Backspace
GW150			Magnum Alloy Wheel 15"x10" w/Center Cap, 21mm negative offset (-.8"), 4.65" Backspace
GW150C			Magnum Alloy Wheel 15"x10", Coated, w/Center Cap, 21mm negative offset (-.8"), 4.65" Backspace



**GW177**

**Box Size:**  
19" x 19" x 9"  
**Weight:**  
23 lbs.



**FW-CAP**



**GW178**

**Box Size:**  
19.5" x 19.5" x 10"  
**Weight:**  
24 lbs.



**GW177C**

**Box Size:**  
19" x 19" x 9"  
**Weight:**  
23 lbs.



**GW178C**

**Box Size:**  
19.25" x 19.25" x 10.25"  
**Weight:**  
24 lbs.



5" x 4 3/4" Bolt Pattern

GW177	Magnum Alloy Wheel 17"x7" w/Center Cap and decal, no offset
GW177C	Magnum Alloy Wheel 17"x7" w/Center Cap and decal, no offset, Chrome
GW178	Magnum Alloy Wheel 17"x8" w/Center Cap and decal, 10mm negative offset
GW178C	Magnum Alloy Wheel 17"x8" w/Center Cap and decal, 10mm negative offset, Chrome
FW-CAP	Magnum Wheel Cap with decal, 3/4" tall, Chrome (for 17" rims)

View other automotive seats made by Dynacorn on our website.