

Dynacorn International LLC

The muscle car people



2019
EL CAMINO®

El Camino® Index

Index

A

A/C Plenum: 53
A/C Vent Ball & Bezel: 16, 17
Accelerator Pedal Assembly: 55
Air Cleaner Spacer (Cowl Induction): 5
Alternator & Accelerator Brackets: 5
Antennas: 46, 47, 48

B

Back Up Lamps: 46, 47, 48
Battery Charger/Maintainer: 66
Battery Trays & Clamps: 4
Bed Floor Pans & Supports: 20, 21
Bed Moldings: 44
Bed Panels: 25
Belt Buckle Covers: 61
Body Shims & Washers: 7
Body Side Mldgs. & Clips: 43
Brake Release Handles: 54, 55
Bumpers: 1, 2
Bumper Brackets: 2
Bumper Reflectors: 48
Bumper Reinforcement: 3
Bushings: 68

C

Carpet: 61
Cigarette Lighter: 68
Clothes Hangers: 60
Clutch Rod Boot: 55
Console Boot Retainer: 54
Console Mounted Clock & Lens: 16
Control Arms: 6
Cowl Panels: 15

D

Dash Ash Tray: 17
Dash Pads: 57
Dash Panels: 16, 17
Dome Light Lens & Base: 68
Door Glass Channel Support & Stopper: 32
Door Handles & Cranks: 33, 34
Door Hinges: 31, 32
Door Jamb Vent Grille & Bumpers: 58
Door Latches & Striker: 30, 31, 32
Door Shells & Skins: 30, 31, 32
Door Sill Decal: 68
Door Sill Scuff Plates: 59
Door Trims & Arm Rests: 58, 59
Door Window Frames: 32
Door Window Guide Plates & Stabilizers: 32
Drip Rail Molding: 42

E

Emblems: 45, 46

Engine Mounts: 5
Evaporator Box: 52
Eyebrow Moldings: 35, 36, 37, 38

F

Fenders, Front: 7, 8
Fenders, Front Inner: 9
Fender Extension, Front: 8
Fender Patch Panels: 9
Firewalls & Brackets: 15
Firewall Wiper Plate: 15
Floor Pans & Supports: 18, 19
Floor Trim Panel: 59
Fuel Cap: 25
Fuel Senders & Gasket: 24
Fuel Tanks: 23, 24
Fuel Tank Braces: 25

G

Gas Filler Door: 24
Glass & Weatherstripping: 50, 51
Grilles & Molding: 35, 36, 37, 38, 39

H

Header Panels: 3
Headlamp Bezels: 35, 36, 37, 38, 39
Headlamp Mounting Buckets & Retainers:
35, 36, 37, 38
Headlamp Switches: 67
Headliner Molding: 57
Heater Boxes & Blower Motor: 52, 53
Heater Control: 53
Hoods & Hinges: 10, 11, 12, 13, 14
Hood Bumpers: 10, 11
Hood Catches, Latches & Supports: 10, 11,
12, 13
Hood Louvers: 11, 12
Hood Moldings & Spears: 40
Horns: 67

I

Ignition Switch Bracket: 16, 17
Instrument Bezel: 16
Instrument Housing Kits & Lens: 17

K

Kick Panels: 60

L

License Plate Bracket, Rear: 25
License Plate Lamps: 47, 48, 49
Locks: 73, 74

M

Magnum Alloy Wheels: 69, 70, 71, 72
Mirrors, Exterior: 41
Mirrors, Interior: 57

P

Parking Brake Controls: 55
Parking Lamps: 46, 47, 48
Pedal Pads & Trim: 54, 55

Q

Quarter Panels: 27, 28
Quarter Panels & Fillers, Inner: 29
Quarter Panel Patch, Lower: 28

R

Radiator Fan & Shrouds: 5
Radiator Plate: 4, 38, 39
Radiator Supports & Brackets: 3, 4
Radios & Components: 63, 64, 65
Rear Window Molding: 43
Rocker Panels: 22
Roof Panel & Braces: 30

S

Seat Belts: 62
Seat Frames & Springs: 60
Seat Track Assemblies: 61
Shifter Assys., Base & Handles: 54
Shift Levers & Cables: 55
Shoulder Harness Hooks: 60
Speedometer Grommet: 16, 17
Steering Column Clamp Plates: 15
Steering Column Cover: 17
Steering Wheels, Hubs & Shroud: 56
Sun Visor Support Bracket: 57
Sway Bar Link Set: 6

T

Tachometers (Dash Mount): 16
Tailgates & Hinges: 26, 27
Tailgate Cables & Springs: 26, 27
Tailgate Latches & Handles: 26, 27
Tailgate Molding: 44
Tail Lamps: 46, 47, 48, 49
Tail Lamp Mounting Panels: 28
Transmission Tunnel Plate: 19

V

Vinyl Top Moldings: 43

W

Wheelhouses: 28
Wheel Center & Retainer: 43
Wheel Opening Moldings: 42, 43
Window Moldings, Rear: 43
Window Regulators: 31
Windshield Channels: 14
Windshield Moldings: 41
Windshield Pillar/A-Pillar/Rocker Assy.: 22
Windshield Washer Bottle Bracket: 5
Windshield Wiper Switches: 67
Wiper Motor Transmission Arms: 40

1964-65



1457	1964*	Front Bumper, Premium Quality
1458	1964*	Rear Bumper, Premium Quality
1459	1965*	Front Bumper, Premium Quality
1460	1965*	Rear Bumper, Premium Quality

New Chrome Process
New Chrome Process
New Chrome Process
New Chrome Process

1966-68



1460A	1966*	Front Bumper, Premium Quality
1460C	1967*	Front Bumper, Premium Quality
1460E	1968*	Front Bumper, Premium Quality
1460N	1968-72	Rear Bumper, Premium Quality

New Chrome Process
New Chrome Process
New Chrome Process
New Chrome Process

1969-72



1460G	1969*	Front Bumper, Premium Quality
1460R	1970	Front Bumper, (Also fits Monte Carlo®)
1460L	1971-72*	Front Bumper, Premium Quality

New Chrome Process
New Chrome Process
New Chrome Process

Bumpers

1978-87



1460Z	1978-87	Front Bumper, Without Pad
1460P	1978-87	Rear Bumper, Without Pad
1460Q	1978-87	Rear Bumper, With Pad

Bumper Brackets

1964-67



1408B	1964*	Front Bumper Brackets, 4 pcs.
1411F	1965*	Front Bumper Brackets, 4 pcs.
1408D	1966*	Front Bumper Brackets, 4 pcs.
1408E	1967*	Front Bumper Brackets, 4 pcs.
1408C	1966-67	Rear Bumper Brackets, 4 pcs.

1968-72



1411I	1968*	Front Bumper Brackets, 4 pcs.
1410	1968-72	Rear Bumper Brackets, 7 pcs.
1411J	1969*	Front Bumper Brackets, 4 pcs.
1411K	1970*	Front Bumper Brackets, 4 pcs.
1411R	1971-72*	Front Bumper Brackets, 8 pcs.



1491A	1966*	Bumper Filler
1491	1967*	Bumper Filler
1492	1968*	Bumper Filler
1492A	1969*	Bumper Filler
1493	1970*	Bumper Filler
1460ZA	1978-87	Bumper Reinforcement



1468H	1968-69*	Header Panel
1461	1982-87	Header Panel

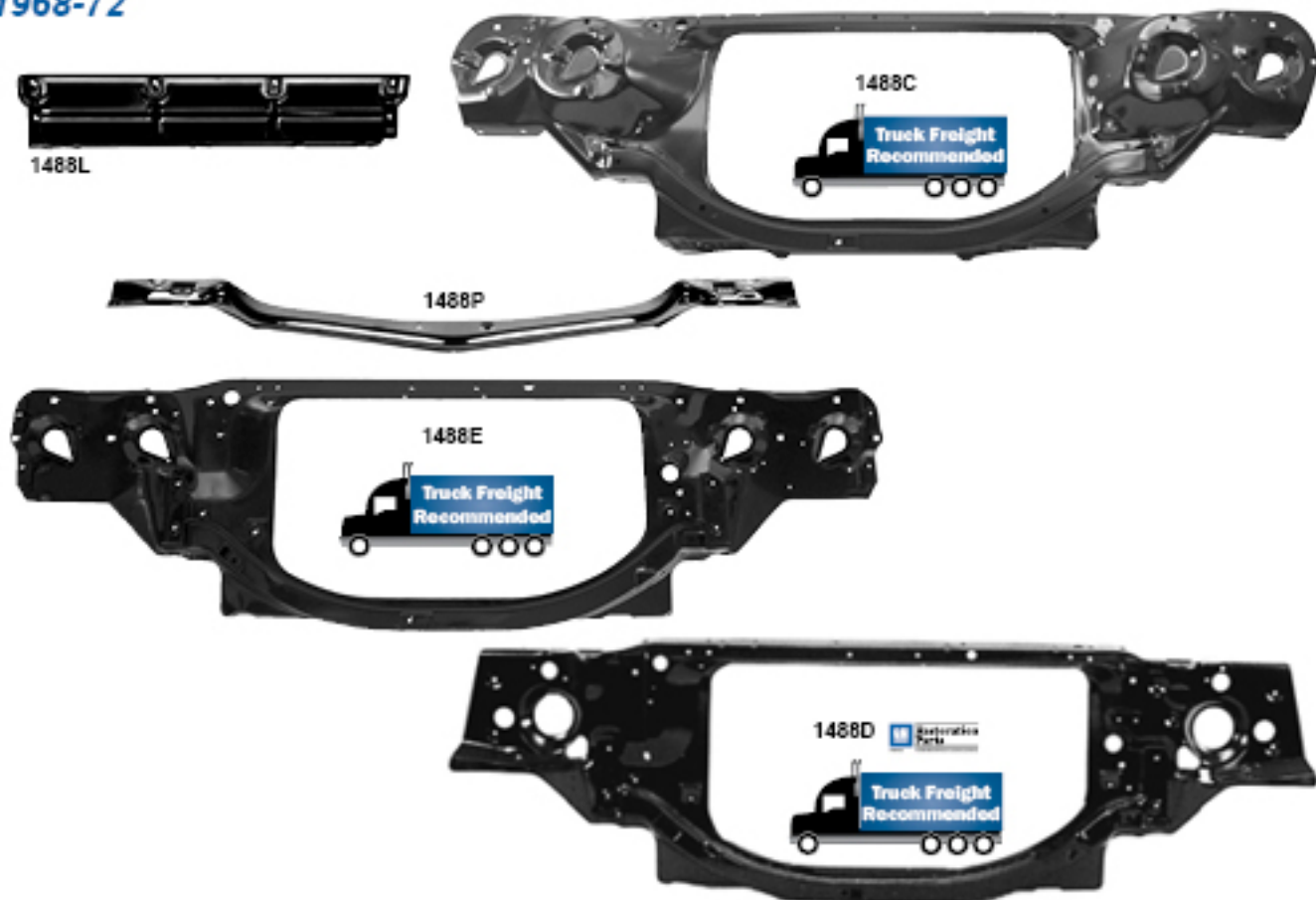


1965-67

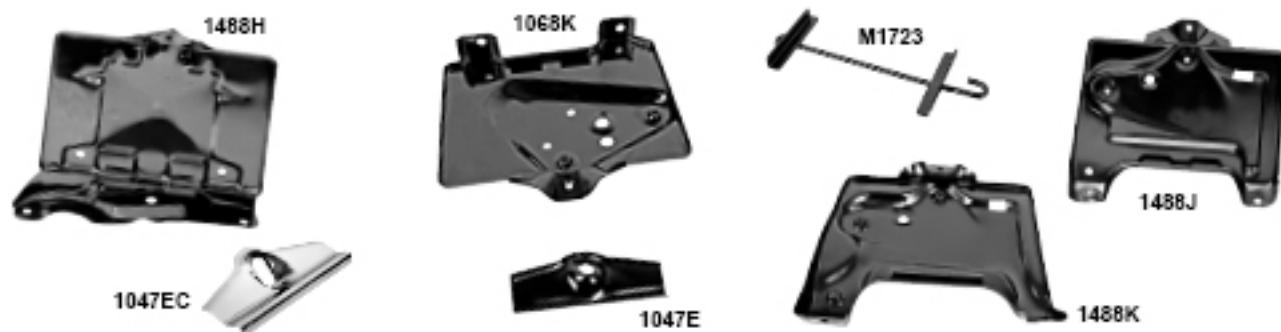
Radiator Supports continued on next page...

1488	1965*	Radiator Support
1488A	1966*	Radiator Support
1488B	1967*	Radiator Support

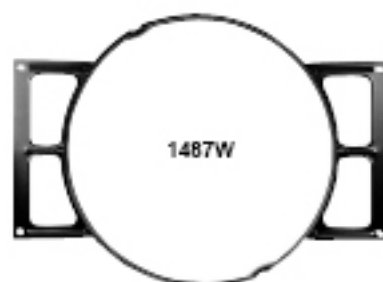
1968-72



1488C	1966-69*	Radiator Support
1488L	1968-72*	Radiator Bridge Plate, Small Block
1488E	1970*	Radiator Support
1488P	1970-72	Upper Radiator Plate
1488D	1971-72*	Radiator Support



1488H	1964-65*	Battery Tray
M1723	1964-65*	Battery Tray Clamp
1068K	1966*	Battery Tray
1488J	1967*	Battery Tray
1047E	1966-72*	Battery Tray Clamp
1047EC	1966-72*	Battery Tray Clamp, Stainless
1488K	1968-72*	Battery Tray, (Also fits Monte Carlo®)



1487W



1488W



1488X



1488Y



M1017

1487W	1964-65*	Radiator Fan Shroud
1488W	1966-67*	Radiator Fan Shroud, Small Block
1488X	1966-67*	Radiator Fan Shroud, Big Block
1488Y	1968*	Radiator Fan Shroud, Big Block
M1017	1968-72*	Fan, 7 blade



1427A



1426



1427

1427A	1964-67	Engine Mounts, Small Block
1426	1966-67	Engine Mounts, Big Block
1427	1968-72*	Engine Mounts, vs



1425



1392

Upper Big Block



1047G



M1394

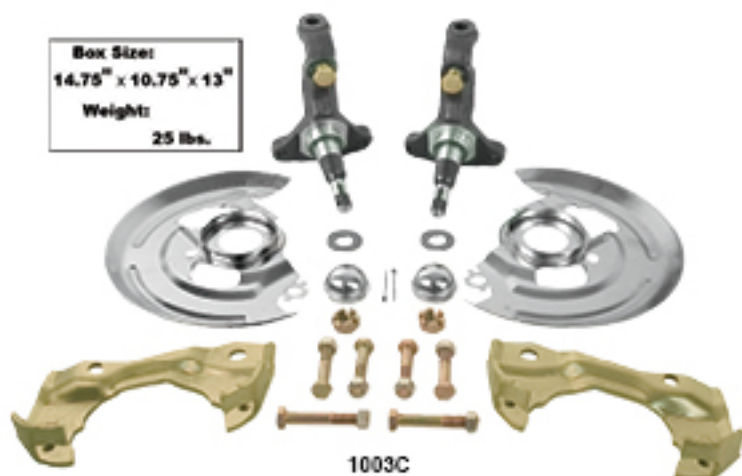
1425	1964-69*	Windshield Washer Bottle Bracket
1392	1965-68*	Big Block Alternator Bracket
1047G	1969-72*	Accelerator Bracket, Holley Only
M1394	1970-72*	Cowl Induction Air Cleaner Spacer



1495G	1966-72	Upper Control Arm, RH (OE)
1495H	1966-72	Upper Control Arm, LH (OE)
1495J	1964-72	Lower Control Arm, RH (OE)
1495K	1964-72	Lower Control Arm, LH (OE)
1495M	1964-72	Upper Control Arm, RH (Tubular)
1495N	1964-72	Upper Control Arm, LH (Tubular)
1495P	1964-72	Lower Control Arm, RH (Tubular)
1495Q	1964-72	Lower Control Arm, LH (Tubular)



With reinforcement plates already installed



1495E	1964-72*	Rear Lower Control Arms
1007	1964-72*	Upper Control Arm Bumper
1007A	1964-72*	Lower Control Arm Bumper
1403D	1964-72*	Sway Bar Link Set
1003C	1964-72*	Spindle Kit



1000D



1000E



1000F



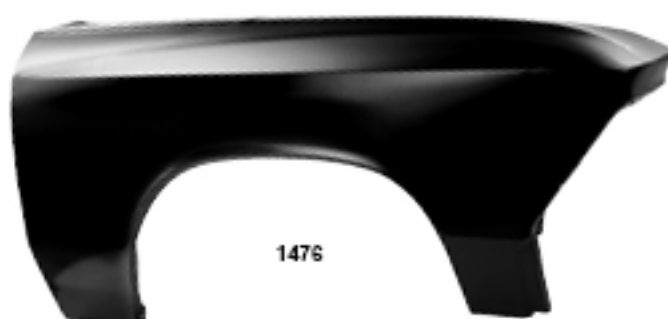
GM03

1000E	1964-72*	Body Shims, 1.6 mm, 10 pcs.
1000D	1967-72*	Body Shims, 3mm, 10 pcs.
1000F	1967-72*	Body Shims, 6mm, 10 pcs.
GM03		Body Washers, 20 pcs.

1965-68



1475W



1476



1478



1479A

Front Fenders continued on next page...

1475W	1965*	Front Fender RH
1475X	1965*	Front Fender LH
1476	1966*	Front Fender RH
1477	1966*	Front Fender LH
1478	1967*	Front Fender RH
1479	1967*	Front Fender LH
1479A	1968*	Front Fender RH
1479B	1968*	Front Fender LH

1969-87



1479C	1969*	Front Fender RH
1479D	1969*	Front Fender LH
1483E	1970	Front Fender RH
1483F	1970	Front Fender LH
1481A	1970	Fender Extension RH
1481B	1970	Fender Extension LH
1483G	1971-72	Front Fender RH
1483H	1971-72	Front Fender LH
1483A	1978-81	Front Fender RH
1483B	1978-81	Front Fender LH
1483C	1982-87	Front Fender RH
1483D	1982-87	Front Fender LH



1475WA



1476A



1479E

1475WA	1964-65*	Fender Patch Panel, Lower Rear RH
1475XA	1964-65*	Fender Patch Panel, Lower Rear LH
1476A	1966-67*	Fender Patch Panel, Lower Rear RH
1477A	1966-67*	Fender Patch Panel, Lower Rear LH
1479E	1968-69*	Fender Patch Panel, Lower Rear RH
1479F	1968-69*	Fender Patch Panel, Lower Rear LH



1471P



1472



1472B



1472E

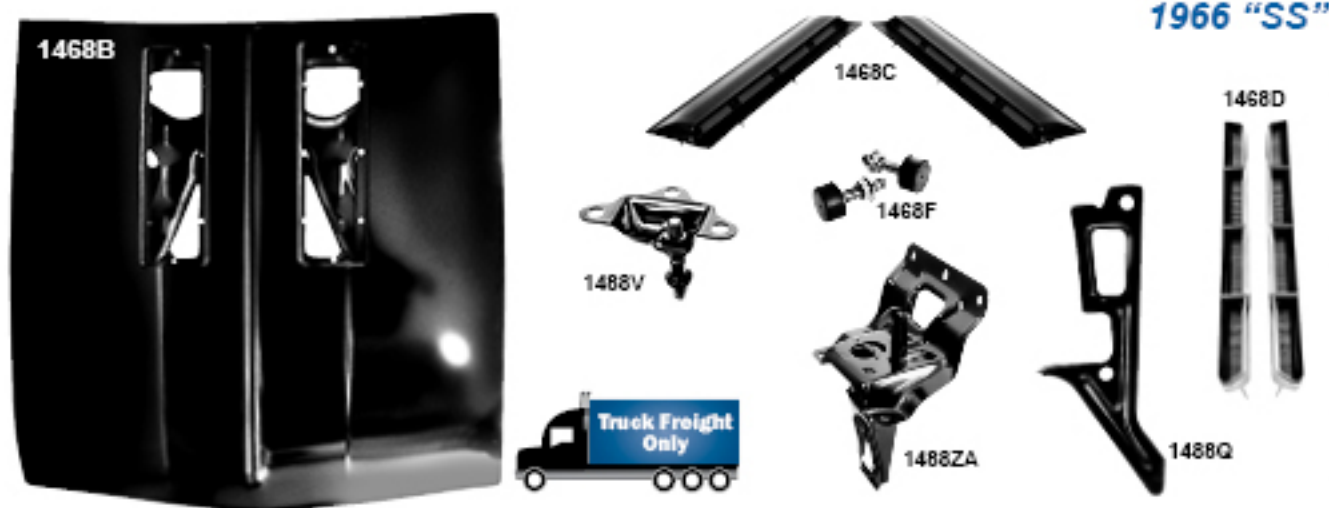
1471N	1965*	Front Inner Fender RH
1471P	1965*	Front Inner Fender LH
1472	1966*	Front Inner Fender RH
1472A	1966*	Front Inner Fender LH
1472B	1967*	Front Inner Fender RH
1472C	1967*	Front Inner Fender LH
1472D	1968-72*	Front Inner Fender RH
1472E	1968-72*	Front Inner Fender LH

1963-66



BH30	New	1963-65	Billet Hood Hinge, Pair	\$329.00 pr
1701A		1964*	Hood Hinge, RH	
1701B		1964*	Hood Hinge, LH	
1069AY		1964-72*	Hood Hinge Spring	
1468F		1964-66*	Hood Bumpers	
1488UB		1965*	Hood Latch	
1488QA		1965*	Hood Latch Support	
1468A		1966*	Standard Hood	
1468K		1966*	Cowl Induction Hood	
1068G		1965-67*	Hood Hinge, RH	
1068H		1965-67*	Hood Hinge, LH	
1488V		1966*	Hood Catch	
1488ZA		1966*	Hood Latch	
1488Q		1966*	Hood Latch Support	



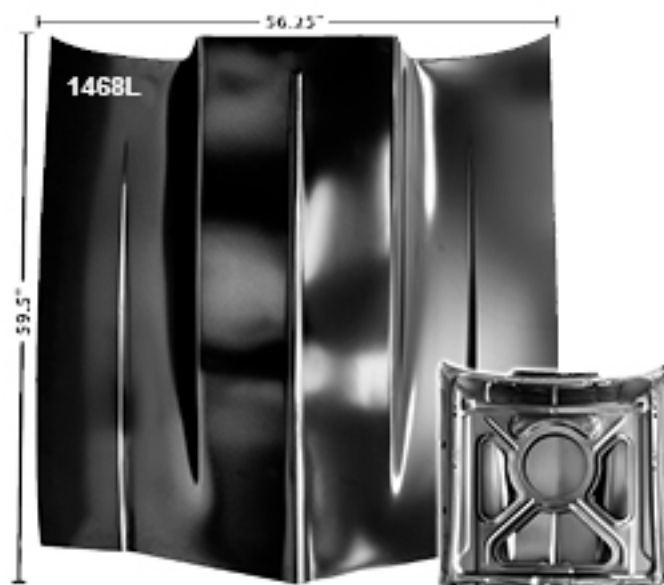


1468B	1966*	"SS" Hood
1468C	1966*	"SS" Hood Louvers
1468D	1966*	Hood Louver Inserts
1488V	1966*	Hood Catch
1488ZA	1966*	Hood Latch
1488Q	1966*	Hood Latch Support
1468F	1964-66*	Hood Bumpers

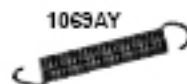


BH01	New	1965-67	Billet Hood Hinge, Pair
1468G		1967*	Cowl Induction Hood
1468		1967*	"SS" Hood
1468E		1967*	"SS" Hood Louvers
1068G		1965-67*	Hood Hinge, RH
1068H		1965-67*	Hood Hinge, LH
1069AY		1964-72*	Hood Hinge Spring
1488U		1967*	Hood Latch
1488R		1967*	Hood Latch Support

1968-69



Box Size:
64.75" x 59" x 7.5"
Weight:
73 lbs.



BH12 Heavy-Duty Struts



Box Size:
19.5" x 7" x 7.5"
Weight:
13.5 lbs.



BH12	New	1968*	Billet Hood Hinge, Pair
1468L		1968-69*	Cowl Induction Hood (use 1969 hinges)
1469		1968-69*	"SS" Hood (Fits 1968 with 1969 hinges)
M1379		1969*	"SS" Hood Louvers
1464Y		1968*	Hood Hinge, RH
1464Z		1968*	Hood Hinge, LH
1069AY		1964-72*	Hood Hinge Spring
1488UA		1968*	Hood Latch
1488RA		1968*	Hood Latch Support
1464		1969*	Hood Hinge, RH
1465		1969*	Hood Hinge, LH
1488S		1969*	Hood Latch Support



1970-72

Hoods & Components



1471



1470



1466



1488Z



1488T



1488G



1488F

Restoration Parts



1470A



Heavy-Duty Struts

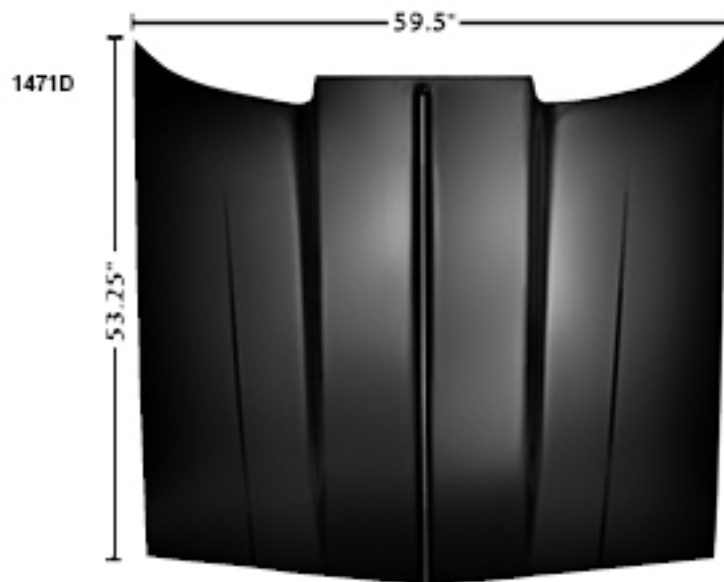
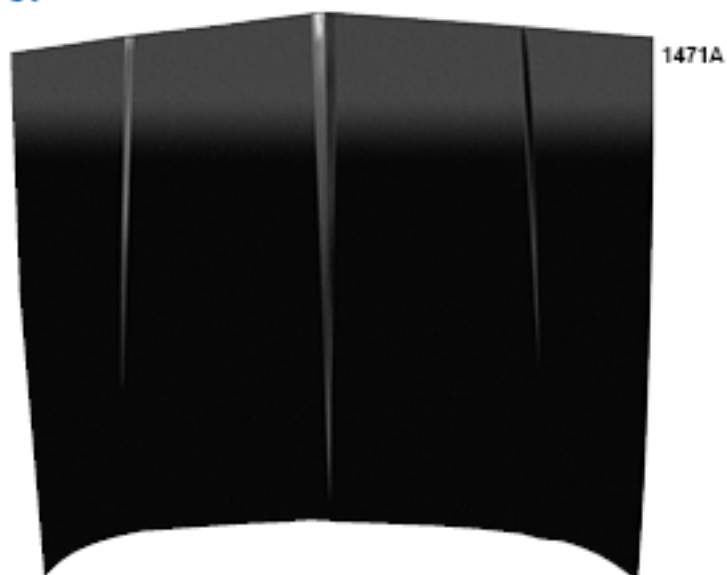
Box Size:
19.5" x 7" x 7.5"
Weight:
13.5 lbs.

BH13

Muscle Car Parts & Molding • Muscle Car Parts & Molding • Muscle Car Parts & Molding

1471	1970-72*	Cowl Induction Hood
1470	1970-72*	"SS" Hood
1470A	1970-72*	"SS" Hood Pins with Hardware
BH13	New 1969-72	Billet Hood Hinge, Pair
1466	1970-72*	Hood Hinge, RH
1467	1970-72*	Hood Hinge, LH
1488F	1970-72*	Hood Catch and Spring
1488Z	1970-72*	Hood Latch
1488T	1970*	Hood Latch Support (Also fits 1970-72 Monte Carlo)
1488G	1971-72*	Hood Latch Support

1978-87



Box Size:
58.5" x 8" x 62.5"
Weight:
57.3 lbs.



1½" Cowl Closeup



1471A	1978-87	Standard Hood
1471D	1978-87	Cowl Induction Hood, 2"



1490DWT	1964-67*	Windshield Channel, Weld-Through Primer
M1424BWT	1968-72*	Windshield Channel, Weld-Through Primer



1461I	1964-67*	Firewall
1461A	1968-72*	Firewall with A/C, Weld-Through Primer
1461B	1968-72*	Firewall without A/C, Weld-Through Primer
1461IA	New 1964-67*	Firewall, Heater Delete
1461C	1968-72*	Firewall with Heater Delete, Weld-Through Primer
1461G	1968-69*	Firewall Wiper Plate
1461F	1968-72*	Firewall Brackets, EDP Coating
1400L	1968-72	Steering Column Clamp Plates



1419DWT
Box Size: 26.75" x 12.75" x 9.75"
Weight: 10.2 lbs.

1419A	1968-69*	Lower Cowl Panel, EDP Coating
1419EWT	1968-72*	Outer Cowl Panel, Weld-Through Primer, RH
1419FWT	1968-72*	Outer Cowl Panel, Weld-Through Primer, LH
1419CWT	1968-72*	Cowl Shoulder Assembly, Weld-Through Primer, RH
1419DWT	1968-72*	Cowl Shoulder Assembly, Weld-Through Primer, LH

1964-69



Box Size:
31" x 6.75" x 6"
Weight:
3 lbs.

1451K



Box Size:
31" x 7.25" x 6.75"
Weight:
3.5 lbs.

1451M



Reverse View

See pgs. EL63-65 for radios & components.



1451X



M1359B



1400B



Box Size:
4.25" x 4.5" x 4.25"
Weight:
.5 lbs.

1400A



1400R



1400S

Box Size:
5.25" x 5.25" x 4.75"
Weight:
1 lbs.

1400S



1400T

Box Size:
5.25" x 5.25" x 4.75"
Weight:
1 lbs.

1400T



1400U

Box Size:
5.25" x 5.25" x 4.75"
Weight:
1 lbs.

1400U



3856472

K851



1403C



1498D



Box Size:
59.25" x 13.75" x 15.5"
Weight:
18.5 lbs.

1455

See pg. EL57-58 for dash pads...

1451K	1964*	Dash Carrier with A/C
1451M	1965*	Dash Carrier with A/C
1451X	1964-65*	Dash Gauge Backing Plate
1400A	1966-67	Console Mounted Clock
1400B	1966-67	Console Clock Acrylic Lens
1400R	1966	Tachometer, Chrome 5600 Red-line
1400S	1966	Tachometer, Chrome 6200 Red-line
1400T	1967	Tachometer, Black 5500 Red-line
1400U	1967	Tachometer, Black 6000 Red-line
M1359B	1966-67*	Instrument Bezel
3856472	1966-69*	A/C Vent Ball Chrome
K851	1966-69*	A/C Vent Bezel
1403C	1964-72	Speedometer Cable Grommet
1455	1968*	Steel Dash Panel, EDP Coating
1498D	1968-72*	Ignition Switch Bracket



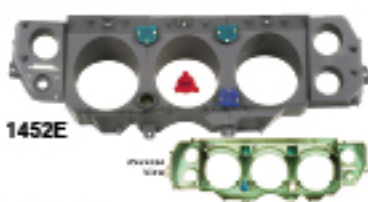
1969

See pg. EL57-58 for dash pads...

1451A	1969*	Dash Assembly w/o Astro-Ventilation or A/C Instrument Carrier
1451B	1969*	Dash Assembly with Astro-Ventilation, w/o A/C Instrument Carrier
1451C	1969*	Dash Assembly with A/C Instrument Carrier
1451D	1969*	Steering Column Cover
1498D	1968-72*	Ignition Switch Bracket



See pg. EL57-58 for dash pads...



1452D

1452E

1452F

1452J



1452K



EM1452A

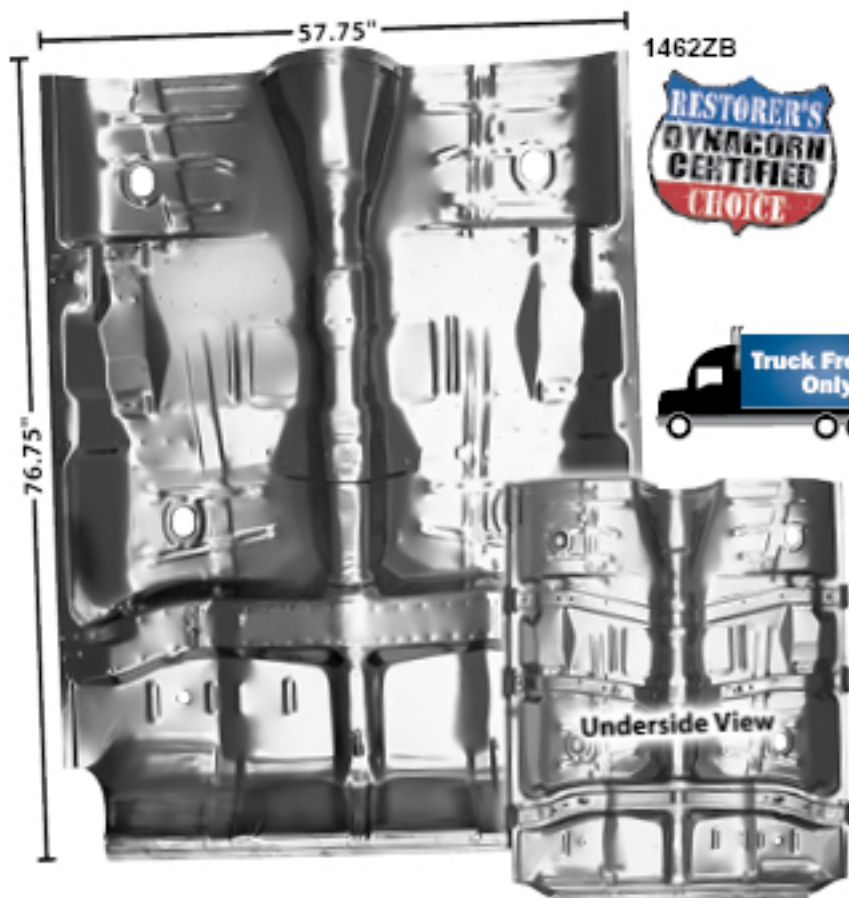
1453

1451G

1454

1452	1970-72*	Dash Assembly With 3-Vent Register (*SS* only)
1452C	1970-72*	Dash Gauge Backing Plate
1403C	1964-72	Speedometer Cable Grommet
1452D	1970	Instrument Housing Kit (Green Reverse), *SS*, 3 pcs.
1452E	1971-72	Instrument Housing Kit (Light Blue Reverse), *SS*, 3 pcs.
1452F	1970-72	Instrument Cluster Lens
EM1452	1970-72*	Dash Vent Block-Off Plate with "Chevrolet" logo (includes 2 screws)
EM1452A	1970-72*	Dash Vent Block-Off Plate without logo (includes 2 screws)
1451G	1970-72*	Lower Column Cover, *SS* w/Round Speedometer & Gas Gauge Holes
1453	1970-72*	Dash Ash Tray
1454	1970-72*	Glove Box Door
1498D	1968-72*	Ignition Switch Bracket
1452K	1968-72	A/C Center Vent, Black with trim
1452J	1969-72	A/C Center Vent, Chrome

1964-67



1462WB



1462WC



1462J



1461Y



1462K



1461Z



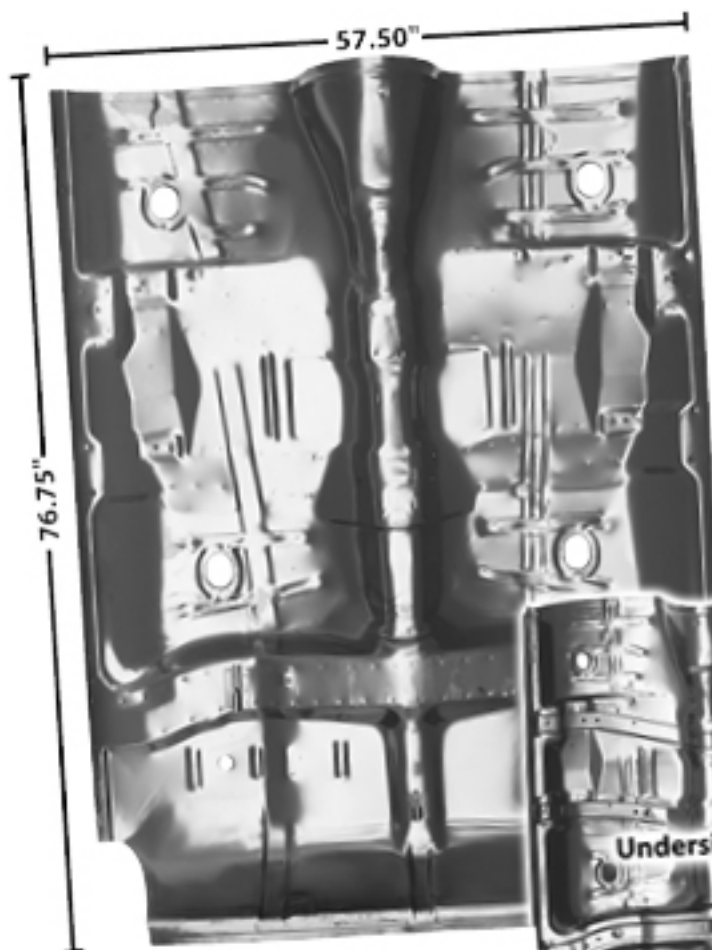
1047F



1461ZA

1462J	1964-67*	Full Floor Pan, RH	
1462K	1964-67*	Full Floor Pan, LH	
1047F	1964-72*	Galvanized Floor Plug	
1461Y	1964-69*	Under Floor Pan Support - Front	
1461Z	1964-69*	Under Floor Pan Support - Center	
1461ZA	1964-67*	Under Floor Pan Support - Rear	
1462ZB	1968-69	Complete Floor Pan	
1462WB	1964-67	Transmission Tunnel Plate, with console	
1462WC	1964-67	Transmission Tunnel Plate, without console	

1968-72



1462ZCWT



1425A



1462WD



Underside View

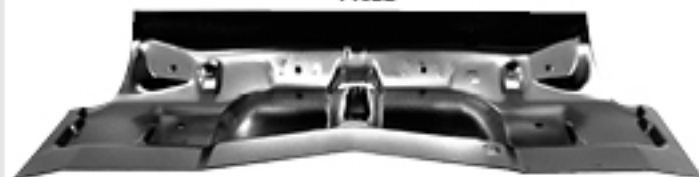


1462WE

1047F



1462L



1461Y

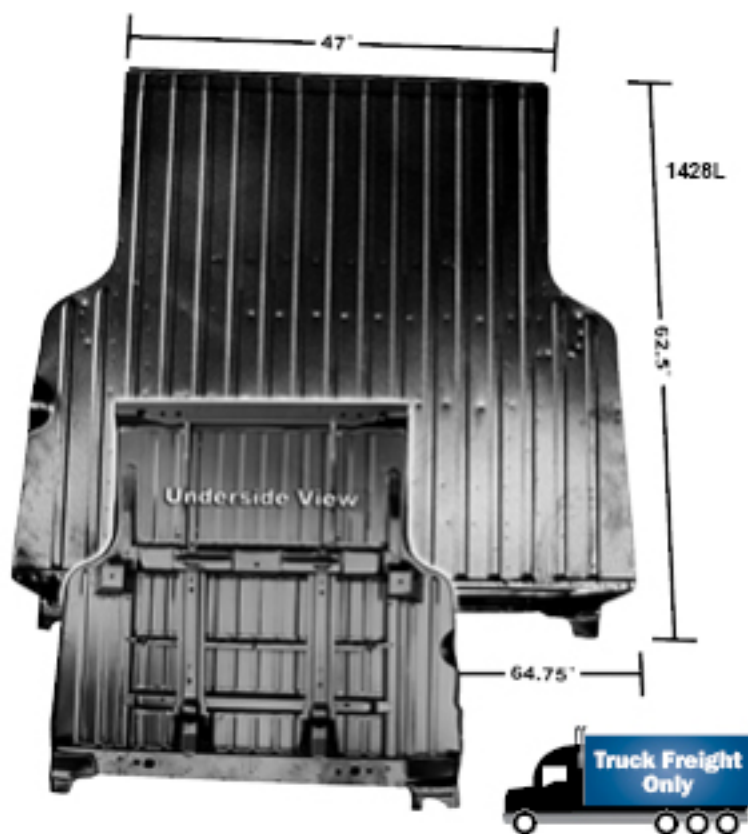
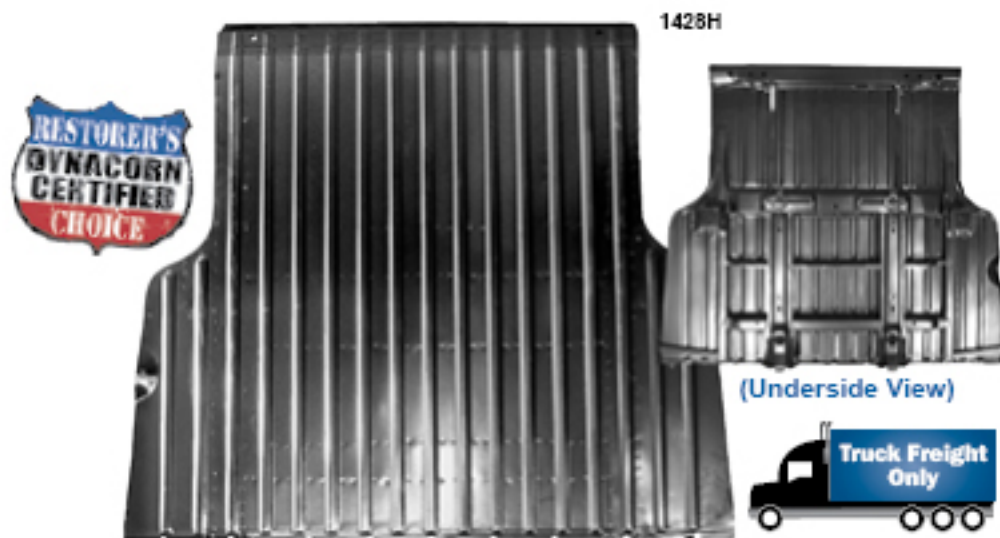


1461Z



Floor Pans & Components continued on next page...

1462ZCWT	1968-69	Complete Floor Pan w/Rocker Panels, Weld-Through Primer
1462L	1968-69*	Rear Seat Floor Pan
1047F	1964-72*	Galvanized Floor Plug
1425A	1968-72	Transmission Tunnel Plate, Standard Shift
1462WD	1968-72	Transmission Tunnel Plate, with console
1462WE	1968-72	Transmission Tunnel Plate, without console
1461Y	1964-69*	Under Floor Pan Support - Front
1461Z	1964-69*	Under Floor Pan Support - Center



1428H

1968-72

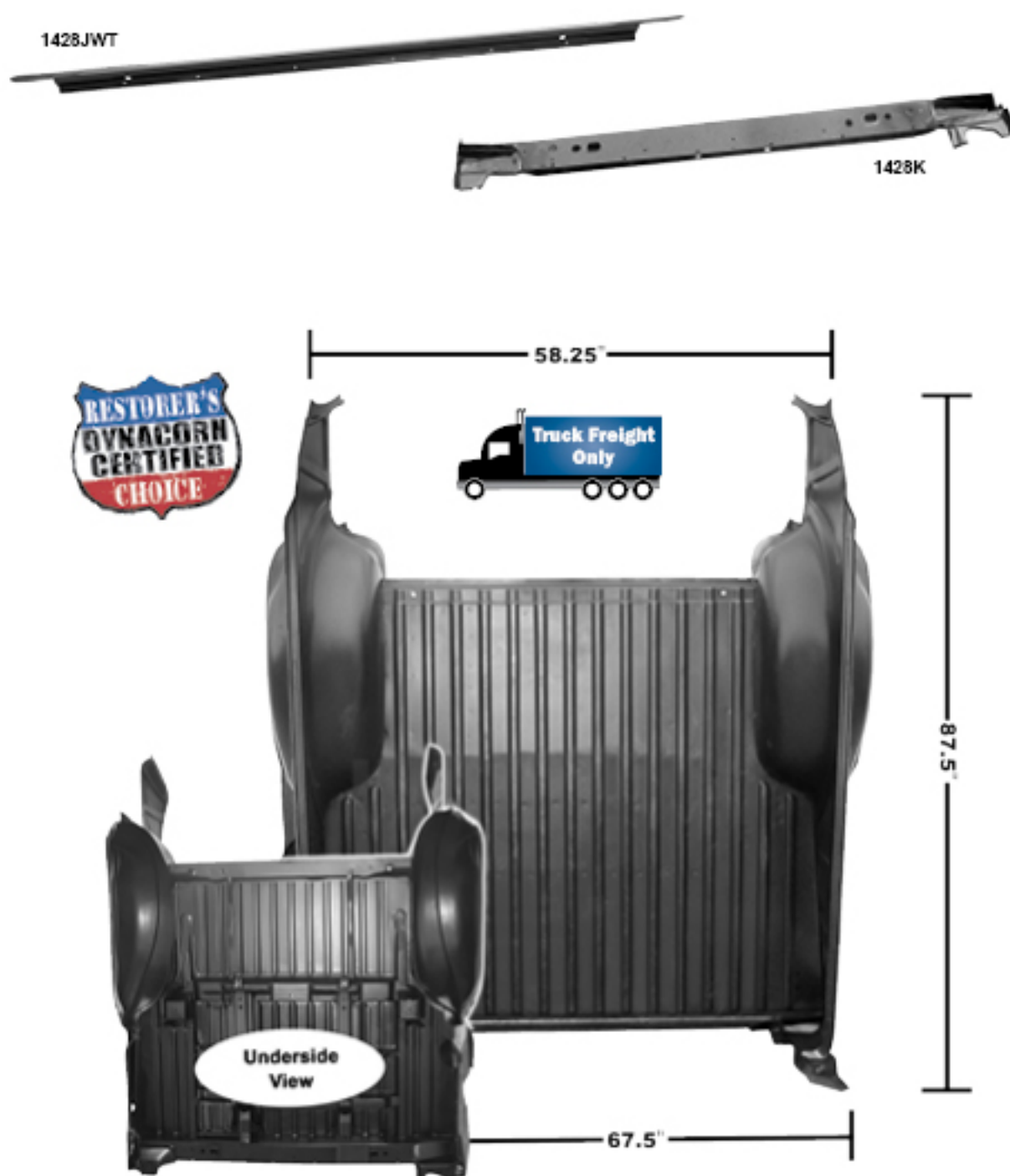
Complete Bed Floor Pan Including Under Supports

1428L

1968-72

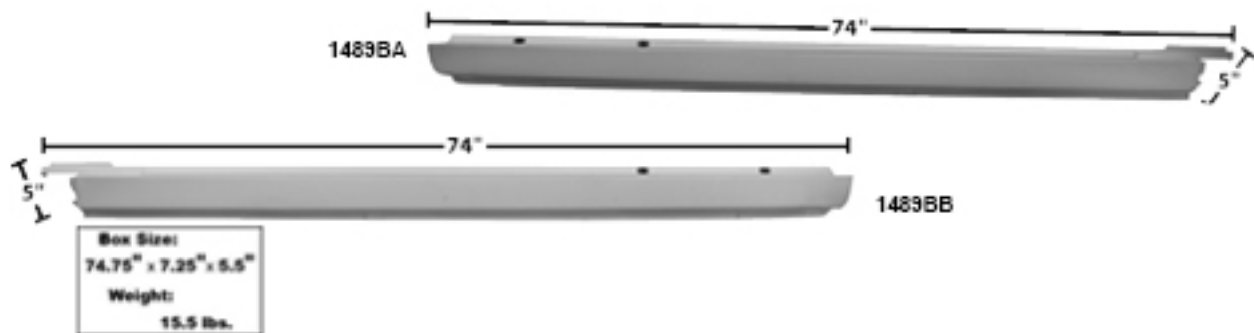
Complete Bed Floor Pan Including Under Supports and Roll Pan

Muscle Car Parts & Molding • Muscle Car Parts & Molding • Muscle Car Parts & Molding

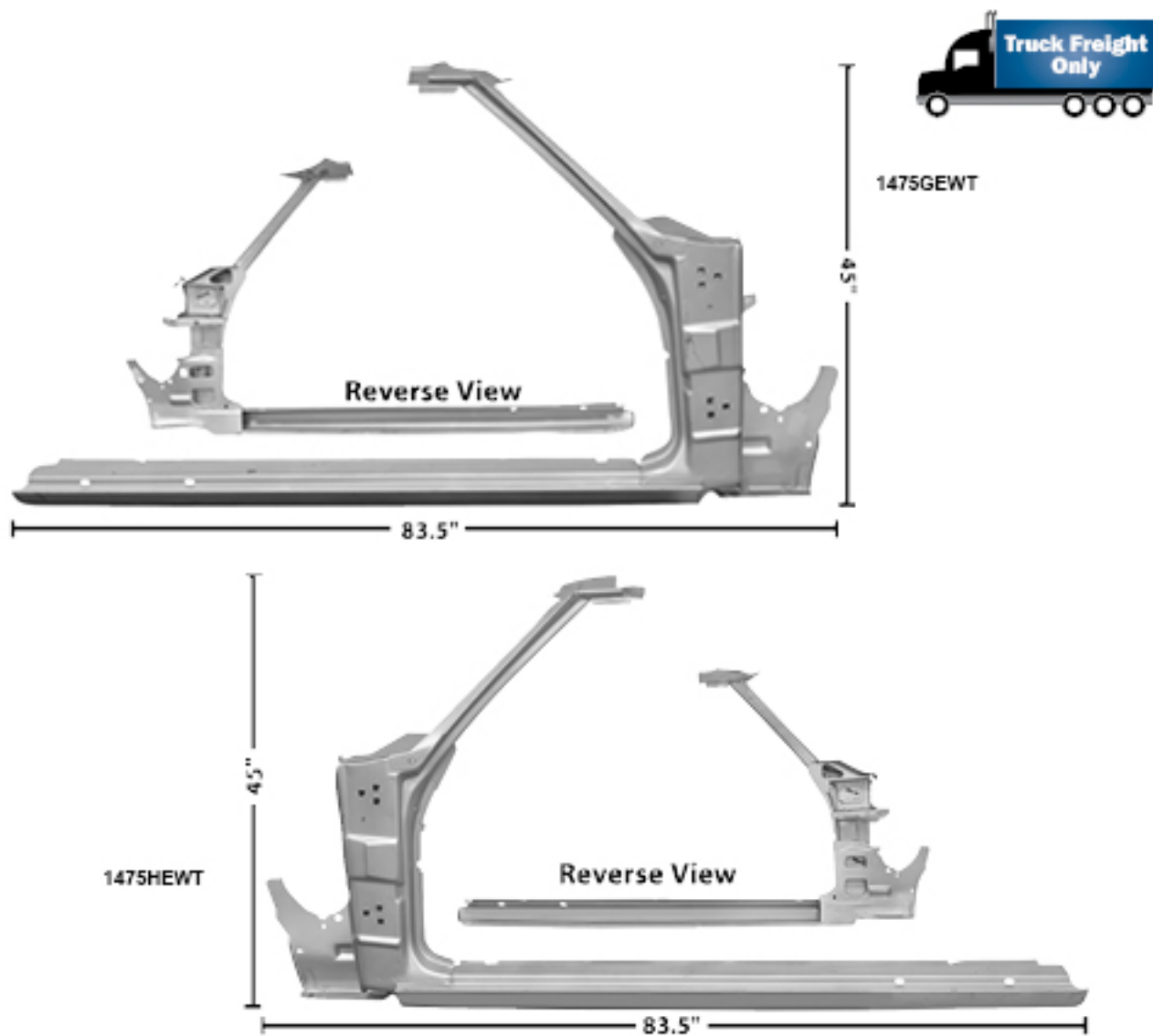


Does Not Qualify For Free Freight Program

1428M	1968-72	Complete Bed Floor Pan, Side Panels and Wheelhouses
1428JWT	1968-72*	Bed Rear Cross Bar, Weld-Through Primer
1428K	1968-72	Bed Roll Pan



1489BA	1968-72	Rocker Panel, RH
1489BB	1968-72	Rocker Panel, LH



Does Not Qualify For Free Freight Program

1475GEWT	1968-72	Windshield Pillar/A-Pillar/Rocker Assembly, RH
1475HEWT	1968-72	Windshield Pillar/A-Pillar/Rocker Assembly, LH



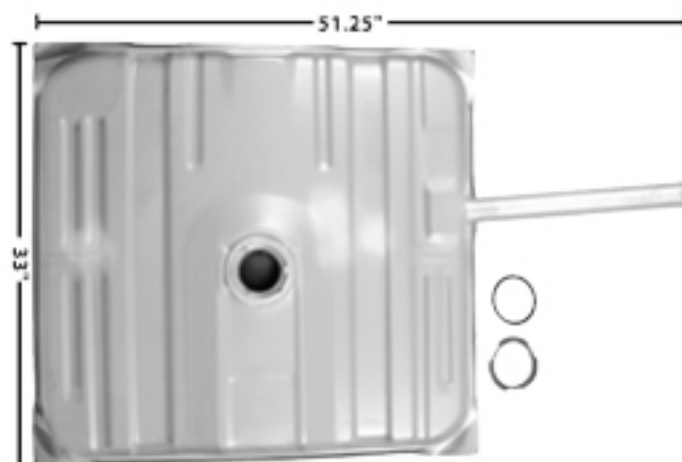
T32



T33



T35



T35A

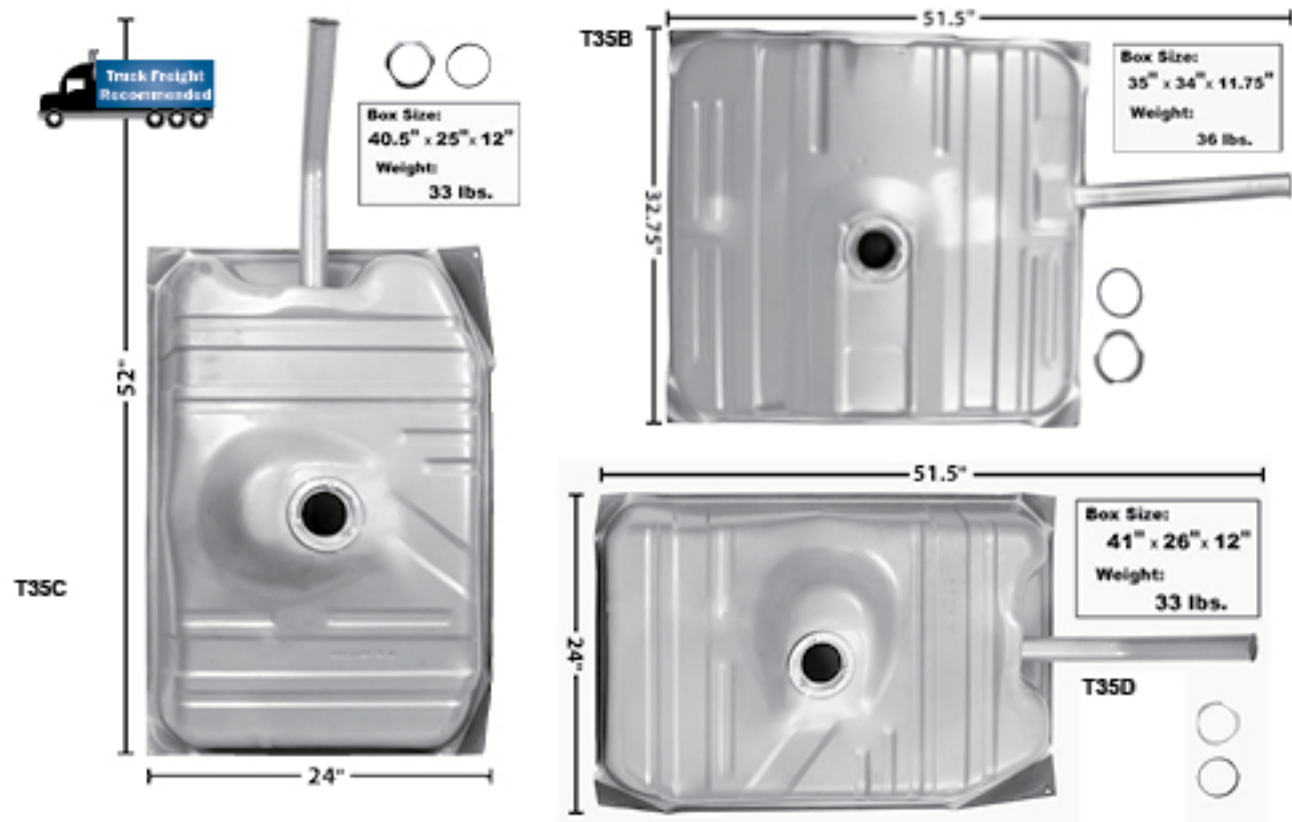
Box Size:
35.25" x 34.25" x 10.75"
Weight:
36 lbs.

Fuel Tanks continued on next page...

Muscle Car Parts & Molding • Muscle Car Parts & Molding • Muscle Car Parts & Molding

T32	1964-67	Galvanized Tank w/o Fuel Cap Flange
T33	1968-70	Galvanized Fuel Tank w/o EEC
T35	1970-72	Galvanized Fuel Tank with EEC
T35A	1973-74	Galvanized Fuel Tank with neck, 26 gallon

Fuel Tanks



T35B	1975-77	Galvanized Fuel Tank with neck, 26 gallon
T35C	1978-87	Galvanized Fuel Tank, 22 gallon
T35D	1978-87	Galvanized Fuel Tank, 17 gallon

Fuel Senders

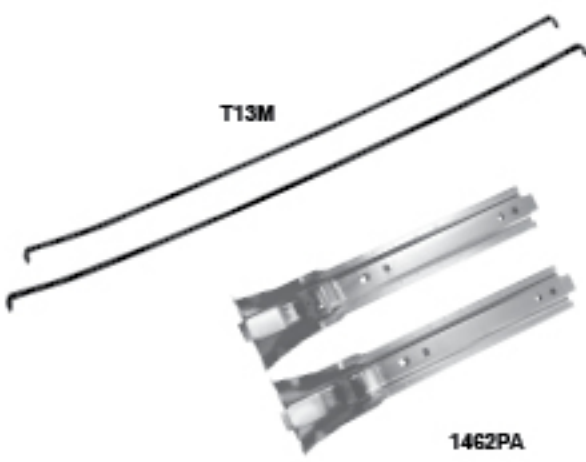


T70	1964*	All
T71	1965-67*	All V-8 4bbl 3/8 Line
T72	1968-70*	V-8 350, 400, 454, 396 4bbl w/A/C
T73	1971-72*	V-8 350 4bbl w/A/C, 400 2bbl, 454 4bbl
T20	1964-72*	Fuel Sending Unit Locking Ring
T21	1964-72*	Fuel Sending Unit Gasket

Gas Filler Door




1475HT	New	1964-67	Gas Filler Door
--------	-----	---------	-----------------



T13M


1462PA

T13M*	1964-67	Fuel Tank Straps
1462PA*	1968-72	Fuel Tank Braces



T32A 1964-72* OE Style Fuel Cap

1424B 1964-72 Rear Bracket (Also '68-'72 Chevelle)



1428G **1964-67** Bed Front Lift Panel Support

1428FWT **1964-67** Divider Panel with cut-outs, Weld-Through Primer

3 Piece Set



1428D **1968-72** Rear Window Shelf Panel

1428B **1968-72** Rear Cab Panel

1428A **1968-72** Smuggler's Box Panel

1428C **1968-72** Bed Front Lift Panel

Truck Freight Recommended

Box Size: 56.75" x 4" x 19.5"
Weight: 29 lbs.

Reverse View

1428D	1968-72	Rear Window Shelf Panel
1428B	1968-72	Rear Cab Panel
1428A	1968-72	Smuggler's Box Panel
1428C	1968-72	Bed Front Lift Panel

1964-67

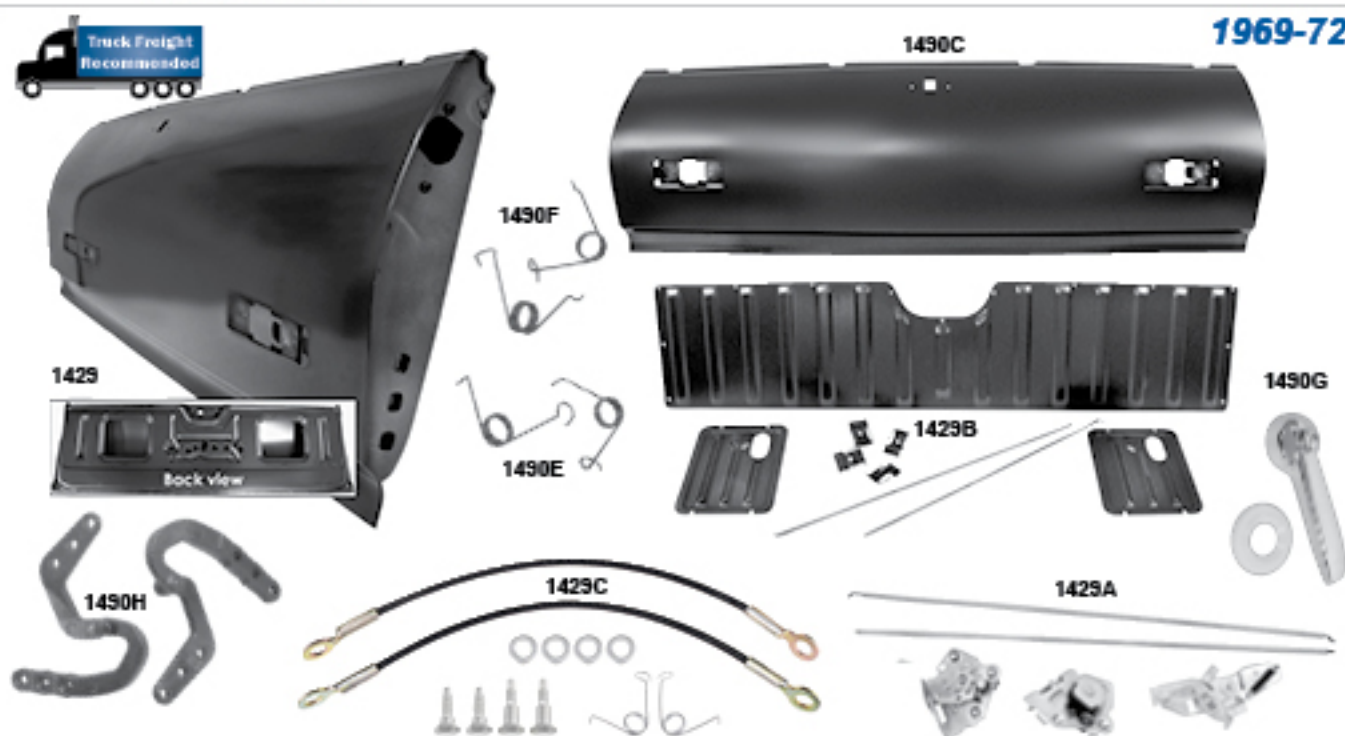


1429D	1964-66	Tailgate Shell
1429E	1964-66	Tailgate Inner Panel Set
1490	1964-66	Tailgate Outer Skin With Holes
1490A	1967	Tailgate Outer Skin Without Hole
1490E	1964-72	Tailgate Cable Springs

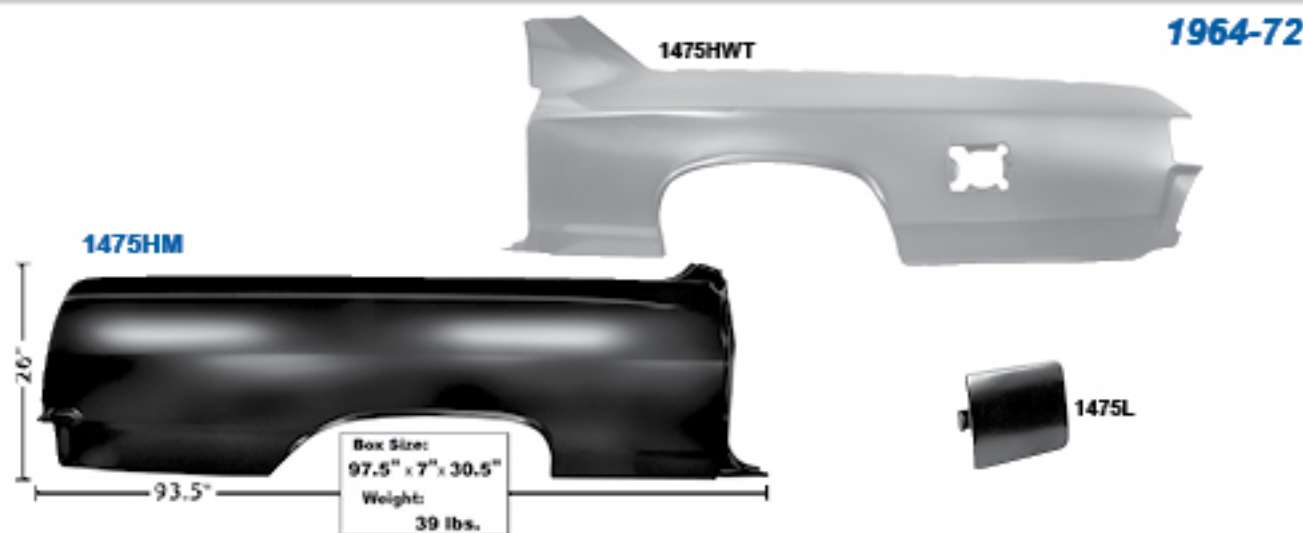
1968



1428	1968	Complete Tailgate W/O Backup Light holes
1490B	1968	Tailgate Outer Skin Without Backup Light
1429B	1968-72	Tailgate Inner Panel Set, 9 pcs. (Photo on next page)
1490H	1968-72	Tailgate Hinges
1429C	1968-77	Tailgate Cable Assembly with Hardware, Pair
1490E	1964-72	Tailgate Cable Springs
1490G	1968-72	Tailgate Handle With Nylon Washer
1429A	1968-72	Tailgate Latch Set



1429	1969-72	Complete Tailgate With Backup Light holes
1490C	1969-72	Tailgate Outer Skin With Back Up Light
1429B	1968-72	Tailgate Inner Panel Set, 9 pcs.
1490H	1968-72	Tailgate Hinges
1429C	1968-77	Tailgate Cable Assembly with Hardware, Pair
1490E	1964-72	Tailgate Cable Springs
1490F	1973-87	Tailgate Cable Springs
1490G	1968-72	Tailgate Handle With Nylon Washer
1429A	1968-72	Tailgate Latch Set



1475HM	New	1964-65	Quarter Panel, RH
1475HN	New	1964-65	Quarter Panel, LH
1475GWT		1968-72	Full Quarter Panel, Weld-Through Primer RH
1475HWT		1968-72	Full Quarter Panel, Weld-Through Primer LH
1475L		1968-72	Fuel Filler Door



Quarter Panels

1973-87



1475HG



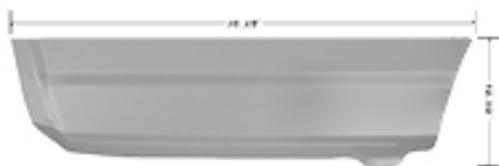
1475HK

Box Size:
84" x 34" x 6.50"
Weight:
34 lbs.

1475HF	New	1973-77	Quarter Panel, RH
1475HG	New	1973-77	Quarter Panel, LH
1475HK		1978-87	Quarter Panel, RH
1475HL		1978-87	Quarter Panel, LH



Patch Panels



1475GE



1475HE

1475GE		1968-72	Lower Quarter Panel Patch, RH
1475HE		1968-72	Lower Quarter Panel Patch, LH

Wheelhouses



1472L
(Also fits 1968-69 Chevelle)



1472M

1472K		1968-72	Rear Outer Wheel House, RH
1472L		1968-72	Rear Outer Wheel House, LH
1472M		1968-72	Complete Wheelhouse, RH (Inner & Outer)
1472N		1968-72	Complete Wheelhouse, LH (Inner & Outer)

Tail Lamp Mtng.



1423A

1423B

1475HR

1475HS



1475HR	New	1964-67	Tail Lamp Mounting Panel, RH
1475HS	New	1964-67	Tail Lamp Mounting Panel, LH
1423A		1968-72	Tail Lamp Mounting Panel, RH
1423B		1968-72	Tail Lamp Mounting Panel, LH

1964-72

Inner Quarter Panel & Bed Components

Muscle Car Parts & Molding • Muscle Car Parts & Molding • Muscle Car Parts & Molding



1475HP	New	1964-67	Bed to Quarter Panel Filler, RH
1475HQ	New	1964-67	Bed to Quarter Panel Filler, LH
1475GC		1968-72	Complete Inner Quarter Panel, RH
1475HC		1968-72	Complete Inner Quarter Panel, LH
1475GA		1968-72	Inner Quarter Panel, RH
1475HA		1968-72	Inner Quarter Panel, LH
1475GB		1968-72	Front Inner Quarter Panel, RH
1475HB		1968-72	Front Inner Quarter Panel, LH
1462Q		1968-72	Bed to Quarter Panel Filler, RH
1462R		1968-72	Bed to Quarter Panel Filler, LH

Roof Panel & Braces



1428EWT



1428EA



1418T

1428EWT	1968-72	Roof Panel, Weld-Through Primer
1428EA	1968-72	Roof Panel Brace, EDP Coating
1418T	1968-72	Roof Inner Brace Kit

Doors & Hardware

1964-65



1487A



1542



1076FE

Door Accessories on pg. EL33-34...

1487A	1964-65*	Door Skin, RH
1487B	1964-65*	Door Skin, LH
1542	1964-66*	Door Latch, RH
1543	1964-66*	Door Latch, LH
1076FE	1964-72*	Door Lock Striker

1966-67

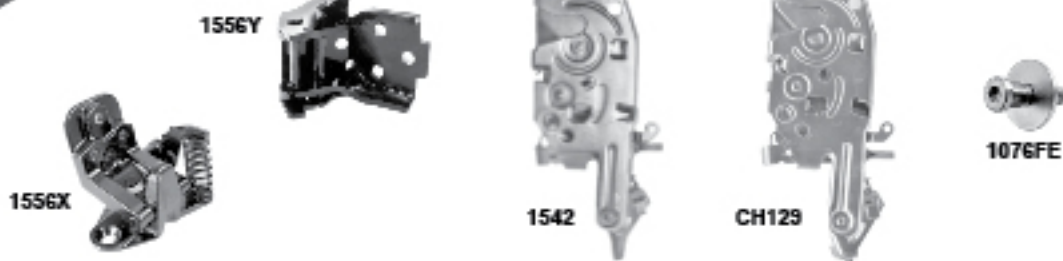


1485A



1484

Door Accessories on pg. EL33-34...



1556X

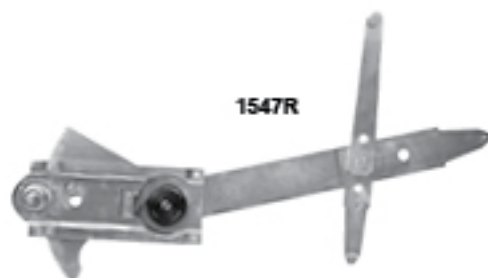
1556Y

1542

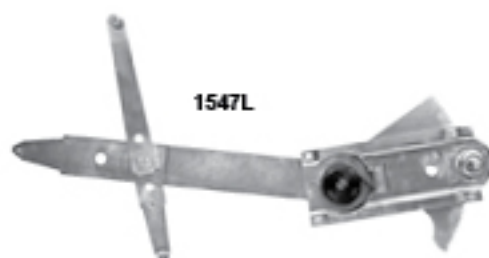
CH129

1076FE

1485A	1966-67	Door Shell, RH
1485B	1966-67	Door Shell, LH
1484	1966-67*	Door Skin, RH
1485	1966-67*	Door Skin, LH
1556W	1966-67*	Door Hinge, Lower RH
1556X	1966-67*	Door Hinge, Lower LH
1556Y	1966-67*	Door Hinge, Upper RH
1556Z	1966-67*	Door Hinge, Upper LH
1542	1964-66*	Door Latch, RH
1543	1964-66*	Door Latch, LH
CH130	1967*	Door Latch, RH
CH129	1967*	Door Latch, LH
1076FE	1964-72*	Door Lock Striker



1547R



1547L

1547R	1966-67*	Manual Regulator, RH
1547L	1966-67*	Manual Regulator, LH

Doors & Hardware continued on next page...

1968-72



1556T



1556U



CH131



CH133



CH127



1076FE



1485Y



1485N



1485P



1485Q



1485W	1968-72	Door Window Frame, RH
1485X	1968-72	Door Window Frame, LH
1556S	1968-72*	Door Hinge, Lower RH
1556T	1968-72*	Door Hinge, Lower LH
1556U	1968-72*	Door Hinge, Upper, Fits both sides
CH132	1968*	Door Latch RH
CH131	1968*	Door Latch LH
CH134	1969*	Door Latch RH
CH133	1969*	Door Latch LH
CH128	1970-72*	Door Latch RH
CH127	1970-72*	Door Latch LH
1076FE	1964-72*	Door Lock Striker
1485Y	1968-72*	Door Window Guide Plates
1485N	1970-72*	Front Door Glass Channel Support
1485P	1970-72*	Door Glass Stopper
1485Q	1970-72*	Door Window Guide Stabilizers



1548R

All Power Regulators Come
Complete With Motors



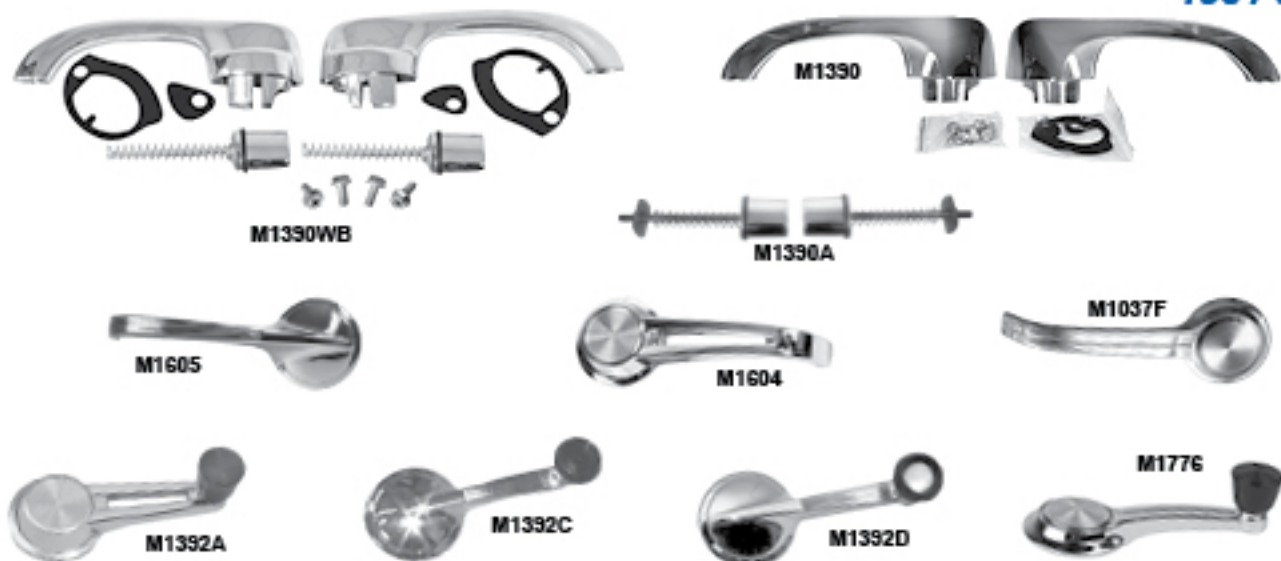
1548L



1549L

1548R	1968-72*	Manual Regulator, RH
1548L	1968-72*	Manual Regulator, LH
1549R	1968*	Quarter Window Regulator - Manual, RH
1549L	1968*	Quarter Window Regulator - Manual, LH

1964-65



M1390WB	1964-67*	Exterior Door Handles with Button Kit
M1390	1964-67*	Exterior Door Handles w/o Button Kit
M1390A	1964-72*	Push Button Kit for Exterior Door Handles
M1605	1964*	Interior Door Handle, Single Arm
M1604	1964*	Interior Door Handle, Double Arm
M1037F	1965-67*	Interior Door Handle, Standard
M1392A	1964*	Double Arm Window Crank, Black Knob (Malibu & SS)
M1392C	1964*	Window Crank, Black Knob
M1392D	1964*	Window Crank, Black Knob w/Chrome Button
M1776	1965*	Window Crank, Black Knob

1966-67



Box Size:
9.75" x 4.25" x 1.75"
Weight:
1 lbs.

Doors Accessories continued on next page...

M1390WB	1964-67*	Exterior Door Handles with Button Kit
M1390	1964-67*	Exterior Door Handles w/o Button Kit
M1390A	1964-72*	Push Button Kit for Exterior Door Handles
M1037F	1965-67*	Interior Door Handle, Standard
M1382	1966*	Window Crank, Chrome Knob (Also 1966-67 El Camino)
M1382A	1967*	Window Crank, Black Knob
M1392I	1966-67*	Vent Window Handles

1968-69



M1391	1968-69*	Exterior Door Handles w/o Button, Pair (Also fits 1968-72 El Camino)
M1037D	1968-72*	Interior Door Handle, Standard, RH
M1037E	1968-72*	Interior Door Handle, Standard, LH
M1037A	1969-72*	Window Crank, Black Knob
M1037B	1969-72*	Window Crank, Clear Knob
M1392R	1964-72*	Window Crank Gaskets, 4 pcs.
M1392J	1968-72*	Vent Window Crank, Clear Knob
M1392K	1968-72*	Vent Window Crank, Black Knob
1463Y	1968-72*	Vent Window Actuator, RH
1463Z	1968-72*	Vent Window Actuator, LH

1970-72



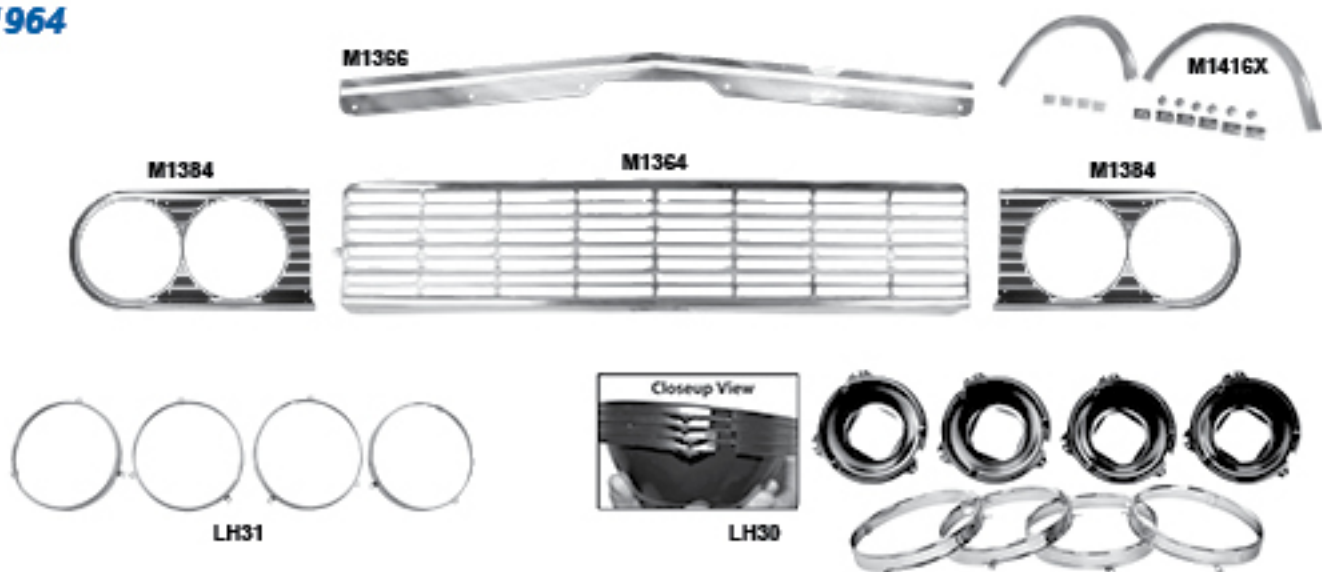
M1392	1970-72	Exterior Door Handles w/o Button, Pair
M1037D	1968-72*	Interior Door Handle, Standard, RH
M1037E	1968-72*	Interior Door Handle, Standard, LH
M1037A	1969-72*	Window Crank, Black Knob
M1037B	1969-72*	Window Crank, Clear Knob
M1392R	1964-72*	Window Crank Gasket, 4 pcs.
M1392J	1968-72*	Vent Window Crank, Clear Knob
M1392K	1968-72*	Vent Window Crank, Black Knob

1978-87



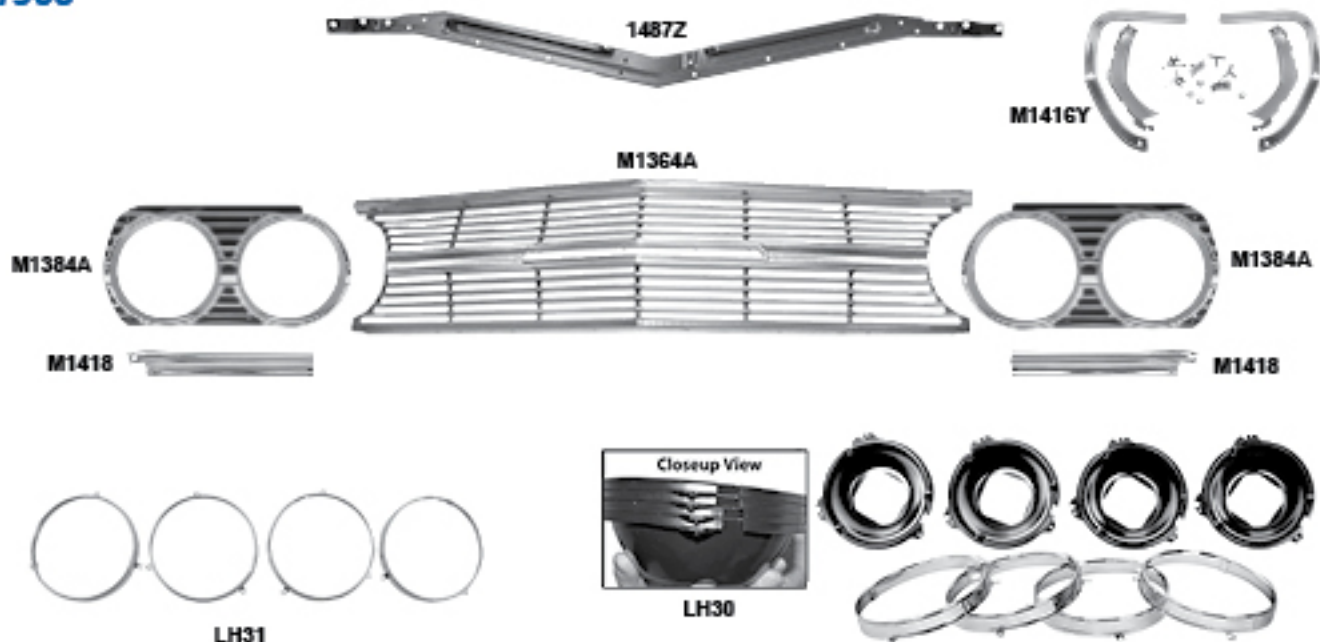
1404	1978-87	Door Outer Handle, RH
1405	1978-87	Door Outer Handle, LH
1406	1978-87	Door Inner Handle, RH
1407	1978-87	Door Inner Handle, LH

1964



M1364	1964*	Standard Grille
M1366	1964*	Grille Molding Upper
M1416X	1964*	Eyebrow Moldings
M1384	1964*	Headlamp Bezels
LH30	1964-70*	Headlamp Mounting Buckets with Retaining Rings, 8 pcs.
LH31	1964-70*	Headlamp Retaining Rings, 4 pcs.

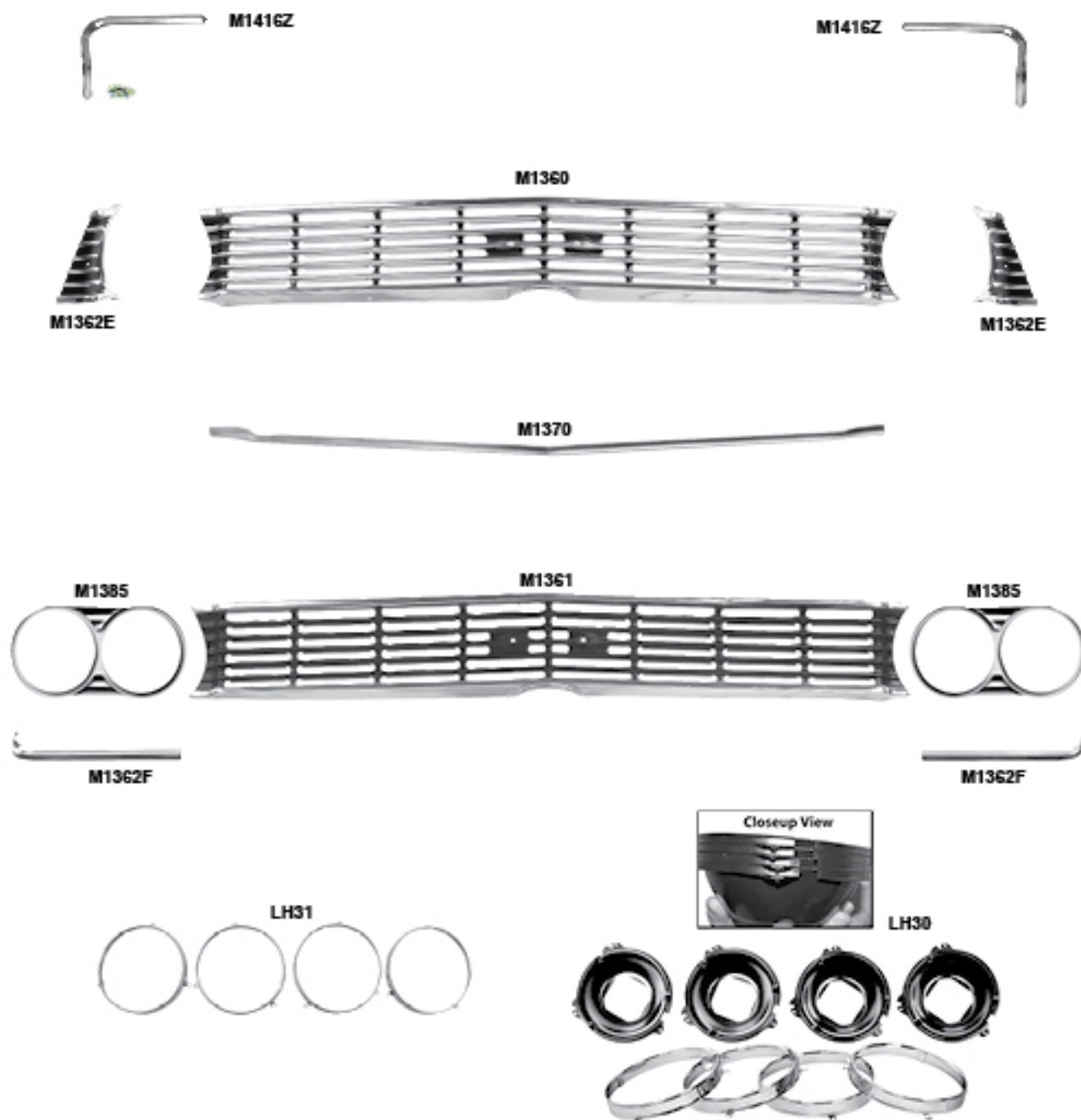
1965



Grilles & Components continued on next page..

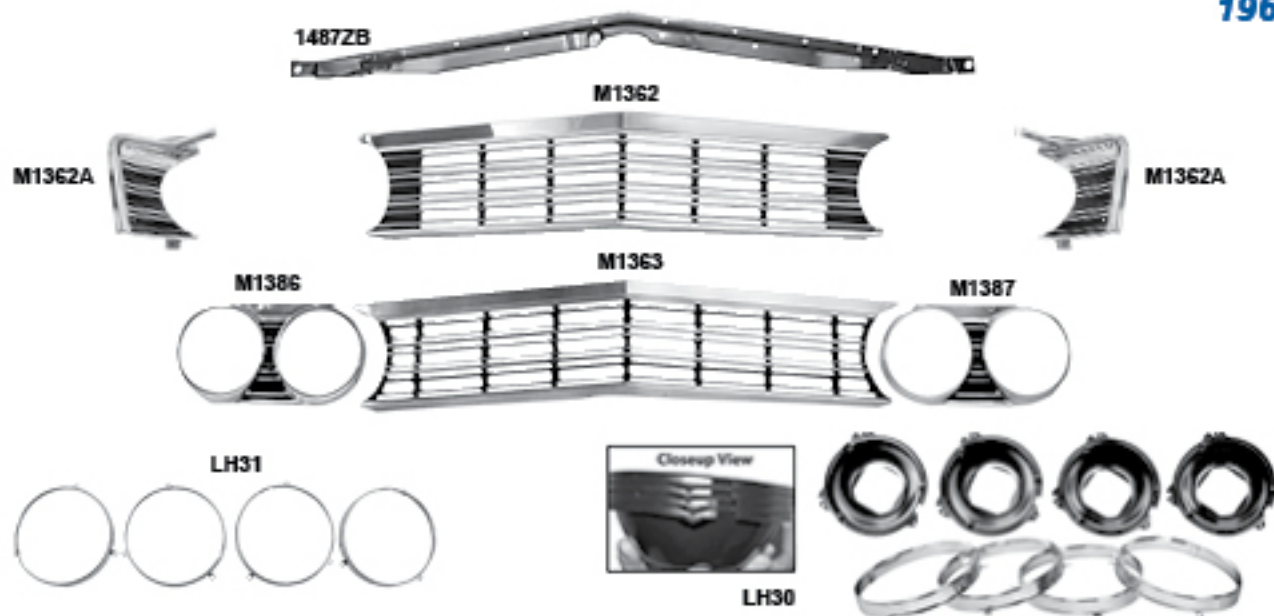
M1364A	1965*	Standard Grille
1487Z	1965*	Upper Grille Plate
M1384A	1965*	Headlamp Bezels
M1416Y	1965*	Eyebrow Moldings, 4 pcs.
M1418	1965*	Under Headlamp Molding
LH30	1964-70*	Headlamp Mounting Buckets with Retaining Rings, 8 pcs.
LH31	1964-70*	Headlamp Retaining Rings, 4 pcs.

1966



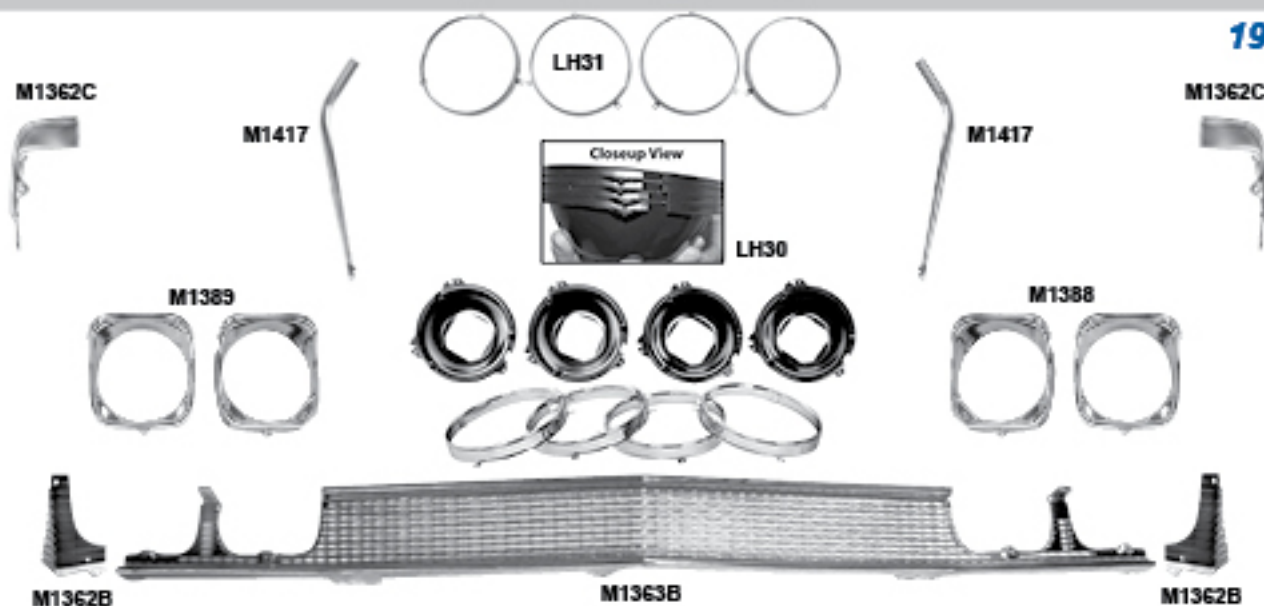
M1360	1966*	Standard Grille
M1361	1966*	*SS* Grille
M1416Z	1966*	Eyebrow Moldings
M1362F	1966*	Lower Outer Grille Molding
M1370	1966*	Lower Center Grille Molding
M1385	1966*	Headlamp Bezels
M1362E	1966*	Outer Grille Extensions
LH30	1964-70*	Headlamp Mounting Buckets with Retaining Rings, 8 pcs.
LH31	1964-70*	Headlamp Retaining Rings, 4 pcs.

1967



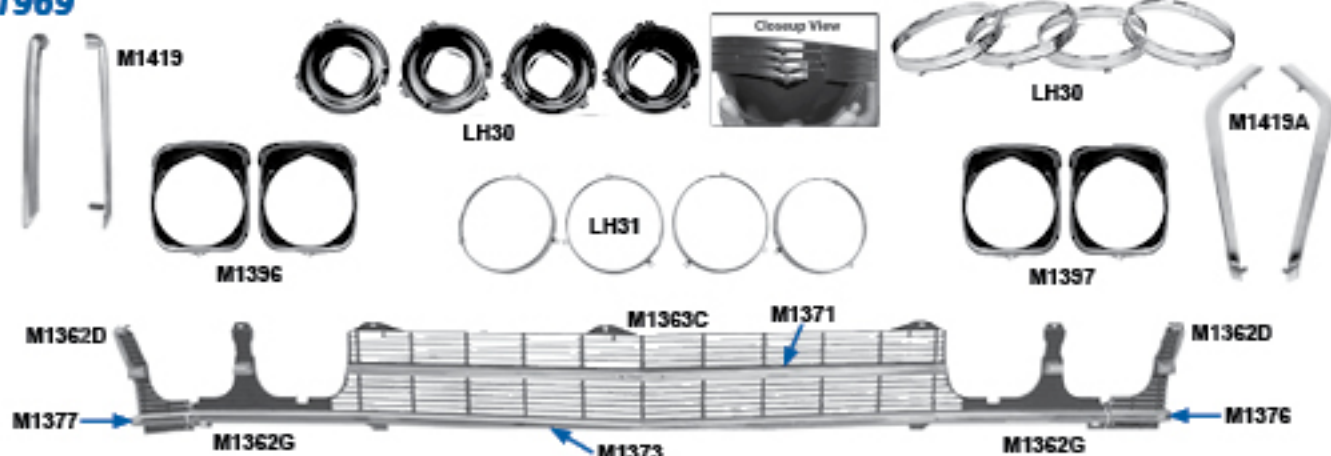
M1362	1967*	Standard Grille
M1363	1967*	*SS Grille
14872B	1967*	Upper Grille Plate
M1386	1967*	Headlamp Bezel, RH
M1387	1967*	Headlamp Bezel, LH
M1362A	1967*	Outer Grille Extensions
LH30	1964-70*	Headlamp Mounting Buckets with Retaining Rings, 8 pcs.
LH31	1964-70*	Headlamp Retaining Rings, 4 pcs.

1968



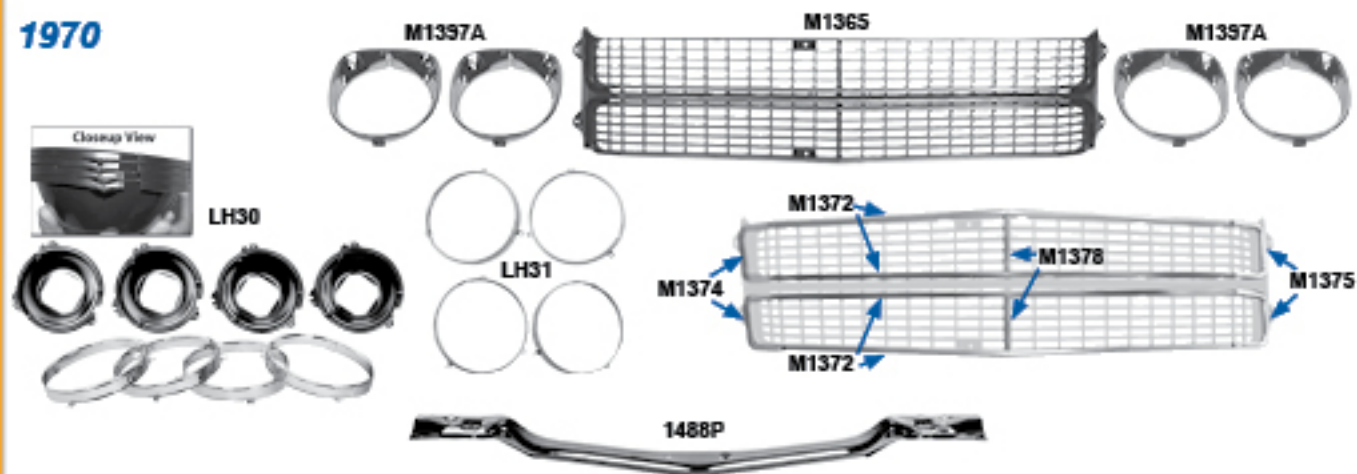
M1363B	1968*	Standard Grille
M1417	1968*	Eyebrow Moldings
M1388	1968*	Inner & Outer Headlamp Bezels, RH
M1389	1968*	Inner & Outer Headlamp Bezels, LH
M1362B	1968*	Outer Grille Extensions
M1362C	1968*	Grille Extension Moldings
LH30	1964-70*	Headlamp Mounting Buckets with Retaining Rings, 8 pcs.
LH31	1964-70*	Headlamp Retaining Rings, 4 pcs.

1969



M1363C	1969*	Standard Grille, with molding holes
M1363A	1969*	Standard Grille, without molding holes
M1419	1969*	Eyebrow Moldings 3000LXR98R 300
M1419A	1969*	Eyebrow Moldings, Long
M1396	1969*	Inner & Outer Headlamp Bezels, RH
M1397	1969*	Inner & Outer Headlamp Bezels, LH
M1362D	1969*	Outer Grille Extensions
M1371	1969*	Grille Molding, Center
M1373	1969*	Grille Molding, Lower
M1376	1969*	Grille Molding, Lower RH
M1377	1969*	Grille Molding, Lower LH
M1362G	1969*	Grille Molding, Outer (Between Headlamps)
LH30	1964-70*	Headlamp Mounting Buckets with Retaining Rings, 8 pcs.
LH31	1964-70*	Headlamp Retaining Rings, 4 pcs.

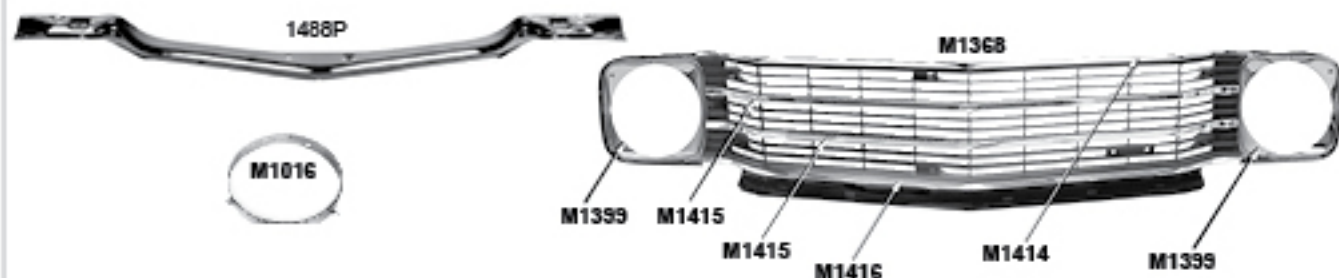
1970



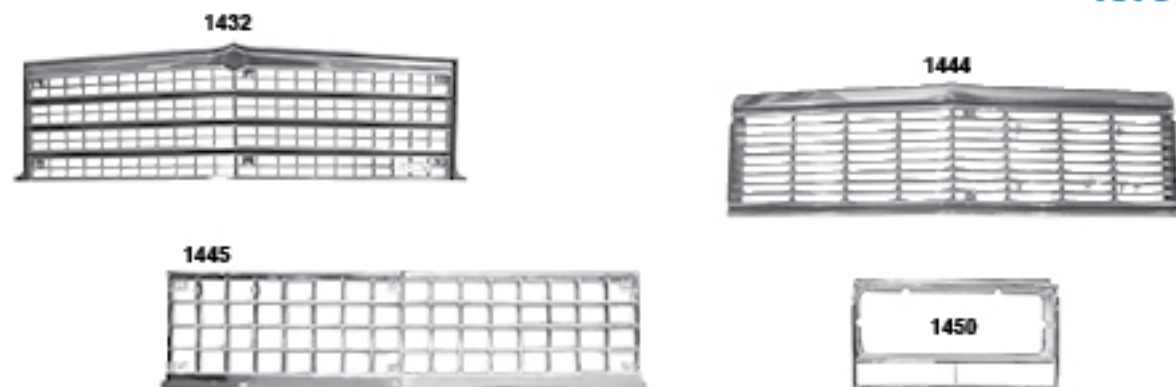
1488P	1970-72	Upper Radiator Plate
M1365	1970*	Standard Grille
M1397A	1970*	Headlamp Bezels, 4 pcs.
M1372	1970*	Grille Molding, Inner (4 per car)
M1374	1970*	Grille Molding, Outer RH (2 per side)
M1375	1970*	Grille Molding, Outer LH (2 per side)
M1378	1970*	Grille Molding, Vertical (2 per car)
M1372A	1970*	Grille Molding Kit for "SS" Grille, 10 pcs.
LH30	1964-70*	Headlamp Mounting Buckets with Retaining Rings, 8 pcs.
LH31	1964-70*	Headlamp Retaining Rings, 4 pcs.



1488P	1970-72	Upper Radiator Plate
M1367	1971*	Standard Grille
M1398	1971*	Chrome Headlamp Bezels
M1410	1971*	Grille Molding Center (3 per car)
M1412	1971*	Grille Molding, Outer RH
M1413	1971*	Grille Molding, Outer LH
M1016	1971-72*	Headlamp Retainer Ring



1488P	1970-72	Upper Radiator Plate	
M1368	1972*	Standard Grille	
M1399	1972*	Chrome Headlamp Bezels	
M1414	1972*	Grille Molding, Upper	\$14.00 ea
M1415	1972*	Grille Molding, Center (2 per car)	\$14.00 ea
M1416	1972*	Grille Molding, Lower	\$14.00 ea
M1016	1971-72*	Headlamp Retainer Ring	\$3.95 ea



1432	1979	Grille Chrome/Argent (Excluding '88')
1444	1981	Standard Grille
1445	1982-87	Standard Grille
1450	1982-87	Headlamp Door Bezel, RH
1451	1982-87	Headlamp Door Bezel, LH

Wiper Motor Trans. Arms



1418X	1964-65*	Wiper Motor Transmission Arm
1400J	1966-67*	Wiper Motor Transmission Arm
1400K	1968-72*	Wiper Motor Transmission Arm

Hood Moldings & Spears

1964-65



M1350	1964*	Hood Lip Molding
M1351	1965*	Hood Lip Molding

1966-67



M1352	1966*	Hood Lip Molding
M1393	1966*	Hood Spear
M1353	1967*	Hood Lip Molding

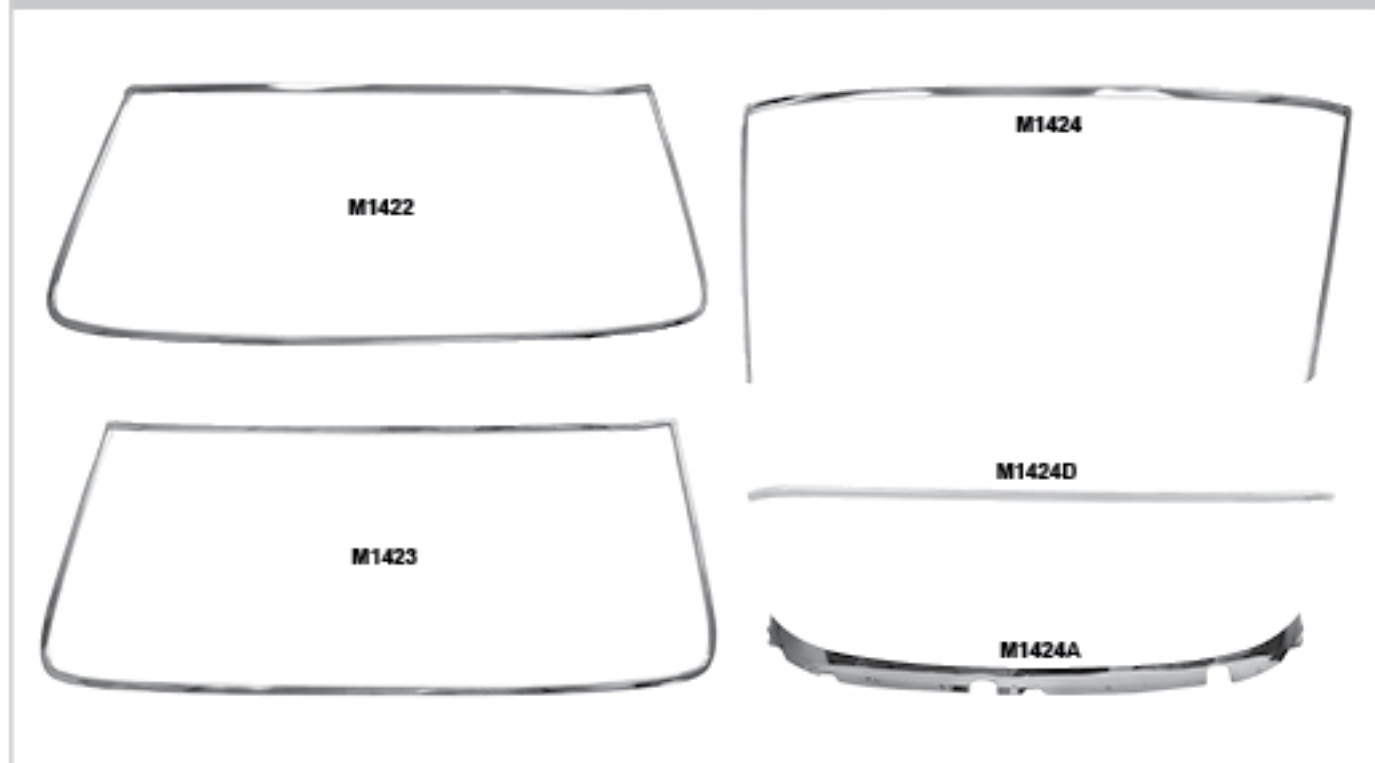
1968-72



M1354	1968-69*	Header Molding
M1422A	1968-72*	Hood Rear Edge Molding, Standard
M1420	1970-72*	Hood Cowl Rear Edge Molding
M1421	1970-72*	Upper Rear Edge Fender Molding



M1035	1964-65*	Round Head with "Bow-tie"	
M1032	1966-68*	Round Head with "Bow-tie"	
M1032A	1966-68*	Round Head without "Bow-tie"	
3921816	1968*	Remote Mirror, LH	
M1030A	1968-69*	Mirror Mounting Kit	
M1030	1968-69*	Standard Rectangular Head, RH	
M1031	1968-69*	Standard Rectangular Head, LH	
M1034	1970-72*	Standard Rectangular Head, (Also Monte Carlo®)	



M1422	1964-67*	Windshield Moldings, 5 pcs.
M1423	1966-67*	Windshield Moldings, 5 pcs.
M1424	1968-72*	Windshield Moldings, 3 pcs.
M1424D	1968-72*	Upper Windshield Molding
M1424A	1968-72*	Lower Windshield Molding

Drip Rail Molding



M1357



M1356



M1429B

M1429B	New	1964-67	Drip Rail Molding, RH
M1429C	New	1964-67	Drip Rail Molding, LH
M1357		1964-67	Drip Rail Molding, 2 Pcs.
M1356		1968-72	Drip Rail Molding, 6 Pcs.

Wheel Opening Moldings

1964-65



M1301



M1304



M1311

M1300	1964*	Wheel Opening Molding, Front RH
M1301	1964*	Wheel Opening Molding, Front LH
M1304	1964	Wheel Opening Molding, Rear RH
M1305	1964	Wheel Opening Molding, Rear LH
M1306	1965*	Wheel Opening Molding, Front RH
M1307	1965*	Wheel Opening Molding, Front LH
M1310	1965	Wheel Opening Molding, Rear RH
M1311	1965	Wheel Opening Molding, Rear LH

1966-69



M1313



M1319

M1322



M1324

M1312	1966*	Wheel Opening Molding, Front RH
M1313	1966*	Wheel Opening Molding, Front LH
M1316	1966	Wheel Opening Molding, Rear RH
M1317	1966	Wheel Opening Molding, Rear LH
M1318	1967*	Wheel Opening Molding, Front RH
M1319	1967*	Wheel Opening Molding, Front LH
M1322	1967	Wheel Opening Molding, Rear RH
M1323	1967	Wheel Opening Molding, Rear LH
M1324	1968-69*	Wheel Opening Molding, Front RH
M1325	1968-69*	Wheel Opening Molding, Front LH

1969-72

M1345



M1346



M1332



M1334



M1400



M1404



M1406



M1346	1969-70*	Wheel Center
M1345	1969-70*	Wheel Center Retainer
M1332	1970-72	Wheel Opening Molding, Front RH
M1333	1970-72	Wheel Opening Molding, Front LH
M1334	1970-72	Wheel Opening Molding, Rear RH
M1335	1970-72	Wheel Opening Molding, Rear LH
M1400	1978-87	Wheel Opening Molding, Front RH
M1401	1978-87	Wheel Opening Molding, Front LH
M1404	1978-87	Wheel Opening Molding, Rear RH
M1405	1978-87	Wheel Opening Molding, Rear LH
M1408	1978-87	Wheel Opening Molding, Rear RH w/Two Tone Paint
M1406	1978-87	Wheel Opening Molding, Rear LH w/Two Tone Paint

M1433E



M1012A



M1433E	1966	Rocker Panel Extension Molding (Lower Rear), RH
M1433F	1966	Rocker Panel Extension Molding (Lower Rear), LH
M1012A	1978-79	Rocker Panel Molding, Fits both sides

M1475



M1477



M1470A



M1470B



M1475	1967	Body Side Moldings, 8 Pcs.
M1476	1968	Body Side Moldings, 8 Pcs.
M1477	1969	Body Side Moldings, 8 Pcs.

M1470A	1967	Body Side Midg. Clips, 64 Pcs.
M1470B	1968-72	Body Side Midg. Clips, 44 Pcs.

Body Side Moldings

M1428



M1427	1964-67	Rear Window Molding, 4 Pcs.
M1428	1968-72	Rear Window Molding, 5 Pcs.



M1464	1968-72	Vinyl Top Moldings
-------	---------	--------------------

Bed Moldings



M1383	1964-67	Rear Bed Corner Moldings
M1383E	1964-67	Side Rail Bed Molding, Fits both sides



M1383M	1968-72	Front Bed Molding
M1383A	1968-72	Front Bed Corner Molding, RH
M1383B	1968-72	Front Bed Corner Molding, LH



M1383F	1968-72	Side Rail Bed Molding, Fits both sides
M1383C	1968-72	Rear Bed Corner Molding, RH
M1383D	1968-72	Rear Bed Corner Molding, LH



M1383Q	1968-72	Rear Corner Molding Extensions
M1383N	1968-69	Rear Bed Corners, Upper/Outer
M1383P	1968-69	Rear Bed Corners, Lower/Outer

Tailgate Molding



M1383H	1964-67	Tail Gate Top Molding
M1383HCP	1964-67	Tail Gate Top Molding Clips, 4 pcs.



M1383J	1968-72	Tail Gate Top Molding without Clips
M1383JCP	1968-72	Tail Gate Top Molding Clips, 4 pcs.
M1383R	1968-69	Tail Gate Molding, Lower
M1383S	1968-69	Tail Gate Molding, Upper



M1383T	1970-72	Tail Gate Molding, Lower
M1383U	1970-72	Tail Gate Molding, Upper

EM4012 CHEVROLET



1964-66

EM4216 CHEVROLET



EM4220



EM4312



EM4310

Super Sport
Super Sport

EM4315



EM4841



EM4311

EM4012	1964*	"Chevrolet" Hood Letters
EM4815	1964	"El Camino" w/Bow-tie Quarter Panel Emblems
EM4005	1964*	"SS" Trunk Lid Emblem
EM4216	1965*	"Chevrolet" Hood Letters
EM4220	1965-67*	"396 Turbo-Jet" Crossed Flags Emblem
EM4312	1966*	"SS 427" Grille Emblem (Also for 1966-67 Rear Panel)
EM4310	1966*	"SS 396" Grille Emblem
EM4841	1966	"El Camino" w/Bow-tie Quarter Panel Emblems
EM4315	1966*	"Super Sport" Quarter Panel Emblems
EM4311	1966*	"SS 396" Rear Panel Emblem



EM1300
Alternative Back

EM4836

ElCamino
ElCamino

EM4837

EM1301
Alternative Back



Super Sport
Super Sport

EM4500



EM4850

elCamino
elCamino

1967-68

EM1300	1967*	"SS 396" Grille Emblem
EM4836	1967	"El Camino" Hood Emblem
EM4837	1967	"El Camino" Quarter Panel Emblems
EM1301	1967*	"SS 396" Rear Panel Emblem
EM4352	1967*	"Super Sport" Quarter Panel Emblems
EM4500	1968*	"SS 396" Grille Emblem
EM4501	1968*	"SS 396" Rear Panel Emblem
EM4850	1968-69	"El Camino" Quarter Panel Emblems



EM1302
Alternative Back



EM1304
Alternative Back

SS

EM4620



EM4621

COWL
INDUCTION

EM1303
Alternative Back



1969-70

EM1302	1969*	"SS 396" Grille Emblem
EM1304	1969-72*	"SS" Fender Emblems
EM4620	1969-72*	"SS" Fender Emblems (2 individual letters), Chrome/White
EM4621	1969-72*	"SS" Fender Emblems (2 individual letters), Chrome/Black
M1344	1970-72*	"Cowl Induction" Emblem, 4 pcs.
EM1303	1970*	"SS" Grille Emblem

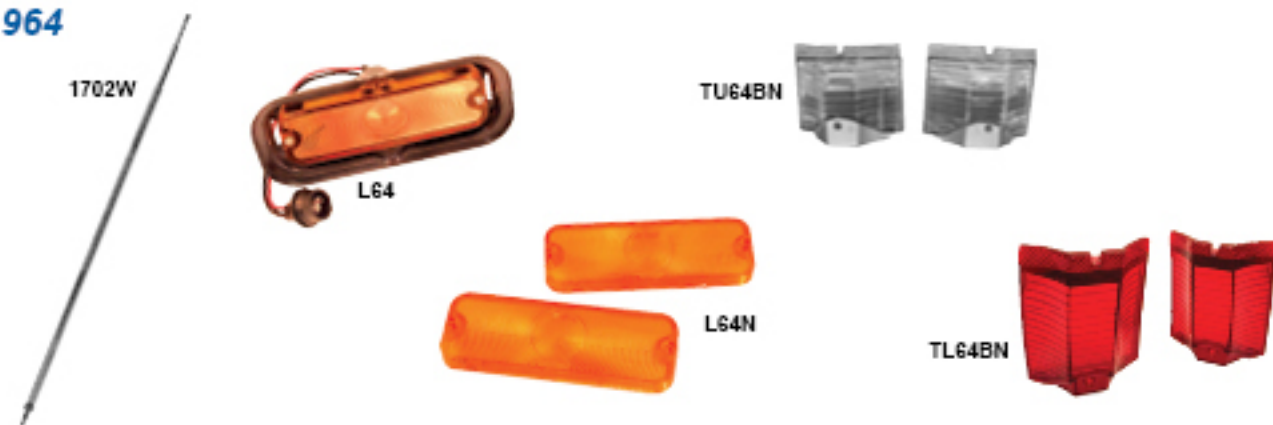
Emblems continued on next page...

1971-73



EM4743	1971	"SS" Grille Emblem
EM4755	1971-72	"SS" Rear Bumper Emblem (Grey Letters)
EM4770	1972	"SS" Grille Emblem
EM4775	1973	"SS" Grille Emblem

1964



1702W	1964-66*	Telescoping Antenna Mast
L64	1964*	Parking Lamp Assembly, Fits both sides
L64N	1964*	Parking Lamp Lenses
TL64BN	1964	Tail Lamp Lenses
TU64BN	1964	Back Up Lenses

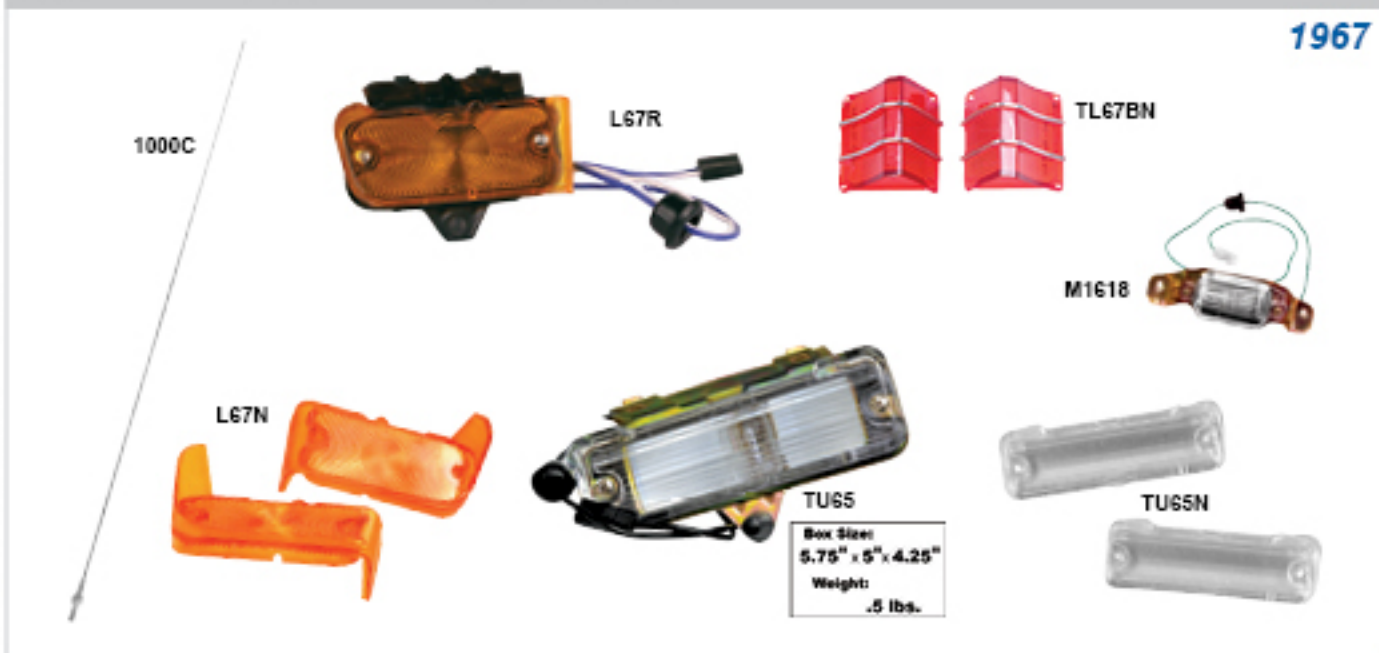
1965



L65R	1965*	Parking Lamp Assembly, RH
L65L	1965*	Parking Lamp Assembly, LH
L65N	1965*	Parking Lamp Lenses
TL65BN	1965	Tail Lamp Lenses
TU65	1965 & 1967*	Back Up Lamp Assembly
TU65N	1965 & 1967*	Back Up Lenses



1702W	1964-66*	Telescoping Antenna Mast
L66R	1966*	Parking Lamp Assembly, RH
L66L	1966*	Parking Lamp Assembly, LH
L66N	1966*	Parking Lamp Lenses
TL66BN	1966	Tail Lamp Lenses
TU66BN	1966	Back Up Lenses
M1618	1966-72*	License Plate Lamp



1000C	1967-69*	Replacement Antenna Mast
L67R	1967*	Parking Lamp Assembly, RH
L67L	1967*	Parking Lamp Assembly, LH
L67N	1967*	Parking Lamp Lenses
TL67BN	1967	Tail Lamp Lenses
TU65	1965 & 1967*	Back Up Lamp Assembly
TU65N	1965 & 1967*	Back Up Lenses
M1618	1966-72*	License Plate Lamp

1968



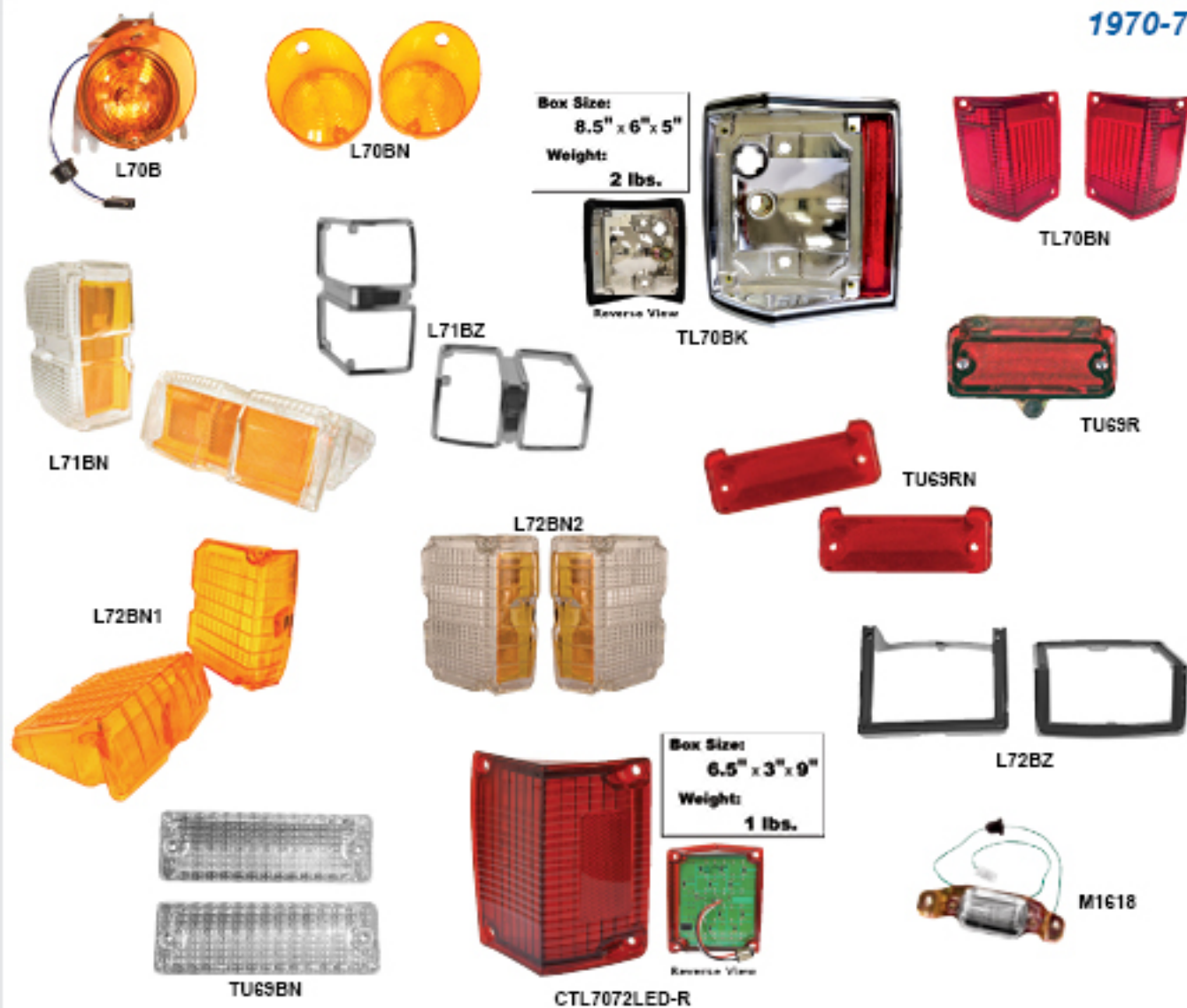
1000C	1967-69*	Replacement Antenna Mast
L68	1968*	Parking Lamp Assembly, Fits both sides
L68N	1968*	Parking Lamp Lenses
CTL6869LED-L	1968-69	Tail Lamp Lenses, LH L.E.D.
CTL6869LED-R	1968-69	Tail Lamp Lenses, RH L.E.D.
TL68BN	1968-69	Tail Lamp Lenses
TU68	1968*	Back Up Lamp Assembly
TU68N	1968*	Back Up Lamp Lenses
M1618	1966-72*	License Plate Lamp

1969



1000C	1967-69*	Replacement Antenna Mast
L69CR	1969	Parking Lamp Assembly, RH
L69CL	1969	Parking Lamp Assembly, LH
L69N	1969*	Parking Lamp Lenses, Standard
TL68BN	1968-69	Tail Lamp Lenses
TU69BN	1969-72	Back Up Lamp Lens
TU69RN	1969-72	Bumper Reflectors
TU69R	1969-72	Rear Bumper Reflector Assembly
M1618	1966-72*	License Plate Lamp

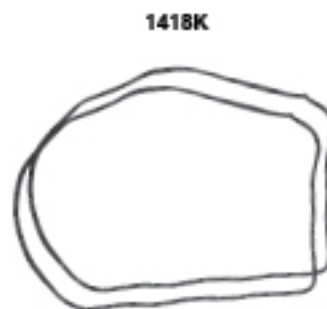
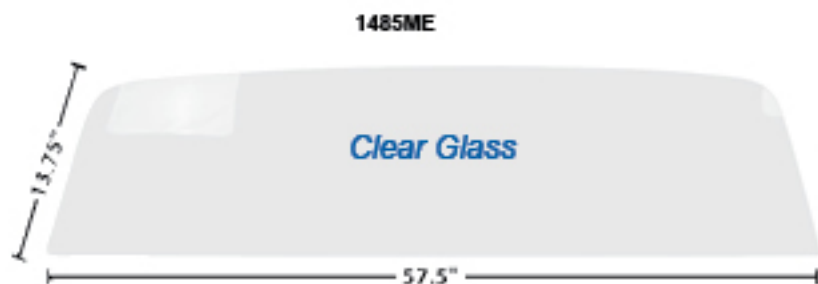
1970-72



Muscle Car Parts & Molding • Muscle Car Parts & Molding • Muscle Car Parts & Molding

L70B	1970	Parking Lamp Assembly, Fits both sides
L70BN	1970	Parking Lamp Lenses
TL70BN	1970-72	Tail Lamp Lenses
CTL7072LED-R	1970-72	Tail Lamp Lenses, RH
CTL7072LED-L	1970-72	Tail Lamp Lenses, LH
TL70BH	1970-72	Tail Lamp Housing, RH
TL70BK	1970-72	Tail Lamp Housing, LH
L71BN	1971	Parking Lamp Lenses, Clear Front, Amber Side
L71BZ	1971	Parking Lamp Bezels
L72BN1	1972	Parking Lamp Lenses, Amber
L72BN2	1972	Parking Lamp Lenses, Clear
L72BZ	1972	Parking Lamp Bezels
TU69RN	1969-72	Bumper Reflectors
TU69R	1969-72	Rear Bumper Reflector Assembly
TU69BN	1969-72	Back Up Lamp Assemblies
M1618	1966-72*	License Plate Lamp

1964-67



Clear Glass

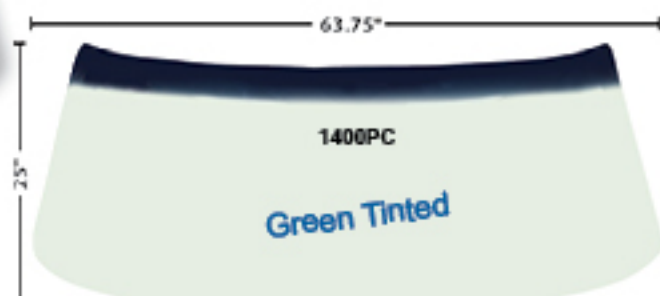


1485ME	1964-67	Rear Window Glass, Clear
1418J	1964-65*	Door Frame Weatherstrip
1485T	1966-67*	Door Window Assembly, RH
1485U	1966-67*	Door Window Assembly, LH
1485UD	1964-67	Door Window Glass, RH, Clear
1485TD	1964-67	Door Window Glass, LH, Clear
1485J	1966-67*	Vent Window Assembly, RH
1485K	1966-67*	Vent Window Assembly, LH
1418K	1966-67*	Door Frame Weatherstrip

1968-72

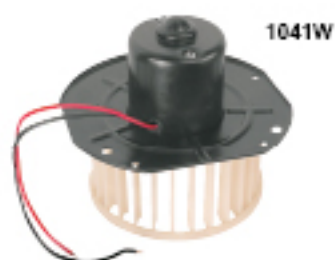
Glass & Weatherstripping

Muscle Car Parts & Molding • Muscle Car Parts & Molding • Muscle Car Parts & Molding • Muscle Car Parts & Molding



1400P	1968-72	Windshield Glass, Clear
1400PC	1968-72	Windshield Glass, Green Tinted
1485MG	1968-72	Rear Window Glass, Clear
1485MC	1968-72	Door Window Assembly, RH
1485MD	1968-72	Door Window Assembly, LH
1485TE	1968-72	Door Window Glass, RH, Clear
1485UE	1968-72	Door Window Glass, LH, Clear
1418L	1968-72*	Door Frame Weatherstrip

1964-72



1041W	1964-72	Heater Blower Motor w/o A/C
1041K	1968-72*	Heater BOX, Small Block No A/C
1041L	1968-70*	Heater BOX, Big Block
1400	1968-72*	Evaporator Box
1400D	1969*	A/C Heater Box Assembly

Muscle Car Parts & Molding • Muscle Car Parts & Molding • Muscle Car Parts & Molding



1400F	1970-72	A/C Heater Box Assembly
1400G	1970-72*	A/C Plenum
1452B	1970-72*	Lap Cooler w/ Air Diverter
1471B	1970-72*	A/C Cowl Vent Actuator
1456	1971-72*	Heater Control

1964-67

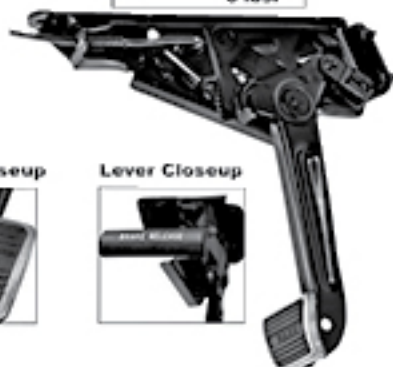
Box Size:
16.25" x 8.75" x 2.5"
Weight:
3 lbs.

1495B

Pedal Closeup



Lever Closeup



M1339



3893181

3893182



M1726G

M1726H



1403

1495B	New	1964-67	Parking Brake Control
M1339		1964-67*	Brake Release Handle
3893181		1964-69	Parking Brake Pad
3893182		1964-69	Parking Brake Pad Trim
M1726G		1964-67*	Accelerator Pedal
M1726H		1964-67*	Accelerator Pedal Trim
1403		1966-67*	Console Boot Retainer



1498G



1498F



1498E



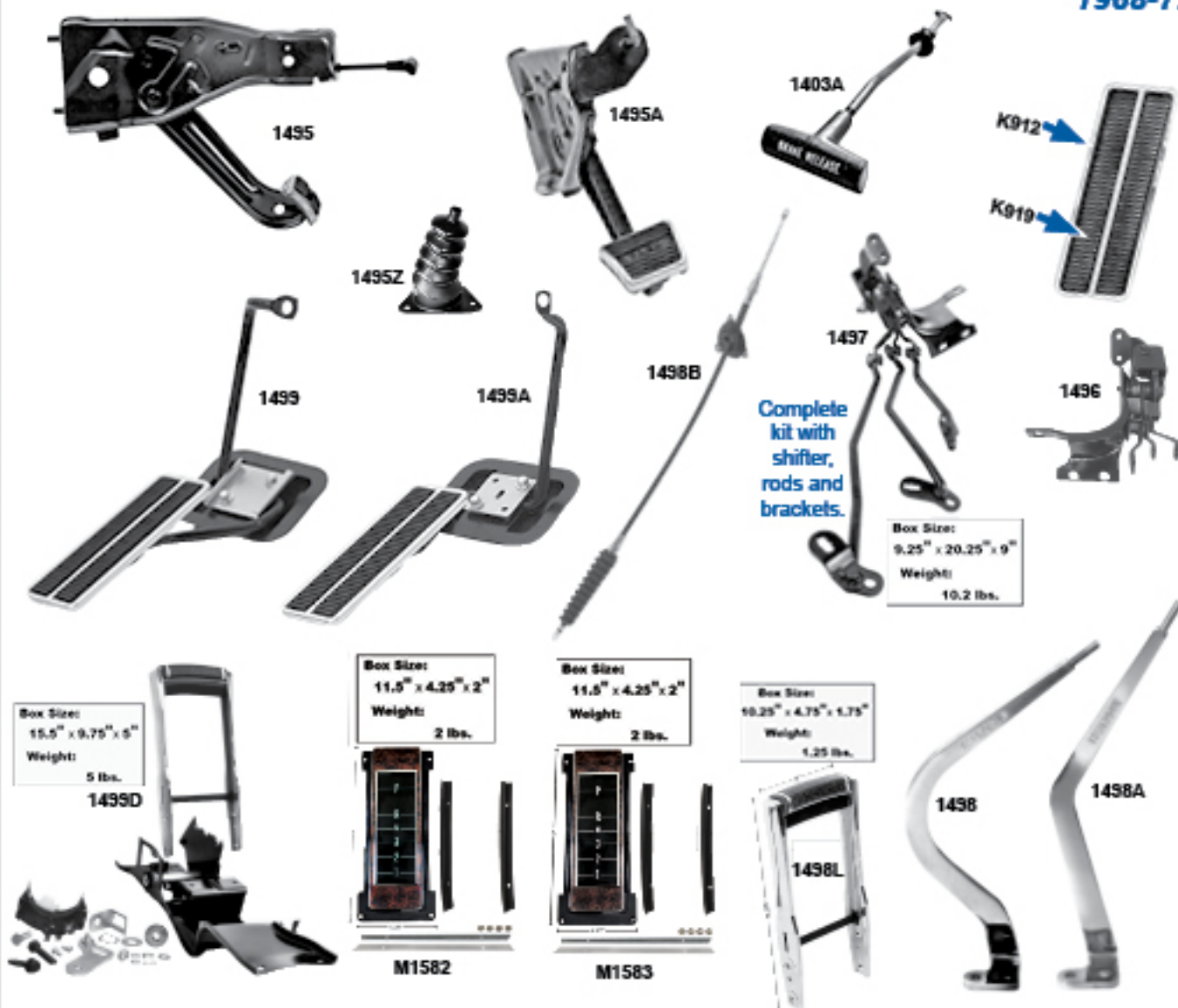
1498J



1498K

1498G	1964-67*	Shifter Lever with Button, Automatic Transmission
1498F	1966-67*	Shift Base, Automatic 3-speed
1498E	1966-67*	Shift Base, Automatic 4-speed
1498J	1966-67*	Shift Assembly with Handle, Automatic 3-speed
1498K	1966-67*	Shift Assembly with Handle, Automatic 4-speed

1968-72



Complete kit with shifter, rods and brackets.

Box Size:
9.25" x 20.25" x 9"
Weight:
10.2 lbs.

Box Size:
15.5" x 9.75" x 5"
Weight:
5 lbs.

1499D

Box Size:
11.5" x 4.25" x 2"
Weight:
2 lbs.

M1582

Box Size:
11.5" x 4.25" x 2"
Weight:
2 lbs.

M1583

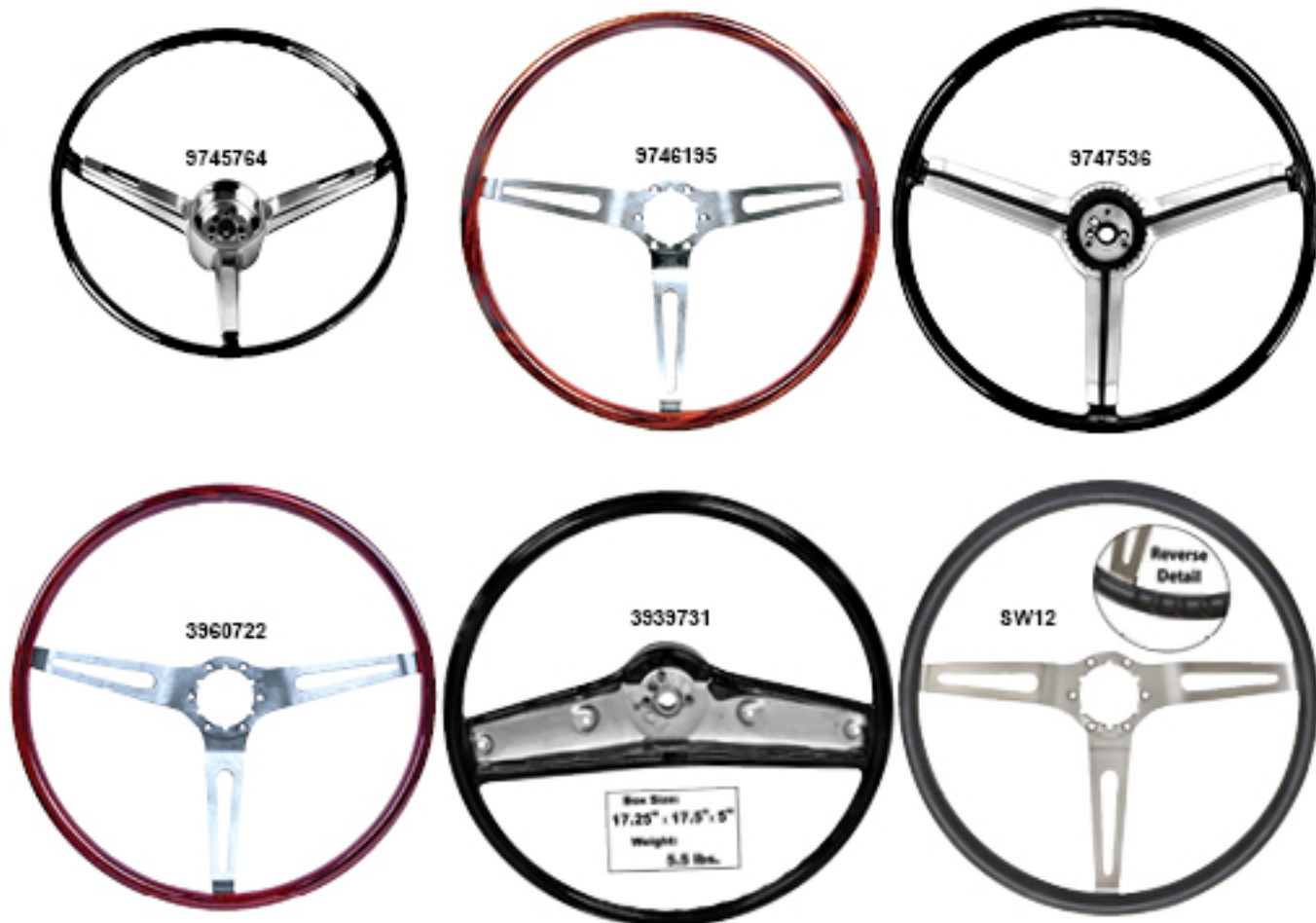
Box Size:
10.25" x 4.75" x 1.75"
Weight:
1.25 lbs.

1498L

1498

1498A

1495	1969*	Parking Brake Control
1495A	1970-72*	Parking Brake Control
1403A	1970-72*	Brake Release Handle
1497	1968-72*	Shifter Assembly without Console, 5 pcs.
1496	1968-72*	Shifter w/o Rod
1498B	1968-72*	Shift Cable, Automatic w/Floor Shifter
1498	1968-72*	Shift Lever, without Console
1498A	1968-72*	Shift Lever, with Console
1498L	1968-72*	Shift Lever, Automatic (Also '70-'72 Monte Carlo®)
1499D	1968-72*	Shift Assembly with Handle, Automatic, 4-speed
M1582	1968-70*	Console Trans. Indicator Insert for Automatic, Green letters (Also fits 1970 Monte Carlo®)
M1583	1971-72*	Console Trans. Indicator Insert for Automatic, White letters (Also fits '71-'72 Monte Carlo®)
1499	1968-69*	Accelerator Pedal Assembly
1499A	1970-72*	Accelerator Pedal Assembly
K919	1968-72*	Accelerator Pedal
K912	1968-72*	Accelerator Pedal Trim
1495Z	1968-72*	Clutch Rod Boot



9745764	1967*	Steering Wheel, DLX SS
9746195	1967-68*	Steering Wheel, Walnut
9747536	1968*	Steering Wheel, Black
3960722	1969*	Steering Wheel, Rosewood
3939731	1969-70*	Steering Wheel, Black
SW12	1969-70*	Steering Wheel, Three Spoke Comfort Grip



3939760 1969-70* Wheel Center Shroud, Black



M1336

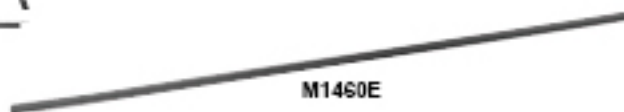


M1337

M1336	1967-68*	Steering Wheel Hub, 3 1/2" diameter x 1 1/2" tall
M1337	1969-72*	Steering Wheel Hub, 4 1/2" diameter x 1 1/2" tall



916177	1964-67*	8" Rear View Mirror
911366	1964-67*	10" Rear View Mirror
M1035C	1964-67*	Standard Rear View Mirror
M1035A	1969-72*	12" Rear View Mirror
M1035E	1964-65	Rear View Mirror Bracket
M1035F	1966	Rear View Mirror Bracket
7729476	1967	Rear View Mirror Bracket
K22B	1968-69	Rear View Mirror Bracket Boot
M1034A	1971-72	Rear View Mirror Bracket Boot
M1338	1964-72*	Sun Visor Support Bracket (Also 1970-72 Monte Carlo®)



M1460E	1964-67*	Front Headliner Molding
M1460K	1964-67	Rear Headliner Moldings, 6 pcs.

EM4303



EM4303	1966*	*"Super Sport" Dash Emblem
--------	-------	----------------------------

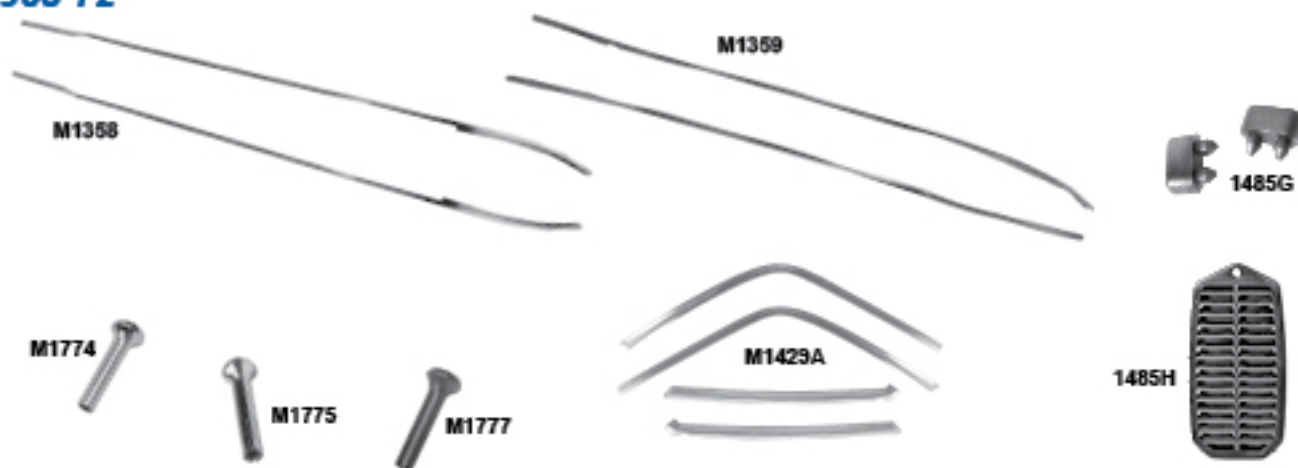
1964-67



Box Size:
11.25" x 4.25" x 3.25"
Weight:
.5 lbs.

M1429	1964-67	Door Frame Moldings, 4 pcs.
M1357A	1966-67*	Door Edge Moldings
M1770	1964-66*	Door Lock Knobs, Black
M1771	1964-66*	Door Lock Knobs, Chrome
M1772	1967*	Door Lock Knobs, Black
M1773	1967*	Door Lock Knobs, Chrome
M1602	1964-67*	Arm Rest Bases, Chrome

1968-72



M1429A	1968-72	Door Frame Moldings, 4 pcs.
M1358	1968-69*	Door Edge Moldings
M1359	1970-72*	Door Edge Moldings
1485G	1968-72*	Door Bumpers
1485H	1970-72*	Door Jamb Vent Grille
M1777	1968*	Door Lock Knobs, Black
M1774	1969-70*	Door Lock Knobs, Chrome
M1775	1971-72*	Door Lock Knobs, Chrome

1968-72



M1040A



M1040E



M1040B



M1040G

M1040	1968-72*	Arm Rest Base, Black RH
M1040A	1968-72*	Arm Rest Base, Black LH
M1040B	1968-72*	Arm Rest Bases, Red
M1040C	1968-72*	Arm Rest Bases, Medium Blue
M1040D	1968-72*	Arm Rest Bases, Ivy Gold
M1040E	1968-72*	Arm Rest Bases, White
M1040F	1968-72*	Arm Rest Bases, Dark Blue
M1040G	1968-72*	Arm Rest Bases, Dark Green



M1340



M1340A

Box Size:
40.75" x 4.5" x 3.25"
Weight:
2 lbs.



M1342



M1341



M1342A

M1340	1964-67*	Scuff Plate, Fits both sides, without Ribs
M1340A	1964-67*	Scuff Plates, Fits both sides, Stainless without Ribs
M1341	1964-67*	Scuff Plate, Fits both sides, with Ribs
M1341A	1964-67*	Scuff Plates, Fits both sides, Stainless with Ribs
M1342	1968-72*	Scuff Plate, RH
M1343	1968-72*	Scuff Plate, LH
M1342A	1968-72*	Scuff Plates, Stainless



M1451E



M1451F

M1451E	1967*	Floor Trim Panel
M1451F	1968-72*	Floor Trim Panel

Interior Hooks



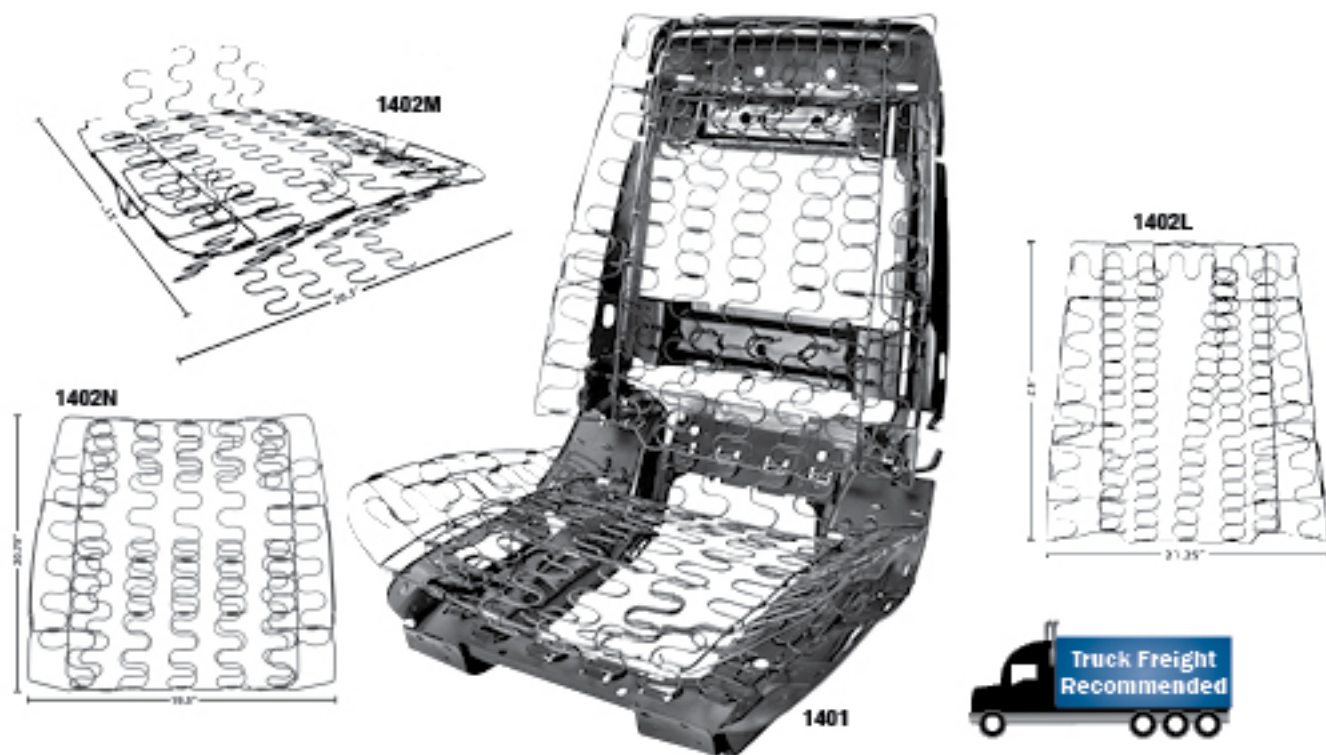
GM01	1964-72*	Clothes Hangers
GM02	1968-72*	Shoulder Harness Hooks

Kick Panels

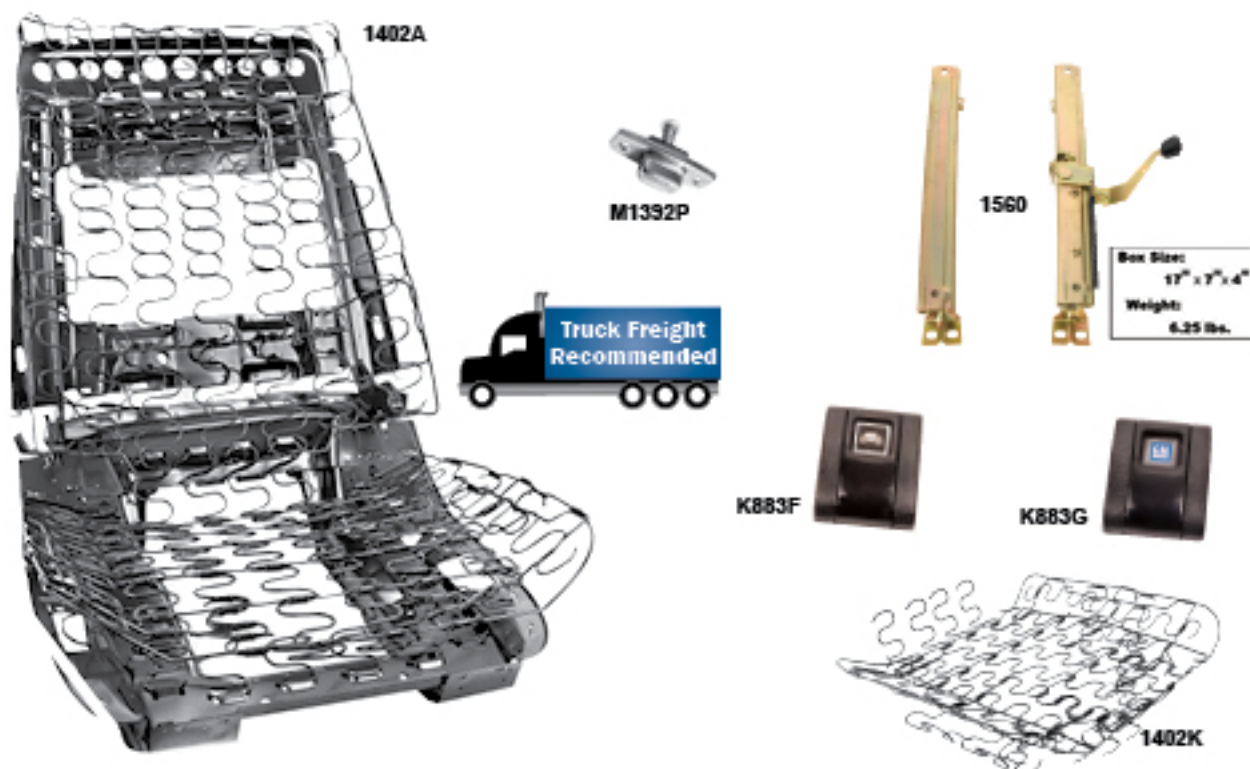


1438	1967*	Kick Panel (No A/C), RH
1439	1967*	Kick Panel (No A/C), LH
1440	1968-72*	Kick Panels

Seats & Components



1402N	1964-65	Seat Back Spring
1402M	1964-65	Seat Bottom Spring
1401	1966-68*	Seat Assembly, RH
1402	1966-68*	Seat Assembly, LH
1402L	1966-72*	Front Seat Back Spring



1402K	1966-72*	Seat Bottom Spring, Fits both sides
1402A	1969-72*	Seat Assembly, Fits both sides (Also fits 1970-72 Monte Carlo®)
1560	1968-72*	Seat Track Assembly, RH
1561	1968-72*	Seat Track Assembly, LH
M1392P	1967-68*	Bucket Seat Release Button
K883F	1967*	Belt Buckle Cover w/Fisher Insert
K883G	1968-72*	Belt Buckle Cover w/GM Insert

Black 80/20 Loop Carpet



14B53136	1964-67	Carpet, Black, 80/20 Loop, Factory 4-Speed w/o console	El Camino®
14B53138	1968-72	Carpet, Black, 80/20 Loop, Factory 4-Speed w/o console	El Camino®
14B53139	1968-72	Carpet, Black, 80/20 Loop	El Camino®



Seat Belts with Push Button:
6 colors to choose from

60 Inch Belts

SBP-BK60	Seat Belt with Push Button	Black
SBP-GR60	Seat Belt with Push Button	Grey
SBP-TAN60	Seat Belt with Push Button	Tan
SBP-NB60	Seat Belt with Push Button	Navy Blue
SBP-RED60	Seat Belt with Push Button	Red
SBP-MAR60	Seat Belt with Push Button	Maroon



74 Inch Belts

SBP-BK74	Seat Belt with Push Button	Black
SBP-GR74	Seat Belt with Push Button	Grey
SBP-TAN74	Seat Belt with Push Button	Tan
SBP-NB74	Seat Belt with Push Button	Navy Blue
SBP-RED74	Seat Belt with Push Button	Red
SBP-MAR74	Seat Belt with Push Button	Maroon



SBR-BK	Retractable 3 Point Seat Belt with Push Button	Black
SBEXT-BK	Seat Belt Extension, 12 In.	Black



Seat Belts with Lift Latch:
10 colors to choose from

60 Inch Belts

SBL-BK60	Seat Belt with Lift Latch	Black
SBL-WT60	Seat Belt with Lift Latch	White
SBL-LG60	Seat Belt with Lift Latch	Light Grey
SBL-DG60	Seat Belt with Lift Latch	Dark Grey
SBL-LT60	Seat Belt with Lift Latch	Light Tan
SBL-DT60	Seat Belt with Lift Latch	Dark Tan
SBL-LB60	Seat Belt with Lift Latch	Light Blue
SBL-DB60	Seat Belt with Lift Latch	Dark Blue
SBL-BR60	Seat Belt with Lift Latch	Bright Red
SBL-DR60	Seat Belt with Lift Latch	Dark Red



74 Inch Belts

SBL-BK74	Seat Belt with Lift Latch	Black
SBL-WT74	Seat Belt with Lift Latch	White
SBL-LG74	Seat Belt with Lift Latch	Light Grey
SBL-DG74	Seat Belt with Lift Latch	Dark Grey
SBL-LT74	Seat Belt with Lift Latch	Light Tan
SBL-DT74	Seat Belt with Lift Latch	Dark Tan
SBL-LB74	Seat Belt with Lift Latch	Light Blue
SBL-DB74	Seat Belt with Lift Latch	Dark Blue
SBL-BR74	Seat Belt with Lift Latch	Bright Red
SBL-DR74	Seat Belt with Lift Latch	Dark Red

SBL-BK60BLK



SBL-BK60BLK	Seat Belt w/Black Wrinkle-Finish Latch	Black
SBL-BK74BLK	Seat Belt w/Black Wrinkle-Finish Latch	Black

See also Accessory Section for more details...

Basic Unit



AM-RC900

1959-72*

Radio, Model RC900C, Basic Unit (no remote)



AM-HERMOSA-B

Box Size:
11.5" x 9" x 3.5"
Weight:
3 lbs.

AM-HERMOSA-B &
AM-MERMOSA-C
are replacing
ZUMA models &
Model 1 & 2 radios.

AM-HERMOSA-C

Box Size:
11.5" x 9" x 3.5"
Weight:
3 lbs.



AM-HERMOSA-B

1967-81

Radio, "Hermosa B" w/Black Face & Buttons (Use make-specific faceplate & knob kit)

AM-HERMOSA-C

1967-81

Radio, "Hermosa C" w/Chrome Face & Buttons (Use make-specific faceplate & knob kit)



RetroSound®



AM-ZUMA-C*



AM-ZUMA-V*



AM-MOD2C*



***Discontinued; While supplies last.**

Replaced by
HERMOSA models;
see page EL59



AM-MOD2V*



AM-ZUMA-B*	All Makes	Radio, "Zuma B" with Black Face & Knobs (Use make-specific faceplate & knob kit)
AM-ZUMA-C*	All Makes	Radio, "Zuma C" with Chrome Face & Knobs (Use make-specific faceplate & knob kit)
AM-ZUMA-V*	All Makes	Radio, "Zuma V" w/Chrome Face, Ivory Knobs (Use make-specific faceplate & knob kit)
AM-MOD2B*	All Makes	Radio, "Model 2B" with Black Face (Use make-specific faceplate & knob kit)
AM-MOD2C*	All Makes	Radio, "Model 2C" with Chrome Face (Use make-specific faceplate & knob kit)
AM-MOD2V*	All Makes	Radio, "Model 2V" with Ivory Knobs (Use make-specific faceplate & knob kit)

RetroSound®



AM-1400	1964-65*	Radio Bezel & Knob Kit
AM-1410	1966-67*	Radio Bezel & Knob Kit
AM-1415	1968-72*	Radio Bezel & Knob Kit

RetroSound®



AMR-57UK

Fits:
1964-65
1968-69 with Factory A/C

Box Size:
9.5" x 6.25" x 2.5"
Weight:
1.6 lbs.

Fits:
1961-62
1966-67; Non-A/C (tight fit)
1968-69: Non-A/C
1978-85 Mono Radio



AMR-410UK

Box Size:
11.5" x 4.75" x 2.5"
Weight:
1.52 lbs.



Box Size:
20" x 10" x 4"
Weight:
11 lbs.

AM-SUB8100

AMR-57UK	1964-69	Dash Speaker with Bracket, 5 x 7 Dual Voice Coil, 2-way, 100 watt
AMR-410UK	1961-85	Dash Speaker with Bracket, 4 x 10 Dual Voice Coil, 2-way, 160 watt
AM-SUB8100		Amplified Sub-Woofer, 8", 100 watt

RetroSound[®]

AM-BT1



Box Size:
10.5" x 7.5" x 2.5"
Weight:
2 lbs.

AM-EX1



AM-EX1-PKG

Includes Battery Status Indicator

Battery Status Indicator
Box Size:
5" x 1.75" x 1.75"
Weight:
.5 lbs.

AM-EX1 Box Size:
10.5" x 7.5" x 2.5"
Weight:
2 lbs.



AM-BT1

Digital LCD Battery Monitor, 12 Volt Cigarette Lighter Plug

AM-EX1

Battery Charger/Maintainer

AM-EX1-PKG

Battery Charger/Maintainer w/LED, Includes Battery Status Indicator



Interior Electrical continued next page...

1010HC	New	1964-72	Horn High + Low Note Chrome Plate w/ Mounting Bracket and Hardware
1010H		1964-72*	Horn, High
1010L		1964-72*	Horn, Low
1010U		1964-77	Horn Set with Universal Brackets, 6 pcs.
M1013		1964-72*	Headlamp Switch
LH01		1964-72*	Headlamp Dimmer Switch
M1013B		1970*	Headlamp Switch
1702Q		1965-66	Windshield Wiper Switch
LH47		1967*	Windshield Wiper Switch, 2-speed
LH52		1969-71*	Windshield Wiper Switch (Without recessed park)



7031884	1967*	Cigarette Lighter
M1440B	1964-67	Dome Light Lens
M1440E	1964-67	Dome Light Base
M1440C	1968-72	Dome Light Lens



M1452	1964-67*	Body Bushings, 10 pcs.
M1450	1965-67*	Radiator Support Bushings
M1451	1968-72*	Radiator Support Bushings





5" x 4 3/4" Bolt Pattern

GW157

Box Size:
17" x 17" x 10.25"
Weight:
19 lbs.



GW157C

Box Size:
17" x 17" x 9"
Weight:
20 lbs.



GW157P New GM Magnum Alloy Wheel 15"x7" w/Center Cap, 4" Backspace, Photo on pg A24

GW157 Magnum Alloy Wheel 15"x7" w/Center Cap, no offset, 4" Backspace

GW157C Magnum Alloy Wheel 15"x7", Coated, w/Center Cap, no offset, 4" Backspace



GW150

Box Size:
17" x 17" x 10.25"
Weight:
22 lbs.



GW150C

Box Size:
17" x 17" x 12"
Weight:
23 lbs.



GW150 Magnum Alloy Wheel 15"x10" w/Center Cap, 21mm negative offset (-.8"), 4.65" Backspace

GW150C Magnum Alloy Wheel 15"x10", Coated, w/Center Cap, 21mm negative offset (-.8"), 4.65" Backspace



GW158

Box Size:
17" x 17" x 10.25"
Weight:
20 lbs.



GW177

Box Size:
19" x 19" x 9"
Weight:
23 lbs.



GW158

Magnum Alloy Wheel 15"x8" w/Center Cap, 10mm negative offset (-.4"), 4.07" Backspace

GW177

Magnum Alloy Wheel 17"x7" w/Center Cap and decal, no offset



GW177C
Box Size:
19" x 19" x 9"
Weight:
23 lbs.



GW178
Box Size:
19.5" x 19.5" x 10"
Weight:
24 lbs.



GW178C
Box Size:
19.25" x 19.25" x 10.25"
Weight:
24 lbs.



5" x 4 3/4" Bolt Pattern

GW177C	Magnum Alloy Wheel 17"x7" w/Center Cap and decal, no offset, Chrome
GW178	Magnum Alloy Wheel 17"x8" w/Center Cap and decal, 10mm negative offset
GW178C	Magnum Alloy Wheel 17"x8" w/Center Cap and decal, 10mm negative offset, Chrome
FW-CAP	Magnum Wheel Cap with decal, 3/4" tall, Chrome (for 17" rims)



CL-382



CL-383



CL-384



CL-385

CL-382	1964	Ignition, Door, & Glove Box Locks (Keyed alike)
CL-383	1965	Ignition, Door, & Glove Box Locks (Keyed alike)
CL-384	1966-67	Ignition, Door, & Glove Box Locks (Keyed alike)
CL-385	1968	Ignition, Door, & Glove Box Locks (Keyed alike)



CL-386



CL-388



CL-387

CL-386	1969	Ignition, Door, & Glove Box Locks (Keyed alike)
CL-387	1970-76	Ignition, Door, & Glove Box Locks (Keyed alike)
CL-388	1977	Ignition, Door, & Glove Box Locks (Keyed alike)

Ignition Locks



157



158A

157	1964	Octagon
161	1964	Original
158	1965	Octagon
158A	1965	Original



100



101A

100	1966-67	Later
100A	1966-67	Original
101	1968	Later
101A	1968	Original
102	1969-78	Later

See also our Locks Catalog for more details....

Glovebox Locks

CL-955



CL-960



145



119A



CL-955	1964-72	Key-less
CL-960	1964-72	Key-less, Brushed Stainless
145	1964-65	Later
145A	1964-65	Original
146+	1966-67	Later
146A+	1966-67	Original
119A	1968	Original
119	1968-69	Later
120	1970-77	Later

+ Cylinder & Keys ONLY. Case not included.

Ignition & Door Lock Kits



142



143A



104

142	1964	Octagon
142A	1964	Original
143A	1965	Original
104	1966-67	Later
104A	1966-67	Original



105



105A



106

105	1968	Later
105A	1968	Original
106	1969-78	Later

Muscle Car Parts & Molding • Muscle Car Parts & Molding • Muscle Car Parts & Molding