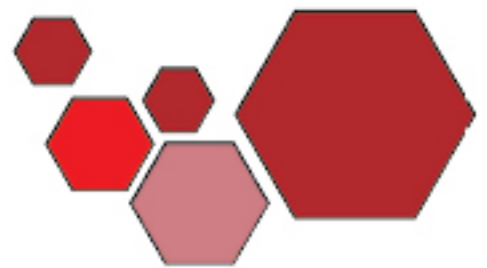


Dynacorn

International LLC
The muscle car people



2019
FIREBIRD® &
TRANS AM®

Firebird® & Trans Am® Index

Index

A

Accelerator Pedals: 52
A/C Vent Ball: 15
Air Vent Vacuum Motor: 51

B

Battery Charger/Maintainer: 64
Battery Monitor: 64
Battery Tray: 3
Battery Trays & Clamps: 3
Body Bushing Kit: 65
Body Shims & Washers: 5
Bumper Bolt Bulk Box: 1
Bumpers & Guards: 1
Bumper Brackets: 1

C

Carpet: 62
Cigarette Lighter: 64
Control Arms & Bumpers: 3
Convertible Top Frame & Brackets: 27
Convertible Top Header Bow: 27
Convertible Top Latches, Springs & Hooks: 27
Convertible Top Well Moldings: 48
Cowl Panels: 13, 14
Crossmember Trans. Supports: 16, 18
Crossrail, Rear: 38

D

Dash Carrier Assemblies & Lenses: 15
Dash Panels & Glove Boxes: 15
Deck Filler Panels, Rear: 37
Disc Brake Plates: 65
Door Frame, Inner: 24, 25, 26
Door Handles & Cranks: 33
Door Hinges, Latches & Striker: 29, 30, 31, 32
Door Jamb Vent Grilles: 55, 56
Door Shells & Skins: 29, 30, 31, 32, 33
Door Sill Decal: 65
Door Sill Scuff Plates: 56
Door Trims & Arm Rests: 55
Door Trims & Lock Knobs: 56
Drip Rail Molding: 46
Drip Rails: 29

E

Engine Mounts: 3

F

Fender Extension: 5
Fenders, Front Inner: 7
Fenders & Extensions, Front: 5, 6
Firewalls, Brackets & Braces: 11, 12
Floor Pan Plug: 18

Floor Pans & Braces: 16, 17, 18
Fuel Caps: 40, 41
Fuel Sending Units: 42
Fuel Tanks: 39, 40
Fuel Tank Braces & Straps: 41

G

Glass, Weatherstrip & Seals: 49, 50
Glove Box Doors: 15
Grilles & Components: 43, 44

H

Header Moldings: 54
Header Panels: 2
Headlamp Buckets & Brackets: 43, 44
Headliner Moldings: 54
Heater Blower Motor: 51
Heater Boxes & Cores: 51
Hood Latches & Supports: 7
Hood Scoops: 10
Hoods & Hinges: 7, 8, 9, 10
Hood Cowl Vent Grilles: 14
Horns: 64, 65

I

Ignition Switch Bracket: 15

K

Kick Panel Air Vent Controls: 57
Kick Panels & Speaker Grilles: 57

L

Leaf Spring Shackle Kit & Brackets: 3
License Plate Bracket, Rear: 38
License Plate Lamps: 48
Locks: 68

M

Magnum Alloy Wheels: 66, 67
Mirrors & Brackets, Interior: 54
Mirrors, Exterior: 45

P

Package Shelf Extensions: 37
Parking Brake Pedal Pad Trim: 51
Parking Brakes & Handles: 51, 52
Parking Lamps & Lenses: 48
Pedal Pads (Accelerator, Brake, Clutch): 52
Pillar Post Moldings: 56

Q

Quarter / Door Frame Assemblies: 24, 25, 26
Quarter Panel Inner Bracket: 36
Quarter Panel Ornaments: 47
Quarter Panels & Skins: 34, 35

R

Radiator Supports: 2
Radios & Components: 62, 63
Rocker Panel & Ledge Mldgs.: 47

Rocker Panels: 22, 23
Roof Panels & Braces: 28
Roof Rail Retainer: 46

S

Seat Mount Panel, Rear: 16
Seat Platforms: 16, 17
Seats Frames & Springs: 58, 59, 60
Seat Back Latches & Knobs: 59
Seat Belts: 61
Seat Shelf Brace: 17
Seat Tracks: 59
Shock Mounts: 3, 19
Sill Decal: 65
Spindle Kit: 3
Spoilers, Front: 2
Spoilers, Rear: 37
Steering Column Clamp Plate: 12
Steering Wheel Center Shroud: 54
Steering Wheels, Mounts & Hubs: 53
Subframe Assembly: 4
Subframe Mounting Brackets: 17

T

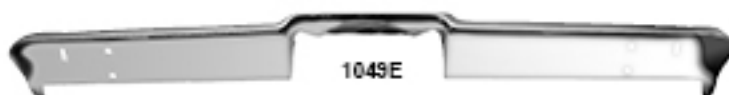
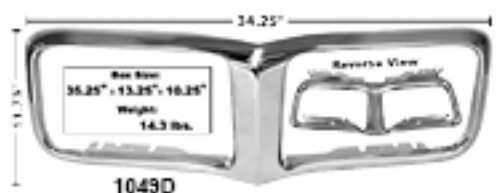
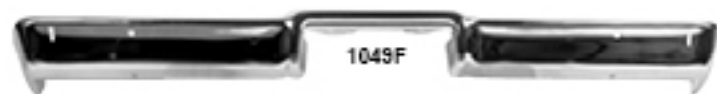
Tail Light Panel Components: 38
Torsion Bar Chassis for Convertible: 27
Transition Pans: 19, 21
Trans. Tunnel Reinforcement Plate: 16, 17
Trunk Hinge Torsion Rods: 37
Trunk Latches & Catches: 37
Trunk Lid Luggage Rack: 37
Trunk Lids & Hinges: 37, 38
Trunk Pans & Components: 19, 20, 21, 22

V

Valance, Front: 1
Vinyl Top Molding: 48

W

Wheel Center Shroud: 54
Wheelhouses: 36
Wheel Opening Moldings: 46, 47
Window Assembly: 50
Window Guides & Stop: 32
Window Molding, Rear: 47
Window Regulators: 29, 30, 31
Windshield Moldings: 46
Windshield Wiper Switch: 64
Wiper Arms & Blades: 45
Wiper Motor Transmission Arms: 44
Wire Loom Shields: 23



Box Size:
6.5" x 3.75" x 6.5"
Weight:
3.5 lbs.



Box Size:
6.5" x 4" x 6.5"
Weight:
4 lbs.

1049T	1967-68	Front Bumper, Firebird®
1049F	1967-68	Rear Bumper, Chrome plated, Firebird®
1049D	1969	Front Bumper, Firebird®
1049E	1969	Rear Bumper, Firebird®
1049W	1967-73	Bumper Bolt Bulk Box, 3/8" X 1", 50 pcs.
1049X	1967-73	Bumper Bolt Bulk Box, 3/8" X 1.5", 50 pcs.

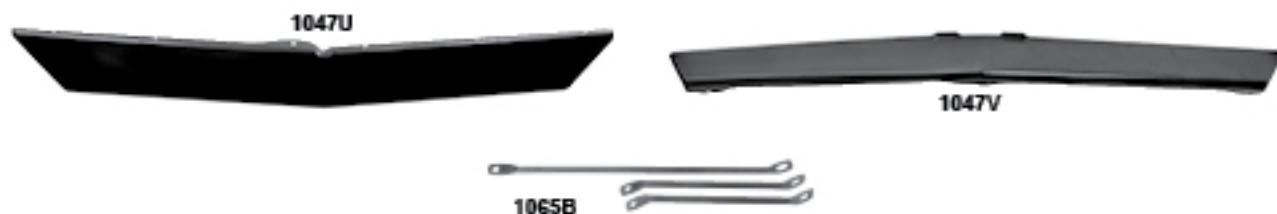


1048QB	1969	Front Bumper Bracket Set, 4 pcs. Firebird®
1048QC	1969	Rear Bumper Bracket Set, 5 pcs. Firebird®



1047H	1967	Front Valance, Firebird®
1047N	1968	Front Valance, Firebird®
1047P	1969	Front Valance, Firebird®

Front Spoilers



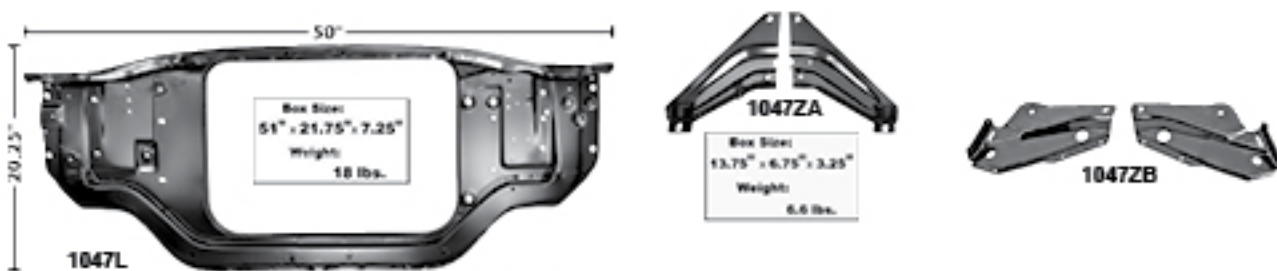
1047U	1967-68	Front Spoiler
1065B	1967-68	Spoiler Mounting Kit, 3 Pieces
1047V	1969	Front Spoiler

Header Panels



1047Y	1969	Header Panel, Firebird®
1047YA	1969	Header Panel Seal Set, Firebird®

Radiator Supports



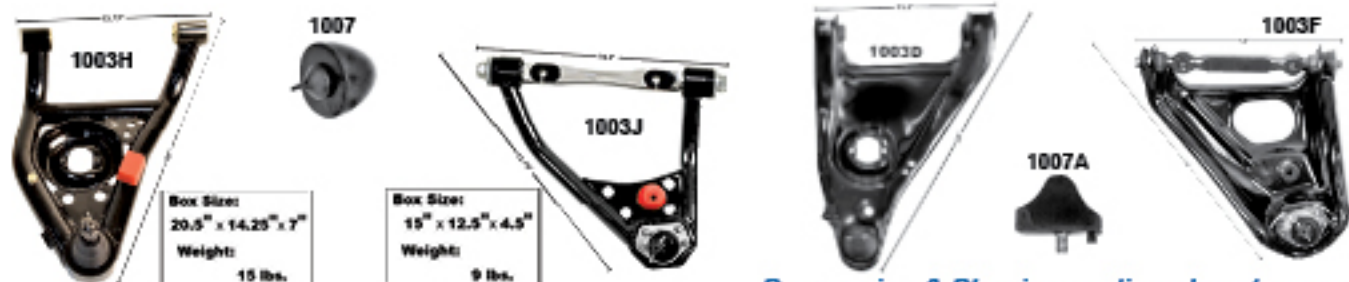
1047L	1967-69	Radiator Support
1047ZA	1969	Fender-To-Radiator Reinforcement Bars, Firebird®
1047ZB	1967-69	Radiator Support Gussets, Firebird®
1047XD	1970-72	Radiator Support, Firebird®/Trans Am®
1047XE	1973-75	Radiator Support, Firebird®/Trans Am®
1047XF	1976-81	Radiator Support, Firebird®/Trans Am®



1068K	1967-69	Battery Tray
1047E	1967-81	Battery Tray Clamp (Also fits 1967-69 Firebird®)
1047EC	1967-81	Battery Tray Clamp, Stainless (Also fits 1967-69 Firebird®)
1006D	1969	Engine Mounts, 4 pcs., Firebird®
1068L	1970-81	Battery Tray, Camaro®
1068LA	1970-81	Battery Tray, Firebird®

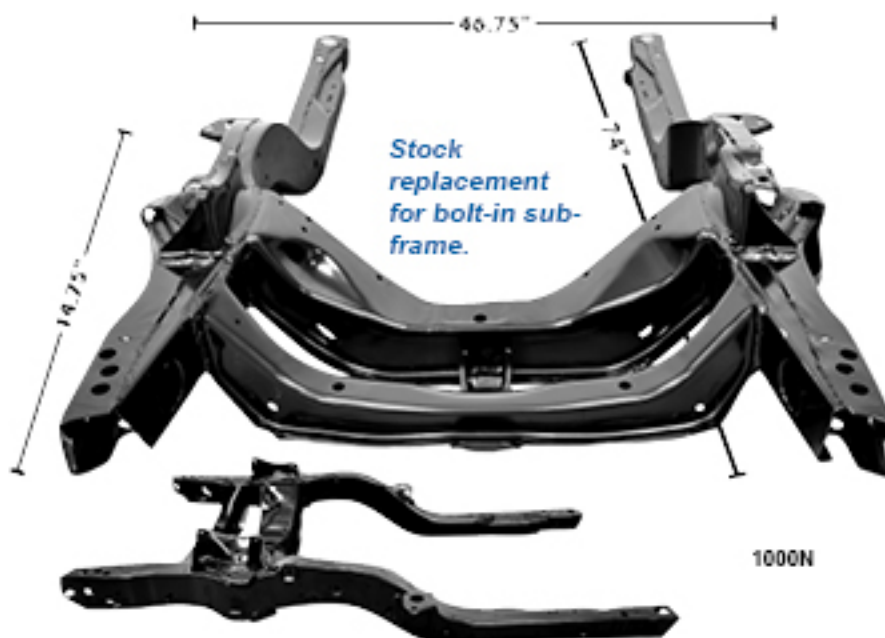
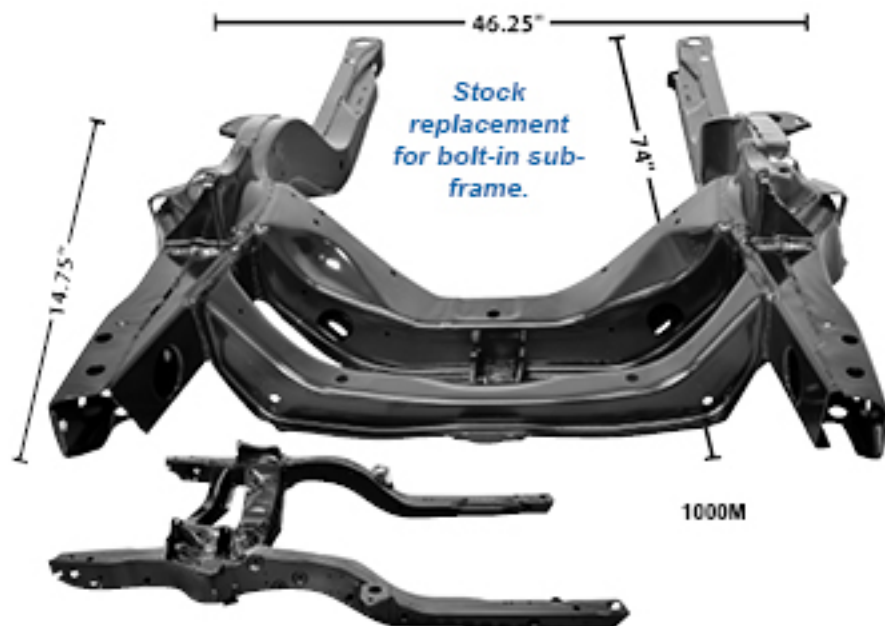


1006J	1967-69	Upper Shock Mount for Rear Shocks
1006E	1967-69	Leaf Spring Front Eye Brackets
1006L	1970-73	Leaf Spring Front Eye Brackets
1003C	1967-69	Spindle Kit
1047M	1967-70	Leaf Spring Shackle Kit, (2 per car)



Suspension & Steering continued next page...

1003H	1967-69	Lower Control Arm, RH (tubular)
1003I	1967-69	Lower Control Arm, LH (tubular)
1003J	1967-69	Upper Control Arm, RH (tubular)
1003K	1967-69	Upper Control Arm, LH (tubular)
1003D	1967-69	Lower Control Arm, RH (OE Type)
1003E	1967-69	Lower Control Arm, LH (OE Type)
1003F	1967-69	Upper Control Arm, RH (OE Type)
1003G	1967-69	Upper Control Arm, LH (OE Type)
1007	1967-69	Control Arm Bumper, Upper
1007A	1967-69	Control Arm Bumper, Lower



Do Not Qualify For Free Freight Program

1000M	1967	Sub-frame Assembly
1000N	1968	Sub-frame Assembly
1000T	1969	Sub-frame Assembly



1000D	1967-73	Body Shims, 3 mm, 10 piece Set
1000E	1967-73	Body Shims, 1.6 mm, 10 piece Set
1000F	1967-73	Body Shims, 6 mm, 10 piece Set
GM03		Body Washers, 20 piece Set

Muscle Car Parts & Molding • Muscle Car Parts & Molding • Muscle Car Parts & Molding



1967-69



1039U



1045A



1041P

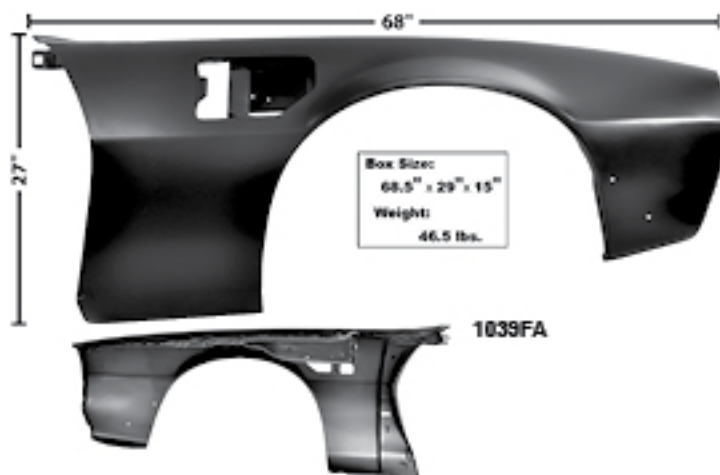
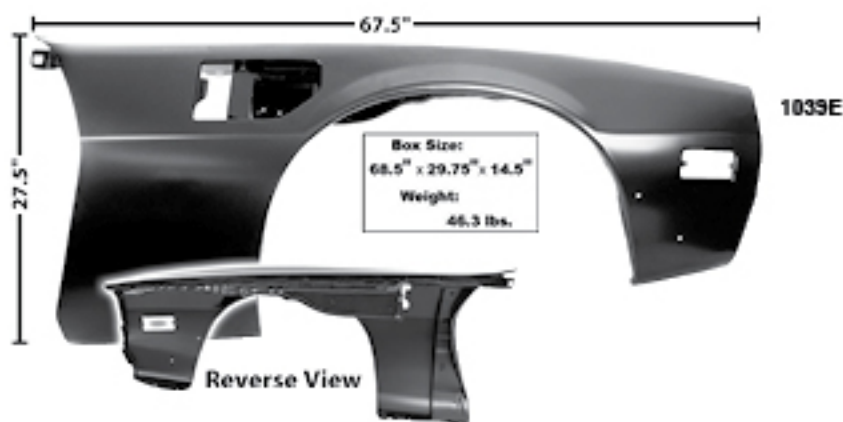
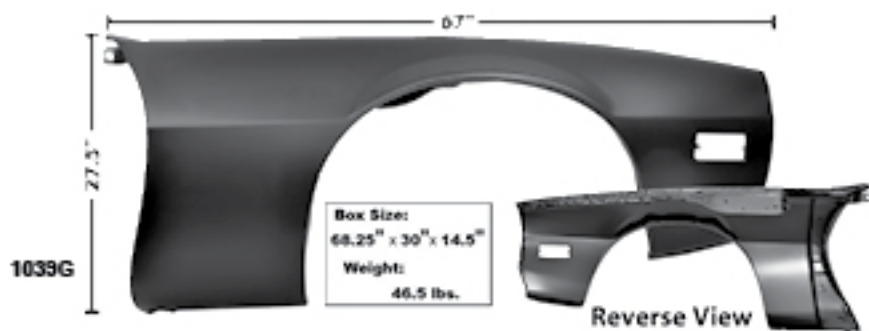


1047R

1039U	1967-68	Fender RH	
1039V	1967-68	Fender LH	
1045A	1967	Fender Extension RH	
1045B	1967	Fender Extension LH	
1047R	1968	Fender Extension RH	
1047S	1968	Fender Extension LH	
1041P	1969	Front Fender RH	
1041Q	1969	Front Fender LH	

Front Fenders continued next page...

1969-81



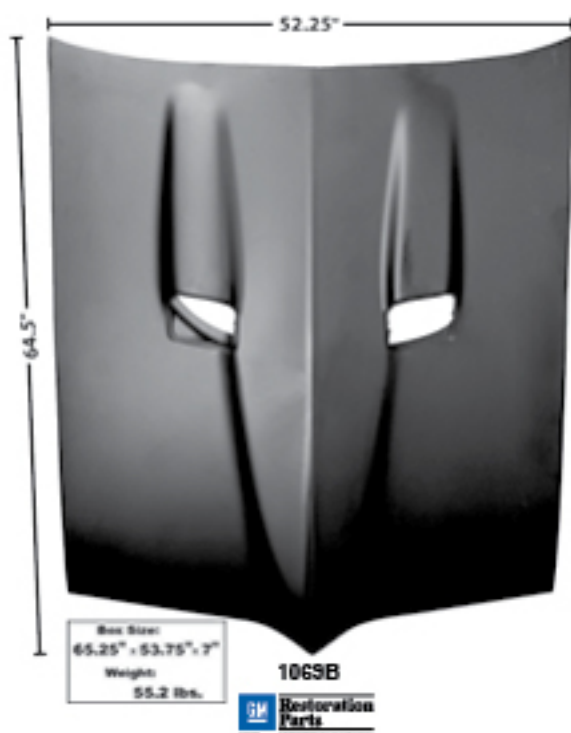
1039G	1970-81	Fender, RH, Firebird®
1039H	1970-81	Fender, LH, Firebird®
1039E	1977-81	Fender, RH, Trans Am®
1039F	1977-81	Fender, LH, Trans Am®
1039FA	1977-81	Custom Fender without lamp holes, RH, Trans Am®
1039FB	1977-81	Custom Fender without lamp holes, LH, Trans Am®





1039W	1967-68	Front Inner Fender, RH
1039X	1967-68	Front Inner Fender, LH
1039ZA	1969	Front Inner Fender, RH Firebird®
1039ZB	1969	Front Inner Fender, LH Firebird®
1039ZD	1970-81	Front Inner Fender, RH Trans Am® / Firebird®
1039ZC	1970-81	Front Inner Fender, LH Trans Am® / Firebird®

Muscle Car Parts & Molding • Muscle Car Parts & Molding • Muscle Car Parts & Molding



Box Size:
65.25" x 53.75" x 7"
Weight:
55.2 lbs.



Box Size:
8" x 5.25" x 2.5"
Weight:
2 lbs.

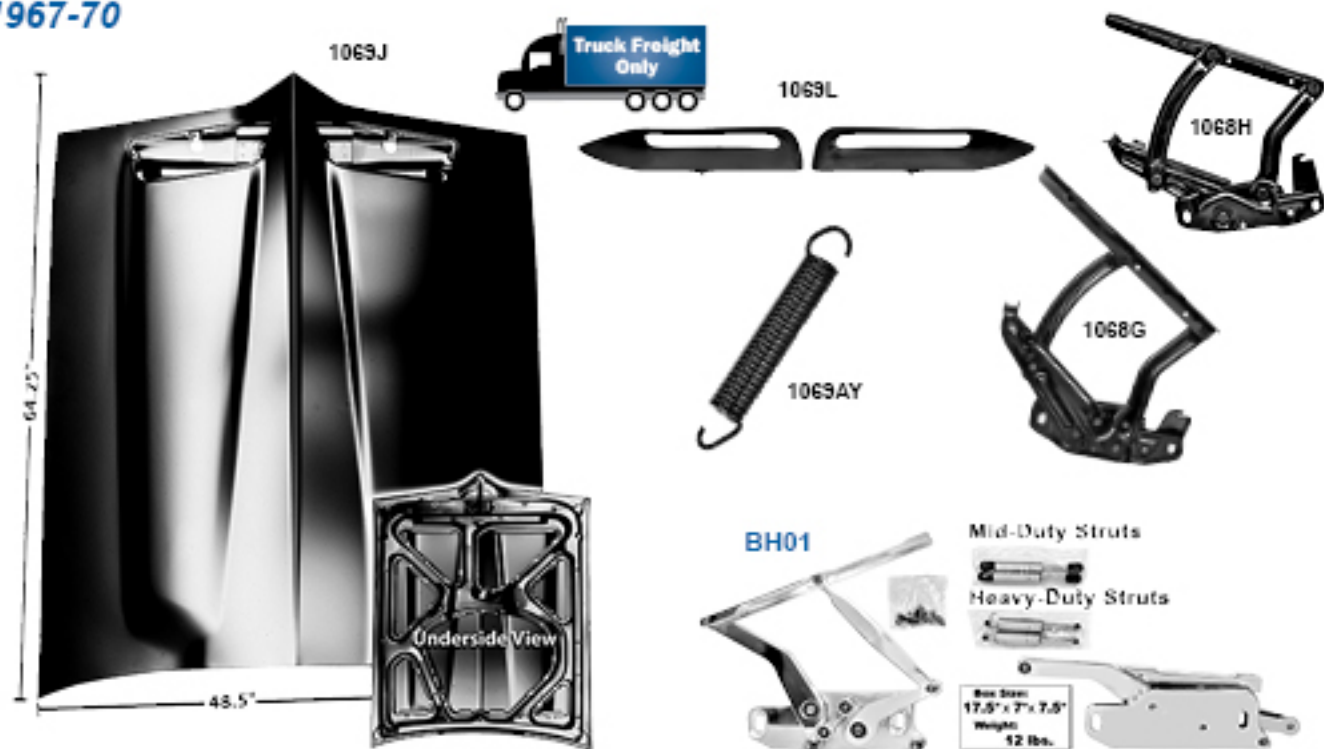
1967-69 Firebird

Box Size:
21.75" x 12.75" x 8"
Weight:
8 lbs.

**Hoods & Components
cont'd. next
page...**

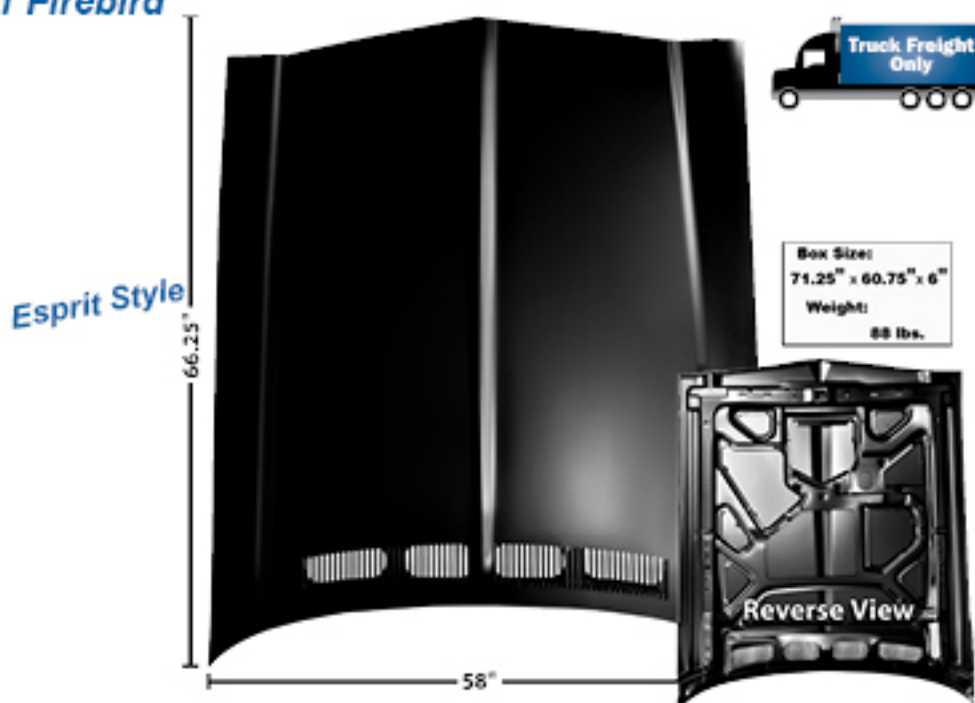
1069B	1967-69	Hood for "400" Series Firebird® (Fits '67 w/ '68 hood latch)
1069BA	1967-69	Hood Scoop Insert, Pair
1068G	1967-69	Hood Hinge, RH
1068H	1967-69	Hood Hinge, LH
1069AY	1967-70	Hood Hinge Spring for Cowl & "SS" HOODS, Firebird®/Trans Am® (Also fits 1967-70 Camaro®)
1068Y	1969	Hood Latch Support, Firebird®
1068Z	1969	Hood Latch Assembly, Firebird®

1967-70



BH01	New	1967-69	Billet Hood Hinge, Pair
1069J		1967-69	Hood, Trans Am®
1069L		1967-69	Hood Louvers, Trans Am®
1068G		1967-69	Hood Hinge, RH
1068H		1967-69	Hood Hinge, LH
1069AY		1967-70	Hood Hinge Spring for Cowl & "SS" HOODS, Firebird®/Trans Am® (Also fits 1967-70 Camaro®)

1970-81 Firebird



1970-81
Firebird
continued
next page..

1970-81 Firebird

Hoods & Components

Muscle Car Parts & Molding • Muscle Car Parts & Molding • Muscle Car Parts & Molding



1069SA
Truck Freight Only
Box Size:
71" x 60.5" x 6"
Weight:
88 lbs.



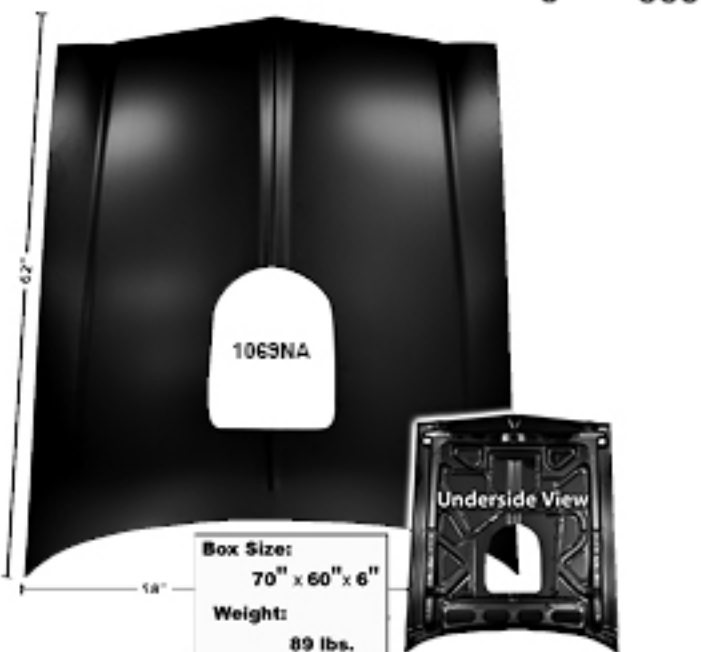
Box Size:
70" x 60" x 7"
Weight:
84 lbs.



1519
Box Size:
6.5" x 2.75" x 6"
Weight:
1 lbs.

1069SA	1970-76	Hood without Shaker or Vent Hole, Firebird®
1069R	1977-81	Hood without Shaker Hole, Firebird®
1069T	1970-81	Hood Hinge, RH, Firebird®/Trans Am® (Also fits 1970-81 Camaro®)
1069U	1970-81	Hood Hinge, LH, Firebird®/Trans Am® (Also fits 1970-81 Camaro®)
1069AY	1967-70	Hood Hinge Spring for Cowl HOODS (Also fits 1967-69 Camaro®)
1069AZ	1971-81	Hood Hinge Spring for Standard Hood (Also fits 1967-79 Camaro®)
1069AX	1971-81	Hood Hinge Spring, Firebird®/Trans Am®
1519	1970-81	Hood Latch Assembly, Firebird®

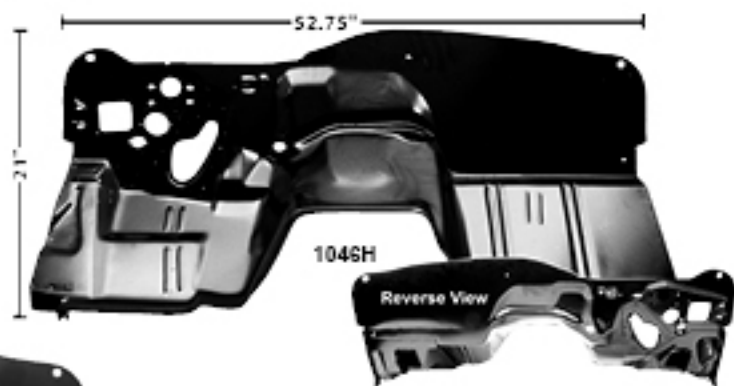
1970-81 Trans Am



1069N	1970-76	Hood with Shaker Hole, Trans Am®
1069NA	1970-76	Hood without Shaker Hole, Trans Am®
1069M	1977-81	Hood with Shaker Hole, 400 Trans Am®
1069P	1978-81	Hood Scoop Shaker Kit w/scoop, base & ring, 400 Trans Am®
1069Q	New 1978-81	Hood Scoop, 6.6 liter Trans Am®
1069T	1970-81	Hood Hinge, RH, Firebird®/Trans Am®
1069U	1970-81	Hood Hinge, LH, Firebird®/Trans Am®
1069AY	1967-70	Hood Hinge Spring for Cowli & "SS" Hoods, Camaro® (Also fits 1967-70 Firebird®/Trans Am®)
1069AX	1971-81	Hood Hinge Spring, Firebird®/Trans Am®

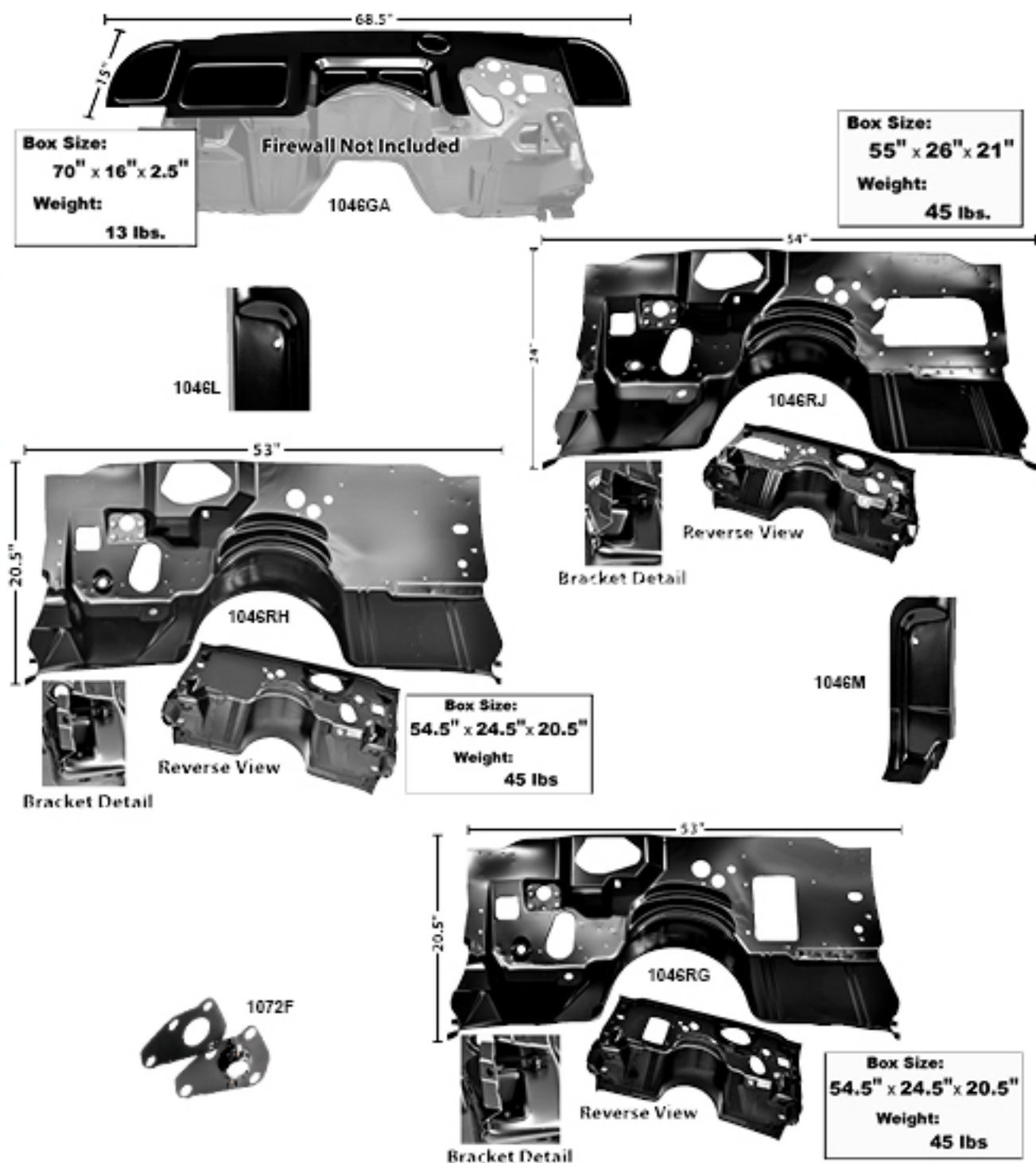
Call

Muscle Car Parts & Molding • Muscle Car Parts & Molding • Muscle Car Parts & Molding



1046D	1967	Firewall With A/C
1046F	1967	Firewall Heater Delete
1046Q	1967	Firewall With Heater
1046G	1968-69	Firewall, Heater
1046H	1968-69	Firewall, Heater Delete
1046I	1968-69	Firewall, A/C





1046GA	1969	Custom Firewall Cover
1046L	1969	Firewall to Floor Brace, RH
1046M	1969	Firewall to Floor Brace, LH
1072F	1969	Column Clamp Plates, 2 pcs.
1046RJ	1978-81	Firewall, Heater
1046RH	1978-81	Firewall, Heater Delete
1046RG	1978-81	Firewall, A/C



1069E



1072



1072A



1072B



1073R



1073L

1069E	1967-69	Hood Cowl Vent Grille, EDP Coating
1072	1967	Lower Cowl Panel With A/C
1072A	1968	Lower Cowl Panel (Also fits Camaro®)
1072B	1969	Lower Cowl Panel
1073R	1967-69	Cowl Shoulder Assembly (2 pcs.), RH
1073L	1967-69	Cowl Shoulder Assembly (2 pcs.), LH



1071



1072G

Box Size:
57" x 17.75" x 9.5"
Weight:
17.6 lbs.



1069Y

Box Size:
64" x 22" x 5"
Weight:
20 lbs.



Underside View



1073NWT



Box Size:
64" x 22" x 5"
Weight:
20 lbs.

1072H

1071	1970-73	Hood Cowl Vent Grille (Also fits Camaro®)
1072G	1970-73	Lower Cowl Panel
1073MWT	1970-73	Cowl Shoulder Panel, Weld-Through Primer, RH (Also fits Camaro®)
1073NWT	1970-73	Cowl Shoulder Panel, Weld-Through Primer, LH (Also fits Camaro®)
1069Y	1975-81	Hood Cowl Vent Grille (Fits Firebird® & Trans Am®)
1069Z	1975-81	Hood Cowl Vent Grille, Custom (No Holes) (Fits Firebird® & Trans Am®)
1072H	1975-81	Lower Cowl Panel (Fits Firebird® & Trans Am®)

1967-69 Firebird



1068C



See pg. C62-63 for new line of radio components...

1068DA



1068D



1068EG



1068EH



Box Size:
56.5" x 12.75" x 2.5"
Weight:
8 lbs.



1001B



1028

6480760



1068ED



3856472



1001E

1068EF



9798556

Muscle Car Parts & Molding • Muscle Car Parts & Molding • Muscle Car Parts & Molding

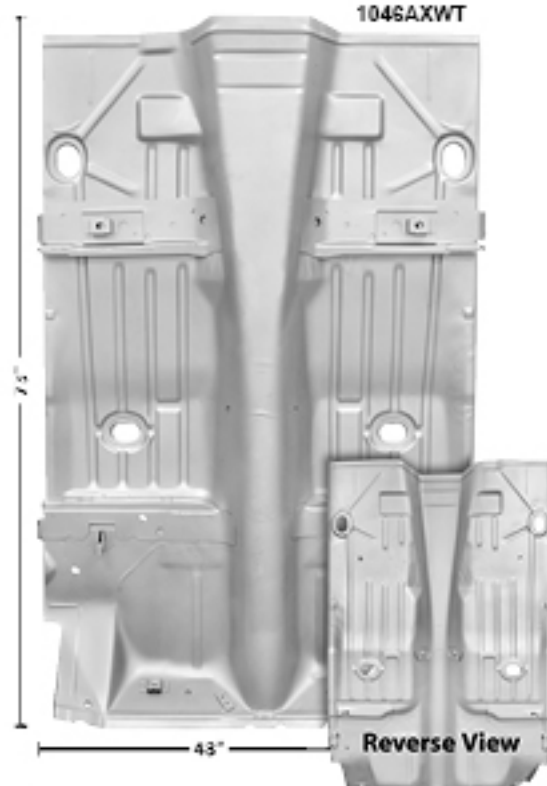
1068CA	1967	Complete Dash Panel
1068C	1967	Steel Dash Panel
1068DA	1968	Complete Dash Panel
1068D	1968	Steel Dash Panel
1028	1968-69	Dash Pad Dog Leg Clips (Also fits 1968 Camaro®)
1068D	1968	Steel Dash Panel
1068ED	1967-68	Glove Box Door
1001B	1967-68	Ignition Switch Bracket
3856472	1967-68	A/C Vent Ball (1967 W/AC, all 1968 Astro-vent)
6480760	1967-68	Dash Carrier Assembly
1068EG	1969	Complete Dash Panel
1068EH	1969	Upper Dash Panel
1068EF	1969	Glove Box Door
1001E	1969	Ignition Switch Bracket (Also fits Camaro®)
9798556	1969	A/C Vent Ball

1967-69

1046A

1048H

1046AXWT



1046N

1046E



1001

1047F



1046J



1046K



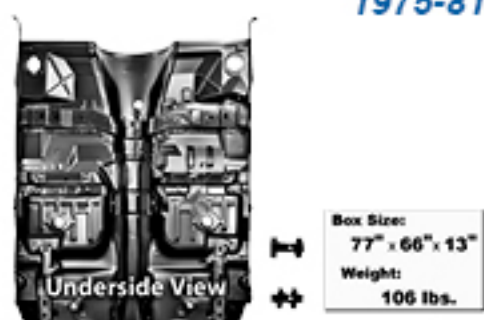
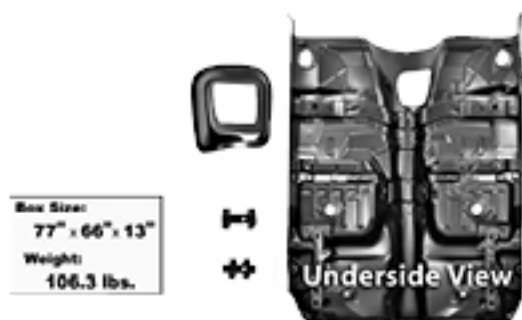
1046P

1052B

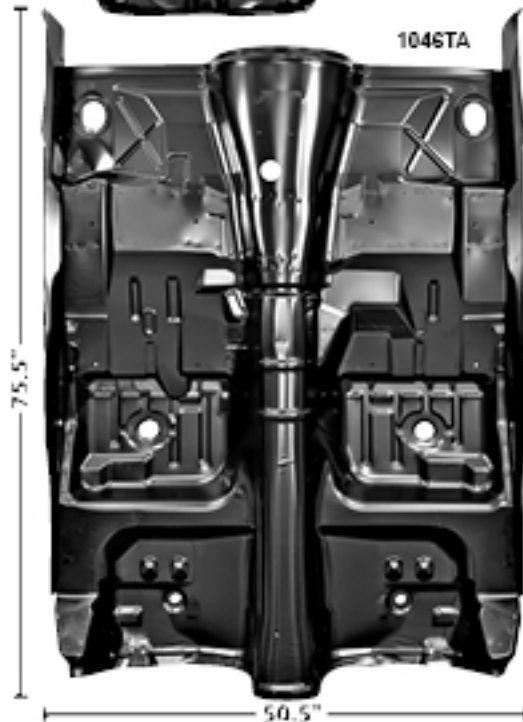
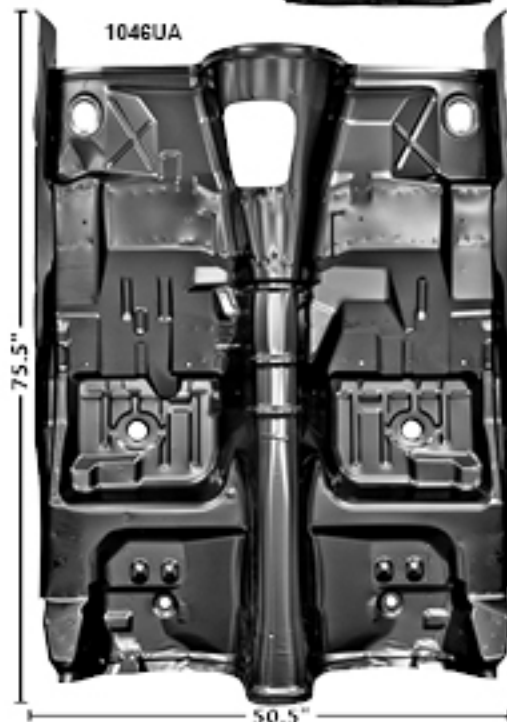
1046A	1967-69	Complete Floor Pan, (1 Piece)
1046AXWT	1968-69	Complete Floor Pan, Cut-out for 6" Wide Inner Wheelhouse, Weld-Through Primer
1048H	1967-69	Floor Pan, RH
1048J	1967-69	Floor Pan, LH
1047F	1967-81	Floor Pan Plug
1046P	1967-69	Transmission Tunnel Reinforcement Plate, Convertible
1001	1967-69	Rear Seat Mount Panel, Convertible
1046N	1967-69	Crossmember Trans. Support, (TH350, Powerglide or Manual Transmission)
1046E	1967-69	Floor Pan Under Brace, Convertible
1046J	1967-69	Front Floor Pan Brace, Convertible, RH
1046K	1967-69	Front Floor Pan Brace, Convertible, LH
1052A	1967-68	Seat Platform, RH
1052B	1967-68	Seat Platform, LH



1050	1969	Seat Platform, RH
1051	1969	Seat Platform, LH
1052R	1967-69	Sub-frame Mounting Bracket, RH
1052L	1967-69	Sub-frame Mounting Bracket, LH
1053R	1967-69	Rear Seat Shelf Brace, RH
1053L	1967-69	Rear Seat Shelf Brace, LH
1046P	1967-69	Transmission Tunnel Reinforcement Plate, Convertible

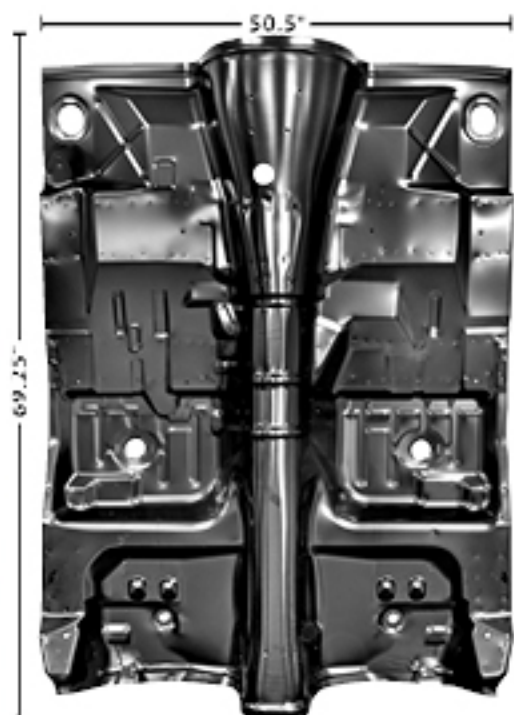


1975-81



1046UA	1975-81	Floor Pan W/Braces & Inner Rocker Panels, 4-Speed
1046TA	1975-81	Floor Pan W/Braces & Inner Rocker Panels, Automatic Transmission

1975-81



1046T

Box Size:
70.5" x 13.5" x 53.5"
Weight:
95 lbs.

Bracket
Closeup



Underside
View



1046AX

1046W



1046X



1067QA



1067MB



1046U



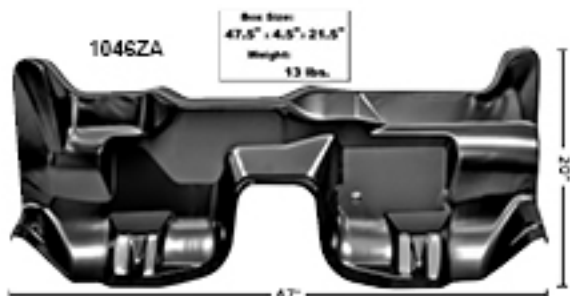
Box Size:
70.5" x 13.5" x 53.5"
Weight:
94 lbs.

Bracket
Closeup



Underside
View

1046T	New	1975-81	Floor Pan W/Braces, Automatic Transmission
1046U	New	1975-81	Floor Pan W/Braces, Manual Transmission
1046W		1975-81	Floor Pan Plug, Large
1046X		1975-81	Floor Pan Plug, Small
1046AX		1975-81	Transmission Tunnel Plate, 4-Speed
1067MB		1975-81	Rear Crossrail
1067QA		1970-81	Crossmember Transmission Support for Turbo 400



1001AWT 1970-73 Rear Floor/Transition Pan, Weld-Through Primer (Behind Rear Seat Backrest)



1046ZA 1975-81 Rear Floor/Transition Pan (Behind Rear Seat Backrest)



Transition Pans



Box Size:
44.5" x 27.25" x 4.75"
Weight:
15.1 lbs.



1001C 1967-69 Package Shelf Panel Kit w/Reinforcements, Coupe

1001D 1967-69 Rear Seat Back Braces



1967-68



1046B	1967	Full Trunk Floor Pan (Not Staggered Shocks)
1046BB	1968	Full Trunk Floor Pan
1006J	1967-69	Upper Shock Mount
1048R	1967-68	Trunk Floor Repair Panel
1048T	1967-68	Trunk Floor Drop-Off, RH
1048U	1967-68	Trunk Floor Drop-Off, LH

Trunk Pans & Components continued next page...

1969



1048CTUB

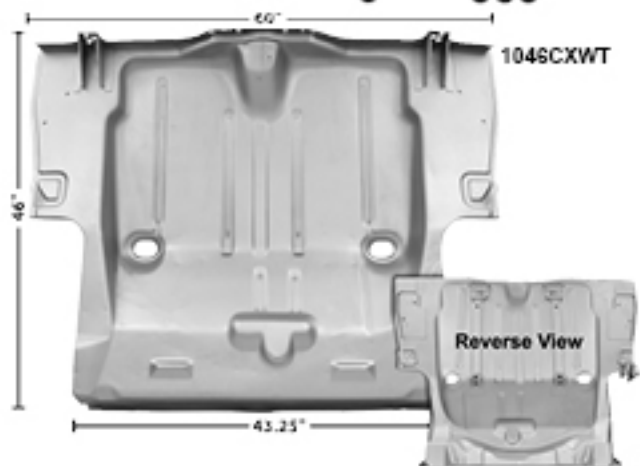
1048CTUB includes
frame rails

Box Size:
63" x 48" x 10"
Weight:
66 lbs.

Frame Rail Box Size:
67" x 12.75" x 14"
Weight:
44 lbs.



1046C



1046CXWT

Reverse View



1048S



1048X



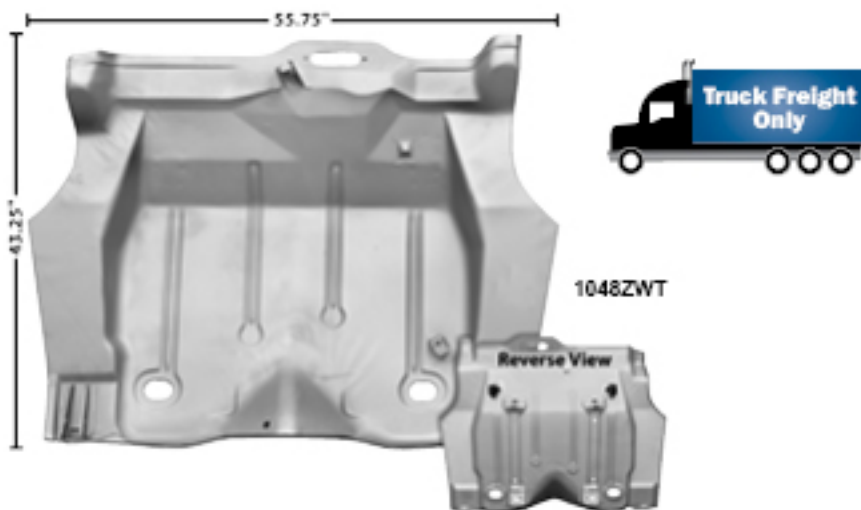
1048Y

1048CTUB	1969	Custom Trunk Floor & Frame Rail Kit for Extra Wide Tubes
1046C	1969	Full Trunk Floor Pan
1046CXWT	1969	Full Trunk Floor Pan, 6" Inner Wheelhouse Cut, Weld-Through Primer
1048S	1969	Trunk Floor Repair Panel
1048X	1969	Trunk Floor Drop-Off, RH
1048Y	1969	Trunk Floor Drop-Off, LH

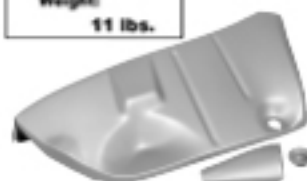
1970-81

Trunk Pans & Components

Muscle Car Parts & Molding • Muscle Car Parts & Molding • Muscle Car Parts & Molding

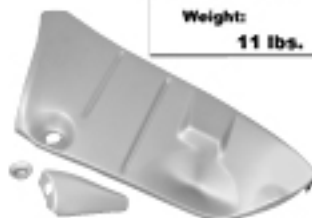


Box Size:
27.75" x 14.5" x 7"
Weight:
11 lbs.



1048VWT

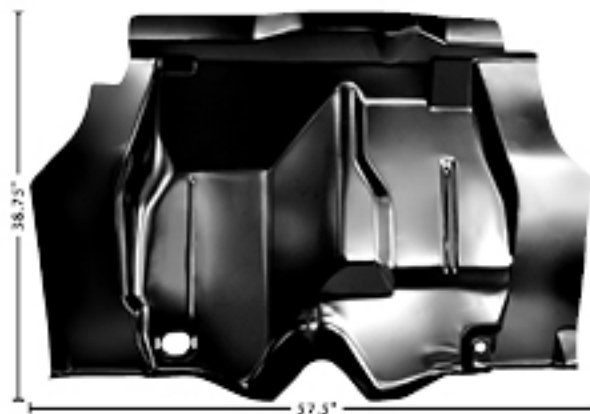
Box Size:
27.75" x 14.5" x 7"
Weight:
11 lbs.



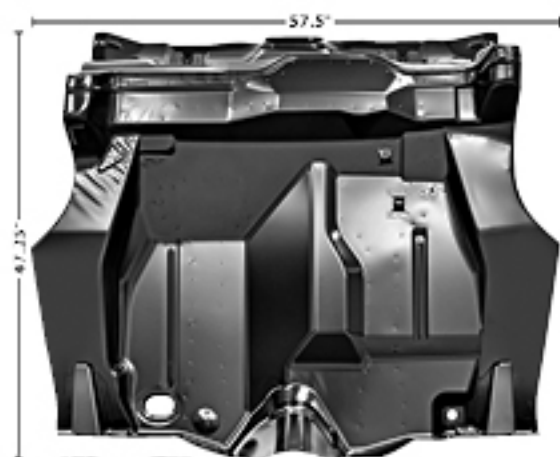
1048WWT



1048ZC

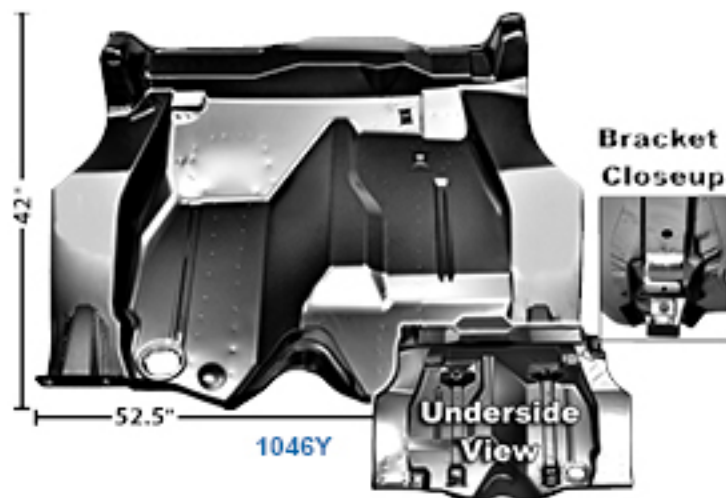


1048ZWT	1970-73	Full Trunk Floor Pan, Weld-Through Primer
1048VWT	1970-73	Trunk Floor Drop-Off, Weld-Through Primer RH
1048WWT	1970-73	Trunk Floor Drop-Off, Weld-Through Primer LH
1048ZD	1970-73	Trunk Floor Repair Panel
1048ZC	1974-81	Trunk Floor Panel



Box Size:
59.25" x 52" x 20"
Weight:
64.2 lbs.

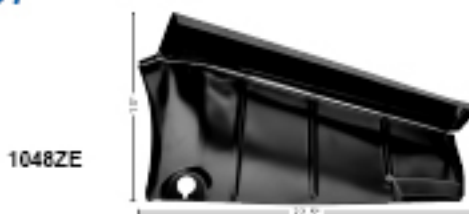
1046Z



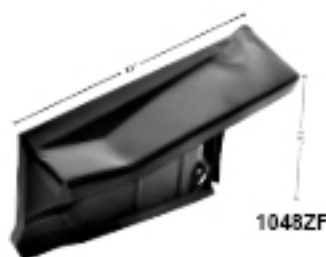
1046Y

1046Y	New	1975-81	Trunk Floor Pan
1046Z	New	1975-81	Trunk Floor Pan with Transition Pan
1046ZA		1975-81	Rear Floor/Transition Pan (Behind Rear Seat Backrest)

1975-81

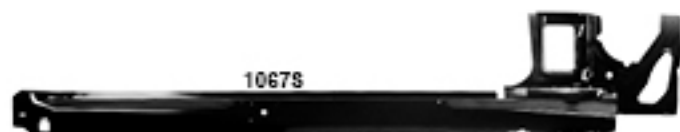


1048ZE



1048ZF

1048ZE	1975-81	Trunk Floor Drop-Off, RH
1048ZF	1975-81	Trunk Floor Drop-Off, LH

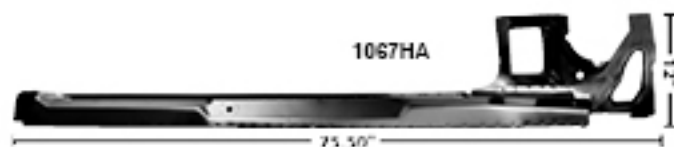


1067S



1067G

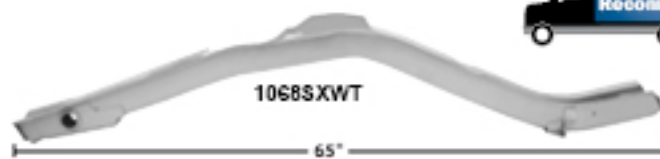
1067R	1967-69	Inner Rocker Panel RH, Coupe
1067S	1967-69	Inner Rocker Panel LH, Coupe
1067G	1967-69	Outer Rocker Panel, RH, Coupe
1067H	1967-69	Outer Rocker Panel, LH, Coupe



1067T	1967-69	Rocker Panel (Inner & Outer), RH, Convertible
1067U	1967-69	Rocker Panel (Inner & Outer), LH, Convertible
1067GA	1967-69	Rocker Panel (Inner & Outer), RH, Coupe
1067HA	1967-69	Rocker Panel (Inner & Outer), LH, Coupe



1067KE	1975-81	Inner Rocker Panel RH <i>Firebird®/Trans Am®</i>
1067KF	1975-81	Inner Rocker Panel LH <i>Firebird®/Trans Am®</i>
1067J	1970-81	Outer Rocker Panel, RH
1067K	1970-81	Outer Rocker Panel, LH



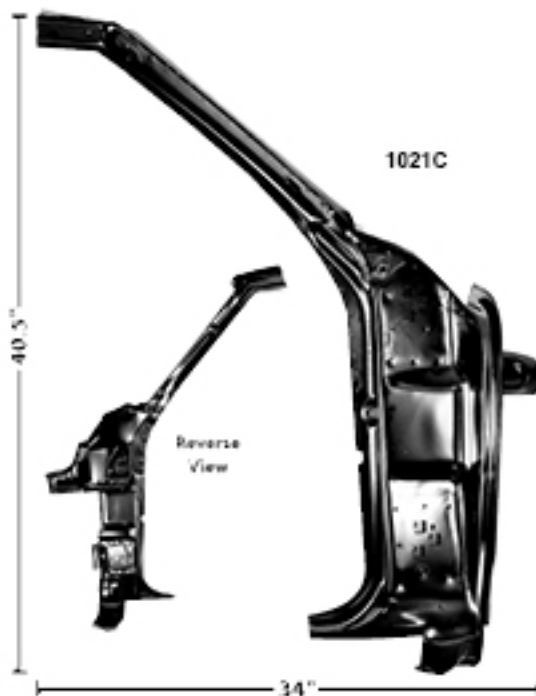
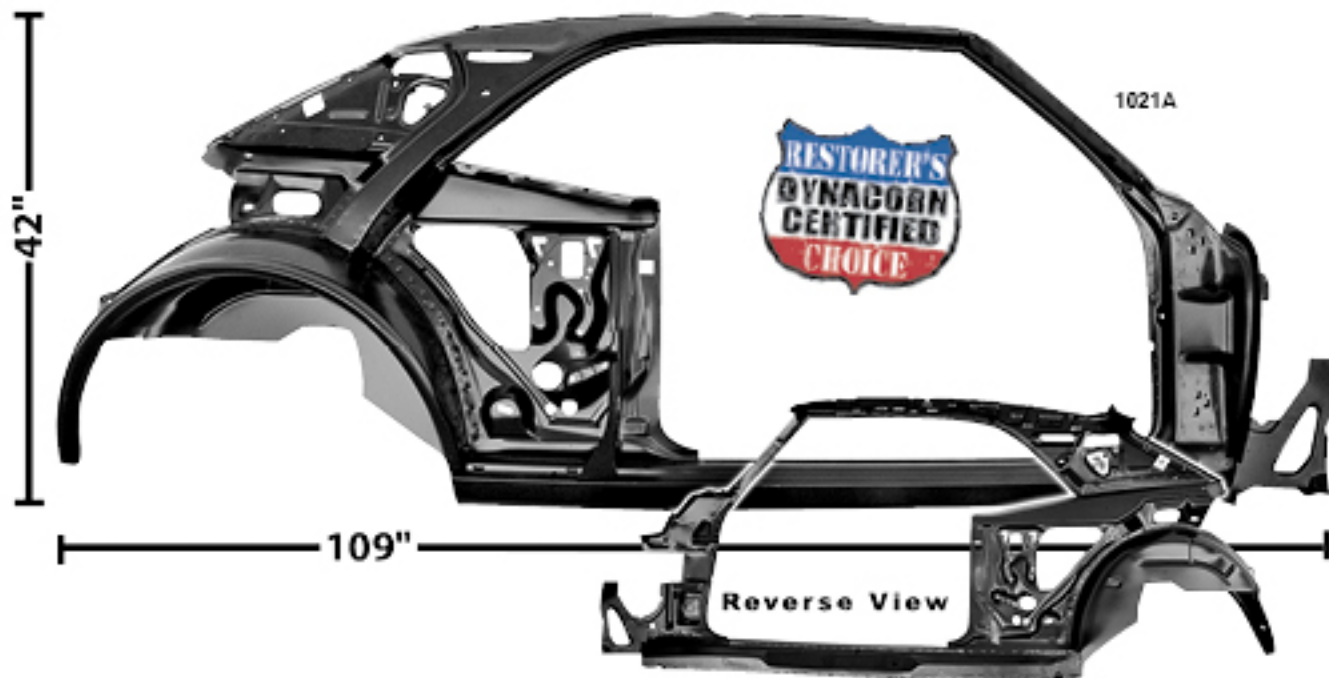
1068T	1967	Frame Rail, RH
1068U	1967	Frame Rail, LH
1068R	1968-69	Frame Rail, RH
1068S	1968-69	Frame Rail, LH
1068RXWT	1968-69	Frame Rail, 6" Wide, Weld-Through Primer, RH
1068SXWT	1968-69	Frame Rail, 6" Wide, Weld-Through Primer, LH
1068WWT	1970-73	Frame Rail, Weld-Through Primer, RH
1068XWT	1970-73	Frame Rail, Weld-Through Primer LH

(Shown attached to body)

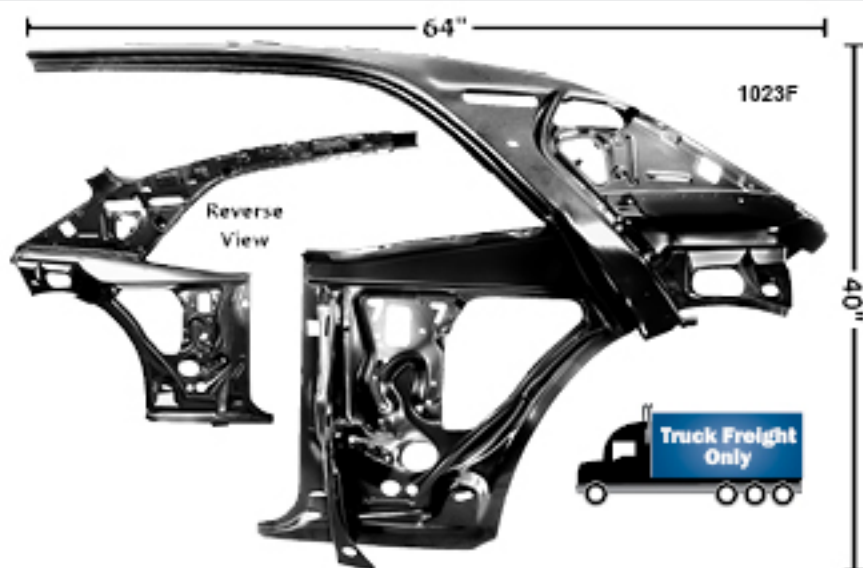


1008	1967-69	Wire Loom Shields 4 pcs., Coupe
------	---------	---------------------------------

1967



1021A	1967	Quarter/Door Frame Assembly, RH
1021B	1967	Quarter/Door Frame Assembly, LH
1021C	1967	Inner Door Frame, RH
1021D	1967	Inner Door Frame, LH



1967-69

1023E	1967-69	Quarter/Door Inner Frame Assembly, RH
1023F	1967-69	Quarter/Door Inner Frame Assembly, LH



1968



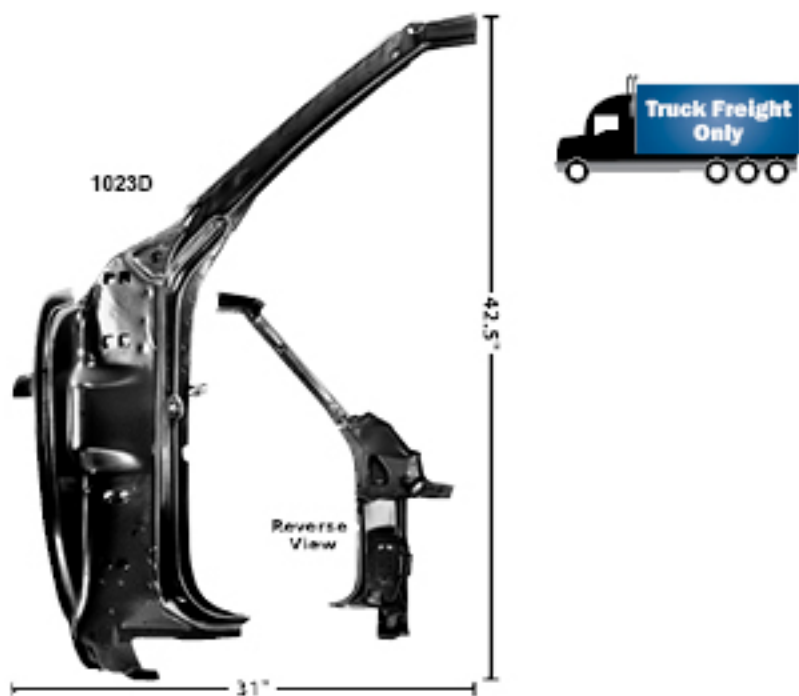
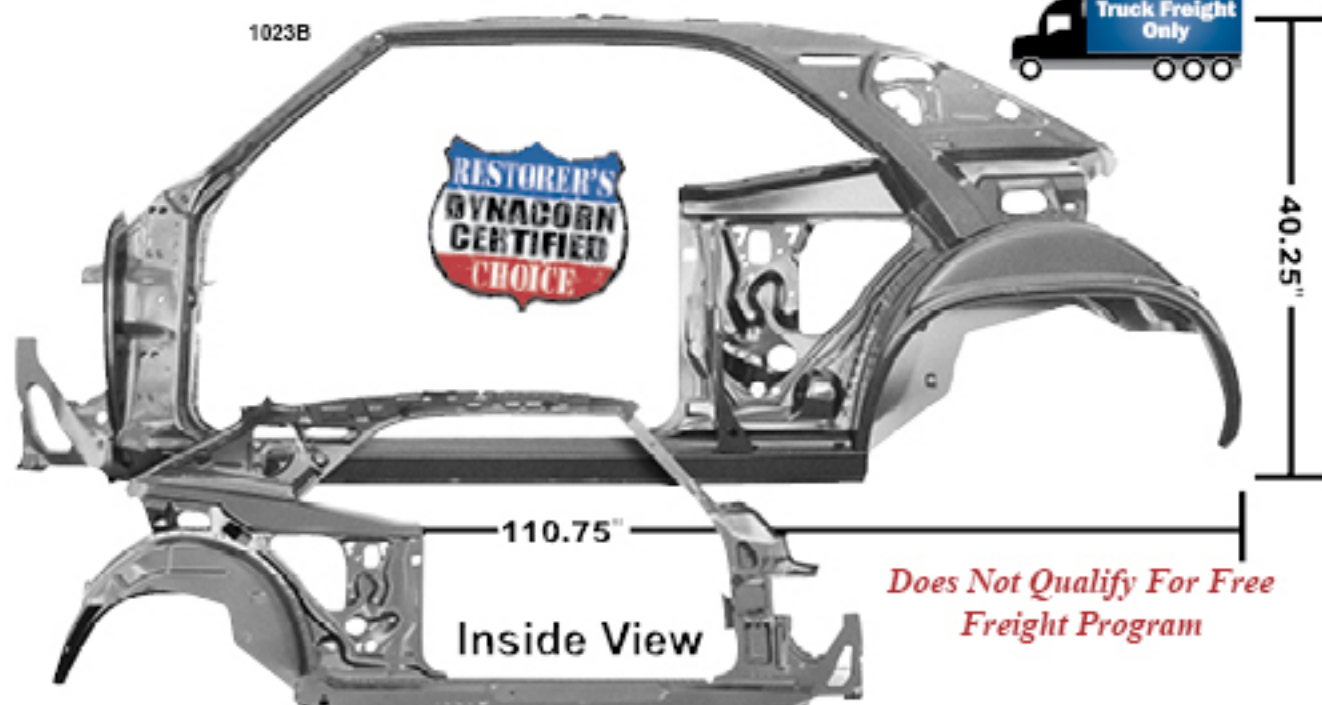
1023H



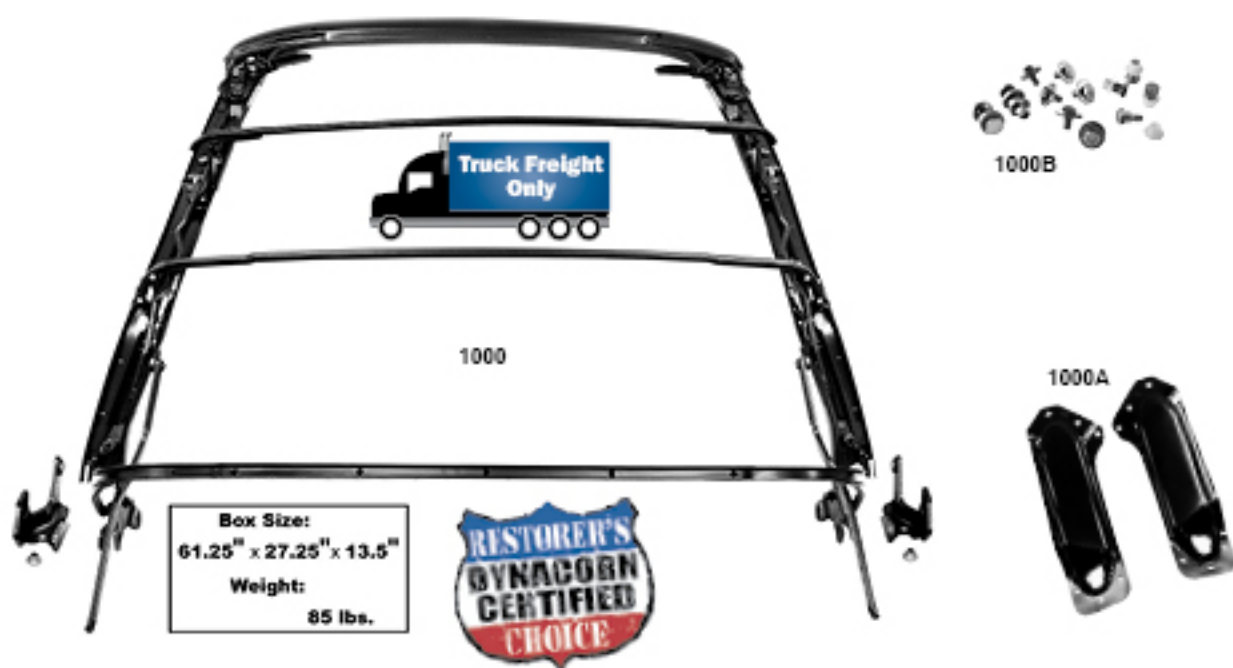
Quarter/Door Frame Assemblies continued next page...

1022	1968	Quarter/Door Frame Assembly, RH
1023	1968	Quarter/Door Frame Assembly, LH
1023G	1968	Inner Door Frame, RH
1023H	1968	Inner Door Frame, LH

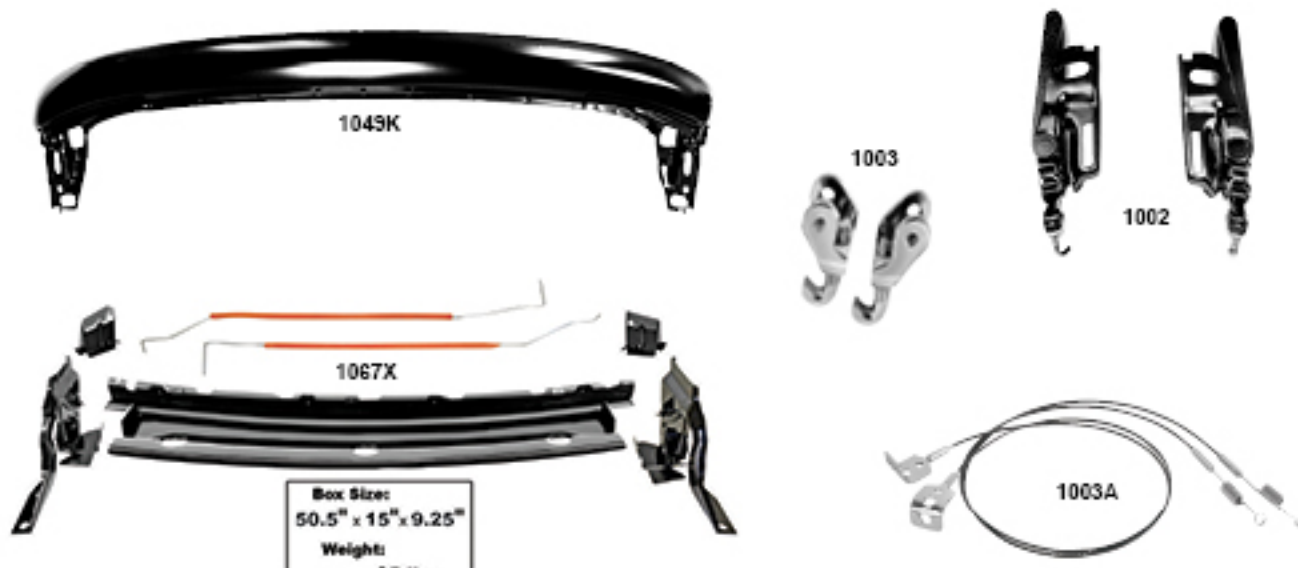
1969



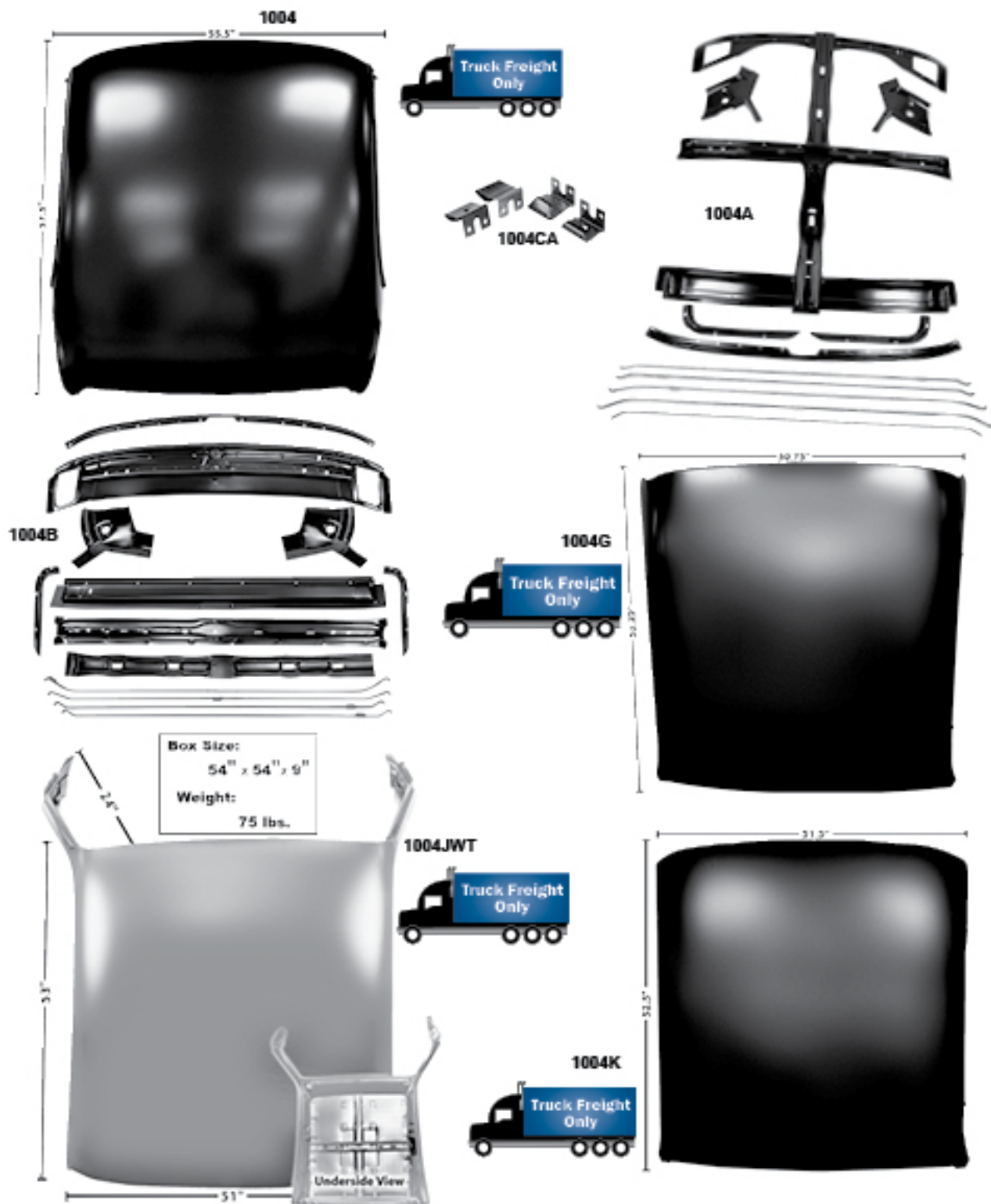
1023A	1969	Quarter/Door Frame Assembly, RH
1023B	1969	Quarter/Door Frame Assembly, LH
1023C	1969	Inner Door Frame, RH
1023D	1969	Inner Door Frame, LH



1000	1967-69	Convertible Top Frame Assembly, Power Top
1000A	1967-69	Convertible "B" Pillar Support Brackets
1000B	1967-69	Convertible Top Pivot Bolt Set, 16 pcs.



1049K	1967-69	Convertible Top Header Bow
1067X	1967-69	Torsion Bar Chassis for Convertible
1002	1967-69	Convertible Top Latch Assemblies (Top Components)
1003	1967-69	Convertible Top Latches (Hooks & Knuckles only)
1003A	1967-69	Convertible Top Springs



1004	1967-69	Roof Panel
1004A	1967-68	Roof Panel Brace Kit, 14 Pcs.
1004CA	1967-69	Roof Rail Weatherstrip Retainer Clips, 4 pcs.
1004B	1969	Roof Panel Brace Kit, 7 Pcs.
1004G	1970-74	Roof Panel
1004JWT	1970-73	Roof Assembly w/Windshield Posts, Weld-Through Primer
1004K	1975-81	Roof Panel



1004F	1967-69	Roof Drip Rails
1004H	1967-69	Windshield Pillar Drip Rails



1076A



1075A

Door Glass on pg. FB49-50 ... **1967**

Door Handles on pg. FB33...




Doors & Hardware continued next pages...

1463JM	1967-68	Power Window Motor, RH
1463KM	1967-68	Power Window Motor, LH
1076A	1967	Door Shell RH
1076B	1967	Door Shell LH
1075A	1967	Door Skin RH
1075B	1967	Door Skin LH
1556Y	1967	Door Hinge, Upper RH
1556Z	1967	Door Hinge, Upper LH
1556W	1967	Door Hinge, Lower RH
1556X	1967	Door Hinge, Lower LH
7648724	1967	Door Latch RH
7648725	1967	Door Latch LH
1076FE	1967-75	Door Lock Striker, (Also fits 1967-81 Camaro®)
7651903	1967	Window Regulator, Deluxe RH
7651904	1967	Window Regulator, Deluxe LH
7660238	1967-69	Quarter Window Regulator, RH
7660239	1967-69	Quarter Window Regulator, LH
1076H	1967-69	Door Window Guide Stabilizers




1968

1076C



Box Size:
50.5" x 28" x 9"
Weight:
48.5 lbs.


1075C




Box Size:
49.75" x 25.25" x 6.5"
Weight:
23 lbs.

Door Glass on pg. FB49-50 ...


1076DC




1076DA




7740484



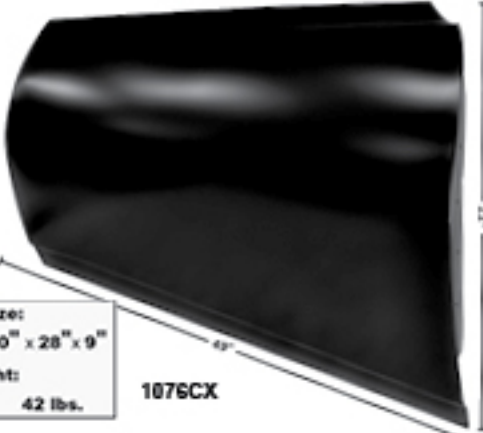
1076H



1076FE



1076CX



Box Size:
50" x 28" x 9"
Weight:
42 lbs.

Door Handles on pg. FB33...

1076C	1968	Door Shell RH
1076D	1968	Door Shell LH
1076CX	1968	Door Shell , Custom, RH (No door lock, handle, or mirror holes)
1076DX	1968	Door Shell , Custom, LH (No door lock, handle, or mirror holes)
1075C	1968	Door Skin RH
1075D	1968	Door Skin LH
1076DA	1968	Door Hinge, Upper RH
1076DB	1968	Door Hinge, Upper LH
1076DC	1968	Door Hinge, Lower RH
1076DD	1968	Door Hinge, Lower LH
7740484	1968	Door Latch RH
7740485	1968	Door Latch LH
1076FE	1967-75	Door Lock Striker (Also fits 1967-81 Camaro®)
1076H	1967-69	Door Window Guide Stabilizers



1463JM



Box Size:
8.75" x 6" x 3.75"
Weight:
4 lbs.

7726802

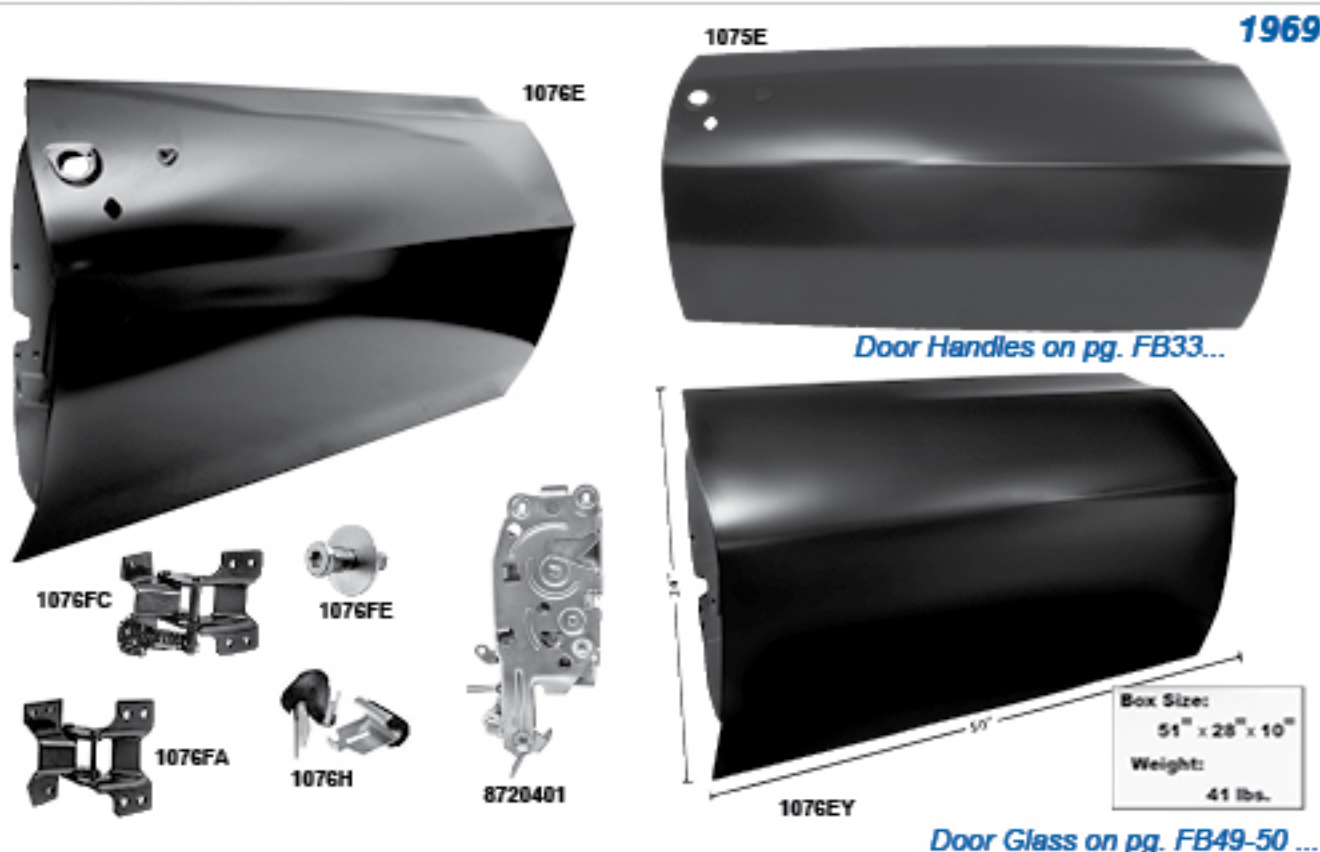


7660238

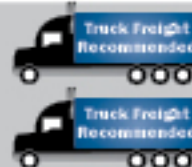


1463JM	1967-68	Power Window Motor, RH
1463KM	1967-68	Power Window Motor, LH
7726801	1968-69	Window Regulator, Deluxe RH
7726802	1968-69	Window Regulator, Deluxe LH
7660238	1967-69	Quarter Window Regulator, RH
7660239	1967-69	Quarter Window Regulator, LH

Muscle Car Parts & Molding • Muscle Car Parts & Molding • Muscle Car Parts & Molding



1076E	1969	Door Shell RH
1076F	1969	Door Shell LH
1076EY	1969	Door Shell, Custom, RH (No door lock, handle, or mirror holes)
1076FY	1969	Door Shell, Custom, LH (No door lock, handle, or mirror holes)
1075E	1969	Door Skin RH
1075F	1969	Door Skin LH
1076FA	1969	Door Hinge, Upper RH
1076FB	1969	Door Hinge, Upper LH
1076FC	1969	Door Hinge, Lower RH
1076FD	1969	Door Hinge, Lower LH
8720401	1969	Door Latch RH
8720402	1969	Door Latch LH
1076FE	1967-75	Door Lock Striker (Also fits 1967-81 Camaro®)
1076H	1967-69	Door Window Guide Stabilizers



7726801	1968-69	Window Regulator, Deluxe RH
7726802	1968-69	Window Regulator, Deluxe LH
7660238	1967-69	Quarter Window Regulator, RH
7660239	1967-69	Quarter Window Regulator, LH

1970-74



1076P



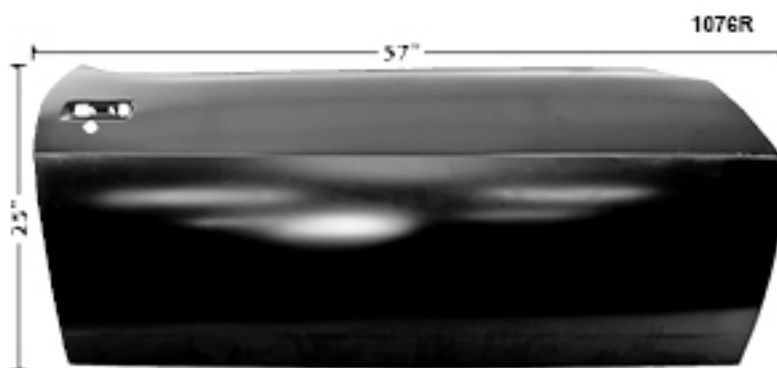
1076QC



1076QA



Door Glass on pg. FB49-50 ...



1076R



1076FE



1748553



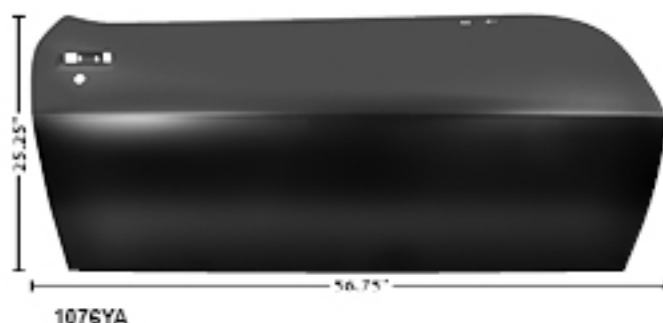
1076T



1076W

1076P	1970-73	Door Shell RH
1076Q	1970-73	Door Shell LH
1076R	1970-73	Door Skin RH
1076S	1970-73	Door Skin LH
1076QC	1970-81	Door Hinge, Upper RH
1076QD	1970-81	Door Hinge, Upper LH
1076QA	1970-81	Door Hinge, Lower , Fits both sides
1748553	1970-81	Door Latch RH
1748554	1970-81	Door Latch LH
1076FE	1967-75	Door Lock Striker (Also fits 1967-81 Camaro®)
1076T	1970-81	Window Guides & Stop, 4 pcs.
1076W	1970-81	Window Rear Guides, RH, 2 pcs
1076X	1970-81	Window Rear Guides, LH, 2 pcs

1974-81



Door Glass on
pg. FB49-50...

1076YC	1977-81	Door Shell, RH Trans Am®/Firebird®
1076YD	1977-81	Door Shell, LH Trans Am®/Firebird®
1076YA	1974-81	Door Skin, RH Trans Am®/Firebird®
1076YB	1974-81	Door Skin, LH Trans Am®/Firebird®



Door locks on pg. FB68 ...

M1037	1967-69	Exterior Door Handle Assemblies With Push Buttons
M1037C	1967-69	Door Handle Push Buttons
M1037A	1967-81	Window Crank, Black
M1037B	1967-81	Window Crank, Clear
1077A	1970-81	Exterior Door Handle, Chrome RH
1077B	1970-81	Exterior Door Handle, Chrome LH

1967 Firebird



1066S	1967	Full Quarter Panel RH, Coupe, Firebird®
1066T	1967	Full Quarter Panel LH, Coupe, Firebird®
1066N	1967	Full Quarter Panel RH, Convertible, Firebird®
1066P	1967	Full Quarter Panel LH, Convertible, Firebird®

1968 Firebird



1066U	1968	Full Quarter Panel RH, Coupe, Firebird®
1066V	1968	Full Quarter Panel LH, Coupe, Firebird®
1066Q	1968	Full Quarter Panel RH, Convertible, Firebird®
1066R	1968	Full Quarter Panel LH, Convertible, Firebird®

1969 Firebird

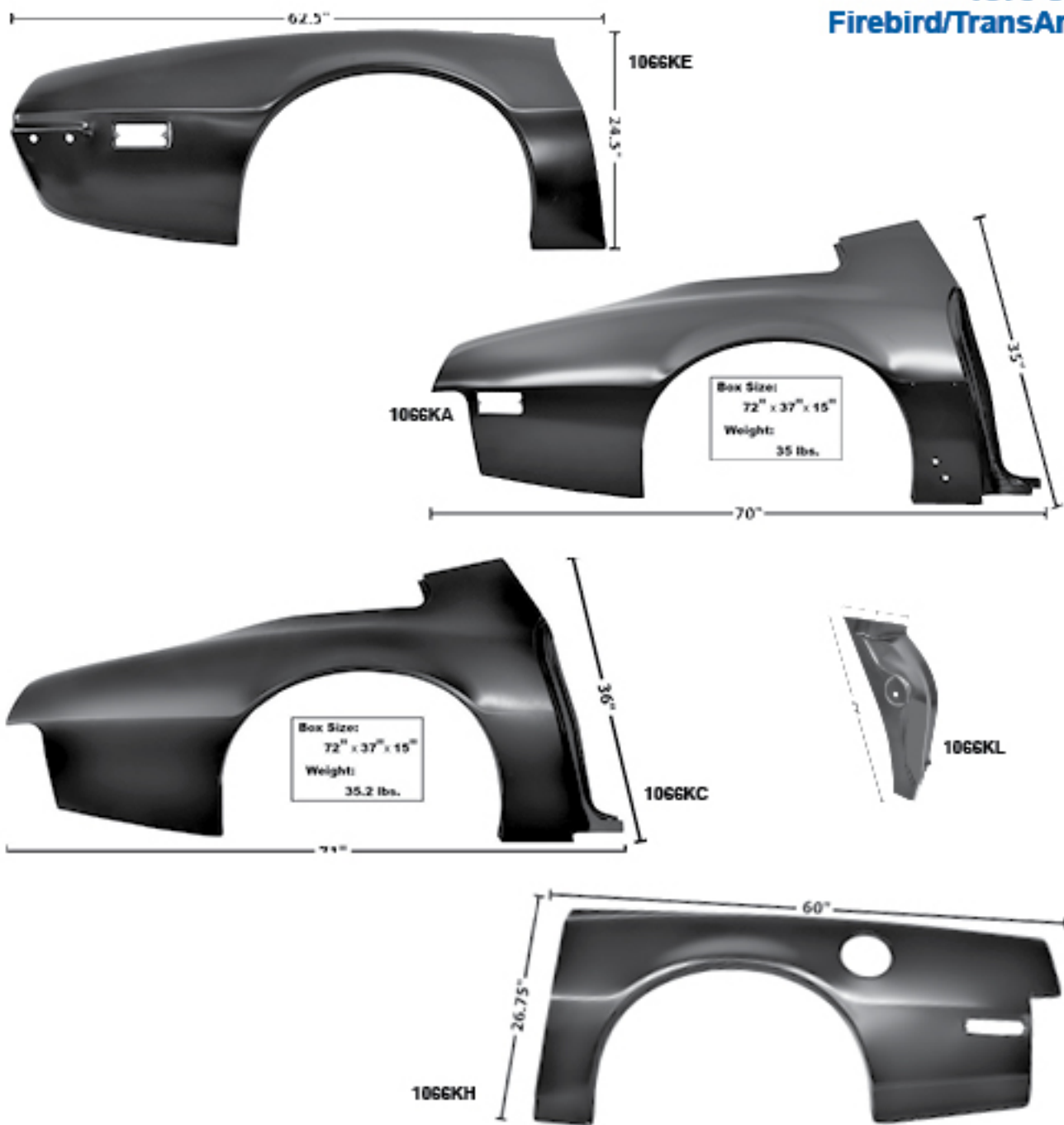


1066H	1969	Full Quarter Panel RH, Coupe, Firebird®
1066I	1969	Full Quarter Panel LH, Coupe, Firebird®
1066L	1969	Full Quarter Panel RH, Convertible, Firebird®
1066M	1969	Full Quarter Panel LH, Convertible, Firebird®

1970-89
Firebird/TransAm

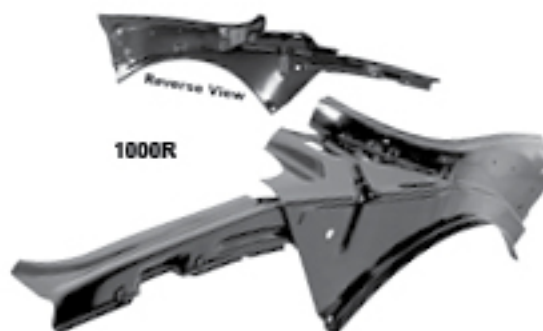
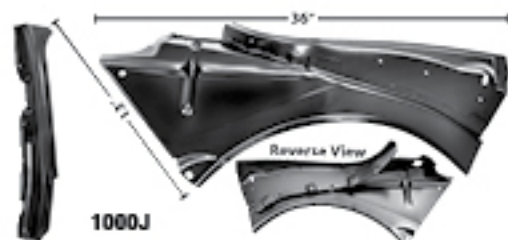
Quarter Panels & Skins

Muscle Car Parts & Molding • Muscle Car Parts & Molding • Muscle Car Parts & Molding



1066KE	1970-73	Quarter Panel Skins, RH	Firebird®
1066KF	1970-73	Quarter Panel Skins, LH	Firebird®
1066KA	1975-81	Quarter Panel, RH,	Trans Am/Firebird®
1066KB	1975-81	Quarter Panel, LH,	Trans Am/Firebird®
1066KC	1975-81	Quarter Panel without Lamp Holes, RH,	Trans Am/Firebird®
1066KD	1975-81	Quarter Panel without Lamp Holes, LH,	Trans Am/Firebird®
1066KL	1979-81	Quarter Filler Panel (at Lamp), RH,	Firebird®
1066KM	1979-81	Quarter Filler Panel (at Lamp), LH,	Firebird®
1066KG	1982-89	Quarter Panel Skins, RH	Firebird®
1066KH	1982-89	Quarter Panel Skins, LH	Firebird®





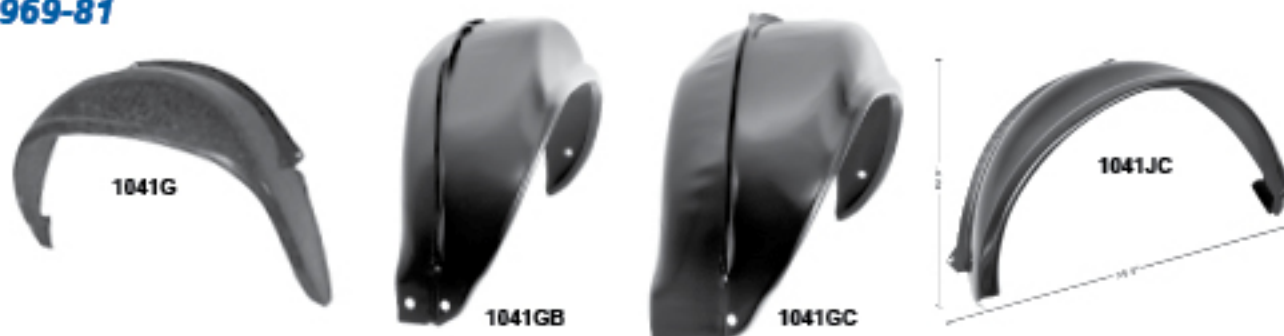
1000J	1967-68	Quarter Panel Inner Bracket RH, Convertible
1000K	1967-68	Quarter Panel Inner Bracket LH, Convertible
1000R	1969	Quarter Panel Inner Bracket RH, Convertible
1000L	1969	Quarter Panel Inner Bracket LH, Convertible

1967-68



1041A	1967	Inner Wheelhouse LH
1041B	1968-69	Inner Wheelhouse LH
1041C	1967-69	Inner Wheelhouse RH
1041FD	1967-69	6 Inch Inner Wheelhouse RH
1041GD	1968-69	6 Inch Inner Wheelhouse LH
1041D	1967-68	Outer Wheelhouse RH
1041E	1967-68	Outer Wheelhouse LH

1969-81



1041F	1969	Outer Wheelhouse RH
1041G	1969	Outer Wheelhouse LH
1041GA	1969	Complete Wheelhouse (Outer & 3 3/4" Inner) RH
1041GB	1969	Complete Wheelhouse (Outer & 3 3/4" Inner) LH
1041FC	1969	Complete Wheelhouse (Outer & 6" Wide Inner) RH
1041GC	1969	Complete Wheelhouse (Outer & 6" Wide Inner) LH
1041JC	1975-81	Outer Wheelhouse, RH Trans Am/Firebird®
1041HC	1975-81	Outer Wheelhouse, LH Trans Am/Firebird®

Muscle Car Parts & Molding • Muscle Car Parts & Molding • Muscle Car Parts & Molding



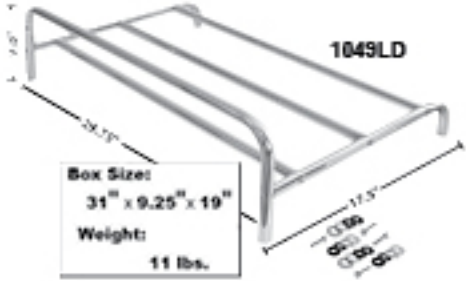
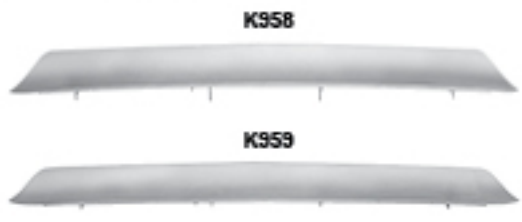
1074	1967-69	Rear Deck Filler Panel, Convertible
1075	1967-69	Rear Deck Filler Panel, OE Type, Coupe
1075G	1970-81	Rear Window Filler Panel
1075GA	1970-81	Rear Deck Inner Filler Panel, Coupe



1967-69



Box Size:
55" x 26" x 3.5"
Weight:
26 lbs.



Box Size:
31" x 9.25" x 19"
Weight:
11 lbs.

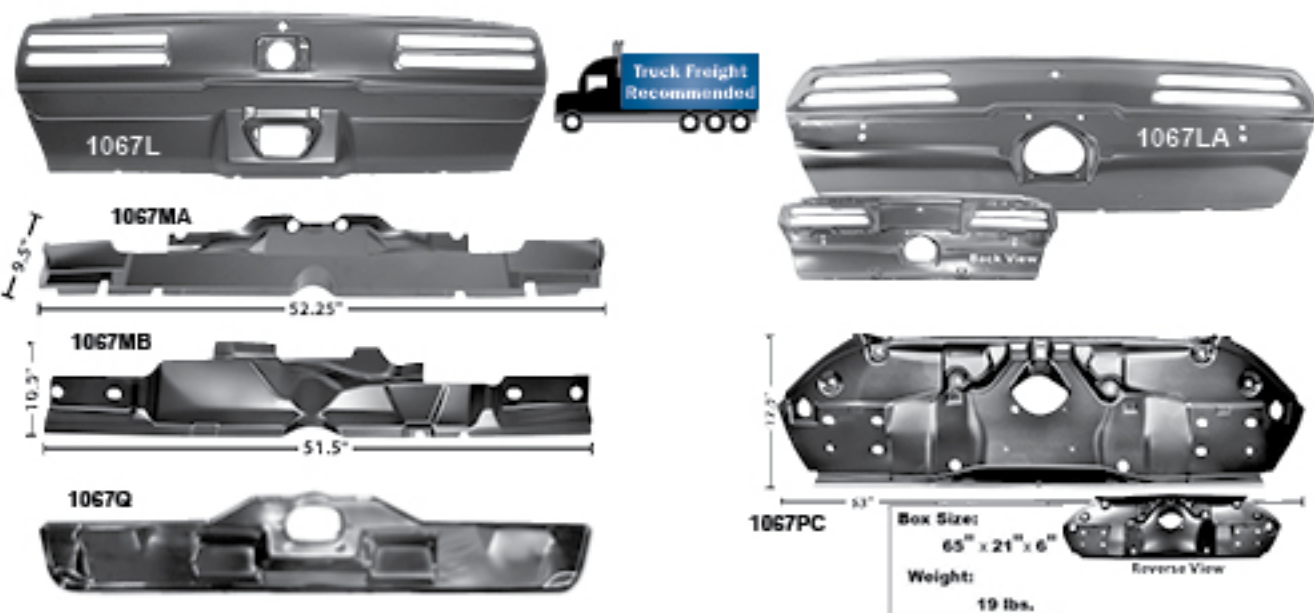
1049L	1967-69	Trunk Lid without spoiler holes
1049LE	1967-69	Trunk Lid with spoiler holes
1049LA	1967-69	Trunk Hinges
1049LC	1967-69	Trunk Hinge Torsion Rods
1049LB	1967-69	Package Shelf Extensions, Coupe
M1019	1967-69	Trunk Latch
1067ZA	1967-69	Trunk Lid Catch
1049LD	1967-69	Trunk Lid Luggage Rack
K958	1967-68	Rear Spoiler
K959	1969	Rear Spoiler
1049LG	1967-69	Trunk Weatherstrip Channels



1970-81



1049G	1970-81	Trunk Lid
M1019A	1970-81	Trunk Latch
1048ZBWT	1970-73	Trunk Weatherstrip Channels, Weld-Through Primer



1067L	1967-68	Tail Light Panel, Firebird®
1067LA	1969	Tail Light Panel w/Mounting Bracket, Firebird®
1067Q	1969	Rear Cross Rail
1067MA	1970-73	Rear Cross Rail
1067MB	1975-81	Rear Cross Rail
1067PC	1979-81	Tail Light Panel



T13C	1967-87	Fuel Door
------	---------	-----------

Lic. Plate Brkt.



1078	1969	Rear License Plate Bracket
------	------	----------------------------

1967-73

T10



T10A

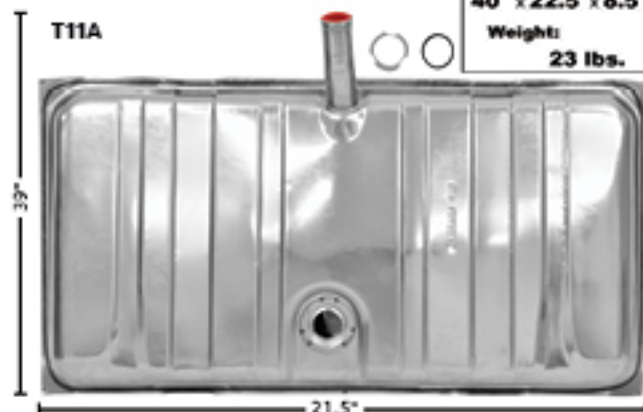
T11



Box Size:
41.75" x 27.5" x 8"
Weight:
23 lbs.

T12

T11A



Box Size:
40" x 22.5" x 8.5"
Weight:
23 lbs.

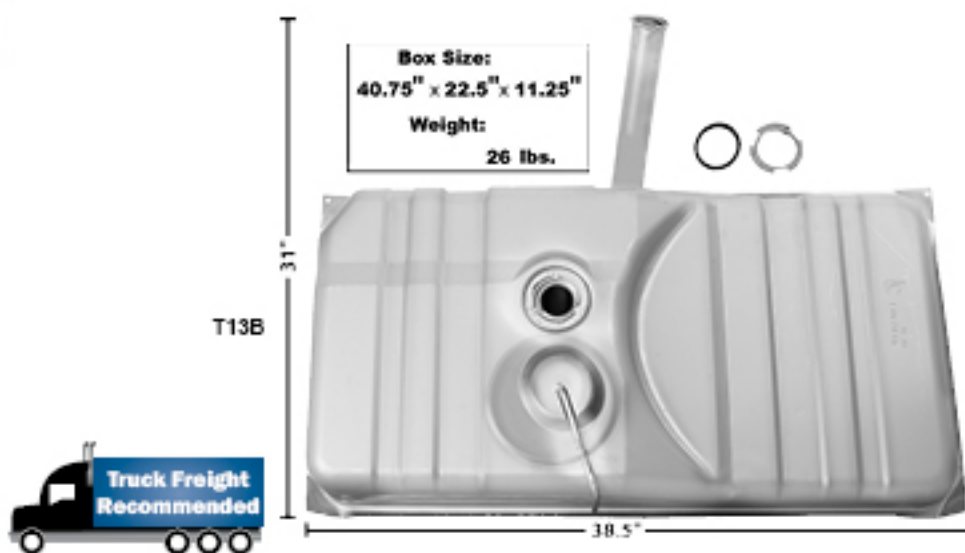
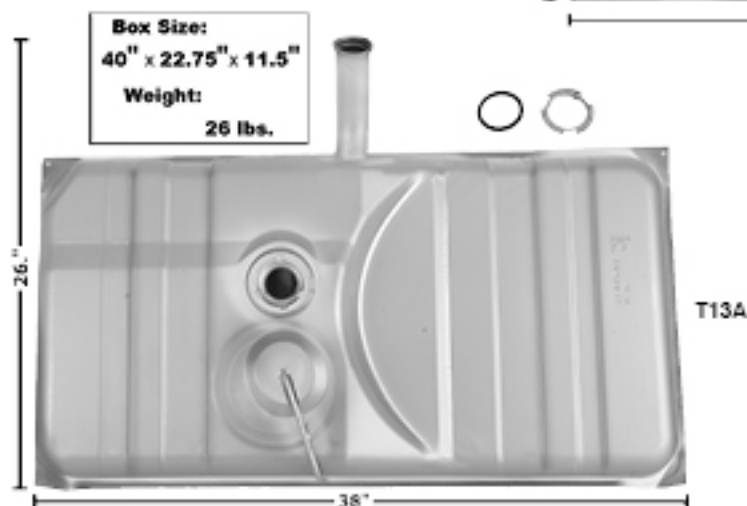
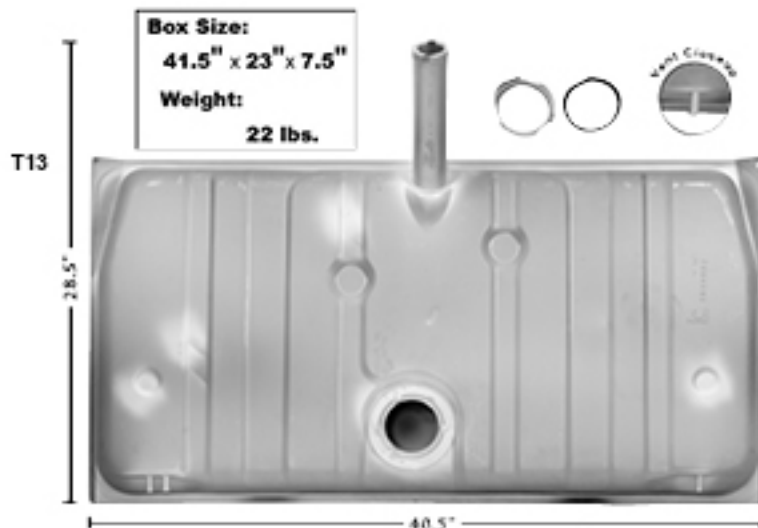


Fuel Tanks continued
next page...

Muscle Car Parts & Molding • Muscle Car Parts & Molding • Muscle Car Parts & Molding

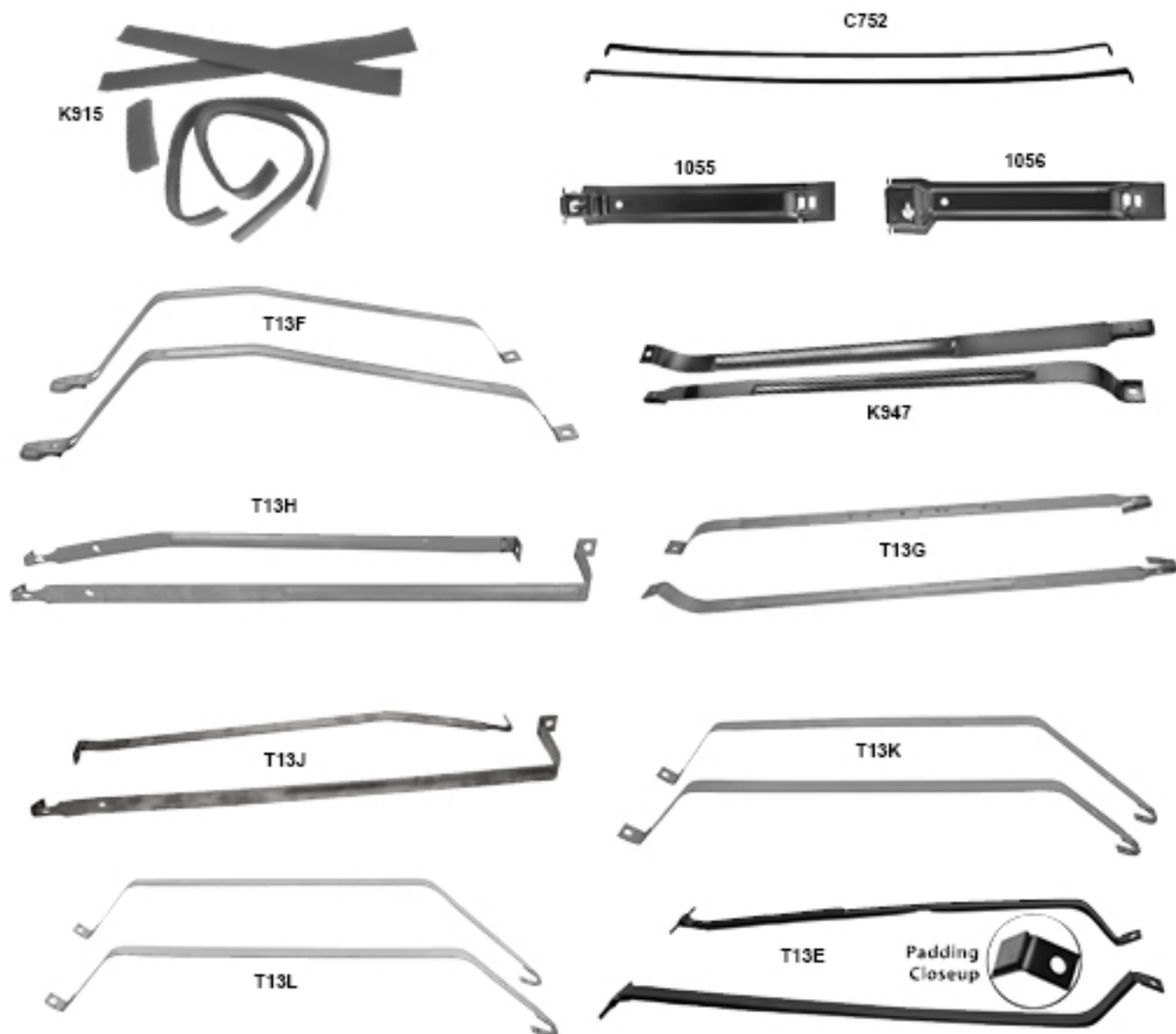
T10	1967-68	Fuel Tank
T10A	1967-68	Fuel Tank, Stainless
T11	1969	Fuel Tank
T11A	1969	Fuel Tank, Stainless
T12	1970	Fuel Tank without vent pipe or EEC

1971-81



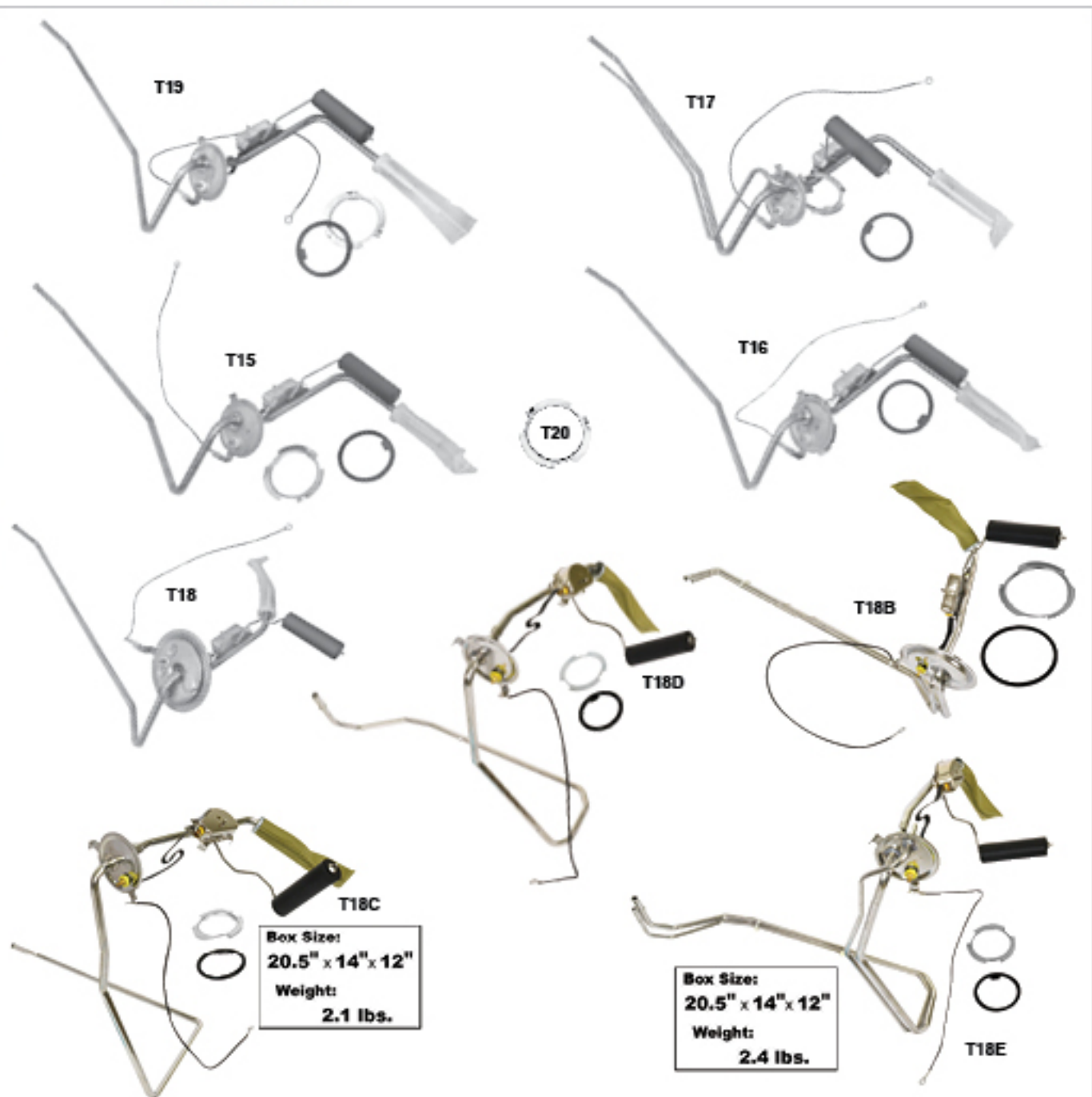
T13	1971-73	Fuel Tank with vent pipe
T13A	1974-78	Fuel Tank
T13B	1979-81	Fuel Tank with filler neck

Muscle Car Parts & Molding • Muscle Car Parts & Molding • Muscle Car Parts & Molding



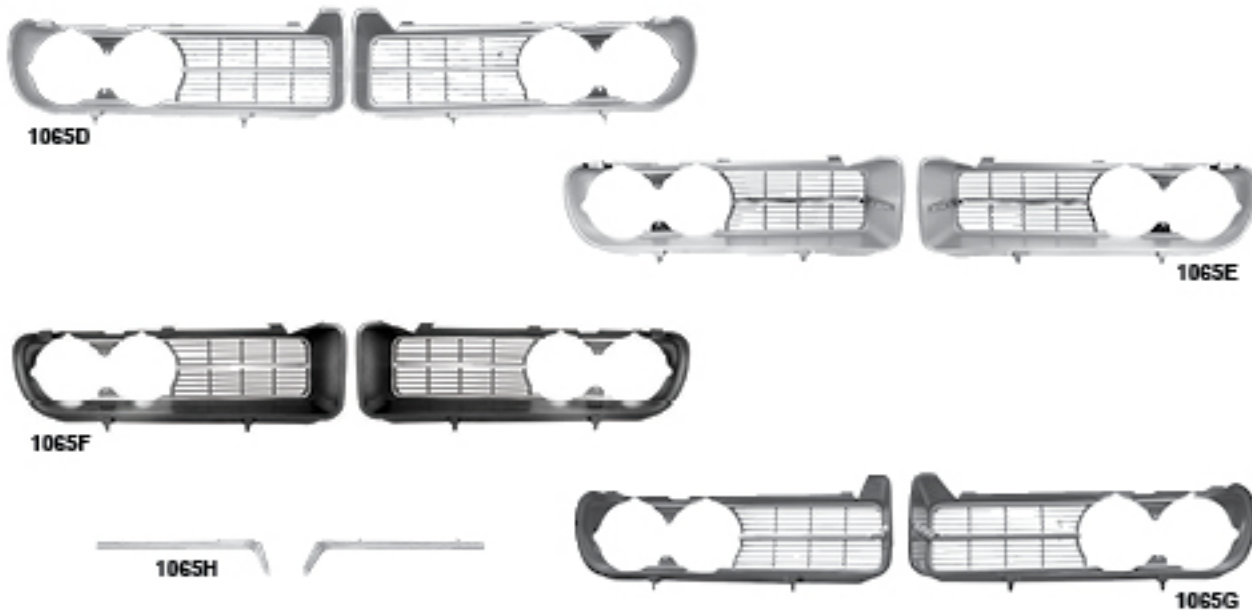
K915	1967-69	Fuel Tank Anti-Squeak Kit, 5 pcs.	
C752	1967-69	Fuel Tank Mounting Straps	
T13F	1967-69	Fuel Tank Mounting Straps, Stainless	
1055	1967-68	Fuel Tank Brace, Fits both sides	
1056	1969	Fuel Tank Brace, RH	
1057	1969	Fuel Tank Brace, LH	
K947	1970-73	Fuel Tank Mounting Straps	
T13G	1970-73	Fuel Tank Mounting Straps, Stainless	
T13H	1973-75	Fuel Tank Mounting Straps	
T13J	1973-75	Fuel Tank Mounting Straps, Stainless	
T13K	1976-81	Fuel Tank Mounting Straps	
T13L	1976-81	Fuel Tank Mounting Straps, Stainless	
1057A	New	1975-81	Fuel Tank Brace Set, 2 pcs.
T13E	1982-02	Fuel Tank Mounting Strap	

Coming Soon!



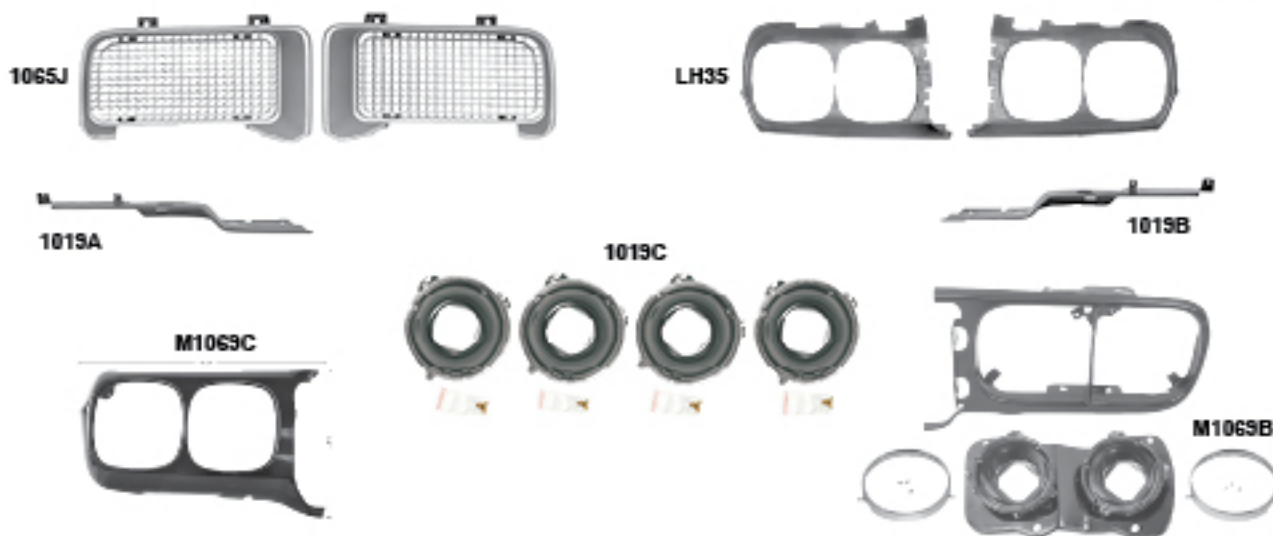
T20	1967-81	Fuel Sending Unit Locking Ring
T19	1967-68	Fuel Sending Unit, 3/8" (M21) (For 302, Z28, 327, 350, 396 Single Line)
T17	1967-69	Fuel Sending Unit, For 350, 4 BBL, 3/8" (M24), (Dual Line)
T16	1967-68	Fuel Sending Unit, V8, 3/8" (M23) and
	1969	8 cyl, 3/8" and 396, 2 BBL
T15	1968-69	Fuel Sending Unit 6 cyl, 5/16" (M22)
T18	1970-73	Fuel Sending Unit, 3/8" (M25)
T18B	1970-73	Fuel Sending Unit, 3/8" & 1/4" Stainless
T18C	1974-75	Fuel Sending Unit, 3/8" Stainless
T18D	1977-81	Fuel Sending Unit, 3/8" Stainless
T18E	1977-80	Fuel Sending Unit, 3/8" & 1/4" Stainless

1967-68

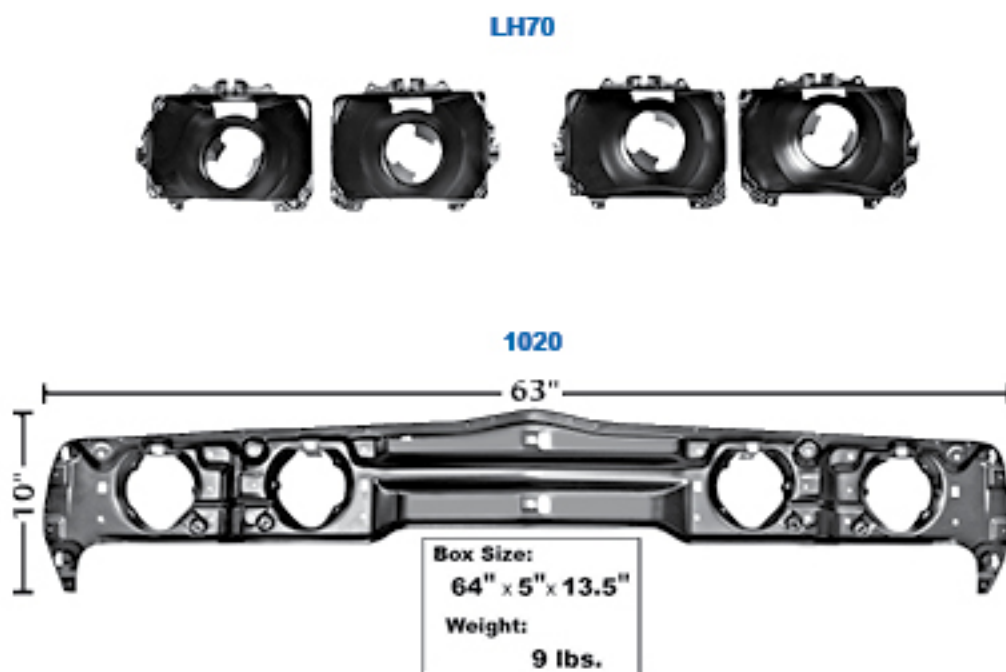


1065D	1967	Standard Grille, 2 Pcs.
1065E	1967	"400" Grille, 2 Pcs.
1065F	1968	Standard Grille, 2 Pcs.
1065G	1968	"400" Grille, 2 Pcs.
1065H	1967-68	Grille Inserts for "400" Grille

1969-81



1065J	1969	Firebird/Trans Am Grille, 2 pcs.
1019C	1969	Headlamp Mounting Buckets, 4 pcs.
M1069C	1969	Headlamp Bezel, RH
M1069D	1969	Headlamp Bezel, LH
LH35	1969	Headlamp Bezel Seals
M1069A	1969	Headlamp Mounting Bucket & Bezel Assembly, RH
M1069B	1969	Headlamp Mounting Bucket & Bezel Assembly, LH
1019A	1969	Headlamp Mounting Bracket, RH
1019B	1969	Headlamp Mounting Bracket, LH



LH70	New	1979-81	Head lamp Bucket Set, 4 pcs, Trans Am
1020	New	1979-81	Head lamp Backing Support Panel, Trans Am
1039EB	New	1979-81	Head lamp Backing Plate Support (Also fits Trans Am®)

Coming Soon!



1072C	1967-68	Wiper Motor Transmission Arm
1072D	1969	Wiper Motor Transmission Arm



M1029A	1967-69	Chrome Wiper Arms, Coupe
M1029B	1967-69	Brushed Chrome Wiper Arms, Coupe
M1029C	1967-69	Chrome Wiper Arms, Convertible
M1029D	1967-69	Brushed Chrome Wiper Arms, Convertible
M1029E	1967-69	Wiper Blades

3899857



3899857	1967	Remote Mirror, LH
M1032A	1967-69	Round Mirror without "bow-tie"

1967-69



Windshield Moldings
continued next page...

M1025A	1967-69	Windshield Moldings, 5 pcs., Coupe
M1033	1967-69	Windshield Moldings, 5 pcs., Convertible

Windshield Mldgs.

1970-81



M1029F 1970-81 Windshield Moldings, 5 pcs.

Drip Rail Molding



M1050A 1967-69 Drip Rail Moldings, 6 pcs.

Roof Rail Retainer



1004C 1967-69 Roof Rail Weatherstrip Retainers, 6 pcs.

Wheel Opening Moldings



M1000



M1004



M1008



M1003



M5704

M1000	1967-68	Wheel Opening Molding, Front RH
M1001	1967-68	Wheel Opening Molding, Front LH
M1002	1967	Wheel Opening Molding, Rear RH
M1003	1967	Wheel Opening Molding, Rear LH
M1004	1968	Wheel Opening Molding, Rally Sport, Rear RH
M1005	1968	Wheel Opening Molding, Rally Sport, Rear LH
M5704	1969	Wheel Opening Molding, Front RH, <i>Firebird</i>
M5705	1969	Wheel Opening Molding, Front LH, <i>Firebird</i>
M1008	1969	Wheel Opening Molding, Rear RH
M1009	1969	Wheel Opening Molding, Rear LH

Muscle Car Parts & Molding • Muscle Car Parts & Molding • Muscle Car Parts & Molding



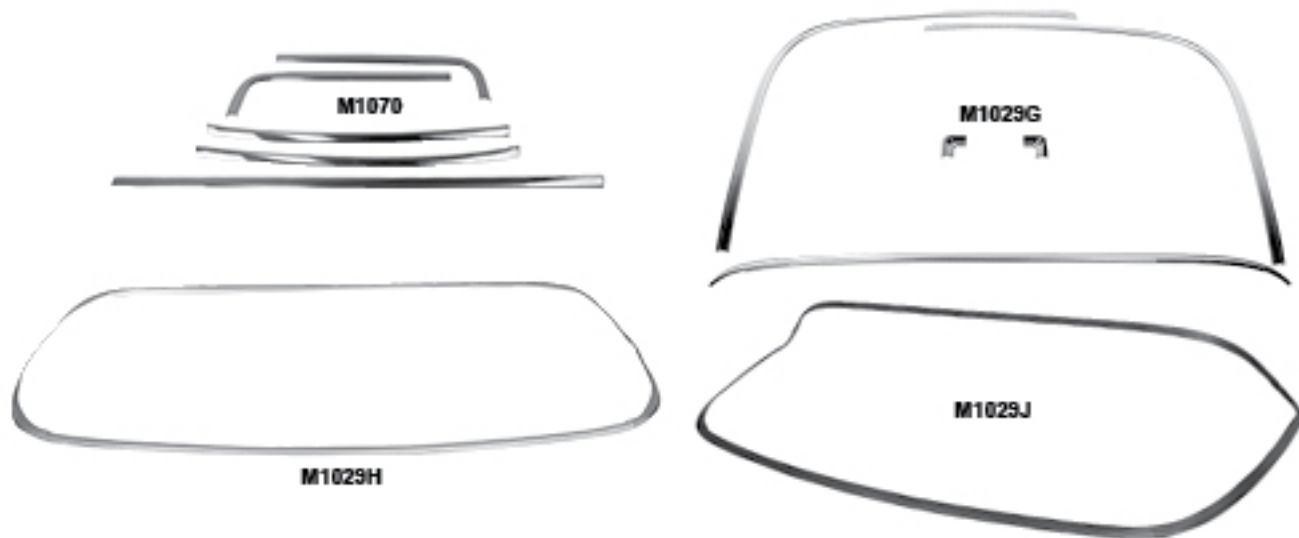
M1009A 1970-81 Wheel Opening Molding Set, 4 pcs., Firebird®



M1012 1970-81 Rocker Panel Molding Fits both sides, (Also fits 1976-81 Camaro®)



M1038A 1967-68 Quarter Panel Ornaments, 12 pcs.



M1070	1967-69	Rear Window Moldings, 5 Pcs.
M1029G	1970-74	Rear Window Moldings, 5 Pcs.
M1029H	1975-77	Rear Window Moldings, 4 Pcs. Chrome
M1029J	1978-81	Rear Window Moldings, 4 Pcs. Black

Vinyl Top Molding



K863 1967-68 Vinyl Top Moldings, 2 pcs.



K653 1969 Vinyl Top Moldings, 4 pcs.

CV Top Well Molding



M1041 1967-69 Convertible Top Well Moldings



(Clips are sold as singles; multiple clips shown to illustrate shape of clip. Six are needed per well.)

M1041A 1967-69 Convertible Top Well Molding Clips, (6 per well)

Exterior Electrical & Components

1967-68



5959716



M1618



L1000



L1002

5959716	1967-68	Tail Lamp Lens, <i>Firebird®</i>
M1618	1967-69	License Plate Lamp
L1000	1968	Rear Side Markers, <i>Firebird®</i>
L1002	1968	Rear Side Marker Bezels, <i>Firebird®</i>

1969



M1039C



M1039D



5961294



L1009

M1039C	1969	Parking Lamp, Fits both sides <i>Firebird®</i>
M1039D	1969	Parking Lamp Buckets, <i>Firebird®</i>
5961294	1969	Tail Lamp Lens, <i>Firebird®</i>
L1009	1969-72	License Plate Lamp, <i>Firebird®</i>

1970-81

L1004



L1006



L1008



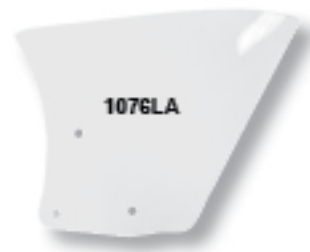
L1004	1970-81	Front Side Marker Lamp, Amber RH, <i>Firebird®</i>
L1005	1970-81	Front Side Marker Lamp, Amber LH, <i>Firebird®</i>
L1006	1970-81	Rear Side Marker Lamp, Red RH, <i>Firebird®</i>
L1007	1970-81	Rear Side Marker Lamp, Red LH, <i>Firebird®</i>
L1008	1970-81	Side Marker Bezels, Front/Rear, <i>Firebird®</i>

1967-69

1004D



1004E



1076ET



Glass, Weatherstrip & Seals cont'd. next page...

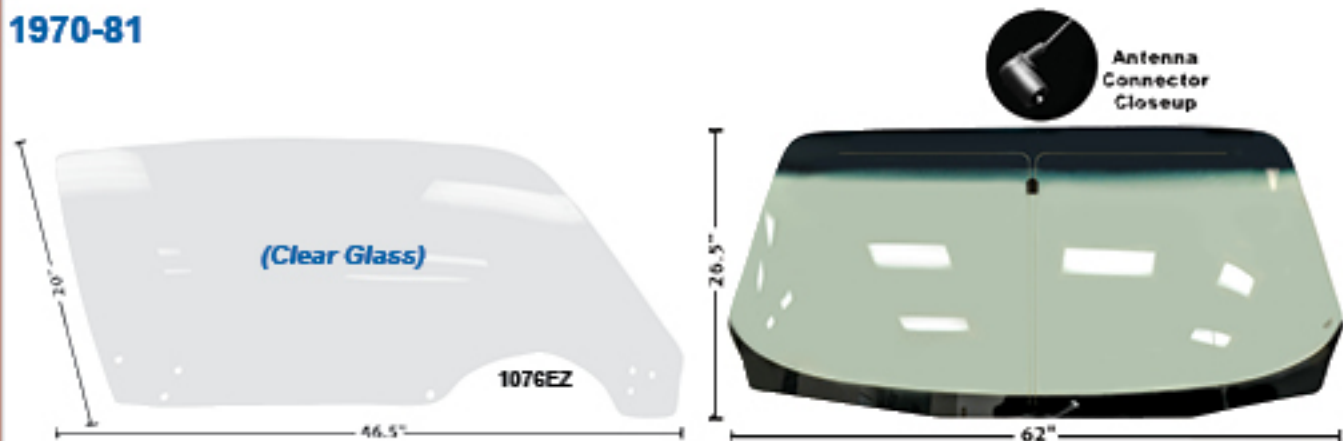
1004D	1967-69	Front Window Glass, Coupe
1004E	1967-69	Rear Window Glass, Coupe
1076ET	1967	Door Glass, Clear, RH Coupe & Convertible
1076FT	1967	Door Glass, Clear, LH Coupe & Convertible
1076MA	1967	Quarter Window Glass, Clear, RH Coupe
1076LA	1967	Quarter Window Glass, Clear, LH Coupe

1968-69

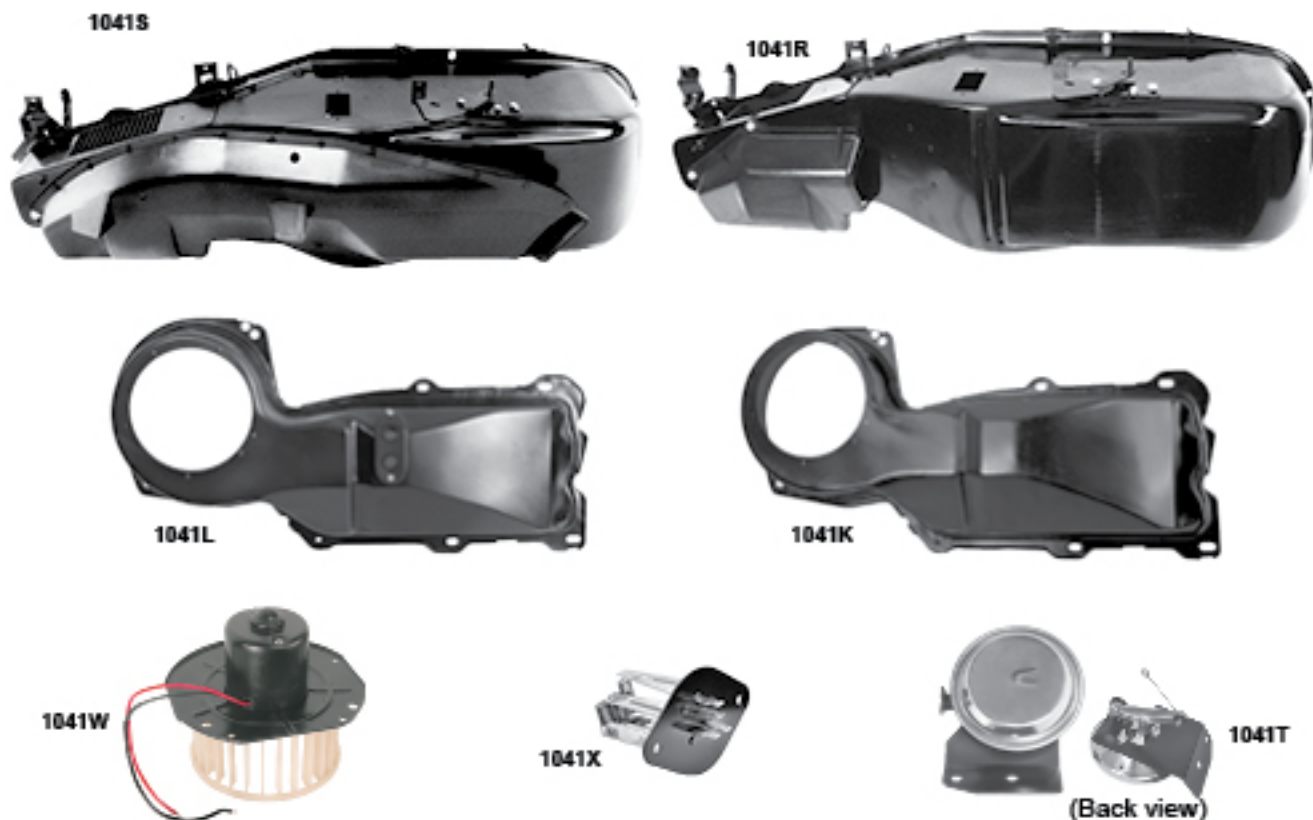


1075L	1968-69	Door Frame Weatherstrips w/steel Inserts.	Best reproduction available!
1076EX	1968-69	Door Glass Assembly, RH	
1076FX	1968-69	Door Glass Assembly, LH	
1076EW	1968-69	Door Glass, Clear, RH Coupe & Convertible	
1076FW	1968-69	Door Glass, Clear, LH Coupe & Convertible	
1076L	1968-69	Quarter Window Assembly, RH Coupe	
1076M	1968-69	Quarter Window Assembly, LH Coupe	
1076J	1968-69	Quarter Window Assembly, RH Convertible	
1076K	1968-69	Quarter Window Assembly, LH Convertible	
1076MB	1968-69	Quarter Window Glass, Clear, RH Coupe	
1076LB	1968-69	Quarter Window Glass, Clear, LH Coupe	

1970-81

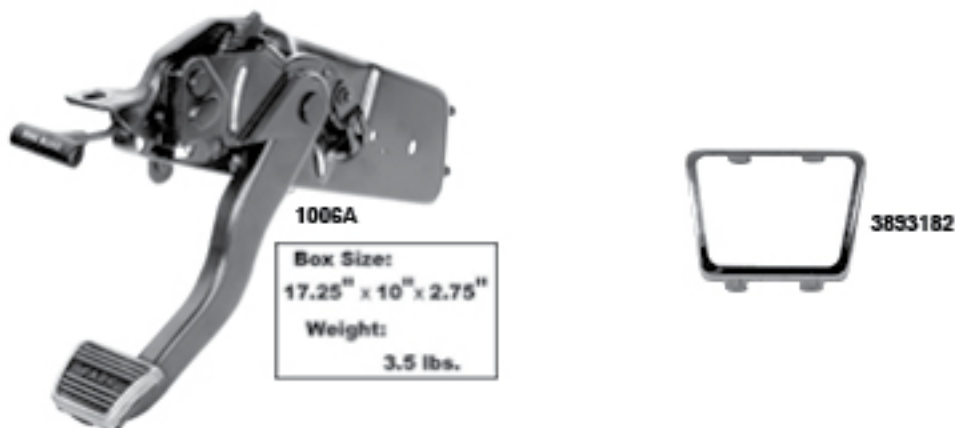


1004DB	1970-81	Front Window Glass, Shaded with Antenna
1076EZ	1971-81	Door Glass, Clear, RH
1076FZ	1971-81	Door Glass, Clear, LH



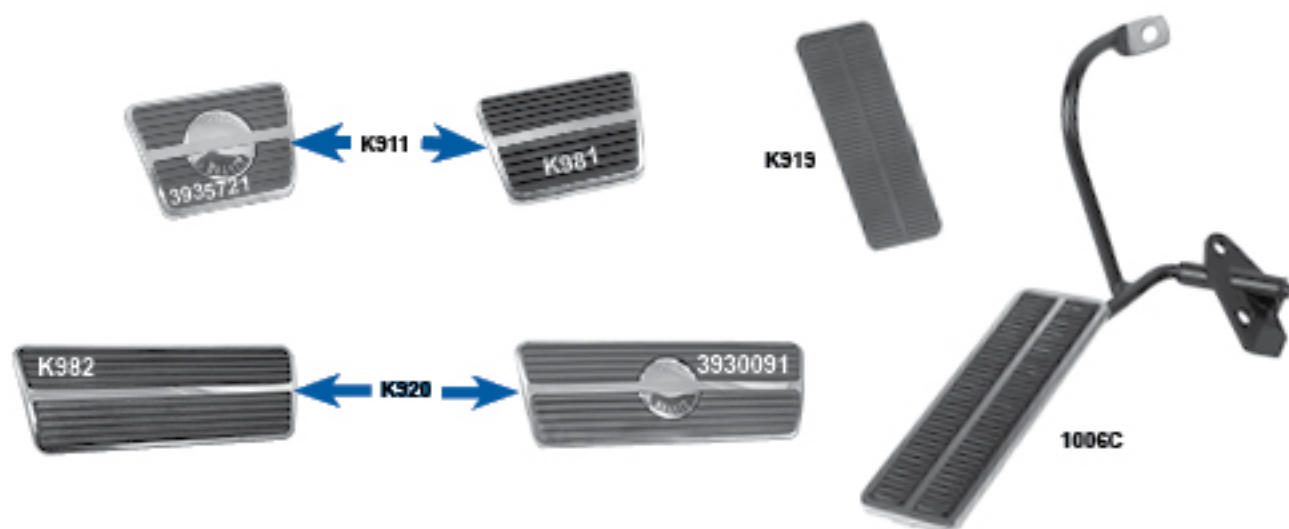
1041S	1967	Heater Core, Without A/C
1041R	1968-69	Heater Core, Without A/C (Also fits 1967-69 Firebird)
1041L	1967-69	Heater Box, Big Block
1041K	1967-81	Heater Box, Small Block without A/C
1041W	1967-76	Heater Blower Motor without A/C
1041X	1969	Heater Blower Motor Resistor
1041T	1967-69	Air Vent Vacuum Motor Assembly

1967-68

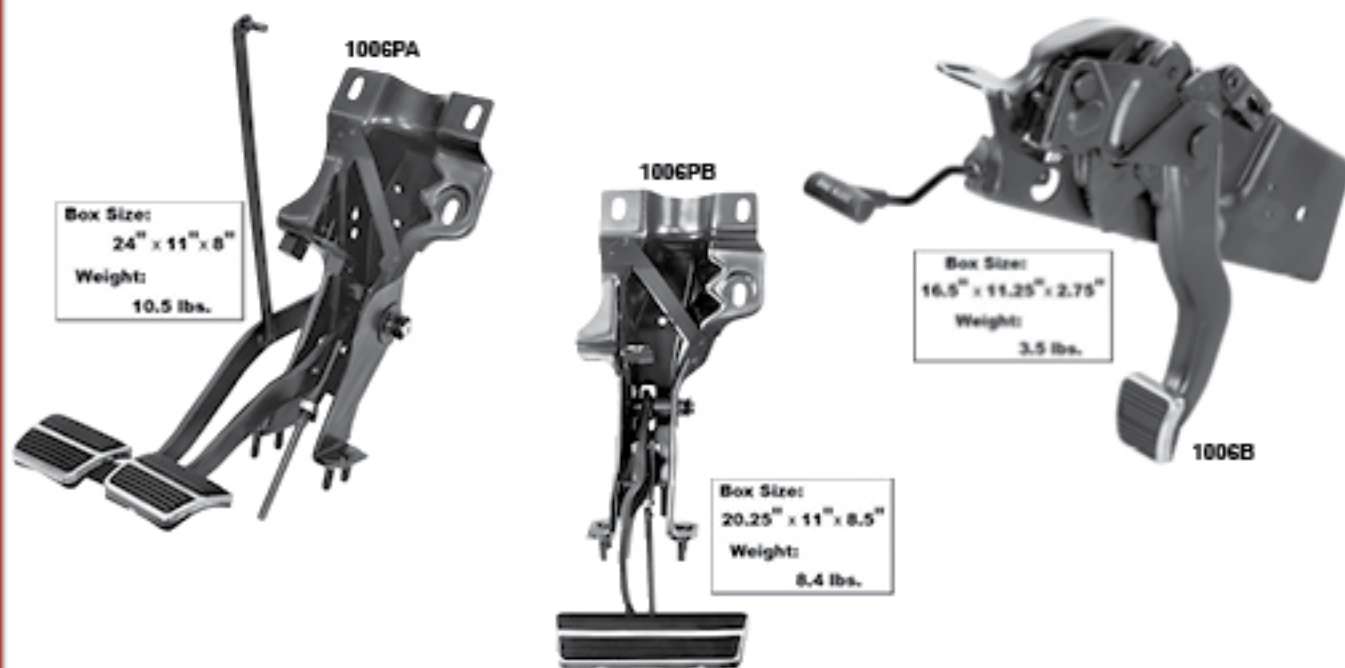


Pedal & Shifter Components continued next page...

1006A	1967-68	Parking Brake Assembly
3893182	1967-68	Parking Brake Pedal Pad Trim



3935721	1967-81	Disc Brake Pedal Pad, Manual Transmission
K981	1967-75	Clutch / Manual Trans. Disc Brake Pad
K911	1967-75	Clutch / Manual Trans. Disc Brake Trim
K982	1967-81	Drum Brake Pedal Pad, Automatic Transmission
3930091	1967-81	Disc Brake Pedal Pad, Automatic Transmission
K920	1967-81	Brake Pedal Pad Trim
1006C	1967-69	Accelerator Pedal Assembly, Cable Style, 6 Cyl. / Dual Carb.
K919	1967-81	Accelerator Pedal Pad



1006PA	1967-68	Clutch/Brake Pedal Assembly (Pedals w/pads and hanger), 4-speed Manual Trans.
1006PB	1967-68	Brake Pedal Assembly (Pedals w/pads and hanger), Automatic Transmission
1006B	1969	Parking Brake Assembly



9746436



9747536



9745977



9746195



3939731



3960722



SW12



K579



M1336



M1337

9746436	1967	Steering Wheel, Deluxe
9747536	1968	Steering Wheel, Deluxe
9745977	1967-68	Steering Wheel, Standard
9746195	1967-68	Steering Wheel, Walnut
3939731	1969	Steering Wheel, Black
3960722	1969	Steering Wheel, Rosewood
SW12	1969	Steering Wheel, Three Spoke Comfort Grip
K579	1967-68	Wood Steering Wheel Mounting Kit
M1336	1967-68	Steering Wheel Hub, 3 1/8" diameter x 1" tall
M1337	1969	Steering Wheel Hub, 4" diameter x 1 3/8" tall

Wheel Ctr. Shrouds

3939760



3972735



3939760	1969-70	Wheel Center Shroud, Black
3972735	1969-70	Wheel Center Shroud, Cherry Wood

Sun Visor Bracket



Includes bushing and screws!

M1338	1967-69	Sun Visor Support Bracket, Coupe
-------	---------	----------------------------------

Rear View Mirror & Brkts.

911366



8752692



9711724



Box Size:
5.75" x 1.25" x 3"
Weight:
1 lbs.



7740300



M1035G	1967-69	Rear View Mirror Bracket with Boot
911366	1967-69	Rear View Mirror, 10 Inch (Also fits 1969 Camaro®)
9711724	1967	Rear View Mirror Bracket, Convertible
8752692	1968-69	Rear View Mirror Bracket, Coupe
7740300	1968-69	Rear View Mirror Bracket, Convertible

Header Moldings

K848



K847



K848	1967	Header Molding, Convertible
K847	1968-69	Header Molding, Convertible

Headliner Moldings



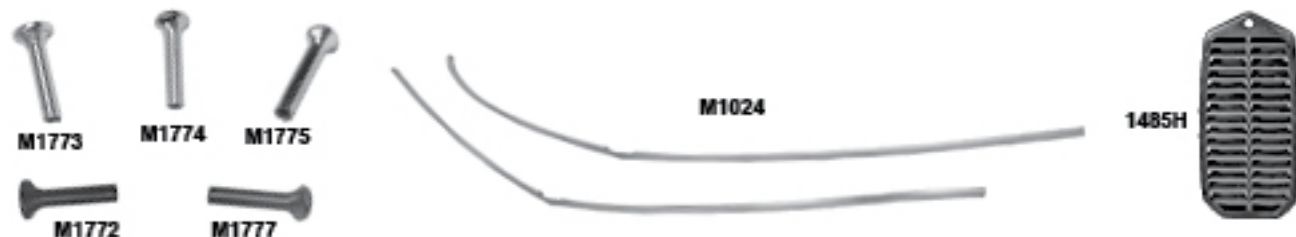
M1029K	1970-73	Headliner Retaining Strip
--------	---------	---------------------------

Muscle Car Parts & Molding • Muscle Car Parts & Molding • Muscle Car Parts & Molding



K921	1968-69	Door Jamb Vent Grille, without backing vent
K985	1968-69	Full Door Jamb Vent Grille, with backing vent & flap
M1603	1967	Front Arm Rest Bases, Chrome
M1040	1968-69	Arm Rest Base, Black, RH
M1040A	1968-69	Arm Rest Base, Black, LH
M1040B	1968-69	Arm Rest Base, Red
M1040C	1968-69	Arm Rest Base, Medium Blue
M1040D	1968-69	Arm Rest Base, Ivy Gold
M1040E	1968-69	Arm Rest Base, White
M1040F	1968-69	Arm Rest Base, Dark Blue
M1040G	1968-69	Arm Rest Base, Dark Green
K967	1968	Arm Rest Base Trim, Stainless
M1040P	1977-81	Arm Rest Bases with Door Handles, Black

Door Trims & Lock Knobs



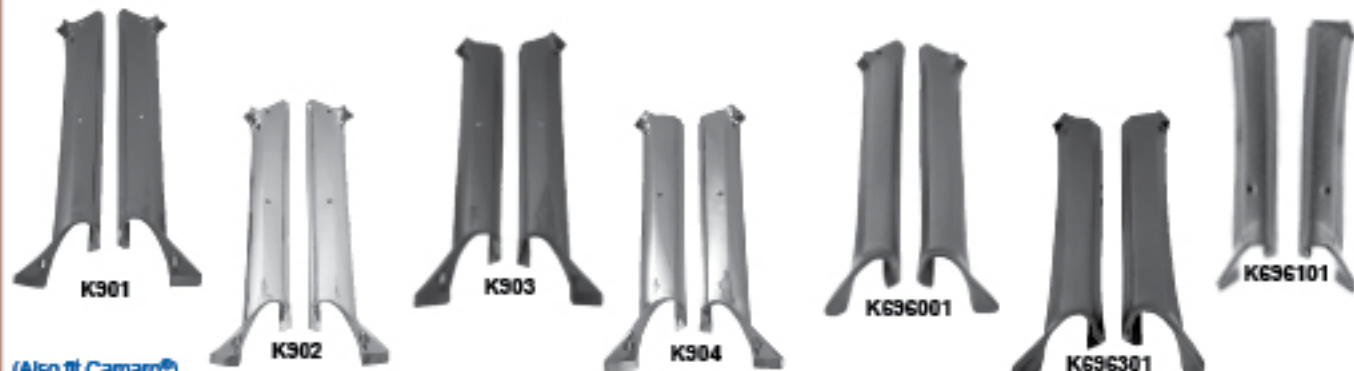
M1772	1967	Door Lock Knobs, Black
M1773	1967	Door Lock Knobs, Chrome
M1777	1968	Door Lock Knobs, Black
M1774	1969-70	Door Lock Knobs, Chrome
M1775	1970-81	Door Lock Knobs, Chrome
M1024	1970-81	Door Edge Guards
1485H	1970-81	Door Jamb Vent Grille, with backing vent & flap

Sill Scuff Plates



M1011	1967-69	Scuff Plate Fits both sides
M1015	1970-81	Scuff Plate LH
M1014	1970-81	Scuff Plate RH
M1014A	1970-81	Scuff Plates, Stainless, Pair

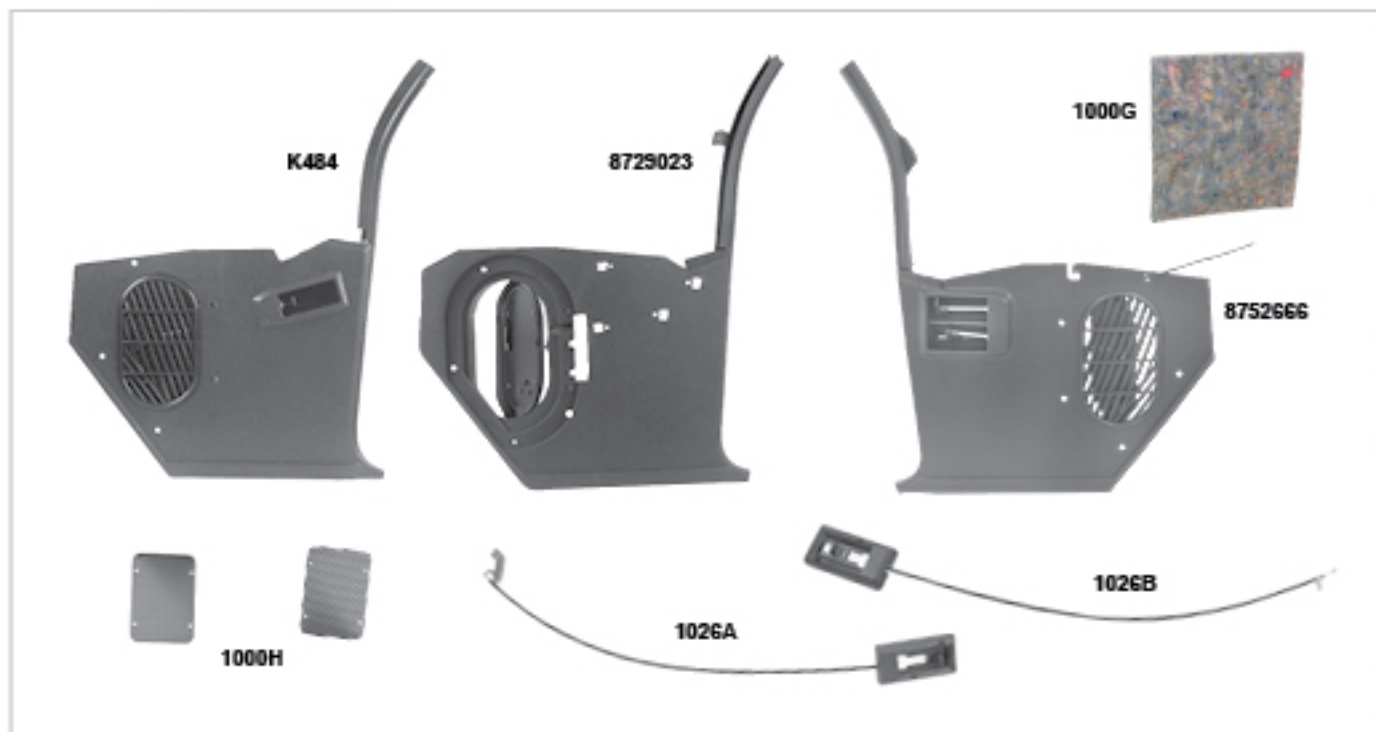
Pillar Post Molding



(Also fit Camaro®)

K901	1967	Pillar Post Moldings for Coupe, Black
K902	1967	Pillar Post Moldings for Coupe, Chrome
K903	1967	Pillar Post Moldings for Convertible, Black
K904	1967	Pillar Post Moldings for Convertible, Chrome
K696001	1968	Pillar Post Moldings for Coupe, Black
K696301	1968	Pillar Post Moldings for Convertible, Black
K696201	1969	Pillar Post Moldings for Coupe, Black
K696101	1969	Pillar Post Moldings for Convertible, Black

Muscle Car Parts & Molding • Muscle Car Parts & Molding • Muscle Car Parts & Molding



7664684	1967-68	Kick Panel With A/C, RH
7664685	1967-68	Kick Panel With A/C, LH
K484	1967-68	Kick Panel Without A/C, RH (Also fits 1967-69 Firebird®)
K485	1967-68	Kick Panel Without A/C, LH (Also fits 1967-69 Firebird®)
8729022	1969	Kick Panel With A/C, RH
8729023	1969	Kick Panel With A/C, LH
8752666	1969	Kick Panel Without A/C, RH
8752667	1969	Kick Panel Without A/C, LH
1026A	1969	Kick Panel Air Vent Control, RH
1026B	1969	Kick Panel Air Vent Control, LH
1000G	1967-69	Kick Panel Insulation
1000H	1967-68	Kick Panel Speaker Grilles



9816746	1970-81	Kick Panel With A/C, RH
9816747	1970-81	Kick Panel With A/C, LH
9816728	1970-81	Kick Panel Without A/C, RH
9816729	1970-81	Kick Panel Without A/C, LH

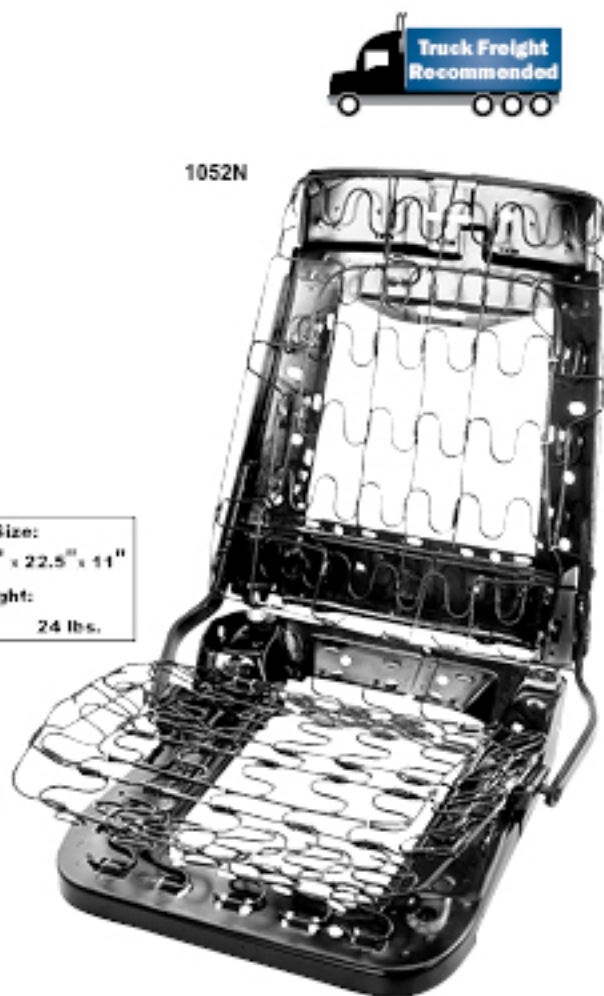
1967-69



1052M



Box Size:
33.5" x 22.5" x 11"
Weight:
24 lbs.



1052N



Box Size:
33.5" x 22.5" x 11"
Weight:
24 lbs.



1052P



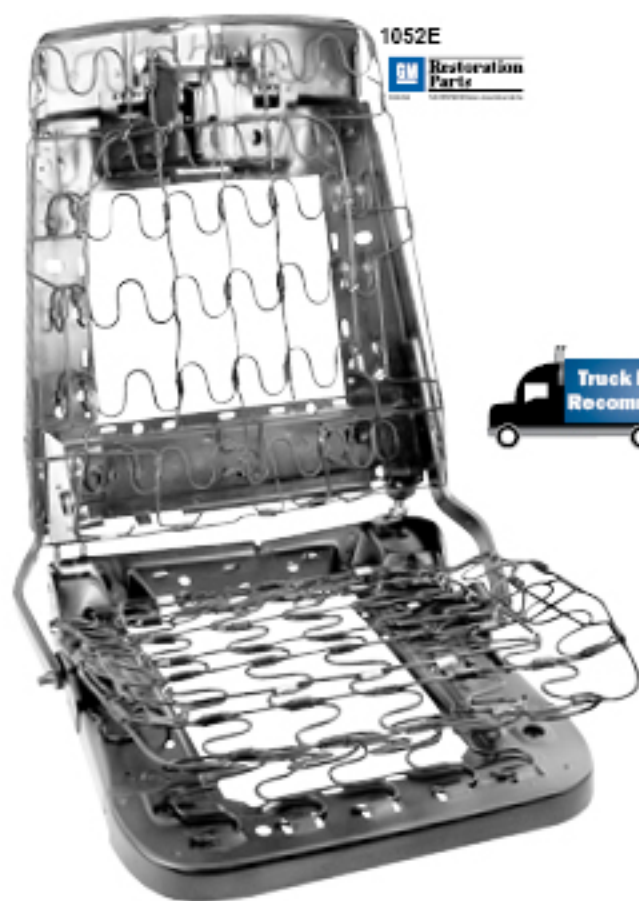
1052J

1052M	1967-68	Seat Frame Assembly, RH
1052N	1967-68	Seat Frame Assembly, LH
1052P	1967-69	Front Seat Back Spring, Fits both sides
1052J	1967-69	Front Seat Bottom Spring, Fits both sides

1969-72

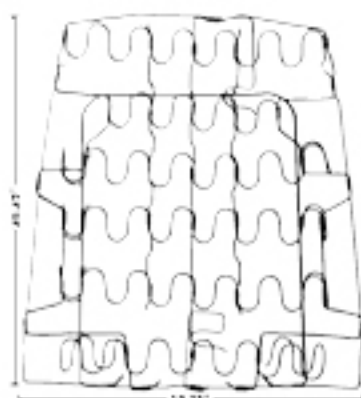
Seats & Components

Muscle Car Parts & Molding • Muscle Car Parts & Molding • Muscle Car Parts & Molding



1052E

GM Restoration Parts



1052P



1052J



1052C



K15



K75

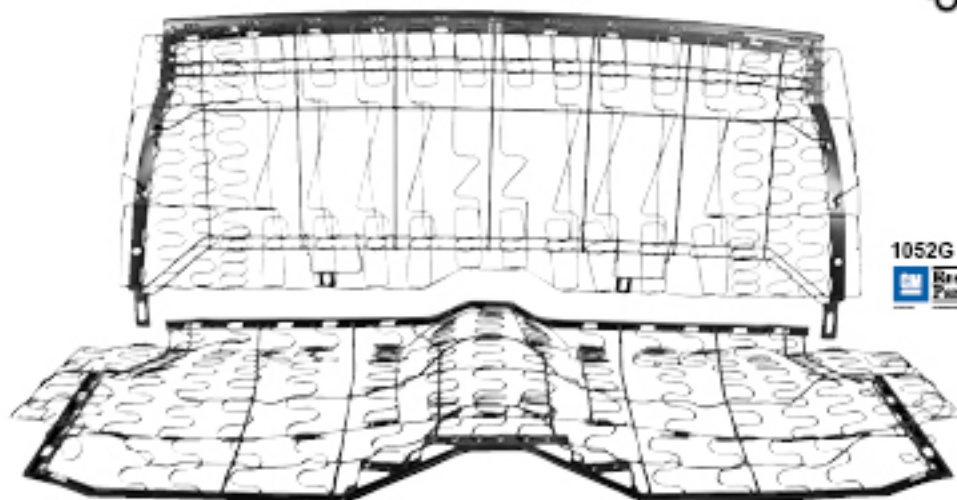


1054

Seats & Components continued next page...

1052E	1969	Seat Frame Assembly, RH (requires headrest hardware)
1052F	1969	Seat Frame Assembly, LH (requires headrest hardware)
1052P	1967-69	Front Seat Back Spring, Fits both sides
1052J	1967-69	Front Seat Bottom Spring, Fits both sides
1052C	1969	Seat Back Latch RH
1052D	1969	Seat Back Latch LH
1054	1967-69	Seat Track, RH, 2 pcs.
1054A	1967-69	Seat Track, LH, 2 pcs.
K15	1967-70	Seat Track Adjusting Knob (2 per car)
K75	1967-70	Seat Back Locking Knob, (2 per car)

1967-69



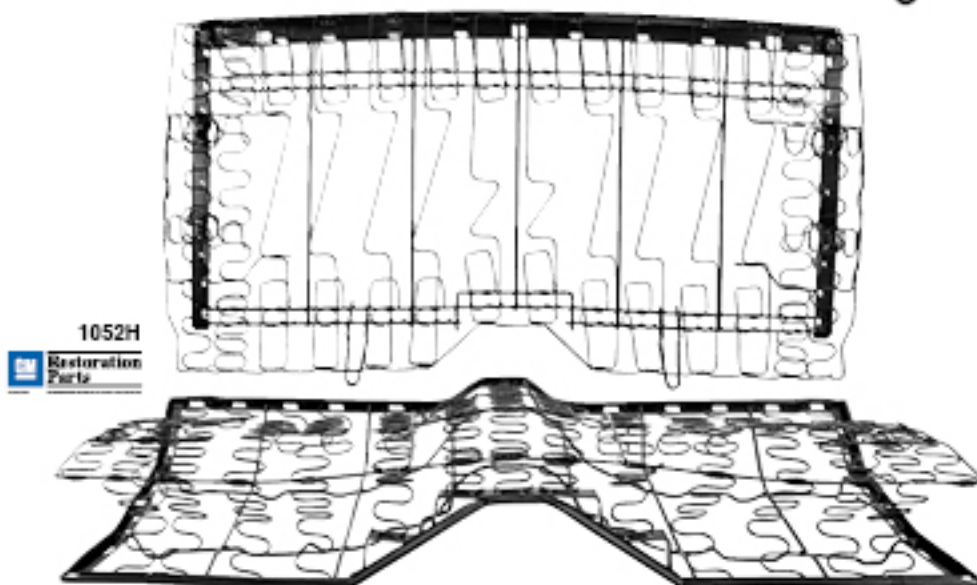
1052G

Restoration Parts

1052G

1967-69

Rear Seat Spring/Frame Set Coupe Standard



1052H

Restoration Parts

1052H

1967-69

Rear Seat Spring/Frame Set Convertible & Coupe Deluxe



Seat Belts with Push Button:
6 colors to choose from

60 Inch Belts

SBP-BK60	Seat Belt with Push Button	Black
SBP-GR60	Seat Belt with Push Button	Grey
SBP-TAN60	Seat Belt with Push Button	Tan
SBP-NB60	Seat Belt with Push Button	Navy Blue
SBP-RED60	Seat Belt with Push Button	Red
SBP-MAR60	Seat Belt with Push Button	Maroon



74 Inch Belts

SBP-BK74	Seat Belt with Push Button	Black
SBP-GR74	Seat Belt with Push Button	Grey
SBP-TAN74	Seat Belt with Push Button	Tan
SBP-NB74	Seat Belt with Push Button	Navy Blue
SBP-RED74	Seat Belt with Push Button	Red
SBP-MAR74	Seat Belt with Push Button	Maroon



SBR-BK	Retractable 3 Point Seat Belt with Push Button	Black
SBEXT-BK	Seat Belt Extension, 12 In.	Black

See also Accessory Section for more details...



Seat Belts with Lift Latch:
10 colors to choose from

60 Inch Belts

SBL-BK60	Seat Belt with Lift Latch	Black
SBL-WT60	Seat Belt with Lift Latch	White
SBL-LG60	Seat Belt with Lift Latch	Light Grey
SBL-DG60	Seat Belt with Lift Latch	Dark Grey
SBL-LT60	Seat Belt with Lift Latch	Light Tan
SBL-DT60	Seat Belt with Lift Latch	Dark Tan
SBL-LB60	Seat Belt with Lift Latch	Light Blue
SBL-DB60	Seat Belt with Lift Latch	Dark Blue
SBL-BR60	Seat Belt with Lift Latch	Bright Red
SBL-DR60	Seat Belt with Lift Latch	Dark Red



74 Inch Belts

SBL-BK74	Seat Belt with Lift Latch	Black
SBL-WT74	Seat Belt with Lift Latch	White
SBL-LG74	Seat Belt with Lift Latch	Light Grey
SBL-DG74	Seat Belt with Lift Latch	Dark Grey
SBL-LT74	Seat Belt with Lift Latch	Light Tan
SBL-DT74	Seat Belt with Lift Latch	Dark Tan
SBL-LB74	Seat Belt with Lift Latch	Light Blue
SBL-DB74	Seat Belt with Lift Latch	Dark Blue
SBL-BR74	Seat Belt with Lift Latch	Bright Red
SBL-DR74	Seat Belt with Lift Latch	Dark Red

SBL-BK60BLK



SBL-SK60BLK	Seat Belt w/Black Wrinkle-Finish Latch	Black
SBL-SK74BLK	Seat Belt w/Black Wrinkle-Finish Latch	Black

1967-74

Black 80/20 Loop Carpet



10B53140	1967-69	Carpet, Black, 80/20 Loop (1 pc.)
10B53140-2	1967-69	Carpet, Black, 80/20 Loop (2 pc.)
10B52200	1970-74	Carpet, Black, 80/20 Loop (1 pc.)

RetroSound®



AM-HERMOSA-B

Box Size:
11.5" x 9" x 3.5"
Weight:
3 lbs.



AM-HERMOSA-C

Box Size:
11.5" x 9" x 3.5"
Weight:
3 lbs.



AM-HERMOSA-B	1967-81	Radio, "Hermosa B" w/Black Face & Buttons (Use make-specific faceplate & knob kit)
AM-HERMOSA-C	1967-81	Radio, "Hermosa C" w/Chrome Face & Buttons (Use make-specific faceplate & knob kit)

RetroSound®



AM-ZUMA-B

Box Size:
11.5" x 8.75" x 3.25"
Weight:
2.66 lbs.



~ DISCONTINUED ~
Available while
supplies last.
(Replaced by
Hermosa)



AM-ZUMA-V

Box Size:
11.5" x 8.75" x 3.25"
Weight:
2.66 lbs.



AM-ZUMA-B	1967-81	Radio, "Zuma B" w/Black Face & Black Buttons (Use make-specific faceplate & knob kit)
AM-ZUMA-V	1967-81	Radio, "Zuma V" w/Chrome Face, Ivory Knobs (Use make-specific faceplate & knob kit)

RetroSound®

**Model 2 Radios
~ DISCONTINUED ~
Available while
supplies last.
(Replaced by Hermosa)**



AM-MOD2B
Box Size:
11.75" x 8.75" x 3.5"
Weight:
3 lbs.



AM-MOD2C
Box Size:
11.5" x 8.75" x 3.25"
Weight:
2.94 lbs.

AM-MOD2V
Box Size:
11.5" x 8.75" x 13.25"
Weight:
2.98 lbs.



AM-MOD2B	1967-81	Radio, "Model 2B" with Black Face (Use make-specific faceplate & knob kit)
AM-MOD2C	1967-81	Radio, "Model 2C" with Chrome Face (Use make-specific faceplate & knob kit)
AM-MOD2V	1967-81	Radio, "Model 2V" with Ivory Knobs (Use make-specific faceplate & knob kit)

RetroSound®

AMR-410UK



AMR-410UK
Box Size:
11.5" x 4.75" x 2.5"
Weight:
1.52 lbs.

Fits: 1967-69 Non-A/C & Factory A/C, 1970-81 Mono Radio

AM-SUB8100
Box Size:
20" x 10" x 4"
Weight:
11 lbs.



AMR-410UK	1967-81	Dash Speaker with Bracket, 4 x 10 Dual Voice Coil, 2-way, 160 watt
AM-SUB8100		Amplified Sub-Woofer, 8", 100 Watt

RetroSound



AM-BT1	Digital LCD Battery Monitor, 12 Volt Cigarette Lighter Plug
AM-EX1	Battery Charger/Maintainer
AM-EX1-PKG	Battery Charger/Maintainer w/LED, Includes Battery Status Indicator



Box Size:
9.5" x 7" x 4.5"
Weight:
3.1 lbs.



LH48	1967-68	Windshield Wiper Switch, 2-speed
7033244	1967-69	Cigarette Lighter, <i>Firebird</i>
1010H	1967-69	Horn, High
1010L	1967-69	Horn, Low
1010B	1967-68	Horn Set with Welded Brackets



1010U	1967-81	Horn Set with Universal Brackets, 6 pcs.
1010C	1969	Horn Set with Welded Brackets

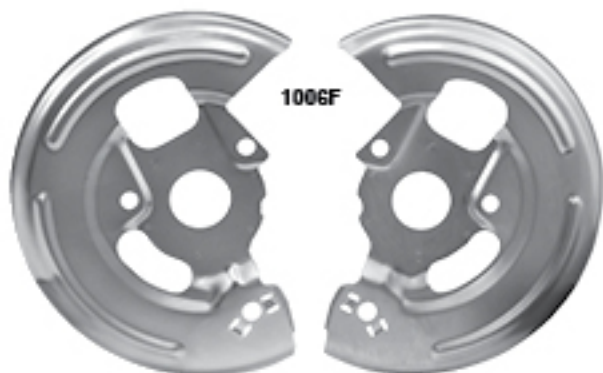


M1609	1967-69	Body Bushing Kit
-------	---------	------------------

Body Bushing Kit



FL01	1967-69	"Body By Fisher" Decal
------	---------	------------------------



1005F	1967-68	Front Disc Brake Backing Plates
1006G	1969	Front Disc Brake Backing Plates



GW157
Box Size:
17" x 17" x 10.25"
Weight:
19 lbs.



5" x 4 3/4" Bolt Pattern



GW158
Box Size:
17" x 17" x 10.25"
Weight:
20 lbs.



GW150
Box Size:
17" x 17" x 10.25"
Weight:
22 lbs.



GW157P New GM Magnum Alloy Wheel 15"x7" w/Center Cap, 4" Backspace, Photo on pg A24

GW157 Magnum Alloy Wheel 15"x7" w/Center Cap, no offset, 4" Backspace

GW158 Magnum Alloy Wheel 15"x8" w/Center Cap, 10mm negative offset (-.4"), 4.07" Backspace

GW150 Magnum Alloy Wheel 15"x10" w/Center Cap, 21mm negative offset (-.8"), 4.65" Backspace



GW177

Box Size:
19" x 19" x 9"
Weight:
23 lbs.



FW-CAP



GW178

Box Size:
19.5" x 19.5" x 10"
Weight:
24 lbs.



GW177C

Box Size:
19" x 19" x 9"
Weight:
23 lbs.



GW178C

Box Size:
19.25" x 19.25" x 10.25"
Weight:
24 lbs.



5" x 4 3/4" Bolt Pattern

GW177	Magnum Alloy Wheel 17"x7" w/Center Cap and decal, no offset
GW177C	Magnum Alloy Wheel 17"x7" w/Center Cap and decal, no offset, Chrome
GW178	Magnum Alloy Wheel 17"x8" w/Center Cap and decal, 10mm negative offset
GW178C	Magnum Alloy Wheel 17"x8" w/Center Cap and decal, 10mm negative offset, Chrome
FW-CAP	Magnum Wheel Cap with decal, 3/4" tall, Chrome (for 17" rims)

Ignition Locks



100	1967	Later
100A	1967	Original
101	1968	Later
101A	1968	Original
102	1969-78	Later

Trunk Locks Ign., Door, Glove, Trunk Kits



+Cylinder & Keys ONLY. Case not included.

288+	1967	Original
------	------	----------



113A	1968	Original (Also fits 1967-69 Firebird®)
113	1968-69	Later (Also fits 1967-69 Firebird®)
473	1969	Later, Firebird®
115	1974-77	Later

Trunk Lock Kits



1575	1967	Later (Also '79-'81 Firebird)
1576	1968-69	Later

Ignition & Door Locks



104	1967	Later
104A	1967	Original
105	1968	Later
105A	1968	Original
106	1969	Later (Also '70 without door cylinders)

Glove Box Locks



+Cylinder & Keys ONLY. Case not included.

CL-955	1967-74	Key-less
CL-960	1967-74	Key-less, Brushed Stainless
118+	1967-68	Later
118A+	1967	Original
120	1970-81	Later (Also 1972-81 Firebird®)

See our Locks Catalog for more details...

Glove Box & Trunk Lock Kits



Cylinder & Keys ONLY. Case not included.

122	1968	Later
122A	1968	Original
186	1969	Later, Firebird®
187	1970-71	Later, Firebird®
188	1972-73	Later, Firebird®
151	1979-81	Later

Muscle Car Parts & Molding • Muscle Car Parts & Molding • Muscle Car Parts & Molding