

Dynacorn

International LLC
The muscle car people



2019
FULL SIZE CHEVY®

Full Size Chevy® Index

Index

A

Accelerator Pedal: 16
Air Vent Assemblies: 18

B

Back-Up Lamp Components: 14, 15
Battery Trays & Clamps: 4
Brake /Clutch Pedal Pad: 16
Bumpers & Brackets: 1, 2

C

Control Arms: 4

D

Door Accessories: 10
Door Hardware: 9

E

Electrical, Exterior: 14, 15
Electrical, Interior: 18, 19, 20

F

Fenders, Inner: 5
Floor Pans: 6, 7
Fuel Senders: 12
Fuel Tanks: 10, 11
Fuel Tank Straps: 11

G

Gauges: 19

H

Headlamp Bezels: 12
Headlamp Rod & Knob: 16
Headlamp Switch: 18
Hood Components: 5

I

Ignition Switch: 18

L

License Plate Lamp: 14, 15
Locks: 22

M

Magnum Alloy Wheels: 23, 24
Mirrors, Exterior: 13
Mirrors, Interior: 16

P

Parking Brake Components: 16
Parking Lamp Components: 15
Parking Lamp Panels: 12

R

Radiator Supports: 3
Radios & Components: 21, 22

S

Scuff Plates: 13
Seat Belts: 17
Seat Components: 18

T

Tail Lamp Components: 14, 15
Trunk Pans & Components: 8
Turn Signal Lever: 16
Turn Signal Switch: 19

V

Valances, Front: 2

W

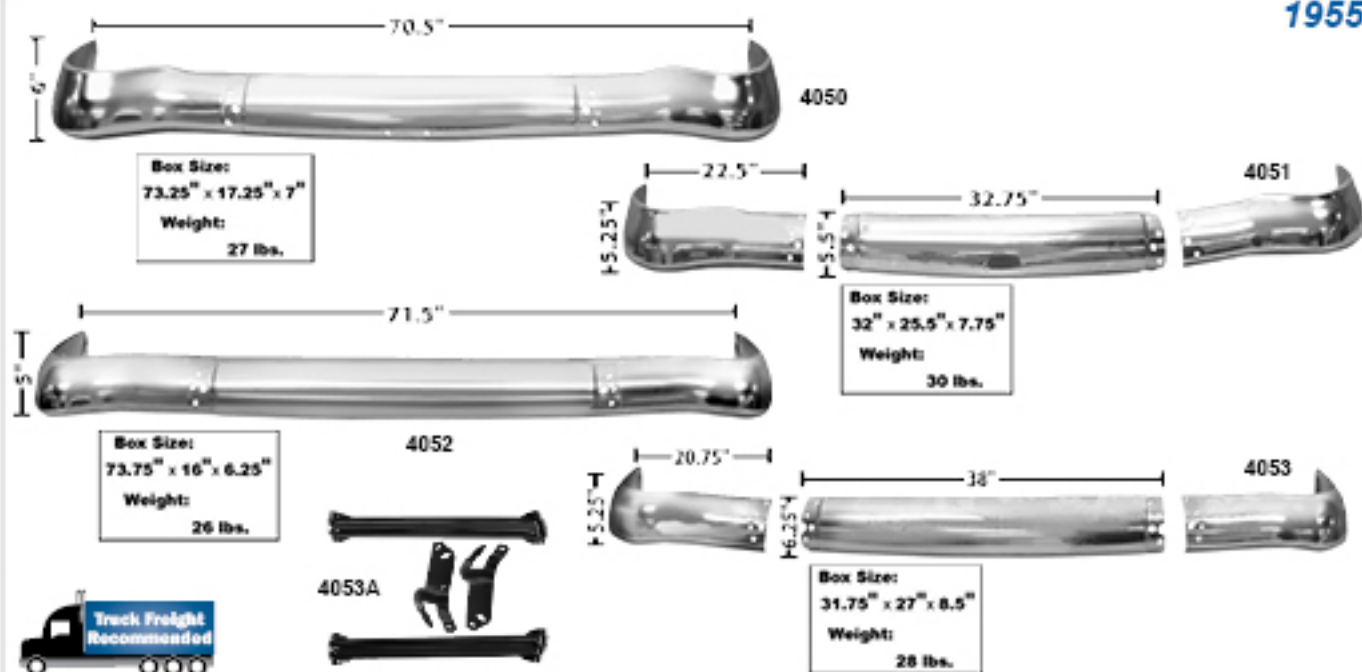
Wiper Arms: 13



General Motors Trademarks
are used under License to
Dynacore International Inc.

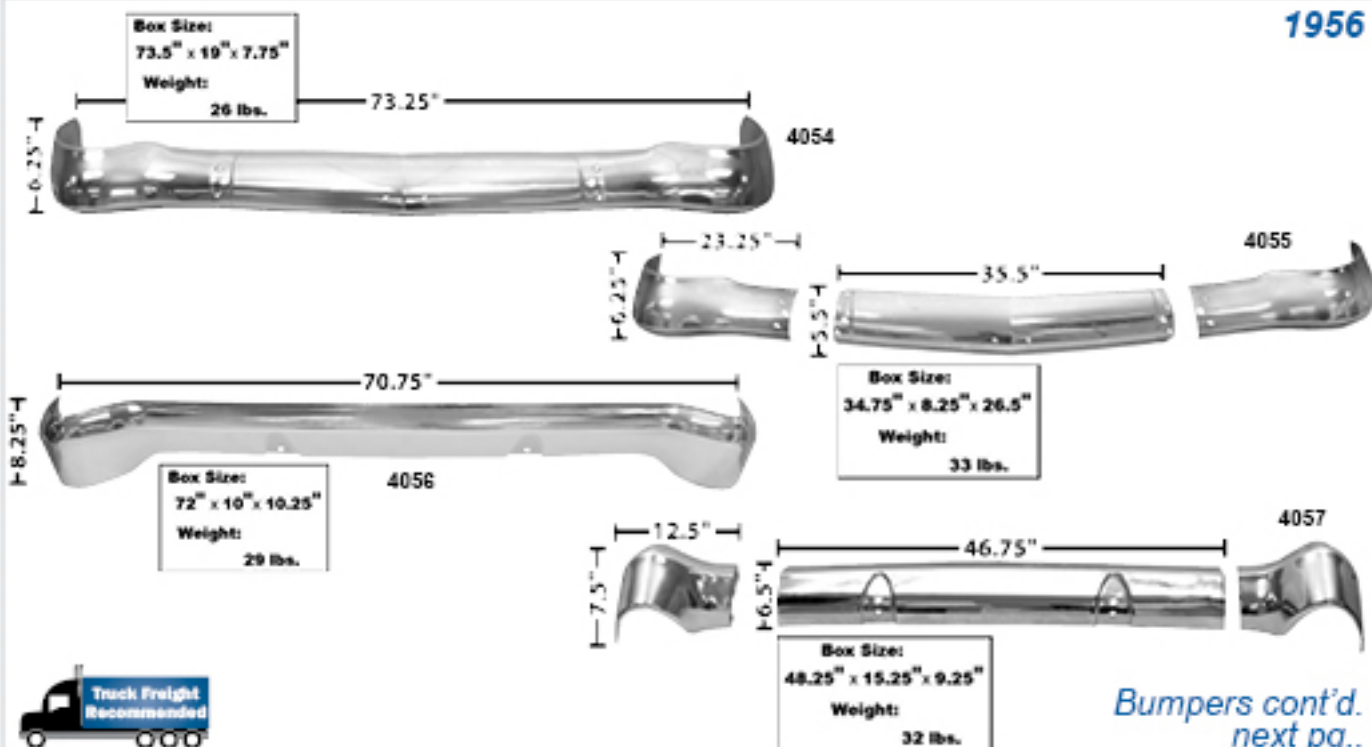
Muscle Car Parts & Molding • Muscle Car Parts & Molding • Muscle Car Parts & Molding

1955



4050	1955	Front Bumper, 1-Piece Style
4051	1955	Front Bumper, 3-Piece Style
4053A	1955	Front Bumper Brackets, 4 pcs.
4052	1955	Rear Bumper, 1-Piece Style
4053	1955	Rear Bumper, 3-Piece Style

1956



Bumpers cont'd.
next pg..

4054	1956	Front Bumper, 1-Piece Style
4055	1956	Front Bumper, 3-Piece Style
4056	1956	Rear Bumper, 1-Piece Style
4057	1956	Rear Bumper, 3-Piece Style

1957



Box Size:
9.25" x 5.25" x 2"
Weight:
2 lbs.

4065

4067



4068



Box Size:
18" x 11" x 21.5"
Weight:
17 lbs.



4062

4062	1957	Rear Bumper End Piece, Pair
4065	1957	Rear Bumper Brackets
4067	1957	Rear Bumper End Bracket, RH
4068	1957	Rear Bumper End Bracket, LH



4102

Box Size:
8" x 6.5" x 2.25"
Weight:
1 lbs.

4103



Box Size:
8" x 6.5" x 2.25"
Weight:
1 lbs.

Front Valances



4002



4000

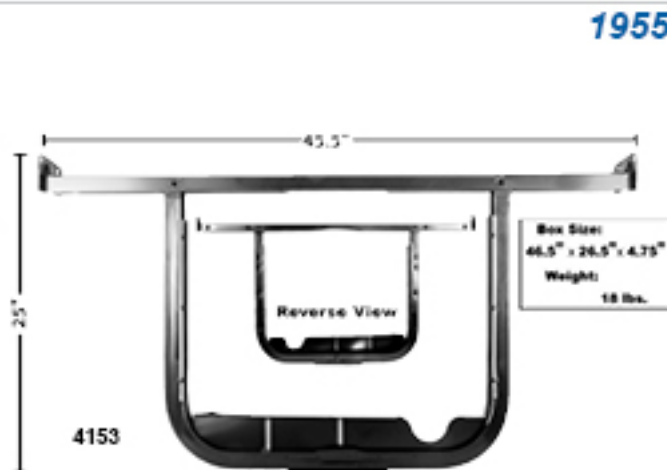
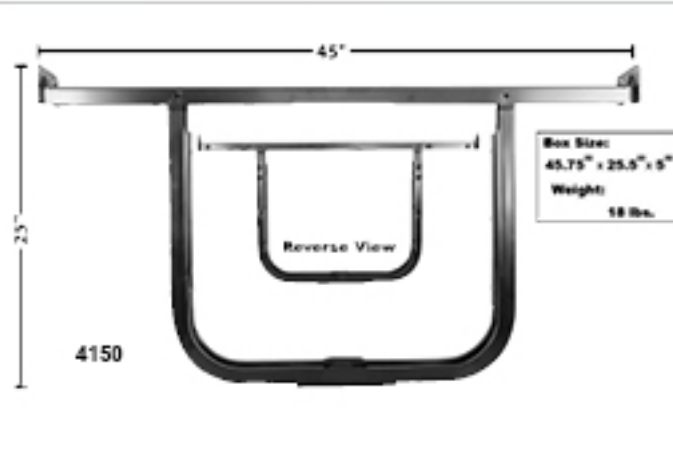


4001

4102	1955	Bumper-to-Fender Bracket, RH
4103	1955	Bumper-to-Fender Bracket, LH

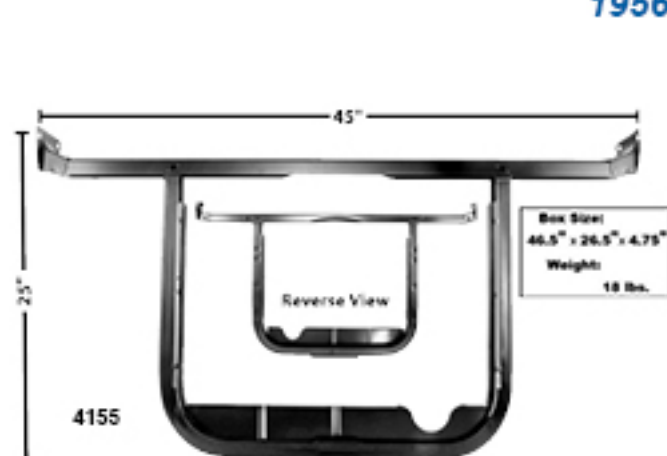
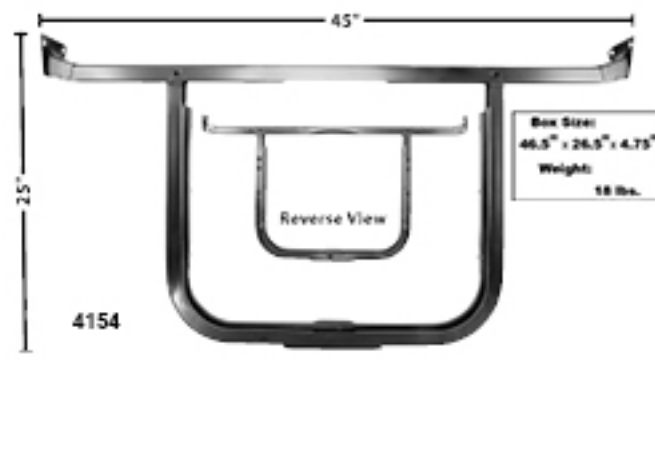
4002	1955	Front Valance Assembly, 3 pcs.
4000	1956	Front Valance Assembly
4001	1957	Front Valance Assembly

Muscle Car Parts & Molding • Muscle Car Parts & Molding • Muscle Car Parts & Molding



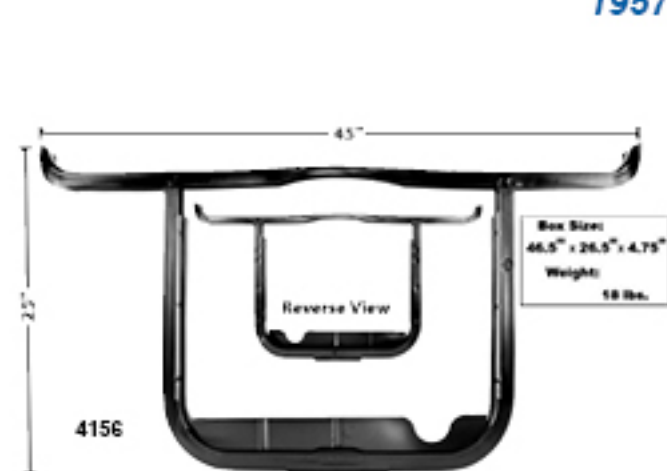
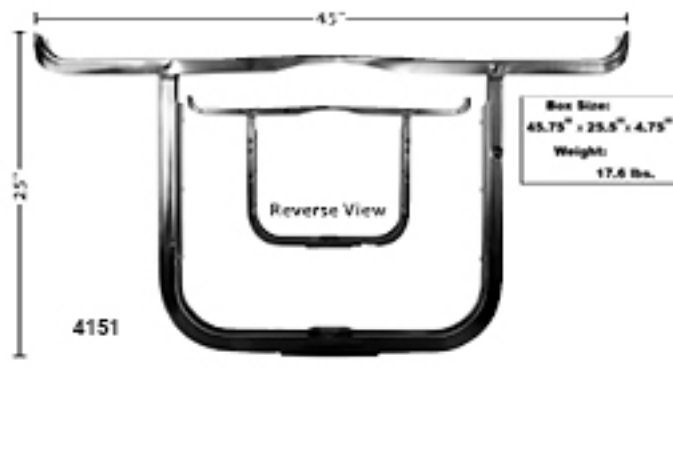
1955

4150	1955	Radiator Support for V6
4153	1955	Radiator Support for V8



1956

4154	1956	Radiator Support for V6
4155	1956	Radiator Support for V8



1957

4151	1957	Radiator Support for V6
4156	1957	Radiator Support for V8



1100K



1100E



M1721K

M1721B



M1721C



M1721D



1100K	1940-54	Battery Clamp
M1721B	1949-54	Battery Tray
M1721K	1949-58	Battery Clamp Bolts
M1721C	1955-56	Battery Tray
1100E	1955-57	Battery Hold Down
M1721D	1957	Battery Tray

Box Size:
17" x 16" x 10"
Weight:
23 lbs.



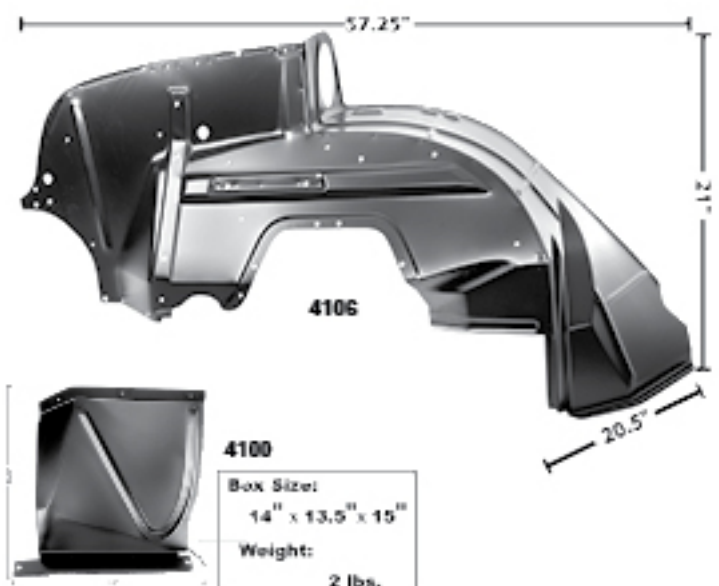
Reverse View

Box Size:
20.5" x 18" x 9"
Weight:
40 lbs.



Reverse View

4035	1955-57	Control Arm Upper (Tubular)
4036	1955-57	Control Arm Lower (Tubular)



4104	1955	Inner Fender, RH
4105	1955	Inner Fender, LH
4100	1955	Inner Fender Splash Shield, RH
4101	1955	Inner Fender Splash Shield, LH
4106	1957	Inner Fender, RH
4107	1957	Inner Fender, LH



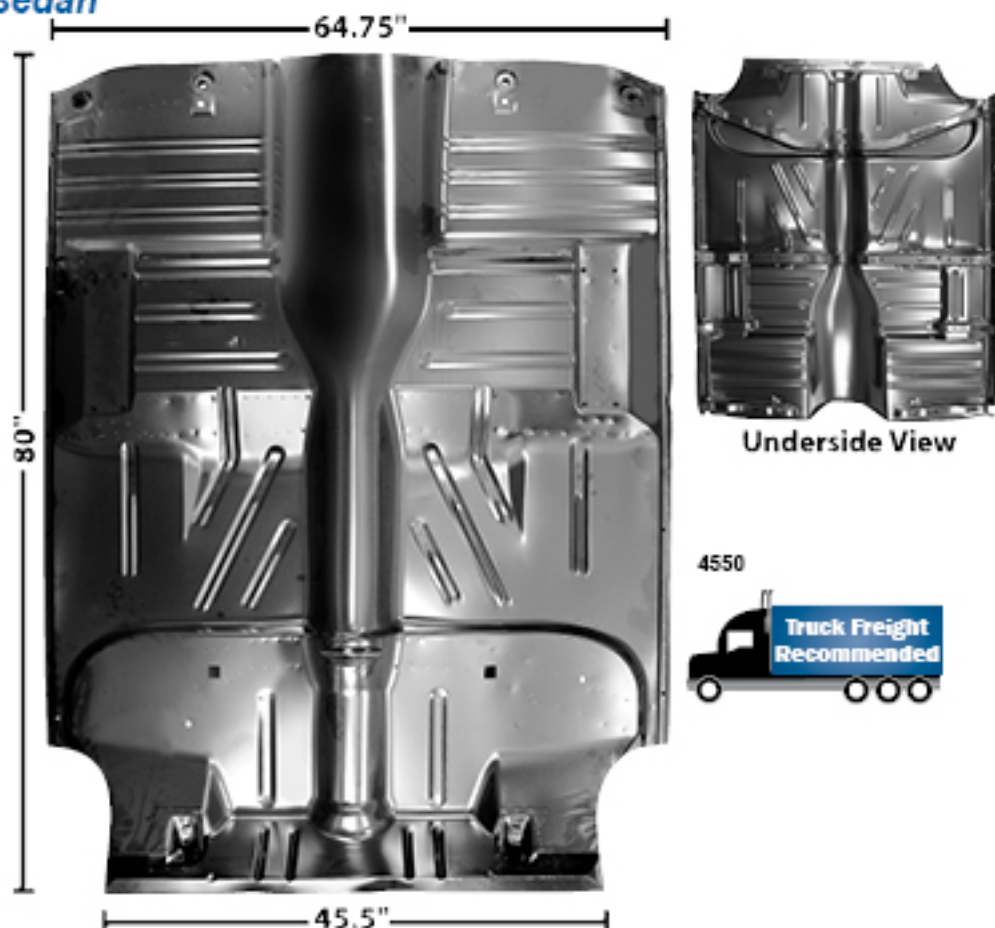
4010	1955-56	Hood Hinge, RH
4011	1955-56	Hood Hinge, LH
4012	1955	Hood Latch
4012A	1956	Hood Latch



4014	1957	Hood Hinge, RH
4015	1957	Hood Hinge, LH
4013	1957	Hood Latch

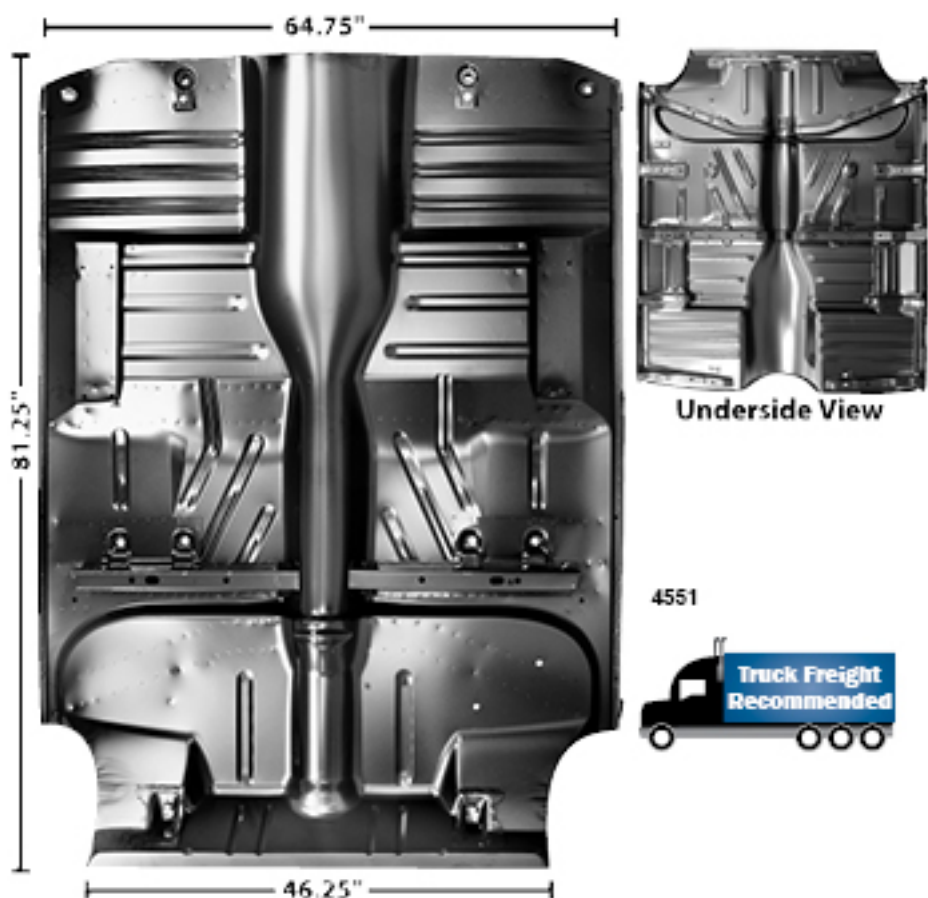
Floor Pans

1955-57 Sedan



4550	1955-57	Complete Floor Pan with Brace (Sedan)
4553	1955-57	Floor Pan, RH (Sedan)
4554	1955-57	Floor Pan, LH (Sedan)

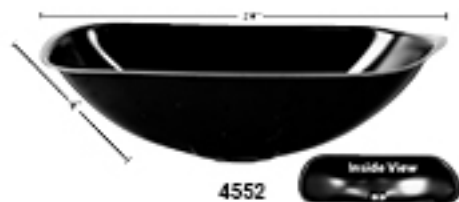
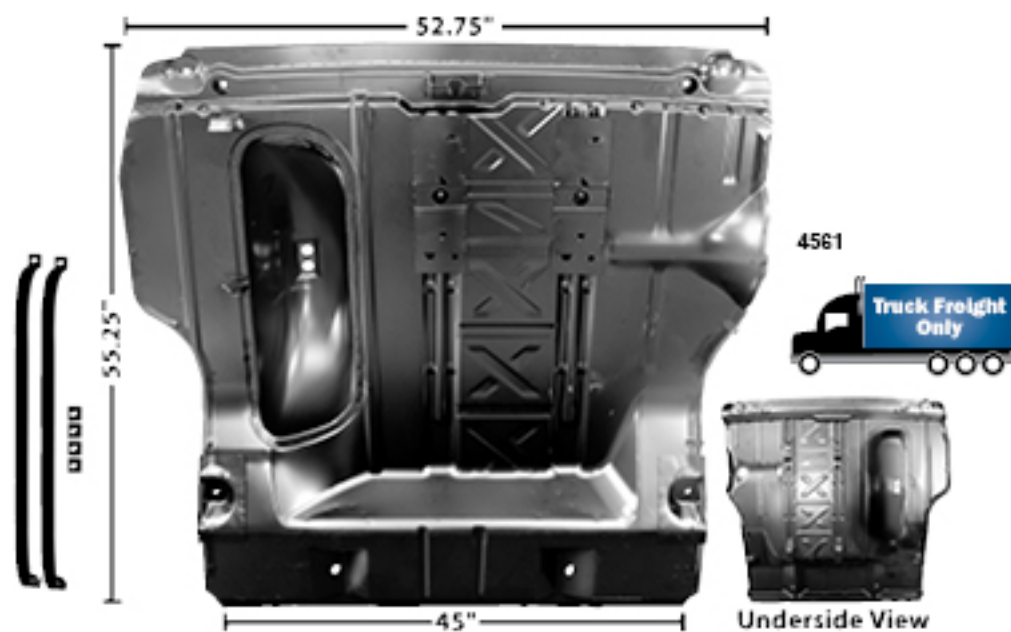
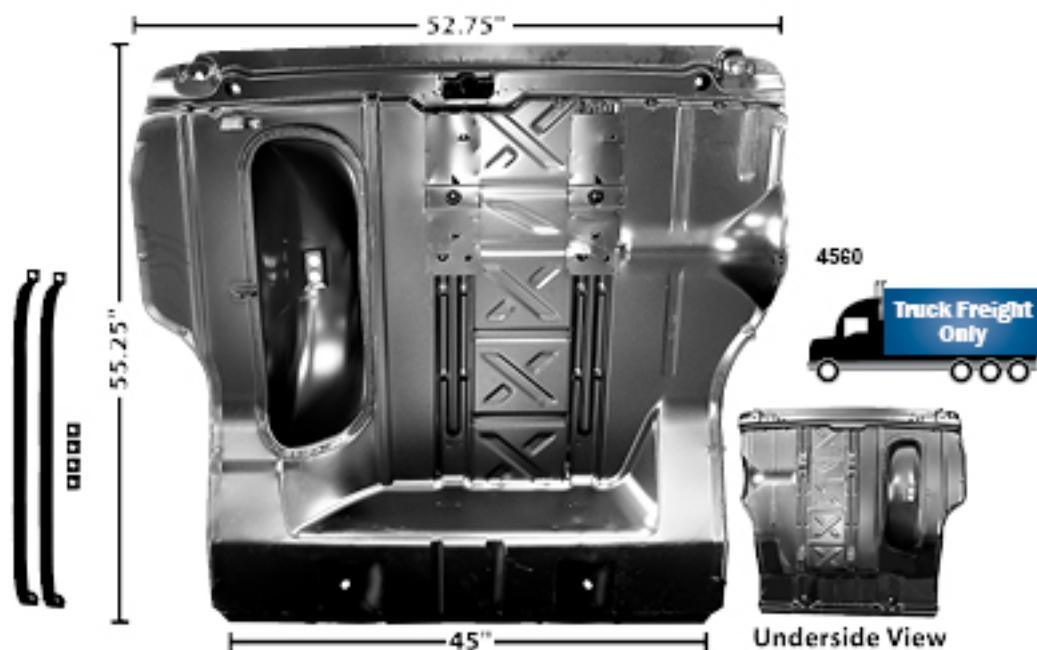
1955-57
Convertible



Muscle Car Parts & Molding • Muscle Car Parts & Molding • Muscle Car Parts & Molding

4551	1955-57	Complete Floor Pan with Brace (Hard Top / Convertible)
4555	1955-57	Floor Pan, RH (Hard Top / Convertible)
4556	1955-57	Floor Pan, LH (Hard Top / Convertible)

1955-57



4560	1955-57	Complete Trunk Pan with Spare Tire Cut-Out (Hard Top / Sedan)
4561	1955-57	Complete Trunk Pan with Spare Tire Cut-Out (Convertible)
4552	1955-57	Trunk Spare Tire Well
4564	1955-57	Trunk Tail Panel (Hard Top / Convertible)

Muscle Car Parts & Molding • Muscle Car Parts & Molding • Muscle Car Parts & Molding



4021



4023



4302



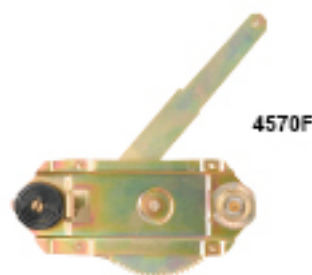
4304

4020	1955	Door Latch, RH
4021	1955	Door Latch, LH
4022	1956-57	Door Latch, RH
4023	1956-57	Door Latch, LH
4302	1955	Door Window Flippers (For 2-Door Hard Top)
4304	1956-57	Door Window Flippers (For 2-Door Hard Top)



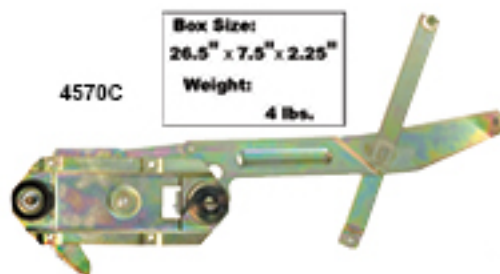
4570A

Box Size:
7.75" x 26.25" x 2.25"
Weight:
5 lbs.



4570F

4570A	1955-57	Window Regulator, RH (Sedan)
4570B	1955-57	Window Regulator, LH (Sedan)
4570E	1955-57	Quarter Window Regulator, RH (Sedan)
4570F	1955-57	Quarter Window Regulator, LH (Sedan)

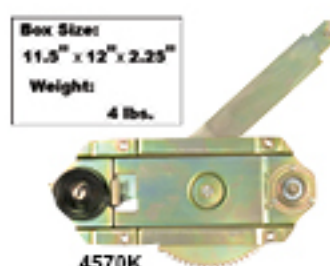


4570C

Box Size:
26.5" x 7.5" x 2.25"
Weight:
4 lbs.



4570H



4570K

Box Size:
11.5" x 12" x 2.25"
Weight:
4 lbs.

4570C	1955-57	Window Regulator, RH (Convertible & Hard Top)
4570D	1955-57	Window Regulator, LH (Convertible & Hard Top)
4570G	1955-57	Quarter Window Regulator, RH (Convertible)
4570H	1955-57	Quarter Window Regulator, LH (Convertible)
4570J	1955-57	Quarter Window Regulator, RH (Hard Top)
4570K	1955-57	Quarter Window Regulator, LH (Hard Top)

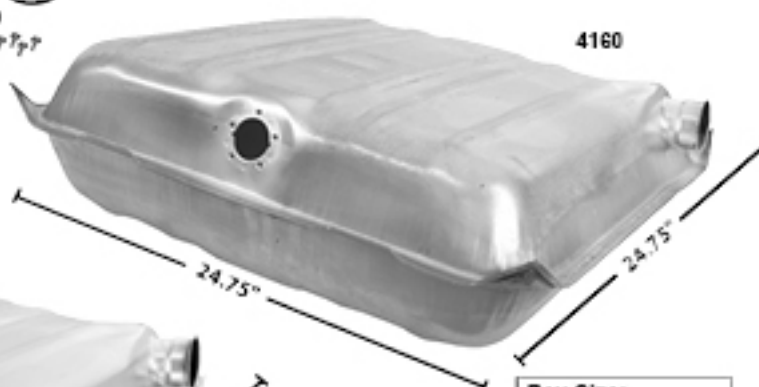


4019	New	1955-57	Exterior Door Handles, Pair
M1392G		1955-57	Vent Window Crank Handle, Single Arm, Black Knob (Also fits 1959-60 Bel Air)
M1392H		1955-57	Vent Window Crank Handle, Single Arm, Chrome & Black Knob

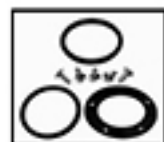
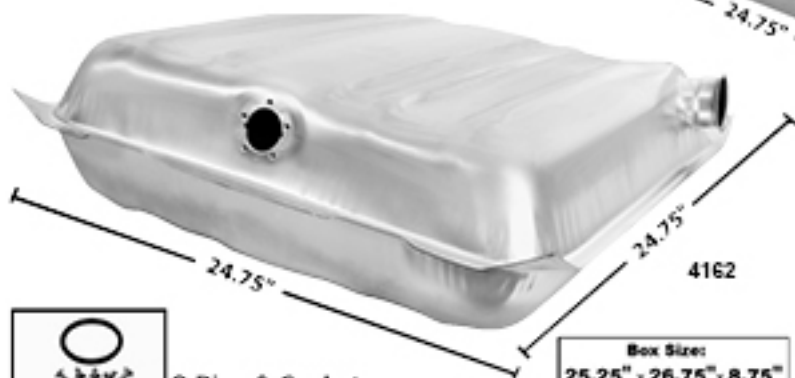
1955-56



Box Size:
25.5" x 26.5" x 9"
Weight:
17 lbs.



Box Size:
21.5" x 26.5" x 8.5"
Weight:
14 lbs.



Box Size:
25.25" x 26.75" x 8.75"
Weight:
18 lbs.

4164	1955-56	Fuel Tank, Round Corner, Galvanized
4160	1955-56	Fuel Tank (Square Corner), Galvanized
4162	1955-56	Fuel Tank (Square Corner), Stainless

1957

Fuel Tanks

Muscle Car Parts & Molding • Muscle Car Parts & Molding • Muscle Car Parts & Molding • Muscle Car Parts & Molding



4165	1957	Fuel Tank, Round Corner, Galvanized
4161	1957	Fuel Tank w/fill vent tube, Square Corner, Galvanized
4163	1957	Fuel Tank w/fill vent tube, Square Corner, Stainless



4166	1955-57	Fuel Tank Straps
------	---------	------------------

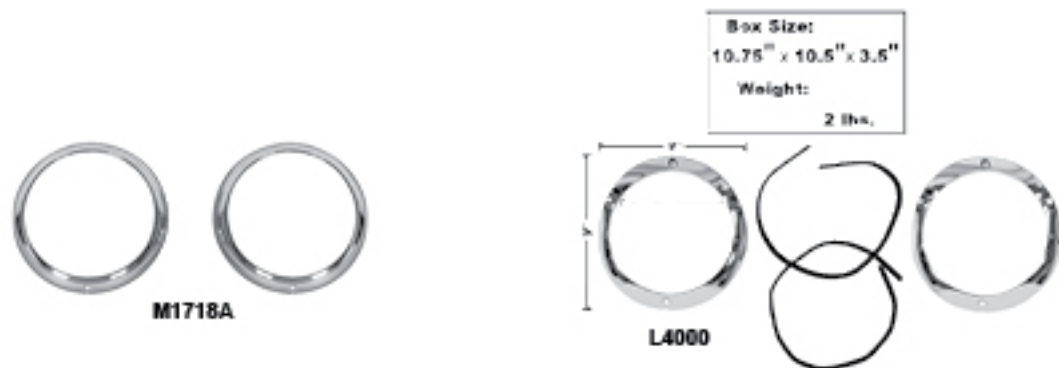
Fuel Tank Straps

Fuel Senders



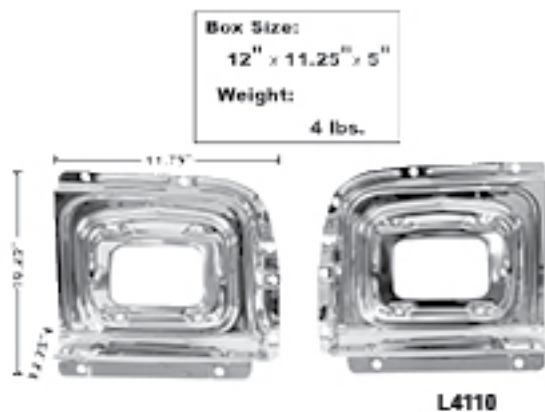
T36	1931-54	Fuel Sending Unit
T37A	1955-57	Fuel Sending Unit, 3/8"
T37	1955-57	Fuel Sending Unit, 5/16"

Headlamp Bezels



M1718A	1949-52	Headlamp Bezels
L4000	1955	Headlamp Bezels with Seals

Parking Lamp Panels



L4110	1956	Parking Lamp Panels
-------	------	---------------------

Muscle Car Parts & Molding • Muscle Car Parts & Molding • Muscle Car Parts & Molding



4003



4004

4003	1955-57	Wiper Arm, RH
4004	1955-57	Wiper Arm, LH



4024

Box Size:
9.5" x 5.5" x 4.75"
Weight:
1.2 lbs.



4025

Box Size:
6.25" x 5.25" x 4.75"
Weight:
1.1 lbs.



4026

Box Size:
9.5" x 5.5" x 5"
Weight:
1.4 lbs.

4024	1953-54	Exterior Mirror
4025	1955-57	Exterior Mirror
4026	1958	Exterior Mirror



M4000



M4001



M4000	1955-57	Scuff Plates, 2 pcs. (For 2 door)
M4001	1955-57	Scuff Plates, 4 pcs. (For 4 door)

1954-55



C5408

Box Size:
22.5" x 4.5" x 4.25"
Weight:
2 lbs.



CTL5408LED



L4401



L4410



L4600



L4411



L4412



L4400

C5408	1954	Tail Lamp Assembly
CTL5408LED	1954	L.E.D. Tail Lamp Assembly
L4401	1955	Tail Lamp Housing
L4410	1955	Tail Lamp Lenses, Outer
L4411	1955	Tail Lamp Lenses, Inner
L4400	1955	Tail Lamp Bezel
L4412	1955	Tail Lamp Mounting Strap
L4600	1955	Back-Up Lamp Lenses



L4601



Box Size:
7.75" x 3" x 2.5"
Weight:
.3 lbs.

L4101

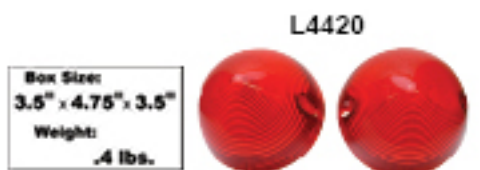


Box Size:
7.75" x 3" x 2.5"
Weight:
.3 lbs.

L4102

L4101	1955	Parking Lamp Lenses, Clear
L4102	1955	Parking Lamp Lenses, Amber
L4601	1955	License Plate Lamp

1956



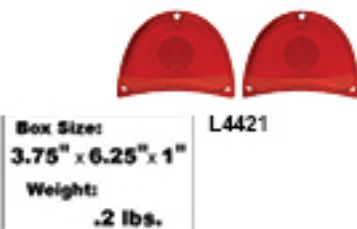
Box Size:
3.5" x 3.5" x 4.5"
Weight:
.3 lbs.



Box Size:
6.5" x 3.75" x 1"
Weight:
.3 lbs.

L4420	1956	Tail Lamp Lenses, Red
L4605	1956	Back-Up Lamp Lenses
L4103	1956	Parking Lamp Lenses, Clear
L4104	1956	Parking Lamp Lenses, Amber

1957



L4430	1957	Tail Lamp Assembly
L4421	1957	Tail Lamp Lenses, Red
L4606	1957	Back-Up Lamp Lenses
L4105	1957	Parking Lamp Lenses, Clear
L4106	1957	Parking Lamp Lenses, Amber
L4603	1957	License Plate Lamp

Accel. & Brake Pedal Components



4008	1953-57	Parking Brake Release Handle
4030	1955-56	Parking Brake Assembly
4031	1957	Parking Brake Assembly
4007	1955-57	Brake /Clutch Pedal Pad (w/o Power Brakes)
4009	1955-57	Accelerator Pedal

Misc. Interior



LH03	1955	Headlamp Rod & Knob
LH04	1956	Headlamp Rod & Knob
LH05	1957	Headlamp Rod & Knob
LH07	1955-58	Turn Signal Lever

Interior Mirrors



4027	1953-57	Rear View Mirror
1154B	1953-55	Rear View Mirror, Day/Night
4029	1956	Rear View Mirror, Day/Night
4029A	1953-54	Rear View Mirror Bracket
4029B	1955-57	Rear View Mirror Bracket



Seat Belts with Push Button:
6 colors to choose from

60 Inch Belts

SBP-BK60	Seat Belt with Push Button	Black
SBP-GR60	Seat Belt with Push Button	Grey
SBP-TAN60	Seat Belt with Push Button	Tan
SBP-NB60	Seat Belt with Push Button	Navy Blue
SBP-RED60	Seat Belt with Push Button	Red
SBP-MAR60	Seat Belt with Push Button	Maroon



74 Inch Belts

SBP-BK74	Seat Belt with Push Button	Black
SBP-GR74	Seat Belt with Push Button	Grey
SBP-TAN74	Seat Belt with Push Button	Tan
SBP-NB74	Seat Belt with Push Button	Navy Blue
SBP-RED74	Seat Belt with Push Button	Red
SBP-MAR74	Seat Belt with Push Button	Maroon



SBR-BK	Retractable 3 Point Seat Belt with Push Button	Black
SBEXT-BK	Seat Belt Extension, 12 In.	Black

See also Accessory Section for more details...



Seat Belts with Lift Latch:
10 colors to choose from

60 Inch Belts

SBL-BK60	Seat Belt with Lift Latch	Black
SBL-WT60	Seat Belt with Lift Latch	White
SBL-LG60	Seat Belt with Lift Latch	Light Grey
SBL-DG60	Seat Belt with Lift Latch	Dark Grey
SBL-LT60	Seat Belt with Lift Latch	Light Tan
SBL-DT60	Seat Belt with Lift Latch	Dark Tan
SBL-LB60	Seat Belt with Lift Latch	Light Blue
SBL-DB60	Seat Belt with Lift Latch	Dark Blue
SBL-BR60	Seat Belt with Lift Latch	Bright Red
SBL-DR60	Seat Belt with Lift Latch	Dark Red



74 Inch Belts

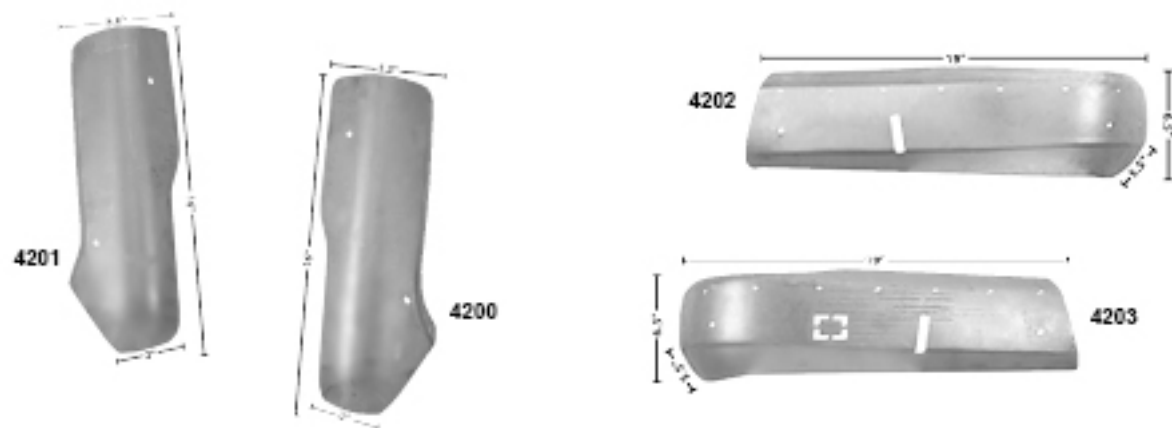
SBL-BK74	Seat Belt with Lift Latch	Black
SBL-WT74	Seat Belt with Lift Latch	White
SBL-LG74	Seat Belt with Lift Latch	Light Grey
SBL-DG74	Seat Belt with Lift Latch	Dark Grey
SBL-LT74	Seat Belt with Lift Latch	Light Tan
SBL-DT74	Seat Belt with Lift Latch	Dark Tan
SBL-LB74	Seat Belt with Lift Latch	Light Blue
SBL-DB74	Seat Belt with Lift Latch	Dark Blue
SBL-BR74	Seat Belt with Lift Latch	Bright Red
SBL-DR74	Seat Belt with Lift Latch	Dark Red

SBL-BK60BLK



SBL-BK60BLK	Seat Belt w/Black Wrinkle-Finish Latch	Black
SBL-BK74BLK	Seat Belt w/Black Wrinkle-Finish Latch	Black

Seat Components



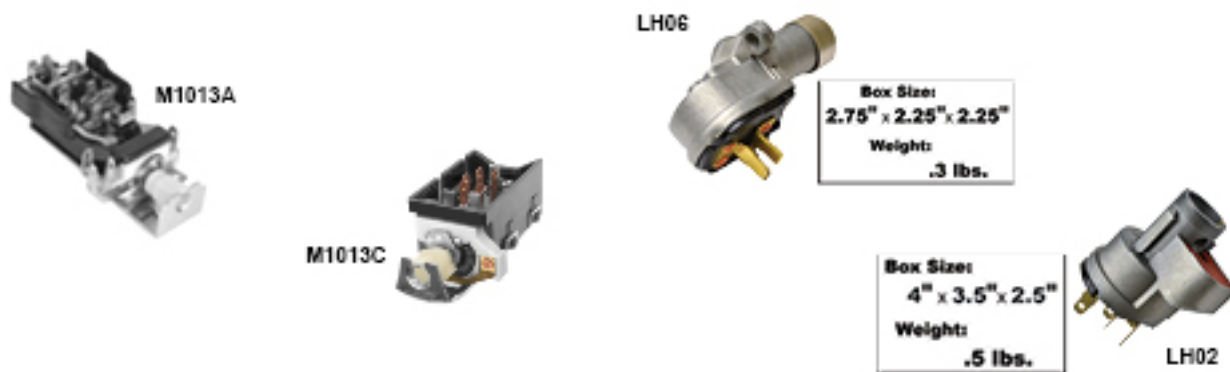
4200	1955-57	Upper Seat Shell, RH
4201	1955-57	Upper Seat Shell, LH
4202	1955-57	Lower Seat Shell, RH
4203	1955-57	Lower Seat Shell, LH

Air Vent Assemblies



4040	1955-56	Air Vent Assembly, RH
4041	1955-56	Air Vent Assembly, LH

Interior Electrical



M1013A	1955-56	Headlamp Switch, Original Design
M1013C	1957-63	Headlamp Switch
LH06	1957-60	Headlamp Dimmer Switch
LH02	1955-56	Ignition Switch

Muscle Car Parts & Molding • Muscle Car Parts & Molding • Muscle Car Parts & Molding



Box Size:
9.5" x 4" x 1"
Weight:
.2 lbs.



LH08	1955	Turn Signal Switch
LH09	1956	Turn Signal Switch
LH09A	1957-58	Turn Signal Switch



Box Size:
7" x 7" x 4.75"
Weight:
1.1 lbs.

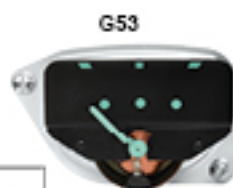


Box Size:
7" x 7" x 4.75"
Weight:
1.5 lbs.



Box Size:
7" x 7" x 4.75"
Weight:
1.3 lbs.

G50	1955-56	Speedometer
G51	1957	Speedometer, Automatic Transmission
G52	1957	Speedometer, Manual Transmission



Box Size:
5" x 4" x 3.5"
Weight:
.3 lbs.



Box Size:
3.75" x 3.75" x 3"
Weight:
.5 lbs.



Box Size:
5" x 4" x 3.5"
Weight:
.3 lbs.



Box Size:
5" x 4" x 3.5"
Weight:
.3 lbs.



Box Size:
5" x 4" x 3.5"
Weight:
.5 lbs.



Box Size:
3.75" x 3.75" x 3"
Weight:
.5 lbs.

G53	1955	Fuel Gauge
G54	1956	Fuel Gauge
G40	1957	Fuel Gauge
G56	1955	Temperature Gauge, Mechanical
G57	1956	Temperature Gauge, Electrical
G41	1957	Temperature Gauge, Electrical

Box Size:
9.5" x 7" x 4.5"
Weight:
3.1 lbs.



1010U 1955-57 Horn Set with Universal Brackets, 6 pcs.



AM-EX1

Box Size:
10.5" x 7.5" x 2.5"
Weight:
2 lbs.

AM-EX1-PKG

Includes Battery Status Indicator

Battery Status Indicator
Box Size:
5" x 1.75" x 1.75"
Weight:
.5 lbs.



AM-BT1



AM-EX1 Box Size:
10.5" x 7.5" x 2.5"
Weight:
2 lbs.



AM-BT1

Digital LCD Battery Monitor, 12 Volt Cigarette Lighter Plug

AM-EX1

Battery Charger/Maintainer

AM-EX1-PKG

Battery Charger/Maintainer w/LED, Includes Battery Status Indicator

RetroSound®

AM-HERMOSA-B



AM-HERMOSA-C

AM-HERMOSA-B	1967-81	Radio, "Hermosa B" w/Black Face & Buttons (Use make-specific faceplate & knob kit)
AM-HERMOSA-C	1967-81	Radio, "Hermosa C" w/Chrome Face & Buttons (Use make-specific faceplate & knob kit)

**Model 2 Radios
~ DISCONTINUED ~
Available while
supplies last.
(Replaced by Hermosa)**

AM-MOD2B



AM-MOD2C

Box Size:
11.5" x 8.75" x 13.25"
Weight:
2.98 lbs.

AM-MOD2V

AM-MOD2B	1967-81	Radio, "Model 2B" with Black Face (Use make-specific faceplate & knob kit)
AM-MOD2C	1967-81	Radio, "Model 2C" with Chrome Face (Use make-specific faceplate & knob kit)
AM-MOD2V	1967-81	Radio, "Model 2V" with Ivory Knobs (Use make-specific faceplate & knob kit)

RetroSound®



~ DISCONTINUED ~
Available while supplies last.
(Replaced by Hermosa)

Box Size:
11.5" x 8.75" x 3.25"
Weight:
2.66 lbs.

AM-ZUMA-B



AM-ZUMA-V

Box Size:
11.5" x 8.75" x 3.25"
Weight:
2.66 lbs.

AM-ZUMA-B	1967-81	Radio, "Zuma B" w/Black Face & Black Buttons (Use make-specific faceplate & knob kit)
AM-ZUMA-V	1967-81	Radio, "Zuma V" w/Chrome Face, Ivory Knobs (Use make-specific faceplate & knob kit)

AM-4053



AM-4055



AM-4057



AM-4058



AM-4053	1953-54 Full Size Chevy	Radio Bezel & Knob Kit, Chrome Face Plate & Knobs
AM-4055	1955-56 Full Size Chevy	Radio Bezel & Knob Kit, Chrome Face Plate & Knobs
AM-4057	1957 Full Size Chevy	Radio Bezel & Knob Kit, Chrome Face Plate & Knobs
AM-4058	1958 Full Size Chevy	Radio Bezel & Knob Kit, Chrome Face Plate & Knobs

161



169



171



161	1949-64	Ignition Lock, Original Octagonal Head Key
169	1953-57	Glove Box Lock, Later Round Head Key (Bel Air)
171	1955-57	Trunk & Glove Box Locks, Later Round Head Key (Bel Air)

Muscle Car Parts & Molding • Muscle Car Parts & Molding • Muscle Car Parts & Molding • Muscle Car Parts & Molding



GW157

Box Size:
17" x 17" x 10.25"
Weight:
19 lbs.

5" x 4 3/4" Bolt Pattern



Box Size:
17" x 17" x 10.25"
Weight:
22 lbs.



GW150



GW158

Box Size:
17" x 17" x 10.25"
Weight:
20 lbs.



GW157P	New	GM	Magnum Alloy Wheel 15"x7" w/Center Cap, 4" Backspace, Photo on pg A24
GW157			Magnum Alloy Wheel 15"x7" w/Center Cap, no offset, 4" Backspace
GW158			Magnum Alloy Wheel 15"x8" w/Center Cap, 10mm negative offset (-.4"), 4.07" Backspace
GW150			Magnum Alloy Wheel 15"x10" w/Center Cap, 21mm negative offset (-.8"), 4.65" Backspace



GW177

Box Size:
19" x 19" x 9"
Weight:
23 lbs.



FW-CAP



GW178

Box Size:
19.5" x 19.5" x 10"
Weight:
24 lbs.



GW177C

Box Size:
19" x 19" x 9"
Weight:
23 lbs.



5" x 4 3/4" Bolt Pattern



GW178C

Box Size:
19.25" x 19.25" x 10.25"
Weight:
24 lbs.



GW177	Magnum Alloy Wheel 17"x7" w/Center Cap and decal, no offset
GW177C	Magnum Alloy Wheel 17"x7" w/Center Cap and decal, no offset, Chrome
GW178	Magnum Alloy Wheel 17"x8" w/Center Cap and decal, 10mm negative offset
GW178C	Magnum Alloy Wheel 17"x8" w/Center Cap and decal, 10mm negative offset, Chrome
FW-CAP	Magnum Wheel Cap with decal, 3/4" tall, Chrome (for 17" rims)