

# Dynacorn

International LLC  
The muscle car people



**2019**  
**IMPALA<sup>®</sup>**

# Impala™ Index

## Index

### A

A/C Vent Ball: 13  
Antennas & Cables: 46, 47, 48, 50

### B

Back Up Lamps & Lenses: 46, 47, 48, 49, 50  
Battery Charger/Maintainer: 63  
Battery Trays & Clamps: 5, 6  
Body Bushing Kits: 67  
Body Panels, Rear: 27  
Body Shims & Washers: 6  
Body Side Molding: 40, 41  
Bumpers & Guards: 1, 2  
Bumper Brackets: 3  
Bumper Fillers: 4  
Bumper Reinforcement: 3

### C

Cigarette Lighter: 64  
Clutch Countershaft (Z-bar): 53  
Console Mounted Clock: 13  
Control Arm Bumper: 6  
Cornering Lamp Bezels: 50  
Cornering Lamp Lenses: 50  
Crossmember Transmission Support: 14

### D

Dashes & Glove box: 13  
Dash Mounted Clock: 13  
Decal, Door Sill: 67  
Deck Lid Filler Panel: 27  
Dome Light Assemblies & Lenses: 64  
Door Glass & Lower Window Frame: 51  
Doors & Hinges: 22  
Door Glass & Lower Window Frame: 50  
Door Handles & Cranks: 23, 24  
Door Latch, Catch & Striker: 22  
Door Molding: 39  
Door Sill Scuff Plates: 56  
Door Trims & Arms Rests: 56  
Drip Rails, Roof: 21  
Drip Rail Molding, Door: 39

### E

Emblems: 43, 44, 45  
Engine Mounts: 5

### F

Fenders, Inner: 8  
Fenders & Braces: 7  
Fender Molding, Front: 37  
Fender Moldings & Ornaments: 37  
Fender To Valance Bracket: 7  
Firewall Carpet Guard: 57  
Floor Pans: 14, 15, 16, 17  
Floor Pan Braces & Supports: 15  
Floor Pan Plug: 14, 15  
Fresh Air Vent Assembly: 51  
Fuel Sending Units: 32  
Fuel Tanks: 29, 30, 31  
Fuel Tank Straps & Braces: 32

### G

Glass & Seals: 50, 51  
Glove Box: 13  
Grilles & Molding: 33, 34, 35, 36

### H

Header Panels: 4  
Headlamp Bezels: 33, 34, 35, 36  
Headlamp Mounting Buckets: 33, 34, 35, 36  
Headlamp Retaining Rings: 33, 34, 35, 36  
Headlamp Switch: 63  
Heater Box & Core: 51  
Hood Latch Assembly: 9, 10  
Hoods & Hinges: 9, 10, 11, 12  
Hood Latch Support: 9, 11  
Hood Spears & Molding: 37  
Horn Caps: 55  
Horns: 64

### I

Interior Electrical: 63, 64

### L

License Panels: 43  
License Plate Bracket: 28  
Locks: 67, 68

### M

Magnum Alloy Wheels: 65, 66  
Mirrors, Exterior: 38  
Mirrors & Brackets, Interior: 56

### P

Parking Brake Assemblies: 52, 53  
Parking Brake Release Handles: 52  
Parking Lamps & Lenses: 46, 47, 50  
Pedals (Accelerator, Brake & Clutch): 52

### Q

Quarter 'B' Pillar Panels: 21  
Quarter Panels (Incl. fuel door): 25  
Quarter Panel & Cove Molding: 41

### R

Radiator Supports: 4, 5  
Radios & Components: 60, 61, 62  
Rocker Panels: 21  
Rocker Panel Moldings: 40  
Rubber Seals: 51

### S

Scuff Plates: 56  
Seat Belts: 59  
Seat Floor Pan, Rear: 14, 15  
Seat Molding: 58  
Seat Mounting Brackets: 15  
Seats & Components: 57, 58  
Shifter Lever: 53  
Steel Dash Panel: 13  
Steering Column Seals: 54  
Steering Wheels & Horn Caps: 54, 55  
Sun Visor Brackets: 55

### T

Tail Lamps & Lenses: 46, 47, 48, 49, 50  
Tail Light Mounting Panels: 28  
Tail Panel Brace: 28  
Trailing Arm Bushings: 6  
Transmission Indicator Bezels: 54  
Trunk Cross Rail: 18  
Trunk Floor Drop Offs: 18  
Trunk Floor Pans: 18, 19, 20  
Trunk Latches & Catches: 27  
Trunk Lids, Hinges & Latches: 27, 28  
Trunk Molding: 42  
Trunk Weatherstrip Channels: 27, 28

### W

Wheelhouses & Braces: 25  
Wheel Opening Moldings: 39, 40  
Window Molding, Rear: 41  
Window Regulators: 22  
Windshield Moldings: 38  
Windshield Washer Bottle Bracket: 5  
Windshield Wiper Switch: 64  
Wiper Arms: 36  
Wiper Motor Transmission Arms: 36

 **Restoration  
Parts**

© 2004 GM Corp. All rights reserved. GM, the GM logo, and the GM Restoration Parts logo are trademarks of General Motors Corporation.

General Motors Trademarks  
are used under License to  
Dynacorn International Inc.

1961-62



1705K	1962	Front Bumper, 3 pieces
1705L	1962	Rear Bumper, 3 pieces
1705Q	1962	Rear Bumper Guards, Chrome

1963



1705B	1963	Front Bumper, 3 pieces
1705C	1963	Rear Bumper, 3 pieces
1705GC	1963	Rear Bumper Guards, pr. Chrome

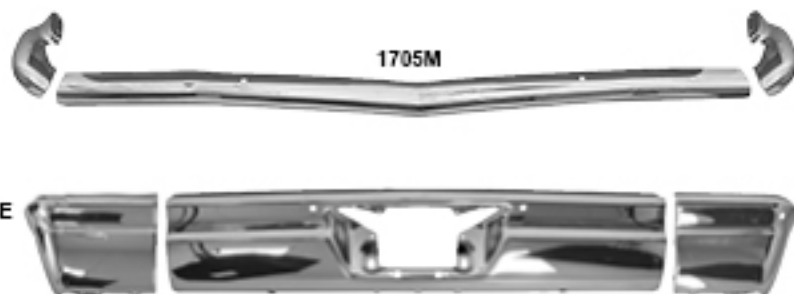
1964



1705A	1964	Front Bumper, 3 pieces
1705N	1964	Front Bumper Guards, pr
1705	1964	Rear Bumper, 3 pieces
1705GD	1964	Rear Bumper Guards, pr. Chrome

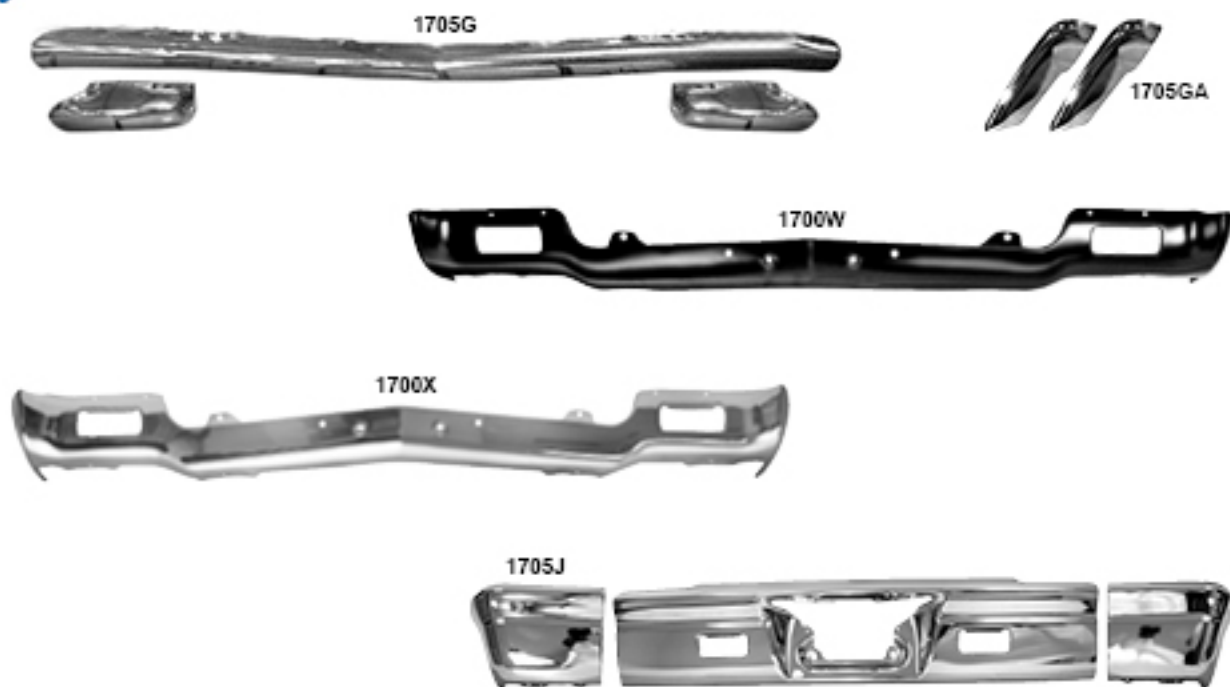
Bumpers & Guards continued on next page...

**1965**



1705M	1965	Front Bumper, 3 pieces
1705E	1965	Rear Bumper, 3 pieces

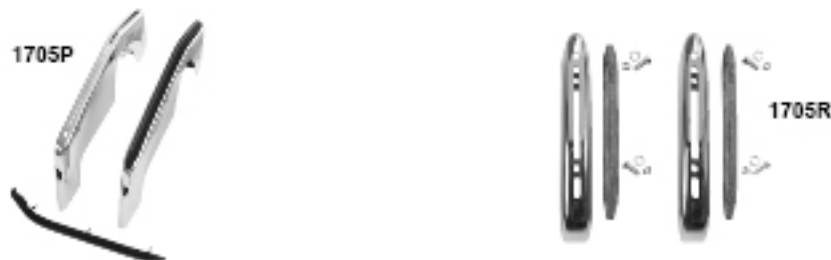
**1966**



1705G	1966	Front Bumper, 3 pieces
1705GA	1966	Front Bumper Guards
1700W	1966	Front Lower Bumper, Painted
1700X	1966	Front Lower Bumper, Chrome
1705J	1966	Rear Bumper, 3 pieces



**1968**



1705P	1968	Front Bumper Guards
1705R	1968	Rear Bumper Guards (Excludes wagon) Also fits Caprice



1700R	1964	Front Bumper Center Reinforcement Bar
-------	------	---------------------------------------



1700K	1962-64	Front Bumper Bracket, RH
1700L	1962-64	Front Bumper Bracket, LH
1700T	1963	Front Bumper Brackets, 5 pieces
1700U	1963	Rear Bumper Brackets, 4 pieces



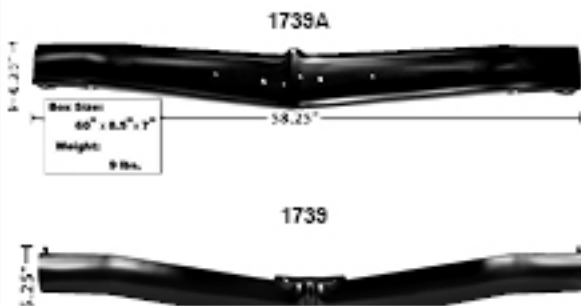
1700S	1964	Front Bumper Center Brace
1700M	1964	Front Bumper Brackets, RH 3 pieces
1700N	1964	Front Bumper Brackets, LH 3 pieces
1700P	1964	Rear Bumper Brackets, RH 2 pieces
1700Q	1964	Rear Bumper Brackets, LH 2 pieces
1707A	1966	Front Bumper Arms, 4 pieces

**Bumper Fillers**



1700CA	1962	Front Bumper Filler
1700	1963	Front Bumper Filler
1700C	1964	Front Bumper Filler

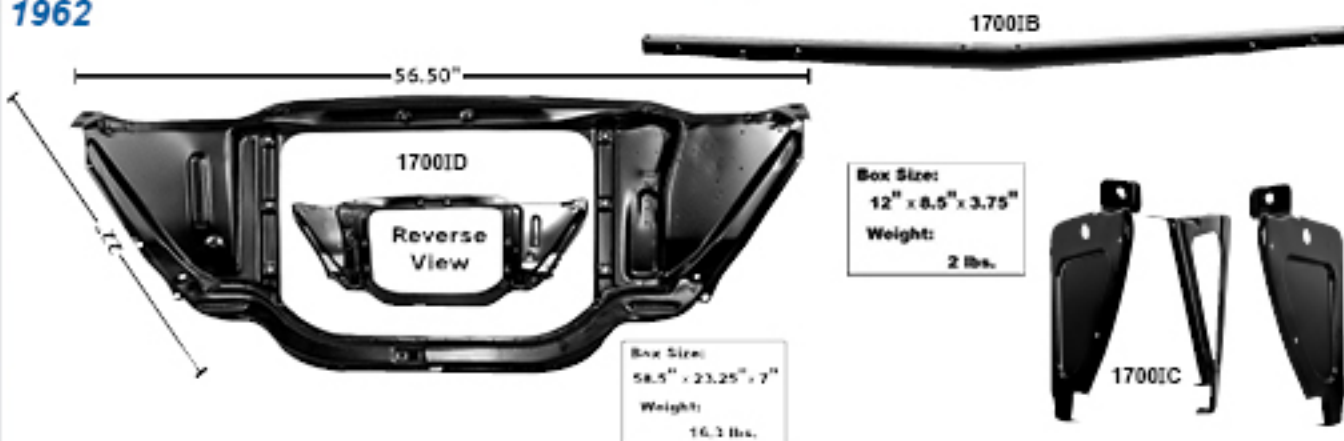
**Header Panel**



1739A	1965	Header Panel
1739	1966	Header Panel

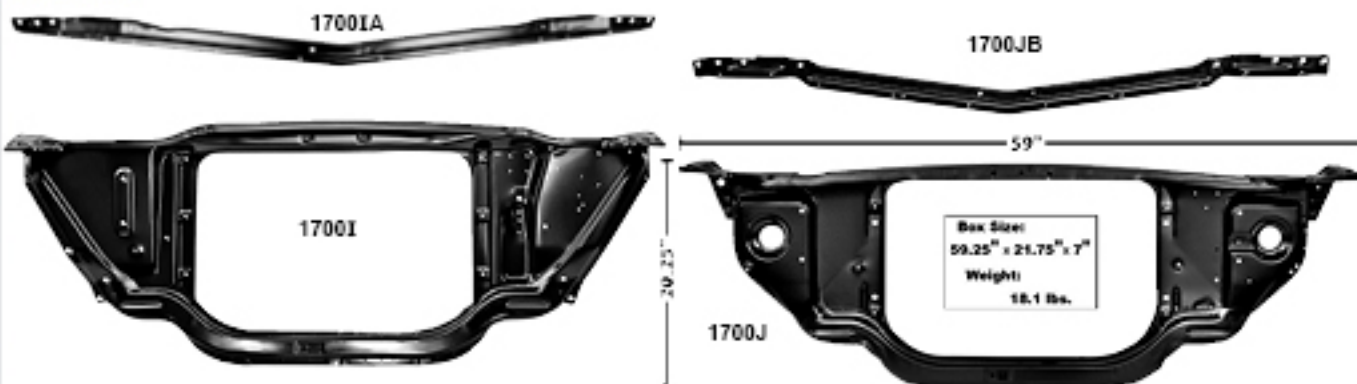
**Radiator Supports**

**1962**



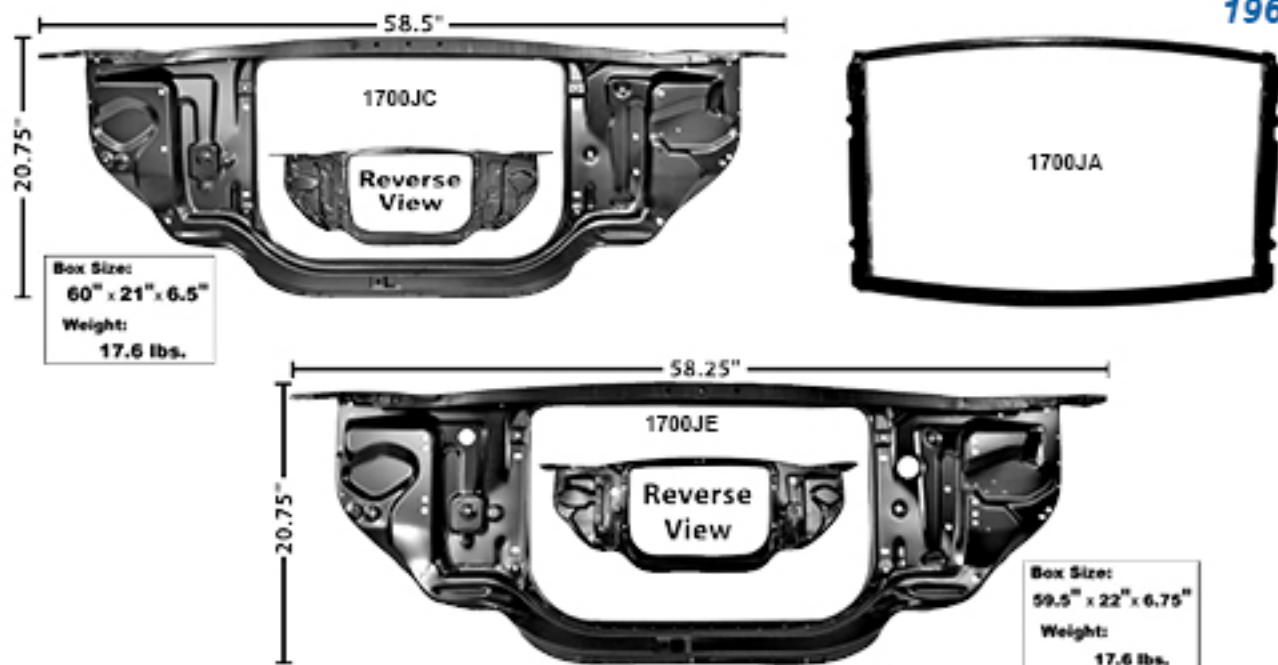
1700ID	1962	Radiator Support
1700IB	1962	Upper Radiator Support
1700IC	1962	Radiator Grille Supports, 3 pcs.

**1963-64**



1700I	1963	Radiator Support
1700IA	1963	Upper Radiator Support
1700J	1964	Radiator Support
1700JB	1964	Upper Radiator Support, Black

1965-66



1700JC	1965	Radiator Support
1700JA	1965-66	Radiator Support Frame, Black, For Small Block
1700JE	1966	Radiator Support

1958-70



1727	1963-64	Engine Mounts for 6 Cylinder
M1721	1964	Battery Tray
M1721E	1958	Battery Tray
M1721J	1958	Battery Tray Clamp
M1721K	1958	Battery Clamp Bolts
M1721F	1959-61	Battery Tray
1726	1958-64	Engine Mounts for V8
M1720	1962-63	Battery Tray
M1722	1962-63	Battery Tray Clamp
1425	1962-70	Windshield Washer Bottle Bracket

**Engine Compartment**



M1723	1964	Battery Tray Clamp
M1721A	1965	Battery Tray
1488M	1966	Battery Tray
1047E	1966-76	Battery Tray Clamp
1047EC	1966-76	Battery Tray Clamp, Stainless
1488J	1967	Battery Tray
1488K	1968-70	Battery Tray

**Suspension**



1007	1958-70	Control Arm Bumper
M1726L	1959-64 1965-70	Trailing Arm Bushings, Upper Front & Rear / Lower Rear Lower Front (With Large Diameter Bushings)
M1726M	1959-64	Trailing Arm Bushings, Lower Front
1708B	1958-64	Control Arm Upper (Tubular)
1708C	1958-64	Control Arm Lower (Tubular)
1708D	1965-70	Control Arm Upper (Tubular)
1708E	1965-70	Control Arm Lower (Tubular)

**Body Shims**

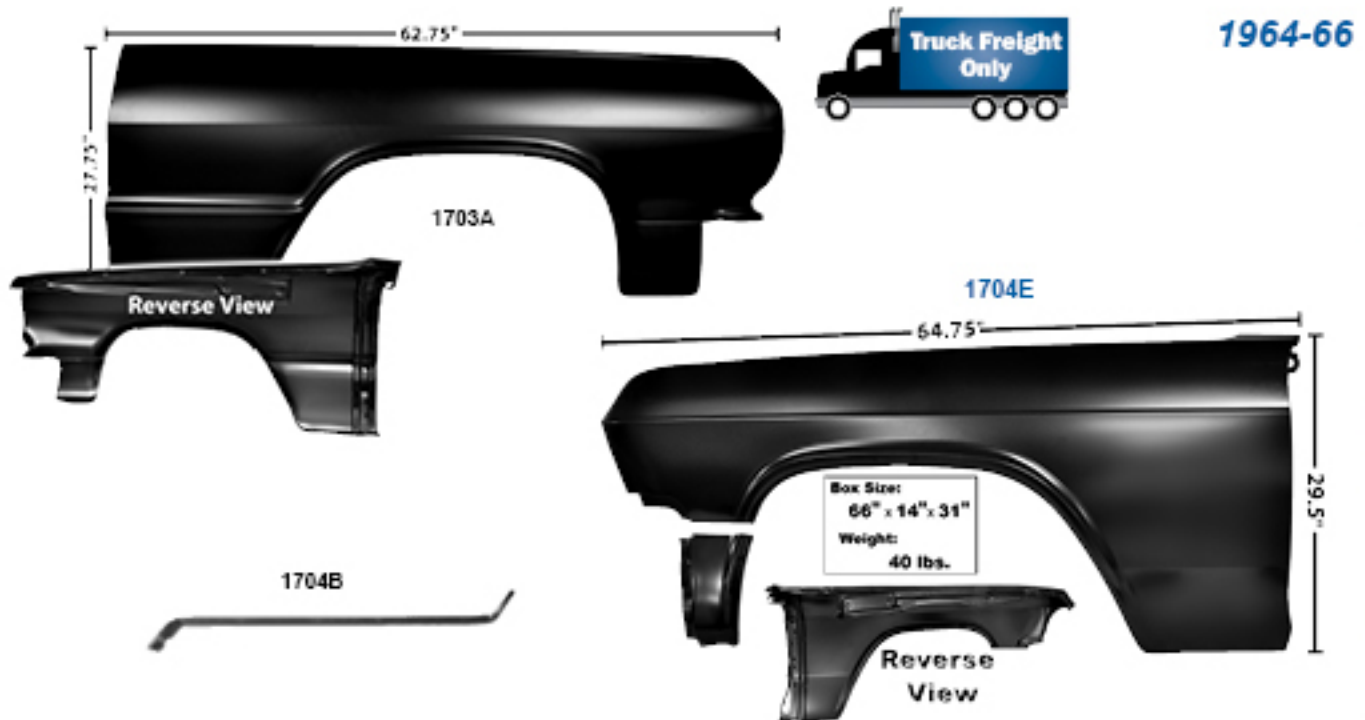


1000F	1964-72	Body Shims, 6 mm, 10 pc. set
1000D	1964-72	Body Shims, 3 mm, 10 pc. set
1000E	1966	Body Shims, 1.6 mm, 10 pc. set
GM03		Body Washers, 20 pc. set





1702Y	1962	Front Fender, RH
1702Z	1962	Front Fender, LH
1702R	1962	Fender Brace Skirt, RH
1702S	1962	Fender Brace Skirt, LH
1703	1963	Front Fender, RH
1704	1963	Front Fender, LH



1703A		1964	Front Fender, RH
1704A		1964	Front Fender, LH
1704B		1964	Fender To Valance Bracket
1704D	New	1965	Front Fender, RH
1704E	New	1965	Front Fender, LH
1704F	New	1966	Front Fender, RH
1704G	New	1966	Front Fender, LH

Coming Soon!  
Coming Soon!

**1962-64**



1719Y



1720



1700D



1719Y	1962	Inner Fender, RH
1719Z	1962	Inner Fender, LH
1720	1963	Inner Fender, RH
1721	1963	Inner Fender, LH
1700D	1964	Front Fender, RH
1700E	1964	Front Fender, LH

**1965-66**



1722



1723



1724

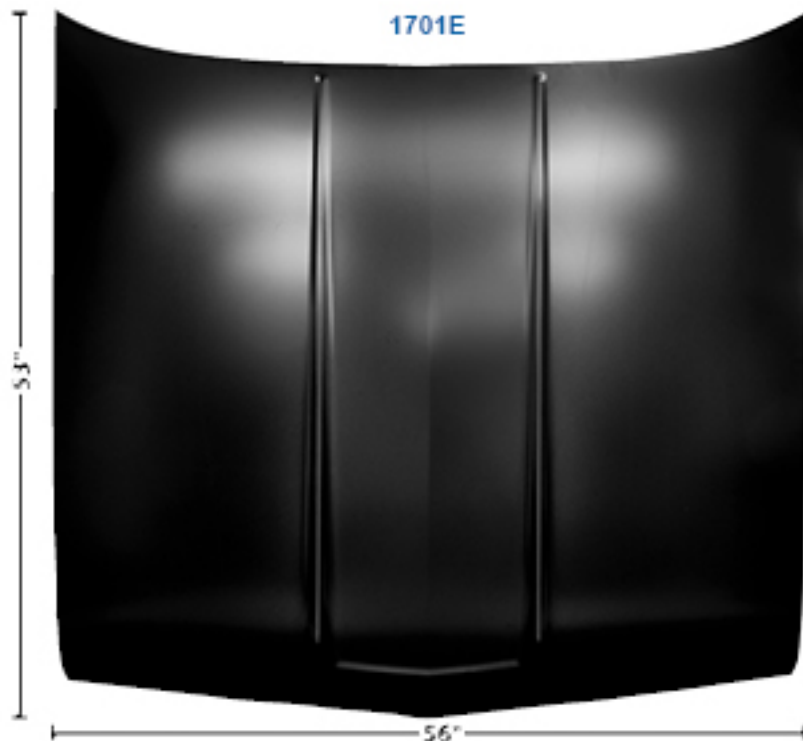


1725

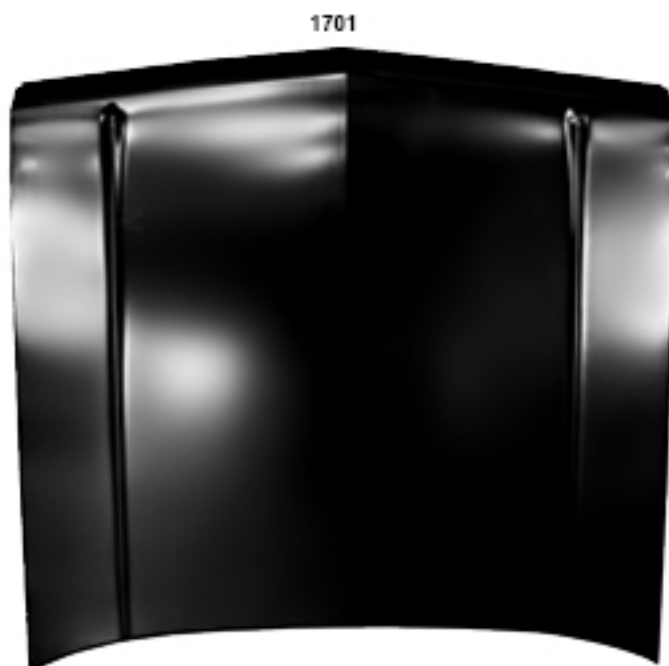
1722	1965	Inner Fender, RH
1723	1965	Inner Fender, LH
1724	1966	Inner Fender, RH
1725	1966	Inner Fender, LH

1962-64

Muscle Car Parts & Molding • Muscle Car Parts & Molding • Muscle Car Parts & Molding



Box Size:  
56" x 60.5" x 6.5"  
Weight:  
82 lbs.



1701E	New	1962	Hood
1702M		1962	Hood Latch Assembly
1702N		1962	Hood Latch Support
1701		1963	Hood

1962-64

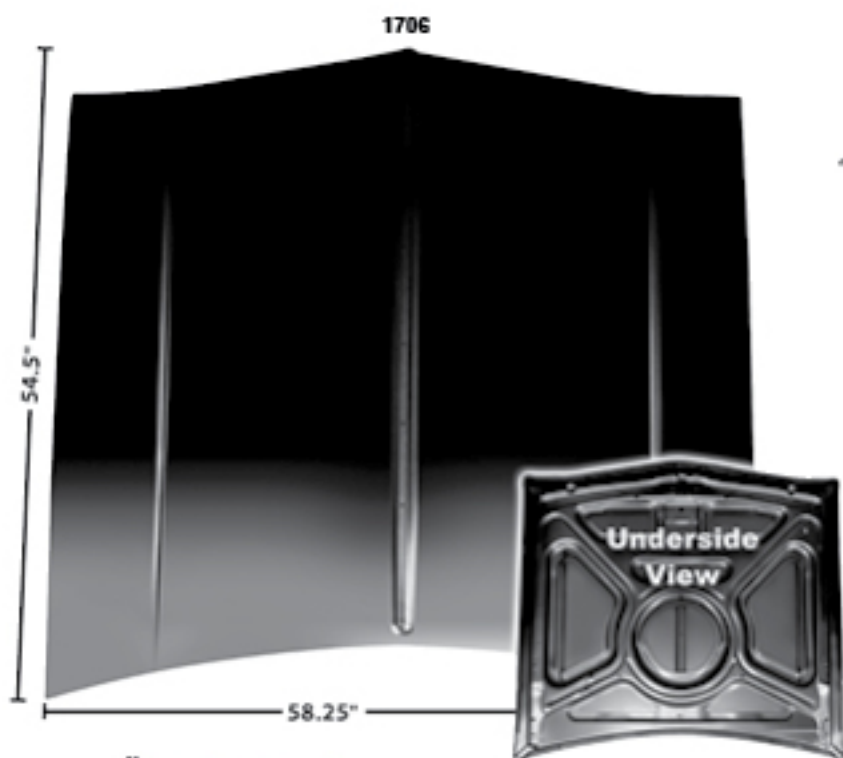


1701C	1962	Hood Hinge RH
1701D	1962	Hood Hinge LH
1701A	1963-64	Hood Hinge RH
1701B	1963-64	Hood Hinge LH
1702E	1963	Hood Latch Assembly
1702F	1964	Hood Latch Assembly
1702	1964	Hood
1702A	New	1964 Hood without Spear Holes

Coming Soon!

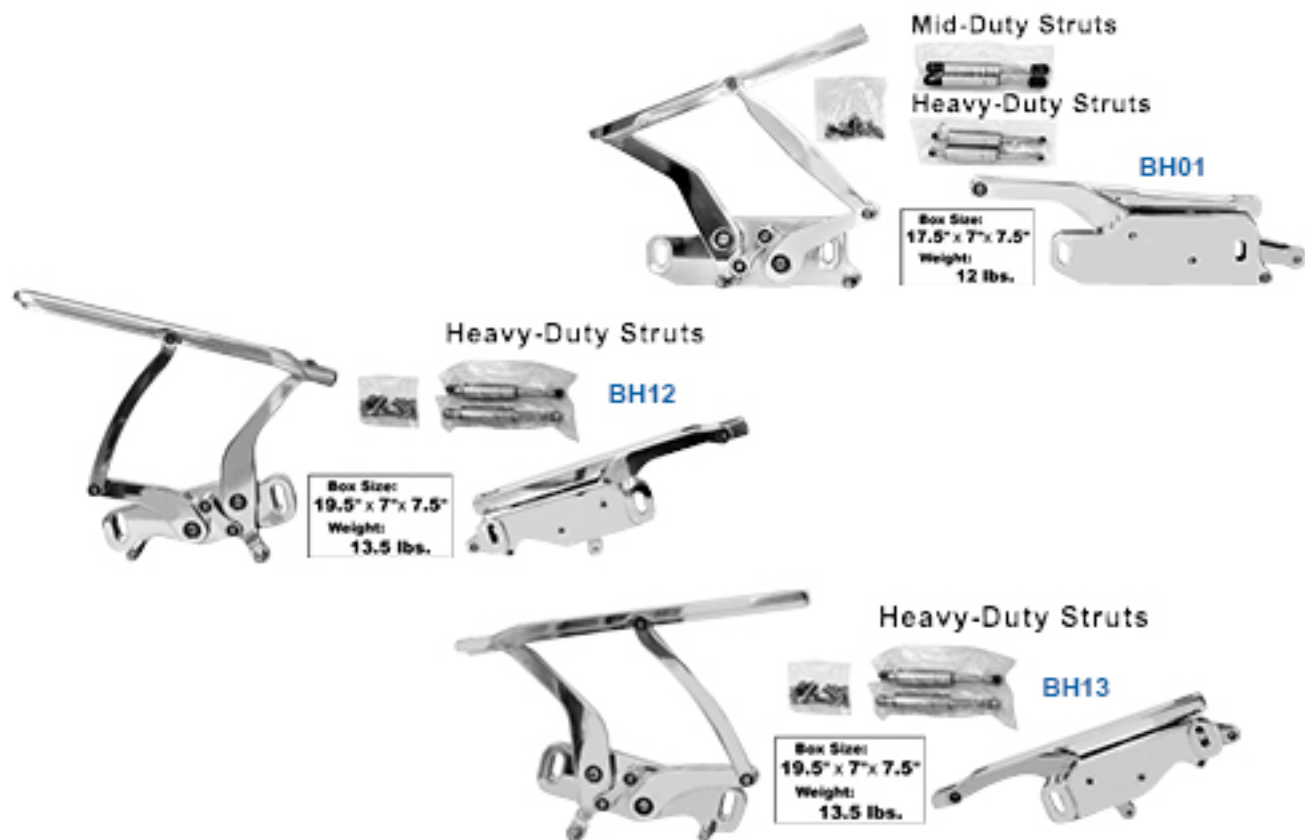


BH30 New 1963-64 Billet Hood Hinge, Pair



1965-70

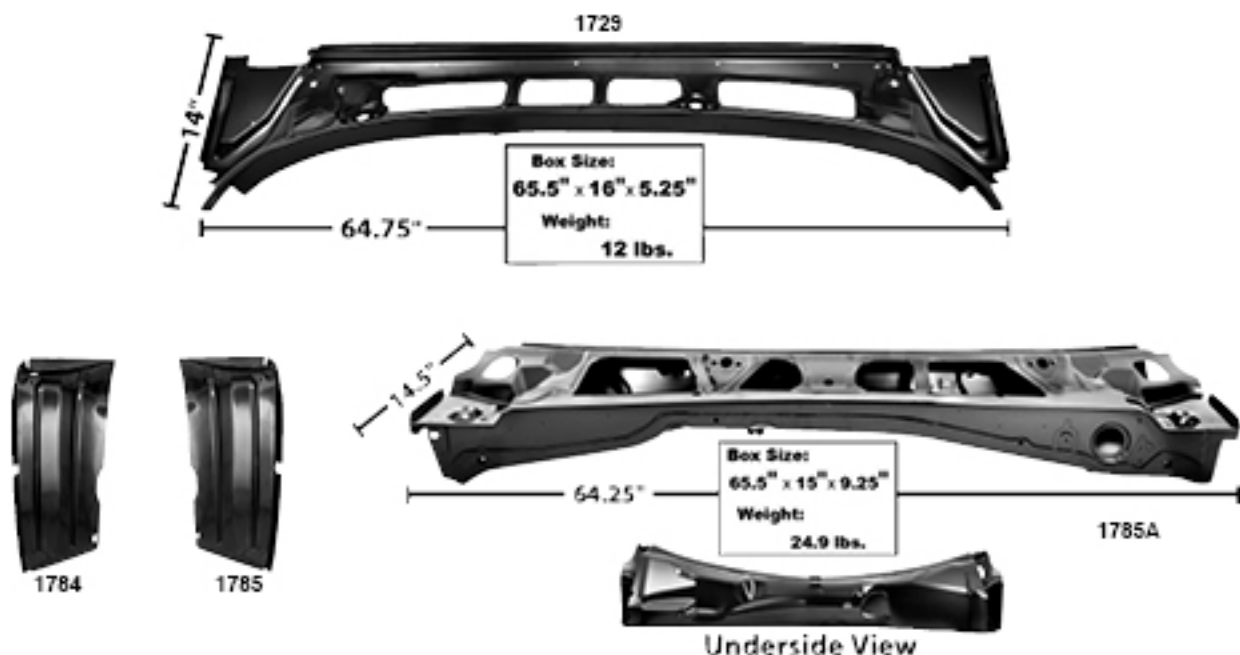
1706	1965-66	Hood
1702FA	1966	Hood Latch Assembly
1702K	1965	Hood Latch Support
1702L	1966	Hood Latch Support
1069AX	1967-69	Hood Hinge Spring
1069AY	1970	Hood Hinge Spring
1069AZ	1971-76	Hood Hinge Spring



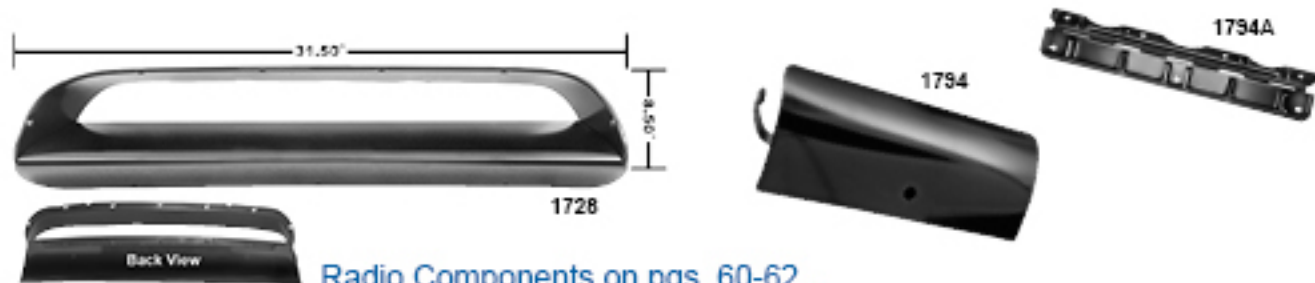
BH01	New	1965-67	Billet Hood Hinge, Pair
BH12	New	1968	Billet Hood Hinge, Pair
BH13	New	1970	Billet Hood Hinge, Pair



1068G	1965-67	Hood Hinge RH
1068H	1965-67	Hood Hinge LH
1464Y	1968	Hood Hinge RH
1464Z	1968	Hood Hinge LH
1466	1970	Hood Hinge RH
1467	1970	Hood Hinge LH



1729	1961-64	Cowl Panel, Upper
1784	1962-64	Outer Cowl Panel, RH
1785	1962-64	Outer Cowl Panel, LH
1785A	1965-66	Cowl Panel, Upper & Lower



Radio Components on pgs. 60-62...



3856472

1403C



1709R

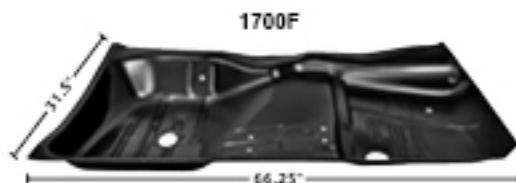
Box Size:  
4.25" x 4.5" x 4.25"  
Weight:  
.5 lbs.



1400B

1728	1963-64	Steel Dash Panel
1794	1963-64	Glove Box Door
1794A	1963-64	Glove Box Door Hinge
1709R	1965	Console Mounted Clock
1400B	1965	Console Clock Acrylic Lens
1403C	1965-76	Speedometer Cable Grommet
3856472	1965-68	A/C Vent Ball (1967 w/A/C and all 1968 Astro-Vent)

1961-64



1961-64 Floor Pan Braces on next pg...



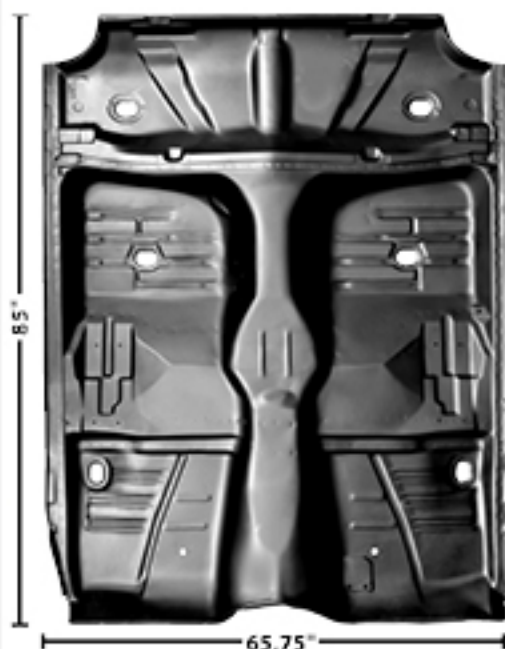
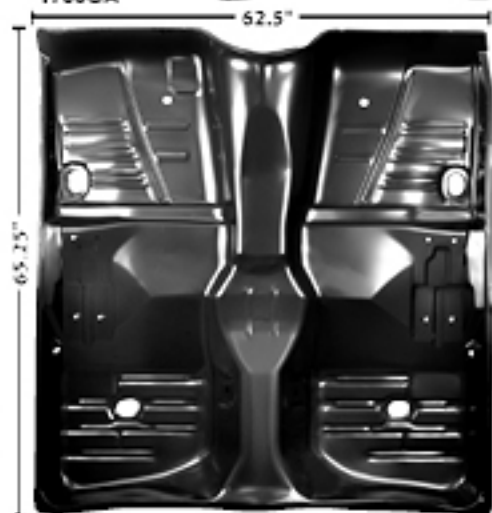
1047F



1766G



1700GA



1700GJ

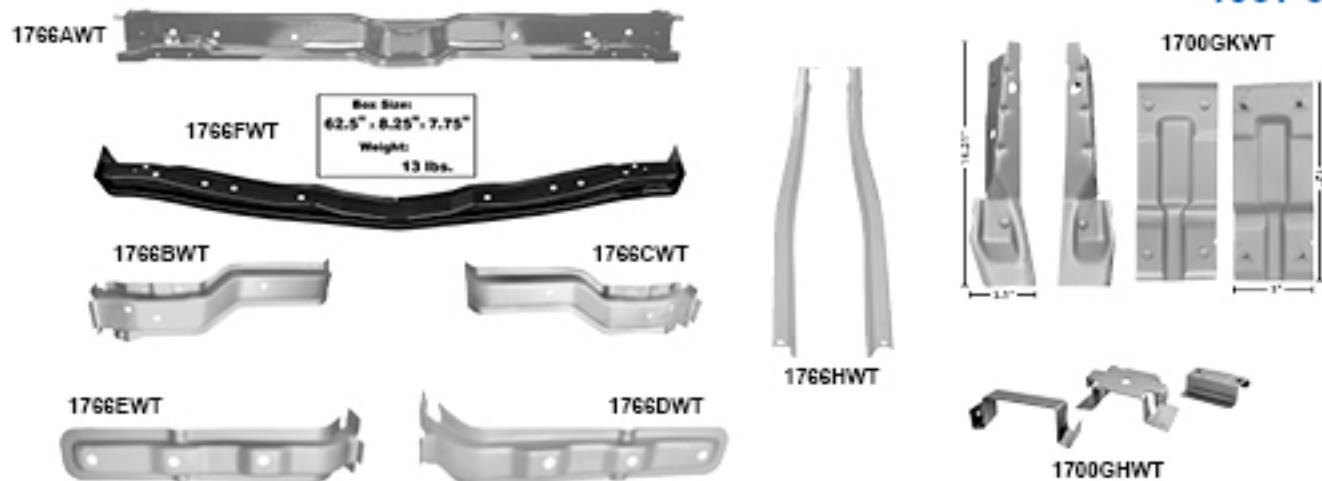


1700GX	1961-64	Complete Floor Pan, coupe (2pc Floor)
1700GA	1961-64	Full Floor Pan only
1700GJ	1962-64	Floor/ Rear Seat, Inner Rocker, Braces, coupe, EDP Coating (1pc Floor)
1047F	1961-81	Floor Pan Plug
1700F	1961-64	Full Floor Pan RH
1700G	1961-64	Full Floor Pan LH
1780	1961-64	Rear Seat Floor Pan
1766G	1961-64	Crossmember Transmission Support



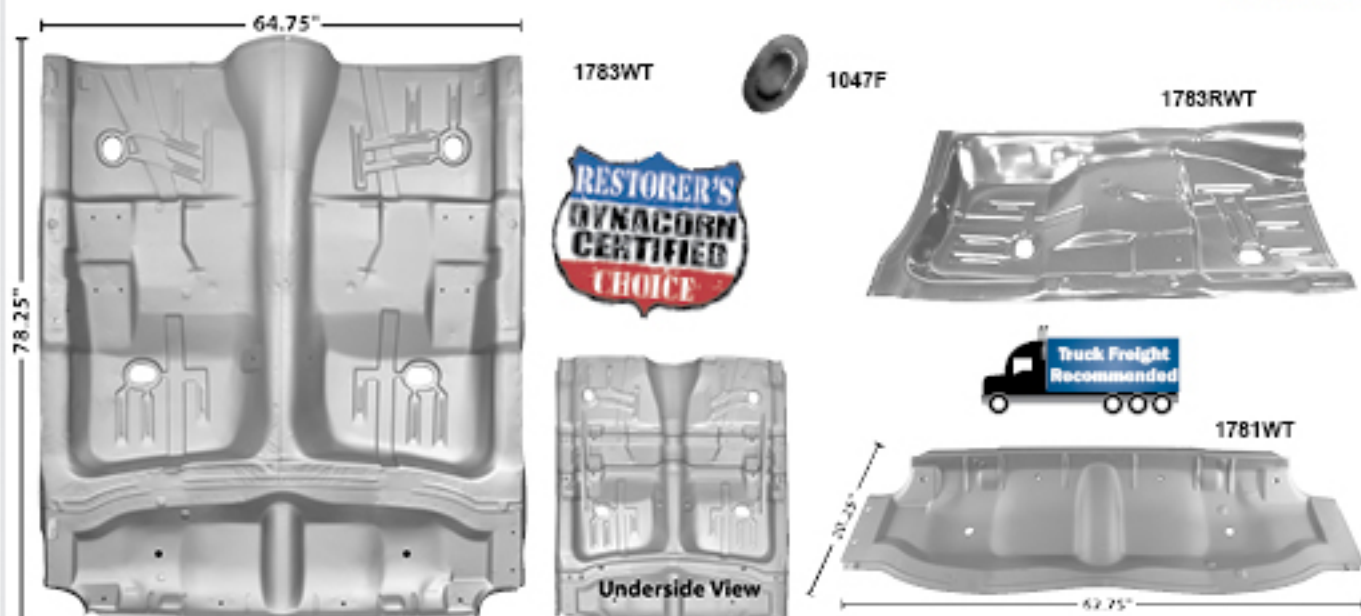


1961-64



1700GHWT	1964	Console Mounting Brackets, 3 pcs., Weld-Through Primer
1700GKWT	1962-64	Bucket Seat Mounting Bracket Set, 4 pcs., Weld-Through Primer
1766AWT	1961-64	Front Floor Pan Brace, Weld Through Primer
1766FWT	1961-64	Rear Floor Pan Brace, Weld Through Primer
1766HWT	1961-64	Floor-to-Firewall Braces, Weld Through Primer
1766BWT	1961-64	Floor Pan Brace Under Front Seat, RH, Weld Through Primer
1766CWT	1961-64	Floor Pan Brace Under Front Seat, LH, Weld Through Primer
1766DWT	1961-64	Floor Pan Brace Under Rear Seat, RH, Weld Through Primer
1766EWT	1961-64	Floor Pan Brace Under Rear Seat, LH, Weld Through Primer

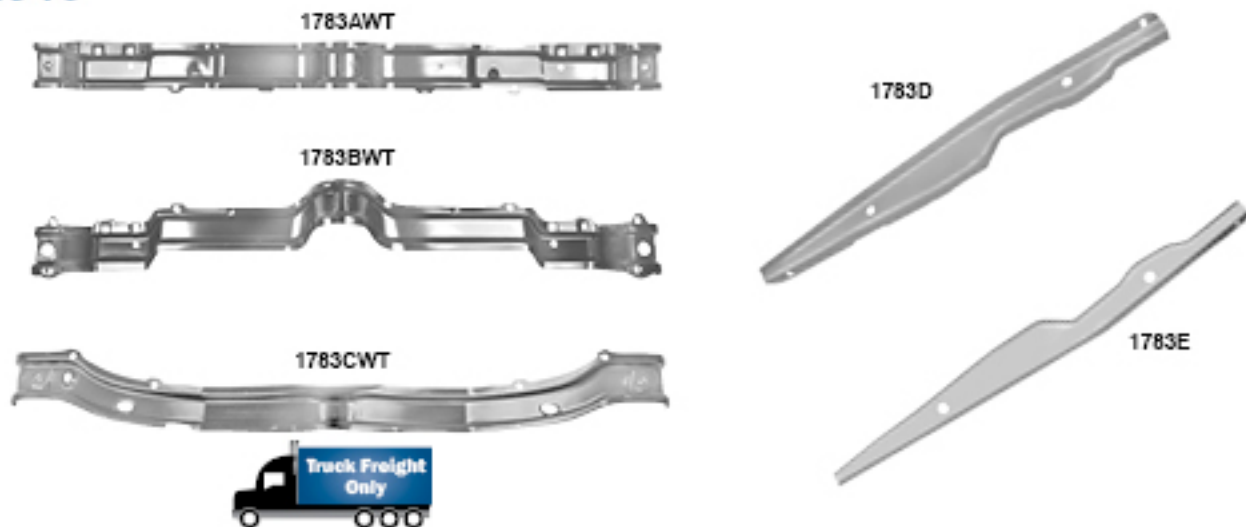
1965-70



1965-70 braces on next page...

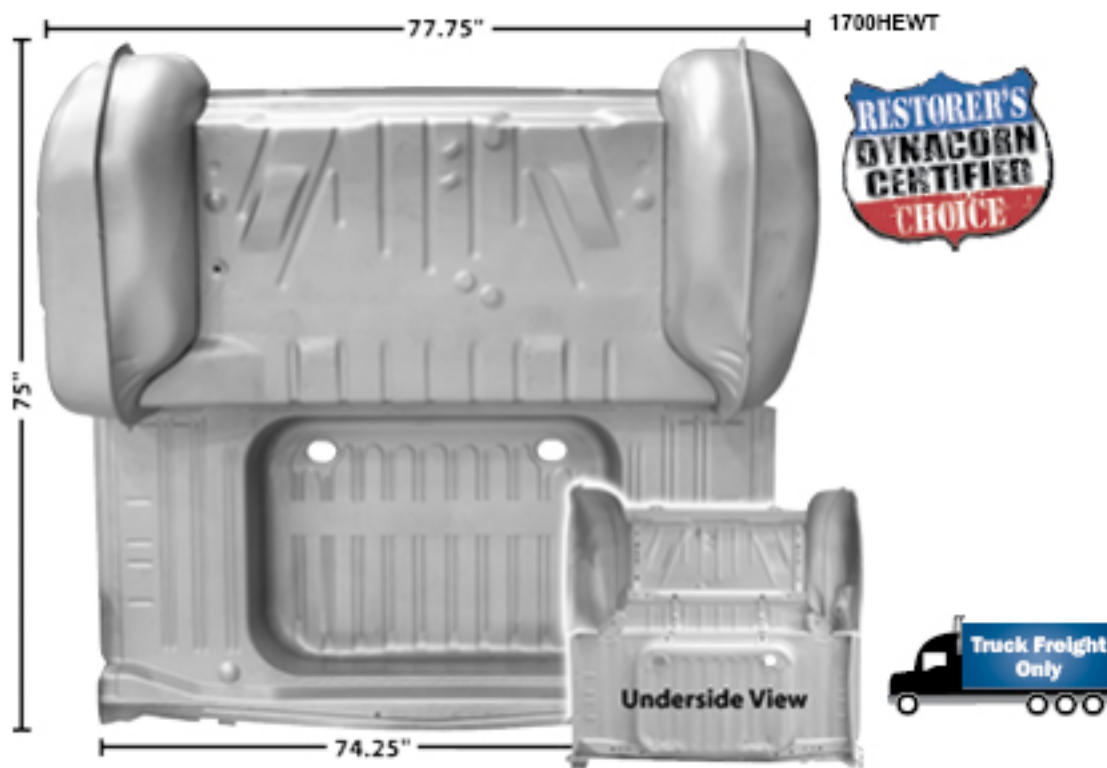
1783WT	1965-70	Complete Floor Pan w/braces, rocker panels, r. seat pan, Weld-Through Primer
1783RWT	1965-70	Floor Pan, Weld-Through Primer, RH
1783LWT	1965-70	Floor Pan, Weld-Through Primer, LH
1781WT	1965-70	Rear Seat Floor Pan, Weld-Through Primer
1047F	1961-81	Floor Pan Plug

**1965-70**



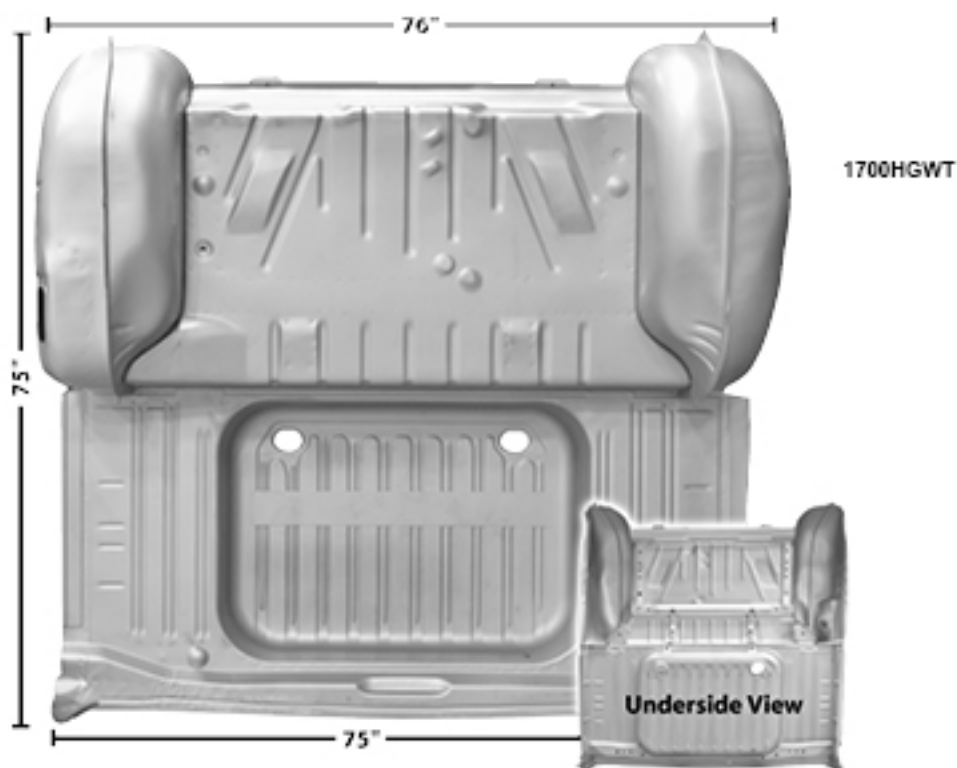
1783AWT	1965-70	Front Floor Pan Under Support, Weld-Through Primer
1783BWT	1965-70	Center Floor Pan Under Support, Weld-Through Primer
1783CWT	1965-70	Rear Floor Pan Under Support, Weld-Through Primer
1783D	1965-70	Floor Side Under Support, RH
1783E	1965-70	Floor Side Under Support, LH

**1961-64**

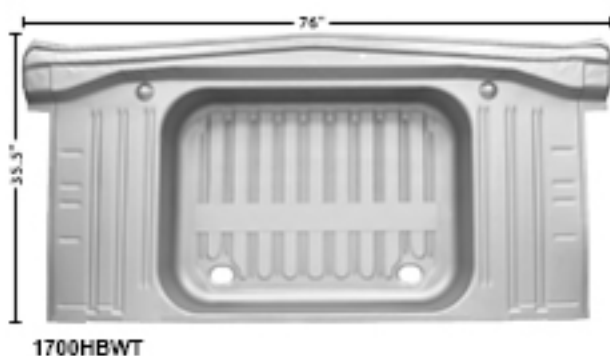
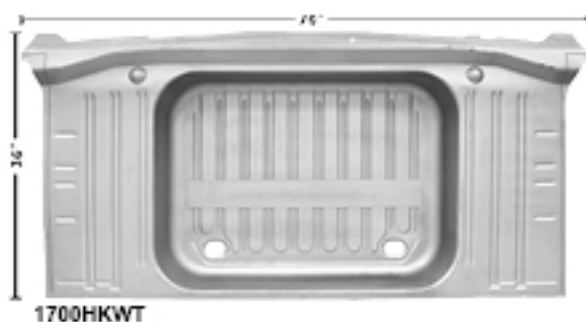


1700HEWT	1962	Trunk Floor Pan w/ Shelf Panel/Wheelhouses, Weld-Through Primer
1700HDWT	New 1963	Trunk Floor Pan w/ Shelf Panel/Wheelhouses, Weld-Through Primer

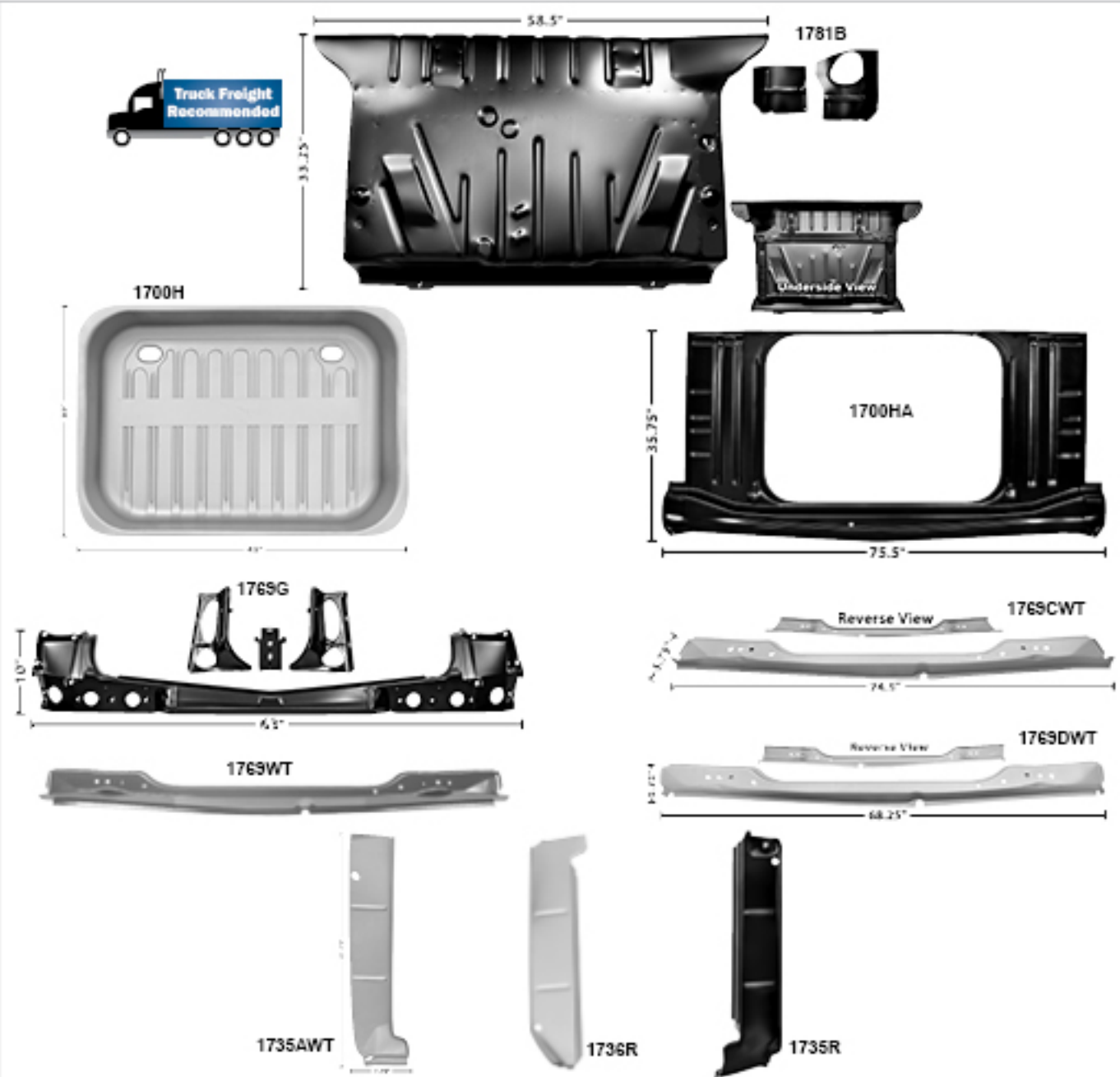
1961-64



1700HGWT 1964 Trunk Floor Pan w/ Shelf Panel/Wheelhouses, Weld-Through Primer



1700HKWT	1962	Trunk Floor w/Pan, Weld Through Primer
1700HB	1963	Trunk Floor w/Pan
1700HBWT	1963	Trunk Floor w/Pan, Weld Through Primer
1700HCWT	1964	Trunk Floor w/Pan, Weld Through Primer

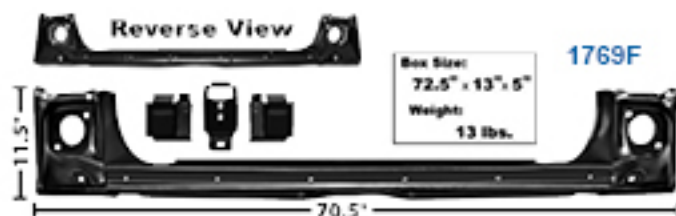
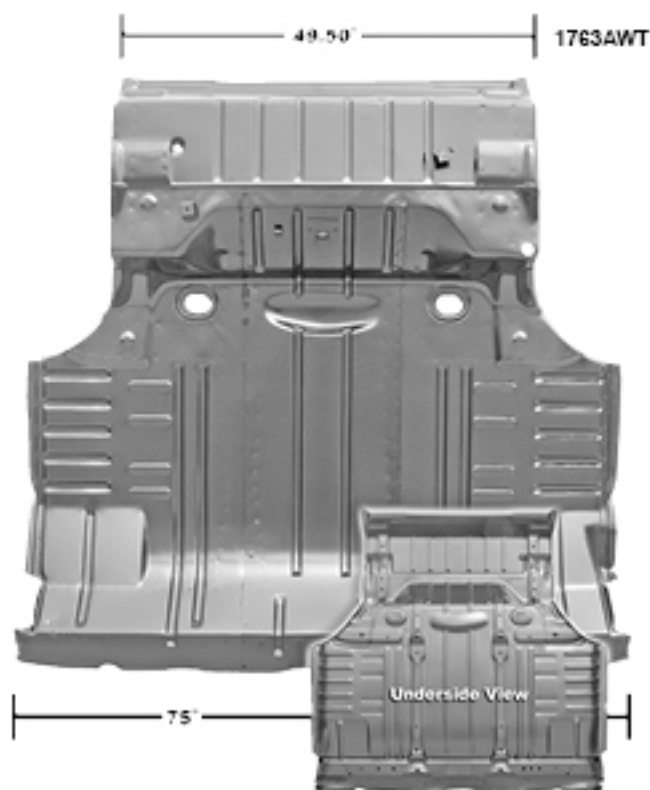


1781B	1951-64	Trunk Shelf Panel
1700H	1951-64	Trunk Lower Pan 24 door
1700HA	1963-64	Trunk Floor Outer Panel
1769CWT	1962	Trunk Cross Rail Panel, (Weld Through Primer) (Excludes Wagon)
1769WT	1963	Trunk Cross Rail Panel, (Weld Through Primer) (Excludes Wagon)
1769DWT	1964	Trunk Cross Rail Panel, (Weld Through Primer) (Excludes Wagon)
1735AWT	1962	Trunk Floor Drop Off, Weld Through Primer, RH
1735BWT	1962	Trunk Floor Drop Off, Weld Through Primer, LH
1736R	1963	Trunk Floor Drop Off, RH
1736L	1963	Trunk Floor Drop Off, LH
1735R	1964	Trunk Floor Drop Off, RH
1735L	1964	Trunk Floor Drop Off, LH
1769G	1966	Trunk Rear Cross Rail

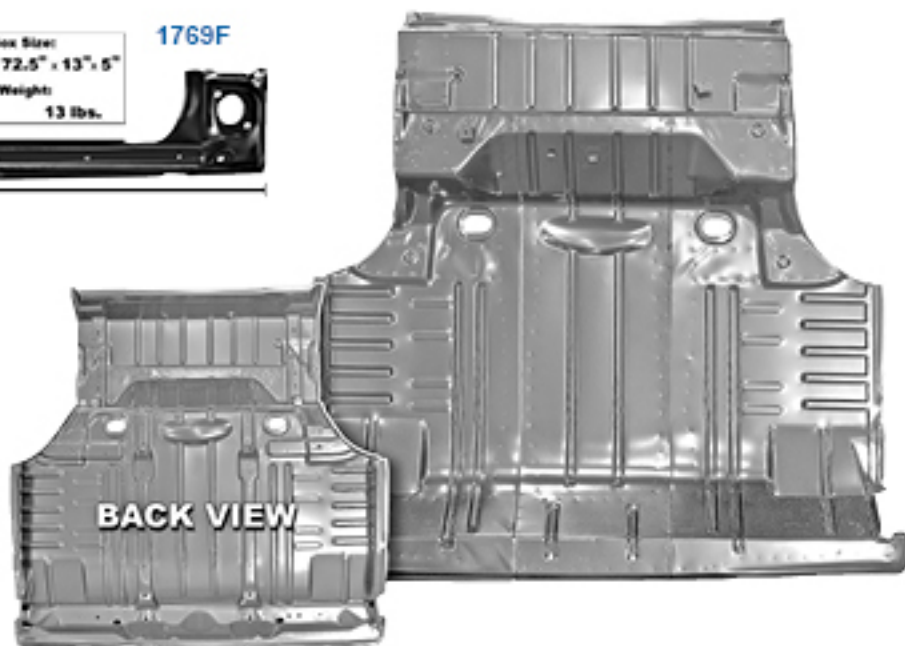
1965-70

Trunk Floor Pans & Components

Muscle Car Parts & Molding • Muscle Car Parts & Molding • Muscle Car Parts & Molding



1763WT



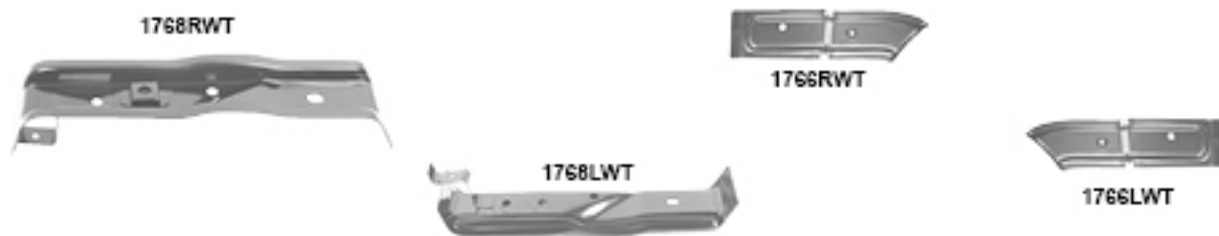
1769F	1965	Trunk Rear Body Panel
1763AWT	1965	Trunk Floor/divider panel w/tank mounts, braces, drop offs, Weld-Through Primer
1763WT	1966	Trunk Floor/divider panel w/tank mounts, braces, drop offs, Weld-Through Primer

1965-70

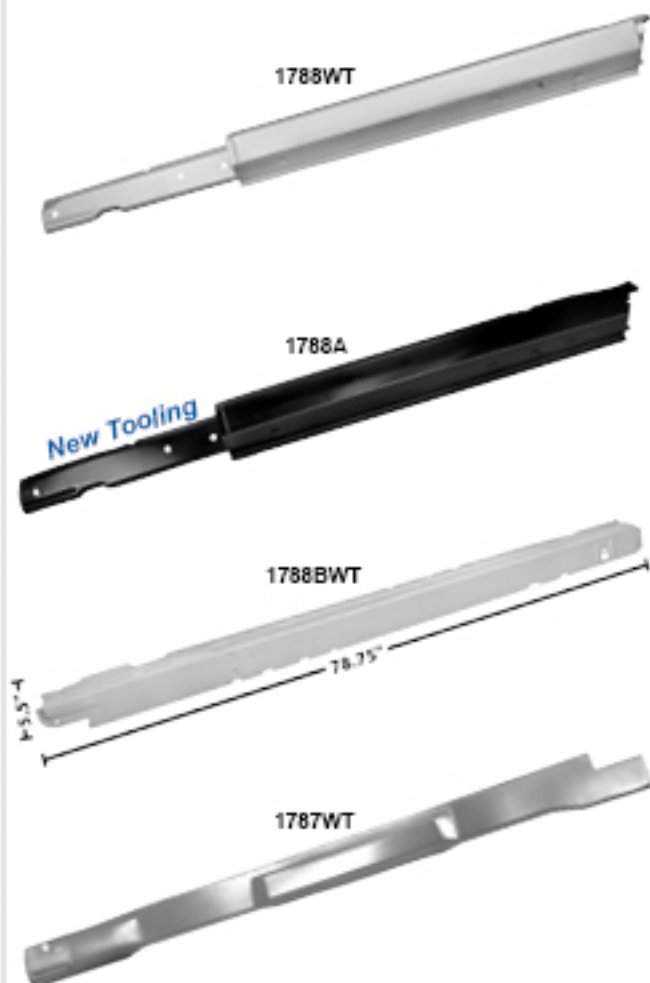


1764WT	1965-70	Trunk Floor Pan, Weld-Through Primer, RH
1762WT	1965-70	Trunk Floor Pan, Weld-Through Primer, Center
1765WT	1965-70	Trunk Floor Pan, Weld-Through Primer, LH
1781AWT	1965-70	Trunk Divider Panel, Weld-Through Primer
1737RWT	1965-66	Trunk Floor Drop Off, Weld-Through Primer, RH
1737LWT	1965-66	Trunk Floor Drop Off, Weld-Through Primer, LH

1965-70



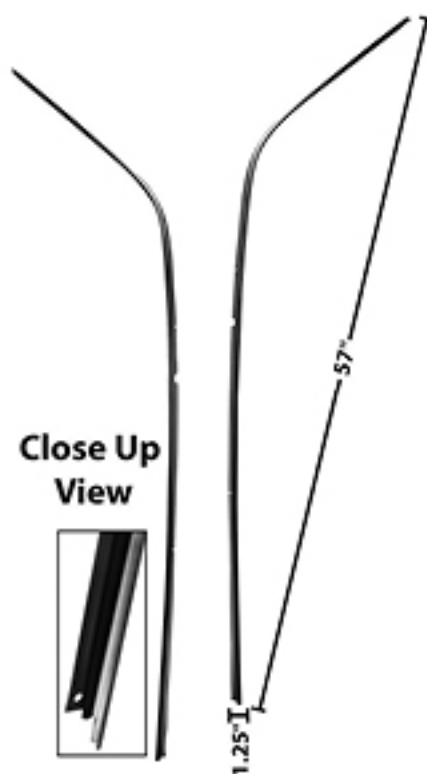
1768RWT	1965-70	Trunk Floor Under Brace, Weld-Through Primer, RH
1768LWT	1965-70	Trunk Floor Under Brace, Weld-Through Primer, LH
1766RWT	1965-70	Trunk Floor Side Brace, Weld-Through Primer, RH
1766LWT	1965-70	Trunk Floor Side Brace, Weld-Through Primer, LH



**Rocker Panels**

1788WT	1962-64	Complete Rocker Panel, RH Weld Through Primer	
1789WT	1962-64	Complete Rocker Panel, LH Weld Through Primer	
1788A	1962-64	Outer Rocker Panel, RH	
1789A	1962-64	Outer Rocker Panel, LH	
1788BWT	1962-64	Inner Rocker Panel, RH Weld Through Primer	
1789BWT	1962-64	Inner Rocker Panel, LH Weld Through Primer	
1786WT	1965-70	Rocker Panel, Inner RH, Weld-Through Primer	
1787WT	1965-70	Rocker Panel, Inner LH, Weld-Through Primer	
1786AWT	New	1965-70	Rocker Panel, Outer RH, Weld-Through Primer
1787AWT	New	1965-70	Rocker Panel, Outer LH, Weld-Through Primer

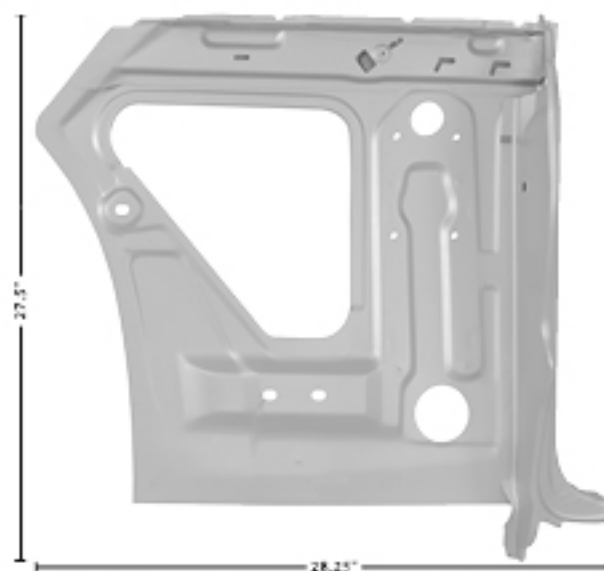
*Coming Soon!*



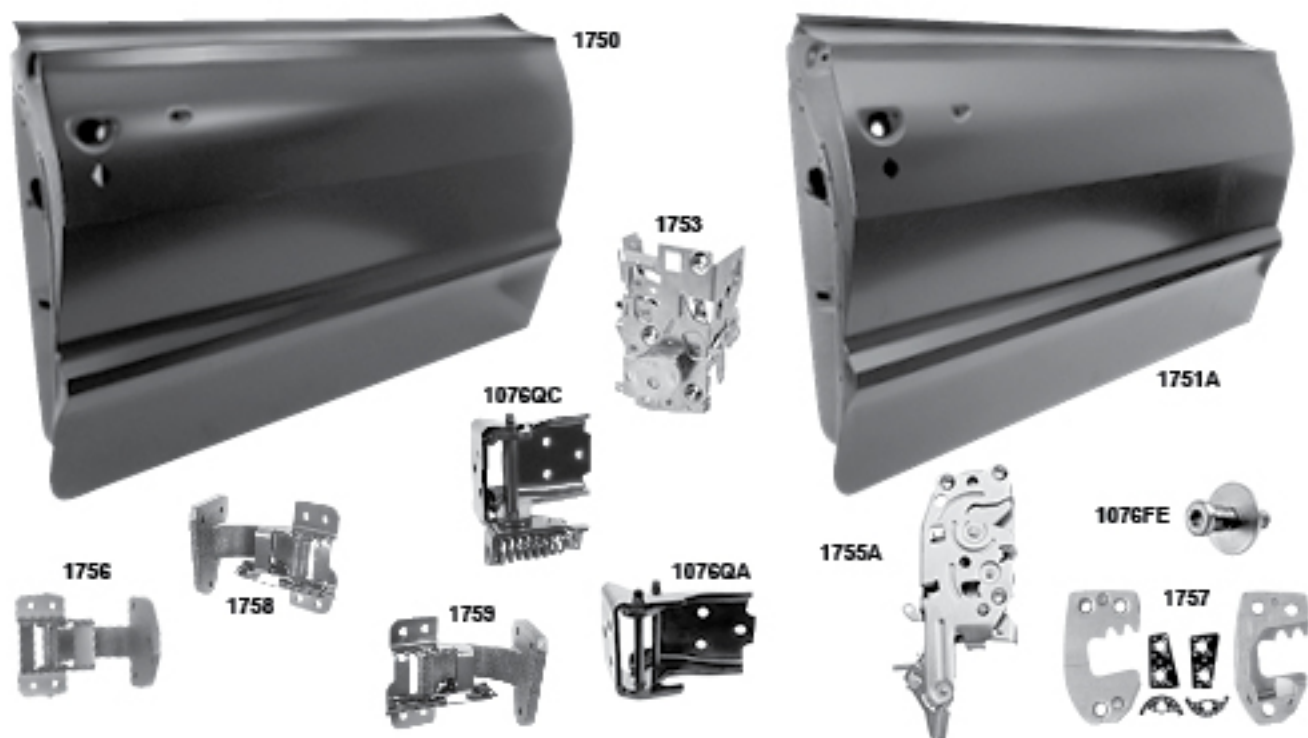
1995      1962-64      Roof Drip Rails




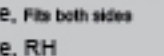
Box Size:  
31.5" x 29" x 9"  
Weight:  
15 lbs.

1733AWT



1733AWT	1963-64	Quarter "B" Pillar Panel, RH Weld-Through Primer
1733BWT	1963-64	Quarter "B" Pillar Panel, LH Weld-Through Primer



1750	1963	Door Shell, RH	
1751	1963	Door Shell, LH	
1751A	1964	Door Shell, RH	
1751B	1964	Door Shell, LH	
1756	1962-64	Upper Door Hinge, Fits both sides	
1758	1962-64	Lower Door Hinge, RH	
1759	1962-64	Lower Door Hinge, LH	
1076QC	1969-76	Upper Door Hinge, RH (Also fits 1970-81 Camaro®/Firebird®)	
1076QD	1969-76	Upper Door Hinge, LH (Also fits 1970-81 Camaro®/Firebird®)	
1076QA	1969-76	Lower Door Hinge, Fits both sides (Also fits 1970-81 Camaro®/Firebird®)	
1752	1963	Door Latch, RH	
1753	1963	Door Latch, LH	
1757	1963-64	Door Catch Assembly	
1755A	1965-66	Door Latch, RH	
1755B	1965-66	Door Latch, LH	
1076FE	1964-70	Door Lock Striker	



Window Motors on page I64...

1463JM	1960-68	Power Window Motor, RH	Cutless
1463KM	1960-68	Power Window Motor, LH	Cutless
1790	1961-64	Window Regulator, RH	
1791	1961-64	Window Regulator, LH	





M1605	1958-64	Interior Door Handle, Single Arm
M1785	1960	Exterior Door Handles, For 2 door
M1786	1960	Exterior Front Door Handles, For 4 door
M1787	1960	Exterior Rear Door Handles, For 4 door
M1716	1961-62	Exterior Front Door Handles, For 2/4 door
M1789	1961-62	Exterior Rear Door Handles, For 4 door
M1716A	1961-62	Door Handle Push Button Kit
M1717	1963-64	Exterior Front Door Handles, For 2/4 door
M1791	1963-64	Exterior Rear Door Handles, For 4 door
M1717A	1963-64	Door Handle Push Button Kit



M1392H	1958-64	Single Arm Vent Window Crank, Chrome Knob
M1392G	1958-60	Single Arm Vent Window Crank, Black Knob
M1392F	1959-64	Double Arm Vent Window Crank, Chrome Knob
M1392E	1961-64	Double Arm Vent Window Crank, Black Knob
1751C	1961-64	Vent Window Actuator, RH
1751D	1961-64	Vent Window Actuator, LH
M1392C	1958-64	Single Arm Window Crank, Charcoal Knob
M1392D	1958-64	Single Arm Window Crank, Chrome Knob
M1392B	1961-64	Double Arm Window Crank, Chrome Knob
M1392A	1961-64	Double Arm Window Crank, Black Knob

**1965-70**



M1792	1965-68	Exterior Door Handles, For 2 door
M1793	1965-68	Exterior Front Door Handles, For 4 door
M1794	1965-68	Exterior Rear Door Handles, For 4 door
M1717J	1959-67	Interior Door Handles
M1037D	1968-70	Interior Standard Door Handle, RH
M1037E	1968-70	Interior Standard Door Handle, LH
M1795	1969-70	Exterior Door Handles, For 2 door
M1796	1969-70	Exterior Front Door Handles, For 4 door
M1797	1969-70	Exterior Rear Door Handles, For 4 door

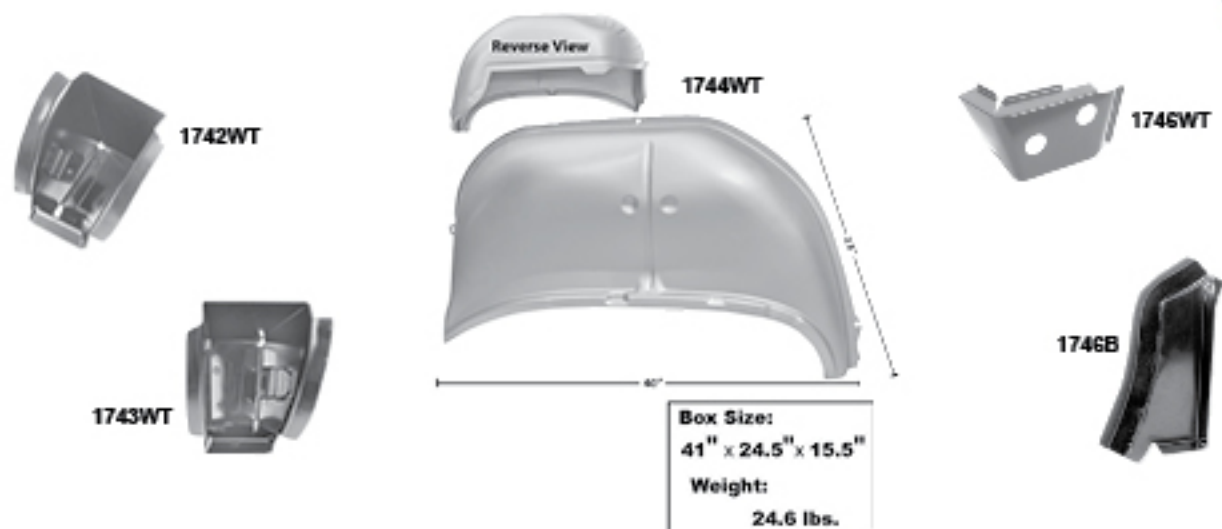


M1392M	1965-66	Vent Window Crank, Chrome Knob
M1392L	1965-66	Vent Window Crank, Biscayne, Black Knob
1751E	1965	Vent Window Actuator, RH
1751F	1965	Vent Window Actuator, LH
M1776	1965-66	Window Crank, Biscayne Black knob
M1382	1966-67	Window Crank, Chrome Knob
M1392N	1967	Vent Window Crank, Black Knob
M1382A	1967	Window Crank, Black Knob
M1037A	1968	Window Crank, Black Knob
M1037B	1969-70	Window Crank, Clear Knob



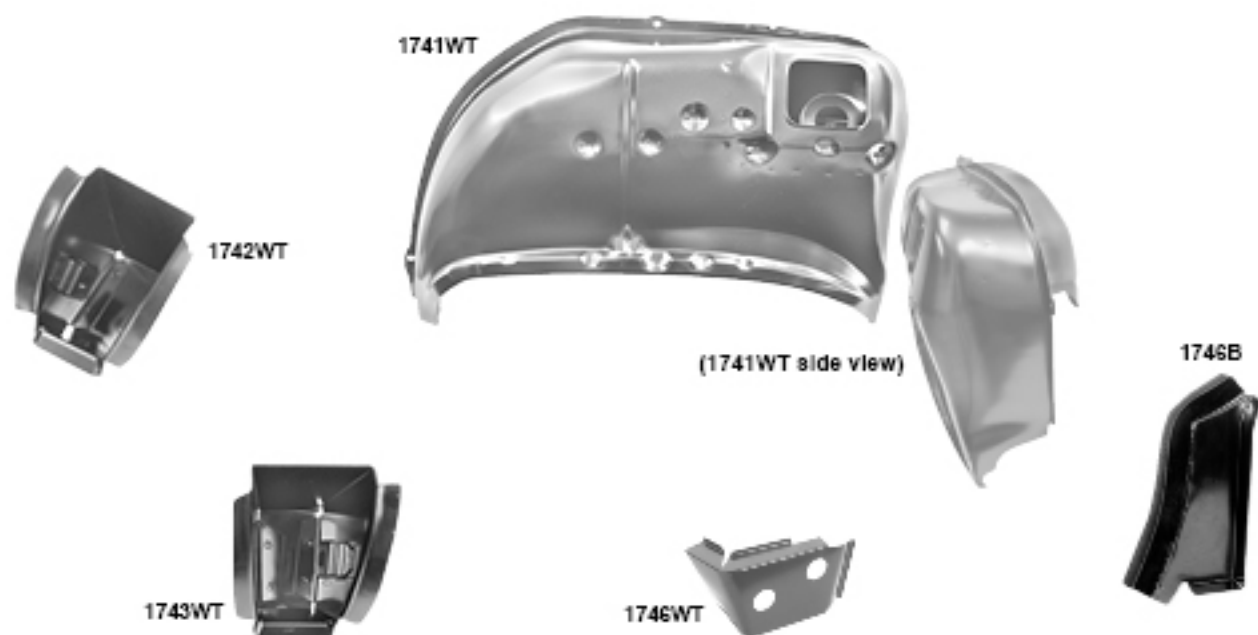
1730	1963	Quarter Panel, RH, 2 door only
1731	1963	Quarter Panel, LH, 2 door only
1732	1964	Quarter Panel, RH
1733	1964	Quarter Panel, LH
1738	1964	Fuel Filler Door

**1963**



1744WT	1963	Complete Wheelhouse (Inner/Outer), Weld-Through Primer, RH Coupe
1745WT	1963	Complete Wheelhouse (Inner/Outer), Weld-Through Primer, LH Coupe
1742WT	1961-64	Rear Wheelhouse Brace, Weld-Through Primer, RH
1743WT	1961-64	Rear Wheelhouse Brace, Weld-Through Primer, LH
1746WT	1963-64	Wheelhouse to Rocker Brace, Weld-Through Primer, RH
1747WT	1963-64	Wheelhouse to Rocker Brace, Weld-Through Primer, LH
1746A	1963-64	Wheelhouse to Quarter Brace, RH
1746B	1963-64	Wheelhouse to Quarter Brace, LH

1964

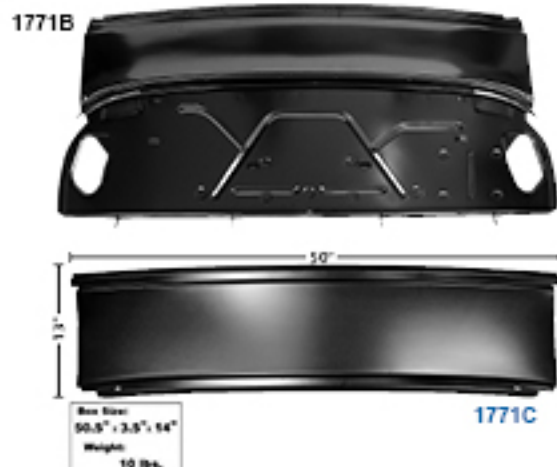


1740WT	1964	Complete Wheelhouse (Inner/Outer), Weld-Through Primer, RH Coupe
1741WT	1964	Complete Wheelhouse (Inner/Outer), Weld-Through Primer, LH Coupe
1742WT	1961-64	Rear Wheelhouse Brace, Weld-Through Primer, RH
1743WT	1961-64	Rear Wheelhouse Brace, Weld-Through Primer, LH
1746WT	1963-64	Wheelhouse to Rocker Brace, Weld-Through Primer, RH
1747WT	1963-64	Wheelhouse to Rocker Brace, Weld-Through Primer, LH
1746A	1963-64	Wheelhouse to Quarter Brace, RH
1746B	1963-64	Wheelhouse to Quarter Brace, LH

1965-70



1700A	1965-66	Outer Wheelhouse, RH
1700B	1965-66	Outer Wheelhouse, LH
1748	1965-66	Complete Wheelhouse (Inner/Outer), RH
1749	1965-66	Complete Wheelhouse (Inner/Outer), LH



1771B 1964 Deck Lid Filler Panel, 2 door

1771C New 1965-66 Deck Lid Filler Panel, 2 door

Deck Lid Filler Panel



1760 1963 Rear Body Panel, 4 pcs.

1761 1964 Rear Body Panel, 4 pcs.



1962-63



Trunk Lids & Components continued next page...

1772A	New	1962	Trunk Catch Lock Striker
1770		1963	Trunk Lid, Impala
1773		1960-64	Trunk Lid Hinges (Excluding Convertible)
1769A		1962	Trunk Weatherstrip Channel, 4 pcs
1769B		1963-64	Trunk Weatherstrip Channel
M1019		1967-69	Trunk Latch

**Trunk Lids & Components**

**1964**



1771



1773

Box Size  
15.5" x 9.25" x 7.25"  
Weight:  
8.5 lbs.



1769B



1772



1771A

1771	1964	Trunk Lid, Impala (4 lamp holes)
1771A	1964	Trunk Lid, Biscayne & Bel Air (2 lamp holes)
1773	1960-64	Trunk Lid Hinges (Excluding Convertible)
1772	1959-72	Trunk Lid Latch
1769B	1963-64	Trunk Weatherstrip Channel



**Tail Light Mounting Panels**



1733LWT



1733RWT

1733RWT	1963	Tail Light Mounting Panel, RH
1733LWT	1963	Tail Light Mounting Panel, LH



1734LWT



1734RWT

1734RWT	1964	Tail Light Mounting Panel, RH
1734LWT	1964	Tail Light Mounting Panel, LH

**Tail Panel Brace**



1781Z 1965 Tail Panel Brace



67.25"

Bracket Closeup



Reverse View

Box Size  
68.5" x 12" x 3.5"  
Weight:  
18 lbs.

1782 1966-70 Tail Panel Brace

**Lic. Plate Brkt.**

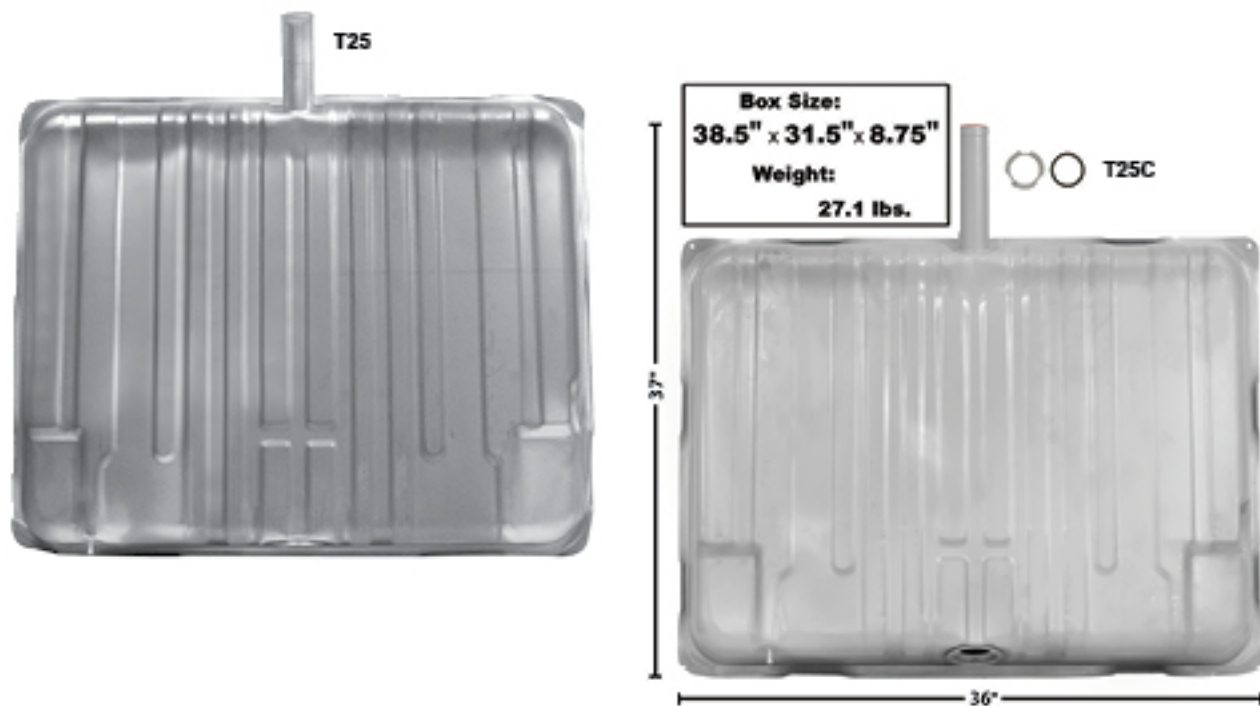
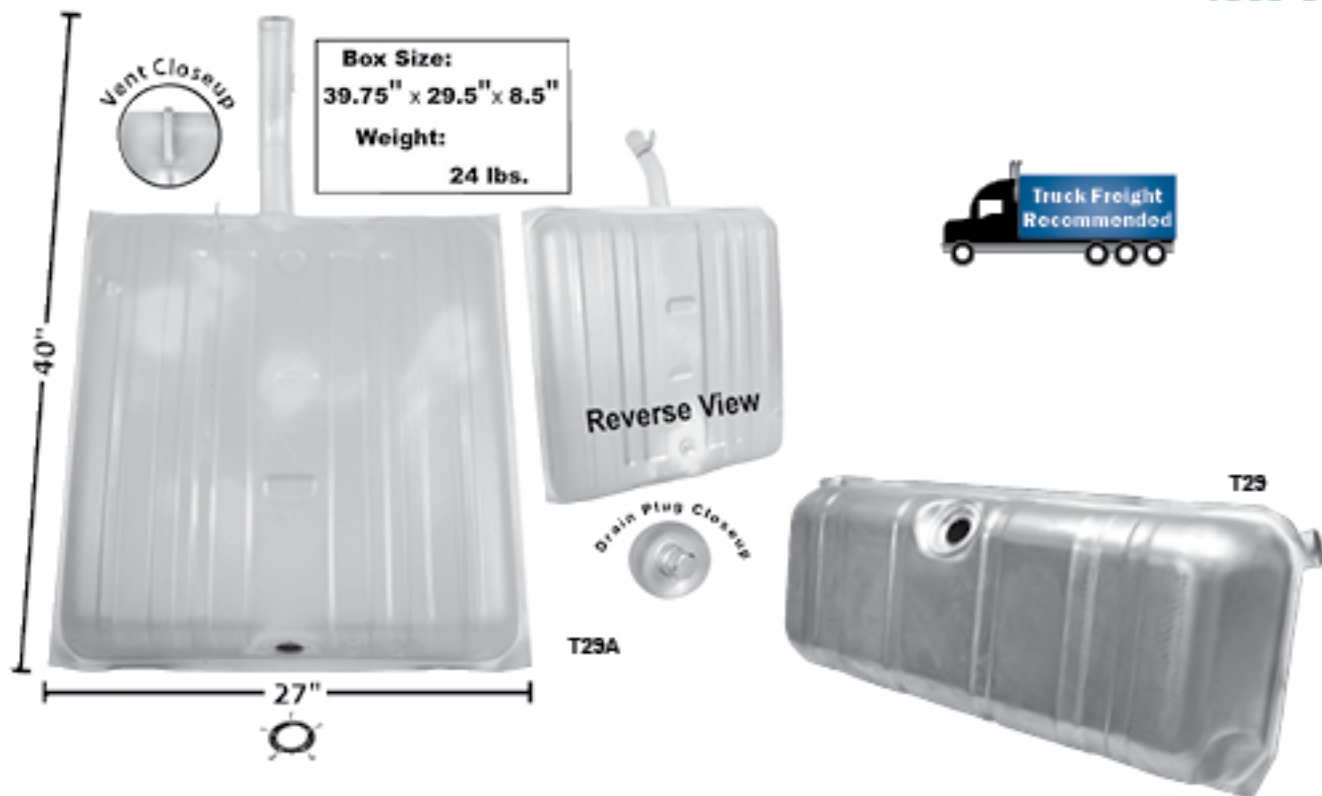


1700Z 1965 License Plate Bracket

1959-66

Fuel Tanks

Muscle Car Parts & Molding • Muscle Car Parts & Molding • Muscle Car Parts & Molding



Fuel Tanks continued next page...

T29A	1959-60	Galvanized Fuel Tank with Drain Plug, 16 Gallon Also fits Bel Air®
T29	1961-64	Galvanized Fuel Tank, 20 Gallon
T25	1965-66	Galvanized Fuel Tank w/6.25" neck, (Will fit 1967-74 with modification)
T25C	1965-66	Galvanized Fuel Tank w/8" Neck, 1 vent pipe Also fits Bel Air®

1967-68

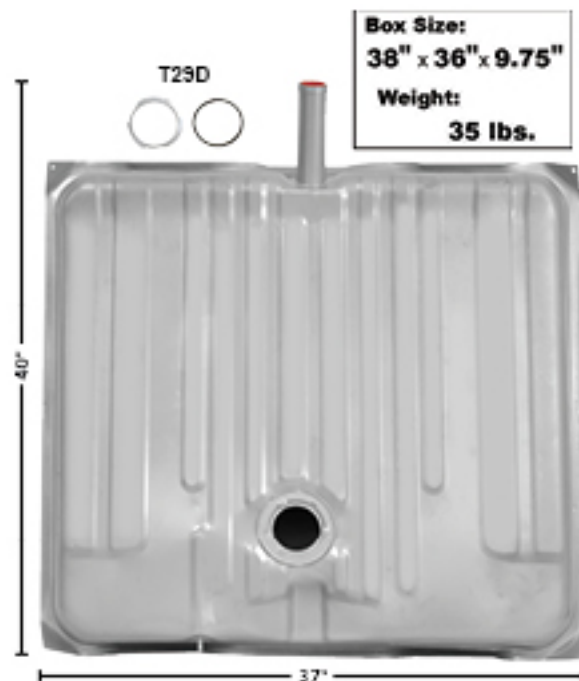


T29E



Reverse View

**Box Size:**  
**58" x 12" x 11"**  
**Weight:**  
**27.1 lbs.**



T29D



**Box Size:**  
**38" x 36" x 9.75"**  
**Weight:**  
**35 lbs.**



T29B

**Box Size:**  
**43" x 38.5" x 9"**  
**Weight:**  
**36 lbs.**



Neck Cap

T29D	1967	Galvanized Fuel Tank Also fits Bel Air® & Caprice®
T29E	1967-70	Galvanized Fuel Tank w/o E.E.C., 22 Gallon Also fits Blacayne® & Caprice®
T29B	1968	Galvanized Fuel Tank w/ neck, 24 Gallon





T29C



**Box Size:**  
38" x 36" x 8.5"  
**Weight:**  
36 lbs.



**Box Size:**  
35.5" x 27" x 11"  
**Weight:**  
25 lbs.



T29F



T29G

**Box Size:**  
35.5" x 27.5" x 11"  
**Weight:**  
24 lbs.



Reverse View



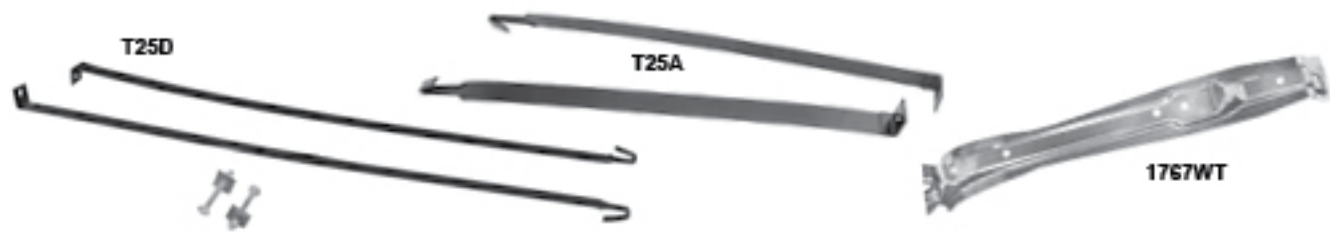
**Box Size:**  
40.5" x 27.5" x 11.5"  
**Weight:**  
33 lbs.



T29H

T29C	1969-70	Galvanized Fuel Tank w/o neck (hose included), 24 Gallon
T29F	1970-74	Galvanized Fuel Tank w/E.E.C., 22 Gallon Also fits Bel Air® & Caprice Wagon®
T29G	1975-76	Galvanized Fuel Tank, 22 Gallon Also fits Bel Air® & Caprice®
T29H	1977-79	Galvanized Fuel Tank, 19 Gallon Also fits Caprice®

**Tank Bracing**

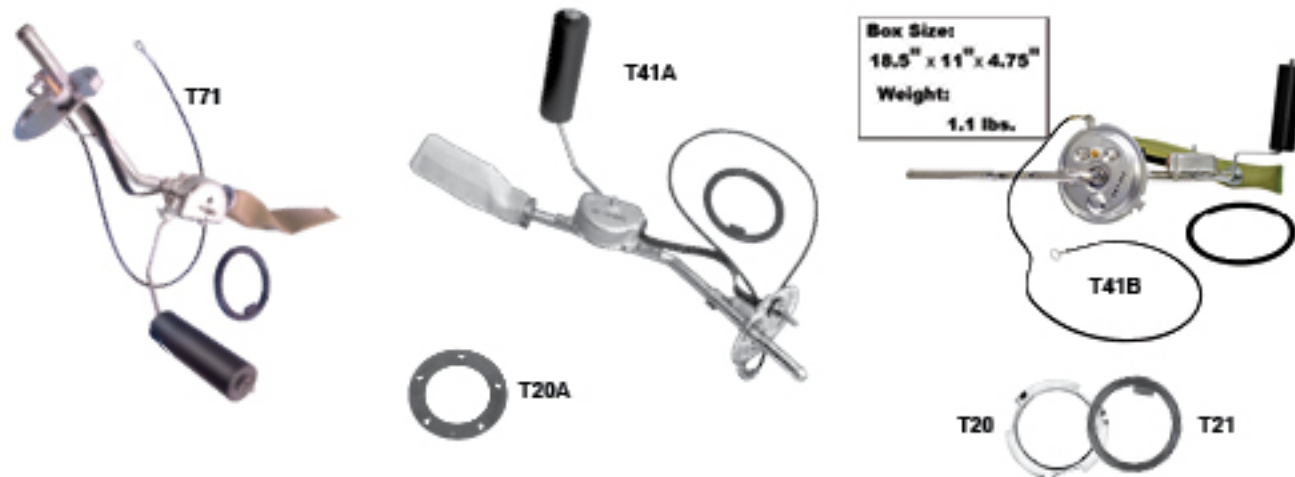


T250	1959-60	Fuel Tank Straps with bolts, 2 pcs.
T25A	1961-64	Fuel Tank Straps w/o bolts, 2 pcs.
T25B	1965-70	Fuel Tank Straps w/o bolts, 2 piece
1767WT	1965-70	Fuel Tank Brace, Weld-Through Primer, Fits both sides

**Fuel Sending Units**



T38	1958-60	Fuel Sending Unit, 5/16"
T38A	1958-60	Fuel Sending Unit, 3/8"
T40	1961-64	Fuel Sending Unit, 5/16"
T40A	1961-64	Fuel Sending Unit, 3/8"



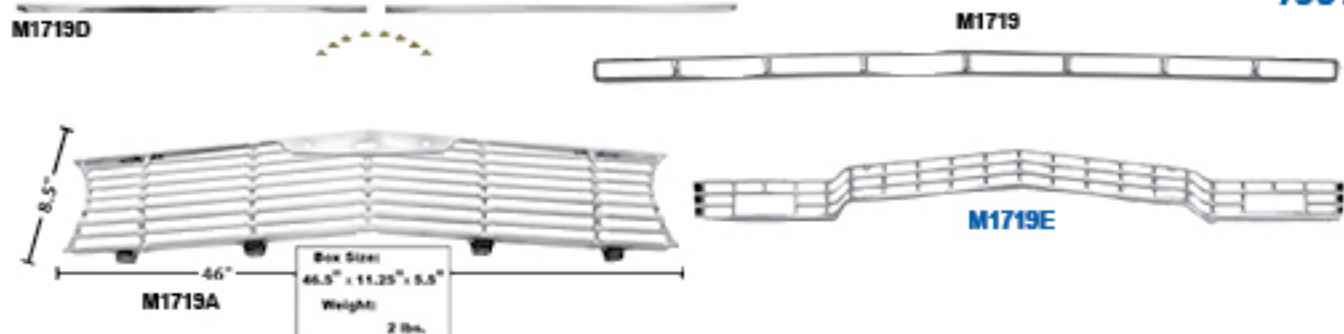
Box Size:  
18.5" x 11" x 4.75"  
Weight:  
1.1 lbs.

T71	1965-70	Fuel Sending Unit, 3/8" (Small Flange)
T41A	1965-67	Fuel Sending Unit, 5/16"
T41B	1967-70	Fuel Sending Unit, 3/8" (90° bend in fuel line)
T20	1961-81	Fuel Sending Unit Locking Ring
T20A	1958-60	Fuel Sending Unit Gasket
T21	1961-81	Fuel Sending Unit Gasket



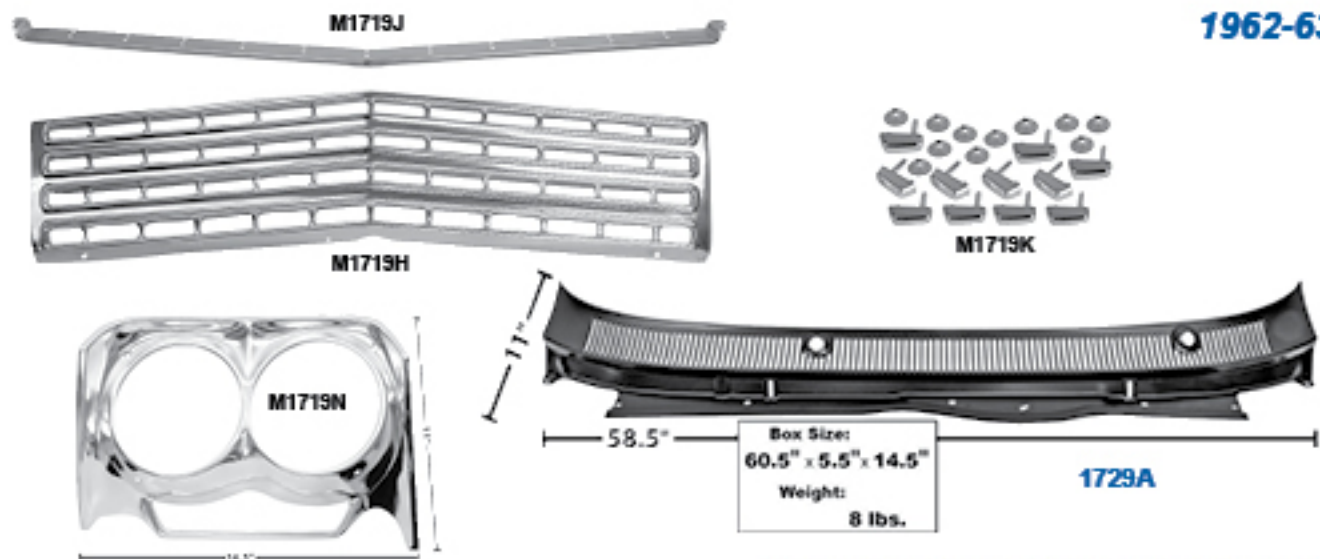
1958-59

M1718E	1958	Headlamp Bezels
M1718F	1959	Headlamp Bezels
LH20	1958-66	Headlamp Mounting Bucket Set, 8 pcs.
LH31	1958-66	Headlamp Retaining Rings, 4 pcs.



1961

M1719D	1961	Upper Grille Molding
M1719	1961	Upper Grille
M1719A	1961	Grille without Emblem
M1719E	New 1961	Grille Emblem Bezel

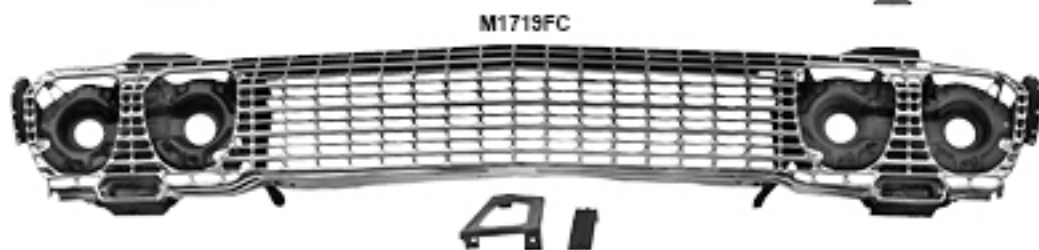


1962-63

1729A	New	1962	Cowl Vent Grille
M1719H		1962	Grille
M1719J		1962	Top Grille Molding
M1719K		1962	Top Grille Molding Fasteners, 11 pcs.
M1719M		1962	Headlamp Bezel, RH
M1719N		1962	Headlamp Bezel, LH

Grille Components continued on next page...

1962-63

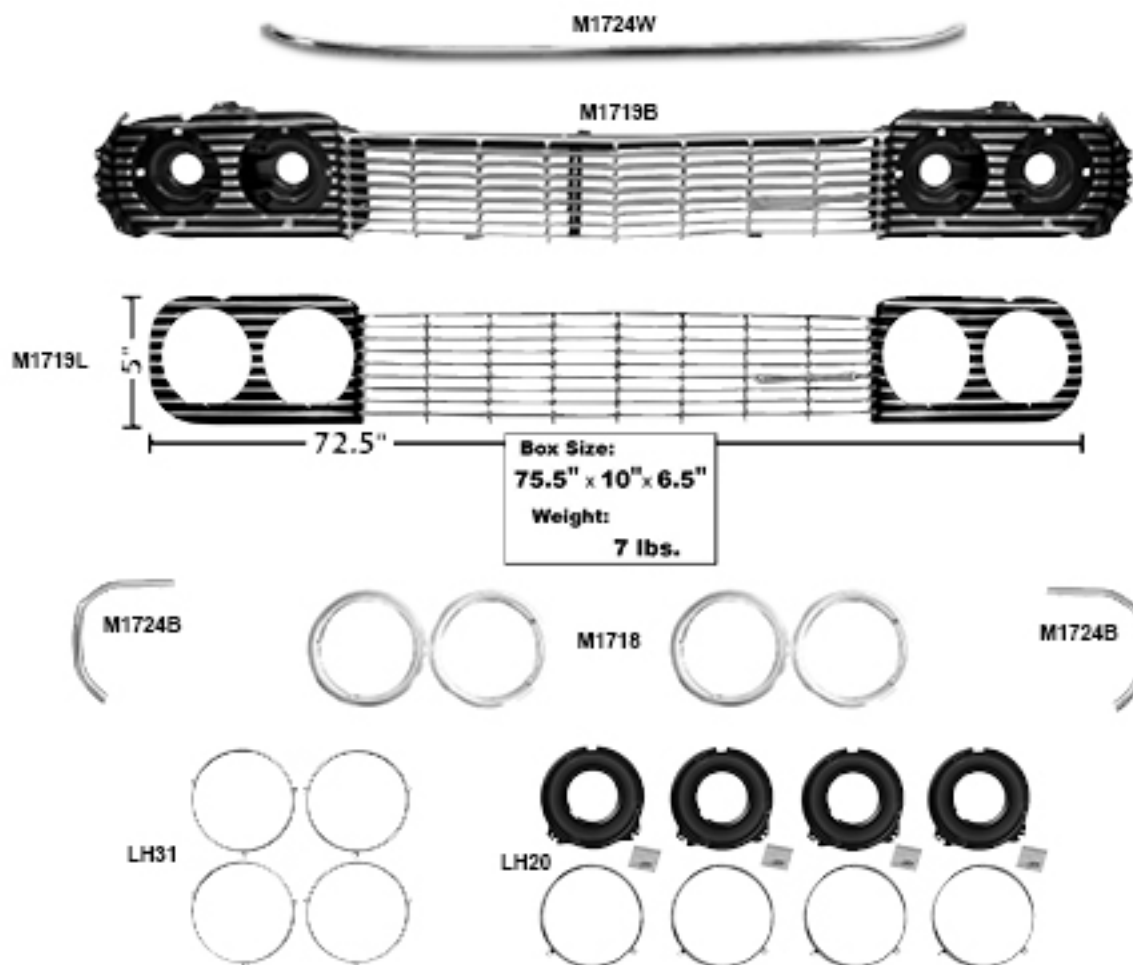


LH22	1962	Headlamp Bucket, RH
LH23	1962	Headlamp Bucket, LH
M1719FC	1963	Complete Grille W/Brackets,Headlamp Housings
M1719F	1963	Grille
M1718B	1963	Headlamp Bezels, 4 pcs./set
M1724A	1963	Upper Eyebrow Moldings
M1724AB	1963	Lower Eyebrow Moldings
LH20	1958-66	Headlamp Mounting Bucket Set, 8 pcs.
LH31	1958-66	Headlamp Retaining Rings, 4 pcs.

1964

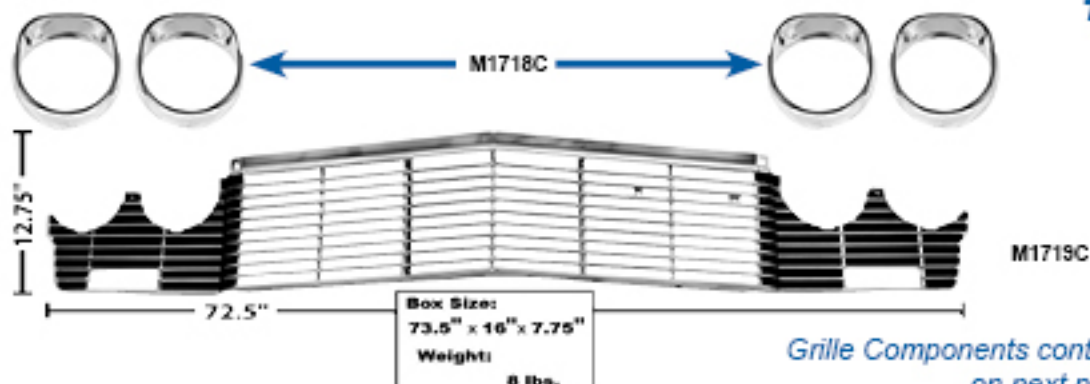
Grilles & Components

Muscle Car Parts & Molding • Muscle Car Parts & Molding • Muscle Car Parts & Molding



M1719B	1964	Grille W/Brackets & Headlamp Housings
M1719L	1964	Grille
M1724W	1964	Lower Grille Molding
M1718	1964	Headlamp Bezels, 4 pcs./set
M1724B	1964	Eyebrow Moldings
LH20	1958-66	Headlamp Mounting Bucket Set, 8 pcs.
LH31	1958-66	Headlamp Retaining Rings, 4 pcs.

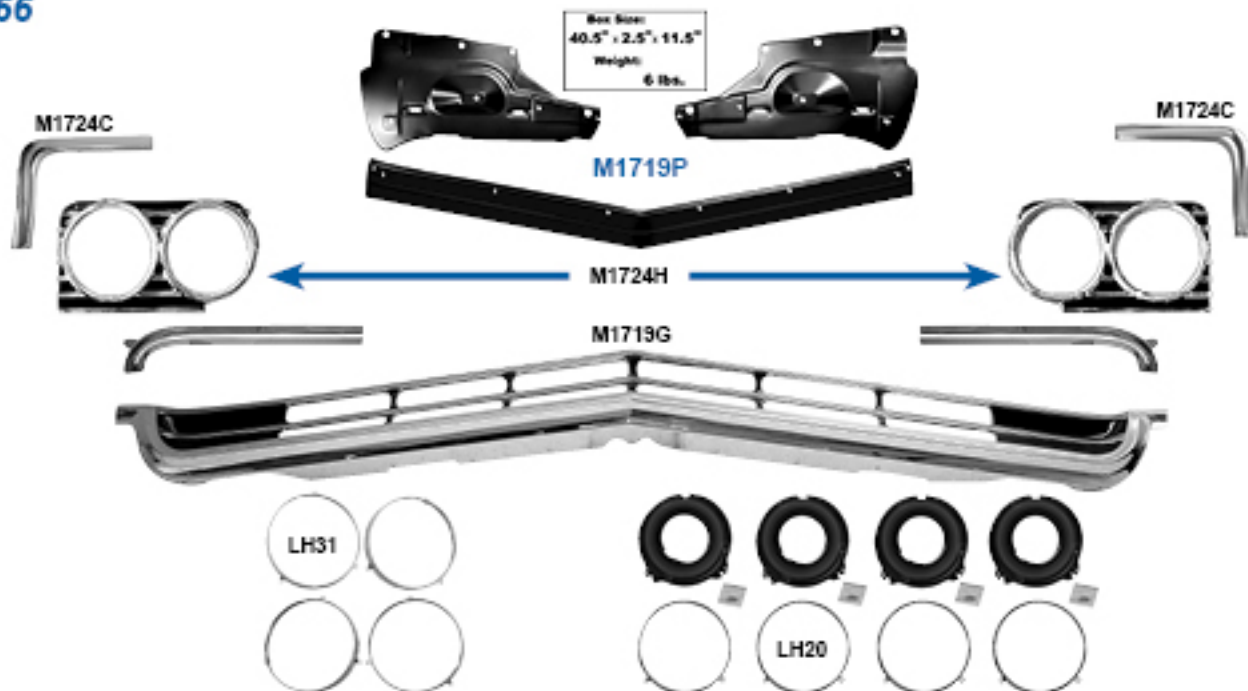
1965



M1719C	1965	Grille
M1718C	1965	Headlamp Bezels, 4 pcs./set
LH20	1958-66	Headlamp Mounting Bucket Set, 8 pcs.
LH31	1958-66	Headlamp Retaining Rings, 4 pcs.

Grille Components continued  
on next page...

1966

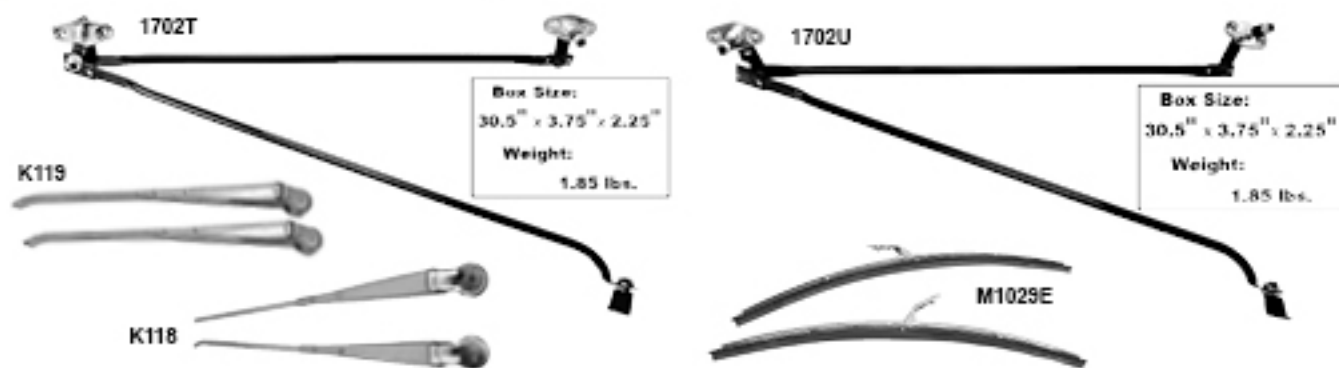


M1719G	1966	Lower Grille, 3 pcs.
M1719P	1966	Grille Support / Bumper Filler, 3 piece set
M1724H	1966	Headlamp Bezels
M1724C	1966	Eyebrow Moldings
LH20	1958-66	Headlamp Mounting Bucket Set, 8 pcs.
LH31	1958-66	Headlamp Retaining Rings, 4 pcs.

1967



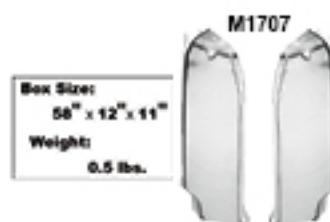
M1718D	1967	Headlamp Bezels
M1718G	1967	Upper Eyebrow Moldings



1702T	1963	Wiper Motor Transmission Arm
1702U	1964	Wiper Motor Transmission Arm
K119	1963-64	Wiper Arms
K118	1966-67	Wiper Arms
M1029E	1959-67	Wiper Blades



M1725A	1962	Hood Molding
M1725B	1963	Hood Molding
M1725C	1964	Hood Molding
M1724D	1964	Hood Spear
M1724E	1965	Hood Spear
M1724F	1966	Hood Spear



Box Size:  
58" x 12" x 11"  
Weight:  
0.5 lbs.



EM1720	1961	Fender Ornaments
EM1721	1962	Fender Ornaments
EM1750	1963	Fender Moldings, 4 pcs.
M1706B	1964	Upper Fender Molding
M1706A	1964	Lower Fender Moldings
M1707	1966	Front Fender Extension Moldings

**Exterior Mirrors**



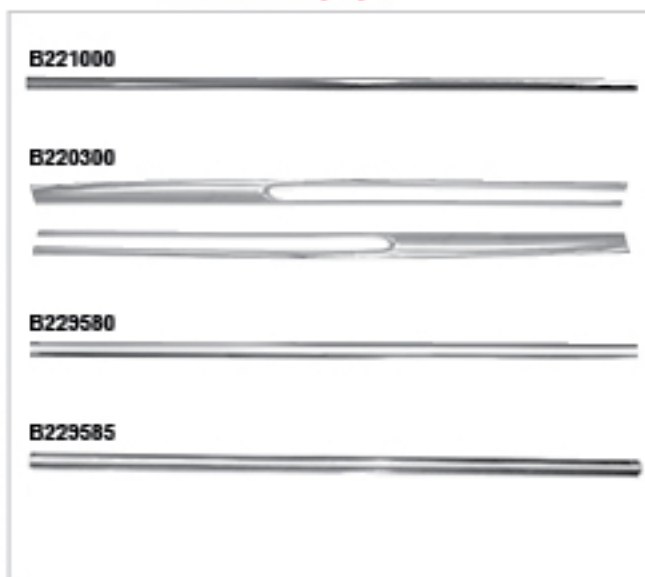
M1036A	1959-60	Exterior Mirror
M1036B	1961-62	Exterior Mirror
M1035	1963-64	Exterior Mirror with "bow-tie"
M1036C	1965-66	Exterior Mirror, RH
M1036D	1965-66	Exterior Mirror, LH
M1036E	1967	Exterior Mirror with Gaskets & Hardware, RH
M1036F	1967	Exterior Mirror with Gaskets & Hardware, LH
3921816	1968	Remote Mirror, LH
M1032	1968	Exterior Mirror with "bow-tie"
M1030	1968-69	Exterior Mirror, RH
M1031	1968-69	Exterior Mirror, LH

**Windshield Moldings**



M1724J	1963-64	Windshield Moldings, 5 pc. set
M1724L	1965-67	Windshield Moldings, 5 pc. set





**Door Molding**

B221000	1961	Upper Door Molding, RH
B220300	1961	Door Midg. Set (both doors; upper/lower/wide)
B229580	1964	Upper Front Door Midg., Fits both sides, 4 Door
B229585	1964	Upper Rear Door Midg., Fits both sides, 4 Door



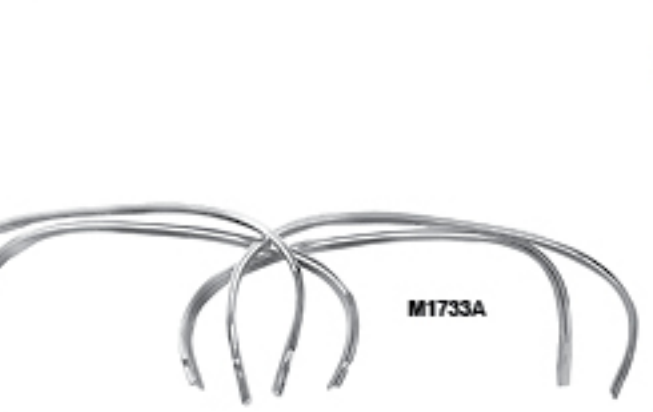
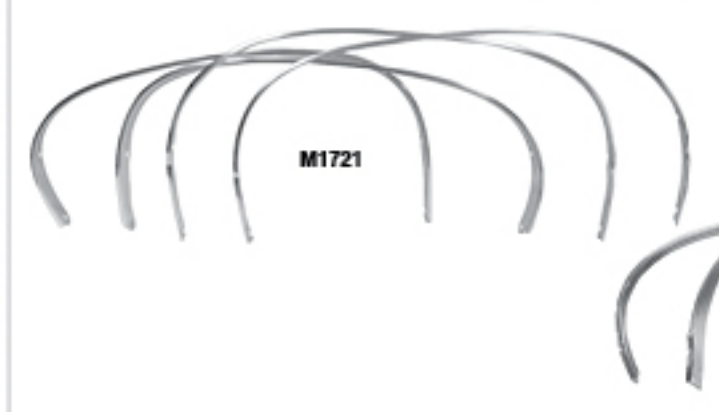
**Drip Rail Molding**

M1738	1962-64	Drip Rail Moldings
-------	---------	--------------------



**Wheel Opening Moldings**

M1729	1965	Wheel Opening Molding Set, 4 pcs
M1730	1966	Wheel Opening Molding Set, 4 pcs
M1731	1967	Wheel Opening Molding Set, 4 pcs



M1732	1968	Wheel Opening Molding Set, 4 pcs
M1733A	1969	Wheel Opening Molding Set, 4 pcs
M1733	1970	Wheel Opening Molding Set, 4 pcs

1977-90



M1700



M1712

(Also fit 1977-79 Caprice™)

M1700	1977-79	Front Wheel Opening Molding, RH
M1701	1977-79	Front Wheel Opening Molding, LH
M1702	1977-79	Rear Wheel Opening Molding, RH
M1703	1977-79	Rear Wheel Opening Molding, LH
M1710	1980-90	Front Wheel Opening Molding, RH
M1711	1980-90	Front Wheel Opening Molding, LH
M1712	1980-90	Rear Wheel Opening Molding, RH
M1713	1980-90	Rear Wheel Opening Molding, LH



M1750

M1754



M1756

M1430CLP

M1751C

M1750	1961-64	Rocker Panel Molding w/clips, RH	Standard
M1751	1961-64	Rocker Panel Molding w/clips, LH	Standard
M1751C	1962-64	Rocker Panel Molding Clips, 6 pcs.	
M1754	1965-66	Rocker Panel Molding, "SS"	
M1430CLP	1965	Rocker Panel Molding Clips, 6 pcs. (Except "SS")	
	1966-67, 69	All styles.	
	1968	"SS" Only	
M1756	1968-69	Rocker Panel Molding, "SS"	



M1705A



M1705



M1705B



M1705D

(One clip assy. shown)



M1705C

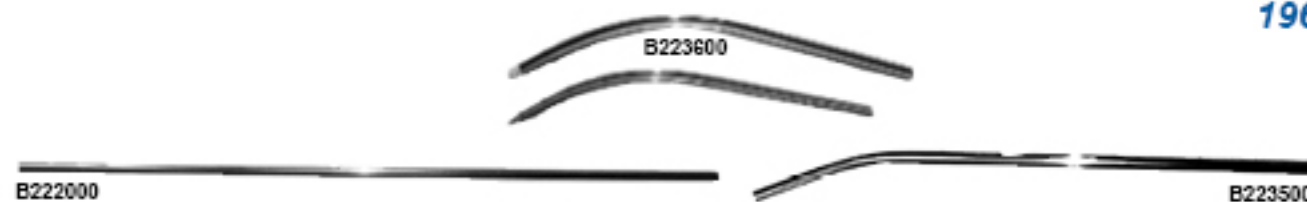
M1705A	1963	"SS" Body Side Molding Set, 6 pieces
M1705	1963	Body Side Molding Set, 6 pieces
M1705D	1963	Complete Body Side Molding Clip Set, 64 pieces
M1705C	1964	"SS" Body Side Molding Set, 6 pieces
M1705B	1964	Body Side Molding Set, 14 pieces



M1705E	1964	Body Side Molding Clips, 178 pieces
M1705F	1964	Body Side Molding Clips



M1724N	1962-64	Rear Window Moldings, 5 pieces
M1705H	1962-64	Rear Window Molding Clips, 6 pieces (Hard Top only)
M1724M	1965-66	Rear Window Moldings, 5 pieces



1961

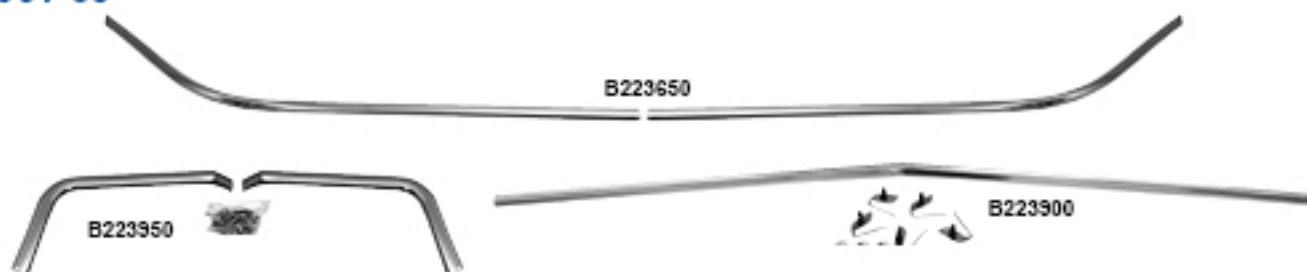
B222500	1961	Upper Quarter Panel Molding, RH 2 Door
B222000	1961	Upper Quarter Panel Molding, LH 2 Door
B223500	1961	Lower Quarter Panel Molding, RH 2 Door
B223000	1961	Lower Quarter Panel Molding, LH 2 Door
B223600	1961	Rear Wrap-Around Moldings



1964-66

M1706C	1964	Rear "C" Moldings
B231650	1966	Rear Wrap-Around Moldings, Fits both sides

**1961-63**



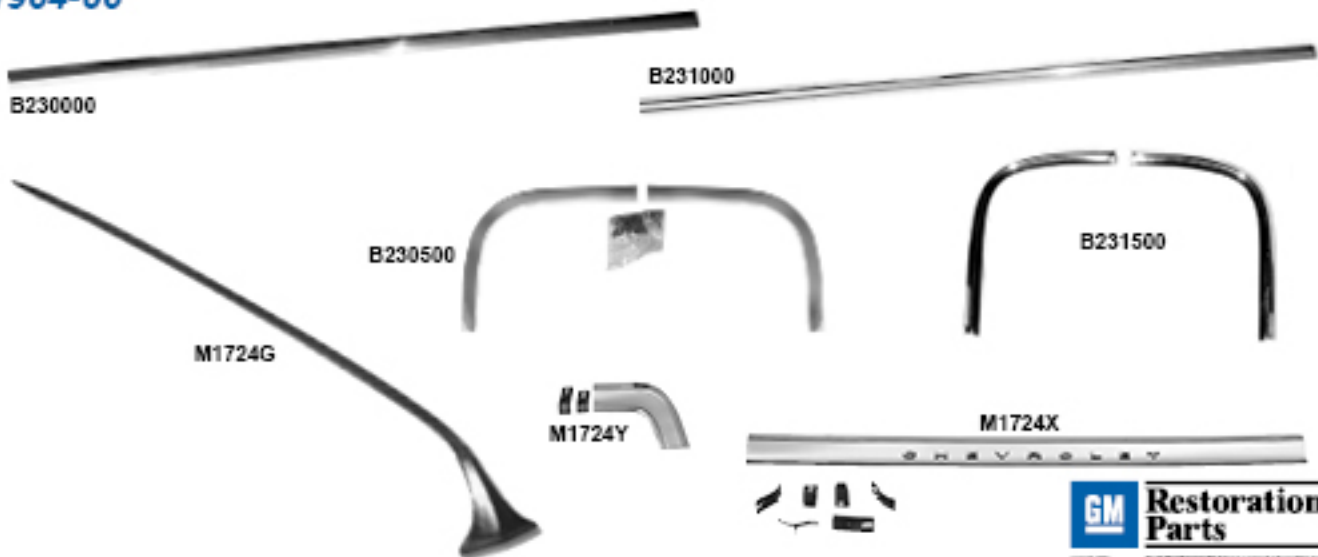
B223650	1961	Trunk Moldings
B223900	1962	Upper Trunk Molding
B223950	1962	Tall Lamp Cove Moldings

**1963**

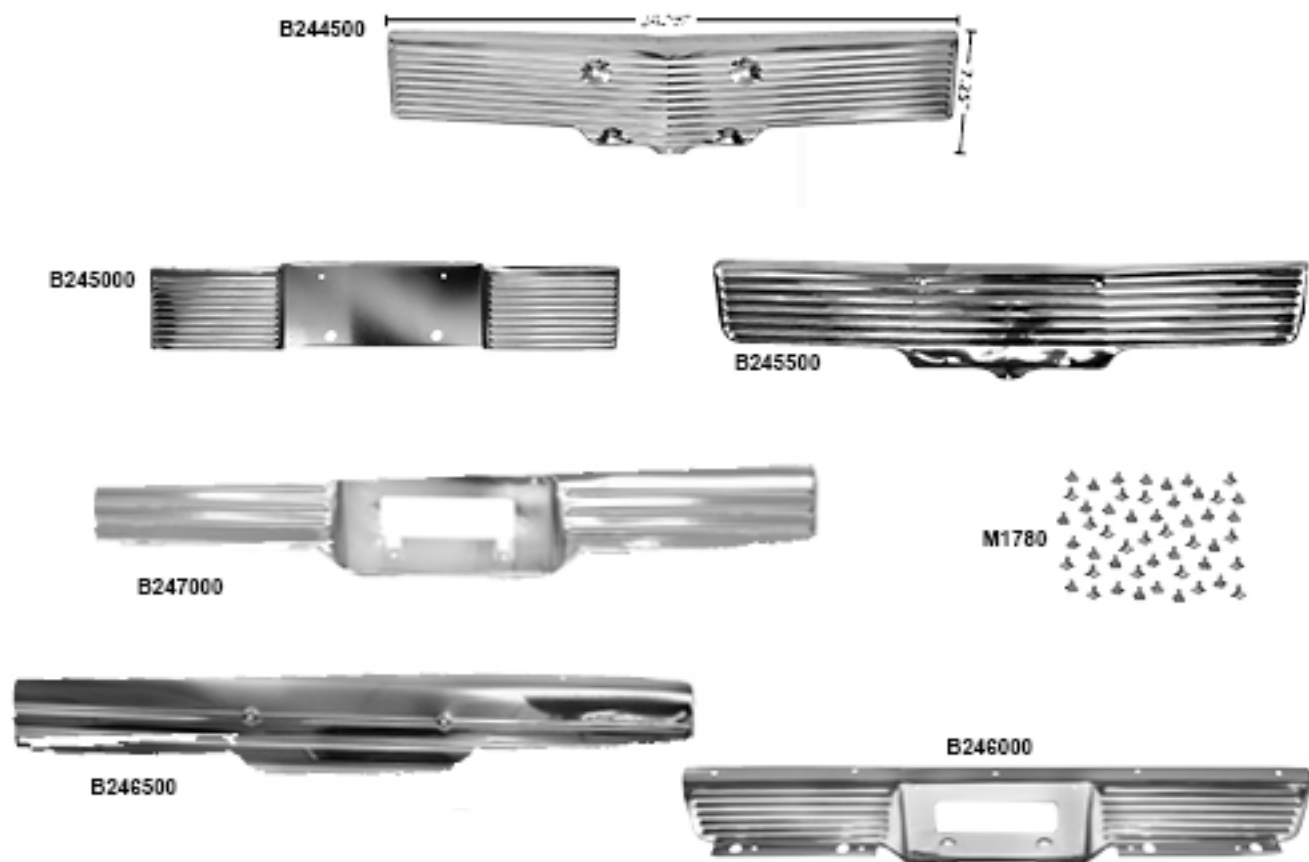


M1725P	1963	Upper Trunk Lid Molding
B226000	1963	Lower Trunk Molding w/clips
M1725Q	1963	Rear Cove Corner Moldings

**1964-66**



B230000	1964	Upper Trunk Molding, Belair/SS
B231000	1964	Lower Trunk Molding, Belair/SS
B230500	1964	Outer Cove Moldings, Belair/SS
B231500	1964	Inner Cove Moldings, Belair/SS
M1724X	1964	Standard Rear Panel Molding w/clips
M1724Y	1964	Quarter Extension Molding w/clips, RH
M1724Z	1964	Quarter Extension Molding w/clips, LH
M1724G	1964	Trunk Spear with clips
B231660	1966	Trunk Lid Molding



B244500	1962	Front License Panel
B245000	1962	Rear License Panel
B245500	1963	Front License Panel
B246000	1963	Rear License Panel
B246500	1964	Front License Panel
B247000	1964	Rear License Panel
M1780	1962-64	License Panel Clips, 50 pc. set

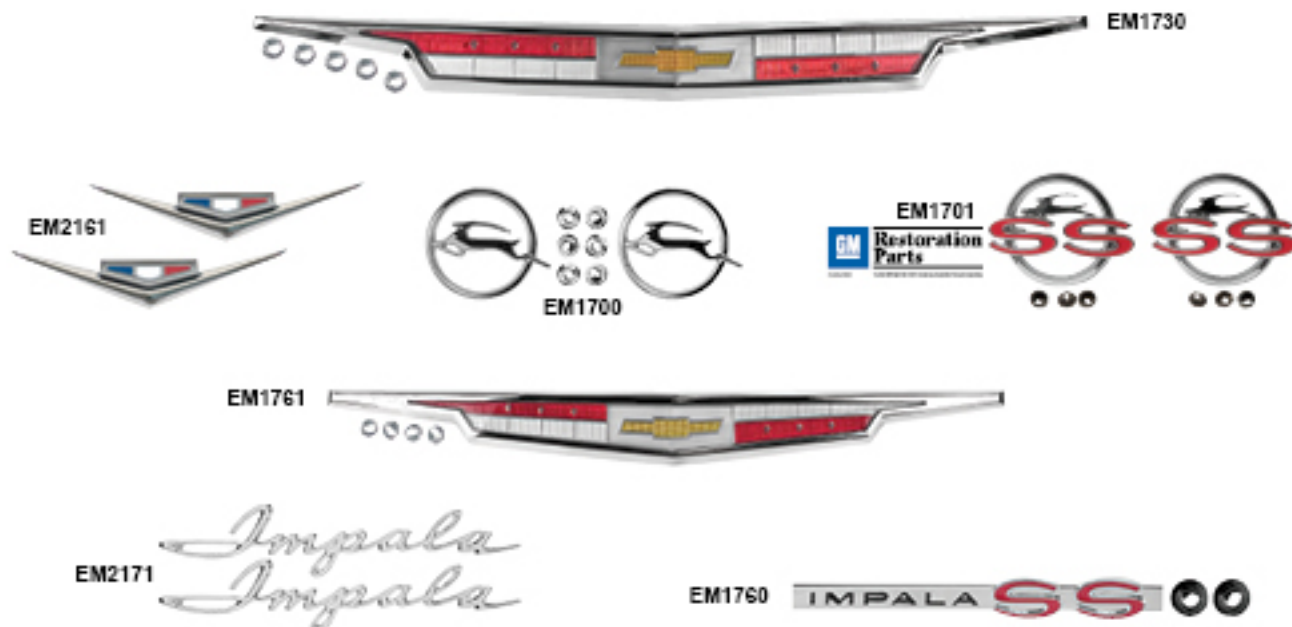
1961



*Emblems continued on next page...*

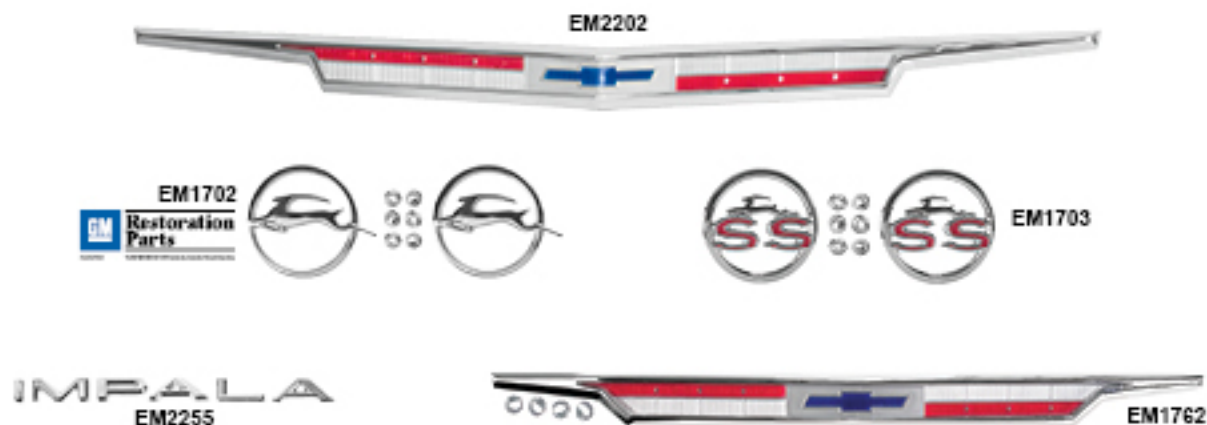
EM2102	1961	Grille Flag Emblem
EM2127	1961	*SS* Crossed Flag Rear Quarter Emblems

1962



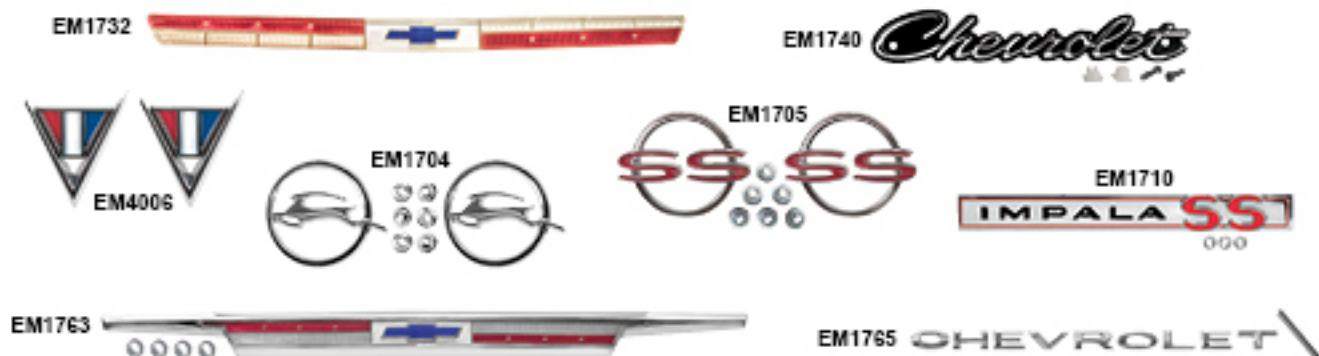
EM1730	1962	Chrome Hood Emblem with Bezel
EM2161	1962-63	"V" Front Fender Emblems
EM1700	1962	Quarter Panel Emblems
EM1701	1962	"SS" Quarter Panel Emblems
EM2171	1962	"Impala" Rear Quarter Panel Script Emblems
EM1761	1962	Chrome Trunk Emblem with Bezel
EM1760	1962	"Impala SS" Trunk Emblem

1963



EM2202	1963	Hood Emblem Assembly
EM1702	1963	Quarter Panel Emblems
EM1703	1963	"SS" Quarter Panel Emblems
EM2255	1963	"Impala" Rear Quarter Molding Letters Set
EM1762	1963	Chrome Trunk Emblem with Bezel

1964



EM1732	1964	Hood Emblem, Insert Only
EM1740	1964	"Chevrolet" Script Grille Emblem
EM4006	1964	"V" Front Fender Emblems
EM1704	1964	Quarter Panel Emblems
EM1705	1964	"SS" Quarter Panel Emblems
EM1710	1964	"SS" Trunk Emblem
EM1763	1964	Chrome Trunk Emblem with Bezel
EM1765	1964	"Chevrolet" Rear Deck Letters Set (Includes mounting tool)

1965-66



EM1741	1965	"Chevrolet" Script Grille Emblem
EM1742	1965	"Impala SS" Grille Emblem
EM1733	1965	Hood Emblem Assembly
EM1706	1965	Door Panel Emblems
EM1764	1965	Chrome Trunk Emblem with Bezel
EM1767	1965	"Chevrolet" Script Lower Rear End Emblem
EM1766	1965	"Impala SS" Lower Rear End Emblem
EM1743	1966	"Chevrolet" Script Grille Emblem
EM1744	1966	"Chevrolet Impala SS" Grille Emblem

**1958-61**



1702ZX



1709W



1714A

CBL6051



1714B



1702YA



CTL6061LED

1702ZX	1958-66	Cable for Rear Mount Antenna
1702YA	1961-62	Antenna Kit, Rear RH w/ cable
1702YB	1961-62	Antenna Kit, Rear LH w/ cable
1714A	1960	Back Up Lens, Clear
CBL6051	1960-61	Back Up Lamp, LED, Clear
CTL6061LED	1960-61	Tail Lamp, LED, Red
1709W	1961	Parking Lamp Lens, Clear
1714B	1961	Back Up Lens, White/Red



1709X



CBL6251LED



1709Y

1715B



1715A



1710A



1710B

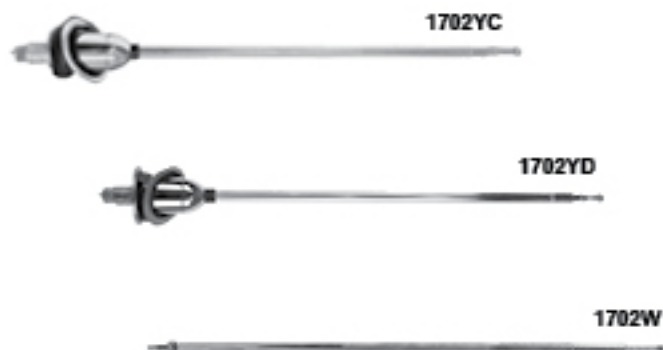


CTL6201LED

1715A	New	1962	Tail Lamp Surround, RH
1715B	New	1962	Tail Lamp Surround, LH
1709X		1962	Parking Lamp Lenses, Amber
1709Y		1962	Parking Lamp Lenses, Clear
CBL6251LED		1962	Back Up Lamp, LED, Red/Clear
CTL6201LED		1962	Tail Lamp, LED, Red
1710A		1962	Tail Lamp Lens, Red
1710B		1962	Tail/Back Up Lamp Lens Trim, Chrome



1963



1702YC	1963	Antenna Kit, Rear RH (Includes cable)
1702YD	1963	Antenna Kit, Rear LH (without cable)
1702W	1963-66	Telescoping Antenna, Mast only ('63 Front Mount, '64-'66 Rear Mount)
1702ZX	1958-66	Cable for Rear Mount Antenna

Box Size:  
13" x 9.5" x 4.5"  
Weight:  
1 lb.



**CBL6311PRLED**



1710G



1709Z



1714D



CBL6351LED



1710F

1710F	1963	Parking Lamp Housing, Fits both sides
1710G	1963	Parking Lamp Lenses, Amber
1709Z	1963	Parking Lamp Lenses, Clear
1714D	1963	Back Up Lens, White/Red
CBL6351LED	1963	Back Up Lamp, LED, Red/Clear
CBL6311PRLED	New 1963	Back Up Lamp Assembly, LED



1734A



1711



1714E



CTL6301LED

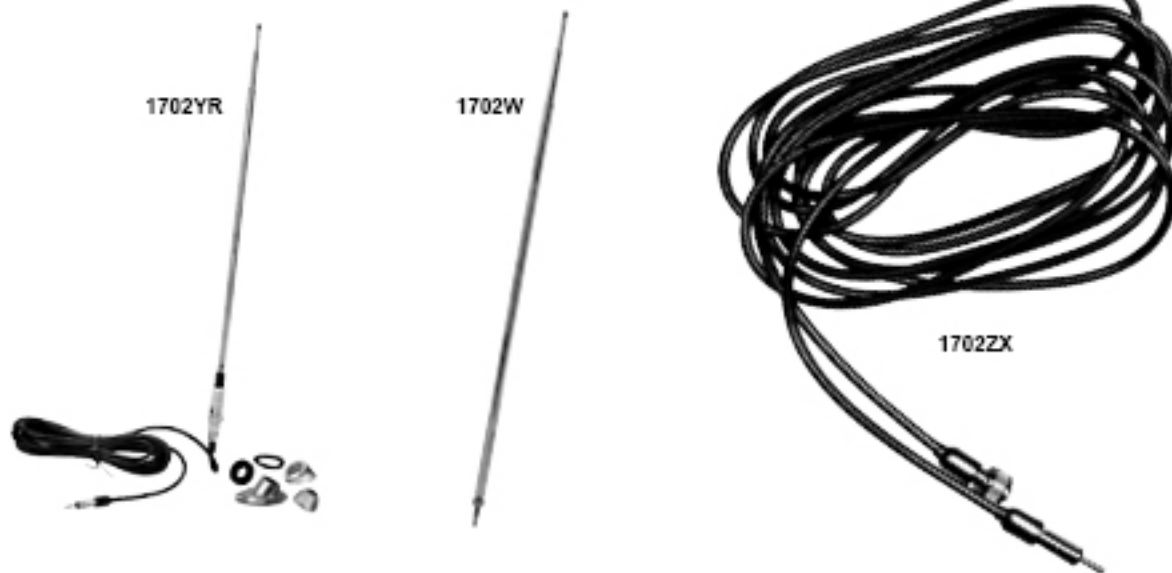
CTL6311PRLED



Box Size:  
12" x 10.5" x 4.5"  
Weight:  
2 lbs.

1734A	1963	Tall Lamp Housing, RH (3 per car)
1734B	1963	Tall Lamp Housing, LH (3 per car)
1711	1963	Tall Lamp Lenses, 3 Pcs. With Chrome Trim
1714E	1963	Tall Lamp Lens Trim
CTL6301LED	1963	Tall Lamp, LED, Red
CTL6311PRLED	1963	Tall Lamp, Assembly, pair

1964



1702YR	1964	Antenna Kit, Rear RH (includes cable)
1702YL	1964	Antenna Kit, Rear LH (without cable)
1702W	1964-66	Telescoping Antenna, Mast only (63 Front Mount, 64-66 Rear Mount)
1702ZX	1958-64	Cable for Rear Mount Antenna



1710



1713



Reverse View

1712A

Box Size:  
5.5" x 5.5" x 4.5"  
Weight:  
1 lbs.



Reverse View

1713A

Box Size:  
7" x 5.5" x 4.5"  
Weight:  
1 lbs.



CBL6451LED

1710	1964	Parking Lamp Assembly
1712A	1964	Tail Lamp Assembly
1713A	1964	Back Up Lamp Assembly
1713	1964	Back Up Lens, White/Red with Trim
CBL6451LED	1964	Back Up Lamp, LED, Red/Clear



1734C



1712

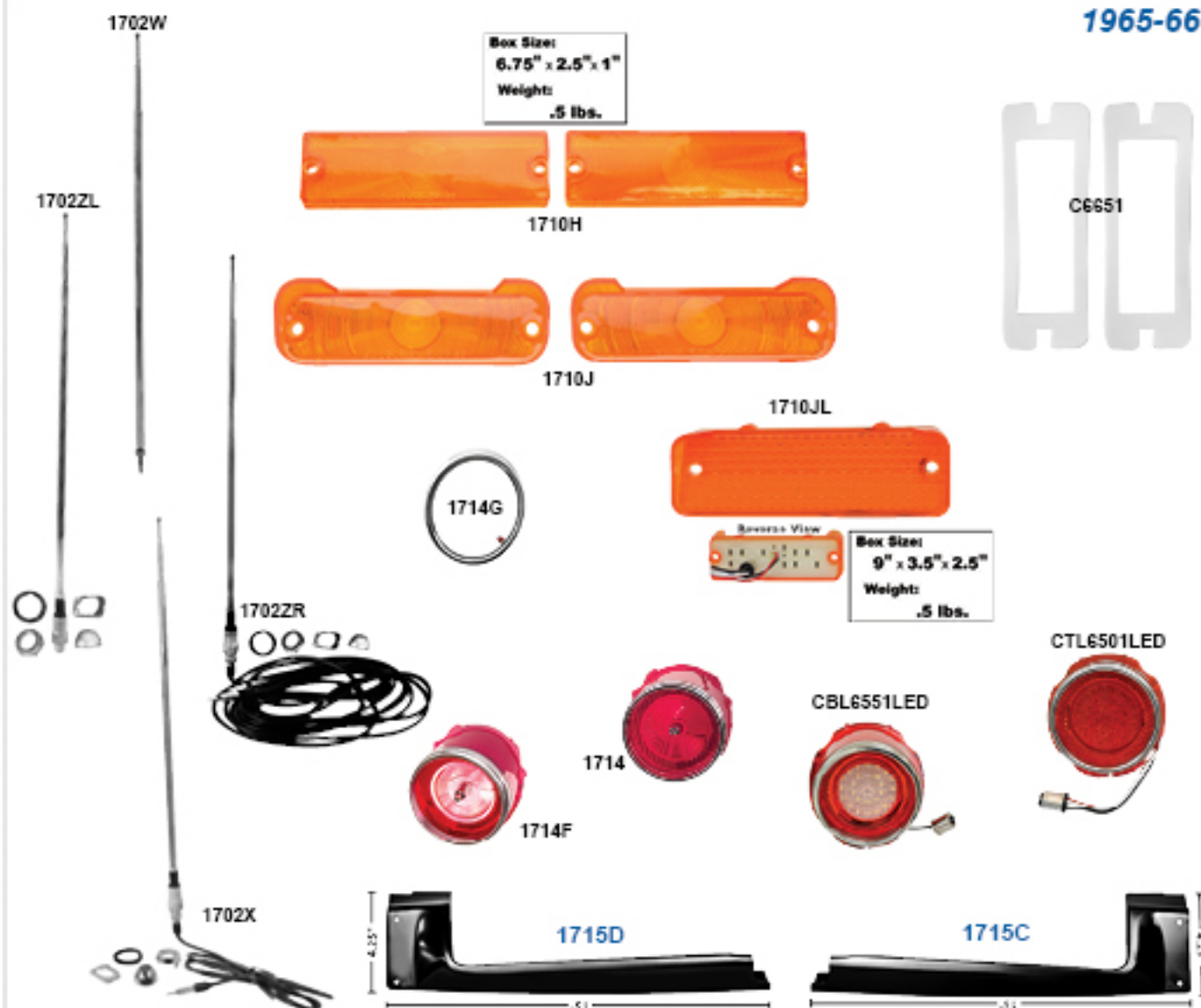


CTL6401LED

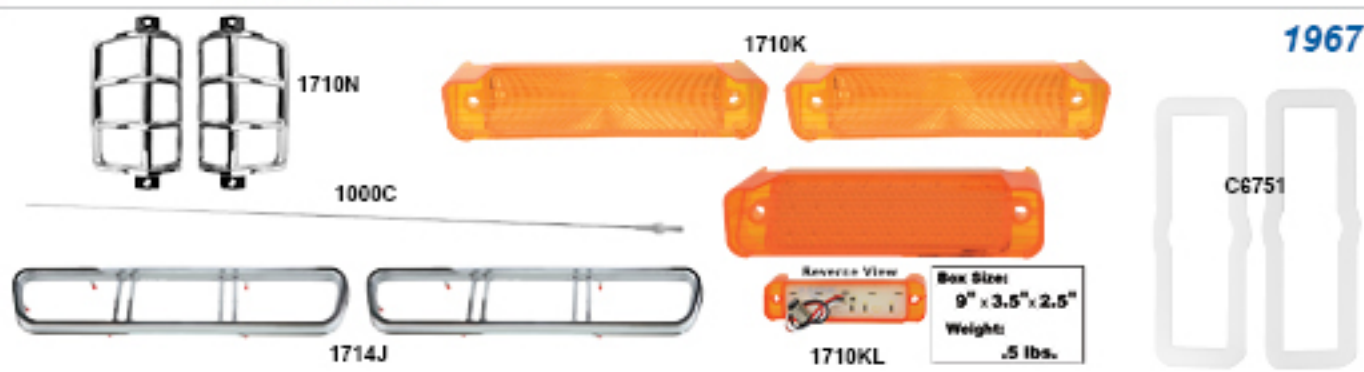
1734C	1964	Tail Lamp Housing
1712	1964	Tail Lamp Lens, Red with Chrome Trim
CTL6401LED	1964	Tail Lamp, LED, Red

1965-66

Muscle Car Parts & Molding • Muscle Car Parts & Molding • Muscle Car Parts & Molding



1702ZR	1965-66	Telescoping Antenna with Cable, Rear RH	
1702ZL	1965-66	Telescoping Antenna without Cable, Rear LH	
1702W	1964-66	Telescoping Antenna, Mast only ('65 Front Mount, '64-'66 Rear Mount)	
1702X	1965-66	Telescoping Antenna with Cable (Front Mount)	
1710H	1965	Parking Lamp Lenses, Amber	
1714F	1965	Back Up Lens	
CBL6551LED	1965	Back Up Lamp, LED, Red/Clear	
1714	1965	Tail Lamp Lens, Red With Chrome Trim	
1714G	1965	Tail/Back Up Lamp Bezel, RH	
1714H	1965	Tail/Back Up Lamp Bezel, LH	
CTL6501LED	1965	Tail Lamp, LED, Red	
1710JL	1966	Parking Lamp Lens, LED	
C6651	1966	Parking Lamp Gasket, Pair	
1710J	1966	Parking Lamp Lenses, Amber	
1715C	New	1966	Tail Lamp Surround, RH
1715D	New	1966	Tail Lamp Surround, LH



1000C	1967-69	Replacement Antenna Mast
1710K	1967	Parking Lamp Lenses, Amber
1710KL	1967	Parking Lamp Lenses, LED
1714J	1967	Tail Lamp Bezels, Chrome
C6751	1967	Parking Lamp Gasket, Pair
1710N	1967	Cornering Lamp Bezels, Chrome



CBL6851LED	1968	Back Up Lamp, LED, Red/Clear
CTL6801LED	1968	Tail Lamp, LED, Red with trim
L1711	1968	Back Up Lens, also for Caprice
L1710	1968	Tail Lamp Lens, also for Caprice, Red
L1712	1968	Tail Lens, also for Bel Air / Biscayne, red
L1713	1968	Backup Lens, also for Bel Air / Biscayne
1710L	1968	Cornering Lamp Lens, RH, Clear
1710M	1968	Cornering Lamp Lens, LH, Clear



1796	1961-64	Quarter Window Frame Tops, Pair, Convertible
1751G	1962-64	Door Glass Assembly, RH
1751H	1962-64	Door Glass Assembly, LH
M1717E	1961-64	Door Window Lower Frame, RH
M1717F	1961-64	Door Window Lower Frame, LH

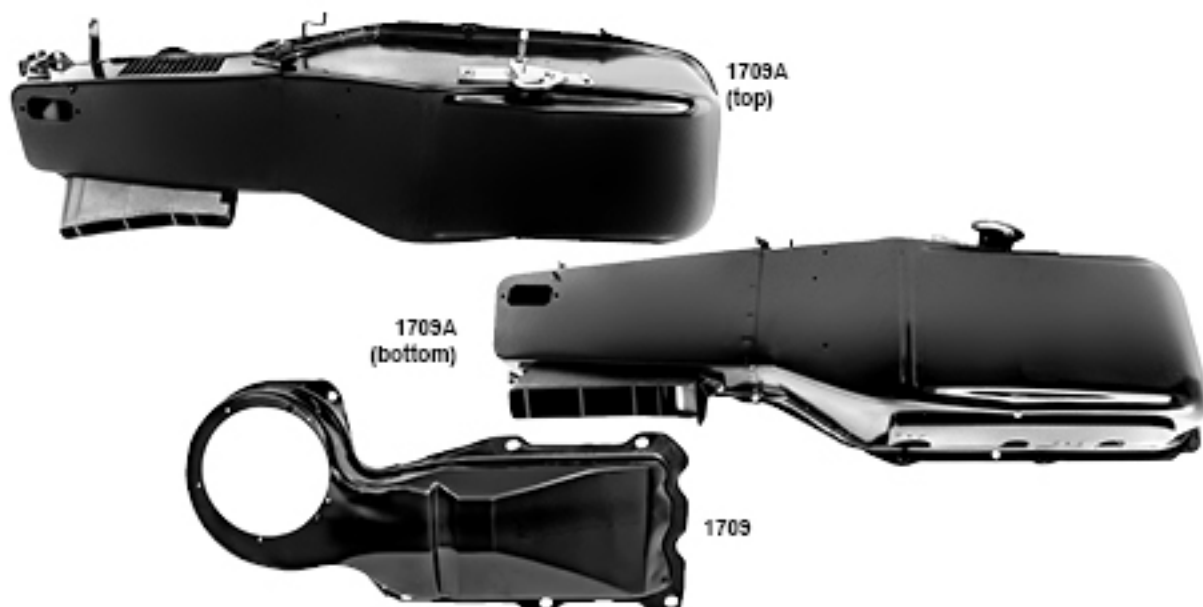
Ext. Electrical

Glass & Seals

Muscle Car Parts & Molding • Muscle Car Parts & Molding • Muscle Car Parts & Molding



M1727B	1961-62	Vent Window Seals, 4 pcs. 2 Door
M1727D	1961-62	Vent Window Stoppers, Convertible
M1727A	1961-64	Quarter Window Stoppers, 2 door, Convertible
M1727	1961-64	U-Jamb Rubber Seals, Coupe
M1727C	1963-64	Vent Window Seals, 4 pcs. 2 Door
M1727E	1963-64	Vent Window Stoppers, Hard Top
M1727F	1963-64	Vent Window Stoppers, Convertible



1709A	1963	Heater Core Case
1709	1963-64	Heater Box Assembly (Metal)



1717R	1963	Fresh Air Vent Assembly, RH Chrome Knob
1717L	1963	Fresh Air Vent Assembly, LH Chrome Knob
1716R	1964	Fresh Air Vent Assembly, RH Std Knob
1716L	1964	Fresh Air Vent Assembly, LH Std Knob

1958-64

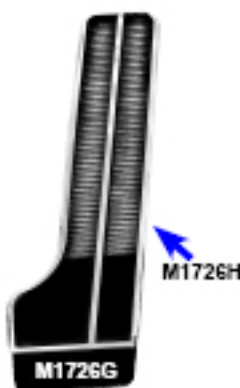
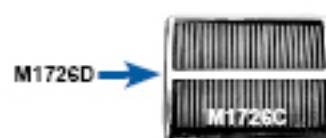


1702G	1963	Parking Brake Assembly
M1339	1963-70	Parking Brake Release Handle
3893179	1968-72	Parking Brake Release Handle
1702H	1964	Parking Brake Assembly
M1726N	1958-64	Brake Pedal Pad (w/o Power Brakes)
M1726P	1958-64	Brake Pedal Pad (Power Brakes)
M1726J	1958-63	Accelerator Pedal Pad
1708	1962-64	Clutch Counter-shaft (Z-bar)
1498G	1964-67	Shifter Lever with Push Button, Automatic

1965-70

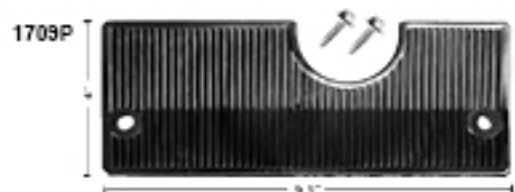
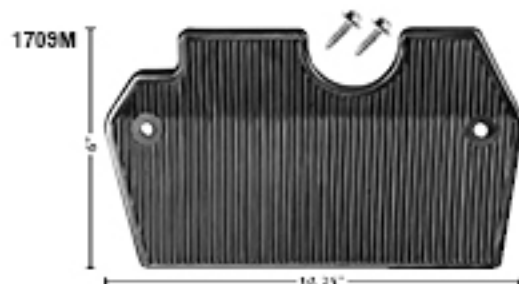
Pedal & Shifter Components

Muscle Car Parts & Molding • Muscle Car Parts & Molding • Muscle Car Parts & Molding



1702J	1965	Parking Brake Assembly
M1339	1963-70	Parking Brake Release Handle
M1726A	1965-70	Disc Brake Pedal Pad, Automatic Transmission
M1726B	1965-70	Disc Brake Pedal Pad Trim
M1726C	1965-70	Brake Pedal Pad, Manual Transmission
M1726D	1965-70	Brake Pedal Pad Trim Manual Transmission
M1726E	1965-70	Parking Brake Pedal Pad
M1726F	1965-70	Parking Brake Pedal Pad Trim
M1726G	1965-70	Accelerator Pedal Pad
M1726H	1965-70	Accelerator Pedal Pad Trim
1708A	1965-70	Clutch Counter-shaft (Z-bar)
1498G	1964-67	Shifter Lever with Push Button, Automatic Transmission

1961-64



769868	1962	Steering Wheel, Black
1709M	1961-62	Steering Column Seal w/2 screws, Automatic Transmission
1709N	1961-62	Steering Column Seal w/2 screws, 4 Spd. Manual Transmission
769968	1963	Steering Wheel, Black
1709F	1963	Chrome Horn Rim
1709G	1963	Horn Cap
1709P	1963-64	Steering Column Seal w/2 screws, Automatic Transmission
1709Q	1963-64	Steering Column Seal w/2 screws, 4 Spd. Manual Transmission
1709J	1963	Transmission Indicator Bezel
1709K	1964	Transmission Indicator Bezel
1709L	1963-64	Transmission Indicator Lens, Clear with etched letters



1965-70

Steering Wheels & Components

Muscle Car Parts & Molding • Muscle Car Parts & Molding • Muscle Car Parts & Molding



3858429



3874620



3858429	1965	Horn Cap
3874620	1966	Horn Cap
3939731	1969-70	Steering Wheel, Black
SW12	1969-70	Steering Wheel, 3-Spoke Comfort

M1781



M1338



Now includes  
bushing and  
screws!

M1781	1959-63	Sun Visor Support Brackets
M1338	1964-68	Sun Visor Support Bracket

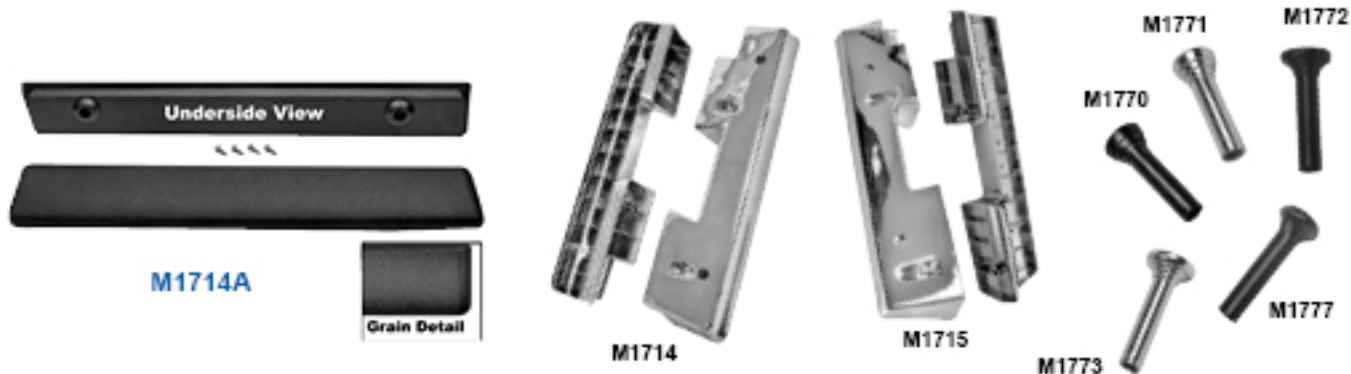
Sun Visor Brackets

Rear View Mirrors



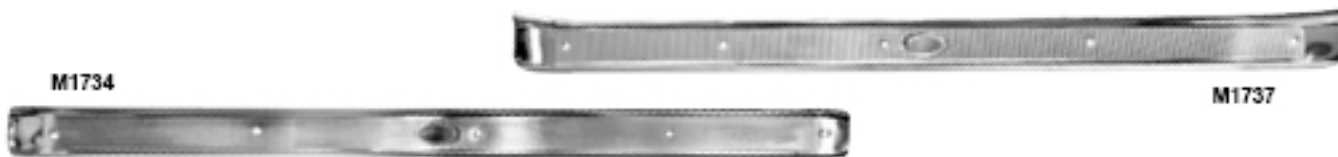
1154D	1958-62	Rear View Mirror, Day/Night
1154C	1958-62	Rear View Mirror, Stainless
M1036J	1961-64	Rear View Mirror Bracket, Chrome (Hard Top & Sedan)
916177	1963-64	Rear View Mirror, 8 inch
M1035C	1963-66	Rear View Mirror, Standard
911366	1965-72	Rear View Mirror, 10 inch
M1036K	1965-68	Rear View Mirror Bracket, Chrome
M1035A	1969-70	Rear View Mirror, 12 in Day/Night

Door Trims & Arms Rests



M1714A	New	1962-64	Arm Rest Pad, Pair
M1714		1962-64	Arm Rest Bases, Chrome
M1715		1965-67	Arm Rest Bases, Chrome
M1770		1961-66	Door Lock Knobs, Black
M1771		1961-66	Door Lock Knobs, Chrome
M1772		1967	Door Lock Knobs, Black
M1773		1967	Door Lock Knobs, Chrome
M1777		1968	Door Lock Knobs, Black

Scuff Plates



M1734	1961-64	Scuff Plate, RH
M1735	1961-64	Scuff Plate, LH
M1736	1965-70	Scuff Plate, RH
M1737	1965-70	Scuff Plate, LH

Muscle Car Parts & Molding • Muscle Car Parts & Molding • Muscle Car Parts & Molding

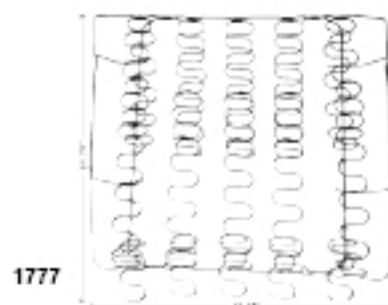


1709C	1965-66	Firewall Carpet Guard with screws
1709D	1967-68	Firewall Carpet Guard with screws

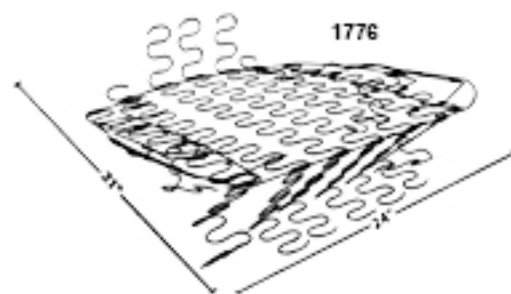
dii Exclusive



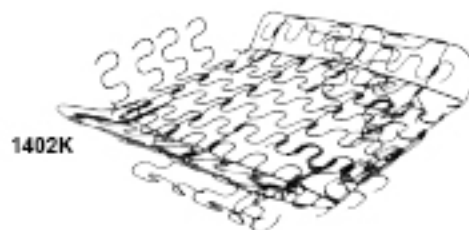
Box Size:  
27" x 23.75" x 12.75"  
Weight:  
33.1 lbs.



1961-68



Box Size:  
15" x 7.5" x 5.75"  
Weight:  
6.1 lbs.

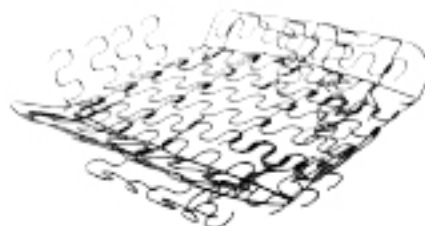
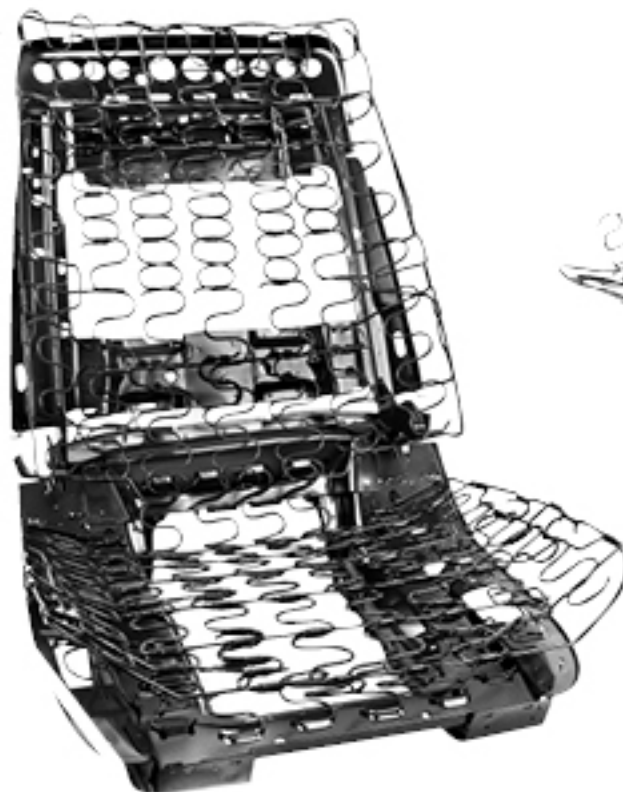


1776	1962-65	Seat Bottom Spring, Fits both sides
1777	1962-65	Seat Back Spring, Fits both sides
1700GE	1962-64	Seat Track (2 pcs.), RH
1700GF	1962-64	Seat Track (2 pcs.), LH
1401	1966-68	Seat Frame Assembly with Springs, RH
1402	1966-68	Seat Frame Assembly with Springs, LH
1402K	1966-69	Seat Bottom Spring, Fits both sides



1969

1402A



1402K

1402A	1969	Seat Frame Assembly with Springs, Fits both sides
1402K	1966-69	Seat Bottom Spring, Fits both sides



M1760

Box Size:  
23.25" x 8.75" x 2.25"  
Weight:  
2 lbs.



M1761



M1709

Box Size:  
23.25" x 8.75" x 2.25"  
Weight:  
2 lbs.

Box Size:  
23.25" x 8.75" x 2.25"  
Weight:  
2 lbs.



M1709A

M1760	1961-64	Front Seat Back Molding Set, 2 pcs.
M1761	1965	Front Seat Top Molding Set, 3 pcs.
M1709	1962-64	Back Bench Seat Molding Set, 3 pcs., RH
M1709A	1962-64	Back Bench Seat Molding Set, 3 pcs., LH



**Seat Belts with Push Button:**  
6 colors to choose from

**60 Inch Belts**

SBP-BK60	Seat Belt with Push Button	Black
SBP-GR60	Seat Belt with Push Button	Grey
SBP-TAN60	Seat Belt with Push Button	Tan
SBP-NB60	Seat Belt with Push Button	Navy Blue
SBP-RED60	Seat Belt with Push Button	Red
SBP-MAR60	Seat Belt with Push Button	Maroon



**74 Inch Belts**

SBP-BK74	Seat Belt with Push Button	Black
SBP-GR74	Seat Belt with Push Button	Grey
SBP-TAN74	Seat Belt with Push Button	Tan
SBP-NB74	Seat Belt with Push Button	Navy Blue
SBP-RED74	Seat Belt with Push Button	Red
SBP-MAR74	Seat Belt with Push Button	Maroon



SBR-BK	Retractable 3 Point Seat Belt with Push Button	Black
SBEXT-BK	Seat Belt Extension, 12 in.	Black

See also Accessory Section for more details...



**Seat Belts with Lift Latch:**  
10 colors to choose from

**60 Inch Belts**

SBL-BK60	Seat Belt with Lift Latch	Black
SBL-WT60	Seat Belt with Lift Latch	White
SBL-LG60	Seat Belt with Lift Latch	Light Grey
SBL-DG60	Seat Belt with Lift Latch	Dark Grey
SBL-LT60	Seat Belt with Lift Latch	Light Tan
SBL-DT60	Seat Belt with Lift Latch	Dark Tan
SBL-LB60	Seat Belt with Lift Latch	Light Blue
SBL-DB60	Seat Belt with Lift Latch	Dark Blue
SBL-BR60	Seat Belt with Lift Latch	Bright Red
SBL-DR60	Seat Belt with Lift Latch	Dark Red



**74 Inch Belts**

SBL-BK74	Seat Belt with Lift Latch	Black
SBL-WT74	Seat Belt with Lift Latch	White
SBL-LG74	Seat Belt with Lift Latch	Light Grey
SBL-DG74	Seat Belt with Lift Latch	Dark Grey
SBL-LT74	Seat Belt with Lift Latch	Light Tan
SBL-DT74	Seat Belt with Lift Latch	Dark Tan
SBL-LB74	Seat Belt with Lift Latch	Light Blue
SBL-DB74	Seat Belt with Lift Latch	Dark Blue
SBL-BR74	Seat Belt with Lift Latch	Bright Red
SBL-DR74	Seat Belt with Lift Latch	Dark Red

**SBL-BK60BLK**



SBL-BK60BLK	Seat Belt w/Black Wrinkle-Finish Latch	Black
SBL-BK74BLK	Seat Belt w/Black Wrinkle-Finish Latch	Black

*RetroSound®*



**AM-HERMOSA-B**

Box Size:  
11.5" x 9" x 3.5"  
Weight:  
3 lbs.



**AM-HERMOSA-C**

Box Size:  
11.5" x 9" x 3.5"  
Weight:  
3 lbs.



Box Size:  
11" x 9" x 3.5"  
Weight:  
2 lbs.

**Basic Unit**  
**AM-RC900**



AM-HERMOSA-B	1967-81	Radio, "Hermosa B" w/Black Face & Buttons (Use make-specific faceplate & knob kit)
AM-HERMOSA-C	1967-81	Radio, "Hermosa C" w/Chrome Face & Buttons (Use make-specific faceplate & knob kit)
AM-RC900	All Makes	Radio, Model RC900C, Basic Unit, no remote (Use make-specific faceplate & knob kit)

*RetroSound®*

**~ DISCONTINUED ~**  
**Available while**  
**supplies last.**  
**(Replaced by**  
**Hermosa)**



**AM-ZUMA-B**

Box Size:  
11.5" x 8.75" x 3.25"  
Weight:  
2.66 lbs.



**AM-ZUMA-V**

Box Size:  
11.5" x 8.75" x 3.25"  
Weight:  
2.66 lbs.



AM-ZUMA-B	1967-81	Radio, "Zuma B" w/Black Face & Black Buttons (Use make-specific faceplate & knob kit)
AM-ZUMA-V	1967-81	Radio, "Zuma V" w/Chrome Face, Ivory Knobs (Use make-specific faceplate & knob kit)

*RetroSound®*

**Model 2 Radios  
~ DISCONTINUED ~  
Available while  
supplies last.  
(Replaced by Hermosa)**



**AM-MOD2B**

**Box Size:**  
11.75" x 8.75" x 3.5"  
**Weight:**  
3 lbs.



**AM-MOD2C**

**Box Size:**  
11.5" x 8.75" x 3.25"  
**Weight:**  
2.94 lbs.



**AM-MOD2V**



**Box Size:**  
11.5" x 8.75" x 13.25"  
**Weight:**  
2.98 lbs.

Muscle Car Parts & Molding • Muscle Car Parts & Molding • Muscle Car Parts & Molding

AM-MOD2B	1967-81	Radio, "Model 2B" with Black Face (Use make-specific faceplate & knob kit)
AM-MOD2C	1967-81	Radio, "Model 2C" with Chrome Face (Use make-specific faceplate & knob kit)
AM-MOD2V	1967-81	Radio, "Model 2V" with Ivory Knobs (Use make-specific faceplate & knob kit)



AM-1700



AM-1715



AM-1725



AM-1710



AM-1720



AM-1730

AM-1700	1959-60	Radio Bezel and Knob Kit
AM-1710	1961-62	Radio Bezel and Knob Kit
AM-1715	1963-64	Radio Bezel and Knob Kit
AM-1720	1965-66	Radio Bezel and Knob Kit
AM-1725	1967-68	Radio Bezel and Knob Kit
AM-1730	1969-72	Radio Bezel and Knob Kit



AMR-57UK

**Box Size:**  
9.5" x 6.25" x 2.5"  
**Weight:**  
1.6 lbs.

**Fits:**  
1963-64  
1967-68 Factory A/C



**Box Size:**  
20" x 10" x 4"  
**Weight:**  
11 lbs.

AM-SUB8100



**Box Size:**  
11.5" x 4.75" x 2.5"  
**Weight:**  
1.52 lbs.

AMR-410UK

**Fits:**  
1961-62  
1965-68 Non A/C

AMR-57UK	1958-68	Dash Speaker with Bracket, 6 x 7 Dual Voice Coil, 2-way, 100 watt
AMR-410UK	1961-68	Dash Speaker with Bracket, 4 x 10 Dual Voice Coil, 3-way, 180 watt
AM-SUB8100		Amplified Sub-Woofers, 8", 100 Watt



*RetroSound®*

AM-EX1



Box Size:  
10.5" x 7.5" x 2.5"  
Weight:  
2 lbs.



AM-BT1

AM-EX1-PKG



Includes Battery Status Indicator

Battery Status Indicator  
Box Size:  
5" x 1.75" x 1.75"  
Weight:  
.5 lbs.

AM-EX1 Box Size:  
10.5" x 7.5" x 2.5"  
Weight:  
2 lbs.

AM-BT1

Digital LCD Battery Monitor, 12 Volt Cigarette Lighter Plug

AM-EX1

Battery Charger/Maintainer

AM-EX1-PKG

Battery Charger/Maintainer w/LED, Includes Battery Status Indicator



M1013C



LH01



M1013



M1013B

M1013C

1958-63

Headlamp Switch

LH01

1962-72

Headlamp Dimmer Switch

M1013

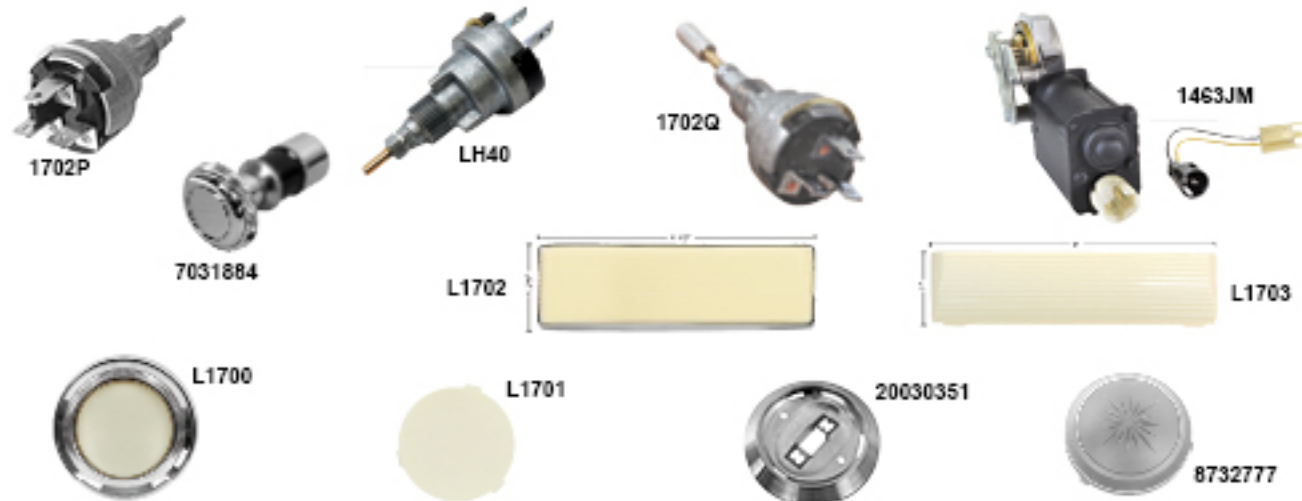
1964-67

Headlamp Switch

M1013B

1969-84

Headlamp Switch



1702P	1959-63	Windshield Wiper Switch, 2 Speed With Washer
LH40	1959-63	Windshield Wiper Switch
1702Q	1965-66	Windshield Wiper Switch, 2 Speed With Washer
1463JM	1960-68	Power Window Motor, RH <i>cutlass</i>
1463KM	1960-68	Power Window Motor, LH <i>cutlass</i>
7031884	1967	Cigarette Lighter
L1702	1958-67	Dome Light Assembly (1958-61 & 1967- 2 Door, 1958-67- 4 Door)
L1703	1958-67	Dome Light Lens (1958-61 & 1967- 2 Door, 1958-67- 4 Door)
L1700	1962-66	Quarter Light Assembly (2 per car)
L1701	1962-66	Dome Light Lens (2 per car)
8732777	1971-81	Dome Light Lens
20030351	1971-81	Dome Light Base



1010HC



1010H



1010L

1010U		1955-79	Horn Set with Universal Brackets, 6 pcs.
1010HC	New	1962-72	Horn High + Low Note Chrome Plate w/ Mounting Bracket and Hardware
1010H		1962-72	Horn - High
1010L		1962-72	Horn - Low

5" x 4 3/4" Bolt Pattern

Muscle Car Parts & Molding • Muscle Car Parts & Molding • Muscle Car Parts & Molding



GW157

Box Size:  
17" x 17" x 10.25"  
Weight:  
19 lbs.



GW157C

Box Size:  
17" x 17" x 9"  
Weight:  
20 lbs.



GW158

Box Size:  
17" x 17" x 10.25"  
Weight:  
20 lbs.



GW150

Box Size:  
17" x 17" x 10.25"  
Weight:  
22 lbs.



GW157P	New	GM	Magnum Alloy Wheel 15"x7" w/Center Cap, 4" Backspace, Photo on pg A24
GW157			Magnum Alloy Wheel 15"x7" w/Center Cap, no offset, 4" Backspace
GW157C			Magnum Alloy Wheel 15"x7", Coated, w/Center Cap, no offset, 4" Backspace
GW158			Magnum Alloy Wheel 15"x8" w/Center Cap, 10mm negative offset (-.4"), 4.07" Backspace
GW150			Magnum Alloy Wheel 15"x10" w/Center Cap, 21mm negative offset (-.8"), 4.65" Backspace



**GW177**

**Box Size:**  
19" x 19" x 9"  
**Weight:**  
23 lbs.



**FW-CAP**

**5" x 4 3/4" Bolt Pattern**



**GW178**

**Box Size:**  
19.5" x 19.5" x 10"  
**Weight:**  
24 lbs.



**GW178C**

**Box Size:**  
19.25" x 19.25" x 10.25"  
**Weight:**  
24 lbs.



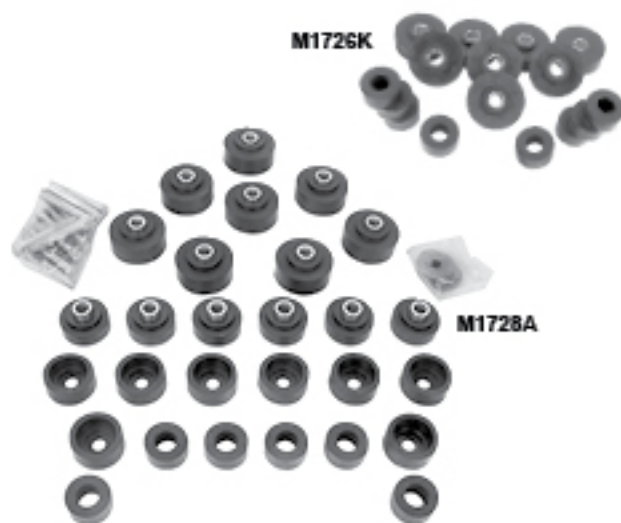
**GW150C**

**Box Size:**  
17" x 17" x 12"  
**Weight:**  
23 lbs.



GW150C	Magnum Alloy Wheel 15"x10", Coated, w/Center Cap, 21mm negative offset (-.8"), 4.65" Backspace
GW177	Magnum Alloy Wheel 17"x7" w/Center Cap and decal, no offset
GW178	Magnum Alloy Wheel 17"x8" w/Center Cap and decal, 10mm negative offset
GW178C	Magnum Alloy Wheel 17"x8" w/Center Cap and decal, 10mm negative offset, Chrome
FW-CAP	Magnum Wheel Cap with decal, 3/4" tall, Chrome (for 17" rims)

**Body Bushing Kits**



M1726K	1960-64	Body Bushings, 8 Large, 8 Small
M1728	1965-66	Body Bushings w/bolts, Hard Top
M1728A	1965-66	Body Bushings w/bolts, Convertible



M1728B	1967-68	Body Bushings w/bolts, Hard Top
M1728C	1967-68	Body Bushings w/bolts, Convertible
M1728D	1969-70	Body Bushings w/bolts, Hard Top
M1728E	1969-70	Body Bushings w/bolts, Convertible



FL01 "Body by Fisher" Decal



161	1958-64	Original
157	1958-64	Octagonal
158A	1965	Original
158	1965	Octagonal
100A	1966-67	Original
100	1966-67	Later
102	1969-78	Later



160A	1958 1961-64	Original w/long cyl.
457	1959-60	Orig. w/long cyl. & pawl
250	1961-64	Original w/flat pawl
143A	1965	Original



104A	1966-68	Octagonal
104	1966-72	Later
106	1969-78	Later
219	1971-76	Later

**Ignition, Door, Glove Box & Trunk Locks**



422	1958	Original w/ long cylinder
423	1958	Original w/ short cylinder
424	1961-62	Original w/ long cylinder
425	1961-62	Original w/ short cylinder & pawl
426	1963	Original w/ long cylinder
427	1963	Original w/ short cylinder & pawl
428	1964	Original w/ long cylinder
429	1964	Original w/ short cylinder & pawl
430	1965	Original
431	1966	Original
332	1967	Original
337	1969-70	Later
335	1971-76	Later



172A	1958-60 1963	Original
172	1958-60 1963	Later
460	1959	Original
171A	1961-62	Original
171	1961-62	Later
121A	1964	Original
121	1964	Later
174A	1965-66	Original
174	1965	Later
175A	1967	Original
175	1967	Later
150A	1968	Original
150	1968-76	Later

**Glove Box & Trunk Lock Kits**

**Trunk Locks**



1575	1953-94	Later (Kit with pawl)
112AR	1958	Original w/ original ribbed cap
112	1958-94	Later (excluding 1959)
461	1959	Original
112A	1960-68	Original

See also our Locks Catalog for more details...

**Glove Box Locks**



CL-955	1958-72	Key-less
CL-960	1958-72	Key-less, Brushed Stainless



168A	1958-60 1963	Original
168	1958-60 1963	Later
169A	1961-62	Original
169	1961-62	Later
118A	1964	Original
118	1964	Later



165A	1965-66	Original
165	1965-66	Later
166A	1967	Original
166	1967	Later
119A	1968-76	Original
119	1968-76	Later

Muscle Car Parts & Molding • Muscle Car Parts & Molding • Muscle Car Parts & Molding