

Dynacorn International LLC

The muscle car people



2019
MOPAR®

MOPAR Index

Index

B

Battery Charger/Maintainer: 30
Battery Monitor: 30
Battery Tray, Brace & Hold-Down: 3
B-Pillar to Floor Brace: 5
Bumper Brackets: 1

C

Carpet: 15
Control Arm, Upper: 3
Cowl Panels: 4
Crossmember, Trunk Floor: 6
Crossmembers, Floor Pan: 5, 6

D

Deck Filler Panel: 11
Door Glass Track: 9
Door Hinge & Latch Striker: 9
Door Shell & Skin: 9
Door Sill Scuff Plates: 15
Drip Rail Moldings: 23

E

Electrical, Exterior: 17
Electrical, Interior: 30

F

Fender Panel Kit (Inner): 2
Fenders, Front: 1
Firewalls: 4

Floor Pans: 5, 6, 7
Frame Rails: 7
Fuel Senders: 13, 22
Fuel Tanks: 13, 18, 19, 20, 21
Fuel Tank Straps & Brace: 12, 23

G

Grille & Components: 14, 23

H

Headlamp Bezels: 23
Hood Hinges, Latches & Supports: 3

I

Ignition Switch Bracket: 4

L

Locks: 17

M

Mirror, Exterior: 15

P

Parking Lamps: 17

Q

Quarter/Door Frame Assemblies: 8
Quarter Panels: 10

R

Radiator Supports: 2
Radios & Components: 28, 29
Rear End Moldings: 14, 15

Rocker Panels: 7
Roof & Braces: 8

S

Scuff Plates: 15
Seat Back Catch: 16
Seat Belts: 27
Seat Bottom Cushion: 16
Seat Frames & Springs: 16
Seat Track Assembly: 16
Shock Towers, Inner Fenders/Aprons: 2
Side Marker Lamps: 17

T

Tail Lamp Panel: 12
Tail Lamp Panel Brace: 12
Tail Lamp Panel Brackets: 12
Torsion Bar Anchor: 5
Transition/Rear Seat Floor Pan: 6
Trunk Divider/Package Shelf: 11
Trunk Floor Pan: 6, 7
Trunk Lid, Hinge & Latch: 11
Trunk Weatherstrip Channels: 11

V

Valances, Rear: 12

W

Wheelhouses: 10
Wheel Opening Moldings: 14, 24, 25
Window Moldings: 25, 26
Window Regulators: 9

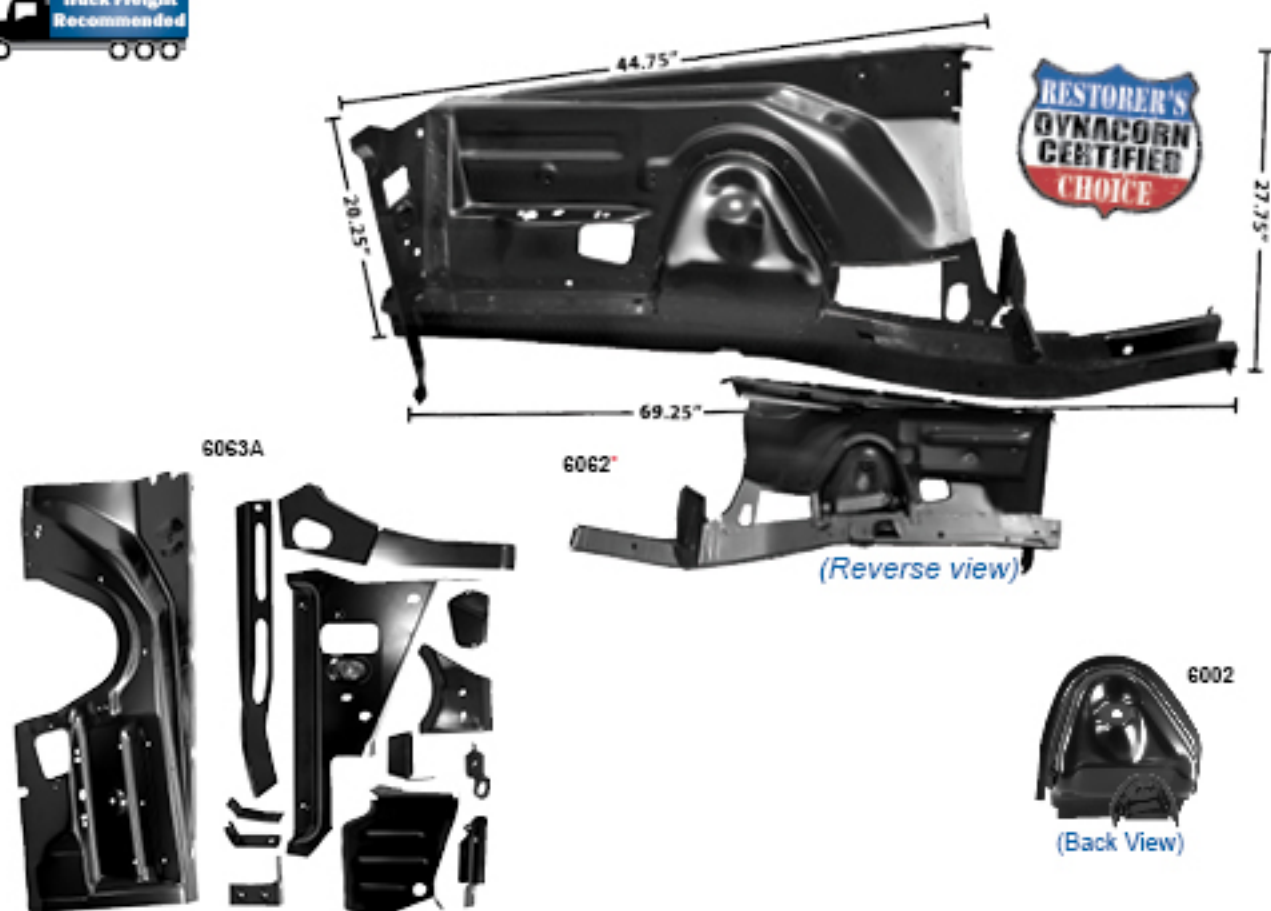


6020	1970-72	Front Bumper Brackets, 4 pcs.
6021	1970-71	Front Bumper (will fit 1972 without jack slots)
6022	1970-71	Rear Bumper (will fit 1972 without jack slots)

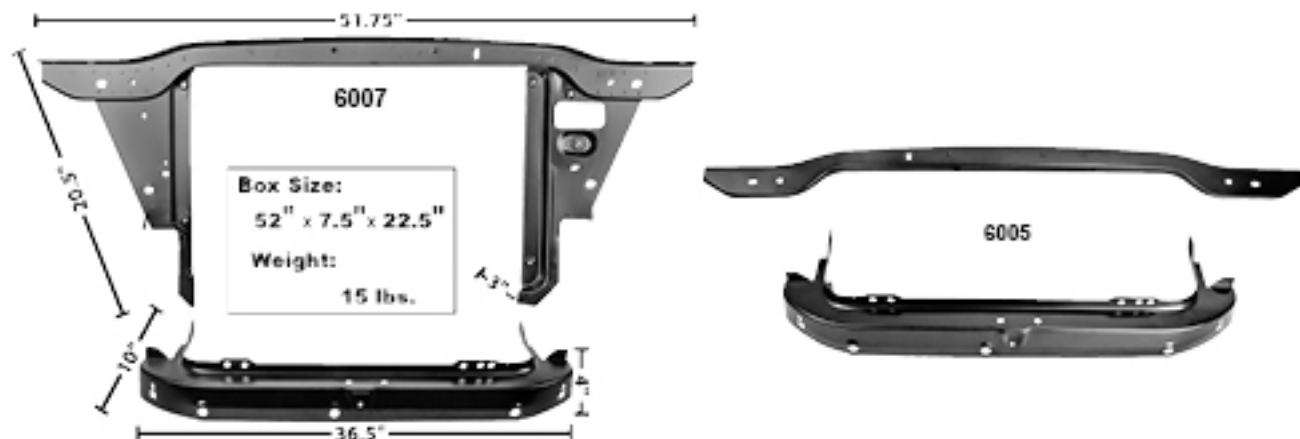


More Fenders on next page...

6050	1970-71	Front Fender, RH
6051	1970-71	Front Fender, LH
6051A	1972-74	Front Fender, RH
6051B	1972-74	Front Fender, LH



6062*	1970-74	Complete Shock Tower & Apron Assy., RH <i>*Discontinued: Avail. while supplies last.</i>
6062A	1970-74	Inner Fender Panel Kit, 12 pc., RH
6063A	1970-74	Inner Fender Panel Kit, 12 pc., LH
6002	1970-74	Shock Tower, RH (Also fits 1962-74 "B" Body)
6003	1970-74	Shock Tower, LH (Also fits 1962-74 "B" Body)



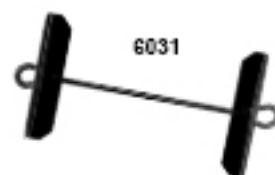
6007	1970-74	Radiator Support w/side panels, "E" Body, 2 pcs.
6005	1970-74	Radiator Support, "E" Body, 2 pieces



6030



6033



6031

6030	1970-74	Battery Tray (Also 1970-72 "B" Body)
6033	1970-74	Battery Tray Brace (Also 1970-74 "B" Body)
6031	1970-71 1970-71,73	Battery Tray Hold-Down, (A-Body & E-Body) (B-Body)



6008



6009

6008	1970-74	Control Arm, Upper RH
6009	1970-74	Control Arm, Upper LH



6011A



6011B

Box Size:
20.5" x 15" x 8"
Weight:
19 lbs.

6014



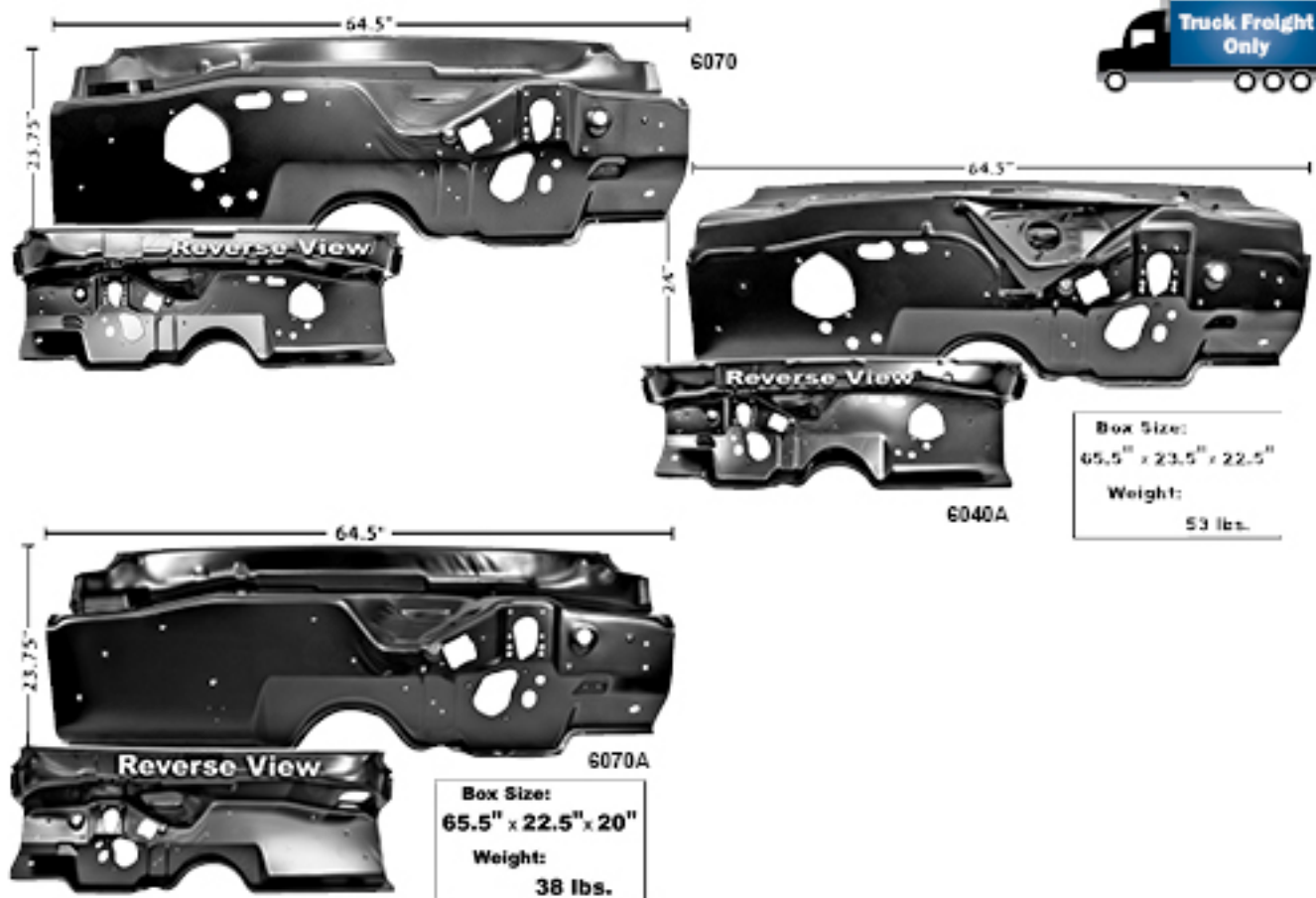
6014A



6017

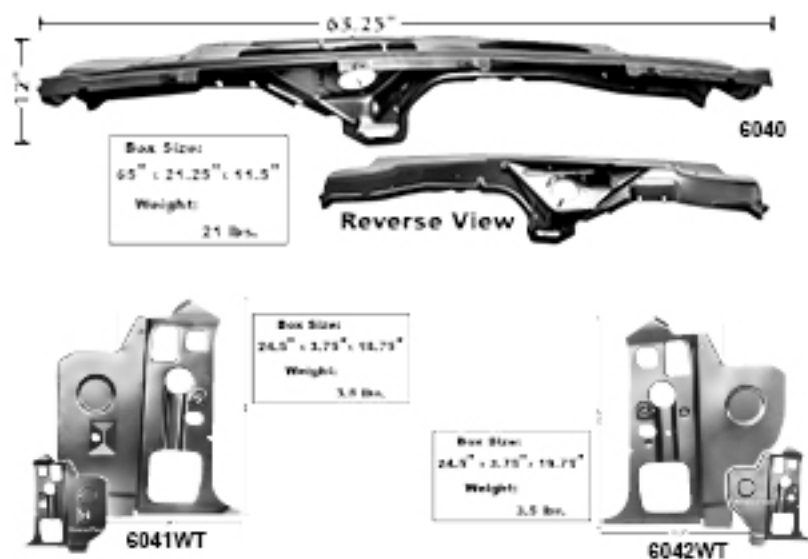
6011	1970-74	Hood Hinge, RH, Challenger®
6011A	1970-74	Hood Hinge, LH, Challenger®
6014	1970-74	Hood Latch, Challenger®
6014A	1970-74	Hood Latch Support, Challenger®
6017	1970-74	Hood Latch, Barracuda®
6011B	1971-73	Hood Hinges, Charger®

Firewalls



6070	1970-74	Firewall with A/C
6040A	1970-74	Complete Firewall with Lower Cowl, With A/C
6070A	1970-74	Complete Firewall, Blank

Cowl Panels



6040	1970-74	Upper Cowl Panel
6041WT	1970-74	Cowl Side Panel, RH, Weld-Thru Primer
6042WT	1970-74	Cowl Side Panel, LH, Weld-Thru Primer

Ignition Switch Bracket

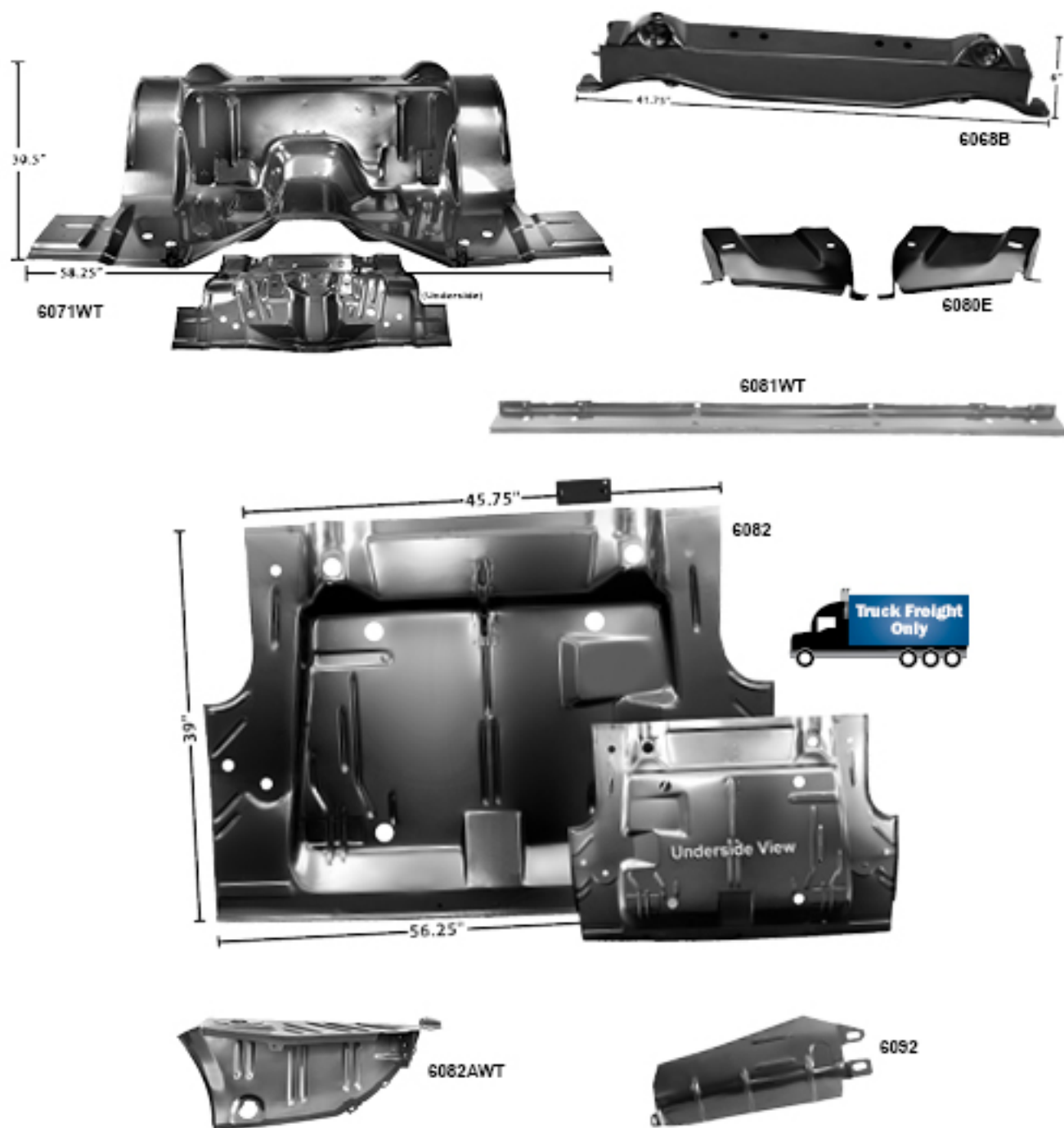


6013	1970-74	Ignition Switch Bracket
------	---------	-------------------------

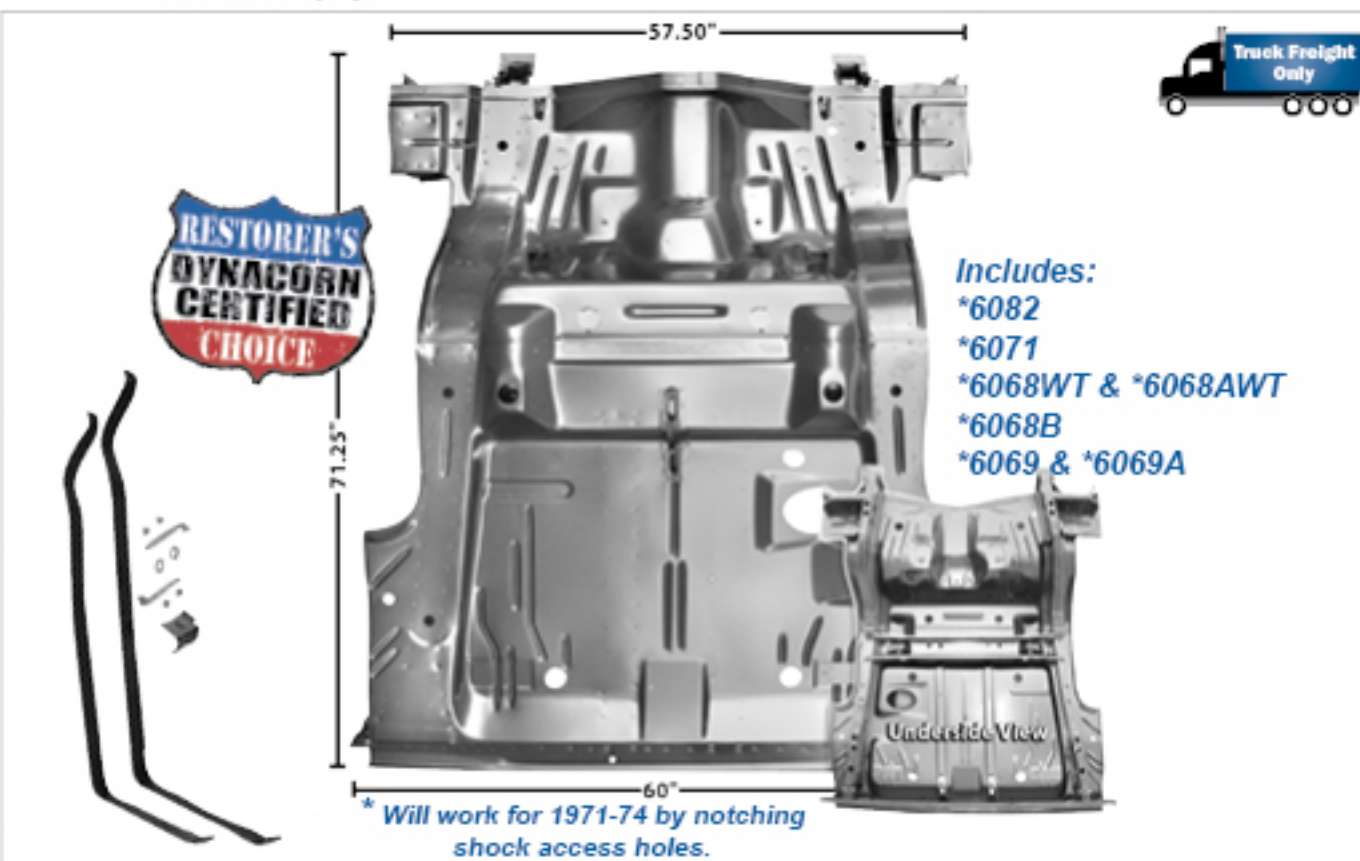
Muscle Car Parts & Molding • Muscle Car Parts & Molding • Muscle Car Parts & Molding • Muscle Car Parts & Molding



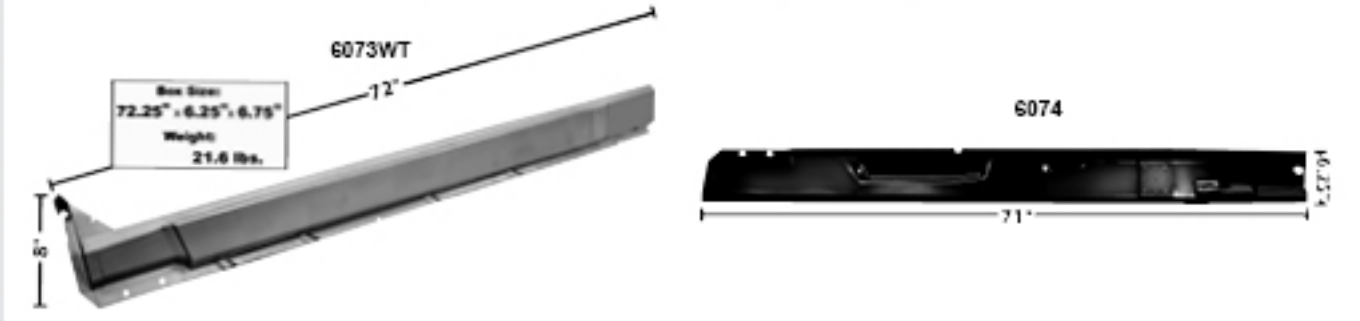
6066WT	1970	Floor Pan, Weld Through Primer
6066A	1970	Complete Floor Pan with 6066B & outer brackets
6066B	1970	Crossmember/Torsion Bar Anchor (Also fits Barracuda)
6064	1970-74	B-Pillar to Floor Brace, RH
6064A	1970-74	B-Pillar to Floor Brace, LH



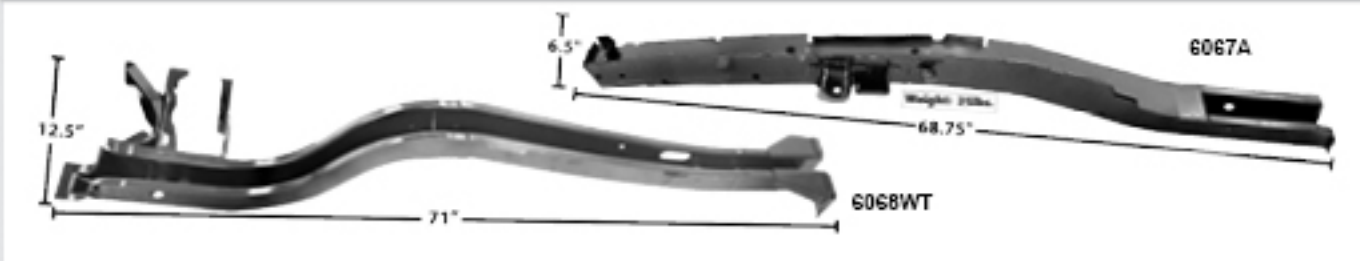
6068B	1970-74	Rear Crossmember / Shock Absorber
6071WT	1970-74	Transition/Rear Seat Floor Pan, Weld Through Primer
6081WT	1970-74	Trunk Floor Crossmember, Weld Through Primer
6082	1970*	Trunk Floor Pan (1971-74 have different shock access holes; Modify to fit either Challenger or Cuda)
6082AWT	1970-74	Trunk Floor Drop-Off, RH, Weld Through Primer
6082BWT	1970-74	Trunk Floor Drop-Off, LH, Weld Through Primer
6080E	1970-74	Trunk Lower Hinge Brackets
6092	1970-74	Trunk Shield Muffer Cover, RH



6000WT 1970* Complete Trunk Floor Pan W/rear frame rails & gas tank straps (1971-74 shock access holes different) Weld Through Primer



6074 1970-74 Rocker Inner Panel, RH
6075 1970-74 Rocker Inner Panel, LH
6072WT 1970-74 Rocker Panel, RH, Weld Through Primer
6073WT 1970-74 Rocker Panel, LH, Weld Through Primer



6067 1970-74 Front Frame Rail RH
6067A 1970-74 Front Frame Rail LH
6068WT 1970-74 Rear Frame Rail RH, Weld Through Primer
6068AWT 1970-74 Rear Frame Rail LH, Weld Through Primer

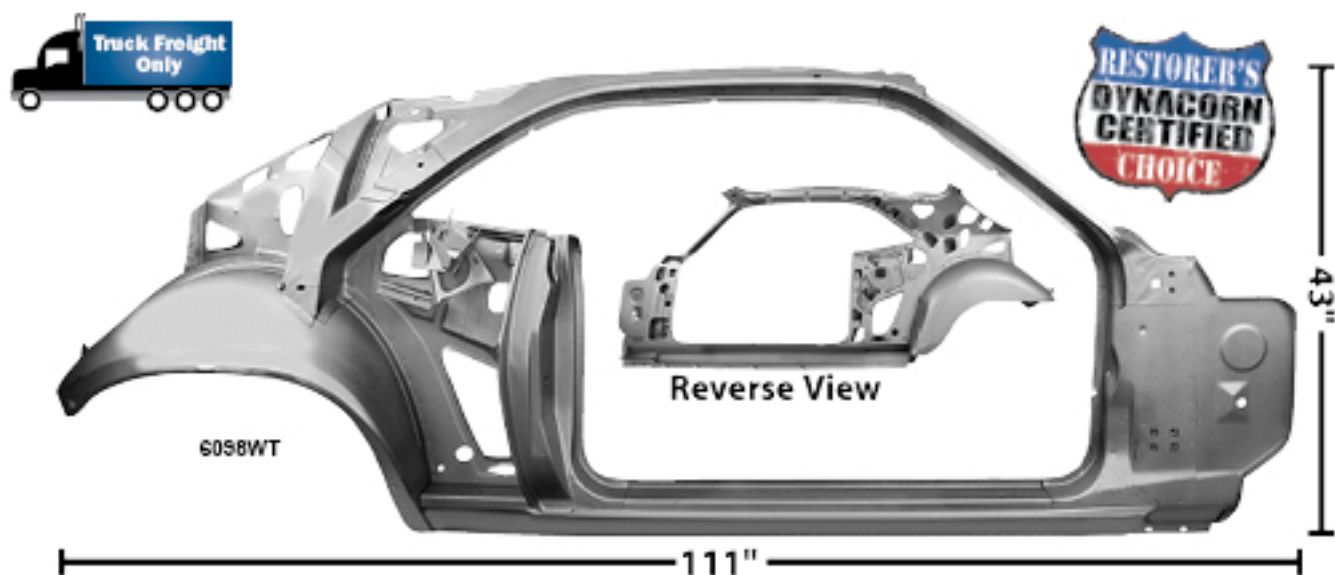


- Includes:**
*6082
*6071
*6068WT & *6068AWT
*6068B
*6069 & *6069A

* Will work for 1971-74 by notching shock access holes.

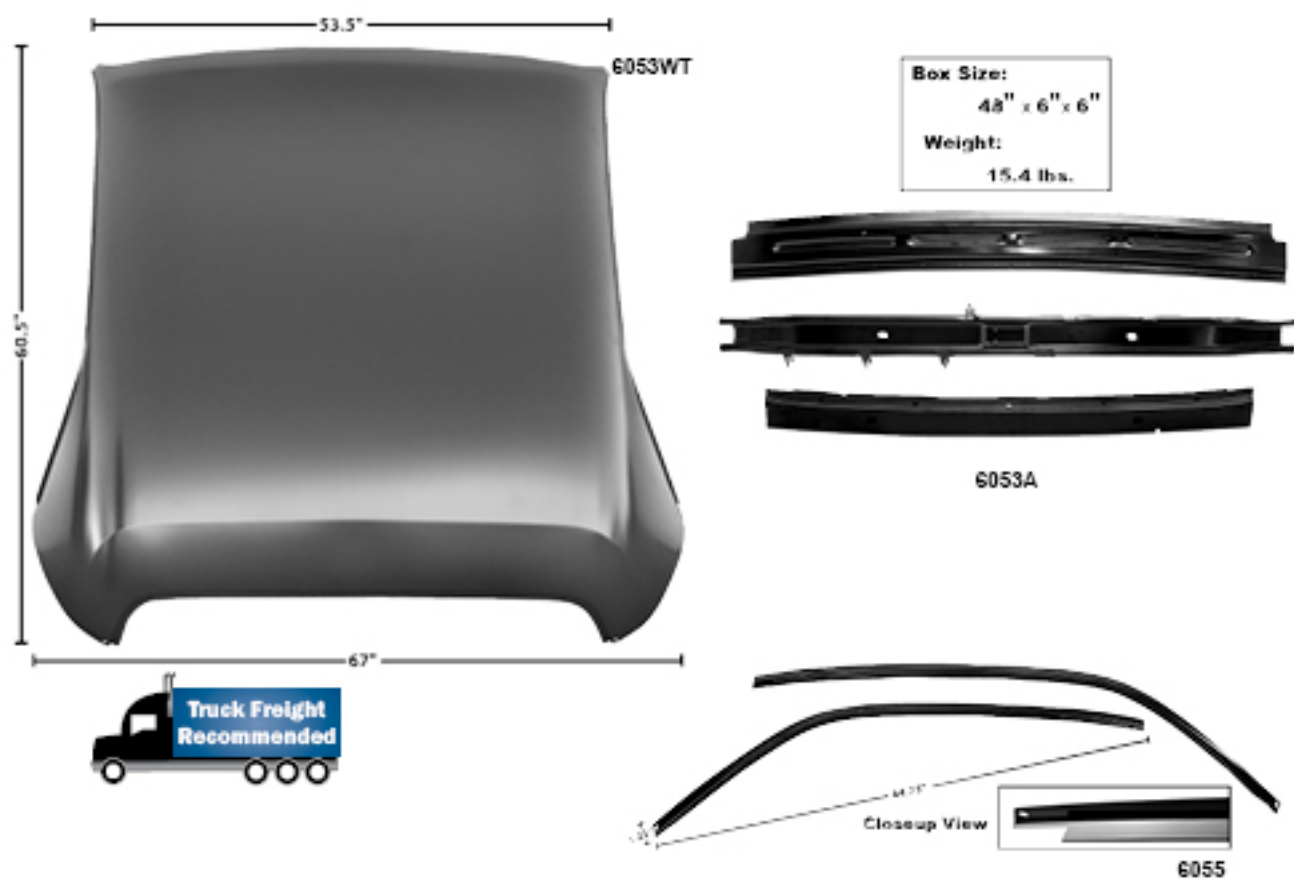
Uncolored View

Quarter/Door Frame Assys.

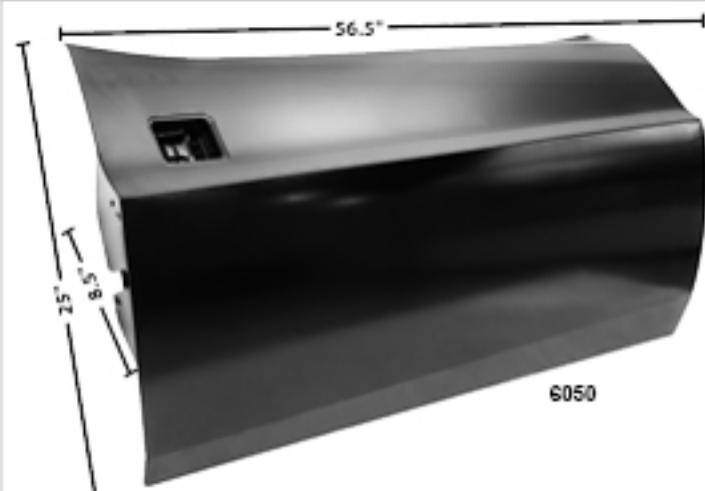


6098WT	1970-74	Quarter/Door Frame Assembly, Weld-Through Primer, RH
6099WT	1970-74	Quarter/Door Frame Assembly, Weld-Through Primer, LH

Roof Components, Drip Rails



6053WT	1970-74	Roof Panel, Weld Through Primer
6053A	1970-74	Roof Panel Brace
6055	1970-74	Door Drip Rails



Box Size:
57.5" x 26.25" x 10"
Weight:
71 lbs.

6050



6051A



6052E



6052C



6052A



6051C

6050	1970-74	Door Shell, RH
6051	1970-74	Door Shell, LH
6051C	1970-74	Door Skin, RH
6051D	1970-74	Door Skin, LH
6052E	1970-74	Door Striker
6052C	1970-74	Upper Door Hinge, RH
6052D	1970-74	Upper Door Hinge, LH
6052A	1970-74	Lower Door Hinge, RH
6052B	1970-74	Lower Door Hinge, LH
6051A	1970-74	Door Glass Track, RH
6051B	1970-74	Door Glass Track, LH



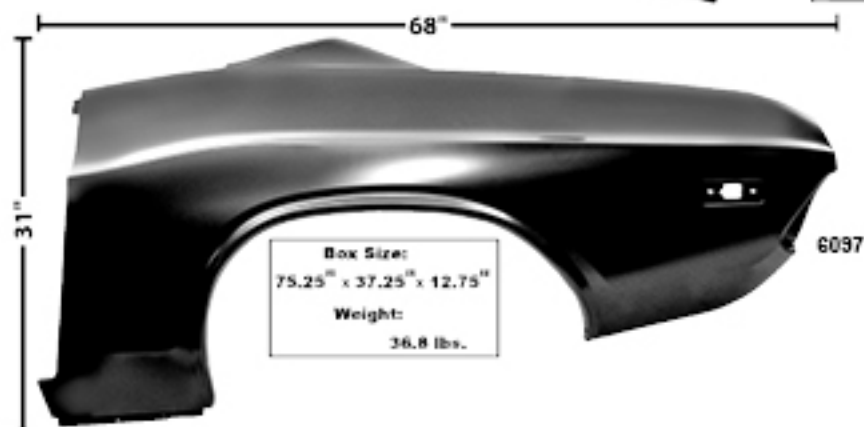
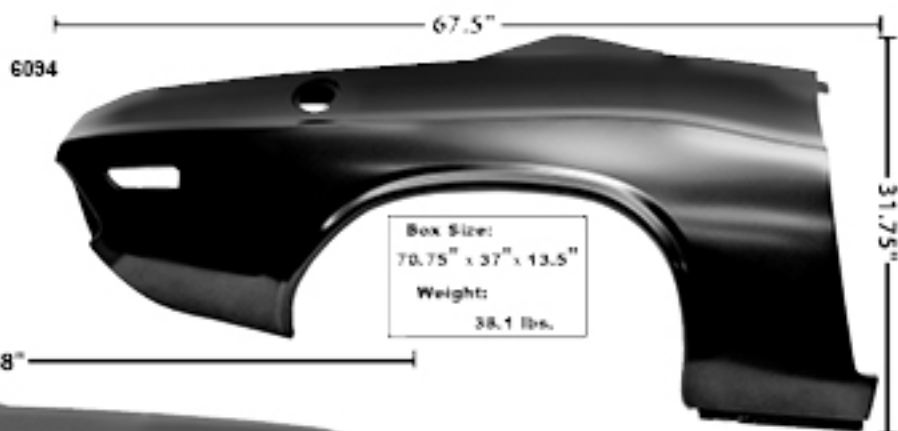
6054



6057

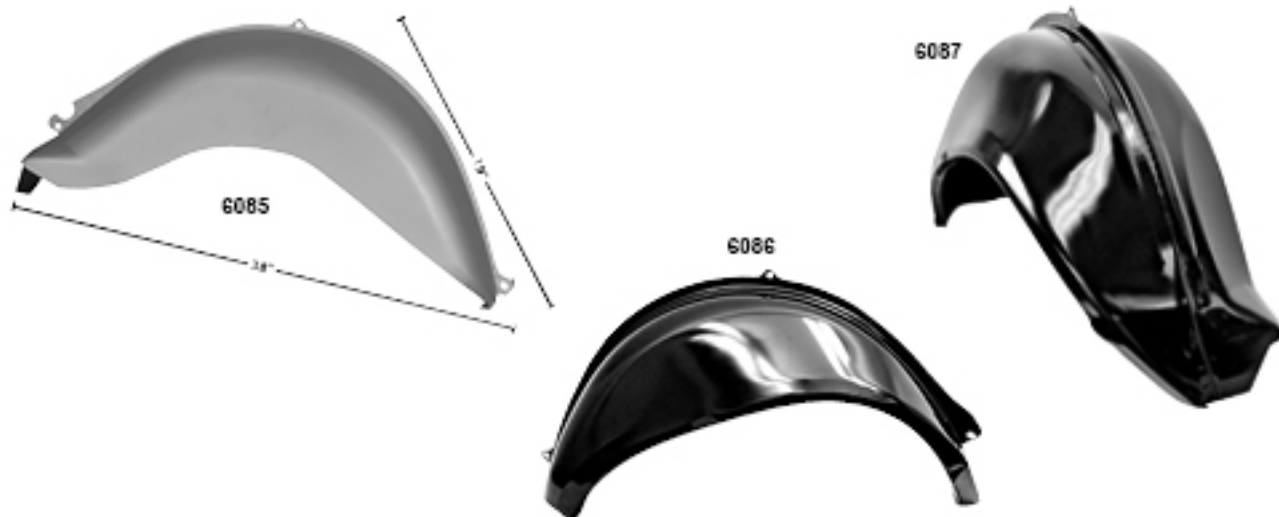
6054	1970	Window Regulator, RH	Challenger®
6054A	1970	Window Regulator, LH	Challenger®
6057	1971-74	Window Regulator, RH	Barracuda®
6057A	1971-74	Window Regulator, LH	Barracuda®

Quarter Panels



6094	1970-71	Complete Quarter Panel, OE Style, RH
6095	1970-71	Complete Quarter Panel, OE Style, LH
6096	1972-74	Complete Quarter Panel, OE Style, RH
6097	1972-74	Complete Quarter Panel, OE Style, LH

Wheelhouses



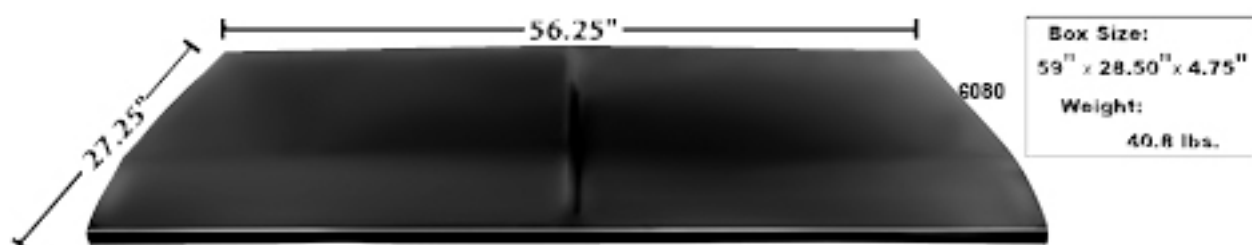
6085	1970-74	Wheelhouse, Inner RH
6085A	1970-74	Wheelhouse, Inner LH
6086	1970-74	Wheelhouse, Outer RH
6086A	1970-74	Wheelhouse, Outer LH
6087	1970-74	Wheelhouse, Complete (Inner & Outer) RH
6087A	1970-74	Wheelhouse, Complete (Inner & Outer) LH



6076 1970-74 Trunk Divider/Package Shelf



6090 1970-74 Deck Filler Panel



Box Size:
59" x 28.50" x 4.75"
Weight:
40.8 lbs.



6080C



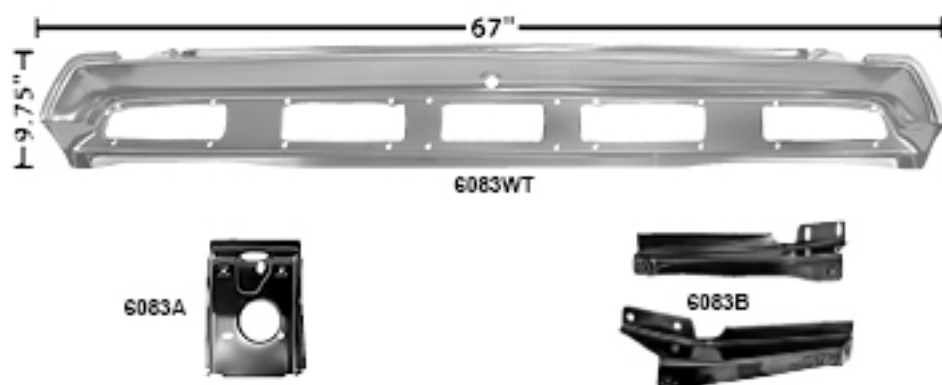
6080D



6083C

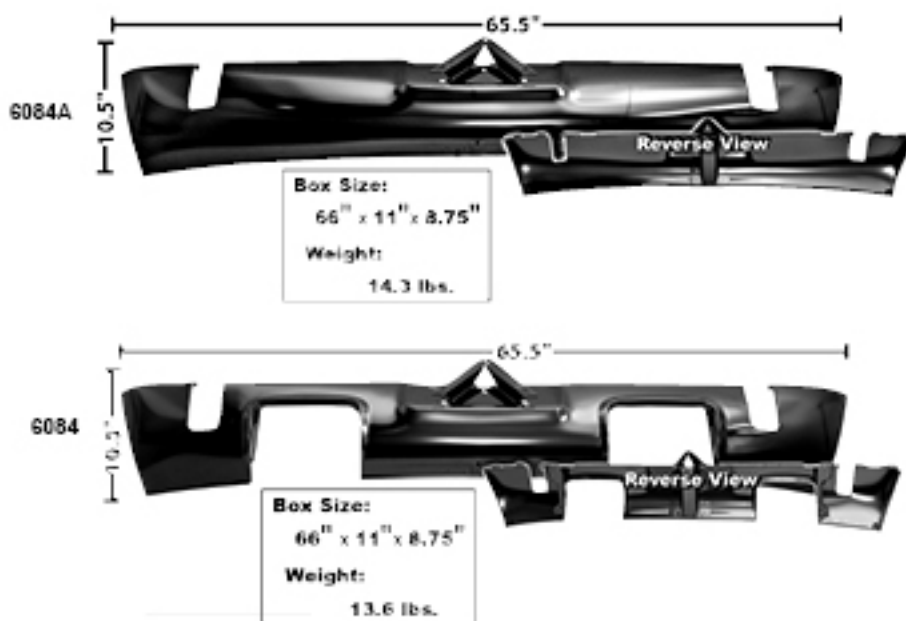
6080	1970-74	Trunk Lid
6080C	1970-74	Trunk Lid Hinges
6080D	1970-74	Trunk Lid Latch
6083C	1970-74	Trunk Weatherstrip Channels

Tail Lamp Panel



6083WT	1970	Tail Lamp Panel, Weld Through Primer
6083A	1970-74	Tail Lamp Panel Brace
6083B	1970-74	Tail Lamp Panel Brackets

Rear Valances

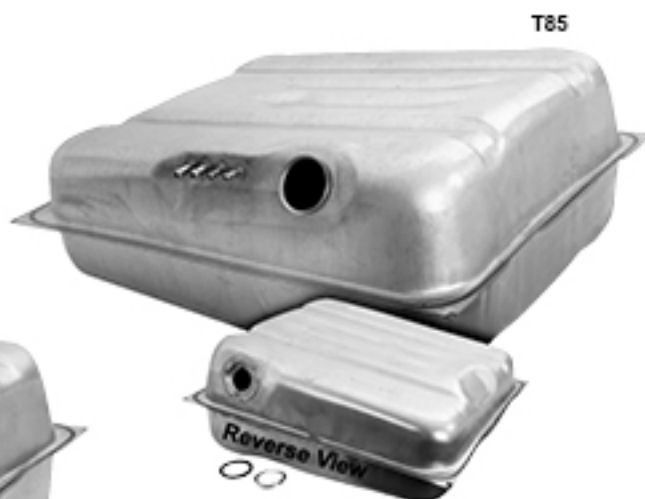


6084A	1970-74	Rear Valance, Standard
6084	1970-74	Rear Valance, Dual Exhaust

Tank Straps, Brace



6069	1970-74	Fuel Tank Straps
6069A	1970-74	Fuel Tank Brace

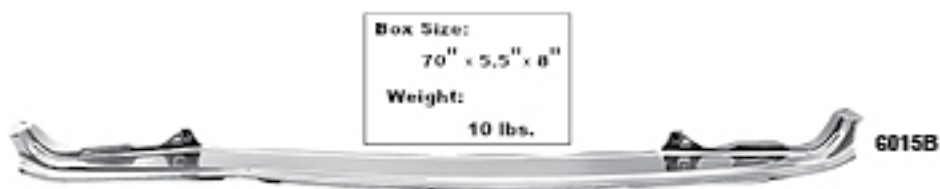
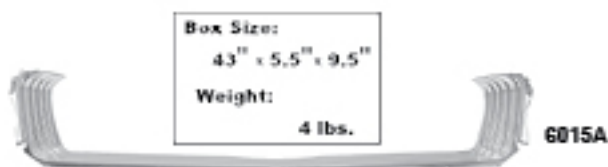
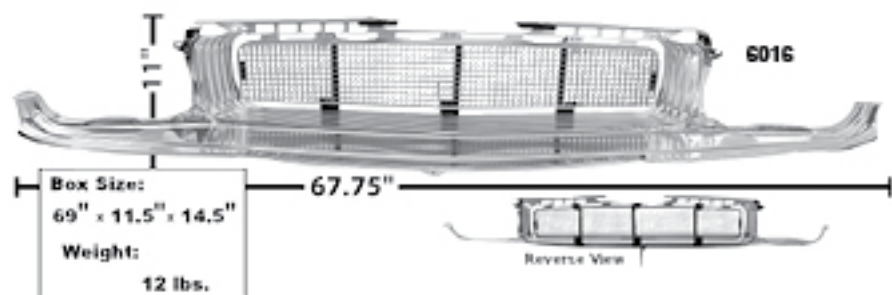


Muscle Car Parts & Molding • Muscle Car Parts & Molding • Muscle Car Parts & Molding

T84	1970	Fuel Tank, without ECS or vent tubes
T85	1970	Fuel Tank, with 4 vent tubes
T86	1972-74	Fuel Tank, with 4 vent tubes



T87	1970-74	Fuel Sending Unit, 5/16" Challenger
T88	1970-74	Fuel Sending Unit, 3/8" & 1/4" Challenger



6016	1970	Grille Assembly (Includes surround & filler panel)
6015	1970	Grille Panel
6015A	1970	Grille Surround
6015B	1970	Grille Filler Panel



M6018	1970-74	Front Wheel Opening Molding, RH
M6019	1970-74	Front Wheel Opening Molding, LH
M6020	1970-74	Rear Wheel Opening Molding, RH
M6021	1970-74	Rear Wheel Opening Molding, LH



M1035B	1967-76	Exterior Mirror (Non-Remote), A-Body
	1967-70	B-Body



M6001	1968-70	Scuff Plates, Charger®
M6000	1970-74	Scuff Plates, Challenger®

Exterior Mirror

Scuff Plates

M6070



M6075



M6074



M6070	1970	Trunk Lid Molding
M6074	1970	Quarter Extension Molding, RH
M6075	1970	Quarter Extension Molding, LH

M6071



M6073



M6072

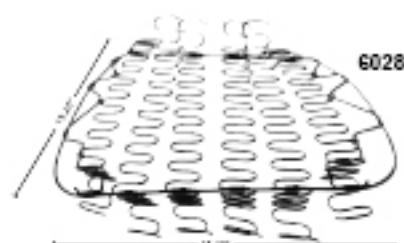
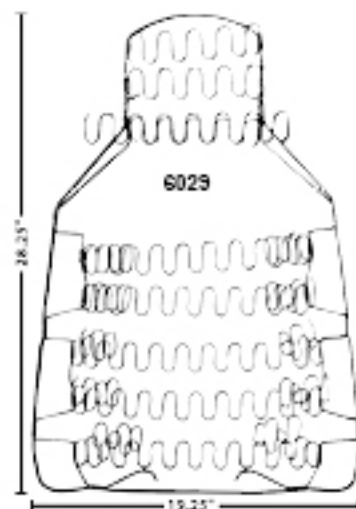
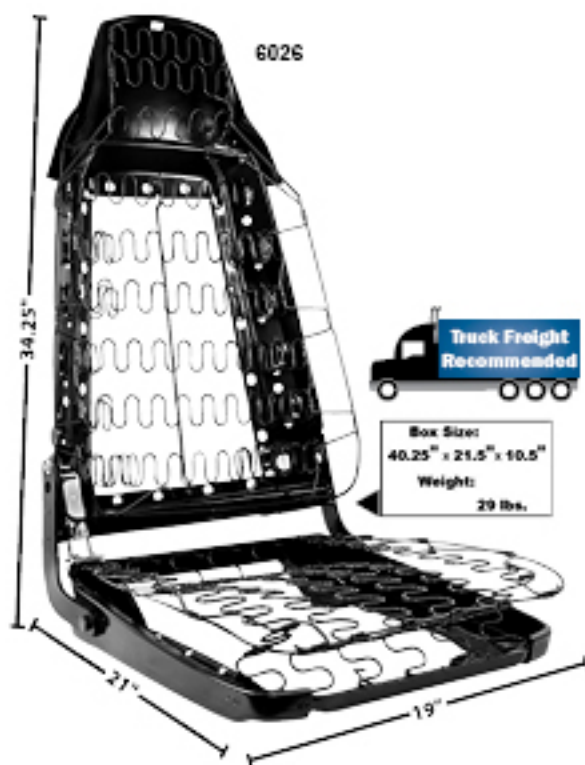


M6071	1971-74	Trunk Lid Molding
M6072	1971-74	Quarter Extension Molding, RH
M6073	1971-74	Quarter Extension Molding, LH



Black 80/20 Loop Carpet

60B23629	1970	Carpet, Black, 80/20 Loop	Automatic
60B53641	1970	Carpet, Black, 80/20 Loop	4-Speed
60B53658	1971-74	Carpet, Black, 80/20 Loop	Automatic
60B53625	1971-74	Carpet, Black, 80/20 Loop	4-Speed



Box Size:
18.5" x 8" x 4"
Weight:
6.6 lbs.



6026	1970-74	Seat Frame Assembly, RH
6027	1970-74	Seat Frame Assembly, LH
6028	1970-74	Front Seat Bottom Spring
6029	1970-74	Front Seat Back Spring
6029A	1970-74	Front Seat Bottom Cushion
6029B	1970-71	Front Seat Back Cushion, 2 pcs.
6080A	1970-74	Seat Back Catch, RH
6080B	1970-74	Seat Back Catch, LH
6025	1970-74	Seat Track Assembly, Bench Seat



DTL6801LED	1968	Tail Lamp, L.E.D. Fits Charger
L80	1970-71	Front Side Marker Lamp, Amber, RH
L81	1970-71	Front Side Marker Lamp, Amber, LH
L82	1970-71	Rear Side Marker Lamp, Red, RH
L83	1970-71	Rear Side Marker Lamp, Red, LH
L84	1970-74	Parking Lamp, Amber, RH
L85	1970-74	Parking Lamp, Amber, LH

Muscle Car Parts & Molding • Muscle Car Parts & Molding • Muscle Car Parts & Molding • Muscle Car Parts & Molding



CL-1444	1970-71	Ignition, Original (w/tilt, tele)
CL-1445	1972-74	Ignition, Original (with tilt, tele)
CL-1446	1972-74	Ignition, Original (w/tilt, tele)



CL-4882	1970-71	Ignition & Door, Blank
CL-4882C	1970-71	Ignition & Door, Original
CL-1511	1972-74	Ignition & Door, Blank (with tilt, tele)
CL-1511C	1972-74	Ignition & Door, Original (with tilt, tele)
CL-1513	1972-74	Ignition & Door, Blank (w/tilt, tele)
CL-1513C	1972-74	Ignition & Door, Original (w/tilt, tele)

Ignition Locks

Trunk Locks

See also our Locks Catalog for more details...



CL-1500	1970-72	Trunk, Original
CL-1500C	1970-72	Trunk, Logo
CL-1501	1973-74	Trunk, Original
CL-1501C	1973-74	Trunk, Logo



CL-1502	1970-74	Door, Original (without illumination)
---------	---------	---------------------------------------

1964-67



T86J

Barracuda/Dart/Valiant

Box Size:
32" x 22" x 12"
Weight:
22 lbs.

T86K
Charger/Coronet

Box Size:
35" x 28" x 10.5"
Weight:
26 lbs.



T86E

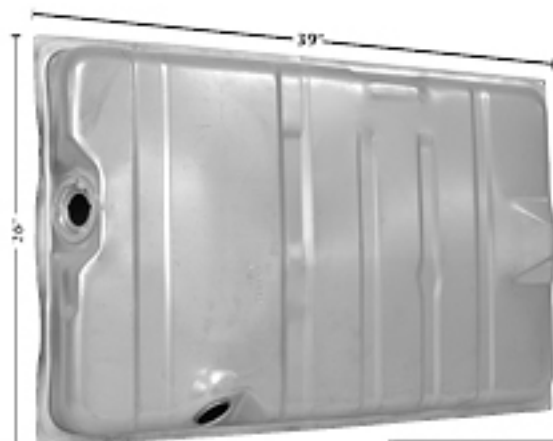
Barracuda/Dart/Valiant

Box Size:
32" x 22" x 12"
Weight:
21 lbs.

T86J	1964-66	Fuel Tank without E.E.C., 2" Filler neck, 18 gallon	Barracuda/Dart/Valiant
T86K	1966-67	Fuel Tank, 19 gallon	Charger/Coronet
T86E	1967	Fuel Tank, 2.25" Filler neck, 18 gallon	Barracuda/Dart/Valiant

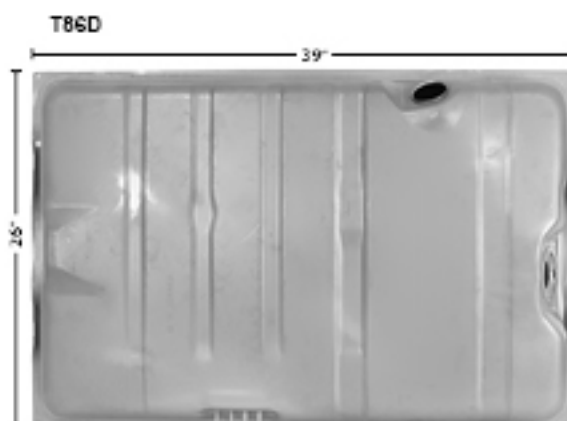


Box Size:
32" x 23" x 12"
Weight:
20 lbs.



T86C
Charger

Box Size:
40.5" x 26.5" x 9"
Weight:
27 lbs.



Box Size:
39.5" x 26.5" x 9"
Weight:
28 lbs.



T86L
Coronet/Roadrunner

Box Size:
40" x 27" x 9"
Weight:
27 lbs.



T86F	1968-70	Fuel Tank without Vent, 18 gallon	Barracuda/Dart/Valiant
T86C	1968-70	Fuel Tank without E.E.C., 19 gallon	Charger
T86D	1968-70	Fuel Tank with 4 vent pipes., 19 gallon	Charger
T86L	1968-70	Fuel Tank with 2 vent pipes., 19 gallon	Coronet/Roadrunner



T86M

Coronet/Roadrunner

Box Size:
39" x 27" x 8.5"
Weight:
28 lbs.



T86N

Barracuda

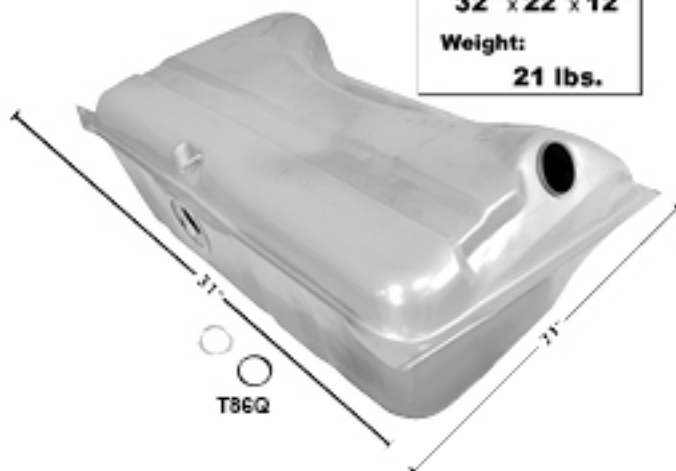
Box Size:
28" x 24" x 12.5"
Weight:
20 lbs.



T86P

Dart/Duster/Scamp/Valiant

Box Size:
32" x 23" x 12"
Weight:
22 lbs.



T86Q

Box Size:
32" x 22" x 12"
Weight:
21 lbs.

T86M	1970	Fuel Tank with 4 vent pipes., 19 gallon	Coronet/Roadrunner
T86N	1970	Fuel Tank with vent pipe, 19 gallon	Barracuda
T86P	1970-71	Fuel Tank with 4 vent pipes., 16 gallon	Dart/Duster/Scamp/Valiant
T86Q	1971-76	Fuel Tank with vent pipe, 16 gallon	Dart/Duster/Scamp/Valiant



T86A

Barracuda

Box Size:
29" x 24" x 13"
Weight:
21 lbs.



T86G

Box Size:
31" x 27" x 10.5"
Weight:
24 lbs.



T86H

Charger/Coronet/Roadrunner

Box Size:
31" x 27" x 10.5"
Weight:
23 lbs.

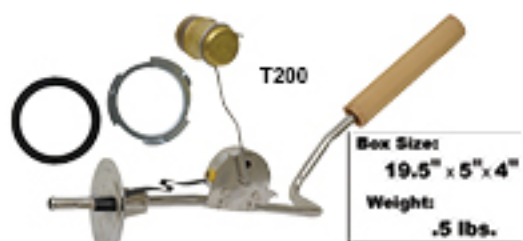


T86B

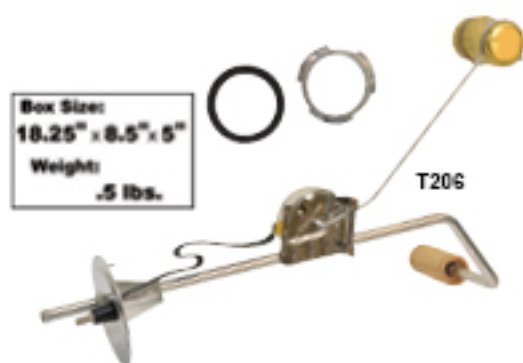
Barracuda

Box Size:
28.5" x 24" x 13"
Weight:
21 lbs.

T86A	1971-72	Fuel Tank with vent pipe, 18 gallon	Barracuda
T86G	1971-72	Fuel Tank with 4 vent pipes., 20 gallon	Charger/Coronet/Roadrunner
T86B	1972-74	Fuel Tank without vent pipe, 18 gallon	Barracuda
T86H	1972-73	Fuel Tank with 4 vent pipes., 20 gallon	Charger/Coronet/Roadrunner



T208	1964-69	Fuel Sending Unit, 5/16" Barchuda
	1963-76	Dart & Duster
T211	1964-69	Fuel Sending Unit, 3/8" & 1/4" Barchuda
	1963-76	Dart & Valiant
	1970-72	Duster
T201	1966-67	Fuel Sending Unit, 5/16" Belvedere & Charger
T200	1966-67	Fuel Sending Unit, 3/8" Belvedere & Charger



T203	1968-70	Fuel Sending Unit, 5/16" Belvedere, Charger, Coronet & Roadrunner
T202	1968-70	Fuel Sending Unit, 3/8" & 1/4" Belvedere, Charger, Coronet & Roadrunner
T206	1971-72	Fuel Sending Unit, 5/16" Charger, Coronet & Roadrunner
T207	1971-74	Fuel Sending Unit, 5/16" Charger & Coronet

Charger/Coronet/Roadrunner



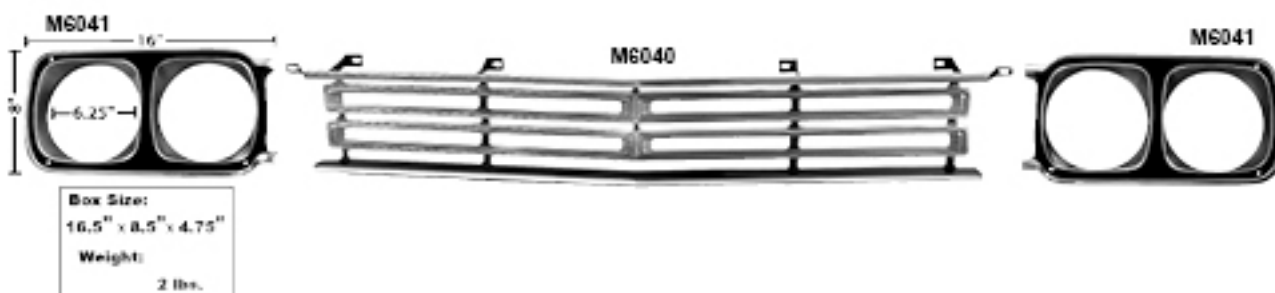
Fuel Tank Straps

6069B 1968-70 Fuel Tank Straps



6069C 1971-73 Fuel Tank Straps

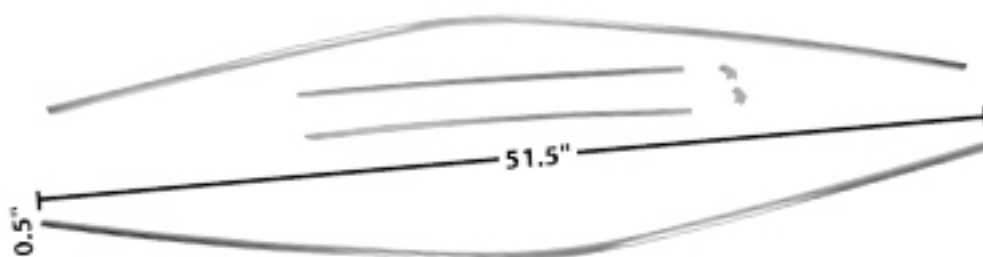
Roadrunner



Grille & Components

M6040 1969 Grille, Road Runner
M6041 1969 Headlamp Bezels, 2 pcs., Road Runner

Charger



Drip Rail Mldgs.

M6050 1968-70 Drip Rail Moldings (without top), 6 pcs.

Muscle Car Parts & Molding • Muscle Car Parts & Molding • Muscle Car Parts & Molding

Charger



M6014



M6015

M6014	1968-69	Front Wheel Opening Molding, RH	Charger
M6015	1968-69	Front Wheel Opening Molding, LH	Charger
M6016	1968-69	Rear Wheel Opening Molding, RH	Charger
M6017	1968-69	Rear Wheel Opening Molding, LH	Charger

Coronet



M6010



M6013

M6010	1968-69	Front Wheel Opening Molding, RH	Coronet
M6011	1968-69	Front Wheel Opening Molding, LH	Coronet
M6012	1968-69	Rear Wheel Opening Molding, RH	Coronet
M6013	1968-69	Rear Wheel Opening Molding, LH	Coronet

Dart/Scamp



M6024



M6025

M6024	1968-73	Rear Wheel Opening Molding, RH	Dart (Also 1971-73 Scamp)
M6025	1968-73	Rear Wheel Opening Molding, LH	Dart (Also 1971-73 Scamp)

Dart Sport



M6030



M6032

M6030	1974-75	Front Wheel Opening Molding, RH	Dart Sport
M6031	1974-75	Front Wheel Opening Molding, LH	Dart Sport
M6032	1974-75	Rear Wheel Opening Molding, RH	Dart Sport
M6033	1974-75	Rear Wheel Opening Molding, LH	Dart Sport

Duster/Valiant



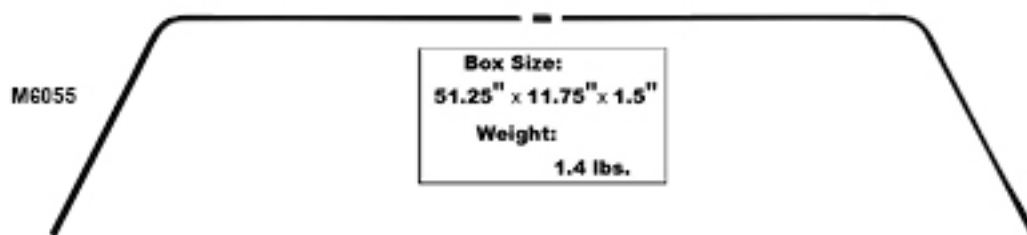
M6022



M6023

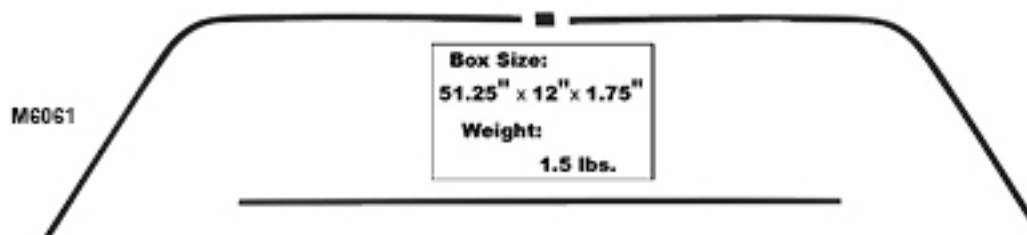
M6022	1967, 70-73	Front Wheel Opening Molding, RH	Duster/Valiant
M6023	1967, 70-73	Front Wheel Opening Molding, LH	Duster/Valiant

Charger



M6055

Box Size:
51.25" x 11.75" x 1.5"
Weight:
1.4 lbs.



M6061

Box Size:
51.25" x 12" x 1.75"
Weight:
1.5 lbs.



M6058

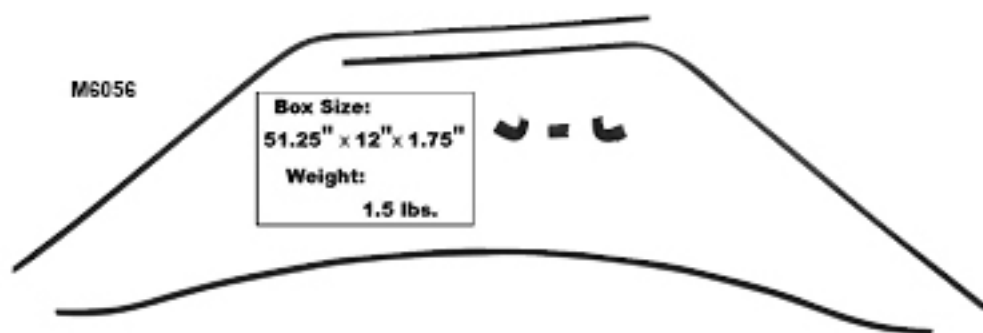


M6062

Window Moldings continued next page...

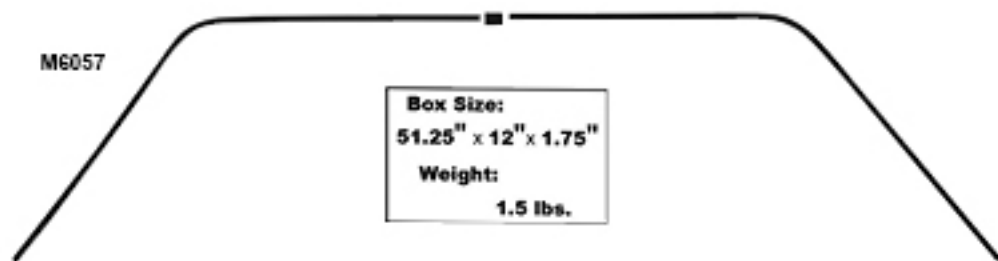
M6055	1964-65	Interior Rear Window Trim Set, 3 pcs.
M6061	1968-70	Interior Rear Window Trim Set, 4 pcs.
M6058	1968-70	Rear Window Lower Molding
M6062	1968-70	Rear Window Corner Moldings

Coronet



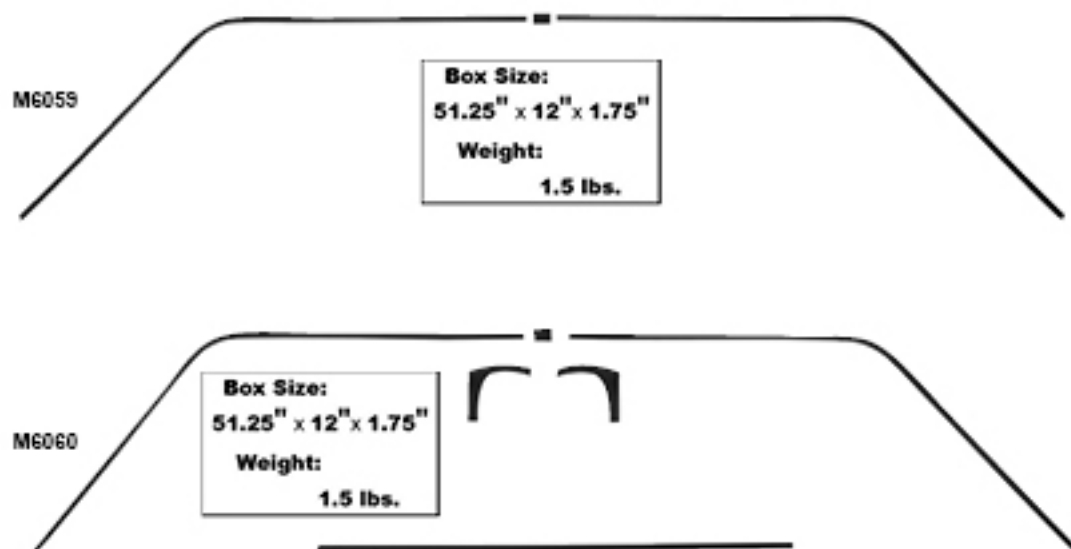
M6056 1968-70 Interior Rear Window Trim Set, 7 pcs.

GTX/Roadrunner/Satellite



M6057 1968-70 Rear Window Molding Set, 3 pcs. (Also fits Satellite & GTX)

Daytona/Charger



M6059 1969 Rear Window Molding Set, 3 pcs. Daytona & Charger 500

M6060 1969 Rear Window Molding Set, 6 pcs. Daytona & Charger



Seat Belts with Push Button:
6 colors to choose from

60 Inch Belts

SBP-BK60	Seat Belt with Push Button	Black
SBP-GR60	Seat Belt with Push Button	Grey
SBP-TAN60	Seat Belt with Push Button	Tan
SBP-NB60	Seat Belt with Push Button	Navy Blue
SBP-RED60	Seat Belt with Push Button	Red
SBP-MAR60	Seat Belt with Push Button	Maroon



74 Inch Belts

SBP-BK74	Seat Belt with Push Button	Black
SBP-GR74	Seat Belt with Push Button	Grey
SBP-TAN74	Seat Belt with Push Button	Tan
SBP-NB74	Seat Belt with Push Button	Navy Blue
SBP-RED74	Seat Belt with Push Button	Red
SBP-MAR74	Seat Belt with Push Button	Maroon



SBR-BK	Retractable 3 Point Seat Belt with Push Button	Black
SBEXT-BK	Seat Belt Extension, 12 In.	Black

See also Accessory Section for more details...



Seat Belts with Lift Latch:
10 colors to choose from

60 Inch Belts

SBL-BK60	Seat Belt with Lift Latch	Black
SBL-WT60	Seat Belt with Lift Latch	White
SBL-LG60	Seat Belt with Lift Latch	Light Grey
SBL-DG60	Seat Belt with Lift Latch	Dark Grey
SBL-LT60	Seat Belt with Lift Latch	Light Tan
SBL-DT60	Seat Belt with Lift Latch	Dark Tan
SBL-LB60	Seat Belt with Lift Latch	Light Blue
SBL-DB60	Seat Belt with Lift Latch	Dark Blue
SBL-BR60	Seat Belt with Lift Latch	Bright Red
SBL-DR60	Seat Belt with Lift Latch	Dark Red



74 Inch Belts

SBL-BK74	Seat Belt with Lift Latch	Black
SBL-WT74	Seat Belt with Lift Latch	White
SBL-LG74	Seat Belt with Lift Latch	Light Grey
SBL-DG74	Seat Belt with Lift Latch	Dark Grey
SBL-LT74	Seat Belt with Lift Latch	Light Tan
SBL-DT74	Seat Belt with Lift Latch	Dark Tan
SBL-LB74	Seat Belt with Lift Latch	Light Blue
SBL-DB74	Seat Belt with Lift Latch	Dark Blue
SBL-BR74	Seat Belt with Lift Latch	Bright Red
SBL-DR74	Seat Belt with Lift Latch	Dark Red

SBL-BK60BLK



SBL-BK60BLK	Seat Belt w/Black Wrinkle-Finish Latch	Black
SBL-BK74BLK	Seat Belt w/Black Wrinkle-Finish Latch	Black

RetroSound



AM-HERMOSA-C



AM-RC900	1967-74	Radio, Model RC900C, Basic Unit, no remote (Use make-specific faceplate & knob kit)
AM-HERMOSA-B	1967-74	Radio, "Herмоса B" w/Black Face & Buttons (Use make-specific faceplate & knob kit)
AM-HERMOSA-C	1967-74	Radio, "Herмоса C" w/Chrome Face & Buttons (Use make-specific faceplate & knob kit)



Zuma Models
~ **DISCONTINUED** ~
Available while
supplies last.
(Replaced by
Herмоса)

AM-ZUMA-V



AM-ZUMA-B	1967-74	Radio, "Zuma B" w/Black Face & Black Buttons (Use make-specific faceplate & knob kit)
AM-ZUMA-V	1967-74	Radio, "Zuma V" w/Chrome Face, Ivory Knobs (Use make-specific faceplate & knob kit)

RetroSound

Model 2 Radios
~ DISCONTINUED ~
Available while
supplies last.
(Replaced by Hermosa)



AM-MOD2B	1967-74	Radio, "Model 2B" with Black Face (Use make-specific faceplate & knob kit)
AM-MOD2C	1967-74	Radio, "Model 2C" with Chrome Face (Use make-specific faceplate & knob kit)
AM-MOD2V	1967-74	Radio, "Model 2V" with Ivory Knobs (Use make-specific faceplate & knob kit)



Box Size:
20" x 10" x 4"
Weight:
11 lbs.

AM-SUB8100



AMR-410UK	1968-72	Dash Speaker with Bracket, 4 x 10 Dual Voice Coil, 2-way, 160 watt
AM-SUB8100		Amplified Sub-Woofer, 8", 100 Watt

RetroSound

AM-BT1



AM-EX1-PKG



AM-EX1 Box Size:
10.5" x 7.5" x 2.5"
Weight:
2 lbs.

Includes Battery Status Indicator

Battery Status Indicator
Box Size:
5" x 1.75" x 1.75"
Weight:
.5 lbs.



AM-EX1

Box Size:
10.5" x 7.5" x 2.5"
Weight:
2 lbs.



AM-BT1

Digital LCD Battery Monitor, 12 Volt Cigarette Lighter Plug

AM-EX1

Battery Charger/Maintainer

AM-EX1-PKG

Battery Charger/Maintainer w/LED, Includes Battery Status Indicator

FORD/MOPAR

5" x 4 1/2" Bolt Pattern



FW157

Box Size:
17" x 17" x 9"
Weight:
20 lbs.



**1 1/4" tall cap included
with 15" wheels**

FW157

FORD/MOPAR ('65-'73)

Magnum Alloy Wheel 15"x7" w/Center Cap, no offset, 4" Backspace



FW157P

Box Size:
17" x 17" x 9"
Weight:
20 lbs.



5" x 4 1/2" Bolt Pattern



**1 1/4" tall cap included
with 15" wheels**

Improved Tooling & Finish



FW158P

Box Size:
17" x 17" x 10"
Weight:
20 lbs.



FW158

Box Size:
17" x 17" x 10"
Weight:
20 lbs.



FW150

Box Size:
17" x 17" x 12"
Weight:
21 lbs.



FW157P	New	FORD/MOPAR ('65-'73)	Magnum Alloy Wheel 15"x7" w/Center Cap, 4" Backspace
FW158		FORD/MOPAR ('65-'73)	Magnum Alloy Wheel 15"x6" w/Center Cap, 10mm negative offset (-.4"), 4.07" Backspace
FW158P	New	FORD/MOPAR ('65-'73)	Magnum Alloy Wheel 15"x8", New Design, w/Cap, 4" Backspace
FW150		FORD/MOPAR ('65-'73)	Magnum Alloy Wheel 15"x10" w/Center Cap, 21mm negative offset (-.8"), 4.65" Backspace

FORD/MOPAR

5" x 4 1/2" Bolt Pattern

FW177

Box Size:
19" x 19" x 9"
Weight:
23 lbs.



FW177C

Box Size:
19" x 19" x 9"
Weight:
23 lbs.



FW178

Box Size:
19.5" x 19.5" x 10"
Weight:
24 lbs.



FW178C

Box Size:
19.5" x 19.5" x 10"
Weight:
24 lbs.



FW-CAP



FW177	FORD/MOPAR ('64-'81)	Magnum Alloy Wheel 17"x7" w/Center Cap and decal, no offset
FW177C	FORD/MOPAR ('64-'81)	Magnum Alloy Wheel 17"x7" w/Center Cap and decal, no offset, Chrome
FW178	FORD/MOPAR ('64-'81)	Magnum Alloy Wheel 17"x8" w/Center Cap and decal, 10mm negative offset
FW178C	FORD/MOPAR ('64-'81)	Magnum Alloy Wheel 17"x8" w/Center Cap and decal, 10mm negative offset, Chrome
FW-CAP	FORD/MOPAR ('64-'81)	Magnum Wheel Cap with decal, 3/4" tall, Chrome (for 17" rims)