

Dynacorn

International LLC
The muscle car people



2019
FORD[®]
MUSTANG[®]

Mustang® Index

Index

A

'A' & 'B' Pillars: 58
Accelerator Assemblies: 114, 115, 116
Air Cleaner: 9, 10, 31
Air Vent Assemblies: 112
Alloy Wheels: 132, 133, 134
Antennas: 97
Apron Assembly: 20
Ash Tray Slide: 37

B

Body Bracket Kit: 52, 53, 55
Battery Trays & Hold Downs: 8
Brake Pedal Supports & Brackets: 114, 116
Bumpers & Guards: 1, 2
Bumper Brackets: 3

C

Carpet: 128
Console Panels & Ashtray: 114
Control Arms: 15, 16
Convertible Header Molding: 118
Convertible Top Frame: 56
Coolant Filter: 15
Cowl & Pillar Panels: 33, 34, 35, 36
Crossmember, Front: 40, 41, 43, 45

D

Dash Ash Tray w/Cigarette Lighter: 38
Dash Pad Assembly: 39
Dash Panels & Components: 37, 38, 39
Decals: 127
Deck Filler Panels: 75, 77
Door Accessories: 64, 65
Door Edge Guards: 118
Doors & Hardware: 63
Door Shell: 59, 60, 61, 63
Doors & Skins: 59, 60, 61, 62, 63, 64
Door Accessories (Handles, Cranks): 64, 65
Door Glass: 106, 107, 109
Door Glass Tracks: 59, 62
Door Handles & Relays: 64, 65
Door Hinges & Latches (incl. control rods): 59, 60, 62, 64
Door Sash & Escutcheons: 92
Door Sill Scuff Plates: 119
Door Striker Set: 60, 62
Door Trims & Arm Rests: 118
Door Window Guide: 108
Drip Rail Moldings: 92
Drip Rail Sash: 92

E

Emblems: 110, 111
Engine Compartment: 7, 8, 9, 10, 13, 14, 15
Exhaust Manifold Bolt Locks: 9
Exhaust Molding: 96
Export & Firewall / Tower Braces: 19

F

Fan Blade & Shroud: 15
Fender Extension Molding: 88, 89, 90
Fenders, Front: 17, 18
Fender Splash Shields: 18
Firewalls: 32, 33
Floor Pans, Supports & Braces: 40, 41, 42, 43, 44, 45, 46
Fold Down Seat Assy. & Hardware: 124
Frame Rail Extensions: 52
Front License Plate Brackets: 5
Front Valances, Nose Panels, Front Spoilers & Braces: 4
Fuel Filler Necks & Caps: 84
Fuel Sending Units: 83, 84
Fuel Tanks: 81, 82, 83
Fuel Tank Straps: 83

G

Glass, Weatherstrip & Seals: 101, 102, 103, 104, 105, 106, 107, 108, 109, 110
Glovebox & Components: 37, 38, 39
Grilles & Molding: 85, 86, 87, 88, 89, 90
Grille Support Braces: 86, 87

H

Headlamp Buckets, Doors & Retainers: 85, 86, 87, 88
Headliner Molding: 118
Headrest: 121
Heater Boxes, Controls & Motors: 112, 113
Heater Plenum: 112
Heater Resistor: 112, 113
Heat Shroud: 9
Hood Latches, Catches & Bumpers: 26, 29, 30, 31
Hood Louvres: 31
Hood Plenum: 31
Hoods & Hinges: 26, 27, 29, 30
Hood Moldings: 90
Hood Plenum: 10
Hood Scoop (Mach 1): 30
Hood Scoop Shaker Components: 10
Hood Signal Lamp Assembly: 97

I

Ignition Switch Bracket: 38
Instrument Bezels & Lenses: 37, 38, 39

Interior Electrical: 131
Interior Panels & Components: 125, 126, 127

K

Kick Panel: 126
Kick Panels: 126

L

License Plate Brackets, Front: 5
License Plate Lamp: 97, 98, 100
Locks: 136, 137

M

Magnum Alloy Wheels: 132, 133, 134, 135
Mirrors, Exterior: 91
Mirrors & Brackets, Interior: 117
Monte Carlo Bars: 19

N

Nose Panel: 4

O

Oil Pan: 7

P

Parking Brake Assys., Cables & Handles: 114, 115, 116
Parking Lamps & Housings: 97, 99, 100
Pedals & Trim (Accelerator, Brake, Clutch): 114, 116
Pillar/Kick Panel: 33, 34, 35, 36, 126
Plastic Lower Rear Window Trim Panel: 127
Plastic Quarter Trim Panel Assembly: 126
Plastic Quarter Trim Panels: 125
Plastic Quarter Vent Trim Panels: 126, 127
Plastic Rear Quarter Trim Panels: 127
Plastic Upper Rear Quarter Trim Panels: 127

Q

Quarter Panel Bracket: 66, 67, 68, 69, 70, 71
Quarter Structure Braces: 54, 55
Quarter Vent Assys. & Doors: 95
Quarter / Door Frame Assemblies: 52, 53, 54, 55
Quarter Panels & R. Quarter Extensions: 66, 67, 68, 69, 70, 71, 72
Quarter Panel Ornaments: 94
Quarter Panel Skins: 66, 69, 70, 71
Quarter Window Molding: 92

R

Radiator: 11, 12, 13, 14
Radiator Supports & Brackets: 5, 6, 7
Radios & Components: 129, 130, 131
Regulator Scissors: 59
Rocker Panels: 51
Rocker Panel Moldings: 94
Roof Brace: 56, 57
Roof Drip Rails: 56, 58
Roof Headliner Bows: 57
Roof Panels & Components: 56, 57

S

Seat Latch Cover: 124
Seat Platforms: 40, 42, 44, 45
Seats & Components: 119, 120, 121
Seat Belts: 122, 123
Seat Frames & Springs: 119, 120, 121
Seat Headrest & Guide/Retainer: 121
Seat Side Molding: 119
Seat Track Assembly: 119, 120, 121
Seat Trim: 119, 120
Shackle Kit, Rear: 15
Shift Handles & Levers: 114, 115, 116
Shift Indicator Lamp: 37, 38
Shock Access Plug: 21, 23, 49
Shock Mount, Rear: 49
Shock Towers & Fender Aprons: 20, 21, 22, 23, 24, 25
Shoulder Belt Mounting Kit: 123
Side Markers, Housings & Lenses: 97, 99, 100
Spare Tire Retainer: 49
Spoiler, Rear: 78
Spoilers, Front: 4
Spring Saddle: 15
Steering Column Clamp: 37
Steering Column Covers: 32, 39
Steering Wheels: 117
Stone Deflectors: 3
Sun Visor Arms: 117
Suspension & Steering: 15, 16

T

Tail Lamps, Housings & Seals: 97, 98, 99, 100
Tail Lamp Bezels: 98
Tail Lamp Panels & Rear Valances: 78, 79, 80
Tail Lamp Wiring Harness: 98
Torque Boxes: 19
Transition Pans: 49
Transmission Support: 40, 41, 43, 44
Trap Doors & Panels: 48
Trap Door Hinges, Latches & Props: 48
Trunk Divider/Package Shelf: 47
Trunk Floor Pans: 50

Trunk Lids & Hinges: 76, 77, 78
Trunk Lid & Qtr. Extension Mldgs.: 96
Trunk Lid Latches, Catches & Bumpers: 76, 77

V

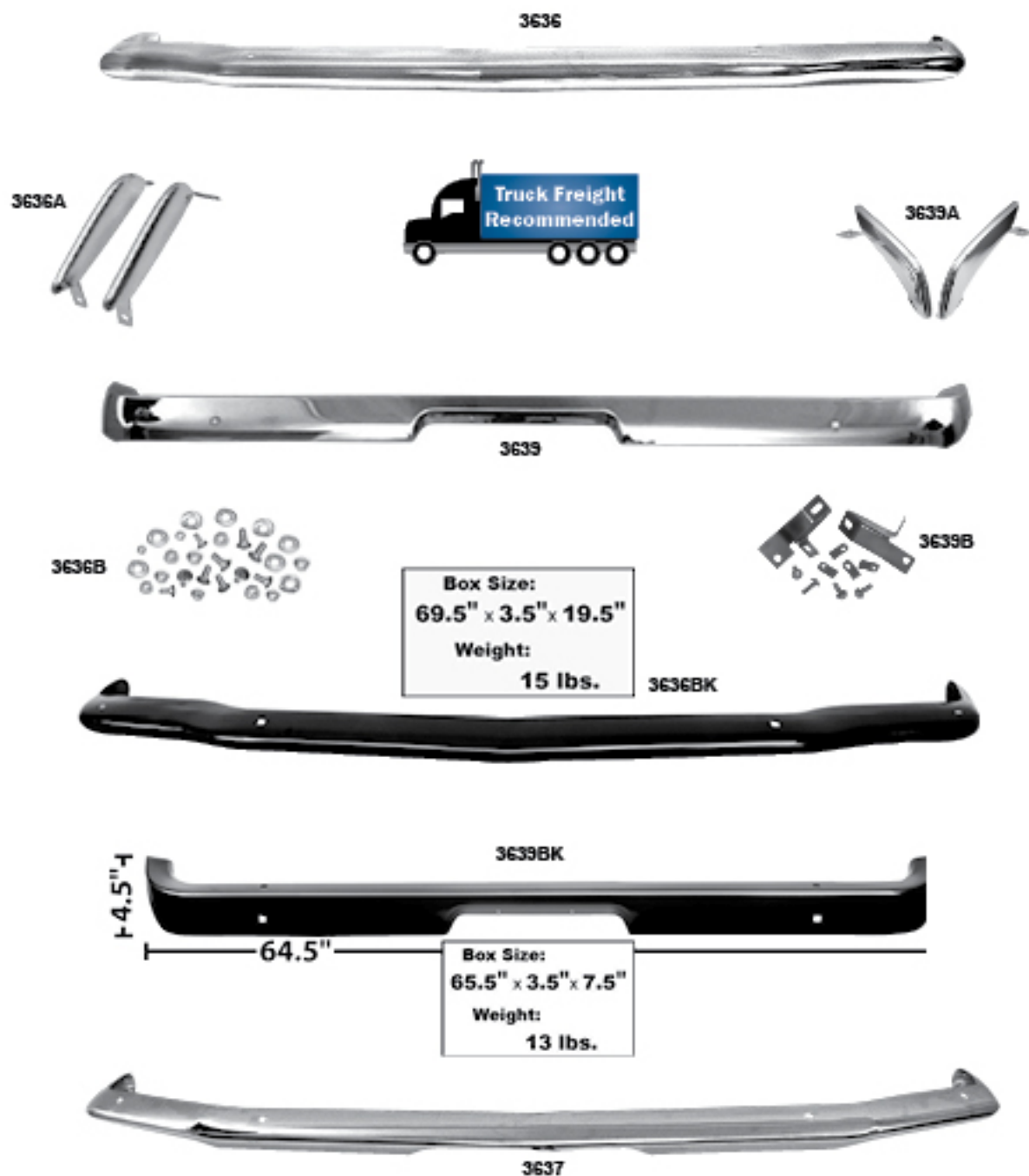
Valances, Rear: 78, 79, 80
Valances & Braces, Front: 4
Valve Covers: 7
Vent Windows & Frames: 102, 103, 105, 106, 107, 109
Vent Window Handles: 64, 65
Vinyl Top Moldings: 96

W

Wheelhouses: 72, 73, 74
Wheel Opening Moldings: 93
Wheels, Alloy: 117, 132, 133, 134
Windlace Retainer: 92
Window, Door & Vent Seals: 98, 99, 100, 108, 109
Window Crank: 65
Window Moldings, Rear: 95
Window Regulators: 59, 61, 63, 64
Window Trim & Drip Rails: 58
Windshields & Rear Windows: 101, 102, 105, 109
Windshield Moldings: 91
Windshield Wiper Arms & Blades: 90
Wiper Motor: 90
Wiper Motor & Mounting Bracket: 34, 35

Ford Oval and Mustang are registered trademarks owned by Ford Motor Company.





3636	1965-66	Front Bumper, Premium Quality
3636BK	1965-66	Front Bumper, Painted
3636A	1965-66	Bumper Guards, Front Chrome
3636B	1965-68	Complete Bumper Bolt Kit
3639	1965-66	Rear Bumper, Premium Quality
3639A	1965-66	Bumper Guards, Rear Chrome
3639B	1965-66	Rear Bumper Guard Bracket
3639BK	1965-66	Rear Bumper, Painted
3637	1967-68	Front Bumper, Premium Quality



3637A	1967-68	Bumper Guards, Front Chrome, w/ Pad Holes, Pair
3637BK	1967-68	Front Bumper, Painted
3640	1967-68	Rear Bumper, Premium Quality
3640B	1967-68	Bumper Guards, Rear Chrome, Pair
3640BK	1967-68	Rear Bumper, Painted
3640C	1967-68	Bumper Guards, Rear Black, Pair
3640BB	1967-68	Bumper Guard with Pad, Rear, Pair
3640D	1967-68	Bumper Guard Bracket, Rear



3638	1969-70	Front Bumper, Premium Quality
3638BK	1969-70	Front Bumper, Painted
3640A	1969-70	Rear Bumper, Premium Quality
3640ABK	1969-70	Rear Bumper, Painted
3640K	1971-73	Front Bumper, Chrome, Premium Quality
3640L	1971-73	Rear Bumper, Chrome, Premium Quality



Bumper Brackets



M3570	1965-66	Bumper Bracket, Front Inner RH
M3571	1965-66	Bumper Bracket, Front Inner LH
M3568	1965-66	Bumper Bracket, Front Outer RH
M3569	1965-66	Bumper Bracket, Front Outer LH
M3576	1965-66	Bumper Bracket, Rear, Fits both sides
M3574	1967-68	Bumper Bracket, Front Inner RH
M3575	1967-68	Bumper Bracket, Front Inner LH
M3572	1967-68	Bumper Bracket, Front Outer RH
M3573	1967-68	Bumper Bracket, Front Outer LH
M3577	1967-68	Bumper Bracket, Rear, Fits both sides
M3579A	1969-70	Bumper Bracket, Front Inner RH
M3579B	1969-70	Bumper Bracket, Front Inner LH
M3579C	1969-70	Bumper Bracket, Front Outer RH
M3579D	1969-70	Bumper Bracket, Front Outer LH
M3578	1969-70	Bumper Bracket, Rear, Fits both sides
M3579F	1971-73	Bumper Bracket, Front Inner RH
M3579G	1971-73	Bumper Bracket, Front Inner LH



M3570A	1965-66	Fender to Bumper Bracket, RH
M3570B	1965-66	Fender to Bumper Bracket, LH
M3570C	1967-68	Fender to Bumper Bracket, RH
M3570D	1967-68	Fender to Bumper Bracket, LH

Stone Deflectors



3643I	1965-66	Front Stone Guard, w/ clips Premium Quality
3643J	1967-68	Front Stone Guard, Premium Quality
3643R	1969	Front Stone Guard, Premium Quality
3643T	1970	Front Stone Guard, Premium Quality



3612 1965-66 Front Valance, SMC (Fiberglass)



3642 1965-66 Front Valance Lower



3642G 1967-68 Front Valance, SMC (Fiberglass)



3643 1967-68 Front Valance Lower



3642A 1969 Front Valance Lower

3642B 1970 Front Valance Lower

M3579E 1969-70 Valance to Fender Brackets, pair



3642J 1971-72 Front lower Valance, w/ lamp



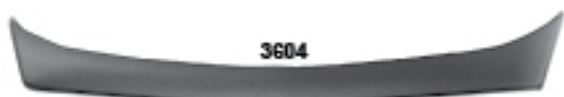
3642K 1967-68 Front Valance Lower, w/ Lamp Holes



3602 1964-66 Front Spoiler, w/clips



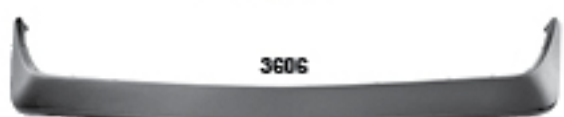
3603 1967-68 Front Spoiler, w/ hardware



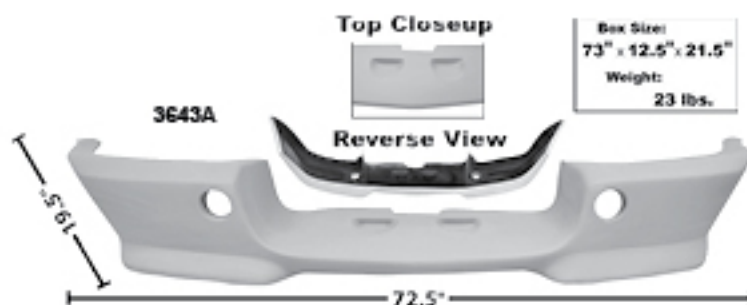
3604 1969 Front Spoiler w/clips



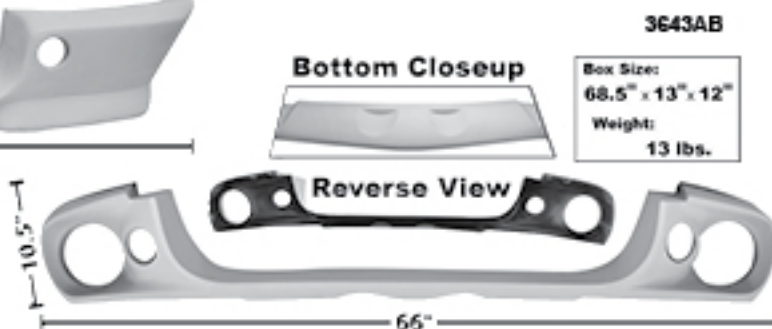
3605 1970 Front Spoiler w/clips



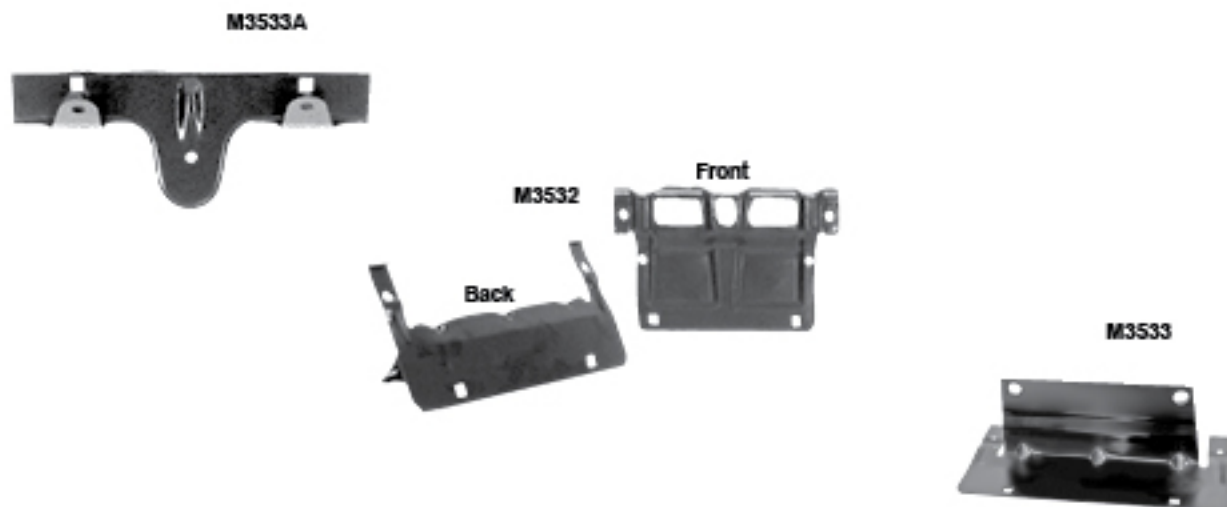
3606 1971-73 Front Spoiler w/ hardware



3643A 1967-68 Front Valance, Urethane, Eleanor style



3643AB 1967-68 Nose Panel, Urethane, Eleanor style



M3533A	1969	Front License Bracket
M3532	1971-72	Front License Bracket
M3533	1973	Front License Bracket, w/ Urethane Bumpers



3640EWT

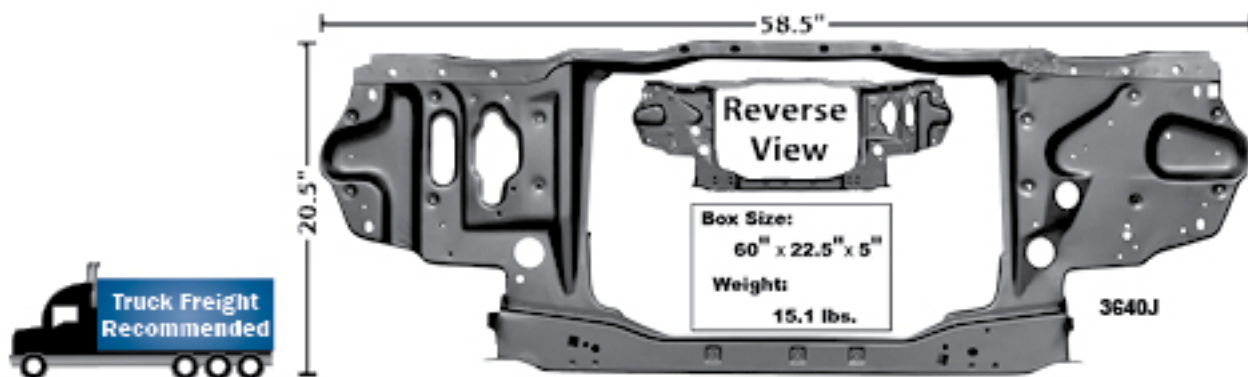


3640F



3640EWT	1965-66	Radiator Support, Weld Through Primer
3640F	1967-68	Radiator Support, EDP Coating

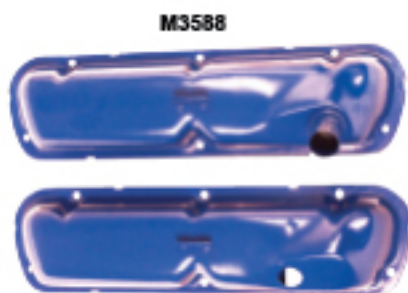
Muscle Car Parts & Molding • Muscle Car Parts & Molding • Muscle Car Parts & Molding



3640G		1969	Radiator Support, EDP Coating
3640H	New	1970	Radiator Support
3640J		1971-73	Radiator Support, EDP Coating



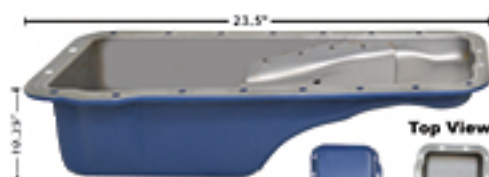
3640TWT	1965-66	Radiator Support-to-Frame Brace, Weld Through Primer, RH
3640UWT	1965-66	Radiator Support-to-Frame Brace, Weld Through Primer, LH
3640FAWT	1967-70	Radiator Support-to-Frame Brace, Weld Through Primer, RH
3640FBWT	1967-70	Radiator Support-to-Frame Brace, Weld Through Primer, LH



M3588	1965-66	Valve Covers, V8, 289, Blue
M3588C	1965-66	Valve Covers, V8, 289, Chrome

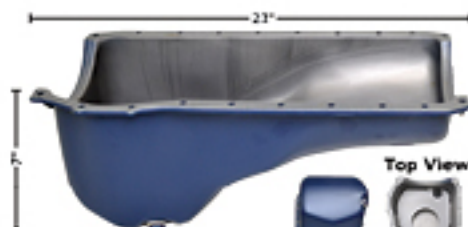


Underside View
M3586



Underside View
M3587

Top View



Underside View
M3587A

Top View



M3586	1965-73	Oil Pan, Small Block 260/269/302
M3587	1967-73	Oil Pan, FE 390/427/428
M3587A	1970-73	Oil Pan



M3534



M3535A



M3534A



M3537A



M3537



M3535

Thicker Steel!



M3536



M3535B



M3534C

Engine Compartment continued on next page...

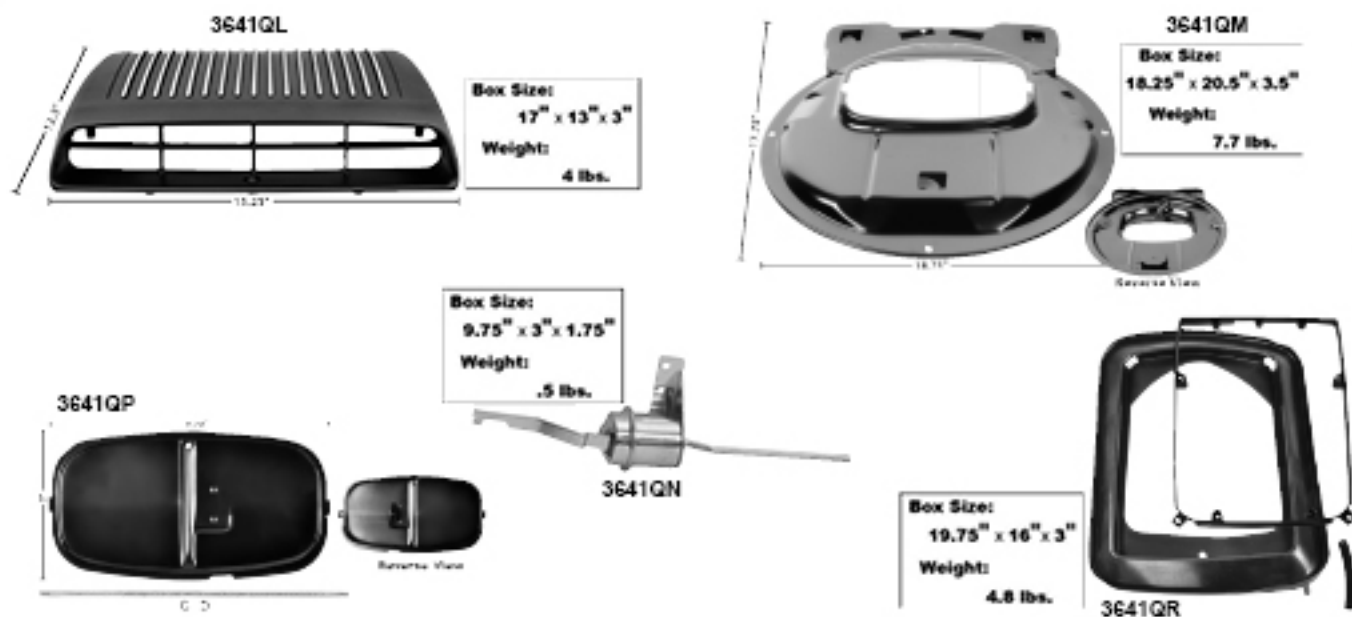
M3534	1965-66	Battery Tray
M3535A	1965-66	Battery Tray (Top Clamp Style)
M3534A	1960-66	Battery Tray without Bracket, Ford 229F/24F Series
M3535	1967-70	Battery Tray
M3537	1967-70	Battery Hold Down (Top Clamp)
M3537A	1967-70	Battery "J" Bolts (with 4 Nuts)
M3535B	1967-70	Battery Tray without bracket, 24F top clamp style
M3536	1971-73	Battery Tray
M3534C	1972-79	Battery Tray, Ranchero® (Also fits 1972-76 Torino®)



M3554	1965-66	Air Cleaner, For 6 Cylinder
M3556	1965-67	Air Cleaner, For 6 Cylinder, California Only
M3555	1967	Air Cleaner, For 6 Cylinder



M3557	1965-67	Air Cleaner Assembly, 3 pc. Set, 8 Cylinder, Excluding California
M3557A	1965-67	Air Cleaner Assembly, 3 pc. Set, 8 Cylinder, California Only
M3557B	1965-73	Air Cleaner Box Lid, Stainless, For V6 Hi-Po
M3558	1965-67	Heat Shroud for V6, 289
M3559	1968	Heat Shroud, 289 & 302
	1968-73	302
M3539	1965-68	Exhaust Manifold Bolt Locks, 8 Pcs.



3641QL	1969-70	Hood Scoop Shaker Assembly for GT
3641QM	1969-70	Hood Scoop Shaker Mid-Plate for GT
3641QN	1969-70	Actuator/Ram Air Flapper Vacuum for GT
3641QP	1969-70	Shaker Flapper Door w/Rod for GT
3641QR	1969-70	Shaker Air Hood Seal for GT

Stainless Steel!



Engine Compartment continued on next page...

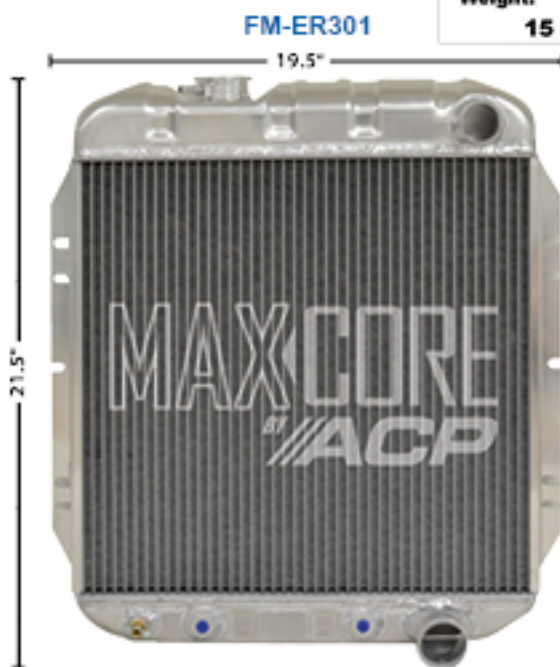
M3557B	1965-73	Air Cleaner Box Lid, Stainless material w/ Chrome, For V8 Hi-Po
M3557C	1965-73	Air Cleaner Base, Blue, For V8 Hi-Po
3641QS	1969-70	Air Cleaner Base for GT
3641QT	1969-70	Air Cleaner Snorkel
3641QX	1971-73	Air Cleaner Assembly, 8 Cylinder
3641QY	1971-73	Hood Plenum



FM-ER201

Box Size:
22" x 7" x 24.5"
Weight:
16 lbs.

Box Size:
22" x 7" x 25"
Weight:
15 lbs.



FM-ER209

Box Size:
22" x 7" x 25"
Weight:
16 lbs.



FM-ER309

Box Size:
22" x 7" x 25"
Weight:
15 lbs.

FM-ER201	New	1965-66	Radiator Aluminum 2-row, V-8
FM-ER301	New	1965-66	Radiator Aluminum 3-row, V-8
FM-ER209	New	1965-66	Radiator Aluminum 2-row, (Fox 302)
FM-ER309	New	1965-66	Radiator Aluminum 3-row, (Fox 302)

Muscle Car Parts & Molding • Muscle Car Parts & Molding • Muscle Car Parts & Molding



FM-ER202

Box Size:
22" x 7" x 25"
Weight:
16 lbs.



FM-ER203

Box Size:
25.5" x 7" x 25"
Weight:
18 lbs.



FM-ER302

Box Size:
22" x 7" x 25"
Weight:
14 lbs.



FM-ER303

Box Size:
25.5" x 7" x 25"
Weight:
17 lbs.

FM-ER202	New	1965-66	Radiator Aluminum 2-row, I-6
FM-ER302	New	1965-66	Radiator Aluminum 3-row, I-6
FM-ER203	New	1967-69	Radiator Aluminum 2-row, V-8, Flange Mount, (340)
FM-ER303	New	1967-69	Radiator Aluminum 3-row, V-8, Flange Mount, 340



FM-ER306

Box Size:
28.5" x 7.5" x 24"
Weight:
19 lbs.

Box Size:
28.5" x 7.5" x 24.5"
Weight:
21 lbs.



FM-ER206



FM-ER204

Box Size:
25.5" x 7" x 25"
Weight:
18 lbs.



FM-ER304

Box Size:
25.5" x 7" x 25"
Weight:
17 lbs.

FM-ER306	New	1968-69	Radiator Aluminum 3-row, 289/302/351, with AC (338-A3)
FM-ER206	New	1968-69	Radiator Aluminum 2-row, 289/302/351, with AC (338-A2)
FM-ER204	New	1967-70	Radiator Aluminum 2-row, I-6, (329)
FM-ER304	New	1967-70	Radiator Aluminum 3-row, I-6, (329)



FM-ER207

Box Size:
28" x 7" x 25"
Weight:
20 lbs.



FM-ER307

Box Size:
28.5" x 7" x 24.5"
Weight:
19 lbs.



FM-ER205

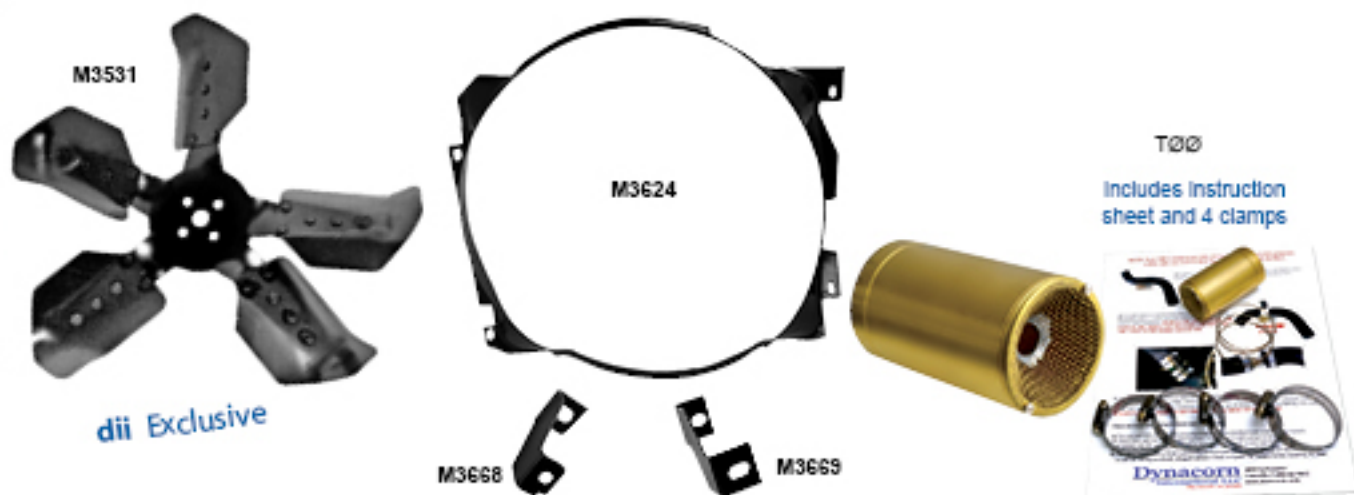
Box Size:
25.5" x 7" x 25"
Weight:
18 lbs.



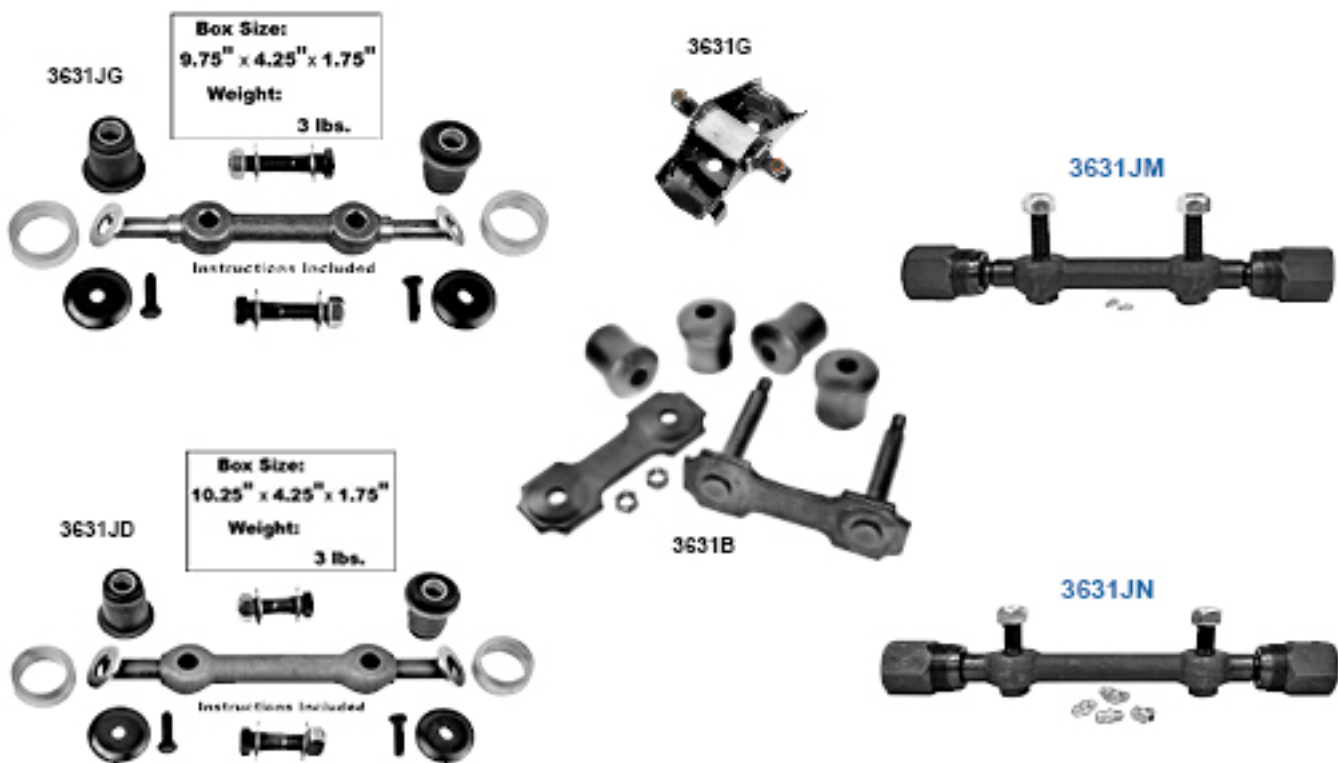
FM-ER305

Box Size:
25" x 7" x 24.5"
Weight:
17 lbs.

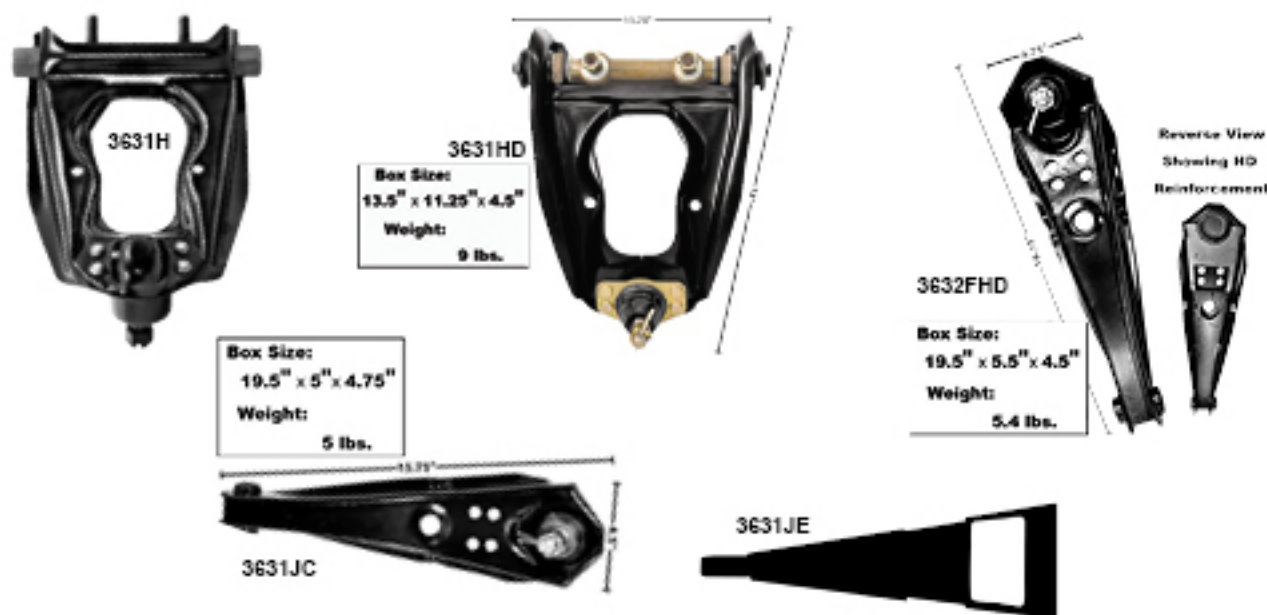
FM-ER207	New	1967-70	Radiator Aluminum 2-row, V-8, (379-A2)
FM-ER307	New	1967-70	Radiator Aluminum 3-row, V-8, (379-A3)
FM-ER205	New	1967-70	Radiator Aluminum 2-row, 260002051, (339)
FM-ER305	New	1967-70	Radiator Aluminum 3-row, 260002051, (339)



M3531	1965-67	Fan Blade w/OAC 5 Blade
M3624	1965-66	Fan Shroud
M3668	1965-66	Fan Shroud Bracket 2 Row
M3669	1965-66	Fan Shroud Bracket 3 Row
T00	1965-73	Coolant Filter for V8 Brass barrel with clamps



3631JM	New	1964-66	Upper Control Arm Shaft Kit
3631B		1965-73	Rear Shackle Kit
3631G		1965-73	Spring Saddle
3631JG		1965-66	Upper Control Arm Shaft Kit w/Upgraded Rubber Bushings
3631JD		1967-73	Upper Control Arm Shaft Kit
3631JN	New	1967-73	Upper Control Arm Shaft Kit



3631H	1965-66	Upper Control Arm
3631HD	1965-66	Upper Control Arm w/Upgraded Rubber Bushings, Heavy Duty Shaft (Also fits '64-'65 Falcon)
3631JC	1965-66	Lower Control Arm
3632FHD	1965-66	Lower Control Arm, Reinforced Heavy Duty
3631JE	1965-66	Lower Control Arm Reinforcement



Suspension & Steering cont'd. on next page...

3631J	1967-73	Upper Control Arm
3631JL	1967-73	Upper Control Arm w/Upgraded Rubber Bushings, Heavy Duty Shaft
3631JA	1967	Lower Control Arm
3631JB	1968-73	Lower Control Arm
3632GHD	1968-73	Lower Control Arm, Reinforced Heavy Duty
3631JF	1968-73	Lower Control Arm Reinforcement

1965-67



3630	1965-66	Front Fender RH
3631	1965-66	Front Fender LH
3632	1967	Front Fender RH
3633	1967	Front Fender LH
3634	1968	Front Fender RH, w/ Lamp Holes
3635	1968	Front Fender LH, w/ Lamp Holes
3635A	1969	Front Fender RH
3635B	1969	Front Fender LH

1968-73

Front Fenders

Muscle Car Parts & Molding • Muscle Car Parts & Molding • Muscle Car Parts & Molding



3635C



3635BB



3635ER



Truck Freight
Only



3635FR

3635C	1970	Front Fender RH
3635D	1970	Front Fender LH
3635BB	1970	Fender Splash Shields, 4 pcs.
3635ER	1971-72	Front Fender RH
3635EL	1971-72	Front Fender LH
3635FR	1973	Front Fender RH
3635FL	1973	Front Fender LH
3635FS	1973	Front Fender RH, without Lamp Hole
3635FT	1973	Front Fender LH, without Lamp Hole

Coming Soon!
Coming Soon!

Monte Carlo Bars



3635G	1965-66	Straight Chrome
3635H	1965-66	Straight Painted



3635J	1965-66	Curved Chrome
3635K	1965-66	Curved Painted



3635R	1967-68	Curved Chrome
3635S	1967-68	Curved Painted

Export & Firewall / Tower Braces



3635L	1965-70	Chrome Export Brace
3635M	1965-70	Painted Export Brace



3635Q	1967-68	Firewall to Tower Brace
3631Y	1969-70	Firewall to Tower Brace

Torque Boxes



3652WT	1965-68	Torque Box, Weld Through Primer, RH	Convertible
3653WT	1965-68	Torque Box, Weld Through Primer, LH	Convertible
3654WT	1967-70	Torque Box, Weld Through Primer, RH	Coupe & Fastback
3655WT	1967-68	Torque Box, Weld Through Primer, LH	Coupe & Fastback
3655AWT	1969-70	Torque Box, Weld Through Primer, LH	Coupe & Fastback
3651WT	1965-70	Torque Box Gussets, Weld Through Primer	
3653A	1965-70	Rear Torque Box Top Plates	Convertible
3653B	1965-70	Rear Torque Box Top Plates	Coupe & Fastback

1965-66

Shock Towers & Components

Includes Outer Shock Tower
Bracket & Hardware

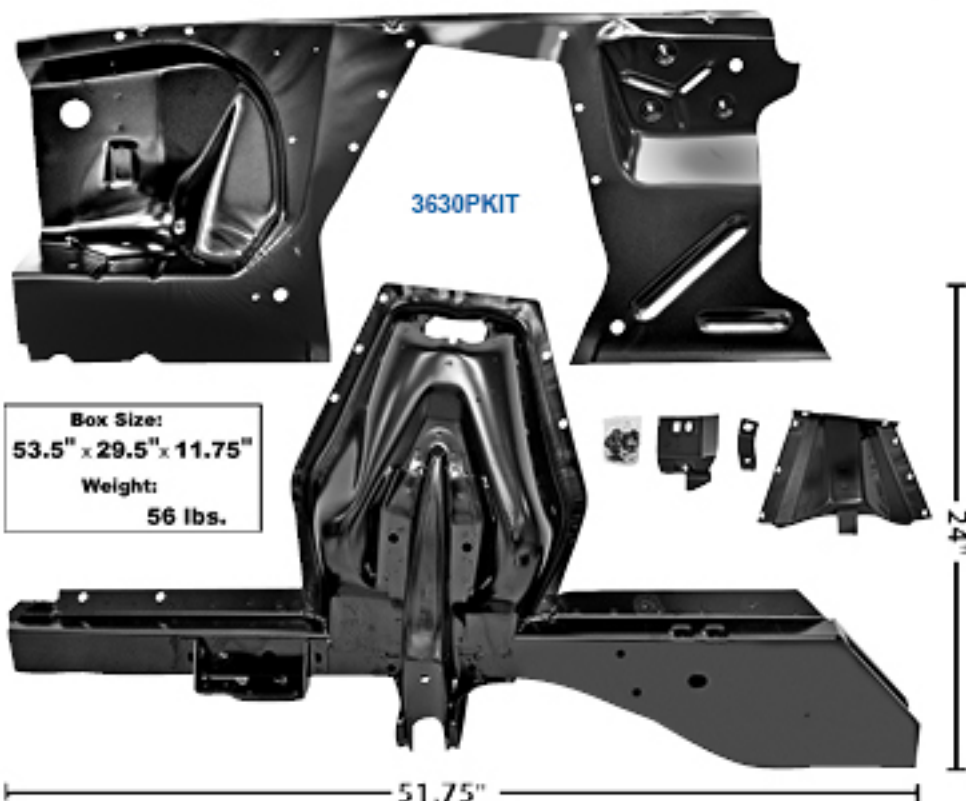


3630P



3630QX

Box Size:
53.5" x 17" x 30.5"
Weight:
80 lbs.



3630PKIT

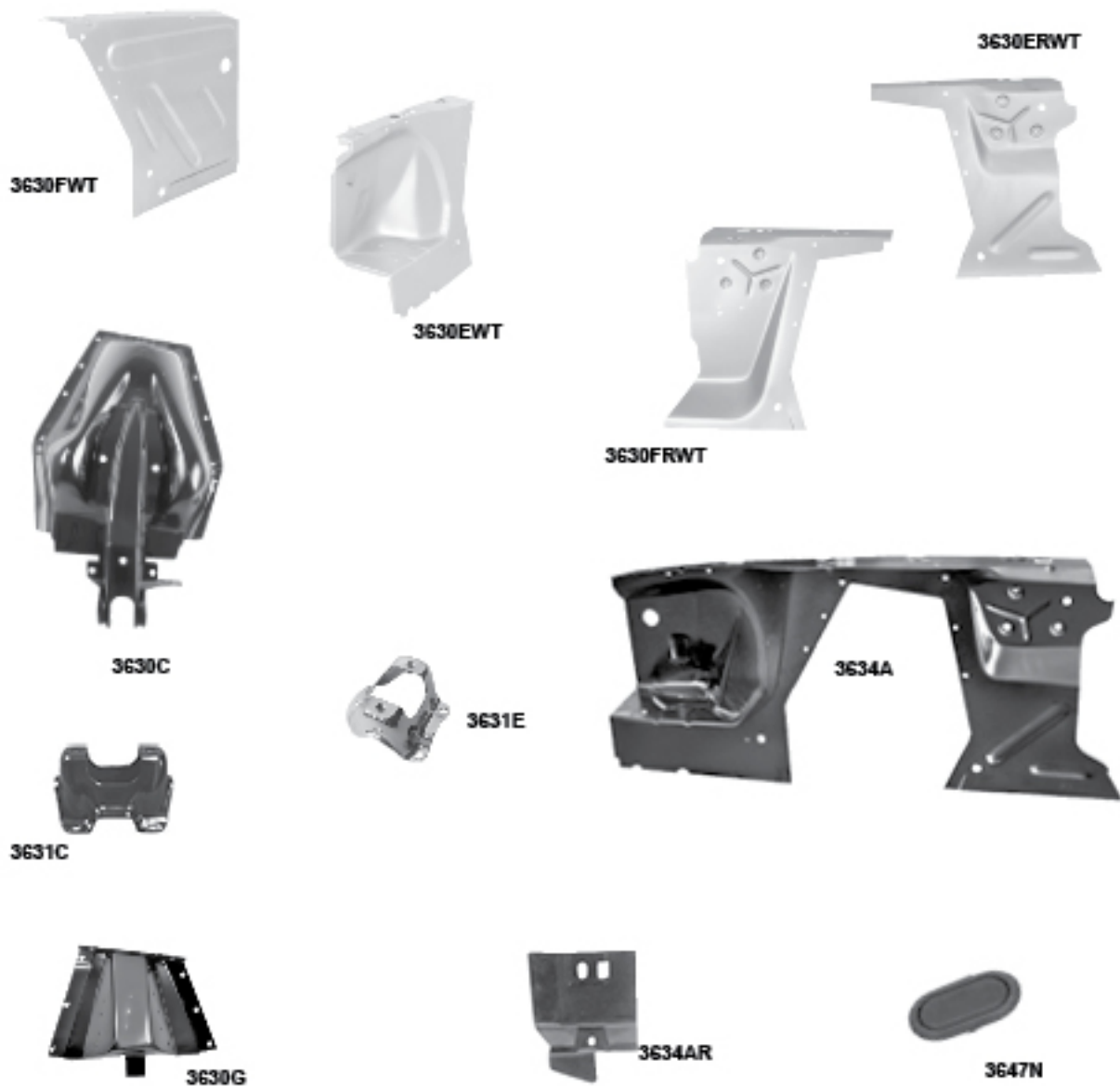
Box Size:
53.5" x 29.5" x 11.75"
Weight:
56 lbs.

51.75"

24"

Muscle Car Parts & Molding • Muscle Car Parts & Molding • Muscle Car Parts & Molding

3630QX	1965-66	Front Apron Assembly without Shock Towers
3630P	1965-66	Complete Shock Tower & Apron Assembly, RH
3630Q	1965-66	Complete Shock Tower & Apron Assembly, LH
3630PKIT	New 1965-66	Shock Tower & Apron Kit, RH
3630QKIT	New 1965-66	Shock Tower & Apron Kit, LH

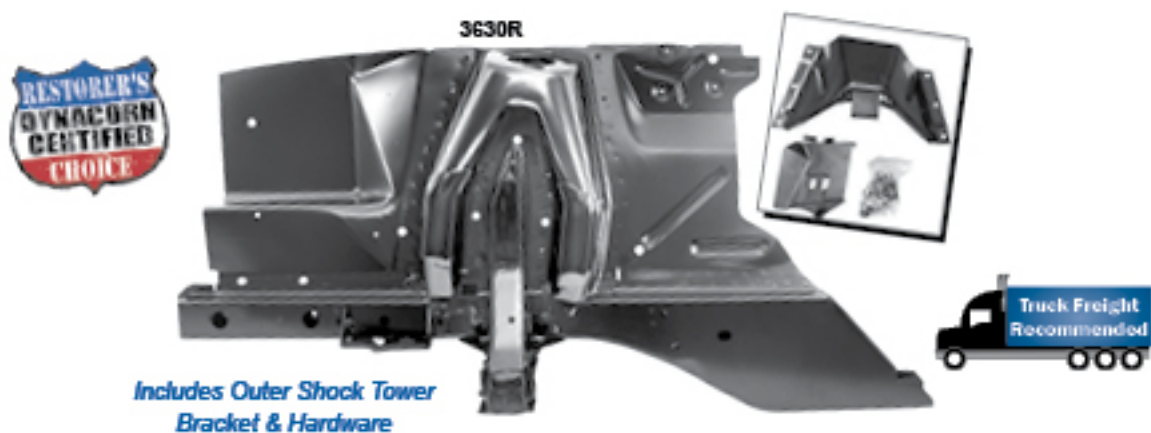
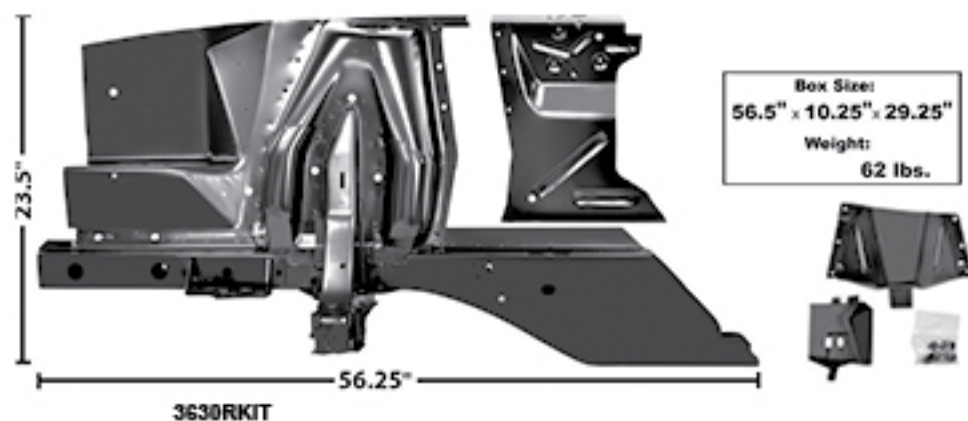


3634A	1965-66	Complete Fender Apron (Front & Rear RH)
3634B	1965-66	Complete Fender Apron (Front & Rear LH)
3630EWT	1965-66	Front Fender Apron, Weld Through Primer, RH
3630FWT	1965-66	Front Fender Apron, Weld Through Primer, LH
3630ERWT	1965-66	Rear Fender Apron, Weld Through Primer, RH
3630FRWT	1965-66	Rear Fender Apron, Weld Through Primer, LH
3630C	1965-66	Shock Tower Replacement RH
3630D	1965-66	Shock Tower Replacement LH
3631C	1965-66	Shock Tower Cap, Painted
3631E	1965-66	Shock Tower Cap, Chrome
3630G	1965-66	Outer Shock Tower RH
3630H	1965-66	Outer Shock Tower LH
3634AR	1965-66	Rear Apron Extension RH
3634BL	1965-66	Rear Apron Extension LH
3647N	1965-70	Shock Access Plug

1967-70

Shock Towers & Components

Muscle Car Parts & Molding • Muscle Car Parts & Molding • Muscle Car Parts & Molding



3630SX	1967-68	Front Apron Assembly without Shock Towers
3630RKIT	1967-68	Shock Tower & Apron Kit, RH
3630SKIT	1967-68	Shock Tower & Apron Kit, LH
3630R	1967-68	Complete Shock Tower & Apron Assembly, RH
3630S	1967-68	Complete Shock Tower & Apron Assembly, LH



3634J	1967-68	Fender Apron Front RH <i>(New Tooling!)</i>
3634K	1967-68	Fender Apron Front LH <i>(New Tooling!)</i>
3634L	1967-68	Fender Apron Rear RH
3634M	1967-68	Fender Apron Rear LH
3631T	1967-68	Shock Tower Replacement RH
3631U	1967-68	Shock Tower Replacement LH
3631D	1967-70	Shock Tower Cap, Painted
3631F	1967-70	Shock Tower Cap, Chrome
3631HA	1967-68	Notched Shock Tower Kit (Upper Control Arm Delete), RH
3631HB	1967-68	Notched Shock Tower Kit (Upper Control Arm Delete), LH
3630J	1967-68	Outer Shock Tower RH
3630K	1967-68	Outer Shock Tower LH
3647N	1965-70	Shock Access Plug
3634LA	1967-68	Rear Apron Extension RH
3634MA	1967-68	Rear Apron Extension LH



3630T



Includes extra heavy duty tower reinforcement



3631F



3631D

3631W



3634C



3634P



3634R



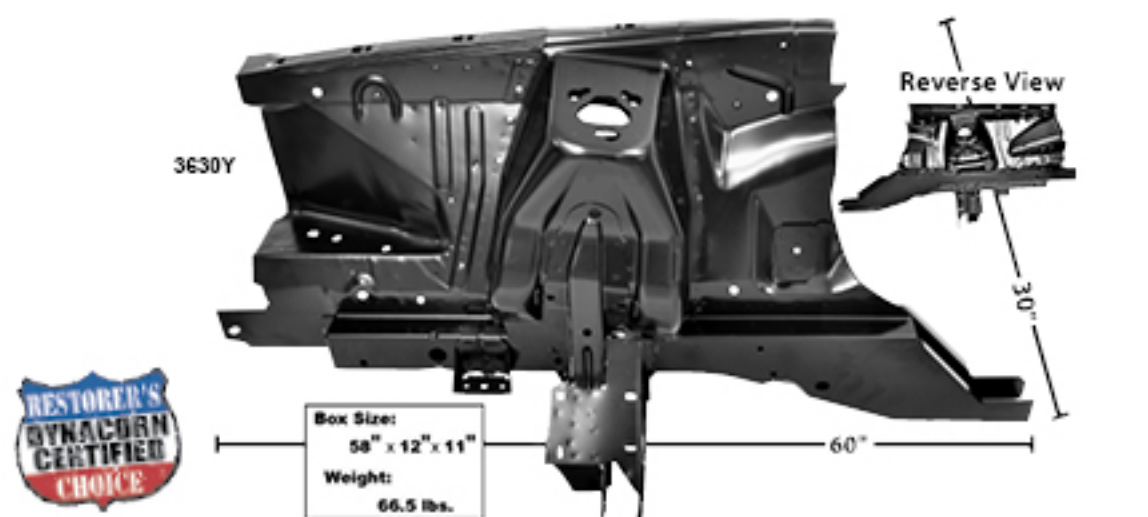
Box Size:
56.5" x 14.5" x 31.5"
Weight:
84 lbs.

3630UX



3630UX	1969-70	Front Apron Assembly without Shock Towers
3630T	1969-70	Complete Shock Tower & Apron Assembly, RH
3630U	1969-70	Complete Shock Tower & Apron Assembly, LH
3631W	1969-70	Shock Tower Replacement RH
3631X	1969-70	Shock Tower Replacement LH
3631D	1967-70	Shock Tower Cap, Painted
3631F	1967-70	Shock Tower Cap, Chrome
3634C	1969-70	Fender Apron Front RH
3634D	1969-70	Fender Apron Front LH
3634P	1969-70	Fender Apron Rear RH
3634Q	1969-70	Fender Apron Rear LH
3634R	1969-70	Rear Apron Extension RH
3634S	1969-70	Rear Apron Extension LH

1971-73



3630Y	1971-73	Complete Shock Tower & Apron Assembly, RH
3630Z	1971-73	Complete Shock Tower & Apron Assembly, LH
3630YA	New 1971-73	Shock Tower Replacement, RH
3630YB	New 1971-73	Shock Tower Replacement, LH
3631ZJ	New 1971-73	Outer Shock Tower, RH
3631ZK	New 1971-73	Outer Shock Tower, LH
3630ZC	1971-73	Shock Tower Cap, Painted
3630ZD	1971-73	Shock Tower Cap, Chrome
3634E	1971-73	Fender Apron Front RH
3634F	1971-73	Fender Apron Front LH
3634G	1971-73	Fender Apron Rear RH
3634H	1971-73	Fender Apron Rear LH



Coming Soon!
Coming Soon!
Coming Soon!
Coming Soon!

1964-66

Hoods & Components

Muscle Car Parts & Molding • Muscle Car Parts & Molding • Muscle Car Parts & Molding



3641



3641AF



M3542X

Thicker steel & longer rivets for more durability & smoother operation.



M3542

dii Exclusive

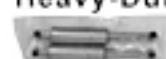


BH40

Mid-Duty Struts



Heavy-Duty Struts



Box Size:
15" x 7" x 7.5"
Weight:
13 lbs.



M3510

Box Size:
8.5" x 5.75" x 2"
Weight:
5 lbs.



M3530G



M3530B



Rear View
Metal
Re-enforced



M3530A

Box Size:
9.75" x 10.5" x 5"
Weight:
3 lbs.

M3547

BH40	New	1964-66	Billet Hood Hinge, Pair
3641		1965-66	Standard Hood
3641AF		1965-66	SMC Hood w/ Steel Back (Scoop Style, stock length)
M3542		1965-66	Hood Hinge RH
M3543		1965-66	Hood Hinge LH
M3542X		1965-66	Hood Hinge RH, Premium Quality
M3543X		1965-66	Hood Hinge LH, Premium Quality
M3530A		1965	Hood Latch w/Top Plate
M3530B		1966	Hood Latch w/Top Plate
M3530G		1965-66	Pin & Safety Catch, 4 pcs.
M3547		1965-66	Hood Latch/Grille Support
M3510		1965-73	Radiator Support to Hood Bumpers



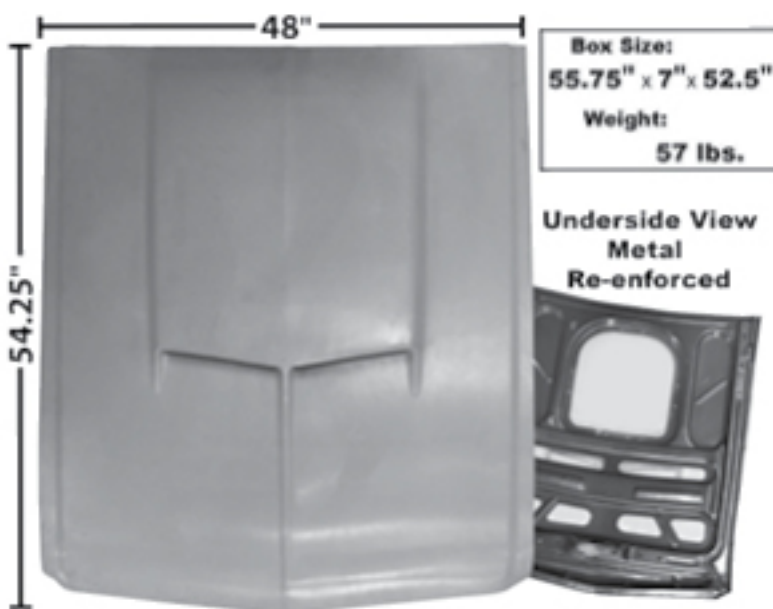
1967-68



3641H



3641J



Box Size:
55.75" x 7" x 52.5"
Weight:
57 lbs.

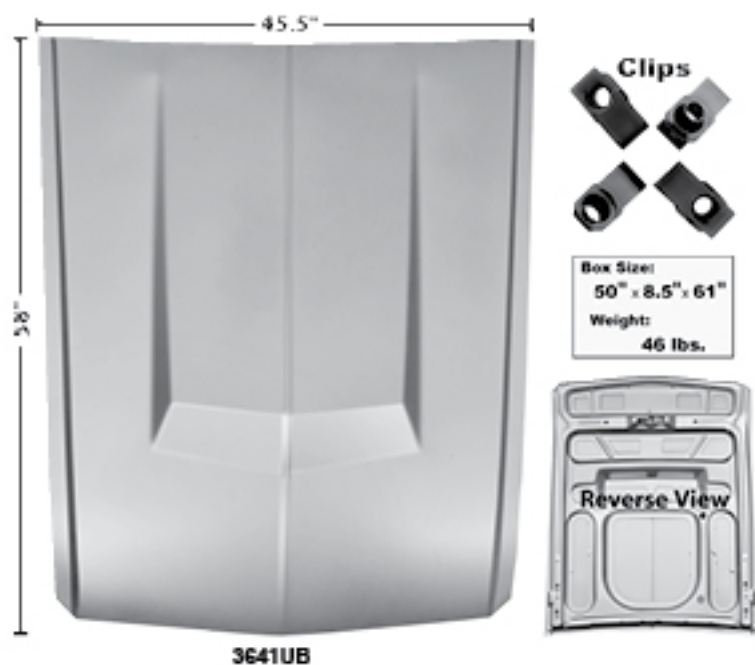
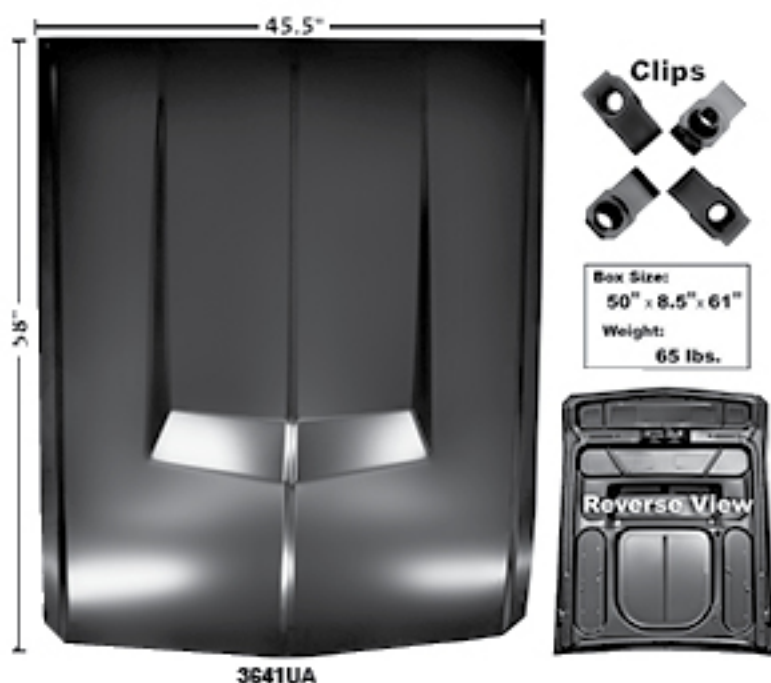
Underside View
Metal
Re-enforced

dii Exclusive

3641U

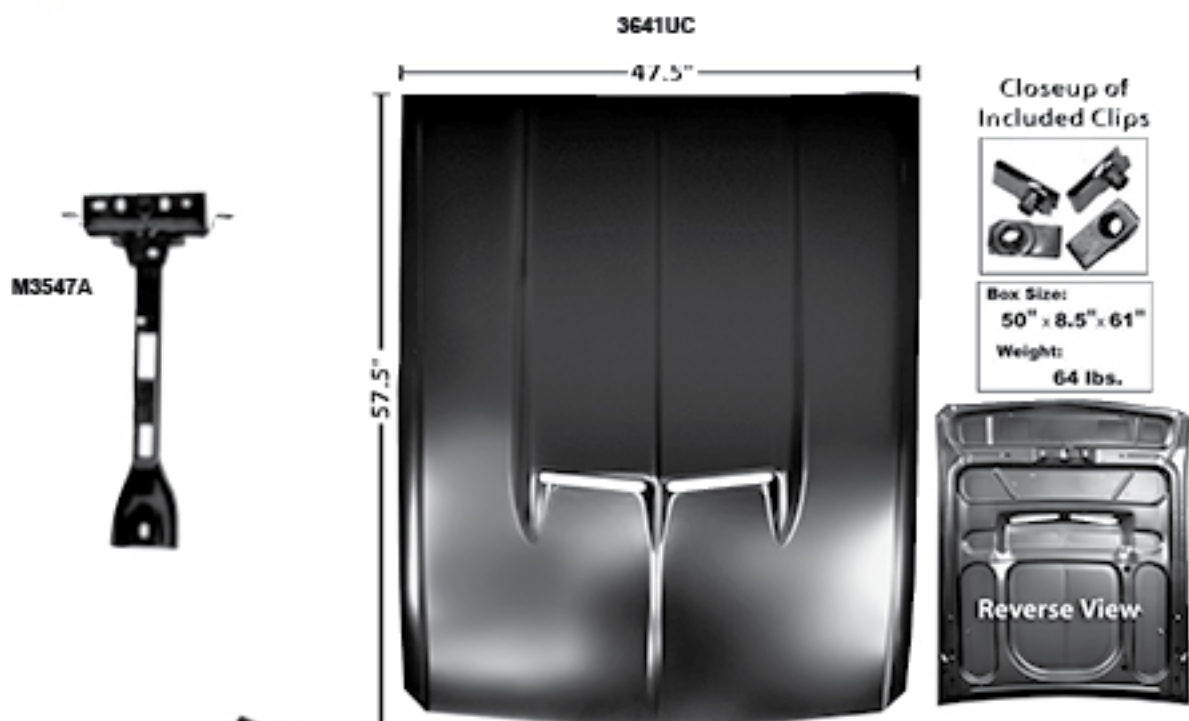
3641H	1967-68	Standard Hood
3641J	1967-68	Hood with holes for Turn Signals
3641U	1967-68	SMC Hood w/ Steel Back (Scoop Style, stock length)





3641UA	1967-68	Hood * Eleanor Style*, Steel Hood, w/o Hole
3641UB	1967-68	Hood * Eleanor Style* Aluminum, w/o Hole

1967-70



M3545X
Thicker steel & longer rivets for more durability & smoother operation.



Box Size:
15" x 7" x 7.5"
Weight:
13 lbs.

BH41

BH41	New	1967-68	Billet Hood Hinge, Pair
3641UC		1967-68	Hood "Eleanor Style" with functional scoops
M3544		1967-70	Hood Hinge, No Springs, RH
M3545		1967-70	Hood Hinge, No Springs, LH
M3544X		1967-70	Hood Hinge RH, Premium Quality
M3545X		1967-70	Hood Hinge LH, Premium Quality
M3530C		1967-68	Hood Latch
M3547A		1967-68	Hood Catch/Grille Support

Muscle Car Parts & Molding • Muscle Car Parts & Molding • Muscle Car Parts & Molding



M3585



3641P



M3585A

Box Size:
14" x 1.75" x 1.5"
Weight:
.5 lbs.



M3544



M3545



M3530E



M3547B

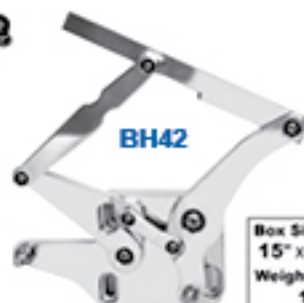


M3544X

Thicker steel & longer rivets for more durability & smoother operation.

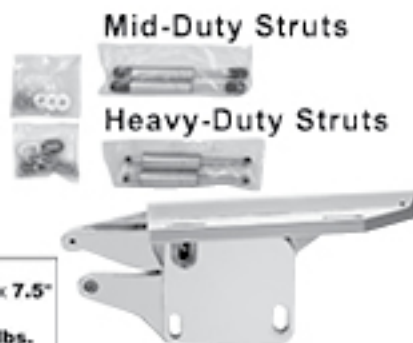


M3545X



BH42

Box Size:
15" x 7" x 7.5"
Weight:
13 lbs.

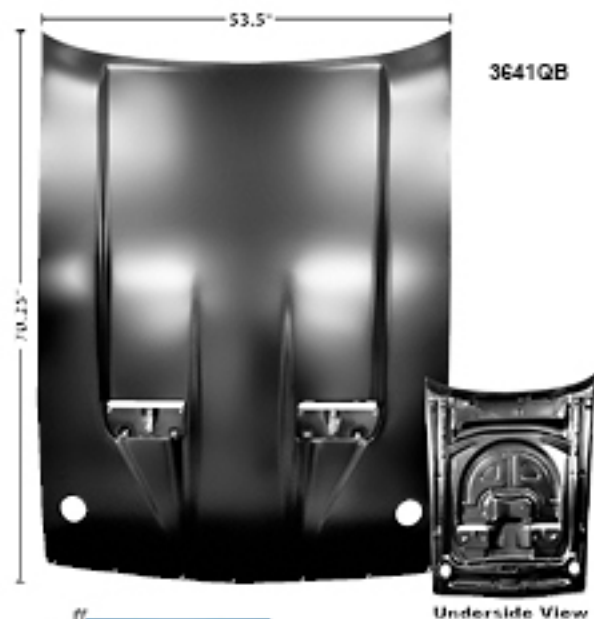


Mid-Duty Struts

Heavy-Duty Struts

M3585		1969-70	Mach 1 Hood Scoop
3641P		1969-70	Standard Hood
M3585A		1969-70	Mach 1 Hood Scoop Grille
M3544		1967-70	Hood Hinge, No Springs, RH
M3545		1967-70	Hood Hinge, No Springs, LH
M3544X		1967-70	Hood Hinge RH, Premium Quality
M3545X		1967-70	Hood Hinge LH, Premium Quality
BH42	New	1969-70	Billet Hood Hinge, Pair
M3530E		1969-70	Hood Latch
M3547B		1969-70	Hood Latch Support

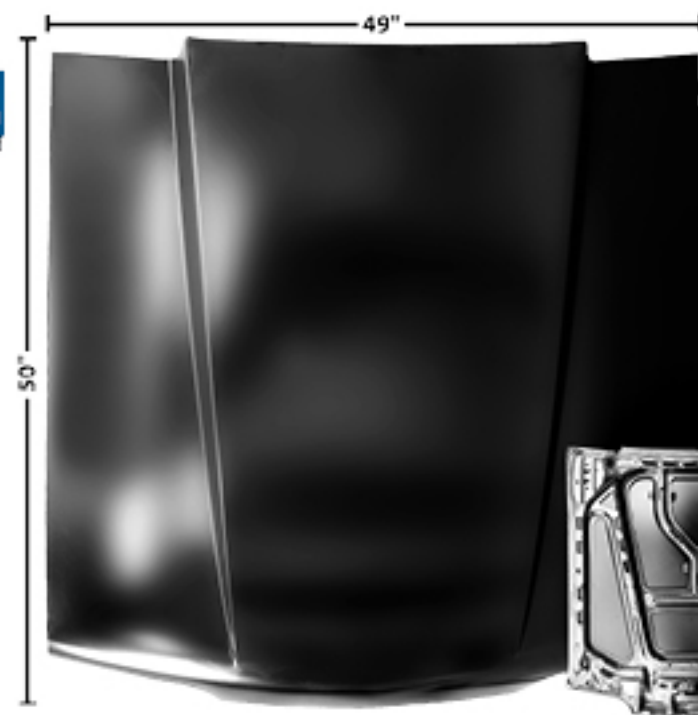
1970-77



3641Q	1971-73	NASA Hood
3641QB	1971-73	NASA Hood without twist-lock holes
M3643B	1971-73	Hood Louvers, Pair
M3530F	1971-72	Hood Latch
3641QY	1971-73	Hood Plenum
3641QX	1971-73	Air Cleaner Assembly, 6 cylinder

1987-93

Hoods & Components



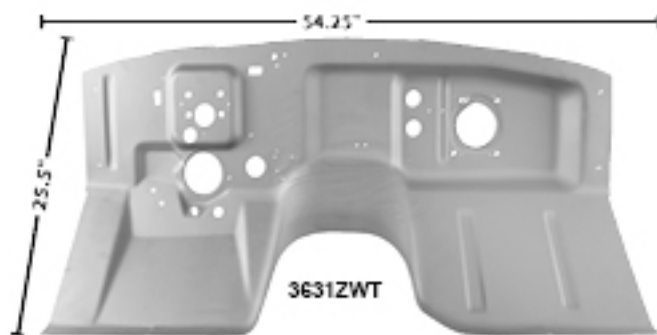
3641QA

Box Size:
53.75" x 51.75" x 9.5"
Weight:
27.1 lbs.



Bug Screen detail.

3641QA 1987-93 Hood with 2" Cowl & Bug Screen

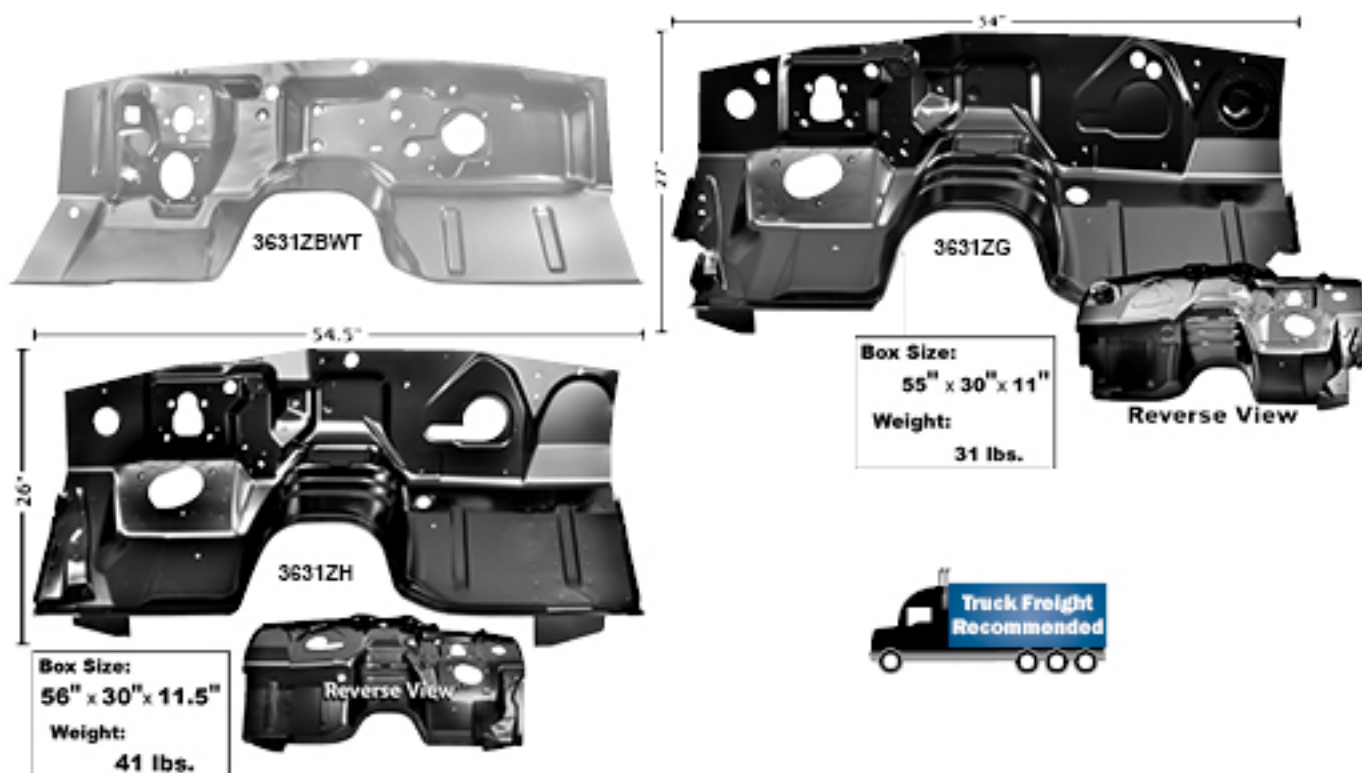


(Will fit Convertible with some modification)

Firewalls

Muscle Car Parts & Molding • Muscle Car Parts & Molding • Muscle Car Parts & Molding

3631ZWT	1965-66	Firewall, Weld Through Primer, Fastback & Coupe, (Trim for use on Convertible)
3631ZAWT	1967-68	Firewall, Weld Through Primer, Fastback & Coupe, (Trim for use on Convertible)
3613A	1967-68	Steering Column Cover



3631ZBWT	1969-70	Firewall, Weld Through Primer, Fastback & Coupe, (Trim for use on Convertible)
3631ZG	1971-73	Firewall, Without A/C, Convertible
3631ZH	1971-73	Firewall, A/C

1965-66

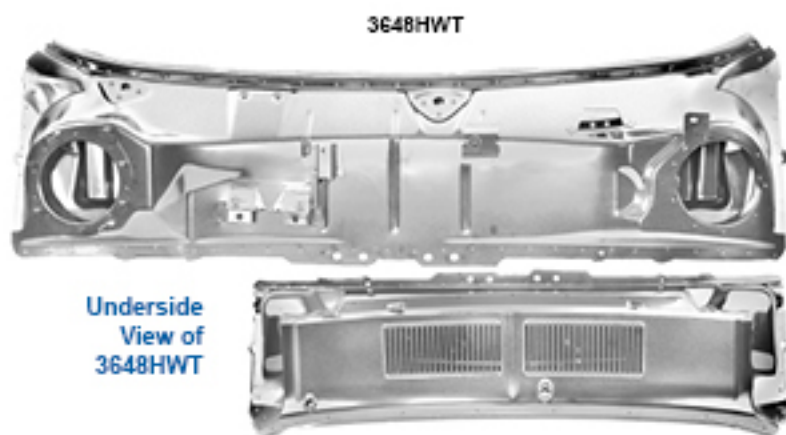


M33885	New	1965	Wiper Motor Bracket, for 1 Speed
M33886	New	1965-66	Wiper Motor Bracket, for 2 Speed
3648GWT		1965-66	Cowl Grille Assembly, 2 pos., Weld Through Primer
3648YWT		1965-66	Pillar/Kick Panel, Weld Through Primer, RH
3648ZWT		1965-66	Pillar/Kick Panel, Weld Through Primer, LH

1967-68

Cowl & Pillar Panels

Muscle Car Parts & Molding • Muscle Car Parts & Molding • Muscle Car Parts & Molding • Muscle Car Parts & Molding



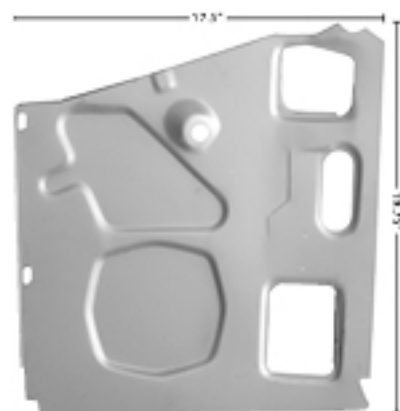
Underside View of 3648HWT



M33888



3648I



3625GWT



Box Size:
58" x 7" x 18"
Weight:
17 lbs.

Underside View

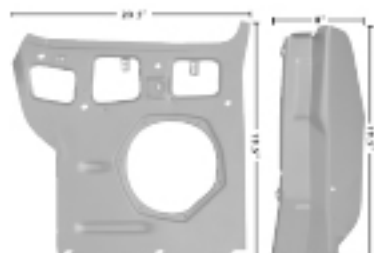
3648E	1967-68	Lower Cowl Panel, also fits Cougar
3648HWT	1967-68	Cowl Grille Assembly, Weld Through Primer
3625GWT	1967-68	Pillar/Kick Panel, Weld Through Primer, RH
3625HWT	1967-68	Pillar/Kick Panel, Weld Through Primer, LH
M33888	1967-70	Wiper Motor
3648I	1967-68	Wiper Motor Mounting Bracket

1969-70

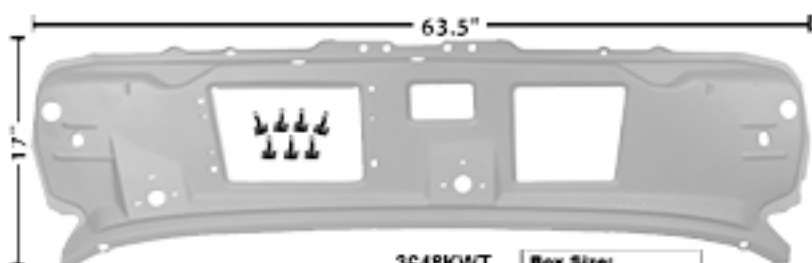
3648JWT



Underside View

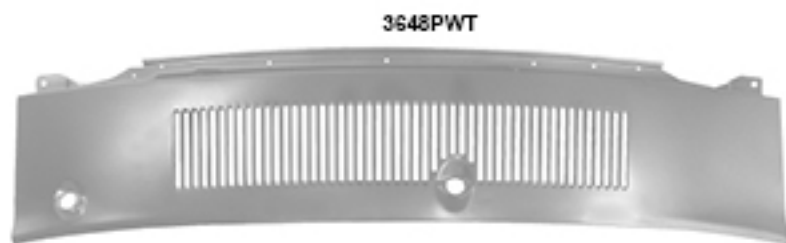


3625NWT



3648KWT

Box Size:
65" x 6.25" x 18.5"
Weight:
15.4 lbs.



3648PWT



3648Q



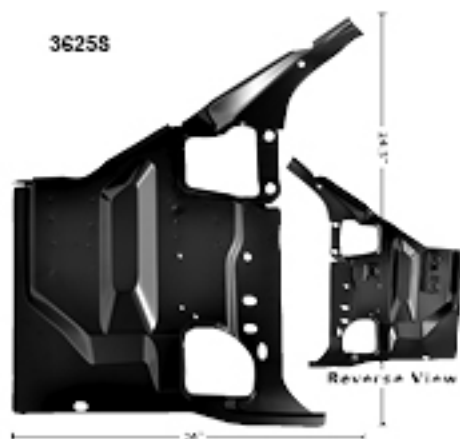
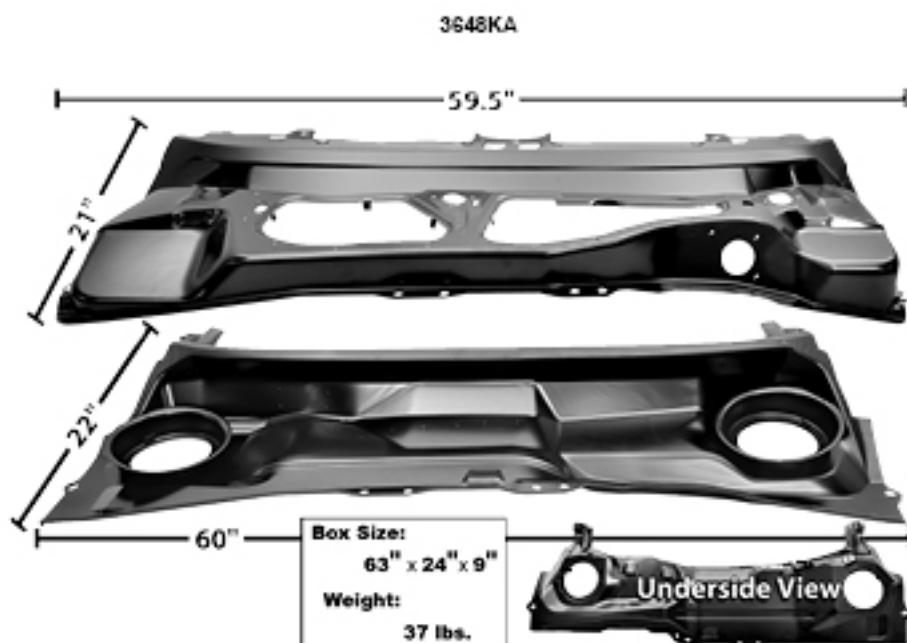
3625JWT

3648JWT	1969-70	Cowl Grille Assembly, Weld Through Primer
3648KWT	1969-70	Upper Cowl Panel with Brackets, Weld Through Primer
3648PWT	1969-70	Cowl Vent Grille, Weld Through Primer
3625NWT	1969-70	Inner Pillar/Kick Panel with Post, 2 pcs., RH, Weld Through Primer
3625PWT	1969-70	Inner Pillar/Kick Panel with Post, 2 pcs., LH, Weld Through Primer
3625JWT	1969-70	Outer Pillar Panel, Weld Through Primer, RH
3625KWT	1969-70	Outer Pillar Panel, Weld Through Primer, LH
M33888	1967-70	Wiper Motor
3648Q	1969-70	Wiper Motor Mounting Bracket

1971-73

Cowl & Pillar Panels

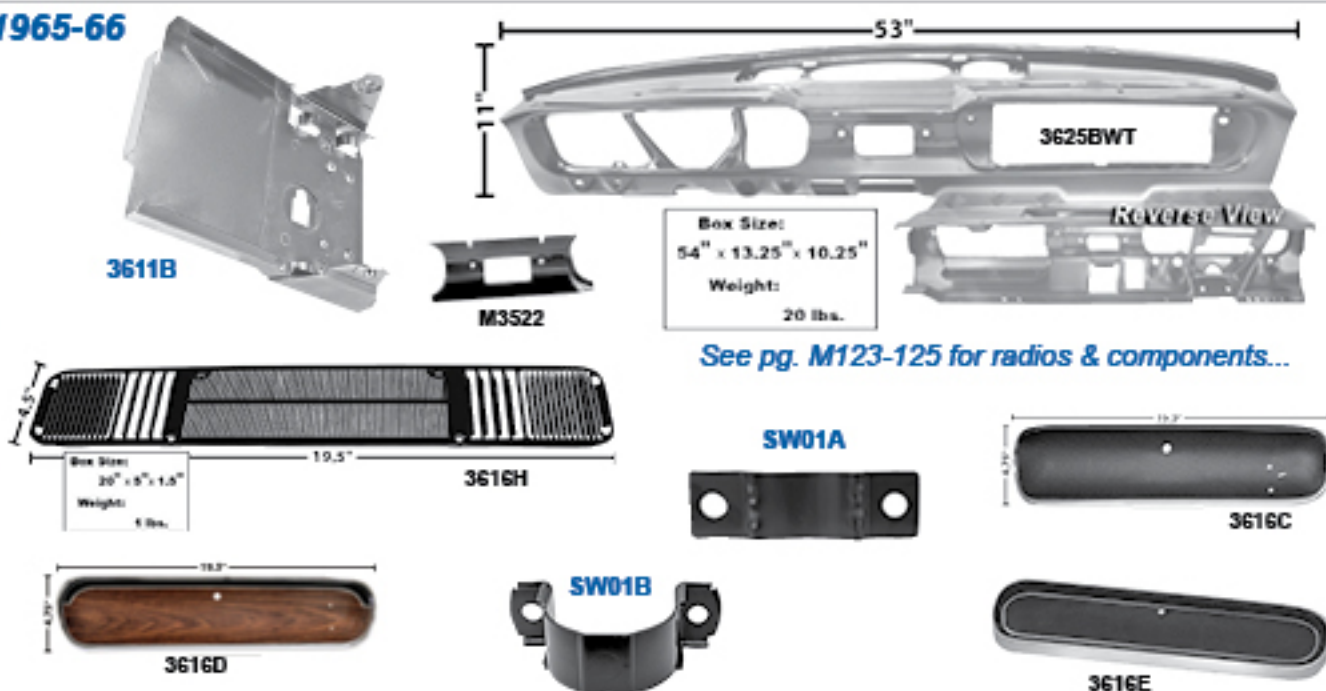
Muscle Car Parts & Molding • Muscle Car Parts & Molding • Muscle Car Parts & Molding



3648KA		1971-73	Upper/Lower Cowl Panel, without A/C
3648KB	New	1971-73	Upper/Lower Cowl Panel, A/C
3625R		1971-73	Pillar/Kick Panel, RH
3625S		1971-73	Pillar/Kick Panel, LH
3631ZL		1971-73	Cowl Panel to Shock Tower Brace, RH
3631ZM		1971-73	Cowl Panel to Shock Tower Brace, LH

Coming Soon!

1965-66



3625BWT		1965	Steel Dash Panel Assy., Weld Thru Primer (Modify to fit Deluxe, & 1966 Gauges & Bezels)
3625QWT		1966	Steel Dash Panel Assy., Weld Thru Primer (Modify to fit Deluxe, & 1966 Gauges & Bezels)
SW01A	New	1965-66	Upper Steering Column Clamp
SW01B	New	1965-66	Lower Steering Column Clamp
3611B	New	1965-66	Ash Tray Slide
3616H		1965-66	Dash Speaker & Defroster Vent Panel
M3522		1965-66	Dash Radio Repair Plate
3616C		1965	Glove Box Door, Curved, Black (Standard Interior)
3616D		1965-66	Glove Box Door, Woodgrain, Flat Deluxe (Pony) Interior
3616E		1966	Glove Box Door, Black (Standard Interior)



M3548		1965	Instrument Bezel, Black Camera Case W/Warn Lights
M3548B		1965-66	Instrument Bezel, Woodgrain
M3548A		1966	Instrument Bezel, Black Camera Case Full Gauge
M3548FA		1965	Instrument Bezel Lens, "ALT" type
M3548FB		1965-66	Instrument Bezel Lens, "Full" type
M3519W		1965-66	Shift Indicator Lamp

1967-68



3625AWT



3625WT

See pg. M123-125 for radios & components...



3613



3611A



3616



3616A



M3521Z

3625WT	1967-68	Steel Dash Panel Assembly without knee pad holes, Weld Through Primer
3625AWT	1967-68	Steel Dash Panel Assembly with knee pad holes, Weld Through Primer
3613	1967-68	Ignition Switch Bracket
3616	1967-68	Glove Box Door
3616A	1967-68	Glove Box Door Hinge
3611A	1967-68	Ash Tray with Cigarette Lighter
M3521Z	1967-68	Radio Bezel



M3548CF



M3548C



M3548CA



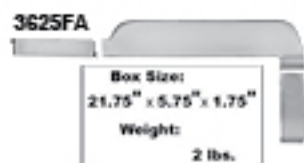
M3548CB



M3548CC



M3548FC



3625FA

Box Size:
21.75" x 5.75" x 1.75"
Weight:
2 lbs.



3625F



M3519X



M3519Z

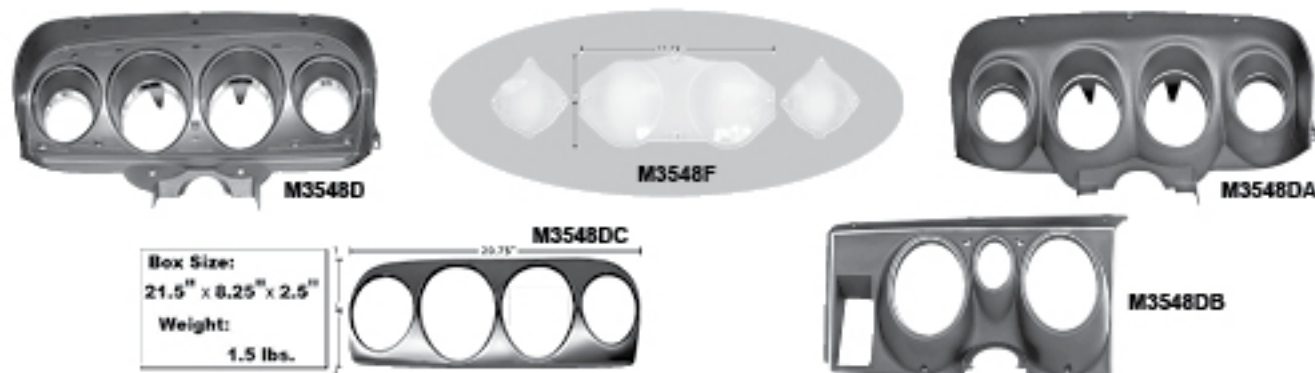
3625FA	1967	Deluxe Dash Panel Trim, 3 pieces
3625F	1967-68	Dash Panel Trim, 3 pieces
M3548CF	1967-68	Instrument Pod, Silver Zinc Plated
M3548C	1967	Instrument Bezel, Standard, Black
M3548CA	1967	Instrument Bezel, Deluxe, Brushed Aluminum Finish (No lenses)
M3548FC	1967-68	Instrument Bezel Lenses, 5 pieces
M3548CB	1968	Instrument Bezel with Lenses, Standard, Black
M3548CC	1968	Instrument Bezel with Lenses, Woodgrain
M3519Z	1967-68	Shift Indicator Lamp w/ Console
M3519X	1967-68	Shift Indicator Lamp w/o Console

1969-73

See pg. M123-125 for radios & components...



Part Number	Status	Year	Description	Availability
3625EWT	New	1970	Steel Dash Panel Assembly, Weld Through Primer	Coming Soon!
3617		1969-70	Complete Glove Box Door w/Liner & Hinge	
3617A		1969-70	Glove Box Liner	
3625DX		1969-70	Dash Pad Assembly	
M3548EA		1969-70	Plastic Dash End Moldings	
M3548E		1969-70	Plastic Center Dash Moldings	
M3548EB		1969-70	Dash Trim Cover w/Clock Hole RH	
SW10		1969	Steering Column Cover	
SW11		1970	Steering Column Cover	



M3548D	1969	Instrument Bezel, Standard
M3548DA	1970	Instrument Bezel, Standard, Black Camera Case Finish
M3548F	1969-70	Instrument Bezel Lenses
M3548DC	1969	Instrument Bezel Trim
M3548DB	1971-73	Instrument Bezel, Standard, Black Camera Case Finish

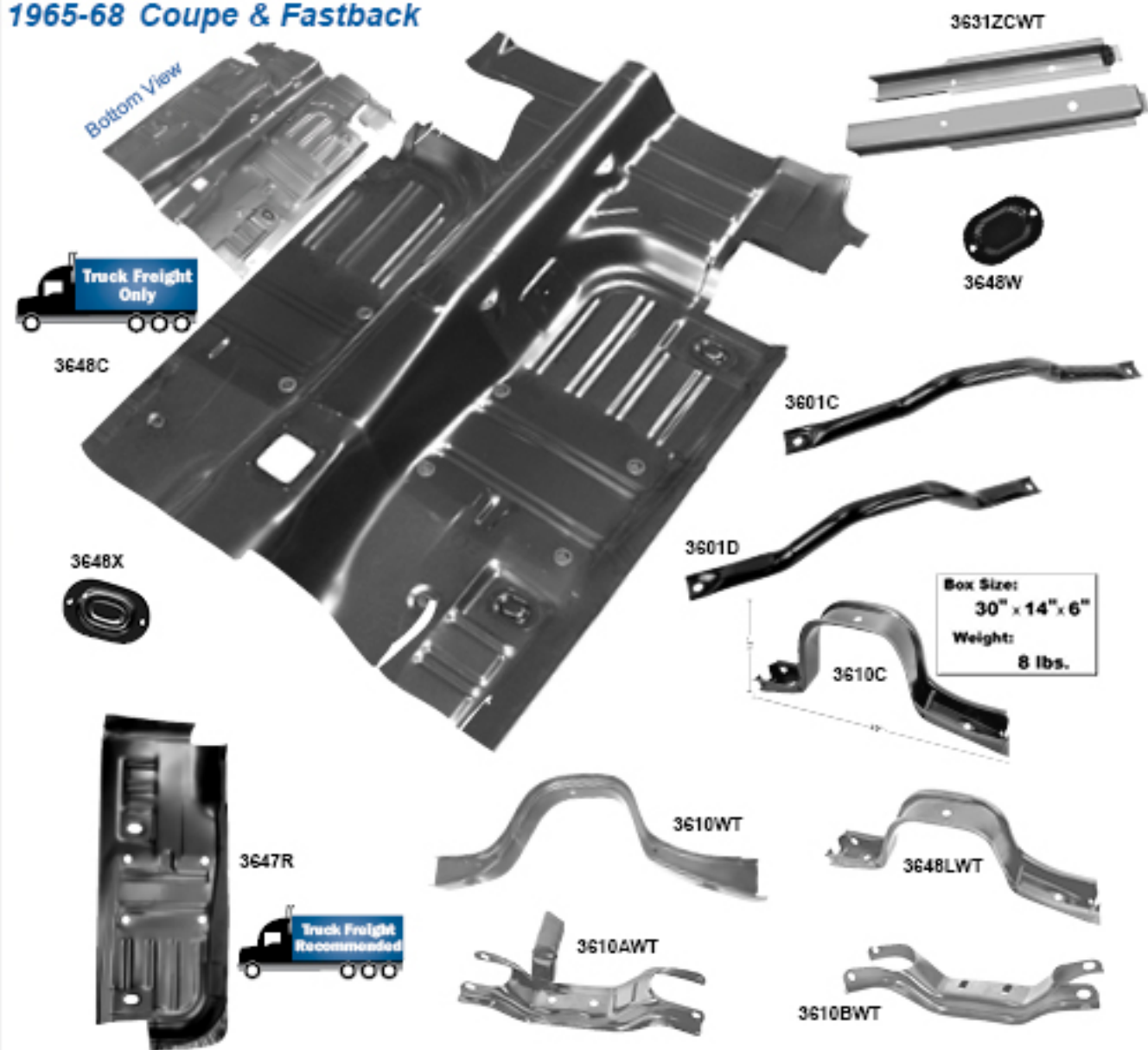
1965-68
Convertible



Muscle Car Parts & Molding • Muscle Car Parts & Molding • Muscle Car Parts & Molding

3647R	1965-68	Full Floor Pan, RH
3647S	1965-68	Full Floor Pan, LH
3648B	1965-73	Complete Floor Pan, Convertible (Modify to fit 1969-73)
3648W	1965-67	Floor Pan Plug
3648X	1968	Floor Pan Plug
3631ZEWT	1965-68	Firewall to Floor Pan Supports, Weld Through Primer, Convertible
3648BB	1965-70	Floor Reinforcement, Convertible
3601C	1965-66	Front Crossmember
3610WT	1965-66	Front Floor Pan Support, Weld Through Primer
3610AWT	1965-66	Transmission Support, Weld Through Primer
3610C	1965-70	Transmission Support, Extended (extra tall for 6-Spd. transmission)
3647YWT	1965-68	Seat Platform, 1 piece, Weld Through Primer, Convertible

1965-68 Coupe & Fastback



1965-68 Floor Pans & Components continued on next page...

3648C	1965-68	Complete Floor Pan, Coupe & Fastback
3647R	1965-68	Full Floor Pan, RH
3647S	1965-68	Full Floor Pan, LH
3648W	1965-67	Floor Pan Plug
3648X	1968	Floor Pan Plug
3631ZCWT	1965-68	Firewall to Floor Pan Supports, Weld Through Primer, Coupe & Fastback
3601C	1965-66	Front Crossmember
3601D	1967-68	Front Crossmember
3610WT	1965-66	Front Floor Pan Support, Weld Through Primer
3648LWT	1967-68	Front Floor Pan Support, Weld Through Primer
3610AWT	1965-66	Transmission Support, Weld Through Primer
3610C	1965-70	Transmission Support, Extended (extra tall for 6-Spd. transmission)
3610BWT	1967-70	Transmission Support, Weld Through Primer

1965-68



3649PWT



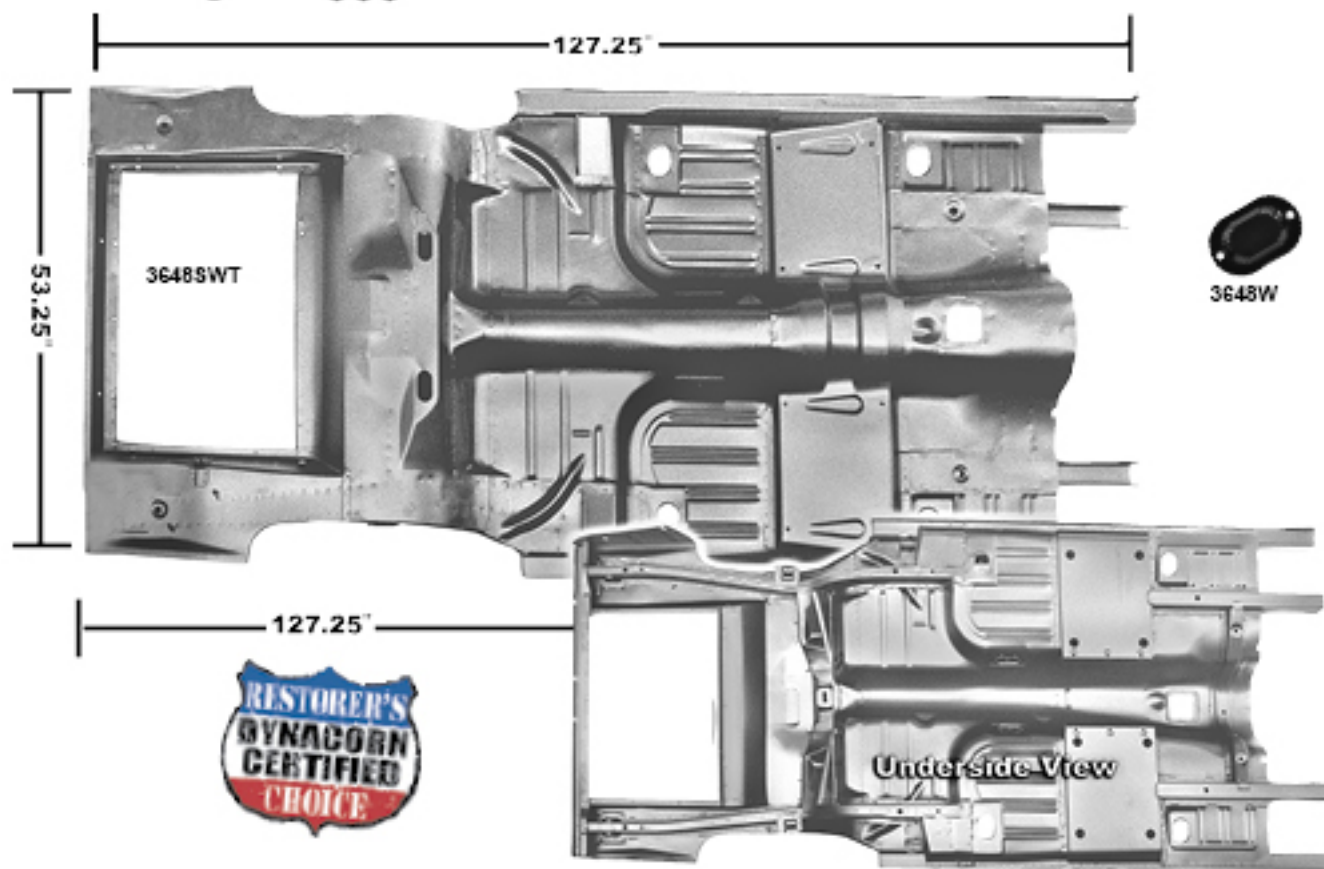
3647YCWT

3649PWT	1965-68	Seat Platform, Weld Through Primer, RH
3649QWT	1965-68	Seat Platform, Weld Through Primer, LH
3647YCWT	1965-68	Seat Platform, 1 piece, Weld Through Primer, Coupe & Fastback

Floor Pans & Components



1965-68
Convertible



Under Side View

3648X

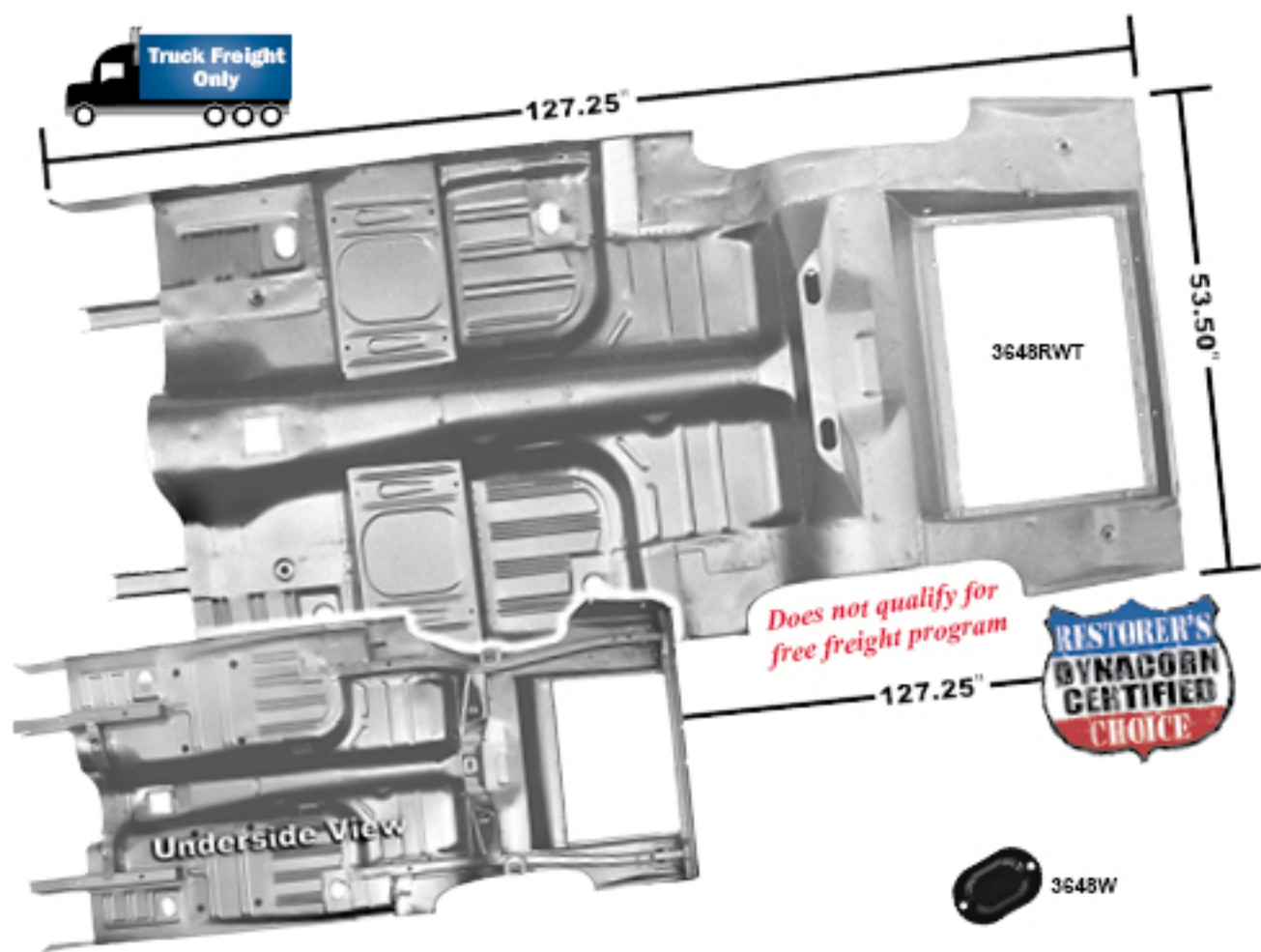


Does not qualify for free freight program

3648SWT	1965-68	Complete Floor & Trunk Pan w/Rocker Panels, Frame Rails, Weld Through Primer, Convertible
3648W	1965-67	Floor Pan Plug
3648X	1968	Floor Pan Plug

Muscle Car Parts & Molding • Muscle Car Parts & Molding • Muscle Car Parts & Molding

1965-68 Coupe & Fastback



3648RWT	1965-68	Complete Floor & Trunk Pan w/Rockers, Seat Platforms, F. Rails, Weld Thru Primer, CP & FB
3648W	1965-67	Floor Pan Plug
3648X	1968	Floor Pan Plug

1967-68



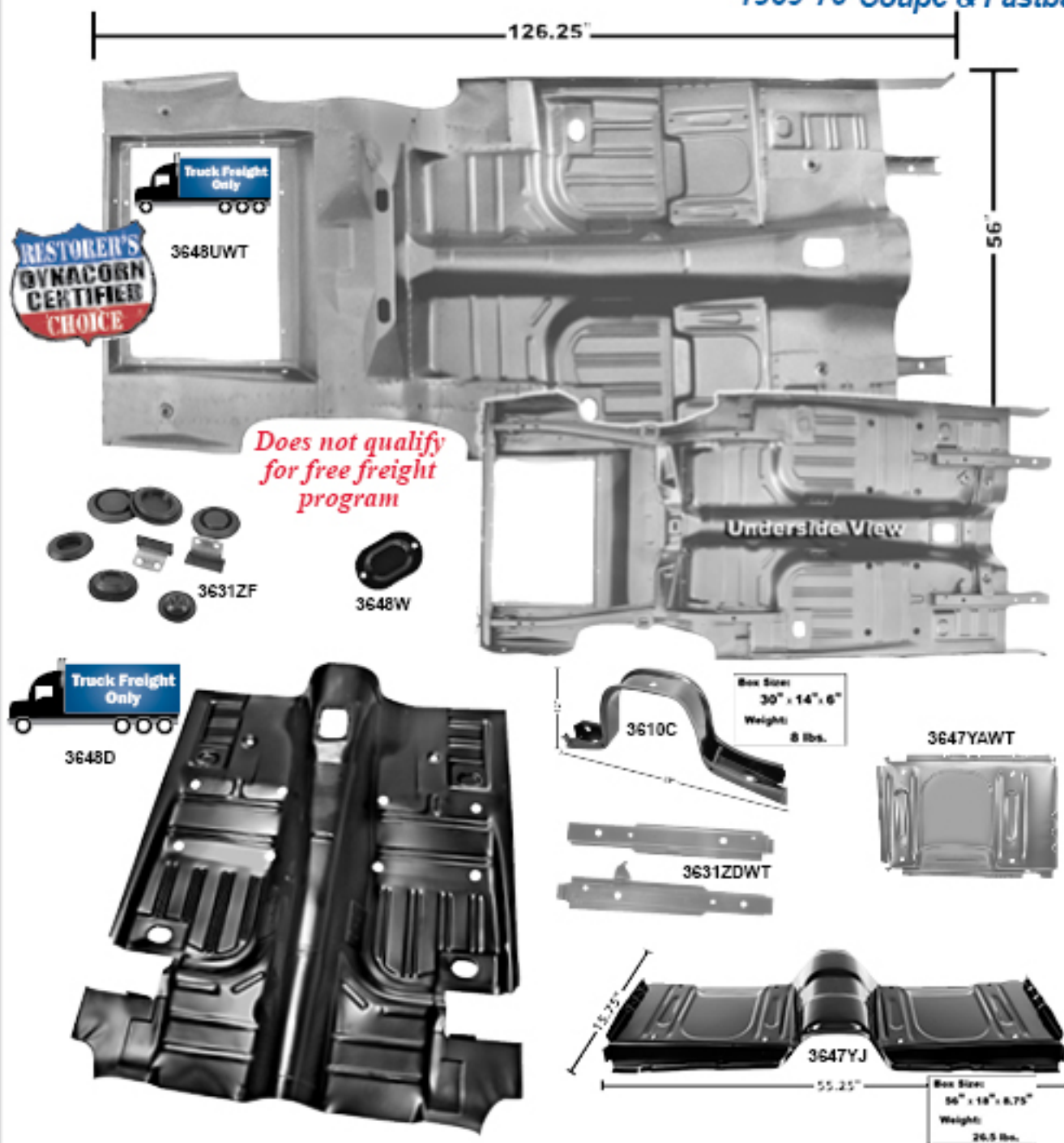
Floor Pans & Components continued on next page...

3601D	1967-68	Front Crossmember
3648LWT	1967-68	Front Floor Pan Support, Weld Through Primer
3610BWT	1967-70	Transmission Support, Weld Through Primer

1969-70 Coupe & Fastback

Floor Pans & Components

Muscle Car Parts & Molding • Muscle Car Parts & Molding • Muscle Car Parts & Molding



3648UWT	1969-70	Complete Floor & Trunk Pan w/Rockers, Seat Platforms, F. Rails, Weld Thru Primer, CP & FB
3648D	1969-70	Complete Floor Pan, Coupe & Fastback
3648W	1965-67	Floor Pan Plug
3631ZF	1969-70	Inner Panel Plug Set, 8 pcs.
3631ZDWT	1969-70	Firewall to Floor Pan Supports, Weld Through Primer, Fastback & Coupe
3647YJ	1969-70	1-Piece Seat Platform, Low Profile Coupe & Fastback
3647YAWT	1969-70	Seat Platform, Low Profile, Weld Through Primer, RH
3647YBWT	1969-70	Seat Platform, Low Profile, Weld Through Primer, LH
3610C	1965-70	Transmission Support, Extended (extra tall for 6-Spd. transmission)

1971-73



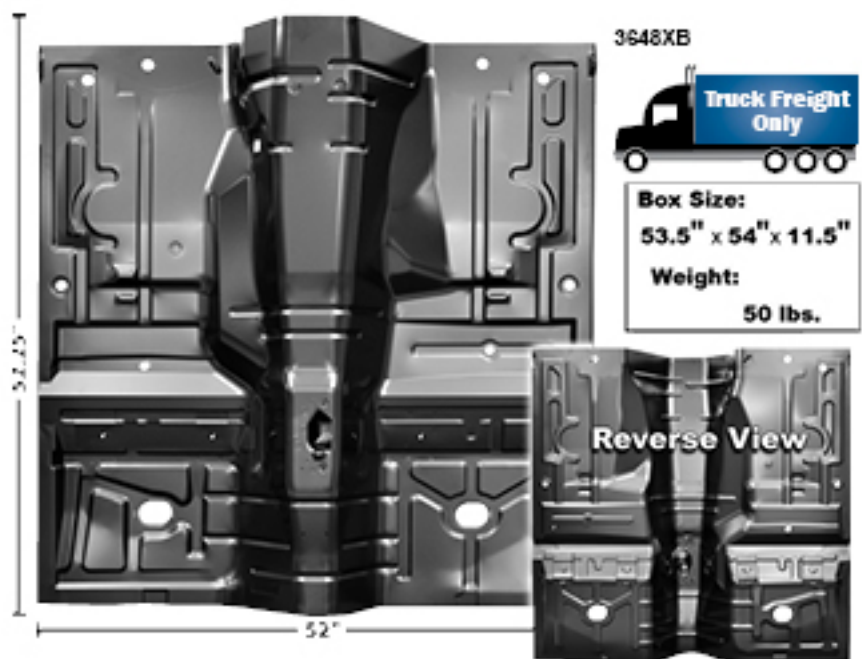
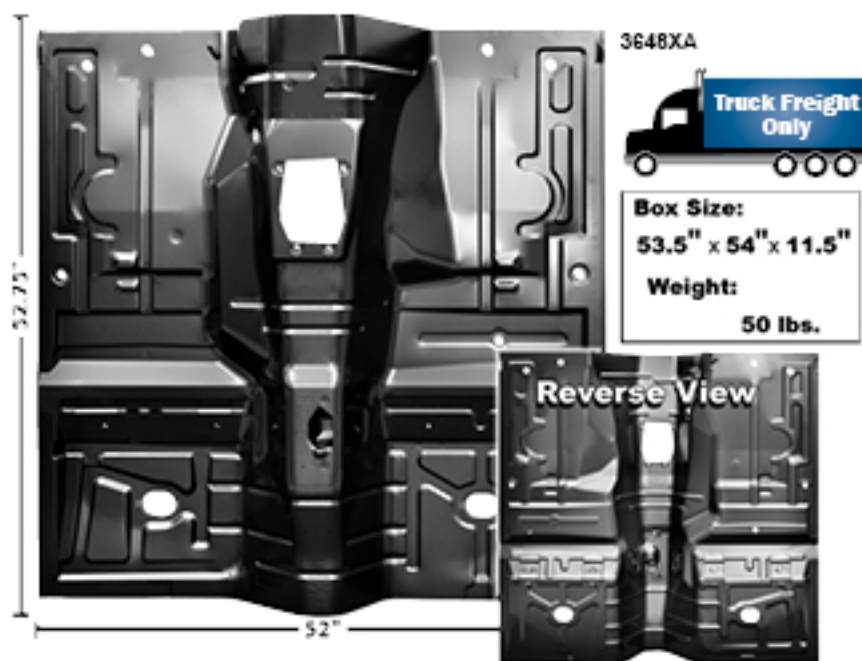
3648NC	1971-73	Complete Floor Pan <i>Fastback & Coupe</i>
3648M	1971-73	Full Floor Pan, RH
3648N	1971-73	Full Floor Pan, LH
3648MA	1971-73	Floor Pan Front Section, RH
3648NA	1971-73	Floor Pan Front Section, LH
3648MB	1971-73	Floor Pan Rear Section, RH
3648NB	1971-73	Floor Pan Rear Section, LH
3648NE	1971-73	Seat Platform, RH, <i>Fastback</i>
3648NF	1971-73	Seat Platform, LH, <i>Fastback</i>
3648NG	1971-73	Crossmember (Front)
3601L	1971-73	Crossmember (Under Engine)



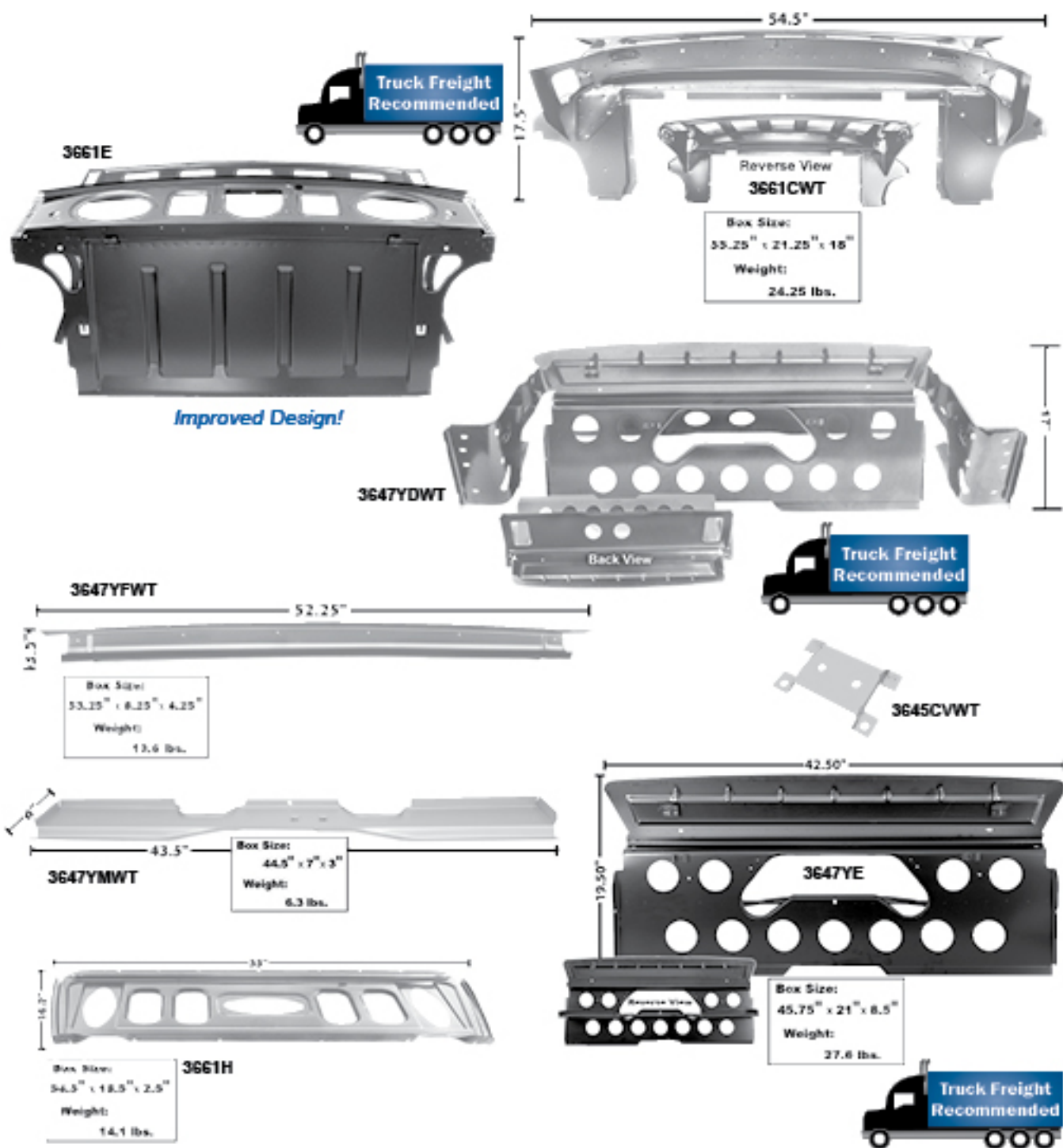
1979-93

Floor Pans & Components

Muscle Car Parts & Molding • Muscle Car Parts & Molding • Muscle Car Parts & Molding



3648XA	1979-93	Front Floor Pan, Manual Transmission
3648XB	1979-93	Front Floor Pan, Automatic Transmission
3648XC	1983-93	Front Floor Cross Brace
3648XD	1979-93	Floor Pan Plug



3661CWT	1965-66	Trunk Divider / Package Shelf Bridge Support, Fastback
3661E	1965-68	Trunk Divider / Package Shelf, Coupe <i>Improved Design!</i>
3647YFWT	1965-66	Trunk Divider / Package Shelf Bridge Support, Convertible, Weld Through Primer
3645CVWT	1965-66	Rear Pump Mounting Bracket, Weld-Through Primer, Convertible
3647YMWT	1965-68	Convertible Pump Tray, Weld-Through Primer, Convertible
3647YDWT	1965-68	Trunk Divider / R. Seat Mount Panel, Convertible, Weld Through Primer
3661H	1969-70	Trunk Divider / Package Shelf, Fastback
3647YE	1969-70	Trunk Divider / R. Seat Mount Panel, Convertible

1965-66

M3509D	1965-70	Seat Support & Trap Door Catch Set, Fastback
3660	1965-66	Trap Door, Fastback, Metal
3660A	1965-66	Trap Door Hinges, Pair
3660B	1965-66	Trap Door Prop Assembly

1967-68

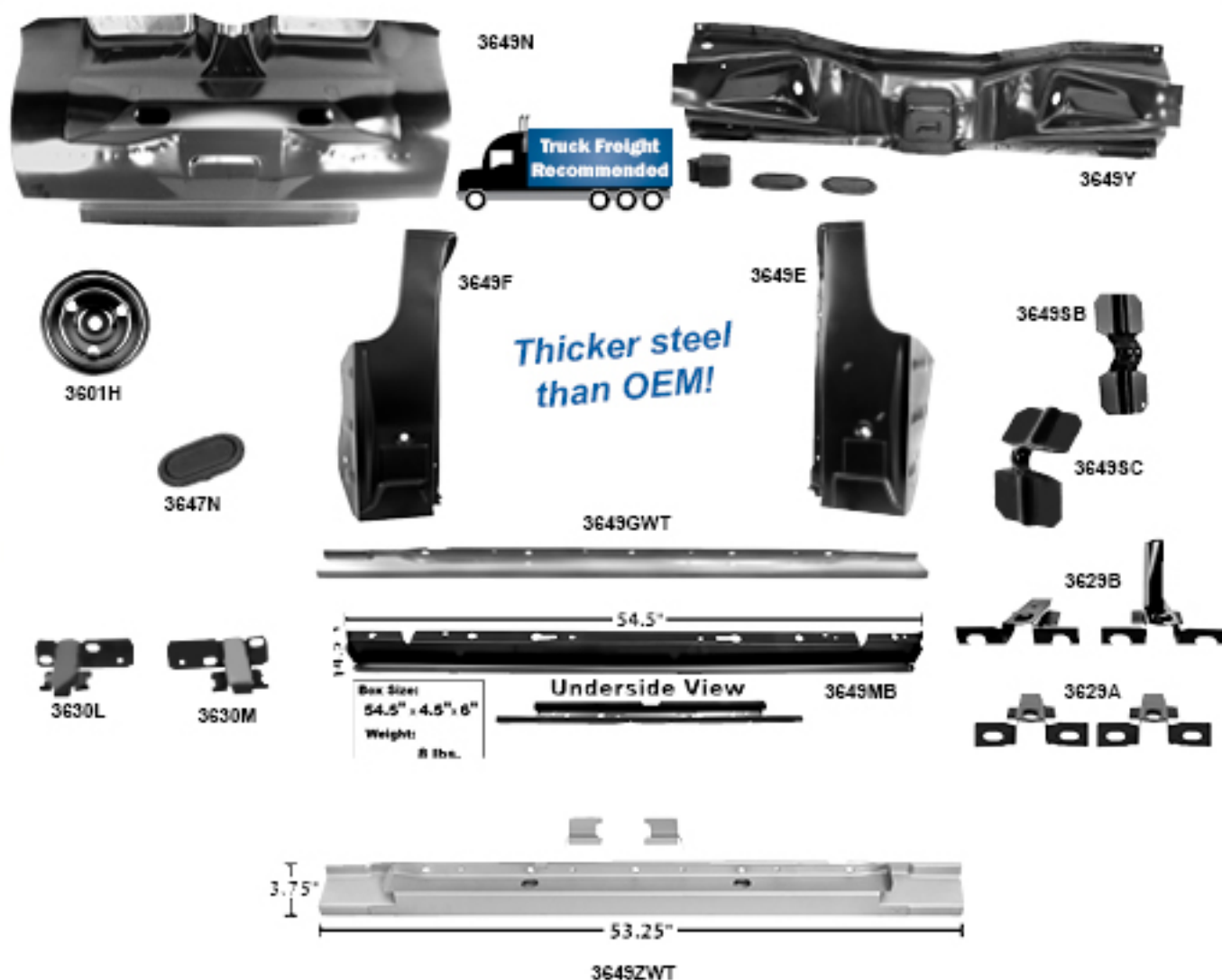
3661FWT	1967-68	Rear Seat/Trap Door Panel, Weld Through Primer, Fastback
M3509D	1965-70	Seat Support & Trap Door Catch Set, Fastback, w/ Fold down Rear
3661	1967-68	Trap Door, Fastback
3661A	1967-68	Trap Door Latch, Fastback
3661B	1967-68	Trap Door Handle, Fastback

3661FWT	1967-68	Rear Seat/Trap Door Panel, Weld Through Primer, Fastback
M3509D	1965-70	Seat Support & Trap Door Catch Set, Fastback, w/ Fold down Rear
3661	1967-68	Trap Door, Fastback
3661A	1967-68	Trap Door Latch, Fastback
3661B	1967-68	Trap Door Handle, Fastback

1969-70

3661G	1969-70	Rear Seat/Trap Door Panel, Fastback
M3509D	1965-70	Seat Support & Trap Door Catch Set, Fastback, w/ Fold down Rear
3662	1969-70	Trap Door, Fastback
3662A	1967-70	Trap Door Hinges, Fastback
3662B	1969-70	Trap Door Latch Assembly, Fastback

3661G	1969-70	Rear Seat/Trap Door Panel, Fastback
M3509D	1965-70	Seat Support & Trap Door Catch Set, Fastback, w/ Fold down Rear
3662	1969-70	Trap Door, Fastback
3662A	1967-70	Trap Door Hinges, Fastback
3662B	1969-70	Trap Door Latch Assembly, Fastback



3649N

3649F

3649E

3649Y

3601H

3647N

*Thicker steel
than OEM!*

3649GWT

3649SB

3649SC

3630L

3630M

Box Size:
54.5" x 4.5" x 6"
Weight:
8 lbs.

Underside View

3649MB

3629B

3629A

3.75"

53.25"

3649ZWT

3649R	New	1965-68	Transition Pan, Convertible	<i>Coming Soon!</i>
3649N		1965-70	Transition Pan w/Shock Mount, Coupe & Fastback	
3648NH	New	1971-73	Transition Pan w/Shock Mount, Fastback	<i>Coming Soon!</i>
3649Y		1965-70	Rear Shock Mount	
3601N	New	1971-73	Rear Shock Mount	<i>Coming Soon!</i>
3647N		1965-70	Shock Access Plug	
3649E		1965-70	Trunk Floor Drop-Off, RH	
3649F		1965-70	Trunk Floor Drop-Off, LH	
3649GWT		1965-70	Trunk Brace / Rear Crossrall, Weld Through Primer	
3649ZWT		1965-70	Trunk Crossrall, Weld Through Primer, Convertible	
3649MB		1971-73	Trunk Brace / Rear Crossrall	
3630L		1965-66	Bumper Mount Bracket RH	
3630M		1965-66	Bumper Mount Bracket LH	
3629A		1967-68	Bumper Mount Brackets	
3629B		1969-70	Bumper Mount Brackets	
3601H		1965-67	Spare Tire Retainer	
3649SB		1965-68	Spare Tire Brace	
3649SC		1969-70	Spare Tire Brace	

1965-70

Trunk Pans & Components

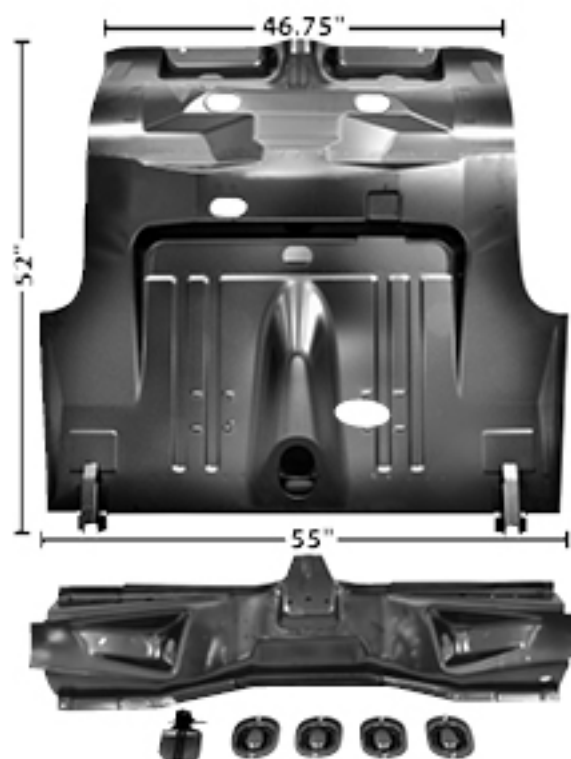
Muscle Car Parts & Molding • Muscle Car Parts & Molding • Muscle Car Parts & Molding



3649SWT



Includes 3649YWT rear shock mount

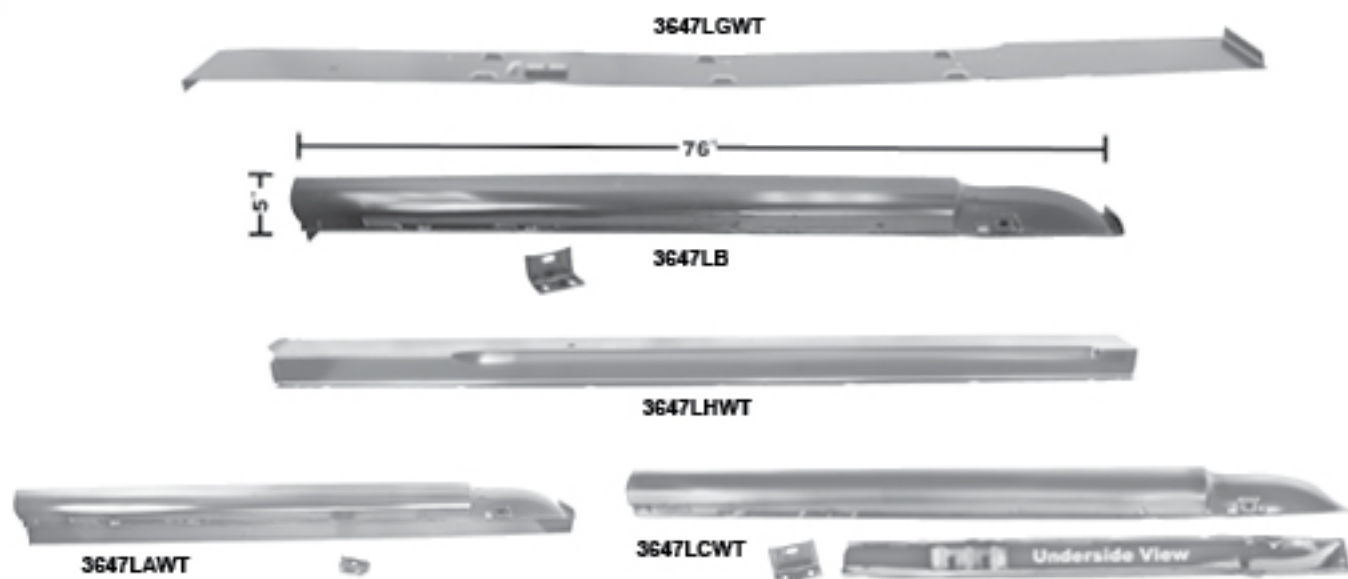


3648NK

Underside View

Box Size:
58" x 12" x 11"
Weight:
27.1 lbs.

3649S	1965-70	Complete Trunk Floor, Coupe & Fastback
3649SWT	1965-70	Complete Trunk Floor, Weld Through Primer, Coupe & Fastback
3649SA	1965-70	Complete Trunk Floor, Convertible
3649SAWT	1965-70	Complete Trunk Floor, Weld Through Primer, Convertible
3648NK	1971-73	Complete Trunk Floor, Heavy Gauge, Fastback

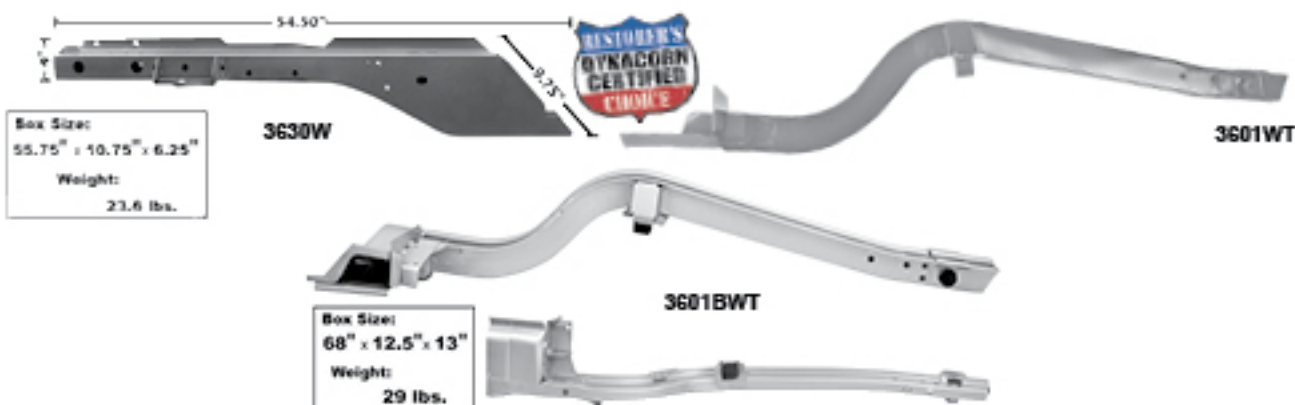


3647LGWT	1965-70	Rocker Panel, Inner RH, Weld Through Primer	Coupe/Fastback
3647MGWT	1965-70	Rocker Panel, Inner LH, Weld Through Primer	Coupe/Fastback
3647LCWT	1965-66	Rocker Panel, Outer RH, Weld Through Primer	Coupe/Fastback
3647MCWT	1965-66	Rocker Panel, Outer LH, Weld Through Primer	Coupe/Fastback
3647LBWT	1965-66	Complete Rocker Panel, RH	Coupe/Fastback
3647MBWT	1965-66	Complete Rocker Panel, LH	Coupe/Fastback
3647LHWT	1965-68	Rocker Panel, Inner RH, Weld Through Primer	Convertible
3647MHWT	1965-68	Rocker Panel, Inner LH, Weld Through Primer	Convertible
3647LAWT	1965-66	Complete Rocker Panel, RH, Weld Through Primer	Convertible
3647MAWT	1965-66	Complete Rocker Panel, LH, Weld Through Primer	Convertible



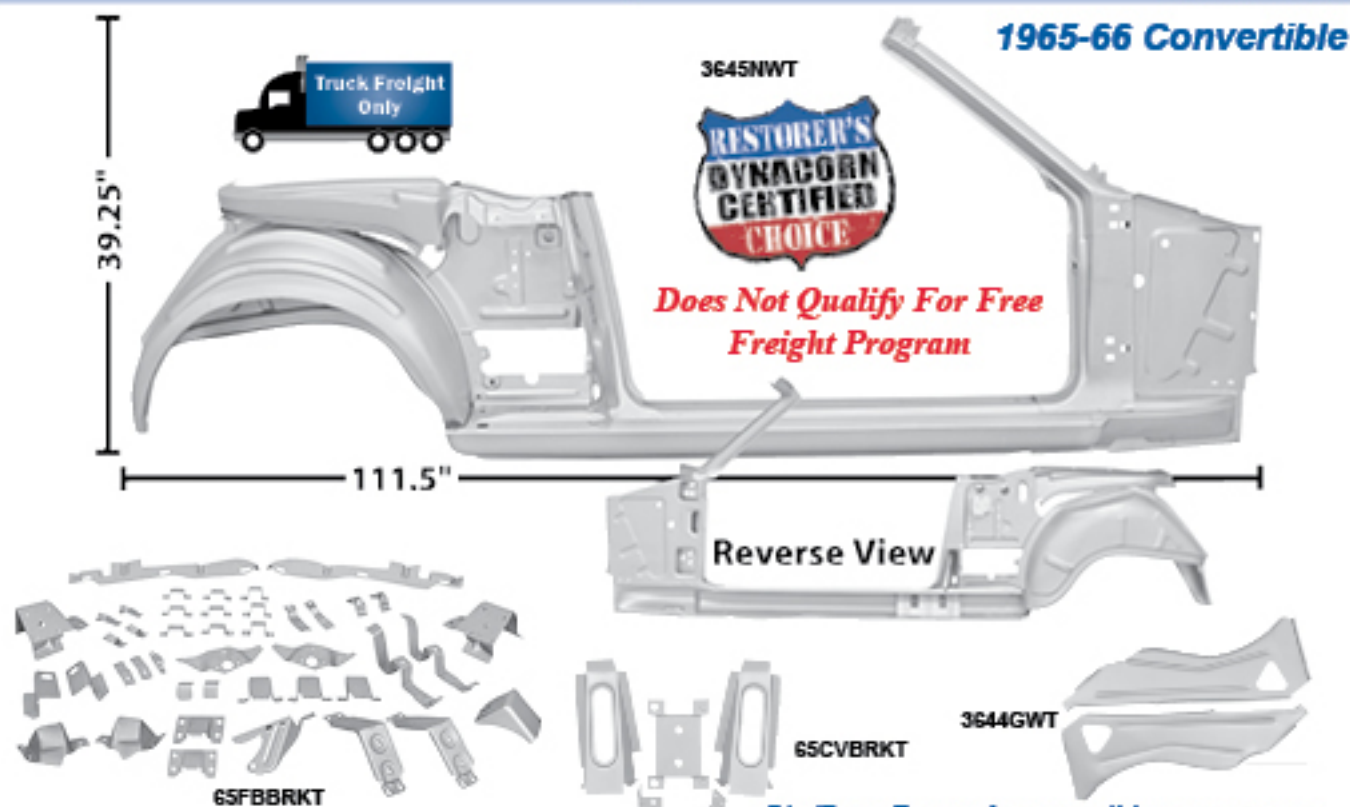
3647LWT	1967-68	Complete Rocker Panel, RH, Weld Through Primer	Convertible
3647MWT	1967-68	Complete Rocker Panel, LH, Weld Through Primer	Convertible
3647LDWT	1967-70	Rocker Panel, Outer RH, Weld Through Primer	
3647MDWT	1967-70	Rocker Panel, Outer LH, Weld Through Primer	
3647LFWT	1967-68	Complete Rocker Panel, RH, Weld Through Primer	Coupe/Fastback
3647MFWT	1967-68	Complete Rocker Panel, LH, Weld Through Primer	Coupe/Fastback
3647QA	New 1969-70	Complete Rocker Panel, LH	Convertible
3647QB	New 1969-70	Complete Rocker Panel, LH	Coupe/Fastback

Coming Soon!
Coming Soon!



3630W		1965-70	Front Frame Rail, RH
3630X		1965-70	Front Frame Rail, LH
3600WT		1965-69	Rear Frame Rail, RH, Weld Through Primer, Convertible
3601WT		1965-69	Rear Frame Rail, LH, Weld Through Primer, Convertible
3601AWT		1965-68	Rear Frame Rail, RH, Weld Through Primer, Coupe & Fastback
3601BWT		1965-68	Rear Frame Rail, LH, Weld Through Primer, Coupe & Fastback

3630ZA	New	1971-73	Front Frame Extension, RH	Coming Soon!
3630ZB	New	1971-73	Front Frame Extension, LH	Coming Soon!

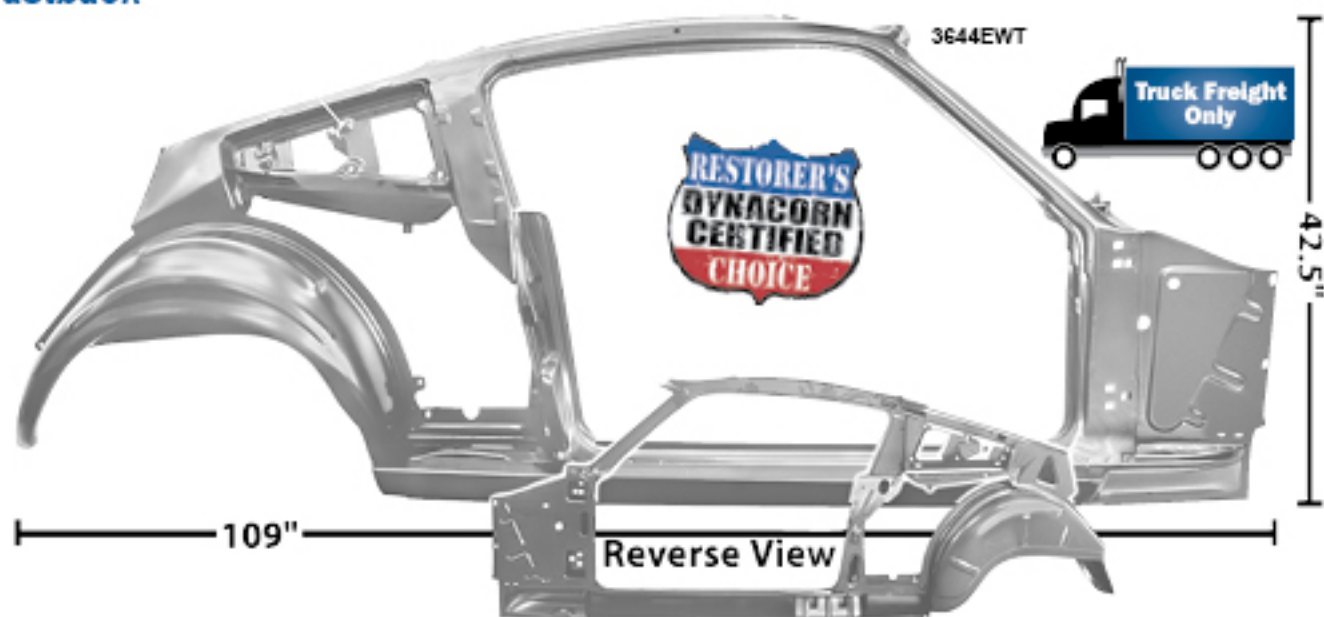


Qtr./Door Frame Assy. cont'd. on next page...

3645NWT		1965-66	Quarter/Door Frame Assembly, Weld Through Primer, RH, Convertible
3645PWT		1965-66	Quarter/Door Frame Assembly, Weld Through Primer, LH, Convertible
3644GWT		1965-66	Inner Quarter Structure Braces, Weld Through Primer, Convertible
3645X	New	1965-66	Quarter Window Brace Panels, Pair, Convertible
65CVBRKT		1965-66	Body Bracket Kit, 5 pcs., Convertible
65FBBRKT		1965-66	Body Bracket Kit, 37 pcs., Fastback

Coming Soon!

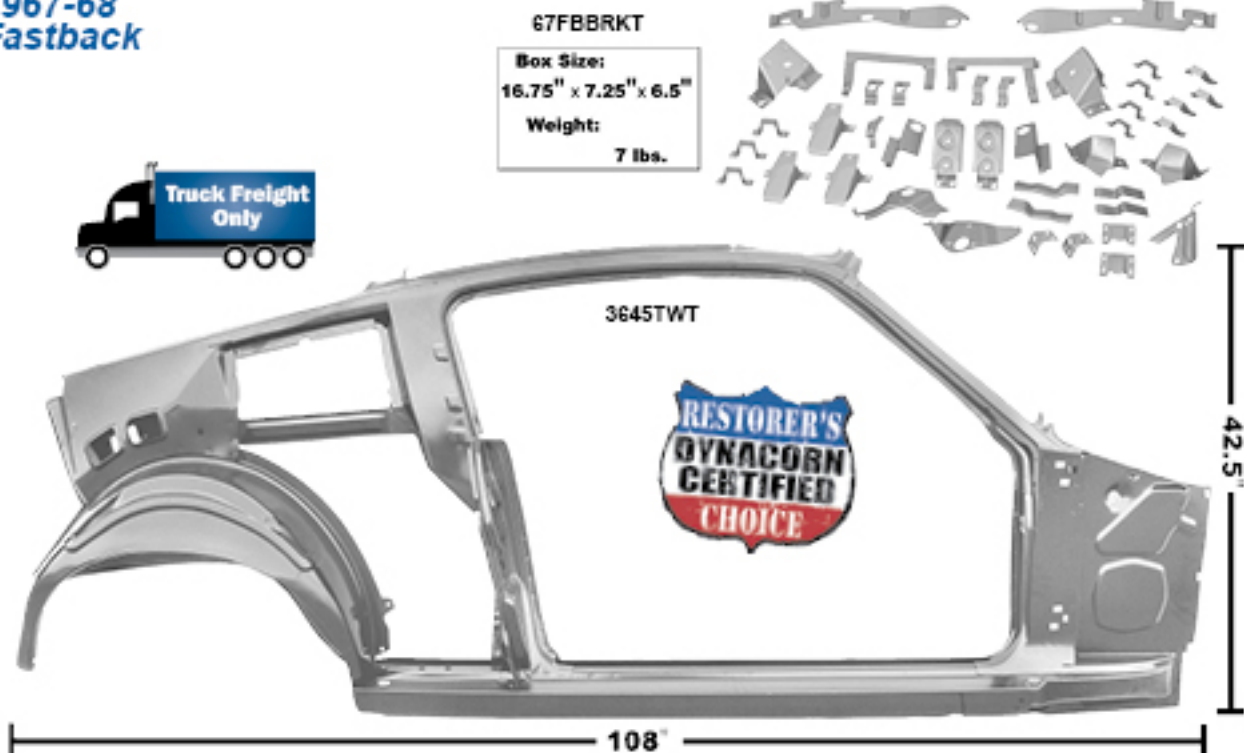
**1965-66
Fastback**



Does Not Qualify For Free Freight Program

3644EWT	1965-66	Quarter/Door Frame Assembly, Weld Through Primer, RH, <i>Fastback</i>
3644FWT	1965-66	Quarter/Door Frame Assembly, Weld Through Primer, LH, <i>Fastback</i>

**1967-68
Fastback**



67FBBRKT
Box Size:
16.75" x 7.25" x 6.5"
Weight:
7 lbs.

Does Not Qualify For Free Freight Program

3645TWT	1967-68	Quarter/Door Frame Assembly, Weld Through Primer, RH, <i>Fastback</i>
3645UWT	1967-68	Quarter/Door Frame Assembly, Weld Through Primer, LH, <i>Fastback</i>
67FBBRKT	1967-68	Body Bracket Kit, 42 pcs., <i>Fastback</i>

1967-68
Fastback

Quarter / Door Frame Assemblies



3645TA	1967-68	Quarter/Door Frame Component Kit RH, <i>Fastback</i>
3645UA	1967-68	Quarter/Door Frame Component Kit LH, <i>Fastback</i>

1967-68 Convertible



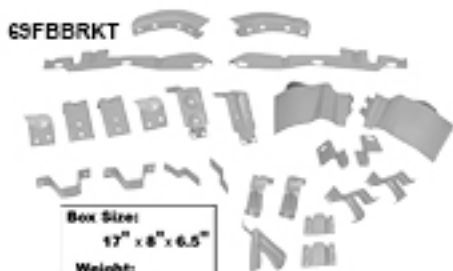
3645V	1967-68	Quarter/Door Frame Assembly RH, <i>Convertible</i>
3645W	1967-68	Quarter/Door Frame Assembly LH, <i>Convertible</i>
3644HWT	1967-68	Inner Quarter Structure Braces, Weld-Through Primer <i>Convertible</i>

Quarter/Door Assemblies cont'd. on next page...

Muscle Car Parts & Molding • Muscle Car Parts & Molding • Muscle Car Parts & Molding

1969-70

69FBBRKT

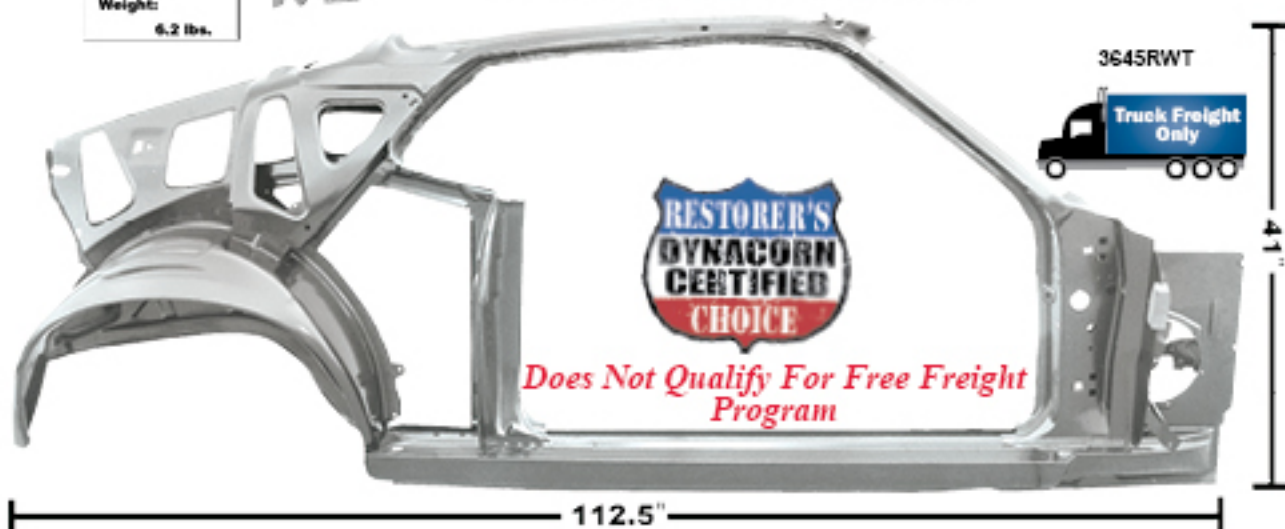


Box Size:
17" x 8" x 6.5"
Weight:
6.2 lbs.



Back View

3645RWT

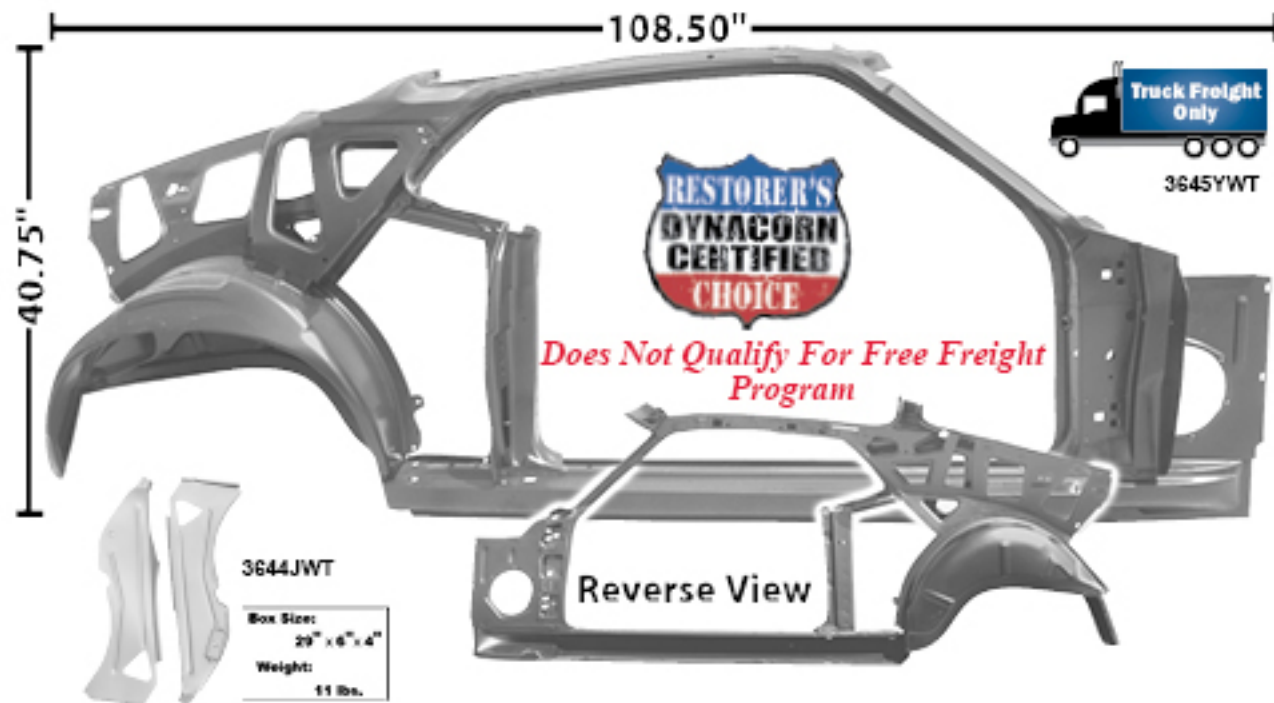


Does Not Qualify For Free Freight Program

112.5"

41"

108.50"



3645YWT



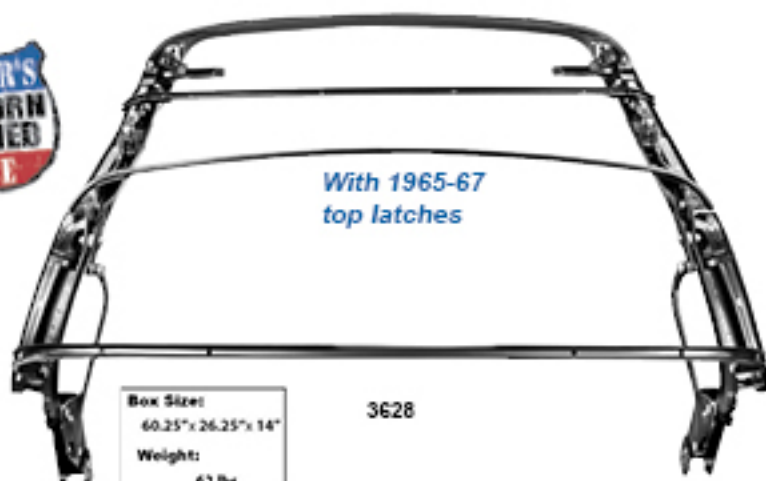
Does Not Qualify For Free Freight Program

Reverse View

3644JWT

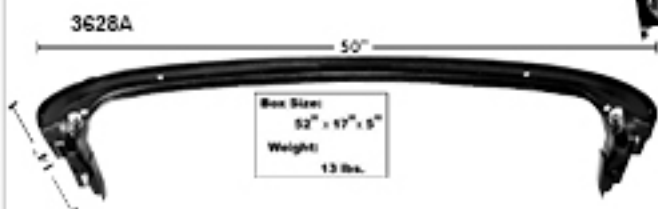
Box Size:
29" x 6" x 4"
Weight:
11 lbs.

3645RWT	1969	Quarter/Door Frame Assembly, Weld Through Primer, RH, Fastback
3645SWT	1969	Quarter/Door Frame Assembly, Weld Through Primer, LH, Fastback
3645YWT	1970	Quarter/Door Frame Assembly, Weld Through Primer, RH, Fastback
3645ZWT	1970	Quarter/Door Frame Assembly, Weld Through Primer, LH, Fastback
69FBBRKT	1969-70	Body Bracket Kit, 25 pos., Fastback
3644JWT	1969-70	Inner Quarter Structure Braces, Weld-Through Primer, Convertible



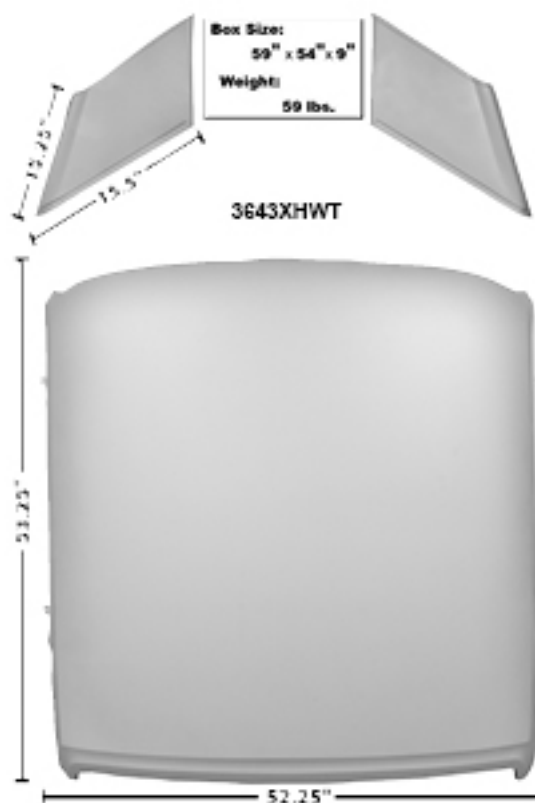
Box Size:
60.25" x 26.25" x 14"
Weight:
62 lbs.

3628



3628	1965-68	Convertible Top Frame Assembly w/Header Bow
3628A	1965-68	Convertible Top Header Assembly

1965-68



Roof Components cont'd. on next page...

3643XHWT	1965-66	Roof Panels (3 pcs.), Weld Through Primer, coupe
3643XAWT	1965-66	Roof Panel, Weld Through Primer, Fastback
3643ZDWT	1965-68	Front Roof Brace, Weld Through Primer, Convertible
3643YWT	1965-68	Front Roof Brace, Weld Through Primer, Coupe & Fastback
3643YAWT	1965-66	Rear Roof Brace, Fastback
3643XJWT	1965-66	Roof Drip Rails, Fastback



1967-68



3643XWT



3643XK



3643ZK



3643XB



3643ZWT



3643XWT	1967-68	Roof Panel, Weld Through Primer, Fastback
3643XK	1967-68	Roof Bracket Set, 6 pcs., Fastback
3643ZK	1967-68	Roof Trim Bracket Set, 21 pcs., Fastback
3643XB	1967-68	Roof Headliner Bows, 5 pcs., Fastback
3643ZWT	1967-68	Rear Roof Brace, Weld Through, Fastback

1969-73



3643XL

60.25"

Box Size:
63" x 55.5" x 7"
Weight:
47 lbs.



3643ZAWT



3643ZBWT



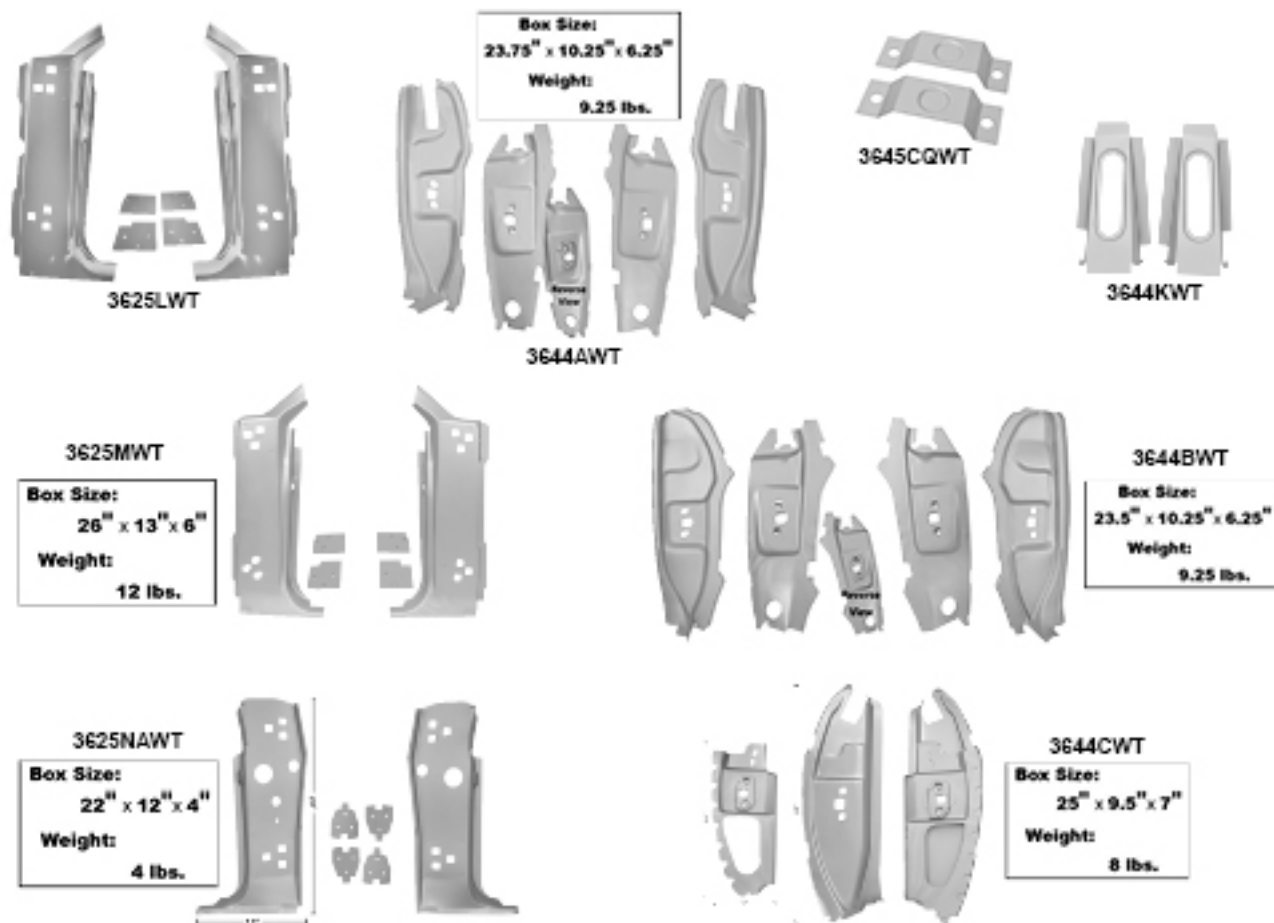
3643ZF

Box Size:
46.25" x 8" x 4.5"
Weight:
12 lbs.

3643XCWT	1969-70	Roof Panel, Weld Through Primer, Fastback
3643ZAWT	1969-70	Front Roof Brace, Weld Through Primer, Fastback
3643ZBWT	1969-70	Rear Roof Brace, Weld Through Primer, Fastback
3643XL	1971-73	Roof Panel, Fastback
3643ZF	1971-73	Roof Brace Kit, 3 pcs., Fastback

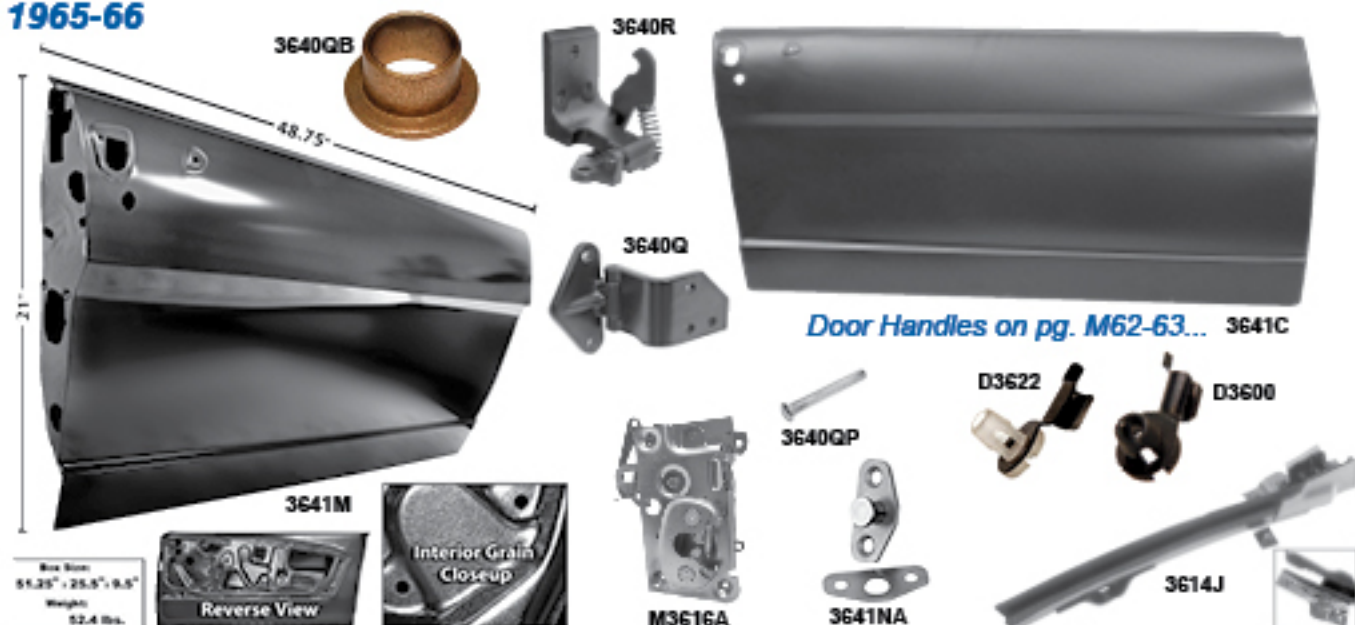


3643XJW	1965-66	Roof Drip Rails, Pair, Weld Through Primer, <i>Fastback</i>
3625C	1967-68	Windshield to Dash Pad Fill Strips, 2 pcs.
3643XDWT	1967-68	Roof Drip Rails, Weld Through Primer, <i>Fastback</i>
3643XE	1969-70	Roof Drip Rails, 4 pcs. <i>Fastback</i>



3625LWT	1965-66	"A" Pillar Panels, 6 pcs., Weld Through Primer
3644AWT	1965-66	"B" Pillar Panels, 4 pcs., Weld Through Primer
3645CQWT	1965-66	"B" Pillar Support Brackets, 2 pcs., Weld Through Primer, <i>Convertible</i>
3644KWT	1965-68	"B" Pillar to Floor Braces, 2 pcs., Weld Through Primer, <i>Convertible</i>
3625MWT	1967-68	"A" Pillar Panels, 6 pcs., Weld Through Primer
3644BWT	1967-68	"B" Pillar Panels, 4 pcs., Weld Through Primer
3625NAWT	1969-70	"A" Pillar Panels, 6 pcs., Weld Through Primer
3644CWT	1969-70	"B" Pillar Panels, 4 pcs., Weld Through Primer

1965-66



Door Handles on pg. M62-63... 3641C

3641MA	1965-66	Door Shell, RH (No reinforcement bar)
3641MB	1965-66	Door Shell, LH (No reinforcement bar)
3641M	1965-66	Door Shell, RH (Double-sized reinforcement bar)
3641N	1965-66	Door Shell, LH (Double-sized reinforcement bar)
3641C	1965-66	Door Skin, RH
3641D	1965-66	Door Skin, LH
3640P	1965-66	Door Hinge Upper, RH
3640Q	1965-66	Door Hinge Upper, LH
3640R	1965-66	Door Hinge Lower, RH
3640S	1965-66	Door Hinge Lower, LH
3640QP	1965-68	Door Hinge Pin, Short (2 1/2"), Silver Zinc Plated
3640QB	1965-70	Door Hinge Bushing (2 per hinge)
M3616A	1965-66	Door Latch, RH
M3616B	1965-66	Door Latch, LH
3641NA	1965-66	Door Striker
D3600	1965-66	OE Door Rod Retainer
D3622	1965-66	Concourse Door Rod Retainer
3614J	1965-66	Door Glass Track, RH
3614K	1965-66	Door Glass Track, LH



M3693



M3690

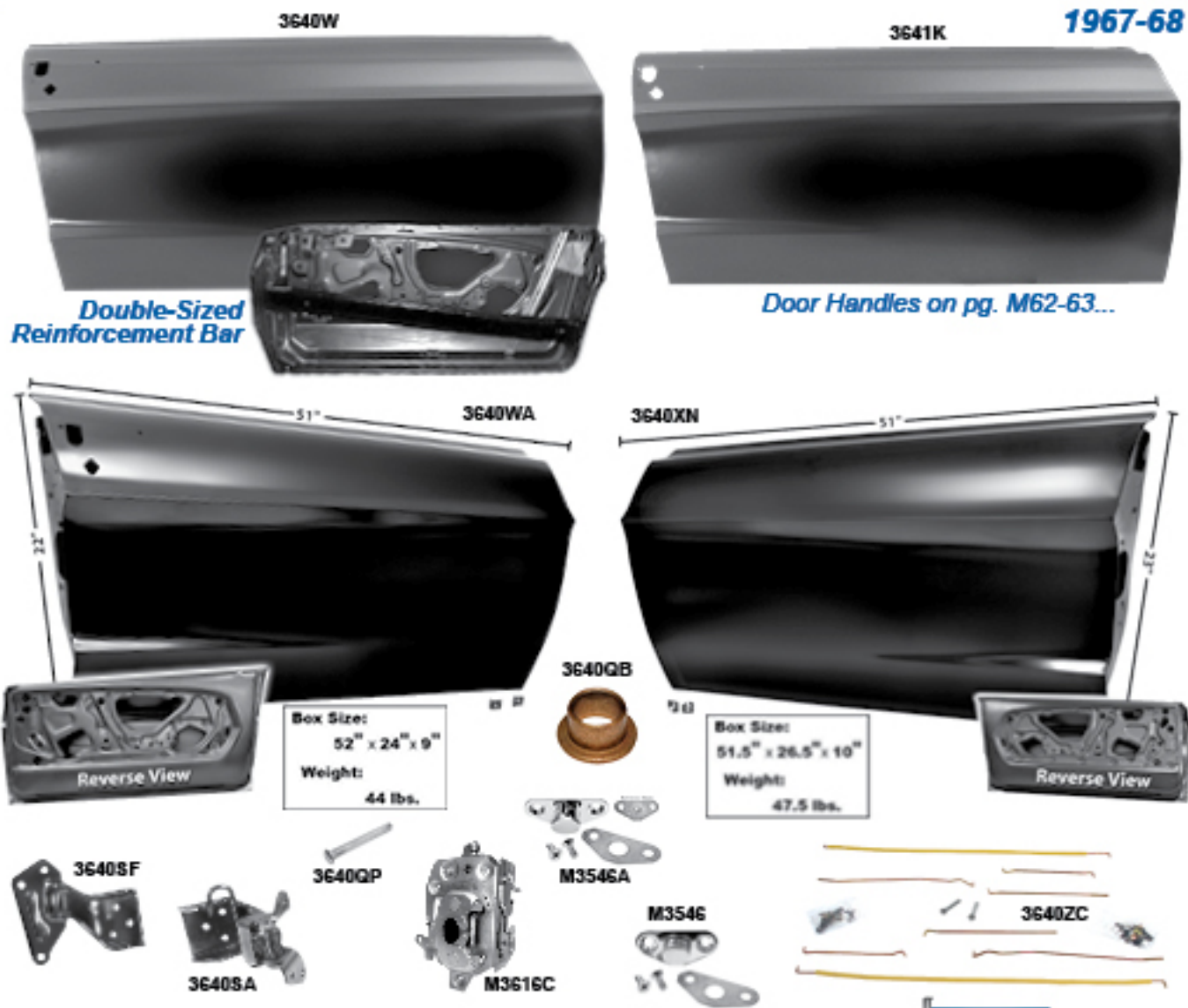


M3699



M3692B

M3692	1965-66	Window Regulator, RH
M3693	1965-66	Window Regulator, LH
M3690	1965-66	Regulator Scissors, RH
M3691	1965-66	Regulator Scissors, LH
M3692B	1965-66	Window Rollers & Clips, 60 ct. bag
M3698	1965-67	Quarter Window Regulator, RH
M3699	1965-67	Quarter Window Regulator, LH

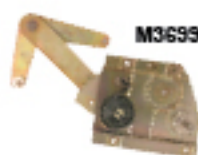


3640W	1967-68	Door Shell, RH (Double-sized reinforcement bar)
3640X	1967-68	Door Shell, LH (Double-sized reinforcement bar)
3640WA	1967-68	Door Shell, RH (Standard reinforcement bar)
3640WB	1967-68	Door Shell, LH (Standard reinforcement bar)
3640WN	1967-68	Custom Door Shell, RH (No door handle or key holes)
3640XN	1967-68	Custom Door Shell, LH (No door handle or key holes)
3641K	1967-68	Door Skin, RH
3641L	1967-68	Door Skin, LH
3640SE	1967-68	Door Hinge Upper RH
3640SF	1967-68	Door Hinge Upper LH
3640SA	1967-68	Door Hinge Lower RH
3640SB	1967-68	Door Hinge Lower LH
3640QP	1965-68	Door Hinge Pin, Short (2 1/2"), Silver Zinc Plated
3640QB	1965-70	Door Hinge Bushing (2 per hinge)
M3616C	1967-68	Door Latch, RH
M3616D	1967-68	Door Latch, LH
M3546	1967-70	Door Striker Set
M3546A	1967-70	Door Striker Set, Stainless
3640ZC	1967-68	Door Latch Control Rod Set





M3693B



M3699



M3693D

M3698	1965-67	Quarter Window Regulator, RH
M3699	1965-67	Quarter Window Regulator, LH
M3693A	1967	Window Regulator, RH
M3693B	1967	Window Regulator, LH
M3693C	1968	Window Regulator, RH
M3693D	1968	Window Regulator, LH

1969-70

3640Y



3640Z



3640YN

51.5"



23"



Reverse View

Box Size:
53" x 27.5" x 9"
Weight:
42 lbs.

3640ZN

51.5"



17"



Reverse View

Box Size:
58" x 12" x 11"
Weight:
27.1 lbs.

3640Y	1969-70	Door Shell, RH
3640Z	1969-70	Door Shell, LH
3640YN	1969-70	Custom Door Shell, RH (No door handle or key holes)
3640ZN	1969-70	Custom Door Shell, LH (No door handle or key holes)





3641A



3641B

Door Handles on pg. M62-63...



3640SH



3640SG



3640SC



3640SHP



3640YB



3615A

(2 per door)



3640QB



M3616E



3640ZB

3641A	1969-70	Door Skin, RH
3641B	1969-70	Door Skin, LH
3640SG	1969-70	Door Hinge Upper RH
3640SH	1969-70	Door Hinge Upper LH
3640SC	1969-70	Door Hinge Lower RH
3640SD	1969-70	Door Hinge Lower LH
3640SHP	1969-70	Door Hinge Pin, Long (4"), Parkerized
3640QB	1965-70	Door Hinge Bushing (2 per hinge)
M3616E	1969-70	Door Latch, RH
M3616F	1969-70	Door Latch, LH
M3546	1967-70	Door Striker Set
3640ZB	1969-70	Door Latch Control Rod Set
3640YB	1969-70	Door Inner Trim, RH <i>Textured Steel</i>
3640YC	1969-70	Door Inner Trim, LH <i>Textured Steel</i>
3615	1969-70	Door Glass Track, RH
3615A	1969-70	Door Glass Track, LH



M3551

dii Exclusive



M3694

Doors &
Hardware
continued on
next page...



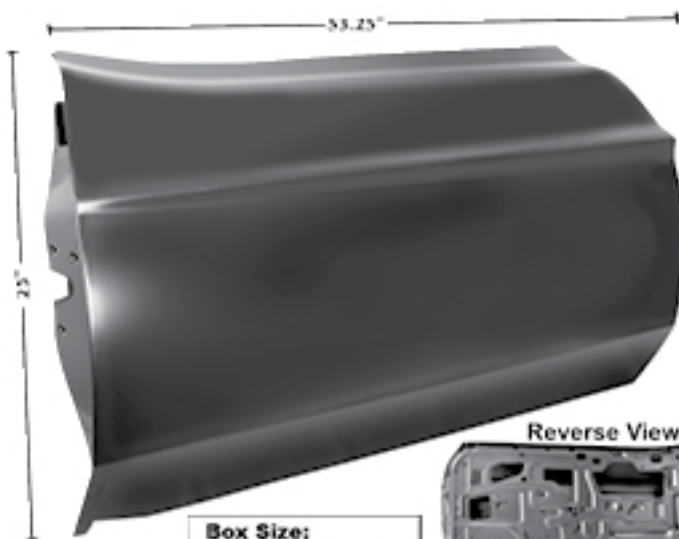
M3696

M3550	1969-70	Quarter Window Regulator, RH
M3551	1969-70	Quarter Window Regulator, LH
M3694	1969	Window Regulator, RH
M3695	1969	Window Regulator, LH
M3696	1970	Window Regulator, RH
M3697	1970	Window Regulator, LH

1971-73



3640ZD



Reverse View



3640ZDN

Box Size:
56" x 28.75" x 9.75"
Weight:
66 lbs.

3640ZD	1971-73	Door Shell, RH
3640ZE	1971-73	Door Shell, LH
3640ZDN	1971-73	Custom Door Shell, RH (No door handle or key holes)
3640ZEN	1971-73	Custom Door Shell, LH (No door handle or key holes)

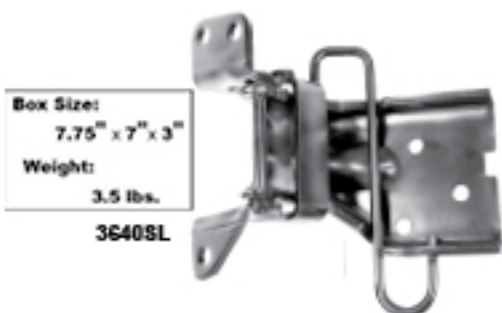


3640SK

Box Size:
6.5" x 5.25" x 3.25"
Weight:
1 lbs.



M3616J



Box Size:
7.75" x 7" x 3"
Weight:
3.5 lbs.

3640SL



M3552

3640SJ	1971-73	Door Hinge Upper RH
3640SK	1971-73	Door Hinge Upper LH
3640SL	1971-73	Door Hinge Lower RH
3640SM	1971-73	Door Hinge Lower LH
M3616J	1971-73	Door Latch RH
M3616K	1971-73	Door Latch LH
M3552	1971-73	Quarter Window Regulator RH
M3553	1971-73	Quarter Window Regulator LH

1965-67



3641G



M3616



M3529C



M3525

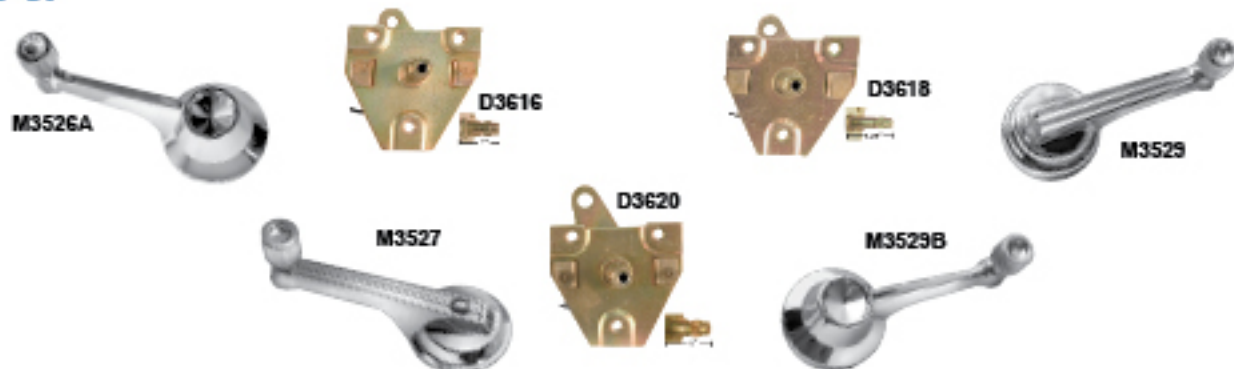


M3526

1965-67 continued on next page...

M3616	1965-66 (1969-70)	Exterior Door Handles
3641G	1965-66	Vent Window Handles
M3529C	1967	Vent Window Handles
M3525	1965-67	Interior Door Handle, Except Deluxe Pony
M3526	1965	Interior Door Handle, Clip Style, fits both sides

1965-67



D3616	1965-66	Door Handle Control Relay RH, Standard
D3617	1965-66	Door Handle Control Relay LH, Standard
D3618	1965-66	Door Handle Control Relay RH, Pony
D3619	1965-66	Door Handle Control Relay LH, Pony
M3526A	1965	Window Crank, Early Clip Style
M3527	1965-67	Window Crank, Late Screw Style
M3529B	Early 1965	Quarter Window Crank
M3529	1965-67	Quarter Window Crank w/Set Screw
D3620	1967-68	Door Handle Control Relay RH, Standard
D3621	1967-68	Door Handle Control Relay LH, Standard

1967-73



M3617	1967-68	Exterior Door Handles
M3529D	1968	Vent Window Handles
M3529E	1968	Vent Window Handle with Nylon Wear Tab
M3528	1968-70	Window Crank, (Less Knob)
M3529A	1968-70	Quarter Window Crank w/Set Screw, (Less Knob)
M3525A	1968-70	Window Crank Knob Kit, Black, 3 pcs.
M3525B	1968-70	Window Crank Knob Kit, Clear, 3 pcs.
M3540	1967-68	Door Handle Control Relay RH
M3541	1967-68	Door Handle Control Relay LH
M3616	1969-70 (1965-66)	Exterior Door Handles
M3618	New 1971-73	Door Handle, Outer, RH
M3618A	New 1971-73	Door Handle, Outer, LH

1965-66

Quarter Panels & Components

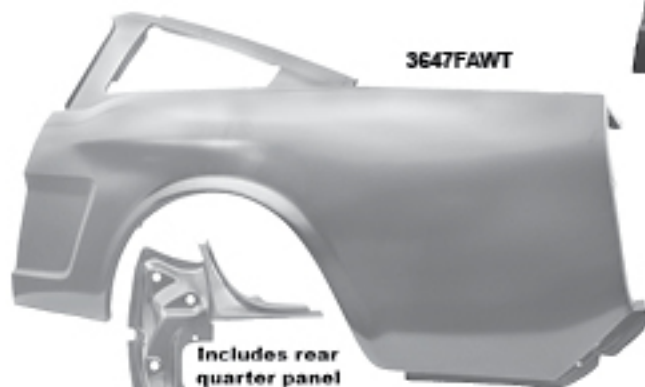
Muscle Car Parts & Molding • Muscle Car Parts & Molding • Muscle Car Parts & Molding



3645



3647



3647FAWT



Includes rear quarter panel bracket.



3645D



3647FBWT



3647EBWT

M3501



M3500



Qtr. Panels & Components cont'd. on next page...

3644	1965-66	Quarter Panel, RH Coupe	
3645	1965-66	Quarter Panel, LH Coupe	
3646	1965-66	Quarter Panel, RH Convertible	
3647	1965-66	Quarter Panel, LH Convertible	
3647EAWT	1965-66	Quarter Panel w/Attached Sail, 1 pc., RH, Weld Through Primer, Fastback	
3647FAWT	1965-66	Quarter Panel w/Attached Sail, 1 pc., LH, Weld Through Primer, Fastback	
3645C	1965-66	Quarter Skin, RH	
3645D	1965-66	Quarter Skin, LH	
3647EBWT	1965-66	Rear Quarter Panel Bracket RH, Weld Through Primer, Fastback	
3647FBWT	1965-66	Rear Quarter Panel Bracket LH, Weld Through Primer, Fastback	
M3500	1965-66	Quarter Panel Extension RH	
M3501	1965-66	Quarter Panel Extension LH	

1967



3647B

3645FAWT



3645EAWT



3645FBWT

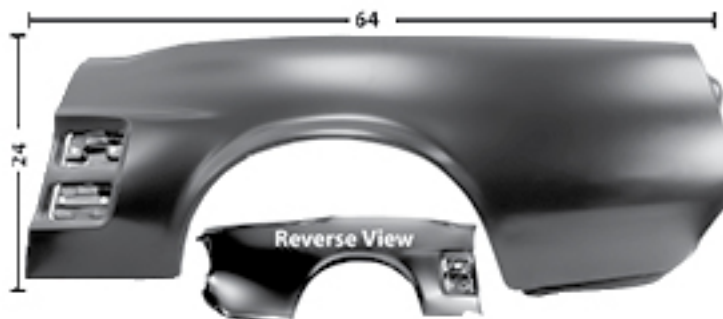
Box Size:
20.25" x 10.25" x 8"
Weight:
11 lbs.



3645FWT



3645GB



3647F

M3503

M3502



M3505

Box Size:
15.75" x 3.75" x 5.5"
Weight:
3 lbs.



M3504

Box Size:
15.75" x 3.75" x 5.5"
Weight:
3 lbs.



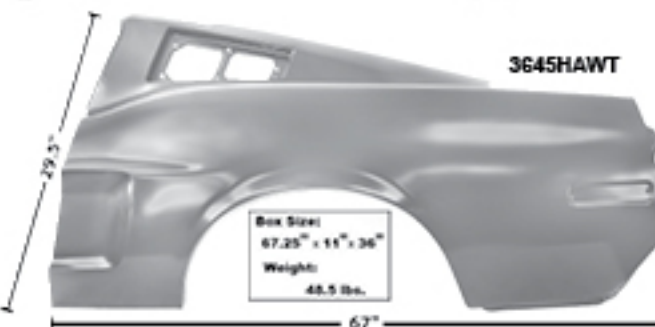
M3504A



3647A	1967	Quarter Panel, RH Coupe	
3647B	1967	Quarter Panel, LH Coupe	
3647E	1967	Quarter Panel, RH Convertible	
3647F	1967	Quarter Panel, LH Convertible	
3645EAWT	1967	Quarter Panel, Weld Through Primer, RH Fastback	
3645FWT	1967	Quarter Panel, Weld Through Primer, LH Fastback	
3645EAWT	1967-68	Rear Quarter Panel Bracket RH, Weld Through Primer, Fastback	
3645FAWT	1967-68	Rear Quarter Panel Bracket LH, Weld Through Primer, Fastback	
M3502	1967-68	Quarter Panel Extension RH Coupe & Convertible	
M3503	1967-68	Quarter Panel Extension LH Coupe & Convertible	
M3504	1967-68	Quarter Panel Extension RH Fastback	
M3505	1967-68	Quarter Panel Extension LH Fastback	
M3504A	1967-68	Quarter Panel Extensions, SMC, Fastback	
3645GB	1967-68	Quarter Scoops, 2 pcs.	
3645FBWT	1967-68	Quarter Scoop Brake Ducts, 2 pcs., Weld Through Primer	

1968

Quarter Panels & Components



Qtr. Panels & Components cont'd. on next page...



Box Size:
15.75" x 3.75" x 5.5"
Weight:
3 lbs.

M3505



Box Size:
15.75" x 3.75" x 5.5"
Weight:
3 lbs.

M3504



3647C	1968	Quarter Panel, RH Coupe	
3647D	1968	Quarter Panel, LH Coupe	
3647P	1968	Quarter Panel w/o Louvre & Lamp Hole, RH Convertible	
3647Q	1968	Quarter Panel w/o Louvre & Lamp Hole, LH Convertible	
3645GWT	1968	Quarter Panel, Weld Through Primer, RH Fastback	
3645HWT	1968	Quarter Panel, Weld Through Primer, LH Fastback	
3645GAWT	1968	Quarter Panel with Early Marker, RH, Weld Through Primer, Fastback	
3645HAWT	1968	Quarter Panel with Early Marker, LH, Weld Through Primer, Fastback	
3645EAWT	1967-68	Rear Quarter Panel Bracket RH, Weld Through Primer, Fastback	
3645FAWT	1967-68	Rear Quarter Panel Bracket LH, Weld Through Primer, Fastback	
M3502	1967-68	Quarter Panel Extension RH Coupe & Convertible	
M3503	1967-68	Quarter Panel Extension LH Coupe & Convertible	
M3504	1967-68	Quarter Panel Extension RH Fastback	
M3505	1967-68	Quarter Panel Extension LH Fastback	
M3504A	1967-68	Quarter Panel Extensions, SMC, Fastback	
3645GB	1967-68	Quarter Scoops, 2 pcs.	
3645FBWT	1967-68	Quarter Scoop Brake Ducts, Weld Through Primer	
3645GC	New	1967-68	Quarter Sail Scoop, CS Style Set

1969



3645K



3647U



3644M

26"

62.5"

Box Size:
65.5" x 29" x 15"
Weight:
26.5 lbs.



3643WWT



3643UWT



3647UX69



3647TX69



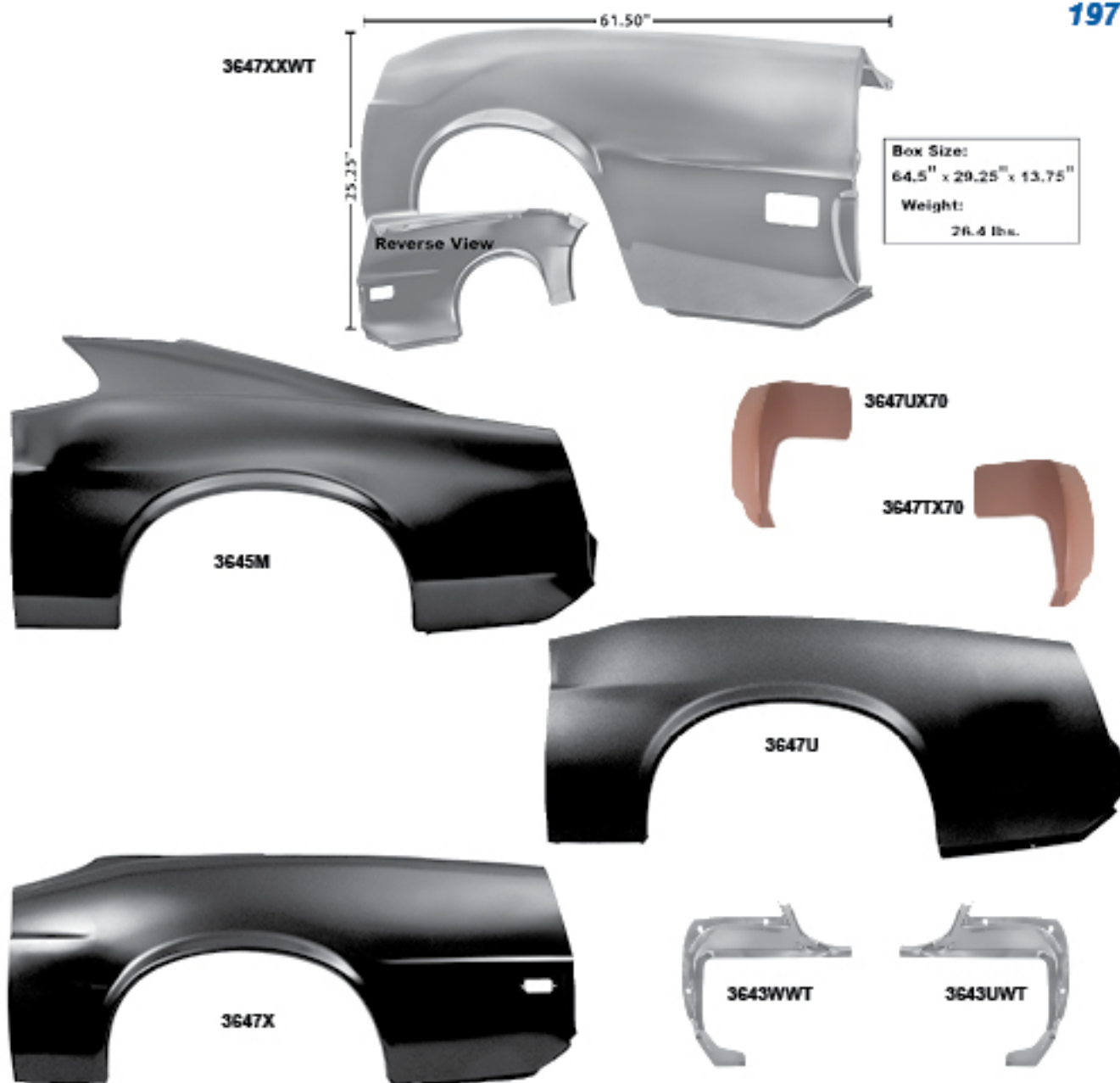
3647H

3645J	1969	Quarter Panel, EDP Coating, RH <i>Fastback</i>	
3645K	1969	Quarter Panel, EDP Coating, LH <i>Fastback</i>	
3647T	1969-70	Quarter Skin, RH <i>Fastback</i>	
3647U	1969-70	Quarter Skin, LH <i>Fastback</i>	
3643UWT	1969-70	Rear Quarter Panel Bracket RH, Weld Through Primer, <i>Fastback</i>	
3643WWT	1969-70	Rear Quarter Panel Bracket LH, Weld Through Primer, <i>Fastback</i>	
3647TX69	1969	Quarter Panel Extension RH <i>Fastback</i>	
3647UX69	1969	Quarter Panel Extension LH <i>Fastback</i>	
3644L	1969	Quarter Panel, EDP Coating, RH <i>Convertible</i>	
3644M	1969	Quarter Panel, EDP Coating, LH <i>Convertible</i>	
3647G	1969	Quarter Skin, RH <i>Coupe & Convertible</i>	
3647H	1969	Quarter Skin, LH <i>Coupe & Convertible</i>	




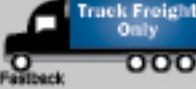
1970

Quarter Panels & Components

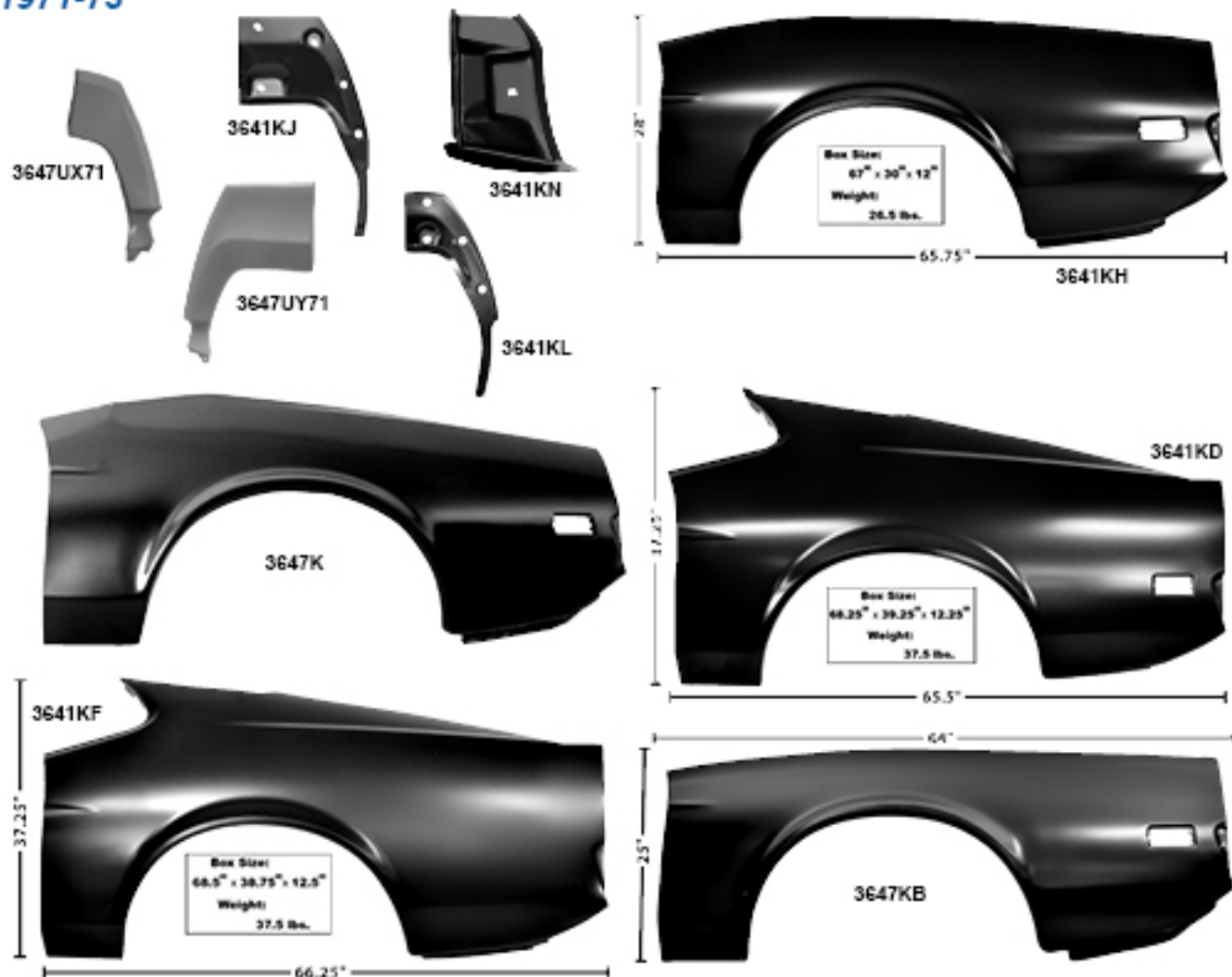
Muscle Car Parts & Molding • Muscle Car Parts & Molding • Muscle Car Parts & Molding





Quarter Panels & Components continued on next page...

3647WXWT	1970	Quarter Panel, Complete RH, Weld Through Primer, Convertible	
3647XXWT	1970	Quarter Panel, Complete LH, Weld Through Primer, Convertible	
3645L	1970	Quarter Panel, EDP Coating, RH Fastback	
3645M	1970	Quarter Panel, EDP Coating, LH Fastback	
3647W	1970	Quarter Skin, RH Convertible	
3647X	1970	Quarter Skin, LH Convertible	
3647T	1969-70	Quarter Skin, RH Fastback	
3647U	1969-70	Quarter Skin, LH Fastback	
3647TX70	1970	Quarter Panel Extension RH Fastback	
3647UX70	1970	Quarter Panel Extension LH Fastback	
3643UWT	1969-70	Rear Quarter Panel Bracket RH, Weld Through Primer, Fastback	
3643WWT	1969-70	Rear Quarter Panel Bracket LH, Weld Through Primer, Fastback	

1971-73



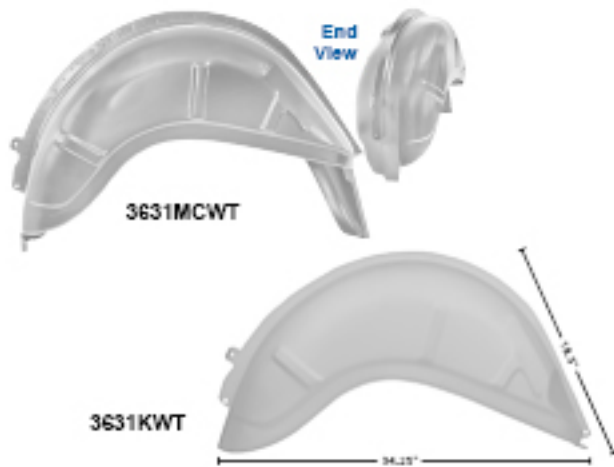
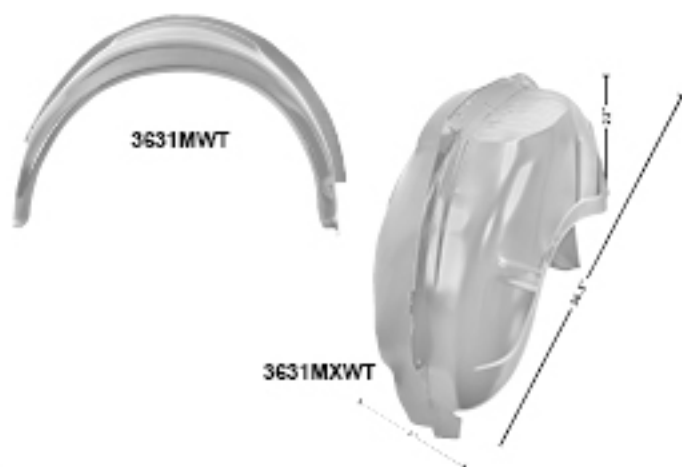
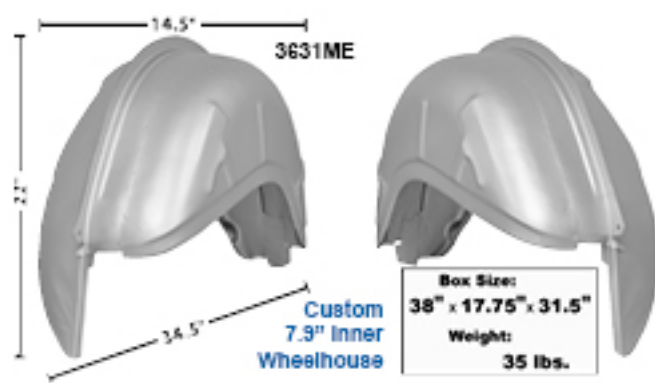
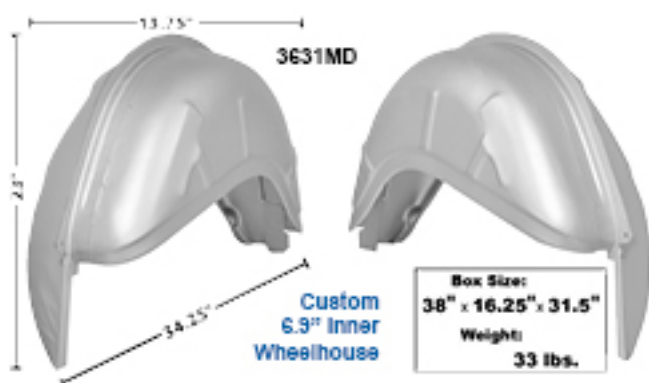
Quarter Panels & Components continued on next page...

3641KG	1971-73	Full Quarter Panel, RH	Convertible	
3641KH	1971-73	Full Quarter Panel, LH	Convertible	
3647J	1971-72	Quarter Skin, RH	Coupe & Convertible	
3647K	1971-72	Quarter Skin, LH	Coupe & Convertible	
3647TX71	1971-72	Quarter Panel Extension	RH Coupe	
3647UX71	1971-72	Quarter Panel Extension	LH Coupe	
3641KL	1971-73	Rear Quarter Bracket, RH	Convertible	
3641KM	1971-73	Rear Quarter Bracket, LH	Convertible	
3641KC	1971-72	Quarter Panel, RH	Fastback	
3641KD	1971-72	Quarter Panel, LH	Fastback	
3641KE	1971-72	Quarter Panel without Holes, RH	Fastback	
3641KF	1971-72	Quarter Panel without Holes, LH	Fastback	
3647KA	1973	Quarter Skin, RH	Fastback	
3647KB	1973	Quarter Skin, LH	Fastback	
3647TY71	1971-72	Quarter Panel Extension	RH Fastback	
3647UY71	1971-72	Quarter Panel Extension	LH Fastback	
3641KN	1971-73	Quarter Lower Extension	RH (Fits at trunk drop-off)	
3641KP	1971-73	Quarter Lower Extension	LH (Fits at trunk drop-off)	
3641KJ	1971-73	Rear Quarter Bracket, RH	Fastback	
3641KK	1971-73	Rear Quarter Bracket, LH	Fastback	

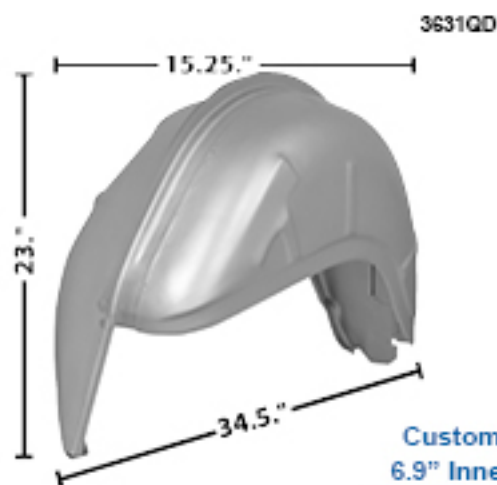


1974-78

3647KC	1974-78	Quarter Skin, RH
3647KD	1974-78	Quarter Skin, LH



3631MD	1965-66	Custom Wheelhouse (6.9" Inner & Outer), Weld Through Primer, (CP/FB)
3631ME	1965-66	Custom Wheelhouse (7.9" Inner & Outer), Weld Through Primer, (CP/FB)
3631MCWT	1965-66	Complete Wheelhouse (Inner & Outer), Weld Through Primer, RH (CP/FB)
3631NCWT	1965-66	Complete Wheelhouse (Inner & Outer), Weld Through Primer, LH (CP/FB)
3631MXWT	1965-66	Complete Wheelhouse (Inner & Outer), Weld Through Primer, RH (CV)
3631NXWT	1965-66	Complete Wheelhouse (Inner & Outer), Weld Through Primer, LH (CV)
3631MWT	1965-66	Outer Wheelhouse, Weld Through Primer, RH
3631NWT	1965-66	Outer Wheelhouse, Weld Through Primer, LH
3631KWT	1965-70	Inner Wheelhouse, Weld Through Primer, RH
3631LWT	1965-70	Inner Wheelhouse, Weld Through Primer, LH



**Custom
6.9" Inner
Wheelhouse**



Box Size:
38" x 16.25" x 31.5"
Weight:
33 lbs.



Box Size:
37.5" x 24" x 14.5"
Weight:
15.4 lbs.

3631PAWT



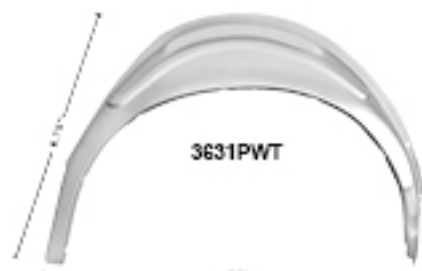
**Custom
7.9" Inner
Wheelhouse**



Box Size:
38" x 17.5" x 31.5"
Weight:
35 lbs.

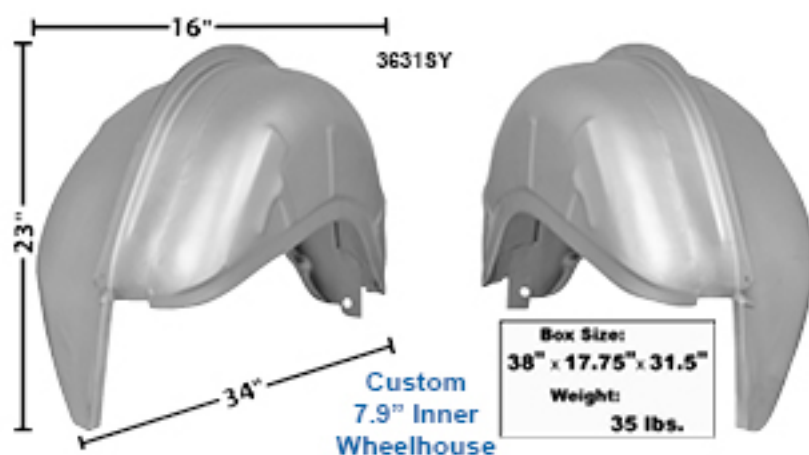
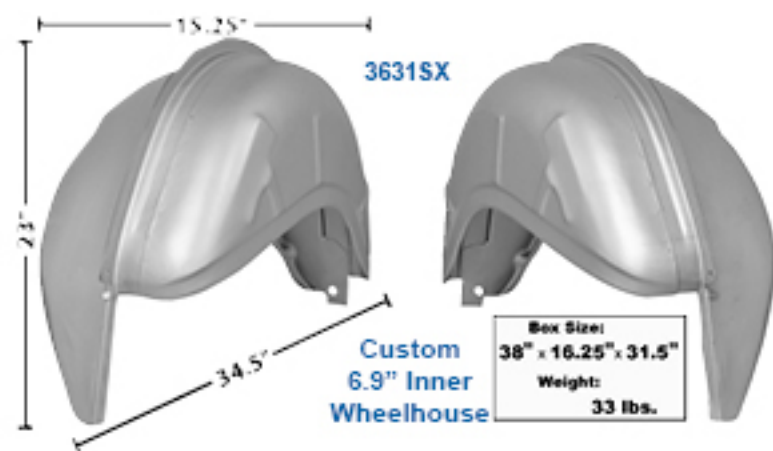


3631PCWT



3631PWT

3631QD	1967-68	Custom Wheelhouse (6.9" Inner & Outer), Weld Through Primer, (CP/FB)
3631QE	1967-68	Custom Wheelhouse (7.9" Inner & Outer), Weld Through Primer, (CP/FB)
3631PWT	1967-68	Outer Wheelhouse, Weld Through Primer, RH
3631QWT	1967-68	Outer Wheelhouse, Weld Through Primer, LH
3631PCWT	1967-68	Complete Wheelhouse (Inner & Outer), Weld Through Primer, RH (CP/FB)
3631QCWT	1967-68	Complete Wheelhouse (Inner & Outer), Weld Through Primer, LH (CP/FB)
3631PAWT	1967-68	Complete Wheelhouse (Inner & Outer), Weld Through Primer, RH (CV)
3631QAWT	1967-68	Complete Wheelhouse (Inner & Outer), Weld Through Primer, LH (CV)



3631SX	New	1969-70	Custom Wheelhouse (6.9" Inner & Outer), Weld Through Primer, RH (CP/FB)
3631SY		1969-70	Custom Wheelhouse (7.9" Inner & Outer), Weld Through Primer, RH (CP/FB)
3631RWT		1969-70	Outer Wheelhouse, Weld Through Primer, RH
3631SWT		1969-70	Outer Wheelhouse, Weld Through Primer, LH
3631RCWT		1969-70	Complete Wheelhouse (Inner & Outer), Weld Through Primer, RH
3631SCWT		1969-70	Complete Wheelhouse (Inner & Outer), Weld Through Primer, LH



3631SD		1971-73	Outer Wheelhouse, RH
3631SE		1971-73	Outer Wheelhouse, LH
3631SF		1971-73	Inner Wheelhouse, RH
3631SG		1971-73	Inner Wheelhouse, LH



3647Z



3647YX

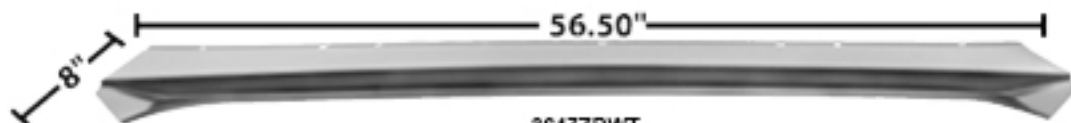


3647YZWT

3647Z	1965-66	Rear Deck Filler Panel, Coupe
3647YX	1965-66	Rear Deck Filler Panel, Convertible
3647YZWT	1965-66	Rear Deck Filler Panel, Weld Through Primer, Fastback



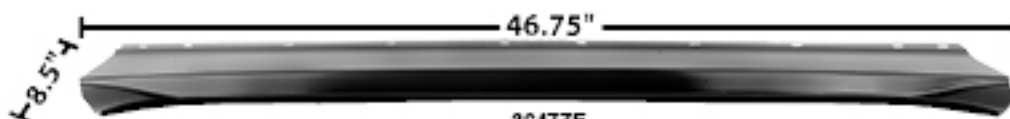
3647ZAWT



3647ZDWT



3647ZBWT



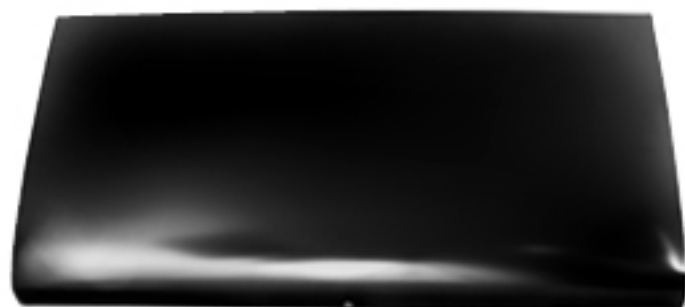
3647ZE



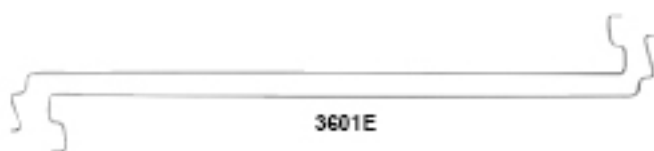
3647ZCWT

3647ZAWT	1967-68	Rear Deck Filler Panel, Weld Through Primer, Coupe
3647ZDWT	1967-68	Rear Deck Filler Panel, Weld Through Primer, Convertible
3647ZBWT	1967-68	Rear Deck Filler Panel, Weld Through Primer, Fastback
3647ZE	1969-70	Rear Deck Filler Panel, Convertible
3647ZCWT	1969-70	Rear Deck Filler Panel, Weld Through Primer, Fastback

1965-66 Coupe & Convertible



3649



3601E



3643EX

M3519A



M3511



3649HC



3647YHWT

3649	1965-66	Trunk Lid, Coupe & Convertible
3649HC	1965-66	Trunk Lid Hinges, Coupe & Convertible
3601E	1965-66	Trunk Hinge Torsion Rods, Coupe & Convertible
3647YHWT	1965-66	Trunk Hinge Brackets, Weld Through Primer, Convertible
M3519A	1965-66	Trunk Latch
3643EX	1965-66	Trunk Lid Catch
M3511	1965-66	Trunk Bumpers

1965-66 Fastback



3648



3601G

3643EX



M3519A



M3511



3649HD

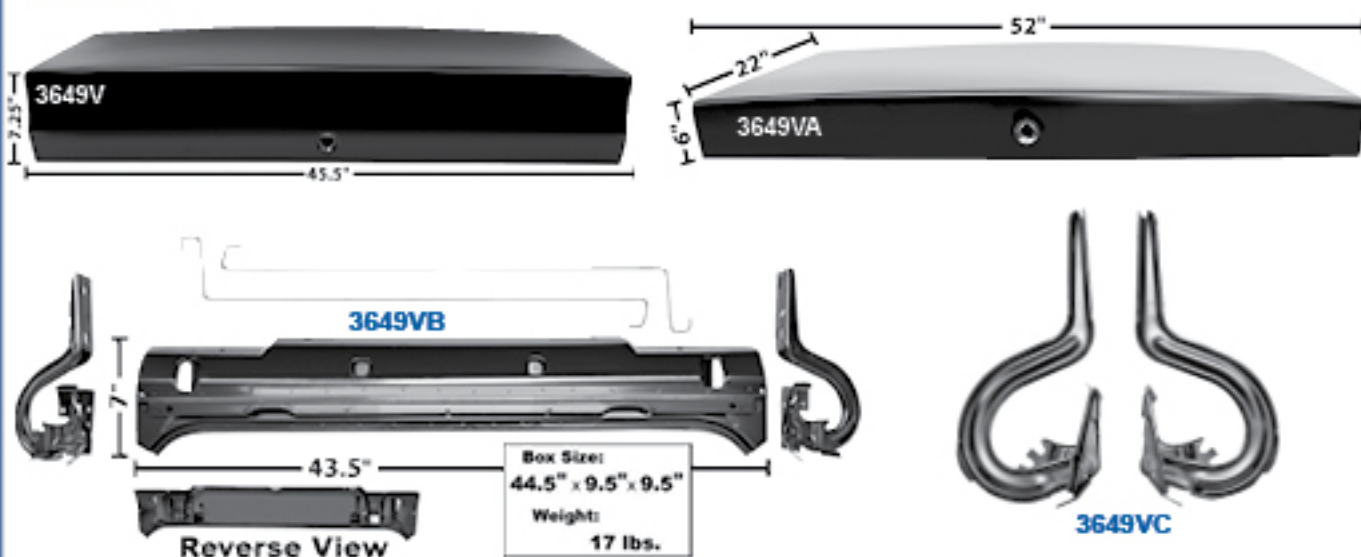
3648	1965-66	Trunk Lid, Fastback
3649HD	1965-66	Trunk Lid Hinges, Fastback, Pair
3601G	1965-66	Trunk Hinge Torsion Rod, Fastback
M3519A	1965-66	Trunk Latch
3643EX	1965-66	Trunk Lid Catch
M3511	1965-66	Trunk Bumpers

1967-68



3649A	1967-68	Trunk Lid, Coupe & Convertible
3601J	1967-68	Trunk Hinge Torsion Rods, Convertible
3649H	1967-68	Trunk Lid, Fastback
3649HF	1967-68	Trunk Lid, SMC, Fastback
M3504A	1967-68	Quarter Panel Extensions, SMC, Fastback
3649HA	1967-68	Trunk Lid Hinges, Fastback
M3519	1967-73	Trunk Latch
3649W	1967-68	Trunk Lid Catch
CL-1552	1967-73	Trunk Lock (After 10/24/66)

1969-73



3649V		1971-73	Trunk Lid, Fastback
3649VA		1971-73	Trunk Lid, Coupe & Convertible
3649VB	New	1971-73	Rear Deck Lid Inner Panel w/ Hinge & Torsion Rods Included
3649VC	New	1971-73	Trunk Lid Hinge, Pair



3649B	1969-70	Trunk Lid, Fastback
3601K	1969-70	Trunk Hinge Torsion Rod, Convertible
3649HB	1969-70	Trunk Lid Hinges, Fastback
M3519	1967-73	Trunk Latch
3649X	1969-70	Trunk Lid Catch
CL-1552	1967-73	Trunk Lock (After 10/24/66)
3607	1969-70	Rear Spoiler w/ Mounting Hardware



See pg. M95-98 for tail lamp & back-up lamp components...



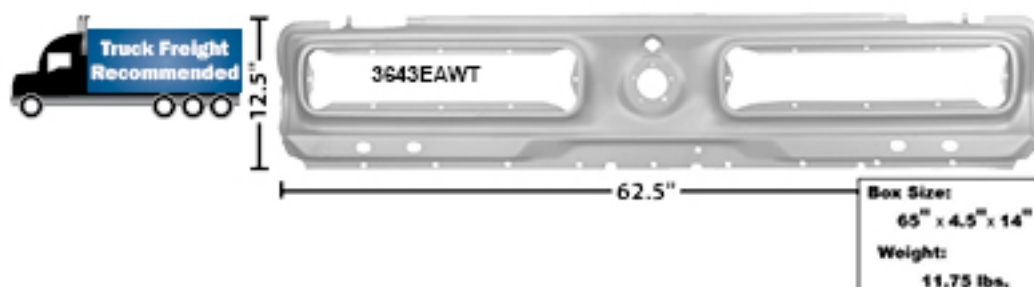
3643D	1965-66	Tail Lamp Panel
3649I	1965-66	Tail Lamp Panel Brace, Coupe & Fastback
3649J	1965-66	Tail Lamp Panel Brace, Convertible
3649DCWT	1965-66	Tail Panel Corner, Weld Through Primer, RH Coupe/Convertible
3649DDWT	1965-66	Tail Panel Corner, Weld Through Primer, LH Coupe/Convertible
3642C	1965-66	Rear Valance (Without Backup Lights & Exhaust Hole)
3642D	1965-66	Rear Valance (With Backup Lights)
3642E	1965-66	Rear Valance for GT (With Exhaust Holes, no Backup Lights)
3642F	1965-66	Rear Valance for GT (With Exhaust & Backup Light Holes)



1967-68



See pg. M88
for Custom
Sequential
components...



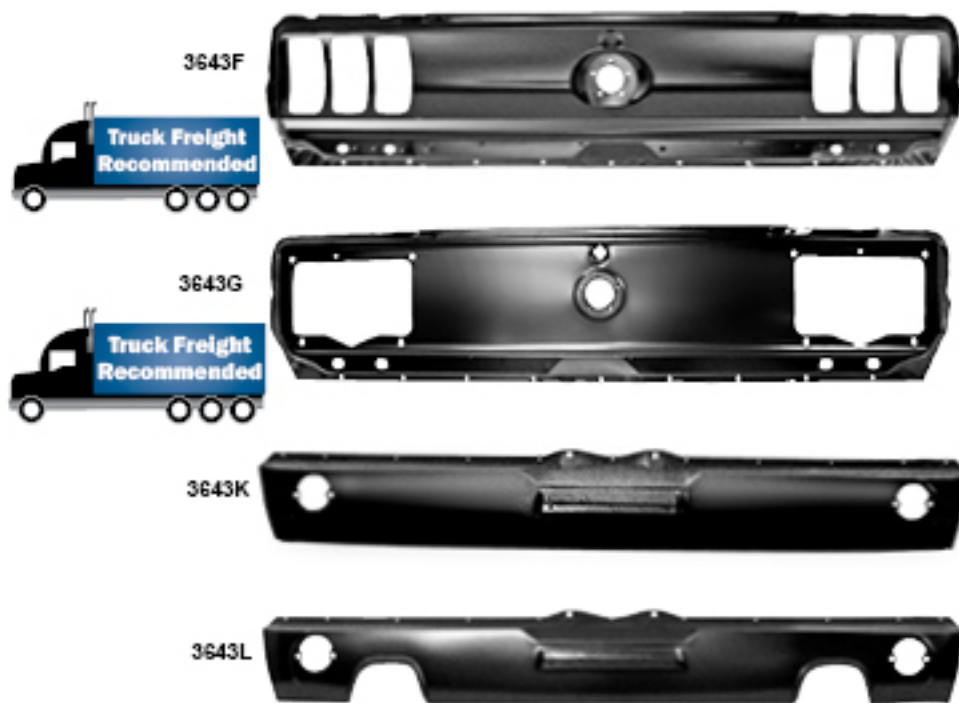
Box Size:
65" x 4.5" x 14"
Weight:
11.75 lbs.



See pgs. M95 - M98 for tail lamp & back-up lamp components...



3643E	1967-68	Tail Lamp Panel
3643EBWT	1967	Tail Lamp Panel, Custom Sequential, Weld Through Primer
3643EAWT	1968	Tail Lamp Panel, Custom Sequential, Weld Through Primer
3649CWT	1967-68	Tail Panel Corner, Weld Through Primer, RH, Coupe & Convertible
3649DWT	1967-68	Tail Panel Corner, Weld Through Primer, LH, Coupe & Convertible
3649DAWT	1967-68	Tail Panel Corner, Weld Through Primer, RH, Fastback
3649DBWT	1967-68	Tail Panel Corner, Weld Through Primer, LH, Fastback
3649MWT	1967-68	Tail Lamp Panel Brace, Weld Through Primer
3643B	1967-68	Rear Valance, Standard (With Backup Light Holes)
3643C	1967-68	Rear Valance for GT (w/ Dual Exhaust & Backup Light Holes)



1969-70



3649MAWT

See pgs. M95 - M98 for tail lamp & back-up lamp components...

3643F	1969	Tail Lamp Panel
3643G	1970	Tail Lamp Panel
3649MAWT	1969-70	Tail Panel Brace Latch Mount, Weld Through Primer
3643K	1969-70	Rear Valance, Standard, (With Backup Light Holes)
3643L	1969-70	Rear Valance for GT, (w/ Dual Exhaust & Backup Light Holes)



1971-73

See pg. M95 and M98 for tail lamp & back-up lamp components...



3643HD

3643HC

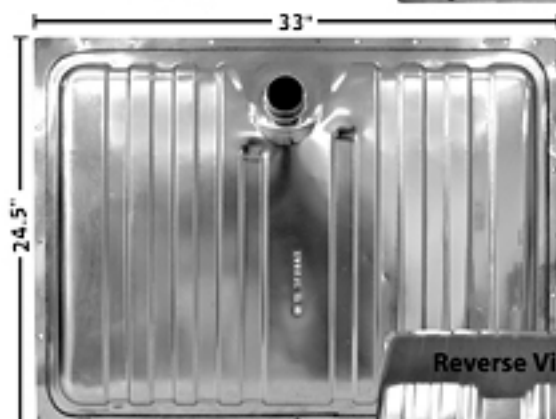
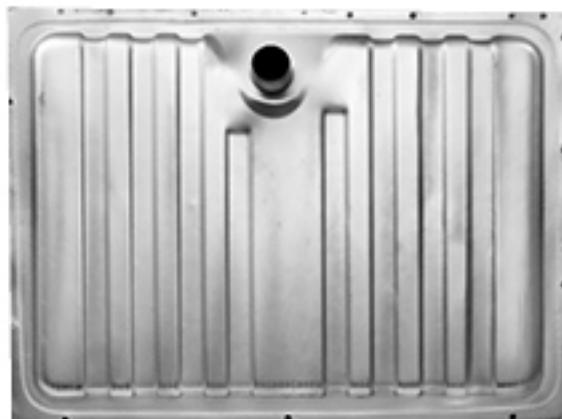
3643H		1971-73	Tail Lamp Panel
3643HA	New	1971-73	Tail Panel Upper Corner, RH, Fastback
3643HB	New	1971-73	Tail Panel Upper Corner, LH, Fastback
3643HC		1971-73	Tail Panel Corner, RH, Convertible
3643HD		1971-73	Tail Panel Corner, LH, Convertible
3643P		1971-73	Rear Valance, Standard
3643Q		1971-73	Rear Valance With Dual Exhaust Holes

Coming Soon!
Coming Soon!

1965-68



T02



Box Size:
33.5" x 26" x 9.5"
Weight:
22 lbs.

T01	1965-68	Galvanized Fuel Tank, 16 Gallon, Without Drain
T02	1965-68	Galvanized Fuel Tank, 16 Gallon, With Drain
T02S	1965-68	Stainless Fuel Tank, 16 Gallon, With Drain Mustang®, Cougar®

1969

T23



T23A



Box Size:
33.5" x 26.5" x 11"
Weight:
22 lbs.



T23	1969	Galvanized Fuel Tank, 20 Gallon, Without Drain
T23A	1969	Stainless Fuel Tank, 20 Gallon, Without Drain Mustang®, Cougar®

1970-73

Fuel Tanks

Muscle Car Parts & Molding • Muscle Car Parts & Molding • Muscle Car Parts & Molding

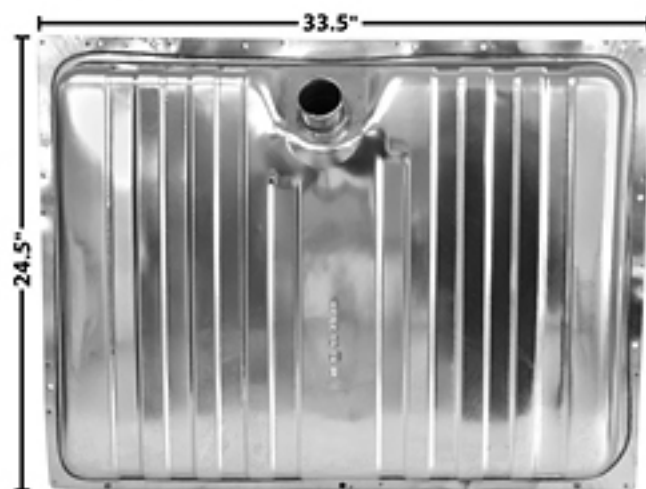


T24



Truck Freight
Recommended

T24S



Box Size:
33.5" x 25.25" x 11.5"
Weight:
24 lbs.



Reverse View

Drain Plug
Closeup

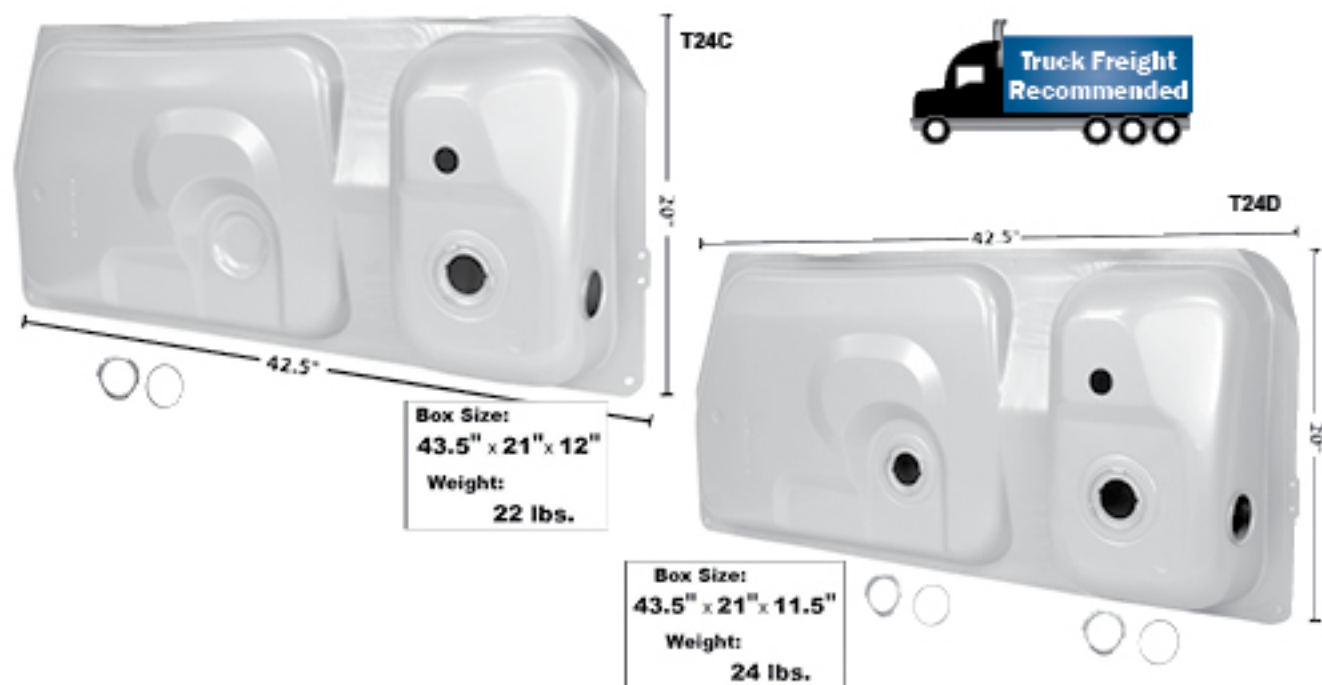


T24A

Box Size:
33.5" x 25" x 10.5"
Weight:
23 lbs.

T24	1970	Galvanized Fuel Tank, 22 Gallon
T24S	1970	Stainless Fuel Tank, 22 Gallon Mustang®, Cougar®
T24A	1971-73	Galvanized Fuel Tank

Fuel Tanks



T24C	1961-86	Galvanized Fuel Tank, 15.4 Gallon, 1 gauge hole without pan inside tank
T24D	1983-87	Galvanized Fuel Tank, 15.4 Gallon, 1 gauge hole with pan inside tank

Fuel Tank Straps

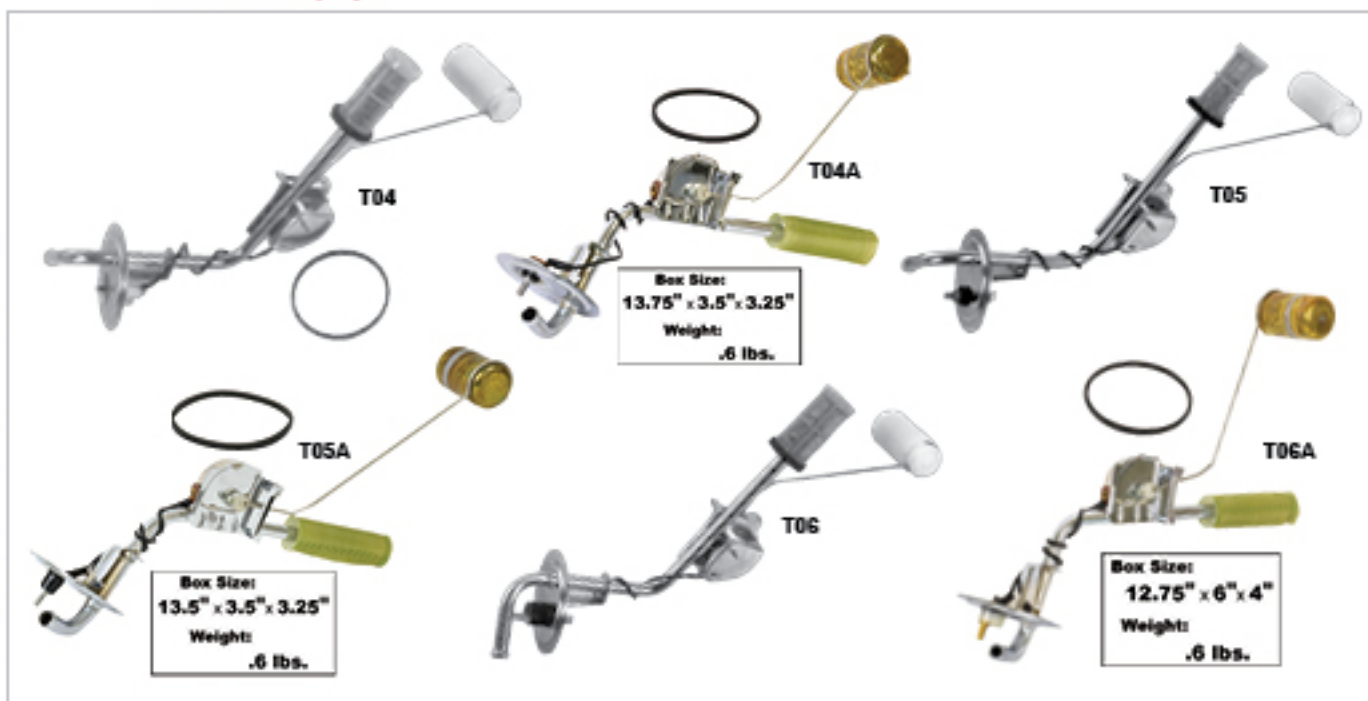


T24F	1971-73	Fuel Tank Straps, 2 pcs.
T24E	1981-97	Fuel Tank Straps, 2 pcs.

Fuel Sending Units



T03A	1965-68	Fuel Sender, Stainless All Engines Mustang®, Cougar®
------	---------	--



T04	1969	Fuel Sender All Engines Mustang®, Cougar®
T04A	1969	Fuel Sender, Stainless All Engines Mustang®, Cougar®
T05	1970	Fuel Sender All Engines Mustang®, Cougar®
T05A	1970	Fuel Sender, Stainless All Engines Mustang®, Cougar®
T06	1971-73	Fuel Sender All (Except 71 429 V8) Mustang®, Cougar®
T06A	1971-73	Fuel Sender, Stainless All Engines Mustang®, Cougar®



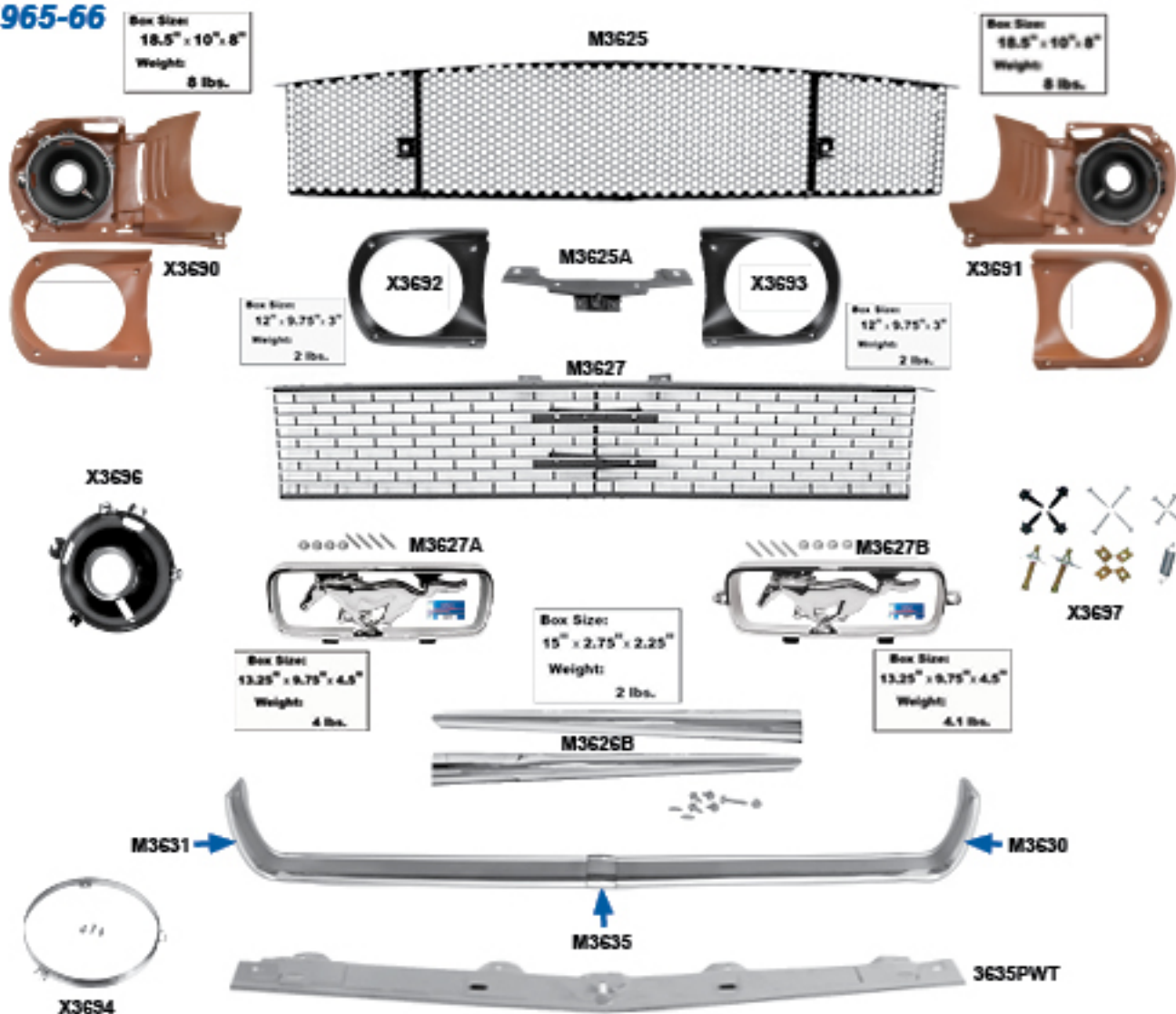
T01A	1965-66	Fuel Filler Neck
T01B	1967-68	Fuel Filler Neck
T01C	1969	Fuel Filler Neck
T01D	1970	Fuel Filler Neck
T01E	1965-70	Fuel Filler Hose

Fuel Filler Necks



T80	1967	Fuel Cap
T81	1968	Fuel Cap, GT Pop Open Gas Cap w/fted "GT" Emblem
T82	1969	Fuel Cap Standard Twist
T83	1970	Fuel Cap Pop Open Gas Cap w/ol Emblem

1965-66

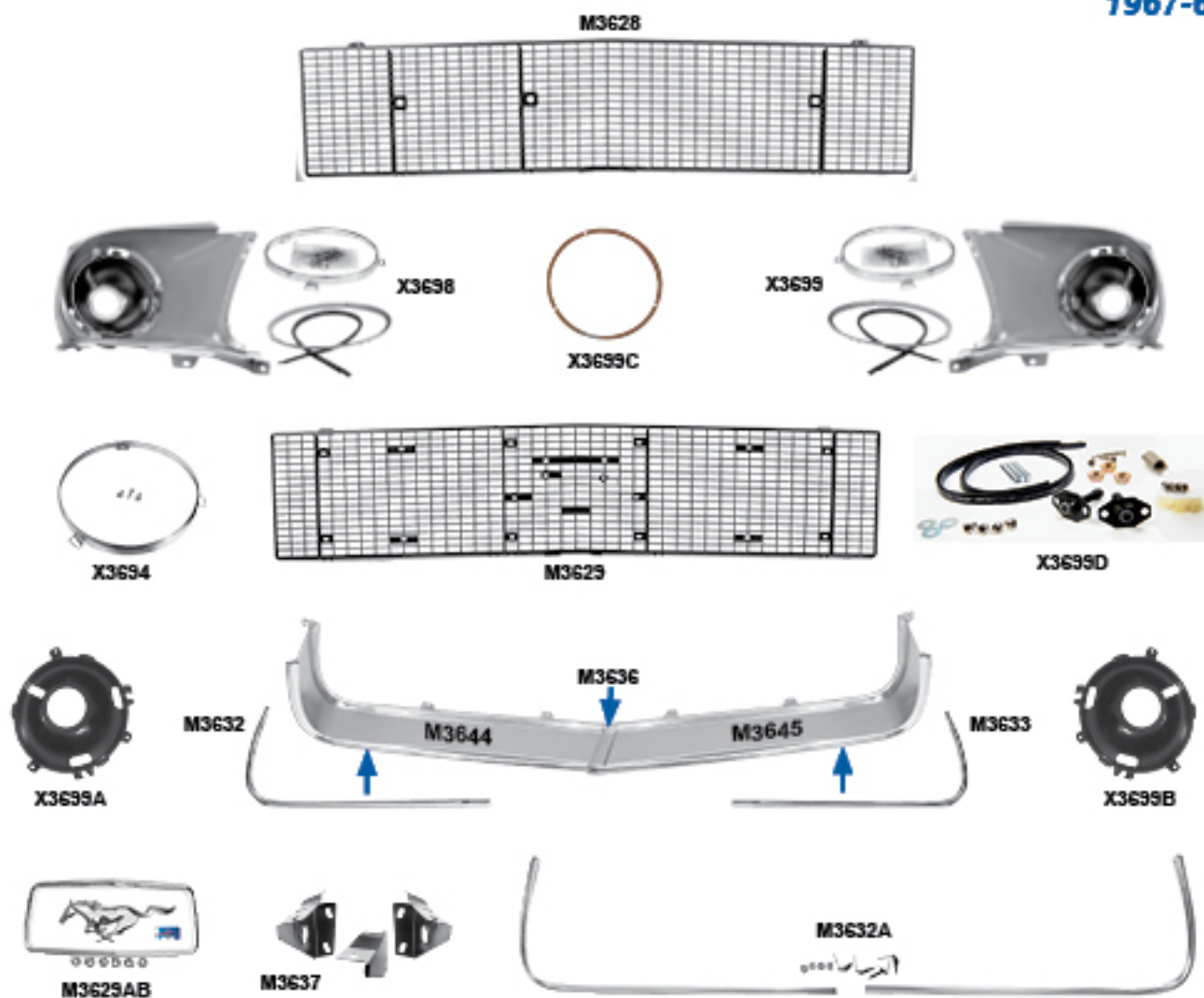


M3625	1965	Grille
M3626	1965	Grille with Fog Lamps
M3625A	1965	Grille Ornament Retainer
M3627	1966	Grille
M3627A	1966	Corral & Horse Emblem for Standard Grille
M3627B	1966	Corral & Horse Emblem for GT Grille
X3690	1965-66	Headlamp Bucket Assembly RH
X3691	1965-66	Headlamp Bucket Assembly LH
X3696	1965-66	Headlamp Adjusting Bucket <i>Fits both sides</i>
X3697	1965-66	Headlamp Adjusting Screw Set
X3692	1965-66	Headlamp Door RH
X3693	1965-66	Headlamp Door LH
X3694	1965-68, 1970	Headlamp Retaining Ring
M3630	1965-66	Grille Molding RH
M3631	1965-66	Grille Molding LH
M3635	1966	Grille Center Joint Molding
3635PWT	1965-66	Lower Grille Support Bar, Weld Through Primer
M3626B	1965	Grille Bars (Fits M3626A Horse & Corral Emblem)

1967-68

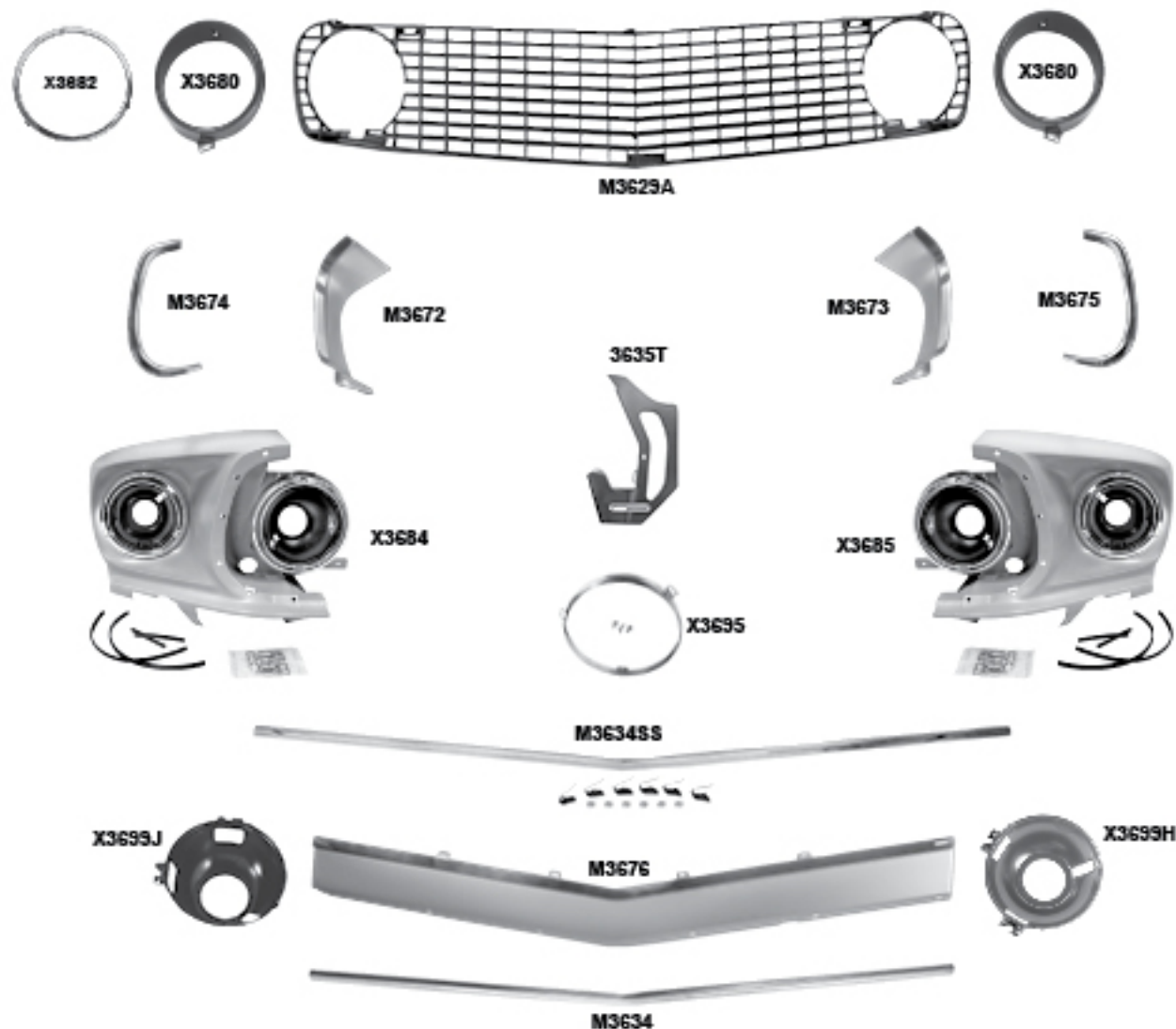
Grilles & Components

Muscle Car Parts & Molding • Muscle Car Parts & Molding • Muscle Car Parts & Molding



M3628	1967	Grille
M3629	1968	Grille
M3629AB	1968	Grille Corral & Horse Emblem
M3637	1967-68	Grille Support Brace
X3698	1967-68	Headlamp Bucket Assembly RH
X3699	1967-68	Headlamp Bucket Assembly LH
X3699A	1967-68	Headlamp Adjusting Bucket RH
X3699B	1967-68	Headlamp Adjusting Bucket LH
X3699D	1967-68	Headlamp Adjusting Screw Set
X3699C	1967-68	Headlamp Door (Ring), Fits both sides
X3694	1965-68, 1970	Headlamp Retaining Ring
M3632	1967-68	Grille Molding RH, Narrow
M3633	1967-68	Grille Molding LH, Narrow
M3644	1967-68	Grille Molding RH, Wide
M3645	1967-68	Grille Molding LH, Wide
M3636	1967-68	Grille Center Joint Molding
M3632A	1967-68	Narrow Grille Moldings with Clips, Stainless Steel

1969

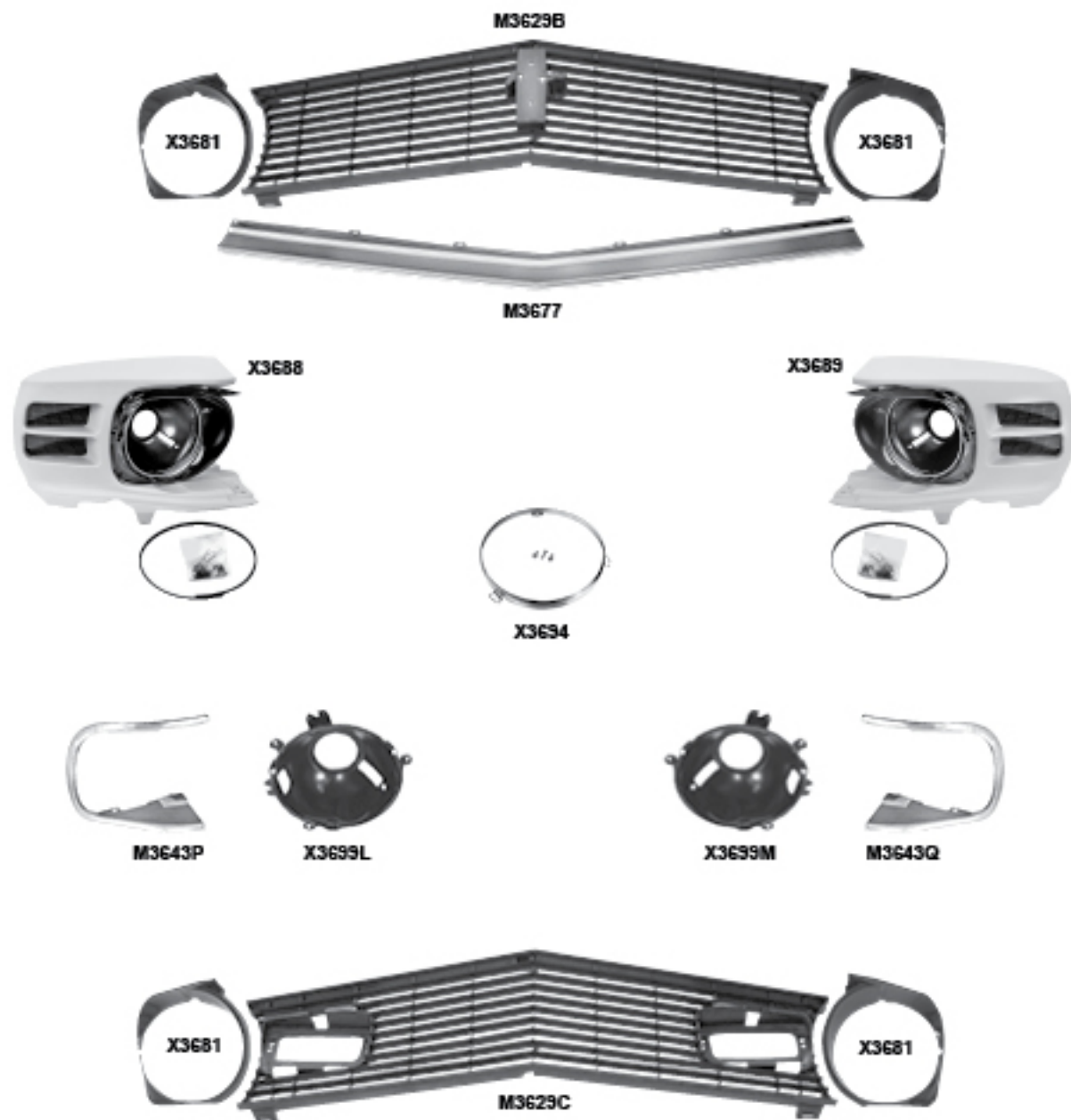


M3629A	1969	Grille
X3684	1969	Headlamp Bucket Assembly RH
X3685	1969	Headlamp Bucket Assembly LH
X3699J	1969	Headlamp Adjusting Bucket, High, RH
X3699K	1969	Headlamp Adjusting Bucket, High, LH
X3699G	1969	Headlamp Adjusting Bucket, Low, RH
X3699H	1969	Headlamp Adjusting Bucket, Low, LH
X3682	1969	Outer Headlamp Bezel (Requires 2 per car)
X3680	1969	Inner Headlamp Bezels
M3634	1969	Grille Opening Center Molding
M3634SS	1969	Grille Opening Center Molding, Stainless
M3672	1969	Grille End Panel, RH
M3673	1969	Grille End Panel, LH
M3674	1969	Grille End Panel Molding, RH, with clips
M3675	1969	Grille End Panel Molding, LH, with clips
M3676	1969	Grille Center Opening Panel
X3695	1969	Headlamp Retaining Ring (Requires 4 per car)
3635T	1969	Grille Support Brace

1970

Grilles & Components

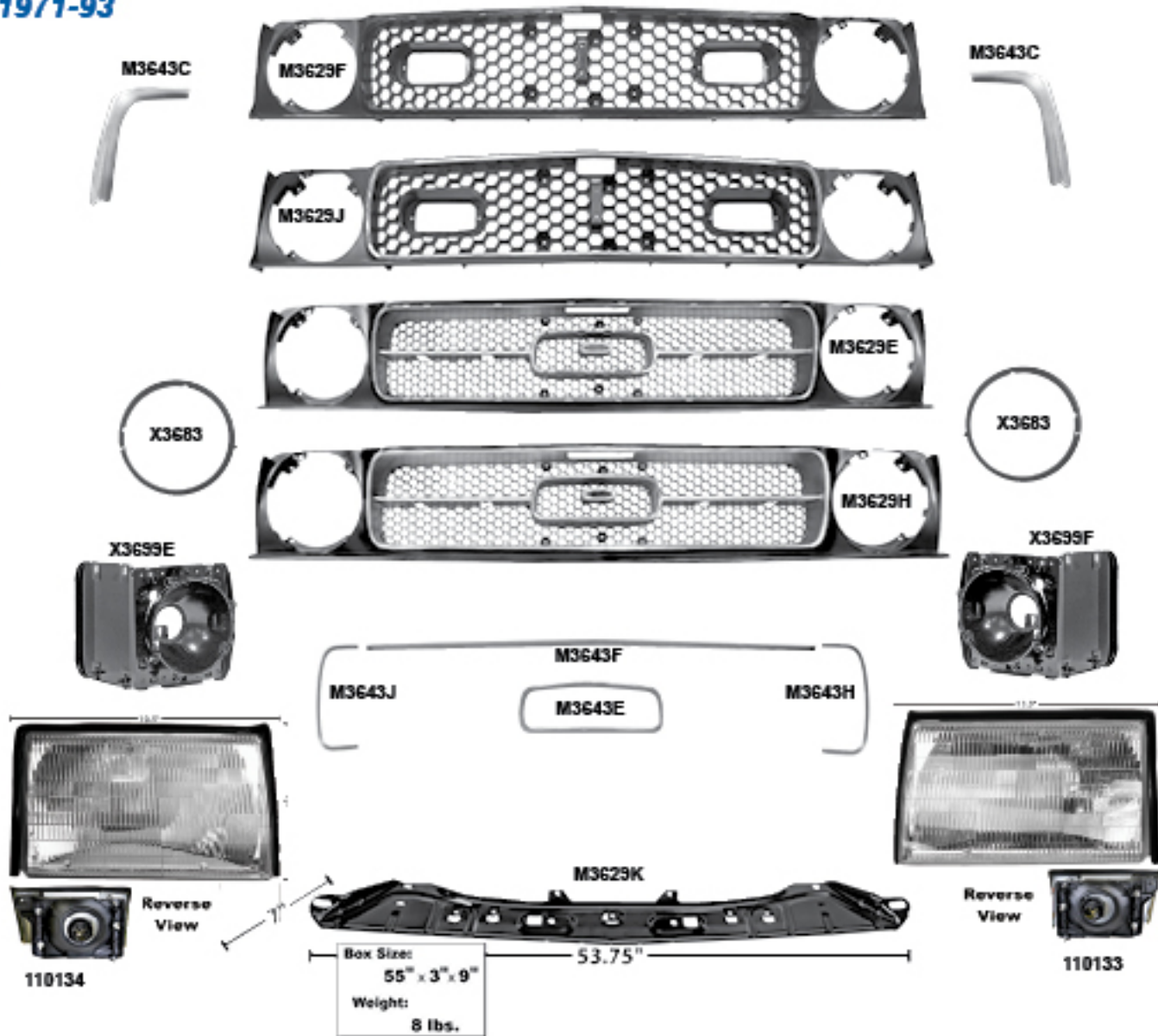
Muscle Car Parts & Molding • Muscle Car Parts & Molding • Muscle Car Parts & Molding



Grilles & Components continued on next page...

M3629B	1970	Standard Grille
M3629C	1970	Mach 1 Grille
X3688	1970	Headlamp Bucket Assembly, w/ Door, Ring, Bucket, Extension, RH
X3689	1970	Headlamp Bucket Assembly, w/ Door, Ring, Bucket, Extension, LH
X3699L	1970	Headlamp Adjusting Bucket RH
X3699M	1970	Headlamp Adjusting Bucket LH
X3681	1970	Headlamp Bezels, 2 pcs.
M3677	1970	Grille Center Opening Molding
X3694	1965-68, 1970	Headlamp Retaining Ring
M3643P	1970	Fender Extension Molding RH
M3643Q	1970	Fender Extension Molding LH

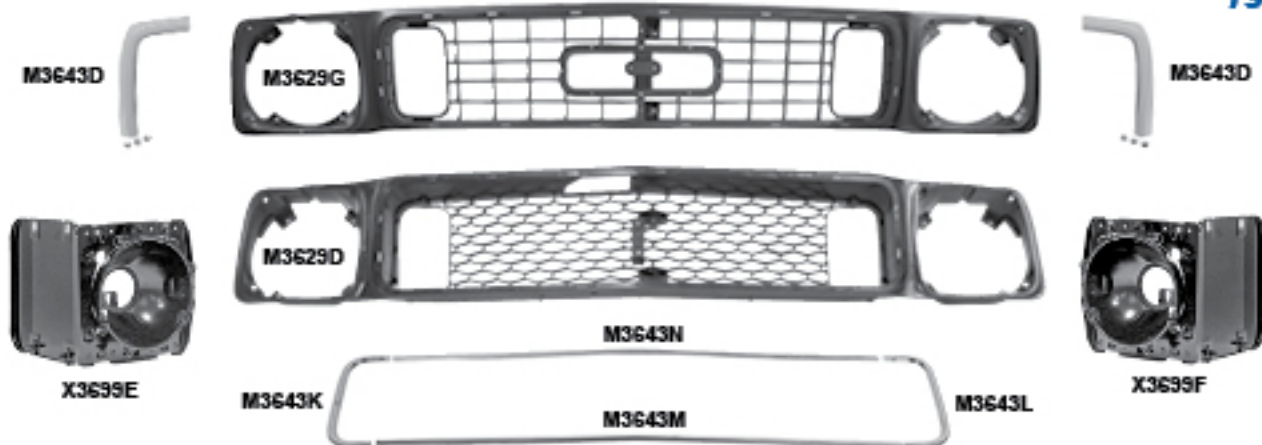
1971-93



M3629E	1971-72	Standard Grille without Molding
M3629H	1971-72	Standard Grille With Molding
M3629F	1971-72	Mach 1 Grille
M3629J	1971-72	Mach 1 Grille With Molding
X3699E	1971-73	Headlamp Housing, RH
X3699F	1971-73	Headlamp Housing, LH
X3683	1971-72	Outer Headlamp Bezels
M3643E	1971-72	Grille Center Molding
M3643F	1971-72	Upper/Lower Grille Molding
M3643H	1971-72	Grille Side Molding, RH
M3643J	1971-72	Grille Side Molding, LH
M3643C	1971-72	Fender Extension Moldings, Chrome
M3629K	1971-73	Grille Support
110134	1987-93	Headlamp Assembly, RH
110133	1987-93	Headlamp Assembly, LH

1973

Grilles & Components



M3629G	1973	Standard Grille
M3629D	1973	Mach 1 Grille
X3699E	1971-73	Headlamp Housing, RH
X3699F	1971-73	Headlamp Housing, LH
M3643K	1973	Grille Side Molding, RH
M3643L	1973	Grille Side Molding, LH
M3643N	1973	Upper Grille Molding
M3643M	1973	Lower Grille Molding
M3643D	1973	Fender Extension Moldings, Painted



3609J	1965	Windshield Wiper Arm
3609K	1966-70	Windshield Wiper Arm
3623A	1967-68	Wiper Motor Arm
3622	1966	Wiper Motor Transmission Arm
3623	1967-68	Wiper Motor Transmission Arm
3623B	1969-70	Wiper Motor Transmission Arm
M33888	1967-70	Wiper Motor

Windshield Wiper Blade & Trans. Arms

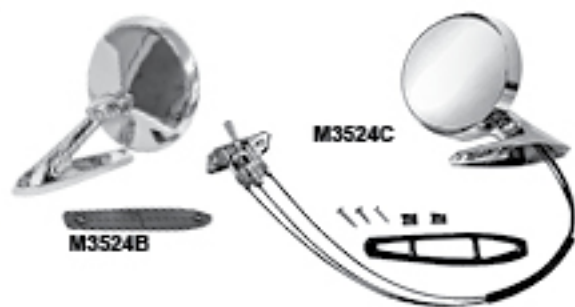


M3640	1965-66	Hood Molding
M3641	1967-68	Hood Molding
M3641SS	1967-68	Hood Lip Molding, Stainless
M3642	1969	Hood Molding
M3642SS	1969	Hood Lip Molding, Stainless
M3643	1970	Hood Molding
M3643A	1971-73	Hood Molding, Black
M3643AC	1971-73	Hood Molding, Chrome

Hood Moldings

Muscle Car Parts & Molding • Muscle Car Parts & Molding • Muscle Car Parts & Molding

Exterior Mirrors



M3524B	1965-66	Standard Exterior Mirror
M3524C	1965-66	Remote Control Exterior Mirror, LH



M3524E	1967-68	Standard Ext. Mirror (with Gaskets)
M3524EC	1967-68	Std. Ext. Mirror (w/Convex Glass & Gaskets)
M3524F	1967-68	Mirror Gasket Kit
M3524D	1967-68	Remote Control Exterior Mirror, LH



M3524G	1969-70	Standard Exterior Mirror, LH
M3524H	1971-73	Standard Exterior Mirror

Windshield Moldings



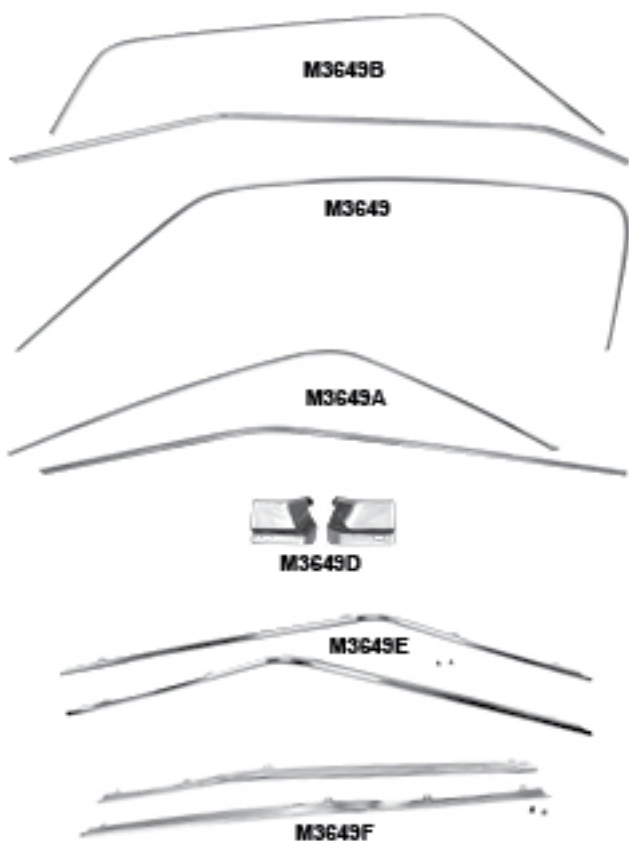
M3658A	1965-68	Windshield Moldings, 5 Pcs. Coupe/Fastback
M3654	1965-68	Windshield Molding, Upper RH
M3655	1965-68	Windshield Molding, Upper LH
M3656	1965-68	Windshield Molding, RH
M3657	1965-68	Windshield Molding, LH
M3658	1965-68	Windshield Molding, Lower
M3658B	1965-68	Windshield Midg. Clips, 20 pcs.



M3580	1969-70	Windshield Moldings 5 Pcs., Coupe
M3581	1969-70	Windshield Moldings 5 Pcs., Fastback
M3658C	1969-70	Windshield Midg. Clips, 20 pcs.
M3582	1971-73	Windshield Moldings 2 Pcs., Coupe
M3583	1971-73	Windshield Moldings 3 Pcs., Fastback

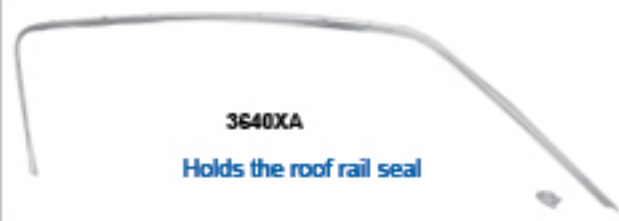


X3670A	1965-66	Windlace Retainer
M3646	1965-66	Drip Rail Moldings, Fastback
M3648	1965-68	Drip Rail Moldings, Coupe

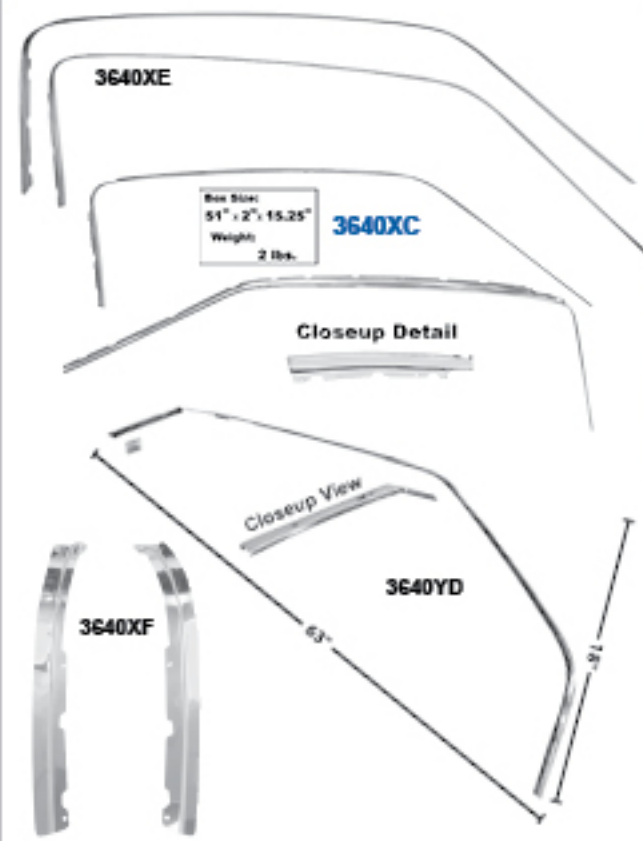


M3649B	1969-70	Drip Rail Moldings, Coupe
M3649	1967-68	Drip Rail Moldings, Fastback
M3649A	1969-70	Drip Rail Moldings, Fastback
M3649D	1969-70	Drip Rail Joint Cover Moldings, Fastback
M3649E	1971-73	Drip Rail Moldings, 2 pcs., Coupe
M3649F	1971-73	Drip Rail Moldings, 2 pcs., Fastback

Drip Rail Moldings



3640XA	1967-68	Stainless Door Sash, RH Fastback
3640XB	1967-68	Stainless Door Sash, LH Fastback



3640XC	1965-66	Door Sash Escutcheons, FB
3640XE	1967	Door Sash Escutcheons
3640XF	1968	Door Sash Escutcheons
3640YD	1969-70	Drip Rail Sash, RH, Stainless, Fastback
3640YE	1969-70	Drip Rail Sash, LH, Stainless, Fastback



M3649C	1969-70	Outer Quarter Window Moldings, Coupe
--------	---------	--------------------------------------

Door Sash & Escutcheons

Qtr. Window Midg.



M3600A



M3600



M3603

M3600A	1965-66	Wheel Opening Molding, Front RH
M3600B	1965-66	Wheel Opening Molding, Front LH
M3600C	1965-66	Wheel Opening Molding, Rear RH
M3600D	1965-66	Wheel Opening Molding, Rear LH
M3600	1967-68	Wheel Opening Molding, Front RH
M3601	1967-68	Wheel Opening Molding, Front LH
M3602	1967-68	Wheel Opening Molding, Rear RH
M3603	1967-68	Wheel Opening Molding, Rear LH



M3604



M3607



M3609

M3604	1969	Wheel Opening Molding, Front RH
M3605	1969	Wheel Opening Molding, Front LH
M3606	1969	Wheel Opening Molding, Rear RH, Coupe/Convertible
M3607	1969	Wheel Opening Molding, Rear LH, Coupe/Convertible
M3608	1969	Wheel Opening Molding, Rear RH, Fastback
M3609	1969	Wheel Opening Molding, Rear LH, Fastback



M3610



M3615



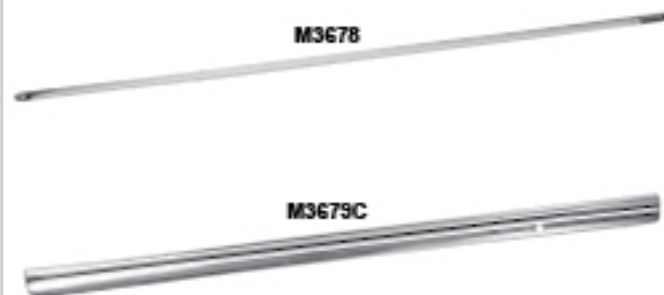
M3615D

M3610	1970	Wheel Opening Molding, Front RH
M3611	1970	Wheel Opening Molding, Front LH
M3612	1970	Wheel Opening Molding, Rear RH, Coupe/Convertible
M3613	1970	Wheel Opening Molding, Rear LH, Coupe/Convertible
M3614	1970	Wheel Opening Molding, Rear RH, Fastback
M3615	1970	Wheel Opening Molding, Rear LH, Fastback
M3615A	1971-73	Wheel Opening Molding, Front RH
M3615B	1971-73	Wheel Opening Molding, Front LH
M3615C	1971-73	Wheel Opening Molding, Rear RH
M3615D	1971-73	Wheel Opening Molding, Rear LH



All Rocker Panel Moldings Come With Clips

M3620	1965-66	Rocker Panel Molding, RH
M3621	1965-66	Rocker Panel Molding, LH
M3622	1967-68	Rocker Panel Molding, RH
M3623	1967-68	Rocker Panel Molding, LH



All Rocker Panel Moldings Come With Clips

M3678	1969	Rocker Panel Molding, RH
M3679	1969	Rocker Panel Molding, LH
M3679C	1971-73	Rocker Panel Molding, RH
M3679D	1971-73	Rocker Panel Molding, LH



MCLP6	1965-66	Rocker Molding Clips, Fits both sides
MCLP7	1967-68	Rocker Molding Clips, RH
MCLP8	1967-68	Rocker Molding Clips, LH

Rocker Panel Moldings



M3513	1965	Quarter Panel Ornaments
M3514	1966	Quarter Panel Ornaments
M3514A	1967	Quarter Panel Ornaments, 4 Pcs.



M3514E	1968	Quarter Panel Ornaments, No backing plates
M3514G	1968	Quarter Panel Ornaments, with Black Backing Plates, 4pcs.
M3514H	1969	Quarter Panel Ornaments

Quarter Panel Ornaments



M3514C	1967-68	Quarter Vent Door, RH <i>Fastback</i>
M3514D	1967-68	Quarter Vent Door, LH <i>Fastback</i>
M3514B	1967-68	Quarter Vent Assemblies, <i>Fastback</i>



M3661	1965-66	Rear Window Molding, 4 Pcs., <i>Fastback</i>
M3667	1965-66	Rear Window Molding, 6 Pcs., <i>Coupe</i>
M3667A	1967-68	Rear Window Molding, 6 Pcs., <i>Fastback</i>
M3667C	1967-68	Rear Window Molding, 4 Pcs., <i>Coupe</i>
M3667B	1969-70	Rear Window Molding, 4 pcs., <i>Fastback</i>



M3584



M3584A

M3584	1971-73	Rear Window Molding, 4 pcs., Coupe
M3584A	1971-73	Rear Window Molding, 4 pcs., Fastback



M3688	1965-66	Vinyl Top Moldings, Coupe
-------	---------	---------------------------



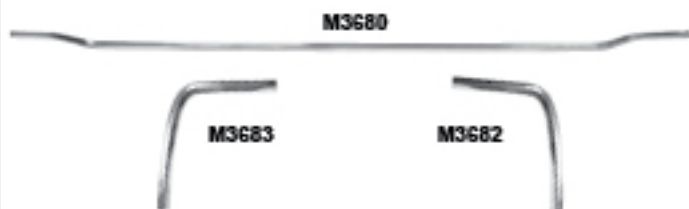
M3689	1967-68	Vinyl Top Moldings, Coupe
-------	---------	---------------------------



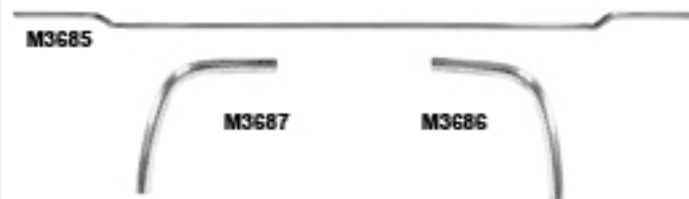
M3619	1965-66	Tail Pipe Molding GT, Chrome
-------	---------	------------------------------

Vinyl Top Moldings

Exhaust Molding



M3680	1967-68	Trunk Lid Molding, Fastback
M3682	1967-68	Quarter Extension Molding RH, Fastback
M3683	1967-68	Quarter Extension Molding LH, Fastback

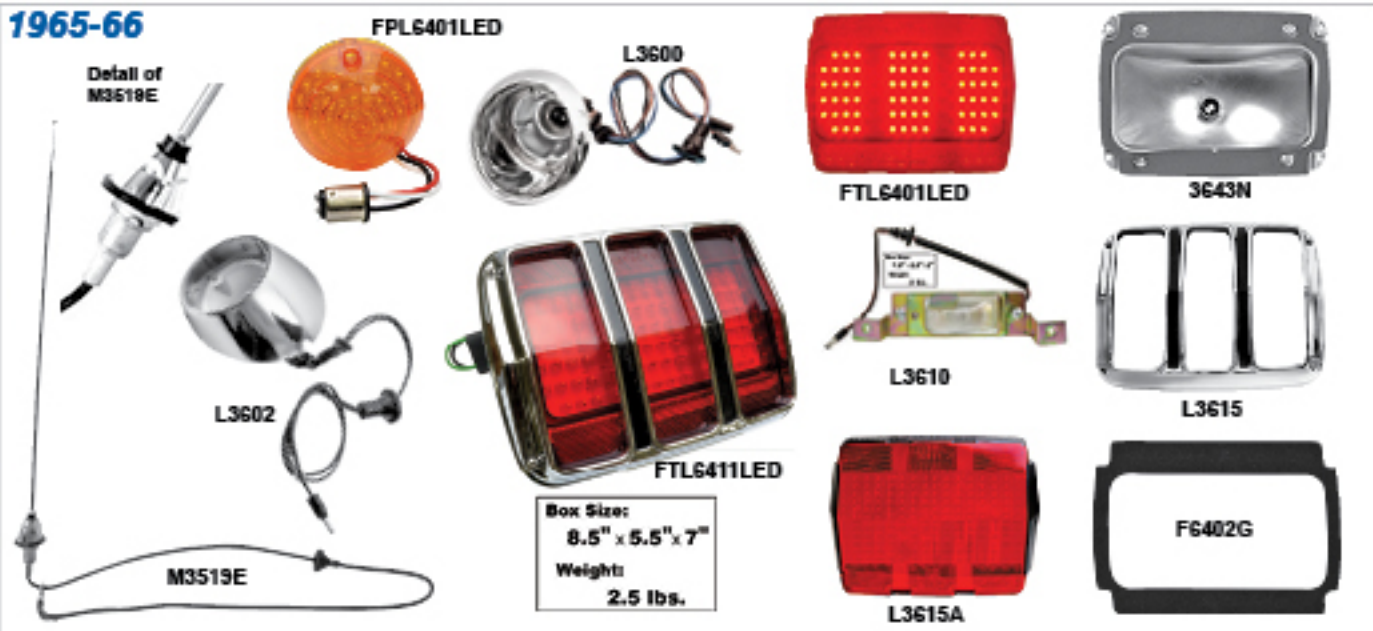


M3685	1967-68	Trunk Lid Molding, Coupe & Convertible
M3686	1967-68	Quarter Extension Molding RH, Coupe & Convertible
M3687	1967-68	Quarter Extension Molding LH, Coupe & Convertible



M3687A	1969-70	Trunk Lid Molding, Coupe & Convertible
M3687B	1969-70	Quarter Extension Molding RH, Coupe & Convertible
M3687C	1969-70	Quarter Extension Molding LH, Coupe & Convertible

1965-66



L3615A	1965-66	Tail Lamp Lens
F6402G	1965-66	Tail Lamp Gasket
M3519E	1965-68	Round Base Antenna
FPL6401LED	1965-66	LED Parking Lamp, Amber
L3600	1965-66	Parking Lamp Housing, RH
L3601	1965-66	Parking Lamp Housing, LH
L3602	1965-66	Back-up Lamp Assembly, RH
L3603	1965-66	Back-up Lamp Assembly, LH
FTL6401LED	1965-66	LED Tail Lamp, Red
FTL6411LED	1965-66	LED Tail Lamp Assembly, with Bezel
3643N	1965-66	Tail Lamp Housing
L3615	1965-66	Tail Lamp Bezel
L3610	1965-70	License Plate Lamp Assembly

1967-68

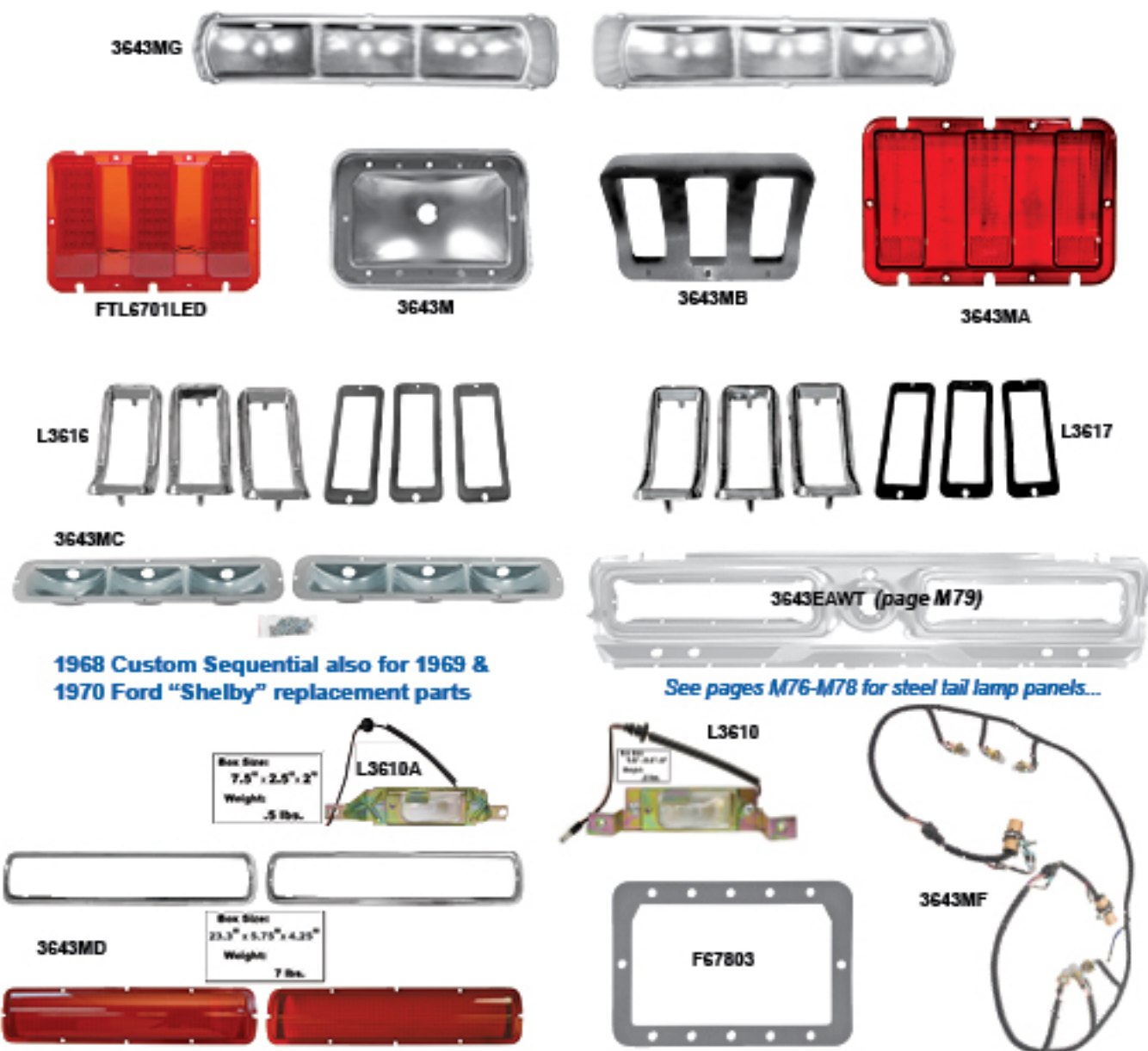


M3519F	1968-73	Square Base Antenna
L3659	1967-68	Hood Signal Lamp Assembly
L3661	1968	Front Side Marker Assemblies
L3660A	1967-68	Parking Lamp Assembly
3642L	1967-68	Parking Lamp Retainers
L3604	1967-68	Back-up Lamp Assembly, RH
L3605	1967-68	Back-up Lamp Assembly, LH

1967-68

Exterior Electrical & Components

Muscle Car Parts & Molding • Muscle Car Parts & Molding • Muscle Car Parts & Molding



Exterior Electrical & Components continued on next page...

F67803	1967-68	Tail Lamp Gasket
3643MG	1967	Tail Lamp Housings, Custom Sequential (3 bulb)
3643MC	1968	Tail Lamp Housings for CS (3 Bulb Sequential)
3643MF	1967-70	Tail Lamp Wiring Harness (Sequential Style)
FTL6701LED	1967-68	LED (84) Tail Lamp, Red
3643M	1967-68	Tail Lamp Housing
3643MB	1967-68	Tail Lamp Housing to Body Seal
3643MA	1967-68	Tail Lamp Lens without Gasket
3643MD	1968-70	Tail Lamp Lenses & Bezels for GT/Custom Sequential, 4 pc.
L3616	1967	Tail Lamp Bezels, 3 pcs. with seals
L3617	1968	Tail Lamp Bezels, 3 pcs. with seals
L3610	1965-70	License Plate Lamp Assembly
L3610A	1967-70	License Plate Lamp

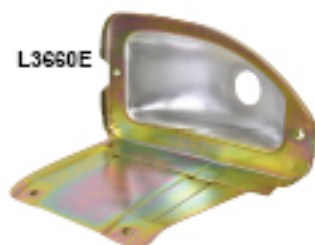
1969-70



L3661B



L3660D



L3660E



L3660B

L3661A	1969	Front Side Marker Lens Assembly
L3661B	1969	Front / Rear Side Marker Bezels
L3660C	1969	Parking Lamp Assembly, RH
L3660D	1969	Parking Lamp Assembly, LH
L3660E	1969	Parking Lamp Housing, RH
L3660F	1969	Parking Lamp Housing, LH
L3660B	1969-70	Parking Lamp Lenses



FTL6901LED



3643NA



3643ME



3643WA



L3617A



L3618



Coming Soon!

L3618A

FTL6901LED	1969	LED Tail Lamp Assembly
3643NA	1969	Tail Lamp Housing
3643ME	1969	Tail Lamp Housing to Body Seal
3643WA	1969	Tail Lamp Lens w/inner Bezels
L3617A	1969	Tail Lamp Lens Trim (3 pcs.)
L3618	1969	Tail Lamp Lens Bezel
L3618A	1969	Tail Lamp Lens



L3606



L3607



L3661C

Box Size:
4.75" x 1.25" x 6.75"
Weight:
.5 lbs.



L3661D

Box Size:
4.75" x 1.25" x 6.75"
Weight:
.5 lbs.

L3606	1969-70	Back-up Lamp Assembly, RH
L3607	1969-70	Back-up Lamp Assembly, LH
L3661C	1970	Front Side Marker Bezel, RH
L3661D	1970	Front Side Marker Bezel, LH



L3660G

Box Size:
8.5" x 9" x 6.75"
Weight:
1 lbs.



L3660K



L3660B

1969-70

L3660G	1970	Parking Lamp Assembly, RH
L3660H	1970	Parking Lamp Assembly, LH
L3660J	1970	Parking Lamp Housing, RH
L3660K	1970	Parking Lamp Housing, LH
L3660B	1969-70	Parking Lamp Lenses



3643NB



3643NC



3643MH

Box Size:
14" x 9" x 2.5"
Weight:
1 lbs.



L3617B

3643NB	1970	Tall Lamp Housing
3643NC	1970	Tall Lamp Housing to Body Seal
3643MH	1970	Tall Lamp Lens, Fits both sides
L3617B	1970	Tall Lamp Bezel, RH
L3617C	1970	Tall Lamp Bezel, LH



L3663



L3666



3643MK

Box Size:
16" x 8" x 1.5"
Weight:
1 lbs.



L3664



L3668



3643MJ

Box Size:
16.5" x 8.5" x 6"
Weight:
3 lbs.



L3660M

Box Size:
8.5" x 6" x 6"
Weight:
1 lbs.



L3660

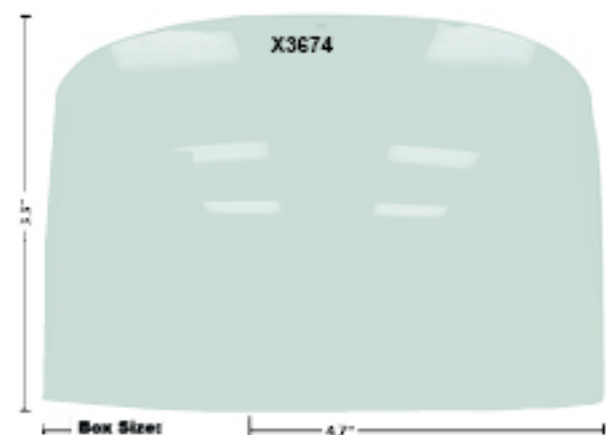


L3611

1971-73

L3662	1971-73	Front Side Marker Lens Assembly, RH
L3663	1971-73	Front Side Marker Lens Assembly, LH
L3664	1971-73	Front Side Marker Bezels
L3666	1971-73	Rear Side Marker Lens Assembly, RH
L3667	1971-73	Rear Side Marker Lens Assembly, LH
L3668	1971-73	Rear Side Marker Bezels
L3660L	1971-72	Parking Lamp Assembly, RH
L3660M	1971-72	Parking Lamp Assembly, LH
L3660	1971-73	Parking Lamp Lenses
3643MK	1971-73	Tall Lamp Lens w/Molding, Fits both sides
3643MJ	1971-73	Tall Lamp Assembly, Fits both sides
L3611	1971-73	License Plate Lamp Assembly

1965-66



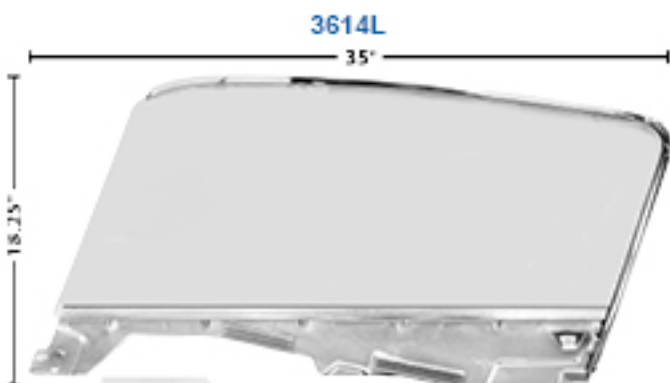
Box Size:
51.5" x 37" x 7"
Weight:
42 lbs.



3614U

Box Size:
36.75" x 6" x 2"
Weight:
3.5 lbs.

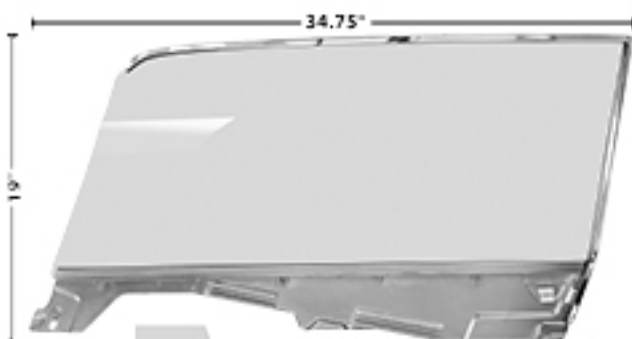
Reverse View



3614L

Reverse View
Detail

Box Size:
41" x 4" x 21.5"
Weight:
19 lbs.



3614Q

Reverse View
Detail

Box Size:
41" x 4" x 21.5"
Weight:
19 lbs.

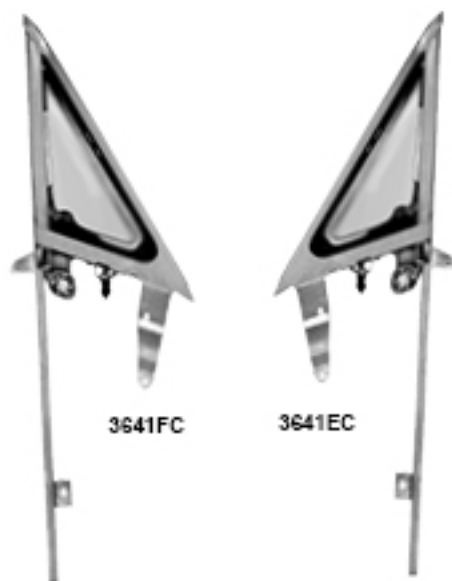
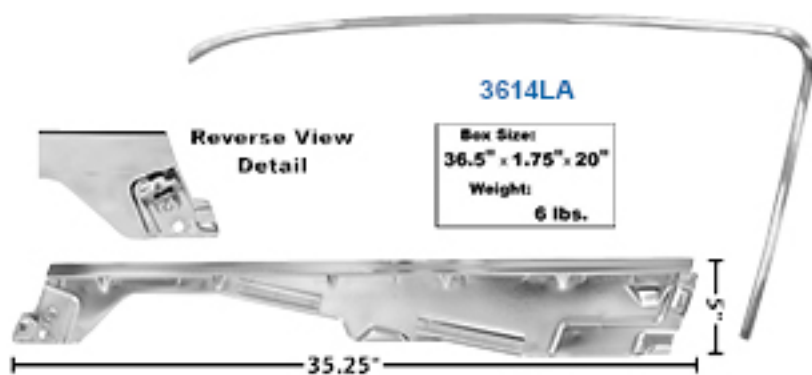
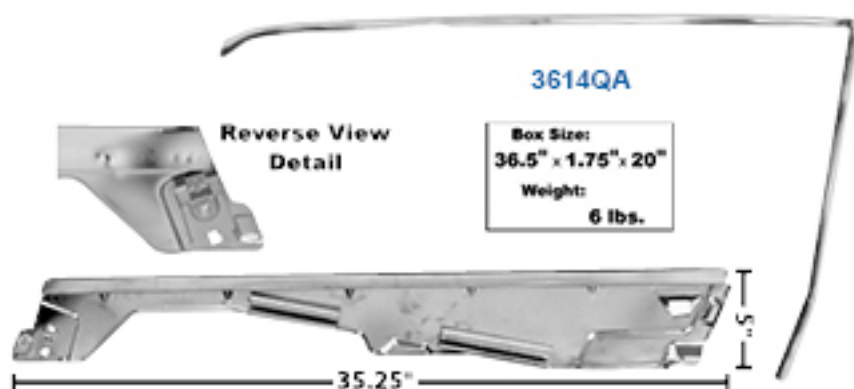
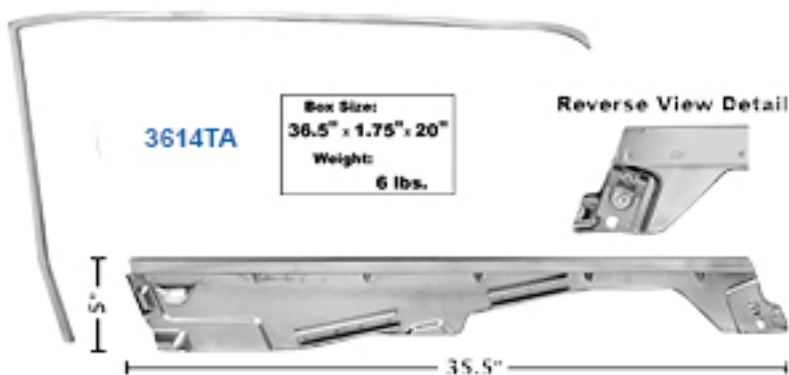


Box Size:
41.5" x 4" x 21.5"
Weight:
19 lbs.

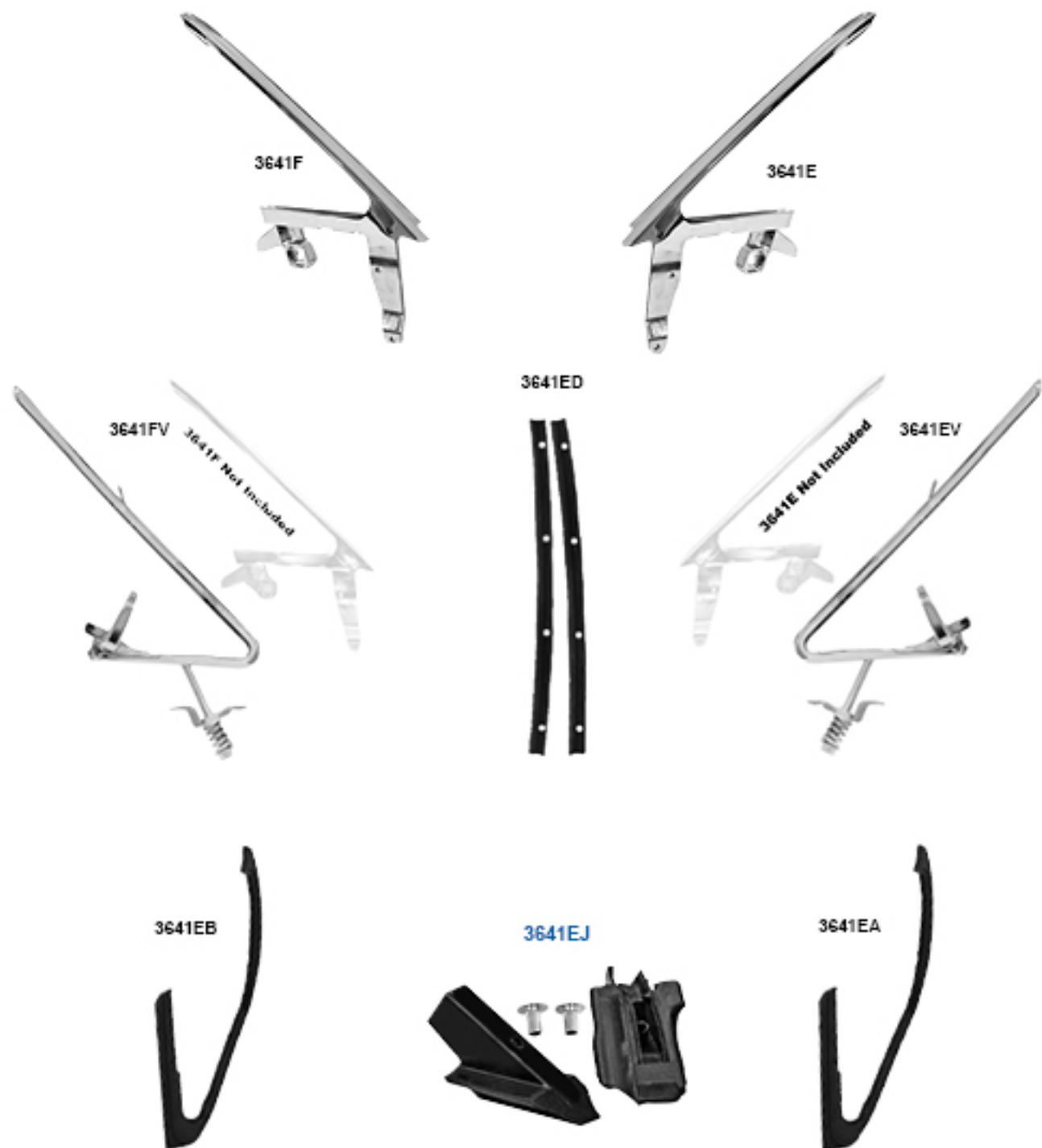
Reverse View
Detail

3614T

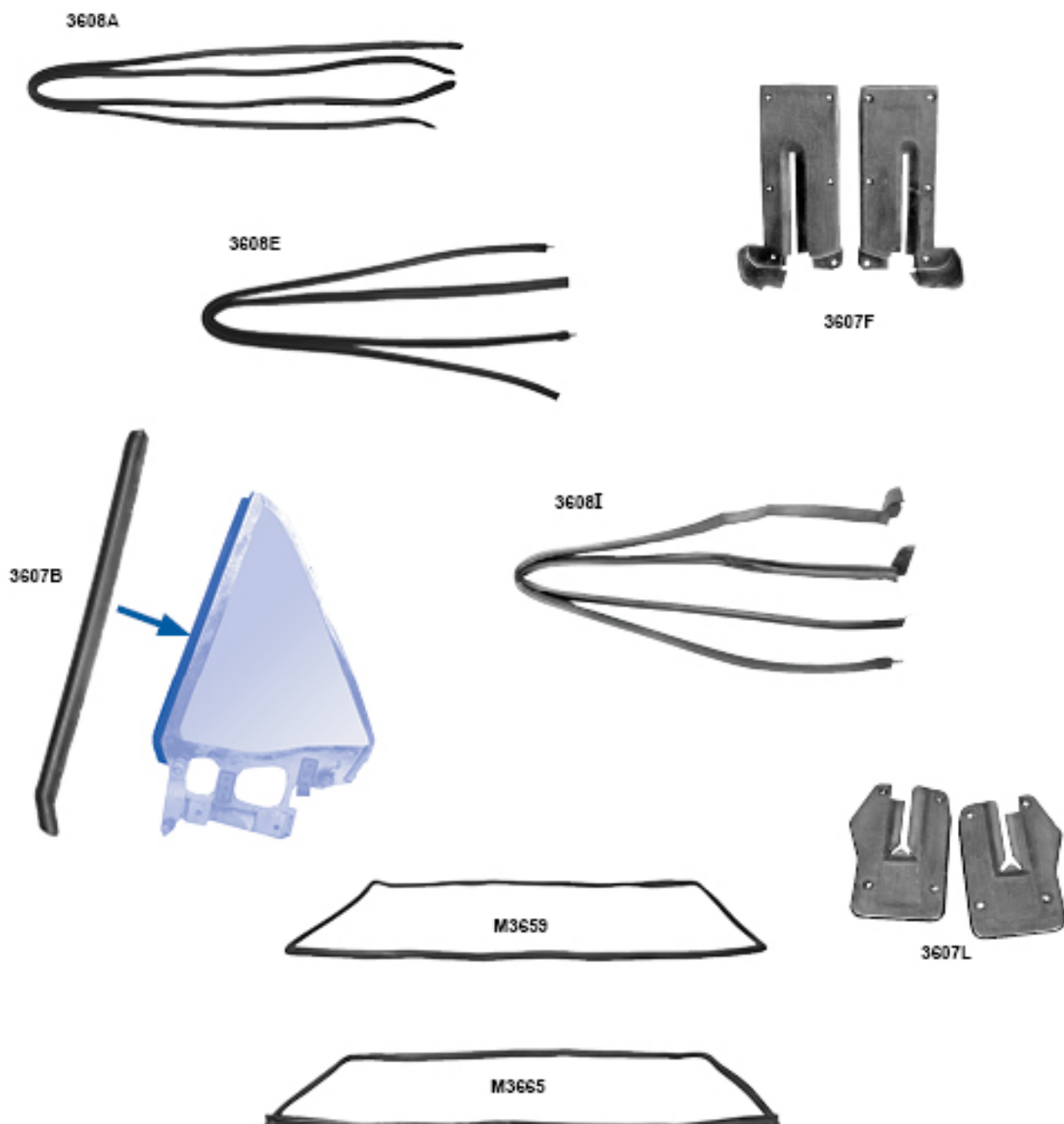
X3674		1965-66	Windshield Glass, Green Tinted <i>Fastback</i>
3614L	New	1965-66	Door Glass Kit, RH <i>Fastback</i> , w/ Glass & Window Frame
3614M	New	1965-66	Door Glass Kit, LH <i>Fastback</i> , w/ Glass & Window Frame
3614U	New	1965-66	Door Window Glass Carrier, RH, <i>Fit all Model</i>
3614W	New	1965-66	Door Window Glass Carrier, LH, <i>Fit all Model</i>
3614Q	New	1965-66	Door Window Glass Assembly, RH, <i>Coupe w/ Glass & Frame</i>
3614R	New	1965-66	Door Window Glass Assembly, LH, <i>Coupe w/ Glass & Frame</i>
3614S	New	1965-66	Door Window Glass Assembly, RH, <i>Conv w/ Glass & Frame</i>
3614T	New	1965-66	Door Window Glass Assembly, LH, <i>Conv w/ Glass & Frame</i>



3614SA	New	1965-66	Door Window Frame Kit RH, 2pc, Convertible
3614TA	New	1965-66	Door Window Frame Kit, LH, 2pc, Convertible
3614QA	New	1965-66	Door Window Frame Kit RH, 2pc, Coupe
3614RA	New	1965-66	Door Window Frame Kit, LH, 2pc, Coupe
3614LA	New	1965-66	Door Window Frame Kit RH, 2pc, Fastback
3614MA	New	1965-66	Door Window Frame Kit, LH, 2pc, Fastback
3641EC		1965-66	Complete Vent Window Assembly, RH
3641FC		1965-66	Complete Vent Window Assembly, LH



3641E	1965-66	Vent Window Frame RH	
3641F	1965-66	Vent Window Frame LH	
3641EV	1965-66	Vent Window Trim w/Pivot, RH	
3641FV	1965-66	Vent Window Trim w/Pivot, LH	
3641EA	1965-66	Vent Window Weatherstrip, RH	
3641EB	1965-66	Vent Window Weatherstrip, LH	
3641EJ	New	1965-66	Vent Window Seal, Pair
3641ED	1965-66	Weatherstrip Division Bars	



3607L	1965-66	Door / Window Seals
3608A	1965-66	Door Weatherstripping
3608E	1965-66	Roof Rail Seals, Coupe
3608I	1965-66	Roof Rail Seals, Fastback
3607F	1965-66	Quarter Window - Body Seals
3607A	1965-68	Quarter Glass Seal RH
3607B	1965-68	Quarter Glass Seal LH
M3665	1965-68	Rear Window Seal, Coupe

1965-68



Includes rubber seals

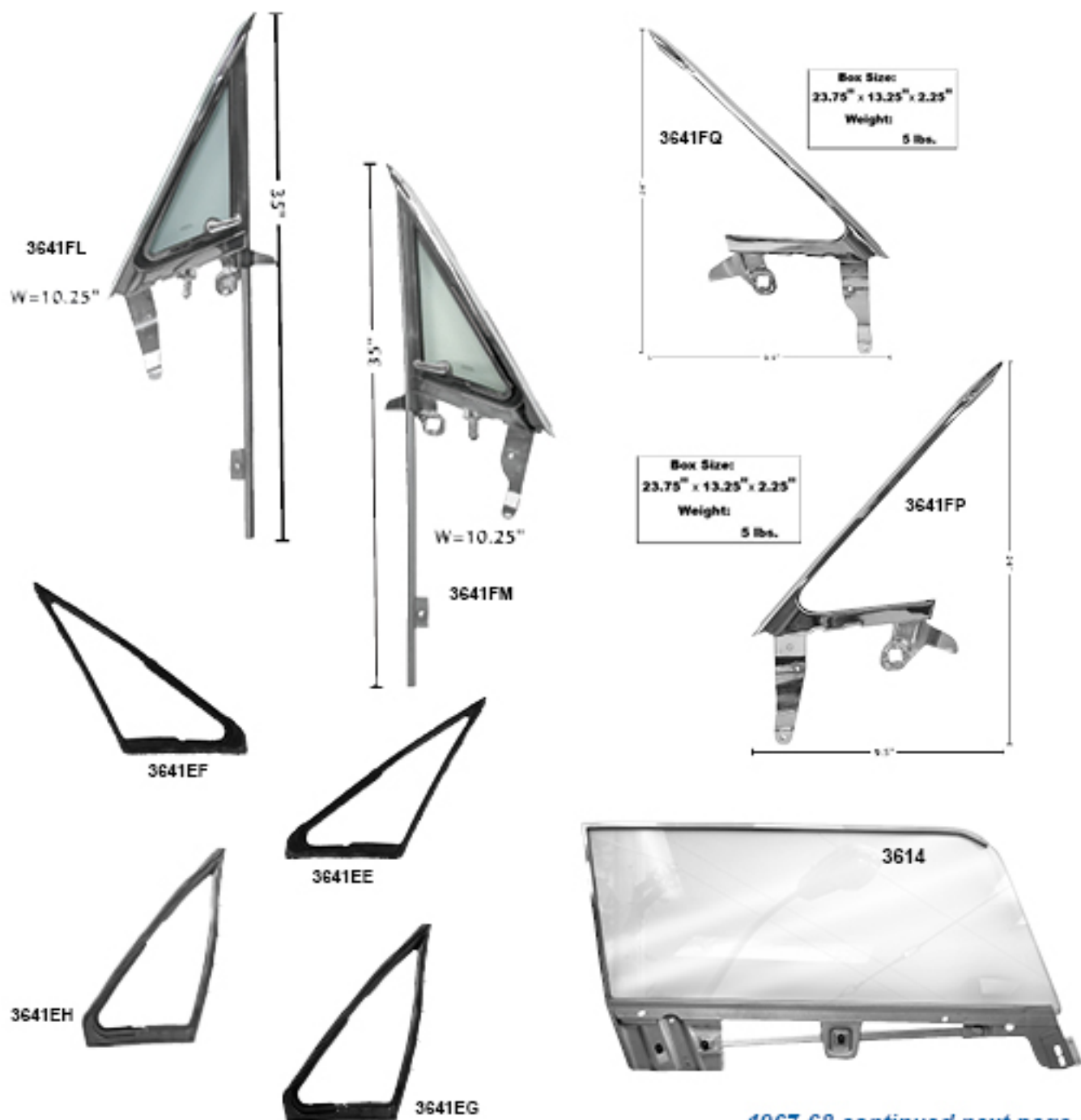
Box Size:
60.5" x 25" x 5.75"
Weight:
35.3 lbs.

Box Size:
49.5" x 34.75" x 4"
Weight:
35.3 lbs.



X3670	1965-68	Windshield Glass with Rubber Seal Tinted & Shaded, <i>Fastback</i>
X3671	1967-68	Rear Window Glass with Rubber Seal, Tinted, <i>Fastback</i>
3607Q	1967-68	Window Glass Runs
3641FD	1967	Complete Vent Window Assembly, RH
3641FE	1967	Complete Vent Window Assembly, LH

Muscle Car Parts & Molding • Muscle Car Parts & Molding • Muscle Car Parts & Molding



1967-68 continued next page...

3641FL	1968	Complete Vent Window Assembly, RH
3641FM	1968	Complete Vent Window Assembly, LH
3641FP	1967-68	Vent Window Frame RH
3641FQ	1967-68	Vent Window Frame LH
3641EE	1967	Vent Window Weatherstrip, RH
3641EF	1967	Vent Window Weatherstrip, LH
3641EG	1968	Vent Window Weatherstrip, RH
3641EH	1968	Vent Window Weatherstrip, LH
3614	1967-68	Door Glass Kit (with window frame and glass run), RH, Coupe
3614A	1967-68	Door Glass Kit (with window frame and glass run), LH, Coupe

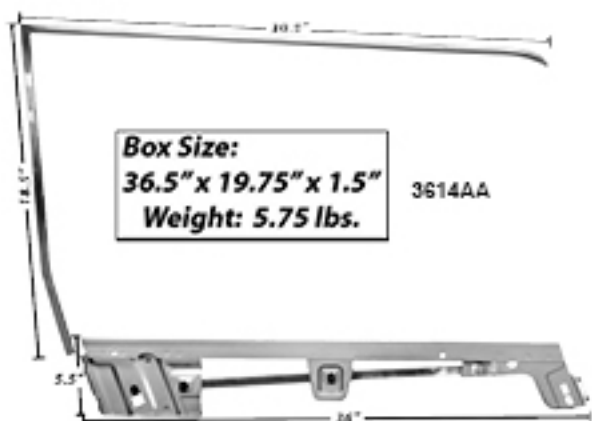
1967-68



3614B

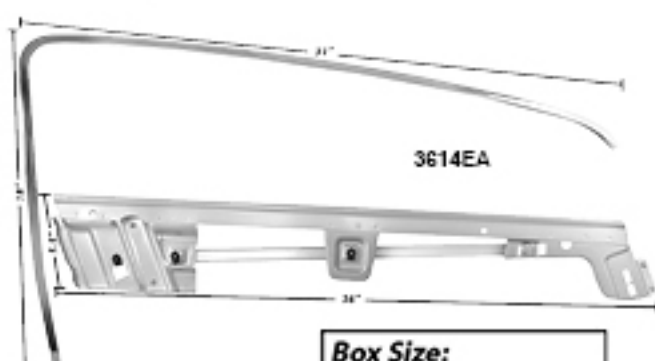


3614D



Box Size:
36.5" x 19.75" x 1.5"
Weight: 5.75 lbs.

3614AA



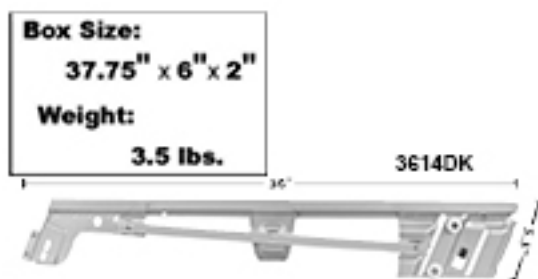
3614EA

Box Size:
36.5" x 19.75" x 1.5"
Weight: 5.75 lbs.



Box Size:
36.5" x 19.75" x 1.5"
Weight: 5.75 lbs.

3614CA



Box Size:
37.75" x 6" x 2"
Weight:
3.5 lbs.

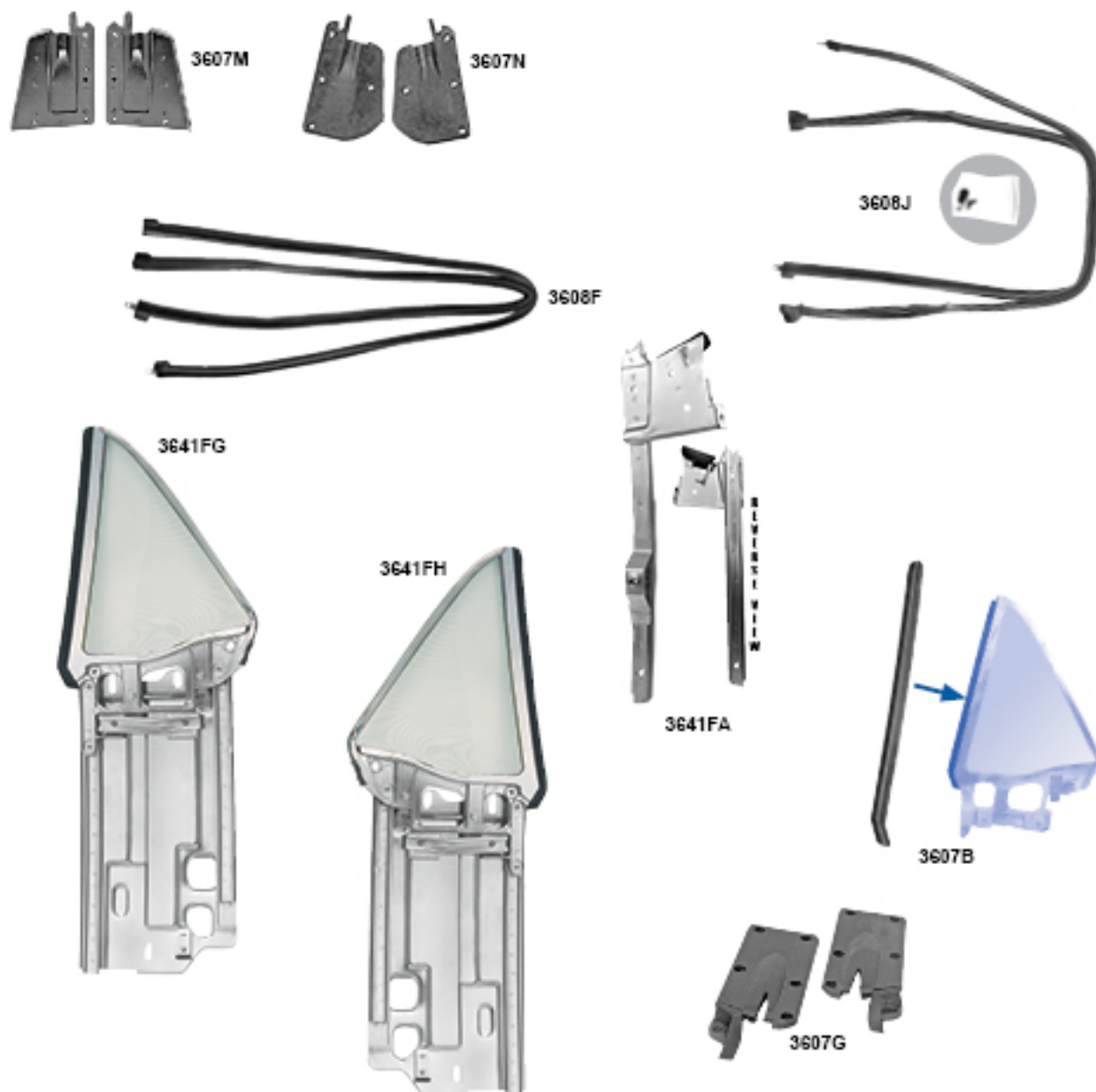
3614DK

3614B	1967-68	Door Glass Kit (w/window frame, glass run & bracket), RH, Convertible
3614C	1967-68	Door Glass Kit (w/window frame, glass run & bracket), LH, Convertible
3614D	1967-68	Door Glass Kit (with window frame and glass run), RH, Fastback
3614E	1967-68	Door Glass Kit (with window frame and glass run), LH, Fastback
3614AA	1967-68	Door Window Frame Kit, RH, Coupe
3614AB	1967-68	Door Window Frame Kit, LH, Coupe
3614CA	1967-68	Door Window Frame Kit, RH, Convertible
3614CB	1967-68	Door Window Frame Kit, LH, Convertible
3614EA	1967-68	Door Window Frame Kit, RH, Fastback
3614EB	1967-68	Door Window Frame Kit, LH, Fastback
3614DK	1967-68	Door Glass Channel/Retainer, RH (Fits all body styles)
3614EK	1967-68	Door Glass Channel/Retainer, LH (Fits all body styles)

1967-68

Glass, Weatherstrip & Seals

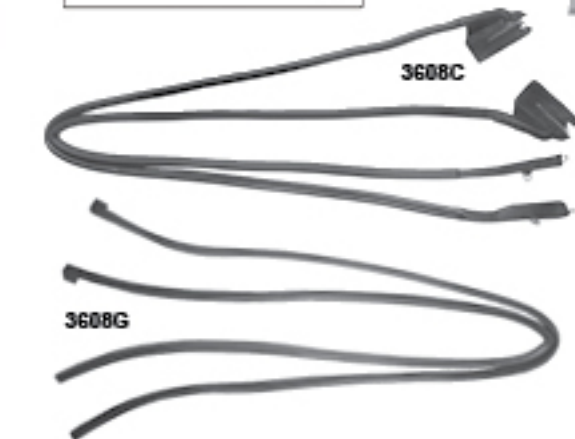
Muscle Car Parts & Molding • Muscle Car Parts & Molding • Muscle Car Parts & Molding



Glass, Weatherstrip & Seals continued on next page...

3607M	Early 1967	Door / Window Seals
3607N	1967-68	Door / Window Seals
3641FA	1967-68	Window Guide, Rear RH
3641FB	1967-68	Window Guide, Rear LH
3608F	1967-68	Roof Rail Seals, Coupe
3608J	1967-68	Roof Rail Seals, Fastback
3641FG	1967-68	Quarter Window Assembly, RH, Coupe
3641FH	1967-68	Quarter Window Assembly, LH, Coupe
3607A	1965-68	Quarter Glass Seal RH
3607B	1965-68	Quarter Glass Seal LH
3607G	1967-68	Quarter Window - Body Seals

1969-70



X3672	1969-70	Front Windshield Glass, <i>Fastback</i>
X3673	1969-70	Rear Window Glass with Rubber Seal, <i>Fastback</i>
3614F	1969-70	Door Glass Kit (with window frame and glass run), RH, <i>Coupe & Convertible</i>
3614G	1969-70	Door Glass Kit (with window frame and glass run), LH, <i>Coupe & Convertible</i>
3607P	1969-70	Door / Window Seals
3608C	1969-70	Door Weatherstripping
3641FK	1969-70	Door Glass Channel/Retainer, RH, <i>Fits all Body Styles</i>
3614GK	1969-70	Door Glass Channel/Retainer, LH, <i>Fits all Body Styles</i>
3608G	1969-70	Roof Rail Seals, <i>Coupe</i>
3608K	1969-70	Roof Rail Seals, <i>Fastback</i>
3641FJ	1969-70	Quarter Vent Window Assembly, RH, <i>Clear Glass, Fastback</i>
3641FK	1969-70	Quarter Vent Window Assembly, LH, <i>Clear Glass, Fastback</i>
3607D	1969-70	Quarter Glass Seal RH, <i>Fastback</i>
3607E	1969-70	Quarter Glass Seal LH, <i>Fastback</i>
3607C	1969-70	Quarter Glass Seal, <i>Coupe & Convertible</i>
3607H	1969-70	Quarter Window - Body Seals, <i>Coupe & Convertible</i>
3607J	1969-70	Quarter Window - Body Seals, <i>Fastback</i>



3608D



3608H



3607K

1971-73

3608D	1971-73	Door Weatherstripping
3608H	1971-73	Roof Rail Seals
3607K	1971-73	Quarter Window - Body Seals



M3626A



M3627A



M3627B

1965-66



EM3654



EM3620



EM3621



EM3622



EM3600



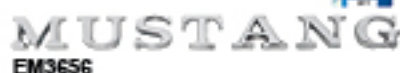
EM3630



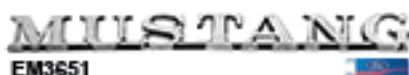
EM3631



EM3650



EM3656



EM3651



EM3657



EM3610



EM3611

Emblems continued on next pg...

M3626A	1965	Grille Horse and Corral Emblem
M3627A	1966	Grille Horse and Corral Emblem, Standard
M3627B	1966	Grille Horse and Corral Emblem, GT
EM3654	1965-66	Hood Letter Set, "FORD", 4 pcs.
EM3620	1965-66	Fender Emblem, "289"
EM3621	1965-66	Fender Emblem, "302"
EM3622	1965-66	Fender Emblem, "High Performance"
EM3600	1965-66	Fender Emblem, Running Horse, RH
EM3601	1965-66	Fender Emblem, Running Horse, LH
EM3650	Early 1964	Fender Emblem, "MUSTANG"
EM3630	1965	Fender Emblem, "GT"
EM3631	1966	Fender Emblem, "GT"
EM3651	1965-66	Fender Emblem, "MUSTANG"
EM3656	1965-72	Fender or Trunk Letter Set, "MUSTANG", 7 pcs.
EM3657	1965-72	Stick-On Letter Set, "MUSTANG", 7 pcs.
EM3610	1965-66	Curved Glove Box Emblem, Running Horse
EM3611	1965-66	Flat Glove Box Emblem, Running Horse

1967-68

M3629AB



FORD
EM3655



EM3656 MUSTANG

EM3657 MUSTANG

M3629AB	1968	Grille Horse and Corral Emblem, Standard
EM3655	1967	Hood Letter Set, "FORD", 4 pcs.
EM3602	1967-68	Fender Emblem, "289" w/Running Horse, RH
EM3603	1967-68	Fender Emblem, "289" w/Running Horse, LH
EM3604	1968	Fender Emblem, "302" w/Running Horse, RH
EM3605	1968	Fender Emblem, "302" w/Running Horse, LH
EM3606	1967-68	Fender Emblem, "351" w/Running Horse, RH
EM3607	1967-68	Fender Emblem, "351" w/Running Horse, LH
EM3608	1967-68	Fender Emblem, "390" w/Running Horse, RH
EM3609	1967-68	Fender Emblem, "390" w/Running Horse, LH
EM3640	1967	Fender Emblem, "GTA"
EM3641	1967	Fender Emblem, "GT" Letters, 2 pcs.
EM3643	1968	Fender Emblem, "GT"
EM3652	1968	Fender Emblem, "Mustang" Script
EM3656	1965-72	Fender or Trunk Letter Set, "MUSTANG", 7 pcs.
EM3657	1965-72	Stick-On Letter Set, "MUSTANG", 7 pcs.

1969-73



EM3653



EM3656 MUSTANG

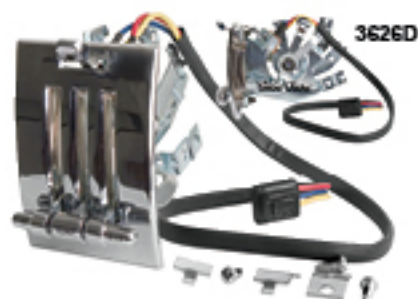
EM3657 MUSTANG

EM3653	1969-73	Fender or Trunk Emblem, "Mustang" Script
EM3656	1965-72	Fender or Trunk Letter Set, "MUSTANG", 7 pcs.
EM3657	1965-72	Stick-On Letter Set, "MUSTANG", 7 pcs.

1965-66

Heating/Cooling Components

Muscle Car Parts & Molding • Muscle Car Parts & Molding • Muscle Car Parts & Molding



3626D



M33882

Complete with fan, mounting plate & gaskets!



M33883



3626EA

3626D	1965-66	Heater Control with knobs & switch, 3 spd.
M33882	1965-68	Heater Blower Motor, 3 spd. (After 4/1/65)
M33883	1965-68	Heater Blower Motor Assembly, 3 spd.. (After 4/1/65)
3626EA	1965-67	Heater Resistor, 3 spd.

M3518



M3515



M3516



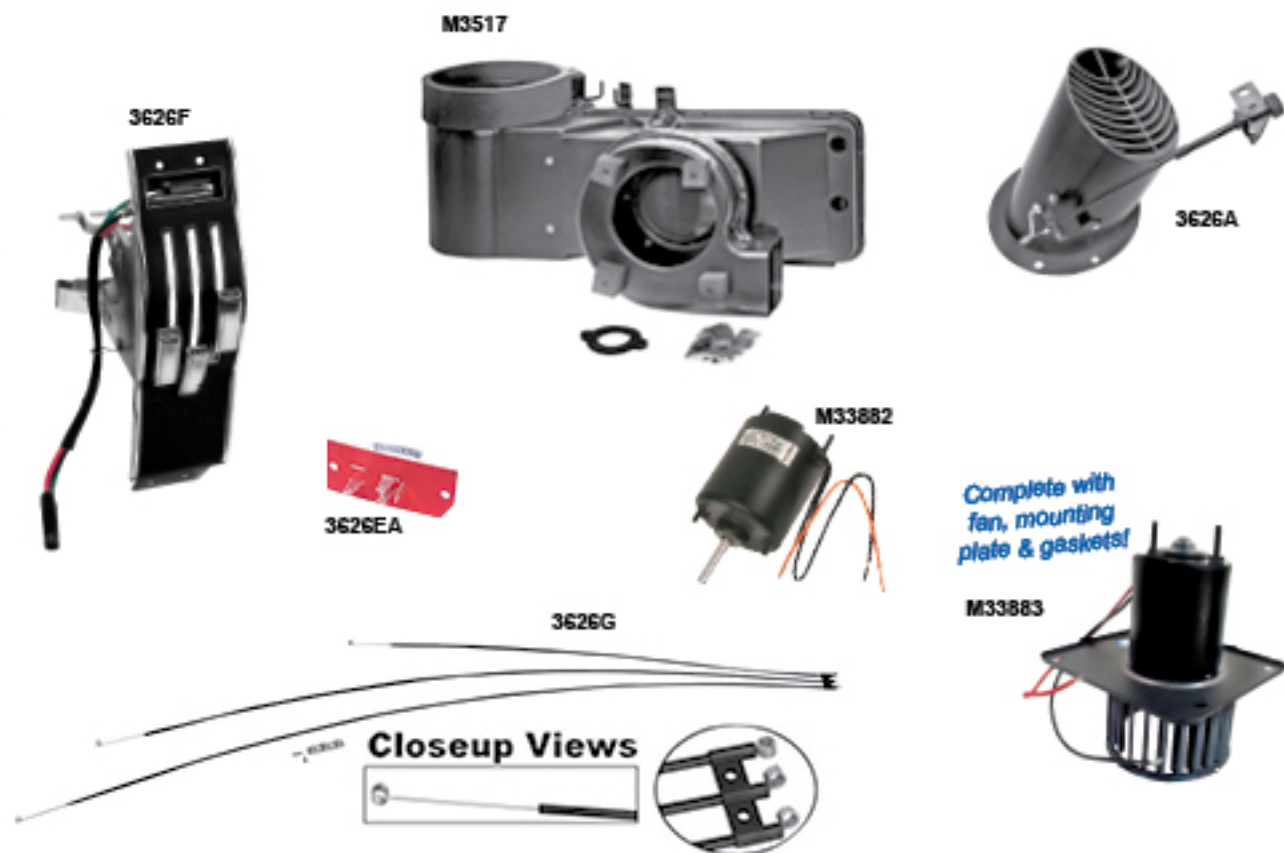
M3516A



3626

M3518	1965-68	Heater Plenum
M3515	Early 1965	Heater Box Assembly, No Hole for Resistor, 2-Speed
M3516	1965-66	Heater Box W/Gaskets & Clips, with Resistor Cut-Out
M3516A	1965-68	Heater Box Clips
3626	1965-66	Air Vent Assembly

1967-68

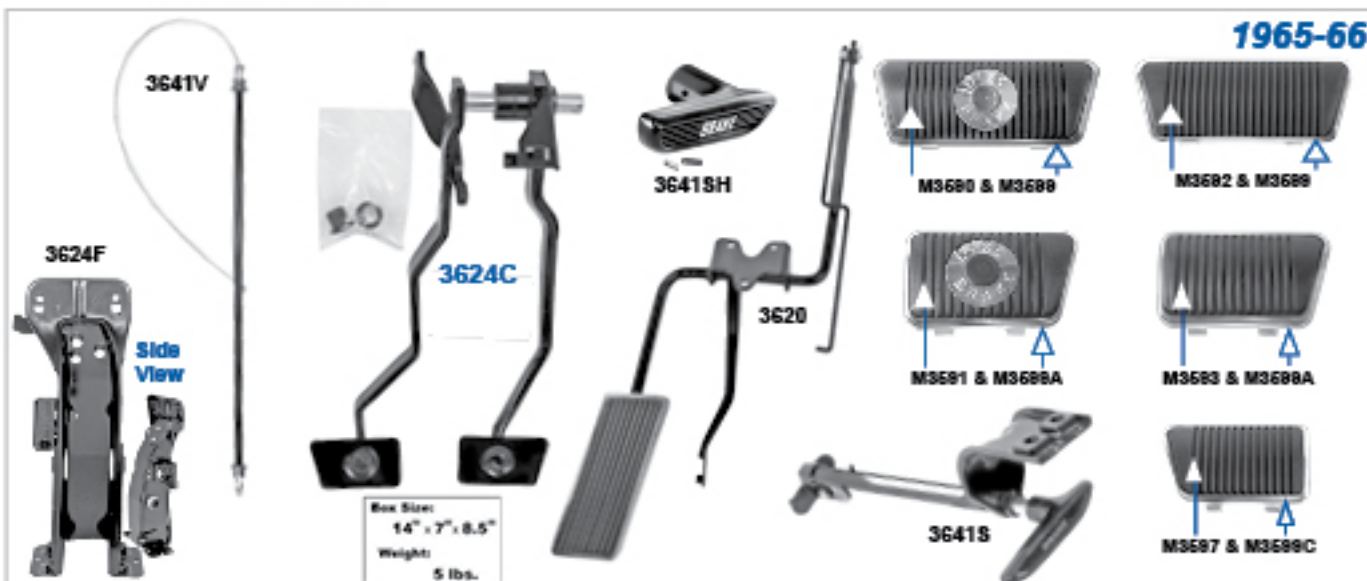


3626F	1968	Heater Control with knobs & switch
3626G	1967-68	Heater Control Cable
M33882	1965-68	Heater Blower Motor, 3-speed (After 4/1/66)
M33883	1965-68	Heater Blower Motor Assembly, 3-speed (After 4/1/66)
M3517	1967-68	Heater Box W/Gasket Kit & Clips
3626EA	1965-67	Heater Resistor, 3-speed
3626A	1967-68	Air Vent Assembly

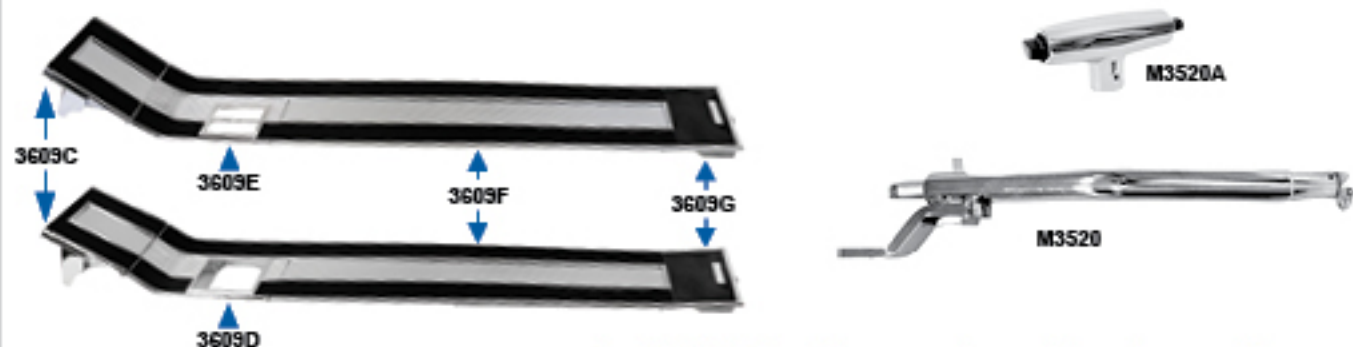
1969-70



M3518A	1969-70	Heater Box with Gasket Kit & Clips
--------	---------	------------------------------------



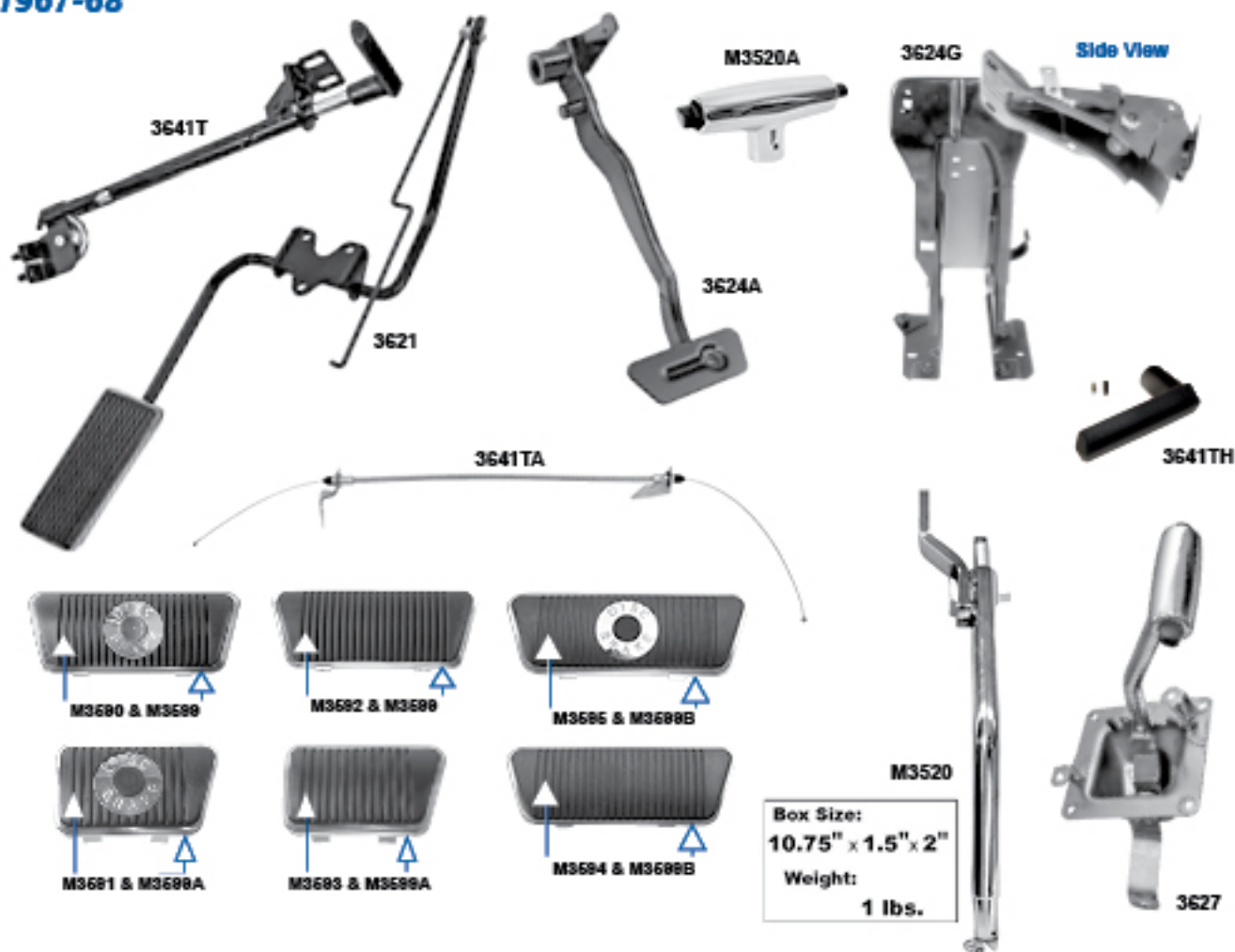
3641V	1965-66	Parking Brake Cable Assembly	
3641S	1965-66	Parking Brake Release	
3641SH	1965-66	Parking Brake Handle	
3624C	New	1965-66	Brake / Clutch Pedal Assembly
3624F	1965-66	Brake Pedal Support	
M3590	1965-67	Disc Brake Pedal Pad, Automatic Transmission	
M3592	1965-67	Brake Pedal Pad, Automatic Transmission	
M3599	1965-67	Brake Pedal Trim, Automatic Transmission	
M3591	1965-73	Disc Brake Pedal Pad, Standard	
M3593	1965-73	Brake Pedal Pad, Standard	
M3599A	1965-73	Brake Pedal Trim, Standard	
M3597	1965-68	Clutch Pedal Pad	
M3599C	1965-68	Clutch Pedal Trim	
3620	1966-68	Accelerator Assembly, Automatic Transmission	
3621	1965-68	Accelerator Assembly, Manual Transmission	



Pedal & Shifter Components continued on next page...

M3520	1965-66	Shift Selector Lever, Automatic Transmission, All Models
	1967-68	Without Console
M3520A	1965-67	Shift Handle, Automatic Transmission
3609C	1965-66	Console Plate
3609D	1965-66	Standard Console Shift Panel
3609E	1965-66	Console Shift Plate, Automatic Shift
3609F	1965-66	Console Center Panel
3609G	1965-66	Console Ashtray

1967-68

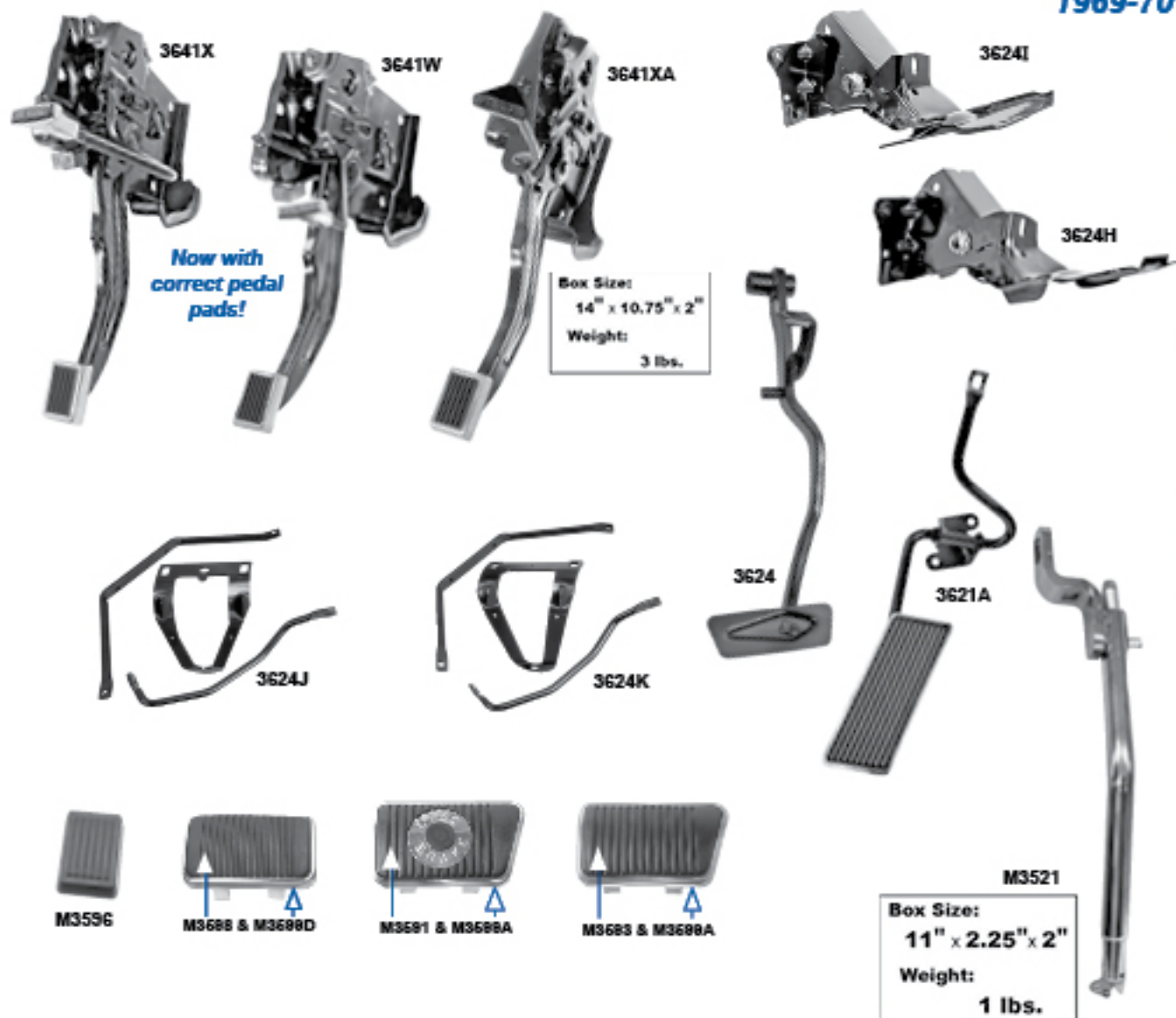


3641T	1967-68	Parking Brake Release
3641TA	1967-68	Parking Brake Cable
3641TH	1967-68	Parking Brake Handle
3624A	1967-68	Brake / Clutch Pedal Assembly, Automatic Transmission / Standard Brakes
3624G	1967-68	Brake Pedal Support
M3590	1965-67	Disc Brake Pedal Pad, Automatic Transmission
M3592	1965-67	Brake Pedal Pad, Automatic Transmission
M3599	1965-67	Brake Pedal Trim, Automatic Transmission
M3591	1965-73	Disc Brake Pedal Pad, Standard
M3593	1965-73	Brake Pedal Pad, Standard
M3599A	1965-73	Brake Pedal Trim, Standard
M3594	1968-73	Drum Brake Pedal Pad, Automatic Transmission
M3595	1968-73	Disc Brake Pedal Pad
M3599B	1968-73	Brake Pedal Trim, Automatic Transmission
3621	1965-68	Accelerator Assembly, Manual Transmission
3620	1966-68	Accelerator Assembly, Automatic Transmission
M3520	1965-66 1967-68	Shift Selector Lever, Automatic Transmission, All Models Without Console
3627	1967-68	Shifter Assembly with Console
M3520A	1965-67	Shift Handle, Automatic Transmission

1969-70

Pedal & Shifter Components

Muscle Car Parts & Molding • Muscle Car Parts & Molding • Muscle Car Parts & Molding



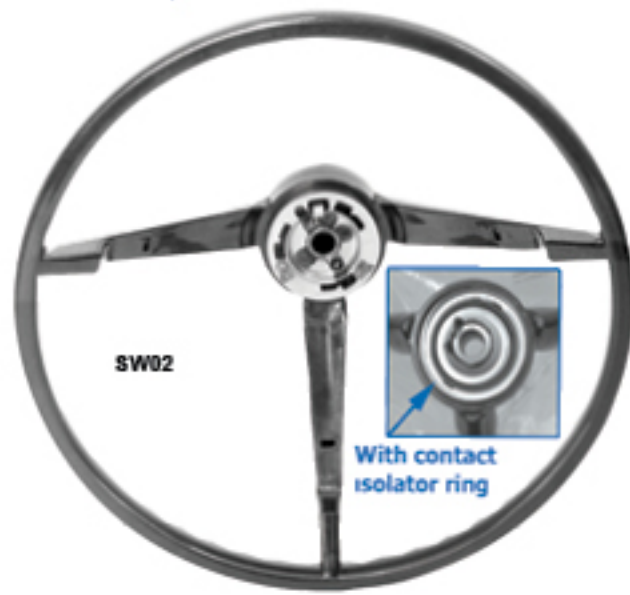
3624	1967-69	Brake Pedal Assembly, Automatic Transmission / Power Brake
3641W	1969	Parking Brake Assembly
3624H	1969	Brake Pedal Support
3624J	1969	Brake Pedal Support-to-Dash Bracket
3621A	1969	Accelerator Assembly, Manual Transmission
3641X	1970	Parking Brake Assembly
3624I	1970	Brake Pedal Support
3624K	1970	Brake Pedal Support-to-Dash Bracket
3641XA	1971-73	Parking Brake Assembly
M3596	1969-73	Parking Brake Pedal Pad
M3591	1965-73	Disc Brake Pedal Pad, Standard
M3593	1965-73	Brake Pedal Pad, Standard
M3599A	1965-73	Brake Pedal Trim, Standard
M3598	1969-73	Clutch Pedal Pad
M3599D	1969-73	Clutch Pedal Trim
M3521	1969-73	Shift Selector Lever, Automatic Transmission, All Models

Simulated wood grain

Available in Black only



SW01



SW02

With contact
isolator ring

SW01	1965-66	Deluxe Steering Wheel
SW02	1965-66	Standard Steering Wheel



M3522A



M3522B



M3524A



3609A



M3523



M3523A



M3524



3609B

M3522A	1965-66	Standard Rear View Mirror
M3522B	1966	Rear View Mirror, Day/Night
M3524	1965-66	Rear View Mirror Mounting Bracket
3609A	1965-66	Sun Visor Arm
M3523	1967	Rear View Mirror, Day/Night
3609B	1967-68	Sun Visor Arm
M3523A	1968-69	Rear View Mirror, Day/Night
M3524A	1968-73	Rear View Mirror Mounting Bracket

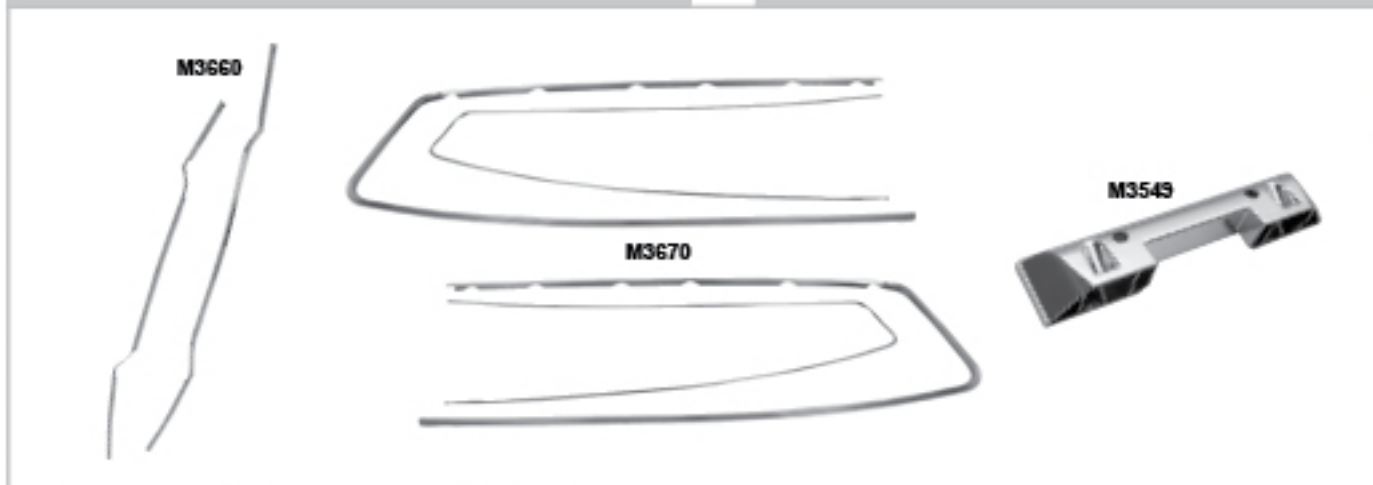


CV Header Molding

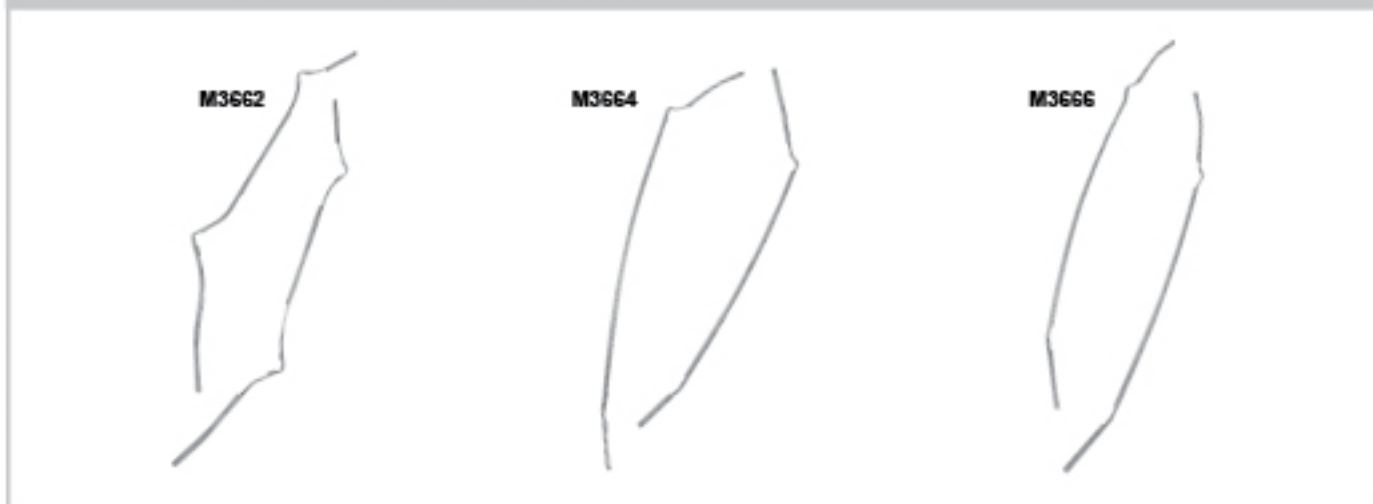


M3654A	1965-67	Convertible Header Molding
M3654B	1968	Convertible Header Molding

M3649G	1969-70	Front Headliner Molding
--------	---------	-------------------------



M3660	1965-66	Door Edge Guards
M3670	1965-66	Pony Door Trims, 4 Pcs.
M3549	1965-66	Chrome Arm Rest Base



M3662	1967-68	Door Edge Guards
M3664	1969-70	Door Edge Guards
M3666	1971-73	Door Edge Guards

M3650



M3651



M3651A

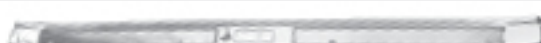


M3650A



M3650	1965-68	Door Sill Scuff Plate, Coupe & Fastback
M3651	1965-68	Door Sill Scuff Plate, Convertible
M3651A	1965-68	Stainless Door Sill Scuff Plates, Stainless Steel, Convertible
M3650A	1965-68	Stainless Door Sill Scuff Plates, Stainless Steel Coupe & Fastback

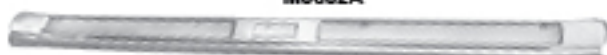
M3652



M3652A



M3653



M3653A

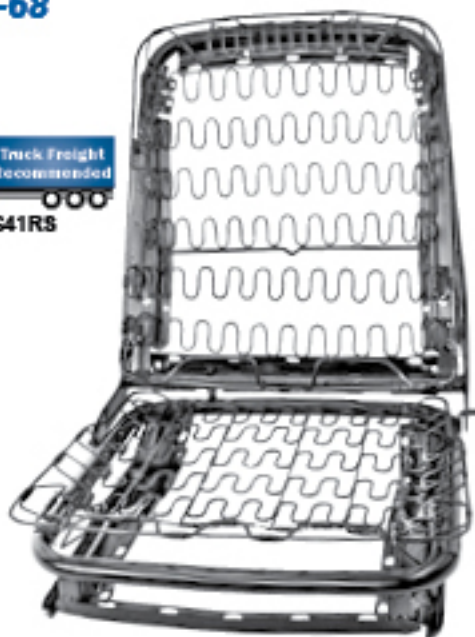


M3652	1969-70	Door Sill Scuff Plate, All Body Styles
M3652A	1969-70	Stainless Steel Door Sill Scuff Plates, Stainless Steel, All Body Styles
M3653	1971-73	Door Sill Scuff Plate, All Body Styles
M3653A	1971-73	Door Sill Scuff Plates, Stainless Steel All Body Styles

1965-68



3641RS



3641RR



M3639



M3638

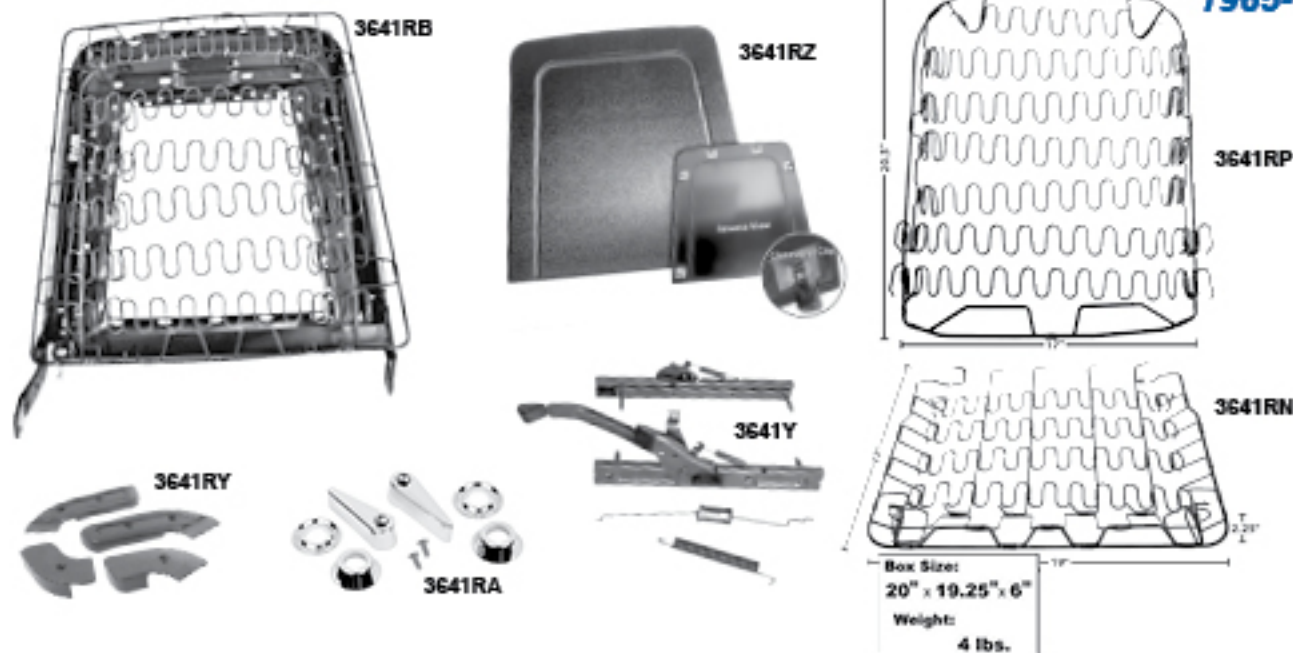


3641Y



1965-68 Seats & Components continued on next pg...

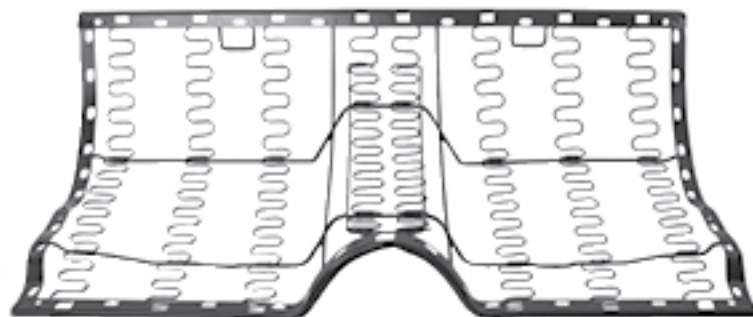
3641RS	1965-67	Front Seat Frame Assembly, RH
3641RT	1965-67	Front Seat Frame Assembly, LH
3641RR	1965-67	Seat Bottom, RH
3641R	1965-67	Seat Bottom, LH
3641Y	1965-68	Seat Track Assembly
M3638	1965-66	Seat Side Molding, RH
M3639	1965-66	Seat Side Molding, LH



3641RB	1968	Seat Back Frame with Spring, RH
3641RC	1968	Seat Back Frame with Spring, LH
3641RP	1965-68	Front Seat Back Spring, Fits both sides
3641RN	1965-70	Front Seat Bottom Spring, Fits both sides
3641RZ	1968-70	Bucket Seat Rear Trim Panel, black plastic with clips
3641RA	1968-70	Seat Back Handles, 8 pcs.
3641RY	1968-70	Seat Hinge Covers, 4 pcs.
3641Y	1965-68	Seat Track Assembly



3641RG



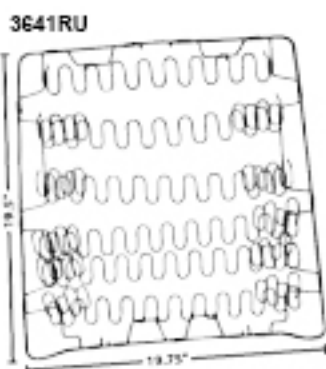
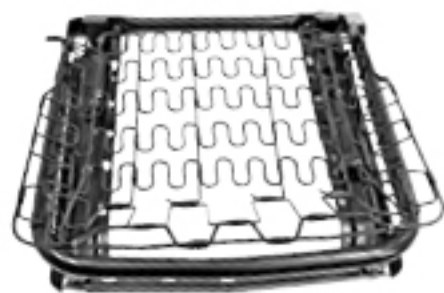
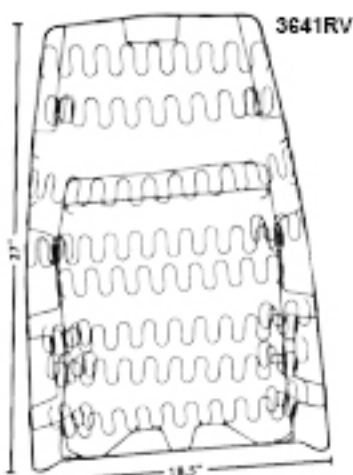
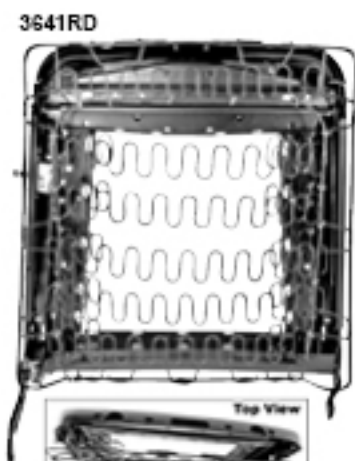
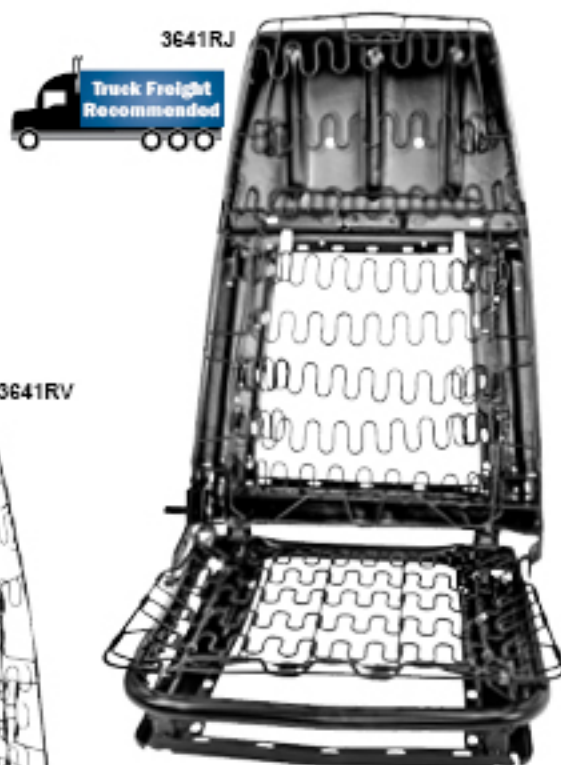
3641RF

1967-68

Seats & Components
continued on next page...

3641RF	1967-68	Rear Seat Frame, Fold Down Style for Fastback
3641RG	1967-68	Rear Seat Back, Fold Down Style for Fastback

1969-70



3641RX

3641RD	1969	Seat Back Frame with Headrest Mounting Holes, RH
3641RE	1969	Seat Back Frame with Headrest Mounting Holes, LH
3641RU	1969	Seat Bottom Spring, Fits both sides
3641RV	1970	Seat Back Spring, Fits both sides
3641RL	1969	Headrest (no guide or retainer)
3641RM	1969	Headrest Guide and Retainer (no headrest)
3641RW	1969-70	Seat Bottom, RH
3641RX	1969-70	Seat Frame Bottom, LH
3641RZ	1968-70	Bucket Seat Rear Trim Panel, black plastic with clips
3641RJ	1970	Front High-Back Seat Frame, RH
3641RK	1970	Front High-Back Seat Frame, LH
3641Z	1969-70	Seat Track Assembly



Seat Belts with Push Button:
6 colors to choose from

60 Inch Belts

SBP-BK60	Seat Belt with Push Button	Black
SBP-GR60	Seat Belt with Push Button	Grey
SBP-TAN60	Seat Belt with Push Button	Tan
SBP-NB60	Seat Belt with Push Button	Navy Blue
SBP-RED60	Seat Belt with Push Button	Red
SBP-MAR60	Seat Belt with Push Button	Maroon



74 Inch Belts

SBP-BK74	Seat Belt with Push Button	Black
SBP-GR74	Seat Belt with Push Button	Grey
SBP-TAN74	Seat Belt with Push Button	Tan
SBP-NB74	Seat Belt with Push Button	Navy Blue
SBP-RED74	Seat Belt with Push Button	Red
SBP-MAR74	Seat Belt with Push Button	Maroon



SBR-BK	Retractable 3 Point Seat Belt with Push Button	Black
SBEXT-BK	Seat Belt Extension, 12 In.	Black

See our Accessory Catalog for more details...



Seat Belts with Lift Latch:
10 colors to choose from

60 Inch Belts

SBL-BK60	Seat Belt with Lift Latch	Black
SBL-WT60	Seat Belt with Lift Latch	White
SBL-LG60	Seat Belt with Lift Latch	Light Grey
SBL-DG60	Seat Belt with Lift Latch	Dark Grey
SBL-LT60	Seat Belt with Lift Latch	Light Tan
SBL-DT60	Seat Belt with Lift Latch	Dark Tan
SBL-LB60	Seat Belt with Lift Latch	Light Blue
SBL-DB60	Seat Belt with Lift Latch	Dark Blue
SBL-BR60	Seat Belt with Lift Latch	Bright Red
SBL-DR60	Seat Belt with Lift Latch	Dark Red



74 Inch Belts

SBL-BK74	Seat Belt with Lift Latch	Black
SBL-WT74	Seat Belt with Lift Latch	White
SBL-LG74	Seat Belt with Lift Latch	Light Grey
SBL-DG74	Seat Belt with Lift Latch	Dark Grey
SBL-LT74	Seat Belt with Lift Latch	Light Tan
SBL-DT74	Seat Belt with Lift Latch	Dark Tan
SBL-LB74	Seat Belt with Lift Latch	Light Blue
SBL-DB74	Seat Belt with Lift Latch	Dark Blue
SBL-BR74	Seat Belt with Lift Latch	Bright Red
SBL-DR74	Seat Belt with Lift Latch	Dark Red

SBL-BK60BLK



SBL-BK60BLK	Seat Belt w/Black Wrinkle-Finish Latch	Black
SBL-BK74BLK	Seat Belt w/Black Wrinkle-Finish Latch	Black

Box Size:
4.25" x 4.5" x 6"
Weight:
3.1 lbs.



Aqua
SB3-AQUA

Box Size:
4.25" x 4.5" x 6"
Weight:
3.1 lbs.



Burgundy
SB3-BURG

SB3-WHITE	Mustang	3-Point Seat Belt w/Chrome Lift Latch	White
SB3-BLACK	Mustang	3-Point Seat Belt w/Chrome Lift Latch	Black
SB3-AQUA	Mustang	3-Point Seat Belt w/Chrome Lift Latch	Aqua
SB3-BLUE	Mustang	3-Point Seat Belt w/Chrome Lift Latch	Blue
SB3-BURG	Mustang	3-Point Seat Belt w/Chrome Lift Latch	Burgundy

Box Size:
4.25" x 4.5" x 6"
Weight:
3.1 lbs.



Green
SB3-GREEN

Box Size:
4.25" x 4.5" x 6"
Weight:
3.1 lbs.

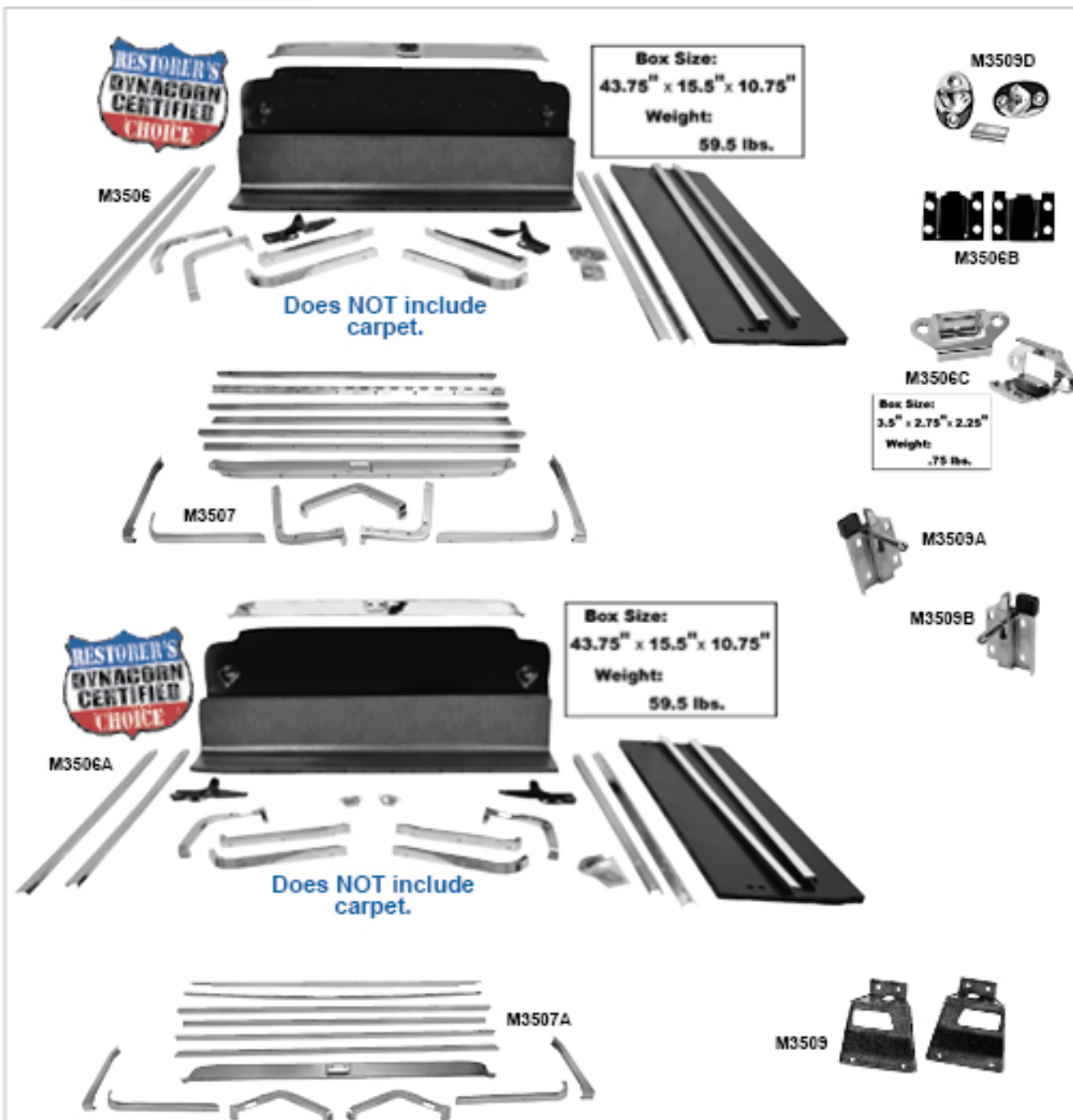


Tan
SB3-TAN

SB3-GRAY	Mustang	3-Point Seat Belt w/Chrome Lift Latch	Gray
SB3-GREEN	Mustang	3-Point Seat Belt w/Chrome Lift Latch	Green
SB3-TAN	Mustang	3-Point Seat Belt w/Chrome Lift Latch	Tan

Box Size:
7.5" x 4" x 3.5"
Weight:
8 lbs.





M3506	1965-66	Fold Down Seat Assembly with Molding (No Carpet), Fastback
M3509D	late 1965-70	Seat Support & Trap Door Catch Set, Fastback (Late 1965 w/Fold Down Seat)
M3507	1965-68	Fold Down Seat Moldings, Fastback, 14 Pcs.
M3506A	1967-70	Fold Down Seat Assembly with Molding (No Carpet), Fastback
M3509A	1967-70	Fold Down Seat Latch RH, Fastback
M3509B	1967-70	Fold Down Seat Latch LH, Fastback
M3506C	1967-70	Fold Down Seat Latch Catch, Fastback
M3507A	1969-70	Fold Down Seat Moldings for Fastback, 13 Pcs.
M3506B	1967-68	Fold Down Seat Brackets
M3509	1967-68	Seat Latch Cover, with fold down

1965-66

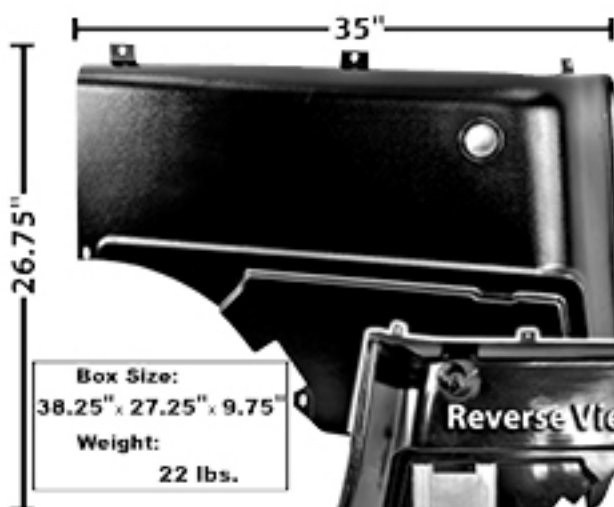
3645A



3645B



3611



M3548J

Reverse View



M3548T

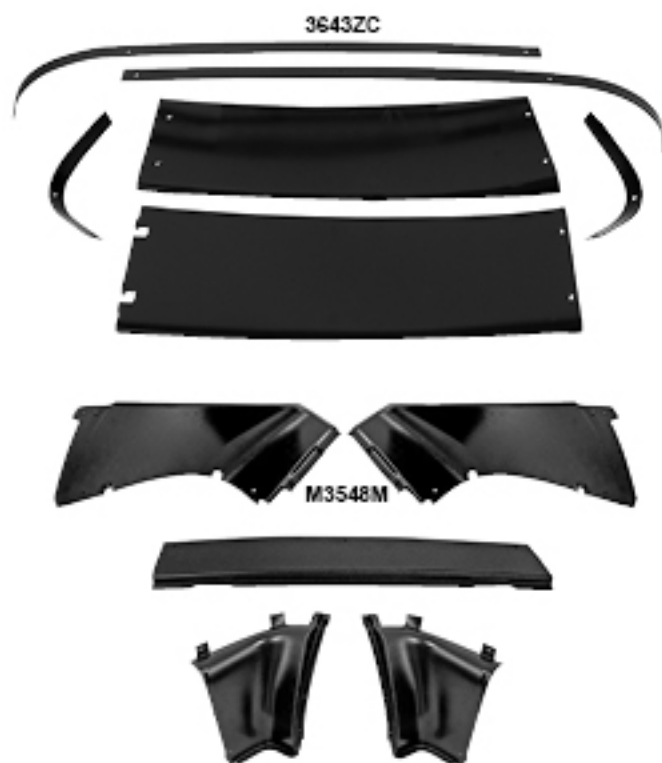
Box Size:
31.5" x 4.75" x 15.25"
Weight:
4.5 lbs.



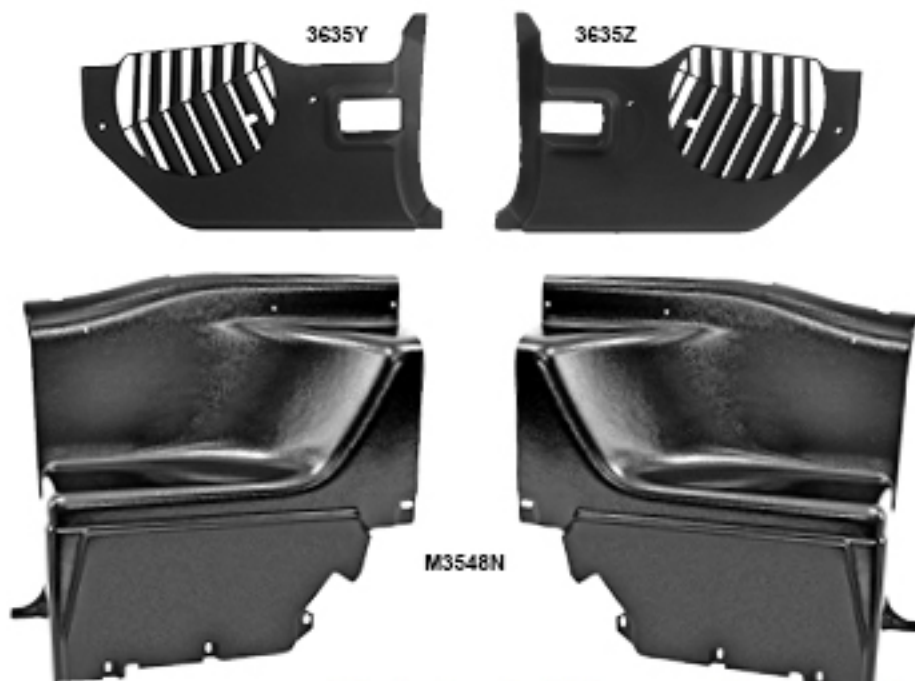
M3548JA

Box Size:
36.75" x 5" x 13.5"
Weight:
5.5 lbs

3645A	1965-66	Quarter Interior Trim Panel RH, Convertible
3645B	1965-66	Quarter Interior Trim Panel LH, Convertible
M3548T	1965-66	Quarter Vent Trim Panels, 2 pcs., Fastback
M3548J	1965-66	Plastic Quarter Trim Panels, 2 pcs., Fastback
3611	1965	Rear Quarter Ash Tray, Convertible
M3548JA	1965-66	Rear Upper Trim Panels, 5 pcs., Fastback



3643ZC	1967-68	Rear Interior Roof Moldings., 6 pcs., <i>Fastback</i>
M3548M	1967-68	Plastic Upper Back Trim, 5 pcs., <i>Fastback</i>
M3548L	1967-68	Plastic Quarter Vent Trim Panels, 2 pcs., <i>Fastback</i>
M3548K	1967-68	Plastic Quarter Trim Panel Assembly, 2 pcs., <i>Fastback</i>



Interior Panels & Components continued on next page...

3635Y	1969-70	Kick Panel, RH
3635Z	1969-70	Kick Panel, LH
M3548N	1969-70	Plastic Quarter Trim Panel Assembly, 2 pcs., <i>Fastback</i>

1969-70



M3548P	1969-70	Plastic Rear Quarter Trim Panels, 4 pcs., Fastback
M3548Q	1969-70	Plastic Quarter Vent Trim Panels, 2 pcs., Fastback
M3548R	1969-70	Plastic Upper Rear Quarter Trim Panels, 2 pcs., Fastback
M3548S	1969-70	Plastic Lower Rear Window Trim Panel, Fastback

ML01



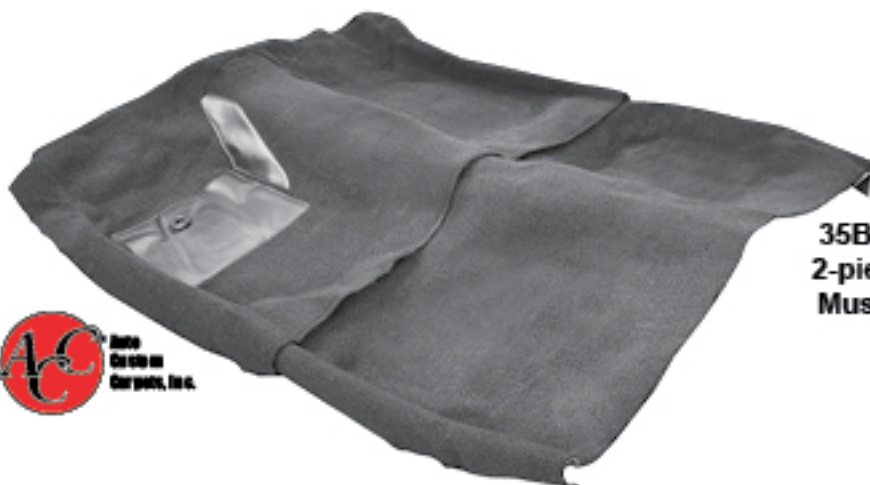
ML02



Ford, Ford and Mustang are registered trademarks owned by Ford Motor Company.

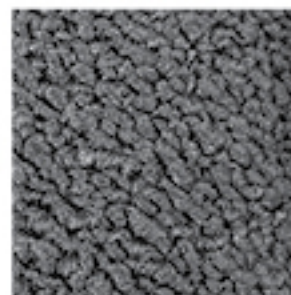


ML01	"Ford" Door Sill Decal, Black
ML02	"Ford" Door Sill Decal, Blue



Black 80/20 Loop Carpet

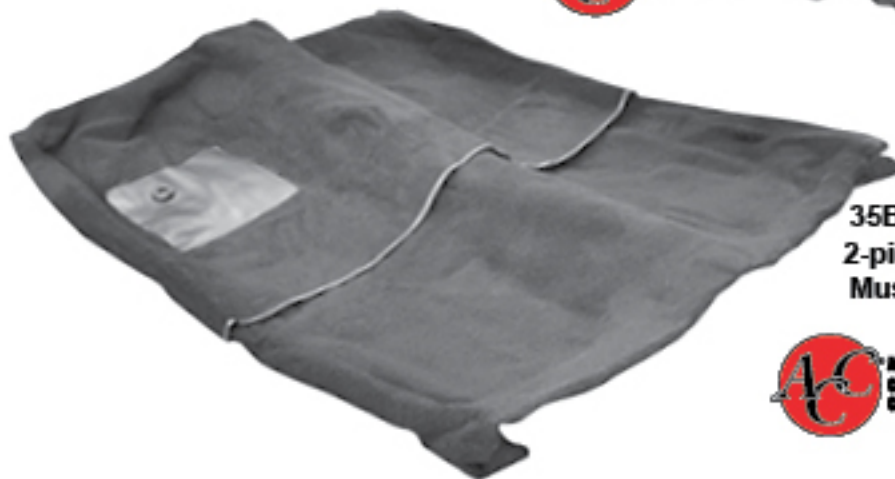
35B53511
2-piece for Mustang®



Black Cut Pile Carpet

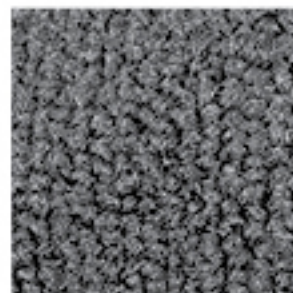


35B53515
1-piece for Mustang®



Black Nylon Loop Carpet

35B53519
2-piece for Mustang®



35B53511	1965-68	Carpet, Black, 80/20 Loop, (2 Pc.) Mustang® Coupe
35B53512	1965-68	Carpet, Black, 80/20 Loop, (2 Pc.) Mustang® Convertible
35B53513	1965-68	Carpet, Black, 80/20 Loop, (2 Pc.) Mustang® Fastback
35B53515	1969-70	Carpet, Black, Cut Pile, (1 Pc.) Mustang® Convertible
35B53516	1969-70	Carpet, Black, Cut Pile, (1 Pc.) Mustang® Fastback
35B53517	1971-73	Carpet, Black, Nylon Loop, (2 Pc.) Mustang® Coupe
35B53518	1971-73	Carpet, Black, Nylon Loop, (2 Pc.) Mustang® Convertible

RetroSound®



Box Size:
11" x 9" x 3.5"
Weight:
2 lbs.



AM-RC900

Direct fit for Mustang



Box Size:
11.5" x 8.75" x 3.25"
Weight:
3.18 lbs.



AM-MAL6768

AM-RC900	1965-73	Radio, Model RC900C, Basic Unit, no remote (Use make-specific faceplate & knob kit)
AM-MAL6768	1967-68	Radio, "Malibu" w/Black Face & Knobs (Direct fit for Mustang)



AM-HERMOSA-B

Box Size:
11.5" x 9" x 3.5"
Weight:
3 lbs.



AM-HERMOSA-B &
AM-MERMOSA-C
are replacing
ZUMA models &
Model 1 & 2 radios.

AM-HERMOSA-C

Box Size:
11.5" x 9" x 3.5"
Weight:
3 lbs.



AM-HERMOSA-B	1967-81	Radio, "Hermosa B" w/Black Face & Buttons (Use make-specific faceplate & knob kit)
AM-HERMOSA-C	1967-81	Radio, "Hermosa C" w/Chrome Face & Buttons (Use make-specific faceplate & knob kit)

RetroSound

***Discontinued; While supplies last.**

Replaced by
HERMOSA models;
see page A3



AM-ZUMA-V*

AM-ZUMA-B*	All Makes	Radio, "Zuma B" with Black Face & Knobs (Use make-specific faceplate & knob kit)
AM-ZUMA-V*	All Makes	Radio, "Zuma V" w/Chrome Face, Ivory Knobs (Use make-specific faceplate & knob kit)

***Discontinued; While supplies last.**

Replaced by
HERMOSA models;
see page A3



AM-MOD2C*



AM-MOD2V*

AM-MOD2B*	All Makes	Radio, "Model 2B" with Black Face (Use make-specific faceplate & knob kit)
AM-MOD2C*	All Makes	Radio, "Model 2C" with Chrome Face (Use make-specific faceplate & knob kit)
AM-MOD2V*	All Makes	Radio, "Model 2V" with Ivory Knobs (Use make-specific faceplate & knob kit)

RetroSound



AM-3600



AM-3610

AM-3600	1965-66 Mustang	Radio Bezel & Knob Kit
AM-3610	1967-73 Mustang	Radio Bezel & Knob Kit

RetroSound®



AMR-57UK

Fits
Mustang:
1967-68 Factory A/C, 1969-73, 1974-78 Mono Radio
Falcon:
1960-65

Box Size:
9.5" x 6.25" x 2.5"
Weight:
1.8 lbs.



AMR-410UK

Fits
Mustang: 1965-66, 1967-68 Non-A/C
Falcon: 1966-70
Ranchero: 1960-67, 1968-75 Mono Radio

Box Size:
11.5" x 4.75" x 2.5"
Weight:
1.52 lbs.

AMR-57UK	1967-78	Dash Speaker with Bracket, 6 x 7 Dual Voice Coil, 2-way, 100 watt
AMR-410UK	1965-68	Dash Speaker with Bracket, 4 x 10 Dual Voice Coil, 2-way, 160 watt



M33900



FM6768INT

M33900	1965-73	Horn Set w/ Brackets Mustang® (Also fits 1960-70 Falcon®)
FM6768INT	1967-68	Wiper Switch Delay Control



AM-BT1

Box Size:
10.5" x 7.5" x 2.5"
Weight:
2 lbs.

AM-EX1



AM-EX1-PKG

Includes Battery Status Indicator
Battery Status Indicator
Box Size:
5" x 1.75" x 1.75"
Weight:
.5 lbs.

AM-EX1 Box Size:
10.5" x 7.5" x 2.5"
Weight:
2 lbs.

AM-BT1	Digital LCD Battery Monitor, 12 Volt Cigarette Lighter Plug
AM-EX1	Battery Charger/Maintainer
AM-EX1-PKG	Battery Charger/Maintainer w/LED, Includes Battery Status Indicator



FW150C

Box Size:
17" x 17" x 12"
Weight:
23 lbs.



FW157

Box Size:
17" x 17" x 9"
Weight:
20 lbs.



FW150C FORD/MOPAR Magnum Alloy Wheel 15"x10", Coated, w/Center Cap, 21mm negative offset

FW157 FORD/MOPAR Magnum Alloy Wheel 15"x7" w/Center Cap, no offset, 4" Backspace



FW157C

Box Size:
17" x 17" x 9"
Weight:
20 lbs.



Tall-Style
Wheel Cap
included with
all 15" Rims

5" x 4 1/2" Bolt Pattern



FW157P

Box Size:
17" x 17" x 9"
Weight:
20 lbs.



Improved Tooling & Finish



FW158

Box Size:
17" x 17" x 10"
Weight:
20 lbs.



FW157C FORD/MOPAR Magnum Alloy Wheel 15"x7", Coated, w/Center Cap, no offset,

FW157P New FORD Magnum Alloy Wheel 15"x7" New Design, w/Center Cap, 4" Backspace

FW158 FORD/MOPAR Magnum Alloy Wheel 15"x8" w/Center Cap, 10mm negative offset (-.4"), 4.07" Backspace

5" x 4 1/2" Bolt Pattern

FW158P

Box Size:
17" x 17" x 10"
Weight:
20 lbs.



FW158C

Box Size:
17" x 17" x 10"
Weight:
21 lbs.



FW177

Box Size:
19" x 19" x 9"
Weight:
23 lbs.



Magnum Alloy Wheels • Muscle Car Parts & Molding • Muscle Car Parts & Molding • Muscle Car Parts & Molding

FW158P	New	FORD	Magnum Alloy Wheel 15"x6" New Design, w/Cap, 4." Backspace
FW158C		FORD/MOPAR	Magnum Alloy Wheel 15"x6", Coated, w/Center Cap, 10mm negative offset
FW177		FORD	Magnum Alloy Wheel, 17"x7" w/Center Cap & Decal, no offset



FW177C

Box Size:
19" x 19" x 9"
Weight:
23 lbs.



FW-CAP

(Also Included
with all 17" rims)



FW178C

Box Size:
19.5" x 19.5" x 10"
Weight:
24 lbs.



5" x 4 1/2" Bolt Pattern

FW177C	FORD	Magnum Alloy Wheel, 17"x7" w/Center Cap & Decal, no offset, Coated
FW-CAP	FORD	Magnum Alloy Wheel Cap with Decal, Short Style (Fits FW & GW Series Wheels)
FW178C	FORD	Magnum Alloy Wheel, 17"x8" w/Center Cap & Decal, -10mm offset, Coated



CL-1401	1965-66	Ignition Lock
CL-1402	1967-69	Ignition Lock



CL-1404	1970-73	Ignition Lock, After 5/13/73
CL-1405	1973-76	Ignition Lock, After 5/13/73



CL-300	1965-66	Door Lock, Pair
CL-1550	1967-69	Door Lock, Pair



CL-4877



CL-4877P



CL-1555

Also fits
1978-79
Bronco



CL-1556



CL-1557

CL-4877	1965-66	Lock kit Ignition and Door standard Ford Keys After 5/14/73
CL-4877P	1965-66	Lock kit Ignition and Door with pony keys After 5/14/73
CL-1555	1967-69	Lock kit Ignition and Door After 5/14/73
CL-1556	1970-73	Lock kit Ignition and Door After 5/14/73
CL-1557	1973-76	Lock kit Ignition and Door After 5/14/73



CL-1552

CL-1552	1967-73	Lock Trunk CYL After 10/24/66
---------	---------	-------------------------------

Discover other automotive seats on our website.