

**LOAD &
SWAY
CONTROL**

**HELPER SPRINGS
AIR SUSPENSION
SWAY BARS
END LINKS
AND MORE**



SUSPENSION SOLUTIONS

AFTERMARKET UPGRADES - ORIGINAL EQUIPMENT MFG. - MILITARY

**MADE IN
★ USA**

Hellwig PRODUCTS

HELPER SPRINGS AND AIR SUSPENSION

TRUCK, RV, SUV, VAN REAR HELPER SPRINGS & AIR SUSPENSION

	Appliceries					Load Pro (LP-25 and LP-35 Require Install Kit)			Air Kit
						LP-15	LP-25	LP-35	

DODGE											
70-03	B100, B150	N/A	991	S	N/A	N/A	N/A	2510	3510	N/A	
	Install Kit (Load Pro Only)					2-1/2" Wide Springs		25250	25250		
	Install Kit (Load Pro Only)					3" Wide Springs		25300	25300		
70-03	B200, B300, B400	N/A	991	S	N/A	N/A	N/A	2510	3510	N/A	
	Install Kit (Load Pro Only)					2-1/2" Wide Springs		25250	25250		
	Install Kit (Load Pro Only)					3" Wide Springs		25300	25300		
70-85	B, MB, F300-F400	N/A	N/A	N/A	N/A	N/A	N/A	9510	3510	N/A	
	Install Kit (Load Pro Only)							25300	25300		
86-98	B350 Cutaway Chassis	N/A	N/A	N/A	N/A	N/A	N/A	9510	9511	N/A	
	Install Kit (Load Pro Only)							25300	25300		
70-93	D100 2wd Pickup	N/A	991	S	N/A	61902	N/A	2505	3505	6400	D
	Install Kit (Load Pro Only)					2-1/2" Wide Springs		25250	25250		
	Install Kit (Load Pro Only)					3" Wide Springs		25300	25300		
70-93	W150 4wd Pickup	N/A	991	S	N/A	61902	N/A	2510	3510	6400	D
	Install Kit (Load Pro Only)					2-1/2" Wide Springs		25250	25250		
	Install Kit (Load Pro Only)					3" Wide Springs		25300	25300		
94-02	D1500, W1500 2wd/4wd Pickup	N/A	994	N/A	N/A	61902	N/A	2520	3520	6400	D
	Install Kit (Load Pro Only)					2-1/2" Wide Springs		25250	25250		
	Install Kit (Load Pro Only)					3" Wide Springs		25300	25300		
03-08	1500 2wd Pickup except Mega Cab	N/A	982	L	N/A	61901	N/A	2527	3527	6210	
	Install Kit (Load Pro Only)					2-1/2" Wide Springs		25250	25250		
	Install Kit (Load Pro Only)					3" Wide Springs		25300	25300		
03-08	1500 4wd Pickup except Mega Cab	N/A	982	L	N/A	61901	N/A	2527	3527	6211	
	Install Kit (Load Pro Only)					2-1/2" Wide Springs		25250	25250		
	Install Kit (Load Pro Only)					3" Wide Springs		25300	25300		
03-08	1500 2wd Pickup Mega Cab	N/A	N/A	N/A	N/A	61901	N/A	2527	3527	6216	
	Install Kit (Load Pro Only)					2-1/2" Wide Springs		25250	25250	6212	B
	Install Kit (Load Pro Only)					3" Wide Springs		25300	25300		
03-08	1500 4wd Pickup Mega Cab	N/A	N/A	N/A	N/A	61901	N/A	2527	3527	6216	
	Install Kit (Load Pro Only)					2-1/2" Wide Springs		25250	25250	6212	B
	Install Kit (Load Pro Only)					3" Wide Springs		25300	25300		
09-15	1500 2wd/4wd Pickup	N/A	N/A	N/A	N/A	N/A	N/A	N/A	N/A		
	Powerlift Rear Air Suspension (Replaces Rear Coil Springs)									6299	B, D
	Powerlift Rear Air Suspension (w/o compressor, level valve, & tank)									6298	B, D

Footnotes			
A	Must remove factory contact overload contact springs or use 9705 contact overload helper	L	Step bracket style leaf
B	Big Wig Bags	P	Leaf and Mounting Kit packaged together
C	Must remove factory contact overload contact springs or use 9703 contact overload helper	R	Rear half only due to clearance
D	Drilling required	S	Can also use 1801 for Step Bracket Style Leaf
F	Special design leaf pack, call for more details	V	Must remove factory overload contact springs - removal of contact overload springs may require U-bolt and center bolt replacement

TRUCK, RV, SUV, VAN REAR HELPER SPRINGS & AIR SUSPENSION

Year	Application	EZ-550	EZ-990	EZ-1000	Pro-Series	Load Pro (LP-25 and LP-35 Require Install Kit)			Air Kit
						LP-15	LP-25	LP-35	

DODGE (Continued)											
70-93	D200 2wd Pickup	N/A	N/A	N/A	61902		N/A	2505	3505	6400	D
	Install Kit (Load Pro Only)				2-1/2" Wide Springs			25250	25250		
	Install Kit (Load Pro Only)				3" Wide Springs			25300	25300		
70-93	D300 2wd Pickup	N/A	N/A	N/A	61902		N/A	2505	3505	6400	D
	Install Kit (Load Pro Only)				2-1/2" Wide Springs			25250	25250		
	Install Kit (Load Pro Only)				3" Wide Springs			25300	25300		
70-93	W250 4wd Pickup	N/A	N/A	N/A	61902		N/A	2510	3510	6400	D
	Install Kit (Load Pro Only)				2-1/2" Wide Springs			25250	25250		
	Install Kit (Load Pro Only)				3" Wide Springs			25300	25300		
94-02	D2500, W2500 2wd/4wd Pickup	N/A	N/A	N/A	61902	V	N/A	2520	V 3520	V 6400	D
	Install Kit (Load Pro Only)				2-1/2" Wide Springs			25250	25250		
	Install Kit (Load Pro Only)				3" Wide Springs			25300	25300		
94-02	D3500, W3500 2wd/4wd Pickup	N/A	N/A	N/A	61902	V	N/A	2520	V 3520	V 6400	D
	Install Kit (Load Pro Only)				2-1/2" Wide Springs			25250	25250		
	Install Kit (Load Pro Only)				3" Wide Springs			25300	25300		
03-12	2500 2wd/4wd Pickup	N/A	N/A	N/A	61901	V	N/A	2527	V 3527	V 6216	
	Install Kit (Load Pro Only)				2-1/2" Wide Springs			25250	25250	6212	B
	Install Kit (Load Pro Only)				3" Wide Springs			25300	25300		
	w/ 2" Rear Lift									6224	
	w/ 4" Rear Lift									6226	
2013	2500 2wd/4wd Pickup	N/A	N/A	N/A	61907	V	N/A	2527	V 3527	V 6212	B
	Install Kit (Load Pro Only)				2-1/2" Wide Springs			25250	25250		
	Install Kit (Load Pro Only)				3" Wide Springs			25300	25300		
14-15	2500 2wd/4wd Pickup	N/A	N/A	N/A	N/A	N/A	N/A	N/A	6214	B	
03-12	3500 2wd/4wd Pickup incl Dually	N/A	N/A	N/A	61901	V	N/A	2527	V 3527	V 6216	
	Install Kit (Load Pro Only)				2-1/2" Wide Springs			25250	25250	6212	B
	Install Kit (Load Pro Only)				3" Wide Springs			25300	25300		
	w/ 2" Rear Lift									6224	
	w/ 4" Rear Lift									6226	
2013	3500 2wd/4wd Pickup incl Dually	N/A	N/A	N/A	61901	A	N/A	2527	A 3527	A 6212	B
	Install Kit (Load Pro Only)				2-1/2" Wide Springs			25250	25250		
	Install Kit (Load Pro Only)				3" Wide Springs			25300	25300		
14-15	3500 2wd Pickup incl Dually	N/A	N/A	N/A	61901	A	N/A	2527	A 3527	A 6213	B
	Install Kit (Load Pro Only)				2-1/2" Wide Springs			25250	25250		
	Install Kit (Load Pro Only)				3" Wide Springs			25300	25300		
14-15	3500 4wd Pickup incl Dually	N/A	N/A	N/A	61901	A	N/A	2527	A 3527	A 6212	B
	Install Kit (Load Pro Only)				2-1/2" Wide Springs			25250	25250		
	Install Kit (Load Pro Only)				3" Wide Springs			25300	25300		
65-73	M300	N/A	N/A	N/A	N/A	N/A	N/A	9510	9511	N/A	
	Install Kit (Load Pro Only)							25300	25300		
70-73	M375, M400 Motorhome Chassis	N/A	N/A	N/A	N/A	N/A	N/A	9510	9511	N/A	
	Install Kit (Load Pro Only)							25300	25300		
74-81	M300-M500, R	N/A	N/A	N/A	N/A	N/A	N/A	9510	9511	N/A	
	Install Kit (Load Pro Only)							25300	25300		
90-04	Dakota Pickup 2wd w/ Rear ABS Only	550	N/A	1250	N/A		1515	N/A	N/A	N/A	
	Not for use with rear proportioning valve										
90-04	Dakota Pickup 4wd w/ Rear ABS Only	550	N/A	N/A	N/A		815	R N/A	N/A	N/A	
	Not for use with rear proportioning valve										
05-11	Dakota Pickup 2wd/4wd	550	N/A	1250	N/A		1515	N/A	N/A	N/A	
97-03	Durango 2wd/4wd	550	N/A	N/A	N/A		815	R N/A	N/A	N/A	
14-15	ProMaster 2500, 3500	N/A	9665	S N/A	N/A		N/A	N/A	N/A	N/A	
87-92	Ram 50 Pickup & Arrow	552	N/A	1300	N/A		1525	N/A	N/A	N/A	
04-14	Sprinter 2500, 3500 multi leaf application only	N/A	N/A	N/A	N/A		N/A	2551	3551	N/A	
	Install Kit (Load Pro Only)				3" Wide Springs			25351	25351		
84-06	Voyager, Caravan	550	N/A	1250	N/A		N/A	N/A	N/A	N/A	

TRUCK, RV, SUV, VAN REAR HELPER SPRINGS & AIR SUSPENSION

Year	Application	EZ-550	EZ-990	EZ-1000	Pro-Series	Load Pro (LP-25 and LP-35 Require Install Kit)			Air Kit
						LP-15	LP-25	LP-35	

FORD											
66-96	Bronco (not Bronco II)	N/A	991	S	N/A	61902	N/A	2510	3510	N/A	
	Install Kit (Load Pro Only)					2-1/2" Wide Springs		25250	25250		
	Install Kit (Load Pro Only)					3" Wide Springs		25300	25300		
73-83	Courier	550	N/A		1250	N/A	1515	N/A	N/A	N/A	
75-14	E150 Van	N/A	991	S	N/A	N/A	N/A	2510	3510	N/A	
	Install Kit (Load Pro Only)					2-1/2" Wide Springs		25250	25250		
	Install Kit (Load Pro Only)					3" Wide Springs		25300	25300		
75-98	E250, E350 Van	N/A	N/A		N/A	N/A	N/A	2510	3510	N/A	
	Install Kit (Load Pro Only)					2-1/2" Wide Springs		25250	25250		
	Install Kit (Load Pro Only)					3" Wide Springs		25300	25300		
75-98	E350 Cutaway Chassis							9510	9511	N/A	
	Install Kit (Load Pro Only)							25300	25300		
99-14	E250, E350 Van	N/A	N/A		N/A	N/A	N/A	2510	3510	N/A	
	Install Kit (Load Pro Only)					3" Wide Springs		25335	25335		
99-14	E350 Super Duty Cutaway Chassis (Dual Wheel)	N/A	N/A		N/A	N/A	N/A	9510	9511	6102	
	Install Kit (Load Pro Only)					3" Wide Springs		25335	25335		
97-14	E40, E-450 with 5 Leaf Stack	N/A	N/A		N/A	N/A	N/A	N/A	9640	P	6102
97-14	E40, E-450 with 11 Leaf Stack	N/A	N/A		N/A	N/A	N/A	N/A	9645	P	6102
00-05	Excursion 2wd/4wd	N/A	1902	F	N/A	N/A	N/A	N/A	N/A	N/A	
90-01	Explorer, Mountaineer w/ 2-1/2" Leaf	550	N/A		1802	N/A	815	R	N/A	N/A	N/A
90-01	Explorer, Mountaineer w/ 3" Leaf	552	N/A		N/A	N/A	820	R	N/A	N/A	N/A
98-01	Explorer Sport w/ 3" Leaf	552	N/A		N/A	N/A	820	R	N/A	N/A	N/A
00-01	Explorer Sport Trak w/o composite (plastic) leaf	550	N/A		1250	N/A	1515		N/A	N/A	N/A
65-72	F100 Pickup 2wd	N/A	991	S	N/A	61902	N/A	2505	3505	6400	D
	Install Kit (Load Pro Only)					2-1/2" Wide Springs		25250	25250		
	Install Kit (Load Pro Only)					3" Wide Springs		25300	25300		
67-72	F100 Pickup 4wd	N/A	991	S	N/A		N/A	2510	N/A	6400	D
	Install Kit (Load Pro Only)					2-1/2" Wide Springs		25250			
	Install Kit (Load Pro Only)					3" Wide Springs		25300			
73-79	F100, F150 Pickup 2wd/4wd	N/A	991	S	N/A	61902	N/A	2510	3510	6400	D
	Install Kit (Load Pro Only)					2-1/2" Wide Springs		25250	25250		
	Install Kit (Load Pro Only)					3" Wide Springs		25300	25300		
80-96	F100, F150 Pickup 2wd/4wd	N/A	991	S	N/A	61903	N/A	2510	N/A	6400	D
	Install Kit (Load Pro Only)					2-1/2" Wide Springs		25250			
	Install Kit (Load Pro Only)					3" Wide Springs		25300			
97-03	F150 Pickup 2wd/4wd (except SuperCrew)	N/A	991	S	N/A	61903	N/A	2520	N/A	N/A	
	Install Kit (Load Pro Only)					2-1/2" Wide Springs		25250			
	Install Kit (Load Pro Only)					3" Wide Springs		25300			
01-03	F150 Pickup Super Crew 2wd	N/A	N/A		N/A	61903	N/A	2520	N/A	N/A	
	Install Kit (Load Pro Only)					2-1/2" Wide Springs		25250			
	Install Kit (Load Pro Only)					3" Wide Springs		25300			
01-03	F150 Pickup Super Crew 4wd	N/A	N/A		N/A	61903	N/A	2510	N/A	N/A	
	Install Kit (Load Pro Only)					2-1/2" Wide Springs		25250			
	Install Kit (Load Pro Only)					3" Wide Springs		25300			
2004	F150 Pickup 2wd/4wd Heritage Edition	N/A	991	S	N/A	61903	N/A	2520	N/A	N/A	
	Install Kit (Load Pro Only)					2-1/2" Wide Springs		25250			
	Install Kit (Load Pro Only)					3" Wide Springs		25300			
04-08	F150 Pickup 2wd (except Heritage Edition)	N/A	984	L	N/A	61607	N/A	N/A	N/A	6150	
04-08	F150 Pickup 4wd (except Heritage Edition)	N/A	984	L	N/A	61607	N/A	N/A	N/A	6154	
09-14	F150 Pickup 2wd/4wd	N/A	989	L	N/A	61902	N/A	N/A	N/A	6110	B
2015	F150 Pickup 2wd/4wd	N/A	978	L	N/A	61607	N/A	N/A	N/A	6115	B

Footnotes			
A	Must remove factory contact overload contact springs or use 9705 contact overload helper	L	Step bracket style leaf
B	Big Wig Bags	P	Leaf and Mounting Kit packaged together
C	Must remove factory contact overload contact springs or use 9703 contact overload helper	R	Rear half only due to clearance
D	Drilling required	S	Can also use 1801 for Step Bracket Style Leaf
F	Special design leaf pack, call for more details	V	Must remove factory overload contact springs - removal of contact overload springs may require U-bolt and center bolt replacement

TRUCK, RV, SUV, VAN REAR HELPER SPRINGS & AIR SUSPENSION

Year	Application	EZ-550	EZ-990	EZ-1000	Pro-Series	Load Pro (LP-25 and LP-35 Require Install Kit)			Air Kit
						LP-15	LP-25	LP-35	

FORD (Continued)														
65-72	F250 Pickup 2wd	N/A	991	S	N/A	61902	V	N/A	2505	V	3505	V	6400	D
	Install Kit (Load Pro Only)					2-1/2" Wide Springs			25250		25250			
	Install Kit (Load Pro Only)					3" Wide Springs			25300		25300			
73-76	F250 Pickup 2wd	N/A	N/A		N/A	61902	V	N/A	2510	V	3510	V	6400	D
	Install Kit (Load Pro Only)					2-1/2" Wide Springs			25250		25250			
	Install Kit (Load Pro Only)					3" Wide Springs			25300		25300			
77-79	F250 Pickup 2wd	N/A	N/A		N/A	61902	V	N/A	2520	V	3520	V	6400	D
	Install Kit (Load Pro Only)					2-1/2" Wide Springs			25250		25250			
	Install Kit (Load Pro Only)					3" Wide Springs			25300		25300			
67-79	F250 Pickup 4wd	N/A	N/A		N/A	61902	V	N/A	2505	V	3505	V	6400	D
	Install Kit (Load Pro Only)					2-1/2" Wide Springs			25250		25250			
	Install Kit (Load Pro Only)					3" Wide Springs			25300		25300			
80-98	F250, F350 Pickup 2wd	N/A	N/A		N/A	61903	V	N/A	2520	V	3520	V	6400	D
	Install Kit (Load Pro Only)					2-1/2" Wide Springs			25250		25250			
	Install Kit (Load Pro Only)					3" Wide Springs			25300		25300			
80-86	F250 Pickup 4wd	N/A	N/A		N/A	61903	V	N/A	2505	V	3505	V	6400	D
	Install Kit (Load Pro Only)					2-1/2" Wide Springs			25250		25250			
	Install Kit (Load Pro Only)					3" Wide Springs			25300		25300			
87-97	F250, F350 Pickup 4wd	N/A	N/A		N/A	61903	V	N/A	2520	V	3520	V	6400	D
	Install Kit (Load Pro Only)					2-1/2" Wide Springs			25250		25250			
	Install Kit (Load Pro Only)					3" Wide Springs			25300		25300			
99-04	F250, F350 Super Duty Pickup 2wd Single Rear Wheel	N/A	N/A		N/A	61904	C	N/A	2520	C	3520	C	6107	
	Install Kit (Load Pro Only)					3" Wide Springs			25300		25300			
	w/ 2-4" Rear Lift												6400	D
	w/ 6" Rear Lift												6406	D
99-04	F250, F350 Super Duty Pickup 4wd Single Rear Wheel	N/A	N/A		N/A	61904	C	N/A	2520	C	3520	C	6109	B, D
	Install Kit (Load Pro Only)					3" Wide Springs			25300		25300			
	w/ 2-4" Rear Lift												6400	D
	w/ 6" Rear Lift												6406	D
05-07	F250, F350 Super Duty Pickup 2wd Single Rear Wheel	N/A	N/A		N/A	61904	C	N/A	2520	C	3520	C	6107	
	Install Kit (Load Pro Only)					3" Wide Springs		N/A	25300		25300			
	w/ 2-4" Rear Lift												6400	D
	w/ 6" Rear Lift												6406	D
05-07	F250, F350 Super Duty Pickup 4wd Single Rear Wheel	N/A	N/A		N/A	61904	C	N/A	2520	C	3520	C	6109	B
	Install Kit (Load Pro Only)					3" Wide Springs			25300		25300			
	w/ 2-4" Rear Lift												6400	D
	w/ 6" Rear Lift												6406	D
05-07	F250, F350 Super Duty Pickup 2wd/4wd Dual Rear Wheel	N/A	N/A		N/A	61904	C	N/A	2520	C	3520	C	N/A	H
	Install Kit (Load Pro Only)					3" Wide Springs		N/A	25300		25300			
08-10	F250, F350 Super Duty Pickup 2wd Single Rear Wheel	N/A	N/A		N/A	61901	C	N/A	2527	C	3527	C	6107	
	Install Kit (Load Pro Only)					3" Wide Springs			25300		25300			
	w/ 2-4" Rear Lift												6400	D
	w/ 6" Rear Lift												6406	D
08-10	F250, F350 Super Duty Pickup 4wd Single Rear Wheel	N/A	N/A		N/A	61901	C	N/A	2527	C	3527	C	6109	B
	Install Kit (Load Pro Only)					3" Wide Springs			25300		25300			
	w/ 2-4" Rear Lift												6400	D
	w/ 6" Rear Lift												6406	D
08-10	F350 Super Duty Pickup 2wd/4wd Dually	N/A	N/A		N/A	61904	C	N/A	2520	C	3520	C	N/A	
	Install Kit (Load Pro Only)					3" Wide Springs			25300		25300			
11-15	F250, F350 Super Duty Pickup 2wd Single Rear Wheel	N/A	N/A		N/A	N/A		N/A	2511	C	3511	C	6111	B
	Install Kit (Load Pro Only)					3" Wide Springs			25301		25301			
11-15	F250 Super Duty Pickup 4wd Single Rear Wheel	N/A	N/A		N/A	N/A		N/A	2511	C	3511	C	6108	B
	Install Kit (Load Pro Only)					3" Wide Springs			25301		25301			
	w/ 2-4" Rear Lift												6108	B
	w/ 6" Rear Lift												6113	B

TRUCK, RV, SUV, VAN REAR HELPER SPRINGS & AIR SUSPENSION

Year	Application	EZ-550	EZ-990	EZ-1000	Pro-Series	Load Pro (LP-25 and LP-35 Require Install Kit)			Air Kit
						LP-15	LP-25	LP-35	

FORD (Continued)												
11-15	F350 Super Duty Pickup 4wd Single Rear Wheel	N/A	N/A	N/A	N/A	N/A	2511	C	3511	C	6113	B
	Install Kit (Load Pro Only) w/ 2-4" Rear Lift				3" Wide Springs		25301		25301		6113	B
11-15	F350 Super Duty Pickup 2wd Dually	N/A	N/A	N/A	N/A	N/A	2511	C	3511	C	6111	B
	Install Kit (Load Pro Only)				3" Wide Springs		25301		25301			
11-15	F350 Super Duty Pickup 4wd Dually	N/A	N/A	N/A	N/A	N/A	2511	C	3511	C	6108	B
	Install Kit (Load Pro Only)				3" Wide Springs		25301		25301			
08-10	F450 Pickup	N/A	N/A	N/A	N/A	N/A	N/A		N/A		6118	
83-89	Ranger Pickup, Bronco II 2wd/4wd w/o composite (plastic) leaf	550	N/A	1250	N/A	1535	N/A		N/A		N/A	
90-97	Ranger Pickup 2wd/4wd w/o composite (plastic) leaf	550	983	N/A	N/A	61905	L	N/A		N/A	N/A	
98-11	Ranger Pickup 2wd/4wd w/o composite (plastic) leaf	550	983	N/A	N/A	61905	L	N/A		N/A	N/A	
11-14	Transit Connect	N/A	1210	F	N/A	N/A	N/A		N/A		N/A	

GM												
86-05	Astro, Safari Van w/o composite (plastic) leaf	550	N/A	N/A	N/A	815	N/A		N/A		N/A	
63-72	C10 Pickup 2wd w/ Rear Leaf Springs	N/A	991	S	N/A	N/A	N/A	2505		N/A	6400	D
	Install Kit (Load Pro Only)							25250				
67-72	K10 Pickup 4wd	N/A	991	S	N/A	61912	N/A	2510		3510	6400	D
	Install Kit (Load Pro Only)							25250		25250		
73-87	C10, K10 Pickup	N/A	991	S	N/A	61912	N/A	2510		3510	6400	D
	Install Kit (Load Pro Only)							25250		25250		
88-98	C1500, K1500 Pickup	N/A	985	N/A	61912	N/A	2510		3510		6005	D
	Install Kit (Load Pro Only)							25250		25250		
99-06	1500 Silverado & Sierra Pickup 2wd	N/A	986	N/A	61912	N/A	2510		3510		6012	
	Install Kit (Load Pro Only)							25250		25250		
	w/ 2" Rear Lift										6013	
99-06	1500 Silverado & Sierra Pickup 4wd	N/A	986	N/A	61912	N/A	2515		3515		6012	
	Install Kit (Load Pro Only)							25250		25250		
	w/ 2" Rear Lift										6013	
02-06	1500HD Pickup 2wd/4wd	N/A	N/A	N/A	61911	N/A	2527		3527			
	w/ 43" or Longer Base Leaf							25250		25250		
	Install Kit (Load Pro Only)											
2007	1500 Silverado Classic & Sierra Classic Pickup 2wd	N/A	986	N/A	61912	N/A	2510		3510		6012	
	Install Kit (Load Pro Only)							25250		25250		
	w/ 2" Rear Lift										6013	
2007	1500 Silverado Classic & Sierra Classic Pickup 4wd	N/A	986	N/A	61912	N/A	2515		3515		6012	
	Install Kit (Load Pro Only)							25250		25250		
	w/ 2" Rear Lift										6013	
07-13	1500 Silverado & Sierra Pickup 2wd/4wd	N/A	987	L	N/A	61912	N/A	2515		3515	6018	
	Install Kit (Load Pro Only)							25250		25250		
	w/ 2" Lowering Shackles					1907	N/A					
14-15	1500 Silverado & Sierra Pickup 2wd/4wd	N/A	987	L	N/A	61912	N/A	N/A		N/A	6018	
	w/ 2" Lowering Shackles					1907	N/A					

Footnotes			
A	Must remove factory contact overload contact springs or use 9705 contact overload helper	L	Step bracket style leaf
B	Big Wig Bags	P	Leaf and Mounting Kit packaged together
C	Must remove factory contact overload contact springs or use 9703 contact overload helper	R	Rear half only due to clearance
D	Drilling required	S	Can also use 1801 for Step Bracket Style Leaf
F	Special design leaf pack, call for more details	V	Must remove factory overload contact springs - removal of contact overload springs may require U-bolt and center bolt replacement

TRUCK, RV, SUV, VAN REAR HELPER SPRINGS & AIR SUSPENSION

Year	Application	EZ-550	EZ-990	EZ-1000	Pro-Series	Load Pro (LP-25 and LP-35 Require Install Kit)			Air Kit
						LP-15	LP-25	LP-35	

GM (Continued)												
63-72	C20 Pickup 2wd w/ Rear Leaf Springs	N/A	991	S	N/A	N/A	N/A	2505	N/A	6400	D	
	Install Kit (Load Pro Only)							25250				
67-72	K20 Pickup and Suburban 4wd	N/A	991	S	N/A	61912	N/A	2510	3510	6400	D	
	Install Kit (Load Pro Only)							25250	25250			
73-87	C20, K20 Pickup	N/A	N/A	N/A	N/A	61912	N/A	2510	3510	6400	D	
	Install Kit (Load Pro Only)							25250	25250			
88-00	C2500, K2500 Pickup (Bottom leaf less than 35")	N/A	N/A	N/A	N/A	61912	N/A	2510	3510	6005	D	
	Install Kit (Load Pro Only)							25250	25250			
88-00	C2500, K2500 Pickup (Bottom leaf greater than 35")	N/A	N/A	N/A	N/A	61912	N/A	2515	3515	6005	D	
	Install Kit (Load Pro Only)							25250	25250			
01-06	2500 Light Duty Pickup 2wd/4wd w/ 43" or Longer Base Leaf	N/A	N/A	N/A	N/A	61911	N/A	2527	2527	6012		
	Install Kit (Load Pro Only)							25250	25250			
01-10	2500 HD Pickup 2wd/4wd	N/A	N/A	N/A	N/A	61911	N/A	2527	3527	6006		
	Install Kit (Load Pro Only)							25250	25250	6019	B	
	w/ 2" Rear Lift									6014		
	w/ 4" Rear Lift									6016		
11-15	2500 HD Pickup 2wd/4wd	N/A	N/A	N/A	N/A	N/A	N/A	2512	3512	6017	B	
	Install Kit (Load Pro Only)							25312	25312			
73-87	C30, K30 Pickup	N/A	N/A	N/A	N/A	N/A	N/A	2510	V 3510	V 6400	D	
	Install Kit (Load Pro Only)							25400	25400			
73-90	C30 Truck Chassis 2wd	N/A	991	S	N/A	N/A	N/A	2505	V 3505	V 6400	D	
	Install Kit (Load Pro Only)							25400	25400			
88-00	C3500, K3500 Pickup	N/A	N/A	N/A	N/A	61912	V N/A	2510	V 3510	V N/A		
	Install Kit (Load Pro Only)							25400	25400			
88-00	C3500, K3500 Dually	N/A	N/A	N/A	N/A	N/A	N/A	2515	V 3515	V N/A		
	Install Kit (Load Pro Only)							25400	25400			
01-10	3500 HD 2wd/4wd Pickup incl Dually	N/A	N/A	N/A	N/A	61906	V N/A	2527	V 3527	V 6006		
	Install Kit (Load Pro Only)							25400	25400	6019	B	
11-15	3500 HD 2wd/4wd Pickup incl Dually	N/A	N/A	N/A	N/A	N/A	N/A	2512	V 3512	V 6017	B	
	Install Kit (Load Pro Only)							25312	25312			
04-12	Colorado, Canyon	550	N/A	N/A	N/A	N/A	1520	N/A	N/A	N/A		
72-06	G10-G1500 Van w/o Rear A/C	N/A	991	S	N/A	N/A	N/A	2510	N/A	N/A		
	Install Kit (Load Pro Only)							25250	25250			
07-14	1500 Express Van w/o Rear A/C	N/A	N/A	N/A	N/A	61609	N/A	N/A	N/A	N/A		
72-06	G20, G30, G2500, G3500 Van w/o Rear A/C	N/A	N/A	N/A	N/A	N/A	N/A	9510	9511	N/A		
	Install Kit (Load Pro Only)							25250	25250			
97-02	G3500 Cutaway RV Chassis	N/A	N/A	N/A	N/A	N/A	N/A	9510	9511	N/A		
	Install Kit (Load Pro Only)							25250	25250			
07-14	2500 Express Van w/o Rear A/C under 7600 GVW	N/A	N/A	N/A	N/A	61609	N/A	N/A	N/A	N/A		
07-14	2500 Express Van w/o Rear A/C 8500+ GVW	N/A	N/A	N/A	N/A	61610	N/A	N/A	N/A	N/A		
07-14	3500 Express Van w/o Rear A/C	N/A	N/A	N/A	N/A	61610	N/A	N/A	N/A	N/A		
03-09	Kodiak 4500, 5500	N/A	N/A	N/A	N/A	N/A	N/A	N/A	9655	P N/A		
72-83	LUV	550	N/A	1250	N/A	N/A	1515	N/A	N/A	N/A		
75-99	P30/P32 Class A Chassis w/ 5/8" Axle U-Bolts	N/A	N/A	N/A	N/A	N/A	N/A	N/A	3501	N/A		
	Install Kit (Load Pro Only)								35580			
75-99	P30/P32 Class A Chassis w/ 3/4" Axle U-Bolts	N/A	N/A	N/A	N/A	N/A	N/A	N/A	3501	N/A		
	Install Kit (Load Pro Only)								35340			
82-03	S-10, S-15 Sonoma Pickup	550	N/A	1250	N/A	N/A	1535	N/A	N/A	N/A		
82-93	S-10 Blazer, Bravada, Jimmy	550	N/A	1250	N/A	N/A	1515	N/A	N/A	N/A		

TRUCK, RV, SUV, VAN REAR HELPER SPRINGS & AIR SUSPENSION

Year	Application	EZ-550	EZ-990	EZ-1000	Pro-Series	Load Pro (LP-25 and LP-35 Require Install Kit)			Air Kit
						LP-15	LP-25	LP-35	

GM (Continued)

94-03	S-10 Blazer, Bravada, Jimmy	550		N/A		N/A		815	R	N/A		N/A		N/A			
67-72	Suburban 2wd/4wd	N/A		991	S	N/A		61912		N/A		2510		3510		6400	D
	Install Kit (Load Pro Only)											25250		25250			
73-87	Suburban, Blazer 2wd/4wd w/o Rear A/C	N/A		991	S	N/A		N/A		N/A		2510		3510		N/A	
	Install Kit (Load Pro Only)											25250		25250			
88-00	Suburban, Blazer, Tahoe, Yukon 2wd/4wd w/o Rear A/C	N/A		991	S	N/A		N/A		N/A		2510		3510		N/A	
	Install Kit (Load Pro Only)											25250		25250			
00-06	Suburban 1500, Avalanche 1500, Tahoe, Yukon, Escalade 2wd/4wd	N/A		N/A		N/A		N/A		N/A		N/A		N/A			
	Powerlift Rear Air Suspension (Replaces Rear Coil Springs)															6090	B,D
	Powerlift Rear Air Suspension (w/o compressor, levelling valve or tank)															6091	B
07-15	Suburban 1500, Avalanche 1500, Tahoe, Yukon, Escalade 2wd/4wd	N/A		N/A		N/A		N/A		N/A		N/A		N/A			
	Powerlift Rear Air Suspension (Replaces Rear Coil Springs)															6097	B,D
	Powerlift Rear Air Suspension (w/o compressor, levelling valve or tank)															6091	B

MAZDA

73-85	B2000 Pickup 2wd/4wd	550		N/A		1250		N/A		1515		N/A		N/A		N/A	
86-93	B2200-B4000 Pickup 2wd/4wd w/o composite (plastic) leaf	550		N/A		1250		N/A		1515		N/A		N/A		N/A	
94-97	B2300-B4000 Pickup 2wd/4wd	550		983		1250		N/A		1555		N/A		N/A		N/A	
98-07	B2300-B4000 Pickup 2wd/4wd	550		983		1250		N/A		1516		N/A		N/A		N/A	
90-01	Navajo w/o composite (plastic) leaf	550		N/A		N/A		N/A		815	R	N/A		N/A		N/A	

MITSUBISHI

87-01	Pickup 2wd/4wd	552		N/A		1300		N/A		1525		N/A		N/A		N/A	
88-91	Montero 2wd/4wd	550		N/A		1250		N/A		1515		N/A		N/A		N/A	

NISSAN

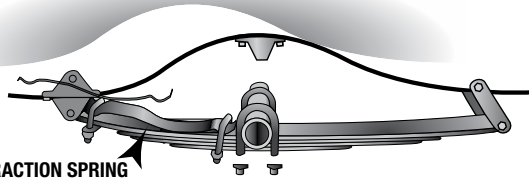
87-04	Hardbody, Frontier Pickup 2wd/4wd	550		N/A		1265		N/A		1565		N/A		N/A		N/A	
05-15	Frontier Pickup 2wd/4wd	N/A		N/A		1908	F	N/A		N/A		N/A		N/A		N/A	
11-14	NV Van	N/A		N/A		N/A		61908		N/A		N/A		N/A		N/A	
68-86	Pickup 2wd/4wd	550		N/A		1250		N/A		1515		N/A		N/A		N/A	
04-14	Titan Pickup 2wd/4wd	N/A		988		N/A		1905		N/A		N/A		N/A		N/A	

TOYOTA

05-13	Hilux Pickup 4wd	N/A		N/A		N/A		N/A		1911	F	N/A		N/A		N/A	
72-04	Pickup, Tacoma 2wd except Pre-Runner	550		N/A		1250		N/A		1515		N/A		N/A		N/A	
84-93	1 Ton Dually Pickup & RV Cutaway 2wd	N/A		N/A		N/A		N/A		1560		N/A		N/A		N/A	
79-99	Pickup, Tacoma 4wd and Pre-Runner	550		N/A		N/A		N/A		815	R	N/A		N/A		N/A	
00-04	Tacoma Pickup 4wd and Pre-Runner	550		N/A		1250		N/A		1515		N/A		N/A		N/A	
05-15	Tacoma Pickup 2wd except Pre-Runner	550		N/A		1251		N/A		1518		N/A		N/A		N/A	
05-13	Tacoma Pickup 4wd and Pre-Runner (except TRD)	550		981		N/A		N/A		1906		N/A		N/A		6305	
05-13	Tacoma Pickup 4wd and Pre-Runner with TRD pkg	550		979		N/A		N/A		1906	F	N/A		N/A		6305	
14-15	Tacoma Pickup 4wd and Pre-Runner	550		980		N/A		N/A		1906	F	N/A		N/A		6305	
00-06	Tundra Pickup 2wd/4wd	N/A		991		N/A		1910		N/A		N/A		N/A		N/A	
07-15	Tundra Pickup 2wd/4wd	N/A		985		N/A		1909		N/A		N/A		N/A		6307	

Footnotes

A	Must remove factory contact overload contact springs or use 9705 contact overload helper	L	Step bracket style leaf
B	Big Wig Bags	P	Leaf and Mounting Kit packaged together
C	Must remove factory contact overload contact springs or use 9703 contact overload helper	R	Rear half only due to clearance
D	Drilling required	S	Can also use 1801 for Step Bracket Style Leaf
F	Special design leaf pack, call for more details	V	Must remove factory overload contact springs - removal of contact overload springs may require U-bolt and center bolt replacement



TRACTION SPRINGS - P/N 2002

Year	Application
------	-------------

FORD

83-11	Ranger, Bronco II w/o composite (plastic) leaf
73-15	F-150 Pickup

DODGE

90-04	Dakota Pickup -Rear ABS Only Not for use with rear proportioning valve
05-11	Dakota Pickup
94-02	1500 Pickup

GM

82-03	S-10, S-15 Sonoma Pickup
73-15	C/K 1500 Pickup

MAZDA

94-07	B2300-B4000
-------	-------------

TOYOTA

72-94	Pickup
95-04	Tacoma



CONTACT HELPER SPRINGS

Year	Application	P/N
------	-------------	-----

88-15	Ford Super Duty w/ Factory Contact Overload Leaf Springs	9703
03-13	Dodge 2500 w/ Factory Contact Overload Leaf Springs	9705
03-15	Dodge 3500 w/ Factory Contact Overload Leaf Springs	9705



COMPRESSORS

Description	P/N
-------------	-----

Standard Compressor - Features dash panel with a pressure monitoring gauge and single up or down control. Designed for occasional use	4885
---	------

Heavy Duty Compressor - Features dash panel with two gauges showing pressure in each air bag along with dual control to allow individual air bag height adjustment. Includes heavy duty air compressor and 1 gal. air tank. Designed for frequent use.	4893
--	------

Auto Level Compressor - Offers automatic height adjustment to any change in load condition. Vehicle will always seek its predetermined ride height. Includes heavy duty compressor and 1 gal. air tank.	4880
---	------

Modular Compressor Plate - No hassle installation for Hellwig heavy duty compressor and tank on Ford, GM or Dodge framerrail.	4800
---	------



FRONT HELPER SPRINGS

Year	Application	P/N
------	-------------	-----

DODGE

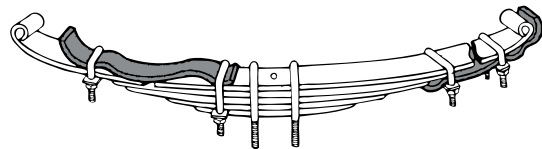
70-85	B, MB, F300-400	14133
-------	-----------------	-------

GM

75-99	P30/P32 Class A Chassis with 5/8" Axle U-Bolts	
	Standard Duty	14135
	Heavy Duty	14141
Will not work with front leveling jacks		
75-99	P30/P32 Class A Chassis with 3/4" Axle U-Bolts	
	Standard Duty	14135
	Heavy Duty	14141
Will not work with front leveling jacks		

WORKHORSE

00-05	P30/P32 Class A Wide Track Motorhome Chassis	14139
Will not work with front leveling jacks		



SPRING SLING

Application	P/N
-------------	-----

1-3/4" to 2-1/4" Wide Leaf Springs	1315
2-1/2" Wide Leaf Springs	1305
3" Wide Leaf Springs	1310

AIR BAG LIFT SPACERS

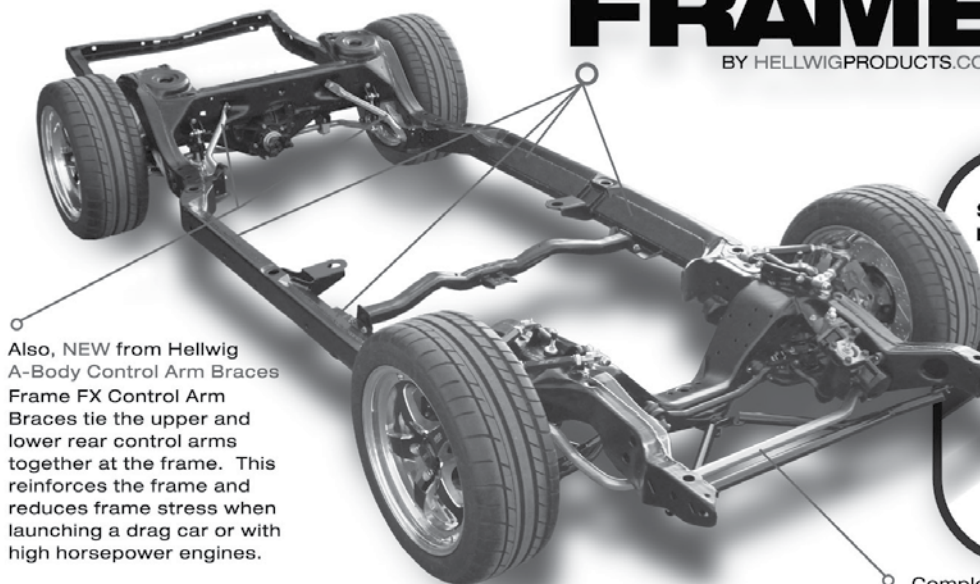
Application	Lift Height	P/N	Notes
2500# Universal Air Spring	2"	4822	J, K
2500# Universal Air Spring	4"	4824	J, K
2600# and 2800# Hellwig Air Spring	2"	4828	K
2600# and 2800# Hellwig Air Spring	4"	4830	K

K - All spacers only work with a non-tapered lift block

J - 4822 and 4824 work with all Hellwig 2500# air springs and any double convolute air spring with 3/8"-16 holes

FRAME

BY HELLWIGPRODUCTS.COM



Also, NEW from Hellwig
A-Body Control Arm Braces
Frame FX Control Arm
Braces tie the upper and
lower rear control arms
together at the frame. This
reinforces the frame and
reduces frame stress when
launching a drag car or with
high horsepower engines.



Complete the package with
Tunable Protouring Front and Rear Sway Bars
for ultimate stability and control

Patent Pending

STREET PERFORMANCE

Frame FX

Year	Application	P/N
64-67	GM A-Body (Fits 2 door models only except El Camino, convertible and wagon)	11102
68-72	GM A-Body (Fits 2 door models only except El Camino, convertible and wagon)	11100
78-87	GM G-Body (Fits 2 door models only except El Camino)	11104

Control Arm Braces

Year	Application	P/N
64-67	GM A-Body	11103
68-72	GM A-Body	11101
64-72	GM A-Body Models: Chevelle, Malibu, El Camino, Monte Carlo, Cutlass, F85, LeMans, GTO, Skylark	
78-87	GM G-Body Models: Regal, Century, Grand National, Malibu, Monte Carlo, Cutlass, LeMans, Grand Prix	

UTV SWAY BARS

UTV - Powersports Sway Bars

Year	Application	Part #	Notes	Diameter	Part #	Notes	Diameter
10-14	Polaris Ranger 800	N/A		N/A	7860	E	1"
08-14	Polaris RZR S800	N/A		N/A	7861	A, E	3/4"
08-14	Polaris RZR 4 800	N/A		N/A	7861	A, E	3/4"
11-13	Polaris RZR XP900	N/A		N/A	7862	A, E	1"
11-13	Polaris RZR 4 XP900	N/A		N/A	7862	A, E	1"
14-15	Polaris RZR XP1000	N/A		N/A	7857	A, E	1-1/8"
14-15	Polaris RZR 4 XP1000	N/A		N/A	7857	A, E	1-1/8"

A - Adjustable Rate Sway Bar
E - Reuses Factory End Links

Hellwig Helper Springs

Vehicle specific load leveling

GENERAL PRODUCT FEATURES:

- Prevents sag when towing or hauling
- Improve handling, traction, braking and safety
- Cost effective spring solution with simple install
- All springs are adjustable rate for your specific application
- Lifetime Warranty on all Metal Components
- All springs come in Hammertone Silver Powdercoat Finish



EZ-550

- Up to 500 lb Capacity*



EZ-990

- Up to 2000 lb Capacity*
- Factory Plate and Step bracket style available
- Non Step bracket style requires unbolting of factory axle U-bolts



EZ-1000

Silent Ride Feature



LP-15

- Up to 1500 lb Capacity*



Pro-Series

- Up to 2500 lb Capacity*



LP-25

- Up to 2500 lb Capacity*
- Mounting Hardware Sold Separately



LP-35

- Up to 3500 lb Capacity*
- Mounting Hardware Sold Separately
- Not recommended for 1/2 ton applications

* Do not load vehicles past manufacturer GVWR



SWAY BARS & AIR SUPPORT

THE PERFECT MATCH

Feel unmatched stability when towing or hauling.

Both airbags and sway bars greatly improve the handling and safety of your vehicle in loaded conditions but in entirely different ways. **Air bags level the load improving suspension longevity, braking performance and handling.** Sway bars tighten the roll stiffness preventing sway in corners or windy conditions. By installing both air support and sway bars, these suspensions compliment each other and create the best possible conditions for moving your load.

CLOSEUP PHOTO OF HELLWIG HAMMERTONE FINISH

PRODUCTS THAT WORK.

Any good tradesman knows the importance of a solid foundation. **Hellwig Products** keeps this in mind when designing and handcrafting every product we ship. No cookie-cutter production here, each product is engineered and custom modified to fit your vehicle make and model. Install our sway bars and/or helper springs you'll have the right tools for any job site. **Custom built in America, all metal parts guaranteed for life.**



LOAD &
SWAY
CONTROL

MADE IN
★ USA

HELLWIG AIR™

Hellwig **air** PRODUCTS.COM SUSPENSION

BIG WIG AIR
For the heavy hauler

Air Suspension

- Better handling and control under heavily loaded conditions
- Maximize safe load carrying capacity, stability and ride quality
- Superior ride quality softens typical loaded ride conditions by transferring load from the vehicle's leaf spring to the Hellwig Air Spring
- Simple installation for years of heavy duty control
- Each kit is designed to maximize safe load carrying capacity
- Longer stroke (less pressure for softer ride)
- Complete with double convoluted heavy duty air springs
- Lifetime warranty on Hellwig bracketry

SCAN TO SEE IT IN ACTION ▶



*Heavy duty powder coated brackets
*Note: Some items in air kits imported

AIR SUSPENSION



EXTREME SUSPENSION FOR THE HEAVY HAULER

SWAY BARS

AIR SUSPENSION

CHECK CATALOG LISTINGS FOR AVAILABILITY

POWER LIFT™

POWER LIFT

AVALANCHE, TAHOE, SUBURBAN, AND DODGE 1500

- Engineered to bolt on truck and SUV chassis' manufactured with rear coil springs
- Replaces steel coil springs with soft riding air springs
- Featuring an air spring with superior ride quality
- Softens typical loaded and unloaded conditions
- Increase stability and control
- Reduce bottoming
- Easy to adjust air pressure to accommodate different loads
- Best suspension upgraded on the market
- Available with and without Self Levelling compressor system
- Lifetime warranty on Hellwig bracketry

COIL SPRING VEHICLES





TRUCK
MUSCLE CAR
RV

SWAY BARS

Easiest, most cost effective way to improve your vehicle's cornering and handling performance.

Our sway bars use heavy duty 4140 chromoly steel that is hot-formed and heat treated for maximum strength, durability and performance. Each sway bar kit is engineered to fit your specific vehicle model.

Body Roll is reduced by torsional effect of sway bars as they transfer the pressure exerted on the inboard wheels. The weight is more evenly distributed to all four wheels helping the vehicle stay more level with the road and improving control in turns.

**LOAD &
SWAY
CONTROL**

★ **MADE IN
USA**



Now Shipping
BIG WIG Sway Bars.
Check catalog listings
for your application.

TRUCK, RV, SUV, VAN SWAY BARS

Year	Application	Height		Front Kit		Rear Kit	
		Front	Rear	Part #	Dia	Part #	Dia

DODGE							
70-79	B100-B350 Van 2wd		Stock	N/A	N/A	7513	1-1/8"
80-02	B100-B350 Van 2wd w/o large capacity fuel tank large capacity fuel tank extends rearward past rear shock brackets		Stock	N/A	N/A	7513	1-1/8"
70-85	B, MB, & F300-400 RV Chassis		Stock	N/A	N/A	7166	1-1/4"
70-98	B350 Cutaway Chassis 2wd		Stock	N/A	N/A	7166	1-1/4"
70-03	B200, B300, B400 RV Chassis		Stock	N/A	N/A	7513	1-1/8"
84-91	Caravan, Voyager w/o AWD		Stock	N/A	N/A	7559	3/4"
92-03	Caravan, Voyager w/o AWD - Round Rear Axle Tube		Stock	N/A	N/A	7629	3/4"
03-06	Caravan, Voyager w/o AWD - Square Rear Axle Tube 7665 will not fit with Stow&Go 3rd seat		Stock	N/A	N/A	7665	3/4"
87-96	Dakota Pickup 2wd except R/T		Stock	N/A	N/A	7548	3/4"
87-96	Dakota Pickup 4wd except R/T		Stock	N/A	N/A	7585	7/8"
97-04	Dakota Pickup 2wd/4wd		Stock	N/A	N/A	7622	7/8"
			2" Drop	N/A	N/A	7622	7/8"
			3" Drop	N/A	N/A	7825	7/8"
97-03	Durango 2wd/4wd		Stock	N/A	N/A	7630	7/8"
73-84	D150 Pickup 2wd		Stock	N/A	N/A	7453	1-1/8"
85-93	D150 Pickup 2wd w/o contact overload springs		Stock	N/A	N/A	7727	A, D 1-1/8"
85-93	D150 Pickup 2wd w/ contact overload springs		Stock	N/A	N/A	7587	1-1/8"
94-02	D1500 Pickup 2wd		Stock	N/A	N/A	7625	D 1-1/8"
				2" Drop		7625	D 1-1/8"
				4" Drop		7822	D 1-1/8"
03-08	D1500 Pickup 2wd except SRT-10		Stock	N/A	N/A	7651	1-1/8"
09-15	D1500 Pickup 2wd 7709 w/o Factory End links requires 7961 end link kit	Stock	Stock	7708	E 1-1/2"	7709	A, E 7/8"
73-84	D250 Pickup 2wd		Stock	N/A	N/A	7453	1-1/8"
85-93	D250, D350 Pickup 2wd w/o contact overload springs		Stock	N/A	N/A	7727	A, D 1-1/8"
85-93	D250, D350 Pickup 2wd w/ contact overload springs		Stock	N/A	N/A	7587	1-1/8"
94-02	D2500, D3500 Pickup & Dually 2wd		Stock	N/A	N/A	7625	D 1-1/8"
				2" Drop		7625	D 1-1/8"
				4" Drop		7822	D 1-1/8"
03-08	D2500 Pickup 2wd w/ 3.5" dia axle tubes (w/o 6.7l Diesel)		Stock	N/A	N/A	7651	1-1/8"
03-08	D2500 Pickup 2wd w/ 4.0" dia axle tubes (w/o 6.7l Diesel)		Stock	N/A	N/A	7658	1-1/8"
			Stock			7265	B 1-5/16"
03-08	D3500 Pickup & Dually 2wd (w/ 5.9l Diesel)		Stock	N/A	N/A	7658	1-1/8"
			Stock			7265	B 1-5/16"
07-09	D2500, D3500 Pickup & Dually 2wd (w/ 6.7l Diesel)		Stock	N/A	N/A	7703	1-1/8"
			Stock			7266	B 1-5/16"
10-12	D2500, D3500 Pickup & Dually 2wd (w/ 6.7l Diesel)		Stock	N/A	N/A	7710	1-1/8"
			Stock			7272	B 1-5/16"
2013	D2500, D3500 Pickup & Dually 2wd (w/ 6.7l Diesel)		Stock	N/A	N/A	7730	1-1/8"
			Stock			7293	B 1-5/16"
14-15	D2500 Pickup 2wd		Stock	N/A	N/A	7738	A, E 1-1/8"
			Stock			7306	A, B 1-1/4"
14-15	D3500 Pickup & Dually 2wd (w/ 6.7l Diesel)		Stock	N/A	N/A	7739	1-1/8"
			Stock			7298	B 1-5/16"
08-12	D4500, D5500 Cab & Chassis 2wd		Stock	N/A	N/A	7252	1-1/2"
73-81	M375, M500 Class A		Stock	N/A	N/A	7160	1-1/4"
14-15	Promaster 2500, 3500 with 159" Wheelbase		Stock	N/A	N/A	7798	1"
04-06	Sprinter 2500 2wd		Stock	N/A	N/A	7239	1-1/8"
07-14	Sprinter 2500 2wd		Stock	N/A	N/A	7253	1-1/8"
04-07	Sprinter 3500 2wd		Stock	N/A	N/A	7251	1-1/2"
	2006 & 2007 applications - Before ordering verify distance between end link centers at 29.5" If 27.5" use 7254						

Footnotes

A	Adjustable Rate Sway Bar
B	Big Wig Sway Bar
D	Drilling May Be Required
E	Reuses Factory End Links
T	Tubular Sway Bar

TRUCK, RV, SUV, VAN SWAY BARS

Year	Application	Height		Front Kit		Rear Kit	
		Front	Rear	Part #	Dia	Part #	Dia

FORD (Continued)									
99-07	E350 Dual Wheel Cutaway Chassis 2wd 7182 w/ Rear Disc Brakes and w/ Factory RSB	Stock	Stock	7008		1-3/8"	7182		1-1/2"
08-14	E250, E350 Van 2wd	Stock	Stock	7718	E	1-3/8"	7183	D	1-1/4"
08-14	E350 Dual Wheel Cutaway Chassis 2wd w/ Rear Disc Brakes and w/o Factory RSB	Stock	Stock	7718	E	1-3/8"	7085		1-1/2"
08-14	E350 Dual Wheel Cutaway Chassis 2wd w/ Rear Disc Brakes and w/ Factory RSB	Stock	Stock	7718	E	1-3/8"	7182		1-1/2"
97-07	E40, E450 2wd	Stock	Stock	7008		1-3/8"	7180		1-1/2"
08-14	E40, E450 2wd	Stock	Stock	7718	E	1-3/8"	7180		1-1/2"
00-05	Excursion 2wd	Stock	Stock	7674	E	1-1/2"	7643		1-1/4"
00-05	Excursion 4wd 7640 Uses Factory End Links or use 7973 for replacement	Stock	Stock	7640	E	1-1/2"	7643		1-1/4"
97-02	Expedition 2wd	Stock	Stock	7646		1-7/16"	7624	E	1"
97-02	Expedition, Navigator 4wd		Stock	N/A		N/A	7624	E	1"
03-06	Expedition, Navigator 2wd/4wd	Stock	Stock	7689	E	1-1/2"	7660	E	3/4"
07-13	Expedition, Navigator 2wd/4wd	Stock	Stock	7696	E	1-1/2"	7688	E	7/8"
90-94	Explorer 2wd/4wd 7574 Factory Sway Bar Brackets Required	Stock	Stock	7574		1-1/8"	7569		7/8"
95-01	Explorer, Explorer Sport, Sport Trak, Mountaineer 2wd/4wd		Stock	N/A		N/A	7648		1"
02-05	Explorer 2wd/4wd 1920 is a Sport Series Spring		Stock	N/A		N/A	1920		N/A
73-76	F100, F150 Pickup 2wd	Stock	Stock	7422		1-1/8"	7436		1-1/8"
77-79	F150 Pickup 2wd	Stock	Stock	7470		1-1/8"	7436		1-1/8"
73-79	F100, F150 Pickup 4wd	Stock	Stock	7455		1-1/8"	7436		1-1/8"
80-86	F150 Pickup 2wd	Stock	Stock	7489		1-1/8"	7490		1-1/8"
80-86	F150 Pickup 4wd	Stock	Stock	N/A		N/A	7490		1-1/8"
87-91	F150 Pickup 2wd w/ factory curved crossmember	Stock	Stock	7553		1-1/8"	7552		1"
87-96	F150 Pickup 2wd w/o factory curved crossmember	Stock	Stock	7550		1-1/8"	7552		1"
92-96	F150 Pickup 2wd w/ factory curved crossmember	Stock	Stock	7599		1-1/8"	7552		1"
87-91	F150 Pickup 4wd w/ factory curved crossmember	Stock	Stock	7572		1-1/8"	7552		1"
87-96	F150 Pickup 4wd w/o factory curved crossmember	Stock	Stock	7589		1-1/8"	7552		1"
92-96	F150 Pickup 4wd w/ factory curved crossmember	Stock	Stock	7597		1-1/8"	7552		1"
97-03	F150 Pickup 2wd	Stock	Stock	7646		1-7/16"	7621		1-1/8"
		2" Drop	2" Drop	7646		1-7/16"	7621		1-1/8"
		3" Drop	4" Drop	7646		1-7/16"	7856		1-1/8"
		4" Drop	6" Drop	7646		1-7/16"	7856		1-1/8"
99-03	F150 Lightning Pickup 2wd	Stock	Stock	7646		1-7/16"	7821		1-1/8"
00-03	F150 Super Crew Pickup 2wd	Stock	Stock	7646		1-7/16"	7621		1-1/8"
97-03	F150 Pickup incl Super Crew 4wd	Stock	Stock	N/A		N/A	7621		1-1/8"
2004	F150 Pickup Heritage Edition 2wd	Stock	Stock	7646		1-7/16"	7621		1-1/8"
2004	F150 Pickup Heritage Edition 4wd	Stock	Stock	N/A		N/A	7621		1-1/8"
04-08	F150 Pickup 2wd/4wd except 04 Heritage Edition	Stock	Stock	7662		1-7/16"	7663		1"
		2" Lift	Stock	7662		1-7/16"	7663		1"
		4" Lift	2" lift	7662		1-7/16"	7896		1"
		6" Lift	4" Lift	7662		1-7/16"	7896		1"
09-14	F150 Pickup 2wd/4wd	Stock	Stock	7704	E	1-1/2"	7705	A	1-1/8"
		2" Lift	Stock	7704	E	1-3/8"	7705	A	1-1/8"
		4" Lift	2" Lift	7704	E	1-3/8"	7899	A	1-1/8"
		6" Lift	4" Lift	7704	E	1-3/8"	7899	A	1-1/8"
10-14	Raptor Pickup 4wd	Stock	Stock	N/A		N/A	7724	A	3/4"
2015	F150 Pickup 2wd/4wd	Stock	Stock	7704	E	1-1/2"	7743	A	1"
65-72	F250 Pickup 2wd	Stock	Stock	7422	D	1-1/8"	7403		1-1/8"
73-76	F250 Pickup 2wd	Stock	Stock	7422	D	1-1/8"	7436		1-1/8"
67-77	F250 Pickup 4wd		Stock	N/A		N/A	7446		1-1/8"
77-79	F250 Pickup 2wd	Stock	Stock	7470		1-1/8"	7436		1-1/8"

Footnotes

A	Adjustable Rate Sway Bar
B	Big Wig Sway Bar
D	Drilling May Be Required
E	Reuses Factory End Links
T	Tubular Sway Bar

TRUCK, RV, SUV, VAN SWAY BARS

Year	Application	Height		Front Kit		Rear Kit	
		Front	Rear	Part #	Dia	Part #	Dia

FORD (Continued)								
78-79	F250 Pickup 4wd		Stock	N/A		N/A	7482	1-1/8"
80-86	F250, F350 Pickup 2wd w/ Dana 70 Rear Axle 7499 except Diesel or Extra H/D Radiator	Stock	Stock	7499		1-1/8"	7561	1"
80-86	F250, F350 Pickup 4wd w/ Dana 70 Rear Axle		Stock	N/A		N/A	7561	1"
80-86	F250, F350 Pickup 2wd w/ Sterling Rear Axle 7499 except Diesel or Extra H/D Radiator	Stock	Stock	7499		1-1/8"	7521	1-1/8"
80-86	F250, F350 Pickup 4wd w/ Sterling Rear Axle		Stock	N/A		N/A	7521	1-1/8"
87-97	F250, F350 Pickup Single Wheel 2wd 7499 except Diesel or Extra H/D Radiator	Stock	Stock	7499		1-1/8"	7551	1"
87-97	F250, F350 Pickup Dually 2wd 7550 except Diesel or Extra H/D Radiator	Stock	Stock	7550		1-1/8"	N/A	N/A
87-89	F250, F350 Pickup Single Wheel 4wd		Stock	N/A		N/A	7565	1"
90-97	F250, F350 Pickup Single Wheel 4wd		Stock	N/A		N/A	7596	1"
97-03	F250 Pickup Light Duty 2wd	Stock	Stock	7646		1-7/16"	7621	1-1/8"
97-03	F250 Pickup Light Duty 4wd		Stock	N/A		N/A	7621	1-1/8"
99-04	F250, F350 Super Duty 2wd Single Wheel Pickup	Stock	Stock	7674	E	1-1/2"	7677	1-1/4"
			Stock				7693	A 1-1/4"
			Stock				7268	A, B 1-5/16"
99-04	F350 Super Duty Dually Pickup 2wd	Stock	Stock	7674	E	1-1/2"	7678	1-1/8"
							7289	B 1-5/16"
99-04	F250 Super Duty Pickup 4wd 7640 uses factory end links or use 7973 for replacement	Stock	Stock	7640	E	1-1/2"	7677	1-1/4"
			Stock				7693	A 1-1/4"
			Stock				7268	A, B 1-5/16"
99-04	F350 Super Duty Single Wheel Pickup 4wd 7640 uses factory end links or use 7973 for replacement	Stock	Stock	7640	E	1-1/2"	7687	1-1/4"
			Stock				7693	A 1-1/4"
			Stock				7268	A, B 1-5/16"
99-04	F250, F350 Super Duty Single Wheel Pickup 4wd	2" Lift	Stock	7640	E	1-1/2"	7693	A 1-1/4"
		4" Lift	2" Lift	7640	E	1-1/2"	7893	A 1-1/4"
		6" Lift	4" Lift	7640	E	1-1/2"	7893	A 1-1/4"
99-04	F350 Super Duty Dually Pickup 4wd 7640 uses factory end links or use 7973 for replacement	Stock	Stock	7640	E	1-1/2"	7678	1-1/8"
							7289	B 1-5/16"
05-07	F250, F350 Super Duty Single Wheel Pickup 2wd	Stock	Stock	7674	E	1-1/2"	7677	1-1/4"
			Stock				7693	A 1-1/4"
			Stock				7268	A, B 1-5/16"
05-07	F350 Super Duty Dually Pickup 2wd	Stock	Stock	7674	E	1-1/2"	7678	1-1/8"
							7289	B 1-5/16"
05-07	F250, F350 Super Duty Single Wheel Pickup 4wd	Stock	Stock	7676	E	1-1/8"	7677	1-1/4"
			Stock				7693	A 1-1/4"
			Stock				7268	A, B 1-5/16"
		2" Lift	Stock	7676	E	1-1/8"	7693	A 1-1/4"
		4" Lift	2" Lift	7676	E	1-1/8"	7893	A 1-1/4"
		6" Lift	4" Lift	7676	E	1-1/8"	7893	A 1-1/4"
05-07	F350 Super Duty Dually Pickup 4wd	Stock	Stock	7676	E	1-1/8"	7678	1-1/8"
							7289	B 1-5/16"
08-10	F250, F350 Super Duty Single Wheel Pickup 2wd		Stock	N/A		N/A	7677	1-1/4"
			Stock				7693	A 1-1/4"
			Stock				7268	A, B 1-5/16"
08-10	F350 Super Duty Dually Pickup 2wd		Stock	N/A		N/A	7715	A 1-1/4"
			Stock				7282	A, B 1-5/16"
08-10	F250, F350 Super Duty Single Wheel Pickup 4wd	Stock	Stock	7690	E	1-1/4"	7677	1-1/4"
			Stock				7693	A 1-1/4"
			Stock				7268	A, B 1-5/16"
		2" Lift	Stock	7690	E	1-1/4"	7693	A 1-1/4"
		4" Lift	2" Lift	7690	E	1-1/4"	7893	A 1-1/4"
		6" Lift	4" Lift	7690	E	1-1/4"	7893	A 1-1/4"
08-10	F350 Super Duty Dually Pickup 4wd	Stock	Stock	7690	E	1-1/4"	7715	A 1-1/4"
			Stock				7282	A, B 1-5/16"
11-15	F250, F350 Super Duty Single Wheel Pickup 2wd	Stock	Stock	7713	E	1-1/2"	7715	A 1-1/4"
			Stock				7282	A, B 1-5/16"
11-15	F350 Super Duty Dually Pickup 2wd	Stock	Stock	7713	E	1-1/2"	7715	A 1-1/4"
			Stock				7282	A, B 1-5/16"

TRUCK, RV, SUV, VAN SWAY BARS

Year	Application	Height		Front Kit		Rear Kit	
		Front	Rear	Part #	Dia	Part #	Dia

FORD (Continued)									
11-15	F250, F350 Super Duty Single Wheel Pickup 4wd	Stock	Stock	7712	E	1-5/16"	7714	A	1-1/8"
			Stock				7271	A, B	1-1/4"
		2" Lift	Stock	7712	E	1-5/16"	7714	A	1-1/8"
		4" Lift	2" Lift	7712	E	1-5/16"	7890	A	1-1/8"
		6" Lift	4" Lift	7712	E	1-5/16"	7890	A	1-1/8"
11-12	F350 Super Duty Dually Pickup 4wd	Stock	Stock	7712	E	1-5/16"	7715	A	1-1/4"
			Stock				7282	A, B	1-5/16"
13-15	F350 Super Duty Dually Pickup 4wd	Stock	Stock	7712	E	1-5/16"	7736	A	1-1/4"
			Stock				7294	A, B	1-5/16"
00-07	F450 Cab & Chassis 2wd	Stock	Stock	7640		1-1/2"	7230	E	1-1/2"
08-10	F450 Cab & Chassis 2wd/4wd	Stock	Stock	7249	E	1-1/2"	7223	E	1-1/2"
11-14	F450 Cab & Chassis 2wd	Stock	Stock	7275	E	1-1/2"	7223	E	1-1/2"
11-14	F450 Dually Pickup 4wd	Stock	Stock	7275	E	1-1/2"	7282	A, B	1-5/16"
11-12	F450 Cab & Chassis 4wd	Stock	Stock	7275	E	1-1/2"	7223	E	1-1/2"
08-10	F450 Dually Pickup 2wd/4wd	Stock	Stock	7249	E	1-1/2"	7245	E	1-1/2"
00-07	F550 Cab & Chassis 2wd		Stock	N/A		N/A	7223	E	1-1/2"
08-10	F550 Cab & Chassis 2wd/4wd	Stock	Stock	7249	E	1-1/2"	7223	E	1-1/2"
11-14	F550 Cab & Chassis 2wd	Stock	Stock	7275	E	1-1/2"	7223	E	1-1/2"
11-12	F550 Cab & Chassis 4wd	Stock	Stock	7275	E	1-1/2"	7223	E	1-1/2"
99-14	F53 Motorhome w/ V10 Engine and w/ Small Axle	Stock	Stock	7217		1-3/4"	7215		1-5/8"
	Small axle has bolt-on differential cover (Integral 3rd member)								Auxiliary Rear Sway Bar
99-14	F53 Motorhome w/ V10 Engine and w/ Large Axle	Stock	Stock	7217		1-3/4"	7216		1-5/8"
	Large axle has drop out 3rd member and welded differential cover								Auxiliary Rear Sway Bar
83-89	Ranger, Bronco II 2wd	Stock	Stock	7512		1-1/4"	7511		7/8"
83-89	Ranger, Bronco II 4wd	Stock	Stock	7512		1-1/4"	7511		7/8"
90-97	Ranger 2wd	Stock	Stock	7574	E	1-1/8"	7511		7/8"
	7574 requires 7974 kit too if factory vehicle had no factory sway bar								
90-97	Ranger 4wd	Stock	Stock	7574	E	1-1/8"	7511		7/8"
	7574 Requires Factory Sway Bar Brackets								
98-10	Ranger 2wd	Stock	Stock	7673		1-1/8"	7511		7/8"
98-10	Ranger 4wd	Stock	Stock	7675		1-1/8"	7511		7/8"
2011	Ranger 2wd	Stock	Stock	7673		1-1/8"	7720		7/8"
2011	Ranger 4wd	Stock	Stock	7675		1-1/8"	7720		7/8"

GM									
86-05	Astro, Safari Van w/o AWD	Stock	Stock	7556		1-1/8"	7534		3/4"
	7556 only on 2wd vehicles, not AWD		4" Drop	N/A		N/A	7811		7/8"
78-83	Blazer Full Size 4wd	Stock	Stock	N/A		N/A	7471		1-1/8"
84-91	Blazer Full Size 4wd	Stock	Stock	N/A		N/A	7524		1-1/8"
63-72	C10, C20 Pickup 2wd w/ Rear Coil Springs								
	w/o factory front sway bar	Stock	Stock	7423	E	1-1/8"	7401		1-1/8"
	w/ factory front sway bar	Stock		7546		1-1/8"			
		2" Drop	2" Drop	7423	E	1-1/8"	7803		1-1/8"
63-72	C10, C20 Pickup 2wd w/ Rear Leaf Springs								
	w/o factory front sway bar	Stock	Stock	7423	E	1-1/8"	7402		1-1/8"
	w/ factory front sway bar	Stock	Stock	7546		1-1/8"			
		2" Drop		7423	E	1-1/8"	N/A		N/A
		4" Drop		7423	E	1-1/8"	N/A		N/A
73-83	C10, C20 Pickup 2wd								
	w/o factory front sway bar	Stock	Stock	7423	E	1-1/8"	7726	A, D	1-1/8"
	w/ factory front sway bar	Stock	Stock	7546		1-1/8"	N/A		N/A
		2" Drop	2" Drop	7448		1-1/8"	7437		1-1/8"
		3" Drop		7448		1-1/8"	N/A		N/A
		4" Drop		7546		1-1/8"	N/A		N/A
84-87	C10, C20 Pickup 2wd	Stock	Stock	7546		1-1/8"	7549		1-1/8"

Footnotes	
A	Adjustable Rate Sway Bar
B	Big Wig Sway Bar
D	Drilling May Be Required
E	Reuses Factory End Links
T	Tubular Sway Bar

TRUCK, RV, SUV, VAN SWAY BARS

Year	Application	Height		Front Kit		Rear Kit	
		Front	Rear	Part #	Dia	Part #	Dia

GM (Continued)									
88-98	C1500 Pickup 2wd	Stock	Stock	7576		1-5/16"	7555		1-1/8"
		Stock		7711		1-3/8"			
88-00	C1500 Pickup 2wd w/ 5.0 or 5.7L engine	2" Drop	2" Drop	57801	T	1-3/8"	57802	A, D, T	1-1/8"
		3" Drop	4" Drop	57801	T	1-3/8"	57802	A, D, T	1-1/8"
		4" Drop	6" Drop	57801	T	1-3/8"	57802	A, D, T	1-1/8"
99-06	C1500 Pickup 2wd w/ 4.8, 5.3 or 6.0L engine	Stock	Stock	7632		1-1/2"	7634		1-1/8"
			Stock				7800	A	1-1/8"
		2" Drop	2" Drop	7632		1-1/2"	7800	A	1-1/8"
		3" Drop	4" Drop	7632		1-1/2"	7800	A	1-1/8"
01-06	C1500 HD Pickup 2wd	Stock	Stock	7654		1-1/2"	7634		1-1/8"
2007	1500 Silverado Classic Pickup 2wd	Stock	Stock	7632		1-1/2"	7634		1-1/8"
			Stock				7800	A	1-1/8"
		2" Drop	2" Drop	7632		1-1/2"	7800	A	1-1/8"
		3" Drop	4" Drop	7632		1-1/2"	7800	A	1-1/8"
07-13	1500 Silverado, Sierra Pickup 2wd 6sp auto trans requires 7799 install kit	Stock	Stock	7685	E	1-1/2"	7800	A	1-1/8"
14-15	1500 Silverado, Sierra Pickup 2wd To replace factory end links on 7685 use 7985	Stock	Stock	7685	E	1-1/2"	7735	A	1-1/8"
		Stock							
88-99	C2500,C3500 Single Wheel 2wd	Stock	Stock	7576		1-5/16"	7555		1-1/8"
		Stock		7711		1-3/8"			
88-00	C3500 Dually Pickup 2wd	Stock	Stock	7576		1-5/16"	7609		1-1/8"
		Stock		7711		1-3/8"			
		3" Drop	2" Drop	7576		1-5/16"	7609		1-1/8"
		4" Drop	4" Drop	7801		1-5/16"	7810		1-1/8"
		5" Drop	7" Drop	7801		1-5/16"	7810		1-1/8"
00-01	C2500 Non-HD Pickup 2wd w/ front coil springs	Stock	Stock	7695		1-1/2"	7634		1-1/8"
			Stock				7800	A	1-1/8"
01-06	C2500 Non-HD Pickup 2wd w/ front torsion bars	Stock	Stock	7654		1-1/2"	7634		1-1/8"
			Stock				7800	A	1-1/8"
01-06	2500HD, 3500 HD Pickup 2wd incl Dually	Stock	Stock	7654		1-1/2"	7652		1-1/4"
			Stock				7269	B	1-5/16"
01-06	2500HD, 3500 HD Pickup 2wd incl Dually W/ MBRP 4" Exhaust	Stock	Stock	7654		1-1/2"	7721	A	1-1/4"
			Stock				7281	A, B	1-5/16"
2007	2500HD, 3500 HD Classic 2wd incl Dually	Stock	Stock	7654		1-1/2"	7652		1-1/4"
			Stock				7269	B	1-5/16"
07-10	2500HD Pickup 2wd w/ 6.0 Gas Engine	Stock	Stock	7654		1-1/2"	7698		1-1/4"
07-10	2500HD, 3500 HD Pickup 2wd w/ Duramax incl Dually	Stock	Stock	7654		1-1/2"	7664	A	1-1/4"
			Stock				7267	A, B	1-5/16"
11-15	2500HD, 3500 HD Pickup 2wd incl Dually	Stock	Stock	7716	E	1-1/2"	7717	A	1-1/4"
			Stock				7270	A, B	1-5/16"
04-12	Colorado, Canyon Pickup 2wd 7679 will not fit Z71	Stock	Stock	7679		1-5/16"	7680		1"
04-11	Colorado, Canyon Pickup 4wd		Stock	N/A		N/A	7680		1"
72-82	G10, G20 Van		Stock	N/A		N/A	7447		1-1/8"
83-96	G10, G20 Van	Stock	Stock	7519		1-1/8"	7615		1-1/8"
97-02	G1500, Savana, Express Van		Stock	N/A		N/A	7623		1-1/8"
03-13	G1500, Savana, Express Van	Stock	Stock	7722		1-3/8"	7623		1-1/8"
97-02	G2500, G3500 Savana, Express Van Single Rear Wheel		Stock	N/A		N/A	7635		1 3/8"
97-02	G3500 Cutaway RV Chassis		Stock	N/A		N/A	7181		1-1/4"
03-14	G2500, Savana, Express Van under 7600 GVW	Stock	Stock	7722		1-3/8"	7635		1 3/8"
03-14	G2500, Savana, Express Van over 8500 GVW	Stock	Stock	7723		1-1/2"	7635		1 3/8"
03-14	G3500, Savana, Express Van Single Rear Wheel	Stock	Stock	7723		1-1/2"	7635		1 3/8"
67-72	K10, K20 Pickup 4wd	Stock	Stock	7431		1-1/8"	7413		1-1/8"
73-83	K10, K20 Pickup 4wd		Stock	N/A		N/A	7437		1-1/8"
84-87	K10, K20 Pickup 4wd		Stock	N/A		N/A	7549		1-1/8"
88-00	K1500, K2500, K3500 Pickup Single Wheel 4wd	Stock	Stock	7575		1-1/8"	7555		1-1/8"
90-00	K3500 Dually Pickup 4wd	Stock	Stock	7575		1-1/8"	7609		1-1/8"

TRUCK, RV, SUV, VAN SWAY BARS

Year	Application	Height		Front Kit		Rear Kit	
		Front	Rear	Part #	Dia	Part #	Dia

GM (Continued)									
99-06	K1500, K2500 Non-HD Pickup 4wd	Stock	Stock	7633		1-5/16"	7634		1-1/8"
		Stock	Stock	7702		1-3/8"	7800	A	1-1/8"
		2" Lift	Stock	7702		1-3/8"	7800	A	1-1/8"
		4" Lift	2" Lift	7702		1-3/8"	7897	A	1-1/8"
02-06	1500 HD Pickup 4wd	6" Lift	4" Lift	7702		1-3/8"	7897	A	1-1/8"
		Stock	Stock	7633		1-5/16"	7634		1-1/8"
2007	1500 Silverado Classic Pickup 4wd	Stock	Stock	7702		1-3/8"	7800	A	1-1/8"
		Stock	Stock	7633		1-5/16"	7634		1-1/8"
07-13	1500 Silverado, Sierra Pickup 4wd To replace factory end links on 7685 use 7985 7685 w/ 6sp auto trans requires 7799 install kit	Stock	Stock	7685	E	1-1/2"	7800	A	1-1/8"
		2" Lift	Stock	7685	E	1-1/2"	7800	A	1-1/8"
		4" Lift	2" Lift	7685	E	1-1/2"	7897	A	1-1/8"
		6" Lift	4" Lift	7685	E	1-1/2"	7897	A	1-1/8"
14-15	1500 Silverado, Sierra Pickup 4wd To replace factory end links on 7685 use 7985	Stock	Stock	7685	E	1-1/2"	7735	A	1-1/8"
		2" Lift	Stock	7685	E	1-1/2"	7735	A	1-1/8"
		4" Lift	2" Lift	7685	E	1-1/2"	7886	A	1-1/8"
		6" Lift	4" Lift	7685	E	1-1/2"	7886	A	1-1/8"
01-06	2500HD, 3500 HD Pickup 4wd incl Dually	Stock	Stock	7654		1-1/2"	7652		1-1/4"
			Stock				7269	B	1-5/16"
		2" Lift	Stock	7654		1-1/2"	7652		1-1/4"
		4" Lift	2" Lift	7654		1-1/2"	7892		1-1/4"
01-06	2500HD, 3500 HD Pickup 4wd incl Dually w/ MBRP 4" Exhaust	6" Lift	4" Lift	7654		1-1/2"	7892		1-1/4"
		Stock	Stock	7654		1-1/2"	7721	A	1-1/4"
2007	2500HD, 3500HD Classic Pickup 4wd incl Dually		Stock				7281	A, B	1-5/16"
		Stock	Stock	7654		1-1/2"	7652		1-1/4"
07-10	2500HD Pickup 4wd w/ 6.0 Gas Engine		Stock				7269	B	1-5/16"
		Stock	Stock	7654		1-1/2"	7698		1-1/4"
07-10	2500HD, 3500HD Pickup 4wd w/ Duramax incl Dually	Stock	Stock	7654		1-1/2"	7664	A	1-1/4"
			Stock				7267	A, B	1-5/16"
		2" Lift	Stock	7654		1-1/2"	7664	A	1-1/4"
		4" Lift	2" Lift	7654		1-1/2"	7894	A	1-1/4"
11-15	2500HD, 3500HD Pickup 4wd incl Dually	6" Lift	4" Lift	7654		1-1/2"	7894	A	1-1/4"
		Stock	Stock	7716	E	1-1/2"	7717	A	1-1/4"
03-09	Kodiak 4500, 5500		Stock				7270	A, B	1-5/16"
			Stock				7243		N/A
75-99	P30/P32 Class A Chassis	Stock		7162		1-5/8"	N/A		N/A
82-03	S10, S15 Pickup 2wd	Stock	Stock	7509		1-1/4"	7619		7/8"
		2" Drop	1" Drop	57805	T	1-5/16"	7619		7/8"
		3" Drop	2" Drop	57805	T	1-5/16"	7807		7/8"
		4" Drop	3" Drop	57805	T	1-5/16"	7807		7/8"
82-03	S10, S15 Pickup 4wd		Stock	N/A		N/A	7619		7/8"
82-93	S10 Blazer, Jimmy, Bravada (2 Door) 2wd	Stock	Stock	7509		1-1/4"	7520		3/4"
82-93	S10 Blazer, Jimmy, Bravada (2 Door) 4wd		Stock	N/A		N/A	7520		3/4"
90-93	S10 Blazer, Jimmy, Bravada (4 Door) 2wd	Stock	Stock	7509		1-1/4"	7571		3/4"
90-93	S10 Blazer, Jimmy, Bravada (4 Door) 4wd		Stock	N/A		N/A	7571		3/4"
94-01	S10 Blazer, Jimmy, Bravada (4 Door) 2wd	Stock	Stock	7509		1-1/4"	7645		1"
94-01	S10 Blazer, Jimmy, Bravada (4 Door) 4wd		Stock	N/A		N/A	7645		1"
73-83	Suburban 2wd	Stock	Stock	7423	E	1-1/8"	7726	A, D	1-1/8"
84-85	Suburban 2wd	Stock	Stock	7546		1-1/8"	7726	A, D	1-1/8"
73-85	Suburban 4wd		Stock	N/A		N/A	7726	A, D	1-1/8"
86-91	Suburban 2wd	Stock	Stock	7546		1-1/8"	7533		1-1/8"
86-91	Suburban 4wd		Stock	N/A		N/A	7535		1-1/8"
92-00	Suburban, Tahoe, Yukon, Denali 2wd	Stock	Stock	7576		1-5/16"	7608		1-1/8"
		Stock		7711		1-3/8"			
92-00	Suburban, Tahoe, Yukon 4wd	Stock	Stock	7575		1-1/8"	7608		1-1/8"

Footnotes

A	Adjustable Rate Sway Bar
B	Big Wig Sway Bar
D	Drilling May Be Required
E	Reuses Factory End Links
T	Tubular Sway Bar

TRUCK, RV, SUV, VAN SWAY BARS

Year	Application	Height		Front Kit		Rear Kit	
		Front	Rear	Part #	Dia	Part #	Dia

GM (Continued)									
01-06	Suburban 1500, Tahoe, Yukon, Escalade, Denali, Avalanche 1500 2wd w/ Rear Coil Springs	Stock	Stock	7633		1-5/16"	7650		1-1/4"
		Stock	Stock	7702		1-3/8"	7701	A	1-1/4"
		2" Drop	3" Drop	7633		1-5/16"	7850		1-1/4"
		3" Drop	5" Drop	7633		1-5/16"	7850		1-1/4"
01-06	Suburban 1500, Tahoe, Yukon, Escalade, Denali, Avalanche 1500 4wd w/ Rear Coil Springs	Stock	Stock	7633		1-5/16"	7650		1-1/4"
		Stock	Stock	7702		1-3/8"	7701	A	1-1/4"
00-06	Suburban 2500, Avalanche 2500 2wd/4wd w/ 6.0 Liter Engine	Stock	Stock	7654		1-1/2"	7653		1-5/16"
00-06	Suburban 2500, Avalanche 2500 2wd/4wd w/ 8.1 Liter Engine	Stock	Stock	7654		1-1/2"	7649		1-1/4"
07-14	Suburban 1500, Tahoe, Yukon, Escalade, Denali, Avalanche 1500 2wd/4wd 6sp auto trans requires 7799 install kit for 7685	Stock	Stock	7685	E	1-1/2"	7686	E	1-1/4"
			Stock				7707	A	1-1/4"
		2" Drop	3" Drop	7685	E	1-1/2"	7853	A	1-1/4"
		3" Drop	5" Drop	7685	E	1-1/2"	7853	A	1-1/4"
07-14	Suburban 2500 2wd/4wd	Stock	Stock	7654		1-1/2"	7653		1-5/16"
2015	Suburban 1500, Tahoe, Yukon, Escalade, Denali, Avalanche 1500 2wd/4wd	Stock	Stock	7685	E	1-1/2"	7740	A	1-1/4"

HUMMER									
02-08	Hummer H2 4wd	Stock	Stock	8654		1-1/2"	8661	E	1-1/4"
06-08	Hummer H3 4wd 7682 rear kit includes front bushings upgrade kit	Stock	Stock	N/A			7682	E	1-1/8"

ISUZU									
96-01	Hombre 2wd	Stock	Stock	N/A		N/A	7619		7/8"

JEEP									
76-85	CJ5-CJ8, Scrambler 4wd 7463 w/ manual transmission only	Stock	Stock	7616		1"	7463		1-1/8"
84-01	Cherokee XJ 4wd 7874 w/ offroad quick disconnecting front end links		Stock	N/A		N/A	7568		3/4"
		3-5" Lift	3-5" Lift	7874		1-1/8"	N/A		N/A
93-98	Grand Cherokee 4wd		Stock	N/A		N/A	7613		7/8"
99-04	Grand Cherokee 4wd		Stock	N/A		N/A	7644		7/8"
14-15	Grand Cherokee 4wd		Stock	N/A		N/A	7732	E	1"
90-96	Wrangler YJ 4wd		Stock	N/A		N/A	7614	D	3/4"
97-06	Wrangler TJ 4wd 7870 w/ offroad quick disconnecting front end links		Stock	N/A		N/A	7684	E	3/4"
		4-6" Lift	4-6" Lift	7866	A	1-1/4"	7871	A, D	3/4"
		4-6" Lift	4-6" Lift	7870	A, D	1-1/4"	7871	A, D	3/4"
07-15	Wrangler JK 4wd FSB Installation on Jeep Rubicon requires removal of Electric Disconnect 7876 w/ offroad quick disconnecting front end links		Stock	N/A		N/A	7706	E	7/8"
		3-5" Lift	3-5" Lift	7865	A	1-1/4"	7706	E	7/8"
		3-5" Lift	3-5" Lift	7876	A, D	1-1/4"	7706	E	7/8"

MAZDA									
94-97	B2300-B4000 2wd/4wd	Stock	Stock	7574		1-1/8"	7511		7/8"
98-06	B2300-B4000 2wd	Stock	Stock	7673		1-1/8"	7511		7/8"
98-06	B2300-B4000 4wd	Stock	Stock	7675		1-1/8"	7511		7/8"
91-94	Navajo	Stock	Stock	7574		1-1/8"	7569	E	7/8"
95-01	Navajo		Stock	N/A		N/A	7648	E	1"

NISSAN									
87-04	Hardbody, Frontier 2wd w/o factory installed RSB			N/A		N/A	7531		3/4"
87-04	Hardbody, Frontier 4wd, Desert Runner 2wd w/o factory installed RSB			N/A		N/A	7528		3/4"
05-15	Frontier 2wd/4wd			N/A		N/A	7694		7/8"
04-14	Titan 2wd/4wd			N/A		N/A	7669		1"

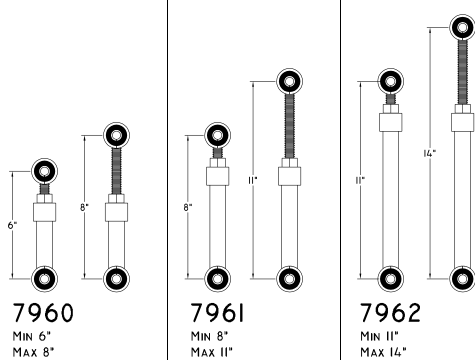
TRUCK, RV, SUV, VAN SWAY BARS

Year	Application	Height		Front Kit		Rear Kit	
		Front	Rear	Part #	Dia	Part #	Dia

TOYOTA									
05-13	Hilux 4wd	Stock	Stock	7729	E	1-3/8"	7728	A, D	3/4"
79-94	Pickup 2wd/4wd		Stock	N/A		N/A	7539		3/4"
01-07	Sequoia 2wd/4wd	Stock	Stock	7697	E	1-1/4"	7725	E	1-1/4"
	7697 Uses Factory End Links or use 7978 as replacement								
95-04	Tacoma 2wd except Prerunner		Stock	N/A		N/A	7670		3/4"
05-15	Tacoma 2wd except Prerunner		Stock	N/A		N/A	7731	A, D	3/4"
95-04	Tacoma 4wd, Prerunner 2wd		Stock	N/A		N/A	7671		3/4"
05-15	Tacoma 4wd, Prerunner 2wd	Stock	Stock	7719	E	1-3/8"	7731	A, D	3/4"
		2" Lift	Stock	7719	E	N/A	7731	A, D	3/4"
		4" Lift	2" lift	7719	E	N/A	7887	A, D	3/4"
		6" Lift	4" Lift	7719	E	N/A	7887	A, D	3/4"
00-06	Tundra Pickup 2wd/4wd	Stock	Stock	7697	E	1-1/4"	7700	A	1-1/8"
	7697 Uses Factory End Links or use 7978 as replacement								
07-15	Tundra Pickup 2wd/4wd		Stock	N/A		N/A	7692	A	1-1/8"
	7692 w/o factory trailer hitch requires 7699 mtg kit								
				4" Lift	N/A		N/A	7889	A

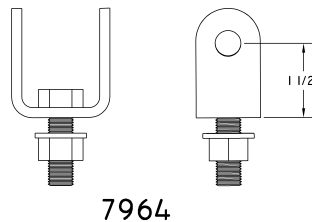
WORKHORSE									
00-12	W20-22 Workhorse Motorhome Chassis (Gas Engine Only)	Stock	Stock	7218		1-5/8"	7219		1-3/4"
	rear axle shock casting separate from lower U-bolt clamp Rear Kit may require exhaust relocation								
04-12	W20-22 Workhorse Motorhome Chassis (Gas Engine Only)	Stock	Stock	7218		1-5/8"	7237		1-3/4"
	integral rear axle shock bracket and lower U-bolt clamp Rear Kit may require exhaust relocation								

END-LINK FIT CHARTS



Footnotes

A	Adjustable Rate Sway Bar
B	Big Wig Sway Bar
D	Drilling May Be Required
E	Reuses Factory End Links
T	Tubular Sway Bar



END LINKS

Check online or call us for assistance finding your proper vehicle fitment.

END LINKS

Year	Vehicle	Description	P/N	
90-97	Ford Ranger 2wd	Stock Height End Link, use with 7574	7974	
00-04	Ford Super Duty	Stock Height Front End Link Upgrade	7973	
00-04	Ford Super Duty	4-6" Lift Adjustable Front End Links	7977	
07-15	GM 1500	Stock Height Front End Link Upgrade, use with 7685	7985	
01-06	GM 2500/3500 HD	Rear End Link for Larger Diameter Exhaust, use with 7652	7976	
00-06	Toyota Tundra/Sequoia	Stock Height Front End Link Upgrade	7978	
07-15	Jeep Wrangler JK	Quick Release End Links for 4-6" Lift	7859	
N/A	Standard	6-8" Adjustable Straight End Link	7960	G, M, Q
N/A	Standard	8-11" Adjustable Straight End Link	7961	G, M, Q
N/A	Standard	11-14" Adjustable Straight End Link	7962	G, M, Q
N/A	Standard	14-17" Adjustable Straight End Link	7963	G, M, Q
N/A	Mount Kit	Clevis for Horizontal Sway Bar Ends	7964	

Footnotes

G	Designed for vehicles up to and including Class C motorhome and 1 ton pickup
M	May require a 7964 clevis mount kit for vehicles with horizontal mounting points
Q	May not fit on all vehicles, call for exact details

CAR SWAY BARS

Year	Application	Front Kit			Rear Kit		
		Part #		Diameter	Part #		Diameter
FORD							
66-69	Fairlane, Torino, Montego, Ranchero	6707		1-1/8"	N/A		N/A
70-71	Fairlane, Torino, Montego, Ranchero	6708		1-1/8"	N/A		N/A
63-65	Falcon, Comet	6706		1-1/8"	6806	A, D	3/4"
66-70	Falcon, Comet	6707		1-1/8"	6806	A, D	3/4"
65-66	Mustang	56706	T	1-1/4"	6806	A, D	3/4"
		6706		1-1/8"			
67-70	Mustang, Cougar	56707	T	1-1/4"	6806	A, D	3/4"
		6707		1-1/8"			
71-73	Mustang, Cougar	6708		1-1/8"	6808	A, D	3/4"
79-93	Mustang, Capri w/ 4 or 6 cyl engine	6701		1-5/16"	6801		1"
79-93	Mustang, Capri w/ V8 engine	56709	T	1-3/8"	6801		1"
		6709		1-5/16"			
94-04	Mustang w/o IRS	56704	T	1-3/8"	6801		1"
		6704		1-5/16"			
05-14	Mustang Coupe	56705	A,E,T	1-3/8"	56805	A, T	1"
		6705	A, E	1-3/8"	6805	A	1"
2015	Mustang	56715	A, E	1-3/8"	56815	A, E	1"
05-14	Mustang Convertible	56705	A,E,T	1-3/8"	6805	A	1"
80-88	Thunderbird, Cougar	6701		1-5/16"	6800		1"
GM							
55-57	BelAir, 210, 150, Nomad, Wagon (Pro-Touring Style)	55723	D, T	1-5/16"	55822	A,D,T	1"
	w/ rear facing disc brake calipers or stock drum brakes	55721	D, T	1-1/4"			
	Rear Pocket kit use 58296 rear sway bar						
55-57	BelAir, 210, 150, Nomad, Wagon (Solid)	5722	D	1-1/4"	5822	A, D	1"
	w/ rear facing disc brake calipers or stock drum brakes	5721	D	1-1/8"	5823	A, D	7/8"
	Rear Pocket kit use 8296 rear sway bar						
58-64	Bel Air, Impala, Impala SS	5711	D	1-1/8"	5823	A, D	7/8"
	w/ forward facing disc brake calipers only						
58-64	Bel Air, Impala, Impala SS	5712	D	1"	5812	D	7/8"
	5812 rear sway bar mounts to lower control arm						
65-70	Bel Air, Caprice, Impala, Impala SS	5713		1-1/8"	5813	D	1"
	5813 rear sway bar mounts to lower control arm						
67-69	Camaro, Firebird	55705	T	1-1/8"	55824	A,D,T	3/4"
	Rear sway bar will not fit monoleaf springs with factory traction control arm	5795		1-1/8"	5824	A, D	3/4"
		5705		1"	5814	D	1"
70-81	Camaro, Firebird	55703	T	1-5/16"	5816	A, D	3/4"
		5703		1-5/16"	5802	D	1"
82-92	Camaro, Firebird				55817	A, T	7/8"
		5704		1-5/16"	5817	A	7/8"
					5801		1"
93-02	Camaro, Firebird	55701	T	1-3/8"	55817	A, T	7/8"
		5701		1-5/16"	5817	A	7/8"
					5801		1"
10-11	Camaro	55730	E, T	1-1/4"	55830	A,E,T	1"
12-15	Camaro w/ ball joint end links on rear sway bar	55730	E, T	1-1/4"	55830	A,E,T	1"
	55730 front way bar only fits vehicles w/o electric power assist steering						
12-15	Camaro w/ bayonet style end link on rear sway bar	55730	E, T	1-1/4"	55825	A, T	1"
97-04	Corvette C5	55731	A,E,T	1-5/16"	55831	A,E,T	1"
		55732	A,E,T	1-3/8"	55832	A,E,T	1-1/8"
05-13	Corvette C6	55732	A,E,T	1-3/8"	55831	A,E,T	1"
					55832	A, E	1-1/8"
64-67	GM A-Body	55765	T	1-1/4"	55864	A,D,T	1-1/8"
	55765 front sway bar give improved tire cut clearance						
	55864 rear sway bar mounts to axle and frame, not control arms						
68-72	GM A-Body	55703	T	1-5/16"	55868	A,D,T	1-1/8"
	55868 rear sway bar mounts to axle and frame, not control arms	55706	T	1-1/4"			
64-72	GM A-Body (Factory Style RSB)	5703		1-5/16"	5800	D	1"
		5706		1-1/4"			
73-77	GM A-Body	55703	T	1-5/16"	5803	D	1-1/8"
		5703		1-5/16"	5803	D	1-1/8"
78-88	GM A/G-Body	55700	T	1-5/16"	55809	A,D,T	1"
	55809 rear sway bar mounts to axle and frame, not control arms						

CAR SWAY BARS

Year	Application	Front Kit			Rear Kit		
		Part #		Diameter	Part #		Diameter

GM (Continued)							
78-88	GM A/G-Body (Factory Style RSB)	5700		1-5/16"	5815	D	1"
77-96	GM B-Body	55720	T	1-3/8"	5803	D	1-1/8"
	5803 rear sway bar will not fit wagon applications	5720		1-5/16"	5803	D	1 1/8"
68-74	GM X-Body	55705	T	1-1/8"	55824	A,D,T	3/4"
		5795		1-1/8"	5824	A, D	3/4"
		5705		1"			
75-79	GM X-Body	55703	T	1-5/16"	55824	A,D,T	3/4"
		5703		1-5/16"	5824	A, D	3/4"
94-96	Impala SS	55720	T	1-3/8"	5820		1-1/8"
62-67	Nova, Chevy II	5718		1-1/8"	5818	A, D	3/4"
	Sway bars fit stock and CPP mini subframe						
64-72	GM A-Body Models: Chevelle, Malibu, El Camino, Monte Carlo, Cutlass, F85, LeMans, GTO, Skylark						
73-77	GM A-Body Models: Regal, Century, Chevelle, Malibu, Monte Carlo, Cutlass, LeMans, El Camino, F85, Grand Prix, Grand Am						
77-96	GM B-Body Models: Caprice, Impala, Impala SS, Roadmaster, Delta 88, Bonneville, Catalina, Parisienne						
78-87	GM A/G-Body Models: Regal, Century, Grand National, Malibu, Monte Carlo, Cutlass, LeMans, Grand Prix, El Camino						
68-79	GM X-Body Models: Nova, Ventura, Apollo, Omega						

INFINITI							
03-07	G35 Coupe	55404	A,E,T	1-3/8"	55405	A,E,T	1"
08-11	G37 Coupe	55402	E, T	1-3/8"	55403	A,E,T	1"

MOPAR/DODGE/CHRYSLER							
09-14	Challenger	5910	A, E	1-1/4"	N/A		N/A
05-10	Charger	5910	A, E	1-1/4"	N/A		N/A
05-10	Chrysler 300C	5910	A, E	1-1/4"	N/A		N/A
05-10	Magnum RWD only	5910	A, E	1-1/4"	N/A		N/A
	will not fit AWD models						
63-66	Mopar A-Body	55914	D, T	1-1/4"	6907	A, D	3/4"
67-72	Mopar A-Body	55917	T	1-1/4"	6907	A, D	3/4"
	55917 provides clearance for 18" wheels with up to 5.75" backspace (will not fit factory end link tabs)						
67-72	Mopar A-Body	55907	T	1-1/4"	6907	A, D	3/4"
		55906	T	1-1/8"			
		5906		1-1/8"			
73-76	Mopar A-Body	55905	D, T	1-1/8"	6907	A, D	3/4"
		5905	D	1-1/8"			
64-69	Mopar B-Body	55903		1-3/8"	6909	A, D	7/8"
		5903		1-1/8"			
1970	Mopar B-Body	55904	D, T	1-1/4"	6909	A, D	7/8"
		5904	D	1-1/8"			
71-72	Mopar B-Body	55904	D, T	1-1/4"	6911	A, D	7/8"
		5904	D	1-1/8"			
70-74	Mopar E-Body	55904	D, T	1-1/4"	6908	A, D	7/8"
		5904	D	1-1/8"			
99-09	PT Cruiser	7656		1"	7657	E	3/4"
	7657 requires factory installed rear sway bar						
Mopar A-Body: Dart, Duster, Valiant, Demon, Swinger, Scamp, 64-69 Barracuda							
Mopar B-Body: Charger, Super Bee, GTX, Road Runner, Belvedere, Coronet, Satellite							
Mopar E-Body: 70-74 Challenger, 'Cuda							

NISSAN							
03-08	350Z	55404	A,E,T	1-3/8"	55405	A,E,T	1"
09-15	370Z	55402	E, T	1-3/8"	55403	A,E,T	1"

VW							
66-78	Beetle	5406		3/4"	N/A		N/A

Footnotes			
A	Adjustable Rate Sway Bar	E	Reuses Factory End Links
D	Drilling may be required	T	Tubular Sway Bar