

Speaker®

Engineered Lighting Solutions



2014-2015
Aftermarket Product Catalog

REVISED AUGUST 8, 2014

Table of Contents

- Why Choose J.W. Speaker Lights?4
- New Products for 20148
- Point-Of-Purchase Displays10
- Forward Lighting12
- Worklights40
- Emergency & Warning.....90
- Interior104
- Signal Lights.....114
- Thermal Imaging146
- Electronics148
- Heavy Duty Light Bars154
- Vehicle Identification Signs156
- Service Parts158

Lighting Terminology160

Raw vs. Effective Lumens161

EMI (Electromagnetic Interference).....162

Ingress Protection Ratings163

Regulatory Standards164

Headlight Condensation165

Warranty Statements166

Warranty Claim Process167

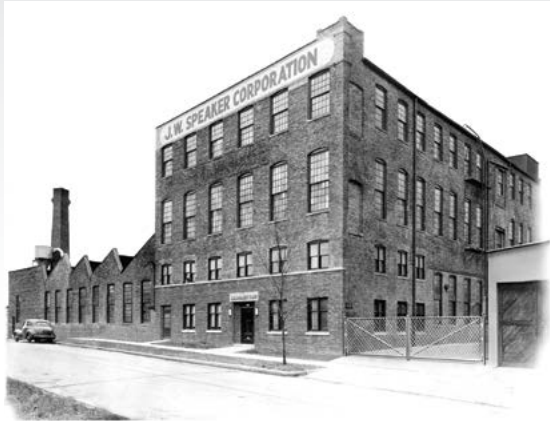
Model Number Index168



Why Choose J.W. Speaker Lights?

Experienced, Trusted Service

J.W. Speaker has been serving vehicular markets since 1935. We have been a trusted provider for the U.S. Military since the 1940's and a manufacturer of engineered lighting solutions since the 1950's. Our portfolio of customers includes household names such as Harley-Davidson, Arctic Cat, John Deere, and McLaren. These organizations, and many more, choose J.W. Speaker because of our experience, our nearly 80 year track record for innovation, and our dedication to quality and service.



Weil Street Building, c. 1941



Freistadt Building, 2014

A Leader in Lighting Technology

J.W. Speaker is at the forefront of lighting technology. We know how important it is to stay ahead of the curve, which is why we invest in researching and developing new technologies.

There are thousands of LED lights in the marketplace, but few, if any, achieve the level of performance that comes standard with J.W. Speaker lights. The photo below is a side-by-side comparison of two DOT-approved LED headlights. Our LED headlight is on the left, and a competitor's LED headlight is on the right. The J.W. Speaker headlight has been specifically engineered to provide more light in the areas where it is needed most.

A new addition to our lineup of LED worklights is the XD Series. The XD Series uses a unique thermally-conductive polycarbonate housing which enables the lights to function in extreme heat without sacrificing output or durability.



J.W. Speaker's DOT-Compliant Beam Pattern



Competitor's DOT-Compliant Beam Pattern

Why Choose J.W. Speaker Lights?

Internal Testing

J.W. Speaker has a broad range of in-house testing capabilities to ensure that our products meet or exceed a wide variety of regulations and standards.

Our in-house test lab is equipped to test for:

Electrical

- Electromagnetic Compatibility
- Electromagnetic Interference
- Electrostatic Discharge
- Transient Voltage
- Voltage Range

Mechanical

- Condensation
- Drop Test
- Dust Ingress
- Erosion
- Lifespan
- Thermal Cycle
- Thermal Shock
- Torque
- Ultraviolet
- Vibration
- Water Immersion
- Water Spray

Photometric

- Color
- Illuminance
- Luminance
- Luminous Flux
- Luminous Intensity

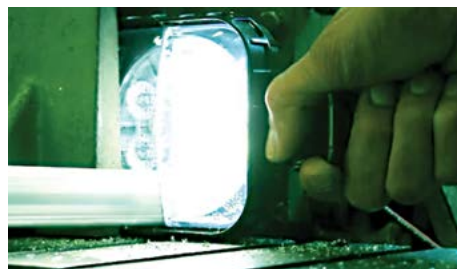
External Testing

For instances where J.W. Speaker does not have the appropriate in-house equipment, we also have external testing capabilities, including the following:

- Conducted Emissions
- Electrostatic Discharge
- Environmental
- Highly Accelerated Life Test
- Radiated Emissions
- Radiated Immunity

Extreme Testing

See page 40 for information on our new XD Series LED worklights, including a video where we put them through a series of extreme torture tests!



Why Choose J.W. Speaker Lights?

Lifetime Limited Warranty

J.W. Speaker currently offers the best LED product warranty in the industry. While other companies boast their own Lifetime Limited Warranties, the fine print reveals exclusions like “not for use in mining, construction, or other rugged applications.” Our products are designed, manufactured, and tested to work in those very applications, and we feel that it is important to have a warranty that backs that up. Read the full details of our Lifetime Limited Warranty on page 158.

Certified for Quality

J.W. Speaker guarantees the highest quality products for our end-users. We are certified by various international government agencies that issue quality and safety requirements for our products, as well as the processes used to make them. To confirm that we meet their requirements, the agencies perform regular on-site audits of our factories. Their certification guarantees we have world-class techniques and methods for making high-quality products.

These are a few of the agencies that approve the design and production of J.W. Speaker’s lights:

- ECE – United Nations Economic Commission for Europe (Europe)
- CCC – China Compulsory Certificate (China)
- ICAT – International Centre for Automotive Technology (India)
- VSCC – Vehicle Safety Certification Center (Taiwan)



Why Choose J.W. Speaker Lights?

Your Educational Resource

We know that the best-made decision is an informed decision, which is why we want our customers to be knowledgeable about lighting. We've written articles, created glossaries, and expanded our product specification sheets with the goal of educating customers about lighting.

We want you to have a firm understanding about topics such as Raw vs. Effective Lumens, or how to differentiate between condensation and water ingress. You can find this information in the reference section of this catalog (which begins on page 152).

Family Owned, American Made

John W. Speaker founded the J.W. Speaker Corporation in 1935. After his passing in 1960, his son, John A. Speaker, took over as president and began focusing on the vehicular lighting market. Today J.W. Speaker is led by John W. Speaker's grandsons, Tim and Jamie Speaker. We operate out of two facilities, both located in Germantown, Wisconsin.



New Products



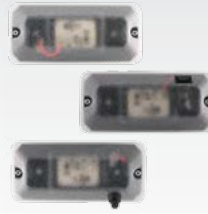
Model 90
90mm LED Headlights
Page 14



Model 217
3" LED Signal Light
Page 123



Model 255
LED Vehicle Identification Sign
Page 156



Models 410 & 411
3" x 7" LED Dome Light
Page 110



Model 515
LED Material Handling Headlight
Page 16



Model 526 XL
6" x 6" LED Worklight
Page 52



Model 527 RED
5" x 10" LED Red Zone Light
Page 97



Model 660
3" x 7" LED Worklight
Page 56



Model 670 XD
4.5" (PAR36) LED Worklight
Page 57



Model 680 XD
5.75" (PAR46) LED Worklight
Page 58



Model 770 XD
3" x 5" LED Worklight
Page 62



Model 770 RED
3" x 5" LED Spot Light
Page 102



Model 771 XD
3" x 5" LED Worklight
Page 63



Model 775 XD
3" x 5" LED Worklight & Turn Signal
Page 64, 143



Model 776 XD
3" x 5" LED Dual Beam Worklight
Page 65



Model 778 XD
3" x 5" LED Backup Camera Light
Page 66



Model 840 XD
4" x 4" LED Worklight
Page 73-75



Model 880 XD
3" x 5" LED Worklight
Page 76



Model 881 XD
3" x 5" LED Worklight
Page 77



Model 6020
4" x 5" LED Worklight
Page 80



Model 6048
2" x 5" LED Fog Light
Page 19



Model 6145
4" LED Fog Light
Page 22



Model 6150
4" LED Fog Light
Page 24



Model 7151
4" x 5" LED Worklight
Page 84



Model 8475
LED Handheld Worklight
Page 86

Model 8770
7" (PAR 56) LED Locomotive Light
Page 32



Model 9049
3-Module LED Fog Light Bar
Page 36



Anti-Flicker Harness
Page 28

Point-Of-Purchase Displays

Generating sales is your #1 priority, and studies show that product lines with point-of-purchase displays out-perform those without them. That's why J.W. Speaker has created five different styles of point-of-purchase displays for our authorized dealers, ranging from a small countertop display to a free-standing floor unit.

Each display comes pre-assembled, and is fully powered so that your customers can see J.W. Speaker LED lighting products in action—making it a highly effective selling tool. Each display is manufactured in the U.S.A.

Worklight Countertop Display

Part # DISPLAYCTWORK



- Includes Model 770 XD and 7150 worklights
- Measures 12" wide x 9" tall x 12" deep
- Comes fully assembled—just plug it in!
- Includes power supply and 120V AC plug
- Backlit J.W. Speaker logo
- Industrial-strength momentary switches to power the lights
- QR codes for smartphone users to scan and access product spec sheets
- Integrated literature pocket in base of unit

Jeep Countertop Display

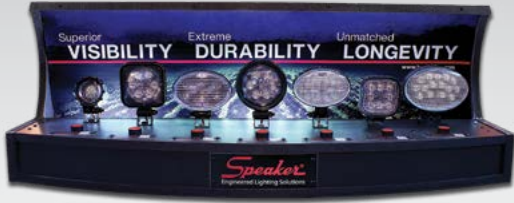
Part # DISPLAYCTJEEP



- Includes Models 6145 & 8700 Evolution lights
- Measures 14" wide x 12.25" tall x 12" deep
- Comes fully assembled—just plug it in!
- Designed to install into "slatwall" or sit on a flat surface
- Includes power supply and 120V AC plug
- Back-lit J.W. Speaker logo
- Industrial-strength momentary switches to power the lights
- QR codes for smartphone users to scan and access product spec sheet
- Integrated literature pocket in base of unit
- Includes 3' by 6' vinyl J.W. Speaker banner

Lozier Worklight Display

Part # DISPLAYLZWORK



- Includes Models 670 XD, 735, 770 XD, 832, 840 XD, 4410, & 7150 lights
- Measures 46.5" wide x 16.5" tall x 17.25" deep
- Designed for use on Lozier-style shelving installations
- Includes power supply and 120V AC plug
- Back-lit J.W. Speaker logo
- Industrial-strength momentary switches to power the lights
- QR codes for smartphone users to scan and access product spec sheets
- Includes both an agricultural and industrial background graphic to mount in display, and 3' by 6' vinyl J.W. Speaker banner

Diamondplate Headlight/Worklight Display

Part # DISPLAYDPWORK



- Includes Models 670 XD, 735, 770 XD, 832, 840 XD, 4410, 8700 Evolution, 8800 Low Beam, 8900 & TS3000 lights
- Measures 54" wide x 25.5" tall x 4.75" deep
- Heavy-duty diamondplate construction
- Designed to install into "slatwall" or sit on a flat surface
- Side-by-side mounting bucket for the 8800 and a halogen sealed beam (sealed beam not included) so customers can compare light output
- Includes power supply and 120V AC plug
- Back-lit J.W. Speaker logo
- Industrial-strength momentary switches to power the lights
- QR codes for smartphone users to scan and access product spec sheets
- Includes 3' by 6' vinyl J.W. Speaker banner

Rotating Headlight/Worklight Display

Part # DISPLAYRTWORK



- Includes Models 405, 670 XD, 735, 770 XD, 832, 840 XD, 850, 4410, 7150, 8700 Evolution, 8800 Low Beam, & 8900 lights
- Measures 16" wide x 76" tall x 16" deep
- Top portion of display rotates approximately 300 degrees
- Lights come pre-mounted on slatwall-ready fixtures
- Sides of display feature slatwall so that you can customize how the lights appear on the display
- Power supply and wiring are accessible by removing the very top of the display unit
- Includes power supply and 120V AC plug
- Industrial-strength momentary switches to power the lights
- QR codes for smartphone users to scan and access product spec sheets
- Includes 3' by 6' vinyl J.W. Speaker banner

Forward Lighting

Headlights



Model 90
Page 14



Model 515
Page 16



Model 6048
Page 19



Model 6130
Page 20



Model 8415
Page 25



Model 8630
Page 26



Model 8700
Evolution
Page 28



Model 8700
High Beam
Page 30



Model 8770
Page 32



Model 8800
Page 33



Model 8800
High/Low
Page 34



Model 8900
Page 35

Auxiliary Lights



Model 832
Page 17



Model 6045
Page 18



Model 6145
Page 22



Model 6150
Page 23



Model 8655
Page 27



Model 9049
Light Bars
Page 36



Model
TS3000R
Page 38



Model
TS3000V
Page 39

Accessories



Anti-Flicker
Harness
Page 28



Optional Mounting
Assemblies
Page 31

Why Buy J.W. Speaker Forward Lighting?

Superior Optics

A big reason that J.W. Speaker forward lighting products are different is because of our projector-style optics. Our proprietary “marble” optics and “D” lenses combine to create the perfect engineered beam pattern that puts light exactly where you need it most without blinding oncoming traffic or wasting light.

Wide Selection

J.W. Speaker Corporation has the broadest range of LED headlights on the market. We've got everything from a 90mm (Model 90) to a 7" round (8700 Evolution) and 5" x 7" (Model 8900). We also have a full range of LED auxiliary lights including fog lights, light bars, and driving lights. No other company has such a wide selection. No other company knows LED forward lighting like we do.

Exceeding Standards

The complicated nature of LED headlights leads most manufacturers to choose between producing LED headlights that either meet on-road standards or are optimized for maximum visibility. We don't think that customers should have to settle for just one or the other. While it is considerably more difficult to do this, J.W. Speaker is committed to designing LED headlights that exceed on-road standards and offer a superior beam pattern.

In the photographs to the right, you'll see the beam patterns of two different DOT-compliant low beam headlights. The first is a competitor's, and the second is J.W. Speaker's. Notice how the beam pattern of the competitor's product (despite being DOT-compliant) is just a narrow band of light. J.W. Speaker's beam pattern, on the other hand, has a much larger shape and evenly distributes the light to increase visibility. Meeting on-road standards is certainly important, but you should compare beam patterns to ensure you're getting the best LED headlights for your money.



Competitor's DOT-Compliant Beam Pattern



J.W. Speaker's DOT-Compliant Beam Pattern

Peace of Mind

All our LED forward lighting products come backed with our unmatched Lifetime Limited Warranty that covers defects in materials, components, and workmanship, and applies to the original installation of the light. For more information about our LED warranty, see page 158.

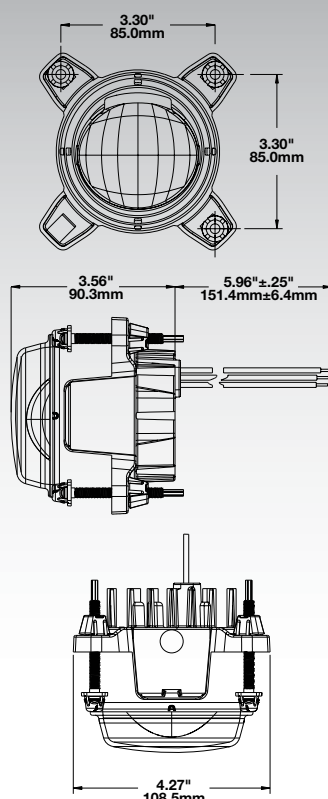
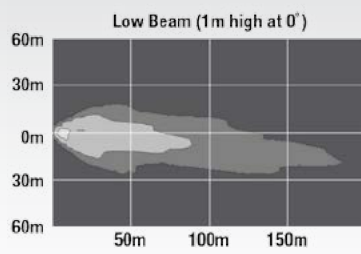
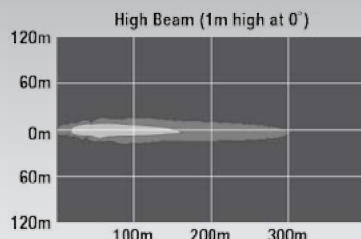


Model 90

90mm LED Headlights



10+ Lux | 1 Lux | 0.25 Lux



Light Source: LED

Light Output: 45,000 (High Beam)/ 17,500 (Low Beam)
Max Candelas

Input Voltage: 12-24V DC

Current Draw:

Low Beam: 1.90 Amps @ 12V DC; 0.95 Amps @ 24V DC
High Beam: 0.80 Amps (High Beam);
 0.40 Amps (Front Position) @ 12V DC;
 0.40 Amps (High Beam);
 0.20 Amps (Front Position) @ 24V DC

Standards: FMVSS 108 (DOT Compliant), CMVSS 108 (Transport Canada Compliant), ECE Reg. 7 (Position & Stop), ECE Reg. 112 (Headlights), Buy America Compliant, Sealed to IP67

Mounting: Retrofits standard 90mm projector headlights

Special Notes: Right Hand Traffic (RHT) describes vehicles that drive on the right-hand side of the road. Left Hand Traffic (LHT) describes vehicles that drive on the left-hand side of the road.

Function	Additional Information	Voltage	Lens	Part #
DOT/ECE RHT High Beam w/ Front Position	Hardcoated Lens	12-24V DC	Polycarbonate	0547751
DOT/ECE RHT Low Beam, No Front Position	Hardcoated Lens	12-24V DC	Polycarbonate	0547761
ECE LHT* Low Beam, No Front Position	Hardcoated Lens	12-24V DC	Polycarbonate	0547801
Replacement Adjuster Kit				8200111

*ECE versions are not available for sale in the U.S.A.

Model 90

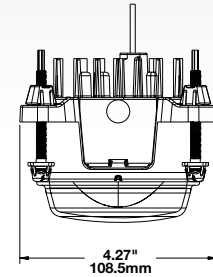
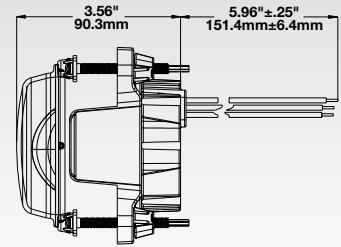
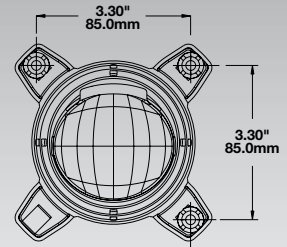
90mm LED Multi-function Lights



Turn Signal, DRL
& Front Position



DRL & Fog



Light Source: LED

Raw Output: 720 Lumens (Fog Light Only)

Effective Output: 350 Lumens (Fog Light Only)

Input Voltage: 12-24V DC

Current Draw:

DRL: 0.60 Amps @ 12V DC; 0.35 Amps @ 24V DC

Fog Beam: 0.80 Amps @ 12V DC; 0.45 Amps @ 24V DC

Front Position: 0.07 Amps @ 12V DC; 0.04 Amps @ 24V DC

Turn Signal: 1.60 Amps @ 12V DC; 1.30 Amps @ 24V DC

Standards: FMVSS 108 (DOT Compliant), CMVSS 108 (Transport Canada Compliant), ECE Reg. 6 (Turn Signal), ECE Reg. 7 (Front Position), ECE Reg. 87 (DRL), SAE J588 (Turn Signal), SAE J2087 (DRL), Buy America Compliant, Sealed to IP67

Mounting: Retrofits standard 90mm projector headlights

Special Note: DRL describes the Daytime Running Light function

Function	Additional Information	Voltage	Lens	Part #
DOT/ECE DRL & Fog		12-24V DC	Polycarbonate	0549501
DOT/ECE Turn Signal, DRL and Front Position		12-24V DC	Polycarbonate	0345591

Model 515

4" x 8" LED Material Handling Headlight

Worklights

Emergency & Warning

Interior

Signal Lights

Thermal Imaging

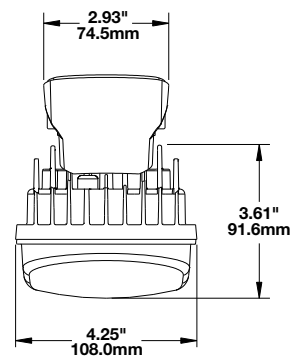
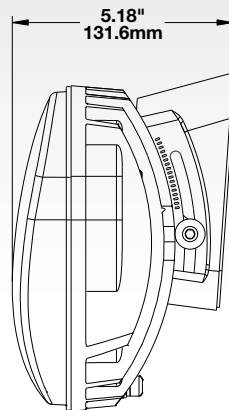
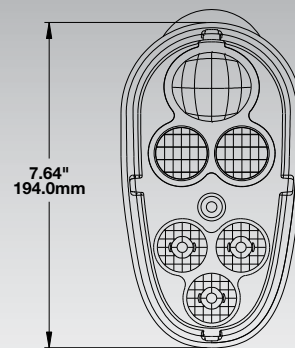
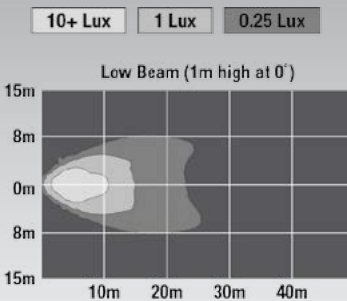
Electronics

Heavy Duty Light Bars

Vehicle Identification

Service Parts

Reference



Light Source: LED

Raw Output: 540 Lumens

Effective Output: 420 Lumens

Input Voltage: 12-48V DC

Current Draw:

Low Beam: 0.60 Amps @ 12V DC; 0.30 Amps @ 24V DC; 0.20 Amps @ 36V DC; 0.15 Amps @ 48V DC

Front Position: 0.05 Amps @ 12V DC; 0.05 Amps @ 24V DC; 0.05 Amps @ 36V DC; 0.05 Amps @ 48V DC

Turn Signal: 1.45 Amps @ 12V DC; 0.70 Amps @ 24V DC; 0.45 Amps @ 36V DC; 0.40 Amps @ 48V DC

Standards: ECE Reg. 6 (Signal), ECE Reg. 7 (Position & Stop), ECE Reg. 113 (Headlights), Buy America Compliant, Sealed to IP67

Mounting: Custom mount

Function	Additional Information	Voltage	Lens	Part #
ECE Low Beam, Front Position & Turn Signal	Black Inner Bezel, Hardcoated Lens	12-48V DC	Polycarbonate	0548901
ECE Low Beam, Front Position & Turn Signal	Chrome Inner Bezel, Hardcoated Lens	12-48V DC	Polycarbonate	0549201

Model 832

4" x 4" LED Auxiliary Light



- Light Source:** LED

- Raw Output:** 2,400 Lumens

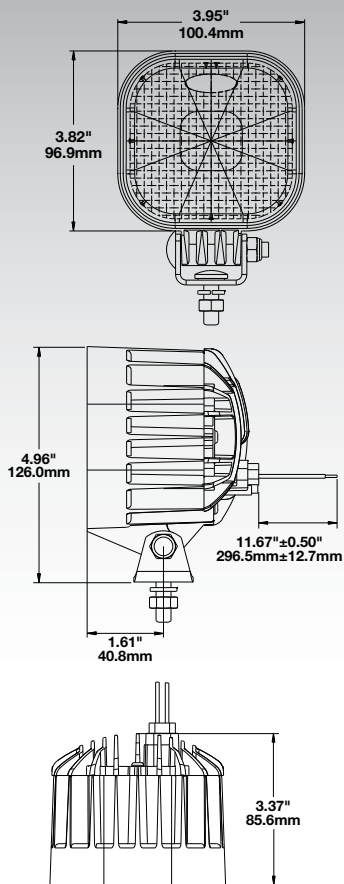
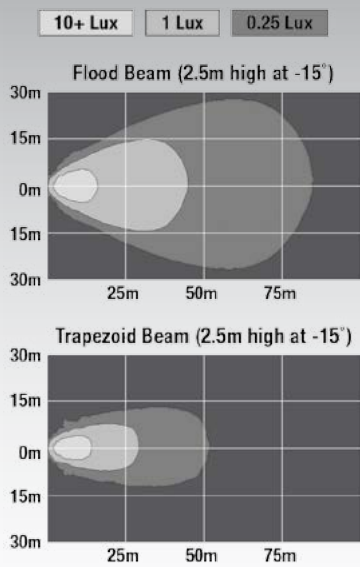
- Effective Output:** 1,425 Lumens

- Input Voltage:** 12-24V DC

- Current Draw:** 2.90 Amps @ 12V DC; 1.36 Amps @ 24V DC

- Standards:** Buy America Compliant, Sealed to IP67

- Mounting:** Universal pedestal mount



Function	Additional Information	Voltage	Lens	Part #
Flood		12-24V DC	Polycarbonate	0545631
Trap		12-24V DC	Polycarbonate	0545621

Model 6045

4.5" (PAR36) LED Fog Light

Worklights

Emergency & Warning

Interior

Signal Lights

Thermal Imaging

Electronics

Heavy Duty Light Bars

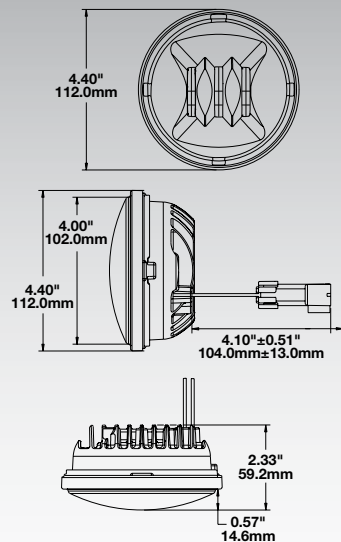
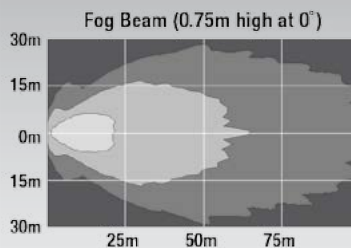
Vehicle Identification

Service Parts

Reference



10+ Lux 1 Lux 0.25 Lux



Light Source: LED

Raw Output: 750 Lumens

Effective Output: 500 Lumens

Input Voltage: 12V DC

Current Draw: 2.15 Amps @ 12V DC

Standards: FMVSS 108 (DOT Compliant), CMVSS 108 (Transport Canada Compliant), SAE J583 (Fog), ECE Reg. 19 (Fog), Buy America Compliant

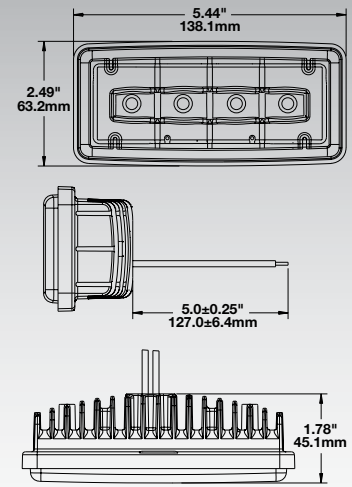
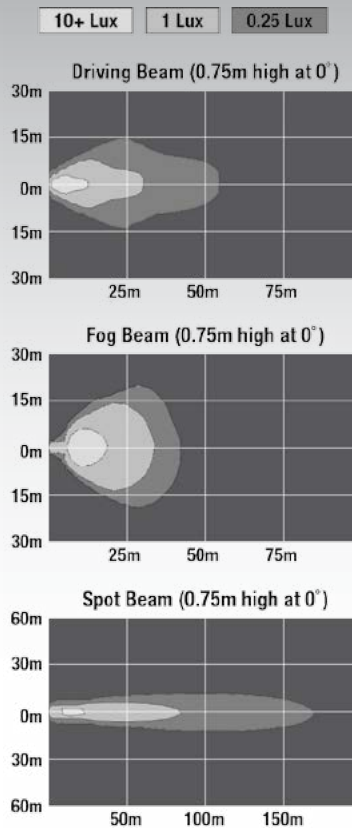
Mounting: Retrofits PAR36 headlights

Special Notes: Right Hand Traffic (RHT) describes vehicles that drive on the right-hand side of the road. Left Hand Traffic (LHT) describes vehicles that drive on the left-hand side of the road.

Function	Additional Information	Voltage	Lens	Part #
DOT/ECE RHT Fog	Black Inner Bezel, Hardcoated Lens	12V DC	Polycarbonate	0545731
DOT/ECE RHT Fog	Chrome Inner Bezel, Hardcoated Lens	12V DC	Polycarbonate	0546161

Model 6048

2" x 5" LED Auxiliary Lights



Light Source: LED

Raw Output: 800 Lumens

Effective Output: 500 (Fog Beam)/ 575 (Driving Beam)/ 570 (Spot) Lumens

Input Voltage: 12V or 14V DC

Current Draw: 1.20 Amps @ 12V DC

Standards:

Fog Version: FMVSS 108 (DOT Compliant), CMVSS 108 (Transport Canada Compliant), SAE J583 (Fog), SAE J1113 (Radiated Emissions), ECE Reg. 10 (Radiated Emissions), ECE Reg. 19 (Fog), Buy America Compliant, Sealed to IP69K

Driving & Spot Versions: SAE J1113 (Radiated Emissions), ECE Reg. 10 (Radiated Emissions), Buy America Compliant, Sealed to IP67

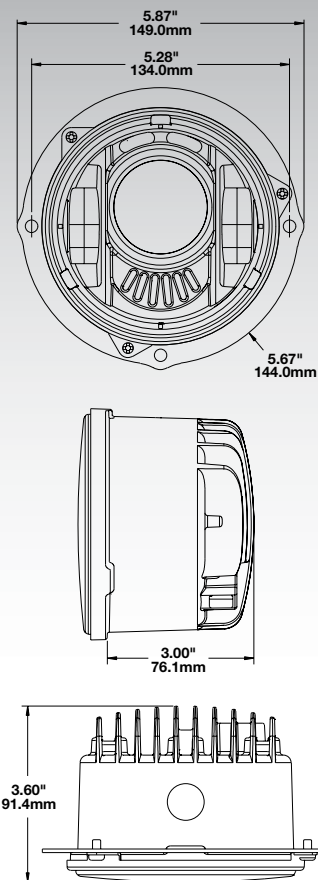
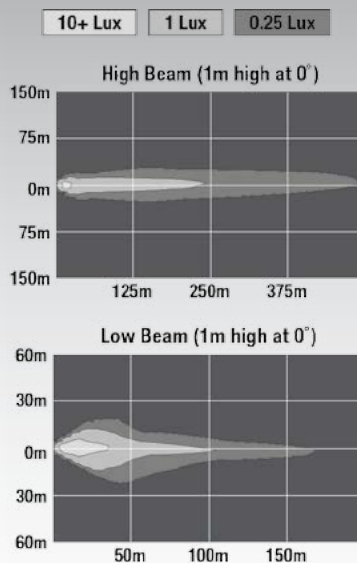
Mounting: Flush mount

Special Notes: Right Hand Traffic (RHT) describes vehicles that drive on the right-hand side of the road. Left Hand Traffic (LHT) describes vehicles that drive on the left-hand side of the road.

Function	Additional Information	Voltage	Lens	Part #
DOT/ECE RHT Fog	Hardcoated Lens	14V DC	Polycarbonate	0549691
SAE/ECE RHT & LHT Driving	Hardcoated Lens	12V DC	Polycarbonate	0543591
SAE/ECE Spot	Hardcoated Lens	12V DC	Polycarbonate	0548631

Model 6130

4.5" (PAR36) LED Headlights



Light Source: LED

Raw Output: 2,400 (High Beam)/ 1,200 (Low Beam) Lumens

Effective Output: 1,050 (High Beam)/ 525 (Low Beam) Lumens

Input Voltage: 12-24V DC

Current Draw:

Low Beam: 2.25 Amps @ 12V DC; 1.30 Amps @ 24V DC

High Beam: 5.50 Amps @ 12V DC; 2.60 Amps @ 24V DC

Standards: FMVSS 108 (DOT Compliant), CMVSS 108 (Transport Canada Compliant), ECE Reg. 112 (Headlights), Buy America Compliant, Sealed to IP67

Mounting: Retrofits PAR36 headlights

Special Notes: Right Hand Traffic (RHT) describes vehicles that drive on the right-hand side of the road. Left Hand Traffic (LHT) describes vehicles that drive on the left-hand side of the road.

Function	Additional Information	Voltage	Lens	Part #
DOT/ECE RHT & LHT High Beam	Light w/ Mounting Bracket	Driver Required	Glass	0544591
DOT/ECE RHT Low Beam	Light w/ Mounting Bracket	Driver Required	Glass	0544581
ECE LHT* Low Beam	Light w/ Mounting Bracket	Driver Required	Glass	0545031
LED Driver Assembly for Model 6130 LED Headlight				0842091

*ECE versions are not available for sale in the U.S.A.

Ultimate Adventure

2014 Official Lighting Sponsor



J.W. Speaker Corporation is proud to be the Official Lighting Sponsor of Ultimate Adventure 2014! We built a brand new rig specifically for the event, and it handled like a dream!

Each year Petersen's 4-Wheel & Off-Road hosts Ultimate Adventure. Petersen's selects four readers and their rigs to join the staff, friends, and sponsors of the magazine for the best 4x4 summer camp/vacation ever. Ultimate Adventure changes location every year, and isn't announced until days before the adventure begins. The thousand-mile road trip includes a challenging four-wheel trail thrown in almost every day. The teams live out of their rig and cook, camp, and enjoy the great outdoors.

Drivers must come with rigs ready for challenging trails, as there are no bypasses, no way to avoid body damage. This event isn't for whiners, and will test the abilities of both the driver and vehicle.



Model 6145

4" LED Fog Light

Worklights

Emergency & Warning

Interior



Signal Lights

Thermal Imaging

Electronics

Heavy Duty Light Bars

Vehicle Identification

Service Parts

Reference

The Model 6145 is exactly what your Jeep has been missing. The Model 6145 LED fog light is a high-performance drop-in replacement that retrofits stock Jeep bumper-mounted fog lights, as well as an assortment of other vehicles. The retrofit is an easy plug-and-play installation on many models, and requires simple wire splicing on others (see chart below for specifics).

Plug & Play

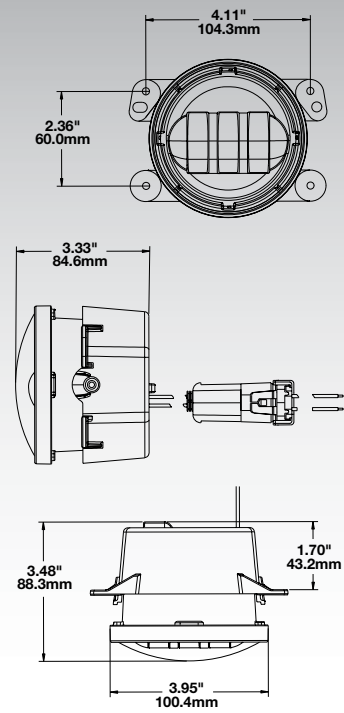
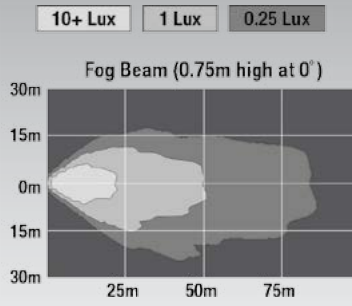
- 2007-2010 Jeep Wrangler
- 2009 Dodge Journey
- 2005-2008 Dodge Magnum
- 2006-2010 PT Cruiser

Splicing Required

- 2011-2012 Jeep Wrangler
- 2010-2012 Dodge Journey
- 2011-2012 Jeep Grand Cherokee
- 2011-2012 Dodge Charger
- 2005 Chrysler 300

Model 6145

4" LED Fog Light



Light Source: LED

Raw Output: 1,080 Lumens

Effective Output: 610 Lumens

Input Voltage: 12V DC

Current Draw: 1.60 Amps @ 12V DC

Standards: FMVSS 108 (DOT Compliant), CMVSS 108 (Transport Canada Compliant), SAE J583 (Fog), SAE J1113 (Radiated Emissions), ECE Reg. 10 (Radiated Emissions), ECE Reg. 19 (Fog), Buy America Compliant

Mounting: In-bumper mount (see previous page for details)

Special Notes: Right Hand Traffic (RHT) describes vehicles that drive on the right-hand side of the road. Left Hand Traffic (LHT) describes vehicles that drive on the left-hand side of the road.

Function	Additional Information	Voltage	Lens	Part #
DOT/ECE RHT & LHT Fog	Black Inner Bezel, Hardcoated Lens	12V DC	Polycarbonate	0547971
DOT/ECE RHT & LHT Fog	Chrome Inner Bezel, Hardcoated Lens	12V DC	Polycarbonate	0547941

Model 6150

4" LED Fog Light

Worklights

Emergency & Warning

Interior

Signal Lights

Thermal Imaging

Electronics

Heavy Duty Light Bars

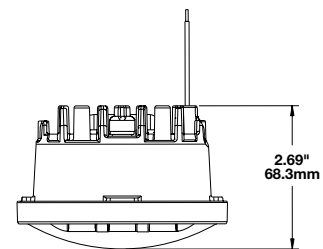
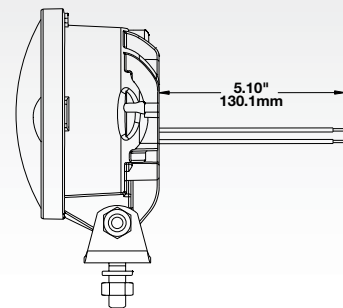
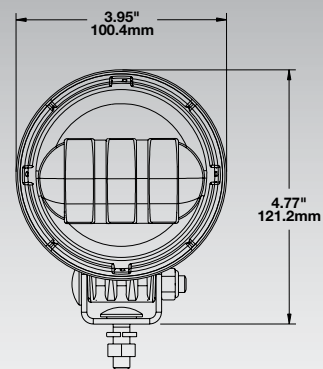
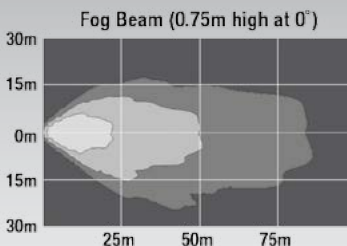
Vehicle Identification

Service Parts

Reference



10+ Lux 1 Lux 0.25 Lux



Light Source: LED

Raw Output: 1,080 Lumens

Effective Output: 610 Lumens

Input Voltage: 12V DC

Current Draw: 1.60 Amps @12V DC

Standards: FMVSS 108 (DOT Compliant), CMVSS 108 (Transport Canada Compliant), SAE J583 (Fog), SAE J1113 (Radiated Emissions), ECE Reg. 10 (Radiated Emissions), ECE Reg. 19 (Fog), Buy America Compliant

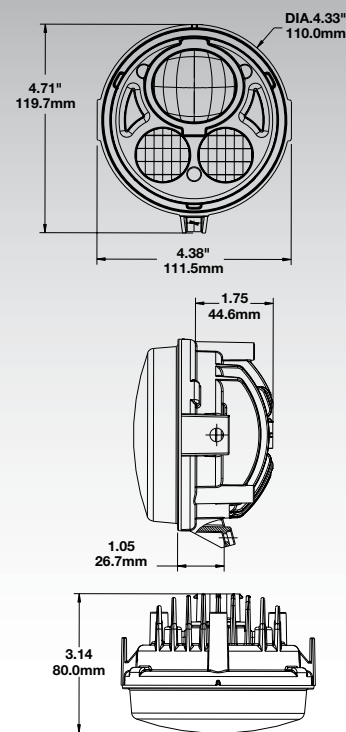
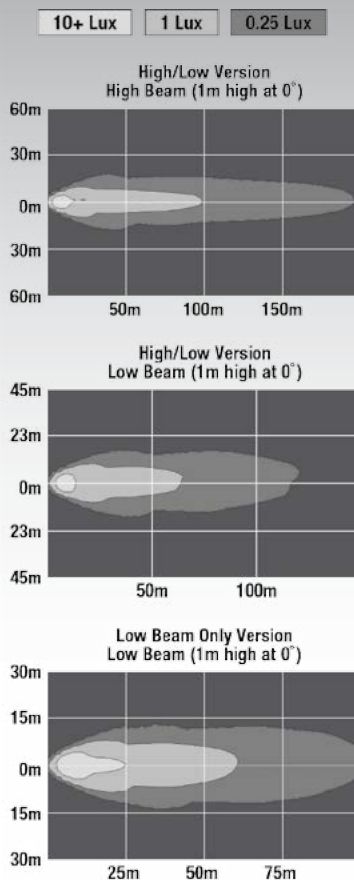
Mounting: Universal pedestal mount

Special Notes: Right Hand Traffic (RHT) describes vehicles that drive on the right-hand side of the road. Left Hand Traffic (LHT) describes vehicles that drive on the left-hand side of the road.

Function	Additional Information	Voltage	Lens	Part #
DOT/ECE RHT & LHT Fog	Black Housing, Chrome Inner Bezel, Hardcoated Lens	12V DC	Polycarbonate	0547951
DOT/ECE RHT & LHT Fog	Black Housing, Black Inner Bezel, Hardcoated Lens	12V DC	Polycarbonate	0547981
DOT/ECE RHT & LHT Fog	Silver Housing, Chrome Inner Bezel, Hardcoated Lens	12V DC	Polycarbonate	0548991

Model 8415

4.5" (PAR36) LED Headlights



Light Source: LED

Raw Output:

High/Low Version: 1,000 (High Beam)/
600 (Low Beam) Lumens

Low Beam Only Version: 540 Lumens

Effective Output:

High/Low Version: 570 (High Beam)/ 350 (Low Beam) Lumens

Low Beam Only Version: 420 Lumens

Input Voltage: 12V DC

Current Draw:

High/Low Version: 1.70 Amps @ 12V DC

Low Beam Only Version: 0.85 Amps @ 12V DC

Standards: SAE J1623 (All-Terrain Headlights), ECE Reg. 113 (Headlights), Buy America Compliant, Sealed to IP67

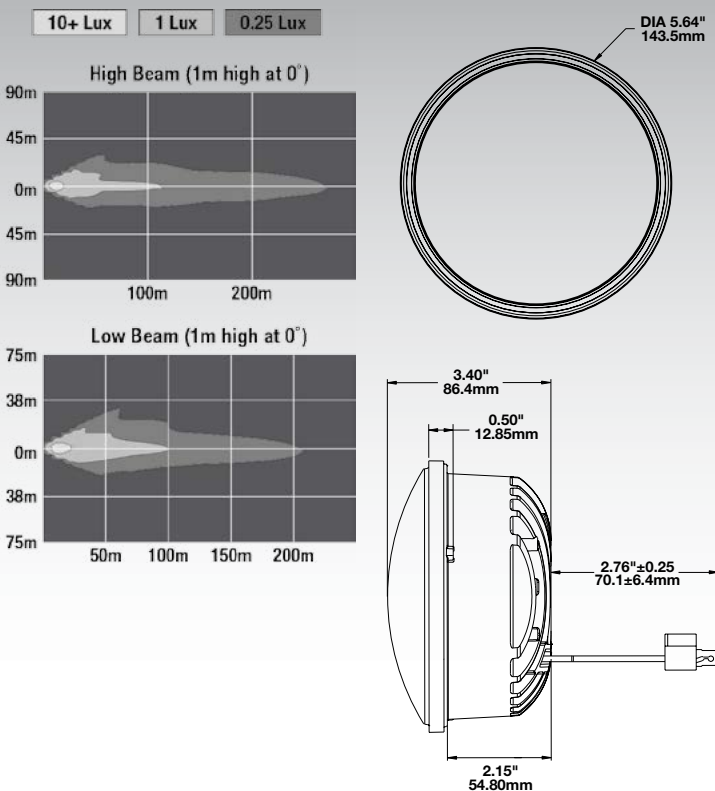
Mounting: Low profile mount

Special Note: Please note that this product is not approved for on-road use

Function	Additional Information	Voltage	Lens	Part #
SAE/ECE High/Low Beam	Light w/ Adjustable Mount, Hardcoated Lens	12V DC	Polycarbonate	0547701
SAE/ECE High/Low Beam	Light w/ Universal Panel Mount, Hardcoated Lens	12V DC	Polycarbonate	0547031
SAE/ECE Low Beam	Light w/ Universal Panel Mount, Hardcoated Lens	12V DC	Polycarbonate	0545911

Model 8630

5.75" (PAR46) LED Headlight



Light Source: LED

Raw Output: 1,200 Lumens

Effective Output: 650 (High Beam)/
600 (Low Beam) Lumens

Input Voltage: 12-24V DC

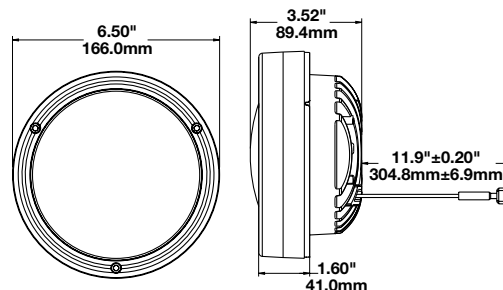
Current Draw: 2.00 Amps @ 12V; 1.00 Amps @ 24V

Standards: FMVSS 108 (DOT Compliant), CMVSS 108 (Transport Canada Compliant), ECE Reg. 7 (Position & Stop), ECE Reg. 112 (Headlights), ECE Reg. 10 (Radiated Emissions), Buy America Compliant, Sealed to IP67

Mounting: Retrofits PAR46 headlights

Special Notes: This headlight was not designed for motorcycle applications and may not fit a standard motorcycle bucket. Right Hand Traffic (RHT) describes vehicles that drive on the right-hand side of the road. Left Hand Traffic (LHT) describes vehicles that drive on the left-hand side of the road.

Mining Haul Truck Retrofit Kit



Function	Additional Information	Voltage	Lens	Part #
DOT High Beam	Hardcoated Lens	12-24V DC	Polycarbonate	0547051
DOT High Beam	Mining Haul Truck Retrofit Kit Included, Hardcoated Lens	12-24V DC	Polycarbonate	0547671
DOT High/Low Beam	Hardcoated Lens	12-24V DC	Polycarbonate	0545741
ECE LHT* Front Position High/Low Beam		12-24V DC	Glass	0546331
ECE RHT* Front Position High/Low Beam		12-24V DC	Glass	0546341

*ECE versions are not available for sale in the U.S.A.

Model 8655

5.75" (PAR46) LED Auxiliary Light



- Light Source:** LED

- Raw Output:** 4,800 Lumens

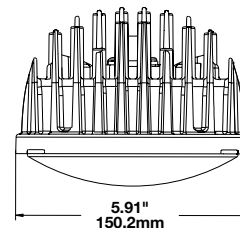
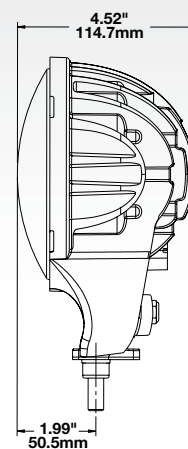
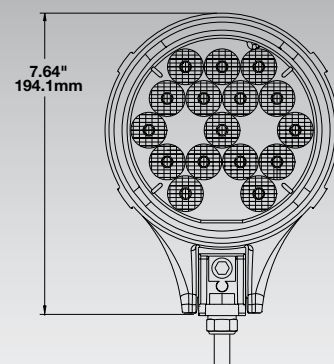
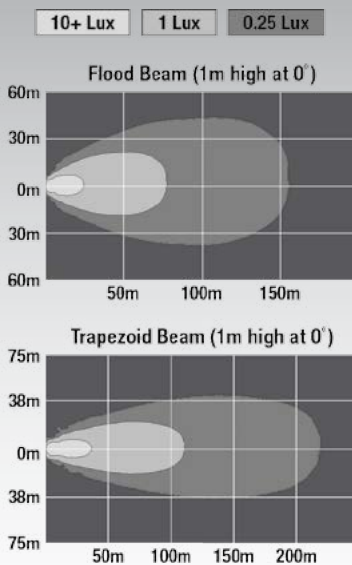
- Effective Output:** 3,000 Lumens

- Input Voltage:** 12-24V DC

- Current Draw:** 7.60 Amps @ 12V DC; 3.20 Amps @ 24V DC

- Standards:** IEC 60529, Buy America Compliant, Sealed to IP67

- Mounting:** Universal pedestal mount



Function	Additional Information	Voltage	Lens	Part #
Flood		12-24V DC	Glass	0547551
Trap		12-24V DC	Glass	0547541

Model 8700 Evolution

7" (PAR56) LED Headlight



Voted the most innovative product of 2012 by OEM Off-Highway Magazine, the Model 8700 Evolution is a high-performance LED headlight that's taken the lighting market by storm. The Model 8700 Evolution features projector-style optics for superior visibility, state-of-the-art electronics for unmatched longevity, and sturdy construction for rugged durability. If you're looking for premium performance and a unique look, the Model 8700 Evolution is a perfect upgrade!

The Model 8700 Evolution, like most of our LED headlights, is available in a variety of different configurations. Regardless of where in the world you live, we have a version of the Model 8700 Evolution that meets your on-road requirements. Additionally, you have your choice of either a black or chrome finish.

New for 2014: Anti-Flicker Harness

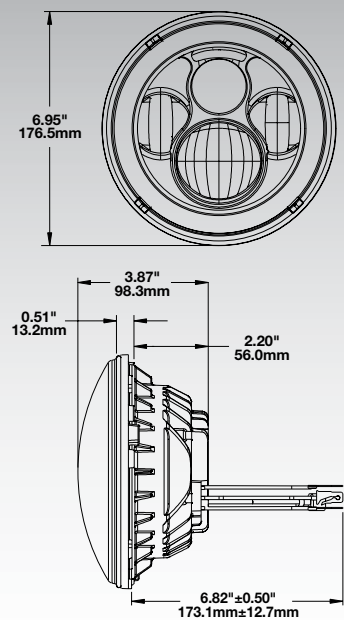
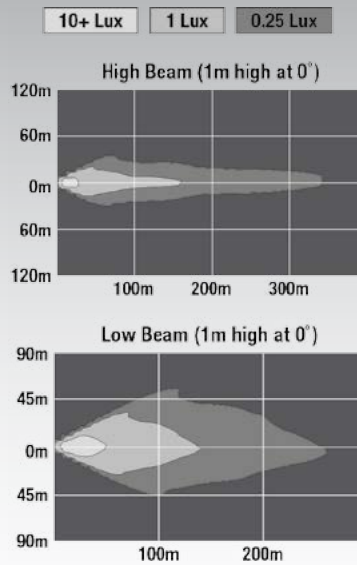
J.W. Speaker now has an Anti-Flicker Harness to address Pulse Width Modulation (PWM) issues with newer model year Jeeps. PWM describes the pulsing of power to the headlights from the Jeep electrical system in order to save bulb life. Because bulbs are not as responsive as LEDs, there's no noticeable effect from PWM. LEDs, however, are incredibly responsive, so they sometimes appear to flicker when installed on systems with PWM. The Anti-Flicker Harness directs power to the LED headlights in a constant, steady flow—eliminating the flicker caused by PWM.



Please note that the J.W. Speaker anti-flicker harness is the only approved harness for use with J.W. Speaker lights. Damage caused from using non-J.W. Speaker harnesses is not covered under warranty.

Model 8700 Evolution

7" (PAR56) LED Headlight



Light Source: LED

Raw Output: 1,350 (Low Beam)/ 1,770 (High Beam) Lumens

Effective Output: 650 (Low Beam)/ 760 (High Beam) Lumens

Input Voltage: 12-24V DC

Current Draw: 2.50 Amps @ 12V DC; 1.30 Amps @ 24V DC

Standards: FMVSS 108 (DOT Compliant), CMVSS 108 (Transport Canada Compliant), ECE Reg. 112 (Headlights), MIL-STD-461, Buy America Compliant, Sealed to IP67

Mounting: Retrofits PAR56 headlights

Special Notes: Right Hand Traffic (RHT) describes vehicles that drive on the right-hand side of the road. Left Hand Traffic (LHT) describes vehicles that drive on the left-hand side of the road.

Function	Additional Information	Voltage	Lens	Part #
DOT High/Low Beam, No Front Position	Black Inner Bezel, Hardcoated Lens	12-24V DC	Polycarbonate	0547331
DOT High/Low Beam, No Front Position	Chrome Inner Bezel, Hardcoated Lens	12-24V DC	Polycarbonate	0547891
ECE LHT* High/Low Beam, No Front Position	Black Inner Bezel, Hardcoated Lens	12-24V DC	Polycarbonate	0548341
ECE LHT* High/Low Beam, No Front Position	Chrome Inner Bezel, Hardcoated Lens	12-24V DC	Polycarbonate	0548351
ECE LHT* High/Low Beam, w/ Front Position	Black Inner Bezel, Hardcoated Lens	12-24V DC	Polycarbonate	0547341
ECE LHT* High/Low Beam, w/ Front Position	Chrome Inner Bezel, Hardcoated Lens	12-24V DC	Polycarbonate	0547901
ECE RHT* High/Low Beam, No Front Position	Black Inner Bezel, Hardcoated Lens	12-24V DC	Polycarbonate	0548361
ECE RHT* High/Low Beam, No Front Position	Chrome Inner Bezel, Hardcoated Lens	12-24V DC	Polycarbonate	0548371
ECE RHT* High/Low Beam, w/ Front Position	Black Inner Bezel, Hardcoated Lens	12-24V DC	Polycarbonate	0547351
ECE RHT* High/Low Beam, w/ Front Position	Chrome Inner Bezel, Hardcoated Lens	12-24V DC	Polycarbonate	0547911
H4/H13 Jumper Harness				3266081
Anti-Flicker Harness	Eliminates Flickering due to PWM			8000311

*ECE versions are not available for sale to US customers.

Model 8700 High Beam 7" (PAR56) LED Headlight

Worklights

Emergency & Warning

Interior

Signal Lights

Thermal Imaging

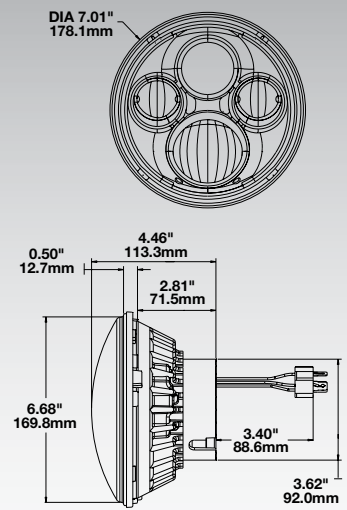
Electronics

Heavy Duty Light Bars

Vehicle Identification

Service Parts

Reference



- Light Source:** LED

- Raw Output:** 1,900 Lumens

- Effective Output:** 950 Lumens

- Input Voltage:** 12-24V DC

- Current Draw:** 4.00 Amps @ 12V DC; 2.00 Amps @ 24V DC

- Standards:** ECE Reg. 10 (Radiated Emissions), ECE Reg. 112 (Headlights), Buy America Compliant, Sealed to IP67

- Mounting:** Retrofits PAR56 headlights

- Special Notes:** Right Hand Traffic (RHT) describes vehicles that drive on the right-hand side of the road. Left Hand Traffic (LHT) describes vehicles that drive on the left-hand side of the road.

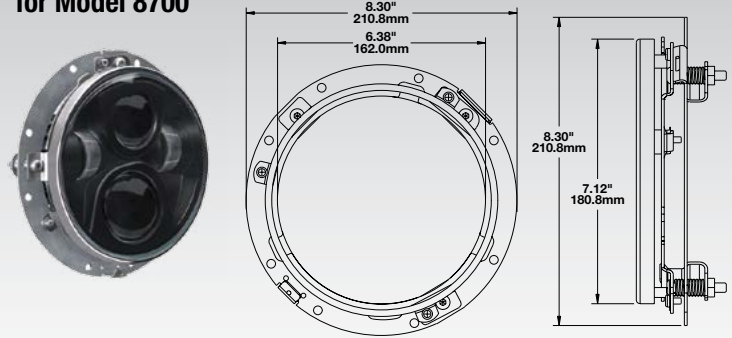
Function	Additional Information	Voltage	Lens	Part #
ECE RHT & LHT* High Beam	Black Inner Bezel, Hardcoated Lens	12-24V DC	Polycarbonate	0547811
ECE RHT & LHT* High Beam	Chrome Inner Bezel, Hardcoated Lens	12-24V DC	Polycarbonate	0545781

Optional Mounting Buckets & Assemblies

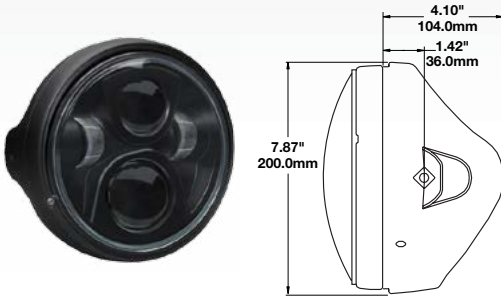
Chrome Point Mount Bucket for Model 8700



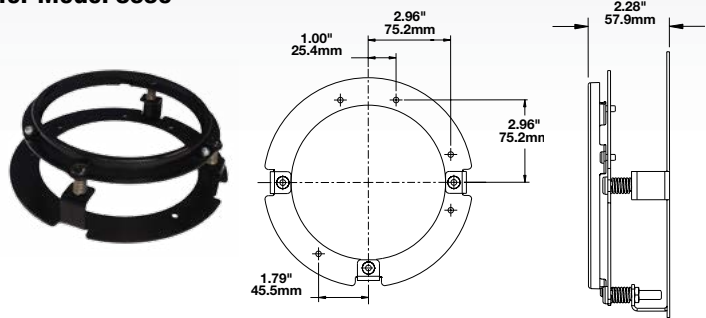
Ring Kit Mounting Assembly for Model 8700



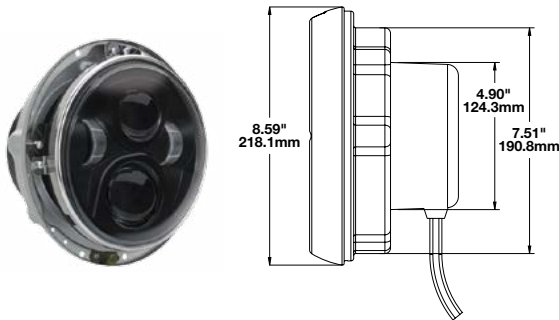
Side Mount Bucket for Model 8700



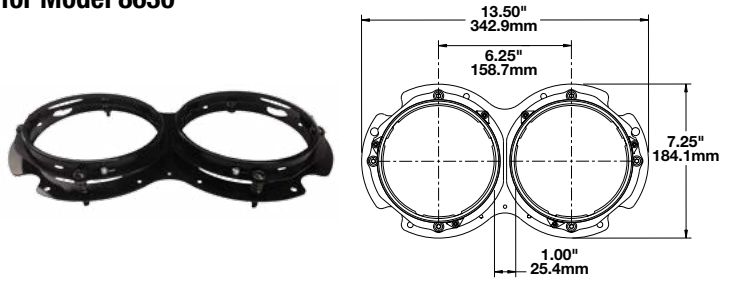
Single Ring Assembly for Model 8630



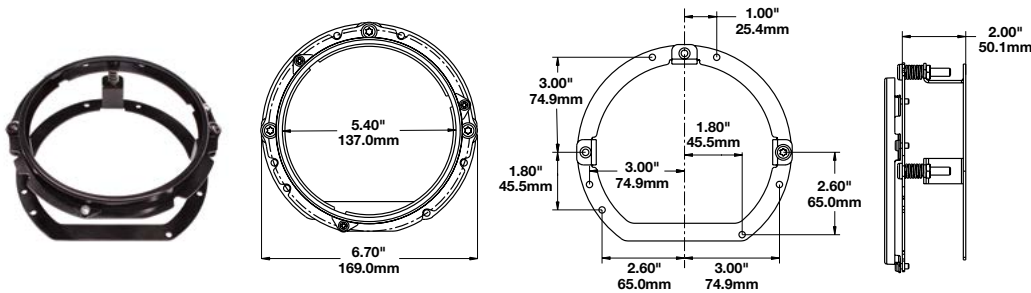
Panel Mount Bucket for Model 8700



Double Ring Assembly for Model 8630



Firetruck Ring Kit Mounting Assembly for Model 8630



Description

Chrome Point Mount Bucket Assembly for Model 8700

Side Mount Bucket Assembly for Model 8700

Panel Mount Bucket Assembly for Model 8700

Fire Truck Mounting Assembly for Model 8630

Ring Kit Mounting Assembly for Model 8700 (Required for most motorcycle applications)

Single Ring Kit Mounting Assembly for Model 8630

Double Ring Kit Mounting Assembly for Model 8630

Part #

3157021

3157091

3156561

3156351

3156351

8200001

3157751

Worklights

Emergency & Warning

Interior

Signal Lights

Thermal Imaging

Electronics

Heavy Duty Light Bars

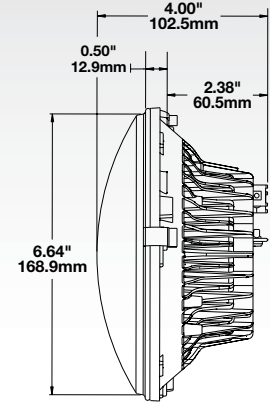
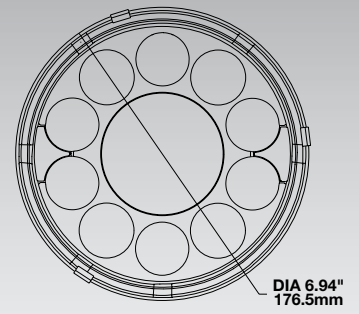
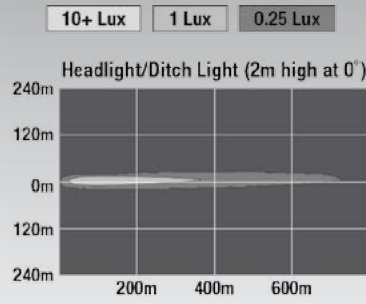
Vehicle Identification

Service Parts

Reference

Model 8770

7" (PAR 56) LED Locomotive Light



- Light Source:** LED

- Light Output:** 200,000 Candelas

- Input Voltage:** 75V DC

- Current Draw:** 0.73 Amps @ 75V DC

- Wiring:** Standard Sealed Beam Style Screw Terminals

- Standards:** FRA Title 49 CFR 229.125 (a), (b), and (d) (2) (Combined Spec for Headlights & Ditch Lights), Buy America Compliant, Sealed to IP66

- Mounting:** Retrofits PAR56 headlights & ditch lights

- Special Note:** This product is only intended for use on locomotives and does not meet any on-road requirements

Function	Additional Information	Voltage	Lens	Part #
Headlight/Ditch Light		75V DC	Glass	0547691

Model 8800

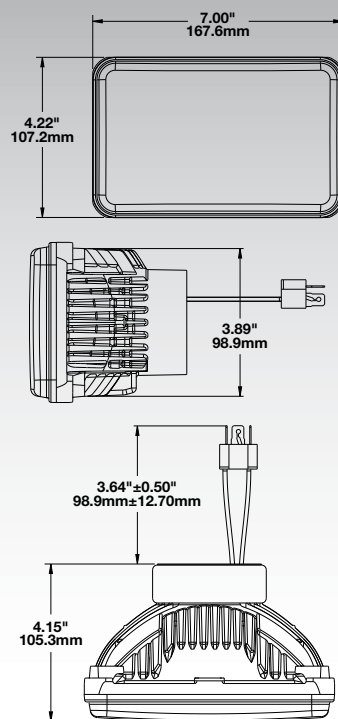
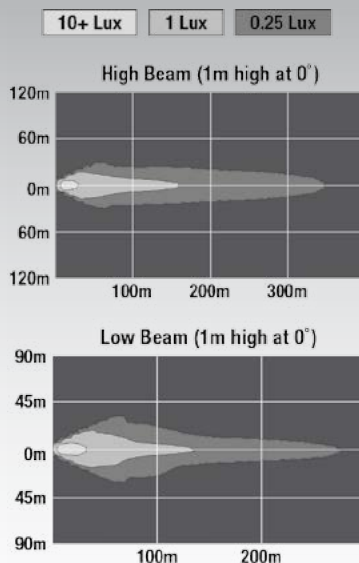
4" x 6" LED Low Beam & High Beam Headlights



High Beam
Pedestal Mount



Low Beam
Panel Mount



Light Source: LED

Raw Output: 1,300 Lumens

Effective Output: 850 (High Beam)/ 750 (Low Beam) Lumens

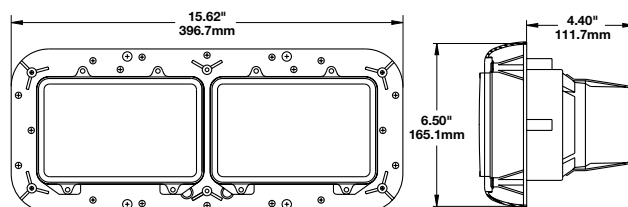
Input Voltage: 12-24V DC

Current Draw: 3.60 Amps @ 12V DC; 1.50 Amps @ 24V DC

Standards: FMVSS 108 (DOT Compliant), CMVSS 108 (Transport Canada Compliant), ECE Reg. 112 (Headlights), Buy America Compliant, Sealed to IP67

Mounting: Retrofits 1A1 and 2A1 (4" x 6") sealed beam headlights

Double Bucket
Mounting Assembly



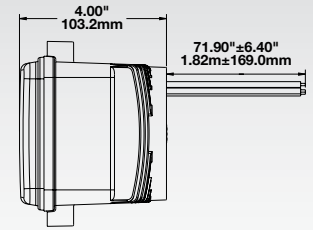
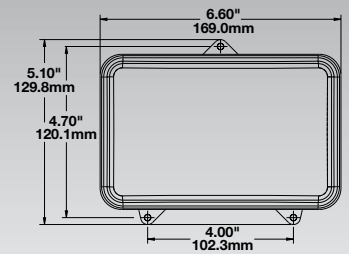
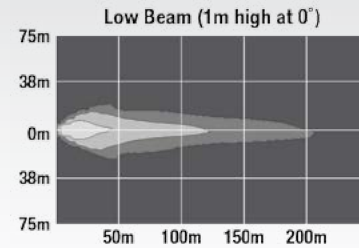
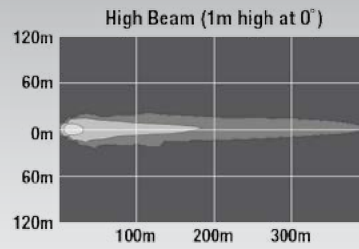
Function	Additional Information	Voltage	Lens	Part #
DOT/ECE RHT High Beam	Hardcoated Lens	12-24V DC	Polycarbonate	0547071
DOT/ECE RHT Low Beam	Hardcoated Lens	12-24V DC	Polycarbonate	0547061
Optional Double Bucket Mounting Assembly - RH				3156600
Optional Double Bucket Mounting Assembly - LH				3156680

Model 8800 High/Low

4" x 6" LED High/Low Beam Headlight



10+ Lux 1 Lux 0.25 Lux



Light Source: LED

Raw Output: 1,900 Lumens

Effective Output: 750 (High Beam)/ 725 (Low Beam) Lumens

Input Voltage: 12-24V DC

Current Draw: 2.50 Amps @ 12V DC; 1.30 Amps @ 24V DC

Standards: FMVSS 108 (DOT Compliant), CMVSS 108 (Transport Canada Compliant), MIL-STD-461 (EMI), SAE J2139 (Signal), SAE J578 (Color Spec), SAE J1455 (Environmental), SAE J575 (Headlights), Buy America Compliant, Sealed to IP67

Mounting: This product requires a custom bucket—it was not designed to retrofit standard 4" x 6" sealed beam headlights

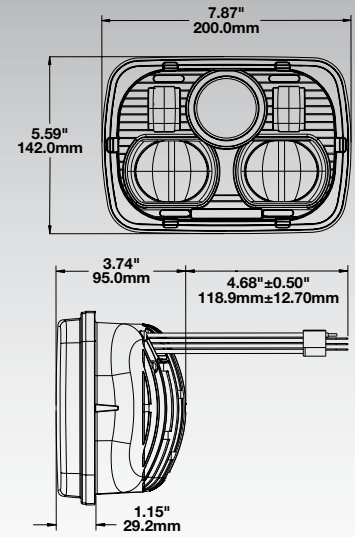
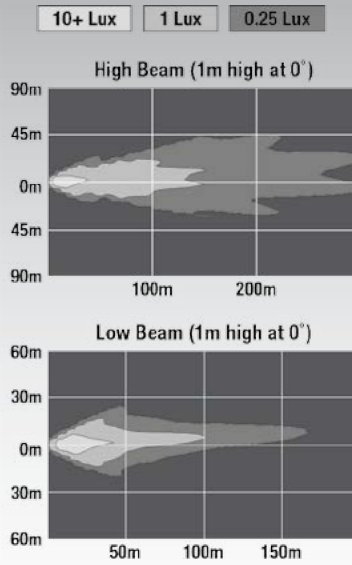
Special Notes: Right Hand Traffic (RHT) describes vehicles that drive on the right-hand side of the road. Left Hand Traffic (LHT) describes vehicles that drive on the left-hand side of the road.

Function	Additional Information	Voltage	Lens	Part #
DOT High/Low Beam	Hardcoated Lens	12-24V DC	Polycarbonate	0547851
ECE LHT* High/Low Beam	Hardcoated Lens	12-24V DC	Polycarbonate	0546241
ECE RHT* High/Low Beam	Hardcoated Lens	12-24V DC	Polycarbonate	0545231

*ECE versions are not available for sale in the U.S.A.

Model 8900

5" x 7" LED High/Low Headlight



Light Source: LED

Raw Output: 1,770 (High Beam)/ 1,350 (Low Beam) Lumens

Effective Output: 850 (High Beam)/ 650 (Low Beam) Lumens

Input Voltage: 12-24V DC

Current Draw: 4.30 Amps @ 12V DC; 2.20 Amps @ 24V DC

Standards: FMVSS 108 (DOT Compliant), CMVSS 108 (Transport Canada Compliant), ECE Reg. 7 (Position & Stop), ECE Reg. 112 (Headlights-Class B-ECE Versions), Buy America Compliant, Sealed to IP67

Mounting: Retrofits standard 5" x 7" headlights

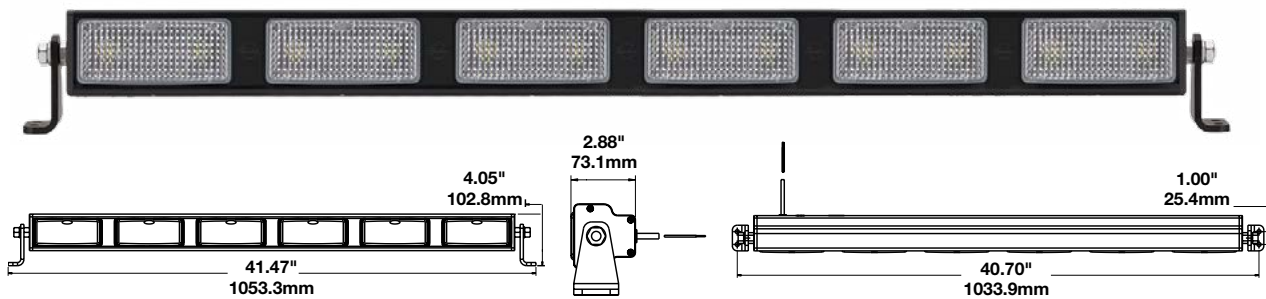
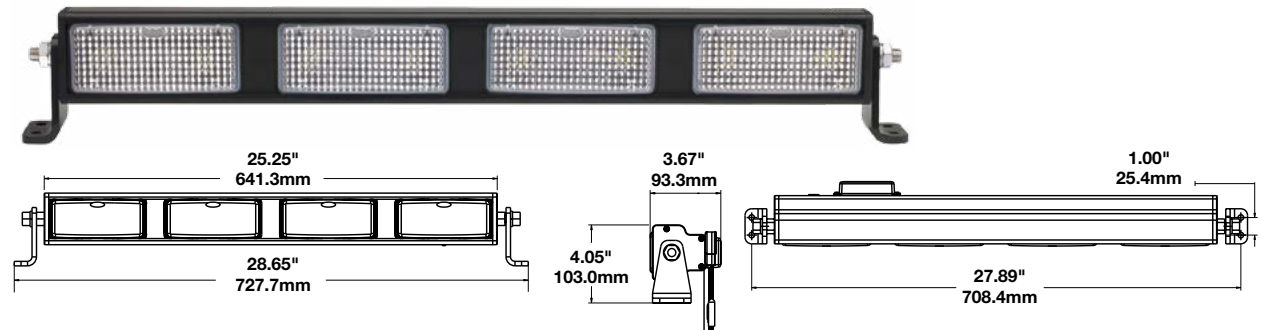
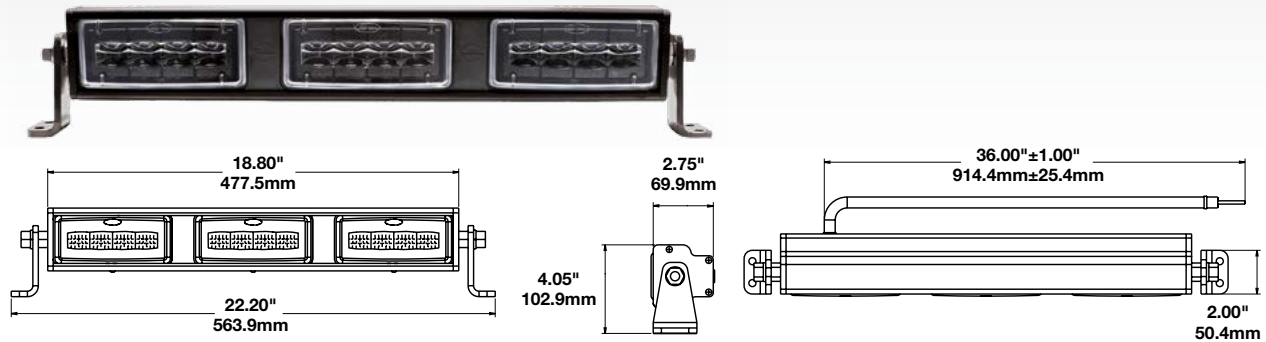
Special Notes: Right Hand Traffic (RHT) describes vehicles that drive on the right-hand side of the road. Left Hand Traffic (LHT) describes vehicles that drive on the left-hand side of the road.

Function	Additional Information	Voltage	Lens	Part #
DOT High/Low Beam, No Front Position	Black Inner Bezel, Hardcoated Lens	12-24V DC	Polycarbonate	0548201
DOT High/Low Beam, No Front Position	Chrome Inner Bezel, Hardcoated Lens	12-24V DC	Polycarbonate	0546571
ECE LHT* High/Low Beam, No Front Position	Black Inner Bezel, Hardcoated Lens	12-24V DC	Polycarbonate	0548211
ECE LHT* High/Low Beam w/ Front Position	Chrome Inner Bezel, Hardcoated Lens	12-24V DC	Polycarbonate	0547271
ECE RHT* High/Low Beam, No Front Position	Black Inner Bezel, Hardcoated Lens	12-24V DC	Polycarbonate	0548221
ECE RHT* High/Low Beam w/ Front Position	Chrome Inner Bezel, Hardcoated Lens	12-24V DC	Polycarbonate	0547261
Optional Single Bucket Mounting Assembly				3157041

Model 9049 LED Light Bars

J.W. Speaker's Model 9049 LED light bars are an ideal choice for off-roading, military, or construction use. The solid-state LEDs are resistant to shock and vibration that cause bulb-based lights to prematurely fail. Additionally, the rugged metal frame provides a level of durability that rivals any light bar on the market. The Model 9049 is available with your choice of 2-, 3-, 4-, or 6-modules. The 3-module version is brand new for 2014 and features a fog beam pattern.

All J.W. Speaker light bars come with a Lifetime Limited Warranty against defects in materials, components, and workmanship. To learn more about our warranty, see page 158.



Optional Remote Control Configuration

If you don't want to bother with in-cab controls, our 4-module programmable configuration may be the perfect solution for you. This unique version, which is different from our standard 4-module light bar, comes paired with a programmable key fob allowing you to cycle through various combinations of lights—all with the press of a button! One key fob comes standard, however, additional fobs can be ordered at the time you purchase the light bar.



Worklights

Emergency & Warning

Interior

Signal Lights

Thermal Imaging

Electronics

Heavy Duty Light Bars

Vehicle Identification

Service Parts

Reference

Model 9049 LED Light Bars



Light Source: LED

Raw Output:

2,000 Lumens (2-Module); 2,400 Lumens (3-Module);
4,400 Lumens (4-Module); 6,600 Lumens (6-Module)

Effective Output:

1,320 Lumens (2-Module); 1,500 Lumens (3-Module);
2,640 Lumens (4-Module); 3,960 Lumens (6-Module)

Input Voltage: 12V or 24V DC

Current Draw:

2-Module: 4.00 Amps @ 12V DC; 2.40 Amps @ 24V DC

3-Module: 3.60 Amps @ 12V DC

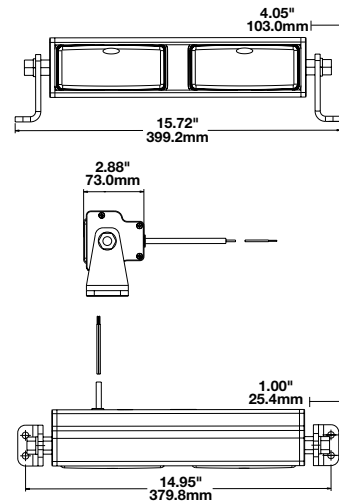
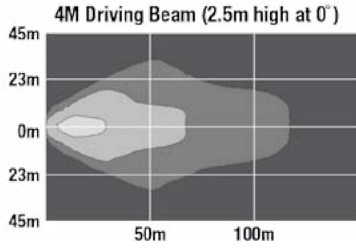
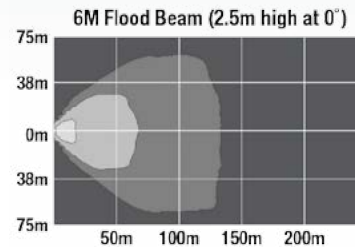
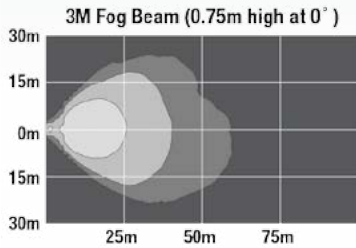
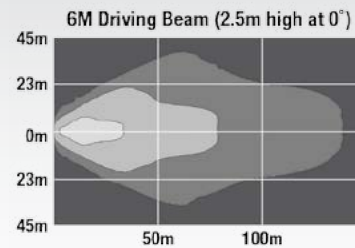
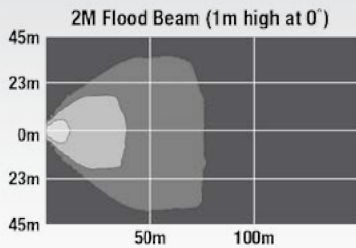
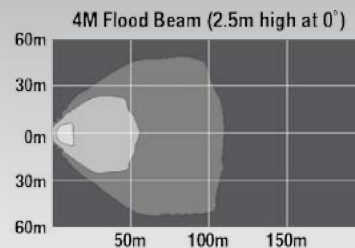
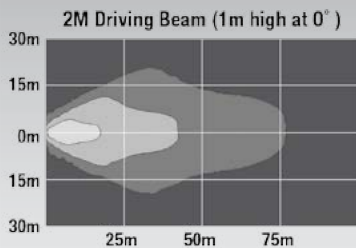
4-Module: 8.00 Amps @ 12V DC; 4.80 Amps @ 24V DC

6-Module: 12.00 Amps @ 12V DC; 7.20 Amps @ 24V DC

Standards: SAE J1113 (Radiated Emissions-Class 21),
ECE Reg. 10 (Radiated Emissions), Buy America Compliant

Mounting: Universal pedestal mount

10+ Lux 1 Lux 0.25 Lux



Function	Additional Information	Voltage	Lens	Part #
SAE/ECE Driving	2-Module, No Wireless Functionality, Hardcoated Lens	12V DC	Polycarbonate	0548461
SAE/ECE Driving	4-Module, No Wireless Functionality, Hardcoated Lens	12V DC	Polycarbonate	0546021
SAE/ECE Driving	6-Module, No Wireless Functionality, Hardcoated Lens	12V DC	Polycarbonate	0548451
SAE/ECE Flood	2-Module, No Wireless Functionality, Hardcoated Lens	12V DC	Polycarbonate	0546261
SAE/ECE Flood	2-Module, No Wireless Functionality, Hardcoated Lens	24V DC	Polycarbonate	0546281
SAE/ECE Flood	4-Module, No Wireless Functionality, Hardcoated Lens	12V DC	Polycarbonate	0545331
SAE/ECE Flood	4-Module, No Wireless Functionality, Hardcoated Lens	24V DC	Polycarbonate	0546291
SAE/ECE Flood	4-Module w/ Wireless Functionality & Key Fob, Hardcoated Lens	12V DC	Polycarbonate	0545321
SAE/ECE Flood	6-Module, No Wireless Functionality, Hardcoated Lens	12V DC	Polycarbonate	0546271
SAE/ECE Flood	6-Module, No Wireless Functionality, Hardcoated Lens	24V DC	Polycarbonate	0546301
SAE/ECE Fog	3-Module Fog Light Bar, No Wireless Functionality, Hardcoated Lens	12V DC	Polycarbonate	0549281
Key Fob	Required for Wireless Functionality			0842221

Model TS3000R

6" LED Driving Light

Worklights

Emergency & Warning

Interior

Signal Lights

Thermal Imaging

Electronics

Heavy Duty Light Bars

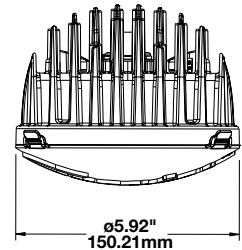
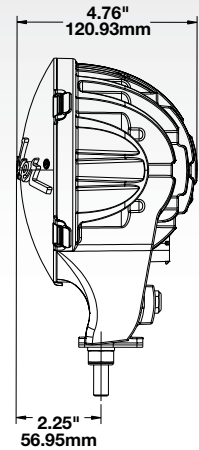
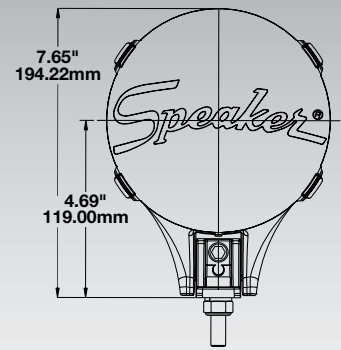
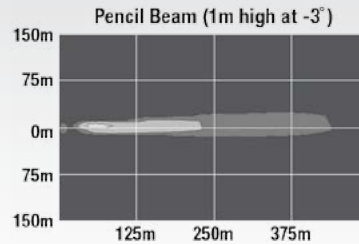
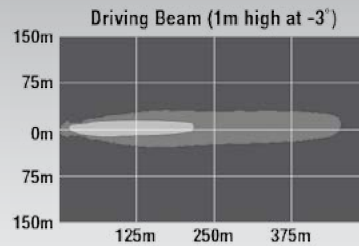
Vehicle Identification

Service Parts

Reference



10+ Lux 1 Lux 0.25 Lux



Light Source: LED

Light Output: 60,000 (Driving Beam)/
117,500 (Pencil Beam) Max Candelas

Input Voltage: 12-24V DC

Current Draw: 2.80 Amps @ 12V DC; 1.40 Amps @ 24V DC

Standards: FMVSS 108 (DOT Compliant), CMVSS 108 (Transport Canada Compliant), ECE Reg. 112 (Headlights-Class B-Driving Beam Version), Buy America Compliant, Sealed to IP67

Mounting: Universal pedestal mount

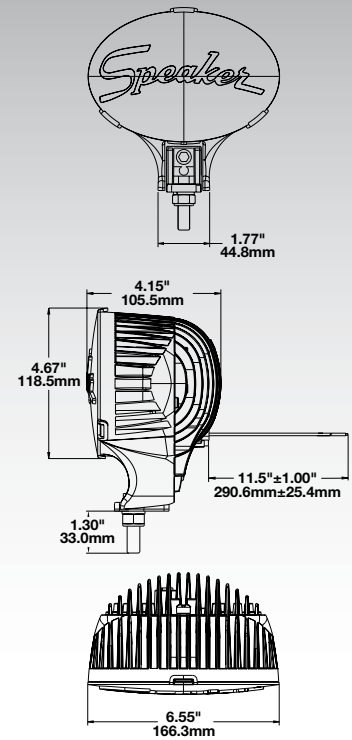
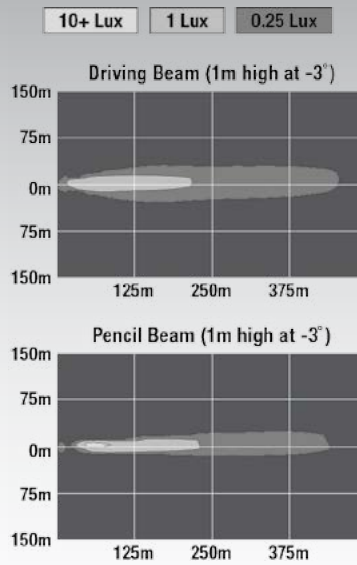
Special Notes: Right Hand Traffic (RHT) describes vehicles that drive on the right-hand side of the road. Left Hand Traffic (LHT) describes vehicles that drive on the left-hand side of the road.

Function	Additional Information	Voltage	Lens	Part #
DOT Driving Beam	Silver Housing	12-24V DC	Glass	0546921
DOT Driving Beam	Black Housing, Hardcoated Lens	12-24V DC	Polycarbonate	0548381
DOT Driving Beam	Silver Housing, Hardcoated lens	12-24V DC	Polycarbonate	0547591
ECE RHT & LHT* Driving Beam	Black Housing, Hardcoated Lens	12-24V DC	Polycarbonate	0548391
ECE RHT & LHT* Driving Beam	Silver Housing, Hardcoated Lens	12-24V DC	Polycarbonate	0548011
Pencil Beam	Black Housing, Hardcoated Lens	12-24V DC	Polycarbonate	0548401
Pencil Beam	Silver Housing, Hardcoated Lens	12-24V DC	Polycarbonate	0547601
Optional Amber Lens Cover				5862921
Optional Black Logo Lens Cover				5862931
Optional Blue Lens Cover				5862911
Optional Clear Lens Cover				5862901

*ECE versions are not available for sale in the U.S.A.

Model TS3000V

5" x 7" LED Driving Light



Light Source: LED

Light Output: 60,000 (Driving Beam)/
117,500 (Pencil Beam) Max Candelas

Input Voltage: 12-24V DC

Current Draw:

Driving Beam: 3.25 Amps @ 12V DC; 1.50 Amps @ 24V DC

Pencil Beam: 3.70 Amps @ 12V DC; 1.65 Amps @ 24V DC

Standards: FMVSS 108, DOT Compliant CMVSS 108,
(Transport Canada Compliant), ECE Reg. 112
(Headlights-Class B-Driving Beam Version), Buy America
Compliant, Sealed to IP67

Mounting: Universal pedestal mount

Special Notes: Right Hand Traffic (RHT) describes vehicles
that drive on the right-hand side of the road. Left Hand
Traffic (LHT) describes vehicles that drive on the left-hand
side of the road.

Function	Additional Information	Voltage	Lens	Part #
DOT Driving Beam	Black Housing, Hardcoated Lens	12-24V DC	Polycarbonate	0547711
DOT Driving Beam	Silver Housing, Hardcoated Lens	12-24V DC	Polycarbonate	0547321
ECE RHT & LHT* Driving Beam	Silver Housing	12-24V DC	Glass	0546321
ECE RHT & LHT* Driving Beam	Black Housing, Hardcoated Lens	12-24V DC	Polycarbonate	0547721
ECE RHT & LHT* Driving Beam	Silver Housing, Hardcoated Lens	12-24V DC	Polycarbonate	0547521
Pencil Beam	Silver Housing	12-24V DC	Glass	0546371
Pencil Beam	Silver Housing, Hardcoated Lens	12-24V DC	Polycarbonate	0547531
Pencil Beam	Black Housing, Hardcoated Lens	12-24V DC	Polycarbonate	0547921
Optional Amber Lens Cover				5862501
Optional Black Logo Lens Cover				5861391
Optional Blue Lens Cover				5862511
Optional Clear Lens Cover				5862361
Optional Inverted Black Logo Lens Cover				5862351

*ECE versions are not available for sale in the U.S.A.

Worklights

Portable



Model 60
Page 44



Model 523
Portable
Page 47



Model 523
Tripod
Page 50



Model 8475
Page 86

High Intensity

(2,000+ Effective Lumens)



Model 523
Page 48



Model 523 XL
Page 49



Model 524
Page 51



Model 526 XL
Page 52



Model 623
Page 54



Model 735
Page 59



Model 735 XL
Page 60



Model 832
Page 71



Model 832 XL
Page 72



Model 7150
Page 82



Model 7150 XL
Page 83



Model 7151
Page 84



Models
9710/9720
Page 88

Medium-High Intensity

(700-1,999 Effective Lumens)



Model 70
Page 46



Model 660
Page 56



Model 670 XD
Page 57



Model 680 XD
Page 58



Model 736
Page 61



Model 770 XD
Page 62



Model 771 XD
Page 63



Model 776 XD
Page 65



Model 806
Page 70



Model 840 XD
Page 73-75



Model 880 XD
Page 76



Model 881 XD
Page 77



Model 6020
Page 80



Model 6040
Page 81

Standard-Medium Intensity

(< 700 Effective Lumens)



Model 775 XD
Page 64



Model 778
Page 66



Model 781
Page 67



Model 783
Page 68



Model 803
Page 69



Model 4410
Page 78



Model 4410 XL
Page 79

Why Buy J.W. Speaker Worklights?

Wide Selection

There's never been a better time to improve visibility and increase safety! J.W. Speaker's broad range of LED worklights provides you with a wide selection of high-performance lighting upgrades that spans a variety of different shapes and sizes. Inside this catalog, you'll find everything from portable handheld units to high-output scene lights.

Superior Visibility

Many lighting companies focus on maximizing light output when creating a worklight. While light output is essential, you should not underestimate the importance of an optimized beam pattern. J.W. Speaker worklights are engineered to provide maximized light output and our beam patterns are specifically designed to meet the needs and challenges of our customers.

Extreme Durability

We understand just how ruthless your work environment can be, which is why we've designed our LED worklights to be extremely durable. We put them through an extensive series of tests to ensure that they continue to perform under the most unforgiving conditions; our XD Series has even survived a number of torture tests that you can watch online (see next page for details). You can count on J.W. Speaker LED worklights to meet the demands of your harsh work environment—it's what they're made for.

Unmatched Longevity

Our LED worklights are built to last 300+ times longer than incandescent, 50+ times longer than halogen, and 20+ times longer than HID-based worklights. To back up this claim, all of our LED worklights (unless otherwise noted) come with a Lifetime Limited Warranty which you can read about on page 158.



The XD Series LED Worklights



J.W. Speaker's new XD Series represents an innovation in LED worklight technology. The perfect marriage of form and function, the XD Series features a proprietary housing which enhances performance, simplifies installation, and increases durability.

The XD Series is characterized by a unique, thermally-conductive polycarbonate housing that's been specifically designed to maximize the performance of the LEDs. XD Series LED worklights are compact, lightweight, corrosion- and impact-resistant, making them the perfect choice for rough and rugged applications.

Not Convinced?

Not convinced that a polycarbonate LED worklight is durable enough for your application?

Scan the QR code below, or go to our YouTube channel (JWSpeakerCorporation), and watch our XD Series Torture Test video and decide for yourself.



Look for this logo to know that the product you're looking at is part of the XD Series.

The XL Series LED Worklights



J.W. Speaker's XL Series is an extra heavy duty collection of LED worklights that were developed specifically for extreme industrial conditions. Aside from their uniform yellow housing, each member of the XL Series is fully sealed to comply with IP69K for high pressure washing and other harsh environmental factors.

What is IP69K?

An IP69K rating indicates that the product has passed testing for high-pressure, high-temperature wash-down applications. Such enclosures must not only be dust tight (IP6_), but also able to withstand high-pressure and steam cleaning.

To pass the test, the light sits on a turntable that rotates once every 12 seconds (5rpm), while a spray nozzle that is fed with 80°C water at 8–10MPa (80–100bar) and a flow rate of 14–16L/min is held 10–15 cm from the tested light at angles of 0°, 30°, 60° and 90° for 30 seconds each. This test ensuring that every angle, nook, and cranny of the XL Series lights are completely sealed and protected.



XL SERIES

When you see this logo, it indicates that the product is part of the XL series, and you know it's tough.

Model 60

Portable LED Scene Light System



Powerful Performance

The bank of 30 high intensity LEDs on the Model 60 delivers a massive 3,000 Raw Lumens which is designed to provide a bright, white light to illuminate your work area. The Model 60 has five different brightness levels and a unique 3-stage optical system which enables you to adjust from full flood to full spot beam.

Positive Locking Head Unit

The ratcheting head unit clamp maintains the head unit's orientation, even in high-vibration applications.

Compact Coil Cord

The heavy duty coil cord extends the full height of the lamp mast (6ft / 1.8m). When the light head is locked in the down position the coil cord retracts down to just 16 inches (400mm).

Extendable Mast

Four re-enforced fiberglass mast sections push and lock into each other to form a strong and stable support for the light head. When not in use, they can be stored inside the base of the unit.

Durable Outer Housing & Internal Steel Chassis

The Model 60 is designed to withstand the rough conditions of worksites and trade environments. An internal steel chassis provides superior strength and rigidity.

Waterproof Power Outlet

The power outlets on the Model 60 are waterproof, making this portable scene light fully functional even in heavy rain. Additionally, the plugs lock on to prevent accidental disconnection.

Integrated Charging Port

The charging system monitors vehicle "on" status to prevent discharging of vehicle battery and ambient temperature to optimize charging for maximum battery performance.

Long Battery Life

The internal battery lasts for 8 hours at 100% power, 16 hours at 50% power, 33 hours at 25% power, and 240+ hours at 8% power (flash mode).

Short Charge Time

A full recharge only takes 4 hours using the built-in vehicle charger, or 6 hours using the optional AC charger.

Integrated Tripod Stabilizer Legs

The Model 60 has extendable integrated tripod stabilizer legs that fold away when not in use. The use of these stabilizers is optional, giving you added stability when needed.

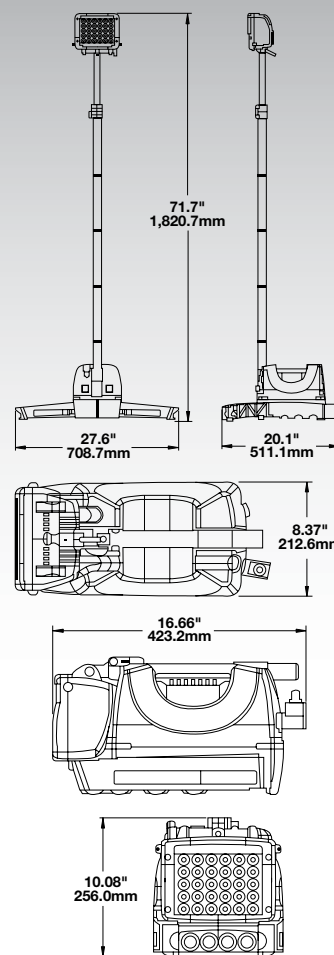
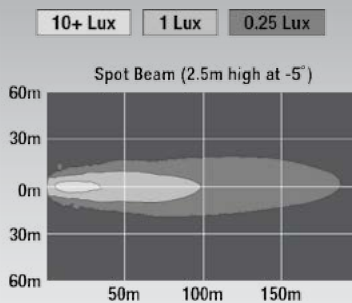
Optional Remote Configuration

The Model 60 is also available in a remote control configuration. The compact, lightweight remote is perfect for pockets and overalls, giving you easy access to lighting modes, brightness, and power. The remote control allows for multiple units to communicate between each other. The signal from the remote is relayed from one unit to the next, allowing you to control multiple units across long distances.

Note: Remote control only works with remote-enabled Model 60 units.

Model 60

Portable LED Scene Light System



Light Source: LED

Raw Output: 3,600 Lumens

Effective Output: 1,700 Lumens

Input Voltage: 12V AC

Weight: 26 lbs

Standards: CE Recognized, Sealed to IP54

Special Note: This product is manufactured in Europe and comes with a 2-year limited warranty

Pattern	Additional Information	Voltage	Lens	Part #
Flood	Integrated DC Charger Included	Battery Powered	Acrylic	0547141
Flood	Integrated DC Charger & Remote Included	Battery Powered	Acrylic	0547171
	Wall Charger for Model 60	120-240V AC		6600651

Forward Lighting

Worklights

Emergency & Warning

Interior

Signal Lights

Thermal Imaging

Electronics

Heavy Duty Light Bars

Vehicle Identification

Service Parts

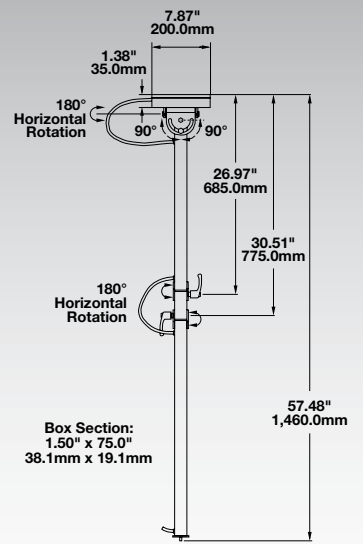
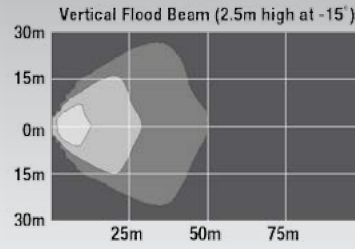
Reference

Model 70

Loading Bay Arm with LED Worklight



10+ Lux 1 Lux 0.25 Lux



- Light Source:** LED

- Raw Output:** 2,700 Lumens

- Effective Output:** 1,400 Lumens

- Input Voltage:** 120V AC

- Current Draw:** 2.95 @ 12V DC

- Standards:** UL Recognized, CE Recognized, RoHS (Arm Only), Sealed to IP67 (Light Only)

- Mounting:** Wall mount

- Special Note:** This product is manufactured in Europe and comes with a 2-year limited warranty

Pattern	Additional Information	Voltage	Lens	Part #
Vertical Flood		12V DC	Polycarbonate	1705691

Model 523 Portable

8" x 9" Portable LED Scene Light



Light Source: LED

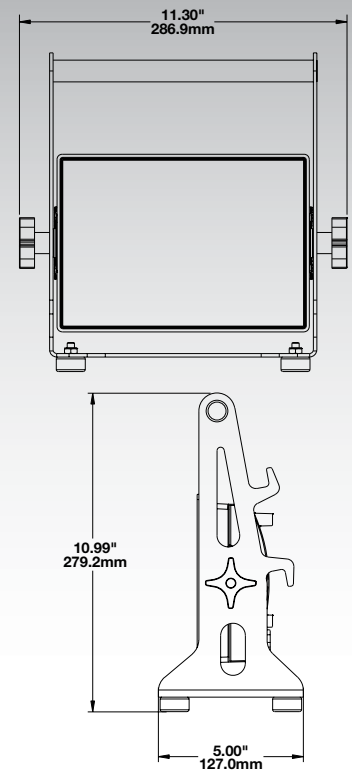
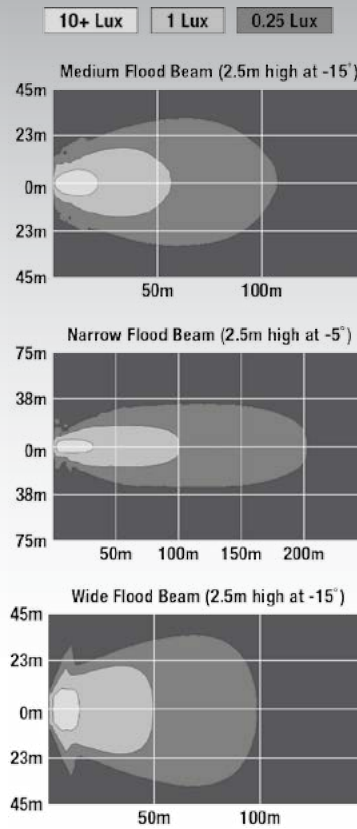
Raw Output: 8,100 Lumens

Effective Output: 3,900 Lumens

Input Voltage: 12V DC or 120V AC

Current Draw: 8.00 Amps @ 12V DC; 0.60 Amps @ 120V AC

Standards: Buy America Compliant, Sealed to IP67



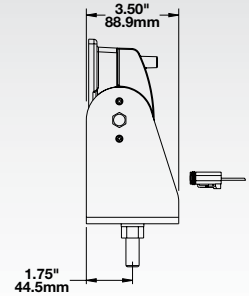
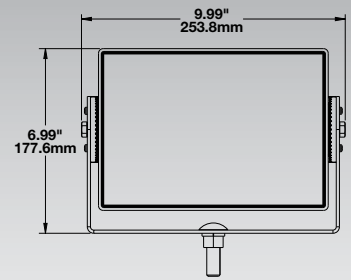
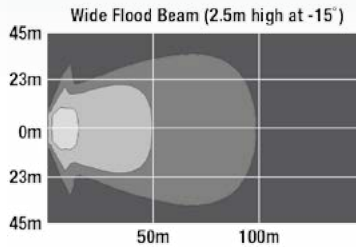
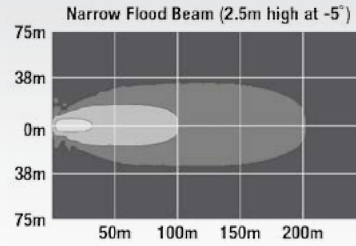
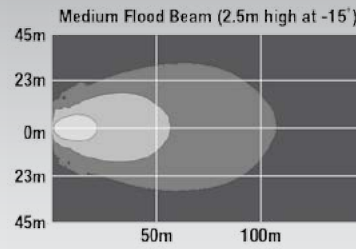
Pattern	Additional Information	Voltage	Lens	Part #
Medium Flood	Rubber Feet, No Carrying Case	120V AC	Polycarbonate	0545531
Narrow Flood	Rubber Feet, No Carrying Case	120V AC	Polycarbonate	0545521
Wide Flood	Magnetic Scene Light Kit Includes: Magnetic Feet, 10m Vehicle Charging Cord, and Carrying Case	12V DC	Polycarbonate	0546251
Wide Flood	Rubber Feet, No Carrying Case	120V AC	Polycarbonate	0545451

Model 523

8" x 9" LED Side Mount Scene Light



10+ Lux 1 Lux 0.25 Lux



- Light Source:** LED

- Raw Output:** 8,100 Lumens

- Effective Output:** 3,900 Lumens

- Input Voltage:** 12V or 24V DC; 120V or 240V AC

- Current Draw:** 7.50 Amps @ 12V DC; 4.00 Amps @ 24V DC; 0.60 Amps @ 120V AC; 0.60 Amps @ 240V AC

- Mating Connector:** 2-Pin Deutsch Weather-Proof Plug (DT06-2S)

- Standards:** Buy America Compliant, Sealed to IP67

- Mounting:** Universal pedestal mount

Pattern	Additional Information	Voltage	Lens	Part #
Medium Flood		12V DC	Glass	0544651
Medium Flood		24V DC	Glass	0544661
Medium Flood		120V AC	Glass	0544671
Medium Flood		240V AC	Glass	0546811
Narrow Flood		12V DC	Glass	0544551
Narrow Flood		24V DC	Glass	0544561
Narrow Flood		120V AC	Glass	0544571
Narrow Flood		240V AC	Glass	0546801
Wide Flood		12V DC	Glass	0543841
Wide Flood		24V DC	Glass	0543871
Wide Flood		120V AC	Glass	0543761
Wide Flood		240V AC	Glass	0546821

Model 523 XL

8" x 9" LED Side Mount Scene Light



XL
SERIES

- Light Source:** LED

- Raw Output:** 12,200 Lumens

- Effective Output:** 8,000 Lumens

- Input Voltage:** 12V or 24V DC

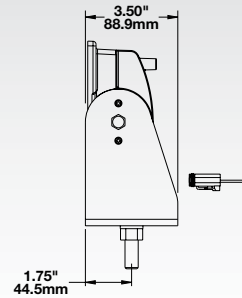
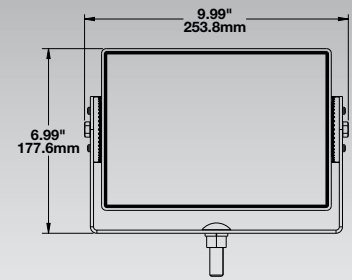
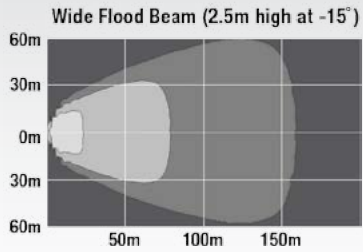
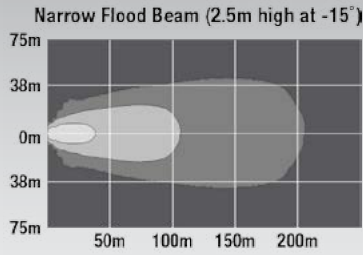
- Current Draw:** 11.00 Amps @ 12V DC; 5.00 Amps @ 24V DC

- Mating Connector:** 2-Pin Deutsch Weather-Proof Plug (DT06-2S)

- Standards:** Buy America Compliant, Sealed to IP69K

- Mounting:** Universal pedestal mount

10+ Lux 1 Lux 0.25 Lux



Forward Lighting

Worklights

Emergency & Warning

Interior

Signal Lights

Thermal Imaging

Electronics

Heavy Duty Light Bars

Vehicle Identification

Service Parts

Reference

Pattern	Additional Information	Voltage	Lens	Part #
Narrow Flood		12-24V DC	Glass	0549641
Wide Flood		12-24V DC	Glass	0549631

Model 523 Tripod

8"x 9" LED Scene Light Kit with Tripod



- Light Source:** LED

- Raw Output:** 8,100 Lumens

- Effective Output:** 3,900 Lumens

- Input Voltage:** 120V AC

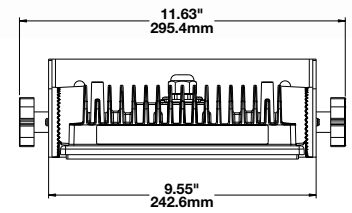
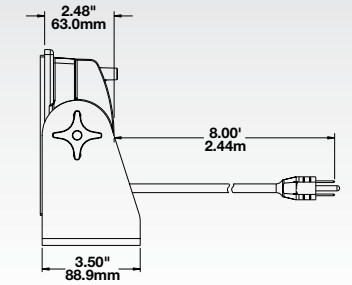
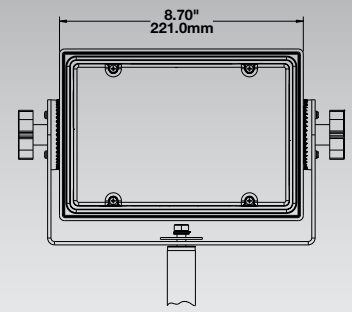
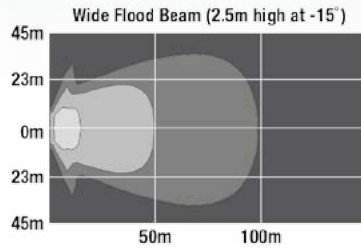
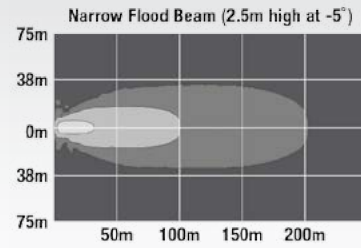
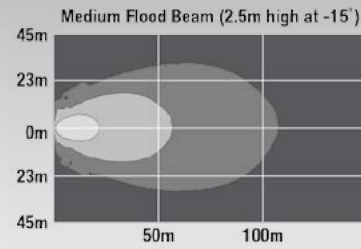
- Current Draw:** 0.60 Amps @ 120V AC

- Standards:** Buy America Compliant, Sealed to IP67

- Mounting:** Tripod mount

- Special Notes:** Tripod is 32" retracted, and extends to 30" or 70" tall. LED scene light comes with a Lifetime Limited Warranty. The tripod comes with a 1-year limited warranty.

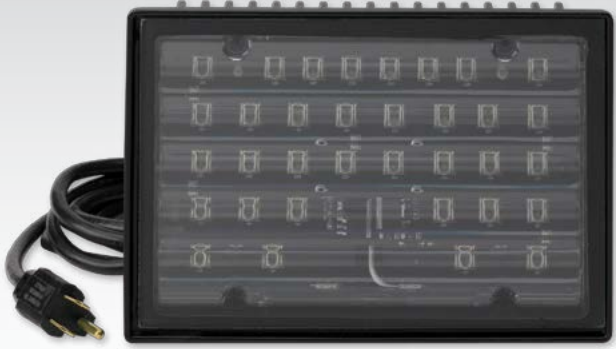
10+ Lux 1 Lux 0.25 Lux



Pattern	Additional Information	Voltage	Lens	Part #
Wide Flood		120V AC	Polycarbonate	0544021

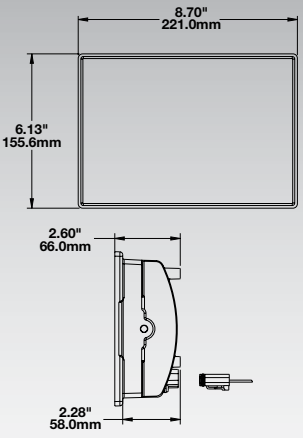
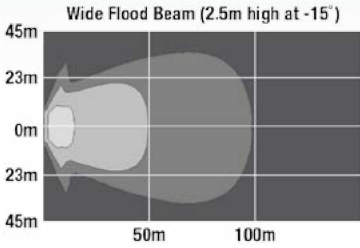
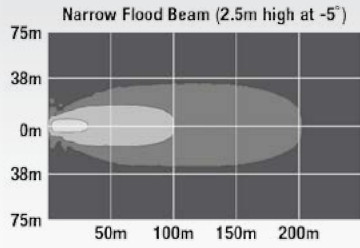
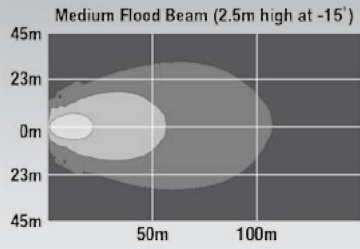
Model 524

8" x 9" LED Panel Mount Scene Light



- Light Source:** LED
- Raw Output:** 8,100 Lumens
- Effective Output:** 3,900 Lumens
- Input Voltage:** 12V or 24V DC
- Current Draw:** 8.00 Amps @ 12V DC; 4.00 Amps @ 24V DC
- Mating Connector:** 2-Pin Deutsch Weather-Proof Plug (DT06-2S)
- Standards:** ETL Conformance to UL 2108, ETL Conformance to CSA C22 No. 250.0, Buy America Compliant, Sealed to IP67
- Mounting:** Panel mount

10+ Lux 1 Lux 0.25 Lux



Forward Lighting
Worklights
Emergency & Warning
Interior
Signal Lights
Thermal Imaging
Electronics
Heavy Duty Light Bars
Vehicle Identification
Service Parts
Reference

Pattern	Additional Information	Voltage	Lens	Part #
Wide Flood		12V DC	Glass	0543851
Wide Flood		24V DC	Glass	0543881

Model 526 XL

6" x 6" LED Worklight



J.W. Speaker's new Model 526 XL was designed as a lighting upgrade for mining haul trucks. It is available in four different beam patterns—flood, trapezoid, spot, or the new Anti-Glare beam.

The haul truck low beam version of the Model 526 XL was designed to address some of the challenges experienced by mining haul truck drivers. Conventional mining haul truck lights can blind oncoming vehicles (Diagram 1). In an attempt to remedy this, drivers often angle these lights downwards, impairing their effectiveness (Diagram 2). The Model 526 XL haul Anti-Glare beam pattern has been engineered to maximize visibility without blinding oncoming vehicles (Diagram 3).



Diagram 1
(Traditional Lights)

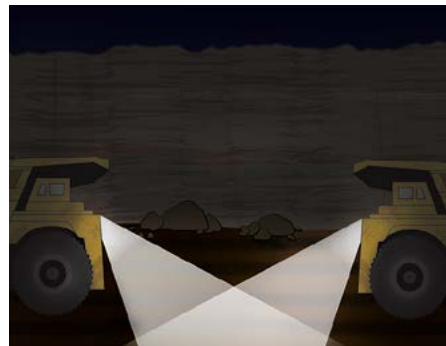


Diagram 2
(Traditional Lights Angled Down)



Diagram 3
(J.W. Speaker Anti-Glare Beam)

The Model 526 XL is sealed to IP69K, and is built to withstand the harsh conditions of mine sites. To back up this claim, it is covered by our Lifetime Limited Warranty, which you can read about on page 158.

Model 526 XL

6" x 6" LED Worklight



Flood Beam



Trapezoid Beam

XL
SERIES

Light Source: LED

Raw Output: 9,000 Lumens

Effective Output: 6,800 (Spot)/ 5,500 (Low Beam) Lumens

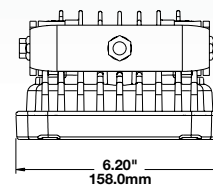
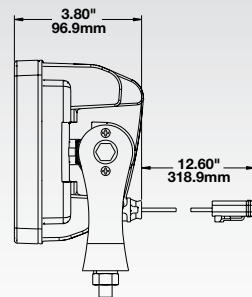
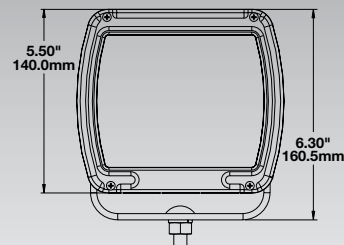
Input Voltage: 12-24V DC

Current Draw: 9.00 Amps @ 12V DC; 5.00 Amps @ 24V DC

Mating Connector: 2-Pin Deutsch Weather-Proof Plug (DT06-2S)

Standards: Buy America Compliant, Sealed to IP69K

Mounting: Universal pedestal mount



Forward
Lighting

Worklights

Emergency
& Warning

Interior

Signal Lights

Thermal
Imaging

Electronics

Heavy Duty
Light Bars

Vehicle
Identification

Service
Parts

Reference

Pattern	Additional Information	Voltage	Lens	Part #
Flood		12-24V DC	Glass	1300061
Flood		12-24V DC	Polycarbonate	1300201
Anti-Glare		12-24V DC	Glass	1300051
Anti-Glare		12-24V DC	Polycarbonate	1300191
Spot		12-24V DC	Glass	1300081
Spot		12-24V DC	Polycarbonate	1300221
Trap		12-24V DC	Glass	1300071
Trap		12-24V DC	Polycarbonate	1300211

Model 623

15" x 8" LED Scene Light

Worklights

Emergency
& Warning

Interior

Signal Lights

Thermal
Imaging

Electronics

Heavy Duty
Light BarsVehicle
IdentificationService
Parts

Reference



When you're looking for the most illumination possible, look no further than the Model 623. Boasting a massive 40,000 Raw (20,000 Effective) Lumens of bright, white light, the Model 623 high-output LED scene light is J.W. Speaker's most powerful product yet.

The Model 623 is available in three different beam patterns; narrow, medium, and wide flood. It is perfect for a wide range of uses, including mining equipment, light towers, and any application for which you need a vast amount of light. Unlike traditional bulb-based high-output scene lights, the Model 623 features energy-efficient LEDs that remain cool to the touch.

The Model 623 is built to withstand even the most rugged applications. It features a durable die-cast aluminum housing that is sealed to IP67, a stainless steel bracket that resists rust and corrosion, a heavy duty glass lens that stands up to harsh environmental conditions, and state-of-the-art LEDs that are guaranteed to last longer and use less energy than bulb-based lighting. To back up these claims, the Model 623 is covered by our Lifetime Limited Warranty, which you can learn more about on page 158.

Model 623

15" x 8" LED Scene Light



Light Source: LED

Raw Output: 40,000 Lumens

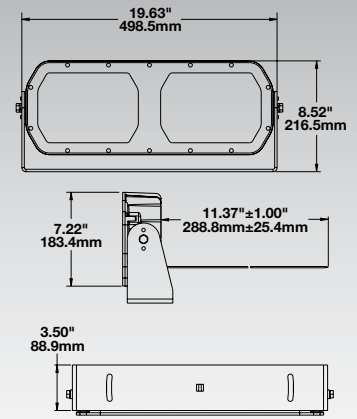
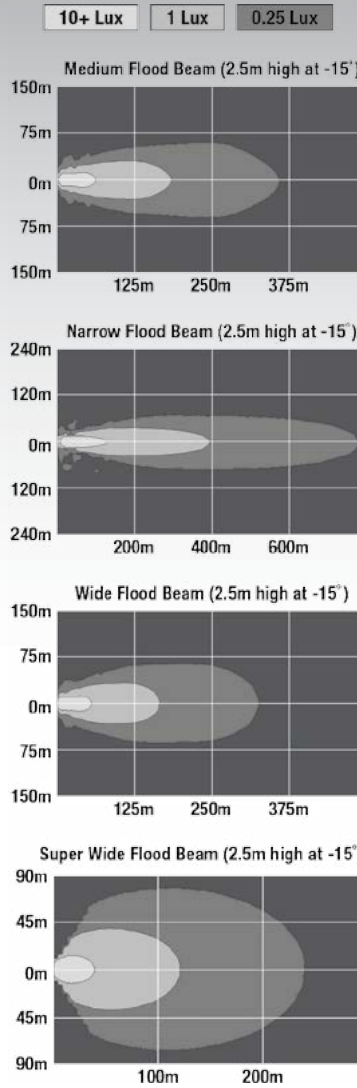
Effective Output: 20,000 Lumens

Input Voltage: 24-48V DC or 110-240V AC

Current Draw: 10.00 Amps @ 24V DC; 5.00 Amps @ 48V DC; 2.50 Amps @ 120V AC; 1.25 Amps @ 240V AC

Standards: UL Recognized (80-270V AC versions only), Buy America Compliant, Sealed to IP67

Mounting: Universal pedestal mount



Pattern	Additional Information	Voltage	Lens	Part #
Medium Flood		24-48V DC	Glass	0546681
Medium Flood		110-240V AC	Glass	0546711
Narrow Flood		24-48V DC	Glass	0546671
Narrow Flood		110-240V AC	Glass	0546701
Super Wide Flood		24-48V DC	Glass	0549301
Super Wide Flood		110-240V AC	Glass	0549311
Wide Flood		24-48V DC	Glass	0546691
Wide Flood		110-240V AC	Glass	0546721

Model 660

3" x 7" LED Worklight



Universal Pedestal Mount



Panel Mount

- Light Source:** LED

- Raw Output:** 2,000 Lumens

- Effective Output:** 1,600 Lumens

- Input Voltage:** 12-24V DC

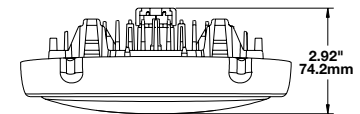
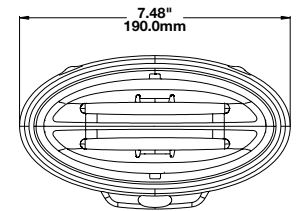
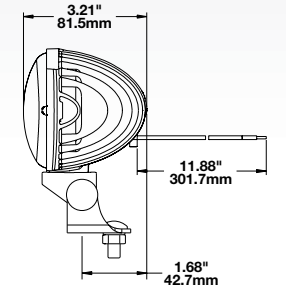
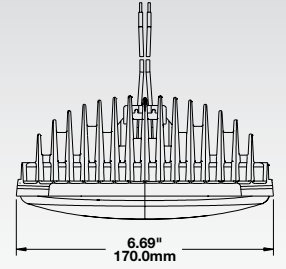
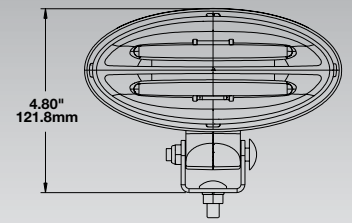
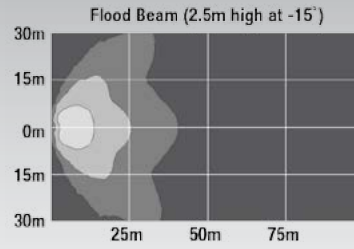
- Current Draw:** 2.00 Amps @ 12V DC; 1.00 Amps @ 24V DC

- Mating Connector:** Packard (#12059183)

- Standards:** Buy America Compliant, Sealed to IP67

- Mounting:** Panel or universal pedestal mount

10+ Lux 1 Lux 0.25 Lux



Pattern	Additional Information	Voltage	Lens	Part #
Flood	Panel Mount	12-24V DC	Glass	0548521
Flood	Pedestal Mount	12-24V DC	Glass	0548511

Model 670 XD

4.5" (PAR36) LED Worklight



XD
SERIES

Light Source: LED

Raw Output: 1,080 Lumens

Effective Output: 780 Lumens

Input Voltage: 12-24V or 12-110V DC

Current Draw:

12-24V Version: 1.30 Amps @ 12V DC; 0.60 Amps @ 24V DC

12-110V Version: 1.30 Amps @ 12V DC; 0.60 Amps @ 24V DC;

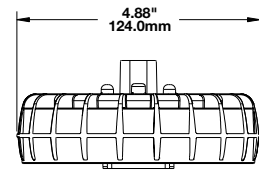
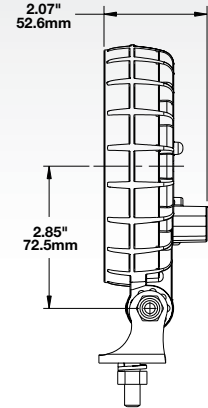
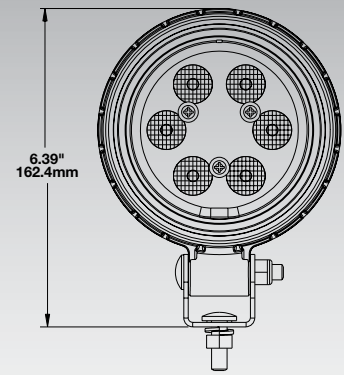
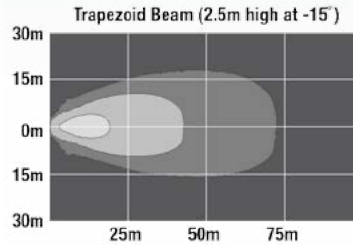
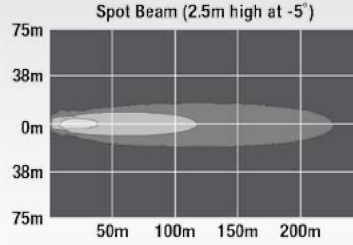
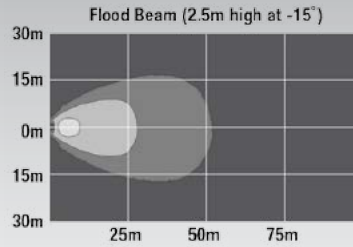
0.20 Amps @ 110V DC

Mating Connector: 2-Pin Deutsch Weather-Proof Plug (DT06-2S)

Standards: SAE J1113 (Radiated Emissions - 13 up to 8V contact/15KV air discharge), SAE J1455 (Environmental - 4.13.1.1.1 steady state jump starts), ECE Reg. 10 (Radiated Emissions), CE CISPR (12/22), UL Listed, EN55022, EN12895, Buy America Compliant, Sealed to IP69K

Mounting: Universal pedestal mount

10+ Lux 1 Lux 0.25 Lux



Forward Lighting

Worklights

Emergency & Warning

Interior

Signal Lights

Thermal Imaging

Electronics

Heavy Duty Light Bars

Vehicle Identification

Service Parts

Reference

Pattern	Additional Information	Voltage	Lens	Part #
Flood		12-24V DC	Polycarbonate	1403241
Flood		12-110V DC	Polycarbonate	1403291
Spot		12-24V DC	Polycarbonate	1403261
Spot		12-110V DC	Polycarbonate	1403281
Trap		12-24V DC	Polycarbonate	1403251
Trap		12-110V DC	Polycarbonate	1403271
	Replacement Mounting Kit – Black			8200121
	Replacement Mounting Kit – Stainless Steel			8200101

Model 680 XD

5.75" (PAR46) LED Worklight



XD
SERIES

- Light Source:** LED

- Raw Output:** 1,700 Lumens

- Effective Output:** 1,060 Lumens

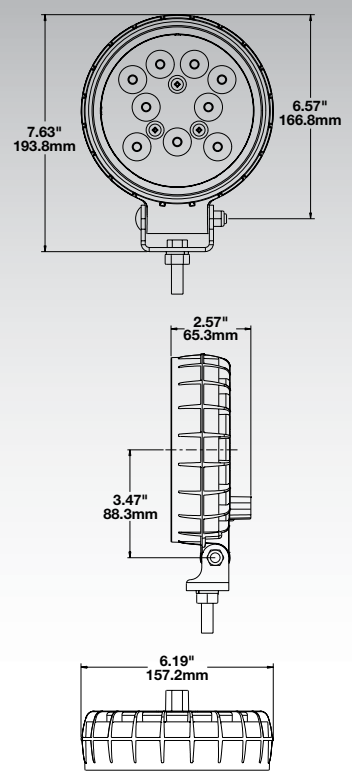
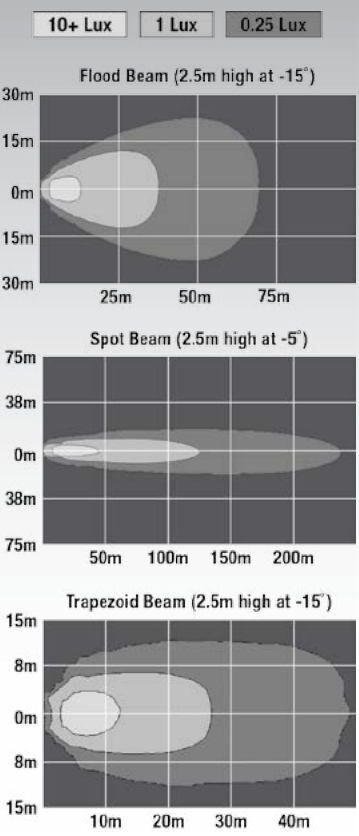
- Input Voltage:** 12-24V DC

- Current Draw:** 2.00 Amps @ 12V DC; 1.00 Amps @ 24V DC

- Mating Connector:** 2-Pin Deutsch Weather-Proof Plug (DT06-2S)

- Standards:** SAE J1113 (Radiated Emissions), SAE J1455 (Environmental - 4.13.1.1.1 steady state jump starts), ECE Reg. 10 (Radiated Emissions), CE CISPR (12/22), Buy America Compliant, Sealed to IP69K

- Mounting:** Universal pedestal mount



Pattern	Additional Information	Voltage	Lens	Part #
Flood		12-24V DC	Polycarbonate	1501641
Spot		12-24V DC	Polycarbonate	1501661
Trap		12-24V DC	Polycarbonate	1501651
	Replacement Mounting Kit – Black			8200121
	Replacement Mounting Kit – Stainless Steel			8200101

Model 735

3" x 5" LED Worklight



Light Source: LED

Raw Output: 2,700 Lumens

Effective Output: 1,400 Lumens

Input Voltage: 12V, 24V or 12-32V DC

Current Draw:

12V DC Version: 3.70 Amps @ 12V DC

24V DC Version: 1.70 Amps @ 24V DC

12-24V DC Version: 3.00 Amps @ 12V DC; 1.50 Amps @ 24V DC

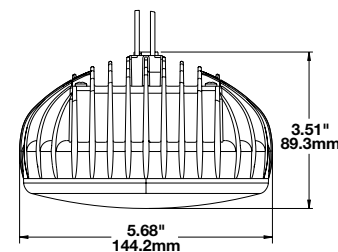
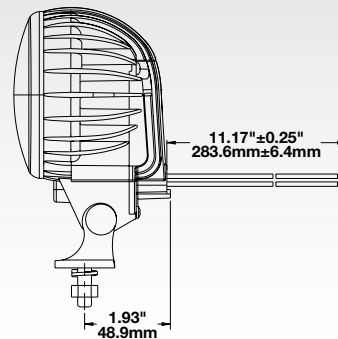
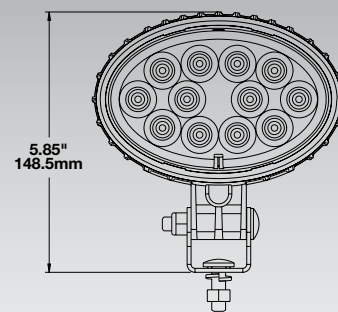
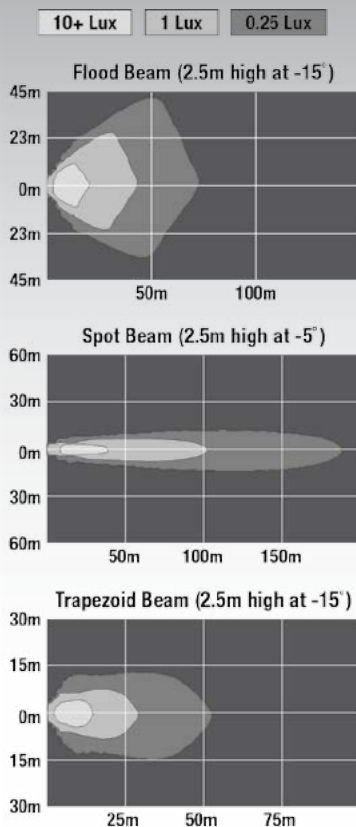
Mating Connector: 2-Pin Deutsch Weather-Proof Plug (DT06-2S)

Standards: SAE J575 (Worklights), SAE J1113 (Radiated

Emissions), SAE J1455 (Environmental),

Buy America Compliant, Sealed to IP67

Mounting: Universal pedestal mount



Pattern	Additional Information	Voltage	Lens	Part #
Flood		12V DC	Glass	1704611
Flood		12-32V DC	Polycarbonate	1705471
Flood		24V DC	Glass	1704641
Spot		12V DC	Glass	1704621
Spot		12-32V DC	Polycarbonate	1705341
Spot		24V DC	Polycarbonate	1704651
Trap		12V DC	Glass	1704601
Trap		12-32V DC	Polycarbonate	1705331
Trap		24V DC	Glass	1704631

Model 735 XL

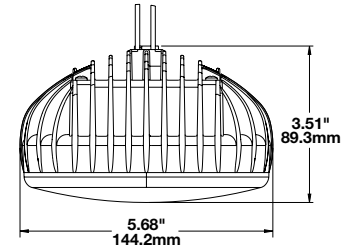
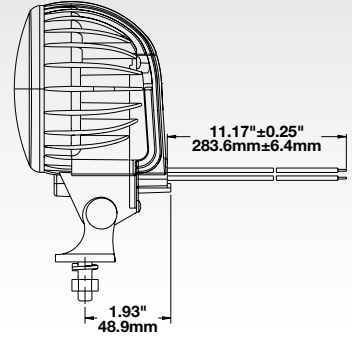
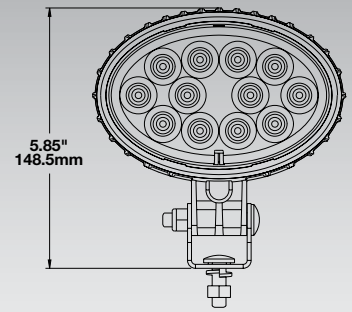
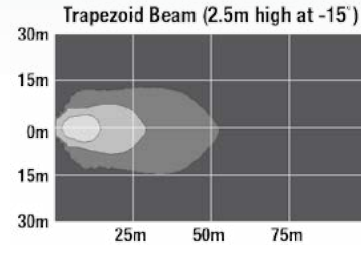
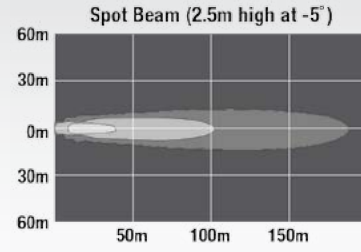
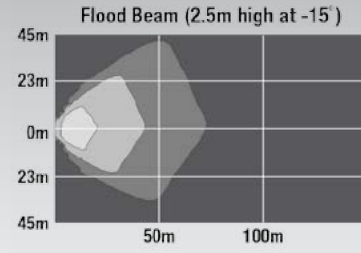
3" x 5" LED Worklight



XL
SERIES

- Light Source:** LED
- Raw Output:** 2,700 Lumens
- Effective Output:** 1,400 Lumens
- Input Voltage:** 12-32V DC
- Current Draw:** 3.00 Amps @ 12V DC; 1.50 Amps @ 24V DC
- Mating Connector:** 2-Pin Deutsch Weather-Proof Plug (DT06-2S)
- Standards:** SAE J575 (Worklights), SAE J1113 (Radiated Emissions), SAE J1455 (Environmental), Buy America Compliant, Sealed to IP69K
- Mounting:** Universal Pedestal Mount

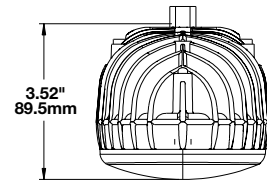
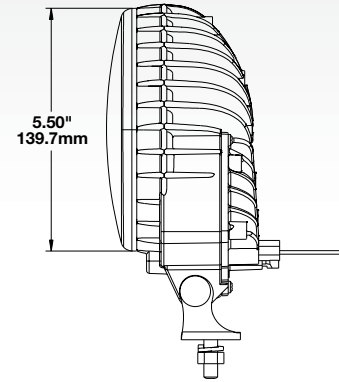
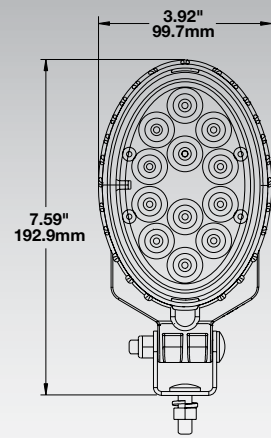
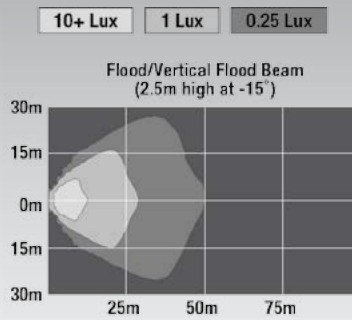
10+ Lux 1 Lux 0.25 Lux



Pattern	Additional Information	Voltage	Lens	Part #
Flood		12-32V DC	Glass	1706071
Flood		12-32V DC	Polycarbonate	1706351
Spot		12-32V DC	Glass	1706091
Spot		12-32V DC	Polycarbonate	1706371
Trap		12-32V DC	Glass	1706081
Trap		12-32V DC	Polycarbonate	1706361
	Replacement Mounting Kit – Black			8200121
	Replacement Mounting Kit – Stainless Steel			8200101

Model 736

3" x 5" LED Worklight



Light Source: LED

Raw Output: 2,700 Lumens

Effective Output: 1,400 Lumens

Input Voltage: 12V or 24V DC

Current Draw: 3.70 Amps @ 12V DC; 1.70 Amps @ 24V DC

Mating Connector: 2-Pin Deutsch Weather-Proof Plug (DT06-2S)

Standards: SAE J575 (Worklights), SAE J1113 (Radiated Emissions), SAE J1455 (Environmental), ECE Reg. 10 (Radiated Emissions), Buy America Compliant, Sealed to IP67

Mounting: Universal pedestal mount

Pattern	Additional Information	Voltage	Lens	Part #
Vertical Flood		12V DC	Polycarbonate	1704911
Vertical Flood		24V DC	Polycarbonate	1704961

Model 770 XD

3" x 5" LED Worklight



XD
SERIES

Light Source: LED

Raw Output: 900 Lumens

Effective Output: 700 Lumens

Input Voltage: 12V or 12-48V DC

Current Draw:

12V Version: 1.00 Amps @ 12V DC

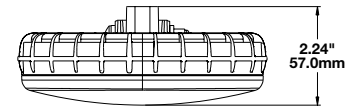
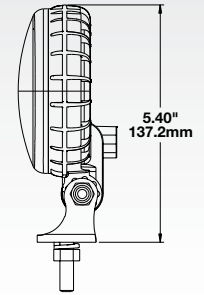
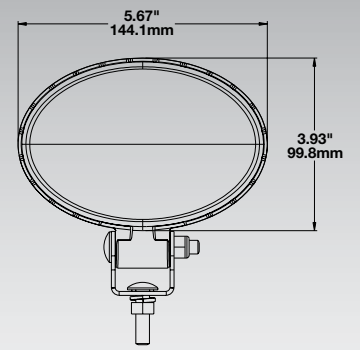
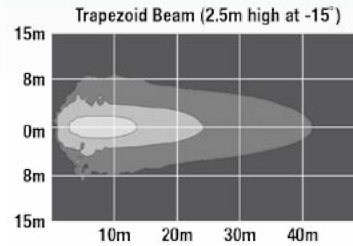
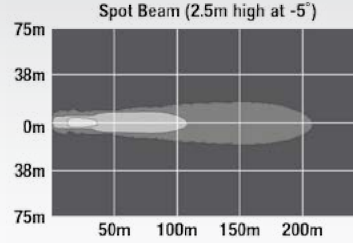
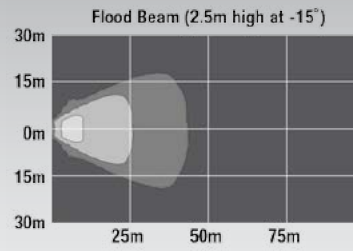
12-48V Version: 1.00 Amps @ 12V DC; 0.48 Amps @ 24V DC; 0.32 Amps @ 36V DC; 0.25 Amps @ 48V DC

Mating Connector: 2-Pin Deutsch Weather-Proof Plug (DT06-2S)

Standards: SAE J1113 (Radiated Emissions - up to 8kV contact & 15kV air discharge), SAE J1455 (Environmental - 4.13.1.1.1 steady state jump starts), ECE Reg. 10 (Radiated Emissions), CE CISPR (12/22), EN55022, EN12895, Buy America Compliant, Sealed to IP67

Mounting: Universal pedestal mount

10+ Lux 1 Lux 0.25 Lux



Pattern	Additional Information	Voltage	Lens	Part #
Flood	Light w/ DT04-2P Connector	12V DC	Polycarbonate	1706041
Flood	Light w/ DT04-2P Connector	12-48V DC	Polycarbonate	1706241
Flood	Light w/ PE12015792 Connector	12-48V DC	Polycarbonate	1706461
Spot	Light w/ DT04-2P Connector	12V DC	Polycarbonate	1706321
Spot	Light w/ DT04-2P Connector	12-48V DC	Polycarbonate	1706261
Trap	Light w/ DT04-2P Connector	12V DC	Polycarbonate	1706051
Trap	Light w/ DT04-2P Connector	12-48V DC	Polycarbonate	1706251
	Replacement Mounting Kit – Black			8200121
	Replacement Mounting Kit – Stainless Steel			8200101

Model 771 XD

3" x 5" LED Worklight



XD
SERIES

Light Source: LED

Raw Output: 900 Lumens

Effective Output: 700 Lumens

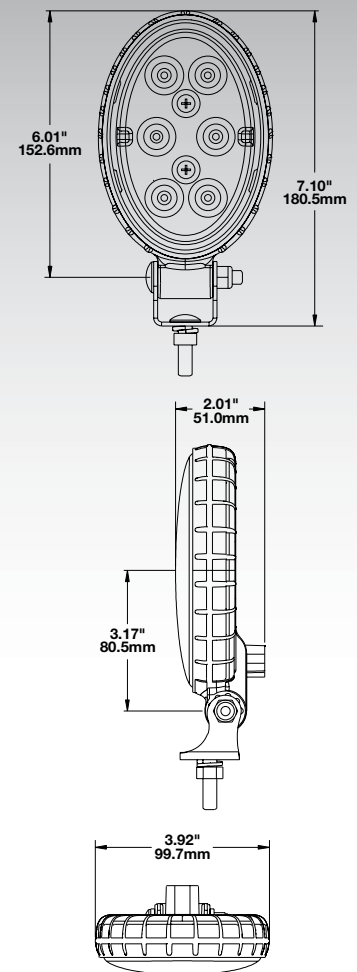
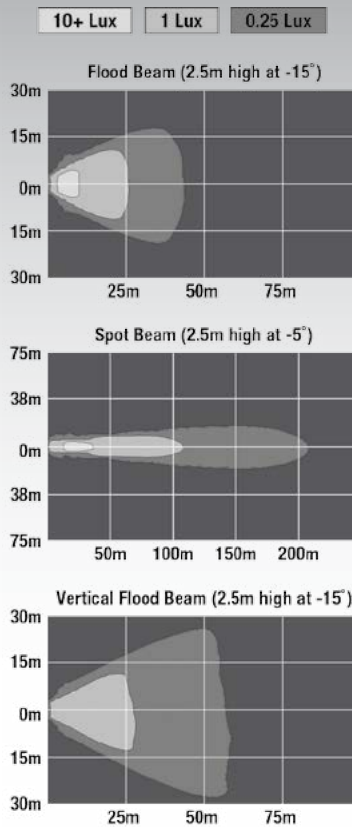
Input Voltage: 12-48V DC

Current Draw: 1.00 Amps @ 12V DC; 0.48 Amps @ 24V DC
0.33 Amps @ 36V DC; 0.25 Amps @ 48V DC

Mating Connector: 2-Pin Deutsch Weather-Proof Plug (DT06-2S)

Standards: SAE J1113 (Radiated Emissions - 13 up to 8KV contact), SAE J1455 (4.13.1.1.1 - Environmental), ECE Reg. 10 (Radiated Emissions), CE CISPR (12/22), Buy America Compliant, Sealed to IP67

Mounting: Universal pedestal mount



Pattern	Additional Information	Voltage	Lens	Part #
Flood	Light w/ Harness	12-48V DC	Polycarbonate	1705911
Spot	Light w/ Harness	12-48V DC	Polycarbonate	1706191
Vertical Flood	Light w/ Harness	12-48V DC	Polycarbonate	1706171
	Replacement Mounting Kit – Black			8200121
	Replacement Mounting Kit – Stainless Steel			8200101

Forward Lighting

Worklights

Emergency & Warning

Interior

Signal Lights

Thermal Imaging

Electronics

Heavy Duty Light Bars

Vehicle Identification

Service Parts

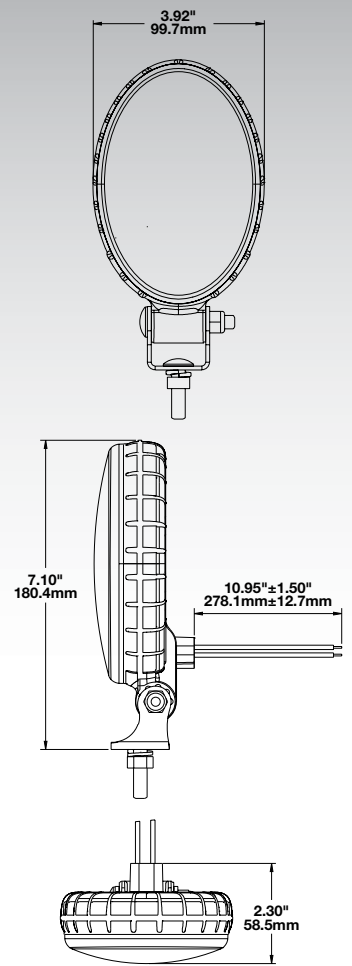
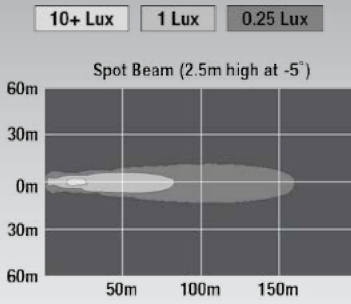
Reference

Model 775 XD

3" x 5" LED Worklight & Turn Signal



XD
SERIES



- Light Source:** LED

- Raw Output:** 600 Lumens

- Effective Output:** 400 Lumens

- Input Voltage:** 12-48V DC

- Current Draw:** 1.20 Amps @ 12V DC; 0.60 Amps @ 24V DC; 0.40 Amps @ 36V DC; 0.30 Amps @ 48V DC

- Mating Connector:** 2-Pin Deutsch Weather-Proof Plug (DT06-2S)

- Standards:** SAE J1113 (Radiated Emissions - 13 up to 8V contact/15KV air discharge), SAE J1455 (Environmental - 4.13.1.1.1 steady state jump starts), ECE Reg. 6 (Signal), ECE Reg. 10 (Radiated Emissions), CE CISPR (12/22), UL Listed, Buy America Compliant, Sealed to IP67

- Mounting:** Universal pedestal mount

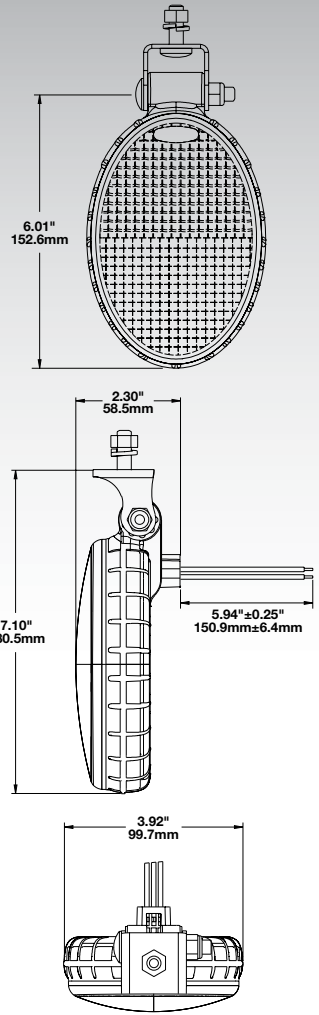
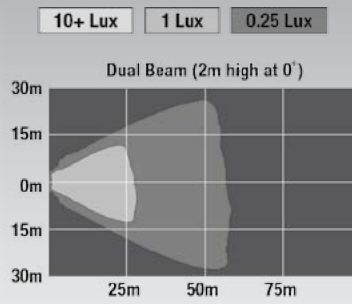
Pattern	Additional Information	Voltage	Lens	Part #
Spot & Turn		12-48V DC	Polycarbonate	1706301
	Replacement Mounting Kit – Black			8200121
	Replacement Mounting Kit – Stainless Steel			8200101

Model 776 XD

3" x 5" LED Dual Beam Worklight



XD
SERIES



- Light Source:** LED

- Raw Output:** 1,440 Lumens

- Effective Output:** 250 (Top Beam)/ 370 (Bottom Beam)/ 620 (Dual Beam) Lumens

- Input Voltage:** 12-24V DC

- Current Draw:**

 - Top or Bottom Beam:** 0.77 Amps @ 12V DC;
0.37 Amps @ 24V DC
 - Dual Beam:** 1.50 Amps @ 12V DC; 0.73 Amps @ 24V DC

- Mating Connector:** 3-Pin Deutsch Weather-Proof Plug (DT06-3S)

- Standards:** SAE J1113 (Radiated Emissions - 13 up to 8V contact & 15KV air discharge), SAE J1455 (Environmental - 4.13.1.1.1 steady state jump starts), ECE Reg. 6 (Signal), ECE Reg. 10 (Radiated Emissions), CE CISPR (12/22), UL Listed, EN55022, EN12895, Buy America Compliant, Sealed to IP67

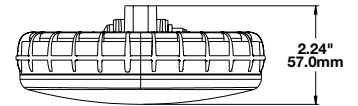
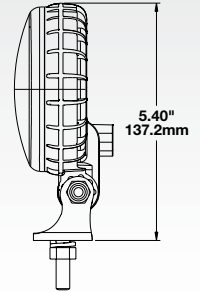
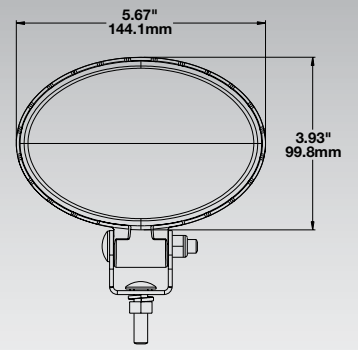
- Mounting:** Universal pedestal mount

- Special Note:** There are three settings for this light—top beam, bottom beam, or both simultaneously

Pattern	Additional Information	Voltage	Lens	Part #
Dual Beam		12-24V DC	Polycarbonate	1706331
	Replacement Mounting Kit – Black			8200121
	Replacement Mounting Kit – Stainless Steel			8200101

Model 778

3" x 5" LED Backup Camera Light



Light Source: LED

Raw Output: 580 Lumens

Effective Output: 900 Lumens

Input Voltage: 12-48V DC

Current Draw: 1.00 Amps @ 12V DC; 0.48 Amps @ 24V DC; 0.33 Amps @ 36V DC; 0.25 Amps @ 48V DC

Mating Connector: 2-Pin Deutsch Weather-Proof Plug (DT06-2S)

Standards: SAE J1113 (Radiated Emissions), SAE J1455 (Environmental), SAE J593 (Backup), ECE Reg. 10 (Radiated Emissions), CE CISPR (12/22), EN55022, EN12895, CE Recognized, Buy America Compliant, Sealed to IP67

Mounting: Universal Pedestal Mount

Special Notes: SAE J593 states that the light must shine no brighter than 300 Candela. The Model 778 XD produces just under 300 Candelas in an evenly distributed beam pattern.

Pattern	Additional Information	Voltage	Lens	Part #
Spot		12-48V DC	Polycarbonate	1706721
	Replacement Mounting Kit – Black			8200121
	Replacement Mounting Kit – Stainless Steel			8200101

Model 781

2" x 6" LED Mast Light



Light Source: LED

Raw Output: 600 Lumens

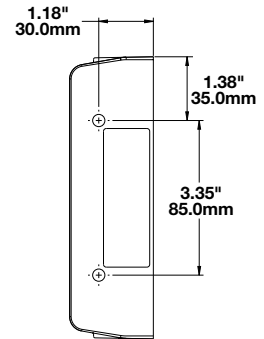
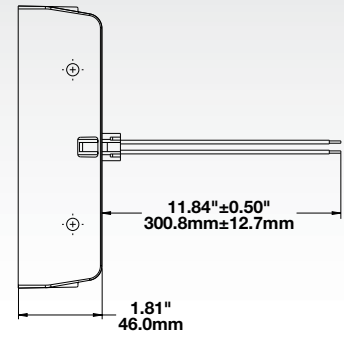
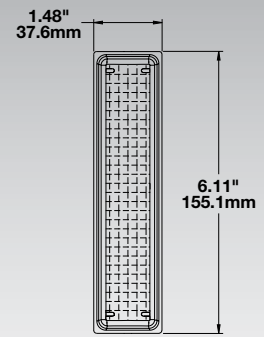
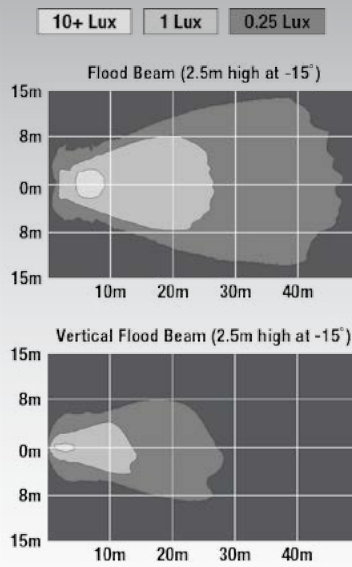
Effective Output: 430 Lumens

Input Voltage: 12V DC

Current Draw: 1.26 Amps @ 12V DC

Mating Connector: 2-Pin Deutsch Weather-Proof Plug (DT06-2S)

Standards: ETL Conformance to UL 583, CE Recognized, UL Recognized, Buy America Compliant, Sealed to IP67



Forward Lighting

Worklights

Emergency & Warning

Interior

Signal Lights

Thermal Imaging

Electronics

Heavy Duty Light Bars

Vehicle Identification

Service Parts

Reference

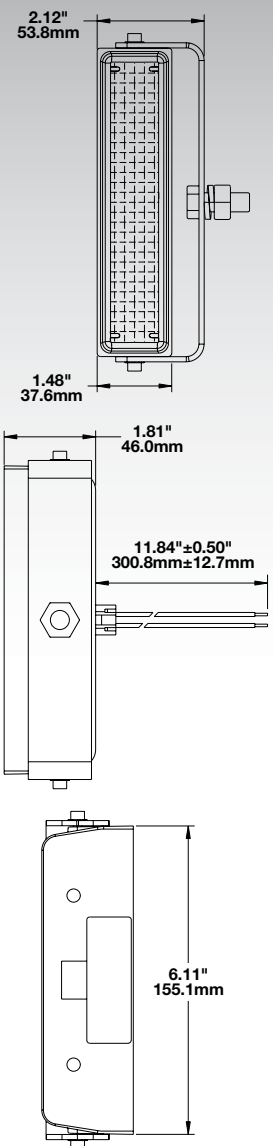
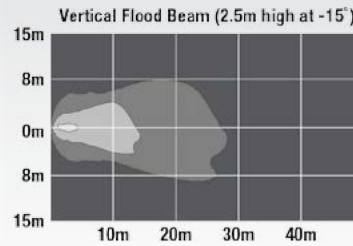
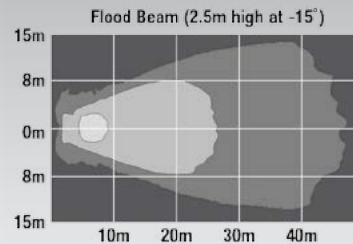
Pattern	Additional Information	Voltage	Lens	Part #
Flood		12V DC	Polycarbonate	0546041

Model 783

2" x 6" LED Mast Light



10+ Lux 1 Lux 0.25 Lux



Light Source: LED

Raw Output: 600 Lumens

Effective Output: 430 Lumens

Input Voltage: 12-48V DC

Current Draw: 1.00 Amps @ 12V DC; 0.55 Amps @ 24V DC; 0.38 Amps @ 36V DC; 0.25 Amps @ 48V DC

Mating Connector: 2-Pin Deutsch Weather-Proof Plug (DT06-2S)

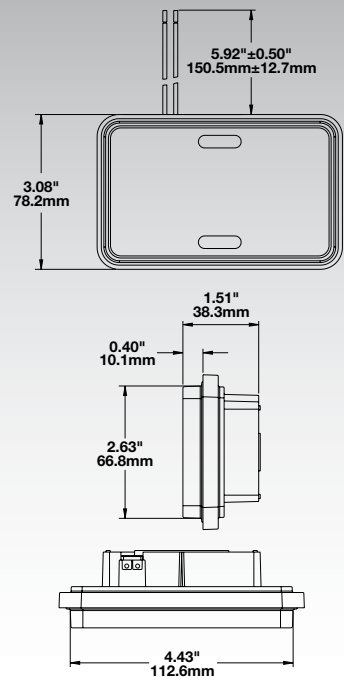
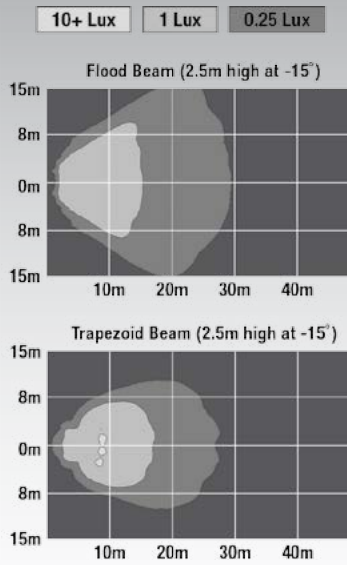
Standards: UL Recognized, SAE J575 (Mast Lights), SAE J1113 (Radiated Emissions), SAE J1455 (Environmental), CE Recognized, ETL Conformance to UL 583, Buy America Compliant, Sealed to IP67

Mounting: Universal pedestal mount

Pattern	Additional Information	Voltage	Lens	Part #
Flood		12-48V DC	Polycarbonate	0544691
Vertical Flood		12-48V DC	Polycarbonate	0544681

Model 803

3" x 5" LED Worklight



- Light Source:** LED

- Raw Output:** 420 Lumens

- Effective Output:** 250 Lumens

- Input Voltage:** 12V or 24-48V DC

- Current Draw:** 0.33 Amps @ 12V DC; 0.14 Amps @ 24V DC; 0.10 Amps @ 36V DC; 0.07 Amps @ 48V DC

- Wiring:** 6" Wires with 0.25" Blade Terminal

- Standards:** UL Recognized (24-48V version only), Buy America Compliant, Sealed to IP67

- Mounting:** Low profile mount

Pattern	Additional Information	Voltage	Lens	Part #
Flood		12V DC	Polycarbonate	0546741
Flood		24-48V DC	Polycarbonate	0546751
Trap		12V DC	Polycarbonate	0548251

Model 806

3" x 5" LED Worklight



Combine Retrofit Mount



Bottom Mount

Light Source: LED

Raw Output: 900 Lumens

Effective Output: 700 Lumens

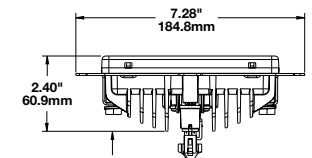
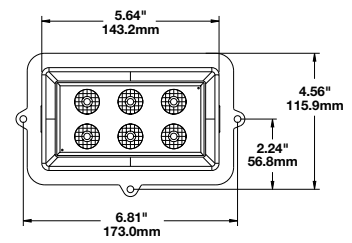
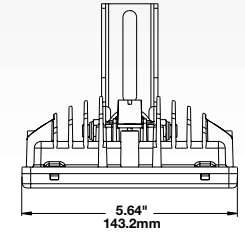
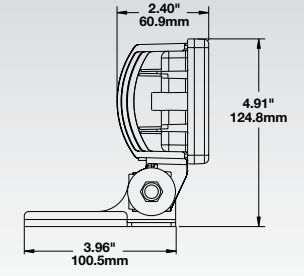
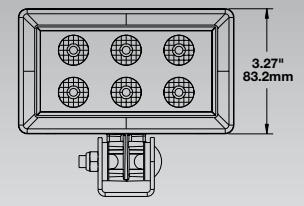
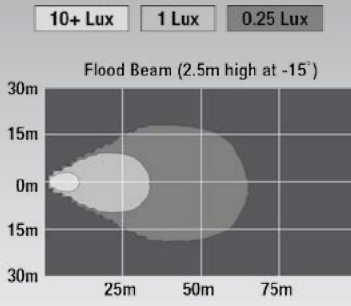
Input Voltage: 12V DC

Current Draw: 1.50 Amps @ 12V DC

Mating Connector: Packard (#12020599)

Standards: SAE J1113 (Radiated Emissions), ECE Reg. 10 (Radiated Emissions), Buy America Compliant, Sealed to IP67

Mounting: See additional information below



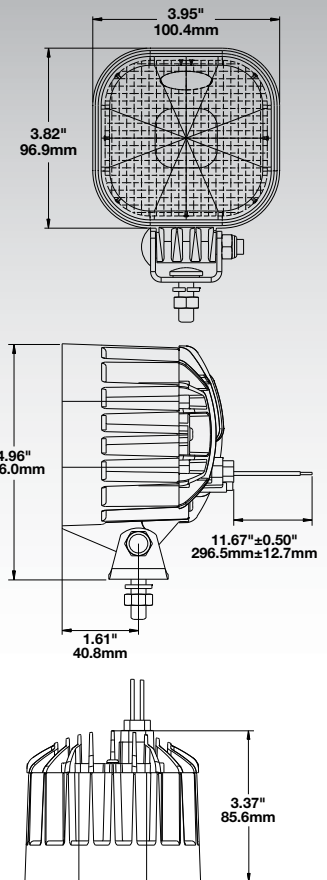
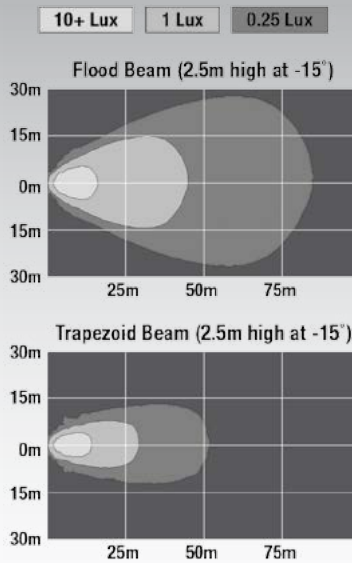
Pattern	Additional Information	Voltage	Lens	Part #
ECE/ SAE Flood	Light w/ Bottom Mount	12V DC	Glass	0545971
ECE/ SAE Flood	Light w/ Combine Retrofit Mount	12V DC	Glass	0547431
ECE/ SAE Flood	Light w/ Fender Mount	12V DC	Glass	0545961
ECE/ SAE Flood	Light w/ 10° Mounting Plate	12V DC	Glass	0548311
ECE/ SAE Flood	Light w/ Side Mount	12V DC	Glass	0545981

Model 832

4" x 4" LED Worklight



- Light Source:** LED
- Raw Output:** 2,400 Lumens
- Effective Output:** 1,425 Lumens
- Input Voltage:** 12-24V DC
- Current Draw:** 2.90 Amps @ 12V DC; 1.36 Amps @ 24V DC
- Mating Connector:** 2-Pin Deutsch Weather-Proof Plug (DT06-2S)
- Standards:** Buy America Compliant, Sealed to IP67
- Mounting:** Universal pedestal mount



Pattern	Additional Information	Voltage	Lens	Part #
Flood		12-24V DC	Polycarbonate	0545631
Trap		12-24V DC	Polycarbonate	0545621

Model 832 XL

4" x 4" LED Worklight



XL
SERIES

- Light Source:** LED

- Raw Output:** 2,400 Lumens

- Effective Output:** 1,425 Lumens

- Input Voltage:** 12-24V DC

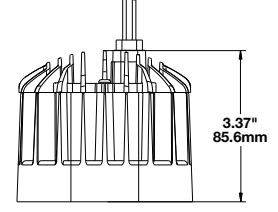
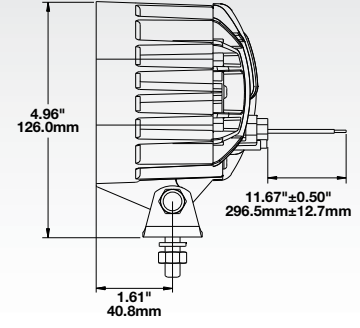
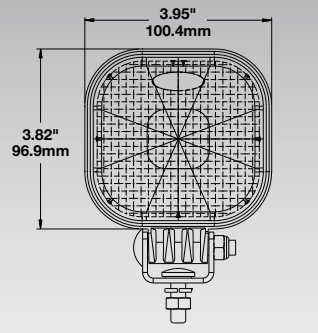
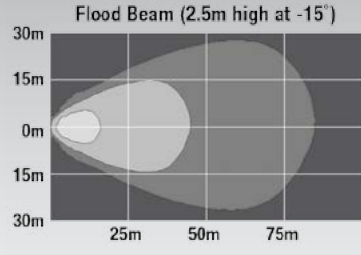
- Current Draw:** 2.90 Amps @ 12V DC; 1.36 Amps @ 24V DC

- Mating Connector:** 2-Pin Deutsch Weather-Proof Plug (DT06-2S)

- Standards:** Buy America Compliant, Sealed to IP69K

- Mounting:** Universal pedestal mount

10+ Lux 1 Lux 0.25 Lux



Pattern	Additional Information	Voltage	Lens	Part #
Flood		12-24V DC	Polycarbonate	0547401
Trap		12-24V DC	Polycarbonate	0547411

Model 840 XD

4" x 4" LED Worklight



XD
SERIES

Light Source: LED

Raw Output: 1,080 Lumens

Effective Output: 780 Lumens

Input Voltage: 12-24V or 12-110V DC

Current Draw:

12-24V Version: 1.30 Amps @ 12V DC; 0.60 Amps @ 24V DC

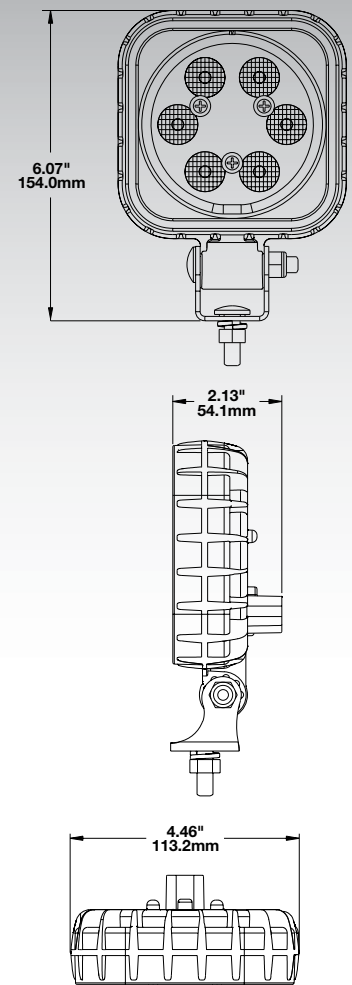
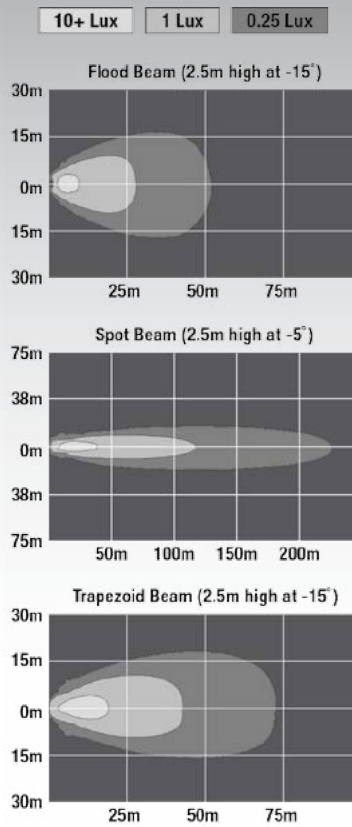
12-110V Version: 1.30 Amps @ 12V DC; 0.60 Amps @ 24V DC;

0.20 Amps @ 110V DC

Mating Connector: 2-Pin Deutsch Weather-Proof Plug (DT06-2S) or .250" x .032" Blade Connector (AMP 180923)

Standards: SAE J1113 (Radiated Emissions - 13 up to 8V contact/15KV air discharge), SAE J1455 (Environmental - 4.13.1.1.1 steady state jump starts), ECE Reg. 10 (Radiated Emissions), CE CISPR (12/22), UL Listed, EN55022, EN12895, Buy America Compliant, Sealed to IP69K

Mounting: Universal pedestal mount



Pattern	Additional Information	Voltage	Lens	Part #
Flood	Integrated 2-Pin Deutsch Connector	12-24V DC	Polycarbonate	1300001
Flood	Integrated 2-Pin Deutsch Connector	12-110V DC	Polycarbonate	1300091
Spot	Integrated 2-Pin Deutsch Connector	12-24V DC	Polycarbonate	1300021
Spot	Integrated 2-Pin Deutsch Connector	12-110V DC	Polycarbonate	1300101
Trap	Integrated 2-Pin Deutsch Connector	12-24V DC	Polycarbonate	1300011
Trap	Integrated 2-Pin Deutsch Connector	12-110V DC	Polycarbonate	1300031
Trap	Integrated AMP Connector	12-110V DC	Polycarbonate	1300041
	Replacement Mounting Kit – Black			8200121
	Replacement Mounting Kit – Stainless Steel			8200101

Model 840 XD Vertical Flood

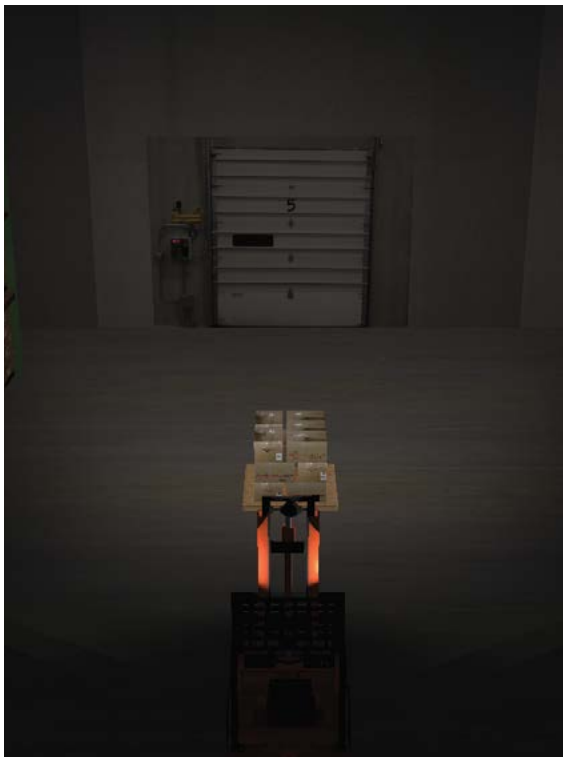
4" x 4" LED Forklift Worklight



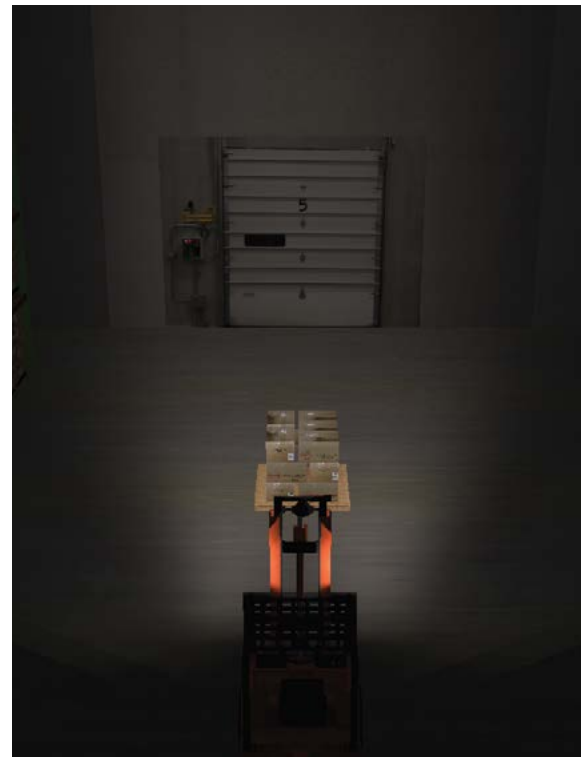
Some forklift operators have found that mounting general purpose worklights to their forklifts causes light to reflect off of the forks and/or uprights, creating glare. We have created the Model 840 XD vertical flood light to specifically address this issue, without sacrificing on workspace illumination.

There are two versions of the vertical flood beam pattern, a right-hand version, and a left-hand version. Their beam patterns have been specifically engineered to be used in conjunction with one another to provide ample illumination while at the same time minimizing glare to the uprights.

Traditional Flood Lights



Model 840 Vertical Flood Lights



Model 840 XD Vertical Flood

4" x 4" LED Forklift Worklight



XD
SERIES

Light Source: LED

Raw Output: 1,080 Lumens

Effective Output: 780 Lumens

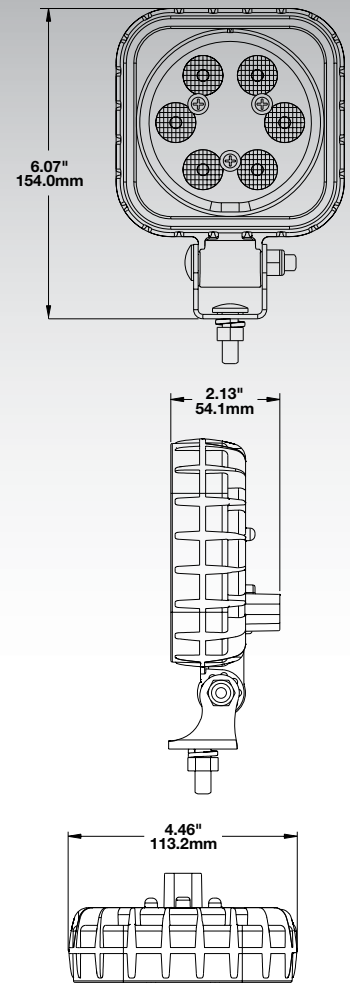
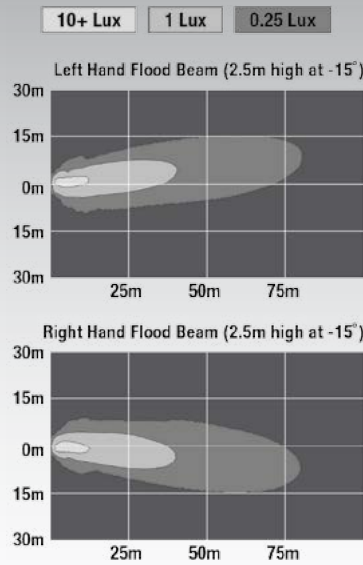
Input Voltage: 12-48V DC

Current Draw: 1.30 Amps @ 12V DC; 0.60 Amps @ 24V DC;
0.40 Amps @ 36V DC; 0.30 Amps @ 48V DC

Mating Connector: 2-Pin Deutsch Weather-Proof Plug (DT06-2S)

Standards: SAE J1113 (Radiated Emissions - 13 up to 8V contact/15KV air discharge), SAE J1455 (Environmental - 4.13.1.1.1 steady state jump starts), ECE Reg. 10 (Radiated Emissions), CE CISPR (12/22), UL Listed, EN55022, EN12895, Buy America Compliant, Sealed to IP69K

Mounting: Universal pedestal mount



Pattern	Additional Information	Voltage	Lens	Part #
Left Hand Vertical Flood		12-48V DC	Polycarbonate	1300301
Right Hand Vertical Flood		12-48V DC	Polycarbonate	1300311
	Replacement Mounting Kit – Black			8200121
	Replacement Mounting Kit – Stainless Steel			8200101

Forward Lighting

Worklights

Emergency & Warning

Interior

Signal Lights

Thermal Imaging

Electronics

Heavy Duty Light Bars

Vehicle Identification

Service Parts

Reference

Model 880 XD

3" x 5" LED Worklight



XD
SERIES

Light Source: LED

Raw Output: 1,680 Lumens

Effective Output: 900 Lumens

Input Voltage: 12-24V DC

Current Draw:

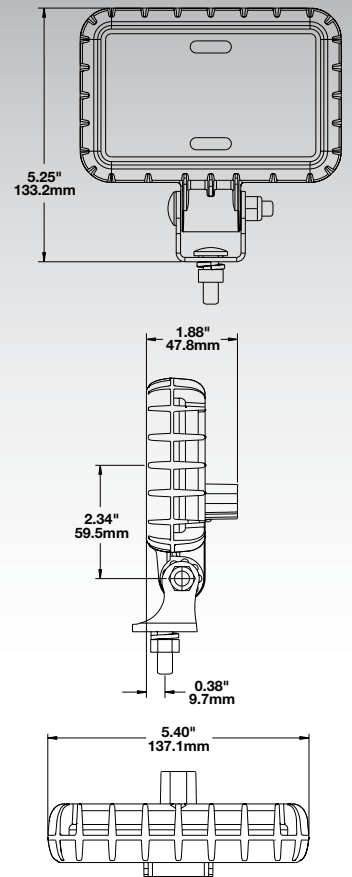
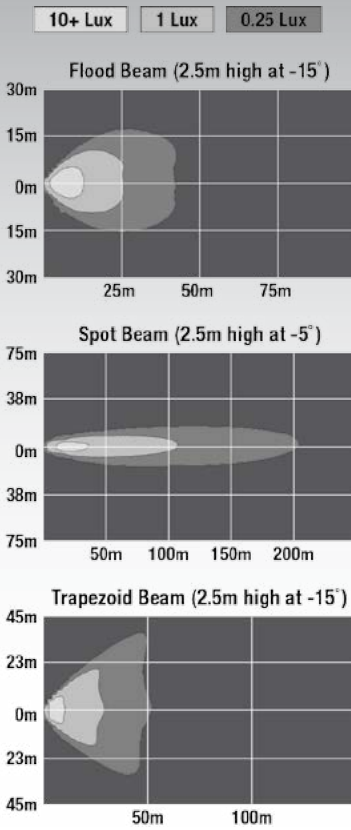
Non-Switch Version: 1.30 Amps @ 12V DC;
0.70 Amps @ 24V DC

On/Off Switch Version: 1.20 Amps @ 12V DC;
0.60 Amps @ 24V DC

Mating Connector: 2-Pin Deutsch Weather-Proof Plug (DT06-2S)

Standards: SAE J1113 (Radiated Emissions), SAE J1455 (Environmental), ECE Reg. 10 (Radiated Emissions), CE CISPR, UL Listed (Except Switch Version), Buy America Compliant, Sealed to IP69K

Mounting: Universal pedestal mount



Pattern	Additional Information	Voltage	Lens	Part #
Flood	On/Off Switch Version	12-24V DC	Polycarbonate	1603331
Flood	Non-Switch Version	12-24V DC	Polycarbonate	1603261
Spot	On/Off Switch Version	12-24V DC	Polycarbonate	1603311
Spot	Non-Switch Version	12-24V DC	Polycarbonate	1603241
Trap	On/Off Switch Version	12-24V DC	Polycarbonate	1603321
Trap	Non-Switch Version	12-24V DC	Polycarbonate	1603251
	Replacement Mounting Kit – Black			8200121
	Replacement Mounting Kit – Stainless Steel			8200101

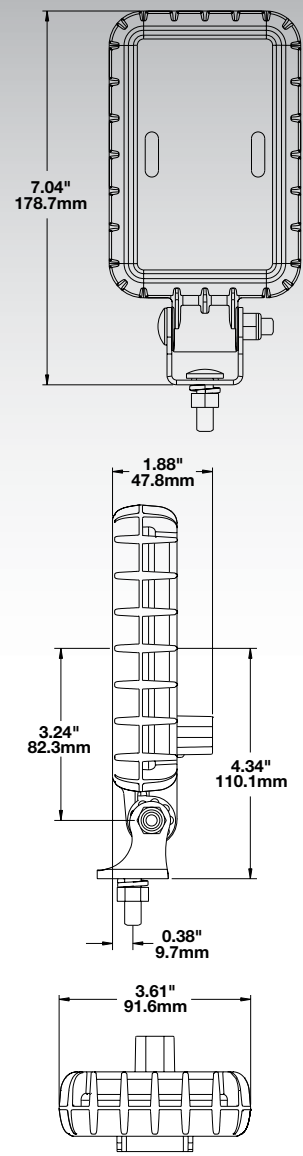
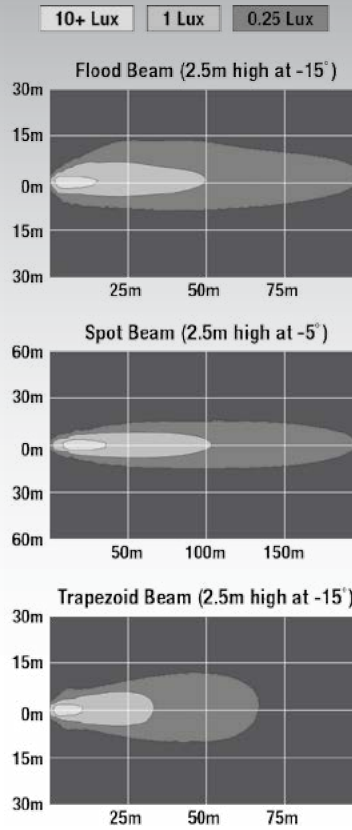
Model 881 XD

3" x 5" LED Worklight



XD
SERIES

- Light Source:** LED
- Raw Output:** 1,680 Lumens
- Effective Output:** 900 Lumens
- Input Voltage:** 12-24V DC
- Current Draw:** 1.00 Amps @ 12V DC; 0.48 Amps @ 24V DC
- Mating Connector:** 2-Pin Deutsch Weather-Proof Plug (DT06-2S)
- Standards:** : SAE J1113 (Radiated Emissions), SAE J1455 (Environmental), ECE Reg. 10 (Radiated Emissions), CE CISPR, UL Listed, Buy America Compliant, Sealed to IP69K
- Mounting:** Universal pedestal mount



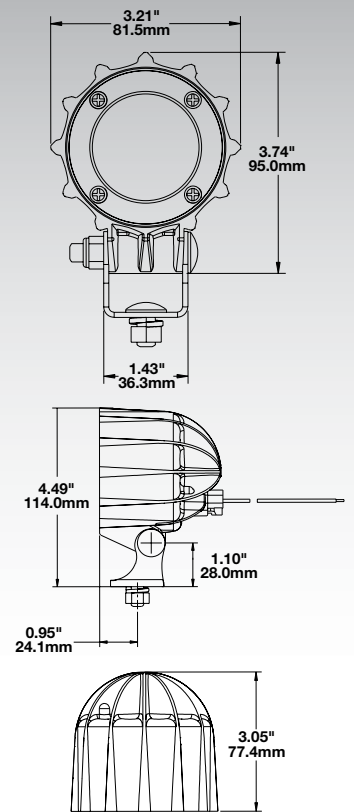
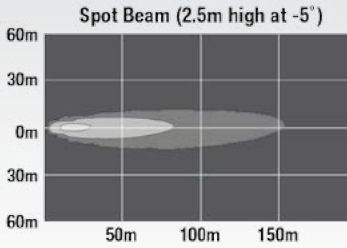
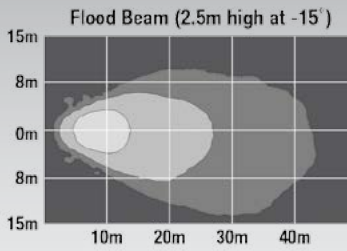
Pattern	Additional Information	Voltage	Lens	Part #
Flood		12-24V DC	Polycarbonate	1603291
Spot		12-24V DC	Polycarbonate	1603271
Trap		12-24V DC	Polycarbonate	1603281
	Replacement Mounting Kit – Black			8200121
	Replacement Mounting Kit – Stainless Steel			8200101

Model 4410

3" LED Worklight



10+ Lux 1 Lux 0.25 Lux



- Light Source:** LED

- Raw Output:** 1,100 Lumens

- Effective Output:** 525 Lumens

- Input Voltage:** 12-48V DC

- Current Draw:** 1.00 Amps @ 12V DC; 0.50 Amps @ 24V DC; 0.33 Amps @ 36V DC; 0.25 Amps @ 48V DC

- Mating Connector:** 2-Pin Deutsch Weather-Proof Plug (DT06-2S)

- Standards:** Buy America Compliant, Sealed to IP67

- Mounting:** Universal pedestal mount

Pattern	Additional Information	Voltage	Lens	Part #
Flood		12-48V DC	Polycarbonate	0545931
Spot		12-48V DC	Polycarbonate	0547681
	Replacement Mounting Kit – Black			8200121
	Replacement Mounting Kit – Stainless Steel			8200101

Model 4410 XL

3" LED Worklight



Light Source: LED

Raw Output: 1,100 Lumens

Effective Output: 525 Lumens

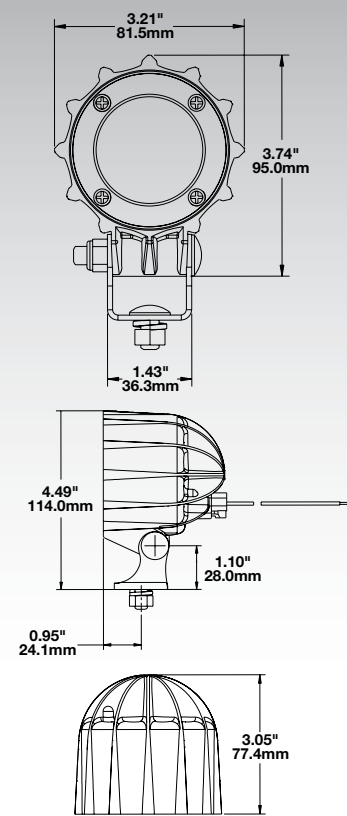
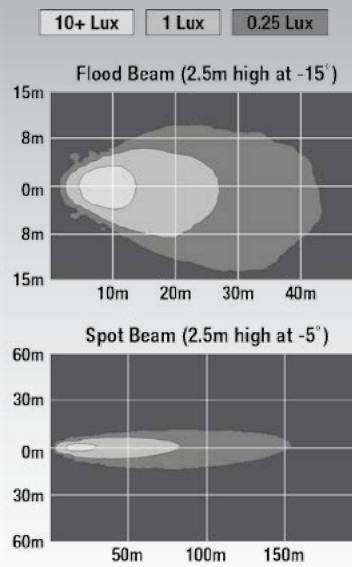
Input Voltage: 12-48V DC

Current Draw: 1.00 Amps @ 12V DC; 0.50 Amps @ 24V DC;
0.33 Amps @ 36V DC; 0.25 Amps @ 48V DC

Mating Connector: 2-Pin Deutsch Weather-Proof Plug (DT06-2S)

Standards: Buy America Compliant, Sealed to IP69K

Mounting: Universal pedestal mount



Pattern	Additional Information	Voltage	Lens	Part #
Flood		12-48V DC	Polycarbonate	0548291
Spot		12-48V DC	Polycarbonate	0548281
	Replacement Mounting Kit – Black			8200121
	Replacement Mounting Kit – Stainless Steel			8200101

Forward Lighting

Worklights

Emergency & Warning

Interior

Signal Lights

Thermal Imaging

Electronics

Heavy Duty Light Bars

Vehicle Identification

Service Parts

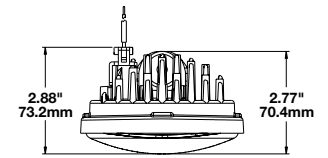
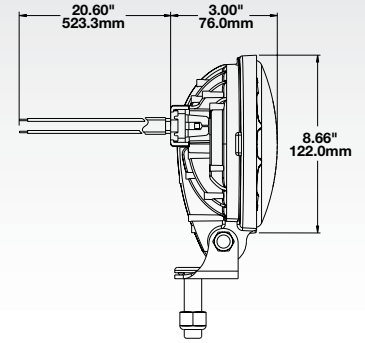
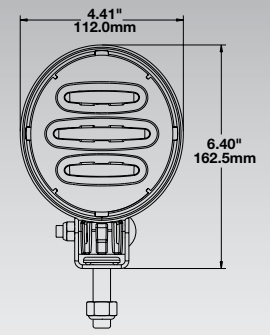
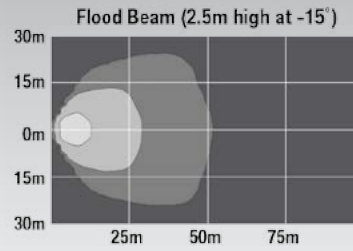
Reference

Model 6020

4" x 5" LED Worklight



10+ Lux 1 Lux 0.25 Lux



- Light Source:** LED

- Raw Output:** 1,800 Lumens

- Effective Output:** 1,010 Lumens

- Input Voltage:** 12V DC

- Current Draw:** 2.33 Amps @ 12V DC

- Mating Connector:** Packard (#12059183)

- Standards:** : ECE Reg. 10 (Radiated Emissions), Buy America Compliant, Sealed to IP67

- Mounting:** Universal pedestal mount

Pattern	Additional Information	Voltage	Lens	Part #
Flood		12V DC	Polycarbonate	1000011

Model 6040

4.5" (PAR36) LED Worklight



Light Source: LED

Raw Output: 1,050 Lumens

Effective Output: 770 Lumens

Input Voltage: 12V or 12-48V DC

Current Draw:

12V DC Version: 2.00 Max Amps @ 12V DC

12-48V DC Version: 2.00 Amps @ 12V DC;

0.50 Amps @ 24V DC; 0.33 Amps @ 36V DC;

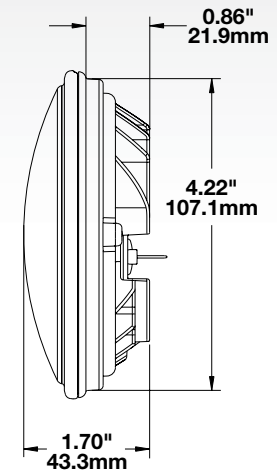
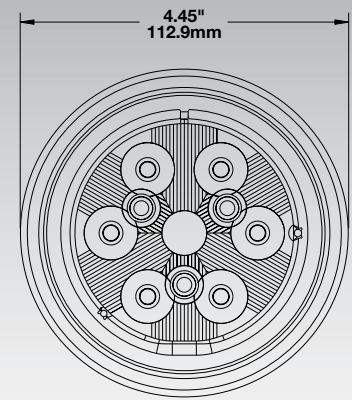
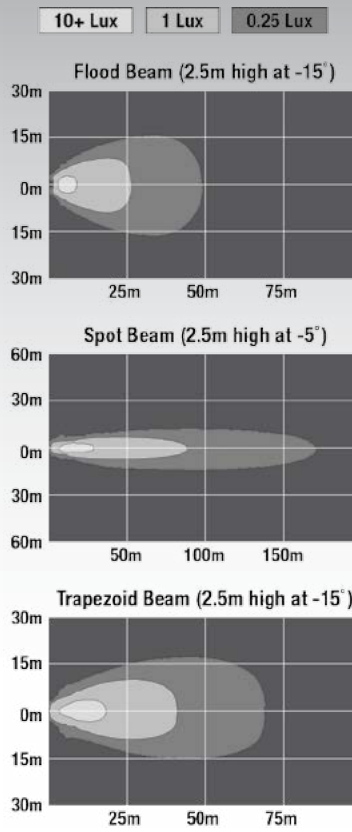
0.26 Amps @ 48V DC

Mating Connector: 0.25" Blade Terminal, #6 Ring Terminal, or #8 Ring Terminal

Standards: Buy America Compliant, Sealed to IP66

Mounting: Replaces PAR36 Sealed Beams

Special Notes: Light comes configured with 0.25" blade terminal. #6 and #8 ring terminal adaptors included.



Pattern	Additional Information	Voltage	Lens	Part #
Flood		12V DC	Glass	3157291
Flood		12V DC	Polycarbonate	8000111
Flood		12-48V DC	Glass	3157601
Flood		12-48V DC	Polycarbonate	3157471
Spot		12V DC	Polycarbonate	8000281
Spot		12-48V DC	Glass	3157581
Spot		12-48V DC	Polycarbonate	3157491
Trap		12V DC	Glass	3157301
Trap		12V DC	Polycarbonate	8000121
Trap		12-48V DC	Glass	3157591
Trap		12-48V DC	Polycarbonate	3157481

Forward Lighting

Worklights

Emergency & Warning

Interior

Signal Lights

Thermal Imaging

Electronics

Heavy Duty Light Bars

Vehicle Identification

Service Parts

Reference

Model 7150

5" x 7" LED Worklight



Light Source: LED

Raw Output: 5,200 Lumens

Effective Output: 3,300 Lumens

Input Voltage: 12-24V DC

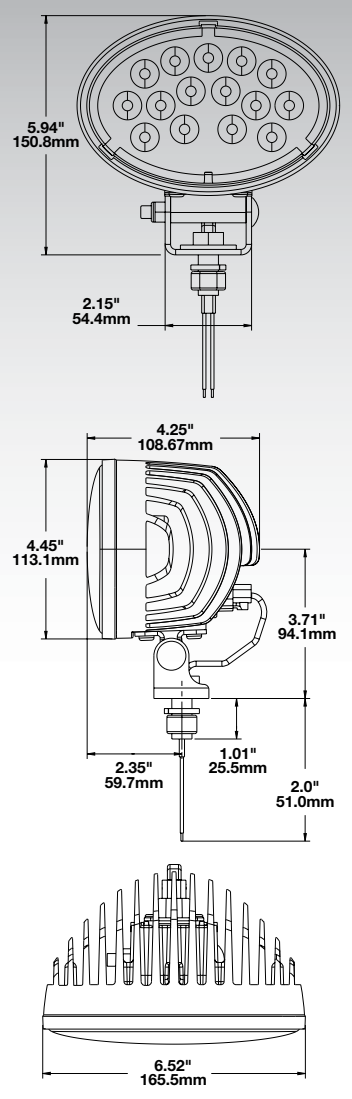
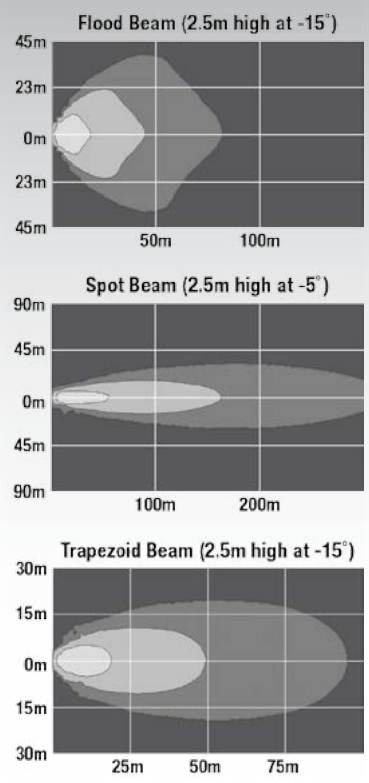
Current Draw: 6.50 Amps @ 12V DC; 3.50 Amps @ 24V DC

Mating Connector: 2-Pin Deutsch Weather-Proof Plug (DT06-2S)

Standards: SAE J575 (Worklights), SAE J1113 (Radiated Emissions), SAE J1455 (Environmental), Buy America Compliant, Sealed to IP67

Mounting: Universal pedestal mount

10+ Lux 1 Lux 0.25 Lux



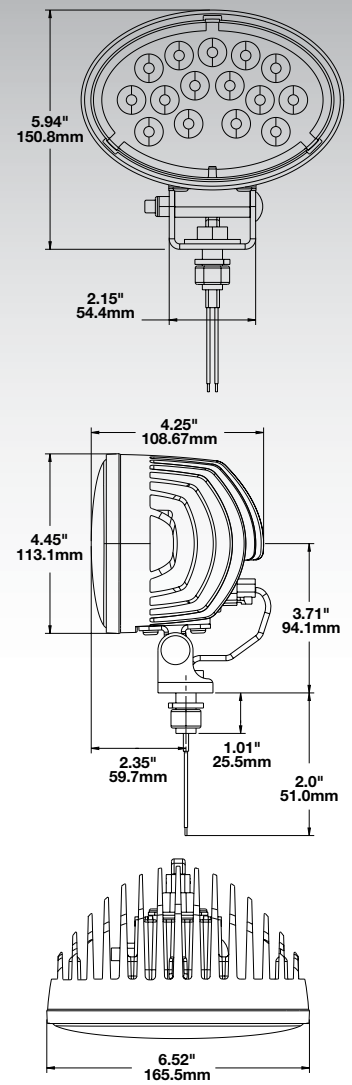
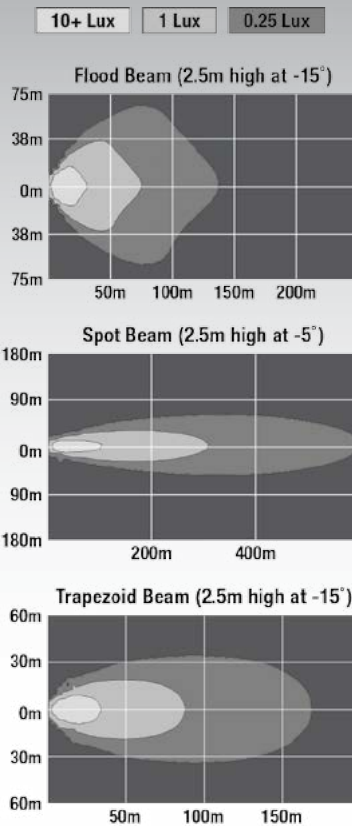
Pattern	Additional Information	Voltage	Lens	Part #
Flood		12-24V DC	Clear Polycarbonate	1801001
Spot		12-24V DC	Clear Polycarbonate	1801151
Trap		12-24V DC	Clear Polycarbonate	1800991
Trap		12-24V DC	Amber Polycarbonate	1801061

Model 7150 XL

5" x 7" LED Worklight



- Light Source:** LED
- Raw Output:** 8,600 Lumens
- Effective Output:** 5,400 Lumens
- Input Voltage:** 12-24V DC
- Current Draw:** 6.50 Amps @ 12V DC; 3.50 Amps @ 24V DC
- Mating Connector:** 2-Pin Deutsch Weather-Proof Plug (DT06-2S)
- Standards:** SAE J575 (Worklights), SAE J1113 (Radiated Emissions), SAE J1455 (Environmental), Buy America Compliant, Sealed to IP69K
- Mounting:** Universal pedestal mount



Pattern	Additional Information	Voltage	Lens	Part #
Flood		12-24V DC	Polycarbonate	1801341
Spot		12-24V DC	Polycarbonate	1801351
Trap		12-24V DC	Polycarbonate	1801331

Forward Lighting
 Worklights
 Emergency & Warning
 Interior
 Signal Lights
 Thermal Imaging
 Electronics
 Heavy Duty Light Bars
 Vehicle Identification
 Service Parts
 Reference

Model 7151

5" x 7" LED Worklight



Light Source: LED

Raw Output: 4,500 Lumens

Effective Output: 3,000 Lumens

Input Voltage: 12-24V DC

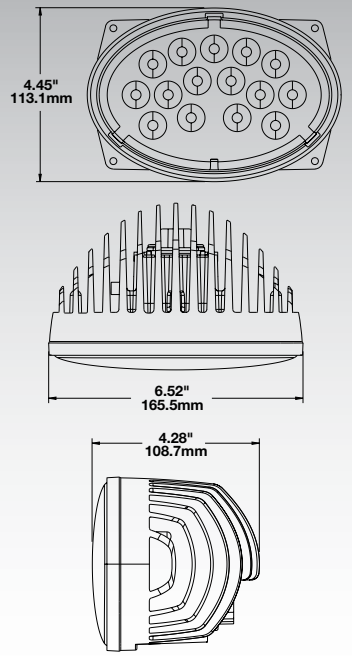
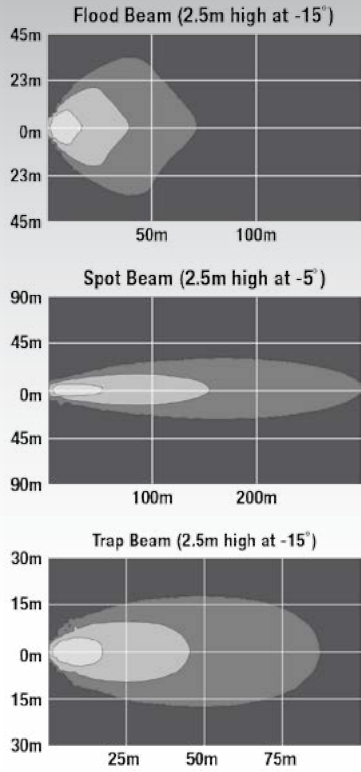
Current Draw: 6.50 Amps @ 12V DC; 3.00 Amps @ 24V DC

Mating Connector: 2-Pin Deutsch Weather-Proof Plug (DT06-2S)

Standards: SAE J1455 (Environmental), ECE Reg. 10 (Radiated Emissions), Buy America Compliant, Sealed to IP67

Mounting: Universal pedestal mount

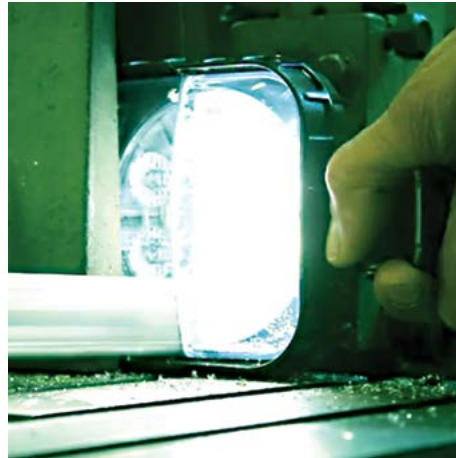
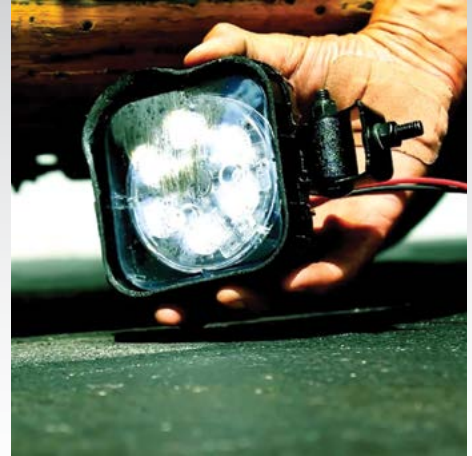
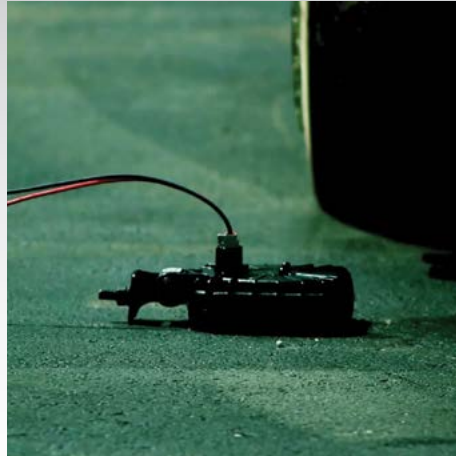
10+ Lux 1 Lux 0.25 Lux



Pattern	Additional Information	Voltage	Lens	Part #
Flood		12-24V DC	Glass	1801411
Trap		12-24V DC	Glass	1801401

Torture Tested

XD Series LED Worklights



XD

SERIES

Forward Lighting

Worklights

Emergency & Warning

Interior

Signal Lights

Thermal Imaging

Electronics

Heavy Duty Light Bars

Vehicle Identification

Service Parts

Reference

Model 8475

LED Handheld Worklight



The incredibly durable Model 8475 takes the power of a J.W. Speaker worklight and puts it in the palm of your hand—allowing you to light up places that other worklights cannot reach. Powered by an internal, rechargeable battery that can be charged almost anywhere, the Model 8475 LED handheld worklight will give you 6+ hours of continuous light on a single charge. An indicator light on the handle tells you when the battery is low, plugged in and charging, or fully charged.

Available in either a flood or spot beam pattern configuration, the Model 8475 uses state-of-the-art LEDs to produce 1,050 Raw (700 Effective) Lumens of bright, white light. Thanks to an impact-resistant nylon housing and a UV-resistant polycarbonate lens, the Model 8475 can withstand being dropped, and won't rust or corrode over time. Over/undervoltage protection safeguards and extends the life of the internal battery, and integrated thermal protection prevents the light from overheating. Inside and out, the Model 8475 will stand up to rough use that no flashlight or bulb-based worklight could ever survive!

The Model 8475 comes complete with a 12V DC vehicle charging cord, 120V AC wall charging unit, and a durable carrying case which easily holds the light and both charging options. Altogether, the Model 8475 makes it easier than ever to get light exactly where you need it.

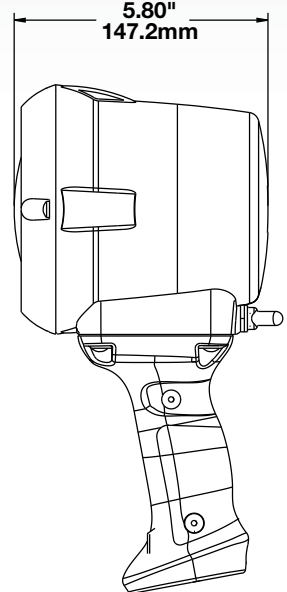
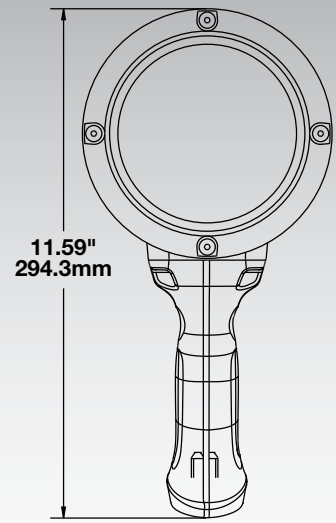
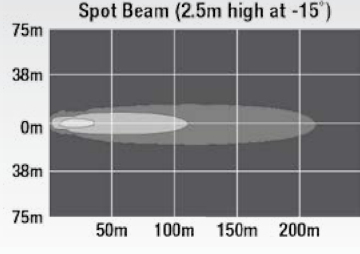
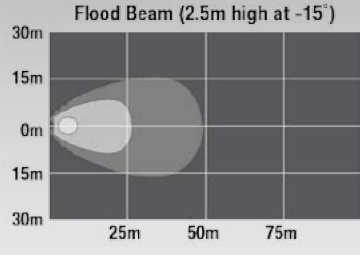


Model 8475

LED Handheld Worklight



10+ Lux 1 Lux 0.25 Lux



- Light Source:** LED

- Raw Output:** 1,050 Lumens

- Effective Output:** 770 Lumens

- Battery Life:** 6+ hours at full charge

- Charging Time:** 6 hours with wall charger; 8 hours with vehicle charger

- Weight:** 3.10 lbs

- Standards:** Buy America Compliant

- Special Note:** Includes 100-240V AC wall charger, 6' vehicle charging cord (12V DC), and protective carrying case. The worklight is covered with the Lifetime Limited Warranty. The battery pack is covered with a 1-year limited warranty.

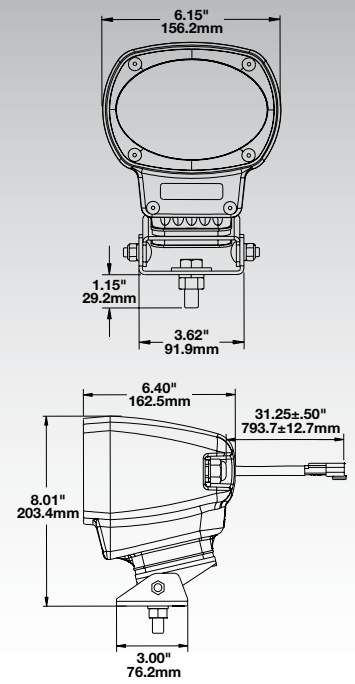
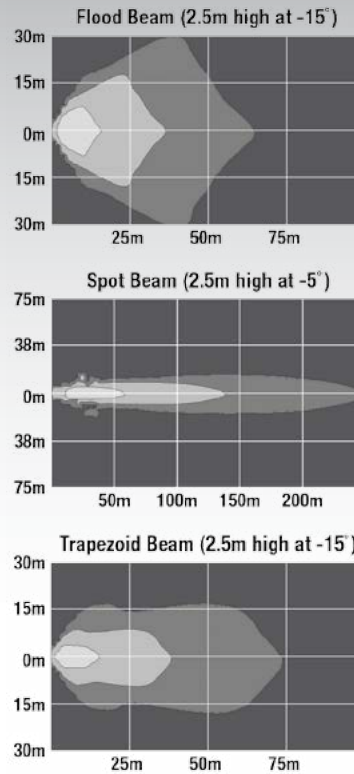
Pattern	Additional Information	Voltage	Lens	Part #
Flood		12V DC	Polycarbonate	0548561
Spot		12V DC	Polycarbonate	0548551
	Replacement 6' Vehicle Charging Cord	12V DC		3267220

Models 9710 & 9720

4" x 6" HID Worklight



10+ Lux 1 Lux 0.25 Lux



- Light Source:** HID
- Raw Output:** 3,300 Lumens
- Effective Output:** 2,400 Lumens
- Input Voltage:** 12V or 24V DC
- Current Draw:** 3.18 Amps @ 12V DC; 1.59 Amps @ 24V DC
- Mating Connector:** 2-Pin Deutsch Weather-Proof Plug (DT06-2S)
- Standards:** Buy America Compliant, Sealed to IP68
- Mounting:** Universal pedestal mount

Pattern	Additional Information	Voltage	Lens	Part #
Flood	Model 9710	12V DC	Glass	1703121
Flood	Model 9720	24V DC	Glass	1703151
Spot	Model 9710	12V DC	Glass	1703141
Spot	Model 9720	24V DC	Glass	1703161
Trap	Model 9710	12V DC	Glass	1703131
Trap	Model 9720	24V DC	Glass	1703171
	Model 9710/9720 Flood Lens Reflector Assembly			3155021
	Model 9710/9720 Spot Lens Reflector Assembly			3155031
	Model 9710/9720 Trap Lens Reflector Assembly			3155041

Check Out Our Online Spec Sheets

While many customers utilize our print catalog as a resource for product information, we highly recommend that you also take advantage of the information available on our website. Our website features detailed product specification sheets which are more in-depth than the information you'll find in our printed catalog.

The Anatomy of a J.W. Speaker Spec Sheet

Model Information

Product Image

Dimension Drawing

Standards Compliance

Additional Information

Model 7150
 5" x 7" Oval LED Worklight

Product List	<table border="0" style="width: 100%;"> <tr> <td style="width: 30%;">Model Number</td> <td>Description</td> </tr> <tr> <td>7150-12V</td> <td>12V LED Worklight</td> </tr> <tr> <td>7150-24V</td> <td>24V LED Worklight</td> </tr> </table>	Model Number	Description	7150-12V	12V LED Worklight	7150-24V	24V LED Worklight								
Model Number	Description														
7150-12V	12V LED Worklight														
7150-24V	24V LED Worklight														
Features & Benefits	<ul style="list-style-type: none"> • 4,500 Raw Lumens; 3,000 Effective Lumens • Available in 12V DC or 24V DC configurations • Flood, Spot & Trapezoidal beam patterns available • Your choice of durable glass or polycarbonate (amber or clear) lens options • Rugged solid state LEDs can withstand shock & vibration • Long-lasting LEDs mean never having to replace another bulb again! • Die-cast magnesium housing provides maximum protection • Universal pedestal mount • Available in a Combine Retrofit Kit (see online Photo Gallery) • Overvoltage Protection: 150V peak for 400ms duration; 5 pulses at a 10s interval • "XL" version for extreme industrial conditions also available 														
General Specifications	<table border="0" style="width: 100%;"> <tr> <td style="width: 50%;">Lens Pattern :</td> <td>Flood, Spot, or Trapezoidal</td> </tr> <tr> <td>Lens Material :</td> <td>Glass or Polycarbonate</td> </tr> <tr> <td>Housing Material :</td> <td>Die-Cast Magnesium</td> </tr> <tr> <td>Mounting Hardware:</td> <td>(x1) 1/2" Mounting Bolt</td> </tr> <tr> <td>Mounting :</td> <td>Universal Pedestal Mount</td> </tr> <tr> <td>Connector:</td> <td>Integrated 2-Pin Deutsch Weather-Proof Socket (DT04-2P)</td> </tr> <tr> <td>Mating Connector:</td> <td>2-Pin Deutsch Weather-Proof Plug (DT06-2S)</td> </tr> </table>	Lens Pattern :	Flood, Spot, or Trapezoidal	Lens Material :	Glass or Polycarbonate	Housing Material :	Die-Cast Magnesium	Mounting Hardware:	(x1) 1/2" Mounting Bolt	Mounting :	Universal Pedestal Mount	Connector:	Integrated 2-Pin Deutsch Weather-Proof Socket (DT04-2P)	Mating Connector:	2-Pin Deutsch Weather-Proof Plug (DT06-2S)
Lens Pattern :	Flood, Spot, or Trapezoidal														
Lens Material :	Glass or Polycarbonate														
Housing Material :	Die-Cast Magnesium														
Mounting Hardware:	(x1) 1/2" Mounting Bolt														
Mounting :	Universal Pedestal Mount														
Connector:	Integrated 2-Pin Deutsch Weather-Proof Socket (DT04-2P)														
Mating Connector:	2-Pin Deutsch Weather-Proof Plug (DT06-2S)														
Technical Specifications	<table border="0" style="width: 100%;"> <tr> <td style="width: 50%;">12V Version</td> <td>24V Version</td> </tr> <tr> <td>12V DC Input</td> <td>24V DC Input</td> </tr> <tr> <td>8-16V DC Operating Voltage</td> <td>20-32V DC Operating Voltage</td> </tr> <tr> <td>6.50 Amps @ 12V DC</td> <td>3.00 Amps @ 24V DC</td> </tr> <tr> <td>Raw Lumen Output: 4,500</td> <td>Raw Lumen Output: 4,500</td> </tr> <tr> <td>Effective Lumen Output: 3,000</td> <td>Effective Lumen Output: 3,000</td> </tr> </table>	12V Version	24V Version	12V DC Input	24V DC Input	8-16V DC Operating Voltage	20-32V DC Operating Voltage	6.50 Amps @ 12V DC	3.00 Amps @ 24V DC	Raw Lumen Output: 4,500	Raw Lumen Output: 4,500	Effective Lumen Output: 3,000	Effective Lumen Output: 3,000		
12V Version	24V Version														
12V DC Input	24V DC Input														
8-16V DC Operating Voltage	20-32V DC Operating Voltage														
6.50 Amps @ 12V DC	3.00 Amps @ 24V DC														
Raw Lumen Output: 4,500	Raw Lumen Output: 4,500														
Effective Lumen Output: 3,000	Effective Lumen Output: 3,000														
Standards Compliance	<table border="0" style="width: 100%;"> <tr> <td style="width: 50%;">Buy America Compliant</td> <td>SAE J575</td> </tr> <tr> <td>SAE J1113</td> <td>SAE J1455</td> </tr> <tr> <td>Sealed to IP67</td> <td></td> </tr> </table>	Buy America Compliant	SAE J575	SAE J1113	SAE J1455	Sealed to IP67									
Buy America Compliant	SAE J575														
SAE J1113	SAE J1455														
Sealed to IP67															
Applications	<table border="0" style="width: 100%;"> <tr> <td style="width: 33%;">Agricultural</td> <td style="width: 33%;">Construction</td> <td style="width: 33%;">Fire & Rescue</td> </tr> <tr> <td>Forestry</td> <td>Industrial</td> <td>Lawn & Garden</td> </tr> <tr> <td>Military</td> <td>Mining</td> <td>Off-Highway</td> </tr> <tr> <td>Recreational</td> <td>Specialty Trucks</td> <td>Utility</td> </tr> </table>	Agricultural	Construction	Fire & Rescue	Forestry	Industrial	Lawn & Garden	Military	Mining	Off-Highway	Recreational	Specialty Trucks	Utility		
Agricultural	Construction	Fire & Rescue													
Forestry	Industrial	Lawn & Garden													
Military	Mining	Off-Highway													
Recreational	Specialty Trucks	Utility													
Additional Info	<p>Wires: Red-Positive, Black-Negative</p> <p>Transient Spike Protection: 150V Peak @ 1 HZ-100 Pulses</p>														

Dimensions in inches (mm in parentheses).
Dimensions are for reference only.

Product Configurations

Features & Benefits

General Specifications

Technical Specifications

Application Recommendations

Emergency & Warning

Flashing Lights



Model 146
Page 92



Model 541
Page 99

Strobe Lights



Model 284
Page 93



Models 400/401
Page 94



Model 404
Page 95



Model 405
Page 96



Models 538/539
Page 98



Model 601
Page 100



Model 601 XL
Page 101

Spot Lights



Model 527 RED
Page 97



Models 770 BLU/RED
Page 102

Why Buy J.W. Speaker Emergency and Warning Lights?

Safety First

J.W. Speaker Corporation understands that safety is always the #1 priority, and visibility is a huge part of workplace safety. Using the latest in LED technology, we're able to help prevent accidents by increasing visibility in the workplace. For example, a fast-approaching forklift from around an otherwise blind corner doesn't have to result in an injury thanks to products like our new Model 770 BLU or Model 770 RED, which project a bright blue or red dot on the ground in front of the forklift to warn pedestrians of an incoming forklift. Other products like our flashing, strobe, and rotating warning lights increase visibility and help to create a safer work environment.

Designed to Last

We recognize that emergency and warning lights need to be reliable, which is why we design ours to function in even the most adverse conditions. We select only the highest quality materials for our lenses and housings because we understand that their lifespan and dependability directly translate to a safer work environment for you. You can trust J.W. Speaker emergency and warning lights to be up to the task.

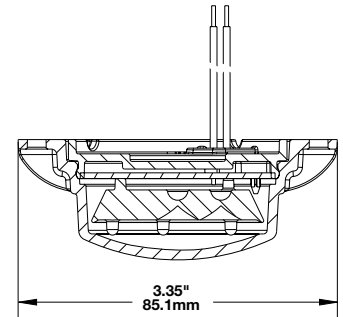
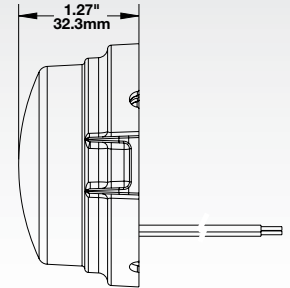
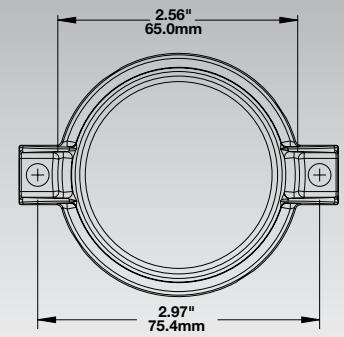
Lifetime Limited Warranty

All of our LED emergency and warning lights are covered by a Lifetime Limited Warranty against defects in materials, components, and workmanship. To learn more about the Lifetime Limited Warranty, see page 158.



Model 146

3" LED Flashing Warning Light



Light Source: LED

Input Voltage: 12-48V DC

Current Draw: 0.07 - 0.10 Amps @ 12V DC;
 0.03 - 0.05 Amps @ 24V DC; 0.02 - 0.03 Amps @ 36V DC;
 0.01 - 0.03 Amps @ 48V DC

Standards: UL 583, Buy America Compliant, Sealed to IP67

Mounting: Low profile mount

Function	Additional Information	Voltage	Lens	Part #
Flasher		12-48V DC	Amber Polycarbonate	0646321

Model 284

2" x 9" Low Profile LED Strobe Light



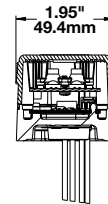
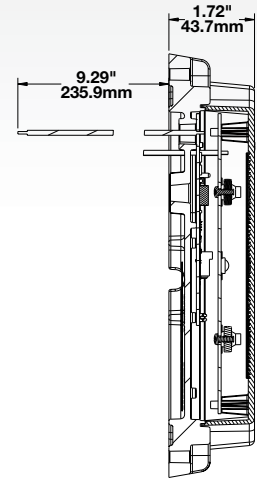
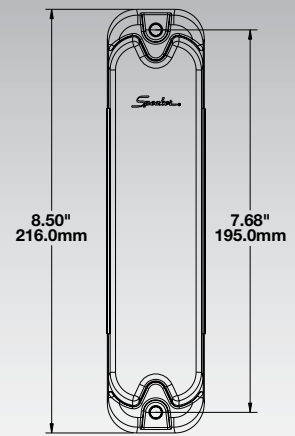
Light Source: LED

Input Voltage: 12-48V DC

Current Draw: 0.50 Amps @ 12V DC; 0.25 Amps @ 24V DC;
0.18 Amps @ 36V DC; 0.13 Amps @ 48V DC

Standards: SAE J845 (Warning-Class 3), UL Recognized,
Buy America Compliant, Sealed to IP67

Mounting: Low profile mount



Forward
Lighting

Worklights

Emergency
& Warning

Interior

Signal Lights

Thermal
Imaging

Electronics

Heavy Duty
Light Bars

Vehicle
Identification

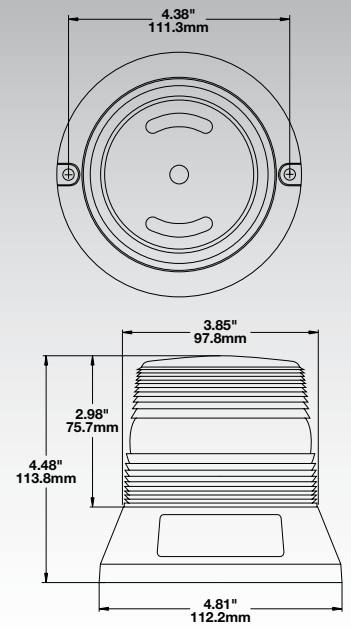
Service
Parts

Reference

Function	Additional Information	Voltage	Lens	Part #
SAE Strobe	Amber Light	12-48V DC	Clear Acrylic	0645661
SAE Strobe	Blue Light	12-48V DC	Clear Acrylic	0645761
SAE Strobe	Red Light	12-48V DC	Clear Acrylic	0645751

Models 400 & 401

5" Strobe Light



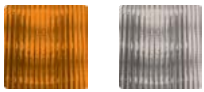
Light Source: Flash Tube

Input Voltage: 12-80V DC

Current Draw: 0.15 Amps @ 80V DC

Standards: CE Recognized, UL Recognized, Buy America Compliant

Mounting: Universal or magnetic mount

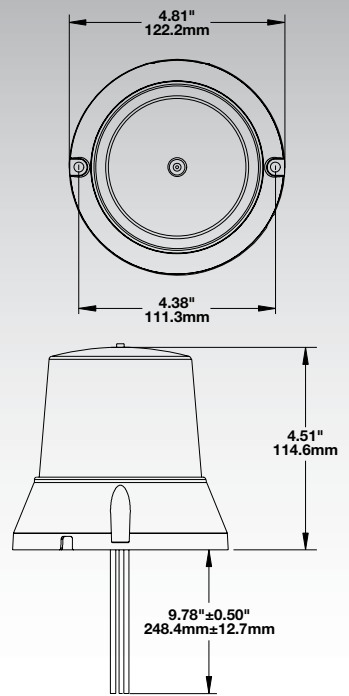


Available in Amber or Clear Lens

Function	Additional Information	Voltage	Lens	Part #
Strobe	Model 400 w/ Universal Mount	12-80V DC	Amber Polycarbonate	0644051
Strobe	Model 400 w/ Universal Mount	12-80V DC	Clear Polycarbonate	0644041
Strobe	Model 401 w/ Magnet Mount & 12' Vehicle Charging Cord	12-80V DC	Amber Polycarbonate	0644111

Model 404

5" LED Strobe Light



Light Source: LED

Input Voltage: 12-24V or 9-110V DC

Current Draw:

12-24V Version: 1.00 Amps @ 12V DC; 0.60 Amps @ 24V DC

9-110V DC Version: 0.32 Amps @ 12V DC;

0.16 Amps @ 24V DC; 0.14 Amps @ 36V DC;

0.11 Amps @ 48V DC; 0.09 Amps @ 60V DC;

0.08 Amps @ 80V DC; 0.07 Amps @ 110V DC

Flash Rate:

12-24V and 36-80V Version: Mode 1: 240 fpm; Mode 2: 340 fpm;
Mode 3: 540 fpm; Mode 4: Rotating Beacon

9-110V DC Version: Mode 1: 240 fpm; Mode 2: 340 fpm;
Mode 3: 540 fpm; Mode 4: 90 fpm;

Mode 5: Rotating Beacon

Standards: SAE J575 (Strobe), SAE J845 (Warning-Class 2,
Mode 1 Amber Only), Buy America Compliant, Sealed to IP67

Mounting: Gasket, magnetic, or universal mount



Available in Amber, Red or Blue Lens

3-Point Mounting Assembly



Function	Additional Information	Voltage	Lens	Part #
SAE Strobe	4 Modes w/ Gasket Mount	12-24V DC	Amber Acrylic	0646101
SAE Strobe	4 Modes w/ Magnetic Mount	12-24V DC	Amber Acrylic	0645781
SAE Strobe	4 Modes w/ Universal Mount	12-24V DC	Amber Acrylic	0645201
SAE Strobe	4 Modes w/ Universal Mount	12-24V DC	Blue Acrylic	0645271
SAE Strobe	5 Modes w/ Universal Mount	9-110V DC	Red Acrylic	0646301
	3-Point Mounting Adapter Assembly Kit			8000301

Forward Lighting

Worklights

Emergency & Warning

Interior

Signal Lights

Thermal Imaging

Electronics

Heavy Duty Light Bars

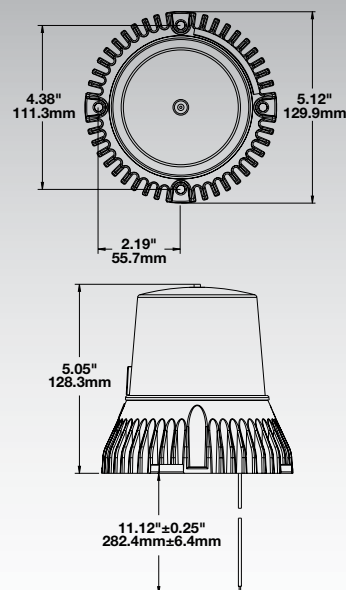
Vehicle Identification

Service Parts

Reference

Model 405

5" LED Strobe Light



Light Source: LED

Input Voltage: 12-80V DC

Current Draw: 1.00 Amps @ 12V DC; 0.60 Amps @ 24V DC;
0.55 Amps @ 36V DC; 0.40 Amps @ 48V DC;
0.27 Amps @ 72V DC; 0.22 Amps @ 80V DC

Flash Rate:

2-Mode Version: Mode 1: 510 fpm; Mode 2: Rotating Beacon

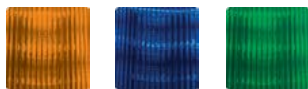
5-Mode Version: Mode 1: 510 fpm; Mode 2: 240 fpm;

Mode 3: 540 fpm; Mode 4: 340 fpm; Mode 5: Rotating Beacon

Standards: SAE J845 (Warning-Class 1, Mode 1 Amber Only),
ECE Reg. 10 (Radiated Emissions), CE CISPR 12 & 22, ECE
Reg. 65 (Mode 1 Amber Only), Buy America Compliant,
Sealed to IP67

Mounting: Universal or magnetic mount

Special Note: 0646061 has a ground wire and 2 power wires
(1 for strobe mode and 1 for rotating mode)



Available in Amber, Blue, or Green Lens

3-Point Mounting Assembly



Function	Additional Information	Voltage	Lens	Part #
ECE/SAE Strobe	2 Modes w/ Universal Mount	12-80V DC	Amber Acrylic	0646061
ECE/SAE Strobe	5 Modes w/ Universal Mount	12-80V DC	Amber Acrylic	0645531
Strobe	5 Modes w/ Universal Mount	12-80V DC	Blue Acrylic	0645731
Strobe	5 Modes w/ Universal Mount	12-80V DC	Green Acrylic	0645721
ECE/SAE Strobe	5 Modes w/ Magnet Mount & 12' Vehicle Charging Cord	12-80V DC	Amber Acrylic	0646121
	3-Point Mounting Adapter Assembly Kit			8000301

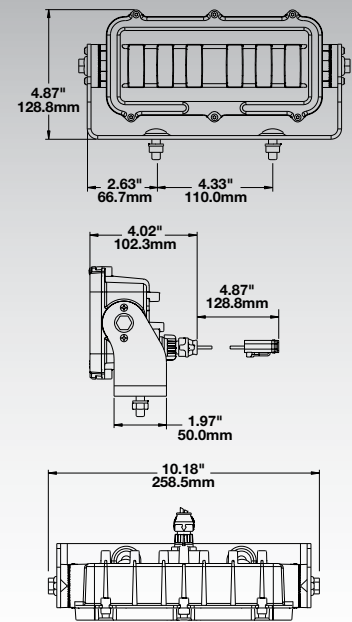
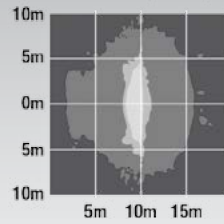
Model 527 RED

5" x 10" LED "Keep Out" Zone Light



10+ Lux 1 Lux 0.25 Lux

"Keep Out" Pattern (6m high at 0°)



Light Source: LED

Raw Output: 720 Lumens

Effective Output: 670 Lumens

Input Voltage: 12-24V DC

Current Draw: 1.60 Amps @ 12V DC; 0.85 Amps @ 24V DC

Mating Connector: Integrated 2-Pin Deutsch Weatherproof Socket (DT04-2P)

Standards: Buy America Compliant, Sealed to IP69K

Mounting: Universal pedestal mount

Special Note: This product projects a large red beam pattern onto the ground to warn pedestrians and vehicles in dangerous work areas

Function	Additional Information	Voltage	Lens	Part #
Red "Keep Out" Zone Light		12-24V DC	Glass	0549271

Forward Lighting

Worklights

Emergency & Warning

Interior

Signal Lights

Thermal Imaging

Electronics

Heavy Duty Light Bars

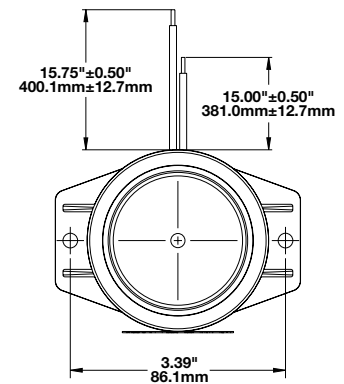
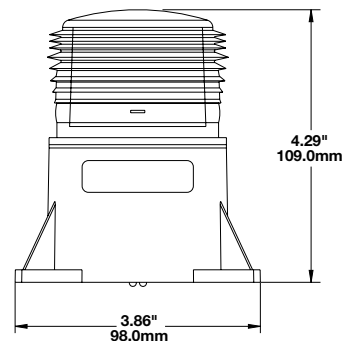
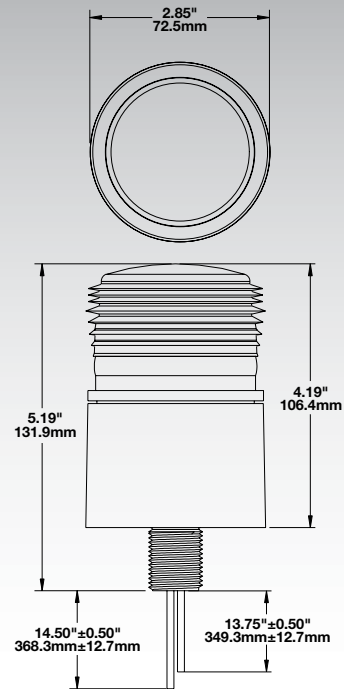
Vehicle Identification

Service Parts

Reference

Models 538 & 539

3" LED Strobe Light



Model 538 Light Source: LED
Input Voltage: 12-80V DC
Current Draw: 0.50 Amps @ 12V DC; 0.20 Amps @ 48V DC
Flash Rate: 60 +/- 10 fpm
Standards: SAE J845 (Warning-Class 3), UL Recognized, Buy America Compliant
Mounting: Pipe mount

Model 539 Light Source: LED
Input Voltage: 12-80V DC
Current Draw: 0.50 Amps @ 12V DC; 0.20 Amps @ 48V DC
Flash Rate: 60 +/- 10 fpm
Standards: SAE J845 (Warning-Class 3, Amber Only), UL Recognized, Buy America Compliant
Mounting: Flange mount

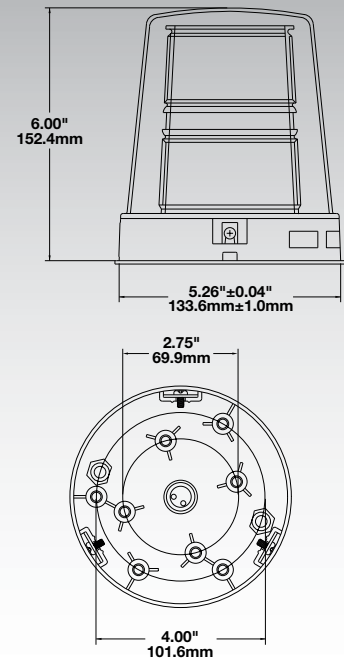


Available in Amber, Blue, Red, Green, or Clear Lens

Function	Additional Information	Voltage	Lens	Part #
SAE Strobe	Model 538	12-80V DC	Amber Acrylic	0645011
SAE Strobe	Model 539	12-80V DC	Amber Acrylic	0644871
SAE Strobe	Model 539	12-80V DC	Blue Acrylic	0645111
SAE Strobe	Model 539	12-80V DC	Clear Acrylic	0645161
SAE Strobe	Model 539	12-80V DC	Green Acrylic	0645101
SAE Strobe	Model 539	12-80V DC	Red Acrylic	0645091

Model 541

5" Incandescent Flashing Warning Light



- Light Source:** Incandescent Blub

- Input Voltage:** 12V DC

- Current Draw:** 2.00 Max Amps @ 12V DC

- Flash Rate:** 60-80 fpm

- Standards:** UL Recognized, Buy America Compliant

- Mounting:** Flush mount

Forward Lighting

Worklights

Emergency & Warning

Interior

Signal Lights

Thermal Imaging

Electronics

Heavy Duty Light Bars

Vehicle Identification

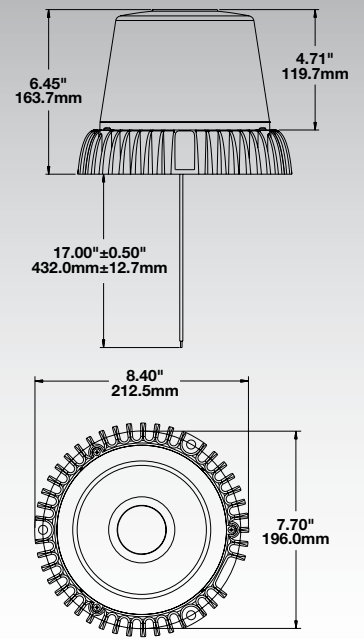
Service Parts

Reference

Function	Additional Information	Voltage	Lens	Part #
Flashing		12V DC	Amber Polycarbonate	0641901

Model 601

8" LED Strobe Light



Light Source: LED

Input Voltage: 12-24V DC or 120-240V AC

Current Draw: 3.70 Amps @ 12V DC; 2.00 Amps @ 24V DC;
0.40 Amps @ 120V AC; 0.20 Amps @ 240V AC

Flash Rate:

Rotating Beacon Version: N/A

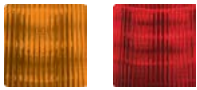
2-Mode Version: Mode 1: 510 fpm; Mode 2: 252 fpm

3-Mode Version: Mode 1: 510 fpm; Mode 2: 252 fpm;

Mode 3: Rotating Beacon

Standards: ECE Reg. 65 (Mode 1, Amber Only), SAE J845 (Warning-Class 1, Mode 1 Amber Only), UL Listed (120-240V AC versions Only), Buy America Compliant, Sealed to IP67

Mounting: Universal mount



Available in Amber or Red Lens

Function	Additional Information	Voltage	Lens	Part #
ECE/SAE Rotating Beacon		120-240V AC	Amber Polycarbonate	0643161
ECE/SAE Strobe	2 Modes	120-240V AC	Amber Polycarbonate	0643171
ECE/SAE Strobe	3 Modes	12-24V DC	Amber Polycarbonate	0643151
Strobe	3 Modes	12-24V DC	Red Polycarbonate	0646281

Model 601 XL

8" LED Strobe Light



XL
SERIES

Light Source: LED

Input Voltage: 12-24V DC

Current Draw: 3.70 Amps @ 12V DC; 2.00 Amps @ 24V DC

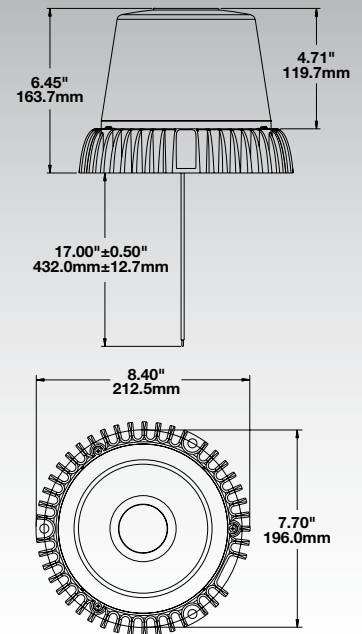
Flash Rate: Mode 1: 510 fpm; Mode 2: 252 fpm;
Mode 3: Rotating Beacon

Standards: ECE Reg. 65 (Mode 1 Amber Only),
SAE J845 (Warning-Class 1, Mode 1 Amber Only),
Buy America Compliant, Sealed to IP69K

Mounting: Universal mount



Available in Amber, Blue, or Green Lens



Function	Additional Information	Voltage	Lens	Part #
ECE/SAE Strobe	3 Modes	12-24V DC	Amber Polycarbonate	0646241
Strobe	3 Modes	12-24V DC	Blue Polycarbonate	0646251
Strobe	3 Modes	12-24V DC	Green Polycarbonate	0646261

Forward Lighting

Worklights

Emergency & Warning

Interior

Signal Lights

Thermal Imaging

Electronics

Heavy Duty Light Bars

Vehicle Identification

Service Parts

Reference

Models 770 BLU & 770 RED

3" x 5" LED Spot Light



Introducing Two New Visual Safety Devices

Specifically designed for the material handling industry, the Model 770 BLU and Model 770 RED represent a new way of thinking about visual safety devices.

Traditional visual warning devices (ex. strobes) are most effective when a pedestrian is able to see the forklift coming. If they are not paying close attention or if there is a blind corner present, traditional visual warning devices really don't contribute much to preventing an accident.

The Model 770 BLU and 770 RED don't rely at all on pedestrians being able to see the forklift. Instead, they project a bright, highly concentrated beam pattern on the ground in the direction that the forklift is moving. We use red and blue because studies have shown that they are two of the most noticeable colors to the human eye.

Features & Benefits

- Impact- and corrosion-resistant polycarbonate lens & housing
- Universal mounting bracket makes installation simple
- Long-lasting LEDs are extremely resistant to shock & vibration
- 770 RED emits a red light; 770 BLU emits a blue light
- Lifetime Limited Warranty provides peace of mind
- Extremely low current draw
- 12-48V DC multi-voltage configuration
- Sealed to IP67 to keep out dust & water
- Low profile for mounting in tight spaces

Material Handling Spot Light Usage Standards

- One unit should be mounted to both the front & back of vehicle
- Recommended beam pattern intensity: 830+ Lux (on the ground)
- Recommended mounting height: 6' 8"-8' 4" (~2.0m-2.5m)
- Recommended beam pattern distance: 14' 9"-17' 11" (~4.5m-5.5m)

Models 770 BLU & 770 RED

3" x 5" LED Spot Light



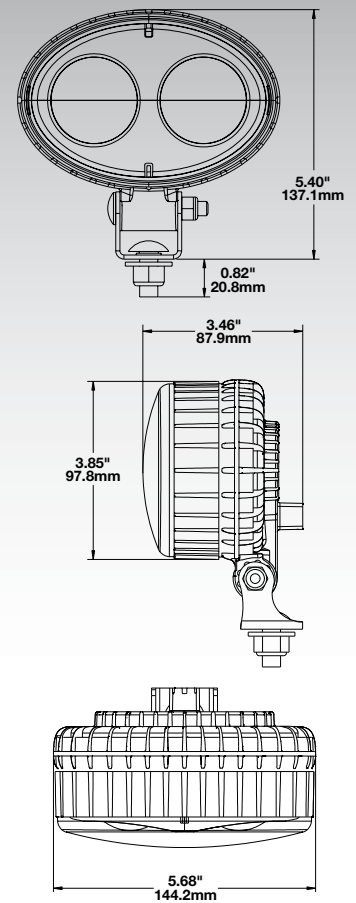
Light Source: LED

Input Voltage: 12-48V DC

Current Draw: 0.60 Amps @ 12V DC; 0.30 Amps @ 24V DC; 0.19 Amps @ 36V DC; 0.14 Amps @ 48V DC

Standards: SAE J1455 (Environmental), ECE Reg. 10 (Radiated Emissions), CE Recognized, UL Recognized, Buy America Compliant, Sealed to IP67

Mounting: Universal pedestal mount



Function	Additional Information	Voltage	Lens	Part #
Spot	Blue Spot	12-48V DC	Polycarbonate	1706311
Spot	Red Spot	12-48V DC	Polycarbonate	1706441
	12" Wire Assembly for Blue & Red Spot			3267041
	Replacement Mounting Kit - Black			8200121
	Replacement Mounting Kit - Stainless Steel			8200101

Forward Lighting

Worklights

Emergency & Warning

Interior

Signal Lights

Thermal Imaging

Electronics

Heavy Duty Light Bars

Vehicle Identification

Service Parts

Reference

Interior Lights

Dome Lights



Model 150
Page 106



Model 282
Page 108



Models 410/411
Page 110



Model 412
Page 111



Model 417
Page 112



Model 419
Page 113

Compartment Lights



Model 408
Page 109

Courtesy Lights



Model 186
Page 107

Why Buy J.W. Speaker Interior Lights?

The Power of LEDs

J.W. Speaker's interior LED lighting products offer an effective way to save energy while providing superior visibility inside of your vehicle. Our interior lights feature state-of-the-art LEDs that give you a noticeably brighter look at your vehicle's interior, while using less energy than traditional bulb-based lighting. Additionally, LEDs will last longer and stand up to shock and vibration that typically causes bulb-based lights to prematurely fail.

Low Light Solutions

For law enforcement and similar applications where you need to exit your vehicle and immediately carry out an action, we have products that offer the benefit of emitting a soft red light. This prevents your eyes from experiencing the temporary blindness of having to adjust from high to low lighting and can also help you to see the inside of your vehicle while driving without losing visibility of the road.

Peace of Mind

All our LED interior lights come with a Lifetime Limited Warranty and are proudly made in the U.S.A. at our Germantown, Wisconsin headquarters. You can read more about the Lifetime Limited Warranty on page 158.



Forward Lighting

Worklights

Emergency & Warning

Interior

Signal Lights

Thermal Imaging

Electronics

Heavy Duty Light Bars

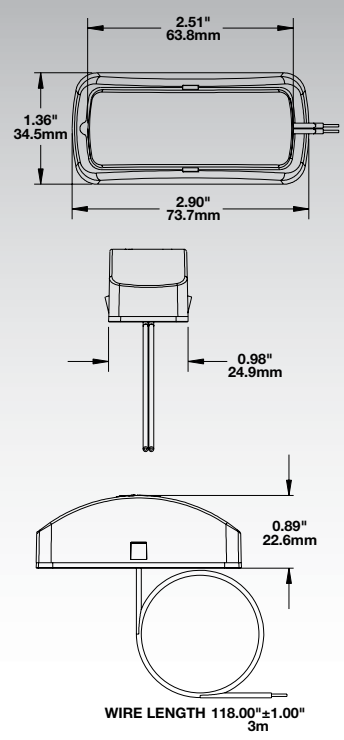
Vehicle Identification

Service Parts

Reference

Model 150

1" x 3" LED Dome Light



Light Source: LED

Input Voltage: 12-24V DC

Current Draw: 0.06 Amps @ 12V DC; 0.06 Amps @ 24V DC

Standards: Buy America Compliant

Mounting: Low profile mount

Voltage	Additional Information	Lens	Part #
12-24V DC	Light Only	Acrylic	0443051
	Optional Mounting Bracket Assembly		5856032

Model 186

2" x 3" LED Utility Light



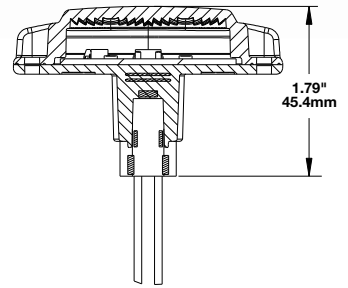
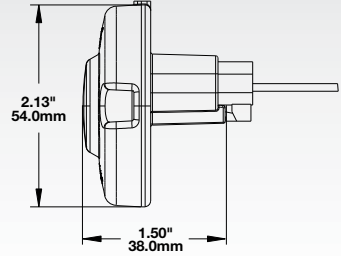
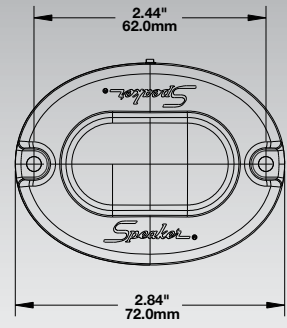
Light Source: LED

Input Voltage: 12-24V DC

Current Draw: : 0.11 Amps @ 12V DC; 0.11 Amps @ 24V DC

Standards: Buy America Compliant, Sealed to IP67

Mounting: Low profile mount



Forward Lighting

Worklights

Emergency & Warning

Interior

Signal Lights

Thermal Imaging

Electronics

Heavy Duty Light Bars

Vehicle Identification

Service Parts

Reference

Voltage	Additional Information	Lens	Part #
12-24V DC		Polycarbonate	0442641

Forward Lighting

Worklights

Emergency & Warning

Interior

Signal Lights

Thermal Imaging

Electronics

Heavy Duty Light Bars

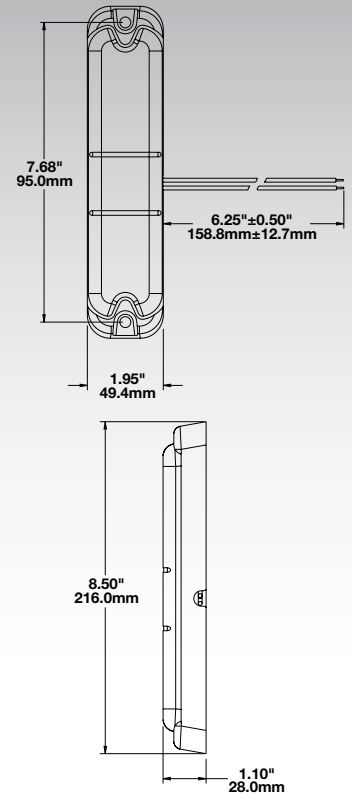
Vehicle Identification

Service Parts

Reference

Model 282

2" x 9" LED Dome Light



Light Source: LED

Input Voltage: 12-24V DC

Current Draw: 0.50 Amps @ 12V; 0.50 Amps @ 24V

Standards: Buy America Compliant, Sealed to IP66

Mounting: Low profile mount

Voltage	Additional Information	Lens	Part #
12-24V DC		Acrylic	0442131

Model 408

3" LED Compartment Light



- Light Source:** LED

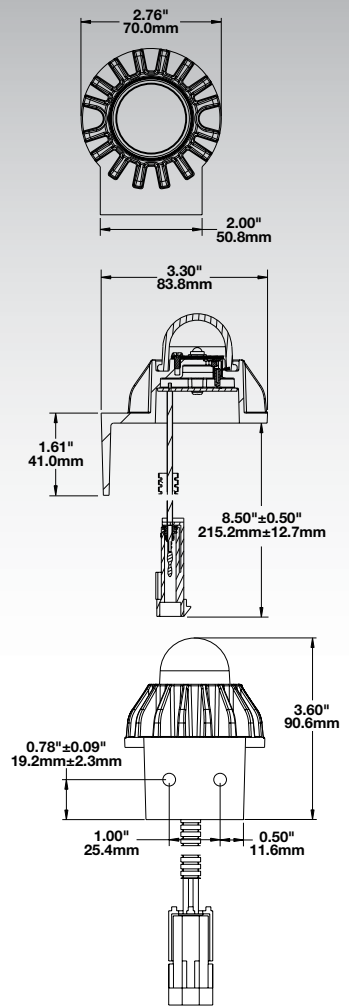
- Input Voltage:** 12-24V DC

- Current Draw:** 0.40 Amps @ 12V; 0.21 Amps @ 24V

- Standards:** SAE J575 (Compartment), Buy America Compliant, Sealed to IP67

- Mounting:** Universal mounting bracket

- Special Note:** Lamp automatically shuts down when temperature exceeds 115°C



Forward Lighting

Worklights

Emergency & Warning

Interior

Signal Lights

Thermal Imaging

Electronics

Heavy Duty Light Bars

Vehicle Identification

Service Parts

Reference

Voltage	Additional Information	Lens	Part #
12-24V DC	Light with Mounting Bracket	Glass	0442501
12-24V DC	Light without Mounting Bracket	Glass	0442541

Models 410 & 411

3" x 7" LED Dome Light



Model 410

Model 411 with rocker switch



Model 411 with On/Off button

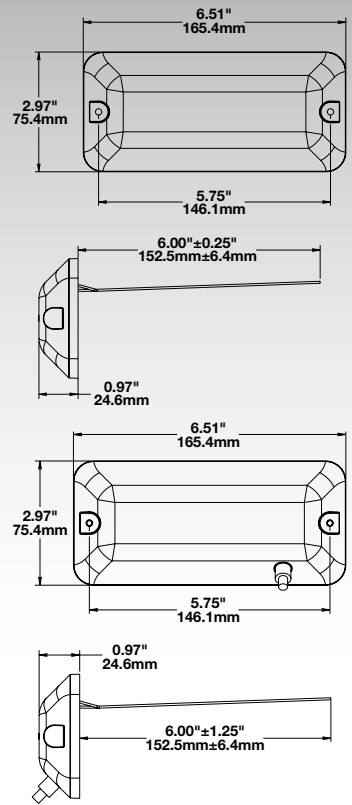
Light Source: LED

Input Voltage: 12-24V DC

Current Draw: 0.14 Amps @ 12V DC; 0.09 Amps @ 24V DC

Standards: ECE Reg. 10 (Radiated Emissions), Buy America Compliant

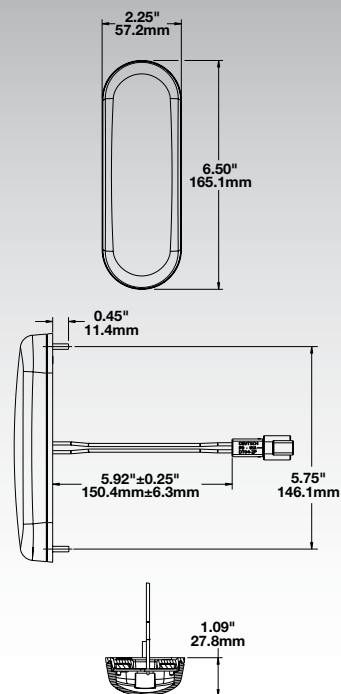
Mounting: Low profile mount



Voltage	Additional Information	Lens	Part #
12-24V DC	Model 410 without Switch	Polycarbonate	0443271
12-24V DC	Model 411 with On/Off Button	Polycarbonate	0443281
12-24V DC	Model 411 with On/Off/Door Rocker Switch	Polycarbonate	0443291

Model 412

2" x 7" LED Dome Light



Light Source: LED

Input Voltage: 12-24V or 12-48V DC

Current Draw:

12-24V Version: 0.50 Amps @ 12V DC; 0.25 Amps @ 24V DC

12-48V Version: 0.50 Amps @ 12V DC; 0.25 Amps @ 24V DC;

0.18 Amps @ 36V DC; 0.13 Amps @ 48V DC

Standards: UL Recognized, Buy America Compliant, Sealed to IP67

Mounting: Low profile mount

Special Note: Light comes with either Deutsch DT04-2P connector or 7" bare leads

Voltage	Additional Information	Lens	Part #
12-24V DC	White without Switch, 7" Bare Leads, no Timer	Polycarbonate	0442511
12-48V DC	White with Switch, Deutsch Connector, 60 sec. Timer	Polycarbonate	0443041
12-48V DC	White with Switch, 7" Bare Leads, no Timer	Polycarbonate	0443011
12-48V DC	White with Switch, Deutsch Connector, 60 min. Timer	Polycarbonate	0443301

Forward Lighting

Worklights

Emergency & Warning

Interior

Signal Lights

Thermal Imaging

Electronics

Heavy Duty Light Bars

Vehicle Identification

Service Parts

Reference

Forward Lighting

Worklights

Emergency & Warning

Interior

Signal Lights

Thermal Imaging

Electronics

Heavy Duty Light Bars

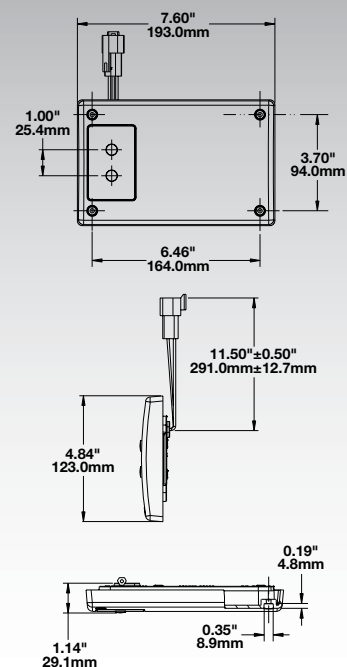
Vehicle Identification

Service Parts

Reference

Model 417

5" x 8" Red/White LED Dome Light



Light Source: LED

Input Voltage: 12V, 24V, or 12-24V DC

Current Draw:

12V Version: 0.175 Amps (Red)/ 0.325 Amps (White) @ 12V DC

24V Version: 0.175 Amps (Red)/ 0.175 Amps (White) @ 24V DC

12-24V Version: 0.175 Amps (Red)/ 0.325 Amps (White) @ 12V DC; 0.175 Amps (Red)/ 0.175 Amps (White) @ 24V DC

Standards: Buy America Compliant

Mounting: Low profile mount

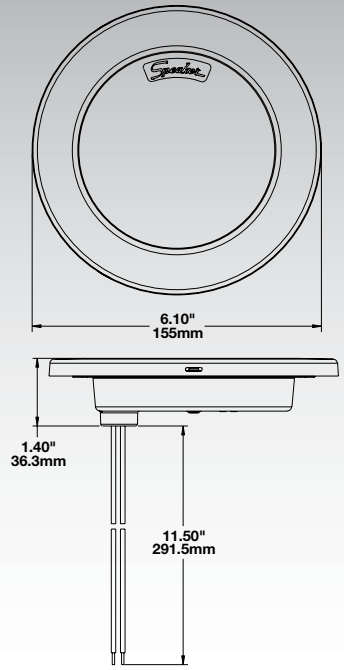
Special Notes: Available with or without inner optics. Versions with inner optics provide a more focused pattern, while those without have a wider, smoother beam pattern.

White function has two intensity levels, red function has one.

Voltage	Additional Information	Lens	Part #
12V DC	Light with Inner Optics	Acrylic	0442261
24V DC	Light with Inner Optics	Acrylic	0442411
12-24V DC	Light without Inner Optics	Acrylic	0443171

Model 419

6" LED Dome Light



Light Source: LED

Input Voltage: 12-24V DC

Current Draw:

Red/White Version: 0.31 Amps (Red)/
0.61 (White) Amps @ 12V DC; 0.31 Amps (Red)/
0.61 Amps (White) @ 24V DC

White Only Version: 0.61 Amps @ 12V DC;
0.62 Amps @ 24V DC

Standards: Buy America Compliant, Sealed to IP67

Mounting: Low profile mount

Voltage	Additional Information	Lens	Part #
12-24V DC	Red/White Version	Polycarbonate	0442771
12-24V DC	White Only Version	Polycarbonate	0442401

Forward Lighting

Worklights

Emergency & Warning

Interior

Signal Lights

Thermal Imaging

Electronics

Heavy Duty Light Bars

Vehicle Identification

Service Parts

Reference

Signal Lights

License Plate Illuminators



Model 125
Page 116



Model 151
Page 118

Clearance & Marker



Model 150
Page 117



Model 170
Page 120

Turn Signal



Model 157
Page 119



Model 206
Page 121



Model 217
Page 123



Model 224
Page 125



Model 232
Page 126



Model 245
Page 128



Models 260/261
Page 129,130



Model 270
Page 136



Model 775 XD
Page 143

Stop, Tail, & Turn Signal



Model 212
Page 122



Model 223
Page 124



Model 232
Page 126



Model 236
Page 127



Models 260/261
Page 129,130



Model 262
Page 130



Model 263
Page 132



Model 267
Page 135



Model 283
Page 140



Model 412
Page 141

Stop, Tail, Turn Signal, & Backup



Model 263
Page 126



Model 265
Page 133



Model 280
Page 138



Model 281
Page 139

Stop & Tail



Model 206
Page 121



Model 217
Page 123



Model 224
Page 125



Model 245
Page 128



Model 270
Page 136



Model 272
Page 137



Model 6042
Page 144

Backup



Model 217
Page 123



Model 224
Page 125



Model 232
Page 126



Model 245
Page 128



Models 260/261
Page 129,130

Rear Fog



Model 217
Page 123



Model 224
Page 125



Models 260/261
Page 129,130

Front Position & Turn Signal



Model 223
Page 124



Model 412
Page 135

Daytime Running Light & Front Position



Model 217
Page 123

Marine



Model 450
Page 142

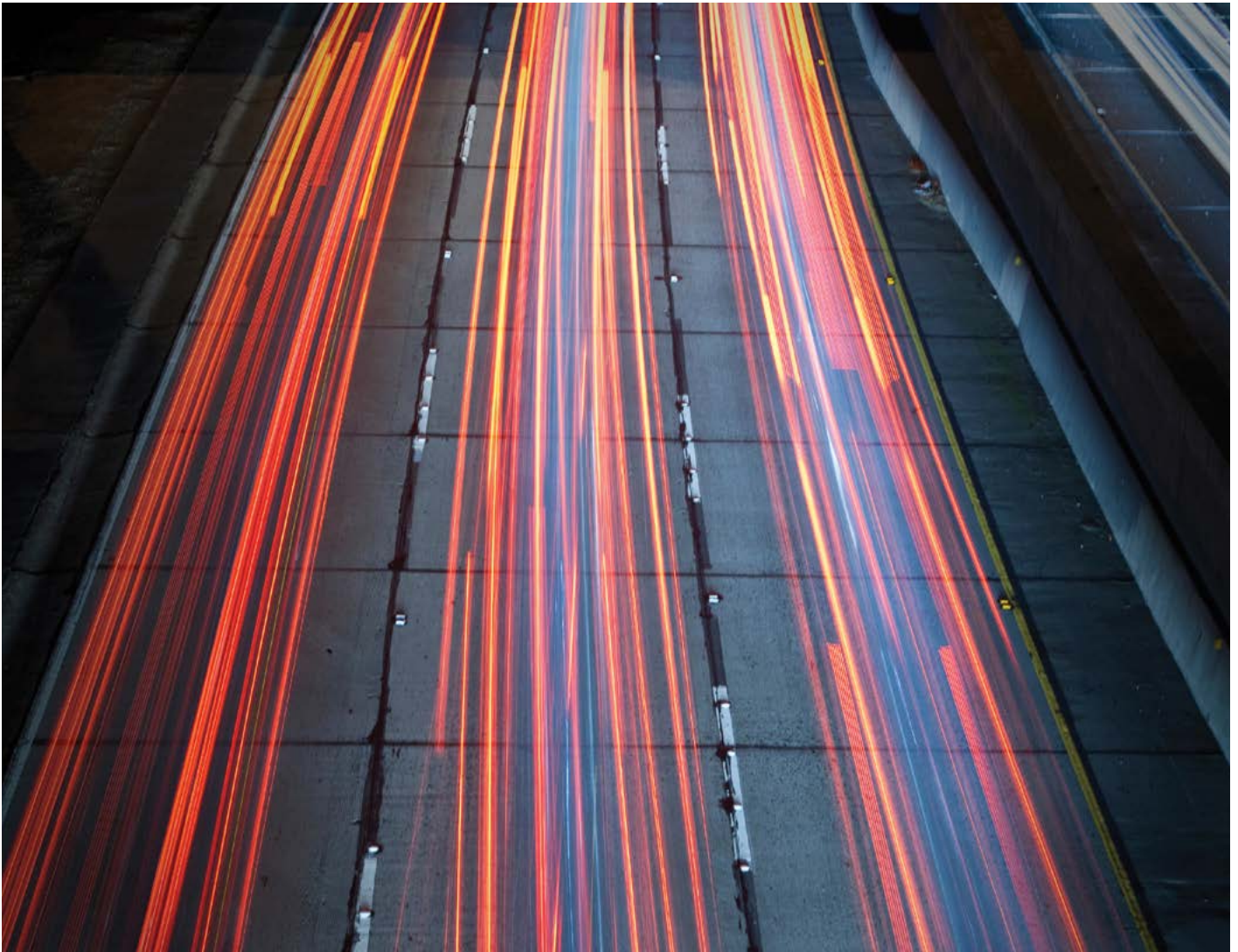
Why Buy J.W. Speaker Signal Lights?

Reliability

You can rely on our signal lights because they're built to withstand even the most rugged applications such as mining, agriculture, and construction. The LEDs resist shock and vibration better than incandescent signal lights and the housings are designed and manufactured to protect the internal components from the environmental impact of a tough and unforgiving jobsite. Inside and out, you can trust our signal lights to function through whatever you need them for, which is why we back them up with our Lifetime Limited Warranty (learn more about our warranty on page 158).

Improved Response Time

J.W. Speaker's signal lights boast the latest and greatest in LED technology to emit a highly-visible signal that's more responsive than incandescent signal lights. The slight delay associated with charging and dimming of incandescent signal lights is not at all present in our LED-based signal lights.



Forward Lighting

Worklights

Emergency & Warning

Interior

Signal Lights

Thermal Imaging

Electronics

Heavy Duty Light Bars

Vehicle Identification

Service Parts

Reference

Model 125

2" x 5" LED License Plate Illuminator



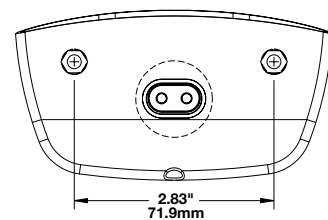
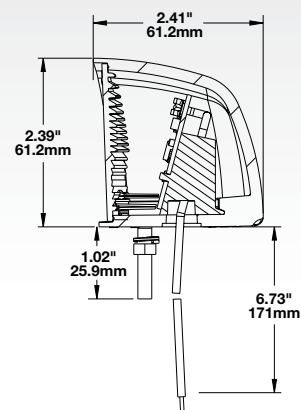
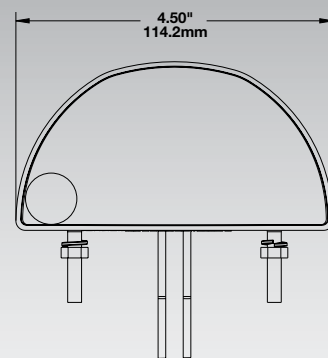
Light Source: LED

Input Voltage: 12-24V DC

Current Draw: 0.23 Max Amps @ 12V DC

Standards: SAE J587, ECE Reg. 4 (Plate), ECE Reg. 50 (Motorcycles), Buy America Compliant, Sealed to IP67

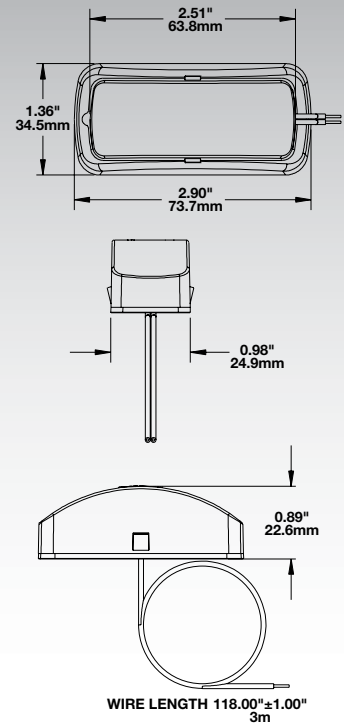
Mounting: Low profile mount



Function	Additional Information	Voltage	Lens	Part #
ECE/SAE License Plate Illuminator		12-24V DC	Polycarbonate	0341181

Model 150

1" x 3" LED Clearance & Side Marker Light



Light Source: LED

Input Voltage: 12-24 DC

Current Draw: 0.09 Max Amps @ 12V DC

Standards: ECE Reg. 7 (Position & Stop), ECE Reg. 10 (Radiated Emissions, Amber Only), SAE J592 (Side Marker), Buy America Compliant, Sealed to IP67

Mounting: Low profile mount

Special Note: Mounting bracket assembly required

Function	Additional Information	Voltage	Lens	Part #
ECE/SAE Side Marker	Light Only	12-24V DC	Amber Acrylic	0205341
ECE/SAE Side Marker	Light Only	12-24V DC	Red Acrylic	0205321
Mounting Bracket Assembly				5856032

Forward Lighting

Worklights

Emergency & Warning

Interior

Signal Lights

Thermal Imaging

Electronics

Heavy Duty Light Bars

Vehicle Identification

Service Parts

Reference

Forward Lighting

Model 151

2" x 3" LED License Plate Illuminator

Worklights

Emergency & Warning

Interior

Signal Lights

Thermal Imaging

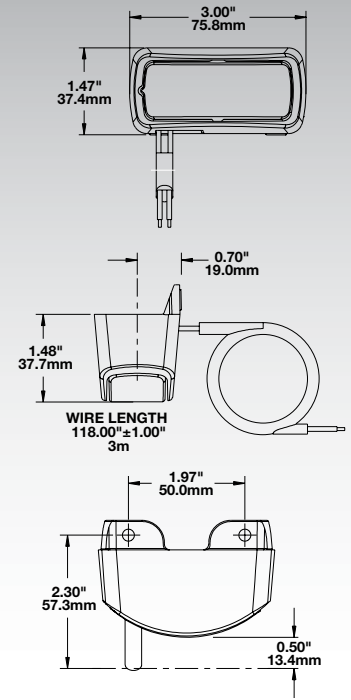
Electronics

Heavy Duty Light Bars

Vehicle Identification

Service Parts

Reference



Light Source: LED

Input Voltage: 12-24V DC

Current Draw: 0.07 Max Amps @ 12V DC

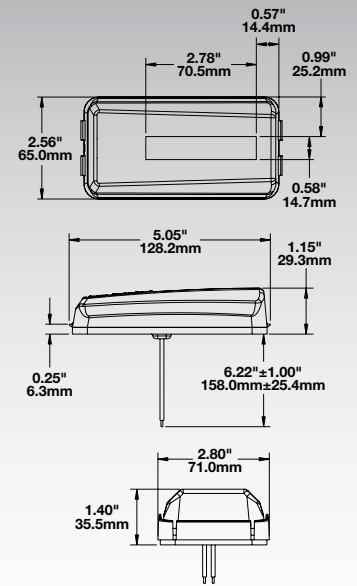
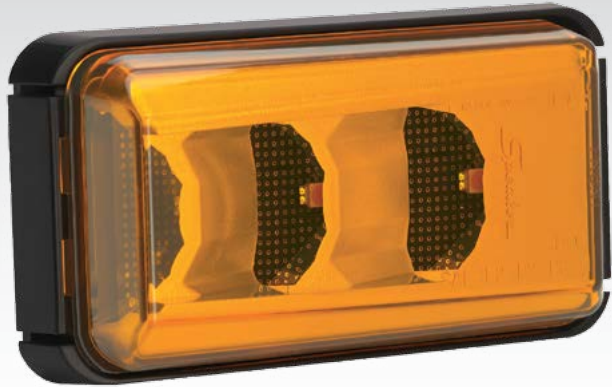
Standards: FMVSS 108 (DOT Compliant), CMVSS 108 (Transport Canada Compliant), ECE Reg. 4 (Plate), ECE Reg. 50 (Motorcycles), Buy America Compliant

Mounting: Low profile mount

Function	Additional Information	Voltage	Lens	Part #
DOT/ECE License Plate Illuminator		12-24V DC	Acrylic	0341281

Model 157

3" x 5" LED Side Turn Signal Light



Light Source: LED

Input Voltage: 12-24V DC

Current Draw: 0.41 Amps @ 12V DC; 0.20 Amps @ 24V DC

Standards: ECE Reg. 6 (Signal), SAE J592 (Side Marker), SAE J595 (Warning), SAE J914 (Signal), SAE J2042 (Side Marker), Buy America Compliant, Sealed to IP67

Mounting: Low profile mount

Function	Additional Information	Voltage	Lens	Part #
ECE/SAE Side Marker/Side Turn		12-24V DC	Amber Acrylic	0344461
ECE/SAE Side Turn		12-24V DC	Amber Acrylic	0344311
ECE/SAE Side Turn		12-24V DC	Clear Acrylic	0344301

Forward Lighting

Worklights

Emergency & Warning

Interior

Signal Lights

Thermal Imaging

Electronics

Heavy Duty Light Bars

Vehicle Identification

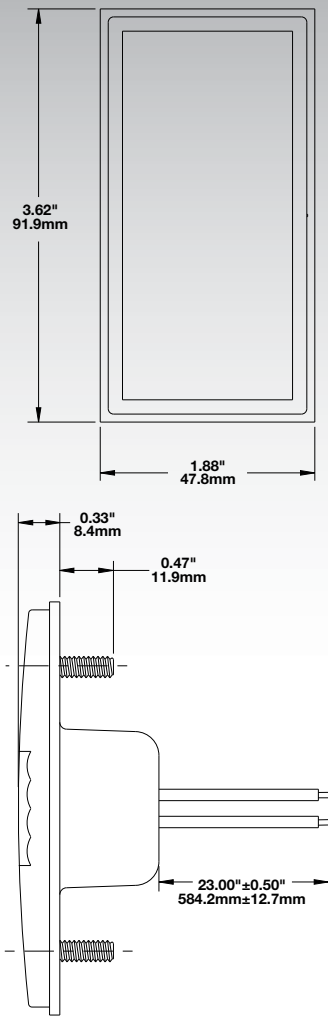
Service Parts

Reference

Forward Lighting
Worklights
Emergency & Warning
Interior
Signal Lights
Thermal Imaging
Electronics
Heavy Duty Light Bars
Vehicle Identification
Service Parts
Reference

Model 170

2" x 4" LED Side Marker Light



Light Source: LED

Input Voltage: 12V DC

Current Draw: 0.06 Amps @ 12V DC

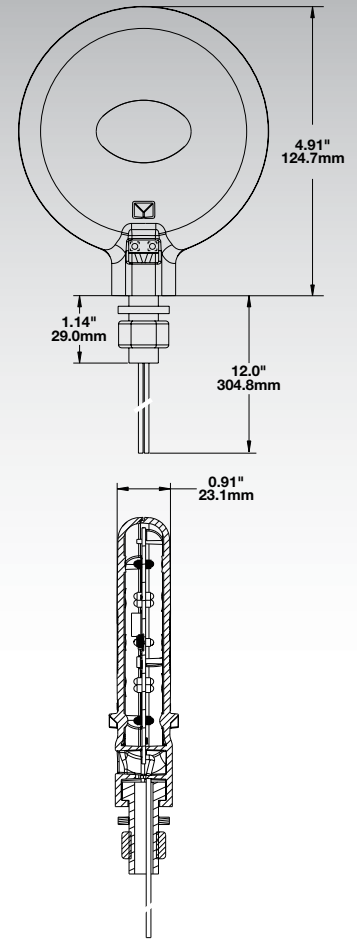
Standards: ECE Reg. 3 (Reflector), ECE Reg. 91 (Side Marker), SAE J592 (Side Marker), SAE J594 (Reflector), Buy America Compliant

Mounting: Low profile mount

Function	Additional Information	Voltage	Lens	Part #
ECE/SAE Side Marker		12V DC	Amber Acrylic	0230731
ECE/SAE Side Marker		12V DC	Red Acrylic	0230721

Model 206

5" LED Double-Sided Signal Light



Light Source: LED

Input Voltage: 12-24V DC

Current Draw:

Stop: 0.10 Amps @ 12V DC; 0.05 Amps @ 24V DC

Tail: 0.01 Amps @ 12V DC; 0.01 Amps @ 24V DC

Turn: 0.58 Amps @ 12V DC; 0.27 Amps @ 24V DC

Standards: ASABE 279.17, ECE Reg. 7 (Position & Stop), SAE J96 (Turn), SAE J585 (Tail), SAE J586 (Stop), SAE J974 (Warning), SAE J2040 (Tail), Buy America Compliant, Sealed to IP67

Mounting: Hollow stud mount

Function	Additional Information	Voltage	Lens	Part #
ECE/SAE Stop/Tail	Single Sided Light with Guard	12-24V DC	Red Polycarbonate	0342781
ECE/SAE Stop/Tail	Single Sided Light without Guard	12-24V DC	Red Polycarbonate	0342771
SAE Turn	Double Sided Light with Guard	12-24V DC	Amber Polycarbonate	0341931
SAE Turn	Double Sided Light without Guard	12-24V DC	Amber Polycarbonate	0341681

Forward Lighting

Worklights

Emergency & Warning

Interior

Signal Lights

Thermal Imaging

Electronics

Heavy Duty Light Bars

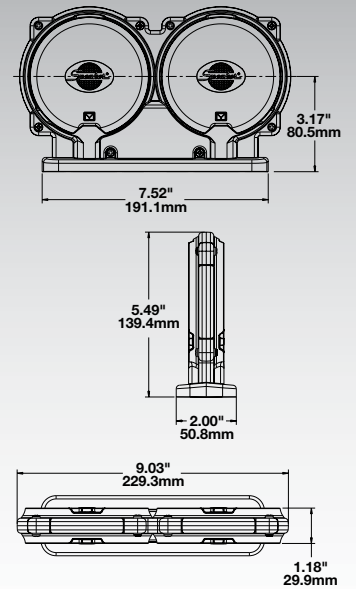
Vehicle Identification

Service Parts

Reference

Model 212

5" LED Double-Sided Signal Lights in Bezel



Light Source: LED

Input Voltage: 12-24V DC

Current Draw: 0.61 Amps @ 12V DC; 0.30 Amps @ 24V DC

Standards: ASABE 279.17, ECE Reg. 7 (Position & Stop), SAE J96 (Warning), SAE J585 (Tail), SAE J586 (Stop), SAE J974 (Warning), SAE J2040 (Tail), Buy America Compliant, Sealed to IP67

Mounting: Universal pedestal mount

Special Note: This light is available in either a right hand (RH) or left hand (LH) configuration

Function	Additional Information	Voltage	Lens	Part #
ECE/SAE Stop/Tail/Turn	Retrofit for Models 297 & 288 - LH	12-24V DC	Polycarbonate	0343341
ECE/SAE Stop/Tail/Turn	Retrofit for Models 297 & 288 - RH	12-24V DC	Polycarbonate	0343351
ECE/SAE Stop/Tail/Turn	Retrofit for Wesbar - LH	12-24V DC	Polycarbonate	0343401
ECE/SAE Stop/Tail/Turn	Retrofit for Wesbar - RH	12-24V DC	Polycarbonate	0343411

Model 217

3" LED Signal Light



Light Source: LED

Input Voltage: 12-24V DC

Current Draw:

Backup: 0.12 Amps @ 12V DC; 0.07 Amps @ 24V DC

DRL & Front Position:

0.55 Amps (DRL)/ 0.05 (Front Position) @ 12V DC;

0.30 Amps (DRL)/ 0.03 Amps (Front Position) @ 24V DC

Rear Fog: 0.15 Amps @ 12V DC; 0.08 Amps @ 24V DC

Stop & Tail:

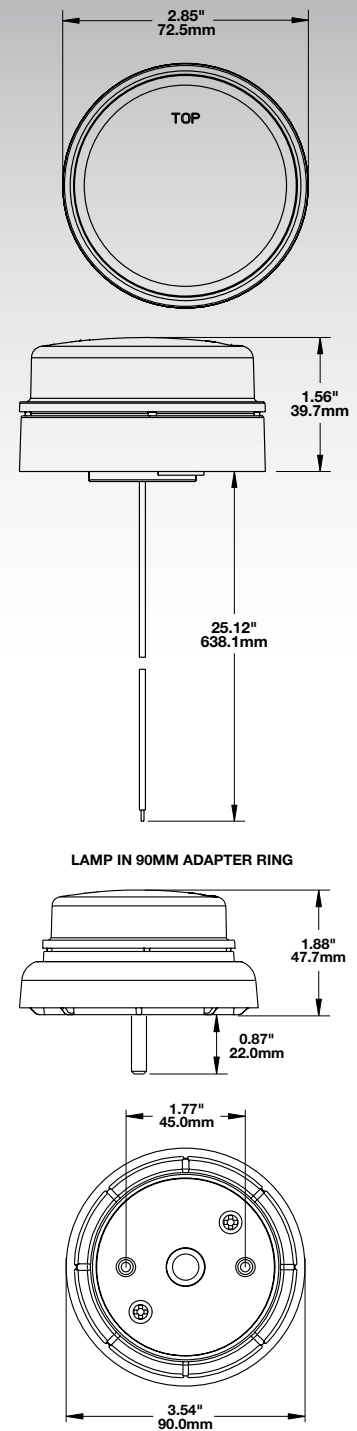
0.10 Amps @ 12V DC (Stop)/ 0.03 Amps (Tail) @ 12V DC;

0.05 Amps (Stop)/ 0.02 Amps (Tail) @ 24V DC

Turn Signal: 0.20 Amps @ 12V DC; 0.10 Amps @ 24V DC

Standards: ECE Reg. 6 (Signal), ECE Reg. 7 (Front Position & Stop), ECE Reg. 23 (Backup), ECE Reg. 38 (Fog), ECE Reg. 87 (DRL), CE Recognized, Buy America Compliant, Sealed to IP67

Mounting: Universal mount



Function	Additional Information	Voltage	Lens	Part #
ECE Backup	Without 90mm Adapter Ring	12-24V DC	Clear Polycarbonate	0345421
ECE DRL & Front Position	With 90mm Adapter Ring	12-24V DC	Clear Polycarbonate	0345451
ECE DRL & Front Position	Without 90mm Adapter Ring	12-24V DC	Clear Polycarbonate	0345461
ECE Rear Fog	Without 90mm Adapter Ring	12-24V DC	Red Polycarbonate	0345431
ECE Rear Fog	Without 90mm Adapter Ring	12-24V DC	Clear Polycarbonate	0345511
ECE Stop & Tail	Without 90mm Adapter Ring	12-24V DC	Red Polycarbonate	0345411
ECE Turn Signal	Without 90mm Adapter Ring	12-24V DC	Amber Polycarbonate	0345441
ECE Turn Signal	With 90mm Adapter Ring	12-24V DC	Amber Polycarbonate	0345521

Forward Lighting

Worklights

Emergency & Warning

Interior

Signal Lights

Thermal Imaging

Electronics

Heavy Duty Light Bars

Vehicle Identification

Service Parts

Reference

Forward Lighting

Model 223

5" x 5" LED Signal Light

Worklights

Emergency & Warning

Interior

Signal Lights

Thermal Imaging

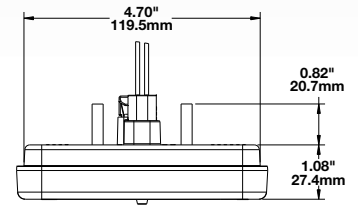
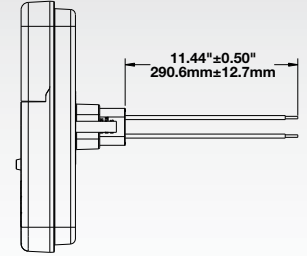
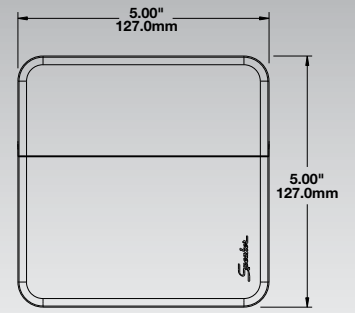
Electronics

Heavy Duty Light Bars

Vehicle Identification

Service Parts

Reference



Light Source: LED

Input Voltage: 12-24V DC

Current Draw:

Front Position: 0.25 Amps @ 12V DC

Stop: 0.33 Amps @ 12V DC; 0.15 Amps @ 24V DC

Tail: 0.13 Amps @ 12V DC; 0.05 Amps @ 24V DC

Turn: 2.93 Amps @ 12V DC; 1.71 Amps @ 24V DC

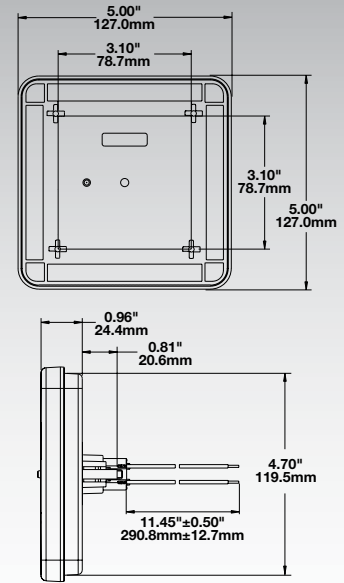
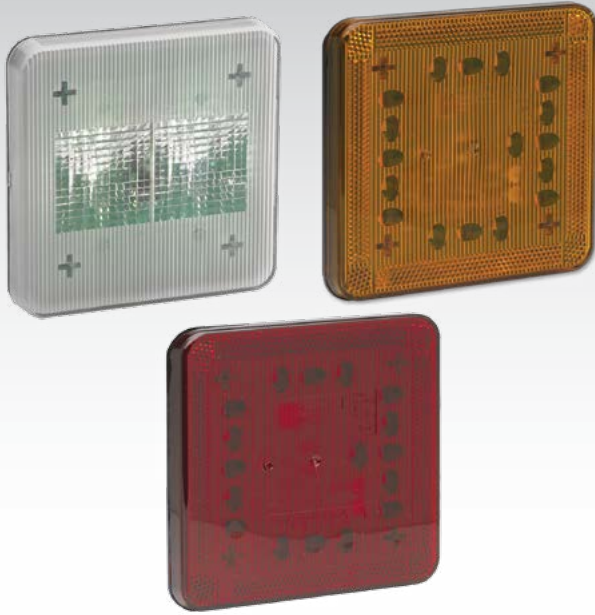
Standards: ECE Reg. 3 (Reflector), ECE Reg. 6 (Signal), ECE Reg. 7 (Position & Stop), SAE J575 (Stop, Tail & Turn), SAE J585 (Tail), SAE J586 (Stop), SAE J588 (Turn), SAE J594 (Reflector), Buy America Compliant, Sealed IP67

Mounting: Low profile mount

Function	Additional Information	Voltage	Lens	Part #
ECE Front Position/Front Turn		12-24V DC	White/Amber Acrylic	0341711
ECE/SAE Stop/Tail/Turn		12-24V DC	Red/Amber Acrylic	0341701

Model 224

5" x 5" LED Signal Light



Light Source: LED

Input Voltage: 12-24V DC

Current Draw:

Backup: 0.15 Amps @ 12V DC; 0.08 Amps @ 24V DC

Rear Fog: 0.34 Amps @ 12V DC; 0.16 Amps @ 24V DC

Stop: 0.19 Amps @ 12V DC

Tail: 0.03 Amps @ 12V DC

Turn: 0.30 Amps @ 12V DC

Standards: ASABE 279.14 (Stop & Tail), ECE Reg. 3 (Reflector), ECE Reg. 6 (Signal), ECE Reg. 7 (Position & Stop), ECE Reg. 23 (Reverse), SAE J588 (Turn), SAE J593 (Backup), SAE J594 (Reflector), SAE J974 (Warning), SAE J2040 (Tail), SAE J2261 (Stop & Turn), Buy America Compliant, Sealed to IP67

Mounting: Low profile mount

Function	Additional Information	Voltage	Lens	Part #
ECE/SAE Backup		12-24V DC	Clear Acrylic	0442611
ECE/SAE Stop/Tail		12-24V DC	Red Acrylic	0342301
ECE/SAE Turn		12-24V DC	Amber Acrylic	0342291
Rear Fog		12-24V DC	Red Acrylic	0342361

Forward Lighting

Worklights

Emergency & Warning

Interior

Signal Lights

Thermal Imaging

Electronics

Heavy Duty Light Bars

Vehicle Identification

Service Parts

Reference

Forward Lighting

Worklights

Emergency & Warning

Interior

Signal Lights

Thermal Imaging

Electronics

Heavy Duty Light Bars

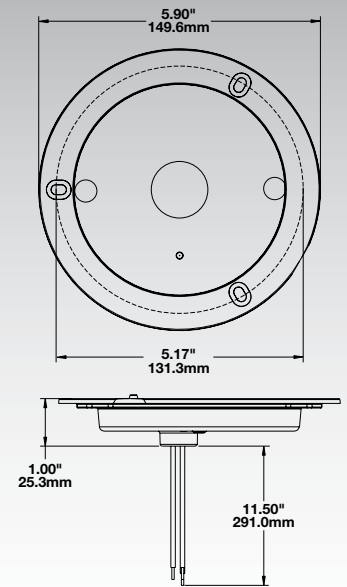
Vehicle Identification

Service Parts

Reference

Model 232

6" LED Signal Light



Light Source: LED

Input Voltage: 12-24V DC

Current Draw:

Backup: 0.40 Amps @ 12V DC; 0.23 Amps @ 24V DC

Stop: 0.19 Amps @ 12V DC; 0.08 Amps @ 24V DC

Tail: 0.03 Amps @ 12V DC; 0.02 Amps @ 24V DC

Turn: 0.38 Amps @ 12V DC; 0.17 Amps @ 24V DC

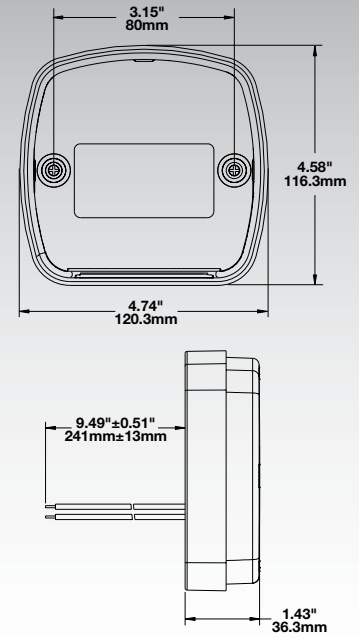
Standards: ECE Reg. 6 (Signal), ECE Reg. 7 (Position & Stop), ECE Reg. 10 (Radiated Emissions), ECE Reg. 23 (Reverse), SAE J585 (Tail), SAE J586 (Stop), SAE J588 (Turn), SAE J593 (Backup), Buy America Compliant

Mounting: Low profile mount

Function	Additional Information	Voltage	Lens	Part #
ECE/SAE Backup		12-24V DC	Clear Polycarbonate	0443071
ECE/SAE Stop/Tail/Turn		12-24V DC	Red Polycarbonate	0341991
ECE/SAE Turn		12-24V DC	Amber Polycarbonate	0342001

Model 236

5" x 5" LED Stop, Tail, & Turn Light



Light Source: LED

Input Voltage: 12-24V DC

Current Draw:

Stop: 0.35 Amps @ 12V DC

Tail: 0.13 Amps @ 12V DC

Turn: 1.30 Amps @ 12V DC

Standards: ECE Reg. 3 (Reflector), ECE Reg. 6 (Signal), ECE Reg. 7 (Position & Stop), Buy America Compliant, Sealed to IP67

Mounting: Low profile mount

Special Note: Integrated reflex reflector

Function	Additional Information	Voltage	Lens	Part #
ECE Stop/Tail/Turn		12-24V DC	Red Acrylic	0343151
ECE Stop/Tail/Turn/ License Plate Illuminator		12-24V DC	Red Acrylic	0343141

Forward Lighting

Worklights

Emergency & Warning

Interior

Signal Lights

Thermal Imaging

Electronics

Heavy Duty Light Bars

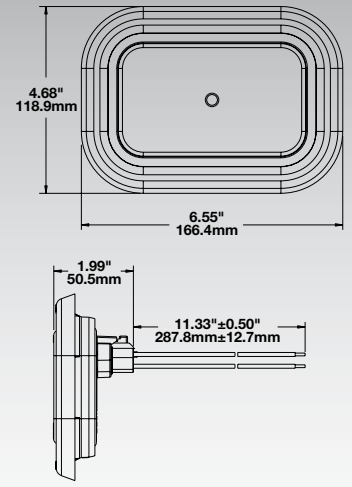
Vehicle Identification

Service Parts

Reference

Model 245

5" x 7" LED Signal Light



Light Source: LED

Input Voltage: 12-24V DC

Current Draw:

Backup: 0.40 Amps @ 12V DC; 0.23 Amps @ 24V DC

Stop: 0.17 Amps @ 12V DC; 0.09 Amps @ 24V DC

Tail: 0.01 Amps @ 12V DC; 0.03 Amps @ 24V DC

Turn: 0.35 Amps @ 12V DC; 0.23 Amps @ 24V DC

Standards: ECE Reg. 6 (Signal), ECE Reg. 7 (Position & Stop), ECE Reg. 23 (Reverse), SAE J575 (Signal), SAE J585 (Tail), SAE J586 (Stop), SAE J588 (Turn), SAE J593 (Backup), Buy America Compliant, Sealed IP67

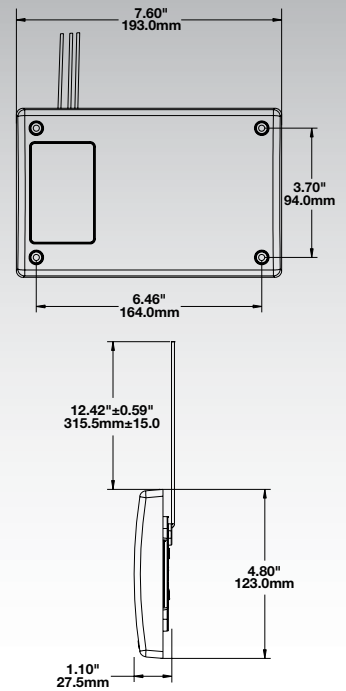
Mounting: Low profile mount

Special Note: Light comes with either Packard (#1211029) harness with 18" bare leads or 3-pin Deutsch harness with 11" bare leads

Function	Additional Information	Voltage	Lens	Part #
ECE/SAE Backup	Light with Deutsch Harness	12-24V DC	Clear Polycarbonate	0443081
ECE/SAE Stop/Tail	Light with Deutsch Harness	12-24V DC	Red Polycarbonate	0343911
ECE/SAE Stop/Tail	Light with Packard Harness	12-24V DC	Red Polycarbonate	0340881
ECE/SAE Turn	Light with Deutsch Harness	12-24V DC	Amber Polycarbonate	0343921
ECE/SAE Turn	Light with Packard Harness	12-24V DC	Amber Polycarbonate	0340871

Model 260

5" x 8" LED Signal Light



Light Source: LED

Input Voltage: 12-24V DC

Current Draw:

Backup: 0.65 Amps @ 12V DC; 0.38 Amps @ 24V DC

Rear Fog: 0.26 Amps @ 12V DC; 0.14 Amps @ 24V DC

Stop: 0.65 Amps @ 12V DC; 0.38 Amps @ 24V DC

Turn: 0.65 Amps @ 12V DC; 0.38 Amps @ 24V DC

Tail: 0.65 Amps @ 12V DC; 0.38 Amps @ 24V DC

Standards: ECE Reg. 3 (Reflector), ECE Reg. 6 (Signal), ECE Reg. 7 (Position & Stop), SAE J585 (Tail), SAE J586 (Stop), SAE J2040 (Tail), SAE J2261 (Stop & Turn), SAE J593 (Backup), Buy America Compliant, Sealed IP67

Mounting: Low profile mount

Function	Additional Information	Voltage	Lens	Part #
ECE/SAE Backup		12-24V DC	Clear Acrylic	0443031
ECE/SAE Rear Fog		12-24V DC	Red Acrylic	0342271
ECE/SAE Stop/Tail		12-24V DC	Red Acrylic	0339371
ECE/SAE Turn		12-24V DC	Amber Acrylic	0339381

Forward Lighting

Worklights

Emergency & Warning

Interior

Signal Lights

Thermal Imaging

Electronics

Heavy Duty Light Bars

Vehicle Identification

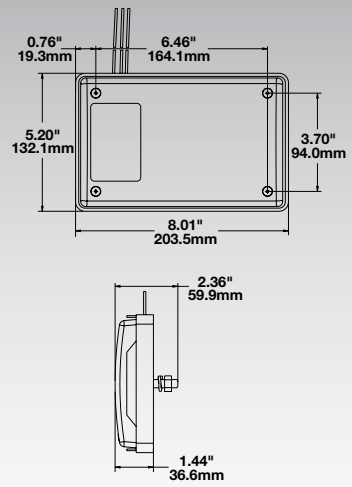
Service Parts

Reference

Forward Lighting
Worklights
Emergency & Warning
Interior
Signal Lights
Thermal Imaging
Electronics
Heavy Duty Light Bars
Vehicle Identification
Service Parts
Reference

Model 261

5" x 8" LED Signal Light in Mounting Frame



Light Source: LED

Input Voltage: 12-24V DC

Current Draw: 0.65 Amps @ 12V DC; 0.38 Amps @ 24V DC

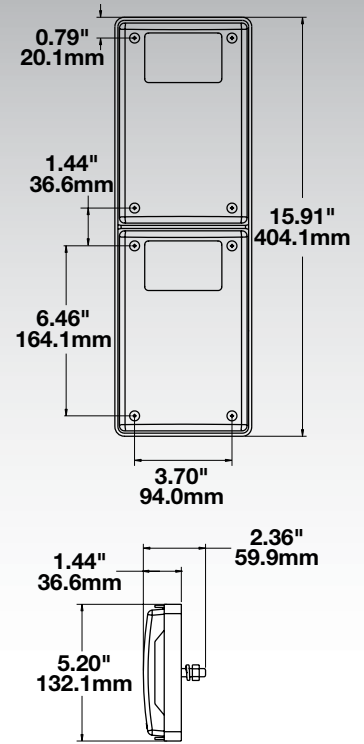
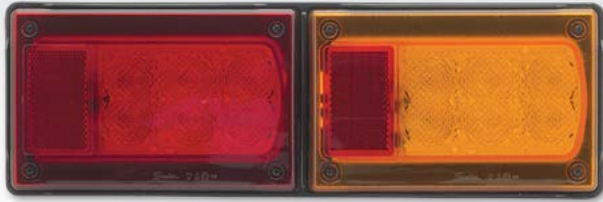
Standards: ECE Reg. 3 (Reflector), ECE Reg. 6 (Signal), ECE Reg. 7 (Position & Stop), SAE J585 (Tail), SAE J586 (Stop), SAE J2040 (Tail), SAE J2261 (Stop & Turn), SAE J593 (Backup), Buy America Compliant, Sealed IP67

Mounting: Low profile mount

Function	Additional Information	Voltage	Lens	Part #
ECE/SAE Backup		12-24V DC	Clear Acrylic	0341251
ECE/SAE Stop/Tail		12-24V DC	Red Acrylic	0341231
ECE/SAE Turn		12-24V DC	Amber Acrylic	0341241

Model 262

5" x 8" LED Stop, Tail, & Turn Light in Mounting Frame



Light Source: LED

Input Voltage: 12-24V DC

Current Draw: 0.65 Amps @ 12V DC; 0.38 Amps @ 24V DC

Standards: ECE Reg. 3 (Reflector), ECE Reg. 6 (Signal), ECE Reg. 7 (Position & Stop), SAE J585 (Tail), SAE J586 (Stop), SAE J2040 (Tail), SAE J2261 (Stop & Turn), Buy America Compliant, Sealed to IP67

Mounting: Low profile mount

Function	Additional Information	Voltage	Lens	Part #
ECE/SAE Stop/Tail/Turn		12-24V DC	Amber/Red Acrylic	0341221

Forward Lighting

Worklights

Emergency & Warning

Interior

Signal Lights

Thermal Imaging

Electronics

Heavy Duty Light Bars

Vehicle Identification

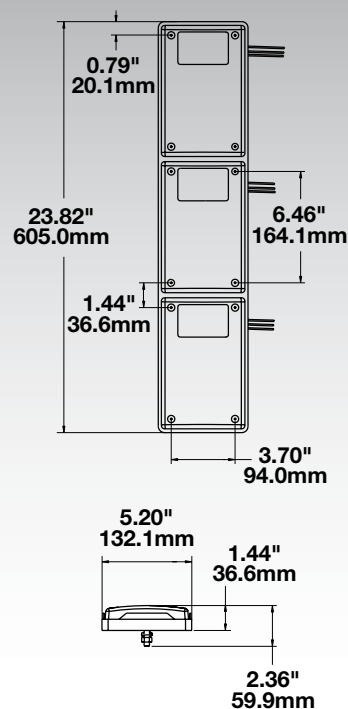
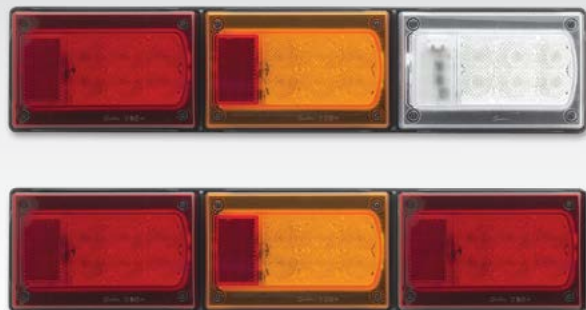
Service Parts

Reference

Forward Lighting
Worklights
Emergency & Warning
Interior
Signal Lights
Thermal Imaging
Electronics
Heavy Duty Light Bars
Vehicle Identification
Service Parts
Reference

Model 263

5" x 24" LED Signal Light in Mounting Frame



Light Source: LED

Input Voltage: 12-24V DC

Current Draw: 0.65 Amps @ 12V DC; 0.38 Amps @ 24V DC

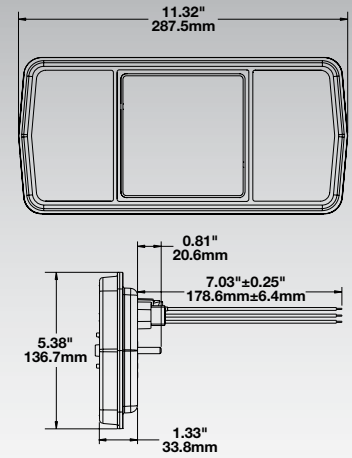
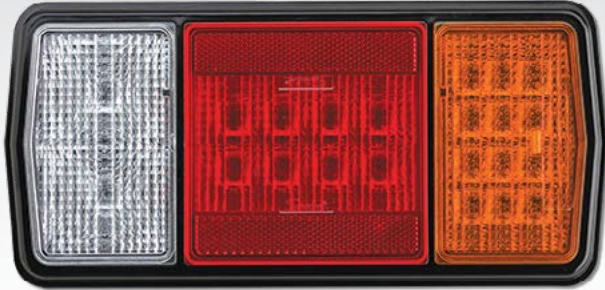
Standards: ECE Reg. 3 (Reflector), ECE Reg. 6 (Signal), ECE Reg. 7 (Position & Stop), SAE J585 (Tail), SAE J586 (Stop), SAE J593 (Backup), SAE J2040 (Tail), SAE J2261 (Stop & Turn), Buy America Compliant, Sealed to IP67

Mounting: Low profile mount

Function	Additional Information	Voltage	Lens	Part #
ECE/SAE Stop/Tail/Turn		12-24V DC	Red/Amber/Red Acrylic	0343791
ECE/SAE Stop/Tail/Turn/Backup		12-24V DC	Red/Amber/Clear Acrylic	0341211

Model 265

4" x 11" LED Stop, Tail, Turn & Backup



Light Source: LED

Input Voltage: 12-24V DC

Current Draw:

Backup: 0.33 Amps @ 12V DC; 0.35 Amps @ 24V DC

Stop: 0.33 Amps @ 12V DC; 0.20 Amps @ 24V DC

Tail: 0.06 Amps @ 12V DC; 0.04 Amps @ 24V DC

Turn: 0.43 Amps @ 12V DC; 0.33 Amps @ 24V DC

Standards: ASABE 279.17, ECE Reg. 3 (Reflector), ECE Reg. 6 (Signal), ECE Reg. 7 (Position & Stop), ECE Reg. 23 (Reverse), SAE J575 (Stop, Tail, Turn & Backup), SAE J585 (Tail), SAE J586 (Stop), SAE J588 (Turn), SAE J593 (Backup), SAE J594 (Reflector), SAE J2040 (Tail), SAE J2261 (Stop & Turn), Buy America Compliant, Sealed to IP67

Mounting: Low profile mount

Function	Additional Information	Voltage	Lens	Part #
ECE/SAE Stop/Tail/Turn/Backup		12-24V DC	Clear/Red/Amber Acrylic	0342421

Forward Lighting

Worklights

Emergency & Warning

Interior

Signal Lights

Thermal Imaging

Electronics

Heavy Duty Light Bars

Vehicle Identification

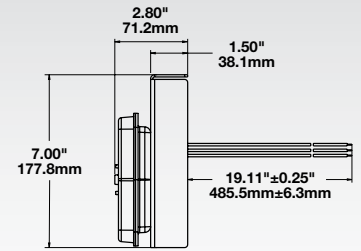
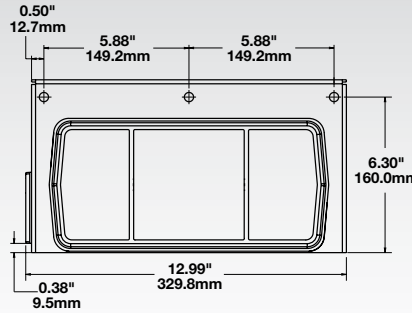
Service Parts

Reference

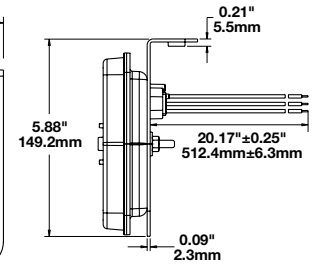
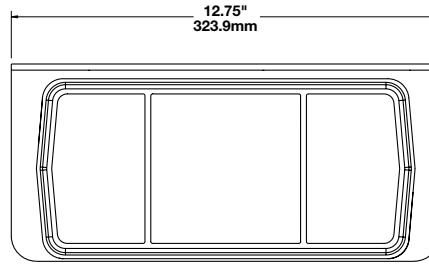
Model 265

Optional Mounting Bracket Assemblies

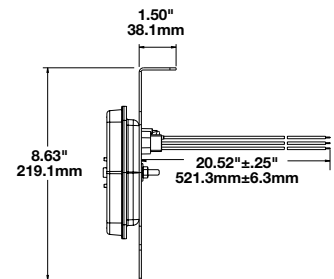
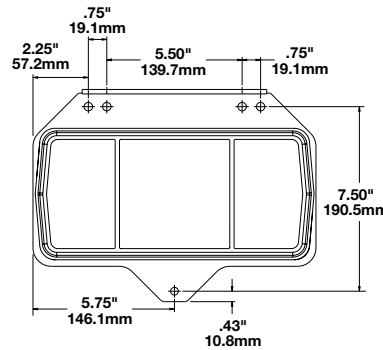
Hino Retrofit Kit



Mitsubishi Retrofit Bracket



Nissan Retrofit Bracket



Description

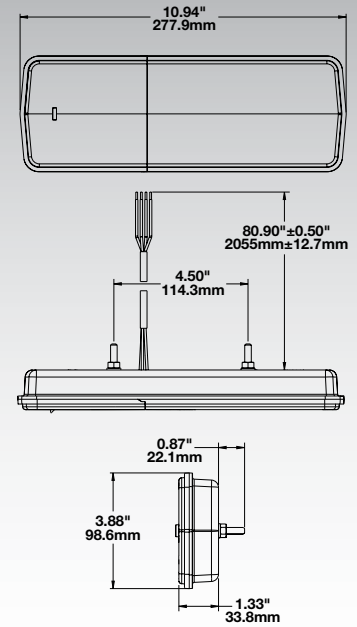
- Optional Mounting Bracket Assembly for Hino Truck
- Optional Mounting Bracket Assembly for Nissan Truck
- Optional Mounting Bracket Assembly for Mitsubishi Truck

Part Number

- 6144350
- 6144360
- 6144370

Model 267

4" x 11" LED Stop, Tail & Turn Light



Light Source: LED

Input Voltage: 12-24V DC

Current Draw:

Stop: 0.38 Amps @ 12V DC; 0.25 Amps @ 24V DC

Tail: 0.08 Amps @ 12V DC; 0.05 Amps @ 24V DC

Turn: 0.45 Amps @ 12V DC; 0.33 Amps @ 24V DC

Standards: ASABE 279.17, ECE Reg. 3 (Reflector), ECE Reg. 6 (Signal), ECE Reg. 7 (Position & Stop), SAE J575 (Stop, Tail & Turn), SAE J585 (Tail), SAE J586 (Stop), SAE J588 (Turn), SAE J594 (Reflector), Buy America Compliant

Mounting: Low profile mount

Function	Additional Information	Voltage	Lens	Part #
ECE/SAE Stop/Tail/Turn		12-24V DC	Red/Amber Acrylic	0339711

Forward Lighting

Worklights

Emergency & Warning

Interior

Signal Lights

Thermal Imaging

Electronics

Heavy Duty Light Bars

Vehicle Identification

Service Parts

Reference

Forward Lighting

Worklights

Emergency & Warning

Interior

Signal Lights

Thermal Imaging

Electronics

Heavy Duty Light Bars

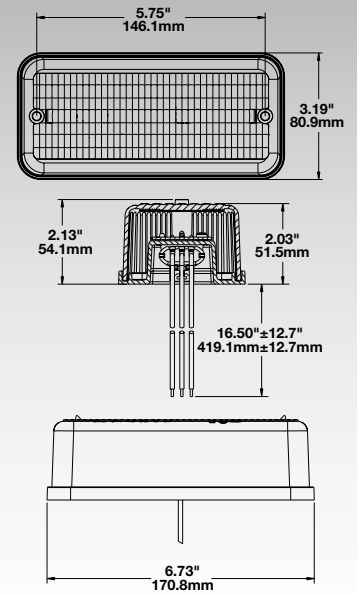
Vehicle Identification

Service Parts

Reference

Model 270

3" x 7" LED Signal Light



Light Source: LED

Input Voltage: 12V or 24-36V DC

Current Draw:

Park: 0.50 Amps @ 12V DC

Stop: 0.07 Amps @ 12V DC; 0.07 Amps @ 24V DC;
0.05 Amps @ 36V DC

Tail: 0.01 Amps @ 12V DC; 0.01 Amps @ 24V DC;
0.01 Amps @ 36V DC

Turn: 0.50 Amps @ 12V DC

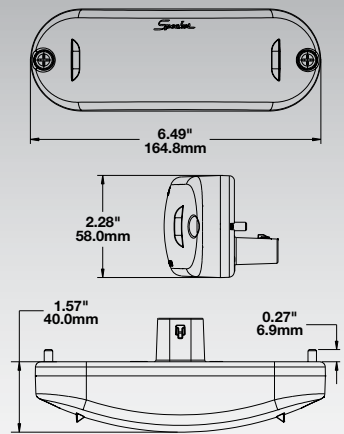
Standards: ASABE 279.17, ECE Reg. 6 (Signal), ECE Reg. 7 (Position & Stop), SAE J96 (Warning), SAE 585 (Stop & Tail), SAE J586 (Stop), SAE J588 (Turn), SAE J594 (Reflector), SAE J914 (Signal), SAE J974 (Warning), SAE J1889 (Signal), SAE J2040 (Tail), SAE J1957 (Stop & Tail), SAE J2261 (Stop & Turn), SAE J278 (Stop & Tail), SAE J279 (Stop & Tail), SAE J575 (Signal), Buy America Compliant, Sealed to IP67

Mounting: Low profile mount

Function	Additional Information	Voltage	Lens	Part #
ECE/SAE Stop/Tail		12V DC	Red Acrylic	0341361
ECE/SAE Stop/Tail		24-36V DC	Red Acrylic	0342061
ECE/SAE Turn		12V DC	Amber Acrylic	0341341
SAE Turn/Park		12V DC	Amber Acrylic	0341881

Model 272

2" x 7" LED Signal Light



Light Source: LED

Input Voltage: 12V or 24V DC

Current Draw:

Stop: 0.21 Amps @ 12V DC; 0.22 Amps @ 24V DC

Tail: 0.02 Amps @ 12V DC; 0.02 Amps @ 24V DC

Turn: 0.21 Amps @ 12V DC; 0.22 Amps @ 24V DC

Standards: ASABE 279.17, ECE Reg. 6 (Signal), ECE Reg. 7 (Position & Stop), SAE J96 (Warning), SAE J575 (Signal), SAE J585 (Tail), SAE J586 (Stop), SAE J588 (Turn), SAE J974 (Warning), SAE J1889 (Signal), SAE J2261 (Stop & Turn), SAE J2040 (Tail), Buy America Compliant, Sealed to IP67

Mounting: Low profile mount

Function	Additional Information	Voltage	Lens	Part #
ECE/SAE Stop/Tail		12V DC	Red Polycarbonate	0341811
ECE/SAE Stop/Tail		24V DC	Red Polycarbonate	0343171
ECE/SAE Turn		12V DC	Amber Polycarbonate	0341801
ECE/SAE Turn		24V DC	Amber Polycarbonate	0343181

Forward Lighting

Worklights

Emergency & Warning

Interior

Signal Lights

Thermal Imaging

Electronics

Heavy Duty Light Bars

Vehicle Identification

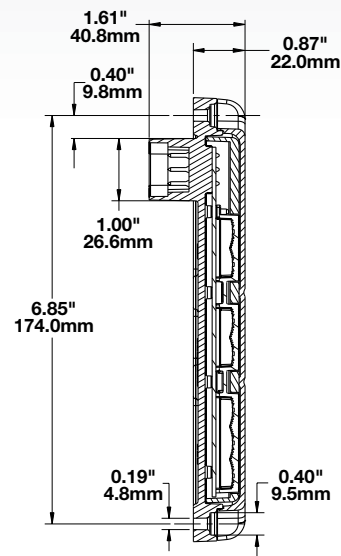
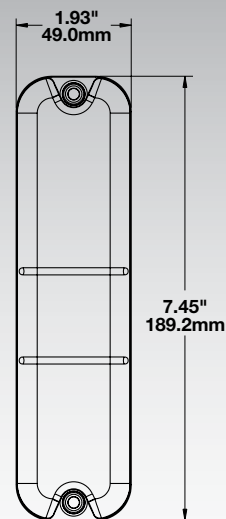
Service Parts

Reference

Forward Lighting
Worklights
Emergency & Warning
Interior
Signal Lights
Thermal Imaging
Electronics
Heavy Duty Light Bars
Vehicle Identification
Service Parts
Reference

Model 280

2" x 7" LED Stop, Tail, Turn, & Backup Light



Light Source: LED

Input Voltage: 12V or 24-36V DC

Current Draw:

Backup: 0.09 Amps @ 12V DC; 0.05 Amps @ 24V DC; 0.06 Amps @ 36V DC

Stop: 0.11 Amps @ 12V DC; 0.06 Amps @ 24V DC; 0.05 Amps @ 36V DC

Tail: 0.02 Amps @ 12V DC; 0.02 Amps @ 24V DC; 0.01 Amps @ 36V DC

Turn: 0.11 Amps @ 12V DC; 0.06 Amps @ 24V DC; 0.05 Amps @ 36V DC

Standards: UL Recognized, Buy America Compliant

Mounting: Low profile mount

Special Note: Includes integrated Packard (#12052848) connector

Function	Additional Information	Voltage	Lens	Part #
Stop/Tail/Turn/Backup		12V DC	Red/Clear Acrylic	0337241
Stop/Tail/Turn/Backup		24-36V DC	Red/Clear Acrylic	0341021

Model 281

2" x 9" LED Stop, Tail, Turn, & Backup Light



Light Source: LED

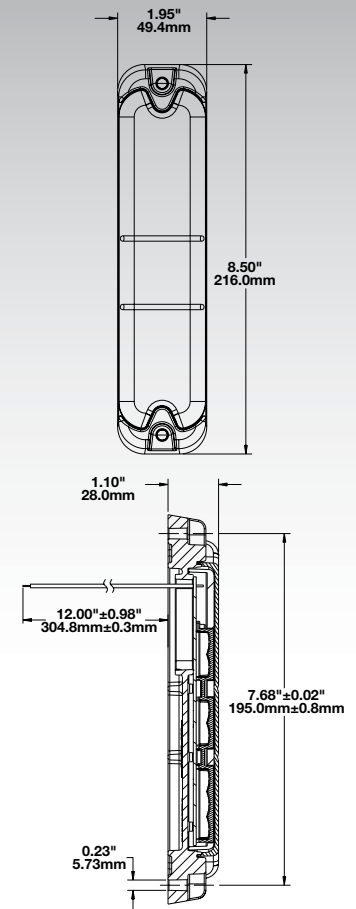
Input Voltage: 12V, 24-36V, or 48V DC

Current Draw: 0.40 Amps @ 12V DC; 0.40 Amps @ 24V DC;
0.40 Amps @ 36V DC; 0.40 Amps @ 48V DC

Standards: UL Recognized, Buy America Compliant,
Sealed to IP67

Mounting: Low profile mount

Special Note: Includes 12" bare leads



Forward
Lighting

Worklights

Emergency
& Warning

Interior

Signal Lights

Thermal
Imaging

Electronics

Heavy Duty
Light Bars

Vehicle
Identification

Service
Parts

Reference

Function	Additional Information	Voltage	Lens	Part #
Stop/Tail/Turn/Backup	2 Light Kit with 2 Amp Flasher	12V DC	Red/Clear Acrylic	0338071
Stop/Tail/Turn/Backup	2 Light Kit with 2 Amp Flasher	48V DC	Red/Clear Acrylic	0339021
Stop/Tail/Turn/Backup	Single Light without Flasher	12V DC	Red/Clear Acrylic	0338061
Stop/Tail/Turn/Backup	Single Light without Flasher	24-36V DC	Red/Clear Acrylic	0338091
Stop/Tail/Turn/Backup	Single Light without Flasher	48V DC	Red/Clear Acrylic	0339011

Forward Lighting

Worklights

Emergency & Warning

Interior

Signal Lights

Thermal Imaging

Electronics

Heavy Duty Light Bars

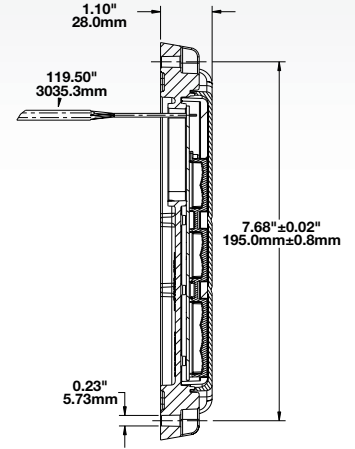
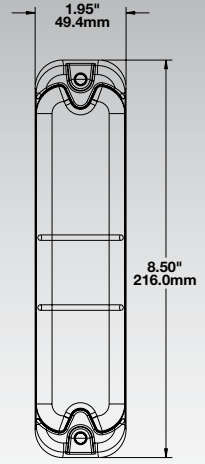
Vehicle Identification

Service Parts

Reference

Model 283

2" x 9" LED Stop, Tail, & Turn Light



Light Source: LED

Input Voltage: 12V or 24V DC

Current Draw: 0.40 Amps @ 12V DC; 0.40 Amps @ 24V DC

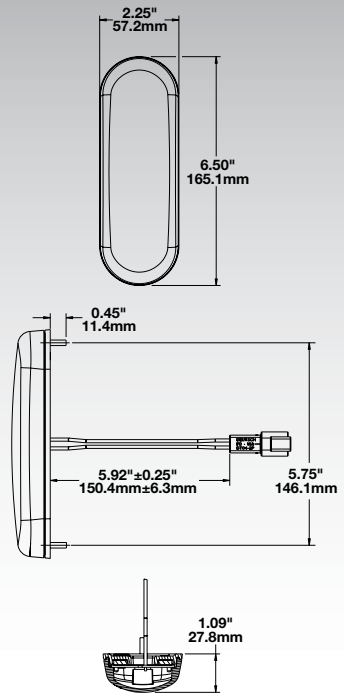
Standards: ECE Reg. 6 (Signal), ECE Reg. 7 (Position & Stop), Buy America Compliant, Sealed to IP67

Mounting: Low profile mount

Function	Additional Information	Voltage	Lens	Part #
ECE Stop/Tail/Turn		12V DC	Red/Clear Polycarbonate	0339741
ECE Stop/Tail/Turn		24V DC	Red/Clear Polycarbonate	0339921

Model 412

2" x 7" LED Signal Light



Light Source: LED

Input Voltage: 12-48V DC

Current Draw: 0.21 Amps @ 12V DC; 0.10 Amps @ 24V DC; 0.07 Amps @ 36V DC; 0.08 Amps @ 48V DC

Standards: ECE Reg. 6 (Signal), ECE Reg. 7 (Position & Stop), UL Recognized, Buy America Compliant, Sealed to IP67

Mounting: Low profile mount

Function	Additional Information	Voltage	Lens	Part #
ECE Front Position/Front Turn		12-48V DC	Amber/Clear Polycarbonate	0343121
ECE Stop/Tail/Turn		12-48V DC	Amber/Red Polycarbonate	0343101

Forward Lighting

Model 450

1" x 5" and 1" x 8" LED Marine Signal Lights

Worklights

Emergency & Warning

Interior

Signal Lights

Thermal Imaging

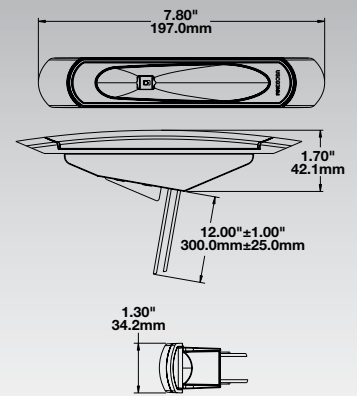
Electronics

Heavy Duty Light Bars

Vehicle Identification

Service Parts

Reference



Light Source: LED

Input Voltage: 12-24V DC

Current Draw: 0.21 Amps @ 12V; 0.10 Amps @ 24V

Standards: ABYC (A-16), USCG (COLOREG),
Buy America Compliant, Sealed to IP67

Mounting: Low profile mount

Function	Additional Information	Voltage	Lens	Part #
Port	Red Light, 1" x 8"	12-24V DC	Clear Polycarbonate	0230681
Starboard	Green Light, 1" x 8"	12-24V DC	Clear Polycarbonate	0230691
Stern	White Light, 1" x 5"	12-24V DC	Clear Polycarbonate	0230701

Model 775 XD

3" x 5" LED Worklight & Turn Signal



XD
SERIES

Light Source: LED

Raw Output: 600 Lumens

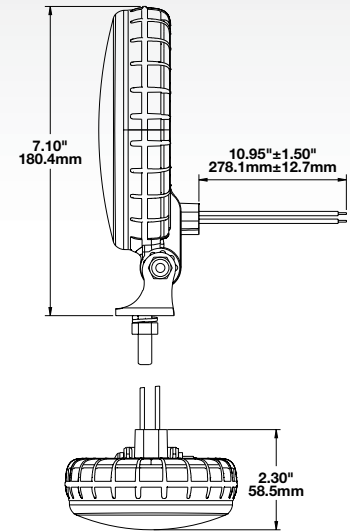
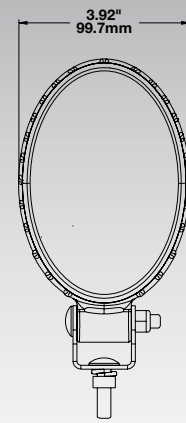
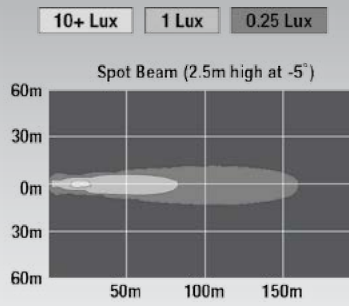
Effective Output: 400 Lumens

Input Voltage: 12-48V DC

Current Draw: 1.20 Amps @ 12V DC; 0.60 Amps @ 24V DC;
0.40 Amps @ 36V DC; 0.30 Amps @ 48V DC

Standards: ECE Reg. 6 (Signal), ECE Reg. 10 (Radiated Emissions), SAE J1113 (Radiated Emissions - 13 up to 8V contact/15KV air discharge), SAE J1455 (Environmental - 4.13.1.1.1 steady state jump starts), CE CISPR (12/22), UL Listed, Buy America Compliant, Sealed to IP67

Mounting: Universal pedestal mount



Function	Additional Information	Voltage	Lens	Part #
Spot & Turn		12-48V DC	Polycarbonate	1706301
Replacement Mounting Kit	Black			8200121
Replacement Mounting Kit	Stainless Steel			8200101

Forward Lighting

Worklights

Emergency & Warning

Interior

Signal Lights

Thermal Imaging

Electronics

Heavy Duty Light Bars

Vehicle Identification

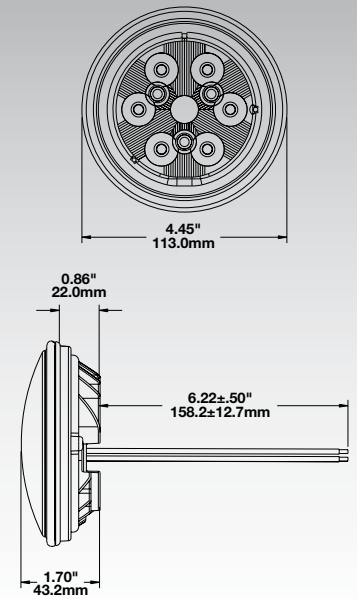
Service Parts

Reference

Forward Lighting
Worklights
Emergency & Warning
Interior
Signal Lights
Thermal Imaging
Electronics
Heavy Duty Light Bars
Vehicle Identification
Service Parts
Reference

Model 6042

4.5" (PAR36) LED Stop & Tail Light



Light Source: LED

Input Voltage: 12-24V DC

Current Draw:

Stop: 0.17 Amps @ 12V DC; 0.18 Amps @ 24V DC

Tail: 0.01 Amps @ 12V DC; 0.01 Amps @ 24V DC

Standards: SAE J585 (Tail), SAE J586 (Stop), Buy America Compliant, Sealed to IP67

Mounting: Low profile mount

Function	Additional Information	Voltage	Lens	Part #
SAE Stop/Tail		12-24V DC	Red Polycarbonate	0343211

Check Out Our Online Spec Sheets


While many customers utilize our print catalog as a resource for product information, we highly recommend that you also take advantage of the information available on our website. Our website features detailed product specification sheets which are more in-depth than the information you'll find in our printed catalog.

The Anatomy of a J.W. Speaker Spec Sheet

Model Information

Model 7150
5" x 7" Oval LED Worklight

Product Image



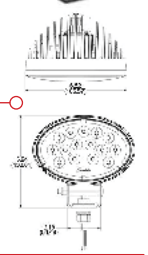
Product List

Model Number	Description
7150-12V	12V LED Worklight
7150-24V	24V LED Worklight

Features & Benefits

- 4,500 Raw Lumens; 3,000 Effective Lumens
- Available in 12V DC or 24V DC configurations
- Flood, Spot & Trapezoid beam patterns available
- Your choice of durable glass or polycarbonate (amber or clear) lens options
- Rugged solid state LEDs can withstand shock & vibration
- Long-lasting LEDs mean never having to replace another bulb again!
- Die-cast magnesium housing provides maximum protection
- Universal pedestal mount
- Available in a Combine Retrofit Kit (see online Photo Gallery)
- Overvoltage Protection: 150V peak for 400ms duration; 5 pulses at a 10s interval
- "XL" version for extreme industrial conditions also available

Dimension Drawing



Standards Compliance

General Specifications

Lens Pattern: Flood, Spot, or Trapezoid
Lens Material: Glass or Polycarbonate
Housing Material: Die-Cast Magnesium
Mounting Hardware: (x1) 1/2" Mounting Bolt
Mounting: Universal Pedestal Mount
Connector: Integrated 2-Pin Deutsch Weather-Proof Socket (DT04-2P)
Mating Connector: 2-Pin Deutsch Weather-Proof Plug (DT06-2S)

Technical Specifications

12V Version	24V Version
12V DC Input	24V DC Input
9-16V DC Operating Voltage	20-32V DC Operating Voltage
6.20 Amps @ 12V DC	3.00 Amps @ 24V DC
Raw Lumen Output: 4,500	Raw Lumen Output: 4,500
Effective Lumen Output: 3,000	Effective Lumen Output: 3,000

Standards Compliance

Buy America Compliant	SAE J575
SAE J1113	SAE J1455
Sealed to IP67	

Applications

Agricultural	Construction	Fire & Rescue
Forestry	Industrial	Lawn & Garden
Military	Mining	Off-Highway
Recreational	Specialty Trucks	Utility

Additional Information

Additional Info

Wires: Red=Positive, Black=Negative
 Transient Spike Protection: 150V Peak @ 1 HZ-100 Pulses

Dimensions in inches (mm in parentheses).
 Dimensions are for reference only.

Product Configurations

Features & Benefits

General Specifications

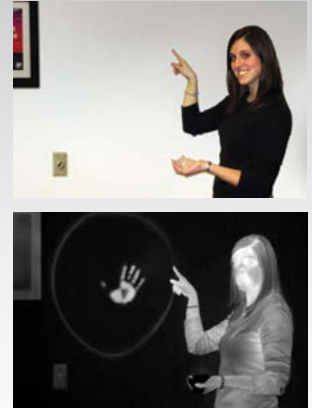
Technical Specifications

Application Recommendations

Thermal Imaging

How Does it Work?

Thermal Imaging cameras detect subtle differences in temperature and display them as black and white. Warmer objects appear light and cooler objects appear dark. Notice how the ice in the girl's left hand appears completely black. The differences in heat don't have to be significant for a thermal imaging camera to see them clearly either. The slightest friction from the girl's finger and heat from her hand leaves enough warmth on the wall to show up clearly to the thermal imaging camera. Just imagine how much more heat vehicles, people, and animals give off!



See 4X Further Than Headlights!

Even under ideal conditions, headlights only allow drivers to see about 450 feet straight ahead. Driver visibility is limited by the beam pattern of the headlights. It is also possible to outrun your headlights when driving at highway speeds.



Thermal imaging cameras provide you with the necessary visibility to see pedestrians and wildlife over 1,000 feet away and vehicles even further—giving you more time to react, and more room to stop. They provide you with superior visibility in dark or extreme environments where headlights fall short—conditions such as rain, snow, fog, or smoke. Because thermal imaging cameras don't rely on light, you can see clearly up to 1,800 feet in total darkness!



Greater Safety = Greater Profits

In today's high-cost world, a single accident can have a significant impact on your profitability. Insurance deductibles, equipment downtime, worker's compensation, and lawsuits can all add up rather quickly. We understand that you want to protect your assets and maximize your profits using best-in-class safety equipment and programs to avoid costly accidents.

Model 9790

Thermal Imaging System

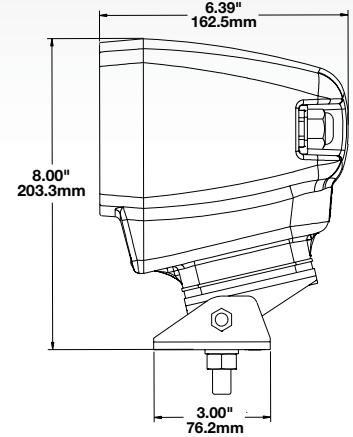
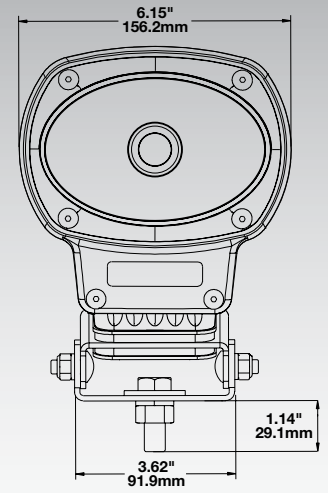


Thermal Imaging Camera



Monitor

- Sensor Type:** 320 x 240 Uncooled Microbolometer
- Input Voltage:** 12-24V DC
- Field of View:** 36° Horizontal x 27° Vertical
- Spectral Band:** 8-14 Microns (LWIR)
- Video:** Standard NTSC (9790)
- Frame Rate:** 30 Hz (9790)
- Power Dissipation:** 6W Max (Camera); 12W Max (Monitor)
- Operating Temperature:** -40°C to 80°C
- Standards:** Buy America Compliant, Sealed to IP67
- Mounting:** Universal pedestal mount
- Special Note:** Includes 12V power auxiliary video outputs for an external monitor



Voltage	Additional Information	Part #
12-24V DC	Thermal Imaging Camera with Monitor	1705311
12-24V DC	Thermal Imaging Camera without Monitor	1705301

Forward Lighting

Worklights

Emergency & Warning

Interior

Signal Lights

Thermal Imaging

Electronics

Heavy Duty Light Bars

Vehicle Identification

Service Parts

Reference

Electronics

EMI Filters



Model 631
Page 150

Wig-Wag Modules



Model 6170
Page 151

Electronic Flashers



Model 6310
Page 152

Converters



Model 6400
Page 153

Why Buy J.W. Speaker Electronics?

A Complete Solution

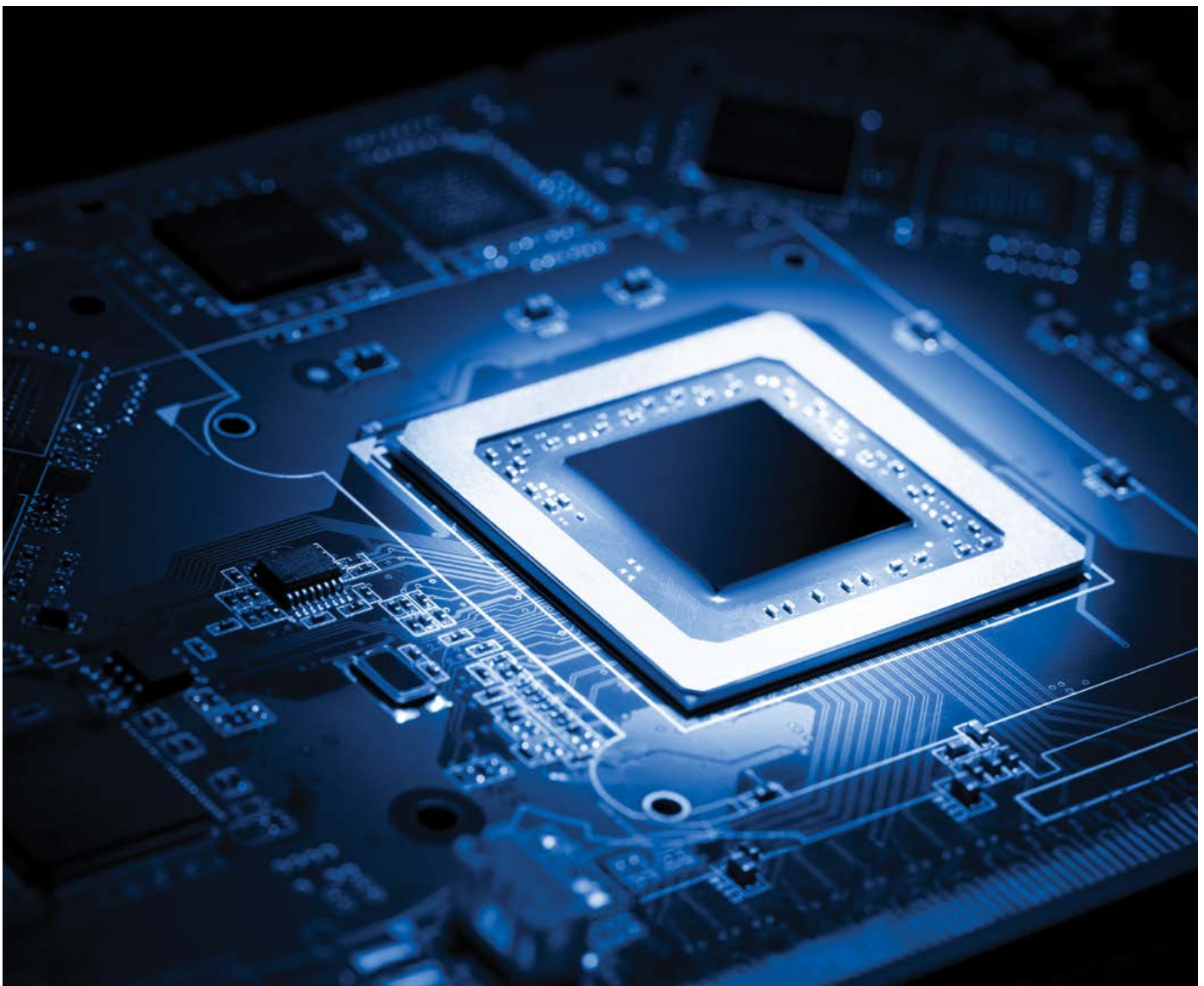
Not only does J.W. Speaker produce lights, but we also manufacture electronics to work with them. Buying J.W. Speaker electronics ensures that the lights and electronics have full compatibility and harmonization.

Dependability

You can rest assured that all J.W. Speaker electronics are made with the same quality as our lighting products. Our electronic flashers, wig-wag modules, and converters are specifically designed to function in rugged applications and are extensively tested to comply with SAE, ECE, and Ingress Protection standards where applicable.

Made in the U.S.A.

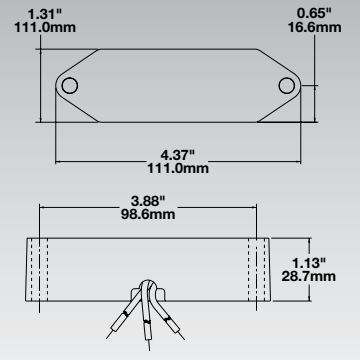
All of our electronics are proudly made at our headquarters in Germantown, Wisconsin. We maintain the highest quality standards in our production facilities, and we back our electronics with a Lifetime Limited Warranty (learn more about our warranty on page 158).



Forward Lighting
Worklights
Emergency & Warning
Interior
Signal Lights
Thermal Imaging
Electronics
Heavy Duty Light Bars
Vehicle Identification
Service Parts
Reference

Model 631

1" x 4" EMI Filter



- Voltage Limit:** 50V DC

- Wire Gauge:** 16 Gauge

- Standards:** Buy America Compliant

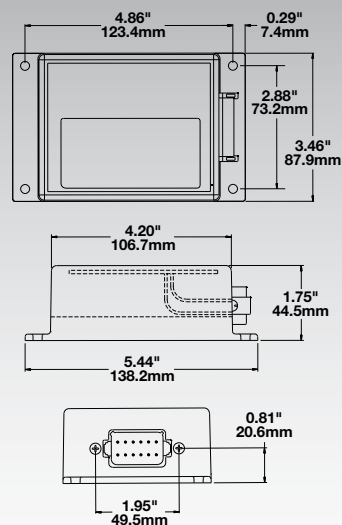
- Mounting:** Low profile mount

- Special Note:** Used to reduce electromagnetic interference in vehicle applications

Voltage	Additional Information	Part #
	EMI Filter	0829411

Model 6170

Daytime Running Light Wig-Wag Module



Input Voltage: 12-24V DC

Output Voltage: 5.00 Amps per side

Input Current: 15 Amps Max

Output Current: 0-5 Amps/Channel

DRL Frequency: 120 Hz +/- 10%

DRL Duty Cycle: 60% +/- 5%

Wig Wag Frequency: : 1.5 Hz +/- 10% (Normal);

3.0 Hz +/- 10% (Fast)

Wig Wag Duty Cycle: 50% +/- 10%

Standards: ECE Reg. 10 (Radiated Emissions), SAE J2139 (Signal), Buy America Compliant

Mounting: Low profile mount

Special Notes: The Wig-Wag Module controls high beam and marker lights. Wig-Wag mode flashes driver and passenger side high beam & marker lights alternately at either normal (1.5 Hz), or fast (3.0 Hz) speed. High beam switch overrides Wig-Wag and DRL modes.

Forward Lighting

Worklights

Emergency & Warning

Interior

Signal Lights

Thermal Imaging

Electronics

Heavy Duty Light Bars

Vehicle Identification

Service Parts

Reference

Voltage	Additional Information	Part #
12-24V DC		0842191

Forward Lighting

Worklights

Emergency & Warning

Interior

Signal Lights

Thermal Imaging

Electronics

Heavy Duty Light Bars

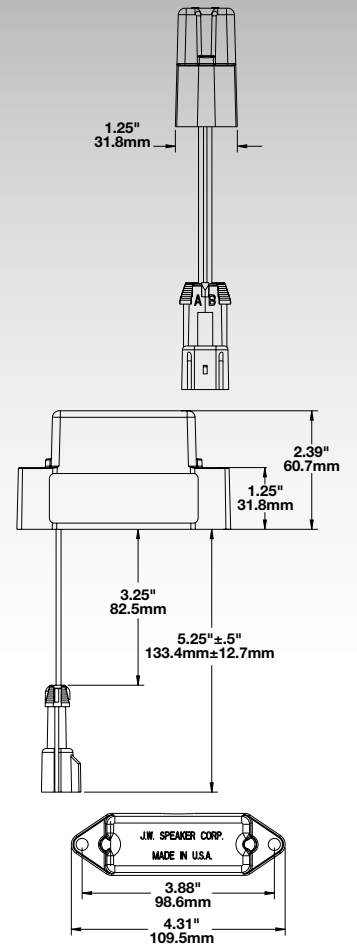
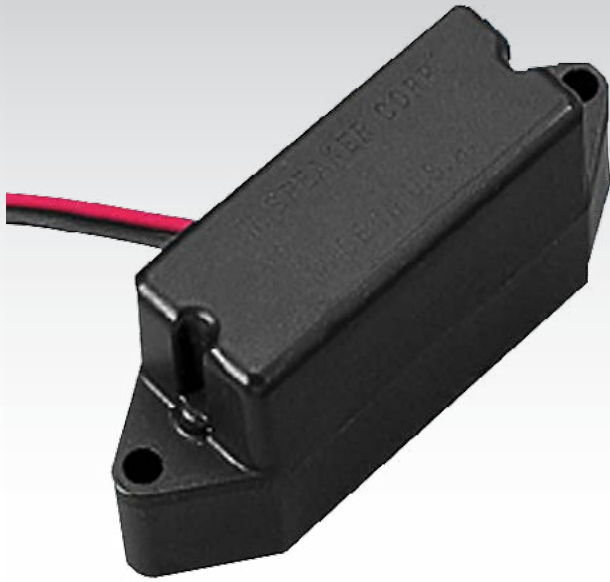
Vehicle Identification

Service Parts

Reference

Model 6310

Electronic Flasher



Input Voltage: 12-24V DC

Max Current Draw: 15.00 Amps @ 12V DC;
15.00 Amps @ 24V DC

Flash Rate: 70 +/- 10 fpm

Standards: SAE J2139 (Signal), MIL-STD-461 (F),
Buy America Compliant

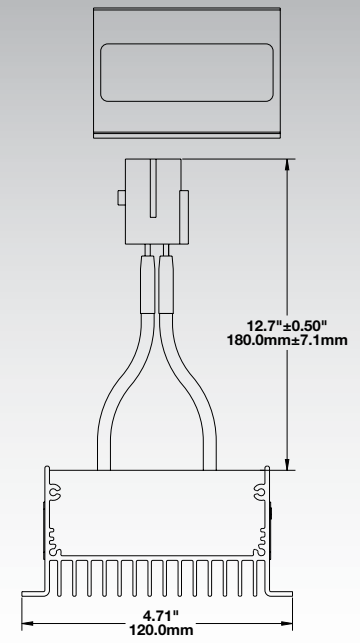
Mounting: Low profile mount

Special Note: Standard high-power FET output protects
against short circuit and overheating

Voltage	Additional Information	Part #
12-24V DC		0841911

Model 6400

DC/DC Converter



Input Voltage: 24-48V DC

Output Voltage: 12V DC

Standards: Buy America Compliant

Mounting: Low profile mount

Forward Lighting

Worklights

Emergency & Warning

Interior

Signal Lights

Thermal Imaging

Electronics

Heavy Duty Light Bars

Vehicle Identification

Service Parts

Reference

Voltage	Additional Information	Part #
24-48V DC	Delivers up to 115 Watts	0841541

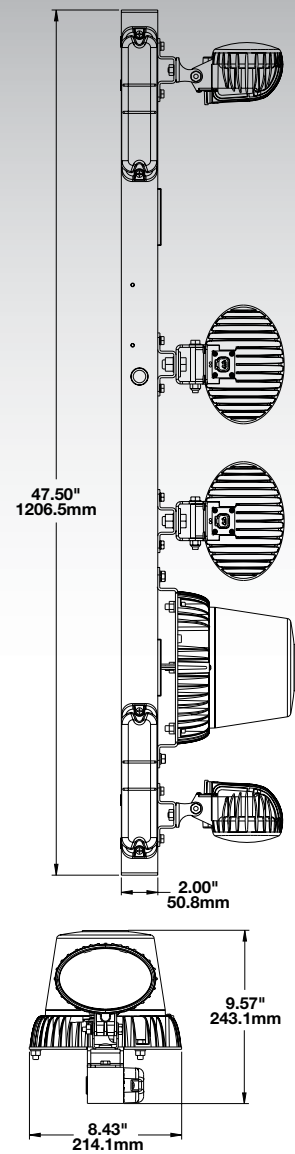
Forward Lighting
Worklights
Emergency & Warning
Interior
Signal Lights
Thermal Imaging
Electronics
Heavy Duty Light Bars
Vehicle Identification
Service Parts
Reference

Model MB735

48" Heavy Duty LED Light Bar with 1 Strobe



Light Source: LED
Input Voltage: 12V DC
Current Draw:
Model 281: 0.80 Amps @ 12V DC
Model 735: 7.00 Amps @ 12V DC
Model 7150: 12.00 Amps @ 12V DC
Model 601: 3.70 Amps @ 12V DC
Standards: Buy America Compliant
Mounting: 2 blind rivets on each side for M8 mounting bolt
Configuration: (x2) Model 735 Flood Worklights, (x2) Model 7150 Trap Worklights, (x2) Model 281 Signal Lights, and (x1) Model 601 Strobe Light



Voltage	Additional Information	Part #
12V DC	Light Bar with Amber Strobe	0343751

Model MB735

48" Heavy Duty LED Light Bar with 2 Strobes



Light Source: LED

Input Voltage: 12V DC

Current Draw:

Model 281: 0.80 Amps @ 12V DC

Model 735: 7.00 Amps @ 12V DC

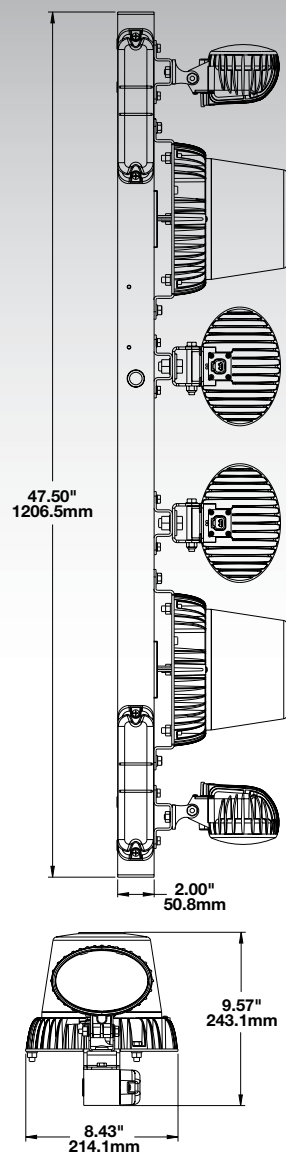
Model 7150: 12.00 Amps @ 12V DC

Model 601: 7.40 Amps @ 12V DC

Standards: Buy America Compliant

Mounting: 2 blind rivets on each side for M8 mounting bolt

Configuration: (x2) Model 735 Flood Light Worklights, (x2) Model 7150 Trap Worklights, (x2) Model 281 Signal Lights, and (x2) Model 601 Strobe Light



Forward Lighting

Worklights

Emergency & Warning

Interior

Signal Lights

Thermal Imaging

Electronics

Heavy Duty Light Bars

Vehicle Identification

Service Parts

Reference

Voltage	Additional Information	Part #
12V DC	Light Bar with 2 Amber Strobes	0345381
12V DC	Light Bar with 1 Amber & 1 Red Strobe	0343761

Model 255

LED Vehicle Identification Sign



The Dependable Choice

J.W. Speaker's Model 255 LED vehicle identification signs were specifically designed for applications that rely on visibility as a key component of on-the-job safety. We understand that mining and other industrial applications can be hard on vehicle identification signs. Shock, vibration, dirt, and sludge often take a heavy toll on traditional reflective and high contrast signage. The Model 255 is built to overcome these challenges with a powder-coated steel frame, epoxy lens, and high intensity LED light array. The heavy duty steel frame is easy to install and provides protection against the harsh elements and impacts associated with industrial use. The LEDs are maintenance-free and, because it's sealed to IP67, cleaning is as simple as spraying the sign with water. The Model 255 has been designed for continuous industrial use and carries a Lifetime Limited Warranty (read more about our warranty on page 158).

The Versatile Choice

Rather than being locked into buying a three-digit, four-digit, etc. vehicle identification sign, J.W. Speaker's Model 255 LED vehicle identification sign comes as a single digit. Multiple signs can be linked together, allowing you to use as many digits as needed. The Model 255 is programmable, so it can be used and reused on any piece of equipment—eliminating the need for custom-made identification signs. An intuitive programming switch (sold separately) allows for quick, on-site changes to the display. The optional CANbus interface module allows the sign to interface with inputs such as vehicle load sensors. The sign automatically dims or brightens based on ambient lighting conditions for maximum visibility.

Model 255

LED Vehicle Identification Sign



Light Source: LED

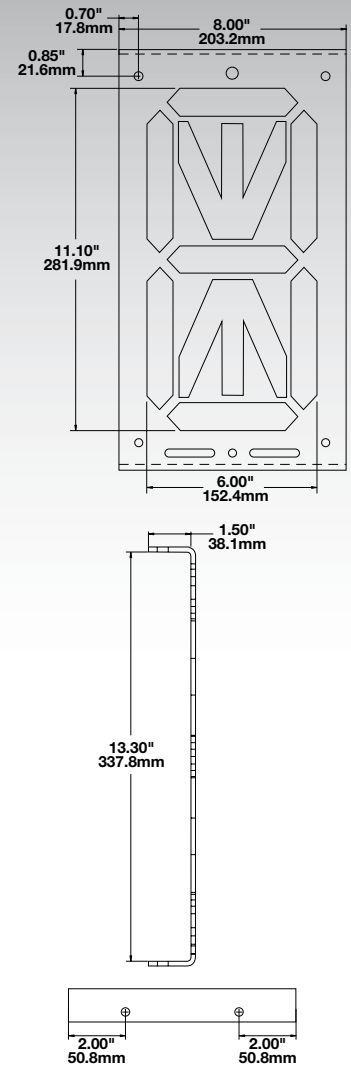
Input Voltage: 12-24V DC

Current Draw: 1.80 Max Amps @ 12V DC;

0.90 Max Amps @ 24V DC

Standards: ECE Reg. 10 (Radiated Emissions), Buy America Compliant, Sealed to IP67

Mounting: Low profile mount



Function	Voltage	Lens	Size	LED Color	Part #
Alphanumeric Board	12-24V DC	Epoxy	8"	Amber	0345261
Alphanumeric Board	12-24V DC	Epoxy	8"	Blue	0345251
Alphanumeric Board	12-24V DC	Epoxy	8"	Green	0345241
Alphanumeric Board	12-24V DC	Epoxy	8"	Red	0345231
Alphanumeric Board	12-24V DC	Epoxy	11"	Amber	0345211
Alphanumeric Board	12-24V DC	Epoxy	11"	Blue	0344721
Alphanumeric Board	12-24V DC	Epoxy	11"	Green	0344711
Alphanumeric Board	12-24V DC	Epoxy	11"	Red	0344701
Numeric Board	12-24V DC	Epoxy	8"	Amber	0345301
Numeric Board	12-24V DC	Epoxy	8"	Blue	0345291
Numeric Board	12-24V DC	Epoxy	8"	Green	0345281
Numeric Board	12-24V DC	Epoxy	8"	Red	0345271
Numeric Board	12-24V DC	Epoxy	11"	Amber	0345221
Numeric Board	12-24V DC	Epoxy	11"	Blue	0344691
Numeric Board	12-24V DC	Epoxy	11"	Green	0344681
Numeric Board	12-24V DC	Epoxy	11"	Red	0344671
Input Power Harness	12-24V DC				3264601
Programming Switch					3156831
CANbus Interface Module					CALL

Forward Lighting

Worklights

Emergency & Warning

Interior

Signal Lights

Thermal Imaging

Electronics

Heavy Duty Light Bars

Vehicle Identification

Service Parts

Reference

Service Parts

	Description	Part #
Worklights	1141-12V Incandescent Bulb (21 Candlepower)	4805861
	1156-12V Incandescent Bulb (32 Candlepower)	4802591
Emergency & Warning	12" Wire Assembly with DT06-2S Connector	3258910
	12" Wire Assembly with DT06-2S/PE 12015792 Connector	3262700
	1683-24V Incandescent Bulb (32 Candlepower)	4830751
	35/35-12V Halogen Bulb	4831920
	4340-48V PAR36 Sealed Beam (Trap)	4908971
Interior	4411-12V PAR36 Sealed Beam (Trap)	4903281
	862-12V Halogen Bulb (37 Watt)	4831181
	881-12V Halogen Bulb (27 Watt)	4830881
	889-12V Halogen Bulb (27 Watt)	4831871
	894-12V Halogen Bulb (37.5 Watt)	4830831
Signal Lights	912-12.8V Incandescent Wedge-Style Bulb	4831961
	HID Ballast Adapter Kit (12V)	3152411
	HID Ballast Adapter Kit (24V)	3152421
	Housing for PAR36 Lamps (Includes Hardware)	3154260
	Anti-Flicker Harness for Model 8700 Evolution LED Headlights	8000311
Thermal Imaging	L Bracket	0703341
	Model 150 Side Marker Light Carrier	5856032
	Model 250 Signal Light Replacement Amber Acrylic Lens	4428311
	Model 270 Signal Light Replacement Amber Acrylic Lens	4401771
	Model 270 Signal Light Replacement Red Acrylic Lens	4420511
Electronics	Model 400 Strobe Light Replacement Amber Lens	4429681
	Model 800 Work Light Replacement Wide Flood Clear Lens	4429151
	Model 8475 Replacement 6' Vehicle Charging Cord (12V DC)	3267220
	Model 8800 Optional Double Bucket Mounting Assembly - LH	3156680
	Model 8800 Optional Double Bucket Mounting Assembly - RH	3156600

Service Parts

Description	Part #
Model TS3000R Amber Lens Cover	5862921
Model TS3000R Black Logo Lens Cover	5862931
Model TS3000R Blue Lens Cover	5862911
Model TS3000R Clear Lens Cover	5862901
Model TS3000V Amber Lens Cover	5862501
Model TS3000V Black Logo Lens Cover	5861391
Model TS3000V Blue Lens Cover	5862511
Model TS3000V Clear Lens Cover	5862361
Model TS3000V Inverted Black Logo Lens Cover	5862351
Models 250 & 251 Signal Light Replacement Red Acrylic Lens	4404481
Models 400 & 537 Strobe Light Flashtube	3148681
Models 52 & 60 Rapid Charger Kit	6600651
Models 9710 & 9720 Flood Lens/Reflector Kit	3155021
Models 9710 & 9720 HID Kit (Flood Lens/Reflector & Bulb)	3150831
Models 9710 & 9720 HID Kit (Spot Lens/Reflector & Bulb)	3150821
Models 9710 & 9720 HID Kit (Trap Lens/Reflector & Bulb)	3150811
Models 9710 & 9720 Spot Lens/Reflector Kit	3155031
Models 9710 & 9720 Trap Lens/Reflector Kit	3155041
PS24W-12V Bulb Assembly	4831891
Replacement HID Bulb	4832171
Replacement Mounting Kit - Black	8200121
Replacement Mounting Kit - Stainless Steel	8200101
Replacement Push-Pull Switch	0809231
SP12-24V Halogen Bulb (45 Candlepower)	4831091
SP7-36V Halogen Bulb (32 Candlepower)	4830931
SP8-48V Halogen Bulb (32 Candlepower)	4830941
Wire Assembly with Packard #12020818 Connector	3253360

Forward
Lighting

Worklights

Emergency
& Warning

Interior

Signal Lights

Thermal
Imaging

Electronics

Heavy Duty
Light Bars

Vehicle
Identification

Service
Parts

Reference

Lighting Terminology

Thanks to advancements in lighting technology, we enjoy some of the brightest, longest-lasting, and most efficient lighting options the world has ever seen. These technological advances have also led to an abundance of terminology. To help you stay informed and educated, here are some basic terms for understanding lighting technology.

Quick Reference

Watt: a measure of the total power consumption of a light source

Lumen: a measure of the total visible light output of a light source

Candlepower: an obsolete term that has been replaced by “candela”

Candela: a measure of the intensity of a light source in a particular direction

Foot-candles & Lux: the amount of visible light falling on a surface

Watts & Lumens

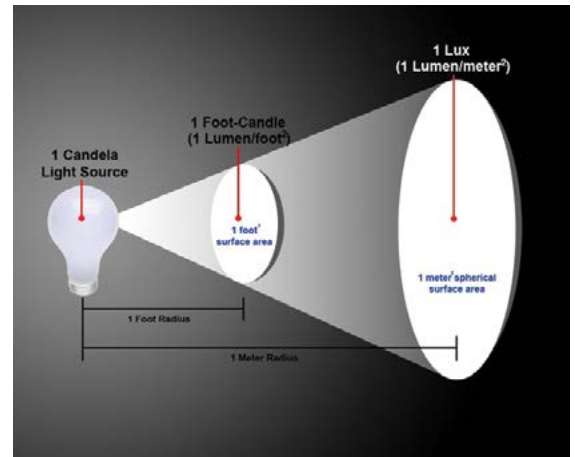
It is a common misperception that higher wattage equals higher light output—in part due to the fact that incandescent light output generally increases with wattage numbers. With LED technology, this is not the case. LEDs can emit the same, if not more light than a bulb, while consuming less power.

Watts are a measure of power consumption, while lumens are a measurement of visible light output. When you want to know how bright a light will be, you need to identify the lumen output value, not the wattage—especially when comparing LED and bulb-based lights.

Candlepower & Candela

Though it was once the predominant unit of measure used to describe the intensity of a light source in a particular direction, the term “candlepower” is now obsolete. The current standard unit of measure is the “candela.”

One candela is close to the light intensity produced by an ordinary candle as perceived by the human eye, and addresses how bright a light source is in a particular direction. Candela are similar to lumens in that both deal with light output as perceived by the human eye. The key difference between the two is that candela is specifically a measurement of directional intensity.



Foot-Candles & Lux

Both foot-candles and lux measure the same thing—the amount of visible light that falls on a surface. The difference is that the foot-candle uses the Imperial standard measuring system (feet, pounds, etc.), while the lux uses the metric system (meters, grams, etc.). A single foot-candle is equivalent to the amount of light that falls on a surface that is one foot away from a single candle, and a lux is the amount of light that falls on a surface one meter away from a candle. For conversion, one foot-candle is approximately equal to 10.764 lux.

Raw vs. Effective Lumens

The lumen is a unit of measure used to describe the total visible light output emitted by a light source. Because many people base purchasing decisions solely on visual output, many LED lighting manufacturers boast high lumen numbers on product literature and packaging. What they may fail to clarify, however, is whether these big numbers are the **Raw Lumen output** or the **Effective Lumen output**.

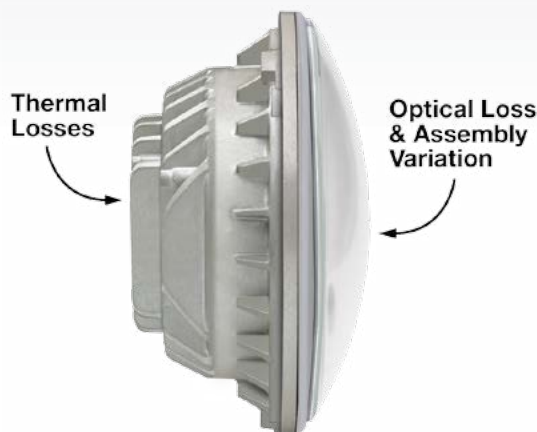
Raw Lumens

Raw Lumens are **theoretical**, rather than the actual measure of useful light output. Manufacturers calculate Raw Lumen output by multiplying the number of LEDs in a light by their maximum output rating. For example, if a light uses 10 LEDs that have a maximum output rating of 100 lumens each, the Raw Lumen output would be 1,000 lumens (10 x 100 = 1,000). No photometric testing is necessary to come up with this number. The reason this is an unreliable metric is because it does not take into account real world factors that can decrease light output by as much as 75 percent:

Thermal Losses: LEDs heat up over time. As they heat up, their light output decreases.

Optical Losses: As light passes through any material (ex: a lens), it loses some of its intensity.

Assembly Variation: Manufacturing processes cannot guarantee that all lamps will be exactly the same.



Effective Lumens

Effective Lumens are an **actual measurement** that take into account all of these real world losses. Measuring the Effective Lumen output of a light requires the use of high-tech photometry equipment. Because of the cost and expertise involved, some manufacturers opt to cut corners and simply use the theoretical Raw Lumen value. This makes an apples-to-apples comparison between lights very difficult, because customers purchasing based on a Raw Lumen value are very likely to get lower output than advertised.

Here's a practical example:

- LED light No. 1 has an output rating of 2,000 Raw Lumens, but only 1,000 Effective Lumens.
- LED light No. 2 has an output rating of 3,000 Raw Lumens, but only 500 Effective Lumens.

Based solely on Raw Lumens, No. 2 would be the clear choice. However, turn both lights on, and light No. 1 would be twice as bright as light No. 2 because it has the higher Effective Lumen output.

To get the entire picture, J.W. Speaker encourages you to challenge manufacturers and lighting sales reps to provide both the raw and the effective output numbers.

EMI (Electromagnetic Interference)

Electromagnetic Interference (EMI) refers to a disturbance that affects an electrical circuit. Lights can both **cause and be the victim of** EMI issues in your vehicle. For this reason, it is important to have a basic understanding of EMI and to look for lights that have been adequately designed and tested to reduce its effects.

Five Types of EMI

- **Radiated Emissions:** Electromagnetic noise emitted by a light through the air that can interfere with other electronics (ex. cell phone, radio, etc.).
- **Conducted Emissions:** Electromagnetic noise conducted down a power line in a vehicle which can interfere with other electronic components in the vehicle.
- **Radiated Immunity:** The tolerance of a light to inbound electromagnetic noise in the atmosphere. Any broadcast signal (cell phone, radio tower, etc.) can interfere with a light if it is not properly designed.
- **Conducted Immunity:** The tolerance of a light to inbound electromagnetic noise conducted on vehicle power lines.
- **Electrostatic Discharge (ESD):** A sudden flow of electricity between two objects, such as when you shuffle your feet on carpeting and then touch someone to give them a shock.

Component Level vs. Vehicle Level

For OEM applications, lighting manufacturers focus on testing their products at a component (light) level. This is done to make sure that the lights will not cause a vehicle-level EMI failure or interfere with other electronics in the vehicle. OEMs then test at a vehicle level to ensure that it meets regulatory requirements.

Standard vs. Custom Products

At J.W. Speaker, we design and manufacture both standard and custom products. For our standard products, we've established a set of high standards by which we design and test for electromagnetic compliance. For custom products, we design, test, and manufacture to meet your exact specifications. In the event that you do not have EMI specifications, we'll provide you with a list of EMI standards to review and approve before we start on the design.

Testing Capabilities

J.W. Speaker has EMI testing equipment on-site at our production facility which enables us to do all of the following:

SAE J1445

- Load Dump (Pulse 5) (J1113/11)
- Inductive Switching (Pulse 1/2) (J1113/11)
- Burst Transients (Pulse 3a/3b) (J1114/11)
- Starter Motor Engagement (Pulse 4) (J1113/11)
- Electrical Fast Transients (J1113/12)
- Chattering Relay (J1113/12)
- 4.13.3.4.1 Radiated Emissions (J1113-41)
- 4.13.3.4.4 Conducted Emissions, DC Power Leads (J1113-41)

ESD

- SAE J1113-13 (SAE J1455)
- ISO 10605
- IEC 61000-4-2 (EN 12895)

EN 12895 Industrial Trucks Electromagnetic Capability

- EN 55022 With Exception of the Antenna Height
- CISPR 12
- CISPR 22
- CISPR 25
- Mil STD – 461F (Army Mobile Emissions ONLY)

SAE J2139

- Load Dump
- Inductive Switching
- Mutual

ECE Reg 10

- Broadband Electromagnetic Emissions
- Narrowband Electromagnetic Emissions
- Immunity: ISO11452-4
- ISO 7637-2 Pulses 1, 2a, 3a, 3b, 4
- ISO 7637-2 Emission of Conducted Disturbances

Ingress Protection Ratings

The IP Code outlines a system of classification for the protection of electrical enclosures against the intrusion of foreign bodies (ex. tools, fingers, dust, moisture, etc.). The system of classification was specified by the International Electrotechnical Commission and is officially designated as IEC 60529. The rating is specified by the letters IP followed by two digits (ex. IP25, IP68, etc.).

First Number – Degree of Ingress Protection

The first number of the IP code indicates the degree of protection against contact with moving parts and the degree that the equipment is protected against solid foreign bodies intruding into an enclosure.

- 0 - No protection provided
- 1 - Protection against entry of objects larger than 50 square mm
- 2 - Protection against entry of objects larger than 12 square mm
- 3 - Protection against entry of objects larger than 2.5 square mm
- 4 - Protection against entry of objects larger than 1.0 square mm
- 5 - Protection against entry of dust in sufficient quantity to prevent satisfactory operation
- 6 - Complete Protection against entry of dust

First Number Example

IP65

Complete protection against entry of dust

Second Number – Degree of Moisture Protection

The second number indicates the degree of protection for the equipment inside the enclosure against the harmful entry of various forms of moisture (ex. dripping, spraying, submersion, etc.).

- 0 - No protection provided
- 1 - Protection against drops of water falling vertically
- 2 - Protection against drops of water falling vertically when the luminaire is tilted up to 15 degrees from its normal position
- 3 - Protection from entry of water spray from angle of up to 60 degrees from vertical
- 4 - Protection from entry of water splashes or sprays from any direction
- 5 - Protection from a low-pressure jet of water in any direction
- 6 - Protection against heavy seas or a strong jet of water in any direction
- 7 - Protection against immersion up to 1 meter
- 8 - Protection against submersion over 1 meter

Second Number Example

IP65

Protection from a low-pressure jet of water in any direction

IP69K: A Higher Standard

German standard DIN 40050-9 extends the IEC 60529 rating system described above with an IP69K rating for high-pressure, high-temperature wash-down applications. Such enclosures must not only be dust tight (IP6_), but also able to withstand high-pressure and steam cleaning. The test specifies a spray nozzle that is fed with 80°C water at 8–10MPa (80–100bar) and a flow rate of 14–16L/min. The nozzle is held 10–15 cm from the tested device at angles of 0°, 30°, 60° and 90° for 30 seconds each. The test device sits on a turntable that rotates once every 12 seconds (5rpm).

Regulatory Standards

J.W. Speaker designs and tests our products to meet various regulatory standards from around the globe. This includes, but is not limited to, the following:



ADR

The Australian Design Rules are national standards for vehicle safety, anti-theft, and emissions.



ASABE Standards

American Society of Agricultural and Biological Engineers regulates certain products used on agricultural equipment.



CE Recognized

The CE marking certifies that a product has met EU consumer safety, health, and environmental requirements.



FMVSS 108 (DOT)

Within the United States, the Federal Motor Vehicle Safety Standard (FMVSS) 108 regulates all automotive lighting, signaling, and reflective devices. The United States Department of Transportation (DOT) enforces these standards.



ECE Standards

Many countries recognize the United Nations Economic Commission for Europe (ECE) Transport Division's regulations. Countries often mirror the content of these ECE regulations in their own national requirements or permit the use and importation of ECE-approved vehicles.



SAE Standards

SAE International is a standards development organization for the engineering of powered vehicles. This includes cars, trucks, boats, aircrafts, and more. The SAE standards are mainly used in the U.S. and Canada and do not recognize ECE approvals.



Transport Canada

Transport Canada

Transport Canada is responsible for developing regulations, policies, and services relating to transportation in Canada.



UL Recognized

Underwriters Laboratories (UL) is an independent product safety certification organization. UL develops standards and test procedures chiefly dealing with product safety. UL is one of several companies approved for such testing by the U.S. federal agency OSHA. OSHA maintains a list of approved testing laboratories, known as Nationally Recognized Testing Laboratories.

Headlight Condensation

When people see condensation on the inside of their headlight, they may initially think that the product is defective. The truth is that all headlights experience **some** degree of condensation because moisture exists inside the headlight—in the air that's sealed inside, in the plastic components, etc.

Condensation

When the air inside the headlight warms up, moisture will collect on the coolest surface (typically the inside of the outer lens) and manifest itself as small droplets of water or fog. Typically this moisture will evaporate and disappear within 30-60 minutes. Because this is a natural process that can impact **all** lights, condensation is not considered a manufacturing defect, and is not covered by our Lifetime Limited Warranty.

Water Ingress

Water ingress, on the other hand, is a completely different issue. Water ingress describes water making its way into the headlight from outside, and typically indicates the presence of a sealing defect. You can identify water ingress by looking for large droplets of water or pooling of water inside the headlight that doesn't go away over time.

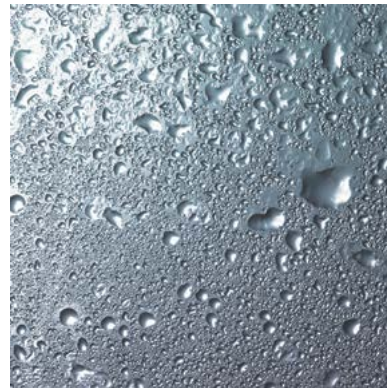
If a headlight suffers from water ingress as the result of physical abuse and/or misuse, it would not constitute a manufacturing defect. Please note that proper use requires that factory-issued connectors are installed and correctly positioned. If you experience water ingress as the result of proper use, please contact the J.W. Speaker authorized dealer where you purchased the product.

Condensation Example



- Small amounts of moisture/fog
- Evaporates in 30-60 minutes

Water Ingress Example



- Large droplets or pools of water
- Doesn't evaporate, indicative of a leak

Warranty Statements

AFTERMARKET BULB-BASED PRODUCT WARRANTY

All J.W. Speaker's bulb-based aftermarket products (those with HID, halogen or incandescent light sources) come with a Limited Warranty against defects in materials, components and workmanship for one year from the original date of purchase. This One Year Limited Warranty does not cover bulbs or sealed beams, nor does it cover claims resulting from:

- Abuse, neglect and/or accidents
- Modifications and/or alterations
- Improper installation and/or use
- Chemicals and/or cleaners
- Voltage transients and/or spikes

In the unlikely event that you experience a problem that falls within the terms of this One Year Limited Warranty, J.W. Speaker will, at its discretion, either replace or refund the purchase price of the product.

This aftermarket product warranty is exclusive. J.W. Speaker has no other liability or obligation related to products. No other warranties are made, either express or implied, including without limitation, any implied warranties of title, non-infringement, merchantability or fitness for a particular purpose.

AFTERMARKET LED PRODUCT WARRANTY

All J.W. Speaker aftermarket LED products come with a Lifetime Limited Warranty against defects in materials, components and workmanship. This Lifetime Limited Warranty is not transferrable and applies to the original installation of the J.W. Speaker LED light as long as the original consumer/purchaser owns the vehicle (lifetime). Please note that this warranty does not cover claims resulting from:

- Abuse, neglect and/or accidents
- Modifications and/or alterations
- Improper installation and/or use
- Chemicals and/or cleaners
- Voltage transients and/or spikes

In the unlikely event that you experience a problem that falls within the terms of this Lifetime Limited Warranty, J.W. Speaker will, at its discretion, either replace or refund the purchase price of the product. To make a warranty claim, simply return the product (along with all of the factory-issued components) to the J.W. Speaker authorized dealer where the product was originally purchased and complete a warranty claim form.

This aftermarket product warranty is exclusive. J.W. Speaker has no other liability or obligation related to products. No other warranties are made, either express or implied, including without limitation, any implied warranties of title, non-infringement, merchantability or fitness for a particular purpose.

Model Number Index

Model #	Page #	Model #	Page #
Model 60	44	Model 280	138
Model 70	46	Model 281	139
Model 90	14-15	Model 282	108
Model 125	116	Model 283	140
Model 146	92	Model 284	93
Model 150 Dome Light	106	Models 400 & 401	94
Model 150 Signal Light	117	Model 404	95
Model 151	118	Model 405	96
Model 157	119	Model 408	109
Model 170	120	Models 410 & 411	110
Model 186	107	Model 412 Dome Light	111
Model 206	121	Model 412 Signal Light	141
Model 212	122	Model 417	112
Model 217	123	Model 419	113
Model 223	124	Model 450	142
Model 224	125	Model 515	16
Model 232	126	Model 523	48
Model 236	127	Model 523 Portable	47
Model 245	128	Model 523 Tripod	50
Model 255	156	Model 523 XL	49
Model 260	129	Model 524	51
Model 261	130	Model 526 XL	52
Model 262	131	Model 527 RED	97
Model 263	132	Models 538 & 539	98
Model 265	133	Model 541	99
Model 265 Mounting Bracket Assemblies	134	Model 601	100
Model 267	135	Model 601 XL	101
Model 270	136	Model 623	54
Model 272	137		

Model Number Index

Model #	Page #
Model 631	150
Model 660	56
Model 670 XD	57
Model 680 XD	58
Model 735	59
Model 735 XL	60
Model 736	61
Model 770 XD	62
Models 770 BLU & 770 RED	102
Model 771 XD	63
Model 775 XD	64, 143
Model 776 XD	65
Model 778 XD	66
Model 781	67
Model 783	68
Model 803	69
Model 806	70
Model 832	17, 71
Model 832 XL	72
Model 840 XD	73
Model 840 XD Vertical Flood	74
Model 880 XD	76
Model 881 XD	77
Model 4410	78
Model 4410 XL	79
Model 6020	80
Model 6040	81
Model 6042	144
Model 6045	18

Model #	Page #
Model 6048	19
Model 6130	20
Model 6145	22
Model 6150	24
Model 6170	151
Model 6310	152
Model 6400	153
Model 7150	82
Model 7150 XL	83
Model 7151	84
Model 8415	25
Model 8475	86
Model 8630	26
Model 8630 Optional Mounting Assemblies	31
Model 8655	27
Model 8700 Evolution	28
Model 8700 High Beam Only	30
Model 8700 Optional Mounting Assemblies	31
Model 8700 Anti-Flicker Harness	28
Model 8770	32
Model 8800	33
Model 8800 High/Low	34
Model 8900	35
Model 9049 Light Bars	36
Models 9710 & 9720	88
Model 9790	147
Model MB735	154
Model TS3000R	38
Model TS3000V	39

Learn more about automotive lighting we have.