

# **Kleinn**<sup>TM</sup>

**AIR HORNS**

**2019  
CATALOG**

**TOO LOUD?  
TOO BAD!**<sup>TM</sup>



- Vehicle-Specific Bolt-On Air Horn Systems
- Complete Air Horn & Train Horn Systems
- Onboard Air Systems
- Accessories





## BECAUSE SOUND MATTERS.....

Ever since we started **Kleinn Air Horns** in 2006, we've been pushing the limits of the automotive air horn world.

Our founder, Eric Schaffer, spent 30 years as a professional musician and live performance sound engineer. In that time he gained a great appreciation for gear that works as well as it sounds. That combination of sound, reliability and innovation is what drives **Kleinn Air Horns** today.

Whether it's one of our tried and true basic Universal Fit "ProBlaster" kits, or our newest vehicle-specific Direct Fit kits – every Kleinn air horn system is engineered for maximum sound quality, maximum durability and ease of installation.

At the SEMA show in November of 2013, we introduced our GMTRK-2 - the industry's first vehicle specific bolt-on air horn kit. It received an enthusiastic reception and a SEMA "Best New Product" award. Since then we've added a full-time engineering staff and have introduced 21 different Direct Fit bolt-on kits that cover GM, Ford, Dodge, Jeep, Harley-Davidson and Polaris – with more on the way!

In 2014 we made the decision to have as many of our products as possible manufactured in the US, and now we are proud to have over 60% of the content of our bolt-on kits made in the USA – most of it right here in Tucson, Arizona.

With quality parts that are built to last, and a staff that is dedicated to giving our customers the best service, **Kleinn Air Horns** has rapidly become the top name in the automotive air industry. We pride ourselves on making you the loudest vehicle on the road. If the other drivers don't like it, well you can tell them...

**TOO LOUD?  
TOO BAD!**

# Making a Better Air Horn

**KLEINN AIR HORNS** is the industry leader in onboard air system and air horn design and innovation. Our **Problaster™** complete air horn kits are the one-box solution to purchasing and installing air horn systems. Kleinn upped the ante even further with the introduction of 100% bolt-on vehicle specific onboard air systems with Kleinn train horns. Kleinn is the only manufacturer with a full line of complete, direct fit vehicle specific bolt-on kits

Kleinn direct fit bolt-on train horn and onboard air systems give the customer a professional looking custom installed system without the need to fabricate brackets or make modifications to their vehicle. We've done all the custom fabrication for you.

The **Kleinn engineering staff** works with vehicle data provided by vehicle manufacturers, and cutting edge CAD design systems to develop mounting solutions and custom designed mounting brackets. All this is done in Tucson, AZ along with the manufacturing of the laser cut, powder coated mounting brackets.

In 2017 Kleinn introduced the model **6450RC WATER-PROOF air compressor**. This new design is fully submersible and unaffected by weather extremes. The line has been expanded to include three waterproof air compressors.



**Laser Cut RAM1500 Mounting Brackets**

## KEYS TO A BETTER AIR HORN SYSTEM

- 100% Bolt-on Vehicle Specific Onboard Air and Train Horn Systems
- Custom Air System Installation Kits – Designed in Tucson, AZ
- Laser Cut Mounting Brackets – Made in USA
- All Steel Epoxy Coated Air Tanks – Made in USA
- Waterproof Air Compressors – a Kleinn exclusive

**TOO LOUD? TOO BAD!**

# ProBlaster™ Kits

## FOR CARS, SUVs & TRUCKS

If you've got a vehicle, we have an insanely loud **Kleinn ProBlaster™** air horn system for it. Everything needed for a complete installation is included. All Kleinn ProBlaster™ compressors are sealed – which means they are perfect for mounting either in or under your vehicle. In addition, all are equipped with a remote air filter snorkel system that extends the life of the compressor by providing clean, dry air no matter where the compressor is installed.

### All ProBlaster™ kits include:

- Kleinn Air Horn or Train Horn
- Air Compressor
- Heavy Duty Air Tank
- Wiring Installation Kit
- Horn Push-button
- Heavy Duty Nylon Tubing
- All Necessary Fittings & Hardware
- Installation Instructions



### HK1

Our most compact air horn kit. Two chrome all-metal trumpets. Compact with high pitch, painful sound. Includes an easy-to-fit 120 PSI, 0.5 gallon air system.



### HK2 CHROME HK2-1 BLACK

Dual truck horn with all-metal trumpets. Think fire truck or ambulance horn but LOUDER! Flat mounting design allows for easy mounting behind the grille, in the engine compartment, or on frame rails. Includes an easy-to-fit, 120 PSI, 0.5 gallon air system.



### HK3 CHROME HK3-1 BLACK

Compact triple train horn with all-metal trumpets. Produces a startling blended three-tone blast – guaranteed to get attention. Includes an easy-to-fit, 130 PSI air compressor and 1 gallon tank for more blast time.

All ProBlaster™ Horn Kits include a complete wiring kit with relay, horn button, all necessary air fittings, air line, Juice™ thread sealant and an intake air filter with remote snorkel kit.



**Kleinn**  
AIR HORNS™

# ProBlaster™ Kits

## FOR CARS, SUVs & TRUCKS



### HK4 CHROME HK4-1 BLACK

Quad air horn with four tuned trumpets. Additional trumpets create a more fully-blended tone while being compact enough to fit almost any vehicle. Includes an easy-to-fit, 130 PSI, 1 gallon air system.



### HK5

Dual black ABS trumpets. Trumpets mount separately, each with its own mounting bracket & solenoid, making them easy to install & freakishly loud. Designed for extreme durability, easy fit & extreme sound. Includes a 150 PSI, 1.5 gallon waterproof air system and all parts needed for installation.



### HKEURO

Complete oscillating dual air horn system. Sounds like a European police car. Includes a 150 PSI, 1.5 gallon waterproof air system and all parts needed for installation.

HK Kit	Horn Info			Air System Info			
	Model	Number of Trumpets	Construction	Compressor	Max Pressure	Capacity	dB Rating
HK1	99	2	Zinc Alloy	6260RC	120 PSI	0.5 Gallon	151.4
HK2	102	2	Zinc Alloy	6260RC	120 PSI	0.5 Gallon	146.0
HK2-1	102-1	2	Zinc Alloy	6260RC	120 PSI	0.5 Gallon	146.0
HK3	130	3	Zinc Alloy	6270RC	130 PSI	1 Gallon	148.7
HK3-1	130-1	3	Zinc Alloy	6270RC	130 PSI	1 Gallon	148.7
HK4	141	4	Zinc Alloy	6270RC	130 PSI	1 Gallon	149.2
HK4-1	141-1	4	Zinc Alloy	6270RC	130 PSI	1 Gallon	149.2
HK5	220	2	Hi Impact ABS	6275RC	150 PSI	1.5 Gallon	154.2
HKEURO	225	2	Hi Impact ABS	6275RC	150 PSI	1.5 Gallon	151.7

See component pages for additional specifications

TOO LOUD? TOO BAD!

# ProBlaster™ Kits

## FOR TRUCKS



### HK6

Three tuned trumpets. Chrome-plated high impact ABS construction. There's no mistaking the genuine train horn sound of the HK6. When these horns sound off, you'll swear that you're standing on the tracks. Includes a 150 PSI waterproof air system and all parts needed for installation.



### HK7

The Beast™ Model 230 black ABS triple train horn on flat rack mount. Three tuned high impact ABS trumpets. Requires 40% less clearance than other full size train horns. Trumpets can be separated from the bracket for easier installation in vehicles that could not otherwise fit full sized train horns.

**Make it LOUDER**  
See pg. 31

Includes a full onboard air system with 100% duty cycle waterproof air compressor, 3 gallon tank, bonus tire inflation kit with storage bag. Can power your horns & other accessories like air bags and small air tools.

All ProBlaster™ Horn Kits include a complete wiring kit with relay, horn button, all necessary air fittings, air line, Juice™ thread sealant and an intake air filter with remote snorkel kit.



### HK8

Three chrome trumpets. Flat rack detachable design allows numerous installation options. Includes a BlastMaster™ valve upgrade kit that pushes 157.3 dB!

Includes a 150 PSI, 100% duty cycle waterproof compressor, 3 gallon tank, bonus tire inflation kit with storage bag & all parts needed for installation. Easily powers your horns & accessories like air bags and small air tools.



# ProBlaster™ Kits

## FOR TRUCKS



### HK9

Our biggest train horn kit! The Demon™ Model 730's massive & detachable XCR 2.0™ coated spun steel trumpets allow tons of installation options. ...and they're loud as hell!

Includes a high output 150 PSI, 100% duty cycle waterproof compressor, high flow brass solenoid valve,, 5 gallon tank and tire inflation kit with storage bag. You can power your horns as well as other accessories like air bags and small air tools.

**Make it LOUDER**  
See pg. 31

**the SNIPER**  
See Back Cover



### HK9 SLIMLINE

The HK9-Slimline has all the same features as the HK9 kit but includes a slim design 3-gallon air tank. The slim design tank offers more mounting options on small and mid-size trucks and SUVs. The Demon™ Model 730's massive and detachable XCR 2.0™ coated spun steel trumpets allow tons of installation options. ...and they're loud as hell! Includes a fully submersible waterproof high output 150 PSI, 100% duty cycle waterproof compressor and tire inflation kit with storage bag.

HK Kit	Horn Info			Air System Info			
	Model	Number of Horns	Construction	Compressor	Max Pressure	Capacity	dB Rating
HK6	500	3	Hi Impact ABS	6275RC	150 PSI	1.5 Gallon	151.7
HK7	230	3	Hi Impact ABS	6350RC	150 PSI	3 Gallon	153.3
HK8	630	3	Spun Copper	6350RC	150 PSI	3 Gallon	157.3
HK9	730	3	Spun Steel	6450RC	150 PSI	5 Gallon	157.8
HK9 Slimline	730	3	Spun Steel	6350RC	150 PSI	3 Gallon	157.8

See component pages for additional specifications

**TOO LOUD? TOO BAD!**

# Direct Fit Kits

## BOLT-ON TRAIN HORNS AND ONBOARD AIR SYSTEMS

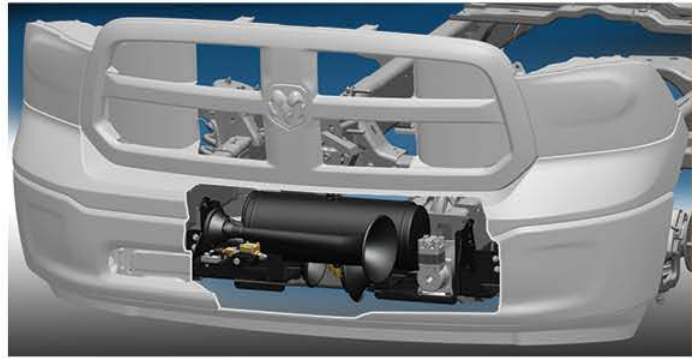
We've made adding an **onboard air system and train horn** easy for Jeep, truck, SUV and UTV owners. Kleinn direct fit train horn and onboard air systems were designed to fit seamlessly on select GM, Ford, Ram, Jeep, Toyota, Polaris and Harley-Davidson vehicles. We specifically designed our direct fit kits to eliminate the need to drill holes or modify the vehicle. The result is a quick and easy installation with a factory add-on look.

**Kleinn Vehicle Specific Onboard Air Systems and Train Horn Kits** are 100% Bolt-On. No Drilling, No Cutting, No Welding. The results are a clean professional looking installation without paying a custom fabricator to design and build it. Installation is easy with direct fit brackets and detailed instructions.

Most direct fit kits include a Kleinn exclusive high output WATERPROOF air compressor, Cortec™ coated all steel air tank and powder coated custom mounting brackets. The custom designed brackets and air tank are both Made in the USA.

Most Kleinn direct fit vehicle specific onboard air systems and train horns include the following features. Please consult the individual product listings for exact features and specifications:

- Direct Fit Vehicle Specific Onboard Air System
- Custom Powder Coated Mounting Brackets – Made in USA
- No Drilling or Modifications required – 100% Bolt-On Installation
- 100% Duty Cycle Waterproof Air Compressor
- Made in USA Air Tank with Cortec™ Anti-corrosion Coating Inside
- Quick Connect Tire Inflator with Storage Bag Included
- Able to Power Air Horns, Air Suspension, Inflate Tires and Operate Air Tools
- Optional Model 230 or 730 Triple Train Horn with Direct Fit Mounting Bracket
- Also Available as Onboard Air System Only
- Complete with Air Line, Fittings, Hardware and Wiring Kit with Relay



**SEE BACK COVER FOR COMPLETE APPLICATION CHART AND SPECIFICATIONS ON KLEINN VEHICLE SPECIFIC BOLT-ON KITS**





# Direct Fit Kits

## BOLT-ON TRAIN HORNS AND ONBOARD AIR SYSTEMS

We've made adding an onboard air system and train horn easy! Kleinn Direct Fit kits all include mounting brackets specifically engineered for your vehicle and made in the USA. No welding, no cutting, no drilling.

AVAILABLE FOR:



PAGES 10-11



**RAM**<sup>®</sup>

PAGES 12-13



**CHEVROLET**<sup>®</sup>

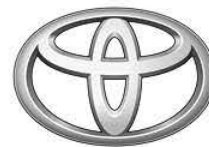
PAGES 14-15



PAGES 14-15



PAGES 16-17



**TOYOTA**<sup>®</sup>

PAGE 18



PAGE 19



PAGE 19



**TOO LOUD? TOO BAD!**

All product names, logos, and brands are property of their respective owners. All company, product and service names used in this catalog are for identification purposes only. Use of these names, logos, and brands does not imply endorsement.

# Direct Fit Kits: FORD F-150

## BOLT-ON TRAIN HORNS AND ONBOARD AIR SYSTEMS

**VELO15-230**



**2015-2018 FORD F-150 (VELO15-XXX)**

(All except Raptor and single cab models.  
Will work with powered and fixed side steps)



**2009-2014 FORD F-150 AND RAPTOR (VELO-XXX)**

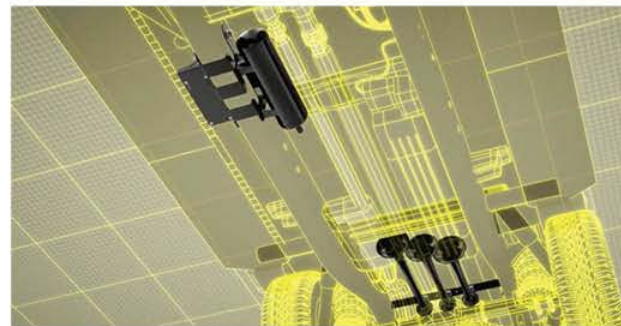
(All except single cab models. Will NOT work with powered side steps)



**VELO-734**



- No Drilling or Modifications required – 100% Bolt-On Installation
- 150 PSI Onboard Air System with Waterproof Compressor
- 100% Duty Cycle Compressor Easily Inflates 37" Tires
- Custom Designed Bolt-On Powder Coated Mounting Brackets, Made in USA
- Available with Train Horn or Onboard Air Only
- 1.5-Gallon (2015-18) or 3-Gallon (2009-14) Air Tank, Made in USA
- Quick Connect Tire Inflator with Storage Bag
- Complete with Hardware, Air Line, Wiring and Detailed Instructions



**Coming Soon!**

PART NUMBER	COMPRESSOR	HORN	TANK	APPLICATIONS
RPTR-230	6350RC	230	6350RT - 3 GAL	2017-2019 FORD RAPTOR (Super Crew) *
RPTR-734	6450RC	730	6450RT - 3 GAL	2017-2019 FORD RAPTOR (Super Crew) *
RPTR-0BA	6450RC	N/A	6350RT - 3 GAL	2017-2019 FORD RAPTOR (Super Crew) *
VELO15-230	6350RC	230	6275RT - 1.5 GAL	2015 - 2018 FORD F-150 All (Exc. Raptor & Single Cab)
VELO15-0BA	6350RC	N/A	6275RT - 1.5 GAL	2015 - 2018 FORD F-150 All (Exc. Raptor & Single Cab)
VELO-230	6350RC	230	6351RT - 3 GAL	2009 - 2014 FORD F-150 & RAPTOR (Exc. Single Cab) *
VELO-734	6450RC	730	6351RT - 3 GAL	2009 - 2014 FORD F-150 & RAPTOR (Exc. Single Cab) *
VELO-0BA6450	6450RC	N/A	6351RT - 3 GAL	2009 - 2014 FORD F-150 & RAPTOR (Exc. Single Cab) *

\* Will NOT work with aftermarket powered side steps



# Direct Fit Kits: FORD F-250/F-350

## BOLT-ON TRAIN HORNS AND ONBOARD AIR SYSTEMS

### 2017-2018 FORD F-250/F-350 (SDKIT17-XXX)

(All models. Will work with powered and fixed side steps)

### 2011-2016 FORD F-250/2011-2015 FORD F-350 (SDKIT-XXX)

(All except single cab models. Will NOT work with powered side steps)



PART NUMBER	COMPRESSOR	HORN	TANK	APPLICATIONS
SDKIT17-230	6350RC	230	6351RT - 3 GAL	2017-2019 FORD F-250 / F-350 All
SDKIT17-734	6450RC	730	6351RT - 3 GAL	2017-2019 FORD F-250 / F-350 All
SD170BA-6450	6450RC	N/A	6351RT - 3 GAL	2017-2019 FORD F-250 / F-350 All
SDKIT-230	6350RC	230	6350RT - 3 GAL	2011 - 2016 FORD F-250 & 2011 - 2015 F-350 All (Exc. Single Cab) *
SDKIT-734	6450RC	730	6350RT - 3 GAL	2011 - 2016 FORD F-250 & 2011 - 2015 F-350 All (Exc. Single Cab) *
SD0BA-6450	6450RC	N/A	6350RT - 3 GAL	2011 - 2016 FORD F-250 & 2011 - 2015 F-350 All (Exc. Single Cab) *

\* Will NOT work with aftermarket powered side steps



- No Drilling or Modifications required – 100% Bolt-On Installation
- 150 PSI Onboard Air System with Waterproof Compressor
- 100% Duty Cycle Compressor Easily Inflates 37" Tires
- Custom Designed Bolt-On Powder Coated Mounting Brackets, Made in USA
- Available with Train Horn or Onboard Air Only
- 3-Gallon Air Tank, Made in USA
- Quick Connect Tire Inflator with Storage Bag
- Complete with Hardware, Air Line, Wiring and Detailed Instructions



**TOO LOUD? TOO BAD!**

# Direct Fit Kits: RAM 1500

## BOLT-ON TRAIN HORNS AND ONBOARD AIR SYSTEMS

### 2009-2018 RAM 1500 TRUCKS (RAM1500-XXX)

(All except trucks with winch behind front bumper. Will work with powered and fixed side steps.)



- Entire kit mounts behind the front bumper
- No Drilling or Modifications required – 100% Bolt-On Installation
- 150 PSI Onboard Air System with Waterproof Compressor easily Inflates 37" Tires.
- Custom Designed Bolt-On Powder Coated Mounting Brackets, Made in USA
- Available with Train Horn or Onboard Air Only
- 3-Gallon Air Tank, Made in USA
- Remote Mount Quick Connect Tire Inflater with Storage Bag
- Complete with Hardware, Air Line, Wiring and Detailed Instructions



# Direct Fit Kits: RAM 2500/3500

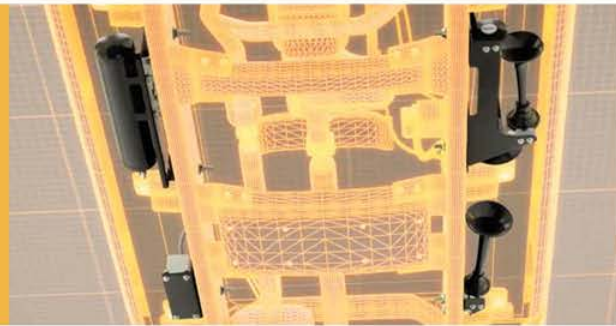
## BOLT-ON TRAIN HORNS AND ONBOARD AIR SYSTEMS

### 2014-2018 RAMHD 4-DOOR TRUCKS (RAMHD-XXX)

(Short Bed Only\*. Will work with powered and fixed side steps.)



**RAMHD-734**



- No Drilling or Modifications required – 100% Bolt-On Installation
- 150 PSI Onboard Air System with Waterproof Compressor easily Inflates 37" Tires.
- Custom Designed Bolt-On Powder Coated Mounting Brackets, Made in USA
- Available with Train Horn or Onboard Air Only
- 3-Gallon Air Tank, Made in USA
- Remote Mount Quick Connect Tire Inflator with Storage Bag
- Complete with Hardware, Air Line, Wiring and Detailed Instructions

PART NUMBER	COMPRESSOR	HORN	TANK	APPLICATIONS
RAM1500-230	6350RC	230	6350RT - 3 GAL	2009-2018 RAM 1500 ALL - (Exc. Behind Bumper Winch)
RAM1500-734	6450RC	730	6350RT - 3 GAL	2009-2018 RAM 1500 ALL - (Exc. Behind Bumper Winch)
RAM150-0BA	6450RC	N/A	6350RT - 3 GAL	2009-2018 RAM 1500 ALL - (Exc. Behind Bumper Winch)
RAMHD-230	6350RC	230	6355RT - 3 GAL	2014-2018 RAM 2500/3500 SHORT BED ONLY *
RAMHD-734	6450RC	730	6355RT - 3 GAL	2014-2018 RAM 2500/3500 SHORT BED ONLY *
RAMHDOBA-6450	6450RC	N/A	6355RT - 3 GAL	2014-2018 RAM 2500/3500 SHORT BED ONLY *

\*RAMHD kits can be installed on long bed models. Requires drilling three holes through the frame. Contact Kleinn Tech Support for details.

**TOO LOUD? TOO BAD!**

# Direct Fit Kits: GM1500

## BOLT-ON TRAIN HORNS AND ONBOARD AIR SYSTEMS

2007.5 - 2018 SIERRA 1500

2007.5 - 2013 SILVERADO 1500

2016 - 2018 SILVERADO 1500

(GM1500-XXX)

(not compatible with 2014-2015 Silverado)

- Custom Powder Coated Mounting Brackets – Made in USA
- No Drilling or Modifications required – 100% Bolt-On Installation
- 150 PSI Waterproof Compressor Easily Inflates 37" Tires
- 3 Gallon Air Tank with Cortec™ Anti-corrosion Coating – Made in USA
- Quick Connect Tire Inflator with Storage Bag Included
- Able to Power Air Horns, Air Suspension, Inflate Tires and Operate Small Air Tools
- Available With Train Horns as an Onboard Air System Only
- All Necessary Wiring, Fittings, Air Lines and Hardware Included



## BOLT-ON VEHICLE SPECIFIC TRAIN HORN KITS

### GMTRK-1 UNDER HOOD TRAIN HORN KIT

2007-5 - 2018 SILVERADO AND SIERRA 1500

Looking for that thundering train horn sound on a budget or you don't need a heavy-duty onboard air system? These under hood kits are the ticket. Air compressor and tank mount in the spare battery tray while the horns mount behind the front bumper.

Easy Installation – Everything you need in a single box.



### GMTRK-2 PLUG-N-PLAY UNDER HOOD TRAIN HORN KIT – THE CHEVY SHAKER™

2007-5 - 2013 SILVERADO AND SIERRA 1500

The horns, compressor and tank come pre-assembled, fully plumbed, wired and mounted on the custom mounting brackets. Installs in under an hour

# Direct Fit Kits: GM 2500HD/3500HD

## BOLT-ON TRAIN HORNS AND ONBOARD AIR SYSTEMS

2014 - 2016 CHEVROLET AND GMC 2500HD AND 3500HD DIESEL (HDKIT-XXX)

(Will not work with aftermarket powered side steps)



**COMING SOON!**

**2007.5 – 2019 CHEVROLET & GMC 2500HD / 3500HD**

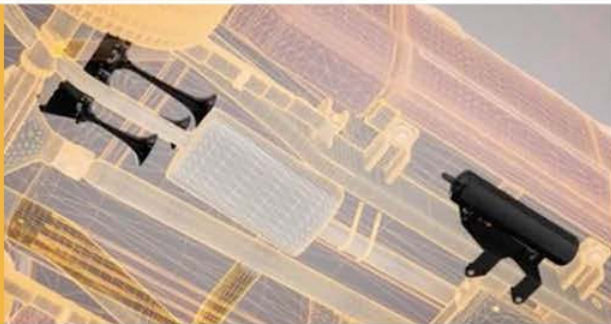
**BOLT-ON TRAIN HORN & ONBOARD AIR SYSTEMS**

(Will work with aftermarket powered steps)

PART NUMBER	COMPRESSOR	HORN	TANK	APPLICATIONS
GMTRK-1	6270RC	220	6270RT - 1 GAL	2007.5-2018 1500 Silverado, Sierra, 2007.5-13 Escalade
GMTRK-2	6275RC	220	6270RT - 1 GAL	2007.5-2013 1500 Silverado, Sierra, Escalade
GM1500-230	6350RC	230	6350RT - 3 GAL	2007.5-2013 & 2016-2018 Silverado, 2007.5-18 Sierra
GM1500-734	6450RC	730	6350RT - 3 GAL	2007.5-2013 & 2016-2018 Silverado, 2007.5-18 Sierra
GM1500-OBA	6450RC	N/A	6350RT - 3 GAL	2007.5-2013 & 2016-2018 Silverado, 2007.5-18 Sierra
GMHD-230	6350RC	230	6350RT - 3 GAL	2007.5-2019 GM 2500HD / 3500HD (Exc. Single Cab)
GMHD-734	6450RC	730	6350RT - 3 GAL	2007.5-2019 GM 2500HD / 3500HD (Exc. Single Cab)
GMHD-OBA	6450RC	N/A	6350RT - 3 GAL	2007.5-2019 GM 2500HD / 3500HD (Exc. Single Cab)
HDKIT-230	6350RC	230	6351RT - 3 GAL	2014-2016 2500/3500 HD (Exc. Single Cab) *
HDKIT-734	6450RC	730	6351RT - 3 GAL	2014-2016 2500/3500 HD (Exc. Single Cab) *
HDOBA-6450	6450RC	N/A	6351RT - 3 GAL	2014-2016 2500/3500 HD (Exc. Single Cab) *

**Coming Soon!**

\* Will not fit with aftermarket powered side steps



### WANT IT LOUDER?

Add a **BlasterMaster Valve Upgrade** to your horn. The kit includes two more Vortex 6 all-brass solenoid valves, 12 feet of 1/2" airline and all the necessary fittings to mount a Vortex 6 valve on all three trumpets to deliver the maximum air volume and pressure. See page 31 for details.

**Model 230 Horns - Order Model 6885 BlastMaster Plus™ Upgrade Kit**

**Model 730 Horns - Order Model 6890 Ultra BlastMaster™ Upgrade Kit**



**TOO LOUD? TOO BAD!**

# Direct Fit Kits: JEEP WRANGLER

## BOLT-ON AIR HORN KITS

### JEEPKIT AIR HORN SYSTEMS

Need a horn that can be heard in traffic or around the next bend in a canyon? These two compact air horn kits produce a piercing blast that will let them know you're coming.

**JEEPKIT** Direct Fit Air Horn Systems are 100% Bolt-On and feature a 120 PSI air compressor, dual air horn and 0.66-gallon air tank. Using basic hand tools, anyone can install this air horn – all without drilling a single hole! Everything needed comes in one box for a professional & flawless installation.

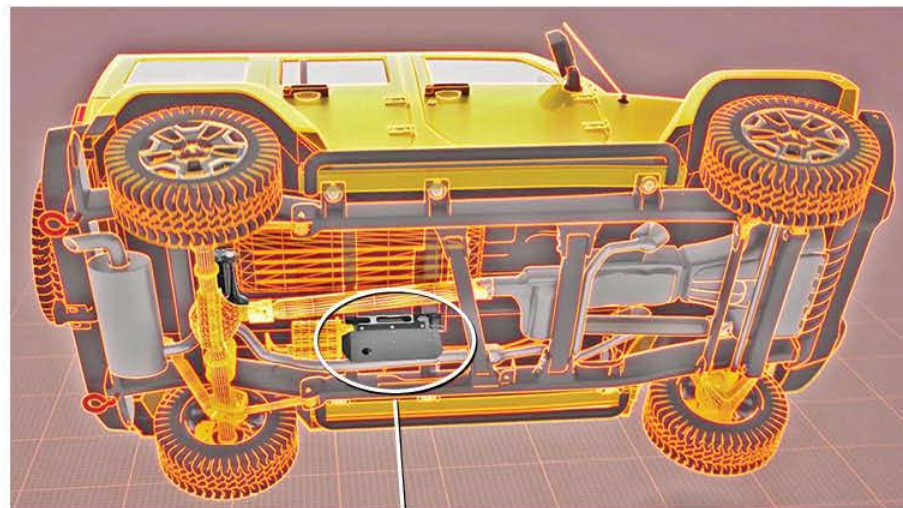
*Note: This kit is not designed to inflate tires. Our **JL-JK-OBA** and **JKOBA** Onboard Air Systems are designed for tire inflation and your other heavy-duty air supply needs. See Page 17.*

#### APPLICATION:

2007-2018 Jeep Wrangler JK and JKU (2 & 4-Door)

#### JEEPKIT-1

Bolt-on dual air horn with  
Model 101 black dual air horn



**JKOBA**

- 100% Bolt-On for a Professional Looking Installation
- 6260RC 120 PSI Sealed Air Compressor
- All Metal Dual Air Horns Produces 152 dB at 120 PSI
- Kleinn Direct Fit Powder Coated Mounting Brackets – Made in the USA!
- 0.66-Gallon Air Tank
- Capable of powering aftermarket air lockers
- All necessary wiring, fittings, air lines & hardware are included

PART NUMBER	COMPRESSOR	HORN	TANK	APPLICATIONS
<b>JEEPKIT-1</b>	6260RC	101	0.66 GAL	2007-2018 JEEP WRANGLER JK & JKU (2 & 4-Door)
<b>JEEPKIT-99</b>	6260RC	99	0.66 GAL	2007-2018 JEEP WRANGLER JK & JKU (2 & 4-Door)
<b>JK-JL-OBA</b>	6450RC	N/A	2.8 GAL	2018-2019 JEEP WRANGLER JLU (4-Door) & 2007-18 JKU 4-Door
<b>JKOBA</b>	6450RC	N/A	2.8 GAL	2007-2018 JEEP WRANGLER JKU (4-Door)
<b>JK6450</b>	6450RC	N/A	N/A	ADD-ON COMPRESSOR FOR JKOBA AND JL-JK-OBA
<b>JL220</b>	N/A	220	N/A	2018-2019 JEEP WRANGLER JLU (4-Door) Horn only #
<b>JK220</b>	N/A	220	N/A	2007-2018 JEEP WRANGLER JK & JKU (2 & 4-Door) Horn only #

# Requires minimum 1-gallon air supply





# Direct Fit Kits: JEEP WRANGLER

## BOLT-ON TRAIN HORNS AND ONBOARD AIR SYSTEMS

### JEEP WRANGLER HIGH PERFORMANCE ONBOARD AIR SYSTEM

Kleinn Bolt-On Vehicle Specific Onboard Air Systems make adding a heavy duty onboard air system to your Jeep Wrangler easier than ever before. Each system is 100% Bolt-On and features the Heavy-Duty Kleinn model **6450RC** WATERPROOF air compressor and 2.8-gallon air tank mounted on a custom designed, Made in the USA, mounting bracket. **NO CUTTING, DRILLING or MODIFICATIONS** are necessary.

System will easily inflate 37" tires, power small air tools and air lockers as well as honk your Kleinn Train Horn. The system features a direct fit all steel mounting cage with integral skid plate for protection. Also included is a remote mount tire inflator and locking air chuck with digital gauge and pressure release.

This system is built to stand up to extreme off-road conditions and is fully submersible when mounted using the air intake snorkel.

#### JL-JK-OBA

2018-2019 JLU (4-door) and 2007-2018 Jeep Wrangler JKU (4-door)

#### JKOBA

2007-2018 Jeep Wrangler JKU (4-door)



**JKOBA SHOWN WITH OPTIONAL JK6450 UPGRADE KIT**

### AVAILABLE OPTIONS

#### JK6450 DUAL COMPRESSOR UPGRADE

for JL-JK-OBA and JKOBA

Want to air up twice as fast? Add the JK6450 Compressor Upgrade Kit to your Onboard Air System. This kit features a second 6450RC waterproof air compressor, a second tire inflator and all necessary wiring, air line and hardware. With this kit you can easily air up two 37" tires simultaneously.

- Direct Fit Mounting Brackets – Made in the USA
- No Drilling or Modifications required – 100% Bolt-On Installation
- Complete Wiring Including 30-Amp Relay
- Remote Quick Disconnect Tire Inflator with Digital Pressure Gauge and Storage Bag Included
- Model 6450RC – 100% Duty Cycle 150 PSI Waterproof Air Compressor
- 2.8 Gallon Air Tank – Made in the USA
- Able to Power Air Horns, Air Lockers, inflate Tires and Operate Air Tools

### DUAL TRAIN HORN ADD-ONS

Add a Model 220 Dual Train Horn to let them know you are coming over the top. Kit includes a custom designed direct fit mounting bracket and model 220 dual train horn that produces an earth shaking 154.2 decibels. Kit is 100% bolt-on and requires no drilling. The JL220 and JK220 are designed to work with Kleinn Onboard Air Systems but will work with any onboard air system (minimum 100 PSI and 1-gallon air tank).

#### JL220

2018-2019 Jeep Wrangler JL & JLU (2 & 4-door)

#### JK220

2007-2018 Jeep Wrangler JK & JKU (2 & 4-door)



**JK220**



**TOO LOUD? TOO BAD!**

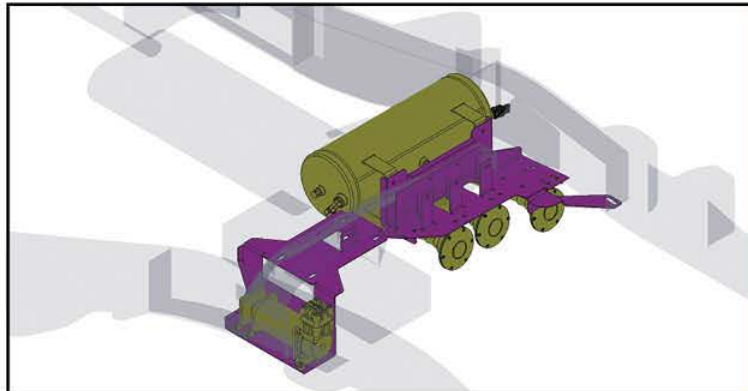
# Direct Fit Kits: TOYOTA TUNDRA

## BOLT-ON TRAIN HORNS AND ONBOARD AIR SYSTEMS

### 2007 – 2018 TOYOTA TUNDRA (TUN-XXX)

Will work with aftermarket powered steps

- No Drilling or Modifications Required
- Everything Mounts Under the Bed
- 150 PSI Onboard Air System with Waterproof Compressor Easily Inflates 37" Tires
- Custom Designed Bolt-On Powder Coated Mounting Brackets, Made in USA
- 3-Gallon Steel Air Tank, Made in USA
- Remote Mount Quick Connect Tire Inflator with Storage Bag
- Complete with Hardware, Air Line, Wiring and Detailed Instructions
- Will work with aftermarket powered side steps



Coming  
Soon!

PART NUMBER	COMPRESSOR	HORN	TANK	APPLICATIONS
TUN-230	6350RC	230	6350RT - 3-GAL	2007 - 2019 TOYOTA TUNDRA
TUN-734	6340RC	730	6350RT - 3-GAL	2007 - 2019 TOYOTA TUNDRA
TUN-OBA	6450RC	N/A	6350RT - 3-GAL	2007 - 2019 TOYOTA TUNDRA



# Direct Fit Kits: HARLEY and RZR

## AIR HORN KITS FOR HARLEYS

### WITH KLEINN AIR HORNS... THEY'LL KNOW YOU'RE THERE!

The HOGKIT Dual Air Horn announces your presence with a piercing 132 dB blast that is sure to be heard by everyone around you. Keeping you safer.

The 100% bolt-on air horn system for Harleys completely replaces the weak factory horn. The system bolts to the factory horn mounting location with a Kleinn direct fit mounting bracket.

*Note: Cowbell horn cover not included with the kit. Your factory original horn cover will be used.*

### HOGKIT-1 CHROME DUAL AIR HORN KIT HOGKIT-1BK BLACK DUAL AIR HORN KIT

1979 to current Harley-Davidson with classic "COWBELL" horn cover.



- Incredible 132 Decibel Blast
- Kleinn Direct Fit Mounting Bracket Bolts to Factory Horn Location
- Includes DD-1 Direct Drive Air Compressor
- Replaces the Weak Factory Horn with a Kleinn Air Horn
- All Necessary Hardware and Wiring Included
- Fast and Easy Installation

## RZR ONBOARD AIR AND DUAL AIR HORNS

### POLARIS RZR 1000 DIRECT FIT ONBOARD AIR SYSTEM AND MODEL 102-1 AIR HORN

#### RZR1000-KIT

2014-2018 Polaris RZR 1000  
(2 & 4-seat, Turbo & Non-Turbo)

Purpose built for RZR owners who take off roading seriously. When your miles from camp you don't want to be stuck with a flat tire. Kleinn direct fit onboard air systems are 100% bolt-on. No drilling, cutting or welding required.

Of course, no Kleinn system would be complete without a Kleinn air horn. The system is available with a model 102-1 black dual air horn or as an onboard air system alone.



- 100% Bolt-On – No Drilling, Cutting or Welding
- 150 PSI Waterproof Kleinn Air Compressor Easily Inflates UTV and Truck Tires up to 37"
- 1-Gallon Steel Air Tank – Made in USA
- Direct Fit Powder Coated Mounting Brackets
- Available with Model 102-1 Air Horn or Onboard Air Only System
- Quick Connect Tire Inflator with Storage Bag
- Complete with Hardware, Fittings, Air Line, Wiring and Detailed Instructions

PART NUMBER	COMPRESSOR	HORN	TANK	APPLICATIONS
RZR1000-KIT	6350RC	102-1	1-GAL	2014-2018 POLARIS RZR 1000 (2&4 Seat)
RZR1000-OBA	6350RC	N/A	1-GAL	2014-2018 POLARIS RZR 1000 (2&4 Seat)

# Train Horns

## OUR BIGGEST, BADASS AIR HORNS!



**Make it LOUDER**  
See pg. 31

### Model 730

The Demon™ Model 730 features flat rack detachable design, spun steel trumpets & extreme flow, heavy duty brass solenoid valve. This is the loudest, largest and most aggressive train horn on the market, bar none. 157.8 decibels. XCR 2.0™-coated black coating ensures that they'll withstand heat, sun, UV & salt spray. Fully upgradeable with our Ultra BlastMaster™ P/N 6890 (p.31) for a truly earth-shaking experience.



**Make it LOUDER**  
See pg. 31

### Model 630

If you're looking for a loud, nasty horn, look no further. The Kleinn Model 630 is the ultimate train horn for your car, truck or SUV. 154.4 decibels. The model 630 consists of three chrome-plated copper trumpets with oversized bells for a deep, rumbling train horn sound. The trumpets can be separated for easy installation, and the 630 can be upgraded with the BlastMaster™ Upgrade Kit P/N 6880 (p. 31) to make it go even LOUDER!



### Model 500

### Model 502

Three tuned chrome-plated spun copper trumpets. 153.5 decibels. Includes upgraded VX6003 solenoid valve with wider orifice and 1/2" tubing for increased volume.

### Model 501

Chrome-plated spun copper. 152.2 decibels.

### Model 500

Chrome-plated high impact ABS. 151.7 decibels.



**Make it LOUDER**  
See pg. 31

### Model 230

For everyone who told us they wanted a louder, nastier train horn—here it is. 153.3 decibels. Three tuned trumpets. High impact ABS. Flat-rack design requires 40% less clearance than our 500 Series train horns. Trumpets can be separated from the mounting brackets for installation in vehicles that could not otherwise fit full-size train horns. The 230 can be upgraded with the BlastMaster Plus™ Upgrade Kit P/N 6885 (p. 31) to make it go even LOUDER! Now includes the VX6003 high volume all brass solenoid valve.



### Model 220

Each horn has its own mounting bracket and solenoid. 154.2 decibels.



**IF YOU HAVE SENSITIVE EARS OR A LOW PAIN THRESHOLD, DO NOT GET THESE HORNS. THEY ARE EXTREMELY LOUD!!! THESE HORNS WILL CAUSE OTHERS TO GIVE YOU THE MIDDLE FINGER AND/OR OTHER OFFENSIVE GESTURES. KEEP OUT OF REACH OF CHILDREN.**



# Train & Truck Horns

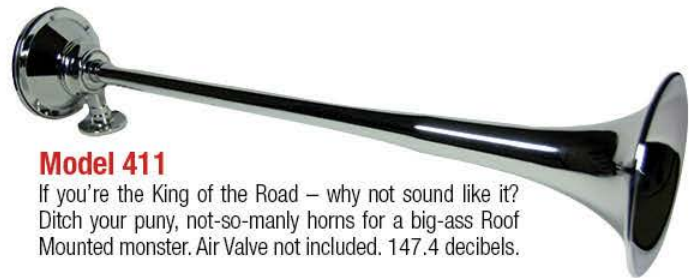
## ROOF-MOUNT OVER-THE-ROAD TRUCK HORNS

All Roof Mount Horns require a Model 330 Roof Mount Air Horn Fitting and a Manual Valve.##



### Model 401

Our roof mounted dual horn trumpets create a deafening blast of over-the-road fury. Air Valve not included. 153.4 decibels.



### Model 411

If you're the King of the Road – why not sound like it? Ditch your puny, not-so-manly horns for a big-ass Roof Mounted monster. Air Valve not included. 147.4 decibels.



### Model 412

Our newest roof mount horn features a square end bell with integrated horn cover to keep the worst that the road can throw at you out of your horns. Air Valve not included. 148.2 decibels.

See Page 34 for manual air valve options.

MODEL	CONSTRUCTION	OVERALL LENGTH	OVERALL WIDTH	OVERALL HEIGHT	MAX PSI INPUT	OUTPUT (Db) @ 100 PSI	OUTPUT (Db) @ 150 PSI	SOLENOID	TRUMPET LENGTH(S) IN.
730	XCR2.0™ Coated Spun Steel	22	20.75	7.62	200	154.9	157.8	VX6003	18.25 / 14.75 / 10.5
630	Chrome-Plated Spun Copper	18.3	18	7.2	160	151.8	154.4	307	17.5 / 15.5 / 11.5
500	Chrome-Plated High Impact ABS	17.5	15	11	160	149	151.7	307	16 / 14 / 11
501	Chrome-Plated Spun Copper	17.5	15	11	160	149.1	152.2	307	16 / 14 / 11
502	Chrome-Plated Spun Copper	17.5	15	11	200	151.6	153.5	VX6003	16 / 14 / 11
230	High Impact ABS/ Zinc Alloy Base	18.2	18	7	200	150.6	153.3	VX6003	17.5 / 14.5 / 11.5
220	High Impact ABS/ Zinc Alloy Base	15.5 / 10.5	6.3 / 4.5	6.3 / 6	160	152.7	154.2	307	15.5 / 10.5
401	Chrome-Plated Spun Copper	14.75	7	4.2	150	146	153.4	N/A	15 / 13
411	Chrome-Plated Spun Copper	24	6	6	150	149.5	147.4	N/A	24
412	Chrome-Plated Spun Copper	25	9	6	150	149.8	148.2	N/A	25

TOO LOUD? TOO BAD!

# Compact Horns

## BIG NOISE... SMALL SPACE



### Model 225 DUAL EURO TONE

For those looking for a horn sound that's unlike anything you've heard here in the States, Model 225 provides an alternating dual tone that is sure to turn heads and remind others of a classic European sound. Made from high impact ABS. Features dual solenoids and a switching relay that make the horn tone oscillate. 152.8 decibels.



141

141-1

### Model 141, 141-1

Four tuned metal trumpets produce a more fully-blended tone. Compact design is easy to mount. Up to 149.2 dB.



130-1

130

### Model 130, 130-1

Compact triple trumpets are all metal and produce up to 148.7 dB. Rich sound and easy to mount.

# Compact Horns

## BIG NOISE... SMALL SPACE



### Model 101

This is the same horn we feature in our Jeep TrailBlaster™ kits. It's been so popular, we've decided to offer it as a standalone. Dual XCR2.0 trumpets. 153.6 decibels.



### Model 102, 102-1

Two spun copper trumpets. These dual air horns are compact in size but produce a blast far beyond their size. 153.5 decibels.



### Model 99

Dual trumpets. High pitched and painful. 153.6 decibels.

MODEL	CONSTRUCTION	OVERALL LENGTH	OVERALL WIDTH	OVERALL HEIGHT	MAX PSI INPUT	OUTPUT (Db) @ 100 PSI	OUTPUT (Db) @ 150 PSI	SOLENOID	TRUMPET LENGTH(s) IN.
225	High Impact ABS/ Zinc Alloy Base	15.25	10	7	160	150.1	152.8	307	15 / 9.75
141	Chrome-Plated Zinc Alloy	14.5	7	7	150	151.4	153.6	307	13 / 11 / 8.5 / 7
141-1	XCR2.0™ Coated Zinc Alloy	14.5	7	7	150	151.4	153.6	307	13 / 11 / 8.5 / 7
130	Chrome-Plated Zinc Alloy	14.5	6.9	6.1	150	148.7	152.9	307	14.25 / 11.5 / 9.25
130-1	XCR2.0™ Coated Zinc Alloy	14.5	6.9	6.1	150	148.7	152.9	307	14.25 / 11.5 / 9.25
101	XCR2.0™ Coated Zinc Alloy	11.75	7	3.75	150	151.4	153.6	307	10 / 7.5
102	Chrome-Plated Spun Copper	16.9	7.9	4	150	146.0	153.5	307	16.75 / 14.5
102-1	XCR2.0™ Coated Spun Copper	16.9	7.9	4	150	146.0	153.5	307	16.75 / 14.5
99	Chrome-Plated Zinc Alloy	8.25	6.5	3	150	151.4	153.6	307	8.5 / 6.5

TOO LOUD? TOO BAD!

# Compact Horns

## DIRECT DRIVE HORN PACKAGES

Our Direct Drive horn sets are a great, simple upgrade for a factory horn. They come as a complete kit, ready for an easy install with a direct drive compressor, mounting hardware, and relay. The chrome-plated metal trumpets will not crack or break like lesser products with thin plastic trumpets. They are also great for use with car alarms or on motorcycles.



**Model 6126**  
Dual trumpets. High pitched and painful.  
132 decibels.



**Model 6127**  
Single trumpet for a deeper sound. 131 decibels.



**Marine One™ Stainless Steel Electric Horn**  
Introducing the horn that can withstand any environment. With all stainless steel construction, Marine One™ only needs power, ground and a button for operation. Installs easily with included stainless steel bracket and high quality hardware. Perfect for salt or freshwater boats, and all vehicles with 12-volt DC available. 118 decibels.

MODEL	CONSTRUCTION	OVERALL LENGTH	OVERALL WIDTH	OVERALL HEIGHT	OUTPUT (Db)	TRUMPET LENGTH(S) IN.
Marine-One	Stainless Steel	19	8	4	118.0	
6126	Chrome-Plated Zinc Alloy	8.25	6.5	3	132.0	8.5 - 6.5
6127	Chrome-Plated Spun Copper	15.6	3.8	3.8	131.0	15





# Air Compressors

## DIRECT DRIVE REPLACEMENT COMPRESSOR

**Model DD-1**



The DD-1 is a compact direct drive compressor for small horns. No tank required. Replacement compressor for Kleinn 6126 and 6127 horns.



**Model 6180RC**

This light duty compressor is rated at 120 PSI while drawing only 11 amps.



**Model 6260RC**

A 120 PSI light duty air compressor designed to fill up to a one gallon air tank. The 6260RC features a stainless steel braided leader hose with inline check valve for consistent performance and long life.



**Model 6270RC**

A 130 PSI sealed air compressor designed to fill up to a one gallon air tank. The 6270RC features thermal overload protection to keep the unit from overheating during extended use. Sealed to prevent damage from the elements.



**Model 6275RC**

A 150 PSI medium duty waterproof air compressor designed to fill up to a 2.5 gallon air tank. Features include a thermally protected motor and increased CFM output for faster fill times. Sealed to prevent damage from the elements.

See page 26 for Compressor Specifications.

# Air Compressors



**Model 6350RC**

## 6350RC

Step up to 100% duty cycle and 150 PSI performance with an air compressor designed to fill up to 3 gallons consistently. Waterproof to prevent damage from the elements.

## 6354RC

If you have a 24-volt vehicle, you must use a 24-volt air compressor and 24-volt rated relay for installation. 6354RC is faster than its closest 12-volt counterpart and is designed to fill up to 3 gallons consistently. Sealed to resist damage from the elements.

**Model 6354RC**  
24 Volt Air Compressor



## 6450RC

Our largest and most powerful air compressor is now WATERPROOF. We re-engineered the heavy-duty, high output compressor to make it not just water resistant, but WATERPROOF. Rated at 200 PSI this 100% Duty-Cycle compressor produces 2.0 CFM and can easily support a 5-gallon air tank. The compressor is thermally protected and includes a snorkel air intake system to locate the air intake up and away from dirt, water and debris insuring years of trouble-free service.

See page 35 for Compressor Wiring Kits.

PART #	MAX WORKING PRESSURE	DUTY CYCLE	CFM	AMP DRAW	MAX TANK SIZE	DIMENSIONS L x W x H	SHIPPING WEIGHT
DD-1	N/A	N/A	2.76	17	N/A	3.25 x 3.25 x 4.5	1.5
6180RC	120	10% @ 100 PSI	1.55	11	0.5 gal	5.4 x 3 x 4.6	5
6260RC	120	10% @ 100 PSI	1.15	14	1.0 gal	6.2 x 3 x 5	5
6270RC	130	15% @ 100 PSI	1.34	16	1.0 gal	7 x 3.25 x 5.75	5
6275RC**	150	50% @ 100 PSI	1.70	18	2.5 gal	8.25 x 4 x 6.25	8
6350RC**	150	100% @ 100 PSI	2.00	21	3.0 gal	9.25 x 4 x 6.5	9
6354RC##	150	100% @ 100 PSI	1.98	12	3.0 gal	9.25 x 4 x 6.5	9
6450RC**	200	100% @ 100 PSI	2.00	23	5.0 gal	9.75 x 4 x 6.5	11

\*\*Fully Submersible Waterproof Air Compressor

## 24 Volt Compressor

# Complete Onboard Air Systems

## SEALED AIR SYSTEMS

Kleinn sealed air systems are designed to get the maximum out of your air horns. These systems also include an air intake "snorkel system" to insure the compressor gets only clean dry air. This makes chassis mounting of the system no problem. Kleinn high performance compressors fill tanks faster than typical air compressors.



**Model 6260**  
Light Duty 120 PSI Universal Onboard Air System



**Model 6270**  
Light Duty 130 PSI Universal Onboard Air System

MODEL #	COMPRESSOR INCLUDED	PSI	CFM @ 0 PSI	DUTY CYCLE	AMP DRAW	THERMAL PROTECTION	PRESSURE SWITCH	TANK INCLUDED	TANK CAPACITY	SHIPPING WEIGHT
6260	6260RC	120	1.03 CFM	10% @ 100 PSI	14	NO	2121	6260RT	0.5 GAL	14
6270	6270RC	130	1.27 CFM	15% @ 100 PSI	16	YES	2131	6270RT	1.0 GAL	14



**TOO LOUD? TOO BAD!**

# Complete Onboard Air Systems

## WATERPROOF HEAVY DUTY ONBOARD AIR SYSTEMS

Kleinn waterproof 150 PSI air systems are designed to get the maximum out of your air horns. The compressors are waterproof and fully submersible which means mounting under your vehicle is not a problem. These systems also include an air intake "snorkel system" to insure the compressor gets only clean dry air. These high output systems minimize the time to recharge the system. All three 100% duty cycle heavy-duty systems include a quick connect tire inflator with storage bag.



### Model 6275

Waterproof Medium Duty Universal Onboard Air System



### Model 6350

Waterproof Heavy Duty Universal Onboard Air System

### Model 6354

24 Volt Heavy Duty Universal Onboard Air System (Not Shown)

**NOTE:** 6354 system is not waterproof. Kit features a sealed air compressor



### Model 6450

Waterproof Heavy Duty High Output Universal Onboard Air System

# Complete Onboard Air Systems

## ALL-IN-ONE AIR SYSTEMS

Kleinn All-In-One air systems are easy to install and great for a stand alone onboard air system or to power you Kleinn air horns. They come fully wired and plumbed and ready to go. All include a pressure switch to maintain a constant supply of air for any job. For the most demanding situations, the Kleinn Onboard Air 7350 comes complete with a quick connect tire inflator with storage bag. Four bolts and 12 volts is all you need to put these systems to work.



**Model 6120**  
All-In-One Light Duty Onboard Air System – 110 PSI.



**Model 7270 Onboard Air 130**  
All-In-One Light Duty Onboard Air System – 130 PSI.



**Model 7275 Onboard Air 150**  
All-In-One Medium Duty Onboard Air System – 150 PSI.



**Model 7350 Onboard Air**  
All-In-One Heavy Duty Onboard Air System – 150 PSI.  
Includes tire inflator with storage bag.

MODEL #	COMPRESSOR INCLUDED	PSI	CFM @ 0 PSI	DUTY CYCLE	AMP DRAW	THERMAL PROTECTION	PRESSURE SWITCH	TANK INCLUDED	TANK CAPACITY	SHIPPING WEIGHT
6260	6260RC	120	1.03 CFM	10% @ 100 PSI	14	NO	2121	6260RT	0.5 GAL	14
6270	6270RC	130	1.27 CFM	15% @ 100 PSI	16	YES	2131	6270RT	1.0 GAL	14
6275	6275RC (WP)	150	1.70 CFM	50% @ 100 PSI	18	YES	2151	6275RT	1.5 GAL	19
6350	6350RC (WP)	150	2.0 CFM	100% @ 100 PSI	21	YES	2151	6350RT	3.0 GAL	27
6354	6354RC (24v)	150	1.67 CFM	100% @ 100 PSI	12	YES	2151	6350RT	3.0 GAL	31
6450	6450RC (WP)	150	2.0 CFM	100% @ 100 PSI	23	YES	2151	6450RT	5.0 GAL	38
MODEL #	COMPRESSOR INCLUDED	PSI	CFM @ 0 PSI	DUTY CYCLE	AMP DRAW	THERMAL PROTECTION	PRESSURE SWITCH	DIMENSIONS L x W x H	TANK CAPACITY	SHIPPING WEIGHT
6120	Included	110	1.17 CFM	15% @ 100 PSI	17	YES	2105	16 x 6 x 7	0.80 GAL	12
7270	6270RC	130	1.27 CFM	15% @ 100 PSI	14	YES	2131	17 x 5 x 13	1.5 GAL	15
7275	6275RC	150	2.01 CFM	50% @ 100 PSI	20	YES	2151	21 x 6 x 14	2.0 GAL	20
7350	6350RC	150	1.37 CFM	100% @ 100 PSI	20	YES	2151	21 x 6 x 14	2.0GAL	22

(WP) - Waterproof Air Compressor

**TOO LOUD? TOO BAD!**

# Air Tanks

**Kleinn Air Tanks** are proudly made in the USA and feature Cortec™ internal anti-corrosion coating for long lasting protection. This will add years to the life of your tank. For long-lasting good looks, all tanks are finished in gloss black epoxy on the outside. All Kleinn Air Tanks are rated to SAE J10 and FMVSS 121 compliance standards for safety.

**Model 6260RT**



**Model 6270RT**



## KLEINN AIR TANKS FEATURE:

- Made in USA Construction
- Cortec™ Internal Anti-Corrosion Coating
- Black Epoxy Finish
- 150 PSI Working Pressure
- SAE J10 and FMVSS 121 Compliant

**Model 6275RT**



**Model 6350RT**



**Model 6450RT**



**Model 6351RT**



	6260RT	6270RT	6275RT	6350RT	6351RT	6450RT
<b>Capacity (gallons)</b>	0.50	1.00	1.50	3.00	3.00	5.00
<b>Overall Length (inches)</b>	8.00	11.00	15.00	21.00	27.00	19.00
<b>Overall Width (inches)</b>	6.00	6.00	6.00	7.00	6.00	10.00
<b>Overall Height (inches)</b>	8.00	8.00	8.00	10.00	8.00	13.00
<b>Weight (pounds)</b>	5	7	9	14	14	22
<b># 1/4" NPT Ports</b>	5	5	5	6	5	6
<b># 1/2" NPT Ports</b>	0	0	0	1	0	1
<b># 3/8" NPT Ports</b>	0	0	0	0	1	0
<b># Tank Legs</b>	1	1	2	2	2	2
<b># Mounting Points</b>	2	2	4	4	4	4

# Train Horn System Upgrades

## BLASTMASTER™ UPGRADES

### MAKE IT LOUDER!!!

Push your Kleinn Train Horn to the MAX with a Blastmaster™ valve upgrade kit. The kits include two additional solenoid air valves, oversized 1/2" airline and all the necessary fittings to mount a solenoid air valve on each trumpet. Adding a solenoid valve on each horn provides instant and maximum pressure... boosting the sound to mind blowing levels.



### MODEL 6880 BLASTMASTER™

Valve Upgrade for Model 630 and older Model 230 Horns with a Model 307 Chrome Solenoid

Kit includes two Model 307 chrome solenoid valves, 1/2" oversize air line and all necessary fittings.

**NOTE:** Check your Model 230 horn before ordering. In 2017 the 230 horns were upgraded to a VX6003 brass solenoid valve. These horns require the Model 6885 Blastmaster Plus™ Valve Upgrade. Retail boxed 230 horns with the brass VX6003 are easily identified. There is a large image of the brass valve on the carton.

### MODEL 6885 BLASTMASTER PLUS™

Valve Upgrade for newer Model 230 Horns with a Model VX6003 Brass Solenoid

Kit includes two Model VX6003 brass solenoid valves, 1/2" oversize airline and all necessary fittings.

See note above to verify the original solenoid valve on your Model 230 horn.



### MODEL 6890 ULTRA BLASTMASTER™

Valve Upgrade for Model 730 Horns

Kit includes two Model VX6003 brass solenoid valves, 1/2" oversize airline and all necessary fittings.

## VORTEX VALVE UPGRADE KITS

The more air volume you can deliver to an air horn the louder it blows. Upgrade your standard chrome model 307 valve to a large high-volume Vortex valve. The Vortex all brass valves push more air through the horn than standard air valves for a louder blast. Vortex valves also work great with air suspension systems (up to 300 PSI). Includes one Vortex valve, 1/2" airline and necessary fittings.



### MODEL VX6003HK

3/8" NPT Inlet with 10mm orifice

### MODEL VX7003HK

3/8" NPT Inlet with 16mm orifice

### 6870 SPLIT INSTALLATION KIT (FOR MODEL 230 AND 630 TRAIN HORNS)

The Split Installation Kit comes with everything you need to install the Kleinn 230 or 630 Triple Train Horn trumpets separately, without the original mounting bracket. Includes six NPT compression fittings, one 4-way manifold and high pressure rated air tubing.



### TOO LOUD? TOO BAD!

# Accessories

## FITTINGS AND CONNECTIONS

COMPRESSION FITTINGS		
	51218	1/8" M NPT straight compression fitting for 1/2" O.D. air line tubing
	51238	3/8" M NPT straight compression fitting for 1/2" O.D. air line tubing
	51212	1/2" M NPT straight compression fitting for 1/2" O.D. air line tubing
	51214	1/4" M NPT straight compression fitting for 1/2" O.D. air line tubing
	51414	1/4" M NPT straight compression fitting for 1/4" O.D. air line tubing
	51414F	1/4" F NPT straight compression fitting for 1/4" O.D. air line tubing
	51414L	1/4" M NPT elbow compression fitting for 1/4" O.D. air line tubing
	51418	1/8" M NPT straight compression fitting for 1/4" O.D. air line tubing
	51418F	1/8" F NPT straight compression fitting for 1/4" O.D. air line tubing
	52140	1/4" O.D. tubing to 1/4" O.D. tubing compression coupler
53140	1/4" O.D. x 1/4" O.D. x 1/4" O.D. tubing compression "T"	
ADAPTERS		
	51414N	Hex male nipple adapter - 1/4" M NPT to 1/4" M NPT
	51418N	Hex male nipple adapter - 1/4" M NPT to 1/8" M NPT
	53814N	Hex male nipple adapter - 3/8" M NPT to 1/4" M NPT
	51418R	Hex reducer - 1/8" F NPT to 1/4" M NPT
	53814R	Hex reducer - 1/4" F NPT to 3/8" M NPT
	51238R	Hex reducer - 3/8" F NPT to 1/2" M NPT
	51418A	Hex adapter - 1/4" F NPT to 1/8" M NPT
53814A	Hex adapter - 3/8" F NPT to 1/4" M NPT	
51414NPTL	Brass Elbow adapter - 1/4" M NPT to 1/4" F NPT	
MANIFOLDS		
	54014	4-way manifold - 1/4" F NPT x 1/4" F NPT x 1/4" F NPT x 1/4" F NPT
	54038	4-way manifold - 3/8" F NPT x 3/8" F NPT x 3/8" F NPT x 3/8" F NPT
	54440	"T" manifold - 1/4" F NPT x 1/4" F NPT x 1/4" M NPT
PUSH TO CONNECT		
	51414PL	1/4" M NPT elbow push-to-connect fitting for 1/4" O.D. air line tubing
	51414BT	1/4" M NPT branch push-to-connect "T" for 1/4" O.D. air line tubing
	51414P	1/4" M NPT straight push-to-connect for 1/4" O.D. air line tubing
	53140P	1/4" O.D. x 1/4" O.D. x 1/4" O.D. push-to-connect tubing connector
QUICK CONNECT		
	59813	1/4" M NPT Quick Connect Coupler - for use with air tools
	59814	1/4" F NPT Quick Connect Coupler - for use with air tools
	59815	1/4" M NPT Quick Connect Stud - for use with air tools
	59818	1/4" F NPT Quick Connect Stud - for use with air tools
MISCELLANEOUS		
	50040	Male hex tank port plug - 1/4" M NPT
	50050	Male hex tank port plug - 1/2" M NPT
	52145	Safety Valve - 1/4" M NPT - 145 PSI rated pop-off valve
	52155	Safety Valve - 1/4" M NPT - 155 PSI pop-off valve
	52175	Safety Valve - 1/4" M NPT - 170 PSI pop-off valve
	52250	Safety Valve - 1/4" M NPT - 250 PSI pop-off valve
	52835	Drain Cock - 1/4" M NPT
53818B	Barbed Fitting - 1/8" M NPT to 3/8" O.D. air line tubing	
52831	Inline Check Valve - 1/4" F NPT to 1/4" M NPT	
TANK MOUNT PRESSURE SWITCHES		
	2105	Pressure switch 1/4" M NPT - 85 PSI on, 105 PSI off
	2120	Pressure switch 1/4" M NPT - 90 PSI on, 120 PSI off
	2121	Sealed pressure switch, 1/4" M NPT, 90 PSI on, 120 PSI off
	2130	Pressure switch 1/4" M NPT - 100 PSI on, 130 PSI off
	2131	Sealed pressure switch, 1/4" M NPT, 100 PSI on, 130 PSI off
	2145	Pressure switch 1/4" M NPT - 110 PSI on, 145 PSI off
	2151	Sealed pressure switch, 1/4" M NPT, 110 PSI on, 145 PSI off
	2200	Pressure switch 1/4" M NPT - 170 PSI on, 200 PSI off



## AIR FITTINGS AND ACCESSORIES

### AIR FITTINGS PACKS

If you are mixing and matching compressors and tanks to build a custom system to meet your needs these fittings packs will make the job easier. The chart lists the fittings included in our ProBlaster™ horn kits.

Fitting Kit P/N	FIT12	FIT34	FIT56	FIT7	FIT89	FIT9SLIM
Replacement for	HK1/2	HK3/4	HK5/6	HK7	HK8/9	HK9-Slimline
Pressure Switch	2121	2131	2151	2151	2151	2151
Safety	52145	52155	52175	52175	52175	52175
Drain	52835	52835	52835	52835	52835	52835
Air Out	51414L	51414L	51414L	51412	51212	51238
Sealant	Juice-1	Juice-1	Juice-1	Juice-1	Juice-1	Juice-1
Horn Button	318-BK	318-BK	318-BK	318-BK	318-BK	318-BK
Tank Plug				50040	50040	50040
Accessory				51414L		

### AIR TUBING

High pressure black nylon airline for air horn and air suspension applications. Rated at 250 PSOI working pressure. Available ¼" and ½" O.D. sizes



	P/N	O.D.	LENGTH
	25014-1	¼"	12 ft
	25014-2	¼"	24 ft
	25012-1	½"	12 ft
	25012-2	½"	24 ft

### LEADER HOSES

Steel braided 18" leader hose for air compressors. Models 30101 and 30102 include pre-installed heavy duty check valves to prevent air from leaking back through the compressor



- MODEL 30102**  
1/8" M NPT Inlet, ¼" M NPT Outlet
- MODEL 30202**  
¼" M NPT Inlet, ¼" M NPT Outlet
- MODEL 30203**  
Leader Hose Extension  
¼" M NPT, ¼" F NPT

### KLEINN AIR HORN JUICE

Use as a superior alternative to Teflon tape. When properly applied a single 2ml vial installation pack provides enough Kleinn Air Horn Juice™ to seal 10-12 ¼" NPT fittings – more than enough for any typical air system. Available as a single 2ml vial or an installers 6-pack.



- JUICE-1**  
Single 2 ml vial
- JUICE-6**  
Six pack of 2 ml vials



# Accessories

## VALVES & SWITCHES

### ELECTRIC VALVES



307

#### VORTEX 4 SERIES

Vortex 4 Series solenoids are perfect for any basic air valve need. Great for both air horns and air suspension systems. These valves are chrome finished and include brass compression inlet fittings for 1/4" O.D. tube. Also available in 24 volts - Model 307-24

P/N	Inlet Size	Orifice	Max Pressure
307*	1/8" NPT	4mm	160 PSI
307-24	1/8" NPT	4mm	160 PSI



VX6003

#### VORTEX 6 SERIES

Vortex 6 Series valves feature all brass construction with a replaceable diaphragm. Rated to 300 PSI with a large orifice for increased air flow. Available with 3/8" and 1/2" inlets.

P/N	Inlet Size	Orifice	Max Pressure
VX6003	3/8" NPT	10mm	300 PSI
VX6004	1/2" NPT	12mm	300 PSI



VX7003

#### VORTEX 7 SERIES

Vortex 7 Series valve feature larger coils for increased performance with replaceable diaphragm, protective water resistant casing for electrical connections. Features 16mm orifice for incredible air flow. Available with either 3/8" or 1/2" brass or 1/2" stainless steel construction.

P/N	Inlet Size	Orifice	Max Pressure
VX7003	3/8" NPT	16mm	250 PSI
VX7004	1/2" NPT	16mm	250 PSI

### RELAYS



340

340

Sealed, 40-amp, 5-post, SPDT Relay (12-volt)

344

Sealed, 40-amp, 5-post, SPDT Relay (24-volt)

### MANUAL VALVES



310

#### MODEL 310

Manual pull chain air valve for roof mount air horns. For use with 1/4" O.D. air line.



311

#### MODEL 311

All brass hand pull lanyard valve for roof-mount horns. Honk your horn just like a trucker. The outlet of the valve threads directly in to the bottom of roof mount horns. The inlet fits 1/4" O.D. tubing. Includes a heavy duty steel pull cable.



312

#### MODEL 312

Hand lever valve. Control the flow of air to your horn with this manual lever valve. 1/8" F NPT inlet, 1/8" F NPT outlet.



330

#### 330 ROOF MOUNT AIR HORN FITTINGS

Make installing a Kleinn Roof Mount horn quick and easy. Can be used to install a manual air valve or to add an electric solenoid to your roof mount horns. Designed specifically for the model 401 and 411 Kleinn manual valves.

### SWITCHES



318

#### MODEL 318

"The Detonator" Unleash the fury of any Kleinn horn with this red and black flush mount push button. The visible part of the button when installed is 1" in diameter. The button has screw terminals for easy connections.



318M

#### MODEL 318M

"Mini Detonator" Black flush mount push button switch. This is the perfect discreet trigger for any Kleinn horn. The visible part of the button is 3/4" in diameter and is easy to hide.

318BK



#### MODEL 318BK

Model 318BK is the all black "Detonator"



320

#### MODEL 320

The Terminator, nickel finish, flush mount push button.



328

#### MODEL 328

Heavy duty waterproof push button switch with protective rubber cover.



## GAUGES AND INSTALL KITS



**1021**

250 PSI dash mount air pressure gauge and mounting bracket. 2" diameter. Black with chrome trim ring



**1022**

160 PSI SINGLE needle dash mount air pressure gauge and mounting bracket. 2" diameter. Black with chrome trim ring



**1023**

160 PSI DUAL needle dash mount air pressure gauge and mounting bracket. 2" diameter. Black with chrome trim ring



**1024**

Stem mount 250 PSI chrome plated air pressure gauge



**1025**

Stem mount 250 PSI stainless steel air pressure gauge



**1301**

Panel mounted 160 PSI gauge with an ON-OFF SPST rocker switch



**1302**

Mount your quick connect air coupler anywhere on your vehicle. Kit includes a powder coated mounting bracket, air line and fittings. Get two kits and mount a coupler on each side or at the front and rear. Coupler not included.



**1304**

Panel mounted dual needle 160 PSI gauge with an ON-OFF SPST rocker switch



### INF-1 TIRE INFLATOR

Includes air hose, quick connect coupler and stud, locking tire chuck and deluxe storage bag.



**59830**

**59830**

### Tire Inflator with Digital Pressure Gauge

Tire inflator with digital gauge, locking tire chuck and pressure relief valve. Makes adding or releasing air simple and easy.

## WIRING KITS

All the wire and electrical connectors needed to install a Kleinn air horn and compressor. The kit includes a 5-pin 40 amp relay, compressor power wire with fuse and fuse holder, horn wire, electrical connectors and zip ties. Horn button not included.



**6850**

Basic air horn wiring kit with 12-gauge power wire, 40-amp relay, 18-gauge black wire and a roll of Teflon tape.



**6851**

Compressor wiring kit with 40-amp relay, 13 foot of 12-gauge compressor power wire with pre-installed 30-amp ATC fuse holder and fuse.



**6852**

Compressor wiring kit with 40-amp relay, 13 foot of 10-gauge compressor power wire with pre-installed 30-amp AGU fuse holder and fuse.



**6854**

24 Volt compressor wiring kit with a 24-volt 40-amp relay, 13 foot of 12-gauge compressor power wire with pre-installed 30-amp ATC fuse holder and fuse.



**6810**

### Intake Relocation Kit "Snorkel System"

Even if a compressor is water and dust resistant, damage can still be done if dirty and water pass through the intake filter system. A normal filter can prevent small amounts of dust from entering the compressor but will not protect it against excessive amounts of dirt and moisture when mounted externally, especially under the vehicle. The "snorkel system" allows the air intake filter to be located in an that is clean and dry (such as the trunk or under a seat in the vehicle).

## 333 – THE SNIPER™

### WIRELESS REMOTE HORN BUTTON

With the Sniper™ Remote Horn Button the fun of having a train horn just doubled. Imagine standing up to 200 feet from your truck and honking your train horn. The Sniper™ includes the wireless receiver unit and two brushed aluminum remotes with safety covers to prevent accidental activation. Everything you need is included for simple easy installation with only 4 wires to connect.

- Honk air horns from up to 200 feet away
- Wireless receiver unit with 2 brushed aluminum remotes
- Safety covers on remotes prevent accidental honking
- Easy installation with only 4 wires to connect



333 The Sniper™

## DIRECT FIT VEHICLE SPECIFIC ONBOARD AIR SYSTEMS AND TRAIN HORNS

FORD					
MODEL	YEARS	STANDARD HORN KIT	DELUXE HORN KIT	ONBOARD AIR ONLY	NOTES
F-150 & RAPTOR	2009 - 2014	VELO-230	VELO-734	VELO-OBA6450	Super and Crew Cab only*
F-150	2015 - 2018	VELO15-230	N/A	VELO15-OBA	Super and Crew Cab only, standard gas tank only
RAPTOR	2017 - 2019	RPTR-230	RPTR-734	RPTR-OBA	Super Crew only*
F-250 Diesel	2011 - 2016	SDKIT-230	SDKIT-734	SDOBA-6450	Super and Crew Cab only*
F-350 Diesel	2011 - 2015	SDKIT-230	SDKIT-734	SDOBA-6450	Super and Crew Cab only*
F-250 / F-350 Diesel or Gas	2017 - 2019	SDKIT17-230	SDKIT17-734	SD17-OBA	All Cabs
* Will not fit vehicles with aftermarket powered side steps					
GMC - CHEVROLET					
MODEL	YEARS	STANDARD HORN KIT	DELUXE HORN KIT	ONBOARD AIR ONLY	NOTES
SILVERADO 1500	2007.5 - 2013	GM1500-230	GM1500-734	GM1500-OBA	All Cabs
SILVERADO 1500 (Plug & Play)	2007.5 - 2013	GMTRK-2			Under hood Installation
SILVERADO 1500	2007.5 - 2018	GMTRK-1			Under Hood Installation
SILVERADO 1500	2016-2018	GM1500-230	GM1500-734	GM1500-OBA	All Cabs
***No compatibility for 2014-2015 Silverado 1500***					
SIERRA 1500	2007.5 - 2018	GM1500-230	GM1500-734	GM1500-OBA	All Cabs
SIERRA 1500 (Plug & Play)	2007.5 - 2013	GMTRK-2			Under Hood Installation
SIERRA 1500	2007.5 - 2018	GMTRK-1			Under Hood Installation
2500HD / 3500HD Diesel	2007.5 - 2019	GMHD-230	GMHD-734	GMHD-OBA	All Cabs
2500HD / 3500HD Diesel	2014 - 2016	HDKIT-230	HDKIT-734	HDKIT-OBA6450	Double and Crew Cab only*
* Will not fit vehicles with aftermarket powered side steps					
RAM					
MODEL	YEARS	STANDARD HORN KIT	DELUXE HORN KIT	ONBOARD AIR ONLY	NOTES
RAM 1500	2009 - 2018	RAM1500-230	RAM1500-734	RAM1500-OBA	All Cabs except with behind bumper winch
RAM 2500/3500	2014 - 2018	RAMHD-230	RAMHD-734	RAMHD-OBA	Mega, Crew and Quad Cab - short bed #
# Long bed installation requires drilling 3 holes					
TOYOTA					
MODEL	YEARS	STANDARD HORN KIT	DELUXE HORN KIT	ONBOARD AIR ONLY	NOTES
TUNDRA	2007 - 2019	TUN-230	TUN-734	TUN-OBA	All
JEEP WRANGLER					
MODEL	YEARS	STANDARD HORN KIT	DELUXE HORN KIT	ONBOARD AIR ONLY	NOTES
JK 2-Door	2007 - 2018	JEEPKIT-99	JEEPKIT-1	N/A	
JK 4-Door	2007 - 2018	JEEPKIT-1	JKOBA + JK220	JKOBA	
JL 4-Door Only	2018 - 2019		JL-JK-OBA + JL220	JL-JK-OBA	
Wrangler Add-ons	2007 - 2018	JK220	Add-on horn for all JK models - requires min 1 gallon air system		
	2018 - 2019	JL220	Add-on horn for all JL models - requires min 1 gallon air system		
	2007 - 2018	JK6450	2nd COMPRESSOR UPGRADE for JK-OBA or JL-JK-OBA		
POLARIS RZR					
MODEL	YEARS	STANDARD HORN KIT	DELUXE HORN KIT	ONBOARD AIR ONLY	NOTES
RZR XP 1000	2014-2018	RZR1000-KIT		RZR1000-OBA	2 & 4 Seat, Turbo, Non-Turbo
HARLEY-DAVIDSON					
MODEL	YEARS	CHROME HORN KIT	BLACK HORN KIT	ONBOARD AIR ONLY	NOTES
HARLEY-DAVIDSON	1978 - LATER	HOGKIT-1	HOGKIT-1BK		With Factory "Cowbell" Horn Cover *
* Requires use of original factory "COWBELL" horn cover to hide direct drive air compressor					



**TOO LOUD? TOO BAD!**