

SERVICE INFO



Assembly instructions for LuK RepSet® 621 3027 09/33/34, 621 3045 09/33 and 621 3050 09/33

Manufacturers:

Opel, Vauxhall

Models:

Astra G/H, Combo, Corsa C,
Meriva, Signum, Vectra C,
Zafira B

Engines:

Z16XEP, Z16YNG
Z18XE, Z18XER

Gearbox:

F17

LuK RepSet®:

621 3027 09/33/34
621 3045 09/33
621 3050 09/33

Flywheel OE no.:

90536140 / 616169
93186460 / 5616016

In the models listed, the clutch can sometimes grab. The problem mainly occurs after long standing times and in ambient temperatures below 10°C.

From May 2007, the vehicle manufacturer has therefore installed a modified clutch and flywheel as standard. As a result, the flywheel depth changed from 19 to 21.6 mm.

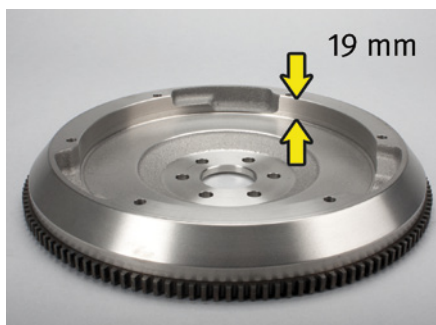


Image 1: OE no. 90536140 / 616169
without indentation around the
circumference, flywheel depth
19 mm

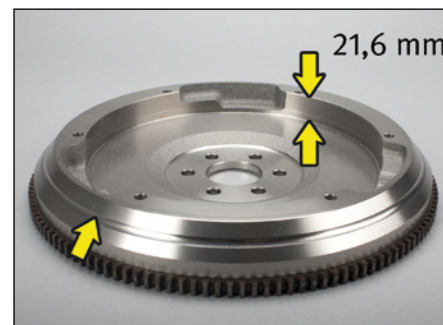


Image 2: OE no. 93186460 / 5616016
with indentation around the
circumference, flywheel depth
21.6 mm

Vehicles produced before May 2007, that exhibited the same fault were also retrofitted with these parts at the workshop; this is indicated by a green dot on the gearbox (see Image 3).

The different characteristics of the [flywheels](#) are illustrated in Images 1 and 2.

The following clutch sets must be used with the different flywheels:

Flywheel OE no	LuK RepSet®
90536140/616169 gearbox without coloured marking, flywheel depth 19 mm	621 3027 09 621 3027 33 621 3027 34
93186460/5616016 gearbox with coloured marking, flywheel depth 21,6 mm	621 3045 09 621 3045 33 621 3050 09 621 3050 33



Image 3: Marking on gearbox



Note the specifications of the
vehicle manufacturer!

