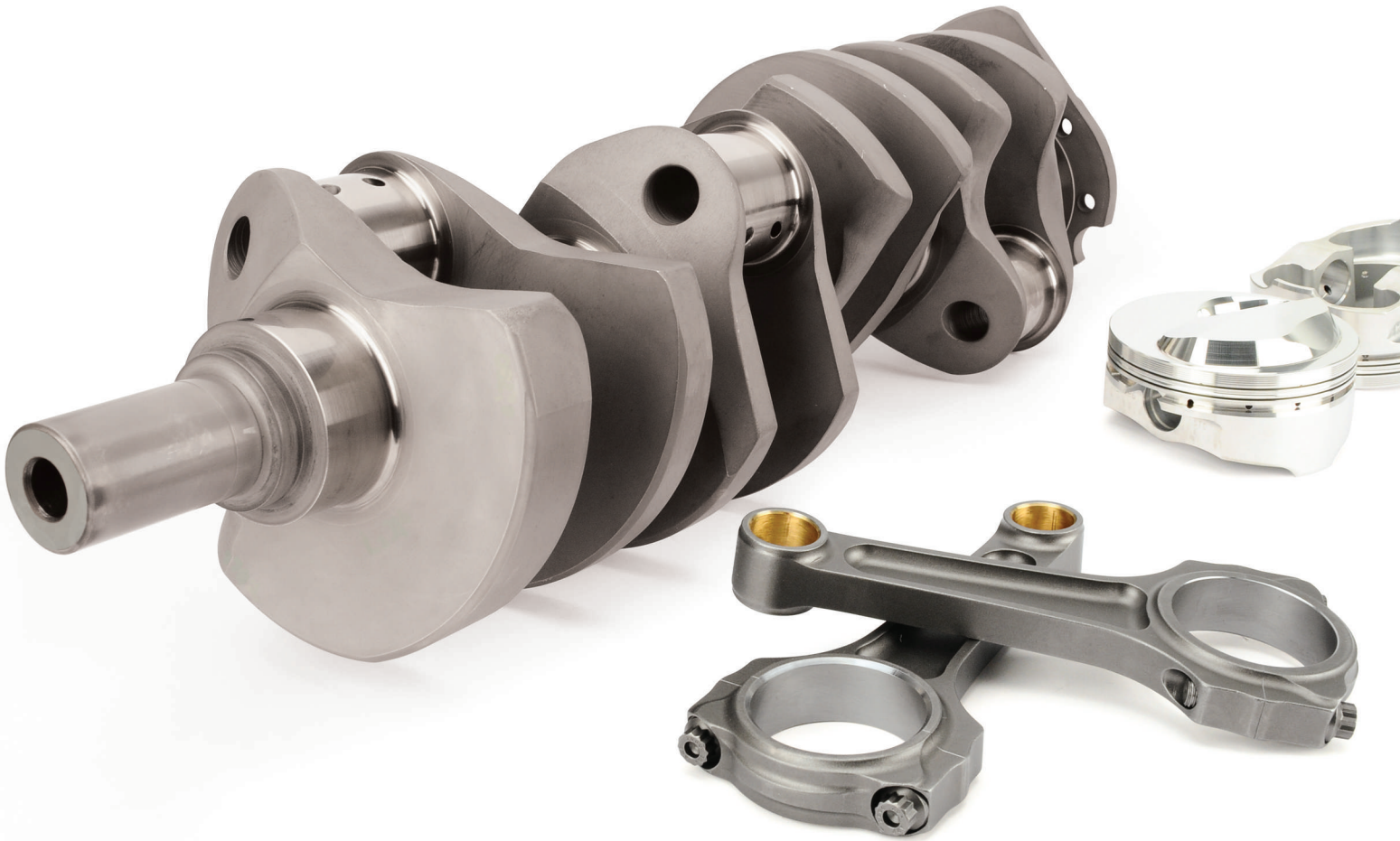


..... THE RACER'S COMPANY



ROTATING ASSEMBLIES

CRANKSHAFTS & COMPONENTS

OUR HISTORY

THE RACER'S COMPANY

Winning racers don't find victory lane by accident. It takes dedication, knowledge, drive and power to beat your competition. At Lunati, we have racing pumping through our veins. Our determination and dedication to supply enthusiasts with superior internal engine components is unmatched in the aftermarket industry. For over 40 years, we have proven this on race tracks and streets all over America. So when the time comes to upgrade your engine, you can count on Lunati's one-on-one customer service and premium parts to put the competition in your rearview mirror.

IT'S WHO WE ARE

At Lunati, we understand that as a racer or engine builder, you need valvetrain and bottom end components that can handle extreme race conditions and produce race-winning power levels. We also know how important it is for our products to be backed by real people who provide personalized customer support. In 1969, Joe Lunati founded this company on a philosophy that continues to this day – to produce a diverse, race-proven product line that includes camshafts and related valvetrain products, pistons, connecting rods and crankshafts. We employ a knowledgeable, in-house tech support team that is ready to work directly with you, no matter how large or small your request.



TABLE OF CONTENTS

■ ROTATING SECTION

ROTATING ASSEMBLIES

Voodoo Rotating Assemblies.....2
 Signature Series Rotating Assemblies.....6

CRANKSHAFTS

Voodoo Crankshafts12
 Signature Series Crankshafts14
 Signature Blower Series Crankshafts18
 Bearings.....21

CONNECTING RODS

Rod Bolts23
 Voodoo Connecting Rods (H-Beam)24
 Racer Series Connecting Rods (I-Beam).....25
 Signature Series Connecting Rods (I-Beam)25

■ BALANCERS

RATTLER TORSIONAL
 VIBRATION ABSORBERS26
 RATTLER TIMING POINTERS.....26

■ MISCELLANEOUS

TOOLS28
 APPAREL.....31
 MERCHANDISE.....32

■ TECH RESOURCES

Crankshaft Tech Info10
 Custom Crankshaft Form.....20
 Connecting Rod Tech Info.....22



OVER 4 DECADES OF PERFORMANCE
 Valvetrain & Rotating Assembly Innovation Since 1968

At Lunati, Our Products Are Still Built For Racers & By Racers Right Here In The United States.

- ★ Independently Owned
- ★ Experienced Support
- ★ Modern Technology

VOODOO ROTATING ASSEMBLIES

Voodoo Rotating Assemblies are based around Voodoo Crankshafts, forged connecting rods and other related components that provide premium quality along with affordability. The 4340 non-twist forged Voodoo Crankshaft is the perfect choice for your street/strip application. Each Voodoo Crankshaft is nitride heat treated with micropolished journals to add durability and strength, while lightening holes in the rod journals reduce crankshaft inertia weight for faster acceleration and ease of balancing.

All Voodoo Rotating Assemblies Include The Following Components & Features:

- Voodoo Crankshaft
- ICON Forged Pistons, Pins & Rings
- Fully Balanced, Ready For Installation
- Voodoo H-Beam Rods
- King or Clevite Premium Engine Bearings



Application	Balanced Rotating Assembly Part #	Compression Ratio	Bore	Stroke	Rod Length	Main Size
Chevy Small Block¹		64cc				
Engine Size – 305c.i.	34802VRK01	9.5	3.736"	3.480"	5.700"	350
	34802VRK02	9.0	4.030"	3.480"	5.700"	350
	34802VRK03	9.0	4.030"	3.480"	6.000"	350
	34802VRK04	10.4	4.030"	3.480"	5.700"	350
Engine Size – 355c.i.	34802VRK05	10.4	4.030"	3.480"	6.000"	350
	34802VRK06	10.7	4.030"	3.480"	5.700"	350
	34802VRK07	12.0	4.030"	3.480"	5.700"	350
	34802VRK08	12.0	4.030"	3.480"	6.000"	350
Engine Size – 383c.i.	37502VRK01	9.6	4.030"	3.750"	6.000"	350
	37502VRK02	9.6	4.030"	3.750"	5.700"	350
	37502VRK03	11.1	4.030"	3.750"	5.700"	350
	37502VRK04	11.1	4.030"	3.750"	6.000"	350
	37502VRK05	12.9	4.030"	3.750"	6.000"	350
	37502VRK06	12.9	4.030"	3.750"	5.700"	350
Engine Size – 406c.i.²	37502VRK07	9.4	4.155"	3.750"	6.000"	350
	37502VRK08	9.4	4.155"	3.750"	5.700"	350
	37502VRK09	10.5	4.155"	3.750"	5.700"	350
	37502VRK10	10.5	4.155"	3.750"	6.000"	350
	37502VRK11	11.7	4.155"	3.750"	6.000"	350
	37502VRK12	11.7	4.155"	3.750"	5.700"	350
	37502VRK13	13.5	4.155"	3.750"	6.000"	350
	37502VRK14	13.5	4.155"	3.750"	5.700"	350
Engine Size – 434c.i.	40002VRK01	10.0	4.155"	4.000"	6.000"	400
	40002VRK02	11.1	4.155"	4.000"	6.000"	400
	40002VRK03	12.4	4.155"	4.000"	6.000"	400
	40002VRK04	14.4	4.155"	4.000"	6.000"	400

*1 3.750" stroke SBC rotating assembly kits also available for 1 pc. rear main seal applications, call for details.
2 Bearing spacers included for use in 400 blocks.*


42504VRK07

Piston Kit Part #	Piston Style	Material	Piston MFR	Crankshaft Part #	Rod Set Part #	Rod Style
IC957KTD	Lightweight Flat Top	2618	ICON	70234801	70157001-8	H-Beam
IC726KTD	Step Dish	2618	ICON	70234801	70157001-8	H-Beam
IC731KTD	Step Dish	2618	ICON	70234801	70160001-8	H-Beam
IC717KTD	Flat Top 2V	2618	ICON	70234801	70157001-8	H-Beam
IC702KTD	Flat Top 2V	2618	ICON	70234801	70160001-8	H-Beam
IC971KTD	Lightweight Flat Top 2V	2618	ICON	70234801	70157001-8	H-Beam
IC727KTD	Dome 2V, .163, Vortec Heads	2618	ICON	70234801	70157001-8	H-Beam
IC732KTD	Dome 2V, .163, Vortec Heads	2618	ICON	70234801	70160001-8	H-Beam
IC734KTD	Dished 2V	2618	ICON	70237501	70160001-8	H-Beam
IC735KTD	Dished 2V	2618	ICON	70237501	70157001-8	H-Beam
IC728KTD	Flat Top 2V	2618	ICON	70237501	70157001-8	H-Beam
IC718KTD	Flat Top 2V	2618	ICON	70237501	70160001-8	H-Beam
IC733KTD	Dome 2V, .163, Vortec Heads	2618	ICON	70237501	70160001-8	H-Beam
IC737KTD	Dome 2V, .163, Vortec Heads	2618	ICON	70237501	70157001-8	H-Beam
IC757KTD	Dished 2V	2618	ICON	70237501	70160001-8	H-Beam
IC753KTD	Dished 2V	2618	ICON	70237501	70157001-8	H-Beam
IC754KTD	Dished 2V	2618	ICON	70237501	70157001-8	H-Beam
IC758KTD	Dished 2V	2618	ICON	70237501	70160001-8	H-Beam
IC755KTD	Flat Top 2V	2618	ICON	70237501	70160001-8	H-Beam
IC751KTD	Flat Top	2618	ICON	70237501	70157001-8	H-Beam
IC756KTD	Dome 2V, .163, Vortec Heads	2618	ICON	70237501	70160001-8	H-Beam
IC752KTD	Dome 2V, .163, Vortec Heads	2618	ICON	70237501	70157001-8	H-Beam
IC850KTD	Dished 2V	2618	ICON	70240001	70160001-8	H-Beam
IC851KTD	Dished 2V	2618	ICON	70240001	70160001-8	H-Beam
IC849KTD	Flat Top 2V	2618	ICON	70240001	70160001-8	H-Beam
IC893KTD	Dome 2V, .180, Vortec Heads	2618	ICON	70240001	70160001-8	H-Beam

ROTATING ASSEMBLIES

CRANKSHAFTS

CONNECTING RODS

BALANCERS

MISCELLANEOUS

VOODOO ROTATING ASSEMBLIES *Continued from page 3*

ROTATING ASSEMBLIES

CRANKSHAFTS

CONNECTING RODS

BALANCERS

MISCELLANEOUS

Application	Balanced Rotating Assembly Part #	Compression Ratio	Bore	Stroke	Rod Length	Deck Height
GM LS1, LS2 & LS3 w/ 24-Tooth Reluctor		70cc				
Engine Size – 383c.i.	40003VRK01	9.7	3.905"	4.000"	6.125"	9.240"
Engine Size – 402c.i.	40003VRK02	8.8	4.002"	4.000"	6.125"	9.240"
	40003VRK03	11.3	4.002"	4.000"	6.125"	9.240"
Engine Size – 408c.i.	40003VRK04	11.1	4.030"	4.000"	6.125"	9.240"
Engine Size – 428c.i.	40003VRK05	9.3	4.125"	4.000"	6.125"	9.240"
	40003VRK06	11.9	4.125"	4.000"	6.125"	9.240"
GM LS1, LS2 & LS3 w/ 58-Tooth Reluctor		70cc				
Engine Size – 383c.i.	40008VRK01	9.7	3.905"	4.000"	6.125"	9.240"
Engine Size – 402c.i.	40008VRK02	8.8	4.002"	4.000"	6.125"	9.240"
	40008VRK03	11.3	4.002"	4.000"	6.125"	9.240"
Engine Size – 408c.i.	40008VRK04	11.1	4.030"	4.000"	6.125"	9.240"
Engine Size – 428c.i.	40008VRK05	9.3	4.125"	4.000"	6.125"	9.240"
	40008VRK06	11.9	4.125"	4.000"	6.125"	9.240"
Chevy Big Block		118cc				
Engine Size – 489c.i.	42504VRK01	8.2	4.280"	4.250"	6.385"	9.800"
	42504VRK02	8.6	4.280"	4.250"	6.385"	9.800"
	42504VRK03	8.6	4.280"	4.250"	6.135"	9.800"
	42504VRK04	9.6	4.280"	4.250"	6.385"	9.800"
	42504VRK05	9.6	4.280"	4.250"	6.135"	9.800"
	42504VRK06	10.2	4.280"	4.250"	6.385"	9.800"
	42504VRK07	10.2	4.280"	4.250"	6.135"	9.800"
	42504VRK08	12.0	4.280"	4.250"	6.385"	9.800"
	42504VRK09	12.0	4.280"	4.250"	6.135"	9.800"
	42504VRK10	13.3	4.280"	4.250"	6.385"	9.800"
Engine Size – 540c.i.	42504VRK11	8.3	4.500"	4.250"	6.385"	9.800"
	42504VRK12	9.4	4.500"	4.250"	6.385"	9.800"
	42504VRK13	10.2	4.500"	4.250"	6.385"	9.800"
Engine Size – 572c.i.	42504VRK14	13.1	4.500"	4.250"	6.385"	9.800"
	45004VRK01	10.0	4.500"	4.500"	6.535"	10.200"

Note: 4.250" stroke BBC rotating assembly kits also available for 1 pc. rear main seal applications, call for details.
Note: 4.250" stroke BBC rotating assembly kits also available in a lightweight, non-center counterweight design, call for details.

Application	Balanced Rotating Assembly Part #	Compression Ratio	Bore	Stroke	Rod Length	Deck Height
Ford Small Block		70cc				
Engine Size – 331c.i.	32505VRK01	9.0	4.030"	3.250"	5.400"	8.206" (302 Main)
	32505VRK02	9.8	4.030"	3.250"	5.400"	8.206" (302 Main)
Engine Size – 347c.i.	34005VRK01	9.0	4.030"	3.400"	5.400"	8.206" (302 Main)
	34005VRK02	10.2	4.030"	3.400"	5.400"	8.206" (302 Main)
	34005VRK03	11.8	4.030"	3.400"	5.400"	8.206" (302 Main)
Engine Size – 408c.i.	40006VRK01	9.5	4.030"	4.000"	6.250"	9.500" (351W, 2.750 Main)
	40006VRK02	10.5	4.030"	4.000"	6.200"	9.500" (351W, 2.750 Main)
	40006VRK03	11.8	4.030"	4.000"	6.125"	9.500" (351W, 2.750 Main)
Ford Big Block		75cc				
Engine Size – 504c.i.	41607VRK01	12.7	4.390"	4.160"	6.800"	10.320"
Engine Size – 521c.i.	43007VRK01	9.4	4.390"	4.300"	6.800"	10.320"
	43007VRK02	12.5	4.390"	4.300"	6.800"	10.320"
	43007VRK03	13.1	4.390"	4.300"	6.800"	10.320"
Engine Size – 545c.i.	45007VRK01	10.3	4.390"	4.500"	6.700"	10.320"
	45007VRK02	13.0	4.390"	4.500"	6.700"	10.320"
	45007VRK03	13.6	4.390"	4.500"	6.700"	10.320"

Piston Kit Part #	Piston Style	Material	Piston MFR	Crankshaft Part #	Rod Set Part #	Rod Style
IC962KTD	Dished	2618	ICON	70340001	70361251-8	H-Beam
IC901KTD	Dished	2618	ICON	70340001	70361251-8	H-Beam
IC900KTD	Flat Top	2618	ICON	70340001	70361251-8	H-Beam
IC975KTD	Flat Top	2618	ICON	70340001	70361251-8	H-Beam
IC903KTD	Dished	2618	ICON	70340001	70361251-8	H-Beam
IC902KTD	Flat Top	2618	ICON	70340001	70361251-8	H-Beam
IC962KTD	Dished	2618	ICON	70840001	70361251-8	H-Beam
IC901KTD	Dished	2618	ICON	70840001	70361251-8	H-Beam
IC900KTD	Flat Top	2618	ICON	70840001	70361251-8	H-Beam
IC975KTD	Flat Top	2618	ICON	70840001	70361251-8	H-Beam
IC903KTD	Dished	2618	ICON	70840001	70361251-8	H-Beam
IC902KTD	Flat Top	2618	ICON	70840001	70361251-8	H-Beam
IC947KTD	Dished 1V	2618	ICON	70442502	70463852-8	H-Beam
IC785KTD	Flat Top 1V	2618	ICON	70442502	70463852-8	H-Beam
IC784KTD	Flat Top 1V	2618	ICON	70442502	70461352-8	H-Beam
IC787KTD	Dome 1V, .130, Edelbrock & O.E. Heads	2618	ICON	70442502	70463852-8	H-Beam
IC786KTD	Dome 1V, .130, Edelbrock & O.E. Heads	2618	ICON	70442502	70461352-8	H-Beam
IC789KTD	Dome 1V, .130, Edelbrock & O.E. Heads	2618	ICON	70442502	70463852-8	H-Beam
IC788KTD	Dome 1V, .130, Edelbrock & O.E. Heads	2618	ICON	70442502	70461352-8	H-Beam
IC993KTD	Dome 1V, .425	2618	ICON	70442502	70463852-8	H-Beam
IC989KTD	Dome 1V, .426	2618	ICON	70442502	70461352-8	H-Beam
IC603KTD	Dome 1V, .650	2618	ICON	70442502	70463852-8	H-Beam
IC949KTD	Dish 1V	2618	ICON	70442502	70463852-8	H-Beam
IC812KTD	Flat Top 1V	2618	ICON	70442502	70463852-8	H-Beam
IC814KTD	Dome 1V, .112, Edelbrock & O.E. Heads	2618	ICON	70442502	70463852-8	H-Beam
IC997KTD	Dome 1V, .425	2618	ICON	70442502	70463852-8	H-Beam
IC950KTD	Flat Top 1V	2618	ICON	70445002	70467002-8	H-Beam

Piston Kit Part #	Piston Style	Material	Piston MFR	Crankshaft Part #	Rod Set Part #	Rod Style
IC725KTD	Dished	2618	ICON	70532501	70554001-8	H-Beam
IC720KTD	Flat Top	2618	ICON	70532501	70554001-8	H-Beam
IC730KTD	Dished	2618	ICON	70534001	70554001-8	H-Beam
IC709KTD	Flat Top	2618	ICON	70534001	70554001-8	H-Beam
IC739KTD	.150 Dome	2618	ICON	70534001	70554001-8	H-Beam
IC724KTD	Step Dish 2V	2618	ICON	70640001	70162501-8	H-Beam
IC750KTD	Dish 2V	2618	ICON	70640001	70162001-8	H-Beam
IC722KTD	Flat Top	2618	ICON	70640001	70161251-8	H-Beam
IC858KTD	Flat Top	2618	ICON	70741002	70468002-8	H-Beam
IC852KTD	Step Dish, SCJ Heads	2618	ICON	70743002	70468002-8	H-Beam
IC853KTD	Flat Top, SCJ Heads	2618	ICON	70743002	70468002-8	H-Beam
IC859KTD	Flat Top, Edelbrock & O.E. Heads	2618	ICON	70743002	70468002-8	H-Beam
IC852KTD	Step Dish, SCJ Heads	2618	ICON	70745002	70467002-8	H-Beam
IC853KTD	Flat Top	2618	ICON	70745002	70467002-8	H-Beam
IC859KTD	Flat Top, Edelbrock & O.E. Heads	2618	ICON	70745002	70467002-8	H-Beam

SIGNATURE SERIES ROTATING ASSEMBLIES

As our premium line, Signature Series Rotating Assemblies represent the strongest package of rotating components you will find for your engine. The kit begins with a crankshaft that is formed on a specialized non-twist 4340 steel forging and features gun-drilled mains, lightened rod journals, micropolished journals and windage reducing, contoured wing counterweights. Additionally, these premium cranks are pulsed plasma nitride heat treated for increased strength and durability, making them the best choice for serious racers. Finally, each kit comes with premium I-beam or H-beam rods, your choice of Diamond or Mahle brand forged pistons and premium King or Clevite engine bearings.

All Signature Series Rotating Assemblies Include The Following Components & Features:

- Signature Series Crankshaft
- Premium King or Clevite Engine Bearings
- Premium I-Beam or H-Beam Rods
- Fully Balanced, Ready for Installation
- Premium Diamond or Mahle Forged Pistons, Pins & Rings

Optional piston packages available from Diamond, Mahle and Wiseco – call for details!

Application	Balanced Rotating Assembly Part #	Compression Ratio	Bore	Stroke	Rod Length	Main Size
Chevy Small Block		64cc				
Engine Size – 355c.i.	34802SRK01	10.0	4.030"	3.480"	6.000"	350
	34802SRK02	10.4	4.030"	3.480"	6.000"	350
	34802SRK03	12.6	4.030"	3.480"	6.000"	350
	34802SRK04	12.9	4.030"	3.480"	6.000"	350
Engine Size – 383c.i.	37502SRK01	10.9	4.030"	3.750"	6.000"	350
	37502SRK02	11.1	4.030"	3.750"	6.000"	350
	37502SRK03	13.4	4.030"	3.750"	6.000"	350
	37502SRK04	13.8	4.030"	3.750"	6.000"	350
Engine Size – 406c.i.	37502SRK05	11.5	4.155"	3.750"	6.000"	400
	37502SRK06	11.7	4.155"	3.750"	6.000"	400
	37502SRK07	13.6	4.155"	3.750"	6.000"	400
Engine Size – 420c.i.	37502SRK08	14.5	4.155"	3.750"	6.000"	400
	38752SRK01	11.9	4.155"	3.875"	6.000"	400
	38752SRK02	12.0	4.155"	3.875"	6.000"	400
	38752SRK03	13.5	4.155"	3.875"	6.000"	400
Engine Size – 434c.i.	38752SRK04	14.0	4.155"	3.875"	6.000"	400
	40002SRK01	12.2	4.155"	4.000"	6.000"	400
	40002SRK02	12.4	4.155"	4.000"	6.000"	400
	40002SRK03	13.9	4.155"	4.000"	6.000"	400
Engine Size – 434c.i.	40002SRK04	14.4	4.155"	4.000"	6.000"	400

Application	Balanced Rotating Assembly Part #	Compression Ratio	Bore	Stroke	Rod Length	Deck Height
GM LS1 – 24-Tooth Reluctor		64cc				
Engine Size – 383c.i.	40003SRK01	10.0	3.905"	4.000"	6.125"	9.240"
	40003SRK02	10.1	3.905"	4.000"	6.125"	9.240"
	40003SRK03	11.9	3.905"	4.000"	6.125"	9.240"
Engine Size – 408c.i.	40003SRK04	9.8	4.030"	4.000"	6.125"	9.240"
	40003SRK05	11.3	4.030"	4.000"	6.125"	9.240"
Engine Size – 416c.i.	40003SRK06	8.7	4.070"	4.000"	6.125"	9.240"
Engine Size – 428c.i.	40003SRK07	9.1	4.125"	4.000"	6.125"	9.240"
	40003SRK08	11.6	4.125"	4.000"	6.125"	9.240"



42504SRK04

ROTATING ASSEMBLIES

CRANKSHAFTS

CONNECTING RODS

BALANCERS

MISCELLANEOUS

Piston Kit Part #	Piston Style	Material	Piston MFR	Crankshaft Part #	Rod Set Part #	Rod Style
11131	Flat Top	2618	Diamond	60134801	60160001-8	I-Beam
SBC250030F05	Flat Top	4032	Mahle	60134801	60160001-8	I-Beam
11686	Dome	4032	Diamond	60134801	60160001-8	I-Beam
SBC250030D11	Dome	2618	Mahle	60134801	60160001-8	I-Beam
11151	Flat Top	4032	Diamond	60137501	60160001-8	I-Beam
SBC125030F05	Flat Top	4032	Mahle	60137501	60160001-8	I-Beam
11705	Dome	4032	Diamond	60137501	60160001-8	I-Beam
SBC125030D11	Dome	2618	Mahle	60137501	60160001-8	I-Beam
11192	Flat Top	4032	Diamond	60237501	60160001-8	I-Beam
SBC125155F05	Flat Top	4032	Mahle	60237501	60160001-8	I-Beam
11767	Dome	4032	Diamond	60237501	60160001-8	I-Beam
SBC125155D11	Dome	2618	Mahle	60237501	60160001-8	I-Beam
11162	Flat Top	4032	Diamond	60238751	60160001-8	I-Beam
SBC062155F05	Flat Top	4032	Mahle	60238750	60160001-8	I-Beam
SBC062155D04	Dome	4032	Mahle	60238750	60160001-8	I-Beam
11777	Dome	4032	Diamond	60238751	60160001-8	I-Beam
11196	Flat Top	2618	Diamond	60240001	60160001-8	I-Beam
SBC000155F05	Flat Top	4032	Mahle	60240001	60160001-8	I-Beam
SBC000155D04	Dome	4032	Mahle	60240001	60160001-8	I-Beam
11782	Dome	4032	Diamond	60240001	60160001-8	I-Beam

Piston Kit Part #	Piston Style	Material	Piston MFR	Crankshaft Part #	Rod Set Part #	Rod Style
11504	Dish LS1	2618	Diamond	60340001	60361251-8	I-Beam
LS1105905106	LS1/2/6 Inverted Dome	4032	Mahle	60340001	60361251-8	I-Beam
11560	LS1/6.0L Cyl. Head	2618	Diamond	60340001	60361251-8	I-Beam
11521	Dish LS1	2618	Diamond	60340001	60361251-8	I-Beam
11519	Flat Top LS1	2618	Diamond	60340001	60361251-8	I-Beam
11579	Blower/Turbo Dish LS1	2618	Diamond	60340001	60361251-8	I-Beam
11577	Blower/Turbo Dish Sleeved LS1 Block	2618	Diamond	60340001	60361251-8	I-Beam
11573	Flat Top Sleeved LS1 Block	2618	Diamond	60340001	60361251-8	I-Beam



SIGNATURE SERIES ROTATING ASSEMBLIES *Continued from page 7*

ROTATING ASSEMBLIES

CRANKSHAFTS

CONNECTING RODS

BALANCERS

MISCELLANEOUS

Application	Balanced Rotating Assembly Part #	Compression Ratio	Bore	Stroke	Rod Length	Deck Height
GM L92 – 24-Tooth Reluctor		70cc				
Engine Size – 377c.i.	36223SRK01	10.1	4.070"	3.622"	6.125"	9.240"
Engine Size – 408c.i.	40003SRK09	9.3	4.030"	4.000"	6.125"	9.240"
Engine Size – 416c.i.	40003SRK10	9.1	4.070"	4.000"	6.125"	9.240"
	40003SRK11	11.1	4.070"	4.000"	6.125"	9.240"
Engine Size – 428c.i.	40003SRK12	9.0	4.125"	4.000"	6.125"	9.240"
	40003SRK13	11.3	4.125"	4.000"	6.125"	9.240"
Engine Size – 429c.i.	41253SRK01	10.9	4.070"	4.125"	6.125"	9.240"
	41253SRK02	9.0	4.070"	4.125"	6.125"	9.240"
GM LS7 – 24-Tooth Reluctor		70cc				
Engine Size – 428c.i.	40003SRK14	11.2	4.125"	4.000"	6.125"	9.240"
	40003SRK15	11.4	4.125"	4.000"	6.125"	9.240"
Chevy Big Block		118cc				
Engine Size – 460c.i.	40004SRK01	7.9	4.280"	4.000"	6.385"	9.800"
	40004SRK02	10.5	4.280"	4.000"	6.135"	9.800"
	40004SRK03	11.6	4.280"	4.000"	6.135"	9.800"
Engine Size – 468c.i.	40004SRK04	8.3	4.310"	4.000"	6.135"	9.800"
	40004SRK05	13.0	4.310"	4.000"	6.385"	9.800"
Engine Size – 489c.i.	42504SRK01	8.7	4.280"	4.250"	6.385"	9.800"
	42504SRK02	10.2	4.280"	4.250"	6.385"	9.800"
Engine Size – 496c.i.	42504SRK03	8.4	4.310"	4.250"	6.385"	9.800"
	42504SRK04	12.5	4.310"	4.250"	6.385"	9.800"
Engine Size – 509c.i.	40004SRK06	8.9	4.500"	4.000"	6.385"	9.800"
	40004SRK07	12.7	4.500"	4.000"	6.385"	9.800"
Engine Size – 532c.i.	40004SRK08	9.3	4.600"	4.000"	6.385"	9.800"
	40004SRK09	13.1	4.600"	4.000"	6.385"	9.800"
Engine Size – 540c.i.	42504SRK07	8.0	4.500"	4.250"	6.385"	9.800"
	42504SRK05	9.4	4.500"	4.250"	6.385"	9.800"
	42504SRK06	10.6	4.500"	4.250"	6.385"	9.800"
	42504SRK08	13.5	4.500"	4.250"	6.385"	9.800"
Engine Size – 565c.i.	42504SRK09	9.3	4.600"	4.250"	6.385"	9.800"
	42504SRK10	11.0	4.600"	4.250"	6.385"	9.800"
	42504SRK11	13.7	4.600"	4.250"	6.385"	9.800"
	42504SRK12	13.9	4.600"	4.250"	6.385"	9.800"

Note: 10.200" Tall deck applications available, call for details

Application	Balanced Rotating Assembly Part #	Compression Ratio	Bore	Stroke	Rod Length	Deck Height
Ford Small Block		70cc				
Engine Size – 347c.i.	34005SRK01	8.5	4.030"	3.400"	5.400"	8.190" (302 Main)
	34005SRK02	9.0	4.030"	3.400"	5.400"	8.190" (302 Main)
	34005SRK03	10.0	4.030"	3.400"	5.400"	8.190" (302 Main)
	34005SRK04	10.1	4.030"	3.400"	5.400"	8.190" (302 Main)
Engine Size – 393c.i.	38506SRK01	8.5	4.030"	3.850"	6.200"	9.470" (351W, 2.750 Main)
	38506SRK02	11.3	4.030"	3.850"	6.200"	9.470" (351W, 2.750 Main)
Engine Size – 408c.i.	40006SRK01	8.4	4.030"	4.000"	6.200"	9.470" (351W, 2.750 Main)
	40006SRK02	10.1	4.030"	4.000"	6.250"	9.500" (351W, 2.750 Main)
	40006SRK03	11.6	4.030"	4.000"	6.200"	9.500" (351W, 2.750 Main)
	40006SRK04	11.7	4.030"	4.000"	6.250"	9.500" (351W, 2.750 Main)
Engine Size – 412c.i.	38506SRK03	8.7	4.125"	3.850"	6.200"	9.470" (351W, 2.750 Main)
	38506SRK04	11.4	4.125"	3.850"	6.200"	9.470" (351W, 2.750 Main)
Engine Size – 428c.i.	40006SRK05	8.7	4.125"	4.000"	6.200"	9.470" (351W, 2.750 Main)
	40006SRK06	9.7	4.125"	4.000"	6.250"	9.500" (351W, 2.750 Main)
	40006SRK07	11.9	4.125"	4.000"	6.200"	9.470" (351W, 2.750 Main)
	40006SRK08	12.1	4.125"	4.000"	6.250"	9.500" (351W, 2.750 Main)



ROTATING ASSEMBLIES

CRANKSHAFTS

CONNECTING RODS

BALANCERS

MISCELLANEOUS

Piston Kit Part #	Piston Style	Material	Piston MFR	Crankshaft Part #	Rod Set Part #	Rod Style
11545	Flat Top LSX-L92	2618	Diamond	60336221	60361251-8	I-Beam
L92105030I20	LS3/L92 Inverted Dome	2618	Mahle	60340001	60361251-8	I-Beam
11555	Dish LSX-L92	2618	Diamond	60340001	60361251-8	I-Beam
L92105070F04	LS3/L92 Flat Top	4032	Mahle	60340001	60361251-8	I-Beam
11556	Dish LSX-L92	2618	Diamond	60340001	60361251-8	I-Beam
11547	Flat Top LSX-L92	2618	Diamond	60340001	60361251-8	I-Beam
L92055070I08	LS3/L92 Inverted Dome	4032	Mahle	60341251	60361251-8	I-Beam
L92055070I30	LS3/L92 Inverted Dome	2618	Mahle	60341251	60361251-8	I-Beam
11585	Flat Top LS7	2618	Diamond	60940001	60361251-8	I-Beam
LS7105125F03	Flat Top LS7	4032	Mahle	60940001	60361251-8	I-Beam
12036	Flat Top	2618	Diamond	66440002	60463852-8	I-Beam
BBC645280D28	Dome	2618	Mahle	66440001	70461352-8	H-Beam
12302	Dome	2618	Diamond	66440001	70461352-8	H-Beam
BBC645310F03	Flat Top	4032	Mahle	66440001	70461352-8	H-Beam
BBC395310D48	Dome	2618	Mahle	66440001	60463852-8	I-Beam
BBC270280F03	Flat Top	4032	Mahle	66442502	60463852-8	I-Beam
BBC270280D18	Dome	4032	Mahle	66442502	60463852-8	I-Beam
12047	Flat Top	2618	Diamond	66442502	60463852-8	I-Beam
12339	Dome	2618	Diamond	66442502	60463852-8	I-Beam
BBC395500F03	Flat Top	4032	Mahle	66440001	70461352-8	I-Beam
12330	Dome	2618	Diamond	66440002	60463852-8	I-Beam
BBC395600F03	Flat Top	4032	Mahle	60440002	60463852-8	I-Beam
12333	Dome	2618	Diamond	66440002	60463852-8	I-Beam
BBC270500F03	Flat Top	4032	Mahle	66442502	60463852-8	I-Beam
BBC270500D13	Dome	4032	Mahle	66442502	60463852-8	I-Beam
12435	Dish	2618	Diamond	66442501	70461352-8	I-Beam
12342	Dome	2618	Diamond	66442502	60463852-8	I-Beam
12053	Flat Top	2618	Diamond	66442501	70461352-8	I-Beam
BBC270600D13	Dome	4032	Mahle	66442502	60463852-8	I-Beam
BBC270600D38	Dome	2618	Mahle	66442502	60463852-8	I-Beam
12345	Dome	2618	Diamond	66442502	60463852-8	I-Beam

Piston Kit Part #	Piston Style	Material	Piston MFR	Crankshaft Part #	Rod Set Part #	Rod Style
31411	Dish	2618	Diamond	60534001	70554002-8	H-Beam
SBF090030I16	Dish	4032	Mahle	60534001	70554002-8	H-Beam
31011	Flat Top	2618	Diamond	60534001	70554002-8	H-Beam
SBF090030F06	Flat Top	4032	Mahle	60534001	70554002-8	H-Beam
31421	Dish	2618	Diamond	60638501	70162001-8	H-Beam
31026	Flat Top	2618	Diamond	60638501	70162001-8	H-Beam
31433	Dish	2618	Diamond	60640001	70162001-8	H-Beam
SBF230030I20	Dish	4032	Mahle	60640001	70162501-8	H-Beam
31036	Flat Top	2618	Diamond	60640001	70162001-8	H-Beam
SBF245030F06	Flat Top	4032	Mahle	60640001	70162501-8	H-Beam
31425	Dish	2618	Diamond	60638501	70162001-8	H-Beam
31030	Flat Top	2618	Diamond	60638501	70162001-8	H-Beam
31432	Dish	2618	Diamond	60640001	70162001-8	H-Beam
SBF245125I26	Dish	4032	Mahle	60640001	70162501-8	H-Beam
31040	Flat Top	2618	Diamond	60640001	70162001-8	H-Beam
SBF245125F06	Flat Top	4032	Mahle	60640001	70162501-8	H-Beam

CRANKSHAFT TECH

Crankshaft: The crankshaft's job is to turn the up and down motion of the pistons into a rotational movement. Cranks are comprised of five main parts that are described below and labeled in the image.

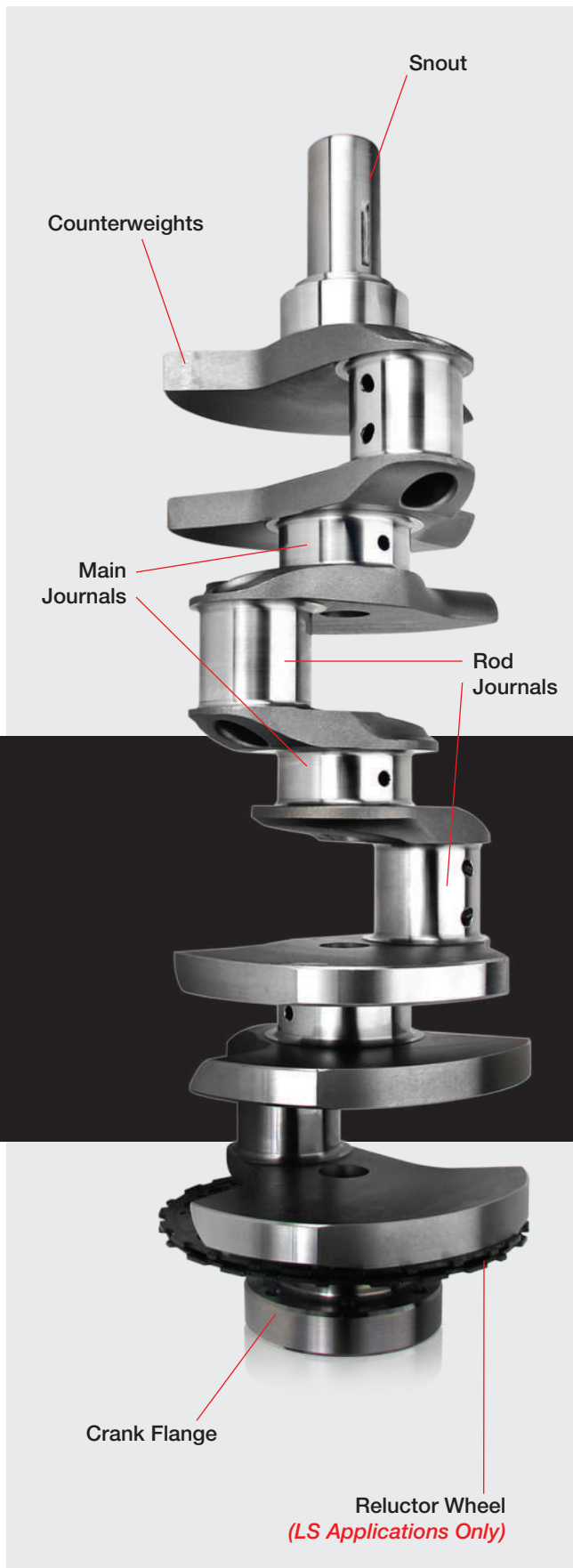
CRANKSHAFT COMPONENTS

1. **Main Journals** – Machined surfaces located at the center of the crankshaft; rotation axis of the crankshaft runs through the center point of the main journals; main journals rotate in the main bearing bore created by the engine block and main caps.
2. **Rod Journals** – Surface to which the connecting rods attach. They circle around the crank's axis of rotation.
3. **Counterweights** – Balance the crankshaft to eliminate harmful vibrations.
4. **Snout** – Extends through the front end of the engine block; the camshaft timing assembly is connected to the snout, as well as the damper/balancer.
5. **Flange** – Mounting structure for the flywheel or flexplate.

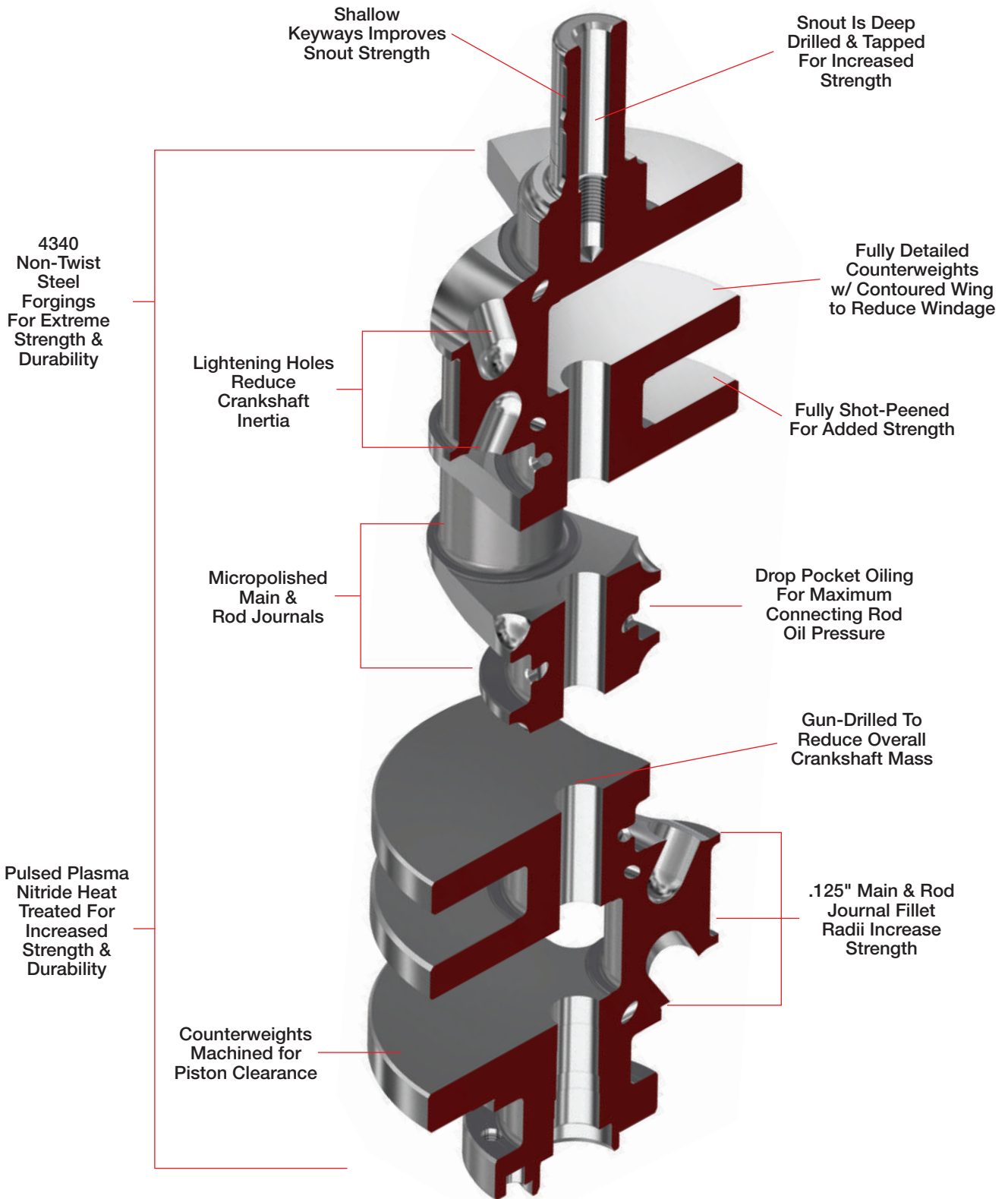
THINGS TO KNOW:

Below is a list of information that you should know when selecting the proper crankshaft for your application.

1. Engine
2. Main Journal Size
3. Rod Journal Size
4. Connecting Rod Length
5. Snout Size – will need to know if you require standard, oversize, long, etc.
6. Crank Flange & Snout Bolt Hole Sizes



SIGNATURE SERIES CRANKSHAFT FEATURES



- ROTATING ASSEMBLIES
- CRANKSHAFTS
- CONNECTING RODS
- BALANCERS
- MISCELLANEOUS

VOODOO CRANKSHAFTS

Voodoo Crankshafts from Lunati are engineered from 4340 non-twist forged steel that is known for its durability and strength in high performance applications. All Voodoo Cranks are nitride heat treated with micropolished journals to add even further durability. Lightening holes in the rod journals reduce crankshaft inertia weight for faster rotation.

- Constructed from 4340 non-twist steel forgings for durability and strength in high performance applications
- Lightening holes in rod journals reduce crankshaft inertia to enable increased acceleration
- All tolerances held to exacting standards for the highest quality products
- Nitride heat treated with micropolished journals

NOTE: All Lunati crankshafts *MUST* use narrow or chamfered main and rod bearings.



Application	Part #	Stroke	Main Journal O.D.	Rod Journal O.D.	
Chevrolet/GM					
Chevy Small Block	70234801	3.480"	2.448"	2.100"	
	70237501	3.750"	2.448"	2.100"	
	70137501	3.750"	2.448"	2.100"	
	70240001	4.000"	2.648"	2.100"	
GM LS Gen III/IV – Standard Length Snout, Non-LS7 Type	70340001	4.000"	2.559"	2.100"	
	70840001	4.000"	2.559"	2.100"	
	70341001	4.100"	2.559"	2.100"	
	70841001	4.100"	2.559"	2.100"	
Chevy Big Block – w/ Center Counter Weights	70442502	4.250"	2.750"	2.200"	
	70442501	4.250"	2.750"	2.200"	
	70445002	4.500"	2.750"	2.200"	
	70446252	4.625"	2.750"	2.200"	
Chevy Big Block – w/o Center Counter Weights	70447502	4.750"	2.750"	2.200"	
	76442501	4.250"	2.750"	2.200"	
	76442502	4.250"	2.750"	2.200"	
	76142501	4.250"	2.750"	2.200"	
Ford	76142502	4.250"	2.750"	2.200"	
	Ford Small Block – 302 Main	70532501	3.250"	2.250"	2.100"
		70534001	3.400"	2.250"	2.100"
	Ford Small Block¹ – 351W w/ 351C Main	70640001	4.000"	2.750"	2.100"
70641001		4.100"	2.750"	2.100"	
Ford Big Block – 460 Main	70642501	4.250"	2.750"	2.100"	
	70741002	4.160"	3.000"	2.200"	
	70743002	4.300"	3.000"	2.200"	
	70745002	4.500"	3.000"	2.200"	

1 Ford Small Block – 351W w/ 351C main crankshafts may be used with stock Windsor blocks using bearing spacer kit #MS2255SEMI and #MS2256H or #MS2256HX bearings; Ford Small Block – 351W w/ 351C main crankshafts may be used with stock Cleveland blocks with a Ford Racing crank gear spacer and Windsor timing set.



ROTATING ASSEMBLIES

CRANKSHAFTS

CONNECTING RODS

BALANCERS

MISCELLANEOUS

Minimum Rod Length **Notes** **Connecting Rod** **Rod Journal Width**

5.700"	350 Main/2PC Rear Seal	Small Block Chevy	1.900"
5.700"	350 Main/2PC Rear Seal	Small Block Chevy	1.900"
5.700"	350 Main/1PC Rear Seal	Small Block Chevy	1.900"
6.000"	400 Main/2PC Rear Seal	Small Block Chevy	1.900"
6.125"	24-Tooth Reluctor	LS	1.900"
6.125"	58-Tooth Reluctor	LS	1.900"
6.125"	24-Tooth Reluctor	LS	1.900"
6.125"	58-Tooth Reluctor	LS	1.900"
6.385"	2PC Rear Seal	Big Block Chevy	2.007"
6.385"	1PC Rear Seal	Big Block Chevy	2.007"
6.535"	2PC Rear Seal	Big Block Chevy	2.007"
6.700"	2PC Rear Seal	Big Block Chevy	2.007"
6.700"	2PC Rear Seal	Big Block Chevy	2.007"
6.135"	2PC Rear Seal	Big Block Chevy	2.007"
6.385"	2PC Rear Seal	Big Block Chevy	2.007"
6.135"	1PC Rear Seal	Big Block Chevy	2.007"
6.385"	1PC Rear Seal	Big Block Chevy	2.007"
5.400"	302 Main	Small Block Ford w/ Chevy Diameter	1.685"
5.400"	302 Main	Small Block Ford w/ Chevy Diameter	1.685"
6.200"	Ford Racing/Dart/World Blocks	Small Block Chevy	1.900"
6.200"	Ford Racing/Dart/World Blocks	Small Block Chevy	1.900"
6.200"	Ford Racing/Dart/World Blocks	Small Block Chevy	1.900"
6.800"	460 Main	Big Block Chevy	2.007"
6.800"	460 Main	Big Block Chevy	2.007"
6.800"	460 Main	Big Block Chevy	2.007"

SIGNATURE SERIES CRANKSHAFTS

As the premium line of cranks offered by Lunati, Signature Series Crankshafts are the strongest you will find for your engine. The specialized non-twist 4340 forged steel construction comes completely profiled and detailed to our racing specs. Many design features such as gun-drilled mains, lightened rod journals, micropolished journals and a windage reducing contoured wing counterweight profile make the Signature Series the best choice for serious racers.

- All rod journals have drilled lightening holes to reduce the inertia weight of the crankshaft
- All journal radiuses are ground to .125"; roundness of each journal is .0001" or less
- Pulsed plasma nitride heat treated for increased strength and durability
- Micropolished journals

NOTE: All Lunati crankshafts *MUST* use narrow or chamfered main and rod bearings.

Application	Part #	Stroke	Main Journal O.D.	Rod Journal O.D. ¹
Chevrolet/GM				
Chevy Small Block	60132501	3.250"	2.448"	2.100"
	60133351	3.335"	2.448"	2.100"
	60134801	3.480"	2.448"	2.100"
	60135001	3.500"	2.448"	2.100"
	60135501	3.550"	2.448"	2.100"
	60136251	3.625"	2.448"	2.100"
	60137501	3.750"	2.448"	2.100"
	60138001	3.800"	2.448"	2.100"
	60138751	3.875"	2.448"	2.100"
	60138750	3.875"	2.448"	2.000"
	60140001	4.000"	2.448"	2.100"
	60237501	3.750"	2.648"	2.100"
	60238001	3.800"	2.648"	2.100"
	60238751	3.875"	2.648"	2.100"
	60238750	3.875"	2.648"	2.000"
	60240001	4.000"	2.648"	2.100"
	60240000	4.000"	2.648"	2.000"
	60241251	4.125"	2.648"	2.100"
	60242501	4.250"	2.648"	2.100"
	GM LT1 Gen V – Short Snout	65540001	4.000"	2.559"
65541251		4.125"	2.559"	2.100"
GM LT1 Gen V – Long Snout	61540001	4.000"	2.559"	2.100"
	61541251	4.125"	2.559"	2.100"
GM LS Gen III/IV – Standard Length Snout, Non-LS7 Type	60336221	3.622"	2.559"	2.100"
	60340001	4.000"	2.559"	2.100"
	60341251	4.125"	2.559"	2.100"
	60342501	4.250"	2.559"	2.100"
	60345001	4.500"	2.559"	2.100"
	60346001	4.600"	2.559"	2.100"
	60836221	3.622"	2.559"	2.100"
	60840001	4.000"	2.559"	2.100"
	60841251	4.125"	2.559"	2.100"
	60842501	4.250"	2.559"	2.100"
	60845001	4.500"	2.559"	2.100"
	60846001	4.600"	2.559"	2.100"

¹ Red numbers are 283 rod journals.

65540001



ROTATING ASSEMBLIES

CRANKSHAFTS

Minimum Rod Length Notes Connecting Rod Rod Journal Width

6.000"	350 Main / 2PC Rear Seal	Small Block Chevy	1.900"
6.000"	350 Main / 2PC Rear Seal	Small Block Chevy	1.900"
6.000"	350 Main / 2PC Rear Seal	Small Block Chevy	1.900"
6.000"	350 Main / 2PC Rear Seal	Small Block Chevy	1.900"
6.000"	350 Main / 2PC Rear Seal	Small Block Chevy	1.900"
6.000"	350 Main / 2PC Rear Seal	Small Block Chevy	1.900"
6.000"	350 Main / 2PC Rear Seal	Small Block Chevy	1.900"
6.000"	400 Main / 2PC Rear Seal	Small Block Chevy	1.900"
6.000"	350 Main / 2PC Rear Seal	Small Block Chevy	1.900"
6.000"	350 Main / 2PC Rear Seal	Small Block Chevy	1.900"
6.000"	350 Main / 2PC Rear Seal	Small Block Chevy	1.900"
6.000"	400 Main / 2PC Rear Seal	Small Block Chevy	1.900"
6.000"	400 Main / 2PC Rear Seal	Small Block Chevy	1.900"
6.000"	400 Main / 2PC Rear Seal	Small Block Chevy	1.900"
6.000"	400 Main / 2PC Rear Seal	Small Block Chevy	1.900"
6.000"	400 Main / 2PC Rear Seal	Small Block Chevy	1.900"
6.000"	400 Main / 2PC Rear Seal	Small Block Chevy	1.900"
6.000"	400 Main / 2PC Rear Seal	Small Block Chevy	1.900"
6.000"	400 Main / 2PC Rear Seal	Small Block Chevy	1.900"
6.125"	400 Main / 2PC Rear Seal	Small Block Chevy	1.900"
6.125"	400 Main / 2PC Rear Seal	Small Block Chevy	1.900"
6.125"	58-Tooth Reluctor	LS	1.900"
6.125"	58-Tooth Reluctor	LS	1.900"
6.125"	58-Tooth Reluctor	LS	1.900"
6.125"	58-Tooth Reluctor	LS	1.900"
6.125"	24-Tooth Reluctor	LS	1.900"
6.125"	24-Tooth Reluctor	LS	1.900"
6.125"	24-Tooth Reluctor	LS	1.900"
6.300"	24-Tooth Reluctor	LS	1.900"
6.300"	24-Tooth Reluctor	LS	1.900"
6.300"	24-Tooth Reluctor	LS	1.900"
6.125"	58-Tooth Reluctor	LS	1.900"
6.125"	58-Tooth Reluctor	LS	1.900"
6.125"	58-Tooth Reluctor	LS	1.900"
6.300"	58-Tooth Reluctor	LS	1.900"
6.300"	58-Tooth Reluctor	LS	1.900"
6.300"	58-Tooth Reluctor	LS	1.900"

CONNECTING RODS

BALANCERS

MISCELLANEOUS

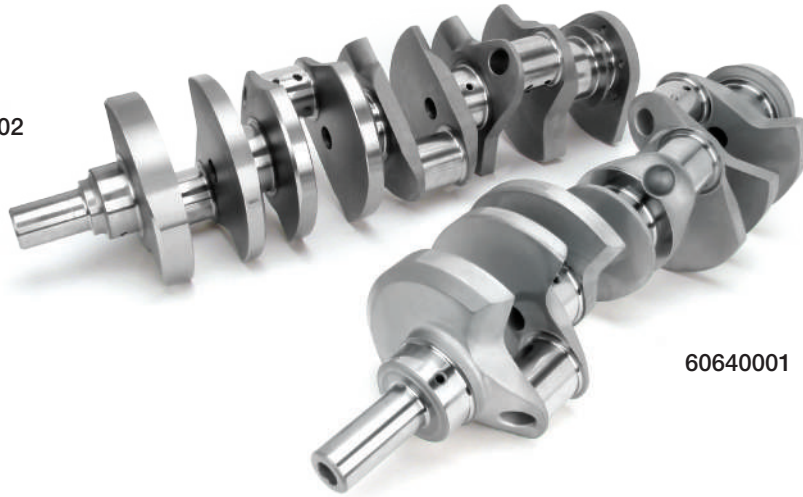
SIGNATURE SERIES CRANKSHAFTS *Continued from page 15*

Application	Part #	Stroke	Main Journal O.D.	Rod Journal O.D. ¹
Chevrolet/GM				
GM LS7 Gen IV – Long Length Snout, LS7 Type	60940001	4.000"	2.559"	2.100"
	60941251	4.125"	2.559"	2.100"
	60942501	4.250"	2.559"	2.100"
	60945001	4.500"	2.559"	2.100"
	60946001	4.600"	2.559"	2.100"
	61040001	4.000"	2.559"	2.100"
	61041251	4.125"	2.559"	2.100"
	61042501	4.250"	2.559"	2.100"
	61045001	4.500"	2.559"	2.100"
	61046001	4.600"	2.559"	2.100"
Chevy Big Block – w/ Center Counter Weights	60437502	3.750"	2.750"	2.200"
	60440002	4.000"	2.750"	2.200"
	60441252	4.125"	2.750"	2.200"
	60442502	4.250"	2.750"	2.200"
	60443752	4.375"	2.750"	2.200"
	60445002	4.500"	2.750"	2.200"
	60446252	4.625"	2.750"	2.200"
	60447502	4.750"	2.750"	2.200"
	60448752	4.875"	2.750"	2.200"
	60450002	5.000"	2.750"	2.200"
Chevy Big Block – w/o Center Counter Weights	60453002	5.300"	2.750"	2.200"
	66440001	4.000"	2.750"	2.200"
	66440002	4.000"	2.750"	2.200"
	66442501	4.250"	2.750"	2.200"
66442502	4.250"	2.750"	2.200"	
Ford				
4.6L Ford Modular	61237501	3.750"	2.657"	2.000"
	61238001	3.800"	2.657"	2.000"
Ford Small Block – 302 Main	60530001	3.000"	2.250"	2.123"
	60532501	3.250"	2.250"	2.123"
	60534001	3.400"	2.250"	2.123"
	60535000	3.500"	2.250"	2.000"
	60535001	3.500"	2.250"	2.100"
Ford Small Block ² – 351W w/ 351C Main	60636251	3.625"	2.750"	2.100"
	60637501	3.750"	2.750"	2.100"
	60638501	3.850"	2.750"	2.100"
	60639001	3.900"	2.750"	2.100"
	60640001	4.000"	2.750"	2.100"
	60641001	4.100"	2.750"	2.100"

¹ Red numbers are 283 rod journals.

² Ford Small Block – 351W w/ 351C main crankshafts may be used with stock Windsor blocks using bearing spacer kit #MS2255SEMI and #MS2256H or #MS2256HX bearings; Ford Small Block – 351W w/ 351C main crankshafts may be used with stock Cleveland blocks with a Ford Racing crank gear spacer and Windsor timing set.

60442502



60640001

Minimum Rod Length Notes Connecting Rod Rod Journal Width

6.125"	24-Tooth Reluctor	LS	1.900"
6.125"	24-Tooth Reluctor	LS	1.900"
6.300"	24-Tooth Reluctor	LS	1.900"
6.300"	24-Tooth Reluctor	LS	1.900"
6.300"	24-Tooth Reluctor	LS	1.900"
6.125"	58-Tooth Reluctor	LS	1.900"
6.125"	58-Tooth Reluctor	LS	1.900"
6.300"	58-Tooth Reluctor	LS	1.900"
6.300"	58-Tooth Reluctor	LS	1.900"
6.300"	58-Tooth Reluctor	LS	1.900"
6.385"	2PC Rear Seal	Big Block Chevy	2.007"
6.385"	2PC Rear Seal	Big Block Chevy	2.007"
6.385"	2PC Rear Seal	Big Block Chevy	2.007"
6.385"	2PC Rear Seal	Big Block Chevy	2.007"
6.535"	2PC Rear Seal	Big Block Chevy	2.007"
6.535"	2PC Rear Seal	Big Block Chevy	2.007"
6.700"	2PC Rear Seal	Big Block Chevy	2.007"
6.700"	2PC Rear Seal	Big Block Chevy	2.007"
6.700"	2PC Rear Seal	Big Block Chevy	2.007"
7.200"	2PC Rear Seal	Big Block Chevy	2.007"
7.200"	2PC Rear Seal	Big Block Chevy	2.007"
6.135"	2PC Rear Seal	Big Block Chevy	2.007"
6.385"	2PC Rear Seal	Big Block Chevy	2.007"
6.135"	2PC Rear Seal	Big Block Chevy	2.007"
6.385"	2PC Rear Seal	Big Block Chevy	2.007"
6.000"	4.6L	Ford Modular	1.890"
6.000"	4.6L	Ford Modular	1.890"
5.090"	302 Main	Ford	1.685"
5.400"	302 Main	Ford	1.685"
5.400"	302 Main	Ford	1.685"
6.000"	302 Main	Ford	1.685"
6.000"	302 Main	Ford	1.685"
6.125"	Ford Racing/Dart/World Blocks	Small Block Chevy	1.900"
6.125"	Ford Racing/Dart/World Blocks	Small Block Chevy	1.900"
6.200"	Ford Racing/Dart/World Blocks	Small Block Chevy	1.900"
6.200"	Ford Racing/Dart/World Blocks	Small Block Chevy	1.900"
6.200"	Ford Racing/Dart/World Blocks	Small Block Chevy	1.900"
6.200"	Ford Racing/Dart/World Blocks	Small Block Chevy	1.900"

ROTATING ASSEMBLIES

CRANKSHAFTS

CONNECTING RODS

BALANCERS

MISCELLANEOUS

SIGNATURE BLOWER SERIES CRANKSHAFTS

Based on the original Signature Series Crankshafts offered by Lunati, this series is designed to withstand the extreme pressures encountered when using a blower (Roots-type supercharger). Utilizing all of the original features of the Signature Series, these Signature Blower Crankshafts have .125" radii on the rods and mains, as well as dual keyways, larger nose bolt threads and enlarged flexplate flange threads.

- Profiled and detailed non-twist 4340 forged steel construction
- All journal radii are ground to .125"; roundness of each journal is .0001" or less
- Pulsed plasma nitride heat treated for increased strength and durability
- Micropolished journals

NOTE: All Lunati crankshafts *MUST* use narrow or chamfered main and rod bearings.

Application	Part #	Stroke	Main Journal O.D.	Rod Journal O.D.
Chevrolet/GM				
Chevy Small Block	80237501	3.750"	2.648"	2.100"
	80238751	3.875"	2.648"	2.100"
	80240001	4.000"	2.648"	2.100"
GM LS Gen III/IV – Standard Length Snout, Non-LS7 Type	80340001	4.000"	2.559"	2.100"
	80342501	4.250"	2.559"	2.100"
	80344252	4.425"	2.559"	2.100"
	80345001	4.500"	2.559"	2.100"
	80346001	4.600"	2.559"	2.100"
	80840001	4.000"	2.559"	2.100"
	80841251	4.125"	2.559"	2.100"
	80842501	4.250"	2.559"	2.100"
	80844252	4.425"	2.559"	2.100"
	80845001	4.500"	2.559"	2.100"
GM LS7 Gen IV – Long Length Snout, LS7 Type	80846001	4.600"	2.559"	2.100"
	80940001	4.000"	2.559"	2.100"
	80941251	4.125"	2.559"	2.100"
	80942501	4.250"	2.559"	2.100"
	80944252	4.425"	2.559"	2.100"
	80945001	4.500"	2.559"	2.100"
	80946001	4.600"	2.559"	2.100"
	81040001	4.000"	2.559"	2.100"
	81041251	4.125"	2.559"	2.100"
	81042501	4.250"	2.559"	2.100"
Chevy Big Block – w/ Center Counter Weights	81044252	4.425"	2.559"	2.100"
	81045001	4.500"	2.559"	2.100"
	81046001	4.600"	2.559"	2.100"
	80440002	4.000"	2.750"	2.200"
	80441252	4.125"	2.750"	2.200"
	80442502	4.250"	2.750"	2.200"
80445002	4.500"	2.750"	2.200"	



80442502

ROTATING ASSEMBLIES

CRANKSHAFTS

CONNECTING RODS

BALANCERS

MISCELLANEOUS

Minimum Rod Length	Notes	Connecting Rod	Rod Journal Width
6.000"	2PC Rear Main/BBC Snout	Small Block Chevy	1.900"
6.000"	2PC Rear Main/BBC Snout	Small Block Chevy	1.900"
6.000"	2PC Rear Main/BBC Snout	Small Block Chevy	1.900"
6.125"	24-Tooth Reluctor	LS	1.900"
6.300"	24-Tooth Reluctor	LS	1.900"
6.300"	24-Tooth Reluctor	LS	1.900"
6.300"	24-Tooth Reluctor	LS	1.900"
6.300"	24-Tooth Reluctor	LS	1.900"
6.125"	58-Tooth Reluctor	LS	1.900"
6.125"	58-Tooth Reluctor	LS	1.900"
6.300"	58-Tooth Reluctor	LS	1.900"
6.300"	58-Tooth Reluctor	LS	1.900"
6.300"	58-Tooth Reluctor	LS	1.900"
6.300"	58-Tooth Reluctor	LS	1.900"
6.125"	24-Tooth Reluctor	LS	1.900"
6.125"	24-Tooth Reluctor	LS	1.900"
6.300"	24-Tooth Reluctor	LS	1.900"
6.300"	24-Tooth Reluctor	LS	1.900"
6.300"	24-Tooth Reluctor	LS	1.900"
6.300"	24-Tooth Reluctor	LS	1.900"
6.125"	58-Tooth Reluctor	LS	1.900"
6.125"	58-Tooth Reluctor	LS	1.900"
6.300"	58-Tooth Reluctor	LS	1.900"
6.300"	58-Tooth Reluctor	LS	1.900"
6.300"	58-Tooth Reluctor	LS	1.900"
6.300"	58-Tooth Reluctor	LS	1.900"
6.385"	2PC Rear Seal	Big Block Chevy	2.007"
6.385"	2PC Rear Seal	Big Block Chevy	2.007"
6.385"	2PC Rear Seal	Big Block Chevy	2.007"
6.535"	2PC Rear Seal	Big Block Chevy	2.007"



BEARINGS

King HP bearings are intended for use in high-load, short-duration racing such as drag racing, tractor pulls and monster truck events, as well as in medium-load, long-duration racing. This includes use in circle track engines utilizing nodular cast iron crankshafts. These bearings are constructed from bi-metal aluminum silicon alloy featuring a fine micro-bore finish.

King XP bearings are designed for high-load, long-duration racing events such as circle track, off-road, off-shore, and others that require steel crankshafts. They are engineered from enhanced tri-metal copper lead with nickel barrier and SecureBond adhesion.

Clevite bearings are Tri-Metal 77 engine bearings that combine the strength of a copper-lead alloy layer with steel backing and an electroplated babbitt metal. "H" part numbers signify a "High Performance Part" while "HK" signifies a "High Performance Part with Dowel Hole" and a special coating.

ROD BEARINGS

Application	Crank Journal O.D.	Manufacturer			
		King HP Part #	King XP Part #	Clevite H Part #	Clevite HK (Coated) Part #
Chevrolet/GM					
Chevy Small Block/GM LS	2.100"	CR807HPN	CR807XPN	CB663HN	CB663HK
Chevy Small Block/GM LS	2.000"	CR803HPN	CR803XPN	CB745HN	CB745HK
Chevy Small Block/GM LS	2.000"	CR867HPN ¹	CR867XPN ¹	N/A	N/A
Chevy Small Block/GM LS	1.889"	N/A	CR8028XP	CB1663H	CB1663HK
Chevy Big Block	2.200"	CR808HPN	CR808XPN	CB743HN	CB743HK
Ford					
Ford Small Block	2.123"	CR804HPN	CR804XPN	CB634HN	CB634HK
Ford Small Block	2.100"	N/A	N/A	CB1227H	N/A
Ford Big Block	2.200"	CR808HPN	CR808XPN	CB743HN	CB743HK
Modular Ford	2.086"	CR868HPN	CR868XPN	CB1442H	CB1442HK
Modular Ford	2.000"	CR803HPN	CR803XPN	CB745HN	CB745HK

¹ Spacer Bearing for use with 2" crank pin and 2.1" rod.

Note: Most bearings are also available with dowel holes and in over or under sizes. More applications are available.

MAIN BEARINGS

Application	Crank Journal O.D.	Manufacturer			
		King HP Part #	King XP Part #	Clevite H Part #	Clevite HK (Coated) Part #
Chevrolet/GM					
Chevy Small Block 283	2.299"	N/A	N/A	MS429H	MS429HK
Chevy Small Block 350	2.450"	MB557HP	MB557XP	MS909H	MS909HK
Chevy Small Block 400	2.650"	MB509HP	MB509XP	MS1038H	MS1038HK
LS	2.559"	N/A	MB5013XP	MS2199H	MS2199HK
Chevy Big Block	2.750"	MB556HP	MB556XP	MS829H	MS829HK
Ford					
Ford Small Block 302	2.250"	MB529HP	MB529XP	MS590H	MS590HK
Ford Small Block 351W	3.000"	MB5392HP	MB5505XP	MS1432H	MS1432HK
Ford Small Block 351W (Use w/MS2255SEMI Spacers)	2.750"	N/A	N/A	MS2256H	MS2256HX
Ford Small Block 351C	2.750"	MB5169HP	MB5503XP	MS1010H	MS1010HK
Ford Big Block 429-460	3.000"	MB5650HP	MB5650XP	MS1039H	N/A

Note: Most bearings are also available with full groove and in over or under sizes. More applications are available.

MAIN BEARING SPACERS

Part #	Description
400350	For use when installing SBC 350 crank in a SBC 400 block
MS2255SEMI	For use when installing standard 351C crank in a Windsor block

ROTATING ASSEMBLIES

CRANKSHAFTS

CONNECTING RODS

BALANCERS

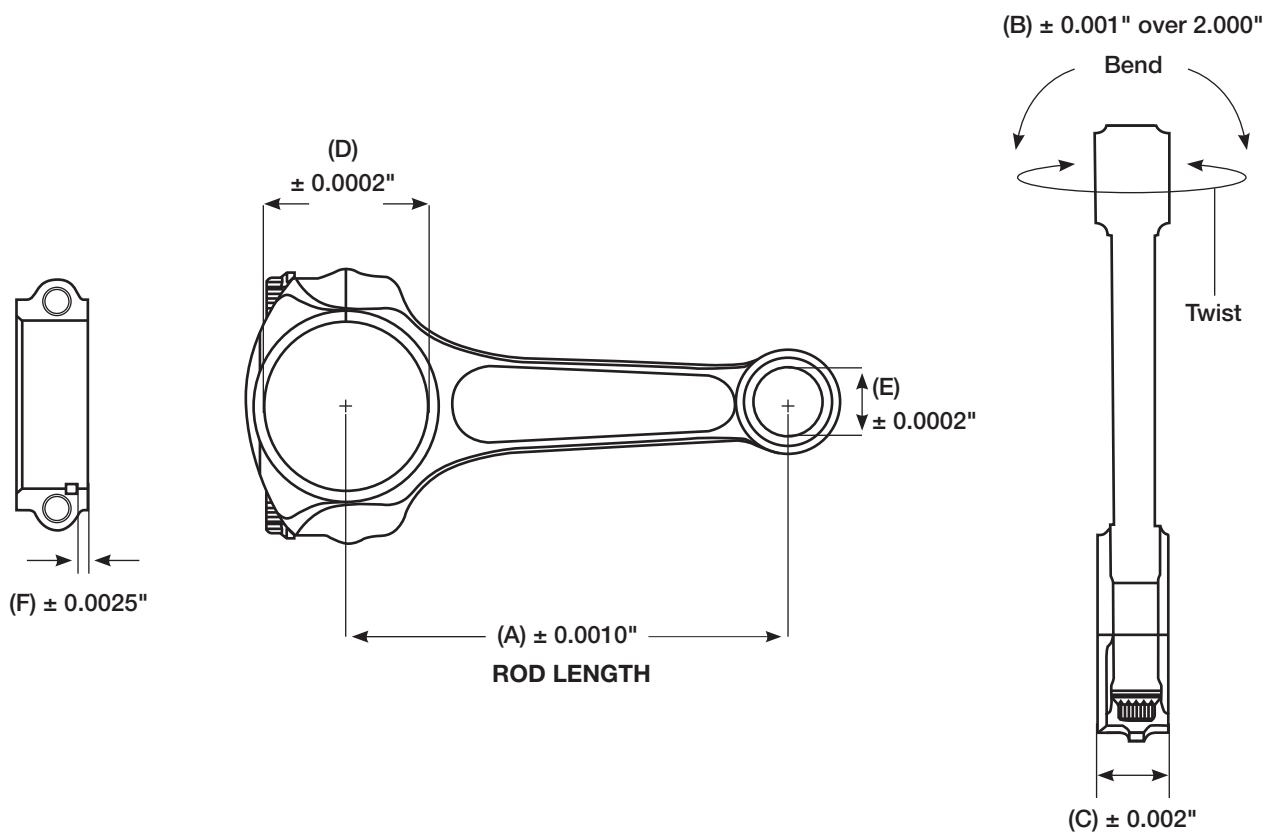
MISCELLANEOUS

MACHINING TOLERANCES

Connecting rods probably receive the highest stresses of any bottom end engine component. The forces the rod receives when the piston direction reverses from top dead center (TDC) can exceed 12,000 lbs. in a 500 c.i. Pro Stock engine. This is why Lunati Connecting Rods are forged from premium quality 4340 alloy steel for strength and utilize ARP rod bolts for superior clamping forces on the rod journal.

Closer tolerances and pride in workmanship, along with strict quality controls, are what make Lunati Connecting Rods the only logical choice for serious racers. We at Lunati feel that no other manufacturer will hold the close machining tolerances in manufacturing that we do.

- A. Center to Center Distance (Rod Length): $\pm .0001$ "
- B. Bend and Twist: $\pm .001$ " over 2.000"
- C. Rod Width: $\pm .002$ "
- D. Large End Bore: $\pm .0002$ "
- E. Small End Bore: $\pm .0002$ "
- F. Bearing Tang Location: $\pm .0025$ "



SELECTING A LUNATI CONNECTING ROD SET FOR YOUR ENGINE

1. Locate the connecting rod section that meets the expectations of your engine (Voodoo, Signature Series or Racer Series).
2. Select your engine family.
3. Select the desired rod lengths. Connecting rod length is measured between the centers of the big end (journal end) and the small end (piston pin end). See the tables on page 23 for stock connecting rod lengths for various engine families.

VOODOO SERIES RODS (H-BEAM DESIGN)

Part #	Application	Length	Crank Journal O.D.	Wrist Pin O.D.	Avg. Weight
70157001-8	Chevy Small Block	5.700"	2.100"	.927"	635g
70158501-8	Chevy Small Block	5.850"	2.100"	.927"	645g
70160000-8	Chevy Small Block	6.000"	2.000"	.927"	655g



STOCK CHEVROLET V8 CONNECTING ROD LENGTHS

DISPLACEMENT

C.I.	Liters	Rod Length (Inches)
302	4.9	5.700"
305	5.0	5.700"
327	5.4	5.700"
350	5.7	5.700"
350 (LT5)	5.7	5.700"
346 (LS1)	5.7	6.098"
400	6.6	6.000"
396	6.5	5.565"
402	6.6	6.135"
427	7.0	6.135"
454	7.4	6.135"
502	8.2	6.135"
377	6.2	6.135"

FORD V8 CONNECTING ROD LENGTHS

DISPLACEMENT

C.I.	Liters	Rod Length (Inches)
289	4.7	5.1550"
302	5.0	5.0900"
302 (Boss)	5.0	5.1500"
302 (SVO)	5.0	5.1500"
351W ('69-'70)	5.8	5.9560"
351W ('71-'96)	5.8	5.9560"
351 (SVO 9.2)	5.8	5.7800"
351C (Boss)	5.8	5.7800"
351M	5.8	6.5800"
429 STD ('68-'70)	7.0	6.6050"
429 STD ('70 1/2-'71)	7.0	6.6050"
429 CJ/SCJ ('72-'73)	7.0	6.6050"
429 Boss (S)	7.0	6.5490"
429 Boss (T)	7.0	6.6050"
460	7.5	6.6050"
281 (Modular)	4.6	5.9331"
331 (Modular)	5.4	5.6575"

ROD BOLTS

Part #	Description	Underhead Length	Thread Size
CRB150	ARP2000 Rod Bolt	1.400"	7/16"
CRB155	ARP8740 Rod Bolt	1.400"	7/16"
CRB190	ARP2000 Rod Bolt	1.450"	7/16"
CRB185	ARP2000 Rod Bolt	1.500"	3/8"
CRB163	ARP2000 Rod Bolt	1.450"	7/16"
CRB161	ARP2000 Rod Bolt	1.550"	7/16"
CRB160	ARP8740 Rod Bolt	1.585"	3/8"
CRB162	ARP2000 Rod Bolt	1.600"	7/16"
CRB175	ARP8740 Rod Bolt	1.600"	7/16"
CRB165	ARP CA625+ Rod Bolt	1.600"	3/8"
CRB195	ARP2000 Rod Bolt	1.650"	7/16"
CRB180	ARP8740 Rod Bolt	1.650"	7/16"
CRB200	ARP2000 Rod Bolt	1.850"	7/16"

ROTATING ASSEMBLIES

CRANKSHAFTS

CONNECTING RODS

BALANCERS

MISCELLANEOUS



70361251

VOODOO CONNECTING RODS (H-BEAM)

Voodoo Connecting Rods by Lunati are H-beam rods manufactured from 4340 forgings, heat treated, stress-relieved, shot-peened and magnafluxed to ensure the highest level of quality. 4340 Forged steel is extremely strong, often used in commercial and military aircraft, as well as automotive racing applications. It also retains excellent fatigue strength so you can rest assured that your connecting rods are constructed from one of the strongest materials available.

Voodoo Rods are all strength and quality tested through a variety of processes that include stress-relieving, shot-peening and magnafluxing. Stress relieving heats metals to a certain temperature and then allows them to cool in still air. This helps with the removal of negative residual stresses from the metal. Shot peening is a process by which small metallic particles are used to impact the surface of the material being used in a part's construction. It creates compressive residual stresses on that surface, which can then longer withstand the stresses applied to the rod. The lifespan of the part is thereby increased. Finally, magnafluxing, also known as magnetic particle testing, runs a magnetic particle filled fluid over and through metal parts. The magnetic particles attach to any flaws or fissures in the material and magnifies them so that it can be identified and removed from use if necessary.

All Voodoo Rods are weight matched to ± 1 gram and utilize ARP 2000 7/16" rod bolts. They are available for Chevy Small and Big Block, LS and Ford Small Block applications.

- Constructed from 4340 forged steel for extreme strength
- Stress relieved to remove internal stresses from the steel
- Shot peened to increase longevity of metal
- Magnafluxed to identify any flawed materials
- Available for Chevy Small and Big Block, GM LS and Ford Small Block applications

Part #	Application	Length	Crank Journal O.D.	Wrist Pin O.D.	Big End Width	Avg. Weight
Chevrolet/GM						
70157001-8	Chevy Small Block	5.700"	2.100"	.927"	.940"	635g
70158501-8	Chevy Small Block	5.850"	2.100"	.927"	.940"	645g
70160000-8	Chevy Small Block	6.000"	2.000"	.927"	.940"	655g
70160001-8	Chevy Small Block	6.000"	2.100"	.927"	.940"	650g
70160003-8	Chevy Small Block (Stroker)	6.000"	2.100"	.927"	.940"	640g
70161251-8	Chevy Small Block	6.125"	2.100"	.927"	.940"	660g
70162001-8	Chevy Small Block	6.200"	2.100"	.927"	.940"	660g
70162501-8	Chevy Small Block	6.250"	2.100"	.927"	.940"	670g
70361251-8	GM LS	6.125"	2.100"	.927"	.940"	655g
70362501-8	GM LS	6.250"	2.100"	.927"	.940"	665g
70363001-8	GM LS	6.300"	2.100"	.927"	.940"	675g
70364001-8	GM LS	6.400"	2.100"	.927"	.940"	685g
70461352-8	Chevy Big Block	6.135"	2.200"	.990"	.992"	780g
70463852-8	Chevy Big Block	6.385"	2.200"	.990"	.992"	790g
70465352-8	Chevy Big Block	6.535"	2.200"	.990"	.992"	800g
70467002-8	Chevy Big Block	6.700"	2.200"	.990"	.992"	810g
70468002-8	Chevy Big Block	6.800"	2.200"	.990"	.992"	820g
Ford						
70550901-8	Ford Small Block	5.090"	2.123"	.912"	.830"	660g
70554002-8	Ford Small Block	5.400"	2.123"	.927"	.830"	610g
70554001-8	Ford Small Block	5.400"	2.100"	.927"	.830"	610g



RACER SERIES CHEVY BIG BLOCK RODS (I-BEAM)

Lunati Racer Series BBC Rods are I-beam rods manufactured from the same extra strong 4340 steel forging as our Voodoo Rods and undergo the same strict quality procedures. They are shot-peened after machining and individually magnafluxed to ensure excellent quality and durability.

Part #	Application	Length	Crank Journal O.D.	Wrist Pin O.D.	Big End Width	Avg. Weight
60463852-8	Chevy Big Block	6.385"	2.200"	.990"	.992"	736g
60465352-8	Chevy Big Block	6.535"	2.200"	.990"	.992"	755g
60466352-8	Chevy Big Block	6.635"	2.200"	.990"	.992"	830g
60466602-8	Chevy Big Block	6.660"	2.200"	.990"	.992"	835g
60467002-8	Chevy Big Block	6.700"	2.200"	.990"	.992"	866g
60468002-8	Chevy Big Block	6.800"	2.200"	.990"	.992"	873g
61461251-10	Chrysler Viper V10	6.125"	2.125"	.927"	.933"	700g
61461251-8	Chrysler Late Model Hemi	6.125"	2.125"	.927"	.933"	700g

SIGNATURE SERIES RODS (I-BEAM)

Lunati Signature Series Connecting Rods are the highest quality rods you can purchase for your race engine. They are forged from 4340 aircraft quality steel and CNC-machined using the latest technology. After machining, each unit is shot-peened, magnafluxed and sonic tested to ensure that the material is free from impurities and defects. The rods are fully deburred so machining and further deburring is unnecessary. The threads are also back-cut and radiused above the bolt and have large radii on both the large and small ends.

Signature Series Rods feature Ampco 45 bushings and file-hardened locators, as well as 7/16" ARP 2000 cap screws. Sets are weight matched to ±1.0 grams.

Lunati Signature Series Rods are race ready, right out of the box. So install a set today and find your way to victory lane.



60361251

Part #	Application	Length	Crank Journal O.D.	Wrist Pin O.D.	Big End Width	Avg. Weight
Chevrolet/GM						
60157001-8	Chevy Small Block	5.700"	2.100"	.927"	.940"	613g
60158501-8	Chevy Small Block	5.850"	2.100"	.927"	.940"	625g
60160008-8 ¹	Chevy Small Block	6.000"	1.889"	.927"	.940"	600g
60160000-8	Chevy Small Block	6.000"	2.000"	.927"	.940"	620g
60160001-8	Chevy Small Block	6.000"	2.100"	.927"	.940"	625g
60161251-8	Chevy Small Block	6.125"	2.100"	.927"	.940"	652g
60161250-8	Chevy Small Block	6.125"	2.000"	.927"	.940"	625g
60162001-8	Chevy Small Block	6.200"	2.100"	.927"	.940"	635g
60162501-8	Chevy Small Block	6.250"	2.100"	.927"	.940"	640g
60361251-8	GM LS	6.125"	2.100"	.927"	.940"	632g
60362501-8	GM LS	6.250"	2.100"	.927"	.940"	640g
60363001-8	GM LS	6.300"	2.100"	.927"	.940"	648g
60364001-8	GM LS	6.400"	2.100"	.927"	.940"	655g
Ford						
60554001-8	Ford Small Block w/ Chevy Rod	5.400"	2.100"	.927"	.940"	598g

¹ Uses 3/8" ARP CA625 "D" bolt – NOT ARP2000 7/16".

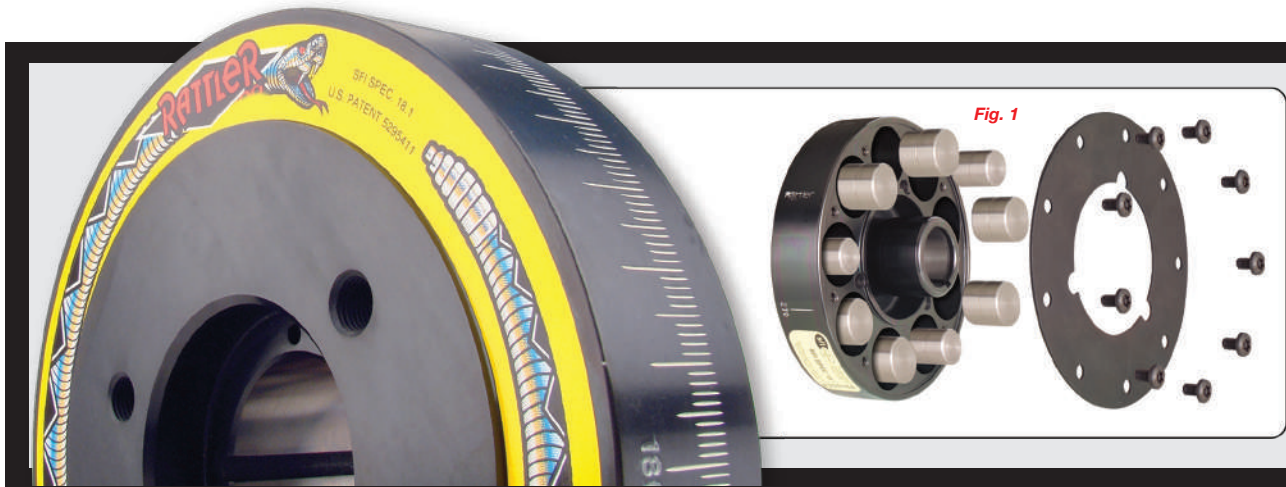
ROTATING ASSEMBLIES

CRANKSHAFTS

CONNECTING RODS

BALANCERS

MISCELLANEOUS



RATTLER TORSIONAL VIBRATION ABSORBERS

All internal combustion engines display crankshaft torsional vibration. As the piston rises and falls so does cylinder pressure. The changing pressure results in forces being transmitted along the connecting rod and applied to the crankshaft journal. Lunati now offers the Rattler by TCI to counteract those vibrations by using internal rollers that automatically offset twisting forces that cause vibration (see Fig. 1). It is effective for the entire RPM range and extends crankshaft and bearing longevity, as well as increases valve train stability and life. The design does not utilize viscous fluids and requires virtually no maintenance. The unit's timing marks are etched onto the body and cannot move relative to crankshaft centerline. The Rattler is also lighter in weight than most units of the same size and material construction.

- CNC-machined to exacting tolerances; available in 6.25" and 7.25" diameters (external balance Chevrolets are 8" diameter)
- Timing marks are etched into body and can't move relative to the crankshaft
- Maintain effectiveness at all engine speeds
- No fluids, elastomers or friction materials; no pulley or crank trigger shims required
- SFI 18.1 certified

871001

RATTLER TIMING POINTERS

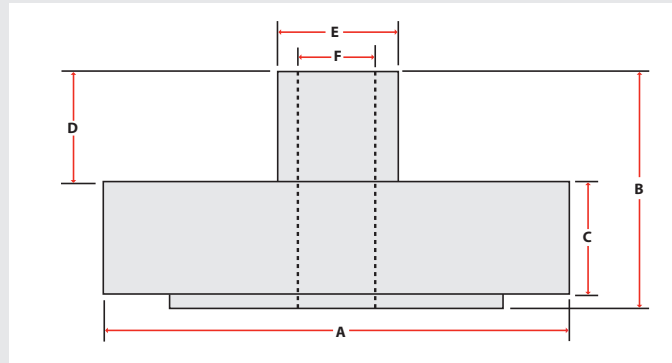
These high-quality timing pointers are CNC-machined from aluminum billet and are black anodized with a laser-etched logo on the front. The pointer is adjustable up to 4° and all fasteners are stainless steel.

- Available for Chevy and Ford Rattlers
- Fit comparably sized Fluidampr balancers

Application	Part #
Chevrolet/GM	
Small Block for 6 1/4" Balancers	871001
Small Block for 7 1/4" Balancers	871002
Small Block for 8" Balancers	871003
Big Block for 6 1/4" Balancers	871004
Big Block for 7 1/4" Balancers	871005
Big Block for 8" Balancers	871006
Ford	
Small Block for 6 1/4" Balancers	871007

RATTLER DIMENSIONS

- A. Overall Diameter
- B. Overall Depth
- C. Body Thickness
- D. Body To Hub Spacing
- E. Crank Hub Outer Diameter
- F. Crank Hub Inner Diameter



Application	Part #	Weight in Lbs./Oz.	Pulley Pattern	A	B	C	D	E	F	Balanced
Buick										
V6 Stage II	870019	8	3-Bolt Std.	6.290"	3.250"	1.270"	1.900"	1.933"	1.374"	Internal
Chevrolet/GM										
V6 Engine, Inline 6 Engine	870022	7/8	3-Bolt Std.	6.290"	2.350"	1.250"	1.020"	1.760"	1.246"	Internal
Small Block V8	870101	7/8	3-Bolt Std.	6.290"	2.350"	1.250"	1.020"	1.760"	1.241"	Internal
Small Block V8	870102	10/6	3-Bolt Std.	7.170"	2.350"	1.250"	1.020"	1.760"	1.241"	Internal
Small Block V8	870001	7/8	3-Bolt Std.	6.290"	2.350"	1.250"	1.020"	1.760"	1.246"	Internal
Small Block V8	870002	10/6	3-Bolt Std.	7.170"	2.350"	1.250"	1.020"	1.760"	1.246"	Internal
Small Block V8	870003	12/2	3-Bolt Std.	7.920"	2.350"	1.250"	1.020"	1.760"	1.246"	External
1997 & Later Corvette LS1 V8	870030	12	3-Bolt Std.	6.500"	3.040"	1.400"	1.635"	2.130"	1.480"	Internal
Big Block V8	870004	8/4	3-Bolt Std.	6.290"	2.685"	1.250"	1.355"	2.335"	1.599"	Internal
Big Block V8	870005	11/2	3-Bolt Std.	7.170"	2.685"	1.250"	1.355"	2.335"	1.599"	Internal
Big Block V8	870006	13/4	3-Bolt Std.	7.920"	2.685"	1.250"	1.355"	2.335"	1.599"	External
Big Block V8	870054 ¹	8/4	3-Bolt Std.	6.290"	2.685"	1.250"	1.355"	2.335"	1.599"	Internal
Chrysler										
Small Block V8	870012	8/2	6-Bolt Std.	7.170"	2.560"	1.000"	1.360"	2.185"	1.531"	Internal
Big Block V8	870009	8/2	6-Bolt Std.	7.170"	1.820"	1.000"	.620"	2.185"	1.531"	Internal
Ford										
Small Block V8	870007	10/2	4-Bolt Std.	6.300"	4.115"	1.750"	1.555"	1.8765"	1.3745"	External 28 Oz./In.
Small Block V8	870010	8/10	3-Bolt Std.	6.290"	3.025"	1.250"	1.695"	1.8765"	1.3745"	Internal
Small Block V8 HO	870014	10/2	4-Bolt Std.	6.300"	4.115"	1.750"	1.555"	1.8765"	1.3745"	External 50 Oz./In.
Big Block V8	870008 ²	10/6	3-Bolt Std.	7.170"	1.750"	1.250"	.500"	2.1790"	1.3745"	Internal
Oldsmobile										
307, 350, 400, 403, 425, 455 V8	870024	10/6	4-Bolt Std.	6.300"	3.200"	1.770"	1.265"	2.000"	1.498"	Internal
307, 350, 400, 403, 425, 455 V8	870026	10/6	4-Bolt Std.	6.300"	3.200"	1.770"	1.265"	2.000"	1.498"	External
Pontiac										
4 Cylinder Engines	870017	7/8	3-Bolt Std.	6.290"	2.350"	1.250"	1.020"	1.760"	1.246"	Internal
326, 350, 389, 400, 421, 455	870018	8	3-Bolt Std.	6.290"	2.845"	1.250"	1.515"	1.8685"	1.3745"	Internal

¹ 360° Timing marks
² Will fit FE w/ modifications

DIAL BORE GAUGE

Our .0005" Dial Bore Gauge determines size, straightness or taper on main, rod and cylinder bores once equipped with a micrometer. Case included.

Part #	Description
LUN205025	Dial Bore Gauge, 2" to 6"

UNIVERSAL ROD GUIDE TOOL

- Can be used during installation of rods on the crank or during disassembly
- Works with any size rod bolts or can be used with included adapters for rods with cap screws

Part #	Description
LUN101295	Universal Rod Guide Tool
LUN101296	Big Block Extensions

PRO PISTON KNOCKER

- Constructed of a non-marring composite Delrin material
- Measures 13" in length with 2" and 2 1/2" diameter ends
- Two lbs. overall weight is achieved through the use of a chamber loaded with steel shot

Part #	Description
LUN101290	Pro Piston Knocker

TAPERED RING COMPRESSORS

Lunati Tapered Ring Compressors lightly squeeze rings and funnel pistons into the bores without causing any damage. The extra tall compressors are constructed of aluminum and are hard anodized for durability. Designed to work on blocks with studs, these Tapered Ring Compressors also feature a convenient finger registration groove.

Part #	Description
LUN103500	Tapered Ring Compressor, 3.500"
LUN103810	Tapered Ring Compressor, 3.810"
LUN103875	Tapered Ring Compressor, 3.875"
LUN103905	Tapered Ring Compressor, 3.905"
LUN103935	Tapered Ring Compressor, 3.935"
LUN104000	Tapered Ring Compressor, 4.000"
LUN104005	Tapered Ring Compressor, 4.005"
LUN104020	Tapered Ring Compressor, 4.020"
LUN104030	Tapered Ring Compressor, 4.030"

PISTON RING SQUARES

These hard anodized, aluminum tools push the ring a full .600" down the cylinder bore for accurate end gap measurement.

Part #	Description
LUN105001	Piston Ring Square, 3.810"-3.980"
LUN105002	Piston Ring Square, 4.000"-4.230"
LUN105003	Piston Ring Square, 4.240"-4.380"
LUN105004	Piston Ring Square, 4.400"-4.640"

ADJUSTABLE TAPERED RING COMPRESSORS

Adjustable Tapered Ring Compressors are similar to the Tapered Ring Compressors that we offer, however they include a split down the side and a large hose clamp for adjustment. This makes them an excellent choice for someone who works on a variety of bore sizes or for non-standard sizes. Each has a range of .090" and are hard anodized for wear.

Part #	Description
LUN106020	Ring Compressor, 4.000"-4.090"
LUN106025	Ring Compressor, 4.125"-4.215"
LUN106030	Ring Compressor, 4.250"-4.350"

PISTON RING EXPANDER PLIERS

- Handles piston rings of all sizes
- Rings can be removed or installed without fear of breakage
- Heat-treated for long life and durability

Part #	Description
LUN105060	Piston Ring Expander Pliers

RING GROOVE CLEANER

- Removes carbon from ring grooves on pistons from 2"-5" diameter
- Hardened cutter wheel includes ring sizes: 3/16", 5/32", 1/8", 3/32", 5/64", 1/16", 1/4", 4.5mm, 4.0mm, 3.0mm, 2.5mm and 2.0mm

Part #	Description
LUN105065	Heavy Duty Ring Groove Cleaner
LUN105066	Replacement Cutter Wheel

ADVANCED INDUCTIVE TIMING LIGHT

The Advanced Inductive Timing Light features 0 to 60° advance control, a bright linear Xenon flash tube and a die cast chrome plated housing.

- Focused Fresnel lens ensures a strong flash at all speeds
- 12-Volt DC powered timing light is reverse polarity protected and carries accuracy to 8000 RPM

Part #	Description
LUN301500	Advanced Inductive Timing Light

SELF POWERED TIMING LIGHTS

Lunati offers two types of Self-Powered Timing Lights for 2 or 4 cycle applications that are battery operated. Standard model is usable to about 5,000 RPM, while the Pro model can operate beyond the 10,000 RPM range and features a burn proof aluminum pick-up with a high temp fire sleeve over the lead cable.

- One-wire inductive lead design
- Magneto compatible
- Incorporates a Xenon flash tube for use in daylight

Part #	Description
LUN301510	Standard Self Powered Timing Light
LUN301515	Pro Self Powered Timing Light
LUN301516	Replacement Xenon Flash Tube
LUN301517	Replacement Cable W/ Pickup

VACUUM CANISTERS

- Canisters double vacuum volume for power brakes
- Recommended for vehicles with 14" of vacuum or less

Part #	Description
95200	Vacuum Canister, Black
95201	Vacuum Canister, Silver

TELESCOPING GAUGE SET

These gauges are used to measure slots, grooves, recesses, cylinders, etc., and are useful for doing size comparisons. Each set contains six gauges with a range of 5/16" to 6". Comes with storage pouch.

Part #	Description
LUN151275	Telescoping Gauge Set

INFRARED LASER TEMPERATURE GUN

The Infrared Laser Temperature Gun runs on a 9-volt battery and has a range of 0 to 750° F. The LCD display includes a backlight feature so it works equally well in darkness or daylight. There is no need to focus or calibrate. Includes plastic case.

Part #	Description
LUN301300	Infrared Laser Temperature Gun

PRO DAMPER PULLER/INSTALLER

This tool features a hardened, threaded shaft and alloy nut, combined with a roller thrust bearing puller plate. The kit fits GM, Ford and Chrysler applications and includes various size puller bolts. Plastic storage box included.

Part #	Description
LUN300000	Pro Damper Puller/Installer

ROD BOLT STRETCH GAUGE

Stretch is the most accurate way to measure fastener pre-load. Our aluminum Rod Bolt Stretch Gauge is designed to hold itself onto the rod bolt while it's being tightened.

- Includes .001" mini dial indicator that has been modified with high tension spring for more holding power and precision
- Also features adjustable anvil to accommodate bolts up to 2.750" in length"

Part #	Description
98401	Rod Bolt Stretch Gauge
LUN101300	Rod Bolt Stretch Gauge

CRANKSHAFT STROKE CHECKER

Part #	Description
98900	Crankshaft Stroke Checker Gauge
98900A	Crankshaft Stroke Checker – Indicator Only
98900B	Crankshaft Stroke Checker – Base Only

VALVE SEAL INSTALLATION TOOLS

These two-part tools are comprised of a bullet-nose sleeve (.010" wall) and hand piece that provide an easy solution to installing Teflon seals on valve stems.

Part #	Description
LUN101013	8mm Valve Seal Installation Tool
LUN101012	5/16" Valve Seal Installation Tool
LUN101010	11/32" Valve Seal Installation Tool
LUN101011	3/8" Valve Seal Installation Tool

CHECKING SPRINGS

- Low tension Checking Springs simplify measuring piston-to-valve clearance, rocker ratio, cam degreeing, etc.
- Set of 8 checking springs can be installed by hand in place of valve springs

Part #	Description
LUN101325	Checking Springs, Set of 8

MICROMETERS

The simplest and most accurate way to measure valve spring installed height. Installs exactly like a valve spring and expands until the valve, locks and retainer are seated. Accurate to within .001".

Part #	Description
LUN101205	Height Micrometer, 1.400"-1.800"
LUN101200	Height Micrometer, 1.600"-2.200"

SPRING SEAT CUTTERS

These Spring Seat Cutters are available for popular sizes of spring seats and allow you to machine spring seats using only a hand drill.

Part #	Description
LUN351319	Spring Seat Cutter 1.320" O.D.
LUN351320	Spring Seat Cutter 1.440" O.D.
LUN351325	Spring Seat Cutter 1.550" O.D.
LUN351330	Spring Seat Cutter 1.580" O.D.
LUN351335	Spring Seat Cutter 1.680" O.D.
LUN351340	Spring Seat Cutter 1.740" O.D.
LUN351370	Arbor, 5/16"
LUN351380	Arbor, 11/32"
LUN351390	Arbor, 3/8"

VALVE GUIDE CUTTERS

- Designed to shorten valve guide boss for high lift cams
- Reduce outside diameter to accept triple springs and/or aftermarket valve seals
- Utilize interchangeable arbors, sold separately

Part #	Description
LUN351341	Valve Guide Cutter, .446"
LUN351342	Valve Guide Cutter, .485"
LUN351345	Valve Guide Cutter, .530"
LUN351350	Valve Guide Cutter, .625"

DIAL INDICATORS & ACCESSORIES

- 0-1" Travel by .001" jeweled dial indicator
- Lug back, 3/8" shaft, 0-100 dial face and revolution counter
- Compact design Magnetic Dial Indicator is perfect for cam degreeing and checking deck clearance, runout or end play

Part #	Description
80012	Dial Indicator Kit w/ Stand
80012A	Dial Indicator, 1" Travel
80012B	Dial Indicator Magnetic Base Stand

CAM DEGREE KITS

This Cam Degree Kit from Lunati includes everything you need, including a 9" degree wheel, dial indicator, magnetic dial indicator base and deck plate.

Part #	Description
80001	Cam Degree Wheel Kit
80000	Cam Degree Wheel

CALIPERS

These calipers are designed to let you measure almost any inside, outside or depth dimension to .001" for extreme precision readings. Digital calipers feature LCD display. Case included.

Part #	Description
LUN256400	6" Digital Calipers
LUN151205	Stainless Steel Dial Calipers

LUNATI POWER T-SHIRT

Want to show off your Lunati pride? The classic Lunati components t-shirt is great for around the track, on the street or in the shop. This lightweight and durable shirt will let everyone know what powers your ride. Comes in sizes small through 4X.

Part #	Description
99000S	Lunati Cams T-Shirt (Small)
99000M	Lunati Cams T-Shirt (Med)
99000L	Lunati Cams T-Shirt (Large)
99000XL	Lunati Cams T-Shirt (XL)
99000XXL	Lunati Cams T-Shirt (XXL)
99000XXXL	Lunati Cams T-Shirt (XXXL)
99000XXXXL	Lunati Cams T-Shirt (XXXXL)



99000

VOODOO T-SHIRTS

The best way to show everyone that you're using a little Voodoo magic under the hood is with a Lunati Voodoo t-shirt. There are two different Voodoo styles to choose from: the classic Voodoo Skull or the Voodoo Hazardous.

The Voodoo skull is a black t-shirt with the popular logo full size on the back, while the Hazardous tee features a warning that Lunati is "hazardous to the competition." See chart below for available sizes.

The Voodoo hooded sweatshirt is also available with the popular Voodoo logo. This sweatshirt features a front pocket that is perfect for holding tools and has the full size Voodoo logo on the back and a smaller logo on the front.

Part #	Description
Voodoo Skull	
99007S	Voodoo Skull T-Shirt (Small)
99007M	Voodoo Skull T-Shirt (Medium)
99007L	Voodoo Skull T-Shirt (Large)
99007XL	Voodoo Skull T-Shirt (XL)
99007XXL	Voodoo Skull T-Shirt (XXL)
99007XXXL	Voodoo Skull T-Shirt (XXXL)
Voodoo Hazardous	
99019S	Voodoo Hazardous T-Shirt (Small)
99019M	Voodoo Hazardous T-Shirt (Medium)
99019L	Voodoo Hazardous T-Shirt (Large)
99019XL	Voodoo Hazardous T-Shirt (XL)
99019XXL	Voodoo Hazardous T-Shirt (XXL)
99019XXXL	Voodoo Hazardous T-Shirt (XXXL)
Voodoo Hooded Sweatshirt	
99016S	Voodoo Sweatshirt (Small)
99016M	Voodoo Sweatshirt (Medium)
99016L	Voodoo Sweatshirt (Large)
99016XL	Voodoo Sweatshirt (XL)
99016XXL	Voodoo Sweatshirt (XXL)
99016XXXL	Voodoo Sweatshirt (XXXL)



99019

99007

99016

LOGO HATS

Show your pride with a black, fitted Lunati hat. Available with either the official Lunati logo or the popular Voodoo design, all baseball-style hats are one size fits most.

Part #	Description
99028	Logo Black Hat - One Size Fits Most
99008	Voodoo Skull Hat - One Size Fits Most



99028

99008



VOODOO BEANIE

This extra-warm beanie hat is a perfect match to the Voodoo sweatshirt and is guaranteed to keep your head warm while you are in the pits, at the track or in your home garage.

Part #	Description
99009	Voodoo Beanie Style Hat

APRON

This Lunati Apron is perfect for keeping dirt and oil off of your clothes, whether you're under the hood cranking wrenches or lifting the hood of your grill to flip some burgers. The handy front pocket is a great place to store tools, and the adjustable straps allow you to size appropriately.



Part #	Description
99005	Apron

BANNERS & METAL SIGNS

Part #	Description
99002	Lunati Banner
36-346	Voodoo Banner
99014	Lunati Metal Sign
99015	Lunati Voodoo Metal Sign



99014

99015



99002



36-346

DECALS

Part #	Description
99003	Lunati Contingency Decal
36-344	Voodoo Decal
36-290	Lunati Crankshaft Decal

36-290

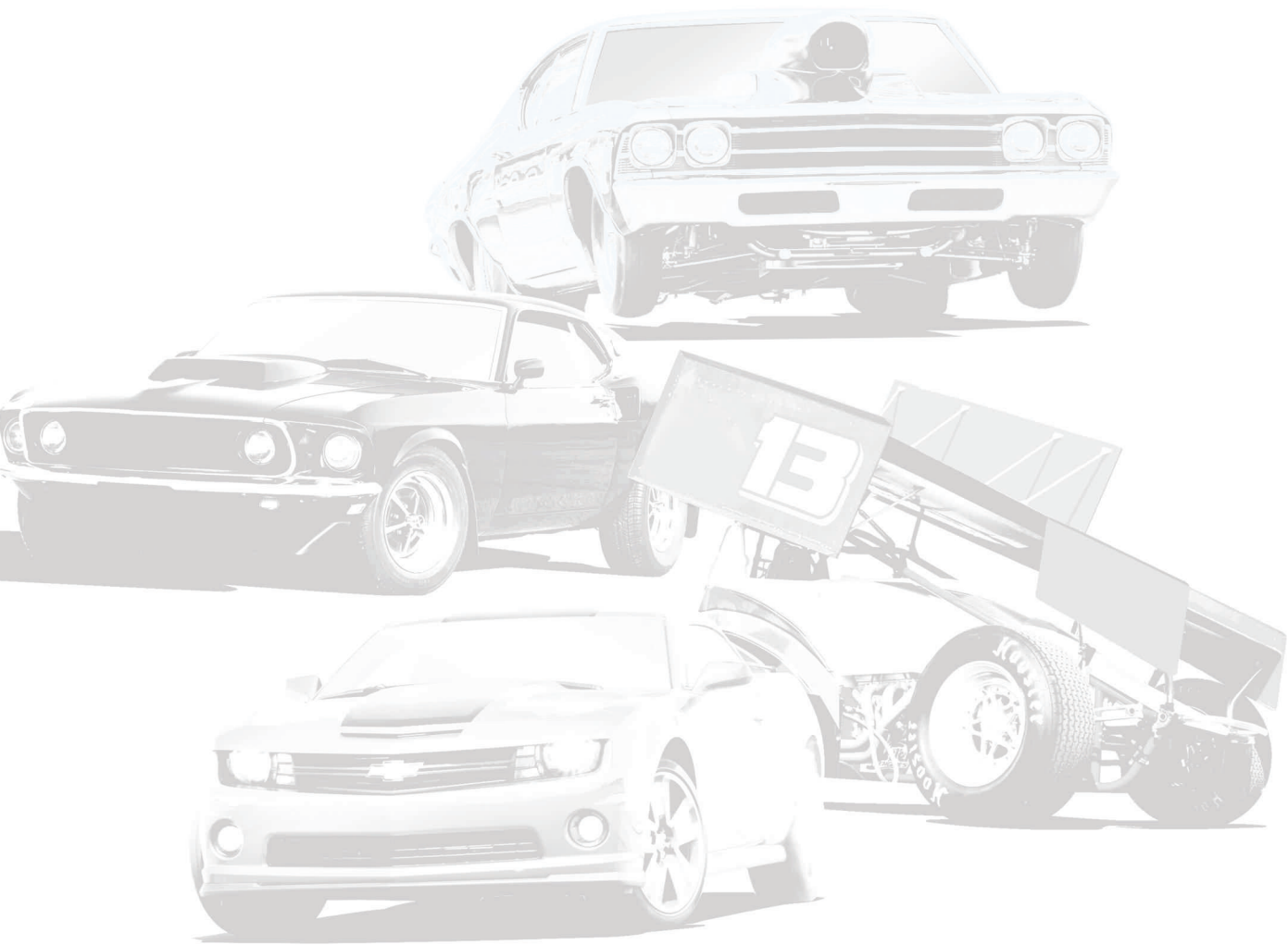


36-344

99003

THE RACER'S COMPANY

LUNATI[®]



Made In America
Independently Owned & Operated

Check out the collection of performance engine parts we offer.