

# PIAA

POWERSPORTS 2017



THE PATH TO BETTER

**VISIBILITY**



PLATINUM LED BULBS



pg. 22

# NEW PRODUCTS

XTREME WHITE  
HYBRID



pg. 26

1100P LED LIGHTS



pg. 6



---

## TECHNOLOGY

---

PIAA has been the acknowledged leader in innovative automotive products for decades. Visionary design, inspired engineering and quality components are the hallmark of PIAA's reputation with drivers of distinction. Propelled by PIAA's Technical Design Center, our products cross the line from ordinary to extraordinary.

---

## RACE PROVEN QUALITY

---

Dependable and reliable under the most severe racing conditions. PIAA lenses and reflectors are computer designed for optimum performance and are made from the highest quality polycarbonate and hardened glass to withstand the rigors of off road racing and normal road hazards. PIAA quality makes PIAA lighting systems a serious choice for riders today.

---

## EASE OF INSTALLATION

---

You don't have to be an electrician to install PIAA light kits. First of all PIAA light kits come complete with a pre-assembled wiring harness which includes relay, fuse, and switch. Second, PIAA offers a wide range of mounting kits designed for easy installation of your PIAA lighting system. PIAA mounting kits come complete with everything you need to make your installation almost effortless. The use of PIAA mounting kits ensure a professional looking installation you can be proud of.

PIAA was established in 1963 with the commitment to manufacture **WORLD-CLASS** products that our customers could use with **PRIDE** and **CONFIDENCE**. Today, PIAA upholds that commitment by combining market driven concepts with the latest **TECHNOLOGY** to make night and inclement weather driving as **SAFE** as possible.

---

## TABLE OF CONTENTS

---

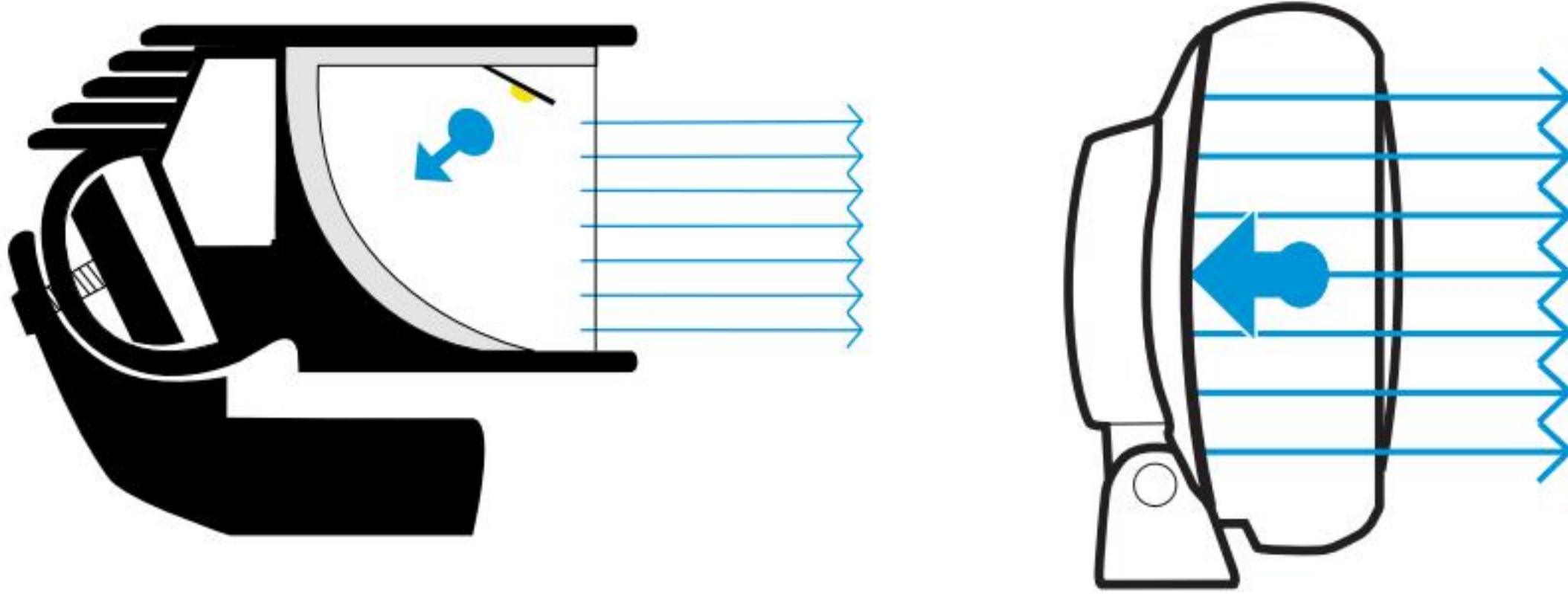
Light Kits		Bulbs		Applications & Promotional	
6	LP Series LED Lights	22	Platinum LED Bulbs	29	Bulb Application Guide
10	RF Series LED Lights	23	Performance LED Bulbs	38	Quick Reference Guides
14	Quad Series LED Lights	26	Halogen Upgrade Bulbs	41	Displays & Promotional
16	Halogen Lights				
17	Fork Mount Kits				
19	Mounting Accessories				
20	Performance Horns				



# OPTIC TECHNOLOGY

## REFLECTOR FACING TECHNOLOGY (RFT)

The innovative design offers significantly improved lighting and beam control compared to conventional LED and halogen lamps with forward-facing bulbs. The result is greater visibility for drivers and less demand on your vehicle's charging system.



RFT allows us to harness the entire light output produced from the LED chips, while directing the light into a usable beam pattern. Harnessing all the output has also allowed us to keep the low amp draw characteristics of LED lights by not having to utilize as many LEDs in the housing as our competitors. Thus allowing for lower amperage draw for equal or greater effective output.

- More controlled beam patterns directing the light exactly where you need it
- Lower power consumption than traditional forward facing LED light bars
- Two beam colors to combat dark and inclement weather conditions
- Compact and durable, with cast aluminum housings and polycarbonate lenses
- SAE Compliance for Street Legality

# BEAM COLORS

## WHITE

The pure white output of our lights and bulbs provide the perfect combination of contrast and brightness. The 6000k color temperature is designed to replicate daylight to provide optimum visibility.



## ION YELLOW

The Ion Yellow color was developed to combat the harsh weather driving conditions as well as poor visibility in dusty off-road conditions. The brilliant yellow color cuts through rain, fog, snow, and dust with ease.





# BEAM TYPES

## FOG PATTERN

Fog lights compliment your bike's low beams for improved visibility in rain, fog, snow, and dust. With a widespread pattern and defined cutoff line, fog lights can be used in conjunction with your low beams for improved all around vision.

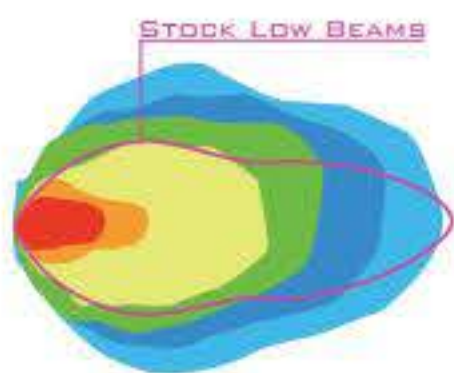
## HYBRID PATTERN

With more distance than a fog pattern and more width than a driving pattern, the Hybrid beam was engineered to offer the most versatile output for a variety of needs. The Hybrid can be used as a long range driving light with the benefits of illuminating the sides of the road and trails.

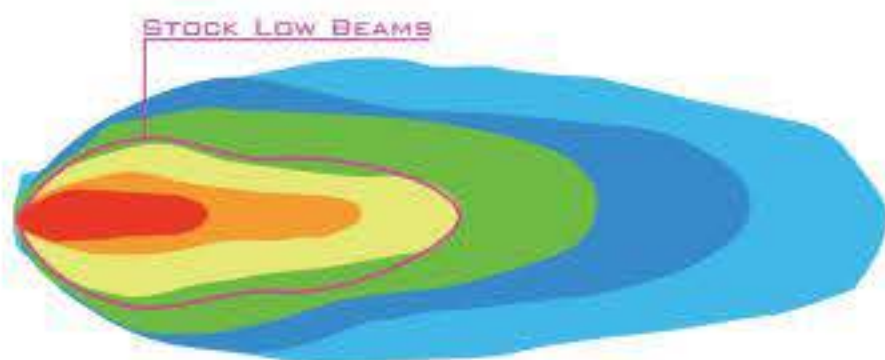
## LONG RANGE DRIVING

Driving lights are designed to compliment and outperform your bike's high beams. They are especially useful at higher speeds where they help to identify hazards and signs long before they would be seen with high beams only. All driving lights are extremely bright and must be dimmed in conjunction with the high beams.

### FOG



### HYBRID



### DRIVING





# LED LIGHTS

LP SERIES COLLECTION

LP530 Ion Yellow DRV

1100p LED ATP





# 1100P LED

**NEW**

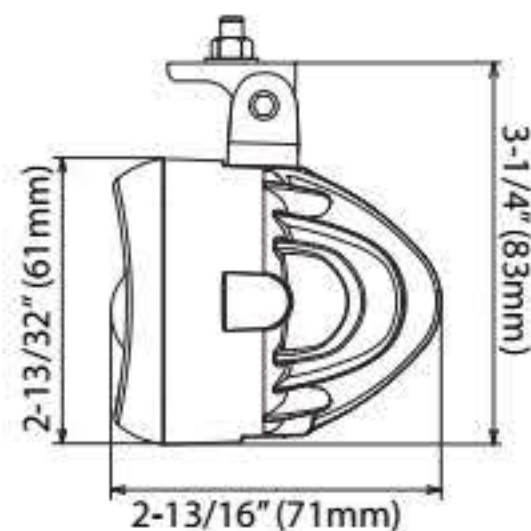


## 1100P LED

	Part No.	Watts	Bulb	Compliance
White ATP BEAM	26-71202	8	LED	SAE/ECE

**Description** The latest generation of the ultra versatile 1100 lights may be the best yet. The All Terrain Projector (ATP) features a super wide, sharply cut beam pattern to illuminate far beyond the roads shoulders. The lightweight compact housing has a wide variety of application for bikes, ATV's, and UTV's.

**Kit Includes** Two lamps, pre-wired harness with relay, fuse, and switch.





# LP SERIES



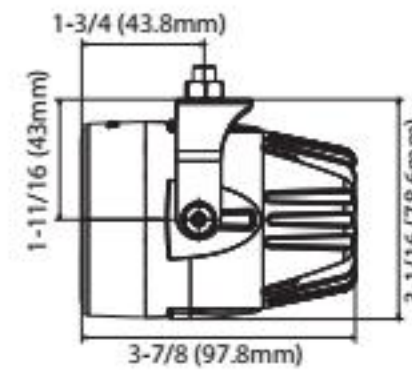
**Description** Reflector Facing Technology and the overall size of the LP270 makes it one of the most powerful small LED lights on the market. Small in stature but big on output, the LP270 provides massive amounts of light, yet is small enough to offer a wide variety of fits for adventure bikes, quads, and UTVs.

**Kit Includes** Two lamps, pre-wired harness with relay, fuse, and switch.

## LP270 LED

	Part No.	Watts	Bulb	Compliance
Ion DRV	22-73272	9	LED	-
White DRV	73272	9	LED	SAE
White FOG	73270	8	LED	SAE/ECE

\* See pg. 17 for Vehicle Specific Mounting options



**Description** One of the most versatile lamps in the PIAA lineup. The small compact size of the LP530 allows it to be mounted virtually anywhere. It's versatility provides a wide range of applications for all popular makes and models of bikes. Paired with our Multi-Fit Fork mounts, the LP530 is a popular choice for BMW and adventure bikes looking for upgraded light output.

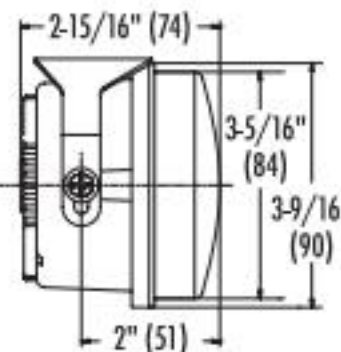
**Kit Includes** Two lamps, grill guards, pre-wired harness with relay, fuse, and switch.

## LP530 LED

**NEW**

	Part No.	Watts	Bulb	Compliance
Ion DRV	22-73532	9	LED	-
Ion FOG	22-73530	8	LED	SAE
White DRV	73532	9	LED	SAE
White FOG	73530	8	LED	SAE/ECE

\* See pg. 17 for Vehicle Specific Mounting options





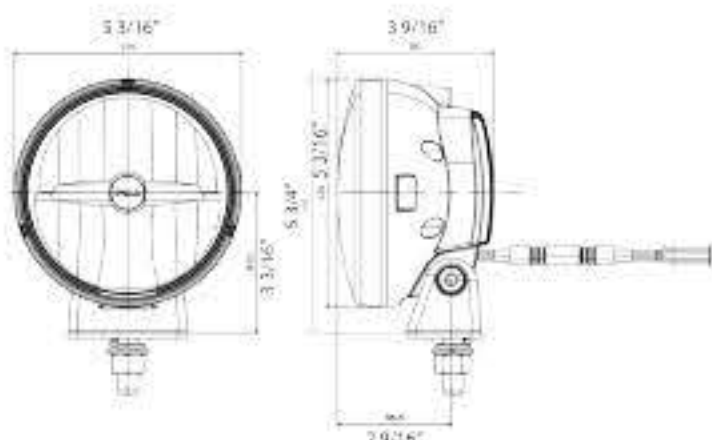


**LP550 LED DRIVING**

Part No.	Watts	Bulb	Compliance
73552	14	LED	SAE/ECE

**Description** The LP550 lights are perfect for bumper mount applications. At just over 5" in diameter the LP550s are perfect for today's UTVs and ATVs. A popular option for UTV pillar mounts when large amounts of light is desired without negating the rider's view.

**Kit Includes** Two lamps, grill guards, pre-wired harness with relay, fuse, and switch.

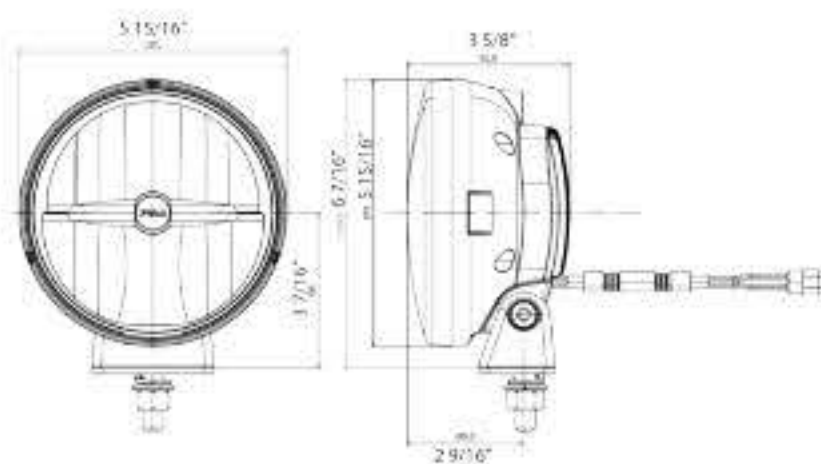


**LP560 LED DRIVING**

Part No.	Watts	Bulb	Compliance
73562	14	LED	SAE/ECE

**Description** The LP560 is the big brother to the LP550. The larger diameter will produce vast amounts of light. Ideal for mounting on light bars, and aftermarket bumpers, the larger reflective surface will provide more distance down the road, trail, and dunes.

**Kit Includes** Two lamps, grill guards, pre-wired harness with relay, fuse, and switch.

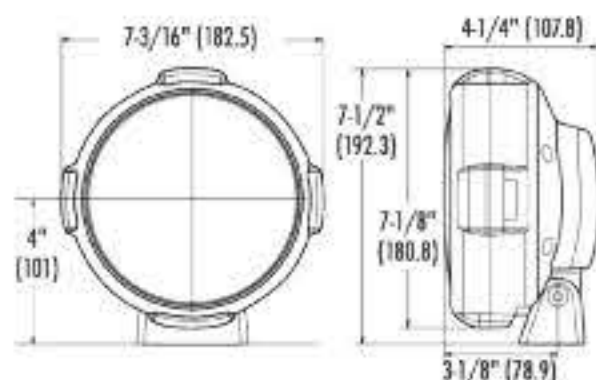


**LP570 LED DRIVING**

Part No.	Watts	Bulb	Compliance
73572	18	LED	SAE/ECE

**Description** When maximum light output is needed, look no further. This massive 7" lamp will provide unmatched down range vision. Though the slim design allows the larger LP570s to still be easily mounted in a variety of locations without customizing your UTV, ATV, or motorcycle.

**Kit Includes** Two lamps, grill guards, pre-wired harness with relay, fuse, and switch.





# LED LIGHTS

RF SERIES COLLECTION





# RF3 CUBES

The RF3 3" LED Cube light has redefined the small LED light market. Unlimited mounting possibilities and large amounts of light output make the RF3s one of our most popular LED lights. The RF3 is quickly becoming a top choice for adventure riders and UTV pilots.

- More controlled beam patterns directing the light exactly where you need it
- Bright 6000k White light that replicates daylight to illuminate the road and the trail
- Compact and durable, with cast aluminum housing and polycarbonate lens
- SAE compliance in long range driving beam for on road use
- Driving lights cast the light far ahead of your vehicle's high beams
- Flood beam offers a broad range of light coverage
- Kit includes two lamps, pre-assembled harness with relay, fuse, & switch



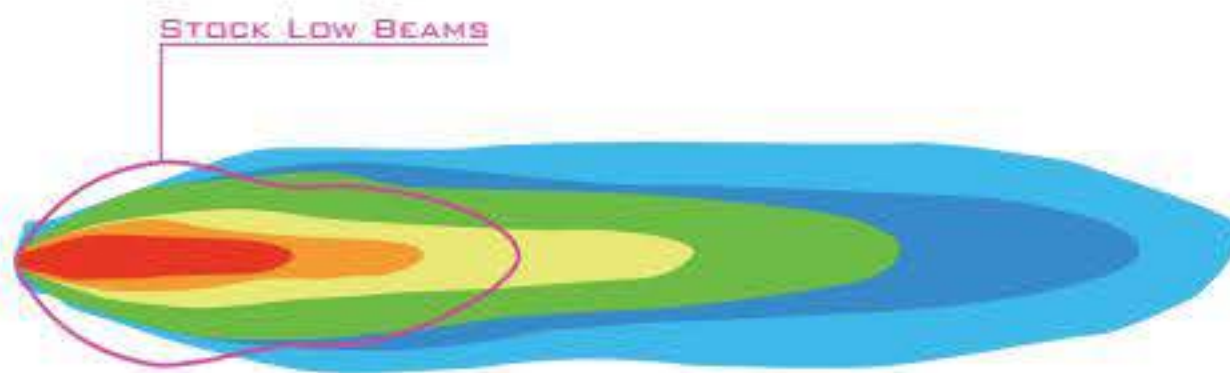
**RF3 WHITE DRIVING**

Part No.	Watts	Bulb	Compliance
77603	17	LED	SAE/ECE

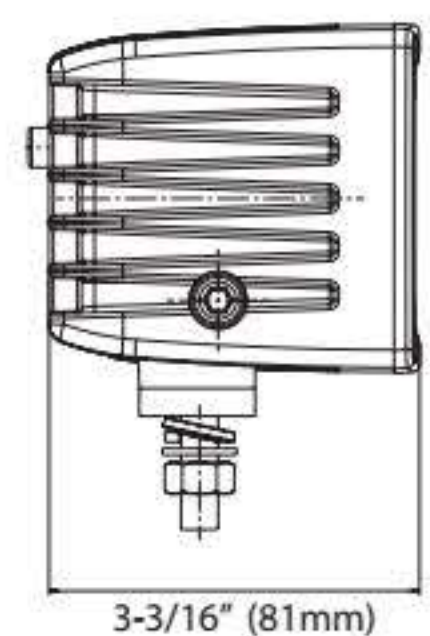
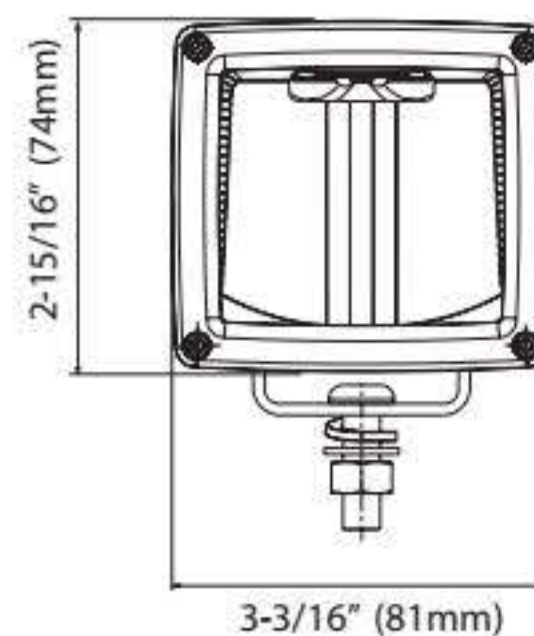


**RF3 WHITE FLOOD**

Part No.	Watts	Bulb	Compliance
77040	17	LED	-



## MULTIPLE MOUNTING OPTIONS



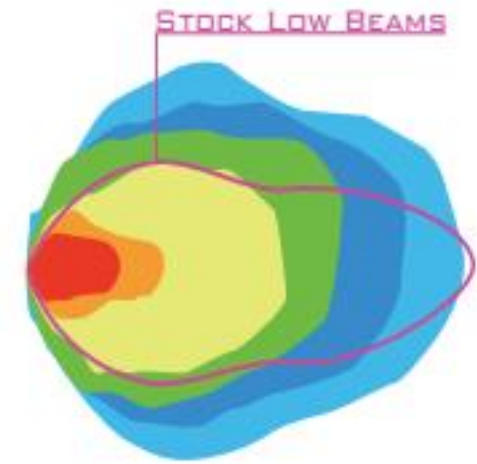


# FOG BEAM

A Fog beam will enhance your visibility in rain, fog, snow, and dust. With it's extremely wide beam pattern, the RF Series fog bars provide a 160° beam spread. The RF Series fog lights come in two color options to combat any inclement weather environment.

- Wide beam to illuminate the side of trails and roads
- Sharp cut line to eliminate glare to oncoming traffic
- Two beam colors for any weather condition
- Kit includes one lamp, pre-assembled harness, relay, & switch

## FOG BEAM



### RF6 WHITE FOG

Part No.	Watts	Bulb	Compliance
77206	11	LED	SAE/ECE

### RF6 ION FOG

Part No.	Watts	Bulb	Compliance
22-77206	17	LED	SAE/ECE



### RF10 WHITE FOG

Part No.	Watts	Bulb	Compliance
77210	16	LED	SAE/ECE

### RF10 ION FOG

Part No.	Watts	Bulb	Compliance
22-77210	22	LED	SAE/ECE



### RF18 WHITE FOG

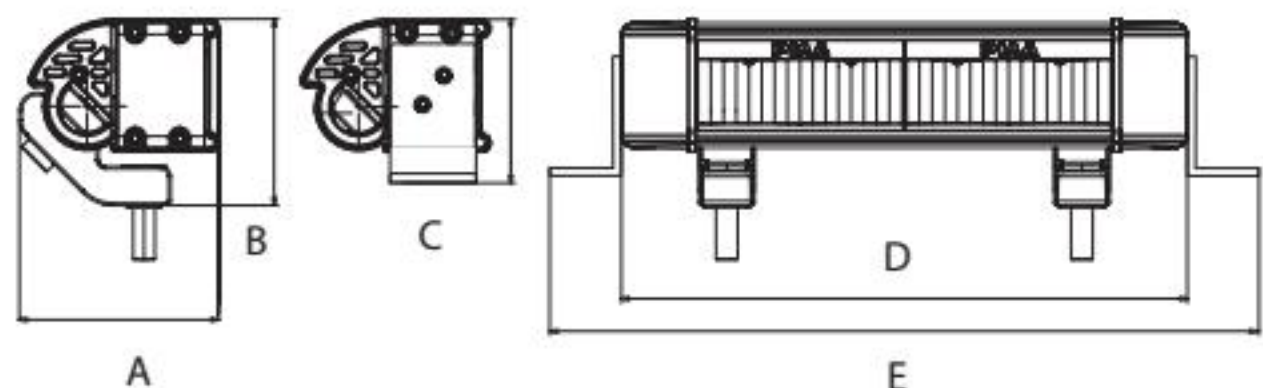
Part No.	Watts	Bulb	Compliance
77218	26	LED	SAE/ECE

### RF18 ION FOG

Part No.	Watts	Bulb	Compliance
22-77218	33	LED	SAE/ECE

### RF SERIES SIZING CHART

	A	B	C	D	E
RF6	3-9/16"	3-5/16"	2-1/4"	6-5/16"	8-5/16"
RF10	3-9/16"	3-5/16"	2-1/4"	10-1/16"	12-1/16"
RF18	3-9/16"	3-5/16"	2-1/4"	17-11/16"	19-11/16"





# DRIVING & HYBRID BEAM

The RF Series LED light bars were designed with innovation and efficiency in mind. PIAA's industry first Reflector Facing Technology produces more efficient light and defined beam patterns than other light bars on the market, with fewer LEDs. By harnessing the entire output of each LED chip, RFT is able to produce more usable light than the competition.

- Extreme beam reach for long distance visibility
- Precisely focused beam down the road to illuminate hazards
- See clearly and much sooner than standard headlights
- Kits include one lamp, pre-assembled harness with relay, fuse, & switch



## RF6 WHITE LED

Part No.	Watts	Beam	Compliance
77606	17	Driving	SAE/ECE
26-77106	17	Hybrid	-



## RF10 WHITE LED

Part No.	Watts	Beam	Compliance
77610	33	Driving	SAE/ECE
26-77110	33	Hybrid	SAE



## RF18 WHITE LED

Part No.	Watts	Beam	Compliance
77618	71	Driving	ECE
26-77118	71	Hybrid	SAE

### DRIVING BEAM



### HYBRID BEAM





# LED LIGHTS

QUAD SERIES COLLECTION





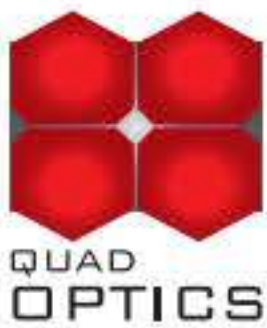
# QUAD SERIES **NEW**

The Quad Series line of LED light bars was created to bring quality and performance to the market in an affordable package. Breaking through the industry standard in light output and durability, the Quad Series lights provide massive amounts of light with PIAA's trusted durability.

- Quad Reflective Optics for extreme distance plus foreground lighting
- Tested to strict Japanese quality standards
- 50,000+ hour lifespan
- High intensity 3w LEDs for maximum light output
- Backed by a two year warranty
- Kit includes single light, pre-assembled harness with relay & switch



- XTRA Clear Technology
- Ultra Optical Clarity
- Shatter Resistant



- Increased Reflector Surface
- Symmetrical Beam Pattern
- Greater Beam Intensity



- Amour plated coating
- IP67 waterproof design
- 50,000 hour lifespan



## QUAD CUBE LIGHTS

Part No.	Watts	Beam
26-76603	12	Spot
26-76303	12	Flood



## QUAD 12" BAR

Part No.	Watts	Beam
26-76612	72	Spot
26-76112	72	Combo



## QUAD 20" BAR

Part No.	Watts	Beam
26-76620	120	Spot
26-76120	120	Combo

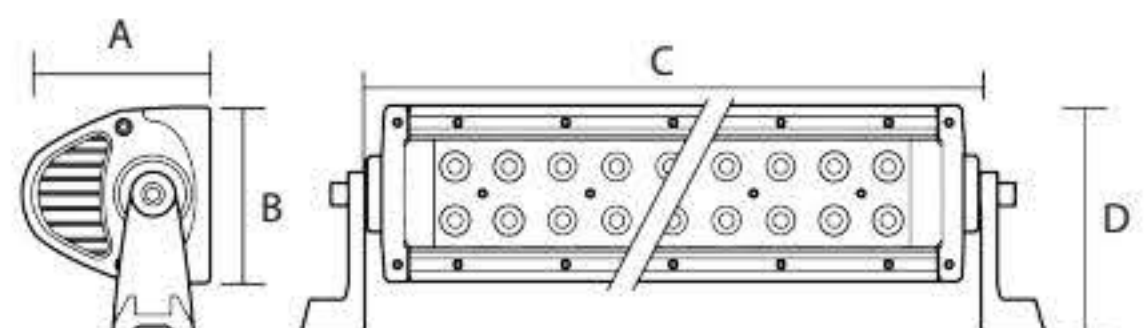


## QUAD 30" BAR

Part No.	Watts	Beam
26-76630	180	Spot
26-76130	180	Combo

## QUAD SERIES SIZING CHART

	A	B	C	D
Cubes	3-1/8"	2-15/16"	3-7/32"	3-13/32"
12"	3-13/32"	3-3/32"	14-3/32"	3-3/32"
20"	3-13/32"	3-3/32"	22-5/32"	3-3/32"





# HALOGEN

PERFORMANCE LIGHTS





# PERFORMANCE HALOGEN

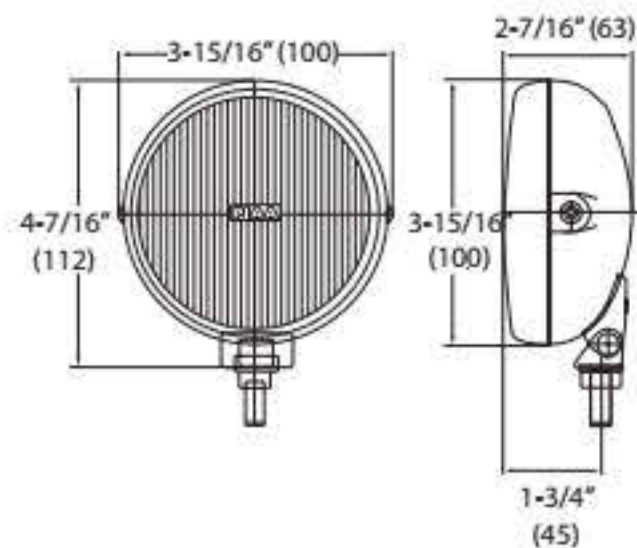


## 510 SERIES

	Part No.	Watts	Bulb
White ATP	73516	55=110	XWP

**Description** The 510 All Terrain Pattern ( ATP) provides the perfect combination of height, width, and distance for ATVs and off-road or dual sport bikes. The rotatable lens and trim ring allows the lamps to mount up or down.

**Kit Includes** Two lamps, grill guards, pre-wired harness with relay, fuse, and switch.

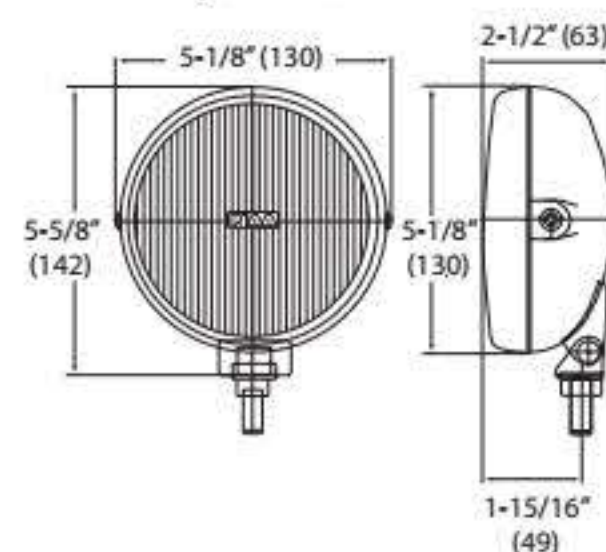


## 520 SERIES

	Part No.	Watts	Bulb	Compliance
White ATP	73526	55=110	XWP	ECE

**Description** The 520 ATP can also be used as a long range driving light with the benefits of illuminating the sides of the road. This light is perfect for your ATV, UTV, or adventure motorcycle.

**Kit Includes** Two lamps, grill guards, pre-wired harness with relay, fuse, and switch.





# FORK MOUNT KITS



Our Multi-Fit mounting kits are designed for ease of installation when mounting PIAA auxiliary lighting on today's most popular bike makes and models. When paired with the bike's headlight, the distinct triangular pattern also gives the rider added conspicuity to other vehicles on the road.

- Made from high quality CNC aluminum & stainless hardware
- LP530 & RF3 brackets kits come with "L" bracket for upright mounting
- Works in conjunction with our most popular LED lights
- Lights sold separately



Year Range	Bike Make/Model	LP270 LED	LP530/RF3 LED	1100P LED
2008-2016	Aprilia Dorsoduro	74105	74205	74305
2010-2014	Aprilia Mana 850	74105	74205	74305
2009-2016	Aprilia RVS4	74105	74205	74305
2009-2016	Aprilia Shiver 750	74105	74205	74305
2012-2016	Aprilia TuonoV4	74105	74205	74305
2013-2017	BMW F 800 GS & Adventure	74106	74206	74306
2013-2016	BMW F 800 GT	74106	74206	74306
2015-2016	BMW F 800 R	74105	74205	74305
2014-2014	BMW F 800 ST	74106	74206	74306
2013-2014	BMW HP4	74105	74205	74305
2005-2009	BMW K 1200 GT	74106	74206	74306
2004-2010	BMW K 1200 LT	74105	74205	74305
2009-2016	BMW K 1300 S	74106	74206	-
2011-2016	BMW K 1600 GT/GTL	74106	74206	74306
2015-2017	BMW R nineT	74105	74205	74305
2013-2017	BMW R 1200 GS All Models	74105	74205	-
2006-2017	BMW R 1200 R	74105	74205	74305
2015-2017	BMW R 1200 RS	74105	74205	74305
2014-2017	BMW R 1200 RT	74105	74205	-

Year Range	Bike Make/Model	LP270 LED	LP530/RF3 LED	1100P LED
2014-2016	BMW S 1000 R	74105	74205	74305
2009-2016	BMW S 1000 RR	74105	74205	74305
2016-2016	BMW S 1000 XR	74105	74205	74305
2011-2015	Ducati Diavel	74106	74206	74306
2013-2017	Ducati Hypermotard	74106	74206	-
2008-2015	Ducati Monster	74106	74206	74306
2015-2017	Ducati Monster 821	74106	74206	74306
2010-2017	Ducati Multistrada 1200	74106	74206	-
2011-2015	Ducati Streetfighter 848	74106	74206	74306
2015-2016	Honda CB300F	74106	74206	74306
2014-2016	Honda CB500F	74106	74206	74306
2014-2017	Honda CB500X	74106	74206	74306
2014-2014	Honda CBR500F	74106	74206	74306
2011-2016	Honda CB1000R	74106	74206	74306
2013-2016	Honda CBR500R	74106	74206	74306
2011-2016	Honda CBR300R	74106	74206	74306
2011-2013	Honda CBR250R	74106	74206	74306
2003-2016	Honda CBR600RR	74106	74206	-
2014-2016	Honda CBR650F	74106	74206	74306



Year Range	Bike Make/Model	LP270	LP530/RF3	1100P
		LED	LED	LED
2004-2016	Honda CBR1000RR	74106	74206	74306
2016-2017	Honda African Twin	74106	74206	74306
2014-2017	Honda CTX700	74106	74206	-
2014-2016	Honda CTX700N	74106	74206	74306
2014-2014	Honda CTX1300	74106	74206	-
2001-2017	Honda Goldwing GL1800	74106	74206	-
2013-2017	Honda Goldwing GL1800	74106	74206	-
2014-2015	Honda Grom	74106	74206	-
2014-2015	Honda Interceptor	74106	74206	-
2014-2014	Honda NC700S	74106	74206	-
2012-2017	Honda NC700X	74106	74206	-
2012-2012	Honda ST1300	74106	74206	-
2014-2015	Honda Valkyrie	74106	74206	-
2014-2014	Honda VFR800	74106	74206	-
2012-2013	Honda VFR1200F	74106	74206	-
2016-2017	Honda VFR1200X	74106	74206	-
2008-2017	Kawasaki Concours 14	74106	74206	-
2013-2014	Kawasaki Ninja 250R	74106	74206	-
2013-2014	Kawasaki Ninja EX300	74106	74206	-
2015-2017	Kawasaki Ninja 300 ABS	74106	74206	-
2015-2015	Kawasaki Ninja 300 SE	74106	74206	-
2013-2014	Kawasaki Ninja 500R	74106	74206	-
2012-2017	Kawasaki Ninja 650 ABS	74106	74206	74306
2011-2016	Kawasaki Ninja 1000	74106	74206	74306
2010-2017	Kawasaki Versys 650/LT	74106	74206	-
2015-2017	Kawasaki Versys 1000 LT	74106	74206	74306
2016-2016	Kawasaki Z800	74106	74206	74306
2014-2016	Kawasaki Z1000	74106	74206	74306
2014-2014	Kawasaki ZR1000	74106	74206	-
2013-2017	Kawasaki ZX-6R	74106	74206	74306
2013-2017	Kawasaki ZX-10R	74106	74206	-
2014-2014	Kawasaki ZX-14	74106	74206	-
2015-2017	Kawasaki ZX-14R	74106	74206	-
2016-2016	KTM 1190 Adventure/R	74105	74205	74305
2014-2016	KTM 1290 Super Adventure	74105	74205	74305

Year Range	Bike Make/Model	LP270	LP530/RF3	1100P
		LED	LED	LED
2015-2016	KTM 1290 Super Duke R	74105	74205	74305
2015-2016	KTM 390 Duke	74106	74206	74306
2015-2016	KTM 690 Duke	74105	74205	-
2015-2016	KTM RC 390	74105	74205	-
2015-2015	KTM RC8 R	74105	74205	-
2005-2017	Suzuki Boulevard M50	74106	74206	74306
2013-2017	Suzuki Boulevard M90	74106	74206	74306
2010-2017	Suzuki Boulevard M109R	74106	74206	74306
2012-2015	Suzuki V-Strom 650	74106	74206	74306
2016-2017	Suzuki V-Strom 650XT	74106	74206	74306
2014-2016	Suzuki V-Strom 1000	74106	74206	74306
2015-2016	Suzuki GSX-S750	74106	74206	74306
2016-2017	Suzuki GSX-S1000/F	74106	74206	74306
2011-2017	Suzuki GSX-R600	74106	74206	74306
2011-2017	Suzuki GSX-R750	74106	74206	74306
2009-2017	Suzuki GSX-R1000	74106	74206	74306
2008-2017	Suzuki Hayabusa	74106	74206	74306
2013-2017	Suzuki GW250	74106	74206	-
2013-2017	Suzuki SFV650	74106	74206	74306
2014-2016	Triumph Daytona 675/R	74106	74206	74306
2014-2016	Triumph Speed Triple	74106	74206	-
2008-2016	Triumph Street Triple	74106	74206	-
2011-2016	Triumph Tiger 800 XCx	74106	74206	74306
2012-2016	Triumph Tiger 1200 Explorer	74106	74206	-
2013-2016	Triumph Trophy SE	74105	74205	74305
2015-2016	Yamaha FJ-09	74106	74206	74306
2003-2016	Yamaha FJR1300	74106	74206	74306
2014-2015	Yamaha FZ1	74106	74206	74306
2009-2016	Yamaha FZ6R	74106	74206	74306
2015-2016	Yamaha FZ-07	74106	74206	74306
2011-2013	Yamaha FZ8	74106	74206	74306
2014-2016	Yamaha FZ-09	74106	74206	74306
2007-2014	Yamaha R1	74106	74206	74306
2009-2017	Yamaha V Max	74106	74206	-
2012-2017	Yamaha Super Tenere	74106	74206	74306





# 360 MOUNTING BRACKETS

PIAA's line of mounting brackets are made from high strength aluminum with a durable anodized coating. Carried in popular sizes for handlebars, ATV/UTV roll cage tubing, as well as bumpers. The 360 brackets feature a 360° rotating platform for ultimate versatility.



## 7/8" - 1-1/4" 360 MOUNT BRACKETS

Part No.	Size
74000	7/8"   1"   1-1/8"   1-1/4"

## 1-1/2" - 1-3/4" 360 MOUNT BRACKETS

Part No.	Size
74004	1-1/2"   1-3/4"



## 7/8" - 1-1/4" CHROME 360 MOUNT BRACKETS

Part No.	Size
74005	7/8"   1"   1-1/8"   1-1/4"





## PERFORMANCE HORNS

PIAA horns are loud, attention getting horns which are one of the most important safety devices. Make sure people notice you with this 115 decibel and 500 Hertz lightweight and easy to install horn from PIAA. While horns are most often associated with being a rude gesture, they can be quite useful in making you more noticeable while riding your motorcycle. A quick double tap can alert a distracted driver of your presence or that it's time to look up from that cell phone. We find them most useful for cars looking to pull out into traffic that maybe haven't looked in your direction yet, as they inch forward while you approach. A quick "beep, beep" often snaps their head back to you.

- Loud attention getting horns
- Double the sound of a stock horn
- Lightweight compact design
- Greater decibel pitch over stock



**SPORTS HORN HIGH TONE**  
**115DB**

Part No.	Pitch
76500	500Hz



**SLIM SPORT HORN**  
**112DB**

Part No.	Pitch
76501	500Hz



# LED BULBS

PLATINUM LINE

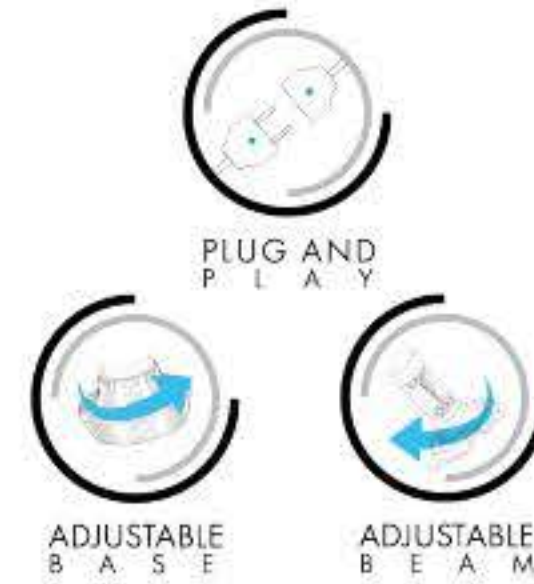




# PLATINUM LED BULBS **NEW**

Designed with a brilliant cut-line and anti-glare technology, this bulb upgrade directs the light to where you need it most. High power Z ES LEDs provide extreme luminance in a micro footprint package for precise beam angle control. In addition to the dual alloy heat sink, these LEDs have excellent thermal resistance that allows for consistent operating temperatures and longer life.

- High Luminance 25 watt Z ES LEDs for Maximum Brightness
- Adjustable Beam Design for Precise Optics
- Reversible Fan-less 6063 Aluminum Base Design
- 6000K Color Temperature to Replicate Daylight
- Double the Lumen Output of Stock Halogen Bulbs
- Chip placement maximizes stock housing
- Not for use in low voltage high/low beam DRL applications.



STOCK

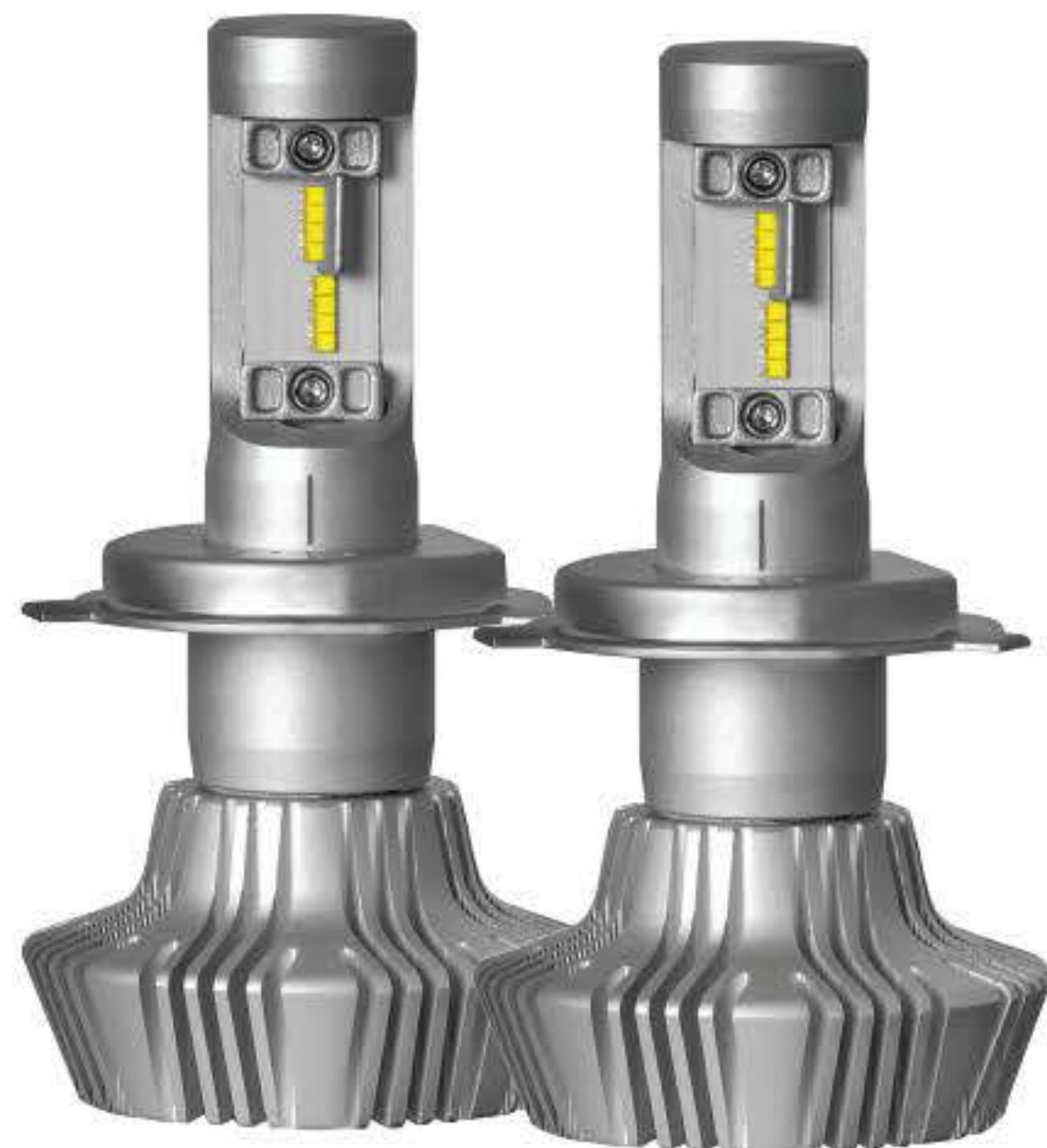


PLATINUM



## PLATINUM LED BULBS

	Twin Pack Part No.	Single Pack Part No.
H4 (9003)	26-77304	16-77304
H7	26-77307	16-77307
H9	26-77309	16-77309
H11	26-77311	16-77311



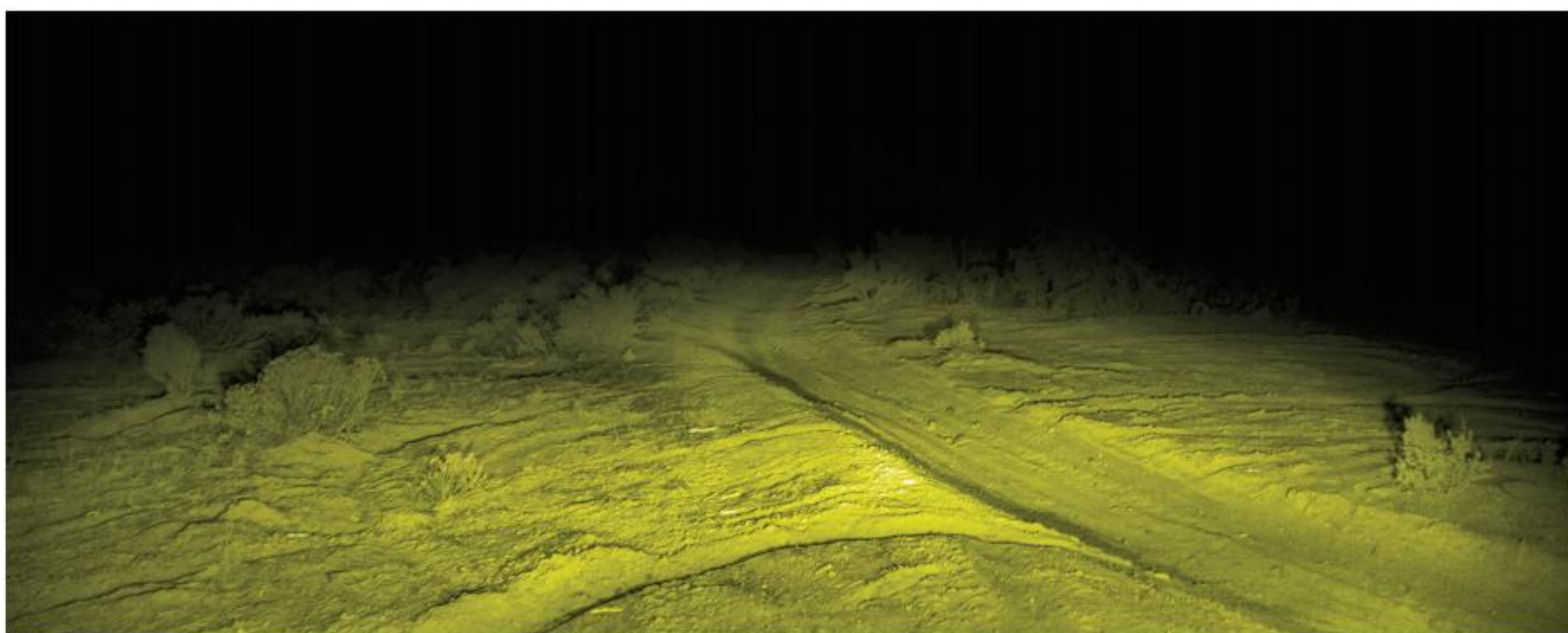
\* Does not comply with FMVSS108 or CMVSS108.



# LED BULBS

## PERFORMANCE LINE

Whether you're trying to contrast stock LED or HID headlights or looking for maximum visibility in snow or fog, our Ion Yellow LED fog bulbs will give your vehicle a unique look while providing more performance in foul weather compared to your stock halogen bulb. Designed to maximize the factory housing and reflector, these LED performance bulbs have a sharp cut line so glare is minimized and output is directed where you need it the most. These bulbs install directly in place of your stock bulbs with no rewiring, splicing or soldering needed and they require up to 75% less energy than OE bulbs.



PLUG AND  
PLAY



FANNED  
BASE

### ION YELLOW LEDS

	Twin	Single
Yellow 9006 (HB4)	72501	72511
Yellow H8/H11/H16	72502	72512

\* Does not comply with FMVSS108 or CMVSS108.



# PIAA



# LED PERFORMANCE BULBS

Engineered with a brilliant cut-line and anti-glare technology, this bulb upgrade directs the light to where you need it most. While these bulbs run at a drastically reduced temperature in comparison to halogen bulbs, thermal management is key to the lifespan of circuit boards. Because these are designed to withstand the life of the vehicle, our LED replacement bulbs feature dual alloy construction and an electronic fan to keep the circuit board and LED chips cool.

- Precisely placed LEDs so light is directed where you need it most
- A sharp horizontal cutoff to minimize glare for oncoming traffic
- Made with dual alloy aluminum and copper construction for reduced heat
- Waterproof drivers and connectors
- Plug and play installation, with no splicing
- Instant On - No warm-up time
- Lifespan of more than 30,000 hours



## PERFORMANCE WHITE LEDs

	Twin	Single
White H4 (9003)	72204	72214
White 9005 (HB3)/9006 (HB4)	72201	72211
White H8/H9/H11/H16	72202	72212
168 Wedge Bulb	72107	-



\* Does not comply with FMVSS108 or CMVSS108.



# BULBS

HALOGEN UPGRADES





# XTREME WHITE HYBRID **NEW**

The Xtreme White Hybrid Bulbs provide the best possible balance between performance and bulb life. Constructed utilizing features from the Xtreme White Plus and Night Tech lines, PIAA's Hybrid bulbs provide high output and reliability that today's drivers demand. Engineered with newly-developed bulb coatings to provide drivers with a brighter and whiter beam than stock bulbs. Hybrid bulbs give more contrast and brighter down road illumination allowing riders to see farther for greater safety and comfort.

- Whiter and Brighter than stock bulbs
- DOT compliance for worry free street legal operation
- Up to 3900K color for increased depth perception and contrast
- Best balance between performance and bulb life
- Backed by one year warranty

OUTPUT



IN HEADLIGHT



## XTREME WHITE HYBRID

	Twin	Single	Wattage
H3	23-70103	13-70103	55w
H4 (9003)	23-70104	13-70104	60/55w
H7	23-70107	13-70107	55w
H9	23-70109	13-70109	65w
H11	23-70111	13-70111	55w



# XTREME WHITE PLUS

The Xtreme White Series of high output replacement bulb gives the driver better color recognition, depth perception, and improved contrast over stock halogen bulbs, all while meeting DOT specification. Xtreme White Plus halogen replacement bulbs feature a crisp white light output that allows for better road and trail illumination, while a blue top coat adds style to your bike with the Xtreme White's 4000K color temperature.

- 4000k Bright White Color for Visibility and Style
- Heat Resistant Quartz Glass for Long Life
- XTRA Technology for Increased Light Output
- Aerospace Alloy Filaments for Durability
- Select DOT / SAE Compliance for Street Legality

OUTPUT



IN HEADLIGHT



## XTREME WHITE PLUS

	Single	Twin	Wattage
H6M	70023	-	35/35w=60/60w
H1	70165	-	55w=110w
H3 35w	70323	-	35w=70w
H3 55W	70325	-	55w=110w
H4 (9003) <b>Anti-Vib</b>	70456	70856	60/55w=110/100w
H7	70755	-	55w=110w
H8	70853	-	35w=70w
H9	70955	-	65w=120w
H11	70555	-	55w=110w
H13	71856	-	65/55w=85/75w
881	70821	70822	27w=50w
9005 (HB3)	71556	-	60w=120w
9006 (HB4)	71655	-	51w=115w





# NIGHT TECH

The Night-Tech line of high output replacement bulbs from PIAA features several advancements in performance, durability, and manufacturing. Through the use of a unique mix of gasses including a higher proportion of inert gases as well as a new filament material, these bulbs offer up to 90% more light than a conventional bulb.

- 3600k White Color for Better Contrast at Night
- Heat Resistant Quartz Glass for Long Life
- Dual Band Coating for Increased Beam Distance
- Select DOT / SAE Compliance for Street Legality
- Proprietary Gas Mixture for Maximum Output

OUTPUT



IN HEADLIGHT



## NIGHT TECH

	Single	Wattage
H1	70185	55w=110w
H3 55w	70385	55w=100w
H4 (9003)	70485	60/55w=110/100w
H7	70785	55w=110w
H11	70585	55w=100w
9005 (HB3)	71586	60w=110w
9006 (HB4)	71685	51w=95w
H13	71856	65/55w=85/75w

## SUPER PLASMA GT-X

	Single	Kelvin
H4 Anti-Vibration	70476	5000k
HS1	70473	5000k



Year Range	Make/Model	Low Beam	High Beam
2014-2015	450	HS1	*
2009-2016	150 UTILITY	HS1	*
2006-2008	250 DVX	HS1	*
2006-2009	250 UTILITY	HS1	*
2010-2016	300 2X4	HS1	*
2009-2015	300 DVX	HS1	*
2011-2012	350 CR	HS1	*
2008-2010	366 4X4 AUTO	HS1	*
2011-2011	366 SE	HS1	*
2013-2015	400 CR	HS1	*
2012-2012	425 CR	HS1	*
2011-2011	425 EFI CR	HS1	*
2013-2015	450 CR	HS1	*
2008-2008	50 DVX	HS1	*
2011-2016	90 2X4 DVX	HS1	*
2008-2009	90 DVX	HS1	*
1996-1996	BEARCAT 4X4	H6M	*
2016-2016	BEARCAT 3000	H4	*
2016-2016	BEARCAT 7000	H4	*
2014-2016	M 6000	H4	*
2015-2016	M 7000	H4	*
2014-2016	M 8000	H4	*
2014-2016	M 9000	H4	*
2016-2016	PANTERA 3000	H4	*
2015-2016	PANTERA 7000	H4	*
2012-2013	PROCLIMB M 1100	H4	*
2012-2013	PROCLIMB M 800	H4	*
2013-2013	PROCLIMB XF 1100	H4	*
2013-2013	PROCLIMB XF 800	H4	*
2012-2013	PROCROSS F 1100	H4	*
2012-2013	PROCROSS F 800	H4	*
2012-2013	PROCROSS XF 1100	H4	*
2012-2013	PROCROSS XF 800	H4	*
2015-2016	XF 6000	H4	*
2014-2016	XF 7000	H4	*
2014-2016	XF 8000	H4	*
2014-2016	XF 9000	H4	*
2015-2016	ZR 4000	H4	*
2014-2016	ZR 5000	H4	*
2014-2016	ZR 6000	H4	*
2014-2016	ZR 7000	H4	*
2014-2016	ZR 8000	H4	*
2014-2016	ZR 9000	H4	*
2009-2015	Dorsoduro 750	H4	*
2016-2016	Dorsoduro 900	H4	*
2011-2012	Dorsoduro 1200	H4	*

Year Range	Make/Model	Low Beam	High Beam
2001-2007	ETV 1000 Caponord	H4	*
2006-2011	RXV 450	H4	*
2006-2009	RXV 550	H4	*
2006-2011	SXV 450	H4	*
2006-2011	SXV 550	H4	*
2001-2007	F650GS	H4	*
2009-2010	F650GS (single)	H4	*
2001-2007	F650GS Dakar	H4	*
2015-2016	F800R	H4	*
2017-2017	G310R	H4	*
2017-2017	G310GS	H4	*
2007-2010	G450X	HS1	*
2007-2008	G650 Xchallenge	H4	*
2007-2010	G650 Xcountry	H4	*
2007-2008	G650 Xmoto	H4	*
2009-2016	G650GS	H4	*
2012-2014	G650GS Sertao	H4	*
2006-2008	HP2 Enduro	H4	*
2007-2010	HP2 Megamoto	H4	*
2014-2017	R nineT	H4	*
2017-2017	R nineT Pure	H4	*
2017-2017	R nineT Racer	H4	*
2017-2017	R nineT Scrambler	H4	*
2017-2017	R nineT Urban GS	H4	*
1999-2001	R1100R	H4	*
2001-2006	R1150R	H4	*
2001-2004	R1150RS	H4	*
2003-2005	R1200C	H4	*
1999-2002	R1200C	H4	*
2004-2005	R1200C Montauk	H4	H1
2002-2006	R1200CL	H4	H1
2005-2008	R1200ST	H4	*
1999-2003	R850C	H4	*
1999-2001	R850R	H4	*
1997-2002	M2 Cyclone	H4	*
1996-1998	S1 Lightning	H4	*
1997-2002	S3/S3T Thunderbolt	H4	*
1999-2002	X1 Lightning	H4	*
2002-2002	X1W White Lightning	H4	*
2009-2015	DS 450	HS1	*
2006-2011	Outlander 400	HS1	*
2007-2012	Outlander 500	HS1	*
2006-2012	Outlander 650	HS1	*
2006-2008	Outlander 800	HS1	*
2009-2012	Outlander 800R	HS1	*
2016-2016	Outlander L MAX	HS1	*

X THE BULB LISTED IN THE LOW BEAM COLUMN IS A DUAL FILAMENT BULB THAT CONTAINS BOTH HIGH/LOW BEAMS.



Year Range	Make/Model	Low Beam	High Beam
2015-2015	Outlander L 450 EFI	HS1	*
2015-2015	Outlander L 500 EFI	HS1	*
2015-2015	Outlander L MAX 450 EFI	HS1	*
2015-2015	Outlander L MAX 500 EFI	HS1	*
2006-2011	Outlander MAX 400	HS1	*
2007-2012	Outlander MAX 500	HS1	*
2006-2012	Outlander MAX 650	HS1	*
2006-2008	Outlander MAX 800	HS1	*
2009-2012	Outlander Max 800R EFI 1, STD	HS1	*
2012-2015	Outlander Max STD, XT, 400	HS1	*
2012-2015	Outlander STD, XT, 400	HS1	*
2015-2017	Spyder F3	H4	*
2013-2016	Spyder ST	H4	*
2007-2010	GT1000	H4	*
2008-2012	Hypermotard 1100	H4	*
2010-2012	Hypermotard 796	H4	*
2013-2016	Hypermotard 821	H4	*
2016-2017	Hypermotard 939	H4	*
2017-2017	Hypermotard 939 SP	H4	*
2013-2015	Hyperstrada 821	H4	*
2016-2016	Hyperstrada 939	H4	*
2003-2005	Monster 1000	H4	*
2014-2016	Monster 1200	H4	*
2017-2017	Monster 1200R	H4	*
1997-2001	Monster 600	H4	*
2002-2006	Monster 620	H4	*
2007-2008	Monster 695	H4	*
1997-2002	Monster 750	H4	*
2003-2004	Monster 800	H4	*
2015-2017	Monster 821	H4	*
1997-2002	Monster 900	H4	*
2006-2008	Monster S2R 1000	H4	*
2005-2007	Monster S2R 800	H4	*
2002-2002	Monster S4	H4	*
2004-2008	Monster S4R	H4	*
2005-2006	PaulSmart 1000 LE	H4	*
2015-2017	Scrambler (all models)	H4	*
2006-2009	Sport 1000	H4	*
2009-2012	Streetfighter 1098	H4	*
2011-2015	Streetfighter 848	H4	*
2003-2006	Supersport 1000	H4	*
1999-2002	Supersport 750	H4	*
2003-2007	Supersport 800	H4	*

Year Range	Make/Model	Low Beam	High Beam
1999-2002	Supersport 900	H4	*
2012-2016	FLD Dyna Switchback	H4	*
1995-2013	FLHR Road King	H4	*
1998-2013	FLHRC Road King Classic	H4	*
2004-2007	FLHRS Road King Custom	H4	*
2002-2003	FLHRSE Screamin' Eagle Road King	H4	*
2013-2013	FLHRSE5 CVO Road King Classic	H4	*
1995-2009	FLHT Electra Glide Standard	H4	*
1993-2013	FLHTC Electra Glide Classic	H4	*
2004-2005	FLHTCSE Screamin' Eagle Electra Glide	H4	*
1993-2013	FLHTCU Electra Glide Ultra Classic	H4	*
2009-2013	FLHTCUTG Tri Glide Ultra Classic	H4	*
2010-2013	FLHTK Electra Glide Ultra Limited	H4	*
1999-2013	FLHTP Electra Glide Police	H4	*
2010-2011	FLHTXXX Street Glide Trike	H4	*
2006-2013	FLHX Street Glide	H4	*
2015-2017	FLRT Freewheeler	H4	*
2012-2017	FLS Softail Slim	H4	*
2006-2006	FLST/I Heritage Softail	H4	*
2005-2017	FLSTC Heritage Softail Classic	H4	*
2005-2017	FLSTF Fat Boy	H4	*
2010-2016	FLSTFB Fat Boy Lo	H4	*
2005-2006	FLSTFSE Screamin' Eagle Fat Boy	H4	*
2006-2006	FLSTI Heritage Softail	H4	*
2005-2017	FLSTN Softail Deluxe	H4	*
1997-2003	FLSTS Heritage Springer	H4	*
2008-2011	FLSTSB Cross Bones	H4	*
2005-2007	FLSTSC Softail Springer Classic	H4	*
2010-2012	FLSTSE CVO Softail Convertible	H4	*
1998-2009	FLTR/I Road Glide	H4	*
2009-2009	FLTRSE CVO Road Glide	H4	*
2000-2001	FLTRSE Screamin' Eagle Road Glide	H4	*
2011-2013	FLTRU Road Glide Ultra	H4	*
2010-2013	FLTRX Road Glide Custom	H4	*
2012-2015	FLTRXSE CVO Road Glide Custom	H4	*

X THE BULB LISTED IN THE LOW BEAM COLUMN IS A DUAL FILAMENT BULB THAT CONTAINS BOTH HIGH/LOW BEAMS.



Year Range	Make/Model	Low Beam	High Beam
2008-2009	FXCW Rocker	H4	*
2008-2011	FXCWC Rocker C	H4	*
1996-2010	FXD Dyna Super Glide	H4	*
2006-2017	FXDB Street Bob	H4	*
2005-2014	FXDC Super Glide Custom	H4	*
2008-2017	FXDF Fat Bob	H13	*
2009-2010	FXDFSE Dyna Fat Bob	H13	*
2006-2006	FXDI35 Dyna 35th Anniv. Super Glide	H4	*
1993-2009	FXDL Dyna Low Rider	H4	*
2014-2017	FXDL Low Rider	H4	*
1994-2000	FXDS-Conv Dyna Convertible	H4	*
2007-2008	FXDSE Screamin' Eagle Dyna	H4	*
1993-2017	FXDWG Dyna Wide Glide	H4	*
1999-2005	FXDX Dyna Super Glide T-Sport	H4	*
1999-2000	FXR	H4	*
2011-2013	FXS Blackline	H4	*
2013-2017	FXSB Breakout	H4	*
2013-2013	FXSBSE CVO Breakout	H4	*
1999-2007	FXST Softail Standard	H4	*
1999-2009	FXSTB Night Train	H4	*
1993-2010	FXSTC Softail Custom	H4	*
2000-2007	FXSTD Softail Duce	H4	*
2003-2004	FXSTDSE Screamin' Eagle Softail Duce	H4	*
1993-2006	FXSTS Springer Softail	H4	*
2009-2009	FXSTSSE CVO Softail Springer	H4	*
2007-2008	FXSTSSE Screamin' Eagle Softail Springer	H4	*
2006-2007	VRSCD Night Rod	H4	*
2008-2008	VRSCD Night Rod	H4	*
2007-2011	VRSCDX Night Rod Special	H4	*
2015-2017	XG500 Street 500	H4	*
2015-2017	XG750 Street 750	H4	*
1993-2003	XL/XLH Sportster 1200	H4	*
1993-2003	XL/XLH Sportster 883	H4	*
1996-2017	XL1200C Sportster Custom	H4	*
2016-2017	XL1200CX Roadster	H4	*
2006-2011	XL1200L Sportster Low	H4	*
2007-2012	XL1200N Sportster Nightster	H4	*
2004-2009	XL1200R Sportster Roadster	H4	*

Year Range	Make/Model	Low Beam	High Beam
1996-2003	XL1200S Sportster Sport	H4	*
2014-2017	XL1200T Superlow	H4	*
2012-2016	XL1200V Seventy-Two	H4	*
2010-2017	XL1200X Forty-Eight	H4	*
2010-2011	XL1200X XL Forty-Eight	H4	*
2007-2007	XL50 50th Anniversary Sportster	H4	*
2004-2008	XL883 Sportster	H4	*
1999-2009	XL883C Sportster Custom	H4	*
2005-2010	XL883L Sportster Low	H4	*
2011-2017	XL883L Sportster SuperLow	H4	*
2009-2017	XL883N Sportster Iron	H4	*
2002-2007	XL883R Sportster Roadster	H4	*
1993-2003	XLH883HUG Sportster 883 Hugger	H4	*
2009-2010	XR1200 Sportster	H4	*
2011-2012	XR1200X Sportster	H4	*
2002-2009	CHF50	HS1	*
1985-1985	ATC350X A	H6M	*
1986-1986	ATC350X A	H6M	*
2004-2016	CRF250X	H6M	*
2005-2016	CRF450X	H6M	*
2016-2016	Pioneer 1000	H4	*
2016-2016	Pioneer 1000-5	H4	*
2007-2009	TRX300EX	H6M	*
2000-2003	TRX350TE	H6M	*
2000-2003	TRX350TM	H6M	*
1999-2008	TRX400EX	H6M	*
2002-2007	TRX400F	H6M	*
2009-2014	TRX400X	H6M	*
2002-2014	TRX450ER	H6M	*
2002-2004	TRX450FE	H6M	*
2002-2004	TRX450FM	H6M	*
2004-2009	TRX450R	H6M	*
2008-2009	TRX700XX	H6M	*
2011-2016	CB1000R	H4	*
2014-2014	CB1100	H4	*
2001-2008	CB250 Nighthawk	H4	*
2015-2016	CB300F	H4	*
2013-2015	CB500F	H4	*
2013-2015	CB500X	H4	*
1993-2004	CB750 Nighthawk	H4	*
2002-2007	CB900F 919	H4	*
2011-2013	CBR250R	H4	*

X THE BULB LISTED IN THE LOW BEAM COLUMN IS A DUAL FILAMENT BULB THAT CONTAINS BOTH HIGH/LOW BEAMS.



Year Range	Make/Model	Low Beam	High Beam
2014-2016	CBR650F	H4	*
2001-2007	CH80 Elite	HS1	*
2002-2009	CHF50 Metropolitan	HS1	*
2002-2005	CHF50P Metropolitan II	HS1	*
2012-2016	CMX250C Rebel	H4	*
2001-2009	CMX250C Rebel	H4	*
2016-2016	CMX250X	H4	*
1993-2007	CN250 Helix	H4	*
2013-2017	CRF250L	H4	*
2004-2017	CRF250X	H6M	*
2005-2017	CRF450X	H6M	*
2014-2017	CTX700	H4	*
2014-2016	CTX700N	H4	*
2014-2015	Grom 125	HS1	*
2014-2016	Metropolitan	H4	*
2012-2017	NC700X	H4	*
2013-2016	NCH50 Metropolitan	HS1	*
2010-2010	NHX110 Elite	H4	*
2003-2016	NPS50 Ruckus	HS1	*
2014-2016	NSS300 Forza	HS1	*
2005-2006	PS250 Big Ruckus	H4	*
2001-2001	SA50 Elite	HS1	*
2010-2010	SH150i	H4	*
1998-2015	Shadow VT750 series	H4	*
2016-2016	ST1300PA	H4	H4
1994-2003	VF750 Magna	H4	*
2002-2009	VFR800 Interceptor	H4	H7
1993-2007	VT1100 Shadow	H4	*
2010-2016	VT1300CR Stateline	H4	*
2010-2014	VT1300CS Sabre	H4	*
2010-2015	VT1300CT Interstate	H4	*
2010-2016	VT1300CX Fury	H4	*
1993-2007	VT600C/D Shadow VLX	H4	*
2014-2016	VT750C	H4	*
1998-2005	VTR1000 Super Hawk	H4	*
2004-2009	VTX1300C	H4	*
2005-2009	VTX1300R	H4	*
2003-2007	VTX1300S	H4	*
2008-2009	VTX1300T	H4	*
2002-2008	VTX1800	H4	*
2009-2009	XL1000 Varadero	H4	*
1993-2017	XR650L	H4	*
2012-2015	GV250 Aquila	H4	*
2010-2015	ST7	H4	*

Year Range	Make/Model	Low Beam	High Beam
2007-2011	GT250	H4	*
2005-2011	GV250	H4	*
2010-2017	Chief Classic	H4	*
2010-2017	Chief Dark Horse	H4	*
2009-2016	Chief Vintage	H4	*
2014-2017	Chieftain	H4	*
2017-2017	Roadmaster	H4	*
2015-2017	Scout	H4	*
2016-2017	Scout Sixty	H4	*
2016-2017	Springfield	H4	*
2012-2016	BRUTE FORCE 300	HS1	*
2005-2013	BRUTE FORCE 650 4X4	H4	*
2004-2009	KFX700	H4	*
2002-2002	PRAIRIE 650	H4	*
2003-2003	PRAIRIE 650 4X4	H4	*
2004-2006	PRAIRIE 700 4X4	H4	*
2016-2016	Mule PRO-FX	H13	*
2015-2016	Mule PRO-FXT	H13	*
1990-2006	KDX200	H6M	*
1997-2001	KDX200R	H6M	*
2002-2005	KDX220R	H6M	*
1991-1994	KDX250	H6M	*
2008-2014	KFX450R	H6M	*
1994-1996	KLX250R	H6M	*
1997-2007	KLX300R	H6M	*
1993-1995	KLX650	H6M	*
1996-1996	KLX650R	H6M	*
2000-2007	MULE 3000	H6M	*
2001-2008	MULE 3010 4X4	H6M	*
2003-2008	MULE 3010 DIESEL 4X4	H6M	*
2005-2008	MULE 3010 TRANS4X4	H6M	*
2007-2008	MULE 3010 TRANS4X4 DIESEL	H6M	*
1999-2002	PRAIRIE 300 4X4	H6M	*
1999-2002	PRAIRIE 400 4X4	H6M	*
2001-2009	BN125 Eliminator	H4	*
2017-2017	BR125 Z125 PRO	HS1	*
2008-2017	Concours 14	H4	*
1996-2009	EN500C Vulcan 500 LTD	H4	*
2015-2017	EN650 Vulcan S	H4	*
2017-2017	ER650 Z650	H4	*
1993-2007	EX250 Ninja	H4	*
1999-2009	EX500 Ninja	H4	*
2000-2003	KL250 Super Sherpa	H4	*
2009-2009	KL250 Super Sherpa	H4	*

\* THE BULB LISTED IN THE LOW BEAM COLUMN IS A DUAL FILAMENT BULB THAT CONTAINS BOTH HIGH/LOW BEAMS.



Year Range	Make/Model	Low Beam	High Beam
1993-2005	KL250/KLR250	H4	*
1993-2007	KLR650	H4	*
2006-2014	KLX250	H4	*
2003-2004	KLX400SR	H4	*
2008-2009	KLX450R	HS1	*
1993-2005	KZ1000C/P Police	H4	*
2017-2017	Vaquero ABS	H4	*
1993-2009	VN1500 Vulcan	H4	*
2003-2008	VN1600 Vulcan	H4	*
2009-2013	VN1700 Vulcan Classic	H4	*
2009-2014	VN1700 Vulcan Nomad	H4	*
2011-2017	VN1700 Vulcan Vaquero	H4	*
2009-2017	VN1700 Vulcan Voyager	H4	*
2006-2010	VN2000 Vulcan Classic	H4	*
2015-2015	VN650 Vulcan S	H4	*
1993-2006	VN750 Vulcan	H4	*
1995-2006	VN800 Vulcan	H4	*
2006-2017	VN900 Vulcan	H4	*
1990-1996	EN500 Vulcan 500	H4	*
2017-2017	Versys X300	H4	*
2017-2017	Z125 PRO	H4	*
2017-2017	Z650	H4	*
1993-2006	ZG1000/A Concours	H4	*
1993-2003	ZG1200A/B Voyager XII	H4	*
2008-2016	ZG1400 Concours	H4	*
2000-2004	ZR-7/S	H4	*
1999-2000	ZRX1100	H4	*
2001-2005	ZRX1200	H4	*
1993-2001	ZX1100 Ninja ZX-11	H4	*
2000-2005	ZX1200 Ninja ZX-12R	H4	*
1993-2002	ZX600 Ninja ZX-6	H4	*
1999-2002	ZX600 Ninja ZX-6R	H4	*
1993-2003	ZX750 Ninja ZX-7R	H4	*
1994-2003	ZX900 Ninja ZX-9R	H4	*
2003-2008	ZZR 600	H4	*
2002-2005	ZZR1200	H4	*
2009-2009	450 SX ATV - Lighting System	HS1	*
2008-2009	450 XC ATV - Lighting System	HS1	*
2009-2009	505 SX ATV - Lighting System	HS1	*
2008-2009	525 XC ATV - Lighting System	HS1	*
2014-2016	1290 Super Duke R	H4	*
2015-2016	390 Duke	H4	*

Year Range	Make/Model	Low Beam	High Beam
2013-2016	690 Duke	H4	*
2008-2008	690 Enduro	H4	*
2012-2016	690 Enduro R	H4	*
2008-2013	990 Adventure	H4	*
2007-2009	990 Super Duke	H4	*
2008-2009	990 Super Duke R	H4	*
2010-2013	990 Supermoto	H4	*
2015-2016	Audace	H4	*
2004-2009	Breva 750	H4	*
1999-2012	California	H4	*
2005-2008	Griso 1100	H4	*
2009-2015	Griso 1200	H4	*
2005-2012	Nevada	H4	*
2008-2015	Stelvio 1200	H4x2	H4x2
1999-2006	V11	H4	*
2009-2015	V7	H4	*
2016-2016	V7 III	H4	*
2016-2016	V9	H4	*
2005-2012	BV Tourer 500	H4	*
2005-2015	Fly 150	H4	*
2013-2015	Fly 50	H4	*
2008-2008	340	H4	*
2003-2006	340 Classic	H4	*
2007-2007	340 LX	H4	*
2004-2007	340 Touring	H4	*
2008-2008	340 Transport	H4	*
2005-2007	440 IQ	H4	*
2001-2006	500 Classic	H4	*
2001-2011	500 Wide Trak LX	H4	*
2001-2007	500 XC SP	H4	*
2001-2011	500 Wide Trak LX	H4	*
2002-2006	550 Classic	H4	*
2014-2016	550 Indy	H13	*
2011-2013	550 IQ LXT	H4	*
2009-2013	550 IQ Shift	H4	*
2007-2008	550 LX	H4	*
2011-2013	550 Shift	H4	*
2009-2010	550 Trail RMK	H4	*
2009-2009	550 Transport	H4	*
2004-2006	600 Classic	H4	*
2008-2008	600 Dragon IQ	H4	*
2016-2016	600 IQ Widetrack	H4	*
2014-2016	600 Indy	H13	*
2016-2016	600 RMK	H13	*
2016-2016	600 Switchback Assault	H13	*

X THE BULB LISTED IN THE LOW BEAM COLUMN IS A DUAL FILAMENT BULB THAT CONTAINS BOTH HIGH/LOW BEAMS.



Year Range	Make/Model	Low Beam	High Beam
2014-2016	800 Indy	H13	*
2016-2016	800 Switchback Assault	H13	*
2006-2007	HAWKEYE 2X4/4X4 INTERNATIONAL	HS1	*
2014-2015	550 INDY	H13	*
2013-2015	600 INDY	H13	*
2012-2015	600 PRO RMK 155	H13	*
2010-2010	600 PRO-RIDE RUSH	H13	*
2012-2015	600 RMK 144/155	H13	*
2011-2014	600 RUSH PRO R	H13	*
2011-2013	600 RUSH/ES	H13	*
2012-2014	600 SWITCHBACK	H13	*
2014-2014	600 VOYAGER/INTL (S14CS6GSL/GEL)	H13	*
2014-2015	800 INDY	H13	*
2011-2015	800 PRO RMK 155/163	H13	*
2011-2015	800 RMK 155/163	H13	*
2011-2015	800 RMK ASSAULT	H13	*
2011-2014	800 RUSH PRO R	H13	*
2011-2013	800 RUSH/ES	H13	*
2012-2014	800 SWITCHBACK	H13	*
2013-2013	850 SCRAMBLER HO/ EPS	H13	*
2009-2010	Outlaw 450	H13	*
2009-2011	Outlaw 525	H13	*
2015-2015	RANGER 1000 DIESEL CREW	H13	*
2011-2011	RANGER 4X4 800 EFI	H13	*
2011-2014	RANGER 4X4 900 D	H13	*
2015-2016	RANGER 570 FULL SIZE	H13	*
2011-2015	RANGER 800 6X6	H13	*
2012-2014	RANGER 800 CREW	H13	*
2013-2013	RANGER 800 EFI	H13	*
2012-2015	RANGER 900	H13	*
2013-2015	RANGER CREW 900	H13	*
2014-2014	RANGER DIESEL INTL (R14TH90FX)	H13	*
2012-2012	RANGER XP 800	H13	*
2014-2014	RANGER XP 900	H13	*
2016-2016	RGR 900 XP EU	H13	*
2011-2011	RZR "S" 800 EFI	H13	*
2012-2014	RZR 4 800	H13	*
2011-2011	RZR 4/EPS RGE	H13	*
2011-2014	RZR 800	H13	*
2015-2015	RZR 900 60 INCH	H13	*
2012-2014	RZR S 800	H13	*
2010-2012	SCRAMBLER 500 4X4	H13	*

Year Range	Make/Model	Low Beam	High Beam
2014-2015	SCRAMBLER 850	H13	*
2010-2013	TRAIL BLAZER 330 (A10NA32AA)	H13	*
2006-2010	SPORTSMAN 500	HS1	*
2007-2009	SPORTSMAN 800	HS1	*
2010-2013	TRAIL BOSS 330 INTL	HS1	*
2015-2016	Expedition	H4	*
2015-2016	Freeride	H4	*
2015-2016	Grand Touring	H4	*
2015-2015	GSX	H4	*
2015-2016	MX Z	H4	*
2015-2016	Renegade	H4	*
2015-2016	Skandic	H4	*
2015-2016	Summit	H4	*
2015-2016	Tundra	H4	*
2003-2006	Burgman	HS1	*
2008-2013	KingQuad - all models	HS1	*
2014-2015	LT-A400F	HS1	*
2014-2015	LT-A400FZ	HS1	*
2014-2015	LT-A500X	HS1	*
2015-2015	LT-A500XP	HS1	*
2015-2015	LT-A500XPZ	HS1	*
2014-2015	LT-A500XZ	HS1	*
2014-2015	LT-A750X	HS1	*
2014-2015	LT-A750XP	HS1	*
2014-2015	LT-A750XPZ	HS1	*
2002-2007	Eiger 2WD	H6M	*
2002-2007	Eiger 4WD	H6M	*
2014-2015	LT-A750XZ	HS1	*
2002-2007	Eiger Auto 2WD	H6M	*
2002-2007	Eiger Auto 4WD	H6M	*
2014-2015	LT-F400F	HS1	*
2014-2014	LT-F400FZ	HS1	*
1991-2007	King Quad	H6M	*
1999-2002	KingQuad 4WD	H6M	*
2014-2014	LT-F250 AMP	H6M	*
2002-2012	Ozark	H6M	*
1987-1998	QuadRunner	H6M	*
1999-2001	QuadRunner 2WD	H6M	*
1999-2002	QuadRunner 4WD	H6M	*
2003-2008	QuadSport	H6M	*
2002-2007	Vinson 4WD - all models	H6M	*
2003-2006	AN400 Burgman	HS1	*
2008-2016	AN400 Burgman	H4	*
2003-2016	AN650/A Burgman	H4	*
2008-2010	Boulevard C109R	H4	*

X THE BULB LISTED IN THE LOW BEAM COLUMN IS A DUAL FILAMENT BULB THAT CONTAINS BOTH HIGH/LOW BEAMS.



Year Range	Make/Model	Low Beam	High Beam
2005-2017	Boulevard C50 / T	H4	*
2013-2017	Boulevard C90 / T	H4	*
2005-2009	Boulevard C90	H4	*
2006-2017	Boulevard M109R	H4	*
2015-2017	Boulevard M109R Limited / B.O.S.S.	H4	*
2005-2017	Boulevard M50	H4	*
2013-2017	Boulevard M90	H4	*
2009-2010	Boulevard M90	H4	*
2005-2005	Boulevard M95	H4	*
2005-2017	Boulevard S40	H4	*
2005-2009	Boulevard S50	H4	*
2005-2008	Boulevard S83	H4	*
2012-2015	Burgman 400	H4	*
2012-2015	Burgman 650	H4	*
2002-2012	DL1000 V-Strom	H4	*
2004-2017	DL650 V-Strom / XT	H4	*
2015-2017	DR200S	H4	*
2007-2013	DR200SE	H4	*
2015-2017	DR650S	H4	*
2007-2014	DR650SE	H4	*
2000-2017	DR-Z400S / SM	H4	*
1993-2010	GS500/F	H4	*
1997-2005	GSF1200 Bandit	H4	*
2008-2009	GSX1300BK B-King	H4	*
1993-2006	GSX600F Katana	H4	*
1993-2006	GSX750F Katana	H4	*
2001-2002	GSX-R1000	H4	*
1997-2000	GSX-R600	H4	*
2002-2003	GSX-R600	H4	*
1993-1999	GSX-R750	H4	*
2002-2003	GSX-R750	H4	*
2016-2017	GSX-S1000	H4	*
2015-2016	GSX-S750	H4	*
2013-2017	GW250	H4	*
1999-2010	GZ250	H4	*
1995-2008	LS650 Savage	H4	*
2009-2015	SFV650 Gladius	H4	*
2003-2007	SV1000/S	H4	*
2017-2017	SV650	H4	*
1999-2009	SV650/A	H4	*
2003-2013	SV650S/SA	H4	*
1998-2003	TL1000R	H4	*
1997-2001	TL1000S	H4	*
2009-2013	TU250X	H4	*
2015-2017	TU250X	H4	*

Year Range	Make/Model	Low Beam	High Beam
2017-2017	VanVan 200	H4	*
1998-2004	VL1500 Intruder	H4	*
2001-2004	VL800 Intruder Volusia	H4	*
1993-2004	VS1400 Intruder	H4	*
1993-2004	VS800 Intruder	H4	*
2004-2004	VZ1600 Marauder	H4	*
1997-2004	VZ800 Marauder	H4	*
1996-2002	Adventurer	H4	*
2002-2016	America	H4	*
2001-2015	Bonneville	H4	*
2002-2015	Bonneville T100	H4	*
2016-2016	Bonneville T120	H4	*
1996-2005	Daytona	H4	*
1999-2002	Legend TT	H4	*
2004-2016	Rocket III Classic/Roadster	H4	*
2007-2016	Rocket III Touring	H4	*
2006-2016	Scrambler	H4	*
2002-2006	Speed Four	H4	*
1994-2015	Speed Triple	H4	*
2003-2016	Speedmaster	H4	*
1999-2004	Sprint RS/ST	H4	*
2005-2006	Sprint ST	H4	*
2008-2016	Street Triple	H4	*
2004-2016	Thruxton	H4	*
1995-2016	Thunderbird / LT	H4	*
2014-2016	Thunderbird Commander	H4	*
2011-2016	Thunderbird Storm	H4	*
1996-2006	Tiger	H4	*
2011-2015	Tiger 800	H4	*
2012-2015	Tiger Explorer	H4	*
1996-2003	Trophy 1200	H4	*
1996-2002	Trophy 900	H4	*
2000-2003	TT600	H4	*
2015-2017	Ct	H4	*
2015-2017	Gear-Up	H4	*
2015-2017	M-70	H4	*
2015-2017	Patrol	H4	*
2016-2016	946	H4	*
2004-2009	Granturismo 200	H4	*
2008-2008	GT200	H4	*
2007-2007	GT60	H4	*
2006-2010	GTS250	H4	*
2009-2016	GTS300	H4	*
2007-2010	GTV250	H4	*

X THE BULB LISTED IN THE LOW BEAM COLUMN IS A DUAL FILAMENT BULB THAT CONTAINS BOTH HIGH/LOW BEAMS.





Year Range	Make/Model	Low Beam	High Beam
2010-2016	GTV300	H4	*
2005-2015	LX150	H4	*
2005-2015	LX50	HS1	*
2007-2015	LXV150	H4	*
2015-2016	Primavera 150	HS1	*
2015-2016	Primavera 50	HS1	*
2005-2007	PX150	H4	*
2008-2015	S150	H4	*
2009-2015	S50	HS1	*
2015-2016	Sprint 150	H4	*
2015-2016	Sprint 50	H4	*
2009-2013	Arlen Ness Vision	HS1	H4
2016-2017	Empulse TT	H4	*
2015-2017	Gunner	H4	*
2014-2017	High-Ball	H4	*
2014-2015	Jackpot	H4	*
2013-2014	Judge	H4	*
2017-2017	Octane	H4	*
2017-2017	Magnum / X-1	H4	*
2016-2017	Vegas	H4	*
2016-2017	Vegas 8-Ball	H4	*
2016-2017	Vision	H4	H4
2010-2011	Vision 8-Ball	HS1	H4
2008-2009	Vision Street	HS1	H4
2008-2015	Vision Tour	HS1	H4
2011-2012	Apex SE	H4	*
2011-2012	Apex XTX	H4	*
1993-2009	BR250 Bravo	H4	*
1993-2000	CS340E Ovation LE	H4	*
2003-2015	FJR1300	H4	*
2008-2011	FX10 FX Nytro	H4	*
2014-2014	FZ1	H4	*
2009-2016	FZ6R	H4	*
2015-2017	FZ-07	H4	*
2011-2013	FZ8	H4	*
2014-2016	FZ-09	H4	*
1993-1995	FZR1000	H4	*
1993-1999	FZR600R	H4	*
2001-2015	FZS1000 FZ1	H4	*
2004-2004	FZS600 FZ6	H4	H7
1997-2002	MM600 Mountain Max 600	H4	*
1997-2003	MM700 Mountain Max 700	H4	*
2007-2009	PZ50 Phazer	H4	*
2007-2011	PZ50 Phazer	H4	*
2007-2012	PZ50VT Venture Lite	H4	*

Year Range	Make/Model	Low Beam	High Beam
2014-2017	Raider	H4	*
2005-2011	RS90 Vector	H4	*
2003-2011	RX10	H4	*
2015-2017	SR400	H4	*
2017-2017	SR950	H4	*
1998-2002	SRX700	H4	*
2011-2017	Stryker	H4	*
2000-2001	SX500/R	H4	*
2000-2003	SX600/R	H4	*
2004-2006	SXV60 SX Venom	H4	*
2002-2004	SXV700 SX Viper	H4	*
2003-2006	SXV70MH SX Viper Mountain	H4	*
1999-2006	TTR250	H6M	*
2002-2017	TW200	H4	*
2006-2011	VK10 Viking Professional	H4	*
1993-2005	VK540	H4	*
1993-2007	VMX1200 V-Max	H4	*
2009-2017	VMX1700 V-Max	H4	*
1997-2006	VT600 Venture	H4	*
1998-2004	VT700 Venture	H4	*
2001-2006	WR250F	H4	*
2007-2011	WR250F	H6M	*
2012-2014	WR250F	HS1	*
2015-2017	WR250F	H4	*
2008-2017	WR250R	H4	*
2008-2011	WR250X	H4	*
1998-2000	WR400F	H4	*
2012-2017	WR450F	HS1	*
2007-2011	WR450F	H6M	*
2003-2006	WR450F	H4	*
2015-2016	XC155 SMAX	H4	*
2006-2015	XC50 Vino Classic	HS1	*
2016-2016	XC50 Vino Classic	HS1	*
2007-2010	XF50 C3	HS1	*
2009-2013	XP500 TMAX	H4	H7
2016-2017	XSR900	H4	*
1993-2000	XT225	HS1	*
2001-2007	XT225	H4	*
2008-2017	XT250	H4	*
2002-2014	XV1700 Road Star	H4	*
2016-2017	XV19C Raider	H4	*
2008-2015	XV1900 Raider	H4	*
2008-2017	XV250 V Star	H4	*
1995-2007	XV250 Virago	H4	*
1999-2011	XVS1100 V Star	H4	*

\* THE BULB LISTED IN THE LOW BEAM COLUMN IS A DUAL FILAMENT BULB THAT CONTAINS BOTH HIGH/LOW BEAMS.



Year Range	Make/Model	Low Beam	High Beam
2011-2017	XVS13 Stryker	H4	*
2007-2017	XVS1300 V Star Deluxe / Tourer	H4	*
1998-2014	XVS650 V Star	H4	*
2014-2016	XVS650 V Star Custom	H4	*
2014-2017	XVS950 Bolt / R-Spec	H4	*
2009-2015	XVS950 V Star	H4	*
2016-2017	XVS950CT V Star 950 Tourer	H4	*
1996-2013	XVZ1300 Royal Star	H4	*
1999-2001	XVZ1300 Venture	H4	*
2004-2010	YJ125 Vino	H4	*
2002-2005	YJ50RA Vino Classic	HS1	*
2005-2014	YP400 Majesty	H4	*
2009-2015	YW125 Zuma	H4	*
2012-2016	YW50F Zuma	HS1	*
2014-2016	YW50FX Zuma	HS1	*
1997-2007	YZF600R	H4	*
1998-2003	YZF-R1	H4	*
1999-2002	YZF-R6	H4	*
2014-2016	PZ50	H4	*
2014-2016	RS90	H4	*
2014-2016	RST90	H4	*
2014-2016	RX10	H4	*
2015-2016	SR10	H4	*
2014-2016	VK10	H4	*
2004-2004	660R RAPTOR - YFM660RS	H6M	*
2005-2005	660R RAPTOR - YFM660RT	H6M	*
2004-2004	660R RAPTOR LIMITED EDITION BLACK - YFM660RLES	H6M	*
2011-2011	700 SPECIAL EDITION - YFM7RSEA	H6M	*
2003-2006	BANSHEE	H6M	*
2007-2009	BIG BEAR 250	H6M	*
2008-2012	BIG BEAR 400	H6M	*
2003-2006	BLASTER	H6M	*
2004-2011	GRIZZLY 125 - all models	H6M	*
2005-2008	GRIZZLY 125 HUNTER	H6M	*
2007-2013	GRIZZLY 350 all models	H6M	*
2007-2009	GRIZZLY 400 - all models	H6M	*
2007-2013	GRIZZLY 450	H6M	*
2016-2016	GRIZZLY 4WD	H6M	*
2003-2008	GRIZZLY 660 - all models	H6M	*

Year Range	Make/Model	Low Beam	High Beam
2016-2016	GRIZZLY 700 EPS 4WD	H6M	*
2016-2016	GRIZZLY EPS 4WD HUNTER	H6M	*
2007-2007	GRIZZLY HUNTER	H6M	*
2016-2016	KODIAK 700 EPS 4WD	H6M	*
2003-2003	LIMITED EDITION - YFZ350LER	H6M	*
2011-2013	RAPTOR 125	H6M	*
2008-2013	RAPTOR 250 - all models	H6M	*
2005-2013	RAPTOR 350	H6M	*
2003-2003	RAPTOR 660R	H6M	*
2006-2013	RAPTOR 700	H6M	*
2011-2013	RAPTOR 700R	H6M	*
2006-2009	RHINO 450 - all models	H6M	*
2006-2007	RHINO 660 - all models	H6M	*
2008-2013	RHINO 700 - all models	H6M	*
2003-2004	WARRIOR	H6M	*
2003-2003	WETLANDS HUNTER EDITION	H6M	*
2005-2005	WOLVERINE	H6M	*
2006-2009	WOLVERINE 350 2WD	H6M	*
2006-2010	WOLVERINE 450 - all models	H6M	*
2003-2003	WOLVERINE 4WD	H6M	*
2004-2004	WOLVERINE 4X4	H6M	*
2008-2013	WR250F	H6M	*
2007-2011	WR450F	H6M	*
2008-2011	YFM35	H6M	*
2015-2015	VIKING	HS1	*
2012-2012	YFM40F	H6M	*
2011-2011	YFM45F	H6M	*
2004-2004	YFM660F	H6M	*
2012-2012	YFM7R	H6M	*
2004-2013	YFZ450 - all models	H6M	*
2009-2013	YFZ450R	H6M	*
2016-2016	VIKING	HS1	*
2016-2016	WOLVERINE R-SPEC EPS	HS1	*
2008-2011	YFZ450X	H6M	*
2007-2007	YXR66FDUW	H6M	*
2015-2016	WR250F	HS1	*
2012-2016	WR450F	HS1	*
2015-2017	DS / DSR	H4	*
2015-2017	S	H4	*
2015-2017	SR	H4	*

X: THE BULB LISTED IN THE LOW BEAM COLUMN IS A DUAL FILAMENT BULB THAT CONTAINS BOTH HIGH/LOW BEAMS.



# QUICK REFERENCE GUIDES

## BULBS

Bulb Type	Xtreme White Hybrid		Night Tech	Xtreme White		Plasma Gt-X	Platinum Led		Performance Led		Yellow Led	
	Single	Pair	Single	Single	Pair	Single	Pair	Single	Pair	Single	Pair	
H6m	-	-	-	70023	-	-	-	-	-	-	-	-
H1	-	-	70185	70165	-	-	-	-	-	-	-	-
H3	13-70103	23-70103	70385	70323/70325	-	-	-	-	-	-	-	-
Hs1	-	-	-	-	-	70473	-	-	-	-	-	-
H4	13-70104	23-70104	70485	70456	70856	70476	26-77304	16-77304	72204	72214	-	-
H7	13-70107	23-70107	70785	70755	-	-	26-77307	16-77307	-	-	-	-
H8	-	-	-	70853	-	-	-	-	72202	72212	72502	-
H9	13-70109	23-70109	-	70955	-	-	26-77309	16-77309	72202	72212	-	-
H11	13-70111	23-70111	70585	70555	-	-	26-77311	16-77311	72202	72212	72502	-
H13	-	-	71885	71856	-	-	-	-	-	-	-	-
881	-	-	-	70821	70822	-	-	-	-	-	-	-
9005	-	-	71586	71556	-	-	-	-	72201	72211	-	-
9006	-	-	71685	71655	-	-	-	-	72201	72211	72501	-
168	-	-	-	-	72020	-	-	-	72107	-	-	-

## LIGHTS

LED Light Kits	Kit	Single Light	Lens / Reflector	Replacement Bulb	Wiring Harness	Relay	Switch	Mesh Grill	Jumper Harness
1100P LED SAE ATP Beam	26-71202	16-71202	-	-	74070	74086	74034	-	-
LP270 LED SAE Fog	73270	73201	-	-	74070	74086	74034	-	-
LP270 LED SAE Driving	73272	73202	-	-	74070	74086	74034	-	-
LP270 LED Yellow Driving	22-73272	12-73202	-	-	74070	74086	74034	-	-
LP530 LED SAE Fog	73530	75300	-	-	74040	74086	74034	76053	-
LP530 LED SAE Driving	73532	75302	-	-	74040	74086	74034	76053	-
LP530 LED Yellow Fog	22-73530	12-75300	-	-	74040	74086	74034	76053	-
LP530 LED Yellow Driving	22-73532	12-75302	-	-	74040	74086	74034	76053	-
LP550 LED SAE Driving	73552	75502	-	-	74070	74086	74034	76055	-
LP560 LED SAE Driving	73562	75602	-	-	74070	74086	74034	76056	-
LP570 LED SAE Driving	73572	75702	-	-	74070	74086	74034	76057	-
RF3 LED Flood	77040	77020	-	-	74070	74086	74034	-	-
RF3 LED SAE Driving	77603	77403	-	-	74070	74086	74034	-	-
RF6 LED Light Bar SAE Fog	77206	77006	-	-	74070	74086	74034	-	78739
RF6 LED Light Bar SAE Yellow Fog	22-77206	12-77006	-	-	74070	74086	74034	-	78739
RF6 LED Light Bar Hybrid	26-77106	16-77106	-	-	74070	74086	74034	-	78739
RF6 LED Light Bar SAE Driving	77606	77406	-	-	74070	74086	74034	-	78739
RF10 LED Light Bar SAE Fog	77210	77010	-	-	74070	74086	74034	-	78739
RF10 LED Light Bar SAE Yellow Fog	22-77210	12-77010	-	-	74070	74086	74034	-	78739
RF10 LED Light Bar SAE Hybrid	26-77110	16-77110	-	-	74070	74086	74034	-	78739
RF10 LED Light Bar SAE Driving	77610	77410	-	-	74070	74086	74034	-	78739
RF18 LED Light Bar SAE Fog	77218	77018	-	-	74070	74086	74034	-	78739
RF18 LED Light Bar SAE Yellow Fog	22-77218	12-77018	-	-	74070	74086	74034	-	78739
RF18 LED Light Bar SAE Hybrid	26-77118	16-77118	-	-	74070	74086	74034	-	78739
RF18 LED Light Bar Driving	77618	77418	-	-	74070	74086	74034	-	78739
<b>Quad Series Light Kits</b>									
Quad Series 12" LED Light Bar Combo Beam	26-76112	16-76112	-	-	34072	-	-	-	-
Quad Series 20" LED Light Bar Combo Beam	26-76120	16-76120	-	-	34072	-	-	-	-
Quad Series 30" LED Light Bar Combo Beam	26-76130	16-76130	-	-	34074	-	-	-	-
Quad Series LED Cube Flood Beam	26-76303	16-76303	-	-	34073	-	-	-	-
Quad Series LED Cube Light Spot Beam	26-76603	16-76603	-	-	34073	-	-	-	-
Quad Series 12" D LED Light Bar Spot Beam	26-76612	16-76612	-	-	34072	-	-	-	-
Quad Series 20" LED Light Bar Spot Beam	26-76620	16-76620	-	-	34072	-	-	-	-
Quad Series 30" LED Light Bar Spot Beam	26-76630	16-76630	-	-	34074	-	-	-	-
<b>Halogen Light Kits</b>									
510 Series XWP ATP	73516	73506	75506	70325	74040	74086	74034	76012	-
520 Series XWP ATP	73526	75216	75206	70325	74040	74086	74034	76022	-



## CARE & MAINTENANCE

Proper care & maintenance begins with proper installation. When installing your PIAA lamps make sure to read and follow the instruction manual carefully. Common mistakes include mounting the lamp upside down, improper wiring and failure to properly aim the lamps.

Please pay special attention to the orientation of the vent; mounting the lamps upside down may cause the lamp to fill with water resulting in premature failure.

When wiring your lamp kit make sure that all connections are clean and tight. A loose or dirty connection will affect the performance of the lighting system. All wiring, fuse boxes and relays must be secured in a dry location away from hot items and secured away from moving parts.

Improperly aimed lamps create an unsafe driving situation. Please refer to the light aiming instructions below.

Cleaning is inspecting. The best time to inspect your lamps is when you wash your vehicle. To ensure your safety and maintain optimal lamp performance, your lamps should be inspected to ensure they are properly aimed and in good working order.

Your safety and the safety of those around you is our primary concern. Proper care and maintenance of your PIAA lamps will result in a lifetime of safe and carefree driving.

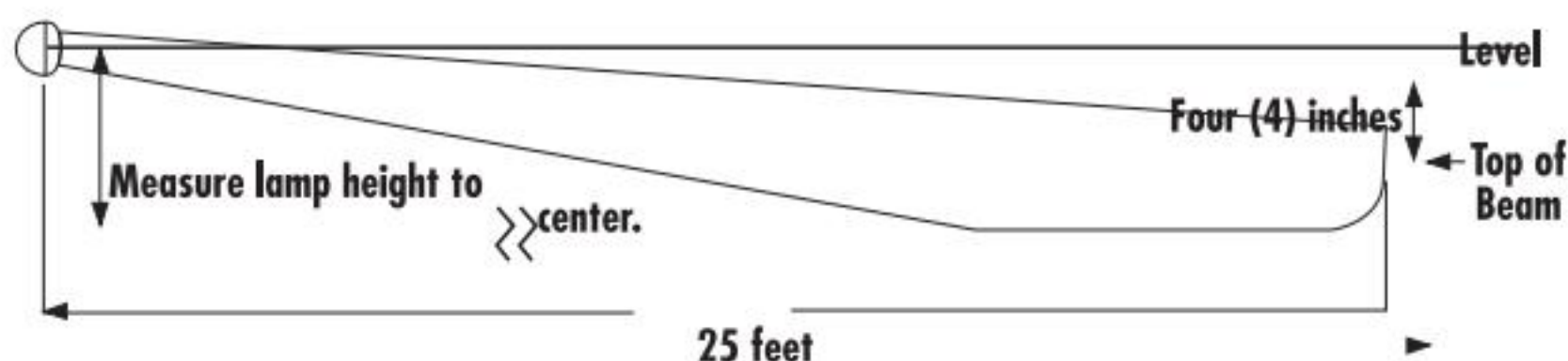
## LIGHT AIMING GUIDE



Proper auxiliary lamp aiming is the most important part of an installation. If the lamps are not properly aimed they will not achieve optimum performance and they can be very dangerous. The danger comes from the beam pattern being aimed right into oncoming vehicles thus blinding the driver.

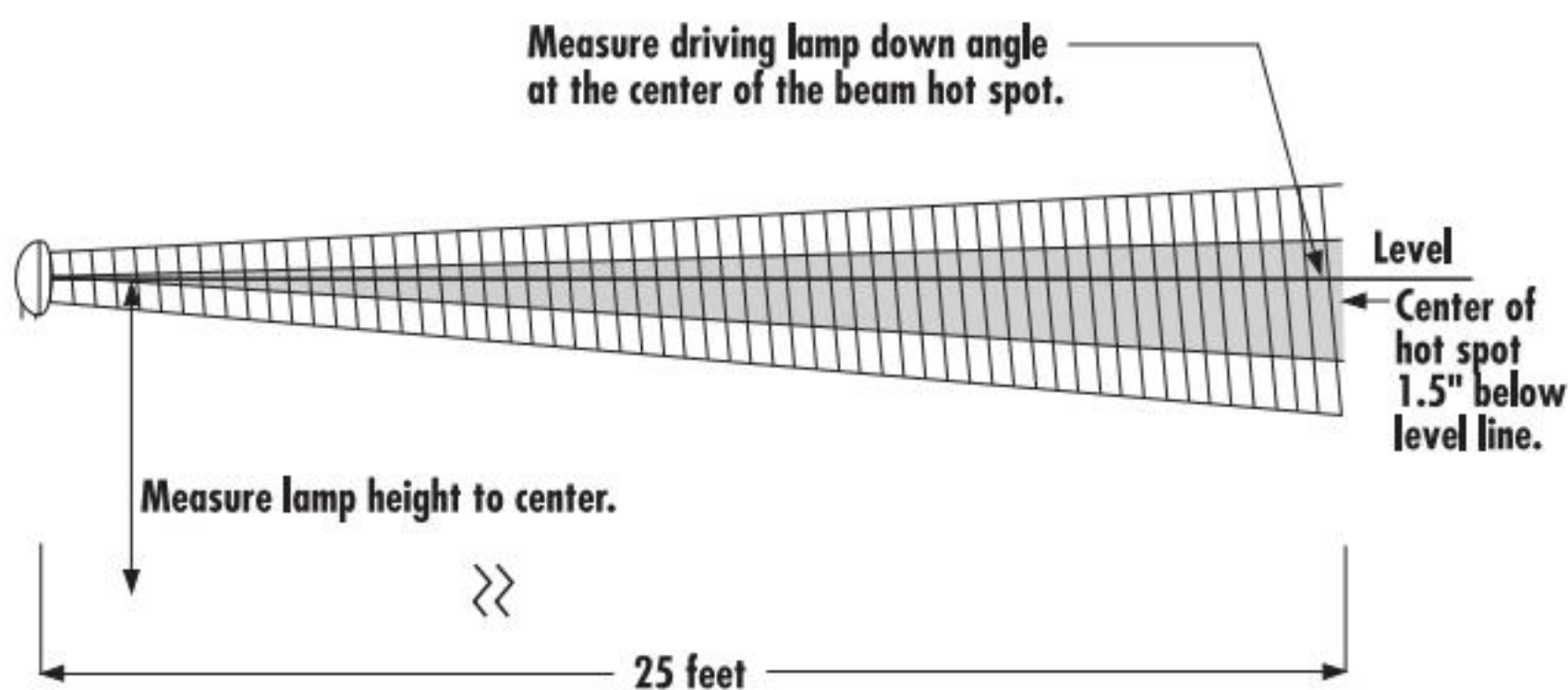
## FOG & FOUL WEATHER LIGHTS

Traditional fog lights are usually mounted under the front bumper about 10-24 inches from the ground. There are two important issues to address when installing fog lights, the first is to minimize the amount of return glare into the driver's eyes, and the other is to minimize glare into oncoming driver's eyes. Both must be accomplished while putting as much light as possible on the road. These fog/foul weather light aiming instructions are suggestions taken from common practice and the S.A.E. standard J583. Some modifications to these instructions may be necessary to minimize glare. Visual aim is made with the top of the beam 4 inches below the lamp center at 25 feet with the lamp facing straight forward. (See below.)



## DRIVING LIGHTS

Typically, driving lights are mounted above the front bumper about 14-30 inches from the ground to provide extra high beam illumination. Driving lights can be mounted below the bumper, although they will not be as effective because the light will hit the ground sooner and reduce the range of the light. Visual aim is made with the center of the beam hot spot 1.5 inches below the lamp center at 25 feet with the lamp facing straight forward. (See below.)





# LED WORKING DISPLAYS



\* Works on slat wall and peg hooks

## 3 LIGHT WORKING DISPLAY

Part#	Description
30053	Display with 3 LED lights with power source



## TWO LAMP WORKING DISPLAY

Part#	Description
30904	Display with 2 LED lights with power source

## LP SERIES WORKING DISPLAYS



## LP SERIES LED WORKING DISPLAYS

Part#	Description
30909	One PIAA LP530 LED Working Display
30955	One PIAA LP550 LED Working Display
30956	One PIAA LP560 LED Working Display
30912	One PIAA LP570 LED Working Display

## RF SERIES WORKING DISPLAYS



## RF SERIES LED WORKING DISPLAYS

Part#	Description
30973	One PIAA RF3 Driving LED Working Display
30976	One PIAA RF6 Driving LED Working Display
30977	One PIAA RF10 Driving LED Working Display
30978	One PIAA RF6 Ion Fog LED Working Display
30979	One PIAA RF10 Ion Fog LED Working Display



# LED BULB DISPLAY



## LED BULB WORKING DISPLAY

Part#	Description
30913	One working display with White LED & OEM Bulb

# XW HYBRID BULB DISPLAY



## XTREME WHITE HYBRID DISPLAY

Part#	Description
30934	Wire display, holds 8 XW Hybrid Twin Packs