

# PIAA

AUTOMOTIVE 2018



THE ROAD TO BETTER

**VISIBILITY**



G3 LED BULBS

pg. 22



LED LIGHTS

pg. 6



XTREME WHITE HYBRID

pg. 26



PLATINUM

pg. 24



SILICONE WIPERS

pg. 32





---

## TECHNOLOGY

---

PIAA has been the acknowledged leader in innovative automotive products for decades. Visionary design, inspired engineering and quality components are the hallmark of PIAA's reputation with drivers of distinction. Propelled by PIAA's Technical Design Center, our products cross the line from ordinary to extraordinary.

---

## RACE PROVEN QUALITY

---

Dependable and reliable under the most severe racing conditions. PIAA lenses and reflectors are computer designed for optimum performance and are made from the highest quality polycarbonate and hardened glass to withstand the rigors of off road racing and normal road hazards. PIAA quality makes PIAA lighting systems a serious choice for drivers today.

---

## EASE OF INSTALLATION

---

You don't have to be an automotive electrician to install PIAA light kits. First of all PIAA light kits come complete with a pre-assembled wiring harness which includes relay, fuse, and switch. Second, PIAA offers a wide range of mounting kits designed for easy installation of your PIAA lighting system. PIAA mounting kits come complete with everything you need to make your installation almost effortless. The use of PIAA mounting kits ensure a professional looking installation you can be proud of.

PIAA was established in 1963 with the commitment to manufacture **WORLD-CLASS** products that our customers could use with **PRIDE** and **CONFIDENCE**. Today, PIAA upholds that commitment by combining market driven concepts with the latest **TECHNOLOGY** to make night and inclement weather driving as **SAFE** as possible.

---

## TABLE OF CONTENTS

---

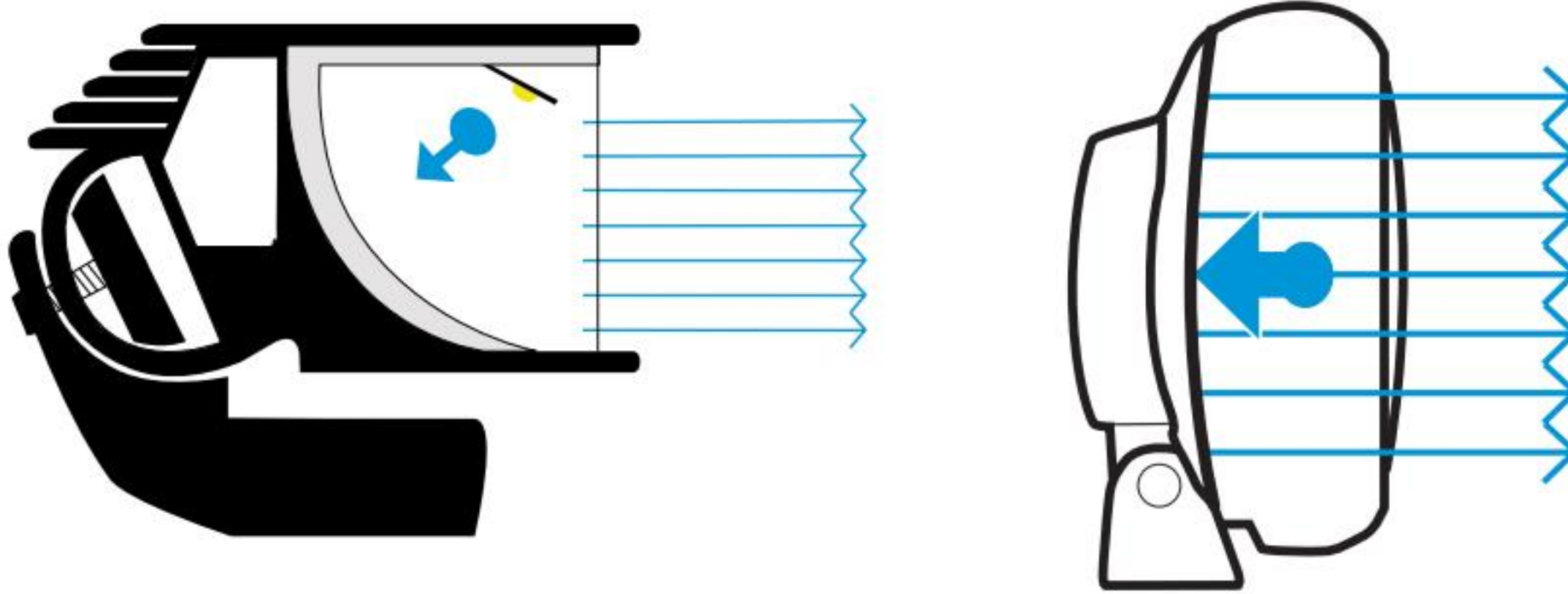
Light Kits		Bulbs	
5	LP Series LED Lights	20	LED Bulbs
9	RF Series LED Light Bars	24	Halogen Upgrade Bulbs
11	RF3 Cube Lights		
11	Quad Series Cubes		Wiper Blades
12	Quad Series Light Bars	30	Silicone Wiper Blades
13	Halogen Lights	32	Aero Vogue Wipers
15	Quick Reference Guides	34	Super Silicone Wipers
17	Mounting Accessories	36	Si-Tech Wipers
18	High Output Horns		



# OPTIC TECHNOLOGY

## REFLECTOR FACING TECHNOLOGY (RFT)

The innovative design offers significantly improved lighting and beam control compared to conventional LED and halogen lamps with forward-facing bulbs. The result is greater visibility for drivers and less demand on your vehicle's charging system.



RFT allows us to harness the entire light output produced from the LED chips, while directing the light into a usable beam pattern. Harnessing all the output has also allowed us to keep the low amp draw characteristics of LED lights by not having to utilize as many LEDs in the housing as forward facing lights. Thus allowing for lower amperage draw for equal or greater effective output.

- More controlled beam patterns directing the light exactly where you need it
- Lower power consumption than traditional forward facing LED light bars
- Two beam colors to combat dark and inclement weather conditions
- Compact and durable, with cast aluminum housings and polycarbonate lenses
- SAE Compliance for Street Legality

# BEAM COLORS

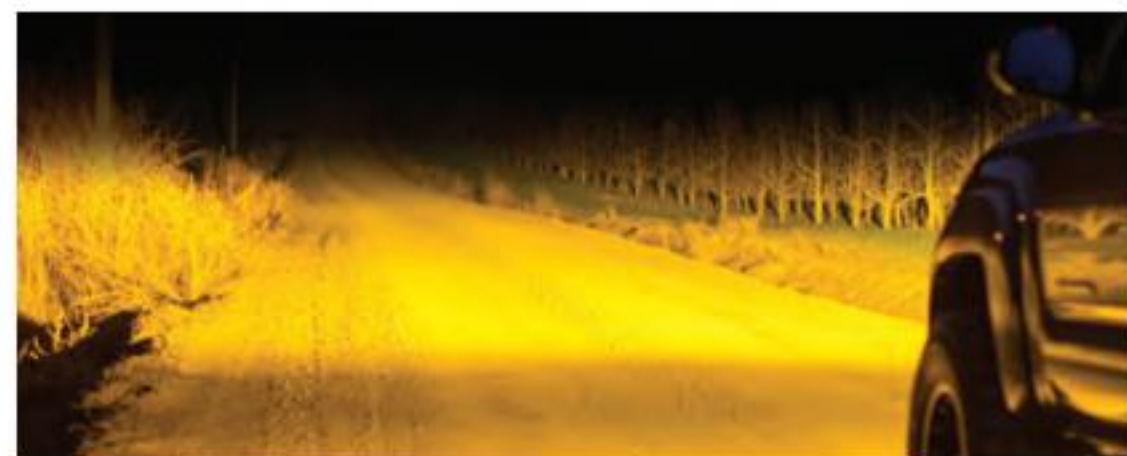
## WHITE

The pure white output of our lights and bulbs provide the perfect combination of contrast and brightness. The 6000k color temperature is designed to replicate daylight to provide optimum visibility.



## ION YELLOW

The Ion Yellow color was developed to combat the harsh weather driving conditions as well as poor visibility in dusty off-road conditions. The brilliant yellow color cuts through rain, fog, snow, and dust with ease.





## FOG PATTERN

Fog lights compliment your vehicle's low beams for improved visibility in rain, fog, snow, and dust. With a widespread pattern and defined cutoff line, fog lights can be used in conjunction with your low beams for improved all around vision.

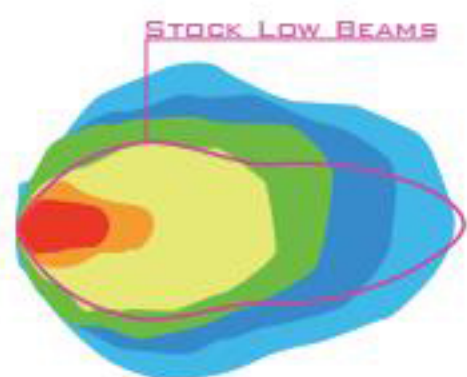
## HYBRID PATTERN

With more distance than a fog pattern and more width than a driving pattern, the Hybrid beam was engineered to offer the most versatile output for a variety of needs. The Hybrid can be used as a long range driving light with the benefits of illuminating the sides of the road and trails.

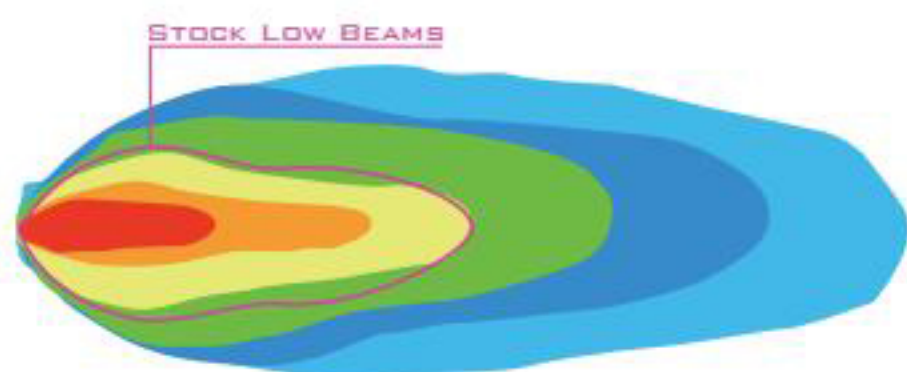
## LONG RANGE DRIVING

Driving lights are designed to compliment and outperform your vehicle's high beams. They are especially useful at higher speeds where they help to identify hazards and signs long before they would be seen with high beams only. All driving lights are extremely bright and must be dimmed in conjunction with the high beams.

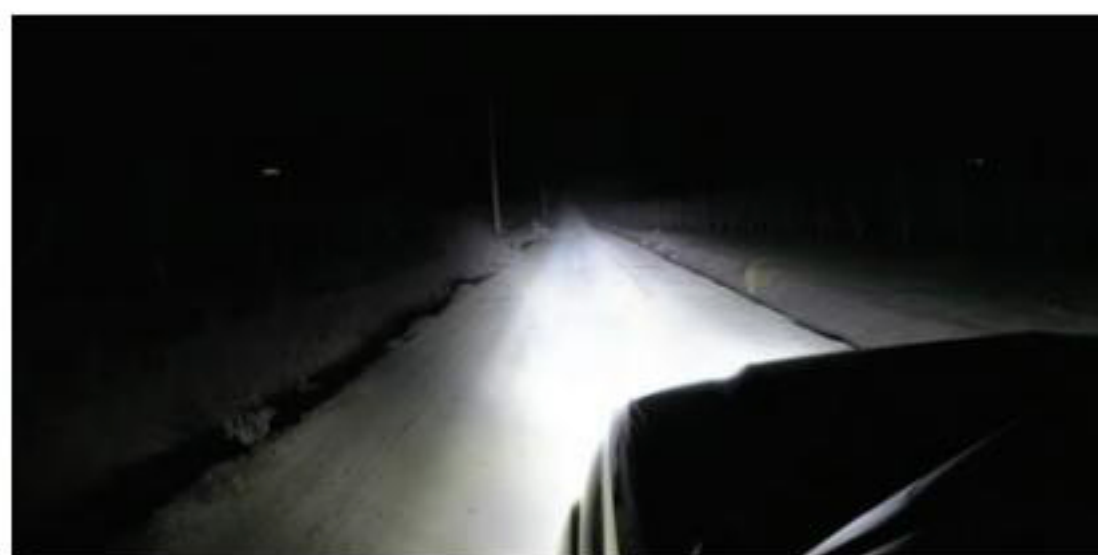
### FOG



### HYBRID



### DRIVING





# REFLECTOR FACING LED TECHNOLOGY

The LP Series line of LED lights were designed for people who wanted the newest LED technology in a traditional round housing. Made from aluminum and high strength polycarbonate, the LP Series lights are durable enough to handle any terrain.



**RUGGED ALUMINUM HOUSING**



**REFLECTOR FACING LEDs**



## STREET LEGAL COMPLIANCE

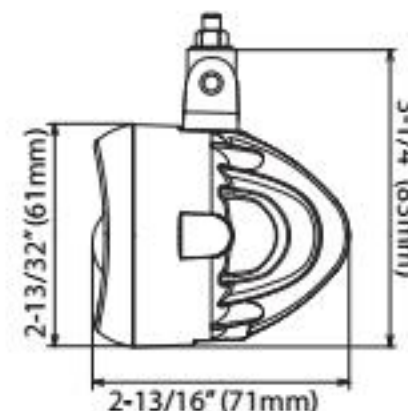
**Description** The latest generation of the ultra versatile 1100 lights may be the best yet. The All Terrain Projector (ATP) features a super wide, sharply cut beam pattern to illuminate far beyond the roads shoulders. The lightweight compact housing has a wide variety of application for cars, trucks, and SUV's

**Kit Includes** Two lamps, pre-wired harness with relay, fuse, and switch.



### 1100P LED

	Part No.	Watts	Bulb	Compliance
White ATP	26-01202	8	LED	SAE/ECE





# LP SERIES

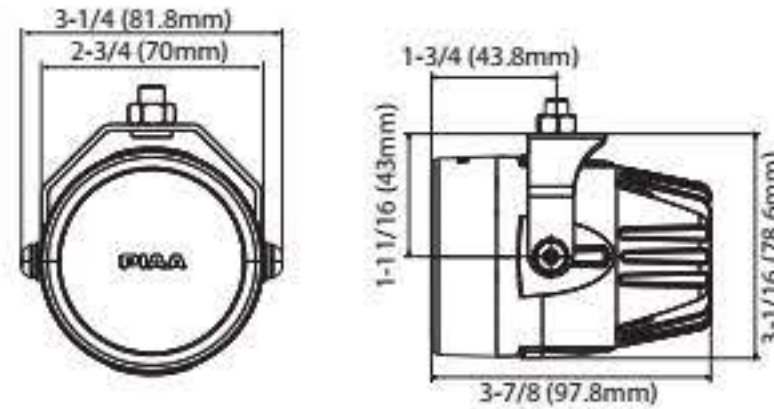


## LP270 LED

	Part No.	Watts	Bulb	Compliance
Ion DRV	22-02772	9	LED	-
White DRV	02772	9	LED	SAE
White FOG	02770	8	LED	SAE/ECE

**Description** Reflector Facing Technology and the overall size of the LP270 makes it one of the most powerful small LED lights on the market. Small in stature but big on output, the LP270 provides massive amounts of light, yet is small enough to offer a wide variety of fitments for cars, trucks, and SUV's.

**Kit Includes** Two lamps, pre-wired harness with relay, fuse, and switch.

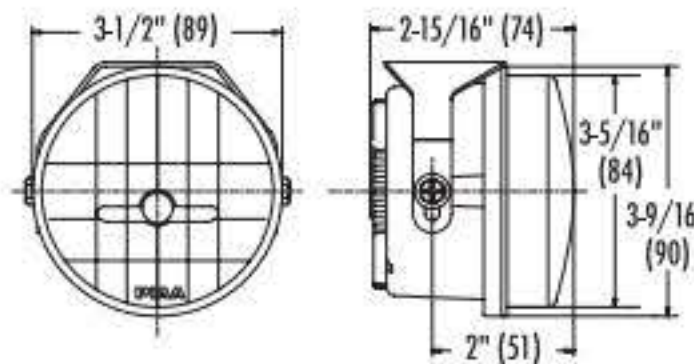


## LP530 LED

	Part No.	Watts	Bulb	Compliance
Ion DRV	22-05372	9	LED	-
Ion FOG	22-05370	8	LED	SAE/ECE
White DRV	05372	9	LED	SAE
White FOG	05370	8	LED	SAE/ECE

**Description** One of the most versatile lamps in the PIAA lineup. The durable compact size of the LP530 allows it to be mounted virtually anywhere. Its versatility provides a wide range of applications from Jeep pillar mounts, to OEM fog replacements.

**Kit Includes** Two lamps, grill guards, pre-wired harness with fuse and switch.



\* See pg. 17 for Vehicle Specific Mounting options



## LARGE LP LED's

Part No.	Watts	Bulb	Size	Compliance
05572	14	LED	5-3/16"	SAE/ECE
05672	14	LED	5-15/16"	SAE/ECE
05772	18	LED	7-3/16"	SAE/ECE

**Description** The larger LP lights are perfect for bumper mount applications. These LP Series LEDs are ideal for today's trucks and SUVs. A popular option for Jeep pillar mounts when a large amount of light is desired.

**Kit Includes** Two lamps, grill guards, pre-wired harness with relay, fuse and switch.





# LED LIGHTS

RF SERIES COLLECTION





# RF SERIES FEATURES

The RF Series LED light bars were designed with innovation and efficiency in mind. PIAA's industry first Reflector Facing Technology produces more efficient light and defined beam patterns than other light bars on the market, with fewer LEDs. By harnessing the entire output of each LED chip, RFT is able to produce more usable light than the competition.



**COMPUTER DESIGNED REFLECTOR**



**REFLECTOR FACING LEDS**



**MULTIPLE MOUNTING OPTIONS INCLUDED**



**MODULAR DESIGNED HOUSING**

## INDUSTRY FIRST MODULAR DESIGN



**JUMPER HARNESS  
PART NO. 33039**





# FOG BEAM

A Fog beam will enhance your visibility in rain, fog, snow, and dust. The RF Series fog lights come in two color options to combat any inclement weather environment.

- Wide beam to illuminate the side of trails and road shoulders
- Sharp cut line to eliminate glare to oncoming traffic
- Two beam color options for any weather condition
- Kit includes one lamp, pre-assembled harness with relay, fuse, & switch



## RF6 WHITE FOG

Part No.	Watts	Bulb	Compliance
07206	11	LED	SAE/ECE

## RF6 ION FOG

Part No.	Watts	Bulb	Compliance
22-07206	17	LED	SAE/ECE



## RF10 WHITE FOG

Part No.	Watts	Bulb	Compliance
07210	16	LED	SAE/ECE

## RF10 ION FOG

Part No.	Watts	Bulb	Compliance
22-07210	22	LED	SAE/ECE



## RF18 WHITE FOG

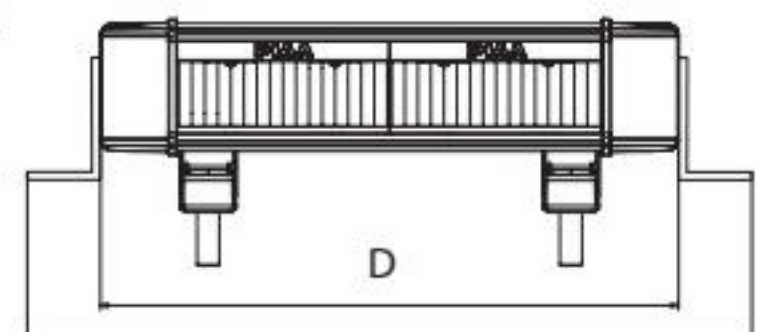
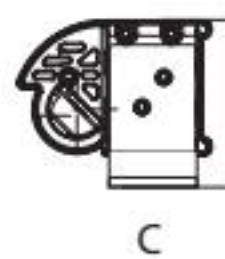
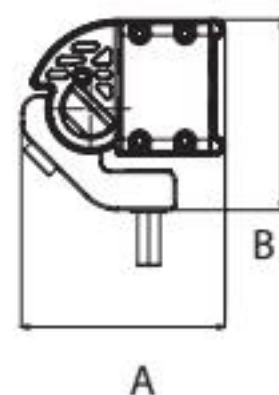
Part No.	Watts	Bulb	Compliance
07218	26	LED	SAE/ECE

## RF18 ION FOG

Part No.	Watts	Bulb	Compliance
22-07218	33	LED	SAE/ECE

## RF SERIES SIZING CHART

	A	B	C	D	E
RF6	3-9/16"	3-5/16"	2-1/4"	6-5/16"	8-5/16"
RF10	3-9/16"	3-5/16"	2-1/4"	10-1/16"	12-1/16"
RF18	3-9/16"	3-5/16"	2-1/4"	17-11/16"	19-11/16"



A

E



# DRIVING & HYBRID BEAM

The long range driving beam is ideal when maximum beam reach is desired. The beam is design to reach much further than a vehicle's headlights, alerting drivers of oncoming hazards much earlier than would be seen with high beams only. The Hybrid beam was designed to provide the perfect combination of distance and width, making these the perfect all around light for a variety of needs.

- DRV Pattern for extreme beam reach for long distance visibility
- HYB Pattern for increased beam reach with wider foreground coverage
- Precisely focused beam down the road to illuminate hazards
- See clearly and much sooner than standard headlights
- Kit includes one lamp, pre-assembled harness with relay, fuse, & switch



## RF6 WHITE

Part No.	Beam	Watts	Bulb	Compliance
07606	Driving	17	LED	SAE/ECE
26-07106	Hybrid	17	LED	-



## RF10 WHITE

Part No.	Beam	Watts	Bulb	Compliance
07610	Driving	33	LED	SAE/ECE
26-07110	Hybrid	34	LED	SAE



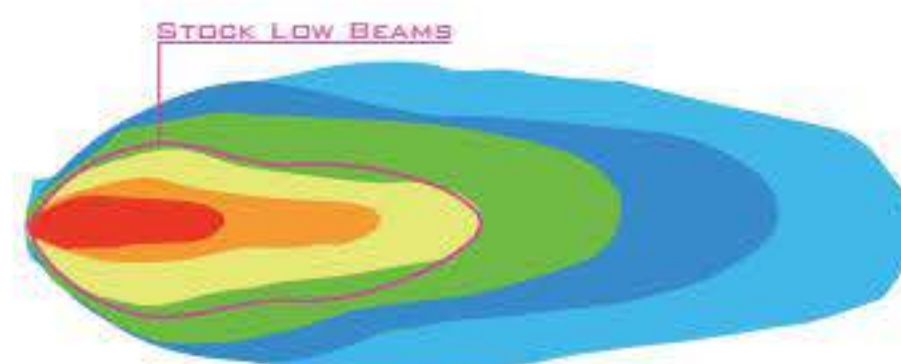
## RF18 WHITE

Part No.	Beam	Watts	Bulb	Compliance
07618	Driving	71	LED	ECE
26-07118	Hybrid	71	LED	SAE

## DRIVING



## HYBRID





# CUBES LED LIGHTS

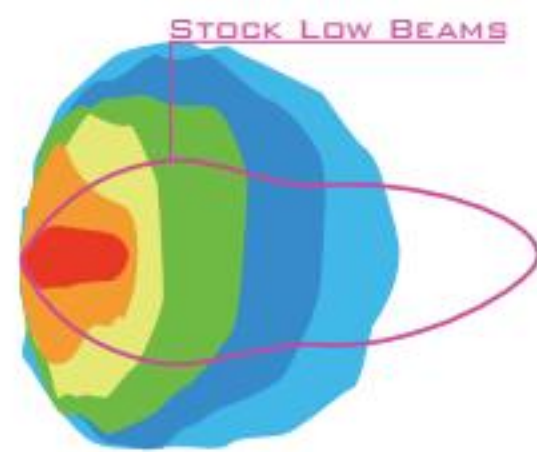
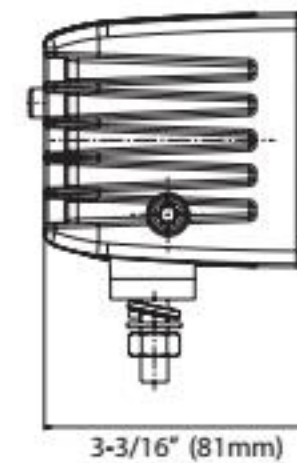
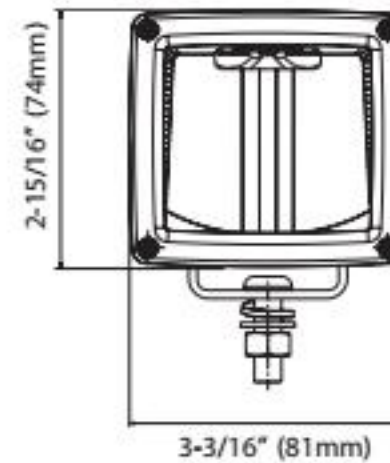


**Description** The RF3 3" LED Cube light has redefined the small LED light market. Unlimited mounting possibilities and a tremendous amount of light output makes the RF3s some of our most popular LED lights.

**Kit Includes** Two lamps, pre-wired harness with relay, fuse, and switch.

## RF3 WHITE DRIVING

	Part No.	Watts	Bulb	Compliance
RF3 DRV	07603	17	LED	SAE/ECE
RF3 Flood	07340	17	LED	-

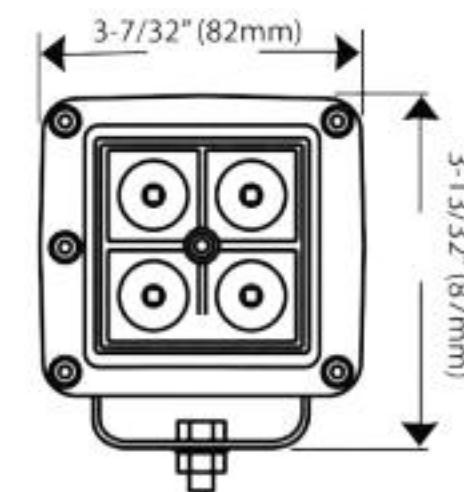
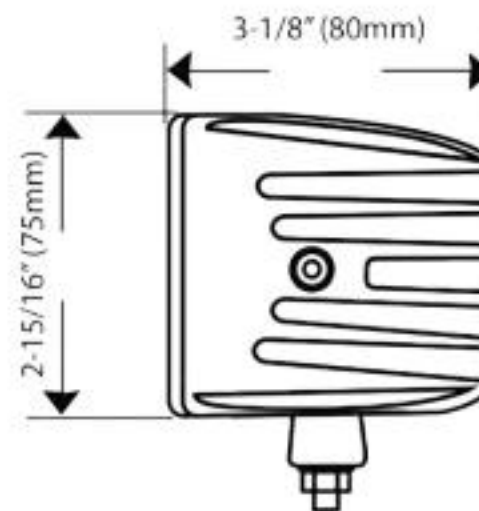


**Description** The Quad Cube lights are a perfect combination between value and versatility. The Quad Series line feature Quad Reflective Optics that produce massive amounts of light output. The compact, highly durable housing allows for the lights to be mounted virtually anywhere.

**Kit Includes** Two lamps, pre-wired harness with relay, fuse, and switch.

## QUAD CUBES

	Part No.	Watts	Bulb
Quad Spot	26-06603	12	LED
Quad Flood	26-6303	12	LED



- Increased Reflector Surface
- Symmetrical Beam Pattern
- Greater Beam Intensity



- Amour plated coating
- IP67 waterproof design
- 50,000 hour lifespan



- XTRA Clear Technology
- Ultra Optical Clarity
- Shatter Resistant



# QUAD SERIES

The Quad Series line of LED light bars were created to bring quality and performance to the market in an affordable package. Breaking through the industry standard in light output and durability, the Quad Series lights provide massive amounts of light with PIAA's trusted durability.

- Quad Reflective Optics for extreme distance plus foreground lighting
- Tested to strict Japanese quality standards
- 50,000+ hour lifespan
- High intensity 3w LEDs for maximum light output
- Backed by a two year warranty
- Kit includes single light, pre-assembled harness with relay & switch



## QUAD 12" BAR

Part No.	Watts	Beam
26-06612	72	Spot
26-06112	72	Combo



## QUAD 20" BAR

Part No.	Watts	Beam
26-06620	120	Spot
26-06120	120	Combo



## QUAD 30" BAR

Part No.	Watts	Beam
26-06630	180	Spot
26-06130	180	Combo



- Increased Reflector Surface
- Symmetrical Beam Pattern
- Greater Beam Intensity



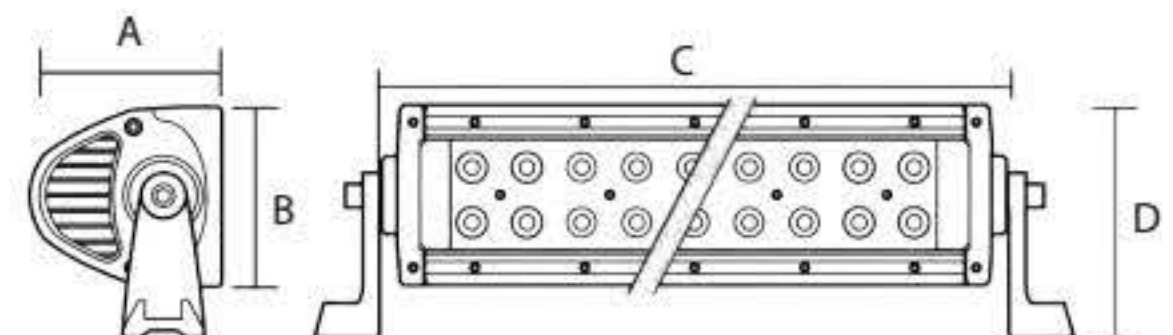
- Amour plated coating
- IP67 waterproof design
- 50,000 hour lifespan



- XTRA Clear Technology
- Ultra Optical Clarity
- Shatter Resistant

### QUAD SERIES SIZING CHART

	A	B	C	D
12"	3-13/32"	3-3/32"	14-3/32"	3-3/32"
20"	3-13/32"	3-3/32"	22-5/32"	3-3/32"
30"	3-13/32"	3-3/32"	32-3/16"	3-3/32"





# PERFORMANCE HALOGEN

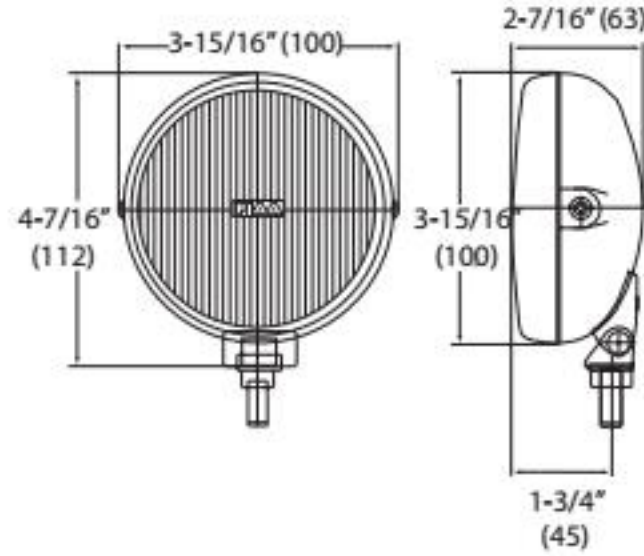


## 510 SERIES

	Part No.	Watts	Bulb	Compliance
Ion Fog	05161	55=85	Ion	SAE
SMR FOG	05190	55=110	XWP	SAE
SMR DRV	05192	55=110	XWP	SAE

**Description** The 510s exceed SAE durability standards. The compact housing provides a multitude of applications. With its 4" diameter, the 510s are a natural for today's cars and trucks with round openings in the bumper.

**Kit Includes** Two lamps, mesh grills, pre-wired harness with relay, fuse, and switch.

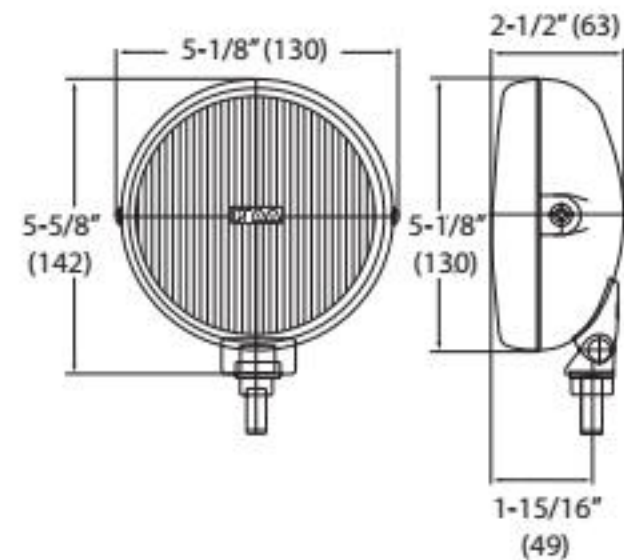


## 540 SERIES

	Part No.	Watts	Bulb	Compliance
Ion Fog	05461	55=85	ION	SAE
White DRV	05462	55=110	XWP	SAE/ECE

**Description** Big, bold design in a small package. Designed specifically for small, mid-sized trucks and SUVs. The unique black mesh lens cover offers additional protection while enhancing your vehicle's appearance.

**Kit Includes** Two lamps, mesh grills, pre-wired harness with relay, fuse, and switch.

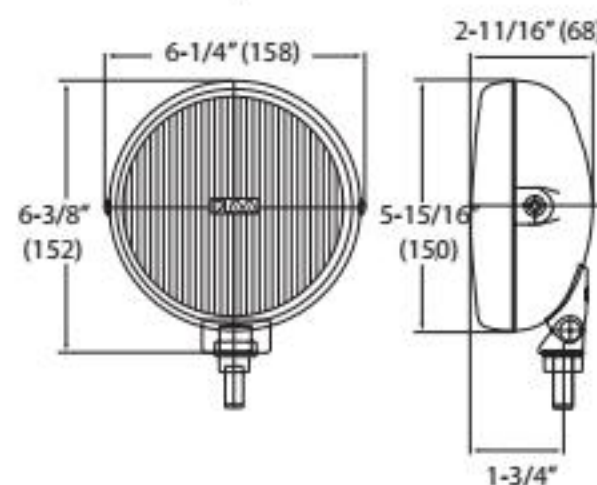


## 520 SERIES

	Part No.	Watts	Bulb	Compliance
Ion FOG	05291	85	ION	-
Ion DRV	05293	85	ION	-
White ATP	05296	85=135	XWP	-

**Description** The number one selling halogen light on the market today. The 520 compliments more trucks and SUVs than any other light available. The reason? Simply the best combination of fashion and performance in its class.

**Kit Includes** Two lamps, mesh grills, pre-wired harness with relay, fuse, and switch.





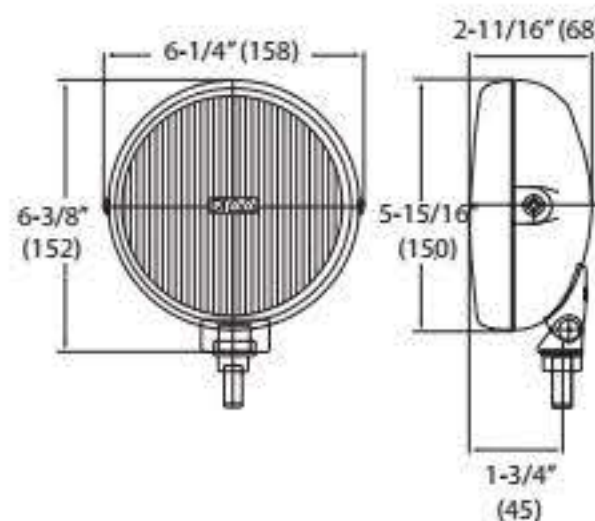


**40 SERIES**

	Part No.	Watts	Bulb	Compliance
Clear DRV	04062	55	Clear	ECE

**Description** Durability, dependability and reliability add up to make the 40 series light the best value on the market. With its prism cut glass lens for optimum clarity, stamped steel housing, and powerful output, the 40 series has unmatched value to performance.

**Kit Includes** Two lamps, white covers, pre-wired harness with relay, fuse, and switch.



**2000 SERIES**

	Part No.	Watts	Bulb	Compliance
White FOG	02090	55=110	XWP	ECE
Ion FOG	02091	55=85	ION	ECE

**Description** The 2000 gives a wide flat beam pattern perfect for low beam assistance and is great for enhancing visibility in rain or snow. This light has achieved the tough European E-code certification. The 2000 series features a compact size and PIAA's proven Multi-Surface Reflector fog beam.

**Kit Includes** Two lamps, pre-wired harness with relay, fuse, and switch.

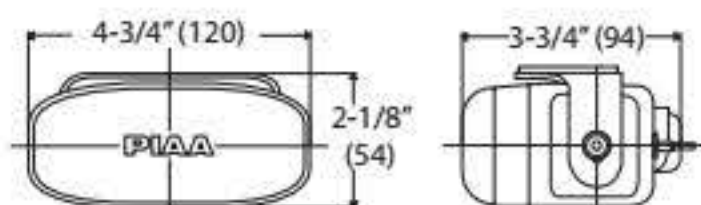


**2100 SERIES**

	Part No.	Watts	Bulb	Compliance
White DRV	02192	55=110	XWP	ECE
White FOG	02190	55=110	XWP	ECE

**Description** This uniquely designed, compact housing works in conjunction with the aerodynamic shape of today's vehicles. Multi-Surface Reflector produces a razor sharp beam.

**Kit Includes** Two lamps, pre-wired harness with relay, fuse, and switch.





# QUICK REFERENCE GUIDES

## LP SERIES

LP Series LED Light Kits	Complete Kit	Single Light	Wiring Harness	Relay	Switch	Mesh Grill
1100p LED SAE ATP	26-01202	16-01202	34071	33086	30034	-
LP270 LED SAE Fog	02770	02700	34071	33086	30034	-
LP270 LED SAE Driving	02772	02702	34071	33086	30034	-
LP270 LED Ion Yellow Driving	22-02772	12-02702	34071	33086	30034	-
LP530 LED SAE Fog	05370	05300	34070	-	-	45302
LP530 LED SAE Driving	05372	05302	34070	-	-	45302
LP530 LED Yellow Fog	22-05370	12-05300	34070	-	-	45302
LP530 LED Yellow Driving	22-05372	12-05302	34070	-	-	45302
LP550 LED SAE Driving	05572	05502	34071	33086	30034	45502
LP560 LED SAE Driving	05672	05602	34071	33086	30034	45602
LP570 LED SAE Driving	05772	05702	34071	33086	30034	45702

## RF SERIES

RF Series LED Light Kits	Complete Kit	Single Light	Wiring Harness	Relay	Switch
RF3 LED Flood	07340	07320	34071	33086	30034
RF3 LED SAE Driving	07603	07403	34071	33086	30034
RF6 LED Light Bar SAE Fog	07206	07006	34071	33086	30034
RF6 LED Light Bar SAE Yellow Fog	22-07206	12-07206	34071	33086	30034
RF6 LED Light Bar Hybrid	26-07106	16-07106	34071	33086	30034
RF6 LED Light Bar SAE Driving	07606	07406	34071	33086	30034
RF10 LED Light Bar SAE Fog	07210	07010	34071	33086	30034
RF10 LED Light Bar SAE Yellow Fog	22-07210	12-07210	34071	33086	30034
RF10 LED Light Bar SAE Hybrid	26-07110	16-07110	34071	33086	30034
RF10 LED Light Bar SAE Driving	07610	07410	34071	33086	30034
RF18 LED Light Bar SAE Fog	07218	07018	34071	33086	30034
RF18 LED Light Bar SAE Yellow Fog	22-07218	12-07218	34071	33086	30034
RF18 LED Light Bar SAE Hybrid	26-07118	16-07118	34071	33086	30034
RF18 LED Light Bar Driving	07618	07418	34071	33086	30034

## QUAD SERIES

Quad Series LED Light Kits	Complete Kit	Single Light	Wiring Harness	Relay	Switch
Quad 12" LED Light Bar, Combo Beam	26-06112	16-06112	34072	-	-
Quad 20" LED Light Bar, Combo Beam	26-06120	16-06120	34072	-	-
Quad 30" LED Light Bar, Combo Beam	26-06130	16-06130	34074	-	-
Quad LED Cube Light, Flood Beam	26-06303	16-06303	34073	-	-
Quad LED Cube Light, Spot Beam	26-06603	16-06603	34073	-	-
Quad 12" LED Light Bar, Spot Beam	26-06612	16-06612	34072	-	-
Quad 20" LED Light Bar, Spot Beam	26-06620	16-06620	34072	-	-
Quad 30" LED Light Bar, Spot Beam	26-06630	16-06630	34074	-	-



# HALOGEN LIGHTS

Halogen Light Kits	Complete Kit	Single Light	Lens/ Reflector	Replacement Bulb	Wiring Harness	Relay	Switch	Mesh Grill	White Cover
2000 Series XWP Fog	02090	02010	32010	15213	34085	33086	30034	-	-
2000 Series Ion Crystal Fog	02091	02011	32010	13555	34085	33086	30034	-	-
2100 Series XWP Fog	02190	02110	32110	15213	34085	33086	30034	-	-
2100 Series XWP Driving	02192	02112	32112	15213	34085	33086	30034	-	-
40 Series Driving	04062	04012	34012	13055	34085	33086	30034	-	44010
510 Series Ion Crystal SAE Fog	05161	05101	35101	13455	34085	33086	30034	45102	-
510 Series XWP SMR SAE Fog	05190	05110	35110	15213	34085	33086	30034	45102	-
510 Series XWP SMR SAE Driving	05192	05112	35112	15213	34085	33086	30034	45102	-
510 Series XWP ATP	05196	05106	35106	15213	34085	33086	30034	45102	-
520 Series Chrome XWP SAE Driving	05264	05204	35202	15213	34260	33260	30034	45020	44010
520 Series Ion Crystal Fog	05291	05211	35201	13085	34260	33260	30034	45022	44010
520 Series Ion Crystal Driving	05293	05213	35203	13085	34260	33260	30034	45022	44010
520 Series XWP SMR SAE Driving	05294	05214	35202	15213	34260	33260	30034	45022	44010
520 Series XWP ATP	05296	05216	35206	15286	34260	33260	30034	45022	44010
540 Series Ion Crystal SAE Fog	05461	05401	35401	13455	34085	33086	30034	45400	-
540 Series XWP SAE Driving	05462	05402	35402	15213	34085	33086	30034	45400	-

# BULBS

Bulb Type	Solar Yellow		Halogen	Xtreme White Hybrid		Xtreme White Plus		Platinum Led		G3 Led	
	Single	Pair		Single	Pair	Single	Pair	Single	Pair	Single	Pair
H1	12-13401	22-13401	-	13-10101	23-10101	11155	11655	-	-	-	-
H3	12-13403	22-13403	13055/13455	13-10103	23-10103	15213	15223	-	-	-	-
H3 (85W)	-	-	13085	-	-	15286	-	-	-	-	-
H4	12-13404	22-13404	-	13-10104	23-10104	15214	15224	16-17304	26-17304	16-17404	26-17404
H7	12-13407	22-13407	-	13-10107	23-10107	17155	17655	16-17307	26-17307	16-17407	26-17407
H8	12-13408	22-13408	-	13-10108	23-10108	18035	18235	16-17308	26-17308	16-17408	26-17408
H9	-	-	-	13-10109	23-10109	19165	19665	16-17309	26-17309	16-17409	26-17409
H10	-	-	-	-	-	15110	15210	-	-	-	-
H11	12-13411	22-13411	-	13-10111	23-10111	15111	15211	16-17311	26-17311	16-17411	26-17411
H11B	-	-	-	-	-	15401	15411	-	-	-	-
H16	12-13416	22-13416	-	-	-	-	-	16-17316	26-17316	16-17416	26-17416
HB	12-13495	22-13495	-	-	-	-	-	-	-	-	-
880	-	-	-	-	-	18881	18880	-	-	-	-
881	-	-	-	-	-	18813	18803	-	-	-	-
9004 (HB1)	-	-	-	13-10194	23-10194	19014	19614	-	-	-	-
9005 (HB3)	12-13495	22-13495	-	13-10195	23-10195	19015	19615	16-17395	26-17395	16-17495	26-17495
9006 (HB4)	12-13495	22-13495	-	13-10196	23-10196	19016	19616	16-17396	26-17396	16-17496	26-17496
9007 (HB5)	-	-	-	13-10197	23-10197	19017	19617	16-17397	26-17397	-	-
9008 (H13)	-	-	-	13-10113	23-10113	19018	19618	16-17313	26-17313	16-17413	26-17413
9012	-	-	-	13-10192	23-10192	-	-	16-17392	26-17392	16-17492	26-17492
PSX24	-	-	-	-	-	-	-	16-17324	26-17324	-	-
168 / 194	-	-	-	-	-	-	19172	-	-	-	19107
168/30Lm	-	-	-	-	-	-	-	-	-	-	26-19310
168/70Lm	-	-	-	-	-	-	-	-	-	-	26-19410



# MOUNTING SOLUTIONS



Light Type LP530 LED

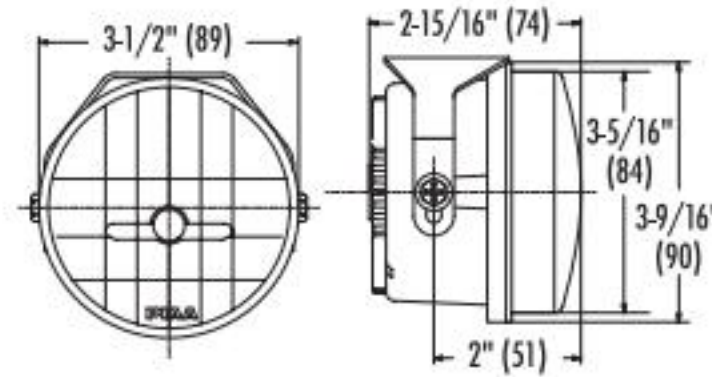
Description Our Jeep Wrangler JK/JL vehicle specific kit replaces the OEM fog lights with our new LP530 LED lights. The LP530s provide far more output and consume less power than the factory fog lights.

Kit Includes Two lamps, mounting brackets, pre-wired harness with fuse and switch.

## JEEP JK/JL 10-18 LED VSK

	Part No.	Watts	Compliance	
	LP530 DRV	05332	9	SAE
	LP530 FOG	05330	8	SAE/ECE
<b>NEW</b>	LP530 Ion DRV	22-05332	9	-
<b>NEW</b>	LP530 Ion FOG	22-05330	8	SAE/ECE
	BRACKETS	30330	-	-

\* Jeep VSK will fit all aftermarket bumper that utilize stock fog lights



PIAA's line of mounting brackets are made from high strength aluminum with a durable anodized coating. Carried in popular sizes for vehicle push bars, ATV/UTV roll cage tubing, and roof racks. The 360 brackets feature a 360° rotating platform for ultimate versatility.



## 7/8"- 1-1/4" 360 MOUNT BRACKETS

Part No.	Size
30740	7/8"   1"   1-1/8"   1-1/4"
30744	1-1/2"   1-3/4"



## JEEP JK/JL PILLAR MOUNTS 07-18

Part No.	Description
30110	07-18 Jeep Wrangler



# PERFORMANCE HORNS

PIAA offers loud, attention getting horns which are one of the most important safety devices. Make sure people notice you with highly increased decibels in a lightweight and easy to install horn from PIAA.

- 3 different sounds to choose from
- Loud attention getting horns
- Double the sound of a stock horn
- Lightweight compact design
- Greater decibel pitch over stock



MOUNTING & ACCESSORIES



**SPORTS HORN BASS TONE  
115DB**

Part No.	Pitch
85110	400Hz & 500Hz



**SPORTS HORN HIGH TONE  
115DB**

Part No.	Pitch
85112	500Hz & 600Hz



**SLIM SPORT  
HORN 112DB**

Part No.	Pitch
85114	400Hz & 500Hz



**SUPERIOR BASS  
HORN 112DB**

Part No.	Pitch
85115	330Hz & 400Hz



# LED BULBS

## G3 BULBS



### NEW 168/T10 LED BULBS



Part No.	Color	Lumens
26-19310	6000k White	30
26-19410	6000k White	70



# G3 LED BULBS

The G3 LEDs have received a major makeover to bring you the best LED bulb on the market today. We integrated a new controller with Pulse Width Modulation to eliminate the annoying flickering effect for most vehicles.

Engineered with an adjustable bulb collar to fine tune the beam pattern. This feature allows for precise optical output giving you the most usable beam on the market.

On the column sits higher output XP-L chips which have a wider viewing angle that utilizes the entire reflector surface to fill in dark areas left by halogen bulbs. The LED chips sit on a thinner board that places the light source more toward the center of the column in the precise location of a standard filament. This innovative design allows the G3 LEDs to increase beam intensity while providing continuous light distribution.

The base of the G3 bulbs are fitted with a high-speed fan to keep the LED chips cool and running at maximum light output. The new fan design creates 20% less noise than the previous model, making them whisper quiet when in use. The controllers are fitted with the correct plugs to snap into the factory bulb adapters.

- Pulse width modulation control eliminates flickering for most applications
- Adjustable base to fine-tune alignment for precise optical outputs
- 5-year warranty that's engineered for long lasting performance
- Plug & play design comes with OR connectors for a quick & easy installation
- Powerful cooling capacity for maximum brightness throughout the bulb life

OUTPUT



IN HEADLIGHT



## G3 LED BULBS

	Pair
H4 (9003)	26-17404
H7	26-17407
H8	26-17408
H9	26-17409
H11	26-17411
H13 (9008)	26-17413
H16	26-17416
9005 (HB3)	26-17495
9006 (HB4)	26-17496
9012	26-17492



\* Does not comply with FMVSS108 or CMVSS108.



# LED BULBS

PLATINUM BULBS

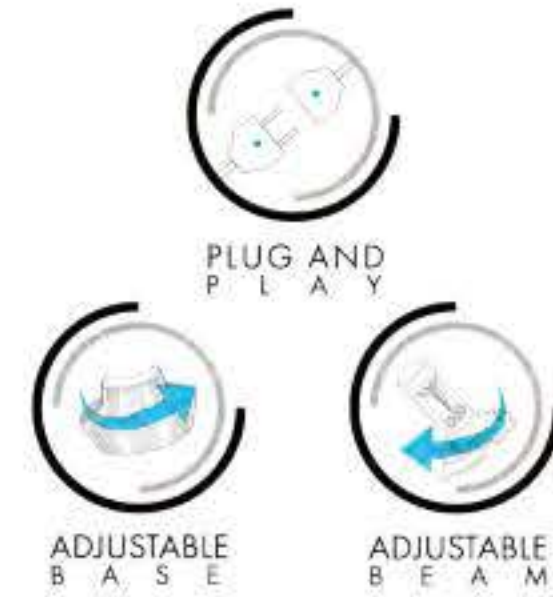




# PLATINUM LED BULBS

Designed with a brilliant cut-line and anti-glare technology, this bulb upgrade directs the light to where you need it most. High power Z ES LEDs provide extreme luminance in a micro footprint package for precise beam angle control. With the addition of a dual alloy heat sink, these LEDs have excellent thermal resistance that allows for consistent operating temperatures and longer life.

- High Luminance 25 watt Z ES LEDs for Maximum Brightness
  - Adjustable Beam Design for Precise Optics
  - Reversible Fan-less 6063 Aluminum Base Design
  - 6000K Color Temperature to Replicate Daylight
  - Double the Lumen Output of Stock Halogen Bulbs
  - Chip placement maximizes stock housing
- \* Not for use in low voltage high/low beam DRL applications.



OUTPUT



IN HEADLIGHT



## PLATINUM LED BULBS

	Pair
H4 (9003)	26-17304
H7	26-17307
H8	26-17308
H9	26-17309
H11	26-17311
H13	26-17313
H16	26-17316
PSX24	26-17324
9012	26-17392
9005 (HB3)	26-17395
9006 (HB4)	26-17396
9007 (HB5)	26-17397



\* Does not comply with FMVSS108 or CMVSS108.



# BULBS

HALOGEN UPGRADES





# XTREME WHITE HYBRID

The Xtreme White Hybrid Bulbs provide the best possible balance between performance and bulb life. Constructed utilizing features from the Xtreme White Plus and Night Tech lines, PIAA's Hybrid bulbs provide high output and reliability that today's drivers demand. Engineered with newly-developed bulb coatings to provide drivers with a brighter and whiter beam than stock bulbs. Hybrid bulbs give more contrast and brighter down road illumination allowing drivers to see farther for greater safety and comfort.

- Whiter and Brighter than stock bulbs
- DOT compliance for worry free street legal operation
- Up to 3900K color for increased depth perception and contrast
- Best balance between performance and bulb life
- Backed by one year warranty
- Great value at an attractive price point

OUTPUT



IN HEADLIGHT



## XTREME WHITE HYBRID

	Pair	Single	Wattage
H1	23-10101	13-10101	55w
H3	23-10103	13-10103	55w
H4 (9003)	23-10104	13-10104	60/55w
H7	23-10107	13-10107	55w
H8	23-10108	13-10108	35w
H9	23-10109	13-10109	65w
H11	23-10111	13-10111	55w
H13	23-10113	13-10113	65/55w
9004 (HB1)	23-10194	13-10194	65/45w
9005 (HB3)	23-10195	13-10195	60w
9006 (HB4)	23-10196	13-10196	51w
9007 (HB5)	23-10197	13-10197	65/55w
9012	23-10192	13-10192	55w



# BULBS

HALOGEN UPGRADES





# XTREME WHITE PLUS

The Xtreme White Plus Series of high output replacement bulbs give drivers better color recognition, depth perception, and improved contrast over stock halogen bulbs, all while meeting DOT specification. Xtreme White Plus bulbs feature a crisp white light output that allows for better road illumination, while a blue top coat adds style to your vehicle with the Xtreme White's 4000K color temperature.

- 4000k Bright White Color for Visibility and Style
- Heat Resistant Quartz Glass for Long Life
- XTRA Technology for Increased Light Output
- Aerospace Alloy Filaments for Durability
- Select DOT / SAE Compliance for Street Legality

OUTPUT



IN HEADLIGHT



## XTREME WHITE PLUS

	Pair	Single	Wattage
H1	11655	11155	55w=110w
H3	15223	15213	55w=110w
H4 (9003)	15224	15214	60/55w=110/100w
H7	17655	17155	55w=110w
H8	18235	18035	35w=70w
H9	19665	19165	65w=120w
H10 (9145)	15210	15110	45w=60w
H11	15211	15111	55w=110w
H11B	15411	15401	55w=110w
H13	19618	19018	65/55w=85/75w
880	18880	18881	27w=50w
881	18803	18813	27w=50w
9004 (HB1)	19614	19014	65/45w=120/95w
9005 (HB3)	19615	19015	60w=120w
9006 (HB4)	19616	19016	51w=115w
9007 (HB5)	19617	19017	65/45w=120/95w
168/T10	19172	-	5w



# BULBS

HALOGEN UPGRADES





# SOLAR YELLOW

The next evolution in yellow lighting led us to the Solar Yellow line of bulbs. Newly developed Vivid-Coat Technology allows more light to pass through the coating, making these great performing inclement weather halogen bulbs. The color temperature of Solar Yellow makes these a safe options when dealing with snow, sleet, fog, dust, and smoke. If you are looking to enhance the look of your vehicle, or improve the performance of your lights in inclement weather, the Solar Yellow bulbs are the ideal solution.

- Highest quality quartz glass and alloy filament for better performance and durability
- Vivid-Coat Technology has far less light loss than standard coated bulbs
- Cutting edge yellow output improves visibility in inclement weather
- 2500K Yellow color produces significantly less glare than white light
- Backed by a one year warranty

OUTPUT



IN LIGHT



## SOLAR YELLOW

	Pair	Single	Wattage
H1	22-13401	12-13401	55w
H3	22-13403	12-13403	55w
H4 (9003)	22-13404	12-13404	60/55w
H7	22-13407	12-13407	55w
H8	22-13408	12-13408	35w
H11	22-13411	12-13411	55w
H16	22-13416	12-13416	19w
HB (9005/9006)	22-13495	12-13495	55w

\* Does not comply with FMVSS108 or CMVSS108.



# SILICONE

WIPER BLADES





# SILICONE ADVANTAGE



PIAA Silicone rubber blades after 1 year of use



Standard rubber blades after 1 year of use

## SILICONE TECHNOLOGY

Silicone rubber blades provide a quiet and streak-free wiping action, while coating the windshield with a water repellent barrier. Silicone Technology reduces surface tension, causing water to repel from the windshield even when wipers are not in use.

## WHY SILICONE?

Silicone rubber holds up to outdoor environments far better than standard rubber found in most wiper blades. PIAA blades maintain a clean edge and offer better resistance to all environments (Ozone & Temperature Extremes).



## REFILLABLE SILICONE BLADES

Aero Vogue and Super Silicone blades can accept silicone wiper refills, resulting in a lower cost of ownership over time.



## RIGOROUS TESTING PROCEDURES

All of our wipers are subjected to extreme durability testing, including a 500,000 wipe test, accelerated Ozone resistance testing, and extreme temperature testing to ensure we deliver the most durable and advanced wipers to the market.



# AERO VOGUE

## SILICONE WIPER BLADES

### DESIGN

- Aero Cover To Maximize Down Force
- Pass-Through Technology Eliminates Wind Lift And Chatter
- Resists Snow And Ice Build Up
- Frame Designed For Even Pressure Across Windshield



2x

LONGER  
LASTING

### SILICONE ADVANTAGE



WATER REPELLENT  
SILICONE BARRIER



LONG LASTING  
PERFORMANCE



RE-FILLABLE  
SILICONE INSERT



WINDSHIELD PREP  
PACK INCLUDED

PIAA



PIAA Aero Vogue high performance silicone wiper blades were designed with performance and functionality in mind. They feature PIAA's patented silicone technology which reduces surface tension, causing water to repel from the windshield for streak free and quiet operation. The new aero style cover features "Pass-Through" technology which greatly reduces blade chatter and wind lift at higher speeds.

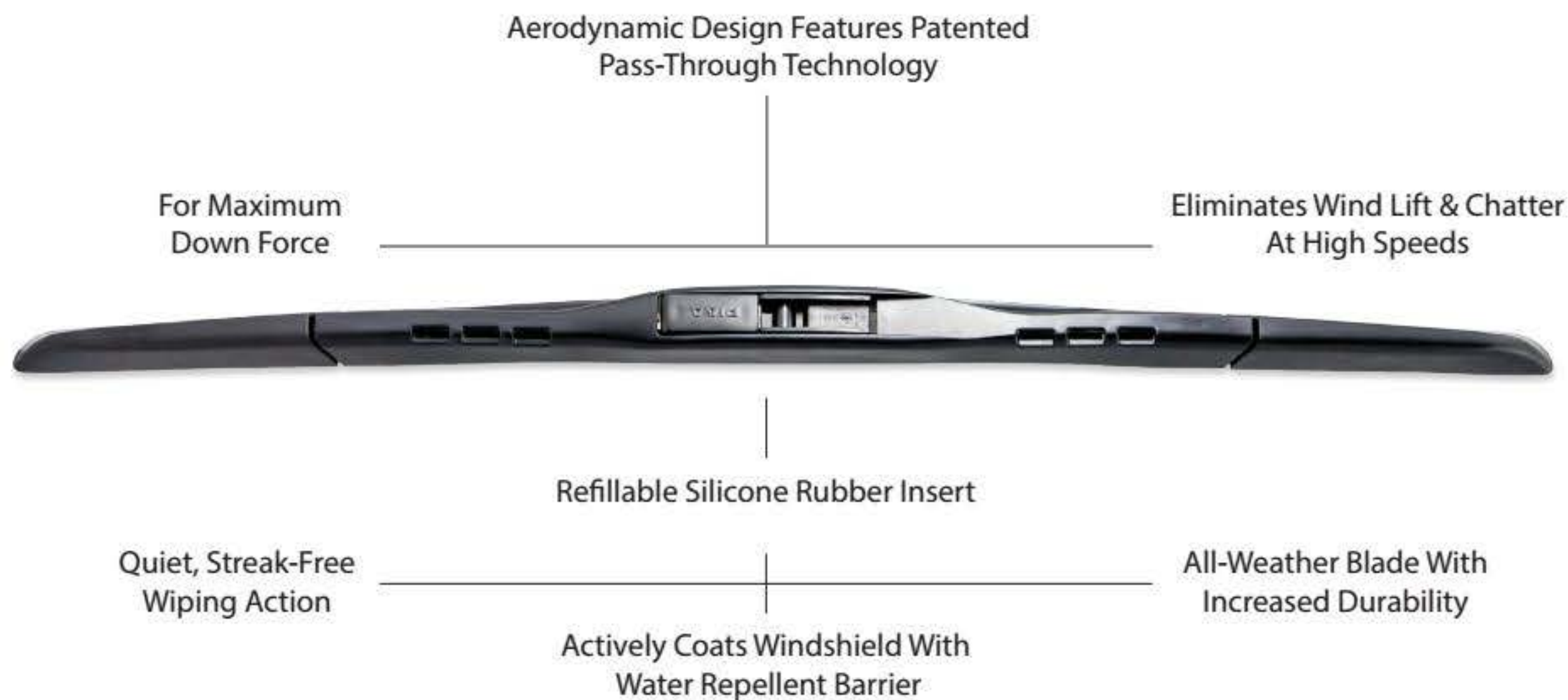
## PRODUCT BENEFITS

**Durability** – High quality PC cover with an aerodynamic design for maximum performance in any weather condition.

**Silicone Rubber** – Maintains a sharp, clean edge and offers better resistance to all environments ( Ozone, Temperature Extremes).

**Design** – The aerodynamic design gives your vehicle a premium look while eliminating wind lift and blade chatter.

FIND YOUR WIPER SIZE:



### AERO VOGUE WIPERS

Inches	Part No.	MM
12	96130	300mm
14	96135	350mm
15	96138	380mm
16	96140	400mm
17	96143	430mm
18	96145	450mm
19	96148	475mm
20	96150	500mm
21	96153	525mm
22	96155	550mm
24	96160	600mm
26	96165	650mm
28	96170	700mm

### AERO VOGUE WIPER REFILLS

Inches	Part No.	MM
12	94030	300mm
14	94035	350mm
15	94038	380mm
16	94040	400mm
17	94043	430mm
18	94045	450mm
19	94048	475mm
20	94050	500mm
21	94053	525mm
22	94055	550mm
24	94060	600mm
26	94065	650mm
28	94070	700mm



# SUPER SILICONE

## SILICONE WIPER BLADES



### DESIGN

- Low Profile Wiper Design
- Powder Coated Frame
- Maintains Sharp Clean Edge
- Pin & Hook Style Applications

2x

LONGER  
LASTING

SILICONE  
ADVANTAGE



WATER REPELLENT  
SILICONE BARRIER



LONG LASTING  
PERFORMANCE



RE-FILLABLE  
SILICONE INSERT



WINDSHIELD PREP  
PACK INCLUDED

PIAA



PIAA's Super Silicone Wiper Blades are designed to be the wiper of choice for many vehicles. This revolutionary silicone blade means cleaner windshields and greater visibility. Super Silicone Wipers have been the benchmark for wiper performance for over a decade. Our silicone infused blades deliver whisper-quiet movement, unrivaled vision, and long life.

With extended sizes available, there are applications for nearly every vehicle on the road. With a refillable design, the Super Silicone blades are a great balance of performance and value.

## PRODUCT BENEFITS

**Durability** – Powder coated steel frame that prevents rust and corrosion.

**Silicone Rubber** – Maintains a sharp, clean edge and offers better resistance to all environments ( Ozone, Temperature Extremes).

**Installation** – Blades are pre-installed with C1 adapter and contains multiple adapters for a wide range of applications.

FIND YOUR WIPER SIZE:



Properly Balanced To Provide Equal Pressure On The Windshield For Streak-Free Wiping Action



Refillable Silicone Rubber Insert For A Smooth And Quiet Operation

Heavy Duty Metal Frame Is Resistant To All Weather Conditions

### SUPER SILICONE WIPERS

Inches	Part No.	MM
12	95030	300mm
13	95033	330mm
14	95035	350mm
15	95038	380mm
16	95040	400mm
17	95043	430mm
18	95045	450mm
19	95048	475mm
20	95050	500mm
21	95053	525mm
22	95055	550mm
24	95060	600mm
26	95065	650mm

### SUPER SILICONE WIPER REFILLS

Inches	Part No.	MM
12	94030	300mm
13	94033	325mm
14	94035	350mm
15	94038	380mm
16	94040	400mm
17	94043	430mm
18	94045	450mm
19	94048	475mm
20	94050	500mm
21	94053	525mm
22	94055	550mm
24	94060	600mm
26	94065	650mm



# SI-TECH

## SILICONE WIPER BLADES



### DESIGN

- Low Profile Aerodynamic Design
- Frame-less Design Eliminates Snow & Ice Build-up
- More Pressure Points For Streak Free Wiping
- Applications For 98% Of All Vehicles

2x

LONGER  
LASTING

### SILICONE ADVANTAGE



WATER REPELLENT  
SILICONE BARRIER



LONG LASTING  
PERFORMANCE



QUIET & STREAK  
FREE OPERATION



WINDSHIELD PREP  
PACK INCLUDED

PIAA



The PIAA Si-Tech flat wiper blade is a modern, frame-less design that delivers all season performance thanks to the patented silicone infused rubber insert.

The design creates more pressure points across the entire length of the blade for streak-free wiping. The flat blade design eliminates snow and ice build-up, and is heat and ozone resistant.

The silicone rubber continually reapplies an active silicone coating on the windshield that promotes water beading and quiet operation.

## PRODUCT BENEFITS

**One Piece Design** - Prevents ice and snow build-up through the elimination of exposed metal components.

**Eliminates Lift** – The low profile one piece design eliminates wind lift and blade chatter.

**Silicone Rubber** – Maintains a sharp, clean edge and offers better resistance to all environments ( Ozone, Temperature Extremes).

FIND YOUR WIPER  
SIZE:



### SI-TECH SILICONE WIPERS

Inches	Part No.	MM
14	97035	350mm
15	97038	380mm
16	97040	400mm
17	97043	430mm
18	97045	450mm
19	97048	475mm
20	97050	500mm
21	97053	525mm
22	97055	550mm
24	97060	600mm
26	97065	650mm
28	97070	700mm



## CARE & MAINTENANCE

Proper care & maintenance begins with proper installation. When installing your PIAA lamps make sure to read and follow the instruction manual carefully. Common mistakes include mounting the lamp upside down, improper wiring and failure to properly aim the lamps.

Please pay special attention to the orientation of the vent; mounting the lamps upside down may cause the lamp to fill with water resulting in premature failure.

When wiring your lamp kit make sure that all connections are clean and tight. A loose or dirty connection will affect the performance of the lighting system. All wiring, fuse boxes and relays must be secured in a dry location away from hot items and secured away from moving parts.

Improperly aimed lamps create an unsafe driving situation. Please refer to the light aiming instructions below.

Cleaning is inspecting. The best time to inspect your lamps is when you wash your vehicle. To ensure your safety and maintain optimal lamp performance, your lamps should be inspected to ensure they are properly aimed and in good working order.

Your safety and the safety of those around you is our primary concern. Proper care and maintenance of your PIAA lamps will result in a lifetime of safe and carefree driving.

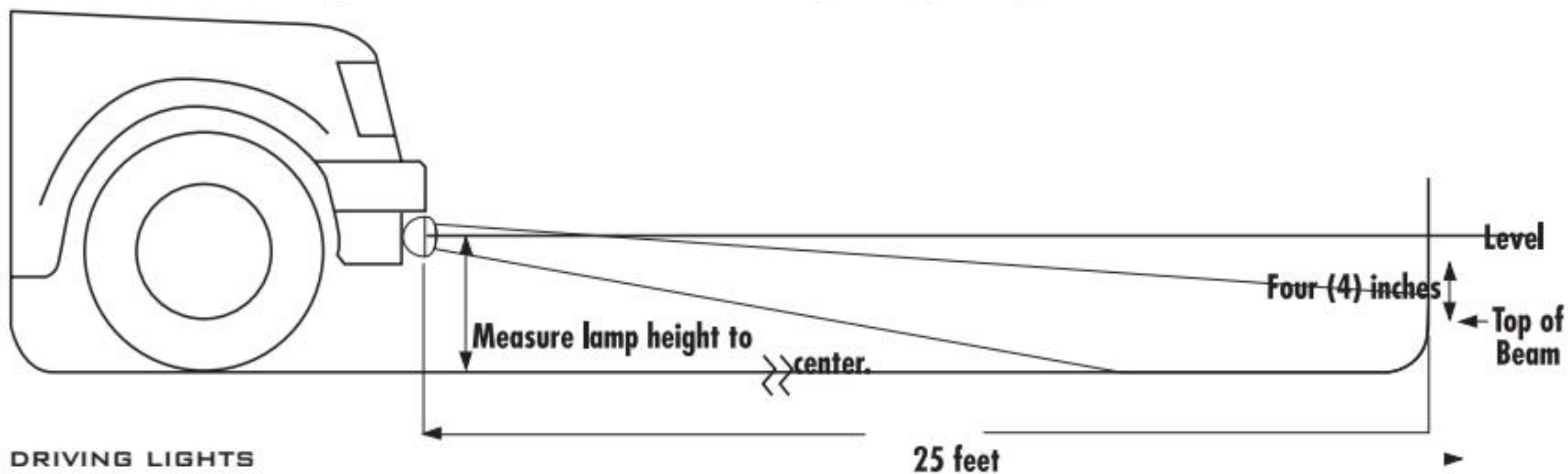
## LIGHT AIMING GUIDE



Proper auxiliary lamp aiming is the most important part of an installation. If the lamps are not properly aimed they will not achieve optimum performance and they can be very dangerous. The danger comes from the beam pattern being aimed right into oncoming vehicles thus blinding the driver.

## FOG & FOUL WEATHER LIGHTS

Traditional fog lights are usually mounted under the front bumper about 10-24 inches from the ground. There are two important issues to address when installing fog lights, the first is to minimize the amount of return glare into the driver's eyes, and the other is to minimize glare into oncoming driver's eyes. Both must be accomplished while putting as much light as possible on the road. These fog/foul weather light aiming instructions are suggestions taken from common practice and the S.A.E. standard J583. Some modifications to these instructions may be necessary to minimize glare. Visual aim is made with the top of the beam 4 inches below the lamp center at 25 feet with the lamp facing straight forward. (See below.)



## DRIVING LIGHTS

Typically, driving lights are mounted above the front bumper about 14-30 inches from the ground to provide extra high beam illumination. Driving lights can be mounted below the bumper, although they will not be as effective because the light will hit the ground sooner and reduce the range of the light. Visual aim is made with the center of the beam hot spot 1.5 inches below the lamp center at 25 feet with the lamp facing straight forward. (See below.)

