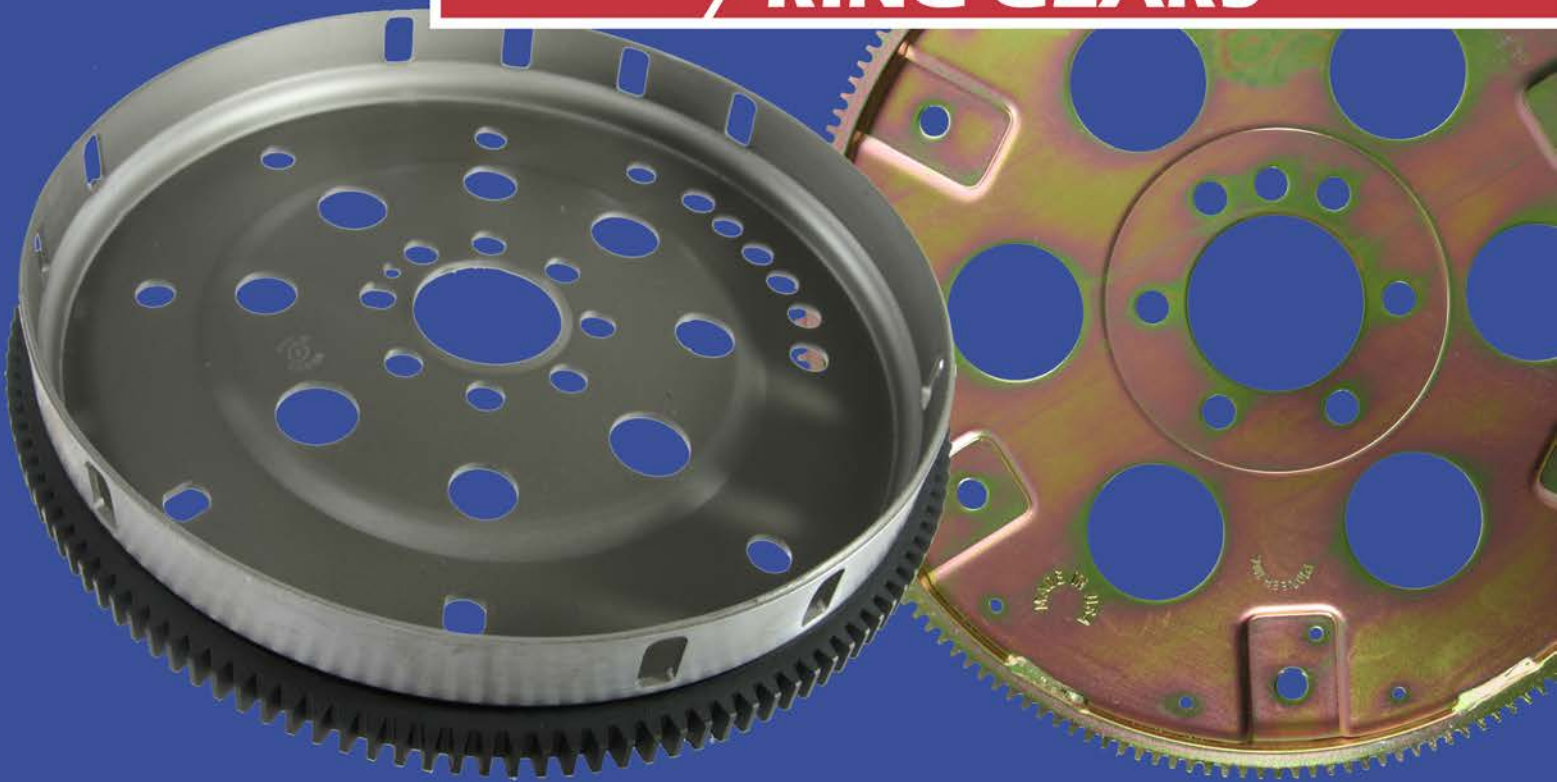


# **PIONEER**

**Automotive Industries**

**FLEXPATES / FLYWHEELS  
/ RING GEARS**



**POWERTRAIN PRODUCTS**



*"Proud of the past...committed to the future"  
is a slogan which accurately reflects Pioneer's heritage and its future.*

Pioneer, Inc. was founded in 1946 by the late Herman A. Shields, who owned a successful automotive parts manufacturer's representative firm in his hometown of Meridian, Mississippi. He formed the company to service the needs of his clutch remanufacturer customers. His goal was simple: Supply the needed, hard-to-find parts for these businesses.

Little did he know that the company he founded would become a leading supplier of high quality components to the automotive parts aftermarket. For over 30 years under the guidance of the Shields family, Pioneer growth was based upon the twin cornerstones of customer service and reputation of the "Source for hard-to-find parts."

In 1979, Pioneer was purchased by The Barnes Group (Bristol, Connecticut) and the company became known as Pioneer/Barnes. During the Barnes Group's ownership, Pioneer purchased a 10-acre parcel in the G.V. (Sonny) Montgomery Industrial Park and built an 86,000 sq. ft. corporate head-quarters and distribution center on the site.

The product line expanded dramatically during the Barnes years, adding operating cables, flywheels, ring gears, shop supplies and performance parts to the company's mix, while further expanding the clutch, engine parts and water pump lines. Additionally, Pioneer added regional warehouses in Mt. Laurel, New Jersey and Cerritos, California to provide improved delivery service to its East and West Coast customers.

Additionally, Pioneer has made major commitments to its total quality assurance programs. These quality performance processes have been adapted to order taking and filling, distribution and inventory controls, further improving fill rates and on-time delivery.

The distribution facilities have also undergone modernization. In 1995, the Meridian facility's distribution center was expanded, bringing the warehousing space to over 200,000 sq. ft.

In May, 2000, Pioneer bought the new clutch business of L&S and through this acquisition have added New Clutch Kits to form a "5 Star" line-up which includes Powertrain, Transmission Parts, Engine and Transmission Mounts, and Harmonic Balancers...giving Pioneer a strong and competitive package of Driveline related products.

In August 1, 2010 Industrias Automotrices Lodi S.A. de C.V. purchased the company from Doron Arad. Pioneer continues its focus on product line expansion and making major investments in product tooling.

*For over 60 years, the Pioneer story has been unique. Pioneer's growth has been based upon the philosophy of Herman Shields that success must be based upon customer service and satisfaction. Pioneer's Mission Statement reflects that philosophy:*

***"We are committed to the success of our customers. Our mission will be to provide customers with quality product and superior service. We believe the dedication of our employees and business partners is our most valued resource."***

*While the philosophy may seem passé in today's business environment, it has served Pioneer well through over six decades.*

+

+

# TABLE OF CONTENTS

## FLEXPLATES

|  |     |
|--|-----|
| Applications.....                      | 1   |
| Flexplates Illustrations.....          | 149 |
| Interchanges Summary - Flexplates..... | 176 |
| Warning.....                           | 183 |
| Flex-Plate Specifications.....         | 184 |
| SFI To HD Flex-Plates.....             | 190 |

## FLYWHEEL

|                                      |     |
|--------------------------------------|-----|
| Applications.....                    | 191 |
| Flywheel Illustrations.....          | 242 |
| Interchanges Summary - Flywheel..... | 254 |
| Flywheel Specifications.....         | 257 |

## FLYWHEEL SHIM

|   |     |
|---|-----|
| Applications.....                         | 260 |
| Flywheel Shim Illustrations.....          | 403 |
| Interchanges Summary - Flywheel Shim..... | 409 |

## CLUTCH FORK

|   |     |
|---|-----|
| Applications.....                       | 410 |
| Clutch Fork Illustrations.....          | 457 |
| Interchanges Summary - Clutch Fork..... | 461 |

## RING GEAR

|                                       |     |
|---------------------------------------|-----|
| Applications.....                     | 462 |
| Interchanges Summary - Ring Gear..... | 584 |
| Ring Gear Specifications.....         | 585 |
| OEM Interchange to Pioneer.....       | 587 |
| Numerical Listing.....                | 592 |

1.0000000028

+

+

# FLEXPLATES APPLICATIONS

| Years                   | Engine         | VIN  | Remarks   | OE          | Pioneer # |
|-------------------------|----------------|------|---|-------------|-----------|
| <b>ACURA</b>            |                |      |   |             |           |
| <b>CL</b>               |                |      |   |             |           |
| 2001-03                 | V6 3.2L 196 CI |      |   | 26251P8F000 | FRA-561   |
| <b>RSX</b>              |                |      |   |             |           |
| 2002-06                 | L4 2.0L 122 CI |      |   | 26251PNA000 | FRA-563   |
| <b>TL</b>               |                |      |   |             |           |
| 1999-06                 | V6 3.2L 196 CI |      |   | 26251P8F000 | FRA-561   |
| <b>ACURA TRUCK</b>      |                |      |   |             |           |
| <b>MDX</b>              |                |      |   |             |           |
| 2001-02                 | V6 3.5L 212 CI |      |   | 26251P8F000 | FRA-561   |
| <b>ACURA</b>            |                |      |   |             |           |
| <b>TSX</b>              |                |      |   |             |           |
| 2004-12                 | L4 2.4L 144 CI |      |   | 26251PNA000 | FRA-563   |
| <b>AM GENERAL TRUCK</b> |                |      |   |             |           |
| <b>HUMMER</b>           |                |      |   |             |           |
| 1992-93                 | V8 6.2L 379 CI | X    |   | 14077157    | FRA-142   |
| 1994-95                 | V8 6.5L 395 CI | Y    | w/ Weight   | 14077158    | FRA-143   |
| 1996-01                 | V8 6.5L 395 CI | Z    | w/ Weightw/ Weight                                      | 14077157    | FRA-142   |
| <b>AMERICAN MOTORS</b>  |                |      |   |             |           |
| <b>AMBASSADOR</b>       |                |      |   |             |           |
| 1972-74                 | V8 5.9L 360 CI | P, N | w/ Weight   | 3232140     | FRA-118   |
| 1972-74                 | V8 6.6L 401 CI | Z    | w/ Weight   | 3232141     | FRA-125   |
| 1972-74                 | V8 5.0L 304 CI | H    | w/Trans. Tag #3222776, w/Trans. Tag #3223761, w/ Weight | 3232140     | FRA-118   |
| <b>AMX</b>              |                |      |   |             |           |
| 1978-79                 | V8 5.0L 304 CI | H    | w/ Weight   | 3232140     | FRA-118   |
| 1978-80                 | L6 4.2L 258 CI | C, A | w/o Weight  | 3232138     | FRA-108   |
| <b>CONCORD</b>          |                |      |   |             |           |
| 1978-79                 | L6 3.8L 232 CI | E    | w/o Weight  | 3232138     | FRA-108   |
| 1978-79                 | V8 5.0L 304 CI | H    | w/ Weight   | 3232140     | FRA-118   |
| 1978-83                 | L6 4.2L 258 CI | C, A | w/o Weight  | 3232138     | FRA-108   |
| <b>EAGLE</b>            |                |      |   |             |           |
| 1980-88                 | L6 4.2L 258 CI | C    | w/o Weight  | 3232138     | FRA-108   |
| 1983-84                 | L4 2.5L 150 CI | U    | w/o Weight  | 53001184    | FRA-418   |
| <b>GREMLIN</b>          |                |      |   |             |           |
| 1972-78                 | L6 3.8L 232 CI | E    | w/o Weight  | 3232138     | FRA-108   |
| 1972-76                 | V8 5.0L 304 CI | H    | w/ Weight, Trans. Tag #3222777                          | 3232140     | FRA-118   |
| 1971-78                 | L6 4.2L 258 CI | A, C | w/o Weight  | 3232138     | FRA-108   |
| <b>HORNET</b>           |                |      |   |             |           |
| 1972-74                 | V8 5.9L 360 CI | N    | w/ Weight   | 3232140     | FRA-118   |

# FLEXPLATES APPLICATIONS

| Years                  | Engine         | VIN        | Remarks   | OE                 | Pioneer # |
|------------------------|----------------|------------|---|--------------------|-----------|
| <b>AMERICAN MOTORS</b> |                |            |   |                    |           |
| <b>HORNET</b>          |                |            |   |                    |           |
| 1972-77                | V8 5.0L 304 CI | H          | w/Trans. Tag #3222776, w/Trans. Tag #3223761, w/ Weight | 3232140            | FRA-118   |
| 1972-77                | L6 3.8L 232 CI | E          | w/o Weight  | 3232138            | FRA-108   |
| 1972-77                | L6 4.2L 258 CI | C, A       | w/o Weight  | 3232138            | FRA-108   |
| <b>JAVELIN</b>         |                |            |   |                    |           |
| 1971-74                | L6 4.2L 258 CI | A          | w/o Weight  | 3232138            | FRA-108   |
| 1972                   | V8 6.6L 401 CI | Z          | w/ Weight   | 3232141            | FRA-125   |
| 1972-74                | L6 3.8L 232 CI | E          | w/o Weight  | 3232138            | FRA-108   |
| 1973-74                | V8 6.6L 401 CI | Z          | w/ Weight   | 3214090            | FRA-305   |
| 1972-74                | V8 5.0L 304 CI | H          | Trans. Tag #3222777, w/ Weight                          | 3232140            | FRA-118   |
| 1972-74                | V8 5.9L 360 CI | N, P       | Trans. Tag #3222777, w/ Weight                          | 3232140            | FRA-118   |
| <b>MATADOR</b>         |                |            |   |                    |           |
| 1972-73                | V8 6.6L 401 CI | Z          | w/ Weight   | 3232141            | FRA-125   |
| 1972-74                | L6 3.8L 232 CI | E          | w/o Weight  | 3232138            | FRA-108   |
| 1972-74                | V8 5.9L 360 CI | N, P       | w/ Weight   | 3232140            | FRA-118   |
| 1971-77                | V8 5.0L 304 CI | H          | Trans. Tag #3222777, w/ Weight                          | 3232140            | FRA-118   |
| 1974-76                | V8 6.6L 401 CI | Z          | w/ Weight   | 3214090            | FRA-305   |
| 1971-78                | L6 4.2L 258 CI | A          | w/o Weight  | 3232138            | FRA-108   |
| <b>PACER</b>           |                |            |   |                    |           |
| 1975-78                | L6 3.8L 232 CI | E          | w/o Weight  | 3232138            | FRA-108   |
| 1975-80                | L6 4.2L 258 CI | C, A       | w/o Weight  | 3232138            | FRA-108   |
| 1978-79                | V8 5.0L 304 CI | H          | w/ Weight   | 3232140            | FRA-118   |
| <b>SPIRIT</b>          |                |            |   |                    |           |
| 1979                   | L6 3.8L 232 CI | E          | w/o Weight  | 3232138            | FRA-108   |
| 1979-83                | L6 4.2L 258 CI | A, C       | w/o Weight  | 3232138            | FRA-108   |
| 1979                   | V8 5.0L 304 CI | H          | w/ Weight   | 3232140            | FRA-118   |
| <b>BUICK</b>           |                |            |   |                    |           |
| <b>ALLURE</b>          |                |            |   |                    |           |
| 2005-07                | V6 3.8L 232 CI | 2          |   | 24508110, 12609155 | FRA-484   |
| <b>APOLLO</b>          |                |            |   |                    |           |
| 1973-74                | L6 4.1L 250 CI | D          | 12.85" O.D. w/153 Teeth                                 | 471529             | FRA-112*  |
| 1975                   | L6 4.1L 250 CI | D          | w/o Weight; 14.13" O.D. w/168 Teeth                     | 471598             | FRA-100*  |
| 1975                   | V8 4.3L 260 CI | F          | w/ Weight   | 560712             | FRA-102   |
| 1975                   | V8 5.7L 350 CI | H, J       |   | 1262989            | FRA-101   |
| <b>CENTURION</b>       |                |            |   |                    |           |
| 1971-73                | V8 7.5L 455 CI | V, U, W, T | w/ Weight   | 1233837            | FRA-168   |
| <b>CENTURY</b>         |                |            |   |                    |           |
| 1973-76                | V8 5.7L 350 CI | H, J       |   | 1262989            | FRA-101   |
| 1973-74                | V8 7.5L 455 CI | V, R, U, T | w/ Weight   | 1233837            | FRA-168   |
| 1975-77                | V6 3.8L 231 CI | C          | w/Uneven Firing Eng.                                    | 1255728            | FRA-105   |

\*Available in Heavy Duty-SFI Versions

FRA 2

# FLEXPLATES APPLICATIONS

| Years          | Engine         | VIN        | Remarks  | OE                 | Pioneer # |
|----------------|----------------|------------|--|--------------------|-----------|
| <b>BUICK</b>   |                |            |  |                    |           |
| <b>CENTURY</b> |                |            |  |                    |           |
| 1977           | V8 5.7L 350 CI | R          |  | 560712             | FRA-102   |
| 1977           | V8 6.6L 403 CI | K          | w/ Weight  | 560712             | FRA-102   |
| 1977-79        | V8 5.7L 350 CI | L          |  | 471598             | FRA-100*  |
| 1978           | V6 3.2L 196 CI | C          | w/o Weight   | 1257040            | FRA-128   |
| 1978           | V6 3.8L 232 CI | A          | w/Even Fire Eng.                                   | 1257041            | FRA-129   |
| 1978-80        | V8 5.0L 305 CI | H, U       | 12.85" O.D. w/153 Teeth                            | 471529             | FRA-112*  |
| 1979           | V6 3.2L 196 CI | C          | w/o Weight   | 25501869           | FRA-132   |
| 1979           | V6 3.8L 231 CI | 2          |  | 25501867           | FRA-130   |
| 1979-80        | V6 3.8L 232 CI | A          | w/2 Piece Harmonic Balancer                        | 25501867           | FRA-130   |
| 1979-80        | V8 4.9L 301 CI | Y, W       | w/ Weight  | 10009275           | FRA-116   |
| 1979-80        | V6 3.8L 232 CI | 3          |  | 25501868           | FRA-131   |
| 1977           | V8 5.0L 305 CI | H, U       | California, w/o Weight; 14.13" O.D.<br>w/168 Teeth | 471598             | FRA-100*  |
| 1979-81        | V8 5.0L 305 CI | H, U       | California, w/o Weight; 14.13" O.D.<br>w/168 Teeth | 471598             | FRA-100*  |
| 1980-81        | V8 4.3L 265 CI | S          | w/ Weight  | 10009275           | FRA-116   |
| 1981           | V6 3.8L 232 CI | A          |  | 25512346           | FRA-134   |
| 1981           | V8 4.4L 267 CI | J          | 12.85" O.D. w/153 Teeth;                           | 471529             | FRA-112*  |
| 1981           | V8 5.7L 350 CI | N          | w/ Weight  | 22500808           | FRA-110   |
| 1982-83        | V6 3.0L 181 CI | E          | w/ Weight, Early                                   | 25512172           | FRA-337   |
| 1982-92        | L4 2.5L 151 CI | 5, R       | w/o Weight   | 10031262           | FRA-150   |
| 1982-85        | V6 4.3L 260 CI | T          | Inertia; 117 teeth                                 | 22520094           | FRA-453   |
| 1983-85        | V6 3.0L 181 CI | E          | Late, w/ Weight                                    | 25517709           | FRA-336   |
| 1982-86        | V6 2.8L 173 CI | X          | w/ Weight  | 14085471           | FRA-139   |
| 1984-88        | V6 3.8L 232 CI | 3          | w/ Weight  | 25515222           | FRA-339   |
| 1987-89        | V6 2.8L 173 CI | W          | w/o Weight   | 14100554           | FRA-138   |
| 1989-90        | V6 3.3L 204 CI | N          | w/ Weight  | 25535388           | FRA-322   |
| 1991-92        | V6 3.3L 204 CI | N          | w/33 Eng.; 142 Teeth; w/Weight                     | 24501453           | FRA-329   |
| 1992-93        | V6 3.3L 204 CI | N          | w/AN Eng.; 142 Teeth; w/Weight                     | 24502775           | FRA-328   |
| 1993-96        | L4 2.2L 134 CI | 4          | w/o Weight   | 24576876, 12579453 | FRA-426   |
| 1994-03        | V6 3.1L 189 CI | J, M       | w/o Weight   | 24576876, 12579453 | FRA-426   |
| 2004-05        | V6 3.1L 189 CI | J          |  |                    | FRA-575   |
| <b>ELECTRA</b> |                |            |  |                    |           |
| 1970-76        | V8 7.5L 455 CI | T, U, V, W | w/ Weight  | 1233837            | FRA-168   |
| 1977-78        | V8 5.7L 350 CI | R          |  | 560712             | FRA-102   |
| 1977-78        | V8 6.6L 403 CI | K          | w/ Weight  | 560712             | FRA-102   |
| 1979           | V8 6.6L 403 CI | K          | w/ Weight  | 22500807           | FRA-109   |
| 1979-80        | V8 5.7L 350 CI | R          |  | 22500807           | FRA-109   |
| 1980           | V6 4.1L 252 CI | 4          | w/o Weight   | 25501867           | FRA-130   |
| 1980           | V8 4.9L 301 CI | W          | w/ Weight  | 10009275           | FRA-116   |

# FLEXPLATES APPLICATIONS

| Years               | Engine         | VIN              | Remarks                             | OE                 | Pioneer # |
|---------------------|----------------|------------------|-------------------------------------|--------------------|-----------|
| <b>BUICK</b>        |                |                  |                                     |                    |           |
| <b>ELECTRA</b>      |                |                  |                                     |                    |           |
| 1980-85             | V8 5.7L 350 CI | N                | w/ Weight                           | 22500808           | FRA-110   |
| 1978-81             | V8 5.7L 350 CI | B, X             |                                     | 1262989            | FRA-101   |
| 1981-84             | V6 4.1L 252 CI | 4                | w/o Weight                          | 25512348           | FRA-137   |
| 1981-89             | V8 5.0L 307 CI | Y                | w/ Weight                           | 22500807           | FRA-109   |
| 1985                | V6 3.0L 181 CI | E                | w/ Weight                           | 25517709           | FRA-336   |
| 1985                | V6 3.8L 232 CI | 3                | w/o Weight                          | 25512348           | FRA-137   |
| 1985                | V6 4.3L 260 CI | T                | Inertia; 117 teeth                  | 22520094           | FRA-453   |
| 1986-88             | V6 3.8L 232 CI | B, 3, C          | w/ Weight                           | 25515222           | FRA-339   |
| 1989-90             | V6 3.8L 232 CI | C                | w/ Weight                           | 25534065           | FRA-323   |
| <b>ESTATE WAGON</b> |                |                  |                                     |                    |           |
| 1970-76             | V8 7.5L 455 CI | U, W, T          | w/ Weight                           | 1233837            | FRA-168   |
| 1977-78             | V8 5.7L 350 CI | R                |                                     | 560712             | FRA-102   |
| 1977-78             | V8 6.6L 403 CI | K                | w/ Weight                           | 560712             | FRA-102   |
| 1978-79             | V8 5.7L 350 CI | X                |                                     | 1262989            | FRA-101   |
| 1979                | V8 5.7L 350 CI | R                |                                     | 22500807           | FRA-109   |
| 1979                | V8 6.6L 403 CI | K                | w/ Weight                           | 22500807           | FRA-109   |
| <b>GRAN SPORT</b>   |                |                  |                                     |                    |           |
| 1967                | V8 5.6L 340 CI |                  | w/ Weight                           | 1262989            | FRA-101   |
| <b>GS</b>           |                |                  |                                     |                    |           |
| 1971-72             | V8 5.7L 350 CI | H                | w/ Weight                           | 1262989            | FRA-101   |
| <b>GS 455</b>       |                |                  |                                     |                    |           |
| 1970-72             | V8 7.5L 455 CI | U                | w/ Weight                           | 1233837            | FRA-168   |
| <b>LACROSSE</b>     |                |                  |                                     |                    |           |
| 2005-09             | V6 3.8L 232 CI | 2                |                                     | 24508110, 12609155 | FRA-484   |
| 2011-14             | L4 2.4L 145 CI | C, R             |                                     |                    | FRA-572   |
| <b>LESABRE</b>      |                |                  |                                     |                    |           |
| 1965                | V8 4.9L 300 CI |                  | w/ Weight                           | 1262989            | FRA-101   |
| 1966-67             | V8 5.6L 340 CI |                  | w/ Weight                           | 1262989            | FRA-101   |
| 1968-76             | V8 5.7L 350 CI | H, J, X          | w/ Weight                           | 1262989            | FRA-101   |
| 1978-80             | V8 5.7L 350 CI | H, J, X          | w/ Weight                           | 1262989            | FRA-101   |
| 1970-76             | V8 7.5L 455 CI | T, R, U, V, P, W | w/ Weight                           | 1233837            | FRA-168   |
| 1976-77             | V6 3.8L 231 CI | C                | w/Uneven Firing Eng.                | 1255728            | FRA-105   |
| 1977                | V6 3.8L 231 CI | C                | w/Even Fire Eng.                    | 1257041            | FRA-129   |
| 1977-78             | V6 3.8L 232 CI | A, 3             | w/Even Fire Eng.                    | 1257041            | FRA-129   |
| 1977-78             | V8 5.7L 350 CI | R                |                                     | 560712             | FRA-102   |
| 1977-78             | V8 6.6L 403 CI | K                | w/ Weight                           | 560712             | FRA-102   |
| 1977-80             | V8 4.9L 301 CI | Y, W             | w/ Weight                           | 10009275           | FRA-116   |
| 1978                | V8 5.0L 305 CI | U                | w/o Weight; 14.13" O.D. w/168 Teeth | 471598             | FRA-100*  |
| 1979-80             | V6 3.8L 232 CI | 3                |                                     | 25501868           | FRA-131   |
| 1979-80             | V6 3.8L 232 CI | A                |                                     | 25501867           | FRA-130   |

\*Available in Heavy Duty-SFI Versions

FRA 4

# FLEXPLATES APPLICATIONS

| Years              | Engine         | VIN     | Remarks  | OE                  | Pioneer # |
|--------------------|----------------|---------|--|---------------------|-----------|
| <b>BUICK</b>       |                |         |  |                     |           |
| <b>LESABRE</b>     |                |         |  |                     |           |
| 1979-80            | V8 5.7L 350 CI | R       |  | 22500807            | FRA-109   |
| 1980-85            | V8 5.7L 350 CI | N       | w/ Weight  | 22500808            | FRA-110   |
| 1981-83            | V6 3.8L 232 CI | A       |  | 25512346            | FRA-134   |
| 1981-84            | V6 4.1L 252 CI | 4       | w/o Weight   | 25512348            | FRA-137   |
| 1981-90            | V8 5.0L 307 CI | Y       | w/ Weight  | 22500807            | FRA-109   |
| 1982               | V8 4.4L 267 CI | J       | Canada   | 471529              | FRA-112*  |
| 1984-85            | V6 3.8L 232 CI | A       |  | 25512348            | FRA-137   |
| 1986               | V6 3.0L 181 CI | L       | w/ Weight  | 25513510            | FRA-338   |
| 1986-88            | V6 3.8L 232 CI | 3, C    | w/ Weight  | 25515222            | FRA-339   |
| 1989-90            | V6 3.8L 232 CI | C       | w/ Weight  | 25534065            | FRA-323   |
| 1991-92            | V6 3.8L 232 CI | C, L    | w/ Weight  | 12342730            | FRA-324   |
| 1995-05            | V6 3.8L 232 CI | K, L    |  | 24508110, 12609155  | FRA-484   |
| <b>LUCERNE</b>     |                |         |  |                     |           |
| 2006-08            | V6 3.8L 232 CI | 2       |  | 24508110, 12609155  | FRA-484   |
| 2009-11            | V6 3.9L 237 CI | M, 1    |  |                     | FRA-575   |
| <b>PARK AVENUE</b> |                |         |  |                     |           |
| 1991-92            | V6 3.8L 232 CI | 1       |  | 24501753            | FRA-327   |
| 1991-94            | V6 3.8L 232 CI | L       |  | 12342730            | FRA-324   |
| 1995-05            | V6 3.8L 232 CI | K       |  | 24508110, 12609155  | FRA-484   |
| 1997-05            | V6 3.8L 232 CI | 1       |  | 12609154 / 24506809 | FRA-574   |
| <b>REATTA</b>      |                |         |  |                     |           |
| 1988-90            | V6 3.8L 232 CI | C       | w/ Weight  | 25534065            | FRA-323   |
| 1991               | V6 3.8L 232 CI | L       | w/ Weight  | 12342730            | FRA-324   |
| <b>REGAL</b>       |                |         |  |                     |           |
| 1973-74            | V8 7.5L 455 CI |         | w/ Weight  | 1233837             | FRA-168   |
| 1975-77            | V6 3.8L 231 CI | C       | w/Uneven Firing Eng.   | 1255728             | FRA-105   |
| 1977               | V8 5.7L 350 CI | R       |  | 560712              | FRA-102   |
| 1978               | V6 3.2L 196 CI | C       | w/o Weight   | 1257040             | FRA-128   |
| 1978               | V6 3.8L 232 CI | 3, G, A | w/Even Fire Eng.   | 1257041             | FRA-129   |
| 1979               | V6 3.2L 196 CI | C       | w/o Weight   | 25501869            | FRA-132   |
| 1979               | V6 3.8L 231 CI | 2       |  | 25501867            | FRA-130   |
| 1979-80            | V6 3.8L 232 CI | A       | w/2 Piece Harmonic Balancer                                      | 25501867            | FRA-130   |
| 1979-80            | V8 4.9L 301 CI | Y, W    | w/ Weight  | 10009275            | FRA-116   |
| 1979-80            | V6 3.8L 232 CI | 3       |  | 25501868            | FRA-131   |
| 1978-80            | V8 5.0L 305 CI | H, U    | w/Lock Up Converter, exc. California,<br>12.85" O.D. w/153 Teeth | 471529              | FRA-112*  |
| 1982-85            | V8 5.0L 305 CI | H, U    | w/Lock Up Converter, exc. California,<br>12.85" O.D. w/153 Teeth | 471529              | FRA-112*  |
| 1979-80            | V8 5.0L 305 CI | H       | California   | 471598              | FRA-100*  |
| 1980-81            | V8 4.3L 265 CI | S       | w/ Weight  | 10009275            | FRA-116   |



# FLEXPLATES APPLICATIONS

| Years             | Engine         | VIN        | Remarks                        | OE                  | Pioneer # |
|-------------------|----------------|------------|--------------------------------|---------------------|-----------|
| <b>BUICK</b>      |                |            |                                |                     |           |
| <b>REGAL</b>      |                |            |                                |                     |           |
| 1981-82           | V6 3.8L 232 CI | A          |                                | 25512346            | FRA-134   |
| 1981-82           | V8 4.4L 267 CI | J          | 12.85" O.D. w/153 Teeth;       | 471529              | FRA-112*  |
| 1982-84           | V6 4.1L 252 CI | 4          | w/o Weight                     | 25512348            | FRA-137   |
| 1982-84           | V6 4.3L 260 CI | V          | w/ Weight                      | 22512002            | FRA-325   |
| 1982-87           | V6 3.8L 232 CI | 8, 7, 3, 9 |                                | 25512350            | FRA-147   |
| 1983-87           | V6 3.8L 232 CI | A          |                                | 25512348            | FRA-137   |
| 1981-83           | V8 5.7L 350 CI | N          | w/ Weight                      | 22500808            | FRA-110   |
| 1985              | V8 5.7L 350 CI | N          | w/ Weight                      | 22500808            | FRA-110   |
| 1986-87           | V8 5.0L 305 CI | H          | Export, w/Canada Emissions     | 14088765            | FRA-160*  |
| 1986-87           | V8 5.0L 307 CI | Y          | w/ Weight                      | 22500807            | FRA-109   |
| 1988-89           | V6 2.8L 173 CI | W          | w/o Weight                     | 14100554            | FRA-138   |
| 1989-93           | V6 3.1L 189 CI | T          | w/o Weight                     | 14100554            | FRA-138   |
| 1990-94           | V6 3.8L 232 CI | L          | w/ Weight                      | 12342730            | FRA-324   |
| 1994-96           | V6 3.1L 189 CI | M          | w/o Weight                     | 24576876, 12579453  | FRA-426   |
| 1995-04           | V6 3.8L 232 CI | L, K       |                                | 24508110, 12609155  | FRA-484   |
| 1997-04           | V6 3.8L 232 CI | 1          |                                | 12609154 / 24506809 | FRA-574   |
| 2011-14           | L4 2.4L 145 CI | K, R, C    |                                |                     | FRA-572   |
| <b>RIVIERA</b>    |                |            |                                |                     |           |
| 1970-75           | V8 7.5L 455 CI | U, W, T    | w/ Weight                      | 1233837             | FRA-168   |
| 1977-78           | V8 5.7L 350 CI | R          |                                | 560712              | FRA-102   |
| 1977-78           | V8 6.6L 403 CI | K          | w/ Weight                      | 560712              | FRA-102   |
| 1978              | V8 5.7L 350 CI | X          |                                | 1262989             | FRA-101   |
| 1979-80           | V6 3.8L 232 CI | 3          | w/o Weight                     | 25501870            | FRA-133   |
| 1979-80           | V8 5.7L 350 CI | R          |                                | 562949              | FRA-146   |
| 1980-85           | V8 5.0L 307 CI | Y          | w/ Weight                      | 562949              | FRA-146   |
| 1981              | V6 4.1L 252 CI | 4          |                                | 25512348            | FRA-137   |
| 1981-85           | V6 3.8L 232 CI | 3, 9, 8    | w/o Weight                     | 25512347            | FRA-135   |
| 1981-85           | V8 5.7L 350 CI | N          | w/ Weight                      | 22500808            | FRA-110   |
| 1981-84           | V6 4.1L 252 CI | 4          | w/o Weight                     | 25512349            | FRA-136   |
| 1986-87           | V6 3.8L 232 CI | 3, B       | w/ Weight                      | 25515222            | FRA-339   |
| 1988-90           | V6 3.8L 232 CI | C          | w/ Weight                      | 25534065            | FRA-323   |
| 1991-92           | V6 3.8L 232 CI | L          | w/ Weight                      | 12342730            | FRA-324   |
| 1995-97           | V6 3.8L 232 CI | K          |                                | 24508110, 12609155  | FRA-484   |
| <b>ROADMASTER</b> |                |            |                                |                     |           |
| 1991              | V8 5.0L 305 CI | E          | 153 Teeth; w/Weight, w/ Weight | 14088765            | FRA-160*  |
| 1992-96           | V8 5.7L 350 CI | P, 7       |                                | 14088761            | FRA-159*  |
| 1994-96           | V8 5.7L 350 CI | P          | w/ Weight                      | 14088765            | FRA-160*  |
| <b>SKYHAWK</b>    |                |            |                                |                     |           |
| 1975-77           | V6 3.8L 231 CI | C          | w/o Weight                     | 1255728             | FRA-105   |
| 1978              | V6 3.8L 231 CI | 2          | w/2 Piece Harmonic Balancer    | 25501867            | FRA-130   |

\*Available in Heavy Duty-SFI Versions

FRA 6

# FLEXPLATES APPLICATIONS

| Years                 | Engine         | VIN     | Remarks  | OE                 | Pioneer # |
|-----------------------|----------------|---------|--|--------------------|-----------|
| <b>BUICK</b>          |                |         |  |                    |           |
| <b>SKYHAWK</b>        |                |         |  |                    |           |
| 1978                  | V6 3.8L 232 CI | A       | w/o Weight   | 1257041            | FRA-129   |
| 1979-80               | V6 3.8L 232 CI | A       | w/o Weight, 1st Design w/2 Piece Harmonic Balancer | 25501867           | FRA-130   |
| 1980                  | V6 3.8L 232 CI | A       | 2nd Design, w/1 Piece Harmonic Balancer            | 25512346           | FRA-134   |
| 1982                  | L4 1.8L 112 CI | G       |  | 14100554           | FRA-138   |
| 1982-86               | L4 1.8L 112 CI | J, O    | w/o Weight   | 10018740           | FRA-155   |
| 1987-88               | L4 2.0L 122 CI | K, M    | w/o Weight   | 10018740           | FRA-155   |
| 1983-89               | L4 2.0L 122 CI | 1, B, P | w/o Weight   | 14100554           | FRA-138   |
| <b>SKYLARK</b>        |                |         |  |                    |           |
| 1964-67               | V8 4.9L 300 CI |         | w/ Weight  | 1262989            | FRA-101   |
| 1966-67               | V8 5.6L 340 CI |         | w/ Weight  | 1262989            | FRA-101   |
| 1970                  | V8 7.5L 455 CI | U       | w/ Weight  | 1233837            | FRA-168   |
| 1972                  | V8 7.5L 455 CI | U       | w/ Weight  | 1233837            | FRA-168   |
| 1975-76               | V8 4.3L 260 CI | F       | w/ Weight  | 560712             | FRA-102   |
| 1971-72               | V8 5.7L 350 CI | H, J    | w/ Weight  | 1262989            | FRA-101   |
| 1975-76               | V8 5.7L 350 CI | H, J    | w/ Weight  | 1262989            | FRA-101   |
| 1975-77               | V6 3.8L 231 CI | C       | w/Uneven Firing Eng.                               | 1255728            | FRA-105   |
| 1977                  | V8 4.9L 301 CI | Y       | w/ Weight  | 10009275           | FRA-116   |
| 1977                  | V8 5.7L 350 CI | R       |  | 560712             | FRA-102   |
| 1977-79               | V8 5.0L 305 CI | U, G    | w/o Weight; 14.13" O.D. w/168 Teeth                | 471598             | FRA-100*  |
| 1977-79               | V8 5.7L 350 CI | L       |  | 471598             | FRA-100*  |
| 1978                  | V6 3.8L 232 CI | A       | w/Even Fire Eng.                                   | 1257041            | FRA-129   |
| 1979                  | V6 3.8L 232 CI | A       | w/2 Piece Harmonic Balancer                        | 25501867           | FRA-130   |
| 1980                  | V6 2.8L 173 CI | 7       | w/o Weight   | 10031262           | FRA-150   |
| 1980-81               | L4 2.5L 151 CI | 5       | w/o Weight   | 10004282           | FRA-151   |
| 1981                  | V6 2.8L 173 CI | X       | w/ Weight  | 14033245           | FRA-140   |
| 1982-91               | L4 2.5L 151 CI | 5, U, R | w/o Weight   | 10031262           | FRA-150   |
| 1982-85               | V6 2.8L 173 CI | X, W, Z | w/ Weight  | 14085471           | FRA-139   |
| 1986-88               | V6 3.0L 181 CI | L       | w/ Weight  | 25513510           | FRA-338   |
| 1989-90               | V6 3.3L 204 CI | N       | w/ Weight  | 25535388           | FRA-322   |
| 1991-92               | V6 3.3L 204 CI | N       | w/33 Eng.; 142 Teeth; w/Weight                     | 24501453           | FRA-329   |
| 1992-93               | V6 3.3L 204 CI | N       | w/AN Eng.; 142 Teeth; w/Weight                     | 24502775           | FRA-328   |
| 1992-95               | L4 2.3L 138 CI | 3, D    | w/142 Teeth w/o Weight                             |                    | FRA-542   |
| 1994-98               | V6 3.1L 189 CI | M       | w/o Weight   | 24576876, 12579453 | FRA-426   |
| 1988-95               | L4 2.3L 138 CI | D, 3    |  | 22533252           | FRA-414   |
| 1996-98               | L4 2.4L 146 CI | T       |  | 22533252           | FRA-414   |
| <b>SOMERSET</b>       |                |         |  |                    |           |
| 1986-87               | L4 2.5L 151 CI | U       | w/o Weight   | 10031262           | FRA-150   |
| 1986-87               | V6 3.0L 181 CI | L       | w/ Weight  | 25513510           | FRA-338   |
| <b>SOMERSET REGAL</b> |                |         |  |                    |           |
| 1985                  | L4 2.5L 151 CI | U       | w/o Weight   | 10031262           | FRA-150   |

# FLEXPLATES APPLICATIONS

| Years                 | Engine         | VIN  | Remarks               | OE                             | Pioneer # |
|-----------------------|----------------|------|-----------------------|--------------------------------|-----------|
| <b>BUICK</b>          |                |      |                       |                                |           |
| <b>SOMERSET REGAL</b> |                |      |                       |                                |           |
| 1985                  | V6 3.0L 181 CI | L    | w/ Weight             | 25513510                       | FRA-338   |
| <b>SPECIAL</b>        |                |      |                       |                                |           |
| 1964-67               | V8 4.9L 300 CI |      | w/ Weight             | 1262989                        | FRA-101   |
| <b>SPORTWAGON</b>     |                |      |                       |                                |           |
| 1964-65               | V8 4.9L 300 CI |      | w/ Weight             | 1262989                        | FRA-101   |
| 1966-67               | V8 5.6L 340 CI |      | w/ Weight             | 1262989                        | FRA-101   |
| 1970                  | V8 7.5L 455 CI |      | w/ Weight             | 1233837                        | FRA-168   |
| <b>TERRAZA</b>        |                |      |                       |                                |           |
| 2005-06               | V6 3.5L 213 CI | L    |                       |                                | FRA-575   |
| 2006-07               | V6 3.9L 237 CI | 1, W |                       |                                | FRA-575   |
| <b>BUICK TRUCK</b>    |                |      |                       |                                |           |
| <b>RAINIER</b>        |                |      |                       |                                |           |
| 2004-07               | V8 5.3L 325 CI | P, M | 168 Teeth; w/o Weight | 12563136 / 12580709 / 12606620 | FRA-471*  |
| 2004-07               | V8 5.3L 325 CI | P, M |                       |                                | FRA-559   |
| 2004-07               | L6 4.2L 256 CI | S    |                       |                                | FRA-559   |
| <b>RENDEZVOUS</b>     |                |      |                       |                                |           |
| 2002-03               | V6 3.4L 207 CI | E    | w/o Weight            | 24576876, 12579453             | FRA-426   |
| 2006-07               | V6 3.5L 213 CI | L    |                       |                                | FRA-575   |
| <b>BUICK</b>          |                |      |                       |                                |           |
| <b>VERANO</b>         |                |      |                       |                                |           |
| 2012-13               | L4 2.4L 145 CI | K    |                       |                                | FRA-572   |
| <b>WILDCAT</b>        |                |      |                       |                                |           |
| 1970                  | V8 7.5L 455 CI |      | w/ Weight             | 1233837                        | FRA-168   |
| <b>CADILLAC</b>       |                |      |                       |                                |           |
| <b>ALLANTE</b>        |                |      |                       |                                |           |
| 1987-88               | V8 4.1L 250 CI | 7    | w/o Weight            | 1648458                        | FRA-148   |
| 1989-92               | V8 4.5L 273 CI | 8    | w/o Weight            | 1648458                        | FRA-148   |
| 1993                  | V8 4.6L 281 CI | 9    |                       | 3544671                        | FRA-571   |
| <b>BROUGHAM</b>       |                |      |                       |                                |           |
| 1987-90               | V8 5.0L 307 CI | Y, 9 | w/ Weight             | 22500807                       | FRA-109   |
| 1990-92               | V8 5.7L 350 CI | 7    | 168 Teeth;            | 14088761                       | FRA-159*  |
| 1991-92               | V8 5.0L 305 CI | E    |                       | 14088765                       | FRA-160*  |
| <b>CALAIS</b>         |                |      |                       |                                |           |
| 1968-74               | V8 7.7L 472 CI | R    | w/o Weight            | 1616534                        | FRA-106   |
| 1975-76               | V8 8.2L 500 CI | S    | w/o Weight            | 1616534                        | FRA-106   |
| <b>CIMARRON</b>       |                |      |                       |                                |           |
| 1982                  | L4 1.8L 112 CI | G    |                       | 14100554                       | FRA-138   |
| 1983-86               | L4 2.0L 122 CI | P    | w/o Weight            | 14100554                       | FRA-138   |
| 1985-86               | V6 2.8L 173 CI | W    | w/ Weight             | 14085471                       | FRA-139   |

\*Available in Heavy Duty-SFI Versions

FRA 8

# FLEXPLATES APPLICATIONS

| Years            | Engine         | VIN  | Remarks                                 | OE       | Pioneer # |
|------------------|----------------|------|---|----------|-----------|
| <b>CADILLAC</b>  |                |      |   |          |           |
| <b>CIMARRON</b>  |                |      |   |          |           |
| 1987-88          | V6 2.8L 173 CI | W    | w/o Weight                              | 14100554 | FRA-138   |
| <b>DEVILLE</b>   |                |      |   |          |           |
| 1968-74          | V8 7.7L 472 CI | R    | w/o Weight                              | 1616534  | FRA-106   |
| 1975-76          | V8 8.2L 500 CI | S    | w/o Weight                              | 1616534  | FRA-106   |
| 1977-79          | V8 7.0L 425 CI | T, S | w/o Weight                              | 1616534  | FRA-106   |
| 1979-84          | V8 5.7L 350 CI | N    | w/ Weight                               | 22500808 | FRA-110   |
| 1980             | V6 4.1L 252 CI | 4    | w/o Weight                              | 25501867 | FRA-130   |
| 1980-81          | V8 6.0L 368 CI | 6, 9 | w/o Weight                              | 1616534  | FRA-106   |
| 1981-82          | V6 4.1L 252 CI | 4    |   | 25512348 | FRA-137   |
| 1982-85          | V8 4.1L 250 CI | 8    | w/o Weight                              | 1623936  | FRA-149   |
| 1986-87          | V8 4.1L 250 CI | 8    | w/o Weight                              | 1648458  | FRA-148   |
| 1988-90          | V8 4.5L 273 CI | 5, 3 | w/o Weight                              | 1648458  | FRA-148   |
| 1994-02          | V8 4.6L 281 CI | 9, Y |   | 3544671  | FRA-571   |
| <b>ELDORADO</b>  |                |      |   |          |           |
| 1968-69          | V8 7.7L 472 CI |      | w/o Weight                              | 1616534  | FRA-106   |
| 1970-76          | V8 8.2L 500 CI | S    | w/o Weight                              | 1616534  | FRA-106   |
| 1977-78          | V8 7.0L 425 CI | S, T | w/o Weight                              | 1616534  | FRA-106   |
| 1979             | V8 5.7L 350 CI | B    | w/ Weight                               | 562949   | FRA-146   |
| 1979-85          | V8 5.7L 350 CI | N    | w/ Weight                               | 22500808 | FRA-110   |
| 1980-81          | V8 6.0L 368 CI | 9    | w/o Weight                              | 1618090  | FRA-319   |
| 1981-82          | V6 4.1L 252 CI | 4    |   | 25512349 | FRA-136   |
| 1982-84          | V8 4.1L 250 CI | 8    | w/o Weight                              | 1623936  | FRA-149   |
| 1985-87          | V8 4.1L 250 CI | 8    | w/o Weight                              | 1648458  | FRA-148   |
| 1988-90          | V8 4.5L 273 CI | 3, 5 | w/o Weight                              | 1648458  | FRA-148   |
| 1993-02          | V8 4.6L 281 CI | 9, Y |   | 3544671  | FRA-571   |
| <b>FLEETWOOD</b> |                |      |   |          |           |
| 1968-74          | V8 7.7L 472 CI | R    | w/o Weight                              | 1616534  | FRA-106   |
| 1975-76          | V8 8.2L 500 CI | S    | w/o Weight                              | 1616534  | FRA-106   |
| 1977-79          | V8 7.0L 425 CI | S, T | w/o Weight                              | 1616534  | FRA-106   |
| 1979-85          | V8 5.7L 350 CI | N    | w/ Weight                               | 22500808 | FRA-110   |
| 1980             | V6 4.1L 252 CI | 4    | w/o Weight                              | 25501867 | FRA-130   |
| 1981-82          | V6 4.1L 252 CI | 4    |   | 25512348 | FRA-137   |
| 1980-84          | V8 6.0L 368 CI | 9, 6 | w/o Weight                              | 1616534  | FRA-106   |
| 1982-85          | V8 4.1L 250 CI | 8    | w/o Weight                              | 1623936  | FRA-149   |
| 1986             | V8 5.0L 307 CI | Y    | w/ Weight                               | 22500807 | FRA-109   |
| 1985-87          | V8 4.1L 250 CI | 8    | w/o Weight                              | 1648458  | FRA-148   |
| 1988-90          | V8 4.5L 273 CI | 3, 5 | w/o Weight                              | 1648458  | FRA-148   |
| 1993-96          | V8 5.7L 350 CI | 7, P | 153 Teeth; w/Weight, 153 Teeth w/Weight | 14088765 | FRA-160*  |
| 1993-96          | V8 5.7L 350 CI | P, 7 |   | 14088761 | FRA-159*  |
| <b>SEVILLE</b>   |                |      |   |          |           |
| 1976-78          | V8 5.7L 350 CI | R, B |   | 560712   | FRA-102   |

# FLEXPLATES APPLICATIONS

| Years                 | Engine         | VIN    | Remarks   | OE                             | Pioneer # |
|-----------------------|----------------|--------|---|--------------------------------|-----------|
| <b>CADILLAC</b>       |                |        |   |                                |           |
| <b>SEVILLE</b>        |                |        |   |                                |           |
| 1978-85               | V8 5.7L 350 CI | N      | w/ Weight   | 22500808                       | FRA-110   |
| 1980                  | V8 5.7L 350 CI | 8      | w/ Weight   | 562949                         | FRA-146   |
| 1980-81               | V8 6.0L 368 CI | 9      | w/o Weight  | 1618090                        | FRA-319   |
| 1981-82               | V6 4.1L 252 CI | 4      |   | 25512349                       | FRA-136   |
| 1982-85               | V8 4.1L 250 CI | 8      | w/o Weight  | 1623936                        | FRA-149   |
| 1986-87               | V8 4.1L 250 CI | 8      | w/o Weight  | 1648458                        | FRA-148   |
| 1988-90               | V8 4.5L 273 CI | 5, 3   | w/o Weight  | 1648458                        | FRA-148   |
| 1993-02               | V8 4.6L 281 CI | 9, Y   |   | 3544671                        | FRA-571   |
| <b>CADILLAC TRUCK</b> |                |        |   |                                |           |
| <b>ESCALADE</b>       |                |        |   |                                |           |
| 1999-00               | V8 5.7L 350 CI | R      |   | 14088761                       | FRA-159*  |
| 2002-05               | V8 5.3L 325 CI | T      | 168 Teeth; w/o Weight                                       | 12563136 / 12580709 / 12606620 | FRA-471*  |
| 2002-06               | V8 6.0L 364 CI | N      |   | 12563136 / 12580709 / 12606620 | FRA-471*  |
| 2007-08               | V8 6.2L 378 CI | 8      | 168 Teeth; w/o Weight                                       | 12563136 / 12580709 / 12606620 | FRA-471*  |
| 2009-13               | V8 6.2L 376 CI | 2, F   | 168 Teeth; w/o Weight                                       | 12563136 / 12580709 / 12606620 | FRA-471*  |
| <b>CHEVROLET</b>      |                |        |   |                                |           |
| <b>AVEO</b>           |                |        |   |                                |           |
| 2004-08               | L4 1.6L 98 CI  | 6      |   |                                | FRA-534   |
| <b>AVEO5</b>          |                |        |   |                                |           |
| 2006-08               | L4 1.6L 98 CI  | 6      |   |                                | FRA-534   |
| <b>BEL AIR</b>        |                |        |   |                                |           |
| 1965-67               | V8 4.6L 283 CI |        | Exc. Powerglide Trans.                                      | 361950                         | FRA-113   |
| 1968                  | V8 5.0L 307 CI | ME     |   | 361950                         | FRA-113   |
| 1968-69               | V8 5.3L 327 CI | HJ, FB | 2nd Design, exc. High Performance                           | 471598                         | FRA-100*  |
| 1968-69               | V8 5.4L 327 CI | HJ, FB | 2nd Design, exc. High Performance                           | 471598                         | FRA-100*  |
| 1968-69               | V8 6.5L 396 CI |        | 2nd Design, exc. High Performance                           | 471598                         | FRA-100*  |
| 1966-68               | V8 6.5L 396 CI |        | 1st design  | 361950                         | FRA-113   |
| 1968-69               | V8 7.0L 427 CI |        | 2nd Design, exc. High Performance                           | 471598                         | FRA-100*  |
| 1967-69               | V8 7.0L 427 CI |        | 1st design, w/o Weight, w/High Performance                  | 361950                         | FRA-113   |
| 1969                  | V8 5.3L 327 CI | FB     |   | 471529                         | FRA-112*  |
| 1969                  | V8 5.4L 327 CI | FB     |   | 471529                         | FRA-112*  |
| 1969                  | V8 6.5L 396 CI |        |   | 471529                         | FRA-112*  |
| 1969                  | V8 7.0L 427 CI |        |   | 471529                         | FRA-112*  |
| 1971-73               | L6 4.1L 250 CI | D      | 12.85" O.D. w/153 Teeth                                     | 471529                         | FRA-112*  |
| 1970-71               | V8 6.6L 400 CI |        | w/o Weight; 14.13" O.D. w/168 Teeth, Exc. Powerglide Trans. | 471598                         | FRA-100*  |
| 1971-72               | V8 6.6L 402 CI | S      | w/o Weight; 14.13" O.D. w/168 Teeth, Exc. Powerglide Trans. | 471598                         | FRA-100*  |

\*Available in Heavy Duty-SFI Versions

FRA 10

# FLEXPLATES APPLICATIONS

| Years            | Engine         | VIN     | Remarks   | OE                 | Pioneer # |
|------------------|----------------|---------|---|--------------------|-----------|
| <b>CHEVROLET</b> |                |         |   |                    |           |
| <b>BEL AIR</b>   |                |         |   |                    |           |
| 1971             | V8 6.6L 402 CI |         |   | 471578             | FRA-104*  |
| 1970-75          | V8 6.6L 400 CI | R, U    | w/ Weight   | 471578             | FRA-104*  |
| 1970-75          | V8 7.4L 454 CI | V, X, Y | exc. Police Car, exc. Special High Performance              | 343738             | FRA-111*  |
| 1969-75          | V8 5.7L 350 CI | K, H, L | exc. High Performance                                       | 471598             | FRA-100*  |
| 1969-74          | V8 5.7L 350 CI | H, K, L | High Performance  | 361950             | FRA-113   |
| 1981             | V8 4.4L 267 CI | J       | 12.85" O.D. w/153 Teeth                                     | 471529             | FRA-112*  |
| 1981             | V8 5.0L 305 CI | H       | exc. Calif. Emissions                                       | 471529             | FRA-112*  |
| <b>BERETTA</b>   |                |         |   |                    |           |
| 1987-89          | L4 2.0L 122 CI | 1       | w/o Weight  | 14100554           | FRA-138   |
| 1987-89          | V6 2.8L 173 CI | W       | w/o Weight  | 14100554           | FRA-138   |
| 1990-95          | L4 2.2L 134 CI | G, 4    | w/o Weight  | 14100554           | FRA-138   |
| 1990-92          | V6 3.1L 189 CI | T       | w/o Weight  | 14100554           | FRA-138   |
| 1991-94          | L4 2.3L 140 CI | A       | w/o Weight  | 24576876, 12579453 | FRA-426   |
| 1993-96          | V6 3.1L 189 CI | M, T    | w/o Weight  | 24576876, 12579453 | FRA-426   |
| 1996             | L4 2.2L 134 CI | 4       | w/o Weight  | 24576876, 12579453 | FRA-426   |
| <b>BISCAYNE</b>  |                |         |   |                    |           |
| 1965-67          | V8 4.6L 283 CI |         | Exc. Powerglide Trans.                                      | 361950             | FRA-113   |
| 1966-68          | V8 6.5L 396 CI |         | 1st design  | 361950             | FRA-113   |
| 1968             | V8 5.0L 307 CI | ME      |   | 361950             | FRA-113   |
| 1968-69          | V8 5.3L 327 CI | HJ, FB  | 2nd Design, exc. High Performance                           | 471598             | FRA-100*  |
| 1968-69          | V8 5.4L 327 CI | HJ, FB  | 2nd Design, exc. High Performance                           | 471598             | FRA-100*  |
| 1968-69          | V8 7.0L 427 CI |         | 2nd Design, exc. High Performance                           | 471598             | FRA-100*  |
| 1967-69          | V8 7.0L 427 CI |         | 1st design, w/o Weight, w/High Performance                  | 361950             | FRA-113   |
| 1969             | V8 5.3L 327 CI | FB      |   | 471529             | FRA-112*  |
| 1969             | V8 5.4L 327 CI | FB      |   | 471529             | FRA-112*  |
| 1969-72          | V8 5.7L 350 CI | H       | High Performance  | 361950             | FRA-113   |
| 1969             | V8 6.5L 396 CI |         |   | 471529             | FRA-112*  |
| 1968-69          | V8 6.5L 396 CI |         | exc. High Performance, 2nd Design                           | 471598             | FRA-100*  |
| 1969             | V8 7.0L 427 CI |         |   | 471529             | FRA-112*  |
| 1969-72          | V8 5.7L 350 CI | H       | exc. High Performance                                       | 471598             | FRA-100*  |
| 1970-72          | V8 6.6L 400 CI | R       |   | 471578             | FRA-104*  |
| 1971-72          | L6 4.1L 250 CI | D       | 12.85" O.D. w/153 Teeth                                     | 471529             | FRA-112*  |
| 1970-71          | V8 6.6L 400 CI |         | w/o Weight; 14.13" O.D. w/168 Teeth, Exc. Powerglide Trans. | 471598             | FRA-100*  |
| 1971             | V8 6.6L 402 CI |         |   | 471578             | FRA-104*  |
| 1971-72          | V8 6.6L 402 CI | S       | w/o Weight; 14.13" O.D. w/168 Teeth, Exc. Powerglide Trans. | 471598             | FRA-100*  |
| 1970-72          | V8 7.4L 454 CI | W       | exc. Police Car, exc. Special High Performance              | 343738             | FRA-111*  |

# FLEXPLATES APPLICATIONS

| Years            | Engine         | VIN              | Remarks   | OE                             | Pioneer # |
|------------------|----------------|------------------|---|--------------------------------|-----------|
| <b>CHEVROLET</b> |                |                  |   |                                |           |
| <b>BROOKWOOD</b> |                |                  |   |                                |           |
| 1969-72          | V8 5.7L 350 CI | H                | exc. High Performance   | 471598                         | FRA-100*  |
| 1970             | V8 6.6L 400 CI | R                |   | 471578                         | FRA-104*  |
| 1972             | V8 6.6L 400 CI | R                |   | 471578                         | FRA-104*  |
| 1970             | V8 6.6L 400 CI |                  | Exc. Powerglide Trans.  | 471598                         | FRA-100*  |
| 1969-72          | V8 5.7L 350 CI | H                | High Performance  | 361950                         | FRA-113   |
| 1972             | V8 6.6L 402 CI | S                | w/o Weight; 14.13" O.D. w/168 Teeth   | 471598                         | FRA-100*  |
| <b>CAMARO</b>    |                |                  |   |                                |           |
| 1967             | V8 5.3L 327 CI |                  |   | 361950                         | FRA-113   |
| 1967-69          | V8 6.5L 396 CI |                  | w/o Weight; 14.13" O.D. w/168 Teeth   | 471598                         | FRA-100*  |
| 1968-69          | V8 5.4L 327 CI | HJ, FB           | 2nd Design, exc. High Performance   | 471598                         | FRA-100*  |
| 1968             | V8 5.4L 327 CI | HJ               | 1st design  | 361950                         | FRA-113   |
| 1970-71          | V8 6.6L 402 CI |                  |   | 471578                         | FRA-104*  |
| 1970-72          | V8 6.6L 402 CI | U                | w/o Weight; 14.13" O.D. w/168 Teeth,<br>Exc. Powerglide Trans.                                  | 471598                         | FRA-100*  |
| 1969-73          | V8 5.0L 307 CI | CA, ND, F,<br>DC |   | 471529                         | FRA-112*  |
| 1968-81          | V8 5.7L 350 CI | L, K, H, T       | exc. High Performance, exc. Special High<br>Performance, w/o Weight; 14.13" O.D.<br>w/168 Teeth | 471598                         | FRA-100*  |
| 1969             | V8 5.7L 350 CI | L, T, H, K       |   | 361950                         | FRA-113   |
| 1971-74          | V8 5.7L 350 CI | L, T, H, K       |   | 361950                         | FRA-113   |
| 1971-74          | L6 4.1L 250 CI | D                | 12.85" O.D. w/153 Teeth   | 471529                         | FRA-112*  |
| 1977-79          | L6 4.1L 250 CI | D                | 12.85" O.D. w/153 Teeth   | 471529                         | FRA-112*  |
| 1975-76          | L6 4.1L 250 CI | D                | w/o Weight; 14.13" O.D. w/168 Teeth   | 471598                         | FRA-100*  |
| 1976-81          | V8 5.0L 305 CI | U, H, Q, G       | w/o Weight; 14.13" O.D. w/168 Teeth   | 471598                         | FRA-100*  |
| 1980             | V6 3.8L 232 CI | A                |   | 25501867                       | FRA-130   |
| 1980             | V8 4.4L 267 CI | J                | w/Lock up Converter   | 471529                         | FRA-112*  |
| 1980-81          | V6 3.8L 229 CI | K                | 12.85" O.D. w/153 Teeth;  | 471529                         | FRA-112*  |
| 1981             | V6 3.8L 232 CI | A                |   | 25512346                       | FRA-134   |
| 1981             | V8 4.4L 267 CI | J                | w/o Weight; 14.13" O.D. w/168 Teeth   | 471598                         | FRA-100*  |
| 1982-85          | V8 5.0L 305 CI | 7, G, S, F, H    | w/Lock up Converter   | 471529                         | FRA-112*  |
| 1982-87          | V6 2.8L 173 CI | 1, S             | w/ Weight   | 14085472                       | FRA-158   |
| 1982-86          | L4 2.5L 151 CI | 2, F             | w/o Weight  | 10031262                       | FRA-150   |
| 1987-02          | V8 5.7L 350 CI | 8, P, G          |   | 14088761                       | FRA-159*  |
| 1988-89          | V6 2.8L 173 CI | S                | w/o Weight  | 14100557                       | FRA-165   |
| 1986-92          | V8 5.0L 305 CI | E, G, H, F       | w/ Weight   | 14088765                       | FRA-160*  |
| 1990-92          | V6 3.1L 189 CI | T                | w/o Weight  | 14100557                       | FRA-165   |
| 1987-93          | V8 5.7L 350 CI | P, 8             | 153 Teeth; w/Weight   | 14088765                       | FRA-160*  |
| 1995-96          | V8 5.7L 350 CI | P, 8             | 153 Teeth; w/Weight   | 14088765                       | FRA-160*  |
| 1993-95          | V6 3.4L 207 CI | S                | w/o Weight  | 14097667                       | FRA-326   |
| 1998-02          | V8 5.7L 350 CI | G                | 168 Teeth; w/o Weight   | 12563136 / 12580709 / 12606620 | FRA-471*  |

\*Available in Heavy Duty-SFI Versions

FRA 12

# FLEXPLATES APPLICATIONS

| Years            | Engine         | VIN              | Remarks  | OE                             | Pioneer # |
|------------------|----------------|------------------|--|--------------------------------|-----------|
| <b>CHEVROLET</b> |                |                  |  |                                |           |
| <b>CAMARO</b>    |                |                  |  |                                |           |
| 2010-13          | V8 6.2L 376 CI | J, W, P          | 168 Teeth; w/o Weight  | 12563136 / 12580709 / 12606620 | FRA-471*  |
| <b>CAPRICE</b>   |                |                  |  |                                |           |
| 1966-67          | V8 4.6L 283 CI |                  | Exc. Powerglide Trans.   | 361950                         | FRA-113   |
| 1968             | V8 5.0L 307 CI | ME               |  | 361950                         | FRA-113   |
| 1968-69          | V8 5.3L 327 CI | HJ, FB           | 2nd Design, exc. High Performance  | 471598                         | FRA-100*  |
| 1968-69          | V8 5.4L 327 CI | HJ, FB           | 2nd Design, exc. High Performance  | 471598                         | FRA-100*  |
| 1966-68          | V8 6.5L 396 CI |                  | 1st design   | 361950                         | FRA-113   |
| 1967-69          | V8 7.0L 427 CI |                  | 1st design, w/High Performance, w/o Weight   | 361950                         | FRA-113   |
| 1969             | V8 5.3L 327 CI | FB               |  | 471529                         | FRA-112*  |
| 1969             | V8 5.4L 327 CI | FB               |  | 471529                         | FRA-112*  |
| 1968-69          | V8 6.5L 396 CI |                  | exc. High Performance, 2nd Design  | 471598                         | FRA-100*  |
| 1969             | V8 6.5L 396 CI |                  |  | 471529                         | FRA-112*  |
| 1968-69          | V8 7.0L 427 CI |                  | exc. High Performance, 2nd Design  | 471598                         | FRA-100*  |
| 1969             | V8 7.0L 427 CI |                  |  | 471529                         | FRA-112*  |
| 1970-71          | V8 6.6L 400 CI |                  | Exc. Powerglide Trans.   | 471598                         | FRA-100*  |
| 1971-72          | V8 6.6L 402 CI | S                | w/o Weight; 14.13" O.D. w/168 Teeth, Exc. Powerglide Trans.                          | 471598                         | FRA-100*  |
| 1971             | V8 6.6L 402 CI |                  |  | 471578                         | FRA-104*  |
| 1970-76          | V8 6.6L 400 CI | R, U             | w/ Weight  | 471578                         | FRA-104*  |
| 1970-76          | V8 7.4L 454 CI | V, X, Y, S       | exc. Police Car, exc. Special High Performance                                       | 343738                         | FRA-111*  |
| 1969-74          | V8 5.7L 350 CI | H, K             | High Performance   | 361950                         | FRA-113   |
| 1969-80          | V8 5.7L 350 CI | H, L, 6, K, N, V | exc. High Performance, w/o Weight; 14.13" O.D. w/168 Teeth, Police Car               | 471598                         | FRA-100*  |
| 1982             | V8 5.7L 350 CI | H, L, 6, K, N, V | exc. High Performance, w/o Weight; 14.13" O.D. w/168 Teeth, Police Car               | 471598                         | FRA-100*  |
| 1985             | V8 5.7L 350 CI | H, L, 6, K, N, V | exc. High Performance, w/o Weight; 14.13" O.D. w/168 Teeth, Police Car               | 471598                         | FRA-100*  |
| 1977-79          | L6 4.1L 250 CI | D                | 12.85" O.D. w/153 Teeth;   | 471529                         | FRA-112*  |
| 1980             | V6 3.8L 232 CI | A                |  | 25501867                       | FRA-130   |
| 1980-82          | V8 4.4L 267 CI | J                | w/Lock up Converter, 12.85" O.D. w/153 Teeth   | 471529                         | FRA-112*  |
| 1980             | V8 4.4L 267 CI | J                | w/o Weight; 14.13" O.D. w/168 Teeth  | 471598                         | FRA-100*  |
| 1977-80          | V8 5.0L 305 CI | H, U, G          | w/o Weight; 14.13" O.D. w/168 Teeth, exc. Special High Performance                   | 471598                         | FRA-100*  |
| 1980-85          | V8 5.7L 350 CI | N                | w/ Weight  | 22500808                       | FRA-110   |
| 1981-83          | V6 3.8L 232 CI | A                | Damper Stamped 6570  | 25512346                       | FRA-134   |
| 1980-85          | V8 5.0L 305 CI | H                | 12.85" O.D. w/153 Teeth, exc. Calif. Emissions, w/Lock Up Converter, exc. California | 471529                         | FRA-112*  |



# FLEXPLATES APPLICATIONS

| Years                | Engine         | VIN       | Remarks  | OE                 | Pioneer # |
|----------------------|----------------|-----------|--|--------------------|-----------|
| <b>CHEVROLET</b>     |                |           |  |                    |           |
| <b>CAPRICE</b>       |                |           |  |                    |           |
| 1980-84              | V6 3.8L 229 CI | 9, K      | 12.85" O.D. w/153 Teeth  | 471529             | FRA-112*  |
| 1983-85              | V6 3.8L 232 CI | A         | w/o Weight, Damper Stamped 8994  | 25512348           | FRA-137   |
| 1985                 | V6 4.3L 262 CI | Z         | 12.85" O.D. w/153 Teeth  | 471529             | FRA-112*  |
| 1985                 | V8 5.7L 350 CI | 6         | 12.85" O.D. w/153 Teeth;   | 471529             | FRA-112*  |
| 1986-96              | V8 5.7L 350 CI | 6, 7, P   |  | 14088761           | FRA-159*  |
| 1986-93              | V8 5.0L 305 CI | H, E      | w/ Weight  | 14088765           | FRA-160*  |
| 1986-90              | V8 5.0L 307 CI | Y         | w/ Weight  | 22500807           | FRA-109   |
| 1986-90              | V6 4.3L 262 CI | Z         | w/ Weight  | 14088765           | FRA-160*  |
| 1992-93              | V6 4.3L 262 CI | Z         | w/ Weight  | 14088765           | FRA-160*  |
| 1994-96              | V8 4.3L 265 CI | W         | w/ Weight  | 14088765           | FRA-160*  |
| <b>CAPTIVA SPORT</b> |                |           |  |                    |           |
| 2012-14              | L4 2.4L 145 CI | K         |  |                    | FRA-572   |
| <b>CAVALIER</b>      |                |           |  |                    |           |
| 1982                 | L4 1.8L 112 CI | G         |  | 14100554           | FRA-138   |
| 1985-86              | V6 2.8L 173 CI | W         | w/ Weight  | 14085471           | FRA-139   |
| 1983-89              | L4 2.0L 122 CI | 1, B, P   | w/o Weight   | 14100554           | FRA-138   |
| 1987-89              | V6 2.8L 173 CI | W         | w/o Weight   | 14100554           | FRA-138   |
| 1990-92              | V6 3.1L 189 CI | T         | w/o Weight   | 14100554           | FRA-138   |
| 1990-95              | L4 2.2L 134 CI | 4, G      | w/o Weight   | 14100554           | FRA-138   |
| 1993-94              | V6 3.1L 189 CI | T         | w/o Weight   | 24576876, 12579453 | FRA-426   |
| 1995                 | L4 2.3L 138 CI | D         |  | 22533252           | FRA-414   |
| 1996-02              | L4 2.2L 134 CI | 4         | w/o Weight   | 24576876, 12579453 | FRA-426   |
| 1996-02              | L4 2.4L 146 CI | T         |  | 22533252           | FRA-414   |
| 2002-05              | L4 2.2L 134 CI | 4, F      |  |                    | FRA-572   |
| <b>CELEBRITY</b>     |                |           |  |                    |           |
| 1982-90              | L4 2.5L 151 CI | 5, R      | w/o Weight   | 10031262           | FRA-150   |
| 1982-86              | V6 2.8L 173 CI | Z, X, W   | w/ Weight  | 14085471           | FRA-139   |
| 1987-89              | V6 2.8L 173 CI | W         | w/o Weight   | 14100554           | FRA-138   |
| 1990                 | V6 3.1L 189 CI | T         | w/o Weight   | 14100554           | FRA-138   |
| <b>CHEVELLE</b>      |                |           |  |                    |           |
| 1965-67              | V8 4.6L 283 CI |           | Exc. Powerglide Trans.   | 361950             | FRA-113   |
| 1965-67              | V8 5.3L 327 CI |           |  | 361950             | FRA-113   |
| 1965                 | V8 5.4L 327 CI |           |  | 361950             | FRA-113   |
| 1967                 | V8 5.4L 327 CI |           |  | 361950             | FRA-113   |
| 1967-69              | V8 6.5L 396 CI |           | 1st design   | 361950             | FRA-113   |
| 1968-70              | V8 6.5L 396 CI |           | exc. High Performance; 168 Teeth, exc.<br>High Performance, 2nd Design | 471598             | FRA-100*  |
| 1969                 | V8 6.5L 396 CI |           | 153 Teeth  | 471529             | FRA-112*  |
| 1970-72              | V8 5.0L 307 CI | ND, F, CA |  | 471529             | FRA-112*  |
| 1970                 | V8 6.6L 400 CI |           | w/o Weight; 14.13" O.D. w/168 Teeth                                    | 471598             | FRA-100*  |

\*Available in Heavy Duty-SFI Versions

FRA 14

# FLEXPLATES APPLICATIONS

| Years              | Engine         | VIN              | Remarks   | OE                 | Pioneer # |
|--------------------|----------------|------------------|---|--------------------|-----------|
| <b>CHEVROLET</b>   |                |                  |   |                    |           |
| <b>CHEVELLE</b>    |                |                  |   |                    |           |
| 1970               | V8 6.6L 402 CI |                  | w/ Weight   | 471578             | FRA-104*  |
| 1970               | V8 6.6L 402 CI | U                | w/o Weight; 14.13" O.D. w/168 Teeth   | 471598             | FRA-100*  |
| 1972               | V8 6.6L 402 CI | U                | w/o Weight; 14.13" O.D. w/168 Teeth   | 471598             | FRA-100*  |
| 1970-71            | V8 6.6L 400 CI |                  | w/ Weight   | 471578             | FRA-104*  |
| 1971-73            | L6 4.1L 250 CI | D                | 12.85" O.D. w/153 Teeth   | 471529             | FRA-112*  |
| 1970-73            | V8 7.4L 454 CI | W, Y             | w/Weight, exc. Police Car, w/ Weight  | 343738             | FRA-111*  |
| 1969-73            | V8 5.7L 350 CI | H, K, J          | exc. High Performance   | 471598             | FRA-100*  |
| 1969               | V8 5.7L 350 CI | H, K, J          | High Performance  | 361950             | FRA-113   |
| 1971-73            | V8 5.7L 350 CI | H, K, J          | High Performance  | 361950             | FRA-113   |
| <b>CHEVETTE</b>    |                |                  |   |                    |           |
| 1976-87            | L4 1.6L 98 CI  | J, 9, C, 0, E    | w/o Weight  | 14001182           | FRA-144   |
| <b>CHEVY II</b>    |                |                  |   |                    |           |
| 1965-67            | V8 4.6L 283 CI |                  | Exc. Powerglide Trans.  | 361950             | FRA-113   |
| 1968               | V8 5.7L 350 CI |                  | w/o Weight; 14.13" O.D. w/168 Teeth   | 471598             | FRA-100*  |
| <b>CITATION</b>    |                |                  |   |                    |           |
| 1980-81            | V6 2.8L 173 CI | 7, Z, X          | w/ Weight   | 14033245           | FRA-140   |
| 1980-81            | L4 2.5L 151 CI | 5                | w/o Weight  | 10004282           | FRA-151   |
| 1982-83            | L4 2.5L 151 CI | 5, R             | w/o Weight  | 10031262           | FRA-150   |
| 1982-83            | V6 2.8L 173 CI | Z, X             | w/ Weight   | 14085471           | FRA-139   |
| <b>CITATION II</b> |                |                  |   |                    |           |
| 1984-85            | V6 2.8L 173 CI | Z, X, W          | w/ Weight   | 14085471           | FRA-139   |
| 1984-85            | L4 2.5L 151 CI | R                | w/o Weight  | 10031262           | FRA-150   |
| <b>COBALT</b>      |                |                  |   |                    |           |
| 2006-08            | L4 2.4L 145 CI | B                |   |                    | FRA-572   |
| 2005-10            | L4 2.2L 134 CI | 5, F, H          |   |                    | FRA-572   |
| <b>CORSICA</b>     |                |                  |   |                    |           |
| 1987-89            | L4 2.0L 122 CI | 1                | w/o Weight  | 14100554           | FRA-138   |
| 1987-89            | V6 2.8L 173 CI | W                | w/o Weight  | 14100554           | FRA-138   |
| 1990-92            | V6 3.1L 189 CI | T                | w/o Weight  | 14100554           | FRA-138   |
| 1990-95            | L4 2.2L 134 CI | 4, G             | w/o Weight  | 14100554           | FRA-138   |
| 1993-96            | V6 3.1L 189 CI | M, T             | w/o Weight  | 24576876, 12579453 | FRA-426   |
| 1996               | L4 2.2L 134 CI | 4                | w/o Weight  | 24576876, 12579453 | FRA-426   |
| <b>CORVETTE</b>    |                |                  |   |                    |           |
| 1968               | V8 5.3L 327 CI | HJ               | 2nd Design, exc. High Performance;  | 471598             | FRA-100*  |
| 1968               | V8 5.4L 327 CI | HJ               | 2nd Design, exc. High Performance;  | 471598             | FRA-100*  |
| 1968-69            | V8 7.0L 427 CI |                  | exc. Heavy Duty   | 361950             | FRA-113   |
| 1970-74            | V8 7.4L 454 CI | W, Z             | w/ Weight   | 343738             | FRA-111*  |
| 1969-78            | V8 5.7L 350 CI | L, J, T, K, X, H | Special High Performance 210 HP engine, High Performance, Special High Performance 205 HP engine, exc. High Performance | 361950             | FRA-113   |

# FLEXPLATES APPLICATIONS

| Years            | Engine         | VIN                    | Remarks  | OE                             | Pioneer # |
|------------------|----------------|------------------------|--|--------------------------------|-----------|
| <b>CHEVROLET</b> |                |                        |  |                                |           |
| <b>CORVETTE</b>  |                |                        |  |                                |           |
| 1972             | V8 5.7L 350 CI | H, L, 6, 4, X, 8, J, T | w/o Weight; 14.13" O.D. w/168 Teeth                                    | 471598                         | FRA-100*  |
| 1975-82          | V8 5.7L 350 CI | H, L, 6, 4, X, 8, J, T | w/o Weight; 14.13" O.D. w/168 Teeth                                    | 471598                         | FRA-100*  |
| 1980             | V8 5.0L 305 CI | H                      | w/o Weight; 14.13" O.D. w/168 Teeth                                    | 471598                         | FRA-100*  |
| 1984-85          | V8 5.7L 350 CI | 8                      | 12.85" O.D. w/153 Teeth  | 471529                         | FRA-112*  |
| 1986-96          | V8 5.7L 350 CI | P, 5, 8, J             | 153 Teeth; w/Weight, w/ Weight   | 14088765                       | FRA-160*  |
| 2005-06          | V8 6.0L 364 CI | U                      | 168 Teeth; w/o Weight  | 12563136 / 12580709 / 12606620 | FRA-471*  |
| 2012             | V8 6.2L 376 CI | W, T                   | 168 Teeth; w/o Weight  | 12563136 / 12580709 / 12606620 | FRA-471*  |
| 2006             | V8 7.0L 428 CI | E                      | 168 Teeth; w/o Weight  | 12563136 / 12580709 / 12606620 | FRA-471*  |
| 2012             | V8 7.0L 428 CI | E                      | 168 Teeth; w/o Weight  | 12563136 / 12580709 / 12606620 | FRA-471*  |
| <b>HHR</b>       |                |                        |  |                                |           |
| 2006-11          | L4 2.2L 134 CI | D, B, W                |  |                                | FRA-572   |
| 2006-11          | L4 2.4L 145 CI | U, P, V                |  |                                | FRA-572   |
| <b>IMPALA</b>    |                |                        |  |                                |           |
| 1965-67          | V8 4.6L 283 CI |                        | Exc. Powerglide Trans.   | 361950                         | FRA-113   |
| 1966-68          | V8 6.5L 396 CI |                        | 1st design   | 361950                         | FRA-113   |
| 1968             | V8 5.0L 307 CI | ME                     |  | 361950                         | FRA-113   |
| 1967-69          | V8 7.0L 427 CI |                        | 1st design, w/o Weight, w/High Performance                             | 361950                         | FRA-113   |
| 1968-69          | V8 5.3L 327 CI | FB, HJ                 | exc. High Performance  | 471598                         | FRA-100*  |
| 1969             | V8 5.3L 327 CI | FB                     |  | 471529                         | FRA-112*  |
| 1969             | V8 5.4L 327 CI | FB                     |  | 471529                         | FRA-112*  |
| 1968-69          | V8 5.4L 327 CI | FB, HJ                 | exc. High Performance, 2nd Design                                      | 471598                         | FRA-100*  |
| 1969             | V8 6.5L 396 CI |                        |  | 471529                         | FRA-112*  |
| 1968-69          | V8 6.5L 396 CI |                        | exc. High Performance, 2nd Design                                      | 471598                         | FRA-100*  |
| 1968-69          | V8 7.0L 427 CI |                        | exc. High Performance, 2nd Design                                      | 471598                         | FRA-100*  |
| 1969             | V8 7.0L 427 CI |                        |  | 471529                         | FRA-112*  |
| 1970-71          | V8 6.6L 400 CI |                        | Exc. Powerglide Trans.   | 471598                         | FRA-100*  |
| 1971-73          | L6 4.1L 250 CI | D                      | 12.85" O.D. w/153 Teeth  | 471529                         | FRA-112*  |
| 1977-79          | L6 4.1L 250 CI | D                      | 12.85" O.D. w/153 Teeth  | 471529                         | FRA-112*  |
| 1971             | V8 6.6L 402 CI |                        |  | 471578                         | FRA-104*  |
| 1970-76          | V8 6.6L 400 CI | R, U, M                | w/ Weight  | 471578                         | FRA-104*  |
| 1971-72          | V8 6.6L 402 CI | S                      | w/o Weight; 14.13" O.D. w/168 Teeth, Exc. Powerglide Trans.            | 471598                         | FRA-100*  |
| 1969-82          | V8 5.7L 350 CI | H, L, K, V, J, 6       | exc. High Performance, w/o Weight; 14.13" O.D. w/168 Teeth, Police Car | 471598                         | FRA-100*  |
| 1984-85          | V8 5.7L 350 CI | H, L, K, V, J, 6       | exc. High Performance, w/o Weight; 14.13" O.D. w/168 Teeth, Police Car | 471598                         | FRA-100*  |
| 1969-74          | V8 5.7L 350 CI | H, J, L, K             | High Performance   | 361950                         | FRA-113   |
| 1970-76          | V8 7.4L 454 CI | X, Y, S, V             | exc. Police Car, exc. Special High Performance                         | 343738                         | FRA-111*  |

\*Available in Heavy Duty-SFI Versions

FRA 16

# FLEXPLATES APPLICATIONS

| Years            | Engine         | VIN        | Remarks  | OE                  | Pioneer # |
|------------------|----------------|------------|--|---------------------|-----------|
| <b>CHEVROLET</b> |                |            |  |                     |           |
| <b>IMPALA</b>    |                |            |  |                     |           |
| 1977-80          | V8 5.0L 305 CI | U, H, G    | w/o Weight; 14.13" O.D. w/168 Teeth,<br>exc. Special High Performance                      | 471598              | FRA-100*  |
| 1980             | V6 3.8L 232 CI | A          |  | 25501867            | FRA-130   |
| 1980             | V8 4.4L 267 CI | J          | w/o Weight; 14.13" O.D. w/168 Teeth  | 471598              | FRA-100*  |
| 1980-84          | V6 3.8L 229 CI | K, 9       | 12.85" O.D. w/153 Teeth  | 471529              | FRA-112*  |
| 1980-85          | V8 5.7L 350 CI | N          | w/ Weight  | 22500808            | FRA-110   |
| 1981-83          | V6 3.8L 232 CI | A          | Damper Stamped 6570  | 25512346            | FRA-134   |
| 1980-82          | V8 4.4L 267 CI | J          | 12.85" O.D. w/153 Teeth, w/Lock up<br>Converter  | 471529              | FRA-112*  |
| 1980-85          | V8 5.0L 305 CI | H          | 12.85" O.D. w/153 Teeth, w/Lock Up<br>Converter, exc. California, exc. Calif.<br>Emissions | 471529              | FRA-112*  |
| 1983-85          | V6 3.8L 232 CI | A          | Damper Stamped 8994, w/o Weight  | 25512348            | FRA-137   |
| 1984-85          | V8 5.7L 350 CI | 6          | 12.85" O.D. w/153 Teeth;   | 471529              | FRA-112*  |
| 1985             | V6 4.3L 262 CI | Z          | 12.85" O.D. w/153 Teeth  | 471529              | FRA-112*  |
| 1994-96          | V8 5.7L 350 CI | P          |  | 14088761            | FRA-159*  |
| 1994-96          | V8 5.7L 350 CI | P          | 153 Teeth; w/Weight  | 14088765            | FRA-160*  |
| 2000-03          | V6 3.4L 207 CI | E          | w/o Weight   | 24576876, 12579453  | FRA-426   |
| 2000-05          | V6 3.8L 232 CI | K          |  | 24508110, 12609155  | FRA-484   |
| 2004-05          | V6 3.4L 207 CI | E          |  |                     | FRA-575   |
| 2004-05          | V6 3.8L 232 CI | 1          |  | 12609154 / 24506809 | FRA-574   |
| 2006-11          | V6 3.9L 237 CI | 1, M, R, 3 |  |                     | FRA-575   |
| 2006-11          | V6 3.5L 213 CI | N, K       |  |                     | FRA-575   |
| <b>KINGSWOOD</b> |                |            |  |                     |           |
| 1969-72          | V8 5.7L 350 CI | H          | exc. High Performance  | 471598              | FRA-100*  |
| 1970-72          | V8 6.6L 400 CI | R          |  | 471578              | FRA-104*  |
| 1970-71          | V8 6.6L 400 CI |            | w/o Weight; 14.13" O.D. w/168 Teeth,<br>Exc. Powerglide Trans.                             | 471598              | FRA-100*  |
| 1971             | V8 6.6L 402 CI |            |  | 471578              | FRA-104*  |
| 1969-72          | V8 5.7L 350 CI | H          | High Performance   | 361950              | FRA-113   |
| 1971-72          | V8 6.6L 402 CI | S          | w/o Weight; 14.13" O.D. w/168 Teeth,<br>Exc. Powerglide Trans.                             | 471598              | FRA-100*  |
| 1970             | V8 7.4L 454 CI | V          | exc. Police Car, exc. Special High<br>Performance  | 343738              | FRA-111*  |
| 1972             | V8 7.4L 454 CI | V          | exc. Police Car, exc. Special High<br>Performance  | 343738              | FRA-111*  |
| <b>LAGUNA</b>    |                |            |  |                     |           |
| 1973-76          | V8 5.7L 350 CI | H, L, K    | exc. High Performance  | 471598              | FRA-100*  |
| 1973-74          | V8 5.7L 350 CI | H, L, K    | High Performance   | 361950              | FRA-113   |
| 1976             | V8 5.7L 350 CI | H, L, K    | High Performance   | 361950              | FRA-113   |

# FLEXPLATES APPLICATIONS

| Years            | Engine         | VIN           | Remarks   | OE                 | Pioneer # |
|------------------|----------------|---------------|---|--------------------|-----------|
| <b>CHEVROLET</b> |                |               |   |                    |           |
| <b>LAGUNA</b>    |                |               |   |                    |           |
| 1973-75          | V8 7.4L 454 CI | Y             | exc. Police Car, exc. Special High Performance  | 343738             | FRA-111*  |
| 1974-76          | V8 6.6L 400 CI | U, R          | w/Weight, w/ Weight   | 471578             | FRA-104*  |
| <b>LUMINA</b>    |                |               |   |                    |           |
| 1990-92          | L4 2.5L 151 CI | R             | w/o Weight  | 10031262           | FRA-150   |
| 1990-93          | V6 3.1L 189 CI | T             |   | 14100554           | FRA-138   |
| 1991-95          | V6 3.4L 207 CI | X             | w/o Weight  | 14100554           | FRA-138   |
| 1993             | L4 2.2L 133 CI | 4             | w/o Weight  | 24576876, 12579453 | FRA-426   |
| 1993-01          | V6 3.1L 189 CI | M, W, J, T    | w/o Weight  | 24576876, 12579453 | FRA-426   |
| 1996-97          | V6 3.4L 207 CI | X             | w/o Weight  | 24576876, 12579453 | FRA-426   |
| 1998-99          | V6 3.8L 232 CI | K             |   | 24508110, 12609155 | FRA-484   |
| <b>MALIBU</b>    |                |               |   |                    |           |
| 1965-67          | V8 4.6L 283 CI |               | Exc. Powerglide Trans.  | 361950             | FRA-113   |
| 1967             | V8 6.5L 396 CI |               | 1st design  | 361950             | FRA-113   |
| 1973             | V8 5.0L 307 CI | F             |   | 471529             | FRA-112*  |
| 1973-74          | V8 5.7L 350 CI | K, L, J, H    | High Performance  | 361950             | FRA-113   |
| 1973-74          | L6 4.1L 250 CI | D             | 12.85" O.D. w/153 Teeth   | 471529             | FRA-112*  |
| 1977             | L6 4.1L 250 CI | D             | 12.85" O.D. w/153 Teeth   | 471529             | FRA-112*  |
| 1974-76          | V8 6.6L 400 CI | R, M, U       | w/ Weight   | 471578             | FRA-104*  |
| 1975-76          | L6 4.1L 250 CI | D             | w/o Weight; 14.13" O.D. w/168 Teeth   | 471598             | FRA-100*  |
| 1973-81          | V8 5.7L 350 CI | H, J, L, V, K | exc. High Performance, w/o Weight; 14.13" O.D. w/168 Teeth, exc. Special High Performance | 471598             | FRA-100*  |
| 1973-75          | V8 7.4L 454 CI | Y             | w/ Weight   | 343738             | FRA-111*  |
| 1978             | V6 3.8L 232 CI | A             | w/o Weight  | 1257041            | FRA-129   |
| 1978-83          | V8 5.0L 305 CI | U, H          | 12.85" O.D. w/153 Teeth, w/Lock up Converter  | 471529             | FRA-112*  |
| 1978-79          | V6 3.3L 200 CI | M             | 12.85" O.D. w/153 Teeth   | 471529             | FRA-112*  |
| 1979             | V6 3.8L 231 CI | 2             | w/o Weight  | 25501867           | FRA-130   |
| 1979-81          | V8 4.4L 267 CI | J             | w/o Weight; 14.13" O.D. w/168 Teeth   | 471598             | FRA-100*  |
| 1976-77          | V8 5.0L 305 CI | H, Q, U       | w/o Weight; 14.13" O.D. w/168 Teeth   | 471598             | FRA-100*  |
| 1979-80          | V8 5.0L 305 CI | H, Q, U       | w/o Weight; 14.13" O.D. w/168 Teeth   | 471598             | FRA-100*  |
| 1979-82          | V8 4.4L 267 CI | J             | w/Lock up Converter, 12.85" O.D. w/153 Teeth  | 471529             | FRA-112*  |
| 1979-80          | V6 3.8L 232 CI | A             | w/o Weight  | 25501867           | FRA-130   |
| 1980-83          | V6 3.8L 229 CI | K, 9          | 12.85" O.D. w/153 Teeth   | 471529             | FRA-112*  |
| 1982-83          | V6 4.3L 260 CI | V             | Inertia; 117 teeth  | 22520094           | FRA-453   |
| 1982-83          | V8 5.7L 350 CI | N             | w/ Weight   | 22500808           | FRA-110   |
| 1983             | V6 3.8L 232 CI | A             | Damper Stamped 8994   | 25512348           | FRA-137   |
| 1981-83          | V6 3.8L 232 CI | A             | Damper Stamped 6570   | 25512346           | FRA-134   |

\*Available in Heavy Duty-SFI Versions

FRA 18

# FLEXPLATES APPLICATIONS

| Years              | Engine         | VIN                    | Remarks  | OE                 | Pioneer # |
|--------------------|----------------|------------------------|--|--------------------|-----------|
| <b>CHEVROLET</b>   |                |                        |  |                    |           |
| <b>MALIBU</b>      |                |                        |  |                    |           |
| 1997-99            | L4 2.4L 146 CI | T                      |  | 22533252           | FRA-414   |
| 1997-99            | L4 2.4L 146 CI | T                      | w/142 Teeth w/o Weight                               |                    | FRA-542   |
| 1997-03            | V6 3.1L 189 CI | M, J                   | w/o Weight   | 24576876, 12579453 | FRA-426   |
| 2006-07            | V6 3.9L 237 CI | 1                      |  |                    | FRA-575   |
| 2004-08            | L4 2.2L 134 CI | F                      |  |                    | FRA-572   |
| 2008-14            | L4 2.4L 145 CI | B, 0, U, 1,<br>R, 5, Z |  |                    | FRA-572   |
| 2004-10            | V6 3.5L 213 CI | K, N, 8                |  |                    | FRA-575   |
| <b>MONTE CARLO</b> |                |                        |  |                    |           |
| 1970-77            | V8 5.7L 350 CI | H, J, L, V             | exc. High Performance, exc. Special High Performance | 471598             | FRA-100*  |
| 1970-71            | V8 6.6L 400 CI |                        | w/o Weight; 14.13" O.D. w/168 Teeth                  | 471598             | FRA-100*  |
| 1970-72            | V8 6.6L 402 CI | S                      | w/o Weight; 14.13" O.D. w/168 Teeth                  | 471598             | FRA-100*  |
| 1970-71            | V8 6.6L 402 CI |                        | w/ Weight  | 471578             | FRA-104*  |
| 1970-75            | V8 7.4L 454 CI | X, V, Y                | w/ Weight, exc. Police Car                           | 343738             | FRA-111*  |
| 1971-74            | V8 5.7L 350 CI | H, L, J                | High Performance                                     | 361950             | FRA-113   |
| 1970-76            | V8 6.6L 400 CI | U, R                   | w/Weight, w/ Weight                                  | 471578             | FRA-104*  |
| 1976-77            | V8 5.0L 305 CI | U, Q, H                | w/o Weight; 14.13" O.D. w/168 Teeth                  | 471598             | FRA-100*  |
| 1979-80            | V8 5.0L 305 CI | U, Q, H                | w/o Weight; 14.13" O.D. w/168 Teeth                  | 471598             | FRA-100*  |
| 1978               | V6 3.8L 232 CI | A                      | w/o Weight   | 1257041            | FRA-129   |
| 1978-79            | V6 3.3L 200 CI | M                      | 12.85" O.D. w/153 Teeth                              | 471529             | FRA-112*  |
| 1979               | V6 3.8L 231 CI | 2                      | w/o Weight   | 25501867           | FRA-130   |
| 1979-80            | V6 3.8L 232 CI | A                      | w/o Weight   | 25501867           | FRA-130   |
| 1979-81            | V8 4.4L 267 CI | J                      | w/o Weight; 14.13" O.D. w/168 Teeth                  | 471598             | FRA-100*  |
| 1979-82            | V8 4.4L 267 CI | J                      | w/Lock up Converter, 12.85" O.D. w/153 Teeth         | 471529             | FRA-112*  |
| 1978-85            | V8 5.0L 305 CI | H, U                   | w/Lock up Converter, 12.85" O.D. w/153 Teeth         | 471529             | FRA-112*  |
| 1980               | V6 3.8L 232 CI | 3                      |  | 25501868           | FRA-131   |
| 1980-84            | V6 3.8L 229 CI | K, 9                   | 12.85" O.D. w/153 Teeth                              | 471529             | FRA-112*  |
| 1981               | V6 3.8L 232 CI | 3                      |  | 25512350           | FRA-147   |
| 1982-83            | V6 4.3L 260 CI | V                      | Inertia; 117 teeth                                   | 22520094           | FRA-453   |
| 1982-84            | V8 5.7L 350 CI | N                      | w/ Weight  | 22500808           | FRA-110   |
| 1983-85            | V6 3.8L 232 CI | A                      | Damper Stamped 8994, w/o Weight                      | 25512348           | FRA-137   |
| 1981-83            | V6 3.8L 232 CI | A                      | Damper Stamped 6570                                  | 25512346           | FRA-134   |
| 1985               | V6 4.3L 262 CI | Z                      | 12.85" O.D. w/153 Teeth                              | 471529             | FRA-112*  |
| 1986-88            | V6 4.3L 262 CI | Z                      | w/ Weight  | 14088765           | FRA-160*  |
| 1986-88            | V8 5.0L 305 CI | H                      | w/ Weight  | 14088765           | FRA-160*  |
| 1995               | V6 3.4L 207 CI | X                      | w/o Weight   | 14100554           | FRA-138   |
| 1995-99            | V6 3.1L 189 CI | M                      | w/o Weight   | 24576876, 12579453 | FRA-426   |
| 1998-05            | V6 3.8L 232 CI | K                      |  | 24508110, 12609155 | FRA-484   |

# FLEXPLATES APPLICATIONS

| Years                            | Engine         | VIN        | Remarks   | OE                             | Pioneer # |
|----------------------------------|----------------|------------|---|--------------------------------|-----------|
| <b>CHEVROLET</b>                 |                |            |   |                                |           |
| <b>MONTE CARLO</b>               |                |            |   |                                |           |
| 1996-97                          | V6 3.4L 207 CI | E, X       | w/o Weight  | 24576876, 12579453             | FRA-426   |
| 2000-03                          | V6 3.4L 207 CI | E, X       | w/o Weight  | 24576876, 12579453             | FRA-426   |
| 2004-05                          | V6 3.4L 207 CI | E          |   |                                | FRA-575   |
| 2004-05                          | V6 3.8L 232 CI | 1          |   | 12609154 / 24506809            | FRA-574   |
| 2006                             | V6 3.9L 237 CI | 1          |   |                                | FRA-575   |
| 2006-07                          | V6 3.5L 213 CI | N, K       |   |                                | FRA-575   |
| <b>MONZA</b>                     |                |            |   |                                |           |
| 1975-76                          | V8 4.3L 262 CI | G          | 12.85" O.D. w/153 Teeth   | 471529                         | FRA-112*  |
| 1975-77                          | L4 2.3L 140 CI | B, A       | 12.85" O.D. w/153 Teeth   | 471529                         | FRA-112*  |
| 1976-79                          | V8 5.0L 305 CI | U, Q, G    | 12.85" O.D. w/153 Teeth   | 471529                         | FRA-112*  |
| 1978                             | V6 3.2L 196 CI | C          | w/o Weight  | 1257040                        | FRA-128   |
| 1978                             | V6 3.8L 232 CI | A          | w/o Weight  | 1257041                        | FRA-129   |
| 1978-79                          | L4 2.5L 151 CI | 1          | w/o Cross Flow Heads  | 10006988                       | FRA-312   |
| 1978-80                          | L4 2.5L 151 CI | 9, V       | w/Cross Flow Heads  | 10004033                       | FRA-311   |
| 1979                             | V6 3.2L 196 CI | C          | w/o Weight  | 25501869                       | FRA-132   |
| 1979                             | V6 3.8L 231 CI | 2          | w/o Weight  | 25501867                       | FRA-130   |
| 1979-80                          | V6 3.8L 232 CI | A          | w/o Weight, w/2 Piece Harmonic Balancer                               | 25501867                       | FRA-130   |
| 1980                             | V6 3.8L 232 CI | A          | w/1 Piece Harmonic Balancer   | 25512346                       | FRA-134   |
| <b>NOVA</b>                      |                |            |   |                                |           |
| 1969-70                          | V8 6.5L 396 CI |            | w/o Weight; 14.13" O.D. w/168 Teeth                                   | 471598                         | FRA-100*  |
| 1969-79                          | V8 5.7L 350 CI | H, L, J, K | w/o Weight; 14.13" O.D. w/168 Teeth,<br>exc. Special High Performance | 471598                         | FRA-100*  |
| 1970                             | V8 6.6L 402 CI |            |   | 471598                         | FRA-100*  |
| 1972-74                          | L6 4.1L 250 CI | D          | 12.85" O.D. w/153 Teeth   | 471529                         | FRA-112*  |
| 1977-79                          | L6 4.1L 250 CI | D          | 12.85" O.D. w/153 Teeth   | 471529                         | FRA-112*  |
| 1975                             | V8 4.3L 262 CI | G          | 12.85" O.D. w/153 Teeth;  | 471529                         | FRA-112*  |
| 1975-76                          | L6 4.1L 250 CI | D          | w/o Weight; 14.13" O.D. w/168 Teeth                                   | 471598                         | FRA-100*  |
| 1976-79                          | V8 5.0L 305 CI | U, Q, G    | w/o Weight; 14.13" O.D. w/168 Teeth,<br>exc. Special High Performance | 471598                         | FRA-100*  |
| <b>SILVERADO 1500 CLASSIC</b>    |                |            |   |                                |           |
| 2007                             | V6 4.3L 262 CI | X          |   | 12555640                       | FRA-472   |
| 2007                             | V8 6.0L 364 CI | N          |   | 12563136 / 12580709 / 12606620 | FRA-471*  |
| <b>SILVERADO 1500 HD CLASSIC</b> |                |            |   |                                |           |
| 2007                             | V8 6.0L 364 CI | U          |   | 12563136 / 12580709 / 12606620 | FRA-471*  |
| <b>SILVERADO 2500 HD CLASSIC</b> |                |            |   |                                |           |
| 2007                             | V8 6.0L 364 CI | U          | w/Spacer  | 12551367                       | FRA-450   |
| 2007                             | V8 6.0L 364 CI | U          | w/o Spacer  | 12551367                       | FRA-452   |
| <b>SILVERADO 3500 CLASSIC</b>    |                |            |   |                                |           |
| 2007                             | V8 6.0L 364 CI | U          |   | 12563136 / 12580709 / 12606620 | FRA-471*  |
| 2007                             | V8 6.0L 364 CI | U          | w/o Spacer  | 12551367                       | FRA-452   |

\*Available in Heavy Duty-SFI Versions

FRA 20

# FLEXPLATES APPLICATIONS

| Years                         | Engine         | VIN        | Remarks  | OE                             | Pioneer # |
|-------------------------------|----------------|------------|--|--------------------------------|-----------|
| <b>CHEVROLET</b>              |                |            |  |                                |           |
| <b>SILVERADO 3500 CLASSIC</b> |                |            |  |                                |           |
| 2007                          | V8 6.0L 364 CI | U          | w/Spacer                                       | 12551367                       | FRA-450   |
| <b>TOWNSMAN</b>               |                |            |  |                                |           |
| 1969-72                       | V8 5.7L 350 CI | H          | exc. High Performance                          | 471598                         | FRA-100*  |
| 1970-72                       | V8 6.6L 400 CI | R          |  | 471578                         | FRA-104*  |
| 1970-71                       | V8 6.6L 400 CI |            | Exc. Powerglide Trans.                         | 471598                         | FRA-100*  |
| 1969-72                       | V8 5.7L 350 CI | H          | High Performance                               | 361950                         | FRA-113   |
| 1972                          | V8 6.6L 402 CI | S          | w/o Weight; 14.13" O.D. w/168 Teeth            | 471598                         | FRA-100*  |
| 1970                          | V8 7.4L 454 CI | V          | exc. Police Car, exc. Special High Performance | 343738                         | FRA-111*  |
| 1972                          | V8 7.4L 454 CI | V          | exc. Police Car, exc. Special High Performance | 343738                         | FRA-111*  |
| <b>TRAILBLAZER EXT</b>        |                |            |  |                                |           |
| 2002-06                       | L6 4.2L 256 CI | S          |  |                                | FRA-559   |
| 2003-06                       | V8 5.3L 325 CI | P, M       | 168 Teeth; w/o Weight                          | 12563136 / 12580709 / 12606620 | FRA-471*  |
| <b>CHEVROLET TRUCK</b>        |                |            |  |                                |           |
| <b>ASTRO</b>                  |                |            |  |                                |           |
| 1985                          | V6 4.3L 262 CI | N          | w/o Weight; 14.13" O.D. w/168 Teeth            | 471598                         | FRA-100*  |
| 1985-90                       | L4 2.5L 151 CI | E          | w/o Weight                                     | 10031262                       | FRA-150   |
| 1986-98                       | V6 4.3L 262 CI | B, Z, W    | 168 Teeth;                                     | 14088761                       | FRA-159*  |
| 1999-05                       | V6 4.3L 262 CI | X, W       |  | 12557587                       | FRA-704   |
| <b>AVALANCHE 1500</b>         |                |            |  |                                |           |
| 2002-05                       | V8 5.3L 323 CI | Z, T       | 168 Teeth; w/o Weight                          | 12563136 / 12580709 / 12606620 | FRA-471*  |
| 2002-06                       | V8 5.3L 325 CI | Z, T       | 168 Teeth; w/o Weight                          | 12563136 / 12580709 / 12606620 | FRA-471*  |
| <b>AVALANCHE</b>              |                |            |  |                                |           |
| 2007-09                       | V8 6.0L 364 CI | Y          | 168 Teeth; w/o Weight                          | 12563136 / 12580709 / 12606620 | FRA-471*  |
| 2007-13                       | V8 5.3L 325 CI | 3, 0, J, 7 | 168 Teeth; w/o Weight                          | 12563136 / 12580709 / 12606620 | FRA-471*  |
| <b>AVALANCHE 2500</b>         |                |            |  |                                |           |
| 2002-06                       | V8 8.1L 496 CI | G          |  | 12561217                       | FRA-531   |
| <b>BLAZER</b>                 |                |            |  |                                |           |
| 1969                          | V8 5.0L 307 CI | E          |  | 471529                         | FRA-112*  |
| 1969-70                       | V8 5.0L 307 CI | B, A, E, X | w/o Weight; 14.13" O.D. w/168 Teeth            | 471598                         | FRA-100*  |
| 1973                          | V8 5.0L 307 CI | B, A, E, X | w/o Weight; 14.13" O.D. w/168 Teeth            | 471598                         | FRA-100*  |
| 1971-74                       | L6 4.1L 250 CI | D, L, Q, C | 12.85" O.D. w/153 Teeth, Exc. THM400 Trans.    | 471529                         | FRA-112*  |
| 1973                          | V8 7.4L 454 CI | Z          | w/ Weight                                      | 343738                         | FRA-111*  |
| 1987                          | V8 5.0L 305 CI | H          | 168 Teeth;                                     | 14088761                       | FRA-159*  |
| 1987-91                       | V8 6.2L 379 CI | C          |  | 14077158                       | FRA-143   |
| 1987-94                       | V8 5.7L 350 CI | K          | 168 Teeth;                                     | 14088761                       | FRA-159*  |
| 1994                          | V8 6.5L 395 CI | S          |  | 14077157                       | FRA-142   |
| 1995-98                       | V6 4.3L 262 CI | W          |  | 14088761                       | FRA-159*  |



# FLEXPLATES APPLICATIONS

| Years                  | Engine         | VIN              | Remarks   | OE       | Pioneer # |
|------------------------|----------------|------------------|---|----------|-----------|
| <b>CHEVROLET TRUCK</b> |                |                  |   |          |           |
| <b>BLAZER</b>          |                |                  |   |          |           |
| 1999-05                | V6 4.3L 262 CI | W, X             |   | 12557587 | FRA-704   |
| <b>C10</b>             |                |                  |   |          |           |
| 1975                   | V8 7.4L 454 CI | Z                | w/ Weight   | 343738   | FRA-111*  |
| 1975-78                | L6 4.8L 292 CI | T                |   | 361052   | FRA-153   |
| 1975-79                | L6 4.8L 292 CI | T                | w/o Weight  | 361051   | FRA-152   |
| 1975-84                | L6 4.1L 250 CI | D, Q             | w/o Weight; 14.13" O.D. w/168 Teeth                   | 471598   | FRA-100*  |
| 1978-81                | V8 5.7L 350 CI | Z                | w/ Weight   | 22500808 | FRA-110   |
| 1979-80                | L6 4.8L 292 CI | T                | Forward Control, w/o Weight                           | 14002590 | FRA-157   |
| 1975-85                | V8 5.7L 350 CI | M, Z, P, Y, L, V | w/o Weight; 14.13" O.D. w/168 Teeth, Rear Disc Brakes | 471598   | FRA-100*  |
| 1976-80                | V8 6.6L 400 CI | X, R, U          | w/ Weight   | 471578   | FRA-104*  |
| 1976-80                | V8 7.4L 454 CI | W, S             | w/ Weight   | 14001992 | FRA-141   |
| 1977-85                | V8 5.0L 305 CI | F, H, G, U       | w/o Weight; 14.13" O.D. w/168 Teeth                   | 471598   | FRA-100*  |
| 1982                   | V8 6.2L 379 CI | J                |   | 14077157 | FRA-142   |
| 1980-83                | V8 5.7L 350 CI | L, M             |   | 471597   | FRA-126   |
| 1982-86                | V8 6.2L 379 CI | C                |   | 14077158 | FRA-143   |
| 1985                   | V6 4.3L 262 CI | N                | w/o Weight; 14.13" O.D. w/168 Teeth                   | 471598   | FRA-100*  |
| 1986                   | V6 4.3L 262 CI | N                |   | 14088761 | FRA-159*  |
| 1986                   | V8 5.0L 305 CI | F, H             |   | 14088761 | FRA-159*  |
| 1986                   | V8 5.7L 350 CI | M, L             |   | 14088761 | FRA-159*  |
| <b>C10 PICKUP</b>      |                |                  |   |          |           |
| 1966                   | L6 4.8L 293 CI |                  | w/o Weight; 14.13" O.D. w/168 Teeth                   | 471598   | FRA-100*  |
| 1968                   | V8 5.3L 327 CI | E                |   | 471598   | FRA-100*  |
| 1968                   | V8 5.4L 327 CI | E                |   | 471598   | FRA-100*  |
| 1968-69                | V8 6.5L 396 CI | E                |   | 471598   | FRA-100*  |
| 1968-70                | L6 4.1L 250 CI | N, P             |   | 471598   | FRA-100*  |
| 1968-73                | V8 5.0L 307 CI | A, X, F, H, E    | w/o Weight; 14.13" O.D. w/168 Teeth                   | 471598   | FRA-100*  |
| 1970                   | V8 6.6L 402 CI | E                | w/o Weight; 14.13" O.D. w/168 Teeth                   | 471598   | FRA-100*  |
| 1971-74                | L6 4.1L 250 CI | S, Q, D          | Exc. THM400 Trans., 12.85" O.D. w/153 Teeth           | 471529   | FRA-112*  |
| 1971-72                | V8 6.6L 402 CI | E                | w/o Weight  | 361950   | FRA-113   |
| 1973                   | V8 7.4L 454 CI | Z                | w/Weight, w/ Weight                                   | 343738   | FRA-111*  |
| 1973-74                | L6 4.8L 292 CI | T, S             |   | 361052   | FRA-153   |
| 1973-74                | L6 4.8L 292 CI | S, T             | w/o Weight  | 361051   | FRA-152   |
| 1973-74                | L6 4.8L 293 CI | S, T             | w/o Weight  | 361051   | FRA-152   |
| 1973-74                | L6 4.8L 293 CI | S, T             |   | 361052   | FRA-153   |
| 1969-74                | V8 5.7L 350 CI | W, V, Y, J, H, E | w/o Weight; 14.13" O.D. w/168 Teeth                   | 471598   | FRA-100*  |
| 1974                   | V8 7.4L 454 CI | Z                | w/ Weight   | 14001992 | FRA-141   |
| <b>C10 SUBURBAN</b>    |                |                  |   |          |           |
| 1968-73                | V8 5.0L 307 CI | E, A, X, F, H    | w/o Weight; 14.13" O.D. w/168 Teeth                   | 471598   | FRA-100*  |

\*Available in Heavy Duty-SFI Versions

FRA 22

# FLEXPLATES APPLICATIONS

| Years                  | Engine         | VIN        | Remarks   | OE                  | Pioneer # |
|------------------------|----------------|------------|---|---------------------|-----------|
| <b>CHEVROLET TRUCK</b> |                |            |   |                     |           |
| <b>C10 SUBURBAN</b>    |                |            |   |                     |           |
| 1968                   | V8 5.3L 327 CI | E          |   | 471598              | FRA-100*  |
| 1968                   | V8 5.4L 327 CI | E          |   | 471598              | FRA-100*  |
| 1968-69                | V8 6.5L 396 CI | E          |   | 471598              | FRA-100*  |
| 1969-72                | V8 5.7L 350 CI | E, M, L    | w/o Weight; 14.13" O.D. w/168 Teeth, exc. Motor Home, w/Forward Control | 471598              | FRA-100*  |
| 1976-85                | V8 5.7L 350 CI | E, M, L    | w/o Weight; 14.13" O.D. w/168 Teeth, exc. Motor Home, w/Forward Control | 471598              | FRA-100*  |
| 1970                   | V8 6.6L 402 CI | E          | w/o Weight; 14.13" O.D. w/168 Teeth                                     | 471598              | FRA-100*  |
| 1971-72                | V8 6.6L 402 CI | U, K       | w/o Weight  | 361950              | FRA-113   |
| 1973                   | V8 7.4L 454 CI | Z          | w/ Weight   | 343738              | FRA-111*  |
| 1971-74                | L6 4.1L 250 CI | Q, D, N    | 12.85" O.D. w/153 Teeth, Exc. THM400 Trans.                             | 471529              | FRA-112*  |
| 1973-74                | L6 4.8L 292 CI | T, S       |   | 361052              | FRA-153   |
| 1973-74                | L6 4.8L 292 CI | S, T       | w/o Weight  | 361051              | FRA-152   |
| 1973-74                | L6 4.8L 293 CI | S, T       |   | 361052              | FRA-153   |
| 1973-74                | L6 4.8L 293 CI | S, T       | w/o Weight  | 361051              | FRA-152   |
| 1974-80                | V8 7.4L 454 CI | Z, S       | w/ Weight   | 14001992            | FRA-141   |
| 1968-70                | L6 4.1L 250 CI | D, N, P, Q | w/o Weight; 14.13" O.D. w/168 Teeth                                     | 471598              | FRA-100*  |
| 1975-80                | L6 4.1L 250 CI | D, N, P, Q | w/o Weight; 14.13" O.D. w/168 Teeth                                     | 471598              | FRA-100*  |
| 1977-85                | V8 5.0L 305 CI | F, H, U, G | w/o Weight; 14.13" O.D. w/168 Teeth                                     | 471598              | FRA-100*  |
| 1982-86                | V8 6.2L 379 CI | C          |   | 14077158            | FRA-143   |
| 1986                   | V8 5.0L 305 CI | H, F       |   | 14088761            | FRA-159*  |
| 1986                   | V8 5.7L 350 CI | M, L       |   | 14088761            | FRA-159*  |
| <b>C1500</b>           |                |            |   |                     |           |
| 1988-99                | V8 5.0L 305 CI | H, M       |   | 14088761            | FRA-159*  |
| 1988-99                | V8 5.7L 350 CI | K, R       |   | 14088761            | FRA-159*  |
| 1990                   | V8 7.4L 454 CI | N          | w/ Weight   | 14001992            | FRA-141   |
| 1991-93                | V6 4.3L 262 CI | Z          |   | 12554824 / 14088767 | FRA-161   |
| 1991-93                | V8 7.4L 454 CI | N          | w/ Weight   | 10101170            | FRA-321   |
| 1991-99                | V8 5.0L 305 CI | H, M       |   | 12554824 / 14088767 | FRA-161   |
| 1988-93                | V8 6.2L 379 CI | C          |   | 14077158            | FRA-143   |
| 1994-95                | V8 6.5L 395 CI | P          |   | 14077158            | FRA-143   |
| 1994-98                | V8 6.5L 395 CI | S, F       | w/ Weight   | 14077157            | FRA-142   |
| 1991-99                | V8 5.7L 350 CI | R, K       |   | 12554824 / 14088767 | FRA-161   |
| 1988-95                | V6 4.3L 262 CI | W, Z       |   | 14088761            | FRA-159*  |
| 1997-98                | V6 4.3L 262 CI | W, Z       |   | 14088761            | FRA-159*  |
| <b>C1500 SUBURBAN</b>  |                |            |   |                     |           |
| 1992-99                | V8 5.7L 350 CI | K, R       | 168 Teeth;  | 14088761            | FRA-159*  |
| 1992-99                | V8 5.7L 350 CI | R, K       |   | 12554824 / 14088767 | FRA-161   |
| 1995-99                | V8 6.5L 395 CI | F          | w/ Weight   | 14077157            | FRA-142   |

# FLEXPLATES APPLICATIONS

| Years                  | Engine         | VIN           | Remarks  | OE       | Pioneer # |
|------------------------|----------------|---------------|--|----------|-----------|
| <b>CHEVROLET TRUCK</b> |                |               |  |          |           |
| <b>C20</b>             |                |               |  |          |           |
| 1975-86                | V8 7.4L 454 CI | Z, S, W       | w/ Weight  | 14001992 | FRA-141   |
| 1975-78                | L6 4.8L 292 CI | T             |  | 361052   | FRA-153   |
| 1975-79                | L6 4.8L 292 CI | T             | w/o Weight   | 361051   | FRA-152   |
| 1975-84                | L6 4.1L 250 CI | D, Q          | w/o Weight; 14.13" O.D. w/168 Teeth                      | 471598   | FRA-100*  |
| 1976-80                | V8 6.6L 400 CI | X, U, R       | w/Weight, w/ Weight                                      | 471578   | FRA-104*  |
| 1975-85                | V8 5.7L 350 CI | M, P, V, Y, L | w/o Weight; 14.13" O.D. w/168 Teeth,<br>Rear Disc Brakes | 471598   | FRA-100*  |
| 1980-83                | V8 5.7L 350 CI | M, L          |  | 471597   | FRA-126   |
| 1979-86                | L6 4.8L 292 CI | T             | w/o Weight   | 14002590 | FRA-157   |
| 1977-85                | V8 5.0L 305 CI | H, U, G       | w/o Weight; 14.13" O.D. w/168 Teeth                      | 471598   | FRA-100*  |
| 1982-86                | V8 6.2L 379 CI | C             |  | 14077158 | FRA-143   |
| 1982-86                | V8 6.2L 379 CI | J             |  | 14077157 | FRA-142   |
| 1985                   | V6 4.3L 262 CI | N             | w/o Weight; 14.13" O.D. w/168 Teeth                      | 471598   | FRA-100*  |
| 1986                   | V6 4.3L 262 CI | N             |  | 14088761 | FRA-159*  |
| 1986                   | V8 5.0L 305 CI | H             |  | 14088761 | FRA-159*  |
| 1986                   | V8 5.7L 350 CI | L, M          |  | 14088761 | FRA-159*  |
| <b>C20 PICKUP</b>      |                |               |  |          |           |
| 1966                   | L6 4.8L 293 CI |               | w/o Weight; 14.13" O.D. w/168 Teeth                      | 471598   | FRA-100*  |
| 1968                   | V8 5.3L 327 CI | E             |  | 471598   | FRA-100*  |
| 1968                   | V8 5.4L 327 CI | E             |  | 471598   | FRA-100*  |
| 1968-69                | V8 6.5L 396 CI | E             |  | 471598   | FRA-100*  |
| 1968-70                | L6 4.1L 250 CI | N, P          |  | 471598   | FRA-100*  |
| 1970                   | V8 6.6L 402 CI | E             | w/o Weight; 14.13" O.D. w/168 Teeth                      | 471598   | FRA-100*  |
| 1971-74                | L6 4.1L 250 CI | L, D, Q, C    | Exc. THM400 Trans., 12.85" O.D. w/153<br>Teeth           | 471529   | FRA-112*  |
| 1968-73                | V8 5.0L 307 CI | H, E, A, F, X | w/o Weight; 14.13" O.D. w/168 Teeth                      | 471598   | FRA-100*  |
| 1971                   | V8 6.6L 402 CI | E             | w/o Weight   | 361950   | FRA-113   |
| 1973                   | V8 7.4L 454 CI | Z             | w/Weight, w/ Weight                                      | 343738   | FRA-111*  |
| 1973-74                | L6 4.8L 292 CI | T, S          | w/o Weight   | 361051   | FRA-152   |
| 1973-74                | L6 4.8L 293 CI | T, S          |  | 361052   | FRA-153   |
| 1973-74                | L6 4.8L 292 CI | S, T          |  | 361052   | FRA-153   |
| 1973-74                | L6 4.8L 293 CI | S, T          | w/o Weight   | 361051   | FRA-152   |
| 1969-74                | V8 5.7L 350 CI | W, V, Y, E    | w/o Weight; 14.13" O.D. w/168 Teeth                      | 471598   | FRA-100*  |
| 1974                   | V8 7.4L 454 CI | Z             | w/ Weight  | 14001992 | FRA-141   |
| <b>C20 SUBURBAN</b>    |                |               |  |          |           |
| 1968                   | V8 5.3L 327 CI | E             |  | 471598   | FRA-100*  |
| 1968                   | V8 5.4L 327 CI | E             |  | 471598   | FRA-100*  |
| 1968-69                | V8 6.5L 396 CI | E             |  | 471598   | FRA-100*  |
| 1968-70                | L6 4.1L 250 CI | N, P          |  | 471598   | FRA-100*  |
| 1968-73                | V8 5.0L 307 CI | A, E, X, F, H | w/o Weight; 14.13" O.D. w/168 Teeth                      | 471598   | FRA-100*  |

\*Available in Heavy Duty-SFI Versions

FRA 24

# FLEXPLATES APPLICATIONS

| Years                  | Engine         | VIN        | Remarks                                     | OE                  | Pioneer # |
|------------------------|----------------|------------|---|---------------------|-----------|
| <b>CHEVROLET TRUCK</b> |                |            |   |                     |           |
| <b>C20 SUBURBAN</b>    |                |            |   |                     |           |
| 1970                   | V8 6.6L 402 CI | E          | w/o Weight; 14.13" O.D. w/168 Teeth         | 471598              | FRA-100*  |
| 1971-72                | V8 6.6L 402 CI | K, U       | w/o Weight                                  | 361950              | FRA-113   |
| 1973                   | V8 7.4L 454 CI | Z          | w/Weight, w/ Weight                         | 343738              | FRA-111*  |
| 1971-74                | L6 4.1L 250 CI | Q, C, D, L | 12.85" O.D. w/153 Teeth, Exc. THM400 Trans. | 471529              | FRA-112*  |
| 1973-78                | L6 4.8L 292 CI | T, S       |   | 361052              | FRA-153   |
| 1973-79                | L6 4.8L 292 CI | T, S       | w/o Weight                                  | 361051              | FRA-152   |
| 1973-74                | L6 4.8L 293 CI | S, T       | w/o Weight                                  | 361051              | FRA-152   |
| 1973-74                | L6 4.8L 293 CI | S, T       |   | 361052              | FRA-153   |
| 1974-86                | V8 7.4L 454 CI | Z, W, S    | w/ Weight                                   | 14001992            | FRA-141   |
| 1969-72                | V8 5.7L 350 CI | L, E, M    | w/o Weight; 14.13" O.D. w/168 Teeth         | 471598              | FRA-100*  |
| 1976-85                | V8 5.7L 350 CI | L, E, M    | w/o Weight; 14.13" O.D. w/168 Teeth         | 471598              | FRA-100*  |
| 1977-85                | V8 5.0L 305 CI | U, H, G    | w/o Weight; 14.13" O.D. w/168 Teeth         | 471598              | FRA-100*  |
| 1979-82                | L6 4.8L 292 CI | T          | w/o Weight                                  | 14002590            | FRA-157   |
| 1979-83                | V8 5.7L 350 CI | L          |   | 471597              | FRA-126   |
| 1976-80                | V8 6.6L 400 CI | X, R, U    | w/Weight, w/ Weight                         | 471578              | FRA-104*  |
| 1982-86                | V8 6.2L 379 CI | J          |   | 14077157            | FRA-142   |
| 1986                   | V8 5.0L 305 CI | H          |   | 14088761            | FRA-159*  |
| 1986                   | V8 5.7L 350 CI | M, L       |   | 14088761            | FRA-159*  |
| <b>C2500</b>           |                |            |   |                     |           |
| 1988-90                | V6 4.3L 262 CI | Z          | w/ Weight                                   | 14088761            | FRA-159*  |
| 1989-93                | V8 6.2L 379 CI | J          | w/ Weight                                   | 14077157            | FRA-142   |
| 1991-93                | V6 4.3L 262 CI | Z          |   | 12554824 / 14088767 | FRA-161   |
| 1991-00                | V8 7.4L 454 CI | N, J       | w/ Weight                                   | 10101170            | FRA-321   |
| 1988-93                | V8 6.2L 379 CI | C          |   | 14077158            | FRA-143   |
| 1988-98                | V8 5.7L 350 CI | K, R       |   | 14088761            | FRA-159*  |
| 1994-95                | V8 6.5L 395 CI | P          |   | 14077158            | FRA-143   |
| 1993                   | V8 5.7L 350 CI | R, K       |   | 12554824 / 14088767 | FRA-161   |
| 1996-00                | V8 5.7L 350 CI | R, K       |   | 12554824 / 14088767 | FRA-161   |
| 1988-98                | V8 5.0L 305 CI | M, H       |   | 14088761            | FRA-159*  |
| 1991-98                | V8 5.0L 305 CI | M, H       |   | 12554824 / 14088767 | FRA-161   |
| 1992-00                | V8 6.5L 395 CI | S, F       | w/ Weight                                   | 14077157            | FRA-142   |
| <b>C2500 SUBURBAN</b>  |                |            |   |                     |           |
| 1992-96                | V8 5.7L 350 CI | R, K       |   | 14088761            | FRA-159*  |
| 1992-99                | V8 5.7L 350 CI | R, K       |   | 12554824 / 14088767 | FRA-161   |
| 1994-99                | V8 6.5L 395 CI | F          | w/ Weight                                   | 14077157            | FRA-142   |
| 1992-99                | V8 7.4L 454 CI | J, N       | w/ Weight                                   | 10101170            | FRA-321   |
| <b>C30</b>             |                |            |   |                     |           |
| 1975-85                | V8 5.7L 350 CI | V, M, Y, L | w/o Weight; 14.13" O.D. w/168 Teeth         | 471598              | FRA-100*  |
| 1975-78                | L6 4.8L 292 CI | T          |   | 361052              | FRA-153   |

# FLEXPLATES APPLICATIONS

| Years                  | Engine         | VIN           | Remarks                                     | OE                             | Pioneer # |
|------------------------|----------------|---------------|---|--------------------------------|-----------|
| <b>CHEVROLET TRUCK</b> |                |               |   |                                |           |
| <b>C30</b>             |                |               |   |                                |           |
| 1975-79                | L6 4.8L 292 CI | T             | w/o Weight                                  | 361051                         | FRA-152   |
| 1976-79                | V8 6.6L 400 CI | R, U          | w/Weight, w/ Weight                         | 471578                         | FRA-104*  |
| 1978                   | V8 5.7L 350 CI | Z             | w/ Weight                                   | 22500808                       | FRA-110   |
| 1978-79                | V8 5.0L 305 CI | U             | w/o Weight; 14.13" O.D. w/168 Teeth         | 471598                         | FRA-100*  |
| 1975                   | L6 4.1L 250 CI | D, Q          | w/o Weight; 14.13" O.D. w/168 Teeth         | 471598                         | FRA-100*  |
| 1978-80                | L6 4.1L 250 CI | D, Q          | w/o Weight; 14.13" O.D. w/168 Teeth         | 471598                         | FRA-100*  |
| 1979-86                | L6 4.8L 292 CI | T             | w/o Weight                                  | 14002590                       | FRA-157   |
| 1975-86                | V8 7.4L 454 CI | W, Z, S       | w/ Weight                                   | 14001992                       | FRA-141   |
| 1982-86                | V8 6.2L 379 CI | J             |   | 14077157                       | FRA-142   |
| 1980-83                | V8 5.7L 350 CI | L, M          |   | 471597                         | FRA-126   |
| 1986                   | V8 5.7L 350 CI | M             |   | 14088761                       | FRA-159*  |
| <b>C30 PICKUP</b>      |                |               |   |                                |           |
| 1966                   | L6 4.8L 293 CI |               | w/o Weight; 14.13" O.D. w/168 Teeth         | 471598                         | FRA-100*  |
| 1968                   | V8 5.3L 327 CI | E             |   | 471598                         | FRA-100*  |
| 1968                   | V8 5.4L 327 CI | E             |   | 471598                         | FRA-100*  |
| 1968-69                | V8 6.5L 396 CI | E             |   | 471598                         | FRA-100*  |
| 1968-70                | L6 4.1L 250 CI | N, P          |   | 471598                         | FRA-100*  |
| 1970-71                | V8 6.6L 402 CI | E             |   | 471598                         | FRA-100*  |
| 1971-74                | L6 4.1L 250 CI | D, C, Q, L    | 12.85" O.D. w/153 Teeth, Exc. THM400 Trans. | 471529                         | FRA-112*  |
| 1968-73                | V8 5.0L 307 CI | F, A, H, E, X | w/o Weight; 14.13" O.D. w/168 Teeth         | 471598                         | FRA-100*  |
| 1973                   | V8 7.4L 454 CI | Z             | w/Weight, w/ Weight                         | 343738                         | FRA-111*  |
| 1973-74                | L6 4.8L 292 CI | T, S          | w/o Weight                                  | 361051                         | FRA-152   |
| 1973-74                | L6 4.8L 292 CI | T, S          |   | 361052                         | FRA-153   |
| 1969-74                | V8 5.7L 350 CI | Y, V, W, E    | w/o Weight; 14.13" O.D. w/168 Teeth         | 471598                         | FRA-100*  |
| 1973-74                | L6 4.8L 293 CI | S, T          |   | 361052                         | FRA-153   |
| 1973-74                | L6 4.8L 293 CI | S, T          | w/o Weight                                  | 361051                         | FRA-152   |
| 1974                   | V8 7.4L 454 CI | Z             | w/ Weight                                   | 14001992                       | FRA-141   |
| <b>C3500</b>           |                |               |   |                                |           |
| 1988-90                | V8 5.7L 350 CI | K             | 168 Teeth;                                  | 14088761                       | FRA-159*  |
| 1988-93                | V8 6.2L 379 CI | J             | w/ Weight                                   | 14077157                       | FRA-142   |
| 1988-90                | V8 7.4L 454 CI | N             | w/ Weight                                   | 14001992                       | FRA-141   |
| 1991-00                | V8 5.7L 350 CI | K, R          |   | 12554824 / 14088767            | FRA-161   |
| 1991-00                | V8 7.4L 454 CI | N, J          | w/ Weight                                   | 10101170                       | FRA-321   |
| 1992-00                | V8 6.5L 395 CI | F             | w/ Weight                                   | 14077157                       | FRA-142   |
| 2001-02                | V8 8.1L 496 CI | G             |   | 12561217                       | FRA-531   |
| <b>COLORADO</b>        |                |               |   |                                |           |
| 2009-12                | V8 5.3L 325 CI | P, L          | 168 Teeth; w/o Weight                       | 12563136 / 12580709 / 12606620 | FRA-471*  |
| <b>EL CAMINO</b>       |                |               |   |                                |           |
| 1965-67                | V8 4.6L 283 CI |               | Exc. Powerglide Trans.                      | 361950                         | FRA-113   |

\*Available in Heavy Duty-SFI Versions

FRA 26

# FLEXPLATES APPLICATIONS

| Years                  | Engine         | VIN            | Remarks   | OE       | Pioneer # |
|------------------------|----------------|----------------|---|----------|-----------|
| <b>CHEVROLET TRUCK</b> |                |                |   |          |           |
| <b>EL CAMINO</b>       |                |                |   |          |           |
| 1968                   | V8 5.0L 307 CI | ME             |   | 361950   | FRA-113   |
| 1968                   | V8 5.3L 327 CI | HJ             | 1st design  | 361950   | FRA-113   |
| 1968                   | V8 5.3L 327 CI | HJ             | 2nd Design, exc. High Performance   | 471598   | FRA-100*  |
| 1968                   | V8 5.4L 327 CI | HJ             | 1st design  | 361950   | FRA-113   |
| 1968                   | V8 5.4L 327 CI | HJ             | 2nd Design, exc. High Performance   | 471598   | FRA-100*  |
| 1968-70                | V8 6.5L 396 CI |                | 2nd Design, exc. High Performance   | 471598   | FRA-100*  |
| 1969-73                | V8 5.0L 307 CI | DC, X, F, B, P |   | 471529   | FRA-112*  |
| 1969                   | V8 5.7L 350 CI | K, J, L, H     | 1st design, High Performance  | 361950   | FRA-113   |
| 1971-74                | V8 5.7L 350 CI | K, J, L, H     | 1st design, High Performance  | 361950   | FRA-113   |
| 1969                   | V8 6.5L 396 CI |                |   | 471529   | FRA-112*  |
| 1967-70                | V8 6.5L 396 CI |                | exc. High Performance, 1st design   | 361950   | FRA-113   |
| 1970                   | V8 6.6L 400 CI | K, U, R        | w/ Weight   | 471578   | FRA-104*  |
| 1974-76                | V8 6.6L 400 CI | K, U, R        | w/ Weight   | 471578   | FRA-104*  |
| 1970-75                | V8 7.4L 454 CI | W, Y           | exc. Police Car, w/ Weight  | 343738   | FRA-111*  |
| 1971-72                | V8 6.6L 402 CI | K, U           | w/o Weight; 14.13" O.D. w/168 Teeth   | 471598   | FRA-100*  |
| 1971-74                | L6 4.1L 250 CI | Q, D           | 12.85" O.D. w/153 Teeth   | 471529   | FRA-112*  |
| 1977                   | L6 4.1L 250 CI | Q, D           | 12.85" O.D. w/153 Teeth   | 471529   | FRA-112*  |
| 1969-79                | V8 5.7L 350 CI | L, H, K, V, J  | w/o Weight; 14.13" O.D. w/168 Teeth, exc. High Performance, exc. Special High Performance | 471598   | FRA-100*  |
| 1975-76                | L6 4.1L 250 CI | D              | w/o Weight; 14.13" O.D. w/168 Teeth   | 471598   | FRA-100*  |
| 1976-77                | V8 5.0L 305 CI | U, H, Q        | w/o Weight; 14.13" O.D. w/168 Teeth   | 471598   | FRA-100*  |
| 1979-80                | V8 5.0L 305 CI | U, H, Q        | w/o Weight; 14.13" O.D. w/168 Teeth   | 471598   | FRA-100*  |
| 1978                   | V6 3.8L 232 CI | A              | w/o Weight  | 1257041  | FRA-129   |
| 1978-85                | V8 5.0L 305 CI | U, H           | 12.85" O.D. w/153 Teeth   | 471529   | FRA-112*  |
| 1978-79                | V6 3.3L 200 CI | M              | 12.85" O.D. w/153 Teeth;  | 471529   | FRA-112*  |
| 1979                   | V6 3.8L 231 CI | 2              | w/o Weight  | 25501867 | FRA-130   |
| 1979-80                | V6 3.8L 232 CI | A              | w/o Weight  | 25501867 | FRA-130   |
| 1979-81                | V8 4.4L 267 CI | J              | w/o Weight; 14.13" O.D. w/168 Teeth   | 471598   | FRA-100*  |
| 1979-82                | V8 4.4L 267 CI | J              | 12.85" O.D. w/153 Teeth, w/Lock up Converter  | 471529   | FRA-112*  |
| 1981-83                | V6 3.8L 232 CI | A              | Damper Stamped 6570   | 25512346 | FRA-134   |
| 1983-84                | V6 3.8L 232 CI | A              | Damper Stamped 8994, w/o Weight   | 25512348 | FRA-137   |
| 1980-84                | V6 3.8L 229 CI | 9, K           | 12.85" O.D. w/153 Teeth   | 471529   | FRA-112*  |
| 1983-84                | V8 5.7L 350 CI | N              | w/ Weight   | 22500808 | FRA-110   |
| 1985                   | V6 4.3L 262 CI | Z              | 12.85" O.D. w/153 Teeth   | 471529   | FRA-112*  |
| 1986-87                | V6 4.3L 262 CI | Z              | w/ Weight   | 14088765 | FRA-160*  |
| 1986-87                | V8 5.0L 305 CI | H              | 153 Teeth; w/Weight, w/ Weight  | 14088765 | FRA-160*  |
| <b>EQUINOX</b>         |                |                |   |          |           |
| 2005-09                | V6 3.4L 207 CI | F              |   | 12575076 | FRA-540   |

# FLEXPLATES APPLICATIONS

| Years                  | Engine         | VIN     | Remarks               | OE                             | Pioneer # |
|------------------------|----------------|---------|-----------------------|--------------------------------|-----------|
| <b>CHEVROLET TRUCK</b> |                |         |                       |                                |           |
| <b>EQUINOX</b>         |                |         |                       |                                |           |
| 2008-09                | V6 3.6L 217 CI | 7       |                       | 12575076                       | FRA-540   |
| 2010-15                | L4 2.4L 145 CI | C, W, K |                       |                                | FRA-572   |
| <b>EXPRESS 1500</b>    |                |         |                       |                                |           |
| 1996-02                | V8 5.0L 305 CI | M       |                       | 14088761                       | FRA-159*  |
| 1996-02                | V8 5.7L 350 CI | R       |                       | 14088761                       | FRA-159*  |
| 1996-98                | V6 4.3L 262 CI | W       |                       | 14088761                       | FRA-159*  |
| 1998-02                | V8 5.7L 350 CI | R       |                       | 12554824 / 14088767            | FRA-161   |
| 1998-99                | V6 4.3L 262 CI | W       |                       | 12554824 / 14088767            | FRA-161   |
| 1999-13                | V6 4.3L 262 CI | W, X    |                       | 12555640                       | FRA-472   |
| 1999-02                | V6 4.3L 262 CI | W       |                       | 12557587                       | FRA-704   |
| 2000-02                | V6 4.3L 262 CI | W       |                       | 12557584                       | FRA-703   |
| 2003-04                | V8 5.3L 323 CI | T       | 168 Teeth; w/o Weight | 12563136 / 12580709 / 12606620 | FRA-471*  |
| 2003-04                | V8 5.3L 325 CI | T, 4    | 168 Teeth; w/o Weight | 12563136 / 12580709 / 12606620 | FRA-471*  |
| 2011-12                | V8 5.3L 325 CI | T, 4    | 168 Teeth; w/o Weight | 12563136 / 12580709 / 12606620 | FRA-471*  |
| 2009-10                | V8 5.3L 325 CI | 4       | w/o Spacer            | 12551367                       | FRA-452   |
| 2009-10                | V8 5.3L 325 CI | 4       | w/Spacer              | 12551367                       | FRA-450   |
| <b>EXPRESS 2500</b>    |                |         |                       |                                |           |
| 1996-02                | V8 5.0L 305 CI | M       |                       | 14088761                       | FRA-159*  |
| 1996-02                | V8 5.7L 350 CI | R       |                       | 12554824 / 14088767            | FRA-161   |
| 1996-02                | V8 5.7L 350 CI | R       |                       | 14088761                       | FRA-159*  |
| 1996-02                | V8 6.5L 395 CI | F       | w/ Weight             | 14077157                       | FRA-142   |
| 1996-98                | V6 4.3L 262 CI | W       |                       | 14088761                       | FRA-159*  |
| 1996-99                | V6 4.3L 262 CI | W       |                       | 12554824 / 14088767            | FRA-161   |
| 1999-02                | V6 4.3L 262 CI | W       |                       | 12557587                       | FRA-704   |
| 2000-02                | V6 4.3L 262 CI | W       |                       | 12557584                       | FRA-703   |
| 2003-04                | V8 5.3L 325 CI | T       | 168 Teeth; w/o Weight | 12563136 / 12580709 / 12606620 | FRA-471*  |
| 2003-05                | V6 4.3L 262 CI | X       |                       | 12555640                       | FRA-472   |
| 2003-10                | V8 4.8L 294 CI | V, C, A | w/Spacer              | 12551367                       | FRA-450   |
| 2003-10                | V8 6.0L 364 CI | U, K, G | w/Spacer              | 12551367                       | FRA-450   |
| 2003-10                | V8 4.8L 294 CI | C, V, A | w/o Spacer            | 12551367                       | FRA-452   |
| 2003-10                | V8 6.0L 364 CI | G, U, K | w/o Spacer            | 12551367                       | FRA-452   |
| 2011-12                | V8 4.8L 294 CI | A       | 168 Teeth; w/o Weight | 12563136 / 12580709 / 12606620 | FRA-471*  |
| 2011-12                | V8 6.0L 364 CI | B, G    | 168 Teeth; w/o Weight | 12563136 / 12580709 / 12606620 | FRA-471*  |
| <b>EXPRESS 3500</b>    |                |         |                       |                                |           |
| 1996-02                | V8 5.7L 350 CI | R       |                       | 12554824 / 14088767            | FRA-161   |
| 1996-02                | V8 6.5L 395 CI | F       | w/ Weight             | 14077157                       | FRA-142   |
| 1996-99                | V8 7.4L 454 CI | J       | w/ Weight             | 10101170                       | FRA-321   |
| 2001-02                | V8 8.1L 496 CI | G       |                       | 12561217                       | FRA-531   |
| 2005-10                | V8 4.8L 294 CI | V, A, C | w/o Spacer            | 12551367                       | FRA-452   |
| 2003-10                | V8 6.0L 364 CI | U, K, G | w/o Spacer            | 12551367                       | FRA-452   |

\*Available in Heavy Duty-SFI Versions

FRA 28

# FLEXPLATES APPLICATIONS

| Years                  | Engine         | VIN           | Remarks  | OE                             | Pioneer # |
|------------------------|----------------|---------------|--|--------------------------------|-----------|
| <b>CHEVROLET TRUCK</b> |                |               |  |                                |           |
| <b>EXPRESS 3500</b>    |                |               |  |                                |           |
| 2003-10                | V8 6.0L 364 CI | K, U, G       | w/Spacer   | 12551367                       | FRA-450   |
| 2005-10                | V8 4.8L 294 CI | A, V, C       | w/Spacer   | 12551367                       | FRA-450   |
| 2011-12                | V8 4.8L 294 CI | A             | 168 Teeth; w/o Weight                                      | 12563136 / 12580709 / 12606620 | FRA-471*  |
| 2011-12                | V8 6.0L 364 CI | B, G          | 168 Teeth; w/o Weight                                      | 12563136 / 12580709 / 12606620 | FRA-471*  |
| <b>G10</b>             |                |               |  |                                |           |
| 1975-84                | L6 4.1L 250 CI | Q, D          | w/o Weight; 14.13" O.D. w/168 Teeth                        | 471598                         | FRA-100*  |
| 1975-85                | V8 5.7L 350 CI | P, V, L, Y    | w/o Weight; 14.13" O.D. w/168 Teeth                        | 471598                         | FRA-100*  |
| 1977-85                | V8 5.0L 305 CI | G, H, F, U    | w/o Weight; 14.13" O.D. w/168 Teeth                        | 471598                         | FRA-100*  |
| 1985                   | V6 4.3L 262 CI | N             | w/o Weight; 14.13" O.D. w/168 Teeth                        | 471598                         | FRA-100*  |
| 1986-95                | V8 5.0L 305 CI | H, F          |  | 14088761                       | FRA-159*  |
| 1986-93                | V8 5.7L 350 CI | L, K          |  | 14088761                       | FRA-159*  |
| 1986-95                | V6 4.3L 262 CI | Z, N          |  | 14088761                       | FRA-159*  |
| <b>G10 VAN</b>         |                |               |  |                                |           |
| 1968-72                | V8 5.0L 307 CI | U, A, E, H, F |  | 471598                         | FRA-100*  |
| 1970-74                | V8 5.7L 350 CI | E, Y, H, V    | w/o Weight; 14.13" O.D. w/168 Teeth, exc. High Performance | 471598                         | FRA-100*  |
| 1969-73                | V8 5.0L 307 CI | H, F, U, A, X | 12.85" O.D. w/153 Teeth                                    | 471529                         | FRA-112*  |
| 1973-74                | L6 4.1L 250 CI | Q             | 12.85" O.D. w/153 Teeth                                    | 471529                         | FRA-112*  |
| 1973-74                | V8 7.4L 454 CI | Z             | w/ Weight  | 14001992                       | FRA-141   |
| <b>G20</b>             |                |               |  |                                |           |
| 1975-84                | L6 4.1L 250 CI | Q, D          | w/o Weight; 14.13" O.D. w/168 Teeth                        | 471598                         | FRA-100*  |
| 1975-78                | L6 4.8L 292 CI | T             |  | 361052                         | FRA-153   |
| 1975-80                | L6 4.8L 292 CI | T             | w/o Weight   | 361051                         | FRA-152   |
| 1975-80                | V8 6.6L 400 CI | U, R, M       | w/Weight, w/ Weight  | 471578                         | FRA-104*  |
| 1976                   | V8 7.4L 454 CI | S             | w/ Weight  | 14001992                       | FRA-141   |
| 1975-85                | V8 5.7L 350 CI | L, M, V, Y    | w/o Weight; 14.13" O.D. w/168 Teeth                        | 471598                         | FRA-100*  |
| 1977-85                | V8 5.0L 305 CI | F, G, H, U    | w/o Weight; 14.13" O.D. w/168 Teeth                        | 471598                         | FRA-100*  |
| 1983-90                | V8 6.2L 379 CI | J, C          |  | 14077157                       | FRA-142   |
| 1985                   | V6 4.3L 262 CI | N             | w/o Weight; 14.13" O.D. w/168 Teeth                        | 471598                         | FRA-100*  |
| 1986-95                | V6 4.3L 262 CI | N, Z          |  | 14088761                       | FRA-159*  |
| 1986-95                | V8 5.0L 305 CI | H, F          |  | 14088761                       | FRA-159*  |
| 1986-95                | V8 5.7L 350 CI | K, M, L       |  | 14088761                       | FRA-159*  |
| 1991-93                | V8 6.2L 379 CI | C             |  | 14077158                       | FRA-143   |
| 1994-95                | V8 6.5L 395 CI | P             | w/ Weight  | 14077158                       | FRA-143   |
| <b>G20 VAN</b>         |                |               |  |                                |           |
| 1968-69                | V8 5.0L 307 CI | U, E          |  | 471598                         | FRA-100*  |
| 1969                   | V8 5.0L 307 CI | U             |  | 471529                         | FRA-112*  |
| 1973-74                | L6 4.1L 250 CI | Q             | 12.85" O.D. w/153 Teeth                                    | 471529                         | FRA-112*  |
| 1971                   | L6 4.8L 292 CI | T, S          | w/o Weight   | 361051                         | FRA-152   |
| 1973-74                | L6 4.8L 292 CI | T, S          | w/o Weight   | 361051                         | FRA-152   |



# FLEXPLATES APPLICATIONS

| Years                  | Engine         | VIN                 | Remarks   | OE                  | Pioneer # |
|------------------------|----------------|---------------------|---|---------------------|-----------|
| <b>CHEVROLET TRUCK</b> |                |                     |   |                     |           |
| <b>G20 VAN</b>         |                |                     |   |                     |           |
| 1973-74                | L6 4.8L 293 CI | T                   |   | 361052              | FRA-153   |
| 1971                   | L6 4.8L 293 CI | T, S                | w/o Weight  | 361051              | FRA-152   |
| 1973-74                | L6 4.8L 293 CI | T, S                | w/o Weight  | 361051              | FRA-152   |
| 1973-74                | V8 7.4L 454 CI | Z                   | w/ Weight   | 14001992            | FRA-141   |
| 1973-74                | L6 4.8L 292 CI | T                   |   | 361052              | FRA-153   |
| 1970-74                | V8 5.7L 350 CI | V, H, E, Y,<br>W    | w/o Weight; 14.13" O.D. w/168 Teeth,<br>exc. High Performance | 471598              | FRA-100*  |
| <b>G30</b>             |                |                     |   |                     |           |
| 1975-78                | L6 4.8L 292 CI | T                   |   | 361052              | FRA-153   |
| 1975-79                | L6 4.8L 292 CI | T                   | w/o Weight  | 361051              | FRA-152   |
| 1975-76                | V8 7.4L 454 CI | S, Z, N             | w/ Weight   | 14001992            | FRA-141   |
| 1988-90                | V8 7.4L 454 CI | S, Z, N             | w/ Weight   | 14001992            | FRA-141   |
| 1975-80                | V8 6.6L 400 CI | R, U, M             | w/Weight, w/ Weight   | 471578              | FRA-104*  |
| 1979                   | V8 5.7L 350 CI | L                   | Forward Control   | 471597              | FRA-126   |
| 1976                   | L6 4.1L 250 CI | D                   | w/o Weight; 14.13" O.D. w/168 Teeth                           | 471598              | FRA-100*  |
| 1978-79                | L6 4.1L 250 CI | D                   | w/o Weight; 14.13" O.D. w/168 Teeth                           | 471598              | FRA-100*  |
| 1981-84                | L6 4.1L 250 CI | D                   | w/o Weight; 14.13" O.D. w/168 Teeth                           | 471598              | FRA-100*  |
| 1978-79                | V8 5.0L 305 CI | H, F, U             | w/o Weight; 14.13" O.D. w/168 Teeth                           | 471598              | FRA-100*  |
| 1982                   | V8 5.0L 305 CI | H, F, U             | w/o Weight; 14.13" O.D. w/168 Teeth                           | 471598              | FRA-100*  |
| 1985                   | V8 5.0L 305 CI | H, F, U             | w/o Weight; 14.13" O.D. w/168 Teeth                           | 471598              | FRA-100*  |
| 1975-85                | V8 5.7L 350 CI | L, Y, M, V          | w/o Weight; 14.13" O.D. w/168 Teeth                           | 471598              | FRA-100*  |
| 1983-90                | V8 6.2L 379 CI | J, C                |   | 14077157            | FRA-142   |
| 1985                   | V6 4.3L 262 CI | N                   | w/o Weight; 14.13" O.D. w/168 Teeth                           | 471598              | FRA-100*  |
| 1986-95                | V6 4.3L 262 CI | N, Z                |   | 14088761            | FRA-159*  |
| 1986-95                | V8 5.7L 350 CI | K, M, L             |   | 14088761            | FRA-159*  |
| 1991-93                | V8 6.2L 379 CI | J                   |   | 14077158            | FRA-143   |
| 1991-96                | V8 7.4L 454 CI | N                   | w/ Weight   | 10101170            | FRA-321   |
| 1992-95                | V6 4.3L 262 CI | Z                   |   | 12554824 / 14088767 | FRA-161   |
| 1992-96                | V8 5.7L 350 CI | K                   |   | 12554824 / 14088767 | FRA-161   |
| 1994-96                | V8 6.5L 395 CI | Y                   | w/ Weight   | 14077157            | FRA-142   |
| <b>G30 VAN</b>         |                |                     |   |                     |           |
| 1970-74                | V8 5.7L 350 CI | H, Y, B, A,<br>V, E | w/o Weight; 14.13" O.D. w/168 Teeth,<br>exc. High Performance | 471598              | FRA-100*  |
| 1973-74                | L6 4.1L 250 CI | Q                   | 12.85" O.D. w/153 Teeth                                       | 471529              | FRA-112*  |
| 1973-74                | V8 7.4L 454 CI | Z                   | w/ Weight   | 14001992            | FRA-141   |
| 1974                   | L6 4.8L 292 CI | T                   | w/o Weight  | 361051              | FRA-152   |
| 1971-72                | L6 4.8L 292 CI | T, S                |   | 361052              | FRA-153   |
| 1974                   | L6 4.8L 292 CI | T, S                |   | 361052              | FRA-153   |
| <b>K10</b>             |                |                     |   |                     |           |
| 1975-84                | L6 4.1L 250 CI | Q, D                | w/o Weight; 14.13" O.D. w/168 Teeth                           | 471598              | FRA-100*  |

\*Available in Heavy Duty-SFI Versions

FRA 30

# FLEXPLATES APPLICATIONS

| Years                  | Engine         | VIN           | Remarks                                     | OE       | Pioneer # |
|------------------------|----------------|---------------|---|----------|-----------|
| <b>CHEVROLET TRUCK</b> |                |               |   |          |           |
| <b>K10</b>             |                |               |   |          |           |
| 1975-80                | V8 6.6L 400 CI | U, M, R, X    | w/Weight, w/ Weight                         | 471578   | FRA-104*  |
| 1979-80                | L6 4.8L 292 CI | T             | w/o Weight                                  | 14002590 | FRA-157   |
| 1975-76                | L6 4.8L 292 CI | T             | w/o Weight                                  | 361051   | FRA-152   |
| 1979                   | L6 4.8L 292 CI | T             | w/o Weight                                  | 361051   | FRA-152   |
| 1976                   | V8 7.4L 454 CI | S             | w/ Weight                                   | 14001992 | FRA-141   |
| 1979-80                | V8 7.4L 454 CI | S             | w/ Weight                                   | 14001992 | FRA-141   |
| 1975-85                | V8 5.7L 350 CI | L, Y, M, V    | w/o Weight; 14.13" O.D. w/168 Teeth         | 471598   | FRA-100*  |
| 1980-83                | V8 5.7L 350 CI | L, M          |   | 471597   | FRA-126   |
| 1977-79                | V8 5.0L 305 CI | H, U          | w/o Weight; 14.13" O.D. w/168 Teeth         | 471598   | FRA-100*  |
| 1981-85                | V8 5.0L 305 CI | H, U          | w/o Weight; 14.13" O.D. w/168 Teeth         | 471598   | FRA-100*  |
| 1982-86                | V8 6.2L 379 CI | C             |   | 14077158 | FRA-143   |
| 1985                   | V6 4.3L 262 CI | N             | w/o Weight; 14.13" O.D. w/168 Teeth         | 471598   | FRA-100*  |
| 1986                   | V6 4.3L 262 CI | N             |   | 14088761 | FRA-159*  |
| 1986                   | V8 5.0L 305 CI | H             |   | 14088761 | FRA-159*  |
| 1986                   | V8 5.7L 350 CI | L, M          |   | 14088761 | FRA-159*  |
| <b>K10 PICKUP</b>      |                |               |   |          |           |
| 1966                   | L6 4.8L 293 CI |               | w/o Weight; 14.13" O.D. w/168 Teeth         | 471598   | FRA-100*  |
| 1968                   | V8 5.3L 327 CI | E             |   | 471598   | FRA-100*  |
| 1968                   | V8 5.4L 327 CI | E             |   | 471598   | FRA-100*  |
| 1968                   | V8 6.5L 396 CI | E             |   | 471598   | FRA-100*  |
| 1969-74                | V8 5.7L 350 CI | E, V, Y       | w/o Weight; 14.13" O.D. w/168 Teeth         | 471598   | FRA-100*  |
| 1970                   | L6 4.1L 250 CI | N             |   | 471598   | FRA-100*  |
| 1969                   | V8 5.0L 307 CI | F, E          |   | 471529   | FRA-112*  |
| 1972                   | V8 5.0L 307 CI | F, E          |   | 471529   | FRA-112*  |
| 1968-69                | V8 5.0L 307 CI | F, E          | w/o Weight; 14.13" O.D. w/168 Teeth         | 471598   | FRA-100*  |
| 1972                   | V8 5.0L 307 CI | F, E          | w/o Weight; 14.13" O.D. w/168 Teeth         | 471598   | FRA-100*  |
| 1973                   | L6 4.8L 292 CI | T             |   | 361052   | FRA-153   |
| 1973                   | L6 4.8L 292 CI | T             | w/o Weight                                  | 361051   | FRA-152   |
| 1973                   | L6 4.8L 293 CI | T             |   | 361052   | FRA-153   |
| 1973                   | L6 4.8L 293 CI | T             | w/o Weight                                  | 361051   | FRA-152   |
| 1971-74                | L6 4.1L 250 CI | Q, C, D, L    | 12.85" O.D. w/153 Teeth, Exc. THM400 Trans. | 471529   | FRA-112*  |
| 1974                   | V8 7.4L 454 CI | Z             | w/ Weight                                   | 14001992 | FRA-141   |
| <b>K10 SUBURBAN</b>    |                |               |   |          |           |
| 1968                   | V8 5.3L 327 CI | E             |   | 471598   | FRA-100*  |
| 1968                   | V8 5.4L 327 CI | E             |   | 471598   | FRA-100*  |
| 1968                   | V8 6.5L 396 CI | E             |   | 471598   | FRA-100*  |
| 1968-73                | V8 5.0L 307 CI | E, X, F, H, A | w/o Weight; 14.13" O.D. w/168 Teeth         | 471598   | FRA-100*  |
| 1969                   | V8 5.0L 307 CI | E             |   | 471529   | FRA-112*  |
| 1968-70                | L6 4.1L 250 CI | N, Q, P, D    | w/o Weight; 14.13" O.D. w/168 Teeth         | 471598   | FRA-100*  |

# FLEXPLATES APPLICATIONS

| Years                  | Engine         | VIN        | Remarks                                     | OE                  | Pioneer # |
|------------------------|----------------|------------|---|---------------------|-----------|
| <b>CHEVROLET TRUCK</b> |                |            |   |                     |           |
| <b>K10 SUBURBAN</b>    |                |            |   |                     |           |
| 1975-80                | L6 4.1L 250 CI | N, Q, P, D | w/o Weight; 14.13" O.D. w/168 Teeth         | 471598              | FRA-100*  |
| 1970                   | V8 6.6L 402 CI | E          | w/o Weight; 14.13" O.D. w/168 Teeth         | 471598              | FRA-100*  |
| 1971-72                | V8 6.6L 402 CI | K, E       | w/o Weight                                  | 361950              | FRA-113   |
| 1971-74                | L6 4.1L 250 CI | D, L, C, Q | 12.85" O.D. w/153 Teeth, Exc. THM400 Trans. | 471529              | FRA-112*  |
| 1969-72                | V8 5.7L 350 CI | L, E, M    | w/o Weight; 14.13" O.D. w/168 Teeth         | 471598              | FRA-100*  |
| 1976-85                | V8 5.7L 350 CI | L, E, M    | w/o Weight; 14.13" O.D. w/168 Teeth         | 471598              | FRA-100*  |
| 1975-79                | V8 6.6L 400 CI | R, U, M    | w/Weight, w/ Weight                         | 471578              | FRA-104*  |
| 1982-86                | V8 6.2L 379 CI | C          |   | 14077158            | FRA-143   |
| 1977-85                | V8 5.0L 305 CI | F, G, H, U | w/o Weight; 14.13" O.D. w/168 Teeth         | 471598              | FRA-100*  |
| 1986                   | V8 5.0L 305 CI | H          |   | 14088761            | FRA-159*  |
| 1986                   | V8 5.7L 350 CI | L, M       |   | 14088761            | FRA-159*  |
| <b>K1500</b>           |                |            |   |                     |           |
| 1988-95                | V6 4.3L 262 CI | Z, W       | 168 Teeth;                                  | 14088761            | FRA-159*  |
| 1997-98                | V6 4.3L 262 CI | Z, W       | 168 Teeth;                                  | 14088761            | FRA-159*  |
| 1991-93                | V6 4.3L 262 CI | Z          |   | 12554824 / 14088767 | FRA-161   |
| 1991-99                | V8 5.7L 350 CI | K, R       |   | 12554824 / 14088767 | FRA-161   |
| 1988-93                | V8 6.2L 379 CI | C          |   | 14077158            | FRA-143   |
| 1994-95                | V8 6.5L 395 CI | P          |   | 14077158            | FRA-143   |
| 1994-98                | V8 6.5L 395 CI | S, F       | w/ Weight                                   | 14077157            | FRA-142   |
| 1988-90                | V8 5.0L 305 CI | M, H       |   | 14088761            | FRA-159*  |
| 1994-99                | V8 5.0L 305 CI | M, H       |   | 14088761            | FRA-159*  |
| 1991-99                | V8 5.0L 305 CI | M, H       |   | 12554824 / 14088767 | FRA-161   |
| 1988-99                | V8 5.7L 350 CI | R, K       |   | 14088761            | FRA-159*  |
| <b>K1500 SUBURBAN</b>  |                |            |   |                     |           |
| 1992-99                | V8 5.7L 350 CI | K, R       |   | 14088761            | FRA-159*  |
| 1992-99                | V8 5.7L 350 CI | R, K       |   | 12554824 / 14088767 | FRA-161   |
| 1995-99                | V8 6.5L 395 CI | F          | w/ Weight                                   | 14077157            | FRA-142   |
| <b>K20</b>             |                |            |   |                     |           |
| 1975-76                | L6 4.1L 250 CI | Q, D       | w/o Weight; 14.13" O.D. w/168 Teeth         | 471598              | FRA-100*  |
| 1978-80                | L6 4.1L 250 CI | Q, D       | w/o Weight; 14.13" O.D. w/168 Teeth         | 471598              | FRA-100*  |
| 1975-85                | V8 5.7L 350 CI | V, M, Y, L | w/o Weight; 14.13" O.D. w/168 Teeth         | 471598              | FRA-100*  |
| 1975-78                | L6 4.8L 292 CI | T          |   | 361052              | FRA-153   |
| 1975-79                | L6 4.8L 292 CI | T          | w/o Weight                                  | 361051              | FRA-152   |
| 1975-80                | V8 6.6L 400 CI | R, M, X, U | w/Weight, w/ Weight                         | 471578              | FRA-104*  |
| 1979-86                | L6 4.8L 292 CI | T          | w/o Weight                                  | 14002590            | FRA-157   |
| 1977-78                | V8 5.0L 305 CI | G, U, H    | w/o Weight; 14.13" O.D. w/168 Teeth         | 471598              | FRA-100*  |
| 1980                   | V8 5.0L 305 CI | G, U, H    | w/o Weight; 14.13" O.D. w/168 Teeth         | 471598              | FRA-100*  |
| 1985                   | V8 5.0L 305 CI | G, U, H    | w/o Weight; 14.13" O.D. w/168 Teeth         | 471598              | FRA-100*  |
| 1976-78                | V8 7.4L 454 CI | S          | w/ Weight                                   | 14001992            | FRA-141   |

\*Available in Heavy Duty-SFI Versions

FRA 32

# FLEXPLATES APPLICATIONS

| Years                  | Engine         | VIN           | Remarks                                     | OE       | Pioneer # |
|------------------------|----------------|---------------|---|----------|-----------|
| <b>CHEVROLET TRUCK</b> |                |               |   |          |           |
| <b>K20</b>             |                |               |   |          |           |
| 1980                   | V8 7.4L 454 CI | S             | w/ Weight                                   | 14001992 | FRA-141   |
| 1980-83                | V8 5.7L 350 CI | L, M          |   | 471597   | FRA-126   |
| 1982-86                | V8 6.2L 379 CI | C             |   | 14077158 | FRA-143   |
| 1982-86                | V8 6.2L 379 CI | J             |   | 14077157 | FRA-142   |
| 1985                   | V6 4.3L 262 CI | N             | w/o Weight; 14.13" O.D. w/168 Teeth         | 471598   | FRA-100*  |
| 1986                   | V8 5.7L 350 CI | L, M          |   | 14088761 | FRA-159*  |
| <b>K20 PICKUP</b>      |                |               |   |          |           |
| 1966                   | L6 4.8L 293 CI |               | w/o Weight; 14.13" O.D. w/168 Teeth         | 471598   | FRA-100*  |
| 1968                   | V8 5.3L 327 CI | E             |   | 471598   | FRA-100*  |
| 1968                   | V8 5.4L 327 CI | E             |   | 471598   | FRA-100*  |
| 1968                   | V8 6.5L 396 CI | E             |   | 471598   | FRA-100*  |
| 1969                   | V8 5.0L 307 CI | E             |   | 471529   | FRA-112*  |
| 1968-70                | L6 4.1L 250 CI | N, P          |   | 471598   | FRA-100*  |
| 1971-74                | L6 4.1L 250 CI | D, Q, L, C    | 12.85" O.D. w/153 Teeth, Exc. THM400 Trans. | 471529   | FRA-112*  |
| 1968-69                | V8 5.0L 307 CI | F, E          | w/o Weight; 14.13" O.D. w/168 Teeth         | 471598   | FRA-100*  |
| 1972                   | V8 5.0L 307 CI | F, E          | w/o Weight; 14.13" O.D. w/168 Teeth         | 471598   | FRA-100*  |
| 1973                   | V8 7.4L 454 CI | Z             | w/ Weight                                   | 343738   | FRA-111*  |
| 1973-74                | L6 4.8L 292 CI | T, S          | w/o Weight                                  | 361051   | FRA-152   |
| 1973-74                | L6 4.8L 293 CI | T, S          |   | 361052   | FRA-153   |
| 1973-74                | L6 4.8L 292 CI | S, T          |   | 361052   | FRA-153   |
| 1973-74                | L6 4.8L 293 CI | S, T          | w/o Weight                                  | 361051   | FRA-152   |
| 1969-74                | V8 5.7L 350 CI | V, E, Y       | w/o Weight; 14.13" O.D. w/168 Teeth         | 471598   | FRA-100*  |
| 1974                   | V8 7.4L 454 CI | Z             | w/ Weight                                   | 14001992 | FRA-141   |
| <b>K20 SUBURBAN</b>    |                |               |   |          |           |
| 1968                   | V8 5.3L 327 CI | E             |   | 471598   | FRA-100*  |
| 1968                   | V8 5.4L 327 CI | E             |   | 471598   | FRA-100*  |
| 1969                   | V8 5.0L 307 CI | E             |   | 471529   | FRA-112*  |
| 1968-70                | L6 4.1L 250 CI | N, P          |   | 471598   | FRA-100*  |
| 1971-74                | L6 4.1L 250 CI | L, C, Q, D    | Exc. THM400 Trans., 12.85" O.D. w/153 Teeth | 471529   | FRA-112*  |
| 1968-73                | V8 5.0L 307 CI | F, A, E, H, X | w/o Weight; 14.13" O.D. w/168 Teeth         | 471598   | FRA-100*  |
| 1973                   | V8 7.4L 454 CI | Z             | w/Weight, w/ Weight                         | 343738   | FRA-111*  |
| 1973-78                | L6 4.8L 292 CI | T             |   | 361052   | FRA-153   |
| 1973-74                | L6 4.8L 293 CI | T             | w/o Weight                                  | 361051   | FRA-152   |
| 1973-74                | L6 4.8L 293 CI | T             |   | 361052   | FRA-153   |
| 1973-79                | L6 4.8L 292 CI | T             | w/o Weight                                  | 361051   | FRA-152   |
| 1975-80                | V8 6.6L 400 CI | U, M, R       | w/Weight, w/ Weight                         | 471578   | FRA-104*  |
| 1977-78                | V8 5.0L 305 CI | U, H          | w/o Weight; 14.13" O.D. w/168 Teeth         | 471598   | FRA-100*  |
| 1985                   | V8 5.0L 305 CI | U, H          | w/o Weight; 14.13" O.D. w/168 Teeth         | 471598   | FRA-100*  |

# FLEXPLATES APPLICATIONS

| Years                  | Engine         | VIN        | Remarks   | OE                  | Pioneer # |
|------------------------|----------------|------------|---|---------------------|-----------|
| <b>CHEVROLET TRUCK</b> |                |            |   |                     |           |
| <b>K20 SUBURBAN</b>    |                |            |   |                     |           |
| 1979-82                | L6 4.8L 292 CI | T          | w/o Weight  | 14002590            | FRA-157   |
| 1982-86                | V8 6.2L 379 CI | J          |   | 14077157            | FRA-142   |
| 1979-84                | V8 5.7L 350 CI | L, M       |   | 471597              | FRA-126   |
| 1969-72                | V8 5.7L 350 CI | M, L, E, K | w/o Weight; 14.13" O.D. w/168 Teeth,<br>exc. High Performance | 471598              | FRA-100*  |
| 1976-85                | V8 5.7L 350 CI | M, L, E, K | w/o Weight; 14.13" O.D. w/168 Teeth,<br>exc. High Performance | 471598              | FRA-100*  |
| 1985                   | V8 7.4L 454 CI | W          | w/ Weight   | 14001992            | FRA-141   |
| 1986                   | V8 5.0L 305 CI | H          |   | 14088761            | FRA-159*  |
| 1986                   | V8 5.7L 350 CI | L, M       |   | 14088761            | FRA-159*  |
| <b>K2500</b>           |                |            |   |                     |           |
| 1988-90                | V6 4.3L 262 CI | Z          | w/ Weight   | 14088761            | FRA-159*  |
| 1988-90                | V8 5.0L 305 CI | H, M       | 168 Teeth;  | 14088761            | FRA-159*  |
| 1994-95                | V8 5.0L 305 CI | H, M       | 168 Teeth;  | 14088761            | FRA-159*  |
| 1997-98                | V8 5.0L 305 CI | H, M       | 168 Teeth;  | 14088761            | FRA-159*  |
| 1988-93                | V8 6.2L 379 CI | C          |   | 14077158            | FRA-143   |
| 1991-93                | V6 4.3L 262 CI | Z          |   | 12554824 / 14088767 | FRA-161   |
| 1989-93                | V8 6.2L 379 CI | J          | w/ Weight   | 14077157            | FRA-142   |
| 1991-00                | V8 7.4L 454 CI | N, J       | w/ Weight   | 10101170            | FRA-321   |
| 1994-95                | V8 6.5L 395 CI | P          |   | 14077158            | FRA-143   |
| 1993                   | V8 5.7L 350 CI | R, K       |   | 12554824 / 14088767 | FRA-161   |
| 1996-00                | V8 5.7L 350 CI | R, K       |   | 12554824 / 14088767 | FRA-161   |
| 1992-00                | V8 6.5L 395 CI | F, S       | w/ Weight   | 14077157            | FRA-142   |
| 1988-95                | V8 5.7L 350 CI | R, K       |   | 14088761            | FRA-159*  |
| 1997-98                | V8 5.7L 350 CI | R, K       |   | 14088761            | FRA-159*  |
| 1991-95                | V8 5.0L 305 CI | M, H       |   | 12554824 / 14088767 | FRA-161   |
| 1998                   | V8 5.0L 305 CI | M, H       |   | 12554824 / 14088767 | FRA-161   |
| <b>K2500 SUBURBAN</b>  |                |            |   |                     |           |
| 1992-99                | V8 5.7L 350 CI | K, R       |   | 12554824 / 14088767 | FRA-161   |
| 1992-96                | V8 5.7L 350 CI | K, R       |   | 14088761            | FRA-159*  |
| 1994-99                | V8 6.5L 395 CI | F          | w/ Weight   | 14077157            | FRA-142   |
| 1992-99                | V8 7.4L 454 CI | J, N       | w/ Weight   | 10101170            | FRA-321   |
| <b>K30</b>             |                |            |   |                     |           |
| 1977-78                | L6 4.8L 292 CI | T          |   | 361052              | FRA-153   |
| 1977-79                | L6 4.8L 292 CI | T          | w/o Weight  | 361051              | FRA-152   |
| 1977-80                | V8 6.6L 400 CI | R          | w/ Weight   | 471578              | FRA-104*  |
| 1977                   | V8 7.4L 454 CI | S, W       | w/ Weight   | 14001992            | FRA-141   |
| 1980-86                | V8 7.4L 454 CI | S, W       | w/ Weight   | 14001992            | FRA-141   |
| 1979-86                | L6 4.8L 292 CI | T          | w/o Weight  | 14002590            | FRA-157   |
| 1980-83                | V8 5.7L 350 CI | L, M       |   | 471597              | FRA-126   |

\*Available in Heavy Duty-SFI Versions

FRA 34

# FLEXPLATES APPLICATIONS

| Years                  | Engine         | VIN           | Remarks                                     | OE                  | Pioneer # |
|------------------------|----------------|---------------|---|---------------------|-----------|
| <b>CHEVROLET TRUCK</b> |                |               |   |                     |           |
| <b>K30</b>             |                |               |   |                     |           |
| 1982-86                | V8 6.2L 379 CI | J             |   | 14077157            | FRA-142   |
| 1977-85                | V8 5.7L 350 CI | M, L          | w/o Weight; 14.13" O.D. w/168 Teeth         | 471598              | FRA-100*  |
| 1986                   | V8 5.7L 350 CI | M             |   | 14088761            | FRA-159*  |
| <b>K30 PICKUP</b>      |                |               |   |                     |           |
| 1968                   | V8 5.3L 327 CI | E             |   | 471598              | FRA-100*  |
| 1968                   | V8 5.4L 327 CI | E             |   | 471598              | FRA-100*  |
| 1968                   | V8 6.5L 396 CI | E             |   | 471598              | FRA-100*  |
| 1968-70                | L6 4.1L 250 CI | P, N          |   | 471598              | FRA-100*  |
| 1969                   | V8 5.0L 307 CI | E             |   | 471529              | FRA-112*  |
| 1969-74                | V8 5.7L 350 CI | E, Y, V       | w/o Weight; 14.13" O.D. w/168 Teeth         | 471598              | FRA-100*  |
| 1968-73                | V8 5.0L 307 CI | A, X, F, E, H | w/o Weight; 14.13" O.D. w/168 Teeth         | 471598              | FRA-100*  |
| 1970                   | V8 6.6L 402 CI | E             | w/o Weight; 14.13" O.D. w/168 Teeth         | 471598              | FRA-100*  |
| 1971-74                | L6 4.1L 250 CI | C, Q, D       | Exc. THM400 Trans., 12.85" O.D. w/153 Teeth | 471529              | FRA-112*  |
| 1971                   | V8 6.6L 402 CI | E             | w/o Weight                                  | 361950              | FRA-113   |
| 1973                   | V8 7.4L 454 CI | Z             | w/Weight, w/ Weight                         | 343738              | FRA-111*  |
| 1973-74                | L6 4.8L 292 CI | T, S          |   | 361052              | FRA-153   |
| 1973-74                | L6 4.8L 292 CI | T, S          | w/o Weight                                  | 361051              | FRA-152   |
| 1973-74                | L6 4.8L 293 CI | T, S          | w/o Weight                                  | 361051              | FRA-152   |
| 1973-74                | L6 4.8L 293 CI | S, T          |   | 361052              | FRA-153   |
| 1974                   | V8 7.4L 454 CI | Z             | w/ Weight                                   | 14001992            | FRA-141   |
| <b>K3500</b>           |                |               |   |                     |           |
| 1988-89                | V8 5.7L 350 CI | K             | 168 Teeth;                                  | 14088761            | FRA-159*  |
| 1988-90                | V8 7.4L 454 CI | N             | w/ Weight                                   | 14001992            | FRA-141   |
| 1988-93                | V8 6.2L 379 CI | J             | w/ Weight                                   | 14077157            | FRA-142   |
| 1991-00                | V8 7.4L 454 CI | N, J          | w/ Weight                                   | 10101170            | FRA-321   |
| 1992-00                | V8 6.5L 395 CI | F             | w/ Weight                                   | 14077157            | FRA-142   |
| 1991-94                | V8 5.7L 350 CI | R, K          |   | 12554824 / 14088767 | FRA-161   |
| 1996-00                | V8 5.7L 350 CI | R, K          |   | 12554824 / 14088767 | FRA-161   |
| <b>K5 BLAZER</b>       |                |               |   |                     |           |
| 1976-78                | V8 7.4L 454 CI | S             | w/ Weight                                   | 14001992            | FRA-141   |
| 1975-82                | L6 4.1L 250 CI | D, Q          | w/o Weight; 14.13" O.D. w/168 Teeth         | 471598              | FRA-100*  |
| 1976-85                | V8 5.7L 350 CI | L             | w/o Weight; 14.13" O.D. w/168 Teeth         | 471598              | FRA-100*  |
| 1977-85                | V8 5.0L 305 CI | U, H, G, F    | w/o Weight; 14.13" O.D. w/168 Teeth         | 471598              | FRA-100*  |
| 1977-79                | V8 6.6L 400 CI | R             | w/Weight, w/ Weight                         | 471578              | FRA-104*  |
| 1982-86                | V8 6.2L 379 CI | C             |   | 14077158            | FRA-143   |
| 1986                   | V8 5.0L 305 CI | H             |   | 14088761            | FRA-159*  |
| 1986                   | V8 5.7L 350 CI | L             |   | 14088761            | FRA-159*  |
| <b>LLV</b>             |                |               |   |                     |           |
| 1987-93                | L4 2.5L 151 CI | A, E          | w/o Weight                                  | 10032127            | FRA-156   |

# FLEXPLATES APPLICATIONS

| Years                  | Engine         | VIN     | Remarks  | OE                 | Pioneer # |
|------------------------|----------------|---------|--|--------------------|-----------|
| <b>CHEVROLET TRUCK</b> |                |         |  |                    |           |
| <b>LLV</b>             |                |         |  |                    |           |
| 1994-95                | L4 2.2L 134 CI | 4       | w/o Weight   | 24575991           | FRA-419   |
| <b>LUMINA APV</b>      |                |         |  |                    |           |
| 1990-92                | V6 3.1L 189 CI | D       | w/o Weight   | 14100554           | FRA-138   |
| 1992-94                | V6 3.8L 232 CI | L       | w/ Weight  | 12342730           | FRA-324   |
| 1993-95                | V6 3.1L 189 CI | D       | w/o Weight   | 24576876, 12579453 | FRA-426   |
| 1995                   | V6 3.8L 232 CI | L       |  | 24508110, 12609155 | FRA-484   |
| 1996                   | V6 3.4L 207 CI | E       | w/o Weight   | 24576876, 12579453 | FRA-426   |
| <b>P10</b>             |                |         |  |                    |           |
| 1975-78                | L6 4.8L 292 CI | T       | w/o Weight   | 361051             | FRA-152   |
| 1976-78                | L6 4.8L 292 CI | T       |  | 361052             | FRA-153   |
| 1977-78                | V8 5.7L 350 CI | L       | w/o Weight; 14.13" O.D. w/168 Teeth                                  | 471598             | FRA-100*  |
| 1979                   | V8 5.0L 305 CI | U       | w/o Weight; 14.13" O.D. w/168 Teeth                                  | 471598             | FRA-100*  |
| 1979-80                | L6 4.8L 292 CI | T       | w/o Weight   | 14002590           | FRA-157   |
| <b>P10 VAN</b>         |                |         |  |                    |           |
| 1968-70                | L6 4.1L 250 CI | S, P    |  | 471598             | FRA-100*  |
| 1973                   | V8 7.4L 454 CI | Z       | w/3 bolt Converter   | 343738             | FRA-111*  |
| 1973                   | V8 7.4L 454 CI | Z       | 6 bolt Converter   | 14001992           | FRA-141   |
| 1973-74                | L6 4.1L 250 CI | Q       | exc. Motor Home chassis  | 471529             | FRA-112*  |
| <b>P20</b>             |                |         |  |                    |           |
| 1975                   | V8 5.7L 350 CI | Y       | w/Motor Home Chassis   | 361950             | FRA-113   |
| 1975-78                | L6 4.8L 292 CI | T       |  | 361052             | FRA-153   |
| 1975-78                | L6 4.8L 292 CI | T       | w/o Weight   | 361051             | FRA-152   |
| 1975-85                | V8 5.7L 350 CI | L, M, Y | w/o Weight; 14.13" O.D. w/168 Teeth, exc. Motor Home chassis         | 471598             | FRA-100*  |
| 1976                   | V8 7.4L 454 CI | S, Y    | w/ Weight  | 14001992           | FRA-141   |
| 1979                   | V8 7.4L 454 CI | S, Y    | w/ Weight  | 14001992           | FRA-141   |
| 1979-89                | L6 4.8L 292 CI | T       | w/o Weight   | 14002590           | FRA-157   |
| 1980                   | V8 5.7L 350 CI | M       | w/Motor Home Chassis or w/Conventional Chassis & 4 Wheel Disc Brakes | 471597             | FRA-126   |
| 1982-89                | V8 6.2L 379 CI | J       | w/ Weight  | 14077157           | FRA-142   |
| 1986-89                | V8 5.7L 350 CI | M, K    |  | 14088761           | FRA-159*  |
| <b>P20 VAN</b>         |                |         |  |                    |           |
| 1968-69                | V8 5.0L 307 CI | E       | w/o Weight; 14.13" O.D. w/168 Teeth                                  | 471598             | FRA-100*  |
| 1970                   | L6 4.1L 250 CI | N       |  | 471598             | FRA-100*  |
| 1973                   | V8 7.4L 454 CI | Z       | w/3 bolt Converter   | 343738             | FRA-111*  |
| 1973                   | V8 7.4L 454 CI | Z       | 6 bolt Converter   | 14001992           | FRA-141   |
| 1973-74                | L6 4.1L 250 CI | Q       | exc. Motor Home chassis  | 471529             | FRA-112*  |
| 1973-74                | L6 4.8L 292 CI | T       | w/o Weight   | 361051             | FRA-152   |
| 1973-74                | L6 4.8L 292 CI | T       |  | 361052             | FRA-153   |
| 1970-74                | V8 5.7L 350 CI | V, Y, E | exc. Motor Home chassis, w/o Weight; 14.13" O.D. w/168 Teeth         | 471598             | FRA-100*  |

\*Available in Heavy Duty-SFI Versions

FRA 36

# FLEXPLATES APPLICATIONS

| Years                  | Engine         | VIN           | Remarks  | OE       | Pioneer # |
|------------------------|----------------|---------------|--|----------|-----------|
| <b>CHEVROLET TRUCK</b> |                |               |  |          |           |
| <b>P20 VAN</b>         |                |               |  |          |           |
| 1974                   | V8 5.7L 350 CI | Y, V          | w/Motor Home Chassis   | 361950   | FRA-113   |
| <b>P30</b>             |                |               |  |          |           |
| 1975-78                | L6 4.8L 292 CI | T             |  | 361052   | FRA-153   |
| 1975-78                | L6 4.8L 292 CI | T             | w/o Weight   | 361051   | FRA-152   |
| 1975-80                | V8 5.7L 350 CI | L, V, M, Y    | exc. Motor Home chassis, exc. 4 Wheel Disc brakes, w/Front Disc Brakes, w/o Weight; 14.13" O.D. w/168 Teeth                                | 471598   | FRA-100*  |
| 1985                   | V8 5.7L 350 CI | L, V, M, Y    | exc. Motor Home chassis, exc. 4 Wheel Disc brakes, w/Front Disc Brakes, w/o Weight; 14.13" O.D. w/168 Teeth                                | 471598   | FRA-100*  |
| 1987                   | V8 5.7L 350 CI | L, V, M, Y    | exc. Motor Home chassis, exc. 4 Wheel Disc brakes, w/Front Disc Brakes, w/o Weight; 14.13" O.D. w/168 Teeth                                | 471598   | FRA-100*  |
| 1975-78                | V8 5.7L 350 CI | L, V, Y       | w/Motor Home Chassis, w/4 Wheel Disc Brakes  | 361950   | FRA-113   |
| 1975-90                | V8 7.4L 454 CI | S, Y, W, N, L | w/ Weight  | 14001992 | FRA-141   |
| 1979-89                | L6 4.8L 292 CI | T             | w/o Weight   | 14002590 | FRA-157   |
| 1982-93                | V8 6.2L 379 CI | J             | w/ Weight  | 14077157 | FRA-142   |
| 1980-85                | V8 5.7L 350 CI | M             | w/4 Wheel Disc Brakes, w/4 Wheel Disc Brakes or w/Motor Home Chassis, w/Motor Home Chassis or w/Conventional Chassis & 4 Wheel Disc Brakes | 471597   | FRA-126   |
| 1986-90                | V8 5.7L 350 CI | M, K          |  | 14088761 | FRA-159*  |
| 1994-99                | V8 6.5L 395 CI | F             |  | 14077157 | FRA-142   |
| 1991-99                | V8 7.4L 454 CI | J, N, B       | w/ Weight  | 10101170 | FRA-321   |
| <b>P30 VAN</b>         |                |               |  |          |           |
| 1968-69                | V8 5.0L 307 CI | E             | w/o Weight; 14.13" O.D. w/168 Teeth  | 471598   | FRA-100*  |
| 1970                   | L6 4.1L 250 CI | N             |  | 471598   | FRA-100*  |
| 1973-74                | V8 7.4L 454 CI | Z, L          | 6 bolt Converter, w/ Weight  | 14001992 | FRA-141   |
| 1973                   | V8 7.4L 454 CI | Z             | w/3 bolt Converter   | 343738   | FRA-111*  |
| 1973-74                | L6 4.1L 250 CI | Q             | exc. Motor Home chassis  | 471529   | FRA-112*  |
| 1973-74                | L6 4.8L 292 CI | T, S          | w/o Weight   | 361051   | FRA-152   |
| 1973-74                | L6 4.8L 292 CI | S, T          |  | 361052   | FRA-153   |
| 1974                   | V8 5.7L 350 CI | V, Y          | w/Motor Home Chassis   | 361950   | FRA-113   |
| 1970-74                | V8 5.7L 350 CI | Y, V, E       | exc. Motor Home chassis, w/o Weight; 14.13" O.D. w/168 Teeth   | 471598   | FRA-100*  |
| <b>R10</b>             |                |               |  |          |           |
| 1987                   | V6 4.3L 262 CI | Z             | 168 Teeth;   | 14088761 | FRA-159*  |
| 1987                   | V8 5.0L 305 CI | H             | 168 Teeth;   | 14088761 | FRA-159*  |
| 1987                   | V8 5.7L 350 CI | K             | 168 Teeth;   | 14088761 | FRA-159*  |
| 1987                   | V8 6.2L 379 CI | C             |  | 14077158 | FRA-143   |



# FLEXPLATES APPLICATIONS

| Years                  | Engine         | VIN  | Remarks    | OE       | Pioneer # |
|------------------------|----------------|------|------------|----------|-----------|
| <b>CHEVROLET TRUCK</b> |                |      |            |          |           |
| <b>R10 SUBURBAN</b>    |                |      |            |          |           |
| 1987                   | V8 5.0L 305 CI | H    | 168 Teeth; | 14088761 | FRA-159*  |
| 1987-88                | V8 5.7L 350 CI | K    |            | 14088761 | FRA-159*  |
| 1987-88                | V8 6.2L 379 CI | C    |            | 14077158 | FRA-143   |
| <b>R1500 SUBURBAN</b>  |                |      |            |          |           |
| 1989-91                | V8 5.7L 350 CI | K    | 168 Teeth; | 14088761 | FRA-159*  |
| 1989-91                | V8 6.2L 379 CI | C    |            | 14077158 | FRA-143   |
| <b>R20</b>             |                |      |            |          |           |
| 1987                   | V6 4.3L 262 CI | Z    | 168 Teeth; | 14088761 | FRA-159*  |
| 1987                   | V8 5.0L 305 CI | H    |            | 14088761 | FRA-159*  |
| 1987                   | V8 6.2L 379 CI | C    |            | 14077158 | FRA-143   |
| 1987-88                | L6 4.8L 292 CI | T    | w/o Weight | 14002590 | FRA-157   |
| 1987-88                | V8 5.7L 350 CI | K    |            | 14088761 | FRA-159*  |
| 1987-88                | V8 6.2L 379 CI | J    |            | 14077157 | FRA-142   |
| 1987-88                | V8 7.4L 454 CI | N    | w/ Weight  | 14001992 | FRA-141   |
| <b>R20 SUBURBAN</b>    |                |      |            |          |           |
| 1987-88                | V8 5.7L 350 CI | K    | 168 Teeth; | 14088761 | FRA-159*  |
| 1987-88                | V8 6.2L 379 CI | J    |            | 14077157 | FRA-142   |
| 1987-88                | V8 7.4L 454 CI | N    | w/ Weight  | 14001992 | FRA-141   |
| <b>R2500</b>           |                |      |            |          |           |
| 1989                   | V8 6.2L 379 CI | J    |            | 14077157 | FRA-142   |
| 1989                   | V8 7.4L 454 CI | N    | w/ Weight  | 14001992 | FRA-141   |
| <b>R2500 SUBURBAN</b>  |                |      |            |          |           |
| 1989-91                | V8 6.2L 379 CI | J    | w/ Weight  | 14077157 | FRA-142   |
| 1989-90                | V8 7.4L 454 CI | N    | w/ Weight  | 14001992 | FRA-141   |
| 1989-91                | V8 5.7L 350 CI | K    | 168 Teeth; | 14088761 | FRA-159*  |
| 1991                   | V8 7.4L 454 CI | N    | w/ Weight  | 10101170 | FRA-321   |
| <b>R30</b>             |                |      |            |          |           |
| 1987-88                | L6 4.8L 292 CI | T    | w/o Weight | 14002590 | FRA-157   |
| 1987-88                | V8 5.7L 350 CI | K, M | 168 Teeth; | 14088761 | FRA-159*  |
| 1987-88                | V8 6.2L 379 CI | J    |            | 14077157 | FRA-142   |
| 1987-88                | V8 7.4L 454 CI | N, W | w/ Weight  | 14001992 | FRA-141   |
| <b>R3500</b>           |                |      |            |          |           |
| 1989-90                | V8 7.4L 454 CI | W, N | w/ Weight  | 14001992 | FRA-141   |
| 1989-91                | V8 5.7L 350 CI | K    |            | 14088761 | FRA-159*  |
| 1989-91                | V8 6.2L 379 CI | J    | w/ Weight  | 14077157 | FRA-142   |
| 1991                   | V8 7.4L 454 CI | N    | w/ Weight  | 10101170 | FRA-321   |
| <b>S10</b>             |                |      |            |          |           |
| 1982-87                | V6 2.8L 173 CI | B, R | w/ Weight  | 14085472 | FRA-158   |
| 1985-93                | L4 2.5L 151 CI | E, A | w/o Weight | 10032127 | FRA-156   |
| 1988-93                | V6 2.8L 173 CI | R    | w/o Weight | 14100557 | FRA-165   |

\*Available in Heavy Duty-SFI Versions

FRA 38

# FLEXPLATES APPLICATIONS

| Years                    | Engine         | VIN                    | Remarks               | OE                             | Pioneer # |
|--------------------------|----------------|------------------------|-----------------------|--------------------------------|-----------|
| <b>CHEVROLET TRUCK</b>   |                |                        |                       |                                |           |
| <b>S10</b>               |                |                        |                       |                                |           |
| 1988-99                  | V6 4.3L 262 CI | Z, W, X                |                       | 14088761                       | FRA-159*  |
| 1994-03                  | L4 2.2L 134 CI | H, 5, 4                | w/o Weight            | 24575991                       | FRA-419   |
| 1999-04                  | V6 4.3L 262 CI | X, W                   |                       | 12557587                       | FRA-704   |
| <b>S10 BLAZER</b>        |                |                        |                       |                                |           |
| 1983-87                  | V6 2.8L 173 CI | B, R                   | w/ Weight             | 14085472                       | FRA-158   |
| 1985-88                  | L4 2.5L 151 CI | E                      | w/o Weight            | 10032127                       | FRA-156   |
| 1988-89                  | V6 2.8L 173 CI | R                      | w/o Weight            | 14100557                       | FRA-165   |
| 1988-94                  | V6 4.3L 262 CI | W, Z                   |                       | 14088761                       | FRA-159*  |
| <b>SILVERADO 1500</b>    |                |                        |                       |                                |           |
| 1999-13                  | V6 4.3L 262 CI | W, X                   |                       | 12555640                       | FRA-472   |
| 1999-13                  | V8 4.8L 294 CI | V, C, A                | 168 Teeth; w/o Weight | 12563136 / 12580709 / 12606620 | FRA-471*  |
| 2003-09                  | V8 6.0L 364 CI | N, J, Y                | 168 Teeth; w/o Weight | 12563136 / 12580709 / 12606620 | FRA-471*  |
| 2011                     | V8 6.0L 364 CI | N, J, Y                | 168 Teeth; w/o Weight | 12563136 / 12580709 / 12606620 | FRA-471*  |
| 1999-13                  | V8 5.3L 325 CI | 0, T, 7, M, B, 3, Z, J | 168 Teeth; w/o Weight | 12563136 / 12580709 / 12606620 | FRA-471*  |
| 2008                     | V6 4.3L 262 CI | X                      | 168 Teeth; w/o Weight | 12563136 / 12580709 / 12606620 | FRA-471*  |
| <b>SILVERADO 1500 HD</b> |                |                        |                       |                                |           |
| 2001-03                  | V8 6.0L 364 CI | U                      | w/Spacer              | 12551367                       | FRA-450   |
| 2001-03                  | V8 6.0L 364 CI | U                      | w/o Spacer            | 12551367                       | FRA-452   |
| 2006                     | V8 6.0L 364 CI | U                      |                       | 12563136 / 12580709 / 12606620 | FRA-471*  |
| <b>SILVERADO 2500</b>    |                |                        |                       |                                |           |
| 1999-00                  | V8 5.3L 325 CI | T                      | 168 Teeth; w/o Weight | 12563136 / 12580709 / 12606620 | FRA-471*  |
| 1999-04                  | V8 6.0L 364 CI | U                      | w/o Spacer            | 12551367                       | FRA-452   |
| 2001-03                  | V8 6.0L 364 CI | U                      |                       | 12563136 / 12580709 / 12606620 | FRA-471*  |
| 1999-04                  | V8 6.0L 364 CI | U                      | w/Spacer              | 12551367                       | FRA-450   |
| <b>SILVERADO 2500 HD</b> |                |                        |                       |                                |           |
| 2001-06                  | V8 6.0L 364 CI | U, K                   | w/o Spacer            | 12551367                       | FRA-452   |
| 2008                     | V8 6.0L 364 CI | U, K                   | w/o Spacer            | 12551367                       | FRA-452   |
| 2001-06                  | V8 6.0L 364 CI | U, K                   | w/Spacer              | 12551367                       | FRA-450   |
| 2008                     | V8 6.0L 364 CI | U, K                   | w/Spacer              | 12551367                       | FRA-450   |
| 2001-06                  | V8 8.1L 496 CI | G                      |                       | 12561217                       | FRA-531   |
| 2007-13                  | V8 6.0L 364 CI | G, K                   | 168 Teeth; w/o Weight | 12563136 / 12580709 / 12606620 | FRA-471*  |
| <b>SILVERADO 3500</b>    |                |                        |                       |                                |           |
| 2001-06                  | V8 6.0L 364 CI | U                      | w/o Spacer            | 12551367                       | FRA-452   |
| 2001-06                  | V8 6.0L 364 CI | U                      | w/Spacer              | 12551367                       | FRA-450   |
| 2001-06                  | V8 8.1L 496 CI | G                      |                       | 12561217                       | FRA-531   |
| 2004-06                  | V8 6.0L 364 CI | U                      |                       | 12563136 / 12580709 / 12606620 | FRA-471*  |
| <b>SILVERADO 3500 HD</b> |                |                        |                       |                                |           |
| 2007-13                  | V8 6.0L 364 CI | G, K                   | 168 Teeth; w/o Weight | 12563136 / 12580709 / 12606620 | FRA-471*  |
| <b>SSR</b>               |                |                        |                       |                                |           |
| 2003-04                  | V8 5.3L 325 CI | P                      | 168 Teeth; w/o Weight | 12563136 / 12580709 / 12606620 | FRA-471*  |

# FLEXPLATES APPLICATIONS

| Years                  | Engine         | VIN                 | Remarks               | OE                             | Pioneer # |
|------------------------|----------------|---------------------|-----------------------|--------------------------------|-----------|
| <b>CHEVROLET TRUCK</b> |                |                     |                       |                                |           |
| <b>SSR</b>             |                |                     |                       |                                |           |
| 2005-06                | V8 6.0L 364 CI | H                   | 168 Teeth; w/o Weight | 12563136 / 12580709 / 12606620 | FRA-471*  |
| <b>SUBURBAN 1500</b>   |                |                     |                       |                                |           |
| 2003-05                | V8 5.3L 323 CI | T, Z                | 168 Teeth; w/o Weight | 12563136 / 12580709 / 12606620 | FRA-471*  |
| 2007-09                | V8 6.0L 364 CI | Y                   | 168 Teeth; w/o Weight | 12563136 / 12580709 / 12606620 | FRA-471*  |
| 2000-12                | V8 5.3L 325 CI | 3, 7, J, 0, Z,<br>T | 168 Teeth; w/o Weight | 12563136 / 12580709 / 12606620 | FRA-471*  |
| <b>SUBURBAN 2500</b>   |                |                     |                       |                                |           |
| 2001-06                | V8 8.1L 496 CI | G                   |                       | 12561217                       | FRA-531   |
| 2000-08                | V8 6.0L 364 CI | K, U                | w/Spacer              | 12551367                       | FRA-450   |
| 2000-08                | V8 6.0L 364 CI | K, U                | w/o Spacer            | 12551367                       | FRA-452   |
| 2008-12                | V8 6.0L 364 CI | K, G                | 168 Teeth; w/o Weight | 12563136 / 12580709 / 12606620 | FRA-471*  |
| <b>TAHOE</b>           |                |                     |                       |                                |           |
| 1995-00                | V8 5.7L 350 CI | K, R                |                       | 14088761                       | FRA-159*  |
| 1995-99                | V8 6.5L 395 CI | S                   | w/ Weight             | 14077157                       | FRA-142   |
| 1995-99                | V8 5.7L 350 CI | R, K                |                       | 12554824 / 14088767            | FRA-161   |
| 2000-13                | V8 5.3L 325 CI | T, Z, 3, 0, J       | 168 Teeth; w/o Weight | 12563136 / 12580709 / 12606620 | FRA-471*  |
| 2000-09                | V8 4.8L 294 CI | C, V                | 168 Teeth; w/o Weight | 12563136 / 12580709 / 12606620 | FRA-471*  |
| 2008-09                | V8 6.2L 376 CI | 2, 8                | 168 Teeth; w/o Weight | 12563136 / 12580709 / 12606620 | FRA-471*  |
| <b>TRAILBLAZER</b>     |                |                     |                       |                                |           |
| 2002-08                | L6 4.2L 256 CI | S                   |                       |                                | FRA-559   |
| 2006-08                | V8 5.3L 325 CI | M                   | 168 Teeth; w/o Weight | 12563136 / 12580709 / 12606620 | FRA-471*  |
| 2006-09                | V8 6.0L 364 CI | H                   | 168 Teeth; w/o Weight | 12563136 / 12580709 / 12606620 | FRA-471*  |
| <b>V10</b>             |                |                     |                       |                                |           |
| 1987                   | V6 4.3L 262 CI | Z                   | 168 Teeth;            | 14088761                       | FRA-159*  |
| 1987                   | V8 5.0L 305 CI | H                   |                       | 14088761                       | FRA-159*  |
| 1987                   | V8 5.7L 350 CI | K                   | 168 Teeth;            | 14088761                       | FRA-159*  |
| 1987                   | V8 6.2L 379 CI | C                   |                       | 14077158                       | FRA-143   |
| <b>V10 SUBURBAN</b>    |                |                     |                       |                                |           |
| 1987-88                | V8 5.7L 350 CI | K                   |                       | 14088761                       | FRA-159*  |
| 1987-88                | V8 6.2L 379 CI | C                   |                       | 14077158                       | FRA-143   |
| <b>V1500 SUBURBAN</b>  |                |                     |                       |                                |           |
| 1989-91                | V8 5.7L 350 CI | K                   |                       | 14088761                       | FRA-159*  |
| 1989-91                | V8 6.2L 379 CI | C                   |                       | 14077158                       | FRA-143   |
| <b>V20</b>             |                |                     |                       |                                |           |
| 1987                   | L6 4.8L 292 CI | T                   | w/o Weight            | 14002590                       | FRA-157   |
| 1987                   | V8 5.7L 350 CI | K                   | 168 Teeth;            | 14088761                       | FRA-159*  |
| 1987                   | V8 6.2L 379 CI | C                   |                       | 14077158                       | FRA-143   |
| 1987                   | V8 6.2L 379 CI | J                   |                       | 14077157                       | FRA-142   |
| <b>V20 SUBURBAN</b>    |                |                     |                       |                                |           |
| 1987-88                | V8 5.7L 350 CI | K                   |                       | 14088761                       | FRA-159*  |
| 1987-88                | V8 6.2L 379 CI | J                   |                       | 14077157                       | FRA-142   |

\*Available in Heavy Duty-SFI Versions

FRA 40

# FLEXPLATES APPLICATIONS

| Years                  | Engine         | VIN     | Remarks                 | OE                 | Pioneer # |
|------------------------|----------------|---------|-------------------------|--------------------|-----------|
| <b>CHEVROLET TRUCK</b> |                |         |                         |                    |           |
| <b>V20 SUBURBAN</b>    |                |         |                         |                    |           |
| 1987-88                | V8 7.4L 454 CI | N       | w/ Weight               | 14001992           | FRA-141   |
| <b>V2500 SUBURBAN</b>  |                |         |                         |                    |           |
| 1989-91                | V8 5.7L 350 CI | K       | 168 Teeth;              | 14088761           | FRA-159*  |
| 1990                   | V8 7.4L 454 CI | N       | w/ Weight               | 14001992           | FRA-141   |
| 1989-91                | V8 6.2L 379 CI | J       | w/ Weight               | 14077157           | FRA-142   |
| <b>V30</b>             |                |         |                         |                    |           |
| 1987-88                | L6 4.8L 292 CI | T       | w/o Weight              | 14002590           | FRA-157   |
| 1987-88                | V8 5.7L 350 CI | M, K    |                         | 14088761           | FRA-159*  |
| 1987-88                | V8 6.2L 379 CI | J       |                         | 14077157           | FRA-142   |
| 1987-88                | V8 7.4L 454 CI | W, N    | w/ Weight               | 14001992           | FRA-141   |
| <b>V3500</b>           |                |         |                         |                    |           |
| 1989-90                | V8 7.4L 454 CI | N       | w/ Weight               | 14001992           | FRA-141   |
| 1989-91                | V8 5.7L 350 CI | K       | 168 Teeth;              | 14088761           | FRA-159*  |
| 1989-91                | V8 6.2L 379 CI | J       | w/ Weight               | 14077157           | FRA-142   |
| 1991                   | V8 7.4L 454 CI | N       | w/ Weight               | 10101170           | FRA-321   |
| <b>VENTURE</b>         |                |         |                         |                    |           |
| 1997-03                | V6 3.4L 207 CI | E       | w/o Weight              | 24576876, 12579453 | FRA-426   |
| 2004-05                | V6 3.4L 207 CI | E       |                         |                    | FRA-575   |
| <b>CHEVROLET</b>       |                |         |                         |                    |           |
| <b>UPLANDER</b>        |                |         |                         |                    |           |
| 2005-06                | V6 3.5L 213 CI | L       |                         |                    | FRA-575   |
| 2005-06                | V6 3.5L 214 CI |         |                         |                    | FRA-575   |
| 2006-09                | V6 3.9L 237 CI | 1, W    |                         |                    | FRA-575   |
| <b>VEGA</b>            |                |         |                         |                    |           |
| 1973-77                | L4 2.3L 140 CI | B, A    | 12.85" O.D. w/153 Teeth | 471529             | FRA-112*  |
| <b>CHRYSLER</b>        |                |         |                         |                    |           |
| <b>300</b>             |                |         |                         |                    |           |
| 1962-66                | V8 6.3L 383 CI |         | w/10" Bolt Circle       | 4058429            | FRA-303   |
| 1962-65                | V8 6.7L 413 CI |         | w/11 1/8" Bolt Circle   | 2204768            | FRA-309   |
| 1962-65                | V8 6.8L 413 CI |         | w/11 1/8" Bolt Circle   | 2204768            | FRA-309   |
| 1962-66                | V8 6.3L 383 CI |         | w/11 1/8" Bolt Circle   | 2204768            | FRA-309   |
| 1962-66                | V8 6.3L 384 CI |         | w/11 1/8" Bolt Circle   | 2204768            | FRA-309   |
| 1963                   | V8 7.0L 426 CI |         | w/11 1/8" Bolt Circle   | 2204768            | FRA-309   |
| 1963                   | V8 7.0L 426 CI |         | w/10" Bolt Circle       | 4058429            | FRA-303   |
| 1964-65                | V8 6.7L 413 CI |         | w/10" Bolt Circle       | 4058429            | FRA-303   |
| 1962-65                | V8 6.8L 413 CI |         | w/10" Bolt Circle       | 4058429            | FRA-303   |
| 1964-66                | V8 6.3L 384 CI |         | w/10" Bolt Circle       | 4058429            | FRA-303   |
| 1966-71                | V8 7.2L 440 CI | T, L, K | w/10" Bolt Circle       | 4058429            | FRA-303   |
| 1966-71                | V8 7.2L 440 CI | T, K, L | w/11 1/8" Bolt Circle   | 2204768            | FRA-309   |

# FLEXPLATES APPLICATIONS

| Years                      | Engine         | VIN                 | Remarks                             | OE        | Pioneer # |
|----------------------------|----------------|---------------------|-------------------------------------|-----------|-----------|
| <b>CHRYSLER</b>            |                |                     |                                     |           |           |
| <b>300</b>                 |                |                     |                                     |           |           |
| 2005-06                    | V6 3.5L 213 CI | G                   |                                     | 4736299AB | FRA-550   |
| 2005-07                    | V6 2.7L 165 CI | R                   |                                     | 4736299AB | FRA-550   |
| <b>300M</b>                |                |                     |                                     |           |           |
| 1999-02                    | V6 3.5L 213 CI | G                   |                                     |           | FRA-587   |
| 2003-04                    | V6 3.5L 213 CI | K, G                |                                     | 4736299AB | FRA-550   |
| <b>CIRRUS</b>              |                |                     |                                     |           |           |
| 1995-00                    | V6 2.5L 152 CI | H                   | w/o Weight                          | 4736016   | FRA-427   |
| 1995-97                    | L4 2.4L 148 CI | X                   | w/o Weight                          | 4567143   | FRA-451   |
| 2000                       | L4 2.4L 148 CI | X                   | w/o Weight                          | 4567143   | FRA-451   |
| <b>CONCORDE</b>            |                |                     |                                     |           |           |
| 1993-96                    | V6 3.3L 201 CI | T, U                | w/o Weight                          | 4736016   | FRA-427   |
| 1995                       | V6 3.5L 213 CI | F                   | w/o Weight                          | 4736016   | FRA-427   |
| 1998-01                    | V6 2.7L 165 CI | R                   |                                     |           | FRA-587   |
| 1998-01                    | V6 3.2L 195 CI | J                   |                                     |           | FRA-587   |
| 2000-04                    | V6 2.7L 165 CI | R                   |                                     | 4736299AB | FRA-550   |
| 2003-04                    | V6 3.5L 213 CI | M, G                |                                     | 4736299AB | FRA-550   |
| <b>CORDOBA</b>             |                |                     |                                     |           |           |
| 1975-77                    | V8 5.2L 318 CI | G                   | w/11 1/8" Bolt Circle               | 2204768   | FRA-309   |
| 1975-77                    | V8 5.9L 360 CI | J, K                | w/11 1/8" Bolt Circle               | 2204768   | FRA-309   |
| 1975-77                    | V8 6.6L 400 CI | P, N, M             | w/11 1/8" Bolt Circle               | 2204768   | FRA-309   |
| 1978                       | V8 6.6L 400 CI | P, N                | w/10" Bolt Circle                   | 4058429   | FRA-303   |
| 1978-79                    | V8 5.9L 360 CI | K, L, J             | w/10" Bolt Circle                   | 4058429   | FRA-303   |
| 1980-83                    | L6 3.7L 225 CI | H, K, G, D,<br>E, C | w/10" Bolt Circle                   | 4058428   | FRA-302   |
| 1978-83                    | V8 5.2L 318 CI | P, H, K, G,<br>M    | w/10" Bolt Circle                   | 4058429   | FRA-303   |
| <b>DAYTONA</b>             |                |                     |                                     |           |           |
| 1984-85                    | L4 2.2L 135 CI | E                   | w/o Weight                          | 5222639   | FRA-300   |
| 1986-89                    | L4 2.2L 135 CI | E, A                | w/o Weight, w/o Weight; 12-14 Pitch | 4348322   | FRA-307   |
| 1992-93                    | L4 2.2L 135 CI | E, A                | w/o Weight, w/o Weight; 12-14 Pitch | 4348322   | FRA-307   |
| 1987-93                    | L4 2.5L 153 CI | K, J                | w/o Weight                          | 4348322   | FRA-307   |
| 1990-93                    | V6 3.0L 181 CI | 3                   | w/o Weight                          | 4348322   | FRA-307   |
| <b>DYNASTY</b>             |                |                     |                                     |           |           |
| 1988-92                    | L4 2.5L 153 CI | K                   | w/o Weight                          | 4348322   | FRA-307   |
| 1989                       | V6 3.0L 181 CI | 3                   |                                     | 4058429   | FRA-303   |
| 1990                       | V6 3.0L 181 CI | 3                   | w/o Weight                          | 4348322   | FRA-307   |
| 1993                       | V6 3.3L 201 CI | R                   | w/o Weight                          | 4736016   | FRA-427   |
| <b>E CLASS</b>             |                |                     |                                     |           |           |
| 1983-84                    | L4 2.6L 156 CI | G                   | w/o Weight                          | 5222641   | FRA-301   |
| 1983-84                    | L4 2.2L 135 CI | E, C, D             | w/o Weight                          | 5222639   | FRA-300   |
| <b>EXECUTIVE LIMOUSINE</b> |                |                     |                                     |           |           |
| 1985                       | L4 2.6L 156 CI | G                   | w/o Weight                          | 5222641   | FRA-301   |

\*Available in Heavy Duty-SFI Versions

FRA 42

# FLEXPLATES APPLICATIONS

| Years                  | Engine         | VIN              | Remarks               | OE      | Pioneer # |
|------------------------|----------------|------------------|-----------------------|---------|-----------|
| <b>CHRYSLER</b>        |                |                  |                       |         |           |
| <b>EXECUTIVE SEDAN</b> |                |                  |                       |         |           |
| 1983-84                | L4 2.6L 156 CI | G                | w/o Weight            | 5222641 | FRA-301   |
| <b>FIFTH AVENUE</b>    |                |                  |                       |         |           |
| 1983                   | L6 3.7L 225 CI | H, K             | w/10" Bolt Circle     | 4058428 | FRA-302   |
| 1983-89                | V8 5.2L 318 CI | P                |                       | 4058429 | FRA-303   |
| <b>IMPERIAL</b>        |                |                  |                       |         |           |
| 1962-65                | V8 6.7L 413 CI |                  | w/10" Bolt Circle     | 4058429 | FRA-303   |
| 1962-65                | V8 6.7L 413 CI |                  | w/11 1/8" Bolt Circle | 2204768 | FRA-309   |
| 1962-65                | V8 6.8L 413 CI |                  | w/11 1/8" Bolt Circle | 2204768 | FRA-309   |
| 1962-65                | V8 6.8L 413 CI |                  | w/10" Bolt Circle     | 4058429 | FRA-303   |
| 1966-74                | V8 7.2L 440 CI | T, K             | w/10" Bolt Circle     | 4058429 | FRA-303   |
| 1966-75                | V8 7.2L 440 CI | T, K             | w/11 1/8" Bolt Circle | 2204768 | FRA-309   |
| 1981-83                | V8 5.2L 318 CI | J, N             |                       | 4058429 | FRA-303   |
| 1990-91                | V6 3.3L 201 CI | R                | w/o Weight            | 4736016 | FRA-427   |
| 1991-93                | V6 3.8L 230 CI | L                | w/o Weight            | 4736016 | FRA-427   |
| <b>INTREPID</b>        |                |                  |                       |         |           |
| 2000-01                | V6 2.7L 165 CI | R                | Canada                |         | FRA-587   |
| 2000-01                | V6 3.2L 195 CI | J                | Canada                |         | FRA-587   |
| 2001                   | V6 3.5L 213 CI | G                | Canada                |         | FRA-587   |
| <b>LASER</b>           |                |                  |                       |         |           |
| 1984                   | L4 2.2L 135 CI | D, E             | w/o Weight            | 5222639 | FRA-300   |
| 1985-86                | L4 2.2L 135 CI | D, E             | w/o Weight            | 4348322 | FRA-307   |
| 1986                   | L4 2.5L 153 CI | K                | w/o Weight            | 4348322 | FRA-307   |
| <b>LEBARON</b>         |                |                  |                       |         |           |
| 1977                   | V8 5.2L 318 CI | G                | w/11 1/8" Bolt Circle | 2204768 | FRA-309   |
| 1978-79                | V8 5.9L 360 CI | L, K, J          | w/10" Bolt Circle     | 4058429 | FRA-303   |
| 1979-81                | L6 3.7L 225 CI | C, G, D, F, E    | w/10" Bolt Circle     | 4058428 | FRA-302   |
| 1977-81                | V8 5.2L 318 CI | M, K, N, L, G, H | w/10" Bolt Circle     | 4058429 | FRA-303   |
| 1982-85                | L4 2.2L 135 CI | B, D, C, E       | w/o Weight            | 5222639 | FRA-300   |
| 1982-85                | L4 2.6L 156 CI | G, D             | w/o Weight            | 5222641 | FRA-301   |
| 1986-90                | L4 2.2L 135 CI | E, A, D, C       | w/o Weight            | 4348322 | FRA-307   |
| 1986-93                | L4 2.5L 153 CI | K, V, J          | w/o Weight            | 4348322 | FRA-307   |
| 1990-95                | V6 3.0L 181 CI | 3                | w/o Weight            | 4348322 | FRA-307   |
| <b>LHS</b>             |                |                  |                       |         |           |
| 1995                   | V6 3.5L 213 CI | F                | w/o Weight            | 4736016 | FRA-427   |
| <b>NEW YORKER</b>      |                |                  |                       |         |           |
| 1962-65                | V8 6.7L 413 CI |                  | w/11 1/8" Bolt Circle | 2204768 | FRA-309   |
| 1962-65                | V8 6.7L 413 CI |                  | w/10" Bolt Circle     | 4058429 | FRA-303   |
| 1963                   | V8 7.0L 426 CI |                  | w/11 1/8" Bolt Circle | 2204768 | FRA-309   |
| 1963                   | V8 7.0L 426 CI |                  | w/10" Bolt Circle     | 4058429 | FRA-303   |
| 1966-78                | V8 7.2L 440 CI | T, K, L          | w/10" Bolt Circle     | 4058429 | FRA-303   |

# FLEXPLATES APPLICATIONS

| Years             | Engine         | VIN              | Remarks               | OE      | Pioneer # |
|-------------------|----------------|------------------|-----------------------|---------|-----------|
| <b>CHRYSLER</b>   |                |                  |                       |         |           |
| <b>NEW YORKER</b> |                |                  |                       |         |           |
| 1966-77           | V8 7.2L 440 CI | T, K, L          | w/11 1/8" Bolt Circle | 2204768 | FRA-309   |
| 1975-77           | V8 6.6L 400 CI | M, N             | w/11 1/8" Bolt Circle | 2204768 | FRA-309   |
| 1975-78           | V8 6.6L 400 CI | M, N             | w/10" Bolt Circle     | 4058429 | FRA-303   |
| 1977              | V8 5.9L 360 CI | J                | w/11 1/8" Bolt Circle | 2204768 | FRA-309   |
| 1977-80           | V8 5.9L 360 CI | L, J, K          | w/10" Bolt Circle     | 4058429 | FRA-303   |
| 1979-82           | V8 5.2L 318 CI | K, G, M, H       | w/10" Bolt Circle     | 4058429 | FRA-303   |
| 1983-85           | L4 2.2L 135 CI | C, E, D          | w/o Weight            | 5222639 | FRA-300   |
| 1983-85           | L4 2.6L 156 CI | G                | w/o Weight            | 5222641 | FRA-301   |
| 1986-87           | L4 2.5L 153 CI | K                | w/o Weight            | 4348322 | FRA-307   |
| 1986-88           | L4 2.2L 135 CI | E                | w/o Weight            | 4348322 | FRA-307   |
| 1988-89           | V6 3.0L 181 CI | 3                |                       | 4058429 | FRA-303   |
| 1990-93           | V6 3.3L 201 CI | R                | w/o Weight            | 4736016 | FRA-427   |
| 1991-93           | V6 3.8L 230 CI | L                | w/o Weight            | 4736016 | FRA-427   |
| 1995              | V6 3.5L 213 CI | F                | w/o Weight            | 4736016 | FRA-427   |
| <b>NEWPORT</b>    |                |                  |                       |         |           |
| 1962-64           | V8 5.9L 361 CI |                  | w/10" Bolt Circle     | 4058429 | FRA-303   |
| 1962-64           | V8 5.9L 361 CI |                  | w/11 1/8" Bolt Circle | 2204768 | FRA-309   |
| 1962-64           | V8 6.7L 413 CI |                  | w/11 1/8" Bolt Circle | 2204768 | FRA-309   |
| 1962-64           | V8 6.7L 413 CI |                  | w/10" Bolt Circle     | 4058429 | FRA-303   |
| 1963              | V8 7.0L 426 CI |                  | w/11 1/8" Bolt Circle | 2204768 | FRA-309   |
| 1963              | V8 7.0L 426 CI |                  | w/10" Bolt Circle     | 4058429 | FRA-303   |
| 1965-71           | V8 6.3L 384 CI | H, G, N, L       | w/10" Bolt Circle     | 4058429 | FRA-303   |
| 1966-77           | V8 7.2L 440 CI | U, T, K, L       | w/11 1/8" Bolt Circle | 2204768 | FRA-309   |
| 1966-74           | V8 7.2L 440 CI | K, U, T, L       | w/10" Bolt Circle     | 4058429 | FRA-303   |
| 1978              | V8 7.2L 440 CI | K, U, T, L       | w/10" Bolt Circle     | 4058429 | FRA-303   |
| 1967-71           | V8 6.3L 383 CI | G, L, N, H       | w/10" Bolt Circle     | 4058429 | FRA-303   |
| 1967-71           | V8 6.3L 383 CI | H, N, G, L       | w/11 1/8" Bolt Circle | 2204768 | FRA-309   |
| 1965-71           | V8 6.3L 384 CI | H, L, G, N       | w/11 1/8" Bolt Circle | 2204768 | FRA-309   |
| 1971-72           | V8 5.9L 360 CI | K, J             | w/11 1/8" Bolt Circle | 2204768 | FRA-309   |
| 1974-77           | V8 5.9L 360 CI | K, J             | w/11 1/8" Bolt Circle | 2204768 | FRA-309   |
| 1971-72           | V8 5.9L 360 CI | K, L, J          | w/10" Bolt Circle     | 4058429 | FRA-303   |
| 1974              | V8 5.9L 360 CI | K, L, J          | w/10" Bolt Circle     | 4058429 | FRA-303   |
| 1978-80           | V8 5.9L 360 CI | K, L, J          | w/10" Bolt Circle     | 4058429 | FRA-303   |
| 1972-74           | V8 6.6L 400 CI | N, M             | w/10" Bolt Circle     | 4058429 | FRA-303   |
| 1978              | V8 6.6L 400 CI | N, M             | w/10" Bolt Circle     | 4058429 | FRA-303   |
| 1972-77           | V8 6.6L 400 CI | M, N             | w/11 1/8" Bolt Circle | 2204768 | FRA-309   |
| 1979-81           | V8 5.2L 318 CI | H, M, K, L,<br>G |                       | 4058429 | FRA-303   |
| 1979-81           | L6 3.7L 225 CI | C, G, D, E       | w/10" Bolt Circle     | 4058428 | FRA-302   |
| <b>PROWLER</b>    |                |                  |                       |         |           |
| 2001-02           | V6 3.5L 213 CI | G                |                       |         | FRA-587   |

\*Available in Heavy Duty-SFI Versions

FRA 44

# FLEXPLATES APPLICATIONS

| Years                     | Engine         | VIN        | Remarks             | OE        | Pioneer # |
|---------------------------|----------------|------------|---------------------|-----------|-----------|
| <b>CHRYSLER</b>           |                |            |                     |           |           |
| <b>PT CRUISER</b>         |                |            |                     |           |           |
| 2001-08                   | L4 2.4L 148 CI | B, E, X, S | w/o Weight          | 4567143   | FRA-451   |
| <b>SEBRING</b>            |                |            |                     |           |           |
| 1995                      | V6 2.5L 152 CI | N          | To 7/95; w/o Weight | 4348322   | FRA-307   |
| 1995-00                   | V6 2.5L 152 CI | N, H       | w/o Weight          | 4736016   | FRA-427   |
| 1995-99                   | L4 2.0L 122 CI | Y          | w/o Weight          | 4736016   | FRA-427   |
| 1995-99                   | L4 2.0L 122 CI | Y          | w/o Weight          | 4567143   | FRA-451   |
| 1996-98                   | L4 2.4L 148 CI | X          | w/o Weight          | 4736016   | FRA-427   |
| 2001                      | L4 2.4L 143 CI | G          | w/o Weight          | 4567143   | FRA-451   |
| 2001-04                   | V6 2.7L 165 CI | U, T, R    |                     |           | FRA-587   |
| 1996-98                   | L4 2.4L 148 CI | J, X       | w/o Weight          | 4567143   | FRA-451   |
| 2001-06                   | L4 2.4L 148 CI | J, X       | w/o Weight          | 4567143   | FRA-451   |
| 2005-07                   | V6 2.7L 165 CI | R, T       |                     | 4736299AB | FRA-550   |
| 2007-08                   | L4 2.4L 144 CI | K          | w/o Weight          | 4567143   | FRA-451   |
| <b>TC MASERATI</b>        |                |            |                     |           |           |
| 1989-90                   | L4 2.2L 135 CI | R, P       | w/o Weight          | 4348322   | FRA-307   |
| 1990-91                   | V6 3.0L 181 CI | S          | w/o Weight          | 4348322   | FRA-307   |
| <b>TOWN &amp; COUNTRY</b> |                |            |                     |           |           |
| 1982-85                   | L4 2.6L 156 CI | D, G       | w/o Weight          | 5222641   | FRA-301   |
| 1982-85                   | L4 2.2L 135 CI | C, E, B    | w/o Weight          | 5222639   | FRA-300   |
| 1986-88                   | L4 2.2L 135 CI | E          | w/o Weight          | 4348322   | FRA-307   |
| 1986-88                   | L4 2.5L 153 CI | K          | w/o Weight          | 4348322   | FRA-307   |
| 1994-96                   | V6 3.8L 230 CI | L          | w/o Weight          | 4736016   | FRA-427   |
| 1990-93                   | V6 3.3L 201 CI | R          | w/o Weight          | 4736016   | FRA-427   |
| 1996                      | V6 3.3L 201 CI | R          | w/o Weight          | 4736016   | FRA-427   |
| 1997                      | V6 3.3L 201 CI | R          |                     | 4736130   | FRA-554   |
| 1997-00                   | V6 3.8L 230 CI | L          |                     | 4736130   | FRA-554   |
| 1999-03                   | V6 3.3L 201 CI | 3, R, G    |                     | 4736190   | FRA-496   |
| 2000-03                   | V6 3.8L 230 CI | L          |                     | 4736190   | FRA-496   |
| 2004-07                   | V6 3.8L 230 CI | L          |                     | 4736299AB | FRA-550   |
| 2005-10                   | V6 3.3L 201 CI | H, E, R    |                     | 4736299AB | FRA-550   |
| <b>CHRYSLER TRUCK</b>     |                |            |                     |           |           |
| <b>GRAND VOYAGER</b>      |                |            |                     |           |           |
| 2000                      | V6 3.0L 181 CI | 3          |                     | 4736190   | FRA-496   |
| 2000                      | V6 3.3L 201 CI | G, R       |                     | 4736190   | FRA-496   |
| <b>PACIFICA</b>           |                |            |                     |           |           |
| 2004-06                   | V6 3.5L 213 CI | 4          |                     | 4736299AB | FRA-550   |
| 2005                      | V6 3.8L 230 CI | L          |                     | 4736299AB | FRA-550   |
| 2007                      | V6 4.0L 241 CI | X          |                     | 4736299AB | FRA-550   |
| <b>VOYAGER</b>            |                |            |                     |           |           |
| 2000                      | V6 3.0L 181 CI | 3          |                     | 4736190   | FRA-496   |



# FLEXPLATES APPLICATIONS

| Years                 | Engine         | VIN     | Remarks                       | OE      | Pioneer # |
|-----------------------|----------------|---------|-------------------------------|---------|-----------|
| <b>CHRYSLER TRUCK</b> |                |         |                               |         |           |
| <b>VOYAGER</b>        |                |         |                               |         |           |
| 2000-03               | V6 3.3L 201 CI | R, 3, G |                               | 4736190 | FRA-496   |
| 2002-03               | L4 2.4L 148 CI | B       | w/o Weight                    | 4567143 | FRA-451   |
| <b>DODGE</b>          |                |         |                               |         |           |
| <b>330</b>            |                |         |                               |         |           |
| 1963-64               | V8 5.2L 318 CI |         | w/11 1/8" Bolt Circle         | 2204768 | FRA-309   |
| 1963-64               | V8 5.2L 318 CI |         | w/10" Torque Dia.; w/o Weight | 4058429 | FRA-303   |
| 1963-64               | V8 7.0L 426 CI |         | w/11 1/8" Bolt Circle         | 2204768 | FRA-309   |
| 1963-64               | V8 7.0L 426 CI |         | w/10" Torque Dia.; w/o Weight | 4058429 | FRA-303   |
| 1964                  | V8 4.5L 273 CI |         | w/10" Torque Dia.; w/o Weight | 4058429 | FRA-303   |
| 1964                  | V8 4.5L 273 CI |         | w/11 1/8" Bolt Circle         | 2204768 | FRA-309   |
| 1964                  | V8 6.3L 384 CI |         | w/10" Torque Dia.; w/o Weight | 4058429 | FRA-303   |
| 1964                  | V8 6.3L 384 CI |         | w/11 1/8" Bolt Circle         | 2204768 | FRA-309   |
| <b>400</b>            |                |         |                               |         |           |
| 1982-83               | L4 2.2L 135 CI | B, C    | w/o Weight                    | 5222639 | FRA-300   |
| 1982-83               | L4 2.6L 156 CI | D, G    | w/o Weight                    | 5222641 | FRA-301   |
| <b>440</b>            |                |         |                               |         |           |
| 1963-64               | V8 5.2L 318 CI |         | w/11 1/8" Bolt Circle         | 2204768 | FRA-309   |
| 1963-64               | V8 5.2L 318 CI |         | w/10" Torque Dia.; w/o Weight | 4058429 | FRA-303   |
| 1963-64               | V8 7.0L 426 CI |         | w/11 1/8" Bolt Circle         | 2204768 | FRA-309   |
| 1963-64               | V8 7.0L 426 CI |         | w/10" Torque Dia.; w/o Weight | 4058429 | FRA-303   |
| 1964                  | V8 6.3L 384 CI |         | w/11 1/8" Bolt Circle         | 2204768 | FRA-309   |
| 1964                  | V8 6.3L 384 CI |         | w/10" Torque Dia.; w/o Weight | 4058429 | FRA-303   |
| <b>600</b>            |                |         |                               |         |           |
| 1983-85               | L4 2.6L 156 CI | G       | w/o Weight                    | 5222641 | FRA-301   |
| 1983-85               | L4 2.2L 135 CI | E, D, C | w/o Weight                    | 5222639 | FRA-300   |
| 1986-88               | L4 2.2L 135 CI | D, E    | w/o Weight                    | 4348322 | FRA-307   |
| 1986-88               | L4 2.5L 153 CI | K       | w/o Weight                    | 4348322 | FRA-307   |
| <b>880</b>            |                |         |                               |         |           |
| 1963-64               | V8 5.9L 361 CI |         | w/11 1/8" Bolt Circle         | 2204768 | FRA-309   |
| 1963                  | V8 6.7L 413 CI |         | w/10" Torque Dia.; w/o Weight | 4058429 | FRA-303   |
| 1963                  | V8 6.7L 413 CI |         | w/11 1/8" Bolt Circle         | 2204768 | FRA-309   |
| 1963                  | V8 6.8L 413 CI |         | w/11 1/8" Bolt Circle         | 2204768 | FRA-309   |
| 1963                  | V8 6.8L 413 CI |         | w/10" Torque Dia.; w/o Weight | 4058429 | FRA-303   |
| 1963-64               | V8 5.9L 361 CI |         | w/10" Torque Dia.; w/o Weight | 4058429 | FRA-303   |
| 1963-64               | V8 6.3L 384 CI |         | w/11 1/8" Bolt Circle         | 2204768 | FRA-309   |
| 1963-64               | V8 6.3L 384 CI |         | w/10" Torque Dia.; w/o Weight | 4058429 | FRA-303   |
| <b>A100 TRUCK</b>     |                |         |                               |         |           |
| 1964-69               | L6 2.8L 170 CI | 6       | w/10" Bolt Circle             | 4058428 | FRA-302   |
| 1964-70               | L6 3.7L 225 CI | 6, B    | w/10" Bolt Circle             | 4058428 | FRA-302   |
| 1964-67               | V8 4.5L 273 CI |         |                               | 2204768 | FRA-309   |

\*Available in Heavy Duty-SFI Versions

FRA 46

# FLEXPLATES APPLICATIONS

| Years             | Engine         | VIN     | Remarks                                  | OE        | Pioneer # |
|-------------------|----------------|---------|--|-----------|-----------|
| <b>DODGE</b>      |                |         |  |           |           |
| <b>A100 TRUCK</b> |                |         |  |           |           |
| 1964-67           | V8 4.5L 273 CI |         |  | 4058429   | FRA-303   |
| 1964-69           | L6 2.8L 170 CI | 6       | w/11" Bolt Circle                        | 2204719   | FRA-413   |
| 1964-70           | L6 3.7L 225 CI | 6, B    | w/11" Bolt Circle                        | 2204719   | FRA-413   |
| 1970              | L6 3.2L 198 CI | A       | w/10" Bolt Circle                        | 4058428   | FRA-302   |
| 1970              | L6 3.2L 198 CI | A       | w/11" Bolt Circle                        | 2204719   | FRA-413   |
| 1967-70           | V8 5.2L 318 CI | E, 8    |  | 4058429   | FRA-303   |
| 1967-70           | V8 5.2L 318 CI | E, 8    |  | 2204768   | FRA-309   |
| <b>ARIES</b>      |                |         |  |           |           |
| 1981-85           | L4 2.2L 135 CI | B, C, D | w/o Weight                               | 5222639   | FRA-300   |
| 1981-85           | L4 2.6L 156 CI | D, G    | w/o Weight                               | 5222641   | FRA-301   |
| 1986-89           | L4 2.2L 135 CI | D       | w/o Weight                               | 4348322   | FRA-307   |
| 1986-89           | L4 2.5L 153 CI | K       | w/o Weight                               | 4348322   | FRA-307   |
| <b>ASPEN</b>      |                |         |  |           |           |
| 1976-77           | L6 3.7L 225 CI | C, D    | w/11" Bolt Circle                        | 2204719   | FRA-413   |
| 1976-77           | V8 5.2L 318 CI | G       | w/11 1/8" Bolt Circle                    | 2204768   | FRA-309   |
| 1976-80           | V8 5.2L 318 CI | G, H    | w/10" Torque Dia.                        | 4058429   | FRA-303   |
| 1976-77           | V8 5.9L 360 CI | L, K    | w/11 1/8" Bolt Circle                    | 2204768   | FRA-309   |
| 1976-80           | L6 3.7L 225 CI | C, D    | w/10" Torque Dia., w/10" Bolt Circle     | 4058428   | FRA-302   |
| 1976-80           | V8 5.9L 360 CI | L, K    | w/10" Torque Dia.                        | 4058429   | FRA-303   |
| <b>AVENGER</b>    |                |         |  |           |           |
| 1995-00           | V6 2.5L 152 CI | N       | w/o Weight                               | 4736016   | FRA-427   |
| 1995-99           | L4 2.0L 122 CI | Y       | w/o Weight                               | 4736016   | FRA-427   |
| 1995-99           | L4 2.0L 122 CI | Y       | w/o Weight                               | 4567143   | FRA-451   |
| 2010              | V6 3.5L 213 CI | V       |  | 4736299AB | FRA-550   |
| <b>CHALLENGER</b> |                |         |  |           |           |
| 1970-71           | V8 7.2L 440 CI | U, V    | w/11 1/8" Bolt Circle                    | 2204768   | FRA-309   |
| 1970-71           | V8 7.2L 440 CI | U, V    | w/10" Torque Dia.; w/o Weight            | 4058429   | FRA-303   |
| 1970-71           | L6 3.2L 198 CI | B       | w/Heavy Duty Engine; 10" Bolt Circle     | 4058428   | FRA-302   |
| 1970-71           | L6 3.2L 198 CI | B       | w/11" Bolt Circle or w/Heavy Duty Engine | 2204719   | FRA-413   |
| 1970-71           | L6 3.2L 199 CI | B       | w/10" Bolt Circle                        | 4058428   | FRA-302   |
| 1970-71           | L6 3.2L 199 CI | B       | w/11" Bolt Circle or w/Heavy Duty Engine | 2204719   | FRA-413   |
| 1970-73           | V8 5.6L 340 CI | J, H    | w/10" Torque Dia.; w/o Weight            | 4058429   | FRA-303   |
| 1970-73           | V8 5.6L 340 CI | J, H    | w/11 1/8" Bolt Circle                    | 2204768   | FRA-309   |
| 1970-71           | V8 6.3L 383 CI | N, L    | w/11 1/8" Bolt Circle                    | 2204768   | FRA-309   |
| 1970-71           | V8 6.3L 383 CI | N, L    | w/10" Torque Dia.; w/o Weight            | 4058429   | FRA-303   |
| 1970-71           | V8 6.3L 384 CI | L, N    | w/11 1/8" Bolt Circle                    | 2204768   | FRA-309   |
| 1970-71           | V8 6.3L 384 CI | L, N    | w/10" Torque Dia.; w/o Weight            | 4058429   | FRA-303   |
| 1970-71           | V8 7.0L 426 CI | R, J    | w/11 1/8" Bolt Circle                    | 2204768   | FRA-309   |
| 1970-71           | V8 7.0L 426 CI | R, J    | w/10" Torque Dia.; w/o Weight            | 4058429   | FRA-303   |
| 1970-72           | L6 3.7L 225 CI | C       | w/Heavy Duty Engine; 10" Bolt Circle     | 4058428   | FRA-302   |

# FLEXPLATES APPLICATIONS

| Years             | Engine         | VIN           | Remarks  | OE        | Pioneer # |
|-------------------|----------------|---------------|--|-----------|-----------|
| <b>DODGE</b>      |                |               |  |           |           |
| <b>CHALLENGER</b> |                |               |  |           |           |
| 1970-72           | L6 3.7L 225 CI | C             | w/11" Bolt Circle or w/Heavy Duty Engine         | 2204719   | FRA-413   |
| 1970-74           | V8 5.2L 318 CI | G             | w/11 1/8" Bolt Circle                            | 2204768   | FRA-309   |
| 1970-74           | V8 5.2L 318 CI | G             | w/10" Torque Dia.; w/o Weight                    | 4058429   | FRA-303   |
| 1974              | V8 5.9L 360 CI | L             | w/10" Torque Dia.; w/o Weight                    | 4058429   | FRA-303   |
| 1974              | V8 5.9L 360 CI | L             | w/11 1/8" Bolt Circle                            | 2204768   | FRA-309   |
| 2010              | V6 3.5L 213 CI | V             |  | 4736299AB | FRA-550   |
| <b>CHARGER</b>    |                |               |  |           |           |
| 1967-74           | V8 7.2L 440 CI | K, U, T, V, L | w/11 1/8" Bolt Circle                            | 2204768   | FRA-309   |
| 1967-71           | V8 6.3L 384 CI | G, H, L, N    | w/10" Torque Dia.; w/o Weight                    | 4058429   | FRA-303   |
| 1967-71           | V8 6.3L 384 CI | G, H, L, N    | w/11 1/8" Bolt Circle                            | 2204768   | FRA-309   |
| 1967-71           | V8 7.0L 426 CI | J, R          | w/10" Torque Dia.; w/o Weight                    | 4058429   | FRA-303   |
| 1968-74           | L6 3.7L 225 CI | B, C          | w/11" Bolt Circle                                | 2204719   | FRA-413   |
| 1976              | L6 3.7L 225 CI | B, C          | w/11" Bolt Circle                                | 2204719   | FRA-413   |
| 1967-71           | V8 6.3L 383 CI | L, H, N, G    | w/11 1/8" Bolt Circle                            | 2204768   | FRA-309   |
| 1967-71           | V8 6.3L 383 CI | N, L, H, G    | w/10" Torque Dia.; w/o Weight                    | 4058429   | FRA-303   |
| 1967-71           | V8 7.0L 426 CI | R, J          | w/11 1/8" Bolt Circle                            | 2204768   | FRA-309   |
| 1967-74           | V8 7.2L 440 CI | V, T, U, L, K | w/10" Torque Dia.; w/o Weight                    | 4058429   | FRA-303   |
| 1968-74           | L6 3.7L 225 CI | C, B          | w/10" Bolt Circle                                | 4058428   | FRA-302   |
| 1976              | L6 3.7L 225 CI | C, B          | w/10" Bolt Circle                                | 4058428   | FRA-302   |
| 1971-73           | V8 5.6L 340 CI | H             | w/11 1/8" Bolt Circle                            | 2204768   | FRA-309   |
| 1971-73           | V8 5.6L 340 CI | H             | w/10" Torque Dia.; w/o Weight                    | 4058429   | FRA-303   |
| 1972-77           | V8 6.6L 400 CI | P, N, M       | w/11 1/8" Bolt Circle                            | 2204768   | FRA-309   |
| 1974-78           | V8 5.9L 360 CI | L, K, J       | w/10" Torque Dia.; w/o Weight, w/10" Torque Dia. | 4058429   | FRA-303   |
| 1974-77           | V8 5.9L 360 CI | L, K, J       | w/11 1/8" Bolt Circle                            | 2204768   | FRA-309   |
| 1972-78           | V8 6.6L 400 CI | N, M, P       | w/10" Torque Dia., w/10" Torque Dia.; w/o Weight | 4058429   | FRA-303   |
| 1967-77           | V8 5.2L 318 CI | G, F          | w/11 1/8" Bolt Circle                            | 2204768   | FRA-309   |
| 1967-78           | V8 5.2L 318 CI | H, G, F       | w/10" Torque Dia., w/10" Torque Dia.; w/o Weight | 4058429   | FRA-303   |
| 1983-85           | L4 2.2L 135 CI | 8, E, C       | w/o Weight                                       | 5222639   | FRA-300   |
| 1986-87           | L4 2.2L 135 CI | E, C, 8       | w/o Weight                                       | 4348322   | FRA-307   |
| 2006-07           | V6 2.7L 165 CI | R             |  | 4736299AB | FRA-550   |
| 2007              | V6 3.5L 213 CI | G             |  | 4736299AB | FRA-550   |
| <b>COLT</b>       |                |               |  |           |           |
| 1983-84           | L4 1.6L 97 CI  | 3, B, F       | 5 Hole   | MD707923  | FRA-474   |
| 1985-86           | L4 1.5L 90 CI  | K             | 5 Hole   | MD707923  | FRA-474   |
| <b>CORONET</b>    |                |               |  |           |           |
| 1965-76           | V8 5.2L 318 CI | G, F          | w/10" Torque Dia.; w/o Weight, w/10" Torque Dia. | 4058429   | FRA-303   |

\*Available in Heavy Duty-SFI Versions

FRA 48

# FLEXPLATES APPLICATIONS

| Years          | Engine         | VIN           | Remarks  | OE      | Pioneer # |
|----------------|----------------|---------------|--|---------|-----------|
| <b>DODGE</b>   |                |               |  |         |           |
| <b>CORONET</b> |                |               |  |         |           |
| 1965-70        | V8 7.0L 426 CI | R, J          | w/10" Torque Dia.; w/o Weight                    | 4058429 | FRA-303   |
| 1967-76        | L6 3.7L 225 CI | B, C          | w/11" Bolt Circle                                | 2204719 | FRA-413   |
| 1965-76        | V8 5.2L 318 CI | F, G          | w/11 1/8" Bolt Circle                            | 2204768 | FRA-309   |
| 1967-71        | V8 6.3L 383 CI | H, G, N, L    | w/11 1/8" Bolt Circle                            | 2204768 | FRA-309   |
| 1967-71        | V8 6.3L 384 CI | H, N, G, L    | w/11 1/8" Bolt Circle                            | 2204768 | FRA-309   |
| 1967-70        | V8 7.2L 440 CI | L, U, T, V, M | w/11 1/8" Bolt Circle                            | 2204768 | FRA-309   |
| 1972-76        | V8 7.2L 440 CI | L, U, T, V, M | w/11 1/8" Bolt Circle                            | 2204768 | FRA-309   |
| 1965-68        | V8 4.5L 273 CI | D             | w/10" Torque Dia.; w/o Weight                    | 4058429 | FRA-303   |
| 1965-68        | V8 4.5L 273 CI | D             | w/11 1/8" Bolt Circle                            | 2204768 | FRA-309   |
| 1965-70        | V8 7.0L 426 CI | R, J          | w/11 1/8" Bolt Circle                            | 2204768 | FRA-309   |
| 1967-70        | V8 7.2L 440 CI | V, T, U, M, L | w/10" Torque Dia.; w/o Weight, w/10" Torque Dia. | 4058429 | FRA-303   |
| 1972-76        | V8 7.2L 440 CI | V, T, U, M, L | w/10" Torque Dia.; w/o Weight, w/10" Torque Dia. | 4058429 | FRA-303   |
| 1967-71        | V8 6.3L 383 CI | L, H, N, G    | w/10" Torque Dia.; w/o Weight                    | 4058429 | FRA-303   |
| 1967-71        | V8 6.3L 384 CI | N, G, H, L    | w/10" Torque Dia.; w/o Weight                    | 4058429 | FRA-303   |
| 1972-73        | V8 5.6L 340 CI | H             | w/10" Torque Dia.; w/o Weight                    | 4058429 | FRA-303   |
| 1972-73        | V8 5.6L 340 CI | H             | w/11 1/8" Bolt Circle                            | 2204768 | FRA-309   |
| 1972-76        | V8 6.6L 400 CI | M, P, N       | w/11 1/8" Bolt Circle                            | 2204768 | FRA-309   |
| 1972-76        | V8 6.6L 400 CI | P, N, M       | w/10" Torque Dia.; w/o Weight, w/10" Torque Dia. | 4058429 | FRA-303   |
| 1973-76        | V8 5.9L 360 CI | J, K, L       | w/10" Torque Dia.; w/o Weight, w/10" Torque Dia. | 4058429 | FRA-303   |
| 1967-76        | L6 3.7L 225 CI | C, B          | w/Heavy Duty Engine; 10" Bolt Circle             | 4058428 | FRA-302   |
| 1973-76        | V8 5.9L 360 CI | L, K, J       | w/11 1/8" Bolt Circle                            | 2204768 | FRA-309   |
| <b>DART</b>    |                |               |  |         |           |
| 1962           | V8 5.9L 361 CI |               | w/11 1/8" Bolt Circle                            | 2204768 | FRA-309   |
| 1962           | V8 5.9L 361 CI |               | w/10" Torque Dia.; w/o Weight                    | 4058429 | FRA-303   |
| 1962           | V8 6.7L 413 CI |               | w/10" Torque Dia.; w/o Weight                    | 4058429 | FRA-303   |
| 1962           | V8 6.7L 413 CI |               | w/11 1/8" Bolt Circle                            | 2204768 | FRA-309   |
| 1962           | V8 6.8L 413 CI |               | w/11 1/8" Bolt Circle                            | 2204768 | FRA-309   |
| 1962           | V8 6.8L 413 CI |               | w/10" Torque Dia.; w/o Weight                    | 4058429 | FRA-303   |
| 1962-76        | L6 3.7L 225 CI | B, C          | w/10" Bolt Circle                                | 4058428 | FRA-302   |
| 1964-69        | V8 4.5L 273 CI | D             | w/11 1/8" Bolt Circle                            | 2204768 | FRA-309   |
| 1964-69        | V8 4.5L 273 CI | D             | w/10" Torque Dia.; w/o Weight                    | 4058429 | FRA-303   |
| 1967-69        | V8 6.3L 383 CI | G, H          | w/10" Torque Dia.; w/o Weight                    | 4058429 | FRA-303   |
| 1967-69        | V8 6.3L 383 CI | G, H          | w/11 1/8" Bolt Circle                            | 2204768 | FRA-309   |
| 1962           | V8 6.3L 384 CI | G, H          | w/11 1/8" Bolt Circle                            | 2204768 | FRA-309   |
| 1967-69        | V8 6.3L 384 CI | G, H          | w/11 1/8" Bolt Circle                            | 2204768 | FRA-309   |
| 1963-69        | L6 2.8L 170 CI | A             | w/10" Bolt Circle                                | 4058428 | FRA-302   |

# FLEXPLATES APPLICATIONS

| Years           | Engine         | VIN                          | Remarks  | OE        | Pioneer # |
|-----------------|----------------|------------------------------|--|-----------|-----------|
| <b>DODGE</b>    |                |                              |  |           |           |
| <b>DART</b>     |                |                              |  |           |           |
| 1963-69         | L6 2.8L 170 CI | A                            | w/11" Bolt Circle                                | 2204719   | FRA-413   |
| 1962            | V8 5.2L 318 CI | F, G                         | w/11 1/8" Bolt Circle                            | 2204768   | FRA-309   |
| 1968-76         | V8 5.2L 318 CI | F, G                         | w/11 1/8" Bolt Circle                            | 2204768   | FRA-309   |
| 1968-73         | V8 5.6L 340 CI | P, H                         | w/10" Torque Dia.; w/o Weight                    | 4058429   | FRA-303   |
| 1962            | V8 6.3L 384 CI | H, G                         | w/10" Torque Dia.; w/o Weight                    | 4058429   | FRA-303   |
| 1967-69         | V8 6.3L 384 CI | H, G                         | w/10" Torque Dia.; w/o Weight                    | 4058429   | FRA-303   |
| 1968-73         | V8 5.6L 340 CI | H, P                         | w/11 1/8" Bolt Circle                            | 2204768   | FRA-309   |
| 1970-74         | L6 3.2L 198 CI | B                            | w/Heavy Duty Engine; 10" Bolt Circle             | 4058428   | FRA-302   |
| 1970-74         | L6 3.2L 198 CI | B                            | w/11" Bolt Circle or w/Heavy Duty Engine         | 2204719   | FRA-413   |
| 1970-74         | L6 3.2L 199 CI | B                            | w/10" Bolt Circle                                | 4058428   | FRA-302   |
| 1970-74         | L6 3.2L 199 CI | B                            | w/11" Bolt Circle or w/Heavy Duty Engine         | 2204719   | FRA-413   |
| 1962-76         | L6 3.7L 225 CI | C, B                         | w/11" Bolt Circle or w/Heavy Duty Engine         | 2204719   | FRA-413   |
| 1962            | V8 5.2L 318 CI | G, F                         | w/10" Torque Dia.; w/o Weight, w/10" Torque Dia. | 4058429   | FRA-303   |
| 1968-76         | V8 5.2L 318 CI | G, F                         | w/10" Torque Dia.; w/o Weight, w/10" Torque Dia. | 4058429   | FRA-303   |
| 1974-76         | V8 5.9L 360 CI | L                            | w/10" Torque Dia.; w/o Weight, w/10" Torque Dia. | 4058429   | FRA-303   |
| 1974-76         | V8 5.9L 360 CI | L                            | w/11 1/8" Bolt Circle                            | 2204768   | FRA-309   |
| <b>DAYTONA</b>  |                |                              |  |           |           |
| 1984-85         | L4 2.2L 135 CI | E, D                         | w/o Weight                                       | 5222639   | FRA-300   |
| 1986-93         | L4 2.5L 153 CI | K, J                         | w/o Weight                                       | 4348322   | FRA-307   |
| 1986-90         | L4 2.2L 135 CI | C, A, D, E                   | w/o Weight                                       | 4348322   | FRA-307   |
| 1992-93         | L4 2.2L 135 CI | C, A, D, E                   | w/o Weight                                       | 4348322   | FRA-307   |
| 1990-93         | V6 3.0L 181 CI | 3                            | w/o Weight                                       | 4348322   | FRA-307   |
| <b>DIPLOMAT</b> |                |                              |  |           |           |
| 1978-79         | V8 5.9L 360 CI | L, K, J                      | w/10" Torque Dia.                                | 4058429   | FRA-303   |
| 1979-83         | L6 3.7L 225 CI | D, H, E, F, J, G, C, K       | w/10" Torque Dia.                                | 4058428   | FRA-302   |
| 1977-89         | V8 5.2L 318 CI | P, 4, M, H, S, R, G, K, Z, L | w/10" Torque Dia.                                | 4058429   | FRA-303   |
| <b>DYNASTY</b>  |                |                              |  |           |           |
| 1988-93         | L4 2.5L 153 CI | K                            | w/o Weight                                       | 4348322   | FRA-307   |
| 1990-93         | V6 3.0L 181 CI | 3                            | w/o Weight                                       | 4348322   | FRA-307   |
| 1990-93         | V6 3.3L 201 CI | R                            | w/o Weight                                       | 4736016   | FRA-427   |
| <b>INTREPID</b> |                |                              |  |           |           |
| 1993-97         | V6 3.3L 201 CI | U, T                         | w/o Weight                                       | 4736016   | FRA-427   |
| 1995            | V6 3.5L 213 CI | F                            | w/o Weight                                       | 4736016   | FRA-427   |
| 1998-00         | V6 3.2L 195 CI | J                            |  |           | FRA-587   |
| 1998-00         | V6 3.2L 197 CI | J                            |  |           | FRA-587   |
| 1998-04         | V6 2.7L 165 CI | R, U                         |  |           | FRA-587   |
| 2000-04         | V6 2.7L 165 CI | R, U                         |  | 4736299AB | FRA-550   |

\*Available in Heavy Duty-SFI Versions

FRA 50

# FLEXPLATES APPLICATIONS

| Years           | Engine         | VIN                 | Remarks   | OE        | Pioneer # |
|-----------------|----------------|---------------------|---|-----------|-----------|
| <b>DODGE</b>    |                |                     |   |           |           |
| <b>INTREPID</b> |                |                     |   |           |           |
| 2003-04         | V6 3.5L 213 CI | M, G, V             |   | 4736299AB | FRA-550   |
| <b>LANCER</b>   |                |                     |   |           |           |
| 1962            | L6 2.8L 170 CI |                     | w/11" Bolt Circle                                   | 2204719   | FRA-413   |
| 1962            | L6 2.8L 170 CI |                     | w/10" Bolt Circle                                   | 4058428   | FRA-302   |
| 1962            | L6 3.7L 225 CI |                     | w/11" Bolt Circle                                   | 2204719   | FRA-413   |
| 1962            | L6 3.7L 225 CI |                     | w/10" Bolt Circle                                   | 4058428   | FRA-302   |
| 1985            | L4 2.2L 135 CI | D, E                | w/o Weight  | 5222639   | FRA-300   |
| 1986-89         | L4 2.2L 135 CI | D, A, E             | w/o Weight  | 4348322   | FRA-307   |
| 1986-89         | L4 2.5L 153 CI | J, K                | w/o Weight  | 4348322   | FRA-307   |
| <b>MAGNUM</b>   |                |                     |   |           |           |
| 1978            | V8 6.6L 400 CI | P, N                |   | 4058429   | FRA-303   |
| 1978-79         | V8 5.2L 318 CI | G, H                |   | 4058429   | FRA-303   |
| 1978-79         | V8 5.9L 360 CI | L, J, K             |   | 4058429   | FRA-303   |
| 2005-07         | V6 2.7L 165 CI | T                   |   | 4736299AB | FRA-550   |
| 2005-07         | V6 3.5L 213 CI | V                   |   | 4736299AB | FRA-550   |
| <b>MIRADA</b>   |                |                     |   |           |           |
| 1980-83         | V8 5.2L 318 CI | H, K, P, G,<br>M    |   | 4058429   | FRA-303   |
| 1980            | V8 5.9L 360 CI | L                   |   | 4058429   | FRA-303   |
| 1980-83         | L6 3.7L 225 CI | E, G, C, D,<br>H, K | w/10" Torque Dia.                                   | 4058428   | FRA-302   |
| <b>MONACO</b>   |                |                     |   |           |           |
| 1965            | V8 6.7L 413 CI |                     | w/10" Torque Dia.; w/o Weight                       | 4058429   | FRA-303   |
| 1965            | V8 6.7L 413 CI |                     | w/11 1/8" Bolt Circle                               | 2204768   | FRA-309   |
| 1965            | V8 7.0L 426 CI |                     | w/10" Torque Dia.; w/o Weight                       | 4058429   | FRA-303   |
| 1965            | V8 7.0L 426 CI |                     | w/11 1/8" Bolt Circle                               | 2204768   | FRA-309   |
| 1965-71         | V8 6.3L 383 CI | H, L, G, N          | w/10" Torque Dia.; w/o Weight                       | 4058429   | FRA-303   |
| 1965-71         | V8 6.3L 384 CI | G, H, L, N          | w/10" Torque Dia.; w/o Weight                       | 4058429   | FRA-303   |
| 1968-70         | V8 5.2L 318 CI | F, G, H             | w/10" Torque Dia.; w/o Weight, w/10"<br>Torque Dia. | 4058429   | FRA-303   |
| 1975-78         | V8 5.2L 318 CI | F, G, H             | w/10" Torque Dia.; w/o Weight, w/10"<br>Torque Dia. | 4058429   | FRA-303   |
| 1966-78         | V8 7.2L 440 CI | K, T, L, U          | w/10" Torque Dia.; w/o Weight, w/10"<br>Torque Dia. | 4058429   | FRA-303   |
| 1966-77         | V8 7.2L 440 CI | K, T, L, U          | w/11 1/8" Bolt Circle                               | 2204768   | FRA-309   |
| 1968-70         | V8 5.2L 318 CI | G, F                | w/11 1/8" Bolt Circle                               | 2204768   | FRA-309   |
| 1975-77         | V8 5.2L 318 CI | G, F                | w/11 1/8" Bolt Circle                               | 2204768   | FRA-309   |
| 1965-71         | V8 6.3L 383 CI | N, G, L, H          | w/11 1/8" Bolt Circle                               | 2204768   | FRA-309   |
| 1965-71         | V8 6.3L 384 CI | L, N, G, H          | w/11 1/8" Bolt Circle                               | 2204768   | FRA-309   |
| 1971-77         | V8 5.9L 360 CI | K, L, J             | w/11 1/8" Bolt Circle                               | 2204768   | FRA-309   |
| 1972-77         | V8 6.6L 400 CI | N, M, P             | w/11 1/8" Bolt Circle                               | 2204768   | FRA-309   |
| 1972-78         | V8 6.6L 400 CI | N, P, M             | w/10" Torque Dia., w/10" Torque Dia.;<br>w/o Weight | 4058429   | FRA-303   |

# FLEXPLATES APPLICATIONS

| Years         | Engine         | VIN        | Remarks   | OE      | Pioneer # |
|---------------|----------------|------------|---|---------|-----------|
| <b>DODGE</b>  |                |            |   |         |           |
| <b>MONACO</b> |                |            |   |         |           |
| 1971-78       | V8 5.9L 360 CI | J, K, L    | w/10" Torque Dia., w/10" Torque Dia.;<br>w/o Weight | 4058429 | FRA-303   |
| 1977          | L6 3.7L 225 CI | C, D       | w/11" Bolt Circle                                   | 2204719 | FRA-413   |
| 1977          | L6 3.7L 225 CI | D, C       | w/10" Torque Dia.                                   | 4058428 | FRA-302   |
| 1991-92       | V6 3.0L 181 CI | U          | w/o Weight; 12-14 Pitch                             | 4348322 | FRA-307   |
| <b>NEON</b>   |                |            |   |         |           |
| 1995-05       | L4 2.0L 122 CI | Y, C, F    | w/o Weight  | 4567143 | FRA-451   |
| 2003-05       | L4 2.4L 148 CI | S          | w/o Weight  | 4567143 | FRA-451   |
| <b>OMNI</b>   |                |            |   |         |           |
| 1981-85       | L4 2.2L 135 CI | E, B, C, 8 | w/o Weight  | 5222639 | FRA-300   |
| 1986-90       | L4 2.2L 135 CI | C, 8, E, D | w/o Weight  | 4348322 | FRA-307   |
| <b>POLARA</b> |                |            |   |         |           |
| 1962          | V8 5.9L 361 CI |            | w/11 1/8" Bolt Circle                               | 2204768 | FRA-309   |
| 1962          | V8 5.9L 361 CI |            | w/10" Torque Dia.; w/o Weight                       | 4058429 | FRA-303   |
| 1963          | V8 6.3L 383 CI | L, G, H, N | w/11 1/8" Bolt Circle                               | 2204768 | FRA-309   |
| 1968-71       | V8 6.3L 383 CI | L, G, H, N | w/11 1/8" Bolt Circle                               | 2204768 | FRA-309   |
| 1964          | L6 2.8L 170 CI |            | w/10" Bolt Circle                                   | 4058428 | FRA-302   |
| 1964          | L6 2.8L 170 CI |            | w/11" Bolt Circle                                   | 2204719 | FRA-413   |
| 1964-65       | V8 7.0L 426 CI |            | w/11 1/8" Bolt Circle                               | 2204768 | FRA-309   |
| 1964-65       | V8 7.0L 426 CI |            | w/10" Torque Dia.; w/o Weight                       | 4058429 | FRA-303   |
| 1962          | V8 6.7L 413 CI |            | w/11 1/8" Bolt Circle                               | 2204768 | FRA-309   |
| 1965          | V8 6.7L 413 CI |            | w/11 1/8" Bolt Circle                               | 2204768 | FRA-309   |
| 1962          | V8 6.7L 413 CI |            | w/10" Torque Dia.; w/o Weight                       | 4058429 | FRA-303   |
| 1965          | V8 6.7L 413 CI |            | w/10" Torque Dia.; w/o Weight                       | 4058429 | FRA-303   |
| 1966          | V8 4.5L 273 CI |            | w/11 1/8" Bolt Circle                               | 2204768 | FRA-309   |
| 1966          | V8 4.5L 273 CI |            | w/10" Torque Dia.; w/o Weight                       | 4058429 | FRA-303   |
| 1966-73       | V8 7.2L 440 CI | L, T, K    | w/10" Torque Dia.; w/o Weight                       | 4058429 | FRA-303   |
| 1963-73       | V8 5.2L 318 CI | F, G       | w/10" Torque Dia.; w/o Weight                       | 4058429 | FRA-303   |
| 1962-71       | V8 6.3L 384 CI | H, G, L, N | w/10" Torque Dia.; w/o Weight                       | 4058429 | FRA-303   |
| 1963-64       | L6 3.7L 225 CI | C          | w/11" Bolt Circle or w/Heavy Duty Engine            | 2204719 | FRA-413   |
| 1970-71       | L6 3.7L 225 CI | C          | w/11" Bolt Circle or w/Heavy Duty Engine            | 2204719 | FRA-413   |
| 1963-64       | L6 3.7L 225 CI | C          | w/Heavy Duty Engine; 10" Bolt Circle                | 4058428 | FRA-302   |
| 1970-71       | L6 3.7L 225 CI | C          | w/Heavy Duty Engine; 10" Bolt Circle                | 4058428 | FRA-302   |
| 1963          | V8 6.3L 383 CI | L, G, N, H | w/10" Torque Dia.; w/o Weight                       | 4058429 | FRA-303   |
| 1968-71       | V8 6.3L 383 CI | L, G, N, H | w/10" Torque Dia.; w/o Weight                       | 4058429 | FRA-303   |
| 1962-71       | V8 6.3L 384 CI | L, H, G, N | w/11 1/8" Bolt Circle                               | 2204768 | FRA-309   |
| 1963-73       | V8 5.2L 318 CI | G, F       | w/11 1/8" Bolt Circle                               | 2204768 | FRA-309   |
| 1966-73       | V8 7.2L 440 CI | T, L, K    | w/11 1/8" Bolt Circle                               | 2204768 | FRA-309   |
| 1971-73       | V8 5.9L 360 CI | K          | w/11 1/8" Bolt Circle                               | 2204768 | FRA-309   |
| 1971-73       | V8 5.9L 360 CI | K          | w/10" Torque Dia.; w/o Weight                       | 4058429 | FRA-303   |

\*Available in Heavy Duty-SFI Versions

FRA 52

# FLEXPLATES APPLICATIONS

| Years               | Engine         | VIN           | Remarks                       | OE        | Pioneer # |
|---------------------|----------------|---------------|-------------------------------|-----------|-----------|
| <b>DODGE</b>        |                |               |                               |           |           |
| <b>POLARA</b>       |                |               |                               |           |           |
| 1972-73             | V8 6.6L 400 CI | M, P          | w/11 1/8" Bolt Circle         | 2204768   | FRA-309   |
| 1972-73             | V8 6.6L 400 CI | P, M          | w/10" Torque Dia.; w/o Weight | 4058429   | FRA-303   |
| <b>ROYAL MONACO</b> |                |               |                               |           |           |
| 1975-77             | V8 5.9L 360 CI | J, K          | w/10" Torque Dia.             | 4058429   | FRA-303   |
| 1975-77             | V8 5.9L 360 CI | J, K          | w/11 1/8" Bolt Circle         | 2204768   | FRA-309   |
| 1975-77             | V8 7.2L 440 CI | T, U          | w/11 1/8" Bolt Circle         | 2204768   | FRA-309   |
| 1975-77             | V8 7.2L 440 CI | U, T          | w/10" Torque Dia.             | 4058429   | FRA-303   |
| 1975-77             | V8 6.6L 400 CI | N, M, P       | w/11 1/8" Bolt Circle         | 2204768   | FRA-309   |
| 1975                | V8 5.2L 318 CI | G             | w/10" Torque Dia.             | 4058429   | FRA-303   |
| 1977                | V8 5.2L 318 CI | G             | w/10" Torque Dia.             | 4058429   | FRA-303   |
| 1975                | V8 5.2L 318 CI | G             | w/11 1/8" Bolt Circle         | 2204768   | FRA-309   |
| 1977                | V8 5.2L 318 CI | G             | w/11 1/8" Bolt Circle         | 2204768   | FRA-309   |
| 1975-77             | V8 6.6L 400 CI | P, N, M       | w/10" Torque Dia.             | 4058429   | FRA-303   |
| <b>SHADOW</b>       |                |               |                               |           |           |
| 1987-94             | L4 2.2L 135 CI | E, A, D, C    | w/o Weight                    | 4348322   | FRA-307   |
| 1988-94             | L4 2.5L 153 CI | J, K          | w/o Weight                    | 4348322   | FRA-307   |
| 1992-94             | V6 3.0L 181 CI | 3             | w/o Weight                    | 4348322   | FRA-307   |
| <b>SPIRIT</b>       |                |               |                               |           |           |
| 1989                | V6 3.0L 181 CI | 3             |                               | 4058429   | FRA-303   |
| 1990-95             | V6 3.0L 181 CI | 3             | w/o Weight                    | 4348322   | FRA-307   |
| 1991-92             | L4 2.2L 135 CI | A             | w/o Weight                    | 4348322   | FRA-307   |
| 1989-95             | L4 2.5L 153 CI | V, K, J       | w/o Weight                    | 4348322   | FRA-307   |
| <b>ST. REGIS</b>    |                |               |                               |           |           |
| 1979-80             | V8 5.9L 360 CI | J, K, L       |                               | 4058429   | FRA-303   |
| 1979-81             | L6 3.7L 225 CI | F, G, C, E, D | w/10" Torque Dia.             | 4058428   | FRA-302   |
| 1979-81             | V8 5.2L 318 CI | L, M, G, K, H |                               | 4058429   | FRA-303   |
| <b>STRATUS</b>      |                |               |                               |           |           |
| 1995-00             | L4 2.0L 122 CI | C             | w/o Weight                    | 4567143   | FRA-451   |
| 1995-00             | V6 2.5L 152 CI | H             | w/o Weight                    | 4736016   | FRA-427   |
| 1995-00             | V6 2.5L 152 CI | H             | w/o Weight                    | 4567143   | FRA-451   |
| 1995-06             | L4 2.4L 148 CI | X, J          | w/o Weight                    | 4567143   | FRA-451   |
| 2001-04             | V6 2.7L 165 CI | U, T, R       |                               |           | FRA-587   |
| 2001-05             | L4 2.4L 143 CI | G             | w/o Weight                    | 4567143   | FRA-451   |
| 2005-06             | V6 2.7L 165 CI | T, R          |                               | 4736299AB | FRA-550   |
| <b>DODGE TRUCK</b>  |                |               |                               |           |           |
| <b>A100</b>         |                |               |                               |           |           |
| 1964-66             | L6 2.8L 170 CI |               | w/10" Bolt Circle             | 4058428   | FRA-302   |
| 1964-66             | L6 2.8L 170 CI |               | w/11" Bolt Circle             | 2204719   | FRA-413   |
| 1964-66             | L6 3.7L 225 CI |               | w/10" Bolt Circle             | 4058428   | FRA-302   |
| 1964-66             | L6 3.7L 225 CI |               | w/11" Bolt Circle             | 2204719   | FRA-413   |



# FLEXPLATES APPLICATIONS

| Years              | Engine         | VIN        | Remarks           | OE       | Pioneer # |
|--------------------|----------------|------------|-------------------|----------|-----------|
| <b>DODGE TRUCK</b> |                |            |                   |          |           |
| <b>A100</b>        |                |            |                   |          |           |
| 1964-66            | V8 4.5L 273 CI |            |                   | 4058429  | FRA-303   |
| 1964-66            | V8 4.5L 273 CI |            |                   | 2204768  | FRA-309   |
| 1970               | V8 5.2L 318 CI | E          |                   | 2204768  | FRA-309   |
| 1970               | V8 5.2L 318 CI | E          |                   | 4058429  | FRA-303   |
| <b>A108 VAN</b>    |                |            |                   |          |           |
| 1967-69            | L6 2.8L 170 CI |            | w/11" Bolt Circle | 2204719  | FRA-413   |
| 1967-69            | L6 2.8L 170 CI |            | w/10" Bolt Circle | 4058428  | FRA-302   |
| 1967-70            | L6 3.7L 225 CI | C          | w/11" Bolt Circle | 2204719  | FRA-413   |
| 1967-70            | L6 3.7L 225 CI | C          | w/10" Bolt Circle | 4058428  | FRA-302   |
| 1970               | L6 3.2L 198 CI |            | w/10" Bolt Circle | 4058428  | FRA-302   |
| 1970               | L6 3.2L 198 CI |            | w/11" Bolt Circle | 2204719  | FRA-413   |
| <b>B100</b>        |                |            |                   |          |           |
| 1975-77            | L6 3.7L 225 CI | B          | w/11" Bolt Circle | 2204719  | FRA-413   |
| 1975-77            | V8 5.2L 318 CI | E          |                   | 2204768  | FRA-309   |
| 1975-80            | L6 3.7L 225 CI | B, N       | w/10" Torque Dia. | 4058428  | FRA-302   |
| 1976-77            | V8 5.9L 360 CI | F          |                   | 2204768  | FRA-309   |
| 1978               | V8 5.9L 360 CI | F          |                   | 4058429  | FRA-303   |
| 1978-80            | V8 5.2L 318 CI | E, P       |                   | 4058429  | FRA-303   |
| <b>B100 VAN</b>    |                |            |                   |          |           |
| 1971               | L6 3.2L 198 CI | A          | w/10" Bolt Circle | 4058428  | FRA-302   |
| 1971               | L6 3.2L 198 CI | A          | w/11" Bolt Circle | 2204719  | FRA-413   |
| 1971               | L6 3.2L 199 CI | A          | w/11" Bolt Circle | 2204719  | FRA-413   |
| 1971               | L6 3.2L 199 CI | A          | w/10" Bolt Circle | 4058428  | FRA-302   |
| 1971-74            | L6 3.7L 225 CI | C, B       | w/10" Bolt Circle | 4058428  | FRA-302   |
| 1971-74            | L6 3.7L 225 CI | C, B       | w/11" Bolt Circle | 2204719  | FRA-413   |
| 1971-74            | V8 5.2L 318 CI | G, E       |                   | 4058429  | FRA-303   |
| 1971-74            | V8 5.2L 318 CI | E, G       |                   | 2204768  | FRA-309   |
| 1971-74            | V8 5.9L 360 CI | T, F       |                   | 4058429  | FRA-303   |
| 1971-74            | V8 5.9L 360 CI | T, F       |                   | 2204768  | FRA-309   |
| 1974               | V8 7.2L 440 CI | D          |                   | 2204768  | FRA-309   |
| 1974               | V8 7.2L 440 CI | D          |                   | 4058429  | FRA-303   |
| <b>B150</b>        |                |            |                   |          |           |
| 1981-87            | L6 3.7L 225 CI | E, H       | w/10" Torque Dia. | 4058428  | FRA-302   |
| 1981-91            | V8 5.2L 318 CI | T, R, P, Y |                   | 4058429  | FRA-303   |
| 1987               | L6 3.7L 225 CI | H          | w/California      | 4058429  | FRA-303   |
| 1988-91            | V6 3.9L 238 CI | X          |                   | 4058429  | FRA-303   |
| 1992-94            | V6 3.9L 238 CI | X          | w/o Weight        | 53008665 | FRA-477   |
| 1992-94            | V8 5.2L 318 CI | Y          | w/o Weight        | 53008669 | FRA-478   |
| <b>B1500</b>       |                |            |                   |          |           |
| 1995               | V6 3.9L 238 CI | X          | w/o Weight        | 53008665 | FRA-477   |

\*Available in Heavy Duty-SFI Versions

FRA 54

# FLEXPLATES APPLICATIONS

| Years              | Engine         | VIN           | Remarks                  | OE       | Pioneer # |
|--------------------|----------------|---------------|--------------------------|----------|-----------|
| <b>DODGE TRUCK</b> |                |               |                          |          |           |
| <b>B1500</b>       |                |               |                          |          |           |
| 1995               | V8 5.2L 318 CI | Y             | w/o Weight               | 53008669 | FRA-478   |
| 1996-98            | V6 3.9L 238 CI | X             |                          | 52118256 | FRA-537   |
| 1996-98            | V8 5.2L 318 CI | Y             | Use w/Ring Gear FRG-130C | 52118255 | FRA-527   |
| 1998               | V8 5.9L 360 CI | Z             | Use w/Ring Gear FRG-130C | 4863841  | FRA-486   |
| <b>B200</b>        |                |               |                          |          |           |
| 1975-77            | L6 3.7L 225 CI | B             | w/11" Bolt Circle        | 2204719  | FRA-413   |
| 1975-77            | V8 5.2L 318 CI | E             |                          | 2204768  | FRA-309   |
| 1975-77            | V8 5.9L 360 CI | F             |                          | 2204768  | FRA-309   |
| 1975-77            | V8 7.2L 440 CI | D             |                          | 2204768  | FRA-309   |
| 1975-78            | V8 7.2L 440 CI | D             |                          | 4058429  | FRA-303   |
| 1975-80            | V8 5.9L 360 CI | F, T, S       |                          | 4058429  | FRA-303   |
| 1975-80            | V8 5.2L 318 CI | E, P          |                          | 4058429  | FRA-303   |
| 1976-77            | V8 6.6L 400 CI | J             |                          | 2204768  | FRA-309   |
| 1976-78            | V8 6.6L 400 CI | J             |                          | 4058429  | FRA-303   |
| 1975-80            | L6 3.7L 225 CI | N, B          | w/10" Torque Dia.        | 4058428  | FRA-302   |
| <b>B200 VAN</b>    |                |               |                          |          |           |
| 1971               | L6 3.2L 198 CI | A             | w/11" Bolt Circle        | 2204719  | FRA-413   |
| 1971               | L6 3.2L 198 CI | A             | w/10" Bolt Circle        | 4058428  | FRA-302   |
| 1971               | L6 3.2L 199 CI | A             | w/11" Bolt Circle        | 2204719  | FRA-413   |
| 1971               | L6 3.2L 199 CI | A             | w/10" Bolt Circle        | 4058428  | FRA-302   |
| 1971-74            | L6 3.7L 225 CI | C, B          | w/11" Bolt Circle        | 2204719  | FRA-413   |
| 1971-74            | L6 3.7L 225 CI | C, B          | w/10" Bolt Circle        | 4058428  | FRA-302   |
| 1971-74            | V8 5.2L 318 CI | E, G          |                          | 2204768  | FRA-309   |
| 1971-74            | V8 5.2L 318 CI | E, G          |                          | 4058429  | FRA-303   |
| 1971-74            | V8 5.9L 360 CI | T, F          |                          | 4058429  | FRA-303   |
| 1971-74            | V8 5.9L 360 CI | T, F          |                          | 2204768  | FRA-309   |
| 1971               | V8 6.6L 400 CI | J             |                          | 2204768  | FRA-309   |
| 1974               | V8 6.6L 400 CI | J             |                          | 2204768  | FRA-309   |
| 1971               | V8 6.6L 400 CI | J             |                          | 4058429  | FRA-303   |
| 1974               | V8 6.6L 400 CI | J             |                          | 4058429  | FRA-303   |
| 1974               | V8 7.2L 440 CI | D             |                          | 4058429  | FRA-303   |
| 1974               | V8 7.2L 440 CI | D             |                          | 2204768  | FRA-309   |
| <b>B250</b>        |                |               |                          |          |           |
| 1981               | V8 5.9L 360 CI | T, Z, W, 1    |                          | 4058429  | FRA-303   |
| 1984-92            | V8 5.9L 360 CI | T, Z, W, 1    |                          | 4058429  | FRA-303   |
| 1981-87            | L6 3.7L 225 CI | H, E          | w/10" Torque Dia.        | 4058428  | FRA-302   |
| 1981-91            | V8 5.2L 318 CI | T, Y, U, R, P |                          | 4058429  | FRA-303   |
| 1987               | L6 3.7L 225 CI | H             | w/California             | 4058429  | FRA-303   |
| 1988-91            | V6 3.9L 238 CI | X             |                          | 4058429  | FRA-303   |
| 1992-94            | V8 5.9L 360 CI | Z             | w/o Weight               | 53008669 | FRA-478   |

# FLEXPLATES APPLICATIONS

| Years              | Engine         | VIN              | Remarks                  | OE       | Pioneer # |
|--------------------|----------------|------------------|--------------------------|----------|-----------|
| <b>DODGE TRUCK</b> |                |                  |                          |          |           |
| <b>B250</b>        |                |                  |                          |          |           |
| 1992-94            | V6 3.9L 238 CI | X                | w/o Weight               | 53008665 | FRA-477   |
| 1992-94            | V8 5.2L 318 CI | T, Y             | w/o Weight               | 53008669 | FRA-478   |
| <b>B2500</b>       |                |                  |                          |          |           |
| 1995               | V6 3.9L 238 CI | X                | w/o Weight               | 53008665 | FRA-477   |
| 1995               | V8 5.2L 318 CI | Y, T             | w/o Weight               | 53008669 | FRA-478   |
| 1995               | V8 5.9L 360 CI | Z                | w/o Weight               | 53008669 | FRA-478   |
| 1996-97            | V8 5.2L 318 CI | Y, T             | Use w/Ring Gear FRG-130C | 52118255 | FRA-527   |
| 1996-98            | V8 5.9L 360 CI | Z                | Use w/Ring Gear FRG-130C | 4863841  | FRA-486   |
| 1997               | V6 3.9L 238 CI | X                |                          | 52118256 | FRA-537   |
| <b>B300</b>        |                |                  |                          |          |           |
| 1975-77            | L6 3.7L 225 CI | B                | w/11" Bolt Circle        | 2204719  | FRA-413   |
| 1975-77            | V8 5.2L 318 CI | E                |                          | 2204768  | FRA-309   |
| 1975-77            | V8 5.9L 360 CI | F                |                          | 2204768  | FRA-309   |
| 1975-77            | V8 7.2L 440 CI | D                |                          | 2204768  | FRA-309   |
| 1975-78            | V8 7.2L 440 CI | D                |                          | 4058429  | FRA-303   |
| 1976-77            | V8 6.6L 400 CI | J                |                          | 2204768  | FRA-309   |
| 1976-78            | V8 6.6L 400 CI | J                |                          | 4058429  | FRA-303   |
| 1975-80            | L6 3.7L 225 CI | N, B             | w/10" Torque Dia.        | 4058428  | FRA-302   |
| 1975-80            | V8 5.9L 360 CI | S, T, F          |                          | 4058429  | FRA-303   |
| 1975-80            | V8 5.2L 318 CI | P, E             |                          | 4058429  | FRA-303   |
| <b>B300 VAN</b>    |                |                  |                          |          |           |
| 1971-74            | L6 3.7L 225 CI | C, B             | w/11" Bolt Circle        | 2204719  | FRA-413   |
| 1971-74            | V8 5.2L 318 CI | E, G             |                          | 2204768  | FRA-309   |
| 1971-74            | L6 3.7L 225 CI | B, C             | w/10" Bolt Circle        | 4058428  | FRA-302   |
| 1971-74            | V8 5.2L 318 CI | E, G             |                          | 4058429  | FRA-303   |
| 1971-74            | V8 5.9L 360 CI | F, T             |                          | 2204768  | FRA-309   |
| 1971-74            | V8 5.9L 360 CI | T, F             |                          | 4058429  | FRA-303   |
| <b>B350</b>        |                |                  |                          |          |           |
| 1981-91            | V8 5.2L 318 CI | P, R, Y, T, U    |                          | 4058429  | FRA-303   |
| 1981-92            | V8 5.9L 360 CI | S, Z, 1, T, W, U |                          | 4058429  | FRA-303   |
| 1992-94            | V8 5.2L 318 CI | Y, T             | w/o Weight               | 53008669 | FRA-478   |
| 1992-94            | V8 5.9L 360 CI | Z                | w/o Weight               | 53008669 | FRA-478   |
| <b>B3500</b>       |                |                  |                          |          |           |
| 1995               | V8 5.2L 318 CI | Y, T             | w/o Weight               | 53008669 | FRA-478   |
| 1995               | V8 5.9L 360 CI | Z                | w/o Weight               | 53008669 | FRA-478   |
| 1996-98            | V8 5.9L 360 CI | Z                | Use w/Ring Gear FRG-130C | 4863841  | FRA-486   |
| 1996-98            | V8 5.2L 318 CI | 2, T, Y          | Use w/Ring Gear FRG-130C | 52118255 | FRA-527   |
| <b>CARAVAN</b>     |                |                  |                          |          |           |
| 1984-85            | L4 2.2L 135 CI | C                | w/o Weight               | 5222639  | FRA-300   |
| 1984-85            | L4 2.6L 156 CI | G                | w/o Weight               | 5222641  | FRA-301   |

\*Available in Heavy Duty-SFI Versions

FRA 56

# FLEXPLATES APPLICATIONS

| Years              | Engine         | VIN        | Remarks           | OE        | Pioneer # |
|--------------------|----------------|------------|-------------------|-----------|-----------|
| <b>DODGE TRUCK</b> |                |            |                   |           |           |
| <b>CARAVAN</b>     |                |            |                   |           |           |
| 1986-87            | L4 2.2L 135 CI | C          | w/o Weight        | 4348322   | FRA-307   |
| 1986-87            | L4 2.6L 156 CI | G          | w/o Weight        | 4377411   | FRA-334   |
| 1987-97            | V6 3.0L 181 CI | 3          | w/o Weight        | 4348322   | FRA-307   |
| 1988-95            | L4 2.5L 153 CI | J, K       | w/o Weight        | 4348322   | FRA-307   |
| 1990-96            | V6 3.3L 201 CI | R, J       | w/o Weight        | 4736016   | FRA-427   |
| 1996               | V6 3.8L 230 CI | L          | w/o Weight        | 4736016   | FRA-427   |
| 1996-07            | L4 2.4L 148 CI | B          | w/o Weight        | 4567143   | FRA-451   |
| 1997               | V6 3.0L 181 CI | 3          |                   | 4736130   | FRA-554   |
| 1997               | V6 3.3L 201 CI | R          |                   | 4736130   | FRA-554   |
| 1997-99            | V6 3.8L 230 CI | L          |                   | 4736130   | FRA-554   |
| 2000               | V6 3.0L 181 CI | 3          |                   | 4736190   | FRA-496   |
| 1998-03            | V6 3.3L 201 CI | R, 3       |                   | 4736190   | FRA-496   |
| 2005-07            | V6 3.3L 201 CI | E, R       |                   | 4736299AB | FRA-550   |
| <b>CB300</b>       |                |            |                   |           |           |
| 1974-75            | L6 3.7L 225 CI | B          | w/11" Bolt Circle | 2204719   | FRA-413   |
| 1977               | L6 3.7L 225 CI | B          | w/11" Bolt Circle | 2204719   | FRA-413   |
| 1974-77            | V8 5.2L 318 CI | E          |                   | 2204768   | FRA-309   |
| 1974-80            | V8 5.2L 318 CI | E, P       |                   | 4058429   | FRA-303   |
| 1974-77            | V8 5.9L 360 CI | F          |                   | 2204768   | FRA-309   |
| 1974-80            | V8 5.9L 360 CI | F, T, K    |                   | 4058429   | FRA-303   |
| 1976-77            | V8 6.6L 400 CI | J          |                   | 2204768   | FRA-309   |
| 1976-78            | V8 6.6L 400 CI | J          |                   | 4058429   | FRA-303   |
| 1977               | V8 7.2L 440 CI | D          |                   | 2204768   | FRA-309   |
| 1977-79            | V8 7.2L 440 CI | D          |                   | 4058429   | FRA-303   |
| 1974-75            | L6 3.7L 225 CI | N, B       | w/10" Torque Dia. | 4058428   | FRA-302   |
| 1977-79            | L6 3.7L 225 CI | N, B       | w/10" Torque Dia. | 4058428   | FRA-302   |
| <b>D100</b>        |                |            |                   |           |           |
| 1975-77            | V8 5.2L 318 CI | E          |                   | 2204768   | FRA-309   |
| 1975-77            | V8 5.9L 360 CI | F          |                   | 2204768   | FRA-309   |
| 1975-77            | V8 7.2L 440 CI | D          |                   | 2204768   | FRA-309   |
| 1976-77            | V8 6.6L 400 CI | J          |                   | 2204768   | FRA-309   |
| 1977-78            | V8 6.6L 400 CI | J          |                   | 4058429   | FRA-303   |
| 1977-78            | V8 7.2L 440 CI | D          |                   | 4058429   | FRA-303   |
| 1978-79            | L6 3.7L 225 CI | B, N       | w/10" Torque Dia. | 4058428   | FRA-302   |
| 1977-79            | V8 5.2L 318 CI | P, Y, E, T |                   | 4058429   | FRA-303   |
| 1986-89            | V8 5.2L 318 CI | P, Y, E, T |                   | 4058429   | FRA-303   |
| 1977-79            | V8 5.9L 360 CI | W, F       |                   | 4058429   | FRA-303   |
| 1986-88            | V8 5.9L 360 CI | W, F       |                   | 4058429   | FRA-303   |
| <b>D100 PICKUP</b> |                |            |                   |           |           |
| 1968-74            | L6 3.7L 225 CI | 6, X, B    | w/11" Bolt Circle | 2204719   | FRA-413   |

# FLEXPLATES APPLICATIONS

| Years              | Engine         | VIN              | Remarks                                   | OE      | Pioneer # |
|--------------------|----------------|------------------|---|---------|-----------|
| <b>DODGE TRUCK</b> |                |                  |   |         |           |
| <b>D100 PICKUP</b> |                |                  |   |         |           |
| 1968-74            | L6 3.7L 225 CI | 6, B, X          | w/10" Bolt Circle                         | 4058428 | FRA-302   |
| 1968-71            | V8 6.3L 383 CI | 8, J             |   | 4058429 | FRA-303   |
| 1968-71            | V8 6.3L 383 CI | 8, J             |   | 2204768 | FRA-309   |
| 1970-71            | L6 3.2L 198 CI | A                | w/10" Bolt Circle                         | 4058428 | FRA-302   |
| 1970-71            | L6 3.2L 198 CI | A                | w/11" Bolt Circle                         | 2204719 | FRA-413   |
| 1970-71            | L6 3.2L 199 CI | A                | w/10" Bolt Circle                         | 4058428 | FRA-302   |
| 1970-71            | L6 3.2L 199 CI | A                | w/11" Bolt Circle                         | 2204719 | FRA-413   |
| 1968-74            | V8 5.2L 318 CI | E, 8             |   | 2204768 | FRA-309   |
| 1970-71            | V8 6.3L 384 CI | J                |   | 4058429 | FRA-303   |
| 1970-71            | V8 6.3L 384 CI | J                |   | 2204768 | FRA-309   |
| 1968-74            | V8 5.2L 318 CI | E, 8             |   | 4058429 | FRA-303   |
| 1971-74            | V8 6.6L 400 CI | J                |   | 4058429 | FRA-303   |
| 1971-74            | V8 6.6L 400 CI | J                |   | 2204768 | FRA-309   |
| 1973-74            | V8 7.2L 440 CI | D                |   | 4058429 | FRA-303   |
| 1973-74            | V8 7.2L 440 CI | D                |   | 2204768 | FRA-309   |
| 1971-74            | V8 5.9L 360 CI | T, F, Y          |   | 2204768 | FRA-309   |
| 1971-74            | V8 5.9L 360 CI | T, F, Y          |   | 4058429 | FRA-303   |
| <b>D100 SERIES</b> |                |                  |   |         |           |
| 1962-65            | L6 2.8L 170 CI |                  | w/11" Bolt Circle                         | 2204719 | FRA-413   |
| 1962-65            | L6 2.8L 170 CI |                  | w/10" Bolt Circle                         | 4058428 | FRA-302   |
| 1962-67            | L6 3.7L 225 CI |                  | w/11" Bolt Circle                         | 2204719 | FRA-413   |
| 1962-67            | L6 3.7L 225 CI |                  | w/10" Bolt Circle                         | 4058428 | FRA-302   |
| 1962-67            | V8 5.2L 318 CI |                  |   | 4058429 | FRA-303   |
| 1962-67            | V8 5.2L 318 CI |                  |   | 2204768 | FRA-309   |
| 1967               | V8 6.3L 384 CI |                  |   | 4058429 | FRA-303   |
| 1967               | V8 6.3L 384 CI |                  |   | 2204768 | FRA-309   |
| <b>D150</b>        |                |                  |   |         |           |
| 1977               | V8 5.2L 318 CI | E                |   | 2204768 | FRA-309   |
| 1977               | V8 5.9L 360 CI | F                |   | 2204768 | FRA-309   |
| 1977               | V8 6.6L 400 CI | J                |   | 2204768 | FRA-309   |
| 1977-78            | V8 6.6L 400 CI | J                |   | 4058429 | FRA-303   |
| 1978               | V8 7.2L 440 CI | D                |   | 4058429 | FRA-303   |
| 1978-87            | L6 3.7L 225 CI | N, H, E, M, B, W | w/10" Torque Dia.                         | 4058428 | FRA-302   |
| 1977-82            | V8 5.9L 360 CI | S, T, W, 1, F, Z | w/10" Torque Dia.; w/o Weight, w/o Weight | 4058429 | FRA-303   |
| 1984-91            | V8 5.9L 360 CI | S, T, W, 1, F, Z | w/10" Torque Dia.; w/o Weight, w/o Weight | 4058429 | FRA-303   |
| 1993               | V8 5.9L 360 CI | S, T, W, 1, F, Z | w/10" Torque Dia.; w/o Weight, w/o Weight | 4058429 | FRA-303   |
| 1987               | L6 3.7L 225 CI | H                | w/California                              | 4058429 | FRA-303   |

\*Available in Heavy Duty-SFI Versions

FRA 58

# FLEXPLATES APPLICATIONS

| Years              | Engine         | VIN                 | Remarks                       | OE       | Pioneer # |
|--------------------|----------------|---------------------|-------------------------------|----------|-----------|
| <b>DODGE TRUCK</b> |                |                     |                               |          |           |
| <b>D150</b>        |                |                     |                               |          |           |
| 1977-91            | V8 5.2L 318 CI | Y, U, P, E, T, R    |                               | 4058429  | FRA-303   |
| 1990-91            | V6 3.9L 238 CI | X                   | w/10" Torque Dia.; w/o Weight | 4058429  | FRA-303   |
| 1992-93            | V6 3.9L 238 CI | X                   | w/o Weight, 7 Hole Crank      | 53008665 | FRA-475   |
| 1992-93            | V8 5.2L 318 CI | Y                   | w/o Weight                    | 53008669 | FRA-478   |
| <b>D200</b>        |                |                     |                               |          |           |
| 1975-77            | L6 3.7L 225 CI | B                   | w/11" Bolt Circle             | 2204719  | FRA-413   |
| 1975-77            | V8 5.2L 318 CI | E                   |                               | 2204768  | FRA-309   |
| 1975-77            | V8 5.9L 360 CI | F                   |                               | 2204768  | FRA-309   |
| 1975-77            | V8 6.6L 400 CI | J                   |                               | 2204768  | FRA-309   |
| 1975-77            | V8 7.2L 440 CI | D                   |                               | 2204768  | FRA-309   |
| 1975-80            | L6 3.7L 225 CI | N, B                | w/10" Torque Dia.             | 4058428  | FRA-302   |
| <b>D200 PICKUP</b> |                |                     |                               |          |           |
| 1968-71            | V8 6.3L 383 CI | 8, J                |                               | 4058429  | FRA-303   |
| 1968-74            | L6 3.7L 225 CI | 6, B                | w/10" Bolt Circle             | 4058428  | FRA-302   |
| 1968-71            | V8 6.3L 383 CI | J, 8                |                               | 2204768  | FRA-309   |
| 1968               | V8 6.3L 384 CI | J, 8                |                               | 4058429  | FRA-303   |
| 1970-71            | V8 6.3L 384 CI | J, 8                |                               | 4058429  | FRA-303   |
| 1968               | V8 6.3L 384 CI | J, 8                |                               | 2204768  | FRA-309   |
| 1970-71            | V8 6.3L 384 CI | J, 8                |                               | 2204768  | FRA-309   |
| 1968-74            | L6 3.7L 225 CI | B, 6                | w/11" Bolt Circle             | 2204719  | FRA-413   |
| 1968-74            | V8 5.2L 318 CI | E, 8                |                               | 4058429  | FRA-303   |
| 1971-74            | V8 5.9L 360 CI | Y, F                |                               | 4058429  | FRA-303   |
| 1971-74            | V8 5.9L 360 CI | Y, F                |                               | 2204768  | FRA-309   |
| 1971-74            | V8 6.6L 400 CI | J                   |                               | 2204768  | FRA-309   |
| 1971-74            | V8 6.6L 400 CI | J                   |                               | 4058429  | FRA-303   |
| 1968-74            | V8 5.2L 318 CI | E, 8                |                               | 2204768  | FRA-309   |
| 1973-74            | V8 7.2L 440 CI | D                   |                               | 4058429  | FRA-303   |
| 1973-74            | V8 7.2L 440 CI | D                   |                               | 2204768  | FRA-309   |
| <b>D200 SERIES</b> |                |                     |                               |          |           |
| 1962-67            | L6 3.7L 225 CI |                     | w/11" Bolt Circle             | 2204719  | FRA-413   |
| 1962-67            | L6 3.7L 225 CI |                     | w/10" Bolt Circle             | 4058428  | FRA-302   |
| 1962-67            | V8 5.2L 318 CI |                     |                               | 4058429  | FRA-303   |
| 1962-67            | V8 5.2L 318 CI |                     |                               | 2204768  | FRA-309   |
| 1967               | V8 6.3L 384 CI |                     |                               | 2204768  | FRA-309   |
| 1967               | V8 6.3L 384 CI |                     |                               | 4058429  | FRA-303   |
| <b>D250</b>        |                |                     |                               |          |           |
| 1981-87            | L6 3.7L 225 CI | E, H                | w/10" Torque Dia.             | 4058428  | FRA-302   |
| 1981-91            | V8 5.2L 318 CI | U, P, Y, T, R       |                               | 4058429  | FRA-303   |
| 1981-82            | V8 5.9L 360 CI | W, 5, Z, 1, T, U, S | w/o Weight                    | 4058429  | FRA-303   |
| 1984-93            | V8 5.9L 360 CI | W, 5, Z, 1, T, U, S | w/o Weight                    | 4058429  | FRA-303   |

# FLEXPLATES APPLICATIONS

| Years              | Engine         | VIN           | Remarks           | OE   | Pioneer # |
|--------------------|----------------|---------------|-------------------|--|-----------|
| <b>DODGE TRUCK</b> |                |               |                   |  |           |
| <b>D250</b>        |                |               |                   |  |           |
| 1987               | L6 3.7L 225 CI | H             | w/California      | 4058429  | FRA-303   |
| 1988-89            | V6 3.9L 238 CI | X             |                   | 4058429  | FRA-303   |
| 1989-93            | L6 5.9L 359 CI | 8, C          |                   | 5015709AB, 5015709AA,<br>4638691, 4762088, 4429607 | FRA-533*  |
| 1992-93            | V6 3.9L 238 CI | X             | 7 Hole Crank      | 53008665   | FRA-475   |
| 1992-93            | V8 5.2L 318 CI | Y             | w/o Weight        | 53008669   | FRA-478   |
| <b>D300</b>        |                |               |                   |  |           |
| 1975-77            | V8 5.2L 318 CI | E             |                   | 2204768  | FRA-309   |
| 1975-77            | V8 5.9L 360 CI | F             |                   | 2204768  | FRA-309   |
| 1975-77            | V8 7.2L 440 CI | D             |                   | 2204768  | FRA-309   |
| 1976-77            | V8 6.6L 400 CI | J             |                   | 2204768  | FRA-309   |
| 1975-77            | L6 3.7L 225 CI | C, B          | w/11" Bolt Circle | 2204719  | FRA-413   |
| 1975-78            | L6 3.7L 225 CI | C, B          | w/10" Torque Dia. | 4058428  | FRA-302   |
| <b>D300 PICKUP</b> |                |               |                   |  |           |
| 1968-74            | L6 3.7L 225 CI | 6, B          | w/10" Bolt Circle | 4058428  | FRA-302   |
| 1968-74            | V8 5.2L 318 CI | 8, E          |                   | 2204768  | FRA-309   |
| 1968-74            | V8 5.2L 318 CI | 8, E          |                   | 4058429  | FRA-303   |
| 1968-71            | V8 6.3L 383 CI | 8, J          |                   | 2204768  | FRA-309   |
| 1968-71            | V8 6.3L 383 CI | 8, J          |                   | 4058429  | FRA-303   |
| 1968-74            | L6 3.7L 225 CI | 6, B          | w/11" Bolt Circle | 2204719  | FRA-413   |
| 1970-71            | V8 6.3L 384 CI | J             |                   | 2204768  | FRA-309   |
| 1970-71            | V8 6.3L 384 CI | J             |                   | 4058429  | FRA-303   |
| 1971-74            | V8 6.6L 400 CI | J             |                   | 4058429  | FRA-303   |
| 1971-74            | V8 6.6L 400 CI | J             |                   | 2204768  | FRA-309   |
| 1971-74            | V8 5.9L 360 CI | F, Y          |                   | 2204768  | FRA-309   |
| 1971-74            | V8 5.9L 360 CI | F, Y          |                   | 4058429  | FRA-303   |
| 1973-74            | V8 7.2L 440 CI | D             |                   | 4058429  | FRA-303   |
| 1973-74            | V8 7.2L 440 CI | D             |                   | 2204768  | FRA-309   |
| <b>D300 SERIES</b> |                |               |                   |  |           |
| 1962-67            | L6 3.7L 225 CI |               | w/10" Bolt Circle | 4058428  | FRA-302   |
| 1962-67            | L6 3.7L 225 CI |               | w/11" Bolt Circle | 2204719  | FRA-413   |
| 1962-67            | V8 5.2L 318 CI |               |                   | 4058429  | FRA-303   |
| 1962-67            | V8 5.2L 318 CI |               |                   | 2204768  | FRA-309   |
| 1967               | V8 6.3L 384 CI |               |                   | 4058429  | FRA-303   |
| 1967               | V8 6.3L 384 CI |               |                   | 2204768  | FRA-309   |
| <b>D350</b>        |                |               |                   |  |           |
| 1981-93            | V8 5.9L 360 CI | T, W, Z, 5, 1 | w/o Weight        | 4058429  | FRA-303   |
| 1981-83            | V8 5.2L 318 CI | P, U, R       |                   | 4058429  | FRA-303   |
| 1989-93            | L6 5.9L 359 CI | 8, C          |                   | 5015709AB, 5015709AA,<br>4638691, 4762088, 4429607 | FRA-533*  |
| <b>D50</b>         |                |               |                   |  |           |
| 1982               | L4 2.6L 156 CI | 7             | w/o Weight        | 5222641  | FRA-301   |

\*Available in Heavy Duty-SFI Versions

FRA 60

# FLEXPLATES APPLICATIONS

| Years                | Engine         | VIN     | Remarks                       | OE        | Pioneer # |
|----------------------|----------------|---------|-------------------------------|-----------|-----------|
| <b>DODGE TRUCK</b>   |                |         |                               |           |           |
| <b>DAKOTA</b>        |                |         |                               |           |           |
| 1987-88              | L4 2.2L 135 CI | C       | w/o Weight                    | 4348322   | FRA-307   |
| 1987-91              | V6 3.9L 238 CI | X, M    | w/o Weight                    | 4058429   | FRA-303   |
| 1989                 | L4 2.5L 153 CI | G       | w/o Weight                    | 4348322   | FRA-307   |
| 1989-91              | V8 5.2L 318 CI | Y       | w/o Weight                    | 4058429   | FRA-303   |
| 1990                 | L4 2.5L 153 CI | G       | w/o Weight                    | 4058429   | FRA-303   |
| 1992-95              | V6 3.9L 238 CI | X       | w/o Weight                    | 53008665  | FRA-477   |
| 1992-96              | V8 5.2L 318 CI | T, Y    | w/o Weight                    | 53008669  | FRA-478   |
| 1996-03              | V6 3.9L 238 CI | X       |                               | 52118256  | FRA-537   |
| 1996-99              | V8 5.2L 318 CI | Y, T    | Use w/Ring Gear FRG-130C      | 52118255  | FRA-527   |
| 1998-03              | V8 5.9L 360 CI | Z       | Use w/Ring Gear FRG-130C      | 4863841   | FRA-486   |
| <b>DURANGO</b>       |                |         |                               |           |           |
| 1998-03              | V8 5.9L 360 CI | Z       | Use w/Ring Gear FRG-130C      | 4863841   | FRA-486   |
| 1998-00              | V8 5.2L 318 CI | Y       | Use w/Ring Gear FRG-130C      | 52118255  | FRA-527   |
| <b>GRAND CARAVAN</b> |                |         |                               |           |           |
| 1988                 | L4 2.5L 153 CI | K       | w/o Weight                    | 4348322   | FRA-307   |
| 1988-89              | V6 3.0L 181 CI | 3       | w/o Weight                    | 4348322   | FRA-307   |
| 1992-97              | V6 3.0L 181 CI | 3       | w/o Weight                    | 4348322   | FRA-307   |
| 1990-96              | V6 3.3L 201 CI | R, J    | w/o Weight                    | 4736016   | FRA-427   |
| 1994-96              | V6 3.8L 230 CI | L       | w/o Weight                    | 4736016   | FRA-427   |
| 1996-97              | L4 2.4L 148 CI | B       | w/o Weight                    | 4567143   | FRA-451   |
| 1997                 | V6 3.0L 181 CI | 3       |                               | 4736130   | FRA-554   |
| 1997                 | V6 3.3L 201 CI | R       |                               | 4736130   | FRA-554   |
| 1997-00              | V6 3.8L 230 CI | L       |                               | 4736130   | FRA-554   |
| 1998-00              | V6 3.0L 181 CI | 3       |                               | 4736190   | FRA-496   |
| 1998-03              | V6 3.3L 201 CI | R, 3    |                               | 4736190   | FRA-496   |
| 1998                 | V6 3.8L 230 CI | L       |                               | 4736190   | FRA-496   |
| 2000-03              | V6 3.8L 230 CI | L       |                               | 4736190   | FRA-496   |
| 2004-07              | V6 3.8L 230 CI | L       |                               | 4736299AB | FRA-550   |
| 2005-10              | V6 3.3L 201 CI | E, R, H |                               | 4736299AB | FRA-550   |
| <b>M300</b>          |                |         |                               |           |           |
| 1968                 | L6 4.1L 250 CI | 6       | w/11" Bolt Circle             | 2204719   | FRA-413   |
| 1968                 | L6 4.1L 250 CI | 6       | w/10" Bolt Circle             | 4058428   | FRA-302   |
| 1974                 | V8 5.2L 318 CI | G       | w/10" Torque Dia.; w/o Weight | 4058429   | FRA-303   |
| 1974                 | V8 5.2L 318 CI | G       | w/11 1/8" Bolt Circle         | 2204768   | FRA-309   |
| 1974                 | V8 7.2L 440 CI | A       | w/11 1/8" Bolt Circle         | 2204768   | FRA-309   |
| 1974                 | V8 7.2L 440 CI | A       | w/10" Torque Dia.; w/o Weight | 4058429   | FRA-303   |
| <b>M350</b>          |                |         |                               |           |           |
| 1974                 | V8 5.2L 318 CI | G       | w/10" Torque Dia.; w/o Weight | 4058429   | FRA-303   |
| 1974                 | V8 5.2L 318 CI | G       | w/11 1/8" Bolt Circle         | 2204768   | FRA-309   |
| 1974                 | V8 7.2L 440 CI | A       | w/11 1/8" Bolt Circle         | 2204768   | FRA-309   |



# FLEXPLATES APPLICATIONS

| Years               | Engine         | VIN     | Remarks                       | OE       | Pioneer # |
|---------------------|----------------|---------|-------------------------------|----------|-----------|
| <b>DODGE TRUCK</b>  |                |         |                               |          |           |
| <b>M350</b>         |                |         |                               |          |           |
| 1974                | V8 7.2L 440 CI | A       | w/10" Torque Dia.; w/o Weight | 4058429  | FRA-303   |
| <b>MINI RAM</b>     |                |         |                               |          |           |
| 1984-85             | L4 2.2L 135 CI | C       | w/o Weight                    | 5222639  | FRA-300   |
| 1984-85             | L4 2.6L 156 CI | G       | w/o Weight                    | 5222641  | FRA-301   |
| 1986-87             | L4 2.2L 135 CI | C       | w/o Weight                    | 4348322  | FRA-307   |
| 1986-87             | L4 2.6L 156 CI | G       | w/o Weight                    | 4377411  | FRA-334   |
| 1987-88             | L4 2.5L 153 CI | K       | w/o Weight                    | 4348322  | FRA-307   |
| 1987-88             | V6 3.0L 181 CI | 3       |                               | 4058429  | FRA-303   |
| <b>P100</b>         |                |         |                               |          |           |
| 1968                | L6 3.7L 225 CI | 6       | w/11" Bolt Circle             | 2204719  | FRA-413   |
| 1968                | L6 3.7L 225 CI | 6       | w/10" Bolt Circle             | 4058428  | FRA-302   |
| <b>P200</b>         |                |         |                               |          |           |
| 1968-72             | L6 3.7L 225 CI | 6, B    | w/11" Bolt Circle             | 2204719  | FRA-413   |
| 1970-72             | V8 5.9L 360 CI | 8, Y    |                               | 4058429  | FRA-303   |
| 1968-72             | L6 3.7L 225 CI | B, 6    | w/10" Bolt Circle             | 4058428  | FRA-302   |
| 1970-72             | V8 5.9L 360 CI | Y, 8    |                               | 2204768  | FRA-309   |
| <b>P300</b>         |                |         |                               |          |           |
| 1968-72             | L6 3.7L 225 CI | 6, X, B | w/11" Bolt Circle             | 2204719  | FRA-413   |
| 1968-72             | L6 3.7L 225 CI | B, 6, X | w/10" Bolt Circle             | 4058428  | FRA-302   |
| 1971-72             | V8 5.9L 360 CI | Y       |                               | 2204768  | FRA-309   |
| 1971-72             | V8 5.9L 360 CI | Y       |                               | 4058429  | FRA-303   |
| <b>P375</b>         |                |         |                               |          |           |
| 1968                | V8 5.9L 360 CI | 8       |                               | 4058429  | FRA-303   |
| 1968                | V8 5.9L 360 CI | 8       |                               | 2204768  | FRA-309   |
| <b>POWER RAM 50</b> |                |         |                               |          |           |
| 1983                | L4 2.6L 156 CI | 7       | w/o Weight                    | 5222641  | FRA-301   |
| 1984-85             | L4 2.6L 156 CI | E       | w/o Weight                    | 4058429  | FRA-303   |
| 1986                | L4 2.6L 156 CI | E       | w/o Weight                    | 4377411  | FRA-334   |
| <b>RAIDER</b>       |                |         |                               |          |           |
| 1987                | L4 2.6L 156 CI | E       | w/o Weight                    | 4377411  | FRA-334   |
| 1988-89             | L4 2.6L 156 CI | E       | w/o Weight                    | 4058429  | FRA-303   |
| 1989                | V6 3.0L 181 CI | S       | w/o Weight                    | 4058429  | FRA-303   |
| <b>RAM 1500</b>     |                |         |                               |          |           |
| 1994-95             | V6 3.9L 238 CI | X       | w/o Weight                    | 53008665 | FRA-477   |
| 1994-95             | V8 5.9L 360 CI | Z       | w/o Weight                    | 53008669 | FRA-478   |
| 1994-95             | V8 5.2L 318 CI | T, Y    | w/o Weight                    | 53008669 | FRA-478   |
| 1996-01             | V8 5.2L 318 CI | T, Y    | Use w/Ring Gear FRG-130C      | 52118255 | FRA-527   |
| 1998-01             | V6 3.9L 238 CI | X       |                               | 52118256 | FRA-537   |
| 1996-03             | V8 5.9L 360 CI | Z       | Use w/Ring Gear FRG-130C      | 4863841  | FRA-486   |
| <b>RAM 1500 VAN</b> |                |         |                               |          |           |
| 1999-03             | V6 3.9L 238 CI | X       |                               | 52118256 | FRA-537   |

\*Available in Heavy Duty-SFI Versions

FRA 62

# FLEXPLATES APPLICATIONS

| Years               | Engine         | VIN                 | Remarks   | OE   | Pioneer # |
|---------------------|----------------|---------------------|---|--|-----------|
| <b>DODGE TRUCK</b>  |                |                     |   |  |           |
| <b>RAM 1500 VAN</b> |                |                     |   |  |           |
| 1999-03             | V8 5.2L 318 CI | Y                   | Use w/Ring Gear FRG-130C                          | 52118255   | FRA-527   |
| 1999-03             | V8 5.9L 360 CI | Z                   | Use w/Ring Gear FRG-130C                          | 4863841  | FRA-486   |
| <b>RAM 2500</b>     |                |                     |   |  |           |
| 1994-95             | V8 5.2L 318 CI | Y, T                | w/o Weight  | 53008669   | FRA-478   |
| 1994-95             | V8 5.9L 360 CI | Z                   | w/o Weight  | 53008669   | FRA-478   |
| 1996-02             | V8 5.9L 360 CI | Z, 5                | Use w/Ring Gear FRG-130C                          | 4863841  | FRA-486   |
| 1994-07             | L6 5.9L 359 CI | 6, C, D, 7          |   | 5015709AB, 5015709AA,<br>4638691, 4762088, 4429607 | FRA-533*  |
| 2007-10             | L6 6.7L 408 CI | L, A                | KIT w/8-Bolts 12.9 Grade, 1-Ring Clamp,<br>1-Shim |  | FRA-552*  |
| <b>RAM 2500 VAN</b> |                |                     |   |  |           |
| 1999                | V8 5.2L 318 CI | T, 2                | w/o Weight  | 4058429  | FRA-303   |
| 1999-03             | V8 5.2L 318 CI | 2, T, Y             | Use w/Ring Gear FRG-130C                          | 52118255   | FRA-527   |
| 1999-03             | V8 5.9L 360 CI | Z                   | Use w/Ring Gear FRG-130C                          | 4863841  | FRA-486   |
| 2001                | V6 3.9L 238 CI | X                   |   | 52118256   | FRA-537   |
| <b>RAM 3500</b>     |                |                     |   |  |           |
| 1994-95             | V8 5.9L 360 CI | 5                   | w/o Weight  | 53008669   | FRA-478   |
| 1996-02             | V8 5.9L 360 CI | Z, 5                | Use w/Ring Gear FRG-130C                          | 4863841  | FRA-486   |
| 1994-07             | L6 5.9L 359 CI | C, 6, 7, D          |   | 5015709AB, 5015709AA,<br>4638691, 4762088, 4429607 | FRA-533*  |
| 2007-10             | L6 6.7L 408 CI | A, L                | KIT w/8-Bolts 12.9 Grade, 1-Ring Clamp,<br>1-Shim |  | FRA-552*  |
| <b>RAM 3500 VAN</b> |                |                     |   |  |           |
| 1999                | V8 5.2L 318 CI | 2, T                | w/o Weight  | 4058429  | FRA-303   |
| 1999-03             | V8 5.2L 318 CI | T, Y, 2             | Use w/Ring Gear FRG-130C                          | 52118255   | FRA-527   |
| 1999-03             | V8 5.9L 360 CI | Z                   | Use w/Ring Gear FRG-130C                          | 4863841  | FRA-486   |
| <b>RAM 50</b>       |                |                     |   |  |           |
| 1983                | L4 2.6L 156 CI | 7                   | w/o Weight  | 5222641  | FRA-301   |
| 1986-87             | L4 2.6L 156 CI | E                   | w/o Weight  | 4377411  | FRA-334   |
| 1984-85             | L4 2.6L 156 CI | E                   | w/o Weight  | 4058429  | FRA-303   |
| 1988-89             | L4 2.6L 156 CI | E                   | w/o Weight  | 4058429  | FRA-303   |
| <b>RAMCHARGER</b>   |                |                     |   |  |           |
| 1974-80             | L6 3.7L 225 CI | B, N                | w/10" Torque Dia.                                 | 4058428  | FRA-302   |
| 1974-77             | V8 5.9L 360 CI | F, T                |   | 2204768  | FRA-309   |
| 1974-78             | V8 7.2L 440 CI | D                   |   | 4058429  | FRA-303   |
| 1974-77             | V8 7.2L 440 CI | D                   |   | 2204768  | FRA-309   |
| 1974-77             | L6 3.7L 225 CI | B                   | w/11" Bolt Circle                                 | 2204719  | FRA-413   |
| 1974-77             | V8 5.2L 318 CI | E                   |   | 2204768  | FRA-309   |
| 1977                | V8 6.6L 400 CI | J                   |   | 2204768  | FRA-309   |
| 1977-78             | V8 6.6L 400 CI | J                   |   | 4058429  | FRA-303   |
| 1974-91             | V8 5.2L 318 CI | T, E, Y, U,<br>R, P |   | 4058429  | FRA-303   |
| 1974-81             | V8 5.9L 360 CI | Z, F, T, W          | w/o Weight  | 4058429  | FRA-303   |

# FLEXPLATES APPLICATIONS

| Years              | Engine         | VIN        | Remarks           | OE       | Pioneer # |
|--------------------|----------------|------------|-------------------|----------|-----------|
| <b>DODGE TRUCK</b> |                |            |                   |          |           |
| <b>RAMCHARGER</b>  |                |            |                   |          |           |
| 1984-93            | V8 5.9L 360 CI | Z, F, T, W | w/o Weight        | 4058429  | FRA-303   |
| 1992-93            | V8 5.2L 318 CI | Y          | w/o Weight        | 53008669 | FRA-478   |
| <b>RAMPAGE</b>     |                |            |                   |          |           |
| 1982-84            | L4 2.2L 135 CI | C, B       | w/o Weight        | 5222639  | FRA-300   |
| <b>RD200</b>       |                |            |                   |          |           |
| 1978               | V8 5.9L 360 CI | F, T       |                   | 4058429  | FRA-303   |
| 1980               | V8 5.9L 360 CI | F, T       |                   | 4058429  | FRA-303   |
| 1978               | V8 5.2L 318 CI | P, E       |                   | 4058429  | FRA-303   |
| 1980               | V8 5.2L 318 CI | P, E       |                   | 4058429  | FRA-303   |
| <b>W100</b>        |                |            |                   |          |           |
| 1975-77            | L6 3.7L 225 CI | B, H       | w/10" Torque Dia. | 4058428  | FRA-302   |
| 1986-87            | L6 3.7L 225 CI | B, H       | w/10" Torque Dia. | 4058428  | FRA-302   |
| 1975-77            | L6 3.7L 225 CI | B          | w/11" Bolt Circle | 2204719  | FRA-413   |
| 1975-77            | V8 5.2L 318 CI | E          |                   | 2204768  | FRA-309   |
| 1975-77            | V8 5.9L 360 CI | F          |                   | 2204768  | FRA-309   |
| 1975-77            | V8 6.6L 400 CI | J          |                   | 2204768  | FRA-309   |
| 1975-77            | V8 6.6L 400 CI | J          |                   | 4058429  | FRA-303   |
| 1975-77            | V8 7.2L 440 CI | D          |                   | 4058429  | FRA-303   |
| 1975-77            | V8 7.2L 440 CI | D          |                   | 2204768  | FRA-309   |
| 1975-77            | V8 5.9L 360 CI | W, F       |                   | 4058429  | FRA-303   |
| 1986-88            | V8 5.9L 360 CI | W, F       |                   | 4058429  | FRA-303   |
| 1987               | L6 3.7L 225 CI | H          | w/California      | 4058429  | FRA-303   |
| 1975-77            | V8 5.2L 318 CI | Y, T, E    |                   | 4058429  | FRA-303   |
| 1986-89            | V8 5.2L 318 CI | Y, T, E    |                   | 4058429  | FRA-303   |
| 1989               | V6 3.9L 238 CI | X          |                   | 4058429  | FRA-303   |
| <b>W100 PICKUP</b> |                |            |                   |          |           |
| 1968-74            | L6 3.7L 225 CI | 6, X, B    | w/10" Bolt Circle | 4058428  | FRA-302   |
| 1968-71            | V8 6.3L 383 CI | 8, J       |                   | 2204768  | FRA-309   |
| 1968-71            | V8 6.3L 383 CI | 8, J       |                   | 4058429  | FRA-303   |
| 1968-74            | V8 5.2L 318 CI | E, 8       |                   | 2204768  | FRA-309   |
| 1970-71            | V8 6.3L 384 CI | J          |                   | 4058429  | FRA-303   |
| 1970-71            | V8 6.3L 384 CI | J          |                   | 2204768  | FRA-309   |
| 1968-74            | L6 3.7L 225 CI | B, X, 6    | w/11" Bolt Circle | 2204719  | FRA-413   |
| 1968-74            | V8 5.2L 318 CI | E, 8       |                   | 4058429  | FRA-303   |
| 1972-74            | V8 5.9L 360 CI | F, T       |                   | 2204768  | FRA-309   |
| 1972-74            | V8 5.9L 360 CI | T, F       |                   | 4058429  | FRA-303   |
| 1971               | V8 6.6L 400 CI | J          |                   | 4058429  | FRA-303   |
| 1974               | V8 6.6L 400 CI | J          |                   | 4058429  | FRA-303   |
| 1971               | V8 6.6L 400 CI | J          |                   | 2204768  | FRA-309   |
| 1974               | V8 6.6L 400 CI | J          |                   | 2204768  | FRA-309   |

\*Available in Heavy Duty-SFI Versions

FRA 64

# FLEXPLATES APPLICATIONS

| Years              | Engine         | VIN                 | Remarks           | OE       | Pioneer # |
|--------------------|----------------|---------------------|-------------------|----------|-----------|
| <b>DODGE TRUCK</b> |                |                     |                   |          |           |
| <b>W100 PICKUP</b> |                |                     |                   |          |           |
| 1974               | V8 7.2L 440 CI | D                   |                   | 2204768  | FRA-309   |
| 1974               | V8 7.2L 440 CI | D                   |                   | 4058429  | FRA-303   |
| <b>W100 SERIES</b> |                |                     |                   |          |           |
| 1962-67            | L6 3.7L 225 CI |                     | w/10" Bolt Circle | 4058428  | FRA-302   |
| 1962-67            | L6 3.7L 225 CI |                     | w/11" Bolt Circle | 2204719  | FRA-413   |
| 1962-67            | V8 5.2L 318 CI |                     |                   | 2204768  | FRA-309   |
| 1962-67            | V8 5.2L 318 CI |                     |                   | 4058429  | FRA-303   |
| 1967               | V8 6.3L 384 CI |                     |                   | 2204768  | FRA-309   |
| 1967               | V8 6.3L 384 CI |                     |                   | 4058429  | FRA-303   |
| <b>W150</b>        |                |                     |                   |          |           |
| 1977               | V8 5.2L 318 CI | E                   |                   | 2204768  | FRA-309   |
| 1977               | V8 5.9L 360 CI | F                   |                   | 2204768  | FRA-309   |
| 1977               | V8 6.6L 400 CI | J                   |                   | 2204768  | FRA-309   |
| 1977-78            | V8 6.6L 400 CI | J                   |                   | 4058429  | FRA-303   |
| 1978               | V8 7.2L 440 CI | D                   |                   | 4058429  | FRA-303   |
| 1978-87            | L6 3.7L 225 CI | B, H, E, N          | w/10" Torque Dia. | 4058428  | FRA-302   |
| 1977-81            | V8 5.9L 360 CI | T, Z, W, S, F       | w/o Weight        | 4058429  | FRA-303   |
| 1984-91            | V8 5.9L 360 CI | T, Z, W, S, F       | w/o Weight        | 4058429  | FRA-303   |
| 1993               | V8 5.9L 360 CI | T, Z, W, S, F       | w/o Weight        | 4058429  | FRA-303   |
| 1987               | L6 3.7L 225 CI | H                   | w/California      | 4058429  | FRA-303   |
| 1977-91            | V8 5.2L 318 CI | T, R, P, U, Y,<br>E |                   | 4058429  | FRA-303   |
| 1989-91            | V6 3.9L 238 CI | X                   |                   | 4058429  | FRA-303   |
| 1992-93            | V6 3.9L 238 CI | X                   | 7 Hole Crank      | 53008665 | FRA-475   |
| 1992-93            | V8 5.2L 318 CI | Y                   | w/o Weight        | 53008669 | FRA-478   |
| <b>W200</b>        |                |                     |                   |          |           |
| 1975-77            | V8 5.2L 318 CI | G, E                |                   | 2204768  | FRA-309   |
| 1975-77            | L6 3.7L 225 CI | B                   | w/11" Bolt Circle | 2204719  | FRA-413   |
| 1975-77            | V8 5.9L 360 CI | F                   |                   | 2204768  | FRA-309   |
| 1975-77            | V8 7.2L 440 CI | D                   |                   | 2204768  | FRA-309   |
| 1975-78            | V8 7.2L 440 CI | D                   |                   | 4058429  | FRA-303   |
| 1975-80            | V8 5.2L 318 CI | E, G, P             |                   | 4058429  | FRA-303   |
| 1976-77            | V8 6.6L 400 CI | J                   |                   | 2204768  | FRA-309   |
| 1976-78            | V8 6.6L 400 CI | J                   |                   | 4058429  | FRA-303   |
| 1975-80            | V8 5.9L 360 CI | T, F, S             |                   | 4058429  | FRA-303   |
| 1975-80            | L6 3.7L 225 CI | N, B                | w/10" Torque Dia. | 4058428  | FRA-302   |
| <b>W200 PICKUP</b> |                |                     |                   |          |           |
| 1969-74            | V8 5.2L 318 CI | 8, E                |                   | 4058429  | FRA-303   |
| 1969-71            | V8 6.3L 383 CI | 8, J                |                   | 2204768  | FRA-309   |
| 1969-74            | V8 5.2L 318 CI | E, 8                |                   | 2204768  | FRA-309   |
| 1969-71            | V8 6.3L 383 CI | J, 8                |                   | 4058429  | FRA-303   |

# FLEXPLATES APPLICATIONS

| Years              | Engine         | VIN           | Remarks           | OE   | Pioneer # |
|--------------------|----------------|---------------|-------------------|--|-----------|
| <b>DODGE TRUCK</b> |                |               |                   |  |           |
| <b>W200 PICKUP</b> |                |               |                   |  |           |
| 1970-71            | V8 6.3L 384 CI | J             |                   | 4058429  | FRA-303   |
| 1970-71            | V8 6.3L 384 CI | J             |                   | 2204768  | FRA-309   |
| 1969-74            | L6 3.7L 225 CI | B, 6          | w/10" Bolt Circle | 4058428  | FRA-302   |
| 1969-74            | L6 3.7L 225 CI | B, 6          | w/11" Bolt Circle | 2204719  | FRA-413   |
| 1971-74            | V8 5.9L 360 CI | Y, F          |                   | 4058429  | FRA-303   |
| 1971-74            | V8 5.9L 360 CI | F, Y          |                   | 2204768  | FRA-309   |
| 1971               | V8 6.6L 400 CI | J             |                   | 2204768  | FRA-309   |
| 1974               | V8 6.6L 400 CI | J             |                   | 2204768  | FRA-309   |
| 1971               | V8 6.6L 400 CI | J             |                   | 4058429  | FRA-303   |
| 1974               | V8 6.6L 400 CI | J             |                   | 4058429  | FRA-303   |
| 1974               | V8 7.2L 440 CI | D             |                   | 4058429  | FRA-303   |
| 1974               | V8 7.2L 440 CI | D             |                   | 2204768  | FRA-309   |
| <b>W200 SERIES</b> |                |               |                   |  |           |
| 1962-67            | L6 3.7L 225 CI |               | w/10" Bolt Circle | 4058428  | FRA-302   |
| 1962-67            | L6 3.7L 225 CI |               | w/11" Bolt Circle | 2204719  | FRA-413   |
| 1962-67            | V8 5.2L 318 CI |               |                   | 4058429  | FRA-303   |
| 1962-67            | V8 5.2L 318 CI |               |                   | 2204768  | FRA-309   |
| 1967               | V8 6.3L 384 CI |               |                   | 4058429  | FRA-303   |
| 1967               | V8 6.3L 384 CI |               |                   | 2204768  | FRA-309   |
| <b>W250</b>        |                |               |                   |  |           |
| 1981-82            | V8 5.9L 360 CI | T, Z, 1, W, 5 | w/o Weight        | 4058429  | FRA-303   |
| 1984-93            | V8 5.9L 360 CI | T, Z, 1, W, 5 | w/o Weight        | 4058429  | FRA-303   |
| 1981-91            | V8 5.2L 318 CI | Y, P, T, U, R |                   | 4058429  | FRA-303   |
| 1992-93            | V8 5.2L 318 CI | Y             | w/o Weight        | 53008669   | FRA-478   |
| 1989-93            | L6 5.9L 359 CI | C, 8          |                   | 5015709AB, 5015709AA,<br>4638691, 4762088, 4429607 | FRA-533*  |
| <b>W300</b>        |                |               |                   |  |           |
| 1975-77            | L6 3.7L 225 CI | B             | w/11" Bolt Circle | 2204719  | FRA-413   |
| 1975-77            | V8 5.2L 318 CI | E             |                   | 2204768  | FRA-309   |
| 1975-77            | V8 5.9L 360 CI | F             |                   | 2204768  | FRA-309   |
| 1975-77            | V8 7.2L 440 CI | D             |                   | 2204768  | FRA-309   |
| 1975-78            | L6 3.7L 225 CI | B             | w/10" Torque Dia. | 4058428  | FRA-302   |
| 1975-80            | V8 5.9L 360 CI | F, T          |                   | 4058429  | FRA-303   |
| 1975-78            | V8 7.2L 440 CI | D             |                   | 4058429  | FRA-303   |
| 1976-77            | V8 6.6L 400 CI | J             |                   | 2204768  | FRA-309   |
| 1976-78            | V8 6.6L 400 CI | J             |                   | 4058429  | FRA-303   |
| 1975-78            | V8 5.2L 318 CI | E             |                   | 4058429  | FRA-303   |
| 1980               | V8 5.2L 318 CI | E             |                   | 4058429  | FRA-303   |
| <b>W300 PICKUP</b> |                |               |                   |  |           |
| 1968-74            | L6 3.7L 225 CI | 6, C, B       | w/11" Bolt Circle | 2204719  | FRA-413   |
| 1968-74            | V8 5.2L 318 CI | 8, E          |                   | 4058429  | FRA-303   |

\*Available in Heavy Duty-SFI Versions

FRA 66

# FLEXPLATES APPLICATIONS

| Years                    | Engine          | VIN                 | Remarks           | OE   | Pioneer # |
|--------------------------|-----------------|---------------------|-------------------|--|-----------|
| <b>DODGE TRUCK</b>       |                 |                     |                   |  |           |
| <b>W300 PICKUP</b>       |                 |                     |                   |  |           |
| 1968-69                  | V8 6.3L 384 CI  | 8                   |                   | 2204768  | FRA-309   |
| 1971                     | V8 6.3L 384 CI  | 8                   |                   | 2204768  | FRA-309   |
| 1968-74                  | V8 5.2L 318 CI  | 8, E                |                   | 2204768  | FRA-309   |
| 1968-74                  | L6 3.7L 225 CI  | B, C, 6             | w/10" Bolt Circle | 4058428  | FRA-302   |
| 1971-74                  | V8 5.9L 360 CI  | Y, F                |                   | 4058429  | FRA-303   |
| 1968-69                  | V8 6.3L 383 CI  | 8                   |                   | 2204768  | FRA-309   |
| 1971                     | V8 6.3L 383 CI  | 8                   |                   | 2204768  | FRA-309   |
| 1968-69                  | V8 6.3L 383 CI  | 8                   |                   | 4058429  | FRA-303   |
| 1971                     | V8 6.3L 383 CI  | 8                   |                   | 4058429  | FRA-303   |
| 1968-69                  | V8 6.3L 384 CI  | 8                   |                   | 4058429  | FRA-303   |
| 1971                     | V8 6.3L 384 CI  | 8                   |                   | 4058429  | FRA-303   |
| 1971-74                  | V8 5.9L 360 CI  | F, Y                |                   | 2204768  | FRA-309   |
| <b>W300 SERIES</b>       |                 |                     |                   |  |           |
| 1962-67                  | V8 5.2L 318 CI  |                     |                   | 4058429  | FRA-303   |
| 1962-67                  | V8 5.2L 318 CI  |                     |                   | 2204768  | FRA-309   |
| 1963-67                  | L6 3.7L 225 CI  |                     | w/10" Bolt Circle | 4058428  | FRA-302   |
| 1963-67                  | L6 3.7L 225 CI  |                     | w/11" Bolt Circle | 2204719  | FRA-413   |
| 1967                     | V8 6.3L 383 CI  |                     |                   | 2204768  | FRA-309   |
| 1967                     | V8 6.3L 383 CI  |                     |                   | 4058429  | FRA-303   |
| 1967                     | V8 6.3L 384 CI  |                     |                   | 4058429  | FRA-303   |
| 1967                     | V8 6.3L 384 CI  |                     |                   | 2204768  | FRA-309   |
| <b>W350</b>              |                 |                     |                   |  |           |
| 1982-83                  | V8 5.2L 318 CI  | U, R, P             |                   | 4058429  | FRA-303   |
| 1989-93                  | L6 5.9L 359 CI  | C, 8                |                   | 5015709AB, 5015709AA,<br>4638691, 4762088, 4429607 | FRA-533*  |
| 1981-93                  | V8 5.9L 360 CI  | 5, Z, 1, T, W,<br>U | w/o Weight        | 4058429  | FRA-303   |
| <b>WM300 PICKUP</b>      |                 |                     |                   |  |           |
| 1967                     | L6 4.1L 251 CI  |                     | w/10" Bolt Circle | 4058428  | FRA-302   |
| 1967                     | L6 4.1L 251 CI  |                     | w/11" Bolt Circle | 2204719  | FRA-413   |
| <b>WM300 POWER WAGON</b> |                 |                     |                   |  |           |
| 1962                     | V8 5.2L 318 CI  |                     |                   | 4058429  | FRA-303   |
| 1962                     | V8 5.2L 318 CI  |                     |                   | 2204768  | FRA-309   |
| <b>DODGE</b>             |                 |                     |                   |  |           |
| <b>VIPER</b>             |                 |                     |                   |  |           |
| 1993-94                  | V10 8.0L 488 CI | E                   | w/o Weight        | 4348322  | FRA-307   |
| <b>EAGLE</b>             |                 |                     |                   |  |           |
| <b>PREMIER</b>           |                 |                     |                   |  |           |
| 1988                     | V6 3.0L 181 CI  | J                   | w/o Weight        | 33002842   | FRA-332   |
| 1989                     | L4 2.5L 150 CI  | H                   | w/o Weight        | 33002842   | FRA-332   |
| <b>SUMMIT</b>            |                 |                     |                   |  |           |
| 1989-96                  | L4 1.5L 90 CI   | X, A                | 5 Hole            | MD707923   | FRA-474   |

# FLEXPLATES APPLICATIONS

| Years                 | Engine         | VIN        | Remarks   | OE        | Pioneer # |
|-----------------------|----------------|------------|---|-----------|-----------|
| <b>EAGLE</b>          |                |            |   |           |           |
| <b>SUMMIT</b>         |                |            |   |           |           |
| 1993-96               | L4 1.8L 112 CI | C          | 5 Hole  | MD707923  | FRA-474   |
| <b>TALON</b>          |                |            |   |           |           |
| 1993-94               | L4 2.0L 122 CI | E          | 7 Hole Crank                                    | 53008665  | FRA-475   |
| 1995-97               | L4 2.0L 122 CI | Y          | w/o Weight                                      | 4736016   | FRA-427   |
| 1995-98               | L4 2.0L 122 CI | Y, F       | w/o Weight                                      | 4567143   | FRA-451   |
| <b>VISION</b>         |                |            |   |           |           |
| 1993-97               | V6 3.3L 201 CI | T          | w/o Weight                                      | 4736016   | FRA-427   |
| 1993-97               | V6 3.5L 213 CI | F          | w/o Weight                                      | 4736016   | FRA-427   |
| <b>FORD</b>           |                |            |   |           |           |
| <b>CONTOUR</b>        |                |            |   |           |           |
| 1995-00               | V6 2.5L 150 CI | L, G       |   | F5RZ6375C | FRA-435   |
| <b>COUNTRY SEDAN</b>  |                |            |   |           |           |
| 1965-66               | V8 7.0L 427 CI |            | 184 Teeth; w/o Weight                           | C5AZ6375D | FRA-212   |
| 1965-67               | L6 2.8L 170 CI |            |   | C3DZ6375B | FRA-232   |
| 1965-67               | L6 3.3L 200 CI |            |   | C3DZ6375B | FRA-232   |
| 1965-67               | V8 4.7L 288 CI |            | exc. Special Eng.                               | C3AZ6375L | FRA-203*  |
| 1965-67               | V8 5.8L 352 CI |            | 184 Teeth; w/o Weight                           | C5AZ6375D | FRA-212   |
| 1965-71               | V8 6.4L 390 CI | Z, X, Y    | 184 Teeth; w/o Weight                           | C5AZ6375D | FRA-212   |
| 1968-70               | V8 7.0L 428 CI | P          | Including Police Cars                           | C6AZ6375B | FRA-224   |
| 1969-73               | V8 7.0L 429 CI | N, K       | w/o Weight                                      | D1SZ6375A | FRA-207   |
| 1969-74               | V8 5.8L 351 CI | H          | w/ Weight                                       | E0AZ6375A | FRA-205   |
| 1965-70               | L6 3.9L 240 CI | V, B       | w/o Weight                                      | C5TZ6375T | FRA-206   |
| 1968-69               | V8 5.0L 302 CI | D, F       | 157 Teeth; w/Weight                             | C3AZ6375L | FRA-203*  |
| 1971-72               | V8 5.0L 302 CI | D, F       | 157 Teeth; w/Weight                             | C3AZ6375L | FRA-203*  |
| 1972-74               | V8 7.5L 460 CI | A          | w/o Weight                                      | D1SZ6375A | FRA-207   |
| 1972-74               | V8 7.5L 460 CI | A          | w/balance                                       | E0AZ6375A | FRA-205   |
| 1971-74               | V8 6.6L 400 CI | S          | w/Aluminum Auto. Trans., 164 Teeth;<br>w/Weight | D1AZ6375A | FRA-201   |
| <b>COUNTRY SQUIRE</b> |                |            |   |           |           |
| 1965-67               | L6 2.8L 170 CI |            |   | C3DZ6375B | FRA-232   |
| 1965-67               | L6 3.3L 200 CI |            |   | C3DZ6375B | FRA-232   |
| 1965-67               | L6 3.9L 240 CI |            | w/o Weight                                      | C5TZ6375T | FRA-206   |
| 1965-67               | V8 4.7L 288 CI |            | exc. Special Eng.;                              | C3AZ6375L | FRA-203*  |
| 1965-67               | V8 5.8L 352 CI |            | 184 Teeth; w/o Weight                           | C5AZ6375D | FRA-212   |
| 1966                  | V8 7.0L 427 CI | W          | 184 Teeth; w/o Weight                           | C5AZ6375D | FRA-212   |
| 1968                  | V8 7.0L 427 CI | W          | 184 Teeth; w/o Weight                           | C5AZ6375D | FRA-212   |
| 1968-69               | V8 7.0L 428 CI | P          | Including Police Cars                           | C6AZ6375B | FRA-224   |
| 1968-72               | V8 5.0L 302 CI | F, D       | 157 Teeth; w/Weight                             | C3AZ6375L | FRA-203*  |
| 1968-71               | V8 6.4L 390 CI | S, X, Y, Z | 184 Teeth; w/o Weight                           | C5AZ6375D | FRA-212   |
| 1969-73               | V8 7.0L 429 CI | K, N       | w/o Weight                                      | D1SZ6375A | FRA-207   |

\*Available in Heavy Duty-SFI Versions

FRA 68

# FLEXPLATES APPLICATIONS

| Years                             | Engine         | VIN     | Remarks  | OE         | Pioneer # |
|-----------------------------------|----------------|---------|--|------------|-----------|
| <b>FORD</b>                       |                |         |  |            |           |
| <b>COUNTRY SQUIRE</b>             |                |         |  |            |           |
| 1969-74                           | V8 5.8L 351 CI | H       | w/ Weight  | E0AZ6375A  | FRA-205   |
| 1971-74                           | V8 6.6L 400 CI | S       | 164 Teeth; w/Weight, w/Aluminum Auto. Trans.                           | D1AZ6375A  | FRA-201   |
| 1972-74                           | V8 7.5L 460 CI | A       | w/balance  | E0AZ6375A  | FRA-205   |
| 1972-74                           | V8 7.5L 460 CI | A       | w/o Weight   | D1SZ6375A  | FRA-207   |
| 1987-91                           | V8 5.0L 302 CI | F       | w/ Weight  | E2AZ6375A  | FRA-214*  |
| <b>CROWN VICTORIA</b>             |                |         |  |            |           |
| 1992-95                           | V8 4.6L 281 CI | W       | w/o Weight   | F1AZ6375A  | FRA-408   |
| 1996                              | V8 4.6L 281 CI | W, 9, 6 | 8 Bolt Pattern   | F6AZ6375DA | FRA-438   |
| 1996-01                           | V8 4.6L 281 CI | 9, W, 6 | 6 Hole Crank   | F6AZ6375BA | FRA-437   |
| 1999-11                           | V8 4.6L 281 CI | V, 9, W | 6 Bolt Crank Pattern, New Design w/6 Hole Crank, Triton (Romeo) Engine | 4W7Z6375AA | FRA-560*  |
| <b>CUSTOM</b>                     |                |         |  |            |           |
| 1965-66                           | V8 5.8L 352 CI |         | 184 Teeth; w/o Weight  | C5AZ6375D  | FRA-212   |
| 1965-67                           | V8 4.7L 288 CI |         | exc. Special Eng.;   | C3AZ6375L  | FRA-203*  |
| 1965-71                           | V8 6.4L 390 CI | Y, Z    | 184 Teeth; w/o Weight  | C5AZ6375D  | FRA-212   |
| 1966                              | V8 7.0L 427 CI |         | 184 Teeth; w/o Weight  | C5AZ6375D  | FRA-212   |
| 1968                              | V8 3.9L 239 CI | B       | w/o Weight   | C5TZ6375T  | FRA-206   |
| 1968-72                           | V8 5.0L 302 CI | F, D    | 157 Teeth; w/Weight  | C3AZ6375L  | FRA-203*  |
| 1968-70                           | V8 7.0L 428 CI | P       | Including Police Cars, w/ Weight                                       | C6AZ6375B  | FRA-224   |
| 1969-72                           | V8 5.8L 351 CI | H       | w/ Weight  | E0AZ6375A  | FRA-205   |
| 1969-72                           | V8 7.0L 429 CI | N, K    | w/o Weight   | D1SZ6375A  | FRA-207   |
| 1968-72                           | L6 3.9L 240 CI | E, B, V | w/o Weight   | C5TZ6375T  | FRA-206   |
| 1971-72                           | V8 6.6L 400 CI | S       | 164 Teeth; w/Weight  | D1AZ6375A  | FRA-201   |
| <b>CUSTOM 500</b>                 |                |         |  |            |           |
| 1968                              | V8 4.7L 288 CI | C       | exc. Special Eng.  | C3AZ6375L  | FRA-203*  |
| 1968                              | V8 4.7L 289 CI | C       | exc. Special Eng.  | C3AZ6375L  | FRA-203*  |
| 1968                              | V8 7.0L 427 CI | W       | 184 Teeth; w/o Weight  | C5AZ6375D  | FRA-212   |
| 1968-72                           | L6 3.9L 240 CI | B, E    | w/o Weight   | C5TZ6375T  | FRA-206   |
| 1968-70                           | V8 7.0L 428 CI | P       | Including Police Cars  | C6AZ6375B  | FRA-224   |
| 1969-73                           | V8 7.0L 429 CI | N, K    | w/o Weight   | D1SZ6375A  | FRA-207   |
| 1968-72                           | V8 5.0L 302 CI | F, D    | 157 Teeth; w/Weight  | C3AZ6375L  | FRA-203*  |
| 1968-71                           | V8 6.4L 390 CI | Y, Z, X | 184 Teeth; w/o Weight  | C5AZ6375D  | FRA-212   |
| 1973-76                           | V8 7.5L 460 CI | A, C    | w/balance  | E0AZ6375A  | FRA-205   |
| 1973-76                           | V8 7.5L 460 CI | C, A    | w/o Weight   | D1SZ6375A  | FRA-207   |
| 1969-77                           | V8 5.8L 351 CI | H       | w/ Weight  | E0AZ6375A  | FRA-205   |
| 1975-77                           | V8 5.8L 351 CI | H       | w/Aluminum Auto, Trans.  | D1AZ6375A  | FRA-201   |
| 1971-77                           | V8 6.6L 400 CI | S       | w/Aluminum Auto, Trans., 164 Teeth; w/Weight                           | D1AZ6375A  | FRA-201   |
| <b>E-250 ECONOLINE CLUB WAGON</b> |                |         |  |            |           |
| 1975-78                           | V8 7.5L 460 CI | A       | w/o Weight   | D1SZ6375A  | FRA-207   |



# FLEXPLATES APPLICATIONS

| Years                             | Engine          | VIN        | Remarks                                      | OE          | Pioneer # |
|-----------------------------------|-----------------|------------|--|-------------|-----------|
| <b>FORD</b>                       |                 |            |  |             |           |
| <b>E-250 ECONOLINE CLUB WAGON</b> |                 |            |  |             |           |
| 1977-79                           | L6 4.9L 300 CI  | B          |  | C5TZ6375T   | FRA-206   |
| 1977-82                           | V8 5.8L 351 CI  | H, G       |  | D1AZ6375A   | FRA-201   |
| 1979-80                           | V8 5.0L 302 CI  | G, F       | w/ Weight                                    | D1ZZ6375A   | FRA-202   |
| 1977-80                           | L6 4.9L 300 CI  | E, B, 9, Y |  | D5TZ6375A   | FRA-210   |
| 1983-91                           | L6 4.9L 300 CI  | E, B, 9, Y |  | D5TZ6375A   | FRA-210   |
| 1980-82                           | V8 6.6L 400 CI  | Z          |  | D1AZ6375A   | FRA-201   |
| 1975-91                           | V8 7.5L 460 CI  | L, G, A    | w/ Weight                                    | D9TZ6375A   | FRA-230   |
| 1975-81                           | V8 5.8L 351 CI  | G, H       | exc. California, w/ Weight                   | D1ZZ6375A   | FRA-202   |
| 1983-91                           | V8 5.8L 351 CI  | G, H       | exc. California, w/ Weight                   | D1ZZ6375A   | FRA-202   |
| 1981-82                           | V8 5.8L 351 CI  | G          | California                                   | E0AZ6375A   | FRA-205   |
| 1983-91                           | L6 4.9L 300 CI  | Y, 9       |  | E3TZ6375G   | FRA-317   |
| <b>E-350 CLUB WAGON</b>           |                 |            |  |             |           |
| 2003                              | V10 6.8L 415 CI | S          | 8 Bolt Pattern                               | 1C3Z6375BA  | FRA-482   |
| 2003                              | V8 5.4L 330 CI  | L, M       | 8 Bolt Pattern                               | 1C3Z6375BA  | FRA-482   |
| 2003                              | V8 7.3L 445 CI  | F          |  | F6TZ6375AAA | FRA-420   |
| 2004-05                           | V8 5.4L 330 CI  | L, M       | 8 Bolt Crankshaft                            | 4C3Z6375AA  | FRA-562*  |
| 2005                              | V10 6.8L 415 CI | S          | 8 Bolt Crankshaft                            | 4C3Z6375AA  | FRA-562*  |
| <b>E-350 ECONOLINE CLUB WAGON</b> |                 |            |  |             |           |
| 1977-78                           | V8 7.5L 460 CI  | A          | w/o Weight                                   | D1SZ6375A   | FRA-207   |
| 1977-79                           | L6 4.9L 300 CI  | B          |  | C5TZ6375T   | FRA-206   |
| 1977-81                           | V8 5.8L 351 CI  | H, G       | exc. California, w/ Weight                   | D1ZZ6375A   | FRA-202   |
| 1983-96                           | V8 5.8L 351 CI  | H, G       | exc. California, w/ Weight                   | D1ZZ6375A   | FRA-202   |
| 1979-80                           | V8 5.0L 302 CI  | F, G       | w/ Weight                                    | D1ZZ6375A   | FRA-202   |
| 1977-96                           | L6 4.9L 300 CI  | E, Y, Z, B | w/o Weight                                   | D5TZ6375A   | FRA-210   |
| 1980-82                           | V8 6.6L 400 CI  | Z          |  | D1AZ6375A   | FRA-201   |
| 1977-96                           | V8 7.5L 460 CI  | L, A, G    | w/ Weight                                    | D9TZ6375A   | FRA-230   |
| 1981-82                           | V8 5.8L 351 CI  | G          | California                                   | E0AZ6375A   | FRA-205   |
| 1977-82                           | V8 5.8L 351 CI  | G, H       |  | D1AZ6375A   | FRA-201   |
| 1983-91                           | L6 4.9L 300 CI  | Y          |  | E3TZ6375G   | FRA-317   |
| 1992-94                           | V8 7.3L 445 CI  | M          |  | F3TZ6375B   | FRA-490   |
| 1997-00                           | V10 6.8L 415 CI | S          | 8 Bolt Pattern                               | F75Z6375AA  | FRA-443   |
| 1997-00                           | V8 5.4L 330 CI  | M, L, Z    | 8 Bolt Pattern                               | F75Z6375AA  | FRA-443   |
| 1995-02                           | V8 7.3L 445 CI  | F          |  | F6TZ6375AAA | FRA-420   |
| 2001-02                           | V10 6.8L 415 CI | S          | 8 Bolt Pattern                               | 1C3Z6375BA  | FRA-482   |
| 2001-02                           | V8 5.4L 330 CI  | M, L       | 8 Bolt Pattern                               | 1C3Z6375BA  | FRA-482   |
| <b>ELITE</b>                      |                 |            |  |             |           |
| 1975-76                           | V8 6.6L 400 CI  | S          | 164 Teeth; w/Weight, w/Aluminum Auto, Trans. | D1AZ6375A   | FRA-201   |
| 1975                              | V8 7.5L 460 CI  | A          | w/balance                                    | E0AZ6375A   | FRA-205   |
| 1975-76                           | V8 5.8L 351 CI  | H          |  | E0AZ6375A   | FRA-205   |

\*Available in Heavy Duty-SFI Versions

FRA 70

# FLEXPLATES APPLICATIONS

| Years           | Engine         | VIN        | Remarks                            | OE              | Pioneer # |
|-----------------|----------------|------------|------------------------------------|-----------------|-----------|
| <b>FORD</b>     |                |            |                                    |                 |           |
| <b>ELITE</b>    |                |            |                                    |                 |           |
| 1975-76         | V8 5.8L 351 CI | H          |                                    | D1AZ6375A       | FRA-201   |
| 1975-76         | V8 7.5L 460 CI | A          | Police Car; w/o Weight, w/o Weight | D1SZ6375A       | FRA-207   |
| <b>ESCORT</b>   |                |            |                                    |                 |           |
| 1981-83         | L4 1.6L 98 CI  | 4, 2, 5    | w/135 Teeth                        | E2FZ6375A       | FRA-425   |
| 1983-84         | L4 1.6L 98 CI  | 5, 8, 2, 4 | w/132 Teeth                        | E83Z6375A       | FRA-223   |
| 1984-85         | L4 2.0L 121 CI | H          | w/132 Teeth                        | E83Z6375A       | FRA-223   |
| 1985            | L4 1.6L 98 CI  | 8, 2, 5, 4 | w/o Weight                         | E83Z6375A       | FRA-233   |
| 1985            | L4 1.9L 116 CI | 9          | w/132 Teeth                        | E83Z6375A       | FRA-223   |
| 1986-87         | L4 2.0L 121 CI | H          | w/o Weight                         | E83Z6375A       | FRA-233   |
| 1986-90         | L4 1.9L 116 CI | J, 9       | w/o Weight                         | E83Z6375A       | FRA-233   |
| 1991-96         | L4 1.9L 116 CI | J          |                                    | F1CZ6375A       | FRA-488   |
| 1997-02         | L4 2.0L 121 CI | P          |                                    | F1CZ6375A       | FRA-488   |
| 1998-03         | L4 2.0L 121 CI | 3          |                                    | F8CZ-AA/F8C6-AC | FRA-468   |
| <b>EXP</b>      |                |            |                                    |                 |           |
| 1982-83         | L4 1.6L 98 CI  | 2, 5, 4    | w/135 Teeth                        | E2FZ6375A       | FRA-425   |
| 1983-84         | L4 1.6L 98 CI  | 4, 5, 2, 8 | w/132 Teeth                        | E83Z6375A       | FRA-223   |
| 1985            | L4 1.6L 98 CI  | 8, 4       | w/o Weight                         | E83Z6375A       | FRA-233   |
| 1986-88         | L4 1.9L 116 CI | 9, J       | w/o Weight                         | E83Z6375A       | FRA-233   |
| <b>F-250 HD</b> |                |            |                                    |                 |           |
| 1997            | V8 5.8L 351 CI | H          | w/ Weight                          | D1ZZ6375A       | FRA-202   |
| <b>FAIRLANE</b> |                |            |                                    |                 |           |
| 1965-66         | L6 2.8L 170 CI |            |                                    | C3DZ6375B       | FRA-232   |
| 1965-68         | L6 3.3L 200 CI | T          |                                    | C3DZ6375B       | FRA-232   |
| 1965-68         | V8 4.7L 288 CI | C          | exc. Special Eng.                  | C3AZ6375L       | FRA-203*  |
| 1965-68         | V8 4.7L 289 CI | C          | exc. Special Eng.                  | C3AZ6375L       | FRA-203*  |
| 1966-69         | V8 6.4L 390 CI | Y, S       | 184 Teeth; w/o Weight              | C5AZ6375D       | FRA-212   |
| 1968-70         | V8 5.0L 302 CI | F          | 157 Teeth; w/Weight                | C3AZ6375L       | FRA-203*  |
| 1969            | V8 7.0L 427 CI | W          | 184 Teeth; w/o Weight              | C5AZ6375D       | FRA-212   |
| 1968-69         | V8 7.0L 428 CI | Q, R       | Including Police Cars              | C6AZ6375B       | FRA-224   |
| 1969-70         | L6 4.1L 250 CI | L          | 157 Teeth; w/o Weight              | C9OZ6375A       | FRA-204   |
| 1969-70         | V8 5.8L 351 CI | M, H       | Exc. C6 Trans.                     | E0AZ6375A       | FRA-205   |
| 1970            | V8 7.0L 429 CI | C          | w/o Weight                         | D1SZ6375A       | FRA-207   |
| <b>FAIRMONT</b> |                |            |                                    |                 |           |
| 1978-80         | L4 2.3L 140 CI | Y, A       |                                    | D4ZZ6375D       | FRA-208   |
| 1978-80         | L6 3.3L 200 CI | T, B       |                                    | E83Z6375A       | FRA-223   |
| 1978-79         | V8 5.0L 302 CI | F          | w/ Weight                          | E0AZ6375A       | FRA-205   |
| 1978-83         | L6 3.3L 200 CI | B, T, X    |                                    | C3DZ6375B       | FRA-232   |
| 1980-82         | V8 4.2L 255 CI | D          | w/Weight, w/ Weight                | E2AZ6375A       | FRA-214*  |
| 1978-83         | L4 2.3L 140 CI | A, Y       | w/o Weight                         | D5FZ6375A       | FRA-209   |
| 1981-83         | L6 3.3L 200 CI | X, B       |                                    | E1BZ-6375B      | FRA-702   |

# FLEXPLATES APPLICATIONS

| Years              | Engine         | VIN        | Remarks   | OE        | Pioneer # |
|--------------------|----------------|------------|---|-----------|-----------|
| <b>FORD</b>        |                |            |   |           |           |
| <b>FALCON</b>      |                |            |   |           |           |
| 1965-69            | L6 2.8L 170 CI | U          |   | C3DZ6375B | FRA-232   |
| 1965-70            | L6 3.3L 200 CI | T          |   | C3DZ6375B | FRA-232   |
| 1965-68            | V8 4.7L 288 CI | C          | exc. Special Eng.                               | C3AZ6375L | FRA-203*  |
| 1965-68            | V8 4.7L 289 CI | C          | exc. Special Eng.                               | C3AZ6375L | FRA-203*  |
| 1968-70            | V8 5.0L 302 CI | J, F       | 157 Teeth; w/Weight                             | C3AZ6375L | FRA-203*  |
| 1970               | L6 4.1L 250 CI | L          | 157 Teeth; w/o Weight                           | C9OZ6375A | FRA-204   |
| <b>GALAXIE</b>     |                |            |   |           |           |
| 1965-66            | V8 5.8L 352 CI |            | 184 Teeth; w/o Weight                           | C5AZ6375D | FRA-212   |
| 1965-67            | L6 3.9L 240 CI |            | w/o Weight                                      | C5TZ6375T | FRA-206   |
| 1965-67            | V8 4.7L 288 CI |            | exc. Special Eng.                               | C3AZ6375L | FRA-203*  |
| 1965-67            | V8 6.4L 390 CI |            | 184 Teeth; w/o Weight                           | C5AZ6375D | FRA-212   |
| 1966               | V8 7.0L 427 CI |            | Including Police Cars                           | C6AZ6375B | FRA-224   |
| 1966-67            | V8 7.0L 428 CI | P, Q       | Including Police Cars                           | C6AZ6375B | FRA-224   |
| 1966               | V8 7.0L 428 CI |            | 184 Teeth; w/o Weight                           | C5AZ6375D | FRA-212   |
| 1965-67            | V8 7.0L 427 CI | R, W       | 184 Teeth; w/o Weight                           | C5AZ6375D | FRA-212   |
| <b>GALAXIE 500</b> |                |            |   |           |           |
| 1968               | V8 7.0L 427 CI | W          | 184 Teeth; w/o Weight                           | C5AZ6375D | FRA-212   |
| 1968-69            | V8 7.0L 428 CI | P, Q       | Including Police Cars                           | C6AZ6375B | FRA-224   |
| 1968-71            | V8 6.4L 390 CI | Y, X, Z, S | 184 Teeth; w/o Weight                           | C5AZ6375D | FRA-212   |
| 1969-73            | V8 7.0L 429 CI | K, N       | w/o Weight                                      | D1SZ6375A | FRA-207   |
| 1969-74            | V8 5.8L 351 CI | H          | w/ Weight                                       | E0AZ6375A | FRA-205   |
| 1968-72            | L6 3.9L 240 CI | B, E       | w/o Weight                                      | C5TZ6375T | FRA-206   |
| 1971-74            | V8 6.6L 400 CI | S          | 164 Teeth; w/Weight                             | D1AZ6375A | FRA-201   |
| 1968-72            | V8 5.0L 302 CI | D, F       | 157 Teeth; w/Weight                             | C3AZ6375L | FRA-203*  |
| 1973-74            | V8 7.5L 460 CI | A, C       | w/balance                                       | E0AZ6375A | FRA-205   |
| 1973-74            | V8 7.5L 460 CI | A, C       | w/o Weight                                      | D1SZ6375A | FRA-207   |
| <b>GRAN TORINO</b> |                |            |   |           |           |
| 1972-73            | V8 7.0L 429 CI | N          | w/o Weight                                      | D1SZ6375A | FRA-207   |
| 1972-74            | L6 4.1L 250 CI | L          | 157 Teeth; w/o Weight                           | C9OZ6375A | FRA-204   |
| 1972-74            | V8 5.0L 302 CI | F          | 157 Teeth; w/Weight                             | C3AZ6375L | FRA-203*  |
| 1973               | V8 5.0L 302 CI | F          | Police & Taxi                                   | E0AZ6375A | FRA-205   |
| 1972-76            | V8 6.6L 400 CI | S          | w/Aluminum Auto. Trans., 164 Teeth;<br>w/Weight | D1AZ6375A | FRA-201   |
| 1974-76            | V8 7.5L 460 CI | A          | Police Car; w/o Weight                          | D1SZ6375A | FRA-207   |
| 1975-76            | V8 5.8L 351 CI | H          |   | D1AZ6375A | FRA-201   |
| 1975-76            | V8 5.8L 351 CI | H          |   | E0AZ6375A | FRA-205   |
| <b>GRANADA</b>     |                |            |   |           |           |
| 1975-77            | L6 3.3L 200 CI | T, B       |   | C3DZ6375B | FRA-232   |
| 1981-82            | L6 3.3L 200 CI | T, B       |   | C3DZ6375B | FRA-232   |
| 1975-77            | V8 5.8L 351 CI | H          | w/ Weight                                       | E0AZ6375A | FRA-205   |

\*Available in Heavy Duty-SFI Versions

FRA 72

# FLEXPLATES APPLICATIONS

| Years                     | Engine         | VIN           | Remarks                                      | OE         | Pioneer # |
|---------------------------|----------------|---------------|--|------------|-----------|
| <b>FORD</b>               |                |               |  |            |           |
| <b>GRANADA</b>            |                |               |  |            |           |
| 1975-80                   | V8 5.0L 302 CI | F             | w/ Weight                                    | E0AZ6375A  | FRA-205   |
| 1977                      | L6 3.3L 200 CI | T             |  | E83Z6375A  | FRA-223   |
| 1978-80                   | L6 4.1L 250 CI | L, C          | w/Jatco Auto. Trans.                         | C9OZ6375A  | FRA-204   |
| 1978-80                   | L6 4.1L 250 CI | C, L          |  | C5TZ6375T  | FRA-206   |
| 1980-81                   | V8 4.2L 255 CI | D             | w/ Weight                                    | E2AZ6375A  | FRA-214*  |
| 1981                      | L6 3.3L 200 CI | B             |  | E1BZ-6375B | FRA-702   |
| 1981-82                   | L4 2.3L 140 CI | A             | w/o Weight                                   | D5FZ6375A  | FRA-209   |
| <b>LTD</b>                |                |               |  |            |           |
| 1965-68                   | V8 7.0L 427 CI | R, W          | 184 Teeth; w/o Weight                        | C5AZ6375D  | FRA-212   |
| 1967-69                   | V8 7.0L 428 CI | Q, P          | Including Police Cars                        | C6AZ6375B  | FRA-224   |
| 1967-68                   | V8 4.7L 288 CI | C             | exc. Special Eng.                            | C3AZ6375L  | FRA-203*  |
| 1968                      | V8 4.7L 289 CI | C             | exc. Special Eng.;                           | C3AZ6375L  | FRA-203*  |
| 1965-71                   | V8 6.4L 390 CI | S, Y, H, Z, X | 184 Teeth; w/o Weight                        | C5AZ6375D  | FRA-212   |
| 1969-73                   | V8 7.0L 429 CI | K, N          | w/o Weight                                   | D1SZ6375A  | FRA-207   |
| 1968-72                   | V8 5.0L 302 CI | D, F          | 157 Teeth; w/Weight                          | C3AZ6375L  | FRA-203*  |
| 1971-78                   | V8 6.6L 400 CI | S             | 164 Teeth; w/Weight, w/Aluminum Auto. Trans. | D1AZ6375A  | FRA-201   |
| 1972-78                   | V8 7.5L 460 CI | A, C          | w/balance                                    | E0AZ6375A  | FRA-205   |
| 1972-78                   | V8 7.5L 460 CI | C, A          | w/o Weight, Police Car; w/o Weight           | D1SZ6375A  | FRA-207   |
| 1975-78                   | V8 5.8L 351 CI | H             | w/Aluminum Auto. Trans.                      | D1AZ6375A  | FRA-201   |
| 1977-80                   | V8 5.0L 302 CI | F             |  | E0AZ6375A  | FRA-205   |
| 1979                      | V8 5.8L 351 CI | H             |  | D1ZZ6375A  | FRA-202   |
| 1979-80                   | V8 5.0L 302 CI | F             |  | D1ZZ6375A  | FRA-202   |
| 1969-86                   | V8 5.8L 351 CI | G, H          | w/ Weight                                    | E0AZ6375A  | FRA-205   |
| 1981-82                   | V8 4.2L 255 CI | D             | w/ Weight                                    | E2AZ6375A  | FRA-214*  |
| 1983                      | L6 3.3L 200 CI | X             |  | C3DZ6375B  | FRA-232   |
| 1983                      | V6 3.8L 232 CI | 3             |  | E2SZ6375A  | FRA-423   |
| 1983-86                   | L4 2.3L 140 CI | 6, A          |  | D5FZ6375A  | FRA-209   |
| 1984-86                   | V6 3.8L 232 CI | C, 3          |  | E3DZ6375A  | FRA-424   |
| 1981-86                   | V8 5.0L 302 CI | M, F          | w/Weight, w/ Weight                          | E2AZ6375A  | FRA-214*  |
| 1983-86                   | V6 3.8L 232 CI | 3, C          |  | E3DZ6375B  | FRA-225   |
| <b>LTD CROWN VICTORIA</b> |                |               |  |            |           |
| 1987-91                   | V8 5.0L 302 CI | F             | w/Weight, w/ Weight                          | E2AZ6375A  | FRA-214*  |
| 1987-91                   | V8 5.8L 351 CI | G             | w/ Weight                                    | E0AZ6375A  | FRA-205   |
| <b>LTD II</b>             |                |               |  |            |           |
| 1977-78                   | V8 6.6L 400 CI | S             | 164 Teeth; w/Weight                          | D1AZ6375A  | FRA-201   |
| 1977-79                   | V8 5.0L 302 CI | F             | w/ Weight                                    | E0AZ6375A  | FRA-205   |
| 1977-79                   | V8 5.8L 351 CI | H             |  | D1AZ6375A  | FRA-201   |
| 1977-79                   | V8 5.8L 351 CI | H             |  | E0AZ6375A  | FRA-205   |
| 1979                      | V8 5.8L 351 CI | H             |  | D1ZZ6375A  | FRA-202   |

# FLEXPLATES APPLICATIONS

| Years           | Engine         | VIN           | Remarks   | OE         | Pioneer # |
|-----------------|----------------|---------------|---|------------|-----------|
| <b>FORD</b>     |                |               |   |            |           |
| <b>MAVERICK</b> |                |               |   |            |           |
| 1970-72         | L6 2.8L 170 CI | U             |   | C3DZ6375B  | FRA-232   |
| 1970-77         | L6 3.3L 200 CI | T             |   | C3DZ6375B  | FRA-232   |
| 1970-74         | L6 4.1L 250 CI | L             | Exc. 1BBL, 157 Teeth; w/o Weight                | C9OZ6375A  | FRA-204   |
| 1977            | L6 4.1L 250 CI | L             | Exc. 1BBL, 157 Teeth; w/o Weight                | C9OZ6375A  | FRA-204   |
| 1971-76         | V8 5.0L 302 CI | F             | 157 Teeth; w/Weight                             | C3AZ6375L  | FRA-203*  |
| 1977            | V8 5.0L 302 CI | F             |   | E0AZ6375A  | FRA-205   |
| <b>MUSTANG</b>  |                |               |   |            |           |
| 1964-68         | V8 4.7L 288 CI | C             | exc. Special Eng.                               | C3AZ6375L  | FRA-203*  |
| 1965            | L6 2.8L 170 CI |               |   | C3DZ6375B  | FRA-232   |
| 1965-70         | L6 3.3L 200 CI | B, T          |   | C3DZ6375B  | FRA-232   |
| 1979-81         | L6 3.3L 200 CI | B, T          |   | C3DZ6375B  | FRA-232   |
| 1968            | V8 4.7L 289 CI | C             | exc. Special Eng.;                              | C3AZ6375L  | FRA-203*  |
| 1968-73         | V8 5.0L 302 CI | J, F, G       | 157 Teeth; w/Weight                             | C3AZ6375L  | FRA-203*  |
| 1969            | L6 4.1L 250 CI | L             |   | C5TZ6375T  | FRA-206   |
| 1969-73         | V8 5.8L 351 CI | H, M, Q       | w/ Weight                                       | E0AZ6375A  | FRA-205   |
| 1969-73         | L6 4.1L 250 CI | L             | Exc. 1BBL                                       | C9OZ6375A  | FRA-204   |
| 1968-70         | V8 7.0L 428 CI | Q, R          | w/ Weight, Including Police Cars                | C6AZ6375B  | FRA-224   |
| 1971-73         | V8 5.8L 351 CI | M, Q, H       | w/Cobra Jet Eng.                                | D1ZZ6375C  | FRA-220   |
| 1969-71         | V8 7.0L 429 CI | C, Z          | w/o Weight                                      | D1SZ6375A  | FRA-207   |
| 1971-73         | V8 5.8L 351 CI | H, Q, M       |   | D1ZZ6375A  | FRA-202   |
| 1972            | V8 5.0L 302 CI | F, G          | w/Cast Iron                                     | E0AZ6375A  | FRA-205   |
| 1979-80         | L4 2.3L 140 CI | Y, W, A       |   | D4ZZ6375D  | FRA-208   |
| 1979            | V6 2.8L 171 CI | Z             |   | D5ZZ6375B  | FRA-221   |
| 1979            | V6 2.8L 171 CI | Z             |   | D4ZZ6375C  | FRA-222   |
| 1979            | V8 5.0L 302 CI | F             | w/ Weight                                       | D5ZZ6375A  | FRA-215   |
| 1980            | L6 3.3L 200 CI | B             |   | E83Z6375A  | FRA-223   |
| 1980-82         | V8 4.2L 255 CI | D             | w/ Weight                                       | E2AZ6375A  | FRA-214*  |
| 1979-86         | L4 2.3L 140 CI | T, A, W, Y    | w/o Weight                                      | D5FZ6375A  | FRA-209   |
| 1981-82         | L6 3.3L 200 CI | B             |   | E1BZ-6375B | FRA-702   |
| 1983-86         | V6 3.8L 232 CI | 3             |   | E3DZ6375B  | FRA-225   |
| 1987-93         | L4 2.3L 140 CI | M, A          | w/o Weight                                      | E5TZ6375D  | FRA-216   |
| 1982-95         | V8 5.0L 302 CI | T, M, F, D, E | w/ Weight                                       | E2AZ6375A  | FRA-214*  |
| 1994-95         | V6 3.8L 232 CI | 4             | w/ Weight                                       | E9SZ6375B  | FRA-316   |
| 1998-04         | V6 3.8L 232 CI | 4             | w/ Weight                                       | XR3Z6375CA | FRA-470   |
| 1996-99         | V8 4.6L 281 CI | V, X          | 6 Hole Crank                                    | F6AZ6375BA | FRA-437   |
| 2001            | V8 4.6L 281 CI | V, X          | 6 Hole Crank                                    | F6AZ6375BA | FRA-437   |
| 1999            | V8 4.6L 281 CI | X, R, Y, V    | 6 Bolt Crank Pattern, New Design w/6 Hole Crank | 4W7Z6375AA | FRA-560*  |
| 2001-04         | V8 4.6L 281 CI | X, R, Y, V    | 6 Bolt Crank Pattern, New Design w/6 Hole Crank | 4W7Z6375AA | FRA-560*  |

\*Available in Heavy Duty-SFI Versions

FRA 74

# FLEXPLATES APPLICATIONS

| Years              | Engine         | VIN  | Remarks                   | OE        | Pioneer # |
|--------------------|----------------|------|---------------------------|-----------|-----------|
| <b>FORD</b>        |                |      |                           |           |           |
| <b>MUSTANG</b>     |                |      |                           |           |           |
| 2011-14            | V6 3.7L 227 CI | M    |                           | BL3Z6375A | FRA-579   |
| 2011-14            | V8 5.0L 302 CI | F, U |                           | BL3Z6375A | FRA-579   |
| <b>MUSTANG II</b>  |                |      |                           |           |           |
| 1974-78            | L4 2.3L 140 CI | Y    |                           | D5FZ6375A | FRA-209   |
| 1974-78            | L4 2.3L 140 CI | Y    |                           | D4ZZ6375D | FRA-208   |
| 1974               | V6 2.8L 170 CI | Z    |                           | D4ZZ6375C | FRA-222   |
| 1974-78            | V6 2.8L 171 CI | Z    |                           | D4ZZ6375C | FRA-222   |
| 1975-78            | V8 5.0L 302 CI | F    | w/ Weight                 | D5ZZ6375A | FRA-215   |
| 1977-78            | V6 2.8L 171 CI | Z    |                           | D5ZZ6375B | FRA-221   |
| <b>PINTO</b>       |                |      |                           |           |           |
| 1971-74            | L4 2.0L 121 CI | X    | w/o Weight                | D1FZ6375A | FRA-213   |
| 1971-74            | L4 2.0L 122 CI | X    | w/o Weight                | D1FZ6375A | FRA-213   |
| 1974-79            | L4 2.3L 140 CI | Y    |                           | D4ZZ6375D | FRA-208   |
| 1975-79            | V6 2.8L 171 CI | Z    |                           | D5ZZ6375B | FRA-221   |
| 1975-79            | V6 2.8L 171 CI | Z    |                           | D4ZZ6375C | FRA-222   |
| 1974-80            | L4 2.3L 140 CI | A, Y | w/o Weight                | D5FZ6375A | FRA-209   |
| <b>PROBE</b>       |                |      |                           |           |           |
| 1990-92            | V6 3.0L 182 CI | U    |                           | FO2Z6375A | FRA-483   |
| 1992               | L4 2.2L 133 CI | C, L |                           | FO2Z6375A | FRA-483   |
| 1994-97            | L4 2.0L 121 CI | A    |                           | F42Z6375A | FRA-433   |
| <b>RANCH WAGON</b> |                |      |                           |           |           |
| 1964-68            | V8 4.7L 288 CI | C    | exc. Special Eng.         | C3AZ6375L | FRA-203*  |
| 1965-66            | V8 5.8L 352 CI |      | 184 Teeth; w/o Weight     | C5AZ6375D | FRA-212   |
| 1965-67            | L6 3.9L 240 CI |      | w/o Weight                | C5TZ6375T | FRA-206   |
| 1966-67            | L6 2.8L 170 CI |      |                           | C3DZ6375B | FRA-232   |
| 1966-67            | L6 3.3L 200 CI |      |                           | C3DZ6375B | FRA-232   |
| 1968               | V8 4.7L 289 CI | C    | exc. Special Eng.         | C3AZ6375L | FRA-203*  |
| 1968-69            | V8 6.4L 390 CI | Y, Z | 184 Teeth; w/o Weight     | C5AZ6375D | FRA-212   |
| 1968-70            | V8 7.0L 428 CI | P    | Including Police Cars     | C6AZ6375B | FRA-224   |
| 1969-73            | V8 7.0L 429 CI | N, K | w/o Weight                | D1SZ6375A | FRA-207   |
| 1968-72            | V8 5.0L 302 CI | F, D | 157 Teeth; w/Weight       | C3AZ6375L | FRA-203*  |
| 1971-74            | V8 6.6L 400 CI | S    | 164 Teeth; w/Weight       | D1AZ6375A | FRA-201   |
| 1969-74            | V8 5.8L 351 CI | H    | Exc. C6 Trans., w/ Weight | E0AZ6375A | FRA-205   |
| 1973-74            | V8 7.5L 460 CI | A    | Police Car; w/o Weight    | D1SZ6375A | FRA-207   |
| <b>TAURUS</b>      |                |      |                           |           |           |
| 1986-87            | L4 2.5L 153 CI | D    | w/o Weight                | E63Z6375A | FRA-234   |
| 1988               | V6 3.8L 232 CI | 4    | w/ Weight                 | E8DZ6375A | FRA-415   |
| 1986-90            | V6 3.0L 182 CI | Y, U | w/o Weight                | E6DZ6375A | FRA-235   |
| 1989-90            | V6 3.8L 232 CI | 4    | w/ Weight                 | E9DZ6375B | FRA-416   |
| 1988-91            | L4 2.5L 153 CI | D    | w/o Weight                | E83Z6375A | FRA-233   |

# FLEXPLATES APPLICATIONS

| Years              | Engine         | VIN     | Remarks                            | OE         | Pioneer # |
|--------------------|----------------|---------|------------------------------------|------------|-----------|
| <b>FORD</b>        |                |         |                                    |            |           |
| <b>TAURUS</b>      |                |         |                                    |            |           |
| 1991-95            | V6 3.0L 182 CI | Y, U    | w/o Weight                         | F1DZ6375A  | FRA-428   |
| 1991-95            | V6 3.8L 232 CI | 4       | w/ Weight                          | F1DZ6375C  | FRA-417   |
| 1993-95            | V6 3.2L 195 CI | P       | w/o Weight                         | F3DZ6375A  | FRA-421   |
| 1996-07            | V6 3.0L 182 CI | U, 1, 2 | w/o Weight                         | F5DZ6375A  | FRA-467   |
| 1996-05            | V6 3.0L 181 CI | S       |                                    | F6DZ6375A  | FRA-439   |
| 1996-99            | V8 3.4L 207 CI | N       | w/o Weight                         | F6DZ6375AB | FRA-440   |
| 1996-98            | V6 3.0L 181 CI | S       | w/o Weight                         | F5DZ6375A  | FRA-467   |
| 2003-05            | V6 3.0L 181 CI | S       | w/o Weight                         | F5DZ6375A  | FRA-467   |
| <b>TEMPO</b>       |                |         |                                    |            |           |
| 1984-86            | L4 2.0L 121 CI | H       | w/o Weight                         | E83Z6375A  | FRA-233   |
| 1984-94            | L4 2.3L 140 CI | X, R, S | w/o Weight                         | E83Z6375A  | FRA-233   |
| <b>THUNDERBIRD</b> |                |         |                                    |            |           |
| 1966-67            | V8 7.0L 427 CI |         | Including Police Cars              | C6AZ6375B  | FRA-224   |
| 1966-67            | V8 7.0L 428 CI |         | Including Police Cars              | C6AZ6375B  | FRA-224   |
| 1966-68            | V8 6.4L 390 CI | Z       | 184 Teeth; w/o Weight              | C5AZ6375D  | FRA-212   |
| 1968-73            | V8 7.0L 429 CI | N       | w/o Weight                         | D1SZ6375A  | FRA-207   |
| 1972               | V8 6.6L 400 CI | S       | 164 Teeth; w/Weight                | D1AZ6375A  | FRA-201   |
| 1977-78            | V8 6.6L 400 CI | S       | 164 Teeth; w/Weight                | D1AZ6375A  | FRA-201   |
| 1972-76            | V8 7.5L 460 CI | A       | Police Car; w/o Weight, w/o Weight | D1SZ6375A  | FRA-207   |
| 1977-79            | V8 5.8L 351 CI | H       |                                    | E0AZ6375A  | FRA-205   |
| 1977-79            | V8 5.8L 351 CI | H       |                                    | D1AZ6375A  | FRA-201   |
| 1980               | L6 3.3L 200 CI | B       |                                    | E83Z6375A  | FRA-223   |
| 1977-78            | V8 5.0L 302 CI | F       |                                    | E0AZ6375A  | FRA-205   |
| 1980               | V8 5.0L 302 CI | F       |                                    | E0AZ6375A  | FRA-205   |
| 1980-82            | V8 4.2L 255 CI | D       | w/Weight, w/ Weight                | E2AZ6375A  | FRA-214*  |
| 1981               | L6 3.3L 200 CI | B       |                                    | E1BZ-6375B | FRA-702   |
| 1980-82            | L6 3.3L 200 CI | B       | Plate w/o Ring Gear                | C3DZ6375B  | FRA-232   |
| 1983-86            | L4 2.3L 140 CI | W       | w/o Weight                         | D5FZ6375A  | FRA-209   |
| 1983-86            | V6 3.8L 232 CI | 3       |                                    | E3SZ6375B  | FRA-229   |
| 1985-87            | V6 3.8L 232 CI | 3       |                                    | E5SZ6375A  | FRA-335   |
| 1987-88            | L4 2.3L 140 CI | W, T    | w/o Weight                         | E5TZ6375D  | FRA-216   |
| 1988-95            | V6 3.8L 232 CI | 4       |                                    | E9SZ6375B  | FRA-316   |
| 1990-95            | V6 3.8L 232 CI | R       |                                    | E9SZ6375C  | FRA-422   |
| 1981               | V8 5.0L 302 CI | T, F    | w/ Weight                          | E2AZ6375A  | FRA-214*  |
| 1983-88            | V8 5.0L 302 CI | T, F    | w/ Weight                          | E2AZ6375A  | FRA-214*  |
| 1991-93            | V8 5.0L 302 CI | T, F    | w/ Weight                          | E2AZ6375A  | FRA-214*  |
| 1994-95            | V8 4.6L 281 CI | W       | w/o Weight                         | F1AZ6375A  | FRA-408   |
| 1996-97            | V8 4.6L 281 CI | W       | 6 Hole Crank                       | F6AZ6375BA | FRA-437   |
| <b>TORINO</b>      |                |         |                                    |            |           |
| 1968               | L6 3.3L 200 CI | T       |                                    | C3DZ6375B  | FRA-232   |

\*Available in Heavy Duty-SFI Versions

FRA 76

# FLEXPLATES APPLICATIONS

| Years             | Engine         | VIN     | Remarks                                      | OE        | Pioneer # |
|-------------------|----------------|---------|--|-----------|-----------|
| <b>FORD</b>       |                |         |  |           |           |
| <b>TORINO</b>     |                |         |  |           |           |
| 1968              | V8 4.7L 288 CI | C       | exc. Special Eng.;                           | C3AZ6375L | FRA-203*  |
| 1968              | V8 4.7L 289 CI | C       | exc. Special Eng.;                           | C3AZ6375L | FRA-203*  |
| 1968-69           | V8 7.0L 428 CI | R, Q    | Including Police Cars                        | C6AZ6375B | FRA-224   |
| 1968-69           | V8 6.4L 390 CI | S, Y    | 184 Teeth; w/o Weight                        | C5AZ6375D | FRA-212   |
| 1968-74           | V8 5.0L 302 CI | F       | 157 Teeth; w/Weight                          | C3AZ6375L | FRA-203*  |
| 1969              | L6 4.1L 250 CI | L       |  | C5TZ6375T | FRA-206   |
| 1969-74           | L6 4.1L 250 CI | L       | 157 Teeth; w/o Weight, Exc. 1BBL             | C9OZ6375A | FRA-204   |
| 1970-73           | V8 7.0L 429 CI | N, C, J | w/o Weight                                   | D1SZ6375A | FRA-207   |
| 1969-76           | V8 5.8L 351 CI | H, Q, M | w/ Weight                                    | E0AZ6375A | FRA-205   |
| 1971-74           | V8 5.8L 351 CI | Q, H, M |  | D1ZZ6375A | FRA-202   |
| 1973              | V8 5.0L 302 CI | F       | Police & Taxi                                | E0AZ6375A | FRA-205   |
| 1972-74           | V8 5.8L 351 CI | H, Q    | w/9.5" Torque Bolt Dia., w/Cobra Jet Eng.    | D1ZZ6375C | FRA-220   |
| 1972-76           | V8 6.6L 400 CI | S       | w/Aluminum Auto. Trans., 164 Teeth; w/Weight | D1AZ6375A | FRA-201   |
| 1973-76           | V8 7.5L 460 CI | A, C    | Police Car; w/o Weight                       | D1SZ6375A | FRA-207   |
| 1975-76           | V8 5.8L 351 CI | H       |  | D1AZ6375A | FRA-201   |
| <b>FORD TRUCK</b> |                |         |  |           |           |
| <b>AEROSTAR</b>   |                |         |  |           |           |
| 1986              | V6 2.8L 171 CI | S       | w/o Weight                                   | E5TZ6375B | FRA-217   |
| 1986-87           | L4 2.3L 140 CI | A       | w/o Weight                                   | E5TZ6375D | FRA-216   |
| 1990-96           | V6 4.0L 245 CI | X       | w/o Weight                                   | E5TZ6375B | FRA-217   |
| 1986-97           | V6 3.0L 182 CI | U       | w/o Weight                                   | E69Z6375A | FRA-218   |
| <b>BRONCO</b>     |                |         |  |           |           |
| 1967              | L6 3.9L 240 CI |         | w/o Weight                                   | C5TZ6375T | FRA-206   |
| 1968-77           | V8 5.0L 302 CI | G       | exc. Thermactor Emission Control System      | E0AZ6375A | FRA-205   |
| 1973-74           | L6 3.3L 200 CI | T       |  | C3DZ6375B | FRA-232   |
| 1978-81           | V8 5.8L 351 CI | H, G    |  | D1AZ6375A | FRA-201   |
| 1978-79           | V8 6.6L 400 CI | S       |  | D1AZ6375A | FRA-201   |
| 1979-80           | V8 5.8L 351 CI | H, G    | w/ Weight                                    | D1ZZ6375A | FRA-202   |
| 1982-96           | V8 5.8L 351 CI | H, G    | w/ Weight                                    | D1ZZ6375A | FRA-202   |
| 1981              | V8 5.8L 351 CI | G       |  | E0AZ6375A | FRA-205   |
| 1981-96           | V8 5.0L 302 CI | F, N    |  | E1TZ6375C | FRA-231   |
| 1980-92           | L6 4.9L 300 CI | Y, E    |  | D5TZ6375A | FRA-210   |
| 1982-96           | V8 5.0L 302 CI | N, F    |  | E2AZ6375A | FRA-214*  |
| <b>BRONCO II</b>  |                |         |  |           |           |
| 1984              | V6 2.8L 171 CI | S       |  | D4ZZ6375C | FRA-222   |
| 1985              | V6 2.8L 171 CI | S       |  | E5TZ6375B | FRA-217   |
| 1986-90           | V6 2.9L 177 CI | T       |  | E5TZ6375B | FRA-217   |
| <b>CLUB WAGON</b> |                |         |  |           |           |
| 1965-67           | L6 2.8L 170 CI |         |  | C3DZ6375B | FRA-232   |



# FLEXPLATES APPLICATIONS

| Years                  | Engine         | VIN        | Remarks  | OE         | Pioneer # |
|------------------------|----------------|------------|--|------------|-----------|
| <b>FORD TRUCK</b>      |                |            |  |            |           |
| <b>CLUB WAGON</b>      |                |            |  |            |           |
| 1967                   | L6 3.9L 240 CI |            | w/o Weight   | C5TZ6375T  | FRA-206   |
| <b>E-100 ECONOLINE</b> |                |            |  |            |           |
| 1969-74                | V8 5.0L 302 CI | G          | w/ Weight, exc. Thermactor Emission Control System | E0AZ6375A  | FRA-205   |
| 1969-74                | L6 3.9L 240 CI | A          | w/o Weight   | C5TZ6375T  | FRA-206   |
| 1972-77                | L6 4.9L 300 CI | B          | w/Light Duty Eng.                                  | C5TZ6375T  | FRA-206   |
| 1979                   | L6 4.9L 300 CI | B          | w/Light Duty Eng.                                  | C5TZ6375T  | FRA-206   |
| 1975-83                | L6 4.9L 300 CI | B, Y, E    |  | D5TZ6375A  | FRA-210   |
| 1978                   | V8 7.5L 460 CI | A          | w/ Weight  | D9TZ6375A  | FRA-230   |
| 1978                   | V8 7.5L 460 CI | A          | w/o Weight   | D1SZ6375A  | FRA-207   |
| 1979-80                | V8 5.0L 302 CI | G, F       | w/ Weight  | D1ZZ6375A  | FRA-202   |
| 1977-82                | V8 5.8L 351 CI | G, H       |  | D1AZ6375A  | FRA-201   |
| 1975-81                | V8 5.8L 351 CI | G, H       | exc. California, w/ Weight                         | D1ZZ6375A  | FRA-202   |
| 1983                   | V8 5.8L 351 CI | G, H       | exc. California, w/ Weight                         | D1ZZ6375A  | FRA-202   |
| 1981-83                | V8 5.0L 302 CI | F          |  | E1TZ6375C  | FRA-231   |
| 1981-82                | V8 5.8L 351 CI | G          | California   | E0AZ6375A  | FRA-205   |
| 1983                   | L6 4.9L 300 CI | Y          |  | E3TZ6375G  | FRA-317   |
| 1983                   | V8 5.0L 302 CI | F          |  | E2AZ6375A  | FRA-214*  |
| <b>E-150</b>           |                |            |  |            |           |
| 2003                   | V6 4.2L 256 CI | 2          | w/o Weight   | F65Z6375CA | FRA-442   |
| 2003                   | V8 5.4L 330 CI | L          | 8 Bolt Pattern                                     | 1C3Z6375BA | FRA-482   |
| 2003-04                | V8 4.6L 281 CI | W          | 8 Bolt Crankshaft                                  | 4C3Z6375AA | FRA-562*  |
| 2003-14                | V8 4.6L 281 CI | W          | Triton (Romeo) Engine, 6 Bolt Crank Pattern        | 4W7Z6375AA | FRA-560*  |
| 2004-05                | V8 5.4L 330 CI | L          | 8 Bolt Crankshaft, 8 Bolt Pattern                  | 4C3Z6375AA | FRA-562*  |
| 2007-14                | V8 5.4L 330 CI | L          | 8 Bolt Crankshaft, 8 Bolt Pattern                  | 4C3Z6375AA | FRA-562*  |
| <b>E-150 ECONOLINE</b> |                |            |  |            |           |
| 1975-79                | L6 4.9L 300 CI | B          |  | C5TZ6375T  | FRA-206   |
| 1977-82                | V8 5.8L 351 CI | H, G       |  | D1AZ6375A  | FRA-201   |
| 1979-80                | V8 5.0L 302 CI | F, G       | w/ Weight  | D1ZZ6375A  | FRA-202   |
| 1981-95                | V8 5.0L 302 CI | F, N       |  | E1TZ6375C  | FRA-231   |
| 1981-82                | V8 5.8L 351 CI | G          | California   | E0AZ6375A  | FRA-205   |
| 1975-81                | V8 5.8L 351 CI | G, H       | w/ Weight, exc. California                         | D1ZZ6375A  | FRA-202   |
| 1983-96                | V8 5.8L 351 CI | G, H       | w/ Weight, exc. California                         | D1ZZ6375A  | FRA-202   |
| 1983-91                | L6 4.9L 300 CI | Y, 9       |  | E3TZ6375G  | FRA-317   |
| 1975-96                | L6 4.9L 300 CI | Y, B, 9, E | w/o Weight   | D5TZ6375A  | FRA-210   |
| 1983-96                | V8 5.0L 302 CI | N, F       |  | E2AZ6375A  | FRA-214*  |
| 1997-02                | V6 4.2L 256 CI | 2          | w/o Weight   | F65Z6375CA | FRA-442   |
| 1997-00                | V8 4.6L 281 CI | 6, W       | 6 Bolt Pattern, Triton (Romeo) Engine              | F6AZ6375BA | FRA-437   |
| 1997-98                | V8 4.6L 281 CI | 6          | 8 Bolt Pattern                                     | F6AZ6375DA | FRA-438   |

\*Available in Heavy Duty-SFI Versions

FRA 78

# FLEXPLATES APPLICATIONS

| Years                  | Engine         | VIN           | Remarks  | OE         | Pioneer # |
|------------------------|----------------|---------------|--|------------|-----------|
| <b>FORD TRUCK</b>      |                |               |  |            |           |
| <b>E-150 ECONOLINE</b> |                |               |  |            |           |
| 1997-00                | V8 5.4L 330 CI | Z, L          | 8 Bolt Pattern                                     | F75Z6375AA | FRA-443   |
| 2001-02                | V8 5.4L 330 CI | L             | 8 Bolt Pattern                                     | 1C3Z6375BA | FRA-482   |
| 1999-02                | V8 4.6L 281 CI | W             | Triton (Romeo) Engine                              | 4W7Z6375AA | FRA-560*  |
| <b>E-200 ECONOLINE</b> |                |               |  |            |           |
| 1969-74                | V8 5.0L 302 CI | G             | w/ Weight, exc. Thermactor Emission Control System | E0AZ6375A  | FRA-205   |
| 1969-74                | L6 3.9L 240 CI | A             | w/o Weight   | C5TZ6375T  | FRA-206   |
| 1972-74                | L6 4.9L 300 CI | B             | w/Light Duty Eng.                                  | C5TZ6375T  | FRA-206   |
| <b>E-250</b>           |                |               |  |            |           |
| 2003                   | V6 4.2L 256 CI | 2             | w/o Weight   | F65Z6375CA | FRA-442   |
| 2003-04                | V8 5.4L 330 CI | M, L          | 8 Bolt Pattern                                     | 1C3Z6375BA | FRA-482   |
| 2003-04                | V8 4.6L 281 CI | W             | 8 Bolt Crankshaft                                  | 4C3Z6375AA | FRA-562*  |
| 2003-14                | V8 4.6L 281 CI | W             | Triton (Romeo) Engine, 6 Bolt Crank Pattern        | 4W7Z6375AA | FRA-560*  |
| 2004-14                | V8 5.4L 330 CI | L, M          | 8 Bolt Crankshaft, 8 Bolt Pattern                  | 4C3Z6375AA | FRA-562*  |
| <b>E-250 ECONOLINE</b> |                |               |  |            |           |
| 1975-78                | V8 7.5L 460 CI | A             | w/o Weight   | D1SZ6375A  | FRA-207   |
| 1976-79                | L6 4.9L 300 CI | B             |  | C5TZ6375T  | FRA-206   |
| 1979-80                | V8 5.0L 302 CI | F, G          | w/ Weight  | D1ZZ6375A  | FRA-202   |
| 1980                   | V8 6.6L 400 CI | Z             |  | D1AZ6375A  | FRA-201   |
| 1975-80                | V8 7.5L 460 CI | L, A          | w/ Weight  | D9TZ6375A  | FRA-230   |
| 1975-81                | V8 5.8L 351 CI | G, H          | exc. California, w/ Weight                         | D1ZZ6375A  | FRA-202   |
| 1983-96                | V8 5.8L 351 CI | G, H          | exc. California, w/ Weight                         | D1ZZ6375A  | FRA-202   |
| 1977-82                | V8 5.8L 351 CI | G, H          |  | D1AZ6375A  | FRA-201   |
| 1981-82                | V8 5.8L 351 CI | G             | California   | E0AZ6375A  | FRA-205   |
| 1983-91                | L6 4.9L 300 CI | 9, Y          |  | E3TZ6375G  | FRA-317   |
| 1981-91                | V8 5.0L 302 CI | N, F          |  | E1TZ6375C  | FRA-231   |
| 1983-91                | V8 5.0L 302 CI | N, F          |  | E2AZ6375A  | FRA-214*  |
| 1975-96                | L6 4.9L 300 CI | Z, Y, 9, B, E | w/o Weight   | D5TZ6375A  | FRA-210   |
| 1997-02                | V8 5.4L 330 CI | L, M, Z       | 8 Bolt Pattern                                     | F75Z6375AA | FRA-443   |
| 1997-02                | V8 5.4L 330 CI | M, L          | 8 Bolt Pattern                                     | 1C3Z6375BA | FRA-482   |
| 1997-02                | V6 4.2L 256 CI | 2             | w/o Weight   | F65Z6375CA | FRA-442   |
| <b>E-300 ECONOLINE</b> |                |               |  |            |           |
| 1969-74                | L6 3.9L 240 CI | A             | w/o Weight   | C5TZ6375T  | FRA-206   |
| 1972-74                | L6 4.9L 300 CI | B             | w/Light Duty Eng.                                  | C5TZ6375T  | FRA-206   |
| 1969-74                | V8 5.0L 302 CI | G             | exc. Thermactor Emission Control System, w/ Weight | E0AZ6375A  | FRA-205   |
| <b>E-350 ECONOLINE</b> |                |               |  |            |           |
| 1975-78                | V8 7.5L 460 CI | A             | w/o Weight   | D1SZ6375A  | FRA-207   |
| 1975-79                | L6 4.9L 300 CI | B             |  | C5TZ6375T  | FRA-206   |

# FLEXPLATES APPLICATIONS

| Years                   | Engine          | VIN        | Remarks                           | OE          | Pioneer # |
|-------------------------|-----------------|------------|-----------------------------------|-------------|-----------|
| <b>FORD TRUCK</b>       |                 |            |                                   |             |           |
| <b>E-350 ECONOLINE</b>  |                 |            |                                   |             |           |
| 1977-82                 | V8 5.8L 351 CI  | H, G       |                                   | D1AZ6375A   | FRA-201   |
| 1979-80                 | V8 5.0L 302 CI  | G, F       | w/ Weight                         | D1ZZ6375A   | FRA-202   |
| 1980-82                 | V8 6.6L 400 CI  | Z          |                                   | D1AZ6375A   | FRA-201   |
| 1975-96                 | V8 7.5L 460 CI  | L, A, G    | w/ Weight                         | D9TZ6375A   | FRA-230   |
| 1981-82                 | V8 5.0L 302 CI  | F          |                                   | E1TZ6375C   | FRA-231   |
| 1981-82                 | V8 5.8L 351 CI  | G          | California                        | E0AZ6375A   | FRA-205   |
| 1975-96                 | L6 4.9L 300 CI  | 9, Y, E, B | w/o Weight                        | D5TZ6375A   | FRA-210   |
| 1975-81                 | V8 5.8L 351 CI  | G, H       | w/ Weight, exc. California        | D1ZZ6375A   | FRA-202   |
| 1983-96                 | V8 5.8L 351 CI  | G, H       | w/ Weight, exc. California        | D1ZZ6375A   | FRA-202   |
| 1983-91                 | L6 4.9L 300 CI  | Y, 9       |                                   | E3TZ6375G   | FRA-317   |
| 1992-94                 | V8 7.3L 445 CI  | M          |                                   | F3TZ6375B   | FRA-490   |
| 1997-00                 | V8 5.4L 330 CI  | M, Z, L    | 8 Bolt Pattern                    | F75Z6375AA  | FRA-443   |
| 1997-98                 | V10 6.8L 415 CI | S          | 8 Bolt Pattern                    | F75Z6375AA  | FRA-443   |
| 1995-98                 | V8 7.3L 445 CI  | F          |                                   | F6TZ6375AAA | FRA-420   |
| <b>E-350 SUPER DUTY</b> |                 |            |                                   |             |           |
| 2004                    | V10 6.8L 415 CI | S          | 8 Bolt Pattern                    | 1C3Z6375BA  | FRA-482   |
| 2006-10                 | V10 6.8L 415 CI | S          | 8 Bolt Crankshaft, 8 Bolt Pattern | 4C3Z6375AA  | FRA-562*  |
| 2012-14                 | V10 6.8L 415 CI | S          | 8 Bolt Crankshaft, 8 Bolt Pattern | 4C3Z6375AA  | FRA-562*  |
| 2006-14                 | V8 5.4L 330 CI  | L          | 8 Bolt Crankshaft, 8 Bolt Pattern | 4C3Z6375AA  | FRA-562*  |
| <b>ECONOLINE</b>        |                 |            |                                   |             |           |
| 1965-66                 | L6 2.8L 170 CI  |            |                                   | C3DZ6375B   | FRA-232   |
| 1967                    | L6 3.9L 240 CI  |            | w/o Weight                        | C5TZ6375T   | FRA-206   |
| <b>EXCURSION</b>        |                 |            |                                   |             |           |
| 2000-02                 | V10 6.8L 415 CI | S          | 8 Bolt Pattern                    | F75Z6375AA  | FRA-443   |
| 2000-02                 | V8 5.4L 330 CI  | L          | 8 Bolt Pattern                    | F75Z6375AA  | FRA-443   |
| 2000-03                 | V8 7.3L 445 CI  | F          |                                   | F6TZ6375AAA | FRA-420   |
| 2003-05                 | V10 6.8L 415 CI | S          | 8 Bolt Pattern                    | 1C3Z6375BA  | FRA-482   |
| 2003-05                 | V8 5.4L 330 CI  | L          | 8 Bolt Pattern                    | 1C3Z6375BA  | FRA-482   |
| <b>EXPEDITION</b>       |                 |            |                                   |             |           |
| 1997-00                 | V8 5.4L 330 CI  | L          | 8 Bolt Pattern                    | F75Z6375AA  | FRA-443   |
| 1997-02                 | V8 4.6L 281 CI  | W, 6       | 8 Bolt Pattern                    | F6AZ6375DA  | FRA-438   |
| 1997-00                 | V8 4.6L 281 CI  | 6, W       | Triton (Romeo) Engine             | F6AZ6375BA  | FRA-437   |
| 1999-02                 | V8 4.6L 281 CI  | W, 6       | Triton (Romeo) Engine             | 4W7Z6375AA  | FRA-560*  |
| 2004                    | V8 4.6L 281 CI  | W, 6       | Triton (Romeo) Engine             | 4W7Z6375AA  | FRA-560*  |
| 2001-02                 | V8 5.4L 330 CI  | L, 5       | 8 Bolt Pattern                    | 1C3Z6375BA  | FRA-482   |
| 2004-05                 | V8 5.4L 330 CI  | L, 5       | 8 Bolt Pattern                    | 1C3Z6375BA  | FRA-482   |
| 2003-13                 | V8 5.4L 330 CI  | 5, L       | 8 Bolt Crankshaft, 8 Bolt Pattern | 4C3Z6375AA  | FRA-562*  |
| <b>EXPLORER</b>         |                 |            |                                   |             |           |
| 1991-96                 | V6 4.0L 245 CI  | X          |                                   | E5TZ6375B   | FRA-217   |
| 1996-01                 | V8 5.0L 302 CI  | P          | w/Weight, w/ Weight               | E2AZ6375A   | FRA-214*  |

\*Available in Heavy Duty-SFI Versions

FRA 80

# FLEXPLATES APPLICATIONS

| Years                      | Engine         | VIN        | Remarks  | OE         | Pioneer # |
|----------------------------|----------------|------------|--|------------|-----------|
| <b>FORD TRUCK</b>          |                |            |  |            |           |
| <b>EXPLORER</b>            |                |            |  |            |           |
| 1997-01                    | V6 4.0L 245 CI | E, X, K    |  | F77Z6375AA | FRA-441   |
| 2002-10                    | V6 4.0L 245 CI | K, E       |  | 1L2Z6375CA | FRA-544   |
| <b>EXPLORER SPORT TRAC</b> |                |            |  |            |           |
| 2001                       | V6 4.0L 245 CI | E          |  | F77Z6375AA | FRA-441   |
| 2002-05                    | V6 4.0L 245 CI | K, E       |  | 1L2Z6375CA | FRA-544   |
| 2007-10                    | V6 4.0L 245 CI | K, E       |  | 1L2Z6375CA | FRA-544   |
| <b>F-100</b>               |                |            |  |            |           |
| 1965-82                    | L6 4.9L 300 CI | B, E, 9    | w/Light Duty Eng., Under 2 Tons  | C5TZ6375T  | FRA-206   |
| 1965-74                    | L6 3.9L 240 CI | A          | w/o Weight   | C5TZ6375T  | FRA-206   |
| 1968-76                    | V8 5.9L 360 CI | Y          | 184 Teeth; w/o Weight  | C5AZ6375D  | FRA-212   |
| 1968-76                    | V8 6.4L 390 CI | H, M       | 184 Teeth; w/o Weight  | C5AZ6375D  | FRA-212   |
| 1969-79                    | V8 5.0L 302 CI | G          | w/ Weight, exc. Thermactor Emission Control System, California, From Serial # C25001 | E0AZ6375A  | FRA-205   |
| 1973-77                    | V8 7.5L 460 CI | J          | w/o Weight   | D1SZ6375A  | FRA-207   |
| 1977-79                    | V8 5.8L 351 CI | H, G       |  | D1AZ6375A  | FRA-201   |
| 1981                       | V8 5.8L 351 CI | H, G       |  | D1AZ6375A  | FRA-201   |
| 1977-79                    | V8 5.8L 351 CI | H          |  | D1ZZ6375A  | FRA-202   |
| 1977-79                    | V8 6.6L 400 CI | S          |  | D1AZ6375A  | FRA-201   |
| 1978-83                    | L6 4.9L 300 CI | B, E, 9, Y | 2-3 Tons   | D5TZ6375A  | FRA-210   |
| 1978-79                    | V8 5.0L 302 CI | G          | w/Thermactor Emission Control System   | D1ZZ6375A  | FRA-202   |
| 1973-77                    | V8 7.5L 460 CI | J          | w/ Weight  | D9TZ6375A  | FRA-230   |
| 1979                       | V8 7.5L 460 CI | J          | w/ Weight  | D9TZ6375A  | FRA-230   |
| 1981-82                    | V8 4.2L 255 CI | D          |  | E2AZ6375A  | FRA-214*  |
| 1981-83                    | V8 5.0L 302 CI | F          |  | E1TZ6375C  | FRA-231   |
| 1981-83                    | V8 5.0L 302 CI | F          |  | E2AZ6375A  | FRA-214*  |
| 1983                       | L6 4.9L 300 CI | Y          |  | E3TZ6375G  | FRA-317   |
| <b>F-150</b>               |                |            |  |            |           |
| 1975-76                    | V8 6.4L 390 CI | H, M       | 184 Teeth; w/o Weight  | C5AZ6375D  | FRA-212   |
| 1975-76                    | V8 5.9L 360 CI | Y          | 184 Teeth; w/o Weight  | C5AZ6375D  | FRA-212   |
| 1975-78                    | V8 7.5L 460 CI | J          | w/o Weight   | D1SZ6375A  | FRA-207   |
| 1975-80                    | V8 5.0L 302 CI | G, F       | From Serial # C25001, exc. Thermactor Emission Control System, California            | E0AZ6375A  | FRA-205   |
| 1977-79                    | V8 6.6L 400 CI | S          |  | D1AZ6375A  | FRA-201   |
| 1975-79                    | V8 7.5L 460 CI | A, J       | w/ Weight  | D9TZ6375A  | FRA-230   |
| 1978-80                    | V8 5.0L 302 CI | F, G       | w/Thermactor Emission Control System   | D1ZZ6375A  | FRA-202   |
| 1977-82                    | V8 5.8L 351 CI | G, H       |  | D1AZ6375A  | FRA-201   |
| 1975-82                    | L6 4.9L 300 CI | E, B       | Under 2 Tons, w/Light Duty Eng.  | C5TZ6375T  | FRA-206   |
| 1981                       | V8 5.8L 351 CI | G          |  | E0AZ6375A  | FRA-205   |
| 1981-96                    | V8 5.0L 302 CI | F, N       |  | E2AZ6375A  | FRA-214*  |

# FLEXPLATES APPLICATIONS

| Years                 | Engine         | VIN           | Remarks  | OE         | Pioneer # |
|-----------------------|----------------|---------------|--|------------|-----------|
| <b>FORD TRUCK</b>     |                |               |  |            |           |
| <b>F-150</b>          |                |               |  |            |           |
| 1983-91               | L6 4.9L 300 CI | Y, 9          |  | E3TZ6375G  | FRA-317   |
| 1977-80               | V8 5.8L 351 CI | H, G, R       | w/ Weight  | D1ZZ6375A  | FRA-202   |
| 1982-96               | V8 5.8L 351 CI | H, G, R       | w/ Weight  | D1ZZ6375A  | FRA-202   |
| 1981-96               | V8 5.0L 302 CI | N, F          |  | E1TZ6375C  | FRA-231   |
| 1978-96               | L6 4.9L 300 CI | Z, B, Y, 9, E | w/o Weight, 2-3 Tons   | D5TZ6375A  | FRA-210   |
| 1997-02               | V8 5.4L 330 CI | L, Z, M, 3    | 8 Bolt Pattern   | F75Z6375AA | FRA-443   |
| 1999                  | V8 4.6L 281 CI | 6, W, 8       | Triton (Romeo) Engine, 6 Bolt Crank Pattern  | 4W7Z6375AA | FRA-560*  |
| 2001-10               | V8 4.6L 281 CI | 6, W, 8       | Triton (Romeo) Engine, 6 Bolt Crank Pattern  | 4W7Z6375AA | FRA-560*  |
| 1997-02               | V8 4.6L 281 CI | 6, W          | Triton (Romeo) Engine, 8 Bolt Pattern  | F6AZ6375DA | FRA-438   |
| 1997-01               | V8 4.6L 281 CI | W, 6          | Triton (Romeo) Engine, 6 Hole Crank  | F6AZ6375BA | FRA-437   |
| 2001-03               | V8 5.4L 330 CI | 3, L          | 8 Bolt Pattern   | 1C3Z6375BA | FRA-482   |
| 2003-08               | V8 4.6L 281 CI | W             | 8 Bolt Crankshaft, 8 Bolt Pattern  | 4C3Z6375AA | FRA-562*  |
| 1997-02               | V6 4.2L 256 CI | 2             | w/o Weight   | F65Z6375CA | FRA-442   |
| 2005-08               | V6 4.2L 256 CI | 2             | w/o Weight   | F65Z6375CA | FRA-442   |
| 2004-10               | V8 5.4L 330 CI | V, 5          | 8 Bolt Crankshaft, 8 Bolt Pattern  | 4C3Z6375AA | FRA-562*  |
| 2011                  | V8 6.2L 379 CI | 6             |  | BL3Z6375A  | FRA-579   |
| 2011-14               | V6 3.5L 213 CI | T             |  | BL3Z6375A  | FRA-579   |
| 2011-14               | V6 3.7L 227 CI | M             |  | BL3Z6375A  | FRA-579   |
| 2011-14               | V8 5.0L 302 CI | F             |  | BL3Z6375A  | FRA-579   |
| <b>F-150 HERITAGE</b> |                |               |  |            |           |
| 2004                  | V8 4.6L 281 CI | W             | 8 Bolt Crankshaft  | 4C3Z6375AA | FRA-562*  |
| 2004                  | V8 5.4L 330 CI | M, Z          | 8 Bolt Pattern   | 1C3Z6375BA | FRA-482   |
| 2004                  | V8 5.4L 330 CI | Z, M          | 8 Bolt Crankshaft  | 4C3Z6375AA | FRA-562*  |
| <b>F-250</b>          |                |               |  |            |           |
| 1965-74               | L6 3.9L 240 CI | A             | w/o Weight   | C5TZ6375T  | FRA-206   |
| 1968-76               | V8 5.9L 360 CI | Y             | 184 Teeth; w/o Weight  | C5AZ6375D  | FRA-212   |
| 1968-76               | V8 6.4L 390 CI | H, M          | 184 Teeth; w/o Weight  | C5AZ6375D  | FRA-212   |
| 1973-79               | V8 7.5L 460 CI | J, G, A, L    | w/ Weight  | D9TZ6375A  | FRA-230   |
| 1983-96               | V8 7.5L 460 CI | J, G, A, L    | w/ Weight  | D9TZ6375A  | FRA-230   |
| 1973-78               | V8 7.5L 460 CI | J             | w/o Weight   | D1SZ6375A  | FRA-207   |
| 1978-80               | V8 5.0L 302 CI | G, F          | w/Thermactor Emission Control System   | D1ZZ6375A  | FRA-202   |
| 1972-80               | V8 5.0L 302 CI | F, G          | exc. Thermactor Emission Control System, From Serial # C25001, w/ Weight, California | E0AZ6375A  | FRA-205   |
| 1965-82               | L6 4.9L 300 CI | E, 9, B       | w/Light Duty Eng., Under 2 Tons  | C5TZ6375T  | FRA-206   |
| 1977-82               | V8 6.6L 400 CI | Z, S          |  | D1AZ6375A  | FRA-201   |
| 1981                  | V8 5.8L 351 CI | G             |  | E0AZ6375A  | FRA-205   |
| 1977-82               | V8 5.8L 351 CI | G, H          |  | D1AZ6375A  | FRA-201   |

\*Available in Heavy Duty-SFI Versions

FRA 82

# FLEXPLATES APPLICATIONS

| Years                   | Engine          | VIN           | Remarks   | OE          | Pioneer # |
|-------------------------|-----------------|---------------|---|-------------|-----------|
| <b>FORD TRUCK</b>       |                 |               |   |             |           |
| <b>F-250</b>            |                 |               |   |             |           |
| 1977-80                 | V8 5.8L 351 CI  | G, H          | w/ Weight   | D1ZZ6375A   | FRA-202   |
| 1982-97                 | V8 5.8L 351 CI  | G, H          | w/ Weight   | D1ZZ6375A   | FRA-202   |
| 1978-96                 | L6 4.9L 300 CI  | Y, Z, B, E, 9 | w/o Weight, 2-3 Tons  | D5TZ6375A   | FRA-210   |
| 1981-93                 | V8 5.0L 302 CI  | F, N          |   | E2AZ6375A   | FRA-214*  |
| 1995-96                 | V8 5.0L 302 CI  | F, N          |   | E2AZ6375A   | FRA-214*  |
| 1985-91                 | L6 4.9L 300 CI  | Y, 9          |   | E3TZ6375G   | FRA-317   |
| 1992-94                 | V8 7.3L 445 CI  | M             |   | F3TZ6375B   | FRA-490   |
| 1981-96                 | V8 5.0L 302 CI  | N, F          |   | E1TZ6375C   | FRA-231   |
| 1994-96                 | V8 7.3L 445 CI  | F             |   | F6TZ6375AAA | FRA-420   |
| 1997-99                 | V8 4.6L 281 CI  | 6, W          | 6 Bolt Pattern  | F6AZ6375BA  | FRA-437   |
| 1997-99                 | V8 4.6L 281 CI  | 6, W          | 8 Bolt Pattern  | F6AZ6375DA  | FRA-438   |
| 1999                    | V8 4.6L 281 CI  | W, 6          | New Design w/6 Hole Crank   | 4W7Z6375AA  | FRA-560*  |
| 1997-99                 | V8 5.4L 330 CI  | L, M, Z       | 8 Bolt Pattern  | F75Z6375AA  | FRA-443   |
| <b>F-250 SUPER DUTY</b> |                 |               |   |             |           |
| 1999-00                 | V10 6.8L 415 CI | S             | 8 Bolt Pattern  | F75Z6375AA  | FRA-443   |
| 1999-00                 | V8 5.4L 330 CI  | L             | 8 Bolt Pattern  | F75Z6375AA  | FRA-443   |
| 1999-03                 | V8 7.3L 445 CI  | F             |   | F6TZ6375AAA | FRA-420   |
| 2001-04                 | V8 5.4L 330 CI  | L             | 8 Bolt Pattern  | 1C3Z6375BA  | FRA-482   |
| 2002-04                 | V10 6.8L 415 CI | S             | 8 Bolt Pattern  | 1C3Z6375BA  | FRA-482   |
| 2005-10                 | V8 5.4L 330 CI  | 5             | 8 Bolt Crankshaft, 8 Bolt Pattern   | 4C3Z6375AA  | FRA-562*  |
| 2005-10                 | V10 6.8L 415 CI | Y             | 8 Bolt Pattern, 8 Bolt Crankshaft   | 4C3Z6375AA  | FRA-562*  |
| <b>F-350</b>            |                 |               |   |             |           |
| 1965-74                 | L6 3.9L 240 CI  | A             | w/o Weight  | C5TZ6375T   | FRA-206   |
| 1968-76                 | V8 5.9L 360 CI  | Y             | 184 Teeth; w/o Weight   | C5AZ6375D   | FRA-212   |
| 1968-76                 | V8 6.4L 390 CI  | H, M          | 184 Teeth; w/o Weight   | C5AZ6375D   | FRA-212   |
| 1973-78                 | V8 7.5L 460 CI  | J             | w/o Weight  | D1SZ6375A   | FRA-207   |
| 1973-79                 | V8 7.5L 460 CI  | J, G, L       | w/ Weight   | D9TZ6375A   | FRA-230   |
| 1983-97                 | V8 7.5L 460 CI  | J, G, L       | w/ Weight   | D9TZ6375A   | FRA-230   |
| 1977-82                 | V8 6.6L 400 CI  | S, Z          |   | D1AZ6375A   | FRA-201   |
| 1978-96                 | L6 4.9L 300 CI  | B, Y, E, 9    | 2-3 Tons, w/o Weight  | D5TZ6375A   | FRA-210   |
| 1965-82                 | L6 4.9L 300 CI  | B, 9, E       | Under 2 Tons, w/Light Duty Eng.   | C5TZ6375T   | FRA-206   |
| 1978-80                 | V8 5.0L 302 CI  | G, F          | w/Thermactor Emission Control System                                      | D1ZZ6375A   | FRA-202   |
| 1972-80                 | V8 5.0L 302 CI  | F, G          | California, exc. Thermactor Emission Control System, From Serial # C25001 | E0AZ6375A   | FRA-205   |
| 1977-82                 | V8 5.8L 351 CI  | G, H          |   | D1AZ6375A   | FRA-201   |
| 1981                    | V8 5.8L 351 CI  | G             |   | E0AZ6375A   | FRA-205   |
| 1977-80                 | V8 5.8L 351 CI  | H, G          | w/ Weight   | D1ZZ6375A   | FRA-202   |
| 1982-97                 | V8 5.8L 351 CI  | H, G          | w/ Weight   | D1ZZ6375A   | FRA-202   |
| 1983-91                 | L6 4.9L 300 CI  | Y, 9          |   | E3TZ6375G   | FRA-317   |
| 1992-94                 | V8 7.3L 445 CI  | M             |   | F3TZ6375B   | FRA-490   |

# FLEXPLATES APPLICATIONS

| Years                        | Engine          | VIN     | Remarks                                   | OE          | Pioneer # |
|------------------------------|-----------------|---------|---|-------------|-----------|
| <b>FORD TRUCK</b>            |                 |         |   |             |           |
| <b>F-350</b>                 |                 |         |   |             |           |
| 1994-97                      | V8 7.3L 445 CI  | F       |   | F6TZ6375AAA | FRA-420   |
| <b>F-350 SUPER DUTY</b>      |                 |         |   |             |           |
| 1999-00                      | V10 6.8L 415 CI | S       | 8 Bolt Pattern                            | F75Z6375AA  | FRA-443   |
| 1999-00                      | V8 5.4L 330 CI  | L       | 8 Bolt Pattern                            | F75Z6375AA  | FRA-443   |
| 1999-03                      | V8 7.3L 445 CI  | F       |   | F6TZ6375AAA | FRA-420   |
| 2001-04                      | V10 6.8L 415 CI | S       | 8 Bolt Pattern                            | 1C3Z6375BA  | FRA-482   |
| 2001-04                      | V8 5.4L 330 CI  | L       | 8 Bolt Pattern                            | 1C3Z6375BA  | FRA-482   |
| 2005-10                      | V10 6.8L 415 CI | Y       | 8 Bolt Crankshaft, 8 Bolt Pattern         | 4C3Z6375AA  | FRA-562*  |
| 2005-10                      | V8 5.4L 330 CI  | 5       | 8 Bolt Crankshaft, 8 Bolt Pattern         | 4C3Z6375AA  | FRA-562*  |
| <b>FALCON SEDAN DELIVERY</b> |                 |         |   |             |           |
| 1964-65                      | L6 3.3L 200 CI  |         |   | C3DZ6375B   | FRA-232   |
| 1965                         | L6 2.8L 170 CI  |         |   | C3DZ6375B   | FRA-232   |
| 1965                         | V8 4.7L 288 CI  |         | exc. Special Eng.;                        | C3AZ6375L   | FRA-203*  |
| <b>FREESTAR</b>              |                 |         |   |             |           |
| 2004-07                      | V6 3.9L 238 CI  | 6       |   | 2F2Z6375AA  | FRA-494   |
| 2004-07                      | V6 4.2L 256 CI  | 2       |   | 2F2Z6375AA  | FRA-494   |
| <b>P-100</b>                 |                 |         |   |             |           |
| 1965-67                      | L6 2.8L 170 CI  |         |   | C3DZ6375B   | FRA-232   |
| <b>P-350</b>                 |                 |         |   |             |           |
| 1968-72                      | L6 3.9L 240 CI  | A       | w/o Weight                                | C5TZ6375T   | FRA-206   |
| 1968-76                      | L6 4.9L 300 CI  | B       | w/o Weight                                | C5TZ6375T   | FRA-206   |
| 1972                         | V8 5.0L 302 CI  | G       | exc. Thermactor Emission Control System   | E0AZ6375A   | FRA-205   |
| 1976                         | V8 5.0L 302 CI  | G       | exc. Thermactor Emission Control System   | E0AZ6375A   | FRA-205   |
| 1972-73                      | V8 6.4L 390 CI  | H       | 184 Teeth; w/o Weight                     | C5AZ6375D   | FRA-212   |
| 1973                         | V8 5.9L 360 CI  | Y       | 184 Teeth; w/o Weight                     | C5AZ6375D   | FRA-212   |
| <b>RANCHERO</b>              |                 |         |   |             |           |
| 1965                         | L6 2.8L 170 CI  |         |   | C3DZ6375B   | FRA-232   |
| 1965-67                      | V8 4.7L 288 CI  |         | exc. Special Eng.                         | C3AZ6375L   | FRA-203*  |
| 1966-67                      | V8 4.7L 289 CI  |         | exc. Special Eng.                         | C3AZ6375L   | FRA-203*  |
| 1965-68                      | L6 3.3L 200 CI  | T       |   | C3DZ6375B   | FRA-232   |
| 1968-69                      | V8 6.4L 390 CI  | Y, S    | 184 Teeth; w/o Weight                     | C5AZ6375D   | FRA-212   |
| 1968-69                      | V8 7.0L 428 CI  | Q       | Including Police Cars                     | C6AZ6375B   | FRA-224   |
| 1968-74                      | V8 5.0L 302 CI  | F       | 157 Teeth; w/Weight                       | C3AZ6375L   | FRA-203*  |
| 1969                         | L6 4.1L 250 CI  | L       |   | C5TZ6375T   | FRA-206   |
| 1969-76                      | V8 5.8L 351 CI  | M, H, Q | w/ Weight, Exc. C6 Trans.                 | E0AZ6375A   | FRA-205   |
| 1970-73                      | V8 7.0L 429 CI  | C, J, N | w/o Weight                                | D1SZ6375A   | FRA-207   |
| 1969-73                      | L6 4.1L 250 CI  | L       | 157 Teeth; w/o Weight, Exc. 1BBL          | C9OZ6375A   | FRA-204   |
| 1972-78                      | V8 6.6L 400 CI  | S       | 164 Teeth; w/Weight                       | D1AZ6375A   | FRA-201   |
| 1971-74                      | V8 5.8L 351 CI  | H, Q, M | w/11.4" Torque Bolt Dia.                  | D1ZZ6375A   | FRA-202   |
| 1972-74                      | V8 5.8L 351 CI  | H, Q    | w/9.5" Torque Bolt Dia., w/Cobra Jet Eng. | D1ZZ6375C   | FRA-220   |

\*Available in Heavy Duty-SFI Versions

FRA 84

# FLEXPLATES APPLICATIONS

| Years                         | Engine         | VIN     | Remarks                | OE                             | Pioneer # |
|-------------------------------|----------------|---------|------------------------|--------------------------------|-----------|
| <b>FORD TRUCK</b>             |                |         |                        |                                |           |
| <b>RANCHERO</b>               |                |         |                        |                                |           |
| 1974-77                       | V8 7.5L 460 CI | A       | Police Car; w/o Weight | D1SZ6375A                      | FRA-207   |
| 1975-76                       | V8 5.8L 351 CI | H       |                        | D1AZ6375A                      | FRA-201   |
| 1976                          | V8 7.5L 460 CI | A       | Police Car; w/Weight   | D9TZ6375A                      | FRA-230   |
| 1977-79                       | V8 5.0L 302 CI | F       |                        | E0AZ6375A                      | FRA-205   |
| 1979                          | V8 5.0L 302 CI | F       |                        | D1ZZ6375A                      | FRA-202   |
| <b>RANGER</b>                 |                |         |                        |                                |           |
| 1983-84                       | L4 2.3L 140 CI | A       |                        | D5FZ6375A                      | FRA-209   |
| 1983-84                       | V6 2.8L 171 CI | S       |                        | D4ZZ6375C                      | FRA-222   |
| 1985                          | V6 2.8L 171 CI | S       | w/o Weight             | E5TZ6375B                      | FRA-217   |
| 1985-97                       | L4 2.3L 140 CI | E, A    | w/o Weight             | E5TZ6375D                      | FRA-216   |
| 1986-92                       | V6 2.9L 177 CI | T       | w/o Weight             | E5TZ6375B                      | FRA-217   |
| 1990-96                       | V6 4.0L 245 CI | X       | w/o Weight             | E5TZ6375B                      | FRA-217   |
| 1997-01                       | V6 4.0L 245 CI | X, E    |                        | F77Z6375AA                     | FRA-441   |
| 1998-01                       | L4 2.5L 153 CI | C       | w/o Weight             | E5TZ6375D                      | FRA-216   |
| 1991-08                       | V6 3.0L 182 CI | U, V    | w/o Weight             | E69Z6375A                      | FRA-218   |
| 2002-11                       | V6 4.0L 245 CI | E       |                        | 1L2Z6375CA                     | FRA-544   |
| <b>WINDSTAR</b>               |                |         |                        |                                |           |
| 1995                          | V6 3.8L 232 CI | 4       | w/ Weight              | F1DZ6375C                      | FRA-417   |
| 1995-00                       | V6 3.0L 182 CI | U       |                        | F5DZ6375A                      | FRA-467   |
| 2001-02                       | V6 3.8L 232 CI | 4       |                        | 1F2Z6375CA                     | FRA-492   |
| 2003                          | V6 3.8L 232 CI | 4       |                        | 2F2Z6375AA                     | FRA-494   |
| <b>GMC</b>                    |                |         |                        |                                |           |
| <b>ENVOY XL</b>               |                |         |                        |                                |           |
| 2002-06                       | L6 4.2L 256 CI | S       |                        |                                | FRA-559   |
| 2003-06                       | V8 5.3L 325 CI | P, M    | 168 Teeth; w/o Weight  | 12563136 / 12580709 / 12606620 | FRA-471*  |
| <b>ENVOY XUV</b>              |                |         |                        |                                |           |
| 2004-05                       | V8 5.3L 325 CI | P, M    | 168 Teeth; w/o Weight  | 12563136 / 12580709 / 12606620 | FRA-471*  |
| 2004-05                       | L6 4.2L 256 CI | S       |                        |                                | FRA-559   |
| <b>SIERRA 1500 CLASSIC</b>    |                |         |                        |                                |           |
| 2007                          | V6 4.3L 262 CI | X       |                        | 12555640                       | FRA-472   |
| 2007                          | V8 4.8L 294 CI | V       | 168 Teeth; w/o Weight  | 12563136 / 12580709 / 12606620 | FRA-471*  |
| 2007                          | V8 5.3L 325 CI | T, B, Z | 168 Teeth; w/o Weight  | 12563136 / 12580709 / 12606620 | FRA-471*  |
| 2007                          | V8 6.0L 364 CI | N       | 168 Teeth; w/o Weight  | 12563136 / 12580709 / 12606620 | FRA-471*  |
| <b>SIERRA 1500 HD CLASSIC</b> |                |         |                        |                                |           |
| 2007                          | V8 6.0L 364 CI | U       |                        | 12563136 / 12580709 / 12606620 | FRA-471*  |
| <b>SIERRA 2500 HD CLASSIC</b> |                |         |                        |                                |           |
| 2007                          | V8 6.0L 364 CI | U       | 168 Teeth; w/o Weight  | 12563136 / 12580709 / 12606620 | FRA-471*  |
| 2007                          | V8 6.0L 364 CI | U       | w/o Spacer             | 12551367                       | FRA-452   |
| 2007                          | V8 6.0L 364 CI | U       | w/Spacer               | 12551367                       | FRA-450   |
| <b>SIERRA 3500 CLASSIC</b>    |                |         |                        |                                |           |
| 2007                          | V8 6.0L 364 CI | U       | w/o Spacer             | 12551367                       | FRA-452   |



# FLEXPLATES APPLICATIONS

| Years                      | Engine         | VIN                    | Remarks  | OE                             | Pioneer # |
|----------------------------|----------------|------------------------|--|--------------------------------|-----------|
| <b>GMC</b>                 |                |                        |  |                                |           |
| <b>SIERRA 3500 CLASSIC</b> |                |                        |  |                                |           |
| 2007                       | V8 6.0L 364 CI | U                      |  | 12563136 / 12580709 / 12606620 | FRA-471*  |
| 2007                       | V8 6.0L 364 CI | U                      | w/Spacer   | 12551367                       | FRA-450   |
| <b>TERRAIN</b>             |                |                        |  |                                |           |
| 2010-15                    | L4 2.4L 145 CI | W, C, K                |  |                                | FRA-572   |
| <b>GMC TRUCK</b>           |                |                        |  |                                |           |
| <b>C15</b>                 |                |                        |  |                                |           |
| 1975-78                    | L6 4.8L 292 CI | T                      |  | 361052                         | FRA-153   |
| 1975-78                    | L6 4.8L 292 CI | T                      | w/o Weight   | 361051                         | FRA-152   |
| 1975-78                    | V8 7.4L 454 CI | Y, S, Z                | w/ Weight  | 14001992                       | FRA-141   |
| 1975-78                    | L6 4.1L 250 CI | D, Q                   | w/o Weight; 14.13" O.D. w/168 Teeth                        | 471598                         | FRA-100*  |
| 1977-78                    | V8 5.0L 305 CI | U                      | w/o Weight; 14.13" O.D. w/168 Teeth                        | 471598                         | FRA-100*  |
| 1975-78                    | V8 5.7L 350 CI | L, Y, V                | Conventional Cab, w/o Weight; 14.13" O.D. w/168 Teeth      | 471598                         | FRA-100*  |
| 1978                       | V8 5.7L 350 CI | Z                      | w/ Weight  | 22500808                       | FRA-110   |
| 1976                       | V8 6.6L 400 CI | R, U                   | w/ Weight  | 471578                         | FRA-104*  |
| 1978                       | V8 6.6L 400 CI | R, U                   | w/ Weight  | 471578                         | FRA-104*  |
| <b>C15 SUBURBAN</b>        |                |                        |  |                                |           |
| 1975-78                    | V8 7.4L 454 CI | Z, S                   | w/ Weight  | 14001992                       | FRA-141   |
| 1975-78                    | L6 4.1L 250 CI | D, Q                   | w/o Weight; 14.13" O.D. w/168 Teeth                        | 471598                         | FRA-100*  |
| 1975-78                    | V8 5.7L 350 CI | L, V, Y                | w/o Weight; 14.13" O.D. w/168 Teeth                        | 471598                         | FRA-100*  |
| 1977-78                    | V8 5.0L 305 CI | U                      | w/o Weight; 14.13" O.D. w/168 Teeth                        | 471598                         | FRA-100*  |
| 1978                       | V8 5.7L 350 CI | Z                      | w/ Weight  | 22500808                       | FRA-110   |
| <b>C15/C1500 PICKUP</b>    |                |                        |  |                                |           |
| 1967                       | V8 4.6L 283 CI |                        | w/o Weight; 14.13" O.D. w/168 Teeth                        | 471598                         | FRA-100*  |
| 1967-68                    | V8 5.3L 327 CI | E                      | w/o Weight; 14.13" O.D. w/168 Teeth                        | 471598                         | FRA-100*  |
| 1968                       | V8 5.4L 327 CI | E                      | w/o Weight; 14.13" O.D. w/168 Teeth                        | 471598                         | FRA-100*  |
| 1968-70                    | L6 4.1L 250 CI | P, N                   |  | 471598                         | FRA-100*  |
| 1969                       | V8 5.0L 307 CI | E                      |  | 471529                         | FRA-112*  |
| 1970                       | V8 6.6L 402 CI | E                      | w/o Weight; 14.13" O.D. w/168 Teeth                        | 471598                         | FRA-100*  |
| 1971-74                    | L6 4.1L 250 CI | C, L, D, Q             | Exc. THM400 Trans., 12.85" O.D. w/153 Teeth                | 471529                         | FRA-112*  |
| 1971-72                    | V8 6.6L 402 CI | E, U                   | w/o Weight   | 361950                         | FRA-113   |
| 1968-73                    | V8 5.0L 307 CI | F, H, E, P, A, B, X    | w/o Weight; 14.13" O.D. w/168 Teeth                        | 471598                         | FRA-100*  |
| 1973                       | V8 7.4L 454 CI | Z                      | w/ Weight  | 343738                         | FRA-111*  |
| 1973-74                    | L6 4.8L 292 CI | T, S                   | w/o Weight   | 361051                         | FRA-152   |
| 1973-74                    | L6 4.8L 292 CI | S, T                   |  | 361052                         | FRA-153   |
| 1973-74                    | L6 4.8L 293 CI | S, T                   | w/o Weight   | 361051                         | FRA-152   |
| 1973-74                    | L6 4.8L 293 CI | S, T                   |  | 361052                         | FRA-153   |
| 1969-74                    | V8 5.7L 350 CI | W, J, H, E, B, V, A, Y | w/o Weight; 14.13" O.D. w/168 Teeth, Bus, Conventional Cab | 471598                         | FRA-100*  |

\*Available in Heavy Duty-SFI Versions

FRA 86

# FLEXPLATES APPLICATIONS

| Years                     | Engine         | VIN                    | Remarks   | OE                  | Pioneer # |
|---------------------------|----------------|------------------------|---|---------------------|-----------|
| <b>GMC TRUCK</b>          |                |                        |   |                     |           |
| <b>C15/C1500 PICKUP</b>   |                |                        |   |                     |           |
| 1974                      | V8 7.4L 454 CI | Z                      | w/ Weight                                       | 14001992            | FRA-141   |
| <b>C15/C1500 SUBURBAN</b> |                |                        |   |                     |           |
| 1968                      | V8 5.3L 327 CI |                        | w/o Weight; 14.13" O.D. w/168 Teeth             | 471598              | FRA-100*  |
| 1968                      | V8 5.4L 327 CI |                        | w/o Weight; 14.13" O.D. w/168 Teeth             | 471598              | FRA-100*  |
| 1968-70                   | L6 4.1L 250 CI | P, N                   |   | 471598              | FRA-100*  |
| 1968-73                   | V8 5.0L 307 CI | E, F, H, X,<br>B, A, P | w/o Weight; 14.13" O.D. w/168 Teeth             | 471598              | FRA-100*  |
| 1969                      | V8 5.0L 307 CI | E                      |   | 471529              | FRA-112*  |
| 1969-74                   | V8 5.7L 350 CI | E, W, V, Y             | w/o Weight; 14.13" O.D. w/168 Teeth             | 471598              | FRA-100*  |
| 1970                      | V8 6.6L 402 CI | E                      | w/o Weight; 14.13" O.D. w/168 Teeth             | 471598              | FRA-100*  |
| 1971-72                   | V8 6.6L 402 CI | E                      | w/o Weight                                      | 361950              | FRA-113   |
| 1973                      | V8 7.4L 454 CI | Z                      | w/ Weight                                       | 343738              | FRA-111*  |
| 1971-74                   | L6 4.1L 250 CI | Q, D, L, C             | 12.85" O.D. w/153 Teeth, Exc. THM400 Trans.     | 471529              | FRA-112*  |
| 1973-74                   | L6 4.8L 292 CI | T, S                   | w/o Weight                                      | 361051              | FRA-152   |
| 1973-74                   | L6 4.8L 293 CI | T, S                   |   | 361052              | FRA-153   |
| 1973-74                   | L6 4.8L 292 CI | S, T                   |   | 361052              | FRA-153   |
| 1973-74                   | L6 4.8L 293 CI | S, T                   | w/o Weight                                      | 361051              | FRA-152   |
| 1974                      | V8 7.4L 454 CI | Z                      | w/ Weight                                       | 14001992            | FRA-141   |
| <b>C1500</b>              |                |                        |   |                     |           |
| 1979                      | L6 4.8L 292 CI | T                      | w/o Weight                                      | 361051              | FRA-152   |
| 1979-85                   | V8 5.0L 305 CI | U, F, G, H             | w/o Weight; 14.13" O.D. w/168 Teeth             | 471598              | FRA-100*  |
| 1979-80                   | V8 6.6L 400 CI | R, X                   | w/Weight, w/ Weight                             | 471578              | FRA-104*  |
| 1979-81                   | V8 5.7L 350 CI | Z                      | w/ Weight                                       | 22500808            | FRA-110   |
| 1979-84                   | L6 4.1L 250 CI | D                      | w/o Weight; 14.13" O.D. w/168 Teeth             | 471598              | FRA-100*  |
| 1979-80                   | L6 4.8L 292 CI | T                      | w/o Weight                                      | 14002590            | FRA-157   |
| 1979-80                   | V8 7.4L 454 CI | W, S                   | w/ Weight                                       | 14001992            | FRA-141   |
| 1979-85                   | V8 5.7L 350 CI | L, M, P                | w/o Weight, w/o Weight; 14.13" O.D. w/168 Teeth | 471598              | FRA-100*  |
| 1985                      | V6 4.3L 262 CI | N                      | w/o Weight; 14.13" O.D. w/168 Teeth             | 471598              | FRA-100*  |
| 1980-83                   | V8 5.7L 350 CI | M, L                   |   | 471597              | FRA-126   |
| 1985                      | V8 5.7L 350 CI | M, L                   |   | 471597              | FRA-126   |
| 1986                      | V6 4.3L 262 CI | N, Z, W                |   | 14088761            | FRA-159*  |
| 1988-98                   | V6 4.3L 262 CI | N, Z, W                |   | 14088761            | FRA-159*  |
| 1986                      | V8 5.0L 305 CI | F, M, H                | w/ Weight                                       | 14088761            | FRA-159*  |
| 1988-99                   | V8 5.0L 305 CI | F, M, H                | w/ Weight                                       | 14088761            | FRA-159*  |
| 1982                      | V8 6.2L 379 CI | J                      |   | 14077157            | FRA-142   |
| 1986                      | V8 6.2L 379 CI | J                      |   | 14077157            | FRA-142   |
| 1991-93                   | V6 4.3L 262 CI | Z                      |   | 12554824 / 14088767 | FRA-161   |
| 1991-99                   | V8 5.0L 305 CI | H, M                   |   | 12554824 / 14088767 | FRA-161   |
| 1982-86                   | V8 6.2L 379 CI | C                      |   | 14077158            | FRA-143   |

# FLEXPLATES APPLICATIONS

| Years                   | Engine         | VIN        | Remarks   | OE                  | Pioneer # |
|-------------------------|----------------|------------|---|---------------------|-----------|
| <b>GMC TRUCK</b>        |                |            |   |                     |           |
| <b>C1500</b>            |                |            |   |                     |           |
| 1988-93                 | V8 6.2L 379 CI | C          |   | 14077158            | FRA-143   |
| 1994                    | V8 6.5L 395 CI | P          |   | 14077158            | FRA-143   |
| 1994-97                 | V8 6.5L 395 CI | S, F       | w/ Weight   | 14077157            | FRA-142   |
| 1986                    | V8 5.7L 350 CI | R, K, M, L |   | 14088761            | FRA-159*  |
| 1988-98                 | V8 5.7L 350 CI | R, K, M, L |   | 14088761            | FRA-159*  |
| 1991-99                 | V8 5.7L 350 CI | R, K       |   | 12554824 / 14088767 | FRA-161   |
| <b>C1500 SUBURBAN</b>   |                |            |   |                     |           |
| 1979-80                 | L6 4.1L 250 CI | D          | w/o Weight; 14.13" O.D. w/168 Teeth                   | 471598              | FRA-100*  |
| 1979-81                 | V8 5.7L 350 CI | Z          | w/ Weight   | 22500808            | FRA-110   |
| 1979-80                 | V8 7.4L 454 CI | W, S       | w/ Weight   | 14001992            | FRA-141   |
| 1979-85                 | V8 5.0L 305 CI | G, F, H, U | w/o Weight; 14.13" O.D. w/168 Teeth                   | 471598              | FRA-100*  |
| 1982-86                 | V8 6.2L 379 CI | C          |   | 14077158            | FRA-143   |
| 1979-85                 | V8 5.7L 350 CI | M, L       | w/o Weight; 14.13" O.D. w/168 Teeth                   | 471598              | FRA-100*  |
| 1986                    | V8 5.0L 305 CI | F, H       |   | 14088761            | FRA-159*  |
| 1986                    | V8 5.7L 350 CI | M, R, K, L |   | 14088761            | FRA-159*  |
| 1992-99                 | V8 5.7L 350 CI | M, R, K, L |   | 14088761            | FRA-159*  |
| 1992-99                 | V8 5.7L 350 CI | R, K       |   | 12554824 / 14088767 | FRA-161   |
| 1995-99                 | V8 6.5L 395 CI | F          | w/ Weight   | 14077157            | FRA-142   |
| <b>C25</b>              |                |            |   |                     |           |
| 1975-78                 | L6 4.8L 292 CI | T          | w/o Weight  | 361051              | FRA-152   |
| 1975-78                 | L6 4.8L 292 CI | T          |   | 361052              | FRA-153   |
| 1975-78                 | V8 7.4L 454 CI | S, Z, Y    | w/ Weight   | 14001992            | FRA-141   |
| 1975                    | L6 4.1L 250 CI | D, Q       | w/o Weight; 14.13" O.D. w/168 Teeth                   | 471598              | FRA-100*  |
| 1977-78                 | L6 4.1L 250 CI | D, Q       | w/o Weight; 14.13" O.D. w/168 Teeth                   | 471598              | FRA-100*  |
| 1977-78                 | V8 5.0L 305 CI | U          | w/o Weight; 14.13" O.D. w/168 Teeth                   | 471598              | FRA-100*  |
| 1976-78                 | V8 6.6L 400 CI | R, U       | w/Weight, w/ Weight                                   | 471578              | FRA-104*  |
| 1975-78                 | V8 5.7L 350 CI | L, Y, V    | Conventional Cab, w/o Weight; 14.13" O.D. w/168 Teeth | 471598              | FRA-100*  |
| <b>C25 SUBURBAN</b>     |                |            |   |                     |           |
| 1975-78                 | V8 5.7L 350 CI | Y, V, L    | w/o Weight; 14.13" O.D. w/168 Teeth                   | 471598              | FRA-100*  |
| 1975-78                 | L6 4.8L 292 CI | T          |   | 361052              | FRA-153   |
| 1975-78                 | L6 4.8L 292 CI | T          | w/o Weight  | 361051              | FRA-152   |
| 1975-78                 | V8 7.4L 454 CI | Y, S, Z    | w/ Weight   | 14001992            | FRA-141   |
| 1977-78                 | V8 5.0L 305 CI | U          | w/o Weight; 14.13" O.D. w/168 Teeth                   | 471598              | FRA-100*  |
| 1978                    | V8 6.6L 400 CI | R          | w/ Weight   | 471578              | FRA-104*  |
| <b>C25/C2500 PICKUP</b> |                |            |   |                     |           |
| 1967                    | V8 4.6L 283 CI |            | w/o Weight; 14.13" O.D. w/168 Teeth                   | 471598              | FRA-100*  |
| 1967-68                 | V8 5.3L 327 CI | E          | w/o Weight; 14.13" O.D. w/168 Teeth                   | 471598              | FRA-100*  |
| 1968                    | V8 5.4L 327 CI | E          | w/o Weight; 14.13" O.D. w/168 Teeth                   | 471598              | FRA-100*  |
| 1968-70                 | L6 4.1L 250 CI | P, N       |   | 471598              | FRA-100*  |

\*Available in Heavy Duty-SFI Versions

FRA 88

# FLEXPLATES APPLICATIONS

| Years                     | Engine         | VIN                    | Remarks                                     | OE       | Pioneer # |
|---------------------------|----------------|------------------------|---|----------|-----------|
| <b>GMC TRUCK</b>          |                |                        |   |          |           |
| <b>C25/C2500 PICKUP</b>   |                |                        |   |          |           |
| 1969                      | V8 5.0L 307 CI | E                      |   | 471529   | FRA-112*  |
| 1970                      | V8 6.6L 402 CI | E                      | w/o Weight; 14.13" O.D. w/168 Teeth         | 471598   | FRA-100*  |
| 1971-74                   | L6 4.1L 250 CI | C, Q, D, L             | Exc. THM400 Trans., 12.85" O.D. w/153 Teeth | 471529   | FRA-112*  |
| 1968-73                   | V8 5.0L 307 CI | F, H, A, B, E, P, X    | w/o Weight; 14.13" O.D. w/168 Teeth         | 471598   | FRA-100*  |
| 1971-72                   | V8 6.6L 402 CI | U, K                   | w/o Weight                                  | 361950   | FRA-113   |
| 1973                      | V8 7.4L 454 CI | Z                      | w/ Weight                                   | 343738   | FRA-111*  |
| 1973-74                   | L6 4.8L 292 CI | T, S                   |   | 361052   | FRA-153   |
| 1973-74                   | L6 4.8L 292 CI | T, S                   | w/o Weight                                  | 361051   | FRA-152   |
| 1973-74                   | L6 4.8L 293 CI | T, S                   |   | 361052   | FRA-153   |
| 1973-74                   | L6 4.8L 293 CI | T, S                   | w/o Weight                                  | 361051   | FRA-152   |
| 1969-74                   | V8 5.7L 350 CI | V, E, A, Y, B, W       | w/o Weight; 14.13" O.D. w/168 Teeth         | 471598   | FRA-100*  |
| 1974                      | V8 7.4L 454 CI | Z                      | w/ Weight                                   | 14001992 | FRA-141   |
| <b>C25/C2500 SUBURBAN</b> |                |                        |   |          |           |
| 1968                      | V8 5.3L 327 CI | E                      | w/o Weight; 14.13" O.D. w/168 Teeth         | 471598   | FRA-100*  |
| 1968                      | V8 5.4L 327 CI | E                      | w/o Weight; 14.13" O.D. w/168 Teeth         | 471598   | FRA-100*  |
| 1969                      | V8 5.0L 307 CI | U                      |   | 471529   | FRA-112*  |
| 1968-70                   | L6 4.1L 250 CI | N, P                   |   | 471598   | FRA-100*  |
| 1970                      | V8 6.6L 402 CI | E                      | w/o Weight; 14.13" O.D. w/168 Teeth         | 471598   | FRA-100*  |
| 1968-73                   | V8 5.0L 307 CI | H, B, U, E, F, X, P, A | w/o Weight; 14.13" O.D. w/168 Teeth         | 471598   | FRA-100*  |
| 1971-72                   | V8 6.6L 402 CI | E                      | w/o Weight                                  | 361950   | FRA-113   |
| 1971-74                   | L6 4.1L 250 CI | D, L, Q, C             | Exc. THM400 Trans., 12.85" O.D. w/153 Teeth | 471529   | FRA-112*  |
| 1973-74                   | L6 4.8L 292 CI | T                      |   | 361052   | FRA-153   |
| 1973-74                   | L6 4.8L 292 CI | T                      | w/o Weight                                  | 361051   | FRA-152   |
| 1973-74                   | L6 4.8L 293 CI | T                      |   | 361052   | FRA-153   |
| 1973-74                   | L6 4.8L 293 CI | T                      | w/o Weight                                  | 361051   | FRA-152   |
| 1969-72                   | V8 5.7L 350 CI | V, E, Y, B, H          | w/o Weight; 14.13" O.D. w/168 Teeth         | 471598   | FRA-100*  |
| 1974                      | V8 5.7L 350 CI | V, E, Y, B, H          | w/o Weight; 14.13" O.D. w/168 Teeth         | 471598   | FRA-100*  |
| 1974                      | V8 7.4L 454 CI | Z                      | w/ Weight                                   | 14001992 | FRA-141   |
| <b>C2500</b>              |                |                        |   |          |           |
| 1979                      | L6 4.8L 292 CI | T                      | w/o Weight                                  | 361051   | FRA-152   |
| 1979-86                   | L6 4.8L 292 CI | T                      | w/o Weight                                  | 14002590 | FRA-157   |
| 1979-85                   | V8 5.0L 305 CI | U, H, G                | w/o Weight; 14.13" O.D. w/168 Teeth         | 471598   | FRA-100*  |
| 1979                      | V8 6.6L 400 CI | R                      | w/Weight, w/ Weight                         | 471578   | FRA-104*  |
| 1979-84                   | L6 4.1L 250 CI | D                      | w/o Weight; 14.13" O.D. w/168 Teeth         | 471598   | FRA-100*  |
| 1980-83                   | V8 5.7L 350 CI | P, L, M                | Rear Disc Brakes                            | 471597   | FRA-126   |
| 1985                      | V8 5.7L 350 CI | P, L, M                | Rear Disc Brakes                            | 471597   | FRA-126   |
| 1979-85                   | V8 5.7L 350 CI | L, M                   | w/o Weight; 14.13" O.D. w/168 Teeth         | 471598   | FRA-100*  |
| 1979-86                   | V8 7.4L 454 CI | W, S                   | w/ Weight                                   | 14001992 | FRA-141   |

# FLEXPLATES APPLICATIONS

| Years                 | Engine         | VIN        | Remarks                             | OE                  | Pioneer # |
|-----------------------|----------------|------------|-------------------------------------|---------------------|-----------|
| <b>GMC TRUCK</b>      |                |            |                                     |                     |           |
| <b>C2500</b>          |                |            |                                     |                     |           |
| 1985                  | V6 4.3L 262 CI | N          | w/o Weight; 14.13" O.D. w/168 Teeth | 471598              | FRA-100*  |
| 1986                  | V8 5.7L 350 CI | K, M, R, L | 168 Teeth, w/ Weight                | 14088761            | FRA-159*  |
| 1988-00               | V8 5.7L 350 CI | K, M, R, L | 168 Teeth, w/ Weight                | 14088761            | FRA-159*  |
| 1982-86               | V8 6.2L 379 CI | C          |                                     | 14077158            | FRA-143   |
| 1988-93               | V8 6.2L 379 CI | C          |                                     | 14077158            | FRA-143   |
| 1982-86               | V8 6.2L 379 CI | J          | w/ Weight                           | 14077157            | FRA-142   |
| 1989-93               | V8 6.2L 379 CI | J          | w/ Weight                           | 14077157            | FRA-142   |
| 1986                  | V8 5.0L 305 CI | H, M       | 168 Teeth, w/ Weight                | 14088761            | FRA-159*  |
| 1988-98               | V8 5.0L 305 CI | H, M       | 168 Teeth, w/ Weight                | 14088761            | FRA-159*  |
| 1991-93               | V6 4.3L 262 CI | Z          |                                     | 12554824 / 14088767 | FRA-161   |
| 1991-98               | V8 5.0L 305 CI | H, M       |                                     | 12554824 / 14088767 | FRA-161   |
| 1991-00               | V8 5.7L 350 CI | K, R       |                                     | 12554824 / 14088767 | FRA-161   |
| 1991-00               | V8 7.4L 454 CI | N, J       | w/ Weight                           | 10101170            | FRA-321   |
| 1986                  | V6 4.3L 262 CI | Z, N       | w/ Weight                           | 14088761            | FRA-159*  |
| 1988-95               | V6 4.3L 262 CI | Z, N       | w/ Weight                           | 14088761            | FRA-159*  |
| 1994                  | V8 6.5L 395 CI | P          |                                     | 14077158            | FRA-143   |
| 1992-00               | V8 6.5L 395 CI | F, S       | w/ Weight                           | 14077157            | FRA-142   |
| <b>C2500 SUBURBAN</b> |                |            |                                     |                     |           |
| 1979                  | L6 4.8L 292 CI | T          | w/o Weight                          | 361051              | FRA-152   |
| 1979-82               | L6 4.8L 292 CI | T          | w/o Weight                          | 14002590            | FRA-157   |
| 1984                  | L6 4.8L 292 CI | T          | w/o Weight                          | 14002590            | FRA-157   |
| 1979-85               | V8 5.7L 350 CI | L, M       | w/o Weight; 14.13" O.D. w/168 Teeth | 471598              | FRA-100*  |
| 1980                  | V8 6.6L 400 CI | X          | w/Weight, w/ Weight                 | 471578              | FRA-104*  |
| 1979-86               | V8 7.4L 454 CI | W, S       | w/ Weight                           | 14001992            | FRA-141   |
| 1982-85               | V8 5.0L 305 CI | H          | w/o Weight; 14.13" O.D. w/168 Teeth | 471598              | FRA-100*  |
| 1982-86               | V8 6.2L 379 CI | C          |                                     | 14077158            | FRA-143   |
| 1982-86               | V8 6.2L 379 CI | J          |                                     | 14077157            | FRA-142   |
| 1986                  | V8 5.0L 305 CI | H          |                                     | 14088761            | FRA-159*  |
| 1986                  | V8 5.7L 350 CI | K, L, M, R |                                     | 14088761            | FRA-159*  |
| 1992-99               | V8 5.7L 350 CI | K, L, M, R |                                     | 14088761            | FRA-159*  |
| 1992-99               | V8 5.7L 350 CI | K, R       |                                     | 12554824 / 14088767 | FRA-161   |
| 1992-99               | V8 7.4L 454 CI | N, J       | w/ Weight                           | 10101170            | FRA-321   |
| 1994-99               | V8 6.5L 395 CI | F          | w/ Weight                           | 14077157            | FRA-142   |
| <b>C35</b>            |                |            |                                     |                     |           |
| 1975                  | L6 4.1L 250 CI | Q, D       | w/o Weight; 14.13" O.D. w/168 Teeth | 471598              | FRA-100*  |
| 1978                  | L6 4.1L 250 CI | Q, D       | w/o Weight; 14.13" O.D. w/168 Teeth | 471598              | FRA-100*  |
| 1975-78               | V8 7.4L 454 CI | Z, Y, S    | w/ Weight                           | 14001992            | FRA-141   |
| 1975-78               | L6 4.8L 292 CI | T          |                                     | 361052              | FRA-153   |
| 1975-78               | L6 4.8L 292 CI | T          | w/o Weight                          | 361051              | FRA-152   |
| 1976-78               | V8 6.6L 400 CI | U, R       | w/Weight, w/ Weight                 | 471578              | FRA-104*  |

\*Available in Heavy Duty-SFI Versions

FRA 90

# FLEXPLATES APPLICATIONS

| Years                   | Engine         | VIN                 | Remarks   | OE                  | Pioneer # |
|-------------------------|----------------|---------------------|---|---------------------|-----------|
| <b>GMC TRUCK</b>        |                |                     |   |                     |           |
| <b>C35</b>              |                |                     |   |                     |           |
| 1978                    | V8 5.0L 305 CI | U                   | w/o Weight; 14.13" O.D. w/168 Teeth                   | 471598              | FRA-100*  |
| 1975-78                 | V8 5.7L 350 CI | L, V, Y             | Conventional Cab, w/o Weight; 14.13" O.D. w/168 Teeth | 471598              | FRA-100*  |
| <b>C35/C3500 PICKUP</b> |                |                     |   |                     |           |
| 1967                    | V8 4.6L 283 CI |                     | w/o Weight; 14.13" O.D. w/168 Teeth                   | 471598              | FRA-100*  |
| 1967-68                 | V8 5.3L 327 CI | E                   | w/o Weight; 14.13" O.D. w/168 Teeth                   | 471598              | FRA-100*  |
| 1968                    | V8 5.4L 327 CI | E                   | w/o Weight; 14.13" O.D. w/168 Teeth                   | 471598              | FRA-100*  |
| 1969                    | V8 5.0L 307 CI | E                   |   | 471529              | FRA-112*  |
| 1968-70                 | L6 4.1L 250 CI | N, P                |   | 471598              | FRA-100*  |
| 1970                    | V8 6.6L 402 CI | E                   | w/o Weight; 14.13" O.D. w/168 Teeth                   | 471598              | FRA-100*  |
| 1969-74                 | V8 5.7L 350 CI | B, V, A, Y, E       | w/o Weight; 14.13" O.D. w/168 Teeth                   | 471598              | FRA-100*  |
| 1971-72                 | V8 6.6L 402 CI | K, U                | w/o Weight  | 361950              | FRA-113   |
| 1968-73                 | V8 5.0L 307 CI | F, A, X, P, E, B, H | w/o Weight; 14.13" O.D. w/168 Teeth                   | 471598              | FRA-100*  |
| 1973                    | V8 7.4L 454 CI | Z                   | w/ Weight   | 343738              | FRA-111*  |
| 1971-74                 | L6 4.1L 250 CI | Q, L, D, C          | 12.85" O.D. w/153 Teeth, Exc. THM400 Trans.           | 471529              | FRA-112*  |
| 1973-74                 | L6 4.8L 292 CI | T, S                |   | 361052              | FRA-153   |
| 1973-74                 | L6 4.8L 292 CI | T, S                | w/o Weight  | 361051              | FRA-152   |
| 1973-74                 | L6 4.8L 293 CI | T, S                | w/o Weight  | 361051              | FRA-152   |
| 1973-74                 | L6 4.8L 293 CI | S, T                |   | 361052              | FRA-153   |
| 1974                    | V8 7.4L 454 CI | Z                   | w/ Weight   | 14001992            | FRA-141   |
| <b>C3500</b>            |                |                     |   |                     |           |
| 1979                    | L6 4.8L 292 CI | T                   | w/o Weight  | 361051              | FRA-152   |
| 1979-85                 | V8 5.7L 350 CI | L, M                | w/o Weight; 14.13" O.D. w/168 Teeth                   | 471598              | FRA-100*  |
| 1979                    | V8 6.6L 400 CI | R                   | w/ Weight   | 471578              | FRA-104*  |
| 1979-80                 | L6 4.1L 250 CI | D                   | w/o Weight; 14.13" O.D. w/168 Teeth                   | 471598              | FRA-100*  |
| 1979-86                 | L6 4.8L 292 CI | T                   | w/o Weight  | 14002590            | FRA-157   |
| 1980-83                 | V8 5.7L 350 CI | M, L                |   | 471597              | FRA-126   |
| 1985                    | V8 5.7L 350 CI | M, L                |   | 471597              | FRA-126   |
| 1986                    | V8 5.0L 305 CI | H                   |   | 14088761            | FRA-159*  |
| 1982-86                 | V8 6.2L 379 CI | J                   | w/ Weight   | 14077157            | FRA-142   |
| 1988-93                 | V8 6.2L 379 CI | J                   | w/ Weight   | 14077157            | FRA-142   |
| 1979-86                 | V8 7.4L 454 CI | N, W, S             | w/ Weight   | 14001992            | FRA-141   |
| 1988-90                 | V8 7.4L 454 CI | N, W, S             | w/ Weight   | 14001992            | FRA-141   |
| 1986                    | V8 5.7L 350 CI | K, R, M             |   | 14088761            | FRA-159*  |
| 1988-00                 | V8 5.7L 350 CI | K, R, M             |   | 14088761            | FRA-159*  |
| 1991-00                 | V8 5.7L 350 CI | K, R                |   | 12554824 / 14088767 | FRA-161   |
| 1991-00                 | V8 7.4L 454 CI | J, N                | w/ Weight   | 10101170            | FRA-321   |
| 1992-00                 | V8 6.5L 395 CI | S, F                | w/ Weight   | 14077157            | FRA-142   |
| <b>CABALLERO</b>        |                |                     |   |                     |           |
| 1978                    | V6 3.3L 200 CI | M                   | w/o Weight; 14.13" O.D. w/168 Teeth                   | 471598              | FRA-100*  |

# FLEXPLATES APPLICATIONS

| Years                | Engine         | VIN                 | Remarks                                      | OE                             | Pioneer # |
|----------------------|----------------|---------------------|--|--------------------------------|-----------|
| <b>GMC TRUCK</b>     |                |                     |  |                                |           |
| <b>CABALLERO</b>     |                |                     |  |                                |           |
| 1978                 | V6 3.8L 232 CI | A                   | w/o Weight                                   | 1257041                        | FRA-129   |
| 1978-85              | V8 5.0L 305 CI | U, H                | 12.85" O.D. w/153 Teeth, w/Lock up Converter | 471529                         | FRA-112*  |
| 1979                 | V6 3.8L 231 CI | 2                   | w/o Weight                                   | 25501867                       | FRA-130   |
| 1979-80              | V6 3.8L 232 CI | A                   | w/o Weight                                   | 25501867                       | FRA-130   |
| 1980-82              | V8 4.4L 267 CI | J                   | w/Lock up Converter, 12.85" O.D. w/153 Teeth | 471529                         | FRA-112*  |
| 1980                 | V8 4.4L 267 CI | J                   | w/o Weight; 14.13" O.D. w/168 Teeth          | 471598                         | FRA-100*  |
| 1980-84              | V6 3.8L 229 CI | K, 9                | 12.85" O.D. w/153 Teeth                      | 471529                         | FRA-112*  |
| 1981-83              | V6 3.8L 232 CI | A                   | 2nd Design, w/1 Piece Harmonic Balancer      | 25512346                       | FRA-134   |
| 1983                 | V8 5.7L 350 CI | N                   | w/ Weight                                    | 22500808                       | FRA-110   |
| 1983-84              | V6 3.8L 232 CI | A                   | w/o Weight                                   | 25512348                       | FRA-137   |
| 1978-79              | V8 5.7L 350 CI | N, L                | w/o Weight; 14.13" O.D. w/168 Teeth          | 471598                         | FRA-100*  |
| 1984                 | V8 5.7L 350 CI | N, L                | w/o Weight; 14.13" O.D. w/168 Teeth          | 471598                         | FRA-100*  |
| 1985                 | V6 4.3L 262 CI | Z                   | w/o Weight; 14.13" O.D. w/168 Teeth          | 471598                         | FRA-100*  |
| 1986                 | V8 5.0L 305 CI | H                   | w/ Weight                                    | 14088765                       | FRA-160*  |
| 1986-87              | V6 4.3L 262 CI | Z                   | 153 Teeth; w/Weight, w/ Weight               | 14088765                       | FRA-160*  |
| 1987                 | V8 5.0L 305 CI | H                   | 168 Teeth;                                   | 14088761                       | FRA-159*  |
| <b>CANYON</b>        |                |                     |  |                                |           |
| 2009-12              | V8 5.3L 325 CI | L, P                | 168 Teeth; w/o Weight                        | 12563136 / 12580709 / 12606620 | FRA-471*  |
| <b>ENVOY</b>         |                |                     |  |                                |           |
| 2002-08              | L6 4.2L 256 CI | S                   |  |                                | FRA-559   |
| 2005-09              | V8 5.3L 325 CI | M                   | 168 Teeth; w/o Weight                        | 12563136 / 12580709 / 12606620 | FRA-471*  |
| <b>G15</b>           |                |                     |  |                                |           |
| 1975-78              | V8 5.7L 350 CI | V, L, Y             | w/o Weight; 14.13" O.D. w/168 Teeth          | 471598                         | FRA-100*  |
| 1976                 | V8 6.6L 400 CI | U                   | w/ Weight                                    | 471578                         | FRA-104*  |
| 1975-78              | L6 4.1L 250 CI | D, Q                | w/o Weight; 14.13" O.D. w/168 Teeth          | 471598                         | FRA-100*  |
| 1977-78              | V8 5.0L 305 CI | U                   | w/o Weight; 14.13" O.D. w/168 Teeth          | 471598                         | FRA-100*  |
| <b>G15/G1500 VAN</b> |                |                     |  |                                |           |
| 1967                 | V8 4.6L 283 CI |                     | w/o Weight; 14.13" O.D. w/168 Teeth          | 471598                         | FRA-100*  |
| 1967                 | V8 5.4L 327 CI |                     | w/o Weight; 14.13" O.D. w/168 Teeth          | 471598                         | FRA-100*  |
| 1969                 | L6 3.8L 230 CI | S                   | Forward Control                              | 471598                         | FRA-100*  |
| 1969-73              | V8 5.0L 307 CI | B, H, X, P, F, E, A | 12.85" O.D. w/153 Teeth                      | 471529                         | FRA-112*  |
| 1968-72              | V8 5.0L 307 CI | P, F, B, E, H, A    | w/o Weight; 14.13" O.D. w/168 Teeth          | 471598                         | FRA-100*  |
| 1973-74              | L6 4.1L 250 CI | Q                   | 12.85" O.D. w/153 Teeth                      | 471529                         | FRA-112*  |
| 1971-74              | V8 5.7L 350 CI | Y, V, A, B, E       | w/o Weight; 14.13" O.D. w/168 Teeth          | 471598                         | FRA-100*  |
| <b>G1500</b>         |                |                     |  |                                |           |
| 1979-84              | L6 4.1L 250 CI | D                   | w/o Weight; 14.13" O.D. w/168 Teeth          | 471598                         | FRA-100*  |
| 1979-85              | V8 5.7L 350 CI | L                   | w/o Weight; 14.13" O.D. w/168 Teeth          | 471598                         | FRA-100*  |
| 1979-85              | V8 5.0L 305 CI | H, F, U, G          | w/o Weight; 14.13" O.D. w/168 Teeth          | 471598                         | FRA-100*  |

\*Available in Heavy Duty-SFI Versions

FRA 92

# FLEXPLATES APPLICATIONS

| Years                | Engine         | VIN                    | Remarks   | OE       | Pioneer # |
|----------------------|----------------|------------------------|---|----------|-----------|
| <b>GMC TRUCK</b>     |                |                        |   |          |           |
| <b>G1500</b>         |                |                        |   |          |           |
| 1985                 | V6 4.3L 262 CI | N                      | w/o Weight; 14.13" O.D. w/168 Teeth   | 471598   | FRA-100*  |
| 1986-95              | V6 4.3L 262 CI | N, Z                   |   | 14088761 | FRA-159*  |
| 1986-95              | V8 5.0L 305 CI | H, F                   |   | 14088761 | FRA-159*  |
| 1986-93              | V8 5.7L 350 CI | K, L                   |   | 14088761 | FRA-159*  |
| <b>G25</b>           |                |                        |   |          |           |
| 1975-78              | V8 5.7L 350 CI | Y, V, L                | w/o Weight; 14.13" O.D. w/168 Teeth   | 471598   | FRA-100*  |
| 1975-78              | L6 4.8L 292 CI | T                      |   | 361052   | FRA-153   |
| 1975-78              | L6 4.8L 292 CI | T                      | w/o Weight  | 361051   | FRA-152   |
| 1975-78              | V8 6.6L 400 CI | U, R, M                | w/Weight, w/ Weight   | 471578   | FRA-104*  |
| 1975-76              | V8 7.4L 454 CI | S, Z                   | w/ Weight   | 14001992 | FRA-141   |
| 1977-78              | V8 5.0L 305 CI | U                      | w/o Weight; 14.13" O.D. w/168 Teeth   | 471598   | FRA-100*  |
| 1978                 | L6 4.1L 250 CI | D                      | w/o Weight; 14.13" O.D. w/168 Teeth   | 471598   | FRA-100*  |
| <b>G25/G2500 VAN</b> |                |                        |   |          |           |
| 1967                 | V8 4.6L 283 CI |                        | w/o Weight; 14.13" O.D. w/168 Teeth   | 471598   | FRA-100*  |
| 1967                 | V8 5.4L 327 CI |                        | w/o Weight; 14.13" O.D. w/168 Teeth   | 471598   | FRA-100*  |
| 1969                 | L6 3.8L 230 CI | S                      | Forward Control   | 471598   | FRA-100*  |
| 1968-73              | V8 5.0L 307 CI | A, F, H, P,<br>B, X, E | w/o Weight; 14.13" O.D. w/168 Teeth   | 471598   | FRA-100*  |
| 1969-72              | V8 5.0L 307 CI | H, B, E, P,<br>F, A    |   | 471529   | FRA-112*  |
| 1973-74              | L6 4.1L 250 CI | Q                      | 12.85" O.D. w/153 Teeth   | 471529   | FRA-112*  |
| 1974                 | L6 4.8L 292 CI | T                      | w/o Weight  | 361051   | FRA-152   |
| 1974                 | L6 4.8L 292 CI | T                      |   | 361052   | FRA-153   |
| 1970-74              | V8 5.7L 350 CI | V, A, Y, E, B          | w/o Weight; 14.13" O.D. w/168 Teeth   | 471598   | FRA-100*  |
| <b>G2500</b>         |                |                        |   |          |           |
| 1979-80              | V8 6.6L 400 CI | R                      | w/ Weight   | 471578   | FRA-104*  |
| 1979-84              | L6 4.1L 250 CI | D                      | w/o Weight; 14.13" O.D. w/168 Teeth   | 471598   | FRA-100*  |
| 1979-85              | V8 5.0L 305 CI | H, U, F, G             | w/o Weight; 14.13" O.D. w/168 Teeth   | 471598   | FRA-100*  |
| 1985                 | V6 4.3L 262 CI | N                      | w/o Weight; 14.13" O.D. w/168 Teeth   | 471598   | FRA-100*  |
| 1979-85              | V8 5.7L 350 CI | M, L                   | w/o Weight; 14.13" O.D. w/168 Teeth   | 471598   | FRA-100*  |
| 1986-95              | V6 4.3L 262 CI | N, Z                   |   | 14088761 | FRA-159*  |
| 1986-95              | V8 5.0L 305 CI | F, H                   |   | 14088761 | FRA-159*  |
| 1986-95              | V8 5.7L 350 CI | K, M, L                | 168 Teeth;  | 14088761 | FRA-159*  |
| 1983-93              | V8 6.2L 379 CI | C                      |   | 14077157 | FRA-142   |
| 1983-93              | V8 6.2L 379 CI | C                      |   | 14077158 | FRA-143   |
| 1994-95              | V8 6.5L 395 CI | P                      | w/ Weight   | 14077158 | FRA-143   |
| <b>G35</b>           |                |                        |   |          |           |
| 1975-78              | V8 5.7L 350 CI | V, L, Y                | w/o Weight; 14.13" O.D. w/168 Teeth,<br>Forward Control, w/Rear Drum Brakes | 471598   | FRA-100*  |
| 1975-78              | L6 4.8L 292 CI | T                      | w/o Weight  | 361051   | FRA-152   |
| 1975-78              | L6 4.8L 292 CI | T                      |   | 361052   | FRA-153   |
| 1976                 | V8 7.4L 454 CI | S                      | w/ Weight   | 14001992 | FRA-141   |



# FLEXPLATES APPLICATIONS

| Years                | Engine         | VIN           | Remarks                                     | OE                  | Pioneer # |
|----------------------|----------------|---------------|---|---------------------|-----------|
| <b>GMC TRUCK</b>     |                |               |   |                     |           |
| <b>G35</b>           |                |               |   |                     |           |
| 1975-78              | V8 6.6L 400 CI | R, M, U       | w/ Weight                                   | 471578              | FRA-104*  |
| 1978                 | L6 4.1L 250 CI | D             | w/o Weight; 14.13" O.D. w/168 Teeth         | 471598              | FRA-100*  |
| <b>G35/G3500 VAN</b> |                |               |   |                     |           |
| 1971-74              | V8 5.7L 350 CI | A, V, B, E, Y | w/o Weight; 14.13" O.D. w/168 Teeth         | 471598              | FRA-100*  |
| 1973-74              | L6 4.1L 250 CI | Q             | 12.85" O.D. w/153 Teeth                     | 471529              | FRA-112*  |
| 1974                 | L6 4.8L 292 CI | T             | w/o Weight                                  | 361051              | FRA-152   |
| 1974                 | L6 4.8L 292 CI | T             |   | 361052              | FRA-153   |
| 1974                 | L6 4.8L 293 CI | T             |   | 361052              | FRA-153   |
| 1974                 | L6 4.8L 293 CI | T             | w/o Weight                                  | 361051              | FRA-152   |
| <b>G3500</b>         |                |               |   |                     |           |
| 1979-80              | V8 6.6L 400 CI | R             | w/ Weight                                   | 471578              | FRA-104*  |
| 1981                 | V8 5.0L 305 CI | H             | w/o Weight; 14.13" O.D. w/168 Teeth         | 471598              | FRA-100*  |
| 1979                 | L6 4.1L 250 CI | D             | w/o Weight; 14.13" O.D. w/168 Teeth         | 471598              | FRA-100*  |
| 1982-84              | L6 4.1L 250 CI | D             | w/o Weight; 14.13" O.D. w/168 Teeth         | 471598              | FRA-100*  |
| 1979-85              | V8 5.7L 350 CI | L, M          | w/o Weight; 14.13" O.D. w/168 Teeth         | 471598              | FRA-100*  |
| 1985                 | V6 4.3L 262 CI | N             | w/o Weight; 14.13" O.D. w/168 Teeth         | 471598              | FRA-100*  |
| 1986-96              | V8 5.7L 350 CI | M, K, L       |   | 14088761            | FRA-159*  |
| 1986-95              | V6 4.3L 262 CI | Z, N          |   | 14088761            | FRA-159*  |
| 1988-90              | V8 7.4L 454 CI | N             | w/ Weight                                   | 14001992            | FRA-141   |
| 1983-90              | V8 6.2L 379 CI | J             |   | 14077157            | FRA-142   |
| 1992-93              | V8 6.2L 379 CI | J             |   | 14077157            | FRA-142   |
| 1983-93              | V8 6.2L 379 CI | J, C          |   | 14077158            | FRA-143   |
| 1991-96              | V8 7.4L 454 CI | N             | w/ Weight                                   | 10101170            | FRA-321   |
| 1992-95              | V6 4.3L 262 CI | Z             |   | 12554824 / 14088767 | FRA-161   |
| 1992-96              | V8 5.7L 350 CI | K             |   | 12554824 / 14088767 | FRA-161   |
| 1994-96              | V8 6.5L 395 CI | Y             | w/ Weight                                   | 14077157            | FRA-142   |
| <b>JIMMY</b>         |                |               |   |                     |           |
| 1970                 | L6 4.1L 250 CI | N, S, Q, D    | w/o Weight; 14.13" O.D. w/168 Teeth         | 471598              | FRA-100*  |
| 1975-82              | L6 4.1L 250 CI | N, S, Q, D    | w/o Weight; 14.13" O.D. w/168 Teeth         | 471598              | FRA-100*  |
| 1970-72              | V8 5.0L 307 CI | A, B, H, F    | w/o Weight; 14.13" O.D. w/168 Teeth         | 471598              | FRA-100*  |
| 1971-74              | L6 4.1L 250 CI | D, L, C, Q    | Exc. THM400 Trans., 12.85" O.D. w/153 Teeth | 471529              | FRA-112*  |
| 1973                 | V8 7.4L 454 CI | Z             | w/Weight, w/ Weight                         | 343738              | FRA-111*  |
| 1973-76              | V8 5.7L 350 CI | Y, V, L       | w/o Weight; 14.13" O.D. w/168 Teeth         | 471598              | FRA-100*  |
| 1985                 | V8 5.7L 350 CI | Y, V, L       | w/o Weight; 14.13" O.D. w/168 Teeth         | 471598              | FRA-100*  |
| 1975-79              | V8 6.6L 400 CI | R, U, M       | w/Weight, w/ Weight                         | 471578              | FRA-104*  |
| 1977-85              | V8 5.0L 305 CI | G, U, F, H    | w/o Weight; 14.13" O.D. w/168 Teeth         | 471598              | FRA-100*  |
| 1982-91              | V8 6.2L 379 CI | C             |   | 14077158            | FRA-143   |
| 1986-87              | V8 5.0L 305 CI | H             | 168 Teeth;                                  | 14088761            | FRA-159*  |
| 1986-91              | V8 5.7L 350 CI | K, L          | 168 Teeth;                                  | 14088761            | FRA-159*  |

\*Available in Heavy Duty-SFI Versions

FRA 94

# FLEXPLATES APPLICATIONS

| Years                     | Engine         | VIN                 | Remarks  | OE       | Pioneer # |
|---------------------------|----------------|---------------------|--|----------|-----------|
| <b>GMC TRUCK</b>          |                |                     |  |          |           |
| <b>JIMMY</b>              |                |                     |  |          |           |
| 1990                      | V8 6.2L 379 CI | C                   |  | 14077157 | FRA-142   |
| 1992-98                   | V6 4.3L 262 CI | Z, W                |  | 14088761 | FRA-159*  |
| 1999-05                   | V6 4.3L 262 CI | W, X                |  | 12557587 | FRA-704   |
| <b>K15</b>                |                |                     |  |          |           |
| 1975-78                   | V8 5.7L 350 CI | Y, L, V             | w/o Weight; 14.13" O.D. w/168 Teeth,<br>Conventional Cab | 471598   | FRA-100*  |
| 1975-78                   | V8 6.6L 400 CI | M, U, R             | w/Weight, w/ Weight                                      | 471578   | FRA-104*  |
| 1975-76                   | L6 4.8L 292 CI | T                   | w/o Weight   | 361051   | FRA-152   |
| 1975-76                   | L6 4.8L 292 CI | T                   |  | 361052   | FRA-153   |
| 1976                      | V8 7.4L 454 CI | Y, S                | w/ Weight  | 14001992 | FRA-141   |
| 1975-78                   | L6 4.1L 250 CI | D, Q                | w/o Weight; 14.13" O.D. w/168 Teeth                      | 471598   | FRA-100*  |
| 1977-78                   | V8 5.0L 305 CI | U                   | w/o Weight; 14.13" O.D. w/168 Teeth                      | 471598   | FRA-100*  |
| <b>K15 SUBURBAN</b>       |                |                     |  |          |           |
| 1975-76                   | V8 5.7L 350 CI | Y, V                | w/o Weight; 14.13" O.D. w/168 Teeth                      | 471598   | FRA-100*  |
| 1975-78                   | L6 4.1L 250 CI | D, Q                | w/o Weight; 14.13" O.D. w/168 Teeth                      | 471598   | FRA-100*  |
| 1977-78                   | V8 5.0L 305 CI | U                   | w/o Weight; 14.13" O.D. w/168 Teeth                      | 471598   | FRA-100*  |
| 1975-78                   | V8 6.6L 400 CI | R, M, U             | w/Weight, w/ Weight                                      | 471578   | FRA-104*  |
| <b>K15/K1500 PICKUP</b>   |                |                     |  |          |           |
| 1967                      | V8 4.6L 283 CI |                     | w/o Weight; 14.13" O.D. w/168 Teeth                      | 471598   | FRA-100*  |
| 1967-68                   | V8 5.3L 327 CI | E                   | w/o Weight; 14.13" O.D. w/168 Teeth                      | 471598   | FRA-100*  |
| 1968                      | V8 5.4L 327 CI | E                   | w/o Weight; 14.13" O.D. w/168 Teeth                      | 471598   | FRA-100*  |
| 1968-70                   | L6 4.1L 250 CI | P, N                |  | 471598   | FRA-100*  |
| 1969                      | V8 5.0L 307 CI | E                   |  | 471529   | FRA-112*  |
| 1968                      | V8 5.0L 307 CI | A, E, B             | w/o Weight; 14.13" O.D. w/168 Teeth                      | 471598   | FRA-100*  |
| 1970                      | V8 5.0L 307 CI | A, E, B             | w/o Weight; 14.13" O.D. w/168 Teeth                      | 471598   | FRA-100*  |
| 1971-74                   | L6 4.1L 250 CI | Q, D, L, C          | 12.85" O.D. w/153 Teeth, Exc. THM400<br>Trans.           | 471529   | FRA-112*  |
| 1969-74                   | V8 5.7L 350 CI | Y, V, E             | w/o Weight; 14.13" O.D. w/168 Teeth                      | 471598   | FRA-100*  |
| <b>K15/K1500 SUBURBAN</b> |                |                     |  |          |           |
| 1968                      | V8 5.3L 327 CI | E                   | w/o Weight; 14.13" O.D. w/168 Teeth                      | 471598   | FRA-100*  |
| 1968                      | V8 5.4L 327 CI | E                   | w/o Weight; 14.13" O.D. w/168 Teeth                      | 471598   | FRA-100*  |
| 1968                      | V8 6.5L 396 CI | Y                   |  | 471598   | FRA-100*  |
| 1968-70                   | L6 4.1L 250 CI | N, P                |  | 471598   | FRA-100*  |
| 1968                      | V8 5.0L 307 CI | A, X, E, F,<br>H, B | w/o Weight; 14.13" O.D. w/168 Teeth                      | 471598   | FRA-100*  |
| 1970-73                   | V8 5.0L 307 CI | A, X, E, F,<br>H, B | w/o Weight; 14.13" O.D. w/168 Teeth                      | 471598   | FRA-100*  |
| 1971-74                   | L6 4.1L 250 CI | D, Q, C, L          | Exc. THM400 Trans., 12.85" O.D. w/153<br>Teeth           | 471529   | FRA-112*  |
| 1969-74                   | V8 5.7L 350 CI | Y, V, E             | w/o Weight; 14.13" O.D. w/168 Teeth                      | 471598   | FRA-100*  |
| <b>K1500</b>              |                |                     |  |          |           |
| 1979                      | L6 4.8L 292 CI | T                   | w/o Weight   | 361051   | FRA-152   |

# FLEXPLATES APPLICATIONS

| Years                 | Engine         | VIN        | Remarks  | OE                  | Pioneer # |
|-----------------------|----------------|------------|--|---------------------|-----------|
| <b>GMC TRUCK</b>      |                |            |  |                     |           |
| <b>K1500</b>          |                |            |  |                     |           |
| 1979-80               | V8 7.4L 454 CI | S          | w/ Weight  | 14001992            | FRA-141   |
| 1979-84               | L6 4.1L 250 CI | D          | w/o Weight; 14.13" O.D. w/168 Teeth                      | 471598              | FRA-100*  |
| 1979-80               | L6 4.8L 292 CI | T          | w/o Weight   | 14002590            | FRA-157   |
| 1979-80               | V8 6.6L 400 CI | X, R       | w/ Weight  | 471578              | FRA-104*  |
| 1979-85               | V8 5.7L 350 CI | L, M       | w/o Weight; 14.13" O.D. w/168 Teeth                      | 471598              | FRA-100*  |
| 1979                  | V8 5.0L 305 CI | H, U       | w/o Weight; 14.13" O.D. w/168 Teeth                      | 471598              | FRA-100*  |
| 1981-85               | V8 5.0L 305 CI | H, U       | w/o Weight; 14.13" O.D. w/168 Teeth                      | 471598              | FRA-100*  |
| 1985                  | V6 4.3L 262 CI | N          | w/o Weight; 14.13" O.D. w/168 Teeth                      | 471598              | FRA-100*  |
| 1980-83               | V8 5.7L 350 CI | L, M       |  | 471597              | FRA-126   |
| 1985                  | V8 5.7L 350 CI | L, M       |  | 471597              | FRA-126   |
| 1986                  | V8 5.7L 350 CI | L, K, M, R | w/ Weight  | 14088761            | FRA-159*  |
| 1988-99               | V8 5.7L 350 CI | L, K, M, R | w/ Weight  | 14088761            | FRA-159*  |
| 1982-86               | V8 6.2L 379 CI | C, J       | w/ Weight  | 14077158            | FRA-143   |
| 1988-93               | V8 6.2L 379 CI | C, J       | w/ Weight  | 14077158            | FRA-143   |
| 1991-93               | V6 4.3L 262 CI | Z          |  | 12554824 / 14088767 | FRA-161   |
| 1994                  | V8 6.5L 395 CI | P          |  | 14077158            | FRA-143   |
| 1994-98               | V8 6.5L 395 CI | S, F       | w/ Weight  | 14077157            | FRA-142   |
| 1986                  | V6 4.3L 262 CI | W, N, Z    | w/ Weight  | 14088761            | FRA-159*  |
| 1988-98               | V6 4.3L 262 CI | W, N, Z    | w/ Weight  | 14088761            | FRA-159*  |
| 1991-98               | V8 5.7L 350 CI | R, K       |  | 12554824 / 14088767 | FRA-161   |
| 1986                  | V8 5.0L 305 CI | M, H       | w/ Weight  | 14088761            | FRA-159*  |
| 1988-99               | V8 5.0L 305 CI | M, H       | w/ Weight  | 14088761            | FRA-159*  |
| 1991-99               | V8 5.0L 305 CI | M, H       |  | 12554824 / 14088767 | FRA-161   |
| <b>K1500 SUBURBAN</b> |                |            |  |                     |           |
| 1979-80               | L6 4.1L 250 CI | D          | w/o Weight; 14.13" O.D. w/168 Teeth                      | 471598              | FRA-100*  |
| 1979-80               | V8 6.6L 400 CI | R          | w/Weight, w/ Weight                                      | 471578              | FRA-104*  |
| 1982-86               | V8 6.2L 379 CI | C          |  | 14077158            | FRA-143   |
| 1979                  | V8 5.0L 305 CI | F, H, U    | w/o Weight; 14.13" O.D. w/168 Teeth                      | 471598              | FRA-100*  |
| 1982-85               | V8 5.0L 305 CI | F, H, U    | w/o Weight; 14.13" O.D. w/168 Teeth                      | 471598              | FRA-100*  |
| 1985                  | V8 5.7L 350 CI | L          | w/o Weight; 14.13" O.D. w/168 Teeth                      | 471598              | FRA-100*  |
| 1986                  | V8 5.7L 350 CI | R, K, L    |  | 14088761            | FRA-159*  |
| 1992-99               | V8 5.7L 350 CI | R, K, L    |  | 14088761            | FRA-159*  |
| 1995-99               | V8 6.5L 395 CI | F          | w/ Weight  | 14077157            | FRA-142   |
| 1992-96               | V8 5.7L 350 CI | R, K       |  | 12554824 / 14088767 | FRA-161   |
| 1998                  | V8 5.7L 350 CI | R, K       |  | 12554824 / 14088767 | FRA-161   |
| <b>K25</b>            |                |            |  |                     |           |
| 1975-78               | V8 5.7L 350 CI | Y, V, L    | w/o Weight; 14.13" O.D. w/168 Teeth,<br>Conventional Cab | 471598              | FRA-100*  |
| 1975-78               | L6 4.8L 292 CI | T          | w/o Weight   | 361051              | FRA-152   |
| 1975-78               | L6 4.8L 292 CI | T          |  | 361052              | FRA-153   |

\*Available in Heavy Duty-SFI Versions

FRA 96

# FLEXPLATES APPLICATIONS

| Years                     | Engine         | VIN           | Remarks                                     | OE       | Pioneer # |
|---------------------------|----------------|---------------|---|----------|-----------|
| <b>GMC TRUCK</b>          |                |               |   |          |           |
| <b>K25</b>                |                |               |   |          |           |
| 1975-78                   | V8 6.6L 400 CI | U, M, R       | w/Weight, w/ Weight                         | 471578   | FRA-104*  |
| 1977-78                   | V8 5.0L 305 CI | U             | w/o Weight; 14.13" O.D. w/168 Teeth         | 471598   | FRA-100*  |
| 1976-78                   | V8 7.4L 454 CI | S, Y          | w/ Weight                                   | 14001992 | FRA-141   |
| 1975-76                   | L6 4.1L 250 CI | D, Q          | w/o Weight; 14.13" O.D. w/168 Teeth         | 471598   | FRA-100*  |
| 1978                      | L6 4.1L 250 CI | D, Q          | w/o Weight; 14.13" O.D. w/168 Teeth         | 471598   | FRA-100*  |
| <b>K25 SUBURBAN</b>       |                |               |   |          |           |
| 1975-76                   | V8 5.7L 350 CI | Y, V          | w/o Weight; 14.13" O.D. w/168 Teeth         | 471598   | FRA-100*  |
| 1975-78                   | L6 4.8L 292 CI | T             |   | 361052   | FRA-153   |
| 1975-78                   | L6 4.8L 292 CI | T             | w/o Weight                                  | 361051   | FRA-152   |
| 1977                      | V8 7.4L 454 CI | S             | w/ Weight                                   | 14001992 | FRA-141   |
| 1975-78                   | V8 6.6L 400 CI | R, M, U       | w/Weight, w/ Weight                         | 471578   | FRA-104*  |
| <b>K25/K2500 PICKUP</b>   |                |               |   |          |           |
| 1967                      | V8 4.6L 283 CI |               | w/o Weight; 14.13" O.D. w/168 Teeth         | 471598   | FRA-100*  |
| 1967-68                   | V8 5.3L 327 CI | E             | w/o Weight; 14.13" O.D. w/168 Teeth         | 471598   | FRA-100*  |
| 1968                      | V8 5.4L 327 CI | E             | w/o Weight; 14.13" O.D. w/168 Teeth         | 471598   | FRA-100*  |
| 1969                      | V8 5.0L 307 CI | E             |   | 471529   | FRA-112*  |
| 1968-70                   | L6 4.1L 250 CI | N, P          |   | 471598   | FRA-100*  |
| 1968                      | V8 5.0L 307 CI | B, E, A       | w/o Weight; 14.13" O.D. w/168 Teeth         | 471598   | FRA-100*  |
| 1970                      | V8 5.0L 307 CI | B, E, A       | w/o Weight; 14.13" O.D. w/168 Teeth         | 471598   | FRA-100*  |
| 1973                      | V8 7.4L 454 CI | Z             | w/Weight, w/ Weight                         | 343738   | FRA-111*  |
| 1971-74                   | L6 4.1L 250 CI | Q, L, D, C    | 12.85" O.D. w/153 Teeth, Exc. THM400 Trans. | 471529   | FRA-112*  |
| 1973-74                   | L6 4.8L 292 CI | T, S          |   | 361052   | FRA-153   |
| 1973-74                   | L6 4.8L 292 CI | T, S          | w/o Weight                                  | 361051   | FRA-152   |
| 1973-74                   | L6 4.8L 293 CI | T, S          | w/o Weight                                  | 361051   | FRA-152   |
| 1973-74                   | L6 4.8L 293 CI | T, S          |   | 361052   | FRA-153   |
| 1969-74                   | V8 5.7L 350 CI | Y, V, E       | w/o Weight; 14.13" O.D. w/168 Teeth         | 471598   | FRA-100*  |
| 1974                      | V8 7.4L 454 CI | Z             | w/ Weight                                   | 14001992 | FRA-141   |
| <b>K25/K2500 SUBURBAN</b> |                |               |   |          |           |
| 1968                      | V8 5.0L 307 CI | E, H, F, X, A | w/o Weight; 14.13" O.D. w/168 Teeth         | 471598   | FRA-100*  |
| 1970-73                   | V8 5.0L 307 CI | E, H, F, X, A | w/o Weight; 14.13" O.D. w/168 Teeth         | 471598   | FRA-100*  |
| 1968                      | V8 5.3L 327 CI | E             | w/o Weight; 14.13" O.D. w/168 Teeth         | 471598   | FRA-100*  |
| 1968                      | V8 5.4L 327 CI | E             | w/o Weight; 14.13" O.D. w/168 Teeth         | 471598   | FRA-100*  |
| 1968                      | V8 6.5L 396 CI | Y             |   | 471598   | FRA-100*  |
| 1969                      | V8 5.0L 307 CI | E             |   | 471529   | FRA-112*  |
| 1969-74                   | V8 5.7L 350 CI | E, V, Y       | w/o Weight; 14.13" O.D. w/168 Teeth         | 471598   | FRA-100*  |
| 1968-70                   | L6 4.1L 250 CI | N, P          |   | 471598   | FRA-100*  |
| 1971-74                   | L6 4.1L 250 CI | C, Q, L, D    | Exc. THM400 Trans., 12.85" O.D. w/153 Teeth | 471529   | FRA-112*  |
| 1973-74                   | L6 4.8L 292 CI | T             |   | 361052   | FRA-153   |

# FLEXPLATES APPLICATIONS

| Years                     | Engine         | VIN        | Remarks                             | OE                  | Pioneer # |
|---------------------------|----------------|------------|-------------------------------------|---------------------|-----------|
| <b>GMC TRUCK</b>          |                |            |                                     |                     |           |
| <b>K25/K2500 SUBURBAN</b> |                |            |                                     |                     |           |
| 1973-74                   | L6 4.8L 292 CI | T          | w/o Weight                          | 361051              | FRA-152   |
| 1973-74                   | L6 4.8L 293 CI | T          |                                     | 361052              | FRA-153   |
| 1973-74                   | L6 4.8L 293 CI | T          | w/o Weight                          | 361051              | FRA-152   |
| <b>K2500</b>              |                |            |                                     |                     |           |
| 1979                      | L6 4.8L 292 CI | T          | w/o Weight                          | 361051              | FRA-152   |
| 1979-80                   | V8 6.6L 400 CI | R, X       | w/Weight, w/ Weight                 | 471578              | FRA-104*  |
| 1980                      | L6 4.1L 250 CI | D          | w/o Weight; 14.13" O.D. w/168 Teeth | 471598              | FRA-100*  |
| 1979-85                   | V8 5.7L 350 CI | L, M       | w/o Weight; 14.13" O.D. w/168 Teeth | 471598              | FRA-100*  |
| 1979-86                   | L6 4.8L 292 CI | T          | w/o Weight                          | 14002590            | FRA-157   |
| 1985                      | V6 4.3L 262 CI | N          | w/o Weight; 14.13" O.D. w/168 Teeth | 471598              | FRA-100*  |
| 1980-83                   | V8 5.7L 350 CI | M, L       |                                     | 471597              | FRA-126   |
| 1985                      | V8 5.7L 350 CI | M, L       |                                     | 471597              | FRA-126   |
| 1986                      | V8 5.7L 350 CI | M, R, L, K | w/ Weight                           | 14088761            | FRA-159*  |
| 1988-00                   | V8 5.7L 350 CI | M, R, L, K | w/ Weight                           | 14088761            | FRA-159*  |
| 1982-86                   | V8 6.2L 379 CI | J          | w/ Weight                           | 14077157            | FRA-142   |
| 1989-93                   | V8 6.2L 379 CI | J          | w/ Weight                           | 14077157            | FRA-142   |
| 1991-93                   | V6 4.3L 262 CI | Z          |                                     | 12554824 / 14088767 | FRA-161   |
| 1991-95                   | V8 5.0L 305 CI | H, M       |                                     | 12554824 / 14088767 | FRA-161   |
| 1998                      | V8 5.0L 305 CI | H, M       |                                     | 12554824 / 14088767 | FRA-161   |
| 1991-00                   | V8 7.4L 454 CI | N, J       | w/ Weight                           | 10101170            | FRA-321   |
| 1993                      | V8 5.7L 350 CI | K, R       |                                     | 12554824 / 14088767 | FRA-161   |
| 1996-98                   | V8 5.7L 350 CI | K, R       |                                     | 12554824 / 14088767 | FRA-161   |
| 2000                      | V8 5.7L 350 CI | K, R       |                                     | 12554824 / 14088767 | FRA-161   |
| 1982-86                   | V8 6.2L 379 CI | C          |                                     | 14077158            | FRA-143   |
| 1988-93                   | V8 6.2L 379 CI | C          |                                     | 14077158            | FRA-143   |
| 1988-95                   | V6 4.3L 262 CI | Z          | w/ Weight                           | 14088761            | FRA-159*  |
| 1994                      | V8 6.5L 395 CI | P          |                                     | 14077158            | FRA-143   |
| 1992-00                   | V8 6.5L 395 CI | F, S       | w/ Weight                           | 14077157            | FRA-142   |
| 1988-95                   | V8 5.0L 305 CI | M, H       | w/ Weight                           | 14088761            | FRA-159*  |
| 1998                      | V8 5.0L 305 CI | M, H       | w/ Weight                           | 14088761            | FRA-159*  |
| <b>K2500 SUBURBAN</b>     |                |            |                                     |                     |           |
| 1979                      | L6 4.8L 292 CI | T          | w/o Weight                          | 361051              | FRA-152   |
| 1979                      | V8 6.6L 400 CI | R          | w/Weight, w/ Weight                 | 471578              | FRA-104*  |
| 1980-85                   | V8 5.7L 350 CI | M          | w/10.5" Torque Bolt Dia.            | 471598              | FRA-100*  |
| 1980-85                   | V8 5.7L 350 CI | M          | w/11.5" Torque Bolt Dia.            | 471597              | FRA-126   |
| 1982-86                   | V8 6.2L 379 CI | J          |                                     | 14077157            | FRA-142   |
| 1979-82                   | L6 4.8L 292 CI | T          | w/o Weight                          | 14002590            | FRA-157   |
| 1984                      | L6 4.8L 292 CI | T          | w/o Weight                          | 14002590            | FRA-157   |
| 1992-99                   | V8 7.4L 454 CI | N, J       | w/ Weight                           | 10101170            | FRA-321   |
| 1992-98                   | V8 5.7L 350 CI | R, K       |                                     | 12554824 / 14088767 | FRA-161   |

\*Available in Heavy Duty-SFI Versions

FRA 98

# FLEXPLATES APPLICATIONS

| Years                   | Engine         | VIN                 | Remarks  | OE       | Pioneer # |
|-------------------------|----------------|---------------------|--|----------|-----------|
| <b>GMC TRUCK</b>        |                |                     |  |          |           |
| <b>K2500 SUBURBAN</b>   |                |                     |  |          |           |
| 1994-99                 | V8 6.5L 395 CI | F                   | w/ Weight  | 14077157 | FRA-142   |
| 1986                    | V8 5.7L 350 CI | R, K, M             |  | 14088761 | FRA-159*  |
| 1992-99                 | V8 5.7L 350 CI | R, K, M             |  | 14088761 | FRA-159*  |
| <b>K35</b>              |                |                     |  |          |           |
| 1977-78                 | V8 5.7L 350 CI | L                   | w/o Weight; 14.13" O.D. w/168 Teeth,<br>Conventional Cab         | 471598   | FRA-100*  |
| 1977-78                 | L6 4.8L 292 CI | T                   |  | 361052   | FRA-153   |
| 1977-78                 | L6 4.8L 292 CI | T                   | w/o Weight   | 361051   | FRA-152   |
| 1977-78                 | V8 6.6L 400 CI | R                   | w/ Weight  | 471578   | FRA-104*  |
| <b>K35/K3500 PICKUP</b> |                |                     |  |          |           |
| 1968                    | V8 5.0L 307 CI | E, H, X, F,<br>B, A | w/o Weight; 14.13" O.D. w/168 Teeth                              | 471598   | FRA-100*  |
| 1970-73                 | V8 5.0L 307 CI | E, H, X, F,<br>B, A | w/o Weight; 14.13" O.D. w/168 Teeth                              | 471598   | FRA-100*  |
| 1968                    | V8 5.3L 327 CI | E                   | w/o Weight; 14.13" O.D. w/168 Teeth                              | 471598   | FRA-100*  |
| 1968                    | V8 5.4L 327 CI | E                   | w/o Weight; 14.13" O.D. w/168 Teeth                              | 471598   | FRA-100*  |
| 1968-70                 | L6 4.1L 250 CI | P, N                |  | 471598   | FRA-100*  |
| 1969                    | V8 5.0L 307 CI | E                   |  | 471529   | FRA-112*  |
| 1970                    | V8 6.6L 402 CI | E                   | w/o Weight; 14.13" O.D. w/168 Teeth                              | 471598   | FRA-100*  |
| 1971-74                 | L6 4.1L 250 CI | L, D, C, Q          | Exc. THM400 Trans., 12.85" O.D. w/153<br>Teeth                   | 471529   | FRA-112*  |
| 1971                    | V8 6.6L 402 CI | E                   | w/o Weight   | 361950   | FRA-113   |
| 1973                    | V8 7.4L 454 CI | Z                   | w/Weight, w/ Weight  | 343738   | FRA-111*  |
| 1973-74                 | L6 4.8L 293 CI | T, S                | w/o Weight   | 361051   | FRA-152   |
| 1969-74                 | V8 5.7L 350 CI | Y, E, V, W          | w/o Weight; 14.13" O.D. w/168 Teeth                              | 471598   | FRA-100*  |
| 1973-74                 | L6 4.8L 292 CI | S, T                |  | 361052   | FRA-153   |
| 1973-74                 | L6 4.8L 292 CI | S, T                | w/o Weight   | 361051   | FRA-152   |
| 1973-74                 | L6 4.8L 293 CI | S, T                |  | 361052   | FRA-153   |
| 1974                    | V8 7.4L 454 CI | Z                   | w/ Weight  | 14001992 | FRA-141   |
| <b>K3500</b>            |                |                     |  |          |           |
| 1979                    | L6 4.8L 292 CI | T                   | w/o Weight   | 361051   | FRA-152   |
| 1979-80                 | V8 6.6L 400 CI | R                   | w/Weight, w/ Weight  | 471578   | FRA-104*  |
| 1980-83                 | V8 5.7L 350 CI | M, L                | w/11.5" Torque Bolt Dia.   | 471597   | FRA-126   |
| 1979-86                 | L6 4.8L 292 CI | T                   | w/o Weight   | 14002590 | FRA-157   |
| 1979-86                 | V8 7.4L 454 CI | W, S, N             | w/ Weight  | 14001992 | FRA-141   |
| 1988-90                 | V8 7.4L 454 CI | W, S, N             | w/ Weight  | 14001992 | FRA-141   |
| 1979-85                 | V8 5.7L 350 CI | M, L                | w/o Weight; 14.13" O.D. w/168 Teeth,<br>w/10.5" Torque Bolt Dia. | 471598   | FRA-100*  |
| 1982-86                 | V8 6.2L 379 CI | J                   | w/ Weight  | 14077157 | FRA-142   |
| 1988-93                 | V8 6.2L 379 CI | J                   | w/ Weight  | 14077157 | FRA-142   |
| 1991-00                 | V8 7.4L 454 CI | N, J                | w/ Weight  | 10101170 | FRA-321   |
| 1986                    | V8 5.7L 350 CI | K, M, R             |  | 14088761 | FRA-159*  |

# FLEXPLATES APPLICATIONS

| Years                | Engine         | VIN     | Remarks   | OE                  | Pioneer # |
|----------------------|----------------|---------|---|---------------------|-----------|
| <b>GMC TRUCK</b>     |                |         |   |                     |           |
| <b>K3500</b>         |                |         |   |                     |           |
| 1988-00              | V8 5.7L 350 CI | K, M, R |   | 14088761            | FRA-159*  |
| 1992-00              | V8 6.5L 395 CI | F       | w/ Weight   | 14077157            | FRA-142   |
| 1991-97              | V8 5.7L 350 CI | R, K    |   | 12554824 / 14088767 | FRA-161   |
| 1999-00              | V8 5.7L 350 CI | R, K    |   | 12554824 / 14088767 | FRA-161   |
| <b>P15</b>           |                |         |   |                     |           |
| 1975-78              | L6 4.8L 292 CI | T       |   | 361052              | FRA-153   |
| 1975-78              | L6 4.8L 292 CI | T       | w/o Weight  | 361051              | FRA-152   |
| <b>P15/P1500 VAN</b> |                |         |   |                     |           |
| 1968-70              | L6 4.1L 250 CI | N, P    |   | 471598              | FRA-100*  |
| 1973-74              | L6 4.1L 250 CI | Q       | exc. Motor Home chassis   | 471529              | FRA-112*  |
| <b>P1500</b>         |                |         |   |                     |           |
| 1979                 | V8 7.4L 454 CI | S       | w/ Weight   | 14001992            | FRA-141   |
| 1979-80              | L6 4.8L 292 CI | T       | w/o Weight  | 14002590            | FRA-157   |
| <b>P25</b>           |                |         |   |                     |           |
| 1975-78              | V8 5.7L 350 CI | Y, L    | exc. Motor Home chassis, w/o Weight;<br>14.13" O.D. w/168 Teeth         | 471598              | FRA-100*  |
| 1975                 | V8 5.7L 350 CI | Y       | w/Motor Home Chassis  | 361950              | FRA-113   |
| 1975-78              | L6 4.8L 292 CI | T       |   | 361052              | FRA-153   |
| 1975-78              | L6 4.8L 292 CI | T       | w/o Weight  | 361051              | FRA-152   |
| <b>P25/P2500 VAN</b> |                |         |   |                     |           |
| 1968-69              | V8 5.0L 307 CI | E       | w/o Weight; 14.13" O.D. w/168 Teeth                                     | 471598              | FRA-100*  |
| 1970                 | L6 4.1L 250 CI | N       |   | 471598              | FRA-100*  |
| 1973-74              | L6 4.1L 250 CI | Q       | exc. Motor Home chassis   | 471529              | FRA-112*  |
| 1973-74              | L6 4.8L 292 CI | T       | w/o Weight  | 361051              | FRA-152   |
| 1973-74              | L6 4.8L 292 CI | T       |   | 361052              | FRA-153   |
| 1970-74              | V8 5.7L 350 CI | Y, E    | exc. Motor Home chassis, w/o Weight;<br>14.13" O.D. w/168 Teeth         | 471598              | FRA-100*  |
| 1974                 | V8 5.7L 350 CI | Y       | w/Motor Home Chassis  | 361950              | FRA-113   |
| <b>P2500</b>         |                |         |   |                     |           |
| 1979                 | V8 5.7L 350 CI | M, L    | w/o Weight; 14.13" O.D. w/168 Teeth,<br>w/Front Drum Brakes             | 471598              | FRA-100*  |
| 1981-85              | V8 5.7L 350 CI | M, L    | w/o Weight; 14.13" O.D. w/168 Teeth,<br>w/Front Drum Brakes             | 471598              | FRA-100*  |
| 1987                 | V8 5.7L 350 CI | M, L    | w/o Weight; 14.13" O.D. w/168 Teeth,<br>w/Front Drum Brakes             | 471598              | FRA-100*  |
| 1982-89              | V8 6.2L 379 CI | J       | w/ Weight   | 14077157            | FRA-142   |
| 1980                 | V8 5.7L 350 CI | M       | w/Motor Home Chassis or w/Conventional<br>Chassis & 4 Wheel Disc Brakes | 471597              | FRA-126   |
| 1985                 | V8 5.7L 350 CI | M       | w/Motor Home Chassis or w/Conventional<br>Chassis & 4 Wheel Disc Brakes | 471597              | FRA-126   |

\*Available in Heavy Duty-SFI Versions

FRA 100

# FLEXPLATES APPLICATIONS

| Years                | Engine         | VIN     | Remarks  | OE       | Pioneer # |
|----------------------|----------------|---------|--|----------|-----------|
| <b>GMC TRUCK</b>     |                |         |  |          |           |
| <b>P2500</b>         |                |         |  |          |           |
| 1986-89              | V8 5.7L 350 CI | M, K    |  | 14088761 | FRA-159*  |
| 1979-87              | L6 4.8L 292 CI | T       | w/o Weight   | 14002590 | FRA-157   |
| 1989                 | L6 4.8L 292 CI | T       | w/o Weight   | 14002590 | FRA-157   |
| <b>P35</b>           |                |         |  |          |           |
| 1975-78              | V8 5.7L 350 CI | Y, L    | exc. Motor Home chassis, exc. 4 Wheel Disc brakes  | 471598   | FRA-100*  |
| 1975                 | V8 5.7L 350 CI | Y, L    | w/Motor Home Chassis, w/4 Wheel Disc Brakes  | 361950   | FRA-113   |
| 1977-78              | V8 5.7L 350 CI | Y, L    | w/Motor Home Chassis, w/4 Wheel Disc Brakes  | 361950   | FRA-113   |
| 1975-78              | L6 4.8L 292 CI | T       |  | 361052   | FRA-153   |
| 1975-78              | L6 4.8L 292 CI | T       | w/o Weight   | 361051   | FRA-152   |
| 1978                 | V8 7.4L 454 CI | S       | w/ Weight  | 14001992 | FRA-141   |
| <b>P35/P3500 VAN</b> |                |         |  |          |           |
| 1968-69              | V8 5.0L 307 CI | E       | w/o Weight; 14.13" O.D. w/168 Teeth  | 471598   | FRA-100*  |
| 1970                 | L6 4.1L 250 CI | N       |  | 471598   | FRA-100*  |
| 1970-74              | V8 5.7L 350 CI | E, Y    | w/o Weight; 14.13" O.D. w/168 Teeth, exc. Motor Home chassis   | 471598   | FRA-100*  |
| 1973                 | V8 7.4L 454 CI | Z       | w/3 bolt Converter   | 343738   | FRA-111*  |
| 1973-74              | L6 4.1L 250 CI | Q       | exc. Motor Home chassis  | 471529   | FRA-112*  |
| 1973-74              | L6 4.8L 292 CI | T       | w/o Weight   | 361051   | FRA-152   |
| 1973-74              | L6 4.8L 292 CI | T       |  | 361052   | FRA-153   |
| 1974                 | V8 5.7L 350 CI | Y       | w/Motor Home Chassis   | 361950   | FRA-113   |
| 1973-74              | V8 7.4L 454 CI | Z       | w/ Weight, 6 bolt Converter  | 14001992 | FRA-141   |
| <b>P3500</b>         |                |         |  |          |           |
| 1979-90              | V8 7.4L 454 CI | S, W, N | w/ Weight  | 14001992 | FRA-141   |
| 1979-89              | L6 4.8L 292 CI | T       | w/o Weight   | 14002590 | FRA-157   |
| 1980-85              | V8 5.7L 350 CI | M       | w/Motor Home Chassis or w/Conventional Chassis & 4 Wheel Disc Brakes, w/4 Wheel Disc Brakes, w/4 Wheel Disc Brakes or w/Motor Home Chassis | 471597   | FRA-126   |
| 1982-93              | V8 6.2L 379 CI | J       | w/ Weight  | 14077157 | FRA-142   |
| 1986-99              | V8 5.7L 350 CI | M, K, R |  | 14088761 | FRA-159*  |
| 1979-80              | V8 5.7L 350 CI | M, L, K | w/Front Disc Brakes, w/o Weight; 14.13" O.D. w/168 Teeth   | 471598   | FRA-100*  |
| 1985                 | V8 5.7L 350 CI | M, L, K | w/Front Disc Brakes, w/o Weight; 14.13" O.D. w/168 Teeth   | 471598   | FRA-100*  |
| 1987                 | V8 5.7L 350 CI | M, L, K | w/Front Disc Brakes, w/o Weight; 14.13" O.D. w/168 Teeth   | 471598   | FRA-100*  |
| 1996-99              | V8 6.5L 395 CI | Y, F    | w/ Weight  | 14077157 | FRA-142   |



# FLEXPLATES APPLICATIONS

| Years                 | Engine         | VIN     | Remarks    | OE       | Pioneer # |
|-----------------------|----------------|---------|------------|----------|-----------|
| <b>GMC TRUCK</b>      |                |         |            |          |           |
| <b>P3500</b>          |                |         |            |          |           |
| 1991-99               | V8 7.4L 454 CI | N, B, J | w/ Weight  | 10101170 | FRA-321   |
| <b>R1500</b>          |                |         |            |          |           |
| 1987                  | V6 4.3L 262 CI | Z       | 168 Teeth; | 14088761 | FRA-159*  |
| 1987                  | V8 5.0L 305 CI | H       |            | 14088761 | FRA-159*  |
| 1987                  | V8 5.7L 350 CI | K       |            | 14088761 | FRA-159*  |
| 1987                  | V8 6.2L 379 CI | C       |            | 14077158 | FRA-143   |
| <b>R1500 SUBURBAN</b> |                |         |            |          |           |
| 1987                  | V8 5.0L 305 CI | H       |            | 14088761 | FRA-159*  |
| 1987-91               | V8 5.7L 350 CI | K       |            | 14088761 | FRA-159*  |
| 1987-91               | V8 6.2L 379 CI | C       |            | 14077158 | FRA-143   |
| <b>R2500</b>          |                |         |            |          |           |
| 1987                  | V6 4.3L 262 CI | Z       | 168 Teeth; | 14088761 | FRA-159*  |
| 1987                  | V8 5.0L 305 CI | H       |            | 14088761 | FRA-159*  |
| 1987                  | V8 6.2L 379 CI | C       |            | 14077158 | FRA-143   |
| 1987-88               | L6 4.8L 292 CI | T       | w/o Weight | 14002590 | FRA-157   |
| 1987-89               | V8 5.7L 350 CI | K       | 168 Teeth; | 14088761 | FRA-159*  |
| 1987-89               | V8 6.2L 379 CI | J       |            | 14077157 | FRA-142   |
| 1987-89               | V8 7.4L 454 CI | N       | w/ Weight  | 14001992 | FRA-141   |
| <b>R2500 SUBURBAN</b> |                |         |            |          |           |
| 1987-91               | V8 6.2L 379 CI | J       | w/ Weight  | 14077157 | FRA-142   |
| 1987-90               | V8 7.4L 454 CI | N       | w/ Weight  | 14001992 | FRA-141   |
| 1987-91               | V8 5.7L 350 CI | K       | 168 Teeth; | 14088761 | FRA-159*  |
| 1991                  | V8 7.4L 454 CI | N       | w/ Weight  | 10101170 | FRA-321   |
| <b>R3500</b>          |                |         |            |          |           |
| 1987-88               | L6 4.8L 292 CI | T       | w/o Weight | 14002590 | FRA-157   |
| 1987-91               | V8 5.7L 350 CI | M, K    |            | 14088761 | FRA-159*  |
| 1987-90               | V8 7.4L 454 CI | W, N    | w/ Weight  | 14001992 | FRA-141   |
| 1987-91               | V8 6.2L 379 CI | J       | w/ Weight  | 14077157 | FRA-142   |
| 1991                  | V8 7.4L 454 CI | N       | w/ Weight  | 10101170 | FRA-321   |
| <b>S15</b>            |                |         |            |          |           |
| 1985-90               | L4 2.5L 151 CI | E       | w/o Weight | 10032127 | FRA-156   |
| 1982-87               | V6 2.8L 173 CI | R, B    | w/ Weight  | 14085472 | FRA-158   |
| 1988-90               | V6 2.8L 173 CI | R       | w/o Weight | 14100557 | FRA-165   |
| 1988-90               | V6 4.3L 262 CI | Z       |            | 14088761 | FRA-159*  |
| <b>S15 JIMMY</b>      |                |         |            |          |           |
| 1985-88               | L4 2.5L 151 CI | E       | w/o Weight | 10032127 | FRA-156   |
| 1983-87               | V6 2.8L 173 CI | R, B    | w/ Weight  | 14085472 | FRA-158   |
| 1988-89               | V6 2.8L 173 CI | R       | w/o Weight | 14100557 | FRA-165   |
| 1988-91               | V6 4.3L 262 CI | Z       | 168 Teeth; | 14088761 | FRA-159*  |
| <b>SAFARI</b>         |                |         |            |          |           |
| 1985-90               | L4 2.5L 151 CI | E       | w/o Weight | 10031262 | FRA-150   |

\*Available in Heavy Duty-SFI Versions

FRA 102

# FLEXPLATES APPLICATIONS

| Years              | Engine         | VIN     | Remarks               | OE                             | Pioneer # |
|--------------------|----------------|---------|-----------------------|--------------------------------|-----------|
| <b>GMC TRUCK</b>   |                |         |                       |                                |           |
| <b>SAFARI</b>      |                |         |                       |                                |           |
| 1986-98            | V6 4.3L 262 CI | W, Z, B |                       | 14088761                       | FRA-159*  |
| 1999-05            | V6 4.3L 262 CI | X, W    |                       | 12557587                       | FRA-704   |
| <b>SAVANA 1500</b> |                |         |                       |                                |           |
| 1996               | V6 4.3L 262 CI | W       |                       | 12554824 / 14088767            | FRA-161   |
| 1996               | V8 5.7L 350 CI | R       |                       | 12554824 / 14088767            | FRA-161   |
| 1996-02            | V8 5.0L 305 CI | M       |                       | 14088761                       | FRA-159*  |
| 1996-02            | V8 5.7L 350 CI | R       |                       | 14088761                       | FRA-159*  |
| 1996-98            | V6 4.3L 262 CI | W       |                       | 14088761                       | FRA-159*  |
| 1999-02            | V6 4.3L 262 CI | W       |                       | 12557587                       | FRA-704   |
| 2000-02            | V6 4.3L 262 CI | W       |                       | 12557584                       | FRA-703   |
| 2009-10            | V8 5.3L 325 CI | 4       | w/Spacer              | 12551367                       | FRA-450   |
| 2009-10            | V8 5.3L 325 CI | 4       | w/o Spacer            | 12551367                       | FRA-452   |
| 2003-04            | V8 5.3L 325 CI | 4, T    | 168 Teeth; w/o Weight | 12563136 / 12580709 / 12606620 | FRA-471*  |
| 2011-12            | V8 5.3L 325 CI | 4, T    | 168 Teeth; w/o Weight | 12563136 / 12580709 / 12606620 | FRA-471*  |
| 1999-14            | V6 4.3L 262 CI | X, W    |                       | 12555640                       | FRA-472   |
| <b>SAVANA 2500</b> |                |         |                       |                                |           |
| 1996-02            | V8 5.7L 350 CI | R       |                       | 14088761                       | FRA-159*  |
| 1996-02            | V8 5.7L 350 CI | R       |                       | 12554824 / 14088767            | FRA-161   |
| 1996-02            | V8 6.5L 395 CI | F       | w/ Weight             | 14077157                       | FRA-142   |
| 1996-99            | V6 4.3L 262 CI | W       |                       | 12554824 / 14088767            | FRA-161   |
| 1996               | V6 4.3L 262 CI | W       |                       | 14088761                       | FRA-159*  |
| 1998               | V6 4.3L 262 CI | W       |                       | 14088761                       | FRA-159*  |
| 2000-02            | V6 4.3L 262 CI | W       |                       | 12557584                       | FRA-703   |
| 1996-02            | V8 5.0L 305 CI | M       |                       | 14088761                       | FRA-159*  |
| 1999-02            | V6 4.3L 262 CI | W       |                       | 12557587                       | FRA-704   |
| 2003-04            | V8 5.3L 325 CI | T       | 168 Teeth; w/o Weight | 12563136 / 12580709 / 12606620 | FRA-471*  |
| 2003-05            | V6 4.3L 262 CI | X       |                       | 12555640                       | FRA-472   |
| 2005               | V8 5.3L 325 CI | T       | w/o Spacer            | 12551367                       | FRA-452   |
| 2005               | V8 5.3L 325 CI | T       | w/Spacer              | 12551367                       | FRA-450   |
| 2003-09            | V8 6.0L 364 CI | U, K    | w/o Spacer            | 12551367                       | FRA-452   |
| 2003-09            | V8 6.0L 364 CI | U, K    | w/Spacer              | 12551367                       | FRA-450   |
| 2003-10            | V8 4.8L 294 CI | C, V, A | w/o Spacer            | 12551367                       | FRA-452   |
| 2003-10            | V8 4.8L 294 CI | C, V, A | w/Spacer              | 12551367                       | FRA-450   |
| 2011-12            | V8 4.8L 294 CI | A       | 168 Teeth; w/o Weight | 12563136 / 12580709 / 12606620 | FRA-471*  |
| 2011-12            | V8 6.0L 364 CI | G       | 168 Teeth; w/o Weight | 12563136 / 12580709 / 12606620 | FRA-471*  |
| <b>SAVANA 3500</b> |                |         |                       |                                |           |
| 1996-00            | V8 7.4L 454 CI | J       | w/ Weight             | 10101170                       | FRA-321   |
| 1996-02            | V8 5.7L 350 CI | R       |                       | 14088761                       | FRA-159*  |
| 1996-02            | V8 5.7L 350 CI | R       |                       | 12554824 / 14088767            | FRA-161   |
| 1996-02            | V8 6.5L 395 CI | F       | w/ Weight             | 14077157                       | FRA-142   |

# FLEXPLATES APPLICATIONS

| Years                 | Engine         | VIN                    | Remarks               | OE                             | Pioneer # |
|-----------------------|----------------|------------------------|-----------------------|--------------------------------|-----------|
| <b>GMC TRUCK</b>      |                |                        |                       |                                |           |
| <b>SAVANA 3500</b>    |                |                        |                       |                                |           |
| 2001-02               | V8 8.1L 496 CI | G                      |                       | 12561217                       | FRA-531   |
| 2003-09               | V8 6.0L 364 CI | U, K                   | w/Spacer              | 12551367                       | FRA-450   |
| 2004-10               | V8 4.8L 294 CI | C, A, V                | w/Spacer              | 12551367                       | FRA-450   |
| 2004-10               | V8 4.8L 294 CI | C, V, A                | w/o Spacer            | 12551367                       | FRA-452   |
| 2003-09               | V8 6.0L 364 CI | K, U                   | w/o Spacer            | 12551367                       | FRA-452   |
| 2011-12               | V8 4.8L 294 CI | A                      | 168 Teeth; w/o Weight | 12563136 / 12580709 / 12606620 | FRA-471*  |
| 2011-12               | V8 6.0L 364 CI | G                      | 168 Teeth; w/o Weight | 12563136 / 12580709 / 12606620 | FRA-471*  |
| <b>SIERRA 1500</b>    |                |                        |                       |                                |           |
| 1999-02               | V6 4.3L 262 CI | W                      |                       | 14088761                       | FRA-159*  |
| 1999-13               | V6 4.3L 262 CI | W, X                   |                       | 12555640                       | FRA-472   |
| 1999-06               | V8 4.8L 294 CI | V, A, C                | 168 Teeth; w/o Weight | 12563136 / 12580709 / 12606620 | FRA-471*  |
| 2008-12               | V8 4.8L 294 CI | V, A, C                | 168 Teeth; w/o Weight | 12563136 / 12580709 / 12606620 | FRA-471*  |
| 2000                  | V8 5.3L 325 CI | T                      |                       | 14088761                       | FRA-159*  |
| 2005                  | V8 4.8L 294 CI | V                      | w/Spacer              | 12551367                       | FRA-450   |
| 2005                  | V8 4.8L 294 CI | V                      | w/o Spacer            | 12551367                       | FRA-452   |
| 2005-06               | V8 6.0L 364 CI | N, J, Y                | 168 Teeth; w/o Weight | 12563136 / 12580709 / 12606620 | FRA-471*  |
| 2008-09               | V8 6.0L 364 CI | N, J, Y                | 168 Teeth; w/o Weight | 12563136 / 12580709 / 12606620 | FRA-471*  |
| 2011                  | V8 6.0L 364 CI | N, J, Y                | 168 Teeth; w/o Weight | 12563136 / 12580709 / 12606620 | FRA-471*  |
| 1999-06               | V8 5.3L 325 CI | M, B, Z, 0,<br>3, J, T | 168 Teeth; w/o Weight | 12563136 / 12580709 / 12606620 | FRA-471*  |
| 2008-12               | V8 5.3L 325 CI | M, B, Z, 0,<br>3, J, T | 168 Teeth; w/o Weight | 12563136 / 12580709 / 12606620 | FRA-471*  |
| <b>SIERRA 1500 HD</b> |                |                        |                       |                                |           |
| 2001-03               | V8 6.0L 364 CI | U                      |                       | 12563136 / 12580709 / 12606620 | FRA-471*  |
| 2005-06               | V8 6.0L 364 CI | U                      |                       | 12563136 / 12580709 / 12606620 | FRA-471*  |
| 2001-03               | V8 6.0L 364 CI | U                      | w/Spacer              | 12551367                       | FRA-450   |
| 2005-06               | V8 6.0L 364 CI | U                      | w/Spacer              | 12551367                       | FRA-450   |
| 2001-03               | V8 6.0L 364 CI | U                      | w/o Spacer            | 12551367                       | FRA-452   |
| 2005-06               | V8 6.0L 364 CI | U                      | w/o Spacer            | 12551367                       | FRA-452   |
| <b>SIERRA 2500</b>    |                |                        |                       |                                |           |
| 1999-00               | V8 5.3L 325 CI | T                      | 168 Teeth; w/o Weight | 12563136 / 12580709 / 12606620 | FRA-471*  |
| 1999-03               | V8 6.0L 364 CI | U                      | w/o Spacer            | 12551367                       | FRA-452   |
| 2000                  | V8 5.3L 325 CI | T                      |                       | 14088761                       | FRA-159*  |
| 2001-04               | V8 6.0L 364 CI | U                      |                       | 12563136 / 12580709 / 12606620 | FRA-471*  |
| 1999-03               | V8 6.0L 364 CI | U                      | w/Spacer              | 12551367                       | FRA-450   |
| <b>SIERRA 2500 HD</b> |                |                        |                       |                                |           |
| 2001-06               | V8 6.0L 364 CI | U, K                   | w/Spacer              | 12551367                       | FRA-450   |
| 2008                  | V8 6.0L 364 CI | U, K                   | w/Spacer              | 12551367                       | FRA-450   |
| 2001-06               | V8 8.1L 496 CI | G                      |                       | 12561217                       | FRA-531   |
| 2001-06               | V8 6.0L 364 CI | K, U                   | w/o Spacer            | 12551367                       | FRA-452   |
| 2008                  | V8 6.0L 364 CI | K, U                   | w/o Spacer            | 12551367                       | FRA-452   |
| 2001-12               | V8 6.0L 364 CI | G, K, U                | 168 Teeth; w/o Weight | 12563136 / 12580709 / 12606620 | FRA-471*  |

\*Available in Heavy Duty-SFI Versions

FRA 104

# FLEXPLATES APPLICATIONS

| Years                 | Engine         | VIN           | Remarks                             | OE                             | Pioneer # |
|-----------------------|----------------|---------------|-------------------------------------|--------------------------------|-----------|
| <b>GMC TRUCK</b>      |                |               |                                     |                                |           |
| <b>SIERRA 3500</b>    |                |               |                                     |                                |           |
| 2001-06               | V8 6.0L 364 CI | U             | w/o Spacer                          | 12551367                       | FRA-452   |
| 2001-06               | V8 6.0L 364 CI | U             | w/Spacer                            | 12551367                       | FRA-450   |
| 2001-06               | V8 8.1L 496 CI | G             |                                     | 12561217                       | FRA-531   |
| 2001-06               | V8 6.0L 364 CI | U             |                                     | 12563136 / 12580709 / 12606620 | FRA-471*  |
| <b>SIERRA 3500 HD</b> |                |               |                                     |                                |           |
| 2008                  | V8 6.0L 364 CI | K             | w/Spacer                            | 12551367                       | FRA-450   |
| 2008                  | V8 6.0L 364 CI | K             | w/o Spacer                          | 12551367                       | FRA-452   |
| 2007-12               | V8 6.0L 364 CI | G, K          | 168 Teeth; w/o Weight               | 12563136 / 12580709 / 12606620 | FRA-471*  |
| <b>SONOMA</b>         |                |               |                                     |                                |           |
| 1991-93               | L4 2.5L 151 CI | E, A          | w/o Weight                          | 10032127                       | FRA-156   |
| 1991-93               | V6 2.8L 173 CI | R             | w/o Weight                          | 14100557                       | FRA-165   |
| 1991-98               | V6 4.3L 262 CI | X, W, Z       |                                     | 14088761                       | FRA-159*  |
| 1994-03               | L4 2.2L 134 CI | H, 4, 5       | w/o Weight                          | 24575991                       | FRA-419   |
| 1999-04               | V6 4.3L 262 CI | X, W          |                                     | 12557587                       | FRA-704   |
| <b>SPRINT</b>         |                |               |                                     |                                |           |
| 1971-72               | L6 4.1L 250 CI | D             | Exc. THM400 Trans.                  | 471529                         | FRA-112*  |
| 1971-73               | V8 5.0L 307 CI | F             | w/o Weight; 14.13" O.D. w/168 Teeth | 471598                         | FRA-100*  |
| 1971-72               | V8 6.6L 402 CI |               | w/o Weight; 14.13" O.D. w/168 Teeth | 471598                         | FRA-100*  |
| 1972-77               | V8 5.7L 350 CI | H, K, L, J, V | w/o Weight; 14.13" O.D. w/168 Teeth | 471598                         | FRA-100*  |
| 1972-75               | V8 7.4L 454 CI | Y, W          | w/Weight, w/ Weight                 | 343738                         | FRA-111*  |
| 1974                  | V8 6.6L 400 CI | R, U          | w/Weight, w/ Weight                 | 471578                         | FRA-104*  |
| 1976                  | V8 6.6L 400 CI | R, U          | w/Weight, w/ Weight                 | 471578                         | FRA-104*  |
| 1974-75               | V8 6.6L 402 CI | U             | w/Weight, w/ Weight                 | 471578                         | FRA-104*  |
| 1975-77               | L6 4.1L 250 CI | D             | w/o Weight; 14.13" O.D. w/168 Teeth | 471598                         | FRA-100*  |
| 1976-77               | V8 5.0L 305 CI | U, Q          | w/o Weight; 14.13" O.D. w/168 Teeth | 471598                         | FRA-100*  |
| <b>SYCLONE</b>        |                |               |                                     |                                |           |
| 1991                  | V6 4.3L 262 CI | Z             | 168 Teeth;                          | 14088761                       | FRA-159*  |
| <b>TYPHOON</b>        |                |               |                                     |                                |           |
| 1992-93               | V6 4.3L 262 CI | Z             | 168 Teeth;                          | 14088761                       | FRA-159*  |
| <b>V1500</b>          |                |               |                                     |                                |           |
| 1987                  | V6 4.3L 262 CI | Z             | 168 Teeth;                          | 14088761                       | FRA-159*  |
| 1987                  | V8 5.0L 305 CI | H             | w/ Weight                           | 14088761                       | FRA-159*  |
| 1987                  | V8 5.7L 350 CI | K             | 168 Teeth;                          | 14088761                       | FRA-159*  |
| 1987                  | V8 6.2L 379 CI | C             |                                     | 14077158                       | FRA-143   |
| <b>V1500 SUBURBAN</b> |                |               |                                     |                                |           |
| 1987-91               | V8 5.7L 350 CI | K             |                                     | 14088761                       | FRA-159*  |
| 1987-91               | V8 6.2L 379 CI | C             |                                     | 14077158                       | FRA-143   |
| <b>V2500</b>          |                |               |                                     |                                |           |
| 1987                  | L6 4.8L 292 CI | T             | w/o Weight                          | 14002590                       | FRA-157   |
| 1987                  | V8 5.7L 350 CI | K             |                                     | 14088761                       | FRA-159*  |

# FLEXPLATES APPLICATIONS

| Years                 | Engine         | VIN           | Remarks               | OE                             | Pioneer # |
|-----------------------|----------------|---------------|-----------------------|--------------------------------|-----------|
| <b>GMC TRUCK</b>      |                |               |                       |                                |           |
| <b>V2500</b>          |                |               |                       |                                |           |
| 1987                  | V8 6.2L 379 CI | C             |                       | 14077158                       | FRA-143   |
| 1987                  | V8 6.2L 379 CI | J             |                       | 14077157                       | FRA-142   |
| <b>V2500 SUBURBAN</b> |                |               |                       |                                |           |
| 1987-91               | V8 5.7L 350 CI | K             | 168 Teeth;            | 14088761                       | FRA-159*  |
| 1987-91               | V8 6.2L 379 CI | J             | w/ Weight             | 14077157                       | FRA-142   |
| <b>V3500</b>          |                |               |                       |                                |           |
| 1987-88               | L6 4.8L 292 CI | T             | w/o Weight            | 14002590                       | FRA-157   |
| 1987-91               | V8 5.7L 350 CI | M, K          |                       | 14088761                       | FRA-159*  |
| 1987-90               | V8 7.4L 454 CI | W, N          | w/ Weight             | 14001992                       | FRA-141   |
| 1987-91               | V8 6.2L 379 CI | J             | w/ Weight             | 14077157                       | FRA-142   |
| 1991                  | V8 7.4L 454 CI | N             | w/ Weight             | 10101170                       | FRA-321   |
| <b>YUKON</b>          |                |               |                       |                                |           |
| 1994-97               | V8 6.5L 395 CI | S             | w/ Weight             | 14077157                       | FRA-142   |
| 1992-00               | V8 5.7L 350 CI | R, K          |                       | 14088761                       | FRA-159*  |
| 1992-94               | V8 5.7L 350 CI | R, K          |                       | 12554824 / 14088767            | FRA-161   |
| 1996-99               | V8 5.7L 350 CI | R, K          |                       | 12554824 / 14088767            | FRA-161   |
| 2000                  | V8 5.3L 325 CI | T             |                       | 14088761                       | FRA-159*  |
| 2001                  | V8 6.0L 364 CI | U             | 168 Teeth; w/o Weight | 12563136 / 12580709 / 12606620 | FRA-471*  |
| 2001-06               | V8 6.0L 364 CI | U, 5          | w/Spacer              | 12551367                       | FRA-450   |
| 2008-09               | V8 6.0L 364 CI | U, 5          | w/Spacer              | 12551367                       | FRA-450   |
| 2000                  | V8 4.8L 294 CI | V, C          | w/o Spacer            | 12551367                       | FRA-452   |
| 2005-09               | V8 4.8L 294 CI | V, C          | w/o Spacer            | 12551367                       | FRA-452   |
| 2000-11               | V8 5.3L 325 CI | T, J, 0, 3, Z | 168 Teeth; w/o Weight | 12563136 / 12580709 / 12606620 | FRA-471*  |
| 2007-08               | V8 6.2L 378 CI | 8             | 168 Teeth; w/o Weight | 12563136 / 12580709 / 12606620 | FRA-471*  |
| 2000-09               | V8 4.8L 294 CI | C, V          | 168 Teeth; w/o Weight | 12563136 / 12580709 / 12606620 | FRA-471*  |
| 2000                  | V8 4.8L 294 CI | C, V          | w/Spacer              | 12551367                       | FRA-450   |
| 2005-09               | V8 4.8L 294 CI | C, V          | w/Spacer              | 12551367                       | FRA-450   |
| 2001-06               | V8 6.0L 364 CI | 5, U          | w/o Spacer            | 12551367                       | FRA-452   |
| 2008-09               | V8 6.0L 364 CI | 5, U          | w/o Spacer            | 12551367                       | FRA-452   |
| 2009-11               | V8 6.2L 376 CI | 2, F          | 168 Teeth; w/o Weight | 12563136 / 12580709 / 12606620 | FRA-471*  |
| <b>YUKON XL 1500</b>  |                |               |                       |                                |           |
| 2000                  | V8 5.3L 325 CI | T             |                       | 14088761                       | FRA-159*  |
| 2001-09               | V8 6.0L 364 CI | U, Y          | 168 Teeth; w/o Weight | 12563136 / 12580709 / 12606620 | FRA-471*  |
| 2000-11               | V8 5.3L 325 CI | 3, T, Z, 0, J | 168 Teeth; w/o Weight | 12563136 / 12580709 / 12606620 | FRA-471*  |
| 2007-11               | V8 6.2L 376 CI | 2, F, 8       | 168 Teeth; w/o Weight | 12563136 / 12580709 / 12606620 | FRA-471*  |
| <b>YUKON XL 2500</b>  |                |               |                       |                                |           |
| 2001-06               | V8 8.1L 496 CI | G             |                       | 12561217                       | FRA-531   |
| 2000-08               | V8 6.0L 364 CI | U, K          | w/o Spacer            | 12551367                       | FRA-452   |
| 2000-08               | V8 6.0L 364 CI | K, U          | w/Spacer              | 12551367                       | FRA-450   |
| 2001-06               | V8 6.0L 364 CI | G, U, K       | 168 Teeth; w/o Weight | 12563136 / 12580709 / 12606620 | FRA-471*  |

\*Available in Heavy Duty-SFI Versions

FRA 106

# FLEXPLATES APPLICATIONS

| Years                      | Engine         | VIN     | Remarks               | OE                             | Pioneer # |
|----------------------------|----------------|---------|-----------------------|--------------------------------|-----------|
| <b>GMC TRUCK</b>           |                |         |                       |                                |           |
| <b>YUKON XL 2500</b>       |                |         |                       |                                |           |
| 2008-11                    | V8 6.0L 364 CI | G, U, K | 168 Teeth; w/o Weight | 12563136 / 12580709 / 12606620 | FRA-471*  |
| <b>HONDA</b>               |                |         |                       |                                |           |
| <b>ACCORD</b>              |                |         |                       |                                |           |
| 2003-13                    | L4 2.4L 144 CI |         |                       | 26251PNA000                    | FRA-563   |
| 2007                       | V6 3.0L 183 CI |         |                       | 26251P8F000                    | FRA-561   |
| <b>CROSSTOUR</b>           |                |         |                       |                                |           |
| 2012-13                    | L4 2.4L 144 CI |         |                       | 26251PNA000                    | FRA-563   |
| <b>HONDA TRUCK</b>         |                |         |                       |                                |           |
| <b>CR-V</b>                |                |         |                       |                                |           |
| 2002-13                    | L4 2.4L 144 CI |         |                       | 26251PNA000                    | FRA-563   |
| <b>ELEMENT</b>             |                |         |                       |                                |           |
| 2003-11                    | L4 2.4L 144 CI |         |                       | 26251PNA000                    | FRA-563   |
| <b>ODYSSEY</b>             |                |         |                       |                                |           |
| 2005-06                    | V6 3.5L 212 CI |         |                       | 26251P8F000                    | FRA-561   |
| <b>HUMMER TRUCK</b>        |                |         |                       |                                |           |
| <b>H1</b>                  |                |         |                       |                                |           |
| 2002-03                    | V8 6.5L 395 CI | F       | w/ Weight             | 14077157                       | FRA-142   |
| <b>H2</b>                  |                |         |                       |                                |           |
| 2003-07                    | V8 6.0L 364 CI | U       |                       | 12563136 / 12580709 / 12606620 | FRA-471*  |
| 2008                       | V8 6.2L 378 CI | 8       |                       | 12563136 / 12580709 / 12606620 | FRA-471*  |
| 2009                       | V8 6.2L 376 CI | 2       |                       | 12563136 / 12580709 / 12606620 | FRA-471*  |
| <b>H3</b>                  |                |         |                       |                                |           |
| 2008-10                    | V8 5.3L 325 CI | P, L    |                       | 12563136 / 12580709 / 12606620 | FRA-471*  |
| <b>H3T</b>                 |                |         |                       |                                |           |
| 2009-10                    | V8 5.3L 325 CI | L, P    |                       | 12563136 / 12580709 / 12606620 | FRA-471*  |
| <b>HYUNDAI</b>             |                |         |                       |                                |           |
| <b>ACCENT</b>              |                |         |                       |                                |           |
| 2001-06                    | L4 1.6L 98 CI  | C       |                       | 2321121054                     | FRA-500   |
| 1995-03                    | L4 1.5L 91 CI  | N, G    |                       | 2321121054                     | FRA-500   |
| <b>EXCEL</b>               |                |         |                       |                                |           |
| 1990-94                    | L4 1.5L 90 CI  | J       |                       | 2321121054                     | FRA-500   |
| <b>SCOUPE</b>              |                |         |                       |                                |           |
| 1991-92                    | L4 1.5L 90 CI  | J       |                       | 2321121054                     | FRA-500   |
| <b>INTERNATIONAL TRUCK</b> |                |         |                       |                                |           |
| <b>100</b>                 |                |         |                       |                                |           |
| 1974                       | L6 4.2L 258 CI |         | not Allison           | 3214090                        | FRA-305   |
| 1974                       | V8 6.4L 392 CI |         | not Allison           | 3214090                        | FRA-305   |
| <b>1000D</b>               |                |         |                       |                                |           |
| 1969-70                    | L6 3.8L 232 CI |         | w/o Weight            | 3232138                        | FRA-108   |

# FLEXPLATES APPLICATIONS

| Years                      | Engine         | VIN  | Remarks     | OE       | Pioneer # |
|----------------------------|----------------|------|-------------|----------|-----------|
| <b>INTERNATIONAL TRUCK</b> |                |      |             |          |           |
| <b>1010</b>                |                |      |             |          |           |
| 1971                       | L6 3.8L 232 CI |      | w/o Weight  | 3232138  | FRA-108   |
| 1973                       | L6 4.2L 258 CI |      | w/o Weight  | 3232138  | FRA-108   |
| <b>1100D</b>               |                |      |             |          |           |
| 1970                       | L6 3.8L 232 CI |      | w/o Weight  | 3232138  | FRA-108   |
| <b>1110</b>                |                |      |             |          |           |
| 1971                       | L6 3.8L 232 CI |      | w/o Weight  | 3232138  | FRA-108   |
| 1972-73                    | L6 4.2L 258 CI |      | w/o Weight  | 3232138  | FRA-108   |
| <b>1210</b>                |                |      |             |          |           |
| 1971                       | L6 3.8L 232 CI |      | w/o Weight  | 3232138  | FRA-108   |
| 1972-73                    | L6 4.2L 258 CI |      | w/o Weight  | 3232138  | FRA-108   |
| <b>200</b>                 |                |      |             |          |           |
| 1974-75                    | V8 5.6L 345 CI |      | not Allison | 3214090  | FRA-305   |
| 1974-75                    | V8 6.4L 392 CI |      | not Allison | 3214090  | FRA-305   |
| <b>ISUZU TRUCK</b>         |                |      |             |          |           |
| <b>HOMBRE</b>              |                |      |             |          |           |
| 1997-00                    | L4 2.2L 133 CI | 4    | w/o Weight  | 24575991 | FRA-419   |
| 1997-98                    | V6 4.3L 262 CI | X    |             | 14088761 | FRA-159*  |
| <b>RODEO</b>               |                |      |             |          |           |
| 1991-92                    | V6 3.1L 191 CI | Z    | w/o Weight  | 14100554 | FRA-138   |
| <b>TROOPER</b>             |                |      |             |          |           |
| 1990-91                    | V6 2.8L 173 CI | R    | w/o Weight  | 14100554 | FRA-138   |
| <b>JEEP TRUCK</b>          |                |      |             |          |           |
| <b>CHEROKEE</b>            |                |      |             |          |           |
| 1974-79                    | V8 5.9L 360 CI | P, N | w/o Weight  | 5351821  | FRA-120   |
| 1974-78                    | V8 6.6L 401 CI | Z    | w/ Weight   | 5351822  | FRA-124   |
| 1974-79                    | L6 4.2L 258 CI | C, A | w/o Weight  | 5351819  | FRA-119   |
| 1980-83                    | L6 4.2L 258 CI | C    | w/ Weight   | 3232140  | FRA-118   |
| 1980-83                    | V8 5.9L 360 CI | N    | w/ Weight   | 3232140  | FRA-118   |
| 1981-83                    | L6 4.2L 258 CI | C    |             | 3232138  | FRA-108   |
| 1984-85                    | L4 2.5L 150 CI | U    | w/o Weight  | 53001184 | FRA-418   |
| 1984-86                    | V6 2.8L 173 CI | W    |             | 53001255 | FRA-306   |
| 1986-88                    | L4 2.5L 150 CI | H    |             | 33002675 | FRA-333   |
| 1987-90                    | L6 4.0L 242 CI | M, L | w/o Weight  | 33002675 | FRA-333   |
| 1989-91                    | L4 2.5L 150 CI | P, E | w/ Weight   | 3232140  | FRA-118   |
| 1991-00                    | L6 4.0L 242 CI | S    | w/ Weight   | 52117761 | FRA-480   |
| <b>CJ5</b>                 |                |      |             |          |           |
| 1972-73                    | L6 3.8L 232 CI | E    | Non Postal  | 5351485  | FRA-331   |
| 1972-73                    | L6 4.2L 258 CI | A    | w/o Weight  | 5351485  | FRA-331   |
| 1972-73                    | V8 5.0L 304 CI | H    | w/o Weight  | 3184927  | FRA-122   |

\*Available in Heavy Duty-SFI Versions

FRA 108

# FLEXPLATES APPLICATIONS

| Years                 | Engine         | VIN     | Remarks                    | OE       | Pioneer # |
|-----------------------|----------------|---------|----------------------------|----------|-----------|
| <b>JEEP TRUCK</b>     |                |         |                            |          |           |
| <b>CJ5</b>            |                |         |                            |          |           |
| 1974-79               | V8 5.0L 304 CI | H       | w/o Weight                 | 5351820  | FRA-123   |
| 1972-75               | L6 3.8L 232 CI | E       | w/o Weight, Postal Vehicle | 5900002  | FRA-107   |
| 1976-78               | L6 3.8L 232 CI | E       | w/o Weight                 | 5351819  | FRA-119   |
| 1974-79               | L6 4.2L 258 CI | C, A    | w/o Weight                 | 5351819  | FRA-119   |
| 1980-81               | V8 5.0L 304 CI | H       | w/ Weight                  | 3232140  | FRA-118   |
| 1980-81               | V8 5.0L 304 CI | H       |                            | 3232138  | FRA-108   |
| 1980-83               | L6 4.2L 258 CI | C       | w/ Weight                  | 3232140  | FRA-118   |
| 1980-83               | L6 4.2L 258 CI | C       |                            | 3232138  | FRA-108   |
| <b>CJ6</b>            |                |         |                            |          |           |
| 1972-73               | L6 3.8L 232 CI | E       | Non Postal                 | 5351485  | FRA-331   |
| 1972-73               | L6 4.2L 258 CI | A       | w/o Weight                 | 5351485  | FRA-331   |
| 1972-73               | V8 5.0L 304 CI | H       | w/o Weight                 | 3184927  | FRA-122   |
| 1974-75               | L6 4.2L 258 CI | A       | w/o Weight                 | 5351819  | FRA-119   |
| 1972-75               | L6 3.8L 232 CI | E       | w/o Weight, Postal Vehicle | 5900002  | FRA-107   |
| 1974-75               | V8 5.0L 304 CI | H       | w/o Weight                 | 5351820  | FRA-123   |
| <b>CJ7</b>            |                |         |                            |          |           |
| 1976-78               | L6 3.8L 232 CI | E       | w/o Weight                 | 5351819  | FRA-119   |
| 1976-79               | L6 4.2L 258 CI | A, C    | w/o Weight                 | 5351819  | FRA-119   |
| 1976-79               | V8 5.0L 304 CI | H       | w/o Weight                 | 5351820  | FRA-123   |
| 1980-86               | L6 4.2L 258 CI | C       |                            | 3232138  | FRA-108   |
| 1980-81               | V8 5.0L 304 CI | H       | w/ Weight                  | 3232140  | FRA-118   |
| 1980-81               | V8 5.0L 304 CI | H       |                            | 3232138  | FRA-108   |
| 1980-86               | L6 4.2L 258 CI | C       | w/ Weight                  | 3232140  | FRA-118   |
| 1983-85               | L4 2.5L 150 CI | U       | w/o Weight                 | 53001184 | FRA-418   |
| 1986                  | L4 2.5L 150 CI | U       | w/ Weight                  | 3232140  | FRA-118   |
| <b>COMANCHE</b>       |                |         |                            |          |           |
| 1986                  | V6 2.8L 173 CI | W       |                            | 53001255 | FRA-306   |
| 1986-88               | L4 2.5L 150 CI | H       |                            | 33002675 | FRA-333   |
| 1987-90               | L6 4.0L 242 CI | M, L    | w/o Weight                 | 33002675 | FRA-333   |
| 1986                  | L4 2.5L 150 CI | E, P, H | w/ Weight                  | 3232140  | FRA-118   |
| 1989-91               | L4 2.5L 150 CI | E, P, H | w/ Weight                  | 3232140  | FRA-118   |
| 1991-92               | L6 4.0L 242 CI | S       | w/ Weight                  | 52117761 | FRA-480   |
| <b>DJ5</b>            |                |         |                            |          |           |
| 1972-74               | L6 3.8L 232 CI | E       | Postal Vehicle, w/o Weight | 5900002  | FRA-107   |
| 1972-73               | L6 3.8L 232 CI | E       | Non Postal                 | 5351485  | FRA-331   |
| 1973                  | L6 4.2L 258 CI | A       | w/o Weight                 | 5351485  | FRA-331   |
| 1974                  | L6 4.2L 258 CI | A       | w/o Weight                 | 5351819  | FRA-119   |
| <b>GRAND CHEROKEE</b> |                |         |                            |          |           |
| 1993-95               | V8 5.2L 318 CI | Y       | w/o Weight                 | 53008669 | FRA-478   |
| 1993-96               | L6 4.0L 242 CI | S       |                            | 53006328 | FRA-539   |



# FLEXPLATES APPLICATIONS

| Years                 | Engine         | VIN  | Remarks                  | OE       | Pioneer # |
|-----------------------|----------------|------|--------------------------|----------|-----------|
| <b>JEEP TRUCK</b>     |                |      |                          |          |           |
| <b>GRAND CHEROKEE</b> |                |      |                          |          |           |
| 1997-98               | V8 5.2L 318 CI | Y    | Use w/Ring Gear FRG-130C | 52118255 | FRA-527   |
| 1999-03               | L6 4.0L 242 CI | S    |                          | 52118257 | FRA-535   |
| <b>GRAND WAGONEER</b> |                |      |                          |          |           |
| 1984-86               | L6 4.2L 258 CI | C    | w/ Weight                | 3232140  | FRA-118   |
| 1984-86               | L6 4.2L 258 CI | C    |                          | 3232138  | FRA-108   |
| 1984-87               | V8 5.9L 360 CI | N    | w/ Weight                | 3232140  | FRA-118   |
| 1988-91               | V8 5.9L 360 CI | 7, N | w/ Weight                | 33004361 | FRA-411   |
| <b>J10</b>            |                |      |                          |          |           |
| 1974-79               | L6 4.2L 258 CI | A, C | w/o Weight               | 5351819  | FRA-119   |
| 1974-79               | V8 5.9L 360 CI | P, N | w/o Weight               | 5351821  | FRA-120   |
| 1974-78               | V8 6.6L 401 CI | Z    | w/ Weight                | 5351822  | FRA-124   |
| 1980-86               | L6 4.2L 258 CI | C    | w/ Weight                | 3232140  | FRA-118   |
| 1980-87               | V8 5.9L 360 CI | N    | w/ Weight                | 3232140  | FRA-118   |
| 1980-86               | L6 4.2L 258 CI | C    |                          | 3232138  | FRA-108   |
| 1987                  | L6 4.2L 258 CI | C    | w/o Weight               | 33004359 | FRA-410   |
| 1988                  | V8 5.9L 360 CI | N    | w/ Weight                | 33004361 | FRA-411   |
| <b>J-100</b>          |                |      |                          |          |           |
| 1969-71               | V8 5.7L 350 CI | 9    |                          | 1262989  | FRA-101   |
| <b>J20</b>            |                |      |                          |          |           |
| 1974                  | L6 4.2L 258 CI | A    | w/o Weight               | 5351819  | FRA-119   |
| 1976                  | L6 4.2L 258 CI | A    | w/o Weight               | 5351819  | FRA-119   |
| 1974-79               | V8 5.9L 360 CI | N, P | w/o Weight               | 5351821  | FRA-120   |
| 1974-78               | V8 6.6L 401 CI | Z    | w/ Weight                | 5351822  | FRA-124   |
| 1980-87               | V8 5.9L 360 CI | N    | w/ Weight                | 3232140  | FRA-118   |
| 1988                  | V8 5.9L 360 CI | N    | w/ Weight                | 33004361 | FRA-411   |
| <b>J-2500</b>         |                |      |                          |          |           |
| 1969-71               | V8 5.7L 350 CI | 9    |                          | 1262989  | FRA-101   |
| 1972                  | V8 5.0L 304 CI | H    | w/o Weight               | 3184927  | FRA-122   |
| 1972-73               | L6 4.2L 258 CI | A    | w/o Weight               | 5351485  | FRA-331   |
| 1972-73               | V8 5.9L 360 CI | N, P | w/o Weight               | 3184926  | FRA-121   |
| <b>J-2600</b>         |                |      |                          |          |           |
| 1969-70               | V8 5.7L 350 CI | 9    |                          | 1262989  | FRA-101   |
| 1972                  | V8 5.0L 304 CI | H    | w/o Weight               | 3184927  | FRA-122   |
| 1972-73               | L6 4.2L 258 CI | A    | w/o Weight               | 5351485  | FRA-331   |
| 1972-73               | V8 5.9L 360 CI | N, P | w/o Weight               | 3184926  | FRA-121   |
| <b>J-2700</b>         |                |      |                          |          |           |
| 1969-70               | V8 5.7L 350 CI | 9    |                          | 1262989  | FRA-101   |
| <b>J-3500</b>         |                |      |                          |          |           |
| 1969-70               | V8 5.7L 350 CI | 9    |                          | 1262989  | FRA-101   |
| <b>J-3600</b>         |                |      |                          |          |           |
| 1969-70               | V8 5.7L 350 CI | 9    |                          | 1262989  | FRA-101   |

\*Available in Heavy Duty-SFI Versions

FRA 110

# FLEXPLATES APPLICATIONS

| Years             | Engine         | VIN  | Remarks        | OE         | Pioneer # |
|-------------------|----------------|------|----------------|------------|-----------|
| <b>JEEP TRUCK</b> |                |      |                |            |           |
| <b>J-3700</b>     |                |      |                |            |           |
| 1969-70           | V8 5.7L 350 CI | 9    |                | 1262989    | FRA-101   |
| <b>J-3800</b>     |                |      |                |            |           |
| 1969-70           | V8 5.7L 350 CI | 9    |                | 1262989    | FRA-101   |
| <b>JEEPSTER</b>   |                |      |                |            |           |
| 1972-73           | L6 3.8L 232 CI | E    | Non Postal     | 5351485    | FRA-331   |
| 1972-73           | L6 3.8L 232 CI | E    | Postal Vehicle | 5900002    | FRA-107   |
| 1972-73           | L6 4.2L 258 CI | A    | w/o Weight     | 5351485    | FRA-331   |
| 1972-73           | V8 5.0L 304 CI | H    | w/o Weight     | 3184927    | FRA-122   |
| <b>SCRAMBLER</b>  |                |      |                |            |           |
| 1981-85           | L6 4.2L 258 CI | C    |                | 3232138    | FRA-108   |
| 1981-85           | L6 4.2L 258 CI | C    | w/ Weight      | 3232140    | FRA-118   |
| 1983-85           | L4 2.5L 150 CI | U    | w/o Weight     | 53001184   | FRA-418   |
| <b>TJ</b>         |                |      |                |            |           |
| 1997-02           | L6 4.0L 242 CI | S    |                | 52118257   | FRA-535   |
| <b>WAGONEER</b>   |                |      |                |            |           |
| 1971              | V8 5.7L 350 CI | K    |                | 1262989    | FRA-101   |
| 1972-73           | L6 4.2L 258 CI | A    | w/o Weight     | 5351485    | FRA-331   |
| 1972-73           | V8 5.9L 360 CI | P, N | w/o Weight     | 3184926    | FRA-121   |
| 1974-78           | V8 6.6L 401 CI | Z    | w/ Weight      | 5351822    | FRA-124   |
| 1974-79           | V8 5.9L 360 CI | N, P | w/o Weight     | 5351821    | FRA-120   |
| 1980-83           | L6 4.2L 258 CI | C    | w/ Weight      | 3232140    | FRA-118   |
| 1980-83           | V8 5.9L 360 CI | N    | w/ Weight      | 3232140    | FRA-118   |
| 1980-83           | L6 4.2L 258 CI | C    |                | 3232138    | FRA-108   |
| 1984-85           | L4 2.5L 150 CI | U    | w/o Weight     | 53001184   | FRA-418   |
| 1984-86           | V6 2.8L 173 CI | W    |                | 53001255   | FRA-306   |
| 1986-87           | L4 2.5L 150 CI | H    |                | 33002675   | FRA-333   |
| 1987-90           | L6 4.0L 242 CI | M, L | w/o Weight     | 33002675   | FRA-333   |
| <b>WRANGLER</b>   |                |      |                |            |           |
| 1987-88           | L4 2.5L 150 CI | H    |                | 33002675   | FRA-333   |
| 1987-88           | L6 4.2L 258 CI | C    | w/o Weight     | 3232138    | FRA-108   |
| 1989-91           | L4 2.5L 150 CI | E, P | w/ Weight      | 3232140    | FRA-118   |
| 1988-90           | L6 4.2L 258 CI | T, M | w/o Weight     | 33004359   | FRA-410   |
| 1991-95           | L6 4.0L 242 CI | S    |                | 53006328   | FRA-539   |
| 1997-02           | L6 4.0L 242 CI | S    |                | 52118257   | FRA-535   |
| 2007-11           | V6 3.8L 231 CI | 1    |                | 4736299AB  | FRA-550   |
| <b>KIA</b>        |                |      |                |            |           |
| <b>RIO</b>        |                |      |                |            |           |
| 2001-02           | L4 1.5L 91 CI  |      |                | 0K32B19020 | FRA-503   |
| 2003-05           | L4 1.6L 97 CI  |      |                | 0K32B19020 | FRA-503   |
| 2006-08           | L4 1.6L 98 CI  | 3    |                | 2321126050 | FRA-513   |

# FLEXPLATES APPLICATIONS

| Years                | Engine         | VIN     | Remarks                                 | OE          | Pioneer # |
|----------------------|----------------|---------|---|-------------|-----------|
| <b>KIA</b>           |                |         |   |             |           |
| <b>RIO5</b>          |                |         |   |             |           |
| 2006-08              | L4 1.6L 98 CI  | 3       |   | 2321126050  | FRA-513   |
| <b>SEPHIA</b>        |                |         |   |             |           |
| 1998-01              | L4 1.8L 109 CI | 5, 1    |   | 0K25R19020A | FRA-507   |
| <b>SPECTRA</b>       |                |         |   |             |           |
| 2000-03              | L4 1.8L 109 CI | 1       |   | 0K25R19020A | FRA-507   |
| <b>LINCOLN</b>       |                |         |   |             |           |
| <b>CONTINENTAL</b>   |                |         |   |             |           |
| 1968-78              | V8 7.5L 460 CI | A       | Police Car; w/o Weight                  | D1SZ6375A   | FRA-207   |
| 1977-79              | V8 6.6L 400 CI | S       |   | D1AZ6375A   | FRA-201   |
| 1980                 | V8 5.0L 302 CI | F       |   | E0AZ6375A   | FRA-205   |
| 1980                 | V8 5.8L 351 CI | G       | w/ Weight                               | E0AZ6375A   | FRA-205   |
| 1982-87              | V8 5.0L 302 CI | F       | w/Weight, w/ Weight                     | E2AZ6375A   | FRA-214*  |
| 1988-90              | V6 3.8L 232 CI | 4       | w/ Weight                               | E9DZ6375B   | FRA-416   |
| 1991-94              | V6 3.8L 232 CI | 4       | w/ Weight                               | F1DZ6375C   | FRA-417   |
| 1995                 | V8 4.6L 281 CI | V       | w/o Weight                              | F1AZ6375A   | FRA-408   |
| 1997                 | V8 4.6L 281 CI | V       | 6 Hole Crank                            | F6AZ6375BA  | FRA-437   |
| 1996                 | V8 4.6L 281 CI | V       |   | F50Y6375A   | FRA-434   |
| 1998-02              | V8 4.6L 281 CI | V       |   | F50Y6375A   | FRA-434   |
| <b>MARK III</b>      |                |         |   |             |           |
| 1968-71              | V8 7.5L 460 CI | A       | Police Car; w/o Weight                  | D1SZ6375A   | FRA-207   |
| <b>MARK IV</b>       |                |         |   |             |           |
| 1972-76              | V8 7.5L 460 CI | A       | Police Car; w/o Weight                  | D1SZ6375A   | FRA-207   |
| <b>MARK V</b>        |                |         |   |             |           |
| 1977-78              | V8 7.5L 460 CI | A       | Police Car; w/o Weight                  | D1SZ6375A   | FRA-207   |
| 1977-79              | V8 6.6L 400 CI | S       |   | D1AZ6375A   | FRA-201   |
| <b>MARK VI</b>       |                |         |   |             |           |
| 1980                 | V8 5.0L 302 CI | F       |   | E0AZ6375A   | FRA-205   |
| 1980                 | V8 5.8L 351 CI | G       | w/ Weight                               | E0AZ6375A   | FRA-205   |
| 1981-83              | V8 5.0L 302 CI | F       | w/Weight, w/ Weight                     | E2AZ6375A   | FRA-214*  |
| <b>MARK VII</b>      |                |         |   |             |           |
| 1984-92              | V8 5.0L 302 CI | F, E, M | w/ Weight                               | E2AZ6375A   | FRA-214*  |
| <b>MARK VIII</b>     |                |         |   |             |           |
| 1993-94              | V8 4.6L 281 CI | V       | 6 Hole Crank                            | F6AZ6375BA  | FRA-437   |
| 1995-98              | V8 4.6L 281 CI | V       | New Design w/6 Hole Crank               | 4W7Z6375AA  | FRA-560*  |
| <b>TOWN CAR</b>      |                |         |   |             |           |
| 1981-90              | V8 5.0L 302 CI | F       | w/ Weight                               | E2AZ6375A   | FRA-214*  |
| 1991-95              | V8 4.6L 281 CI | W       | w/o Weight                              | F1AZ6375A   | FRA-408   |
| 1996-03              | V8 4.6L 281 CI | W       | 6 Hole Crank                            | F6AZ6375BA  | FRA-437   |
| 1999-11              | V8 4.6L 281 CI | W, V    | New Design w/6 Hole Crank, 6 Hole Crank | 4W7Z6375AA  | FRA-560*  |
| <b>LINCOLN TRUCK</b> |                |         |   |             |           |
| <b>BLACKWOOD</b>     |                |         |   |             |           |
| 2002                 | V8 5.4L 330 CI | A       | 8 Bolt Pattern                          | 1C3Z6375BA  | FRA-482   |

\*Available in Heavy Duty-SFI Versions

FRA 112

# FLEXPLATES APPLICATIONS

| Years                | Engine         | VIN        | Remarks                           | OE         | Pioneer # |
|----------------------|----------------|------------|-----------------------------------|------------|-----------|
| <b>LINCOLN TRUCK</b> |                |            |                                   |            |           |
| <b>MARK LT</b>       |                |            |                                   |            |           |
| 2006-08              | V8 5.4L 330 CI | 5          | 8 Bolt Pattern, 8 Bolt Crankshaft | 4C3Z6375AA | FRA-562*  |
| <b>NAVIGATOR</b>     |                |            |                                   |            |           |
| 1998-04              | V8 5.4L 330 CI | L, A, R    | 8 Bolt Pattern                    | 1C3Z6375BA | FRA-482   |
| 1998-02              | V8 5.4L 330 CI | R, A, L    | Old Style; 8 Bolt Pattern         | F75Z6375AA | FRA-443   |
| 2005-13              | V8 5.4L 330 CI | 5          | 8 Bolt Crankshaft, 8 Bolt Pattern | 4C3Z6375AA | FRA-562*  |
| <b>LINCOLN</b>       |                |            |                                   |            |           |
| <b>VERSAILLES</b>    |                |            |                                   |            |           |
| 1977-80              | V8 5.0L 302 CI | F          |                                   | E0AZ6375A  | FRA-205   |
| <b>MAZDA TRUCK</b>   |                |            |                                   |            |           |
| <b>B2300</b>         |                |            |                                   |            |           |
| 1994-97              | L4 2.3L 140 CI | A          | w/o Weight                        | E5TZ6375D  | FRA-216   |
| <b>B2500</b>         |                |            |                                   |            |           |
| 1998-00              | L4 2.5L 152 CI | C          | w/o Weight                        | E5TZ6375D  | FRA-216   |
| <b>B3000</b>         |                |            |                                   |            |           |
| 1994-96              | V6 3.0L 182 CI | U          | w/o Weight                        | E69Z6375A  | FRA-218   |
| 1998                 | V6 3.0L 182 CI | U          | w/o Weight                        | E69Z6375A  | FRA-218   |
| <b>B4000</b>         |                |            |                                   |            |           |
| 1994-97              | V6 4.0L 245 CI | X          | w/o Weight                        | E5TZ6375B  | FRA-217   |
| <b>NAVAJO</b>        |                |            |                                   |            |           |
| 1991-94              | V6 4.0L 245 CI | X          | w/o Weight                        | E5TZ6375B  | FRA-217   |
| <b>MERCURY</b>       |                |            |                                   |            |           |
| <b>BOBCAT</b>        |                |            |                                   |            |           |
| 1975-80              | L4 2.3L 140 CI | Y, A       |                                   | D4ZZ6375D  | FRA-208   |
| 1975-79              | V6 2.8L 171 CI | Z          |                                   | D5ZZ6375B  | FRA-221   |
| 1975-79              | V6 2.8L 171 CI | Z          |                                   | D4ZZ6375C  | FRA-222   |
| 1975-80              | L4 2.3L 140 CI | A, Y       |                                   | D5FZ6375A  | FRA-209   |
| <b>CALIENTE</b>      |                |            |                                   |            |           |
| 1965-67              | L6 3.3L 200 CI |            |                                   | C3DZ6375B  | FRA-232   |
| 1965-67              | V8 4.7L 288 CI |            | 157 Teeth; w/Weight;              | C3AZ6375L  | FRA-203*  |
| <b>CAPRI</b>         |                |            |                                   |            |           |
| 1976-77              | L4 2.3L 140 CI | W, T, Y, A |                                   | D5FZ6375A  | FRA-209   |
| 1979-86              | L4 2.3L 140 CI | W, T, Y, A |                                   | D5FZ6375A  | FRA-209   |
| 1979-81              | L6 3.3L 200 CI | T, B       |                                   | C3DZ6375B  | FRA-232   |
| 1979                 | V6 2.8L 171 CI | Z          |                                   | D5ZZ6375B  | FRA-221   |
| 1979                 | V8 5.0L 302 CI | F          |                                   | E0AZ6375A  | FRA-205   |
| 1976-77              | L4 2.3L 140 CI | A, Y, W    |                                   | D4ZZ6375D  | FRA-208   |
| 1979-80              | L4 2.3L 140 CI | A, Y, W    |                                   | D4ZZ6375D  | FRA-208   |
| 1979-80              | L6 3.3L 200 CI | B, T       |                                   | E83Z6375A  | FRA-223   |
| 1980-82              | V8 4.2L 255 CI | D          | w/ Weight                         | E2AZ6375A  | FRA-214*  |

# FLEXPLATES APPLICATIONS

| Years              | Engine         | VIN     | Remarks                                      | OE         | Pioneer # |
|--------------------|----------------|---------|--|------------|-----------|
| <b>MERCURY</b>     |                |         |  |            |           |
| <b>CAPRI</b>       |                |         |  |            |           |
| 1981-82            | L6 3.3L 200 CI | B       |  | E1BZ-6375B | FRA-702   |
| 1982-86            | V8 5.0L 302 CI | M, F    | w/Weight, w/ Weight                          | E2AZ6375A  | FRA-214*  |
| 1983-86            | V6 3.8L 232 CI | 3       |  | E3DZ6375B  | FRA-225   |
| 1986               | V6 3.8L 232 CI | 3       |  | E5SZ6375A  | FRA-335   |
| <b>COLONY PARK</b> |                |         |  |            |           |
| 1966-67            | V8 7.0L 427 CI |         | w/ Weight                                    | C6AZ6375B  | FRA-224   |
| 1967               | V8 6.7L 410 CI |         | w/ Weight                                    | C6AZ6375B  | FRA-224   |
| 1966-68            | V8 7.0L 428 CI | Q       | w/ Weight                                    | C6AZ6375B  | FRA-224   |
| 1969-73            | V8 7.0L 429 CI | K, N    | w/o Weight                                   | D1SZ6375A  | FRA-207   |
| 1971-73            | V8 5.8L 351 CI | H       | w/ Weight                                    | E0AZ6375A  | FRA-205   |
| 1971-74            | V8 6.6L 400 CI | S       | 164 Teeth; w/Weight, w/Aluminum Auto, Trans. | D1AZ6375A  | FRA-201   |
| 1972-74            | V8 7.5L 460 CI | A       | w/o Weight                                   | D1SZ6375A  | FRA-207   |
| 1987-91            | V8 5.0L 302 CI | F       | w/Weight, w/ Weight                          | E2AZ6375A  | FRA-214*  |
| <b>COMET</b>       |                |         |  |            |           |
| 1964-67            | V8 4.7L 288 CI |         | 157 Teeth; w/Weight                          | C3AZ6375L  | FRA-203*  |
| 1965-68            | L6 3.3L 200 CI | T       |  | C3DZ6375B  | FRA-232   |
| 1971-77            | L6 3.3L 200 CI | T       |  | C3DZ6375B  | FRA-232   |
| 1965-67            | V8 7.0L 427 CI |         | 184 Teeth; w/o Weight                        | C5AZ6375D  | FRA-212   |
| 1966-69            | V8 6.4L 390 CI | S, Y    | 184 Teeth; w/o Weight                        | C5AZ6375D  | FRA-212   |
| 1969               | V8 5.8L 351 CI | H, M    | w/Pan Fill Trans., w/ Weight                 | E0AZ6375A  | FRA-205   |
| 1968-69            | V8 5.0L 302 CI | F, J    | exc. Special Eng., w/Case Fill Trans.        | C3AZ6375L  | FRA-203*  |
| 1971-76            | V8 5.0L 302 CI | F, J    | exc. Special Eng., w/Case Fill Trans.        | C3AZ6375L  | FRA-203*  |
| 1969               | L6 4.1L 250 CI | L       | 157 Teeth; w/o Weight                        | C9OZ6375A  | FRA-204   |
| 1971-77            | L6 4.1L 250 CI | L       | 157 Teeth; w/o Weight                        | C9OZ6375A  | FRA-204   |
| 1976-77            | V8 5.0L 302 CI | F       | w/ Weight, w/Pan Fill Trans.                 | E0AZ6375A  | FRA-205   |
| <b>COMMUTER</b>    |                |         |  |            |           |
| 1966-67            | V8 7.0L 427 CI |         | w/ Weight                                    | C6AZ6375B  | FRA-224   |
| 1966-68            | V8 7.0L 428 CI | Q       | w/ Weight                                    | C6AZ6375B  | FRA-224   |
| 1967               | V8 4.7L 288 CI |         | 157 Teeth; w/Weight;                         | C3AZ6375L  | FRA-203*  |
| 1967               | V8 6.7L 410 CI |         | w/ Weight                                    | C6AZ6375B  | FRA-224   |
| <b>COUGAR</b>      |                |         |  |            |           |
| 1967-68            | V8 4.7L 288 CI | C       | 157 Teeth; w/Weight                          | C3AZ6375L  | FRA-203*  |
| 1968               | V8 4.7L 289 CI | C       | 157 Teeth; w/Weight;                         | C3AZ6375L  | FRA-203*  |
| 1968-70            | V8 5.0L 302 CI | J, F, G | exc. Special Eng.                            | C3AZ6375L  | FRA-203*  |
| 1967-69            | V8 6.4L 390 CI | X, S    | 184 Teeth; w/o Weight                        | C5AZ6375D  | FRA-212   |
| 1968               | V8 7.0L 427 CI | W       | 184 Teeth; w/o Weight                        | C5AZ6375D  | FRA-212   |
| 1968-70            | V8 7.0L 428 CI | Q, R    | w/ Weight                                    | C6AZ6375B  | FRA-224   |
| 1970-71            | V8 7.0L 429 CI | C, J, Z | exc. Special Eng.                            | D1SZ6375A  | FRA-207   |
| 1969-79            | V8 5.8L 351 CI | H, Q, M | w/Cast Iron, w/ Weight                       | E0AZ6375A  | FRA-205   |

\*Available in Heavy Duty-SFI Versions

FRA 114

# FLEXPLATES APPLICATIONS

| Years                | Engine         | VIN     | Remarks                                 | OE         | Pioneer # |
|----------------------|----------------|---------|---|------------|-----------|
| <b>MERCURY</b>       |                |         |   |            |           |
| <b>COUGAR</b>        |                |         |   |            |           |
| 1971-74              | V8 5.8L 351 CI | H, Q, M | w/Aluminum Auto. Trans., exc. Cobra Jet | D1ZZ6375A  | FRA-202   |
| 1971-74              | V8 5.8L 351 CI | Q, H, M | w/Cobra Jet Eng.                        | D1ZZ6375C  | FRA-220   |
| 1973-78              | V8 6.6L 400 CI | S       | 164 Teeth; w/Weight                     | D1AZ6375A  | FRA-201   |
| 1975-76              | V8 7.5L 460 CI | A       | Police Car; w/o Weight                  | D1SZ6375A  | FRA-207   |
| 1975-79              | V8 5.8L 351 CI | H       |   | D1AZ6375A  | FRA-201   |
| 1980                 | L6 3.3L 200 CI | B       |   | E83Z6375A  | FRA-223   |
| 1977-80              | V8 5.0L 302 CI | F       | w/ Weight                               | E0AZ6375A  | FRA-205   |
| 1980-82              | V8 4.2L 255 CI | D       | w/ Weight                               | E2AZ6375A  | FRA-214*  |
| 1981                 | L6 3.3L 200 CI | B       |   | E1BZ-6375B | FRA-702   |
| 1980-82              | L6 3.3L 200 CI | B       |   | C3DZ6375B  | FRA-232   |
| 1983-86              | V6 3.8L 232 CI | 3       |   | E3SZ6375B  | FRA-229   |
| 1984-86              | L4 2.3L 140 CI | W       |   | D5FZ6375A  | FRA-209   |
| 1985-87              | V6 3.8L 232 CI | 4, 3    |   | E5SZ6375A  | FRA-335   |
| 1988-95              | V6 3.8L 232 CI | 4, R    | w/ Weight                               | E9SZ6375B  | FRA-316   |
| 1989-90              | V6 3.8L 232 CI | R       | w/o Weight                              | F65Z6375CA | FRA-442   |
| 1981                 | V8 5.0L 302 CI | T, F    | w/ Weight                               | E2AZ6375A  | FRA-214*  |
| 1983-88              | V8 5.0L 302 CI | T, F    | w/ Weight                               | E2AZ6375A  | FRA-214*  |
| 1991-93              | V8 5.0L 302 CI | T, F    | w/ Weight                               | E2AZ6375A  | FRA-214*  |
| 1994-95              | V8 4.6L 281 CI | W       | w/o Weight                              | F1AZ6375A  | FRA-408   |
| 1996-97              | V8 4.6L 281 CI | W       | 6 Hole Crank                            | F6AZ6375BA | FRA-437   |
| 1999-00              | V6 2.5L 150 CI | L       | w/o Weight                              | F5RZ6375C  | FRA-435   |
| <b>CYCLONE</b>       |                |         |   |            |           |
| 1967-69              | V8 6.4L 390 CI | Y, S    | 184 Teeth; w/o Weight                   | C5AZ6375D  | FRA-212   |
| 1968                 | V8 7.0L 427 CI | W       | 184 Teeth; w/o Weight                   | C5AZ6375D  | FRA-212   |
| 1968-69              | V8 7.0L 428 CI | R       | w/ Weight                               | C6AZ6375B  | FRA-224   |
| 1970-71              | V8 7.0L 429 CI | C       | w/o Weight                              | D1SZ6375A  | FRA-207   |
| 1971                 | V8 5.8L 351 CI | M, H    | w/ Weight                               | E0AZ6375A  | FRA-205   |
| <b>GRAND MARQUIS</b> |                |         |   |            |           |
| 1975-78              | V8 6.6L 400 CI | S       | w/Aluminum Auto. Trans.                 | D1AZ6375A  | FRA-201   |
| 1975-78              | V8 7.5L 460 CI | A       | w/o Weight                              | D1SZ6375A  | FRA-207   |
| 1978                 | V8 5.8L 351 CI | H       | w/Aluminum Auto. Trans.                 | D1AZ6375A  | FRA-201   |
| 1979                 | V8 5.8L 351 CI | H       |   | D1ZZ6375A  | FRA-202   |
| 1979-80              | V8 5.0L 302 CI | F       |   | E0AZ6375A  | FRA-205   |
| 1979-80              | V8 5.0L 302 CI | F       |   | D1ZZ6375A  | FRA-202   |
| 1981-82              | V8 4.2L 255 CI | D       | w/ Weight                               | E2AZ6375A  | FRA-214*  |
| 1979-81              | V8 5.8L 351 CI | G, H    | w/ Weight                               | E0AZ6375A  | FRA-205   |
| 1983-89              | V8 5.8L 351 CI | G, H    | w/ Weight                               | E0AZ6375A  | FRA-205   |
| 1981-91              | V8 5.0L 302 CI | F       | w/Weight, w/ Weight                     | E2AZ6375A  | FRA-214*  |
| 1992-95              | V8 4.6L 281 CI | W       | w/o Weight                              | F1AZ6375A  | FRA-408   |
| 1996-03              | V8 4.6L 281 CI | 6, W    | 6 Hole Crank                            | F6AZ6375BA | FRA-437   |

# FLEXPLATES APPLICATIONS

| Years                | Engine         | VIN     | Remarks   | OE         | Pioneer # |
|----------------------|----------------|---------|---|------------|-----------|
| <b>MERCURY</b>       |                |         |   |            |           |
| <b>GRAND MARQUIS</b> |                |         |   |            |           |
| 1996                 | V8 4.6L 281 CI | 6, W    | 8 Bolt Pattern                                  | F6AZ6375DA | FRA-438   |
| 1999-11              | V8 4.6L 281 CI | W, V    | 6 Hole Crank                                    | 4W7Z6375AA | FRA-560*  |
| <b>LN7</b>           |                |         |   |            |           |
| 1982                 | L4 1.6L 98 CI  | 4, 2    | To 12/6/82                                      | E2FZ6375A  | FRA-425   |
| 1982-83              | L4 1.6L 98 CI  | 4, 5, 2 | w/o Weight, From 12/6/82                        | E83Z6375A  | FRA-233   |
| <b>LYNX</b>          |                |         |   |            |           |
| 1981-82              | L4 1.6L 98 CI  | 2, 4    | w/135 Teeth, To 12/6/82                         | E2FZ6375A  | FRA-425   |
| 1982-85              | L4 1.6L 98 CI  | 2, 4, 5 | w/o Weight, From 12/6/82                        | E83Z6375A  | FRA-233   |
| 1984-87              | L4 2.0L 121 CI | H       | w/o Weight                                      | E83Z6375A  | FRA-233   |
| 1985-87              | L4 1.9L 116 CI | 9, J    | w/o Weight                                      | E83Z6375A  | FRA-233   |
| <b>MARAUDER</b>      |                |         |   |            |           |
| 1967                 | V8 6.4L 390 CI | X       | 184 Teeth; w/o Weight                           | C5AZ6375D  | FRA-212   |
| 1969                 | V8 6.4L 390 CI | X       | 184 Teeth; w/o Weight                           | C5AZ6375D  | FRA-212   |
| 1969-70              | V8 7.0L 429 CI | K, N    | w/o Weight                                      | D1SZ6375A  | FRA-207   |
| 2003                 | V8 4.6L 281 CI |         | 6 Hole Crank                                    | F6AZ6375BA | FRA-437   |
| 2003-04              | V8 4.6L 281 CI | V       | 6 Hole Crank                                    | 4W7Z6375AA | FRA-560*  |
| <b>MARQUIS</b>       |                |         |   |            |           |
| 1967                 | V8 6.7L 410 CI |         | w/ Weight                                       | C6AZ6375B  | FRA-224   |
| 1967                 | V8 7.0L 427 CI |         | w/ Weight                                       | C6AZ6375B  | FRA-224   |
| 1968-69              | V8 6.4L 390 CI | Z, Y, X | 184 Teeth; w/o Weight                           | C5AZ6375D  | FRA-212   |
| 1967-69              | V8 7.0L 428 CI | P, Q    | w/ Weight                                       | C6AZ6375B  | FRA-224   |
| 1969-73              | V8 7.0L 429 CI | K, N    | w/o Weight                                      | D1SZ6375A  | FRA-207   |
| 1971-73              | V8 5.8L 351 CI | H, G    | w/ Weight                                       | E0AZ6375A  | FRA-205   |
| 1980-81              | V8 5.8L 351 CI | H, G    | w/ Weight                                       | E0AZ6375A  | FRA-205   |
| 1971-78              | V8 6.6L 400 CI | S       | w/Aluminum Auto. Trans., 164 Teeth;<br>w/Weight | D1AZ6375A  | FRA-201   |
| 1972-78              | V8 7.5L 460 CI | A, C    | w/o Weight                                      | D1SZ6375A  | FRA-207   |
| 1978                 | V8 5.8L 351 CI | H       | w/Aluminum Auto. Trans.                         | D1AZ6375A  | FRA-201   |
| 1979                 | V8 5.8L 351 CI | H       |   | D1ZZ6375A  | FRA-202   |
| 1979-80              | V8 5.0L 302 CI | F       |   | D1ZZ6375A  | FRA-202   |
| 1979-80              | V8 5.0L 302 CI | F       |   | E0AZ6375A  | FRA-205   |
| 1981-82              | V8 4.2L 255 CI | D       | w/Weight, w/ Weight                             | E2AZ6375A  | FRA-214*  |
| 1981-82              | V8 5.0L 302 CI | F       | w/ Weight                                       | E2AZ6375A  | FRA-214*  |
| 1983-86              | L4 2.3L 140 CI | A, 6    | w/o Weight                                      | D5FZ6375A  | FRA-209   |
| 1983-86              | V6 3.8L 232 CI | 3, C    |   | E3DZ6375B  | FRA-225   |
| <b>MONARCH</b>       |                |         |   |            |           |
| 1975-77              | L6 3.3L 200 CI | T       |   | C3DZ6375B  | FRA-232   |
| 1975-77              | V8 5.8L 351 CI | H       | w/ Weight                                       | E0AZ6375A  | FRA-205   |
| 1975-76              | V8 5.0L 302 CI | F       | w/13.30" Flexplate, exc. Special Eng.           | C3AZ6375L  | FRA-203*  |
| 1976-80              | V8 5.0L 302 CI | F       | w/ Weight, w/14.23" Flexplate; w/Weight         | E0AZ6375A  | FRA-205   |

\*Available in Heavy Duty-SFI Versions

FRA 116

# FLEXPLATES APPLICATIONS

| Years            | Engine         | VIN     | Remarks                                     | OE        | Pioneer # |
|------------------|----------------|---------|---|-----------|-----------|
| <b>MERCURY</b>   |                |         |   |           |           |
| <b>MONARCH</b>   |                |         |   |           |           |
| 1978-80          | L6 4.1L 250 CI | L, C    |   | C5TZ6375T | FRA-206   |
| 1975-80          | L6 4.1L 250 CI | C, L    | w/Jatco Auto. Trans., 157 Teeth; w/o Weight | C9OZ6375A | FRA-204   |
| 1980             | V8 4.2L 255 CI | D       | w/Weight, w/ Weight                         | E2AZ6375A | FRA-214*  |
| <b>MONTCLAIR</b> |                |         |   |           |           |
| 1966-67          | V8 7.0L 427 CI |         | w/ Weight                                   | C6AZ6375B | FRA-224   |
| 1966-68          | V8 7.0L 428 CI | P, Q    | w/ Weight                                   | C6AZ6375B | FRA-224   |
| 1967             | V8 6.7L 410 CI |         | w/ Weight                                   | C6AZ6375B | FRA-224   |
| 1967-68          | V8 6.4L 390 CI | X, Z    | 184 Teeth; w/o Weight                       | C5AZ6375D | FRA-212   |
| <b>MONTEGO</b>   |                |         |   |           |           |
| 1968             | L6 3.3L 200 CI | T       |   | C3DZ6375B | FRA-232   |
| 1968             | V8 7.0L 427 CI | W       | 184 Teeth; w/o Weight                       | C5AZ6375D | FRA-212   |
| 1968-69          | V8 7.0L 428 CI | Q, R    | w/ Weight                                   | C6AZ6375B | FRA-224   |
| 1968-69          | V8 6.4L 390 CI | S, Y    | 184 Teeth; w/o Weight                       | C5AZ6375D | FRA-212   |
| 1968-74          | V8 5.0L 302 CI | F, J    | exc. Special Eng.                           | C3AZ6375L | FRA-203*  |
| 1969-74          | L6 4.1L 250 CI | L       | 157 Teeth; w/o Weight                       | C9OZ6375A | FRA-204   |
| 1970-73          | V8 7.0L 429 CI | J, N    | w/o Weight                                  | D1SZ6375A | FRA-207   |
| 1972-74          | V8 5.8L 351 CI | H, Q    | w/Cobra Jet Eng.                            | D1ZZ6375C | FRA-220   |
| 1971-74          | V8 5.8L 351 CI | Q, H, M |   | D1ZZ6375A | FRA-202   |
| 1969-70          | V8 5.8L 351 CI | Q, H, M | w/ Weight                                   | E0AZ6375A | FRA-205   |
| 1972-76          | V8 5.8L 351 CI | Q, H, M | w/ Weight                                   | E0AZ6375A | FRA-205   |
| 1972-76          | V8 6.6L 400 CI | S       |   | D1AZ6375A | FRA-201   |
| 1973             | V8 5.0L 302 CI | F       | Police & Taxi                               | E0AZ6375A | FRA-205   |
| 1973-76          | V8 7.5L 460 CI | A, C    | w/o Weight                                  | D1SZ6375A | FRA-207   |
| 1975-76          | V8 5.8L 351 CI | H       |   | D1AZ6375A | FRA-201   |
| <b>MYSTIQUE</b>  |                |         |   |           |           |
| 1995-00          | V6 2.5L 150 CI | L       | w/o Weight                                  | F5RZ6375C | FRA-435   |
| <b>PARK LANE</b> |                |         |   |           |           |
| 1966-67          | V8 7.0L 427 CI |         | w/ Weight                                   | C6AZ6375B | FRA-224   |
| 1967             | V8 6.7L 410 CI |         | w/ Weight                                   | C6AZ6375B | FRA-224   |
| 1968             | V8 6.4L 390 CI | X, Z    | 184 Teeth; w/o Weight                       | C5AZ6375D | FRA-212   |
| 1966-68          | V8 7.0L 428 CI | Q       | w/ Weight                                   | C6AZ6375B | FRA-224   |
| <b>SABLE</b>     |                |         |   |           |           |
| 1986             | L4 2.5L 153 CI | D       | w/o Weight                                  | E63Z6375A | FRA-234   |
| 1986-90          | V6 3.0L 182 CI | U       | w/o Weight                                  | E6DZ6375A | FRA-235   |
| 1988             | V6 3.8L 232 CI | 4       | w/ Weight                                   | E8DZ6375A | FRA-415   |
| 1989-90          | V6 3.8L 232 CI | 4       | w/ Weight                                   | E9DZ6375B | FRA-416   |
| 1991-95          | V6 3.0L 182 CI | U       | w/o Weight                                  | F1DZ6375A | FRA-428   |
| 1991-95          | V6 3.8L 232 CI | 4       | w/ Weight                                   | F1DZ6375C | FRA-417   |
| 1996-05          | V6 3.0L 182 CI | U, 2    |   | F5DZ6375A | FRA-467   |



# FLEXPLATES APPLICATIONS

| Years                | Engine         | VIN     | Remarks                                      | OE         | Pioneer # |
|----------------------|----------------|---------|--|------------|-----------|
| <b>MERCURY</b>       |                |         |  |            |           |
| <b>SABLE</b>         |                |         |  |            |           |
| 1996-05              | V6 3.0L 181 CI | S       |  | F6DZ6375A  | FRA-439   |
| 2003-04              | V6 3.0L 181 CI | 2       |  | F5DZ6375A  | FRA-467   |
| <b>TOPAZ</b>         |                |         |  |            |           |
| 1984-86              | L4 2.0L 121 CI | H       | w/o Weight                                   | E83Z6375A  | FRA-233   |
| 1984-94              | L4 2.3L 140 CI | R, S, X | w/o Weight                                   | E83Z6375A  | FRA-233   |
| <b>TRACER</b>        |                |         |  |            |           |
| 1991-96              | L4 1.9L 116 CI | J       |  | F1CZ6375A  | FRA-488   |
| 1997-99              | L4 2.0L 121 CI | P       |  | F1CZ6375A  | FRA-488   |
| <b>MERCURY TRUCK</b> |                |         |  |            |           |
| <b>MONTEREY</b>      |                |         |  |            |           |
| 1966-67              | V8 7.0L 427 CI |         | w/ Weight                                    | C6AZ6375B  | FRA-224   |
| 1966-70              | V8 7.0L 428 CI | P       | w/ Weight                                    | C6AZ6375B  | FRA-224   |
| 1967                 | V8 6.7L 410 CI |         | w/ Weight                                    | C6AZ6375B  | FRA-224   |
| 1967-69              | V8 6.4L 390 CI | X, S, Z | 184 Teeth; w/o Weight                        | C5AZ6375D  | FRA-212   |
| 1969-73              | V8 7.0L 429 CI | K, N    | w/o Weight                                   | D1SZ6375A  | FRA-207   |
| 1971-73              | V8 5.8L 351 CI | H       | w/ Weight                                    | E0AZ6375A  | FRA-205   |
| 1971-74              | V8 6.6L 400 CI | S       | 164 Teeth; w/Weight, w/Aluminum Auto, Trans. | D1AZ6375A  | FRA-201   |
| 1972-74              | V8 7.5L 460 CI | C, A    | w/o Weight                                   | D1SZ6375A  | FRA-207   |
| 2004-07              | V6 4.2L 256 CI | 2       |  | 2F2Z6375AA | FRA-494   |
| <b>MOUNTAINEER</b>   |                |         |  |            |           |
| 1997-01              | V8 5.0L 302 CI | P       | w/ Weight                                    | E2AZ6375A  | FRA-214*  |
| 1998-01              | V6 4.0L 245 CI | E       |  | F77Z6375AA | FRA-441   |
| 2002-10              | V6 4.0L 245 CI | K, E    |  | 1L2Z6375CA | FRA-544   |
| <b>VOYAGER</b>       |                |         |  |            |           |
| 1966-67              | L6 3.3L 200 CI |         |  | C3DZ6375B  | FRA-232   |
| <b>MERCURY</b>       |                |         |  |            |           |
| <b>ZEPHYR</b>        |                |         |  |            |           |
| 1978-79              | V8 5.0L 302 CI | F       | w/ Weight                                    | E0AZ6375A  | FRA-205   |
| 1978-80              | L6 3.3L 200 CI | T, B    |  | E83Z6375A  | FRA-223   |
| 1978-81              | L6 3.3L 200 CI | T, B    |  | C3DZ6375B  | FRA-232   |
| 1978-80              | L4 2.3L 140 CI | A, Y    |  | D4ZZ6375D  | FRA-208   |
| 1980-82              | V8 4.2L 255 CI | D       | w/Weight, w/ Weight                          | E2AZ6375A  | FRA-214*  |
| 1981-83              | L4 2.3L 140 CI | A       |  | D5FZ6375A  | FRA-209   |
| 1981-83              | L6 3.3L 200 CI | B, X    |  | E1BZ-6375B | FRA-702   |
| <b>MERKUR</b>        |                |         |  |            |           |
| <b>XR4TI</b>         |                |         |  |            |           |
| 1985-88              | L4 2.3L 140 CI | W       |  | D5FZ6375A  | FRA-209   |
| <b>MITSUBISHI</b>    |                |         |  |            |           |
| <b>CORDIA</b>        |                |         |  |            |           |
| 1983-88              | L4 1.8L 110 CI | G, 4    | 6 Hole Crank                                 | MD 707924  | FRA-469   |

\*Available in Heavy Duty-SFI Versions

FRA 118

# FLEXPLATES APPLICATIONS

| Years             | Engine         | VIN        | Remarks                             | OE           | Pioneer # |
|-------------------|----------------|------------|-------------------------------------|--------------|-----------|
| <b>MITSUBISHI</b> |                |            |                                     |              |           |
| <b>CORDIA</b>     |                |            |                                     |              |           |
| 1984-88           | L4 2.0L 122 CI | D          | 6 Hole Crank                        | MD 707924    | FRA-469   |
| <b>ECLIPSE</b>    |                |            |                                     |              |           |
| 1990-94           | L4 2.0L 122 CI | E, U, R, F | 6 Hole Crank                        | MD 707924    | FRA-469   |
| 1993-94           | L4 2.0L 122 CI | E, F       | 7 Hole Crank                        | 53008665     | FRA-475   |
| 1995-99           | L4 2.0L 122 CI | Y          | w/o Weight                          | 4567143      | FRA-451   |
| 1997-99           | L4 2.4L 143 CI | G          | 7 Hole Crank                        | 53008665     | FRA-475   |
| <b>EXPO</b>       |                |            |                                     |              |           |
| 1992              | L4 2.4L 143 CI | W          | 6 Hole Crank                        | MD 707924    | FRA-469   |
| 1993-95           | L4 2.4L 143 CI | G          | 7 Hole Crank                        | 53008665     | FRA-475   |
| <b>EXPO LRV</b>   |                |            |                                     |              |           |
| 1993-94           | L4 2.4L 143 CI | G          | 7 Hole Crank                        | 53008665     | FRA-475   |
| <b>GALANT</b>     |                |            |                                     |              |           |
| 1989-92           | L4 2.0L 122 CI | R, V, U    | 6 Hole Crank                        | MD 707924    | FRA-469   |
| 1993              | L4 2.0L 122 CI | D          | 7 Hole Crank w/o ECPS               | 53008665     | FRA-475   |
| 1994-98           | L4 2.4L 143 CI | G          | 7 Hole Crank w/o ECPS, 7 Hole Crank | 53008665     | FRA-475   |
| <b>MIRAGE</b>     |                |            |                                     |              |           |
| 1985-90           | L4 1.5L 90 CI  | A, X, K    | 5 Hole                              | MD707923     | FRA-474   |
| 1993-96           | L4 1.5L 90 CI  | A, X, K    | 5 Hole                              | MD707923     | FRA-474   |
| 1997-02           | L4 1.5L 90 CI  | A          | w/o Weight                          | MD 758464    | FRA-476   |
| <b>TREDIA</b>     |                |            |                                     |              |           |
| 1983-88           | L4 1.8L 110 CI | 4, G       | 6 Hole Crank                        | MD 707924    | FRA-469   |
| 1984-88           | L4 2.0L 122 CI | D          | 6 Hole Crank                        | MD 707924    | FRA-469   |
| <b>NISSAN</b>     |                |            |                                     |              |           |
| <b>200SX</b>      |                |            |                                     |              |           |
| 1982-83           | L4 2.2L 133 CI | R          | w/o Weight                          | 12331-24G02  | FRA-457   |
| <b>280Z</b>       |                |            |                                     |              |           |
| 1975-78           | L6 2.8L 168 CI | H          | w/o Weight                          | 12331-U9511  | FRA-459   |
| <b>280ZX</b>      |                |            |                                     |              |           |
| 1979-83           | L6 2.8L 168 CI | H          | w/o Weight                          | 12331-U9511  | FRA-459   |
| <b>310</b>        |                |            |                                     |              |           |
| 1982              | L4 1.5L 91 CI  | M          | w/o Weight                          | 12331-12M20  | FRA-454   |
| <b>810</b>        |                |            |                                     |              |           |
| 1981              | L6 2.4L 146 CI | H          | w/o Weight                          | 12331-U9511  | FRA-459   |
| <b>MAXIMA</b>     |                |            |                                     |              |           |
| 1982              | L6 2.4L 146 CI | H          | w/o Weight                          | 12331-U9511  | FRA-459   |
| 1985-94           | V6 3.0L 181 CI | H          | w/o Weight                          | 12331-16E 11 | FRA-455   |
| <b>NX</b>         |                |            |                                     |              |           |
| 1991-93           | L4 1.6L 97 CI  | E          | w/o Weight                          | 12331-78A 10 | FRA-458   |
| <b>PULSAR</b>     |                |            |                                     |              |           |
| 1983              | L4 1.6L 97 CI  | P          | w/o Weight                          | 12331-12M20  | FRA-454   |

# FLEXPLATES APPLICATIONS

| Years               | Engine         | VIN  | Remarks    | OE                 | Pioneer # |
|---------------------|----------------|------|------------|--------------------|-----------|
| <b>NISSAN</b>       |                |      |            |                    |           |
| <b>PULSAR NX</b>    |                |      |            |                    |           |
| 1983-88             | L4 1.6L 97 CI  | P, M | w/o Weight | 12331-12M20        | FRA-454   |
| <b>SENTRA</b>       |                |      |            |                    |           |
| 1991-94             | L4 1.6L 97 CI  | P, E | w/o Weight | 12331-78A10        | FRA-458   |
| <b>NISSAN TRUCK</b> |                |      |            |                    |           |
| <b>720</b>          |                |      |            |                    |           |
| 1981-82             | L4 2.2L 133 CI | M    | w/o Weight | 12331-U9511        | FRA-459   |
| 1983                | L4 2.2L 133 CI | M    | w/o Weight | 12331-24G02        | FRA-457   |
| 1983-85             | L4 2.0L 119 CI | F    | w/o Weight | 12331-24G02        | FRA-457   |
| 1983-86             | L4 2.4L 146 CI | N    | w/o Weight | 12331-24G02        | FRA-457   |
| <b>D21</b>          |                |      |            |                    |           |
| 1991-94             | L4 2.4L 146 CI | S    | w/o Weight | 12331-17C00        | FRA-456   |
| <b>PICKUP</b>       |                |      |            |                    |           |
| 1995-96             | L4 2.4L 146 CI | S    | w/o Weight | 12331-17C00        | FRA-456   |
| <b>OLDSMOBILE</b>   |                |      |            |                    |           |
| <b>442</b>          |                |      |            |                    |           |
| 1968-71             | V8 7.5L 455 CI |      | w/ Weight  | 560712             | FRA-102   |
| <b>88</b>           |                |      |            |                    |           |
| 1992-94             | V6 3.8L 232 CI | L    | w/ Weight  | 12342730           | FRA-324   |
| 1995                | V6 3.8L 231 CI | K    |            | 24508110, 12609155 | FRA-484   |
| 1995-99             | V6 3.8L 232 CI | K    |            | 24508110, 12609155 | FRA-484   |
| <b>98</b>           |                |      |            |                    |           |
| 1972-73             | V8 5.7L 350 CI | H, R | w/ Weight  | 560712             | FRA-102   |
| 1977-78             | V8 5.7L 350 CI | H, R | w/ Weight  | 560712             | FRA-102   |
| 1968-76             | V8 7.5L 455 CI | U, T | w/ Weight  | 560712             | FRA-102   |
| 1975                | V8 6.6L 400 CI | S    | w/ Weight  | 560712             | FRA-102   |
| 1977-78             | V8 6.6L 403 CI | K    | w/ Weight  | 560712             | FRA-102   |
| 1978-84             | V8 5.7L 350 CI | N    | w/ Weight  | 22500808           | FRA-110   |
| 1979                | V8 6.6L 403 CI | K    | w/ Weight  | 22500807           | FRA-109   |
| 1979-80             | V8 5.7L 350 CI | R    | w/ Weight  | 22500807           | FRA-109   |
| 1980-84             | V8 5.0L 307 CI | Y    | w/ Weight  | 22500807           | FRA-109   |
| 1981                | V6 4.1L 252 CI | 4    | w/o Weight | 25512349           | FRA-136   |
| 1982-83             | V6 4.1L 252 CI | 4    | w/o Weight | 25512348           | FRA-137   |
| 1985                | V6 3.0L 181 CI | E    |            | 25517709           | FRA-336   |
| 1985                | V6 4.3L 260 CI | T    |            | 22520094           | FRA-453   |
| 1985-87             | V6 3.8L 232 CI | B, 3 |            | 25515222           | FRA-339   |
| 1988-90             | V6 3.8L 232 CI | C    |            | 25534065           | FRA-323   |
| 1992                | V6 3.8L 232 CI | 1    |            | 24501753           | FRA-327   |
| 1991-94             | V6 3.8L 232 CI | L    | w/ Weight  | 12342730           | FRA-324   |
| 1995-96             | V6 3.8L 232 CI | K    |            | 24508110, 12609155 | FRA-484   |

\*Available in Heavy Duty-SFI Versions

FRA 120

# FLEXPLATES APPLICATIONS

| Years                 | Engine         | VIN        | Remarks                             | OE                 | Pioneer # |
|-----------------------|----------------|------------|-------------------------------------|--------------------|-----------|
| <b>OLDSMOBILE</b>     |                |            |                                     |                    |           |
| <b>ACHIEVA</b>        |                |            |                                     |                    |           |
| 1992                  | V6 3.3L 204 CI | N          | w/33 Eng.; 142 Teeth; w/Weight      | 24501453           | FRA-329   |
| 1992-93               | V6 3.3L 204 CI | N          | w/AN Eng.; 142 Teeth; w/Weight      | 24502775           | FRA-328   |
| 1992-94               | L4 2.3L 140 CI | A          |                                     | 22533252           | FRA-414   |
| 1992-95               | L4 2.3L 138 CI | D, 3       |                                     | 22533252           | FRA-414   |
| 1994-98               | V6 3.1L 189 CI | M          | w/o Weight                          | 24576876, 12579453 | FRA-426   |
| 1996-98               | L4 2.4L 146 CI | T          |                                     | 22533252           | FRA-414   |
| <b>ALERO</b>          |                |            |                                     |                    |           |
| 1999-00               | V6 3.4L 207 CI | E          | w/o Weight                          | 24576876, 12579453 | FRA-426   |
| 1999-01               | L4 2.4L 146 CI | T          |                                     | 22533252           | FRA-414   |
| 2002-04               | L4 2.2L 134 CI | F          |                                     |                    | FRA-572   |
| 2004                  | V6 3.4L 207 CI | E          |                                     |                    | FRA-575   |
| <b>AURORA</b>         |                |            |                                     |                    |           |
| 1995-99               | V8 4.0L 244 CI | C          |                                     | 3544671            | FRA-571   |
| 2001-02               | V8 4.0L 244 CI | C          |                                     | 3544671            | FRA-571   |
| <b>CALAIS</b>         |                |            |                                     |                    |           |
| 1985-87               | L4 2.5L 151 CI | U          | w/o Weight                          | 10031262           | FRA-150   |
| 1985-87               | V6 3.0L 181 CI | L          | w/ Weight                           | 25513510           | FRA-338   |
| 1987                  | L4 2.3L 138 CI | D          |                                     | 22533252           | FRA-414   |
| <b>CUSTOM CRUISER</b> |                |            |                                     |                    |           |
| 1972-76               | V8 7.5L 455 CI | T          | w/ Weight                           | 560712             | FRA-102   |
| 1977                  | V8 5.7L 350 CI | L          |                                     | 471598             | FRA-100*  |
| 1977-78               | V8 5.7L 350 CI | R          |                                     | 560712             | FRA-102   |
| 1977-79               | V8 6.6L 403 CI | K          | w/ Weight                           | 560712             | FRA-102   |
| 1978-85               | V8 5.7L 350 CI | N          | w/ Weight                           | 22500808           | FRA-110   |
| 1979-80               | V8 5.7L 350 CI | R          | w/ Weight                           | 22500807           | FRA-109   |
| 1980-90               | V8 5.0L 307 CI | Y          | w/ Weight                           | 22500807           | FRA-109   |
| 1992                  | V8 5.7L 350 CI | 7          |                                     | 14088761           | FRA-159*  |
| <b>CUTLASS</b>        |                |            |                                     |                    |           |
| 1971                  | L6 4.1L 250 CI | D          | w/o Weight; 14.13" O.D. w/168 Teeth | 471598             | FRA-100*  |
| 1975-76               | L6 4.1L 250 CI | D          | w/o Weight; 14.13" O.D. w/168 Teeth | 471598             | FRA-100*  |
| 1972-77               | V8 5.7L 350 CI | K, H, M, R | w/ Weight                           | 560712             | FRA-102   |
| 1975-76               | V8 7.5L 455 CI | T          | w/ Weight                           | 560712             | FRA-102   |
| 1975-78               | V8 4.3L 260 CI | F          | w/ Weight                           | 560712             | FRA-102   |
| 1977                  | V6 3.8L 231 CI | C          | w/Uneven Firing Eng.                | 1255728            | FRA-105   |
| 1977                  | V8 6.6L 403 CI | K          | w/ Weight                           | 560712             | FRA-102   |
| 1978                  | V6 3.8L 232 CI | A          | w/Even Fire Eng.                    | 1257041            | FRA-129   |
| 1978-79               | V8 5.7L 350 CI | L          |                                     | 471598             | FRA-100*  |
| 1978-80               | V6 3.8L 232 CI | A          | w/o Weight                          | 25501867           | FRA-130   |
| 1979                  | V6 3.8L 231 CI | 2          | w/o Weight                          | 25501867           | FRA-130   |
| 1979-80               | V8 5.7L 350 CI | R          | w/ Weight                           | 22500807           | FRA-109   |

# FLEXPLATES APPLICATIONS

| Years                 | Engine         | VIN  | Remarks   | OE                 | Pioneer # |
|-----------------------|----------------|------|---|--------------------|-----------|
| <b>OLDSMOBILE</b>     |                |      |   |                    |           |
| <b>CUTLASS</b>        |                |      |   |                    |           |
| 1979-81               | V8 4.3L 260 CI | F    | w/ Weight   | 22500807           | FRA-109   |
| 1979-81               | V8 5.7L 350 CI | N    | w/ Weight   | 22500808           | FRA-110   |
| 1980                  | V8 5.0L 305 CI | H    | California  | 471598             | FRA-100*  |
| 1981                  | V6 3.8L 232 CI | A    |   | 25512346           | FRA-134   |
| 1981                  | V8 4.4L 267 CI | J    | 12.85" O.D. w/153 Teeth;  | 471529             | FRA-112*  |
| 1978-80               | V8 5.0L 305 CI | H    | 12.85" O.D. w/153 Teeth, w/Lock up Converter, exc. Calif. Emissions | 471529             | FRA-112*  |
| 1985                  | V8 5.0L 305 CI | H    | 12.85" O.D. w/153 Teeth, w/Lock up Converter, exc. Calif. Emissions | 471529             | FRA-112*  |
| 1986-87               | V8 5.0L 305 CI | H    | 153 Teeth; w/Weight, w/ Weight                                      | 14088765           | FRA-160*  |
| 1997-99               | V6 3.1L 189 CI | J, M | w/o Weight  | 24576876, 12579453 | FRA-426   |
| <b>CUTLASS CALAIS</b> |                |      |   |                    |           |
| 1978                  | V6 3.8L 232 CI | A    | w/Even Fire Eng.  | 1257041            | FRA-129   |
| 1978                  | V8 4.3L 260 CI | F    | w/ Weight   | 560712             | FRA-102   |
| 1978-80               | V6 3.8L 232 CI | A    | w/o Weight  | 25501867           | FRA-130   |
| 1979                  | V6 3.8L 231 CI | 2    | w/o Weight  | 25501867           | FRA-130   |
| 1979                  | V8 4.3L 260 CI | P    | w/ Weight   | 22500808           | FRA-110   |
| 1979-80               | V8 5.7L 350 CI | R    | w/ Weight   | 22500807           | FRA-109   |
| 1980-84               | V8 5.7L 350 CI | N    | w/ Weight   | 22500808           | FRA-110   |
| 1981-83               | V6 3.8L 232 CI | A    |   | 25512346           | FRA-134   |
| 1979-82               | V8 4.3L 260 CI | 8, F | w/ Weight   | 22500807           | FRA-109   |
| 1982                  | V8 4.4L 267 CI | J    | 12.85" O.D. w/153 Teeth   | 471529             | FRA-112*  |
| 1982-84               | V6 4.3L 260 CI | V    |   | 22512002           | FRA-325   |
| 1982-84               | V8 5.0L 307 CI | Y, 9 | w/ Weight   | 22500807           | FRA-109   |
| 1984                  | V6 3.8L 232 CI | A    |   | 25512348           | FRA-137   |
| 1978-80               | V8 5.0L 305 CI | H    | 12.85" O.D. w/153 Teeth   | 471529             | FRA-112*  |
| 1984                  | V8 5.0L 305 CI | H    | 12.85" O.D. w/153 Teeth   | 471529             | FRA-112*  |
| 1988                  | V6 3.0L 181 CI | L    | w/ Weight   | 25513510           | FRA-338   |
| 1988-91               | L4 2.3L 138 CI | D    |   | 22533252           | FRA-414   |
| 1988-91               | L4 2.5L 151 CI | U    | w/o Weight  | 10031262           | FRA-150   |
| 1989-90               | V6 3.3L 204 CI | N    | w/ Weight   | 25535388           | FRA-322   |
| 1989-91               | L4 2.3L 140 CI | A    |   | 22533252           | FRA-414   |
| 1991                  | V6 3.3L 204 CI | N    | w/33 Eng.; 142 Teeth; w/Weight                                      | 24501453           | FRA-329   |
| <b>CUTLASS CIERA</b>  |                |      |   |                    |           |
| 1982-83               | V6 3.0L 181 CI | E    | w/ Weight, Early  | 25512172           | FRA-337   |
| 1982-92               | L4 2.5L 151 CI | R, 5 | w/o Weight  | 10031262           | FRA-150   |
| 1982-86               | V6 2.8L 173 CI | X, W | w/ Weight   | 14085471           | FRA-139   |
| 1983-85               | V6 3.0L 181 CI | E    | w/ Weight, Late   | 25517709           | FRA-336   |
| 1984-88               | V6 3.8L 232 CI | 3    |   | 25515222           | FRA-339   |
| 1982-85               | V6 4.3L 260 CI | T    |   | 22520094           | FRA-453   |

\*Available in Heavy Duty-SFI Versions

FRA 122

# FLEXPLATES APPLICATIONS

| Years                  | Engine         | VIN  | Remarks  | OE                 | Pioneer # |
|------------------------|----------------|------|--|--------------------|-----------|
| <b>OLDSMOBILE</b>      |                |      |  |                    |           |
| <b>CUTLASS CIERA</b>   |                |      |  |                    |           |
| 1987-89                | V6 2.8L 173 CI | W    | w/o Weight                                     | 14100554           | FRA-138   |
| 1989-90                | V6 3.3L 204 CI | N    | w/ Weight                                      | 25535388           | FRA-322   |
| 1991-92                | V6 3.3L 204 CI | N    | w/33 Eng.; 142 Teeth; w/Weight                 | 24501453           | FRA-329   |
| 1992-93                | V6 3.3L 204 CI | N    | w/AN Eng.; 142 Teeth; w/Weight                 | 24502775           | FRA-328   |
| 1993-96                | L4 2.2L 134 CI | 4    | w/o Weight                                     | 14100554           | FRA-138   |
| 1994-96                | V6 3.1L 189 CI | M    | w/o Weight                                     | 24576876, 12579453 | FRA-426   |
| <b>CUTLASS CRUISER</b> |                |      |  |                    |           |
| 1980                   | V6 3.8L 232 CI | A    | w/o Weight                                     | 25501867           | FRA-130   |
| 1980                   | V8 5.0L 305 CI | H    | exc. Calif. Emissions, 12.85" O.D. w/153 Teeth | 471529             | FRA-112*  |
| 1982-83                | V8 5.0L 305 CI | H    | exc. Calif. Emissions, 12.85" O.D. w/153 Teeth | 471529             | FRA-112*  |
| 1980                   | V8 5.0L 305 CI | H    | California                                     | 471598             | FRA-100*  |
| 1980                   | V8 5.7L 350 CI | R    | w/ Weight                                      | 22500807           | FRA-109   |
| 1980-83                | V8 5.7L 350 CI | N    | w/ Weight                                      | 22500808           | FRA-110   |
| 1981-83                | V6 3.8L 232 CI | A    |  | 25512346           | FRA-134   |
| 1981-83                | V8 5.0L 307 CI | Y    | w/ Weight                                      | 22500807           | FRA-109   |
| 1980-82                | V8 4.3L 260 CI | 8, F | w/ Weight                                      | 22500807           | FRA-109   |
| 1982                   | V8 4.4L 267 CI | J    | 12.85" O.D. w/153 Teeth                        | 471529             | FRA-112*  |
| 1987-88                | V6 3.8L 232 CI | 3    |  | 25515222           | FRA-339   |
| 1987-89                | V6 2.8L 173 CI | W    | w/o Weight                                     | 14100554           | FRA-138   |
| 1987-90                | L4 2.5L 151 CI | R    | w/o Weight                                     | 10031262           | FRA-150   |
| 1989-90                | V6 3.3L 204 CI | N    | w/ Weight                                      | 25535388           | FRA-322   |
| <b>CUTLASS SALON</b>   |                |      |  |                    |           |
| 1975-76                | V8 7.5L 455 CI | T    | w/ Weight                                      | 560712             | FRA-102   |
| 1975-78                | V8 4.3L 260 CI | F    | w/ Weight                                      | 560712             | FRA-102   |
| 1975-77                | V8 5.7L 350 CI | R, K | w/ Weight                                      | 560712             | FRA-102   |
| 1977                   | V8 6.6L 403 CI | K    | w/ Weight                                      | 560712             | FRA-102   |
| 1978                   | V6 3.8L 232 CI | A    | w/Even Fire Eng.                               | 1257041            | FRA-129   |
| 1978-80                | V8 5.0L 305 CI | H    | 12.85" O.D. w/153 Teeth, exc. Calif. Emissions | 471529             | FRA-112*  |
| 1978-80                | V6 3.8L 232 CI | A    | w/o Weight                                     | 25501867           | FRA-130   |
| 1979                   | V6 3.8L 231 CI | 2    | w/o Weight                                     | 25501867           | FRA-130   |
| 1979                   | V8 4.3L 260 CI | P    | w/ Weight                                      | 22500808           | FRA-110   |
| 1979                   | V8 5.7L 350 CI | R    | w/ Weight                                      | 22500807           | FRA-109   |
| 1979-80                | V8 4.3L 260 CI | F    | w/ Weight                                      | 22500807           | FRA-109   |
| 1980                   | V8 5.0L 305 CI | H    | California                                     | 471598             | FRA-100*  |
| 1980                   | V8 5.7L 350 CI | N    | w/ Weight                                      | 22500808           | FRA-110   |
| 1985                   | V8 5.7L 350 CI | N    | w/ Weight                                      | 22500808           | FRA-110   |
| 1985-87                | V6 3.8L 232 CI | A    |  | 25512348           | FRA-137   |

# FLEXPLATES APPLICATIONS

| Years                  | Engine         | VIN     | Remarks  | OE                 | Pioneer # |
|------------------------|----------------|---------|--|--------------------|-----------|
| <b>OLDSMOBILE</b>      |                |         |  |                    |           |
| <b>CUTLASS SALON</b>   |                |         |  |                    |           |
| 1985-87                | V8 5.0L 307 CI | Y, 9    | w/ Weight                                      | 22500807           | FRA-109   |
| <b>CUTLASS SUPREME</b> |                |         |  |                    |           |
| 1972-77                | V8 5.7L 350 CI | K, R    | w/ Weight                                      | 560712             | FRA-102   |
| 1975-76                | L6 4.1L 250 CI | D       | w/o Weight; 14.13" O.D. w/168 Teeth            | 471598             | FRA-100*  |
| 1975-76                | V8 7.5L 455 CI | T       | w/ Weight                                      | 560712             | FRA-102   |
| 1975-78                | V8 4.3L 260 CI | F       | w/ Weight                                      | 560712             | FRA-102   |
| 1977                   | V6 3.8L 231 CI | C       | w/Uneven Firing Eng.                           | 1255728            | FRA-105   |
| 1977                   | V8 6.6L 403 CI | K       | w/ Weight                                      | 560712             | FRA-102   |
| 1978                   | V6 3.8L 232 CI | A       | w/Even Fire Eng.                               | 1257041            | FRA-129   |
| 1978-80                | V6 3.8L 232 CI | A       | w/o Weight                                     | 25501867           | FRA-130   |
| 1979                   | V6 3.8L 231 CI | 2       | w/o Weight                                     | 25501867           | FRA-130   |
| 1979                   | V8 4.3L 260 CI | P       | w/ Weight                                      | 22500808           | FRA-110   |
| 1979-80                | V8 5.7L 350 CI | R       | w/ Weight                                      | 22500807           | FRA-109   |
| 1979-85                | V8 5.7L 350 CI | N       | w/ Weight                                      | 22500808           | FRA-110   |
| 1980                   | V8 5.0L 305 CI | H       | California                                     | 471598             | FRA-100*  |
| 1981-83                | V6 3.8L 232 CI | A       | 1st design                                     | 25512346           | FRA-134   |
| 1979-82                | V8 4.3L 260 CI | 8, F    | w/ Weight                                      | 22500807           | FRA-109   |
| 1982                   | V8 4.4L 267 CI | J       | 12.85" O.D. w/153 Teeth                        | 471529             | FRA-112*  |
| 1982-84                | V6 4.3L 260 CI | V       |  | 22512002           | FRA-325   |
| 1982-88                | V8 5.0L 307 CI | Y, 9    | w/ Weight                                      | 22500807           | FRA-109   |
| 1983-87                | V6 3.8L 232 CI | A       | 2nd Design                                     | 25512348           | FRA-137   |
| 1978-80                | V8 5.0L 305 CI | H       | 12.85" O.D. w/153 Teeth, exc. Calif. Emissions | 471529             | FRA-112*  |
| 1983                   | V8 5.0L 305 CI | H       | 12.85" O.D. w/153 Teeth, exc. Calif. Emissions | 471529             | FRA-112*  |
| 1985                   | V8 5.0L 305 CI | H       | 12.85" O.D. w/153 Teeth, exc. Calif. Emissions | 471529             | FRA-112*  |
| 1986-87                | V8 5.0L 305 CI | H       | 153 Teeth; w/Weight, w/ Weight                 | 14088765           | FRA-160*  |
| 1988-89                | V6 2.8L 173 CI | W       | w/o Weight                                     | 14100554           | FRA-138   |
| 1989-93                | V6 3.1L 189 CI | T       | w/o Weight                                     | 14100554           | FRA-138   |
| 1990                   | L4 2.3L 140 CI | A       |  | 22533252           | FRA-414   |
| 1990-91                | L4 2.3L 138 CI | D       |  | 22533252           | FRA-414   |
| 1991-96                | V6 3.4L 207 CI | X       | w/o Weight                                     | 14100554           | FRA-138   |
| 1994-97                | V6 3.1L 189 CI | M       | w/o Weight                                     | 24576876, 12579453 | FRA-426   |
| <b>DELTA 88</b>        |                |         |  |                    |           |
| 1968-76                | V8 7.5L 455 CI | T, R, U | w/ Weight                                      | 560712             | FRA-102   |
| 1975                   | V8 6.6L 400 CI | R       | w/ Weight                                      | 560712             | FRA-102   |
| 1968-70                | V8 5.7L 350 CI | R, K, H | w/ Weight                                      | 560712             | FRA-102   |
| 1972-78                | V8 5.7L 350 CI | R, K, H | w/ Weight                                      | 560712             | FRA-102   |
| 1977                   | V6 3.8L 231 CI | C       | w/Uneven Firing Eng.                           | 1255728            | FRA-105   |

\*Available in Heavy Duty-SFI Versions

FRA 124

# FLEXPLATES APPLICATIONS

| Years             | Engine         | VIN  | Remarks                             | OE                  | Pioneer # |
|-------------------|----------------|------|-------------------------------------|---------------------|-----------|
| <b>OLDSMOBILE</b> |                |      |                                     |                     |           |
| <b>DELTA 88</b>   |                |      |                                     |                     |           |
| 1977              | V8 5.7L 350 CI | L    | w/o Weight; 14.13" O.D. w/168 Teeth | 471598              | FRA-100*  |
| 1977-78           | V6 3.8L 232 CI | A    | w/Even Fire Eng.                    | 1257041             | FRA-129   |
| 1977-78           | V8 4.3L 260 CI | F    | w/ Weight                           | 560712              | FRA-102   |
| 1977-78           | V8 6.6L 403 CI | K    | w/ Weight                           | 560712              | FRA-102   |
| 1978-85           | V8 5.7L 350 CI | N    | w/ Weight                           | 22500808            | FRA-110   |
| 1979              | V8 6.6L 403 CI | K    | w/ Weight                           | 22500807            | FRA-109   |
| 1979-80           | V6 3.8L 232 CI | A    | w/o Weight                          | 25501867            | FRA-130   |
| 1979-80           | V8 5.7L 350 CI | R    | w/ Weight                           | 22500807            | FRA-109   |
| 1979-82           | V8 4.3L 260 CI | F, 8 | w/ Weight                           | 22500807            | FRA-109   |
| 1980-85           | V8 5.0L 307 CI | Y    | w/ Weight                           | 22500807            | FRA-109   |
| 1981-83           | V6 3.8L 232 CI | A    |                                     | 25512346            | FRA-134   |
| 1981-82           | V8 4.4L 267 CI | J    | 12.85" O.D. w/153 Teeth;            | 471529              | FRA-112*  |
| 1983-85           | V6 3.8L 232 CI | A    | Damper Stamped 8994, w/o Weight     | 25512348            | FRA-137   |
| 1986              | V6 3.0L 181 CI | L    | w/ Weight                           | 25513510            | FRA-338   |
| 1986-88           | V6 3.8L 232 CI | 3    | w/ Weight                           | 25515222            | FRA-339   |
| 1988-90           | V6 3.8L 232 CI | C    |                                     | 25534065            | FRA-323   |
| 1991              | V6 3.8L 232 CI | C    |                                     | 12342730            | FRA-324   |
| <b>F85</b>        |                |      |                                     |                     |           |
| 1970              | V8 7.5L 455 CI | U    | w/ Weight                           | 560712              | FRA-102   |
| 1972              | V8 7.5L 455 CI | U    | w/ Weight                           | 560712              | FRA-102   |
| <b>FIRENZA</b>    |                |      |                                     |                     |           |
| 1982              | L4 1.8L 112 CI | G    |                                     | 14100554            | FRA-138   |
| 1983-86           | L4 2.0L 122 CI | B, P | w/o Weight                          | 14100554            | FRA-138   |
| 1982-86           | L4 1.8L 112 CI | 0    | w/o Weight                          | 10018740            | FRA-155   |
| 1985-86           | V6 2.8L 173 CI | W    | w/ Weight                           | 14085471            | FRA-139   |
| 1987              | V6 2.8L 173 CI | W    | w/o Weight                          | 14100554            | FRA-138   |
| 1987-88           | L4 2.0L 121 CI | 1    | w/o Weight                          | 14100554            | FRA-138   |
| 1987-88           | L4 2.0L 122 CI | K    | w/o Weight                          | 10018740            | FRA-155   |
| <b>INTRIGUE</b>   |                |      |                                     |                     |           |
| 1998-99           | V6 3.8L 232 CI | K    |                                     | 24508110, 12609155  | FRA-484   |
| <b>LSS</b>        |                |      |                                     |                     |           |
| 1996-99           | V6 3.8L 232 CI | K    |                                     | 24508110, 12609155  | FRA-484   |
| 1997-99           | V6 3.8L 232 CI | 1    |                                     | 12609154 / 24506809 | FRA-574   |
| <b>OMEGA</b>      |                |      |                                     |                     |           |
| 1975-76           | L6 4.1L 250 CI | D    | w/o Weight; 14.13" O.D. w/168 Teeth | 471598              | FRA-100*  |
| 1975-77           | V8 4.3L 260 CI | F    | w/ Weight                           | 560712              | FRA-102   |
| 1977              | V6 3.8L 231 CI | C    | w/Uneven Firing Eng.                | 1255728             | FRA-105   |
| 1977              | V8 5.7L 350 CI | R    | w/ Weight                           | 560712              | FRA-102   |
| 1977-79           | V8 5.7L 350 CI | L    |                                     | 471598              | FRA-100*  |
| 1978              | V6 3.8L 232 CI | A    | w/Even Fire Eng.                    | 1257041             | FRA-129   |



# FLEXPLATES APPLICATIONS

| Years                   | Engine         | VIN  | Remarks                             | OE                 | Pioneer # |
|-------------------------|----------------|------|-------------------------------------|--------------------|-----------|
| <b>OLDSMOBILE</b>       |                |      |                                     |                    |           |
| <b>OMEGA</b>            |                |      |                                     |                    |           |
| 1978-79                 | V6 3.8L 232 CI | A    | w/o Weight                          | 25501867           | FRA-130   |
| 1977-79                 | V8 5.0L 305 CI | G, U | w/o Weight; 14.13" O.D. w/168 Teeth | 471598             | FRA-100*  |
| 1980-81                 | L4 2.5L 151 CI | 5    | w/o Weight                          | 10004282           | FRA-151   |
| 1980-81                 | V6 2.8L 173 CI | X, 7 | w/ Weight                           | 14033245           | FRA-140   |
| 1982-84                 | L4 2.5L 151 CI | R, 5 | w/o Weight                          | 10031262           | FRA-150   |
| 1982-84                 | V6 2.8L 173 CI | Z, X | w/ Weight                           | 14085471           | FRA-139   |
| <b>REGENCY</b>          |                |      |                                     |                    |           |
| 1997-98                 | V6 3.8L 232 CI | K    |                                     | 24508110, 12609155 | FRA-484   |
| <b>STARFIRE</b>         |                |      |                                     |                    |           |
| 1975-77                 | V6 3.8L 231 CI | C    | w/Uneven Firing Eng.                | 1255728            | FRA-105   |
| 1976-77                 | L4 2.3L 140 CI | B    | 12.85" O.D. w/153 Teeth             | 471529             | FRA-112*  |
| 1977-78                 | V6 3.8L 232 CI | A    | w/Even Fire Eng.                    | 1257041            | FRA-129   |
| 1977-79                 | V8 5.0L 305 CI | U, G | 12.85" O.D. w/153 Teeth             | 471529             | FRA-112*  |
| 1978-79                 | L4 2.5L 151 CI | 1    | w/o Weight                          | 10006988           | FRA-312   |
| 1978-80                 | L4 2.5L 151 CI | V    | w/o Weight                          | 10004033           | FRA-311   |
| 1979-80                 | V6 3.8L 232 CI | A    | Early, w/o Weight                   | 25501867           | FRA-130   |
| 1980                    | V6 3.8L 232 CI | A    | Late                                | 25512346           | FRA-134   |
| <b>TORONADO</b>         |                |      |                                     |                    |           |
| 1972-75                 | V8 7.5L 455 CI | W    | w/ Weight                           | 560712             | FRA-102   |
| 1977-78                 | V8 6.6L 403 CI | K    | w/ Weight                           | 560712             | FRA-102   |
| 1979-80                 | V8 5.7L 350 CI | R    | w/ Weight                           | 562949             | FRA-146   |
| 1979-85                 | V8 5.7L 350 CI | N    | w/ Weight                           | 22500808           | FRA-110   |
| 1980-85                 | V8 5.0L 307 CI | Y    | w/ Weight                           | 562949             | FRA-146   |
| 1981-84                 | V6 4.1L 252 CI | 4    | w/o Weight                          | 25512349           | FRA-136   |
| 1986-87                 | V6 3.8L 232 CI | 3, B | w/ Weight                           | 25515222           | FRA-339   |
| 1988-90                 | V6 3.8L 232 CI | C    |                                     | 25534065           | FRA-323   |
| 1991-92                 | V6 3.8L 232 CI | L    | w/ Weight                           | 12342730           | FRA-324   |
| <b>OLDSMOBILE TRUCK</b> |                |      |                                     |                    |           |
| <b>BRAVADA</b>          |                |      |                                     |                    |           |
| 1991-94                 | V6 4.3L 262 CI | W, Z | 168 Teeth;                          | 14088761           | FRA-159*  |
| 1996-98                 | V6 4.3L 262 CI | W, Z | 168 Teeth;                          | 14088761           | FRA-159*  |
| 1999-01                 | V6 4.3L 262 CI | W    |                                     | 12557587           | FRA-704   |
| 2002-04                 | L6 4.2L 256 CI | S    |                                     |                    | FRA-559   |
| <b>SILHOUETTE</b>       |                |      |                                     |                    |           |
| 1990-94                 | V6 3.1L 189 CI | D    | w/o Weight                          | 14100554           | FRA-138   |
| 1992                    | V6 3.8L 232 CI | L    |                                     | 12342730           | FRA-324   |
| 1995                    | V6 3.8L 232 CI | L    |                                     | 24508110, 12609155 | FRA-484   |
| 1996-03                 | V6 3.4L 207 CI | E    | w/o Weight                          | 24576876, 12579453 | FRA-426   |
| 2004                    | V6 3.4L 207 CI | E    |                                     |                    | FRA-575   |
| <b>OLDSMOBILE</b>       |                |      |                                     |                    |           |
| <b>VISTA CRUISER</b>    |                |      |                                     |                    |           |
| 1975                    | V8 7.5L 455 CI | T    | w/ Weight                           | 560712             | FRA-102   |

\*Available in Heavy Duty-SFI Versions

FRA 126

# FLEXPLATES APPLICATIONS

| Years            | Engine         | VIN        | Remarks                                  | OE      | Pioneer # |
|------------------|----------------|------------|--|---------|-----------|
| <b>PLYMOUTH</b>  |                |            |  |         |           |
| <b>ACCLAIM</b>   |                |            |  |         |           |
| 1989             | V6 3.0L 181 CI | 3          |  | 4058429 | FRA-303   |
| 1989-95          | L4 2.5L 153 CI | J, K, V    | w/o Weight                               | 4348322 | FRA-307   |
| 1990-95          | V6 3.0L 181 CI | 3          | w/o Weight                               | 4348322 | FRA-307   |
| <b>BARRACUDA</b> |                |            |  |         |           |
| 1964             | V8 5.9L 361 CI |            | w/10" Bolt Circle                        | 4058429 | FRA-303   |
| 1964             | V8 5.9L 361 CI |            | w/11 1/8" Bolt Circle                    | 2204768 | FRA-309   |
| 1964-67          | V8 4.5L 273 CI |            | w/11 1/8" Bolt Circle                    | 2204768 | FRA-309   |
| 1964-67          | V8 4.5L 273 CI |            | w/10" Bolt Circle                        | 4058429 | FRA-303   |
| 1966             | L6 2.8L 170 CI |            | w/10" Bolt Circle                        | 4058428 | FRA-302   |
| 1966             | L6 2.8L 170 CI |            | w/11" Bolt Circle                        | 2204719 | FRA-413   |
| 1967-71          | V8 6.3L 383 CI | H, N, L    | w/10" Bolt Circle                        | 4058429 | FRA-303   |
| 1965-72          | L6 3.7L 225 CI | B, C       | w/11" Bolt Circle                        | 2204719 | FRA-413   |
| 1968-69          | V8 5.6L 340 CI | P, H       | w/10" Bolt Circle                        | 4058429 | FRA-303   |
| 1972-73          | V8 5.6L 340 CI | P, H       | w/10" Bolt Circle                        | 4058429 | FRA-303   |
| 1968-69          | V8 5.6L 340 CI | P, H       | w/11 1/8" Bolt Circle                    | 2204768 | FRA-309   |
| 1972-73          | V8 5.6L 340 CI | P, H       | w/11 1/8" Bolt Circle                    | 2204768 | FRA-309   |
| 1970-71          | L6 3.2L 198 CI | B          | w/10" Bolt Circle                        | 4058428 | FRA-302   |
| 1970-71          | L6 3.2L 198 CI | B          | w/11" Bolt Circle or w/Heavy Duty Engine | 2204719 | FRA-413   |
| 1970-71          | L6 3.2L 199 CI | B          | w/Heavy Duty Engine; 10" Bolt Circle     | 4058428 | FRA-302   |
| 1970-71          | L6 3.2L 199 CI | B          | w/11" Bolt Circle or w/Heavy Duty Engine | 2204719 | FRA-413   |
| 1967-71          | V8 6.3L 383 CI | N, L, H    | w/11 1/8" Bolt Circle                    | 2204768 | FRA-309   |
| 1967-71          | V8 6.3L 384 CI | L, N, H    | w/11 1/8" Bolt Circle                    | 2204768 | FRA-309   |
| 1967-71          | V8 6.3L 384 CI | N, H, L    | w/10" Bolt Circle                        | 4058429 | FRA-303   |
| 1965-72          | L6 3.7L 225 CI | C, B       | w/Heavy Duty Engine; 10" Bolt Circle     | 4058428 | FRA-302   |
| 1968-74          | V8 5.2L 318 CI | G, F       | w/10" Bolt Circle                        | 4058429 | FRA-303   |
| 1968-74          | V8 5.2L 318 CI | G, F       | w/11 1/8" Bolt Circle                    | 2204768 | FRA-309   |
| 1974             | V8 5.9L 360 CI | L          | w/11 1/8" Bolt Circle                    | 2204768 | FRA-309   |
| 1974             | V8 5.9L 360 CI | L          | w/10" Bolt Circle                        | 4058429 | FRA-303   |
| <b>BELVEDERE</b> |                |            |  |         |           |
| 1962-65          | V8 5.9L 361 CI |            | w/10" Bolt Circle                        | 4058429 | FRA-303   |
| 1962-65          | V8 5.9L 361 CI |            | w/11 1/8" Bolt Circle                    | 2204768 | FRA-309   |
| 1962-70          | V8 5.2L 318 CI | F, G       | w/11 1/8" Bolt Circle                    | 2204768 | FRA-309   |
| 1963-67          | V8 7.0L 426 CI |            | w/11 1/8" Bolt Circle                    | 2204768 | FRA-309   |
| 1963-67          | V8 7.0L 426 CI |            | w/10" Bolt Circle                        | 4058429 | FRA-303   |
| 1966-67          | V8 7.2L 440 CI |            | w/11 1/8" Bolt Circle                    | 2204768 | FRA-309   |
| 1966-67          | V8 7.2L 440 CI |            | w/10" Bolt Circle                        | 4058429 | FRA-303   |
| 1964-68          | V8 4.5L 273 CI | D          | w/11 1/8" Bolt Circle                    | 2204768 | FRA-309   |
| 1964-68          | V8 4.5L 273 CI | D          | w/10" Bolt Circle                        | 4058429 | FRA-303   |
| 1962-70          | L6 3.7L 225 CI | B, C       | w/10" Bolt Circle                        | 4058428 | FRA-302   |
| 1968-70          | V8 6.3L 383 CI | G, H, N, L | w/11 1/8" Bolt Circle                    | 2204768 | FRA-309   |

# FLEXPLATES APPLICATIONS

| Years            | Engine         | VIN        | Remarks                                  | OE       | Pioneer # |
|------------------|----------------|------------|--|----------|-----------|
| <b>PLYMOUTH</b>  |                |            |  |          |           |
| <b>BELVEDERE</b> |                |            |  |          |           |
| 1962-70          | L6 3.7L 225 CI | C, B       | w/11" Bolt Circle or w/Heavy Duty Engine | 2204719  | FRA-413   |
| 1962-70          | V8 5.2L 318 CI | G, F       | w/10" Bolt Circle                        | 4058429  | FRA-303   |
| 1968-70          | V8 6.3L 383 CI | N, H, L, G | w/10" Bolt Circle                        | 4058429  | FRA-303   |
| 1962-70          | V8 6.3L 384 CI | L, H, N, G | w/10" Bolt Circle                        | 4058429  | FRA-303   |
| 1962-70          | V8 6.3L 384 CI | N, L, G, H | w/11 1/8" Bolt Circle                    | 2204768  | FRA-309   |
| <b>BREEZE</b>    |                |            |  |          |           |
| 1996-00          | L4 2.0L 122 CI | C          | w/o Weight                               | 4567143  | FRA-451   |
| 1998-00          | L4 2.4L 148 CI | X          | w/o Weight                               | 4567143  | FRA-451   |
| <b>CARAVELLE</b> |                |            |  |          |           |
| 1983-85          | L4 2.2L 135 CI | D, E, C    | w/o Weight                               | 5222639  | FRA-300   |
| 1983-85          | L4 2.6L 156 CI | G, 7       | w/o Weight                               | 5222641  | FRA-301   |
| 1986-88          | L4 2.5L 153 CI | K          | w/o Weight                               | 4348322  | FRA-307   |
| 1986-88          | L4 2.2L 135 CI | C, E, D    | w/o Weight                               | 4348322  | FRA-307   |
| <b>COLT</b>      |                |            |  |          |           |
| 1983-84          | L4 1.6L 97 CI  | F, 3, B    | 5 Hole                                   | MD707923 | FRA-474   |
| 1985-94          | L4 1.5L 90 CI  | P, A, K, X | 5 Hole                                   | MD707923 | FRA-474   |
| <b>CUDA</b>      |                |            |  |          |           |
| 1970-71          | V8 7.2L 440 CI | U, V       | w/11 1/8" Bolt Circle                    | 2204768  | FRA-309   |
| 1970-71          | V8 6.3L 383 CI | N          | w/11 1/8" Bolt Circle                    | 2204768  | FRA-309   |
| 1970-71          | V8 6.3L 383 CI | N          | w/10" Bolt Circle                        | 4058429  | FRA-303   |
| 1970-71          | V8 6.3L 384 CI | N          | w/10" Bolt Circle                        | 4058429  | FRA-303   |
| 1970-71          | V8 6.3L 384 CI | N          | w/11 1/8" Bolt Circle                    | 2204768  | FRA-309   |
| 1970-71          | V8 7.0L 426 CI | R          | w/11 1/8" Bolt Circle                    | 2204768  | FRA-309   |
| 1970-71          | V8 7.0L 426 CI | R          | w/10" Bolt Circle                        | 4058429  | FRA-303   |
| 1970-71          | V8 7.2L 440 CI | V, U       | w/10" Bolt Circle                        | 4058429  | FRA-303   |
| 1970-73          | V8 5.6L 340 CI | H          | w/11 1/8" Bolt Circle                    | 2204768  | FRA-309   |
| 1970-73          | V8 5.6L 340 CI | H          | w/10" Bolt Circle                        | 4058429  | FRA-303   |
| 1973-74          | V8 5.2L 318 CI | G          | w/10" Bolt Circle                        | 4058429  | FRA-303   |
| 1973-74          | V8 5.2L 318 CI | G          | w/11 1/8" Bolt Circle                    | 2204768  | FRA-309   |
| 1974             | V8 5.9L 360 CI | L          | w/11 1/8" Bolt Circle                    | 2204768  | FRA-309   |
| 1974             | V8 5.9L 360 CI | L          | w/10" Bolt Circle                        | 4058429  | FRA-303   |
| <b>DUSTER</b>    |                |            |  |          |           |
| 1970-73          | V8 5.6L 340 CI | H          | w/11 1/8" Bolt Circle                    | 2204768  | FRA-309   |
| 1970-73          | V8 5.6L 340 CI | H          | w/10" Bolt Circle                        | 4058429  | FRA-303   |
| 1970-74          | L6 3.2L 198 CI | B          | w/Heavy Duty Engine; 10" Bolt Circle     | 4058428  | FRA-302   |
| 1970-74          | L6 3.2L 198 CI | B          | w/11" Bolt Circle or w/Heavy Duty Engine | 2204719  | FRA-413   |
| 1970-74          | L6 3.2L 199 CI | B          | w/11" Bolt Circle or w/Heavy Duty Engine | 2204719  | FRA-413   |
| 1970-74          | L6 3.2L 199 CI | B          | w/10" Bolt Circle                        | 4058428  | FRA-302   |
| 1970-76          | V8 5.2L 318 CI | G          | w/10" Bolt Circle                        | 4058429  | FRA-303   |
| 1970-76          | L6 3.7L 225 CI | E, C       | w/11" Bolt Circle or w/Heavy Duty Engine | 2204719  | FRA-413   |

\*Available in Heavy Duty-SFI Versions

FRA 128

# FLEXPLATES APPLICATIONS

| Years                | Engine         | VIN           | Remarks                                  | OE      | Pioneer # |
|----------------------|----------------|---------------|--|---------|-----------|
| <b>PLYMOUTH</b>      |                |               |  |         |           |
| <b>DUSTER</b>        |                |               |  |         |           |
| 1974-76              | V8 5.9L 360 CI | L             | w/11 1/8" Bolt Circle                    | 2204768 | FRA-309   |
| 1974-76              | V8 5.9L 360 CI | L             | w/10" Bolt Circle                        | 4058429 | FRA-303   |
| 1970-76              | L6 3.7L 225 CI | C, E          | w/Heavy Duty Engine; 10" Bolt Circle     | 4058428 | FRA-302   |
| 1970-76              | V8 5.2L 318 CI | G             | w/11 1/8" Bolt Circle                    | 2204768 | FRA-309   |
| <b>EXPO</b>          |                |               |  |         |           |
| 1987-89              | L4 2.2L 135 CI | C, D          | w/o Weight                               | 4348322 | FRA-307   |
| <b>FLEET SPECIAL</b> |                |               |  |         |           |
| 1962-63              | L6 3.7L 225 CI |               | w/10" Bolt Circle                        | 4058428 | FRA-302   |
| 1962-63              | L6 3.7L 225 CI |               | w/11" Bolt Circle                        | 2204719 | FRA-413   |
| 1962-63              | V8 5.2L 318 CI |               | w/11 1/8" Bolt Circle                    | 2204768 | FRA-309   |
| 1962-63              | V8 5.2L 318 CI |               | w/10" Bolt Circle                        | 4058429 | FRA-303   |
| 1962-63              | V8 5.9L 361 CI |               | w/10" Bolt Circle                        | 4058429 | FRA-303   |
| 1962-63              | V8 5.9L 361 CI |               | w/11 1/8" Bolt Circle                    | 2204768 | FRA-309   |
| 1962-63              | V8 6.3L 384 CI |               | w/11 1/8" Bolt Circle                    | 2204768 | FRA-309   |
| 1962-63              | V8 6.3L 384 CI |               | w/10" Bolt Circle                        | 4058429 | FRA-303   |
| 1963                 | V8 7.0L 426 CI |               | w/11 1/8" Bolt Circle                    | 2204768 | FRA-309   |
| 1963                 | V8 7.0L 426 CI |               | w/10" Bolt Circle                        | 4058429 | FRA-303   |
| <b>FURY</b>          |                |               |  |         |           |
| 1962-66              | V8 5.9L 361 CI |               | w/11 1/8" Bolt Circle                    | 2204768 | FRA-309   |
| 1962-66              | V8 5.9L 361 CI |               | w/10" Bolt Circle                        | 4058429 | FRA-303   |
| 1963-66              | V8 7.0L 426 CI |               | w/11 1/8" Bolt Circle                    | 2204768 | FRA-309   |
| 1963-66              | V8 7.0L 426 CI |               | w/10" Bolt Circle                        | 4058429 | FRA-303   |
| 1964-65              | V8 4.5L 273 CI |               | w/10" Bolt Circle                        | 4058429 | FRA-303   |
| 1964-65              | V8 4.5L 273 CI |               | w/11 1/8" Bolt Circle                    | 2204768 | FRA-309   |
| 1963-71              | V8 6.3L 383 CI | H, G, N, L    | w/10" Bolt Circle                        | 4058429 | FRA-303   |
| 1968                 | L6 3.7L 225 CI | C, D, B       | w/Heavy Duty Engine; 10" Bolt Circle     | 4058428 | FRA-302   |
| 1970                 | L6 3.7L 225 CI | C, D, B       | w/Heavy Duty Engine; 10" Bolt Circle     | 4058428 | FRA-302   |
| 1975-78              | L6 3.7L 225 CI | C, D, B       | w/Heavy Duty Engine; 10" Bolt Circle     | 4058428 | FRA-302   |
| 1968                 | L6 3.7L 225 CI | C, B, D       | w/11" Bolt Circle or w/Heavy Duty Engine | 2204719 | FRA-413   |
| 1970                 | L6 3.7L 225 CI | C, B, D       | w/11" Bolt Circle or w/Heavy Duty Engine | 2204719 | FRA-413   |
| 1975-77              | L6 3.7L 225 CI | C, B, D       | w/11" Bolt Circle or w/Heavy Duty Engine | 2204719 | FRA-413   |
| 1967-75              | V8 7.2L 440 CI | V, K, T, L, U | w/11 1/8" Bolt Circle                    | 2204768 | FRA-309   |
| 1977                 | V8 7.2L 440 CI | V, K, T, L, U | w/11 1/8" Bolt Circle                    | 2204768 | FRA-309   |
| 1963-71              | V8 6.3L 383 CI | N, L, G, H    | w/11 1/8" Bolt Circle                    | 2204768 | FRA-309   |
| 1962-71              | V8 6.3L 384 CI | L, N, G, H    | w/10" Bolt Circle                        | 4058429 | FRA-303   |
| 1962-71              | V8 6.3L 384 CI | L, H, G, N    | w/11 1/8" Bolt Circle                    | 2204768 | FRA-309   |
| 1967-73              | V8 5.2L 318 CI | G, F, H       | w/10" Bolt Circle                        | 4058429 | FRA-303   |
| 1975-78              | V8 5.2L 318 CI | G, F, H       | w/10" Bolt Circle                        | 4058429 | FRA-303   |
| 1971-77              | V8 5.9L 360 CI | K, L, J       | w/11 1/8" Bolt Circle                    | 2204768 | FRA-309   |
| 1972-77              | V8 6.6L 400 CI | N, M, P       | w/11 1/8" Bolt Circle                    | 2204768 | FRA-309   |

# FLEXPLATES APPLICATIONS

| Years           | Engine         | VIN           | Remarks                                  | OE      | Pioneer # |
|-----------------|----------------|---------------|--|---------|-----------|
| <b>PLYMOUTH</b> |                |               |  |         |           |
| <b>FURY</b>     |                |               |  |         |           |
| 1967-75         | V8 7.2L 440 CI | U, V, T, K, L | w/10" Bolt Circle                        | 4058429 | FRA-303   |
| 1977-78         | V8 7.2L 440 CI | U, V, T, K, L | w/10" Bolt Circle                        | 4058429 | FRA-303   |
| 1967-73         | V8 5.2L 318 CI | G, F          | w/11 1/8" Bolt Circle                    | 2204768 | FRA-309   |
| 1975-77         | V8 5.2L 318 CI | G, F          | w/11 1/8" Bolt Circle                    | 2204768 | FRA-309   |
| 1971-78         | V8 5.9L 360 CI | K, J, L       | w/10" Bolt Circle                        | 4058429 | FRA-303   |
| 1972-78         | V8 6.6L 400 CI | M, N, P       | w/10" Bolt Circle                        | 4058429 | FRA-303   |
| <b>FURY I</b>   |                |               |  |         |           |
| 1968-71         | V8 6.3L 383 CI | G, N, H, L    | w/10" Bolt Circle                        | 4058429 | FRA-303   |
| 1968-71         | V8 6.3L 383 CI | H, G, N, L    | w/11 1/8" Bolt Circle                    | 2204768 | FRA-309   |
| 1968-71         | V8 6.3L 384 CI | H, N, G, L    | w/10" Bolt Circle                        | 4058429 | FRA-303   |
| 1968-73         | L6 3.7L 225 CI | C, B          | w/11" Bolt Circle                        | 2204719 | FRA-413   |
| 1968-71         | V8 6.3L 384 CI | L, G, N, H    | w/11 1/8" Bolt Circle                    | 2204768 | FRA-309   |
| 1968-73         | L6 3.7L 225 CI | C, B          | w/Heavy Duty Engine; 10" Bolt Circle     | 4058428 | FRA-302   |
| 1968-73         | V8 5.2L 318 CI | G, F          | w/11 1/8" Bolt Circle                    | 2204768 | FRA-309   |
| 1968-73         | V8 5.2L 318 CI | G, F          | w/10" Bolt Circle                        | 4058429 | FRA-303   |
| 1968-73         | V8 7.2L 440 CI | T, V, K       | w/10" Bolt Circle                        | 4058429 | FRA-303   |
| 1968-73         | V8 7.2L 440 CI | V, T, K       | w/11 1/8" Bolt Circle                    | 2204768 | FRA-309   |
| 1972-74         | V8 6.6L 400 CI | M, P          | w/10" Bolt Circle                        | 4058429 | FRA-303   |
| 1972-74         | V8 6.6L 400 CI | P, M          | w/11 1/8" Bolt Circle                    | 2204768 | FRA-309   |
| 1971-74         | V8 5.9L 360 CI | J, K          | w/10" Bolt Circle                        | 4058429 | FRA-303   |
| 1971-74         | V8 5.9L 360 CI | J, K          | w/11 1/8" Bolt Circle                    | 2204768 | FRA-309   |
| <b>FURY II</b>  |                |               |  |         |           |
| 1968-73         | V8 5.2L 318 CI | F, G          | w/10" Bolt Circle                        | 4058429 | FRA-303   |
| 1968-73         | V8 5.2L 318 CI | F, G          | w/11 1/8" Bolt Circle                    | 2204768 | FRA-309   |
| 1968-71         | V8 6.3L 383 CI | G, N, H, L    | w/10" Bolt Circle                        | 4058429 | FRA-303   |
| 1968-71         | V8 6.3L 384 CI | G, N, L, H    | w/10" Bolt Circle                        | 4058429 | FRA-303   |
| 1968-71         | L6 3.7L 225 CI | C, B          | w/11" Bolt Circle or w/Heavy Duty Engine | 2204719 | FRA-413   |
| 1968-71         | L6 3.7L 225 CI | C, B          | w/Heavy Duty Engine; 10" Bolt Circle     | 4058428 | FRA-302   |
| 1968-71         | V8 6.3L 383 CI | N, H, G, L    | w/11 1/8" Bolt Circle                    | 2204768 | FRA-309   |
| 1968-71         | V8 6.3L 384 CI | N, G, L, H    | w/11 1/8" Bolt Circle                    | 2204768 | FRA-309   |
| 1971-74         | V8 5.9L 360 CI | K, J          | w/11 1/8" Bolt Circle                    | 2204768 | FRA-309   |
| 1971-74         | V8 5.9L 360 CI | K, J          | w/10" Bolt Circle                        | 4058429 | FRA-303   |
| 1972-74         | V8 6.6L 400 CI | M, N, P       | w/10" Bolt Circle                        | 4058429 | FRA-303   |
| 1972-74         | V8 6.6L 400 CI | N, P, M       | w/11 1/8" Bolt Circle                    | 2204768 | FRA-309   |
| 1968-74         | V8 7.2L 440 CI | U, K, T       | w/10" Bolt Circle                        | 4058429 | FRA-303   |
| 1968-74         | V8 7.2L 440 CI | U, T, K       | w/11 1/8" Bolt Circle                    | 2204768 | FRA-309   |
| <b>FURY III</b> |                |               |  |         |           |
| 1968-73         | V8 5.2L 318 CI | F, G          | w/11 1/8" Bolt Circle                    | 2204768 | FRA-309   |
| 1968-73         | V8 5.2L 318 CI | F, G          | w/10" Bolt Circle                        | 4058429 | FRA-303   |
| 1968-71         | V8 6.3L 383 CI | G, N, H, L    | w/11 1/8" Bolt Circle                    | 2204768 | FRA-309   |

\*Available in Heavy Duty-SFI Versions

FRA 130

# FLEXPLATES APPLICATIONS

| Years            | Engine         | VIN                                | Remarks                              | OE      | Pioneer # |
|------------------|----------------|------------------------------------|--------------------------------------|---------|-----------|
| <b>PLYMOUTH</b>  |                |                                    |                                      |         |           |
| <b>FURY III</b>  |                |                                    |                                      |         |           |
| 1968-71          | V8 6.3L 383 CI | G, L, N, H                         | w/10" Bolt Circle                    | 4058429 | FRA-303   |
| 1968-71          | V8 6.3L 384 CI | G, L, N, H                         | w/11 1/8" Bolt Circle                | 2204768 | FRA-309   |
| 1968-71          | L6 3.7L 225 CI | C, B                               | w/11" Bolt Circle                    | 2204719 | FRA-413   |
| 1968-71          | L6 3.7L 225 CI | C, B                               | w/Heavy Duty Engine; 10" Bolt Circle | 4058428 | FRA-302   |
| 1968-71          | V8 6.3L 384 CI | L, H, N, G                         | w/10" Bolt Circle                    | 4058429 | FRA-303   |
| 1968-74          | V8 7.2L 440 CI | T, U, K, L                         | w/11 1/8" Bolt Circle                | 2204768 | FRA-309   |
| 1971-74          | V8 5.9L 360 CI | K, J                               | w/11 1/8" Bolt Circle                | 2204768 | FRA-309   |
| 1972-74          | V8 6.6L 400 CI | M, N, P                            | w/11 1/8" Bolt Circle                | 2204768 | FRA-309   |
| 1971-74          | V8 5.9L 360 CI | J, K                               | w/10" Bolt Circle                    | 4058429 | FRA-303   |
| 1972-74          | V8 6.6L 400 CI | N, M, P                            | w/10" Bolt Circle                    | 4058429 | FRA-303   |
| 1968-74          | V8 7.2L 440 CI | U, K, L, T                         | w/10" Bolt Circle                    | 4058429 | FRA-303   |
| <b>GRAN FURY</b> |                |                                    |                                      |         |           |
| 1972-73          | V8 5.2L 318 CI | G                                  | w/11 1/8" Bolt Circle                | 2204768 | FRA-309   |
| 1975-77          | V8 5.2L 318 CI | G                                  | w/11 1/8" Bolt Circle                | 2204768 | FRA-309   |
| 1972-77          | V8 6.6L 400 CI | M, P, N                            | w/11 1/8" Bolt Circle                | 2204768 | FRA-309   |
| 1972-77          | V8 6.6L 400 CI | M, N, P                            | w/10" Bolt Circle                    | 4058429 | FRA-303   |
| 1972-77          | V8 7.2L 440 CI | T, U                               | w/11 1/8" Bolt Circle                | 2204768 | FRA-309   |
| 1972-77          | V8 7.2L 440 CI | T, U                               | w/10" Bolt Circle                    | 4058429 | FRA-303   |
| 1972-77          | V8 5.9L 360 CI | K, J                               | w/11 1/8" Bolt Circle                | 2204768 | FRA-309   |
| 1972-73          | V8 5.2L 318 CI | G, N, 4, K,<br>S, L, P, H,<br>R, M | w/10" Bolt Circle                    | 4058429 | FRA-303   |
| 1975-77          | V8 5.2L 318 CI | G, N, 4, K,<br>S, L, P, H,<br>R, M | w/10" Bolt Circle                    | 4058429 | FRA-303   |
| 1980-89          | V8 5.2L 318 CI | G, N, 4, K,<br>S, L, P, H,<br>R, M | w/10" Bolt Circle                    | 4058429 | FRA-303   |
| 1972-77          | V8 5.9L 360 CI | J, K, L                            | w/10" Bolt Circle                    | 4058429 | FRA-303   |
| 1980             | V8 5.9L 360 CI | J, K, L                            | w/10" Bolt Circle                    | 4058429 | FRA-303   |
| 1980-83          | L6 3.7L 225 CI | C, L, H, F,<br>E, K, D, G          | w/10" Bolt Circle                    | 4058428 | FRA-302   |
| <b>GTX</b>       |                |                                    |                                      |         |           |
| 1968             | V8 5.2L 318 CI | F                                  | w/11 1/8" Bolt Circle                | 2204768 | FRA-309   |
| 1968             | V8 5.2L 318 CI | F                                  | w/10" Bolt Circle                    | 4058429 | FRA-303   |
| 1968             | V8 6.3L 383 CI | G, H                               | w/11 1/8" Bolt Circle                | 2204768 | FRA-309   |
| 1968             | V8 6.3L 383 CI | H, G                               | w/10" Bolt Circle                    | 4058429 | FRA-303   |
| 1968             | V8 6.3L 384 CI | H, G                               | w/11 1/8" Bolt Circle                | 2204768 | FRA-309   |
| 1968             | V8 6.3L 384 CI | H, G                               | w/10" Bolt Circle                    | 4058429 | FRA-303   |
| 1967-71          | V8 7.0L 426 CI | J, R                               | w/11 1/8" Bolt Circle                | 2204768 | FRA-309   |
| 1967-71          | V8 7.0L 426 CI | J, R                               | w/10" Bolt Circle                    | 4058429 | FRA-303   |
| 1967-71          | V8 7.2L 440 CI | L, U, V, M                         | w/10" Bolt Circle                    | 4058429 | FRA-303   |
| 1967-71          | V8 7.2L 440 CI | U, V, L, M                         | w/11 1/8" Bolt Circle                | 2204768 | FRA-309   |
| <b>HORIZON</b>   |                |                                    |                                      |         |           |
| 1981-85          | L4 2.2L 135 CI | C, B, 8                            | w/o Weight                           | 5222639 | FRA-300   |
| 1986-90          | L4 2.2L 135 CI | C, D                               | w/o Weight                           | 4348322 | FRA-307   |
| <b>LASER</b>     |                |                                    |                                      |         |           |
| 1990-91          | L4 2.0L 122 CI | R, F, E                            | w/o Weight                           | 4348322 | FRA-307   |

# FLEXPLATES APPLICATIONS

| Years             | Engine         | VIN        | Remarks               | OE      | Pioneer # |
|-------------------|----------------|------------|-----------------------|---------|-----------|
| <b>PLYMOUTH</b>   |                |            |                       |         |           |
| <b>LASER</b>      |                |            |                       |         |           |
| 1993-94           | L4 2.0L 122 CI | R, F, E    | w/o Weight            | 4348322 | FRA-307   |
| 1993-94           | L4 1.8L 107 CI | B          | w/o Weight            | 4348322 | FRA-307   |
| <b>NEON</b>       |                |            |                       |         |           |
| 1995-01           | L4 2.0L 122 CI | Y, C       | w/o Weight            | 4567143 | FRA-451   |
| <b>PROWLER</b>    |                |            |                       |         |           |
| 2000-01           | V6 3.5L 213 CI | G          |                       |         | FRA-587   |
| <b>RELIANT</b>    |                |            |                       |         |           |
| 1981-85           | L4 2.2L 135 CI | B, C       | w/o Weight            | 5222639 | FRA-300   |
| 1981-85           | L4 2.6L 156 CI | 7, G, D    | w/o Weight            | 5222641 | FRA-301   |
| 1986-89           | L4 2.2L 135 CI | D          | w/o Weight            | 4348322 | FRA-307   |
| 1986-89           | L4 2.5L 153 CI | K          | w/o Weight            | 4348322 | FRA-307   |
| <b>ROADRUNNER</b> |                |            |                       |         |           |
| 1968              | V8 4.5L 273 CI | D          | w/11 1/8" Bolt Circle | 2204768 | FRA-309   |
| 1968              | V8 4.5L 273 CI | D          | w/10" Bolt Circle     | 4058429 | FRA-303   |
| 1968              | V8 5.2L 318 CI | F, G       | w/11 1/8" Bolt Circle | 2204768 | FRA-309   |
| 1972-75           | V8 5.2L 318 CI | F, G       | w/11 1/8" Bolt Circle | 2204768 | FRA-309   |
| 1968-71           | V8 6.3L 383 CI | G, N, H    | w/11 1/8" Bolt Circle | 2204768 | FRA-309   |
| 1968-71           | V8 6.3L 383 CI | H, G, N    | w/10" Bolt Circle     | 4058429 | FRA-303   |
| 1968-71           | V8 6.3L 384 CI | H, G, N    | w/10" Bolt Circle     | 4058429 | FRA-303   |
| 1969-74           | V8 7.2L 440 CI | M, V, U    | w/11 1/8" Bolt Circle | 2204768 | FRA-309   |
| 1969-74           | V8 7.2L 440 CI | M, U, V    | w/10" Bolt Circle     | 4058429 | FRA-303   |
| 1968-71           | V8 6.3L 384 CI | N, G, H    | w/11 1/8" Bolt Circle | 2204768 | FRA-309   |
| 1968-71           | V8 7.0L 426 CI | R, J       | w/11 1/8" Bolt Circle | 2204768 | FRA-309   |
| 1968-71           | V8 7.0L 426 CI | R, J       | w/10" Bolt Circle     | 4058429 | FRA-303   |
| 1971-73           | V8 5.6L 340 CI | H          | w/11 1/8" Bolt Circle | 2204768 | FRA-309   |
| 1971-73           | V8 5.6L 340 CI | H          | w/10" Bolt Circle     | 4058429 | FRA-303   |
| 1968              | V8 5.2L 318 CI | G, F       | w/10" Bolt Circle     | 4058429 | FRA-303   |
| 1972-75           | V8 5.2L 318 CI | G, F       | w/10" Bolt Circle     | 4058429 | FRA-303   |
| 1972-75           | V8 6.6L 400 CI | P, M, N    | w/10" Bolt Circle     | 4058429 | FRA-303   |
| 1972-75           | V8 6.6L 400 CI | P, M, N    | w/11 1/8" Bolt Circle | 2204768 | FRA-309   |
| 1974-75           | V8 5.9L 360 CI | L, K       | w/10" Bolt Circle     | 4058429 | FRA-303   |
| 1974-75           | V8 5.9L 360 CI | K, L       | w/11 1/8" Bolt Circle | 2204768 | FRA-309   |
| <b>SATELLITE</b>  |                |            |                       |         |           |
| 1965-68           | V8 4.5L 273 CI | D          | w/11 1/8" Bolt Circle | 2204768 | FRA-309   |
| 1965-71           | V8 6.3L 384 CI | N, L, H, G | w/11 1/8" Bolt Circle | 2204768 | FRA-309   |
| 1965-71           | V8 6.3L 384 CI | L, H, G, N | w/10" Bolt Circle     | 4058429 | FRA-303   |
| 1965-67           | V8 7.0L 426 CI |            | w/10" Bolt Circle     | 4058429 | FRA-303   |
| 1965-67           | V8 7.0L 426 CI |            | w/11 1/8" Bolt Circle | 2204768 | FRA-309   |
| 1965-68           | V8 4.5L 273 CI | D          | w/10" Bolt Circle     | 4058429 | FRA-303   |
| 1965-74           | V8 5.2L 318 CI | F, G       | w/11 1/8" Bolt Circle | 2204768 | FRA-309   |

# FLEXPLATES APPLICATIONS

| Years            | Engine         | VIN        | Remarks                                  | OE      | Pioneer # |
|------------------|----------------|------------|--|---------|-----------|
| <b>PLYMOUTH</b>  |                |            |  |         |           |
| <b>SATELLITE</b> |                |            |  |         |           |
| 1965-74          | V8 5.2L 318 CI | F, G       | w/10" Bolt Circle                        | 4058429 | FRA-303   |
| 1968-71          | V8 6.3L 383 CI | G, L, H, N | w/11 1/8" Bolt Circle                    | 2204768 | FRA-309   |
| 1968-71          | V8 6.3L 383 CI | H, N, L, G | w/10" Bolt Circle                        | 4058429 | FRA-303   |
| 1966-67          | L6 3.7L 225 CI | C, E       | w/Heavy Duty Engine; 10" Bolt Circle     | 4058428 | FRA-302   |
| 1971-74          | L6 3.7L 225 CI | C, E       | w/Heavy Duty Engine; 10" Bolt Circle     | 4058428 | FRA-302   |
| 1966-67          | L6 3.7L 225 CI | C, E       | w/11" Bolt Circle or w/Heavy Duty Engine | 2204719 | FRA-413   |
| 1971-74          | L6 3.7L 225 CI | C, E       | w/11" Bolt Circle or w/Heavy Duty Engine | 2204719 | FRA-413   |
| 1972             | V8 5.6L 340 CI | H          | w/11 1/8" Bolt Circle                    | 2204768 | FRA-309   |
| 1972             | V8 5.6L 340 CI | H          | w/10" Bolt Circle                        | 4058429 | FRA-303   |
| 1972-74          | V8 6.6L 400 CI | P, M, N    | w/11 1/8" Bolt Circle                    | 2204768 | FRA-309   |
| 1974             | V8 5.9L 360 CI | J, K       | w/10" Bolt Circle                        | 4058429 | FRA-303   |
| 1974             | V8 5.9L 360 CI | K, J       | w/11 1/8" Bolt Circle                    | 2204768 | FRA-309   |
| 1972-74          | V8 6.6L 400 CI | N, P, M    | w/10" Bolt Circle                        | 4058429 | FRA-303   |
| 1966-67          | V8 7.2L 440 CI | U          | w/11 1/8" Bolt Circle                    | 2204768 | FRA-309   |
| 1974             | V8 7.2L 440 CI | U          | w/11 1/8" Bolt Circle                    | 2204768 | FRA-309   |
| 1966-67          | V8 7.2L 440 CI | U          | w/10" Bolt Circle                        | 4058429 | FRA-303   |
| 1974             | V8 7.2L 440 CI | U          | w/10" Bolt Circle                        | 4058429 | FRA-303   |
| <b>SAVOY</b>     |                |            |  |         |           |
| 1962-64          | L6 3.7L 225 CI |            | w/11" Bolt Circle                        | 2204719 | FRA-413   |
| 1962-64          | L6 3.7L 225 CI |            | w/10" Bolt Circle                        | 4058428 | FRA-302   |
| 1962-64          | V8 5.2L 318 CI |            | w/11 1/8" Bolt Circle                    | 2204768 | FRA-309   |
| 1962-64          | V8 5.2L 318 CI |            | w/10" Bolt Circle                        | 4058429 | FRA-303   |
| 1962-64          | V8 5.9L 361 CI |            | w/10" Bolt Circle                        | 4058429 | FRA-303   |
| 1962-64          | V8 5.9L 361 CI |            | w/11 1/8" Bolt Circle                    | 2204768 | FRA-309   |
| 1962-64          | V8 6.3L 384 CI |            | w/11 1/8" Bolt Circle                    | 2204768 | FRA-309   |
| 1962-64          | V8 6.3L 384 CI |            | w/10" Bolt Circle                        | 4058429 | FRA-303   |
| 1963-64          | V8 7.0L 426 CI |            | w/11 1/8" Bolt Circle                    | 2204768 | FRA-309   |
| 1963-64          | V8 7.0L 426 CI |            | w/10" Bolt Circle                        | 4058429 | FRA-303   |
| 1964             | V8 4.5L 273 CI |            | w/10" Bolt Circle                        | 4058429 | FRA-303   |
| 1964             | V8 4.5L 273 CI |            | w/11 1/8" Bolt Circle                    | 2204768 | FRA-309   |
| <b>SCAMP</b>     |                |            |  |         |           |
| 1971-74          | L6 3.2L 198 CI | B          | w/10" Bolt Circle                        | 4058428 | FRA-302   |
| 1971-74          | L6 3.2L 198 CI | B          | w/11" Bolt Circle or w/Heavy Duty Engine | 2204719 | FRA-413   |
| 1971-74          | L6 3.2L 199 CI | B          | w/10" Bolt Circle                        | 4058428 | FRA-302   |
| 1971-74          | L6 3.2L 199 CI | B          | w/11" Bolt Circle or w/Heavy Duty Engine | 2204719 | FRA-413   |
| 1971-76          | L6 3.7L 225 CI | C          | w/Heavy Duty Engine; 10" Bolt Circle     | 4058428 | FRA-302   |
| 1971-76          | L6 3.7L 225 CI | C          | w/11" Bolt Circle or w/Heavy Duty Engine | 2204719 | FRA-413   |
| 1971-76          | V8 5.2L 318 CI | G          | w/11 1/8" Bolt Circle                    | 2204768 | FRA-309   |
| 1971-76          | V8 5.2L 318 CI | G          | w/10" Bolt Circle                        | 4058429 | FRA-303   |
| 1983             | L4 2.2L 135 CI | C          | w/o Weight                               | 5222639 | FRA-300   |



# FLEXPLATES APPLICATIONS

| Years                 | Engine         | VIN     | Remarks               | OE      | Pioneer # |
|-----------------------|----------------|---------|-----------------------|---------|-----------|
| <b>PLYMOUTH</b>       |                |         |                       |         |           |
| <b>SUNDANCE</b>       |                |         |                       |         |           |
| 1987-94               | L4 2.2L 135 CI | D, E    | w/o Weight            | 4348322 | FRA-307   |
| 1988-94               | L4 2.5L 153 CI | J, K    | w/o Weight            | 4348322 | FRA-307   |
| 1992-94               | V6 3.0L 181 CI | 3       | w/o Weight            | 4348322 | FRA-307   |
| <b>SUPERBIRD</b>      |                |         |                       |         |           |
| 1970                  | V8 7.2L 440 CI | U       | w/11 1/8" Bolt Circle | 2204768 | FRA-309   |
| 1970                  | V8 7.2L 440 CI | U       | w/10" Bolt Circle     | 4058429 | FRA-303   |
| <b>PLYMOUTH TRUCK</b> |                |         |                       |         |           |
| <b>GRAND VOYAGER</b>  |                |         |                       |         |           |
| 1988                  | L4 2.5L 153 CI | K       | w/o Weight            | 4348322 | FRA-307   |
| 1990-96               | V6 3.3L 201 CI | R, J    | w/o Weight            | 4736016 | FRA-427   |
| 1988-89               | V6 3.0L 181 CI | 3       | w/o Weight            | 4348322 | FRA-307   |
| 1992-96               | V6 3.0L 181 CI | 3       | w/o Weight            | 4348322 | FRA-307   |
| 1994-95               | V6 3.8L 230 CI | L       | w/o Weight            | 4736016 | FRA-427   |
| 1996-97               | L4 2.4L 148 CI | B       | w/o Weight            | 4567143 | FRA-451   |
| 1997                  | V6 3.0L 181 CI | 3       |                       | 4736130 | FRA-554   |
| 1997                  | V6 3.3L 201 CI | R       |                       | 4736130 | FRA-554   |
| 1998-00               | V6 3.0L 181 CI | 3       |                       | 4736190 | FRA-496   |
| 1998-00               | V6 3.3L 201 CI | R       |                       | 4736190 | FRA-496   |
| 1999                  | V6 3.8L 230 CI | L       |                       | 4736130 | FRA-554   |
| <b>PB100</b>          |                |         |                       |         |           |
| 1976-78               | V8 5.9L 360 CI | F       | w/11 1/8" Bolt Circle | 2204768 | FRA-309   |
| 1975-79               | L6 3.7L 225 CI | N, B    | w/11" Bolt Circle     | 2204719 | FRA-413   |
| 1975-79               | V8 5.2L 318 CI | P, E    | w/11 1/8" Bolt Circle | 2204768 | FRA-309   |
| 1975-77               | L6 3.7L 225 CI | N, B    | w/10" Bolt Circle     | 4058428 | FRA-302   |
| 1980                  | L6 3.7L 225 CI | N, B    | w/10" Bolt Circle     | 4058428 | FRA-302   |
| <b>PB100 VAN</b>      |                |         |                       |         |           |
| 1974                  | L6 3.7L 225 CI | B       | w/11" Bolt Circle     | 2204719 | FRA-413   |
| 1974                  | L6 3.7L 225 CI | B       | w/10" Bolt Circle     | 4058428 | FRA-302   |
| 1974                  | V8 5.2L 318 CI | E       | w/11 1/8" Bolt Circle | 2204768 | FRA-309   |
| 1974                  | V8 5.2L 318 CI | E       |                       | 4058429 | FRA-303   |
| 1974                  | V8 5.9L 360 CI | F       | w/11 1/8" Bolt Circle | 2204768 | FRA-309   |
| 1974                  | V8 5.9L 360 CI | F       |                       | 4058429 | FRA-303   |
| <b>PB150</b>          |                |         |                       |         |           |
| 1981                  | V8 5.2L 318 CI | R, P, T |                       | 4058429 | FRA-303   |
| 1983                  | V8 5.2L 318 CI | R, P, T |                       | 4058429 | FRA-303   |
| 1981-83               | L6 3.7L 225 CI | H, E    | w/10" Bolt Circle     | 4058428 | FRA-302   |
| <b>PB200</b>          |                |         |                       |         |           |
| 1975-77               | L6 3.7L 225 CI | B, N    | w/10" Bolt Circle     | 4058428 | FRA-302   |
| 1980                  | L6 3.7L 225 CI | B, N    | w/10" Bolt Circle     | 4058428 | FRA-302   |
| 1975-78               | L6 3.7L 225 CI | B       | w/11" Bolt Circle     | 2204719 | FRA-413   |

\*Available in Heavy Duty-SFI Versions

FRA 134

# FLEXPLATES APPLICATIONS

| Years                 | Engine         | VIN        | Remarks               | OE      | Pioneer # |
|-----------------------|----------------|------------|-----------------------|---------|-----------|
| <b>PLYMOUTH TRUCK</b> |                |            |                       |         |           |
| <b>PB200</b>          |                |            |                       |         |           |
| 1975-79               | V8 5.2L 318 CI | E, P       | w/11 1/8" Bolt Circle | 2204768 | FRA-309   |
| 1976-78               | V8 6.6L 400 CI | J          | w/11 1/8" Bolt Circle | 2204768 | FRA-309   |
| 1976-78               | V8 7.2L 440 CI | D          | w/11 1/8" Bolt Circle | 2204768 | FRA-309   |
| 1975-79               | V8 5.9L 360 CI | T, F       | w/11 1/8" Bolt Circle | 2204768 | FRA-309   |
| <b>PB200 VAN</b>      |                |            |                       |         |           |
| 1974                  | L6 3.7L 225 CI | B          | w/10" Bolt Circle     | 4058428 | FRA-302   |
| 1974                  | L6 3.7L 225 CI | B          | w/11" Bolt Circle     | 2204719 | FRA-413   |
| 1974                  | V8 5.2L 318 CI | E          |                       | 4058429 | FRA-303   |
| 1974                  | V8 5.2L 318 CI | E          | w/11 1/8" Bolt Circle | 2204768 | FRA-309   |
| 1974                  | V8 5.9L 360 CI | F          |                       | 4058429 | FRA-303   |
| 1974                  | V8 5.9L 360 CI | F          | w/11 1/8" Bolt Circle | 2204768 | FRA-309   |
| <b>PB250</b>          |                |            |                       |         |           |
| 1981                  | V8 5.9L 360 CI | T          |                       | 4058429 | FRA-303   |
| 1981-83               | L6 3.7L 225 CI | H, E       | w/10" Bolt Circle     | 4058428 | FRA-302   |
| 1981-83               | V8 5.2L 318 CI | U, P, T, R |                       | 4058429 | FRA-303   |
| <b>PB300</b>          |                |            |                       |         |           |
| 1975-79               | V8 5.2L 318 CI | E          | w/11 1/8" Bolt Circle | 2204768 | FRA-309   |
| 1976-78               | V8 6.6L 400 CI | J          | w/11 1/8" Bolt Circle | 2204768 | FRA-309   |
| 1976-78               | V8 7.2L 440 CI | D          | w/11 1/8" Bolt Circle | 2204768 | FRA-309   |
| 1975-79               | V8 5.9L 360 CI | T, F       | w/11 1/8" Bolt Circle | 2204768 | FRA-309   |
| <b>PB300 VAN</b>      |                |            |                       |         |           |
| 1974                  | V8 5.2L 318 CI | E          | w/11 1/8" Bolt Circle | 2204768 | FRA-309   |
| 1974                  | V8 5.2L 318 CI | E          |                       | 4058429 | FRA-303   |
| 1974                  | V8 5.9L 360 CI | F          | w/11 1/8" Bolt Circle | 2204768 | FRA-309   |
| 1974                  | V8 5.9L 360 CI | F          |                       | 4058429 | FRA-303   |
| <b>PB350</b>          |                |            |                       |         |           |
| 1981-83               | V8 5.2L 318 CI | U, T, R, P |                       | 4058429 | FRA-303   |
| 1981-83               | V8 5.9L 360 CI | W, T, U, 1 |                       | 4058429 | FRA-303   |
| <b>TRAILDUSTER</b>    |                |            |                       |         |           |
| 1974-78               | V8 5.2L 318 CI | E          | w/10" Bolt Circle     | 4058429 | FRA-303   |
| 1974-77               | V8 5.9L 360 CI | T, F       | w/10" Bolt Circle     | 4058429 | FRA-303   |
| 1974-77               | V8 7.2L 440 CI | D          | w/10" Bolt Circle     | 4058429 | FRA-303   |
| 1974-78               | V8 7.2L 440 CI | D          | w/11 1/8" Bolt Circle | 2204768 | FRA-309   |
| 1975-77               | L6 3.7L 225 CI | B, N       | w/10" Bolt Circle     | 4058428 | FRA-302   |
| 1980                  | L6 3.7L 225 CI | B, N       | w/10" Bolt Circle     | 4058428 | FRA-302   |
| 1974-79               | V8 5.9L 360 CI | F, T       | w/11 1/8" Bolt Circle | 2204768 | FRA-309   |
| 1976-77               | V8 6.6L 400 CI | J          | w/10" Bolt Circle     | 4058429 | FRA-303   |
| 1976-78               | V8 6.6L 400 CI | J          | w/11 1/8" Bolt Circle | 2204768 | FRA-309   |
| 1975-79               | L6 3.7L 225 CI | N, B       | w/11" Bolt Circle     | 2204719 | FRA-413   |
| 1974-79               | V8 5.2L 318 CI | E, P       | w/11 1/8" Bolt Circle | 2204768 | FRA-309   |

# FLEXPLATES APPLICATIONS

| Years                 | Engine         | VIN     | Remarks                                  | OE      | Pioneer # |
|-----------------------|----------------|---------|--|---------|-----------|
| <b>PLYMOUTH TRUCK</b> |                |         |  |         |           |
| <b>VOYAGER</b>        |                |         |  |         |           |
| 1984-85               | L4 2.2L 135 CI | C       | w/o Weight                               | 5222639 | FRA-300   |
| 1984-85               | L4 2.6L 156 CI | G       | w/o Weight                               | 5222641 | FRA-301   |
| 1986-87               | L4 2.2L 135 CI | C       | w/o Weight                               | 4348322 | FRA-307   |
| 1986-87               | L4 2.6L 156 CI | G       | w/o Weight                               | 4377411 | FRA-334   |
| 1987-95               | L4 2.5L 153 CI | K, J    | w/o Weight                               | 4348322 | FRA-307   |
| 1987-96               | V6 3.0L 181 CI | 3       | w/o Weight                               | 4348322 | FRA-307   |
| 1991-96               | V6 3.3L 201 CI | J, R    | w/o Weight                               | 4736016 | FRA-427   |
| 1996-00               | L4 2.4L 148 CI | B       | w/o Weight                               | 4567143 | FRA-451   |
| 1997                  | V6 3.0L 181 CI | 3       |  | 4736130 | FRA-554   |
| 1997                  | V6 3.3L 201 CI | R       |  | 4736130 | FRA-554   |
| 1998-00               | V6 3.0L 181 CI | 3       |  | 4736190 | FRA-496   |
| 1998-00               | V6 3.3L 201 CI | R       |  | 4736190 | FRA-496   |
| 1999                  | V6 3.8L 230 CI | L       |  | 4736130 | FRA-554   |
| <b>PLYMOUTH</b>       |                |         |  |         |           |
| <b>VALIANT</b>        |                |         |  |         |           |
| 1962-69               | L6 2.8L 170 CI | A       | w/11" Bolt Circle                        | 2204719 | FRA-413   |
| 1962-69               | L6 2.8L 170 CI | A       | w/10" Bolt Circle                        | 4058428 | FRA-302   |
| 1964-69               | V8 4.5L 273 CI | D       | w/11 1/8" Bolt Circle                    | 2204768 | FRA-309   |
| 1964-69               | V8 4.5L 273 CI | D       | w/10" Bolt Circle                        | 4058429 | FRA-303   |
| 1965-76               | L6 3.7L 225 CI | C, B, E | w/11" Bolt Circle                        | 2204719 | FRA-413   |
| 1970-74               | L6 3.2L 198 CI | B       | w/11" Bolt Circle or w/Heavy Duty Engine | 2204719 | FRA-413   |
| 1970-74               | L6 3.2L 198 CI | B       | w/Heavy Duty Engine; 10" Bolt Circle     | 4058428 | FRA-302   |
| 1970-74               | L6 3.2L 199 CI | B       | w/11" Bolt Circle or w/Heavy Duty Engine | 2204719 | FRA-413   |
| 1970-74               | L6 3.2L 199 CI | B       | w/10" Bolt Circle                        | 4058428 | FRA-302   |
| 1968-76               | V8 5.2L 318 CI | G, F    | w/11 1/8" Bolt Circle                    | 2204768 | FRA-309   |
| 1968-76               | V8 5.2L 318 CI | G, F    | w/10" Bolt Circle                        | 4058429 | FRA-303   |
| 1965-76               | L6 3.7L 225 CI | E, C, B | w/Heavy Duty Engine; 10" Bolt Circle     | 4058428 | FRA-302   |
| 1976                  | V8 5.9L 360 CI | L       | w/10" Bolt Circle                        | 4058429 | FRA-303   |
| 1976                  | V8 5.9L 360 CI | L       | w/11 1/8" Bolt Circle                    | 2204768 | FRA-309   |
| <b>VIP</b>            |                |         |  |         |           |
| 1967                  | V8 5.2L 318 CI |         | w/10" Bolt Circle                        | 4058429 | FRA-303   |
| 1967                  | V8 5.2L 318 CI |         | w/11 1/8" Bolt Circle                    | 2204768 | FRA-309   |
| 1967                  | V8 6.3L 384 CI |         | w/11 1/8" Bolt Circle                    | 2204768 | FRA-309   |
| 1967                  | V8 6.3L 384 CI |         | w/10" Bolt Circle                        | 4058429 | FRA-303   |
| 1967                  | V8 7.2L 440 CI |         | w/11 1/8" Bolt Circle                    | 2204768 | FRA-309   |
| 1967                  | V8 7.2L 440 CI |         | w/10" Bolt Circle                        | 4058429 | FRA-303   |
| <b>VOLARE</b>         |                |         |  |         |           |
| 1976-77               | L6 3.7L 225 CI | C, D    | w/11" Bolt Circle                        | 2204719 | FRA-413   |
| 1976-77               | V8 5.2L 318 CI | G       | w/11 1/8" Bolt Circle                    | 2204768 | FRA-309   |
| 1976-78               | V8 5.9L 360 CI | K, L    | w/10" Bolt Circle                        | 4058429 | FRA-303   |

\*Available in Heavy Duty-SFI Versions

FRA 136

# FLEXPLATES APPLICATIONS

| Years             | Engine         | VIN     | Remarks                                    | OE       | Pioneer # |
|-------------------|----------------|---------|--|----------|-----------|
| <b>PLYMOUTH</b>   |                |         |  |          |           |
| <b>VOLARE</b>     |                |         |  |          |           |
| 1980              | V8 5.9L 360 CI | K, L    | w/10" Bolt Circle                          | 4058429  | FRA-303   |
| 1976-77           | L6 3.7L 225 CI | D, C    | w/10" Bolt Circle                          | 4058428  | FRA-302   |
| 1980              | L6 3.7L 225 CI | D, C    | w/10" Bolt Circle                          | 4058428  | FRA-302   |
| 1976-77           | V8 5.9L 360 CI | L, K    | w/11 1/8" Bolt Circle                      | 2204768  | FRA-309   |
| 1976-78           | V8 5.2L 318 CI | H, G    | w/10" Bolt Circle                          | 4058429  | FRA-303   |
| 1980              | V8 5.2L 318 CI | H, G    | w/10" Bolt Circle                          | 4058429  | FRA-303   |
| <b>PONTIAC</b>    |                |         |  |          |           |
| <b>6000</b>       |                |         |  |          |           |
| 1982-91           | L4 2.5L 151 CI | 5, R    | w/o Weight                                 | 10031262 | FRA-150   |
| 1982-86           | V6 2.8L 173 CI | X, Z, W | w/ Weight                                  | 14085471 | FRA-139   |
| 1987-89           | V6 2.8L 173 CI | W       | w/o Weight                                 | 14100554 | FRA-138   |
| 1988-91           | V6 3.1L 189 CI | T       | w/o Weight                                 | 14100554 | FRA-138   |
| <b>ASTRE</b>      |                |         |  |          |           |
| 1975-77           | L4 2.3L 140 CI | A, B    | 12.85" O.D. w/153 Teeth                    | 471529   | FRA-112*  |
| 1977              | L4 2.5L 151 CI | V       | w/o Cross Flow Heads                       | 10006988 | FRA-312   |
| <b>BONNEVILLE</b> |                |         |  |          |           |
| 1965-66           | V8 6.4L 389 CI |         |  | 487651   | FRA-103   |
| 1965-66           | V8 6.9L 421 CI |         |  | 487651   | FRA-103   |
| 1968-69           | V8 7.0L 428 CI |         |  | 487651   | FRA-103   |
| 1968-71           | V8 6.6L 400 CI |         |  | 487651   | FRA-103   |
| 1970-76           | V8 7.5L 455 CI | Y, U, W | w/o Weight                                 | 487651   | FRA-103   |
| 1976-78           | V8 6.6L 400 CI | Z, N    | w/o Weight                                 | 10005640 | FRA-117   |
| 1977              | V8 5.7L 350 CI | P       |  | 10005640 | FRA-117   |
| 1977-78           | V8 5.7L 350 CI | R       |  | 560712   | FRA-102   |
| 1977-78           | V8 6.6L 403 CI | K       | w/ Weight                                  | 560712   | FRA-102   |
| 1977-80           | V8 4.9L 301 CI | W, Y    | w/ Weight                                  | 10009275 | FRA-116   |
| 1978-80           | V8 5.7L 350 CI | X       |  | 1262989  | FRA-101   |
| 1979              | V8 6.6L 403 CI | K       | w/ Weight                                  | 22500807 | FRA-109   |
| 1979-80           | V8 5.7L 350 CI | R       |  | 22500807 | FRA-109   |
| 1980              | V6 3.8L 232 CI | A       | w/o Weight                                 | 25501867 | FRA-130   |
| 1980-81           | V8 4.3L 265 CI | S       | w/ Weight                                  | 10009275 | FRA-116   |
| 1980-84           | V8 5.7L 350 CI | N       | w/ Weight                                  | 22500808 | FRA-110   |
| 1981              | V8 5.0L 307 CI | Y       | w/ Weight                                  | 22500807 | FRA-109   |
| 1981-83           | V6 3.8L 232 CI | A       | 160 Teeth; w/o Weight, Damper Stamped 6570 | 25512346 | FRA-134   |
| 1982              | V6 4.1L 252 CI | 4       | w/o Weight                                 | 25512348 | FRA-137   |
| 1983-85           | V8 5.0L 305 CI | H       | 12.85" O.D. w/153 Teeth;                   | 471529   | FRA-112*  |
| 1983-86           | V6 3.8L 232 CI | A       | w/o Weight, Damper Stamped 8994            | 25512348 | FRA-137   |
| 1986              | V6 4.3L 262 CI | Z       | 153 Teeth; w/Weight, w/ Weight             | 14088765 | FRA-160*  |
| 1986              | V8 5.0L 305 CI | H       | 153 Teeth; w/Weight, w/ Weight             | 14088765 | FRA-160*  |

# FLEXPLATES APPLICATIONS

| Years             | Engine         | VIN           | Remarks                             | OE                  | Pioneer # |
|-------------------|----------------|---------------|-------------------------------------|---------------------|-----------|
| <b>PONTIAC</b>    |                |               |                                     |                     |           |
| <b>BONNEVILLE</b> |                |               |                                     |                     |           |
| 1987-88           | V6 3.8L 232 CI | 3             |                                     | 25515222            | FRA-339   |
| 1988-90           | V6 3.8L 232 CI | C             |                                     | 25534065            | FRA-323   |
| 1991-94           | V6 3.8L 232 CI | C, L          |                                     | 12342730            | FRA-324   |
| 1992              | V6 3.8L 232 CI | 1             |                                     | 24501753            | FRA-327   |
| 1995-05           | V6 3.8L 232 CI | K             |                                     | 24508110, 12609155  | FRA-484   |
| 1997-03           | V6 3.8L 232 CI | 1             |                                     | 12609154 / 24506809 | FRA-574   |
| 1997-99           | V6 3.8L 231 CI | 1             |                                     | 12609154 / 24506809 | FRA-574   |
| 1997-99           | V6 3.8L 231 CI | K             |                                     | 24508110, 12609155  | FRA-484   |
| <b>CATALINA</b>   |                |               |                                     |                     |           |
| 1965-66           | V8 6.4L 389 CI |               |                                     | 487651              | FRA-103   |
| 1965-66           | V8 6.9L 421 CI |               |                                     | 487651              | FRA-103   |
| 1968-69           | V8 7.0L 428 CI |               |                                     | 487651              | FRA-103   |
| 1971-76           | V8 7.5L 455 CI | V, U, Y, W    | w/o Weight                          | 487651              | FRA-103   |
| 1967-75           | V8 6.6L 400 CI | S, R, Y, P, X |                                     | 487651              | FRA-103   |
| 1976-78           | V8 6.6L 400 CI | N, Z          | w/o Weight                          | 10005640            | FRA-117   |
| 1977              | V6 3.8L 231 CI | C             | w/Uneven Firing Eng.                | 1255728             | FRA-105   |
| 1976-77           | V8 5.7L 350 CI | P, M          |                                     | 10005640            | FRA-117   |
| 1977-78           | V6 3.8L 232 CI | A             | w/Even Fire Eng.                    | 1257041             | FRA-129   |
| 1977-78           | V8 5.7L 350 CI | R             |                                     | 560712              | FRA-102   |
| 1977-78           | V8 6.6L 403 CI | K             | w/ Weight                           | 560712              | FRA-102   |
| 1978-80           | V8 5.7L 350 CI | X             |                                     | 1262989             | FRA-101   |
| 1979              | V8 6.6L 403 CI | K             | w/ Weight                           | 22500807            | FRA-109   |
| 1979-80           | V6 3.8L 232 CI | A             | w/o Weight                          | 25501867            | FRA-130   |
| 1977-80           | V8 4.9L 301 CI | W, Y          | w/ Weight                           | 10009275            | FRA-116   |
| 1979-80           | V8 5.7L 350 CI | R             |                                     | 22500807            | FRA-109   |
| 1980              | V8 5.0L 305 CI | H             | w/o Weight; 14.13" O.D. w/168 Teeth | 471598              | FRA-100*  |
| 1980-81           | V8 4.3L 265 CI | S             | w/ Weight                           | 10009275            | FRA-116   |
| 1980-81           | V8 4.4L 267 CI | J             | 12.85" O.D. w/153 Teeth             | 471529              | FRA-112*  |
| 1980-81           | V8 5.7L 350 CI | N             | w/ Weight                           | 22500808            | FRA-110   |
| 1981              | V6 3.8L 232 CI | A             | 160 Teeth; w/o Weight               | 25512346            | FRA-134   |
| 1981              | V8 5.0L 305 CI | H             | 12.85" O.D. w/153 Teeth;            | 471529              | FRA-112*  |
| 1981              | V8 5.0L 307 CI | Y             | w/ Weight                           | 22500807            | FRA-109   |
| <b>EXECUTIVE</b>  |                |               |                                     |                     |           |
| 1967-69           | V8 7.0L 428 CI |               |                                     | 487651              | FRA-103   |
| 1967-70           | V8 6.6L 400 CI |               |                                     | 487651              | FRA-103   |
| 1970              | V8 7.5L 455 CI |               |                                     | 487651              | FRA-103   |
| <b>FIERO</b>      |                |               |                                     |                     |           |
| 1984-88           | L4 2.5L 151 CI | R             | w/o Weight                          | 10031262            | FRA-150   |
| 1985-87           | V6 2.8L 173 CI | 9             | w/ Weight                           | 14085471            | FRA-139   |
| 1988              | V6 2.8L 173 CI | 9             | w/o Weight                          | 14100554            | FRA-138   |

\*Available in Heavy Duty-SFI Versions

FRA 138

# FLEXPLATES APPLICATIONS

| Years           | Engine         | VIN           | Remarks                             | OE                             | Pioneer # |
|-----------------|----------------|---------------|-------------------------------------|--------------------------------|-----------|
| <b>PONTIAC</b>  |                |               |                                     |                                |           |
| <b>FIREBIRD</b> |                |               |                                     |                                |           |
| 1967            | V8 5.3L 326 CI |               | w/o Weight                          | 487651                         | FRA-103   |
| 1971-74         | L6 4.1L 250 CI | D             | 12.85" O.D. w/153 Teeth             | 471529                         | FRA-112*  |
| 1968-75         | V8 5.7L 350 CI | M, N          |                                     | 487651                         | FRA-103   |
| 1967-75         | V8 6.6L 400 CI | S, T, P, R    |                                     | 487651                         | FRA-103   |
| 1975-76         | L6 4.1L 250 CI | D             | w/o Weight; 14.13" O.D. w/168 Teeth | 471598                         | FRA-100*  |
| 1971-76         | V8 7.5L 455 CI | W, X, Y       | w/o Weight                          | 487651                         | FRA-103   |
| 1976-77         | V8 5.7L 350 CI | P, M          |                                     | 10005640                       | FRA-117   |
| 1976-78         | V8 6.6L 400 CI | Z             | w/o Weight                          | 10005640                       | FRA-117   |
| 1977            | V6 3.8L 231 CI | C             | w/Uneven Firing Eng.                | 1255728                        | FRA-105   |
| 1977            | V8 5.7L 350 CI | R             |                                     | 560712                         | FRA-102   |
| 1977-78         | V8 6.6L 403 CI | K             | w/ Weight                           | 560712                         | FRA-102   |
| 1978            | V6 3.8L 232 CI | A             | w/Even Fire Eng.                    | 1257041                        | FRA-129   |
| 1978-79         | V8 5.7L 350 CI | L             |                                     | 471598                         | FRA-100*  |
| 1979            | V8 6.6L 403 CI | K             | w/ Weight                           | 22500807                       | FRA-109   |
| 1979-80         | V6 3.8L 232 CI | A             | w/o Weight                          | 25501867                       | FRA-130   |
| 1980-81         | V8 4.3L 265 CI | S             | w/ Weight                           | 10009275                       | FRA-116   |
| 1977            | V8 4.9L 301 CI | T, Y, W       | w/ Weight                           | 10009275                       | FRA-116   |
| 1979-81         | V8 4.9L 301 CI | T, Y, W       | w/ Weight                           | 10009275                       | FRA-116   |
| 1977-81         | V8 5.0L 305 CI | H, U, G       | w/o Weight; 14.13" O.D. w/168 Teeth | 471598                         | FRA-100*  |
| 1981            | V6 3.8L 232 CI | A             | 160 Teeth; w/o Weight               | 25512346                       | FRA-134   |
| 1981            | V8 4.4L 267 CI | J             | 12.85" O.D. w/153 Teeth;            | 471529                         | FRA-112*  |
| 1982-86         | L4 2.5L 151 CI | F, 2          | w/o Weight                          | 10031262                       | FRA-150   |
| 1982-85         | V8 5.0L 305 CI | H, F, 7, S, G | 12.85" O.D. w/153 Teeth             | 471529                         | FRA-112*  |
| 1982-87         | V6 2.8L 173 CI | L, 1, S       | w/ Weight                           | 14085472                       | FRA-158   |
| 1986-92         | V8 5.0L 305 CI | G, H, F, E    | w/ Weight                           | 14088765                       | FRA-160*  |
| 1987-97         | V8 5.7L 350 CI | 8, P          | 153 Teeth; w/Weight, w/ Weight      | 14088765                       | FRA-160*  |
| 1988-89         | V6 2.8L 173 CI | S             | w/o Weight                          | 14100557                       | FRA-165   |
| 1989            | V6 3.8L 232 CI | 7             |                                     | 25534065                       | FRA-323   |
| 1990-91         | V6 3.1L 189 CI | T             |                                     | 14100557                       | FRA-165   |
| 1992            | V6 3.1L 189 CI | T             |                                     | 14097667                       | FRA-326   |
| 1993-95         | V6 3.4L 207 CI | S             |                                     | 14097667                       | FRA-326   |
| 1987-02         | V8 5.7L 350 CI | P, G, 8       |                                     | 14088761                       | FRA-159*  |
| 1998-02         | V8 5.7L 350 CI | G             | 168 Teeth; w/o Weight               | 12563136 / 12580709 / 12606620 | FRA-471*  |
| <b>G5</b>       |                |               |                                     |                                |           |
| 2007-10         | L4 2.2L 134 CI | F, H          |                                     |                                | FRA-572   |
| 2007-08         | L4 2.4L 146 CI |               |                                     |                                | FRA-572   |
| 2008            | L4 2.4L 145 CI | B             |                                     |                                | FRA-572   |
| <b>G6</b>       |                |               |                                     |                                |           |
| 2005            | V6 3.5L 211 CI | 8             |                                     |                                | FRA-575   |
| 2006            | V6 3.5L 214 CI | 8             |                                     |                                | FRA-575   |

# FLEXPLATES APPLICATIONS

| Years               | Engine         | VIN     | Remarks                             | OE                             | Pioneer # |
|---------------------|----------------|---------|-------------------------------------|--------------------------------|-----------|
| <b>PONTIAC</b>      |                |         |                                     |                                |           |
| <b>G6</b>           |                |         |                                     |                                |           |
| 2006-09             | V6 3.9L 237 CI | 1       |                                     |                                | FRA-575   |
| 2006-10             | L4 2.4L 145 CI | B, 0    |                                     |                                | FRA-572   |
| 2005-10             | V6 3.5L 213 CI | K, N    |                                     |                                | FRA-575   |
| <b>G8</b>           |                |         |                                     |                                |           |
| 2008-09             | V6 3.6L 217 CI | 7       |                                     | 12563136 / 12580709 / 12606620 | FRA-471*  |
| 2008-09             | V8 6.0L 364 CI | Y       |                                     | 12563136 / 12580709 / 12606620 | FRA-471*  |
| 2009                | V8 6.2L 376 CI | W       |                                     | 12563136 / 12580709 / 12606620 | FRA-471*  |
| <b>GRAND AM</b>     |                |         |                                     |                                |           |
| 1974-75             | V8 7.5L 455 CI | W, Y    | w/o Weight                          | 487651                         | FRA-103   |
| 1978-80             | V8 4.9L 301 CI | W, Y    | w/ Weight                           | 10009275                       | FRA-116   |
| 1979                | V6 3.8L 232 CI | A       | w/o Weight                          | 25501867                       | FRA-130   |
| 1979-80             | V8 5.0L 305 CI | H       | w/o Weight; 14.13" O.D. w/168 Teeth | 471598                         | FRA-100*  |
| 1985-87             | V6 3.0L 181 CI | L       | w/ Weight                           | 25513510                       | FRA-338   |
| 1985-91             | L4 2.5L 151 CI | U       | w/o Weight                          | 10031262                       | FRA-150   |
| 1987-89             | L4 2.0L 122 CI | M       | w/o Weight                          | 10018740                       | FRA-155   |
| 1992                | V6 3.3L 204 CI | N       | w/33 Eng.; 142 Teeth; w/Weight      | 24501453                       | FRA-329   |
| 1992-93             | V6 3.3L 204 CI | N       | w/AN Eng.; 142 Teeth; w/Weight      | 24502775                       | FRA-328   |
| 1988-95             | L4 2.3L 138 CI | 3, D    |                                     | 22533252                       | FRA-414   |
| 1992-94             | L4 2.3L 140 CI | A       | w/142 Teeth w/o Weight              |                                | FRA-542   |
| 1992-95             | L4 2.3L 138 CI | D, 3    | w/142 Teeth w/o Weight              |                                | FRA-542   |
| 1994-98             | V6 3.1L 189 CI | M       | w/o Weight                          | 24576876, 12579453             | FRA-426   |
| 1996-01             | L4 2.4L 146 CI | T       |                                     | 22533252                       | FRA-414   |
| 1996-01             | L4 2.4L 146 CI | T       | w/142 Teeth w/o Weight              |                                | FRA-542   |
| 1999-03             | V6 3.4L 207 CI | E       | w/o Weight                          | 24576876, 12579453             | FRA-426   |
| 2002-04             | L4 2.2L 134 CI | F       |                                     |                                | FRA-572   |
| 2004-05             | V6 3.4L 207 CI | E       |                                     |                                | FRA-575   |
| <b>GRAND LEMANS</b> |                |         |                                     |                                |           |
| 1975                | V8 6.6L 400 CI | S, R    |                                     | 487651                         | FRA-103   |
| 1975-76             | L6 4.1L 250 CI | D       | w/o Weight; 14.13" O.D. w/168 Teeth | 471598                         | FRA-100*  |
| 1975-76             | V8 7.5L 455 CI | W       | w/o Weight                          | 487651                         | FRA-103   |
| 1976                | V8 4.3L 260 CI | F       | w/ Weight                           | 560712                         | FRA-102   |
| 1976-77             | V8 5.7L 350 CI | P, L, M |                                     | 10005640                       | FRA-117   |
| 1976-77             | V8 6.6L 400 CI | Z, N    | w/o Weight                          | 10005640                       | FRA-117   |
| 1977                | V6 3.8L 231 CI | C       | w/Uneven Firing Eng.                | 1255728                        | FRA-105   |
| 1977                | V8 5.0L 305 CI | U, H    | w/o Weight; 14.13" O.D. w/168 Teeth | 471598                         | FRA-100*  |
| 1979-80             | V8 5.0L 305 CI | U, H    | w/o Weight; 14.13" O.D. w/168 Teeth | 471598                         | FRA-100*  |
| 1977                | V8 5.7L 350 CI | R       |                                     | 560712                         | FRA-102   |
| 1977                | V8 6.6L 403 CI | K       | w/ Weight                           | 560712                         | FRA-102   |
| 1978                | V6 3.8L 232 CI | A       | w/Even Fire Eng.                    | 1257041                        | FRA-129   |
| 1978                | V8 5.7L 350 CI | L       |                                     | 471598                         | FRA-100*  |

\*Available in Heavy Duty-SFI Versions

FRA 140

# FLEXPLATES APPLICATIONS

| Years               | Engine         | VIN  | Remarks                                      | OE       | Pioneer # |
|---------------------|----------------|------|--|----------|-----------|
| <b>PONTIAC</b>      |                |      |  |          |           |
| <b>GRAND LEMANS</b> |                |      |  |          |           |
| 1979                | V6 3.8L 231 CI | 2    | w/o Weight                                   | 25501867 | FRA-130   |
| 1979                | V8 5.7L 350 CI | L    | w/Metric Auto. Trans.                        | 22500807 | FRA-109   |
| 1979-80             | V6 3.8L 232 CI | A    | w/o Weight                                   | 25501867 | FRA-130   |
| 1978-83             | V8 5.0L 305 CI | H, U | w/Lock up Converter, 12.85" O.D. w/153 Teeth | 471529   | FRA-112*  |
| 1977                | V8 4.9L 301 CI | W, Y | w/ Weight                                    | 10009275 | FRA-116   |
| 1979-81             | V8 4.9L 301 CI | W, Y | w/ Weight                                    | 10009275 | FRA-116   |
| 1980                | V6 3.8L 229 CI | K    | 12.85" O.D. w/153 Teeth                      | 471529   | FRA-112*  |
| 1980-81             | V8 4.3L 265 CI | S    | w/ Weight                                    | 10009275 | FRA-116   |
| 1980-82             | V8 4.4L 267 CI | J    | 12.85" O.D. w/153 Teeth                      | 471529   | FRA-112*  |
| 1981                | V6 3.8L 232 CI | A    | 160 Teeth; w/o Weight                        | 25512346 | FRA-134   |
| 1982-83             | V6 3.8L 231 CI | A    | 160 Teeth; w/o Weight, Damper Stamped 6570   | 25512346 | FRA-134   |
| 1982                | V6 4.1L 252 CI | 4    | w/o Weight                                   | 25512348 | FRA-137   |
| 1982-83             | V8 5.7L 350 CI | N    | w/ Weight                                    | 22500808 | FRA-110   |
| 1983                | V6 3.8L 231 CI | A    | Damper Stamped 8994                          | 25512348 | FRA-137   |
| <b>GRAND PRIX</b>   |                |      |  |          |           |
| 1965-66             | V8 6.4L 389 CI |      |  | 487651   | FRA-103   |
| 1965-66             | V8 6.9L 421 CI |      |  | 487651   | FRA-103   |
| 1967-69             | V8 7.0L 428 CI |      |  | 487651   | FRA-103   |
| 1968-71             | V8 6.6L 400 CI |      |  | 487651   | FRA-103   |
| 1970-76             | V8 7.5L 455 CI | W, Y | w/o Weight                                   | 487651   | FRA-103   |
| 1976-77             | V8 5.7L 350 CI | P, M |  | 10005640 | FRA-117   |
| 1976-77             | V8 6.6L 400 CI | Z, N | w/o Weight                                   | 10005640 | FRA-117   |
| 1977                | V8 5.7L 350 CI | R    |  | 560712   | FRA-102   |
| 1977                | V8 6.6L 403 CI | K    | w/ Weight                                    | 560712   | FRA-102   |
| 1978                | V6 3.8L 232 CI | A    | w/Even Fire Eng.                             | 1257041  | FRA-129   |
| 1977-80             | V8 4.9L 301 CI | W, Y | w/ Weight                                    | 10009275 | FRA-116   |
| 1979                | V6 3.8L 231 CI | 2    | w/o Weight                                   | 25501867 | FRA-130   |
| 1979-80             | V6 3.8L 232 CI | A    | w/o Weight                                   | 25501867 | FRA-130   |
| 1979-80             | V8 5.0L 305 CI | H    | w/o Weight; 14.13" O.D. w/168 Teeth          | 471598   | FRA-100*  |
| 1980-81             | V8 4.3L 265 CI | S    | w/ Weight                                    | 10009275 | FRA-116   |
| 1981-82             | V8 4.4L 267 CI | J    | 12.85" O.D. w/153 Teeth;                     | 471529   | FRA-112*  |
| 1981-84             | V8 5.7L 350 CI | N    | w/ Weight                                    | 22500808 | FRA-110   |
| 1982                | V6 4.1L 252 CI | 4    | w/o Weight                                   | 25512348 | FRA-137   |
| 1981-83             | V6 3.8L 232 CI | A    | Damper Stamped 6570, 160 Teeth; w/o Weight   | 25512346 | FRA-134   |
| 1983-87             | V6 3.8L 232 CI | A    | Damper Stamped 8994, w/o Weight              | 25512348 | FRA-137   |
| 1978-79             | V8 5.0L 305 CI | H, U | 12.85" O.D. w/153 Teeth, w/Lock up Converter | 471529   | FRA-112*  |



# FLEXPLATES APPLICATIONS

| Years                | Engine         | VIN  | Remarks                                      | OE                             | Pioneer # |
|----------------------|----------------|------|--|--------------------------------|-----------|
| <b>PONTIAC</b>       |                |      |  |                                |           |
| <b>GRAND PRIX</b>    |                |      |  |                                |           |
| 1983-85              | V8 5.0L 305 CI | H, U | 12.85" O.D. w/153 Teeth, w/Lock up Converter | 471529                         | FRA-112*  |
| 1986-87              | V6 4.3L 262 CI | Z    | 153 Teeth; w/Weight, w/ Weight               | 14088765                       | FRA-160*  |
| 1986-87              | V8 5.0L 305 CI | H    | 153 Teeth; w/Weight, w/ Weight               | 14088765                       | FRA-160*  |
| 1988-89              | V6 2.8L 173 CI | W    | w/o Weight                                   | 14100554                       | FRA-138   |
| 1989-93              | V6 3.1L 189 CI | V, T | w/o Weight                                   | 14100554                       | FRA-138   |
| 1990-91              | L4 2.3L 138 CI | D    |  | 22533252                       | FRA-414   |
| 1991-92              | V6 3.4L 207 CI | X    | w/o Weight                                   | 14100554                       | FRA-138   |
| 1993-96              | V6 3.4L 207 CI | X    | w/o Weight                                   | 24576876, 12579453             | FRA-426   |
| 1997-01              | V6 3.8L 231 CI | 1    |  | 12609154 / 24506809            | FRA-574   |
| 1997-01              | V6 3.8L 231 CI | K    |  | 24508110, 12609155             | FRA-484   |
| 1997-08              | V6 3.8L 232 CI | K, 2 |  | 24508110, 12609155             | FRA-484   |
| 1994-02              | V6 3.1L 189 CI | J, M | w/o Weight                                   | 24576876, 12579453             | FRA-426   |
| 1998-03              | V6 3.8L 232 CI | 4, 1 |  | 12609154 / 24506809            | FRA-574   |
| 2006-07              | V6 3.8L 232 CI | 4, 1 |  | 12609154 / 24506809            | FRA-574   |
| <b>GRAND SAFARI</b>  |                |      |  |                                |           |
| 1971-76              | V8 7.5L 455 CI | U, W | w/o Weight                                   | 487651                         | FRA-103   |
| 1976-78              | V8 6.6L 400 CI | Z    | w/o Weight                                   | 10005640                       | FRA-117   |
| 1977                 | V8 4.9L 301 CI | Y    | w/ Weight                                    | 10009275                       | FRA-116   |
| 1977                 | V8 5.7L 350 CI | R    |  | 560712                         | FRA-102   |
| 1977-78              | V8 6.6L 403 CI | K    | w/ Weight                                    | 560712                         | FRA-102   |
| <b>GRANDVILLE</b>    |                |      |  |                                |           |
| 1971-75              | V8 7.5L 455 CI | W, Y | w/o Weight                                   | 487651                         | FRA-103   |
| <b>GTO</b>           |                |      |  |                                |           |
| 1965-66              | V8 6.4L 389 CI |      |  | 487651                         | FRA-103   |
| 1967-73              | V8 6.6L 400 CI |      |  | 487651                         | FRA-103   |
| 1970-73              | V8 7.5L 455 CI |      |  | 487651                         | FRA-103   |
| 2004                 | V8 5.7L 350 CI |      | 168 Teeth; w/o Weight                        | 12563136 / 12580709 / 12606620 | FRA-471*  |
| 2005-06              | V8 6.0L 364 CI | U    | 168 Teeth; w/o Weight                        | 12563136 / 12580709 / 12606620 | FRA-471*  |
| <b>J2000</b>         |                |      |  |                                |           |
| 1982                 | L4 1.8L 112 CI | G    |  | 14100554                       | FRA-138   |
| 1982-83              | L4 1.8L 112 CI | 0    | w/o Weight                                   | 10018740                       | FRA-155   |
| 1983                 | L4 2.0L 122 CI | P, B | w/o Weight                                   | 14100554                       | FRA-138   |
| <b>J2000 SUNBIRD</b> |                |      |  |                                |           |
| 1984-85              | L4 1.8L 112 CI | J, 0 | w/o Weight                                   | 10018740                       | FRA-155   |
| 1984-85              | L4 2.0L 122 CI | P    | w/o Weight                                   | 14100554                       | FRA-138   |
| <b>LAURENTIAN</b>    |                |      |  |                                |           |
| 1976                 | V8 5.7L 350 CI | V, L |  | 10005640                       | FRA-117   |
| 1976                 | V8 6.6L 400 CI | S, N | w/o Weight                                   | 10005640                       | FRA-117   |
| 1976                 | V8 7.5L 455 CI | W    | w/o Weight                                   | 487651                         | FRA-103   |

\*Available in Heavy Duty-SFI Versions

FRA 142

# FLEXPLATES APPLICATIONS

| Years             | Engine         | VIN        | Remarks                                      | OE       | Pioneer # |
|-------------------|----------------|------------|--|----------|-----------|
| <b>PONTIAC</b>    |                |            |  |          |           |
| <b>LAURENTIAN</b> |                |            |  |          |           |
| 1978-79           | V8 5.7L 350 CI | L          |  | 471598   | FRA-100*  |
| 1980              | V6 3.8L 229 CI | K          | 12.85" O.D. w/153 Teeth                      | 471529   | FRA-112*  |
| 1980              | V8 5.0L 305 CI | H          | w/o Weight; 14.13" O.D. w/168 Teeth          | 471598   | FRA-100*  |
| 1980              | V8 5.7L 350 CI | X          |  | 1262989  | FRA-101   |
| 1980-81           | V8 4.4L 267 CI | J          | 12.85" O.D. w/153 Teeth;                     | 471529   | FRA-112*  |
| 1980-81           | V8 5.7L 350 CI | N          | w/ Weight                                    | 22500808 | FRA-110   |
| 1981              | V6 3.8L 231 CI | A          | 160 Teeth; w/o Weight                        | 25512346 | FRA-134   |
| 1981              | V8 4.3L 265 CI | S          | w/ Weight                                    | 10009275 | FRA-116   |
| 1980-81           | V8 5.0L 305 CI | H          | 12.85" O.D. w/153 Teeth, w/Lock up Converter | 471529   | FRA-112*  |
| 1981              | V8 5.0L 307 CI | Y          | w/ Weight                                    | 22500807 | FRA-109   |
| <b>LEMANS</b>     |                |            |  |          |           |
| 1965-67           | V8 5.3L 326 CI |            | w/o Weight                                   | 487651   | FRA-103   |
| 1968-75           | V8 5.7L 350 CI | M          |  | 487651   | FRA-103   |
| 1970-74           | V8 7.5L 455 CI | W, X, Y    | w/o Weight                                   | 487651   | FRA-103   |
| 1976              | V8 7.5L 455 CI | W, X, Y    | w/o Weight                                   | 487651   | FRA-103   |
| 1971-74           | L6 4.1L 250 CI | D          | 12.85" O.D. w/153 Teeth                      | 471529   | FRA-112*  |
| 1968-75           | V8 6.6L 400 CI | T, S, P, R |  | 487651   | FRA-103   |
| 1975-76           | L6 4.1L 250 CI | D          | w/o Weight; 14.13" O.D. w/168 Teeth          | 471598   | FRA-100*  |
| 1976              | V8 4.3L 260 CI | F          | w/ Weight                                    | 560712   | FRA-102   |
| 1976-77           | V8 6.6L 400 CI | N, Z       | w/o Weight                                   | 10005640 | FRA-117   |
| 1976-77           | V8 5.7L 350 CI | L, P, M    |  | 10005640 | FRA-117   |
| 1977              | V6 3.8L 231 CI | C          | w/Uneven Firing Eng.                         | 1255728  | FRA-105   |
| 1977              | V8 5.7L 350 CI | R          |  | 560712   | FRA-102   |
| 1977              | V8 6.6L 403 CI | K          | w/ Weight                                    | 560712   | FRA-102   |
| 1977-80           | V8 5.0L 305 CI | U, H       | w/o Weight; 14.13" O.D. w/168 Teeth          | 471598   | FRA-100*  |
| 1978              | V6 3.8L 232 CI | A          | w/Even Fire Eng.                             | 1257041  | FRA-129   |
| 1978              | V8 5.7L 350 CI | L          |  | 471598   | FRA-100*  |
| 1979              | V6 3.8L 231 CI | 2          | w/o Weight                                   | 25501867 | FRA-130   |
| 1979              | V8 5.7L 350 CI | L          | w/Metric Auto. Trans.                        | 22500807 | FRA-109   |
| 1979-80           | V6 3.8L 232 CI | A          | w/o Weight                                   | 25501867 | FRA-130   |
| 1977              | V8 4.9L 301 CI | W, Y       | w/ Weight                                    | 10009275 | FRA-116   |
| 1979-81           | V8 4.9L 301 CI | W, Y       | w/ Weight                                    | 10009275 | FRA-116   |
| 1980              | V6 3.8L 229 CI | K          | 12.85" O.D. w/153 Teeth                      | 471529   | FRA-112*  |
| 1980-81           | V8 4.3L 265 CI | S          | w/ Weight                                    | 10009275 | FRA-116   |
| 1980-81           | V8 4.4L 267 CI | J          | 12.85" O.D. w/153 Teeth;                     | 471529   | FRA-112*  |
| 1981              | V6 3.8L 232 CI | A          | 160 Teeth; w/o Weight                        | 25512346 | FRA-134   |
| 1978-81           | V8 5.0L 305 CI | H, U       | 12.85" O.D. w/153 Teeth, w/Lock up Converter | 471529   | FRA-112*  |
| 1989-90           | L4 2.0L 122 CI | K          |  | 10018740 | FRA-155   |

# FLEXPLATES APPLICATIONS

| Years             | Engine         | VIN     | Remarks                             | OE       | Pioneer # |
|-------------------|----------------|---------|-------------------------------------|----------|-----------|
| <b>PONTIAC</b>    |                |         |                                     |          |           |
| <b>OPTIMA</b>     |                |         |                                     |          |           |
| 1990              | L4 2.0L 122 CI | K       |                                     | 10018740 | FRA-155   |
| <b>PARISIENNE</b> |                |         |                                     |          |           |
| 1976-77           | V8 5.7L 350 CI | V, P, L |                                     | 10005640 | FRA-117   |
| 1976              | V8 6.6L 400 CI | N, S    | w/o Weight                          | 10005640 | FRA-117   |
| 1976              | V8 7.5L 455 CI | W       | w/o Weight                          | 487651   | FRA-103   |
| 1978-79           | V8 5.7L 350 CI | L       |                                     | 471598   | FRA-100*  |
| 1980              | V8 5.7L 350 CI | X       |                                     | 1262989  | FRA-101   |
| 1980-82           | V8 4.4L 267 CI | J       | 12.85" O.D. w/153 Teeth;            | 471529   | FRA-112*  |
| 1980-85           | V8 5.7L 350 CI | N       | w/ Weight                           | 22500808 | FRA-110   |
| 1980-85           | V8 5.0L 305 CI | H       | 12.85" O.D. w/153 Teeth             | 471529   | FRA-112*  |
| 1981              | V8 4.3L 265 CI | S       | w/ Weight                           | 10009275 | FRA-116   |
| 1984              | V6 3.8L 232 CI | A       | w/o Weight                          | 25512348 | FRA-137   |
| 1983              | V6 3.8L 231 CI | A       | w/o Weight                          | 25512348 | FRA-137   |
| 1985              | V6 3.8L 231 CI | A       | w/o Weight                          | 25512348 | FRA-137   |
| 1985              | V6 4.3L 262 CI | Z       | 12.85" O.D. w/153 Teeth             | 471529   | FRA-112*  |
| 1986              | V6 4.3L 262 CI | Z       | 153 Teeth; w/Weight, w/ Weight      | 14088765 | FRA-160*  |
| 1986              | V8 5.0L 305 CI | H       | w/ Weight                           | 14088765 | FRA-160*  |
| 1981              | V8 5.0L 307 CI | Y       | w/ Weight                           | 22500807 | FRA-109   |
| 1986              | V8 5.0L 307 CI | Y       | w/ Weight                           | 22500807 | FRA-109   |
| <b>PHOENIX</b>    |                |         |                                     |          |           |
| 1977              | V6 3.8L 231 CI | C       | w/Uneven Firing Eng.                | 1255728  | FRA-105   |
| 1977              | V8 5.7L 350 CI | R       |                                     | 560712   | FRA-102   |
| 1977-78           | L4 2.5L 151 CI | V       |                                     | 10006988 | FRA-312   |
| 1977-79           | V8 5.7L 350 CI | L       |                                     | 471598   | FRA-100*  |
| 1978              | V6 3.8L 232 CI | A       | w/Even Fire Eng.                    | 1257041  | FRA-129   |
| 1979              | V6 3.8L 232 CI | A       | w/o Weight                          | 25501867 | FRA-130   |
| 1977-79           | V8 5.0L 305 CI | G, U    | w/o Weight; 14.13" O.D. w/168 Teeth | 471598   | FRA-100*  |
| 1980-81           | V6 2.8L 173 CI | 7, X    | w/ Weight                           | 14033245 | FRA-140   |
| 1980-81           | L4 2.5L 151 CI | 5       | w/o Weight                          | 10004282 | FRA-151   |
| 1982-84           | L4 2.5L 151 CI | R, 5    | w/o Weight                          | 10031262 | FRA-150   |
| 1982-84           | V6 2.8L 173 CI | Z, X    | w/ Weight                           | 14085471 | FRA-139   |
| <b>SOLSTICE</b>   |                |         |                                     |          |           |
| 2006-09           | L4 2.4L 145 CI | B       |                                     |          | FRA-572   |
| <b>STAR CHIEF</b> |                |         |                                     |          |           |
| 1965-66           | V8 6.4L 389 CI |         |                                     | 487651   | FRA-103   |
| 1965-66           | V8 6.9L 421 CI |         |                                     | 487651   | FRA-103   |
| <b>SUNBIRD</b>    |                |         |                                     |          |           |
| 1976-77           | L4 2.3L 140 CI | B, A    | 12.85" O.D. w/153 Teeth             | 471529   | FRA-112*  |
| 1976-77           | V6 3.8L 231 CI | C       | w/Uneven Firing Eng.                | 1255728  | FRA-105   |
| 1977-78           | V6 3.8L 232 CI | A       | w/Even Fire Eng.                    | 1257041  | FRA-129   |

\*Available in Heavy Duty-SFI Versions

FRA 144

# FLEXPLATES APPLICATIONS

| Years                | Engine         | VIN     | Remarks  | OE                 | Pioneer # |
|----------------------|----------------|---------|--|--------------------|-----------|
| <b>PONTIAC</b>       |                |         |  |                    |           |
| <b>SUNBIRD</b>       |                |         |  |                    |           |
| 1978-79              | V8 5.0L 305 CI | U, G    | 12.85" O.D. w/153 Teeth                                      | 471529             | FRA-112*  |
| 1977-79              | L4 2.5L 151 CI | 1, V    | w/o Weight, w/o Cross Flow Heads                             | 10006988           | FRA-312   |
| 1979-80              | L4 2.5L 151 CI | 9, V    | w/o Weight; w/1.5" Crank Hole Dia.                           | 10004033           | FRA-311   |
| 1979-80              | V6 3.8L 232 CI | A       | w/o Weight, 1st design, w/Rubber Spacer on Harmonic Balancer | 25501867           | FRA-130   |
| 1980                 | V6 3.8L 232 CI | A       | 2nd Design, w/1 Piece Harmonic Balancer                      | 25512346           | FRA-134   |
| 1986                 | L4 1.8L 112 CI | J, O    | w/o Weight   | 10018740           | FRA-155   |
| 1986                 | L4 2.0L 122 CI | P       | w/o Weight   | 14100554           | FRA-138   |
| 1991-94              | V6 3.1L 189 CI | T       | w/o Weight   | 14100554           | FRA-138   |
| 1987-94              | L4 2.0L 122 CI | H, M, K |  | 10018740           | FRA-155   |
| <b>SUNFIRE</b>       |                |         |  |                    |           |
| 1995                 | L4 2.2L 134 CI | 4       | w/o Weight   | 14100554           | FRA-138   |
| 1995                 | L4 2.3L 138 CI | D       |  | 22533252           | FRA-414   |
| 1996-01              | L4 2.2L 134 CI | 4       | w/o Weight   | 24576876, 12579453 | FRA-426   |
| 1996-02              | L4 2.4L 146 CI | T       |  | 22533252           | FRA-414   |
| 2002-05              | L4 2.2L 134 CI | 4, F    |  |                    | FRA-572   |
| 2002                 | L4 2.4L 146 CI | T       |  |                    | FRA-572   |
| <b>T1000</b>         |                |         |  |                    |           |
| 1981-87              | L4 1.6L 98 CI  | C, 9    | w/o Weight   | 14001182           | FRA-144   |
| <b>TEMPEST</b>       |                |         |  |                    |           |
| 1965-67              | V8 5.3L 326 CI |         | w/o Weight   | 487651             | FRA-103   |
| 1968-70              | V8 6.6L 400 CI |         |  | 487651             | FRA-103   |
| 1968                 | V8 5.7L 350 CI |         |  | 487651             | FRA-103   |
| 1970                 | V8 5.7L 350 CI |         |  | 487651             | FRA-103   |
| 1987-89              | L4 2.0L 122 CI | 1       |  | 24576876, 12579453 | FRA-426   |
| 1987-89              | V6 2.8L 173 CI | W       |  | 24576876, 12579453 | FRA-426   |
| 1990-91              | L4 2.2L 134 CI | G       |  | 24576876, 12579453 | FRA-426   |
| 1990-91              | V6 3.1L 189 CI | T       |  | 24576876, 12579453 | FRA-426   |
| <b>PONTIAC TRUCK</b> |                |         |  |                    |           |
| <b>AZTEK</b>         |                |         |  |                    |           |
| 2001-03              | V6 3.4L 207 CI | E       | w/o Weight   | 24576876, 12579453 | FRA-426   |
| 2004-05              | V6 3.4L 207 CI | E       |  |                    | FRA-575   |
| <b>MONTANA</b>       |                |         |  |                    |           |
| 1999-03              | V6 3.4L 207 CI | E       | w/o Weight   | 24576876, 12579453 | FRA-426   |
| 2004-05              | V6 3.4L 207 CI | E       |  |                    | FRA-575   |
| 2005-06              | V6 3.5L 213 CI | L       |  |                    | FRA-575   |
| 2006-09              | V6 3.9L 237 CI | W, 1    |  |                    | FRA-575   |
| <b>SAFARI</b>        |                |         |  |                    |           |
| 1987-89              | V8 5.0L 307 CI | Y       | w/ Weight  | 22500807           | FRA-109   |
| <b>TORRENT</b>       |                |         |  |                    |           |
| 2006-09              | V6 3.4L 207 CI | F       |  | 12575076           | FRA-540   |

# FLEXPLATES APPLICATIONS

| Years                | Engine         | VIN        | Remarks  | OE                 | Pioneer # |
|----------------------|----------------|------------|--|--------------------|-----------|
| <b>PONTIAC TRUCK</b> |                |            |  |                    |           |
| <b>TORRENT</b>       |                |            |  |                    |           |
| 2008-09              | V6 3.6L 217 CI | 7          |  | 12575076           | FRA-540   |
| <b>TRANS SPORT</b>   |                |            |  |                    |           |
| 1990-95              | V6 3.1L 189 CI | D          | w/o Weight                                     | 14100554           | FRA-138   |
| 1992                 | V6 3.8L 232 CI | L          | w/ Weight                                      | 12342730           | FRA-324   |
| 1995                 | V6 3.8L 232 CI | L          |  | 24508110, 12609155 | FRA-484   |
| 1996-99              | V6 3.4L 207 CI | E          | w/o Weight                                     | 24576876, 12579453 | FRA-426   |
| <b>PONTIAC</b>       |                |            |  |                    |           |
| <b>VENTURA</b>       |                |            |  |                    |           |
| 1972-75              | V8 5.7L 350 CI | M, A, B, N | w/o Weight                                     | 487651             | FRA-103   |
| 1975-76              | L6 4.1L 250 CI | D          | w/o Weight; 14.13" O.D. w/168 Teeth            | 471598             | FRA-100*  |
| 1975-76              | V8 4.3L 260 CI | F          | w/ Weight                                      | 560712             | FRA-102   |
| 1976                 | V8 5.7L 350 CI | J, H       | w/ Weight                                      | 1262989            | FRA-101   |
| 1977                 | L4 2.5L 151 CI | V          |  | 10006988           | FRA-312   |
| 1977                 | V6 3.8L 231 CI | C          | w/Uneven Firing Eng.                           | 1255728            | FRA-105   |
| 1977                 | V8 5.0L 305 CI | U          | w/o Weight; 14.13" O.D. w/168 Teeth            | 471598             | FRA-100*  |
| 1977                 | V8 5.7L 350 CI | L          |  | 471598             | FRA-100*  |
| 1977                 | V8 5.7L 350 CI | R          |  | 560712             | FRA-102   |
| <b>RAM TRUCK</b>     |                |            |  |                    |           |
| <b>2500</b>          |                |            |  |                    |           |
| 2011-13              | L6 6.7L 408 CI | L          | KIT w/8-Bolts 12.9 Grade, 1-Ring Clamp, 1-Shim |                    | FRA-552*  |
| <b>3500</b>          |                |            |  |                    |           |
| 2011-13              | L6 6.7L 408 CI | L          | KIT w/8-Bolts 12.9 Grade, 1-Ring Clamp, 1-Shim |                    | FRA-552*  |
| <b>SAAB</b>          |                |            |  |                    |           |
| <b>9-7X</b>          |                |            |  |                    |           |
| 2005-08              | L6 4.2L 256 CI | S          |  |                    | FRA-559   |
| <b>SATURN</b>        |                |            |  |                    |           |
| <b>AURA</b>          |                |            |  |                    |           |
| 2007-08              | V6 3.5L 213 CI | N          |  |                    | FRA-575   |
| 2009                 | L4 2.4L 145 CI | 5          |  |                    | FRA-572   |
| <b>ION</b>           |                |            |  |                    |           |
| 2005-07              | L4 2.2L 134 CI | F          |  |                    | FRA-572   |
| 2006                 | L4 2.4L 145 CI | B          |  |                    | FRA-572   |
| <b>L100</b>          |                |            |  |                    |           |
| 2001-02              | L4 2.2L 134 CI | F          |  |                    | FRA-572   |
| <b>L200</b>          |                |            |  |                    |           |
| 2001-03              | L4 2.2L 134 CI | F          |  |                    | FRA-572   |

\*Available in Heavy Duty-SFI Versions

FRA 146

# FLEXPLATES APPLICATIONS

| Years          | Engine         | VIN  | Remarks    | OE          | Pioneer # |
|----------------|----------------|------|------------|-------------|-----------|
| <b>SATURN</b>  |                |      |            |             |           |
| <b>L300</b>    |                |      |            |             |           |
| 2004           | L4 2.2L 134 CI | F    |            |             | FRA-572   |
| <b>LS</b>      |                |      |            |             |           |
| 2000           | L4 2.2L 134 CI | F    |            |             | FRA-572   |
| <b>LS1</b>     |                |      |            |             |           |
| 2000           | L4 2.2L 134 CI | F    |            |             | FRA-572   |
| <b>LW1</b>     |                |      |            |             |           |
| 2000           | L4 2.2L 134 CI | F    |            |             | FRA-572   |
| <b>LW200</b>   |                |      |            |             |           |
| 2001-03        | L4 2.2L 134 CI | F    |            |             | FRA-572   |
| <b>RELAY</b>   |                |      |            |             |           |
| 2005-06        | V6 3.5L 213 CI | L    |            |             | FRA-575   |
| 2006-07        | V6 3.9L 237 CI | W, 1 |            |             | FRA-575   |
| <b>SKY</b>     |                |      |            |             |           |
| 2007-10        | L4 2.0L 122 CI | X    |            |             | FRA-572   |
| 2007-10        | L4 2.4L 145 CI | B    |            |             | FRA-572   |
| <b>VUE</b>     |                |      |            |             |           |
| 2006-07        | L4 2.2L 134 CI | D    |            |             | FRA-572   |
| 2006-07        | V6 3.5L 212 CI | 4    |            |             | FRA-575   |
| 2008-09        | V6 3.5L 213 CI | N    |            |             | FRA-575   |
| 2008-09        | V6 3.5L 213 CI | N    |            |             | FRA-572   |
| 2007-10        | L4 2.4L 145 CI | P, Z |            |             | FRA-572   |
| 2008-10        | V6 3.6L 217 CI | 7    |            |             | FRA-572   |
| <b>TOYOTA</b>  |                |      |            |             |           |
| <b>CAMRY</b>   |                |      |            |             |           |
| 1990-91        | L4 2.0L 122 CI | S    | w/o Weight | 32101-32051 | FRA-464   |
| 1992-01        | L4 2.2L 132 CI | G, S | w/o Weight | 32101-32051 | FRA-464   |
| <b>CELICA</b>  |                |      |            |             |           |
| 1976-80        | L4 2.2L 134 CI | R    | w/o Weight | 32101-20050 | FRA-461   |
| 1981-82        | L6 2.8L 168 CI | M    | w/o Weight | 32101-20050 | FRA-461   |
| 1981-85        | L4 2.4L 144 CI | R    | w/o Weight | 32101-20050 | FRA-461   |
| 1990-99        | L4 2.2L 132 CI | S, G | w/o Weight | 32101-32051 | FRA-464   |
| 1996-97        | L4 1.8L 108 CI | B    | w/o Weight | 32101-12060 | FRA-460   |
| <b>COROLLA</b> |                |      |            |             |           |
| 1983-97        | L4 1.6L 97 CI  | A    | w/o Weight | 32101-12060 | FRA-460   |
| 1996-97        | L4 1.8L 108 CI | B    | w/o Weight | 32101-12060 | FRA-460   |
| <b>CORONA</b>  |                |      |            |             |           |
| 1979-80        | L4 2.2L 134 CI | R    | w/o Weight | 32101-20050 | FRA-461   |
| 1981-82        | L4 2.4L 144 CI | R    | w/o Weight | 32101-20050 | FRA-461   |
| <b>MR2</b>     |                |      |            |             |           |
| 1991-95        | L4 2.2L 132 CI | S    | w/o Weight | 32101-32051 | FRA-464   |

# FLEXPLATES APPLICATIONS

| Years               | Engine         | VIN   | Remarks          | OE          | Pioneer # |
|---------------------|----------------|-------|------------------|-------------|-----------|
| <b>TOYOTA</b>       |                |       |                  |             |           |
| <b>MR2</b>          |                |       |                  |             |           |
| 1992-95             | L4 2.0L 122 CI | S     | w/o Weight       | 32101-32051 | FRA-464   |
| <b>SOLARA</b>       |                |       |                  |             |           |
| 1999-01             | L4 2.2L 132 CI |       | w/o Weight       | 32101-32051 | FRA-464   |
| <b>SUPRA</b>        |                |       |                  |             |           |
| 1990-92             | L6 3.0L 180 CI | M     | w/o Weight       | 32101-20050 | FRA-461   |
| 1993-98             | L6 3.0L 183 CI | J, D  | w/o Weight       | 32101-20050 | FRA-461   |
| <b>TOYOTA TRUCK</b> |                |       |                  |             |           |
| <b>4RUNNER</b>      |                |       |                  |             |           |
| 1986-88             | L4 2.4L 144 CI | R     | w/ Weight        | 32101-26010 | FRA-462   |
| 1988-95             | V6 3.0L 181 CI | V     | w/o Weight       | 32101-35010 | FRA-465   |
| 1984-85             | L4 2.4L 144 CI | R     | w/o Weight       | 32101-20050 | FRA-461   |
| 1990-95             | L4 2.4L 144 CI | R     | w/o Weight       | 32101-20050 | FRA-461   |
| 1996-00             | L4 2.7L 164 CI | M     | w/ Weight        | 32101-26010 | FRA-462   |
| 1996-02             | V6 3.4L 206 CI | N     | w/o Weight       | 32101-35010 | FRA-465   |
| <b>PICKUP</b>       |                |       |                  |             |           |
| 1976-81             | L4 2.2L 134 CI | R, L  | w/o Weight       | 32101-20050 | FRA-461   |
| 1981-95             | L4 2.4L 144 CI | R     | w/o Weight       | 32101-20050 | FRA-461   |
| 1988-95             | V6 3.0L 181 CI | V     | w/o Weight       | 32101-35010 | FRA-465   |
| <b>PREVIA</b>       |                |       |                  |             |           |
| 1991-97             | L4 2.4L 149 CI | K, A  | w/ Weight        | 32101-26010 | FRA-462   |
| <b>RAV4</b>         |                |       |                  |             |           |
| 1996-00             | L4 2.0L 122 CI | P     | w/o Weight       | 32101-32051 | FRA-464   |
| <b>T100</b>         |                |       |                  |             |           |
| 1993-94             | V6 3.0L 181 CI | V     | w/o Weight       | 32101-35010 | FRA-465   |
| 1994-98             | L4 2.7L 164 CI | M, U  | w/ Weight        | 32101-26010 | FRA-462   |
| 1995-98             | V6 3.4L 206 CI | N, V  | w/o Weight       | 32101-35010 | FRA-465   |
| <b>TACOMA</b>       |                |       |                  |             |           |
| 1995-04             | V6 3.4L 206 CI | N, V  | w/o Weight       | 32101-35010 | FRA-465   |
| 1995-04             | L4 2.4L 149 CI | L, U  | w/ Weight        | 32101-26010 | FRA-462   |
| 1995-09             | L4 2.7L 164 CI | U, M  | w/ Weight        | 32101-26010 | FRA-462   |
| <b>TUNDRA</b>       |                |       |                  |             |           |
| 2000-04             | V6 3.4L 206 CI |       | w/o Weight       | 32101-35010 | FRA-465   |
| <b>VOLVO</b>        |                |       |                  |             |           |
| <b>240</b>          |                |       |                  |             |           |
| 1990-93             | L4 2.3L 141 CI | 8     | w/ENG ID 1289187 | 6842013-2   | FRA-466   |
| <b>242</b>          |                |       |                  |             |           |
| 1979-83             | L4 2.1L 130 CI | 41, 4 | w/o Weight       | 6842013-2   | FRA-466   |
| 1982-84             | L4 2.3L 141 CI | 8     | w/o Weight       | 6842013-2   | FRA-466   |
| <b>244</b>          |                |       |                  |             |           |
| 1979-84             | L4 2.1L 130 CI | 41, 4 | w/o Weight       | 6842013-2   | FRA-466   |

\*Available in Heavy Duty-SFI Versions

FRA 148

# FLEXPLATES APPLICATIONS

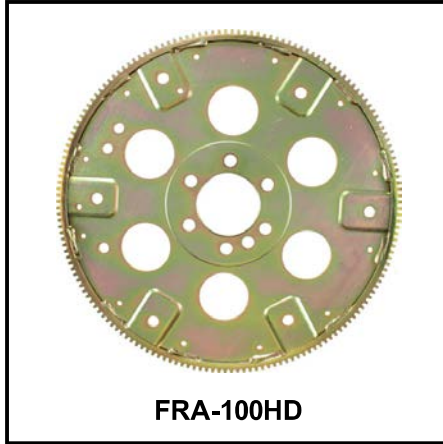
| Years        | Engine         | VIN   | Remarks   | OE        | Pioneer # |
|--------------|----------------|-------|---|-----------|-----------|
| <b>VOLVO</b> |                |       |   |           |           |
| <b>244</b>   |                |       |   |           |           |
| 1982-89      | L4 2.3L 141 CI | 8     | w/o Weight, w/ENG ID 1289187  | 6842013-2 | FRA-466   |
| <b>245</b>   |                |       |   |           |           |
| 1979-84      | L4 2.1L 130 CI | 45, 4 | w/o Weight  | 6842013-2 | FRA-466   |
| 1981-89      | L4 2.3L 141 CI | 8     | w/ENG ID 1289187, w/o Weight  | 6842013-2 | FRA-466   |
| <b>262</b>   |                |       |   |           |           |
| 1979         | V6 2.7L 163 CI | 65    | w/o Weight  | 6842013-2 | FRA-466   |
| 1980-81      | V6 2.8L 174 CI | 6     | w/o Weight  | 6842013-2 | FRA-466   |
| <b>264</b>   |                |       |   |           |           |
| 1979         | V6 2.7L 163 CI | 65    | w/o Weight  | 6842013-2 | FRA-466   |
| 1980-81      | L4 2.1L 130 CI | 4     | w/o Weight  | 6842013-2 | FRA-466   |
| 1980-81      | L6 2.4L 145 CI | 7     | w/o Weight  | 6842013-2 | FRA-466   |
| 1980-82      | V6 2.8L 174 CI | 6     | w/o Weight  | 6842013-2 | FRA-466   |
| <b>265</b>   |                |       |   |           |           |
| 1979         | V6 2.7L 163 CI | 65    | w/o Weight  | 6842013-2 | FRA-466   |
| 1980         | L6 2.4L 145 CI | 7     | w/o Weight  | 6842013-2 | FRA-466   |
| 1980-81      | V6 2.8L 174 CI | 6     | w/o Weight  | 6842013-2 | FRA-466   |
| <b>740</b>   |                |       |   |           |           |
| 1986         | L6 2.4L 145 CI | 7     | w/o Weight  | 6842013-2 | FRA-466   |
| 1985-92      | L4 2.3L 141 CI | 8     | ENG ID 1289419, 593, ENG ID 1289263-377,<br>ENG ID 1289149, 151, w/o Weight | 6842013-2 | FRA-466   |
| <b>760</b>   |                |       |   |           |           |
| 1983-87      | V6 2.8L 174 CI | 6     | w/o Weight  | 6842013-2 | FRA-466   |
| 1984-87      | L4 2.3L 141 CI | 8     | w/o Weight  | 6842013-2 | FRA-466   |
| 1983-85      | L6 2.4L 145 CI | 7     | w/o Weight  | 6842013-2 | FRA-466   |



# FLEXPLATES ILLUSTRATIONS



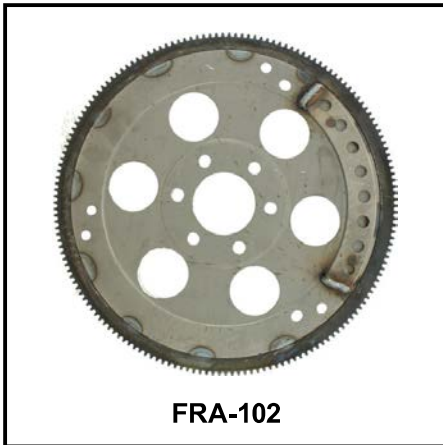
FRA-100



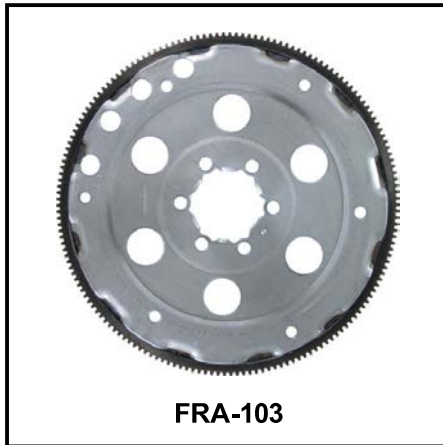
FRA-100HD



FRA-101



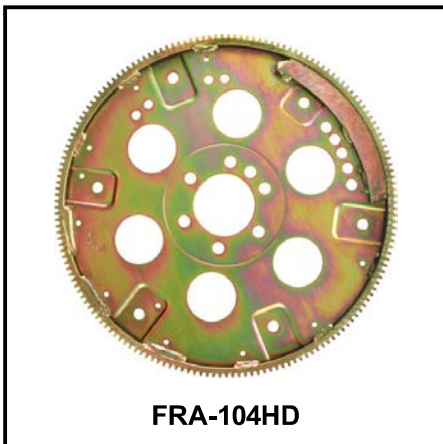
FRA-102



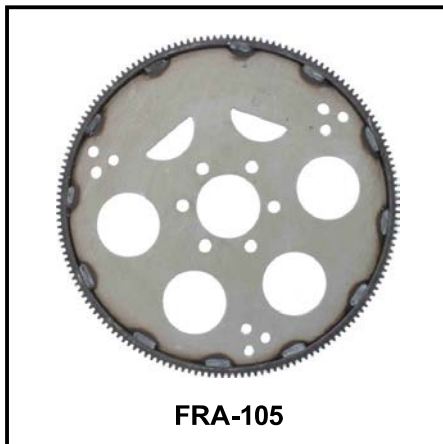
FRA-103



FRA-104



FRA-104HD

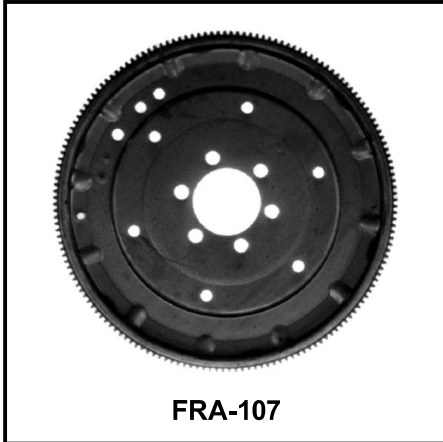


FRA-105



FRA-106

# FLEXPLATES ILLUSTRATIONS



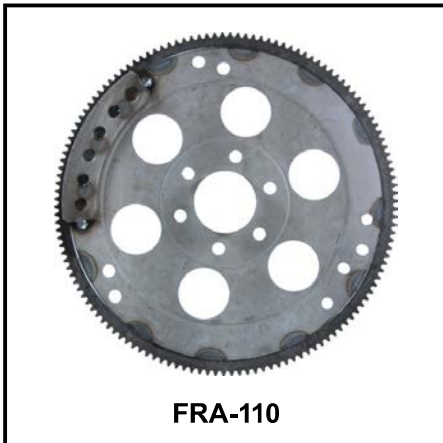
FRA-107



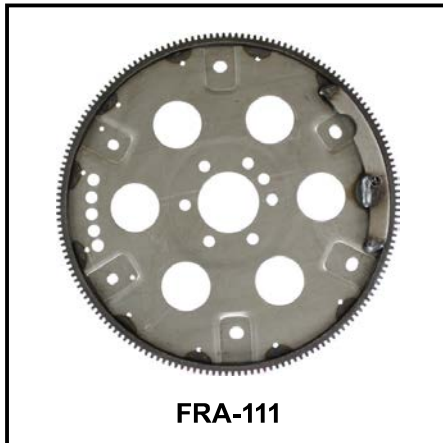
FRA-108



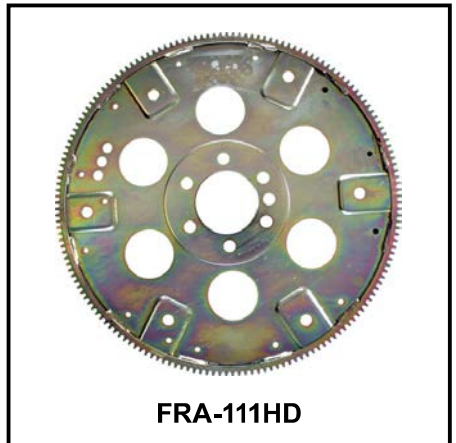
FRA-109



FRA-110



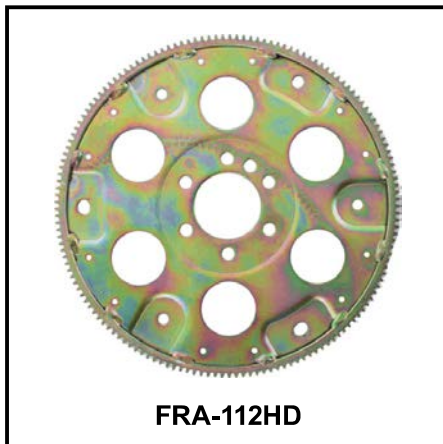
FRA-111



FRA-111HD



FRA-112



FRA-112HD



FRA-113

# FLEXPLATES ILLUSTRATIONS



FRA-116



FRA-117



FRA-118



FRA-119



FRA-120



FRA-121



FRA-122

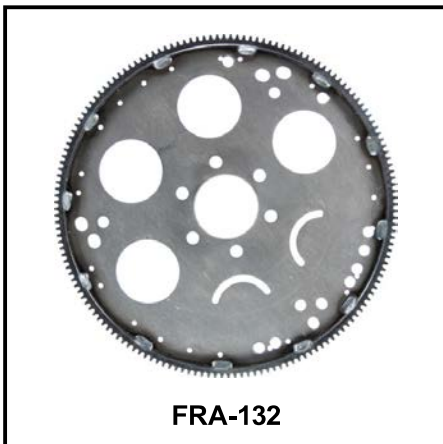
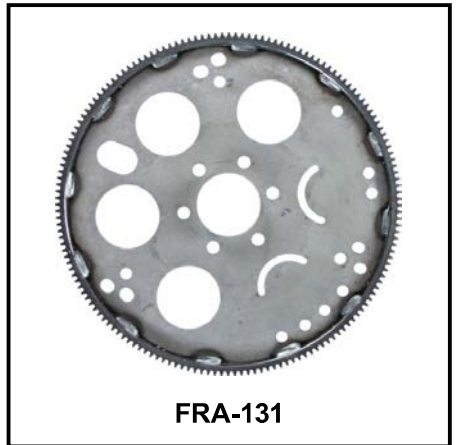
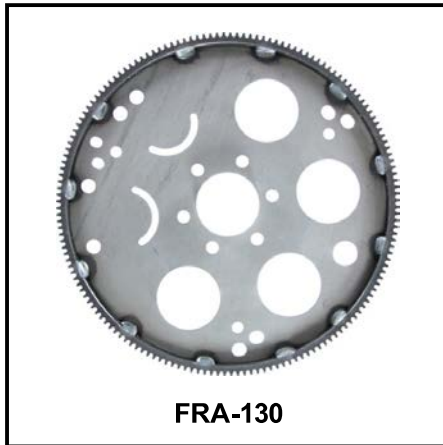
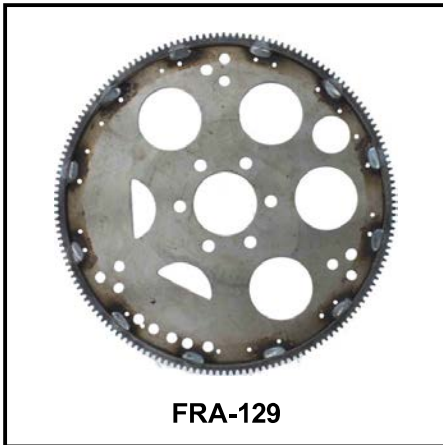
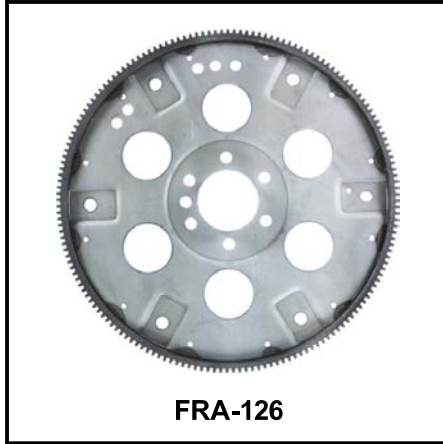


FRA-123



FRA-124

# FLEXPLATES ILLUSTRATIONS



# FLEXPLATES ILLUSTRATIONS



FRA-135



FRA-136



FRA-137



FRA-138



FRA-139



FRA-140



FRA-141



FRA-142

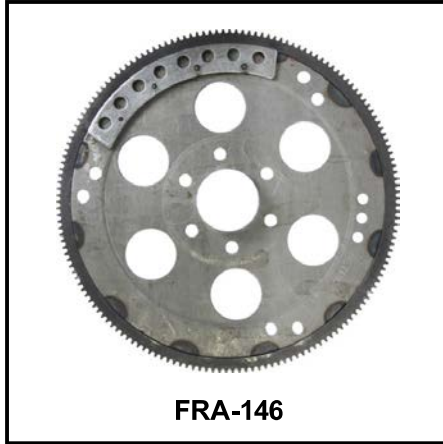


FRA-143

# FLEXPLATES ILLUSTRATIONS



FRA-144



FRA-146



FRA-147



FRA-148



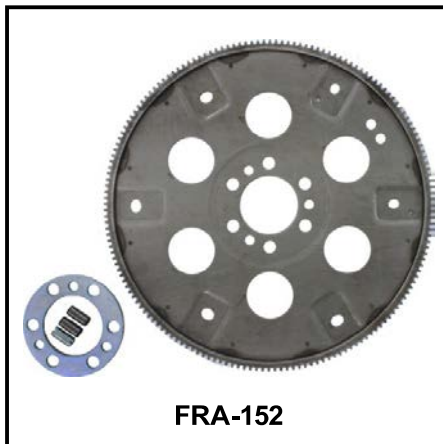
FRA-149



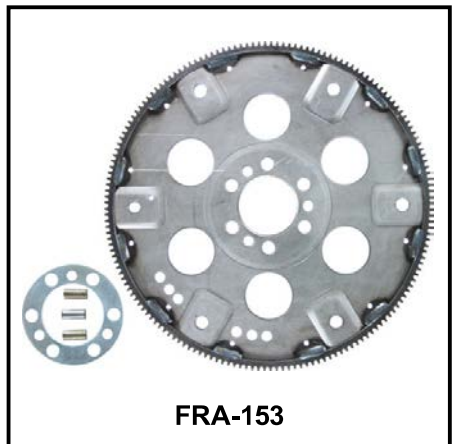
FRA-150



FRA-151



FRA-152



FRA-153

# FLEXPLATES ILLUSTRATIONS



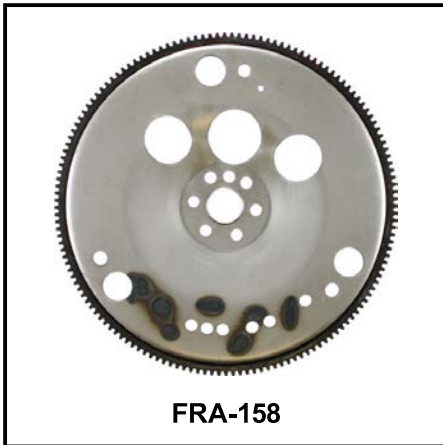
FRA-155



FRA-156



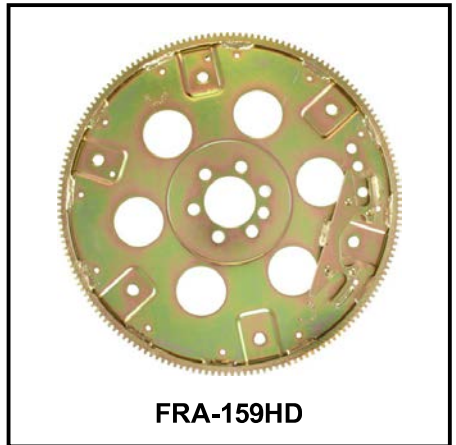
FRA-157



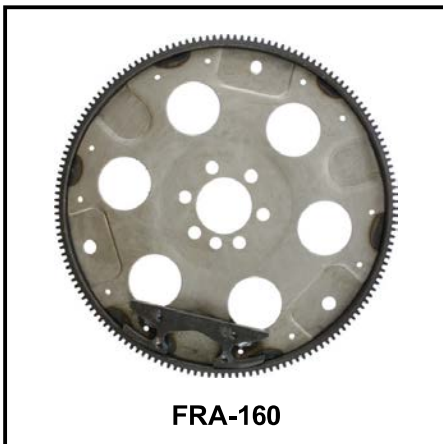
FRA-158



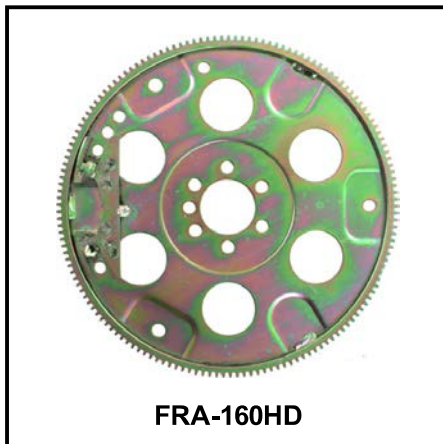
FRA-159



FRA-159HD



FRA-160

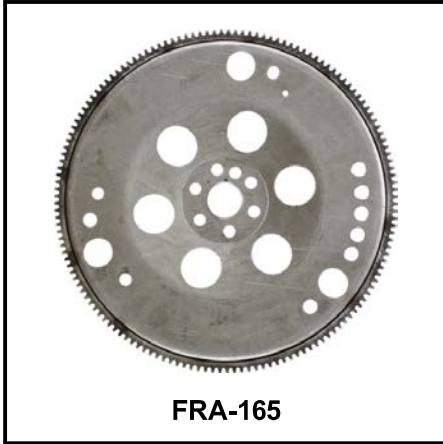


FRA-160HD

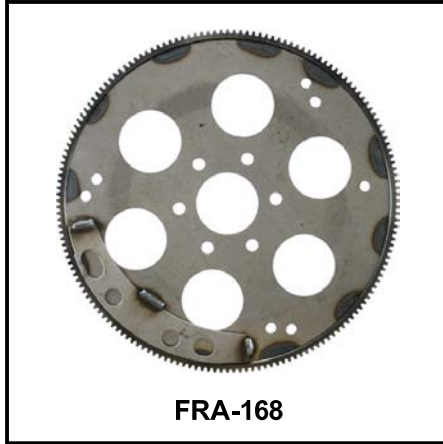


FRA-161

# FLEXPLATES ILLUSTRATIONS



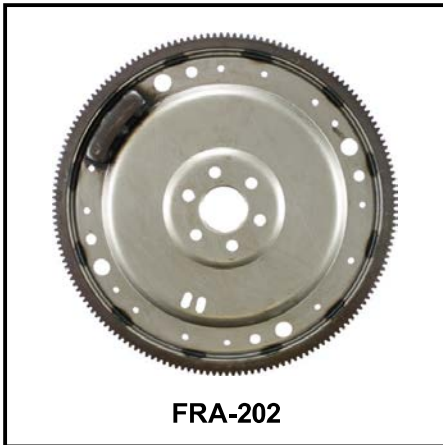
FRA-165



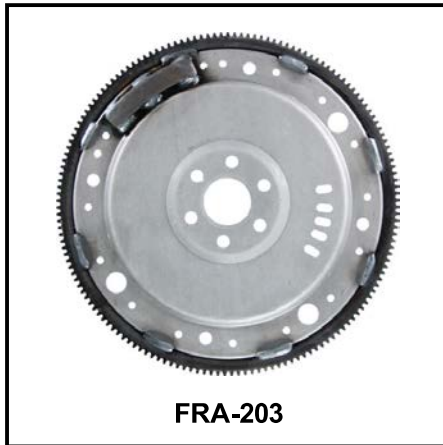
FRA-168



FRA-201



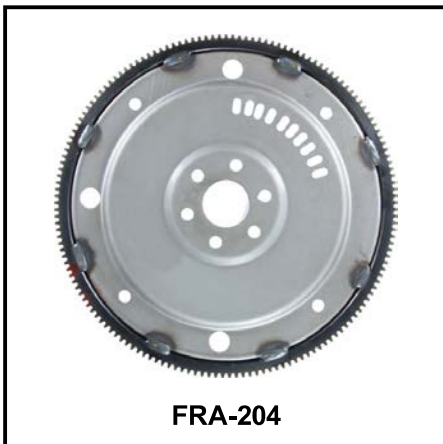
FRA-202



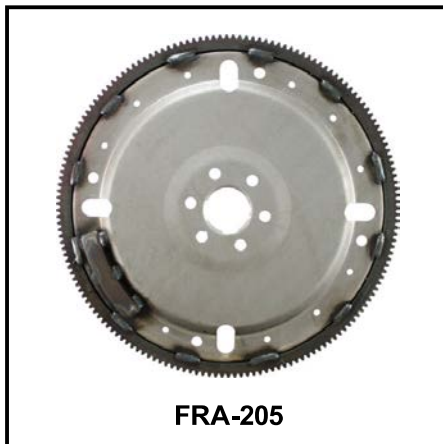
FRA-203



FRA-203HD



FRA-204



FRA-205



FRA-206



# FLEXPLATES ILLUSTRATIONS



FRA-207



FRA-208



FRA-209



FRA-210



FRA-212



FRA-213



FRA-214



FRA-214HD



FRA-215

# FLEXPLATES ILLUSTRATIONS



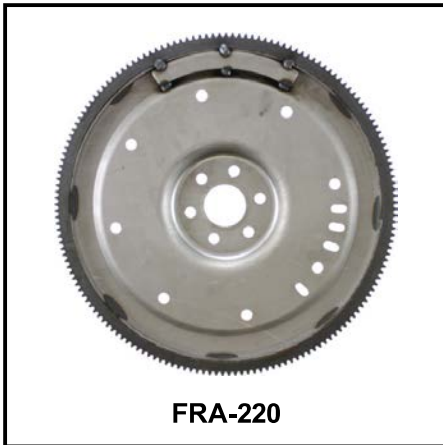
FRA-216



FRA-217



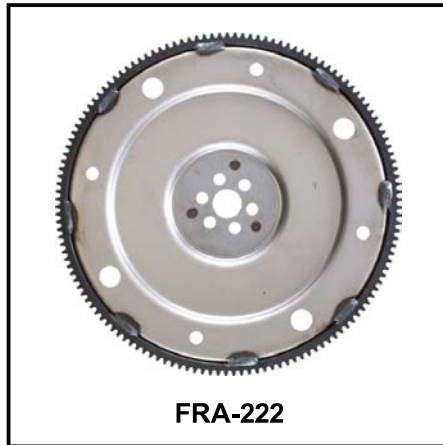
FRA-218



FRA-220



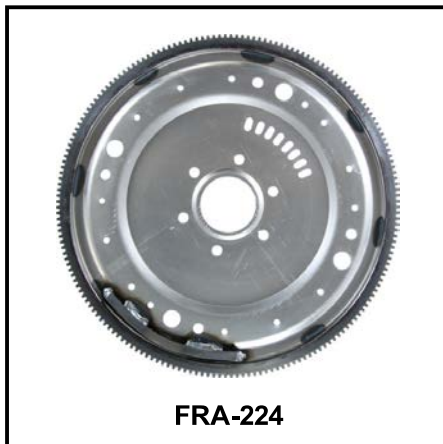
FRA-221



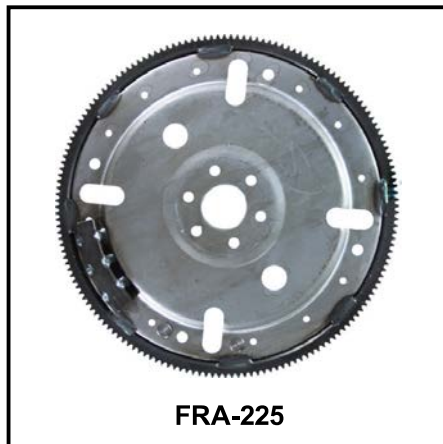
FRA-222



FRA-223



FRA-224

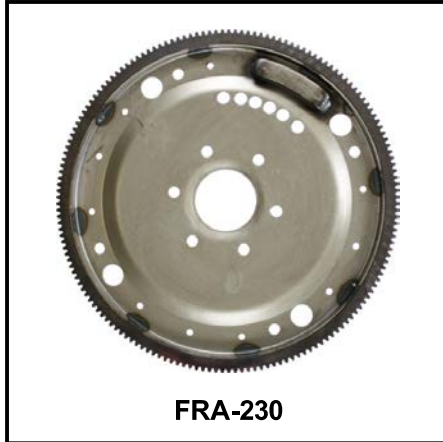


FRA-225

# FLEXPLATES ILLUSTRATIONS



FRA-229



FRA-230



FRA-231



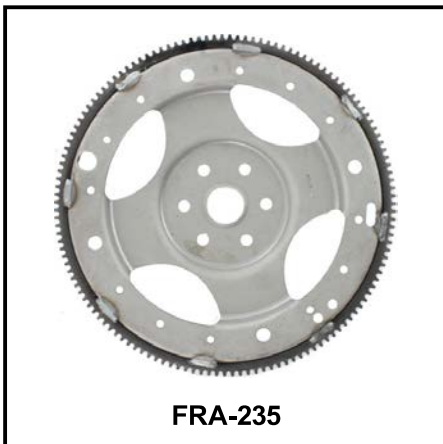
FRA-232



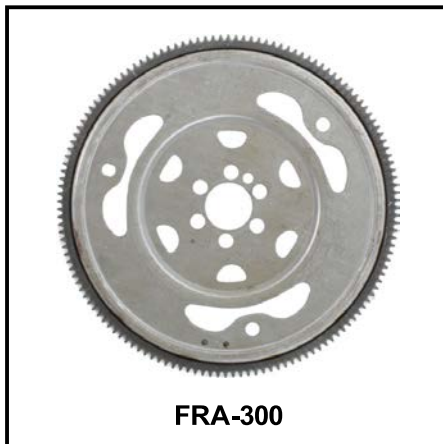
FRA-233



FRA-234



FRA-235

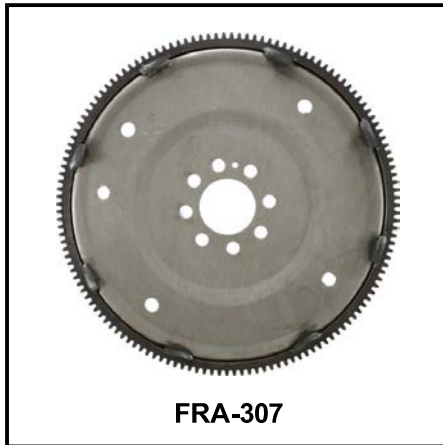
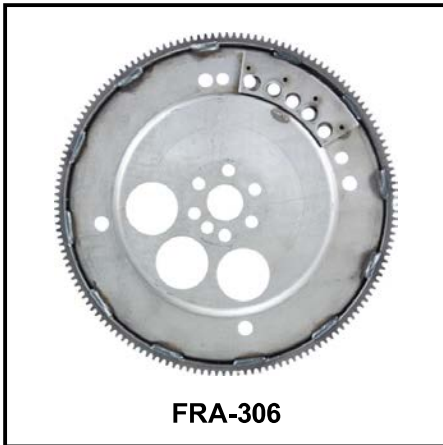
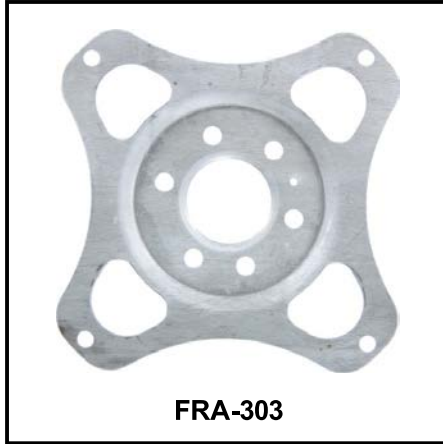
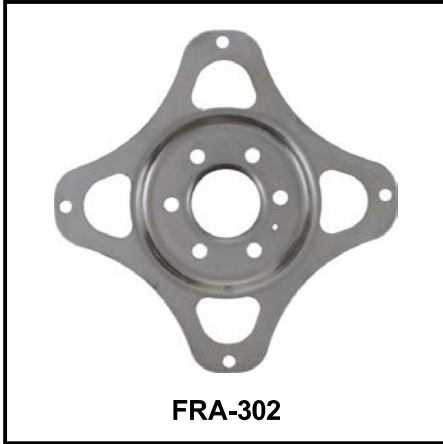


FRA-300



FRA-301

# FLEXPLATES ILLUSTRATIONS



# FLEXPLATES ILLUSTRATIONS



FRA-317



FRA-319



FRA-321



FRA-322



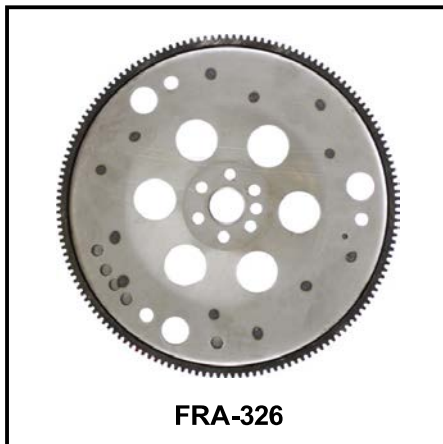
FRA-323



FRA-324



FRA-325



FRA-326



FRA-327

# FLEXPLATES ILLUSTRATIONS



FRA-328



FRA-329



FRA-331



FRA-332



FRA-333



FRA-334



FRA-335



FRA-336



FRA-337

# FLEXPLATES ILLUSTRATIONS



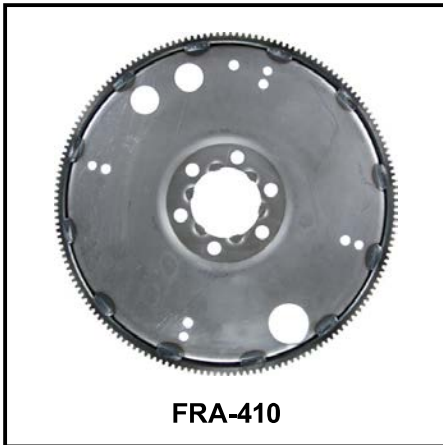
FRA-338



FRA-339



FRA-408



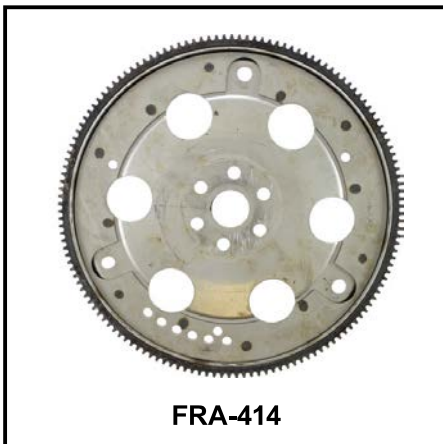
FRA-410



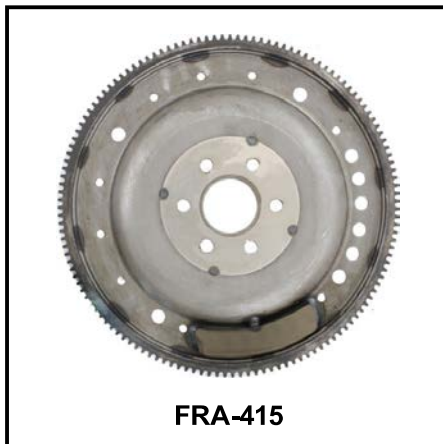
FRA-411



FRA-413



FRA-414



FRA-415



FRA-416

# FLEXPLATES ILLUSTRATIONS



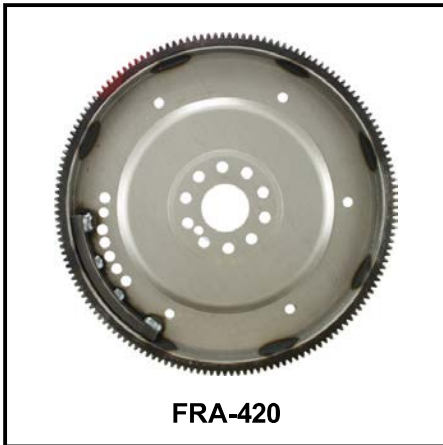
FRA-417



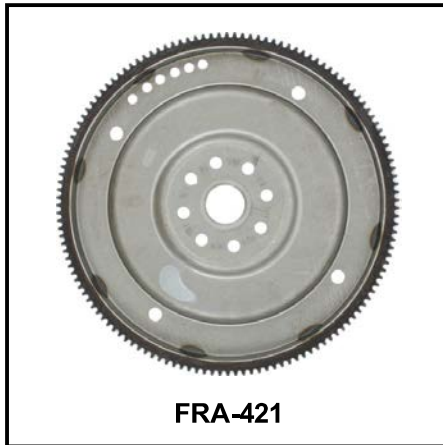
FRA-418



FRA-419



FRA-420



FRA-421



FRA-422



FRA-423



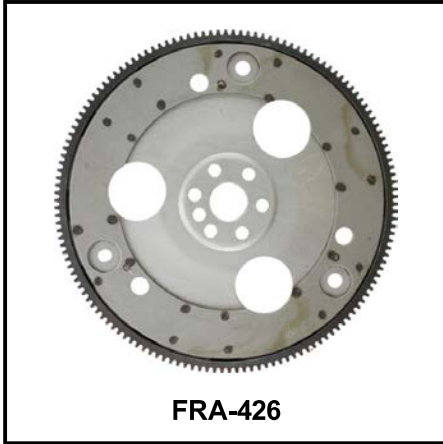
FRA-424



FRA-425



# FLEXPLATES ILLUSTRATIONS



FRA-426



FRA-427



FRA-428



FRA-433



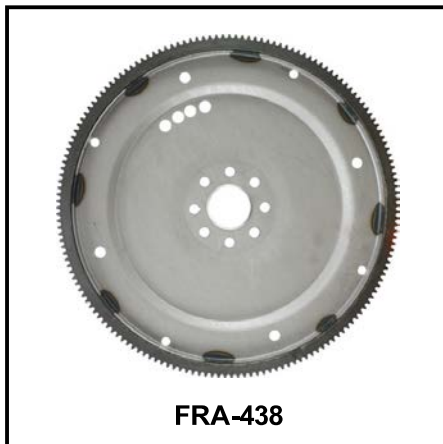
FRA-434



FRA-435



FRA-437



FRA-438



FRA-439

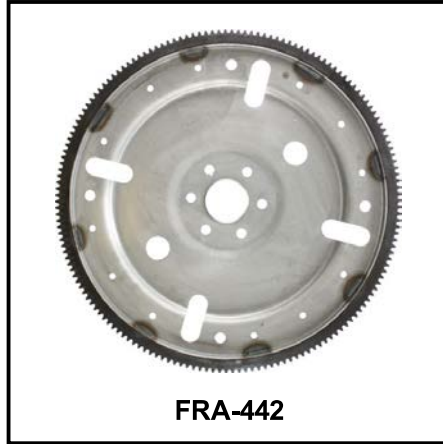
# FLEXPLATES ILLUSTRATIONS



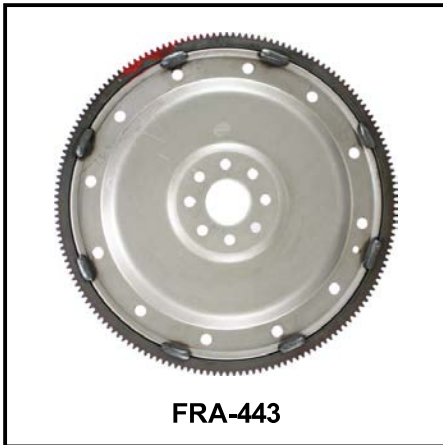
FRA-440



FRA-441



FRA-442



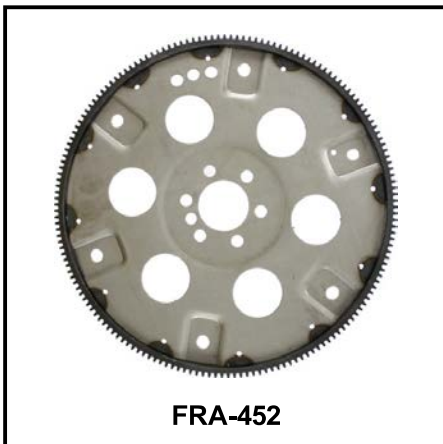
FRA-443



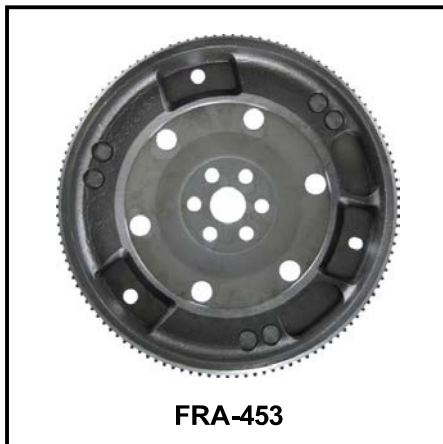
FRA-450



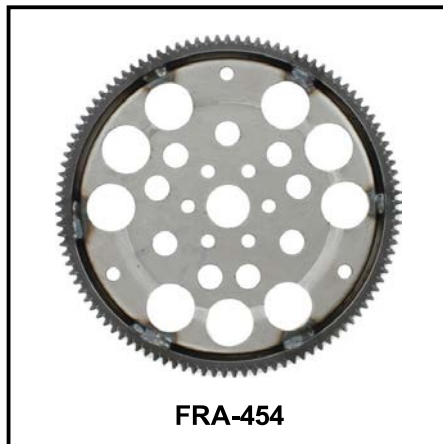
FRA-451



FRA-452



FRA-453



FRA-454

# FLEXPLATES ILLUSTRATIONS



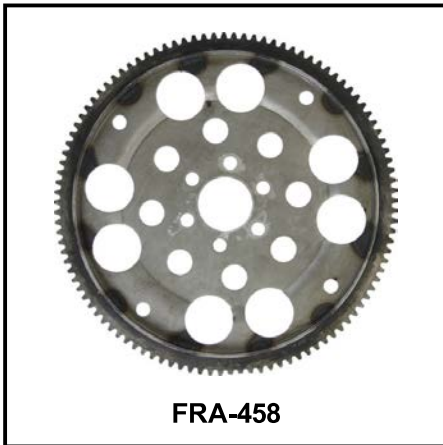
FRA-455



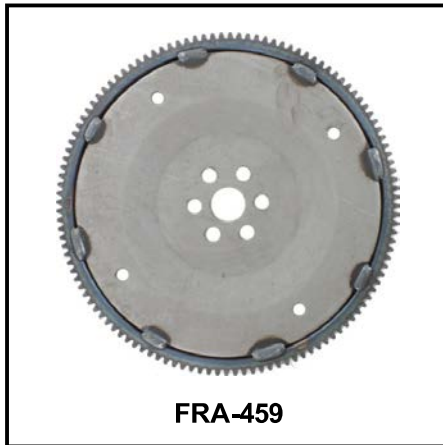
FRA-456



FRA-457



FRA-458



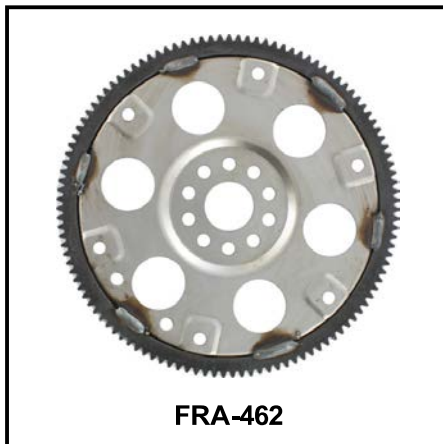
FRA-459



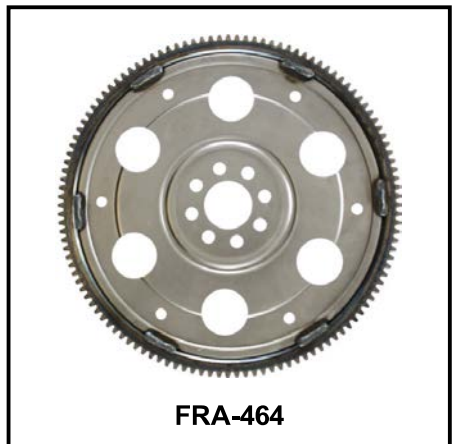
FRA-460



FRA-461



FRA-462

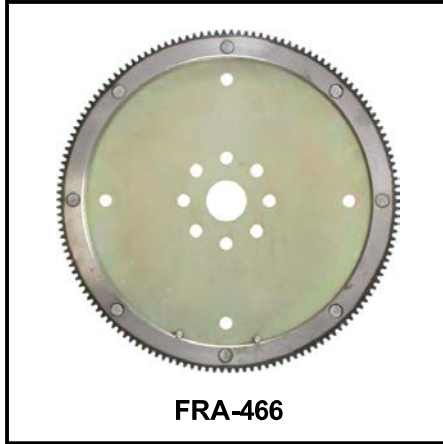


FRA-464

# FLEXPLATES ILLUSTRATIONS



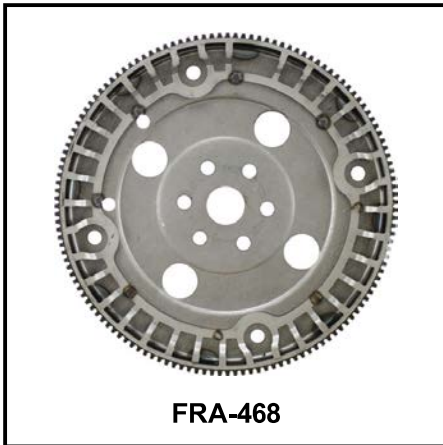
FRA-465



FRA-466



FRA-467



FRA-468



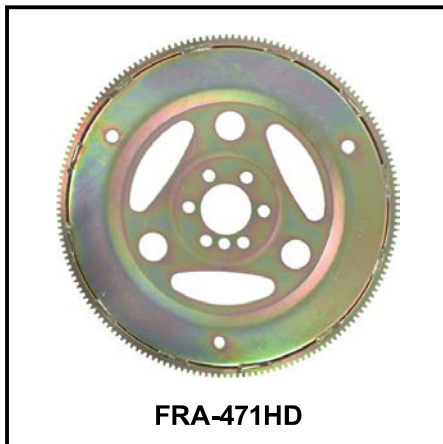
FRA-469



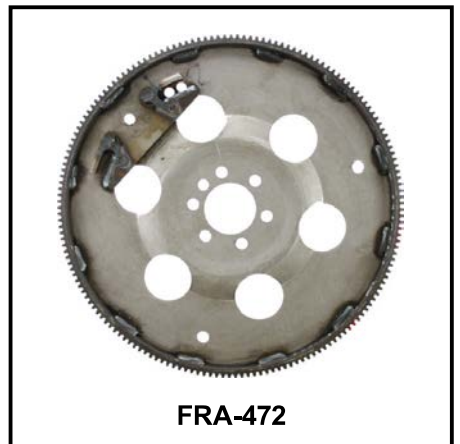
FRA-470



FRA-471

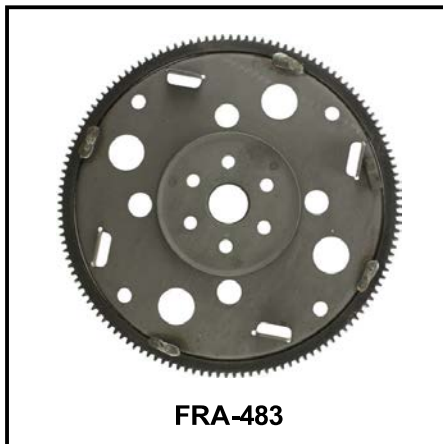
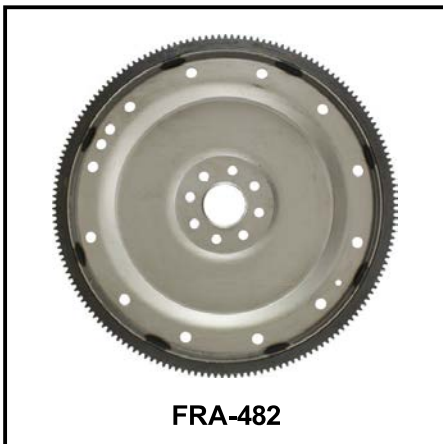
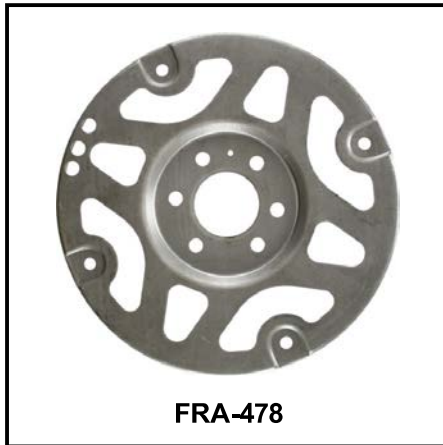
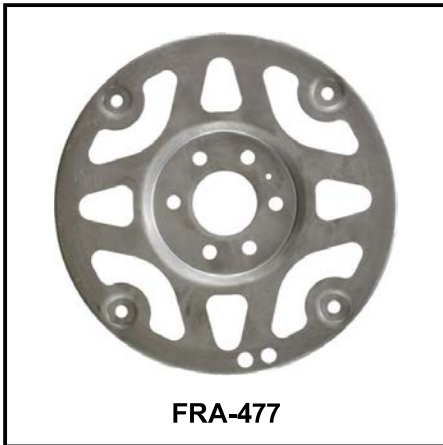
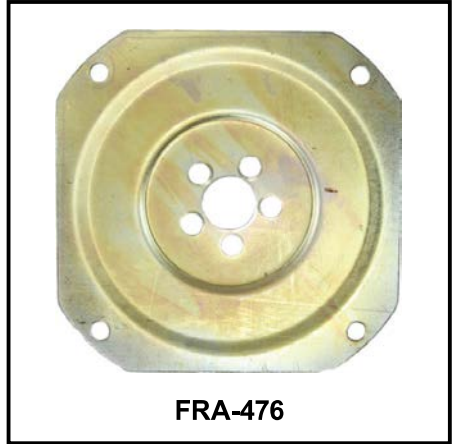


FRA-471HD



FRA-472

# FLEXPLATES ILLUSTRATIONS



# FLEXPLATES ILLUSTRATIONS



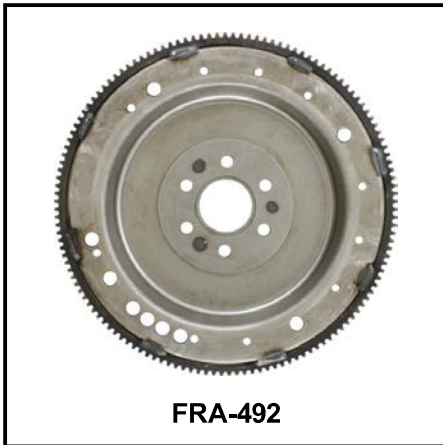
FRA-486



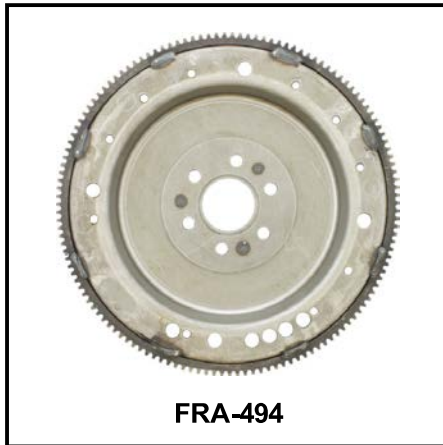
FRA-488



FRA-490



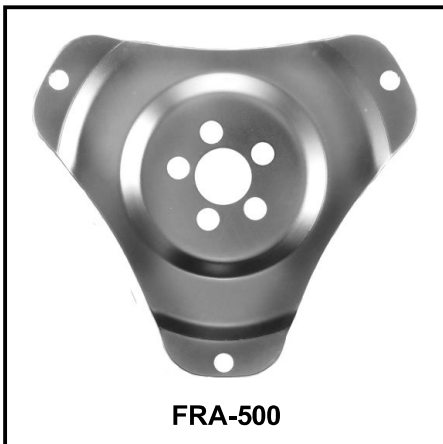
FRA-492



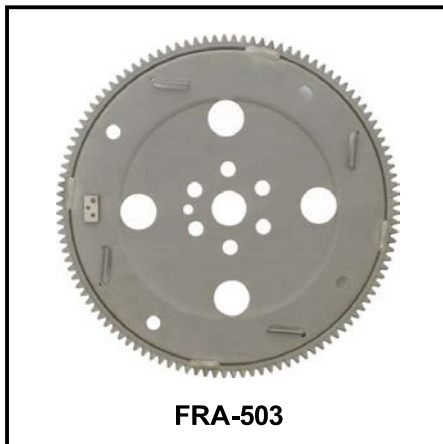
FRA-494



FRA-496



FRA-500

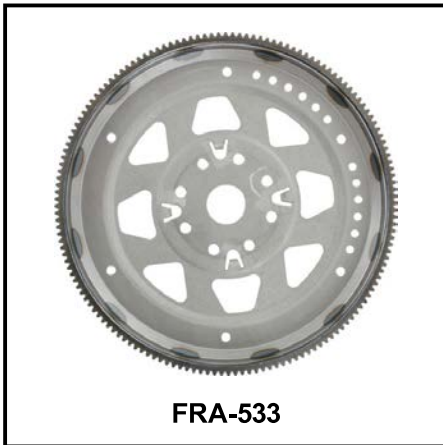


FRA-503



FRA-507

# FLEXPLATES ILLUSTRATIONS



# FLEXPLATES ILLUSTRATIONS



FRA-542



FRA-544



FRA-550



FRA-552



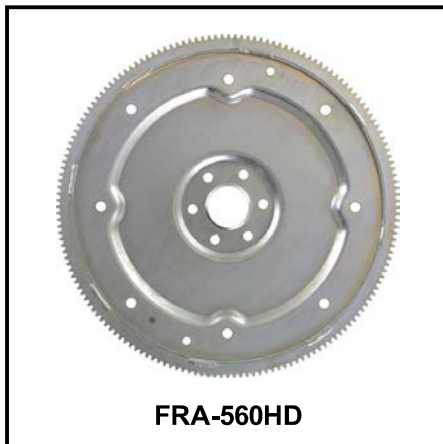
FRA-554



FRA-559



FRA-560



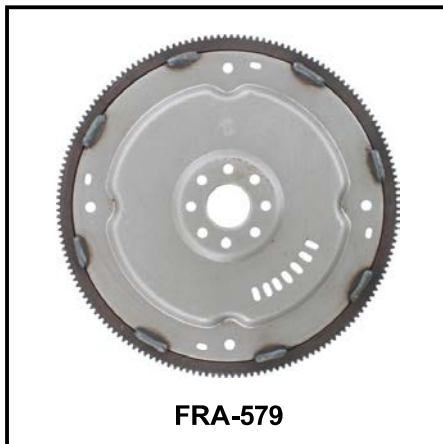
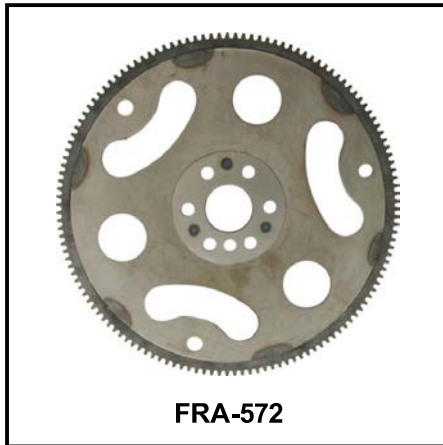
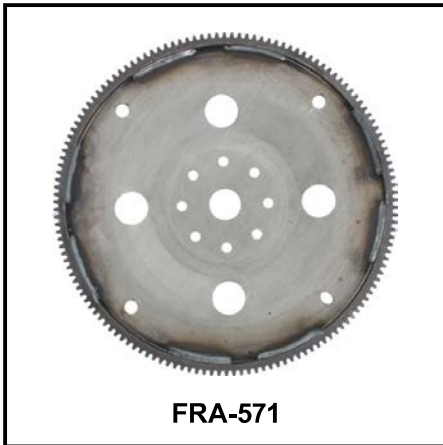
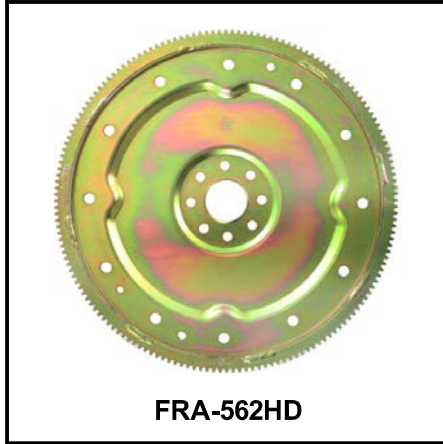
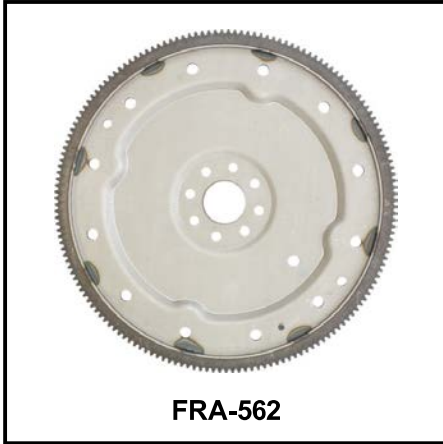
FRA-560HD



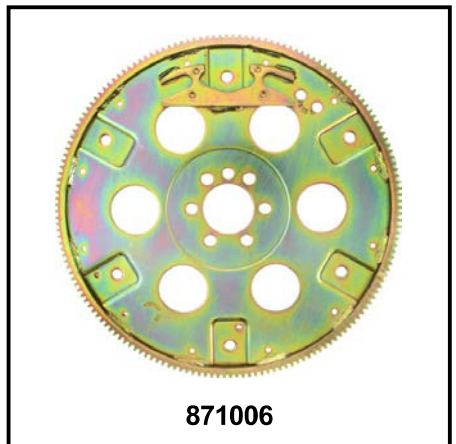
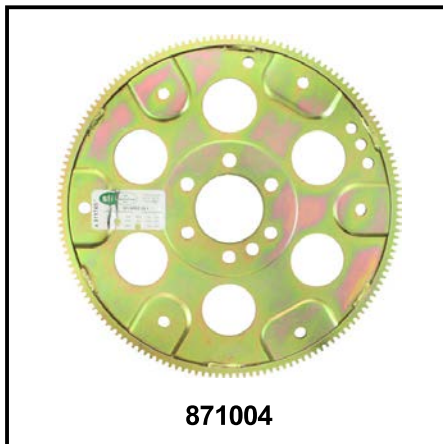
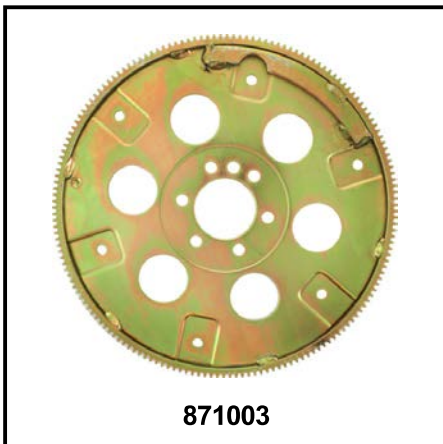
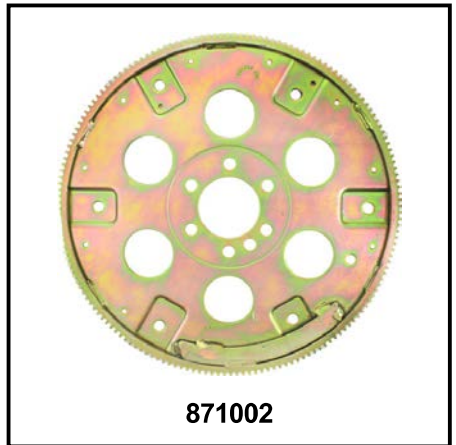
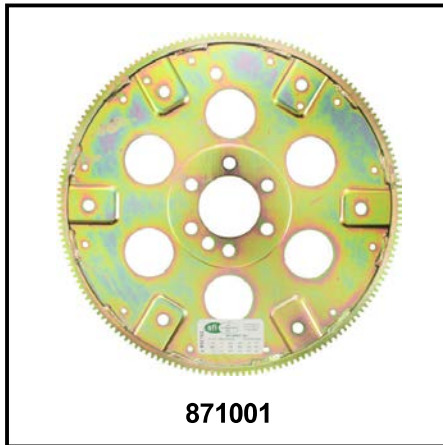
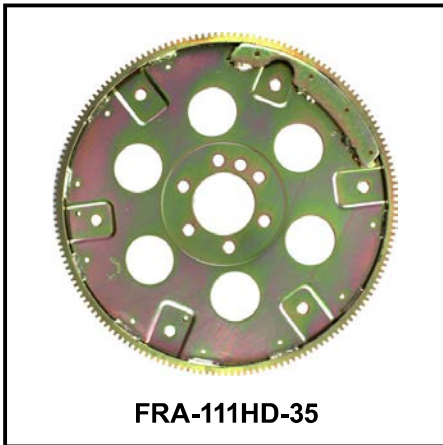
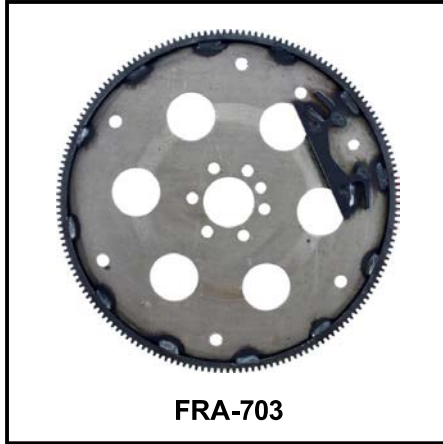
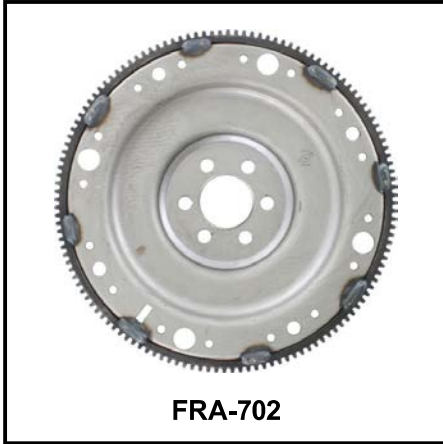
FRA-561



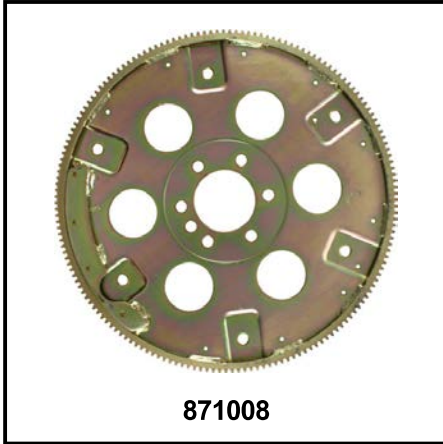
# FLEXPLATES ILLUSTRATIONS



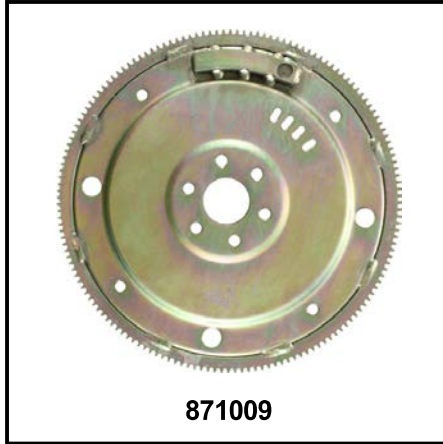
# FLEXPLATES ILLUSTRATIONS



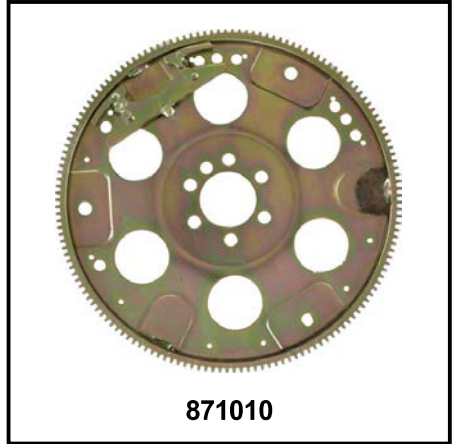
# FLEXPLATES ILLUSTRATIONS



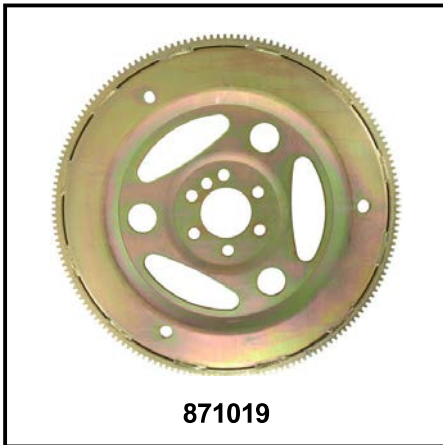
871008



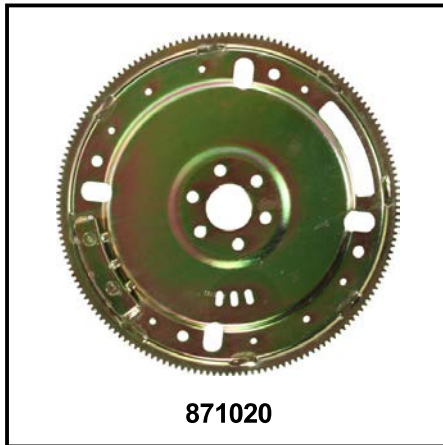
871009



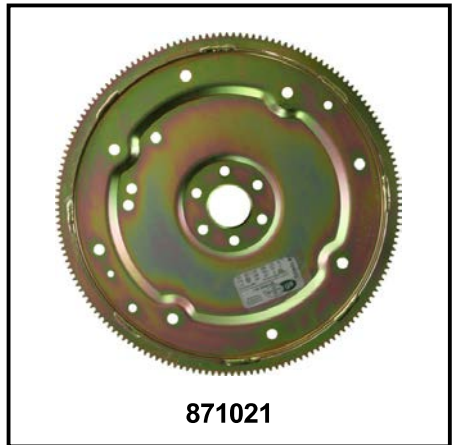
871010



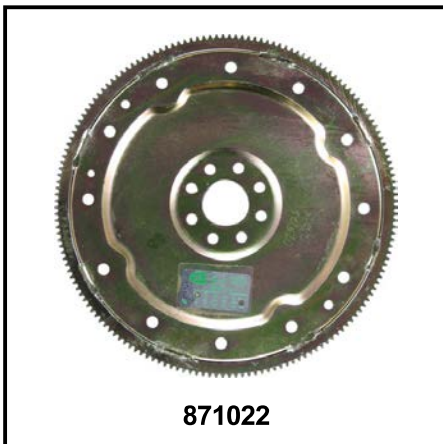
871019



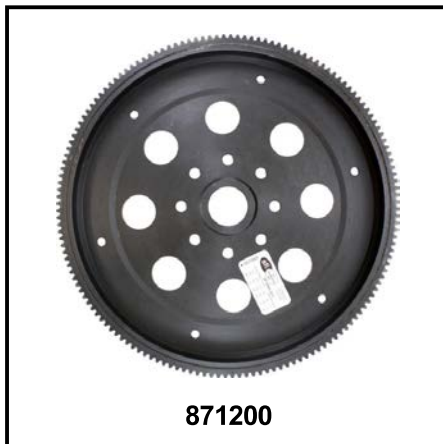
871020



871021



871022



871200

\*Available in Heavy Duty-SFI Versions

FRA 175

# INTERCHANGES SUMMARY - FLEXPLATES

| Competitor | # Competitor | # Pioneer | Competitor | # Competitor | # Pioneer |
|------------|--------------|-----------|------------|--------------|-----------|
| ANCHOR     | FA-10        | FRA-213   | ANCHOR     | FA-139       | FRA-332   |
| ANCHOR     | FA-100       | FRA-158   | ANCHOR     | FA-14        | FRA-201   |
| ANCHOR     | FA-101       | FRA-159   | ANCHOR     | FA-140       | FRA-417   |
| ANCHOR     | FA-101HD     | FRA-159HD | ANCHOR     | FA-141       | FRA-317   |
| ANCHOR     | FA-102       | FRA-160   | ANCHOR     | FA-142       | FRA-415   |
| ANCHOR     | FA-102HD     | FRA-160HD | ANCHOR     | FA-143       | FRA-319   |
| ANCHOR     | FA-103       | FRA-161   | ANCHOR     | FA-144       | FRA-322   |
| ANCHOR     | FA-104       | FRA-165   | ANCHOR     | FA-145       | FRA-321   |
| ANCHOR     | FA-105       | FRA-149   | ANCHOR     | FA-146       | FRA-414   |
| ANCHOR     | FA-106       | FRA-148   | ANCHOR     | FA-147       | FRA-327   |
| ANCHOR     | FA-107       | FRA-307   | ANCHOR     | FA-148       | FRA-328   |
| ANCHOR     | FA-108       | FRA-217   | ANCHOR     | FA-149       | FRA-337   |
| ANCHOR     | FA-109       | FRA-216   | ANCHOR     | FA-150       | FRA-336   |
| ANCHOR     | FA-11        | FRA-208   | ANCHOR     | FA-151       | FRA-420   |
| ANCHOR     | FA-110       | FRA-234   | ANCHOR     | FA-153       | FRA-470   |
| ANCHOR     | FA-111       | FRA-235   | ANCHOR     | FA-16        | FRA-202   |
| ANCHOR     | FA-112       | FRA-233   | ANCHOR     | FA-17        | FRA-220   |
| ANCHOR     | FA-114       | FRA-168   | ANCHOR     | FA-178       | FRA-419   |
| ANCHOR     | FA-115       | FRA-311   | ANCHOR     | FA-18        | FRA-221   |
| ANCHOR     | FA-116       | FRA-312   | ANCHOR     | FA-181       | FRA-426   |
| ANCHOR     | FA-117       | FRA-338   | ANCHOR     | FA-182       | FRA-467   |
| ANCHOR     | FA-118       | FRA-323   | ANCHOR     | FA-19        | FRA-222   |
| ANCHOR     | FA-119       | FRA-339   | ANCHOR     | FA-199       | FRA-460   |
| ANCHOR     | FA-12        | FRA-204   | ANCHOR     | FA-20        | FRA-223   |
| ANCHOR     | FA-120       | FRA-324   | ANCHOR     | FA-206       | FRA-461   |
| ANCHOR     | FA-121       | FRA-329   | ANCHOR     | FA-207       | FRA-462   |
| ANCHOR     | FA-123       | FRA-218   | ANCHOR     | FA-208       | FRA-464   |
| ANCHOR     | FA-124       | FRA-316   | ANCHOR     | FA-209       | FRA-465   |
| ANCHOR     | FA-125       | FRA-408   | ANCHOR     | FA-21        | FRA-205   |
| ANCHOR     | FA-127       | FRA-416   | ANCHOR     | FA-211       | FRA-428   |
| ANCHOR     | FA-128       | FRA-305   | ANCHOR     | FA-212       | FRA-442   |
| ANCHOR     | FA-129       | FRA-410   | ANCHOR     | FA-213       | FRA-443   |
| ANCHOR     | FA-13        | FRA-206   | ANCHOR     | FA-215       | FRA-438   |
| ANCHOR     | FA-130       | FRA-411   | ANCHOR     | FA-218       | FRA-427   |
| ANCHOR     | FA-131       | FRA-306   | ANCHOR     | FA-22        | FRA-215   |
| ANCHOR     | FA-132       | FRA-418   | ANCHOR     | FA-220       | FRA-335   |
| ANCHOR     | FA-134       | FRA-309   | ANCHOR     | FA-23        | FRA-214   |
| ANCHOR     | FA-137       | FRA-333   | ANCHOR     | FA-24        | FRA-203   |
| ANCHOR     | FA-138       | FRA-334   | ANCHOR     | FA-25        | FRA-207   |

# INTERCHANGES SUMMARY - FLEXPLATES

| Competitor | # Competitor | # Pioneer | Competitor | # Competitor | # Pioneer |
|------------|--------------|-----------|------------|--------------|-----------|
| ANCHOR     | FA-26        | FRA-210   | ANCHOR     | FA-68        | FRA-147   |
| ANCHOR     | FA-27        | FRA-224   | ANCHOR     | FA-69        | FRA-142   |
| ANCHOR     | FA-28        | FRA-212   | ANCHOR     | FA-7         | FRA-102   |
| ANCHOR     | FA-29        | FRA-225   | ANCHOR     | FA-70        | FRA-119   |
| ANCHOR     | FA-35        | FRA-300   | ANCHOR     | FA-71        | FRA-123   |
| ANCHOR     | FA-36        | FRA-301   | ANCHOR     | FA-72        | FRA-120   |
| ANCHOR     | FA-38        | FRA-141   | ANCHOR     | FA-73        | FRA-124   |
| ANCHOR     | FA-39        | FRA-126   | ANCHOR     | FA-74        | FRA-136   |
| ANCHOR     | FA-40        | FRA-111   | ANCHOR     | FA-75        | FRA-137   |
| ANCHOR     | FA-40HD      | FRA-111HD | ANCHOR     | FA-76        | FRA-143   |
| ANCHOR     | FA-41        | FRA-104   | ANCHOR     | FA-77        | FRA-138   |
| ANCHOR     | FA-41HD      | FRA-104HD | ANCHOR     | FA-79        | FRA-146   |
| ANCHOR     | FA-42        | FRA-105   | ANCHOR     | FA-8         | FRA-103   |
| ANCHOR     | FA-43        | FRA-106   | ANCHOR     | FA-80        | FRA-121   |
| ANCHOR     | FA-44        | FRA-112   | ANCHOR     | FA-81        | FRA-122   |
| ANCHOR     | FA-44HD      | FRA-112HD | ANCHOR     | FA-82        | FRA-139   |
| ANCHOR     | FA-45        | FRA-116   | ANCHOR     | FA-83        | FRA-140   |
| ANCHOR     | FA-46        | FRA-100   | ANCHOR     | FA-86        | FRA-135   |
| ANCHOR     | FA-47        | FRA-109   | ANCHOR     | FA-87        | FRA-302   |
| ANCHOR     | FA-48        | FRA-110   | ANCHOR     | FA-88        | FRA-303   |
| ANCHOR     | FA-49        | FRA-113   | ANCHOR     | FA-9         | FRA-209   |
| ANCHOR     | FA-5         | FRA-100   | ANCHOR     | FA-90        | FRA-230   |
| ANCHOR     | FA-51        | FRA-144   | ANCHOR     | FA-91        | FRA-231   |
| ANCHOR     | FA-52        | FRA-150   | ANCHOR     | FA-92        | FRA-232   |
| ANCHOR     | FA-53        | FRA-130   | ANCHOR     | FA-93        | FRA-151   |
| ANCHOR     | FA-54        | FRA-131   | ANCHOR     | FA-94        | FRA-152   |
| ANCHOR     | FA-56        | FRA-117   | ANCHOR     | FA-95        | FRA-153   |
| ANCHOR     | FA-57        | FRA-129   | ANCHOR     | FA-97        | FRA-155   |
| ANCHOR     | FA-58        | FRA-134   | ANCHOR     | FA-98        | FRA-156   |
| ANCHOR     | FA-59        | FRA-132   | ANCHOR     | FA-99        | FRA-157   |
| ANCHOR     | FA-5HD       | FRA-100HD | ATP        | Z-101        | FRA-108   |
| ANCHOR     | FA-6         | FRA-101   | ATP        | Z-102        | FRA-118   |
| ANCHOR     | FA-60        | FRA-108   | ATP        | Z-103        | FRA-119   |
| ANCHOR     | FA-61        | FRA-118   | ATP        | Z-104        | FRA-120   |
| ANCHOR     | FA-62        | FRA-118   | ATP        | Z-105        | FRA-205   |
| ANCHOR     | FA-63        | FRA-214   | ATP        | Z-106        | FRA-201   |
| ANCHOR     | FA-64        | FRA-133   | ATP        | Z-107        | FRA-206   |
| ANCHOR     | FA-66        | FRA-229   | ATP        | Z-108        | FRA-208   |
| ANCHOR     | FA-67        | FRA-128   | ATP        | Z-109        | FRA-209   |

# INTERCHANGES SUMMARY - FLEXPLATES

| Competitor | # Competitor | # Pioneer | Competitor | # Competitor | # Pioneer |
|------------|--------------|-----------|------------|--------------|-----------|
| ATP        | Z-110        | FRA-202   | ATP        | Z-152        | FRA-136   |
| ATP        | Z-111        | FRA-100   | ATP        | Z-153        | FRA-147   |
| ATP        | Z-112        | FRA-104   | ATP        | Z-154        | FRA-139   |
| ATP        | Z-113        | FRA-111   | ATP        | Z-155        | FRA-153   |
| ATP        | Z-114        | FRA-112   | ATP        | Z-155        | FRA-157   |
| ATP        | Z-116        | FRA-102   | ATP        | Z-156        | FRA-138   |
| ATP        | Z-117        | FRA-105   | ATP        | Z-157        | FRA-214   |
| ATP        | Z-118        | FRA-101   | ATP        | Z-158        | FRA-212   |
| ATP        | Z-119        | FRA-110   | ATP        | Z-159        | FRA-152   |
| ATP        | Z-120        | FRA-109   | ATP        | Z-160        | FRA-158   |
| ATP        | Z-121        | FRA-113   | ATP        | Z-161        | FRA-230   |
| ATP        | Z-123        | FRA-103   | ATP        | Z-162        | FRA-156   |
| ATP        | Z-124        | FRA-106   | ATP        | Z-163        | FRA-126   |
| ATP        | Z-125        | FRA-125   | ATP        | Z-164        | FRA-146   |
| ATP        | Z-125        | FRA-204   | ATP        | Z-165        | FRA-160   |
| ATP        | Z-126        | FRA-203   | ATP        | Z-166        | FRA-159   |
| ATP        | Z-127        | FRA-207   | ATP        | Z-167        | FRA-161   |
| ATP        | Z-128        | FRA-141   | ATP        | Z-168        | FRA-155   |
| ATP        | Z-129        | FRA-118   | ATP        | Z-169        | FRA-301   |
| ATP        | Z-130        | FRA-123   | ATP        | Z-170        | FRA-225   |
| ATP        | Z-131        | FRA-124   | ATP        | Z-170        | FRA-423   |
| ATP        | Z-134        | FRA-210   | ATP        | Z-170        | FRA-424   |
| ATP        | Z-135        | FRA-143   | ATP        | Z-171        | FRA-229   |
| ATP        | Z-136        | FRA-142   | ATP        | Z-172        | FRA-151   |
| ATP        | Z-137        | FRA-144   | ATP        | Z-173        | FRA-140   |
| ATP        | Z-138        | FRA-116   | ATP        | Z-182        | FRA-233   |
| ATP        | Z-139        | FRA-116   | ATP        | Z-183        | FRA-234   |
| ATP        | Z-140        | FRA-300   | ATP        | Z-184        | FRA-235   |
| ATP        | Z-141        | FRA-128   | ATP        | Z-186        | FRA-232   |
| ATP        | Z-142        | FRA-129   | ATP        | Z-187        | FRA-410   |
| ATP        | Z-143        | FRA-150   | ATP        | Z-188        | FRA-149   |
| ATP        | Z-144        | FRA-117   | ATP        | Z-189        | FRA-218   |
| ATP        | Z-145        | FRA-130   | ATP        | Z-190        | FRA-165   |
| ATP        | Z-146        | FRA-131   | ATP        | Z-191        | FRA-222   |
| ATP        | Z-147        | FRA-132   | ATP        | Z-192        | FRA-217   |
| ATP        | Z-148        | FRA-133   | ATP        | Z-193        | FRA-231   |
| ATP        | Z-149        | FRA-134   | ATP        | Z-194        | FRA-307   |
| ATP        | Z-150        | FRA-135   | ATP        | Z-195        | FRA-302   |
| ATP        | Z-151        | FRA-137   | ATP        | Z-196        | FRA-303   |

# INTERCHANGES SUMMARY - FLEXPLATES

| Competitor | # Competitor | # Pioneer | Competitor | # Competitor | # Pioneer |
|------------|--------------|-----------|------------|--------------|-----------|
| ATP        | Z-197        | FRA-309   | ATP        | Z-249        | FRA-148   |
| ATP        | Z-198        | FRA-317   | ATP        | Z-251        | FRA-215   |
| ATP        | Z-199        | FRA-316   | ATP        | Z-252        | FRA-416   |
| ATP        | Z-201        | FRA-413   | ATP        | Z-253        | FRA-414   |
| ATP        | Z-202        | FRA-306   | ATP        | Z-254        | FRA-300   |
| ATP        | Z-203        | FRA-339   | ATP        | Z-255        | FRA-301   |
| ATP        | Z-205        | FRA-333   | ATP        | Z-256        | FRA-415   |
| ATP        | Z-206        | FRA-338   | ATP        | Z-258        | FRA-426   |
| ATP        | Z-207        | FRA-337   | ATP        | Z-260        | FRA-428   |
| ATP        | Z-208        | FRA-336   | ATP        | Z-265        | FRA-417   |
| ATP        | Z-209        | FRA-329   | ATP        | Z-267        | FRA-419   |
| ATP        | Z-210        | FRA-328   | ATP        | Z-269        | FRA-471   |
| ATP        | Z-211        | FRA-327   | ATP        | Z-270        | FRA-450   |
| ATP        | Z-212        | FRA-326   | ATP        | Z-271        | FRA-472   |
| ATP        | Z-213        | FRA-325   | ATP        | Z-272        | FRA-467   |
| ATP        | Z-214        | FRA-324   | ATP        | Z-273        | FRA-442   |
| ATP        | Z-215        | FRA-322   | ATP        | Z-274        | FRA-443   |
| ATP        | Z-216        | FRA-319   | ATP        | Z-275        | FRA-435   |
| ATP        | Z-217        | FRA-312   | ATP        | Z-328        | FRA-488   |
| ATP        | Z-218        | FRA-311   | ATP        | Z-329        | FRA-451   |
| ATP        | Z-220        | FRA-221   | ATP        | Z-330        | FRA-533   |
| ATP        | Z-221        | FRA-411   | ATP        | Z-331        | FRA-427   |
| ATP        | Z-222        | FRA-332   | ATP        | Z-332        | FRA-486   |
| ATP        | Z-224        | FRA-305   | ATP        | Z-333        | FRA-533   |
| ATP        | Z-226        | FRA-122   | ATP        | Z-335        | FRA-537   |
| ATP        | Z-227        | FRA-107   | ATP        | Z-336        | FRA-535   |
| ATP        | Z-230        | FRA-216   | ATP        | Z-338        | FRA-539   |
| ATP        | Z-231        | FRA-321   | ATP        | Z-339        | FRA-480   |
| ATP        | Z-232        | FRA-223   | ATP        | Z-340        | FRA-477   |
| ATP        | Z-233        | FRA-121   | ATP        | Z-341        | FRA-478   |
| ATP        | Z-234        | FRA-334   | ATP        | Z-342        | FRA-436   |
| ATP        | Z-236        | FRA-213   | ATP        | Z-344        | FRA-490   |
| ATP        | Z-237        | FRA-323   | ATP        | Z-345        | FRA-560   |
| ATP        | Z-238        | FRA-168   | ATP        | Z-346        | FRA-562   |
| ATP        | Z-242        | FRA-224   | ATP        | Z-347        | FRA-439   |
| ATP        | Z-243        | FRA-408   | ATP        | Z-348        | FRA-420   |
| ATP        | Z-244        | FRA-335   | ATP        | Z-349        | FRA-441   |
| ATP        | Z-246        | FRA-220   | ATP        | Z-350        | FRA-556   |
| ATP        | Z-248        | FRA-331   | ATP        | Z-367        | FRA-704   |

# INTERCHANGES SUMMARY - FLEXPLATES

| Competitor | # Competitor | # Pioneer | Competitor | # Competitor | # Pioneer |
|------------|--------------|-----------|------------|--------------|-----------|
| ATP        | Z-402        | FRA-468   | DORMAN     | 4037         | FRA-148   |
| ATP        | Z-403        | FRA-475   | DORMAN     | 4038         | FRA-149   |
| ATP        | Z-404        | FRA-470   | DORMAN     | 4041         | FRA-216   |
| ATP        | Z-405        | FRA-456   | DORMAN     | 4042         | FRA-217   |
| ATP        | Z-406        | FRA-457   | DORMAN     | 4043         | FRA-218   |
| ATP        | Z-414        | FRA-440   | DORMAN     | 4044         | FRA-235   |
| ATP        | Z-417        | FRA-425   | DORMAN     | 4045         | FRA-234   |
| ATP        | Z-419        | FRA-433   | DORMAN     | 4091         | FRA-312   |
| ATP        | Z-420        | FRA-455   | DORMAN     | 4092         | FRA-311   |
| ATP        | Z-421        | FRA-459   | DORMAN     | 4094         | FRA-425   |
| ATP        | Z-422        | FRA-460   | DORMAN     | 4293         | FRA-410   |
| ATP        | Z-424        | FRA-474   | DORMAN     | 4294         | FRA-411   |
| ATP        | Z-425        | FRA-465   | DORMAN     | 4295         | FRA-165   |
| ATP        | Z-426        | FRA-458   | DORMAN     | 4297         | FRA-316   |
| ATP        | Z-427        | FRA-461   | DORMAN     | 4298         | FRA-330   |
| ATP        | Z-429        | FRA-462   | DORMAN     | 4300         | FRA-107   |
| ATP        | Z-430        | FRA-464   | DORMAN     | 4301         | FRA-108   |
| ATP        | Z-433        | FRA-418   | DORMAN     | 4302         | FRA-118   |
| ATP        | Z-434        | FRA-454   | DORMAN     | 4303         | FRA-120   |
| ATP        | Z-437        | FRA-434   | DORMAN     | 4304         | FRA-144   |
| ATP        | Z-438        | FRA-469   | DORMAN     | 4305         | FRA-141   |
| ATP        | Z-439        | FRA-309   | DORMAN     | 4306         | FRA-146   |
| ATP        | Z-460        | FRA-100HD | DORMAN     | 4307         | FRA-138   |
| ATP        | Z-462        | FRA-160HD | DORMAN     | 4308         | FRA-139   |
| ATP        | Z-463        | FRA-159HD | DORMAN     | 4309         | FRA-160   |
| ATP        | Z-484        | FRA-544   | DORMAN     | 4309HD       | FRA-160HD |
| ATP        | Z-487        | FRA-494   | DORMAN     | 4310         | FRA-159   |
| ATP        | Z-492        | FRA-531   | DORMAN     | 4310HD       | FRA-159HD |
| ATP        | Z-493        | FRA-496   | DORMAN     | 4312         | FRA-101   |
| ATP        | Z-494        | FRA-550   | DORMAN     | 4313         | FRA-102   |
| ATP        | Z-495        | FRA-554   | DORMAN     | 4314         | FRA-103   |
| ATP        | Z-497        | FRA-560HD | DORMAN     | 4315         | FRA-104   |
| ATP        | Z-498        | FRA-471HD | DORMAN     | 4315HD       | FRA-104HD |
| ATP        | Z-499        | FRA-562HD | DORMAN     | 4316         | FRA-105   |
| ATP        | Z-500        | FRA-104HD | DORMAN     | 4317         | FRA-106   |
| ATP        | Z-501        | FRA-111HD | DORMAN     | 4318         | FRA-109   |
| ATP        | Z-502        | FRA-112HD | DORMAN     | 4319         | FRA-110   |
| ATP        | Z-503        | FRA-203HD | DORMAN     | 4320         | FRA-111   |
| DORMAN     | 4036         | FRA-125   | DORMAN     | 4320HD       | FRA-111HD |



# INTERCHANGES SUMMARY - FLEXPLATES

| Competitor | # Competitor | # Pioneer | Competitor | # Competitor | # Pioneer |
|------------|--------------|-----------|------------|--------------|-----------|
| DORMAN     | 4321         | FRA-113   | DORMAN     | 4363         | FRA-232   |
| DORMAN     | 4322         | FRA-116   | DORMAN     | 4364         | FRA-230   |
| DORMAN     | 4324         | FRA-117   | DORMAN     | 4365         | FRA-119   |
| DORMAN     | 4325         | FRA-112   | DORMAN     | 4366         | FRA-121   |
| DORMAN     | 4326         | FRA-112   | DORMAN     | 4367         | FRA-122   |
| DORMAN     | 4327         | FRA-126   | DORMAN     | 4368         | FRA-123   |
| DORMAN     | 4328         | FRA-100   | DORMAN     | 4369         | FRA-124   |
| DORMAN     | 4329         | FRA-128   | DORMAN     | 4370         | FRA-300   |
| DORMAN     | 4330         | FRA-129   | DORMAN     | 4371         | FRA-301   |
| DORMAN     | 4331         | FRA-130   | DORMAN     | 4374         | FRA-152   |
| DORMAN     | 4332         | FRA-131   | DORMAN     | 4375         | FRA-153   |
| DORMAN     | 4333         | FRA-132   | DORMAN     | 4376         | FRA-157   |
| DORMAN     | 4334         | FRA-133   | DORMAN     | 4377         | FRA-161   |
| DORMAN     | 4335         | FRA-134   | DORMAN     | 4378         | FRA-151   |
| DORMAN     | 4336         | FRA-147   | DORMAN     | 4379         | FRA-140   |
| DORMAN     | 4337         | FRA-135   | DORMAN     | 4380         | FRA-155   |
| DORMAN     | 4338         | FRA-136   | DORMAN     | 4381         | FRA-413   |
| DORMAN     | 4339         | FRA-137   | DORMAN     | 4384         | FRA-221   |
| DORMAN     | 4340         | FRA-142   | DORMAN     | 4385         | FRA-222   |
| DORMAN     | 4341         | FRA-143   | DORMAN     | 4386         | FRA-223   |
| DORMAN     | 4342         | FRA-150   | DORMAN     | 4387         | FRA-215   |
| DORMAN     | 4343         | FRA-156   | DORMAN     | 4388         | FRA-224   |
| DORMAN     | 4344         | FRA-212   | DORMAN     | 4390         | FRA-225   |
| DORMAN     | 4345         | FRA-214   | DORMAN     | 4393         | FRA-233   |
| DORMAN     | 4346         | FRA-214   | DORMAN     | 4395         | FRA-229   |
| DORMAN     | 4347         | FRA-210   | DORMAN     | 4396         | FRA-400   |
| DORMAN     | 4348         | FRA-201   | DORMAN     | 4397         | FRA-231   |
| DORMAN     | 4349         | FRA-202   | DORMAN     | 4399         | FRA-158   |
| DORMAN     | 4350         | FRA-203   | DORMAN     | 4421         | FRA-306   |
| DORMAN     | 4351         | FRA-204   | DORMAN     | 4422         | FRA-332   |
| DORMAN     | 4352         | FRA-205   | DORMAN     | 4423         | FRA-333   |
| DORMAN     | 4353         | FRA-206   | DORMAN     | 4424         | FRA-319   |
| DORMAN     | 4354         | FRA-207   | DORMAN     | 4425         | FRA-321   |
| DORMAN     | 4355         | FRA-208   | DORMAN     | 4426         | FRA-322   |
| DORMAN     | 4356         | FRA-209   | DORMAN     | 4427         | FRA-323   |
| DORMAN     | 4357         | FRA-309   | DORMAN     | 4428         | FRA-336   |
| DORMAN     | 4358         | FRA-303   | DORMAN     | 4429         | FRA-337   |
| DORMAN     | 4359         | FRA-302   | DORMAN     | 4430         | FRA-168   |
| DORMAN     | 4362         | FRA-213   | DORMAN     | 4431         | FRA-339   |

+

+

## INTERCHANGES SUMMARY - FLEXPLATES

| Competitor | # Competitor | # Pioneer |
|------------|--------------|-----------|
| DORMAN     | 4432         | FRA-324   |
| DORMAN     | 4433         | FRA-325   |
| DORMAN     | 4434         | FRA-331   |
| DORMAN     | 4435         | FRA-307   |
| DORMAN     | 4436         | FRA-334   |
| DORMAN     | 4437         | FRA-408   |
| DORMAN     | 4438         | FRA-317   |
| DORMAN     | 4439         | FRA-335   |
| DORMAN     | 4592         | FRA-465   |
| DORMAN     | 4593         | FRA-462   |
| DORMAN     | 4594         | FRA-464   |
| DORMAN     | 4596         | FRA-467   |
| DORMAN     | 4597         | FRA-470   |
| DORMAN     | 4599         | FRA-475   |
| DORMAN     | 4600         | FRA-459   |
| DORMAN     | 4605         | FRA-415   |
| DORMAN     | 4614         | FRA-414   |
| DORMAN     | 4616         | FRA-327   |
| DORMAN     | 4617         | FRA-329   |
| DORMAN     | 4618         | FRA-328   |
| DORMAN     | 4619         | FRA-454   |
| DORMAN     | 4651         | FRA-427   |
| DORMAN     | 4653         | FRA-326   |
| DORMAN     | 4662         | FRA-442   |
| DORMAN     | 4663         | FRA-418   |
| DORMAN     | 4665         | FRA-458   |
| DORMAN     | 4666         | FRA-436   |
| DORMAN     | 4667         | FRA-421   |
| DORMAN     | 4668         | FRA-422   |
| DORMAN     | 4669         | FRA-417   |
| DORMAN     | 4669         | FRA-446   |
| DORMAN     | 4670         | FRA-474   |
| DORMAN     | 4673         | FRA-455   |
| DORMAN     | 4675         | FRA-416   |
| DORMAN     | 4676         | FRA-428   |
| DORMAN     | 4677         | FRA-325   |

+

+

## REPLACING A DAMAGED FLYWHEEL (FLEXPLATE) ASSEMBLY ? IS THE FLYWHEEL (FLEXPLATE) CRACKED AROUND THE CRANKSHAFT OR TORQUE CONVERTOR BOLT HOLE PATTERN?

Structural failure of a flywheel assembly is most often due to installation failure and/or balance problems within the engine or transmission. Below are the many (but not all) of the causes:

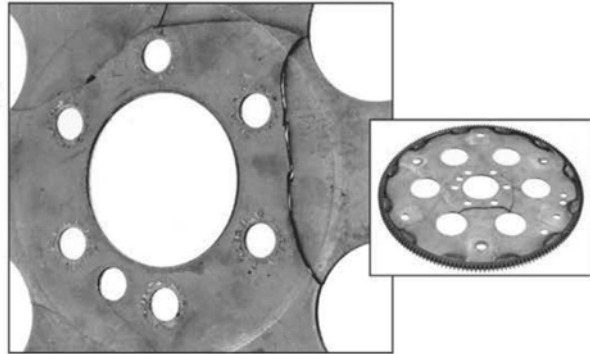
- Failure to install the flywheel assembly perpendicular to the crankshaft flange.
- An out-of-balance torque converter.
- A worn front pump bushing. (See Pioneer's TR-2001 catalog for all your bushing needs!)
- Too much end play on the crankshaft due to excessive thrust bearing wear.
- Failure to torque mounting bolts to proper specification and in the proper sequence. (See maintenance manual for correct torque and sequence specifications.)
- A bad starter drive can cause teeth on ring gear to wear rapidly or break off. Also teeth can chip or break when the engine is running and the starter is engaged.
- On some GM applications, special shims are required to properly align the starter with the ring gear. In such cases where shims are needed and not used, damage to the ring gear can occur.

### Why do these problems occur?

As you look down the list, it is apparent that there could be a number of factors that contribute to flywheel (flexplate) failure. While failure of the flexplate is annoying, it should be viewed much like a blown fuse in an electrical circuit. The flexplate's failure is a warning to look elsewhere for the cause.

The "spider cracking" that is observed in the center of the flexplate is most often the sign of engine or transmission balance problems. The name "flexplate" indicates that it is designed to flex as it absorbs the shifting of gears and compensates for the wear of other components.

However, if the underlying cause of the flexplate failure is not isolated and repaired, the new flexplate will soon fail, or destroy the transmission or cause engine failure, which could be far more costly than repairing the problem.



**MATCH** the new flexplate to the unit you are replacing.

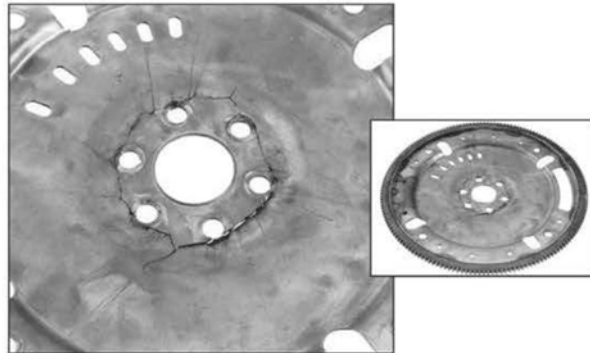
**READ** instructions for flexplate installation. Consult an OEM Service Manual or an aftermarket manual for the proper torque specifications and the proper torque specifications and tightening sequence for flexplate bolts.

**NEVER** over-torque.

**ALWAYS** use a torque wrench.

**NEVER** use an air wrench.

**Use NEW** flexplate bolts.



### How to reduce flexplate failure

**CHECK** other powertrain components for wear and/or failure before installing the new flexplate. Make sure your engine and transmission mounts are supporting the drivetrain properly, and not worn out causing binding.

Find out why the old unit failed.

### WARNING

*The warranty is voided if the flywheel assembly is broken around the crankshaft and/or torque converter bolt hole pattern.*

## FLEX-PLATE SPECIFICATION SHEET

| Pioneer Part | Teeth | O.D.    | Crank. Ctr H. | BALANCE       | Pitch |
|--------------|-------|---------|---------------|---------------|-------|
| 871001 (SFI) | 168   | 14.13"  | 2.49"         | wo/weight     | 14-12 |
| 871002 (SFI) | 168   | 14.13"  | 2.49"         | w/weight      | 14-12 |
| 871003 (SFI) | 168   | 14.13"  | 2.49"         | w/weight      | 14-12 |
| 871004 (SFI) | 153   | 12.85"  | 2.49"         | wo/weight     | 14-12 |
| 871006 (SFI) | 168   | 14.13"  | 2.07"         | w/weight      | 14-12 |
| 871008 (SFI) | 168   | 14.13"  | 2.49"         | w/weight      | 14-12 |
| 871009 (SFI) | 157   | 13.30"  | 1.75"         | w/weight      | 14-12 |
| 871010 (SFI) | 153   | 12.85"  | 2.070"        | w/weight      | 14-12 |
| 871019 (SFI) | 168   | 14.13"  | 2.06"         | wo/weight     | 14-12 |
| 871020 (SFI) | 164   | 14.244" | 1.752"        | w/weight      | 12    |
| 871021 (SFI) | 164   | 14.23"  | 1.75"         | w/weight      | 12    |
| 871022 (SFI) | 164   | 14.23"  | 1.75"         | wo/weight     | 12    |
| 871200 (SFI) | 152   | 15.310" | 1.816"        | wo/weight     | 10    |
| 871201 (SFI) | 152   | 15.375" | 2.16"         | wo/weight     | 10    |
| FRA-100      | 168   | 14.13"  | 2.49"         | wo/weight     | 14-12 |
| FRA-100HD    | 168   | 14.13"  | 2.49"         | wo/weight     | 14-12 |
| FRA-101      | 160   | 13.418" | 2.488"        | w/weight      | 14-12 |
| FRA-102      | 166   | 13.91"  | 2.50"         | w/weight      | 14-12 |
| FRA-103      | 166   | 13.965" | 2.756"        | wo/weight     | 14-12 |
| FRA-104      | 168   | 14.13"  | 2.49"         | w/weight      | 14-12 |
| FRA-104HD    | 168   | 14.13"  | 2.49"         | w/weight      | 14-12 |
| FRA-105      | 160   | 13.418" | 2.488"        | wo/weight     | 14-12 |
| FRA-106      | 166   | 13.896" | 3.00"         | wo/weight     | 14-12 |
| FRA-108      | 164   | 13.83"  | 2.693"        | wo/weight     | 14-12 |
| FRA-109      | 166   | 13.91"  | 2.492"        | w/weight      | 14-12 |
| FRA-110      | 135   | 13.71"  | 2.492"        | w/weight      | 12-10 |
| FRA-111      | 168   | 14.13"  | 2.49"         | w/weight      | 14-12 |
| FRA-111HD    | 168   | 14.13"  | 2.49"         | w/weight      | 14-12 |
| FRA-111HD-35 | 168   | 14.13"  | 2.49"         | w/weight 35oz | 14-12 |
| FRA-112      | 153   | 12.85"  | 2.49"         | wo/weight     | 14-12 |
| FRA-112HD    | 153   | 12.85"  | 2.49"         | wo/weight     | 14-12 |
| FRA-113      | 168   | 14.13"  | 2.49"         | wo/weight     | 14-12 |
| FRA-116      | 166   | 13.96"  | 2.50"         | wo/weight     | 12    |
| FRA-117      | 166   | 13.965" | 2.49"         | wo/weight     | 14-12 |
| FRA-118      | 164   | 13.83"  | 2.69"         | w/weight      | 14-12 |
| FRA-119      | 164   | 13.83"  | 2.69"         | wo/weight     | 14-12 |
| FRA-120      | 164   | 13.83"  | 2.69"         | wo/weight     | 14-12 |
| FRA-121      | 164   | 13.83"  | 2.50"         | wo/weight     | 14-12 |
| FRA-122      | 164   | 13.83"  | 2.50"         | wo/weight     | 14-12 |
| FRA-123      | 164   | 13.83"  | 2.75"         | wo/weight     | 14-12 |
| FRA-124      | 164   | 13.83"  | 2.80"         | w/weight      | 14-12 |
| FRA-125      | 164   | 13.83"  | 2.80"         | w/weight      | 14-12 |
| FRA-126      | 168   | 14.13"  | 2.50"         | wo/weight     | 14-12 |
| FRA-128      | 160   | 13.418" | 2.488"        | wo/weight     | 14-12 |

## FLEX-PLATE SPECIFICATION SHEET

| Pioneer Part | Teeth | O.D.     | Crank. Ctr H. | BALANCE   | Pitch |
|--------------|-------|----------|---------------|-----------|-------|
| FRA-129      | 160   | 13.418"  | 2.488"        | wo/weight | 14-12 |
| FRA-130      | 160   | 13.418"  | 2.488"        | wo/weight | 14-12 |
| FRA-131      | 160   | 13.418"  | 2.488"        | wo/weight | 14-12 |
| FRA-132      | 160   | 13.418"  | 2.488"        | wo/weight | 14-12 |
| FRA-133      | 162   | 13.628"  | 2.488"        | wo/weight | 14-12 |
| FRA-134      | 160   | 13.418"  | 2.488"        | wo/weight | 14-12 |
| FRA-135      | 162   | 13.628"  | 2.488"        | wo/weight | 14-12 |
| FRA-136      | 162   | 13.628"  | 2.488"        | wo/weight | 14-12 |
| FRA-137      | 160   | 13.418"  | 2.488"        | wo/weight | 14-12 |
| FRA-138      | 142   | 11.91"   | 1.262"        | wo/weight | 12    |
| FRA-139      | 142   | 11.87"   | 1.26"         | w/weight  | 12    |
| FRA-140      | 142   | 11.91"   | 1.2633"       | w/weight  | 12    |
| FRA-141      | 168   | 14.13"   | 2.49"         | w/weight  | 14-12 |
| FRA-142      | 139   | 14.13"   | 2.50"         | w/weight  | 10    |
| FRA-143      | 139   | 14.13"   | 2.49"         | w/weight  | 10    |
| FRA-144      | 142   | 11.91"   | 1.50"         | wo/weight | 12    |
| FRA-146      | 162   | 13.628"  | 2.492"        | w/weight  | 14-12 |
| FRA-147      | 160   | 13.418"  | 2.488"        | wo/weight | 14-12 |
| FRA-148      | 142   | 11.95"   | 1.09"         | wo/weight | 14-12 |
| FRA-149      | 162   | 13.642"  | 3.00"         | wo/weight | 14-12 |
| FRA-150      | 142   | 11.965"  | 1.54"         | wo/weight | 14-12 |
| FRA-151      | 142   | 11.965"  | 1.49"         | wo/weight | 14-12 |
| FRA-152      | 168   | 14.13"   | 2.50"         | wo/weight | 14-12 |
| FRA-153      | 168   | 14.13"   | 2.50"         | wo/weight | 14-12 |
| FRA-155      | 135   | 11.3265" | 1.575"        | wo/weight | 12    |
| FRA-156      | 148   | 12.40"   | 1.49"         | wo/weight | 12    |
| FRA-157      | 168   | 14.13"   | 2.50"         | wo/weight | 14-12 |
| FRA-158      | 148   | 12.41"   | 1.263"        | w/weight  | 12    |
| FRA-159      | 168   | 14.13"   | 2.07"         | w/weight  | 14-12 |
| FRA-159HD    | 168   | 14.13"   | 2.07"         | w/weight  | 14-12 |
| FRA-160      | 153   | 12.85"   | 2.070"        | w/weight  | 14-12 |
| FRA-160HD    | 153   | 12.85"   | 2.070"        | w/weight  | 14-12 |
| FRA-161      | 168   | 14.13"   | 2.068"        | w/weight  | 14-12 |
| FRA-165      | 148   | 12.41"   | 1.263"        | wo/weight | 12    |
| FRA-168      | 166   | 14.0"    | 2.49"         | w/weight  | 14-12 |
| FRA-201      | 164   | 14.244"  | 1.75"         | w/weight  | 12    |
| FRA-202      | 164   | 14.24"   | 1.75"         | w/weight  | 12    |
| FRA-203      | 157   | 13.2945" | 1.75"         | w/weight  | 14-12 |
| FRA-203HD    | 157   | 13.2945" | 1.75"         | w/weight  | 14-12 |
| FRA-204      | 157   | 13.2945" | 1.75"         | wo/weight | 14-12 |
| FRA-205      | 164   | 14.244"  | 1.752"        | w/weight  | 12    |
| FRA-206      | 164   | 14.24"   | 1.752"        | wo/weight | 12    |
| FRA-207      | 164   | 14.24"   | 2.50"         | wo/weight | 12    |
| FRA-208      | 135   | 11.30"   | 1.252"        | wo/weight | 12    |

## FLEX-PLATE SPECIFICATION SHEET

| Pioneer Part | Teeth | O.D.    | Crank. Ctr H. | BALANCE   | Pitch |
|--------------|-------|---------|---------------|-----------|-------|
| FRA-209      | 135   | 11.292" | 1.265"        | wo/weight | 12    |
| FRA-210      | 164   | 14.23"  | 1.75"         | wo/weight | 12    |
| FRA-212      | 184   | 15.536" | 2.50"         | wo/weight | 14-12 |
| FRA-213      | 135   | 11.292" | 1.2618"       | wo/weight | 12    |
| FRA-214      | 164   | 14.244" | 1.752"        | w/weight  | 12    |
| FRA-214HD    | 164   | 14.244" | 1.752"        | w/weight  | 12    |
| FRA-215      | 141   | 12.00"  | 1.73"         | w/weight  | 14-12 |
| FRA-216      | 135   | 11.292" | .980"         | wo/weight | 12    |
| FRA-217      | 138   | 11.655" | .989"         | wo/weight | 12    |
| FRA-218      | 135   | 11.292" | 1.26"         | wo/weight | 12    |
| FRA-220      | 164   | 14.23"  | 1.744"        | w/weight  | 12    |
| FRA-221      | 138   | 11.67"  | .975"         | wo/weight | 12    |
| FRA-222      | 138   | 11.61"  | .989"         | wo/weight | 12    |
| FRA-223      | 132   | 11.157" | 1.752"        | wo/weight | 14-12 |
| FRA-224      | 184   | 15.55"  | 2.475"        | w/weight  | 12    |
| FRA-225      | 164   | 14.23"  | 1.75"         | w/weight  | 12    |
| FRA-229      | 164   | 14.23"  | 1.75"         | w/weight  | 12    |
| FRA-230      | 164   | 14.24"  | 2.50"         | w/weight  | 12    |
| FRA-231      | 164   | 14.24"  | 1.755"        | w/weight  | 12    |
| FRA-232      | N/A   | 9.875"  | 1.74"         | wo/weight | N/A   |
| FRA-233      | 135   | 11.292" | 32.048mm      | wo/weight | 12    |
| FRA-234      | 135   | 11.28"  | 1.247"        | wo/weight | 14-12 |
| FRA-235      | 135   | 11.31"  | 1.25"         | wo/weight | 12    |
| FRA-300      | 139   | 11.75"  | 1.88"         | wo/weight | 14-12 |
| FRA-301      | 139   | 11.75"  | 1.62"         | wo/weight | 14-12 |
| FRA-302      | N/A   | 10.75"  | 2.50"         | wo/weight | N/A   |
| FRA-303      | N/A   | 10.75"  | 2.185"        | wo/weight | N/A   |
| FRA-305      | 165   | 13.88"  | 2.67"         | w/weight  | 14-12 |
| FRA-306      | 148   | 12.44"  | 1.247"        | w/weight  | 14-12 |
| FRA-307      | 139   | 11.77"  | 1.90"         | wo/weight | 14-12 |
| FRA-309      | N/A   | 11.125" | 2.185"        | wo/weight | N/A   |
| FRA-311      | 153   | 12.882" | 1.50"         | wo/weight | 12    |
| FRA-312      | 153   | 12.882" | 2.50"         | wo/weight | 12    |
| FRA-316      | 164   | 14.24"  | 1.752"        | w/weight  | 12    |
| FRA-317      | 164   | 14.23"  | 1.75"         | wo/weight | 12    |
| FRA-319      | 162   | 13.642" | 3.00"         | wo/weight | 14-12 |
| FRA-321      | 168   | 14.13"  | 2.49"         | w/weight  | 14-12 |
| FRA-322      | 142   | 11.91"  | 1.10"         | w/weight  | 12    |
| FRA-323      | 142   | 11.91"  | 1.10"         | w/weight  | 12    |
| FRA-324      | 142   | 11.91"  | 1.26"         | w/weight  | 12    |
| FRA-325      | 135   | 13.71"  | 2.461"        | w/weight  | 12-10 |
| FRA-326      | 148   | 12.41"  | 1.263"        | wo/weight | 12    |
| FRA-327      | 142   | 11.91"  | 1.26"         | w/weight  | 12    |
| FRA-328      | 142   | 11.91"  | 1.26"         | w/weight  | 12    |

## FLEX-PLATE SPECIFICATION SHEET

| Pioneer Part | Teeth | O.D.     | Crank. Ctr H. | BALANCE   | Pitch |
|--------------|-------|----------|---------------|-----------|-------|
| FRA-329      | 142   | 11.91"   | 1.26"         | w/weight  | 12    |
| FRA-331      | 164   | 13.83"   | X             | wo/weight | 14-12 |
| FRA-332      | 142   | 12.50"   | 1.129"        | wo/weight | 14-12 |
| FRA-333      | 164   | 13.83"   | 2.69"         | wo/weight | 14-12 |
| FRA-334      | 139   | 11.75"   | 1.625"        | wo/weight | 14-12 |
| FRA-335      | 164   | 14.24"   | 1.752"        | w/weight  | 12    |
| FRA-336      | 142   | 11.91"   | 1.089"        | w/weight  | 14-12 |
| FRA-337      | 142   | 11.91"   | 1.09"         | w/weight  | 14-12 |
| FRA-338      | 142   | 11.91"   | 1.077"        | w/weight  | 14-12 |
| FRA-339      | 142   | 11.91"   | 1.103"        | w/weight  | 12    |
| FRA-408      | 164   | 14.23"   | 1.74'         | wo/weight | 12    |
| FRA-410      | 164   | 13.83"   | 2.685"        | wo/weight | 14-12 |
| FRA-411      | 164   | 13.83"   | 2.75"         | w/weight  | 14-12 |
| FRA-413      | N/A   | 12.1875" | 2.14"         | wo/weight | N/A   |
| FRA-414      | 142   | 11.896"  | 32.07mm       | wo/weight | 14-12 |
| FRA-415      | 135   | 11.30"   | 1.74"         | w/weight  | 12    |
| FRA-416      | 135   | 11.30"   | 1.74"         | w/weight  | 12    |
| FRA-417      | 135   | 11.30"   | 1.74"         | w/weight  | 12    |
| FRA-418      | 148   | 12.40"   | 1.488"        | wo/weight | 12    |
| FRA-419      | 142   | 11.91"   | 1.249"        | wo/weight | 14-12 |
| FRA-420      | 155   | 15.68"   | 2.147"        | w/weight  | 10    |
| FRA-421      | 135   | 11.292"  | 1.2615"       | wo/weight | 12    |
| FRA-422      | 164   | 14.244"  | 1.75"         | wo/weight | 12    |
| FRA-423      | 164   | 14.25"   | 1.75"         | w/weight  | 12    |
| FRA-424      | 164   | 14.23"   | 1.75"         | w/weight  | 12    |
| FRA-425      | 135   | 11.29"   | 1.246"        | wo/weight | 12    |
| FRA-426      | 142   | 11.91"   | 1.262"        | wo/weight | 12    |
| FRA-427      | 139   | 11.75"   | 1.896"        | wo/weight | 12    |
| FRA-428      | 135   | 11.292"  | 1.2615"       | wo/weight | 12    |
| FRA-429      | 164   | 14.25"   | 1.75"         | wo/weight | 12    |
| FRA-433      | 112   | 11.38"   | 1.249"        | wo/weight | 10    |
| FRA-434      | 135   | 11.88"   | 1.74"         | wo/weight | 12    |
| FRA-435      | 138   | 11.75"   | 1.736'        | wo/weight | 12    |
| FRA-436      | 155   | 15.63"   | 2.133"        | w/weight  | 10    |
| FRA-437      | 164   | 14.25"   | 1.75"         | wo/weight | 12    |
| FRA-438      | 164   | 14.25"   | 1.75"         | wo/weight | 12    |
| FRA-439      | 135   | 11.31"   | 1.75"         | wo/weight | 12    |
| FRA-440      | 135   | 11.25"   | 1.747"        | wo/weight | 12    |
| FRA-441      | 138   | 11.69"   | .976"         | wo/weight | 12    |
| FRA-442      | 164   | 14.244"  | 1.75"         | wo/weight | 12    |
| FRA-443      | 164   | 14.25"   | 1.75"         | wo/weight | 12    |
| FRA-450      | 168   | 14.13"   | 2.06"         | wo/weight | 14-12 |
| FRA-451      | 106   | 10.60"   | 1.89"         | wo/weight | 12-10 |
| FRA-452      | 168   | 14.13"   | 2.06"         | wo/weight | 12-10 |

## FLEX-PLATE SPECIFICATION SHEET

| Pioneer Part | Teeth | O.D.     | Crank. Ctr H. | BALANCE   | Pitch |
|--------------|-------|----------|---------------|-----------|-------|
| FRA-453      | 117   | 11.91"   | 1.249'        | wo/weight | 10    |
| FRA-454      | 105   | 10.735"  | 1.327"        | wo/weight | 10    |
| FRA-455      | 120   | 12.05"   | 1.67"         | wo/weight | 10    |
| FRA-456      | 120   | 12.00"   | 1.18          | wo/weight | 10    |
| FRA-457      | 120   | 12.00"   | 1.159"        | wo/weight | 10    |
| FRA-458      | 105   | 10.735"  | 1.69'         | wo/weight | 10    |
| FRA-459      | 120   | 12.05"   | 1.736"        | wo/weight | 10    |
| FRA-460      | 106   | 10.66"   | 1.396"        | wo/weight | 10    |
| FRA-461      | 115   | 11.604"  | 1.6547"       | wo/weight | 10    |
| FRA-462      | 115   | 11.600"  | 1.6547"       | wo/weight | 10    |
| FRA-464      | 120   | 11.95"   | 1.65"         | wo/weight | 10    |
| FRA-465      | 120   | 11.95"   | 1.65"         | wo/weight | 10    |
| FRA-466      | 142   | 11.88"   | 1.37"         | wo/weight | 12    |
| FRA-467      | 135   | 11.292"  | 1.2615"       | wo/weight | 12    |
| FRA-468      | 135   | 11.25"   | 1.249"        | wo/weight | 12    |
| FRA-469      | N/A   | 9.375"   | 1.606"        | wo/weight | N/A   |
| FRA-470      | 164   | 14.24"   | 1.744"        | w/weight  | 12    |
| FRA-471      | 168   | 14.13"   | 2.06"         | wo/weight | 14-12 |
| FRA-471HD    | 168   | 14.13"   | 2.06"         | wo/weight | 14-12 |
| FRA-472      | 168   | 14.13"   | 2.08"         | w/weight  | 14-12 |
| FRA-474      | N/A   | 9.375"   | 1.253"        | wo/weight | N/A   |
| FRA-475      | N/A   | 9.375"   | 1.609"        | wo/weight | N/A   |
| FRA-476      | N/A   | 9.625"   | 1.256"        | wo/weight | N/A   |
| FRA-477      | N/A   | 11.56"   | 2.14"         | wo/weight | N/A   |
| FRA-478      | N/A   | 11.56"   | 2.14"         | wo/weight | N/A   |
| FRA-480      | 164   | 13.83"   | 2.80"         | wo/weight | 14-12 |
| FRA-482      | 164   | 14.25"   | 1.75"         | wo/weight | 14-12 |
| FRA-483      | 132   | 11.25"   | 1.258"        | wo/weight | 12    |
| FRA-484      | 142   | 11.9375" | 1.26"         | w/weight  | 12    |
| FRA-486      | N/A   | 11.50"   | 2.16"         | w/weight  | N/A   |
| FRA-488      | 132   | 11.25"   | 1.26"         | wo/weight | 12    |
| FRA-490      | 155   | 15.720"  | 2.147"        | wo/weight | 10    |
| FRA-492      | 135   | 11.88"   | 1.725"        | wo/weight | 10    |
| FRA-494      | 135   | 11.88"   | 1.725"        | wo/weight | 10    |
| FRA-496      | 139   | 11.75"   | 1.90"         | wo/weight | 12    |
| FRA-500      | N/A   | 8.875"   | 1.26"         | wo/weight | N/A   |
| FRA-503      | 112   | 11.375"  | 1.14"         | wo/weight | N/A   |
| FRA-507      | 112   | 11.375"  | 1.14"         | w/weight  | N/A   |
| FRA-513      | N/A   | 7.5625"  | 1.260"        | wo/weight | N/A   |
| FRA-527      | N/A   | 11.56"   | 2.16"         | wo/weight | N/A   |
| FRA-531      | 168   | 14.13"   | 2.50"         | w/weight  | 14-12 |
| FRA-533      | 152   | 15.310"  | 1.80"         | wo/weight | 10    |
| FRA-534      | 135   | 11.3125" | 1.562"        | w/weight  | 10    |
| FRA-535      | 164   | 13.83"   | 2.81"         | wo/weight | 12    |



## FLEX-PLATE SPECIFICATION SHEET

| Pioneer Part | Teeth | O.D.     | Crank. Ctr H. | BALANCE   | Pitch |
|--------------|-------|----------|---------------|-----------|-------|
| FRA-537      | N/A   | 11.56"   | 2.15"         | wo/weight | N/A   |
| FRA-539      | 164   | 13.81"   | 2.81"         | wo/weight | 12    |
| FRA-540      | 142   | 11.91"   | 1.26"         | wo/weight | 12    |
| FRA-542      | 142   | 11.875"  | 1.25"         | wo/weight | 12    |
| FRA-544      | 135   | 11.25"   | .98"          | wo/weight | 10    |
| FRA-545      | 112   | 11.375"  | 1.25"         | wo/weight | N/A   |
| FRA-550      | 139   | 11.75"   | 1.90"         | wo/weight | 12    |
| FRA-551      | 131   | 12.750"  | 2.15"         | wo/weight | N/A   |
| FRA-552      | 152   | 15.375"  | 2.16"         | wo/weight | 10    |
| FRA-554      | 139   | 11.75"   | 1.88"         | wo/weight | 12    |
| FRA-559      | 161   | 13.50"   | 2.069"        | wo/weight | 12    |
| FRA-560      | 164   | 14.23"   | 1.75"         | wo/weight | 12    |
| FRA-560HD    | 164   | 14.23"   | 1.75"         | wo/weight | 12    |
| FRA-561      | 164   | 14.23"   | 1.45"         | wo/weight | 12    |
| FRA-562      | 164   | 14.23"   | 1.75"         | wo/weight | 12    |
| FRA-562HD    | 164   | 14.23"   | 1.75"         | wo/weight | 12    |
| FRA-563      | 164   | 14.23"   | 1.458"        | wo/weight | 12    |
| FRA-571      | 142   | 11.91"   | 1.10"         | wo/weight | 12    |
| FRA-572      | 135   | 11.3125" | 1.50"         | wo/weight | 10    |
| FRA-574      | 142   | 11.91"   | 1.26"         | w/weight  | 12    |
| FRA-575      | 142   | 11.91"   | 1.26"         | wo/weight | 12    |
| FRA-579      | 164   | 14.23"   | 1.75"         | wo/weight | 12    |
| FRA-587      | 139   | 13.8125" | 2.069"        | wo/weight | 12    |
| FRA-702      | 132   | 11.187"  | 1.75"         | wo/weight | 12    |
| FRA-703      | 168   | 14.135"  | 2.06"         | w/weight  | 14-12 |
| FRA-704      | 168   | 14.13"   | 2.06"         | w/weight  | 12    |

## PIONEER HD FLEX-PLATES TO SFI

| PIONEER HD # | DESCRIPTION             | SFI #  | REMARKS               |
|--------------|-------------------------|--------|-----------------------|
| FRA-100HD    | FLEX-PLATE ASSEMBLY SFI | 871001 |                       |
| FRA-104HD    | FLEX-PLATE ASSEMBLY SFI | 871002 |                       |
| FRA-111HD    | FLEX-PLATE ASSEMBLY SFI | 871003 |                       |
| FRA-112HD    | FLEX-PLATE ASSEMBLY SFI | 871004 |                       |
| FRA-159HD    | FLEX-PLATE ASSEMBLY SFI | 871006 |                       |
| FRA-111HD-35 | FLEX-PLATE ASSEMBLY SFI | 871008 |                       |
| FRA-203HD    | FLEX-PLATE ASSEMBLY SFI | 871009 |                       |
| FRA-160HD    | FLEX-PLATE ASSEMBLY SFI | 871010 |                       |
| FRA-471HD    | FLEX-PLATE ASSEMBLY SFI | 871019 |                       |
| FRA-214HD    | FLEX-PLATE ASSEMBLY SFI | 871020 |                       |
| FRA-560HD    | FLEX-PLATE ASSEMBLY SFI | 871021 |                       |
| FRA-562HD    | FLEX-PLATE ASSEMBLY SFI | 871022 |                       |
| FRA-533      | FLEX-PLATE ASSEMBLY SFI | 871200 | Not Available in "HD" |
| FRA-552      | FLEX-PLATE ASSEMBLY SFI | 871201 | Not Available in "HD" |

# FLYWHEEL APPLICATIONS

| Years            | Engine         | Remarks  | OE            | Pioneer # |
|------------------|----------------|--|---------------|-----------|
| <b>ACURA</b>     |                |  |               |           |
| <b>EL</b>        |                |  |               |           |
| 1997-00          | L4 1.6L 97 CI  |  | 22100-P05-000 | FW-366    |
| <b>INTEGRA</b>   |                |  |               |           |
| 1986-89          | L4 1.6L 97 CI  |  | 22100-PG7-J00 | FW-203    |
| 1990-01          | L4 1.8L 112 CI | From Engine Code #3316472, From Engine Code #3316471 | 22100P75005   | FW-377    |
| 1994             | L4 1.8L 112 CI | 112 Teeth; w/o Weight                                | 22100-P72305  | FW-157    |
| 1994-96          | L4 1.8L 110 CI | 112 Teeth; w/o Weight                                | 22100-P72305  | FW-157    |
| <b>BUICK</b>     |                |  |               |           |
| <b>SKYHAWK</b>   |                |  |               |           |
| 1982             | L4 1.8L 112 CI | 8.5" Cover   | 10118669      | FW-150    |
| 1983-89          | L4 2.0L 122 CI | 8.5" Cover   | 10118669      | FW-150    |
| <b>SKYLARK</b>   |                |  |               |           |
| 1980-85          | V6 2.8L 173 CI | 9.12" Cover  | 476575        | FW-111    |
| <b>CADILLAC</b>  |                |  |               |           |
| <b>CIMARRON</b>  |                |  |               |           |
| 1982             | L4 1.8L 112 CI | 8.5" Cover   | 10118669      | FW-150    |
| 1983-86          | L4 2.0L 122 CI | 8.5" Cover   | 10118669      | FW-150    |
| 1985-86          | V6 2.8L 173 CI | 9.12" Cover  | 476575        | FW-111    |
| 1987-88          | V6 2.8L 173 CI | 8.5" Cover   | 10118669      | FW-150    |
| <b>CHEVROLET</b> |                |  |               |           |
| <b>BEL AIR</b>   |                |  |               |           |
| 1965             | V8 6.7L 409 CI | 168 teeth; 14.13" O.D.                               | 3991469       | FW-100    |
| 1965-67          | V8 4.6L 283 CI | 168 teeth; 14.13" O.D.                               | 3991469       | FW-100    |
| 1965-69          | V8 6.5L 396 CI | 168 teeth; 14.13" O.D.                               | 3991469       | FW-100    |
| 1965-73          | L6 4.1L 250 CI | 168 teeth; 14.13" O.D.                               | 3991469       | FW-100    |
| 1966-69          | V8 7.0L 427 CI | 168 teeth; 14.13" O.D.                               | 3991469       | FW-100    |
| 1969-74          | V8 5.7L 350 CI | 168 teeth; 14.13" O.D.                               | 3991469       | FW-100    |
| 1970-74          | V8 6.6L 400 CI | Small Block; w/10,50" Cover                          | 3986394       | FW-102    |
| 1970-74          | V8 7.4L 454 CI | 168 Teeth; w/Weight                                  | 3993827       | FW-101    |
| 1972             | V8 6.6L 402 CI | Big Block; 168 teeth; 14.13" O.D.                    | 3991469       | FW-100    |
| <b>BERETTA</b>   |                |  |               |           |
| 1987-89          | L4 2.0L 122 CI | 8.5" Cover   | 10118669      | FW-150    |
| 1987-89          | V6 2.8L 173 CI | 8.5" Cover   | 10118669      | FW-150    |
| 1990-96          | L4 2.2L 134 CI | 8.5" Cover   | 10118669      | FW-150    |
| 1990-93          | V6 3.1L 189 CI | 8.5" Cover   | 10118669      | FW-150    |
| 1990-94          | L4 2.3L 140 CI | 142 Teeth; w/o Weight                                | 22533244      | FW-124    |
| <b>BISCAYNE</b>  |                |  |               |           |
| 1965             | L6 3.8L 230 CI | 168 teeth; 14.13" O.D.                               | 3991469       | FW-100    |
| 1965             | V8 6.7L 409 CI | 168 teeth; 14.13" O.D.                               | 3991469       | FW-100    |

# FLYWHEEL APPLICATIONS

| Years            | Engine         | Remarks                           | OE       | Pioneer # |
|------------------|----------------|-----------------------------------|----------|-----------|
| <b>CHEVROLET</b> |                |                                   |          |           |
| <b>BISCAYNE</b>  |                |                                   |          |           |
| 1965-69          | V8 6.5L 396 CI | 168 teeth; 14.13" O.D.            | 3991469  | FW-100    |
| 1966-67          | V8 4.6L 283 CI | 168 teeth; 14.13" O.D.            | 3991469  | FW-100    |
| 1966-68          | L6 4.1L 250 CI | 168 teeth; 14.13" O.D.            | 3991469  | FW-100    |
| 1966-68          | V8 5.3L 327 CI | 168 teeth; 14.13" O.D.            | 3991469  | FW-100    |
| 1966-69          | V8 7.0L 427 CI | 168 teeth; 14.13" O.D.            | 3991469  | FW-100    |
| 1968             | V8 5.4L 327 CI | 168 teeth; 14.13" O.D.            | 3991469  | FW-100    |
| 1969-72          | V8 5.7L 350 CI | 168 teeth; 14.13" O.D.            | 3991469  | FW-100    |
| 1970-72          | V8 6.6L 400 CI | Small Block; w/10.50" Cover       | 3986394  | FW-102    |
| 1970-72          | V8 7.4L 454 CI | 168 Teeth; w/Weight               | 3993827  | FW-101    |
| 1972             | V8 6.6L 402 CI | Big Block; 168 teeth; 14.13" O.D. | 3991469  | FW-100    |
| <b>BROOKWOOD</b> |                |                                   |          |           |
| 1969             | L6 4.1L 250 CI | 168 teeth; 14.13" O.D.            | 3991469  | FW-100    |
| 1969-72          | V8 5.7L 350 CI | 168 teeth; 14.13" O.D.            | 3991469  | FW-100    |
| 1970             | V8 6.6L 400 CI | Small Block; w/10.50" Cover       | 3986394  | FW-102    |
| 1972             | V8 6.6L 400 CI | Small Block; w/10.50" Cover       | 3986394  | FW-102    |
| 1972             | V8 6.6L 402 CI | Big Block; 168 teeth; 14.13" O.D. | 3991469  | FW-100    |
| <b>CAMARO</b>    |                |                                   |          |           |
| 1971             | L6 4.1L 250 CI | 168 teeth; 14.13" O.D.            | 3991469  | FW-100    |
| 1972             | V8 6.6L 402 CI | Big Block; 168 teeth; 14.13" O.D. | 3991469  | FW-100    |
| 1967-81          | V8 5.7L 350 CI | 168 teeth; 14.13" O.D.            | 3991469  | FW-100    |
| 1982-85          | V8 5.0L 305 CI | 153 Teeth; 12.75" O.D.            | 14085720 | FW-147    |
| 1986-92          | V8 5.0L 305 CI | 153 Teeth; w/Weight               | 14088646 | FW-148    |
| 1988-92          | V8 5.0L 305 CI | 153 Teeth; w/o Weight             | 14088650 | FW-156    |
| 1993-96          | V8 5.7L 350 CI | 153 Teeth; 12.875" O.D.           | 10125379 | FW-119    |
| 1996-02          | V6 3.8L 232 CI | 142 Teeth; w/o Weight             | 24503285 | FW-149    |
| <b>CAPRICE</b>   |                |                                   |          |           |
| 1966-67          | V8 4.6L 283 CI | 168 teeth; 14.13" O.D.            | 3991469  | FW-100    |
| 1966-68          | V8 5.3L 327 CI | 168 teeth; 14.13" O.D.            | 3991469  | FW-100    |
| 1966-69          | V8 7.0L 427 CI | 168 teeth; 14.13" O.D.            | 3991469  | FW-100    |
| 1967-68          | L6 4.1L 250 CI | 168 teeth; 14.13" O.D.            | 3991469  | FW-100    |
| 1968             | V8 5.4L 327 CI | 168 teeth; 14.13" O.D.            | 3991469  | FW-100    |
| 1969-74          | V8 5.7L 350 CI | 168 teeth; 14.13" O.D.            | 3991469  | FW-100    |
| 1970-74          | V8 7.4L 454 CI | 168 Teeth; w/Weight               | 3993827  | FW-101    |
| 1972             | V8 6.6L 402 CI | Big Block; 168 teeth; 14.13" O.D. | 3991469  | FW-100    |
| 1970             | V8 6.6L 400 CI | Small Block; w/10.50" Cover       | 3986394  | FW-102    |
| 1973             | V8 6.6L 400 CI | Small Block; w/10.50" Cover       | 3986394  | FW-102    |
| <b>CAVALIER</b>  |                |                                   |          |           |
| 1982             | L4 1.8L 112 CI | 8.5" Cover                        | 10118669 | FW-150    |
| 1983-89          | L4 2.0L 122 CI | 8.5" Cover                        | 10118669 | FW-150    |
| 1985             | V6 2.8L 173 CI | 9.12" Cover                       | 476575   | FW-111    |

# FLYWHEEL APPLICATIONS

| Years              | Engine         | Remarks                             | OE       | Pioneer # |
|--------------------|----------------|-------------------------------------|----------|-----------|
| <b>CHEVROLET</b>   |                |                                     |          |           |
| <b>CAVALIER</b>    |                |                                     |          |           |
| 1987-89            | V6 2.8L 173 CI | 8.5" Cover                          | 10118669 | FW-150    |
| 1990-02            | L4 2.2L 134 CI | 8.5" Cover                          | 10118669 | FW-150    |
| 1990-94            | V6 3.1L 189 CI | 8.5" Cover                          | 10118669 | FW-150    |
| 1995               | L4 2.2L 134 CI | 142 Teeth; w/Weight                 | 24574231 | FW-126    |
| 1995               | L4 2.3L 138 CI | 142 Teeth; w/Weight                 | 24574231 | FW-126    |
| 1996-99            | L4 2.4L 146 CI | 142 Teeth; w/Weight                 | 24574231 | FW-126    |
| <b>CELEBRITY</b>   |                |                                     |          |           |
| 1987-89            | V6 2.8L 173 CI | 8.5" Cover                          | 10118669 | FW-150    |
| <b>CHEVELLE</b>    |                |                                     |          |           |
| 1967               | V8 4.6L 283 CI | 168 teeth; 14.13" O.D.              | 3991469  | FW-100    |
| 1967               | V8 5.3L 327 CI | 168 teeth; 14.13" O.D.              | 3991469  | FW-100    |
| 1967               | V8 5.4L 327 CI | 168 teeth; 14.13" O.D.              | 3991469  | FW-100    |
| 1970               | L6 4.1L 250 CI | 168 teeth; 14.13" O.D.              | 3991469  | FW-100    |
| 1970-71            | V8 6.6L 400 CI | Small Block; w/10.50" Cover         | 3986394  | FW-102    |
| 1970-72            | V8 5.7L 350 CI | 168 teeth; 14.13" O.D.              | 3991469  | FW-100    |
| 1970-73            | V8 7.4L 454 CI | 168 Teeth; w/Weight                 | 3993827  | FW-101    |
| 1972               | V8 6.6L 402 CI | Big Block; 168 teeth; 14.13" O.D.   | 3991469  | FW-100    |
| <b>CITATION</b>    |                |                                     |          |           |
| 1981-83            | V6 2.8L 173 CI | 9.12" Cover                         | 476575   | FW-111    |
| <b>CITATION II</b> |                |                                     |          |           |
| 1984-85            | V6 2.8L 173 CI | 9.12" Cover                         | 476575   | FW-111    |
| <b>CORSICA</b>     |                |                                     |          |           |
| 1987-89            | L4 2.0L 122 CI | 8.5" Cover                          | 10118669 | FW-150    |
| 1987-89            | V6 2.8L 173 CI | 8.5" Cover                          | 10118669 | FW-150    |
| 1990-96            | L4 2.2L 134 CI | 8.5" Cover                          | 10118669 | FW-150    |
| 1990-93            | V6 3.1L 189 CI | 8.5" Cover                          | 10118669 | FW-150    |
| <b>CORVETTE</b>    |                |                                     |          |           |
| 1966-69            | V8 7.0L 427 CI | 168 teeth; 14.13" O.D.              | 3991469  | FW-100    |
| 1967-69            | V8 7.0L 427 CI | 153 Teeth; 12.75" O.D.              | 14085720 | FW-147    |
| 1970-72            | V8 5.7L 350 CI | 153 Teeth; 12.75" O.D.              | 14085720 | FW-147    |
| 1984-85            | V8 5.7L 350 CI | 153 Teeth; 12.75" O.D.              | 14085720 | FW-147    |
| 1970-74            | V8 7.4L 454 CI | 168 Teeth; w/Weight                 | 3993827  | FW-101    |
| 1972-81            | V8 5.7L 350 CI | 168 teeth; 14.13" O.D.              | 3991469  | FW-100    |
| 1986-88            | V8 5.7L 350 CI | w/o ZR1 Option, 153 Teeth; w/Weight | 14088646 | FW-148    |
| <b>IMPALA</b>      |                |                                     |          |           |
| 1965               | L6 3.8L 230 CI | 168 teeth; 14.13" O.D.              | 3991469  | FW-100    |
| 1965               | V8 6.7L 409 CI | 168 teeth; 14.13" O.D.              | 3991469  | FW-100    |
| 1966-67            | V8 4.6L 283 CI | 168 teeth; 14.13" O.D.              | 3991469  | FW-100    |
| 1966-67            | V8 7.0L 427 CI | 168 teeth; 14.13" O.D.              | 3991469  | FW-100    |
| 1966-68            | V8 5.3L 327 CI | 168 teeth; 14.13" O.D.              | 3991469  | FW-100    |

# FLYWHEEL APPLICATIONS

| Years              | Engine         | Remarks                           | OE                                   | Pioneer # |
|--------------------|----------------|-----------------------------------|--------------------------------------|-----------|
| <b>CHEVROLET</b>   |                |                                   |                                      |           |
| <b>IMPALA</b>      |                |                                   |                                      |           |
| 1966-68            | V8 5.4L 327 CI | 168 teeth; 14.13" O.D.            | 3991469                              | FW-100    |
| 1969-74            | V8 5.7L 350 CI | 168 teeth; 14.13" O.D.            | 3991469                              | FW-100    |
| 1966-68            | L6 4.1L 250 CI | 168 teeth; 14.13" O.D.            | 3991469                              | FW-100    |
| 1970-71            | L6 4.1L 250 CI | 168 teeth; 14.13" O.D.            | 3991469                              | FW-100    |
| 1970-74            | V8 7.4L 454 CI | 168 Teeth; w/Weight               | 3993827                              | FW-101    |
| 1972               | V8 6.6L 402 CI | Big Block; 168 teeth; 14.13" O.D. | 3991469                              | FW-100    |
| 1970               | V8 6.6L 400 CI | Small Block; w/10.50" Cover       | 3986394                              | FW-102    |
| 1973               | V8 6.6L 400 CI | Small Block; w/10.50" Cover       | 3986394                              | FW-102    |
| <b>KINGSWOOD</b>   |                |                                   |                                      |           |
| 1969-70            | V8 5.7L 350 CI | 168 teeth; 14.13" O.D.            | 3991469                              | FW-100    |
| 1970               | V8 6.6L 400 CI | Small Block; w/10.50" Cover       | 3986394                              | FW-102    |
| 1972               | V8 6.6L 402 CI | Big Block; 168 teeth; 14.13" O.D. | 3991469                              | FW-100    |
| 1970               | V8 7.4L 454 CI | 168 Teeth; w/Weight               | 3993827                              | FW-101    |
| 1972               | V8 7.4L 454 CI | 168 Teeth; w/Weight               | 3993827                              | FW-101    |
| <b>LAGUNA</b>      |                |                                   |                                      |           |
| 1973-74            | V8 7.4L 454 CI | 168 Teeth; w/Weight               | 3993827                              | FW-101    |
| 1974-76            | V8 6.6L 400 CI | Small Block; w/10.50" Cover       | 3986394                              | FW-102    |
| <b>LUMINA</b>      |                |                                   |                                      |           |
| 1991-93            | V6 3.4L 207 CI | 142 Teeth; w/o Weight             | 10162024                             | FW-120    |
| <b>MALIBU</b>      |                |                                   |                                      |           |
| 1973               | V8 5.7L 350 CI | 168 teeth; 14.13" O.D.            | 3991469                              | FW-100    |
| 1974-76            | V8 6.6L 400 CI | Small Block; w/10.50" Cover       | 3986394                              | FW-102    |
| 1973-75            | V8 7.4L 454 CI | 168 Teeth; w/Weight               | 3993827                              | FW-101    |
| <b>METRO</b>       |                |                                   |                                      |           |
| 1998-00            | L3 1.0L 61 CI  |                                   | 96064507                             | FW-186    |
| <b>MONTE CARLO</b> |                |                                   |                                      |           |
| 1970-74            | V8 5.7L 350 CI | 168 teeth; 14.13" O.D.            | 3991469                              | FW-100    |
| 1970-75            | V8 7.4L 454 CI | 168 Teeth; w/Weight               | 3993827                              | FW-101    |
| 1971               | V8 6.6L 402 CI | Small Block; w/10.50" Cover       | 3986394                              | FW-102    |
| 1971               | V8 6.6L 400 CI | Small Block; w/10.50" Cover       | 3986394                              | FW-102    |
| 1973               | V8 6.6L 400 CI | Small Block; w/10.50" Cover       | 3986394                              | FW-102    |
| <b>NOVA</b>        |                |                                   |                                      |           |
| 1970               | L6 4.1L 250 CI | 168 teeth; 14.13" O.D.            | 3991469                              | FW-100    |
| 1969-70            | V8 5.7L 350 CI | 168 teeth; 14.13" O.D.            | 3991469                              | FW-100    |
| 1972-74            | V8 5.7L 350 CI | 168 teeth; 14.13" O.D.            | 3991469                              | FW-100    |
| 1973               | V8 5.0L 307 CI | 168 teeth; 14.13" O.D.            | 3991469                              | FW-100    |
| 1985-88            | L4 1.6L 97 CI  |                                   | 94840045 / 13405-19075 / 13405-15030 | FW-187    |
| <b>TOWNSMAN</b>    |                |                                   |                                      |           |
| 1970-71            | V8 6.6L 400 CI | Small Block; w/10.50" Cover       | 3986394                              | FW-102    |
| 1969-72            | V8 5.7L 350 CI | 168 teeth; 14.13" O.D.            | 3991469                              | FW-100    |

# FLYWHEEL APPLICATIONS

| Years                  | Engine         | Remarks                           | OE                 | Pioneer # |
|------------------------|----------------|-----------------------------------|--------------------|-----------|
| <b>CHEVROLET</b>       |                |                                   |                    |           |
| <b>TOWNSMAN</b>        |                |                                   |                    |           |
| 1972                   | V8 6.6L 402 CI | Big Block; 168 teeth; 14.13" O.D. | 3991469            | FW-100    |
| 1970                   | V8 7.4L 454 CI | 168 Teeth; w/Weight               | 3993827            | FW-101    |
| 1972                   | V8 7.4L 454 CI | 168 Teeth; w/Weight               | 3993827            | FW-101    |
| <b>CHEVROLET TRUCK</b> |                |                                   |                    |           |
| <b>ASTRO</b>           |                |                                   |                    |           |
| 1985                   | V6 4.3L 262 CI | 168 teeth; 14.13" O.D.            | 3991469            | FW-100    |
| 1986-89                | V6 4.3L 262 CI | 168 Teeth; w/Weight               | 10105832, 14088648 | FW-109    |
| <b>BLAZER</b>          |                |                                   |                    |           |
| 1969-73                | V8 5.0L 307 CI | 168 teeth; 14.13" O.D.            | 3991469            | FW-100    |
| 1969-74                | L6 4.1L 250 CI | 168 teeth; 14.13" O.D.            | 3991469            | FW-100    |
| 1969-74                | V8 5.7L 350 CI | 168 teeth; 14.13" O.D.            | 3991469            | FW-100    |
| 1970                   | L6 4.8L 292 CI | 168 Teeth; w/o Weight             | 93414855           | FW-103    |
| 1973                   | L6 4.8L 292 CI | 168 Teeth; w/o Weight             | 93414855           | FW-103    |
| 1970                   | L6 4.8L 293 CI | 168 Teeth; w/o Weight             | 93414855           | FW-103    |
| 1973                   | L6 4.8L 293 CI | 168 Teeth; w/o Weight             | 93414855           | FW-103    |
| 1973                   | V8 7.4L 454 CI | 168 Teeth; w/Weight               | 3993827            | FW-101    |
| 1987-91                | V8 6.2L 379 CI |                                   | 14077160           | FW-270    |
| 1995-99                | V6 4.3L 262 CI | 168 Teeth; w/Weight               | 14103282           | FW-110    |
| <b>C10</b>             |                |                                   |                    |           |
| 1975-80                | L6 4.8L 292 CI | 168 Teeth; w/o Weight             | 93414855           | FW-103    |
| 1975-80                | V8 7.4L 454 CI | 168 Teeth; w/Weight               | 3993827            | FW-101    |
| 1975-84                | L6 4.1L 250 CI | 168 teeth; 14.13" O.D.            | 3991469            | FW-100    |
| 1977-85                | V8 5.0L 305 CI | 168 teeth; 14.13" O.D.            | 3991469            | FW-100    |
| 1975-85                | V8 5.7L 350 CI | 168 teeth; 14.13" O.D.            | 3991469            | FW-100    |
| 1986                   | V6 4.3L 262 CI | 168 Teeth; w/Weight               | 10105832, 14088648 | FW-109    |
| 1986                   | V8 5.0L 305 CI | 168 Teeth; w/Weight               | 10105832, 14088648 | FW-109    |
| 1986                   | V8 5.7L 350 CI | 168 Teeth; w/Weight               | 10105832, 14088648 | FW-109    |
| <b>C10 PICKUP</b>      |                |                                   |                    |           |
| 1965-66                | L6 3.8L 230 CI | 168 teeth; 14.13" O.D.            | 3991469            | FW-100    |
| 1965-67                | V8 4.6L 283 CI | 168 teeth; 14.13" O.D.            | 3991469            | FW-100    |
| 1966-68                | V8 5.3L 327 CI | 168 teeth; 14.13" O.D.            | 3991469            | FW-100    |
| 1968                   | V8 5.4L 327 CI | 168 teeth; 14.13" O.D.            | 3991469            | FW-100    |
| 1970-72                | V8 6.6L 402 CI | Big Block; 168 teeth; 14.13" O.D. | 3991469            | FW-100    |
| 1966-69                | L6 4.1L 250 CI | 168 teeth; 14.13" O.D.            | 3991469            | FW-100    |
| 1972-74                | L6 4.1L 250 CI | 168 teeth; 14.13" O.D.            | 3991469            | FW-100    |
| 1970                   | V8 5.0L 307 CI | 168 teeth; 14.13" O.D.            | 3991469            | FW-100    |
| 1973                   | V8 5.0L 307 CI | 168 teeth; 14.13" O.D.            | 3991469            | FW-100    |
| 1968-71                | L6 4.8L 292 CI | 168 Teeth; w/o Weight             | 93414855           | FW-103    |
| 1973-74                | L6 4.8L 292 CI | 168 Teeth; w/o Weight             | 93414855           | FW-103    |
| 1967-71                | L6 4.8L 293 CI | 168 Teeth; w/o Weight             | 93414855           | FW-103    |

# FLYWHEEL APPLICATIONS

| Years                  | Engine         | Remarks                                  | OE                 | Pioneer # |
|------------------------|----------------|--|--------------------|-----------|
| <b>CHEVROLET TRUCK</b> |                |  |                    |           |
| <b>C10 PICKUP</b>      |                |  |                    |           |
| 1973-74                | L6 4.8L 293 CI | 168 Teeth; w/o Weight                    | 93414855           | FW-103    |
| 1973-74                | V8 7.4L 454 CI | 168 Teeth; w/Weight                      | 3993827            | FW-101    |
| 1973-74                | V8 5.7L 350 CI | 168 teeth; 14.13" O.D.                   | 3991469            | FW-100    |
| <b>C10 SUBURBAN</b>    |                |  |                    |           |
| 1967                   | L6 4.8L 293 CI | 168 teeth; 14.13" O.D.                   | 3991469            | FW-100    |
| 1967                   | V8 4.6L 283 CI | 168 teeth; 14.13" O.D.                   | 3991469            | FW-100    |
| 1968                   | V8 5.3L 327 CI | 168 teeth; 14.13" O.D.                   | 3991469            | FW-100    |
| 1968                   | V8 5.4L 327 CI | 168 teeth; 14.13" O.D.                   | 3991469            | FW-100    |
| 1968-69                | V8 6.5L 396 CI | 168 teeth; 14.13" O.D.                   | 3991469            | FW-100    |
| 1970-71                | V8 6.6L 402 CI | Big Block; 168 teeth; 14.13" O.D.        | 3991469            | FW-100    |
| 1968-70                | V8 5.0L 307 CI | 168 teeth; 14.13" O.D.                   | 3991469            | FW-100    |
| 1972-73                | V8 5.0L 307 CI | 168 teeth; 14.13" O.D.                   | 3991469            | FW-100    |
| 1968-71                | L6 4.8L 292 CI | 168 Teeth; w/o Weight                    | 93414855           | FW-103    |
| 1973-74                | L6 4.8L 292 CI | 168 Teeth; w/o Weight                    | 93414855           | FW-103    |
| 1968-71                | L6 4.8L 293 CI | 168 Teeth; w/o Weight                    | 93414855           | FW-103    |
| 1973-74                | L6 4.8L 293 CI | 168 Teeth; w/o Weight                    | 93414855           | FW-103    |
| 1973-80                | V8 7.4L 454 CI | 168 Teeth; w/Weight                      | 3993827            | FW-101    |
| 1967-80                | L6 4.1L 250 CI | 168 teeth; 14.13" O.D.                   | 3991469            | FW-100    |
| 1969-84                | V8 5.7L 350 CI | 168 teeth; 14.13" O.D.                   | 3991469            | FW-100    |
| 1977-84                | V8 5.0L 305 CI | 168 teeth; 14.13" O.D.                   | 3991469            | FW-100    |
| <b>C1500</b>           |                |  |                    |           |
| 1988-93                | V8 6.2L 379 CI |  | 14077160           | FW-270    |
| 1988-98                | V8 5.0L 305 CI | 168 Teeth; w/Weight                      | 10105832, 14088648 | FW-109    |
| 1990                   | V8 7.4L 454 CI | 168 Teeth; w/Weight                      | 3993827            | FW-101    |
| 1991-93                | V8 7.4L 454 CI | 168 Teeth; w/Weight                      | 10101169           | FW-118    |
| 1994-95                | V6 4.3L 262 CI | 168 Teeth; w/Weight                      | 10218653           | FW-121    |
| 1994-95                | V8 6.5L 395 CI | Single Mass (Solid) Flywheel - Luk Style | 15958496           | FW-137    |
| 1996                   | V8 6.5L 395 CI | w/12" Clutch Dual Mass Flywheel          | 15958496           | FW-106    |
| 1988-93                | V6 4.3L 262 CI | 168 Teeth; w/Weight                      | 14103282           | FW-110    |
| 1996-98                | V6 4.3L 262 CI | 168 Teeth; w/Weight                      | 14103282           | FW-110    |
| 1988-98                | V8 5.7L 350 CI | 168 Teeth; w/Weight                      | 10105832, 14088648 | FW-109    |
| 1997-98                | V8 6.5L 395 CI | 139 Teeth; w/o Weight                    | 12556799           | FW-152    |
| <b>C20</b>             |                |  |                    |           |
| 1975-84                | L6 4.1L 250 CI | 168 teeth; 14.13" O.D.                   | 3991469            | FW-100    |
| 1975-85                | V8 5.7L 350 CI | 168 teeth; 14.13" O.D.                   | 3991469            | FW-100    |
| 1975-86                | L6 4.8L 292 CI | 168 Teeth; w/o Weight                    | 93414855           | FW-103    |
| 1975-86                | V8 7.4L 454 CI | 168 Teeth; w/Weight                      | 3993827            | FW-101    |
| 1977-85                | V8 5.0L 305 CI | 168 teeth; 14.13" O.D.                   | 3991469            | FW-100    |
| 1985                   | V6 4.3L 262 CI | 168 teeth; 14.13" O.D.                   | 3991469            | FW-100    |
| 1986                   | V6 4.3L 262 CI | 168 Teeth; w/Weight                      | 10105832, 14088648 | FW-109    |



# FLYWHEEL APPLICATIONS

| Years                  | Engine         | Remarks   | OE                 | Pioneer # |
|------------------------|----------------|---|--------------------|-----------|
| <b>CHEVROLET TRUCK</b> |                |   |                    |           |
| <b>C20</b>             |                |   |                    |           |
| 1986                   | V8 5.0L 305 CI | 168 Teeth; w/Weight                                       | 10105832, 14088648 | FW-109    |
| 1986                   | V8 5.7L 350 CI | 168 Teeth; w/Weight                                       | 10105832, 14088648 | FW-109    |
| <b>C20 PICKUP</b>      |                |   |                    |           |
| 1965                   | L6 3.8L 230 CI | 168 teeth; 14.13" O.D.                                    | 3991469            | FW-100    |
| 1965-67                | V8 4.6L 283 CI | 168 teeth; 14.13" O.D.                                    | 3991469            | FW-100    |
| 1966-68                | V8 5.3L 327 CI | 168 teeth; 14.13" O.D.                                    | 3991469            | FW-100    |
| 1967-74                | L6 4.8L 293 CI | 168 Teeth; w/o Weight                                     | 93414855           | FW-103    |
| 1968                   | V8 5.4L 327 CI | 168 teeth; 14.13" O.D.                                    | 3991469            | FW-100    |
| 1968-74                | L6 4.8L 292 CI | 168 Teeth; w/o Weight                                     | 93414855           | FW-103    |
| 1969-74                | V8 5.7L 350 CI | 168 teeth; 14.13" O.D.                                    | 3991469            | FW-100    |
| 1970-71                | V8 6.6L 402 CI | Big Block; 168 teeth; 14.13" O.D.                         | 3991469            | FW-100    |
| 1966-69                | L6 4.1L 250 CI | 168 teeth; 14.13" O.D.                                    | 3991469            | FW-100    |
| 1971-74                | L6 4.1L 250 CI | 168 teeth; 14.13" O.D.                                    | 3991469            | FW-100    |
| 1970                   | V8 5.0L 307 CI | 168 teeth; 14.13" O.D.                                    | 3991469            | FW-100    |
| 1972                   | V8 5.0L 307 CI | 168 teeth; 14.13" O.D.                                    | 3991469            | FW-100    |
| 1973-74                | V8 7.4L 454 CI | 168 Teeth; w/Weight                                       | 3993827            | FW-101    |
| <b>C20 SUBURBAN</b>    |                |   |                    |           |
| 1968                   | V8 5.3L 327 CI | 168 teeth; 14.13" O.D.                                    | 3991469            | FW-100    |
| 1968                   | V8 5.4L 327 CI | 168 teeth; 14.13" O.D.                                    | 3991469            | FW-100    |
| 1968-69                | V8 6.5L 396 CI | 168 teeth; 14.13" O.D.                                    | 3991469            | FW-100    |
| 1968-74                | L6 4.1L 250 CI | 168 teeth; 14.13" O.D.                                    | 3991469            | FW-100    |
| 1968-82                | L6 4.8L 292 CI | 168 Teeth; w/o Weight                                     | 93414855           | FW-103    |
| 1968-74                | L6 4.8L 293 CI | 168 Teeth; w/o Weight                                     | 93414855           | FW-103    |
| 1969-84                | V8 5.7L 350 CI | 168 teeth; 14.13" O.D.                                    | 3991469            | FW-100    |
| 1970-71                | V8 6.6L 402 CI | 168 teeth; 14.13" O.D., Big Block; 168 teeth; 14.13" O.D. | 3991469            | FW-100    |
| 1970                   | V8 5.0L 307 CI | 168 teeth; 14.13" O.D.                                    | 3991469            | FW-100    |
| 1972-73                | V8 5.0L 307 CI | 168 teeth; 14.13" O.D.                                    | 3991469            | FW-100    |
| 1973-79                | V8 7.4L 454 CI | 168 Teeth; w/Weight                                       | 3993827            | FW-101    |
| 1981                   | V8 7.4L 454 CI | 168 Teeth; w/Weight                                       | 3993827            | FW-101    |
| 1976                   | V8 6.6L 400 CI | 168 teeth; 14.13" O.D.                                    | 3991469            | FW-100    |
| 1977-84                | V8 5.0L 305 CI | 168 teeth; 14.13" O.D.                                    | 3991469            | FW-100    |
| <b>C2500</b>           |                |   |                    |           |
| 1988-93                | V6 4.3L 262 CI | 168 Teeth; w/Weight                                       | 14103282           | FW-110    |
| 1988-93                | V8 6.2L 379 CI |   | 14077160           | FW-270    |
| 1988-94                | V8 5.0L 305 CI | 168 Teeth; w/Weight                                       | 10105832, 14088648 | FW-109    |
| 1996-98                | V8 5.0L 305 CI | 168 Teeth; w/Weight                                       | 10105832, 14088648 | FW-109    |
| 1991-95                | V8 7.4L 454 CI | 168 Teeth; w/Weight                                       | 10101169           | FW-118    |
| 1992-95                | V8 6.5L 395 CI | Single Mass (Solid) Flywheel - Luk Style                  | 15958496           | FW-137    |
| 1994-95                | V6 4.3L 262 CI | 168 Teeth; w/Weight                                       | 10218653           | FW-121    |

# FLYWHEEL APPLICATIONS

| Years                  | Engine         | Remarks                                  | OE                 | Pioneer # |
|------------------------|----------------|--|--------------------|-----------|
| <b>CHEVROLET TRUCK</b> |                |  |                    |           |
| <b>C2500</b>           |                |  |                    |           |
| 1994                   | V8 6.5L 395 CI | w/12" Clutch Dual Mass Flywheel          | 15958496           | FW-106    |
| 1996                   | V8 6.5L 395 CI | w/12" Clutch Dual Mass Flywheel          | 15958496           | FW-106    |
| 1988-94                | V8 5.7L 350 CI | 168 Teeth; w/Weight                      | 10105832, 14088648 | FW-109    |
| 1996-98                | V8 5.7L 350 CI | 168 Teeth; w/Weight                      | 10105832, 14088648 | FW-109    |
| 1997-00                | V8 6.5L 395 CI | 139 Teeth; w/o Weight                    | 12556799           | FW-152    |
| 1995                   | V8 5.7L 350 CI |  | 12562814           | FW-122    |
| 1997                   | V8 5.7L 350 CI |  | 12562814           | FW-122    |
| 1999-00                | V8 5.7L 350 CI |  | 12562814           | FW-122    |
| <b>C30</b>             |                |  |                    |           |
| 1975-86                | L6 4.8L 292 CI | 168 Teeth; w/o Weight                    | 93414855           | FW-103    |
| 1975-86                | V8 7.4L 454 CI | 168 Teeth; w/Weight                      | 3993827            | FW-101    |
| 1975-85                | V8 5.7L 350 CI | 168 teeth; 14.13" O.D.                   | 3991469            | FW-100    |
| 1978-79                | V8 5.0L 305 CI | 168 teeth; 14.13" O.D.                   | 3991469            | FW-100    |
| 1975                   | L6 4.1L 250 CI | 168 teeth; 14.13" O.D.                   | 3991469            | FW-100    |
| 1978-80                | L6 4.1L 250 CI | 168 teeth; 14.13" O.D.                   | 3991469            | FW-100    |
| 1986                   | V8 5.7L 350 CI | 168 Teeth; w/Weight                      | 10105832, 14088648 | FW-109    |
| <b>C30 PICKUP</b>      |                |  |                    |           |
| 1965                   | L6 3.8L 230 CI | 168 teeth; 14.13" O.D.                   | 3991469            | FW-100    |
| 1965-67                | V8 4.6L 283 CI | 168 teeth; 14.13" O.D.                   | 3991469            | FW-100    |
| 1967-74                | L6 4.8L 293 CI | 168 Teeth; w/o Weight                    | 93414855           | FW-103    |
| 1966                   | V8 5.3L 327 CI | 168 teeth; 14.13" O.D.                   | 3991469            | FW-100    |
| 1968                   | V8 5.3L 327 CI | 168 teeth; 14.13" O.D.                   | 3991469            | FW-100    |
| 1968                   | V8 5.4L 327 CI | 168 teeth; 14.13" O.D.                   | 3991469            | FW-100    |
| 1968-73                | V8 5.0L 307 CI | 168 teeth; 14.13" O.D.                   | 3991469            | FW-100    |
| 1968-74                | L6 4.8L 292 CI | 168 Teeth; w/o Weight                    | 93414855           | FW-103    |
| 1966-69                | L6 4.1L 250 CI | 168 teeth; 14.13" O.D.                   | 3991469            | FW-100    |
| 1971-74                | L6 4.1L 250 CI | 168 teeth; 14.13" O.D.                   | 3991469            | FW-100    |
| 1973-74                | V8 7.4L 454 CI | 168 Teeth; w/Weight                      | 3993827            | FW-101    |
| 1969-74                | V8 5.7L 350 CI | 168 teeth; 14.13" O.D.                   | 3991469            | FW-100    |
| <b>C3500</b>           |                |  |                    |           |
| 1988-90                | V8 7.4L 454 CI | 168 Teeth; w/Weight                      | 3993827            | FW-101    |
| 1988-93                | V8 6.2L 379 CI |  | 14077160           | FW-270    |
| 1988-95                | V8 5.7L 350 CI | 168 Teeth; w/Weight                      | 10105832, 14088648 | FW-109    |
| 1991-95                | V8 7.4L 454 CI | 168 Teeth; w/Weight                      | 10101169           | FW-118    |
| 1992-95                | V8 6.5L 395 CI | Single Mass (Solid) Flywheel - Luk Style | 15958496           | FW-137    |
| 1996                   | V8 6.5L 395 CI | w/12" Clutch Dual Mass Flywheel          | 15958496           | FW-106    |
| 1996-00                | V8 5.7L 350 CI |  | 12562814           | FW-122    |
| 1997-00                | V8 6.5L 395 CI | 139 Teeth; w/o Weight                    | 12556799           | FW-152    |
| <b>EL CAMINO</b>       |                |  |                    |           |
| 1970-74                | V8 7.4L 454 CI | 168 Teeth; w/Weight                      | 3993827            | FW-101    |

# FLYWHEEL APPLICATIONS

| Years                  | Engine         | Remarks                     | OE                 | Pioneer # |
|------------------------|----------------|-----------------------------|--------------------|-----------|
| <b>CHEVROLET TRUCK</b> |                |                             |                    |           |
| <b>EL CAMINO</b>       |                |                             |                    |           |
| 1970                   | V8 6.6L 400 CI | Small Block; w/10.50" Cover | 3986394            | FW-102    |
| 1974                   | V8 6.6L 400 CI | Small Block; w/10.50" Cover | 3986394            | FW-102    |
| <b>G10</b>             |                |                             |                    |           |
| 1975-84                | L6 4.1L 250 CI | 168 teeth; 14.13" O.D.      | 3991469            | FW-100    |
| 1975-85                | V8 5.7L 350 CI | 168 teeth; 14.13" O.D.      | 3991469            | FW-100    |
| 1977-85                | V8 5.0L 305 CI | 168 teeth; 14.13" O.D.      | 3991469            | FW-100    |
| 1986-89                | V6 4.3L 262 CI | 168 Teeth; w/Weight         | 10105832, 14088648 | FW-109    |
| 1986-90                | V8 5.0L 305 CI | 168 Teeth; w/Weight         | 10105832, 14088648 | FW-109    |
| 1986-90                | V8 5.7L 350 CI | 168 Teeth; w/Weight         | 10105832, 14088648 | FW-109    |
| 1990                   | V6 4.3L 262 CI | 168 Teeth; w/Weight         | 14103282           | FW-110    |
| <b>G10 VAN</b>         |                |                             |                    |           |
| 1968-73                | V8 5.0L 307 CI | 168 teeth; 14.13" O.D.      | 3991469            | FW-100    |
| 1970                   | L6 4.1L 250 CI | 168 teeth; 14.13" O.D.      | 3991469            | FW-100    |
| 1972-74                | L6 4.1L 250 CI | 168 teeth; 14.13" O.D.      | 3991469            | FW-100    |
| 1973-74                | V8 7.4L 454 CI | 168 Teeth; w/Weight         | 3993827            | FW-101    |
| 1970-74                | V8 5.7L 350 CI | 168 teeth; 14.13" O.D.      | 3991469            | FW-100    |
| <b>G20</b>             |                |                             |                    |           |
| 1975-80                | L6 4.8L 292 CI | 168 Teeth; w/o Weight       | 93414855           | FW-103    |
| 1975-84                | L6 4.1L 250 CI | 168 teeth; 14.13" O.D.      | 3991469            | FW-100    |
| 1975-85                | V8 5.7L 350 CI | 168 teeth; 14.13" O.D.      | 3991469            | FW-100    |
| 1976                   | V8 7.4L 454 CI | 168 Teeth; w/Weight         | 3993827            | FW-101    |
| 1977-85                | V8 5.0L 305 CI | 168 teeth; 14.13" O.D.      | 3991469            | FW-100    |
| 1985                   | V6 4.3L 262 CI | 168 teeth; 14.13" O.D.      | 3991469            | FW-100    |
| 1986-89                | V6 4.3L 262 CI | 168 Teeth; w/Weight         | 10105832, 14088648 | FW-109    |
| 1986-90                | V8 5.0L 305 CI | 168 Teeth; w/Weight         | 10105832, 14088648 | FW-109    |
| 1986-90                | V8 5.7L 350 CI | 168 Teeth; w/Weight         | 10105832, 14088648 | FW-109    |
| 1990                   | V6 4.3L 262 CI | 168 Teeth; w/Weight         | 14103282           | FW-110    |
| <b>G20 VAN</b>         |                |                             |                    |           |
| 1970-74                | V8 5.7L 350 CI | 168 teeth; 14.13" O.D.      | 3991469            | FW-100    |
| 1972-74                | L6 4.1L 250 CI | 168 teeth; 14.13" O.D.      | 3991469            | FW-100    |
| 1971                   | L6 4.8L 292 CI | 168 Teeth; w/o Weight       | 93414855           | FW-103    |
| 1973-74                | L6 4.8L 292 CI | 168 Teeth; w/o Weight       | 93414855           | FW-103    |
| 1971                   | L6 4.8L 293 CI | 168 Teeth; w/o Weight       | 93414855           | FW-103    |
| 1973-74                | L6 4.8L 293 CI | 168 Teeth; w/o Weight       | 93414855           | FW-103    |
| 1973-74                | V8 7.4L 454 CI | 168 Teeth; w/Weight         | 3993827            | FW-101    |
| <b>G30</b>             |                |                             |                    |           |
| 1975-79                | L6 4.8L 292 CI | 168 Teeth; w/o Weight       | 93414855           | FW-103    |
| 1975-85                | V8 5.7L 350 CI | 168 teeth; 14.13" O.D.      | 3991469            | FW-100    |
| 1976                   | L6 4.1L 250 CI | 168 teeth; 14.13" O.D.      | 3991469            | FW-100    |
| 1978-79                | L6 4.1L 250 CI | 168 teeth; 14.13" O.D.      | 3991469            | FW-100    |

# FLYWHEEL APPLICATIONS

| Years                  | Engine         | Remarks                | OE                 | Pioneer # |
|------------------------|----------------|------------------------|--------------------|-----------|
| <b>CHEVROLET TRUCK</b> |                |                        |                    |           |
| <b>G30</b>             |                |                        |                    |           |
| 1981-84                | L6 4.1L 250 CI | 168 teeth; 14.13" O.D. | 3991469            | FW-100    |
| 1985                   | V6 4.3L 262 CI | 168 teeth; 14.13" O.D. | 3991469            | FW-100    |
| 1978-79                | V8 5.0L 305 CI | 168 teeth; 14.13" O.D. | 3991469            | FW-100    |
| 1982                   | V8 5.0L 305 CI | 168 teeth; 14.13" O.D. | 3991469            | FW-100    |
| 1985                   | V8 5.0L 305 CI | 168 teeth; 14.13" O.D. | 3991469            | FW-100    |
| 1986-89                | V6 4.3L 262 CI | 168 Teeth; w/Weight    | 10105832, 14088648 | FW-109    |
| 1986-90                | V8 5.7L 350 CI | 168 Teeth; w/Weight    | 10105832, 14088648 | FW-109    |
| 1975-76                | V8 7.4L 454 CI | 168 Teeth; w/Weight    | 3993827            | FW-101    |
| 1988-90                | V8 7.4L 454 CI | 168 Teeth; w/Weight    | 3993827            | FW-101    |
| <b>G30 VAN</b>         |                |                        |                    |           |
| 1972-74                | L6 4.1L 250 CI | 168 teeth; 14.13" O.D. | 3991469            | FW-100    |
| 1973-74                | V8 7.4L 454 CI | 168 Teeth; w/Weight    | 3993827            | FW-101    |
| 1971-72                | L6 4.8L 292 CI | 168 Teeth; w/o Weight  | 93414855           | FW-103    |
| 1974                   | L6 4.8L 292 CI | 168 Teeth; w/o Weight  | 93414855           | FW-103    |
| 1971-74                | V8 5.7L 350 CI | 168 teeth; 14.13" O.D. | 3991469            | FW-100    |
| <b>K10</b>             |                |                        |                    |           |
| 1975-84                | L6 4.1L 250 CI | 168 teeth; 14.13" O.D. | 3991469            | FW-100    |
| 1975-85                | V8 5.7L 350 CI | 168 teeth; 14.13" O.D. | 3991469            | FW-100    |
| 1975-76                | L6 4.8L 292 CI | 168 Teeth; w/o Weight  | 93414855           | FW-103    |
| 1979-80                | L6 4.8L 292 CI | 168 Teeth; w/o Weight  | 93414855           | FW-103    |
| 1976                   | V8 7.4L 454 CI | 168 Teeth; w/Weight    | 3993827            | FW-101    |
| 1979-80                | V8 7.4L 454 CI | 168 Teeth; w/Weight    | 3993827            | FW-101    |
| 1977-79                | V8 5.0L 305 CI | 168 teeth; 14.13" O.D. | 3991469            | FW-100    |
| 1981-85                | V8 5.0L 305 CI | 168 teeth; 14.13" O.D. | 3991469            | FW-100    |
| 1985                   | V6 4.3L 262 CI | 168 teeth; 14.13" O.D. | 3991469            | FW-100    |
| 1986                   | V6 4.3L 262 CI | 168 Teeth; w/Weight    | 10105832, 14088648 | FW-109    |
| 1986                   | V8 5.0L 305 CI | 168 Teeth; w/Weight    | 10105832, 14088648 | FW-109    |
| 1986                   | V8 5.7L 350 CI | 168 Teeth; w/Weight    | 10105832, 14088648 | FW-109    |
| <b>K10 PICKUP</b>      |                |                        |                    |           |
| 1965-67                | V8 4.6L 283 CI | 168 teeth; 14.13" O.D. | 3991469            | FW-100    |
| 1966-67                | L6 3.8L 230 CI | 168 teeth; 14.13" O.D. | 3991469            | FW-100    |
| 1966-68                | V8 5.3L 327 CI | 168 teeth; 14.13" O.D. | 3991469            | FW-100    |
| 1968                   | V8 5.4L 327 CI | 168 teeth; 14.13" O.D. | 3991469            | FW-100    |
| 1968-69                | V8 5.0L 307 CI | 168 teeth; 14.13" O.D. | 3991469            | FW-100    |
| 1968-69                | V8 6.5L 396 CI | 168 teeth; 14.13" O.D. | 3991469            | FW-100    |
| 1969-74                | V8 5.7L 350 CI | 168 teeth; 14.13" O.D. | 3991469            | FW-100    |
| 1967-68                | L6 4.8L 293 CI | 168 teeth; 14.13" O.D. | 3991469            | FW-100    |
| 1971                   | L6 4.8L 293 CI | 168 teeth; 14.13" O.D. | 3991469            | FW-100    |
| 1966-74                | L6 4.1L 250 CI | 168 teeth; 14.13" O.D. | 3991469            | FW-100    |
| 1974                   | V8 7.4L 454 CI | 168 Teeth; w/Weight    | 3993827            | FW-101    |

# FLYWHEEL APPLICATIONS

| Years                  | Engine         | Remarks                                  | OE                 | Pioneer # |
|------------------------|----------------|--|--------------------|-----------|
| <b>CHEVROLET TRUCK</b> |                |  |                    |           |
| <b>K10 SUBURBAN</b>    |                |  |                    |           |
| 1968-69                | V8 6.5L 396 CI | Big Block; 168 teeth; 14.13" O.D.        | 3991469            | FW-100    |
| 1968-71                | V8 5.0L 307 CI | 168 teeth; 14.13" O.D.                   | 3991469            | FW-100    |
| 1968-80                | L6 4.1L 250 CI | 168 teeth; 14.13" O.D.                   | 3991469            | FW-100    |
| 1970-72                | V8 6.6L 402 CI | Big Block; 168 teeth; 14.13" O.D.        | 3991469            | FW-100    |
| 1969-84                | V8 5.7L 350 CI | 168 teeth; 14.13" O.D.                   | 3991469            | FW-100    |
| 1977-80                | V8 5.0L 305 CI | 168 teeth; 14.13" O.D.                   | 3991469            | FW-100    |
| 1982                   | V8 5.0L 305 CI | 168 teeth; 14.13" O.D.                   | 3991469            | FW-100    |
| 1984                   | V8 5.0L 305 CI | 168 teeth; 14.13" O.D.                   | 3991469            | FW-100    |
| <b>K1500</b>           |                |  |                    |           |
| 1988-93                | V8 6.2L 379 CI |  | 14077160           | FW-270    |
| 1994-95                | V6 4.3L 262 CI | 168 Teeth; w/Weight                      | 10218653           | FW-121    |
| 1994-95                | V8 6.5L 395 CI | Single Mass (Solid) Flywheel - Luk Style | 15958496           | FW-137    |
| 1996                   | V8 6.5L 395 CI | w/12" Clutch Dual Mass Flywheel          | 15958496           | FW-106    |
| 1988-93                | V6 4.3L 262 CI | 168 Teeth; w/Weight                      | 14103282           | FW-110    |
| 1996-98                | V6 4.3L 262 CI | 168 Teeth; w/Weight                      | 14103282           | FW-110    |
| 1988-98                | V8 5.0L 305 CI | 168 Teeth; w/Weight                      | 10105832, 14088648 | FW-109    |
| 1988-98                | V8 5.7L 350 CI | 168 Teeth; w/Weight                      | 10105832, 14088648 | FW-109    |
| 1997-98                | V8 6.5L 395 CI | 139 Teeth; w/o Weight                    | 12556799           | FW-152    |
| <b>K20</b>             |                |  |                    |           |
| 1975-85                | V8 5.7L 350 CI | 168 teeth; 14.13" O.D.                   | 3991469            | FW-100    |
| 1975-86                | L6 4.8L 292 CI | 168 Teeth; w/o Weight                    | 93414855           | FW-103    |
| 1975-76                | L6 4.1L 250 CI | 168 teeth; 14.13" O.D.                   | 3991469            | FW-100    |
| 1978-80                | L6 4.1L 250 CI | 168 teeth; 14.13" O.D.                   | 3991469            | FW-100    |
| 1976-78                | V8 7.4L 454 CI | 168 Teeth; w/Weight                      | 3993827            | FW-101    |
| 1980                   | V8 7.4L 454 CI | 168 Teeth; w/Weight                      | 3993827            | FW-101    |
| 1985                   | V6 4.3L 262 CI | 168 teeth; 14.13" O.D.                   | 3991469            | FW-100    |
| 1977-78                | V8 5.0L 305 CI | 168 teeth; 14.13" O.D.                   | 3991469            | FW-100    |
| 1980                   | V8 5.0L 305 CI | 168 teeth; 14.13" O.D.                   | 3991469            | FW-100    |
| 1985                   | V8 5.0L 305 CI | 168 teeth; 14.13" O.D.                   | 3991469            | FW-100    |
| 1986                   | V8 5.7L 350 CI | 168 Teeth; w/Weight                      | 10105832, 14088648 | FW-109    |
| <b>K20 PICKUP</b>      |                |  |                    |           |
| 1965                   | L6 3.8L 230 CI | 168 teeth; 14.13" O.D.                   | 3991469            | FW-100    |
| 1965-67                | V8 4.6L 283 CI | 168 teeth; 14.13" O.D.                   | 3991469            | FW-100    |
| 1966-68                | V8 5.3L 327 CI | 168 teeth; 14.13" O.D.                   | 3991469            | FW-100    |
| 1968                   | V8 5.4L 327 CI | 168 teeth; 14.13" O.D.                   | 3991469            | FW-100    |
| 1968-69                | V8 5.0L 307 CI | 168 teeth; 14.13" O.D.                   | 3991469            | FW-100    |
| 1969                   | L6 4.8L 292 CI | 168 teeth; 14.13" O.D.                   | 3991469            | FW-100    |
| 1965-66                | L6 4.8L 293 CI | 168 teeth; 14.13" O.D.                   | 3991469            | FW-100    |
| 1969                   | L6 4.8L 293 CI | 168 teeth; 14.13" O.D.                   | 3991469            | FW-100    |
| 1969                   | V8 6.5L 396 CI | 168 teeth; 14.13" O.D.                   | 3991469            | FW-100    |

# FLYWHEEL APPLICATIONS

| Years                  | Engine         | Remarks                                  | OE                 | Pioneer # |
|------------------------|----------------|--|--------------------|-----------|
| <b>CHEVROLET TRUCK</b> |                |  |                    |           |
| <b>K20 PICKUP</b>      |                |  |                    |           |
| 1969-74                | V8 5.7L 350 CI | 168 teeth; 14.13" O.D.                   | 3991469            | FW-100    |
| 1967                   | L6 4.8L 293 CI | 168 Teeth; w/o Weight                    | 93414855           | FW-103    |
| 1970-74                | L6 4.8L 293 CI | 168 Teeth; w/o Weight                    | 93414855           | FW-103    |
| 1966-69                | L6 4.1L 250 CI | 168 teeth; 14.13" O.D.                   | 3991469            | FW-100    |
| 1971-74                | L6 4.1L 250 CI | 168 teeth; 14.13" O.D.                   | 3991469            | FW-100    |
| 1970-74                | L6 4.8L 292 CI | 168 Teeth; w/o Weight                    | 93414855           | FW-103    |
| 1973-74                | V8 7.4L 454 CI | 168 Teeth; w/Weight                      | 3993827            | FW-101    |
| <b>K20 SUBURBAN</b>    |                |  |                    |           |
| 1968-73                | V8 5.0L 307 CI | 168 teeth; 14.13" O.D.                   | 3991469            | FW-100    |
| 1968-74                | L6 4.8L 293 CI | 168 Teeth; w/o Weight                    | 93414855           | FW-103    |
| 1969-84                | V8 5.7L 350 CI | 168 teeth; 14.13" O.D.                   | 3991469            | FW-100    |
| 1968-74                | L6 4.1L 250 CI | 168 teeth; 14.13" O.D.                   | 3991469            | FW-100    |
| 1973                   | V8 7.4L 454 CI | 168 Teeth; w/Weight                      | 3993827            | FW-101    |
| 1968-82                | L6 4.8L 292 CI | 168 Teeth; w/o Weight                    | 93414855           | FW-103    |
| 1977-78                | V8 5.0L 305 CI | 168 teeth; 14.13" O.D.                   | 3991469            | FW-100    |
| <b>K2500</b>           |                |  |                    |           |
| 1988-93                | V6 4.3L 262 CI | 168 Teeth; w/Weight                      | 14103282           | FW-110    |
| 1988-93                | V8 6.2L 379 CI |  | 14077160           | FW-270    |
| 1988-95                | V8 5.7L 350 CI | 168 Teeth; w/Weight                      | 10105832, 14088648 | FW-109    |
| 1997-98                | V8 5.7L 350 CI | 168 Teeth; w/Weight                      | 10105832, 14088648 | FW-109    |
| 1991-95                | V8 7.4L 454 CI | 168 Teeth; w/Weight                      | 10101169           | FW-118    |
| 1992-95                | V8 6.5L 395 CI | Single Mass (Solid) Flywheel - Luk Style | 15958496           | FW-137    |
| 1994-95                | V6 4.3L 262 CI | 168 Teeth; w/Weight                      | 10218653           | FW-121    |
| 1996                   | V8 6.5L 395 CI | w/12" Clutch Dual Mass Flywheel          | 15958496           | FW-106    |
| 1997-00                | V8 6.5L 395 CI | 139 Teeth; w/o Weight                    | 12556799           | FW-152    |
| 1997-98                | V8 5.7L 350 CI |  | 12562814           | FW-122    |
| 1988-95                | V8 5.0L 305 CI | 168 Teeth; w/Weight                      | 10105832, 14088648 | FW-109    |
| 1998                   | V8 5.0L 305 CI | 168 Teeth; w/Weight                      | 10105832, 14088648 | FW-109    |
| <b>K30</b>             |                |  |                    |           |
| 1977-85                | V8 5.7L 350 CI | 168 teeth; 14.13" O.D.                   | 3991469            | FW-100    |
| 1977-86                | L6 4.8L 292 CI | 168 Teeth; w/o Weight                    | 93414855           | FW-103    |
| 1977                   | V8 7.4L 454 CI | 168 Teeth; w/Weight                      | 3993827            | FW-101    |
| 1980-86                | V8 7.4L 454 CI | 168 Teeth; w/Weight                      | 3993827            | FW-101    |
| 1986                   | V8 5.7L 350 CI | 168 Teeth; w/Weight                      | 10105832, 14088648 | FW-109    |
| <b>K30 PICKUP</b>      |                |  |                    |           |
| 1968-69                | V8 6.5L 396 CI | 168 teeth; 14.13" O.D.                   | 3991469            | FW-100    |
| 1968-73                | V8 5.0L 307 CI | 168 teeth; 14.13" O.D.                   | 3991469            | FW-100    |
| 1968-74                | L6 4.1L 250 CI | 168 teeth; 14.13" O.D.                   | 3991469            | FW-100    |
| 1968-74                | L6 4.8L 292 CI | 168 Teeth; w/o Weight                    | 93414855           | FW-103    |
| 1968-74                | L6 4.8L 293 CI | 168 Teeth; w/o Weight                    | 93414855           | FW-103    |

# FLYWHEEL APPLICATIONS

| Years                  | Engine         | Remarks                                  | OE                 | Pioneer # |
|------------------------|----------------|--|--------------------|-----------|
| <b>CHEVROLET TRUCK</b> |                |  |                    |           |
| <b>K30 PICKUP</b>      |                |  |                    |           |
| 1969-74                | V8 5.7L 350 CI | 168 teeth; 14.13" O.D.                   | 3991469            | FW-100    |
| 1970-71                | V8 6.6L 402 CI | Big Block; 168 teeth; 14.13" O.D.        | 3991469            | FW-100    |
| 1973-74                | V8 7.4L 454 CI | 168 Teeth; w/Weight                      | 3993827            | FW-101    |
| <b>K3500</b>           |                |  |                    |           |
| 1988-90                | V8 7.4L 454 CI | 168 Teeth; w/Weight                      | 3993827            | FW-101    |
| 1988-93                | V8 6.2L 379 CI |  | 14077160           | FW-270    |
| 1991-95                | V8 7.4L 454 CI | 168 Teeth; w/Weight                      | 10101169           | FW-118    |
| 1992-95                | V8 6.5L 395 CI | Single Mass (Solid) Flywheel - Luk Style | 15958496           | FW-137    |
| 1988-96                | V8 5.7L 350 CI | 168 Teeth; w/Weight                      | 10105832, 14088648 | FW-109    |
| 1996                   | V8 6.5L 395 CI | w/12" Clutch Dual Mass Flywheel          | 15958496           | FW-106    |
| 1996-98                | V8 5.7L 350 CI |  | 12562814           | FW-122    |
| 1997-00                | V8 6.5L 395 CI | 139 Teeth; w/o Weight                    | 12556799           | FW-152    |
| <b>K5 BLAZER</b>       |                |  |                    |           |
| 1975-79                | V8 6.6L 400 CI | 168 teeth; 14.13" O.D.                   | 3991469            | FW-100    |
| 1975-82                | L6 4.1L 250 CI | 168 teeth; 14.13" O.D.                   | 3991469            | FW-100    |
| 1975-83                | V8 5.7L 350 CI | 168 teeth; 14.13" O.D.                   | 3991469            | FW-100    |
| 1976-78                | V8 7.4L 454 CI | 168 Teeth; w/Weight                      | 3993827            | FW-101    |
| 1977-83                | V8 5.0L 305 CI | 168 teeth; 14.13" O.D.                   | 3991469            | FW-100    |
| 1986                   | V8 5.7L 350 CI | 168 Teeth; w/Weight                      | 10105832, 14088648 | FW-109    |
| <b>P10</b>             |                |  |                    |           |
| 1975-80                | L6 4.8L 292 CI | 168 Teeth; w/o Weight                    | 93414855           | FW-103    |
| <b>P10 SERIES</b>      |                |  |                    |           |
| 1967                   | L6 4.8L 293 CI | 168 Teeth; w/o Weight                    | 93414855           | FW-103    |
| <b>P10 VAN</b>         |                |  |                    |           |
| 1973                   | V8 7.4L 454 CI | 168 Teeth; w/Weight                      | 3993827            | FW-101    |
| <b>P20</b>             |                |  |                    |           |
| 1975-85                | V8 5.7L 350 CI | 168 teeth; 14.13" O.D.                   | 3991469            | FW-100    |
| 1975-89                | L6 4.8L 292 CI | 168 Teeth; w/o Weight                    | 93414855           | FW-103    |
| 1976                   | V8 7.4L 454 CI | 168 Teeth; w/Weight                      | 3993827            | FW-101    |
| 1979                   | V8 7.4L 454 CI | 168 Teeth; w/Weight                      | 3993827            | FW-101    |
| <b>P20 SERIES</b>      |                |  |                    |           |
| 1965                   | L6 3.8L 230 CI | 168 teeth; 14.13" O.D.                   | 3991469            | FW-100    |
| 1965-66                | L6 4.8L 293 CI | 168 teeth; 14.13" O.D.                   | 3991469            | FW-100    |
| 1966                   | L6 4.1L 250 CI | 168 teeth; 14.13" O.D.                   | 3991469            | FW-100    |
| 1967                   | L6 4.8L 293 CI | 168 Teeth; w/o Weight                    | 93414855           | FW-103    |
| <b>P20 VAN</b>         |                |  |                    |           |
| 1968-74                | L6 4.8L 292 CI | 168 Teeth; w/o Weight                    | 93414855           | FW-103    |
| 1970-74                | L6 4.1L 250 CI | 168 teeth; 14.13" O.D.                   | 3991469            | FW-100    |
| 1968-69                | V8 5.0L 307 CI | 168 teeth; 14.13" O.D.                   | 3991469            | FW-100    |
| 1973                   | V8 5.0L 307 CI | 168 teeth; 14.13" O.D.                   | 3991469            | FW-100    |

# FLYWHEEL APPLICATIONS

| Years                  | Engine         | Remarks                | OE                 | Pioneer # |
|------------------------|----------------|------------------------|--------------------|-----------|
| <b>CHEVROLET TRUCK</b> |                |                        |                    |           |
| <b>P20 VAN</b>         |                |                        |                    |           |
| 1970-71                | V8 7.4L 454 CI | 168 Teeth; w/Weight    | 3993827            | FW-101    |
| 1973                   | V8 7.4L 454 CI | 168 Teeth; w/Weight    | 3993827            | FW-101    |
| 1970-74                | V8 5.7L 350 CI | 168 teeth; 14.13" O.D. | 3991469            | FW-100    |
| <b>P30</b>             |                |                        |                    |           |
| 1975-85                | V8 5.7L 350 CI | 168 teeth; 14.13" O.D. | 3991469            | FW-100    |
| 1975-89                | L6 4.8L 292 CI | 168 Teeth; w/o Weight  | 93414855           | FW-103    |
| 1975-90                | V8 7.4L 454 CI | 168 Teeth; w/Weight    | 3993827            | FW-101    |
| 1976                   | L6 4.1L 250 CI | 168 teeth; 14.13" O.D. | 3991469            | FW-100    |
| 1979                   | L6 4.1L 250 CI | 168 teeth; 14.13" O.D. | 3991469            | FW-100    |
| 1994-95                | V6 4.3L 262 CI | 168 Teeth; w/Weight    | 10218653           | FW-121    |
| 1996                   | V8 5.7L 350 CI |                        | 10105832, 14088648 | FW-109    |
| 1990-93                | V6 4.3L 262 CI | 168 Teeth; w/Weight    | 14103282           | FW-110    |
| 1996-98                | V6 4.3L 262 CI | 168 Teeth; w/Weight    | 14103282           | FW-110    |
| 1996-99                | V8 5.7L 350 CI |                        | 12562814           | FW-122    |
| <b>P30 SERIES</b>      |                |                        |                    |           |
| 1965                   | L6 3.8L 230 CI | 168 teeth; 14.13" O.D. | 3991469            | FW-100    |
| 1965-66                | L6 4.8L 293 CI | 168 teeth; 14.13" O.D. | 3991469            | FW-100    |
| 1966-67                | L6 4.1L 250 CI | 168 teeth; 14.13" O.D. | 3991469            | FW-100    |
| 1967                   | L6 4.8L 293 CI | 168 Teeth; w/o Weight  | 93414855           | FW-103    |
| <b>P30 VAN</b>         |                |                        |                    |           |
| 1968-74                | L6 4.8L 292 CI | 168 Teeth; w/o Weight  | 93414855           | FW-103    |
| 1972                   | V8 6.6L 402 CI | 168 teeth; 14.13" O.D. | 3991469            | FW-100    |
| 1968-69                | V8 5.0L 307 CI | 168 teeth; 14.13" O.D. | 3991469            | FW-100    |
| 1973                   | V8 5.0L 307 CI | 168 teeth; 14.13" O.D. | 3991469            | FW-100    |
| 1971-74                | L6 4.1L 250 CI | 168 teeth; 14.13" O.D. | 3991469            | FW-100    |
| 1970-71                | V8 7.4L 454 CI | 168 Teeth; w/Weight    | 3993827            | FW-101    |
| 1973-74                | V8 7.4L 454 CI | 168 Teeth; w/Weight    | 3993827            | FW-101    |
| 1970-74                | V8 5.7L 350 CI | 168 teeth; 14.13" O.D. | 3991469            | FW-100    |
| <b>R10</b>             |                |                        |                    |           |
| 1987                   | V6 4.3L 262 CI | 168 Teeth; w/Weight    | 10105832, 14088648 | FW-109    |
| 1987                   | V8 5.0L 305 CI | 168 Teeth; w/Weight    | 10105832, 14088648 | FW-109    |
| 1987                   | V8 5.7L 350 CI | 168 Teeth; w/Weight    | 10105832, 14088648 | FW-109    |
| 1987                   | V8 6.2L 379 CI |                        | 14077160           | FW-270    |
| <b>R20</b>             |                |                        |                    |           |
| 1987                   | V6 4.3L 262 CI | 168 Teeth; w/Weight    | 10105832, 14088648 | FW-109    |
| 1987                   | V8 5.0L 305 CI | 168 Teeth; w/Weight    | 10105832, 14088648 | FW-109    |
| 1987-88                | L6 4.8L 292 CI | 168 Teeth; w/o Weight  | 93414855           | FW-103    |
| 1987-88                | V8 5.7L 350 CI | 168 Teeth; w/Weight    | 10105832, 14088648 | FW-109    |
| 1987-88                | V8 6.2L 379 CI |                        | 14077160           | FW-270    |
| 1987-88                | V8 7.4L 454 CI | 168 Teeth; w/Weight    | 3993827            | FW-101    |



# FLYWHEEL APPLICATIONS

| Years                  | Engine         | Remarks   | OE                 | Pioneer # |
|------------------------|----------------|---|--------------------|-----------|
| <b>CHEVROLET TRUCK</b> |                |   |                    |           |
| <b>R20 SUBURBAN</b>    |                |   |                    |           |
| 1987-88                | V8 5.7L 350 CI | 168 Teeth; w/Weight   | 10105832, 14088648 | FW-109    |
| 1987-88                | V8 6.2L 379 CI |   | 14077160           | FW-270    |
| 1987-88                | V8 7.4L 454 CI | 168 Teeth; w/Weight   | 3993827            | FW-101    |
| <b>R2500</b>           |                |   |                    |           |
| 1989                   | V8 6.2L 379 CI |   | 14077160           | FW-270    |
| 1989                   | V8 7.4L 454 CI | 168 Teeth; w/Weight   | 3993827            | FW-101    |
| <b>R30</b>             |                |   |                    |           |
| 1987-88                | L6 4.8L 292 CI | 168 Teeth; w/o Weight   | 93414855           | FW-103    |
| 1987-88                | V8 5.7L 350 CI | 168 Teeth; w/Weight   | 10105832, 14088648 | FW-109    |
| 1987-88                | V8 6.2L 379 CI |   | 14077160           | FW-270    |
| 1987-88                | V8 7.4L 454 CI | 168 Teeth; w/Weight   | 3993827            | FW-101    |
| <b>R3500</b>           |                |   |                    |           |
| 1989-90                | V8 7.4L 454 CI | 168 Teeth; w/Weight   | 3993827            | FW-101    |
| 1989-91                | V8 5.7L 350 CI | 168 Teeth; w/Weight   | 10105832, 14088648 | FW-109    |
| 1989-91                | V8 6.2L 379 CI |   | 14077160           | FW-270    |
| 1991                   | V8 7.4L 454 CI | 168 Teeth; w/Weight   | 10101169           | FW-118    |
| <b>S10</b>             |                |   |                    |           |
| 1985-93                | L4 2.5L 151 CI | 148 Teeth; w/o Weight   | 10044410           | FW-112    |
| 1989-93                | V6 2.8L 173 CI | 148 Teeth; w/o Weight   | 14100556           | FW-123    |
| 1994-02                | L4 2.2L 134 CI | 8.5" Cover  | 10118669           | FW-150    |
| 1992                   | V6 4.3L 262 CI | 168 Teeth; w/Weight, Does not fit replacement Goodwrench Engine | 14103282           | FW-110    |
| 1995-99                | V6 4.3L 262 CI | 168 Teeth; w/Weight, Does not fit replacement Goodwrench Engine | 14103282           | FW-110    |
| <b>S10 BLAZER</b>      |                |   |                    |           |
| 1985-88                | L4 2.5L 151 CI | 148 Teeth; w/o Weight   | 10044410           | FW-112    |
| 1988-89                | V6 2.8L 173 CI | 148 Teeth; w/o Weight   | 14100556           | FW-123    |
| 1988-94                | V6 4.3L 262 CI | 168 Teeth; w/Weight   | 14103282           | FW-110    |
| 1993-94                | V6 4.3L 262 CI | 168 Teeth; w/Weight   | 10218653           | FW-121    |
| <b>SUBURBAN</b>        |                |   |                    |           |
| 1965-66                | L6 3.8L 230 CI | 168 teeth; 14.13" O.D.  | 3991469            | FW-100    |
| 1965-66                | L6 4.8L 293 CI | 168 teeth; 14.13" O.D.  | 3991469            | FW-100    |
| 1965-66                | V8 4.6L 283 CI | 168 teeth; 14.13" O.D.  | 3991469            | FW-100    |
| 1966                   | L6 4.1L 250 CI | 168 teeth; 14.13" O.D.  | 3991469            | FW-100    |
| 1966                   | V8 5.3L 327 CI | 168 teeth; 14.13" O.D.  | 3991469            | FW-100    |
| <b>TAHOE</b>           |                |   |                    |           |
| 1995                   | V8 5.7L 350 CI | 168 Teeth; w/Weight   | 10105832, 14088648 | FW-109    |
| <b>TRUCK</b>           |                |   |                    |           |
| 1957-58                | V8 4.6L 283 CI | 168 teeth; 14.13" O.D.  | 3991469            | FW-100    |
| 1960                   | V8 4.6L 283 CI | 168 teeth; 14.13" O.D.  | 3991469            | FW-100    |

# FLYWHEEL APPLICATIONS

| Years                  | Engine         | Remarks                | OE                 | Pioneer # |
|------------------------|----------------|------------------------|--------------------|-----------|
| <b>CHEVROLET TRUCK</b> |                |                        |                    |           |
| <b>V10</b>             |                |                        |                    |           |
| 1987                   | V8 5.0L 305 CI | 168 Teeth; w/Weight    | 10105832, 14088648 | FW-109    |
| 1987                   | V8 5.7L 350 CI | 168 Teeth; w/Weight    | 10105832, 14088648 | FW-109    |
| 1987                   | V8 6.2L 379 CI |                        | 14077160           | FW-270    |
| <b>V10 SUBURBAN</b>    |                |                        |                    |           |
| 1987-88                | V8 5.7L 350 CI | 168 Teeth; w/Weight    | 10105832, 14088648 | FW-109    |
| 1987-88                | V8 6.2L 379 CI |                        | 14077160           | FW-270    |
| <b>V20</b>             |                |                        |                    |           |
| 1987                   | L6 4.8L 292 CI | 168 Teeth; w/o Weight  | 93414855           | FW-103    |
| 1987                   | V8 5.7L 350 CI | 168 Teeth; w/Weight    | 10105832, 14088648 | FW-109    |
| 1987                   | V8 6.2L 379 CI |                        | 14077160           | FW-270    |
| <b>V20 SUBURBAN</b>    |                |                        |                    |           |
| 1987-88                | V8 5.7L 350 CI | 168 Teeth; w/Weight    | 10105832, 14088648 | FW-109    |
| 1987-88                | V8 6.2L 379 CI |                        | 14077160           | FW-270    |
| 1987-88                | V8 7.4L 454 CI | 168 Teeth; w/Weight    | 3993827            | FW-101    |
| <b>V30</b>             |                |                        |                    |           |
| 1987-88                | L6 4.8L 292 CI | 168 Teeth; w/o Weight  | 93414855           | FW-103    |
| 1987-88                | V8 5.7L 350 CI | 168 Teeth; w/Weight    | 10105832, 14088648 | FW-109    |
| 1987-88                | V8 6.2L 379 CI |                        | 14077160           | FW-270    |
| 1987-88                | V8 7.4L 454 CI | 168 Teeth; w/Weight    | 3993827            | FW-101    |
| <b>V3500</b>           |                |                        |                    |           |
| 1989-90                | V8 7.4L 454 CI | 168 Teeth; w/Weight    | 3993827            | FW-101    |
| 1989-91                | V8 5.7L 350 CI | 168 Teeth; w/Weight    | 10105832, 14088648 | FW-109    |
| 1989-91                | V8 6.2L 379 CI |                        | 14077160           | FW-270    |
| 1991                   | V8 7.4L 454 CI | 168 Teeth; w/Weight    | 10101169           | FW-118    |
| <b>CHEVROLET</b>       |                |                        |                    |           |
| <b>TWO-TEN SERIES</b>  |                |                        |                    |           |
| 1957                   | V8 4.6L 283 CI | 168 teeth; 14.13" O.D. | 3991469            | FW-100    |
| <b>CHRYSLER</b>        |                |                        |                    |           |
| <b>DAYTONA</b>         |                |                        |                    |           |
| 1989-93                | L4 2.5L 153 CI |                        | 4471319            | FW-365    |
| 1990                   | L4 2.2L 135 CI |                        | 4471319            | FW-365    |
| 1991-93                | V6 3.0L 181 CI |                        | 4471319            | FW-365    |
| <b>LEBARON</b>         |                |                        |                    |           |
| 1989-93                | L4 2.5L 153 CI |                        | 4471319            | FW-365    |
| 1990-93                | V6 3.0L 181 CI |                        | 4471319            | FW-365    |
| <b>DODGE</b>           |                |                        |                    |           |
| <b>ARIES</b>           |                |                        |                    |           |
| 1989                   | L4 2.5L 153 CI |                        | 4471319            | FW-365    |
| <b>DAYTONA</b>         |                |                        |                    |           |
| 1989-93                | L4 2.5L 153 CI |                        | 4471319            | FW-365    |

# FLYWHEEL APPLICATIONS

| Years              | Engine         | Remarks             | OE      | Pioneer # |
|--------------------|----------------|---------------------|---------|-----------|
| <b>DODGE</b>       |                |                     |         |           |
| <b>DAYTONA</b>     |                |                     |         |           |
| 1986               | L4 2.2L 135 CI |                     | 4471319 | FW-365    |
| 1988               | L4 2.2L 135 CI |                     | 4471319 | FW-365    |
| 1990               | L4 2.2L 135 CI |                     | 4471319 | FW-365    |
| 1990-93            | V6 3.0L 181 CI |                     | 4471319 | FW-365    |
| <b>LANCER</b>      |                |                     |         |           |
| 1988-89            | L4 2.5L 153 CI |                     | 4471319 | FW-365    |
| <b>SHADOW</b>      |                |                     |         |           |
| 1988-94            | L4 2.5L 153 CI |                     | 4471319 | FW-365    |
| 1993               | V6 3.0L 181 CI |                     | 4471319 | FW-365    |
| <b>SPIRIT</b>      |                |                     |         |           |
| 1989-94            | L4 2.5L 153 CI |                     | 4471319 | FW-365    |
| 1990-94            | V6 3.0L 181 CI |                     | 4471319 | FW-365    |
| <b>DODGE TRUCK</b> |                |                     |         |           |
| <b>B100</b>        |                |                     |         |           |
| 1978-80            | V8 5.2L 318 CI | w/11" Disc          | 4431100 | FW-161    |
| <b>B150</b>        |                |                     |         |           |
| 1981-91            | V8 5.2L 318 CI | w/11" Disc          | 4431100 | FW-161    |
| 1988-89            | V6 3.9L 238 CI | w/11" Disc          | 4431100 | FW-161    |
| <b>B200</b>        |                |                     |         |           |
| 1978               | V8 6.6L 400 CI | w/11" Disc          | 4431100 | FW-161    |
| 1978-80            | V8 5.2L 318 CI | w/11" Disc          | 4431100 | FW-161    |
| <b>B300</b>        |                |                     |         |           |
| 1978               | V8 6.6L 400 CI | w/11" Disc          | 4431100 | FW-161    |
| 1978-80            | V8 5.2L 318 CI | w/11" Disc          | 4431100 | FW-161    |
| <b>CARAVAN</b>     |                |                     |         |           |
| 1988-90            | L4 2.5L 153 CI |                     | 4471319 | FW-365    |
| 1992               | L4 2.5L 153 CI |                     | 4471319 | FW-365    |
| <b>D100</b>        |                |                     |         |           |
| 1978               | V8 6.6L 400 CI | w/11" Disc          | 4431100 | FW-161    |
| 1978-79            | V8 5.9L 360 CI | 143 Teeth; w/Weight | 3515497 | FW-159    |
| 1986-88            | V8 5.9L 360 CI | 143 Teeth; w/Weight | 3515497 | FW-159    |
| 1978-79            | V8 5.2L 318 CI | w/11" Disc          | 4431100 | FW-161    |
| 1986-89            | V8 5.2L 318 CI | w/11" Disc          | 4431100 | FW-161    |
| 1988-89            | V6 3.9L 238 CI | w/11" Disc          | 4431100 | FW-161    |
| <b>D150</b>        |                |                     |         |           |
| 1978               | V8 6.6L 400 CI | w/11" Disc          | 4431100 | FW-161    |
| 1978-91            | V8 5.2L 318 CI | w/11" Disc          | 4431100 | FW-161    |
| 1978-82            | V8 5.9L 360 CI | 143 Teeth; w/Weight | 3515497 | FW-159    |
| 1984-91            | V8 5.9L 360 CI | 143 Teeth; w/Weight | 3515497 | FW-159    |
| 1988-91            | V6 3.9L 238 CI | w/11" Disc          | 4431100 | FW-161    |

# FLYWHEEL APPLICATIONS

| Years               | Engine         | Remarks             | OE        | Pioneer # |
|---------------------|----------------|---------------------|-----------|-----------|
| <b>DODGE TRUCK</b>  |                |                     |           |           |
| <b>D200</b>         |                |                     |           |           |
| 1978                | V8 6.6L 400 CI | w/11" Disc          | 4431100   | FW-161    |
| 1978-80             | V8 5.2L 318 CI | w/11" Disc          | 4431100   | FW-161    |
| 1978-80             | V8 5.9L 360 CI | 143 Teeth; w/Weight | 3515497   | FW-159    |
| <b>D250</b>         |                |                     |           |           |
| 1981-91             | V8 5.2L 318 CI | w/11" Disc          | 4431100   | FW-161    |
| 1981-82             | V8 5.9L 360 CI | 143 Teeth; w/Weight | 3515497   | FW-159    |
| 1984-92             | V8 5.9L 360 CI | 143 Teeth; w/Weight | 3515497   | FW-159    |
| 1988-91             | V6 3.9L 238 CI | w/11" Disc          | 4431100   | FW-161    |
| <b>D350</b>         |                |                     |           |           |
| 1981-83             | V8 5.2L 318 CI | w/11" Disc          | 4431100   | FW-161    |
| 1981-92             | V8 5.9L 360 CI | 143 Teeth; w/Weight | 3515497   | FW-159    |
| <b>D50</b>          |                |                     |           |           |
| 1982                | L4 2.0L 122 CI |                     | MD040555  | FW-218    |
| <b>DAKOTA</b>       |                |                     |           |           |
| 1988-89             | V6 3.9L 238 CI | w/11" Disc          | 4431100   | FW-161    |
| <b>MINI RAM</b>     |                |                     |           |           |
| 1988                | L4 2.5L 153 CI |                     | 4471319   | FW-365    |
| <b>POWER RAM 50</b> |                |                     |           |           |
| 1983-84             | L4 2.0L 122 CI |                     | MD040555  | FW-218    |
| <b>RAM 2500</b>     |                |                     |           |           |
| 2001-05             | L6 5.9L 359 CI |                     | 5018079AB | FW-207    |
| <b>RAM 3500</b>     |                |                     |           |           |
| 2001-05             | L6 5.9L 359 CI |                     | 5018079AB | FW-207    |
| <b>RAM 50</b>       |                |                     |           |           |
| 1983-89             | L4 2.0L 122 CI |                     | MD040555  | FW-218    |
| <b>RAMCHARGER</b>   |                |                     |           |           |
| 1978                | V8 6.6L 400 CI | w/11" Disc          | 4431100   | FW-161    |
| 1978-91             | V8 5.2L 318 CI | w/11" Disc          | 4431100   | FW-161    |
| 1978-81             | V8 5.9L 360 CI | 143 Teeth; w/Weight | 3515497   | FW-159    |
| 1984-92             | V8 5.9L 360 CI | 143 Teeth; w/Weight | 3515497   | FW-159    |
| <b>W100</b>         |                |                     |           |           |
| 1986-89             | V8 5.2L 318 CI | w/11" Disc          | 4431100   | FW-161    |
| 1989                | V6 3.9L 238 CI | w/11" Disc          | 4431100   | FW-161    |
| <b>W150</b>         |                |                     |           |           |
| 1978                | V8 6.6L 400 CI | w/11" Disc          | 4431100   | FW-161    |
| 1978-91             | V8 5.2L 318 CI | w/11" Disc          | 4431100   | FW-161    |
| 1989-91             | V6 3.9L 238 CI | w/11" Disc          | 4431100   | FW-161    |
| <b>W200</b>         |                |                     |           |           |
| 1978                | V8 6.6L 400 CI | w/11" Disc          | 4431100   | FW-161    |
| 1978-80             | V8 5.2L 318 CI | w/11" Disc          | 4431100   | FW-161    |

# FLYWHEEL APPLICATIONS

| Years                 | Engine         | Remarks                 | OE                   | Pioneer # |
|-----------------------|----------------|-------------------------|----------------------|-----------|
| <b>DODGE TRUCK</b>    |                |                         |                      |           |
| <b>W250</b>           |                |                         |                      |           |
| 1981-91               | V8 5.2L 318 CI | w/11" Disc              | 4431100              | FW-161    |
| <b>W300</b>           |                |                         |                      |           |
| 1978                  | V8 5.2L 318 CI | w/11" Disc              | 4431100              | FW-161    |
| 1978                  | V8 6.6L 400 CI | w/11" Disc              | 4431100              | FW-161    |
| <b>W350</b>           |                |                         |                      |           |
| 1982-83               | V8 5.2L 318 CI | w/11" Disc              | 4431100              | FW-161    |
| <b>FORD</b>           |                |                         |                      |           |
| <b>ASPIRE</b>         |                |                         |                      |           |
| 1994-97               | L4 1.3L 79 CI  |                         | F4BZ6375A, E8BZ6375A | FW-219    |
| <b>CONTOUR</b>        |                |                         |                      |           |
| 1995-97               | V6 2.5L 150 CI | CSC, CSC; From 3/22/95  | F5RZ6375AE           | FW-140    |
| <b>COUNTRY SEDAN</b>  |                |                         |                      |           |
| 1965-70               | L6 3.9L 240 CI | 180 Teeth; w/Weight     | E5TZ6375H            | FW-166    |
| 1967                  | V8 5.8L 352 CI | w/11" & 11.5" Clutch    | C5AZ6375L            | FW-198    |
| 1968-70               | V8 7.0L 428 CI | w/11" & 11.5" Clutch    | C5AZ6375L            | FW-192    |
| 1967-71               | V8 6.4L 390 CI | w/11" & 11.5" Clutch    | C5AZ6375L            | FW-198    |
| 1969-70               | V8 5.8L 351 CI | w/11" Clutch            | C5AZ6375K            | FW-193    |
| 1969-73               | V8 7.0L 429 CI | w/11" & 11.5" Clutch    | C5AZ6375L            | FW-192    |
| 1968-69               | V8 5.0L 302 CI | 157 teeth; 13,437" O.D. | C3AZ6375A            | FW-163    |
| 1971-72               | V8 5.0L 302 CI | 157 teeth; 13,437" O.D. | C3AZ6375A            | FW-163    |
| 1973-74               | V8 7.5L 460 CI | w/11" & 11.5" Clutch    | C5AZ6375L            | FW-198    |
| <b>COUNTRY SQUIRE</b> |                |                         |                      |           |
| 1965-67               | L6 3.9L 240 CI | 180 Teeth; w/Weight     | E5TZ6375H            | FW-166    |
| 1967                  | V8 5.8L 352 CI | w/11" & 11.5" Clutch    | C5AZ6375L            | FW-198    |
| 1967-68               | V8 7.0L 427 CI | w/11" & 11.5" Clutch    | C5AZ6375L            | FW-198    |
| 1967-71               | V8 6.4L 390 CI | w/11" & 11.5" Clutch    | C5AZ6375L            | FW-198    |
| 1968-69               | V8 7.0L 428 CI | w/11" & 11.5" Clutch    | C5AZ6375L            | FW-192    |
| 1968-72               | V8 5.0L 302 CI | 157 teeth; 13,437" O.D. | C3AZ6375A            | FW-163    |
| 1969-70               | V8 5.8L 351 CI | w/11" Clutch            | C5AZ6375K            | FW-193    |
| 1969-73               | V8 7.0L 429 CI | w/11" & 11.5" Clutch    | C5AZ6375L            | FW-192    |
| 1973-74               | V8 7.5L 460 CI | w/11" & 11.5" Clutch    | C5AZ6375L            | FW-198    |
| <b>CUSTOM</b>         |                |                         |                      |           |
| 1967-71               | V8 6.4L 390 CI | w/11" & 11.5" Clutch    | C5AZ6375L            | FW-198    |
| 1968-70               | V8 7.0L 428 CI | w/11" & 11.5" Clutch    | C5AZ6375L            | FW-192    |
| 1968-71               | L6 3.9L 240 CI | 180 Teeth; w/Weight     | E5TZ6375H            | FW-166    |
| 1968-72               | V8 5.0L 302 CI | 157 teeth; 13,437" O.D. | C3AZ6375A            | FW-163    |
| 1969-70               | V8 5.8L 351 CI | w/11" Clutch            | C5AZ6375K            | FW-193    |
| 1969-72               | V8 7.0L 429 CI | w/11" & 11.5" Clutch    | C5AZ6375L            | FW-192    |
| <b>CUSTOM 500</b>     |                |                         |                      |           |
| 1967-68               | V8 7.0L 427 CI | w/11" & 11.5" Clutch    | C5AZ6375L            | FW-198    |

# FLYWHEEL APPLICATIONS

| Years                             | Engine         | Remarks   | OE         | Pioneer # |
|-----------------------------------|----------------|---|------------|-----------|
| <b>FORD</b>                       |                |   |            |           |
| <b>CUSTOM 500</b>                 |                |   |            |           |
| 1968-70                           | V8 7.0L 428 CI | w/11" & 11.5" Clutch  | C5AZ6375L  | FW-192    |
| 1968-71                           | L6 3.9L 240 CI | 180 Teeth; w/Weight   | E5TZ6375H  | FW-166    |
| 1967-71                           | V8 6.4L 390 CI | w/11" & 11.5" Clutch  | C5AZ6375L  | FW-198    |
| 1968-72                           | V8 5.0L 302 CI | 157 teeth; 13,437" O.D.   | C3AZ6375A  | FW-163    |
| 1969-70                           | V8 5.8L 351 CI | w/11" Clutch  | C5AZ6375K  | FW-193    |
| 1969-73                           | V8 7.0L 429 CI | w/11" & 11.5" Clutch  | C5AZ6375L  | FW-192    |
| 1973-74                           | V8 7.5L 460 CI | w/11" & 11.5" Clutch  | C5AZ6375L  | FW-198    |
| <b>E-150 ECONOLINE CLUB WAGON</b> |                |   |            |           |
| 1977-89                           | L6 4.9L 300 CI | 164 Teeth; w/o Weight   | E0TZ6375A  | FW-117    |
| 1979                              | V8 5.0L 302 CI | 157 teeth; 13.437" O.D.   | C3AZ6375A  | FW-163    |
| 1980                              | V8 5.0L 302 CI | 164 teeth w/Weight; 14.25" O.D.   | E8TZ6375C  | FW-113    |
| 1984                              | V8 5.0L 302 CI | 164 teeth w/Weight; 14.25" O.D.   | E8TZ6375C  | FW-113    |
| <b>E-250 ECONOLINE CLUB WAGON</b> |                |   |            |           |
| 1977-79                           | L6 4.9L 300 CI | 180 Teeth; w/Weight   | E5TZ6375H  | FW-166    |
| 1979                              | V8 5.0L 302 CI | 157 teeth; 13.437" O.D.   | C3AZ6375A  | FW-163    |
| 1980                              | V8 5.0L 302 CI | 164 teeth w/Weight; 14.25" O.D.   | E8TZ6375C  | FW-113    |
| 1977-80                           | L6 4.9L 300 CI | 164 Teeth; w/o Weight   | E0TZ6375A  | FW-117    |
| 1983-84                           | L6 4.9L 300 CI | 164 Teeth; w/o Weight   | E0TZ6375A  | FW-117    |
| 1984                              | V8 7.5L 460 CI | 180 Teeth; w/Weight   | E5TZ6375J  | FW-114    |
| <b>E-350 ECONOLINE CLUB WAGON</b> |                |   |            |           |
| 1977-79                           | L6 4.9L 300 CI | 180 Teeth; w/Weight   | E5TZ6375H  | FW-166    |
| 1978-89                           | L6 4.9L 300 CI | 164 Teeth; w/o Weight   | E0TZ6375A  | FW-117    |
| 1979                              | V8 5.0L 302 CI | 157 teeth; 13.437" O.D.   | C3AZ6375A  | FW-163    |
| 1980                              | V8 5.0L 302 CI | 164 teeth w/Weight; 14.25" O.D.   | E8TZ6375C  | FW-113    |
| 1983-87                           | V8 7.5L 460 CI | 180 Teeth; w/Weight   | E5TZ6375J  | FW-114    |
| 1988-89                           | V8 7.3L 445 CI | Aftermarket Turbo - Indirect Fuel Injection, Single Mass (Solid) flywheel | E8TA6477AA | FW-135    |
| 1980-82                           | V8 7.5L 460 CI | w/11" & 11.5" Clutch  | C5AZ6375L  | FW-198    |
| 1988-89                           | V8 7.5L 460 CI | w/11" & 11.5" Clutch  | C5AZ6375L  | FW-198    |
| <b>ESCORT</b>                     |                |   |            |           |
| 1991-96                           | L4 1.9L 116 CI |   | F0CZ6375A  | FW-191    |
| 1997-01                           | L4 2.0L 121 CI | 132 Teeth; w/o Weight   | XS4Z6375AA | FW-141    |
| <b>FAIRLANE</b>                   |                |   |            |           |
| 1967-70                           | V8 6.4L 390 CI | w/11" & 11.5" Clutch  | C5AZ6375L  | FW-198    |
| 1968-69                           | V8 7.0L 428 CI | w/11" & 11.5" Clutch  | C5AZ6375L  | FW-192    |
| 1968-70                           | V8 5.0L 302 CI | 157 teeth; 13,437" O.D.   | C3AZ6375A  | FW-163    |
| 1967                              | V8 7.0L 427 CI | w/11" & 11.5" Clutch  | C5AZ6375L  | FW-198    |
| 1969                              | V8 7.0L 427 CI | w/11" & 11.5" Clutch  | C5AZ6375L  | FW-198    |
| 1969-70                           | V8 5.8L 351 CI | w/11" Clutch  | C5AZ6375K  | FW-193    |
| 1970                              | V8 7.0L 429 CI | w/11" & 11.5" Clutch  | C5AZ6375L  | FW-192    |

# FLYWHEEL APPLICATIONS

| Years              | Engine         | Remarks                 | OE                   | Pioneer # |
|--------------------|----------------|-------------------------|----------------------|-----------|
| <b>FORD</b>        |                |                         |                      |           |
| <b>FAIRMONT</b>    |                |                         |                      |           |
| 1979               | V8 5.0L 302 CI | 157 teeth; 13.437" O.D. | C3AZ6375A            | FW-163    |
| <b>FALCON</b>      |                |                         |                      |           |
| 1965-67            | V8 4.7L 288 CI | 157 teeth; 13.437" O.D. | C3AZ6375A            | FW-163    |
| 1965-67            | V8 4.7L 289 CI | 157 teeth; 13.437" O.D. | C3AZ6375A            | FW-163    |
| 1968-70            | V8 5.0L 302 CI | 157 teeth; 13.437" O.D. | C3AZ6375A            | FW-163    |
| <b>FESTIVA</b>     |                |                         |                      |           |
| 1988-93            | L4 1.3L 79 CI  |                         | F4BZ6375A, E8BZ6375A | FW-219    |
| <b>GALAXIE</b>     |                |                         |                      |           |
| 1965-67            | L6 3.9L 240 CI | 180 Teeth; w/Weight     | E5TZ6375H            | FW-166    |
| 1967               | V8 6.4L 390 CI | w/11" & 11.5" Clutch    | C5AZ6375L            | FW-198    |
| 1967               | V8 7.0L 427 CI | w/11" & 11.5" Clutch    | C5AZ6375L            | FW-198    |
| 1967               | V8 7.0L 428 CI | w/11" & 11.5" Clutch    | C5AZ6375L            | FW-192    |
| <b>GALAXIE 500</b> |                |                         |                      |           |
| 1967-71            | V8 6.4L 390 CI | w/11" & 11.5" Clutch    | C5AZ6375L            | FW-198    |
| 1967-68            | V8 7.0L 427 CI | w/11" & 11.5" Clutch    | C5AZ6375L            | FW-198    |
| 1968-69            | V8 7.0L 428 CI | w/11" & 11.5" Clutch    | C5AZ6375L            | FW-192    |
| 1968-71            | L6 3.9L 240 CI | 180 Teeth; w/Weight     | E5TZ6375H            | FW-166    |
| 1968-72            | V8 5.0L 302 CI | 157 teeth; 13.437" O.D. | C3AZ6375A            | FW-163    |
| 1969-70            | V8 5.8L 351 CI | w/11" Clutch            | C5AZ6375K            | FW-193    |
| 1969-73            | V8 7.0L 429 CI | w/11" & 11.5" Clutch    | C5AZ6375L            | FW-192    |
| 1973-74            | V8 7.5L 460 CI | w/11" & 11.5" Clutch    | C5AZ6375L            | FW-198    |
| <b>GRAN TORINO</b> |                |                         |                      |           |
| 1972               | V8 5.0L 302 CI | 157 teeth; 13.437" O.D. | C3AZ6375A            | FW-163    |
| 1972-73            | V8 7.0L 429 CI | w/11" & 11.5" Clutch    | C5AZ6375L            | FW-192    |
| 1974               | V8 7.5L 460 CI | w/11" & 11.5" Clutch    | C5AZ6375L            | FW-198    |
| <b>GRANADA</b>     |                |                         |                      |           |
| 1975-79            | V8 5.0L 302 CI | 157 teeth; 13.437" O.D. | C3AZ6375A            | FW-163    |
| 1981-82            | L4 2.3L 140 CI | 132 Teeth; w/o Weight   | F0ZZ6375A            | FW-168    |
| <b>LTD</b>         |                |                         |                      |           |
| 1967-69            | V8 7.0L 428 CI | w/11" & 11.5" Clutch    | C5AZ6375L            | FW-192    |
| 1967-71            | V8 6.4L 390 CI | w/11" & 11.5" Clutch    | C5AZ6375L            | FW-198    |
| 1967-68            | V8 7.0L 427 CI | w/11" & 11.5" Clutch    | C5AZ6375L            | FW-198    |
| 1968-72            | V8 5.0L 302 CI | 157 teeth; 13.437" O.D. | C3AZ6375A            | FW-163    |
| 1969-70            | V8 5.8L 351 CI | w/11" Clutch            | C5AZ6375K            | FW-193    |
| 1969-73            | V8 7.0L 429 CI | w/11" & 11.5" Clutch    | C5AZ6375L            | FW-192    |
| 1973-74            | V8 7.5L 460 CI | w/11" & 11.5" Clutch    | C5AZ6375L            | FW-198    |
| 1982-85            | V8 5.0L 302 CI | 157 Teeth; w/Weight     | E6ZZ6375A            | FW-116    |
| <b>MAVERICK</b>    |                |                         |                      |           |
| 1971-77            | V8 5.0L 302 CI | 157 teeth; 13.437" O.D. | C3AZ6375A            | FW-163    |
| <b>MUSTANG</b>     |                |                         |                      |           |
| 1965-68            | V8 4.7L 288 CI | 157 teeth; 13.437" O.D. | C3AZ6375A            | FW-163    |

# FLYWHEEL APPLICATIONS

| Years              | Engine         | Remarks   | OE                      | Pioneer # |
|--------------------|----------------|---|-------------------------|-----------|
| <b>FORD</b>        |                |   |                         |           |
| <b>MUSTANG</b>     |                |   |                         |           |
| 1968               | V8 4.7L 289 CI | 157 teeth; 13.437" O.D.                           | C3AZ6375A               | FW-163    |
| 1968               | V8 7.0L 427 CI | w/11" & 11.5" Clutch                              | C5AZ6375L               | FW-198    |
| 1967-69            | V8 6.4L 390 CI | w/11" & 11.5" Clutch                              | C5AZ6375L               | FW-198    |
| 1969-70            | V8 5.8L 351 CI | w/11" Clutch                                      | C5AZ6375K               | FW-193    |
| 1968-70            | V8 7.0L 428 CI | w/11.5" Clutch, w/11" & 11.5" Clutch              | C5AZ6375L               | FW-192    |
| 1969-71            | V8 7.0L 429 CI | w/11" & 11.5" Clutch, w/11.5" Clutch              | C5AZ6375L               | FW-192    |
| 1968-72            | V8 5.0L 302 CI | 157 teeth; 13.437" O.D.                           | C3AZ6375A               | FW-163    |
| 1979               | V8 5.0L 302 CI | 157 teeth; 13.437" O.D.                           | C3AZ6375A               | FW-163    |
| 1979-93            | L4 2.3L 140 CI | 132 Teeth; w/o Weight                             | F0ZZ6375A               | FW-168    |
| 1982-94            | V8 5.0L 302 CI | Does not fit Cobra engine, 157 Teeth;<br>w/Weight | E6ZZ6375A               | FW-116    |
| <b>MUSTANG II</b>  |                |   |                         |           |
| 1974               | L4 2.3L 140 CI | 132 Teeth; w/o Weight                             | F0ZZ6375A               | FW-168    |
| <b>PINTO</b>       |                |   |                         |           |
| 1974-80            | L4 2.3L 140 CI | 132 Teeth; w/o Weight                             | F0ZZ6375A               | FW-168    |
| <b>PROBE</b>       |                |   |                         |           |
| 1989-92            | L4 2.2L 133 CI |   | F80111500A / E92Z-6375B | FW-189    |
| 1990-92            | V6 3.0L 182 CI |   | F0ZZ6375B               | FW-178    |
| <b>RANCH WAGON</b> |                |   |                         |           |
| 1965-69            | L6 3.9L 240 CI | 180 Teeth; w/Weight                               | E5TZ6375H               | FW-166    |
| 1967               | V8 7.0L 427 CI | w/11" & 11.5" Clutch                              | C5AZ6375L               | FW-198    |
| 1967-71            | V8 6.4L 390 CI | w/11" & 11.5" Clutch                              | C5AZ6375L               | FW-198    |
| 1968-72            | V8 5.0L 302 CI | 157 teeth; 13.437" O.D.                           | C3AZ6375A               | FW-163    |
| 1969-70            | V8 5.8L 351 CI | w/11" Clutch                                      | C5AZ6375K               | FW-193    |
| 1969-73            | V8 7.0L 429 CI | w/11" & 11.5" Clutch                              | C5AZ6375L               | FW-192    |
| 1968-70            | V8 7.0L 428 CI | w/11.5" Clutch, w/11" & 11.5" Clutch              | C5AZ6375L               | FW-192    |
| 1973-74            | V8 7.5L 460 CI | w/11" & 11.5" Clutch                              | C5AZ6375L               | FW-198    |
| <b>TAURUS</b>      |                |   |                         |           |
| 1986-88            | L4 2.5L 153 CI |   | E4FZ6375C               | FW-312    |
| 1986               | V6 3.0L 182 CI |   | E69Z6375B / E69Z6375A   | FW-195    |
| 1989-94            | V6 3.0L 182 CI |   | E69Z6375B / E69Z6375A   | FW-195    |
| <b>TEMPO</b>       |                |   |                         |           |
| 1984-94            | L4 2.3L 140 CI |   | E4FZ6375C               | FW-312    |
| 1992-94            | V6 3.0L 182 CI |   | E69Z6375B / E69Z6375A   | FW-195    |
| <b>THUNDERBIRD</b> |                |   |                         |           |
| 1967               | V8 7.0L 427 CI | w/11" & 11.5" Clutch                              | C5AZ6375L               | FW-198    |
| 1967               | V8 7.0L 428 CI | w/11" & 11.5" Clutch                              | C5AZ6375L               | FW-192    |
| 1967-68            | V8 6.4L 390 CI | w/11" & 11.5" Clutch                              | C5AZ6375L               | FW-198    |
| 1968-73            | V8 7.0L 429 CI | w/11" & 11.5" Clutch                              | C5AZ6375L               | FW-192    |
| 1973-74            | V8 7.5L 460 CI | w/11" & 11.5" Clutch                              | C5AZ6375L               | FW-198    |



# FLYWHEEL APPLICATIONS

| Years                  | Engine         | Remarks                              | OE        | Pioneer # |
|------------------------|----------------|--------------------------------------|-----------|-----------|
| <b>FORD</b>            |                |                                      |           |           |
| <b>THUNDERBIRD</b>     |                |                                      |           |           |
| 1983-88                | L4 2.3L 140 CI | 132 Teeth; w/o Weight                | F0ZZ6375A | FW-168    |
| 1994-95                | V6 3.8L 232 CI |                                      | F4SZ6375A | FW-179    |
| <b>TORINO</b>          |                |                                      |           |           |
| 1968                   | V8 7.0L 427 CI | w/11" & 11.5" Clutch                 | C5AZ6375L | FW-198    |
| 1968-69                | V8 6.4L 390 CI | w/11" & 11.5" Clutch                 | C5AZ6375L | FW-198    |
| 1968-72                | V8 5.0L 302 CI | 157 teeth; 13.437" O.D.              | C3AZ6375A | FW-163    |
| 1968-69                | V8 7.0L 428 CI | w/11.5" Clutch, w/11" & 11.5" Clutch | C5AZ6375L | FW-192    |
| 1969-70                | V8 5.8L 351 CI | w/11" Clutch                         | C5AZ6375K | FW-193    |
| 1970-73                | V8 7.0L 429 CI | w/11" & 11.5" Clutch, w/11.5" Clutch | C5AZ6375L | FW-192    |
| 1973-74                | V8 7.5L 460 CI | w/11" & 11.5" Clutch                 | C5AZ6375L | FW-198    |
| <b>FORD TRUCK</b>      |                |                                      |           |           |
| <b>AEROSTAR</b>        |                |                                      |           |           |
| 1986                   | V6 2.8L 171 CI |                                      | E5TZ6375E | FW-172    |
| 1986-87                | L4 2.3L 140 CI | 132 Teeth; w/o Weight                | F0ZZ6375A | FW-168    |
| 1990-96                | V6 4.0L 245 CI |                                      | F0TZ6375A | FW-173    |
| <b>BRONCO</b>          |                |                                      |           |           |
| 1968-74                | V8 5.0L 302 CI | 157 teeth; 13.437" O.D.              | C3AZ6375A | FW-163    |
| 1977                   | V8 5.0L 302 CI | 157 teeth; 13.437" O.D.              | C3AZ6375A | FW-163    |
| 1980-81                | V8 5.0L 302 CI | 164 teeth w/Weight; 14.25" O.D.      | E8TZ6375C | FW-113    |
| 1981-85                | V8 5.8L 351 CI | 164 teeth w/Weight; 14.25" O.D.      | E8TZ6375C | FW-113    |
| <b>BRONCO II</b>       |                |                                      |           |           |
| 1985                   | V6 2.8L 171 CI |                                      | E5TZ6375E | FW-172    |
| 1986-90                | V6 2.9L 177 CI |                                      | E5TZ6375E | FW-172    |
| <b>E-100 ECONOLINE</b> |                |                                      |           |           |
| 1969-74                | V8 5.0L 302 CI | 157 teeth; 13.437" O.D.              | C3AZ6375A | FW-163    |
| 1979                   | V8 5.0L 302 CI | 157 teeth; 13.437" O.D.              | C3AZ6375A | FW-163    |
| 1976-79                | L6 4.9L 300 CI | 180 Teeth; w/Weight                  | E5TZ6375H | FW-166    |
| 1978-82                | L6 4.9L 300 CI | 164 Teeth; w/o Weight                | E0TZ6375A | FW-117    |
| 1979-80                | V8 5.0L 302 CI | 164 teeth w/Weight; 14.25" O.D.      | E8TZ6375C | FW-113    |
| <b>E-150 ECONOLINE</b> |                |                                      |           |           |
| 1977-89                | L6 4.9L 300 CI | 164 Teeth; w/o Weight                | E0TZ6375A | FW-117    |
| 1979                   | V8 5.0L 302 CI | 157 teeth; 13.437" O.D.              | C3AZ6375A | FW-163    |
| 1980                   | V8 5.0L 302 CI | 164 teeth w/Weight; 14.25" O.D.      | E8TZ6375C | FW-113    |
| 1984                   | V8 5.0L 302 CI | 164 teeth w/Weight; 14.25" O.D.      | E8TZ6375C | FW-113    |
| <b>E-200 ECONOLINE</b> |                |                                      |           |           |
| 1969-74                | V8 5.0L 302 CI | 157 teeth; 13.437" O.D.              | C3AZ6375A | FW-163    |
| <b>E-250 ECONOLINE</b> |                |                                      |           |           |
| 1976-79                | L6 4.9L 300 CI | 180 Teeth; w/Weight                  | E5TZ6375H | FW-166    |
| 1977-84                | L6 4.9L 300 CI | 164 Teeth; w/o Weight                | E0TZ6375A | FW-117    |
| 1979                   | V8 5.0L 302 CI | 157 teeth; 13.437" O.D.              | C3AZ6375A | FW-163    |

# FLYWHEEL APPLICATIONS

| Years                  | Engine         | Remarks   | OE         | Pioneer # |
|------------------------|----------------|---|------------|-----------|
| <b>FORD TRUCK</b>      |                |   |            |           |
| <b>E-250 ECONOLINE</b> |                |   |            |           |
| 1980                   | V8 5.0L 302 CI | 164 teeth w/Weight; 14.25" O.D.   | E8TZ6375C  | FW-113    |
| <b>E-300 ECONOLINE</b> |                |   |            |           |
| 1969-74                | V8 5.0L 302 CI | 157 teeth; 13.437" O.D.   | C3AZ6375A  | FW-163    |
| <b>E-350 ECONOLINE</b> |                |   |            |           |
| 1976-79                | L6 4.9L 300 CI | 180 Teeth; w/Weight   | E5TZ6375H  | FW-166    |
| 1978-89                | L6 4.9L 300 CI | 164 Teeth; w/o Weight   | E0TZ6375A  | FW-117    |
| 1979                   | V8 5.0L 302 CI | 157 teeth; 13.437" O.D.   | C3AZ6375A  | FW-163    |
| 1980                   | V8 5.0L 302 CI | 164 teeth w/Weight; 14.25" O.D.   | E8TZ6375C  | FW-113    |
| 1983-87                | V8 7.5L 460 CI | 180 Teeth; w/Weight   | E5TZ6375J  | FW-114    |
| 1987                   | V8 6.9L 420 CI | 11" Clutch System; Dual Mass Flywheel                                     | E7TA6477AA | FW-104    |
| 1988-89                | V8 7.3L 445 CI | Aftermarket Turbo - Indirect Fuel Injection, Single Mass (Solid) flywheel | E8TA6477AA | FW-135    |
| 1980-82                | V8 7.5L 460 CI | w/11" & 11.5" Clutch  | C5AZ6375L  | FW-198    |
| 1988-89                | V8 7.5L 460 CI | w/11" & 11.5" Clutch  | C5AZ6375L  | FW-198    |
| <b>ESCAPE</b>          |                |   |            |           |
| 2001                   | L4 2.0L 121 CI |   | XS4Z6375AA | FW-141    |
| <b>EXPLORER</b>        |                |   |            |           |
| 1991-97                | V6 4.0L 245 CI |   | F0TZ6375A  | FW-173    |
| <b>F-100</b>           |                |   |            |           |
| 1965-74                | L6 3.9L 240 CI | 180 Teeth; w/Weight   | E5TZ6375H  | FW-166    |
| 1965-75                | L6 4.9L 300 CI | 180 Teeth; w/Weight   | E5TZ6375H  | FW-166    |
| 1967                   | V8 5.8L 352 CI | w/11" & 11.5" Clutch  | C5AZ6375L  | FW-198    |
| 1968-70                | V8 5.9L 360 CI | w/11" & 11.5" Clutch  | C5AZ6375L  | FW-198    |
| 1969-74                | V8 5.0L 302 CI | 157 teeth; 13.437" O.D.   | C3AZ6375A  | FW-163    |
| 1977-79                | V8 5.0L 302 CI | 157 teeth; 13.437" O.D.   | C3AZ6375A  | FW-163    |
| 1968-75                | V8 6.4L 390 CI | w/11" & 11.5" Clutch  | C5AZ6375L  | FW-198    |
| 1980                   | V8 5.0L 302 CI | 164 teeth w/Weight; 14.25" O.D.   | E8TZ6375C  | FW-113    |
| 1981                   | V8 5.8L 351 CI | 164 teeth w/Weight; 14.25" O.D.   | E8TZ6375C  | FW-113    |
| 1981                   | V8 5.8L 351 CI | 180 Teeth; w/Weight   | E5TZ6375H  | FW-166    |
| 1982-83                | V6 3.8L 232 CI | 164 teeth w/Weight; 14.25" O.D.   | E8TZ6375C  | FW-113    |
| 1983                   | V8 5.0L 302 CI | 164 Teeth; w/Weight   | E8TZ6375D  | FW-167    |
| <b>F-150</b>           |                |   |            |           |
| 1975-76                | V8 6.4L 390 CI | w/11" & 11.5" Clutch  | C5AZ6375L  | FW-198    |
| 1975-79                | L6 4.9L 300 CI | 180 Teeth; w/Weight   | E5TZ6375H  | FW-166    |
| 1977-79                | V8 5.0L 302 CI | 157 teeth; 13.437" O.D.   | C3AZ6375A  | FW-163    |
| 1977-79                | V8 6.6L 400 CI | 180 Teeth; w/Weight   | E5TZ6375H  | FW-166    |
| 1977-81                | V8 5.8L 351 CI | 180 Teeth; w/Weight   | E5TZ6375H  | FW-166    |
| 1980                   | V8 5.0L 302 CI | 164 teeth w/Weight; 14.25" O.D.   | E8TZ6375C  | FW-113    |
| 1981-93                | V8 5.8L 351 CI | 164 teeth w/Weight; 14.25" O.D.   | E8TZ6375C  | FW-113    |
| 1983-96                | V8 5.0L 302 CI | 164 Teeth; w/Weight   | E8TZ6375D  | FW-167    |

# FLYWHEEL APPLICATIONS

| Years                   | Engine          | Remarks  | OE          | Pioneer # |
|-------------------------|-----------------|--|-------------|-----------|
| <b>FORD TRUCK</b>       |                 |  |             |           |
| <b>F-150</b>            |                 |  |             |           |
| 1977-96                 | L6 4.9L 300 CI  | 164 Teeth; w/o Weight  | E0TZ6375A   | FW-117    |
| 1997-03                 | V8 4.6L 281 CI  | 6 Bolt Pattern, Triton (Romeo) Engine                                      | F7TZ6375AA  | FW-169    |
| 1997-03                 | V6 4.2L 256 CI  |  | F6TZ-6375AA | FW-241    |
| 2005-08                 | V6 4.2L 256 CI  |  | F6TZ-6375AA | FW-241    |
| <b>F-150 HERITAGE</b>   |                 |  |             |           |
| 2004                    | V6 4.2L 256 CI  |  | F6TZ-6375AA | FW-241    |
| <b>F-250</b>            |                 |  |             |           |
| 1965-74                 | L6 3.9L 240 CI  | 180 Teeth; w/Weight  | E5TZ6375H   | FW-166    |
| 1965-79                 | L6 4.9L 300 CI  | 180 Teeth; w/Weight  | E5TZ6375H   | FW-166    |
| 1967                    | V8 5.8L 352 CI  | w/11" & 11.5" Clutch   |             | FW-199    |
| 1968-70                 | V8 5.9L 360 CI  | w/11" & 11.5" Clutch   |             | FW-199    |
| 1972-74                 | V8 5.0L 302 CI  | 157 teeth; 13.437" O.D.  | C3AZ6375A   | FW-163    |
| 1977-79                 | V8 5.0L 302 CI  | 157 teeth; 13.437" O.D.  | C3AZ6375A   | FW-163    |
| 1968-76                 | V8 6.4L 390 CI  | w/11" & 11.5" Clutch   | C5AZ6375L   | FW-198    |
| 1977-81                 | V8 5.8L 351 CI  | 180 Teeth; w/Weight  | E5TZ6375H   | FW-166    |
| 1977-82                 | V8 6.6L 400 CI  | 180 Teeth; w/Weight  | E5TZ6375H   | FW-166    |
| 1977-96                 | L6 4.9L 300 CI  | 164 Teeth; w/o Weight  | E0TZ6375A   | FW-117    |
| 1980                    | V8 5.0L 302 CI  | 164 teeth w/Weight; 14.25" O.D.  | E8TZ6375C   | FW-113    |
| 1981-93                 | V8 5.8L 351 CI  | 164 teeth w/Weight; 14.25" O.D.  | E8TZ6375C   | FW-113    |
| 1983-87                 | V8 7.5L 460 CI  | 180 Teeth; w/Weight  | E5TZ6375J   | FW-114    |
| 1987                    | V8 6.9L 420 CI  | 11" Clutch System; Dual Mass Flywheel                                      | E7TA6477AA  | FW-104    |
| 1988-92                 | V8 7.3L 445 CI  | Aftermarket Turbo - Indirect Fuel Injection, Single Mass (Solid) flywheel  | E8TA6477AA  | FW-135    |
| 1988-94                 | V8 7.3L 445 CI  | Valeo Style for Optional 12" System Dual Mass Flywheel                     | EBTA6477AA  | FW-143    |
| 1988-96                 | V8 7.5L 460 CI  | w/11" & 11.5" Clutch   | C5AZ6375L   | FW-198    |
| 1983-96                 | V8 5.0L 302 CI  | 164 Teeth; w/Weight  | E8TZ6375D   | FW-167    |
| 1993-94                 | V8 7.3L 445 CI  | Valeo Style for Optional 12" System Dual Mass Flywheel                     | F3TA6477CA  | FW-107    |
| 1993-94                 | V8 7.3L 445 CI  | Factory Turbo - Indirect Fuel Injection, Single Mass (Solid) Flywheel      | F3TA6477CA  | FW-136    |
| 1994-96                 | V8 7.3L 445 CI  | Valeo Style for 12-1/4" Clutch System, Direct Injection Dual Mass flywheel | F4TA6477AA  | FW-108    |
| 1997-99                 | V8 4.6L 281 CI  | 6 Bolt Pattern   | F7TZ6375AA  | FW-169    |
| <b>F-250 SUPER DUTY</b> |                 |  |             |           |
| 1999-01                 | V8 7.3L 445 CI  | Single Mass (Solid) Flywheel, Valeo Style                                  | F81A6375DB  | FW-134    |
| 1999-10                 | V10 6.8L 415 CI |  | 5C3Z-6375AA | FW-271    |
| 2003-07                 | V8 6.0L 363 CI  | Single Mass with 6205RS Bearing  | 3C3Z6375BA  | FW-194    |
| <b>F-350</b>            |                 |  |             |           |
| 1965-79                 | L6 4.9L 300 CI  | 180 Teeth; w/Weight  | E5TZ6375H   | FW-166    |

# FLYWHEEL APPLICATIONS

| Years                        | Engine          | Remarks  | OE          | Pioneer # |
|------------------------------|-----------------|--|-------------|-----------|
| <b>FORD TRUCK</b>            |                 |  |             |           |
| <b>F-350</b>                 |                 |  |             |           |
| 1967                         | V8 5.8L 352 CI  | w/11" & 11.5" Clutch   | C5AZ6375L   | FW-198    |
| 1968-70                      | V8 5.9L 360 CI  | w/11" & 11.5" Clutch   | C5AZ6375L   | FW-198    |
| 1965-74                      | L6 3.9L 240 CI  | 180 Teeth; w/Weight  | E5TZ6375H   | FW-166    |
| 1968-76                      | V8 6.4L 390 CI  | w/11" & 11.5" Clutch   | C5AZ6375L   | FW-198    |
| 1972-74                      | V8 5.0L 302 CI  | 157 teeth; 13.437" O.D.  | C3AZ6375A   | FW-163    |
| 1977-79                      | V8 5.0L 302 CI  | 157 teeth; 13.437" O.D.  | C3AZ6375A   | FW-163    |
| 1977-81                      | V8 5.8L 351 CI  | 180 Teeth; w/Weight  | E5TZ6375H   | FW-166    |
| 1977-82                      | V8 6.6L 400 CI  | 180 Teeth; w/Weight  | E5TZ6375H   | FW-166    |
| 1977-96                      | L6 4.9L 300 CI  | 164 Teeth; w/o Weight  | E0TZ6375A   | FW-117    |
| 1980                         | V8 5.0L 302 CI  | 164 teeth w/Weight; 14.25" O.D.  | E8TZ6375C   | FW-113    |
| 1981-93                      | V8 5.8L 351 CI  | 164 teeth w/Weight; 14.25" O.D.  | E8TZ6375C   | FW-113    |
| 1983-86                      | V8 7.5L 460 CI  | 180 Teeth; w/Weight  | E5TZ6375J   | FW-114    |
| 1987                         | V8 6.9L 420 CI  | 11" Clutch System; Dual Mass Flywheel                                      | E7TA6477AA  | FW-104    |
| 1988-92                      | V8 7.3L 445 CI  | Aftermarket Turbo - Indirect Fuel Injection, Single Mass (Solid) flywheel  | E8TA6477AA  | FW-135    |
| 1988-94                      | V8 7.3L 445 CI  | Valeo Style for Optional 12" System Dual Mass Flywheel                     | EBTA6477AA  | FW-143    |
| 1988-97                      | V8 7.5L 460 CI  | w/11" & 11.5" Clutch   | C5AZ6375L   | FW-198    |
| 1994-97                      | V8 7.3L 445 CI  | Valeo Style for 12-1/4" Clutch System, Direct Injection Dual Mass flywheel | F4TA6477AA  | FW-108    |
| <b>F-350 SUPER DUTY</b>      |                 |  |             |           |
| 1999-01                      | V8 7.3L 445 CI  | Single Mass (Solid) Flywheel, Valeo Style                                  | F81A6375DB  | FW-134    |
| 1999-10                      | V10 6.8L 415 CI |  | 5C3Z-6375AA | FW-271    |
| 2003-07                      | V8 6.0L 363 CI  | Single Mass with 6205RS Bearing  | 3C3Z6375BA  | FW-194    |
| <b>F-500</b>                 |                 |  |             |           |
| 1975-76                      | V8 6.4L 390 CI  | w/11" & 11.5" Clutch   | C5AZ6375L   | FW-198    |
| 1977                         | V8 6.4L 390 CI  | w/11" & 11.5" Clutch   | C5AZ6375L   | FW-192    |
| <b>FALCON SEDAN DELIVERY</b> |                 |  |             |           |
| 1965                         | V8 4.7L 288 CI  | 157 teeth; 13.437" O.D.  | C3AZ6375A   | FW-163    |
| <b>M-400</b>                 |                 |  |             |           |
| 1971                         | V8 6.4L 390 CI  | w/11" & 11.5" Clutch   | C5AZ6375L   | FW-198    |
| 1973                         | V8 6.4L 390 CI  | w/11" & 11.5" Clutch   | C5AZ6375L   | FW-198    |
| <b>P-350</b>                 |                 |  |             |           |
| 1972                         | V8 5.0L 302 CI  | 157 teeth; 13.437" O.D.  | C3AZ6375A   | FW-163    |
| 1972-73                      | V8 6.4L 390 CI  | w/11" & 11.5" Clutch   | C5AZ6375L   | FW-198    |
| <b>RANCHERO</b>              |                 |  |             |           |
| 1967-69                      | V8 6.4L 390 CI  | w/11" & 11.5" Clutch   | C5AZ6375L   | FW-198    |
| 1968-69                      | V8 7.0L 428 CI  | w/11" & 11.5" Clutch   | C5AZ6375L   | FW-192    |
| 1968-72                      | V8 5.0L 302 CI  | 157 teeth; 13.437" O.D.  | C3AZ6375A   | FW-163    |

# FLYWHEEL APPLICATIONS

| Years                   | Engine         | Remarks                | OE                      | Pioneer # |
|-------------------------|----------------|------------------------|-------------------------|-----------|
| <b>FORD TRUCK</b>       |                |                        |                         |           |
| <b>RANCHERO</b>         |                |                        |                         |           |
| 1969-70                 | V8 5.8L 351 CI | w/11" Clutch           | C5AZ6375K               | FW-193    |
| 1970-73                 | V8 7.0L 429 CI | w/11" & 11.5" Clutch   | C5AZ6375L               | FW-192    |
| 1974-77                 | V8 7.5L 460 CI | w/11" & 11.5" Clutch   | C5AZ6375L               | FW-198    |
| <b>RANGER</b>           |                |                        |                         |           |
| 1983-88                 | L4 2.0L 121 CI | 132 Teeth; w/o Weight  | F0ZZ6375A               | FW-168    |
| 1983-94                 | L4 2.3L 140 CI | 132 Teeth; w/o Weight  | F0ZZ6375A               | FW-168    |
| 1985                    | V6 2.8L 171 CI |                        | E5TZ6375E               | FW-172    |
| 1986-92                 | V6 2.9L 177 CI |                        | E5TZ6375E               | FW-172    |
| 1990-97                 | V6 4.0L 245 CI |                        | F0TZ6375A               | FW-173    |
| 1995-97                 | L4 2.3L 140 CI |                        | F57Z-6375A, ZZM3-11-500 | FW-174    |
| 1996-03                 | V6 3.0L 182 CI |                        | F57Z6375B               | FW-223    |
| 1998-01                 | L4 2.5L 153 CI |                        | F57Z-6375A, ZZM3-11-500 | FW-174    |
| <b>GEO</b>              |                |                        |                         |           |
| <b>METRO</b>            |                |                        |                         |           |
| 1989-97                 | L3 1.0L 61 CI  |                        | 96064507                | FW-186    |
| <b>PRIZM</b>            |                |                        |                         |           |
| 1993-97                 | L4 1.6L 97 CI  |                        | 13405-15090 / 94853595  | FW-214    |
| 1993-97                 | L4 1.8L 109 CI |                        | 13405-15090 / 94853595  | FW-214    |
| <b>STORM</b>            |                |                        |                         |           |
| 1990-93                 | L4 1.6L 97 CI  |                        | 94332497                | FW-337    |
| <b>GMC</b>              |                |                        |                         |           |
| <b>SAVANA 2500</b>      |                |                        |                         |           |
| 2000-01                 | V8 6.5L 395 CI | 139 Teeth; w/o Weight  | 12556799                | FW-152    |
| <b>SAVANA 3500</b>      |                |                        |                         |           |
| 2000-01                 | V8 6.5L 395 CI | 139 Teeth; w/o Weight  | 12556799                | FW-152    |
| <b>GMC TRUCK</b>        |                |                        |                         |           |
| <b>C15</b>              |                |                        |                         |           |
| 1975-78                 | L6 4.1L 250 CI | 168 teeth; 14.13" O.D. | 3991469                 | FW-100    |
| 1975-78                 | L6 4.8L 292 CI | 168 Teeth; w/o Weight  | 93414855                | FW-103    |
| 1975-78                 | V8 5.7L 350 CI | 168 teeth; 14.13" O.D. | 3991469                 | FW-100    |
| 1975-78                 | V8 7.4L 454 CI | 168 Teeth; w/Weight    | 3993827                 | FW-101    |
| 1976                    | V8 6.6L 400 CI | 168 teeth; 14.13" O.D. | 3991469                 | FW-100    |
| 1977-78                 | V8 5.0L 305 CI | 168 teeth; 14.13" O.D. | 3991469                 | FW-100    |
| <b>C15 SUBURBAN</b>     |                |                        |                         |           |
| 1975-78                 | L6 4.1L 250 CI | 168 teeth; 14.13" O.D. | 3991469                 | FW-100    |
| 1975-78                 | V8 7.4L 454 CI | 168 Teeth; w/Weight    | 3993827                 | FW-101    |
| 1977-78                 | V8 5.0L 305 CI | 168 teeth; 14.13" O.D. | 3991469                 | FW-100    |
| 1975-78                 | V8 5.7L 350 CI | 168 teeth; 14.13" O.D. | 3991469                 | FW-100    |
| <b>C15/C1500 PICKUP</b> |                |                        |                         |           |
| 1967                    | V8 4.6L 283 CI | 168 teeth; 14.13" O.D. | 3991469                 | FW-100    |

# FLYWHEEL APPLICATIONS

| Years                     | Engine         | Remarks                           | OE                 | Pioneer # |
|---------------------------|----------------|-----------------------------------|--------------------|-----------|
| <b>GMC TRUCK</b>          |                |                                   |                    |           |
| <b>C15/C1500 PICKUP</b>   |                |                                   |                    |           |
| 1968                      | V8 5.4L 327 CI | 168 teeth; 14.13" O.D.            | 3991469            | FW-100    |
| 1968-69                   | V8 6.5L 396 CI | 168 teeth; 14.13" O.D.            | 3991469            | FW-100    |
| 1967-74                   | L6 4.1L 250 CI | 168 teeth; 14.13" O.D.            | 3991469            | FW-100    |
| 1969-74                   | V8 5.7L 350 CI | 168 teeth; 14.13" O.D.            | 3991469            | FW-100    |
| 1970-71                   | V8 6.6L 402 CI | Big Block; 168 teeth; 14.13" O.D. | 3991469            | FW-100    |
| 1968-71                   | V8 5.0L 307 CI | 168 teeth; 14.13" O.D.            | 3991469            | FW-100    |
| 1973                      | V8 5.0L 307 CI | 168 teeth; 14.13" O.D.            | 3991469            | FW-100    |
| 1968-71                   | L6 4.8L 292 CI | 168 Teeth; w/o Weight             | 93414855           | FW-103    |
| 1973-74                   | L6 4.8L 292 CI | 168 Teeth; w/o Weight             | 93414855           | FW-103    |
| 1967-71                   | L6 4.8L 293 CI | 168 Teeth; w/o Weight             | 93414855           | FW-103    |
| 1973-74                   | L6 4.8L 293 CI | 168 Teeth; w/o Weight             | 93414855           | FW-103    |
| 1973-74                   | V8 7.4L 454 CI | 168 Teeth; w/Weight               | 3993827            | FW-101    |
| <b>C15/C1500 SUBURBAN</b> |                |                                   |                    |           |
| 1968-69                   | V8 6.5L 396 CI | 168 teeth; 14.13" O.D.            | 3991469            | FW-100    |
| 1968-73                   | V8 5.0L 307 CI | 168 teeth; 14.13" O.D.            | 3991469            | FW-100    |
| 1968-74                   | L6 4.1L 250 CI | 168 teeth; 14.13" O.D.            | 3991469            | FW-100    |
| 1969-74                   | V8 5.7L 350 CI | 168 teeth; 14.13" O.D.            | 3991469            | FW-100    |
| 1970-72                   | V8 6.6L 402 CI | Big Block; 168 teeth; 14.13" O.D. | 3991469            | FW-100    |
| 1968-71                   | L6 4.8L 292 CI | 168 Teeth; w/o Weight             | 93414855           | FW-103    |
| 1973-74                   | L6 4.8L 292 CI | 168 Teeth; w/o Weight             | 93414855           | FW-103    |
| 1968-71                   | L6 4.8L 293 CI | 168 Teeth; w/o Weight             | 93414855           | FW-103    |
| 1973-74                   | L6 4.8L 293 CI | 168 Teeth; w/o Weight             | 93414855           | FW-103    |
| 1973-74                   | V8 7.4L 454 CI | 168 Teeth; w/Weight               | 3993827            | FW-101    |
| <b>C1500</b>              |                |                                   |                    |           |
| 1979-80                   | L6 4.8L 292 CI | 168 Teeth; w/o Weight             | 93414855           | FW-103    |
| 1979-80                   | V8 7.4L 454 CI | 168 Teeth; w/Weight               | 3993827            | FW-101    |
| 1979-84                   | L6 4.1L 250 CI | 168 teeth; 14.13" O.D.            | 3991469            | FW-100    |
| 1979-85                   | V8 5.0L 305 CI | 168 teeth; 14.13" O.D.            | 3991469            | FW-100    |
| 1979-85                   | V8 5.7L 350 CI | 168 teeth; 14.13" O.D.            | 3991469            | FW-100    |
| 1985                      | V6 4.3L 262 CI | 168 teeth; 14.13" O.D.            | 3991469            | FW-100    |
| 1988-93                   | V8 6.2L 379 CI |                                   | 14077160           | FW-270    |
| 1986                      | V8 5.0L 305 CI | 168 Teeth; w/Weight               | 10105832, 14088648 | FW-109    |
| 1988-95                   | V8 5.0L 305 CI | 168 Teeth; w/Weight               | 10105832, 14088648 | FW-109    |
| 1986                      | V8 5.7L 350 CI | 168 Teeth; w/Weight               | 10105832, 14088648 | FW-109    |
| 1988-98                   | V8 5.7L 350 CI | 168 Teeth; w/Weight               | 10105832, 14088648 | FW-109    |
| 1994-95                   | V6 4.3L 262 CI | 168 Teeth; w/Weight               | 10218653           | FW-121    |
| 1994-96                   | V8 6.5L 395 CI | w/12" Clutch Dual Mass Flywheel   | 15958496           | FW-106    |
| 1988-93                   | V6 4.3L 262 CI | 168 Teeth; w/Weight               | 14103282           | FW-110    |
| 1996-98                   | V6 4.3L 262 CI | 168 Teeth; w/Weight               | 14103282           | FW-110    |
| 1997                      | V8 6.5L 395 CI | 139 Teeth; w/o Weight             | 12556799           | FW-152    |

# FLYWHEEL APPLICATIONS

| Years                     | Engine         | Remarks                           | OE       | Pioneer # |
|---------------------------|----------------|-----------------------------------|----------|-----------|
| <b>GMC TRUCK</b>          |                |                                   |          |           |
| <b>C1500 SUBURBAN</b>     |                |                                   |          |           |
| 1979-80                   | L6 4.1L 250 CI | 168 teeth; 14.13" O.D.            | 3991469  | FW-100    |
| 1979-80                   | V8 7.4L 454 CI | 168 Teeth; w/Weight               | 3993827  | FW-101    |
| 1979-84                   | V8 5.0L 305 CI | 168 teeth; 14.13" O.D.            | 3991469  | FW-100    |
| 1979-84                   | V8 5.7L 350 CI | 168 teeth; 14.13" O.D.            | 3991469  | FW-100    |
| <b>C25</b>                |                |                                   |          |           |
| 1975-78                   | L6 4.8L 292 CI | 168 Teeth; w/o Weight             | 93414855 | FW-103    |
| 1975-78                   | V8 5.7L 350 CI | 168 teeth; 14.13" O.D.            | 3991469  | FW-100    |
| 1975-78                   | V8 7.4L 454 CI | 168 Teeth; w/Weight               | 3993827  | FW-101    |
| 1976                      | V8 6.6L 400 CI | 168 teeth; 14.13" O.D.            | 3991469  | FW-100    |
| 1975                      | L6 4.1L 250 CI | 168 teeth; 14.13" O.D.            | 3991469  | FW-100    |
| 1977-78                   | L6 4.1L 250 CI | 168 teeth; 14.13" O.D.            | 3991469  | FW-100    |
| 1977-78                   | V8 5.0L 305 CI | 168 teeth; 14.13" O.D.            | 3991469  | FW-100    |
| <b>C25 SUBURBAN</b>       |                |                                   |          |           |
| 1975-78                   | L6 4.8L 292 CI | 168 Teeth; w/o Weight             | 93414855 | FW-103    |
| 1975-78                   | V8 5.7L 350 CI | 168 teeth; 14.13" O.D.            | 3991469  | FW-100    |
| 1975-78                   | V8 7.4L 454 CI | 168 Teeth; w/Weight               | 3993827  | FW-101    |
| 1977-78                   | V8 5.0L 305 CI | 168 teeth; 14.13" O.D.            | 3991469  | FW-100    |
| <b>C25/C2500 PICKUP</b>   |                |                                   |          |           |
| 1967                      | V8 4.6L 283 CI | 168 teeth; 14.13" O.D.            | 3991469  | FW-100    |
| 1967-74                   | L6 4.8L 293 CI | 168 Teeth; w/o Weight             | 93414855 | FW-103    |
| 1968                      | V8 5.4L 327 CI | 168 teeth; 14.13" O.D.            | 3991469  | FW-100    |
| 1968-69                   | V8 6.5L 396 CI | 168 teeth; 14.13" O.D.            | 3991469  | FW-100    |
| 1968-73                   | V8 5.0L 307 CI | 168 teeth; 14.13" O.D.            | 3991469  | FW-100    |
| 1968-74                   | L6 4.8L 292 CI | 168 Teeth; w/o Weight             | 93414855 | FW-103    |
| 1970-71                   | V8 6.6L 402 CI | Big Block; 168 teeth; 14.13" O.D. | 3991469  | FW-100    |
| 1967-69                   | L6 4.1L 250 CI | 168 teeth; 14.13" O.D.            | 3991469  | FW-100    |
| 1971-74                   | L6 4.1L 250 CI | 168 teeth; 14.13" O.D.            | 3991469  | FW-100    |
| 1973-74                   | V8 7.4L 454 CI | 168 Teeth; w/Weight               | 3993827  | FW-101    |
| 1969-74                   | V8 5.7L 350 CI | 168 teeth; 14.13" O.D.            | 3991469  | FW-100    |
| <b>C25/C2500 SUBURBAN</b> |                |                                   |          |           |
| 1968                      | V8 5.4L 327 CI | 168 teeth; 14.13" O.D.            | 3991469  | FW-100    |
| 1968-73                   | V8 5.0L 307 CI | 168 teeth; 14.13" O.D.            | 3991469  | FW-100    |
| 1968-74                   | L6 4.8L 292 CI | 168 Teeth; w/o Weight             | 93414855 | FW-103    |
| 1968-74                   | L6 4.8L 293 CI | 168 Teeth; w/o Weight             | 93414855 | FW-103    |
| 1969                      | V8 6.5L 396 CI | 168 teeth; 14.13" O.D.            | 3991469  | FW-100    |
| 1970-72                   | V8 6.6L 402 CI | Big Block; 168 teeth; 14.13" O.D. | 3991469  | FW-100    |
| 1968-74                   | L6 4.1L 250 CI | 168 teeth; 14.13" O.D.            | 3991469  | FW-100    |
| 1969-72                   | V8 5.7L 350 CI | 168 teeth; 14.13" O.D.            | 3991469  | FW-100    |
| 1974                      | V8 5.7L 350 CI | 168 teeth; 14.13" O.D.            | 3991469  | FW-100    |
| 1974                      | V8 7.4L 454 CI | 168 Teeth; w/Weight               | 3993827  | FW-101    |

# FLYWHEEL APPLICATIONS

| Years                   | Engine         | Remarks   | OE                 | Pioneer # |
|-------------------------|----------------|---|--------------------|-----------|
| <b>GMC TRUCK</b>        |                |   |                    |           |
| <b>C2500</b>            |                |   |                    |           |
| 1979-84                 | L6 4.1L 250 CI | 168 teeth; 14.13" O.D.                                    | 3991469            | FW-100    |
| 1979-85                 | V8 5.0L 305 CI | 168 teeth; 14.13" O.D.                                    | 3991469            | FW-100    |
| 1979-85                 | V8 5.7L 350 CI | 168 teeth; 14.13" O.D.                                    | 3991469            | FW-100    |
| 1979-86                 | L6 4.8L 292 CI | 168 Teeth; w/o Weight                                     | 93414855           | FW-103    |
| 1979-86                 | V8 7.4L 454 CI | 168 Teeth; w/Weight                                       | 3993827            | FW-101    |
| 1985                    | V6 4.3L 262 CI | 168 teeth; 14.13" O.D.                                    | 3991469            | FW-100    |
| 1988-93                 | V6 4.3L 262 CI | 168 Teeth; w/Weight                                       | 14103282           | FW-110    |
| 1988-93                 | V8 6.2L 379 CI |   | 14077160           | FW-270    |
| 1986                    | V8 5.0L 305 CI | 168 Teeth; w/Weight                                       | 10105832, 14088648 | FW-109    |
| 1988-95                 | V8 5.0L 305 CI | 168 Teeth; w/Weight                                       | 10105832, 14088648 | FW-109    |
| 1991-95                 | V8 7.4L 454 CI | 168 Teeth; w/Weight                                       | 10101169           | FW-118    |
| 1992-96                 | V8 6.5L 395 CI | w/12" Clutch Dual Mass Flywheel                           | 15958496           | FW-106    |
| 1994-95                 | V6 4.3L 262 CI | 168 Teeth; w/Weight                                       | 10218653           | FW-121    |
| 1986                    | V8 5.7L 350 CI | 168 Teeth; w/Weight                                       | 10105832, 14088648 | FW-109    |
| 1988-98                 | V8 5.7L 350 CI | 168 Teeth; w/Weight                                       | 10105832, 14088648 | FW-109    |
| 1997-00                 | V8 5.7L 350 CI |   | 12562814           | FW-122    |
| 1997-00                 | V8 6.5L 395 CI | 139 Teeth; w/o Weight                                     | 12556799           | FW-152    |
| <b>C2500 SUBURBAN</b>   |                |   |                    |           |
| 1979-84                 | V8 7.4L 454 CI | 168 Teeth; w/Weight                                       | 3993827            | FW-101    |
| 1979-84                 | V8 5.7L 350 CI | 168 teeth; 14.13" O.D.                                    | 3991469            | FW-100    |
| 1982-84                 | V8 5.0L 305 CI | 168 teeth; 14.13" O.D.                                    | 3991469            | FW-100    |
| 1979-82                 | L6 4.8L 292 CI | 168 Teeth; w/o Weight                                     | 93414855           | FW-103    |
| 1984                    | L6 4.8L 292 CI | 168 Teeth; w/o Weight                                     | 93414855           | FW-103    |
| <b>C35</b>              |                |   |                    |           |
| 1975-78                 | L6 4.8L 292 CI | 168 Teeth; w/o Weight                                     | 93414855           | FW-103    |
| 1975-78                 | V8 5.7L 350 CI | 168 teeth; 14.13" O.D.                                    | 3991469            | FW-100    |
| 1975-78                 | V8 7.4L 454 CI | 168 Teeth; w/Weight                                       | 3993827            | FW-101    |
| 1975                    | L6 4.1L 250 CI | 168 teeth; 14.13" O.D.                                    | 3991469            | FW-100    |
| 1978                    | L6 4.1L 250 CI | 168 teeth; 14.13" O.D.                                    | 3991469            | FW-100    |
| 1978                    | V8 5.0L 305 CI | 168 teeth; 14.13" O.D.                                    | 3991469            | FW-100    |
| <b>C35/C3500 PICKUP</b> |                |   |                    |           |
| 1967                    | V8 4.6L 283 CI | 168 teeth; 14.13" O.D.                                    | 3991469            | FW-100    |
| 1967-74                 | L6 4.8L 293 CI | 168 Teeth; w/o Weight                                     | 93414855           | FW-103    |
| 1968                    | V8 5.4L 327 CI | 168 teeth; 14.13" O.D.                                    | 3991469            | FW-100    |
| 1968-69                 | V8 6.5L 396 CI | 168 teeth; 14.13" O.D.                                    | 3991469            | FW-100    |
| 1968-73                 | V8 5.0L 307 CI | 168 teeth; 14.13" O.D.                                    | 3991469            | FW-100    |
| 1969-74                 | V8 5.7L 350 CI | 168 teeth; 14.13" O.D.                                    | 3991469            | FW-100    |
| 1971-72                 | V8 6.6L 402 CI | Big Block; 168 teeth; 14.13" O.D., 168 teeth; 14.13" O.D. | 3991469            | FW-100    |
| 1967-69                 | L6 4.1L 250 CI | 168 teeth; 14.13" O.D.                                    | 3991469            | FW-100    |



# FLYWHEEL APPLICATIONS

| Years                   | Engine         | Remarks                         | OE                 | Pioneer # |
|-------------------------|----------------|---------------------------------|--------------------|-----------|
| <b>GMC TRUCK</b>        |                |                                 |                    |           |
| <b>C35/C3500 PICKUP</b> |                |                                 |                    |           |
| 1971-74                 | L6 4.1L 250 CI | 168 teeth; 14.13" O.D.          | 3991469            | FW-100    |
| 1968-74                 | L6 4.8L 292 CI | 168 Teeth; w/o Weight           | 93414855           | FW-103    |
| 1973-74                 | V8 7.4L 454 CI | 168 Teeth; w/Weight             | 3993827            | FW-101    |
| <b>C3500</b>            |                |                                 |                    |           |
| 1979-80                 | L6 4.1L 250 CI | 168 teeth; 14.13" O.D.          | 3991469            | FW-100    |
| 1979-85                 | V8 5.7L 350 CI | 168 teeth; 14.13" O.D.          | 3991469            | FW-100    |
| 1979-86                 | L6 4.8L 292 CI | 168 Teeth; w/o Weight           | 93414855           | FW-103    |
| 1986                    | V8 5.0L 305 CI | 168 Teeth; w/Weight             | 10105832, 14088648 | FW-109    |
| 1979-86                 | V8 7.4L 454 CI | 168 Teeth; w/Weight             | 3993827            | FW-101    |
| 1988-90                 | V8 7.4L 454 CI | 168 Teeth; w/Weight             | 3993827            | FW-101    |
| 1988-93                 | V8 6.2L 379 CI |                                 | 14077160           | FW-270    |
| 1986                    | V8 5.7L 350 CI | 168 Teeth; w/Weight             | 10105832, 14088648 | FW-109    |
| 1988-95                 | V8 5.7L 350 CI | 168 Teeth; w/Weight             | 10105832, 14088648 | FW-109    |
| 1991-95                 | V8 7.4L 454 CI | 168 Teeth; w/Weight             | 10101169           | FW-118    |
| 1992-96                 | V8 6.5L 395 CI | w/12" Clutch Dual Mass Flywheel | 15958496           | FW-106    |
| 1996-00                 | V8 5.7L 350 CI |                                 | 12562814           | FW-122    |
| 1997-00                 | V8 6.5L 395 CI | 139 Teeth; w/o Weight           | 12556799           | FW-152    |
| <b>G15</b>              |                |                                 |                    |           |
| 1975-78                 | L6 4.1L 250 CI | 168 teeth; 14.13" O.D.          | 3991469            | FW-100    |
| 1975-78                 | V8 5.7L 350 CI | 168 teeth; 14.13" O.D.          | 3991469            | FW-100    |
| 1977-78                 | V8 5.0L 305 CI | 168 teeth; 14.13" O.D.          | 3991469            | FW-100    |
| <b>G15/G1500 VAN</b>    |                |                                 |                    |           |
| 1967                    | V8 4.6L 283 CI | 168 teeth; 14.13" O.D.          | 3991469            | FW-100    |
| 1967                    | V8 5.4L 327 CI | 168 teeth; 14.13" O.D.          | 3991469            | FW-100    |
| 1968-73                 | V8 5.0L 307 CI | 168 teeth; 14.13" O.D.          | 3991469            | FW-100    |
| 1971-74                 | V8 5.7L 350 CI | 168 teeth; 14.13" O.D.          | 3991469            | FW-100    |
| 1972-74                 | L6 4.1L 250 CI | 168 teeth; 14.13" O.D.          | 3991469            | FW-100    |
| <b>G1500</b>            |                |                                 |                    |           |
| 1979-84                 | L6 4.1L 250 CI | 168 teeth; 14.13" O.D.          | 3991469            | FW-100    |
| 1979-85                 | V8 5.0L 305 CI | 168 teeth; 14.13" O.D.          | 3991469            | FW-100    |
| 1979-85                 | V8 5.7L 350 CI | 168 teeth; 14.13" O.D.          | 3991469            | FW-100    |
| 1985                    | V6 4.3L 262 CI | 168 teeth; 14.13" O.D.          | 3991469            | FW-100    |
| 1986-89                 | V6 4.3L 262 CI | 168 Teeth; w/Weight             | 10105832, 14088648 | FW-109    |
| 1986-90                 | V8 5.0L 305 CI | 168 Teeth; w/Weight             | 10105832, 14088648 | FW-109    |
| 1986-90                 | V8 5.7L 350 CI | 168 Teeth; w/Weight             | 10105832, 14088648 | FW-109    |
| 1990                    | V6 4.3L 262 CI | 168 Teeth; w/Weight             | 14103282           | FW-110    |
| <b>G25</b>              |                |                                 |                    |           |
| 1975-76                 | V8 7.4L 454 CI | 168 Teeth; w/Weight             | 3993827            | FW-101    |
| 1975-78                 | L6 4.8L 292 CI | 168 Teeth; w/o Weight           | 93414855           | FW-103    |
| 1975-78                 | V8 5.7L 350 CI | 168 teeth; 14.13" O.D.          | 3991469            | FW-100    |

# FLYWHEEL APPLICATIONS

| Years                | Engine         | Remarks                | OE                 | Pioneer # |
|----------------------|----------------|------------------------|--------------------|-----------|
| <b>GMC TRUCK</b>     |                |                        |                    |           |
| <b>G25</b>           |                |                        |                    |           |
| 1977-78              | V8 5.0L 305 CI | 168 teeth; 14.13" O.D. | 3991469            | FW-100    |
| 1978                 | L6 4.1L 250 CI | 168 teeth; 14.13" O.D. | 3991469            | FW-100    |
| <b>G25/G2500 VAN</b> |                |                        |                    |           |
| 1967                 | V8 4.6L 283 CI | 168 teeth; 14.13" O.D. | 3991469            | FW-100    |
| 1967                 | V8 5.4L 327 CI | 168 teeth; 14.13" O.D. | 3991469            | FW-100    |
| 1968-73              | V8 5.0L 307 CI | 168 teeth; 14.13" O.D. | 3991469            | FW-100    |
| 1972-74              | L6 4.1L 250 CI | 168 teeth; 14.13" O.D. | 3991469            | FW-100    |
| 1974                 | L6 4.8L 292 CI | 168 Teeth; w/o Weight  | 93414855           | FW-103    |
| 1970-74              | V8 5.7L 350 CI | 168 teeth; 14.13" O.D. | 3991469            | FW-100    |
| <b>G2500</b>         |                |                        |                    |           |
| 1979-84              | L6 4.1L 250 CI | 168 teeth; 14.13" O.D. | 3991469            | FW-100    |
| 1979-85              | V8 5.0L 305 CI | 168 teeth; 14.13" O.D. | 3991469            | FW-100    |
| 1979-85              | V8 5.7L 350 CI | 168 teeth; 14.13" O.D. | 3991469            | FW-100    |
| 1985                 | V6 4.3L 262 CI | 168 teeth; 14.13" O.D. | 3991469            | FW-100    |
| 1986-89              | V6 4.3L 262 CI | 168 Teeth; w/Weight    | 10105832, 14088648 | FW-109    |
| 1986-90              | V8 5.0L 305 CI | 168 Teeth; w/Weight    | 10105832, 14088648 | FW-109    |
| 1986-90              | V8 5.7L 350 CI | 168 Teeth; w/Weight    | 10105832, 14088648 | FW-109    |
| 1990                 | V6 4.3L 262 CI | 168 Teeth; w/Weight    | 14103282           | FW-110    |
| <b>G35</b>           |                |                        |                    |           |
| 1975-78              | L6 4.8L 292 CI | 168 Teeth; w/o Weight  | 93414855           | FW-103    |
| 1975-78              | V8 5.7L 350 CI | 168 teeth; 14.13" O.D. | 3991469            | FW-100    |
| 1976                 | V8 7.4L 454 CI | 168 Teeth; w/Weight    | 3993827            | FW-101    |
| 1978                 | L6 4.1L 250 CI | 168 teeth; 14.13" O.D. | 3991469            | FW-100    |
| <b>G35/G3500 VAN</b> |                |                        |                    |           |
| 1971-74              | V8 5.7L 350 CI | 168 teeth; 14.13" O.D. | 3991469            | FW-100    |
| 1972                 | L6 4.1L 250 CI | 168 teeth; 14.13" O.D. | 3991469            | FW-100    |
| 1974                 | L6 4.1L 250 CI | 168 teeth; 14.13" O.D. | 3991469            | FW-100    |
| 1974                 | L6 4.8L 292 CI | 168 Teeth; w/o Weight  | 93414855           | FW-103    |
| 1974                 | L6 4.8L 293 CI | 168 Teeth; w/o Weight  | 93414855           | FW-103    |
| <b>G3500</b>         |                |                        |                    |           |
| 1981                 | V8 5.0L 305 CI | 168 teeth; 14.13" O.D. | 3991469            | FW-100    |
| 1979                 | L6 4.1L 250 CI | 168 teeth; 14.13" O.D. | 3991469            | FW-100    |
| 1982-84              | L6 4.1L 250 CI | 168 teeth; 14.13" O.D. | 3991469            | FW-100    |
| 1979-85              | V8 5.7L 350 CI | 168 teeth; 14.13" O.D. | 3991469            | FW-100    |
| 1985                 | V6 4.3L 262 CI | 168 teeth; 14.13" O.D. | 3991469            | FW-100    |
| 1986-89              | V6 4.3L 262 CI | 168 Teeth; w/Weight    | 10105832, 14088648 | FW-109    |
| 1986-90              | V8 5.7L 350 CI | 168 Teeth; w/Weight    | 10105832, 14088648 | FW-109    |
| 1988-90              | V8 7.4L 454 CI | 168 Teeth; w/Weight    | 3993827            | FW-101    |
| 1990                 | V6 4.3L 262 CI | 168 Teeth; w/Weight    | 14103282           | FW-110    |
| <b>JIMMY</b>         |                |                        |                    |           |
| 1970-72              | V8 5.0L 307 CI | 168 teeth; 14.13" O.D. | 3991469            | FW-100    |

# FLYWHEEL APPLICATIONS

| Years                     | Engine         | Remarks                           | OE                 | Pioneer # |
|---------------------------|----------------|-----------------------------------|--------------------|-----------|
| <b>GMC TRUCK</b>          |                |                                   |                    |           |
| <b>JIMMY</b>              |                |                                   |                    |           |
| 1970-82                   | L6 4.1L 250 CI | 168 teeth; 14.13" O.D.            | 3991469            | FW-100    |
| 1970-85                   | V8 5.7L 350 CI | 168 teeth; 14.13" O.D.            | 3991469            | FW-100    |
| 1973                      | L6 4.8L 292 CI | 168 Teeth; w/o Weight             | 93414855           | FW-103    |
| 1973                      | L6 4.8L 293 CI | 168 Teeth; w/o Weight             | 93414855           | FW-103    |
| 1973                      | V8 7.4L 454 CI | 168 Teeth; w/Weight               | 3993827            | FW-101    |
| 1976                      | V8 7.4L 454 CI | 168 Teeth; w/Weight               | 3993827            | FW-101    |
| 1977-85                   | V8 5.0L 305 CI | 168 teeth; 14.13" O.D.            | 3991469            | FW-100    |
| 1986                      | V8 5.7L 350 CI | 168 Teeth; w/Weight               | 10105832, 14088648 | FW-109    |
| 1987-91                   | V8 6.2L 379 CI |                                   | 14077160           | FW-270    |
| 1992-96                   | V6 4.3L 262 CI | 168 Teeth; w/Weight               | 14103282           | FW-110    |
| 1998                      | V6 4.3L 262 CI | 168 Teeth; w/Weight               | 14103282           | FW-110    |
| <b>K15</b>                |                |                                   |                    |           |
| 1975-76                   | L6 4.8L 292 CI | 168 Teeth; w/o Weight             | 93414855           | FW-103    |
| 1975-78                   | L6 4.1L 250 CI | 168 teeth; 14.13" O.D.            | 3991469            | FW-100    |
| 1975-78                   | V8 5.7L 350 CI | 168 teeth; 14.13" O.D.            | 3991469            | FW-100    |
| 1976                      | V8 7.4L 454 CI | 168 Teeth; w/Weight               | 3993827            | FW-101    |
| 1977-78                   | V8 5.0L 305 CI | 168 teeth; 14.13" O.D.            | 3991469            | FW-100    |
| <b>K15 SUBURBAN</b>       |                |                                   |                    |           |
| 1975-78                   | L6 4.1L 250 CI | 168 teeth; 14.13" O.D.            | 3991469            | FW-100    |
| 1975-78                   | V8 5.7L 350 CI | 168 teeth; 14.13" O.D.            | 3991469            | FW-100    |
| 1977-78                   | V8 5.0L 305 CI | 168 teeth; 14.13" O.D.            | 3991469            | FW-100    |
| <b>K15/K1500 PICKUP</b>   |                |                                   |                    |           |
| 1967                      | L6 4.8L 293 CI | 168 Teeth; w/o Weight             | 93414855           | FW-103    |
| 1967                      | V8 4.6L 283 CI | 168 teeth; 14.13" O.D.            | 3991469            | FW-100    |
| 1968                      | V8 5.4L 327 CI | 168 teeth; 14.13" O.D.            | 3991469            | FW-100    |
| 1968-69                   | V8 6.5L 396 CI | 168 teeth; 14.13" O.D.            | 3991469            | FW-100    |
| 1968-70                   | V8 5.0L 307 CI | 168 teeth; 14.13" O.D.            | 3991469            | FW-100    |
| 1968-74                   | L6 4.1L 250 CI | 168 teeth; 14.13" O.D.            | 3991469            | FW-100    |
| 1969-74                   | V8 5.7L 350 CI | 168 teeth; 14.13" O.D.            | 3991469            | FW-100    |
| <b>K15/K1500 SUBURBAN</b> |                |                                   |                    |           |
| 1968                      | L6 4.8L 292 CI | 168 Teeth; w/o Weight             | 93414855           | FW-103    |
| 1968                      | L6 4.8L 293 CI | 168 Teeth; w/o Weight             | 93414855           | FW-103    |
| 1968                      | V8 6.5L 396 CI | 168 teeth; 14.13" O.D.            | 3991469            | FW-100    |
| 1970-72                   | V8 6.6L 402 CI | Big Block; 168 teeth; 14.13" O.D. | 3991469            | FW-100    |
| 1968                      | V8 5.0L 307 CI | 168 teeth; 14.13" O.D.            | 3991469            | FW-100    |
| 1970-73                   | V8 5.0L 307 CI | 168 teeth; 14.13" O.D.            | 3991469            | FW-100    |
| 1968-70                   | L6 4.1L 250 CI | 168 teeth; 14.13" O.D.            | 3991469            | FW-100    |
| 1972-74                   | L6 4.1L 250 CI | 168 teeth; 14.13" O.D.            | 3991469            | FW-100    |
| 1969-74                   | V8 5.7L 350 CI | 168 teeth; 14.13" O.D.            | 3991469            | FW-100    |
| <b>K1500</b>              |                |                                   |                    |           |
| 1979-80                   | L6 4.8L 292 CI | 168 Teeth; w/o Weight             | 93414855           | FW-103    |

# FLYWHEEL APPLICATIONS

| Years                   | Engine         | Remarks                         | OE                 | Pioneer # |
|-------------------------|----------------|---------------------------------|--------------------|-----------|
| <b>GMC TRUCK</b>        |                |                                 |                    |           |
| <b>K1500</b>            |                |                                 |                    |           |
| 1979-80                 | V8 7.4L 454 CI | 168 Teeth; w/Weight             | 3993827            | FW-101    |
| 1979-84                 | L6 4.1L 250 CI | 168 teeth; 14.13" O.D.          | 3991469            | FW-100    |
| 1979-85                 | V8 5.7L 350 CI | 168 teeth; 14.13" O.D.          | 3991469            | FW-100    |
| 1979                    | V8 5.0L 305 CI | 168 teeth; 14.13" O.D.          | 3991469            | FW-100    |
| 1981-85                 | V8 5.0L 305 CI | 168 teeth; 14.13" O.D.          | 3991469            | FW-100    |
| 1985                    | V6 4.3L 262 CI | 168 teeth; 14.13" O.D.          | 3991469            | FW-100    |
| 1988-93                 | V8 6.2L 379 CI |                                 | 14077160           | FW-270    |
| 1986                    | V8 5.0L 305 CI | 168 Teeth; w/Weight             | 10105832, 14088648 | FW-109    |
| 1988-95                 | V8 5.0L 305 CI | 168 Teeth; w/Weight             | 10105832, 14088648 | FW-109    |
| 1986                    | V8 5.7L 350 CI | 168 Teeth; w/Weight             | 10105832, 14088648 | FW-109    |
| 1988-98                 | V8 5.7L 350 CI | 168 Teeth; w/Weight             | 10105832, 14088648 | FW-109    |
| 1994-95                 | V6 4.3L 262 CI | 168 Teeth; w/Weight             | 10218653           | FW-121    |
| 1994-96                 | V8 6.5L 395 CI | w/12" Clutch Dual Mass Flywheel | 15958496           | FW-106    |
| 1988-93                 | V6 4.3L 262 CI | 168 Teeth; w/Weight             | 14103282           | FW-110    |
| 1996-98                 | V6 4.3L 262 CI | 168 Teeth; w/Weight             | 14103282           | FW-110    |
| 1997-98                 | V8 6.5L 395 CI | 139 Teeth; w/o Weight           | 12556799           | FW-152    |
| <b>K1500 SUBURBAN</b>   |                |                                 |                    |           |
| 1979-80                 | L6 4.1L 250 CI | 168 teeth; 14.13" O.D.          | 3991469            | FW-100    |
| 1979-84                 | V8 5.7L 350 CI | 168 teeth; 14.13" O.D.          | 3991469            | FW-100    |
| 1979                    | V8 5.0L 305 CI | 168 teeth; 14.13" O.D.          | 3991469            | FW-100    |
| 1982-84                 | V8 5.0L 305 CI | 168 teeth; 14.13" O.D.          | 3991469            | FW-100    |
| <b>K25</b>              |                |                                 |                    |           |
| 1975-78                 | L6 4.8L 292 CI | 168 Teeth; w/o Weight           | 93414855           | FW-103    |
| 1975-78                 | V8 5.7L 350 CI | 168 teeth; 14.13" O.D.          | 3991469            | FW-100    |
| 1976-78                 | V8 7.4L 454 CI | 168 Teeth; w/Weight             | 3993827            | FW-101    |
| 1977-78                 | V8 5.0L 305 CI | 168 teeth; 14.13" O.D.          | 3991469            | FW-100    |
| 1975-76                 | L6 4.1L 250 CI | 168 teeth; 14.13" O.D.          | 3991469            | FW-100    |
| 1978                    | L6 4.1L 250 CI | 168 teeth; 14.13" O.D.          | 3991469            | FW-100    |
| <b>K25 SUBURBAN</b>     |                |                                 |                    |           |
| 1975-78                 | L6 4.8L 292 CI | 168 Teeth; w/o Weight           | 93414855           | FW-103    |
| 1975-78                 | V8 5.7L 350 CI | 168 teeth; 14.13" O.D.          | 3991469            | FW-100    |
| 1977                    | V8 7.4L 454 CI | 168 Teeth; w/Weight             | 3993827            | FW-101    |
| 1977-78                 | V8 5.0L 305 CI | 168 teeth; 14.13" O.D.          | 3991469            | FW-100    |
| <b>K25/K2500 PICKUP</b> |                |                                 |                    |           |
| 1967                    | V8 4.6L 283 CI | 168 teeth; 14.13" O.D.          | 3991469            | FW-100    |
| 1967-74                 | L6 4.1L 250 CI | 168 teeth; 14.13" O.D.          | 3991469            | FW-100    |
| 1968                    | V8 5.4L 327 CI | 168 teeth; 14.13" O.D.          | 3991469            | FW-100    |
| 1968-69                 | V8 6.5L 396 CI | 168 teeth; 14.13" O.D.          | 3991469            | FW-100    |
| 1968-70                 | V8 5.0L 307 CI | 168 teeth; 14.13" O.D.          | 3991469            | FW-100    |
| 1969-74                 | V8 5.7L 350 CI | 168 teeth; 14.13" O.D.          | 3991469            | FW-100    |

# FLYWHEEL APPLICATIONS

| Years                     | Engine         | Remarks                         | OE                 | Pioneer # |
|---------------------------|----------------|---------------------------------|--------------------|-----------|
| <b>GMC TRUCK</b>          |                |                                 |                    |           |
| <b>K25/K2500 PICKUP</b>   |                |                                 |                    |           |
| 1967                      | L6 4.8L 293 CI | 168 Teeth; w/o Weight           | 93414855           | FW-103    |
| 1970-74                   | L6 4.8L 293 CI | 168 Teeth; w/o Weight           | 93414855           | FW-103    |
| 1970-74                   | L6 4.8L 292 CI | 168 Teeth; w/o Weight           | 93414855           | FW-103    |
| 1973-74                   | V8 7.4L 454 CI | 168 Teeth; w/Weight             | 3993827            | FW-101    |
| <b>K25/K2500 SUBURBAN</b> |                |                                 |                    |           |
| 1968                      | V8 5.4L 327 CI | 168 teeth; 14.13" O.D.          | 3991469            | FW-100    |
| 1968                      | V8 6.5L 396 CI | 168 teeth; 14.13" O.D.          | 3991469            | FW-100    |
| 1968-73                   | V8 5.0L 307 CI | 168 teeth; 14.13" O.D.          | 3991469            | FW-100    |
| 1968-74                   | L6 4.1L 250 CI | 168 teeth; 14.13" O.D.          | 3991469            | FW-100    |
| 1968-74                   | L6 4.8L 292 CI | 168 Teeth; w/o Weight           | 93414855           | FW-103    |
| 1968-74                   | L6 4.8L 293 CI | 168 Teeth; w/o Weight           | 93414855           | FW-103    |
| 1969-74                   | V8 5.7L 350 CI | 168 teeth; 14.13" O.D.          | 3991469            | FW-100    |
| <b>K2500</b>              |                |                                 |                    |           |
| 1979-85                   | V8 5.7L 350 CI | 168 teeth; 14.13" O.D.          | 3991469            | FW-100    |
| 1979-86                   | L6 4.8L 292 CI | 168 Teeth; w/o Weight           | 93414855           | FW-103    |
| 1980                      | L6 4.1L 250 CI | 168 teeth; 14.13" O.D.          | 3991469            | FW-100    |
| 1985                      | V6 4.3L 262 CI | 168 teeth; 14.13" O.D.          | 3991469            | FW-100    |
| 1988-93                   | V6 4.3L 262 CI | 168 Teeth; w/Weight             | 14103282           | FW-110    |
| 1988-93                   | V8 6.2L 379 CI |                                 | 14077160           | FW-270    |
| 1988-95                   | V8 5.0L 305 CI | 168 Teeth; w/Weight             | 10105832, 14088648 | FW-109    |
| 1986                      | V8 5.7L 350 CI | 168 Teeth; w/Weight             | 10105832, 14088648 | FW-109    |
| 1988-95                   | V8 5.7L 350 CI | 168 Teeth; w/Weight             | 10105832, 14088648 | FW-109    |
| 1997-98                   | V8 5.7L 350 CI | 168 Teeth; w/Weight             | 10105832, 14088648 | FW-109    |
| 1991-95                   | V8 7.4L 454 CI | 168 Teeth; w/Weight             | 10101169           | FW-118    |
| 1992-96                   | V8 6.5L 395 CI | w/12" Clutch Dual Mass Flywheel | 15958496           | FW-106    |
| 1994-95                   | V6 4.3L 262 CI | 168 Teeth; w/Weight             | 10218653           | FW-121    |
| 1997-00                   | V8 5.7L 350 CI |                                 | 12562814           | FW-122    |
| 1997-00                   | V8 6.5L 395 CI | 139 Teeth; w/o Weight           | 12556799           | FW-152    |
| <b>K2500 SUBURBAN</b>     |                |                                 |                    |           |
| 1979-84                   | V8 5.7L 350 CI | 168 teeth; 14.13" O.D.          | 3991469            | FW-100    |
| 1979-82                   | L6 4.8L 292 CI | 168 Teeth; w/o Weight           | 93414855           | FW-103    |
| 1984                      | L6 4.8L 292 CI | 168 Teeth; w/o Weight           | 93414855           | FW-103    |
| <b>K35</b>                |                |                                 |                    |           |
| 1977-78                   | L6 4.8L 292 CI | 168 Teeth; w/o Weight           | 93414855           | FW-103    |
| 1977-78                   | V8 5.7L 350 CI | 168 teeth; 14.13" O.D.          | 3991469            | FW-100    |
| <b>K35/K3500 PICKUP</b>   |                |                                 |                    |           |
| 1968                      | V8 5.4L 327 CI | 168 teeth; 14.13" O.D.          | 3991469            | FW-100    |
| 1968-69                   | V8 6.5L 396 CI | 168 teeth; 14.13" O.D.          | 3991469            | FW-100    |
| 1968-70                   | L6 4.1L 250 CI | 168 teeth; 14.13" O.D.          | 3991469            | FW-100    |
| 1968-71                   | V8 5.0L 307 CI | 168 teeth; 14.13" O.D.          | 3991469            | FW-100    |

# FLYWHEEL APPLICATIONS

| Years                   | Engine         | Remarks                           | OE                 | Pioneer # |
|-------------------------|----------------|-----------------------------------|--------------------|-----------|
| <b>GMC TRUCK</b>        |                |                                   |                    |           |
| <b>K35/K3500 PICKUP</b> |                |                                   |                    |           |
| 1968-74                 | L6 4.8L 293 CI | 168 Teeth; w/o Weight             | 93414855           | FW-103    |
| 1970-71                 | V8 6.6L 402 CI | Big Block; 168 teeth; 14.13" O.D. | 3991469            | FW-100    |
| 1968-74                 | L6 4.8L 292 CI | 168 Teeth; w/o Weight             | 93414855           | FW-103    |
| 1973-74                 | V8 7.4L 454 CI | 168 Teeth; w/Weight               | 3993827            | FW-101    |
| 1969-74                 | V8 5.7L 350 CI | 168 teeth; 14.13" O.D.            | 3991469            | FW-100    |
| <b>K3500</b>            |                |                                   |                    |           |
| 1979-85                 | V8 5.7L 350 CI | 168 teeth; 14.13" O.D.            | 3991469            | FW-100    |
| 1979-86                 | L6 4.8L 292 CI | 168 Teeth; w/o Weight             | 93414855           | FW-103    |
| 1979-86                 | V8 7.4L 454 CI | 168 Teeth; w/Weight               | 3993827            | FW-101    |
| 1988-90                 | V8 7.4L 454 CI | 168 Teeth; w/Weight               | 3993827            | FW-101    |
| 1988-93                 | V8 6.2L 379 CI |                                   | 14077160           | FW-270    |
| 1986                    | V8 5.7L 350 CI | 168 Teeth; w/Weight               | 10105832, 14088648 | FW-109    |
| 1988-95                 | V8 5.7L 350 CI | 168 Teeth; w/Weight               | 10105832, 14088648 | FW-109    |
| 1991-95                 | V8 7.4L 454 CI | 168 Teeth; w/Weight               | 10101169           | FW-118    |
| 1992-96                 | V8 6.5L 395 CI | w/12" Clutch Dual Mass Flywheel   | 15958496           | FW-106    |
| 1996-00                 | V8 5.7L 350 CI |                                   | 12562814           | FW-122    |
| 1997-00                 | V8 6.5L 395 CI | 139 Teeth; w/o Weight             | 12556799           | FW-152    |
| <b>P15</b>              |                |                                   |                    |           |
| 1975-78                 | L6 4.8L 292 CI | 168 Teeth; w/o Weight             | 93414855           | FW-103    |
| <b>P15/P1500 VAN</b>    |                |                                   |                    |           |
| 1967                    | L6 4.8L 292 CI | 168 Teeth; w/o Weight             | 93414855           | FW-103    |
| 1967                    | V8 4.6L 283 CI | 168 teeth; 14.13" O.D.            | 3991469            | FW-100    |
| 1967-69                 | L6 3.8L 230 CI | 168 teeth; 14.13" O.D.            | 3991469            | FW-100    |
| 1970-73                 | V8 5.0L 307 CI | 168 teeth; 14.13" O.D.            | 3991469            | FW-100    |
| 1968-74                 | L6 4.1L 250 CI | 168 teeth; 14.13" O.D.            | 3991469            | FW-100    |
| <b>P1500</b>            |                |                                   |                    |           |
| 1979                    | V8 7.4L 454 CI | 168 Teeth; w/Weight               | 3993827            | FW-101    |
| 1979-80                 | L6 4.8L 292 CI | 168 Teeth; w/o Weight             | 93414855           | FW-103    |
| <b>P25</b>              |                |                                   |                    |           |
| 1975-78                 | L6 4.8L 292 CI | 168 Teeth; w/o Weight             | 93414855           | FW-103    |
| 1975-78                 | V8 5.7L 350 CI | 168 teeth; 14.13" O.D.            | 3991469            | FW-100    |
| <b>P25/P2500 VAN</b>    |                |                                   |                    |           |
| 1967                    | V8 4.6L 283 CI | 168 teeth; 14.13" O.D.            | 3991469            | FW-100    |
| 1968-73                 | V8 5.0L 307 CI | 168 teeth; 14.13" O.D.            | 3991469            | FW-100    |
| 1970-71                 | V8 7.4L 454 CI | 168 Teeth; w/Weight               | 3993827            | FW-101    |
| 1970-74                 | V8 5.7L 350 CI | 168 teeth; 14.13" O.D.            | 3991469            | FW-100    |
| 1967                    | L6 4.1L 250 CI | 168 teeth; 14.13" O.D.            | 3991469            | FW-100    |
| 1970                    | L6 4.1L 250 CI | 168 teeth; 14.13" O.D.            | 3991469            | FW-100    |
| 1972-74                 | L6 4.1L 250 CI | 168 teeth; 14.13" O.D.            | 3991469            | FW-100    |
| 1967-74                 | L6 4.8L 292 CI | 168 Teeth; w/o Weight             | 93414855           | FW-103    |

# FLYWHEEL APPLICATIONS

| Years                | Engine         | Remarks                         | OE                 | Pioneer # |
|----------------------|----------------|---------------------------------|--------------------|-----------|
| <b>GMC TRUCK</b>     |                |                                 |                    |           |
| <b>P2500</b>         |                |                                 |                    |           |
| 1979-85              | V8 5.7L 350 CI | 168 teeth; 14.13" O.D.          | 3991469            | FW-100    |
| 1986-89              | V8 5.7L 350 CI | 168 Teeth; w/Weight             | 10105832, 14088648 | FW-109    |
| 1979-87              | L6 4.8L 292 CI | 168 Teeth; w/o Weight           | 93414855           | FW-103    |
| 1989                 | L6 4.8L 292 CI | 168 Teeth; w/o Weight           | 93414855           | FW-103    |
| <b>P35</b>           |                |                                 |                    |           |
| 1975-78              | L6 4.8L 292 CI | 168 Teeth; w/o Weight           | 93414855           | FW-103    |
| 1975-78              | V8 5.7L 350 CI | 168 teeth; 14.13" O.D.          | 3991469            | FW-100    |
| 1975-78              | V8 7.4L 454 CI | 168 Teeth; w/Weight             | 3993827            | FW-101    |
| <b>P35/P3500 VAN</b> |                |                                 |                    |           |
| 1967                 | V8 4.6L 283 CI | 168 teeth; 14.13" O.D.          | 3991469            | FW-100    |
| 1968-73              | V8 5.0L 307 CI | 168 teeth; 14.13" O.D.          | 3991469            | FW-100    |
| 1970-74              | V8 5.7L 350 CI | 168 teeth; 14.13" O.D.          | 3991469            | FW-100    |
| 1967                 | L6 4.1L 250 CI | 168 teeth; 14.13" O.D.          | 3991469            | FW-100    |
| 1970-74              | L6 4.1L 250 CI | 168 teeth; 14.13" O.D.          | 3991469            | FW-100    |
| 1967-74              | L6 4.8L 292 CI | 168 Teeth; w/o Weight           | 93414855           | FW-103    |
| 1970-71              | V8 7.4L 454 CI | 168 Teeth; w/Weight             | 3993827            | FW-101    |
| 1973-74              | V8 7.4L 454 CI | 168 Teeth; w/Weight             | 3993827            | FW-101    |
| <b>P3500</b>         |                |                                 |                    |           |
| 1979-85              | V8 5.7L 350 CI | 168 teeth; 14.13" O.D.          | 3991469            | FW-100    |
| 1979-89              | L6 4.8L 292 CI | 168 Teeth; w/o Weight           | 93414855           | FW-103    |
| 1979                 | V8 7.4L 454 CI | 168 Teeth; w/Weight             | 3993827            | FW-101    |
| 1981-90              | V8 7.4L 454 CI | 168 Teeth; w/Weight             | 3993827            | FW-101    |
| 1986-95              | V8 5.7L 350 CI | 168 Teeth; w/Weight             | 10105832, 14088648 | FW-109    |
| 1991-95              | V8 7.4L 454 CI | 168 Teeth; w/Weight             | 10101169           | FW-118    |
| 1994-95              | V6 4.3L 262 CI | 168 Teeth; w/Weight             | 10218653           | FW-121    |
| 1990-93              | V6 4.3L 262 CI | 168 Teeth; w/Weight             | 14103282           | FW-110    |
| 1996-98              | V6 4.3L 262 CI | 168 Teeth; w/Weight             | 14103282           | FW-110    |
| 1997-99              | V8 6.5L 395 CI | 139 Teeth; w/o Weight           | 12556799           | FW-152    |
| 1998-99              | V8 6.5L 395 CI | w/12" Clutch Dual Mass Flywheel | 15958496           | FW-106    |
| <b>R1500</b>         |                |                                 |                    |           |
| 1987                 | V8 5.0L 305 CI | 168 Teeth; w/Weight             | 10105832, 14088648 | FW-109    |
| 1987                 | V8 5.7L 350 CI | 168 Teeth; w/Weight             | 10105832, 14088648 | FW-109    |
| 1987                 | V8 6.2L 379 CI |                                 | 14077160           | FW-270    |
| <b>R2500</b>         |                |                                 |                    |           |
| 1987                 | V8 5.0L 305 CI | 168 Teeth; w/Weight             | 10105832, 14088648 | FW-109    |
| 1987-88              | L6 4.8L 292 CI | 168 Teeth; w/o Weight           | 93414855           | FW-103    |
| 1987-89              | V8 5.7L 350 CI | 168 Teeth; w/Weight             | 10105832, 14088648 | FW-109    |
| 1987-89              | V8 6.2L 379 CI |                                 | 14077160           | FW-270    |
| 1987-89              | V8 7.4L 454 CI | 168 Teeth; w/Weight             | 3993827            | FW-101    |
| <b>R3500</b>         |                |                                 |                    |           |
| 1987-88              | L6 4.8L 292 CI | 168 Teeth; w/o Weight           | 93414855           | FW-103    |

# FLYWHEEL APPLICATIONS

| Years                 | Engine         | Remarks   | OE                 | Pioneer # |
|-----------------------|----------------|---|--------------------|-----------|
| <b>GMC TRUCK</b>      |                |   |                    |           |
| <b>R3500</b>          |                |   |                    |           |
| 1987-90               | V8 7.4L 454 CI | 168 Teeth; w/Weight   | 3993827            | FW-101    |
| 1987-91               | V8 5.7L 350 CI | 168 Teeth; w/Weight   | 10105832, 14088648 | FW-109    |
| 1987-91               | V8 6.2L 379 CI |   | 14077160           | FW-270    |
| 1991                  | V8 7.4L 454 CI | 168 Teeth; w/Weight   | 10101169           | FW-118    |
| <b>S15</b>            |                |   |                    |           |
| 1988-90               | V6 2.8L 173 CI | 148 Teeth; w/o Weight   | 14100556           | FW-123    |
| 1989-90               | L4 2.5L 151 CI | 148 Teeth; w/o Weight   | 10044410           | FW-112    |
| <b>S15 JIMMY</b>      |                |   |                    |           |
| 1985-88               | L4 2.5L 151 CI | 148 Teeth; w/o Weight   | 10044410           | FW-112    |
| 1988-89               | V6 2.8L 173 CI | 148 Teeth; w/o Weight   | 14100556           | FW-123    |
| 1988-91               | V6 4.3L 262 CI | 168 Teeth; w/Weight   | 14103282           | FW-110    |
| <b>SAFARI</b>         |                |   |                    |           |
| 1986-89               | V6 4.3L 262 CI | 168 Teeth; w/Weight   | 10105832, 14088648 | FW-109    |
| <b>SONOMA</b>         |                |   |                    |           |
| 1991-93               | V6 2.8L 173 CI | 148 Teeth; w/o Weight   | 14100556           | FW-123    |
| 1992                  | V6 4.3L 262 CI | 168 Teeth; w/Weight, Does not fit replacement Goodwrench Engine | 14103282           | FW-110    |
| 1998                  | V6 4.3L 262 CI | 168 Teeth; w/Weight, Does not fit replacement Goodwrench Engine | 14103282           | FW-110    |
| 1994-01               | L4 2.2L 134 CI | 8.5" Cover  | 10118669           | FW-150    |
| <b>SPRINT</b>         |                |   |                    |           |
| 1971-75               | V8 7.4L 454 CI | 168 Teeth; w/Weight   | 3993827            | FW-101    |
| <b>SUBURBAN</b>       |                |   |                    |           |
| 1966                  | L6 4.8L 293 CI | 168 teeth; 14.13" O.D.  | 3991469            | FW-100    |
| <b>V1500</b>          |                |   |                    |           |
| 1987                  | V8 5.0L 305 CI | 168 Teeth; w/Weight   | 10105832, 14088648 | FW-109    |
| 1987                  | V8 5.7L 350 CI | 168 Teeth; w/Weight   | 10105832, 14088648 | FW-109    |
| 1987                  | V8 6.2L 379 CI |   | 14077160           | FW-270    |
| <b>V2500</b>          |                |   |                    |           |
| 1987                  | L6 4.8L 292 CI | 168 Teeth; w/o Weight   | 93414855           | FW-103    |
| 1987                  | V8 5.7L 350 CI | 168 Teeth; w/Weight   | 10105832, 14088648 | FW-109    |
| 1987                  | V8 6.2L 379 CI |   | 14077160           | FW-270    |
| <b>V3500</b>          |                |   |                    |           |
| 1987-88               | L6 4.8L 292 CI | 168 Teeth; w/o Weight   | 93414855           | FW-103    |
| 1987-90               | V8 7.4L 454 CI | 168 Teeth; w/Weight   | 3993827            | FW-101    |
| 1987-91               | V8 5.7L 350 CI | 168 Teeth; w/Weight   | 10105832, 14088648 | FW-109    |
| 1987-91               | V8 6.2L 379 CI |   | 14077160           | FW-270    |
| 1991                  | V8 7.4L 454 CI | 168 Teeth; w/Weight   | 10101169           | FW-118    |
| <b>GMC</b>            |                |   |                    |           |
| <b>V1500 SUBURBAN</b> |                |   |                    |           |
| 1987-90               | V8 5.7L 350 CI | 168 Teeth; w/Weight   | 10105832, 14088648 | FW-109    |



# FLYWHEEL APPLICATIONS

| Years                 | Engine         | Remarks                   | OE                            | Pioneer # |
|-----------------------|----------------|---------------------------|-------------------------------|-----------|
| <b>GMC</b>            |                |                           |                               |           |
| <b>V1500 SUBURBAN</b> |                |                           |                               |           |
| 1987-90               | V8 6.2L 379 CI |                           | 14077160                      | FW-270    |
| <b>V2500 SUBURBAN</b> |                |                           |                               |           |
| 1987-88               | V8 5.7L 350 CI | 168 Teeth; w/Weight       | 10105832, 14088648            | FW-109    |
| 1987-88               | V8 6.2L 379 CI |                           | 14077160                      | FW-270    |
| <b>HONDA</b>          |                |                           |                               |           |
| <b>ACCORD</b>         |                |                           |                               |           |
| 1984-85               | L4 1.8L 112 CI |                           | 22100-PH4-A01 / 22100-PH4-710 | FW-200    |
| 1986-89               | L4 2.0L 119 CI |                           | 22100-PH4-A01 / 22100-PH4-710 | FW-200    |
| 1990-96               | L4 2.2L 132 CI | Verify OE number          | 22100-PT7-003                 | FW-138    |
| <b>CIVIC</b>          |                |                           |                               |           |
| 1984-87               | L4 1.3L 82 CI  |                           | F4TZ6375A                     | FW-202    |
| 1984-87               | L4 1.5L 91 CI  |                           | F4TZ6375A                     | FW-202    |
| 1988-89               | L4 1.5L 91 CI  |                           | 22100-PM7-010 / 22100-PP4-951 | FW-201    |
| 1990-95               | L4 1.5L 91 CI  | Exc. VTEC                 | 22100-PO9-000                 | FW-139    |
| 1992-95               | L4 1.5L 91 CI  |                           | 22100-P05-000                 | FW-366    |
| 1990-96               | L4 1.6L 97 CI  | Exc. VTEC, Solid Flywheel | 22100-PO9-000                 | FW-139    |
| 1996-00               | L4 1.6L 97 CI  |                           | 22100-P05-000                 | FW-366    |
| 2001                  | L4 1.7L 102 CI |                           | 22100-P05-000                 | FW-366    |
| <b>CIVIC DEL SOL</b>  |                |                           |                               |           |
| 1993                  | L4 1.6L 97 CI  | Solid Flywheel, Exc. VTEC | 22100-PO9-000                 | FW-139    |
| 1996-97               | L4 1.6L 97 CI  | Solid Flywheel, Exc. VTEC | 22100-PO9-000                 | FW-139    |
| 1993-95               | L4 1.5L 91 CI  | Exc. VTEC                 | 22100-PO9-000                 | FW-139    |
| 1993-95               | L4 1.5L 91 CI  |                           | 22100-P05-000                 | FW-366    |
| 1994-95               | L4 1.6L 97 CI  | 112 Teeth; w/o Weight     | 22100-P72305                  | FW-157    |
| <b>PRELUDE</b>        |                |                           |                               |           |
| 1984-87               | L4 1.8L 112 CI |                           | 22100-PH4-A01 / 22100-PH4-710 | FW-200    |
| 1985-90               | L4 2.0L 119 CI |                           | 22100-PH4-A01 / 22100-PH4-710 | FW-200    |
| 1992-96               | L4 2.3L 138 CI | Solid Flywheel            | 22100-PT7-003                 | FW-138    |
| 1992-01               | L4 2.2L 132 CI | Verify OE number          | 22100-PT7-003                 | FW-138    |
| <b>HONDA TRUCK</b>    |                |                           |                               |           |
| <b>CR-V</b>           |                |                           |                               |           |
| 1998-01               | L4 2.0L 120 CI |                           | 22100P75005                   | FW-377    |
| <b>PASSPORT</b>       |                |                           |                               |           |
| 1994-96               | L4 2.6L 156 CI |                           | 8-94462-101-2                 | FW-204    |
| <b>HONDA</b>          |                |                           |                               |           |
| <b>WAGOVAN</b>        |                |                           |                               |           |
| 1986-87               | L4 1.5L 91 CI  |                           | F4TZ6375A                     | FW-202    |
| <b>HYUNDAI</b>        |                |                           |                               |           |
| <b>ACCENT</b>         |                |                           |                               |           |
| 1995-03               | L4 1.5L 91 CI  |                           | 2320026001                    | FW-244    |

# FLYWHEEL APPLICATIONS

| Years                | Engine         | Remarks       | OE            | Pioneer # |
|----------------------|----------------|---------------|---------------|-----------|
| <b>HYUNDAI</b>       |                |               |               |           |
| <b>ACCENT</b>        |                |               |               |           |
| 2001-05              | L4 1.6L 98 CI  |               | 2320026101    | FW-248    |
| <b>ELANTRA</b>       |                |               |               |           |
| 1992-93              | L4 1.6L 97 CI  | To 10/21/93   | 2320033000    | FW-247    |
| 1993-94              | L4 1.8L 112 CI |               | 2320032500    | FW-237    |
| 2000-06              | L4 2.0L 121 CI |               | 2320023700    | FW-238    |
| <b>EXCEL</b>         |                |               |               |           |
| 1990-94              | L4 1.5L 90 CI  |               | 2320024500    | FW-226    |
| <b>SCOUPE</b>        |                |               |               |           |
| 1991-92              | L4 1.5L 90 CI  |               | 2320024500    | FW-226    |
| <b>SONATA</b>        |                |               |               |           |
| 1989-91              | L4 2.4L 143 CI |               | 2320032600    | FW-242    |
| 1992-94              | L4 2.0L 122 CI | To 11/01/94   | 2320032500    | FW-237    |
| 1994                 | L4 2.0L 122 CI | From 11/01/94 | 2320032600    | FW-242    |
| 1996-98              | L4 2.0L 122 CI | From 11/01/94 | 2320032600    | FW-242    |
| 1999                 | L4 2.4L 143 CI |               | 2320038001    | FW-246    |
| <b>TIBURON</b>       |                |               |               |           |
| 2000-01              | L4 2.0L 122 CI |               | 2320023700    | FW-238    |
| 2003-08              | L4 2.0L 121 CI |               | 2320023700    | FW-238    |
| <b>HYUNDAI TRUCK</b> |                |               |               |           |
| <b>SANTA FE</b>      |                |               |               |           |
| 2004                 | L4 2.4L 143 CI |               | 2321038011    | FW-251    |
| <b>ISUZU</b>         |                |               |               |           |
| <b>IMPULSE</b>       |                |               |               |           |
| 1988-89              | L4 2.3L 138 CI |               | 8944251920    | FW-349    |
| <b>STYLUS</b>        |                |               |               |           |
| 1991-93              | L4 1.6L 97 CI  |               | 94332497      | FW-337    |
| <b>ISUZU TRUCK</b>   |                |               |               |           |
| <b>AMIGO</b>         |                |               |               |           |
| 1989-93              | L4 2.3L 138 CI |               | 8944251920    | FW-349    |
| 1989-94              | L4 2.6L 156 CI |               | 8-94462-101-2 | FW-204    |
| <b>HOMBRE</b>        |                |               |               |           |
| 1996-00              | L4 2.2L 133 CI | 8.5" Cover    | 10118669      | FW-150    |
| <b>PICKUP</b>        |                |               |               |           |
| 1983-86              | L4 1.9L 119 CI |               | 8944251920    | FW-349    |
| 1986-94              | L4 2.3L 138 CI |               | 8944251920    | FW-349    |
| 1989-95              | L4 2.6L 156 CI |               | 8-94462-101-2 | FW-204    |
| 1991-94              | V6 3.1L 191 CI | 8.5" Cover    | 10118669      | FW-150    |
| 1995                 | L4 2.3L 138 CI |               | 8-94462-101-2 | FW-204    |
| <b>RODEO</b>         |                |               |               |           |
| 1991-92              | V6 3.1L 191 CI | 8.5" Cover    | 10118669      | FW-150    |

# FLYWHEEL APPLICATIONS

| Years                 | Engine         | Remarks               | OE            | Pioneer # |
|-----------------------|----------------|-----------------------|---------------|-----------|
| <b>ISUZU TRUCK</b>    |                |                       |               |           |
| <b>RODEO</b>          |                |                       |               |           |
| 1991-96               | L4 2.6L 156 CI |                       | 8-94462-101-2 | FW-204    |
| <b>TROOPER</b>        |                |                       |               |           |
| 1986-87               | L4 2.3L 138 CI |                       | 8944251920    | FW-349    |
| 1989-91               | L4 2.6L 156 CI |                       | 8-94462-101-2 | FW-204    |
| 1989-91               | V6 2.8L 173 CI | 8.5" Cover            | 10118669      | FW-150    |
| <b>JEEP TRUCK</b>     |                |                       |               |           |
| <b>CHEROKEE</b>       |                |                       |               |           |
| 1974-79               | L6 4.2L 258 CI |                       | 321623        | FW-170    |
| 1974-83               | V8 5.9L 360 CI | 164 Teeth; w/Weight   | 3196929       | FW-158    |
| 1974-78               | V8 6.6L 401 CI | 164 Teeth; w/Weight   | 3196929       | FW-158    |
| 1980-83               | L6 4.2L 258 CI |                       | J324-0094     | FW-176    |
| 1987                  | L4 2.1L 126 CI |                       | 3300-2672     | FW-206    |
| 1987-90               | L6 4.0L 242 CI |                       | 3300-2672     | FW-206    |
| 1991-00               | L4 2.5L 150 CI |                       | 53005526      | FW-355    |
| 1991-00               | L6 4.0L 242 CI | 164 Teeth; w/o Weight | 53020519 AB   | FW-162    |
| <b>CJ5</b>            |                |                       |               |           |
| 1972-79               | L6 4.2L 258 CI |                       | 321623        | FW-170    |
| <b>CJ6</b>            |                |                       |               |           |
| 1972-75               | L6 4.2L 258 CI |                       | 321623        | FW-170    |
| <b>CJ7</b>            |                |                       |               |           |
| 1976-79               | L6 4.2L 258 CI |                       | 321623        | FW-170    |
| 1986                  | L6 4.2L 258 CI |                       | J324-0094     | FW-176    |
| <b>COMANCHE</b>       |                |                       |               |           |
| 1987                  | L4 2.1L 126 CI |                       | 3300-2672     | FW-206    |
| 1987-90               | L6 4.0L 242 CI |                       | 3300-2672     | FW-206    |
| 1991-92               | L4 2.5L 150 CI |                       | 53005526      | FW-355    |
| 1991-92               | L6 4.0L 242 CI | 164 Teeth; w/o Weight | 53020519 AB   | FW-162    |
| <b>COMMANDO</b>       |                |                       |               |           |
| 1973                  | L6 4.2L 258 CI |                       | 321623        | FW-170    |
| <b>DJ5</b>            |                |                       |               |           |
| 1973-74               | L6 4.2L 258 CI |                       | 321623        | FW-170    |
| <b>GRAND CHEROKEE</b> |                |                       |               |           |
| 1993-94               | L6 4.0L 242 CI | 164 Teeth; w/o Weight | 53020519 AB   | FW-162    |
| <b>GRAND WAGONEER</b> |                |                       |               |           |
| 1984-86               | L6 4.2L 258 CI |                       | J324-0094     | FW-176    |
| 1984-86               | V8 5.9L 360 CI | 164 Teeth; w/Weight   | 3196929       | FW-158    |
| <b>J10</b>            |                |                       |               |           |
| 1974-79               | L6 4.2L 258 CI |                       | 321623        | FW-170    |
| 1974-86               | V8 5.9L 360 CI | 164 Teeth; w/Weight   | 3196929       | FW-158    |
| 1974-78               | V8 6.6L 401 CI | 164 Teeth; w/Weight   | 3196929       | FW-158    |

# FLYWHEEL APPLICATIONS

| Years             | Engine         | Remarks               | OE                         | Pioneer # |
|-------------------|----------------|-----------------------|----------------------------|-----------|
| <b>JEEP TRUCK</b> |                |                       |                            |           |
| <b>J10</b>        |                |                       |                            |           |
| 1982-87           | L6 4.2L 258 CI |                       | J324-0094                  | FW-176    |
| <b>J20</b>        |                |                       |                            |           |
| 1974              | L6 4.2L 258 CI |                       | 321623                     | FW-170    |
| 1976              | L6 4.2L 258 CI |                       | 321623                     | FW-170    |
| 1974-86           | V8 5.9L 360 CI | 164 Teeth; w/Weight   | 3196929                    | FW-158    |
| 1974-78           | V8 6.6L 401 CI | 164 Teeth; w/Weight   | 3196929                    | FW-158    |
| <b>JEEPSTER</b>   |                |                       |                            |           |
| 1972-73           | L6 4.2L 258 CI |                       | 321623                     | FW-170    |
| <b>WAGONEER</b>   |                |                       |                            |           |
| 1972-73           | L6 4.2L 258 CI |                       | 321623                     | FW-170    |
| 1974-83           | V8 5.9L 360 CI | 164 Teeth; w/Weight   | 3196929                    | FW-158    |
| 1974-78           | V8 6.6L 401 CI | 164 Teeth; w/Weight   | 3196929                    | FW-158    |
| 1982-83           | L6 4.2L 258 CI |                       | J324-0094                  | FW-176    |
| 1987-90           | L6 4.0L 242 CI |                       | 3300-2672                  | FW-206    |
| <b>WRANGLER</b>   |                |                       |                            |           |
| 1991-95           | L6 4.0L 242 CI | 164 Teeth; w/o Weight | 53020519 AB                | FW-162    |
| 1997-01           | L6 4.0L 242 CI | 164 Teeth; w/o Weight | 53020519 AB                | FW-162    |
| <b>KIA</b>        |                |                       |                            |           |
| <b>RIO</b>        |                |                       |                            |           |
| 2006-08           | L4 1.6L 98 CI  |                       | 2320026101                 | FW-248    |
| <b>RIO5</b>       |                |                       |                            |           |
| 2006-08           | L4 1.6L 98 CI  |                       | 2320026101                 | FW-248    |
| <b>SEPHIA</b>     |                |                       |                            |           |
| 1994-97           | L4 1.6L 97 CI  |                       | OK201-11-500, OK203-11-500 | FW-229    |
| 1998-01           | L4 1.8L 109 CI |                       | OK24711500                 | FW-373    |
| <b>SPECTRA</b>    |                |                       |                            |           |
| 2000-04           | L4 1.8L 109 CI |                       | OK24711500                 | FW-373    |
| 2004-08           | L4 2.0L 121 CI |                       | 2320023700                 | FW-238    |
| <b>SPECTRA5</b>   |                |                       |                            |           |
| 2005-08           | L4 2.0L 121 CI |                       | 2320023700                 | FW-238    |
| <b>KIA TRUCK</b>  |                |                       |                            |           |
| <b>SPORTAGE</b>   |                |                       |                            |           |
| 1995-02           | L4 2.0L 122 CI |                       | OK01311500                 | FW-225    |
| <b>MAZDA</b>      |                |                       |                            |           |
| <b>626</b>        |                |                       |                            |           |
| 1990-92           | L4 2.2L 133 CI |                       | F80111500A / E92Z-6375B    | FW-189    |
| <b>MX-6</b>       |                |                       |                            |           |
| 1988-92           | L4 2.2L 133 CI |                       | F80111500A / E92Z-6375B    | FW-189    |
| <b>PROTEGE</b>    |                |                       |                            |           |
| 1999-00           | L4 1.6L 97 CI  |                       | OK201-11-500, OK203-11-500 | FW-229    |

# FLYWHEEL APPLICATIONS

| Years              | Engine         | Remarks                                | OE                      | Pioneer # |
|--------------------|----------------|--|-------------------------|-----------|
| <b>MAZDA TRUCK</b> |                |  |                         |           |
| <b>B2000</b>       |                |  |                         |           |
| 1986-87            | L4 2.0L 122 CI |  | F80111500A / E92Z-6375B | FW-189    |
| <b>B2200</b>       |                |  |                         |           |
| 1987-93            | L4 2.2L 133 CI |  | F80111500A / E92Z-6375B | FW-189    |
| <b>B2300</b>       |                |  |                         |           |
| 1995-97            | L4 2.3L 140 CI |  | F57Z-6375A, ZZM3-11-500 | FW-174    |
| <b>B2500</b>       |                |  |                         |           |
| 1998-01            | L4 2.5L 152 CI |  | F57Z-6375A, ZZM3-11-500 | FW-174    |
| <b>B3000</b>       |                |  |                         |           |
| 1997-03            | V6 3.0L 182 CI |  | F57Z6375B               | FW-223    |
| <b>B4000</b>       |                |  |                         |           |
| 1994-97            | V6 4.0L 245 CI |  | F0TZ6375A               | FW-173    |
| <b>NAVAJO</b>      |                |  |                         |           |
| 1991-94            | V6 4.0L 245 CI |  | F0TZ6375A               | FW-173    |
| <b>MERCURY</b>     |                |  |                         |           |
| <b>BOBCAT</b>      |                |  |                         |           |
| 1975-80            | L4 2.3L 140 CI | 132 Teeth; w/o Weight                  | F0ZZ6375A               | FW-168    |
| <b>BROUGHAM</b>    |                |  |                         |           |
| 1967               | V8 7.0L 427 CI | w/11" & 11.5" Clutch                   | C5AZ6375L               | FW-192    |
| 1967               | V8 7.0L 428 CI | w/11" & 11.5" Clutch                   | C5AZ6375L               | FW-192    |
| <b>CALIENTE</b>    |                |  |                         |           |
| 1964-67            | V8 4.7L 288 CI | 157 teeth; 13.437" O.D.                | C3AZ6375A               | FW-163    |
| 1967               | V8 6.4L 390 CI | w/11" & 11.5" Clutch                   | C5AZ6375L               | FW-192    |
| <b>CAPRI</b>       |                |  |                         |           |
| 1979               | V8 5.0L 302 CI | 157 teeth; 13.437" O.D.                | C3AZ6375A               | FW-163    |
| 1983-86            | V8 5.0L 302 CI | 157 Teeth; w/Weight                    | E6ZZ6375A               | FW-116    |
| 1979-86            | L4 2.3L 140 CI | 132 Teeth; w/o Weight, w/German Trans. | F0ZZ6375A               | FW-168    |
| <b>COLONY PARK</b> |                |  |                         |           |
| 1967               | V8 7.0L 427 CI | w/11" & 11.5" Clutch                   | C5AZ6375L               | FW-192    |
| 1967-70            | V8 6.4L 390 CI | w/11" & 11.5" Clutch                   | C5AZ6375L               | FW-192    |
| 1967-68            | V8 7.0L 428 CI | w/11" & 11.5" Clutch                   | C5AZ6375L               | FW-192    |
| 1969-73            | V8 7.0L 429 CI | w/11" & 11.5" Clutch                   | C5AZ6375L               | FW-192    |
| <b>COMET</b>       |                |  |                         |           |
| 1964-67            | V8 4.7L 288 CI | 157 teeth; 13.437" O.D.                | C3AZ6375A               | FW-163    |
| 1967               | V8 7.0L 427 CI | w/11" & 11.5" Clutch                   | C5AZ6375L               | FW-192    |
| 1967-69            | V8 6.4L 390 CI | w/11" & 11.5" Clutch                   | C5AZ6375L               | FW-192    |
| 1969               | V8 5.8L 351 CI | w/11" Clutch                           | C5AZ6375K               | FW-193    |
| 1968-69            | V8 5.0L 302 CI | 157 teeth; 13.437" O.D.                | C3AZ6375A               | FW-163    |
| 1971-77            | V8 5.0L 302 CI | 157 teeth; 13.437" O.D.                | C3AZ6375A               | FW-163    |
| <b>COMMUTER</b>    |                |  |                         |           |
| 1967               | V8 4.7L 288 CI | 157 teeth; 13.437" O.D.                | C3AZ6375A               | FW-163    |

# FLYWHEEL APPLICATIONS

| Years            | Engine         | Remarks                 | OE        | Pioneer # |
|------------------|----------------|-------------------------|-----------|-----------|
| <b>MERCURY</b>   |                |                         |           |           |
| <b>COMMUTER</b>  |                |                         |           |           |
| 1967             | V8 7.0L 427 CI | w/11" & 11.5" Clutch    | C5AZ6375L | FW-192    |
| 1967-68          | V8 6.4L 390 CI | w/11" & 11.5" Clutch    | C5AZ6375L | FW-192    |
| 1967-68          | V8 7.0L 428 CI | w/11" & 11.5" Clutch    | C5AZ6375L | FW-192    |
| <b>COUGAR</b>    |                |                         |           |           |
| 1967-68          | V8 4.7L 288 CI | 157 teeth; 13.437" O.D. | C3AZ6375A | FW-163    |
| 1968             | V8 4.7L 289 CI | 157 teeth; 13.437" O.D. | C3AZ6375A | FW-163    |
| 1968             | V8 7.0L 427 CI | w/11" & 11.5" Clutch    | C5AZ6375L | FW-192    |
| 1967-69          | V8 6.4L 390 CI | w/11" & 11.5" Clutch    | C5AZ6375L | FW-192    |
| 1968-70          | V8 7.0L 428 CI | w/11" & 11.5" Clutch    | C5AZ6375L | FW-192    |
| 1968-70          | V8 5.0L 302 CI | 157 teeth; 13.437" O.D. | C3AZ6375A | FW-163    |
| 1969-70          | V8 5.8L 351 CI | w/11" Clutch            | C5AZ6375K | FW-193    |
| 1970-71          | V8 7.0L 429 CI | w/11" & 11.5" Clutch    | C5AZ6375L | FW-192    |
| 1981             | L4 2.3L 140 CI | 132 Teeth; w/o Weight   | F0ZZ6375A | FW-168    |
| 1983-86          | V8 5.0L 302 CI | 157 Teeth; w/Weight     | E6ZZ6375A | FW-116    |
| <b>CYCLONE</b>   |                |                         |           |           |
| 1964-67          | V8 4.7L 288 CI | 157 teeth; 13.437" O.D. | C3AZ6375A | FW-163    |
| 1967-69          | V8 6.4L 390 CI | w/11" & 11.5" Clutch    | C5AZ6375L | FW-192    |
| 1968             | V8 7.0L 427 CI | w/11" & 11.5" Clutch    | C5AZ6375L | FW-192    |
| 1968-69          | V8 7.0L 428 CI | w/11" & 11.5" Clutch    | C5AZ6375L | FW-192    |
| 1968-70          | V8 5.0L 302 CI | 157 teeth; 13.437" O.D. | C3AZ6375A | FW-163    |
| 1969-70          | V8 5.8L 351 CI | w/11" Clutch            | C5AZ6375K | FW-193    |
| 1970-71          | V8 7.0L 429 CI | w/11" & 11.5" Clutch    | C5AZ6375L | FW-192    |
| <b>MARAUDER</b>  |                |                         |           |           |
| 1967             | V8 6.4L 390 CI | w/11" & 11.5" Clutch    | C5AZ6375L | FW-192    |
| 1969-70          | V8 6.4L 390 CI | w/11" & 11.5" Clutch    | C5AZ6375L | FW-192    |
| 1969-70          | V8 7.0L 429 CI | w/11" & 11.5" Clutch    | C5AZ6375L | FW-192    |
| <b>MARQUIS</b>   |                |                         |           |           |
| 1967             | V8 7.0L 427 CI | w/11" & 11.5" Clutch    | C5AZ6375L | FW-192    |
| 1967-69          | V8 7.0L 428 CI | w/11" & 11.5" Clutch    | C5AZ6375L | FW-192    |
| 1968-70          | V8 6.4L 390 CI | w/11" & 11.5" Clutch    | C5AZ6375L | FW-192    |
| 1969-73          | V8 7.0L 429 CI | w/11" & 11.5" Clutch    | C5AZ6375L | FW-192    |
| <b>MONARCH</b>   |                |                         |           |           |
| 1975-79          | V8 5.0L 302 CI | 157 teeth; 13.437" O.D. | C3AZ6375A | FW-163    |
| <b>MONTCLAIR</b> |                |                         |           |           |
| 1967             | V8 7.0L 427 CI | w/11" & 11.5" Clutch    | C5AZ6375L | FW-192    |
| 1967-68          | V8 7.0L 428 CI | w/11" & 11.5" Clutch    | C5AZ6375L | FW-192    |
| 1967-68          | V8 6.4L 390 CI | w/11" & 11.5" Clutch    | C5AZ6375L | FW-192    |
| <b>MONTEGO</b>   |                |                         |           |           |
| 1968             | V8 7.0L 427 CI | w/11" & 11.5" Clutch    | C5AZ6375L | FW-192    |
| 1968-69          | V8 6.4L 390 CI | w/11" & 11.5" Clutch    | C5AZ6375L | FW-192    |

# FLYWHEEL APPLICATIONS

| Years                   | Engine         | Remarks                 | OE                      | Pioneer # |
|-------------------------|----------------|-------------------------|-------------------------|-----------|
| <b>MERCURY</b>          |                |                         |                         |           |
| <b>MONTEGO</b>          |                |                         |                         |           |
| 1968-69                 | V8 7.0L 428 CI | w/11" & 11.5" Clutch    | C5AZ6375L               | FW-192    |
| 1968-72                 | V8 5.0L 302 CI | 157 teeth; 13.437" O.D. | C3AZ6375A               | FW-163    |
| 1969-70                 | V8 5.8L 351 CI | w/11" Clutch            | C5AZ6375K               | FW-193    |
| 1970-73                 | V8 7.0L 429 CI | w/11" & 11.5" Clutch    | C5AZ6375L               | FW-192    |
| <b>MONTEREY</b>         |                |                         |                         |           |
| 1967                    | V8 7.0L 427 CI | w/11" & 11.5" Clutch    | C5AZ6375L               | FW-192    |
| 1967-70                 | V8 7.0L 428 CI | w/11" & 11.5" Clutch    | C5AZ6375L               | FW-192    |
| 1967-70                 | V8 6.4L 390 CI | w/11" & 11.5" Clutch    | C5AZ6375L               | FW-192    |
| 1969-73                 | V8 7.0L 429 CI | w/11" & 11.5" Clutch    | C5AZ6375L               | FW-192    |
| <b>MYSTIQUE</b>         |                |                         |                         |           |
| 1996-97                 | V6 2.5L 150 CI | Solid Flywheel          | F5RZ6375AE              | FW-140    |
| <b>PARK LANE</b>        |                |                         |                         |           |
| 1967                    | V8 7.0L 427 CI | w/11" & 11.5" Clutch    | C5AZ6375L               | FW-192    |
| 1967-68                 | V8 7.0L 428 CI | w/11" & 11.5" Clutch    | C5AZ6375L               | FW-192    |
| 1968                    | V8 6.4L 390 CI | w/11" & 11.5" Clutch    | C5AZ6375L               | FW-192    |
| <b>TOPAZ</b>            |                |                         |                         |           |
| 1984-94                 | L4 2.3L 140 CI |                         | E4FZ6375C               | FW-312    |
| <b>VILLAGER</b>         |                |                         |                         |           |
| 1964-67                 | V8 4.7L 288 CI | 157 teeth; 13,437" O.D. | C3AZ6375A               | FW-163    |
| 1967                    | V8 6.4L 390 CI | w/11" & 11.5" Clutch    | C5AZ6375L               | FW-192    |
| <b>VOYAGER</b>          |                |                         |                         |           |
| 1966-67                 | V8 4.7L 288 CI | 157 teeth; 13,437" O.D. | C3AZ6375A               | FW-163    |
| 1967                    | V8 6.4L 390 CI | w/11" & 11.5" Clutch    | C5AZ6375L               | FW-192    |
| <b>ZEPHYR</b>           |                |                         |                         |           |
| 1978                    | L4 2.3L 140 CI | 132 Teeth; w/o Weight   | F0ZZ6375A               | FW-168    |
| 1979                    | V8 5.0L 302 CI | 157 teeth; 13,437" O.D. | C3AZ6375A               | FW-163    |
| <b>MITSUBISHI TRUCK</b> |                |                         |                         |           |
| <b>MIGHTY MAX</b>       |                |                         |                         |           |
| 1983-89                 | L4 2.0L 122 CI |                         | MD040555                | FW-218    |
| <b>NISSAN</b>           |                |                         |                         |           |
| <b>200SX</b>            |                |                         |                         |           |
| 1995-98                 | L4 1.6L 97 CI  |                         | 1231078A51              | FW-344    |
| <b>280Z</b>             |                |                         |                         |           |
| 1975-78                 | L6 2.8L 168 CI | w/9 1/2" Disc           | 12310-85G06/N4256/85G05 | FW-151    |
| <b>280ZX</b>            |                |                         |                         |           |
| 1979-83                 | L6 2.8L 168 CI | w/9 1/2" Disc           | 12310-85G06/N4256/85G05 | FW-151    |
| <b>AXXESS</b>           |                |                         |                         |           |
| 1990                    | L4 2.4L 146 CI |                         | 12310-85G06/N4256/85G05 | FW-151    |
| <b>NX</b>               |                |                         |                         |           |
| 1991-93                 | L4 1.6L 97 CI  |                         | 1231078A51              | FW-344    |

# FLYWHEEL APPLICATIONS

| Years                  | Engine         | Remarks               | OE                                      | Pioneer # |
|------------------------|----------------|-----------------------|---|-----------|
| <b>NISSAN</b>          |                |                       |   |           |
| <b>PULSAR NX</b>       |                |                       |   |           |
| 1987-88                | L4 1.6L 97 CI  |                       | 12310-61A01                             | FW-210    |
| <b>SENTRA</b>          |                |                       |   |           |
| 1986-88                | L4 1.6L 97 CI  |                       | 12310-61A01                             | FW-210    |
| 1989-90                | L4 1.6L 97 CI  |                       | 1231078A51                              | FW-344    |
| 1995-98                | L4 1.6L 97 CI  |                       | 1231078A51                              | FW-344    |
| 1991-94                | L4 1.6L 97 CI  |                       | 12310-78A56                             | FW-209    |
| <b>NISSAN TRUCK</b>    |                |                       |   |           |
| <b>720</b>             |                |                       |   |           |
| 1983-85                | L4 2.0L 119 CI | 120 Teeth; w/o Weight | 12310-85G06/N4256/85G05                 | FW-151    |
| 1983-85                | L4 2.4L 146 CI | 120 Teeth; w/o Weight | 12310-85G06/N4256/85G05                 | FW-151    |
| 1986                   | L4 2.0L 119 CI |                       | 12310-02P24 / 12310-02P22 / 12310-02P19 | FW-208    |
| 1986                   | L4 2.4L 146 CI |                       | 12310-02P24 / 12310-02P22 / 12310-02P19 | FW-208    |
| 1986                   | L4 2.5L 152 CI |                       | 12310-02P24 / 12310-02P22 / 12310-02P19 | FW-208    |
| <b>D21</b>             |                |                       |   |           |
| 1986-93                | L4 2.4L 146 CI | 120 Teeth; w/o Weight | 12310-85G06/N4256/85G05                 | FW-151    |
| 1986-94                | V6 3.0L 181 CI |                       | 12310-02P24 / 12310-02P22 / 12310-02P19 | FW-208    |
| <b>FRONTIER</b>        |                |                       |   |           |
| 1998-01                | L4 2.4L 146 CI | 120 Teeth; w/o Weight | 12310-85G06/N4256/85G05                 | FW-151    |
| <b>PATHFINDER</b>      |                |                       |   |           |
| 1987-95                | V6 3.0L 181 CI |                       | 12310-02P24 / 12310-02P22 / 12310-02P19 | FW-208    |
| 1987-88                | L4 2.4L 146 CI | 120 Teeth; w/o Weight | 12310-85G06/N4256/85G05                 | FW-151    |
| <b>PICKUP</b>          |                |                       |   |           |
| 1995-96                | V6 3.0L 181 CI |                       | 12310-02P24 / 12310-02P22 / 12310-02P19 | FW-208    |
| <b>VAN</b>             |                |                       |   |           |
| 1987-88                | L4 2.4L 146 CI |                       | 12310-02P24 / 12310-02P22 / 12310-02P19 | FW-208    |
| <b>XTERRA</b>          |                |                       |   |           |
| 2000-01                | L4 2.4L 146 CI | 120 Teeth; w/o Weight | 12310-85G06/N4256/85G05                 | FW-151    |
| <b>OLDSMOBILE</b>      |                |                       |   |           |
| <b>ACHIEVA</b>         |                |                       |   |           |
| 1992-94                | L4 2.3L 138 CI | 142 Teeth; w/o Weight | 22533244                                | FW-124    |
| 1992-94                | L4 2.3L 140 CI | 142 Teeth; w/o Weight | 22533244                                | FW-124    |
| 1996                   | L4 2.4L 146 CI | 142 Teeth; w/Weight   | 24574231                                | FW-126    |
| <b>CUTLASS CALAIS</b>  |                |                       |   |           |
| 1988-91                | L4 2.3L 138 CI | 142 Teeth; w/o Weight | 22533244                                | FW-124    |
| 1989-91                | L4 2.3L 140 CI | 142 Teeth; w/o Weight | 22533244                                | FW-124    |
| <b>CUTLASS CIERA</b>   |                |                       |   |           |
| 1984                   | V6 2.8L 173 CI | 9.12" Cover           | 476575                                  | FW-111    |
| <b>CUTLASS SUPREME</b> |                |                       |   |           |
| 1988-89                | V6 2.8L 173 CI | 8.5" Cover            | 10118669                                | FW-150    |



# FLYWHEEL APPLICATIONS

| Years                  | Engine         | Remarks                     | OE       | Pioneer # |
|------------------------|----------------|-----------------------------|----------|-----------|
| <b>OLDSMOBILE</b>      |                |                             |          |           |
| <b>CUTLASS SUPREME</b> |                |                             |          |           |
| 1990                   | L4 2.3L 138 CI | 142 Teeth; w/o Weight       | 22533244 | FW-124    |
| 1990                   | L4 2.3L 140 CI | 142 Teeth; w/o Weight       | 22533244 | FW-124    |
| 1991-92                | V6 3.4L 207 CI | 142 Teeth; w/o Weight       | 10162024 | FW-120    |
| <b>FIRENZA</b>         |                |                             |          |           |
| 1982                   | L4 1.8L 112 CI | 8.5" Cover                  | 10118669 | FW-150    |
| 1983-87                | L4 2.0L 122 CI | 8.5" Cover                  | 10118669 | FW-150    |
| 1985-87                | V6 2.8L 173 CI | 9.12" Cover                 | 476575   | FW-111    |
| 1987                   | L4 2.0L 121 CI |                             | 10118669 | FW-150    |
| 1987                   | V6 2.8L 173 CI | 8.5" Cover                  | 10118669 | FW-150    |
| <b>OMEGA</b>           |                |                             |          |           |
| 1980-84                | V6 2.8L 173 CI | 9.12" Cover                 | 476575   | FW-111    |
| <b>PLYMOUTH</b>        |                |                             |          |           |
| <b>ACCLAIM</b>         |                |                             |          |           |
| 1991-93                | L4 2.5L 153 CI |                             | 4471319  | FW-365    |
| <b>SUNDANCE</b>        |                |                             |          |           |
| 1989-94                | L4 2.5L 153 CI |                             | 4471319  | FW-365    |
| <b>PLYMOUTH TRUCK</b>  |                |                             |          |           |
| <b>TRAILDUSTER</b>     |                |                             |          |           |
| 1978-81                | V8 5.9L 360 CI | 143 Teeth; w/Weight         | 3515497  | FW-159    |
| <b>PLYMOUTH</b>        |                |                             |          |           |
| <b>VOYAGER</b>         |                |                             |          |           |
| 1988-90                | L4 2.5L 153 CI |                             | 4471319  | FW-365    |
| 1992-93                | L4 2.5L 153 CI |                             | 4471319  | FW-365    |
| <b>PONTIAC</b>         |                |                             |          |           |
| <b>6000</b>            |                |                             |          |           |
| 1987-88                | V6 2.8L 173 CI | 8.5" Cover                  | 10118669 | FW-150    |
| <b>BONNEVILLE</b>      |                |                             |          |           |
| 1970-71                | V8 6.6L 400 CI | Small Block; w/10.50" Cover | 3986394  | FW-102    |
| 1973-74                | V8 6.6L 400 CI | Small Block; w/10.50" Cover | 3986394  | FW-102    |
| <b>CATALINA</b>        |                |                             |          |           |
| 1970-74                | V8 6.6L 400 CI | Small Block; w/10.50" Cover | 3986394  | FW-102    |
| <b>EXECUTIVE</b>       |                |                             |          |           |
| 1970                   | V8 6.6L 400 CI | Small Block; w/10.50" Cover | 3986394  | FW-102    |
| <b>FIERO</b>           |                |                             |          |           |
| 1985-88                | V6 2.8L 173 CI | 9.12" Cover                 | 476575   | FW-111    |
| 1988                   | V6 2.8L 173 CI | 8.5" Cover                  | 10118669 | FW-150    |
| <b>FIREBIRD</b>        |                |                             |          |           |
| 1970-79                | V8 6.6L 400 CI | Small Block; w/10.50" Cover | 3986394  | FW-102    |

# FLYWHEEL APPLICATIONS

| Years                | Engine         | Remarks                     | OE               | Pioneer # |
|----------------------|----------------|-----------------------------|------------------|-----------|
| <b>PONTIAC</b>       |                |                             |                  |           |
| <b>FIREBIRD</b>      |                |                             |                  |           |
| 1971-75              | V8 7.5L 455 CI | w/10.50" or 11" Cover       | 9779232, 9779234 | FW-155    |
| 1968-74              | V8 5.7L 350 CI | w/10.50" or 11" Cover       | 9779232, 9779234 | FW-155    |
| 1970-75              | V8 6.6L 400 CI | w/10.50" or 11" Cover       | 9779232, 9779234 | FW-155    |
| 1981                 | V8 5.0L 305 CI | 168 teeth; 14.13" O.D.      | 3991469          | FW-100    |
| 1982-85              | V8 5.0L 305 CI | 153 Teeth; 12.75" O.D.      | 14085720         | FW-147    |
| 1986-92              | V8 5.0L 305 CI | 153 Teeth; w/o Weight       | 14088650         | FW-156    |
| 1986-92              | V8 5.0L 305 CI | 153 Teeth; w/Weight         | 14088646         | FW-148    |
| 1993-97              | V8 5.7L 350 CI | 153 Teeth; 12.875" O.D.     | 10125379         | FW-119    |
| 1996-02              | V6 3.8L 232 CI | 142 Teeth; w/o Weight       | 24503285         | FW-149    |
| <b>FIREFLY</b>       |                |                             |                  |           |
| 1991                 | L3 1.0L 61 CI  |                             | 1262083000       | FW-300    |
| <b>GRAND AM</b>      |                |                             |                  |           |
| 1973-75              | V8 6.6L 400 CI | Small Block; w/10.50" Cover | 3986394          | FW-102    |
| 1995                 | L4 2.3L 138 CI | 142 Teeth; w/Weight         | 24574231         | FW-126    |
| 1996                 | L4 2.4L 146 CI | 142 Teeth; w/Weight         | 24574231         | FW-126    |
| 2000                 | L4 2.4L 146 CI | 142 Teeth; w/Weight         | 24574231         | FW-126    |
| <b>GRAND LEMANS</b>  |                |                             |                  |           |
| 1975-77              | V8 6.6L 400 CI | Small Block; w/10.50" Cover | 3986394          | FW-102    |
| <b>GRAND PRIX</b>    |                |                             |                  |           |
| 1968-73              | V8 6.6L 400 CI | Small Block; w/10.50" Cover | 3986394          | FW-102    |
| 1968-73              | V8 6.6L 400 CI | w/10.50" or 11" Cover       | 9779232, 9779234 | FW-155    |
| 1970-73              | V8 7.5L 455 CI | w/10.50" or 11" Cover       | 9779232, 9779234 | FW-155    |
| 1988-89              | V6 2.8L 173 CI | 8.5" Cover                  | 10118669         | FW-150    |
| 1989-90              | V6 3.1L 189 CI | 8.5" Cover                  | 10118669         | FW-150    |
| 1990-91              | L4 2.3L 138 CI | 142 Teeth; w/o Weight       | 22533244         | FW-124    |
| 1991-93              | V6 3.4L 207 CI | 142 Teeth; w/o Weight       | 10162024         | FW-120    |
| <b>GRAND SAFARI</b>  |                |                             |                  |           |
| 1971                 | V8 6.6L 400 CI | Small Block; w/10.50" Cover | 3986394          | FW-102    |
| 1973-74              | V8 6.6L 400 CI | Small Block; w/10.50" Cover | 3986394          | FW-102    |
| <b>GRANDVILLE</b>    |                |                             |                  |           |
| 1973                 | V8 6.6L 400 CI | Small Block; w/10.50" Cover | 3986394          | FW-102    |
| <b>GTO</b>           |                |                             |                  |           |
| 1970-71              | V8 6.6L 400 CI | w/10.50" or 11" Cover       | 9779232, 9779234 | FW-155    |
| 1970-71              | V8 6.6L 400 CI | Small Block; w/10.50" Cover | 3986394          | FW-102    |
| 1970-73              | V8 7.5L 455 CI | w/10.50" or 11" Cover       | 9779232, 9779234 | FW-155    |
| <b>J2000</b>         |                |                             |                  |           |
| 1982                 | L4 1.8L 112 CI | 8.5" Cover                  | 10118669         | FW-150    |
| 1983                 | L4 2.0L 122 CI | 8.5" Cover                  | 10118669         | FW-150    |
| <b>J2000 SUNBIRD</b> |                |                             |                  |           |
| 1985                 | L4 2.0L 122 CI | 8.5" Cover                  | 10118669         | FW-150    |

# FLYWHEEL APPLICATIONS

| Years             | Engine         | Remarks                     | OE                             | Pioneer # |
|-------------------|----------------|-----------------------------|--------------------------------|-----------|
| <b>PONTIAC</b>    |                |                             |                                |           |
| <b>LAURENTIAN</b> |                |                             |                                |           |
| 1976              | V8 6.6L 400 CI | Small Block; w/10.50" Cover | 3986394                        | FW-102    |
| <b>LEMANS</b>     |                |                             |                                |           |
| 1970-77           | V8 6.6L 400 CI | Small Block; w/10.50" Cover | 3986394                        | FW-102    |
| 1970-71           | V8 6.6L 400 CI | w/10.50" or 11" Cover       | 9779232, 9779234               | FW-155    |
| 1973-75           | V8 6.6L 400 CI | w/10.50" or 11" Cover       | 9779232, 9779234               | FW-155    |
| <b>PARISIENNE</b> |                |                             |                                |           |
| 1976              | V8 6.6L 400 CI | Small Block; w/10.50" Cover | 3986394                        | FW-102    |
| <b>PHOENIX</b>    |                |                             |                                |           |
| 1980-84           | V6 2.8L 173 CI | 9.12" Cover                 | 476575                         | FW-111    |
| <b>SUNBIRD</b>    |                |                             |                                |           |
| 1986              | L4 2.0L 122 CI | 8.5" Cover                  | 10118669                       | FW-150    |
| 1991-94           | V6 3.1L 189 CI | 8.5" Cover                  | 10118669                       | FW-150    |
| <b>SUNFIRE</b>    |                |                             |                                |           |
| 1995              | L4 2.3L 138 CI | 142 Teeth; w/Weight         | 24574231                       | FW-126    |
| 1995-01           | L4 2.2L 134 CI | 8.5" Cover                  | 10118669                       | FW-150    |
| 1996              | L4 2.4L 146 CI | 142 Teeth; w/Weight         | 24574231                       | FW-126    |
| 1998-99           | L4 2.4L 146 CI | 142 Teeth; w/Weight         | 24574231                       | FW-126    |
| <b>TEMPEST</b>    |                |                             |                                |           |
| 1968              | V8 5.7L 350 CI | w/10.50" or 11" Cover       | 9779232, 9779234               | FW-155    |
| 1970              | V8 5.7L 350 CI | w/10.50" or 11" Cover       | 9779232, 9779234               | FW-155    |
| 1968              | V8 6.6L 400 CI | Small Block; w/10.50" Cover | 3986394                        | FW-102    |
| 1970              | V8 6.6L 400 CI | Small Block; w/10.50" Cover | 3986394                        | FW-102    |
| 1968              | V8 6.6L 400 CI | w/10.50" or 11" Cover       | 9779232, 9779234               | FW-155    |
| 1970              | V8 6.6L 400 CI | w/10.50" or 11" Cover       | 9779232, 9779234               | FW-155    |
| <b>SATURN</b>     |                |                             |                                |           |
| <b>SC</b>         |                |                             |                                |           |
| 1991-92           | L4 1.9L 116 CI |                             | 21003101 / 21120535 / 21120542 | FW-211    |
| <b>SC1</b>        |                |                             |                                |           |
| 1993-02           | L4 1.9L 116 CI |                             | 21003101 / 21120535 / 21120542 | FW-211    |
| <b>SC2</b>        |                |                             |                                |           |
| 1993-02           | L4 1.9L 116 CI |                             | 21003101 / 21120535 / 21120542 | FW-211    |
| <b>SL</b>         |                |                             |                                |           |
| 1991-01           | L4 1.9L 116 CI |                             | 21003101 / 21120535 / 21120542 | FW-211    |
| <b>SL1</b>        |                |                             |                                |           |
| 1991-01           | L4 1.9L 116 CI |                             | 21003101 / 21120535 / 21120542 | FW-211    |
| <b>SL2</b>        |                |                             |                                |           |
| 1991-01           | L4 1.9L 116 CI |                             | 21003101 / 21120535 / 21120542 | FW-211    |
| <b>SW1</b>        |                |                             |                                |           |
| 1993-99           | L4 1.9L 116 CI |                             | 21003101 / 21120535 / 21120542 | FW-211    |
| <b>SW2</b>        |                |                             |                                |           |
| 1993-01           | L4 1.9L 116 CI |                             | 21003101 / 21120535 / 21120542 | FW-211    |

# FLYWHEEL APPLICATIONS

| Years               | Engine         | Remarks        | OE                                   | Pioneer # |
|---------------------|----------------|----------------|--------------------------------------|-----------|
| <b>SUBARU</b>       |                |                |                                      |           |
| <b>IMPREZA</b>      |                |                |                                      |           |
| 1995-98             | H4 2.2L 135 CI | Solid Flywheel | 12310-AA-091                         | FW-142    |
| 1998                | H4 2.5L 150 CI | Solid Flywheel | 12310-AA-091                         | FW-142    |
| <b>LEGACY</b>       |                |                |                                      |           |
| 1990-96             | H4 2.2L 135 CI | Solid Flywheel | 12310-AA-091                         | FW-142    |
| <b>SUZUKI TRUCK</b> |                |                |                                      |           |
| <b>SAMURAI</b>      |                |                |                                      |           |
| 1986-89             | L4 1.3L 81 CI  |                | 1262083000                           | FW-300    |
| 1990-95             | L4 1.3L 79 CI  |                | 1262083000                           | FW-300    |
| <b>SIDEKICK</b>     |                |                |                                      |           |
| 1989                | L4 1.3L 81 CI  |                | 1262083000                           | FW-300    |
| <b>TOYOTA</b>       |                |                |                                      |           |
| <b>CAMRY</b>        |                |                |                                      |           |
| 1987                | L4 2.0L 122 CI |                | 13405-74020 / 13405-74021            | FW-212    |
| 1988-91             | L4 2.0L 122 CI |                | 13405-74120 / 13405-03010            | FW-213    |
| 1992-00             | L4 2.2L 132 CI |                | 13405-74120 / 13405-03010            | FW-213    |
| <b>CELICA</b>       |                |                |                                      |           |
| 1979-80             | L4 2.2L 134 CI |                | 13405-35021                          | FW-153    |
| 1981-85             | L4 2.4L 144 CI |                | 13405-35021                          | FW-153    |
| 1987-89             | L4 2.0L 122 CI |                | 13405-74020 / 13405-74021            | FW-212    |
| 1988-93             | L4 2.0L 122 CI |                | 13405-74120 / 13405-03010            | FW-213    |
| 1990-99             | L4 2.2L 132 CI |                | 13405-74120 / 13405-03010            | FW-213    |
| 1990                | L4 1.6L 97 CI  |                | 94840045 / 13405-19075 / 13405-15030 | FW-187    |
| 1992                | L4 1.6L 97 CI  |                | 94840045 / 13405-19075 / 13405-15030 | FW-187    |
| 1994-97             | L4 1.8L 108 CI |                | 13405-15090 / 94853595               | FW-214    |
| <b>COROLLA</b>      |                |                |                                      |           |
| 1984-93             | L4 1.6L 97 CI  | From 8/89      | 94840045 / 13405-19075 / 13405-15030 | FW-187    |
| 1994-97             | L4 1.6L 97 CI  |                | 13405-15090 / 94853595               | FW-214    |
| 1997                | L4 1.8L 108 CI |                | 13405-15090 / 94853595               | FW-214    |
| <b>CORONA</b>       |                |                |                                      |           |
| 1979-80             | L4 2.2L 134 CI |                | 13405-35021                          | FW-153    |
| 1981-82             | L4 2.4L 144 CI |                | 13405-35021                          | FW-153    |
| <b>MR2</b>          |                |                |                                      |           |
| 1985-89             | L4 1.6L 97 CI  |                | 94840045 / 13405-19075 / 13405-15030 | FW-187    |
| 1991-95             | L4 2.0L 122 CI |                | 13405-74120 / 13405-03010            | FW-213    |
| 1991-95             | L4 2.2L 132 CI |                | 13405-74120 / 13405-03010            | FW-213    |
| <b>PASEO</b>        |                |                |                                      |           |
| 1992-99             | L4 1.5L 91 CI  |                | 13405-11041                          | FW-265    |
| <b>SOLARA</b>       |                |                |                                      |           |
| 1999-00             | L4 2.2L 132 CI |                | 13405-74120 / 13405-03010            | FW-213    |

# FLYWHEEL APPLICATIONS

| Years               | Engine         | Remarks               | OE                     | Pioneer # |
|---------------------|----------------|-----------------------|------------------------|-----------|
| <b>TOYOTA</b>       |                |                       |                        |           |
| <b>TERCEL</b>       |                |                       |                        |           |
| 1986-94             | L4 1.5L 89 CI  |                       | 13405-11041            | FW-265    |
| 1995-99             | L4 1.5L 91 CI  |                       | 13405-11041            | FW-265    |
| <b>TOYOTA TRUCK</b> |                |                       |                        |           |
| <b>4RUNNER</b>      |                |                       |                        |           |
| 1984-95             | L4 2.4L 144 CI | 115 Teeth; w/o Weight | 13405-35021            | FW-153    |
| 1988-95             | V6 3.0L 181 CI |                       | 13405-65010            | FW-215    |
| 1996-00             | L4 2.7L 164 CI |                       | 13405-75040            | FW-263    |
| <b>PICKUP</b>       |                |                       |                        |           |
| 1979-80             | L4 2.2L 134 CI | 115 Teeth; w/o Weight | 13405-35021            | FW-153    |
| 1981-95             | L4 2.4L 144 CI | 115 Teeth; w/o Weight | 13405-35021            | FW-153    |
| 1988-95             | V6 3.0L 181 CI |                       | 13405-65010            | FW-215    |
| <b>PREVIA</b>       |                |                       |                        |           |
| 1991-93             | L4 2.4L 149 CI |                       | 13405-75030            | FW-267    |
| <b>T100</b>         |                |                       |                        |           |
| 1993-94             | V6 3.0L 181 CI |                       | 13405-65010            | FW-215    |
| 1994-98             | L4 2.7L 164 CI |                       | 13405-75040            | FW-263    |
| <b>TACOMA</b>       |                |                       |                        |           |
| 1995-04             | L4 2.4L 149 CI |                       | 13405-75030            | FW-267    |
| 1995-04             | L4 2.7L 164 CI |                       | 13405-75040            | FW-263    |
| <b>VOLKSWAGEN</b>   |                |                       |                        |           |
| <b>CABRIOLET</b>    |                |                       |                        |           |
| 1985-93             | L4 1.8L 109 CI |                       | 02105271R / 027105271  | FW-216    |
| <b>GOLF</b>         |                |                       |                        |           |
| 1985-93             | L4 1.8L 109 CI |                       | 02105271R / 027105271  | FW-216    |
| 1990-93             | L4 2.0L 121 CI |                       | 02105271R / 027105271  | FW-216    |
| 1994-00             | L4 2.0L 121 CI |                       | 027105271P, 028105269B | FW-217    |
| 1994-98             | L4 1.8L 109 CI |                       | 027105271P, 028105269B | FW-217    |
| 2000                | L4 1.8L 109 CI |                       | 027105271P, 028105269B | FW-217    |
| 1994-00             | L4 1.9L 116 CI |                       | 027105271P, 028105269B | FW-217    |
| <b>JETTA</b>        |                |                       |                        |           |
| 1986-92             | L4 1.8L 109 CI |                       | 02105271R / 027105271  | FW-216    |
| 1990-92             | L4 2.0L 121 CI |                       | 02105271R / 027105271  | FW-216    |
| 1994-95             | L4 1.8L 109 CI |                       | 027105271P, 028105269B | FW-217    |
| 2000                | L4 1.8L 109 CI |                       | 027105271P, 028105269B | FW-217    |
| 1994-00             | L4 1.9L 116 CI |                       | 027105271P, 028105269B | FW-217    |
| 1994-00             | L4 2.0L 121 CI |                       | 027105271P, 028105269B | FW-217    |
| <b>PASSAT</b>       |                |                       |                        |           |
| 1990-93             | L4 2.0L 121 CI |                       | 02105271R / 027105271  | FW-216    |
| 1991-92             | L4 1.8L 109 CI |                       | 02105271R / 027105271  | FW-216    |

+

+

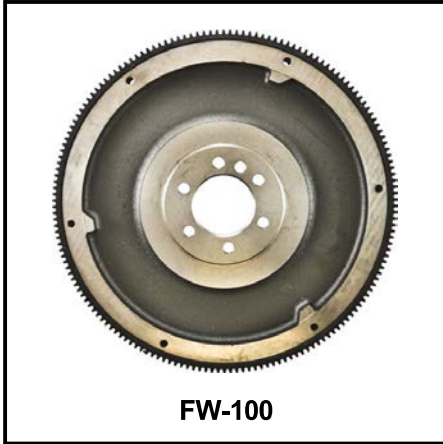
# FLYWHEEL APPLICATIONS

| Years                     | Engine         | Remarks | OE                    | Pioneer # |
|---------------------------|----------------|---------|-----------------------|-----------|
| <b>VOLKSWAGEN</b>         |                |         |                       |           |
| <b>RABBIT</b>             |                |         |                       |           |
| 1983-84                   | L4 1.8L 109 CI |         | 02105271R / 027105271 | FW-216    |
| <b>RABBIT CONVERTIBLE</b> |                |         |                       |           |
| 1984                      | L4 1.8L 109 CI |         | 02105271R / 027105271 | FW-216    |
| <b>SCIROCCO</b>           |                |         |                       |           |
| 1985-89                   | L4 1.8L 109 CI |         | 02105271R / 027105271 | FW-216    |

+

+

# FLYWHEEL ILLUSTRATIONS



FW-100



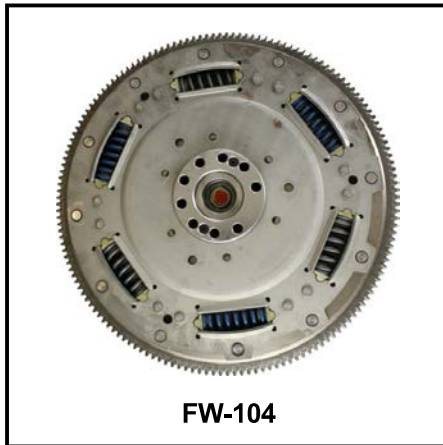
FW-101



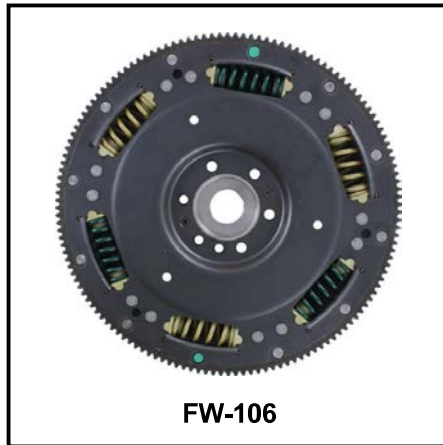
FW-102



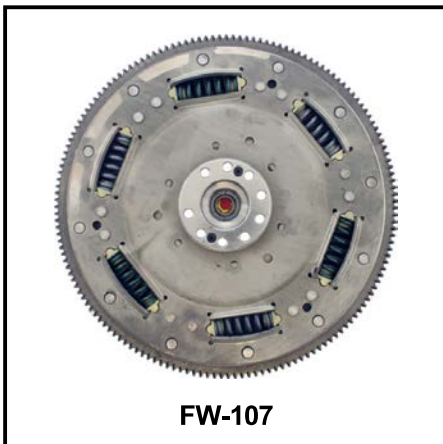
FW-103



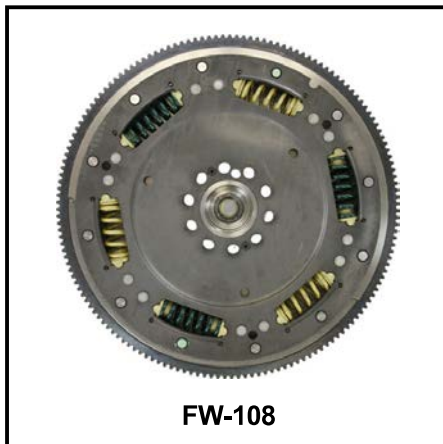
FW-104



FW-106



FW-107

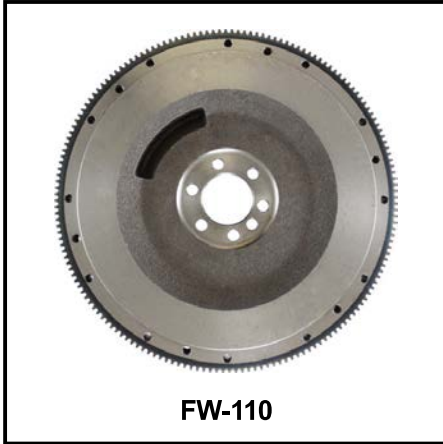


FW-108



FW-109

# FLYWHEEL ILLUSTRATIONS



FW-110



FW-112



FW-113



FW-114



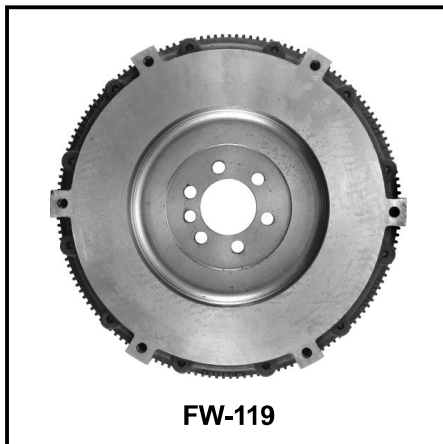
FW-116



FW-117



FW-118



FW-119



FW-120



# FLYWHEEL ILLUSTRATIONS



FW-121



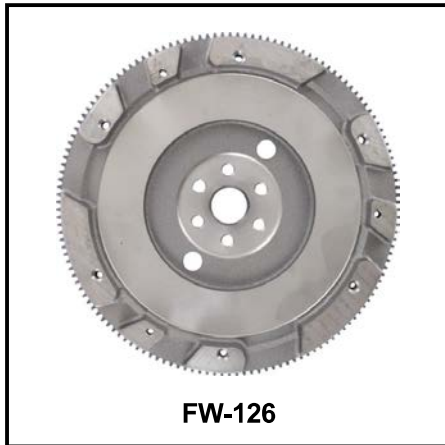
FW-122



FW-123



FW-124



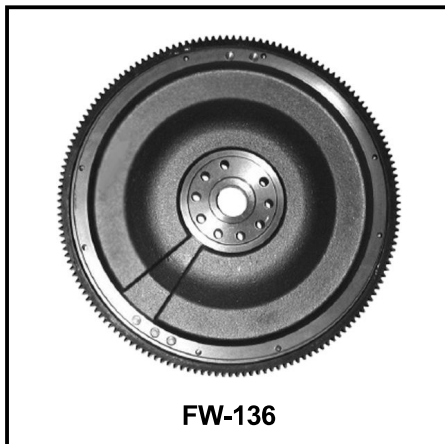
FW-126



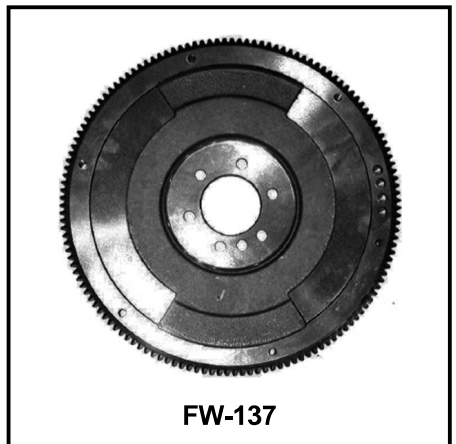
FW-134



FW-135



FW-136



FW-137

# FLYWHEEL ILLUSTRATIONS



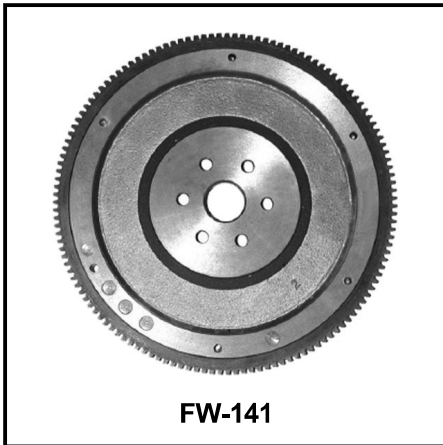
FW-138



FW-139



FW-140



FW-141



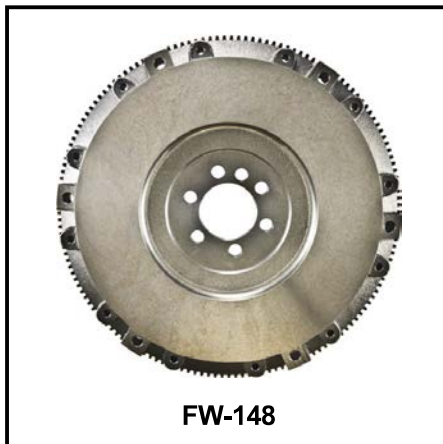
FW-142



FW-143



FW-147



FW-148



FW-149

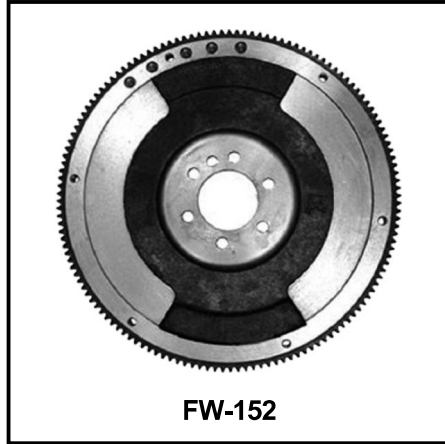
# FLYWHEEL ILLUSTRATIONS



FW-150



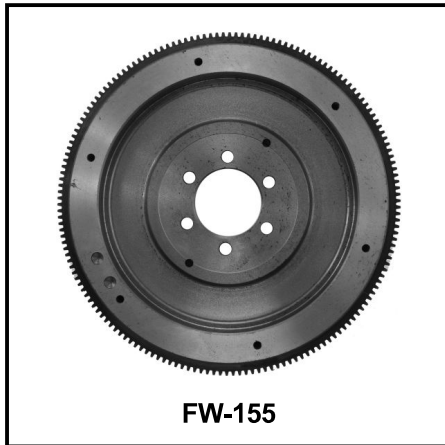
FW-151



FW-152



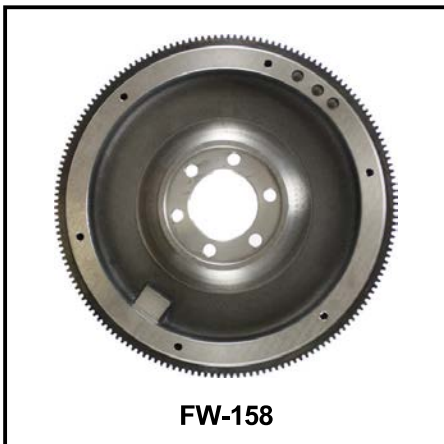
FW-153



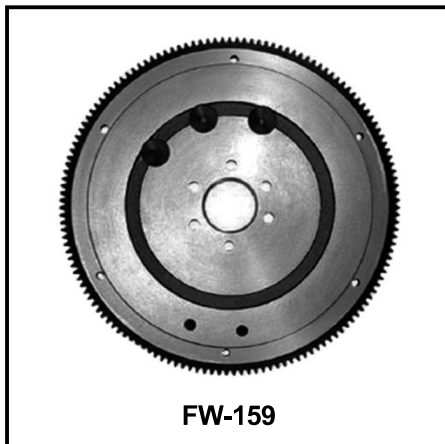
FW-155



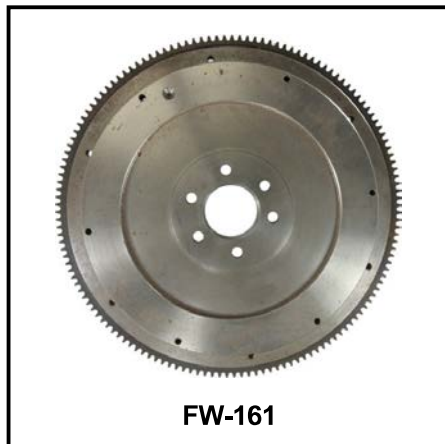
FW-156



FW-158



FW-159



FW-161

# FLYWHEEL ILLUSTRATIONS



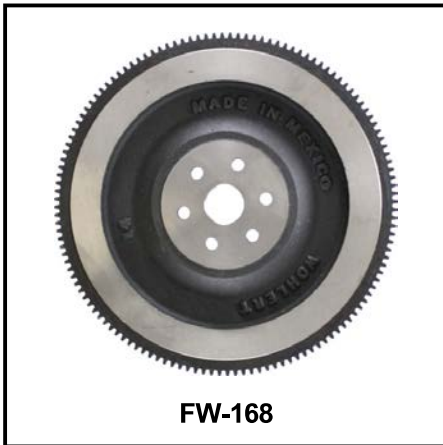
FW-162



FW-163



FW-167



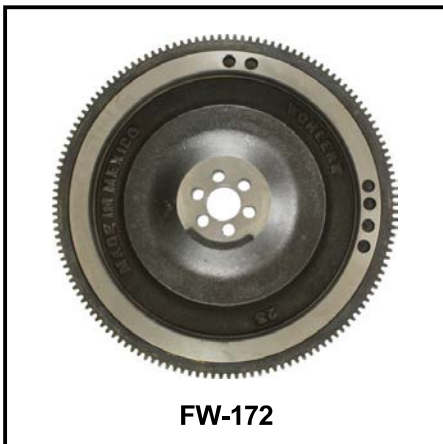
FW-168



FW-169



FW-170



FW-172



FW-173

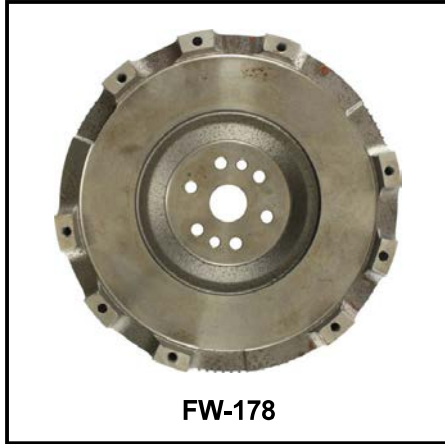


FW-174

# FLYWHEEL ILLUSTRATIONS



FW-176



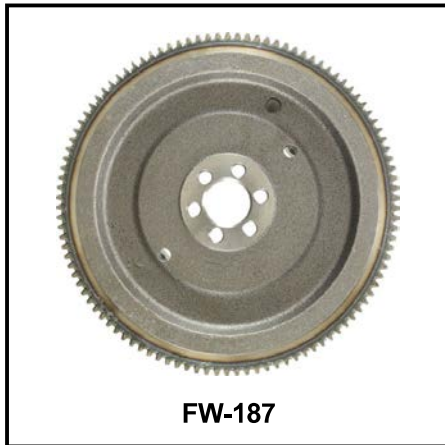
FW-178



FW-179



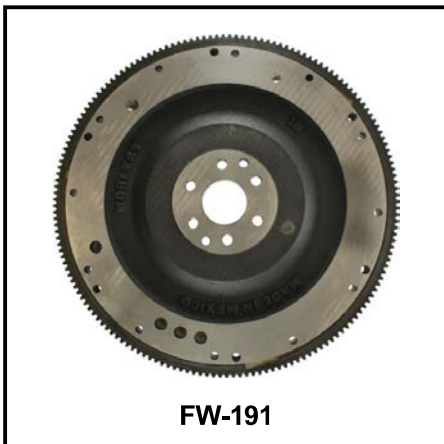
FW-186



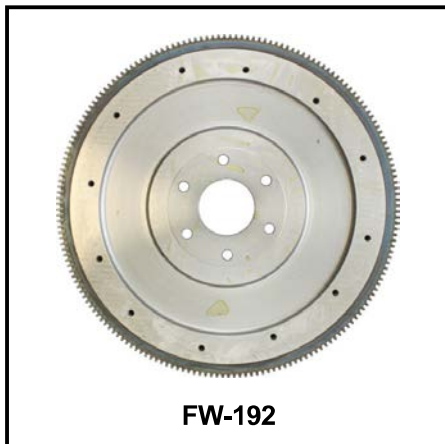
FW-187



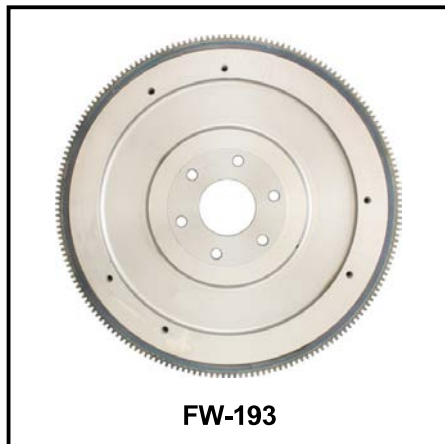
FW-189



FW-191



FW-192

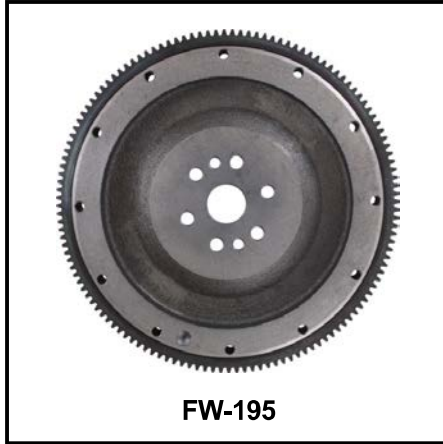


FW-193

# FLYWHEEL ILLUSTRATIONS



**FW-194**



**FW-195**



**FW-198**



**FW-200**



**FW-201**



**FW-202**



**FW-204**

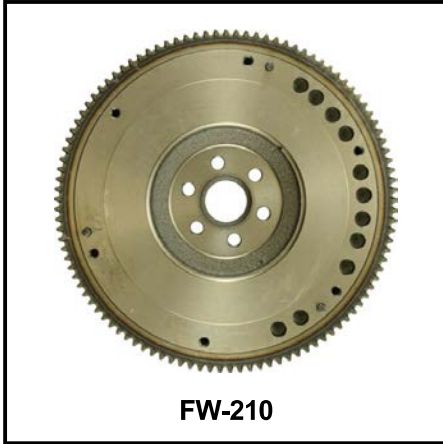


**FW-206**

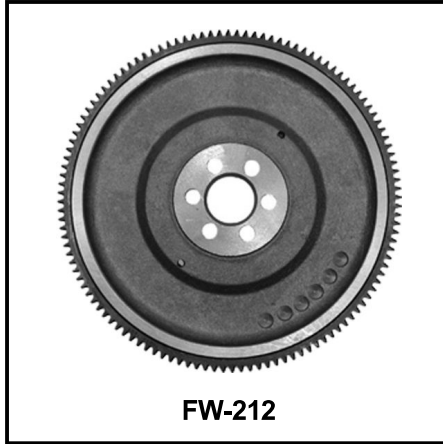


**FW-208**

# FLYWHEEL ILLUSTRATIONS



FW-210



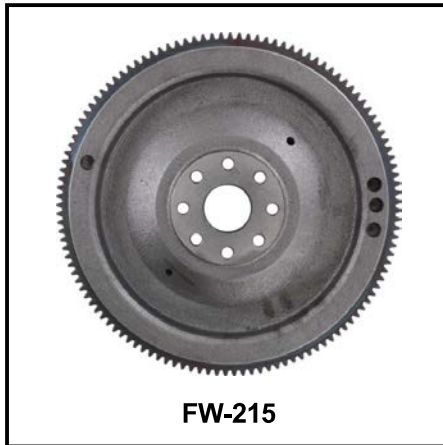
FW-212



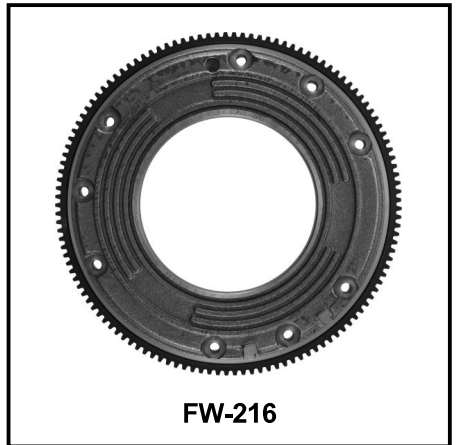
FW-213



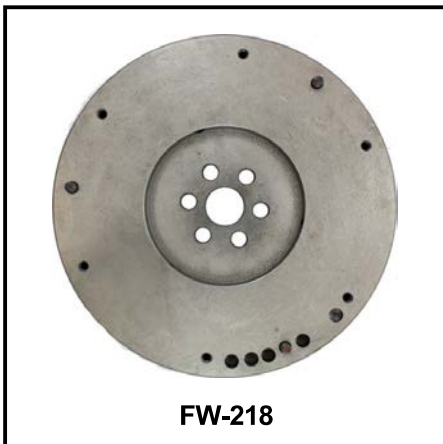
FW-214



FW-215



FW-216



FW-218

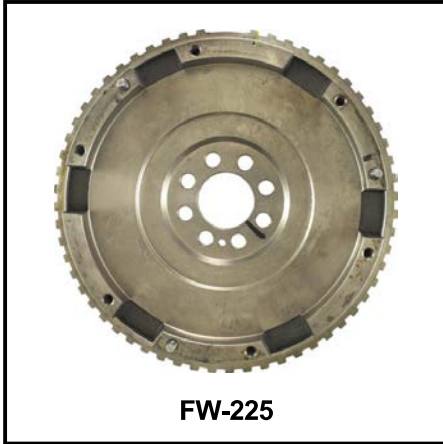


FW-219



FW-223

# FLYWHEEL ILLUSTRATIONS



FW-225



FW-226



FW-229



FW-237



FW-238



FW-241



FW-242



FW-244



FW-246



# FLYWHEEL ILLUSTRATIONS



FW-247



FW-248



FW-251



FW-265



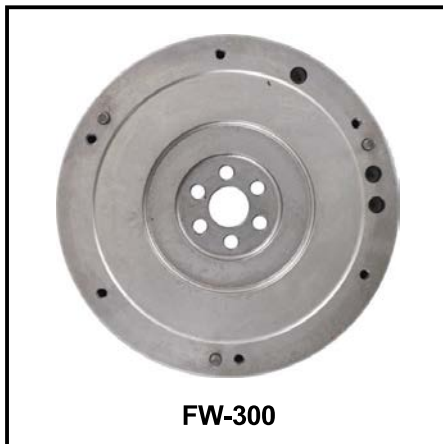
FW-267



FW-270



FW-271



FW-300



FW-312

# FLYWHEEL ILLUSTRATIONS



FW-344



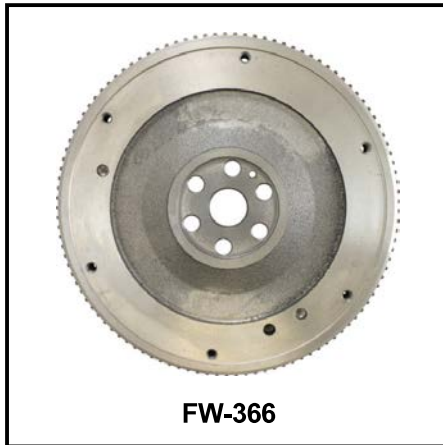
FW-349



FW-355



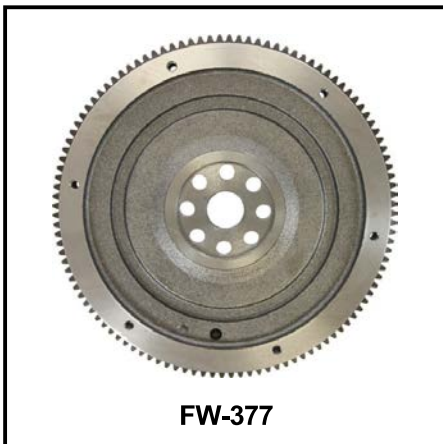
FW-365



FW-366



FW-373



FW-377

# INTERCHANGES SUMMARY - FLYWHEEL

| Competitor | # Competitor | # Pioneer | Competitor | # Competitor | # Pioneer |
|------------|--------------|-----------|------------|--------------|-----------|
| ANCHOR     | FA161        | FW-109    | ATP        | Z-323        | FW-112    |
| ANCHOR     | FA-96        | FW-100    | ATP        | Z-326        | FW-142    |
| ATP        | Z-239        | FW-100    | ATP        | Z-364        | FW-148    |
| ATP        | Z-257        | FW-113    | ATP        | Z-365        | FW-156    |
| ATP        | Z-276        | FW-153    | ATP        | Z-366        | FW-134    |
| ATP        | Z-277        | FW-215    | ATP        | Z-368        | FW-161    |
| ATP        | Z-278        | FW-213    | ATP        | Z-370        | FW-114    |
| ATP        | Z-279        | FW-214    | ATP        | Z-372        | FW-193    |
| ATP        | Z-280        | FW-139    | ATP        | Z-374        | FW-241    |
| ATP        | Z-281        | FW-200    | ATP        | Z-375        | FW-140    |
| ATP        | Z-282        | FW-138    | ATP        | Z-381        | FW-238    |
| ATP        | Z-283        | FW-344    | ATP        | Z-386        | FW-208    |
| ATP        | Z-284        | FW-157    | ATP        | Z-389        | FW-300    |
| ATP        | Z-285        | FW-168    | ATP        | Z-392        | FW-262    |
| ATP        | Z-286        | FW-191    | ATP        | Z-393        | FW-267    |
| ATP        | Z-287        | FW-116    | ATP        | Z-396        | FW-263    |
| ATP        | Z-288        | FW-117    | ATP        | Z-401        | FW-163    |
| ATP        | Z-289        | FW-173    | ATP        | Z-410        | FW-160    |
| ATP        | Z-290        | FW-189    | ATP        | Z-431        | FW-118    |
| ATP        | Z-291        | FW-150    | ATP        | Z-432        | FW-158    |
| ATP        | Z-292        | FW-123    | ATP        | Z-435        | FW-165    |
| ATP        | Z-293        | FW-211    | ATP        | Z-454        | FW-159    |
| ATP        | Z-294        | FW-102    | ATP        | Z-455        | FW-218    |
| ATP        | Z-295        | FW-103    | ATP        | Z-456        | FW-226    |
| ATP        | Z-297        | FW-109    | ATP        | Z-461        | FW-126    |
| ATP        | Z-298        | FW-101    | DORMAN     | 4039         | FW-101    |
| ATP        | Z-299        | FW-167    | DORMAN     | 4040         | FW-102    |
| ATP        | Z-300        | FW-174    | DORMAN     | 4299         | FW-103    |
| ATP        | Z-302        | FW-151    | DORMAN     | 4398         | FW-100    |
| ATP        | Z-303        | FW-172    | DORMAN     | 4620         | FW-211    |
| ATP        | Z-305        | FW-162    | DORMAN     | 4623         | FW-109    |
| ATP        | Z-306        | FW-204    | DORMAN     | 4624         | FW-110    |
| ATP        | Z-308        | FW-229    | DORMAN     | 4625         | FW-111    |
| ATP        | Z-309        | FW-223    | DORMAN     | 4626         | FW-161    |
| ATP        | Z-310        | FW-195    | DORMAN     | 4627         | FW-114    |
| ATP        | Z-313        | FW-110    | DORMAN     | 4629         | FW-113    |
| ATP        | Z-317        | FW-187    | DORMAN     | 4632         | FW-156    |
| ATP        | Z-320        | FW-349    | DORMAN     | 4633         | FW-148    |
| ATP        | Z-321        | FW-265    | DORMAN     | 4636         | FW-116    |

# INTERCHANGES SUMMARY - FLYWHEEL

| Competitor | # Competitor | # Pioneer | Competitor | # Competitor | # Pioneer |
|------------|--------------|-----------|------------|--------------|-----------|
| DORMAN     | 4639         | FW-123    | LUK        | LFW194       | FW-203    |
| DORMAN     | 4655         | FW-117    | LUK        | LFW196       | FW-215    |
| DORMAN     | 4656         | FW-112    | LUK        | LFW197       | FW-186    |
| DORMAN     | 4691         | FW-196    | LUK        | LFW198       | FW-267    |
| DORMAN     | 4692         | FW-172    | LUK        | LFW200       | FW-263    |
| DORMAN     | 4695         | FW-150    | LUK        | LFW206       | FW-213    |
| DORMAN     | 4699         | FW-153    | LUK        | LFW209       | FW-217    |
| LUK        | DMF011       | FW-108    | LUK        | LFW210       | FW-202    |
| LUK        | LFW100       | FW-102    | LUK        | LFW211       | FW-201    |
| LUK        | LFW102       | FW-101    | LUK        | LFW212       | FW-214    |
| LUK        | LFW103       | FW-100    | LUK        | LFW216       | FW-300    |
| LUK        | LFW103       | FW-109    | LUK        | LFW217       | FW-140    |
| LUK        | LFW104       | FW-103    | LUK        | LFW219       | FW-153    |
| LUK        | LFW110       | FW-159    | LUK        | LFW220       | FW-208    |
| LUK        | LFW112       | FW-116    | LUK        | LFW221       | FW-229    |
| LUK        | LFW115       | FW-112    | LUK        | LFW223       | FW-219    |
| LUK        | LFW118       | FW-138    | LUK        | LFW226       | FW-218    |
| LUK        | LFW119       | FW-366    | LUK        | LFW228       | FW-189    |
| LUK        | LFW123       | FW-142    | PERFECTION | 50-131       | FW-373    |
| LUK        | LFW126       | FW-137    | PERFECTION | 50-134       | FW-214    |
| LUK        | LFW127       | FW-313    | PERFECTION | 50-136       | FW-263    |
| LUK        | LFW130       | FW-148    | PERFECTION | 50-167395    | FW-106    |
| LUK        | LFW132       | FW-117    | PERFECTION | 50-167750    | FW-108    |
| LUK        | LFW138       | FW-223    | PERFECTION | 50-202       | FW-202    |
| LUK        | LFW142       | FW-158    | PERFECTION | 50-204       | FW-201    |
| LUK        | LFW149       | FW-123    | PERFECTION | 50-205       | FW-366    |
| LUK        | LFW156       | FW-173    | PERFECTION | 50-215       | FW-200    |
| LUK        | LFW158       | FW-191    | PERFECTION | 50-216       | FW-138    |
| LUK        | LFW159       | FW-200    | PERFECTION | 50-2700      | FW-135    |
| LUK        | LFW161       | FW-113    | PERFECTION | 50-2703      | FW-136    |
| LUK        | LFW166       | FW-187    | PERFECTION | 50-2704      | FW-140    |
| LUK        | LFW170       | FW-265    | PERFECTION | 50-2709      | FW-137    |
| LUK        | LFW172       | FW-344    | PERFECTION | 50-2710      | FW-270    |
| LUK        | LFW174       | FW-209    | PERFECTION | 50-2735      | FW-310    |
| LUK        | LFW175       | FW-312    | PERFECTION | 50-2743      | FW-331    |
| LUK        | LFW176       | FW-195    | PERFECTION | 50-2744      | FW-118    |
| LUK        | LFW188       | FW-172    | PERFECTION | 50-303       | FW-344    |
| LUK        | LFW192       | FW-176    | PERFECTION | 50-304       | FW-151    |
| LUK        | LFW193       | FW-156    | PERFECTION | 50-326       | FW-208    |

# INTERCHANGES SUMMARY - FLYWHEEL

| Competitor | # Competitor | # Pioneer | Competitor | # Competitor | # Pioneer |
|------------|--------------|-----------|------------|--------------|-----------|
| PERFECTION | 50-3402      | FW-365    | PERFECTION | 50-773       | FW-134    |
| PERFECTION | 50-3409      | FW-161    | PERFECTION | 50-806       | FW-142    |
| PERFECTION | 50-3413      | FW-153    | PERFECTION | 50-8204      | FW-217    |
| PERFECTION | 50-400       | FW-203    | PERFECTION | 50-900       | FW-189    |
| PERFECTION | 50-406       | FW-157    | PERFECTION | 50-913       | FW-229    |
| PERFECTION | 50-406       | FW-377    |            |              |           |
| PERFECTION | 50-501       | FW-218    |            |              |           |
| PERFECTION | 50-602       | FW-300    |            |              |           |
| PERFECTION | 50-6500      | FW-150    |            |              |           |
| PERFECTION | 50-6503      | FW-119    |            |              |           |
| PERFECTION | 50-6510      | FW-112    |            |              |           |
| PERFECTION | 50-6513      | FW-123    |            |              |           |
| PERFECTION | 50-6516      | FW-147    |            |              |           |
| PERFECTION | 50-6523      | FW-126    |            |              |           |
| PERFECTION | 50-6525      | FW-109    |            |              |           |
| PERFECTION | 50-6527      | FW-148    |            |              |           |
| PERFECTION | 50-6528      | FW-120    |            |              |           |
| PERFECTION | 50-6529      | FW-110    |            |              |           |
| PERFECTION | 50-6531      | FW-101    |            |              |           |
| PERFECTION | 50-6533      | FW-149    |            |              |           |
| PERFECTION | 50-6550      | FW-100    |            |              |           |
| PERFECTION | 50-6567      | FW-102    |            |              |           |
| PERFECTION | 50-6600      | FW-209    |            |              |           |
| PERFECTION | 50-701       | FW-172    |            |              |           |
| PERFECTION | 50-703       | FW-158    |            |              |           |
| PERFECTION | 50-705       | FW-174    |            |              |           |
| PERFECTION | 50-708       | FW-191    |            |              |           |
| PERFECTION | 50-711       | FW-116    |            |              |           |
| PERFECTION | 50-714       | FW-117    |            |              |           |
| PERFECTION | 50-715       | FW-114    |            |              |           |
| PERFECTION | 50-719       | FW-312    |            |              |           |
| PERFECTION | 50-723       | FW-195    |            |              |           |
| PERFECTION | 50-724       | FW-173    |            |              |           |
| PERFECTION | 50-726       | FW-219    |            |              |           |
| PERFECTION | 50-735       | FW-113    |            |              |           |
| PERFECTION | 50-740       | FW-313    |            |              |           |
| PERFECTION | 50-741       | FW-223    |            |              |           |
| PERFECTION | 50-751       | FW-159    |            |              |           |
| PERFECTION | 50-755       | FW-315    |            |              |           |

## MANUAL FLYWHEEL SPECIFICATION SHEET

| PIONEER # | TEETH | O.D.    | CTR. DIA.          | CLUTCH SIZE     | PITCH | BALANCE   |
|-----------|-------|---------|--------------------|-----------------|-------|-----------|
| FW-100    | 168   | 14.13"  | 2.49"              | 11.00"          | 14-12 | wo/weight |
| FW-101    | 168   | 14.13"  | 2.49"              | 11.00"          | 14-12 | w/weight  |
| FW-102    | 168   | 14.13"  | 2.49"              | 11.00"          | 14-12 | w/weight  |
| FW-103    | 168   | 14.13"  | 2.49"              | 11.00"          | 14-12 | wo/weight |
| FW-107    | 155   | 15.75"  | 2.05"              | 12.00"          | 10    | wo/weight |
| FW-108    | 155   | 15.75"  | 2.05"              | 12.25"          | 10    | wo/weight |
| FW-109    | 168   | 14.12"  | 2.05"              | 11.00"          | 12    | w/weight  |
| FW-110    | 168   | 14.12"  | 2.10"              | 11.00"          | 12    | wo/weight |
| FW-111    | 142   | 11.87"  |                    | 9.50"           | 14-12 | w/weight  |
| FW-112    | 148   | 12.50"  | 1.50"              | 9.50"           | 12    | wo/weight |
| FW-113    | 164   | 14.25"  | 1.75"              | 11.00"          | 12    | w/weight  |
| FW-114    | 180   | 15.50"  | 2.47"              | 15.50"          | 12    | w/weight  |
| FW-116    | 157   | 13.25"  | 1.71"              | 10.50"          | 14-12 | w/weight  |
| FW-117    | 164   | 14.25"  | 1.75"              |                 | 14-12 | wo/weight |
| FW-118    | 168   | 14.125" | 2.47"              | 12.00"          | 14-12 | w/weight  |
| FW-119    | 153   | 12.875" |                    |                 | 14-12 | wo/weight |
| FW-120    | 142   | 11.937" | 1.258"             |                 | 14-12 | wo/weight |
| FW-121    | 168   | 14.187" | 2.061"             |                 | 14-12 | wo/weight |
| FW-122    | 168   | 14.187" | 2.05"              |                 | 14-12 | wo/weight |
| FW-123    | 148   | 12.5"   | 1.265"             | 9.00"           | 12    | wo/weight |
| FW-124    | 142   | 11.937" |                    |                 | 14-12 | wo/weight |
| FW-126    | 142   | 11.937" | 2.49"              |                 | 14-12 | wo/weight |
| FW-134    | 155   | 15.75"  | 1.023"             |                 | 10    | wo/weight |
| FW-135    | 155   | 15.68"  | 1.37"              |                 | 10    | w/weight  |
| FW-136    | 155   | 14.50"  |                    |                 | 10    | w/weight  |
| FW-137    | 138   | 14.25"  |                    |                 | 12    | w/weight  |
| FW-138    | 119   | 12.08"  | .823"              | 8.80"           | 8-6   | wo/weight |
| FW-139    | 109   | 11.1"   | 1.236"             | 8.80"           | 10    | wo/weight |
| FW-140    | 138   | 11.70"  | 1.75"              | 9.4"            | 12    | wo/weight |
| FW-141    | 132   | 11.30"  |                    | 9.00"           | 12    | wo/weight |
| FW-142    | 124   | 12.40"  | 1.253"             | 8.8"            | 10    | wo/weight |
| FW-143    | 155   | 15.681" | 1.75" / Plt. .957" |                 | 10    | wo/weight |
| FW-147    | 153   | 12.75"  | 2.49"              | 10.40"          | 14-12 | wo/weight |
| FW-148    | 153   | 12.75"  | 2.06"              | 10.40"          | 14-12 | w/weight  |
| FW-149    | 142   | 11.91"  | 1.258"             |                 | 14-12 | w/weight  |
| FW-150    | 142   | 11.875" | 1.26"              | 8.50"           | 14-12 | wo/weight |
| FW-151    | 120   | 12.5"   | 1.40"              | 9.00"           | 10    | wo/weight |
| FW-152    | 139   | 14"     | 2.481"             | 12.00"          | 14-12 | w/weight  |
| FW-153    | 115   | 11.75"  | 1.65"              | 10.00"          | 10    | wo/weight |
| FW-155    | 166   | 13.965" | 2.74"              | 10.50" / 11.00" | 14-12 | wo/weight |
| FW-156    | 153   | 12.75"  | 2.05"              | 10.40"          | 14-12 | wo/weight |
| FW-157    | 112   | 11.375" |                    | 8.75"           | 10    | wo/weight |
| FW-158    | 164   | 13.875" |                    | 8.75"           | 14-12 | w/weight  |
| FW-159    | 143   | 14.5"   | 2.15"              | 11.00"          | 10    | wo/weight |
| FW-160    | 197   | 16.5"   | 2.04"              | 13.00"          | 12    | wo/weight |
| FW-161    | 143   | 14.5"   | 2.148"             | 11.00"          | 10    | wo/weight |
| FW-162    | 164   | 13.5"   |                    |                 | 14-12 | wo/weight |
| FW-163    | 157   | 13.437" | 1.75"              |                 | 14-12 | w/weight  |
| FW-167    | 164   | 14.23"  | 1.72"              |                 | 14-12 | w/weight  |
| FW-168    | 132   | 11.25"  | 1.24"              | 8.75"           | 12    | wo/weight |

## MANUAL FLYWHEEL SPECIFICATION SHEET

| PIONEER # | TEETH | O.D.     | CTR. DIA. | CLUTCH SIZE | PITCH | BALANCE   |
|-----------|-------|----------|-----------|-------------|-------|-----------|
| FW-169    | 164   | 14.23"   | 1.741"    |             | 14-12 | wo/weight |
| FW-170    | 164   | 13.875"  | 2.66"     |             | 14-12 | wo/weight |
| FW-172    | 141   | 11.75"   | 1.122"    | 8.875"      | 14-12 | wo/weight |
| FW-173    | 138   | 11.625"  | 1.125"    | 10.00"      | 12    | wo/weight |
| FW-174    | 132   | 11.31"   | 1.166"    | 9.50"       | 12    | wo/weight |
| FW-176    | 164   | 13.88"   |           |             | 14-12 | wo/weight |
| FW-178    | 132   | 11.31"   | 1.253"    |             | 12    | wo/weight |
| FW-179    | 164   | 14.25"   | 1.746"    |             | 14-12 | wo/weight |
| FW-186    | 100   | 10.125"  | 1.174"    |             | 10    | wo/weight |
| FW-187    | 106   | 10.688"  | 1.41"     |             | 10    | wo/weight |
| FW-189    | 112   | 11.438"  | 1.882"    |             | 10    | wo/weight |
| FW-191    | 164   | 14.25"   | 1.75"     |             | 14-12 | wo/weight |
| FW-192    | 184   | 15.5"    | 2.491"    |             | 14-12 | wo/weight |
| FW-193    | 184   | 15.5625" | 2.5"      |             | 14-12 | wo/weight |
| FW-194    | 155   | 15.81"   | 1.862"    |             | 10    | wo/weight |
| FW-195    | 133   | 11.22"   | 1.218"    |             | 12    | wo/weight |
| FW-198    | 184   | 15.50"   | 2.474"    |             | 14-12 | wo/weight |
| FW-200    | 112   | 11.00"   | .779"     | 8.50"       | 10    | wo/weight |
| FW-201    | 109   | 10.75"   | 1.260"    | 7.75"       | 10    | wo/weight |
| FW-202    | 164   | 14.24"   | .677"     | 7.50"       | 14-12 | wo/weight |
| FW-203    | 109   | 10.75"   |           | 8.750"      | 10    | wo/weight |
| FW-204    | 115   | 11.56"   | 2.0"      |             | 10    | wo/weight |
| FW-206    | 164   | 14.24"   | 2.685"    |             | 14-12 | wo/weight |
| FW-207    | 152   | 15.348"  |           |             | 10    |           |
| FW-208    | 120   | 12.25"   | 1.679"    | 10.00"      | 10    | wo/weight |
| FW-209    | 105   | 10.64"   |           |             |       | wo/weight |
| FW-210    | 129   | 11.875"  | 1.32"     | 7.50"       | 12-10 | wo/weight |
| FW-211    | 128   | 10.875"  |           |             | 8     | wo/weight |
| FW-212    | 120   | 12.00"   |           |             | 10    | wo/weight |
| FW-213    | 120   | 12.00"   | 1.620"    |             | 10    | wo/weight |
| FW-214    | 109   | 10.625"  | 1.414"    |             | 10    | wo/weight |
| FW-215    | 123   | 12.00"   | 1.649"    | 9.375"      | 10    | wo/weight |
| FW-216    | 125   | 10.6875" | 5.194"    | 8.375"      | 10    | wo/weight |
| FW-217    | N/A   |          |           | 8.375       | 10    | wo/weight |
| FW-218    | 110   | 11.102"  | 1.239"    |             | 12-10 | wo/weight |
| FW-219    | 105   | 10.50"   | 1.368"    |             | 10    | wo/weight |
| FW-223    | 132   | 11.25"   | 1.257"    |             | 12    | wo/weight |
| FW-225    | 112   | 11.3125" | 1.884"    |             | 10    | wo/weight |
| FW-226    | 106   | 10.68"   |           |             | 10    | wo/weight |
| FW-229    | 112   | 11.375"  | .550"     |             | 10    | wo/weight |
| FW-237    | 106   | 10.63"   | .538"     |             | 10    | wo/weight |
| FW-238    | 106   | 10.63"   | .587"     |             | 10    | wo/weight |
| FW-241    | 164   | 14.38"   | 1.746"    |             | 14-12 | wo/weight |
| FW-242    | 110   | 11.125"  | .585"     |             | 12-10 | wo/weight |
| FW-244    | 106   |          |           |             | 10    | wo/weight |
| FW-246    | 110   | 11.1875" | .587"     |             | 12-10 | wo/weight |
| FW-247    | 106   |          |           |             | 10    | wo/weight |
| FW-248    | 106   |          |           |             | 10    | wo/weight |
| FW-251    | 110   | 11.19"   | .625"     |             | 12-10 | wo/weight |
| FW-263    | 115   | 11.69"   |           |             | 10    | wo/weight |

## MANUAL FLYWHEEL SPECIFICATION SHEET

| PIONEER # | TEETH | O.D.     | CTR. DIA. | CLUTCH SIZE | PITCH | BALANCE   |
|-----------|-------|----------|-----------|-------------|-------|-----------|
| FW-265    | 110   | 10.83"   | 1.411"    |             | 12-10 | wo/weight |
| FW-267    | 115   | 11.94"   | 1.653"    |             | 10    | wo/weight |
| FW-270    | 139   | 14.146   | 2.481"    |             | 14-12 | w/weight  |
| FW-271    | 164   | 14.23"   | 1.75"     |             | 14-12 | wo/weight |
| FW-300    | 100   | 10.10"   | 1.094"    |             | 10    | wo/weight |
| FW-312    | 132   | 11.3125" | 1.250"    |             | 12    | wo/weight |
| FW-337    | 115   | 11.655"  |           |             | 10    | wo/weight |
| FW-344    | 105   | 10.75"   | 1.683"    |             | 10    | wo/weight |
| FW-349    | 115   | 11.61"   | 1.968"    |             | 10    | wo/weight |
| FW-355    | 148   | 12.50"   | .925"     |             | 12    | wo/weight |
| FW-365    | 139   | 11.786"  | 1.866"    |             | 14-12 | wo/weight |
| FW-366    | 109   | 11.098"  | 1.256"    |             | 10    | wo/weight |
| FW-373    | 106   | 11.097"  |           |             | 10    | wo/weight |
| FW-377    | 118   | 11.25"   | 1.244"    |             | 8-6   | wo/weight |



# FLYWHEEL SHIM APPLICATIONS

| Years                   | Engine         | Remarks | Pioneer # |
|-------------------------|----------------|---------|-----------|
| <b>AM GENERAL TRUCK</b> |                |         |           |
| <b>HUMMER</b>           |                |         |           |
| 1992-93                 | V8 6.2L 379 CI | .025"   | FWS-1     |
| 1992-93                 | V8 6.2L 379 CI | .050"   | FWS-2     |
| 1995-96                 | V8 5.7L 350 CI | .025"   | FWS-1     |
| 1995-96                 | V8 5.7L 350 CI | .050"   | FWS-2     |
| <b>BUICK</b>            |                |         |           |
| <b>APOLLO</b>           |                |         |           |
| 1973-75                 | L6 4.1L 250 CI | .025"   | FWS-1     |
| 1973-75                 | L6 4.1L 250 CI | .050"   | FWS-2     |
| <b>CENTURY</b>          |                |         |           |
| 1977-79                 | V8 5.7L 350 CI | .025"   | FWS-1     |
| 1981                    | V8 5.7L 350 CI | .025"   | FWS-1     |
| 1977                    | V8 6.6L 403 CI | .025"   | FWS-1     |
| 1977                    | V8 6.6L 403 CI | .050"   | FWS-2     |
| 1977-80                 | V8 5.0L 305 CI | .050"   | FWS-2     |
| 1977-80                 | V8 5.0L 305 CI | .025"   | FWS-1     |
| 1981                    | V8 4.4L 267 CI | .025"   | FWS-1     |
| 1981                    | V8 4.4L 267 CI | .050"   | FWS-2     |
| 1977-79                 | V8 5.7L 350 CI | .050"   | FWS-2     |
| 1981                    | V8 5.7L 350 CI | .050"   | FWS-2     |
| 1982-85                 | V6 3.0L 181 CI | .050"   | FWS-2     |
| 1982-85                 | V6 3.0L 181 CI | .025"   | FWS-1     |
| 1982-92                 | L4 2.5L 151 CI | .050"   | FWS-8     |
| 1982-92                 | L4 2.5L 151 CI | .025"   | FWS-7     |
| 1983-89                 | V6 2.8L 173 CI | .050"   | FWS-8     |
| 1983-89                 | V6 2.8L 173 CI | .025"   | FWS-7     |
| 1980                    | V6 3.8L 232 CI | .025"   | FWS-7     |
| 1984-88                 | V6 3.8L 232 CI | .025"   | FWS-7     |
| 1980                    | V6 3.8L 232 CI | .050"   | FWS-8     |
| 1984-88                 | V6 3.8L 232 CI | .050"   | FWS-8     |
| 1989-93                 | V6 3.3L 204 CI | .025"   | FWS-1     |
| 1989-93                 | V6 3.3L 204 CI | .050"   | FWS-2     |
| 1993-96                 | L4 2.2L 134 CI | .025"   | FWS-7     |
| 1993-96                 | L4 2.2L 134 CI | .050"   | FWS-8     |
| 1994-04                 | V6 3.1L 189 CI | .025"   | FWS-7     |
| 1994-04                 | V6 3.1L 189 CI | .050"   | FWS-8     |
| <b>ELECTRA</b>          |                |         |           |
| 1959-66                 | V8 6.6L 401 CI | .050"   | FWS-2     |
| 1959-66                 | V8 6.6L 401 CI | .025"   | FWS-1     |
| 1965-66                 | V8 7.0L 425 CI | .050"   | FWS-2     |
| 1965-66                 | V8 7.0L 425 CI | .025"   | FWS-1     |

# FLYWHEEL SHIM APPLICATIONS

| Years               | Engine         | Remarks | Pioneer # |
|---------------------|----------------|---------|-----------|
| <b>BUICK</b>        |                |         |           |
| <b>ELECTRA</b>      |                |         |           |
| 1967-69             | V8 7.0L 430 CI | .025"   | FWS-1     |
| 1967-69             | V8 7.0L 430 CI | .050"   | FWS-2     |
| 1977-79             | V8 6.6L 403 CI | .025"   | FWS-1     |
| 1977-79             | V8 6.6L 403 CI | .050"   | FWS-2     |
| 1977-85             | V8 5.7L 350 CI | .050"   | FWS-2     |
| 1980-84             | V6 4.1L 252 CI | .050"   | FWS-2     |
| 1980-84             | V6 4.1L 252 CI | .025"   | FWS-1     |
| 1977-85             | V8 5.7L 350 CI | .025"   | FWS-1     |
| 1985                | V6 3.0L 181 CI | .050"   | FWS-2     |
| 1985                | V6 3.0L 181 CI | .025"   | FWS-1     |
| 1985-90             | V6 3.8L 232 CI | .050"   | FWS-8     |
| 1985-90             | V6 3.8L 232 CI | .025"   | FWS-7     |
| <b>ESTATE WAGON</b> |                |         |           |
| 1977-79             | V8 5.7L 350 CI | .050"   | FWS-2     |
| 1977-79             | V8 6.6L 403 CI | .050"   | FWS-2     |
| 1977-79             | V8 6.6L 403 CI | .025"   | FWS-1     |
| 1977-79             | V8 5.7L 350 CI | .025"   | FWS-1     |
| <b>GRAN SPORT</b>   |                |         |           |
| 1965-66             | V8 6.6L 401 CI | .050"   | FWS-2     |
| 1965-66             | V8 6.6L 401 CI | .025"   | FWS-1     |
| 1967                | V8 6.6L 400 CI | .050"   | FWS-2     |
| 1967                | V8 6.6L 400 CI | .025"   | FWS-1     |
| <b>GS 400</b>       |                |         |           |
| 1968                | V8 6.6L 400 CI | .025"   | FWS-1     |
| 1968                | V8 6.6L 400 CI | .050"   | FWS-2     |
| <b>INVICTA</b>      |                |         |           |
| 1959-63             | V8 6.6L 401 CI | .050"   | FWS-2     |
| 1959-63             | V8 6.6L 401 CI | .025"   | FWS-1     |
| <b>LESABRE</b>      |                |         |           |
| 1960-64             | V8 6.6L 401 CI | .050"   | FWS-2     |
| 1960-64             | V8 6.6L 401 CI | .025"   | FWS-1     |
| 1964                | V8 7.0L 425 CI | .025"   | FWS-1     |
| 1964                | V8 7.0L 425 CI | .050"   | FWS-2     |
| 1975                | V8 6.6L 400 CI | .050"   | FWS-2     |
| 1975                | V8 6.6L 400 CI | .025"   | FWS-1     |
| 1977-85             | V8 5.7L 350 CI | .025"   | FWS-1     |
| 1977-78             | V8 6.6L 403 CI | .025"   | FWS-1     |
| 1977-78             | V8 6.6L 403 CI | .050"   | FWS-2     |
| 1978                | V8 5.0L 305 CI | .050"   | FWS-2     |
| 1978                | V8 5.0L 305 CI | .025"   | FWS-1     |

# FLYWHEEL SHIM APPLICATIONS

| Years              | Engine         | Remarks | Pioneer # |
|--------------------|----------------|---------|-----------|
| <b>BUICK</b>       |                |         |           |
| <b>LESABRE</b>     |                |         |           |
| 1980-84            | V6 4.1L 252 CI | .025"   | FWS-1     |
| 1980-84            | V6 4.1L 252 CI | .050"   | FWS-2     |
| 1977-85            | V8 5.7L 350 CI | .050"   | FWS-2     |
| 1982               | V8 4.4L 267 CI | .025"   | FWS-1     |
| 1982               | V8 4.4L 267 CI | .050"   | FWS-2     |
| 1979-80            | V6 3.8L 232 CI | .025"   | FWS-7     |
| 1984-04            | V6 3.8L 232 CI | .025"   | FWS-7     |
| 1979-80            | V6 3.8L 232 CI | .050"   | FWS-8     |
| 1984-04            | V6 3.8L 232 CI | .050"   | FWS-8     |
| 1986               | V6 3.0L 181 CI | .025"   | FWS-1     |
| 1986               | V6 3.0L 181 CI | .050"   | FWS-2     |
| <b>PARK AVENUE</b> |                |         |           |
| 1991-05            | V6 3.8L 232 CI | .050"   | FWS-8     |
| 1991-05            | V6 3.8L 232 CI | .025"   | FWS-7     |
| <b>REATTA</b>      |                |         |           |
| 1988-91            | V6 3.8L 232 CI | .050"   | FWS-8     |
| 1988-91            | V6 3.8L 232 CI | .025"   | FWS-7     |
| <b>REGAL</b>       |                |         |           |
| 1977               | V8 5.7L 350 CI | .050"   | FWS-2     |
| 1982-83            | V8 5.7L 350 CI | .050"   | FWS-2     |
| 1985               | V8 5.7L 350 CI | .050"   | FWS-2     |
| 1979               | V6 3.8L 231 CI | .025"   | FWS-7     |
| 1979               | V6 3.8L 231 CI | .050"   | FWS-8     |
| 1981-82            | V8 4.4L 267 CI | .050"   | FWS-2     |
| 1981-82            | V8 4.4L 267 CI | .025"   | FWS-1     |
| 1982-84            | V6 4.1L 252 CI | .025"   | FWS-1     |
| 1982-84            | V6 4.1L 252 CI | .050"   | FWS-2     |
| 1977               | V8 5.7L 350 CI | .025"   | FWS-1     |
| 1982-83            | V8 5.7L 350 CI | .025"   | FWS-1     |
| 1985               | V8 5.7L 350 CI | .025"   | FWS-1     |
| 1977-80            | V8 5.0L 305 CI | .050"   | FWS-2     |
| 1983               | V8 5.0L 305 CI | .050"   | FWS-2     |
| 1985-87            | V8 5.0L 305 CI | .050"   | FWS-2     |
| 1977-80            | V8 5.0L 305 CI | .025"   | FWS-1     |
| 1983               | V8 5.0L 305 CI | .025"   | FWS-1     |
| 1985-87            | V8 5.0L 305 CI | .025"   | FWS-1     |
| 1986-87            | V8 5.0L 307 CI | .025"   | FWS-1     |
| 1986-87            | V8 5.0L 307 CI | .050"   | FWS-2     |
| 1988-89            | V6 2.8L 173 CI | .050"   | FWS-8     |
| 1988-89            | V6 2.8L 173 CI | .025"   | FWS-7     |

# FLYWHEEL SHIM APPLICATIONS

| Years             | Engine         | Remarks | Pioneer # |
|-------------------|----------------|---------|-----------|
| <b>BUICK</b>      |                |         |           |
| <b>REGAL</b>      |                |         |           |
| 1989-96           | V6 3.1L 189 CI | .050"   | FWS-8     |
| 1989-96           | V6 3.1L 189 CI | .025"   | FWS-7     |
| 1979-80           | V6 3.8L 232 CI | .050"   | FWS-8     |
| 1984-87           | V6 3.8L 232 CI | .050"   | FWS-8     |
| 1990-04           | V6 3.8L 232 CI | .050"   | FWS-8     |
| 1979-80           | V6 3.8L 232 CI | .025"   | FWS-7     |
| 1984-87           | V6 3.8L 232 CI | .025"   | FWS-7     |
| 1990-04           | V6 3.8L 232 CI | .025"   | FWS-7     |
| <b>RIVIERA</b>    |                |         |           |
| 1963-65           | V8 6.6L 401 CI | .025"   | FWS-1     |
| 1963-65           | V8 6.6L 401 CI | .050"   | FWS-2     |
| 1963-66           | V8 7.0L 425 CI | .050"   | FWS-2     |
| 1963-66           | V8 7.0L 425 CI | .025"   | FWS-1     |
| 1967-69           | V8 7.0L 430 CI | .050"   | FWS-2     |
| 1967-69           | V8 7.0L 430 CI | .025"   | FWS-1     |
| 1977-78           | V8 6.6L 403 CI | .050"   | FWS-2     |
| 1977-78           | V8 6.6L 403 CI | .025"   | FWS-1     |
| 1977-85           | V8 5.7L 350 CI | .025"   | FWS-1     |
| 1977-85           | V8 5.7L 350 CI | .050"   | FWS-2     |
| 1981-84           | V6 4.1L 252 CI | .050"   | FWS-2     |
| 1981-84           | V6 4.1L 252 CI | .025"   | FWS-1     |
| 1980              | V8 5.0L 307 CI | .050"   | FWS-2     |
| 1983-85           | V8 5.0L 307 CI | .050"   | FWS-2     |
| 1980              | V8 5.0L 307 CI | .025"   | FWS-1     |
| 1983-85           | V8 5.0L 307 CI | .025"   | FWS-1     |
| 1979-80           | V6 3.8L 232 CI | .050"   | FWS-8     |
| 1984-93           | V6 3.8L 232 CI | .050"   | FWS-8     |
| 1995-99           | V6 3.8L 232 CI | .050"   | FWS-8     |
| 1979-80           | V6 3.8L 232 CI | .025"   | FWS-7     |
| 1984-93           | V6 3.8L 232 CI | .025"   | FWS-7     |
| 1995-99           | V6 3.8L 232 CI | .025"   | FWS-7     |
| <b>ROADMASTER</b> |                |         |           |
| 1992-96           | V8 5.7L 350 CI | .025"   | FWS-1     |
| 1992-96           | V8 5.7L 350 CI | .050"   | FWS-2     |
| <b>SKYHAWK</b>    |                |         |           |
| 1979-80           | V6 3.8L 232 CI | .025"   | FWS-7     |
| 1979-80           | V6 3.8L 232 CI | .050"   | FWS-8     |
| 1983-89           | L4 2.0L 122 CI | .050"   | FWS-26    |
| 1983-89           | L4 2.0L 122 CI | .025"   | FWS-25    |
| <b>SKYLARK</b>    |                |         |           |
| 1964-67           | V6 3.7L 225 CI | .025"   | FWS-1     |

# FLYWHEEL SHIM APPLICATIONS

| Years                 | Engine         | Remarks | Pioneer # |
|-----------------------|----------------|---------|-----------|
| <b>BUICK</b>          |                |         |           |
| <b>SKYLARK</b>        |                |         |           |
| 1964-67               | V6 3.7L 225 CI | .050"   | FWS-2     |
| 1965-66               | V8 6.6L 401 CI | .025"   | FWS-1     |
| 1965-66               | V8 6.6L 401 CI | .050"   | FWS-2     |
| 1967-68               | V8 6.6L 400 CI | .025"   | FWS-1     |
| 1967-68               | V8 6.6L 400 CI | .050"   | FWS-2     |
| 1968-71               | L6 4.1L 250 CI | .025"   | FWS-1     |
| 1968-71               | L6 4.1L 250 CI | .050"   | FWS-2     |
| 1977-79               | V8 5.0L 305 CI | .025"   | FWS-1     |
| 1977-79               | V8 5.0L 305 CI | .050"   | FWS-2     |
| 1977-79               | V8 5.7L 350 CI | .025"   | FWS-1     |
| 1977-79               | V8 5.7L 350 CI | .050"   | FWS-2     |
| 1979                  | V6 3.8L 232 CI | .025"   | FWS-7     |
| 1979                  | V6 3.8L 232 CI | .050"   | FWS-8     |
| 1980-85               | V6 2.8L 173 CI | .025"   | FWS-7     |
| 1980-85               | V6 2.8L 173 CI | .050"   | FWS-8     |
| 1980-91               | L4 2.5L 151 CI | .050"   | FWS-8     |
| 1980-91               | L4 2.5L 151 CI | .025"   | FWS-7     |
| 1986-88               | V6 3.0L 181 CI | .050"   | FWS-2     |
| 1986-88               | V6 3.0L 181 CI | .025"   | FWS-1     |
| 1988-95               | L4 2.3L 138 CI | .050"   | FWS-26    |
| 1988-95               | L4 2.3L 138 CI | .025"   | FWS-25    |
| 1989-93               | V6 3.3L 204 CI | .025"   | FWS-1     |
| 1989-93               | V6 3.3L 204 CI | .050"   | FWS-2     |
| 1994-98               | V6 3.1L 189 CI | .025"   | FWS-7     |
| 1994-98               | V6 3.1L 189 CI | .050"   | FWS-8     |
| <b>SOMERSET</b>       |                |         |           |
| 1986-87               | L4 2.5L 151 CI | .050"   | FWS-8     |
| 1986-87               | L4 2.5L 151 CI | .025"   | FWS-7     |
| 1986-87               | V6 3.0L 181 CI | .050"   | FWS-2     |
| 1986-87               | V6 3.0L 181 CI | .025"   | FWS-1     |
| <b>SOMERSET REGAL</b> |                |         |           |
| 1985                  | L4 2.5L 151 CI | .025"   | FWS-7     |
| 1985                  | L4 2.5L 151 CI | .050"   | FWS-8     |
| 1985                  | V6 3.0L 181 CI | .025"   | FWS-1     |
| 1985                  | V6 3.0L 181 CI | .050"   | FWS-2     |
| <b>SPECIAL</b>        |                |         |           |
| 1964-67               | V6 3.7L 225 CI | .025"   | FWS-1     |
| 1964-67               | V6 3.7L 225 CI | .050"   | FWS-2     |
| 1968-69               | L6 4.1L 250 CI | .025"   | FWS-1     |
| 1968-69               | L6 4.1L 250 CI | .050"   | FWS-2     |

# FLYWHEEL SHIM APPLICATIONS

| Years                     | Engine         | Remarks | Pioneer # |
|---------------------------|----------------|---------|-----------|
| <b>BUICK</b>              |                |         |           |
| <b>SPORTWAGON</b>         |                |         |           |
| 1964                      | V6 3.7L 225 CI | .050"   | FWS-2     |
| 1964                      | V6 3.7L 225 CI | .025"   | FWS-1     |
| 1968                      | V8 6.6L 400 CI | .050"   | FWS-2     |
| 1968                      | V8 6.6L 400 CI | .025"   | FWS-1     |
| <b>BUICK TRUCK</b>        |                |         |           |
| <b>RAINIER</b>            |                |         |           |
| 2004-07                   | L6 4.2L 256 CI | .025"   | FWS-27    |
| 2004-07                   | L6 4.2L 256 CI | .050"   | FWS-28    |
| 2004-07                   | V8 5.3L 325 CI | .050"   | FWS-28    |
| 2004-07                   | V8 5.3L 325 CI | .025"   | FWS-27    |
| <b>BUICK</b>              |                |         |           |
| <b>WILDCAT</b>            |                |         |           |
| 1964-66                   | V8 7.0L 425 CI | .050"   | FWS-2     |
| 1963-66                   | V8 6.6L 401 CI | .025"   | FWS-1     |
| 1963-66                   | V8 6.6L 401 CI | .050"   | FWS-2     |
| 1964-66                   | V8 7.0L 425 CI | .025"   | FWS-1     |
| 1967-69                   | V8 7.0L 430 CI | .050"   | FWS-2     |
| 1967-69                   | V8 7.0L 430 CI | .025"   | FWS-1     |
| <b>CADILLAC</b>           |                |         |           |
| <b>ALLANTE</b>            |                |         |           |
| 1993                      | V8 4.6L 281 CI | .025"   | FWS-1     |
| 1993                      | V8 4.6L 281 CI | .050"   | FWS-2     |
| <b>BROUGHAM</b>           |                |         |           |
| 1990-92                   | V8 5.7L 350 CI | .050"   | FWS-2     |
| 1990-92                   | V8 5.7L 350 CI | .025"   | FWS-1     |
| <b>CALAIS</b>             |                |         |           |
| 1965-67                   | V8 7.0L 429 CI | .050"   | FWS-2     |
| 1965-67                   | V8 7.0L 429 CI | .025"   | FWS-1     |
| <b>CIMARRON</b>           |                |         |           |
| 1983-86                   | L4 2.0L 122 CI | .025"   | FWS-25    |
| 1983-86                   | L4 2.0L 122 CI | .050"   | FWS-26    |
| 1985-88                   | V6 2.8L 173 CI | .025"   | FWS-7     |
| 1985-88                   | V6 2.8L 173 CI | .050"   | FWS-8     |
| <b>COMMERCIAL CHASSIS</b> |                |         |           |
| 1977-79                   | V8 7.0L 425 CI | .050"   | FWS-2     |
| 1977-79                   | V8 7.0L 425 CI | .025"   | FWS-1     |
| 1980-84                   | V8 6.0L 368 CI | .050"   | FWS-2     |
| 1980-84                   | V8 6.0L 368 CI | .025"   | FWS-1     |
| <b>CTS</b>                |                |         |           |
| 2004                      | V8 5.7L 346 CI | .050"   | FWS-2     |

# FLYWHEEL SHIM APPLICATIONS

| Years            | Engine         | Remarks | Pioneer # |
|------------------|----------------|---------|-----------|
| <b>CADILLAC</b>  |                |         |           |
| <b>CTS</b>       |                |         |           |
| 2004             | V8 5.7L 346 CI | .025"   | FWS-1     |
| 2006-07          | V8 6.0L 364 CI | .050"   | FWS-28    |
| 2006-07          | V8 6.0L 364 CI | .025"   | FWS-27    |
| <b>DEVILLE</b>   |                |         |           |
| 1956             | V8 6.0L 364 CI | .050"   | FWS-2     |
| 1958             | V8 6.0L 364 CI | .050"   | FWS-2     |
| 1956             | V8 6.0L 364 CI | .025"   | FWS-1     |
| 1958             | V8 6.0L 364 CI | .025"   | FWS-1     |
| 1964-67          | V8 7.0L 429 CI | .050"   | FWS-2     |
| 1964-67          | V8 7.0L 429 CI | .025"   | FWS-1     |
| 1977-79          | V8 7.0L 425 CI | .025"   | FWS-1     |
| 1977-79          | V8 7.0L 425 CI | .050"   | FWS-2     |
| 1979-84          | V8 5.7L 350 CI | .050"   | FWS-2     |
| 1979-84          | V8 5.7L 350 CI | .025"   | FWS-1     |
| 1980-81          | V8 6.0L 368 CI | .025"   | FWS-1     |
| 1980-81          | V8 6.0L 368 CI | .050"   | FWS-2     |
| 1980-82          | V6 4.1L 252 CI | .025"   | FWS-1     |
| 1980-82          | V6 4.1L 252 CI | .050"   | FWS-2     |
| 1994-04          | V8 4.6L 281 CI | .025"   | FWS-1     |
| 1994-04          | V8 4.6L 281 CI | .050"   | FWS-2     |
| <b>ELDORADO</b>  |                |         |           |
| 1956-58          | V8 6.0L 364 CI | .025"   | FWS-1     |
| 1956-58          | V8 6.0L 364 CI | .050"   | FWS-2     |
| 1964-67          | V8 7.0L 429 CI | .025"   | FWS-1     |
| 1964-67          | V8 7.0L 429 CI | .050"   | FWS-2     |
| 1977-78          | V8 7.0L 425 CI | .025"   | FWS-1     |
| 1977-78          | V8 7.0L 425 CI | .050"   | FWS-2     |
| 1979-85          | V8 5.7L 350 CI | .025"   | FWS-1     |
| 1979-85          | V8 5.7L 350 CI | .050"   | FWS-2     |
| 1980-81          | V8 6.0L 368 CI | .050"   | FWS-2     |
| 1980-81          | V8 6.0L 368 CI | .025"   | FWS-1     |
| 1981-82          | V6 4.1L 252 CI | .025"   | FWS-1     |
| 1981-82          | V6 4.1L 252 CI | .050"   | FWS-2     |
| 1993-02          | V8 4.6L 281 CI | .025"   | FWS-1     |
| 1993-02          | V8 4.6L 281 CI | .050"   | FWS-2     |
| <b>FLEETWOOD</b> |                |         |           |
| 1965-67          | V8 7.0L 429 CI | .025"   | FWS-1     |
| 1965-67          | V8 7.0L 429 CI | .050"   | FWS-2     |
| 1977-79          | V8 7.0L 425 CI | .025"   | FWS-1     |
| 1977-79          | V8 7.0L 425 CI | .050"   | FWS-2     |

# FLYWHEEL SHIM APPLICATIONS

| Years                               | Engine         | Remarks | Pioneer # |
|-------------------------------------|----------------|---------|-----------|
| <b>CADILLAC</b>                     |                |         |           |
| <b>FLEETWOOD</b>                    |                |         |           |
| 1980-82                             | V6 4.1L 252 CI | .025"   | FWS-1     |
| 1980-82                             | V6 4.1L 252 CI | .050"   | FWS-2     |
| 1980-84                             | V8 6.0L 368 CI | .050"   | FWS-2     |
| 1980-84                             | V8 6.0L 368 CI | .025"   | FWS-1     |
| 1979-85                             | V8 5.7L 350 CI | .050"   | FWS-2     |
| 1993-96                             | V8 5.7L 350 CI | .050"   | FWS-2     |
| 1979-85                             | V8 5.7L 350 CI | .025"   | FWS-1     |
| 1993-96                             | V8 5.7L 350 CI | .025"   | FWS-1     |
| <b>SERIES 60 FLEETWOOD</b>          |                |         |           |
| 1956-58                             | V8 6.0L 364 CI | .025"   | FWS-1     |
| 1956-58                             | V8 6.0L 364 CI | .050"   | FWS-2     |
| 1964                                | V8 7.0L 429 CI | .050"   | FWS-2     |
| 1964                                | V8 7.0L 429 CI | .025"   | FWS-1     |
| <b>SERIES 62</b>                    |                |         |           |
| 1956-58                             | V8 6.0L 364 CI | .025"   | FWS-1     |
| 1956-58                             | V8 6.0L 364 CI | .050"   | FWS-2     |
| 1964                                | V8 7.0L 429 CI | .050"   | FWS-2     |
| 1964                                | V8 7.0L 429 CI | .025"   | FWS-1     |
| <b>SERIES 70 FLEETWOOD ELDORADO</b> |                |         |           |
| 1958                                | V8 6.0L 364 CI | .025"   | FWS-1     |
| 1958                                | V8 6.0L 364 CI | .050"   | FWS-2     |
| <b>SERIES 75 FLEETWOOD</b>          |                |         |           |
| 1956-58                             | V8 6.0L 364 CI | .050"   | FWS-2     |
| 1956-58                             | V8 6.0L 364 CI | .025"   | FWS-1     |
| 1964                                | V8 7.0L 429 CI | .025"   | FWS-1     |
| 1964                                | V8 7.0L 429 CI | .050"   | FWS-2     |
| <b>SEVILLE</b>                      |                |         |           |
| 1977-85                             | V8 5.7L 350 CI | .025"   | FWS-1     |
| 1977-85                             | V8 5.7L 350 CI | .050"   | FWS-2     |
| 1980-81                             | V8 6.0L 368 CI | .050"   | FWS-2     |
| 1980-81                             | V8 6.0L 368 CI | .025"   | FWS-1     |
| 1981-82                             | V6 4.1L 252 CI | .025"   | FWS-1     |
| 1981-82                             | V6 4.1L 252 CI | .050"   | FWS-2     |
| 1993-04                             | V8 4.6L 281 CI | .050"   | FWS-2     |
| 1993-04                             | V8 4.6L 281 CI | .025"   | FWS-1     |
| <b>CADILLAC TRUCK</b>               |                |         |           |
| <b>ESCALADE</b>                     |                |         |           |
| 1999-00                             | V8 5.7L 350 CI | .050"   | FWS-2     |
| 1999-00                             | V8 5.7L 350 CI | .025"   | FWS-1     |
| 2002-05                             | V8 5.3L 325 CI | .025"   | FWS-27    |



# FLYWHEEL SHIM APPLICATIONS

| Years                 | Engine         | Remarks | Pioneer # |
|-----------------------|----------------|---------|-----------|
| <b>CADILLAC TRUCK</b> |                |         |           |
| <b>ESCALADE</b>       |                |         |           |
| 2002-05               | V8 5.3L 325 CI | .050"   | FWS-28    |
| 2002-06               | V8 6.0L 364 CI | .025"   | FWS-27    |
| 2002-06               | V8 6.0L 364 CI | .050"   | FWS-28    |
| <b>SRX</b>            |                |         |           |
| 2004                  | V8 4.6L 281 CI | .050"   | FWS-2     |
| 2004                  | V8 4.6L 281 CI | .025"   | FWS-1     |
| <b>CADILLAC</b>       |                |         |           |
| <b>XLR</b>            |                |         |           |
| 2004                  | V8 4.6L 281 CI | .025"   | FWS-1     |
| 2004                  | V8 4.6L 281 CI | .050"   | FWS-2     |
| <b>CHEVROLET</b>      |                |         |           |
| <b>BEL AIR</b>        |                |         |           |
| 1957-67               | V8 4.6L 283 CI | .050"   | FWS-2     |
| 1957-67               | V8 4.6L 283 CI | .025"   | FWS-1     |
| 1963-65               | L6 3.8L 230 CI | .050"   | FWS-2     |
| 1965                  | V8 6.7L 409 CI | .025"   | FWS-1     |
| 1965                  | V8 6.7L 409 CI | .050"   | FWS-2     |
| 1965-73               | L6 4.1L 250 CI | .025"   | FWS-1     |
| 1968                  | V8 5.0L 307 CI | .025"   | FWS-1     |
| 1968                  | V8 5.0L 307 CI | .050"   | FWS-2     |
| 1966-69               | V8 6.5L 396 CI | .025"   | FWS-1     |
| 1966-69               | V8 6.5L 396 CI | .050"   | FWS-2     |
| 1966-69               | V8 7.0L 427 CI | .025"   | FWS-1     |
| 1966-69               | V8 7.0L 427 CI | .050"   | FWS-2     |
| 1965-73               | L6 4.1L 250 CI | .050"   | FWS-2     |
| 1970-75               | V8 7.4L 454 CI | .025"   | FWS-1     |
| 1970-75               | V8 7.4L 454 CI | .050"   | FWS-2     |
| 1971-72               | V8 6.6L 402 CI | .050"   | FWS-2     |
| 1971-72               | V8 6.6L 402 CI | .025"   | FWS-1     |
| 1971-75               | V8 6.6L 400 CI | .050"   | FWS-2     |
| 1971-75               | V8 6.6L 400 CI | .025"   | FWS-1     |
| 1981                  | V8 4.4L 267 CI | .050"   | FWS-2     |
| 1981                  | V8 4.4L 267 CI | .025"   | FWS-1     |
| <b>BERETTA</b>        |                |         |           |
| 1987-89               | L4 2.0L 122 CI | .025"   | FWS-25    |
| 1987-89               | L4 2.0L 122 CI | .050"   | FWS-26    |
| 1987-89               | V6 2.8L 173 CI | .025"   | FWS-7     |
| 1987-89               | V6 2.8L 173 CI | .050"   | FWS-8     |
| 1990-96               | L4 2.2L 134 CI | .025"   | FWS-7     |

# FLYWHEEL SHIM APPLICATIONS

| Years            | Engine         | Remarks | Pioneer # |
|------------------|----------------|---------|-----------|
| <b>CHEVROLET</b> |                |         |           |
| <b>BERETTA</b>   |                |         |           |
| 1990-94          | L4 2.3L 140 CI | .050"   | FWS-26    |
| 1990-94          | L4 2.3L 140 CI | .025"   | FWS-25    |
| 1990-96          | V6 3.1L 189 CI | .025"   | FWS-7     |
| 1990-96          | V6 3.1L 189 CI | .050"   | FWS-8     |
| 1990-96          | L4 2.2L 134 CI | .050"   | FWS-8     |
| <b>BISCAYNE</b>  |                |         |           |
| 1958-67          | V8 4.6L 283 CI | .050"   | FWS-2     |
| 1958-67          | V8 4.6L 283 CI | .025"   | FWS-1     |
| 1963-65          | L6 3.8L 230 CI | .050"   | FWS-2     |
| 1965             | V8 6.7L 409 CI | .025"   | FWS-1     |
| 1965             | V8 6.7L 409 CI | .050"   | FWS-2     |
| 1965-72          | L6 4.1L 250 CI | .050"   | FWS-2     |
| 1966-69          | V8 6.5L 396 CI | .050"   | FWS-2     |
| 1966-69          | V8 7.0L 427 CI | .025"   | FWS-1     |
| 1966-69          | V8 7.0L 427 CI | .050"   | FWS-2     |
| 1968             | V8 5.0L 307 CI | .025"   | FWS-1     |
| 1968             | V8 5.0L 307 CI | .050"   | FWS-2     |
| 1966-69          | V8 6.5L 396 CI | .025"   | FWS-1     |
| 1965-72          | L6 4.1L 250 CI | .025"   | FWS-1     |
| 1970-72          | V8 7.4L 454 CI | .050"   | FWS-2     |
| 1970-72          | V8 7.4L 454 CI | .025"   | FWS-1     |
| 1971-72          | V8 6.6L 400 CI | .025"   | FWS-1     |
| 1971-72          | V8 6.6L 400 CI | .050"   | FWS-2     |
| 1971-72          | V8 6.6L 402 CI | .050"   | FWS-2     |
| 1971-72          | V8 6.6L 402 CI | .025"   | FWS-1     |
| <b>BROOKWOOD</b> |                |         |           |
| 1969             | L6 4.1L 250 CI | .050"   | FWS-2     |
| 1969             | L6 4.1L 250 CI | .025"   | FWS-1     |
| 1972             | V8 6.6L 400 CI | .050"   | FWS-2     |
| 1972             | V8 6.6L 400 CI | .025"   | FWS-1     |
| 1972             | V8 6.6L 402 CI | .025"   | FWS-1     |
| 1972             | V8 6.6L 402 CI | .050"   | FWS-2     |
| <b>CAMARO</b>    |                |         |           |
| 1967             | V8 4.9L 302 CI | .025"   | FWS-1     |
| 1967             | V8 4.9L 302 CI | .050"   | FWS-2     |
| 1967-70          | V8 6.5L 396 CI | .025"   | FWS-1     |
| 1967-70          | V8 6.5L 396 CI | .050"   | FWS-2     |
| 1969-73          | V8 5.0L 307 CI | .050"   | FWS-2     |
| 1969-73          | V8 5.0L 307 CI | .025"   | FWS-1     |
| 1971-72          | V8 6.6L 402 CI | .025"   | FWS-1     |

# FLYWHEEL SHIM APPLICATIONS

| Years            | Engine         | Remarks | Pioneer # |
|------------------|----------------|---------|-----------|
| <b>CHEVROLET</b> |                |         |           |
| <b>CAMARO</b>    |                |         |           |
| 1971-72          | V8 6.6L 402 CI | .050"   | FWS-2     |
| 1967-79          | L6 4.1L 250 CI | .025"   | FWS-1     |
| 1967-79          | L6 4.1L 250 CI | .050"   | FWS-2     |
| 1976-80          | V8 5.0L 305 CI | .025"   | FWS-1     |
| 1976-80          | V8 5.0L 305 CI | .050"   | FWS-2     |
| 1980             | V6 3.8L 229 CI | .025"   | FWS-7     |
| 1980             | V6 3.8L 229 CI | .050"   | FWS-8     |
| 1980-81          | V8 4.4L 267 CI | .050"   | FWS-2     |
| 1980-81          | V8 4.4L 267 CI | .025"   | FWS-1     |
| 1982-86          | L4 2.5L 151 CI | .050"   | FWS-8     |
| 1982-86          | L4 2.5L 151 CI | .025"   | FWS-7     |
| 1982-89          | V6 2.8L 173 CI | .050"   | FWS-8     |
| 1982-89          | V6 2.8L 173 CI | .025"   | FWS-7     |
| 1990-92          | V6 3.1L 189 CI | .025"   | FWS-7     |
| 1990-92          | V6 3.1L 189 CI | .050"   | FWS-8     |
| 1980             | V6 3.8L 232 CI | .050"   | FWS-8     |
| 1995-02          | V6 3.8L 232 CI | .050"   | FWS-8     |
| 1980             | V6 3.8L 232 CI | .025"   | FWS-7     |
| 1995-02          | V6 3.8L 232 CI | .025"   | FWS-7     |
| 1977-81          | V8 5.7L 350 CI | .025"   | FWS-1     |
| 1987-02          | V8 5.7L 350 CI | .025"   | FWS-1     |
| 1977-81          | V8 5.7L 350 CI | .050"   | FWS-2     |
| 1987-02          | V8 5.7L 350 CI | .050"   | FWS-2     |
| <b>CAPRICE</b>   |                |         |           |
| 1966-67          | V8 4.6L 283 CI | .050"   | FWS-2     |
| 1966-67          | V8 4.6L 283 CI | .025"   | FWS-1     |
| 1966-69          | V8 7.0L 427 CI | .050"   | FWS-2     |
| 1968             | V8 5.0L 307 CI | .050"   | FWS-2     |
| 1968             | V8 5.0L 307 CI | .025"   | FWS-1     |
| 1967-69          | L6 4.1L 250 CI | .050"   | FWS-2     |
| 1977-79          | L6 4.1L 250 CI | .050"   | FWS-2     |
| 1966-69          | V8 6.5L 396 CI | .025"   | FWS-1     |
| 1966-69          | V8 6.5L 396 CI | .050"   | FWS-2     |
| 1966-69          | V8 7.0L 427 CI | .025"   | FWS-1     |
| 1970-76          | V8 6.6L 400 CI | .050"   | FWS-2     |
| 1970-76          | V8 7.4L 454 CI | .025"   | FWS-1     |
| 1970-76          | V8 7.4L 454 CI | .050"   | FWS-2     |
| 1971-72          | V8 6.6L 402 CI | .025"   | FWS-1     |
| 1971-72          | V8 6.6L 402 CI | .050"   | FWS-2     |
| 1970-76          | V8 6.6L 400 CI | .025"   | FWS-1     |

# FLYWHEEL SHIM APPLICATIONS

| Years            | Engine         | Remarks | Pioneer # |
|------------------|----------------|---------|-----------|
| <b>CHEVROLET</b> |                |         |           |
| <b>CAPRICE</b>   |                |         |           |
| 1967-69          | L6 4.1L 250 CI | .025"   | FWS-1     |
| 1977-79          | L6 4.1L 250 CI | .025"   | FWS-1     |
| 1977-79          | V8 5.0L 305 CI | .050"   | FWS-2     |
| 1977-79          | V8 5.0L 305 CI | .025"   | FWS-1     |
| 1980-82          | V8 4.4L 267 CI | .050"   | FWS-2     |
| 1980-82          | V8 4.4L 267 CI | .025"   | FWS-1     |
| 1980             | V6 3.8L 229 CI | .025"   | FWS-7     |
| 1984             | V6 3.8L 229 CI | .025"   | FWS-7     |
| 1980             | V6 3.8L 229 CI | .050"   | FWS-8     |
| 1984             | V6 3.8L 229 CI | .050"   | FWS-8     |
| 1980             | V6 3.8L 232 CI | .025"   | FWS-7     |
| 1984-85          | V6 3.8L 232 CI | .025"   | FWS-7     |
| 1980             | V6 3.8L 232 CI | .050"   | FWS-8     |
| 1984-85          | V6 3.8L 232 CI | .050"   | FWS-8     |
| 1985             | V6 4.3L 262 CI | .050"   | FWS-26    |
| 1990             | V6 4.3L 262 CI | .050"   | FWS-26    |
| 1992-93          | V6 4.3L 262 CI | .050"   | FWS-26    |
| 1990             | V6 4.3L 262 CI | .025"   | FWS-25    |
| 1992-93          | V6 4.3L 262 CI | .025"   | FWS-25    |
| 1977-96          | V8 5.7L 350 CI | .025"   | FWS-1     |
| 1977-96          | V8 5.7L 350 CI | .050"   | FWS-2     |
| <b>CAVALIER</b>  |                |         |           |
| 1983-89          | L4 2.0L 122 CI | .025"   | FWS-25    |
| 1983-89          | L4 2.0L 122 CI | .050"   | FWS-26    |
| 1985-89          | V6 2.8L 173 CI | .025"   | FWS-7     |
| 1985-89          | V6 2.8L 173 CI | .050"   | FWS-8     |
| 1990-05          | L4 2.2L 134 CI | .050"   | FWS-8     |
| 1990-05          | L4 2.2L 134 CI | .025"   | FWS-7     |
| 1990-94          | V6 3.1L 189 CI | .025"   | FWS-7     |
| 1990-94          | V6 3.1L 189 CI | .050"   | FWS-8     |
| 1995             | L4 2.3L 138 CI | .050"   | FWS-26    |
| 1995             | L4 2.3L 138 CI | .025"   | FWS-25    |
| <b>CELEBRITY</b> |                |         |           |
| 1982-89          | V6 2.8L 173 CI | .025"   | FWS-7     |
| 1982-89          | V6 2.8L 173 CI | .050"   | FWS-8     |
| 1982-90          | L4 2.5L 151 CI | .025"   | FWS-7     |
| 1982-90          | L4 2.5L 151 CI | .050"   | FWS-8     |
| 1990             | V6 3.1L 189 CI | .050"   | FWS-8     |
| 1990             | V6 3.1L 189 CI | .025"   | FWS-7     |
| <b>CHEVELLE</b>  |                |         |           |
| 1964-66          | L6 3.8L 230 CI | .050"   | FWS-2     |

# FLYWHEEL SHIM APPLICATIONS

| Years              | Engine         | Remarks | Pioneer # |
|--------------------|----------------|---------|-----------|
| <b>CHEVROLET</b>   |                |         |           |
| <b>CHEVELLE</b>    |                |         |           |
| 1964-67            | V8 4.6L 283 CI | .050"   | FWS-2     |
| 1964-67            | V8 4.6L 283 CI | .025"   | FWS-1     |
| 1966-69            | V8 6.5L 396 CI | .050"   | FWS-2     |
| 1966-69            | V8 6.5L 396 CI | .025"   | FWS-1     |
| 1967-73            | L6 4.1L 250 CI | .025"   | FWS-1     |
| 1967-73            | L6 4.1L 250 CI | .050"   | FWS-2     |
| 1968-73            | V8 5.0L 307 CI | .025"   | FWS-1     |
| 1968-73            | V8 5.0L 307 CI | .050"   | FWS-2     |
| 1970-71            | V8 6.6L 400 CI | .025"   | FWS-1     |
| 1970-71            | V8 6.6L 400 CI | .050"   | FWS-2     |
| 1970-73            | V8 7.4L 454 CI | .050"   | FWS-2     |
| 1970-73            | V8 7.4L 454 CI | .025"   | FWS-1     |
| 1970               | V8 6.6L 402 CI | .025"   | FWS-1     |
| 1972               | V8 6.6L 402 CI | .025"   | FWS-1     |
| 1970               | V8 6.6L 402 CI | .050"   | FWS-2     |
| 1972               | V8 6.6L 402 CI | .050"   | FWS-2     |
| <b>CHEVY II</b>    |                |         |           |
| 1964-66            | L6 3.8L 230 CI | .050"   | FWS-2     |
| 1963-67            | V8 4.6L 283 CI | .050"   | FWS-2     |
| 1963-67            | V8 4.6L 283 CI | .025"   | FWS-1     |
| 1967-68            | L6 4.1L 250 CI | .050"   | FWS-2     |
| 1967-68            | L6 4.1L 250 CI | .025"   | FWS-1     |
| 1968               | V8 5.0L 307 CI | .025"   | FWS-1     |
| 1968               | V8 5.0L 307 CI | .050"   | FWS-2     |
| 1968               | V8 6.5L 396 CI | .025"   | FWS-1     |
| 1968               | V8 6.5L 396 CI | .050"   | FWS-2     |
| <b>CITATION</b>    |                |         |           |
| 1980-83            | L4 2.5L 151 CI | .050"   | FWS-8     |
| 1980-83            | L4 2.5L 151 CI | .025"   | FWS-7     |
| 1980-83            | V6 2.8L 173 CI | .050"   | FWS-8     |
| 1980-83            | V6 2.8L 173 CI | .025"   | FWS-7     |
| <b>CITATION II</b> |                |         |           |
| 1984-85            | L4 2.5L 151 CI | .025"   | FWS-7     |
| 1984-85            | L4 2.5L 151 CI | .050"   | FWS-8     |
| 1984-85            | V6 2.8L 173 CI | .025"   | FWS-7     |
| 1984-85            | V6 2.8L 173 CI | .050"   | FWS-8     |
| <b>CLASSIC</b>     |                |         |           |
| 2004               | L4 2.2L 134 CI | .025"   | FWS-7     |
| 2004               | L4 2.2L 134 CI | .050"   | FWS-8     |
| <b>CORSICA</b>     |                |         |           |
| 1987-89            | L4 2.0L 122 CI | .025"   | FWS-25    |

# FLYWHEEL SHIM APPLICATIONS

| Years            | Engine         | Remarks | Pioneer # |
|------------------|----------------|---------|-----------|
| <b>CHEVROLET</b> |                |         |           |
| <b>CORSICA</b>   |                |         |           |
| 1987-89          | L4 2.0L 122 CI | .050"   | FWS-26    |
| 1987-89          | V6 2.8L 173 CI | .050"   | FWS-8     |
| 1987-89          | V6 2.8L 173 CI | .025"   | FWS-7     |
| 1990-96          | L4 2.2L 134 CI | .050"   | FWS-8     |
| 1990-96          | L4 2.2L 134 CI | .025"   | FWS-7     |
| 1990-96          | V6 3.1L 189 CI | .050"   | FWS-8     |
| 1990-96          | V6 3.1L 189 CI | .025"   | FWS-7     |
| <b>CORVETTE</b>  |                |         |           |
| 1957-61          | V8 4.6L 283 CI | .050"   | FWS-2     |
| 1957-61          | V8 4.6L 283 CI | .025"   | FWS-1     |
| 1966-69          | V8 7.0L 427 CI | .050"   | FWS-2     |
| 1966-69          | V8 7.0L 427 CI | .025"   | FWS-1     |
| 1970-74          | V8 7.4L 454 CI | .025"   | FWS-1     |
| 1970-74          | V8 7.4L 454 CI | .050"   | FWS-2     |
| 1977-82          | V8 5.7L 350 CI | .025"   | FWS-1     |
| 1984-04          | V8 5.7L 350 CI | .025"   | FWS-1     |
| 1977-82          | V8 5.7L 350 CI | .050"   | FWS-2     |
| 1984-04          | V8 5.7L 350 CI | .050"   | FWS-2     |
| 2005-07          | V8 6.0L 364 CI | .025"   | FWS-27    |
| 2005-07          | V8 6.0L 364 CI | .050"   | FWS-28    |
| <b>DEL RAY</b>   |                |         |           |
| 1958             | V8 4.6L 283 CI | .050"   | FWS-2     |
| 1958             | V8 4.6L 283 CI | .025"   | FWS-1     |
| <b>IMPALA</b>    |                |         |           |
| 1959-67          | V8 4.6L 283 CI | .025"   | FWS-1     |
| 1959-67          | V8 4.6L 283 CI | .050"   | FWS-2     |
| 1963-65          | L6 3.8L 230 CI | .050"   | FWS-2     |
| 1964-65          | V8 6.7L 409 CI | .050"   | FWS-2     |
| 1964-65          | V8 6.7L 409 CI | .025"   | FWS-1     |
| 1965-73          | L6 4.1L 250 CI | .025"   | FWS-1     |
| 1977-79          | L6 4.1L 250 CI | .025"   | FWS-1     |
| 1966-69          | V8 6.5L 396 CI | .050"   | FWS-2     |
| 1966-69          | V8 6.5L 396 CI | .025"   | FWS-1     |
| 1966-69          | V8 7.0L 427 CI | .050"   | FWS-2     |
| 1966-69          | V8 7.0L 427 CI | .025"   | FWS-1     |
| 1968             | V8 5.0L 307 CI | .050"   | FWS-2     |
| 1968             | V8 5.0L 307 CI | .025"   | FWS-1     |
| 1970-76          | V8 6.6L 400 CI | .050"   | FWS-2     |
| 1970-76          | V8 6.6L 400 CI | .025"   | FWS-1     |
| 1970-76          | V8 7.4L 454 CI | .025"   | FWS-1     |

# FLYWHEEL SHIM APPLICATIONS

| Years            | Engine         | Remarks | Pioneer # |
|------------------|----------------|---------|-----------|
| <b>CHEVROLET</b> |                |         |           |
| <b>IMPALA</b>    |                |         |           |
| 1970-76          | V8 7.4L 454 CI | .050"   | FWS-2     |
| 1971-72          | V8 6.6L 402 CI | .025"   | FWS-1     |
| 1971-72          | V8 6.6L 402 CI | .050"   | FWS-2     |
| 1965-73          | L6 4.1L 250 CI | .050"   | FWS-2     |
| 1977-79          | L6 4.1L 250 CI | .050"   | FWS-2     |
| 1978-79          | V8 5.0L 305 CI | .025"   | FWS-1     |
| 1978-79          | V8 5.0L 305 CI | .050"   | FWS-2     |
| 1980-82          | V8 4.4L 267 CI | .025"   | FWS-1     |
| 1980-82          | V8 4.4L 267 CI | .050"   | FWS-2     |
| 1980             | V6 3.8L 229 CI | .025"   | FWS-7     |
| 1983-84          | V6 3.8L 229 CI | .025"   | FWS-7     |
| 1980             | V6 3.8L 229 CI | .050"   | FWS-8     |
| 1983-84          | V6 3.8L 229 CI | .050"   | FWS-8     |
| 1985             | V6 4.3L 262 CI | .050"   | FWS-26    |
| 1976-85          | V8 5.7L 350 CI | .050"   | FWS-2     |
| 1994-96          | V8 5.7L 350 CI | .050"   | FWS-2     |
| 1976-85          | V8 5.7L 350 CI | .025"   | FWS-1     |
| 1994-96          | V8 5.7L 350 CI | .025"   | FWS-1     |
| 2000-03          | V6 3.8L 231 CI | .050"   | FWS-8     |
| 2000-03          | V6 3.8L 231 CI | .025"   | FWS-7     |
| 1980             | V6 3.8L 232 CI | .050"   | FWS-8     |
| 1984-85          | V6 3.8L 232 CI | .050"   | FWS-8     |
| 2000-05          | V6 3.8L 232 CI | .050"   | FWS-8     |
| 1980             | V6 3.8L 232 CI | .025"   | FWS-7     |
| 1984-85          | V6 3.8L 232 CI | .025"   | FWS-7     |
| 2000-05          | V6 3.8L 232 CI | .025"   | FWS-7     |
| 2006-09          | V8 5.3L 325 CI | .050"   | FWS-28    |
| 2006-09          | V8 5.3L 325 CI | .025"   | FWS-27    |
| <b>KINGSWOOD</b> |                |         |           |
| 1970-72          | V8 6.6L 400 CI | .025"   | FWS-1     |
| 1970-72          | V8 6.6L 400 CI | .050"   | FWS-2     |
| 1971-72          | V8 6.6L 402 CI | .025"   | FWS-1     |
| 1971-72          | V8 6.6L 402 CI | .050"   | FWS-2     |
| 1970             | V8 7.4L 454 CI | .050"   | FWS-2     |
| 1972             | V8 7.4L 454 CI | .050"   | FWS-2     |
| 1970             | V8 7.4L 454 CI | .025"   | FWS-1     |
| 1972             | V8 7.4L 454 CI | .025"   | FWS-1     |
| <b>LAGUNA</b>    |                |         |           |
| 1973-74          | V8 7.4L 454 CI | .025"   | FWS-1     |
| 1973-74          | V8 7.4L 454 CI | .050"   | FWS-2     |

# FLYWHEEL SHIM APPLICATIONS

| Years            | Engine         | Remarks | Pioneer # |
|------------------|----------------|---------|-----------|
| <b>CHEVROLET</b> |                |         |           |
| <b>LAGUNA</b>    |                |         |           |
| 1974-76          | V8 6.6L 400 CI | .050"   | FWS-2     |
| 1974-76          | V8 6.6L 400 CI | .025"   | FWS-1     |
| 1976             | V8 5.0L 305 CI | .050"   | FWS-2     |
| 1976             | V8 5.0L 305 CI | .025"   | FWS-1     |
| 1976             | V8 5.7L 350 CI | .025"   | FWS-1     |
| 1976             | V8 5.7L 350 CI | .050"   | FWS-2     |
| <b>LUMINA</b>    |                |         |           |
| 1990-01          | V6 3.1L 189 CI | .050"   | FWS-8     |
| 1990-01          | V6 3.1L 189 CI | .025"   | FWS-7     |
| 1990-92          | L4 2.5L 151 CI | .025"   | FWS-7     |
| 1990-92          | L4 2.5L 151 CI | .050"   | FWS-8     |
| 1993             | L4 2.2L 133 CI | .050"   | FWS-8     |
| 1993             | L4 2.2L 133 CI | .025"   | FWS-7     |
| 1998-99          | V6 3.8L 232 CI | .050"   | FWS-8     |
| 1998-99          | V6 3.8L 232 CI | .025"   | FWS-7     |
| <b>MALIBU</b>    |                |         |           |
| 1964-66          | L6 3.8L 230 CI | .050"   | FWS-2     |
| 1964-67          | V8 4.6L 283 CI | .050"   | FWS-2     |
| 1964-67          | V8 4.6L 283 CI | .025"   | FWS-1     |
| 1966-67          | V8 6.5L 396 CI | .050"   | FWS-2     |
| 1966-67          | V8 6.5L 396 CI | .025"   | FWS-1     |
| 1973             | V8 5.0L 307 CI | .025"   | FWS-1     |
| 1973             | V8 5.0L 307 CI | .050"   | FWS-2     |
| 1967             | L6 4.1L 250 CI | .025"   | FWS-1     |
| 1973-77          | L6 4.1L 250 CI | .025"   | FWS-1     |
| 1967             | L6 4.1L 250 CI | .050"   | FWS-2     |
| 1973-77          | L6 4.1L 250 CI | .050"   | FWS-2     |
| 1973-75          | V8 7.4L 454 CI | .025"   | FWS-1     |
| 1974-76          | V8 6.6L 400 CI | .050"   | FWS-2     |
| 1973-75          | V8 7.4L 454 CI | .050"   | FWS-2     |
| 1974-76          | V8 6.6L 400 CI | .025"   | FWS-1     |
| 1978-79          | V6 3.3L 200 CI | .050"   | FWS-2     |
| 1978-79          | V6 3.3L 200 CI | .025"   | FWS-1     |
| 1976             | V8 5.0L 305 CI | .050"   | FWS-2     |
| 1978-79          | V8 5.0L 305 CI | .050"   | FWS-2     |
| 1976             | V8 5.0L 305 CI | .025"   | FWS-1     |
| 1978-79          | V8 5.0L 305 CI | .025"   | FWS-1     |
| 1979             | V6 3.8L 231 CI | .025"   | FWS-7     |
| 1979             | V6 3.8L 231 CI | .050"   | FWS-8     |
| 1979-82          | V8 4.4L 267 CI | .025"   | FWS-1     |



# FLYWHEEL SHIM APPLICATIONS

| Years              | Engine         | Remarks | Pioneer # |
|--------------------|----------------|---------|-----------|
| <b>CHEVROLET</b>   |                |         |           |
| <b>MALIBU</b>      |                |         |           |
| 1979-82            | V8 4.4L 267 CI | .050"   | FWS-2     |
| 1976-77            | V8 5.7L 350 CI | .025"   | FWS-1     |
| 1979-83            | V8 5.7L 350 CI | .025"   | FWS-1     |
| 1976-77            | V8 5.7L 350 CI | .050"   | FWS-2     |
| 1979-83            | V8 5.7L 350 CI | .050"   | FWS-2     |
| 1980               | V6 3.8L 229 CI | .050"   | FWS-8     |
| 1983               | V6 3.8L 229 CI | .050"   | FWS-8     |
| 1980               | V6 3.8L 229 CI | .025"   | FWS-7     |
| 1983               | V6 3.8L 229 CI | .025"   | FWS-7     |
| 1979-80            | V6 3.8L 232 CI | .025"   | FWS-7     |
| 1983               | V6 3.8L 232 CI | .025"   | FWS-7     |
| 1979-80            | V6 3.8L 232 CI | .050"   | FWS-8     |
| 1983               | V6 3.8L 232 CI | .050"   | FWS-8     |
| 1997-03            | V6 3.1L 189 CI | .025"   | FWS-7     |
| 1997-03            | V6 3.1L 189 CI | .050"   | FWS-8     |
| 2004               | L4 2.2L 134 CI | .025"   | FWS-7     |
| 2004               | L4 2.2L 134 CI | .050"   | FWS-8     |
| <b>MONTE CARLO</b> |                |         |           |
| 1970-72            | V8 6.6L 402 CI | .050"   | FWS-2     |
| 1970-72            | V8 6.6L 402 CI | .025"   | FWS-1     |
| 1970-76            | V8 6.6L 400 CI | .025"   | FWS-1     |
| 1970-75            | V8 7.4L 454 CI | .025"   | FWS-1     |
| 1970-75            | V8 7.4L 454 CI | .050"   | FWS-2     |
| 1970-76            | V8 6.6L 400 CI | .050"   | FWS-2     |
| 1978-79            | V6 3.3L 200 CI | .025"   | FWS-1     |
| 1978-79            | V6 3.3L 200 CI | .050"   | FWS-2     |
| 1976               | V8 5.0L 305 CI | .025"   | FWS-1     |
| 1978-79            | V8 5.0L 305 CI | .025"   | FWS-1     |
| 1976               | V8 5.0L 305 CI | .050"   | FWS-2     |
| 1978-79            | V8 5.0L 305 CI | .050"   | FWS-2     |
| 1979               | V6 3.8L 231 CI | .025"   | FWS-7     |
| 1986-87            | V6 3.8L 231 CI | .025"   | FWS-7     |
| 1979               | V6 3.8L 231 CI | .050"   | FWS-8     |
| 1986-87            | V6 3.8L 231 CI | .050"   | FWS-8     |
| 1979-82            | V8 4.4L 267 CI | .050"   | FWS-2     |
| 1979-82            | V8 4.4L 267 CI | .025"   | FWS-1     |
| 1976-77            | V8 5.7L 350 CI | .050"   | FWS-2     |
| 1982-84            | V8 5.7L 350 CI | .050"   | FWS-2     |
| 1976-77            | V8 5.7L 350 CI | .025"   | FWS-1     |
| 1982-84            | V8 5.7L 350 CI | .025"   | FWS-1     |

# FLYWHEEL SHIM APPLICATIONS

| Years              | Engine         | Remarks | Pioneer # |
|--------------------|----------------|---------|-----------|
| <b>CHEVROLET</b>   |                |         |           |
| <b>MONTE CARLO</b> |                |         |           |
| 1980               | V6 3.8L 229 CI | .050"   | FWS-8     |
| 1983-84            | V6 3.8L 229 CI | .050"   | FWS-8     |
| 1980               | V6 3.8L 229 CI | .025"   | FWS-7     |
| 1983-84            | V6 3.8L 229 CI | .025"   | FWS-7     |
| 1985               | V6 4.3L 262 CI | .050"   | FWS-26    |
| 1995-99            | V6 3.1L 189 CI | .050"   | FWS-8     |
| 1995-99            | V6 3.1L 189 CI | .025"   | FWS-7     |
| 1979-80            | V6 3.8L 232 CI | .025"   | FWS-7     |
| 1983-85            | V6 3.8L 232 CI | .025"   | FWS-7     |
| 1998-05            | V6 3.8L 232 CI | .025"   | FWS-7     |
| 1979-80            | V6 3.8L 232 CI | .050"   | FWS-8     |
| 1983-85            | V6 3.8L 232 CI | .050"   | FWS-8     |
| 1998-05            | V6 3.8L 232 CI | .050"   | FWS-8     |
| 2006-07            | V8 5.3L 325 CI | .025"   | FWS-27    |
| 2006-07            | V8 5.3L 325 CI | .050"   | FWS-28    |
| <b>MONZA</b>       |                |         |           |
| 1975-77            | L4 2.3L 140 CI | .050"   | FWS-26    |
| 1975-77            | L4 2.3L 140 CI | .025"   | FWS-25    |
| 1976               | V8 5.0L 305 CI | .025"   | FWS-1     |
| 1978-79            | V8 5.0L 305 CI | .025"   | FWS-1     |
| 1976               | V8 5.0L 305 CI | .050"   | FWS-2     |
| 1978-79            | V8 5.0L 305 CI | .050"   | FWS-2     |
| 1978-80            | L4 2.5L 151 CI | .025"   | FWS-7     |
| 1978-80            | L4 2.5L 151 CI | .050"   | FWS-8     |
| 1979               | V6 3.8L 231 CI | .050"   | FWS-8     |
| 1979               | V6 3.8L 231 CI | .025"   | FWS-7     |
| 1979-80            | V6 3.8L 232 CI | .050"   | FWS-8     |
| 1979-80            | V6 3.8L 232 CI | .025"   | FWS-7     |
| <b>NOVA</b>        |                |         |           |
| 1969-70            | V8 6.5L 396 CI | .050"   | FWS-2     |
| 1969-70            | V8 6.5L 396 CI | .025"   | FWS-1     |
| 1969-73            | V8 5.0L 307 CI | .025"   | FWS-1     |
| 1969-73            | V8 5.0L 307 CI | .050"   | FWS-2     |
| 1969-79            | L6 4.1L 250 CI | .050"   | FWS-2     |
| 1970               | V8 6.6L 402 CI | .025"   | FWS-1     |
| 1970               | V8 6.6L 402 CI | .050"   | FWS-2     |
| 1969-79            | L6 4.1L 250 CI | .025"   | FWS-1     |
| 1976               | V8 5.0L 305 CI | .025"   | FWS-1     |
| 1978-79            | V8 5.0L 305 CI | .025"   | FWS-1     |
| 1976               | V8 5.0L 305 CI | .050"   | FWS-2     |

# FLYWHEEL SHIM APPLICATIONS

| Years                            | Engine         | Remarks | Pioneer # |
|----------------------------------|----------------|---------|-----------|
| <b>CHEVROLET</b>                 |                |         |           |
| <b>NOVA</b>                      |                |         |           |
| 1978-79                          | V8 5.0L 305 CI | .050"   | FWS-2     |
| 1976-77                          | V8 5.7L 350 CI | .025"   | FWS-1     |
| 1979                             | V8 5.7L 350 CI | .025"   | FWS-1     |
| 1976-77                          | V8 5.7L 350 CI | .050"   | FWS-2     |
| 1979                             | V8 5.7L 350 CI | .050"   | FWS-2     |
| <b>ONE-FIFTY SERIES</b>          |                |         |           |
| 1957                             | V8 4.6L 283 CI | .050"   | FWS-2     |
| 1957                             | V8 4.6L 283 CI | .025"   | FWS-1     |
| <b>SILVERADO 1500 CLASSIC</b>    |                |         |           |
| 2007                             | V8 4.8L 294 CI | .025"   | FWS-27    |
| 2007                             | V8 4.8L 294 CI | .050"   | FWS-28    |
| 2007                             | V8 5.3L 325 CI | .050"   | FWS-28    |
| 2007                             | V8 5.3L 325 CI | .025"   | FWS-27    |
| 2007                             | V8 6.0L 364 CI | .050"   | FWS-28    |
| 2007                             | V8 6.0L 364 CI | .025"   | FWS-27    |
| <b>SILVERADO 1500 HD CLASSIC</b> |                |         |           |
| 2007                             | V8 6.0L 364 CI | .025"   | FWS-27    |
| 2007                             | V8 6.0L 364 CI | .050"   | FWS-28    |
| <b>SILVERADO 2500 HD CLASSIC</b> |                |         |           |
| 2007                             | V8 6.0L 364 CI | .050"   | FWS-28    |
| 2007                             | V8 6.0L 364 CI | .025"   | FWS-27    |
| 2007                             | V8 6.6L 403 CI | .025"   | FWS-27    |
| 2007                             | V8 6.6L 403 CI | .050"   | FWS-28    |
| <b>SILVERADO 3500 CLASSIC</b>    |                |         |           |
| 2007                             | V8 6.0L 364 CI | .050"   | FWS-28    |
| 2007                             | V8 6.0L 364 CI | .025"   | FWS-27    |
| 2007                             | V8 6.6L 403 CI | .050"   | FWS-28    |
| 2007                             | V8 6.6L 403 CI | .025"   | FWS-27    |
| <b>TOWNSMAN</b>                  |                |         |           |
| 1970-72                          | V8 6.6L 400 CI | .025"   | FWS-1     |
| 1970-72                          | V8 6.6L 400 CI | .050"   | FWS-2     |
| 1972                             | V8 6.6L 402 CI | .025"   | FWS-1     |
| 1972                             | V8 6.6L 402 CI | .050"   | FWS-2     |
| 1970                             | V8 7.4L 454 CI | .050"   | FWS-2     |
| 1972                             | V8 7.4L 454 CI | .050"   | FWS-2     |
| 1970                             | V8 7.4L 454 CI | .025"   | FWS-1     |
| 1972                             | V8 7.4L 454 CI | .025"   | FWS-1     |
| <b>TRAILBLAZER EXT</b>           |                |         |           |
| 2002-06                          | L6 4.2L 256 CI | .050"   | FWS-28    |
| 2002-06                          | L6 4.2L 256 CI | .025"   | FWS-27    |

# FLYWHEEL SHIM APPLICATIONS

| Years                  | Engine         | Remarks | Pioneer # |
|------------------------|----------------|---------|-----------|
| <b>CHEVROLET</b>       |                |         |           |
| <b>TRAILBLAZER EXT</b> |                |         |           |
| 2003-06                | V8 5.3L 325 CI | .025"   | FWS-27    |
| 2003-06                | V8 5.3L 325 CI | .050"   | FWS-28    |
| <b>CHEVROLET TRUCK</b> |                |         |           |
| <b>ASTRO</b>           |                |         |           |
| 1985-90                | L4 2.5L 151 CI | .050"   | FWS-8     |
| 1985-90                | L4 2.5L 151 CI | .025"   | FWS-7     |
| 1990-04                | V6 4.3L 262 CI | .025"   | FWS-25    |
| 1990-04                | V6 4.3L 262 CI | .050"   | FWS-26    |
| <b>AVALANCHE 1500</b>  |                |         |           |
| 2002-05                | V8 5.3L 323 CI | .050"   | FWS-28    |
| 2002-05                | V8 5.3L 323 CI | .025"   | FWS-27    |
| 2002-06                | V8 5.3L 325 CI | .025"   | FWS-27    |
| 2002-06                | V8 5.3L 325 CI | .050"   | FWS-28    |
| <b>AVALANCHE</b>       |                |         |           |
| 2007-09                | V8 5.3L 325 CI | .025"   | FWS-27    |
| 2007-09                | V8 5.3L 325 CI | .050"   | FWS-28    |
| 2008                   | V8 6.0L 364 CI | .050"   | FWS-28    |
| 2008                   | V8 6.0L 364 CI | .025"   | FWS-27    |
| <b>BLAZER</b>          |                |         |           |
| 1969-73                | V8 5.0L 307 CI | .050"   | FWS-2     |
| 1969-73                | V8 5.0L 307 CI | .025"   | FWS-1     |
| 1969-74                | L6 4.1L 250 CI | .050"   | FWS-2     |
| 1969-74                | L6 4.1L 250 CI | .025"   | FWS-1     |
| 1970                   | L6 4.8L 292 CI | .050"   | FWS-28    |
| 1973                   | L6 4.8L 292 CI | .050"   | FWS-28    |
| 1970                   | L6 4.8L 292 CI | .025"   | FWS-27    |
| 1973                   | L6 4.8L 292 CI | .025"   | FWS-27    |
| 1970                   | L6 4.8L 293 CI | .025"   | FWS-27    |
| 1973                   | L6 4.8L 293 CI | .025"   | FWS-27    |
| 1970                   | L6 4.8L 293 CI | .050"   | FWS-28    |
| 1973                   | L6 4.8L 293 CI | .050"   | FWS-28    |
| 1973                   | V8 7.4L 454 CI | .050"   | FWS-2     |
| 1973                   | V8 7.4L 454 CI | .025"   | FWS-1     |
| 1987-91                | V8 6.2L 379 CI | .050"   | FWS-2     |
| 1987-91                | V8 6.2L 379 CI | .025"   | FWS-1     |
| 1987-94                | V8 5.7L 350 CI | .050"   | FWS-2     |
| 1987-94                | V8 5.7L 350 CI | .025"   | FWS-1     |
| 1995-04                | V6 4.3L 262 CI | .050"   | FWS-26    |
| 1995-04                | V6 4.3L 262 CI | .025"   | FWS-25    |
| <b>C10</b>             |                |         |           |
| 1975-80                | L6 4.8L 292 CI | .025"   | FWS-27    |

# FLYWHEEL SHIM APPLICATIONS

| Years                  | Engine         | Remarks | Pioneer # |
|------------------------|----------------|---------|-----------|
| <b>CHEVROLET TRUCK</b> |                |         |           |
| <b>C10</b>             |                |         |           |
| 1975-80                | L6 4.8L 292 CI | .050"   | FWS-28    |
| 1975-80                | V8 7.4L 454 CI | .025"   | FWS-1     |
| 1975-80                | V8 7.4L 454 CI | .050"   | FWS-2     |
| 1975-84                | L6 4.1L 250 CI | .050"   | FWS-2     |
| 1975-84                | L6 4.1L 250 CI | .025"   | FWS-1     |
| 1976-79                | V8 6.6L 400 CI | .050"   | FWS-2     |
| 1976-79                | V8 6.6L 400 CI | .025"   | FWS-1     |
| 1977-80                | V8 5.0L 305 CI | .050"   | FWS-2     |
| 1977-80                | V8 5.0L 305 CI | .025"   | FWS-1     |
| 1977-86                | V8 5.7L 350 CI | .050"   | FWS-2     |
| 1977-86                | V8 5.7L 350 CI | .025"   | FWS-1     |
| 1982-86                | V8 6.2L 379 CI | .050"   | FWS-2     |
| 1982-86                | V8 6.2L 379 CI | .025"   | FWS-1     |
| <b>C10 PICKUP</b>      |                |         |           |
| 1961-67                | V8 4.6L 283 CI | .025"   | FWS-1     |
| 1961-67                | V8 4.6L 283 CI | .050"   | FWS-2     |
| 1963-66                | L6 3.8L 230 CI | .050"   | FWS-2     |
| 1966-74                | L6 4.1L 250 CI | .025"   | FWS-1     |
| 1968-69                | V8 6.5L 396 CI | .050"   | FWS-2     |
| 1968-69                | V8 6.5L 396 CI | .025"   | FWS-1     |
| 1968-73                | V8 5.0L 307 CI | .050"   | FWS-2     |
| 1968-73                | V8 5.0L 307 CI | .025"   | FWS-1     |
| 1971-72                | V8 6.6L 402 CI | .050"   | FWS-2     |
| 1971-72                | V8 6.6L 402 CI | .025"   | FWS-1     |
| 1966-74                | L6 4.1L 250 CI | .050"   | FWS-2     |
| 1968-71                | L6 4.8L 292 CI | .050"   | FWS-28    |
| 1973-74                | L6 4.8L 292 CI | .050"   | FWS-28    |
| 1968-71                | L6 4.8L 292 CI | .025"   | FWS-27    |
| 1973-74                | L6 4.8L 292 CI | .025"   | FWS-27    |
| 1963-71                | L6 4.8L 293 CI | .050"   | FWS-28    |
| 1973-74                | L6 4.8L 293 CI | .050"   | FWS-28    |
| 1963-71                | L6 4.8L 293 CI | .025"   | FWS-27    |
| 1973-74                | L6 4.8L 293 CI | .025"   | FWS-27    |
| 1973-74                | V8 7.4L 454 CI | .025"   | FWS-1     |
| 1973-74                | V8 7.4L 454 CI | .050"   | FWS-2     |
| <b>C10 SUBURBAN</b>    |                |         |           |
| 1968-69                | V8 6.5L 396 CI | .025"   | FWS-1     |
| 1968-69                | V8 6.5L 396 CI | .050"   | FWS-2     |
| 1968-73                | V8 5.0L 307 CI | .025"   | FWS-1     |
| 1968-73                | V8 5.0L 307 CI | .050"   | FWS-2     |

# FLYWHEEL SHIM APPLICATIONS

| Years                  | Engine         | Remarks | Pioneer # |
|------------------------|----------------|---------|-----------|
| <b>CHEVROLET TRUCK</b> |                |         |           |
| <b>C10 SUBURBAN</b>    |                |         |           |
| 1968-80                | L6 4.1L 250 CI | .025"   | FWS-1     |
| 1968-80                | L6 4.1L 250 CI | .050"   | FWS-2     |
| 1971-72                | V8 6.6L 402 CI | .050"   | FWS-2     |
| 1971-72                | V8 6.6L 402 CI | .025"   | FWS-1     |
| 1968-71                | L6 4.8L 292 CI | .025"   | FWS-27    |
| 1973-74                | L6 4.8L 292 CI | .025"   | FWS-27    |
| 1968-71                | L6 4.8L 292 CI | .050"   | FWS-28    |
| 1973-74                | L6 4.8L 292 CI | .050"   | FWS-28    |
| 1968-71                | L6 4.8L 293 CI | .050"   | FWS-28    |
| 1973-74                | L6 4.8L 293 CI | .050"   | FWS-28    |
| 1968-71                | L6 4.8L 293 CI | .025"   | FWS-27    |
| 1973-74                | L6 4.8L 293 CI | .025"   | FWS-27    |
| 1973-80                | V8 7.4L 454 CI | .050"   | FWS-2     |
| 1973-80                | V8 7.4L 454 CI | .025"   | FWS-1     |
| 1977-80                | V8 5.0L 305 CI | .050"   | FWS-2     |
| 1977-80                | V8 5.0L 305 CI | .025"   | FWS-1     |
| 1977-86                | V8 5.7L 350 CI | .050"   | FWS-2     |
| 1977-86                | V8 5.7L 350 CI | .025"   | FWS-1     |
| 1982-86                | V8 6.2L 379 CI | .025"   | FWS-1     |
| 1982-86                | V8 6.2L 379 CI | .050"   | FWS-2     |
| <b>C1500</b>           |                |         |           |
| 1988-93                | V8 6.2L 379 CI | .025"   | FWS-1     |
| 1988-93                | V8 6.2L 379 CI | .050"   | FWS-2     |
| 1988-99                | V8 5.7L 350 CI | .025"   | FWS-1     |
| 1988-99                | V8 5.7L 350 CI | .050"   | FWS-2     |
| 1990-93                | V8 7.4L 454 CI | .025"   | FWS-1     |
| 1990-93                | V8 7.4L 454 CI | .050"   | FWS-2     |
| 1990-98                | V6 4.3L 262 CI | .025"   | FWS-25    |
| 1990-98                | V6 4.3L 262 CI | .050"   | FWS-26    |
| <b>C1500 SUBURBAN</b>  |                |         |           |
| 1992-99                | V8 5.7L 350 CI | .050"   | FWS-2     |
| 1992-99                | V8 5.7L 350 CI | .025"   | FWS-1     |
| <b>C20</b>             |                |         |           |
| 1975-84                | L6 4.1L 250 CI | .050"   | FWS-2     |
| 1975-84                | L6 4.1L 250 CI | .025"   | FWS-1     |
| 1975-86                | L6 4.8L 292 CI | .050"   | FWS-28    |
| 1975-86                | L6 4.8L 292 CI | .025"   | FWS-27    |
| 1975-86                | V8 7.4L 454 CI | .050"   | FWS-2     |
| 1975-86                | V8 7.4L 454 CI | .025"   | FWS-1     |
| 1976-79                | V8 6.6L 400 CI | .050"   | FWS-2     |

# FLYWHEEL SHIM APPLICATIONS

| Years                  | Engine         | Remarks | Pioneer # |
|------------------------|----------------|---------|-----------|
| <b>CHEVROLET TRUCK</b> |                |         |           |
| <b>C20</b>             |                |         |           |
| 1976-79                | V8 6.6L 400 CI | .025"   | FWS-1     |
| 1977-80                | V8 5.0L 305 CI | .050"   | FWS-2     |
| 1977-80                | V8 5.0L 305 CI | .025"   | FWS-1     |
| 1977-86                | V8 5.7L 350 CI | .050"   | FWS-2     |
| 1977-86                | V8 5.7L 350 CI | .025"   | FWS-1     |
| 1982-86                | V8 6.2L 379 CI | .050"   | FWS-2     |
| 1982-86                | V8 6.2L 379 CI | .025"   | FWS-1     |
| <b>C20 PICKUP</b>      |                |         |           |
| 1961-67                | V8 4.6L 283 CI | .050"   | FWS-2     |
| 1961-67                | V8 4.6L 283 CI | .025"   | FWS-1     |
| 1963-65                | L6 3.8L 230 CI | .050"   | FWS-2     |
| 1963-74                | L6 4.8L 293 CI | .025"   | FWS-27    |
| 1963-74                | L6 4.8L 293 CI | .050"   | FWS-28    |
| 1968-69                | V8 6.5L 396 CI | .050"   | FWS-2     |
| 1968-69                | V8 6.5L 396 CI | .025"   | FWS-1     |
| 1968-73                | V8 5.0L 307 CI | .050"   | FWS-2     |
| 1968-73                | V8 5.0L 307 CI | .025"   | FWS-1     |
| 1966-74                | L6 4.1L 250 CI | .025"   | FWS-1     |
| 1971                   | V8 6.6L 402 CI | .050"   | FWS-2     |
| 1971                   | V8 6.6L 402 CI | .025"   | FWS-1     |
| 1966-74                | L6 4.1L 250 CI | .050"   | FWS-2     |
| 1968-74                | L6 4.8L 292 CI | .050"   | FWS-28    |
| 1968-74                | L6 4.8L 292 CI | .025"   | FWS-27    |
| 1973-74                | V8 7.4L 454 CI | .025"   | FWS-1     |
| 1973-74                | V8 7.4L 454 CI | .050"   | FWS-2     |
| <b>C20 SUBURBAN</b>    |                |         |           |
| 1968-69                | V8 6.5L 396 CI | .025"   | FWS-1     |
| 1968-69                | V8 6.5L 396 CI | .050"   | FWS-2     |
| 1968-73                | V8 5.0L 307 CI | .025"   | FWS-1     |
| 1968-73                | V8 5.0L 307 CI | .050"   | FWS-2     |
| 1968-74                | L6 4.1L 250 CI | .050"   | FWS-2     |
| 1968-74                | L6 4.1L 250 CI | .025"   | FWS-1     |
| 1968-74                | L6 4.8L 293 CI | .025"   | FWS-27    |
| 1968-74                | L6 4.8L 293 CI | .050"   | FWS-28    |
| 1971-72                | V8 6.6L 402 CI | .050"   | FWS-2     |
| 1971-72                | V8 6.6L 402 CI | .025"   | FWS-1     |
| 1973-86                | V8 7.4L 454 CI | .050"   | FWS-2     |
| 1968-82                | L6 4.8L 292 CI | .050"   | FWS-28    |
| 1968-82                | L6 4.8L 292 CI | .025"   | FWS-27    |
| 1973-86                | V8 7.4L 454 CI | .025"   | FWS-1     |

# FLYWHEEL SHIM APPLICATIONS

| Years                  | Engine         | Remarks | Pioneer # |
|------------------------|----------------|---------|-----------|
| <b>CHEVROLET TRUCK</b> |                |         |           |
| <b>C20 SUBURBAN</b>    |                |         |           |
| 1976-79                | V8 6.6L 400 CI | .025"   | FWS-1     |
| 1976-79                | V8 6.6L 400 CI | .050"   | FWS-2     |
| 1977-80                | V8 5.0L 305 CI | .025"   | FWS-1     |
| 1977-80                | V8 5.0L 305 CI | .050"   | FWS-2     |
| 1977-86                | V8 5.7L 350 CI | .025"   | FWS-1     |
| 1977-86                | V8 5.7L 350 CI | .050"   | FWS-2     |
| 1982-86                | V8 6.2L 379 CI | .050"   | FWS-2     |
| 1982-86                | V8 6.2L 379 CI | .025"   | FWS-1     |
| <b>C2500</b>           |                |         |           |
| 1988-00                | V8 5.7L 350 CI | .050"   | FWS-2     |
| 1988-00                | V8 5.7L 350 CI | .025"   | FWS-1     |
| 1988-93                | V8 6.2L 379 CI | .025"   | FWS-1     |
| 1988-93                | V8 6.2L 379 CI | .050"   | FWS-2     |
| 1990-95                | V6 4.3L 262 CI | .025"   | FWS-25    |
| 1990-95                | V6 4.3L 262 CI | .050"   | FWS-26    |
| 1991-00                | V8 7.4L 454 CI | .050"   | FWS-2     |
| 1991-00                | V8 7.4L 454 CI | .025"   | FWS-1     |
| <b>C2500 SUBURBAN</b>  |                |         |           |
| 1992-99                | V8 5.7L 350 CI | .025"   | FWS-1     |
| 1992-99                | V8 5.7L 350 CI | .050"   | FWS-2     |
| 1992-99                | V8 7.4L 454 CI | .050"   | FWS-2     |
| 1992-99                | V8 7.4L 454 CI | .025"   | FWS-1     |
| <b>C30</b>             |                |         |           |
| 1975-86                | L6 4.8L 292 CI | .050"   | FWS-28    |
| 1975-86                | L6 4.8L 292 CI | .025"   | FWS-27    |
| 1975-86                | V8 7.4L 454 CI | .025"   | FWS-1     |
| 1975-86                | V8 7.4L 454 CI | .050"   | FWS-2     |
| 1976-79                | V8 6.6L 400 CI | .025"   | FWS-1     |
| 1976-79                | V8 6.6L 400 CI | .050"   | FWS-2     |
| 1977-86                | V8 5.7L 350 CI | .025"   | FWS-1     |
| 1977-86                | V8 5.7L 350 CI | .050"   | FWS-2     |
| 1978-79                | V8 5.0L 305 CI | .025"   | FWS-1     |
| 1978-79                | V8 5.0L 305 CI | .050"   | FWS-2     |
| 1975                   | L6 4.1L 250 CI | .050"   | FWS-2     |
| 1978-80                | L6 4.1L 250 CI | .050"   | FWS-2     |
| 1975                   | L6 4.1L 250 CI | .025"   | FWS-1     |
| 1978-80                | L6 4.1L 250 CI | .025"   | FWS-1     |
| 1982-86                | V8 6.2L 379 CI | .050"   | FWS-2     |
| 1982-86                | V8 6.2L 379 CI | .025"   | FWS-1     |
| <b>C30 PICKUP</b>      |                |         |           |
| 1961-67                | V8 4.6L 283 CI | .025"   | FWS-1     |



# FLYWHEEL SHIM APPLICATIONS

| Years                  | Engine         | Remarks | Pioneer # |
|------------------------|----------------|---------|-----------|
| <b>CHEVROLET TRUCK</b> |                |         |           |
| <b>C30 PICKUP</b>      |                |         |           |
| 1961-67                | V8 4.6L 283 CI | .050"   | FWS-2     |
| 1963-74                | L6 4.8L 293 CI | .050"   | FWS-28    |
| 1963-74                | L6 4.8L 293 CI | .025"   | FWS-27    |
| 1964-65                | L6 3.8L 230 CI | .050"   | FWS-2     |
| 1966-74                | L6 4.1L 250 CI | .050"   | FWS-2     |
| 1968-69                | V8 6.5L 396 CI | .025"   | FWS-1     |
| 1968-69                | V8 6.5L 396 CI | .050"   | FWS-2     |
| 1968-73                | V8 5.0L 307 CI | .050"   | FWS-2     |
| 1968-73                | V8 5.0L 307 CI | .025"   | FWS-1     |
| 1966-74                | L6 4.1L 250 CI | .025"   | FWS-1     |
| 1968-74                | L6 4.8L 292 CI | .050"   | FWS-28    |
| 1971                   | V8 6.6L 402 CI | .025"   | FWS-1     |
| 1971                   | V8 6.6L 402 CI | .050"   | FWS-2     |
| 1968-74                | L6 4.8L 292 CI | .025"   | FWS-27    |
| 1973-74                | V8 7.4L 454 CI | .025"   | FWS-1     |
| 1973-74                | V8 7.4L 454 CI | .050"   | FWS-2     |
| <b>C3500</b>           |                |         |           |
| 1988-00                | V8 5.7L 350 CI | .025"   | FWS-1     |
| 1988-00                | V8 5.7L 350 CI | .050"   | FWS-2     |
| 1988-00                | V8 7.4L 454 CI | .050"   | FWS-2     |
| 1988-00                | V8 7.4L 454 CI | .025"   | FWS-1     |
| 1988-93                | V8 6.2L 379 CI | .025"   | FWS-1     |
| 1988-93                | V8 6.2L 379 CI | .050"   | FWS-2     |
| <b>EL CAMINO</b>       |                |         |           |
| 1964-66                | L6 3.8L 230 CI | .050"   | FWS-2     |
| 1959-60                | V8 4.6L 283 CI | .025"   | FWS-1     |
| 1964-67                | V8 4.6L 283 CI | .025"   | FWS-1     |
| 1959-60                | V8 4.6L 283 CI | .050"   | FWS-2     |
| 1964-67                | V8 4.6L 283 CI | .050"   | FWS-2     |
| 1966-70                | V8 6.5L 396 CI | .025"   | FWS-1     |
| 1967-73                | L6 4.1L 250 CI | .050"   | FWS-2     |
| 1975-77                | L6 4.1L 250 CI | .050"   | FWS-2     |
| 1966-70                | V8 6.5L 396 CI | .050"   | FWS-2     |
| 1968-73                | V8 5.0L 307 CI | .025"   | FWS-1     |
| 1968-73                | V8 5.0L 307 CI | .050"   | FWS-2     |
| 1970-74                | V8 7.4L 454 CI | .050"   | FWS-2     |
| 1970-74                | V8 7.4L 454 CI | .025"   | FWS-1     |
| 1971-72                | V8 6.6L 402 CI | .025"   | FWS-1     |
| 1971-72                | V8 6.6L 402 CI | .050"   | FWS-2     |
| 1970                   | V8 6.6L 400 CI | .050"   | FWS-2     |

# FLYWHEEL SHIM APPLICATIONS

| Years                  | Engine         | Remarks | Pioneer # |
|------------------------|----------------|---------|-----------|
| <b>CHEVROLET TRUCK</b> |                |         |           |
| <b>EL CAMINO</b>       |                |         |           |
| 1974-76                | V8 6.6L 400 CI | .050"   | FWS-2     |
| 1970                   | V8 6.6L 400 CI | .025"   | FWS-1     |
| 1974-76                | V8 6.6L 400 CI | .025"   | FWS-1     |
| 1967-73                | L6 4.1L 250 CI | .025"   | FWS-1     |
| 1975-77                | L6 4.1L 250 CI | .025"   | FWS-1     |
| 1976-79                | V8 5.0L 305 CI | .025"   | FWS-1     |
| 1976-79                | V8 5.0L 305 CI | .050"   | FWS-2     |
| 1978-79                | V6 3.3L 200 CI | .025"   | FWS-1     |
| 1978-79                | V6 3.3L 200 CI | .050"   | FWS-2     |
| 1979                   | V6 3.8L 231 CI | .025"   | FWS-7     |
| 1979                   | V6 3.8L 231 CI | .050"   | FWS-8     |
| 1979-82                | V8 4.4L 267 CI | .025"   | FWS-1     |
| 1979-82                | V8 4.4L 267 CI | .050"   | FWS-2     |
| 1977-79                | V8 5.7L 350 CI | .025"   | FWS-1     |
| 1983-84                | V8 5.7L 350 CI | .025"   | FWS-1     |
| 1977-79                | V8 5.7L 350 CI | .050"   | FWS-2     |
| 1983-84                | V8 5.7L 350 CI | .050"   | FWS-2     |
| 1980                   | V6 3.8L 229 CI | .025"   | FWS-7     |
| 1984                   | V6 3.8L 229 CI | .025"   | FWS-7     |
| 1980                   | V6 3.8L 229 CI | .050"   | FWS-8     |
| 1984                   | V6 3.8L 229 CI | .050"   | FWS-8     |
| 1979-80                | V6 3.8L 232 CI | .025"   | FWS-7     |
| 1984                   | V6 3.8L 232 CI | .025"   | FWS-7     |
| 1979-80                | V6 3.8L 232 CI | .050"   | FWS-8     |
| 1984                   | V6 3.8L 232 CI | .050"   | FWS-8     |
| 1985                   | V6 4.3L 262 CI | .050"   | FWS-26    |
| <b>EXPRESS 1500</b>    |                |         |           |
| 1996-02                | V8 5.7L 350 CI | .050"   | FWS-2     |
| 1996-02                | V8 5.7L 350 CI | .025"   | FWS-1     |
| 1996-04                | V6 4.3L 262 CI | .025"   | FWS-25    |
| 1996-04                | V6 4.3L 262 CI | .050"   | FWS-26    |
| 2003-05                | V8 5.3L 323 CI | .050"   | FWS-28    |
| 2003-05                | V8 5.3L 323 CI | .025"   | FWS-27    |
| 2003-07                | V8 5.3L 325 CI | .025"   | FWS-27    |
| 2003-07                | V8 5.3L 325 CI | .050"   | FWS-28    |
| <b>EXPRESS 2500</b>    |                |         |           |
| 1996-02                | V8 5.7L 350 CI | .025"   | FWS-1     |
| 1996-02                | V8 5.7L 350 CI | .050"   | FWS-2     |
| 1996-04                | V6 4.3L 262 CI | .025"   | FWS-25    |
| 1996-04                | V6 4.3L 262 CI | .050"   | FWS-26    |

# FLYWHEEL SHIM APPLICATIONS

| Years                  | Engine         | Remarks | Pioneer # |
|------------------------|----------------|---------|-----------|
| <b>CHEVROLET TRUCK</b> |                |         |           |
| <b>EXPRESS 2500</b>    |                |         |           |
| 2003-05                | V8 5.3L 325 CI | .025"   | FWS-27    |
| 2003-05                | V8 5.3L 325 CI | .050"   | FWS-28    |
| 2003-07                | V8 4.8L 294 CI | .050"   | FWS-28    |
| 2003-07                | V8 4.8L 294 CI | .025"   | FWS-27    |
| 2003-07                | V8 6.0L 364 CI | .050"   | FWS-28    |
| 2003-07                | V8 6.0L 364 CI | .025"   | FWS-27    |
| 2006-07                | V8 6.6L 403 CI | .050"   | FWS-28    |
| 2006-07                | V8 6.6L 403 CI | .025"   | FWS-27    |
| <b>EXPRESS 3500</b>    |                |         |           |
| 1996-00                | V8 7.4L 454 CI | .050"   | FWS-2     |
| 1996-00                | V8 7.4L 454 CI | .025"   | FWS-1     |
| 1996-02                | V8 5.7L 350 CI | .050"   | FWS-2     |
| 1996-02                | V8 5.7L 350 CI | .025"   | FWS-1     |
| 2003-07                | V8 6.0L 364 CI | .050"   | FWS-28    |
| 2003-07                | V8 6.0L 364 CI | .025"   | FWS-27    |
| 2006-07                | V8 4.8L 294 CI | .050"   | FWS-28    |
| 2006-07                | V8 4.8L 294 CI | .025"   | FWS-27    |
| 2006-07                | V8 6.6L 403 CI | .025"   | FWS-27    |
| 2006-07                | V8 6.6L 403 CI | .050"   | FWS-28    |
| <b>G10</b>             |                |         |           |
| 1975-84                | L6 4.1L 250 CI | .050"   | FWS-2     |
| 1975-84                | L6 4.1L 250 CI | .025"   | FWS-1     |
| 1977-79                | V8 5.0L 305 CI | .025"   | FWS-1     |
| 1977-79                | V8 5.0L 305 CI | .050"   | FWS-2     |
| 1977-93                | V8 5.7L 350 CI | .050"   | FWS-2     |
| 1977-93                | V8 5.7L 350 CI | .025"   | FWS-1     |
| 1989-95                | V6 4.3L 262 CI | .050"   | FWS-26    |
| 1989-95                | V6 4.3L 262 CI | .025"   | FWS-25    |
| <b>G10 VAN</b>         |                |         |           |
| 1966                   | L6 3.8L 230 CI | .050"   | FWS-2     |
| 1968-73                | V8 5.0L 307 CI | .025"   | FWS-1     |
| 1968-73                | V8 5.0L 307 CI | .050"   | FWS-2     |
| 1967-74                | L6 4.1L 250 CI | .050"   | FWS-2     |
| 1967-74                | L6 4.1L 250 CI | .025"   | FWS-1     |
| 1973-74                | V8 7.4L 454 CI | .025"   | FWS-1     |
| 1973-74                | V8 7.4L 454 CI | .050"   | FWS-2     |
| <b>G20</b>             |                |         |           |
| 1975-79                | V8 6.6L 400 CI | .025"   | FWS-1     |
| 1975-79                | V8 6.6L 400 CI | .050"   | FWS-2     |
| 1975-80                | L6 4.8L 292 CI | .050"   | FWS-28    |

# FLYWHEEL SHIM APPLICATIONS

| Years                  | Engine         | Remarks | Pioneer # |
|------------------------|----------------|---------|-----------|
| <b>CHEVROLET TRUCK</b> |                |         |           |
| <b>G20</b>             |                |         |           |
| 1975-80                | L6 4.8L 292 CI | .025"   | FWS-27    |
| 1976                   | V8 7.4L 454 CI | .050"   | FWS-2     |
| 1976                   | V8 7.4L 454 CI | .025"   | FWS-1     |
| 1977-79                | V8 5.0L 305 CI | .050"   | FWS-2     |
| 1977-79                | V8 5.0L 305 CI | .025"   | FWS-1     |
| 1975                   | L6 4.1L 250 CI | .025"   | FWS-1     |
| 1977-84                | L6 4.1L 250 CI | .025"   | FWS-1     |
| 1975                   | L6 4.1L 250 CI | .050"   | FWS-2     |
| 1977-84                | L6 4.1L 250 CI | .050"   | FWS-2     |
| 1977-95                | V8 5.7L 350 CI | .025"   | FWS-1     |
| 1977-95                | V8 5.7L 350 CI | .050"   | FWS-2     |
| 1983-93                | V8 6.2L 379 CI | .025"   | FWS-1     |
| 1983-93                | V8 6.2L 379 CI | .050"   | FWS-2     |
| 1989-95                | V6 4.3L 262 CI | .025"   | FWS-25    |
| 1989-95                | V6 4.3L 262 CI | .050"   | FWS-26    |
| <b>G20 VAN</b>         |                |         |           |
| 1968-69                | V8 5.0L 307 CI | .050"   | FWS-2     |
| 1968-69                | V8 5.0L 307 CI | .025"   | FWS-1     |
| 1968-74                | L6 4.1L 250 CI | .050"   | FWS-2     |
| 1968-74                | L6 4.1L 250 CI | .025"   | FWS-1     |
| 1971                   | L6 4.8L 292 CI | .025"   | FWS-27    |
| 1973-74                | L6 4.8L 292 CI | .025"   | FWS-27    |
| 1971                   | L6 4.8L 292 CI | .050"   | FWS-28    |
| 1973-74                | L6 4.8L 292 CI | .050"   | FWS-28    |
| 1971                   | L6 4.8L 293 CI | .025"   | FWS-27    |
| 1973-74                | L6 4.8L 293 CI | .025"   | FWS-27    |
| 1971                   | L6 4.8L 293 CI | .050"   | FWS-28    |
| 1973-74                | L6 4.8L 293 CI | .050"   | FWS-28    |
| 1973-74                | V8 7.4L 454 CI | .025"   | FWS-1     |
| 1973-74                | V8 7.4L 454 CI | .050"   | FWS-2     |
| <b>G30</b>             |                |         |           |
| 1975-79                | L6 4.8L 292 CI | .050"   | FWS-28    |
| 1975-79                | L6 4.8L 292 CI | .025"   | FWS-27    |
| 1975-80                | V8 6.6L 400 CI | .025"   | FWS-1     |
| 1975-80                | V8 6.6L 400 CI | .050"   | FWS-2     |
| 1977-96                | V8 5.7L 350 CI | .025"   | FWS-1     |
| 1977-96                | V8 5.7L 350 CI | .050"   | FWS-2     |
| 1978-79                | V8 5.0L 305 CI | .050"   | FWS-2     |
| 1978-79                | V8 5.0L 305 CI | .025"   | FWS-1     |
| 1976                   | L6 4.1L 250 CI | .025"   | FWS-1     |

# FLYWHEEL SHIM APPLICATIONS

| Years                  | Engine         | Remarks | Pioneer # |
|------------------------|----------------|---------|-----------|
| <b>CHEVROLET TRUCK</b> |                |         |           |
| <b>G30</b>             |                |         |           |
| 1978-79                | L6 4.1L 250 CI | .025"   | FWS-1     |
| 1981-84                | L6 4.1L 250 CI | .025"   | FWS-1     |
| 1976                   | L6 4.1L 250 CI | .050"   | FWS-2     |
| 1978-79                | L6 4.1L 250 CI | .050"   | FWS-2     |
| 1981-84                | L6 4.1L 250 CI | .050"   | FWS-2     |
| 1983-93                | V8 6.2L 379 CI | .025"   | FWS-1     |
| 1983-93                | V8 6.2L 379 CI | .050"   | FWS-2     |
| 1975-76                | V8 7.4L 454 CI | .025"   | FWS-1     |
| 1988-96                | V8 7.4L 454 CI | .025"   | FWS-1     |
| 1975-76                | V8 7.4L 454 CI | .050"   | FWS-2     |
| 1988-96                | V8 7.4L 454 CI | .050"   | FWS-2     |
| 1989-95                | V6 4.3L 262 CI | .025"   | FWS-25    |
| 1989-95                | V6 4.3L 262 CI | .050"   | FWS-26    |
| <b>G30 VAN</b>         |                |         |           |
| 1971-74                | L6 4.1L 250 CI | .050"   | FWS-2     |
| 1971-74                | L6 4.1L 250 CI | .025"   | FWS-1     |
| 1973-74                | V8 7.4L 454 CI | .050"   | FWS-2     |
| 1973-74                | V8 7.4L 454 CI | .025"   | FWS-1     |
| 1971-72                | L6 4.8L 292 CI | .050"   | FWS-28    |
| 1974                   | L6 4.8L 292 CI | .050"   | FWS-28    |
| 1971-72                | L6 4.8L 292 CI | .025"   | FWS-27    |
| 1974                   | L6 4.8L 292 CI | .025"   | FWS-27    |
| <b>K10</b>             |                |         |           |
| 1975-79                | V8 6.6L 400 CI | .050"   | FWS-2     |
| 1975-79                | V8 6.6L 400 CI | .025"   | FWS-1     |
| 1975-84                | L6 4.1L 250 CI | .050"   | FWS-2     |
| 1975-84                | L6 4.1L 250 CI | .025"   | FWS-1     |
| 1976-86                | V8 5.7L 350 CI | .025"   | FWS-1     |
| 1976-86                | V8 5.7L 350 CI | .050"   | FWS-2     |
| 1978-79                | V8 5.0L 305 CI | .025"   | FWS-1     |
| 1978-79                | V8 5.0L 305 CI | .050"   | FWS-2     |
| 1975-76                | L6 4.8L 292 CI | .050"   | FWS-28    |
| 1979-80                | L6 4.8L 292 CI | .050"   | FWS-28    |
| 1975-76                | L6 4.8L 292 CI | .025"   | FWS-27    |
| 1979-80                | L6 4.8L 292 CI | .025"   | FWS-27    |
| 1976                   | V8 7.4L 454 CI | .025"   | FWS-1     |
| 1979-80                | V8 7.4L 454 CI | .025"   | FWS-1     |
| 1976                   | V8 7.4L 454 CI | .050"   | FWS-2     |
| 1979-80                | V8 7.4L 454 CI | .050"   | FWS-2     |
| 1982-86                | V8 6.2L 379 CI | .025"   | FWS-1     |

# FLYWHEEL SHIM APPLICATIONS

| Years                  | Engine         | Remarks | Pioneer # |
|------------------------|----------------|---------|-----------|
| <b>CHEVROLET TRUCK</b> |                |         |           |
| <b>K10</b>             |                |         |           |
| 1982-86                | V8 6.2L 379 CI | .050"   | FWS-2     |
| <b>K10 PICKUP</b>      |                |         |           |
| 1961-67                | V8 4.6L 283 CI | .025"   | FWS-1     |
| 1961-67                | V8 4.6L 283 CI | .050"   | FWS-2     |
| 1964-65                | L6 3.8L 230 CI | .050"   | FWS-2     |
| 1964-66                | L6 4.8L 293 CI | .050"   | FWS-28    |
| 1964-66                | L6 4.8L 293 CI | .025"   | FWS-27    |
| 1968-69                | V8 5.0L 307 CI | .025"   | FWS-1     |
| 1968-69                | V8 5.0L 307 CI | .050"   | FWS-2     |
| 1968-69                | V8 6.5L 396 CI | .050"   | FWS-2     |
| 1968-69                | V8 6.5L 396 CI | .025"   | FWS-1     |
| 1966-67                | L6 4.1L 250 CI | .025"   | FWS-1     |
| 1970-74                | L6 4.1L 250 CI | .025"   | FWS-1     |
| 1966-67                | L6 4.1L 250 CI | .050"   | FWS-2     |
| 1970-74                | L6 4.1L 250 CI | .050"   | FWS-2     |
| 1974                   | V8 7.4L 454 CI | .050"   | FWS-2     |
| 1974                   | V8 7.4L 454 CI | .025"   | FWS-1     |
| <b>K10 SUBURBAN</b>    |                |         |           |
| 1968-69                | V8 6.5L 396 CI | .050"   | FWS-2     |
| 1968-69                | V8 6.5L 396 CI | .025"   | FWS-1     |
| 1968-73                | V8 5.0L 307 CI | .050"   | FWS-2     |
| 1968-73                | V8 5.0L 307 CI | .025"   | FWS-1     |
| 1968-80                | L6 4.1L 250 CI | .025"   | FWS-1     |
| 1970-72                | V8 6.6L 402 CI | .025"   | FWS-1     |
| 1970-72                | V8 6.6L 402 CI | .050"   | FWS-2     |
| 1968-80                | L6 4.1L 250 CI | .050"   | FWS-2     |
| 1975-79                | V8 6.6L 400 CI | .050"   | FWS-2     |
| 1975-79                | V8 6.6L 400 CI | .025"   | FWS-1     |
| 1976-86                | V8 5.7L 350 CI | .025"   | FWS-1     |
| 1976-86                | V8 5.7L 350 CI | .050"   | FWS-2     |
| 1978-79                | V8 5.0L 305 CI | .050"   | FWS-2     |
| 1978-79                | V8 5.0L 305 CI | .025"   | FWS-1     |
| 1982-86                | V8 6.2L 379 CI | .050"   | FWS-2     |
| 1982-86                | V8 6.2L 379 CI | .025"   | FWS-1     |
| <b>K1500</b>           |                |         |           |
| 1988-93                | V8 6.2L 379 CI | .025"   | FWS-1     |
| 1988-93                | V8 6.2L 379 CI | .050"   | FWS-2     |
| 1988-99                | V8 5.7L 350 CI | .050"   | FWS-2     |
| 1988-99                | V8 5.7L 350 CI | .025"   | FWS-1     |
| 1989-98                | V6 4.3L 262 CI | .025"   | FWS-25    |

# FLYWHEEL SHIM APPLICATIONS

| Years                  | Engine         | Remarks | Pioneer # |
|------------------------|----------------|---------|-----------|
| <b>CHEVROLET TRUCK</b> |                |         |           |
| <b>K1500</b>           |                |         |           |
| 1989-98                | V6 4.3L 262 CI | .050"   | FWS-26    |
| <b>K1500 SUBURBAN</b>  |                |         |           |
| 1992-99                | V8 5.7L 350 CI | .050"   | FWS-2     |
| 1992-99                | V8 5.7L 350 CI | .025"   | FWS-1     |
| <b>K20</b>             |                |         |           |
| 1975-79                | V8 6.6L 400 CI | .050"   | FWS-2     |
| 1975-79                | V8 6.6L 400 CI | .025"   | FWS-1     |
| 1975-86                | L6 4.8L 292 CI | .050"   | FWS-28    |
| 1975-86                | L6 4.8L 292 CI | .025"   | FWS-27    |
| 1976-86                | V8 5.7L 350 CI | .050"   | FWS-2     |
| 1976-86                | V8 5.7L 350 CI | .025"   | FWS-1     |
| 1978                   | V8 5.0L 305 CI | .025"   | FWS-1     |
| 1978                   | V8 5.0L 305 CI | .050"   | FWS-2     |
| 1975-76                | L6 4.1L 250 CI | .050"   | FWS-2     |
| 1978-80                | L6 4.1L 250 CI | .050"   | FWS-2     |
| 1975-76                | L6 4.1L 250 CI | .025"   | FWS-1     |
| 1978-80                | L6 4.1L 250 CI | .025"   | FWS-1     |
| 1976-78                | V8 7.4L 454 CI | .050"   | FWS-2     |
| 1980                   | V8 7.4L 454 CI | .050"   | FWS-2     |
| 1976-78                | V8 7.4L 454 CI | .025"   | FWS-1     |
| 1980                   | V8 7.4L 454 CI | .025"   | FWS-1     |
| 1982-86                | V8 6.2L 379 CI | .025"   | FWS-1     |
| 1982-86                | V8 6.2L 379 CI | .050"   | FWS-2     |
| <b>K20 PICKUP</b>      |                |         |           |
| 1961-67                | V8 4.6L 283 CI | .025"   | FWS-1     |
| 1961-67                | V8 4.6L 283 CI | .050"   | FWS-2     |
| 1964-65                | L6 3.8L 230 CI | .050"   | FWS-2     |
| 1968-69                | V8 5.0L 307 CI | .025"   | FWS-1     |
| 1968-69                | V8 5.0L 307 CI | .050"   | FWS-2     |
| 1968-69                | V8 6.5L 396 CI | .050"   | FWS-2     |
| 1968-69                | V8 6.5L 396 CI | .025"   | FWS-1     |
| 1966-74                | L6 4.1L 250 CI | .025"   | FWS-1     |
| 1970-74                | L6 4.8L 292 CI | .025"   | FWS-27    |
| 1964-67                | L6 4.8L 293 CI | .025"   | FWS-27    |
| 1970-74                | L6 4.8L 293 CI | .025"   | FWS-27    |
| 1964-67                | L6 4.8L 293 CI | .050"   | FWS-28    |
| 1970-74                | L6 4.8L 293 CI | .050"   | FWS-28    |
| 1966-74                | L6 4.1L 250 CI | .050"   | FWS-2     |
| 1970-74                | L6 4.8L 292 CI | .050"   | FWS-28    |
| 1973-74                | V8 7.4L 454 CI | .025"   | FWS-1     |

# FLYWHEEL SHIM APPLICATIONS

| Years                  | Engine         | Remarks | Pioneer # |
|------------------------|----------------|---------|-----------|
| <b>CHEVROLET TRUCK</b> |                |         |           |
| <b>K20 PICKUP</b>      |                |         |           |
| 1973-74                | V8 7.4L 454 CI | .050"   | FWS-2     |
| <b>K20 SUBURBAN</b>    |                |         |           |
| 1968-73                | V8 5.0L 307 CI | .050"   | FWS-2     |
| 1968-73                | V8 5.0L 307 CI | .025"   | FWS-1     |
| 1968-74                | L6 4.8L 293 CI | .025"   | FWS-27    |
| 1968-74                | L6 4.8L 293 CI | .050"   | FWS-28    |
| 1968-74                | L6 4.1L 250 CI | .050"   | FWS-2     |
| 1968-74                | L6 4.1L 250 CI | .025"   | FWS-1     |
| 1973                   | V8 7.4L 454 CI | .050"   | FWS-2     |
| 1985                   | V8 7.4L 454 CI | .050"   | FWS-2     |
| 1973                   | V8 7.4L 454 CI | .025"   | FWS-1     |
| 1985                   | V8 7.4L 454 CI | .025"   | FWS-1     |
| 1968-82                | L6 4.8L 292 CI | .050"   | FWS-28    |
| 1975-79                | V8 6.6L 400 CI | .025"   | FWS-1     |
| 1975-79                | V8 6.6L 400 CI | .050"   | FWS-2     |
| 1968-82                | L6 4.8L 292 CI | .025"   | FWS-27    |
| 1976-86                | V8 5.7L 350 CI | .050"   | FWS-2     |
| 1976-86                | V8 5.7L 350 CI | .025"   | FWS-1     |
| 1978                   | V8 5.0L 305 CI | .050"   | FWS-2     |
| 1978                   | V8 5.0L 305 CI | .025"   | FWS-1     |
| 1982-86                | V8 6.2L 379 CI | .025"   | FWS-1     |
| 1982-86                | V8 6.2L 379 CI | .050"   | FWS-2     |
| <b>K2500</b>           |                |         |           |
| 1988-00                | V8 5.7L 350 CI | .025"   | FWS-1     |
| 1988-00                | V8 5.7L 350 CI | .050"   | FWS-2     |
| 1988-93                | V8 6.2L 379 CI | .050"   | FWS-2     |
| 1988-93                | V8 6.2L 379 CI | .025"   | FWS-1     |
| 1989-95                | V6 4.3L 262 CI | .050"   | FWS-26    |
| 1989-95                | V6 4.3L 262 CI | .025"   | FWS-25    |
| 1991-00                | V8 7.4L 454 CI | .025"   | FWS-1     |
| 1991-00                | V8 7.4L 454 CI | .050"   | FWS-2     |
| <b>K2500 SUBURBAN</b>  |                |         |           |
| 1992-99                | V8 5.7L 350 CI | .025"   | FWS-1     |
| 1992-99                | V8 5.7L 350 CI | .050"   | FWS-2     |
| 1992-99                | V8 7.4L 454 CI | .050"   | FWS-2     |
| 1992-99                | V8 7.4L 454 CI | .025"   | FWS-1     |
| <b>K30</b>             |                |         |           |
| 1977-79                | V8 6.6L 400 CI | .025"   | FWS-1     |
| 1977-79                | V8 6.6L 400 CI | .050"   | FWS-2     |
| 1977-86                | L6 4.8L 292 CI | .050"   | FWS-28    |



# FLYWHEEL SHIM APPLICATIONS

| Years                  | Engine         | Remarks | Pioneer # |
|------------------------|----------------|---------|-----------|
| <b>CHEVROLET TRUCK</b> |                |         |           |
| <b>K30</b>             |                |         |           |
| 1977-86                | L6 4.8L 292 CI | .025"   | FWS-27    |
| 1977-86                | V8 5.7L 350 CI | .025"   | FWS-1     |
| 1977-86                | V8 5.7L 350 CI | .050"   | FWS-2     |
| 1977                   | V8 7.4L 454 CI | .025"   | FWS-1     |
| 1980-86                | V8 7.4L 454 CI | .025"   | FWS-1     |
| 1977                   | V8 7.4L 454 CI | .050"   | FWS-2     |
| 1980-86                | V8 7.4L 454 CI | .050"   | FWS-2     |
| 1982-86                | V8 6.2L 379 CI | .050"   | FWS-2     |
| 1982-86                | V8 6.2L 379 CI | .025"   | FWS-1     |
| <b>K30 PICKUP</b>      |                |         |           |
| 1968-69                | V8 6.5L 396 CI | .050"   | FWS-2     |
| 1968-69                | V8 6.5L 396 CI | .025"   | FWS-1     |
| 1968-73                | V8 5.0L 307 CI | .050"   | FWS-2     |
| 1968-73                | V8 5.0L 307 CI | .025"   | FWS-1     |
| 1968-74                | L6 4.1L 250 CI | .050"   | FWS-2     |
| 1968-74                | L6 4.1L 250 CI | .025"   | FWS-1     |
| 1968-74                | L6 4.8L 292 CI | .025"   | FWS-27    |
| 1968-74                | L6 4.8L 292 CI | .050"   | FWS-28    |
| 1968-74                | L6 4.8L 293 CI | .025"   | FWS-27    |
| 1968-74                | L6 4.8L 293 CI | .050"   | FWS-28    |
| 1970-71                | V8 6.6L 402 CI | .025"   | FWS-1     |
| 1970-71                | V8 6.6L 402 CI | .050"   | FWS-2     |
| 1973-74                | V8 7.4L 454 CI | .050"   | FWS-2     |
| 1973-74                | V8 7.4L 454 CI | .025"   | FWS-1     |
| <b>K3500</b>           |                |         |           |
| 1988-00                | V8 5.7L 350 CI | .050"   | FWS-2     |
| 1988-00                | V8 5.7L 350 CI | .025"   | FWS-1     |
| 1988-00                | V8 7.4L 454 CI | .050"   | FWS-2     |
| 1988-00                | V8 7.4L 454 CI | .025"   | FWS-1     |
| 1988-93                | V8 6.2L 379 CI | .050"   | FWS-2     |
| 1988-93                | V8 6.2L 379 CI | .025"   | FWS-1     |
| <b>K5 BLAZER</b>       |                |         |           |
| 1975-79                | V8 6.6L 400 CI | .050"   | FWS-2     |
| 1975-79                | V8 6.6L 400 CI | .025"   | FWS-1     |
| 1975-82                | L6 4.1L 250 CI | .050"   | FWS-2     |
| 1975-82                | L6 4.1L 250 CI | .025"   | FWS-1     |
| 1976-78                | V8 7.4L 454 CI | .025"   | FWS-1     |
| 1976-78                | V8 7.4L 454 CI | .050"   | FWS-2     |
| 1977-80                | V8 5.0L 305 CI | .050"   | FWS-2     |
| 1977-80                | V8 5.0L 305 CI | .025"   | FWS-1     |

# FLYWHEEL SHIM APPLICATIONS

| Years                  | Engine         | Remarks | Pioneer # |
|------------------------|----------------|---------|-----------|
| <b>CHEVROLET TRUCK</b> |                |         |           |
| <b>K5 BLAZER</b>       |                |         |           |
| 1977-86                | V8 5.7L 350 CI | .050"   | FWS-2     |
| 1977-86                | V8 5.7L 350 CI | .025"   | FWS-1     |
| 1982-86                | V8 6.2L 379 CI | .050"   | FWS-2     |
| 1982-86                | V8 6.2L 379 CI | .025"   | FWS-1     |
| <b>LLV</b>             |                |         |           |
| 1987-93                | L4 2.5L 151 CI | .050"   | FWS-8     |
| 1987-93                | L4 2.5L 151 CI | .025"   | FWS-7     |
| 1994-95                | L4 2.2L 134 CI | .025"   | FWS-7     |
| 1994-95                | L4 2.2L 134 CI | .050"   | FWS-8     |
| <b>LUMINA APV</b>      |                |         |           |
| 1990-95                | V6 3.1L 189 CI | .025"   | FWS-7     |
| 1990-95                | V6 3.1L 189 CI | .050"   | FWS-8     |
| 1992-95                | V6 3.8L 232 CI | .050"   | FWS-8     |
| 1992-95                | V6 3.8L 232 CI | .025"   | FWS-7     |
| <b>P10</b>             |                |         |           |
| 1975-80                | L6 4.8L 292 CI | .025"   | FWS-27    |
| 1975-80                | L6 4.8L 292 CI | .050"   | FWS-28    |
| 1977                   | V8 5.7L 350 CI | .050"   | FWS-2     |
| 1977                   | V8 5.7L 350 CI | .025"   | FWS-1     |
| 1977                   | V8 6.6L 400 CI | .025"   | FWS-1     |
| 1977                   | V8 6.6L 400 CI | .050"   | FWS-2     |
| 1979                   | V8 5.0L 305 CI | .050"   | FWS-2     |
| 1979                   | V8 5.0L 305 CI | .025"   | FWS-1     |
| <b>P10 SERIES</b>      |                |         |           |
| 1962                   | V8 4.6L 283 CI | .050"   | FWS-2     |
| 1962                   | V8 4.6L 283 CI | .025"   | FWS-1     |
| 1963-66                | L6 3.8L 230 CI | .050"   | FWS-2     |
| 1967                   | L6 4.8L 293 CI | .025"   | FWS-27    |
| 1967                   | L6 4.8L 293 CI | .050"   | FWS-28    |
| <b>P10 VAN</b>         |                |         |           |
| 1968-74                | L6 4.1L 250 CI | .025"   | FWS-1     |
| 1973                   | V8 7.4L 454 CI | .025"   | FWS-1     |
| 1973                   | V8 7.4L 454 CI | .050"   | FWS-2     |
| 1968-74                | L6 4.1L 250 CI | .050"   | FWS-2     |
| <b>P20</b>             |                |         |           |
| 1975-89                | L6 4.8L 292 CI | .050"   | FWS-28    |
| 1975-89                | L6 4.8L 292 CI | .025"   | FWS-27    |
| 1976                   | V8 7.4L 454 CI | .050"   | FWS-2     |
| 1979                   | V8 7.4L 454 CI | .050"   | FWS-2     |
| 1976                   | V8 7.4L 454 CI | .025"   | FWS-1     |

# FLYWHEEL SHIM APPLICATIONS

| Years                  | Engine         | Remarks | Pioneer # |
|------------------------|----------------|---------|-----------|
| <b>CHEVROLET TRUCK</b> |                |         |           |
| <b>P20</b>             |                |         |           |
| 1979                   | V8 7.4L 454 CI | .025"   | FWS-1     |
| 1976-77                | V8 5.7L 350 CI | .050"   | FWS-2     |
| 1979-89                | V8 5.7L 350 CI | .050"   | FWS-2     |
| 1976-77                | V8 5.7L 350 CI | .025"   | FWS-1     |
| 1979-89                | V8 5.7L 350 CI | .025"   | FWS-1     |
| 1982-89                | V8 6.2L 379 CI | .050"   | FWS-2     |
| 1982-89                | V8 6.2L 379 CI | .025"   | FWS-1     |
| <b>P20 SERIES</b>      |                |         |           |
| 1961-62                | V8 4.6L 283 CI | .050"   | FWS-2     |
| 1961-62                | V8 4.6L 283 CI | .025"   | FWS-1     |
| 1963-65                | L6 3.8L 230 CI | .050"   | FWS-2     |
| 1964-67                | L6 4.8L 293 CI | .025"   | FWS-27    |
| 1964-67                | L6 4.8L 293 CI | .050"   | FWS-28    |
| 1966                   | L6 4.1L 250 CI | .025"   | FWS-1     |
| 1966                   | L6 4.1L 250 CI | .050"   | FWS-2     |
| <b>P20 VAN</b>         |                |         |           |
| 1968-69                | V8 5.0L 307 CI | .025"   | FWS-1     |
| 1968-69                | V8 5.0L 307 CI | .050"   | FWS-2     |
| 1970-71                | V8 7.4L 454 CI | .050"   | FWS-2     |
| 1973                   | V8 7.4L 454 CI | .050"   | FWS-2     |
| 1970-71                | V8 7.4L 454 CI | .025"   | FWS-1     |
| 1973                   | V8 7.4L 454 CI | .025"   | FWS-1     |
| 1970-74                | L6 4.1L 250 CI | .050"   | FWS-2     |
| 1970-74                | L6 4.1L 250 CI | .025"   | FWS-1     |
| 1968-74                | L6 4.8L 292 CI | .050"   | FWS-28    |
| 1968-74                | L6 4.8L 292 CI | .025"   | FWS-27    |
| <b>P30</b>             |                |         |           |
| 1975-89                | L6 4.8L 292 CI | .025"   | FWS-27    |
| 1975-89                | L6 4.8L 292 CI | .050"   | FWS-28    |
| 1975-99                | V8 7.4L 454 CI | .025"   | FWS-1     |
| 1975-99                | V8 7.4L 454 CI | .050"   | FWS-2     |
| 1976                   | V8 6.6L 400 CI | .025"   | FWS-1     |
| 1976                   | V8 6.6L 400 CI | .050"   | FWS-2     |
| 1976                   | L6 4.1L 250 CI | .050"   | FWS-2     |
| 1979                   | L6 4.1L 250 CI | .050"   | FWS-2     |
| 1976                   | L6 4.1L 250 CI | .025"   | FWS-1     |
| 1979                   | L6 4.1L 250 CI | .025"   | FWS-1     |
| 1976-77                | V8 5.7L 350 CI | .050"   | FWS-2     |
| 1979-99                | V8 5.7L 350 CI | .050"   | FWS-2     |
| 1976-77                | V8 5.7L 350 CI | .025"   | FWS-1     |

# FLYWHEEL SHIM APPLICATIONS

| Years                  | Engine         | Remarks | Pioneer # |
|------------------------|----------------|---------|-----------|
| <b>CHEVROLET TRUCK</b> |                |         |           |
| <b>P30</b>             |                |         |           |
| 1979-99                | V8 5.7L 350 CI | .025"   | FWS-1     |
| 1982-93                | V8 6.2L 379 CI | .025"   | FWS-1     |
| 1982-93                | V8 6.2L 379 CI | .050"   | FWS-2     |
| 1990-99                | V6 4.3L 262 CI | .050"   | FWS-26    |
| 1990-99                | V6 4.3L 262 CI | .025"   | FWS-25    |
| <b>P30 SERIES</b>      |                |         |           |
| 1961-62                | V8 4.6L 283 CI | .050"   | FWS-2     |
| 1961-62                | V8 4.6L 283 CI | .025"   | FWS-1     |
| 1963-65                | L6 3.8L 230 CI | .050"   | FWS-2     |
| 1964-65                | V8 6.7L 409 CI | .050"   | FWS-2     |
| 1964-65                | V8 6.7L 409 CI | .025"   | FWS-1     |
| 1964-67                | L6 4.8L 293 CI | .025"   | FWS-27    |
| 1964-67                | L6 4.8L 293 CI | .050"   | FWS-28    |
| 1966                   | L6 4.1L 250 CI | .025"   | FWS-1     |
| 1966                   | L6 4.1L 250 CI | .050"   | FWS-2     |
| <b>P30 VAN</b>         |                |         |           |
| 1968-69                | V8 5.0L 307 CI | .025"   | FWS-1     |
| 1968-69                | V8 5.0L 307 CI | .050"   | FWS-2     |
| 1968-74                | L6 4.8L 292 CI | .025"   | FWS-27    |
| 1970-74                | L6 4.1L 250 CI | .025"   | FWS-1     |
| 1972                   | V8 6.6L 402 CI | .050"   | FWS-2     |
| 1972                   | V8 6.6L 402 CI | .025"   | FWS-1     |
| 1970-74                | L6 4.1L 250 CI | .050"   | FWS-2     |
| 1968-74                | L6 4.8L 292 CI | .050"   | FWS-28    |
| 1970-71                | V8 7.4L 454 CI | .050"   | FWS-2     |
| 1973-74                | V8 7.4L 454 CI | .050"   | FWS-2     |
| 1970-71                | V8 7.4L 454 CI | .025"   | FWS-1     |
| 1973-74                | V8 7.4L 454 CI | .025"   | FWS-1     |
| <b>R10</b>             |                |         |           |
| 1987                   | V8 5.7L 350 CI | .050"   | FWS-2     |
| 1987                   | V8 5.7L 350 CI | .025"   | FWS-1     |
| 1987                   | V8 6.2L 379 CI | .025"   | FWS-1     |
| 1987                   | V8 6.2L 379 CI | .050"   | FWS-2     |
| <b>R10 SUBURBAN</b>    |                |         |           |
| 1987-88                | V8 5.7L 350 CI | .025"   | FWS-1     |
| 1987-88                | V8 5.7L 350 CI | .050"   | FWS-2     |
| 1987-88                | V8 6.2L 379 CI | .050"   | FWS-2     |
| 1987-88                | V8 6.2L 379 CI | .025"   | FWS-1     |
| <b>R1500 SUBURBAN</b>  |                |         |           |
| 1989-91                | V8 5.7L 350 CI | .050"   | FWS-2     |

# FLYWHEEL SHIM APPLICATIONS

| Years                  | Engine         | Remarks | Pioneer # |
|------------------------|----------------|---------|-----------|
| <b>CHEVROLET TRUCK</b> |                |         |           |
| <b>R1500 SUBURBAN</b>  |                |         |           |
| 1989-91                | V8 5.7L 350 CI | .025"   | FWS-1     |
| 1989-91                | V8 6.2L 379 CI | .025"   | FWS-1     |
| 1989-91                | V8 6.2L 379 CI | .050"   | FWS-2     |
| <b>R20</b>             |                |         |           |
| 1987-88                | L6 4.8L 292 CI | .025"   | FWS-27    |
| 1987-88                | L6 4.8L 292 CI | .050"   | FWS-28    |
| 1987-88                | V8 5.7L 350 CI | .050"   | FWS-2     |
| 1987-88                | V8 5.7L 350 CI | .025"   | FWS-1     |
| 1987-88                | V8 6.2L 379 CI | .050"   | FWS-2     |
| 1987-88                | V8 6.2L 379 CI | .025"   | FWS-1     |
| 1987-88                | V8 7.4L 454 CI | .050"   | FWS-2     |
| 1987-88                | V8 7.4L 454 CI | .025"   | FWS-1     |
| <b>R20 SUBURBAN</b>    |                |         |           |
| 1987-88                | V8 5.7L 350 CI | .050"   | FWS-2     |
| 1987-88                | V8 5.7L 350 CI | .025"   | FWS-1     |
| 1987-88                | V8 6.2L 379 CI | .050"   | FWS-2     |
| 1987-88                | V8 6.2L 379 CI | .025"   | FWS-1     |
| 1987-88                | V8 7.4L 454 CI | .025"   | FWS-1     |
| 1987-88                | V8 7.4L 454 CI | .050"   | FWS-2     |
| <b>R2500</b>           |                |         |           |
| 1989                   | V8 6.2L 379 CI | .025"   | FWS-1     |
| 1989                   | V8 6.2L 379 CI | .050"   | FWS-2     |
| 1989                   | V8 7.4L 454 CI | .025"   | FWS-1     |
| 1989                   | V8 7.4L 454 CI | .050"   | FWS-2     |
| <b>R2500 SUBURBAN</b>  |                |         |           |
| 1989-91                | V8 5.7L 350 CI | .050"   | FWS-2     |
| 1989-91                | V8 5.7L 350 CI | .025"   | FWS-1     |
| 1989-91                | V8 6.2L 379 CI | .025"   | FWS-1     |
| 1989-91                | V8 6.2L 379 CI | .050"   | FWS-2     |
| 1989-91                | V8 7.4L 454 CI | .025"   | FWS-1     |
| 1989-91                | V8 7.4L 454 CI | .050"   | FWS-2     |
| <b>R30</b>             |                |         |           |
| 1987-88                | L6 4.8L 292 CI | .050"   | FWS-28    |
| 1987-88                | L6 4.8L 292 CI | .025"   | FWS-27    |
| 1987-88                | V8 5.7L 350 CI | .050"   | FWS-2     |
| 1987-88                | V8 5.7L 350 CI | .025"   | FWS-1     |
| 1987-88                | V8 6.2L 379 CI | .050"   | FWS-2     |
| 1987-88                | V8 6.2L 379 CI | .025"   | FWS-1     |
| 1987-88                | V8 7.4L 454 CI | .025"   | FWS-1     |
| 1987-88                | V8 7.4L 454 CI | .050"   | FWS-2     |

# FLYWHEEL SHIM APPLICATIONS

| Years                    | Engine         | Remarks | Pioneer # |
|--------------------------|----------------|---------|-----------|
| <b>CHEVROLET TRUCK</b>   |                |         |           |
| <b>R3500</b>             |                |         |           |
| 1989-91                  | V8 5.7L 350 CI | .025"   | FWS-1     |
| 1989-91                  | V8 5.7L 350 CI | .050"   | FWS-2     |
| 1989-91                  | V8 6.2L 379 CI | .025"   | FWS-1     |
| 1989-91                  | V8 6.2L 379 CI | .050"   | FWS-2     |
| 1989-91                  | V8 7.4L 454 CI | .025"   | FWS-1     |
| 1989-91                  | V8 7.4L 454 CI | .050"   | FWS-2     |
| <b>S10</b>               |                |         |           |
| 1982-93                  | V6 2.8L 173 CI | .050"   | FWS-8     |
| 1982-93                  | V6 2.8L 173 CI | .025"   | FWS-7     |
| 1983-84                  | L4 2.0L 122 CI | .025"   | FWS-25    |
| 1983-84                  | L4 2.0L 122 CI | .050"   | FWS-26    |
| 1985-93                  | L4 2.5L 151 CI | .050"   | FWS-8     |
| 1985-93                  | L4 2.5L 151 CI | .025"   | FWS-7     |
| 1989-04                  | V6 4.3L 262 CI | .025"   | FWS-25    |
| 1989-04                  | V6 4.3L 262 CI | .050"   | FWS-26    |
| 1994-03                  | L4 2.2L 134 CI | .050"   | FWS-8     |
| 1994-03                  | L4 2.2L 134 CI | .025"   | FWS-7     |
| <b>S10 BLAZER</b>        |                |         |           |
| 1983-84                  | L4 2.0L 122 CI | .025"   | FWS-25    |
| 1983-84                  | L4 2.0L 122 CI | .050"   | FWS-26    |
| 1983-89                  | V6 2.8L 173 CI | .050"   | FWS-8     |
| 1983-89                  | V6 2.8L 173 CI | .025"   | FWS-7     |
| 1985-88                  | L4 2.5L 151 CI | .050"   | FWS-8     |
| 1985-88                  | L4 2.5L 151 CI | .025"   | FWS-7     |
| 1989-94                  | V6 4.3L 262 CI | .050"   | FWS-26    |
| 1989-94                  | V6 4.3L 262 CI | .025"   | FWS-25    |
| <b>SILVERADO 1500</b>    |                |         |           |
| 1999-04                  | V6 4.3L 262 CI | .025"   | FWS-25    |
| 1999-04                  | V6 4.3L 262 CI | .050"   | FWS-26    |
| 1999-07                  | V8 5.3L 325 CI | .050"   | FWS-28    |
| 1999-07                  | V8 5.3L 325 CI | .025"   | FWS-27    |
| 1999-09                  | V8 4.8L 294 CI | .050"   | FWS-28    |
| 1999-09                  | V8 4.8L 294 CI | .025"   | FWS-27    |
| 2003-07                  | V8 6.0L 364 CI | .050"   | FWS-28    |
| 2003-07                  | V8 6.0L 364 CI | .025"   | FWS-27    |
| <b>SILVERADO 1500 HD</b> |                |         |           |
| 2001-03                  | V8 6.0L 364 CI | .050"   | FWS-28    |
| 2005-06                  | V8 6.0L 364 CI | .050"   | FWS-28    |
| 2001-03                  | V8 6.0L 364 CI | .025"   | FWS-27    |
| 2005-06                  | V8 6.0L 364 CI | .025"   | FWS-27    |

# FLYWHEEL SHIM APPLICATIONS

| Years                    | Engine         | Remarks | Pioneer # |
|--------------------------|----------------|---------|-----------|
| <b>CHEVROLET TRUCK</b>   |                |         |           |
| <b>SILVERADO 2500</b>    |                |         |           |
| 1999-00                  | V8 5.3L 325 CI | .050"   | FWS-28    |
| 1999-00                  | V8 5.3L 325 CI | .025"   | FWS-27    |
| 1999-04                  | V8 6.0L 364 CI | .050"   | FWS-28    |
| 1999-04                  | V8 6.0L 364 CI | .025"   | FWS-27    |
| <b>SILVERADO 2500 HD</b> |                |         |           |
| 2001-07                  | V8 6.0L 364 CI | .025"   | FWS-27    |
| 2001-07                  | V8 6.0L 364 CI | .050"   | FWS-28    |
| 2001-07                  | V8 6.6L 403 CI | .050"   | FWS-28    |
| 2001-07                  | V8 6.6L 403 CI | .025"   | FWS-27    |
| <b>SILVERADO 3500</b>    |                |         |           |
| 2001-06                  | V8 6.0L 364 CI | .050"   | FWS-28    |
| 2001-06                  | V8 6.0L 364 CI | .025"   | FWS-27    |
| 2001-06                  | V8 6.6L 403 CI | .025"   | FWS-27    |
| 2001-06                  | V8 6.6L 403 CI | .050"   | FWS-28    |
| <b>SSR</b>               |                |         |           |
| 2003-04                  | V8 5.3L 325 CI | .025"   | FWS-27    |
| 2003-04                  | V8 5.3L 325 CI | .050"   | FWS-28    |
| 2005-06                  | V8 6.0L 364 CI | .025"   | FWS-27    |
| 2005-06                  | V8 6.0L 364 CI | .050"   | FWS-28    |
| <b>SUBURBAN 1500</b>     |                |         |           |
| 2000-09                  | V8 5.3L 325 CI | .050"   | FWS-28    |
| 2000-09                  | V8 5.3L 325 CI | .025"   | FWS-27    |
| 2003-05                  | V8 5.3L 323 CI | .025"   | FWS-27    |
| 2003-05                  | V8 5.3L 323 CI | .050"   | FWS-28    |
| <b>SUBURBAN</b>          |                |         |           |
| 1961-66                  | V8 4.6L 283 CI | .025"   | FWS-1     |
| 1961-66                  | V8 4.6L 283 CI | .050"   | FWS-2     |
| 1963-65                  | L6 3.8L 230 CI | .050"   | FWS-2     |
| 1963-66                  | L6 4.8L 293 CI | .050"   | FWS-28    |
| 1963-66                  | L6 4.8L 293 CI | .025"   | FWS-27    |
| 1966                     | L6 4.1L 250 CI | .050"   | FWS-2     |
| 1966                     | L6 4.1L 250 CI | .025"   | FWS-1     |
| <b>SUBURBAN 2500</b>     |                |         |           |
| 2000-07                  | V8 6.0L 364 CI | .050"   | FWS-28    |
| 2000-07                  | V8 6.0L 364 CI | .025"   | FWS-27    |
| <b>TAHOE</b>             |                |         |           |
| 1995-99                  | V8 5.7L 350 CI | .050"   | FWS-2     |
| 1995-99                  | V8 5.7L 350 CI | .025"   | FWS-1     |
| 2000-07                  | V8 4.8L 294 CI | .025"   | FWS-27    |
| 2000-07                  | V8 4.8L 294 CI | .050"   | FWS-28    |

# FLYWHEEL SHIM APPLICATIONS

| Years                  | Engine         | Remarks | Pioneer # |
|------------------------|----------------|---------|-----------|
| <b>CHEVROLET TRUCK</b> |                |         |           |
| <b>TAHOE</b>           |                |         |           |
| 2000-09                | V8 5.3L 325 CI | .050"   | FWS-28    |
| 2000-09                | V8 5.3L 325 CI | .025"   | FWS-27    |
| <b>TRACKER</b>         |                |         |           |
| 1999-03                | L4 2.0L 122 CI | .050"   | FWS-26    |
| 1999-03                | L4 2.0L 122 CI | .025"   | FWS-25    |
| <b>TRAILBLAZER</b>     |                |         |           |
| 2002-09                | L6 4.2L 256 CI | .025"   | FWS-27    |
| 2002-09                | L6 4.2L 256 CI | .050"   | FWS-28    |
| 2006-07                | V8 6.0L 364 CI | .050"   | FWS-28    |
| 2006-07                | V8 6.0L 364 CI | .025"   | FWS-27    |
| 2006-08                | V8 5.3L 325 CI | .025"   | FWS-27    |
| 2006-08                | V8 5.3L 325 CI | .050"   | FWS-28    |
| <b>TRUCK</b>           |                |         |           |
| 1957-58                | V8 4.6L 283 CI | .050"   | FWS-2     |
| 1960                   | V8 4.6L 283 CI | .050"   | FWS-2     |
| 1957-58                | V8 4.6L 283 CI | .025"   | FWS-1     |
| 1960                   | V8 4.6L 283 CI | .025"   | FWS-1     |
| <b>V10</b>             |                |         |           |
| 1987                   | V8 5.7L 350 CI | .025"   | FWS-1     |
| 1987                   | V8 5.7L 350 CI | .050"   | FWS-2     |
| 1987                   | V8 6.2L 379 CI | .050"   | FWS-2     |
| 1987                   | V8 6.2L 379 CI | .025"   | FWS-1     |
| <b>V10 SUBURBAN</b>    |                |         |           |
| 1987-88                | V8 5.7L 350 CI | .050"   | FWS-2     |
| 1987-88                | V8 5.7L 350 CI | .025"   | FWS-1     |
| 1987-88                | V8 6.2L 379 CI | .050"   | FWS-2     |
| 1987-88                | V8 6.2L 379 CI | .025"   | FWS-1     |
| <b>V1500 SUBURBAN</b>  |                |         |           |
| 1989-91                | V8 5.7L 350 CI | .050"   | FWS-2     |
| 1989-91                | V8 5.7L 350 CI | .025"   | FWS-1     |
| 1989-91                | V8 6.2L 379 CI | .025"   | FWS-1     |
| 1989-91                | V8 6.2L 379 CI | .050"   | FWS-2     |
| <b>V20</b>             |                |         |           |
| 1987                   | L6 4.8L 292 CI | .050"   | FWS-28    |
| 1987                   | L6 4.8L 292 CI | .025"   | FWS-27    |
| 1987                   | V8 5.7L 350 CI | .050"   | FWS-2     |
| 1987                   | V8 5.7L 350 CI | .025"   | FWS-1     |
| 1987                   | V8 6.2L 379 CI | .025"   | FWS-1     |
| 1987                   | V8 6.2L 379 CI | .050"   | FWS-2     |
| <b>V20 SUBURBAN</b>    |                |         |           |
| 1987-88                | V8 5.7L 350 CI | .025"   | FWS-1     |



# FLYWHEEL SHIM APPLICATIONS

| Years                  | Engine         | Remarks | Pioneer # |
|------------------------|----------------|---------|-----------|
| <b>CHEVROLET TRUCK</b> |                |         |           |
| <b>V20 SUBURBAN</b>    |                |         |           |
| 1987-88                | V8 5.7L 350 CI | .050"   | FWS-2     |
| 1987-88                | V8 6.2L 379 CI | .050"   | FWS-2     |
| 1987-88                | V8 6.2L 379 CI | .025"   | FWS-1     |
| 1987-88                | V8 7.4L 454 CI | .025"   | FWS-1     |
| 1987-88                | V8 7.4L 454 CI | .050"   | FWS-2     |
| <b>V2500 SUBURBAN</b>  |                |         |           |
| 1989-91                | V8 5.7L 350 CI | .050"   | FWS-2     |
| 1989-91                | V8 5.7L 350 CI | .025"   | FWS-1     |
| 1989-91                | V8 6.2L 379 CI | .050"   | FWS-2     |
| 1989-91                | V8 6.2L 379 CI | .025"   | FWS-1     |
| 1990                   | V8 7.4L 454 CI | .025"   | FWS-1     |
| 1990                   | V8 7.4L 454 CI | .050"   | FWS-2     |
| <b>V30</b>             |                |         |           |
| 1987-88                | L6 4.8L 292 CI | .025"   | FWS-27    |
| 1987-88                | L6 4.8L 292 CI | .050"   | FWS-28    |
| 1987-88                | V8 5.7L 350 CI | .025"   | FWS-1     |
| 1987-88                | V8 5.7L 350 CI | .050"   | FWS-2     |
| 1987-88                | V8 6.2L 379 CI | .025"   | FWS-1     |
| 1987-88                | V8 6.2L 379 CI | .050"   | FWS-2     |
| 1987-88                | V8 7.4L 454 CI | .050"   | FWS-2     |
| 1987-88                | V8 7.4L 454 CI | .025"   | FWS-1     |
| <b>V3500</b>           |                |         |           |
| 1989-91                | V8 5.7L 350 CI | .050"   | FWS-2     |
| 1989-91                | V8 5.7L 350 CI | .025"   | FWS-1     |
| 1989-91                | V8 6.2L 379 CI | .025"   | FWS-1     |
| 1989-91                | V8 6.2L 379 CI | .050"   | FWS-2     |
| 1989-91                | V8 7.4L 454 CI | .025"   | FWS-1     |
| 1989-91                | V8 7.4L 454 CI | .050"   | FWS-2     |
| <b>CHEVROLET</b>       |                |         |           |
| <b>TWO-TEN SERIES</b>  |                |         |           |
| 1957                   | V8 4.6L 283 CI | .050"   | FWS-2     |
| 1957                   | V8 4.6L 283 CI | .025"   | FWS-1     |
| <b>VEGA</b>            |                |         |           |
| 1971-77                | L4 2.3L 140 CI | .025"   | FWS-25    |
| 1971-77                | L4 2.3L 140 CI | .050"   | FWS-26    |
| 1975-76                | L4 2.0L 122 CI | .025"   | FWS-25    |
| 1975-76                | L4 2.0L 122 CI | .050"   | FWS-26    |
| <b>CHRYSLER</b>        |                |         |           |
| <b>300</b>             |                |         |           |
| 1962-66                | V8 6.3L 383 CI | .050"   | FWS-4     |

# FLYWHEEL SHIM APPLICATIONS

| Years           | Engine         | Remarks | Pioneer # |
|-----------------|----------------|---------|-----------|
| <b>CHRYSLER</b> |                |         |           |
| <b>300</b>      |                |         |           |
| 1962-66         | V8 6.3L 383 CI | .025"   | FWS-3     |
| 1962-66         | V8 6.3L 384 CI | .025"   | FWS-3     |
| 1962-66         | V8 6.3L 384 CI | .050"   | FWS-4     |
| 1966-71         | V8 7.2L 440 CI | .025"   | FWS-3     |
| 1966-71         | V8 7.2L 440 CI | .050"   | FWS-4     |
| 2005-08         | V8 5.7L 345 CI | .025"   | FWS-31    |
| 2005-08         | V8 5.7L 345 CI | .050"   | FWS-32    |
| <b>CIRRUS</b>   |                |         |           |
| 2000            | L4 2.0L 122 CI | .025"   | FWS-21    |
| 2000            | L4 2.0L 122 CI | .050"   | FWS-22    |
| 1995-97         | L4 2.4L 148 CI | .025"   | FWS-21    |
| 2000            | L4 2.4L 148 CI | .025"   | FWS-21    |
| 1995-97         | L4 2.4L 148 CI | .050"   | FWS-22    |
| 2000            | L4 2.4L 148 CI | .050"   | FWS-22    |
| <b>CONQUEST</b> |                |         |           |
| 1987-89         | L4 2.6L 156 CI | .025"   | FWS-21    |
| 1987-89         | L4 2.6L 156 CI | .050"   | FWS-22    |
| <b>CORDOBA</b>  |                |         |           |
| 1975-79         | V8 5.9L 360 CI | .025"   | FWS-3     |
| 1975-79         | V8 5.9L 360 CI | .050"   | FWS-4     |
| 1975            | V8 5.2L 318 CI | .050"   | FWS-4     |
| 1977-83         | V8 5.2L 318 CI | .050"   | FWS-4     |
| 1975-76         | V8 5.2L 318 CI | .025"   | FWS-3     |
| 1978-83         | V8 5.2L 318 CI | .025"   | FWS-3     |
| <b>DAYTONA</b>  |                |         |           |
| 1987-93         | L4 2.5L 153 CI | .050"   | FWS-22    |
| 1987-93         | L4 2.5L 153 CI | .025"   | FWS-21    |
| 1990-93         | V6 3.0L 181 CI | .025"   | FWS-1     |
| 1990-93         | V6 3.0L 181 CI | .050"   | FWS-2     |
| 1984-89         | L4 2.2L 135 CI | .050"   | FWS-22    |
| 1992-93         | L4 2.2L 135 CI | .050"   | FWS-22    |
| 1984-89         | L4 2.2L 135 CI | .025"   | FWS-21    |
| 1992-93         | L4 2.2L 135 CI | .025"   | FWS-21    |
| <b>DYNASTY</b>  |                |         |           |
| 1988-92         | L4 2.5L 153 CI | .050"   | FWS-22    |
| 1988-92         | L4 2.5L 153 CI | .025"   | FWS-21    |
| 1989-90         | V6 3.0L 181 CI | .025"   | FWS-1     |
| 1989-90         | V6 3.0L 181 CI | .050"   | FWS-2     |
| <b>E CLASS</b>  |                |         |           |
| 1983-84         | L4 2.2L 135 CI | .025"   | FWS-21    |

# FLYWHEEL SHIM APPLICATIONS

| Years                      | Engine         | Remarks | Pioneer # |
|----------------------------|----------------|---------|-----------|
| <b>CHRYSLER</b>            |                |         |           |
| <b>E CLASS</b>             |                |         |           |
| 1983-84                    | L4 2.6L 156 CI | .025"   | FWS-21    |
| 1983-84                    | L4 2.6L 156 CI | .050"   | FWS-22    |
| 1983-84                    | L4 2.2L 135 CI | .050"   | FWS-22    |
| <b>EXECUTIVE LIMOUSINE</b> |                |         |           |
| 1985                       | L4 2.6L 156 CI | .025"   | FWS-21    |
| 1985                       | L4 2.6L 156 CI | .050"   | FWS-22    |
| <b>EXECUTIVE SEDAN</b>     |                |         |           |
| 1983-84                    | L4 2.6L 156 CI | .025"   | FWS-21    |
| 1983-84                    | L4 2.6L 156 CI | .050"   | FWS-22    |
| <b>FIFTH AVENUE</b>        |                |         |           |
| 1983-89                    | V8 5.2L 318 CI | .025"   | FWS-3     |
| 1983-89                    | V8 5.2L 318 CI | .050"   | FWS-4     |
| <b>IMPERIAL</b>            |                |         |           |
| 1966-75                    | V8 7.2L 440 CI | .025"   | FWS-3     |
| 1966-75                    | V8 7.2L 440 CI | .050"   | FWS-4     |
| 1981-83                    | V8 5.2L 318 CI | .025"   | FWS-3     |
| 1981-83                    | V8 5.2L 318 CI | .050"   | FWS-4     |
| <b>LASER</b>               |                |         |           |
| 1984-86                    | L4 2.2L 135 CI | .050"   | FWS-22    |
| 1984-86                    | L4 2.2L 135 CI | .025"   | FWS-21    |
| 1986                       | L4 2.5L 153 CI | .025"   | FWS-21    |
| 1986                       | L4 2.5L 153 CI | .050"   | FWS-22    |
| <b>LEBARON</b>             |                |         |           |
| 1977-81                    | V8 5.2L 318 CI | .050"   | FWS-4     |
| 1977-81                    | V8 5.2L 318 CI | .025"   | FWS-3     |
| 1978-79                    | V8 5.9L 360 CI | .025"   | FWS-3     |
| 1978-79                    | V8 5.9L 360 CI | .050"   | FWS-4     |
| 1982-85                    | L4 2.6L 156 CI | .050"   | FWS-22    |
| 1982-85                    | L4 2.6L 156 CI | .025"   | FWS-21    |
| 1982-90                    | L4 2.2L 135 CI | .025"   | FWS-21    |
| 1986-93                    | L4 2.5L 153 CI | .050"   | FWS-22    |
| 1986-93                    | L4 2.5L 153 CI | .025"   | FWS-21    |
| 1982-90                    | L4 2.2L 135 CI | .050"   | FWS-22    |
| 1990-95                    | V6 3.0L 181 CI | .050"   | FWS-2     |
| 1990-95                    | V6 3.0L 181 CI | .025"   | FWS-1     |
| <b>NEW YORKER</b>          |                |         |           |
| 1966-76                    | V8 7.2L 440 CI | .050"   | FWS-4     |
| 1978                       | V8 7.2L 440 CI | .050"   | FWS-4     |
| 1966-78                    | V8 7.2L 440 CI | .025"   | FWS-3     |
| 1977-80                    | V8 5.9L 360 CI | .025"   | FWS-3     |

# FLYWHEEL SHIM APPLICATIONS

| Years             | Engine         | Remarks | Pioneer # |
|-------------------|----------------|---------|-----------|
| <b>CHRYSLER</b>   |                |         |           |
| <b>NEW YORKER</b> |                |         |           |
| 1977-80           | V8 5.9L 360 CI | .050"   | FWS-4     |
| 1979-82           | V8 5.2L 318 CI | .050"   | FWS-4     |
| 1980-82           | V8 5.2L 318 CI | .025"   | FWS-3     |
| 1983-85           | L4 2.6L 156 CI | .050"   | FWS-22    |
| 1983-85           | L4 2.6L 156 CI | .025"   | FWS-21    |
| 1983-88           | L4 2.2L 135 CI | .050"   | FWS-22    |
| 1983-88           | L4 2.2L 135 CI | .025"   | FWS-21    |
| 1986-87           | L4 2.5L 153 CI | .050"   | FWS-22    |
| 1986-87           | L4 2.5L 153 CI | .025"   | FWS-21    |
| 1988-89           | V6 3.0L 181 CI | .050"   | FWS-2     |
| 1988-89           | V6 3.0L 181 CI | .025"   | FWS-1     |
| <b>NEWPORT</b>    |                |         |           |
| 1961-64           | V8 5.9L 361 CI | .025"   | FWS-1     |
| 1961-64           | V8 5.9L 361 CI | .050"   | FWS-2     |
| 1965-71           | V8 6.3L 384 CI | .050"   | FWS-4     |
| 1965-71           | V8 6.3L 384 CI | .025"   | FWS-3     |
| 1966-78           | V8 7.2L 440 CI | .050"   | FWS-4     |
| 1966-76           | V8 7.2L 440 CI | .025"   | FWS-3     |
| 1978              | V8 7.2L 440 CI | .025"   | FWS-3     |
| 1967-71           | V8 6.3L 383 CI | .050"   | FWS-4     |
| 1967-71           | V8 6.3L 383 CI | .025"   | FWS-3     |
| 1971-72           | V8 5.9L 360 CI | .025"   | FWS-3     |
| 1974-80           | V8 5.9L 360 CI | .025"   | FWS-3     |
| 1971-72           | V8 5.9L 360 CI | .050"   | FWS-4     |
| 1974-80           | V8 5.9L 360 CI | .050"   | FWS-4     |
| 1979-81           | V8 5.2L 318 CI | .050"   | FWS-4     |
| 1979-81           | V8 5.2L 318 CI | .025"   | FWS-3     |
| <b>PT CRUISER</b> |                |         |           |
| 2001-05           | L4 2.4L 148 CI | .025"   | FWS-21    |
| 2001-05           | L4 2.4L 148 CI | .050"   | FWS-22    |
| <b>SARATOGA</b>   |                |         |           |
| 1959              | V8 6.3L 383 CI | .025"   | FWS-3     |
| 1959              | V8 6.3L 383 CI | .050"   | FWS-4     |
| 1959-60           | V8 6.3L 384 CI | .025"   | FWS-3     |
| 1959-60           | V8 6.3L 384 CI | .050"   | FWS-4     |
| <b>SEBRING</b>    |                |         |           |
| 1995-99           | L4 2.0L 122 CI | .050"   | FWS-22    |
| 1995-99           | L4 2.0L 122 CI | .025"   | FWS-21    |
| 2001-04           | L4 2.4L 143 CI | .050"   | FWS-22    |
| 2001-04           | L4 2.4L 143 CI | .025"   | FWS-21    |

# FLYWHEEL SHIM APPLICATIONS

| Years                     | Engine         | Remarks | Pioneer # |
|---------------------------|----------------|---------|-----------|
| <b>CHRYSLER</b>           |                |         |           |
| <b>SEBRING</b>            |                |         |           |
| 2001-05                   | V6 3.0L 181 CI | .050"   | FWS-2     |
| 2001-05                   | V6 3.0L 181 CI | .025"   | FWS-1     |
| 1996-98                   | L4 2.4L 148 CI | .025"   | FWS-21    |
| 2001-06                   | L4 2.4L 148 CI | .025"   | FWS-21    |
| 1996-98                   | L4 2.4L 148 CI | .050"   | FWS-22    |
| 2001-06                   | L4 2.4L 148 CI | .050"   | FWS-22    |
| <b>TC MASERATI</b>        |                |         |           |
| 1989-90                   | L4 2.2L 135 CI | .050"   | FWS-22    |
| 1989-90                   | L4 2.2L 135 CI | .025"   | FWS-21    |
| 1990-91                   | V6 3.0L 181 CI | .025"   | FWS-1     |
| 1990-91                   | V6 3.0L 181 CI | .050"   | FWS-2     |
| <b>TOWN &amp; COUNTRY</b> |                |         |           |
| 1961-64                   | V8 5.9L 361 CI | .025"   | FWS-1     |
| 1961-64                   | V8 5.9L 361 CI | .050"   | FWS-2     |
| 1959-61                   | V8 6.3L 384 CI | .050"   | FWS-4     |
| 1963-71                   | V8 6.3L 384 CI | .050"   | FWS-4     |
| 1959-61                   | V8 6.3L 384 CI | .025"   | FWS-3     |
| 1963-71                   | V8 6.3L 384 CI | .025"   | FWS-3     |
| 1968-71                   | V8 6.3L 383 CI | .025"   | FWS-3     |
| 1968-71                   | V8 6.3L 383 CI | .050"   | FWS-4     |
| 1978-79                   | V8 5.9L 360 CI | .025"   | FWS-3     |
| 1978-79                   | V8 5.9L 360 CI | .050"   | FWS-4     |
| 1978-81                   | V8 5.2L 318 CI | .025"   | FWS-3     |
| 1978-81                   | V8 5.2L 318 CI | .050"   | FWS-4     |
| 1982-88                   | L4 2.2L 135 CI | .025"   | FWS-21    |
| 1982-88                   | L4 2.2L 135 CI | .050"   | FWS-22    |
| 1982                      | L4 2.6L 156 CI | .025"   | FWS-21    |
| 1984-85                   | L4 2.6L 156 CI | .025"   | FWS-21    |
| 1982                      | L4 2.6L 156 CI | .050"   | FWS-22    |
| 1984-85                   | L4 2.6L 156 CI | .050"   | FWS-22    |
| 1986-88                   | L4 2.5L 153 CI | .050"   | FWS-22    |
| 1986-88                   | L4 2.5L 153 CI | .025"   | FWS-21    |
| <b>CHRYSLER TRUCK</b>     |                |         |           |
| <b>GRAND VOYAGER</b>      |                |         |           |
| 2000                      | V6 3.0L 181 CI | .025"   | FWS-1     |
| 2000                      | V6 3.0L 181 CI | .050"   | FWS-2     |
| <b>DODGE</b>              |                |         |           |
| <b>ASPEN</b>              |                |         |           |
| 1976-80                   | V8 5.9L 360 CI | .025"   | FWS-3     |

# FLYWHEEL SHIM APPLICATIONS

| Years             | Engine         | Remarks | Pioneer # |
|-------------------|----------------|---------|-----------|
| <b>DODGE</b>      |                |         |           |
| <b>ASPEN</b>      |                |         |           |
| 1976-80           | V8 5.9L 360 CI | .050"   | FWS-4     |
| <b>CHALLENGER</b> |                |         |           |
| 1974              | V8 5.9L 360 CI | .025"   | FWS-3     |
| 1974              | V8 5.9L 360 CI | .050"   | FWS-4     |
| <b>CHARGER</b>    |                |         |           |
| 1967-68           | V8 6.3L 383 CI | .025"   | FWS-3     |
| 1967-68           | V8 6.3L 383 CI | .050"   | FWS-4     |
| 1967-68           | V8 6.3L 384 CI | .050"   | FWS-4     |
| 1967-68           | V8 6.3L 384 CI | .025"   | FWS-3     |
| 1967-72           | V8 7.2L 440 CI | .050"   | FWS-4     |
| 1967-72           | V8 7.2L 440 CI | .025"   | FWS-3     |
| 1971-72           | V8 5.6L 340 CI | .050"   | FWS-4     |
| 1971-72           | V8 5.6L 340 CI | .025"   | FWS-3     |
| 1971-78           | V8 5.2L 318 CI | .025"   | FWS-3     |
| 1971-78           | V8 5.2L 318 CI | .050"   | FWS-4     |
| 1974-78           | V8 5.9L 360 CI | .025"   | FWS-3     |
| 1974-78           | V8 5.9L 360 CI | .050"   | FWS-4     |
| 1984-86           | L4 2.2L 135 CI | .025"   | FWS-21    |
| 1984-86           | L4 2.2L 135 CI | .050"   | FWS-22    |
| 2006-07           | V8 5.7L 345 CI | .050"   | FWS-32    |
| 2006-07           | V8 5.7L 345 CI | .025"   | FWS-31    |
| <b>COLT</b>       |                |         |           |
| 1971-82           | L4 1.6L 97 CI  | .025"   | FWS-21    |
| 1971-82           | L4 1.6L 97 CI  | .050"   | FWS-22    |
| 1985-91           | L4 2.0L 122 CI | .050"   | FWS-22    |
| 1985-91           | L4 2.0L 122 CI | .025"   | FWS-21    |
| 1985              | L4 1.5L 90 CI  | .050"   | FWS-22    |
| 1990-91           | L4 1.5L 90 CI  | .050"   | FWS-22    |
| 1994              | L4 1.5L 90 CI  | .050"   | FWS-22    |
| 1993-94           | L4 2.4L 143 CI | .050"   | FWS-22    |
| 1993-94           | L4 2.4L 143 CI | .025"   | FWS-21    |
| 1985              | L4 1.5L 90 CI  | .025"   | FWS-21    |
| 1990-91           | L4 1.5L 90 CI  | .025"   | FWS-21    |
| 1994              | L4 1.5L 90 CI  | .025"   | FWS-21    |
| <b>CORONET</b>    |                |         |           |
| 1958              | V8 5.9L 361 CI | .025"   | FWS-3     |
| 1958              | V8 5.9L 361 CI | .050"   | FWS-4     |
| 1965-74           | V8 5.2L 318 CI | .025"   | FWS-3     |
| 1965-74           | V8 5.2L 318 CI | .050"   | FWS-4     |
| 1968-71           | V8 6.3L 383 CI | .025"   | FWS-3     |

# FLYWHEEL SHIM APPLICATIONS

| Years          | Engine         | Remarks | Pioneer # |
|----------------|----------------|---------|-----------|
| <b>DODGE</b>   |                |         |           |
| <b>CORONET</b> |                |         |           |
| 1968-71        | V8 6.3L 383 CI | .050"   | FWS-4     |
| 1968-71        | V8 6.3L 384 CI | .025"   | FWS-3     |
| 1968-71        | V8 6.3L 384 CI | .050"   | FWS-4     |
| 1973-76        | V8 5.9L 360 CI | .025"   | FWS-3     |
| 1973-76        | V8 5.9L 360 CI | .050"   | FWS-4     |
| 1970           | V8 7.2L 440 CI | .025"   | FWS-3     |
| 1972-76        | V8 7.2L 440 CI | .025"   | FWS-3     |
| 1970           | V8 7.2L 440 CI | .050"   | FWS-4     |
| 1972-76        | V8 7.2L 440 CI | .050"   | FWS-4     |
| <b>CUSTOM</b>  |                |         |           |
| 1958-64        | V8 5.9L 361 CI | .050"   | FWS-4     |
| 1958-64        | V8 5.9L 361 CI | .025"   | FWS-3     |
| 1963-65        | V8 6.3L 384 CI | .025"   | FWS-3     |
| 1963-65        | V8 6.3L 384 CI | .050"   | FWS-4     |
| <b>DART</b>    |                |         |           |
| 1960-62        | V8 5.9L 361 CI | .050"   | FWS-4     |
| 1960-62        | V8 5.9L 361 CI | .025"   | FWS-3     |
| 1960           | V8 6.3L 383 CI | .050"   | FWS-4     |
| 1967-69        | V8 6.3L 383 CI | .050"   | FWS-4     |
| 1960           | V8 6.3L 383 CI | .025"   | FWS-3     |
| 1967-69        | V8 6.3L 383 CI | .025"   | FWS-3     |
| 1960           | V8 6.3L 384 CI | .025"   | FWS-3     |
| 1962           | V8 6.3L 384 CI | .025"   | FWS-3     |
| 1967-69        | V8 6.3L 384 CI | .025"   | FWS-3     |
| 1960           | V8 6.3L 384 CI | .050"   | FWS-4     |
| 1962           | V8 6.3L 384 CI | .050"   | FWS-4     |
| 1967-69        | V8 6.3L 384 CI | .050"   | FWS-4     |
| 1970-73        | V8 5.6L 340 CI | .050"   | FWS-4     |
| 1970-73        | V8 5.6L 340 CI | .025"   | FWS-3     |
| 1971-72        | V8 5.2L 318 CI | .025"   | FWS-3     |
| 1975           | V8 5.2L 318 CI | .025"   | FWS-3     |
| 1971-72        | V8 5.2L 318 CI | .050"   | FWS-4     |
| 1975           | V8 5.2L 318 CI | .050"   | FWS-4     |
| 1974-76        | V8 5.9L 360 CI | .025"   | FWS-3     |
| 1974-76        | V8 5.9L 360 CI | .050"   | FWS-4     |
| <b>DAYTONA</b> |                |         |           |
| 1986-93        | L4 2.5L 153 CI | .025"   | FWS-21    |
| 1986-93        | L4 2.5L 153 CI | .050"   | FWS-22    |
| 1990-91        | V6 3.0L 181 CI | .050"   | FWS-4     |
| 1990-91        | V6 3.0L 181 CI | .025"   | FWS-3     |

# FLYWHEEL SHIM APPLICATIONS

| Years           | Engine         | Remarks | Pioneer # |
|-----------------|----------------|---------|-----------|
| <b>DODGE</b>    |                |         |           |
| <b>DAYTONA</b>  |                |         |           |
| 1984-87         | L4 2.2L 135 CI | .025"   | FWS-21    |
| 1993            | L4 2.2L 135 CI | .025"   | FWS-21    |
| 1984-87         | L4 2.2L 135 CI | .050"   | FWS-22    |
| 1993            | L4 2.2L 135 CI | .050"   | FWS-22    |
| <b>DIPLOMAT</b> |                |         |           |
| 1978-79         | V8 5.9L 360 CI | .025"   | FWS-3     |
| 1978-79         | V8 5.9L 360 CI | .050"   | FWS-4     |
| 1982-86         | V8 5.2L 318 CI | .025"   | FWS-3     |
| 1982-86         | V8 5.2L 318 CI | .050"   | FWS-4     |
| <b>DYNASTY</b>  |                |         |           |
| 1988-93         | V6 3.0L 181 CI | .025"   | FWS-21    |
| 1988-93         | V6 3.0L 181 CI | .050"   | FWS-22    |
| 1993            | L4 2.5L 153 CI | .025"   | FWS-21    |
| 1993            | L4 2.5L 153 CI | .050"   | FWS-22    |
| <b>LANCER</b>   |                |         |           |
| 1985-88         | L4 2.2L 135 CI | .050"   | FWS-22    |
| 1985-88         | L4 2.2L 135 CI | .025"   | FWS-21    |
| <b>MAGNUM</b>   |                |         |           |
| 1978-79         | V8 5.2L 318 CI | .025"   | FWS-3     |
| 1978-79         | V8 5.2L 318 CI | .050"   | FWS-4     |
| 1978-79         | V8 5.9L 360 CI | .050"   | FWS-4     |
| 1978-79         | V8 5.9L 360 CI | .025"   | FWS-3     |
| 2005-06         | V8 5.7L 345 CI | .025"   | FWS-31    |
| 2005-06         | V8 5.7L 345 CI | .050"   | FWS-32    |
| <b>MATADOR</b>  |                |         |           |
| 1960            | V8 5.2L 318 CI | .050"   | FWS-4     |
| 1960            | V8 5.2L 318 CI | .025"   | FWS-3     |
| 1960            | V8 5.9L 361 CI | .025"   | FWS-3     |
| 1960            | V8 5.9L 361 CI | .050"   | FWS-4     |
| 1960            | V8 6.3L 384 CI | .025"   | FWS-3     |
| 1960            | V8 6.3L 384 CI | .050"   | FWS-4     |
| <b>MIRADA</b>   |                |         |           |
| 1980            | V8 5.9L 360 CI | .050"   | FWS-4     |
| 1980            | V8 5.9L 360 CI | .025"   | FWS-3     |
| <b>MONACO</b>   |                |         |           |
| 1966-76         | V8 7.2L 440 CI | .050"   | FWS-4     |
| 1966-76         | V8 7.2L 440 CI | .025"   | FWS-3     |
| 1965-67         | V8 6.3L 383 CI | .050"   | FWS-4     |
| 1971            | V8 6.3L 383 CI | .050"   | FWS-4     |
| 1965-67         | V8 6.3L 383 CI | .025"   | FWS-3     |



# FLYWHEEL SHIM APPLICATIONS

| Years               | Engine         | Remarks | Pioneer # |
|---------------------|----------------|---------|-----------|
| <b>DODGE</b>        |                |         |           |
| <b>MONACO</b>       |                |         |           |
| 1971                | V8 6.3L 383 CI | .025"   | FWS-3     |
| 1965-67             | V8 6.3L 384 CI | .050"   | FWS-4     |
| 1971                | V8 6.3L 384 CI | .050"   | FWS-4     |
| 1965-67             | V8 6.3L 384 CI | .025"   | FWS-3     |
| 1971                | V8 6.3L 384 CI | .025"   | FWS-3     |
| 1971-78             | V8 5.9L 360 CI | .050"   | FWS-4     |
| 1971-78             | V8 5.9L 360 CI | .025"   | FWS-3     |
| <b>NEON</b>         |                |         |           |
| 1995-97             | L4 2.0L 122 CI | .025"   | FWS-21    |
| 2000-02             | L4 2.0L 122 CI | .025"   | FWS-21    |
| 1995-97             | L4 2.0L 122 CI | .050"   | FWS-22    |
| 2000-02             | L4 2.0L 122 CI | .050"   | FWS-22    |
| <b>OMNI</b>         |                |         |           |
| 1985-86             | L4 1.6L 97 CI  | .050"   | FWS-22    |
| 1985-86             | L4 1.6L 97 CI  | .025"   | FWS-21    |
| 1985-90             | L4 2.2L 135 CI | .050"   | FWS-22    |
| 1985-90             | L4 2.2L 135 CI | .025"   | FWS-21    |
| <b>POLARA</b>       |                |         |           |
| 1968                | V8 5.2L 318 CI | .050"   | FWS-4     |
| 1968                | V8 5.2L 318 CI | .025"   | FWS-3     |
| 1963                | V8 6.3L 383 CI | .025"   | FWS-3     |
| 1968                | V8 6.3L 383 CI | .025"   | FWS-3     |
| 1971                | V8 6.3L 383 CI | .025"   | FWS-3     |
| 1963                | V8 6.3L 383 CI | .050"   | FWS-4     |
| 1968                | V8 6.3L 383 CI | .050"   | FWS-4     |
| 1971                | V8 6.3L 383 CI | .050"   | FWS-4     |
| 1960-68             | V8 6.3L 384 CI | .025"   | FWS-3     |
| 1971                | V8 6.3L 384 CI | .025"   | FWS-3     |
| 1960-68             | V8 6.3L 384 CI | .050"   | FWS-4     |
| 1971                | V8 6.3L 384 CI | .050"   | FWS-4     |
| 1971-73             | V8 5.9L 360 CI | .025"   | FWS-3     |
| 1971-73             | V8 5.9L 360 CI | .050"   | FWS-4     |
| 1966                | V8 7.2L 440 CI | .025"   | FWS-3     |
| 1971-73             | V8 7.2L 440 CI | .025"   | FWS-3     |
| 1966                | V8 7.2L 440 CI | .050"   | FWS-4     |
| 1971-73             | V8 7.2L 440 CI | .050"   | FWS-4     |
| <b>ROYAL MONACO</b> |                |         |           |
| 1975-77             | V8 5.9L 360 CI | .025"   | FWS-3     |
| 1975-77             | V8 5.9L 360 CI | .050"   | FWS-4     |
| <b>SHADOW</b>       |                |         |           |
| 1988-94             | L4 2.5L 153 CI | .050"   | FWS-22    |

# FLYWHEEL SHIM APPLICATIONS

| Years              | Engine         | Remarks | Pioneer # |
|--------------------|----------------|---------|-----------|
| <b>DODGE</b>       |                |         |           |
| <b>SHADOW</b>      |                |         |           |
| 1988-94            | L4 2.5L 153 CI | .025"   | FWS-21    |
| 1990-94            | L4 2.2L 135 CI | .025"   | FWS-21    |
| 1990-94            | L4 2.2L 135 CI | .050"   | FWS-22    |
| 1992-94            | V6 3.0L 181 CI | .050"   | FWS-4     |
| 1992-94            | V6 3.0L 181 CI | .025"   | FWS-3     |
| <b>SPIRIT</b>      |                |         |           |
| 1989-95            | L4 2.5L 153 CI | .025"   | FWS-21    |
| 1989-95            | L4 2.5L 153 CI | .050"   | FWS-22    |
| 1991-92            | L4 2.2L 135 CI | .025"   | FWS-21    |
| 1991-92            | L4 2.2L 135 CI | .050"   | FWS-22    |
| 1989               | V6 3.0L 181 CI | .025"   | FWS-3     |
| 1992-95            | V6 3.0L 181 CI | .025"   | FWS-3     |
| 1989               | V6 3.0L 181 CI | .050"   | FWS-4     |
| 1992-95            | V6 3.0L 181 CI | .050"   | FWS-4     |
| <b>ST. REGIS</b>   |                |         |           |
| 1979-80            | V8 5.9L 360 CI | .025"   | FWS-3     |
| 1979-80            | V8 5.9L 360 CI | .050"   | FWS-4     |
| 1979               | V8 5.2L 318 CI | .050"   | FWS-4     |
| 1981               | V8 5.2L 318 CI | .050"   | FWS-4     |
| 1979               | V8 5.2L 318 CI | .025"   | FWS-3     |
| 1981               | V8 5.2L 318 CI | .025"   | FWS-3     |
| <b>STEALTH</b>     |                |         |           |
| 1991-94            | V6 3.0L 181 CI | .025"   | FWS-21    |
| 1991-94            | V6 3.0L 181 CI | .050"   | FWS-22    |
| <b>DODGE TRUCK</b> |                |         |           |
| <b>B100</b>        |                |         |           |
| 1976-78            | V8 5.9L 360 CI | .050"   | FWS-4     |
| 1976-78            | V8 5.9L 360 CI | .025"   | FWS-3     |
| <b>B100 VAN</b>    |                |         |           |
| 1971-74            | V8 5.9L 360 CI | .025"   | FWS-3     |
| 1971-74            | V8 5.9L 360 CI | .050"   | FWS-4     |
| <b>B1500</b>       |                |         |           |
| 1998               | V8 5.9L 360 CI | .050"   | FWS-4     |
| 1998               | V8 5.9L 360 CI | .025"   | FWS-3     |
| <b>B200</b>        |                |         |           |
| 1975-78            | V8 7.2L 440 CI | .025"   | FWS-3     |
| 1975-78            | V8 7.2L 440 CI | .050"   | FWS-4     |
| 1975-80            | V8 5.9L 360 CI | .025"   | FWS-3     |
| 1975-80            | V8 5.9L 360 CI | .050"   | FWS-4     |
| <b>B200 VAN</b>    |                |         |           |
| 1971               | V8 5.2L 318 CI | .050"   | FWS-4     |

# FLYWHEEL SHIM APPLICATIONS

| Years              | Engine         | Remarks | Pioneer # |
|--------------------|----------------|---------|-----------|
| <b>DODGE TRUCK</b> |                |         |           |
| <b>B200 VAN</b>    |                |         |           |
| 1971               | V8 5.2L 318 CI | .025"   | FWS-3     |
| 1971-74            | V8 5.9L 360 CI | .025"   | FWS-3     |
| 1971-74            | V8 5.9L 360 CI | .050"   | FWS-4     |
| <b>B250</b>        |                |         |           |
| 1981               | V8 5.9L 360 CI | .025"   | FWS-3     |
| 1984-94            | V8 5.9L 360 CI | .025"   | FWS-3     |
| 1981               | V8 5.9L 360 CI | .050"   | FWS-4     |
| 1984-94            | V8 5.9L 360 CI | .050"   | FWS-4     |
| 1982-83            | V8 5.2L 318 CI | .025"   | FWS-3     |
| 1989-91            | V8 5.2L 318 CI | .025"   | FWS-3     |
| 1982-83            | V8 5.2L 318 CI | .050"   | FWS-4     |
| 1989-91            | V8 5.2L 318 CI | .050"   | FWS-4     |
| <b>B2500</b>       |                |         |           |
| 1995-98            | V8 5.9L 360 CI | .025"   | FWS-3     |
| 1995-98            | V8 5.9L 360 CI | .050"   | FWS-4     |
| 1996-98            | V8 5.2L 318 CI | .025"   | FWS-3     |
| 1996-98            | V8 5.2L 318 CI | .050"   | FWS-4     |
| <b>B300</b>        |                |         |           |
| 1975-76            | V8 7.2L 440 CI | .050"   | FWS-4     |
| 1975-76            | V8 7.2L 440 CI | .025"   | FWS-3     |
| 1975-80            | V8 5.9L 360 CI | .025"   | FWS-3     |
| 1975-80            | V8 5.9L 360 CI | .050"   | FWS-4     |
| <b>B300 VAN</b>    |                |         |           |
| 1971               | V8 5.2L 318 CI | .025"   | FWS-3     |
| 1971               | V8 5.2L 318 CI | .050"   | FWS-4     |
| 1971-74            | V8 5.9L 360 CI | .050"   | FWS-4     |
| 1971-74            | V8 5.9L 360 CI | .025"   | FWS-3     |
| <b>B350</b>        |                |         |           |
| 1981-94            | V8 5.9L 360 CI | .025"   | FWS-3     |
| 1981-94            | V8 5.9L 360 CI | .050"   | FWS-4     |
| 1983-86            | V8 5.2L 318 CI | .025"   | FWS-3     |
| 1983-86            | V8 5.2L 318 CI | .050"   | FWS-4     |
| <b>B3500</b>       |                |         |           |
| 1995-96            | V8 5.2L 318 CI | .050"   | FWS-4     |
| 1995-96            | V8 5.2L 318 CI | .025"   | FWS-3     |
| 1995-98            | V8 5.9L 360 CI | .025"   | FWS-3     |
| 1995-98            | V8 5.9L 360 CI | .050"   | FWS-4     |
| <b>CARAVAN</b>     |                |         |           |
| 1984-85            | L4 2.2L 135 CI | .025"   | FWS-21    |
| 1984-85            | L4 2.2L 135 CI | .050"   | FWS-22    |

# FLYWHEEL SHIM APPLICATIONS

| Years              | Engine         | Remarks | Pioneer # |
|--------------------|----------------|---------|-----------|
| <b>DODGE TRUCK</b> |                |         |           |
| <b>CARAVAN</b>     |                |         |           |
| 1990-94            | L4 2.5L 153 CI | .025"   | FWS-21    |
| 1990-94            | L4 2.5L 153 CI | .050"   | FWS-22    |
| 1991-97            | V6 3.0L 181 CI | .050"   | FWS-4     |
| 1991-97            | V6 3.0L 181 CI | .025"   | FWS-3     |
| <b>CB300</b>       |                |         |           |
| 1974-80            | V8 5.9L 360 CI | .025"   | FWS-3     |
| 1974-80            | V8 5.9L 360 CI | .050"   | FWS-4     |
| 1976-80            | V8 5.2L 318 CI | .050"   | FWS-4     |
| 1976-80            | V8 5.2L 318 CI | .025"   | FWS-3     |
| <b>D100</b>        |                |         |           |
| 1975-78            | V8 7.2L 440 CI | .025"   | FWS-3     |
| 1975-78            | V8 7.2L 440 CI | .050"   | FWS-4     |
| 1975-79            | V8 5.9L 360 CI | .050"   | FWS-4     |
| 1986-88            | V8 5.9L 360 CI | .050"   | FWS-4     |
| 1975-79            | V8 5.9L 360 CI | .025"   | FWS-3     |
| 1986-88            | V8 5.9L 360 CI | .025"   | FWS-3     |
| <b>D100 PICKUP</b> |                |         |           |
| 1971-74            | V8 5.9L 360 CI | .050"   | FWS-4     |
| 1971-74            | V8 5.9L 360 CI | .025"   | FWS-3     |
| 1973-74            | V8 7.2L 440 CI | .025"   | FWS-3     |
| 1973-74            | V8 7.2L 440 CI | .050"   | FWS-4     |
| <b>D150</b>        |                |         |           |
| 1977-93            | V8 5.2L 318 CI | .050"   | FWS-4     |
| 1977-93            | V8 5.2L 318 CI | .025"   | FWS-3     |
| 1977-82            | V8 5.9L 360 CI | .050"   | FWS-4     |
| 1984-91            | V8 5.9L 360 CI | .050"   | FWS-4     |
| 1993               | V8 5.9L 360 CI | .050"   | FWS-4     |
| 1977-82            | V8 5.9L 360 CI | .025"   | FWS-3     |
| 1984-91            | V8 5.9L 360 CI | .025"   | FWS-3     |
| 1993               | V8 5.9L 360 CI | .025"   | FWS-3     |
| <b>D200</b>        |                |         |           |
| 1975-78            | V8 7.2L 440 CI | .050"   | FWS-4     |
| 1975-78            | V8 7.2L 440 CI | .025"   | FWS-3     |
| 1975-80            | V8 5.9L 360 CI | .025"   | FWS-3     |
| 1975-80            | V8 5.9L 360 CI | .050"   | FWS-4     |
| <b>D200 PICKUP</b> |                |         |           |
| 1968-70            | V8 5.2L 318 CI | .025"   | FWS-3     |
| 1968-70            | V8 5.2L 318 CI | .050"   | FWS-4     |
| 1971-74            | V8 5.9L 360 CI | .050"   | FWS-4     |
| 1971-74            | V8 5.9L 360 CI | .025"   | FWS-3     |

# FLYWHEEL SHIM APPLICATIONS

| Years              | Engine         | Remarks | Pioneer # |
|--------------------|----------------|---------|-----------|
| <b>DODGE TRUCK</b> |                |         |           |
| <b>D200 PICKUP</b> |                |         |           |
| 1973-74            | V8 7.2L 440 CI | .025"   | FWS-3     |
| 1973-74            | V8 7.2L 440 CI | .050"   | FWS-4     |
| <b>D200 SERIES</b> |                |         |           |
| 1960-67            | V8 5.2L 318 CI | .050"   | FWS-4     |
| 1960-67            | V8 5.2L 318 CI | .025"   | FWS-3     |
| 1967               | V8 6.3L 384 CI | .025"   | FWS-3     |
| 1967               | V8 6.3L 384 CI | .050"   | FWS-4     |
| <b>D250</b>        |                |         |           |
| 1981               | V8 5.2L 318 CI | .050"   | FWS-4     |
| 1981               | V8 5.2L 318 CI | .025"   | FWS-3     |
| 1981-82            | V8 5.9L 360 CI | .050"   | FWS-4     |
| 1984-93            | V8 5.9L 360 CI | .050"   | FWS-4     |
| 1981-82            | V8 5.9L 360 CI | .025"   | FWS-3     |
| 1984-93            | V8 5.9L 360 CI | .025"   | FWS-3     |
| 1989-93            | L6 5.9L 359 CI | .025"   | FWS-31    |
| 1989-93            | L6 5.9L 359 CI | .050"   | FWS-32    |
| <b>D300</b>        |                |         |           |
| 1975-78            | V8 5.2L 318 CI | .050"   | FWS-4     |
| 1975-78            | V8 5.2L 318 CI | .025"   | FWS-3     |
| 1975-78            | V8 7.2L 440 CI | .025"   | FWS-3     |
| 1975-78            | V8 7.2L 440 CI | .050"   | FWS-4     |
| 1975-80            | V8 5.9L 360 CI | .025"   | FWS-3     |
| 1975-80            | V8 5.9L 360 CI | .050"   | FWS-4     |
| <b>D300 PICKUP</b> |                |         |           |
| 1968-71            | V8 6.3L 383 CI | .050"   | FWS-4     |
| 1968-71            | V8 6.3L 383 CI | .025"   | FWS-3     |
| 1968-71            | V8 6.3L 384 CI | .050"   | FWS-4     |
| 1968-71            | V8 6.3L 384 CI | .025"   | FWS-3     |
| 1968-74            | V8 5.2L 318 CI | .050"   | FWS-4     |
| 1968-74            | V8 5.2L 318 CI | .025"   | FWS-3     |
| 1971-74            | V8 5.9L 360 CI | .025"   | FWS-3     |
| 1971-74            | V8 5.9L 360 CI | .050"   | FWS-4     |
| 1973-74            | V8 7.2L 440 CI | .025"   | FWS-3     |
| 1973-74            | V8 7.2L 440 CI | .050"   | FWS-4     |
| <b>D300 SERIES</b> |                |         |           |
| 1960-63            | V8 5.2L 318 CI | .050"   | FWS-4     |
| 1960-63            | V8 5.2L 318 CI | .025"   | FWS-3     |
| <b>D350</b>        |                |         |           |
| 1981-93            | V8 5.9L 360 CI | .025"   | FWS-3     |
| 1981-93            | V8 5.9L 360 CI | .050"   | FWS-4     |

# FLYWHEEL SHIM APPLICATIONS

| Years                | Engine         | Remarks | Pioneer # |
|----------------------|----------------|---------|-----------|
| <b>DODGE TRUCK</b>   |                |         |           |
| <b>D350</b>          |                |         |           |
| 1989-93              | L6 5.9L 359 CI | .025"   | FWS-31    |
| 1989-93              | L6 5.9L 359 CI | .050"   | FWS-32    |
| <b>D50</b>           |                |         |           |
| 1979                 | L4 2.6L 156 CI | .050"   | FWS-22    |
| 1979                 | L4 2.6L 156 CI | .025"   | FWS-21    |
| 1979-82              | L4 2.0L 122 CI | .025"   | FWS-21    |
| 1979-82              | L4 2.0L 122 CI | .050"   | FWS-22    |
| <b>DAKOTA</b>        |                |         |           |
| 1990-01              | L4 2.5L 153 CI | .050"   | FWS-22    |
| 1990-01              | L4 2.5L 153 CI | .025"   | FWS-21    |
| 1998-03              | V8 5.9L 360 CI | .050"   | FWS-4     |
| 1998-03              | V8 5.9L 360 CI | .025"   | FWS-3     |
| <b>DURANGO</b>       |                |         |           |
| 1998-03              | V8 5.9L 360 CI | .050"   | FWS-4     |
| 1998-03              | V8 5.9L 360 CI | .025"   | FWS-3     |
| 2004-08              | V8 5.7L 345 CI | .050"   | FWS-32    |
| 2004-08              | V8 5.7L 345 CI | .025"   | FWS-31    |
| <b>GRAND CARAVAN</b> |                |         |           |
| 1988                 | L4 2.5L 153 CI | .050"   | FWS-22    |
| 1988                 | L4 2.5L 153 CI | .025"   | FWS-21    |
| 1988-89              | V6 3.0L 181 CI | .050"   | FWS-22    |
| 1992-00              | V6 3.0L 181 CI | .050"   | FWS-22    |
| 1988-89              | V6 3.0L 181 CI | .025"   | FWS-21    |
| 1992-00              | V6 3.0L 181 CI | .025"   | FWS-21    |
| 1996-97              | L4 2.4L 148 CI | .025"   | FWS-21    |
| 1996-97              | L4 2.4L 148 CI | .050"   | FWS-22    |
| <b>MINI RAM</b>      |                |         |           |
| 1984-86              | L4 2.6L 156 CI | .050"   | FWS-22    |
| 1984-86              | L4 2.6L 156 CI | .025"   | FWS-21    |
| 1984-87              | L4 2.2L 135 CI | .025"   | FWS-21    |
| 1984-87              | L4 2.2L 135 CI | .050"   | FWS-22    |
| 1987-88              | L4 2.5L 153 CI | .050"   | FWS-22    |
| 1987-88              | L4 2.5L 153 CI | .025"   | FWS-21    |
| <b>P200</b>          |                |         |           |
| 1970-72              | V8 5.9L 360 CI | .025"   | FWS-3     |
| 1970-72              | V8 5.9L 360 CI | .050"   | FWS-4     |
| <b>P300</b>          |                |         |           |
| 1971-72              | V8 5.9L 360 CI | .025"   | FWS-3     |
| 1971-72              | V8 5.9L 360 CI | .050"   | FWS-4     |
| <b>POWER RAM 50</b>  |                |         |           |
| 1983-84              | L4 2.6L 156 CI | .050"   | FWS-22    |

# FLYWHEEL SHIM APPLICATIONS

| Years               | Engine         | Remarks | Pioneer # |
|---------------------|----------------|---------|-----------|
| <b>DODGE TRUCK</b>  |                |         |           |
| <b>POWER RAM 50</b> |                |         |           |
| 1983-84             | L4 2.6L 156 CI | .025"   | FWS-21    |
| 1983-84             | L4 2.0L 122 CI | .025"   | FWS-21    |
| 1983-84             | L4 2.0L 122 CI | .050"   | FWS-22    |
| <b>RAM 1500</b>     |                |         |           |
| 1994-99             | V8 5.2L 318 CI | .050"   | FWS-4     |
| 1994-99             | V8 5.2L 318 CI | .025"   | FWS-3     |
| 1994-03             | V8 5.9L 360 CI | .050"   | FWS-4     |
| 1994-03             | V8 5.9L 360 CI | .025"   | FWS-3     |
| 2003-07             | V8 5.7L 345 CI | .050"   | FWS-32    |
| 2003-08             | V8 5.7L 345 CI | .025"   | FWS-31    |
| <b>RAM 1500 VAN</b> |                |         |           |
| 1999-03             | V8 5.9L 360 CI | .025"   | FWS-3     |
| 1999-03             | V8 5.9L 360 CI | .050"   | FWS-4     |
| <b>RAM 2500</b>     |                |         |           |
| 1994-02             | V8 5.9L 360 CI | .050"   | FWS-4     |
| 1994-08             | L6 5.9L 359 CI | .050"   | FWS-32    |
| 1994-08             | L6 5.9L 359 CI | .025"   | FWS-31    |
| 1994-02             | V8 5.9L 360 CI | .025"   | FWS-3     |
| 2003-07             | V8 5.7L 345 CI | .025"   | FWS-31    |
| 2003-07             | V8 5.7L 345 CI | .050"   | FWS-32    |
| <b>RAM 2500 VAN</b> |                |         |           |
| 1999-03             | V8 5.9L 360 CI | .025"   | FWS-3     |
| 1999-03             | V8 5.9L 360 CI | .050"   | FWS-4     |
| 1999                | V8 5.2L 318 CI | .025"   | FWS-3     |
| 2003                | V8 5.2L 318 CI | .025"   | FWS-3     |
| 1999                | V8 5.2L 318 CI | .050"   | FWS-4     |
| 2003                | V8 5.2L 318 CI | .050"   | FWS-4     |
| <b>RAM 3500</b>     |                |         |           |
| 1994-02             | V8 5.9L 360 CI | .025"   | FWS-3     |
| 1994-02             | V8 5.9L 360 CI | .050"   | FWS-4     |
| 1994-08             | L6 5.9L 359 CI | .025"   | FWS-31    |
| 1994-08             | L6 5.9L 359 CI | .050"   | FWS-32    |
| 2003-06             | V8 5.7L 345 CI | .025"   | FWS-31    |
| 2003-06             | V8 5.7L 345 CI | .050"   | FWS-32    |
| 2007-08             | L6 6.7L 408 CI | .025"   | FWS-31    |
| 2007-08             | L6 6.7L 408 CI | .050"   | FWS-32    |
| <b>RAM 3500 VAN</b> |                |         |           |
| 1999-03             | V8 5.2L 318 CI | .050"   | FWS-4     |
| 1999-03             | V8 5.2L 318 CI | .025"   | FWS-3     |
| 1999-03             | V8 5.9L 360 CI | .025"   | FWS-3     |

# FLYWHEEL SHIM APPLICATIONS

| Years               | Engine         | Remarks | Pioneer # |
|---------------------|----------------|---------|-----------|
| <b>DODGE TRUCK</b>  |                |         |           |
| <b>RAM 3500 VAN</b> |                |         |           |
| 1999-03             | V8 5.9L 360 CI | .050"   | FWS-4     |
| <b>RAM 50</b>       |                |         |           |
| 1983-89             | L4 2.0L 122 CI | .050"   | FWS-22    |
| 1983-89             | L4 2.0L 122 CI | .025"   | FWS-21    |
| <b>RAMCHARGER</b>   |                |         |           |
| 1974-80             | V8 5.2L 318 CI | .050"   | FWS-4     |
| 1974-80             | V8 5.2L 318 CI | .025"   | FWS-3     |
| 1974-81             | V8 5.9L 360 CI | .050"   | FWS-4     |
| 1984-93             | V8 5.9L 360 CI | .050"   | FWS-4     |
| 1974-81             | V8 5.9L 360 CI | .025"   | FWS-3     |
| 1984-93             | V8 5.9L 360 CI | .025"   | FWS-3     |
| <b>RD200</b>        |                |         |           |
| 1978-80             | V8 5.9L 360 CI | .050"   | FWS-4     |
| 1978-80             | V8 5.9L 360 CI | .025"   | FWS-3     |
| <b>W100</b>         |                |         |           |
| 1975-77             | V8 7.2L 440 CI | .050"   | FWS-4     |
| 1975-77             | V8 7.2L 440 CI | .025"   | FWS-3     |
| 1975-77             | V8 5.9L 360 CI | .050"   | FWS-4     |
| 1986-88             | V8 5.9L 360 CI | .050"   | FWS-4     |
| 1975-77             | V8 5.9L 360 CI | .025"   | FWS-3     |
| 1986-88             | V8 5.9L 360 CI | .025"   | FWS-3     |
| 1975-77             | V8 5.2L 318 CI | .025"   | FWS-3     |
| 1986-89             | V8 5.2L 318 CI | .025"   | FWS-3     |
| 1975-77             | V8 5.2L 318 CI | .050"   | FWS-4     |
| 1986-89             | V8 5.2L 318 CI | .050"   | FWS-4     |
| <b>W100 PICKUP</b>  |                |         |           |
| 1968-71             | V8 6.3L 383 CI | .025"   | FWS-3     |
| 1968-71             | V8 6.3L 383 CI | .050"   | FWS-4     |
| 1968-71             | V8 6.3L 384 CI | .050"   | FWS-4     |
| 1968-71             | V8 6.3L 384 CI | .025"   | FWS-3     |
| 1968-74             | V8 5.2L 318 CI | .050"   | FWS-4     |
| 1968-74             | V8 5.2L 318 CI | .025"   | FWS-3     |
| 1972-74             | V8 5.9L 360 CI | .050"   | FWS-4     |
| 1972-74             | V8 5.9L 360 CI | .025"   | FWS-3     |
| 1974                | V8 7.2L 440 CI | .050"   | FWS-4     |
| 1974                | V8 7.2L 440 CI | .025"   | FWS-3     |
| <b>W150</b>         |                |         |           |
| 1977-81             | V8 5.9L 360 CI | .050"   | FWS-4     |
| 1984-91             | V8 5.9L 360 CI | .050"   | FWS-4     |
| 1993                | V8 5.9L 360 CI | .050"   | FWS-4     |



# FLYWHEEL SHIM APPLICATIONS

| Years                    | Engine         | Remarks | Pioneer # |
|--------------------------|----------------|---------|-----------|
| <b>DODGE TRUCK</b>       |                |         |           |
| <b>W150</b>              |                |         |           |
| 1977-81                  | V8 5.9L 360 CI | .025"   | FWS-3     |
| 1984-91                  | V8 5.9L 360 CI | .025"   | FWS-3     |
| 1993                     | V8 5.9L 360 CI | .025"   | FWS-3     |
| <b>W200</b>              |                |         |           |
| 1975-80                  | V8 5.9L 360 CI | .050"   | FWS-4     |
| 1975-80                  | V8 5.9L 360 CI | .025"   | FWS-3     |
| <b>W200 PICKUP</b>       |                |         |           |
| 1971-74                  | V8 5.9L 360 CI | .050"   | FWS-4     |
| 1971-74                  | V8 5.9L 360 CI | .025"   | FWS-3     |
| <b>W250</b>              |                |         |           |
| 1981-82                  | V8 5.9L 360 CI | .050"   | FWS-4     |
| 1984-93                  | V8 5.9L 360 CI | .050"   | FWS-4     |
| 1981-82                  | V8 5.9L 360 CI | .025"   | FWS-3     |
| 1984-93                  | V8 5.9L 360 CI | .025"   | FWS-3     |
| 1989-93                  | L6 5.9L 359 CI | .025"   | FWS-31    |
| 1989-93                  | L6 5.9L 359 CI | .050"   | FWS-32    |
| <b>W300</b>              |                |         |           |
| 1975-80                  | V8 5.9L 360 CI | .025"   | FWS-3     |
| 1975-80                  | V8 5.9L 360 CI | .050"   | FWS-4     |
| <b>W300 PICKUP</b>       |                |         |           |
| 1971-74                  | V8 5.2L 318 CI | .050"   | FWS-4     |
| 1971-74                  | V8 5.2L 318 CI | .025"   | FWS-3     |
| 1971-74                  | V8 5.9L 360 CI | .025"   | FWS-3     |
| 1971-74                  | V8 5.9L 360 CI | .050"   | FWS-4     |
| <b>W300 SERIES</b>       |                |         |           |
| 1960-67                  | V8 5.2L 318 CI | .050"   | FWS-4     |
| 1960-67                  | V8 5.2L 318 CI | .025"   | FWS-3     |
| 1967                     | V8 6.3L 383 CI | .050"   | FWS-4     |
| 1967                     | V8 6.3L 383 CI | .025"   | FWS-3     |
| 1967                     | V8 6.3L 384 CI | .025"   | FWS-3     |
| 1967                     | V8 6.3L 384 CI | .050"   | FWS-4     |
| <b>W350</b>              |                |         |           |
| 1981-93                  | V8 5.9L 360 CI | .025"   | FWS-3     |
| 1981-93                  | V8 5.9L 360 CI | .050"   | FWS-4     |
| 1989-93                  | L6 5.9L 359 CI | .025"   | FWS-31    |
| 1989-93                  | L6 5.9L 359 CI | .050"   | FWS-32    |
| <b>WM300 POWER WAGON</b> |                |         |           |
| 1960-61                  | V8 5.2L 318 CI | .025"   | FWS-3     |
| 1960-61                  | V8 5.2L 318 CI | .050"   | FWS-4     |
| <b>EAGLE</b>             |                |         |           |
| <b>SUMMIT</b>            |                |         |           |
| 1990-96                  | L4 1.5L 90 CI  | .025"   | FWS-21    |

# FLYWHEEL SHIM APPLICATIONS

| Years                 | Engine         | Remarks            | Pioneer # |
|-----------------------|----------------|--------------------|-----------|
| <b>EAGLE</b>          |                |                    |           |
| <b>SUMMIT</b>         |                |                    |           |
| 1990-96               | L4 1.5L 90 CI  | .050"              | FWS-22    |
| 1995-96               | L4 2.4L 143 CI | .050"              | FWS-22    |
| 1995-96               | L4 2.4L 143 CI | .025"              | FWS-21    |
| <b>TALON</b>          |                |                    |           |
| 1993-94               | L4 1.8L 107 CI | .050"              | FWS-22    |
| 1993-94               | L4 1.8L 107 CI | .025"              | FWS-21    |
| 1990-98               | L4 2.0L 122 CI | .050"              | FWS-22    |
| 1990-98               | L4 2.0L 122 CI | .025"              | FWS-21    |
| <b>VISTA</b>          |                |                    |           |
| 1989-91               | L4 2.0L 122 CI | .025"              | FWS-21    |
| 1989-91               | L4 2.0L 122 CI | .050"              | FWS-22    |
| 1990-91               | L4 1.5L 90 CI  | .050"              | FWS-22    |
| 1990-91               | L4 1.5L 90 CI  | .025"              | FWS-21    |
| <b>FORD</b>           |                |                    |           |
| <b>CLUB</b>           |                |                    |           |
| 1958-59               | V8 5.8L 352 CI | .050"              | FWS-6     |
| 1958-59               | V8 5.8L 352 CI | .025"              | FWS-5     |
| <b>CONTOUR</b>        |                |                    |           |
| 1996-99               | L4 2.0L 121 CI | .025"              | FWS-5     |
| 1996-99               | L4 2.0L 121 CI | .050"              | FWS-6     |
| <b>COUNTRY SEDAN</b>  |                |                    |           |
| 1954                  | V8 4.2L 256 CI | .050"              | FWS-6     |
| 1954                  | V8 4.2L 256 CI | .025"              | FWS-5     |
| 1963-67               | V8 4.7L 288 CI | .050"              | FWS-6     |
| 1963-67               | V8 4.7L 288 CI | .025"              | FWS-5     |
| <b>COUNTRY SQUIRE</b> |                |                    |           |
| 1953                  | V8 3.7L 225 CI | .050"              | FWS-22    |
| 1953                  | V8 3.7L 225 CI | .025"              | FWS-21    |
| 1958-59               | V8 5.4L 332 CI | .050"              | FWS-6     |
| 1958-59               | V8 5.4L 332 CI | .025"              | FWS-5     |
| 1958-67               | V8 5.8L 352 CI | .025"              | FWS-5     |
| 1958-67               | V8 5.8L 352 CI | .050"              | FWS-6     |
| 1962                  | L6 2.8L 170 CI | .025" 6 Bolt Crank | FWS-16    |
| 1962                  | L6 2.8L 170 CI | .050" 6 Bolt Crank | FWS-14    |
| 1963-64               | V8 6.4L 390 CI | .050"              | FWS-13    |
| 1963-64               | V8 6.4L 390 CI | .025"              | FWS-12    |
| 1963-67               | L6 3.3L 200 CI | .050"              | FWS-6     |
| 1963-67               | L6 3.3L 200 CI | .025"              | FWS-5     |
| 1966-67               | V8 4.7L 288 CI | .025"              | FWS-5     |
| 1966-67               | V8 4.7L 288 CI | .050"              | FWS-6     |

# FLYWHEEL SHIM APPLICATIONS

| Years                             | Engine         | Remarks | Pioneer # |
|-----------------------------------|----------------|---------|-----------|
| <b>FORD</b>                       |                |         |           |
| <b>CRESTLINE</b>                  |                |         |           |
| 1950-54                           | V8 3.9L 239 CI | .025"   | FWS-5     |
| 1950-54                           | V8 3.9L 239 CI | .050"   | FWS-6     |
| 1954                              | V8 4.2L 256 CI | .050"   | FWS-6     |
| 1954                              | V8 4.2L 256 CI | .025"   | FWS-5     |
| <b>CROWN VICTORIA</b>             |                |         |           |
| 1996-09                           | V8 4.6L 281 CI | .050"   | FWS-6     |
| 1996-09                           | V8 4.6L 281 CI | .025"   | FWS-5     |
| <b>CUSTOM</b>                     |                |         |           |
| 1964-66                           | V8 5.8L 352 CI | .050"   | FWS-6     |
| 1964-66                           | V8 5.8L 352 CI | .025"   | FWS-5     |
| 1964-67                           | V8 6.4L 390 CI | .025"   | FWS-12    |
| 1964-67                           | V8 6.4L 390 CI | .050"   | FWS-13    |
| <b>DELUXE</b>                     |                |         |           |
| 1950-51                           | V8 3.9L 239 CI | .025"   | FWS-5     |
| 1950-51                           | V8 3.9L 239 CI | .050"   | FWS-6     |
| <b>E-250 ECONOLINE CLUB WAGON</b> |                |         |           |
| 1975-91                           | V8 5.8L 351 CI | .025"   | FWS-5     |
| 1975-91                           | V8 5.8L 351 CI | .050"   | FWS-6     |
| 1975                              | V8 7.5L 460 CI | .025"   | FWS-12    |
| 1978-87                           | V8 7.5L 460 CI | .025"   | FWS-12    |
| 1990-91                           | V8 7.5L 460 CI | .025"   | FWS-12    |
| 1975                              | V8 7.5L 460 CI | .050"   | FWS-13    |
| 1978-87                           | V8 7.5L 460 CI | .050"   | FWS-13    |
| 1990-91                           | V8 7.5L 460 CI | .050"   | FWS-13    |
| <b>ELITE</b>                      |                |         |           |
| 1975-76                           | V8 7.5L 460 CI | .050"   | FWS-13    |
| 1975-76                           | V8 7.5L 460 CI | .025"   | FWS-12    |
| 1976                              | V8 5.8L 351 CI | .025"   | FWS-5     |
| 1976                              | V8 5.8L 351 CI | .050"   | FWS-6     |
| <b>ESCORT</b>                     |                |         |           |
| 1981-84                           | L4 1.6L 98 CI  | .050"   | FWS-6     |
| 1981-84                           | L4 1.6L 98 CI  | .025"   | FWS-5     |
| 1986-96                           | L4 1.9L 116 CI | .050"   | FWS-6     |
| 1986-96                           | L4 1.9L 116 CI | .025"   | FWS-5     |
| 1998-03                           | L4 2.0L 121 CI | .025"   | FWS-5     |
| 1998-03                           | L4 2.0L 121 CI | .050"   | FWS-6     |
| <b>EXP</b>                        |                |         |           |
| 1984-85                           | L4 1.6L 98 CI  | .025"   | FWS-5     |
| 1984-85                           | L4 1.6L 98 CI  | .050"   | FWS-6     |
| <b>F1</b>                         |                |         |           |
| 1950-52                           | V8 3.9L 239 CI | .050"   | FWS-6     |

# FLYWHEEL SHIM APPLICATIONS

| Years           | Engine         | Remarks            | Pioneer # |
|-----------------|----------------|--------------------|-----------|
| <b>FORD</b>     |                |                    |           |
| <b>F1</b>       |                |                    |           |
| 1950-52         | V8 3.9L 239 CI | .025"              | FWS-5     |
| <b>F2</b>       |                |                    |           |
| 1950-52         | V8 3.9L 239 CI | .050"              | FWS-6     |
| 1950-52         | V8 3.9L 239 CI | .025"              | FWS-5     |
| <b>F3</b>       |                |                    |           |
| 1950-52         | V8 3.9L 239 CI | .025"              | FWS-5     |
| 1950-52         | V8 3.9L 239 CI | .050"              | FWS-6     |
| <b>F4</b>       |                |                    |           |
| 1950-52         | V8 3.9L 239 CI | .050"              | FWS-6     |
| 1950-52         | V8 3.9L 239 CI | .025"              | FWS-5     |
| <b>FAIRLANE</b> |                |                    |           |
| 1958-59         | V8 5.4L 332 CI | .050"              | FWS-6     |
| 1958-59         | V8 5.4L 332 CI | .025"              | FWS-5     |
| 1959-61         | V8 5.8L 352 CI | .025"              | FWS-5     |
| 1959-61         | V8 5.8L 352 CI | .050"              | FWS-6     |
| 1963-66         | L6 2.8L 170 CI | .025" 6 Bolt Crank | FWS-16    |
| 1963-66         | L6 2.8L 170 CI | .050" 6 Bolt Crank | FWS-14    |
| 1965-68         | L6 3.3L 200 CI | .025"              | FWS-5     |
| 1965-68         | L6 3.3L 200 CI | .050"              | FWS-6     |
| 1964            | V8 6.4L 390 CI | .050"              | FWS-13    |
| 1966-69         | V8 6.4L 390 CI | .050"              | FWS-13    |
| 1964            | V8 6.4L 390 CI | .025"              | FWS-12    |
| 1966-69         | V8 6.4L 390 CI | .025"              | FWS-12    |
| 1964            | V8 4.7L 288 CI | .025"              | FWS-5     |
| 1967-68         | V8 4.7L 288 CI | .025"              | FWS-5     |
| 1964            | V8 4.7L 288 CI | .050"              | FWS-6     |
| 1967-68         | V8 4.7L 288 CI | .050"              | FWS-6     |
| 1964            | V8 4.7L 289 CI | .025"              | FWS-5     |
| 1967-68         | V8 4.7L 289 CI | .025"              | FWS-5     |
| 1964            | V8 4.7L 289 CI | .050"              | FWS-6     |
| 1967-68         | V8 4.7L 289 CI | .050"              | FWS-6     |
| 1968-70         | V8 5.0L 302 CI | .050"              | FWS-6     |
| 1968-70         | V8 5.0L 302 CI | .025"              | FWS-5     |
| 1969-70         | L6 4.1L 250 CI | .050"              | FWS-6     |
| 1969-70         | L6 4.1L 250 CI | .025"              | FWS-5     |
| 1969-70         | V8 5.8L 351 CI | .050"              | FWS-6     |
| 1969-70         | V8 5.8L 351 CI | .025"              | FWS-5     |
| <b>FALCON</b>   |                |                    |           |
| 1964            | V8 4.7L 288 CI | .025"              | FWS-5     |
| 1964            | V8 4.7L 288 CI | .050"              | FWS-6     |

# FLYWHEEL SHIM APPLICATIONS

| Years              | Engine         | Remarks            | Pioneer # |
|--------------------|----------------|--------------------|-----------|
| <b>FORD</b>        |                |                    |           |
| <b>FALCON</b>      |                |                    |           |
| 1964               | V8 4.7L 289 CI | .025"              | FWS-5     |
| 1964               | V8 4.7L 289 CI | .050"              | FWS-6     |
| 1964-69            | L6 2.8L 170 CI | .025" 6 Bolt Crank | FWS-16    |
| 1964-69            | L6 2.8L 170 CI | .050" 6 Bolt Crank | FWS-14    |
| 1964-70            | L6 3.3L 200 CI | .050"              | FWS-6     |
| 1964-70            | L6 3.3L 200 CI | .025"              | FWS-5     |
| 1970               | L6 4.1L 250 CI | .025"              | FWS-5     |
| 1970               | L6 4.1L 250 CI | .050"              | FWS-6     |
| 1970               | V8 5.0L 302 CI | .050"              | FWS-6     |
| 1970               | V8 5.0L 302 CI | .025"              | FWS-5     |
| <b>FESTIVA</b>     |                |                    |           |
| 1988               | L4 1.3L 79 CI  | .050" 6 Bolt Crank | FWS-14    |
| 1990-93            | L4 1.3L 79 CI  | .050" 6 Bolt Crank | FWS-14    |
| 1988               | L4 1.3L 79 CI  | .025" 6 Bolt Crank | FWS-16    |
| 1990-93            | L4 1.3L 79 CI  | .025" 6 Bolt Crank | FWS-16    |
| <b>FIESTA</b>      |                |                    |           |
| 1978-80            | L4 1.6L 98 CI  | .025"              | FWS-5     |
| 1978-80            | L4 1.6L 98 CI  | .050"              | FWS-6     |
| <b>FOCUS</b>       |                |                    |           |
| 2004               | L4 2.3L 140 CI | .050"              | FWS-6     |
| 2004               | L4 2.3L 140 CI | .025"              | FWS-5     |
| 2000-05            | L4 2.0L 121 CI | .050"              | FWS-6     |
| 2000-05            | L4 2.0L 121 CI | .025"              | FWS-5     |
| <b>GALAXIE</b>     |                |                    |           |
| 1959               | V8 5.4L 332 CI | .050"              | FWS-6     |
| 1959               | V8 5.4L 332 CI | .025"              | FWS-5     |
| 1959-66            | V8 5.8L 352 CI | .050"              | FWS-6     |
| 1959-66            | V8 5.8L 352 CI | .025"              | FWS-5     |
| 1962-65            | V8 6.4L 390 CI | .050"              | FWS-13    |
| 1962-65            | V8 6.4L 390 CI | .025"              | FWS-12    |
| 1963               | L6 3.3L 200 CI | .025"              | FWS-5     |
| 1963               | L6 3.3L 200 CI | .050"              | FWS-6     |
| 1963-65            | V8 4.7L 288 CI | .050"              | FWS-6     |
| 1963-65            | V8 4.7L 288 CI | .025"              | FWS-5     |
| <b>GALAXIE 500</b> |                |                    |           |
| 1968-71            | V8 6.4L 390 CI | .050"              | FWS-13    |
| 1968-71            | V8 6.4L 390 CI | .025"              | FWS-12    |
| 1968-72            | L6 3.9L 240 CI | .025"              | FWS-5     |
| 1968-72            | L6 3.9L 240 CI | .050"              | FWS-6     |
| 1968-72            | V8 5.0L 302 CI | .025"              | FWS-5     |

# FLYWHEEL SHIM APPLICATIONS

| Years              | Engine         | Remarks | Pioneer # |
|--------------------|----------------|---------|-----------|
| <b>FORD</b>        |                |         |           |
| <b>GALAXIE 500</b> |                |         |           |
| 1968-72            | V8 5.0L 302 CI | .050"   | FWS-6     |
| 1969-74            | V8 5.8L 351 CI | .025"   | FWS-5     |
| 1969-74            | V8 5.8L 351 CI | .050"   | FWS-6     |
| 1973-74            | V8 7.5L 460 CI | .025"   | FWS-12    |
| 1973-74            | V8 7.5L 460 CI | .050"   | FWS-13    |
| <b>GRAN TORINO</b> |                |         |           |
| 1972-74            | L6 4.1L 250 CI | .050"   | FWS-6     |
| 1972-74            | L6 4.1L 250 CI | .025"   | FWS-5     |
| 1972-74            | V8 5.0L 302 CI | .050"   | FWS-6     |
| 1972-74            | V8 5.0L 302 CI | .025"   | FWS-5     |
| 1973-76            | V8 5.8L 351 CI | .025"   | FWS-5     |
| 1973-76            | V8 5.8L 351 CI | .050"   | FWS-6     |
| 1974-76            | V8 7.5L 460 CI | .050"   | FWS-13    |
| 1974-76            | V8 7.5L 460 CI | .025"   | FWS-12    |
| <b>GRANADA</b>     |                |         |           |
| 1975-77            | V8 5.8L 351 CI | .050"   | FWS-6     |
| 1975-77            | V8 5.8L 351 CI | .025"   | FWS-5     |
| 1975-80            | L6 4.1L 250 CI | .050"   | FWS-6     |
| 1975-80            | L6 4.1L 250 CI | .025"   | FWS-5     |
| 1975-80            | V8 5.0L 302 CI | .050"   | FWS-6     |
| 1975-80            | V8 5.0L 302 CI | .025"   | FWS-5     |
| 1980-81            | V8 4.2L 255 CI | .025"   | FWS-5     |
| 1980-81            | V8 4.2L 255 CI | .050"   | FWS-6     |
| 1981-82            | L4 2.3L 140 CI | .025"   | FWS-5     |
| 1981-82            | L4 2.3L 140 CI | .050"   | FWS-6     |
| 1975-77            | L6 3.3L 200 CI | .025"   | FWS-5     |
| 1981-82            | L6 3.3L 200 CI | .025"   | FWS-5     |
| 1975-77            | L6 3.3L 200 CI | .050"   | FWS-6     |
| 1981-82            | L6 3.3L 200 CI | .050"   | FWS-6     |
| 1982               | V6 3.8L 232 CI | .025"   | FWS-5     |
| 1982               | V6 3.8L 232 CI | .050"   | FWS-6     |
| <b>LTD</b>         |                |         |           |
| 1965-67            | V8 6.4L 390 CI | .050"   | FWS-13    |
| 1971               | V8 6.4L 390 CI | .050"   | FWS-13    |
| 1965-67            | V8 6.4L 390 CI | .025"   | FWS-12    |
| 1971               | V8 6.4L 390 CI | .025"   | FWS-12    |
| 1967-68            | V8 4.7L 288 CI | .050"   | FWS-6     |
| 1967-68            | V8 4.7L 288 CI | .025"   | FWS-5     |
| 1968               | V8 4.7L 289 CI | .025"   | FWS-5     |
| 1968               | V8 4.7L 289 CI | .050"   | FWS-6     |

# FLYWHEEL SHIM APPLICATIONS

| Years           | Engine         | Remarks            | Pioneer # |
|-----------------|----------------|--------------------|-----------|
| <b>FORD</b>     |                |                    |           |
| <b>LTD</b>      |                |                    |           |
| 1968-72         | V8 5.0L 302 CI | .050"              | FWS-6     |
| 1977-86         | V8 5.0L 302 CI | .050"              | FWS-6     |
| 1968-72         | V8 5.0L 302 CI | .025"              | FWS-5     |
| 1977-86         | V8 5.0L 302 CI | .025"              | FWS-5     |
| 1969-86         | V8 5.8L 351 CI | .025"              | FWS-5     |
| 1972-78         | V8 7.5L 460 CI | .025"              | FWS-12    |
| 1972-78         | V8 7.5L 460 CI | .050"              | FWS-13    |
| 1969-86         | V8 5.8L 351 CI | .050"              | FWS-6     |
| 1981-82         | V8 4.2L 255 CI | .025"              | FWS-5     |
| 1981-82         | V8 4.2L 255 CI | .050"              | FWS-6     |
| 1983            | L6 3.3L 200 CI | .050"              | FWS-6     |
| 1983            | L6 3.3L 200 CI | .025"              | FWS-5     |
| 1983-86         | L4 2.3L 140 CI | .025"              | FWS-5     |
| 1983-86         | L4 2.3L 140 CI | .050"              | FWS-6     |
| 1983-86         | V6 3.8L 232 CI | .025"              | FWS-5     |
| 1983-86         | V6 3.8L 232 CI | .050"              | FWS-6     |
| <b>LTD II</b>   |                |                    |           |
| 1977-79         | V8 5.0L 302 CI | .025"              | FWS-5     |
| 1977-79         | V8 5.0L 302 CI | .050"              | FWS-6     |
| 1977-79         | V8 5.8L 351 CI | .025"              | FWS-5     |
| 1977-79         | V8 5.8L 351 CI | .050"              | FWS-6     |
| <b>MAINLINE</b> |                |                    |           |
| 1952-54         | V8 3.9L 239 CI | .050"              | FWS-6     |
| 1952-54         | V8 3.9L 239 CI | .025"              | FWS-5     |
| 1954            | V8 4.2L 256 CI | .050"              | FWS-6     |
| 1954            | V8 4.2L 256 CI | .025"              | FWS-5     |
| <b>MAVERICK</b> |                |                    |           |
| 1970-72         | L6 2.8L 170 CI | .025" 6 Bolt Crank | FWS-16    |
| 1970-72         | L6 2.8L 170 CI | .050" 6 Bolt Crank | FWS-14    |
| 1970-77         | L6 3.3L 200 CI | .050"              | FWS-6     |
| 1970-77         | L6 4.1L 250 CI | .025"              | FWS-5     |
| 1971-77         | V8 5.0L 302 CI | .050"              | FWS-6     |
| 1970-77         | L6 3.3L 200 CI | .025"              | FWS-5     |
| 1970-77         | L6 4.1L 250 CI | .050"              | FWS-6     |
| 1971-77         | V8 5.0L 302 CI | .025"              | FWS-5     |
| <b>MUSTANG</b>  |                |                    |           |
| 1964-65         | L6 2.8L 170 CI | .025" 6 Bolt Crank | FWS-16    |
| 1964-65         | L6 2.8L 170 CI | .050" 6 Bolt Crank | FWS-14    |
| 1965-68         | V8 4.7L 288 CI | .050"              | FWS-6     |
| 1965-68         | V8 4.7L 288 CI | .025"              | FWS-5     |

# FLYWHEEL SHIM APPLICATIONS

| Years             | Engine         | Remarks            | Pioneer # |
|-------------------|----------------|--------------------|-----------|
| <b>FORD</b>       |                |                    |           |
| <b>MUSTANG</b>    |                |                    |           |
| 1968              | V8 4.7L 289 CI | .050"              | FWS-6     |
| 1968              | V8 4.7L 289 CI | .025"              | FWS-5     |
| 1964-70           | L6 3.3L 200 CI | .050"              | FWS-6     |
| 1979-82           | L6 3.3L 200 CI | .050"              | FWS-6     |
| 1969-73           | L6 4.1L 250 CI | .050"              | FWS-6     |
| 1969-73           | L6 4.1L 250 CI | .025"              | FWS-5     |
| 1969-73           | V8 5.8L 351 CI | .025"              | FWS-5     |
| 1969-73           | V8 5.8L 351 CI | .050"              | FWS-6     |
| 1979              | V6 2.8L 171 CI | .025" 6 Bolt Crank | FWS-16    |
| 1979              | V6 2.8L 171 CI | .050" 6 Bolt Crank | FWS-14    |
| 1964-70           | L6 3.3L 200 CI | .025"              | FWS-5     |
| 1979-82           | L6 3.3L 200 CI | .025"              | FWS-5     |
| 1980-82           | V8 4.2L 255 CI | .025"              | FWS-5     |
| 1980-82           | V8 4.2L 255 CI | .050"              | FWS-6     |
| 1979-93           | L4 2.3L 140 CI | .025"              | FWS-5     |
| 1979-93           | L4 2.3L 140 CI | .050"              | FWS-6     |
| 1968-73           | V8 5.0L 302 CI | .025"              | FWS-5     |
| 1979              | V8 5.0L 302 CI | .025"              | FWS-5     |
| 1982-95           | V8 5.0L 302 CI | .025"              | FWS-5     |
| 1968-73           | V8 5.0L 302 CI | .050"              | FWS-6     |
| 1979              | V8 5.0L 302 CI | .050"              | FWS-6     |
| 1982-95           | V8 5.0L 302 CI | .050"              | FWS-6     |
| 1983-86           | V6 3.8L 232 CI | .025"              | FWS-5     |
| 1994-04           | V6 3.8L 232 CI | .025"              | FWS-5     |
| 1983-86           | V6 3.8L 232 CI | .050"              | FWS-6     |
| 1994-04           | V6 3.8L 232 CI | .050"              | FWS-6     |
| 1996-00           | V8 4.6L 281 CI | .050"              | FWS-6     |
| 1996-00           | V8 4.6L 281 CI | .025"              | FWS-5     |
| <b>MUSTANG II</b> |                |                    |           |
| 1974              | L4 2.0L 121 CI | .050"              | FWS-6     |
| 1974              | L4 2.0L 121 CI | .025"              | FWS-5     |
| 1974              | L4 2.3L 140 CI | .050"              | FWS-6     |
| 1974              | L4 2.3L 140 CI | .025"              | FWS-5     |
| 1974              | V6 2.8L 170 CI | .025" 6 Bolt Crank | FWS-16    |
| 1974              | V6 2.8L 170 CI | .050" 6 Bolt Crank | FWS-14    |
| 1974-78           | V6 2.8L 171 CI | .050" 6 Bolt Crank | FWS-14    |
| 1974-78           | V6 2.8L 171 CI | .025" 6 Bolt Crank | FWS-16    |
| 1975-78           | V8 5.0L 302 CI | .025"              | FWS-5     |
| 1975-78           | V8 5.0L 302 CI | .050"              | FWS-6     |
| <b>PINTO</b>      |                |                    |           |
| 1971-73           | L4 1.6L 98 CI  | .050"              | FWS-6     |



# FLYWHEEL SHIM APPLICATIONS

| Years              | Engine         | Remarks            | Pioneer # |
|--------------------|----------------|--------------------|-----------|
| <b>FORD</b>        |                |                    |           |
| <b>PINTO</b>       |                |                    |           |
| 1971-73            | L4 1.6L 98 CI  | .025"              | FWS-5     |
| 1971-74            | L4 2.0L 121 CI | .050"              | FWS-6     |
| 1971-74            | L4 2.0L 121 CI | .025"              | FWS-5     |
| 1974-80            | L4 2.3L 140 CI | .025"              | FWS-5     |
| 1974-80            | L4 2.3L 140 CI | .050"              | FWS-6     |
| 1975-79            | V6 2.8L 171 CI | .050" 6 Bolt Crank | FWS-14    |
| 1975-79            | V6 2.8L 171 CI | .025" 6 Bolt Crank | FWS-16    |
| <b>PROBE</b>       |                |                    |           |
| 1990-91            | V6 3.0L 182 CI | .025"              | FWS-5     |
| 1990-91            | V6 3.0L 182 CI | .050"              | FWS-6     |
| 1993-97            | L4 2.0L 121 CI | .025"              | FWS-5     |
| 1993-97            | L4 2.0L 121 CI | .050"              | FWS-6     |
| <b>RANCH WAGON</b> |                |                    |           |
| 1950-54            | V8 3.9L 239 CI | .025"              | FWS-5     |
| 1950-54            | V8 3.9L 239 CI | .050"              | FWS-6     |
| 1954               | V8 4.2L 256 CI | .025"              | FWS-5     |
| 1954               | V8 4.2L 256 CI | .050"              | FWS-6     |
| 1958-59            | V8 5.4L 332 CI | .050"              | FWS-6     |
| 1958-59            | V8 5.4L 332 CI | .025"              | FWS-5     |
| 1958-66            | V8 5.8L 352 CI | .050"              | FWS-6     |
| 1958-66            | V8 5.8L 352 CI | .025"              | FWS-5     |
| 1962-68            | V8 6.4L 390 CI | .050"              | FWS-13    |
| 1963-68            | V8 4.7L 288 CI | .025"              | FWS-5     |
| 1963-68            | V8 4.7L 288 CI | .050"              | FWS-6     |
| 1965-69            | L6 3.9L 240 CI | .025"              | FWS-5     |
| 1968               | V8 4.7L 289 CI | .025"              | FWS-5     |
| 1968               | V8 4.7L 289 CI | .050"              | FWS-6     |
| 1962-68            | V8 6.4L 390 CI | .025"              | FWS-12    |
| 1965-69            | L6 3.9L 240 CI | .050"              | FWS-6     |
| 1968-72            | V8 5.0L 302 CI | .025"              | FWS-5     |
| 1968-72            | V8 5.0L 302 CI | .050"              | FWS-6     |
| 1969-74            | V8 5.8L 351 CI | .050"              | FWS-6     |
| 1969-74            | V8 5.8L 351 CI | .025"              | FWS-5     |
| 1973-74            | V8 7.5L 460 CI | .025"              | FWS-12    |
| 1973-74            | V8 7.5L 460 CI | .050"              | FWS-13    |
| <b>SKYLINER</b>    |                |                    |           |
| 1958               | V8 5.4L 332 CI | .050"              | FWS-6     |
| 1958               | V8 5.4L 332 CI | .025"              | FWS-5     |
| 1958-59            | V8 5.8L 352 CI | .025"              | FWS-5     |
| 1958-59            | V8 5.8L 352 CI | .050"              | FWS-6     |

# FLYWHEEL SHIM APPLICATIONS

| Years              | Engine         | Remarks            | Pioneer # |
|--------------------|----------------|--------------------|-----------|
| <b>FORD</b>        |                |                    |           |
| <b>SPRINT</b>      |                |                    |           |
| 1963               | L6 2.8L 170 CI | .025" 6 Bolt Crank | FWS-16    |
| 1963               | L6 2.8L 170 CI | .050" 6 Bolt Crank | FWS-14    |
| <b>STARLINER</b>   |                |                    |           |
| 1960               | V8 5.8L 352 CI | .050"              | FWS-6     |
| 1960               | V8 5.8L 352 CI | .025"              | FWS-5     |
| <b>SUNLINER</b>    |                |                    |           |
| 1958-59            | V8 5.4L 332 CI | .050"              | FWS-6     |
| 1958-59            | V8 5.4L 332 CI | .025"              | FWS-5     |
| 1958-60            | V8 5.8L 352 CI | .025"              | FWS-5     |
| 1962-64            | V8 5.8L 352 CI | .025"              | FWS-5     |
| 1958-60            | V8 5.8L 352 CI | .050"              | FWS-6     |
| 1962-64            | V8 5.8L 352 CI | .050"              | FWS-6     |
| 1962-64            | V8 6.4L 390 CI | .025"              | FWS-12    |
| 1962-64            | V8 6.4L 390 CI | .050"              | FWS-13    |
| 1963               | L6 3.3L 200 CI | .025"              | FWS-5     |
| 1963               | L6 3.3L 200 CI | .050"              | FWS-6     |
| 1963               | V8 4.7L 288 CI | .025"              | FWS-5     |
| 1963               | V8 4.7L 288 CI | .050"              | FWS-6     |
| <b>TAURUS</b>      |                |                    |           |
| 1986-05            | V6 3.0L 182 CI | .050"              | FWS-6     |
| 1986-05            | V6 3.0L 182 CI | .025"              | FWS-5     |
| 1988-95            | V6 3.8L 232 CI | .050"              | FWS-6     |
| 1988-95            | V6 3.8L 232 CI | .025"              | FWS-5     |
| <b>TEMPO</b>       |                |                    |           |
| 1984-86            | L4 2.0L 121 CI | .025"              | FWS-5     |
| 1984-86            | L4 2.0L 121 CI | .050"              | FWS-6     |
| 1984-94            | L4 2.3L 140 CI | .025"              | FWS-5     |
| 1984-94            | L4 2.3L 140 CI | .050"              | FWS-6     |
| 1992-94            | V6 3.0L 182 CI | .025"              | FWS-5     |
| 1992-94            | V6 3.0L 182 CI | .050"              | FWS-6     |
| <b>THUNDERBIRD</b> |                |                    |           |
| 1958-59            | V8 5.4L 332 CI | .025"              | FWS-5     |
| 1958-59            | V8 5.4L 332 CI | .050"              | FWS-6     |
| 1958-60            | V8 5.8L 352 CI | .050"              | FWS-6     |
| 1958-60            | V8 5.8L 352 CI | .025"              | FWS-5     |
| 1977-79            | V8 5.8L 351 CI | .050"              | FWS-6     |
| 1977-79            | V8 5.8L 351 CI | .025"              | FWS-5     |
| 1980-82            | L6 3.3L 200 CI | .025"              | FWS-5     |
| 1980-82            | L6 3.3L 200 CI | .050"              | FWS-6     |
| 1980-82            | V8 4.2L 255 CI | .050"              | FWS-6     |

# FLYWHEEL SHIM APPLICATIONS

| Years              | Engine         | Remarks            | Pioneer # |
|--------------------|----------------|--------------------|-----------|
| <b>FORD</b>        |                |                    |           |
| <b>THUNDERBIRD</b> |                |                    |           |
| 1980-82            | V8 4.2L 255 CI | .025"              | FWS-5     |
| 1982-97            | V6 3.8L 232 CI | .050"              | FWS-6     |
| 1982-97            | V6 3.8L 232 CI | .025"              | FWS-5     |
| 1983-88            | L4 2.3L 140 CI | .025"              | FWS-5     |
| 1983-88            | L4 2.3L 140 CI | .050"              | FWS-6     |
| 1977-81            | V8 5.0L 302 CI | .050"              | FWS-6     |
| 1983-88            | V8 5.0L 302 CI | .050"              | FWS-6     |
| 1991-93            | V8 5.0L 302 CI | .050"              | FWS-6     |
| 1977-81            | V8 5.0L 302 CI | .025"              | FWS-5     |
| 1983-88            | V8 5.0L 302 CI | .025"              | FWS-5     |
| 1991-93            | V8 5.0L 302 CI | .025"              | FWS-5     |
| 1994-97            | V8 4.6L 281 CI | .050"              | FWS-6     |
| 1994-97            | V8 4.6L 281 CI | .025"              | FWS-5     |
| 2002-05            | V8 3.9L 242 CI | .025"              | FWS-5     |
| 2002-05            | V8 3.9L 242 CI | .050"              | FWS-6     |
| <b>TORINO</b>      |                |                    |           |
| 1968               | V8 4.7L 288 CI | .050"              | FWS-6     |
| 1968               | V8 4.7L 288 CI | .025"              | FWS-5     |
| 1968               | V8 4.7L 289 CI | .050"              | FWS-6     |
| 1968               | V8 4.7L 289 CI | .025"              | FWS-5     |
| 1968               | V8 6.4L 390 CI | .050"              | FWS-13    |
| 1968               | V8 6.4L 390 CI | .025"              | FWS-12    |
| 1968-74            | V8 5.0L 302 CI | .025"              | FWS-5     |
| 1968-74            | V8 5.0L 302 CI | .050"              | FWS-6     |
| 1969-71            | V8 5.8L 351 CI | .050"              | FWS-6     |
| 1976               | V8 5.8L 351 CI | .050"              | FWS-6     |
| 1973-74            | L6 4.1L 250 CI | .050"              | FWS-6     |
| 1973-74            | L6 4.1L 250 CI | .025"              | FWS-5     |
| 1973-76            | V8 7.5L 460 CI | .025"              | FWS-12    |
| 1973-76            | V8 7.5L 460 CI | .050"              | FWS-13    |
| 1969-71            | V8 5.8L 351 CI | .025"              | FWS-5     |
| 1976               | V8 5.8L 351 CI | .025"              | FWS-5     |
| <b>FORD TRUCK</b>  |                |                    |           |
| <b>AEROSTAR</b>    |                |                    |           |
| 1990-97            | V6 4.0L 245 CI | .050" 6 Bolt Crank | FWS-14    |
| 1990-97            | V6 4.0L 245 CI | .025" 6 Bolt Crank | FWS-16    |
| <b>BRONCO</b>      |                |                    |           |
| 1966-67            | V8 4.7L 288 CI | .025"              | FWS-5     |
| 1966-67            | V8 4.7L 288 CI | .050"              | FWS-6     |
| 1967               | L6 3.9L 240 CI | .050"              | FWS-6     |

# FLYWHEEL SHIM APPLICATIONS

| Years                         | Engine         | Remarks            | Pioneer # |
|-------------------------------|----------------|--------------------|-----------|
| <b>FORD TRUCK</b>             |                |                    |           |
| <b>BRONCO</b>                 |                |                    |           |
| 1967                          | L6 3.9L 240 CI | .025"              | FWS-5     |
| <b>CLUB WAGON</b>             |                |                    |           |
| 1962-67                       | L6 2.8L 170 CI | .050" 6 Bolt Crank | FWS-14    |
| 1962-67                       | L6 2.8L 170 CI | .025" 6 Bolt Crank | FWS-16    |
| 1967                          | L6 3.9L 240 CI | .050"              | FWS-6     |
| 1967                          | L6 3.9L 240 CI | .025"              | FWS-5     |
| <b>COURIER</b>                |                |                    |           |
| 1979                          | L4 2.0L 121 CI | .050"              | FWS-6     |
| 1979                          | L4 2.0L 121 CI | .025"              | FWS-5     |
| <b>COURIER SEDAN DELIVERY</b> |                |                    |           |
| 1958                          | V8 5.8L 352 CI | .025"              | FWS-5     |
| 1958                          | V8 5.8L 352 CI | .050"              | FWS-6     |
| <b>E-150</b>                  |                |                    |           |
| 2003                          | V8 4.6L 281 CI | .050"              | FWS-6     |
| 2003                          | V8 4.6L 281 CI | .025"              | FWS-5     |
| <b>E-150 ECONOLINE</b>        |                |                    |           |
| 1976                          | V8 7.5L 460 CI | .050"              | FWS-13    |
| 1976                          | V8 7.5L 460 CI | .025"              | FWS-12    |
| 1998                          | V8 5.4L 330 CI | .050"              | FWS-6     |
| 1998                          | V8 5.4L 330 CI | .025"              | FWS-5     |
| 1998-00                       | V6 4.2L 256 CI | .025"              | FWS-5     |
| 1998-00                       | V6 4.2L 256 CI | .050"              | FWS-6     |
| 1999-02                       | V8 4.6L 281 CI | .025"              | FWS-5     |
| 1999-02                       | V8 4.6L 281 CI | .050"              | FWS-6     |
| <b>E-250</b>                  |                |                    |           |
| 2003-05                       | V8 5.4L 330 CI | .050"              | FWS-6     |
| 2003-05                       | V8 5.4L 330 CI | .025"              | FWS-5     |
| <b>E-250 ECONOLINE</b>        |                |                    |           |
| 1975-96                       | V8 5.8L 351 CI | .025"              | FWS-5     |
| 1975-96                       | V8 5.8L 351 CI | .050"              | FWS-6     |
| 1975                          | V8 7.5L 460 CI | .050"              | FWS-13    |
| 1978-80                       | V8 7.5L 460 CI | .050"              | FWS-13    |
| 1975                          | V8 7.5L 460 CI | .025"              | FWS-12    |
| 1978-80                       | V8 7.5L 460 CI | .025"              | FWS-12    |
| 1981-91                       | V8 5.0L 302 CI | .050"              | FWS-6     |
| 1981-91                       | V8 5.0L 302 CI | .025"              | FWS-5     |
| 1997-02                       | V8 5.4L 330 CI | .025"              | FWS-5     |
| 1997-02                       | V8 5.4L 330 CI | .050"              | FWS-6     |
| <b>E-300 ECONOLINE</b>        |                |                    |           |
| 1968-74                       | L6 3.9L 240 CI | .050"              | FWS-6     |

# FLYWHEEL SHIM APPLICATIONS

| Years                   | Engine         | Remarks                                  | Pioneer # |
|-------------------------|----------------|--|-----------|
| <b>FORD TRUCK</b>       |                |  |           |
| <b>E-300 ECONOLINE</b>  |                |  |           |
| 1968-74                 | L6 3.9L 240 CI | .025"                                    | FWS-5     |
| 1969-70                 | L6 2.8L 170 CI | .025" 6 Bolt Crank                       | FWS-16    |
| 1969-70                 | L6 2.8L 170 CI | .050" 6 Bolt Crank                       | FWS-14    |
| 1972                    | L6 4.9L 300 CI | .025"                                    | FWS-5     |
| 1972                    | L6 4.9L 300 CI | .050"                                    | FWS-6     |
| <b>E-350 CLUB WAGON</b> |                |  |           |
| 2003                    | V8 7.3L 445 CI | .050" Do not use with Dual Mass flywheel | FWS-13    |
| 2003                    | V8 7.3L 445 CI | .025" Do not use with Dual Mass flywheel | FWS-12    |
| 2003-05                 | V8 5.4L 330 CI | .025"                                    | FWS-5     |
| 2003-05                 | V8 5.4L 330 CI | .050"                                    | FWS-6     |
| <b>E-350 ECONOLINE</b>  |                |  |           |
| 1975-96                 | V8 7.5L 460 CI | .025"                                    | FWS-12    |
| 1975-96                 | V8 7.5L 460 CI | .050"                                    | FWS-13    |
| 1975                    | V8 5.0L 302 CI | .025"                                    | FWS-5     |
| 1979-82                 | V8 5.0L 302 CI | .025"                                    | FWS-5     |
| 1975                    | V8 5.0L 302 CI | .050"                                    | FWS-6     |
| 1979-82                 | V8 5.0L 302 CI | .050"                                    | FWS-6     |
| 1986-87                 | V8 6.9L 420 CI | .050"                                    | FWS-13    |
| 1986-87                 | V8 6.9L 420 CI | .025"                                    | FWS-12    |
| 1982-87                 | V8 5.8L 351 CI | .025"                                    | FWS-5     |
| 1989-96                 | V8 5.8L 351 CI | .025"                                    | FWS-5     |
| 1982-87                 | V8 5.8L 351 CI | .050"                                    | FWS-6     |
| 1989-96                 | V8 5.8L 351 CI | .050"                                    | FWS-6     |
| 1975-79                 | L6 4.9L 300 CI | .050"                                    | FWS-6     |
| 1984-86                 | L6 4.9L 300 CI | .050"                                    | FWS-6     |
| 1988-90                 | L6 4.9L 300 CI | .050"                                    | FWS-6     |
| 1992-96                 | L6 4.9L 300 CI | .050"                                    | FWS-6     |
| 1975-79                 | L6 4.9L 300 CI | .025"                                    | FWS-5     |
| 1984-86                 | L6 4.9L 300 CI | .025"                                    | FWS-5     |
| 1988-90                 | L6 4.9L 300 CI | .025"                                    | FWS-5     |
| 1992-96                 | L6 4.9L 300 CI | .025"                                    | FWS-5     |
| 1997                    | V8 5.4L 330 CI | .025"                                    | FWS-5     |
| 1999-00                 | V8 5.4L 330 CI | .025"                                    | FWS-5     |
| 1988                    | V8 7.3L 445 CI | .050" Do not use with Dual Mass flywheel | FWS-13    |
| 1991-93                 | V8 7.3L 445 CI | .050" Do not use with Dual Mass flywheel | FWS-13    |
| 1995                    | V8 7.3L 445 CI | .050" Do not use with Dual Mass flywheel | FWS-13    |
| 1997-98                 | V8 7.3L 445 CI | .050" Do not use with Dual Mass flywheel | FWS-13    |
| 1988                    | V8 7.3L 445 CI | .025" Do not use with Dual Mass flywheel | FWS-12    |
| 1991-93                 | V8 7.3L 445 CI | .025" Do not use with Dual Mass flywheel | FWS-12    |
| 1995                    | V8 7.3L 445 CI | .025" Do not use with Dual Mass flywheel | FWS-12    |

# FLYWHEEL SHIM APPLICATIONS

| Years                             | Engine         | Remarks                                  | Pioneer # |
|-----------------------------------|----------------|--|-----------|
| <b>FORD TRUCK</b>                 |                |  |           |
| <b>E-350 ECONOLINE</b>            |                |  |           |
| 1997-98                           | V8 7.3L 445 CI | .025" Do not use with Dual Mass flywheel | FWS-12    |
| 1997                              | V8 5.4L 330 CI | .050"                                    | FWS-6     |
| 1999-00                           | V8 5.4L 330 CI | .050"                                    | FWS-6     |
| <b>E-350 ECONOLINE CLUB WAGON</b> |                |  |           |
| 1977-96                           | V8 7.5L 460 CI | .050"                                    | FWS-13    |
| 1977-96                           | V8 7.5L 460 CI | .025"                                    | FWS-12    |
| 1979-80                           | V8 5.0L 302 CI | .050"                                    | FWS-6     |
| 1979-80                           | V8 5.0L 302 CI | .025"                                    | FWS-5     |
| 1986-87                           | V8 6.9L 420 CI | .050"                                    | FWS-13    |
| 1986-87                           | V8 6.9L 420 CI | .025"                                    | FWS-12    |
| 1982-87                           | V8 5.8L 351 CI | .025"                                    | FWS-5     |
| 1989-96                           | V8 5.8L 351 CI | .025"                                    | FWS-5     |
| 1982-87                           | V8 5.8L 351 CI | .050"                                    | FWS-6     |
| 1989-96                           | V8 5.8L 351 CI | .050"                                    | FWS-6     |
| 1977-79                           | L6 4.9L 300 CI | .050"                                    | FWS-6     |
| 1984-86                           | L6 4.9L 300 CI | .050"                                    | FWS-6     |
| 1988-90                           | L6 4.9L 300 CI | .050"                                    | FWS-6     |
| 1992-96                           | L6 4.9L 300 CI | .050"                                    | FWS-6     |
| 1977-79                           | L6 4.9L 300 CI | .025"                                    | FWS-5     |
| 1984-86                           | L6 4.9L 300 CI | .025"                                    | FWS-5     |
| 1988-90                           | L6 4.9L 300 CI | .025"                                    | FWS-5     |
| 1992-96                           | L6 4.9L 300 CI | .025"                                    | FWS-5     |
| 1988                              | V8 7.3L 445 CI | .050" Do not use with Dual Mass flywheel | FWS-13    |
| 1991-93                           | V8 7.3L 445 CI | .050" Do not use with Dual Mass flywheel | FWS-13    |
| 1995                              | V8 7.3L 445 CI | .050" Do not use with Dual Mass flywheel | FWS-13    |
| 1997-02                           | V8 7.3L 445 CI | .050" Do not use with Dual Mass flywheel | FWS-13    |
| 1988                              | V8 7.3L 445 CI | .025" Do not use with Dual Mass flywheel | FWS-12    |
| 1991-93                           | V8 7.3L 445 CI | .025" Do not use with Dual Mass flywheel | FWS-12    |
| 1995                              | V8 7.3L 445 CI | .025" Do not use with Dual Mass flywheel | FWS-12    |
| 1997-02                           | V8 7.3L 445 CI | .025" Do not use with Dual Mass flywheel | FWS-12    |
| 1997                              | V8 5.4L 330 CI | .025"                                    | FWS-5     |
| 1999-02                           | V8 5.4L 330 CI | .025"                                    | FWS-5     |
| 1997                              | V8 5.4L 330 CI | .050"                                    | FWS-6     |
| 1999-02                           | V8 5.4L 330 CI | .050"                                    | FWS-6     |
| <b>ECONOLINE</b>                  |                |  |           |
| 1962-64                           | L6 2.8L 170 CI | .050" 6 Bolt Crank                       | FWS-14    |
| 1962-64                           | L6 2.8L 170 CI | .025" 6 Bolt Crank                       | FWS-16    |
| 2000-02                           | V8 5.4L 330 CI | .025"                                    | FWS-5     |
| 2000-02                           | V8 5.4L 330 CI | .050"                                    | FWS-6     |
| <b>ESCAPE</b>                     |                |  |           |
| 2001-04                           | L4 2.0L 121 CI | .025"                                    | FWS-5     |

# FLYWHEEL SHIM APPLICATIONS

| Years                      | Engine         | Remarks                                  | Pioneer # |
|----------------------------|----------------|--|-----------|
| <b>FORD TRUCK</b>          |                |  |           |
| <b>ESCAPE</b>              |                |  |           |
| 2001-04                    | L4 2.0L 121 CI | .050"                                    | FWS-6     |
| 2001                       | V6 3.0L 182 CI | .050"                                    | FWS-6     |
| 2004-05                    | V6 3.0L 182 CI | .050"                                    | FWS-6     |
| 2001                       | V6 3.0L 182 CI | .025"                                    | FWS-5     |
| 2004-05                    | V6 3.0L 182 CI | .025"                                    | FWS-5     |
| 2005                       | L4 2.3L 140 CI | .025"                                    | FWS-5     |
| 2005                       | L4 2.3L 140 CI | .050"                                    | FWS-6     |
| <b>EXCURSION</b>           |                |  |           |
| 2000-03                    | V8 7.3L 445 CI | .025" Do not use with Dual Mass flywheel | FWS-12    |
| 2000-03                    | V8 7.3L 445 CI | .050" Do not use with Dual Mass flywheel | FWS-13    |
| 2002-05                    | V8 5.4L 330 CI | .050"                                    | FWS-6     |
| 2002-05                    | V8 5.4L 330 CI | .025"                                    | FWS-5     |
| <b>EXPEDITION</b>          |                |  |           |
| 1997-04                    | V8 4.6L 281 CI | .025"                                    | FWS-5     |
| 1997-04                    | V8 4.6L 281 CI | .050"                                    | FWS-6     |
| 1997-99                    | V8 5.4L 330 CI | .025"                                    | FWS-5     |
| 1997-99                    | V8 5.4L 330 CI | .050"                                    | FWS-6     |
| <b>EXPLORER</b>            |                |  |           |
| 1991-05                    | V6 4.0L 245 CI | .025" 6 Bolt Crank                       | FWS-16    |
| 1991-05                    | V6 4.0L 245 CI | .050" 6 Bolt Crank                       | FWS-14    |
| 1996-01                    | V8 5.0L 302 CI | .025"                                    | FWS-5     |
| 1996-01                    | V8 5.0L 302 CI | .050"                                    | FWS-6     |
| 1996-09                    | V6 4.0L 245 CI | .025" 8 Bolt Crank                       | FWS-23    |
| 1996-09                    | V6 4.0L 245 CI | .050" 8 Bolt Crank                       | FWS-24    |
| 2002-05                    | V8 4.6L 281 CI | .025"                                    | FWS-5     |
| 2002-05                    | V8 4.6L 281 CI | .050"                                    | FWS-6     |
| <b>EXPLORER SPORT TRAC</b> |                |  |           |
| 2001-05                    | V6 4.0L 245 CI | .050" 6 Bolt Crank                       | FWS-14    |
| 2001-05                    | V6 4.0L 245 CI | .050" 8 Bolt Crank                       | FWS-24    |
| 2001-05                    | V6 4.0L 245 CI | .025" 8 Bolt Crank                       | FWS-23    |
| 2001-05                    | V6 4.0L 245 CI | .025" 6 Bolt Crank                       | FWS-16    |
| <b>F SERIES</b>            |                |  |           |
| 1957-59                    | V8 5.8L 352 CI | .050"                                    | FWS-6     |
| 1957-59                    | V8 5.8L 352 CI | .025"                                    | FWS-5     |
| <b>F-100</b>               |                |  |           |
| 1953-55                    | V8 3.9L 239 CI | .025"                                    | FWS-5     |
| 1953-55                    | V8 3.9L 239 CI | .050"                                    | FWS-6     |
| 1960-63                    | V8 5.4L 332 CI | .025"                                    | FWS-5     |
| 1960-63                    | V8 5.4L 332 CI | .050"                                    | FWS-6     |
| 1965-74                    | L6 3.9L 240 CI | .050"                                    | FWS-6     |

# FLYWHEEL SHIM APPLICATIONS

| Years             | Engine         | Remarks | Pioneer # |
|-------------------|----------------|---------|-----------|
| <b>FORD TRUCK</b> |                |         |           |
| <b>F-100</b>      |                |         |           |
| 1965-74           | L6 3.9L 240 CI | .025"   | FWS-5     |
| 1965-83           | L6 4.9L 300 CI | .050"   | FWS-6     |
| 1966-67           | V8 5.8L 352 CI | .025"   | FWS-5     |
| 1966-67           | V8 5.8L 352 CI | .050"   | FWS-6     |
| 1968-76           | V8 5.9L 360 CI | .025"   | FWS-12    |
| 1968-76           | V8 5.9L 360 CI | .050"   | FWS-13    |
| 1968-76           | V8 6.4L 390 CI | .025"   | FWS-12    |
| 1968-76           | V8 6.4L 390 CI | .050"   | FWS-13    |
| 1969-83           | V8 5.0L 302 CI | .050"   | FWS-6     |
| 1973-77           | V8 7.5L 460 CI | .025"   | FWS-12    |
| 1979              | V8 7.5L 460 CI | .025"   | FWS-12    |
| 1973-77           | V8 7.5L 460 CI | .050"   | FWS-13    |
| 1979              | V8 7.5L 460 CI | .050"   | FWS-13    |
| 1965-83           | L6 4.9L 300 CI | .025"   | FWS-5     |
| 1969-83           | V8 5.0L 302 CI | .025"   | FWS-5     |
| 1977-79           | V8 5.8L 351 CI | .025"   | FWS-5     |
| 1981              | V8 5.8L 351 CI | .025"   | FWS-5     |
| 1977-79           | V8 5.8L 351 CI | .050"   | FWS-6     |
| 1981              | V8 5.8L 351 CI | .050"   | FWS-6     |
| 1981-82           | V8 4.2L 255 CI | .025"   | FWS-5     |
| 1981-82           | V8 4.2L 255 CI | .050"   | FWS-6     |
| 1982-83           | V6 3.8L 232 CI | .025"   | FWS-5     |
| 1982-83           | V6 3.8L 232 CI | .050"   | FWS-6     |
| <b>F-150</b>      |                |         |           |
| 1975-76           | V8 5.9L 360 CI | .025"   | FWS-12    |
| 1975-76           | V8 5.9L 360 CI | .050"   | FWS-13    |
| 1975-76           | V8 6.4L 390 CI | .050"   | FWS-13    |
| 1975-76           | V8 6.4L 390 CI | .025"   | FWS-12    |
| 1975-79           | V8 7.5L 460 CI | .025"   | FWS-12    |
| 1975-79           | V8 7.5L 460 CI | .050"   | FWS-13    |
| 1975-96           | L6 4.9L 300 CI | .025"   | FWS-5     |
| 1975-96           | L6 4.9L 300 CI | .050"   | FWS-6     |
| 1975-96           | V8 5.0L 302 CI | .025"   | FWS-5     |
| 1977-96           | V8 5.8L 351 CI | .050"   | FWS-6     |
| 1975-96           | V8 5.0L 302 CI | .050"   | FWS-6     |
| 1984              | V8 6.9L 420 CI | .025"   | FWS-12    |
| 1984              | V8 6.9L 420 CI | .050"   | FWS-13    |
| 1977-96           | V8 5.8L 351 CI | .025"   | FWS-5     |
| 1997-03           | V6 4.2L 256 CI | .025"   | FWS-5     |
| 1997-03           | V6 4.2L 256 CI | .050"   | FWS-6     |



# FLYWHEEL SHIM APPLICATIONS

| Years                 | Engine         | Remarks                                  | Pioneer # |
|-----------------------|----------------|--|-----------|
| <b>FORD TRUCK</b>     |                |  |           |
| <b>F-150</b>          |                |  |           |
| 1997-04               | V8 4.6L 281 CI | .025"                                    | FWS-5     |
| 1997-04               | V8 4.6L 281 CI | .050"                                    | FWS-6     |
| 1997-04               | V8 5.4L 330 CI | .025"                                    | FWS-5     |
| 1997-04               | V8 5.4L 330 CI | .050"                                    | FWS-6     |
| <b>F-150 HERITAGE</b> |                |  |           |
| 2004                  | V6 4.2L 256 CI | .025"                                    | FWS-5     |
| 2004                  | V6 4.2L 256 CI | .050"                                    | FWS-6     |
| 2004                  | V8 4.6L 281 CI | .025"                                    | FWS-5     |
| 2004                  | V8 4.6L 281 CI | .050"                                    | FWS-6     |
| <b>F-250</b>          |                |  |           |
| 1953-55               | V8 3.9L 239 CI | .025"                                    | FWS-5     |
| 1953-55               | V8 3.9L 239 CI | .050"                                    | FWS-6     |
| 1960-63               | V8 5.4L 332 CI | .050"                                    | FWS-6     |
| 1960-63               | V8 5.4L 332 CI | .025"                                    | FWS-5     |
| 1965-74               | L6 3.9L 240 CI | .050"                                    | FWS-6     |
| 1965-74               | L6 3.9L 240 CI | .025"                                    | FWS-5     |
| 1965-96               | L6 4.9L 300 CI | .025"                                    | FWS-5     |
| 1966-67               | V8 5.8L 352 CI | .050"                                    | FWS-6     |
| 1966-67               | V8 5.8L 352 CI | .025"                                    | FWS-5     |
| 1968-76               | V8 6.4L 390 CI | .025"                                    | FWS-12    |
| 1968-76               | V8 6.4L 390 CI | .050"                                    | FWS-13    |
| 1972-96               | V8 5.0L 302 CI | .025"                                    | FWS-5     |
| 1972-96               | V8 5.0L 302 CI | .050"                                    | FWS-6     |
| 1973-79               | V8 7.5L 460 CI | .025"                                    | FWS-12    |
| 1983-97               | V8 7.5L 460 CI | .025"                                    | FWS-12    |
| 1973-79               | V8 7.5L 460 CI | .050"                                    | FWS-13    |
| 1983-97               | V8 7.5L 460 CI | .050"                                    | FWS-13    |
| 1975-76               | V8 5.9L 360 CI | .025"                                    | FWS-12    |
| 1975-76               | V8 5.9L 360 CI | .050"                                    | FWS-13    |
| 1965-96               | L6 4.9L 300 CI | .050"                                    | FWS-6     |
| 1983-87               | V8 6.9L 420 CI | .025"                                    | FWS-12    |
| 1983-87               | V8 6.9L 420 CI | .050"                                    | FWS-13    |
| 1988-97               | V8 7.3L 445 CI | .025" Do not use with Dual Mass flywheel | FWS-12    |
| 1988-97               | V8 7.3L 445 CI | .050" Do not use with Dual Mass flywheel | FWS-13    |
| 1977-96               | V8 5.8L 351 CI | .050"                                    | FWS-6     |
| 1977-96               | V8 5.8L 351 CI | .025"                                    | FWS-5     |
| 1995                  | V8 4.9L 302 CI | .050"                                    | FWS-6     |
| 1995                  | V8 4.9L 302 CI | .025"                                    | FWS-5     |
| 1997-99               | V8 4.6L 281 CI | .050"                                    | FWS-6     |
| 1997-99               | V8 4.6L 281 CI | .025"                                    | FWS-5     |

# FLYWHEEL SHIM APPLICATIONS

| Years                   | Engine         | Remarks                                  | Pioneer # |
|-------------------------|----------------|--|-----------|
| <b>FORD TRUCK</b>       |                |  |           |
| <b>F-250</b>            |                |  |           |
| 1997-99                 | V8 5.4L 330 CI | .025"                                    | FWS-5     |
| 1997-99                 | V8 5.4L 330 CI | .050"                                    | FWS-6     |
| <b>F-250 SUPER DUTY</b> |                |  |           |
| 1999-03                 | V8 7.3L 445 CI | .050" Do not use with Dual Mass flywheel | FWS-13    |
| 1999-03                 | V8 7.3L 445 CI | .025" Do not use with Dual Mass flywheel | FWS-12    |
| 1999-04                 | V8 5.4L 330 CI | .050"                                    | FWS-6     |
| 1999-04                 | V8 5.4L 330 CI | .025"                                    | FWS-5     |
| <b>F-350</b>            |                |  |           |
| 1953-55                 | V8 3.9L 239 CI | .050"                                    | FWS-6     |
| 1953-55                 | V8 3.9L 239 CI | .025"                                    | FWS-5     |
| 1960-63                 | V8 5.4L 332 CI | .025"                                    | FWS-5     |
| 1960-63                 | V8 5.4L 332 CI | .050"                                    | FWS-6     |
| 1964-66                 | V8 5.9L 361 CI | .025"                                    | FWS-12    |
| 1964-66                 | V8 5.9L 361 CI | .050"                                    | FWS-13    |
| 1965-74                 | L6 3.9L 240 CI | .050"                                    | FWS-6     |
| 1965-96                 | L6 4.9L 300 CI | .025"                                    | FWS-5     |
| 1966-67                 | V8 5.8L 352 CI | .050"                                    | FWS-6     |
| 1966-67                 | V8 5.8L 352 CI | .025"                                    | FWS-5     |
| 1965-74                 | L6 3.9L 240 CI | .025"                                    | FWS-5     |
| 1968-76                 | V8 5.9L 360 CI | .050"                                    | FWS-13    |
| 1968-76                 | V8 5.9L 360 CI | .025"                                    | FWS-12    |
| 1968-76                 | V8 6.4L 390 CI | .025"                                    | FWS-12    |
| 1972-80                 | V8 5.0L 302 CI | .050"                                    | FWS-6     |
| 1968-76                 | V8 6.4L 390 CI | .050"                                    | FWS-13    |
| 1972-80                 | V8 5.0L 302 CI | .025"                                    | FWS-5     |
| 1965-96                 | L6 4.9L 300 CI | .050"                                    | FWS-6     |
| 1977-97                 | V8 5.8L 351 CI | .025"                                    | FWS-5     |
| 1983-87                 | V8 6.9L 420 CI | .025"                                    | FWS-12    |
| 1983-87                 | V8 6.9L 420 CI | .050"                                    | FWS-13    |
| 1978-79                 | V8 7.5L 460 CI | .050"                                    | FWS-13    |
| 1983-97                 | V8 7.5L 460 CI | .050"                                    | FWS-13    |
| 1978-79                 | V8 7.5L 460 CI | .025"                                    | FWS-12    |
| 1983-97                 | V8 7.5L 460 CI | .025"                                    | FWS-12    |
| 1988-90                 | V8 7.3L 445 CI | .025" Do not use with Dual Mass flywheel | FWS-12    |
| 1988-90                 | V8 7.3L 445 CI | .050" Do not use with Dual Mass flywheel | FWS-13    |
| 1977-97                 | V8 5.8L 351 CI | .050"                                    | FWS-6     |
| <b>F-350 SUPER DUTY</b> |                |  |           |
| 1999-03                 | V8 7.3L 445 CI | .050" Do not use with Dual Mass flywheel | FWS-13    |
| 1999-03                 | V8 7.3L 445 CI | .025" Do not use with Dual Mass flywheel | FWS-12    |
| 1999-04                 | V8 5.4L 330 CI | .025"                                    | FWS-5     |

# FLYWHEEL SHIM APPLICATIONS

| Years                        | Engine         | Remarks            | Pioneer # |
|------------------------------|----------------|--------------------|-----------|
| <b>FORD TRUCK</b>            |                |                    |           |
| <b>F-350 SUPER DUTY</b>      |                |                    |           |
| 1999-04                      | V8 5.4L 330 CI | .050"              | FWS-6     |
| <b>F-500</b>                 |                |                    |           |
| 1975-77                      | V8 5.4L 330 CI | .025"              | FWS-5     |
| 1975-77                      | V8 5.4L 330 CI | .050"              | FWS-6     |
| 1975-77                      | V8 5.9L 360 CI | .025"              | FWS-12    |
| 1975-77                      | V8 5.9L 360 CI | .050"              | FWS-13    |
| 1975-77                      | V8 6.4L 390 CI | .050"              | FWS-13    |
| 1975-77                      | V8 6.4L 390 CI | .025"              | FWS-12    |
| <b>FALCON SEDAN DELIVERY</b> |                |                    |           |
| 1961                         | L6 2.8L 170 CI | .025" 6 Bolt Crank | FWS-16    |
| 1964-65                      | L6 2.8L 170 CI | .025" 6 Bolt Crank | FWS-16    |
| 1961                         | L6 2.8L 170 CI | .050" 6 Bolt Crank | FWS-14    |
| 1964-65                      | L6 2.8L 170 CI | .050" 6 Bolt Crank | FWS-14    |
| 1964-65                      | L6 3.3L 200 CI | .050"              | FWS-6     |
| 1964-65                      | L6 3.3L 200 CI | .025"              | FWS-5     |
| 1965                         | V8 4.7L 288 CI | .025"              | FWS-5     |
| 1965                         | V8 4.7L 288 CI | .050"              | FWS-6     |
| <b>FREESTAR</b>              |                |                    |           |
| 2004-05                      | V6 4.2L 256 CI | .050"              | FWS-6     |
| 2004-05                      | V6 4.2L 256 CI | .025"              | FWS-5     |
| 2005                         | V6 3.9L 238 CI | .025"              | FWS-5     |
| 2005                         | V6 3.9L 238 CI | .050"              | FWS-6     |
| <b>M-400</b>                 |                |                    |           |
| 1973                         | V8 5.9L 360 CI | .050"              | FWS-13    |
| 1973                         | V8 5.9L 360 CI | .025"              | FWS-12    |
| 1971                         | V8 6.4L 390 CI | .025"              | FWS-12    |
| 1973                         | V8 6.4L 390 CI | .025"              | FWS-12    |
| 1971                         | V8 6.4L 390 CI | .050"              | FWS-13    |
| 1973                         | V8 6.4L 390 CI | .050"              | FWS-13    |
| <b>M-450</b>                 |                |                    |           |
| 1974                         | V8 5.9L 360 CI | .050"              | FWS-13    |
| 1974                         | V8 5.9L 360 CI | .025"              | FWS-12    |
| <b>P-100</b>                 |                |                    |           |
| 1965-67                      | L6 2.8L 170 CI | .050" 6 Bolt Crank | FWS-14    |
| 1965-67                      | L6 2.8L 170 CI | .025" 6 Bolt Crank | FWS-16    |
| <b>P-350</b>                 |                |                    |           |
| 1968-72                      | L6 3.9L 240 CI | .025"              | FWS-5     |
| 1968-72                      | L6 3.9L 240 CI | .050"              | FWS-6     |
| 1968-76                      | L6 4.9L 300 CI | .050"              | FWS-6     |
| 1968-76                      | L6 4.9L 300 CI | .025"              | FWS-5     |

# FLYWHEEL SHIM APPLICATIONS

| Years             | Engine         | Remarks            | Pioneer # |
|-------------------|----------------|--------------------|-----------|
| <b>FORD TRUCK</b> |                |                    |           |
| <b>P-350</b>      |                |                    |           |
| 1972              | V8 5.0L 302 CI | .025"              | FWS-5     |
| 1976              | V8 5.0L 302 CI | .025"              | FWS-5     |
| 1972              | V8 5.0L 302 CI | .050"              | FWS-6     |
| 1976              | V8 5.0L 302 CI | .050"              | FWS-6     |
| 1972-73           | V8 6.4L 390 CI | .050"              | FWS-13    |
| 1972-73           | V8 6.4L 390 CI | .025"              | FWS-12    |
| 1973              | V8 5.9L 360 CI | .025"              | FWS-12    |
| 1973              | V8 5.9L 360 CI | .050"              | FWS-13    |
| <b>P-400</b>      |                |                    |           |
| 1975-76           | V8 5.0L 302 CI | .025"              | FWS-5     |
| 1975-76           | V8 5.0L 302 CI | .050"              | FWS-6     |
| 1975-76           | L6 4.9L 300 CI | .050"              | FWS-6     |
| 1975-76           | L6 4.9L 300 CI | .025"              | FWS-5     |
| <b>P-500</b>      |                |                    |           |
| 1975-77           | L6 4.9L 300 CI | .025"              | FWS-5     |
| 1975-77           | L6 4.9L 300 CI | .050"              | FWS-6     |
| 1976-77           | V8 5.0L 302 CI | .050"              | FWS-6     |
| 1976-77           | V8 5.0L 302 CI | .025"              | FWS-5     |
| <b>RANCHERO</b>   |                |                    |           |
| 1957-59           | V8 5.8L 352 CI | .050"              | FWS-6     |
| 1957-59           | V8 5.8L 352 CI | .025"              | FWS-5     |
| 1961              | L6 2.8L 170 CI | .050" 6 Bolt Crank | FWS-14    |
| 1964-65           | L6 2.8L 170 CI | .050" 6 Bolt Crank | FWS-14    |
| 1961              | L6 2.8L 170 CI | .025" 6 Bolt Crank | FWS-16    |
| 1964-65           | L6 2.8L 170 CI | .025" 6 Bolt Crank | FWS-16    |
| 1964-68           | L6 3.3L 200 CI | .025"              | FWS-5     |
| 1964-68           | L6 3.3L 200 CI | .050"              | FWS-6     |
| 1965-67           | V8 4.7L 288 CI | .050"              | FWS-6     |
| 1965-67           | V8 4.7L 288 CI | .025"              | FWS-5     |
| 1966-67           | V8 4.7L 289 CI | .050"              | FWS-6     |
| 1966-67           | V8 4.7L 289 CI | .025"              | FWS-5     |
| 1967-68           | V8 6.4L 390 CI | .025"              | FWS-12    |
| 1967-68           | V8 6.4L 390 CI | .050"              | FWS-13    |
| 1969-73           | L6 4.1L 250 CI | .025"              | FWS-5     |
| 1969-73           | L6 4.1L 250 CI | .050"              | FWS-6     |
| 1970-74           | V8 5.0L 302 CI | .025"              | FWS-5     |
| 1977-79           | V8 5.0L 302 CI | .025"              | FWS-5     |
| 1970-74           | V8 5.0L 302 CI | .050"              | FWS-6     |
| 1977-79           | V8 5.0L 302 CI | .050"              | FWS-6     |
| 1970-79           | V8 5.8L 351 CI | .050"              | FWS-6     |

# FLYWHEEL SHIM APPLICATIONS

| Years             | Engine         | Remarks            | Pioneer # |
|-------------------|----------------|--------------------|-----------|
| <b>FORD TRUCK</b> |                |                    |           |
| <b>RANCHERO</b>   |                |                    |           |
| 1970-79           | V8 5.8L 351 CI | .025"              | FWS-5     |
| 1975-77           | V8 7.5L 460 CI | .025"              | FWS-12    |
| 1975-77           | V8 7.5L 460 CI | .050"              | FWS-13    |
| <b>RANGER</b>     |                |                    |           |
| 1983-85           | V6 2.8L 171 CI | .025" 6 Bolt Crank | FWS-16    |
| 1983-85           | V6 2.8L 171 CI | .050" 6 Bolt Crank | FWS-14    |
| 1983-88           | L4 2.0L 121 CI | .050"              | FWS-6     |
| 1983-88           | L4 2.0L 121 CI | .025"              | FWS-5     |
| 1986-92           | V6 2.9L 177 CI | .050" 6 Bolt Crank | FWS-14    |
| 1986-92           | V6 2.9L 177 CI | .025" 6 Bolt Crank | FWS-16    |
| 1990-04           | V6 4.0L 245 CI | .050" 6 Bolt Crank | FWS-14    |
| 1990-04           | V6 4.0L 245 CI | .025" 6 Bolt Crank | FWS-16    |
| 1996-04           | V6 4.0L 245 CI | .025" 8 Bolt Crank | FWS-23    |
| 1996-04           | V6 4.0L 245 CI | .050" 8 Bolt Crank | FWS-24    |
| 1983-94           | L4 2.3L 140 CI | .025"              | FWS-5     |
| 1996-97           | L4 2.3L 140 CI | .025"              | FWS-5     |
| 2001-02           | L4 2.3L 140 CI | .025"              | FWS-5     |
| 1983-94           | L4 2.3L 140 CI | .050"              | FWS-6     |
| 1996-97           | L4 2.3L 140 CI | .050"              | FWS-6     |
| 2001-02           | L4 2.3L 140 CI | .050"              | FWS-6     |
| 1991-04           | V6 3.0L 182 CI | .025"              | FWS-5     |
| 1991-04           | V6 3.0L 182 CI | .050"              | FWS-6     |
| <b>WINDSTAR</b>   |                |                    |           |
| 1995-00           | V6 3.0L 182 CI | .050"              | FWS-6     |
| 1995-00           | V6 3.0L 182 CI | .025"              | FWS-5     |
| 1995-03           | V6 3.8L 232 CI | .025"              | FWS-5     |
| 1995-03           | V6 3.8L 232 CI | .050"              | FWS-6     |
| <b>FORD</b>       |                |                    |           |
| <b>VICTORIA</b>   |                |                    |           |
| 1951-54           | V8 3.9L 239 CI | .025"              | FWS-5     |
| 1951-54           | V8 3.9L 239 CI | .050"              | FWS-6     |
| 1954              | V8 4.2L 256 CI | .050"              | FWS-6     |
| 1954              | V8 4.2L 256 CI | .025"              | FWS-5     |
| 1958-59           | V8 5.4L 332 CI | .050"              | FWS-6     |
| 1958-59           | V8 5.4L 332 CI | .025"              | FWS-5     |
| 1958-60           | V8 5.8L 352 CI | .050"              | FWS-6     |
| 1962-64           | V8 5.8L 352 CI | .050"              | FWS-6     |
| 1958-60           | V8 5.8L 352 CI | .025"              | FWS-5     |
| 1962-64           | V8 5.8L 352 CI | .025"              | FWS-5     |
| 1963              | L6 3.3L 200 CI | .025"              | FWS-5     |

# FLYWHEEL SHIM APPLICATIONS

| Years                         | Engine         | Remarks | Pioneer # |
|-------------------------------|----------------|---------|-----------|
| <b>FORD</b>                   |                |         |           |
| <b>VICTORIA</b>               |                |         |           |
| 1963                          | L6 3.3L 200 CI | .050"   | FWS-6     |
| 1963                          | V8 4.7L 288 CI | .025"   | FWS-5     |
| 1963                          | V8 4.7L 288 CI | .050"   | FWS-6     |
| 1962                          | V8 6.4L 390 CI | .050"   | FWS-13    |
| 1964                          | V8 6.4L 390 CI | .050"   | FWS-13    |
| 1962                          | V8 6.4L 390 CI | .025"   | FWS-12    |
| 1964                          | V8 6.4L 390 CI | .025"   | FWS-12    |
| <b>GMC</b>                    |                |         |           |
| <b>ENVOY XL</b>               |                |         |           |
| 2002-06                       | L6 4.2L 256 CI | .025"   | FWS-27    |
| 2002-06                       | L6 4.2L 256 CI | .050"   | FWS-28    |
| 2003-06                       | V8 5.3L 325 CI | .025"   | FWS-27    |
| 2003-06                       | V8 5.3L 325 CI | .050"   | FWS-28    |
| <b>ENVOY XUV</b>              |                |         |           |
| 2004-05                       | L6 4.2L 256 CI | .025"   | FWS-27    |
| 2004-05                       | L6 4.2L 256 CI | .050"   | FWS-28    |
| 2004-05                       | V8 5.3L 325 CI | .050"   | FWS-28    |
| 2004-05                       | V8 5.3L 325 CI | .025"   | FWS-27    |
| <b>SIERRA 1500 CLASSIC</b>    |                |         |           |
| 2007                          | V8 4.8L 294 CI | .050"   | FWS-28    |
| 2007                          | V8 4.8L 294 CI | .025"   | FWS-27    |
| 2007                          | V8 5.3L 325 CI | .025"   | FWS-27    |
| 2007                          | V8 5.3L 325 CI | .050"   | FWS-28    |
| 2007                          | V8 6.0L 364 CI | .050"   | FWS-28    |
| 2007                          | V8 6.0L 364 CI | .025"   | FWS-27    |
| <b>SIERRA 1500 HD CLASSIC</b> |                |         |           |
| 2007                          | V8 6.0L 364 CI | .025"   | FWS-27    |
| 2007                          | V8 6.0L 364 CI | .050"   | FWS-28    |
| <b>SIERRA 2500 HD CLASSIC</b> |                |         |           |
| 2007                          | V8 6.0L 364 CI | .050"   | FWS-28    |
| 2007                          | V8 6.0L 364 CI | .025"   | FWS-27    |
| 2007                          | V8 6.6L 403 CI | .025"   | FWS-27    |
| 2007                          | V8 6.6L 403 CI | .050"   | FWS-28    |
| <b>SIERRA 3500 CLASSIC</b>    |                |         |           |
| 2007                          | V8 6.0L 364 CI | .025"   | FWS-27    |
| 2007                          | V8 6.0L 364 CI | .050"   | FWS-28    |
| 2007                          | V8 6.6L 403 CI | .050"   | FWS-28    |
| 2007                          | V8 6.6L 403 CI | .025"   | FWS-27    |
| <b>SPRINT</b>                 |                |         |           |
| 1971-72                       | L6 4.1L 250 CI | .050"   | FWS-2     |

# FLYWHEEL SHIM APPLICATIONS

| Years              | Engine         | Remarks | Pioneer # |
|--------------------|----------------|---------|-----------|
| <b>GMC</b>         |                |         |           |
| <b>SPRINT</b>      |                |         |           |
| 1975-77            | L6 4.1L 250 CI | .050"   | FWS-2     |
| 1971-72            | L6 4.1L 250 CI | .025"   | FWS-1     |
| 1975-77            | L6 4.1L 250 CI | .025"   | FWS-1     |
| 1971-73            | V8 5.0L 307 CI | .050"   | FWS-2     |
| 1971-73            | V8 5.0L 307 CI | .025"   | FWS-1     |
| 1971-75            | V8 7.4L 454 CI | .050"   | FWS-2     |
| 1971-75            | V8 7.4L 454 CI | .025"   | FWS-1     |
| 1974               | V8 6.6L 400 CI | .025"   | FWS-1     |
| 1976               | V8 6.6L 400 CI | .025"   | FWS-1     |
| 1971-72            | V8 6.6L 402 CI | .025"   | FWS-1     |
| 1974-75            | V8 6.6L 402 CI | .025"   | FWS-1     |
| 1971-72            | V8 6.6L 402 CI | .050"   | FWS-2     |
| 1974-75            | V8 6.6L 402 CI | .050"   | FWS-2     |
| 1974               | V8 6.6L 400 CI | .050"   | FWS-2     |
| 1976               | V8 6.6L 400 CI | .050"   | FWS-2     |
| 1976-77            | V8 5.0L 305 CI | .025"   | FWS-1     |
| 1976-77            | V8 5.0L 305 CI | .050"   | FWS-2     |
| 1976-77            | V8 5.7L 350 CI | .025"   | FWS-1     |
| 1976-77            | V8 5.7L 350 CI | .050"   | FWS-2     |
| <b>GMC TRUCK</b>   |                |         |           |
| <b>1000 SERIES</b> |                |         |           |
| 1961-62            | L6 4.4L 270 CI | .025"   | FWS-1     |
| 1961-62            | L6 4.4L 270 CI | .050"   | FWS-2     |
| 1964-65            | L6 3.8L 230 CI | .050"   | FWS-2     |
| <b>1500 SERIES</b> |                |         |           |
| 1961-62            | L6 4.4L 270 CI | .050"   | FWS-2     |
| 1961-62            | L6 4.4L 270 CI | .025"   | FWS-1     |
| 1964-65            | L6 3.8L 230 CI | .050"   | FWS-2     |
| <b>2500 SERIES</b> |                |         |           |
| 1961-62            | L6 4.4L 270 CI | .050"   | FWS-2     |
| 1961-62            | L6 4.4L 270 CI | .025"   | FWS-1     |
| <b>C15</b>         |                |         |           |
| 1975-78            | L6 4.1L 250 CI | .050"   | FWS-2     |
| 1975-78            | L6 4.1L 250 CI | .025"   | FWS-1     |
| 1975-78            | L6 4.8L 292 CI | .025"   | FWS-27    |
| 1975-78            | L6 4.8L 292 CI | .050"   | FWS-28    |
| 1975-78            | V8 7.4L 454 CI | .050"   | FWS-2     |
| 1975-78            | V8 7.4L 454 CI | .025"   | FWS-1     |
| 1976               | V8 5.0L 305 CI | .050"   | FWS-2     |
| 1978               | V8 5.0L 305 CI | .050"   | FWS-2     |

# FLYWHEEL SHIM APPLICATIONS

| Years                   | Engine         | Remarks | Pioneer # |
|-------------------------|----------------|---------|-----------|
| <b>GMC TRUCK</b>        |                |         |           |
| <b>C15</b>              |                |         |           |
| 1976                    | V8 5.0L 305 CI | .025"   | FWS-1     |
| 1978                    | V8 5.0L 305 CI | .025"   | FWS-1     |
| 1976-78                 | V8 5.7L 350 CI | .025"   | FWS-1     |
| 1976-78                 | V8 5.7L 350 CI | .050"   | FWS-2     |
| 1976                    | V8 6.6L 400 CI | .050"   | FWS-2     |
| 1978                    | V8 6.6L 400 CI | .050"   | FWS-2     |
| 1976                    | V8 6.6L 400 CI | .025"   | FWS-1     |
| 1978                    | V8 6.6L 400 CI | .025"   | FWS-1     |
| <b>C15 SUBURBAN</b>     |                |         |           |
| 1975-78                 | L6 4.1L 250 CI | .050"   | FWS-2     |
| 1975-78                 | L6 4.1L 250 CI | .025"   | FWS-1     |
| 1975-78                 | V8 7.4L 454 CI | .050"   | FWS-2     |
| 1975-78                 | V8 7.4L 454 CI | .025"   | FWS-1     |
| 1976-78                 | V8 5.7L 350 CI | .025"   | FWS-1     |
| 1976-78                 | V8 5.7L 350 CI | .050"   | FWS-2     |
| 1976                    | V8 5.0L 305 CI | .050"   | FWS-2     |
| 1978                    | V8 5.0L 305 CI | .050"   | FWS-2     |
| 1976                    | V8 5.0L 305 CI | .025"   | FWS-1     |
| 1978                    | V8 5.0L 305 CI | .025"   | FWS-1     |
| <b>C15/C1500 PICKUP</b> |                |         |           |
| 1967                    | V8 4.6L 283 CI | .050"   | FWS-2     |
| 1967                    | V8 4.6L 283 CI | .025"   | FWS-1     |
| 1967-74                 | L6 4.1L 250 CI | .025"   | FWS-1     |
| 1968-69                 | V8 6.5L 396 CI | .025"   | FWS-1     |
| 1968-69                 | V8 6.5L 396 CI | .050"   | FWS-2     |
| 1968-73                 | V8 5.0L 307 CI | .025"   | FWS-1     |
| 1968-73                 | V8 5.0L 307 CI | .050"   | FWS-2     |
| 1970-72                 | V8 6.6L 402 CI | .025"   | FWS-1     |
| 1970-72                 | V8 6.6L 402 CI | .050"   | FWS-2     |
| 1967-74                 | L6 4.1L 250 CI | .050"   | FWS-2     |
| 1968-71                 | L6 4.8L 292 CI | .025"   | FWS-27    |
| 1973-74                 | L6 4.8L 292 CI | .025"   | FWS-27    |
| 1968-71                 | L6 4.8L 292 CI | .050"   | FWS-28    |
| 1973-74                 | L6 4.8L 292 CI | .050"   | FWS-28    |
| 1967-71                 | L6 4.8L 293 CI | .050"   | FWS-28    |
| 1973-74                 | L6 4.8L 293 CI | .050"   | FWS-28    |
| 1967-71                 | L6 4.8L 293 CI | .025"   | FWS-27    |
| 1973-74                 | L6 4.8L 293 CI | .025"   | FWS-27    |
| 1973-74                 | V8 7.4L 454 CI | .050"   | FWS-2     |
| 1973-74                 | V8 7.4L 454 CI | .025"   | FWS-1     |



# FLYWHEEL SHIM APPLICATIONS

| Years                     | Engine         | Remarks | Pioneer # |
|---------------------------|----------------|---------|-----------|
| <b>GMC TRUCK</b>          |                |         |           |
| <b>C15/C1500 SUBURBAN</b> |                |         |           |
| 1968-69                   | V8 6.5L 396 CI | .025"   | FWS-1     |
| 1968-69                   | V8 6.5L 396 CI | .050"   | FWS-2     |
| 1968-73                   | V8 5.0L 307 CI | .025"   | FWS-1     |
| 1968-73                   | V8 5.0L 307 CI | .050"   | FWS-2     |
| 1968-74                   | L6 4.1L 250 CI | .050"   | FWS-2     |
| 1970-72                   | V8 6.6L 402 CI | .025"   | FWS-1     |
| 1970-72                   | V8 6.6L 402 CI | .050"   | FWS-2     |
| 1968-74                   | L6 4.1L 250 CI | .025"   | FWS-1     |
| 1968-71                   | L6 4.8L 292 CI | .050"   | FWS-28    |
| 1973-74                   | L6 4.8L 292 CI | .050"   | FWS-28    |
| 1968-71                   | L6 4.8L 292 CI | .025"   | FWS-27    |
| 1973-74                   | L6 4.8L 292 CI | .025"   | FWS-27    |
| 1968-71                   | L6 4.8L 293 CI | .050"   | FWS-28    |
| 1973-74                   | L6 4.8L 293 CI | .050"   | FWS-28    |
| 1968-71                   | L6 4.8L 293 CI | .025"   | FWS-27    |
| 1973-74                   | L6 4.8L 293 CI | .025"   | FWS-27    |
| 1973-74                   | V8 7.4L 454 CI | .050"   | FWS-2     |
| 1973-74                   | V8 7.4L 454 CI | .025"   | FWS-1     |
| <b>C1500</b>              |                |         |           |
| 1979                      | V8 5.0L 305 CI | .050"   | FWS-2     |
| 1979                      | V8 5.0L 305 CI | .025"   | FWS-1     |
| 1979                      | V8 6.6L 400 CI | .050"   | FWS-2     |
| 1979                      | V8 6.6L 400 CI | .025"   | FWS-1     |
| 1979-80                   | L6 4.8L 292 CI | .050"   | FWS-28    |
| 1979-80                   | L6 4.8L 292 CI | .025"   | FWS-27    |
| 1979-80                   | V8 7.4L 454 CI | .025"   | FWS-1     |
| 1979-80                   | V8 7.4L 454 CI | .050"   | FWS-2     |
| 1979-84                   | L6 4.1L 250 CI | .050"   | FWS-2     |
| 1979-84                   | L6 4.1L 250 CI | .025"   | FWS-1     |
| 1982-86                   | V8 6.2L 379 CI | .025"   | FWS-1     |
| 1988-93                   | V8 6.2L 379 CI | .025"   | FWS-1     |
| 1982-86                   | V8 6.2L 379 CI | .050"   | FWS-2     |
| 1988-93                   | V8 6.2L 379 CI | .050"   | FWS-2     |
| 1979-86                   | V8 5.7L 350 CI | .050"   | FWS-2     |
| 1988-99                   | V8 5.7L 350 CI | .050"   | FWS-2     |
| 1979-86                   | V8 5.7L 350 CI | .025"   | FWS-1     |
| 1988-99                   | V8 5.7L 350 CI | .025"   | FWS-1     |
| 1989-98                   | V6 4.3L 262 CI | .050"   | FWS-26    |
| 1989-98                   | V6 4.3L 262 CI | .025"   | FWS-25    |
| <b>C1500 SUBURBAN</b>     |                |         |           |
| 1979                      | V8 5.0L 305 CI | .025"   | FWS-1     |

# FLYWHEEL SHIM APPLICATIONS

| Years                   | Engine         | Remarks | Pioneer # |
|-------------------------|----------------|---------|-----------|
| <b>GMC TRUCK</b>        |                |         |           |
| <b>C1500 SUBURBAN</b>   |                |         |           |
| 1979                    | V8 5.0L 305 CI | .050"   | FWS-2     |
| 1979-80                 | L6 4.1L 250 CI | .025"   | FWS-1     |
| 1979-80                 | L6 4.1L 250 CI | .050"   | FWS-2     |
| 1979-80                 | V8 7.4L 454 CI | .025"   | FWS-1     |
| 1979-80                 | V8 7.4L 454 CI | .050"   | FWS-2     |
| 1982-86                 | V8 6.2L 379 CI | .025"   | FWS-1     |
| 1982-86                 | V8 6.2L 379 CI | .050"   | FWS-2     |
| 1979-86                 | V8 5.7L 350 CI | .050"   | FWS-2     |
| 1992-99                 | V8 5.7L 350 CI | .050"   | FWS-2     |
| 1979-86                 | V8 5.7L 350 CI | .025"   | FWS-1     |
| 1992-99                 | V8 5.7L 350 CI | .025"   | FWS-1     |
| <b>C25</b>              |                |         |           |
| 1975-78                 | L6 4.8L 292 CI | .025"   | FWS-27    |
| 1975-78                 | L6 4.8L 292 CI | .050"   | FWS-28    |
| 1975-78                 | V8 7.4L 454 CI | .050"   | FWS-2     |
| 1975-78                 | V8 7.4L 454 CI | .025"   | FWS-1     |
| 1976-78                 | V8 5.7L 350 CI | .050"   | FWS-2     |
| 1976-78                 | V8 5.7L 350 CI | .025"   | FWS-1     |
| 1976-78                 | V8 6.6L 400 CI | .050"   | FWS-2     |
| 1976-78                 | V8 6.6L 400 CI | .025"   | FWS-1     |
| 1975                    | L6 4.1L 250 CI | .050"   | FWS-2     |
| 1977-78                 | L6 4.1L 250 CI | .050"   | FWS-2     |
| 1975                    | L6 4.1L 250 CI | .025"   | FWS-1     |
| 1977-78                 | L6 4.1L 250 CI | .025"   | FWS-1     |
| 1978                    | V8 5.0L 305 CI | .050"   | FWS-2     |
| 1978                    | V8 5.0L 305 CI | .025"   | FWS-1     |
| <b>C25 SUBURBAN</b>     |                |         |           |
| 1975-78                 | L6 4.8L 292 CI | .025"   | FWS-27    |
| 1975-78                 | L6 4.8L 292 CI | .050"   | FWS-28    |
| 1975-78                 | V8 7.4L 454 CI | .050"   | FWS-2     |
| 1975-78                 | V8 7.4L 454 CI | .025"   | FWS-1     |
| 1976-78                 | V8 5.7L 350 CI | .050"   | FWS-2     |
| 1976-78                 | V8 5.7L 350 CI | .025"   | FWS-1     |
| 1978                    | V8 5.0L 305 CI | .050"   | FWS-2     |
| 1978                    | V8 5.0L 305 CI | .025"   | FWS-1     |
| 1978                    | V8 6.6L 400 CI | .050"   | FWS-2     |
| 1978                    | V8 6.6L 400 CI | .025"   | FWS-1     |
| <b>C25/C2500 PICKUP</b> |                |         |           |
| 1967                    | V8 4.6L 283 CI | .050"   | FWS-2     |
| 1967                    | V8 4.6L 283 CI | .025"   | FWS-1     |

# FLYWHEEL SHIM APPLICATIONS

| Years                     | Engine         | Remarks | Pioneer # |
|---------------------------|----------------|---------|-----------|
| <b>GMC TRUCK</b>          |                |         |           |
| <b>C25/C2500 PICKUP</b>   |                |         |           |
| 1967-74                   | L6 4.1L 250 CI | .050"   | FWS-2     |
| 1967-74                   | L6 4.8L 293 CI | .025"   | FWS-27    |
| 1967-74                   | L6 4.8L 293 CI | .050"   | FWS-28    |
| 1968-69                   | V8 6.5L 396 CI | .025"   | FWS-1     |
| 1968-69                   | V8 6.5L 396 CI | .050"   | FWS-2     |
| 1968-73                   | V8 5.0L 307 CI | .050"   | FWS-2     |
| 1968-73                   | V8 5.0L 307 CI | .025"   | FWS-1     |
| 1968-74                   | L6 4.8L 292 CI | .050"   | FWS-28    |
| 1968-74                   | L6 4.8L 292 CI | .025"   | FWS-27    |
| 1970-72                   | V8 6.6L 402 CI | .050"   | FWS-2     |
| 1970-72                   | V8 6.6L 402 CI | .025"   | FWS-1     |
| 1967-74                   | L6 4.1L 250 CI | .025"   | FWS-1     |
| 1973-74                   | V8 7.4L 454 CI | .050"   | FWS-2     |
| 1973-74                   | V8 7.4L 454 CI | .025"   | FWS-1     |
| <b>C25/C2500 SUBURBAN</b> |                |         |           |
| 1968-69                   | V8 6.5L 396 CI | .050"   | FWS-2     |
| 1968-69                   | V8 6.5L 396 CI | .025"   | FWS-1     |
| 1968-73                   | V8 5.0L 307 CI | .025"   | FWS-1     |
| 1968-73                   | V8 5.0L 307 CI | .050"   | FWS-2     |
| 1968-74                   | L6 4.1L 250 CI | .025"   | FWS-1     |
| 1968-74                   | L6 4.8L 292 CI | .025"   | FWS-27    |
| 1968-74                   | L6 4.8L 293 CI | .050"   | FWS-28    |
| 1968-74                   | L6 4.8L 293 CI | .025"   | FWS-27    |
| 1970-72                   | V8 6.6L 402 CI | .025"   | FWS-1     |
| 1970-72                   | V8 6.6L 402 CI | .050"   | FWS-2     |
| 1968-74                   | L6 4.1L 250 CI | .050"   | FWS-2     |
| 1968-74                   | L6 4.8L 292 CI | .050"   | FWS-28    |
| 1974                      | V8 7.4L 454 CI | .050"   | FWS-2     |
| 1974                      | V8 7.4L 454 CI | .025"   | FWS-1     |
| <b>C2500</b>              |                |         |           |
| 1979                      | V8 5.0L 305 CI | .050"   | FWS-2     |
| 1979                      | V8 5.0L 305 CI | .025"   | FWS-1     |
| 1979                      | V8 6.6L 400 CI | .050"   | FWS-2     |
| 1979                      | V8 6.6L 400 CI | .025"   | FWS-1     |
| 1979-84                   | L6 4.1L 250 CI | .025"   | FWS-1     |
| 1979-84                   | L6 4.1L 250 CI | .050"   | FWS-2     |
| 1979-86                   | L6 4.8L 292 CI | .025"   | FWS-27    |
| 1979-86                   | L6 4.8L 292 CI | .050"   | FWS-28    |
| 1979-86                   | V8 5.7L 350 CI | .025"   | FWS-1     |
| 1988-00                   | V8 5.7L 350 CI | .025"   | FWS-1     |

# FLYWHEEL SHIM APPLICATIONS

| Years                 | Engine         | Remarks | Pioneer # |
|-----------------------|----------------|---------|-----------|
| <b>GMC TRUCK</b>      |                |         |           |
| <b>C2500</b>          |                |         |           |
| 1979-86               | V8 5.7L 350 CI | .050"   | FWS-2     |
| 1988-00               | V8 5.7L 350 CI | .050"   | FWS-2     |
| 1982-86               | V8 6.2L 379 CI | .025"   | FWS-1     |
| 1988-93               | V8 6.2L 379 CI | .025"   | FWS-1     |
| 1982-86               | V8 6.2L 379 CI | .050"   | FWS-2     |
| 1988-93               | V8 6.2L 379 CI | .050"   | FWS-2     |
| 1989-95               | V6 4.3L 262 CI | .050"   | FWS-26    |
| 1989-95               | V6 4.3L 262 CI | .025"   | FWS-25    |
| 1979-86               | V8 7.4L 454 CI | .050"   | FWS-2     |
| 1991-00               | V8 7.4L 454 CI | .050"   | FWS-2     |
| 1979-86               | V8 7.4L 454 CI | .025"   | FWS-1     |
| 1991-00               | V8 7.4L 454 CI | .025"   | FWS-1     |
| <b>C2500 SUBURBAN</b> |                |         |           |
| 1979-86               | V8 5.7L 350 CI | .050"   | FWS-2     |
| 1992-99               | V8 5.7L 350 CI | .050"   | FWS-2     |
| 1979-86               | V8 5.7L 350 CI | .025"   | FWS-1     |
| 1992-99               | V8 5.7L 350 CI | .025"   | FWS-1     |
| 1982-86               | V8 6.2L 379 CI | .050"   | FWS-2     |
| 1982-86               | V8 6.2L 379 CI | .025"   | FWS-1     |
| 1979-82               | L6 4.8L 292 CI | .050"   | FWS-28    |
| 1984                  | L6 4.8L 292 CI | .050"   | FWS-28    |
| 1979-82               | L6 4.8L 292 CI | .025"   | FWS-27    |
| 1984                  | L6 4.8L 292 CI | .025"   | FWS-27    |
| 1979-86               | V8 7.4L 454 CI | .025"   | FWS-1     |
| 1992-99               | V8 7.4L 454 CI | .025"   | FWS-1     |
| 1979-86               | V8 7.4L 454 CI | .050"   | FWS-2     |
| 1992-99               | V8 7.4L 454 CI | .050"   | FWS-2     |
| <b>C35</b>            |                |         |           |
| 1975-78               | L6 4.8L 292 CI | .050"   | FWS-28    |
| 1975-78               | L6 4.8L 292 CI | .025"   | FWS-27    |
| 1975-78               | V8 7.4L 454 CI | .050"   | FWS-2     |
| 1975-78               | V8 7.4L 454 CI | .025"   | FWS-1     |
| 1976-78               | V8 5.7L 350 CI | .050"   | FWS-2     |
| 1976-78               | V8 5.7L 350 CI | .025"   | FWS-1     |
| 1976-78               | V8 6.6L 400 CI | .025"   | FWS-1     |
| 1976-78               | V8 6.6L 400 CI | .050"   | FWS-2     |
| 1975                  | L6 4.1L 250 CI | .025"   | FWS-1     |
| 1978                  | L6 4.1L 250 CI | .025"   | FWS-1     |
| 1975                  | L6 4.1L 250 CI | .050"   | FWS-2     |
| 1978                  | L6 4.1L 250 CI | .050"   | FWS-2     |

# FLYWHEEL SHIM APPLICATIONS

| Years                   | Engine         | Remarks | Pioneer # |
|-------------------------|----------------|---------|-----------|
| <b>GMC TRUCK</b>        |                |         |           |
| <b>C35</b>              |                |         |           |
| 1978                    | V8 5.0L 305 CI | .025"   | FWS-1     |
| 1978                    | V8 5.0L 305 CI | .050"   | FWS-2     |
| <b>C35/C3500 PICKUP</b> |                |         |           |
| 1967                    | V8 4.6L 283 CI | .025"   | FWS-1     |
| 1967                    | V8 4.6L 283 CI | .050"   | FWS-2     |
| 1967-74                 | L6 4.1L 250 CI | .025"   | FWS-1     |
| 1967-74                 | L6 4.8L 293 CI | .025"   | FWS-27    |
| 1967-74                 | L6 4.8L 293 CI | .050"   | FWS-28    |
| 1968-69                 | V8 6.5L 396 CI | .025"   | FWS-1     |
| 1968-69                 | V8 6.5L 396 CI | .050"   | FWS-2     |
| 1968-73                 | V8 5.0L 307 CI | .025"   | FWS-1     |
| 1968-73                 | V8 5.0L 307 CI | .050"   | FWS-2     |
| 1967-74                 | L6 4.1L 250 CI | .050"   | FWS-2     |
| 1968-74                 | L6 4.8L 292 CI | .025"   | FWS-27    |
| 1970-72                 | V8 6.6L 402 CI | .050"   | FWS-2     |
| 1970-72                 | V8 6.6L 402 CI | .025"   | FWS-1     |
| 1968-74                 | L6 4.8L 292 CI | .050"   | FWS-28    |
| 1973-74                 | V8 7.4L 454 CI | .050"   | FWS-2     |
| 1973-74                 | V8 7.4L 454 CI | .025"   | FWS-1     |
| <b>C3500</b>            |                |         |           |
| 1979                    | V8 6.6L 400 CI | .025"   | FWS-1     |
| 1979                    | V8 6.6L 400 CI | .050"   | FWS-2     |
| 1979-80                 | L6 4.1L 250 CI | .025"   | FWS-1     |
| 1979-80                 | L6 4.1L 250 CI | .050"   | FWS-2     |
| 1979-86                 | L6 4.8L 292 CI | .025"   | FWS-27    |
| 1979-86                 | L6 4.8L 292 CI | .050"   | FWS-28    |
| 1979-86                 | V8 5.7L 350 CI | .050"   | FWS-2     |
| 1988-00                 | V8 5.7L 350 CI | .050"   | FWS-2     |
| 1979-86                 | V8 5.7L 350 CI | .025"   | FWS-1     |
| 1988-00                 | V8 5.7L 350 CI | .025"   | FWS-1     |
| 1979-86                 | V8 7.4L 454 CI | .050"   | FWS-2     |
| 1988-00                 | V8 7.4L 454 CI | .050"   | FWS-2     |
| 1979-86                 | V8 7.4L 454 CI | .025"   | FWS-1     |
| 1988-00                 | V8 7.4L 454 CI | .025"   | FWS-1     |
| 1982-86                 | V8 6.2L 379 CI | .050"   | FWS-2     |
| 1988-93                 | V8 6.2L 379 CI | .050"   | FWS-2     |
| 1982-86                 | V8 6.2L 379 CI | .025"   | FWS-1     |
| 1988-93                 | V8 6.2L 379 CI | .025"   | FWS-1     |
| <b>CABALLERO</b>        |                |         |           |
| 1978-79                 | V6 3.3L 200 CI | .050"   | FWS-2     |

# FLYWHEEL SHIM APPLICATIONS

| Years                | Engine         | Remarks | Pioneer # |
|----------------------|----------------|---------|-----------|
| <b>GMC TRUCK</b>     |                |         |           |
| <b>CABALLERO</b>     |                |         |           |
| 1978-79              | V6 3.3L 200 CI | .025"   | FWS-1     |
| 1978-79              | V8 5.0L 305 CI | .050"   | FWS-2     |
| 1978-79              | V8 5.0L 305 CI | .025"   | FWS-1     |
| 1979                 | V6 3.8L 231 CI | .050"   | FWS-8     |
| 1979                 | V6 3.8L 231 CI | .025"   | FWS-7     |
| 1980-82              | V8 4.4L 267 CI | .050"   | FWS-2     |
| 1980-82              | V8 4.4L 267 CI | .025"   | FWS-1     |
| 1980                 | V6 3.8L 229 CI | .025"   | FWS-7     |
| 1983-84              | V6 3.8L 229 CI | .025"   | FWS-7     |
| 1980                 | V6 3.8L 229 CI | .050"   | FWS-8     |
| 1983-84              | V6 3.8L 229 CI | .050"   | FWS-8     |
| 1979-80              | V6 3.8L 232 CI | .025"   | FWS-7     |
| 1983-84              | V6 3.8L 232 CI | .025"   | FWS-7     |
| 1979-80              | V6 3.8L 232 CI | .050"   | FWS-8     |
| 1983-84              | V6 3.8L 232 CI | .050"   | FWS-8     |
| 1978-79              | V8 5.7L 350 CI | .025"   | FWS-1     |
| 1983-84              | V8 5.7L 350 CI | .025"   | FWS-1     |
| 1978-79              | V8 5.7L 350 CI | .050"   | FWS-2     |
| 1983-84              | V8 5.7L 350 CI | .050"   | FWS-2     |
| <b>ENVOY</b>         |                |         |           |
| 2002-09              | L6 4.2L 256 CI | .025"   | FWS-27    |
| 2002-09              | L6 4.2L 256 CI | .050"   | FWS-28    |
| 2005-09              | V8 5.3L 325 CI | .050"   | FWS-28    |
| 2005-09              | V8 5.3L 325 CI | .025"   | FWS-27    |
| <b>G1000 SERIES</b>  |                |         |           |
| 1964-65              | L6 3.8L 230 CI | .050"   | FWS-2     |
| <b>G15</b>           |                |         |           |
| 1975-78              | L6 4.1L 250 CI | .025"   | FWS-1     |
| 1975-78              | L6 4.1L 250 CI | .050"   | FWS-2     |
| 1976                 | V8 6.6L 400 CI | .050"   | FWS-2     |
| 1976                 | V8 6.6L 400 CI | .025"   | FWS-1     |
| 1976-78              | V8 5.7L 350 CI | .050"   | FWS-2     |
| 1976-78              | V8 5.7L 350 CI | .025"   | FWS-1     |
| 1978                 | V8 5.0L 305 CI | .050"   | FWS-2     |
| 1978                 | V8 5.0L 305 CI | .025"   | FWS-1     |
| <b>G15/G1500 VAN</b> |                |         |           |
| 1967                 | V8 4.6L 283 CI | .025"   | FWS-1     |
| 1967                 | V8 4.6L 283 CI | .050"   | FWS-2     |
| 1968-73              | V8 5.0L 307 CI | .050"   | FWS-2     |
| 1968-73              | V8 5.0L 307 CI | .025"   | FWS-1     |

# FLYWHEEL SHIM APPLICATIONS

| Years                | Engine         | Remarks | Pioneer # |
|----------------------|----------------|---------|-----------|
| <b>GMC TRUCK</b>     |                |         |           |
| <b>G15/G1500 VAN</b> |                |         |           |
| 1967-74              | L6 4.1L 250 CI | .025"   | FWS-1     |
| 1967-74              | L6 4.1L 250 CI | .050"   | FWS-2     |
| <b>G1500</b>         |                |         |           |
| 1979                 | V8 5.0L 305 CI | .050"   | FWS-2     |
| 1979                 | V8 5.0L 305 CI | .025"   | FWS-1     |
| 1979                 | V8 6.6L 400 CI | .050"   | FWS-2     |
| 1979                 | V8 6.6L 400 CI | .025"   | FWS-1     |
| 1979-84              | L6 4.1L 250 CI | .025"   | FWS-1     |
| 1979-84              | L6 4.1L 250 CI | .050"   | FWS-2     |
| 1979-93              | V8 5.7L 350 CI | .050"   | FWS-2     |
| 1979-93              | V8 5.7L 350 CI | .025"   | FWS-1     |
| 1989-95              | V6 4.3L 262 CI | .025"   | FWS-25    |
| 1989-95              | V6 4.3L 262 CI | .050"   | FWS-26    |
| <b>G25</b>           |                |         |           |
| 1975-76              | V8 7.4L 454 CI | .025"   | FWS-1     |
| 1975-76              | V8 7.4L 454 CI | .050"   | FWS-2     |
| 1975-78              | L6 4.8L 292 CI | .025"   | FWS-27    |
| 1975-78              | L6 4.8L 292 CI | .050"   | FWS-28    |
| 1975-78              | V8 6.6L 400 CI | .050"   | FWS-2     |
| 1975-78              | V8 6.6L 400 CI | .025"   | FWS-1     |
| 1976-78              | V8 5.7L 350 CI | .050"   | FWS-2     |
| 1976-78              | V8 5.7L 350 CI | .025"   | FWS-1     |
| 1978                 | L6 4.1L 250 CI | .050"   | FWS-2     |
| 1978                 | L6 4.1L 250 CI | .025"   | FWS-1     |
| 1978                 | V8 5.0L 305 CI | .050"   | FWS-2     |
| 1978                 | V8 5.0L 305 CI | .025"   | FWS-1     |
| <b>G25/G2500 VAN</b> |                |         |           |
| 1967                 | V8 4.6L 283 CI | .050"   | FWS-2     |
| 1967                 | V8 4.6L 283 CI | .025"   | FWS-1     |
| 1967-74              | L6 4.1L 250 CI | .050"   | FWS-2     |
| 1967-74              | L6 4.1L 250 CI | .025"   | FWS-1     |
| 1968-73              | V8 5.0L 307 CI | .050"   | FWS-2     |
| 1968-73              | V8 5.0L 307 CI | .025"   | FWS-1     |
| 1974                 | L6 4.8L 292 CI | .050"   | FWS-28    |
| 1974                 | L6 4.8L 292 CI | .025"   | FWS-27    |
| <b>G2500</b>         |                |         |           |
| 1979                 | V8 5.0L 305 CI | .050"   | FWS-2     |
| 1979                 | V8 5.0L 305 CI | .025"   | FWS-1     |
| 1979                 | V8 6.6L 400 CI | .050"   | FWS-2     |
| 1979                 | V8 6.6L 400 CI | .025"   | FWS-1     |

# FLYWHEEL SHIM APPLICATIONS

| Years                | Engine         | Remarks | Pioneer # |
|----------------------|----------------|---------|-----------|
| <b>GMC TRUCK</b>     |                |         |           |
| <b>G2500</b>         |                |         |           |
| 1979-84              | L6 4.1L 250 CI | .025"   | FWS-1     |
| 1979-84              | L6 4.1L 250 CI | .050"   | FWS-2     |
| 1979-95              | V8 5.7L 350 CI | .050"   | FWS-2     |
| 1979-95              | V8 5.7L 350 CI | .025"   | FWS-1     |
| 1983-93              | V8 6.2L 379 CI | .025"   | FWS-1     |
| 1983-93              | V8 6.2L 379 CI | .050"   | FWS-2     |
| 1989-95              | V6 4.3L 262 CI | .025"   | FWS-25    |
| 1989-95              | V6 4.3L 262 CI | .050"   | FWS-26    |
| <b>G35</b>           |                |         |           |
| 1975-78              | L6 4.8L 292 CI | .025"   | FWS-27    |
| 1975-78              | L6 4.8L 292 CI | .050"   | FWS-28    |
| 1975-78              | V8 6.6L 400 CI | .025"   | FWS-1     |
| 1975-78              | V8 6.6L 400 CI | .050"   | FWS-2     |
| 1976                 | V8 7.4L 454 CI | .025"   | FWS-1     |
| 1976                 | V8 7.4L 454 CI | .050"   | FWS-2     |
| 1978                 | L6 4.1L 250 CI | .025"   | FWS-1     |
| 1978                 | L6 4.1L 250 CI | .050"   | FWS-2     |
| <b>G35/G3500 VAN</b> |                |         |           |
| 1971-74              | L6 4.1L 250 CI | .050"   | FWS-2     |
| 1971-74              | L6 4.1L 250 CI | .025"   | FWS-1     |
| 1974                 | L6 4.8L 292 CI | .025"   | FWS-27    |
| 1974                 | L6 4.8L 292 CI | .050"   | FWS-28    |
| 1974                 | L6 4.8L 293 CI | .025"   | FWS-27    |
| 1974                 | L6 4.8L 293 CI | .050"   | FWS-28    |
| <b>G3500</b>         |                |         |           |
| 1979                 | V8 6.6L 400 CI | .025"   | FWS-1     |
| 1979                 | V8 6.6L 400 CI | .050"   | FWS-2     |
| 1979                 | L6 4.1L 250 CI | .050"   | FWS-2     |
| 1982-84              | L6 4.1L 250 CI | .050"   | FWS-2     |
| 1979                 | L6 4.1L 250 CI | .025"   | FWS-1     |
| 1982-84              | L6 4.1L 250 CI | .025"   | FWS-1     |
| 1983-93              | V8 6.2L 379 CI | .025"   | FWS-1     |
| 1983-93              | V8 6.2L 379 CI | .050"   | FWS-2     |
| 1988-96              | V8 7.4L 454 CI | .050"   | FWS-2     |
| 1988-96              | V8 7.4L 454 CI | .025"   | FWS-1     |
| 1989-95              | V6 4.3L 262 CI | .025"   | FWS-25    |
| 1989-95              | V6 4.3L 262 CI | .050"   | FWS-26    |
| 1992                 | V8 5.7L 350 CI | .050"   | FWS-26    |
| 1992                 | V8 5.7L 350 CI | .025"   | FWS-25    |
| <b>JIMMY</b>         |                |         |           |
| 1970-72              | V8 5.0L 307 CI | .025"   | FWS-1     |



# FLYWHEEL SHIM APPLICATIONS

| Years               | Engine         | Remarks | Pioneer # |
|---------------------|----------------|---------|-----------|
| <b>GMC TRUCK</b>    |                |         |           |
| <b>JIMMY</b>        |                |         |           |
| 1970-72             | V8 5.0L 307 CI | .050"   | FWS-2     |
| 1970-82             | L6 4.1L 250 CI | .025"   | FWS-1     |
| 1973                | L6 4.8L 292 CI | .050"   | FWS-28    |
| 1973                | L6 4.8L 292 CI | .025"   | FWS-27    |
| 1973                | L6 4.8L 293 CI | .050"   | FWS-28    |
| 1973                | L6 4.8L 293 CI | .025"   | FWS-27    |
| 1973                | V8 7.4L 454 CI | .025"   | FWS-1     |
| 1976                | V8 7.4L 454 CI | .025"   | FWS-1     |
| 1975-79             | V8 6.6L 400 CI | .050"   | FWS-2     |
| 1975-79             | V8 6.6L 400 CI | .025"   | FWS-1     |
| 1970-82             | L6 4.1L 250 CI | .050"   | FWS-2     |
| 1973                | V8 7.4L 454 CI | .050"   | FWS-2     |
| 1976                | V8 7.4L 454 CI | .050"   | FWS-2     |
| 1976-91             | V8 5.7L 350 CI | .025"   | FWS-1     |
| 1976-91             | V8 5.7L 350 CI | .050"   | FWS-2     |
| 1977-79             | V8 5.0L 305 CI | .025"   | FWS-1     |
| 1977-79             | V8 5.0L 305 CI | .050"   | FWS-2     |
| 1982-91             | V8 6.2L 379 CI | .050"   | FWS-2     |
| 1982-91             | V8 6.2L 379 CI | .025"   | FWS-1     |
| 1992-01             | V6 4.3L 262 CI | .050"   | FWS-26    |
| 1992-01             | V6 4.3L 262 CI | .025"   | FWS-25    |
| <b>K15</b>          |                |         |           |
| 1975-76             | L6 4.8L 292 CI | .050"   | FWS-28    |
| 1975-76             | L6 4.8L 292 CI | .025"   | FWS-27    |
| 1975-78             | L6 4.1L 250 CI | .025"   | FWS-1     |
| 1975-78             | L6 4.1L 250 CI | .050"   | FWS-2     |
| 1975-78             | V8 6.6L 400 CI | .050"   | FWS-2     |
| 1975-78             | V8 6.6L 400 CI | .025"   | FWS-1     |
| 1976                | V8 7.4L 454 CI | .025"   | FWS-1     |
| 1976                | V8 7.4L 454 CI | .050"   | FWS-2     |
| 1976-78             | V8 5.0L 305 CI | .050"   | FWS-2     |
| 1976-78             | V8 5.0L 305 CI | .025"   | FWS-1     |
| 1976-78             | V8 5.7L 350 CI | .025"   | FWS-1     |
| 1976-78             | V8 5.7L 350 CI | .050"   | FWS-2     |
| <b>K15 SUBURBAN</b> |                |         |           |
| 1975-78             | L6 4.1L 250 CI | .025"   | FWS-1     |
| 1975-78             | L6 4.1L 250 CI | .050"   | FWS-2     |
| 1975-78             | V8 6.6L 400 CI | .025"   | FWS-1     |
| 1975-78             | V8 6.6L 400 CI | .050"   | FWS-2     |
| 1976-78             | V8 5.0L 305 CI | .050"   | FWS-2     |

# FLYWHEEL SHIM APPLICATIONS

| Years                     | Engine         | Remarks | Pioneer # |
|---------------------------|----------------|---------|-----------|
| <b>GMC TRUCK</b>          |                |         |           |
| <b>K15 SUBURBAN</b>       |                |         |           |
| 1976-78                   | V8 5.0L 305 CI | .025"   | FWS-1     |
| 1976-78                   | V8 5.7L 350 CI | .050"   | FWS-2     |
| 1976-78                   | V8 5.7L 350 CI | .025"   | FWS-1     |
| <b>K15/K1500 PICKUP</b>   |                |         |           |
| 1967                      | L6 4.8L 293 CI | .025"   | FWS-27    |
| 1967                      | L6 4.8L 293 CI | .050"   | FWS-28    |
| 1967                      | V8 4.6L 283 CI | .025"   | FWS-1     |
| 1967                      | V8 4.6L 283 CI | .050"   | FWS-2     |
| 1967-74                   | L6 4.1L 250 CI | .025"   | FWS-1     |
| 1968-69                   | V8 6.5L 396 CI | .025"   | FWS-1     |
| 1968-69                   | V8 6.5L 396 CI | .050"   | FWS-2     |
| 1968-70                   | V8 5.0L 307 CI | .025"   | FWS-1     |
| 1968-70                   | V8 5.0L 307 CI | .050"   | FWS-2     |
| 1967-74                   | L6 4.1L 250 CI | .050"   | FWS-2     |
| <b>K15/K1500 SUBURBAN</b> |                |         |           |
| 1968                      | L6 4.8L 292 CI | .025"   | FWS-27    |
| 1968                      | L6 4.8L 292 CI | .050"   | FWS-28    |
| 1968                      | L6 4.8L 293 CI | .050"   | FWS-28    |
| 1968                      | L6 4.8L 293 CI | .025"   | FWS-27    |
| 1968                      | V8 6.5L 396 CI | .025"   | FWS-1     |
| 1968                      | V8 6.5L 396 CI | .050"   | FWS-2     |
| 1968-74                   | L6 4.1L 250 CI | .050"   | FWS-2     |
| 1970-72                   | V8 6.6L 402 CI | .050"   | FWS-2     |
| 1970-72                   | V8 6.6L 402 CI | .025"   | FWS-1     |
| 1968                      | V8 5.0L 307 CI | .025"   | FWS-1     |
| 1970-73                   | V8 5.0L 307 CI | .025"   | FWS-1     |
| 1968                      | V8 5.0L 307 CI | .050"   | FWS-2     |
| 1970-73                   | V8 5.0L 307 CI | .050"   | FWS-2     |
| 1968-74                   | L6 4.1L 250 CI | .025"   | FWS-1     |
| <b>K1500</b>              |                |         |           |
| 1979                      | V8 5.0L 305 CI | .050"   | FWS-2     |
| 1979                      | V8 5.0L 305 CI | .025"   | FWS-1     |
| 1979                      | V8 6.6L 400 CI | .050"   | FWS-2     |
| 1979                      | V8 6.6L 400 CI | .025"   | FWS-1     |
| 1979-80                   | L6 4.8L 292 CI | .050"   | FWS-28    |
| 1979-80                   | L6 4.8L 292 CI | .025"   | FWS-27    |
| 1979-80                   | V8 7.4L 454 CI | .050"   | FWS-2     |
| 1979-80                   | V8 7.4L 454 CI | .025"   | FWS-1     |
| 1979-84                   | L6 4.1L 250 CI | .025"   | FWS-1     |
| 1979-84                   | L6 4.1L 250 CI | .050"   | FWS-2     |

# FLYWHEEL SHIM APPLICATIONS

| Years                 | Engine         | Remarks | Pioneer # |
|-----------------------|----------------|---------|-----------|
| <b>GMC TRUCK</b>      |                |         |           |
| <b>K1500</b>          |                |         |           |
| 1982-86               | V8 6.2L 379 CI | .050"   | FWS-2     |
| 1988-93               | V8 6.2L 379 CI | .050"   | FWS-2     |
| 1982-86               | V8 6.2L 379 CI | .025"   | FWS-1     |
| 1988-93               | V8 6.2L 379 CI | .025"   | FWS-1     |
| 1979-86               | V8 5.7L 350 CI | .050"   | FWS-2     |
| 1988-99               | V8 5.7L 350 CI | .050"   | FWS-2     |
| 1979-86               | V8 5.7L 350 CI | .025"   | FWS-1     |
| 1988-99               | V8 5.7L 350 CI | .025"   | FWS-1     |
| 1989-98               | V6 4.3L 262 CI | .050"   | FWS-26    |
| 1989-98               | V6 4.3L 262 CI | .025"   | FWS-25    |
| <b>K1500 SUBURBAN</b> |                |         |           |
| 1979                  | V8 5.0L 305 CI | .050"   | FWS-2     |
| 1979                  | V8 5.0L 305 CI | .025"   | FWS-1     |
| 1979                  | V8 6.6L 400 CI | .050"   | FWS-2     |
| 1979                  | V8 6.6L 400 CI | .025"   | FWS-1     |
| 1979-80               | L6 4.1L 250 CI | .050"   | FWS-2     |
| 1979-80               | L6 4.1L 250 CI | .025"   | FWS-1     |
| 1982-86               | V8 6.2L 379 CI | .025"   | FWS-1     |
| 1982-86               | V8 6.2L 379 CI | .050"   | FWS-2     |
| 1979-86               | V8 5.7L 350 CI | .050"   | FWS-2     |
| 1992-99               | V8 5.7L 350 CI | .050"   | FWS-2     |
| 1979-86               | V8 5.7L 350 CI | .025"   | FWS-1     |
| 1992-99               | V8 5.7L 350 CI | .025"   | FWS-1     |
| <b>K25</b>            |                |         |           |
| 1975-78               | L6 4.8L 292 CI | .050"   | FWS-28    |
| 1975-78               | L6 4.8L 292 CI | .025"   | FWS-27    |
| 1975-78               | V8 6.6L 400 CI | .050"   | FWS-2     |
| 1975-78               | V8 6.6L 400 CI | .025"   | FWS-1     |
| 1976-78               | V8 5.7L 350 CI | .025"   | FWS-1     |
| 1976-78               | V8 5.7L 350 CI | .050"   | FWS-2     |
| 1976-78               | V8 7.4L 454 CI | .050"   | FWS-2     |
| 1976-78               | V8 7.4L 454 CI | .025"   | FWS-1     |
| 1977-78               | V8 5.0L 305 CI | .025"   | FWS-1     |
| 1977-78               | V8 5.0L 305 CI | .050"   | FWS-2     |
| 1975-76               | L6 4.1L 250 CI | .050"   | FWS-2     |
| 1978                  | L6 4.1L 250 CI | .050"   | FWS-2     |
| 1975-76               | L6 4.1L 250 CI | .025"   | FWS-1     |
| 1978                  | L6 4.1L 250 CI | .025"   | FWS-1     |
| <b>K25 SUBURBAN</b>   |                |         |           |
| 1975-78               | L6 4.8L 292 CI | .025"   | FWS-27    |

# FLYWHEEL SHIM APPLICATIONS

| Years                     | Engine         | Remarks | Pioneer # |
|---------------------------|----------------|---------|-----------|
| <b>GMC TRUCK</b>          |                |         |           |
| <b>K25 SUBURBAN</b>       |                |         |           |
| 1975-78                   | L6 4.8L 292 CI | .050"   | FWS-28    |
| 1975-78                   | V8 6.6L 400 CI | .025"   | FWS-1     |
| 1975-78                   | V8 6.6L 400 CI | .050"   | FWS-2     |
| 1976-78                   | V8 5.7L 350 CI | .025"   | FWS-1     |
| 1976-78                   | V8 5.7L 350 CI | .050"   | FWS-2     |
| 1977                      | V8 7.4L 454 CI | .050"   | FWS-2     |
| 1977                      | V8 7.4L 454 CI | .025"   | FWS-1     |
| 1977-78                   | V8 5.0L 305 CI | .050"   | FWS-2     |
| 1977-78                   | V8 5.0L 305 CI | .025"   | FWS-1     |
| <b>K25/K2500 PICKUP</b>   |                |         |           |
| 1967                      | V8 4.6L 283 CI | .025"   | FWS-1     |
| 1967                      | V8 4.6L 283 CI | .050"   | FWS-2     |
| 1967-74                   | L6 4.1L 250 CI | .025"   | FWS-1     |
| 1967-74                   | L6 4.1L 250 CI | .050"   | FWS-2     |
| 1968-69                   | V8 6.5L 396 CI | .025"   | FWS-1     |
| 1968-69                   | V8 6.5L 396 CI | .050"   | FWS-2     |
| 1968-70                   | V8 5.0L 307 CI | .050"   | FWS-2     |
| 1968-70                   | V8 5.0L 307 CI | .025"   | FWS-1     |
| 1967                      | L6 4.8L 293 CI | .050"   | FWS-28    |
| 1970-74                   | L6 4.8L 293 CI | .050"   | FWS-28    |
| 1967                      | L6 4.8L 293 CI | .025"   | FWS-27    |
| 1970-74                   | L6 4.8L 293 CI | .025"   | FWS-27    |
| 1970-74                   | L6 4.8L 292 CI | .025"   | FWS-27    |
| 1970-74                   | L6 4.8L 292 CI | .050"   | FWS-28    |
| 1973-74                   | V8 7.4L 454 CI | .050"   | FWS-2     |
| 1973-74                   | V8 7.4L 454 CI | .025"   | FWS-1     |
| <b>K25/K2500 SUBURBAN</b> |                |         |           |
| 1968                      | V8 6.5L 396 CI | .025"   | FWS-1     |
| 1968                      | V8 6.5L 396 CI | .050"   | FWS-2     |
| 1968-73                   | V8 5.0L 307 CI | .050"   | FWS-2     |
| 1968-73                   | V8 5.0L 307 CI | .025"   | FWS-1     |
| 1968-74                   | L6 4.1L 250 CI | .050"   | FWS-2     |
| 1968-74                   | L6 4.1L 250 CI | .025"   | FWS-1     |
| 1968-74                   | L6 4.8L 292 CI | .050"   | FWS-28    |
| 1968-74                   | L6 4.8L 293 CI | .050"   | FWS-28    |
| 1968-74                   | L6 4.8L 293 CI | .025"   | FWS-27    |
| 1968-74                   | L6 4.8L 292 CI | .025"   | FWS-27    |
| <b>K2500</b>              |                |         |           |
| 1979                      | V8 6.6L 400 CI | .025"   | FWS-1     |
| 1979                      | V8 6.6L 400 CI | .050"   | FWS-2     |

# FLYWHEEL SHIM APPLICATIONS

| Years                   | Engine         | Remarks | Pioneer # |
|-------------------------|----------------|---------|-----------|
| <b>GMC TRUCK</b>        |                |         |           |
| <b>K2500</b>            |                |         |           |
| 1979-86                 | L6 4.8L 292 CI | .025"   | FWS-27    |
| 1979-86                 | L6 4.8L 292 CI | .050"   | FWS-28    |
| 1980                    | L6 4.1L 250 CI | .050"   | FWS-2     |
| 1980                    | L6 4.1L 250 CI | .025"   | FWS-1     |
| 1979-86                 | V8 5.7L 350 CI | .050"   | FWS-2     |
| 1988-00                 | V8 5.7L 350 CI | .050"   | FWS-2     |
| 1979-86                 | V8 5.7L 350 CI | .025"   | FWS-1     |
| 1988-00                 | V8 5.7L 350 CI | .025"   | FWS-1     |
| 1982-86                 | V8 6.2L 379 CI | .025"   | FWS-1     |
| 1988-93                 | V8 6.2L 379 CI | .025"   | FWS-1     |
| 1982-86                 | V8 6.2L 379 CI | .050"   | FWS-2     |
| 1988-93                 | V8 6.2L 379 CI | .050"   | FWS-2     |
| 1989-95                 | V6 4.3L 262 CI | .025"   | FWS-25    |
| 1989-95                 | V6 4.3L 262 CI | .050"   | FWS-26    |
| 1991-00                 | V8 7.4L 454 CI | .025"   | FWS-1     |
| 1991-00                 | V8 7.4L 454 CI | .050"   | FWS-2     |
| <b>K2500 SUBURBAN</b>   |                |         |           |
| 1979                    | V8 6.6L 400 CI | .050"   | FWS-2     |
| 1979                    | V8 6.6L 400 CI | .025"   | FWS-1     |
| 1982-86                 | V8 6.2L 379 CI | .050"   | FWS-2     |
| 1982-86                 | V8 6.2L 379 CI | .025"   | FWS-1     |
| 1979-82                 | L6 4.8L 292 CI | .025"   | FWS-27    |
| 1984                    | L6 4.8L 292 CI | .025"   | FWS-27    |
| 1979-82                 | L6 4.8L 292 CI | .050"   | FWS-28    |
| 1984                    | L6 4.8L 292 CI | .050"   | FWS-28    |
| 1979-86                 | V8 5.7L 350 CI | .050"   | FWS-2     |
| 1992-99                 | V8 5.7L 350 CI | .050"   | FWS-2     |
| 1979-86                 | V8 5.7L 350 CI | .025"   | FWS-1     |
| 1992-99                 | V8 5.7L 350 CI | .025"   | FWS-1     |
| 1992-99                 | V8 7.4L 454 CI | .050"   | FWS-2     |
| 1992-99                 | V8 7.4L 454 CI | .025"   | FWS-1     |
| <b>K35</b>              |                |         |           |
| 1977-78                 | L6 4.8L 292 CI | .025"   | FWS-27    |
| 1977-78                 | L6 4.8L 292 CI | .050"   | FWS-28    |
| 1977-78                 | V8 5.7L 350 CI | .050"   | FWS-2     |
| 1977-78                 | V8 5.7L 350 CI | .025"   | FWS-1     |
| 1977-78                 | V8 6.6L 400 CI | .050"   | FWS-2     |
| 1977-78                 | V8 6.6L 400 CI | .025"   | FWS-1     |
| <b>K35/K3500 PICKUP</b> |                |         |           |
| 1968-69                 | V8 6.5L 396 CI | .025"   | FWS-1     |

# FLYWHEEL SHIM APPLICATIONS

| Years                   | Engine         | Remarks | Pioneer # |
|-------------------------|----------------|---------|-----------|
| <b>GMC TRUCK</b>        |                |         |           |
| <b>K35/K3500 PICKUP</b> |                |         |           |
| 1968-69                 | V8 6.5L 396 CI | .050"   | FWS-2     |
| 1968-73                 | V8 5.0L 307 CI | .025"   | FWS-1     |
| 1968-73                 | V8 5.0L 307 CI | .050"   | FWS-2     |
| 1968-74                 | L6 4.1L 250 CI | .025"   | FWS-1     |
| 1968-74                 | L6 4.1L 250 CI | .050"   | FWS-2     |
| 1968-74                 | L6 4.8L 292 CI | .025"   | FWS-27    |
| 1968-74                 | L6 4.8L 293 CI | .050"   | FWS-28    |
| 1968-74                 | L6 4.8L 293 CI | .025"   | FWS-27    |
| 1970-71                 | V8 6.6L 402 CI | .050"   | FWS-2     |
| 1970-71                 | V8 6.6L 402 CI | .025"   | FWS-1     |
| 1968-74                 | L6 4.8L 292 CI | .050"   | FWS-28    |
| 1973-74                 | V8 7.4L 454 CI | .050"   | FWS-2     |
| 1973-74                 | V8 7.4L 454 CI | .025"   | FWS-1     |
| <b>K3500</b>            |                |         |           |
| 1979                    | V8 6.6L 400 CI | .025"   | FWS-1     |
| 1979                    | V8 6.6L 400 CI | .050"   | FWS-2     |
| 1979-86                 | L6 4.8L 292 CI | .025"   | FWS-27    |
| 1979-86                 | L6 4.8L 292 CI | .050"   | FWS-28    |
| 1979-86                 | V8 5.7L 350 CI | .025"   | FWS-1     |
| 1988-00                 | V8 5.7L 350 CI | .025"   | FWS-1     |
| 1979-86                 | V8 5.7L 350 CI | .050"   | FWS-2     |
| 1988-00                 | V8 5.7L 350 CI | .050"   | FWS-2     |
| 1979-86                 | V8 7.4L 454 CI | .025"   | FWS-1     |
| 1988-00                 | V8 7.4L 454 CI | .025"   | FWS-1     |
| 1979-86                 | V8 7.4L 454 CI | .050"   | FWS-2     |
| 1988-00                 | V8 7.4L 454 CI | .050"   | FWS-2     |
| 1982-86                 | V8 6.2L 379 CI | .050"   | FWS-2     |
| 1988-93                 | V8 6.2L 379 CI | .050"   | FWS-2     |
| 1982-86                 | V8 6.2L 379 CI | .025"   | FWS-1     |
| 1988-93                 | V8 6.2L 379 CI | .025"   | FWS-1     |
| <b>P15</b>              |                |         |           |
| 1975-78                 | L6 4.8L 292 CI | .050"   | FWS-28    |
| 1975-78                 | L6 4.8L 292 CI | .025"   | FWS-27    |
| <b>P15/P1500 VAN</b>    |                |         |           |
| 1967                    | L6 4.8L 292 CI | .050"   | FWS-28    |
| 1967                    | L6 4.8L 292 CI | .025"   | FWS-27    |
| 1967                    | V8 4.6L 283 CI | .050"   | FWS-2     |
| 1967                    | V8 4.6L 283 CI | .025"   | FWS-1     |
| 1968-74                 | L6 4.1L 250 CI | .025"   | FWS-1     |
| 1968-74                 | L6 4.1L 250 CI | .050"   | FWS-2     |

# FLYWHEEL SHIM APPLICATIONS

| Years                | Engine         | Remarks | Pioneer # |
|----------------------|----------------|---------|-----------|
| <b>GMC TRUCK</b>     |                |         |           |
| <b>P1500</b>         |                |         |           |
| 1979                 | V8 7.4L 454 CI | .050"   | FWS-2     |
| 1979                 | V8 7.4L 454 CI | .025"   | FWS-1     |
| 1979-80              | L6 4.8L 292 CI | .050"   | FWS-28    |
| 1979-80              | L6 4.8L 292 CI | .025"   | FWS-27    |
| <b>P25</b>           |                |         |           |
| 1975-78              | L6 4.8L 292 CI | .025"   | FWS-27    |
| 1975-78              | L6 4.8L 292 CI | .050"   | FWS-28    |
| 1976-78              | V8 5.7L 350 CI | .050"   | FWS-2     |
| 1976-78              | V8 5.7L 350 CI | .025"   | FWS-1     |
| <b>P25/P2500 VAN</b> |                |         |           |
| 1967                 | V8 4.6L 283 CI | .050"   | FWS-2     |
| 1967                 | V8 4.6L 283 CI | .025"   | FWS-1     |
| 1968-69              | V8 5.0L 307 CI | .025"   | FWS-1     |
| 1968-69              | V8 5.0L 307 CI | .050"   | FWS-2     |
| 1970-71              | V8 7.4L 454 CI | .050"   | FWS-2     |
| 1970-71              | V8 7.4L 454 CI | .025"   | FWS-1     |
| 1967                 | L6 4.1L 250 CI | .050"   | FWS-2     |
| 1970                 | L6 4.1L 250 CI | .050"   | FWS-2     |
| 1972-74              | L6 4.1L 250 CI | .050"   | FWS-2     |
| 1967                 | L6 4.1L 250 CI | .025"   | FWS-1     |
| 1970                 | L6 4.1L 250 CI | .025"   | FWS-1     |
| 1972-74              | L6 4.1L 250 CI | .025"   | FWS-1     |
| 1967-74              | L6 4.8L 292 CI | .025"   | FWS-27    |
| 1967-74              | L6 4.8L 292 CI | .050"   | FWS-28    |
| <b>P2500</b>         |                |         |           |
| 1979-89              | V8 5.7L 350 CI | .050"   | FWS-2     |
| 1979-89              | V8 5.7L 350 CI | .025"   | FWS-1     |
| 1982-89              | V8 6.2L 379 CI | .050"   | FWS-2     |
| 1982-89              | V8 6.2L 379 CI | .025"   | FWS-1     |
| 1979-87              | L6 4.8L 292 CI | .050"   | FWS-28    |
| 1989                 | L6 4.8L 292 CI | .050"   | FWS-28    |
| 1979-87              | L6 4.8L 292 CI | .025"   | FWS-27    |
| 1989                 | L6 4.8L 292 CI | .025"   | FWS-27    |
| <b>P35</b>           |                |         |           |
| 1975-78              | L6 4.8L 292 CI | .025"   | FWS-27    |
| 1975-78              | L6 4.8L 292 CI | .050"   | FWS-28    |
| 1975-78              | V8 7.4L 454 CI | .025"   | FWS-1     |
| 1975-78              | V8 7.4L 454 CI | .050"   | FWS-2     |
| 1976-78              | V8 5.7L 350 CI | .050"   | FWS-2     |
| 1976-78              | V8 5.7L 350 CI | .025"   | FWS-1     |

# FLYWHEEL SHIM APPLICATIONS

| Years                | Engine         | Remarks | Pioneer # |
|----------------------|----------------|---------|-----------|
| <b>GMC TRUCK</b>     |                |         |           |
| <b>P35/P3500 VAN</b> |                |         |           |
| 1967                 | V8 4.6L 283 CI | .050"   | FWS-2     |
| 1967                 | V8 4.6L 283 CI | .025"   | FWS-1     |
| 1968-69              | V8 5.0L 307 CI | .025"   | FWS-1     |
| 1968-69              | V8 5.0L 307 CI | .050"   | FWS-2     |
| 1967                 | L6 4.1L 250 CI | .025"   | FWS-1     |
| 1970-74              | L6 4.1L 250 CI | .025"   | FWS-1     |
| 1967                 | L6 4.1L 250 CI | .050"   | FWS-2     |
| 1970-74              | L6 4.1L 250 CI | .050"   | FWS-2     |
| 1967-74              | L6 4.8L 292 CI | .025"   | FWS-27    |
| 1967-74              | L6 4.8L 292 CI | .050"   | FWS-28    |
| 1970-71              | V8 7.4L 454 CI | .025"   | FWS-1     |
| 1973-74              | V8 7.4L 454 CI | .025"   | FWS-1     |
| 1970-71              | V8 7.4L 454 CI | .050"   | FWS-2     |
| 1973-74              | V8 7.4L 454 CI | .050"   | FWS-2     |
| <b>P3500</b>         |                |         |           |
| 1979-89              | L6 4.8L 292 CI | .025"   | FWS-27    |
| 1979-89              | L6 4.8L 292 CI | .050"   | FWS-28    |
| 1979-99              | V8 5.7L 350 CI | .050"   | FWS-2     |
| 1979-99              | V8 5.7L 350 CI | .025"   | FWS-1     |
| 1979-99              | V8 7.4L 454 CI | .050"   | FWS-2     |
| 1979-99              | V8 7.4L 454 CI | .025"   | FWS-1     |
| 1982-93              | V8 6.2L 379 CI | .025"   | FWS-1     |
| 1982-93              | V8 6.2L 379 CI | .050"   | FWS-2     |
| 1990-99              | V6 4.3L 262 CI | .050"   | FWS-26    |
| 1990-99              | V6 4.3L 262 CI | .025"   | FWS-25    |
| <b>PB1000 SERIES</b> |                |         |           |
| 1963                 | L6 3.8L 230 CI | .050"   | FWS-2     |
| <b>PB15 SERIES</b>   |                |         |           |
| 1966                 | L6 4.1L 250 CI | .025"   | FWS-1     |
| 1966                 | L6 4.1L 250 CI | .050"   | FWS-2     |
| 1966                 | L6 4.8L 293 CI | .050"   | FWS-28    |
| 1966                 | L6 4.8L 293 CI | .025"   | FWS-27    |
| <b>PB25 SERIES</b>   |                |         |           |
| 1966                 | L6 4.1L 250 CI | .025"   | FWS-1     |
| 1966                 | L6 4.1L 250 CI | .050"   | FWS-2     |
| 1966                 | L6 4.8L 293 CI | .025"   | FWS-27    |
| 1966                 | L6 4.8L 293 CI | .050"   | FWS-28    |
| <b>PB2500 SERIES</b> |                |         |           |
| 1963                 | L6 3.8L 230 CI | .050"   | FWS-2     |
| <b>R1500</b>         |                |         |           |
| 1987                 | V8 5.7L 350 CI | .025"   | FWS-1     |



# FLYWHEEL SHIM APPLICATIONS

| Years                 | Engine         | Remarks | Pioneer # |
|-----------------------|----------------|---------|-----------|
| <b>GMC TRUCK</b>      |                |         |           |
| <b>R1500</b>          |                |         |           |
| 1987                  | V8 5.7L 350 CI | .050"   | FWS-2     |
| 1987                  | V8 6.2L 379 CI | .050"   | FWS-2     |
| 1987                  | V8 6.2L 379 CI | .025"   | FWS-1     |
| <b>R1500 SUBURBAN</b> |                |         |           |
| 1987-91               | V8 5.7L 350 CI | .050"   | FWS-2     |
| 1987-91               | V8 5.7L 350 CI | .025"   | FWS-1     |
| 1987-91               | V8 6.2L 379 CI | .050"   | FWS-2     |
| 1987-91               | V8 6.2L 379 CI | .025"   | FWS-1     |
| <b>R2500</b>          |                |         |           |
| 1987-88               | L6 4.8L 292 CI | .025"   | FWS-27    |
| 1987-88               | L6 4.8L 292 CI | .050"   | FWS-28    |
| 1987-89               | V8 5.7L 350 CI | .050"   | FWS-2     |
| 1987-89               | V8 5.7L 350 CI | .025"   | FWS-1     |
| 1987-89               | V8 6.2L 379 CI | .050"   | FWS-2     |
| 1987-89               | V8 6.2L 379 CI | .025"   | FWS-1     |
| 1987-89               | V8 7.4L 454 CI | .025"   | FWS-1     |
| 1987-89               | V8 7.4L 454 CI | .050"   | FWS-2     |
| <b>R2500 SUBURBAN</b> |                |         |           |
| 1987-91               | V8 5.7L 350 CI | .025"   | FWS-1     |
| 1987-91               | V8 5.7L 350 CI | .050"   | FWS-2     |
| 1987-91               | V8 6.2L 379 CI | .025"   | FWS-1     |
| 1987-91               | V8 6.2L 379 CI | .050"   | FWS-2     |
| 1987-91               | V8 7.4L 454 CI | .050"   | FWS-2     |
| 1987-91               | V8 7.4L 454 CI | .025"   | FWS-1     |
| <b>R3500</b>          |                |         |           |
| 1987-88               | L6 4.8L 292 CI | .050"   | FWS-28    |
| 1987-88               | L6 4.8L 292 CI | .025"   | FWS-27    |
| 1987-91               | V8 5.7L 350 CI | .050"   | FWS-2     |
| 1987-91               | V8 5.7L 350 CI | .025"   | FWS-1     |
| 1987-91               | V8 6.2L 379 CI | .050"   | FWS-2     |
| 1987-91               | V8 6.2L 379 CI | .025"   | FWS-1     |
| 1987-91               | V8 7.4L 454 CI | .050"   | FWS-2     |
| 1987-91               | V8 7.4L 454 CI | .025"   | FWS-1     |
| <b>S15</b>            |                |         |           |
| 1982-90               | V6 2.8L 173 CI | .025"   | FWS-7     |
| 1982-90               | V6 2.8L 173 CI | .050"   | FWS-8     |
| 1983-84               | L4 2.0L 122 CI | .025"   | FWS-25    |
| 1983-84               | L4 2.0L 122 CI | .050"   | FWS-26    |
| 1985-90               | L4 2.5L 151 CI | .025"   | FWS-7     |
| 1985-90               | L4 2.5L 151 CI | .050"   | FWS-8     |

# FLYWHEEL SHIM APPLICATIONS

| Years              | Engine         | Remarks | Pioneer # |
|--------------------|----------------|---------|-----------|
| <b>GMC TRUCK</b>   |                |         |           |
| <b>S15</b>         |                |         |           |
| 1989-90            | V6 4.3L 262 CI | .050"   | FWS-26    |
| 1989-90            | V6 4.3L 262 CI | .025"   | FWS-25    |
| <b>S15 JIMMY</b>   |                |         |           |
| 1983-84            | L4 2.0L 122 CI | .050"   | FWS-26    |
| 1983-84            | L4 2.0L 122 CI | .025"   | FWS-25    |
| 1983-89            | V6 2.8L 173 CI | .025"   | FWS-7     |
| 1983-89            | V6 2.8L 173 CI | .050"   | FWS-8     |
| 1985-88            | L4 2.5L 151 CI | .050"   | FWS-8     |
| 1985-88            | L4 2.5L 151 CI | .025"   | FWS-7     |
| 1989-91            | V6 4.3L 262 CI | .050"   | FWS-26    |
| 1989-91            | V6 4.3L 262 CI | .025"   | FWS-25    |
| <b>SAFARI</b>      |                |         |           |
| 1985-90            | L4 2.5L 151 CI | .050"   | FWS-8     |
| 1985-90            | L4 2.5L 151 CI | .025"   | FWS-7     |
| 1989-05            | V6 4.3L 262 CI | .025"   | FWS-25    |
| 1989-05            | V6 4.3L 262 CI | .050"   | FWS-26    |
| <b>SAVANA 1500</b> |                |         |           |
| 1996-02            | V8 5.7L 350 CI | .025"   | FWS-1     |
| 1996-02            | V8 5.7L 350 CI | .050"   | FWS-2     |
| 1996-04            | V6 4.3L 262 CI | .025"   | FWS-25    |
| 1996-04            | V6 4.3L 262 CI | .050"   | FWS-26    |
| 2003-07            | V8 5.3L 325 CI | .025"   | FWS-27    |
| 2003-07            | V8 5.3L 325 CI | .050"   | FWS-28    |
| 2005-09            | V6 4.3L 262 CI | .025"   | FWS-27    |
| 2005-09            | V6 4.3L 262 CI | .050"   | FWS-28    |
| <b>SAVANA 2500</b> |                |         |           |
| 1996-02            | V8 5.7L 350 CI | .050"   | FWS-2     |
| 1996-02            | V8 5.7L 350 CI | .025"   | FWS-1     |
| 1996-04            | V6 4.3L 262 CI | .025"   | FWS-25    |
| 1996-04            | V6 4.3L 262 CI | .050"   | FWS-26    |
| 2003-05            | V8 5.3L 325 CI | .025"   | FWS-27    |
| 2003-05            | V8 5.3L 325 CI | .050"   | FWS-28    |
| 2003-07            | V8 4.8L 294 CI | .050"   | FWS-28    |
| 2003-07            | V8 4.8L 294 CI | .025"   | FWS-27    |
| 2003-07            | V8 6.0L 364 CI | .025"   | FWS-27    |
| 2003-07            | V8 6.0L 364 CI | .050"   | FWS-28    |
| 2006-07            | V8 6.6L 403 CI | .025"   | FWS-27    |
| 2006-07            | V8 6.6L 403 CI | .050"   | FWS-28    |
| <b>SAVANA 3500</b> |                |         |           |
| 1996-00            | V8 7.4L 454 CI | .050"   | FWS-2     |

# FLYWHEEL SHIM APPLICATIONS

| Years                 | Engine         | Remarks | Pioneer # |
|-----------------------|----------------|---------|-----------|
| <b>GMC TRUCK</b>      |                |         |           |
| <b>SAVANA 3500</b>    |                |         |           |
| 1996-00               | V8 7.4L 454 CI | .025"   | FWS-1     |
| 1996-02               | V8 5.7L 350 CI | .025"   | FWS-1     |
| 1996-02               | V8 5.7L 350 CI | .050"   | FWS-2     |
| 2003-07               | V8 6.0L 364 CI | .050"   | FWS-28    |
| 2003-07               | V8 6.0L 364 CI | .025"   | FWS-27    |
| 2004-07               | V8 4.8L 294 CI | .025"   | FWS-27    |
| 2004-07               | V8 4.8L 294 CI | .050"   | FWS-28    |
| 2006-07               | V8 6.6L 403 CI | .025"   | FWS-27    |
| 2006-07               | V8 6.6L 403 CI | .050"   | FWS-28    |
| <b>SIERRA 1500</b>    |                |         |           |
| 1999-04               | V6 4.3L 262 CI | .025"   | FWS-25    |
| 1999-04               | V6 4.3L 262 CI | .050"   | FWS-26    |
| 1999-09               | V8 4.8L 294 CI | .050"   | FWS-28    |
| 1999-09               | V8 4.8L 294 CI | .025"   | FWS-27    |
| 1999-09               | V8 5.3L 325 CI | .050"   | FWS-28    |
| 1999-09               | V8 5.3L 325 CI | .025"   | FWS-27    |
| 2006-07               | V8 6.0L 364 CI | .025"   | FWS-27    |
| 2006-07               | V8 6.0L 364 CI | .050"   | FWS-28    |
| <b>SIERRA 1500 HD</b> |                |         |           |
| 2001-03               | V8 6.0L 364 CI | .050"   | FWS-28    |
| 2005-06               | V8 6.0L 364 CI | .050"   | FWS-28    |
| 2001-03               | V8 6.0L 364 CI | .025"   | FWS-27    |
| 2005-06               | V8 6.0L 364 CI | .025"   | FWS-27    |
| <b>SIERRA 2500</b>    |                |         |           |
| 1999-00               | V8 5.3L 325 CI | .050"   | FWS-28    |
| 1999-00               | V8 5.3L 325 CI | .025"   | FWS-27    |
| 1999-04               | V8 6.0L 364 CI | .050"   | FWS-28    |
| 1999-04               | V8 6.0L 364 CI | .025"   | FWS-27    |
| <b>SIERRA 2500 HD</b> |                |         |           |
| 2001-07               | V8 6.0L 364 CI | .025"   | FWS-27    |
| 2001-07               | V8 6.0L 364 CI | .050"   | FWS-28    |
| 2001-07               | V8 6.6L 403 CI | .025"   | FWS-27    |
| 2001-07               | V8 6.6L 403 CI | .050"   | FWS-28    |
| <b>SIERRA 3500</b>    |                |         |           |
| 2001-06               | V8 6.0L 364 CI | .025"   | FWS-27    |
| 2001-06               | V8 6.0L 364 CI | .050"   | FWS-28    |
| 2001-06               | V8 6.6L 403 CI | .025"   | FWS-27    |
| 2001-06               | V8 6.6L 403 CI | .050"   | FWS-28    |
| <b>SONOMA</b>         |                |         |           |
| 1991-04               | V6 4.3L 262 CI | .025"   | FWS-25    |

# FLYWHEEL SHIM APPLICATIONS

| Years                 | Engine         | Remarks | Pioneer # |
|-----------------------|----------------|---------|-----------|
| <b>GMC TRUCK</b>      |                |         |           |
| <b>SONOMA</b>         |                |         |           |
| 1991-04               | V6 4.3L 262 CI | .050"   | FWS-26    |
| 1991-93               | L4 2.5L 151 CI | .050"   | FWS-8     |
| 1991-93               | L4 2.5L 151 CI | .025"   | FWS-7     |
| 1991-93               | V6 2.8L 173 CI | .025"   | FWS-7     |
| 1991-93               | V6 2.8L 173 CI | .050"   | FWS-8     |
| 1994-03               | L4 2.2L 134 CI | .050"   | FWS-8     |
| 1994-03               | L4 2.2L 134 CI | .025"   | FWS-7     |
| <b>SUBURBAN</b>       |                |         |           |
| 1963-65               | L6 3.8L 230 CI | .050"   | FWS-2     |
| 1966                  | L6 4.1L 250 CI | .025"   | FWS-1     |
| 1966                  | L6 4.1L 250 CI | .050"   | FWS-2     |
| 1966                  | L6 4.8L 293 CI | .025"   | FWS-27    |
| 1966                  | L6 4.8L 293 CI | .050"   | FWS-28    |
| <b>SYCLONE</b>        |                |         |           |
| 1991                  | V6 4.3L 262 CI | .050"   | FWS-26    |
| 1991                  | V6 4.3L 262 CI | .025"   | FWS-25    |
| <b>TRUCK</b>          |                |         |           |
| 1955                  | V8 4.7L 288 CI | .025"   | FWS-1     |
| 1955                  | V8 4.7L 288 CI | .050"   | FWS-2     |
| 1956-60               | L6 4.4L 270 CI | .025"   | FWS-1     |
| 1956-60               | L6 4.4L 270 CI | .050"   | FWS-2     |
| <b>TYPHOON</b>        |                |         |           |
| 1992-93               | V6 4.3L 262 CI | .050"   | FWS-26    |
| 1992-93               | V6 4.3L 262 CI | .025"   | FWS-25    |
| <b>V1500</b>          |                |         |           |
| 1987                  | V8 5.7L 350 CI | .025"   | FWS-1     |
| 1987                  | V8 5.7L 350 CI | .050"   | FWS-2     |
| 1987                  | V8 6.2L 379 CI | .050"   | FWS-2     |
| 1987                  | V8 6.2L 379 CI | .025"   | FWS-1     |
| <b>V1500 SUBURBAN</b> |                |         |           |
| 1987-91               | V8 5.7L 350 CI | .025"   | FWS-1     |
| 1987-91               | V8 5.7L 350 CI | .050"   | FWS-2     |
| 1987-91               | V8 6.2L 379 CI | .025"   | FWS-1     |
| 1987-91               | V8 6.2L 379 CI | .050"   | FWS-2     |
| <b>V2500</b>          |                |         |           |
| 1987                  | L6 4.8L 292 CI | .050"   | FWS-28    |
| 1987                  | L6 4.8L 292 CI | .025"   | FWS-27    |
| 1987                  | V8 5.7L 350 CI | .025"   | FWS-1     |
| 1987                  | V8 5.7L 350 CI | .050"   | FWS-2     |
| 1987                  | V8 6.2L 379 CI | .025"   | FWS-1     |

# FLYWHEEL SHIM APPLICATIONS

| Years                        | Engine         | Remarks | Pioneer # |
|------------------------------|----------------|---------|-----------|
| <b>GMC TRUCK</b>             |                |         |           |
| <b>V2500</b>                 |                |         |           |
| 1987                         | V8 6.2L 379 CI | .050"   | FWS-2     |
| <b>V2500 SUBURBAN</b>        |                |         |           |
| 1987-91                      | V8 5.7L 350 CI | .025"   | FWS-1     |
| 1987-91                      | V8 5.7L 350 CI | .050"   | FWS-2     |
| 1987-91                      | V8 6.2L 379 CI | .025"   | FWS-1     |
| 1987-91                      | V8 6.2L 379 CI | .050"   | FWS-2     |
| <b>V3000 FORWARD CONTROL</b> |                |         |           |
| 1961-62                      | L6 4.4L 270 CI | .050"   | FWS-2     |
| 1961-62                      | L6 4.4L 270 CI | .025"   | FWS-1     |
| <b>V3500</b>                 |                |         |           |
| 1987-88                      | L6 4.8L 292 CI | .050"   | FWS-28    |
| 1987-88                      | L6 4.8L 292 CI | .025"   | FWS-27    |
| 1987-91                      | V8 5.7L 350 CI | .025"   | FWS-1     |
| 1987-91                      | V8 5.7L 350 CI | .050"   | FWS-2     |
| 1987-91                      | V8 6.2L 379 CI | .025"   | FWS-1     |
| 1987-91                      | V8 6.2L 379 CI | .050"   | FWS-2     |
| 1987-91                      | V8 7.4L 454 CI | .025"   | FWS-1     |
| 1987-91                      | V8 7.4L 454 CI | .050"   | FWS-2     |
| <b>YUKON</b>                 |                |         |           |
| 1992-00                      | V8 5.7L 350 CI | .050"   | FWS-2     |
| 1992-00                      | V8 5.7L 350 CI | .025"   | FWS-1     |
| 2000-07                      | V8 4.8L 294 CI | .025"   | FWS-27    |
| 2000-07                      | V8 4.8L 294 CI | .050"   | FWS-28    |
| 2000-09                      | V8 5.3L 325 CI | .025"   | FWS-27    |
| 2000-09                      | V8 5.3L 325 CI | .050"   | FWS-28    |
| 2001-06                      | V8 6.0L 364 CI | .050"   | FWS-28    |
| 2001-06                      | V8 6.0L 364 CI | .025"   | FWS-27    |
| <b>YUKON XL 1500</b>         |                |         |           |
| 2000-09                      | V8 5.3L 325 CI | .050"   | FWS-28    |
| 2000-09                      | V8 5.3L 325 CI | .025"   | FWS-27    |
| <b>YUKON XL 2500</b>         |                |         |           |
| 2000-09                      | V8 6.0L 364 CI | .025"   | FWS-27    |
| 2000-09                      | V8 6.0L 364 CI | .050"   | FWS-28    |
| <b>HONDA</b>                 |                |         |           |
| <b>ACCORD</b>                |                |         |           |
| 1976-78                      | L4 1.6L 98 CI  | .050"   | FWS-20    |
| 1976-78                      | L4 1.6L 98 CI  | .025"   | FWS-19    |
| 1979-83                      | L4 1.8L 107 CI | .025"   | FWS-19    |
| 1979-83                      | L4 1.8L 107 CI | .050"   | FWS-20    |
| 1984-85                      | L4 1.8L 112 CI | .050"   | FWS-20    |

# FLYWHEEL SHIM APPLICATIONS

| Years                | Engine         | Remarks | Pioneer # |
|----------------------|----------------|---------|-----------|
| <b>HONDA</b>         |                |         |           |
| <b>ACCORD</b>        |                |         |           |
| 1984-85              | L4 1.8L 112 CI | .025"   | FWS-19    |
| 1986-89              | L4 2.0L 119 CI | .050"   | FWS-20    |
| 1986-89              | L4 2.0L 119 CI | .025"   | FWS-19    |
| 1990-97              | L4 2.2L 132 CI | .025"   | FWS-19    |
| 1990-97              | L4 2.2L 132 CI | .050"   | FWS-20    |
| 1995-97              | V6 2.7L 163 CI | .025"   | FWS-19    |
| 1995-97              | V6 2.7L 163 CI | .050"   | FWS-20    |
| 1998-02              | L4 2.3L 138 CI | .025"   | FWS-19    |
| 1998-02              | L4 2.3L 138 CI | .050"   | FWS-20    |
| <b>CIVIC</b>         |                |         |           |
| 1973-79              | L4 1.2L 75 CI  | .050"   | FWS-20    |
| 1973-79              | L4 1.2L 75 CI  | .025"   | FWS-19    |
| 1980-83              | L4 1.3L 81 CI  | .025"   | FWS-19    |
| 1980-83              | L4 1.3L 81 CI  | .050"   | FWS-20    |
| 1984-87              | L4 1.3L 82 CI  | .025"   | FWS-19    |
| 1984-87              | L4 1.3L 82 CI  | .050"   | FWS-20    |
| 1988-00              | L4 1.6L 97 CI  | .025"   | FWS-19    |
| 1975-95              | L4 1.5L 91 CI  | .050"   | FWS-20    |
| 1975-95              | L4 1.5L 91 CI  | .025"   | FWS-19    |
| 1988-00              | L4 1.6L 97 CI  | .050"   | FWS-20    |
| 2002-04              | L4 2.0L 122 CI | .025"   | FWS-19    |
| 2002-04              | L4 2.0L 122 CI | .050"   | FWS-20    |
| 2003-04              | L4 1.3L 82 CI  | .025"   | FWS-12    |
| 2003-04              | L4 1.3L 82 CI  | .050"   | FWS-13    |
| <b>CIVIC DEL SOL</b> |                |         |           |
| 1993-95              | L4 1.5L 91 CI  | .050"   | FWS-20    |
| 1993-95              | L4 1.5L 91 CI  | .025"   | FWS-19    |
| 1993-97              | L4 1.6L 97 CI  | .050"   | FWS-20    |
| 1993-97              | L4 1.6L 97 CI  | .025"   | FWS-19    |
| <b>CRX</b>           |                |         |           |
| 1988-91              | L4 1.5L 91 CI  | .025"   | FWS-19    |
| 1988-91              | L4 1.5L 91 CI  | .050"   | FWS-20    |
| 1988-91              | L4 1.6L 97 CI  | .025"   | FWS-19    |
| 1988-91              | L4 1.6L 97 CI  | .050"   | FWS-20    |
| <b>PRELUDE</b>       |                |         |           |
| 1979-82              | L4 1.8L 107 CI | .050"   | FWS-20    |
| 1979-82              | L4 1.8L 107 CI | .025"   | FWS-19    |
| 1983-87              | L4 1.8L 112 CI | .050"   | FWS-20    |
| 1983-87              | L4 1.8L 112 CI | .025"   | FWS-19    |
| 1985-91              | L4 2.0L 119 CI | .025"   | FWS-19    |

# FLYWHEEL SHIM APPLICATIONS

| Years               | Engine         | Remarks | Pioneer # |
|---------------------|----------------|---------|-----------|
| <b>HONDA</b>        |                |         |           |
| <b>PRELUDE</b>      |                |         |           |
| 1985-91             | L4 2.0L 119 CI | .050"   | FWS-20    |
| 1991                | L4 2.1L 125 CI | .050"   | FWS-6     |
| 1991                | L4 2.1L 125 CI | .025"   | FWS-5     |
| 1992-01             | L4 2.2L 132 CI | .025"   | FWS-19    |
| 1992-01             | L4 2.2L 132 CI | .050"   | FWS-20    |
| 1992-96             | L4 2.3L 138 CI | .025"   | FWS-19    |
| 1992-96             | L4 2.3L 138 CI | .050"   | FWS-20    |
| <b>S2000</b>        |                |         |           |
| 2000-03             | L4 2.0L 122 CI | .050"   | FWS-20    |
| 2000-03             | L4 2.0L 122 CI | .025"   | FWS-19    |
| 2004                | L4 2.2L 132 CI | .025"   | FWS-19    |
| 2004                | L4 2.2L 132 CI | .050"   | FWS-20    |
| <b>HONDA TRUCK</b>  |                |         |           |
| <b>CR-V</b>         |                |         |           |
| 1997-01             | L4 2.0L 120 CI | .050"   | FWS-20    |
| 1997-01             | L4 2.0L 120 CI | .025"   | FWS-19    |
| <b>ODYSSEY</b>      |                |         |           |
| 1995-97             | L4 2.2L 132 CI | .025"   | FWS-19    |
| 1995-97             | L4 2.2L 132 CI | .050"   | FWS-20    |
| 1998                | L4 2.3L 136 CI | .050"   | FWS-20    |
| 1998                | L4 2.3L 136 CI | .025"   | FWS-19    |
| <b>HUMMER TRUCK</b> |                |         |           |
| <b>H1</b>           |                |         |           |
| 2006                | V8 6.6L 400 CI | .050"   | FWS-28    |
| 2006                | V8 6.6L 400 CI | .025"   | FWS-27    |
| <b>H2</b>           |                |         |           |
| 2003-07             | V8 6.0L 364 CI | .025"   | FWS-27    |
| 2003-07             | V8 6.0L 364 CI | .050"   | FWS-28    |
| <b>ISUZU TRUCK</b>  |                |         |           |
| <b>ASCENDER</b>     |                |         |           |
| 2003-06             | V8 5.3L 325 CI | .050"   | FWS-28    |
| 2003-06             | V8 5.3L 325 CI | .025"   | FWS-27    |
| 2003-07             | L6 4.2L 256 CI | .050"   | FWS-28    |
| 2003-07             | L6 4.2L 256 CI | .025"   | FWS-27    |
| <b>JEEP TRUCK</b>   |                |         |           |
| <b>CHEROKEE</b>     |                |         |           |
| 1974-83             | V8 5.9L 360 CI | .025"   | FWS-3     |
| 1974-83             | V8 5.9L 360 CI | .050"   | FWS-4     |

# FLYWHEEL SHIM APPLICATIONS

| Years                 | Engine         | Remarks | Pioneer # |
|-----------------------|----------------|---------|-----------|
| <b>JEEP TRUCK</b>     |                |         |           |
| <b>CHEROKEE</b>       |                |         |           |
| 1987-96               | L6 4.0L 242 CI | .025"   | FWS-3     |
| 1987-96               | L6 4.0L 242 CI | .050"   | FWS-4     |
| <b>COMANCHE</b>       |                |         |           |
| 1988-92               | L6 4.0L 242 CI | .025"   | FWS-3     |
| 1988-92               | L6 4.0L 242 CI | .050"   | FWS-4     |
| <b>GLADIATOR</b>      |                |         |           |
| 1965-67               | V8 5.3L 327 CI | .025"   | FWS-3     |
| 1965-67               | V8 5.3L 327 CI | .050"   | FWS-4     |
| <b>GRAND CHEROKEE</b> |                |         |           |
| 1993-97               | L6 4.0L 242 CI | .025"   | FWS-3     |
| 1993-97               | L6 4.0L 242 CI | .050"   | FWS-4     |
| <b>J10</b>            |                |         |           |
| 1974-78               | V8 5.9L 360 CI | .050"   | FWS-4     |
| 1974-78               | V8 5.9L 360 CI | .025"   | FWS-3     |
| <b>J20</b>            |                |         |           |
| 1974-78               | V8 5.9L 360 CI | .025"   | FWS-3     |
| 1974-78               | V8 5.9L 360 CI | .050"   | FWS-4     |
| <b>J-2600</b>         |                |         |           |
| 1968                  | V8 5.3L 327 CI | .050"   | FWS-4     |
| 1968                  | V8 5.3L 327 CI | .025"   | FWS-3     |
| 1968                  | V8 5.4L 327 CI | .050"   | FWS-4     |
| 1968                  | V8 5.4L 327 CI | .025"   | FWS-3     |
| <b>WAGONEER</b>       |                |         |           |
| 1972-83               | V8 5.9L 360 CI | .025"   | FWS-3     |
| 1972-83               | V8 5.9L 360 CI | .050"   | FWS-4     |
| <b>LINCOLN</b>        |                |         |           |
| <b>CONTINENTAL</b>    |                |         |           |
| 1968-78               | V8 7.5L 460 CI | .025"   | FWS-12    |
| 1968-78               | V8 7.5L 460 CI | .050"   | FWS-13    |
| 1980                  | V8 5.8L 351 CI | .025"   | FWS-5     |
| 1980                  | V8 5.8L 351 CI | .050"   | FWS-6     |
| 1980                  | V8 5.0L 302 CI | .025"   | FWS-5     |
| 1982-87               | V8 5.0L 302 CI | .025"   | FWS-5     |
| 1980                  | V8 5.0L 302 CI | .050"   | FWS-6     |
| 1982-87               | V8 5.0L 302 CI | .050"   | FWS-6     |
| 1982                  | V6 3.8L 232 CI | .025"   | FWS-5     |
| 1988-94               | V6 3.8L 232 CI | .025"   | FWS-5     |
| 1982                  | V6 3.8L 232 CI | .050"   | FWS-6     |
| 1988-94               | V6 3.8L 232 CI | .050"   | FWS-6     |
| 1995-02               | V8 4.6L 281 CI | .025"   | FWS-5     |



# FLYWHEEL SHIM APPLICATIONS

| Years                | Engine         | Remarks | Pioneer # |
|----------------------|----------------|---------|-----------|
| <b>LINCOLN</b>       |                |         |           |
| <b>CONTINENTAL</b>   |                |         |           |
| 1995-02              | V8 4.6L 281 CI | .050"   | FWS-6     |
| <b>LS</b>            |                |         |           |
| 2000-05              | V6 3.0L 182 CI | .050"   | FWS-6     |
| 2000-05              | V6 3.0L 182 CI | .025"   | FWS-5     |
| 2000-05              | V8 3.9L 242 CI | .025"   | FWS-5     |
| 2000-05              | V8 3.9L 242 CI | .050"   | FWS-6     |
| <b>MARK III</b>      |                |         |           |
| 1968-71              | V8 7.5L 460 CI | .025"   | FWS-12    |
| 1968-71              | V8 7.5L 460 CI | .050"   | FWS-13    |
| <b>MARK IV</b>       |                |         |           |
| 1972-76              | V8 7.5L 460 CI | .025"   | FWS-12    |
| 1972-76              | V8 7.5L 460 CI | .050"   | FWS-13    |
| <b>MARK V</b>        |                |         |           |
| 1977-78              | V8 7.5L 460 CI | .050"   | FWS-13    |
| 1977-78              | V8 7.5L 460 CI | .025"   | FWS-12    |
| <b>MARK VI</b>       |                |         |           |
| 1980                 | V8 5.8L 351 CI | .025"   | FWS-5     |
| 1980                 | V8 5.8L 351 CI | .050"   | FWS-6     |
| 1980-83              | V8 5.0L 302 CI | .025"   | FWS-5     |
| 1980-83              | V8 5.0L 302 CI | .050"   | FWS-6     |
| <b>MARK VII</b>      |                |         |           |
| 1984-91              | V8 5.0L 302 CI | .050"   | FWS-6     |
| 1984-91              | V8 5.0L 302 CI | .025"   | FWS-5     |
| <b>TOWN CAR</b>      |                |         |           |
| 1981-90              | V8 5.0L 302 CI | .050"   | FWS-6     |
| 1981-90              | V8 5.0L 302 CI | .025"   | FWS-5     |
| 1991-04              | V8 4.6L 281 CI | .025"   | FWS-5     |
| 1991-04              | V8 4.6L 281 CI | .050"   | FWS-6     |
| <b>LINCOLN TRUCK</b> |                |         |           |
| <b>AVIATOR</b>       |                |         |           |
| 2003-05              | V8 4.6L 281 CI | .025"   | FWS-5     |
| 2003-05              | V8 4.6L 281 CI | .050"   | FWS-6     |
| <b>BLACKWOOD</b>     |                |         |           |
| 2002                 | V8 5.4L 330 CI | .025"   | FWS-5     |
| 2002                 | V8 5.4L 330 CI | .050"   | FWS-6     |
| <b>NAVIGATOR</b>     |                |         |           |
| 1999-05              | V8 5.4L 330 CI | .025"   | FWS-5     |
| 1999-05              | V8 5.4L 330 CI | .050"   | FWS-6     |
| <b>LINCOLN</b>       |                |         |           |
| <b>VERSAILLES</b>    |                |         |           |
| 1977                 | V8 5.8L 351 CI | .025"   | FWS-5     |

# FLYWHEEL SHIM APPLICATIONS

| Years             | Engine         | Remarks | Pioneer # |
|-------------------|----------------|---------|-----------|
| <b>LINCOLN</b>    |                |         |           |
| <b>VERSAILLES</b> |                |         |           |
| 1977              | V8 5.8L 351 CI | .050"   | FWS-6     |
| 1978-80           | V8 5.0L 302 CI | .025"   | FWS-5     |
| 1978-80           | V8 5.0L 302 CI | .050"   | FWS-6     |
| <b>MAZDA</b>      |                |         |           |
| <b>323</b>        |                |         |           |
| 1986-94           | L4 1.6L 97 CI  | .025"   | FWS-29    |
| 1990-91           | L4 1.8L 112 CI | .050"   | FWS-30    |
| 1990-91           | L4 1.8L 112 CI | .025"   | FWS-29    |
| 1986-94           | L4 1.6L 97 CI  | .050"   | FWS-30    |
| <b>6</b>          |                |         |           |
| 2003-05           | V6 3.0L 181 CI | .050"   | FWS-30    |
| 2003-05           | V6 3.0L 181 CI | .025"   | FWS-29    |
| <b>616</b>        |                |         |           |
| 1971              | L4 1.6L 97 CI  | .050"   | FWS-30    |
| 1971              | L4 1.6L 97 CI  | .025"   | FWS-29    |
| <b>626</b>        |                |         |           |
| 1979-83           | L4 2.0L 120 CI | .050"   | FWS-30    |
| 1979-83           | L4 2.0L 120 CI | .025"   | FWS-29    |
| 1984-87           | L4 2.0L 122 CI | .025"   | FWS-29    |
| 1984-87           | L4 2.0L 122 CI | .050"   | FWS-30    |
| 1988-92           | L4 2.2L 133 CI | .050"   | FWS-30    |
| 1988-92           | L4 2.2L 133 CI | .025"   | FWS-29    |
| 1993-02           | L4 2.0L 121 CI | .025"   | FWS-29    |
| 1993-02           | L4 2.0L 121 CI | .050"   | FWS-30    |
| <b>808</b>        |                |         |           |
| 1972-77           | L4 1.6L 97 CI  | .025"   | FWS-29    |
| 1972-77           | L4 1.6L 97 CI  | .050"   | FWS-30    |
| <b>929</b>        |                |         |           |
| 1994-95           | V6 3.0L 180 CI | .025"   | FWS-29    |
| 1994-95           | V6 3.0L 180 CI | .050"   | FWS-30    |
| <b>GLC</b>        |                |         |           |
| 1977-78           | L4 1.3L 78 CI  | .025"   | FWS-29    |
| 1977-78           | L4 1.3L 78 CI  | .050"   | FWS-30    |
| <b>MIATA</b>      |                |         |           |
| 1990-93           | L4 1.6L 97 CI  | .050"   | FWS-30    |
| 1990-93           | L4 1.6L 97 CI  | .025"   | FWS-29    |
| 1994-97           | L4 1.8L 112 CI | .050"   | FWS-30    |
| 1999-05           | L4 1.8L 112 CI | .050"   | FWS-30    |
| 1994-97           | L4 1.8L 112 CI | .025"   | FWS-29    |
| 1999-05           | L4 1.8L 112 CI | .025"   | FWS-29    |

# FLYWHEEL SHIM APPLICATIONS

| Years              | Engine         | Remarks | Pioneer # |
|--------------------|----------------|---------|-----------|
| <b>MAZDA</b>       |                |         |           |
| <b>MIZER</b>       |                |         |           |
| 1976-77            | L4 1.3L 78 CI  | .025"   | FWS-29    |
| 1976-77            | L4 1.3L 78 CI  | .050"   | FWS-30    |
| <b>MX-3</b>        |                |         |           |
| 1992-94            | V6 1.8L 113 CI | .025"   | FWS-29    |
| 1992-94            | V6 1.8L 113 CI | .050"   | FWS-30    |
| 1992-96            | L4 1.6L 97 CI  | .050"   | FWS-30    |
| 1992-96            | L4 1.6L 97 CI  | .025"   | FWS-29    |
| <b>MX-6</b>        |                |         |           |
| 1988-92            | L4 2.2L 133 CI | .025"   | FWS-29    |
| 1988-92            | L4 2.2L 133 CI | .050"   | FWS-30    |
| 1993-97            | L4 2.0L 121 CI | .025"   | FWS-29    |
| 1993-97            | L4 2.0L 121 CI | .050"   | FWS-30    |
| <b>PROTEGE</b>     |                |         |           |
| 1990-00            | L4 1.8L 112 CI | .025"   | FWS-29    |
| 1990-00            | L4 1.8L 112 CI | .050"   | FWS-30    |
| <b>PROTEGE5</b>    |                |         |           |
| 2003               | L4 2.0L 122 CI | .050"   | FWS-30    |
| 2003               | L4 2.0L 122 CI | .025"   | FWS-29    |
| <b>MAZDA TRUCK</b> |                |         |           |
| <b>B1600</b>       |                |         |           |
| 1972-76            | L4 1.6L 97 CI  | .050"   | FWS-30    |
| 1972-76            | L4 1.6L 97 CI  | .025"   | FWS-29    |
| <b>B2000</b>       |                |         |           |
| 1979-84            | L4 2.0L 120 CI | .025"   | FWS-29    |
| 1979-84            | L4 2.0L 120 CI | .050"   | FWS-30    |
| 1986-87            | L4 2.0L 122 CI | .025"   | FWS-29    |
| 1986-87            | L4 2.0L 122 CI | .050"   | FWS-30    |
| <b>B2200</b>       |                |         |           |
| 1987-93            | L4 2.2L 133 CI | .025"   | FWS-29    |
| 1987-93            | L4 2.2L 133 CI | .050"   | FWS-30    |
| <b>B3000</b>       |                |         |           |
| 1998-06            | V6 3.0L 182 CI | .025"   | FWS-29    |
| 1998-06            | V6 3.0L 182 CI | .050"   | FWS-30    |
| <b>MPV</b>         |                |         |           |
| 1994-98            | V6 3.0L 180 CI | .050"   | FWS-30    |
| 1994-98            | V6 3.0L 180 CI | .025"   | FWS-29    |
| 2004               | V6 3.0L 183 CI | .050"   | FWS-30    |
| 2004               | V6 3.0L 183 CI | .025"   | FWS-29    |
| <b>TRIBUTE</b>     |                |         |           |
| 2001-03            | V6 3.0L 181 CI | .050"   | FWS-30    |

# FLYWHEEL SHIM APPLICATIONS

| Years              | Engine         | Remarks            | Pioneer # |
|--------------------|----------------|--------------------|-----------|
| <b>MAZDA TRUCK</b> |                |                    |           |
| <b>TRIBUTE</b>     |                |                    |           |
| 2001-03            | V6 3.0L 181 CI | .025"              | FWS-29    |
| 2001-04            | L4 2.0L 121 CI | .025"              | FWS-29    |
| 2001-04            | L4 2.0L 121 CI | .050"              | FWS-30    |
| 2005               | V6 3.0L 182 CI | .050"              | FWS-30    |
| 2005               | V6 3.0L 182 CI | .025"              | FWS-29    |
| 2004               | V6 3.0L 183 CI | .050"              | FWS-30    |
| 2006               | V6 3.0L 183 CI | .050"              | FWS-30    |
| 2004               | V6 3.0L 183 CI | .025"              | FWS-29    |
| 2006               | V6 3.0L 183 CI | .025"              | FWS-29    |
| <b>MERCURY</b>     |                |                    |           |
| 1965-66            | V8 6.4L 390 CI | .050"              | FWS-13    |
| 1965-66            | V8 6.4L 390 CI | .025"              | FWS-12    |
| <b>BOBCAT</b>      |                |                    |           |
| 1975-76            | L4 2.3L 140 CI | .025"              | FWS-5     |
| 1975-76            | L4 2.3L 140 CI | .050"              | FWS-6     |
| 1976-79            | V6 2.8L 171 CI | .025" 6 Bolt Crank | FWS-16    |
| 1976-79            | V6 2.8L 171 CI | .050" 6 Bolt Crank | FWS-14    |
| <b>CALIENTE</b>    |                |                    |           |
| 1964-65            | V8 4.7L 288 CI | .025"              | FWS-5     |
| 1964-65            | V8 4.7L 288 CI | .050"              | FWS-6     |
| 1964-67            | L6 3.3L 200 CI | .050"              | FWS-6     |
| 1964-67            | L6 3.3L 200 CI | .025"              | FWS-5     |
| <b>CAPRI</b>       |                |                    |           |
| 1966-67            | L6 3.3L 200 CI | .025"              | FWS-5     |
| 1979-82            | L6 3.3L 200 CI | .025"              | FWS-5     |
| 1971               | L4 2.0L 121 CI | .025"              | FWS-5     |
| 1973-74            | L4 2.0L 121 CI | .025"              | FWS-5     |
| 1971               | L4 2.0L 121 CI | .050"              | FWS-6     |
| 1973-74            | L4 2.0L 121 CI | .050"              | FWS-6     |
| 1976-77            | L4 2.3L 140 CI | .050"              | FWS-6     |
| 1979               | L4 2.3L 140 CI | .050"              | FWS-6     |
| 1976-77            | L4 2.3L 140 CI | .025"              | FWS-5     |
| 1979               | L4 2.3L 140 CI | .025"              | FWS-5     |
| 1977               | V6 2.8L 171 CI | .050" 6 Bolt Crank | FWS-14    |
| 1979               | V6 2.8L 171 CI | .050" 6 Bolt Crank | FWS-14    |
| 1977               | V6 2.8L 171 CI | .025" 6 Bolt Crank | FWS-16    |
| 1979               | V6 2.8L 171 CI | .025" 6 Bolt Crank | FWS-16    |
| 1966-67            | L6 3.3L 200 CI | .050"              | FWS-6     |
| 1979-82            | L6 3.3L 200 CI | .050"              | FWS-6     |

# FLYWHEEL SHIM APPLICATIONS

| Years              | Engine         | Remarks | Pioneer # |
|--------------------|----------------|---------|-----------|
| <b>MERCURY</b>     |                |         |           |
| <b>CAPRI</b>       |                |         |           |
| 1980-82            | V8 4.2L 255 CI | .050"   | FWS-6     |
| 1980-82            | V8 4.2L 255 CI | .025"   | FWS-5     |
| 1979               | V8 5.0L 302 CI | .025"   | FWS-5     |
| 1982               | V8 5.0L 302 CI | .025"   | FWS-5     |
| 1986               | V8 5.0L 302 CI | .025"   | FWS-5     |
| 1979               | V8 5.0L 302 CI | .050"   | FWS-6     |
| 1982               | V8 5.0L 302 CI | .050"   | FWS-6     |
| 1986               | V8 5.0L 302 CI | .050"   | FWS-6     |
| 1994               | L4 1.6L 98 CI  | .050"   | FWS-6     |
| 1994               | L4 1.6L 98 CI  | .025"   | FWS-5     |
| <b>COLONY PARK</b> |                |         |           |
| 1961-62            | V8 4.8L 292 CI | .025"   | FWS-5     |
| 1961-62            | V8 4.8L 292 CI | .050"   | FWS-6     |
| 1961-62            | V8 5.8L 352 CI | .050"   | FWS-6     |
| 1961-62            | V8 5.8L 352 CI | .025"   | FWS-5     |
| 1962-64            | V8 6.4L 390 CI | .025"   | FWS-12    |
| 1962-64            | V8 6.4L 390 CI | .050"   | FWS-13    |
| 1971-73            | V8 5.8L 351 CI | .025"   | FWS-5     |
| 1971-73            | V8 5.8L 351 CI | .050"   | FWS-6     |
| 1972-74            | V8 7.5L 460 CI | .050"   | FWS-13    |
| 1972-74            | V8 7.5L 460 CI | .025"   | FWS-12    |
| 1987-91            | V8 5.0L 302 CI | .050"   | FWS-6     |
| 1987-91            | V8 5.0L 302 CI | .025"   | FWS-5     |
| <b>COMET</b>       |                |         |           |
| 1964-67            | V8 4.7L 288 CI | .050"   | FWS-6     |
| 1964-67            | V8 4.7L 288 CI | .025"   | FWS-5     |
| 1966-69            | V8 6.4L 390 CI | .050"   | FWS-13    |
| 1966-69            | V8 6.4L 390 CI | .025"   | FWS-12    |
| 1969               | V8 5.8L 351 CI | .050"   | FWS-6     |
| 1969               | V8 5.8L 351 CI | .025"   | FWS-5     |
| 1961-64            | L6 2.8L 170 CI | .050"   | FWS-6     |
| 1971-72            | L6 2.8L 170 CI | .050"   | FWS-6     |
| 1961-64            | L6 2.8L 170 CI | .025"   | FWS-5     |
| 1971-72            | L6 2.8L 170 CI | .025"   | FWS-5     |
| 1968-69            | V8 5.0L 302 CI | .050"   | FWS-6     |
| 1971-77            | V8 5.0L 302 CI | .050"   | FWS-6     |
| 1968-69            | V8 5.0L 302 CI | .025"   | FWS-5     |
| 1971-77            | V8 5.0L 302 CI | .025"   | FWS-5     |
| 1972-77            | L6 4.1L 250 CI | .025"   | FWS-5     |
| 1964-68            | L6 3.3L 200 CI | .050"   | FWS-6     |

# FLYWHEEL SHIM APPLICATIONS

| Years                  | Engine         | Remarks | Pioneer # |
|------------------------|----------------|---------|-----------|
| <b>MERCURY</b>         |                |         |           |
| <b>COMET</b>           |                |         |           |
| 1974-76                | L6 3.3L 200 CI | .050"   | FWS-6     |
| 1964-68                | L6 3.3L 200 CI | .025"   | FWS-5     |
| 1974-76                | L6 3.3L 200 CI | .025"   | FWS-5     |
| 1972-77                | L6 4.1L 250 CI | .050"   | FWS-6     |
| <b>COMMUTER</b>        |                |         |           |
| 1961                   | V8 4.8L 292 CI | .025"   | FWS-5     |
| 1961                   | V8 4.8L 292 CI | .050"   | FWS-6     |
| 1961                   | V8 5.8L 352 CI | .025"   | FWS-5     |
| 1961                   | V8 5.8L 352 CI | .050"   | FWS-6     |
| 1961-62                | V8 6.4L 390 CI | .050"   | FWS-13    |
| 1964-68                | V8 6.4L 390 CI | .050"   | FWS-13    |
| 1967                   | V8 4.7L 288 CI | .050"   | FWS-6     |
| 1967                   | V8 4.7L 288 CI | .025"   | FWS-5     |
| 1961-62                | V8 6.4L 390 CI | .025"   | FWS-12    |
| 1964-68                | V8 6.4L 390 CI | .025"   | FWS-12    |
| <b>COUGAR</b>          |                |         |           |
| 1967-69                | V8 6.4L 390 CI | .025"   | FWS-12    |
| 1967-69                | V8 6.4L 390 CI | .050"   | FWS-13    |
| 1969-79                | V8 5.8L 351 CI | .025"   | FWS-5     |
| 1973-76                | V8 7.5L 460 CI | .025"   | FWS-12    |
| 1973-76                | V8 7.5L 460 CI | .050"   | FWS-13    |
| 1969-79                | V8 5.8L 351 CI | .050"   | FWS-6     |
| 1980-82                | L6 3.3L 200 CI | .050"   | FWS-6     |
| 1980-82                | L6 3.3L 200 CI | .025"   | FWS-5     |
| 1982-91                | V6 3.8L 232 CI | .050"   | FWS-6     |
| 1982-91                | V6 3.8L 232 CI | .025"   | FWS-5     |
| 1981                   | L4 2.3L 140 CI | .025"   | FWS-5     |
| 1984-86                | L4 2.3L 140 CI | .025"   | FWS-5     |
| 1981                   | L4 2.3L 140 CI | .050"   | FWS-6     |
| 1984-86                | L4 2.3L 140 CI | .050"   | FWS-6     |
| 1987-88                | V8 5.0L 302 CI | .050"   | FWS-6     |
| 1991-93                | V8 5.0L 302 CI | .050"   | FWS-6     |
| 1987-88                | V8 5.0L 302 CI | .025"   | FWS-5     |
| 1991-93                | V8 5.0L 302 CI | .025"   | FWS-5     |
| 1999-02                | L4 2.0L 121 CI | .050"   | FWS-6     |
| 1999-02                | L4 2.0L 121 CI | .025"   | FWS-5     |
| <b>COUNTRY CRUISER</b> |                |         |           |
| 1963                   | L6 3.3L 200 CI | .025"   | FWS-5     |
| 1963                   | L6 3.3L 200 CI | .050"   | FWS-6     |
| <b>CUSTOM</b>          |                |         |           |
| 1954                   | V8 4.2L 256 CI | .025"   | FWS-5     |

# FLYWHEEL SHIM APPLICATIONS

| Years                | Engine         | Remarks | Pioneer # |
|----------------------|----------------|---------|-----------|
| <b>MERCURY</b>       |                |         |           |
| <b>CUSTOM</b>        |                |         |           |
| 1954                 | V8 4.2L 256 CI | .050"   | FWS-6     |
| 1955                 | V8 4.8L 292 CI | .050"   | FWS-6     |
| 1955                 | V8 4.8L 292 CI | .025"   | FWS-5     |
| <b>CYCLONE</b>       |                |         |           |
| 1964                 | L6 3.3L 200 CI | .025"   | FWS-5     |
| 1964                 | L6 3.3L 200 CI | .050"   | FWS-6     |
| 1964-67              | V8 4.7L 288 CI | .050"   | FWS-6     |
| 1964-67              | V8 4.7L 288 CI | .025"   | FWS-5     |
| 1966-69              | V8 6.4L 390 CI | .050"   | FWS-13    |
| 1966-69              | V8 6.4L 390 CI | .025"   | FWS-12    |
| 1968-70              | V8 5.0L 302 CI | .050"   | FWS-6     |
| 1968-70              | V8 5.0L 302 CI | .025"   | FWS-5     |
| 1969-71              | V8 5.8L 351 CI | .050"   | FWS-6     |
| 1969-71              | V8 5.8L 351 CI | .025"   | FWS-5     |
| <b>GRAND MARQUIS</b> |                |         |           |
| 1976-78              | V8 7.5L 460 CI | .025"   | FWS-12    |
| 1976-78              | V8 7.5L 460 CI | .050"   | FWS-13    |
| 1979-81              | V8 5.8L 351 CI | .025"   | FWS-5     |
| 1983-84              | V8 5.8L 351 CI | .025"   | FWS-5     |
| 1979-81              | V8 5.8L 351 CI | .050"   | FWS-6     |
| 1983-84              | V8 5.8L 351 CI | .050"   | FWS-6     |
| 1979-87              | V8 5.0L 302 CI | .025"   | FWS-5     |
| 1979-87              | V8 5.0L 302 CI | .050"   | FWS-6     |
| 2004-05              | V8 4.6L 281 CI | .025"   | FWS-5     |
| 2004-05              | V8 4.6L 281 CI | .050"   | FWS-6     |
| <b>LN7</b>           |                |         |           |
| 1982                 | L4 1.6L 98 CI  | .025"   | FWS-5     |
| 1982                 | L4 1.6L 98 CI  | .050"   | FWS-6     |
| <b>LYNX</b>          |                |         |           |
| 1982                 | L4 1.6L 98 CI  | .050"   | FWS-6     |
| 1984-85              | L4 1.6L 98 CI  | .050"   | FWS-6     |
| 1982                 | L4 1.6L 98 CI  | .025"   | FWS-5     |
| 1984-85              | L4 1.6L 98 CI  | .025"   | FWS-5     |
| 1985-87              | L4 1.9L 116 CI | .050"   | FWS-6     |
| 1985-87              | L4 1.9L 116 CI | .025"   | FWS-5     |
| 1987                 | L4 2.0L 121 CI | .025"   | FWS-5     |
| 1987                 | L4 2.0L 121 CI | .050"   | FWS-6     |
| <b>MARAUDER</b>      |                |         |           |
| 2003-04              | V8 4.6L 281 CI | .025"   | FWS-5     |
| 2003-04              | V8 4.6L 281 CI | .050"   | FWS-6     |

# FLYWHEEL SHIM APPLICATIONS

| Years            | Engine         | Remarks | Pioneer # |
|------------------|----------------|---------|-----------|
| <b>MERCURY</b>   |                |         |           |
| <b>MARQUIS</b>   |                |         |           |
| 1976-78          | V8 7.5L 460 CI | .050"   | FWS-13    |
| 1976-78          | V8 7.5L 460 CI | .025"   | FWS-12    |
| <b>MONTCLAIR</b> |                |         |           |
| 1964-67          | V8 6.4L 390 CI | .050"   | FWS-13    |
| 1964-67          | V8 6.4L 390 CI | .025"   | FWS-12    |
| <b>MONTEGO</b>   |                |         |           |
| 1968             | L6 3.3L 200 CI | .025"   | FWS-5     |
| 1968             | L6 3.3L 200 CI | .050"   | FWS-6     |
| 1968-74          | V8 5.0L 302 CI | .050"   | FWS-6     |
| 1968-74          | V8 5.0L 302 CI | .025"   | FWS-5     |
| 1969-74          | L6 4.1L 250 CI | .025"   | FWS-5     |
| 1969-74          | L6 4.1L 250 CI | .050"   | FWS-6     |
| 1969-74          | V8 5.8L 351 CI | .025"   | FWS-5     |
| 1969-74          | V8 5.8L 351 CI | .050"   | FWS-6     |
| 1973-76          | V8 7.5L 460 CI | .050"   | FWS-13    |
| 1973-76          | V8 7.5L 460 CI | .025"   | FWS-12    |
| <b>MONTEREY</b>  |                |         |           |
| 1954             | V8 4.2L 256 CI | .025"   | FWS-5     |
| 1954             | V8 4.2L 256 CI | .050"   | FWS-6     |
| 1955             | V8 4.8L 292 CI | .025"   | FWS-5     |
| 1961-62          | V8 4.8L 292 CI | .025"   | FWS-5     |
| 1961-62          | V8 5.8L 352 CI | .025"   | FWS-5     |
| 1961-62          | V8 5.8L 352 CI | .050"   | FWS-6     |
| 1955             | V8 4.8L 292 CI | .050"   | FWS-6     |
| 1961-62          | V8 4.8L 292 CI | .050"   | FWS-6     |
| 1971-73          | V8 5.8L 351 CI | .025"   | FWS-5     |
| 1971-73          | V8 5.8L 351 CI | .050"   | FWS-6     |
| 1972             | V8 7.5L 460 CI | .025"   | FWS-12    |
| 1974             | V8 7.5L 460 CI | .025"   | FWS-12    |
| 1972             | V8 7.5L 460 CI | .050"   | FWS-13    |
| 1974             | V8 7.5L 460 CI | .050"   | FWS-13    |
| 2004-05          | V6 4.2L 256 CI | .025"   | FWS-5     |
| 2004-05          | V6 4.2L 256 CI | .050"   | FWS-6     |
| <b>MYSTIQUE</b>  |                |         |           |
| 1995-00          | L4 2.0L 121 CI | .025"   | FWS-5     |
| 1995-00          | L4 2.0L 121 CI | .050"   | FWS-6     |
| <b>PARK LANE</b> |                |         |           |
| 1964-66          | V8 6.4L 390 CI | .025"   | FWS-12    |
| 1968             | V8 6.4L 390 CI | .025"   | FWS-12    |
| 1964-66          | V8 6.4L 390 CI | .050"   | FWS-13    |



# FLYWHEEL SHIM APPLICATIONS

| Years                | Engine         | Remarks            | Pioneer # |
|----------------------|----------------|--------------------|-----------|
| <b>MERCURY</b>       |                |                    |           |
| <b>PARK LANE</b>     |                |                    |           |
| 1968                 | V8 6.4L 390 CI | .050"              | FWS-13    |
| <b>SABLE</b>         |                |                    |           |
| 1986-05              | V6 3.0L 182 CI | .025"              | FWS-5     |
| 1986-05              | V6 3.0L 182 CI | .050"              | FWS-6     |
| 1988-93              | V6 3.8L 232 CI | .050"              | FWS-6     |
| 1988-93              | V6 3.8L 232 CI | .025"              | FWS-5     |
| <b>TOPAZ</b>         |                |                    |           |
| 1985-94              | L4 2.3L 140 CI | .025"              | FWS-5     |
| 1985-94              | L4 2.3L 140 CI | .050"              | FWS-6     |
| 1993-94              | V6 3.0L 182 CI | .025"              | FWS-5     |
| 1993-94              | V6 3.0L 182 CI | .050"              | FWS-6     |
| <b>TRACER</b>        |                |                    |           |
| 1987-89              | L4 1.6L 98 CI  | .050"              | FWS-6     |
| 1987-89              | L4 1.6L 98 CI  | .025"              | FWS-5     |
| 1991-94              | L4 1.9L 116 CI | .025"              | FWS-5     |
| 1991-94              | L4 1.9L 116 CI | .050"              | FWS-6     |
| 1997-99              | L4 2.0L 121 CI | .025"              | FWS-5     |
| 1997-99              | L4 2.0L 121 CI | .050"              | FWS-6     |
| <b>MERCURY TRUCK</b> |                |                    |           |
| <b>MOUNTAINEER</b>   |                |                    |           |
| 1998-05              | V6 4.0L 245 CI | .025" 8 Bolt Crank | FWS-23    |
| 1998-05              | V6 4.0L 245 CI | .050" 8 Bolt Crank | FWS-24    |
| 1998-05              | V6 4.0L 245 CI | .050" 6 Bolt Crank | FWS-14    |
| 1998-05              | V6 4.0L 245 CI | .025" 6 Bolt Crank | FWS-16    |
| 1997                 | V8 5.0L 302 CI | .025"              | FWS-5     |
| 1999-01              | V8 5.0L 302 CI | .025"              | FWS-5     |
| 1997                 | V8 5.0L 302 CI | .050"              | FWS-6     |
| 1999-01              | V8 5.0L 302 CI | .050"              | FWS-6     |
| 2005                 | V8 4.6L 281 CI | .025"              | FWS-5     |
| 2005                 | V8 4.6L 281 CI | .050"              | FWS-6     |
| <b>MERCURY</b>       |                |                    |           |
| <b>VILLAGER</b>      |                |                    |           |
| 1964-67              | L6 3.3L 200 CI | .025"              | FWS-5     |
| 1964-67              | L6 3.3L 200 CI | .050"              | FWS-6     |
| 1964-67              | V8 4.7L 288 CI | .025"              | FWS-5     |
| 1964-67              | V8 4.7L 288 CI | .050"              | FWS-6     |
| 1966-67              | V8 6.4L 390 CI | .025"              | FWS-12    |
| 1966-67              | V8 6.4L 390 CI | .050"              | FWS-13    |
| 1993-98              | V6 3.0L 182 CI | .050"              | FWS-6     |

# FLYWHEEL SHIM APPLICATIONS

| Years             | Engine         | Remarks | Pioneer # |
|-------------------|----------------|---------|-----------|
| <b>MERCURY</b>    |                |         |           |
| <b>VILLAGER</b>   |                |         |           |
| 1993-98           | V6 3.0L 182 CI | .025"   | FWS-5     |
| <b>VOYAGER</b>    |                |         |           |
| 1966-67           | L6 3.3L 200 CI | .025"   | FWS-5     |
| 1966-67           | L6 3.3L 200 CI | .050"   | FWS-6     |
| 1966-67           | V8 4.7L 288 CI | .025"   | FWS-5     |
| 1966-67           | V8 4.7L 288 CI | .050"   | FWS-6     |
| 1967              | V8 6.4L 390 CI | .025"   | FWS-12    |
| 1967              | V8 6.4L 390 CI | .050"   | FWS-13    |
| <b>ZEPHYR</b>     |                |         |           |
| 1978-79           | V8 5.0L 302 CI | .050"   | FWS-6     |
| 1978-79           | V8 5.0L 302 CI | .025"   | FWS-5     |
| 1978-83           | L4 2.3L 140 CI | .050"   | FWS-6     |
| 1978-83           | L4 2.3L 140 CI | .025"   | FWS-5     |
| 1978-83           | L6 3.3L 200 CI | .050"   | FWS-6     |
| 1978-83           | L6 3.3L 200 CI | .025"   | FWS-5     |
| 1980-82           | V8 4.2L 255 CI | .050"   | FWS-6     |
| 1980-82           | V8 4.2L 255 CI | .025"   | FWS-5     |
| <b>MITSUBISHI</b> |                |         |           |
| <b>3000GT</b>     |                |         |           |
| 1991-95           | V6 3.0L 181 CI | .025"   | FWS-21    |
| 1999              | V6 3.0L 181 CI | .025"   | FWS-21    |
| 1991-95           | V6 3.0L 181 CI | .050"   | FWS-22    |
| 1999              | V6 3.0L 181 CI | .050"   | FWS-22    |
| <b>CORDIA</b>     |                |         |           |
| 1983-88           | L4 1.8L 110 CI | .025"   | FWS-21    |
| 1983-88           | L4 1.8L 110 CI | .050"   | FWS-22    |
| 1984-88           | L4 2.0L 122 CI | .025"   | FWS-21    |
| 1984-88           | L4 2.0L 122 CI | .050"   | FWS-22    |
| <b>DIAMANTE</b>   |                |         |           |
| 1992-96           | V6 3.0L 181 CI | .025"   | FWS-21    |
| 1992-96           | V6 3.0L 181 CI | .050"   | FWS-22    |
| <b>ECLIPSE</b>    |                |         |           |
| 1994-98           | L4 2.0L 122 CI | .025"   | FWS-21    |
| 1994-98           | L4 2.0L 122 CI | .050"   | FWS-22    |
| 2000-04           | V6 3.0L 181 CI | .025"   | FWS-3     |
| 2000-04           | V6 3.0L 181 CI | .050"   | FWS-4     |
| 2001-04           | L4 2.4L 143 CI | .050"   | FWS-22    |
| 2001-04           | L4 2.4L 143 CI | .025"   | FWS-21    |
| <b>EXPO</b>       |                |         |           |
| 1992              | L4 2.4L 143 CI | .025"   | FWS-21    |

# FLYWHEEL SHIM APPLICATIONS

| Years                   | Engine         | Remarks | Pioneer # |
|-------------------------|----------------|---------|-----------|
| <b>MITSUBISHI</b>       |                |         |           |
| <b>EXPO</b>             |                |         |           |
| 1992                    | L4 2.4L 143 CI | .050"   | FWS-22    |
| <b>GALANT</b>           |                |         |           |
| 1988                    | V6 3.0L 181 CI | .025"   | FWS-21    |
| 1988                    | V6 3.0L 181 CI | .050"   | FWS-22    |
| 1990-93                 | L4 2.0L 122 CI | .025"   | FWS-21    |
| 1990-93                 | L4 2.0L 122 CI | .050"   | FWS-22    |
| 1987                    | L4 2.4L 143 CI | .025"   | FWS-21    |
| 1994-95                 | L4 2.4L 143 CI | .025"   | FWS-21    |
| 2004                    | L4 2.4L 143 CI | .025"   | FWS-21    |
| 1999-03                 | V6 3.0L 181 CI | .025"   | FWS-3     |
| 1999-03                 | V6 3.0L 181 CI | .050"   | FWS-4     |
| 1987                    | L4 2.4L 143 CI | .050"   | FWS-22    |
| 1994-95                 | L4 2.4L 143 CI | .050"   | FWS-22    |
| 2004                    | L4 2.4L 143 CI | .050"   | FWS-22    |
| <b>LANCER</b>           |                |         |           |
| 2002-04                 | L4 2.0L 122 CI | .025"   | FWS-21    |
| 2002-04                 | L4 2.0L 122 CI | .050"   | FWS-22    |
| <b>MIRAGE</b>           |                |         |           |
| 1988-89                 | L4 1.6L 97 CI  | .050"   | FWS-22    |
| 1991-92                 | L4 1.6L 97 CI  | .050"   | FWS-22    |
| 1988-89                 | L4 1.6L 97 CI  | .025"   | FWS-21    |
| 1991-92                 | L4 1.6L 97 CI  | .025"   | FWS-21    |
| 1993-95                 | L4 1.8L 112 CI | .050"   | FWS-22    |
| 1993-95                 | L4 1.8L 112 CI | .025"   | FWS-21    |
| <b>PRECIS</b>           |                |         |           |
| 1988-90                 | L4 1.5L 90 CI  | .025"   | FWS-21    |
| 1988-90                 | L4 1.5L 90 CI  | .050"   | FWS-22    |
| <b>SIGMA</b>            |                |         |           |
| 1989-90                 | V6 3.0L 181 CI | .050"   | FWS-22    |
| 1989-90                 | V6 3.0L 181 CI | .025"   | FWS-21    |
| <b>STARION</b>          |                |         |           |
| 1983-89                 | L4 2.6L 156 CI | .025"   | FWS-21    |
| 1983-89                 | L4 2.6L 156 CI | .050"   | FWS-22    |
| <b>TREDIA</b>           |                |         |           |
| 1983-88                 | L4 1.8L 110 CI | .050"   | FWS-22    |
| 1983-88                 | L4 1.8L 110 CI | .025"   | FWS-21    |
| 1984-85                 | L4 2.0L 122 CI | .050"   | FWS-22    |
| 1984-85                 | L4 2.0L 122 CI | .025"   | FWS-21    |
| <b>MITSUBISHI TRUCK</b> |                |         |           |
| <b>MIGHTY MAX</b>       |                |         |           |
| 1985-88                 | L4 2.6L 156 CI | .025"   | FWS-21    |

# FLYWHEEL SHIM APPLICATIONS

| Years                   | Engine         | Remarks | Pioneer # |
|-------------------------|----------------|---------|-----------|
| <b>MITSUBISHI TRUCK</b> |                |         |           |
| <b>MIGHTY MAX</b>       |                |         |           |
| 1985-88                 | L4 2.6L 156 CI | .050"   | FWS-22    |
| 1992-96                 | L4 2.4L 143 CI | .050"   | FWS-22    |
| 1992-96                 | L4 2.4L 143 CI | .025"   | FWS-21    |
| <b>MONTERO SPORT</b>    |                |         |           |
| 1999-03                 | V6 3.0L 181 CI | .025"   | FWS-3     |
| 1999-03                 | V6 3.0L 181 CI | .050"   | FWS-4     |
| <b>NISSAN</b>           |                |         |           |
| <b>1600</b>             |                |         |           |
| 1966-70                 | L4 1.6L 97 CI  | .025"   | FWS-17    |
| 1966-70                 | L4 1.6L 97 CI  | .050"   | FWS-18    |
| <b>2000</b>             |                |         |           |
| 1968-70                 | L4 2.0L 121 CI | .050"   | FWS-18    |
| 1968-70                 | L4 2.0L 121 CI | .025"   | FWS-17    |
| <b>200SX</b>            |                |         |           |
| 1977-81                 | L4 2.0L 119 CI | .025"   | FWS-17    |
| 1977-81                 | L4 2.0L 119 CI | .050"   | FWS-18    |
| 1982-83                 | L4 2.2L 133 CI | .025"   | FWS-17    |
| 1982-83                 | L4 2.2L 133 CI | .050"   | FWS-18    |
| 1984-87                 | L4 1.8L 110 CI | .025"   | FWS-17    |
| 1984-87                 | L4 1.8L 110 CI | .050"   | FWS-18    |
| 1984-88                 | L4 2.0L 120 CI | .025"   | FWS-17    |
| 1984-88                 | L4 2.0L 120 CI | .050"   | FWS-18    |
| 1987-88                 | V6 3.0L 181 CI | .050"   | FWS-18    |
| 1987-88                 | V6 3.0L 181 CI | .025"   | FWS-17    |
| 1995-98                 | L4 1.6L 97 CI  | .025"   | FWS-17    |
| 1995-98                 | L4 1.6L 97 CI  | .050"   | FWS-18    |
| 1995-98                 | L4 2.0L 122 CI | .050"   | FWS-18    |
| 1995-98                 | L4 2.0L 122 CI | .025"   | FWS-17    |
| <b>210</b>              |                |         |           |
| 1980-82                 | L4 1.5L 91 CI  | .050"   | FWS-18    |
| 1980-82                 | L4 1.5L 91 CI  | .025"   | FWS-17    |
| <b>240SX</b>            |                |         |           |
| 1989-98                 | L4 2.4L 146 CI | .025"   | FWS-17    |
| 1989-98                 | L4 2.4L 146 CI | .050"   | FWS-18    |
| <b>240Z</b>             |                |         |           |
| 1970-73                 | L6 2.4L 146 CI | .025"   | FWS-17    |
| 1970-73                 | L6 2.4L 146 CI | .050"   | FWS-18    |
| <b>260Z</b>             |                |         |           |
| 1974-75                 | L6 2.6L 157 CI | .025"   | FWS-17    |
| 1974-75                 | L6 2.6L 157 CI | .050"   | FWS-18    |

# FLYWHEEL SHIM APPLICATIONS

| Years         | Engine         | Remarks | Pioneer # |
|---------------|----------------|---------|-----------|
| <b>NISSAN</b> |                |         |           |
| <b>280Z</b>   |                |         |           |
| 1975-78       | L6 2.8L 168 CI | .050"   | FWS-18    |
| 1975-78       | L6 2.8L 168 CI | .025"   | FWS-17    |
| <b>280ZX</b>  |                |         |           |
| 1979-83       | L6 2.8L 168 CI | .050"   | FWS-18    |
| 1979-83       | L6 2.8L 168 CI | .025"   | FWS-17    |
| <b>300ZX</b>  |                |         |           |
| 1984-96       | V6 3.0L 181 CI | .050"   | FWS-18    |
| 1984-96       | V6 3.0L 181 CI | .025"   | FWS-17    |
| <b>310</b>    |                |         |           |
| 1981-82       | L4 1.5L 91 CI  | .025"   | FWS-17    |
| 1981-82       | L4 1.5L 91 CI  | .050"   | FWS-18    |
| <b>411</b>    |                |         |           |
| 1967          | L4 1.6L 97 CI  | .050"   | FWS-18    |
| 1967          | L4 1.6L 97 CI  | .025"   | FWS-17    |
| <b>510</b>    |                |         |           |
| 1968-73       | L4 1.6L 97 CI  | .050"   | FWS-18    |
| 1968-73       | L4 1.6L 97 CI  | .025"   | FWS-17    |
| 1978-81       | L4 2.0L 119 CI | .025"   | FWS-17    |
| 1978-81       | L4 2.0L 119 CI | .050"   | FWS-18    |
| <b>610</b>    |                |         |           |
| 1973          | L4 1.8L 108 CI | .025"   | FWS-17    |
| 1973          | L4 1.8L 108 CI | .050"   | FWS-18    |
| 1974-76       | L4 2.0L 119 CI | .050"   | FWS-18    |
| 1974-76       | L4 2.0L 119 CI | .025"   | FWS-17    |
| <b>710</b>    |                |         |           |
| 1974          | L4 1.8L 108 CI | .050"   | FWS-18    |
| 1974          | L4 1.8L 108 CI | .025"   | FWS-17    |
| 1975-77       | L4 2.0L 119 CI | .025"   | FWS-17    |
| 1975-77       | L4 2.0L 119 CI | .050"   | FWS-18    |
| <b>810</b>    |                |         |           |
| 1977-81       | L6 2.4L 146 CI | .025"   | FWS-17    |
| 1977-81       | L6 2.4L 146 CI | .050"   | FWS-18    |
| <b>ALTIMA</b> |                |         |           |
| 1993-01       | L4 2.4L 146 CI | .025"   | FWS-17    |
| 1993-01       | L4 2.4L 146 CI | .050"   | FWS-18    |
| <b>AXXESS</b> |                |         |           |
| 1990-95       | L4 2.4L 146 CI | .025"   | FWS-17    |
| 1990-95       | L4 2.4L 146 CI | .050"   | FWS-18    |
| <b>MAXIMA</b> |                |         |           |
| 1982-84       | L6 2.4L 146 CI | .025"   | FWS-17    |

# FLYWHEEL SHIM APPLICATIONS

| Years               | Engine         | Remarks | Pioneer # |
|---------------------|----------------|---------|-----------|
| <b>NISSAN</b>       |                |         |           |
| <b>MAXIMA</b>       |                |         |           |
| 1982-84             | L6 2.4L 146 CI | .050"   | FWS-18    |
| 1985-94             | V6 3.0L 181 CI | .050"   | FWS-18    |
| 1985-94             | V6 3.0L 181 CI | .025"   | FWS-17    |
| 1995-01             | V6 3.0L 182 CI | .050"   | FWS-18    |
| 1995-01             | V6 3.0L 182 CI | .025"   | FWS-17    |
| <b>MULTI</b>        |                |         |           |
| 1986-88             | L4 2.0L 120 CI | .050"   | FWS-18    |
| 1986-88             | L4 2.0L 120 CI | .025"   | FWS-17    |
| <b>NX</b>           |                |         |           |
| 1991-93             | L4 1.6L 97 CI  | .025"   | FWS-17    |
| 1991-93             | L4 1.6L 97 CI  | .050"   | FWS-18    |
| 1991-93             | L4 2.0L 122 CI | .025"   | FWS-17    |
| 1991-93             | L4 2.0L 122 CI | .050"   | FWS-18    |
| <b>PULSAR</b>       |                |         |           |
| 1983                | L4 1.6L 97 CI  | .050"   | FWS-18    |
| 1983                | L4 1.6L 97 CI  | .025"   | FWS-17    |
| <b>PULSAR NX</b>    |                |         |           |
| 1983-84             | L4 1.5L 91 CI  | .025"   | FWS-17    |
| 1983-84             | L4 1.5L 91 CI  | .050"   | FWS-18    |
| 1983-90             | L4 1.6L 97 CI  | .025"   | FWS-17    |
| 1983-90             | L4 1.6L 97 CI  | .050"   | FWS-18    |
| 1988-89             | L4 1.8L 110 CI | .050"   | FWS-18    |
| 1988-89             | L4 1.8L 110 CI | .025"   | FWS-17    |
| <b>SENTRA</b>       |                |         |           |
| 1982-83             | L4 1.5L 91 CI  | .050"   | FWS-18    |
| 1982-83             | L4 1.5L 91 CI  | .025"   | FWS-17    |
| 1983-99             | L4 1.6L 97 CI  | .025"   | FWS-17    |
| 1983-99             | L4 1.6L 97 CI  | .050"   | FWS-18    |
| 1991-94             | L4 2.0L 122 CI | .050"   | FWS-18    |
| 1998-01             | L4 2.0L 122 CI | .050"   | FWS-18    |
| 1991-94             | L4 2.0L 122 CI | .025"   | FWS-17    |
| 1998-01             | L4 2.0L 122 CI | .025"   | FWS-17    |
| 2000-04             | L4 1.8L 110 CI | .025"   | FWS-17    |
| 2000-04             | L4 1.8L 110 CI | .050"   | FWS-18    |
| <b>STANZA</b>       |                |         |           |
| 1982-89             | L4 2.0L 120 CI | .050"   | FWS-18    |
| 1982-89             | L4 2.0L 120 CI | .025"   | FWS-17    |
| 1990-92             | L4 2.4L 146 CI | .050"   | FWS-18    |
| 1990-92             | L4 2.4L 146 CI | .025"   | FWS-17    |
| <b>NISSAN TRUCK</b> |                |         |           |
| <b>521 PICKUP</b>   |                |         |           |
| 1970-72             | L4 1.6L 97 CI  | .025"   | FWS-17    |

# FLYWHEEL SHIM APPLICATIONS

| Years               | Engine         | Remarks | Pioneer # |
|---------------------|----------------|---------|-----------|
| <b>NISSAN TRUCK</b> |                |         |           |
| <b>521 PICKUP</b>   |                |         |           |
| 1970-72             | L4 1.6L 97 CI  | .050"   | FWS-18    |
| <b>620</b>          |                |         |           |
| 1975-79             | L4 2.0L 119 CI | .025"   | FWS-17    |
| 1975-79             | L4 2.0L 119 CI | .050"   | FWS-18    |
| <b>620 PICKUP</b>   |                |         |           |
| 1972-73             | L4 1.6L 97 CI  | .050"   | FWS-18    |
| 1972-73             | L4 1.6L 97 CI  | .025"   | FWS-17    |
| 1974                | L4 1.8L 108 CI | .025"   | FWS-17    |
| 1974                | L4 1.8L 108 CI | .050"   | FWS-18    |
| <b>720</b>          |                |         |           |
| 1981-83             | L4 2.2L 133 CI | .050"   | FWS-18    |
| 1981-83             | L4 2.2L 133 CI | .025"   | FWS-17    |
| 1980                | L4 2.0L 119 CI | .025"   | FWS-17    |
| 1983-85             | L4 2.0L 119 CI | .025"   | FWS-17    |
| 1980                | L4 2.0L 119 CI | .050"   | FWS-18    |
| 1983-85             | L4 2.0L 119 CI | .050"   | FWS-18    |
| 1983-86             | L4 2.4L 146 CI | .050"   | FWS-18    |
| 1983-86             | L4 2.4L 146 CI | .025"   | FWS-17    |
| <b>D21</b>          |                |         |           |
| 1986-94             | V6 3.0L 181 CI | .025"   | FWS-17    |
| 1986-94             | L4 2.4L 146 CI | .025"   | FWS-17    |
| 1986-94             | L4 2.4L 146 CI | .050"   | FWS-18    |
| 1986-94             | V6 3.0L 181 CI | .050"   | FWS-18    |
| <b>FRONTIER</b>     |                |         |           |
| 1998-04             | L4 2.4L 146 CI | .025"   | FWS-17    |
| 1998-04             | L4 2.4L 146 CI | .050"   | FWS-18    |
| <b>PATHFINDER</b>   |                |         |           |
| 1987-88             | L4 2.4L 146 CI | .025"   | FWS-17    |
| 1987-88             | L4 2.4L 146 CI | .050"   | FWS-18    |
| 1987-95             | V6 3.0L 181 CI | .025"   | FWS-17    |
| 1987-95             | V6 3.0L 181 CI | .050"   | FWS-18    |
| <b>PICKUP</b>       |                |         |           |
| 1995-96             | V6 3.0L 181 CI | .050"   | FWS-18    |
| 1995-97             | L4 2.4L 146 CI | .025"   | FWS-17    |
| 1995-97             | L4 2.4L 146 CI | .050"   | FWS-18    |
| 1995-96             | V6 3.0L 181 CI | .025"   | FWS-17    |
| <b>QUEST</b>        |                |         |           |
| 1993-98             | V6 3.0L 181 CI | .025"   | FWS-17    |
| 1993-98             | V6 3.0L 181 CI | .050"   | FWS-18    |
| <b>VAN</b>          |                |         |           |
| 1987-88             | L4 2.4L 146 CI | .050"   | FWS-18    |

# FLYWHEEL SHIM APPLICATIONS

| Years               | Engine         | Remarks | Pioneer # |
|---------------------|----------------|---------|-----------|
| <b>NISSAN TRUCK</b> |                |         |           |
| <b>VAN</b>          |                |         |           |
| 1987-88             | L4 2.4L 146 CI | .025"   | FWS-17    |
| <b>XTERRA</b>       |                |         |           |
| 2000-04             | L4 2.4L 146 CI | .050"   | FWS-18    |
| 2000-04             | L4 2.4L 146 CI | .025"   | FWS-17    |
| <b>OLDSMOBILE</b>   |                |         |           |
| <b>442</b>          |                |         |           |
| 1965-68             | V8 6.6L 400 CI | .050"   | FWS-2     |
| 1965-68             | V8 6.6L 400 CI | .025"   | FWS-1     |
| <b>88</b>           |                |         |           |
| 1992-99             | V6 3.8L 232 CI | .050"   | FWS-8     |
| 1992-99             | V6 3.8L 232 CI | .025"   | FWS-7     |
| <b>98</b>           |                |         |           |
| 1965-67             | V8 7.0L 425 CI | .025"   | FWS-1     |
| 1965-67             | V8 7.0L 425 CI | .050"   | FWS-2     |
| 1975                | V8 6.6L 400 CI | .025"   | FWS-1     |
| 1975                | V8 6.6L 400 CI | .050"   | FWS-2     |
| 1977-79             | V8 6.6L 403 CI | .025"   | FWS-1     |
| 1977-79             | V8 6.6L 403 CI | .050"   | FWS-2     |
| 1977-84             | V8 5.7L 350 CI | .050"   | FWS-2     |
| 1977-84             | V8 5.7L 350 CI | .025"   | FWS-1     |
| 1981-83             | V6 4.1L 252 CI | .050"   | FWS-2     |
| 1981-83             | V6 4.1L 252 CI | .025"   | FWS-1     |
| 1985                | V6 3.0L 181 CI | .025"   | FWS-1     |
| 1985                | V6 3.0L 181 CI | .050"   | FWS-2     |
| 1985-96             | V6 3.8L 232 CI | .025"   | FWS-7     |
| 1985-96             | V6 3.8L 232 CI | .050"   | FWS-8     |
| <b>ACHIEVA</b>      |                |         |           |
| 1992-93             | V6 3.3L 204 CI | .050"   | FWS-2     |
| 1992-93             | V6 3.3L 204 CI | .025"   | FWS-1     |
| 1992-94             | L4 2.3L 140 CI | .025"   | FWS-25    |
| 1992-94             | L4 2.3L 140 CI | .050"   | FWS-26    |
| 1992-95             | L4 2.3L 138 CI | .025"   | FWS-25    |
| 1992-95             | L4 2.3L 138 CI | .050"   | FWS-26    |
| 1994-98             | V6 3.1L 189 CI | .025"   | FWS-7     |
| 1994-98             | V6 3.1L 189 CI | .050"   | FWS-8     |
| <b>ALERO</b>        |                |         |           |
| 2002-04             | L4 2.2L 134 CI | .025"   | FWS-7     |
| 2002-04             | L4 2.2L 134 CI | .050"   | FWS-8     |
| <b>CALAIS</b>       |                |         |           |
| 1985-87             | L4 2.5L 151 CI | .025"   | FWS-7     |



# FLYWHEEL SHIM APPLICATIONS

| Years                 | Engine         | Remarks | Pioneer # |
|-----------------------|----------------|---------|-----------|
| <b>OLDSMOBILE</b>     |                |         |           |
| <b>CALAIS</b>         |                |         |           |
| 1985-87               | L4 2.5L 151 CI | .050"   | FWS-8     |
| 1985-87               | V6 3.0L 181 CI | .050"   | FWS-2     |
| 1985-87               | V6 3.0L 181 CI | .025"   | FWS-1     |
| 1987                  | L4 2.3L 138 CI | .050"   | FWS-26    |
| 1987                  | L4 2.3L 138 CI | .025"   | FWS-25    |
| <b>CUSTOM CRUISER</b> |                |         |           |
| 1975                  | V8 6.6L 400 CI | .050"   | FWS-2     |
| 1975                  | V8 6.6L 400 CI | .025"   | FWS-1     |
| 1977-79               | V8 6.6L 403 CI | .025"   | FWS-1     |
| 1977-79               | V8 6.6L 403 CI | .050"   | FWS-2     |
| 1977-85               | V8 5.7L 350 CI | .025"   | FWS-1     |
| 1992                  | V8 5.7L 350 CI | .025"   | FWS-1     |
| 1977-85               | V8 5.7L 350 CI | .050"   | FWS-2     |
| 1992                  | V8 5.7L 350 CI | .050"   | FWS-2     |
| <b>CUTLASS</b>        |                |         |           |
| 1965-68               | V8 6.6L 400 CI | .050"   | FWS-2     |
| 1965-68               | V8 6.6L 400 CI | .025"   | FWS-1     |
| 1968-71               | L6 4.1L 250 CI | .050"   | FWS-2     |
| 1975-76               | L6 4.1L 250 CI | .050"   | FWS-2     |
| 1968-71               | L6 4.1L 250 CI | .025"   | FWS-1     |
| 1975-76               | L6 4.1L 250 CI | .025"   | FWS-1     |
| 1977                  | V8 6.6L 403 CI | .025"   | FWS-1     |
| 1977                  | V8 6.6L 403 CI | .050"   | FWS-2     |
| 1978-79               | V8 5.0L 305 CI | .050"   | FWS-2     |
| 1978-79               | V8 5.0L 305 CI | .025"   | FWS-1     |
| 1979                  | V6 3.8L 231 CI | .025"   | FWS-7     |
| 1979                  | V6 3.8L 231 CI | .050"   | FWS-8     |
| 1979-80               | V6 3.8L 232 CI | .025"   | FWS-7     |
| 1979-80               | V6 3.8L 232 CI | .050"   | FWS-8     |
| 1976-81               | V8 5.7L 350 CI | .025"   | FWS-1     |
| 1976-81               | V8 5.7L 350 CI | .050"   | FWS-2     |
| 1981                  | V8 4.4L 267 CI | .025"   | FWS-1     |
| 1981                  | V8 4.4L 267 CI | .050"   | FWS-2     |
| 1997-99               | V6 3.1L 189 CI | .050"   | FWS-8     |
| 1997-99               | V6 3.1L 189 CI | .025"   | FWS-7     |
| <b>CUTLASS CALAIS</b> |                |         |           |
| 1978-79               | V8 5.0L 305 CI | .025"   | FWS-1     |
| 1978-79               | V8 5.0L 305 CI | .050"   | FWS-2     |
| 1979                  | V6 3.8L 231 CI | .025"   | FWS-7     |
| 1979                  | V6 3.8L 231 CI | .050"   | FWS-8     |

# FLYWHEEL SHIM APPLICATIONS

| Years                  | Engine         | Remarks | Pioneer # |
|------------------------|----------------|---------|-----------|
| <b>OLDSMOBILE</b>      |                |         |           |
| <b>CUTLASS CALAIS</b>  |                |         |           |
| 1979-84                | V8 5.7L 350 CI | .025"   | FWS-1     |
| 1979-84                | V8 5.7L 350 CI | .050"   | FWS-2     |
| 1982                   | V8 4.4L 267 CI | .050"   | FWS-2     |
| 1982                   | V8 4.4L 267 CI | .025"   | FWS-1     |
| 1979-80                | V6 3.8L 232 CI | .050"   | FWS-8     |
| 1983-84                | V6 3.8L 232 CI | .050"   | FWS-8     |
| 1979-80                | V6 3.8L 232 CI | .025"   | FWS-7     |
| 1983-84                | V6 3.8L 232 CI | .025"   | FWS-7     |
| 1988                   | V6 3.0L 181 CI | .025"   | FWS-1     |
| 1988                   | V6 3.0L 181 CI | .050"   | FWS-2     |
| 1988-91                | L4 2.3L 138 CI | .025"   | FWS-25    |
| 1988-91                | L4 2.3L 138 CI | .050"   | FWS-26    |
| 1988-91                | L4 2.5L 151 CI | .050"   | FWS-8     |
| 1988-91                | L4 2.5L 151 CI | .025"   | FWS-7     |
| 1989-91                | L4 2.3L 140 CI | .050"   | FWS-26    |
| 1989-91                | L4 2.3L 140 CI | .025"   | FWS-25    |
| 1989-91                | V6 3.3L 204 CI | .050"   | FWS-2     |
| 1989-91                | V6 3.3L 204 CI | .025"   | FWS-1     |
| <b>CUTLASS CIERA</b>   |                |         |           |
| 1982-92                | L4 2.5L 151 CI | .025"   | FWS-7     |
| 1982-85                | V6 3.0L 181 CI | .025"   | FWS-1     |
| 1982-85                | V6 3.0L 181 CI | .050"   | FWS-2     |
| 1982-92                | L4 2.5L 151 CI | .050"   | FWS-8     |
| 1982-89                | V6 2.8L 173 CI | .025"   | FWS-7     |
| 1984-88                | V6 3.8L 232 CI | .025"   | FWS-7     |
| 1984-88                | V6 3.8L 232 CI | .050"   | FWS-8     |
| 1982-89                | V6 2.8L 173 CI | .050"   | FWS-8     |
| 1989-93                | V6 3.3L 204 CI | .050"   | FWS-2     |
| 1989-93                | V6 3.3L 204 CI | .025"   | FWS-1     |
| 1993-96                | L4 2.2L 134 CI | .050"   | FWS-8     |
| 1993-96                | L4 2.2L 134 CI | .025"   | FWS-7     |
| 1994-96                | V6 3.1L 189 CI | .050"   | FWS-8     |
| 1994-96                | V6 3.1L 189 CI | .025"   | FWS-7     |
| <b>CUTLASS CRUISER</b> |                |         |           |
| 1980-83                | V8 5.7L 350 CI | .050"   | FWS-2     |
| 1980-83                | V8 5.7L 350 CI | .025"   | FWS-1     |
| 1982                   | V8 4.4L 267 CI | .050"   | FWS-2     |
| 1982                   | V8 4.4L 267 CI | .025"   | FWS-1     |
| 1980                   | V6 3.8L 232 CI | .025"   | FWS-7     |
| 1983                   | V6 3.8L 232 CI | .025"   | FWS-7     |

# FLYWHEEL SHIM APPLICATIONS

| Years                  | Engine         | Remarks | Pioneer # |
|------------------------|----------------|---------|-----------|
| <b>OLDSMOBILE</b>      |                |         |           |
| <b>CUTLASS CRUISER</b> |                |         |           |
| 1987-88                | V6 3.8L 232 CI | .025"   | FWS-7     |
| 1980                   | V6 3.8L 232 CI | .050"   | FWS-8     |
| 1983                   | V6 3.8L 232 CI | .050"   | FWS-8     |
| 1987-88                | V6 3.8L 232 CI | .050"   | FWS-8     |
| 1987-89                | V6 2.8L 173 CI | .050"   | FWS-8     |
| 1987-89                | V6 2.8L 173 CI | .025"   | FWS-7     |
| 1987-90                | L4 2.5L 151 CI | .025"   | FWS-7     |
| 1987-90                | L4 2.5L 151 CI | .050"   | FWS-8     |
| 1989-90                | V6 3.3L 204 CI | .025"   | FWS-1     |
| 1989-90                | V6 3.3L 204 CI | .050"   | FWS-2     |
| <b>CUTLASS SALON</b>   |                |         |           |
| 1977                   | V8 6.6L 403 CI | .050"   | FWS-2     |
| 1977                   | V8 6.6L 403 CI | .025"   | FWS-1     |
| 1978-79                | V8 5.0L 305 CI | .025"   | FWS-1     |
| 1978-79                | V8 5.0L 305 CI | .050"   | FWS-2     |
| 1979                   | V6 3.8L 231 CI | .025"   | FWS-7     |
| 1979                   | V6 3.8L 231 CI | .050"   | FWS-8     |
| 1976-77                | V8 5.7L 350 CI | .025"   | FWS-1     |
| 1979-80                | V8 5.7L 350 CI | .025"   | FWS-1     |
| 1985                   | V8 5.7L 350 CI | .025"   | FWS-1     |
| 1976-77                | V8 5.7L 350 CI | .050"   | FWS-2     |
| 1979-80                | V8 5.7L 350 CI | .050"   | FWS-2     |
| 1985                   | V8 5.7L 350 CI | .050"   | FWS-2     |
| 1979-80                | V6 3.8L 232 CI | .050"   | FWS-8     |
| 1985-87                | V6 3.8L 232 CI | .050"   | FWS-8     |
| 1979-80                | V6 3.8L 232 CI | .025"   | FWS-7     |
| 1985-87                | V6 3.8L 232 CI | .025"   | FWS-7     |
| <b>CUTLASS SUPREME</b> |                |         |           |
| 1975-76                | L6 4.1L 250 CI | .050"   | FWS-2     |
| 1975-76                | L6 4.1L 250 CI | .025"   | FWS-1     |
| 1977                   | V8 6.6L 403 CI | .050"   | FWS-2     |
| 1977                   | V8 6.6L 403 CI | .025"   | FWS-1     |
| 1978-79                | V8 5.0L 305 CI | .050"   | FWS-2     |
| 1978-79                | V8 5.0L 305 CI | .025"   | FWS-1     |
| 1976-85                | V8 5.7L 350 CI | .025"   | FWS-1     |
| 1979                   | V6 3.8L 231 CI | .025"   | FWS-7     |
| 1979                   | V6 3.8L 231 CI | .050"   | FWS-8     |
| 1976-85                | V8 5.7L 350 CI | .050"   | FWS-2     |
| 1982                   | V8 4.4L 267 CI | .025"   | FWS-1     |
| 1982                   | V8 4.4L 267 CI | .050"   | FWS-2     |

# FLYWHEEL SHIM APPLICATIONS

| Years                  | Engine         | Remarks | Pioneer # |
|------------------------|----------------|---------|-----------|
| <b>OLDSMOBILE</b>      |                |         |           |
| <b>CUTLASS SUPREME</b> |                |         |           |
| 1979                   | V6 3.8L 232 CI | .025"   | FWS-7     |
| 1983-87                | V6 3.8L 232 CI | .025"   | FWS-7     |
| 1979                   | V6 3.8L 232 CI | .050"   | FWS-8     |
| 1983-87                | V6 3.8L 232 CI | .050"   | FWS-8     |
| 1988-89                | V6 2.8L 173 CI | .025"   | FWS-7     |
| 1988-89                | V6 2.8L 173 CI | .050"   | FWS-8     |
| 1989-97                | V6 3.1L 189 CI | .050"   | FWS-8     |
| 1989-97                | V6 3.1L 189 CI | .025"   | FWS-7     |
| 1990                   | L4 2.3L 140 CI | .050"   | FWS-26    |
| 1990                   | L4 2.3L 140 CI | .025"   | FWS-25    |
| 1990-91                | L4 2.3L 138 CI | .050"   | FWS-26    |
| 1990-91                | L4 2.3L 138 CI | .025"   | FWS-25    |
| <b>DELMONT 88</b>      |                |         |           |
| 1967                   | V8 7.0L 425 CI | .050"   | FWS-2     |
| 1967                   | V8 7.0L 425 CI | .025"   | FWS-1     |
| <b>DELTA 88</b>        |                |         |           |
| 1965-67                | V8 7.0L 425 CI | .025"   | FWS-1     |
| 1965-67                | V8 7.0L 425 CI | .050"   | FWS-2     |
| 1975                   | V8 6.6L 400 CI | .050"   | FWS-2     |
| 1975                   | V8 6.6L 400 CI | .025"   | FWS-1     |
| 1977-78                | V8 6.6L 403 CI | .025"   | FWS-1     |
| 1977-78                | V8 6.6L 403 CI | .050"   | FWS-2     |
| 1976-85                | V8 5.7L 350 CI | .025"   | FWS-1     |
| 1976-85                | V8 5.7L 350 CI | .050"   | FWS-2     |
| 1981-82                | V8 4.4L 267 CI | .050"   | FWS-2     |
| 1981-82                | V8 4.4L 267 CI | .025"   | FWS-1     |
| 1979                   | V6 3.8L 232 CI | .025"   | FWS-7     |
| 1983-91                | V6 3.8L 232 CI | .025"   | FWS-7     |
| 1979                   | V6 3.8L 232 CI | .050"   | FWS-8     |
| 1983-91                | V6 3.8L 232 CI | .050"   | FWS-8     |
| 1986                   | V6 3.0L 181 CI | .050"   | FWS-2     |
| 1986                   | V6 3.0L 181 CI | .025"   | FWS-1     |
| <b>DYNAMIC</b>         |                |         |           |
| 1965-66                | V8 7.0L 425 CI | .025"   | FWS-1     |
| 1965-66                | V8 7.0L 425 CI | .050"   | FWS-2     |
| <b>F85</b>             |                |         |           |
| 1964-65                | V6 3.7L 225 CI | .050"   | FWS-2     |
| 1964-65                | V6 3.7L 225 CI | .025"   | FWS-1     |
| 1965-66                | V8 6.6L 400 CI | .025"   | FWS-1     |
| 1965-66                | V8 6.6L 400 CI | .050"   | FWS-2     |

# FLYWHEEL SHIM APPLICATIONS

| Years             | Engine         | Remarks | Pioneer # |
|-------------------|----------------|---------|-----------|
| <b>OLDSMOBILE</b> |                |         |           |
| <b>F85</b>        |                |         |           |
| 1966-71           | L6 4.1L 250 CI | .050"   | FWS-2     |
| 1966-71           | L6 4.1L 250 CI | .025"   | FWS-1     |
| <b>FIRENZA</b>    |                |         |           |
| 1983-88           | L4 2.0L 122 CI | .050"   | FWS-26    |
| 1983-88           | L4 2.0L 122 CI | .025"   | FWS-25    |
| 1985-87           | V6 2.8L 173 CI | .025"   | FWS-7     |
| 1985-87           | V6 2.8L 173 CI | .050"   | FWS-8     |
| 1987-88           | L4 2.0L 121 CI | .050"   | FWS-26    |
| 1987-88           | L4 2.0L 121 CI | .025"   | FWS-25    |
| <b>INTRIGUE</b>   |                |         |           |
| 1998-99           | V6 3.8L 232 CI | .050"   | FWS-8     |
| 1998-99           | V6 3.8L 232 CI | .025"   | FWS-7     |
| <b>JETSTAR 88</b> |                |         |           |
| 1965              | V8 7.0L 425 CI | .050"   | FWS-2     |
| 1965              | V8 7.0L 425 CI | .025"   | FWS-1     |
| <b>LSS</b>        |                |         |           |
| 1996-99           | V6 3.8L 232 CI | .025"   | FWS-7     |
| 1996-99           | V6 3.8L 232 CI | .050"   | FWS-8     |
| <b>OMEGA</b>      |                |         |           |
| 1973-76           | L6 4.1L 250 CI | .050"   | FWS-2     |
| 1973-76           | L6 4.1L 250 CI | .025"   | FWS-1     |
| 1976-79           | V8 5.7L 350 CI | .050"   | FWS-2     |
| 1976-79           | V8 5.7L 350 CI | .025"   | FWS-1     |
| 1977-79           | V8 5.0L 305 CI | .025"   | FWS-1     |
| 1977-79           | V8 5.0L 305 CI | .050"   | FWS-2     |
| 1979              | V6 3.8L 232 CI | .050"   | FWS-8     |
| 1979              | V6 3.8L 232 CI | .025"   | FWS-7     |
| 1980-84           | L4 2.5L 151 CI | .050"   | FWS-8     |
| 1980-84           | V6 2.8L 173 CI | .025"   | FWS-7     |
| 1980-84           | V6 2.8L 173 CI | .050"   | FWS-8     |
| 1980-84           | L4 2.5L 151 CI | .025"   | FWS-7     |
| <b>REGENCY</b>    |                |         |           |
| 1997-98           | V6 3.8L 232 CI | .025"   | FWS-7     |
| 1997-98           | V6 3.8L 232 CI | .050"   | FWS-8     |
| <b>STARFIRE</b>   |                |         |           |
| 1965-66           | V8 7.0L 425 CI | .025"   | FWS-1     |
| 1965-66           | V8 7.0L 425 CI | .050"   | FWS-2     |
| 1976-77           | L4 2.3L 140 CI | .025"   | FWS-25    |
| 1976-77           | L4 2.3L 140 CI | .050"   | FWS-26    |
| 1977-79           | V8 5.0L 305 CI | .025"   | FWS-1     |

# FLYWHEEL SHIM APPLICATIONS

| Years                   | Engine         | Remarks | Pioneer # |
|-------------------------|----------------|---------|-----------|
| <b>OLDSMOBILE</b>       |                |         |           |
| <b>STARFIRE</b>         |                |         |           |
| 1977-79                 | V8 5.0L 305 CI | .050"   | FWS-2     |
| 1978-80                 | L4 2.5L 151 CI | .050"   | FWS-8     |
| 1978-80                 | L4 2.5L 151 CI | .025"   | FWS-7     |
| 1979                    | V6 3.8L 232 CI | .025"   | FWS-7     |
| 1979                    | V6 3.8L 232 CI | .050"   | FWS-8     |
| <b>TORONADO</b>         |                |         |           |
| 1966-67                 | V8 7.0L 425 CI | .050"   | FWS-2     |
| 1966-67                 | V8 7.0L 425 CI | .025"   | FWS-1     |
| 1977-78                 | V8 6.6L 403 CI | .050"   | FWS-2     |
| 1977-78                 | V8 6.6L 403 CI | .025"   | FWS-1     |
| 1979-85                 | V8 5.7L 350 CI | .025"   | FWS-1     |
| 1979-85                 | V8 5.7L 350 CI | .050"   | FWS-2     |
| 1981-84                 | V6 4.1L 252 CI | .025"   | FWS-1     |
| 1981-84                 | V6 4.1L 252 CI | .050"   | FWS-2     |
| 1986-92                 | V6 3.8L 232 CI | .025"   | FWS-7     |
| 1986-92                 | V6 3.8L 232 CI | .050"   | FWS-8     |
| <b>OLDSMOBILE TRUCK</b> |                |         |           |
| <b>BRAVADA</b>          |                |         |           |
| 1991-94                 | V6 4.3L 262 CI | .025"   | FWS-25    |
| 1996-01                 | V6 4.3L 262 CI | .025"   | FWS-25    |
| 1991-94                 | V6 4.3L 262 CI | .050"   | FWS-26    |
| 1996-01                 | V6 4.3L 262 CI | .050"   | FWS-26    |
| 2002-04                 | L6 4.2L 256 CI | .050"   | FWS-28    |
| 2002-04                 | L6 4.2L 256 CI | .025"   | FWS-27    |
| <b>SILHOUETTE</b>       |                |         |           |
| 1990-94                 | V6 3.1L 189 CI | .025"   | FWS-7     |
| 1990-94                 | V6 3.1L 189 CI | .050"   | FWS-8     |
| 1992-95                 | V6 3.8L 232 CI | .050"   | FWS-8     |
| 1992-95                 | V6 3.8L 232 CI | .025"   | FWS-7     |
| <b>OLDSMOBILE</b>       |                |         |           |
| <b>VISTA CRUISER</b>    |                |         |           |
| 1964-65                 | V6 3.7L 225 CI | .025"   | FWS-1     |
| 1964-65                 | V6 3.7L 225 CI | .050"   | FWS-2     |
| 1968                    | V8 6.6L 400 CI | .050"   | FWS-2     |
| 1968                    | V8 6.6L 400 CI | .025"   | FWS-1     |
| <b>PLYMOUTH</b>         |                |         |           |
| <b>ACCLAIM</b>          |                |         |           |
| 1989-92                 | V6 3.0L 181 CI | .025"   | FWS-3     |
| 1989-92                 | V6 3.0L 181 CI | .050"   | FWS-4     |

# FLYWHEEL SHIM APPLICATIONS

| Years            | Engine         | Remarks | Pioneer # |
|------------------|----------------|---------|-----------|
| <b>PLYMOUTH</b>  |                |         |           |
| <b>ACCLAIM</b>   |                |         |           |
| 1989-95          | L4 2.5L 153 CI | .025"   | FWS-21    |
| 1989-95          | L4 2.5L 153 CI | .050"   | FWS-22    |
| <b>ARROW</b>     |                |         |           |
| 1979-80          | L4 2.6L 156 CI | .025"   | FWS-21    |
| 1979-80          | L4 2.6L 156 CI | .050"   | FWS-22    |
| <b>BARRACUDA</b> |                |         |           |
| 1971             | V8 6.3L 383 CI | .050"   | FWS-4     |
| 1971             | V8 6.3L 383 CI | .025"   | FWS-3     |
| 1971             | V8 6.3L 384 CI | .050"   | FWS-4     |
| 1971             | V8 6.3L 384 CI | .025"   | FWS-3     |
| 1974             | V8 5.9L 360 CI | .025"   | FWS-3     |
| 1974             | V8 5.9L 360 CI | .050"   | FWS-4     |
| <b>BELVEDERE</b> |                |         |           |
| 1965-66          | V8 5.2L 318 CI | .025"   | FWS-3     |
| 1965-66          | V8 5.2L 318 CI | .050"   | FWS-4     |
| <b>BREEZE</b>    |                |         |           |
| 1998-00          | L4 2.4L 148 CI | .025"   | FWS-21    |
| 1998-00          | L4 2.4L 148 CI | .050"   | FWS-22    |
| 2000             | L4 2.0L 122 CI | .050"   | FWS-22    |
| 2000             | L4 2.0L 122 CI | .025"   | FWS-21    |
| <b>CARAVELLE</b> |                |         |           |
| 1978-79          | V8 5.9L 360 CI | .050"   | FWS-4     |
| 1978-79          | V8 5.9L 360 CI | .025"   | FWS-3     |
| 1983             | L4 2.2L 135 CI | .050"   | FWS-22    |
| 1983             | L4 2.2L 135 CI | .025"   | FWS-21    |
| 1983-85          | L4 2.6L 156 CI | .025"   | FWS-21    |
| 1983-85          | L4 2.6L 156 CI | .050"   | FWS-22    |
| <b>CHAMP</b>     |                |         |           |
| 1981             | L4 1.6L 97 CI  | .050"   | FWS-22    |
| 1981             | L4 1.6L 97 CI  | .025"   | FWS-21    |
| <b>COLT</b>      |                |         |           |
| 1978-80          | L4 2.6L 156 CI | .050"   | FWS-22    |
| 1978-80          | L4 2.6L 156 CI | .025"   | FWS-21    |
| 1978-81          | L4 1.6L 97 CI  | .025"   | FWS-21    |
| 1984-85          | L4 1.6L 97 CI  | .025"   | FWS-21    |
| 1989-90          | L4 1.6L 97 CI  | .025"   | FWS-21    |
| 1978-81          | L4 1.6L 97 CI  | .050"   | FWS-22    |
| 1984-85          | L4 1.6L 97 CI  | .050"   | FWS-22    |
| 1989-90          | L4 1.6L 97 CI  | .050"   | FWS-22    |
| 1989-90          | L4 1.8L 107 CI | .050"   | FWS-22    |

# FLYWHEEL SHIM APPLICATIONS

| Years                | Engine         | Remarks | Pioneer # |
|----------------------|----------------|---------|-----------|
| <b>PLYMOUTH</b>      |                |         |           |
| <b>COLT</b>          |                |         |           |
| 1989-90              | L4 1.8L 107 CI | .025"   | FWS-21    |
| 1990-92              | L4 1.5L 90 CI  | .025"   | FWS-21    |
| 1990-92              | L4 1.5L 90 CI  | .050"   | FWS-22    |
| 1992-94              | L4 2.4L 143 CI | .050"   | FWS-22    |
| 1992-93              | L4 1.8L 112 CI | .025"   | FWS-21    |
| 1992-93              | L4 1.8L 112 CI | .050"   | FWS-22    |
| 1992-94              | L4 2.4L 143 CI | .025"   | FWS-21    |
| <b>CONQUEST</b>      |                |         |           |
| 1984-86              | L4 2.6L 156 CI | .050"   | FWS-22    |
| 1984-86              | L4 2.6L 156 CI | .025"   | FWS-21    |
| <b>CRICKET</b>       |                |         |           |
| 1971-73              | L4 1.5L 91 CI  | .050"   | FWS-22    |
| 1971-73              | L4 1.5L 91 CI  | .025"   | FWS-21    |
| <b>CUDA</b>          |                |         |           |
| 1972                 | V8 5.2L 318 CI | .025"   | FWS-3     |
| 1972                 | V8 5.2L 318 CI | .050"   | FWS-4     |
| 1974                 | V8 5.9L 360 CI | .025"   | FWS-3     |
| 1974                 | V8 5.9L 360 CI | .050"   | FWS-4     |
| <b>CUSTOM</b>        |                |         |           |
| 1960                 | V8 5.9L 361 CI | .050"   | FWS-4     |
| 1960                 | V8 5.9L 361 CI | .025"   | FWS-3     |
| <b>DUSTER</b>        |                |         |           |
| 1970-72              | V8 5.6L 340 CI | .050"   | FWS-4     |
| 1970-72              | V8 5.6L 340 CI | .025"   | FWS-3     |
| 1970-76              | V8 5.2L 318 CI | .025"   | FWS-3     |
| 1974-76              | V8 5.9L 360 CI | .025"   | FWS-3     |
| 1974-76              | V8 5.9L 360 CI | .050"   | FWS-4     |
| 1970-76              | V8 5.2L 318 CI | .050"   | FWS-4     |
| <b>FLEET SPECIAL</b> |                |         |           |
| 1960                 | V8 5.9L 361 CI | .025"   | FWS-3     |
| 1960                 | V8 5.9L 361 CI | .050"   | FWS-4     |
| 1962-63              | V8 5.2L 318 CI | .050"   | FWS-4     |
| 1962-63              | V8 5.2L 318 CI | .025"   | FWS-3     |
| 1962-63              | V8 6.3L 384 CI | .050"   | FWS-4     |
| 1962-63              | V8 6.3L 384 CI | .025"   | FWS-3     |
| <b>FURY</b>          |                |         |           |
| 1964-66              | V8 5.9L 361 CI | .025"   | FWS-3     |
| 1964-66              | V8 5.9L 361 CI | .050"   | FWS-4     |
| 1958-61              | V8 5.2L 318 CI | .025"   | FWS-3     |
| 1967-68              | V8 5.2L 318 CI | .025"   | FWS-3     |



# FLYWHEEL SHIM APPLICATIONS

| Years            | Engine         | Remarks | Pioneer # |
|------------------|----------------|---------|-----------|
| <b>PLYMOUTH</b>  |                |         |           |
| <b>FURY</b>      |                |         |           |
| 1958-61          | V8 5.2L 318 CI | .050"   | FWS-4     |
| 1967-68          | V8 5.2L 318 CI | .050"   | FWS-4     |
| 1969-74          | V8 7.2L 440 CI | .050"   | FWS-4     |
| 1970-71          | V8 6.3L 383 CI | .050"   | FWS-4     |
| 1970-71          | V8 6.3L 383 CI | .025"   | FWS-3     |
| 1970-71          | V8 6.3L 384 CI | .025"   | FWS-3     |
| 1970-71          | V8 6.3L 384 CI | .050"   | FWS-4     |
| 1969-74          | V8 7.2L 440 CI | .025"   | FWS-3     |
| 1971-78          | V8 5.9L 360 CI | .050"   | FWS-4     |
| 1971-78          | V8 5.9L 360 CI | .025"   | FWS-3     |
| <b>FURY I</b>    |                |         |           |
| 1968             | V8 6.3L 383 CI | .050"   | FWS-4     |
| 1968             | V8 6.3L 383 CI | .025"   | FWS-3     |
| 1968             | V8 6.3L 384 CI | .050"   | FWS-4     |
| 1968             | V8 6.3L 384 CI | .025"   | FWS-3     |
| 1971-74          | V8 5.9L 360 CI | .025"   | FWS-3     |
| 1971-74          | V8 5.9L 360 CI | .050"   | FWS-4     |
| <b>FURY II</b>   |                |         |           |
| 1969-71          | V8 6.3L 383 CI | .050"   | FWS-4     |
| 1969-71          | V8 6.3L 383 CI | .025"   | FWS-3     |
| 1969-71          | V8 6.3L 384 CI | .050"   | FWS-4     |
| 1969-71          | V8 6.3L 384 CI | .025"   | FWS-3     |
| 1971-74          | V8 5.9L 360 CI | .025"   | FWS-3     |
| 1971-74          | V8 5.9L 360 CI | .050"   | FWS-4     |
| <b>FURY III</b>  |                |         |           |
| 1968-74          | V8 7.2L 440 CI | .025"   | FWS-3     |
| 1969-71          | V8 6.3L 383 CI | .025"   | FWS-3     |
| 1969-71          | V8 6.3L 383 CI | .050"   | FWS-4     |
| 1969-71          | V8 6.3L 384 CI | .050"   | FWS-4     |
| 1969-71          | V8 6.3L 384 CI | .025"   | FWS-3     |
| 1968-74          | V8 7.2L 440 CI | .050"   | FWS-4     |
| 1971-74          | V8 5.9L 360 CI | .025"   | FWS-3     |
| 1971-74          | V8 5.9L 360 CI | .050"   | FWS-4     |
| <b>GRAN FURY</b> |                |         |           |
| 1972-77          | V8 5.9L 360 CI | .025"   | FWS-3     |
| 1980             | V8 5.9L 360 CI | .025"   | FWS-3     |
| 1972-77          | V8 5.9L 360 CI | .050"   | FWS-4     |
| 1980             | V8 5.9L 360 CI | .050"   | FWS-4     |
| 1972-77          | V8 7.2L 440 CI | .050"   | FWS-4     |
| 1972-77          | V8 7.2L 440 CI | .025"   | FWS-3     |

# FLYWHEEL SHIM APPLICATIONS

| Years             | Engine         | Remarks | Pioneer # |
|-------------------|----------------|---------|-----------|
| <b>PLYMOUTH</b>   |                |         |           |
| <b>GRAN FURY</b>  |                |         |           |
| 1972-73           | V8 5.2L 318 CI | .025"   | FWS-3     |
| 1975              | V8 5.2L 318 CI | .025"   | FWS-3     |
| 1972-73           | V8 5.2L 318 CI | .050"   | FWS-4     |
| 1975              | V8 5.2L 318 CI | .050"   | FWS-4     |
| <b>GTX</b>        |                |         |           |
| 1970-71           | V8 7.2L 440 CI | .025"   | FWS-3     |
| 1970-71           | V8 7.2L 440 CI | .050"   | FWS-4     |
| <b>HORIZON</b>    |                |         |           |
| 1983              | L4 1.6L 97 CI  | .050"   | FWS-22    |
| 1983              | L4 1.6L 97 CI  | .025"   | FWS-21    |
| 1986              | L4 2.2L 135 CI | .050"   | FWS-22    |
| 1986              | L4 2.2L 135 CI | .025"   | FWS-21    |
| <b>LASER</b>      |                |         |           |
| 1991              | L4 2.0L 122 CI | .025"   | FWS-21    |
| 1991              | L4 2.0L 122 CI | .050"   | FWS-22    |
| <b>RELIANT</b>    |                |         |           |
| 1981-85           | L4 2.2L 135 CI | .050"   | FWS-22    |
| 1981-84           | L4 2.6L 156 CI | .025"   | FWS-21    |
| 1981-84           | L4 2.6L 156 CI | .050"   | FWS-22    |
| 1981-85           | L4 2.2L 135 CI | .025"   | FWS-21    |
| 1986-89           | L4 2.5L 153 CI | .025"   | FWS-21    |
| 1986-89           | L4 2.5L 153 CI | .050"   | FWS-22    |
| <b>ROADRUNNER</b> |                |         |           |
| 1969-71           | V8 6.3L 383 CI | .025"   | FWS-3     |
| 1969-71           | V8 6.3L 383 CI | .050"   | FWS-4     |
| 1969-71           | V8 6.3L 384 CI | .050"   | FWS-4     |
| 1969-71           | V8 6.3L 384 CI | .025"   | FWS-3     |
| 1969-73           | V8 7.2L 440 CI | .050"   | FWS-4     |
| 1971-72           | V8 5.6L 340 CI | .050"   | FWS-4     |
| 1971-72           | V8 5.6L 340 CI | .025"   | FWS-3     |
| 1969-73           | V8 7.2L 440 CI | .025"   | FWS-3     |
| 1968              | V8 5.2L 318 CI | .025"   | FWS-3     |
| 1972-75           | V8 5.2L 318 CI | .025"   | FWS-3     |
| 1968              | V8 5.2L 318 CI | .050"   | FWS-4     |
| 1972-75           | V8 5.2L 318 CI | .050"   | FWS-4     |
| 1974-75           | V8 5.9L 360 CI | .025"   | FWS-3     |
| 1974-75           | V8 5.9L 360 CI | .050"   | FWS-4     |
| <b>SATELLITE</b>  |                |         |           |
| 1965-73           | V8 5.2L 318 CI | .025"   | FWS-3     |
| 1965-73           | V8 5.2L 318 CI | .050"   | FWS-4     |

# FLYWHEEL SHIM APPLICATIONS

| Years                 | Engine         | Remarks | Pioneer # |
|-----------------------|----------------|---------|-----------|
| <b>PLYMOUTH</b>       |                |         |           |
| <b>SATELLITE</b>      |                |         |           |
| 1972                  | V8 5.6L 340 CI | .050"   | FWS-4     |
| 1972                  | V8 5.6L 340 CI | .025"   | FWS-3     |
| 1974                  | V8 5.9L 360 CI | .025"   | FWS-3     |
| 1974                  | V8 5.9L 360 CI | .050"   | FWS-4     |
| 1966-67               | V8 7.2L 440 CI | .025"   | FWS-3     |
| 1974                  | V8 7.2L 440 CI | .025"   | FWS-3     |
| 1966-67               | V8 7.2L 440 CI | .050"   | FWS-4     |
| 1974                  | V8 7.2L 440 CI | .050"   | FWS-4     |
| <b>SAVOY</b>          |                |         |           |
| 1958                  | V8 5.2L 318 CI | .025"   | FWS-3     |
| 1958                  | V8 5.2L 318 CI | .050"   | FWS-4     |
| 1960-61               | V8 6.3L 383 CI | .050"   | FWS-4     |
| 1960-61               | V8 6.3L 383 CI | .025"   | FWS-3     |
| 1960-64               | V8 6.3L 384 CI | .025"   | FWS-3     |
| 1960-64               | V8 6.3L 384 CI | .050"   | FWS-4     |
| 1962-64               | V8 5.9L 361 CI | .025"   | FWS-21    |
| 1962-64               | V8 5.9L 361 CI | .050"   | FWS-22    |
| <b>SCAMP</b>          |                |         |           |
| 1983                  | L4 2.2L 135 CI | .050"   | FWS-22    |
| 1983                  | L4 2.2L 135 CI | .025"   | FWS-21    |
| <b>SPORT WAGON</b>    |                |         |           |
| 1960-61               | V8 6.3L 384 CI | .050"   | FWS-4     |
| 1960-61               | V8 6.3L 384 CI | .025"   | FWS-3     |
| <b>SUNDANCE</b>       |                |         |           |
| 1992                  | V6 3.0L 181 CI | .050"   | FWS-22    |
| 1992                  | V6 3.0L 181 CI | .025"   | FWS-21    |
| 1994                  | L4 2.2L 135 CI | .050"   | FWS-22    |
| 1994                  | L4 2.2L 135 CI | .025"   | FWS-21    |
| 1988-92               | L4 2.5L 153 CI | .050"   | FWS-22    |
| 1994                  | L4 2.5L 153 CI | .050"   | FWS-22    |
| 1988-92               | L4 2.5L 153 CI | .025"   | FWS-21    |
| 1994                  | L4 2.5L 153 CI | .025"   | FWS-21    |
| <b>PLYMOUTH TRUCK</b> |                |         |           |
| <b>ARROW PICKUP</b>   |                |         |           |
| 1979-82               | L4 2.0L 122 CI | .050"   | FWS-22    |
| 1979-82               | L4 2.0L 122 CI | .025"   | FWS-21    |
| 1979-82               | L4 2.6L 156 CI | .025"   | FWS-21    |
| 1979-82               | L4 2.6L 156 CI | .050"   | FWS-22    |
| <b>GRAND VOYAGER</b>  |                |         |           |
| 1988                  | L4 2.5L 153 CI | .050"   | FWS-22    |

# FLYWHEEL SHIM APPLICATIONS

| Years                 | Engine         | Remarks | Pioneer # |
|-----------------------|----------------|---------|-----------|
| <b>PLYMOUTH TRUCK</b> |                |         |           |
| <b>GRAND VOYAGER</b>  |                |         |           |
| 1988                  | L4 2.5L 153 CI | .025"   | FWS-21    |
| 1988-89               | V6 3.0L 181 CI | .050"   | FWS-22    |
| 1992-00               | V6 3.0L 181 CI | .050"   | FWS-22    |
| 1988-89               | V6 3.0L 181 CI | .025"   | FWS-21    |
| 1992-00               | V6 3.0L 181 CI | .025"   | FWS-21    |
| 1996-97               | L4 2.4L 148 CI | .050"   | FWS-22    |
| 1996-97               | L4 2.4L 148 CI | .025"   | FWS-21    |
| <b>PB100</b>          |                |         |           |
| 1976-78               | V8 5.9L 360 CI | .025"   | FWS-3     |
| 1976-78               | V8 5.9L 360 CI | .050"   | FWS-4     |
| 1978-80               | V8 5.2L 318 CI | .050"   | FWS-4     |
| 1978-80               | V8 5.2L 318 CI | .025"   | FWS-3     |
| <b>PB100 VAN</b>      |                |         |           |
| 1974                  | V8 5.9L 360 CI | .050"   | FWS-4     |
| 1974                  | V8 5.9L 360 CI | .025"   | FWS-3     |
| <b>PB150</b>          |                |         |           |
| 1981                  | V8 5.2L 318 CI | .050"   | FWS-4     |
| 1981                  | V8 5.2L 318 CI | .025"   | FWS-3     |
| <b>PB200</b>          |                |         |           |
| 1975-80               | V8 5.9L 360 CI | .050"   | FWS-4     |
| 1975-80               | V8 5.9L 360 CI | .025"   | FWS-3     |
| 1977-78               | V8 7.2L 440 CI | .025"   | FWS-3     |
| 1977-78               | V8 7.2L 440 CI | .050"   | FWS-4     |
| <b>PB200 VAN</b>      |                |         |           |
| 1974                  | V8 5.9L 360 CI | .050"   | FWS-4     |
| 1974                  | V8 5.9L 360 CI | .025"   | FWS-3     |
| <b>PB250</b>          |                |         |           |
| 1981                  | V8 5.2L 318 CI | .025"   | FWS-3     |
| 1981                  | V8 5.2L 318 CI | .050"   | FWS-4     |
| 1981                  | V8 5.9L 360 CI | .050"   | FWS-4     |
| 1981                  | V8 5.9L 360 CI | .025"   | FWS-3     |
| <b>PB300</b>          |                |         |           |
| 1975-80               | V8 5.9L 360 CI | .050"   | FWS-4     |
| 1975-80               | V8 5.9L 360 CI | .025"   | FWS-3     |
| 1976                  | V8 7.2L 440 CI | .050"   | FWS-4     |
| 1976                  | V8 7.2L 440 CI | .025"   | FWS-3     |
| 1979-80               | V8 5.2L 318 CI | .050"   | FWS-4     |
| 1979-80               | V8 5.2L 318 CI | .025"   | FWS-3     |
| <b>PB300 VAN</b>      |                |         |           |
| 1974                  | V8 5.9L 360 CI | .050"   | FWS-4     |

# FLYWHEEL SHIM APPLICATIONS

| Years                 | Engine         | Remarks | Pioneer # |
|-----------------------|----------------|---------|-----------|
| <b>PLYMOUTH TRUCK</b> |                |         |           |
| <b>PB300 VAN</b>      |                |         |           |
| 1974                  | V8 5.9L 360 CI | .025"   | FWS-3     |
| <b>PB350</b>          |                |         |           |
| 1981-83               | V8 5.9L 360 CI | .025"   | FWS-3     |
| 1981-83               | V8 5.9L 360 CI | .050"   | FWS-4     |
| <b>SUBURBAN</b>       |                |         |           |
| 1958                  | V8 5.2L 318 CI | .025"   | FWS-3     |
| 1961                  | V8 5.2L 318 CI | .025"   | FWS-3     |
| 1958                  | V8 5.2L 318 CI | .050"   | FWS-4     |
| 1961                  | V8 5.2L 318 CI | .050"   | FWS-4     |
| <b>TRAILDUSTER</b>    |                |         |           |
| 1974-81               | V8 5.9L 360 CI | .050"   | FWS-4     |
| 1974-81               | V8 5.9L 360 CI | .025"   | FWS-3     |
| 1976-79               | V8 5.2L 318 CI | .025"   | FWS-3     |
| 1976-79               | V8 5.2L 318 CI | .050"   | FWS-4     |
| <b>PLYMOUTH</b>       |                |         |           |
| <b>VALIANT</b>        |                |         |           |
| 1968-72               | V8 5.2L 318 CI | .025"   | FWS-3     |
| 1968-72               | V8 5.2L 318 CI | .050"   | FWS-4     |
| 1976                  | V8 5.9L 360 CI | .025"   | FWS-3     |
| 1976                  | V8 5.9L 360 CI | .050"   | FWS-4     |
| <b>VOLARE</b>         |                |         |           |
| 1976-80               | V8 5.9L 360 CI | .025"   | FWS-3     |
| 1976-80               | V8 5.9L 360 CI | .050"   | FWS-4     |
| <b>VOYAGER</b>        |                |         |           |
| 1984-86               | L4 2.6L 156 CI | .050"   | FWS-22    |
| 1984-86               | L4 2.6L 156 CI | .025"   | FWS-21    |
| 1987-95               | L4 2.5L 153 CI | .050"   | FWS-22    |
| 1987-95               | L4 2.5L 153 CI | .025"   | FWS-21    |
| 1997-00               | L4 2.4L 148 CI | .025"   | FWS-21    |
| 1997-00               | L4 2.4L 148 CI | .050"   | FWS-22    |
| <b>PONTIAC</b>        |                |         |           |
| <b>6000</b>           |                |         |           |
| 1982-91               | L4 2.5L 151 CI | .025"   | FWS-7     |
| 1982-89               | V6 2.8L 173 CI | .050"   | FWS-8     |
| 1982-89               | V6 2.8L 173 CI | .025"   | FWS-7     |
| 1982-91               | L4 2.5L 151 CI | .050"   | FWS-8     |
| 1988-91               | V6 3.1L 189 CI | .025"   | FWS-7     |
| 1988-91               | V6 3.1L 189 CI | .050"   | FWS-8     |
| <b>ASTRE</b>          |                |         |           |
| 1975-77               | L4 2.3L 140 CI | .025"   | FWS-25    |

# FLYWHEEL SHIM APPLICATIONS

| Years             | Engine         | Remarks | Pioneer # |
|-------------------|----------------|---------|-----------|
| <b>PONTIAC</b>    |                |         |           |
| <b>ASTRE</b>      |                |         |           |
| 1975-77           | L4 2.3L 140 CI | .050"   | FWS-26    |
| 1977              | L4 2.5L 151 CI | .025"   | FWS-7     |
| 1977              | L4 2.5L 151 CI | .050"   | FWS-8     |
| <b>BONNEVILLE</b> |                |         |           |
| 1967-69           | V8 7.0L 428 CI | .025"   | FWS-1     |
| 1967-69           | V8 7.0L 428 CI | .050"   | FWS-2     |
| 1968              | V8 6.6L 400 CI | .025"   | FWS-1     |
| 1970-71           | V8 6.6L 400 CI | .025"   | FWS-1     |
| 1973-78           | V8 6.6L 400 CI | .025"   | FWS-1     |
| 1968              | V8 6.6L 400 CI | .050"   | FWS-2     |
| 1970-71           | V8 6.6L 400 CI | .050"   | FWS-2     |
| 1973-78           | V8 6.6L 400 CI | .050"   | FWS-2     |
| 1977-78           | V8 6.6L 403 CI | .050"   | FWS-2     |
| 1977-78           | V8 6.6L 403 CI | .025"   | FWS-1     |
| 1977-84           | V8 5.7L 350 CI | .050"   | FWS-2     |
| 1977-84           | V8 5.7L 350 CI | .025"   | FWS-1     |
| 1982              | V6 4.1L 252 CI | .025"   | FWS-1     |
| 1982              | V6 4.1L 252 CI | .050"   | FWS-2     |
| 1983-03           | V6 3.8L 232 CI | .025"   | FWS-7     |
| 1983-03           | V6 3.8L 232 CI | .050"   | FWS-8     |
| 1997-99           | V6 3.8L 231 CI | .025"   | FWS-7     |
| 1997-99           | V6 3.8L 231 CI | .050"   | FWS-8     |
| <b>CATALINA</b>   |                |         |           |
| 1955              | V8 4.7L 287 CI | .050"   | FWS-2     |
| 1955              | V8 4.7L 287 CI | .025"   | FWS-1     |
| 1967-69           | V8 7.0L 428 CI | .025"   | FWS-1     |
| 1967-69           | V8 7.0L 428 CI | .050"   | FWS-2     |
| 1967-68           | V8 6.6L 400 CI | .025"   | FWS-1     |
| 1970-78           | V8 6.6L 400 CI | .025"   | FWS-1     |
| 1967-68           | V8 6.6L 400 CI | .050"   | FWS-2     |
| 1970-78           | V8 6.6L 400 CI | .050"   | FWS-2     |
| 1977-78           | V8 6.6L 403 CI | .025"   | FWS-1     |
| 1977-78           | V8 6.6L 403 CI | .050"   | FWS-2     |
| 1977-79           | L6 4.1L 250 CI | .050"   | FWS-2     |
| 1977-79           | L6 4.1L 250 CI | .025"   | FWS-1     |
| 1976-81           | V8 5.7L 350 CI | .050"   | FWS-2     |
| 1979              | V6 3.8L 232 CI | .025"   | FWS-7     |
| 1979              | V6 3.8L 232 CI | .050"   | FWS-8     |
| 1980-81           | V8 4.4L 267 CI | .025"   | FWS-1     |
| 1980-81           | V8 4.4L 267 CI | .050"   | FWS-2     |

# FLYWHEEL SHIM APPLICATIONS

| Years            | Engine         | Remarks | Pioneer # |
|------------------|----------------|---------|-----------|
| <b>PONTIAC</b>   |                |         |           |
| <b>CATALINA</b>  |                |         |           |
| 1976-81          | V8 5.7L 350 CI | .025"   | FWS-1     |
| <b>CHIEFTAIN</b> |                |         |           |
| 1955             | V8 4.7L 287 CI | .050"   | FWS-2     |
| 1955             | V8 4.7L 287 CI | .025"   | FWS-1     |
| <b>EXECUTIVE</b> |                |         |           |
| 1967-69          | V8 7.0L 428 CI | .025"   | FWS-1     |
| 1967-69          | V8 7.0L 428 CI | .050"   | FWS-2     |
| 1967-68          | V8 6.6L 400 CI | .025"   | FWS-1     |
| 1970             | V8 6.6L 400 CI | .025"   | FWS-1     |
| 1967-68          | V8 6.6L 400 CI | .050"   | FWS-2     |
| 1970             | V8 6.6L 400 CI | .050"   | FWS-2     |
| <b>FIERO</b>     |                |         |           |
| 1984-88          | L4 2.5L 151 CI | .025"   | FWS-7     |
| 1984-88          | L4 2.5L 151 CI | .050"   | FWS-8     |
| 1985-88          | V6 2.8L 173 CI | .050"   | FWS-8     |
| 1985-88          | V6 2.8L 173 CI | .025"   | FWS-7     |
| <b>FIREBIRD</b>  |                |         |           |
| 1968-76          | L6 4.1L 250 CI | .050"   | FWS-2     |
| 1967             | V8 6.6L 400 CI | .050"   | FWS-2     |
| 1970-78          | V8 6.6L 400 CI | .050"   | FWS-2     |
| 1967             | V8 6.6L 400 CI | .025"   | FWS-1     |
| 1970-78          | V8 6.6L 400 CI | .025"   | FWS-1     |
| 1968-76          | L6 4.1L 250 CI | .025"   | FWS-1     |
| 1976-79          | V8 5.7L 350 CI | .050"   | FWS-2     |
| 1987-02          | V8 5.7L 350 CI | .050"   | FWS-2     |
| 1977-78          | V8 6.6L 403 CI | .050"   | FWS-2     |
| 1977-78          | V8 6.6L 403 CI | .025"   | FWS-1     |
| 1977-79          | V8 5.0L 305 CI | .025"   | FWS-1     |
| 1977-79          | V8 5.0L 305 CI | .050"   | FWS-2     |
| 1981             | V8 4.4L 267 CI | .050"   | FWS-2     |
| 1981             | V8 4.4L 267 CI | .025"   | FWS-1     |
| 1982-86          | L4 2.5L 151 CI | .025"   | FWS-7     |
| 1982-86          | L4 2.5L 151 CI | .050"   | FWS-8     |
| 1982-89          | V6 2.8L 173 CI | .025"   | FWS-7     |
| 1982-89          | V6 2.8L 173 CI | .050"   | FWS-8     |
| 1990-92          | V6 3.1L 189 CI | .050"   | FWS-8     |
| 1990-92          | V6 3.1L 189 CI | .025"   | FWS-7     |
| 1979             | V6 3.8L 232 CI | .050"   | FWS-8     |
| 1989             | V6 3.8L 232 CI | .050"   | FWS-8     |
| 1995-02          | V6 3.8L 232 CI | .050"   | FWS-8     |

# FLYWHEEL SHIM APPLICATIONS

| Years               | Engine         | Remarks | Pioneer # |
|---------------------|----------------|---------|-----------|
| <b>PONTIAC</b>      |                |         |           |
| <b>FIREBIRD</b>     |                |         |           |
| 1979                | V6 3.8L 232 CI | .025"   | FWS-7     |
| 1989                | V6 3.8L 232 CI | .025"   | FWS-7     |
| 1995-02             | V6 3.8L 232 CI | .025"   | FWS-7     |
| 1976-79             | V8 5.7L 350 CI | .025"   | FWS-1     |
| 1987-02             | V8 5.7L 350 CI | .025"   | FWS-1     |
| <b>GRAND AM</b>     |                |         |           |
| 1973-75             | V8 6.6L 400 CI | .025"   | FWS-1     |
| 1973-75             | V8 6.6L 400 CI | .050"   | FWS-2     |
| 1978-79             | V8 5.0L 305 CI | .050"   | FWS-2     |
| 1978-79             | V8 5.0L 305 CI | .025"   | FWS-1     |
| 1979                | V6 3.8L 232 CI | .025"   | FWS-7     |
| 1979                | V6 3.8L 232 CI | .050"   | FWS-8     |
| 1985-87             | V6 3.0L 181 CI | .050"   | FWS-2     |
| 1985-87             | V6 3.0L 181 CI | .025"   | FWS-1     |
| 1985-91             | L4 2.5L 151 CI | .050"   | FWS-8     |
| 1985-91             | L4 2.5L 151 CI | .025"   | FWS-7     |
| 1987-89             | L4 2.0L 122 CI | .025"   | FWS-7     |
| 1987-89             | L4 2.0L 122 CI | .050"   | FWS-8     |
| 1988-95             | L4 2.3L 138 CI | .050"   | FWS-26    |
| 1988-95             | L4 2.3L 138 CI | .025"   | FWS-25    |
| 1989-94             | L4 2.3L 140 CI | .050"   | FWS-26    |
| 1989-94             | L4 2.3L 140 CI | .025"   | FWS-25    |
| 1992-93             | V6 3.3L 204 CI | .025"   | FWS-1     |
| 1992-93             | V6 3.3L 204 CI | .050"   | FWS-2     |
| 1994-98             | V6 3.1L 189 CI | .025"   | FWS-7     |
| 1994-98             | V6 3.1L 189 CI | .050"   | FWS-8     |
| 2002-04             | L4 2.2L 134 CI | .050"   | FWS-8     |
| 2002-04             | L4 2.2L 134 CI | .025"   | FWS-7     |
| <b>GRAND LEMANS</b> |                |         |           |
| 1975-77             | L6 4.1L 250 CI | .050"   | FWS-2     |
| 1975-77             | V8 6.6L 400 CI | .050"   | FWS-2     |
| 1975-77             | V8 6.6L 400 CI | .025"   | FWS-1     |
| 1976-79             | V8 5.7L 350 CI | .025"   | FWS-1     |
| 1982-83             | V8 5.7L 350 CI | .025"   | FWS-1     |
| 1976-79             | V8 5.0L 305 CI | .025"   | FWS-1     |
| 1976-79             | V8 5.0L 305 CI | .050"   | FWS-2     |
| 1975-77             | L6 4.1L 250 CI | .025"   | FWS-1     |
| 1977                | V8 6.6L 403 CI | .025"   | FWS-1     |
| 1977                | V8 6.6L 403 CI | .050"   | FWS-2     |
| 1978-79             | V6 3.3L 200 CI | .025"   | FWS-1     |



# FLYWHEEL SHIM APPLICATIONS

| Years               | Engine         | Remarks | Pioneer # |
|---------------------|----------------|---------|-----------|
| <b>PONTIAC</b>      |                |         |           |
| <b>GRAND LEMANS</b> |                |         |           |
| 1978-79             | V6 3.3L 200 CI | .050"   | FWS-2     |
| 1976-79             | V8 5.7L 350 CI | .050"   | FWS-2     |
| 1982-83             | V8 5.7L 350 CI | .050"   | FWS-2     |
| 1979                | V6 3.8L 231 CI | .050"   | FWS-8     |
| 1983                | V6 3.8L 231 CI | .050"   | FWS-8     |
| 1979                | V6 3.8L 231 CI | .025"   | FWS-7     |
| 1983                | V6 3.8L 231 CI | .025"   | FWS-7     |
| 1979                | V6 3.8L 232 CI | .050"   | FWS-8     |
| 1979                | V6 3.8L 232 CI | .025"   | FWS-7     |
| 1979-82             | V8 4.4L 267 CI | .025"   | FWS-1     |
| 1979-82             | V8 4.4L 267 CI | .050"   | FWS-2     |
| 1982                | V6 4.1L 252 CI | .025"   | FWS-1     |
| 1982                | V6 4.1L 252 CI | .050"   | FWS-2     |
| <b>GRAND PRIX</b>   |                |         |           |
| 1967-69             | V8 7.0L 428 CI | .025"   | FWS-1     |
| 1967-69             | V8 7.0L 428 CI | .050"   | FWS-2     |
| 1970-77             | V8 6.6L 400 CI | .025"   | FWS-1     |
| 1970-77             | V8 6.6L 400 CI | .050"   | FWS-2     |
| 1976-77             | V8 5.7L 350 CI | .025"   | FWS-1     |
| 1981-84             | V8 5.7L 350 CI | .025"   | FWS-1     |
| 1977                | V8 6.6L 403 CI | .050"   | FWS-2     |
| 1977                | V8 6.6L 403 CI | .025"   | FWS-1     |
| 1978-79             | V8 5.0L 305 CI | .025"   | FWS-1     |
| 1978-79             | V8 5.0L 305 CI | .050"   | FWS-2     |
| 1979                | V6 3.8L 231 CI | .050"   | FWS-8     |
| 1997-01             | V6 3.8L 231 CI | .050"   | FWS-8     |
| 1979                | V6 3.8L 231 CI | .025"   | FWS-7     |
| 1997-01             | V6 3.8L 231 CI | .025"   | FWS-7     |
| 1981-82             | V8 4.4L 267 CI | .025"   | FWS-1     |
| 1981-82             | V8 4.4L 267 CI | .050"   | FWS-2     |
| 1976-77             | V8 5.7L 350 CI | .050"   | FWS-2     |
| 1981-84             | V8 5.7L 350 CI | .050"   | FWS-2     |
| 1982                | V6 4.1L 252 CI | .025"   | FWS-1     |
| 1982                | V6 4.1L 252 CI | .050"   | FWS-2     |
| 1988-89             | V6 2.8L 173 CI | .025"   | FWS-7     |
| 1988-89             | V6 2.8L 173 CI | .050"   | FWS-8     |
| 1989-03             | V6 3.1L 189 CI | .050"   | FWS-8     |
| 1989-03             | V6 3.1L 189 CI | .025"   | FWS-7     |
| 1990-91             | L4 2.3L 138 CI | .025"   | FWS-25    |
| 1990-91             | L4 2.3L 138 CI | .050"   | FWS-26    |

# FLYWHEEL SHIM APPLICATIONS

| Years                | Engine         | Remarks | Pioneer # |
|----------------------|----------------|---------|-----------|
| <b>PONTIAC</b>       |                |         |           |
| <b>GRAND PRIX</b>    |                |         |           |
| 1979                 | V6 3.8L 232 CI | .025"   | FWS-7     |
| 1983-87              | V6 3.8L 232 CI | .025"   | FWS-7     |
| 1997-05              | V6 3.8L 232 CI | .025"   | FWS-7     |
| 1979                 | V6 3.8L 232 CI | .050"   | FWS-8     |
| 1983-87              | V6 3.8L 232 CI | .050"   | FWS-8     |
| 1997-05              | V6 3.8L 232 CI | .050"   | FWS-8     |
| 2005-08              | V8 5.3L 325 CI | .050"   | FWS-28    |
| 2005-08              | V8 5.3L 325 CI | .025"   | FWS-27    |
| <b>GRAND SAFARI</b>  |                |         |           |
| 1971                 | V8 6.6L 400 CI | .025"   | FWS-1     |
| 1973-78              | V8 6.6L 400 CI | .025"   | FWS-1     |
| 1971                 | V8 6.6L 400 CI | .050"   | FWS-2     |
| 1973-78              | V8 6.6L 400 CI | .050"   | FWS-2     |
| 1977                 | V8 5.7L 350 CI | .050"   | FWS-2     |
| 1977                 | V8 5.7L 350 CI | .025"   | FWS-1     |
| 1977-78              | V8 6.6L 403 CI | .025"   | FWS-1     |
| 1977-78              | V8 6.6L 403 CI | .050"   | FWS-2     |
| <b>GRANDVILLE</b>    |                |         |           |
| 1973                 | V8 6.6L 400 CI | .050"   | FWS-2     |
| 1975                 | V8 6.6L 400 CI | .050"   | FWS-2     |
| 1973                 | V8 6.6L 400 CI | .025"   | FWS-1     |
| 1975                 | V8 6.6L 400 CI | .025"   | FWS-1     |
| <b>GTO</b>           |                |         |           |
| 1967                 | V8 6.6L 400 CI | .050"   | FWS-2     |
| 1970-73              | V8 6.6L 400 CI | .050"   | FWS-2     |
| 1967                 | V8 6.6L 400 CI | .025"   | FWS-1     |
| 1970-73              | V8 6.6L 400 CI | .025"   | FWS-1     |
| 2004                 | V8 5.7L 350 CI | .050"   | FWS-2     |
| 2004                 | V8 5.7L 350 CI | .025"   | FWS-1     |
| <b>J2000</b>         |                |         |           |
| 1983                 | L4 2.0L 122 CI | .025"   | FWS-25    |
| 1983                 | L4 2.0L 122 CI | .050"   | FWS-26    |
| <b>J2000 SUNBIRD</b> |                |         |           |
| 1984-85              | L4 2.0L 122 CI | .025"   | FWS-25    |
| 1984-85              | L4 2.0L 122 CI | .050"   | FWS-26    |
| <b>LAURENTIAN</b>    |                |         |           |
| 1976                 | V8 6.6L 400 CI | .025"   | FWS-1     |
| 1976                 | V8 6.6L 400 CI | .050"   | FWS-2     |
| 1977-79              | L6 4.1L 250 CI | .050"   | FWS-2     |
| 1977-79              | L6 4.1L 250 CI | .025"   | FWS-1     |

# FLYWHEEL SHIM APPLICATIONS

| Years             | Engine         | Remarks | Pioneer # |
|-------------------|----------------|---------|-----------|
| <b>PONTIAC</b>    |                |         |           |
| <b>LAURENTIAN</b> |                |         |           |
| 1977-79           | V8 5.0L 305 CI | .050"   | FWS-2     |
| 1977-79           | V8 5.0L 305 CI | .025"   | FWS-1     |
| 1976-81           | V8 5.7L 350 CI | .025"   | FWS-1     |
| 1976-81           | V8 5.7L 350 CI | .050"   | FWS-2     |
| 1980-81           | V8 4.4L 267 CI | .025"   | FWS-1     |
| 1980-81           | V8 4.4L 267 CI | .050"   | FWS-2     |
| <b>LEMANS</b>     |                |         |           |
| 1968-69           | V8 7.0L 428 CI | .025"   | FWS-1     |
| 1968-69           | V8 7.0L 428 CI | .050"   | FWS-2     |
| 1968-77           | L6 4.1L 250 CI | .025"   | FWS-1     |
| 1968-77           | L6 4.1L 250 CI | .050"   | FWS-2     |
| 1970-77           | V8 6.6L 400 CI | .025"   | FWS-1     |
| 1970-77           | V8 6.6L 400 CI | .050"   | FWS-2     |
| 1976-79           | V8 5.0L 305 CI | .050"   | FWS-2     |
| 1976-79           | V8 5.0L 305 CI | .025"   | FWS-1     |
| 1976-79           | V8 5.7L 350 CI | .050"   | FWS-2     |
| 1976-79           | V8 5.7L 350 CI | .025"   | FWS-1     |
| 1977              | V8 6.6L 403 CI | .025"   | FWS-1     |
| 1977              | V8 6.6L 403 CI | .050"   | FWS-2     |
| 1978-79           | V6 3.3L 200 CI | .025"   | FWS-1     |
| 1978-79           | V6 3.3L 200 CI | .050"   | FWS-2     |
| 1979              | V6 3.8L 231 CI | .025"   | FWS-7     |
| 1979              | V6 3.8L 231 CI | .050"   | FWS-8     |
| 1979              | V6 3.8L 232 CI | .025"   | FWS-7     |
| 1979              | V6 3.8L 232 CI | .050"   | FWS-8     |
| 1979-81           | V8 4.4L 267 CI | .050"   | FWS-2     |
| 1979-81           | V8 4.4L 267 CI | .025"   | FWS-1     |
| 1989-90           | L4 2.0L 122 CI | .050"   | FWS-26    |
| 1989-90           | L4 2.0L 122 CI | .025"   | FWS-25    |
| <b>OPTIMA</b>     |                |         |           |
| 1988-90           | L4 2.0L 122 CI | .025"   | FWS-25    |
| 1988-90           | L4 2.0L 122 CI | .050"   | FWS-26    |
| <b>PARISIENNE</b> |                |         |           |
| 1976              | V8 6.6L 400 CI | .025"   | FWS-1     |
| 1976              | V8 6.6L 400 CI | .050"   | FWS-2     |
| 1976-85           | V8 5.7L 350 CI | .050"   | FWS-2     |
| 1977-79           | L6 4.1L 250 CI | .025"   | FWS-1     |
| 1977-79           | L6 4.1L 250 CI | .050"   | FWS-2     |
| 1977-79           | V8 5.0L 305 CI | .025"   | FWS-1     |
| 1977-79           | V8 5.0L 305 CI | .050"   | FWS-2     |

# FLYWHEEL SHIM APPLICATIONS

| Years             | Engine         | Remarks | Pioneer # |
|-------------------|----------------|---------|-----------|
| <b>PONTIAC</b>    |                |         |           |
| <b>PARISIENNE</b> |                |         |           |
| 1980-82           | V8 4.4L 267 CI | .025"   | FWS-1     |
| 1980-82           | V8 4.4L 267 CI | .050"   | FWS-2     |
| 1976-85           | V8 5.7L 350 CI | .025"   | FWS-1     |
| 1984              | V6 3.8L 232 CI | .025"   | FWS-7     |
| 1984              | V6 3.8L 232 CI | .050"   | FWS-8     |
| 1983              | V6 3.8L 231 CI | .050"   | FWS-8     |
| 1985              | V6 3.8L 231 CI | .050"   | FWS-8     |
| 1983              | V6 3.8L 231 CI | .025"   | FWS-7     |
| 1985              | V6 3.8L 231 CI | .025"   | FWS-7     |
| <b>PHOENIX</b>    |                |         |           |
| 1977-79           | V8 5.7L 350 CI | .050"   | FWS-2     |
| 1977-79           | V8 5.0L 305 CI | .025"   | FWS-1     |
| 1977-79           | V8 5.0L 305 CI | .050"   | FWS-2     |
| 1977-79           | V8 5.7L 350 CI | .025"   | FWS-1     |
| 1979              | V6 3.8L 232 CI | .025"   | FWS-7     |
| 1979              | V6 3.8L 232 CI | .050"   | FWS-8     |
| 1977-78           | L4 2.5L 151 CI | .050"   | FWS-8     |
| 1980-84           | L4 2.5L 151 CI | .050"   | FWS-8     |
| 1980-84           | V6 2.8L 173 CI | .025"   | FWS-7     |
| 1980-84           | V6 2.8L 173 CI | .050"   | FWS-8     |
| 1977-78           | L4 2.5L 151 CI | .025"   | FWS-7     |
| 1980-84           | L4 2.5L 151 CI | .025"   | FWS-7     |
| <b>STAR CHIEF</b> |                |         |           |
| 1955              | V8 4.7L 287 CI | .025"   | FWS-1     |
| 1955              | V8 4.7L 287 CI | .050"   | FWS-2     |
| <b>SUNBIRD</b>    |                |         |           |
| 1976-77           | L4 2.3L 140 CI | .050"   | FWS-26    |
| 1976-77           | L4 2.3L 140 CI | .025"   | FWS-25    |
| 1977-80           | L4 2.5L 151 CI | .050"   | FWS-8     |
| 1977-80           | L4 2.5L 151 CI | .025"   | FWS-7     |
| 1978-79           | V8 5.0L 305 CI | .050"   | FWS-2     |
| 1978-79           | V8 5.0L 305 CI | .025"   | FWS-1     |
| 1979              | V6 3.8L 232 CI | .050"   | FWS-8     |
| 1979              | V6 3.8L 232 CI | .025"   | FWS-7     |
| 1986-94           | L4 2.0L 122 CI | .050"   | FWS-26    |
| 1986-94           | L4 2.0L 122 CI | .025"   | FWS-25    |
| 1987-90           | L4 2.0L 122 CI | .025"   | FWS-7     |
| 1987-90           | L4 2.0L 122 CI | .050"   | FWS-8     |
| 1991-94           | V6 3.1L 189 CI | .050"   | FWS-8     |
| 1991-94           | V6 3.1L 189 CI | .025"   | FWS-7     |

# FLYWHEEL SHIM APPLICATIONS

| Years                | Engine         | Remarks | Pioneer # |
|----------------------|----------------|---------|-----------|
| <b>PONTIAC</b>       |                |         |           |
| <b>SUNFIRE</b>       |                |         |           |
| 1995                 | L4 2.3L 138 CI | .050"   | FWS-26    |
| 1995                 | L4 2.3L 138 CI | .025"   | FWS-25    |
| 1995-04              | L4 2.2L 134 CI | .050"   | FWS-8     |
| 1995-04              | L4 2.2L 134 CI | .025"   | FWS-7     |
| <b>TEMPEST</b>       |                |         |           |
| 1968-70              | L6 4.1L 250 CI | .025"   | FWS-1     |
| 1968-70              | L6 4.1L 250 CI | .050"   | FWS-2     |
| 1969                 | V8 7.0L 428 CI | .025"   | FWS-1     |
| 1969                 | V8 7.0L 428 CI | .050"   | FWS-2     |
| 1970                 | V8 6.6L 400 CI | .050"   | FWS-2     |
| 1970                 | V8 6.6L 400 CI | .025"   | FWS-1     |
| 1987-89              | L4 2.0L 122 CI | .025"   | FWS-25    |
| 1987-89              | L4 2.0L 122 CI | .050"   | FWS-26    |
| 1987-89              | V6 2.8L 173 CI | .025"   | FWS-7     |
| 1987-89              | V6 2.8L 173 CI | .050"   | FWS-8     |
| 1990-91              | L4 2.2L 134 CI | .025"   | FWS-7     |
| 1990-91              | L4 2.2L 134 CI | .050"   | FWS-8     |
| 1990-91              | V6 3.1L 189 CI | .025"   | FWS-7     |
| 1990-91              | V6 3.1L 189 CI | .050"   | FWS-8     |
| <b>PONTIAC TRUCK</b> |                |         |           |
| <b>SAFARI</b>        |                |         |           |
| 1968                 | L6 4.1L 250 CI | .025"   | FWS-1     |
| 1970                 | L6 4.1L 250 CI | .025"   | FWS-1     |
| 1968                 | L6 4.1L 250 CI | .050"   | FWS-2     |
| 1970                 | L6 4.1L 250 CI | .050"   | FWS-2     |
| 1970                 | V8 6.6L 400 CI | .025"   | FWS-1     |
| 1970                 | V8 6.6L 400 CI | .050"   | FWS-2     |
| <b>TRANS SPORT</b>   |                |         |           |
| 1990-95              | V6 3.1L 189 CI | .050"   | FWS-8     |
| 1990-95              | V6 3.1L 189 CI | .025"   | FWS-7     |
| 1992-95              | V6 3.8L 232 CI | .050"   | FWS-8     |
| 1992-95              | V6 3.8L 232 CI | .025"   | FWS-7     |
| <b>PONTIAC</b>       |                |         |           |
| <b>VENTURA</b>       |                |         |           |
| 1971-72              | V8 5.0L 307 CI | .050"   | FWS-2     |
| 1971-72              | V8 5.0L 307 CI | .025"   | FWS-1     |
| 1971-76              | L6 4.1L 250 CI | .050"   | FWS-2     |
| 1971-76              | L6 4.1L 250 CI | .025"   | FWS-1     |
| 1976-77              | V8 5.7L 350 CI | .050"   | FWS-2     |

# FLYWHEEL SHIM APPLICATIONS

| Years             | Engine         | Remarks | Pioneer # |
|-------------------|----------------|---------|-----------|
| <b>PONTIAC</b>    |                |         |           |
| <b>VENTURA</b>    |                |         |           |
| 1977              | L4 2.5L 151 CI | .050"   | FWS-8     |
| 1977              | L4 2.5L 151 CI | .025"   | FWS-7     |
| 1977              | V8 5.0L 305 CI | .025"   | FWS-1     |
| 1977              | V8 5.0L 305 CI | .050"   | FWS-2     |
| 1976-77           | V8 5.7L 350 CI | .025"   | FWS-1     |
| <b>SAAB TRUCK</b> |                |         |           |
| <b>9-7X</b>       |                |         |           |
| 2005-07           | V8 5.3L 325 CI | .050"   | FWS-28    |
| 2005-07           | V8 5.3L 325 CI | .025"   | FWS-27    |
| <b>TOYOTA</b>     |                |         |           |
| <b>CAMRY</b>      |                |         |           |
| 1986              | L4 2.0L 120 CI | .050"   | FWS-11    |
| 1986              | L4 2.0L 120 CI | .025"   | FWS-10    |
| 1983-91           | L4 2.0L 122 CI | .025"   | FWS-10    |
| 1983-91           | L4 2.0L 122 CI | .050"   | FWS-11    |
| 1992-01           | L4 2.2L 132 CI | .050"   | FWS-11    |
| 1992-01           | L4 2.2L 132 CI | .025"   | FWS-10    |
| 2002-03           | L4 2.4L 144 CI | .050"   | FWS-4     |
| 2002-03           | L4 2.4L 144 CI | .025"   | FWS-3     |
| <b>CARINA</b>     |                |         |           |
| 1972-73           | L4 1.6L 97 CI  | .025"   | FWS-10    |
| 1972-73           | L4 1.6L 97 CI  | .050"   | FWS-11    |
| <b>CELICA</b>     |                |         |           |
| 1972-74           | L4 2.0L 120 CI | .050"   | FWS-11    |
| 1972-74           | L4 2.0L 120 CI | .025"   | FWS-10    |
| 1975-80           | L4 2.2L 134 CI | .025"   | FWS-10    |
| 1975-80           | L4 2.2L 134 CI | .050"   | FWS-11    |
| 1979-80           | L6 2.6L 156 CI | .025"   | FWS-10    |
| 1979-80           | L6 2.6L 156 CI | .050"   | FWS-11    |
| 1981              | L4 2.4L 144 CI | .025"   | FWS-3     |
| 1984-85           | L4 2.4L 144 CI | .025"   | FWS-3     |
| 1981              | L4 2.4L 144 CI | .050"   | FWS-4     |
| 1984-85           | L4 2.4L 144 CI | .050"   | FWS-4     |
| 1986-93           | L4 2.0L 122 CI | .025"   | FWS-10    |
| 1986-93           | L4 2.0L 122 CI | .050"   | FWS-11    |
| 1990-93           | L4 1.6L 97 CI  | .025"   | FWS-10    |
| 1990-93           | L4 1.6L 97 CI  | .050"   | FWS-11    |
| 1990-99           | L4 2.2L 132 CI | .050"   | FWS-11    |
| 1990-99           | L4 2.2L 132 CI | .025"   | FWS-10    |

# FLYWHEEL SHIM APPLICATIONS

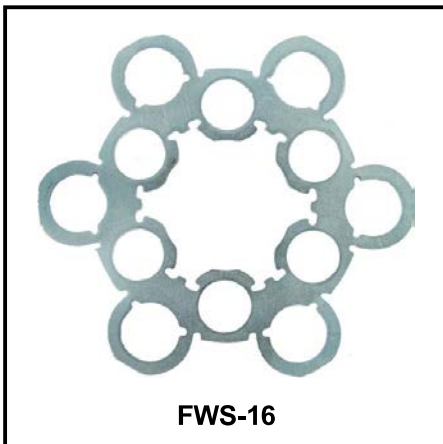
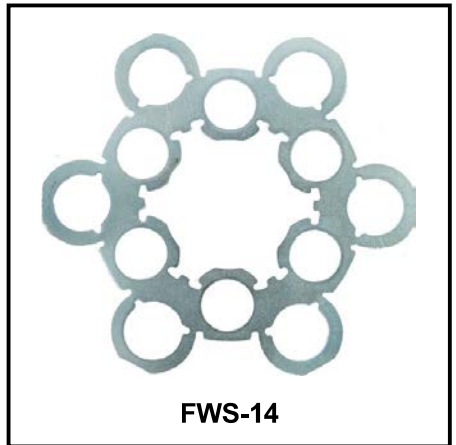
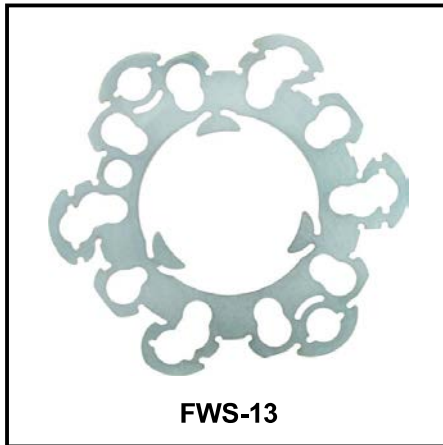
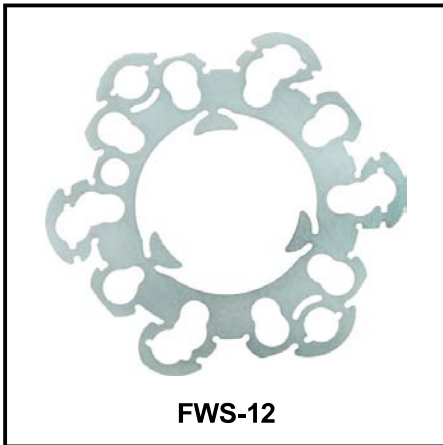
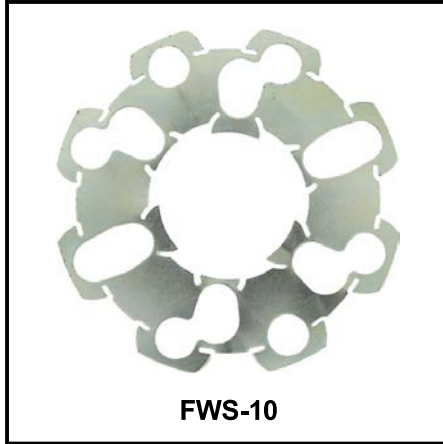
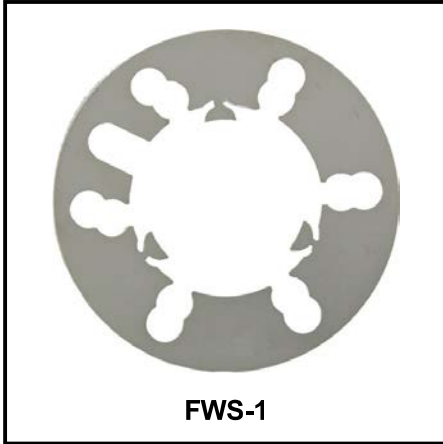
| Years           | Engine         | Remarks | Pioneer # |
|-----------------|----------------|---------|-----------|
| <b>TOYOTA</b>   |                |         |           |
| <b>CELICA</b>   |                |         |           |
| 1994-97         | L4 1.8L 108 CI | .050"   | FWS-11    |
| 1994-97         | L4 1.8L 108 CI | .025"   | FWS-10    |
| 2000-04         | L4 1.8L 109 CI | .050"   | FWS-11    |
| 2000-04         | L4 1.8L 109 CI | .025"   | FWS-10    |
| 2000-04         | L4 1.8L 110 CI | .050"   | FWS-11    |
| 2000-04         | L4 1.8L 110 CI | .025"   | FWS-10    |
| <b>COROLLA</b>  |                |         |           |
| 1971-79         | L4 1.6L 97 CI  | .050"   | FWS-11    |
| 1983-97         | L4 1.6L 97 CI  | .050"   | FWS-11    |
| 1971-79         | L4 1.6L 97 CI  | .025"   | FWS-10    |
| 1983-97         | L4 1.6L 97 CI  | .025"   | FWS-10    |
| 1980-82         | L4 1.8L 108 CI | .025"   | FWS-10    |
| 1993-97         | L4 1.8L 108 CI | .025"   | FWS-10    |
| 1980-82         | L4 1.8L 108 CI | .050"   | FWS-11    |
| 1993-97         | L4 1.8L 108 CI | .050"   | FWS-11    |
| 1998-08         | L4 1.8L 109 CI | .050"   | FWS-11    |
| 1998-08         | L4 1.8L 109 CI | .025"   | FWS-10    |
| <b>CORONA</b>   |                |         |           |
| 1972-74         | L4 2.0L 120 CI | .025"   | FWS-10    |
| 1972-74         | L4 2.0L 120 CI | .050"   | FWS-11    |
| 1975-80         | L4 2.2L 134 CI | .050"   | FWS-11    |
| 1975-80         | L4 2.2L 134 CI | .025"   | FWS-10    |
| <b>CRESSIDA</b> |                |         |           |
| 1978-80         | L6 2.6L 156 CI | .050"   | FWS-11    |
| 1978-80         | L6 2.6L 156 CI | .025"   | FWS-10    |
| <b>CROWN</b>    |                |         |           |
| 1967-70         | L6 2.3L 137 CI | .025"   | FWS-10    |
| 1967-70         | L6 2.3L 137 CI | .050"   | FWS-11    |
| <b>ECHO</b>     |                |         |           |
| 2000-04         | L4 1.5L 91 CI  | .050"   | FWS-11    |
| 2000-04         | L4 1.5L 91 CI  | .025"   | FWS-10    |
| <b>MARK II</b>  |                |         |           |
| 1972            | L6 2.3L 137 CI | .025"   | FWS-10    |
| 1972            | L6 2.3L 137 CI | .050"   | FWS-11    |
| 1973-76         | L6 2.6L 156 CI | .050"   | FWS-11    |
| 1973-76         | L6 2.6L 156 CI | .025"   | FWS-10    |
| <b>MATRIX</b>   |                |         |           |
| 2003-04         | L4 1.8L 109 CI | .050"   | FWS-11    |
| 2003-04         | L4 1.8L 109 CI | .025"   | FWS-10    |
| 2003-04         | L4 1.8L 110 CI | .025"   | FWS-10    |

# FLYWHEEL SHIM APPLICATIONS

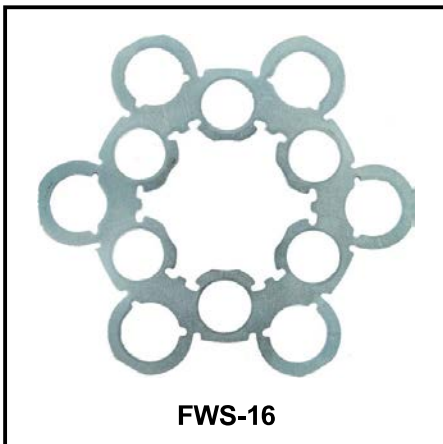
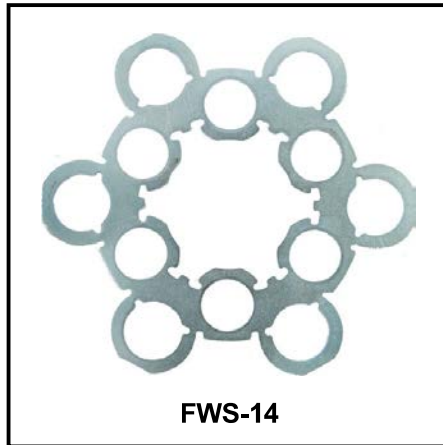
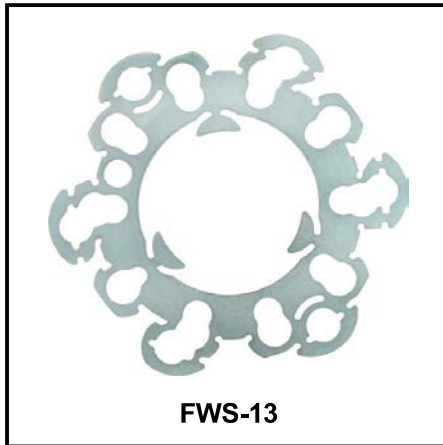
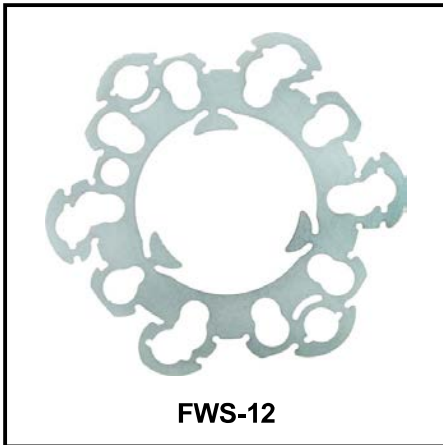
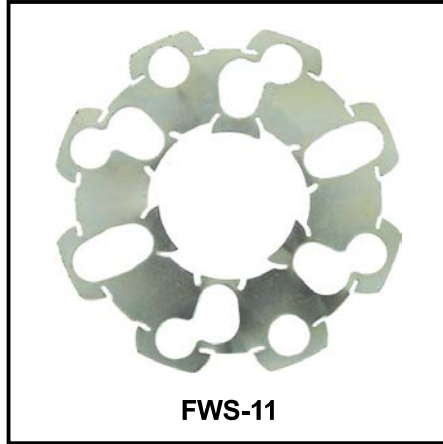
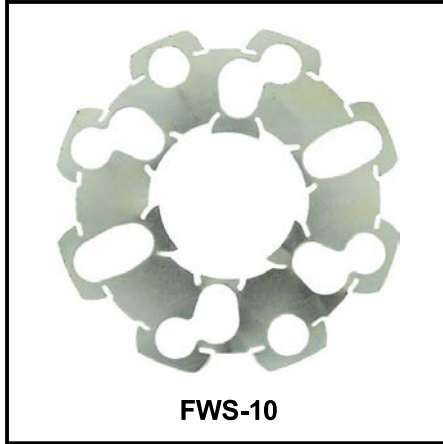
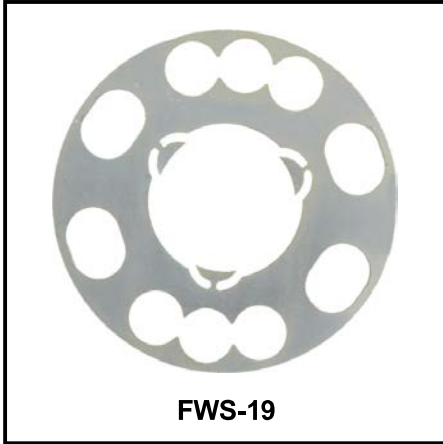
| Years               | Engine         | Remarks | Pioneer # |
|---------------------|----------------|---------|-----------|
| <b>TOYOTA</b>       |                |         |           |
| <b>MATRIX</b>       |                |         |           |
| 2003-04             | L4 1.8L 110 CI | .050"   | FWS-11    |
| <b>MR2</b>          |                |         |           |
| 1985-89             | L4 1.6L 97 CI  | .050"   | FWS-11    |
| 1985-89             | L4 1.6L 97 CI  | .025"   | FWS-10    |
| 1991-95             | L4 2.0L 122 CI | .025"   | FWS-10    |
| 1991-95             | L4 2.0L 122 CI | .050"   | FWS-11    |
| 1991-95             | L4 2.2L 132 CI | .050"   | FWS-11    |
| 1991-95             | L4 2.2L 132 CI | .025"   | FWS-10    |
| <b>MR2 SPYDER</b>   |                |         |           |
| 2000-04             | L4 1.8L 109 CI | .025"   | FWS-10    |
| 2000-04             | L4 1.8L 109 CI | .050"   | FWS-11    |
| <b>PASEO</b>        |                |         |           |
| 1992-99             | L4 1.5L 91 CI  | .025"   | FWS-10    |
| 1992-99             | L4 1.5L 91 CI  | .050"   | FWS-11    |
| <b>PRIUS</b>        |                |         |           |
| 2001-04             | L4 1.5L 91 CI  | .050"   | FWS-11    |
| 2001-04             | L4 1.5L 91 CI  | .025"   | FWS-10    |
| <b>SOLARA</b>       |                |         |           |
| 1999-01             | L4 2.2L 132 CI | .050"   | FWS-11    |
| 1999-01             | L4 2.2L 132 CI | .025"   | FWS-10    |
| <b>TERCEL</b>       |                |         |           |
| 1980-94             | L4 1.5L 89 CI  | .025"   | FWS-10    |
| 1980-94             | L4 1.5L 89 CI  | .050"   | FWS-11    |
| 1995-98             | L4 1.5L 91 CI  | .025"   | FWS-10    |
| 1995-98             | L4 1.5L 91 CI  | .050"   | FWS-11    |
| <b>TOYOTA TRUCK</b> |                |         |           |
| <b>PICKUP</b>       |                |         |           |
| 1972-74             | L4 2.0L 120 CI | .050"   | FWS-11    |
| 1972-74             | L4 2.0L 120 CI | .025"   | FWS-10    |
| 1975-80             | L4 2.2L 134 CI | .050"   | FWS-11    |
| 1975-80             | L4 2.2L 134 CI | .025"   | FWS-10    |
| <b>RAV4</b>         |                |         |           |
| 1996-03             | L4 2.0L 122 CI | .050"   | FWS-11    |
| 1996-03             | L4 2.0L 122 CI | .025"   | FWS-10    |
| <b>VAN</b>          |                |         |           |
| 1984-85             | L4 2.0L 122 CI | .025"   | FWS-10    |
| 1984-85             | L4 2.0L 122 CI | .050"   | FWS-11    |
| 1986-89             | L4 2.2L 137 CI | .025"   | FWS-10    |
| 1986-89             | L4 2.2L 137 CI | .050"   | FWS-11    |



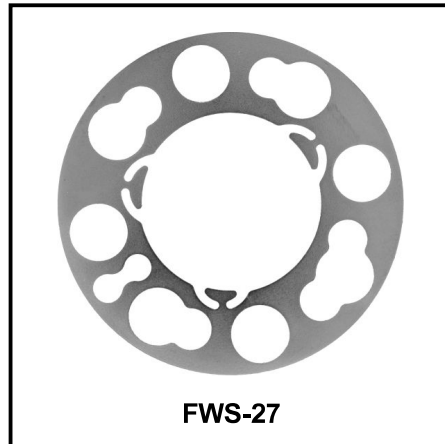
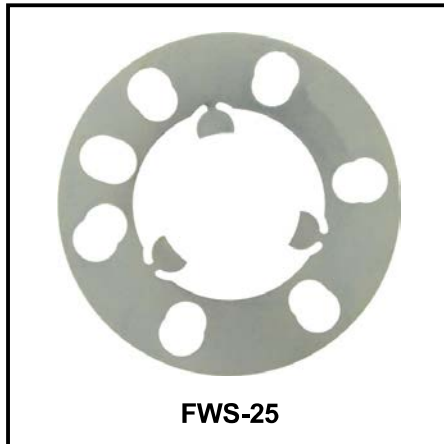
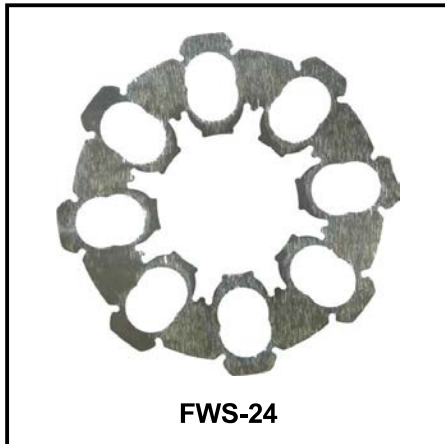
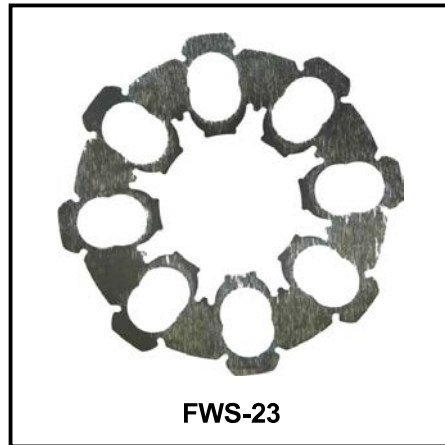
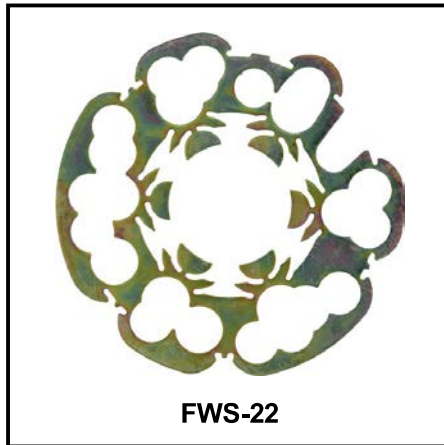
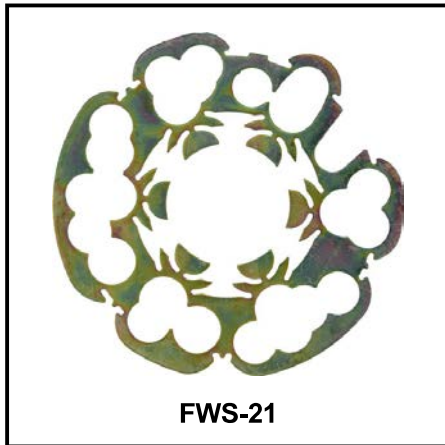
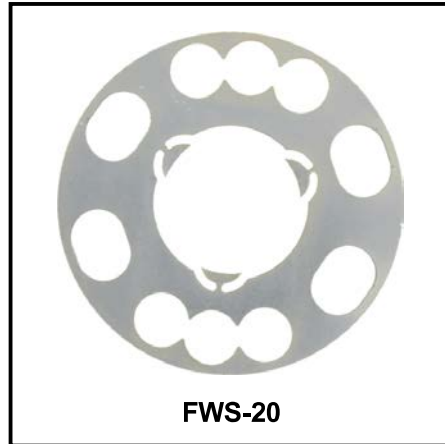
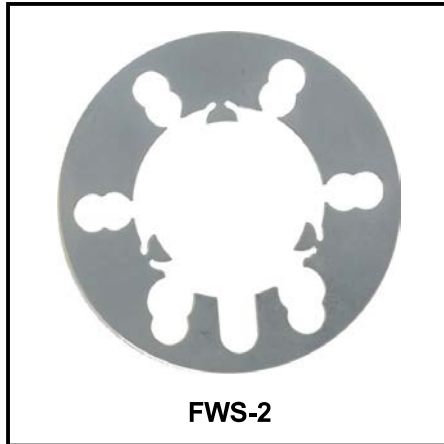
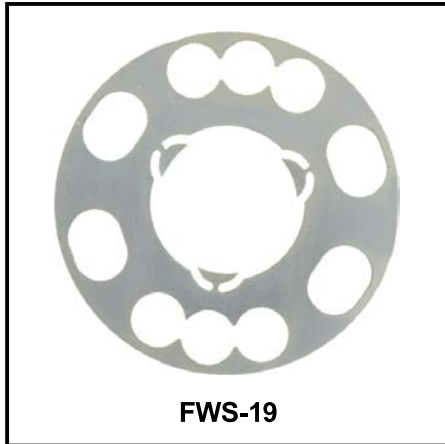
# FLYWHEEL SHIM ILLUSTRATIONS



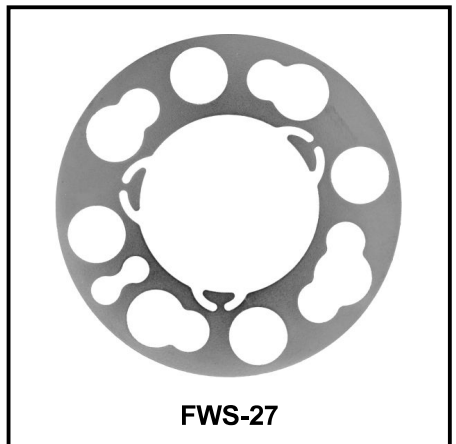
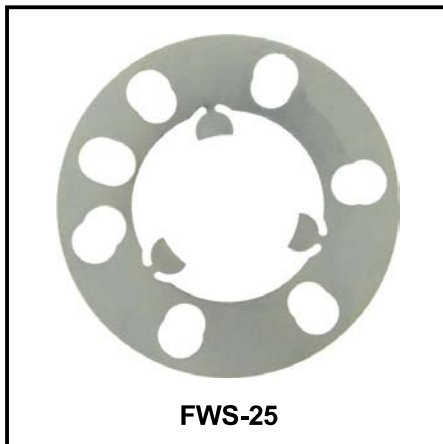
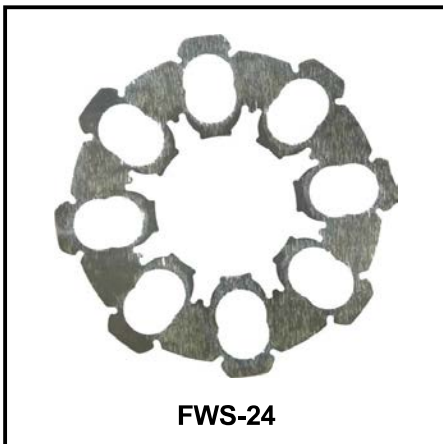
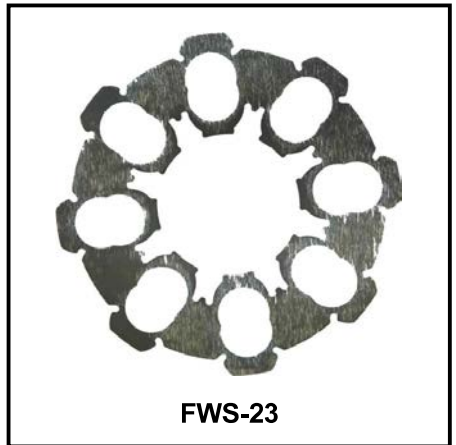
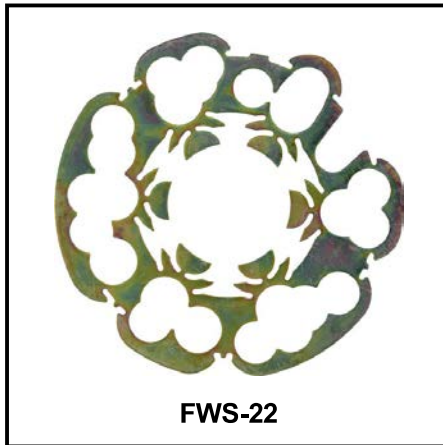
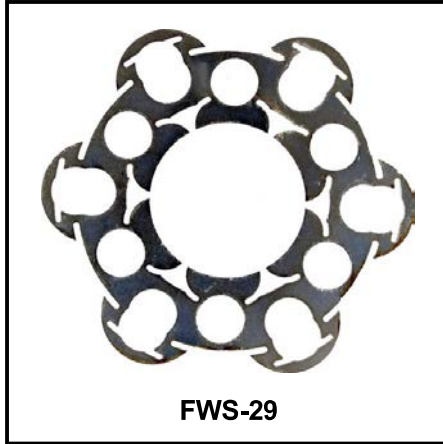
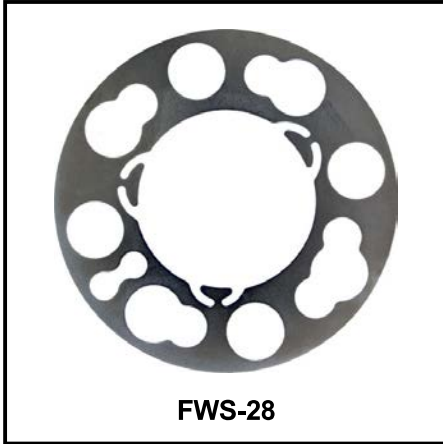
# FLYWHEEL SHIM ILLUSTRATIONS



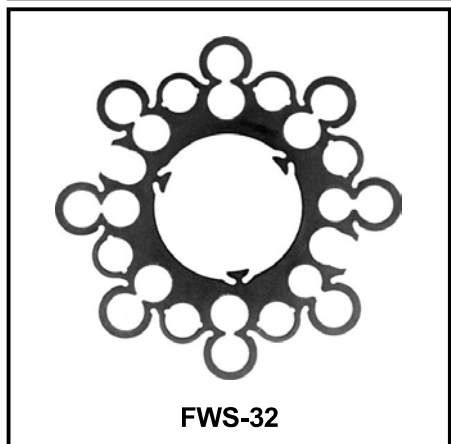
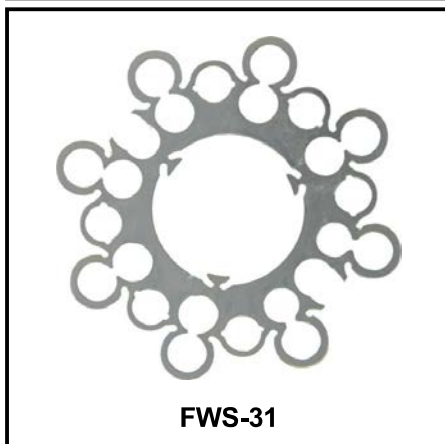
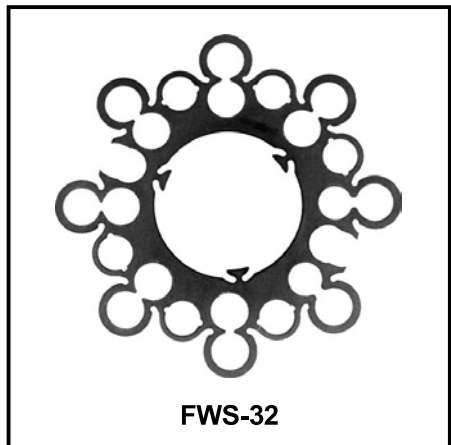
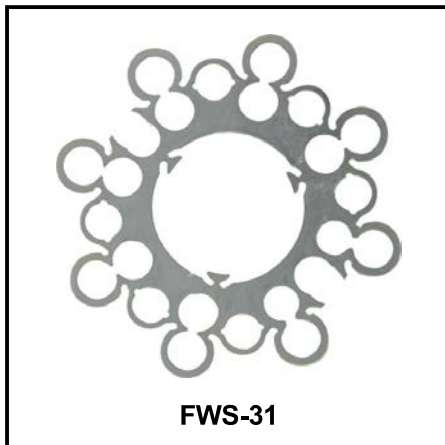
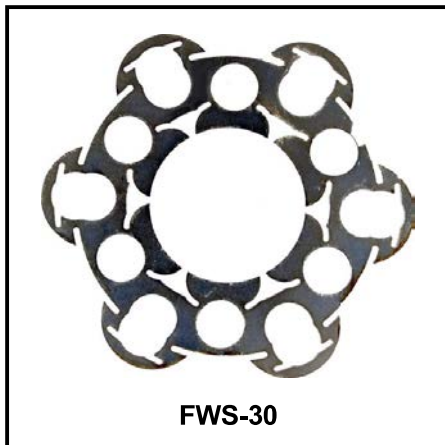
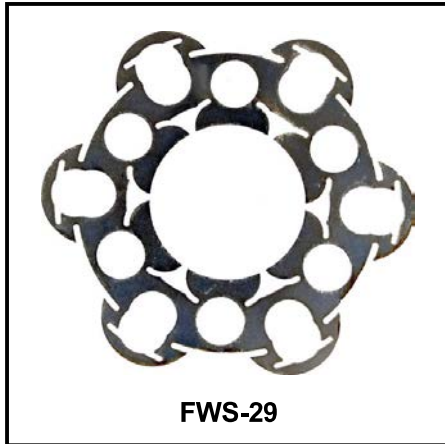
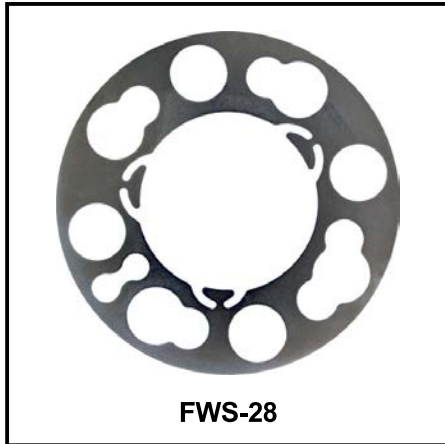
# FLYWHEEL SHIM ILLUSTRATIONS



# FLYWHEEL SHIM ILLUSTRATIONS



# FLYWHEEL SHIM ILLUSTRATIONS



# FLYWHEEL SHIM ILLUSTRATIONS



FWS-4



FWS-5



FWS-6



FWS-7



FWS-8

# INTERCHANGES SUMMARY - FLYWHEEL SHIM

| Competitor | # Competitor | # Pioneer |
|------------|--------------|-----------|
| ATP        | FS-1         | FWS-14    |
| ATP        | FS10         | FWS-13    |
| ATP        | FS11         | FWS-12    |
| ATP        | FS-4         | FWS-5     |
| ATP        | FS-5         | FWS-6     |
| ATP        | FS7          | FWS-13    |
| ATP        | FS9          | FWS-12    |
| ATP        | GS2          | FWS-8     |
| ATP        | GS4          | FWS-2     |
| ATP        | GS5          | FWS-2     |
| ATP        | GS6          | FWS-1     |
| ATP        | GS7          | FWS-25    |
| ATP        | GS8          | FWS-26    |
| ATP        | NS1          | FWS-18    |
| ATP        | TS2          | FWS-4     |
| ATP        | TS3          | FWS-3     |
| ATP        | TS6          | FWS-22    |

# CLUTCH FORK APPLICATIONS

| Years                  | Engine         | Remarks    | OE       | Pioneer # |
|------------------------|----------------|------------|----------|-----------|
| <b>AMERICAN MOTORS</b> |                |            |          |           |
| <b>AMX</b>             |                |            |          |           |
| 1978-79                | V8 5.0L 304 CI |            | 3224192  | CF-112    |
| 1978-80                | L6 4.2L 258 CI |            | 3224192  | CF-112    |
| <b>CONCORD</b>         |                |            |          |           |
| 1978-79                | L6 3.8L 232 CI |            | 3224192  | CF-112    |
| 1978-79                | V8 5.0L 304 CI |            | 3224192  | CF-112    |
| 1978-82                | L6 4.2L 258 CI |            | 3224192  | CF-112    |
| <b>EAGLE</b>           |                |            |          |           |
| 1980-88                | L6 4.2L 258 CI |            | 3224192  | CF-112    |
| <b>GREMLIN</b>         |                |            |          |           |
| 1977-78                | L6 3.8L 232 CI |            | 3224192  | CF-112    |
| 1977-78                | L6 4.2L 258 CI |            | 3224192  | CF-112    |
| <b>HORNET</b>          |                |            |          |           |
| 1977                   | L6 3.8L 232 CI |            | 3224192  | CF-112    |
| 1977                   | L6 4.2L 258 CI |            | 3224192  | CF-112    |
| 1977                   | V8 5.0L 304 CI |            | 3224192  | CF-112    |
| <b>MATADOR</b>         |                |            |          |           |
| 1977                   | V8 5.0L 304 CI |            | 3224192  | CF-112    |
| 1977-78                | L6 4.2L 258 CI |            | 3224192  | CF-112    |
| 1977-78                | V8 5.9L 360 CI |            | 3224192  | CF-112    |
| <b>PACER</b>           |                |            |          |           |
| 1977-78                | L6 3.8L 232 CI |            | 3224192  | CF-112    |
| 1977-80                | L6 4.2L 258 CI |            | 3224192  | CF-112    |
| 1978-79                | V8 5.0L 304 CI |            | 3224192  | CF-112    |
| <b>SPIRIT</b>          |                |            |          |           |
| 1979                   | L6 3.8L 232 CI |            | 3224192  | CF-112    |
| 1979                   | V8 5.0L 304 CI |            | 3224192  | CF-112    |
| 1979-81                | L6 4.2L 258 CI |            | 3224192  | CF-112    |
| <b>BUICK</b>           |                |            |          |           |
| <b>APOLLO</b>          |                |            |          |           |
| 1973-75                | L6 4.1L 250 CI |            | 14066235 | CF-100    |
| <b>CENTURY</b>         |                |            |          |           |
| 1976-77                | V6 3.8L 231 CI |            | 14066235 | CF-100    |
| <b>REGAL</b>           |                |            |          |           |
| 1976-77                | V6 3.8L 231 CI |            | 14066235 | CF-100    |
| <b>SKYHAWK</b>         |                |            |          |           |
| 1982-86                | L4 1.8L 112 CI | Shaft Type | 14024930 | CF-106    |
| 1983-87                | L4 2.0L 122 CI | Shaft Type | 14024930 | CF-106    |
| <b>SKYLARK</b>         |                |            |          |           |
| 1976-77                | V6 3.8L 231 CI |            | 14066235 | CF-100    |
| 1978-79                | V6 3.8L 232 CI |            | 14066235 | CF-100    |



# CLUTCH FORK APPLICATIONS

| Years            | Engine         | Remarks        | OE       | Pioneer # |
|------------------|----------------|----------------|----------|-----------|
| <b>BUICK</b>     |                |                |          |           |
| <b>SKYLARK</b>   |                |                |          |           |
| 1978-79          | V8 5.0L 305 CI |                | 14066235 | CF-100    |
| 1978-79          | V8 5.7L 350 CI |                | 14066235 | CF-100    |
| 1980-85          | L4 2.5L 151 CI |                | 14024930 | CF-106    |
| 1980-85          | V6 2.8L 173 CI |                | 14024930 | CF-106    |
| <b>CADILLAC</b>  |                |                |          |           |
| <b>CIMARRON</b>  |                |                |          |           |
| 1982             | L4 1.8L 112 CI |                | 14024930 | CF-106    |
| 1983-86          | L4 2.0L 122 CI |                | 14024930 | CF-106    |
| 1985-87          | V6 2.8L 173 CI |                | 14024930 | CF-106    |
| <b>CHEVROLET</b> |                |                |          |           |
| <b>BEL AIR</b>   |                |                |          |           |
| 1981             | V8 4.4L 267 CI |                | 14066235 | CF-100    |
| 1981             | V8 5.0L 305 CI |                | 14066235 | CF-100    |
| <b>BROOKWOOD</b> |                |                |          |           |
| 1969             | L6 4.1L 250 CI |                | 14066235 | CF-100    |
| <b>CAMARO</b>    |                |                |          |           |
| 1967             | V8 4.9L 302 CI | w/2-1/2" Curve | 3892632  | CF-144    |
| 1967             | V8 4.9L 302 CI |                | 14066235 | CF-100    |
| 1967             | V8 5.3L 327 CI | w/2-1/2" Curve | 3892632  | CF-144    |
| 1967-79          | L6 4.1L 250 CI |                | 14066235 | CF-100    |
| 1967-69          | V8 6.5L 396 CI | w/2-1/2" Curve | 3892632  | CF-144    |
| 1967-69          | L6 3.8L 230 CI |                | 14066235 | CF-100    |
| 1968-69          | V8 5.4L 327 CI | w/2-1/2" Curve | 3892632  | CF-144    |
| 1967-72          | V8 5.7L 350 CI | w/2-1/2" Curve | 3892632  | CF-144    |
| 1970-72          | L6 4.1L 250 CI | w/2-1/2" Curve | 3892632  | CF-144    |
| 1972             | V8 6.6L 402 CI | w/2-1/2" Curve | 3892632  | CF-144    |
| 1976-81          | V8 5.7L 350 CI |                | 14066235 | CF-100    |
| 1976-82          | V8 5.0L 305 CI |                | 14066235 | CF-100    |
| 1980-81          | V6 3.8L 229 CI |                | 14066235 | CF-100    |
| 1980-81          | V8 4.4L 267 CI |                | 14066235 | CF-100    |
| 1984-86          | L4 2.5L 151 CI |                | 14075718 | CF-129    |
| 1984-89          | V6 2.8L 173 CI |                | 14075718 | CF-129    |
| 1984-92          | V8 5.0L 305 CI |                | 14075725 | CF-133    |
| 1990-92          | V6 3.1L 189 CI |                | 14075718 | CF-129    |
| 1980-81          | V6 3.8L 232 CI |                | 14066235 | CF-100    |
| 1995-02          | V6 3.8L 232 CI |                | 14066235 | CF-100    |
| <b>CAPRICE</b>   |                |                |          |           |
| 1967-69          | L6 4.1L 250 CI |                | 14066235 | CF-100    |
| <b>CAVALIER</b>  |                |                |          |           |
| 1982             | L4 1.8L 112 CI |                | 14024930 | CF-106    |

# CLUTCH FORK APPLICATIONS

| Years              | Engine         | Remarks        | OE       | Pioneer # |
|--------------------|----------------|----------------|----------|-----------|
| <b>CHEVROLET</b>   |                |                |          |           |
| <b>CAVALIER</b>    |                |                |          |           |
| 1983-87            | L4 2.0L 122 CI | Shaft Type     | 14024930 | CF-106    |
| 1985-87            | V6 2.8L 173 CI | Shaft Type     | 14024930 | CF-106    |
| <b>CELEBRITY</b>   |                |                |          |           |
| 1984-86            | L4 2.5L 151 CI |                | 14024930 | CF-106    |
| <b>CHEVELLE</b>    |                |                |          |           |
| 1964-66            | L6 3.8L 230 CI | w/2-1/2" Curve | 3892632  | CF-144    |
| 1964-69            | L6 3.8L 230 CI |                | 14066235 | CF-100    |
| 1964-66            | L6 3.2L 194 CI | w/2-1/2" Curve | 3892632  | CF-144    |
| 1965               | V8 4.6L 283 CI | w/2-1/2" Curve | 3892632  | CF-144    |
| 1965               | V8 5.4L 327 CI | w/2-1/2" Curve | 3892632  | CF-144    |
| 1968               | V8 5.4L 327 CI | w/2-1/2" Curve | 3892632  | CF-144    |
| 1966               | V8 6.5L 396 CI | w/2-1/2" Curve | 3892632  | CF-144    |
| 1968-70            | V8 6.5L 396 CI | w/2-1/2" Curve | 3892632  | CF-144    |
| 1967-73            | L6 4.1L 250 CI |                | 14066235 | CF-100    |
| 1969-72            | V8 5.7L 350 CI | w/2-1/2" Curve | 3892632  | CF-144    |
| 1970               | V8 7.4L 454 CI | w/2-1/2" Curve | 3892632  | CF-144    |
| 1970-72            | L6 4.1L 250 CI | w/2-1/2" Curve | 3892632  | CF-144    |
| 1971               | V8 6.6L 400 CI | w/2-1/2" Curve | 3892632  | CF-144    |
| 1972               | V8 6.6L 402 CI | w/2-1/2" Curve | 3892632  | CF-144    |
| <b>CHEVY II</b>    |                |                |          |           |
| 1964-66            | L6 3.8L 230 CI |                | 14066235 | CF-100    |
| 1968               | L6 3.8L 230 CI |                | 14066235 | CF-100    |
| 1967-68            | L6 4.1L 250 CI |                | 14066235 | CF-100    |
| <b>CITATION</b>    |                |                |          |           |
| 1980-83            | L4 2.5L 151 CI |                | 14024930 | CF-106    |
| 1980-83            | V6 2.8L 173 CI |                | 14024930 | CF-106    |
| <b>CITATION II</b> |                |                |          |           |
| 1984               | V6 2.8L 173 CI |                | 14024930 | CF-106    |
| 1984-85            | L4 2.5L 151 CI |                | 14024930 | CF-106    |
| <b>CORVETTE</b>    |                |                |          |           |
| 1976-81            | V8 5.7L 350 CI |                | 14066235 | CF-100    |
| 1980               | V8 5.0L 305 CI |                | 14066235 | CF-100    |
| <b>IMPALA</b>      |                |                |          |           |
| 1963-65            | L6 3.8L 230 CI |                | 14066235 | CF-100    |
| 1965-73            | L6 4.1L 250 CI |                | 14066235 | CF-100    |
| <b>LAGUNA</b>      |                |                |          |           |
| 1976               | V8 5.0L 305 CI |                | 14066235 | CF-100    |
| 1976               | V8 5.7L 350 CI |                | 14066235 | CF-100    |
| 1976               | V8 6.6L 400 CI |                | 14066235 | CF-100    |
| <b>MALIBU</b>      |                |                |          |           |
| 1976               | V8 6.6L 400 CI |                | 14066235 | CF-100    |

# CLUTCH FORK APPLICATIONS

| Years                  | Engine         | Remarks         | OE                | Pioneer # |
|------------------------|----------------|-----------------|-------------------|-----------|
| <b>CHEVROLET</b>       |                |                 |                   |           |
| <b>MALIBU</b>          |                |                 |                   |           |
| 1976-77                | L6 4.1L 250 CI |                 | 14066235          | CF-100    |
| 1976-79                | V8 5.7L 350 CI |                 | 14066235          | CF-100    |
| 1976-81                | V8 5.0L 305 CI |                 | 14066235          | CF-100    |
| 1980-81                | V6 3.8L 229 CI |                 | 14066235          | CF-100    |
| 1980-81                | V6 3.8L 232 CI |                 | 14066235          | CF-100    |
| 1980-81                | V8 4.4L 267 CI |                 | 14066235          | CF-100    |
| <b>MONTE CARLO</b>     |                |                 |                   |           |
| 1976                   | V8 6.6L 400 CI |                 | 14066235          | CF-100    |
| 1976-77                | V8 5.7L 350 CI |                 | 14066235          | CF-100    |
| 1981                   | V6 3.8L 229 CI |                 | 14066235          | CF-100    |
| 1981                   | V6 3.8L 232 CI |                 | 14066235          | CF-100    |
| 1981                   | V8 4.4L 267 CI |                 | 14066235          | CF-100    |
| 1976-79                | V8 5.0L 305 CI |                 | 14066235          | CF-100    |
| 1981                   | V8 5.0L 305 CI |                 | 14066235          | CF-100    |
| <b>MONZA</b>           |                |                 |                   |           |
| 1976-79                | V8 5.0L 305 CI |                 | 14066235          | CF-100    |
| 1980                   | V6 3.8L 232 CI |                 | 14066235          | CF-100    |
| <b>NOVA</b>            |                |                 |                   |           |
| 1969-70                | V8 6.5L 396 CI | w/2-1/2" Curve  | 3892632           | CF-144    |
| 1969-72                | V8 5.7L 350 CI | w/2-1/2" Curve  | 3892632           | CF-144    |
| 1970-72                | L6 4.1L 250 CI | w/2-1/2" Curve  | 3892632           | CF-144    |
| 1972                   | V8 6.6L 402 CI | w/2-1/2" Curve  | 3892632           | CF-144    |
| 1976-79                | L6 4.1L 250 CI |                 | 14066235          | CF-100    |
| 1976-79                | V8 5.0L 305 CI |                 | 14066235          | CF-100    |
| 1976-79                | V8 5.7L 350 CI |                 | 14066235          | CF-100    |
| 1985-87                | L4 1.6L 97 CI  |                 | 94840696          | CF-132    |
| <b>CHEVROLET TRUCK</b> |                |                 |                   |           |
| <b>ASTRO</b>           |                |                 |                   |           |
| 1985-89                | L4 2.5L 151 CI |                 | 15588262          | CF-126    |
| 1985-89                | L4 2.5L 151 CI | w/Warner Trans. | 14070374/15704443 | CF-128    |
| 1988-89                | V6 4.3L 262 CI | w/Warner Trans. | 14070374/15704443 | CF-128    |
| 1989                   | V6 4.3L 262 CI |                 | 15588262          | CF-126    |
| <b>BLAZER</b>          |                |                 |                   |           |
| 1973                   | L6 4.8L 292 CI |                 | 14066235          | CF-100    |
| 1973                   | L6 4.8L 293 CI |                 | 14066235          | CF-100    |
| 1973                   | V8 5.0L 307 CI |                 | 14066235          | CF-100    |
| 1973                   | V8 7.4L 454 CI |                 | 14066235          | CF-100    |
| 1973-74                | L6 4.1L 250 CI |                 | 14066235          | CF-100    |
| 1973-74                | V8 5.7L 350 CI |                 | 14066235          | CF-100    |
| 1987                   | V8 5.0L 305 CI |                 | 15592270          | CF-116    |

# CLUTCH FORK APPLICATIONS

| Years                  | Engine         | Remarks         | OE                | Pioneer # |
|------------------------|----------------|-----------------|-------------------|-----------|
| <b>CHEVROLET TRUCK</b> |                |                 |                   |           |
| <b>BLAZER</b>          |                |                 |                   |           |
| 1987-91                | V8 6.2L 379 CI |                 | 15588262          | CF-126    |
| 1987-94                | V8 5.7L 350 CI |                 | 15588262          | CF-126    |
| 1994                   | V8 6.5L 395 CI |                 | 15588262          | CF-126    |
| 1995-96                | V6 4.3L 262 CI | w/Warner Trans. | 14070374/15704443 | CF-128    |
| <b>C10</b>             |                |                 |                   |           |
| 1975-80                | L6 4.8L 292 CI |                 | 14066235          | CF-100    |
| 1975-80                | V8 7.4L 454 CI |                 | 14066235          | CF-100    |
| 1975-82                | V8 5.7L 350 CI |                 | 14066235          | CF-100    |
| 1975-84                | L6 4.1L 250 CI |                 | 14066235          | CF-100    |
| 1977-82                | V8 5.0L 305 CI |                 | 14066235          | CF-100    |
| 1976                   | V8 6.6L 400 CI |                 | 14066235          | CF-100    |
| 1979-80                | V8 6.6L 400 CI |                 | 14066235          | CF-100    |
| 1982                   | V8 6.2L 379 CI |                 | 14066235          | CF-100    |
| 1983-84                | V8 5.7L 350 CI |                 | 3765372           | CF-104    |
| 1985-86                | V8 5.0L 305 CI |                 | 15592270          | CF-116    |
| 1985-86                | V8 5.7L 350 CI |                 | 15592270          | CF-116    |
| 1985-86                | V8 6.2L 379 CI |                 | 15592270          | CF-116    |
| <b>C10 PICKUP</b>      |                |                 |                   |           |
| 1963-66                | L6 3.8L 230 CI |                 | 14066235          | CF-100    |
| 1966-74                | L6 4.1L 250 CI |                 | 14066235          | CF-100    |
| 1973                   | V8 5.0L 307 CI |                 | 14066235          | CF-100    |
| 1973-74                | L6 4.8L 292 CI |                 | 14066235          | CF-100    |
| 1973-74                | L6 4.8L 293 CI |                 | 14066235          | CF-100    |
| 1973-74                | V8 5.7L 350 CI |                 | 14066235          | CF-100    |
| 1973-74                | V8 7.4L 454 CI |                 | 14066235          | CF-100    |
| <b>C10 SUBURBAN</b>    |                |                 |                   |           |
| 1968-80                | L6 4.1L 250 CI |                 | 14066235          | CF-100    |
| 1973                   | V8 5.0L 307 CI |                 | 14066235          | CF-100    |
| 1973-74                | L6 4.8L 292 CI |                 | 14066235          | CF-100    |
| 1973-74                | L6 4.8L 293 CI |                 | 14066235          | CF-100    |
| 1973-82                | V8 5.7L 350 CI |                 | 14066235          | CF-100    |
| 1973-80                | V8 7.4L 454 CI |                 | 14066235          | CF-100    |
| 1977-82                | V8 5.0L 305 CI |                 | 14066235          | CF-100    |
| 1982                   | V8 6.2L 379 CI |                 | 14066235          | CF-100    |
| 1983-84                | V8 5.7L 350 CI |                 | 3765372           | CF-104    |
| <b>C1500</b>           |                |                 |                   |           |
| 1988-93                | V8 6.2L 379 CI |                 | 15588262          | CF-126    |
| 1988-95                | V8 5.0L 305 CI |                 | 15588262          | CF-126    |
| 1988-95                | V8 5.7L 350 CI |                 | 15588262          | CF-126    |
| 1988-95                | V6 4.3L 262 CI |                 | 15588262          | CF-126    |

# CLUTCH FORK APPLICATIONS

| Years                  | Engine         | Remarks         | OE                | Pioneer # |
|------------------------|----------------|-----------------|-------------------|-----------|
| <b>CHEVROLET TRUCK</b> |                |                 |                   |           |
| <b>C1500</b>           |                |                 |                   |           |
| 1990-93                | V8 7.4L 454 CI |                 | 15588262          | CF-126    |
| 1994-95                | V8 6.5L 395 CI |                 | 15588262          | CF-126    |
| 1996                   | V6 4.3L 262 CI | w/Warner Trans. | 14070374/15704443 | CF-128    |
| <b>C20</b>             |                |                 |                   |           |
| 1975-82                | V8 5.7L 350 CI |                 | 14066235          | CF-100    |
| 1975-82                | V8 7.4L 454 CI |                 | 14066235          | CF-100    |
| 1975-84                | L6 4.1L 250 CI |                 | 14066235          | CF-100    |
| 1975-84                | L6 4.8L 292 CI |                 | 14066235          | CF-100    |
| 1977-82                | V8 5.0L 305 CI |                 | 14066235          | CF-100    |
| 1976                   | V8 6.6L 400 CI |                 | 14066235          | CF-100    |
| 1979-80                | V8 6.6L 400 CI |                 | 14066235          | CF-100    |
| 1982                   | V8 6.2L 379 CI |                 | 14066235          | CF-100    |
| 1983-84                | V8 5.7L 350 CI |                 | 3765372           | CF-104    |
| 1985-86                | L6 4.8L 292 CI |                 | 15592270          | CF-116    |
| 1985-86                | V8 5.0L 305 CI |                 | 15592270          | CF-116    |
| 1985-86                | V8 6.2L 379 CI |                 | 15592270          | CF-116    |
| 1985-86                | V8 7.4L 454 CI |                 | 15592270          | CF-116    |
| 1985-86                | V8 5.7L 350 CI |                 | 15592270          | CF-116    |
| <b>C20 PICKUP</b>      |                |                 |                   |           |
| 1963-65                | L6 3.8L 230 CI |                 | 14066235          | CF-100    |
| 1966-74                | L6 4.1L 250 CI |                 | 14066235          | CF-100    |
| 1973                   | V8 5.0L 307 CI |                 | 14066235          | CF-100    |
| 1973-74                | L6 4.8L 292 CI |                 | 14066235          | CF-100    |
| 1973-74                | L6 4.8L 293 CI |                 | 14066235          | CF-100    |
| 1973-74                | V8 5.7L 350 CI |                 | 14066235          | CF-100    |
| 1973-74                | V8 7.4L 454 CI |                 | 14066235          | CF-100    |
| <b>C20 SUBURBAN</b>    |                |                 |                   |           |
| 1968-74                | L6 4.1L 250 CI |                 | 14066235          | CF-100    |
| 1973                   | V8 5.0L 307 CI |                 | 14066235          | CF-100    |
| 1973-74                | L6 4.8L 293 CI |                 | 14066235          | CF-100    |
| 1973-82                | V8 5.7L 350 CI |                 | 14066235          | CF-100    |
| 1973-82                | V8 7.4L 454 CI |                 | 14066235          | CF-100    |
| 1973-82                | L6 4.8L 292 CI |                 | 14066235          | CF-100    |
| 1977-82                | V8 5.0L 305 CI |                 | 14066235          | CF-100    |
| 1976                   | V8 6.6L 400 CI |                 | 14066235          | CF-100    |
| 1979-80                | V8 6.6L 400 CI |                 | 14066235          | CF-100    |
| 1982                   | V8 6.2L 379 CI |                 | 14066235          | CF-100    |
| 1983-84                | V8 5.7L 350 CI |                 | 3765372           | CF-104    |
| <b>C2500</b>           |                |                 |                   |           |
| 1988-93                | V8 6.2L 379 CI |                 | 15588262          | CF-126    |

# CLUTCH FORK APPLICATIONS

| Years                  | Engine         | Remarks | OE       | Pioneer # |
|------------------------|----------------|---------|----------|-----------|
| <b>CHEVROLET TRUCK</b> |                |         |          |           |
| <b>C2500</b>           |                |         |          |           |
| 1988-95                | V8 5.7L 350 CI |         | 15588262 | CF-126    |
| 1988-95                | V6 4.3L 262 CI |         | 15588262 | CF-126    |
| 1988-95                | V8 5.0L 305 CI |         | 15588262 | CF-126    |
| 1991-95                | V8 7.4L 454 CI |         | 15588262 | CF-126    |
| 1992-95                | V8 6.5L 395 CI |         | 15588262 | CF-126    |
| <b>C30</b>             |                |         |          |           |
| 1975-82                | V8 5.7L 350 CI |         | 14066235 | CF-100    |
| 1975-82                | V8 7.4L 454 CI |         | 14066235 | CF-100    |
| 1975-84                | L6 4.8L 292 CI |         | 14066235 | CF-100    |
| 1978-79                | V8 5.0L 305 CI |         | 14066235 | CF-100    |
| 1975                   | L6 4.1L 250 CI |         | 14066235 | CF-100    |
| 1978-80                | L6 4.1L 250 CI |         | 14066235 | CF-100    |
| 1976                   | V8 6.6L 400 CI |         | 14066235 | CF-100    |
| 1979                   | V8 6.6L 400 CI |         | 14066235 | CF-100    |
| 1982                   | V8 6.2L 379 CI |         | 14066235 | CF-100    |
| 1983-84                | V8 5.7L 350 CI |         | 3765372  | CF-104    |
| 1985-86                | L6 4.8L 292 CI |         | 15592270 | CF-116    |
| 1985-86                | V8 5.7L 350 CI |         | 15592270 | CF-116    |
| 1985-86                | V8 6.2L 379 CI |         | 15592270 | CF-116    |
| 1985-86                | V8 7.4L 454 CI |         | 15592270 | CF-116    |
| 1986                   | V8 5.0L 305 CI |         | 15592270 | CF-116    |
| <b>C30 PICKUP</b>      |                |         |          |           |
| 1964-65                | L6 3.8L 230 CI |         | 14066235 | CF-100    |
| 1966-74                | L6 4.1L 250 CI |         | 14066235 | CF-100    |
| 1973                   | V8 5.0L 307 CI |         | 14066235 | CF-100    |
| 1973-74                | L6 4.8L 292 CI |         | 14066235 | CF-100    |
| 1973-74                | L6 4.8L 293 CI |         | 14066235 | CF-100    |
| 1973-74                | V8 7.4L 454 CI |         | 14066235 | CF-100    |
| 1973-74                | V8 5.7L 350 CI |         | 14066235 | CF-100    |
| <b>C3500</b>           |                |         |          |           |
| 1988-93                | V8 6.2L 379 CI |         | 15588262 | CF-126    |
| 1988-95                | V8 5.7L 350 CI |         | 15588262 | CF-126    |
| 1988-95                | V8 7.4L 454 CI |         | 15588262 | CF-126    |
| 1992-95                | V8 6.5L 395 CI |         | 15588262 | CF-126    |
| <b>EL CAMINO</b>       |                |         |          |           |
| 1967-77                | L6 4.1L 250 CI |         | 14066235 | CF-100    |
| 1964-69                | L6 3.8L 230 CI |         | 14066235 | CF-100    |
| 1973                   | V8 5.0L 307 CI |         | 14066235 | CF-100    |
| 1973-78                | V8 5.7L 350 CI |         | 14066235 | CF-100    |
| 1973-74                | V8 7.4L 454 CI |         | 14066235 | CF-100    |

# CLUTCH FORK APPLICATIONS

| Years                  | Engine         | Remarks | OE                | Pioneer # |
|------------------------|----------------|---------|-------------------|-----------|
| <b>CHEVROLET TRUCK</b> |                |         |                   |           |
| <b>EL CAMINO</b>       |                |         |                   |           |
| 1975-76                | V8 6.6L 400 CI |         | 14066235          | CF-100    |
| 1976-81                | V8 5.0L 305 CI |         | 14066235          | CF-100    |
| 1978-81                | V6 3.8L 232 CI |         | 14066235          | CF-100    |
| 1979                   | V6 3.8L 231 CI |         | 14066235          | CF-100    |
| 1979                   | V8 5.7L 350 CI |         | 3765372           | CF-104    |
| 1979-81                | V8 4.4L 267 CI |         | 14066235          | CF-100    |
| 1980-81                | V6 3.8L 229 CI |         | 14066235          | CF-100    |
| <b>G10</b>             |                |         |                   |           |
| 1975-78                | V8 5.7L 350 CI |         | 14066235          | CF-100    |
| 1975-84                | L6 4.1L 250 CI |         | 14066235          | CF-100    |
| 1976                   | V8 6.6L 400 CI |         | 14066235          | CF-100    |
| 1977-82                | V8 5.0L 305 CI |         | 14066235          | CF-100    |
| 1979-84                | V8 5.7L 350 CI |         | 3765372           | CF-104    |
| 1985-87                | V8 5.0L 305 CI |         | 15592270          | CF-116    |
| 1985-87                | V8 5.7L 350 CI |         | 15592270          | CF-116    |
| 1988-90                | V6 4.3L 262 CI |         | 14070374/15704443 | CF-128    |
| 1988-90                | V8 5.0L 305 CI |         | 15588262          | CF-126    |
| 1988-90                | V8 5.7L 350 CI |         | 15588262          | CF-126    |
| <b>G10 VAN</b>         |                |         |                   |           |
| 1966-69                | L6 3.8L 230 CI |         | 14066235          | CF-100    |
| 1967-74                | L6 4.1L 250 CI |         | 14066235          | CF-100    |
| 1973                   | V8 5.0L 307 CI |         | 14066235          | CF-100    |
| 1973-74                | V8 7.4L 454 CI |         | 14066235          | CF-100    |
| 1973-74                | V8 5.7L 350 CI |         | 14066235          | CF-100    |
| <b>G20</b>             |                |         |                   |           |
| 1975-78                | V8 5.7L 350 CI |         | 14066235          | CF-100    |
| 1975-84                | L6 4.1L 250 CI |         | 14066235          | CF-100    |
| 1976                   | V8 7.4L 454 CI |         | 14066235          | CF-100    |
| 1977-82                | V8 5.0L 305 CI |         | 14066235          | CF-100    |
| 1975-76                | V8 6.6L 400 CI |         | 14066235          | CF-100    |
| 1979-80                | V8 6.6L 400 CI |         | 14066235          | CF-100    |
| 1979-84                | V8 5.7L 350 CI |         | 3765372           | CF-104    |
| 1975-78                | L6 4.8L 292 CI |         | 14066235          | CF-100    |
| 1980                   | L6 4.8L 292 CI |         | 14066235          | CF-100    |
| 1985-87                | V8 5.0L 305 CI |         | 15592270          | CF-116    |
| 1985-87                | V8 5.7L 350 CI |         | 15592270          | CF-116    |
| 1985-87                | V8 6.2L 379 CI |         | 15592270          | CF-116    |
| 1988-90                | V6 4.3L 262 CI |         | 14070374/15704443 | CF-128    |
| 1988-90                | V8 5.0L 305 CI |         | 15588262          | CF-126    |
| 1988-90                | V8 5.7L 350 CI |         | 15588262          | CF-126    |

# CLUTCH FORK APPLICATIONS

| Years                  | Engine         | Remarks | OE                | Pioneer # |
|------------------------|----------------|---------|-------------------|-----------|
| <b>CHEVROLET TRUCK</b> |                |         |                   |           |
| <b>G20</b>             |                |         |                   |           |
| 1988-90                | V8 6.2L 379 CI |         | 15588262          | CF-126    |
| <b>G20 VAN</b>         |                |         |                   |           |
| 1967-69                | L6 3.8L 230 CI |         | 14066235          | CF-100    |
| 1968-74                | L6 4.1L 250 CI |         | 14066235          | CF-100    |
| 1973-74                | L6 4.8L 292 CI |         | 14066235          | CF-100    |
| 1973-74                | L6 4.8L 293 CI |         | 14066235          | CF-100    |
| 1973-74                | V8 7.4L 454 CI |         | 14066235          | CF-100    |
| 1973-74                | V8 5.7L 350 CI |         | 14066235          | CF-100    |
| <b>G30</b>             |                |         |                   |           |
| 1975-76                | V8 7.4L 454 CI |         | 14066235          | CF-100    |
| 1975-78                | L6 4.8L 292 CI |         | 14066235          | CF-100    |
| 1975-78                | V8 5.7L 350 CI |         | 14066235          | CF-100    |
| 1975-76                | V8 6.6L 400 CI |         | 14066235          | CF-100    |
| 1979-80                | V8 6.6L 400 CI |         | 14066235          | CF-100    |
| 1979-84                | V8 5.7L 350 CI |         | 3765372           | CF-104    |
| 1976                   | L6 4.1L 250 CI |         | 14066235          | CF-100    |
| 1978-79                | L6 4.1L 250 CI |         | 14066235          | CF-100    |
| 1981-84                | L6 4.1L 250 CI |         | 14066235          | CF-100    |
| 1978-79                | V8 5.0L 305 CI |         | 14066235          | CF-100    |
| 1982                   | V8 5.0L 305 CI |         | 14066235          | CF-100    |
| 1985                   | V8 5.0L 305 CI |         | 15592270          | CF-116    |
| 1985-87                | V8 5.7L 350 CI |         | 15592270          | CF-116    |
| 1985-87                | V8 6.2L 379 CI |         | 15592270          | CF-116    |
| 1988-90                | V6 4.3L 262 CI |         | 14070374/15704443 | CF-128    |
| 1988-90                | V8 5.7L 350 CI |         | 15588262          | CF-126    |
| 1988-90                | V8 6.2L 379 CI |         | 15588262          | CF-126    |
| 1988-90                | V8 7.4L 454 CI |         | 15592270          | CF-116    |
| <b>G30 VAN</b>         |                |         |                   |           |
| 1970-74                | L6 4.1L 250 CI |         | 14066235          | CF-100    |
| 1973-74                | V8 7.4L 454 CI |         | 14066235          | CF-100    |
| 1974                   | L6 4.8L 292 CI |         | 14066235          | CF-100    |
| 1973-74                | V8 5.7L 350 CI |         | 14066235          | CF-100    |
| <b>K10</b>             |                |         |                   |           |
| 1975-82                | V8 5.7L 350 CI |         | 14066235          | CF-100    |
| 1975-84                | L6 4.1L 250 CI |         | 14066235          | CF-100    |
| 1975-76                | L6 4.8L 292 CI |         | 14066235          | CF-100    |
| 1979-80                | L6 4.8L 292 CI |         | 14066235          | CF-100    |
| 1975-76                | V8 6.6L 400 CI |         | 14066235          | CF-100    |
| 1979-80                | V8 6.6L 400 CI |         | 14066235          | CF-100    |
| 1976                   | V8 7.4L 454 CI |         | 14066235          | CF-100    |



# CLUTCH FORK APPLICATIONS

| Years                  | Engine         | Remarks         | OE                | Pioneer # |
|------------------------|----------------|-----------------|-------------------|-----------|
| <b>CHEVROLET TRUCK</b> |                |                 |                   |           |
| <b>K10</b>             |                |                 |                   |           |
| 1979-80                | V8 7.4L 454 CI |                 | 14066235          | CF-100    |
| 1977-79                | V8 5.0L 305 CI |                 | 14066235          | CF-100    |
| 1981-82                | V8 5.0L 305 CI |                 | 14066235          | CF-100    |
| 1982                   | V8 6.2L 379 CI |                 | 14066235          | CF-100    |
| 1983-84                | V8 5.7L 350 CI |                 | 3765372           | CF-104    |
| 1985-86                | V8 5.0L 305 CI |                 | 15592270          | CF-116    |
| 1985-86                | V8 5.7L 350 CI |                 | 15592270          | CF-116    |
| 1985-86                | V8 6.2L 379 CI |                 | 15592270          | CF-116    |
| <b>K10 PICKUP</b>      |                |                 |                   |           |
| 1964-65                | L6 3.8L 230 CI |                 | 14066235          | CF-100    |
| 1969                   | L6 3.8L 230 CI |                 | 14066235          | CF-100    |
| 1966                   | L6 4.1L 250 CI |                 | 14066235          | CF-100    |
| 1968-74                | L6 4.1L 250 CI |                 | 14066235          | CF-100    |
| 1973                   | L6 4.8L 292 CI |                 | 14066235          | CF-100    |
| 1973                   | L6 4.8L 293 CI |                 | 14066235          | CF-100    |
| 1973-74                | V8 5.7L 350 CI |                 | 14066235          | CF-100    |
| 1974                   | V8 7.4L 454 CI |                 | 14066235          | CF-100    |
| <b>K10 SUBURBAN</b>    |                |                 |                   |           |
| 1968-80                | L6 4.1L 250 CI |                 | 14066235          | CF-100    |
| 1973                   | V8 5.0L 307 CI |                 | 14066235          | CF-100    |
| 1973-82                | V8 5.7L 350 CI |                 | 14066235          | CF-100    |
| 1977-82                | V8 5.0L 305 CI |                 | 14066235          | CF-100    |
| 1975-76                | V8 6.6L 400 CI |                 | 14066235          | CF-100    |
| 1979                   | V8 6.6L 400 CI |                 | 14066235          | CF-100    |
| 1982                   | V8 6.2L 379 CI |                 | 14066235          | CF-100    |
| 1983-84                | V8 5.7L 350 CI |                 | 3765372           | CF-104    |
| <b>K1500</b>           |                |                 |                   |           |
| 1988-93                | V8 6.2L 379 CI |                 | 15588262          | CF-126    |
| 1988-95                | V8 5.0L 305 CI |                 | 15588262          | CF-126    |
| 1988-95                | V8 5.7L 350 CI |                 | 15588262          | CF-126    |
| 1988-96                | V6 4.3L 262 CI |                 | 15588262          | CF-126    |
| 1994-95                | V8 6.5L 395 CI |                 | 15588262          | CF-126    |
| 1996                   | V6 4.3L 262 CI | w/Warner Trans. | 14070374/15704443 | CF-128    |
| <b>K20</b>             |                |                 |                   |           |
| 1975-82                | V8 5.7L 350 CI |                 | 14066235          | CF-100    |
| 1975-84                | L6 4.8L 292 CI |                 | 14066235          | CF-100    |
| 1975-76                | L6 4.1L 250 CI |                 | 14066235          | CF-100    |
| 1978-80                | L6 4.1L 250 CI |                 | 14066235          | CF-100    |
| 1975-76                | V8 6.6L 400 CI |                 | 14066235          | CF-100    |
| 1979-80                | V8 6.6L 400 CI |                 | 14066235          | CF-100    |

# CLUTCH FORK APPLICATIONS

| Years                  | Engine         | Remarks | OE       | Pioneer # |
|------------------------|----------------|---------|----------|-----------|
| <b>CHEVROLET TRUCK</b> |                |         |          |           |
| <b>K20</b>             |                |         |          |           |
| 1977-78                | V8 5.0L 305 CI |         | 14066235 | CF-100    |
| 1980                   | V8 5.0L 305 CI |         | 14066235 | CF-100    |
| 1976-78                | V8 7.4L 454 CI |         | 14066235 | CF-100    |
| 1980                   | V8 7.4L 454 CI |         | 14066235 | CF-100    |
| 1982                   | V8 6.2L 379 CI |         | 14066235 | CF-100    |
| 1983-84                | V8 5.7L 350 CI |         | 3765372  | CF-104    |
| 1985                   | V8 5.0L 305 CI |         | 15592270 | CF-116    |
| 1985-86                | L6 4.8L 292 CI |         | 15592270 | CF-116    |
| 1985-86                | V8 5.7L 350 CI |         | 15592270 | CF-116    |
| 1985-86                | V8 6.2L 379 CI |         | 15592270 | CF-116    |
| <b>K20 PICKUP</b>      |                |         |          |           |
| 1973-74                | L6 4.1L 250 CI |         | 14066235 | CF-100    |
| 1973-74                | L6 4.8L 292 CI |         | 14066235 | CF-100    |
| 1973-74                | L6 4.8L 293 CI |         | 14066235 | CF-100    |
| 1973-74                | V8 7.4L 454 CI |         | 14066235 | CF-100    |
| 1973-74                | V8 5.7L 350 CI |         | 14066235 | CF-100    |
| <b>K20 SUBURBAN</b>    |                |         |          |           |
| 1973                   | V8 5.0L 307 CI |         | 14066235 | CF-100    |
| 1973                   | V8 7.4L 454 CI |         | 14066235 | CF-100    |
| 1973-74                | L6 4.1L 250 CI |         | 14066235 | CF-100    |
| 1973-82                | L6 4.8L 292 CI |         | 14066235 | CF-100    |
| 1973-74                | L6 4.8L 293 CI |         | 14066235 | CF-100    |
| 1973-82                | V8 5.7L 350 CI |         | 14066235 | CF-100    |
| 1977-78                | V8 5.0L 305 CI |         | 14066235 | CF-100    |
| 1975-76                | V8 6.6L 400 CI |         | 14066235 | CF-100    |
| 1979-80                | V8 6.6L 400 CI |         | 14066235 | CF-100    |
| 1982                   | V8 6.2L 379 CI |         | 14066235 | CF-100    |
| 1983-84                | V8 5.7L 350 CI |         | 3765372  | CF-104    |
| <b>K2500</b>           |                |         |          |           |
| 1988-93                | V8 6.2L 379 CI |         | 15588262 | CF-126    |
| 1988-95                | V6 4.3L 262 CI |         | 15588262 | CF-126    |
| 1988-95                | V8 5.0L 305 CI |         | 15588262 | CF-126    |
| 1988-95                | V8 5.7L 350 CI |         | 15588262 | CF-126    |
| 1991-95                | V8 7.4L 454 CI |         | 15588262 | CF-126    |
| 1992-95                | V8 6.5L 395 CI |         | 15588262 | CF-126    |
| <b>K30</b>             |                |         |          |           |
| 1977-82                | V8 5.7L 350 CI |         | 14066235 | CF-100    |
| 1977-84                | L6 4.8L 292 CI |         | 14066235 | CF-100    |
| 1979-80                | V8 6.6L 400 CI |         | 14066235 | CF-100    |
| 1977                   | V8 7.4L 454 CI |         | 14066235 | CF-100    |

# CLUTCH FORK APPLICATIONS

| Years                  | Engine         | Remarks | OE       | Pioneer # |
|------------------------|----------------|---------|----------|-----------|
| <b>CHEVROLET TRUCK</b> |                |         |          |           |
| <b>K30</b>             |                |         |          |           |
| 1980-82                | V8 7.4L 454 CI |         | 14066235 | CF-100    |
| 1982                   | V8 6.2L 379 CI |         | 14066235 | CF-100    |
| 1983-84                | V8 5.7L 350 CI |         | 3765372  | CF-104    |
| 1985-86                | L6 4.8L 292 CI |         | 15592270 | CF-116    |
| 1985-86                | V8 5.7L 350 CI |         | 15592270 | CF-116    |
| 1985-86                | V8 6.2L 379 CI |         | 15592270 | CF-116    |
| 1985-86                | V8 7.4L 454 CI |         | 15592270 | CF-116    |
| <b>K30 PICKUP</b>      |                |         |          |           |
| 1973                   | V8 5.0L 307 CI |         | 14066235 | CF-100    |
| 1973-74                | L6 4.1L 250 CI |         | 14066235 | CF-100    |
| 1973-74                | L6 4.8L 292 CI |         | 14066235 | CF-100    |
| 1973-74                | L6 4.8L 293 CI |         | 14066235 | CF-100    |
| 1973-74                | V8 5.7L 350 CI |         | 14066235 | CF-100    |
| 1973-74                | V8 7.4L 454 CI |         | 14066235 | CF-100    |
| <b>K3500</b>           |                |         |          |           |
| 1988-93                | V8 6.2L 379 CI |         | 15588262 | CF-126    |
| 1988-95                | V8 5.7L 350 CI |         | 15588262 | CF-126    |
| 1988-95                | V8 7.4L 454 CI |         | 15588262 | CF-126    |
| 1992-95                | V8 6.5L 395 CI |         | 15588262 | CF-126    |
| <b>K5 BLAZER</b>       |                |         |          |           |
| 1975-82                | L6 4.1L 250 CI |         | 14066235 | CF-100    |
| 1975-82                | V8 5.7L 350 CI |         | 14066235 | CF-100    |
| 1976-78                | V8 7.4L 454 CI |         | 14066235 | CF-100    |
| 1977-82                | V8 5.0L 305 CI |         | 14066235 | CF-100    |
| 1975-76                | V8 6.6L 400 CI |         | 14066235 | CF-100    |
| 1979                   | V8 6.6L 400 CI |         | 14066235 | CF-100    |
| 1982                   | V8 6.2L 379 CI |         | 14066235 | CF-100    |
| 1983-84                | V8 5.7L 350 CI |         | 3765372  | CF-104    |
| 1985-86                | V8 5.0L 305 CI |         | 15592270 | CF-116    |
| 1985-86                | V8 5.7L 350 CI |         | 15592270 | CF-116    |
| 1985-86                | V8 6.2L 379 CI |         | 15592270 | CF-116    |
| <b>P10</b>             |                |         |          |           |
| 1975-80                | L6 4.8L 292 CI |         | 14066235 | CF-100    |
| 1975                   | V8 5.7L 350 CI |         | 14066235 | CF-100    |
| 1977-78                | V8 5.7L 350 CI |         | 14066235 | CF-100    |
| 1979                   | V8 5.0L 305 CI |         | 14066235 | CF-100    |
| <b>P10 VAN</b>         |                |         |          |           |
| 1973                   | V8 5.0L 307 CI |         | 14066235 | CF-100    |
| 1973                   | V8 5.7L 350 CI |         | 14066235 | CF-100    |
| 1973                   | V8 7.4L 454 CI |         | 14066235 | CF-100    |

# CLUTCH FORK APPLICATIONS

| Years                  | Engine         | Remarks                                    | OE                | Pioneer # |
|------------------------|----------------|--|-------------------|-----------|
| <b>CHEVROLET TRUCK</b> |                |  |                   |           |
| <b>P10 VAN</b>         |                |  |                   |           |
| 1973-74                | L6 4.1L 250 CI |  | 14066235          | CF-100    |
| <b>P20</b>             |                |  |                   |           |
| 1975-82                | V8 5.7L 350 CI |  | 14066235          | CF-100    |
| 1975-89                | L6 4.8L 292 CI |  | 14066235          | CF-100    |
| 1976                   | V8 7.4L 454 CI |  | 14066235          | CF-100    |
| 1979                   | V8 7.4L 454 CI |  | 14066235          | CF-100    |
| 1982                   | V8 6.2L 379 CI |  | 14066235          | CF-100    |
| 1983-84                | V8 5.7L 350 CI |  | 3765372           | CF-104    |
| 1985-87                | V8 5.7L 350 CI |  | 15592270          | CF-116    |
| 1985-87                | V8 6.2L 379 CI |  | 15592270          | CF-116    |
| 1988-89                | V8 5.7L 350 CI |  | 15588262          | CF-126    |
| 1988-89                | V8 6.2L 379 CI |  | 15588262          | CF-126    |
| <b>P20 VAN</b>         |                |  |                   |           |
| 1973                   | V8 5.0L 307 CI |  | 14066235          | CF-100    |
| 1973                   | V8 7.4L 454 CI |  | 14066235          | CF-100    |
| 1973-74                | L6 4.1L 250 CI |  | 14066235          | CF-100    |
| 1973-74                | L6 4.8L 292 CI |  | 14066235          | CF-100    |
| 1973-74                | V8 5.7L 350 CI |  | 14066235          | CF-100    |
| <b>P30</b>             |                |  |                   |           |
| 1975-82                | V8 5.7L 350 CI |  | 14066235          | CF-100    |
| 1975-82                | V8 7.4L 454 CI |  | 14066235          | CF-100    |
| 1975-89                | L6 4.8L 292 CI |  | 14066235          | CF-100    |
| 1976                   | V8 6.6L 400 CI |  | 14066235          | CF-100    |
| 1976                   | L6 4.1L 250 CI |  | 14066235          | CF-100    |
| 1979                   | L6 4.1L 250 CI |  | 14066235          | CF-100    |
| 1979-84                | V8 5.7L 350 CI | Forward Control Models w/Power Disc Brakes | 3765372           | CF-104    |
| 1982                   | V8 6.2L 379 CI |  | 14066235          | CF-100    |
| 1985-87                | V8 6.2L 379 CI |  | 15592270          | CF-116    |
| 1985-87                | V8 7.4L 454 CI |  | 15592270          | CF-116    |
| 1985-88                | V8 5.7L 350 CI | To 6/88                                    | 15592270          | CF-116    |
| 1988-93                | V8 6.2L 379 CI |  | 15588262          | CF-126    |
| 1988-95                | V8 7.4L 454 CI |  | 15588262          | CF-126    |
| 1988-95                | V8 5.7L 350 CI | From 6/88                                  | 15588262          | CF-126    |
| 1990-96                | V6 4.3L 262 CI | w/Warner Trans.                            | 14070374/15704443 | CF-128    |
| 1994-95                | V8 6.5L 395 CI |  | 15588262          | CF-126    |
| 1990-96                | V6 4.3L 262 CI |  | 15588262          | CF-126    |
| <b>P30 VAN</b>         |                |  |                   |           |
| 1973                   | V8 5.0L 307 CI |  | 14066235          | CF-100    |
| 1973-74                | L6 4.1L 250 CI |  | 14066235          | CF-100    |

# CLUTCH FORK APPLICATIONS

| Years                  | Engine         | Remarks  | OE                | Pioneer # |
|------------------------|----------------|--|-------------------|-----------|
| <b>CHEVROLET TRUCK</b> |                |  |                   |           |
| <b>P30 VAN</b>         |                |  |                   |           |
| 1973-74                | L6 4.8L 292 CI |  | 14066235          | CF-100    |
| 1973-74                | V8 7.4L 454 CI |  | 14066235          | CF-100    |
| 1973-74                | V8 5.7L 350 CI |  | 14066235          | CF-100    |
| <b>R10</b>             |                |  |                   |           |
| 1987                   | V6 4.3L 262 CI |  | 15592270          | CF-116    |
| 1987                   | V8 5.0L 305 CI |  | 15592270          | CF-116    |
| 1987                   | V8 5.7L 350 CI |  | 15592270          | CF-116    |
| 1987                   | V8 6.2L 379 CI |  | 15592270          | CF-116    |
| <b>R20</b>             |                |  |                   |           |
| 1987                   | V6 4.3L 262 CI |  | 15592270          | CF-116    |
| 1987                   | V8 5.0L 305 CI |  | 15592270          | CF-116    |
| 1987-88                | L6 4.8L 292 CI |  | 15592270          | CF-116    |
| 1987-88                | V8 5.7L 350 CI |  | 15592270          | CF-116    |
| 1987-88                | V8 6.2L 379 CI |  | 15592270          | CF-116    |
| 1987-88                | V8 7.4L 454 CI |  | 15592270          | CF-116    |
| <b>R20 SUBURBAN</b>    |                |  |                   |           |
| 1987-88                | V8 5.7L 350 CI |  | 15592270          | CF-116    |
| 1987-88                | V8 6.2L 379 CI |  | 15592270          | CF-116    |
| 1987-88                | V8 7.4L 454 CI |  | 15592270          | CF-116    |
| <b>R2500</b>           |                |  |                   |           |
| 1989                   | V8 6.2L 379 CI |  | 15592270          | CF-116    |
| 1989                   | V8 7.4L 454 CI |  | 15592270          | CF-116    |
| <b>R30</b>             |                |  |                   |           |
| 1987-88                | L6 4.8L 292 CI |  | 15592270          | CF-116    |
| 1987-88                | V8 5.7L 350 CI |  | 15592270          | CF-116    |
| 1987-88                | V8 6.2L 379 CI |  | 15592270          | CF-116    |
| 1987-88                | V8 7.4L 454 CI |  | 15592270          | CF-116    |
| <b>R3500</b>           |                |  |                   |           |
| 1989-91                | V8 5.7L 350 CI |  | 15592270          | CF-116    |
| 1989-91                | V8 6.2L 379 CI |  | 15592270          | CF-116    |
| 1989-91                | V8 7.4L 454 CI |  | 15592270          | CF-116    |
| <b>S10</b>             |                |  |                   |           |
| 1984                   | L4 2.0L 122 CI | w/Warner Trans. (Hydraulic Type)                     | 14070374/15704443 | CF-128    |
| 1984-93                | V6 2.8L 173 CI | w/Warner Trans. (Hydraulic Type),<br>w/Warner Trans. | 14070374/15704443 | CF-128    |
| 1984-85                | L4 1.9L 119 CI | w/Warner Trans., w/Warner Trans.<br>(Hydraulic Type) | 14070374/15704443 | CF-128    |
| 1985                   | L4 1.9L 119 CI |  | 15588262          | CF-126    |
| 1984-85                | L4 2.2L 134 CI | w/Warner Trans., w/Warner Trans.<br>(Hydraulic Type) | 14070374/15704443 | CF-128    |

# CLUTCH FORK APPLICATIONS

| Years                  | Engine         | Remarks  | OE                | Pioneer # |
|------------------------|----------------|--|-------------------|-----------|
| <b>CHEVROLET TRUCK</b> |                |  |                   |           |
| <b>S10</b>             |                |  |                   |           |
| 1994-96                | L4 2.2L 134 CI | w/Warner Trans., w/Warner Trans.<br>(Hydraulic Type) | 14070374/15704443 | CF-128    |
| 1985                   | L4 2.2L 134 CI |  | 15588262          | CF-126    |
| 1994-96                | L4 2.2L 134 CI |  | 15588262          | CF-126    |
| 1985-93                | L4 2.5L 151 CI | w/Warner Trans.                                      | 14070374/15704443 | CF-128    |
| 1985-93                | L4 2.5L 151 CI |  | 15588262          | CF-126    |
| 1988-96                | V6 4.3L 262 CI |  | 15588262          | CF-126    |
| 1988-96                | V6 4.3L 262 CI | w/Warner Trans.                                      | 14070374/15704443 | CF-128    |
| 1985-93                | V6 2.8L 173 CI |  | 15588262          | CF-126    |
| <b>S10 BLAZER</b>      |                |  |                   |           |
| 1984                   | L4 1.9L 119 CI | w/Warner Trans. (Hydraulic Type)                     | 14070374/15704443 | CF-128    |
| 1984                   | L4 2.0L 122 CI | w/Warner Trans. (Hydraulic Type)                     | 14070374/15704443 | CF-128    |
| 1984                   | L4 2.2L 134 CI | w/Warner Trans. (Hydraulic Type)                     | 14070374/15704443 | CF-128    |
| 1985-88                | L4 2.5L 151 CI | w/Warner Trans.                                      | 14070374/15704443 | CF-128    |
| 1985-88                | L4 2.5L 151 CI |  | 15588262          | CF-126    |
| 1984-89                | V6 2.8L 173 CI | w/Warner Trans., w/Warner Trans.<br>(Hydraulic Type) | 14070374/15704443 | CF-128    |
| 1988-94                | V6 4.3L 262 CI |  | 15588262          | CF-126    |
| 1988-94                | V6 4.3L 262 CI | w/Warner Trans.                                      | 14070374/15704443 | CF-128    |
| 1985-89                | V6 2.8L 173 CI |  | 15588262          | CF-126    |
| <b>TAHOE</b>           |                |  |                   |           |
| 1995                   | V8 5.7L 350 CI |  | 15588262          | CF-126    |
| 1995                   | V8 6.5L 395 CI |  | 15588262          | CF-126    |
| <b>V10</b>             |                |  |                   |           |
| 1987                   | V6 4.3L 262 CI |  | 15592270          | CF-116    |
| 1987                   | V8 5.0L 305 CI |  | 15592270          | CF-116    |
| 1987                   | V8 5.7L 350 CI |  | 15592270          | CF-116    |
| 1987                   | V8 6.2L 379 CI |  | 15592270          | CF-116    |
| <b>V10 SUBURBAN</b>    |                |  |                   |           |
| 1987-88                | V8 5.7L 350 CI |  | 15592270          | CF-116    |
| 1987-88                | V8 6.2L 379 CI |  | 15592270          | CF-116    |
| <b>V1500 SUBURBAN</b>  |                |  |                   |           |
| 1989-90                | V8 5.7L 350 CI |  | 15592270          | CF-116    |
| 1989-90                | V8 6.2L 379 CI |  | 15592270          | CF-116    |
| <b>V20</b>             |                |  |                   |           |
| 1987                   | L6 4.8L 292 CI |  | 15592270          | CF-116    |
| 1987                   | V8 5.7L 350 CI |  | 15592270          | CF-116    |
| 1987                   | V8 6.2L 379 CI |  | 15592270          | CF-116    |
| <b>V20 SUBURBAN</b>    |                |  |                   |           |
| 1987-88                | V8 5.7L 350 CI |  | 15592270          | CF-116    |

# CLUTCH FORK APPLICATIONS

| Years                     | Engine         | Remarks | OE       | Pioneer # |
|---------------------------|----------------|---------|----------|-----------|
| <b>CHEVROLET TRUCK</b>    |                |         |          |           |
| <b>V20 SUBURBAN</b>       |                |         |          |           |
| 1987-88                   | V8 6.2L 379 CI |         | 15592270 | CF-116    |
| 1987-88                   | V8 7.4L 454 CI |         | 15592270 | CF-116    |
| <b>V30</b>                |                |         |          |           |
| 1987-88                   | L6 4.8L 292 CI |         | 15592270 | CF-116    |
| 1987-88                   | V8 5.7L 350 CI |         | 15592270 | CF-116    |
| 1987-88                   | V8 6.2L 379 CI |         | 15592270 | CF-116    |
| 1987-88                   | V8 7.4L 454 CI |         | 15592270 | CF-116    |
| <b>V3500</b>              |                |         |          |           |
| 1989-91                   | V8 5.7L 350 CI |         | 15592270 | CF-116    |
| 1989-91                   | V8 6.2L 379 CI |         | 15592270 | CF-116    |
| 1989-91                   | V8 7.4L 454 CI |         | 15592270 | CF-116    |
| <b>CHRYSLER</b>           |                |         |          |           |
| <b>DAYTONA</b>            |                |         |          |           |
| 1984-89                   | L4 2.2L 135 CI |         | 4511046  | CF-142    |
| 1992-93                   | L4 2.2L 135 CI |         | 4511046  | CF-142    |
| <b>LASER</b>              |                |         |          |           |
| 1984-86                   | L4 2.2L 135 CI |         | 4511046  | CF-142    |
| <b>LEBARON</b>            |                |         |          |           |
| 1982-90                   | L4 2.2L 135 CI |         | 4511046  | CF-142    |
| <b>TC MASERATI</b>        |                |         |          |           |
| 1989-90                   | L4 2.2L 135 CI |         | 4511046  | CF-142    |
| <b>TOWN &amp; COUNTRY</b> |                |         |          |           |
| 1982-84                   | L4 2.2L 135 CI |         | 4511046  | CF-142    |
| 1987-88                   | L4 2.2L 135 CI |         | 4511046  | CF-142    |
| <b>DODGE</b>              |                |         |          |           |
| 1984-87                   | L4 2.2L 135 CI |         | 4511046  | CF-142    |
| <b>400</b>                |                |         |          |           |
| 1982-83                   | L4 2.2L 135 CI |         | 4511046  | CF-142    |
| <b>600</b>                |                |         |          |           |
| 1983-88                   | L4 2.2L 135 CI |         | 4511046  | CF-142    |
| <b>ARIES</b>              |                |         |          |           |
| 1982-89                   | L4 2.2L 135 CI |         | 4511046  | CF-142    |
| <b>ASPEN</b>              |                |         |          |           |
| 1977-80                   | L6 3.7L 225 CI |         | 3743998  | CF-131    |
| 1977-80                   | V8 5.2L 318 CI |         | 3743998  | CF-131    |
| 1977-80                   | V8 5.9L 360 CI |         | 3743998  | CF-131    |
| <b>CHARGER</b>            |                |         |          |           |
| 1983-87                   | L4 2.2L 135 CI |         | 4511046  | CF-142    |

# CLUTCH FORK APPLICATIONS

| Years              | Engine         | Remarks | OE       | Pioneer # |
|--------------------|----------------|---------|----------|-----------|
| <b>DODGE</b>       |                |         |          |           |
| <b>DAYTONA</b>     |                |         |          |           |
| 1984-90            | L4 2.2L 135 CI |         | 4511046  | CF-142    |
| 1992-93            | L4 2.2L 135 CI |         | 4511046  | CF-142    |
| <b>DIPLOMAT</b>    |                |         |          |           |
| 1977-78            | V8 5.2L 318 CI |         | 3743998  | CF-131    |
| 1978               | L6 3.7L 225 CI |         | 3743998  | CF-131    |
| 1978               | V8 5.9L 360 CI |         | 3743998  | CF-131    |
| <b>LANCER</b>      |                |         |          |           |
| 1985-89            | L4 2.2L 135 CI |         | 4511046  | CF-142    |
| <b>OMNI</b>        |                |         |          |           |
| 1983-90            | L4 2.2L 135 CI |         | 4511046  | CF-142    |
| <b>SHADOW</b>      |                |         |          |           |
| 1987-94            | L4 2.2L 135 CI |         | 4511046  | CF-142    |
| <b>SPIRIT</b>      |                |         |          |           |
| 1991-92            | L4 2.2L 135 CI |         | 4511046  | CF-142    |
| <b>DODGE TRUCK</b> |                |         |          |           |
| <b>B100</b>        |                |         |          |           |
| 1975-80            | L6 3.7L 225 CI |         | 3743998  | CF-131    |
| 1975-80            | V8 5.2L 318 CI |         | 3743998  | CF-131    |
| 1976-78            | V8 5.9L 360 CI |         | 3743998  | CF-131    |
| <b>B100 VAN</b>    |                |         |          |           |
| 1974               | L6 3.7L 225 CI |         | 3743998  | CF-131    |
| 1974               | V8 5.2L 318 CI |         | 3743998  | CF-131    |
| 1974               | V8 5.9L 360 CI |         | 3743998  | CF-131    |
| 1974               | V8 7.2L 440 CI |         | 3743998  | CF-131    |
| <b>B150</b>        |                |         |          |           |
| 1981-87            | L6 3.7L 225 CI |         | 4210697  | CF-115    |
| 1981-87            | V8 5.2L 318 CI |         | 4210697  | CF-115    |
| 1992-93            | V6 3.9L 238 CI |         | 52107555 | CF-146    |
| 1992-93            | V8 5.2L 318 CI |         | 52107555 | CF-146    |
| <b>B200</b>        |                |         |          |           |
| 1975-78            | V8 7.2L 440 CI |         | 3743998  | CF-131    |
| 1975-80            | V8 5.2L 318 CI |         | 3743998  | CF-131    |
| 1975-80            | V8 5.9L 360 CI |         | 3743998  | CF-131    |
| 1976-78            | V8 6.6L 400 CI |         | 3743998  | CF-131    |
| 1975-80            | L6 3.7L 225 CI |         | 3743998  | CF-131    |
| <b>B200 VAN</b>    |                |         |          |           |
| 1974               | L6 3.7L 225 CI |         | 3743998  | CF-131    |
| 1974               | V8 5.2L 318 CI |         | 3743998  | CF-131    |
| 1974               | V8 5.9L 360 CI |         | 3743998  | CF-131    |
| 1974               | V8 6.6L 400 CI |         | 3743998  | CF-131    |



# CLUTCH FORK APPLICATIONS

| Years              | Engine         | Remarks | OE      | Pioneer # |
|--------------------|----------------|---------|---------|-----------|
| <b>DODGE TRUCK</b> |                |         |         |           |
| <b>B200 VAN</b>    |                |         |         |           |
| 1974               | V8 7.2L 440 CI |         | 3743998 | CF-131    |
| <b>B300</b>        |                |         |         |           |
| 1975-78            | V8 7.2L 440 CI |         | 3743998 | CF-131    |
| 1975-80            | V8 5.2L 318 CI |         | 3743998 | CF-131    |
| 1975-80            | V8 5.9L 360 CI |         | 3743998 | CF-131    |
| 1976-78            | V8 6.6L 400 CI |         | 3743998 | CF-131    |
| 1975-80            | L6 3.7L 225 CI |         | 3743998 | CF-131    |
| <b>B300 VAN</b>    |                |         |         |           |
| 1974               | L6 3.7L 225 CI |         | 3743998 | CF-131    |
| 1974               | V8 5.2L 318 CI |         | 3743998 | CF-131    |
| 1974               | V8 5.9L 360 CI |         | 3743998 | CF-131    |
| <b>CARAVAN</b>     |                |         |         |           |
| 1984-87            | L4 2.2L 135 CI |         | 4511046 | CF-142    |
| <b>CB300</b>       |                |         |         |           |
| 1974-75            | L6 3.7L 225 CI |         | 3743998 | CF-131    |
| 1977-79            | L6 3.7L 225 CI |         | 3743998 | CF-131    |
| 1974-80            | V8 5.9L 360 CI |         | 3743998 | CF-131    |
| 1974-80            | V8 5.2L 318 CI |         | 3743998 | CF-131    |
| 1976-78            | V8 6.6L 400 CI |         | 3743998 | CF-131    |
| 1977-79            | V8 7.2L 440 CI |         | 3743998 | CF-131    |
| <b>D100</b>        |                |         |         |           |
| 1975-78            | V8 7.2L 440 CI |         | 3743998 | CF-131    |
| 1976-78            | V8 6.6L 400 CI |         | 3743998 | CF-131    |
| 1978-79            | L6 4.0L 243 CI |         | 3743998 | CF-131    |
| 1975-79            | L6 3.7L 225 CI |         | 3743998 | CF-131    |
| 1986-87            | L6 3.7L 225 CI |         | 3743998 | CF-131    |
| 1975-79            | V8 5.2L 318 CI |         | 3743998 | CF-131    |
| 1986-87            | V8 5.2L 318 CI |         | 3743998 | CF-131    |
| 1975-79            | V8 5.9L 360 CI |         | 3743998 | CF-131    |
| 1986-87            | V8 5.9L 360 CI |         | 3743998 | CF-131    |
| 1988               | V8 5.9L 360 CI |         | 4446231 | CF-141    |
| 1988-89            | V6 3.9L 238 CI |         | 4446231 | CF-141    |
| 1988-89            | V8 5.2L 318 CI |         | 4446231 | CF-141    |
| <b>D100 PICKUP</b> |                |         |         |           |
| 1974               | L6 3.7L 225 CI |         | 3743998 | CF-131    |
| 1974               | V8 5.2L 318 CI |         | 3743998 | CF-131    |
| 1974               | V8 5.9L 360 CI |         | 3743998 | CF-131    |
| 1974               | V8 6.6L 400 CI |         | 3743998 | CF-131    |
| 1974               | V8 7.2L 440 CI |         | 3743998 | CF-131    |
| <b>D150</b>        |                |         |         |           |
| 1977-78            | V8 6.6L 400 CI |         | 3743998 | CF-131    |

# CLUTCH FORK APPLICATIONS

| Years              | Engine         | Remarks | OE       | Pioneer # |
|--------------------|----------------|---------|----------|-----------|
| <b>DODGE TRUCK</b> |                |         |          |           |
| <b>D150</b>        |                |         |          |           |
| 1977-80            | L6 3.7L 225 CI |         | 3743998  | CF-131    |
| 1977-80            | V8 5.2L 318 CI |         | 3743998  | CF-131    |
| 1977-80            | V8 5.9L 360 CI |         | 3743998  | CF-131    |
| 1978               | V8 7.2L 440 CI |         | 3743998  | CF-131    |
| 1978-80            | L6 4.0L 243 CI |         | 3743998  | CF-131    |
| 1981-87            | L6 3.7L 225 CI |         | 4210697  | CF-115    |
| 1981-87            | V8 5.2L 318 CI |         | 4210697  | CF-115    |
| 1981-82            | V8 5.9L 360 CI |         | 4210697  | CF-115    |
| 1984-87            | V8 5.9L 360 CI |         | 4210697  | CF-115    |
| 1988-91            | V6 3.9L 238 CI |         | 4446231  | CF-141    |
| 1988-91            | V8 5.2L 318 CI |         | 4446231  | CF-141    |
| 1988-91            | V8 5.9L 360 CI |         | 4446231  | CF-141    |
| 1992-93            | V6 3.9L 238 CI |         | 52107555 | CF-146    |
| 1992-93            | V8 5.2L 318 CI |         | 52107555 | CF-146    |
| 1993               | V8 5.9L 360 CI |         | 52107555 | CF-146    |
| <b>D200</b>        |                |         |          |           |
| 1975-78            | V8 6.6L 400 CI |         | 3743998  | CF-131    |
| 1975-78            | V8 7.2L 440 CI |         | 3743998  | CF-131    |
| 1975-80            | L6 3.7L 225 CI |         | 3743998  | CF-131    |
| 1975-80            | V8 5.2L 318 CI |         | 3743998  | CF-131    |
| 1975-80            | V8 5.9L 360 CI |         | 3743998  | CF-131    |
| 1978               | L6 4.0L 243 CI |         | 3743998  | CF-131    |
| 1980               | L6 4.0L 243 CI |         | 3743998  | CF-131    |
| <b>D200 PICKUP</b> |                |         |          |           |
| 1974               | L6 3.7L 225 CI |         | 3743998  | CF-131    |
| 1974               | V8 5.2L 318 CI |         | 3743998  | CF-131    |
| 1974               | V8 5.9L 360 CI |         | 3743998  | CF-131    |
| 1974               | V8 6.6L 400 CI |         | 3743998  | CF-131    |
| 1974               | V8 7.2L 440 CI |         | 3743998  | CF-131    |
| <b>D250</b>        |                |         |          |           |
| 1981-87            | L6 3.7L 225 CI |         | 4210697  | CF-115    |
| 1981-87            | V8 5.2L 318 CI |         | 4210697  | CF-115    |
| 1981-82            | V8 5.9L 360 CI |         | 4210697  | CF-115    |
| 1984-87            | V8 5.9L 360 CI |         | 4210697  | CF-115    |
| 1988-91            | V6 3.9L 238 CI |         | 4446231  | CF-141    |
| 1988-91            | V8 5.2L 318 CI |         | 4446231  | CF-141    |
| 1988-91            | V8 5.9L 360 CI |         | 4446231  | CF-141    |
| 1989-91            | L6 5.9L 359 CI |         | 4446231  | CF-141    |
| 1992-93            | V6 3.9L 238 CI |         | 52107555 | CF-146    |
| 1992-93            | V8 5.2L 318 CI |         | 52107555 | CF-146    |

# CLUTCH FORK APPLICATIONS

| Years              | Engine         | Remarks   | OE       | Pioneer # |
|--------------------|----------------|-----------|----------|-----------|
| <b>DODGE TRUCK</b> |                |           |          |           |
| <b>D250</b>        |                |           |          |           |
| 1992-93            | V8 5.9L 360 CI |           | 52107555 | CF-146    |
| <b>D300</b>        |                |           |          |           |
| 1975-78            | L6 3.7L 225 CI |           | 3743998  | CF-131    |
| <b>D300 PICKUP</b> |                |           |          |           |
| 1974               | L6 3.7L 225 CI |           | 3743998  | CF-131    |
| 1974               | V8 5.2L 318 CI |           | 3743998  | CF-131    |
| 1974               | V8 5.9L 360 CI |           | 3743998  | CF-131    |
| 1974               | V8 6.6L 400 CI |           | 3743998  | CF-131    |
| 1974               | V8 7.2L 440 CI |           | 3743998  | CF-131    |
| <b>D350</b>        |                |           |          |           |
| 1981-83            | V8 5.2L 318 CI |           | 4210697  | CF-115    |
| 1981-87            | V8 5.9L 360 CI |           | 4210697  | CF-115    |
| 1988-91            | V8 5.9L 360 CI |           | 4446231  | CF-141    |
| 1989-91            | L6 5.9L 359 CI |           | 4446231  | CF-141    |
| 1992-93            | V8 5.9L 360 CI |           | 52107555 | CF-146    |
| <b>D50</b>         |                |           |          |           |
| 1979-82            | L4 2.0L 122 CI |           | 3743998  | CF-131    |
| 1979-82            | L4 2.6L 156 CI |           | 3743998  | CF-131    |
| <b>DAKOTA</b>      |                |           |          |           |
| 1987               | L4 2.2L 135 CI | To 6/87   | 3743998  | CF-131    |
| 1987               | V6 3.9L 238 CI |           | 3743998  | CF-131    |
| 1987-88            | L4 2.2L 135 CI | From 6/87 | 4511046  | CF-142    |
| 1993-03            | V6 3.9L 238 CI |           | 52107555 | CF-146    |
| 1994-99            | V8 5.2L 318 CI |           | 52107555 | CF-146    |
| 1994-02            | L4 2.5L 153 CI |           | 52107555 | CF-146    |
| 1998-03            | V8 5.9L 360 CI |           | 52107555 | CF-146    |
| 2000-01            | V8 4.7L 287 CI |           | 52107555 | CF-146    |
| 2002-09            | V8 4.7L 285 CI |           | 52107555 | CF-146    |
| 2004-09            | V6 3.7L 226 CI |           | 52107555 | CF-146    |
| <b>MINI RAM</b>    |                |           |          |           |
| 1984-87            | L4 2.2L 135 CI |           | 4511046  | CF-142    |
| <b>NITRO</b>       |                |           |          |           |
| 2007-08            | V6 3.7L 226 CI |           | 52107555 | CF-146    |
| <b>RAM 1500</b>    |                |           |          |           |
| 1994-01            | V6 3.9L 238 CI |           | 52107555 | CF-146    |
| 1994-01            | V8 5.2L 318 CI |           | 52107555 | CF-146    |
| 1994-03            | V8 5.9L 360 CI |           | 52107555 | CF-146    |
| 2002-04            | V8 4.7L 287 CI |           | 52107555 | CF-146    |
| 2002-08            | V6 3.7L 226 CI |           | 52107555 | CF-146    |
| 2003-08            | V8 5.7L 345 CI |           | 52107555 | CF-146    |

# CLUTCH FORK APPLICATIONS

| Years              | Engine          | Remarks | OE       | Pioneer # |
|--------------------|-----------------|---------|----------|-----------|
| <b>DODGE TRUCK</b> |                 |         |          |           |
| <b>RAM 1500</b>    |                 |         |          |           |
| 2004-06            | V10 8.3L 505 CI |         | 52107555 | CF-146    |
| 2005-08            | V8 4.7L 285 CI  |         | 52107555 | CF-146    |
| <b>RAM 2500</b>    |                 |         |          |           |
| 1994-03            | V10 8.0L 488 CI |         | 52087515 | CF-159    |
| 1994-96            | V8 5.2L 318 CI  |         | 52107555 | CF-146    |
| 1994-99            | V8 5.9L 360 CI  |         | 52107555 | CF-146    |
| 2003-08            | V8 5.7L 345 CI  |         | 52107555 | CF-146    |
| 1994-03            | L6 5.9L 359 CI  |         | 52087515 | CF-159    |
| 2006-07            | L6 5.9L 359 CI  |         | 52087515 | CF-159    |
| 2007-10            | L6 6.7L 408 CI  |         | 52087515 | CF-159    |
| 2009-10            | V8 5.7L 345 CI  |         | 52087515 | CF-159    |
| <b>RAM 3500</b>    |                 |         |          |           |
| 1994-03            | V10 8.0L 488 CI |         | 52087515 | CF-159    |
| 1994-99            | V8 5.9L 360 CI  |         | 52107555 | CF-146    |
| 2003-08            | V8 5.7L 345 CI  |         | 52107555 | CF-146    |
| 1994-03            | L6 5.9L 359 CI  |         | 52087515 | CF-159    |
| 2005-08            | L6 5.9L 359 CI  |         | 52087515 | CF-159    |
| 2007-10            | L6 6.7L 408 CI  |         | 52087515 | CF-159    |
| <b>RAMCHARGER</b>  |                 |         |          |           |
| 1974-80            | V8 5.2L 318 CI  |         | 3743998  | CF-131    |
| 1974-80            | V8 5.9L 360 CI  |         | 3743998  | CF-131    |
| 1974-78            | V8 7.2L 440 CI  |         | 3743998  | CF-131    |
| 1974-80            | L6 3.7L 225 CI  |         | 3743998  | CF-131    |
| 1977-78            | V8 6.6L 400 CI  |         | 3743998  | CF-131    |
| 1981-87            | V8 5.2L 318 CI  |         | 4210697  | CF-115    |
| 1981               | V8 5.9L 360 CI  |         | 4210697  | CF-115    |
| 1984-87            | V8 5.9L 360 CI  |         | 4210697  | CF-115    |
| 1988-91            | V8 5.2L 318 CI  |         | 4446231  | CF-141    |
| 1992-93            | V8 5.2L 318 CI  |         | 52107555 | CF-146    |
| 1992-93            | V8 5.9L 360 CI  |         | 52107555 | CF-146    |
| <b>W100</b>        |                 |         |          |           |
| 1975-77            | V8 6.6L 400 CI  |         | 3743998  | CF-131    |
| 1975-77            | V8 7.2L 440 CI  |         | 3743998  | CF-131    |
| 1975-77            | L6 3.7L 225 CI  |         | 3743998  | CF-131    |
| 1986-87            | L6 3.7L 225 CI  |         | 3743998  | CF-131    |
| 1975-77            | V8 5.2L 318 CI  |         | 3743998  | CF-131    |
| 1986-87            | V8 5.2L 318 CI  |         | 3743998  | CF-131    |
| 1975-77            | V8 5.9L 360 CI  |         | 3743998  | CF-131    |
| 1986-87            | V8 5.9L 360 CI  |         | 3743998  | CF-131    |
| 1988               | V8 5.9L 360 CI  |         | 4446231  | CF-141    |

# CLUTCH FORK APPLICATIONS

| Years              | Engine         | Remarks | OE       | Pioneer # |
|--------------------|----------------|---------|----------|-----------|
| <b>DODGE TRUCK</b> |                |         |          |           |
| <b>W100</b>        |                |         |          |           |
| 1988-89            | V8 5.2L 318 CI |         | 4446231  | CF-141    |
| 1989               | V6 3.9L 238 CI |         | 4446231  | CF-141    |
| <b>W100 PICKUP</b> |                |         |          |           |
| 1974               | L6 3.7L 225 CI |         | 3743998  | CF-131    |
| 1974               | V8 5.2L 318 CI |         | 3743998  | CF-131    |
| 1974               | V8 5.9L 360 CI |         | 3743998  | CF-131    |
| 1974               | V8 6.6L 400 CI |         | 3743998  | CF-131    |
| 1974               | V8 7.2L 440 CI |         | 3743998  | CF-131    |
| <b>W150</b>        |                |         |          |           |
| 1977-78            | V8 6.6L 400 CI |         | 3743998  | CF-131    |
| 1977-80            | V8 5.2L 318 CI |         | 3743998  | CF-131    |
| 1977-80            | V8 5.9L 360 CI |         | 3743998  | CF-131    |
| 1978               | V8 7.2L 440 CI |         | 3743998  | CF-131    |
| 1978-79            | L6 4.0L 243 CI |         | 3743998  | CF-131    |
| 1978-80            | L6 3.7L 225 CI |         | 3743998  | CF-131    |
| 1981-87            | L6 3.7L 225 CI |         | 4210697  | CF-115    |
| 1981-87            | V8 5.2L 318 CI |         | 4210697  | CF-115    |
| 1981               | V8 5.9L 360 CI |         | 4210697  | CF-115    |
| 1984-87            | V8 5.9L 360 CI |         | 4210697  | CF-115    |
| 1988-91            | V8 5.2L 318 CI |         | 4446231  | CF-141    |
| 1988-91            | V8 5.9L 360 CI |         | 4446231  | CF-141    |
| 1989-91            | V6 3.9L 238 CI |         | 4446231  | CF-141    |
| 1992-93            | V6 3.9L 238 CI |         | 52107555 | CF-146    |
| 1992-93            | V8 5.2L 318 CI |         | 52107555 | CF-146    |
| 1993               | V8 5.9L 360 CI |         | 52107555 | CF-146    |
| <b>W200</b>        |                |         |          |           |
| 1975-78            | V8 7.2L 440 CI |         | 3743998  | CF-131    |
| 1975-80            | L6 3.7L 225 CI |         | 3743998  | CF-131    |
| 1975-80            | V8 5.2L 318 CI |         | 3743998  | CF-131    |
| 1975-80            | V8 5.9L 360 CI |         | 3743998  | CF-131    |
| 1976-78            | V8 6.6L 400 CI |         | 3743998  | CF-131    |
| 1978-79            | L6 4.0L 243 CI |         | 3743998  | CF-131    |
| <b>W200 PICKUP</b> |                |         |          |           |
| 1974               | L6 3.7L 225 CI |         | 3743998  | CF-131    |
| 1974               | V8 5.2L 318 CI |         | 3743998  | CF-131    |
| 1974               | V8 5.9L 360 CI |         | 3743998  | CF-131    |
| 1974               | V8 6.6L 400 CI |         | 3743998  | CF-131    |
| 1974               | V8 7.2L 440 CI |         | 3743998  | CF-131    |
| <b>W250</b>        |                |         |          |           |
| 1981-87            | V8 5.2L 318 CI |         | 4210697  | CF-115    |

# CLUTCH FORK APPLICATIONS

| Years                             | Engine         | Remarks | OE        | Pioneer # |
|-----------------------------------|----------------|---------|-----------|-----------|
| <b>DODGE TRUCK</b>                |                |         |           |           |
| <b>W250</b>                       |                |         |           |           |
| 1981-82                           | V8 5.9L 360 CI |         | 4210697   | CF-115    |
| 1984-87                           | V8 5.9L 360 CI |         | 4210697   | CF-115    |
| 1988-91                           | V8 5.2L 318 CI |         | 4446231   | CF-141    |
| 1988-91                           | V8 5.9L 360 CI |         | 4446231   | CF-141    |
| 1989-91                           | L6 5.9L 359 CI |         | 4446231   | CF-141    |
| 1992-93                           | V8 5.2L 318 CI |         | 52107555  | CF-146    |
| 1992-93                           | V8 5.9L 360 CI |         | 52107555  | CF-146    |
| <b>W300</b>                       |                |         |           |           |
| 1975-78                           | L6 3.7L 225 CI |         | 3743998   | CF-131    |
| 1975-78                           | V8 5.2L 318 CI |         | 3743998   | CF-131    |
| 1975-78                           | V8 7.2L 440 CI |         | 3743998   | CF-131    |
| 1975-79                           | V8 5.9L 360 CI |         | 3743998   | CF-131    |
| 1976-78                           | V8 6.6L 400 CI |         | 3743998   | CF-131    |
| <b>W300 PICKUP</b>                |                |         |           |           |
| 1974                              | L6 3.7L 225 CI |         | 3743998   | CF-131    |
| 1974                              | V8 5.2L 318 CI |         | 3743998   | CF-131    |
| 1974                              | V8 5.9L 360 CI |         | 3743998   | CF-131    |
| <b>W350</b>                       |                |         |           |           |
| 1981-87                           | V8 5.9L 360 CI |         | 4210697   | CF-115    |
| 1982-83                           | V8 5.2L 318 CI |         | 4210697   | CF-115    |
| 1988-91                           | V8 5.9L 360 CI |         | 4446231   | CF-141    |
| 1989-91                           | L6 5.9L 359 CI |         | 4446231   | CF-141    |
| 1992-93                           | V8 5.9L 360 CI |         | 52107555  | CF-146    |
| <b>FORD</b>                       |                |         |           |           |
| <b>E-150 ECONOLINE CLUB WAGON</b> |                |         |           |           |
| 1975-79                           | L6 4.9L 300 CI |         | D8TZ7515A | CF-102    |
| 1975-79                           | V8 5.8L 351 CI |         | D8TZ7515A | CF-102    |
| 1979                              | V8 5.0L 302 CI |         | D8TZ7515A | CF-102    |
| 1976-77                           | V8 7.5L 460 CI |         | D8TZ7515A | CF-102    |
| 1979                              | V8 7.5L 460 CI |         | D8TZ7515A | CF-102    |
| 1980-82                           | L6 4.9L 300 CI |         | E0TZ7515A | CF-107    |
| 1980-82                           | V8 5.0L 302 CI |         | E0TZ7515A | CF-107    |
| 1980-82                           | V8 5.8L 351 CI |         | E0TZ7515A | CF-107    |
| 1984-89                           | L6 4.9L 300 CI |         | E4TZ7515C | CF-117    |
| 1985-89                           | V8 5.0L 302 CI |         | E4TZ7515C | CF-117    |
| 1985-89                           | V8 5.8L 351 CI |         | E4TZ7515C | CF-117    |
| <b>E-250 ECONOLINE CLUB WAGON</b> |                |         |           |           |
| 1975-79                           | V8 5.8L 351 CI |         | D8TZ7515A | CF-102    |
| 1975-79                           | V8 7.5L 460 CI |         | D8TZ7515A | CF-102    |
| 1977-79                           | L6 4.9L 300 CI |         | D8TZ7515A | CF-102    |

# CLUTCH FORK APPLICATIONS

| Years                             | Engine         | Remarks | OE         | Pioneer # |
|-----------------------------------|----------------|---------|------------|-----------|
| <b>FORD</b>                       |                |         |            |           |
| <b>E-250 ECONOLINE CLUB WAGON</b> |                |         |            |           |
| 1979                              | V8 5.0L 302 CI |         | D8TZ7515A  | CF-102    |
| 1980                              | L6 4.9L 300 CI |         | E0TZ7515A  | CF-107    |
| 1980                              | V8 5.0L 302 CI |         | E0TZ7515A  | CF-107    |
| 1980-82                           | V8 5.8L 351 CI |         | E0TZ7515A  | CF-107    |
| 1980-82                           | V8 6.6L 400 CI |         | E0TZ7515A  | CF-107    |
| 1980-82                           | V8 7.5L 460 CI |         | E0TZ7515A  | CF-107    |
| 1984                              | L6 4.9L 300 CI |         | E4TZ7515C  | CF-117    |
| <b>E-350 ECONOLINE CLUB WAGON</b> |                |         |            |           |
| 1977-79                           | L6 4.9L 300 CI |         | D8TZ7515A  | CF-102    |
| 1977-79                           | V8 5.8L 351 CI |         | D8TZ7515A  | CF-102    |
| 1977-79                           | V8 7.5L 460 CI |         | D8TZ7515A  | CF-102    |
| 1979                              | V8 5.0L 302 CI |         | D8TZ7515A  | CF-102    |
| 1980                              | V8 5.0L 302 CI |         | E0TZ7515A  | CF-107    |
| 1980-82                           | L6 4.9L 300 CI |         | E0TZ7515A  | CF-107    |
| 1980-82                           | V8 5.8L 351 CI |         | E0TZ7515A  | CF-107    |
| 1980-82                           | V8 6.6L 400 CI |         | E0TZ7515A  | CF-107    |
| 1980-82                           | V8 7.5L 460 CI |         | E0TZ7515A  | CF-107    |
| 1984-89                           | L6 4.9L 300 CI |         | E4TZ7515C  | CF-117    |
| 1985-87                           | V8 6.9L 420 CI |         | E4TZ7515C  | CF-117    |
| 1985-89                           | V8 5.8L 351 CI |         | E4TZ7515C  | CF-117    |
| 1985-89                           | V8 7.5L 460 CI |         | E4TZ7515C  | CF-117    |
| 1988-89                           | V8 7.3L 445 CI |         | E4TZ7515C  | CF-117    |
| <b>MUSTANG</b>                    |                |         |            |           |
| 1982-93                           | V8 5.0L 302 CI |         | E6ZZ7515A  | CF-119    |
| 1994-04                           | V6 3.8L 232 CI |         | XR3Z7515AA | CF-155    |
| 1994-95                           | V8 5.0L 302 CI |         | XR3Z7515AA | CF-155    |
| 1996-01                           | V8 4.6L 281 CI |         | XR3Z7515AA | CF-155    |
| 2003-04                           | V8 4.6L 281 CI |         | XR3Z7515AA | CF-155    |
| 2004                              | V6 3.9L 238 CI |         | XR3Z7515AA | CF-155    |
| <b>FORD TRUCK</b>                 |                |         |            |           |
| <b>BRONCO</b>                     |                |         |            |           |
| 1980-82                           | L6 4.9L 300 CI |         | E0TZ7515A  | CF-107    |
| 1980-82                           | V8 5.0L 302 CI |         | E0TZ7515A  | CF-107    |
| 1980-82                           | V8 5.8L 351 CI |         | E0TZ7515A  | CF-107    |
| 1984-92                           | L6 4.9L 300 CI |         | E4TZ7515C  | CF-117    |
| 1984-96                           | V8 5.0L 302 CI |         | E4TZ7515C  | CF-117    |
| 1984-96                           | V8 5.8L 351 CI |         | E4TZ7515C  | CF-117    |
| <b>E-100 ECONOLINE</b>            |                |         |            |           |
| 1973-74                           | L6 3.9L 240 CI |         | D0TZ7515A  | CF-101    |
| 1973-74                           | L6 4.9L 300 CI |         | D0TZ7515A  | CF-101    |

# CLUTCH FORK APPLICATIONS

| Years                  | Engine         | Remarks | OE        | Pioneer # |
|------------------------|----------------|---------|-----------|-----------|
| <b>FORD TRUCK</b>      |                |         |           |           |
| <b>E-100 ECONOLINE</b> |                |         |           |           |
| 1973-74                | V8 5.0L 302 CI |         | D0TZ7515A | CF-101    |
| 1975-79                | L6 4.9L 300 CI |         | D8TZ7515A | CF-102    |
| 1975-79                | V8 5.8L 351 CI |         | D8TZ7515A | CF-102    |
| 1978                   | V8 7.5L 460 CI |         | D8TZ7515A | CF-102    |
| 1975                   | V8 5.0L 302 CI |         | D8TZ7515A | CF-102    |
| 1979                   | V8 5.0L 302 CI |         | D8TZ7515A | CF-102    |
| 1980-82                | L6 4.9L 300 CI |         | E0TZ7515A | CF-107    |
| 1980-82                | V8 5.0L 302 CI |         | E0TZ7515A | CF-107    |
| 1980-82                | V8 5.8L 351 CI |         | E0TZ7515A | CF-107    |
| <b>E-150 ECONOLINE</b> |                |         |           |           |
| 1975-79                | L6 4.9L 300 CI |         | D8TZ7515A | CF-102    |
| 1975-79                | V8 5.8L 351 CI |         | D8TZ7515A | CF-102    |
| 1976-79                | V8 7.5L 460 CI |         | D8TZ7515A | CF-102    |
| 1975                   | V8 5.0L 302 CI |         | D8TZ7515A | CF-102    |
| 1979                   | V8 5.0L 302 CI |         | D8TZ7515A | CF-102    |
| 1980                   | V8 7.5L 460 CI |         | E0TZ7515A | CF-107    |
| 1980-82                | L6 4.9L 300 CI |         | E0TZ7515A | CF-107    |
| 1980-82                | V8 5.0L 302 CI |         | E0TZ7515A | CF-107    |
| 1980-82                | V8 5.8L 351 CI |         | E0TZ7515A | CF-107    |
| 1984-89                | L6 4.9L 300 CI |         | E4TZ7515C | CF-117    |
| 1985-89                | V8 5.0L 302 CI |         | E4TZ7515C | CF-117    |
| 1985-89                | V8 5.8L 351 CI |         | E4TZ7515C | CF-117    |
| <b>E-200 ECONOLINE</b> |                |         |           |           |
| 1973-74                | L6 3.9L 240 CI |         | D0TZ7515A | CF-101    |
| 1973-74                | L6 4.9L 300 CI |         | D0TZ7515A | CF-101    |
| 1973-74                | V8 5.0L 302 CI |         | D0TZ7515A | CF-101    |
| <b>E-250 ECONOLINE</b> |                |         |           |           |
| 1975-79                | L6 4.9L 300 CI |         | D8TZ7515A | CF-102    |
| 1975-79                | V8 5.8L 351 CI |         | D8TZ7515A | CF-102    |
| 1975-79                | V8 7.5L 460 CI |         | D8TZ7515A | CF-102    |
| 1975                   | V8 5.0L 302 CI |         | D8TZ7515A | CF-102    |
| 1979                   | V8 5.0L 302 CI |         | D8TZ7515A | CF-102    |
| 1980                   | V8 6.6L 400 CI |         | E0TZ7515A | CF-107    |
| 1980                   | V8 7.5L 460 CI |         | E0TZ7515A | CF-107    |
| 1980-82                | L6 4.9L 300 CI |         | E0TZ7515A | CF-107    |
| 1980-82                | V8 5.0L 302 CI |         | E0TZ7515A | CF-107    |
| 1980-82                | V8 5.8L 351 CI |         | E0TZ7515A | CF-107    |
| 1984                   | L6 4.9L 300 CI |         | E4TZ7515C | CF-117    |
| <b>E-300 ECONOLINE</b> |                |         |           |           |
| 1973-74                | L6 3.9L 240 CI |         | D0TZ7515A | CF-101    |



# CLUTCH FORK APPLICATIONS

| Years                  | Engine         | Remarks                     | OE        | Pioneer # |
|------------------------|----------------|-----------------------------|-----------|-----------|
| <b>FORD TRUCK</b>      |                |                             |           |           |
| <b>E-300 ECONOLINE</b> |                |                             |           |           |
| 1973-74                | L6 4.9L 300 CI |                             | D0TZ7515A | CF-101    |
| 1973-74                | V8 5.0L 302 CI |                             | D0TZ7515A | CF-101    |
| <b>E-350 ECONOLINE</b> |                |                             |           |           |
| 1975-79                | L6 4.9L 300 CI |                             | D8TZ7515A | CF-102    |
| 1975-79                | V8 5.8L 351 CI |                             | D8TZ7515A | CF-102    |
| 1975-79                | V8 7.5L 460 CI |                             | D8TZ7515A | CF-102    |
| 1975                   | V8 5.0L 302 CI |                             | D8TZ7515A | CF-102    |
| 1979                   | V8 5.0L 302 CI |                             | D8TZ7515A | CF-102    |
| 1980-82                | L6 4.9L 300 CI |                             | E0TZ7515A | CF-107    |
| 1980-82                | V8 5.0L 302 CI |                             | E0TZ7515A | CF-107    |
| 1980-82                | V8 5.8L 351 CI |                             | E0TZ7515A | CF-107    |
| 1980-82                | V8 6.6L 400 CI |                             | E0TZ7515A | CF-107    |
| 1980-82                | V8 7.5L 460 CI |                             | E0TZ7515A | CF-107    |
| 1984-89                | L6 4.9L 300 CI |                             | E4TZ7515C | CF-117    |
| 1985-87                | V8 6.9L 420 CI |                             | E4TZ7515C | CF-117    |
| 1985-89                | V8 5.8L 351 CI |                             | E4TZ7515C | CF-117    |
| 1985-89                | V8 7.5L 460 CI |                             | E4TZ7515C | CF-117    |
| 1988-89                | V8 7.3L 445 CI |                             | E4TZ7515C | CF-117    |
| <b>F-100</b>           |                |                             |           |           |
| 1970-79                | V8 5.0L 302 CI |                             | D0TZ7515A | CF-101    |
| 1970-75                | V8 5.9L 360 CI |                             | D0TZ7515A | CF-101    |
| 1970-75                | V8 6.4L 390 CI |                             | D0TZ7515A | CF-101    |
| 1971-74                | L6 3.9L 240 CI |                             | D0TZ7515A | CF-101    |
| 1970-75                | L6 4.9L 300 CI |                             | D0TZ7515A | CF-101    |
| 1980                   | L6 4.9L 300 CI |                             | E0TZ7515A | CF-107    |
| 1980-81                | V8 5.0L 302 CI |                             | E0TZ7515A | CF-107    |
| 1981                   | V8 5.8L 351 CI |                             | E0TZ7515A | CF-107    |
| 1981                   | V8 5.8L 351 CI | From Serial Number DG0, 001 | E0TZ7515B | CF-103    |
| 1982                   | L6 4.9L 300 CI |                             | E0TZ7515B | CF-103    |
| 1982                   | V6 3.8L 232 CI |                             | E0TZ7515B | CF-103    |
| 1982                   | V8 4.2L 255 CI |                             | E0TZ7515B | CF-103    |
| 1982                   | V8 5.0L 302 CI |                             | E0TZ7515B | CF-103    |
| <b>F-150</b>           |                |                             |           |           |
| 1975-76                | V8 5.9L 360 CI |                             | D0TZ7515A | CF-101    |
| 1975-76                | V8 6.4L 390 CI |                             | D0TZ7515A | CF-101    |
| 1975-79                | L6 4.9L 300 CI |                             | D0TZ7515A | CF-101    |
| 1975-79                | V8 5.0L 302 CI |                             | D0TZ7515A | CF-101    |
| 1977-78                | V8 6.6L 400 CI |                             | D0TZ7515A | CF-101    |
| 1977-79                | V8 5.8L 351 CI |                             | D0TZ7515A | CF-101    |
| 1979                   | V8 6.6L 400 CI |                             | E0TZ7515B | CF-103    |

# CLUTCH FORK APPLICATIONS

| Years             | Engine         | Remarks | OE        | Pioneer # |
|-------------------|----------------|---------|-----------|-----------|
| <b>FORD TRUCK</b> |                |         |           |           |
| <b>F-150</b>      |                |         |           |           |
| 1980              | L6 4.9L 300 CI |         | E0TZ7515A | CF-107    |
| 1980-81           | V8 5.0L 302 CI |         | E0TZ7515A | CF-107    |
| 1980-82           | V8 5.8L 351 CI |         | E0TZ7515B | CF-103    |
| 1980-81           | V8 5.8L 351 CI |         | E0TZ7515A | CF-107    |
| 1982              | L6 4.9L 300 CI |         | E0TZ7515B | CF-103    |
| 1982              | V8 5.0L 302 CI |         | E0TZ7515B | CF-103    |
| 1984-96           | V8 5.8L 351 CI |         | E4TZ7515C | CF-117    |
| 1984-96           | L6 4.9L 300 CI |         | E4TZ7515C | CF-117    |
| 1984-96           | V8 5.0L 302 CI |         | E4TZ7515C | CF-117    |
| 1997-98           | V6 4.2L 256 CI |         | E4TZ7515C | CF-117    |
| 1997-98           | V8 4.6L 281 CI |         | E4TZ7515C | CF-117    |
| 1997-98           | V8 5.4L 330 CI |         | E4TZ7515C | CF-117    |
| <b>F-250</b>      |                |         |           |           |
| 1970-74           | L6 3.9L 240 CI |         | D0TZ7515A | CF-101    |
| 1970-76           | V8 5.9L 360 CI |         | D0TZ7515A | CF-101    |
| 1970-76           | V8 6.4L 390 CI |         | D0TZ7515A | CF-101    |
| 1972-79           | V8 5.0L 302 CI |         | D0TZ7515A | CF-101    |
| 1970-79           | L6 4.9L 300 CI |         | D0TZ7515A | CF-101    |
| 1977-78           | V8 6.6L 400 CI |         | D0TZ7515A | CF-101    |
| 1977-79           | V8 5.8L 351 CI |         | D0TZ7515A | CF-101    |
| 1980              | L6 4.9L 300 CI |         | E0TZ7515A | CF-107    |
| 1980-81           | V8 5.0L 302 CI |         | E0TZ7515A | CF-107    |
| 1980-81           | V8 5.8L 351 CI |         | E0TZ7515A | CF-107    |
| 1979              | V8 6.6L 400 CI |         | E0TZ7515B | CF-103    |
| 1981-82           | V8 6.6L 400 CI |         | E0TZ7515B | CF-103    |
| 1982              | L6 4.9L 300 CI |         | E0TZ7515B | CF-103    |
| 1982              | V8 5.0L 302 CI |         | E0TZ7515B | CF-103    |
| 1980-82           | V8 5.8L 351 CI |         | E0TZ7515B | CF-103    |
| 1984-96           | L6 4.9L 300 CI |         | E4TZ7515C | CF-117    |
| 1987              | V8 6.9L 420 CI |         | E7TZ7515A | CF-151    |
| 1984-96           | V8 5.0L 302 CI |         | E4TZ7515C | CF-117    |
| 1984-97           | V8 5.8L 351 CI |         | E4TZ7515C | CF-117    |
| 1988-97           | V8 7.3L 445 CI |         | E7TZ7515A | CF-151    |
| 1987-97           | V8 7.5L 460 CI |         | E7TZ7515A | CF-151    |
| 1997-98           | V8 4.6L 281 CI |         | E4TZ7515C | CF-117    |
| 1997-98           | V8 5.4L 330 CI |         | E4TZ7515C | CF-117    |
| <b>F-350</b>      |                |         |           |           |
| 1970-74           | L6 3.9L 240 CI |         | D0TZ7515A | CF-101    |
| 1970-76           | V8 5.9L 360 CI |         | D0TZ7515A | CF-101    |
| 1970-76           | V8 6.4L 390 CI |         | D0TZ7515A | CF-101    |

# CLUTCH FORK APPLICATIONS

| Years                   | Engine         | Remarks | OE        | Pioneer # |
|-------------------------|----------------|---------|-----------|-----------|
| <b>FORD TRUCK</b>       |                |         |           |           |
| <b>F-350</b>            |                |         |           |           |
| 1972-79                 | V8 5.0L 302 CI |         | D0TZ7515A | CF-101    |
| 1970-79                 | L6 4.9L 300 CI |         | D0TZ7515A | CF-101    |
| 1977-78                 | V8 6.6L 400 CI |         | D0TZ7515A | CF-101    |
| 1977-79                 | V8 5.8L 351 CI |         | D0TZ7515A | CF-101    |
| 1980                    | L6 4.9L 300 CI |         | E0TZ7515A | CF-107    |
| 1980                    | V8 5.0L 302 CI |         | E0TZ7515A | CF-107    |
| 1980-81                 | V8 5.8L 351 CI |         | E0TZ7515A | CF-107    |
| 1980-82                 | V8 5.8L 351 CI |         | E0TZ7515B | CF-103    |
| 1979                    | V8 6.6L 400 CI |         | E0TZ7515B | CF-103    |
| 1981-82                 | V8 6.6L 400 CI |         | E0TZ7515B | CF-103    |
| 1982                    | L6 4.9L 300 CI |         | E0TZ7515B | CF-103    |
| 1984-96                 | L6 4.9L 300 CI |         | E4TZ7515C | CF-117    |
| 1987                    | V8 6.9L 420 CI |         | E7TZ7515A | CF-151    |
| 1984-97                 | V8 5.8L 351 CI |         | E4TZ7515C | CF-117    |
| 1988-97                 | V8 7.3L 445 CI |         | E7TZ7515A | CF-151    |
| 1987-97                 | V8 7.5L 460 CI |         | E7TZ7515A | CF-151    |
| <b>GEO</b>              |                |         |           |           |
| <b>PRIZM</b>            |                |         |           |           |
| 1989-92                 | L4 1.6L 97 CI  |         | 94840696  | CF-132    |
| <b>STORM</b>            |                |         |           |           |
| 1990-92                 | L4 1.6L 97 CI  |         | 94840696  | CF-132    |
| <b>GEO TRUCK</b>        |                |         |           |           |
| <b>TRACKER</b>          |                |         |           |           |
| 1989-92                 | L4 1.6L 97 CI  |         | 94840696  | CF-132    |
| <b>GMC TRUCK</b>        |                |         |           |           |
| <b>C15</b>              |                |         |           |           |
| 1975-78                 | L6 4.1L 250 CI |         | 14066235  | CF-100    |
| 1975-78                 | L6 4.8L 292 CI |         | 14066235  | CF-100    |
| 1975-78                 | V8 7.4L 454 CI |         | 14066235  | CF-100    |
| 1977-78                 | V8 5.0L 305 CI |         | 14066235  | CF-100    |
| 1975-78                 | V8 5.7L 350 CI |         | 14066235  | CF-100    |
| <b>C15 SUBURBAN</b>     |                |         |           |           |
| 1975-78                 | L6 4.1L 250 CI |         | 14066235  | CF-100    |
| 1975-78                 | V8 5.7L 350 CI |         | 14066235  | CF-100    |
| 1975-78                 | V8 7.4L 454 CI |         | 14066235  | CF-100    |
| 1977-78                 | V8 5.0L 305 CI |         | 14066235  | CF-100    |
| <b>C15/C1500 PICKUP</b> |                |         |           |           |
| 1973                    | V8 5.0L 307 CI |         | 14066235  | CF-100    |
| 1973-74                 | L6 4.1L 250 CI |         | 14066235  | CF-100    |

# CLUTCH FORK APPLICATIONS

| Years                     | Engine         | Remarks                | OE                | Pioneer # |
|---------------------------|----------------|------------------------|-------------------|-----------|
| <b>GMC TRUCK</b>          |                |                        |                   |           |
| <b>C15/C1500 PICKUP</b>   |                |                        |                   |           |
| 1973-74                   | L6 4.8L 292 CI |                        | 14066235          | CF-100    |
| 1973-74                   | L6 4.8L 293 CI |                        | 14066235          | CF-100    |
| 1973-74                   | V8 7.4L 454 CI |                        | 14066235          | CF-100    |
| 1973-74                   | V8 5.7L 350 CI |                        | 14066235          | CF-100    |
| <b>C15/C1500 SUBURBAN</b> |                |                        |                   |           |
| 1973                      | V8 5.0L 307 CI |                        | 14066235          | CF-100    |
| 1973-74                   | L6 4.1L 250 CI |                        | 14066235          | CF-100    |
| 1973-74                   | L6 4.8L 292 CI |                        | 14066235          | CF-100    |
| 1973-74                   | L6 4.8L 293 CI |                        | 14066235          | CF-100    |
| 1973-74                   | V8 5.7L 350 CI |                        | 14066235          | CF-100    |
| 1973-74                   | V8 7.4L 454 CI |                        | 14066235          | CF-100    |
| <b>C1500</b>              |                |                        |                   |           |
| 1979-80                   | L6 4.8L 292 CI |                        | 14066235          | CF-100    |
| 1979-80                   | V8 7.4L 454 CI | exc. Power Disc Brakes | 14066235          | CF-100    |
| 1979-84                   | V8 5.7L 350 CI |                        | 14066235          | CF-100    |
| 1979-84                   | L6 4.1L 250 CI |                        | 14066235          | CF-100    |
| 1979-84                   | V8 5.0L 305 CI |                        | 14066235          | CF-100    |
| 1982-84                   | V8 6.2L 379 CI |                        | 14066235          | CF-100    |
| 1985-86                   | V6 4.3L 262 CI |                        | 15592270          | CF-116    |
| 1985-86                   | V8 5.0L 305 CI |                        | 15592270          | CF-116    |
| 1985-86                   | V8 5.7L 350 CI |                        | 15592270          | CF-116    |
| 1985-86                   | V8 6.2L 379 CI |                        | 15592270          | CF-116    |
| 1988-93                   | V8 6.2L 379 CI |                        | 15588262          | CF-126    |
| 1988-95                   | V8 5.0L 305 CI |                        | 15588262          | CF-126    |
| 1988-95                   | V8 5.7L 350 CI |                        | 15588262          | CF-126    |
| 1994-95                   | V8 6.5L 395 CI |                        | 15588262          | CF-126    |
| 1988-96                   | V6 4.3L 262 CI |                        | 15588262          | CF-126    |
| 1996                      | V6 4.3L 262 CI | w/Warner Trans.        | 14070374/15704443 | CF-128    |
| <b>C1500 SUBURBAN</b>     |                |                        |                   |           |
| 1979-80                   | L6 4.1L 250 CI |                        | 14066235          | CF-100    |
| 1979-80                   | V8 7.4L 454 CI | exc. Power Disc Brakes | 14066235          | CF-100    |
| 1979-84                   | V8 5.0L 305 CI |                        | 14066235          | CF-100    |
| 1979-84                   | V8 5.7L 350 CI |                        | 14066235          | CF-100    |
| 1982-84                   | V8 6.2L 379 CI |                        | 14066235          | CF-100    |
| <b>C25</b>                |                |                        |                   |           |
| 1975-78                   | L6 4.8L 292 CI |                        | 14066235          | CF-100    |
| 1975-78                   | V8 5.7L 350 CI |                        | 14066235          | CF-100    |
| 1975-78                   | V8 7.4L 454 CI |                        | 14066235          | CF-100    |
| 1975                      | L6 4.1L 250 CI |                        | 14066235          | CF-100    |
| 1977-78                   | L6 4.1L 250 CI |                        | 14066235          | CF-100    |

# CLUTCH FORK APPLICATIONS

| Years                     | Engine         | Remarks                | OE       | Pioneer # |
|---------------------------|----------------|------------------------|----------|-----------|
| <b>GMC TRUCK</b>          |                |                        |          |           |
| <b>C25</b>                |                |                        |          |           |
| 1977-78                   | V8 5.0L 305 CI |                        | 14066235 | CF-100    |
| <b>C25 SUBURBAN</b>       |                |                        |          |           |
| 1975-78                   | L6 4.8L 292 CI |                        | 14066235 | CF-100    |
| 1975-78                   | V8 5.7L 350 CI |                        | 14066235 | CF-100    |
| 1975-78                   | V8 7.4L 454 CI |                        | 14066235 | CF-100    |
| 1977-78                   | V8 5.0L 305 CI |                        | 14066235 | CF-100    |
| <b>C25/C2500 PICKUP</b>   |                |                        |          |           |
| 1973                      | V8 5.0L 307 CI |                        | 14066235 | CF-100    |
| 1973-74                   | L6 4.1L 250 CI |                        | 14066235 | CF-100    |
| 1973-74                   | L6 4.8L 292 CI |                        | 14066235 | CF-100    |
| 1973-74                   | L6 4.8L 293 CI |                        | 14066235 | CF-100    |
| 1973-74                   | V8 7.4L 454 CI |                        | 14066235 | CF-100    |
| 1973-74                   | V8 5.7L 350 CI |                        | 14066235 | CF-100    |
| <b>C25/C2500 SUBURBAN</b> |                |                        |          |           |
| 1973                      | V8 5.0L 307 CI |                        | 14066235 | CF-100    |
| 1973-74                   | L6 4.1L 250 CI |                        | 14066235 | CF-100    |
| 1973-74                   | L6 4.8L 292 CI |                        | 14066235 | CF-100    |
| 1973-74                   | L6 4.8L 293 CI |                        | 14066235 | CF-100    |
| 1974                      | V8 5.7L 350 CI |                        | 14066235 | CF-100    |
| 1974                      | V8 7.4L 454 CI |                        | 14066235 | CF-100    |
| <b>C2500</b>              |                |                        |          |           |
| 1979-84                   | L6 4.1L 250 CI |                        | 14066235 | CF-100    |
| 1979-84                   | L6 4.8L 292 CI |                        | 14066235 | CF-100    |
| 1979-84                   | V8 5.0L 305 CI |                        | 14066235 | CF-100    |
| 1979-84                   | V8 5.7L 350 CI |                        | 14066235 | CF-100    |
| 1982-84                   | V8 6.2L 379 CI |                        | 14066235 | CF-100    |
| 1979-84                   | V8 7.4L 454 CI | exc. Power Disc Brakes | 14066235 | CF-100    |
| 1985-86                   | L6 4.8L 292 CI |                        | 15592270 | CF-116    |
| 1985-86                   | V6 4.3L 262 CI |                        | 15592270 | CF-116    |
| 1985-86                   | V8 5.0L 305 CI |                        | 15592270 | CF-116    |
| 1985-86                   | V8 5.7L 350 CI |                        | 15592270 | CF-116    |
| 1985-86                   | V8 6.2L 379 CI |                        | 15592270 | CF-116    |
| 1985-86                   | V8 7.4L 454 CI |                        | 15592270 | CF-116    |
| 1988-93                   | V8 6.2L 379 CI |                        | 15588262 | CF-126    |
| 1988-95                   | V6 4.3L 262 CI |                        | 15588262 | CF-126    |
| 1988-95                   | V8 5.0L 305 CI |                        | 15588262 | CF-126    |
| 1988-95                   | V8 5.7L 350 CI |                        | 15588262 | CF-126    |
| 1991-95                   | V8 7.4L 454 CI |                        | 15588262 | CF-126    |
| 1992-95                   | V8 6.5L 395 CI |                        | 15588262 | CF-126    |
| <b>C2500 SUBURBAN</b>     |                |                        |          |           |
| 1979-84                   | V8 7.4L 454 CI | exc. Power Disc Brakes | 14066235 | CF-100    |

# CLUTCH FORK APPLICATIONS

| Years                   | Engine         | Remarks                | OE       | Pioneer # |
|-------------------------|----------------|------------------------|----------|-----------|
| <b>GMC TRUCK</b>        |                |                        |          |           |
| <b>C2500 SUBURBAN</b>   |                |                        |          |           |
| 1979-84                 | V8 5.7L 350 CI |                        | 14066235 | CF-100    |
| 1982-84                 | V8 5.0L 305 CI |                        | 14066235 | CF-100    |
| 1982-84                 | V8 6.2L 379 CI |                        | 14066235 | CF-100    |
| 1979-82                 | L6 4.8L 292 CI |                        | 14066235 | CF-100    |
| 1984                    | L6 4.8L 292 CI |                        | 14066235 | CF-100    |
| <b>C35</b>              |                |                        |          |           |
| 1975-78                 | L6 4.8L 292 CI |                        | 14066235 | CF-100    |
| 1975-78                 | V8 5.7L 350 CI |                        | 14066235 | CF-100    |
| 1975-78                 | V8 7.4L 454 CI |                        | 14066235 | CF-100    |
| 1975                    | L6 4.1L 250 CI |                        | 14066235 | CF-100    |
| 1978                    | L6 4.1L 250 CI |                        | 14066235 | CF-100    |
| 1978                    | V8 5.0L 305 CI |                        | 14066235 | CF-100    |
| <b>C35/C3500 PICKUP</b> |                |                        |          |           |
| 1973                    | V8 5.0L 307 CI |                        | 14066235 | CF-100    |
| 1973-74                 | L6 4.1L 250 CI |                        | 14066235 | CF-100    |
| 1973-74                 | L6 4.8L 292 CI |                        | 14066235 | CF-100    |
| 1973-74                 | L6 4.8L 293 CI |                        | 14066235 | CF-100    |
| 1973-74                 | V8 5.7L 350 CI |                        | 14066235 | CF-100    |
| 1973-74                 | V8 7.4L 454 CI |                        | 14066235 | CF-100    |
| <b>C3500</b>            |                |                        |          |           |
| 1979-80                 | L6 4.1L 250 CI |                        | 14066235 | CF-100    |
| 1979-84                 | V8 7.4L 454 CI | exc. Power Disc Brakes | 14066235 | CF-100    |
| 1979-84                 | L6 4.8L 292 CI |                        | 14066235 | CF-100    |
| 1979-84                 | V8 5.7L 350 CI |                        | 14066235 | CF-100    |
| 1982-84                 | V8 6.2L 379 CI |                        | 14066235 | CF-100    |
| 1985-86                 | L6 4.8L 292 CI |                        | 15592270 | CF-116    |
| 1985-86                 | V8 5.7L 350 CI |                        | 15592270 | CF-116    |
| 1985-86                 | V8 6.2L 379 CI |                        | 15592270 | CF-116    |
| 1985-86                 | V8 7.4L 454 CI |                        | 15592270 | CF-116    |
| 1986                    | V8 5.0L 305 CI |                        | 15592270 | CF-116    |
| 1988-93                 | V8 6.2L 379 CI |                        | 15588262 | CF-126    |
| 1988-95                 | V8 5.7L 350 CI |                        | 15588262 | CF-126    |
| 1988-95                 | V8 7.4L 454 CI |                        | 15588262 | CF-126    |
| 1992-95                 | V8 6.5L 395 CI |                        | 15588262 | CF-126    |
| <b>CABALLERO</b>        |                |                        |          |           |
| 1978-79                 | V8 5.7L 350 CI |                        | 14066235 | CF-100    |
| 1978-81                 | V8 5.0L 305 CI |                        | 14066235 | CF-100    |
| <b>G15</b>              |                |                        |          |           |
| 1975-78                 | L6 4.1L 250 CI |                        | 14066235 | CF-100    |
| 1975-78                 | V8 5.7L 350 CI |                        | 14066235 | CF-100    |

# CLUTCH FORK APPLICATIONS

| Years                | Engine         | Remarks         | OE                | Pioneer # |
|----------------------|----------------|-----------------|-------------------|-----------|
| <b>GMC TRUCK</b>     |                |                 |                   |           |
| <b>G15</b>           |                |                 |                   |           |
| 1977-78              | V8 5.0L 305 CI |                 | 14066235          | CF-100    |
| <b>G15/G1500 VAN</b> |                |                 |                   |           |
| 1973                 | V8 5.0L 307 CI |                 | 14066235          | CF-100    |
| 1973-74              | L6 4.1L 250 CI |                 | 14066235          | CF-100    |
| 1973-74              | V8 5.7L 350 CI |                 | 14066235          | CF-100    |
| <b>G1500</b>         |                |                 |                   |           |
| 1979-84              | L6 4.1L 250 CI |                 | 14066235          | CF-100    |
| 1979-84              | V8 5.0L 305 CI |                 | 14066235          | CF-100    |
| 1979-84              | V8 5.7L 350 CI |                 | 3765372           | CF-104    |
| 1985-87              | V6 4.3L 262 CI |                 | 15592270          | CF-116    |
| 1985-87              | V8 5.0L 305 CI |                 | 15592270          | CF-116    |
| 1985-87              | V8 5.7L 350 CI |                 | 15592270          | CF-116    |
| 1988-90              | V6 4.3L 262 CI |                 | 15588262          | CF-126    |
| 1988-90              | V6 4.3L 262 CI | w/Warner Trans. | 14070374/15704443 | CF-128    |
| 1988-90              | V8 5.0L 305 CI |                 | 15588262          | CF-126    |
| 1988-90              | V8 5.7L 350 CI |                 | 15588262          | CF-126    |
| <b>G25</b>           |                |                 |                   |           |
| 1975-76              | V8 7.4L 454 CI |                 | 14066235          | CF-100    |
| 1975-78              | L6 4.8L 292 CI |                 | 14066235          | CF-100    |
| 1975-78              | V8 5.7L 350 CI |                 | 14066235          | CF-100    |
| 1977-78              | V8 5.0L 305 CI |                 | 14066235          | CF-100    |
| 1978                 | L6 4.1L 250 CI |                 | 14066235          | CF-100    |
| <b>G25/G2500 VAN</b> |                |                 |                   |           |
| 1973                 | V8 5.0L 307 CI |                 | 14066235          | CF-100    |
| 1973-74              | L6 4.1L 250 CI |                 | 14066235          | CF-100    |
| 1973-74              | V8 5.7L 350 CI |                 | 14066235          | CF-100    |
| 1974                 | L6 4.8L 292 CI |                 | 14066235          | CF-100    |
| <b>G2500</b>         |                |                 |                   |           |
| 1979-84              | L6 4.1L 250 CI |                 | 14066235          | CF-100    |
| 1979-84              | V8 5.0L 305 CI |                 | 14066235          | CF-100    |
| 1979-84              | V8 5.7L 350 CI |                 | 3765372           | CF-104    |
| 1983-84              | V8 6.2L 379 CI |                 | 14066235          | CF-100    |
| 1985-87              | V6 4.3L 262 CI |                 | 15592270          | CF-116    |
| 1985-87              | V8 5.0L 305 CI |                 | 15592270          | CF-116    |
| 1985-87              | V8 5.7L 350 CI |                 | 15592270          | CF-116    |
| 1985-87              | V8 6.2L 379 CI |                 | 15592270          | CF-116    |
| 1988-90              | V6 4.3L 262 CI |                 | 15588262          | CF-126    |
| 1988-90              | V6 4.3L 262 CI | w/Warner Trans. | 14070374/15704443 | CF-128    |
| 1988-90              | V8 5.0L 305 CI |                 | 15588262          | CF-126    |
| 1988-90              | V8 5.7L 350 CI |                 | 15588262          | CF-126    |

# CLUTCH FORK APPLICATIONS

| Years                | Engine         | Remarks         | OE                | Pioneer # |
|----------------------|----------------|-----------------|-------------------|-----------|
| <b>GMC TRUCK</b>     |                |                 |                   |           |
| <b>G2500</b>         |                |                 |                   |           |
| 1988-90              | V8 6.2L 379 CI |                 | 15588262          | CF-126    |
| <b>G35</b>           |                |                 |                   |           |
| 1975-78              | L6 4.8L 292 CI |                 | 14066235          | CF-100    |
| 1975-78              | V8 5.7L 350 CI |                 | 14066235          | CF-100    |
| 1976                 | V8 7.4L 454 CI |                 | 14066235          | CF-100    |
| 1978                 | L6 4.1L 250 CI |                 | 14066235          | CF-100    |
| <b>G35/G3500 VAN</b> |                |                 |                   |           |
| 1973-74              | L6 4.1L 250 CI |                 | 14066235          | CF-100    |
| 1973-74              | V8 5.7L 350 CI |                 | 14066235          | CF-100    |
| 1974                 | L6 4.8L 292 CI |                 | 14066235          | CF-100    |
| 1974                 | L6 4.8L 293 CI |                 | 14066235          | CF-100    |
| <b>G3500</b>         |                |                 |                   |           |
| 1979-84              | V8 5.7L 350 CI |                 | 3765372           | CF-104    |
| 1981                 | V8 5.0L 305 CI |                 | 14066235          | CF-100    |
| 1979                 | L6 4.1L 250 CI |                 | 14066235          | CF-100    |
| 1982-84              | L6 4.1L 250 CI |                 | 14066235          | CF-100    |
| 1983-84              | V8 6.2L 379 CI |                 | 14066235          | CF-100    |
| 1985-87              | V6 4.3L 262 CI |                 | 15592270          | CF-116    |
| 1985-87              | V8 5.7L 350 CI |                 | 15592270          | CF-116    |
| 1985-87              | V8 6.2L 379 CI |                 | 15592270          | CF-116    |
| 1988-90              | V6 4.3L 262 CI |                 | 15588262          | CF-126    |
| 1988-90              | V6 4.3L 262 CI | w/Warner Trans. | 14070374/15704443 | CF-128    |
| 1988-90              | V8 5.7L 350 CI |                 | 15588262          | CF-126    |
| 1988-90              | V8 6.2L 379 CI |                 | 15588262          | CF-126    |
| 1988-90              | V8 7.4L 454 CI |                 | 15588262          | CF-126    |
| <b>JIMMY</b>         |                |                 |                   |           |
| 1973                 | L6 4.8L 292 CI |                 | 14066235          | CF-100    |
| 1973                 | L6 4.8L 293 CI |                 | 14066235          | CF-100    |
| 1973-84              | V8 5.7L 350 CI |                 | 14066235          | CF-100    |
| 1973-82              | L6 4.1L 250 CI |                 | 14066235          | CF-100    |
| 1973                 | V8 7.4L 454 CI |                 | 14066235          | CF-100    |
| 1976                 | V8 7.4L 454 CI |                 | 14066235          | CF-100    |
| 1977-84              | V8 5.0L 305 CI |                 | 14066235          | CF-100    |
| 1982-84              | V8 6.2L 379 CI |                 | 14066235          | CF-100    |
| 1985-87              | V8 5.0L 305 CI |                 | 15592270          | CF-116    |
| 1985-87              | V8 5.7L 350 CI |                 | 15592270          | CF-116    |
| 1985-87              | V8 6.2L 379 CI |                 | 15592270          | CF-116    |
| 1988-91              | V8 5.7L 350 CI |                 | 15588262          | CF-126    |
| 1988-91              | V8 6.2L 379 CI |                 | 15588262          | CF-126    |
| 1992-96              | V6 4.3L 262 CI | w/Warner Trans. | 14070374/15704443 | CF-128    |



# CLUTCH FORK APPLICATIONS

| Years                     | Engine         | Remarks                | OE                | Pioneer # |
|---------------------------|----------------|------------------------|-------------------|-----------|
| <b>GMC TRUCK</b>          |                |                        |                   |           |
| <b>JIMMY</b>              |                |                        |                   |           |
| 1995-96                   | V6 4.3L 262 CI |                        | 15588262          | CF-126    |
| <b>K15</b>                |                |                        |                   |           |
| 1975-76                   | L6 4.8L 292 CI |                        | 14066235          | CF-100    |
| 1975-78                   | L6 4.1L 250 CI |                        | 14066235          | CF-100    |
| 1975-78                   | V8 5.7L 350 CI |                        | 14066235          | CF-100    |
| 1976                      | V8 7.4L 454 CI |                        | 14066235          | CF-100    |
| 1977-78                   | V8 5.0L 305 CI |                        | 14066235          | CF-100    |
| <b>K15 SUBURBAN</b>       |                |                        |                   |           |
| 1975-78                   | L6 4.1L 250 CI |                        | 14066235          | CF-100    |
| 1975-78                   | V8 5.7L 350 CI |                        | 14066235          | CF-100    |
| 1977-78                   | V8 5.0L 305 CI |                        | 14066235          | CF-100    |
| <b>K15/K1500 PICKUP</b>   |                |                        |                   |           |
| 1973-74                   | L6 4.1L 250 CI |                        | 14066235          | CF-100    |
| 1973-74                   | V8 5.7L 350 CI |                        | 14066235          | CF-100    |
| 1974                      | L6 4.8L 292 CI |                        | 14066235          | CF-100    |
| 1974                      | L6 4.8L 293 CI |                        | 14066235          | CF-100    |
| <b>K15/K1500 SUBURBAN</b> |                |                        |                   |           |
| 1973                      | V8 5.0L 307 CI |                        | 14066235          | CF-100    |
| 1973-74                   | L6 4.1L 250 CI |                        | 14066235          | CF-100    |
| 1973-74                   | V8 5.7L 350 CI |                        | 14066235          | CF-100    |
| <b>K1500</b>              |                |                        |                   |           |
| 1979-80                   | L6 4.8L 292 CI |                        | 14066235          | CF-100    |
| 1979-80                   | V8 7.4L 454 CI | exc. Power Disc Brakes | 14066235          | CF-100    |
| 1979-84                   | L6 4.1L 250 CI |                        | 14066235          | CF-100    |
| 1979-84                   | V8 5.7L 350 CI |                        | 14066235          | CF-100    |
| 1979                      | V8 5.0L 305 CI |                        | 14066235          | CF-100    |
| 1981-84                   | V8 5.0L 305 CI |                        | 14066235          | CF-100    |
| 1982-84                   | V8 6.2L 379 CI |                        | 14066235          | CF-100    |
| 1985-86                   | V6 4.3L 262 CI |                        | 15592270          | CF-116    |
| 1985-86                   | V8 5.0L 305 CI |                        | 15592270          | CF-116    |
| 1985-86                   | V8 5.7L 350 CI |                        | 15592270          | CF-116    |
| 1985-86                   | V8 6.2L 379 CI |                        | 15592270          | CF-116    |
| 1988-96                   | V6 4.3L 262 CI |                        | 15588262          | CF-126    |
| 1988-93                   | V8 6.2L 379 CI |                        | 15588262          | CF-126    |
| 1988-95                   | V8 5.0L 305 CI |                        | 15588262          | CF-126    |
| 1988-95                   | V8 5.7L 350 CI |                        | 15588262          | CF-126    |
| 1994-95                   | V8 6.5L 395 CI |                        | 15588262          | CF-126    |
| 1996                      | V6 4.3L 262 CI | w/Warner Trans.        | 14070374/15704443 | CF-128    |
| <b>K1500 SUBURBAN</b>     |                |                        |                   |           |
| 1979-80                   | L6 4.1L 250 CI |                        | 14066235          | CF-100    |

# CLUTCH FORK APPLICATIONS

| Years                     | Engine         | Remarks | OE       | Pioneer # |
|---------------------------|----------------|---------|----------|-----------|
| <b>GMC TRUCK</b>          |                |         |          |           |
| <b>K1500 SUBURBAN</b>     |                |         |          |           |
| 1979-84                   | V8 5.7L 350 CI |         | 14066235 | CF-100    |
| 1979                      | V8 5.0L 305 CI |         | 14066235 | CF-100    |
| 1982-84                   | V8 5.0L 305 CI |         | 14066235 | CF-100    |
| 1982-84                   | V8 6.2L 379 CI |         | 14066235 | CF-100    |
| <b>K25</b>                |                |         |          |           |
| 1975-78                   | L6 4.8L 292 CI |         | 14066235 | CF-100    |
| 1975-78                   | V8 5.7L 350 CI |         | 14066235 | CF-100    |
| 1976-78                   | V8 7.4L 454 CI |         | 14066235 | CF-100    |
| 1977-78                   | V8 5.0L 305 CI |         | 14066235 | CF-100    |
| 1975-76                   | L6 4.1L 250 CI |         | 14066235 | CF-100    |
| 1978                      | L6 4.1L 250 CI |         | 14066235 | CF-100    |
| <b>K25 SUBURBAN</b>       |                |         |          |           |
| 1975-78                   | L6 4.8L 292 CI |         | 14066235 | CF-100    |
| 1975-78                   | V8 5.7L 350 CI |         | 14066235 | CF-100    |
| 1976-77                   | V8 7.4L 454 CI |         | 14066235 | CF-100    |
| 1977-78                   | V8 5.0L 305 CI |         | 14066235 | CF-100    |
| <b>K25/K2500 PICKUP</b>   |                |         |          |           |
| 1973-74                   | L6 4.1L 250 CI |         | 14066235 | CF-100    |
| 1973-74                   | L6 4.8L 292 CI |         | 14066235 | CF-100    |
| 1973-74                   | L6 4.8L 293 CI |         | 14066235 | CF-100    |
| 1973-74                   | V8 5.7L 350 CI |         | 14066235 | CF-100    |
| 1973-74                   | V8 7.4L 454 CI |         | 14066235 | CF-100    |
| <b>K25/K2500 SUBURBAN</b> |                |         |          |           |
| 1973                      | V8 5.0L 307 CI |         | 14066235 | CF-100    |
| 1973-74                   | L6 4.1L 250 CI |         | 14066235 | CF-100    |
| 1973-74                   | L6 4.8L 292 CI |         | 14066235 | CF-100    |
| 1973-74                   | L6 4.8L 293 CI |         | 14066235 | CF-100    |
| 1973-74                   | V8 5.7L 350 CI |         | 14066235 | CF-100    |
| <b>K2500</b>              |                |         |          |           |
| 1979-84                   | L6 4.8L 292 CI |         | 14066235 | CF-100    |
| 1979-84                   | V8 5.7L 350 CI |         | 14066235 | CF-100    |
| 1980                      | L6 4.1L 250 CI |         | 14066235 | CF-100    |
| 1982-84                   | V8 6.2L 379 CI |         | 14066235 | CF-100    |
| 1985                      | V6 4.3L 262 CI |         | 15592270 | CF-116    |
| 1985-86                   | L6 4.8L 292 CI |         | 15592270 | CF-116    |
| 1985-86                   | V8 5.7L 350 CI |         | 15592270 | CF-116    |
| 1985-86                   | V8 6.2L 379 CI |         | 15592270 | CF-116    |
| 1988-93                   | V8 6.2L 379 CI |         | 15588262 | CF-126    |
| 1988-95                   | V6 4.3L 262 CI |         | 15588262 | CF-126    |
| 1988-95                   | V8 5.0L 305 CI |         | 15588262 | CF-126    |

# CLUTCH FORK APPLICATIONS

| Years                   | Engine         | Remarks                | OE       | Pioneer # |
|-------------------------|----------------|------------------------|----------|-----------|
| <b>GMC TRUCK</b>        |                |                        |          |           |
| <b>K2500</b>            |                |                        |          |           |
| 1988-95                 | V8 5.7L 350 CI |                        | 15588262 | CF-126    |
| 1991-95                 | V8 7.4L 454 CI |                        | 15588262 | CF-126    |
| 1992-95                 | V8 6.5L 395 CI |                        | 15588262 | CF-126    |
| <b>K2500 SUBURBAN</b>   |                |                        |          |           |
| 1979-84                 | V8 5.7L 350 CI |                        | 14066235 | CF-100    |
| 1982-84                 | V8 6.2L 379 CI |                        | 14066235 | CF-100    |
| 1979-82                 | L6 4.8L 292 CI |                        | 14066235 | CF-100    |
| 1984                    | L6 4.8L 292 CI |                        | 14066235 | CF-100    |
| <b>K35</b>              |                |                        |          |           |
| 1977-78                 | L6 4.8L 292 CI |                        | 14066235 | CF-100    |
| 1977-78                 | V8 5.7L 350 CI |                        | 14066235 | CF-100    |
| <b>K35/K3500 PICKUP</b> |                |                        |          |           |
| 1973                    | V8 5.0L 307 CI |                        | 14066235 | CF-100    |
| 1973-74                 | L6 4.1L 250 CI |                        | 14066235 | CF-100    |
| 1973-74                 | L6 4.8L 292 CI |                        | 14066235 | CF-100    |
| 1973-74                 | L6 4.8L 293 CI |                        | 14066235 | CF-100    |
| 1973-74                 | V8 7.4L 454 CI |                        | 14066235 | CF-100    |
| 1973-74                 | V8 5.7L 350 CI |                        | 14066235 | CF-100    |
| <b>K3500</b>            |                |                        |          |           |
| 1979-84                 | V8 7.4L 454 CI | exc. Power Disc Brakes | 14066235 | CF-100    |
| 1979-84                 | L6 4.8L 292 CI |                        | 14066235 | CF-100    |
| 1979-84                 | V8 5.7L 350 CI |                        | 14066235 | CF-100    |
| 1982-84                 | V8 6.2L 379 CI |                        | 14066235 | CF-100    |
| 1985-86                 | L6 4.8L 292 CI |                        | 15592270 | CF-116    |
| 1985-86                 | V8 5.7L 350 CI |                        | 15592270 | CF-116    |
| 1985-86                 | V8 6.2L 379 CI |                        | 15592270 | CF-116    |
| 1985-86                 | V8 7.4L 454 CI |                        | 15592270 | CF-116    |
| 1988-93                 | V8 6.2L 379 CI |                        | 15588262 | CF-126    |
| 1988-95                 | V8 5.7L 350 CI |                        | 15588262 | CF-126    |
| 1988-95                 | V8 7.4L 454 CI |                        | 15588262 | CF-126    |
| 1992-95                 | V8 6.5L 395 CI |                        | 15588262 | CF-126    |
| <b>P15</b>              |                |                        |          |           |
| 1975-78                 | L6 4.8L 292 CI |                        | 14066235 | CF-100    |
| <b>P15/P1500 VAN</b>    |                |                        |          |           |
| 1973                    | V8 5.0L 307 CI |                        | 14066235 | CF-100    |
| 1973-74                 | L6 4.1L 250 CI |                        | 14066235 | CF-100    |
| <b>P1500</b>            |                |                        |          |           |
| 1979                    | V8 7.4L 454 CI | exc. Power Disc Brakes | 14066235 | CF-100    |
| 1979-80                 | L6 4.8L 292 CI |                        | 14066235 | CF-100    |
| <b>P25</b>              |                |                        |          |           |
| 1975-78                 | L6 4.8L 292 CI |                        | 14066235 | CF-100    |

# CLUTCH FORK APPLICATIONS

| Years                | Engine         | Remarks                                  | OE                | Pioneer # |
|----------------------|----------------|--|-------------------|-----------|
| <b>GMC TRUCK</b>     |                |  |                   |           |
| <b>P25</b>           |                |  |                   |           |
| 1975-78              | V8 5.7L 350 CI |  | 14066235          | CF-100    |
| <b>P25/P2500 VAN</b> |                |  |                   |           |
| 1973                 | V8 5.0L 307 CI |  | 14066235          | CF-100    |
| 1973-74              | L6 4.1L 250 CI |  | 14066235          | CF-100    |
| 1973-74              | L6 4.8L 292 CI |  | 14066235          | CF-100    |
| 1973-74              | V8 5.7L 350 CI |  | 14066235          | CF-100    |
| <b>P2500</b>         |                |  |                   |           |
| 1979-87              | L6 4.8L 292 CI | w/Forward Controls                       | 14066235          | CF-100    |
| 1989                 | L6 4.8L 292 CI | w/Forward Controls                       | 14066235          | CF-100    |
| 1979-84              | V8 5.7L 350 CI |  | 14066235          | CF-100    |
| 1982-84              | V8 6.2L 379 CI |  | 14066235          | CF-100    |
| 1985-87              | V8 5.7L 350 CI |  | 15592270          | CF-116    |
| 1985-87              | V8 6.2L 379 CI |  | 15592270          | CF-116    |
| 1988-89              | V8 5.7L 350 CI |  | 15588262          | CF-126    |
| 1988-89              | V8 6.2L 379 CI |  | 15588262          | CF-126    |
| <b>P35</b>           |                |  |                   |           |
| 1975-78              | L6 4.8L 292 CI |  | 14066235          | CF-100    |
| 1975-78              | V8 5.7L 350 CI |  | 14066235          | CF-100    |
| 1975-78              | V8 7.4L 454 CI |  | 14066235          | CF-100    |
| <b>P35/P3500 VAN</b> |                |  |                   |           |
| 1973                 | V8 5.0L 307 CI |  | 14066235          | CF-100    |
| 1973-74              | L6 4.1L 250 CI |  | 14066235          | CF-100    |
| 1973-74              | L6 4.8L 292 CI |  | 14066235          | CF-100    |
| 1973-74              | V8 5.7L 350 CI |  | 14066235          | CF-100    |
| 1973-74              | V8 7.4L 454 CI |  | 14066235          | CF-100    |
| <b>P3500</b>         |                |  |                   |           |
| 1979-87              | L6 4.8L 292 CI | w/Forward Controls                       | 14066235          | CF-100    |
| 1989                 | L6 4.8L 292 CI | w/Forward Controls                       | 14066235          | CF-100    |
| 1979-84              | V8 5.7L 350 CI | w/Forward Controls and Power Disc Brakes | 3765372           | CF-104    |
| 1982-84              | V8 6.2L 379 CI |  | 14066235          | CF-100    |
| 1979-84              | V8 7.4L 454 CI | exc. Power Disc Brakes                   | 14066235          | CF-100    |
| 1985-87              | V8 6.2L 379 CI |  | 15592270          | CF-116    |
| 1985-87              | V8 7.4L 454 CI |  | 15592270          | CF-116    |
| 1988                 | L6 4.8L 292 CI |  | 15592270          | CF-116    |
| 1988-93              | V8 6.2L 379 CI |  | 15588262          | CF-126    |
| 1988-95              | V8 7.4L 454 CI |  | 15588262          | CF-126    |
| 1990-96              | V6 4.3L 262 CI |  | 15588262          | CF-126    |
| 1990-96              | V6 4.3L 262 CI | w/Warner Trans.                          | 14070374/15704443 | CF-128    |
| 1985-91              | V8 5.7L 350 CI | To 6/91                                  | 15592270          | CF-116    |
| 1991-95              | V8 5.7L 350 CI | From 6/91                                | 15588262          | CF-126    |

# CLUTCH FORK APPLICATIONS

| Years                 | Engine         | Remarks  | OE                | Pioneer # |
|-----------------------|----------------|--|-------------------|-----------|
| <b>GMC TRUCK</b>      |                |  |                   |           |
| <b>P3500</b>          |                |  |                   |           |
| 1994-95               | V8 6.5L 395 CI |  | 15588262          | CF-126    |
| <b>R1500</b>          |                |  |                   |           |
| 1987                  | V6 4.3L 262 CI |  | 15592270          | CF-116    |
| 1987                  | V8 5.0L 305 CI |  | 15592270          | CF-116    |
| 1987                  | V8 5.7L 350 CI |  | 15592270          | CF-116    |
| 1987                  | V8 6.2L 379 CI |  | 15592270          | CF-116    |
| <b>R2500</b>          |                |  |                   |           |
| 1987                  | V6 4.3L 262 CI |  | 15592270          | CF-116    |
| 1987                  | V8 5.0L 305 CI |  | 15592270          | CF-116    |
| 1987-88               | L6 4.8L 292 CI |  | 15592270          | CF-116    |
| 1987-89               | V8 5.7L 350 CI |  | 15592270          | CF-116    |
| 1987-89               | V8 6.2L 379 CI |  | 15592270          | CF-116    |
| 1987-89               | V8 7.4L 454 CI |  | 15592270          | CF-116    |
| <b>R2500 SUBURBAN</b> |                |  |                   |           |
| 1987-88               | V8 5.7L 350 CI |  | 15592270          | CF-116    |
| 1987-88               | V8 6.2L 379 CI |  | 15592270          | CF-116    |
| 1987-88               | V8 7.4L 454 CI |  | 15592270          | CF-116    |
| <b>R3500</b>          |                |  |                   |           |
| 1987-88               | L6 4.8L 292 CI |  | 15592270          | CF-116    |
| 1987-91               | V8 5.7L 350 CI |  | 15592270          | CF-116    |
| 1987-91               | V8 6.2L 379 CI |  | 15592270          | CF-116    |
| 1987-91               | V8 7.4L 454 CI |  | 15592270          | CF-116    |
| <b>S15</b>            |                |  |                   |           |
| 1984                  | L4 2.0L 122 CI | w/Warner Trans. (Hydraulic Type)                     | 14070374/15704443 | CF-128    |
| 1984-85               | L4 2.2L 134 CI | w/Warner Trans. (Hydraulic Type),<br>w/Warner Trans. | 14070374/15704443 | CF-128    |
| 1984-90               | V6 2.8L 173 CI | w/Warner Trans. (Hydraulic Type),<br>w/Warner Trans. | 14070374/15704443 | CF-128    |
| 1985                  | L4 1.9L 119 CI |  | 15588262          | CF-126    |
| 1984-85               | L4 1.9L 119 CI | w/Warner Trans., w/Warner Trans.<br>(Hydraulic Type) | 14070374/15704443 | CF-128    |
| 1985                  | L4 2.2L 134 CI |  | 15588262          | CF-126    |
| 1985-90               | V6 2.8L 173 CI |  | 15588262          | CF-126    |
| 1985-90               | L4 2.5L 151 CI | w/Warner Trans.                                      | 14070374/15704443 | CF-128    |
| 1988-90               | V6 4.3L 262 CI | w/Warner Trans.                                      | 14070374/15704443 | CF-128    |
| 1985-90               | L4 2.5L 151 CI |  | 15588262          | CF-126    |
| 1988-90               | V6 4.3L 262 CI |  | 15588262          | CF-126    |
| <b>S15 JIMMY</b>      |                |  |                   |           |
| 1984                  | L4 1.9L 119 CI | w/Warner Trans. (Hydraulic Type)                     | 14070374/15704443 | CF-128    |
| 1984                  | L4 2.0L 122 CI | w/Warner Trans. (Hydraulic Type)                     | 14070374/15704443 | CF-128    |

# CLUTCH FORK APPLICATIONS

| Years                 | Engine         | Remarks  | OE                | Pioneer # |
|-----------------------|----------------|--|-------------------|-----------|
| <b>GMC TRUCK</b>      |                |  |                   |           |
| <b>S15 JIMMY</b>      |                |  |                   |           |
| 1985-88               | L4 2.5L 151 CI | w/Warner Trans.                                      | 14070374/15704443 | CF-128    |
| 1984-89               | V6 2.8L 173 CI | w/Warner Trans., w/Warner Trans.<br>(Hydraulic Type) | 14070374/15704443 | CF-128    |
| 1985-88               | L4 2.5L 151 CI |  | 15588262          | CF-126    |
| 1988-91               | V6 4.3L 262 CI | w/Warner Trans.                                      | 14070374/15704443 | CF-128    |
| 1985-89               | V6 2.8L 173 CI |  | 15588262          | CF-126    |
| 1988-91               | V6 4.3L 262 CI |  | 15588262          | CF-126    |
| <b>SAFARI</b>         |                |  |                   |           |
| 1985-87               | V6 4.3L 262 CI |  | 15592270          | CF-116    |
| 1985-89               | L4 2.5L 151 CI | w/Warner Trans.                                      | 14070374/15704443 | CF-128    |
| 1985-89               | L4 2.5L 151 CI |  | 15588262          | CF-126    |
| 1988-89               | V6 4.3L 262 CI | w/Warner Trans.                                      | 14070374/15704443 | CF-128    |
| 1988-89               | V6 4.3L 262 CI |  | 15588262          | CF-126    |
| <b>SONOMA</b>         |                |  |                   |           |
| 1991-93               | L4 2.5L 151 CI | w/Warner Trans.                                      | 14070374/15704443 | CF-128    |
| 1991-93               | L4 2.5L 151 CI |  | 15588262          | CF-126    |
| 1991-93               | V6 2.8L 173 CI |  | 15588262          | CF-126    |
| 1991-93               | V6 2.8L 173 CI | w/Warner Trans.                                      | 14070374/15704443 | CF-128    |
| 1991-96               | V6 4.3L 262 CI |  | 15588262          | CF-126    |
| 1991-96               | V6 4.3L 262 CI | w/Warner Trans.                                      | 14070374/15704443 | CF-128    |
| 1994-96               | L4 2.2L 134 CI |  | 15588262          | CF-126    |
| 1994-96               | L4 2.2L 134 CI | w/Warner Trans.                                      | 14070374/15704443 | CF-128    |
| <b>SPRINT</b>         |                |  |                   |           |
| 1973                  | V8 5.0L 307 CI |  | 14066235          | CF-100    |
| 1973-77               | V8 5.7L 350 CI |  | 14066235          | CF-100    |
| 1973-75               | V8 7.4L 454 CI |  | 14066235          | CF-100    |
| 1975-77               | L6 4.1L 250 CI |  | 14066235          | CF-100    |
| 1977                  | V8 5.0L 305 CI |  | 14066235          | CF-100    |
| <b>V1500</b>          |                |  |                   |           |
| 1987                  | V6 4.3L 262 CI |  | 15592270          | CF-116    |
| 1987                  | V8 5.0L 305 CI |  | 15592270          | CF-116    |
| 1987                  | V8 5.7L 350 CI |  | 15592270          | CF-116    |
| 1987                  | V8 6.2L 379 CI |  | 15592270          | CF-116    |
| <b>V1500 SUBURBAN</b> |                |  |                   |           |
| 1987-90               | V8 5.7L 350 CI |  | 15592270          | CF-116    |
| 1987-90               | V8 6.2L 379 CI |  | 15592270          | CF-116    |
| <b>V2500</b>          |                |  |                   |           |
| 1987                  | L6 4.8L 292 CI |  | 15592270          | CF-116    |
| 1987                  | V8 5.7L 350 CI |  | 15592270          | CF-116    |
| 1987                  | V8 6.2L 379 CI |  | 15592270          | CF-116    |

# CLUTCH FORK APPLICATIONS

| Years                 | Engine         | Remarks                  | OE       | Pioneer # |
|-----------------------|----------------|--------------------------|----------|-----------|
| <b>GMC TRUCK</b>      |                |                          |          |           |
| <b>V2500 SUBURBAN</b> |                |                          |          |           |
| 1987-88               | V8 5.7L 350 CI |                          | 15592270 | CF-116    |
| 1987-88               | V8 6.2L 379 CI |                          | 15592270 | CF-116    |
| <b>V3500</b>          |                |                          |          |           |
| 1987-88               | L6 4.8L 292 CI |                          | 15592270 | CF-116    |
| 1987-91               | V8 5.7L 350 CI |                          | 15592270 | CF-116    |
| 1987-91               | V8 6.2L 379 CI |                          | 15592270 | CF-116    |
| 1987-91               | V8 7.4L 454 CI |                          | 15592270 | CF-116    |
| <b>YUKON</b>          |                |                          |          |           |
| 1992-95               | V8 5.7L 350 CI |                          | 15588262 | CF-126    |
| 1994-95               | V8 6.5L 395 CI |                          | 15588262 | CF-126    |
| <b>JEEP TRUCK</b>     |                |                          |          |           |
| <b>475</b>            |                |                          |          |           |
| 1956                  | L4 2.2L 134 CI |                          | J0630112 | CF-125    |
| <b>CHEROKEE</b>       |                |                          |          |           |
| 1980                  | L6 4.2L 258 CI | Vin. # JOM18NO40457 & Up | 5361620  | CF-110    |
| 1980-83               | L6 4.2L 258 CI | Thru Vin. #JOM18N040456  | 3224192  | CF-112    |
| 1980                  | V8 5.9L 360 CI |                          | 5361620  | CF-110    |
| 1983                  | V8 5.9L 360 CI |                          | 5361620  | CF-110    |
| 1984-86               | V6 2.8L 173 CI | Thru Vin. #JOM18N040456  | 3224192  | CF-112    |
| 1987                  | L4 2.5L 150 CI |                          | 5361620  | CF-110    |
| 1987                  | L6 4.0L 242 CI | Thru Vin. #JOM18N040456  | 3224192  | CF-112    |
| 1994-00               | L4 2.5L 150 CI |                          | 52107555 | CF-146    |
| 1994-01               | L6 4.0L 242 CI |                          | 52107555 | CF-146    |
| <b>CJ3</b>            |                |                          |          |           |
| 1959-60               | L4 2.2L 134 CI |                          | J0630112 | CF-125    |
| <b>CJ5</b>            |                |                          |          |           |
| 1966-71               | V6 3.7L 225 CI |                          | 1378486  | CF-113    |
| 1968                  | L4 3.1L 192 CI |                          | J0630112 | CF-125    |
| 1968-71               | L4 2.2L 134 CI |                          | J0630112 | CF-125    |
| 1980                  | L4 2.5L 151 CI | From Vin. #JOM83EO40992  | 5361620  | CF-110    |
| 1983                  | L4 2.5L 151 CI | From Vin. #JOM83EO40992  | 5361620  | CF-110    |
| 1980                  | L6 4.2L 258 CI |                          | 5361620  | CF-110    |
| 1980                  | V8 5.0L 304 CI |                          | 5361620  | CF-110    |
| 1981                  | L4 2.5L 151 CI |                          | 3224192  | CF-112    |
| 1981-83               | L6 4.2L 258 CI |                          | 3224192  | CF-112    |
| <b>CJ5A</b>           |                |                          |          |           |
| 1967-68               | V6 3.7L 225 CI |                          | 1378486  | CF-113    |
| 1968                  | L4 2.2L 134 CI |                          | J0630112 | CF-125    |
| <b>CJ6</b>            |                |                          |          |           |
| 1968                  | L4 3.1L 192 CI |                          | J0630112 | CF-125    |

# CLUTCH FORK APPLICATIONS

| Years                 | Engine         | Remarks                 | OE       | Pioneer # |
|-----------------------|----------------|-------------------------|----------|-----------|
| <b>JEEP TRUCK</b>     |                |                         |          |           |
| <b>CJ6</b>            |                |                         |          |           |
| 1968                  | V6 3.7L 225 CI |                         | J0630112 | CF-125    |
| 1968-71               | L4 2.2L 134 CI |                         | J0630112 | CF-125    |
| 1969-71               | V6 3.7L 225 CI |                         | 1378486  | CF-113    |
| <b>CJ6A</b>           |                |                         |          |           |
| 1968                  | L4 2.2L 134 CI |                         | J0630112 | CF-125    |
| 1968                  | V6 3.7L 225 CI |                         | J0630112 | CF-125    |
| <b>CJ7</b>            |                |                         |          |           |
| 1980-86               | L6 4.2L 258 CI | To Vin. #JOM93A041925   | 3224192  | CF-112    |
| 1980                  | L6 4.2L 258 CI | From Vin. #JOM93A041926 | 5361620  | CF-110    |
| 1980                  | V8 5.0L 304 CI |                         | 5361620  | CF-110    |
| 1980-81               | L4 2.5L 151 CI |                         | 3224192  | CF-112    |
| 1983                  | L4 2.5L 151 CI |                         | 5361620  | CF-110    |
| <b>COMANCHE</b>       |                |                         |          |           |
| 1986                  | V6 2.8L 173 CI |                         | 3224192  | CF-112    |
| 1987                  | L4 2.5L 150 CI |                         | 5361620  | CF-110    |
| 1987                  | L6 4.0L 242 CI |                         | 3224192  | CF-112    |
| <b>DISPATCHER</b>     |                |                         |          |           |
| 1961-67               | L4 2.2L 134 CI |                         | J0630112 | CF-125    |
| <b>DJ5</b>            |                |                         |          |           |
| 1967-71               | L4 2.2L 134 CI |                         | J0630112 | CF-125    |
| 1968                  | V6 3.7L 225 CI | w/LA Head               | J0630112 | CF-125    |
| 1969-71               | V6 3.7L 225 CI |                         | 1378486  | CF-113    |
| <b>DJ6</b>            |                |                         |          |           |
| 1968                  | L4 2.2L 134 CI |                         | J0630112 | CF-125    |
| 1968                  | V6 3.7L 225 CI | w/LA Head               | J0630112 | CF-125    |
| <b>F4</b>             |                |                         |          |           |
| 1957-58               | L4 2.2L 134 CI |                         | J0630112 | CF-125    |
| <b>FC150</b>          |                |                         |          |           |
| 1957-58               | L4 2.2L 134 CI |                         | J0630112 | CF-125    |
| 1961-66               | L4 2.2L 134 CI |                         | J0630112 | CF-125    |
| <b>FC170</b>          |                |                         |          |           |
| 1964-66               | L4 2.2L 134 CI |                         | J0630112 | CF-125    |
| <b>GRAND CHEROKEE</b> |                |                         |          |           |
| 1993-94               | L6 4.0L 242 CI |                         | 52107555 | CF-146    |
| 1993-94               | V8 5.2L 318 CI |                         | 52107555 | CF-146    |
| <b>GRAND WAGONEER</b> |                |                         |          |           |
| 1984-86               | L6 4.2L 258 CI |                         | 5361620  | CF-110    |
| 1987                  | V8 5.9L 360 CI |                         | 5361620  | CF-110    |
| <b>J10</b>            |                |                         |          |           |
| 1980-83               | L6 4.2L 258 CI |                         | 3224192  | CF-112    |



# CLUTCH FORK APPLICATIONS

| Years                  | Engine         | Remarks   | OE       | Pioneer # |
|------------------------|----------------|-----------|----------|-----------|
| <b>JEEP TRUCK</b>      |                |           |          |           |
| <b>J10</b>             |                |           |          |           |
| 1980                   | V8 5.9L 360 CI |           | 3224192  | CF-112    |
| 1983                   | V8 5.9L 360 CI |           | 3224192  | CF-112    |
| 1984-87                | L6 4.2L 258 CI |           | 5361620  | CF-110    |
| 1987                   | V8 5.9L 360 CI |           | 5361620  | CF-110    |
| <b>J20</b>             |                |           |          |           |
| 1980                   | V8 5.9L 360 CI |           | 5361620  | CF-110    |
| 1983                   | V8 5.9L 360 CI |           | 5361620  | CF-110    |
| 1987                   | V8 5.9L 360 CI |           | 5361620  | CF-110    |
| <b>JEEPSTER</b>        |                |           |          |           |
| 1967-71                | L4 2.2L 134 CI |           | J0630112 | CF-125    |
| 1968                   | V6 3.7L 225 CI | w/LA Head | J0630112 | CF-125    |
| 1969-71                | V6 3.7L 225 CI |           | 1378486  | CF-113    |
| <b>LIBERTY</b>         |                |           |          |           |
| 2002-05                | L4 2.4L 148 CI |           | 52107555 | CF-146    |
| 2005-06                | L4 2.8L 169 CI |           | 52107555 | CF-146    |
| 2002-08                | V6 3.7L 226 CI |           | 52107555 | CF-146    |
| <b>SCRAMBLER</b>       |                |           |          |           |
| 1981                   | L4 2.5L 151 CI |           | 3224192  | CF-112    |
| 1981-83                | L6 4.2L 258 CI |           | 3224192  | CF-112    |
| 1983                   | L4 2.5L 151 CI |           | 5361620  | CF-110    |
| 1984-85                | L6 4.2L 258 CI |           | 5361620  | CF-110    |
| <b>UNIVERSAL TRUCK</b> |                |           |          |           |
| 1961-67                | L4 2.2L 134 CI |           | J0630112 | CF-125    |
| <b>UTILITY</b>         |                |           |          |           |
| 1961-62                | L4 2.2L 134 CI |           | J0630112 | CF-125    |
| <b>WAGONEER</b>        |                |           |          |           |
| 1980                   | L6 4.2L 258 CI |           | 5361620  | CF-110    |
| 1981-83                | L6 4.2L 258 CI |           | 3224192  | CF-112    |
| 1980                   | V8 5.9L 360 CI |           | 5361620  | CF-110    |
| 1983                   | V8 5.9L 360 CI |           | 5361620  | CF-110    |
| 1984-86                | V6 2.8L 173 CI |           | 3224192  | CF-112    |
| 1987                   | L4 2.5L 150 CI |           | 5361620  | CF-110    |
| 1987                   | L6 4.0L 242 CI |           | 5361620  | CF-110    |
| <b>WILLYS</b>          |                |           |          |           |
| 1950-58                | L4 2.2L 134 CI |           | J0630112 | CF-125    |
| <b>WRANGLER</b>        |                |           |          |           |
| 1987                   | L4 2.5L 150 CI |           | 5361620  | CF-110    |
| 1987                   | L6 4.2L 258 CI |           | 5361620  | CF-110    |
| 1994-95                | L4 2.5L 150 CI |           | 52107555 | CF-146    |
| 1997-02                | L4 2.5L 150 CI |           | 52107555 | CF-146    |

# CLUTCH FORK APPLICATIONS

| Years               | Engine         | Remarks | OE          | Pioneer # |
|---------------------|----------------|---------|-------------|-----------|
| <b>JEEP TRUCK</b>   |                |         |             |           |
| <b>WRANGLER</b>     |                |         |             |           |
| 1994-95             | L6 4.0L 242 CI |         | 52107555    | CF-146    |
| 1997-06             | L6 4.0L 242 CI |         | 52107555    | CF-146    |
| 2003-06             | L4 2.4L 148 CI |         | 52107555    | CF-146    |
| 2007-11             | V6 3.8L 231 CI |         | 52107555    | CF-146    |
| 2012-13             | V6 3.6L 220 CI |         | 52107555    | CF-146    |
| <b>MERCURY</b>      |                |         |             |           |
| <b>CAPRI</b>        |                |         |             |           |
| 1982-86             | V8 5.0L 302 CI |         | E6ZZ7515A   | CF-119    |
| <b>NISSAN</b>       |                |         |             |           |
| <b>200SX</b>        |                |         |             |           |
| 1980-81             | L4 2.0L 119 CI |         | 30531-P0151 | CF-114    |
| 1982-83             | L4 2.2L 133 CI |         | 30531-P0151 | CF-114    |
| 1984-86             | L4 1.8L 110 CI |         | 30531-P0151 | CF-114    |
| 1984-88             | L4 2.0L 120 CI |         | 30531-P0151 | CF-114    |
| <b>280Z</b>         |                |         |             |           |
| 1976-78             | L6 2.8L 168 CI |         | 30531-P0151 | CF-114    |
| <b>280ZX</b>        |                |         |             |           |
| 1979-83             | L6 2.8L 168 CI |         | 30531-P0151 | CF-114    |
| <b>300ZX</b>        |                |         |             |           |
| 1987-89             | V6 3.0L 181 CI |         | 30531-P0151 | CF-114    |
| <b>710</b>          |                |         |             |           |
| 1976-77             | L4 2.0L 119 CI |         | 30531-P0151 | CF-114    |
| <b>810</b>          |                |         |             |           |
| 1977-81             | L6 2.4L 146 CI |         | 30531-P0151 | CF-114    |
| 1981                | L6 2.8L 170 CI |         | 30531-P0151 | CF-114    |
| <b>B210</b>         |                |         |             |           |
| 1976-78             | L4 1.4L 85 CI  |         | 30531-P0151 | CF-114    |
| <b>MAXIMA</b>       |                |         |             |           |
| 1982-83             | L6 2.8L 170 CI |         | 30531-P0151 | CF-114    |
| 1982-84             | L6 2.4L 146 CI |         | 30531-P0151 | CF-114    |
| <b>NISSAN TRUCK</b> |                |         |             |           |
| <b>620</b>          |                |         |             |           |
| 1976-79             | L4 2.0L 119 CI |         | 30531-P0151 | CF-114    |
| <b>720</b>          |                |         |             |           |
| 1981-83             | L4 2.2L 132 CI |         | 30531-P0151 | CF-114    |
| 1981-83             | L4 2.2L 133 CI |         | 30531-P0151 | CF-114    |
| 1980                | L4 2.0L 119 CI |         | 30531-P0151 | CF-114    |
| 1983-85             | L4 2.0L 119 CI |         | 30531-P0151 | CF-114    |
| 1983-86             | L4 2.4L 146 CI |         | 30531-P0151 | CF-114    |

# CLUTCH FORK APPLICATIONS

| Years                  | Engine         | Remarks    | OE          | Pioneer # |
|------------------------|----------------|------------|-------------|-----------|
| <b>NISSAN TRUCK</b>    |                |            |             |           |
| <b>720</b>             |                |            |             |           |
| 1983-86                | L4 2.5L 152 CI |            | 30531-P0151 | CF-114    |
| <b>PATHFINDER</b>      |                |            |             |           |
| 1987-89                | V6 3.0L 181 CI |            | 30531-P0151 | CF-114    |
| 1987-88                | L4 2.4L 146 CI |            | 30531-P0151 | CF-114    |
| <b>VAN</b>             |                |            |             |           |
| 1987-88                | L4 2.4L 146 CI |            | 30531-P0151 | CF-114    |
| <b>OLDSMOBILE</b>      |                |            |             |           |
| <b>CUTLASS CALAIS</b>  |                |            |             |           |
| 1991                   | L4 2.3L 138 CI |            | 8672510     | CF-136    |
| 1991                   | L4 2.3L 140 CI |            | 8672510     | CF-136    |
| <b>CUTLASS SUPREME</b> |                |            |             |           |
| 1991                   | L4 2.3L 138 CI |            | 8672510     | CF-136    |
| <b>FIRENZA</b>         |                |            |             |           |
| 1982-86                | L4 1.8L 112 CI | Shaft Type | 14024930    | CF-106    |
| 1983-87                | L4 2.0L 122 CI | Shaft Type | 14024930    | CF-106    |
| 1985-86                | V6 2.8L 173 CI | Shaft Type | 14024930    | CF-106    |
| 1987                   | L4 2.0L 121 CI | Shaft Type | 14024930    | CF-106    |
| <b>OMEGA</b>           |                |            |             |           |
| 1980-84                | L4 2.5L 151 CI | Shaft Type | 14024930    | CF-106    |
| 1980-84                | V6 2.8L 173 CI | Shaft Type | 14024930    | CF-106    |
| <b>PLYMOUTH</b>        |                |            |             |           |
| <b>ARROW</b>           |                |            |             |           |
| 1977-78                | L4 2.0L 122 CI |            | 3743998     | CF-131    |
| 1977-79                | L4 1.6L 97 CI  |            | 3743998     | CF-131    |
| 1979                   | L4 2.6L 156 CI |            | 3743998     | CF-131    |
| <b>CARAVELLE</b>       |                |            |             |           |
| 1978-79                | V8 5.9L 360 CI |            | 3743998     | CF-131    |
| 1978-80                | L6 3.7L 225 CI |            | 3743998     | CF-131    |
| 1978-80                | V8 5.2L 318 CI |            | 3743998     | CF-131    |
| 1983-84                | L4 2.2L 135 CI |            | 4511046     | CF-142    |
| <b>CHAMP</b>           |                |            |             |           |
| 1979-80                | L4 1.4L 86 CI  |            | 3743998     | CF-131    |
| 1979-80                | L4 1.6L 97 CI  |            | 3743998     | CF-131    |
| <b>COLT</b>            |                |            |             |           |
| 1977-78                | L4 2.0L 122 CI |            | 3743998     | CF-131    |
| 1977-80                | L4 1.6L 97 CI  |            | 3743998     | CF-131    |
| 1978-80                | L4 2.6L 156 CI |            | 3743998     | CF-131    |
| 1979-80                | L4 1.4L 86 CI  |            | 3743998     | CF-131    |
| <b>EXPO</b>            |                |            |             |           |
| 1987-89                | L4 2.2L 135 CI |            | 4511046     | CF-142    |

# CLUTCH FORK APPLICATIONS

| Years                 | Engine         | Remarks            | OE       | Pioneer # |
|-----------------------|----------------|--------------------|----------|-----------|
| <b>PLYMOUTH</b>       |                |                    |          |           |
| <b>HORIZON</b>        |                |                    |          |           |
| 1978-80               | L4 1.7L 105 CI |                    | 3743998  | CF-131    |
| 1983-90               | L4 2.2L 135 CI |                    | 4511046  | CF-142    |
| <b>RELIANT</b>        |                |                    |          |           |
| 1982-89               | L4 2.2L 135 CI |                    | 4511046  | CF-142    |
| <b>SAPPORO</b>        |                |                    |          |           |
| 1978-79               | L4 1.6L 97 CI  |                    | 3743998  | CF-131    |
| 1978-80               | L4 2.6L 156 CI |                    | 3743998  | CF-131    |
| <b>SCAMP</b>          |                |                    |          |           |
| 1983                  | L4 2.2L 135 CI |                    | 4511046  | CF-142    |
| <b>SUNDANCE</b>       |                |                    |          |           |
| 1987-94               | L4 2.2L 135 CI |                    | 4511046  | CF-142    |
| <b>PLYMOUTH TRUCK</b> |                |                    |          |           |
| <b>TRAILDUSTER</b>    |                |                    |          |           |
| 1974-80               | V8 5.2L 318 CI |                    | 3743998  | CF-131    |
| 1974-80               | V8 5.9L 360 CI |                    | 3743998  | CF-131    |
| 1974-78               | V8 7.2L 440 CI |                    | 3743998  | CF-131    |
| 1975-80               | L6 3.7L 225 CI |                    | 3743998  | CF-131    |
| 1976-78               | V8 6.6L 400 CI |                    | 3743998  | CF-131    |
| <b>VOYAGER</b>        |                |                    |          |           |
| 1984-87               | L4 2.2L 135 CI |                    | 4511046  | CF-142    |
| <b>PLYMOUTH</b>       |                |                    |          |           |
| <b>VOLARE</b>         |                |                    |          |           |
| 1977-80               | L6 3.7L 225 CI |                    | 3743998  | CF-131    |
| 1977-80               | V8 5.2L 318 CI |                    | 3743998  | CF-131    |
| 1977-80               | V8 5.9L 360 CI |                    | 3743998  | CF-131    |
| <b>PONTIAC</b>        |                |                    |          |           |
| <b>6000</b>           |                |                    |          |           |
| 1987-88               | L4 2.5L 151 CI | w/o Trans code 8ZR | 8672942  | CF-135    |
| 1988                  | L4 2.5L 151 CI | w/Trans code 8ZR   | 8672937  | CF-134    |
| 1988                  | V6 2.8L 173 CI | w/Trans code 8ZR   | 8672937  | CF-134    |
| <b>BONNEVILLE</b>     |                |                    |          |           |
| 1973-74               | V8 7.5L 455 CI |                    | 14066235 | CF-100    |
| <b>CATALINA</b>       |                |                    |          |           |
| 1973                  | V8 5.7L 350 CI |                    | 14066235 | CF-100    |
| 1973-74               | V8 7.5L 455 CI |                    | 14066235 | CF-100    |
| <b>FIERO</b>          |                |                    |          |           |
| 1984                  | L4 2.5L 151 CI | Shaft Type         | 14024930 | CF-106    |
| 1985-87               | V6 2.8L 173 CI | Shaft Type         | 14024930 | CF-106    |
| 1987-88               | L4 2.5L 151 CI | w/Trans code 8XL   | 8672937  | CF-134    |

# CLUTCH FORK APPLICATIONS

| Years               | Engine         | Remarks            | OE       | Pioneer # |
|---------------------|----------------|--------------------|----------|-----------|
| <b>PONTIAC</b>      |                |                    |          |           |
| <b>FIREBIRD</b>     |                |                    |          |           |
| 1973-76             | L6 4.1L 250 CI |                    | 14066235 | CF-100    |
| 1973-79             | V8 5.7L 350 CI |                    | 14066235 | CF-100    |
| 1973-76             | V8 7.5L 455 CI |                    | 14066235 | CF-100    |
| 1977                | V6 3.8L 231 CI |                    | 14066235 | CF-100    |
| 1977-81             | V8 5.0L 305 CI |                    | 14066235 | CF-100    |
| 1978-79             | V6 3.8L 232 CI |                    | 14066235 | CF-100    |
| 1977                | V8 4.9L 301 CI |                    | 14066235 | CF-100    |
| 1979                | V8 4.9L 301 CI |                    | 14066235 | CF-100    |
| 1984-86             | L4 2.5L 151 CI |                    | 14075718 | CF-129    |
| 1984-89             | V6 2.8L 173 CI |                    | 14075718 | CF-129    |
| 1989                | V6 3.8L 232 CI |                    | 14075718 | CF-129    |
| 1990-92             | V6 3.1L 189 CI |                    | 14075718 | CF-129    |
| 1984-90             | V8 5.0L 305 CI |                    | 14075725 | CF-133    |
| 1992                | V8 5.0L 305 CI |                    | 14075725 | CF-133    |
| <b>GRAND AM</b>     |                |                    |          |           |
| 1973-75             | V8 7.5L 455 CI |                    | 14066235 | CF-100    |
| 1973                | V8 5.7L 350 CI |                    | 14066235 | CF-100    |
| 1975                | V8 5.7L 350 CI |                    | 14066235 | CF-100    |
| 1978-79             | V8 5.0L 305 CI |                    | 14066235 | CF-100    |
| 1979                | V6 3.8L 232 CI |                    | 14066235 | CF-100    |
| 1979                | V8 4.9L 301 CI |                    | 14066235 | CF-100    |
| 1987-88             | L4 2.5L 151 CI | w/o Trans code 8ZR | 8672942  | CF-135    |
| 1987-88             | L4 2.5L 151 CI | w/Trans code 8ZR   | 8672937  | CF-134    |
| 1990-92             | L4 2.3L 138 CI |                    | 8672510  | CF-136    |
| 1990-92             | L4 2.3L 140 CI |                    | 8672510  | CF-136    |
| <b>GRAND LEMANS</b> |                |                    |          |           |
| 1975-76             | L6 4.1L 250 CI |                    | 14066235 | CF-100    |
| 1975-76             | V8 7.5L 455 CI |                    | 14066235 | CF-100    |
| 1976                | V8 4.3L 260 CI |                    | 14066235 | CF-100    |
| 1976-80             | V8 5.0L 305 CI |                    | 14066235 | CF-100    |
| 1978-79             | V6 3.8L 232 CI |                    | 14066235 | CF-100    |
| 1975-79             | V8 5.7L 350 CI |                    | 14066235 | CF-100    |
| 1977                | V6 3.8L 231 CI |                    | 14066235 | CF-100    |
| 1979                | V6 3.8L 231 CI |                    | 14066235 | CF-100    |
| 1977                | V8 4.9L 301 CI |                    | 14066235 | CF-100    |
| 1979                | V8 4.9L 301 CI |                    | 14066235 | CF-100    |
| <b>GRAND PRIX</b>   |                |                    |          |           |
| 1973                | V8 7.5L 455 CI |                    | 14066235 | CF-100    |
| 1978-79             | V6 3.8L 232 CI |                    | 14066235 | CF-100    |
| 1978-79             | V8 5.0L 305 CI |                    | 14066235 | CF-100    |

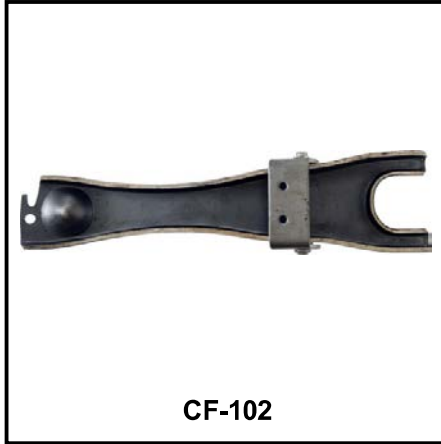
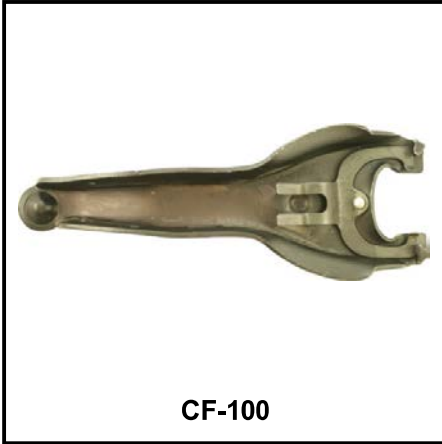
# CLUTCH FORK APPLICATIONS

| Years                | Engine         | Remarks    | OE       | Pioneer # |
|----------------------|----------------|------------|----------|-----------|
| <b>PONTIAC</b>       |                |            |          |           |
| <b>GRAND PRIX</b>    |                |            |          |           |
| 1979                 | V6 3.8L 231 CI |            | 14066235 | CF-100    |
| 1979                 | V8 4.9L 301 CI |            | 14066235 | CF-100    |
| 1989                 | V6 2.8L 173 CI |            | 8672510  | CF-136    |
| 1989-92              | V6 3.1L 189 CI |            | 8672510  | CF-136    |
| 1990-91              | L4 2.3L 138 CI |            | 8672510  | CF-136    |
| 1991                 | V6 3.4L 207 CI |            | 8672510  | CF-136    |
| <b>GRAND SAFARI</b>  |                |            |          |           |
| 1973-74              | V8 7.5L 455 CI |            | 14066235 | CF-100    |
| <b>GRANDVILLE</b>    |                |            |          |           |
| 1973-74              | V8 7.5L 455 CI |            | 14066235 | CF-100    |
| <b>GTO</b>           |                |            |          |           |
| 1973                 | V8 7.5L 455 CI |            | 14066235 | CF-100    |
| <b>J2000</b>         |                |            |          |           |
| 1982-83              | L4 1.8L 112 CI | Shaft Type | 14024930 | CF-106    |
| 1983                 | L4 2.0L 122 CI | Shaft Type | 14024930 | CF-106    |
| <b>J2000 SUNBIRD</b> |                |            |          |           |
| 1984-85              | L4 1.8L 112 CI | Shaft Type | 14024930 | CF-106    |
| 1984-85              | L4 2.0L 122 CI | Shaft Type | 14024930 | CF-106    |
| <b>LAURENTIAN</b>    |                |            |          |           |
| 1976                 | V8 7.5L 455 CI |            | 14066235 | CF-100    |
| 1977-81              | V8 5.0L 305 CI |            | 14066235 | CF-100    |
| 1976-79              | V8 5.7L 350 CI |            | 14066235 | CF-100    |
| <b>LEMANS</b>        |                |            |          |           |
| 1973-74              | V8 7.5L 455 CI |            | 14066235 | CF-100    |
| 1976                 | V8 7.5L 455 CI |            | 14066235 | CF-100    |
| 1973-76              | L6 4.1L 250 CI |            | 14066235 | CF-100    |
| 1973-79              | V8 5.7L 350 CI |            | 14066235 | CF-100    |
| 1976                 | V8 4.3L 260 CI |            | 14066235 | CF-100    |
| 1976-81              | V8 5.0L 305 CI |            | 14066235 | CF-100    |
| 1978-79              | V6 3.8L 232 CI |            | 14066235 | CF-100    |
| 1977                 | V6 3.8L 231 CI |            | 14066235 | CF-100    |
| 1979                 | V6 3.8L 231 CI |            | 14066235 | CF-100    |
| 1977                 | V8 4.9L 301 CI |            | 14066235 | CF-100    |
| 1979                 | V8 4.9L 301 CI |            | 14066235 | CF-100    |
| <b>PARISIENNE</b>    |                |            |          |           |
| 1976                 | V8 7.5L 455 CI |            | 14066235 | CF-100    |
| 1976-79              | V8 5.7L 350 CI |            | 14066235 | CF-100    |
| 1977-81              | V8 5.0L 305 CI |            | 14066235 | CF-100    |
| <b>PHOENIX</b>       |                |            |          |           |
| 1977                 | V6 3.8L 231 CI |            | 14066235 | CF-100    |

# CLUTCH FORK APPLICATIONS

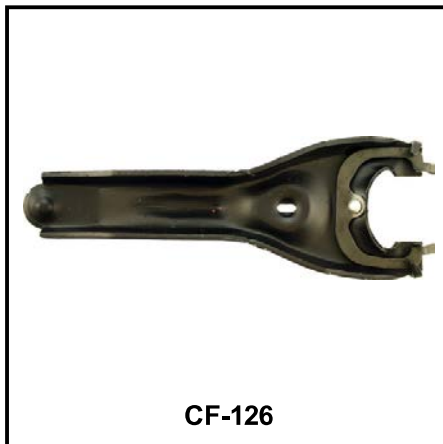
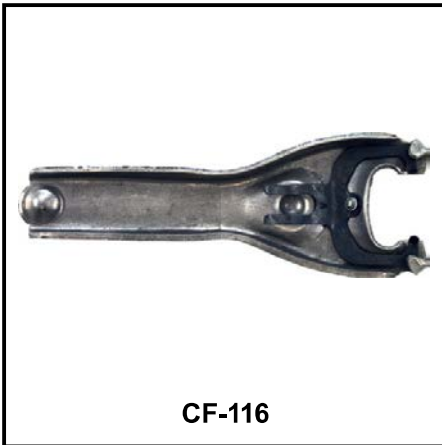
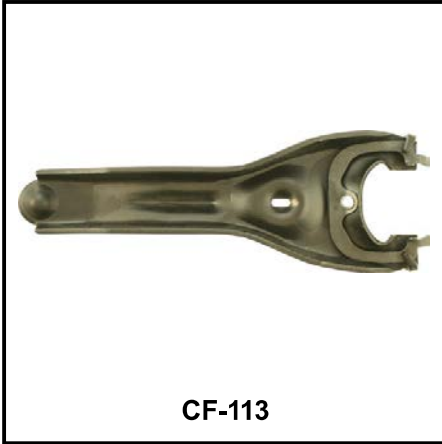
| Years          | Engine         | Remarks           | OE       | Pioneer # |
|----------------|----------------|-------------------|----------|-----------|
| <b>PONTIAC</b> |                |                   |          |           |
| <b>PHOENIX</b> |                |                   |          |           |
| 1977-79        | V8 5.0L 305 CI |                   | 14066235 | CF-100    |
| 1977-79        | V8 5.7L 350 CI |                   | 14066235 | CF-100    |
| 1978-79        | V6 3.8L 232 CI |                   | 14066235 | CF-100    |
| 1980-84        | V6 2.8L 173 CI |                   | 14024930 | CF-106    |
| 1980-84        | L4 2.5L 151 CI |                   | 14024930 | CF-106    |
| <b>SUNBIRD</b> |                |                   |          |           |
| 1977           | V6 3.8L 231 CI |                   | 14066235 | CF-100    |
| 1977-79        | V6 3.8L 232 CI |                   | 14066235 | CF-100    |
| 1978-79        | V8 5.0L 305 CI |                   | 14066235 | CF-100    |
| 1986           | L4 1.8L 112 CI |                   | 14024930 | CF-106    |
| 1986-87        | L4 2.0L 122 CI |                   | 14024930 | CF-106    |
| 1991-92        | V6 3.1L 189 CI |                   | 8672510  | CF-136    |
| <b>TEMPEST</b> |                |                   |          |           |
| 1989           | V6 2.8L 173 CI | w/N, J & W Models | 8672510  | CF-136    |
| 1990-91        | V6 3.1L 189 CI |                   | 8672510  | CF-136    |
| <b>VENTURA</b> |                |                   |          |           |
| 1973-76        | L6 4.1L 250 CI |                   | 14066235 | CF-100    |
| 1973-77        | V8 5.7L 350 CI |                   | 14066235 | CF-100    |
| 1975-76        | V8 4.3L 260 CI |                   | 14066235 | CF-100    |
| 1977           | V6 3.8L 231 CI |                   | 14066235 | CF-100    |
| 1977           | V8 4.9L 301 CI |                   | 14066235 | CF-100    |
| 1977           | V8 5.0L 305 CI |                   | 14066235 | CF-100    |

# CLUTCH FORK ILLUSTRATIONS





# CLUTCH FORK ILLUSTRATIONS



# CLUTCH FORK ILLUSTRATIONS



# CLUTCH FORK ILLUSTRATIONS



+

+

## INTERCHANGES SUMMARY - CLUTCH FORK

| Competitor | # Competitor | # Pioneer |
|------------|--------------|-----------|
| ATP        | ZA-100       | CF-100    |
| ATP        | ZA-101       | CF-101    |
| ATP        | ZA-102       | CF-102    |
| ATP        | ZA-103       | CF-103    |
| ATP        | ZA-104       | CF-104    |
| ATP        | ZA-105       | CF-106    |
| ATP        | ZA-106       | CF-107    |
| ATP        | ZA-107       | CF-112    |
| ATP        | ZA-108       | CF-116    |
| ATP        | ZA-109       | CF-110    |
| ATP        | ZA-110       | CF-117    |
| ATP        | ZA-111       | CF-114    |
| ATP        | ZA-113       | CF-115    |
| ATP        | ZA-119       | CF-105    |
| ATP        | ZA-121       | CF-113    |

+

+

# RING GEAR APPLICATIONS

| Years                  | Engine         | Remarks          | OE      | Pioneer # |
|------------------------|----------------|------------------|---------|-----------|
| <b>AMERICAN MOTORS</b> |                |                  |         |           |
| <b>AMBASSADOR</b>      |                |                  |         |           |
| 1972-74                | V8 5.0L 304 CI | w/164 Tooth Gear | 3214033 | FRG-164F  |
| 1972-74                | V8 5.9L 360 CI | w/164 Tooth Gear | 3214033 | FRG-164F  |
| 1972-74                | V8 6.6L 401 CI | w/164 Tooth Gear | 3214033 | FRG-164F  |
| 1973-74                | V8 5.0L 304 CI | w/164 Teeth Gear | 3179741 | FRG-164A  |
| 1973-74                | V8 5.9L 360 CI | w/164 Teeth Gear | 3179741 | FRG-164A  |
| 1973-74                | V8 6.6L 401 CI | w/164 Teeth Gear | 3179741 | FRG-164A  |
| <b>AMX</b>             |                |                  |         |           |
| 1978-79                | V8 5.0L 304 CI | w/164 Teeth Gear | 3179741 | FRG-164A  |
| 1978-80                | L6 4.2L 258 CI | w/164 Teeth Gear | 3179741 | FRG-164A  |
| <b>CONCORD</b>         |                |                  |         |           |
| 1978-79                | L6 3.8L 232 CI | w/164 Teeth Gear | 3179741 | FRG-164A  |
| 1978-79                | V8 5.0L 304 CI | w/164 Teeth Gear | 3179741 | FRG-164A  |
| 1978-83                | L6 4.2L 258 CI | w/164 Teeth Gear | 3179741 | FRG-164A  |
| <b>EAGLE</b>           |                |                  |         |           |
| 1980-88                | L6 4.2L 258 CI | w/164 Teeth Gear | 3179741 | FRG-164A  |
| <b>GREMLIN</b>         |                |                  |         |           |
| 1972-77                | L6 3.8L 232 CI | w/164 Tooth Gear | 3214033 | FRG-164F  |
| 1972-76                | V8 5.0L 304 CI | w/164 Tooth Gear | 3214033 | FRG-164F  |
| 1973-78                | L6 3.8L 232 CI | w/164 Teeth Gear | 3179741 | FRG-164A  |
| 1973-76                | V8 5.0L 304 CI | w/164 Teeth Gear | 3179741 | FRG-164A  |
| 1972-77                | L6 4.2L 258 CI | w/164 Tooth Gear | 3214033 | FRG-164F  |
| 1973-78                | L6 4.2L 258 CI | w/164 Teeth Gear | 3179741 | FRG-164A  |
| <b>HORNET</b>          |                |                  |         |           |
| 1972-77                | L6 4.2L 258 CI | w/164 Tooth Gear | 3214033 | FRG-164F  |
| 1972-77                | V8 5.0L 304 CI | w/164 Tooth Gear | 3214033 | FRG-164F  |
| 1972-74                | V8 5.9L 360 CI | w/164 Tooth Gear | 3214033 | FRG-164F  |
| 1973-77                | V8 5.0L 304 CI | w/164 Teeth Gear | 3179741 | FRG-164A  |
| 1973-74                | V8 5.9L 360 CI | w/164 Teeth Gear | 3179741 | FRG-164A  |
| 1973-77                | L6 3.8L 232 CI | w/164 Teeth Gear | 3179741 | FRG-164A  |
| 1972-77                | L6 3.8L 232 CI | w/164 Tooth Gear | 3214033 | FRG-164F  |
| 1973-77                | L6 4.2L 258 CI | w/164 Teeth Gear | 3179741 | FRG-164A  |
| <b>JAVELIN</b>         |                |                  |         |           |
| 1972-74                | L6 3.8L 232 CI | w/164 Tooth Gear | 3214033 | FRG-164F  |
| 1972-74                | L6 4.2L 258 CI | w/164 Tooth Gear | 3214033 | FRG-164F  |
| 1972-74                | V8 5.0L 304 CI | w/164 Tooth Gear | 3214033 | FRG-164F  |
| 1972-74                | V8 5.9L 360 CI | w/164 Tooth Gear | 3214033 | FRG-164F  |
| 1972-74                | V8 6.6L 401 CI | w/164 Tooth Gear | 3214033 | FRG-164F  |
| 1973-74                | L6 3.8L 232 CI | w/164 Teeth Gear | 3179741 | FRG-164A  |
| 1973-74                | L6 4.2L 258 CI | w/164 Teeth Gear | 3179741 | FRG-164A  |
| 1973-74                | V8 5.0L 304 CI | w/164 Teeth Gear | 3179741 | FRG-164A  |

# RING GEAR APPLICATIONS

| Years                  | Engine         | Remarks   | OE      | Pioneer # |
|------------------------|----------------|---|---------|-----------|
| <b>AMERICAN MOTORS</b> |                |   |         |           |
| <b>JAVELIN</b>         |                |   |         |           |
| 1973-74                | V8 5.9L 360 CI | w/164 Teeth Gear  | 3179741 | FRG-164A  |
| 1973-74                | V8 6.6L 401 CI | w/164 Teeth Gear  | 3179741 | FRG-164A  |
| <b>MATADOR</b>         |                |   |         |           |
| 1972-74                | L6 3.8L 232 CI | w/164 Tooth Gear  | 3214033 | FRG-164F  |
| 1972-77                | L6 4.2L 258 CI | w/164 Tooth Gear  | 3214033 | FRG-164F  |
| 1972-77                | V8 5.0L 304 CI | w/164 Tooth Gear  | 3214033 | FRG-164F  |
| 1972-77                | V8 5.9L 360 CI | w/164 Tooth Gear  | 3214033 | FRG-164F  |
| 1973-74                | L6 3.8L 232 CI | w/164 Teeth Gear  | 3179741 | FRG-164A  |
| 1973-78                | L6 4.2L 258 CI | w/164 Teeth Gear  | 3179741 | FRG-164A  |
| 1973-77                | V8 5.0L 304 CI | w/164 Teeth Gear  | 3179741 | FRG-164A  |
| 1973-78                | V8 5.9L 360 CI | w/164 Teeth Gear  | 3179741 | FRG-164A  |
| 1973-76                | V8 6.6L 401 CI | w/164 Teeth Gear  | 3179741 | FRG-164A  |
| 1972-76                | V8 6.6L 401 CI | w/164 Tooth Gear  | 3214033 | FRG-164F  |
| <b>PACER</b>           |                |   |         |           |
| 1975-77                | L6 3.8L 232 CI | w/164 Tooth Gear  | 3214033 | FRG-164F  |
| 1975-77                | L6 4.2L 258 CI | w/164 Tooth Gear  | 3214033 | FRG-164F  |
| 1975-78                | L6 3.8L 232 CI | w/164 Teeth Gear  | 3179741 | FRG-164A  |
| 1975-80                | L6 4.2L 258 CI | w/164 Teeth Gear  | 3179741 | FRG-164A  |
| 1978-79                | V8 5.0L 304 CI | w/164 Teeth Gear  | 3179741 | FRG-164A  |
| <b>SPIRIT</b>          |                |   |         |           |
| 1979                   | L6 3.8L 232 CI | w/164 Teeth Gear  | 3179741 | FRG-164A  |
| 1979                   | V8 5.0L 304 CI | w/164 Teeth Gear  | 3179741 | FRG-164A  |
| 1979-83                | L6 4.2L 258 CI | w/164 Teeth Gear  | 3179741 | FRG-164A  |
| <b>BUICK</b>           |                |   |         |           |
| <b>APOLLO</b>          |                |   |         |           |
| 1973-75                | L6 4.1L 250 CI | w/168 Tooth Gear  | 3991408 | FRG-168S  |
| 1975                   | L6 4.1L 250 CI | w/153 Tooth Gear  | 3991407 | FRG-153B  |
| <b>CENTURY</b>         |                |   |         |           |
| 1977-79                | V8 5.7L 350 CI | w/168 Tooth Gear  | 3991408 | FRG-168S  |
| 1979-80                | V8 4.9L 301 CI | w/166 Teeth Gear  | 499858  | FRG-166W  |
| 1977                   | V8 5.0L 305 CI | California Emissions; w/168 Tooth Gear,<br>w/168 Tooth Gear | 3991408 | FRG-168S  |
| 1980                   | V8 5.0L 305 CI | California Emissions; w/168 Tooth Gear,<br>w/168 Tooth Gear | 3991408 | FRG-168S  |
| 1980-81                | V8 4.3L 265 CI | w/166 Teeth Gear  | 499858  | FRG-166W  |
| 1981                   | V8 4.4L 267 CI | w/153 Tooth Gear  | 3991407 | FRG-153B  |
| 1978-79                | V8 5.0L 305 CI | w/153 Tooth Gear  | 3991407 | FRG-153B  |
| 1981                   | V8 5.0L 305 CI | w/153 Tooth Gear  | 3991407 | FRG-153B  |
| 1982-85                | V6 3.0L 181 CI | w/142 Tooth Gear  | 359115  | FRG-142W  |
| 1983-89                | V6 2.8L 173 CI | w/142 Tooth Gear  | 359115  | FRG-142W  |

# RING GEAR APPLICATIONS

| Years               | Engine         | Remarks   | OE      | Pioneer # |
|---------------------|----------------|---|---------|-----------|
| <b>BUICK</b>        |                |   |         |           |
| <b>CENTURY</b>      |                |   |         |           |
| 1984-87             | V6 3.8L 232 CI | w/142 Tooth Gear  | 359115  | FRG-142W  |
| <b>ELECTRA</b>      |                |   |         |           |
| 1978                | V8 6.6L 403 CI | w/166 Teeth Gear  | 499858  | FRG-166W  |
| 1980                | V8 4.9L 301 CI | w/166 Teeth Gear  | 499858  | FRG-166W  |
| 1981-86             | V8 5.0L 307 CI | w/153 Tooth Gear  | 3991407 | FRG-153B  |
| 1985                | V6 3.0L 181 CI | w/142 Tooth Gear  | 359115  | FRG-142W  |
| 1985-87             | V6 3.8L 232 CI | w/142 Tooth Gear  | 359115  | FRG-142W  |
| <b>ESTATE WAGON</b> |                |   |         |           |
| 1978                | V8 6.6L 403 CI | w/166 Teeth Gear  | 499858  | FRG-166W  |
| <b>LESABRE</b>      |                |   |         |           |
| 1977-80             | V8 4.9L 301 CI | w/166 Teeth Gear  | 499858  | FRG-166W  |
| 1978                | V8 5.0L 305 CI | w/168 Tooth Gear  | 3991408 | FRG-168S  |
| 1978                | V8 6.6L 403 CI | w/166 Teeth Gear  | 499858  | FRG-166W  |
| 1981-86             | V8 5.0L 307 CI | w/153 Tooth Gear  | 3991407 | FRG-153B  |
| 1982                | V8 4.4L 267 CI | w/153 Tooth Gear  | 3991407 | FRG-153B  |
| 1984-87             | V6 3.8L 232 CI | w/142 Tooth Gear  | 359115  | FRG-142W  |
| 1986                | V6 3.0L 181 CI | w/142 Tooth Gear  | 359115  | FRG-142W  |
| <b>REGAL</b>        |                |   |         |           |
| 1977                | V8 5.7L 350 CI | w/168 Tooth Gear  | 3991408 | FRG-168S  |
| 1979-80             | V8 4.9L 301 CI | w/166 Teeth Gear  | 499858  | FRG-166W  |
| 1977                | V8 5.0L 305 CI | California Emissions; w/168 Tooth Gear,<br>w/168 Tooth Gear | 3991408 | FRG-168S  |
| 1980                | V8 5.0L 305 CI | California Emissions; w/168 Tooth Gear,<br>w/168 Tooth Gear | 3991408 | FRG-168S  |
| 1981-82             | V8 4.4L 267 CI | w/153 Tooth Gear  | 3991407 | FRG-153B  |
| 1978-79             | V8 5.0L 305 CI | w/153 Tooth Gear  | 3991407 | FRG-153B  |
| 1982-86             | V8 5.0L 305 CI | w/153 Tooth Gear  | 3991407 | FRG-153B  |
| 1986                | V8 5.0L 307 CI | w/153 Tooth Gear  | 3991407 | FRG-153B  |
| 1988-89             | V6 2.8L 173 CI | w/142 Tooth Gear  | 359115  | FRG-142W  |
| 1989-91             | V6 3.1L 189 CI | w/142 Tooth Gear  | 359115  | FRG-142W  |
| 1994-96             | V6 3.1L 189 CI | w/142 Tooth Gear  | 359115  | FRG-142W  |
| <b>RIVIERA</b>      |                |   |         |           |
| 1978                | V8 6.6L 403 CI | w/166 Teeth Gear  | 499858  | FRG-166W  |
| 1981-85             | V8 5.0L 307 CI | w/153 Tooth Gear  | 3991407 | FRG-153B  |
| 1984-87             | V6 3.8L 232 CI | w/142 Tooth Gear  | 359115  | FRG-142W  |
| <b>SKYHAWK</b>      |                |   |         |           |
| 1982                | L4 1.8L 112 CI | w/142 Tooth Gear  | 359115  | FRG-142W  |
| 1983-89             | L4 2.0L 122 CI | w/142 Tooth Gear  | 359115  | FRG-142W  |
| <b>SKYLARK</b>      |                |   |         |           |
| 1971                | L6 4.1L 250 CI | w/168 Tooth Gear  | 3991408 | FRG-168S  |

# RING GEAR APPLICATIONS

| Years                 | Engine         | Remarks  | OE      | Pioneer # |
|-----------------------|----------------|--|---------|-----------|
| <b>BUICK</b>          |                |  |         |           |
| <b>SKYLARK</b>        |                |  |         |           |
| 1976                  | V8 4.3L 260 CI | w/166 Tooth Gear   | 383812  | FRG-166N  |
| 1977                  | V8 4.9L 301 CI | w/166 Teeth Gear   | 499858  | FRG-166W  |
| 1977-79               | V8 5.0L 305 CI | w/168 Tooth Gear   | 3991408 | FRG-168S  |
| 1977-79               | V8 5.7L 350 CI | w/168 Tooth Gear   | 3991408 | FRG-168S  |
| 1980-85               | V6 2.8L 173 CI | w/142 Tooth Gear   | 359115  | FRG-142W  |
| <b>SOMERSET</b>       |                |  |         |           |
| 1986-87               | V6 3.0L 181 CI | w/142 Tooth Gear   | 359115  | FRG-142W  |
| <b>SOMERSET REGAL</b> |                |  |         |           |
| 1985                  | V6 3.0L 181 CI | w/142 Tooth Gear   | 359115  | FRG-142W  |
| <b>CADILLAC</b>       |                |  |         |           |
| <b>CIMARRON</b>       |                |  |         |           |
| 1982                  | L4 1.8L 112 CI | w/142 Tooth Gear   | 359115  | FRG-142W  |
| 1983-86               | L4 2.0L 122 CI | w/142 Tooth Gear   | 359115  | FRG-142W  |
| 1985-87               | V6 2.8L 173 CI | w/142 Tooth Gear   | 359115  | FRG-142W  |
| <b>CADILLAC TRUCK</b> |                |  |         |           |
| <b>ESCALADE</b>       |                |  |         |           |
| 2002-06               | V8 6.0L 364 CI | w/168 Tooth Gear   | 3991408 | FRG-168S  |
| <b>CHEVROLET</b>      |                |  |         |           |
| <b>BEL AIR</b>        |                |  |         |           |
| 1962-67               | V8 4.6L 283 CI | w/153 Tooth Gear   | 3789821 | FRG-153N  |
| 1962-67               | V8 4.6L 283 CI | w/Heavy Duty Clutch; w/168 Tooth Gear                    | 3991408 | FRG-168S  |
| 1962-69               | V8 5.3L 327 CI | w/153 Tooth Gear   | 3789821 | FRG-153N  |
| 1963-65               | L6 3.8L 230 CI | w/168 Tooth Gear   | 3991408 | FRG-168S  |
| 1965                  | V8 6.7L 409 CI | w/168 Tooth Gear   | 3991408 | FRG-168S  |
| 1965                  | V8 6.7L 409 CI | w/153 Tooth Gear   | 3789821 | FRG-153N  |
| 1966-69               | V8 5.3L 327 CI | w/Heavy Duty Clutch; w/168 Tooth Gear                    | 3991408 | FRG-168S  |
| 1966-69               | V8 7.0L 427 CI | w/168 Tooth Gear   | 3991408 | FRG-168S  |
| 1968                  | V8 5.0L 307 CI | w/168 Tooth Gear   | 3991408 | FRG-168S  |
| 1968                  | V8 5.0L 307 CI | w/153 Tooth Gear   | 3789821 | FRG-153N  |
| 1968-69               | V8 5.4L 327 CI | w/Heavy Duty Clutch; w/168 Tooth Gear                    | 3991408 | FRG-168S  |
| 1968-69               | V8 5.4L 327 CI | w/153 Tooth Gear   | 3789821 | FRG-153N  |
| 1966-70               | L6 4.1L 250 CI | w/153 Tooth Gear   | 3789821 | FRG-153N  |
| 1966-73               | L6 4.1L 250 CI | w/168 Tooth Gear   | 3991408 | FRG-168S  |
| 1969-75               | V8 5.7L 350 CI | w/168 Tooth Gear, Exc. Powerglide Trans.                 | 3991408 | FRG-168S  |
| 1970-75               | V8 7.4L 454 CI | w/168 Tooth Gear   | 3991408 | FRG-168S  |
| 1971-72               | V8 6.6L 402 CI | w/168 Tooth Gear   | 3991408 | FRG-168S  |
| 1973-75               | V8 5.7L 350 CI | w/153 Tooth Gear   | 3991407 | FRG-153B  |
| 1970-75               | V8 6.6L 400 CI | w/168 Tooth Gear, 2nd Design Trans.;<br>w/168 Tooth Gear | 3991408 | FRG-168S  |



# RING GEAR APPLICATIONS

| Years            | Engine         | Remarks                               | OE      | Pioneer # |
|------------------|----------------|---------------------------------------|---------|-----------|
| <b>CHEVROLET</b> |                |                                       |         |           |
| <b>BEL AIR</b>   |                |                                       |         |           |
| 1981             | V8 4.4L 267 CI | w/153 Tooth Gear                      | 3991407 | FRG-153B  |
| 1981             | V8 5.0L 305 CI | w/153 Tooth Gear                      | 3991407 | FRG-153B  |
| <b>BERETTA</b>   |                |                                       |         |           |
| 1987-89          | L4 2.0L 122 CI | w/142 Tooth Gear                      | 359115  | FRG-142W  |
| 1987-89          | V6 2.8L 173 CI | w/142 Tooth Gear                      | 359115  | FRG-142W  |
| 1990-96          | L4 2.2L 134 CI | w/142 Tooth Gear                      | 359115  | FRG-142W  |
| 1990-96          | V6 3.1L 189 CI | w/142 Tooth Gear                      | 359115  | FRG-142W  |
| 1994             | L4 2.3L 140 CI | w/142 Tooth Gear                      | 359115  | FRG-142W  |
| <b>BISCAYNE</b>  |                |                                       |         |           |
| 1962-67          | V8 4.6L 283 CI | w/Heavy Duty Clutch; w/168 Tooth Gear | 3991408 | FRG-168S  |
| 1962-67          | V8 4.6L 283 CI | w/153 Tooth Gear                      | 3789821 | FRG-153N  |
| 1962-69          | V8 5.3L 327 CI | w/153 Tooth Gear                      | 3789821 | FRG-153N  |
| 1963-65          | L6 3.8L 230 CI | w/168 Tooth Gear                      | 3991408 | FRG-168S  |
| 1965             | V8 6.7L 409 CI | w/153 Tooth Gear                      | 3789821 | FRG-153N  |
| 1965             | V8 6.7L 409 CI | w/168 Tooth Gear                      | 3991408 | FRG-168S  |
| 1966-69          | V8 5.3L 327 CI | w/Heavy Duty Clutch; w/168 Tooth Gear | 3991408 | FRG-168S  |
| 1966-69          | V8 7.0L 427 CI | w/168 Tooth Gear                      | 3991408 | FRG-168S  |
| 1966-70          | L6 4.1L 250 CI | w/153 Tooth Gear                      | 3789821 | FRG-153N  |
| 1966-72          | L6 4.1L 250 CI | w/168 Tooth Gear                      | 3991408 | FRG-168S  |
| 1968             | V8 5.0L 307 CI | w/168 Tooth Gear                      | 3991408 | FRG-168S  |
| 1968             | V8 5.0L 307 CI | w/153 Tooth Gear                      | 3789821 | FRG-153N  |
| 1968-69          | V8 5.4L 327 CI | w/Heavy Duty Clutch; w/168 Tooth Gear | 3991408 | FRG-168S  |
| 1968-69          | V8 5.4L 327 CI | w/153 Tooth Gear                      | 3789821 | FRG-153N  |
| 1970-72          | V8 6.6L 400 CI | w/168 Tooth Gear                      | 3991408 | FRG-168S  |
| 1971-72          | V8 6.6L 402 CI | 2nd Design; w/153 Tooth Gear          | 3789821 | FRG-153N  |
| 1971-72          | V8 7.4L 454 CI | w/168 Tooth Gear                      | 3991408 | FRG-168S  |
| 1969-72          | V8 5.7L 350 CI | w/168 Tooth Gear                      | 3991408 | FRG-168S  |
| <b>BROOKWOOD</b> |                |                                       |         |           |
| 1969             | L6 4.1L 250 CI | w/168 Tooth Gear                      | 3991408 | FRG-168S  |
| 1969             | L6 4.1L 250 CI | w/153 Tooth Gear                      | 3789821 | FRG-153N  |
| 1969-72          | V8 5.7L 350 CI | w/168 Tooth Gear                      | 3991408 | FRG-168S  |
| 1970             | V8 6.6L 400 CI | w/168 Tooth Gear                      | 3991408 | FRG-168S  |
| 1972             | V8 6.6L 400 CI | w/168 Tooth Gear                      | 3991408 | FRG-168S  |
| 1972             | V8 6.6L 402 CI | 2nd Design; w/153 Tooth Gear          | 3789821 | FRG-153N  |
| <b>CAMARO</b>    |                |                                       |         |           |
| 1967-69          | L6 3.8L 230 CI | w/168 Tooth Gear                      | 3991408 | FRG-168S  |
| 1967-69          | V8 5.3L 327 CI | w/153 Tooth Gear                      | 3789821 | FRG-153N  |
| 1967-69          | V8 5.3L 327 CI | w/Heavy Duty Clutch; w/168 Tooth Gear | 3991408 | FRG-168S  |
| 1968-69          | V8 5.4L 327 CI | w/153 Tooth Gear                      | 3789821 | FRG-153N  |
| 1968-69          | V8 5.4L 327 CI | w/Heavy Duty Clutch; w/168 Tooth Gear | 3991408 | FRG-168S  |

# RING GEAR APPLICATIONS

| Years            | Engine         | Remarks   | OE      | Pioneer # |
|------------------|----------------|---|---------|-----------|
| <b>CHEVROLET</b> |                |   |         |           |
| <b>CAMARO</b>    |                |   |         |           |
| 1968-70          | L6 4.1L 250 CI | w/153 Tooth Gear  | 3789821 | FRG-153N  |
| 1968-76          | L6 4.1L 250 CI | w/168 Tooth Gear  | 3991408 | FRG-168S  |
| 1969-70          | V8 5.0L 307 CI | w/153 Tooth Gear  | 3789821 | FRG-153N  |
| 1969-72          | V8 5.0L 307 CI | w/168 Tooth Gear  | 3991408 | FRG-168S  |
| 1970-72          | V8 6.6L 402 CI | w/168 Tooth Gear, 2nd Design Trans.;<br>w/168 Tooth Gear    | 3991408 | FRG-168S  |
| 1973             | V8 5.0L 307 CI | w/153 Tooth Gear  | 3991407 | FRG-153B  |
| 1967-81          | V8 5.7L 350 CI | w/168 Tooth Gear  | 3991408 | FRG-168S  |
| 1975-79          | L6 4.1L 250 CI | w/153 Tooth Gear  | 3991407 | FRG-153B  |
| 1980-81          | V6 3.8L 229 CI | w/153 Tooth Gear  | 3991407 | FRG-153B  |
| 1980-81          | V6 3.8L 232 CI | w/153 Tooth Gear  | 3991407 | FRG-153B  |
| 1980-81          | V8 4.4L 267 CI | w/153 Tooth Gear  | 3991407 | FRG-153B  |
| 1980-81          | V8 4.4L 267 CI | w/168 Tooth Gear  | 3991408 | FRG-168S  |
| 1976-79          | V8 5.0L 305 CI | w/168 Tooth Gear  | 3991408 | FRG-168S  |
| 1981             | V8 5.0L 305 CI | w/168 Tooth Gear  | 3991408 | FRG-168S  |
| 1981-92          | V8 5.0L 305 CI | w/153 Tooth Gear  | 3991407 | FRG-153B  |
| 1982-89          | V6 2.8L 173 CI | w/142 Tooth Gear  | 359115  | FRG-142W  |
| 1973-75          | V8 5.7L 350 CI | w/153 Tooth Gear  | 3991407 | FRG-153B  |
| 1993-95          | V8 5.7L 350 CI | w/153 Tooth Gear  | 3991407 | FRG-153B  |
| <b>CAPRICE</b>   |                |   |         |           |
| 1966-67          | V8 4.6L 283 CI | w/Heavy Duty Clutch; w/168 Tooth Gear                       | 3991408 | FRG-168S  |
| 1966-67          | V8 4.6L 283 CI | w/153 Tooth Gear  | 3789821 | FRG-153N  |
| 1966-69          | V8 5.3L 327 CI | w/153 Tooth Gear  | 3789821 | FRG-153N  |
| 1966-69          | V8 5.3L 327 CI | w/Heavy Duty Clutch; w/168 Tooth Gear                       | 3991408 | FRG-168S  |
| 1968             | V8 5.0L 307 CI | w/168 Tooth Gear  | 3991408 | FRG-168S  |
| 1968             | V8 5.0L 307 CI | w/153 Tooth Gear  | 3789821 | FRG-153N  |
| 1967-69          | L6 4.1L 250 CI | w/153 Tooth Gear  | 3789821 | FRG-153N  |
| 1967-69          | L6 4.1L 250 CI | w/168 Tooth Gear  | 3991408 | FRG-168S  |
| 1968-69          | V8 5.4L 327 CI | w/153 Tooth Gear  | 3789821 | FRG-153N  |
| 1968-69          | V8 5.4L 327 CI | w/Heavy Duty Clutch; w/168 Tooth Gear                       | 3991408 | FRG-168S  |
| 1966-69          | V8 7.0L 427 CI | w/168 Tooth Gear  | 3991408 | FRG-168S  |
| 1969-73          | V8 5.7L 350 CI | w/168 Tooth Gear  | 3991408 | FRG-168S  |
| 1975-81          | V8 5.7L 350 CI | w/168 Tooth Gear  | 3991408 | FRG-168S  |
| 1971-72          | V8 6.6L 402 CI | 2nd Design; w/153 Tooth Gear                                | 3789821 | FRG-153N  |
| 1973             | V8 5.7L 350 CI | w/153 Tooth Gear  | 3991407 | FRG-153B  |
| 1975             | V8 5.7L 350 CI | w/153 Tooth Gear  | 3991407 | FRG-153B  |
| 1970-75          | V8 6.6L 400 CI | w/168 Tooth Gear  | 3991408 | FRG-168S  |
| 1970-75          | V8 7.4L 454 CI | w/168 Tooth Gear  | 3991408 | FRG-168S  |
| 1977-79          | L6 4.1L 250 CI | w/153 Tooth Gear  | 3991407 | FRG-153B  |
| 1977-80          | V8 5.0L 305 CI | California Emissions; w/168 Tooth Gear,<br>w/168 Tooth Gear | 3991408 | FRG-168S  |

# RING GEAR APPLICATIONS

| Years            | Engine         | Remarks                               | OE      | Pioneer # |
|------------------|----------------|---------------------------------------|---------|-----------|
| <b>CHEVROLET</b> |                |                                       |         |           |
| <b>CAPRICE</b>   |                |                                       |         |           |
| 1980-82          | V8 4.4L 267 CI | w/153 Tooth Gear                      | 3991407 | FRG-153B  |
| 1980-84          | V6 3.8L 229 CI | w/153 Tooth Gear                      | 3991407 | FRG-153B  |
| 1980-84          | V6 3.8L 232 CI | w/153 Tooth Gear                      | 3991407 | FRG-153B  |
| 1981-87          | V8 5.0L 305 CI | w/153 Tooth Gear                      | 3991407 | FRG-153B  |
| 1985-89          | V6 4.3L 262 CI | w/153 Tooth Gear                      | 3991407 | FRG-153B  |
| 1986-87          | V8 5.0L 307 CI | w/153 Tooth Gear                      | 3991407 | FRG-153B  |
| <b>CAVALIER</b>  |                |                                       |         |           |
| 1982             | L4 1.8L 112 CI | w/142 Tooth Gear                      | 359115  | FRG-142W  |
| 1983-89          | L4 2.0L 122 CI | w/142 Tooth Gear                      | 359115  | FRG-142W  |
| 1985-89          | V6 2.8L 173 CI | w/142 Tooth Gear                      | 359115  | FRG-142W  |
| 1990-94          | L4 2.2L 134 CI | w/142 Tooth Gear                      | 359115  | FRG-142W  |
| 1990-94          | V6 3.1L 189 CI | w/142 Tooth Gear                      | 359115  | FRG-142W  |
| 1996-98          | L4 2.4L 146 CI | w/142 Tooth Gear                      | 359115  | FRG-142W  |
| <b>CELEBRITY</b> |                |                                       |         |           |
| 1982-90          | L4 2.5L 151 CI | w/142 Tooth Gear                      | 359115  | FRG-142W  |
| 1982-89          | V6 2.8L 173 CI | w/142 Tooth Gear                      | 359115  | FRG-142W  |
| 1990             | V6 3.1L 189 CI | w/142 Tooth Gear                      | 359115  | FRG-142W  |
| <b>CHEVELLE</b>  |                |                                       |         |           |
| 1964-66          | L6 3.2L 194 CI | w/168 Tooth Gear                      | 3991408 | FRG-168S  |
| 1964-68          | V8 5.3L 327 CI | w/153 Tooth Gear                      | 3789821 | FRG-153N  |
| 1964-68          | V8 5.3L 327 CI | w/168 Tooth Gear                      | 3991408 | FRG-168S  |
| 1964-69          | L6 3.8L 230 CI | w/168 Tooth Gear                      | 3991408 | FRG-168S  |
| 1964-67          | V8 4.6L 283 CI | w/Heavy Duty Clutch; w/168 Tooth Gear | 3991408 | FRG-168S  |
| 1964-67          | V8 4.6L 283 CI | w/153 Tooth Gear                      | 3789821 | FRG-153N  |
| 1965             | V8 5.4L 327 CI | w/168 Tooth Gear                      | 3991408 | FRG-168S  |
| 1967-68          | V8 5.4L 327 CI | w/168 Tooth Gear                      | 3991408 | FRG-168S  |
| 1965             | V8 5.4L 327 CI | w/153 Tooth Gear                      | 3789821 | FRG-153N  |
| 1967-68          | V8 5.4L 327 CI | w/153 Tooth Gear                      | 3789821 | FRG-153N  |
| 1968-70          | L6 4.1L 250 CI | w/153 Tooth Gear                      | 3789821 | FRG-153N  |
| 1968-70          | V8 5.0L 307 CI | w/153 Tooth Gear                      | 3789821 | FRG-153N  |
| 1968-72          | V8 5.0L 307 CI | w/168 Tooth Gear                      | 3991408 | FRG-168S  |
| 1968-73          | L6 4.1L 250 CI | w/168 Tooth Gear                      | 3991408 | FRG-168S  |
| 1969-73          | V8 5.7L 350 CI | w/168 Tooth Gear                      | 3991408 | FRG-168S  |
| 1970-71          | V8 6.6L 400 CI | w/168 Tooth Gear                      | 3991408 | FRG-168S  |
| 1970-73          | V8 7.4L 454 CI | w/168 Tooth Gear                      | 3991408 | FRG-168S  |
| 1970             | V8 6.6L 402 CI | w/168 Tooth Gear                      | 3991408 | FRG-168S  |
| 1972             | V8 6.6L 402 CI | w/168 Tooth Gear                      | 3991408 | FRG-168S  |
| 1972             | V8 6.6L 402 CI | 2nd Design; w/153 Tooth Gear          | 3789821 | FRG-153N  |
| 1973             | V8 5.0L 307 CI | w/153 Tooth Gear                      | 3991407 | FRG-153B  |
| 1973             | V8 5.7L 350 CI | w/153 Tooth Gear                      | 3991407 | FRG-153B  |

# RING GEAR APPLICATIONS

| Years              | Engine         | Remarks  | OE      | Pioneer # |
|--------------------|----------------|--|---------|-----------|
| <b>CHEVROLET</b>   |                |  |         |           |
| <b>CHEVETTE</b>    |                |  |         |           |
| 1976-77            | L4 1.4L 85 CI  | w/142 Tooth Gear   | 359115  | FRG-142W  |
| 1976-87            | L4 1.6L 98 CI  | w/142 Tooth Gear   | 359115  | FRG-142W  |
| <b>CHEVY II</b>    |                |  |         |           |
| 1963-67            | V8 4.6L 283 CI | w/153 Tooth Gear   | 3789821 | FRG-153N  |
| 1962-66            | L6 3.2L 194 CI | w/168 Tooth Gear   | 3991408 | FRG-168S  |
| 1963-67            | V8 4.6L 283 CI | w/Heavy Duty Clutch; w/168 Tooth Gear                          | 3991408 | FRG-168S  |
| 1965-68            | V8 5.3L 327 CI | w/168 Tooth Gear   | 3991408 | FRG-168S  |
| 1965-68            | V8 5.3L 327 CI | w/153 Tooth Gear   | 3789821 | FRG-153N  |
| 1967-68            | L6 4.1L 250 CI | w/153 Tooth Gear   | 3789821 | FRG-153N  |
| 1962-68            | L4 2.5L 153 CI | w/168 Tooth Gear   | 3991408 | FRG-168S  |
| 1964-66            | L6 3.8L 230 CI | w/168 Tooth Gear   | 3991408 | FRG-168S  |
| 1968               | L6 3.8L 230 CI | w/168 Tooth Gear   | 3991408 | FRG-168S  |
| 1967-68            | L6 4.1L 250 CI | w/168 Tooth Gear   | 3991408 | FRG-168S  |
| 1968               | V8 5.0L 307 CI | w/168 Tooth Gear   | 3991408 | FRG-168S  |
| 1968               | V8 5.0L 307 CI | w/153 Tooth Gear   | 3789821 | FRG-153N  |
| 1965-66            | V8 5.4L 327 CI | w/Heavy Duty Clutch; w/168 Tooth Gear                          | 3991408 | FRG-168S  |
| 1968               | V8 5.4L 327 CI | w/Heavy Duty Clutch; w/168 Tooth Gear                          | 3991408 | FRG-168S  |
| 1965-66            | V8 5.4L 327 CI | w/153 Tooth Gear   | 3789821 | FRG-153N  |
| 1968               | V8 5.4L 327 CI | w/153 Tooth Gear   | 3789821 | FRG-153N  |
| 1968               | V8 5.7L 350 CI | w/168 Tooth Gear   | 3991408 | FRG-168S  |
| <b>CITATION</b>    |                |  |         |           |
| 1980-83            | V6 2.8L 173 CI | w/142 Tooth Gear   | 359115  | FRG-142W  |
| <b>CITATION II</b> |                |  |         |           |
| 1984-85            | V6 2.8L 173 CI | w/142 Tooth Gear   | 359115  | FRG-142W  |
| <b>CORSICA</b>     |                |  |         |           |
| 1987-89            | L4 2.0L 122 CI | w/142 Tooth Gear   | 359115  | FRG-142W  |
| 1987-89            | V6 2.8L 173 CI | w/142 Tooth Gear   | 359115  | FRG-142W  |
| 1990-93            | V6 3.1L 189 CI | w/142 Tooth Gear   | 359115  | FRG-142W  |
| <b>CORVETTE</b>    |                |  |         |           |
| 1962-68            | V8 5.3L 327 CI | w/153 Tooth Gear   | 3789821 | FRG-153N  |
| 1966-68            | V8 5.3L 327 CI | w/168 Tooth Gear   | 3991408 | FRG-168S  |
| 1966-69            | V8 7.0L 427 CI | w/168 Tooth Gear exc. Aluminum Cylinder<br>w/Heavy Duty Engine | 3991408 | FRG-168S  |
| 1968               | V8 5.4L 327 CI | w/153 Tooth Gear   | 3789821 | FRG-153N  |
| 1968               | V8 5.4L 327 CI | w/168 Tooth Gear   | 3991408 | FRG-168S  |
| 1969-82            | V8 5.7L 350 CI | w/168 Tooth Gear   | 3991408 | FRG-168S  |
| 1971-74            | V8 7.4L 454 CI | w/168 Tooth Gear   | 3991408 | FRG-168S  |
| 1984-95            | V8 5.7L 350 CI | w/153 Tooth Gear   | 3991407 | FRG-153B  |
| <b>IMPALA</b>      |                |  |         |           |
| 1962-67            | V8 4.6L 283 CI | w/153 Tooth Gear   | 3789821 | FRG-153N  |

# RING GEAR APPLICATIONS

| Years            | Engine         | Remarks   | OE      | Pioneer # |
|------------------|----------------|---|---------|-----------|
| <b>CHEVROLET</b> |                |   |         |           |
| <b>IMPALA</b>    |                |   |         |           |
| 1962-69          | V8 5.3L 327 CI | w/153 Tooth Gear  | 3789821 | FRG-153N  |
| 1963-65          | L6 3.8L 230 CI | w/168 Tooth Gear  | 3991408 | FRG-168S  |
| 1964-69          | V8 5.4L 327 CI | w/153 Tooth Gear  | 3789821 | FRG-153N  |
| 1965             | V8 6.7L 409 CI | w/168 Tooth Gear  | 3991408 | FRG-168S  |
| 1965             | V8 6.7L 409 CI | w/153 Tooth Gear  | 3789821 | FRG-153N  |
| 1962-67          | V8 4.6L 283 CI | w/Heavy Duty Clutch; w/168 Tooth Gear                       | 3991408 | FRG-168S  |
| 1966-69          | V8 5.3L 327 CI | w/Heavy Duty Clutch; w/168 Tooth Gear                       | 3991408 | FRG-168S  |
| 1966-69          | V8 5.4L 327 CI | w/Heavy Duty Clutch; w/168 Tooth Gear                       | 3991408 | FRG-168S  |
| 1966-69          | V8 7.0L 427 CI | w/168 Tooth Gear  | 3991408 | FRG-168S  |
| 1966-70          | L6 4.1L 250 CI | w/153 Tooth Gear  | 3789821 | FRG-153N  |
| 1966-73          | L6 4.1L 250 CI | w/168 Tooth Gear  | 3991408 | FRG-168S  |
| 1968             | V8 5.0L 307 CI | w/153 Tooth Gear  | 3789821 | FRG-153N  |
| 1968             | V8 5.0L 307 CI | w/168 Tooth Gear  | 3991408 | FRG-168S  |
| 1970-76          | V8 6.6L 400 CI | w/168 Tooth Gear  | 3991408 | FRG-168S  |
| 1970-76          | V8 7.4L 454 CI | w/168 Tooth Gear  | 3991408 | FRG-168S  |
| 1971-72          | V8 6.6L 402 CI | 2nd Design; w/153 Tooth Gear                                | 3789821 | FRG-153N  |
| 1971-72          | V8 6.6L 402 CI | w/168 Tooth Gear  | 3991408 | FRG-168S  |
| 1969-85          | V8 5.7L 350 CI | w/168 Tooth Gear  | 3991408 | FRG-168S  |
| 1973-75          | V8 5.7L 350 CI | w/153 Tooth Gear  | 3991407 | FRG-153B  |
| 1977-79          | L6 4.1L 250 CI | w/153 Tooth Gear  | 3991407 | FRG-153B  |
| 1977-80          | V8 5.0L 305 CI | California Emissions; w/168 Tooth Gear,<br>w/168 Tooth Gear | 3991408 | FRG-168S  |
| 1980-82          | V8 4.4L 267 CI | w/153 Tooth Gear  | 3991407 | FRG-153B  |
| 1980-84          | V6 3.8L 229 CI | w/153 Tooth Gear  | 3991407 | FRG-153B  |
| 1980-84          | V6 3.8L 232 CI | w/153 Tooth Gear  | 3991407 | FRG-153B  |
| 1981-85          | V8 5.0L 305 CI | w/153 Tooth Gear  | 3991407 | FRG-153B  |
| 1985             | V6 4.3L 262 CI | w/153 Tooth Gear  | 3991407 | FRG-153B  |
| <b>KINGSWOOD</b> |                |   |         |           |
| 1969-72          | V8 5.7L 350 CI | w/168 Tooth Gear  | 3991408 | FRG-168S  |
| 1970-72          | V8 6.6L 400 CI | w/168 Tooth Gear  | 3991408 | FRG-168S  |
| 1971-72          | V8 6.6L 402 CI | 2nd Design; w/153 Tooth Gear                                | 3789821 | FRG-153N  |
| 1971-72          | V8 6.6L 402 CI | w/168 Tooth Gear  | 3991408 | FRG-168S  |
| 1970             | V8 7.4L 454 CI | w/168 Tooth Gear  | 3991408 | FRG-168S  |
| 1972             | V8 7.4L 454 CI | w/168 Tooth Gear  | 3991408 | FRG-168S  |
| <b>LAGUNA</b>    |                |   |         |           |
| 1973-75          | V8 5.7L 350 CI | w/153 Tooth Gear  | 3991407 | FRG-153B  |
| 1973-74          | V8 7.4L 454 CI | w/168 Tooth Gear  | 3991408 | FRG-168S  |
| 1974-75          | V8 6.6L 400 CI | w/168 Tooth Gear  | 3991408 | FRG-168S  |
| 1973-75          | V8 5.7L 350 CI | w/168 Tooth Gear, Exc. Powerglide Trans.                    | 3991408 | FRG-168S  |
| 1976             | V8 5.0L 305 CI | w/168 Tooth Gear  | 3991408 | FRG-168S  |

# RING GEAR APPLICATIONS

| Years              | Engine         | Remarks   | OE      | Pioneer # |
|--------------------|----------------|---|---------|-----------|
| <b>CHEVROLET</b>   |                |   |         |           |
| <b>LUMINA</b>      |                |   |         |           |
| 1994               | V6 3.1L 189 CI | w/142 Tooth Gear  | 359115  | FRG-142W  |
| <b>MALIBU</b>      |                |   |         |           |
| 1964-66            | L6 3.2L 194 CI | w/168 Tooth Gear  | 3991408 | FRG-168S  |
| 1964-67            | L6 3.8L 230 CI | w/168 Tooth Gear  | 3991408 | FRG-168S  |
| 1964-67            | V8 4.6L 283 CI | w/Heavy Duty Clutch; w/168 Tooth Gear                       | 3991408 | FRG-168S  |
| 1964-67            | V8 4.6L 283 CI | w/153 Tooth Gear  | 3789821 | FRG-153N  |
| 1964-67            | V8 5.3L 327 CI | w/153 Tooth Gear  | 3789821 | FRG-153N  |
| 1966-67            | V8 5.3L 327 CI | w/Heavy Duty Clutch; w/168 Tooth Gear                       | 3991408 | FRG-168S  |
| 1973               | V8 5.0L 307 CI | w/153 Tooth Gear  | 3991407 | FRG-153B  |
| 1973-75            | V8 5.7L 350 CI | w/153 Tooth Gear  | 3991407 | FRG-153B  |
| 1973-81            | V8 5.7L 350 CI | Exc. Powerglide Trans., w/168 Tooth Gear                    | 3991408 | FRG-168S  |
| 1973-75            | V8 7.4L 454 CI | w/168 Tooth Gear  | 3991408 | FRG-168S  |
| 1973-76            | L6 4.1L 250 CI | w/168 Tooth Gear  | 3991408 | FRG-168S  |
| 1974-75            | V8 6.6L 400 CI | w/168 Tooth Gear  | 3991408 | FRG-168S  |
| 1975-77            | L6 4.1L 250 CI | w/153 Tooth Gear  | 3991407 | FRG-153B  |
| 1978-79            | V6 3.3L 200 CI | w/153 Tooth Gear  | 3991407 | FRG-153B  |
| 1976-77            | V8 5.0L 305 CI | California Emissions; w/168 Tooth Gear,<br>w/168 Tooth Gear | 3991408 | FRG-168S  |
| 1980               | V8 5.0L 305 CI | California Emissions; w/168 Tooth Gear,<br>w/168 Tooth Gear | 3991408 | FRG-168S  |
| 1980-83            | V6 3.8L 232 CI | w/153 Tooth Gear  | 3991407 | FRG-153B  |
| 1978-79            | V8 5.0L 305 CI | w/153 Tooth Gear  | 3991407 | FRG-153B  |
| 1981-83            | V8 5.0L 305 CI | w/153 Tooth Gear  | 3991407 | FRG-153B  |
| 1979-82            | V8 4.4L 267 CI | w/153 Tooth Gear  | 3991407 | FRG-153B  |
| 1980-83            | V6 3.8L 229 CI | w/153 Tooth Gear  | 3991407 | FRG-153B  |
| <b>MONTE CARLO</b> |                |   |         |           |
| 1970-77            | V8 5.7L 350 CI | w/168 Tooth Gear  | 3991408 | FRG-168S  |
| 1970-75            | V8 6.6L 400 CI | w/168 Tooth Gear  | 3991408 | FRG-168S  |
| 1970-75            | V8 7.4L 454 CI | w/168 Tooth Gear  | 3991408 | FRG-168S  |
| 1970               | V8 6.6L 402 CI | w/168 Tooth Gear  | 3991408 | FRG-168S  |
| 1972               | V8 6.6L 402 CI | w/168 Tooth Gear  | 3991408 | FRG-168S  |
| 1972               | V8 6.6L 402 CI | 2nd Design; w/153 Tooth Gear                                | 3789821 | FRG-153N  |
| 1973-75            | V8 5.7L 350 CI | w/153 Tooth Gear  | 3991407 | FRG-153B  |
| 1976-77            | V8 5.0L 305 CI | w/168 Tooth Gear, California Emissions;<br>w/168 Tooth Gear | 3991408 | FRG-168S  |
| 1980               | V8 5.0L 305 CI | w/168 Tooth Gear, California Emissions;<br>w/168 Tooth Gear | 3991408 | FRG-168S  |
| 1978-79            | V6 3.3L 200 CI | w/153 Tooth Gear  | 3991407 | FRG-153B  |
| 1979-82            | V8 4.4L 267 CI | w/153 Tooth Gear  | 3991407 | FRG-153B  |
| 1980-81            | V8 4.4L 267 CI | w/168 Tooth Gear  | 3991408 | FRG-168S  |

# RING GEAR APPLICATIONS

| Years                            | Engine         | Remarks                      | OE      | Pioneer # |
|----------------------------------|----------------|------------------------------|---------|-----------|
| <b>CHEVROLET</b>                 |                |                              |         |           |
| <b>MONTE CARLO</b>               |                |                              |         |           |
| 1980-84                          | V6 3.8L 229 CI | w/153 Tooth Gear             | 3991407 | FRG-153B  |
| 1980-84                          | V6 3.8L 232 CI | w/153 Tooth Gear             | 3991407 | FRG-153B  |
| 1978-79                          | V8 5.0L 305 CI | w/153 Tooth Gear             | 3991407 | FRG-153B  |
| 1981-87                          | V8 5.0L 305 CI | w/153 Tooth Gear             | 3991407 | FRG-153B  |
| 1985-88                          | V6 4.3L 262 CI | w/153 Tooth Gear             | 3991407 | FRG-153B  |
| <b>MONZA</b>                     |                |                              |         |           |
| 1975-76                          | V8 4.3L 262 CI | w/153 Tooth Gear             | 3991407 | FRG-153B  |
| 1975-77                          | L4 2.3L 140 CI | w/153 Tooth Gear             | 3991407 | FRG-153B  |
| 1976-79                          | V8 5.0L 305 CI | w/153 Tooth Gear             | 3991407 | FRG-153B  |
| 1978-80                          | L4 2.5L 151 CI | w/153 Tooth Gear             | 3991407 | FRG-153B  |
| 1978-80                          | V6 3.8L 232 CI | w/153 Tooth Gear             | 3991407 | FRG-153B  |
| 1979                             | V6 3.8L 231 CI | w/153 Tooth Gear             | 3991407 | FRG-153B  |
| <b>NOVA</b>                      |                |                              |         |           |
| 1969-70                          | L4 2.5L 153 CI | w/168 Tooth Gear             | 3991408 | FRG-168S  |
| 1969-70                          | L6 3.8L 230 CI | w/168 Tooth Gear             | 3991408 | FRG-168S  |
| 1969-70                          | L6 4.1L 250 CI | w/153 Tooth Gear             | 3789821 | FRG-153N  |
| 1969-70                          | V8 5.0L 307 CI | w/153 Tooth Gear             | 3789821 | FRG-153N  |
| 1969-72                          | V8 5.0L 307 CI | w/168 Tooth Gear             | 3991408 | FRG-168S  |
| 1969-79                          | V8 5.7L 350 CI | w/168 Tooth Gear             | 3991408 | FRG-168S  |
| 1970                             | V8 6.6L 402 CI | 2nd Design; w/153 Tooth Gear | 3789821 | FRG-153N  |
| 1970                             | V8 6.6L 402 CI | w/168 Tooth Gear             | 3991408 | FRG-168S  |
| 1973                             | V8 5.0L 307 CI | w/153 Tooth Gear             | 3991407 | FRG-153B  |
| 1973-75                          | V8 5.7L 350 CI | w/153 Tooth Gear             | 3991407 | FRG-153B  |
| 1969-76                          | L6 4.1L 250 CI | w/168 Tooth Gear             | 3991408 | FRG-168S  |
| 1975-79                          | L6 4.1L 250 CI | w/153 Tooth Gear             | 3991407 | FRG-153B  |
| 1976-79                          | V8 5.0L 305 CI | w/168 Tooth Gear             | 3991408 | FRG-168S  |
| <b>SILVERADO 1500 CLASSIC</b>    |                |                              |         |           |
| 2007                             | V8 6.0L 364 CI | w/168 Tooth Gear             | 3991408 | FRG-168S  |
| <b>SILVERADO 1500 HD CLASSIC</b> |                |                              |         |           |
| 2007                             | V8 6.0L 364 CI | w/168 Tooth Gear             | 3991408 | FRG-168S  |
| <b>SILVERADO 2500 HD CLASSIC</b> |                |                              |         |           |
| 2007                             | V8 6.0L 364 CI | w/168 Tooth Gear             | 3991408 | FRG-168S  |
| <b>SILVERADO 3500 CLASSIC</b>    |                |                              |         |           |
| 2007                             | V8 6.0L 364 CI | w/168 Tooth Gear             | 3991408 | FRG-168S  |
| <b>TOWNSMAN</b>                  |                |                              |         |           |
| 1969-72                          | V8 5.7L 350 CI | w/168 Tooth Gear             | 3991408 | FRG-168S  |
| 1970-72                          | V8 6.6L 400 CI | w/168 Tooth Gear             | 3991408 | FRG-168S  |
| 1972                             | V8 6.6L 402 CI | 2nd Design; w/153 Tooth Gear | 3789821 | FRG-153N  |
| 1972                             | V8 6.6L 402 CI | w/168 Tooth Gear             | 3991408 | FRG-168S  |
| 1970                             | V8 7.4L 454 CI | w/168 Tooth Gear             | 3991408 | FRG-168S  |

# RING GEAR APPLICATIONS

| Years                  | Engine         | Remarks          | OE       | Pioneer # |
|------------------------|----------------|------------------|----------|-----------|
| <b>CHEVROLET</b>       |                |                  |          |           |
| <b>TOWNSMAN</b>        |                |                  |          |           |
| 1972                   | V8 7.4L 454 CI | w/168 Tooth Gear | 3991408  | FRG-168S  |
| <b>CHEVROLET TRUCK</b> |                |                  |          |           |
| <b>ASTRO</b>           |                |                  |          |           |
| 1985-05                | V6 4.3L 262 CI | w/168 Tooth Gear | 3991408  | FRG-168S  |
| <b>BLAZER</b>          |                |                  |          |           |
| 1969                   | V8 5.0L 307 CI | w/153 Tooth Gear | 3789821  | FRG-153N  |
| 1969-72                | L6 4.1L 250 CI | w/153 Tooth Gear | 3789821  | FRG-153N  |
| 1969-74                | L6 4.1L 250 CI | w/168 Tooth Gear | 3991408  | FRG-168S  |
| 1969-74                | V8 5.7L 350 CI | w/168 Tooth Gear | 3991408  | FRG-168S  |
| 1987-94                | V8 5.7L 350 CI | w/168 Tooth Gear | 3991408  | FRG-168S  |
| 1969                   | V8 5.0L 307 CI | w/168 Tooth Gear | 3991408  | FRG-168S  |
| 1971-72                | V8 5.0L 307 CI | w/168 Tooth Gear | 3991408  | FRG-168S  |
| 1970                   | L6 4.8L 292 CI | w/168 Tooth Gear | 3991408  | FRG-168S  |
| 1973                   | L6 4.8L 292 CI | w/168 Tooth Gear | 3991408  | FRG-168S  |
| 1970                   | L6 4.8L 293 CI | w/168 Tooth Gear | 3991408  | FRG-168S  |
| 1973                   | L6 4.8L 293 CI | w/168 Tooth Gear | 3991408  | FRG-168S  |
| 1973                   | V8 5.0L 307 CI | w/153 Tooth Gear | 3991407  | FRG-153B  |
| 1973                   | V8 7.4L 454 CI | w/168 Tooth Gear | 3991408  | FRG-168S  |
| 1973-74                | V8 5.7L 350 CI | w/153 Tooth Gear | 3991407  | FRG-153B  |
| 1987                   | V8 5.0L 305 CI | w/168 Tooth Gear | 3991408  | FRG-168S  |
| 1987                   | V8 5.0L 305 CI | w/153 Tooth Gear | 3991407  | FRG-153B  |
| 1987-91                | V8 6.2L 379 CI | w/139 Tooth Gear | 14077156 | FRG-139G  |
| 1995-05                | V6 4.3L 262 CI | w/168 Tooth Gear | 3991408  | FRG-168S  |
| <b>C10</b>             |                |                  |          |           |
| 1975                   | V8 5.7L 350 CI | w/153 Tooth Gear | 3991407  | FRG-153B  |
| 1975-79                | L6 4.1L 250 CI | w/153 Tooth Gear | 3991407  | FRG-153B  |
| 1975-80                | L6 4.8L 292 CI | w/168 Tooth Gear | 3991408  | FRG-168S  |
| 1975-84                | L6 4.1L 250 CI | w/168 Tooth Gear | 3991408  | FRG-168S  |
| 1976-80                | V8 6.6L 400 CI | w/168 Tooth Gear | 3991408  | FRG-168S  |
| 1977-86                | V8 5.0L 305 CI | w/168 Tooth Gear | 3991408  | FRG-168S  |
| 1975                   | V8 7.4L 454 CI | w/168 Tooth Gear | 3991408  | FRG-168S  |
| 1979-80                | V8 7.4L 454 CI | w/168 Tooth Gear | 3991408  | FRG-168S  |
| 1981-86                | V8 5.0L 305 CI | w/153 Tooth Gear | 3991407  | FRG-153B  |
| 1975-77                | V8 5.7L 350 CI | w/168 Tooth Gear | 3991408  | FRG-168S  |
| 1979-86                | V8 5.7L 350 CI | w/168 Tooth Gear | 3991408  | FRG-168S  |
| 1982-86                | V8 6.2L 379 CI | w/139 Tooth Gear | 14077156 | FRG-139G  |
| 1985-86                | V6 4.3L 262 CI | w/168 Tooth Gear | 3991408  | FRG-168S  |
| <b>C10 PICKUP</b>      |                |                  |          |           |
| 1961-62                | L6 3.8L 235 CI | w/168 Tooth Gear | 3991408  | FRG-168S  |
| 1961-67                | V8 4.6L 283 CI | w/168 Tooth Gear | 3991408  | FRG-168S  |



# RING GEAR APPLICATIONS

| Years                  | Engine         | Remarks   | OE      | Pioneer # |
|------------------------|----------------|---|---------|-----------|
| <b>CHEVROLET TRUCK</b> |                |   |         |           |
| <b>C10 PICKUP</b>      |                |   |         |           |
| 1962-67                | V8 4.6L 283 CI | w/153 Tooth Gear                                  | 3789821 | FRG-153N  |
| 1963-66                | L6 3.8L 230 CI | w/153 Tooth Gear                                  | 3789821 | FRG-153N  |
| 1963-66                | L6 3.8L 230 CI | w/168 Tooth Gear                                  | 3991408 | FRG-168S  |
| 1965-66                | L6 4.8L 293 CI | w/153 Tooth Gear                                  | 3789821 | FRG-153N  |
| 1966-68                | V8 5.3L 327 CI | w/168 Tooth Gear                                  | 3991408 | FRG-168S  |
| 1966-68                | V8 5.3L 327 CI | w/153 Tooth Gear                                  | 3789821 | FRG-153N  |
| 1968                   | V8 5.4L 327 CI | w/153 Tooth Gear                                  | 3789821 | FRG-153N  |
| 1968                   | V8 5.4L 327 CI | w/168 Tooth Gear                                  | 3991408 | FRG-168S  |
| 1968-70                | V8 5.0L 307 CI | w/153 Tooth Gear, 1st Design; w/153<br>Tooth Gear | 3789821 | FRG-153N  |
| 1972                   | V8 5.0L 307 CI | w/153 Tooth Gear, 1st Design; w/153<br>Tooth Gear | 3789821 | FRG-153N  |
| 1968-73                | V8 5.0L 307 CI | w/168 Tooth Gear                                  | 3991408 | FRG-168S  |
| 1966-74                | L6 4.1L 250 CI | w/168 Tooth Gear                                  | 3991408 | FRG-168S  |
| 1969-74                | V8 5.7L 350 CI | w/168 Tooth Gear                                  | 3991408 | FRG-168S  |
| 1970-71                | V8 6.6L 402 CI | w/191 Tooth Gear                                  | 2369440 | FRG-191T  |
| 1970-72                | V8 6.6L 402 CI | w/168 Tooth Gear                                  | 3991408 | FRG-168S  |
| 1966-72                | L6 4.1L 250 CI | w/153 Tooth Gear                                  | 3789821 | FRG-153N  |
| 1973                   | V8 5.0L 307 CI | w/153 Tooth Gear                                  | 3991407 | FRG-153B  |
| 1968-71                | L6 4.8L 292 CI | w/168 Tooth Gear                                  | 3991408 | FRG-168S  |
| 1973-74                | L6 4.8L 292 CI | w/168 Tooth Gear                                  | 3991408 | FRG-168S  |
| 1963-71                | L6 4.8L 293 CI | w/168 Tooth Gear                                  | 3991408 | FRG-168S  |
| 1973-74                | L6 4.8L 293 CI | w/168 Tooth Gear                                  | 3991408 | FRG-168S  |
| 1973-74                | V8 7.4L 454 CI | w/168 Tooth Gear                                  | 3991408 | FRG-168S  |
| 1973-74                | V8 5.7L 350 CI | w/153 Tooth Gear                                  | 3991407 | FRG-153B  |
| <b>C10 SUBURBAN</b>    |                |   |         |           |
| 1968                   | V8 5.3L 327 CI | w/168 Tooth Gear                                  | 3991408 | FRG-168S  |
| 1968                   | V8 5.3L 327 CI | w/153 Tooth Gear                                  | 3789821 | FRG-153N  |
| 1968                   | V8 5.4L 327 CI | w/168 Tooth Gear                                  | 3991408 | FRG-168S  |
| 1968                   | V8 5.4L 327 CI | w/153 Tooth Gear                                  | 3789821 | FRG-153N  |
| 1968-73                | V8 5.0L 307 CI | w/168 Tooth Gear                                  | 3991408 | FRG-168S  |
| 1968-80                | L6 4.1L 250 CI | w/168 Tooth Gear                                  | 3991408 | FRG-168S  |
| 1970-71                | V8 6.6L 402 CI | w/191 Tooth Gear                                  | 2369440 | FRG-191T  |
| 1970-72                | V8 6.6L 402 CI | w/168 Tooth Gear                                  | 3991408 | FRG-168S  |
| 1968-72                | L6 4.1L 250 CI | w/153 Tooth Gear                                  | 3789821 | FRG-153N  |
| 1968-70                | V8 5.0L 307 CI | 1st Design; w/153 Tooth Gear, w/153<br>Tooth Gear | 3789821 | FRG-153N  |
| 1972                   | V8 5.0L 307 CI | 1st Design; w/153 Tooth Gear, w/153<br>Tooth Gear | 3789821 | FRG-153N  |
| 1973                   | V8 5.0L 307 CI | w/153 Tooth Gear                                  | 3991407 | FRG-153B  |

# RING GEAR APPLICATIONS

| Years                  | Engine         | Remarks          | OE       | Pioneer # |
|------------------------|----------------|------------------|----------|-----------|
| <b>CHEVROLET TRUCK</b> |                |                  |          |           |
| <b>C10 SUBURBAN</b>    |                |                  |          |           |
| 1968-71                | L6 4.8L 292 CI | w/168 Tooth Gear | 3991408  | FRG-168S  |
| 1973-74                | L6 4.8L 292 CI | w/168 Tooth Gear | 3991408  | FRG-168S  |
| 1968-71                | L6 4.8L 293 CI | w/168 Tooth Gear | 3991408  | FRG-168S  |
| 1973-74                | L6 4.8L 293 CI | w/168 Tooth Gear | 3991408  | FRG-168S  |
| 1973-75                | V8 5.7L 350 CI | w/153 Tooth Gear | 3991407  | FRG-153B  |
| 1973-75                | V8 7.4L 454 CI | w/168 Tooth Gear | 3991408  | FRG-168S  |
| 1979-80                | V8 7.4L 454 CI | w/168 Tooth Gear | 3991408  | FRG-168S  |
| 1975-79                | L6 4.1L 250 CI | w/153 Tooth Gear | 3991407  | FRG-153B  |
| 1977-86                | V8 5.0L 305 CI | w/168 Tooth Gear | 3991408  | FRG-168S  |
| 1969-86                | V8 5.7L 350 CI | w/168 Tooth Gear | 3991408  | FRG-168S  |
| 1981-86                | V8 5.0L 305 CI | w/153 Tooth Gear | 3991407  | FRG-153B  |
| 1982-86                | V8 6.2L 379 CI | w/139 Tooth Gear | 14077156 | FRG-139G  |
| <b>C1500</b>           |                |                  |          |           |
| 1988-93                | V8 6.2L 379 CI | w/139 Tooth Gear | 14077156 | FRG-139G  |
| 1988-98                | V6 4.3L 262 CI | w/168 Tooth Gear | 3991408  | FRG-168S  |
| 1988-99                | V8 5.0L 305 CI | w/168 Tooth Gear | 3991408  | FRG-168S  |
| 1990-93                | V8 7.4L 454 CI | w/168 Tooth Gear | 3991408  | FRG-168S  |
| 1994-98                | V8 6.5L 395 CI | w/139 Tooth Gear | 14077156 | FRG-139G  |
| 1988-99                | V8 5.7L 350 CI | w/168 Tooth Gear | 3991408  | FRG-168S  |
| <b>C1500 SUBURBAN</b>  |                |                  |          |           |
| 1992-99                | V8 5.7L 350 CI | w/168 Tooth Gear | 3991408  | FRG-168S  |
| 1995-99                | V8 6.5L 395 CI | w/139 Tooth Gear | 14077156 | FRG-139G  |
| <b>C20</b>             |                |                  |          |           |
| 1975                   | V8 5.7L 350 CI | w/153 Tooth Gear | 3991407  | FRG-153B  |
| 1975-79                | L6 4.1L 250 CI | w/153 Tooth Gear | 3991407  | FRG-153B  |
| 1975-84                | L6 4.1L 250 CI | w/168 Tooth Gear | 3991408  | FRG-168S  |
| 1975-86                | L6 4.8L 292 CI | w/168 Tooth Gear | 3991408  | FRG-168S  |
| 1975-86                | V8 5.7L 350 CI | w/168 Tooth Gear | 3991408  | FRG-168S  |
| 1976-80                | V8 6.6L 400 CI | w/168 Tooth Gear | 3991408  | FRG-168S  |
| 1977-86                | V8 5.0L 305 CI | w/168 Tooth Gear | 3991408  | FRG-168S  |
| 1975                   | V8 7.4L 454 CI | w/168 Tooth Gear | 3991408  | FRG-168S  |
| 1979-86                | V8 7.4L 454 CI | w/168 Tooth Gear | 3991408  | FRG-168S  |
| 1981-86                | V8 5.0L 305 CI | w/153 Tooth Gear | 3991407  | FRG-153B  |
| 1982-86                | V8 6.2L 379 CI | w/139 Tooth Gear | 14077156 | FRG-139G  |
| 1985-86                | V6 4.3L 262 CI | w/168 Tooth Gear | 3991408  | FRG-168S  |
| <b>C20 PICKUP</b>      |                |                  |          |           |
| 1961-62                | L6 3.8L 235 CI | w/168 Tooth Gear | 3991408  | FRG-168S  |
| 1961-67                | V8 4.6L 283 CI | w/168 Tooth Gear | 3991408  | FRG-168S  |
| 1962-67                | V8 4.6L 283 CI | w/153 Tooth Gear | 3789821  | FRG-153N  |
| 1963-65                | L6 3.8L 230 CI | w/153 Tooth Gear | 3789821  | FRG-153N  |

# RING GEAR APPLICATIONS

| Years                  | Engine         | Remarks                      | OE      | Pioneer # |
|------------------------|----------------|------------------------------|---------|-----------|
| <b>CHEVROLET TRUCK</b> |                |                              |         |           |
| <b>C20 PICKUP</b>      |                |                              |         |           |
| 1963-65                | L6 3.8L 230 CI | w/168 Tooth Gear             | 3991408 | FRG-168S  |
| 1963-74                | L6 4.8L 293 CI | w/168 Tooth Gear             | 3991408 | FRG-168S  |
| 1965-66                | L6 4.8L 293 CI | w/153 Tooth Gear             | 3789821 | FRG-153N  |
| 1966-68                | V8 5.3L 327 CI | w/168 Tooth Gear             | 3991408 | FRG-168S  |
| 1966-68                | V8 5.3L 327 CI | w/153 Tooth Gear             | 3789821 | FRG-153N  |
| 1966-72                | L6 4.1L 250 CI | w/153 Tooth Gear             | 3789821 | FRG-153N  |
| 1968                   | V8 5.4L 327 CI | w/168 Tooth Gear             | 3991408 | FRG-168S  |
| 1968                   | V8 5.4L 327 CI | w/153 Tooth Gear             | 3789821 | FRG-153N  |
| 1968-70                | V8 5.0L 307 CI | w/153 Tooth Gear             | 3789821 | FRG-153N  |
| 1968-73                | V8 5.0L 307 CI | w/168 Tooth Gear             | 3991408 | FRG-168S  |
| 1968-74                | L6 4.8L 292 CI | w/168 Tooth Gear             | 3991408 | FRG-168S  |
| 1969-74                | V8 5.7L 350 CI | w/168 Tooth Gear             | 3991408 | FRG-168S  |
| 1970-72                | V8 6.6L 402 CI | w/191 Tooth Gear             | 2369440 | FRG-191T  |
| 1970-72                | V8 6.6L 402 CI | 2nd Design; w/153 Tooth Gear | 3789821 | FRG-153N  |
| 1970-72                | V8 6.6L 402 CI | w/168 Tooth Gear             | 3991408 | FRG-168S  |
| 1966-74                | L6 4.1L 250 CI | w/168 Tooth Gear             | 3991408 | FRG-168S  |
| 1973                   | V8 5.0L 307 CI | w/153 Tooth Gear             | 3991407 | FRG-153B  |
| 1973-74                | V8 5.7L 350 CI | w/153 Tooth Gear             | 3991407 | FRG-153B  |
| 1973-74                | V8 7.4L 454 CI | w/168 Tooth Gear             | 3991408 | FRG-168S  |
| <b>C20 SUBURBAN</b>    |                |                              |         |           |
| 1968                   | V8 5.3L 327 CI | w/168 Tooth Gear             | 3991408 | FRG-168S  |
| 1968                   | V8 5.3L 327 CI | w/153 Tooth Gear             | 3789821 | FRG-153N  |
| 1968                   | V8 5.4L 327 CI | w/153 Tooth Gear             | 3789821 | FRG-153N  |
| 1968                   | V8 5.4L 327 CI | w/168 Tooth Gear             | 3991408 | FRG-168S  |
| 1968-70                | V8 5.0L 307 CI | w/153 Tooth Gear             | 3789821 | FRG-153N  |
| 1968-72                | L6 4.1L 250 CI | w/153 Tooth Gear             | 3789821 | FRG-153N  |
| 1968-73                | V8 5.0L 307 CI | w/168 Tooth Gear             | 3991408 | FRG-168S  |
| 1968-74                | L6 4.1L 250 CI | w/168 Tooth Gear             | 3991408 | FRG-168S  |
| 1968-82                | L6 4.8L 292 CI | w/168 Tooth Gear             | 3991408 | FRG-168S  |
| 1968-74                | L6 4.8L 293 CI | w/168 Tooth Gear             | 3991408 | FRG-168S  |
| 1969-77                | V8 5.7L 350 CI | w/168 Tooth Gear             | 3991408 | FRG-168S  |
| 1979-86                | V8 5.7L 350 CI | w/168 Tooth Gear             | 3991408 | FRG-168S  |
| 1970-71                | V8 6.6L 402 CI | w/191 Tooth Gear             | 2369440 | FRG-191T  |
| 1970-72                | V8 6.6L 402 CI | w/168 Tooth Gear             | 3991408 | FRG-168S  |
| 1973                   | V8 5.0L 307 CI | w/153 Tooth Gear             | 3991407 | FRG-153B  |
| 1973-75                | V8 5.7L 350 CI | w/153 Tooth Gear             | 3991407 | FRG-153B  |
| 1976-80                | V8 6.6L 400 CI | w/168 Tooth Gear             | 3991408 | FRG-168S  |
| 1977-86                | V8 5.0L 305 CI | w/168 Tooth Gear             | 3991408 | FRG-168S  |
| 1973-86                | V8 7.4L 454 CI | w/168 Tooth Gear             | 3991408 | FRG-168S  |
| 1981-86                | V8 5.0L 305 CI | w/153 Tooth Gear             | 3991407 | FRG-153B  |

# RING GEAR APPLICATIONS

| Years                  | Engine         | Remarks          | OE       | Pioneer # |
|------------------------|----------------|------------------|----------|-----------|
| <b>CHEVROLET TRUCK</b> |                |                  |          |           |
| <b>C20 SUBURBAN</b>    |                |                  |          |           |
| 1982-86                | V8 6.2L 379 CI | w/139 Tooth Gear | 14077156 | FRG-139G  |
| <b>C2500</b>           |                |                  |          |           |
| 1988-00                | V8 5.7L 350 CI | w/168 Tooth Gear | 3991408  | FRG-168S  |
| 1988-93                | V8 6.2L 379 CI | w/139 Tooth Gear | 14077156 | FRG-139G  |
| 1988-95                | V6 4.3L 262 CI | w/168 Tooth Gear | 3991408  | FRG-168S  |
| 1988-98                | V8 5.0L 305 CI | w/168 Tooth Gear | 3991408  | FRG-168S  |
| 1991-00                | V8 7.4L 454 CI | w/168 Tooth Gear | 3991408  | FRG-168S  |
| 1992-00                | V8 6.5L 395 CI | w/139 Tooth Gear | 14077156 | FRG-139G  |
| <b>C2500 SUBURBAN</b>  |                |                  |          |           |
| 1992-99                | V8 5.7L 350 CI | w/168 Tooth Gear | 3991408  | FRG-168S  |
| 1992-99                | V8 7.4L 454 CI | w/168 Tooth Gear | 3991408  | FRG-168S  |
| 1994-99                | V8 6.5L 395 CI | w/139 Tooth Gear | 14077156 | FRG-139G  |
| <b>C30</b>             |                |                  |          |           |
| 1975                   | V8 5.7L 350 CI | w/153 Tooth Gear | 3991407  | FRG-153B  |
| 1975-86                | L6 4.8L 292 CI | w/168 Tooth Gear | 3991408  | FRG-168S  |
| 1976-79                | V8 6.6L 400 CI | w/168 Tooth Gear | 3991408  | FRG-168S  |
| 1975-86                | V8 5.7L 350 CI | w/168 Tooth Gear | 3991408  | FRG-168S  |
| 1975                   | L6 4.1L 250 CI | w/153 Tooth Gear | 3991407  | FRG-153B  |
| 1978-79                | L6 4.1L 250 CI | w/153 Tooth Gear | 3991407  | FRG-153B  |
| 1978-79                | V8 5.0L 305 CI | w/168 Tooth Gear | 3991408  | FRG-168S  |
| 1975                   | L6 4.1L 250 CI | w/168 Tooth Gear | 3991408  | FRG-168S  |
| 1978-80                | L6 4.1L 250 CI | w/168 Tooth Gear | 3991408  | FRG-168S  |
| 1975                   | V8 7.4L 454 CI | w/168 Tooth Gear | 3991408  | FRG-168S  |
| 1979-86                | V8 7.4L 454 CI | w/168 Tooth Gear | 3991408  | FRG-168S  |
| 1982-86                | V8 6.2L 379 CI | w/139 Tooth Gear | 14077156 | FRG-139G  |
| <b>C30 PICKUP</b>      |                |                  |          |           |
| 1961-62                | L6 3.8L 235 CI | w/168 Tooth Gear | 3991408  | FRG-168S  |
| 1961-67                | V8 4.6L 283 CI | w/168 Tooth Gear | 3991408  | FRG-168S  |
| 1962-67                | V8 4.6L 283 CI | w/153 Tooth Gear | 3789821  | FRG-153N  |
| 1963-74                | L6 4.8L 293 CI | w/168 Tooth Gear | 3991408  | FRG-168S  |
| 1964-65                | L6 3.8L 230 CI | w/168 Tooth Gear | 3991408  | FRG-168S  |
| 1964-65                | L6 3.8L 230 CI | w/153 Tooth Gear | 3789821  | FRG-153N  |
| 1965-66                | L6 4.8L 293 CI | w/153 Tooth Gear | 3789821  | FRG-153N  |
| 1966-68                | V8 5.3L 327 CI | w/168 Tooth Gear | 3991408  | FRG-168S  |
| 1966-68                | V8 5.3L 327 CI | w/153 Tooth Gear | 3789821  | FRG-153N  |
| 1966-72                | L6 4.1L 250 CI | w/153 Tooth Gear | 3789821  | FRG-153N  |
| 1966-74                | L6 4.1L 250 CI | w/168 Tooth Gear | 3991408  | FRG-168S  |
| 1968                   | V8 5.4L 327 CI | w/168 Tooth Gear | 3991408  | FRG-168S  |
| 1968                   | V8 5.4L 327 CI | w/153 Tooth Gear | 3789821  | FRG-153N  |
| 1968-70                | V8 5.0L 307 CI | w/153 Tooth Gear | 3789821  | FRG-153N  |

# RING GEAR APPLICATIONS

| Years                  | Engine         | Remarks                               | OE       | Pioneer # |
|------------------------|----------------|---------------------------------------|----------|-----------|
| <b>CHEVROLET TRUCK</b> |                |                                       |          |           |
| <b>C30 PICKUP</b>      |                |                                       |          |           |
| 1968-73                | V8 5.0L 307 CI | w/168 Tooth Gear                      | 3991408  | FRG-168S  |
| 1969-74                | V8 5.7L 350 CI | w/168 Tooth Gear                      | 3991408  | FRG-168S  |
| 1970-72                | V8 6.6L 402 CI | 2nd Design; w/153 Tooth Gear          | 3789821  | FRG-153N  |
| 1970-72                | V8 6.6L 402 CI | w/168 Tooth Gear                      | 3991408  | FRG-168S  |
| 1970-72                | V8 6.6L 402 CI | w/191 Tooth Gear                      | 2369440  | FRG-191T  |
| 1973                   | V8 5.0L 307 CI | w/153 Tooth Gear                      | 3991407  | FRG-153B  |
| 1968-74                | L6 4.8L 292 CI | w/168 Tooth Gear                      | 3991408  | FRG-168S  |
| 1973-74                | V8 5.7L 350 CI | w/153 Tooth Gear                      | 3991407  | FRG-153B  |
| 1973-74                | V8 7.4L 454 CI | w/168 Tooth Gear                      | 3991408  | FRG-168S  |
| <b>C3500</b>           |                |                                       |          |           |
| 1988-00                | V8 5.7L 350 CI | w/168 Tooth Gear                      | 3991408  | FRG-168S  |
| 1988-00                | V8 7.4L 454 CI | w/168 Tooth Gear                      | 3991408  | FRG-168S  |
| 1988-93                | V8 6.2L 379 CI | w/139 Tooth Gear                      | 14077156 | FRG-139G  |
| 1992-00                | V8 6.5L 395 CI | w/139 Tooth Gear                      | 14077156 | FRG-139G  |
| <b>EL CAMINO</b>       |                |                                       |          |           |
| 1964-65                | L6 3.2L 194 CI | w/168 Tooth Gear                      | 3991408  | FRG-168S  |
| 1964-65                | L6 3.2L 194 CI | w/153 Tooth Gear                      | 3789821  | FRG-153N  |
| 1964-67                | V8 4.6L 283 CI | w/153 Tooth Gear                      | 3789821  | FRG-153N  |
| 1964-67                | V8 4.6L 283 CI | w/Heavy Duty Clutch; w/168 Tooth Gear | 3991408  | FRG-168S  |
| 1964-68                | V8 5.3L 327 CI | w/153 Tooth Gear                      | 3789821  | FRG-153N  |
| 1964-69                | L6 3.8L 230 CI | w/153 Tooth Gear                      | 3789821  | FRG-153N  |
| 1965-68                | V8 5.3L 327 CI | w/168 Tooth Gear                      | 3991408  | FRG-168S  |
| 1968                   | V8 5.4L 327 CI | w/153 Tooth Gear                      | 3789821  | FRG-153N  |
| 1968                   | V8 5.4L 327 CI | w/168 Tooth Gear                      | 3991408  | FRG-168S  |
| 1964-69                | L6 3.8L 230 CI | w/168 Tooth Gear                      | 3991408  | FRG-168S  |
| 1968-70                | V8 5.0L 307 CI | w/153 Tooth Gear                      | 3789821  | FRG-153N  |
| 1968-72                | L6 4.1L 250 CI | w/153 Tooth Gear                      | 3789821  | FRG-153N  |
| 1968-72                | V8 5.0L 307 CI | w/168 Tooth Gear                      | 3991408  | FRG-168S  |
| 1968-73                | L6 4.1L 250 CI | w/168 Tooth Gear                      | 3991408  | FRG-168S  |
| 1975-77                | L6 4.1L 250 CI | w/168 Tooth Gear                      | 3991408  | FRG-168S  |
| 1970                   | V8 6.6L 400 CI | w/191 Tooth Gear                      | 2369440  | FRG-191T  |
| 1970-74                | V8 7.4L 454 CI | w/168 Tooth Gear                      | 3991408  | FRG-168S  |
| 1971                   | V8 6.6L 402 CI | w/191 Tooth Gear                      | 2369440  | FRG-191T  |
| 1971-72                | V8 6.6L 402 CI | 2nd Design; w/153 Tooth Gear          | 3789821  | FRG-153N  |
| 1971-72                | V8 6.6L 402 CI | w/168 Tooth Gear                      | 3991408  | FRG-168S  |
| 1973                   | V8 5.0L 307 CI | w/153 Tooth Gear                      | 3991407  | FRG-153B  |
| 1970                   | V8 6.6L 400 CI | w/168 Tooth Gear                      | 3991408  | FRG-168S  |
| 1974-75                | V8 6.6L 400 CI | w/168 Tooth Gear                      | 3991408  | FRG-168S  |
| 1973-75                | V8 5.7L 350 CI | w/153 Tooth Gear                      | 3991407  | FRG-153B  |
| 1975-77                | L6 4.1L 250 CI | w/153 Tooth Gear                      | 3991407  | FRG-153B  |

# RING GEAR APPLICATIONS

| Years                  | Engine         | Remarks                                       | OE       | Pioneer # |
|------------------------|----------------|---|----------|-----------|
| <b>CHEVROLET TRUCK</b> |                |   |          |           |
| <b>EL CAMINO</b>       |                |   |          |           |
| 1969-79                | V8 5.7L 350 CI | w/168 Tooth Gear                              | 3991408  | FRG-168S  |
| 1976-80                | V8 5.0L 305 CI | w/168 Tooth Gear                              | 3991408  | FRG-168S  |
| 1978-79                | V6 3.3L 200 CI | w/153 Tooth Gear                              | 3991407  | FRG-153B  |
| 1979-82                | V8 4.4L 267 CI | w/153 Tooth Gear                              | 3991407  | FRG-153B  |
| 1978-79                | V8 5.0L 305 CI | w/153 Tooth Gear                              | 3991407  | FRG-153B  |
| 1981-87                | V8 5.0L 305 CI | w/153 Tooth Gear                              | 3991407  | FRG-153B  |
| 1980-84                | V6 3.8L 229 CI | w/153 Tooth Gear                              | 3991407  | FRG-153B  |
| 1980-84                | V6 3.8L 232 CI | w/153 Tooth Gear                              | 3991407  | FRG-153B  |
| <b>EXPRESS 1500</b>    |                |   |          |           |
| 1996-02                | V8 5.0L 305 CI | w/168 Tooth Gear                              | 3991408  | FRG-168S  |
| 1996-02                | V8 5.7L 350 CI | w/168 Tooth Gear                              | 3991408  | FRG-168S  |
| 1996-07                | V6 4.3L 262 CI | w/168 Tooth Gear                              | 3991408  | FRG-168S  |
| 2003-05                | V8 5.3L 323 CI | w/168 Tooth Gear                              | 3991408  | FRG-168S  |
| 2003-07                | V8 5.3L 325 CI | w/168 Tooth Gear                              | 3991408  | FRG-168S  |
| <b>EXPRESS 2500</b>    |                |   |          |           |
| 1996-02                | V8 5.0L 305 CI | w/168 Tooth Gear                              | 3991408  | FRG-168S  |
| 1996-02                | V8 5.7L 350 CI | w/168 Tooth Gear                              | 3991408  | FRG-168S  |
| 1996-02                | V8 6.5L 395 CI | w/139 Tooth Gear                              | 14077156 | FRG-139G  |
| 1996-05                | V6 4.3L 262 CI | w/168 Tooth Gear                              | 3991408  | FRG-168S  |
| 2003-05                | V8 5.3L 325 CI | w/168 Tooth Gear                              | 3991408  | FRG-168S  |
| 2003-07                | V8 4.8L 294 CI | w/168 Tooth Gear                              | 3991408  | FRG-168S  |
| 2003-09                | V8 6.0L 364 CI | w/168 Tooth Gear                              | 3991408  | FRG-168S  |
| <b>EXPRESS 3500</b>    |                |   |          |           |
| 1996-02                | V8 5.7L 350 CI | w/168 Tooth Gear                              | 3991408  | FRG-168S  |
| 1996-02                | V8 6.5L 395 CI | w/139 Tooth Gear                              | 14077156 | FRG-139G  |
| 2003-09                | V8 6.0L 364 CI | w/168 Tooth Gear                              | 3991408  | FRG-168S  |
| <b>G10</b>             |                |   |          |           |
| 1975                   | V8 5.7L 350 CI | w/153 Tooth Gear                              | 3991407  | FRG-153B  |
| 1975-79                | L6 4.1L 250 CI | w/153 Tooth Gear                              | 3991407  | FRG-153B  |
| 1975-84                | L6 4.1L 250 CI | w/168 Tooth Gear                              | 3991408  | FRG-168S  |
| 1977-94                | V8 5.0L 305 CI | w/168 Tooth Gear                              | 3991408  | FRG-168S  |
| 1975-93                | V8 5.7L 350 CI | Motor Home w/168 Tooth Gear, w/168 Tooth Gear | 3991408  | FRG-168S  |
| 1981-87                | V8 5.0L 305 CI | w/153 Tooth Gear                              | 3991407  | FRG-153B  |
| 1985-95                | V6 4.3L 262 CI | w/168 Tooth Gear                              | 3991408  | FRG-168S  |
| <b>G10 VAN</b>         |                |   |          |           |
| 1964-65                | L4 2.5L 153 CI | w/168 Tooth Gear                              | 3991408  | FRG-168S  |
| 1964-66                | L6 3.2L 194 CI | w/168 Tooth Gear                              | 3991408  | FRG-168S  |
| 1964-66                | L6 3.2L 194 CI | w/153 Tooth Gear                              | 3789821  | FRG-153N  |
| 1966-69                | L6 3.8L 230 CI | w/168 Tooth Gear                              | 3991408  | FRG-168S  |

# RING GEAR APPLICATIONS

| Years                  | Engine         | Remarks  | OE       | Pioneer # |
|------------------------|----------------|--|----------|-----------|
| <b>CHEVROLET TRUCK</b> |                |  |          |           |
| <b>G10 VAN</b>         |                |  |          |           |
| 1966-69                | L6 3.8L 230 CI | w/153 Tooth Gear                               | 3789821  | FRG-153N  |
| 1967-74                | L6 4.1L 250 CI | w/168 Tooth Gear                               | 3991408  | FRG-168S  |
| 1968-70                | V8 5.0L 307 CI | w/153 Tooth Gear, 1st Design; w/153 Tooth Gear | 3789821  | FRG-153N  |
| 1972                   | V8 5.0L 307 CI | w/153 Tooth Gear, 1st Design; w/153 Tooth Gear | 3789821  | FRG-153N  |
| 1968-73                | V8 5.0L 307 CI | w/168 Tooth Gear                               | 3991408  | FRG-168S  |
| 1967-72                | L6 4.1L 250 CI | w/153 Tooth Gear                               | 3789821  | FRG-153N  |
| 1973                   | V8 5.0L 307 CI | w/153 Tooth Gear                               | 3991407  | FRG-153B  |
| 1973-74                | V8 5.7L 350 CI | w/153 Tooth Gear                               | 3991407  | FRG-153B  |
| 1970-74                | V8 5.7L 350 CI | w/168 Tooth Gear                               | 3991408  | FRG-168S  |
| <b>G20</b>             |                |  |          |           |
| 1975                   | V8 5.7L 350 CI | w/153 Tooth Gear                               | 3991407  | FRG-153B  |
| 1975-80                | L6 4.8L 292 CI | w/168 Tooth Gear                               | 3991408  | FRG-168S  |
| 1975-80                | V8 6.6L 400 CI | w/168 Tooth Gear                               | 3991408  | FRG-168S  |
| 1976                   | V8 7.4L 454 CI | Motor Home w/168 Tooth Gear                    | 3991408  | FRG-168S  |
| 1975                   | L6 4.1L 250 CI | w/153 Tooth Gear                               | 3991407  | FRG-153B  |
| 1977-79                | L6 4.1L 250 CI | w/153 Tooth Gear                               | 3991407  | FRG-153B  |
| 1975                   | L6 4.1L 250 CI | w/168 Tooth Gear                               | 3991408  | FRG-168S  |
| 1977-84                | L6 4.1L 250 CI | w/168 Tooth Gear                               | 3991408  | FRG-168S  |
| 1975-95                | V8 5.7L 350 CI | w/168 Tooth Gear, Motor Home w/168 Tooth Gear  | 3991408  | FRG-168S  |
| 1981-87                | V8 5.0L 305 CI | w/153 Tooth Gear                               | 3991407  | FRG-153B  |
| 1985-95                | V6 4.3L 262 CI | w/168 Tooth Gear                               | 3991408  | FRG-168S  |
| 1983-93                | V8 6.2L 379 CI | w/139 Tooth Gear                               | 14077156 | FRG-139G  |
| 1977-95                | V8 5.0L 305 CI | w/168 Tooth Gear                               | 3991408  | FRG-168S  |
| 1994-95                | V8 6.5L 395 CI | w/139 Tooth Gear                               | 14077156 | FRG-139G  |
| <b>G20 VAN</b>         |                |  |          |           |
| 1967-69                | L6 3.8L 230 CI | w/153 Tooth Gear                               | 3789821  | FRG-153N  |
| 1967-69                | L6 3.8L 230 CI | w/168 Tooth Gear                               | 3991408  | FRG-168S  |
| 1968-69                | V8 5.0L 307 CI | w/168 Tooth Gear                               | 3991408  | FRG-168S  |
| 1968-69                | V8 5.0L 307 CI | w/153 Tooth Gear                               | 3789821  | FRG-153N  |
| 1968-74                | L6 4.1L 250 CI | w/168 Tooth Gear                               | 3991408  | FRG-168S  |
| 1970-74                | V8 5.7L 350 CI | w/168 Tooth Gear                               | 3991408  | FRG-168S  |
| 1968-72                | L6 4.1L 250 CI | w/153 Tooth Gear                               | 3789821  | FRG-153N  |
| 1973-74                | L6 4.8L 292 CI | w/168 Tooth Gear                               | 3991408  | FRG-168S  |
| 1973-74                | L6 4.8L 293 CI | w/168 Tooth Gear                               | 3991408  | FRG-168S  |
| 1973-74                | V8 5.7L 350 CI | w/153 Tooth Gear                               | 3991407  | FRG-153B  |
| 1974                   | V8 7.4L 454 CI | Motor Home w/168 Tooth Gear                    | 3991408  | FRG-168S  |
| <b>G30</b>             |                |  |          |           |
| 1975                   | V8 5.7L 350 CI | w/153 Tooth Gear                               | 3991407  | FRG-153B  |

# RING GEAR APPLICATIONS

| Years                  | Engine         | Remarks                                       | OE       | Pioneer # |
|------------------------|----------------|---|----------|-----------|
| <b>CHEVROLET TRUCK</b> |                |   |          |           |
| <b>G30</b>             |                |   |          |           |
| 1975-79                | L6 4.8L 292 CI | w/168 Tooth Gear                              | 3991408  | FRG-168S  |
| 1975-80                | V8 6.6L 400 CI | w/168 Tooth Gear                              | 3991408  | FRG-168S  |
| 1976                   | L6 4.1L 250 CI | w/153 Tooth Gear                              | 3991407  | FRG-153B  |
| 1978-79                | L6 4.1L 250 CI | w/153 Tooth Gear                              | 3991407  | FRG-153B  |
| 1976                   | L6 4.1L 250 CI | w/168 Tooth Gear                              | 3991408  | FRG-168S  |
| 1978-79                | L6 4.1L 250 CI | w/168 Tooth Gear                              | 3991408  | FRG-168S  |
| 1981-84                | L6 4.1L 250 CI | w/168 Tooth Gear                              | 3991408  | FRG-168S  |
| 1982                   | V8 5.0L 305 CI | w/153 Tooth Gear                              | 3991407  | FRG-153B  |
| 1978-79                | V8 5.0L 305 CI | w/168 Tooth Gear                              | 3991408  | FRG-168S  |
| 1982                   | V8 5.0L 305 CI | w/168 Tooth Gear                              | 3991408  | FRG-168S  |
| 1985                   | V8 5.0L 305 CI | w/168 Tooth Gear                              | 3991408  | FRG-168S  |
| 1985-95                | V6 4.3L 262 CI | w/168 Tooth Gear                              | 3991408  | FRG-168S  |
| 1983-93                | V8 6.2L 379 CI | w/139 Tooth Gear                              | 14077156 | FRG-139G  |
| 1975-76                | V8 7.4L 454 CI | w/168 Tooth Gear                              | 3991408  | FRG-168S  |
| 1988-95                | V8 7.4L 454 CI | w/168 Tooth Gear                              | 3991408  | FRG-168S  |
| 1975-96                | V8 5.7L 350 CI | w/168 Tooth Gear, Motor Home w/168 Tooth Gear | 3991408  | FRG-168S  |
| 1994-96                | V8 6.5L 395 CI | w/139 Tooth Gear                              | 14077156 | FRG-139G  |
| <b>G30 VAN</b>         |                |   |          |           |
| 1971-72                | L6 4.1L 250 CI | w/153 Tooth Gear                              | 3789821  | FRG-153N  |
| 1971-74                | L6 4.1L 250 CI | w/168 Tooth Gear                              | 3991408  | FRG-168S  |
| 1974                   | L6 4.8L 292 CI | w/168 Tooth Gear                              | 3991408  | FRG-168S  |
| 1973-74                | V8 5.7L 350 CI | w/153 Tooth Gear                              | 3991407  | FRG-153B  |
| 1971-74                | V8 5.7L 350 CI | w/168 Tooth Gear                              | 3991408  | FRG-168S  |
| 1974                   | V8 7.4L 454 CI | w/168 Tooth Gear                              | 3991408  | FRG-168S  |
| <b>K10</b>             |                |   |          |           |
| 1975                   | V8 5.7L 350 CI | w/153 Tooth Gear                              | 3991407  | FRG-153B  |
| 1975-80                | V8 6.6L 400 CI | w/168 Tooth Gear                              | 3991408  | FRG-168S  |
| 1975                   | L6 4.1L 250 CI | w/153 Tooth Gear                              | 3991407  | FRG-153B  |
| 1977-79                | L6 4.1L 250 CI | w/153 Tooth Gear                              | 3991407  | FRG-153B  |
| 1975                   | L6 4.1L 250 CI | w/168 Tooth Gear                              | 3991408  | FRG-168S  |
| 1977-84                | L6 4.1L 250 CI | w/168 Tooth Gear                              | 3991408  | FRG-168S  |
| 1975-76                | L6 4.8L 292 CI | w/168 Tooth Gear                              | 3991408  | FRG-168S  |
| 1979-80                | L6 4.8L 292 CI | w/168 Tooth Gear                              | 3991408  | FRG-168S  |
| 1979-80                | V8 7.4L 454 CI | w/168 Tooth Gear                              | 3991408  | FRG-168S  |
| 1975-77                | V8 5.7L 350 CI | w/168 Tooth Gear                              | 3991408  | FRG-168S  |
| 1979-86                | V8 5.7L 350 CI | w/168 Tooth Gear                              | 3991408  | FRG-168S  |
| 1981-86                | V8 5.0L 305 CI | w/153 Tooth Gear                              | 3991407  | FRG-153B  |
| 1977-79                | V8 5.0L 305 CI | w/168 Tooth Gear                              | 3991408  | FRG-168S  |
| 1981-86                | V8 5.0L 305 CI | w/168 Tooth Gear                              | 3991408  | FRG-168S  |



# RING GEAR APPLICATIONS

| Years                  | Engine         | Remarks  | OE       | Pioneer # |
|------------------------|----------------|--|----------|-----------|
| <b>CHEVROLET TRUCK</b> |                |  |          |           |
| <b>K10</b>             |                |  |          |           |
| 1982-86                | V8 6.2L 379 CI | w/139 Tooth Gear   | 14077156 | FRG-139G  |
| 1985-86                | V6 4.3L 262 CI | w/168 Tooth Gear   | 3991408  | FRG-168S  |
| <b>K10 PICKUP</b>      |                |  |          |           |
| 1961-62                | L6 3.8L 235 CI | w/168 Tooth Gear   | 3991408  | FRG-168S  |
| 1961-67                | V8 4.6L 283 CI | w/168 Tooth Gear   | 3991408  | FRG-168S  |
| 1962-67                | V8 4.6L 283 CI | w/153 Tooth Gear   | 3789821  | FRG-153N  |
| 1964-66                | L6 4.8L 293 CI | w/168 Tooth Gear   | 3991408  | FRG-168S  |
| 1965-66                | L6 4.8L 293 CI | w/153 Tooth Gear   | 3789821  | FRG-153N  |
| 1966-68                | V8 5.3L 327 CI | w/153 Tooth Gear   | 3789821  | FRG-153N  |
| 1966-68                | V8 5.3L 327 CI | w/168 Tooth Gear   | 3991408  | FRG-168S  |
| 1968                   | V8 5.4L 327 CI | w/153 Tooth Gear   | 3789821  | FRG-153N  |
| 1968                   | V8 5.4L 327 CI | w/168 Tooth Gear   | 3991408  | FRG-168S  |
| 1968-69                | V8 5.0L 307 CI | w/153 Tooth Gear   | 3789821  | FRG-153N  |
| 1968-69                | V8 5.0L 307 CI | w/168 Tooth Gear   | 3991408  | FRG-168S  |
| 1964-65                | L6 3.8L 230 CI | w/168 Tooth Gear   | 3991408  | FRG-168S  |
| 1969                   | L6 3.8L 230 CI | w/168 Tooth Gear   | 3991408  | FRG-168S  |
| 1964-65                | L6 3.8L 230 CI | w/153 Tooth Gear   | 3789821  | FRG-153N  |
| 1969                   | L6 3.8L 230 CI | w/153 Tooth Gear   | 3789821  | FRG-153N  |
| 1969-74                | V8 5.7L 350 CI | w/168 Tooth Gear   | 3991408  | FRG-168S  |
| 1966-67                | L6 4.1L 250 CI | w/153 Tooth Gear   | 3789821  | FRG-153N  |
| 1970-72                | L6 4.1L 250 CI | w/153 Tooth Gear   | 3789821  | FRG-153N  |
| 1966-67                | L6 4.1L 250 CI | w/168 Tooth Gear   | 3991408  | FRG-168S  |
| 1970-74                | L6 4.1L 250 CI | w/168 Tooth Gear   | 3991408  | FRG-168S  |
| 1973-74                | V8 5.7L 350 CI | w/153 Tooth Gear   | 3991407  | FRG-153B  |
| <b>K10 SUBURBAN</b>    |                |  |          |           |
| 1968                   | V8 5.3L 327 CI | w/153 Tooth Gear   | 3789821  | FRG-153N  |
| 1968                   | V8 5.3L 327 CI | w/168 Tooth Gear   | 3991408  | FRG-168S  |
| 1968                   | V8 5.4L 327 CI | w/168 Tooth Gear   | 3991408  | FRG-168S  |
| 1968                   | V8 5.4L 327 CI | w/153 Tooth Gear   | 3789821  | FRG-153N  |
| 1968-72                | L6 4.1L 250 CI | w/153 Tooth Gear   | 3789821  | FRG-153N  |
| 1968-73                | V8 5.0L 307 CI | w/168 Tooth Gear   | 3991408  | FRG-168S  |
| 1968-80                | L6 4.1L 250 CI | w/168 Tooth Gear   | 3991408  | FRG-168S  |
| 1970-72                | V8 6.6L 402 CI | 2nd Design Trans.; w/168 Tooth Gear,<br>w/168 Tooth Gear | 3991408  | FRG-168S  |
| 1970-71                | V8 6.6L 402 CI | w/191 Tooth Gear   | 2369440  | FRG-191T  |
| 1968-70                | V8 5.0L 307 CI | 1st Design; w/153 Tooth Gear, w/153<br>Tooth Gear        | 3789821  | FRG-153N  |
| 1972                   | V8 5.0L 307 CI | 1st Design; w/153 Tooth Gear, w/153<br>Tooth Gear        | 3789821  | FRG-153N  |
| 1973                   | V8 5.0L 307 CI | w/153 Tooth Gear   | 3991407  | FRG-153B  |

# RING GEAR APPLICATIONS

| Years                  | Engine         | Remarks          | OE       | Pioneer # |
|------------------------|----------------|------------------|----------|-----------|
| <b>CHEVROLET TRUCK</b> |                |                  |          |           |
| <b>K10 SUBURBAN</b>    |                |                  |          |           |
| 1973-75                | V8 5.7L 350 CI | w/153 Tooth Gear | 3991407  | FRG-153B  |
| 1975-79                | L6 4.1L 250 CI | w/153 Tooth Gear | 3991407  | FRG-153B  |
| 1975-79                | V8 6.6L 400 CI | w/168 Tooth Gear | 3991408  | FRG-168S  |
| 1977-83                | V8 5.0L 305 CI | w/168 Tooth Gear | 3991408  | FRG-168S  |
| 1985-86                | V8 5.0L 305 CI | w/168 Tooth Gear | 3991408  | FRG-168S  |
| 1982-86                | V8 6.2L 379 CI | w/139 Tooth Gear | 14077156 | FRG-139G  |
| 1981-83                | V8 5.0L 305 CI | w/153 Tooth Gear | 3991407  | FRG-153B  |
| 1985-86                | V8 5.0L 305 CI | w/153 Tooth Gear | 3991407  | FRG-153B  |
| 1969-77                | V8 5.7L 350 CI | w/168 Tooth Gear | 3991408  | FRG-168S  |
| 1979-86                | V8 5.7L 350 CI | w/168 Tooth Gear | 3991408  | FRG-168S  |
| <b>K1500</b>           |                |                  |          |           |
| 1988-93                | V8 6.2L 379 CI | w/139 Tooth Gear | 14077156 | FRG-139G  |
| 1988-98                | V6 4.3L 262 CI | w/168 Tooth Gear | 3991408  | FRG-168S  |
| 1988-99                | V8 5.0L 305 CI | w/168 Tooth Gear | 3991408  | FRG-168S  |
| 1994-98                | V8 6.5L 395 CI | w/139 Tooth Gear | 14077156 | FRG-139G  |
| 1988-99                | V8 5.7L 350 CI | w/168 Tooth Gear | 3991408  | FRG-168S  |
| <b>K1500 SUBURBAN</b>  |                |                  |          |           |
| 1992-99                | V8 5.7L 350 CI | w/168 Tooth Gear | 3991408  | FRG-168S  |
| 1995-99                | V8 6.5L 395 CI | w/139 Tooth Gear | 14077156 | FRG-139G  |
| <b>K20</b>             |                |                  |          |           |
| 1975                   | V8 5.7L 350 CI | w/153 Tooth Gear | 3991407  | FRG-153B  |
| 1975-80                | V8 6.6L 400 CI | w/168 Tooth Gear | 3991408  | FRG-168S  |
| 1975-86                | L6 4.8L 292 CI | w/168 Tooth Gear | 3991408  | FRG-168S  |
| 1975-76                | L6 4.1L 250 CI | w/153 Tooth Gear | 3991407  | FRG-153B  |
| 1978-79                | L6 4.1L 250 CI | w/153 Tooth Gear | 3991407  | FRG-153B  |
| 1975-76                | L6 4.1L 250 CI | w/168 Tooth Gear | 3991408  | FRG-168S  |
| 1978-80                | L6 4.1L 250 CI | w/168 Tooth Gear | 3991408  | FRG-168S  |
| 1975-77                | V8 5.7L 350 CI | w/168 Tooth Gear | 3991408  | FRG-168S  |
| 1979-86                | V8 5.7L 350 CI | w/168 Tooth Gear | 3991408  | FRG-168S  |
| 1980                   | V8 7.4L 454 CI | w/168 Tooth Gear | 3991408  | FRG-168S  |
| 1982-86                | V8 6.2L 379 CI | w/139 Tooth Gear | 14077156 | FRG-139G  |
| 1985                   | V6 4.3L 262 CI | w/168 Tooth Gear | 3991408  | FRG-168S  |
| 1977-78                | V8 5.0L 305 CI | w/168 Tooth Gear | 3991408  | FRG-168S  |
| 1980                   | V8 5.0L 305 CI | w/168 Tooth Gear | 3991408  | FRG-168S  |
| 1985                   | V8 5.0L 305 CI | w/168 Tooth Gear | 3991408  | FRG-168S  |
| <b>K20 PICKUP</b>      |                |                  |          |           |
| 1961-62                | L6 3.8L 235 CI | w/168 Tooth Gear | 3991408  | FRG-168S  |
| 1961-67                | V8 4.6L 283 CI | w/168 Tooth Gear | 3991408  | FRG-168S  |
| 1962-67                | V8 4.6L 283 CI | w/153 Tooth Gear | 3789821  | FRG-153N  |
| 1964-65                | L6 3.8L 230 CI | w/153 Tooth Gear | 3789821  | FRG-153N  |

# RING GEAR APPLICATIONS

| Years                  | Engine         | Remarks   | OE       | Pioneer # |
|------------------------|----------------|---|----------|-----------|
| <b>CHEVROLET TRUCK</b> |                |   |          |           |
| <b>K20 PICKUP</b>      |                |   |          |           |
| 1964-65                | L6 3.8L 230 CI | w/168 Tooth Gear                                  | 3991408  | FRG-168S  |
| 1965-66                | L6 4.8L 293 CI | w/153 Tooth Gear                                  | 3789821  | FRG-153N  |
| 1966-68                | V8 5.3L 327 CI | w/153 Tooth Gear                                  | 3789821  | FRG-153N  |
| 1966-68                | V8 5.3L 327 CI | w/168 Tooth Gear                                  | 3991408  | FRG-168S  |
| 1966-72                | L6 4.1L 250 CI | w/153 Tooth Gear                                  | 3789821  | FRG-153N  |
| 1966-74                | L6 4.1L 250 CI | w/168 Tooth Gear                                  | 3991408  | FRG-168S  |
| 1968                   | V8 5.4L 327 CI | w/153 Tooth Gear                                  | 3789821  | FRG-153N  |
| 1968                   | V8 5.4L 327 CI | w/168 Tooth Gear                                  | 3991408  | FRG-168S  |
| 1968-69                | V8 5.0L 307 CI | w/168 Tooth Gear                                  | 3991408  | FRG-168S  |
| 1968-69                | V8 5.0L 307 CI | w/153 Tooth Gear                                  | 3789821  | FRG-153N  |
| 1969-74                | V8 5.7L 350 CI | w/168 Tooth Gear                                  | 3991408  | FRG-168S  |
| 1964-67                | L6 4.8L 293 CI | w/168 Tooth Gear                                  | 3991408  | FRG-168S  |
| 1970-74                | L6 4.8L 293 CI | w/168 Tooth Gear                                  | 3991408  | FRG-168S  |
| 1970-74                | L6 4.8L 292 CI | w/168 Tooth Gear                                  | 3991408  | FRG-168S  |
| 1973-74                | V8 5.7L 350 CI | w/153 Tooth Gear                                  | 3991407  | FRG-153B  |
| 1973-74                | V8 7.4L 454 CI | w/168 Tooth Gear                                  | 3991408  | FRG-168S  |
| <b>K20 SUBURBAN</b>    |                |   |          |           |
| 1968                   | V8 5.3L 327 CI | w/168 Tooth Gear                                  | 3991408  | FRG-168S  |
| 1968                   | V8 5.3L 327 CI | w/153 Tooth Gear                                  | 3789821  | FRG-153N  |
| 1968                   | V8 5.4L 327 CI | w/168 Tooth Gear                                  | 3991408  | FRG-168S  |
| 1968                   | V8 5.4L 327 CI | w/153 Tooth Gear                                  | 3789821  | FRG-153N  |
| 1968-72                | L6 4.1L 250 CI | w/153 Tooth Gear                                  | 3789821  | FRG-153N  |
| 1968-73                | V8 5.0L 307 CI | w/168 Tooth Gear                                  | 3991408  | FRG-168S  |
| 1968-74                | L6 4.8L 293 CI | w/168 Tooth Gear                                  | 3991408  | FRG-168S  |
| 1969-77                | V8 5.7L 350 CI | w/168 Tooth Gear                                  | 3991408  | FRG-168S  |
| 1979-86                | V8 5.7L 350 CI | w/168 Tooth Gear                                  | 3991408  | FRG-168S  |
| 1968-70                | V8 5.0L 307 CI | 1st Design; w/153 Tooth Gear, w/153<br>Tooth Gear | 3789821  | FRG-153N  |
| 1972                   | V8 5.0L 307 CI | 1st Design; w/153 Tooth Gear, w/153<br>Tooth Gear | 3789821  | FRG-153N  |
| 1968-74                | L6 4.1L 250 CI | w/168 Tooth Gear                                  | 3991408  | FRG-168S  |
| 1973                   | V8 5.0L 307 CI | w/153 Tooth Gear                                  | 3991407  | FRG-153B  |
| 1973-75                | V8 5.7L 350 CI | w/153 Tooth Gear                                  | 3991407  | FRG-153B  |
| 1975-80                | V8 6.6L 400 CI | w/168 Tooth Gear                                  | 3991408  | FRG-168S  |
| 1968-82                | L6 4.8L 292 CI | w/168 Tooth Gear                                  | 3991408  | FRG-168S  |
| 1977-78                | V8 5.0L 305 CI | w/168 Tooth Gear                                  | 3991408  | FRG-168S  |
| 1982-86                | V8 6.2L 379 CI | w/139 Tooth Gear                                  | 14077156 | FRG-139G  |
| <b>K2500</b>           |                |   |          |           |
| 1988-00                | V8 5.7L 350 CI | w/168 Tooth Gear                                  | 3991408  | FRG-168S  |
| 1988-93                | V8 6.2L 379 CI | w/139 Tooth Gear                                  | 14077156 | FRG-139G  |

# RING GEAR APPLICATIONS

| Years                  | Engine         | Remarks                      | OE       | Pioneer # |
|------------------------|----------------|------------------------------|----------|-----------|
| <b>CHEVROLET TRUCK</b> |                |                              |          |           |
| <b>K2500</b>           |                |                              |          |           |
| 1988-95                | V6 4.3L 262 CI | w/168 Tooth Gear             | 3991408  | FRG-168S  |
| 1991-95                | V8 7.4L 454 CI | w/168 Tooth Gear             | 3991408  | FRG-168S  |
| 1992-00                | V8 6.5L 395 CI | w/139 Tooth Gear             | 14077156 | FRG-139G  |
| 1988-95                | V8 5.0L 305 CI | w/168 Tooth Gear             | 3991408  | FRG-168S  |
| 1997-98                | V8 5.0L 305 CI | w/168 Tooth Gear             | 3991408  | FRG-168S  |
| <b>K2500 SUBURBAN</b>  |                |                              |          |           |
| 1992-95                | V8 7.4L 454 CI | w/168 Tooth Gear             | 3991408  | FRG-168S  |
| 1992-99                | V8 5.7L 350 CI | w/168 Tooth Gear             | 3991408  | FRG-168S  |
| 1994-99                | V8 6.5L 395 CI | w/139 Tooth Gear             | 14077156 | FRG-139G  |
| <b>K30</b>             |                |                              |          |           |
| 1977-80                | V8 6.6L 400 CI | w/168 Tooth Gear             | 3991408  | FRG-168S  |
| 1977-86                | L6 4.8L 292 CI | w/168 Tooth Gear             | 3991408  | FRG-168S  |
| 1977                   | V8 5.7L 350 CI | w/168 Tooth Gear             | 3991408  | FRG-168S  |
| 1979-86                | V8 5.7L 350 CI | w/168 Tooth Gear             | 3991408  | FRG-168S  |
| 1980-86                | V8 7.4L 454 CI | w/168 Tooth Gear             | 3991408  | FRG-168S  |
| 1982-86                | V8 6.2L 379 CI | w/139 Tooth Gear             | 14077156 | FRG-139G  |
| <b>K30 PICKUP</b>      |                |                              |          |           |
| 1968                   | V8 5.3L 327 CI | w/168 Tooth Gear             | 3991408  | FRG-168S  |
| 1968                   | V8 5.3L 327 CI | w/153 Tooth Gear             | 3789821  | FRG-153N  |
| 1968                   | V8 5.4L 327 CI | w/168 Tooth Gear             | 3991408  | FRG-168S  |
| 1968                   | V8 5.4L 327 CI | w/153 Tooth Gear             | 3789821  | FRG-153N  |
| 1968-70                | V8 5.0L 307 CI | w/153 Tooth Gear             | 3789821  | FRG-153N  |
| 1968-72                | L6 4.1L 250 CI | w/153 Tooth Gear             | 3789821  | FRG-153N  |
| 1968-73                | V8 5.0L 307 CI | w/168 Tooth Gear             | 3991408  | FRG-168S  |
| 1968-74                | L6 4.1L 250 CI | w/168 Tooth Gear             | 3991408  | FRG-168S  |
| 1968-74                | L6 4.8L 292 CI | w/168 Tooth Gear             | 3991408  | FRG-168S  |
| 1968-74                | L6 4.8L 293 CI | w/168 Tooth Gear             | 3991408  | FRG-168S  |
| 1969-74                | V8 5.7L 350 CI | w/168 Tooth Gear             | 3991408  | FRG-168S  |
| 1970-71                | V8 6.6L 402 CI | w/191 Tooth Gear             | 2369440  | FRG-191T  |
| 1970-71                | V8 6.6L 402 CI | 2nd Design; w/153 Tooth Gear | 3789821  | FRG-153N  |
| 1970-71                | V8 6.6L 402 CI | w/168 Tooth Gear             | 3991408  | FRG-168S  |
| 1973                   | V8 5.0L 307 CI | w/153 Tooth Gear             | 3991407  | FRG-153B  |
| 1973-74                | V8 5.7L 350 CI | w/153 Tooth Gear             | 3991407  | FRG-153B  |
| 1973-74                | V8 7.4L 454 CI | w/168 Tooth Gear             | 3991408  | FRG-168S  |
| <b>K3500</b>           |                |                              |          |           |
| 1988-00                | V8 5.7L 350 CI | w/168 Tooth Gear             | 3991408  | FRG-168S  |
| 1988-93                | V8 6.2L 379 CI | w/139 Tooth Gear             | 14077156 | FRG-139G  |
| 1988-95                | V8 7.4L 454 CI | w/168 Tooth Gear             | 3991408  | FRG-168S  |
| 1992-00                | V8 6.5L 395 CI | w/139 Tooth Gear             | 14077156 | FRG-139G  |
| <b>K5 BLAZER</b>       |                |                              |          |           |
| 1975                   | V8 5.7L 350 CI | w/153 Tooth Gear             | 3991407  | FRG-153B  |

# RING GEAR APPLICATIONS

| Years                  | Engine         | Remarks                                       | OE       | Pioneer # |
|------------------------|----------------|---|----------|-----------|
| <b>CHEVROLET TRUCK</b> |                |   |          |           |
| <b>K5 BLAZER</b>       |                |   |          |           |
| 1975-79                | L6 4.1L 250 CI | w/153 Tooth Gear                              | 3991407  | FRG-153B  |
| 1975-82                | L6 4.1L 250 CI | w/168 Tooth Gear                              | 3991408  | FRG-168S  |
| 1976                   | L6 4.1L 250 CI | w/153 Tooth Gear                              | 3789821  | FRG-153N  |
| 1975                   | V8 6.6L 400 CI | w/168 Tooth Gear                              | 3991408  | FRG-168S  |
| 1979                   | V8 6.6L 400 CI | w/168 Tooth Gear                              | 3991408  | FRG-168S  |
| 1981-86                | V8 5.0L 305 CI | w/153 Tooth Gear                              | 3991407  | FRG-153B  |
| 1982-86                | V8 6.2L 379 CI | w/139 Tooth Gear                              | 14077156 | FRG-139G  |
| 1977                   | V8 5.0L 305 CI | w/168 Tooth Gear                              | 3991408  | FRG-168S  |
| 1985-86                | V8 5.0L 305 CI | w/168 Tooth Gear                              | 3991408  | FRG-168S  |
| 1975                   | V8 5.7L 350 CI | w/168 Tooth Gear                              | 3991408  | FRG-168S  |
| 1985-86                | V8 5.7L 350 CI | w/168 Tooth Gear                              | 3991408  | FRG-168S  |
| <b>P10</b>             |                |   |          |           |
| 1975                   | V8 5.7L 350 CI | w/168 Tooth Gear                              | 3991408  | FRG-168S  |
| 1975                   | V8 5.7L 350 CI | w/153 Tooth Gear                              | 3991407  | FRG-153B  |
| 1975-80                | L6 4.8L 292 CI | w/168 Tooth Gear                              | 3991408  | FRG-168S  |
| 1977                   | V8 6.6L 400 CI | w/168 Tooth Gear                              | 3991408  | FRG-168S  |
| 1979                   | V8 5.0L 305 CI | w/168 Tooth Gear                              | 3991408  | FRG-168S  |
| <b>P10 SERIES</b>      |                |   |          |           |
| 1962                   | V8 4.6L 283 CI | w/153 Tooth Gear                              | 3789821  | FRG-153N  |
| 1962                   | V8 4.6L 283 CI | w/Heavy Duty Clutch; w/168 Tooth Gear         | 3991408  | FRG-168S  |
| 1963-65                | L4 2.5L 153 CI | w/168 Tooth Gear                              | 3991408  | FRG-168S  |
| 1963-67                | L6 3.8L 230 CI | w/168 Tooth Gear                              | 3991408  | FRG-168S  |
| 1966                   | L6 3.2L 194 CI | w/168 Tooth Gear                              | 3991408  | FRG-168S  |
| <b>P10 VAN</b>         |                |   |          |           |
| 1968-69                | L6 3.8L 230 CI | w/153 Tooth Gear                              | 3789821  | FRG-153N  |
| 1968-69                | L6 3.8L 230 CI | w/168 Tooth Gear                              | 3991408  | FRG-168S  |
| 1968-72                | L6 4.1L 250 CI | w/153 Tooth Gear                              | 3789821  | FRG-153N  |
| 1968-74                | L6 4.1L 250 CI | w/168 Tooth Gear                              | 3991408  | FRG-168S  |
| 1973                   | V8 5.7L 350 CI | w/153 Tooth Gear                              | 3991407  | FRG-153B  |
| 1973                   | V8 5.7L 350 CI | Exc. Powerglide Trans.                        | 3991408  | FRG-168S  |
| 1973                   | V8 7.4L 454 CI | w/168 Tooth Gear                              | 3991408  | FRG-168S  |
| <b>P20</b>             |                |   |          |           |
| 1975                   | V8 5.7L 350 CI | w/153 Tooth Gear                              | 3991407  | FRG-153B  |
| 1976                   | V8 7.4L 454 CI | w/168 Tooth Gear, Motor Home w/168 Tooth Gear | 3991408  | FRG-168S  |
| 1979                   | V8 7.4L 454 CI | w/168 Tooth Gear, Motor Home w/168 Tooth Gear | 3991408  | FRG-168S  |
| 1975-89                | V8 5.7L 350 CI | w/168 Tooth Gear, Motor Home w/168 Tooth Gear | 3991408  | FRG-168S  |
| 1982-84                | V8 6.2L 379 CI | w/139 Tooth Gear                              | 14077156 | FRG-139G  |

# RING GEAR APPLICATIONS

| Years                  | Engine         | Remarks   | OE       | Pioneer # |
|------------------------|----------------|---|----------|-----------|
| <b>CHEVROLET TRUCK</b> |                |   |          |           |
| <b>P20</b>             |                |   |          |           |
| 1975-89                | L6 4.8L 292 CI | Forward Control Models; w/168 Tooth Gear, w/168 Tooth Gear                              | 3991408  | FRG-168S  |
| <b>P20 SERIES</b>      |                |   |          |           |
| 1962                   | V8 4.6L 283 CI | w/153 Tooth Gear  | 3789821  | FRG-153N  |
| 1962                   | V8 4.6L 283 CI | w/Heavy Duty Clutch; w/168 Tooth Gear   | 3991408  | FRG-168S  |
| 1963-65                | L6 3.8L 230 CI | w/168 Tooth Gear  | 3991408  | FRG-168S  |
| 1966                   | L6 4.1L 250 CI | w/153 Tooth Gear  | 3789821  | FRG-153N  |
| 1966                   | L6 4.1L 250 CI | w/168 Tooth Gear  | 3991408  | FRG-168S  |
| <b>P20 VAN</b>         |                |   |          |           |
| 1968-69                | V8 5.0L 307 CI | w/168 Tooth Gear  | 3991408  | FRG-168S  |
| 1968-69                | V8 5.0L 307 CI | w/153 Tooth Gear  | 3789821  | FRG-153N  |
| 1968-74                | L6 4.8L 292 CI | w/168 Tooth Gear  | 3991408  | FRG-168S  |
| 1970-72                | L6 4.1L 250 CI | w/153 Tooth Gear  | 3789821  | FRG-153N  |
| 1970-71                | V8 7.4L 454 CI | Motor Home w/168 Tooth Gear, w/168 Tooth Gear   | 3991408  | FRG-168S  |
| 1973                   | V8 7.4L 454 CI | Motor Home w/168 Tooth Gear, w/168 Tooth Gear   | 3991408  | FRG-168S  |
| 1970-74                | L6 4.1L 250 CI | w/168 Tooth Gear  | 3991408  | FRG-168S  |
| 1973-74                | V8 5.7L 350 CI | w/153 Tooth Gear  | 3991407  | FRG-153B  |
| 1970-74                | V8 5.7L 350 CI | w/168 Tooth Gear  | 3991408  | FRG-168S  |
| <b>P30</b>             |                |   |          |           |
| 1975                   | V8 5.7L 350 CI | w/153 Tooth Gear  | 3991407  | FRG-153B  |
| 1975-89                | L6 4.8L 292 CI | w/168 Tooth Gear  | 3991408  | FRG-168S  |
| 1976                   | V8 6.6L 400 CI | w/168 Tooth Gear  | 3991408  | FRG-168S  |
| 1975-99                | V8 5.7L 350 CI | Motor Home w/168 Tooth Gear, w/168 Tooth Gear, Forward Control Models; w/168 Tooth Gear | 3991408  | FRG-168S  |
| 1976                   | L6 4.1L 250 CI | w/153 Tooth Gear  | 3991407  | FRG-153B  |
| 1979                   | L6 4.1L 250 CI | w/153 Tooth Gear  | 3991407  | FRG-153B  |
| 1976                   | L6 4.1L 250 CI | w/168 Tooth Gear  | 3991408  | FRG-168S  |
| 1979                   | L6 4.1L 250 CI | w/168 Tooth Gear  | 3991408  | FRG-168S  |
| 1982-93                | V8 6.2L 379 CI | w/139 Tooth Gear  | 14077156 | FRG-139G  |
| 1975-95                | V8 7.4L 454 CI | Forward Control Models; w/168 Tooth Gear, w/168 Tooth Gear                              | 3991408  | FRG-168S  |
| 1990-95                | V6 4.3L 262 CI | w/168 Tooth Gear  | 3991408  | FRG-168S  |
| 1994-99                | V8 6.5L 395 CI | w/139 Tooth Gear  | 14077156 | FRG-139G  |
| <b>P30 SERIES</b>      |                |   |          |           |
| 1962                   | V8 4.6L 283 CI | w/153 Tooth Gear  | 3789821  | FRG-153N  |
| 1962                   | V8 4.6L 283 CI | w/Heavy Duty Clutch; w/168 Tooth Gear   | 3991408  | FRG-168S  |
| 1963-65                | L6 3.8L 230 CI | w/168 Tooth Gear  | 3991408  | FRG-168S  |

# RING GEAR APPLICATIONS

| Years                  | Engine         | Remarks                | OE       | Pioneer # |
|------------------------|----------------|------------------------|----------|-----------|
| <b>CHEVROLET TRUCK</b> |                |                        |          |           |
| <b>P30 SERIES</b>      |                |                        |          |           |
| 1965                   | V8 6.7L 409 CI | w/153 Tooth Gear       | 3789821  | FRG-153N  |
| 1965                   | V8 6.7L 409 CI | w/168 Tooth Gear       | 3991408  | FRG-168S  |
| 1966                   | L6 4.1L 250 CI | w/153 Tooth Gear       | 3789821  | FRG-153N  |
| 1966                   | L6 4.1L 250 CI | w/168 Tooth Gear       | 3991408  | FRG-168S  |
| <b>P30 VAN</b>         |                |                        |          |           |
| 1968-69                | V8 5.0L 307 CI | w/153 Tooth Gear       | 3789821  | FRG-153N  |
| 1968-69                | V8 5.0L 307 CI | w/168 Tooth Gear       | 3991408  | FRG-168S  |
| 1968-74                | L6 4.8L 292 CI | w/168 Tooth Gear       | 3991408  | FRG-168S  |
| 1970-72                | L6 4.1L 250 CI | w/153 Tooth Gear       | 3789821  | FRG-153N  |
| 1970-74                | L6 4.1L 250 CI | w/168 Tooth Gear       | 3991408  | FRG-168S  |
| 1972                   | V8 6.6L 402 CI | w/168 Tooth Gear       | 3991408  | FRG-168S  |
| 1973-74                | V8 5.7L 350 CI | w/153 Tooth Gear       | 3991407  | FRG-153B  |
| 1970-71                | V8 7.4L 454 CI | w/168 Tooth Gear       | 3991408  | FRG-168S  |
| 1973-74                | V8 7.4L 454 CI | w/168 Tooth Gear       | 3991408  | FRG-168S  |
| 1970-74                | V8 5.7L 350 CI | Exc. Powerglide Trans. | 3991408  | FRG-168S  |
| <b>R10</b>             |                |                        |          |           |
| 1987                   | V6 4.3L 262 CI | w/168 Tooth Gear       | 3991408  | FRG-168S  |
| 1987                   | V8 5.0L 305 CI | w/153 Tooth Gear       | 3991407  | FRG-153B  |
| 1987                   | V8 5.0L 305 CI | w/168 Tooth Gear       | 3991408  | FRG-168S  |
| 1987                   | V8 5.7L 350 CI | w/168 Tooth Gear       | 3991408  | FRG-168S  |
| 1987                   | V8 6.2L 379 CI | w/139 Tooth Gear       | 14077156 | FRG-139G  |
| <b>R10 SUBURBAN</b>    |                |                        |          |           |
| 1987                   | V8 5.0L 305 CI | w/153 Tooth Gear       | 3991407  | FRG-153B  |
| 1987                   | V8 5.0L 305 CI | w/168 Tooth Gear       | 3991408  | FRG-168S  |
| 1987-88                | V8 5.7L 350 CI | w/168 Tooth Gear       | 3991408  | FRG-168S  |
| 1987-88                | V8 6.2L 379 CI | w/139 Tooth Gear       | 14077156 | FRG-139G  |
| <b>R1500 SUBURBAN</b>  |                |                        |          |           |
| 1989-91                | V8 5.7L 350 CI | w/168 Tooth Gear       | 3991408  | FRG-168S  |
| 1989-91                | V8 6.2L 379 CI | w/139 Tooth Gear       | 14077156 | FRG-139G  |
| <b>R20</b>             |                |                        |          |           |
| 1987                   | V6 4.3L 262 CI | w/168 Tooth Gear       | 3991408  | FRG-168S  |
| 1987                   | V8 5.0L 305 CI | w/153 Tooth Gear       | 3991407  | FRG-153B  |
| 1987                   | V8 5.0L 305 CI | w/168 Tooth Gear       | 3991408  | FRG-168S  |
| 1987-88                | L6 4.8L 292 CI | w/168 Tooth Gear       | 3991408  | FRG-168S  |
| 1987-88                | V8 5.7L 350 CI | w/168 Tooth Gear       | 3991408  | FRG-168S  |
| 1987-88                | V8 6.2L 379 CI | w/139 Tooth Gear       | 14077156 | FRG-139G  |
| 1987-88                | V8 7.4L 454 CI | w/168 Tooth Gear       | 3991408  | FRG-168S  |
| <b>R20 SUBURBAN</b>    |                |                        |          |           |
| 1987-88                | V8 5.7L 350 CI | w/168 Tooth Gear       | 3991408  | FRG-168S  |
| 1987-88                | V8 6.2L 379 CI | w/139 Tooth Gear       | 14077156 | FRG-139G  |

# RING GEAR APPLICATIONS

| Years                    | Engine         | Remarks          | OE       | Pioneer # |
|--------------------------|----------------|------------------|----------|-----------|
| <b>CHEVROLET TRUCK</b>   |                |                  |          |           |
| <b>R20 SUBURBAN</b>      |                |                  |          |           |
| 1987-88                  | V8 7.4L 454 CI | w/168 Tooth Gear | 3991408  | FRG-168S  |
| <b>R2500</b>             |                |                  |          |           |
| 1989                     | V8 6.2L 379 CI | w/139 Tooth Gear | 14077156 | FRG-139G  |
| 1989                     | V8 7.4L 454 CI | w/168 Tooth Gear | 3991408  | FRG-168S  |
| <b>R2500 SUBURBAN</b>    |                |                  |          |           |
| 1989-91                  | V8 5.7L 350 CI | w/168 Tooth Gear | 3991408  | FRG-168S  |
| 1989-91                  | V8 6.2L 379 CI | w/139 Tooth Gear | 14077156 | FRG-139G  |
| 1989-91                  | V8 7.4L 454 CI | w/168 Tooth Gear | 3991408  | FRG-168S  |
| <b>R30</b>               |                |                  |          |           |
| 1987-88                  | L6 4.8L 292 CI | w/168 Tooth Gear | 3991408  | FRG-168S  |
| 1987-88                  | V8 5.7L 350 CI | w/168 Tooth Gear | 3991408  | FRG-168S  |
| 1987-88                  | V8 6.2L 379 CI | w/139 Tooth Gear | 14077156 | FRG-139G  |
| 1987-88                  | V8 7.4L 454 CI | w/168 Tooth Gear | 3991408  | FRG-168S  |
| <b>R3500</b>             |                |                  |          |           |
| 1989-91                  | V8 5.7L 350 CI | w/168 Tooth Gear | 3991408  | FRG-168S  |
| 1989-91                  | V8 6.2L 379 CI | w/139 Tooth Gear | 14077156 | FRG-139G  |
| 1989-91                  | V8 7.4L 454 CI | w/168 Tooth Gear | 3991408  | FRG-168S  |
| <b>S10</b>               |                |                  |          |           |
| 1982-93                  | V6 2.8L 173 CI | w/148 Tooth Gear | 14033090 | FRG-148B  |
| 1983-84                  | L4 2.0L 122 CI | w/148 Tooth Gear | 14033090 | FRG-148B  |
| 1985                     | L4 2.5L 151 CI | w/168 Tooth Gear | 3991408  | FRG-168S  |
| 1990-93                  | L4 2.5L 151 CI | w/168 Tooth Gear | 3991408  | FRG-168S  |
| 1994-03                  | L4 2.2L 134 CI | w/142 Tooth Gear | 359115   | FRG-142W  |
| 1988-04                  | V6 4.3L 262 CI | w/168 Tooth Gear | 3991408  | FRG-168S  |
| <b>S10 BLAZER</b>        |                |                  |          |           |
| 1983-84                  | L4 2.0L 122 CI | w/148 Tooth Gear | 14033090 | FRG-148B  |
| 1983-89                  | V6 2.8L 173 CI | w/148 Tooth Gear | 14033090 | FRG-148B  |
| 1988-94                  | V6 4.3L 262 CI | w/168 Tooth Gear | 3991408  | FRG-168S  |
| <b>SILVERADO 1500</b>    |                |                  |          |           |
| 1999-05                  | V8 4.8L 294 CI | w/168 Tooth Gear | 3991408  | FRG-168S  |
| 1999-06                  | V6 4.3L 262 CI | w/168 Tooth Gear | 3991408  | FRG-168S  |
| 2003-08                  | V8 6.0L 364 CI | w/168 Tooth Gear | 3991408  | FRG-168S  |
| <b>SILVERADO 1500 HD</b> |                |                  |          |           |
| 2002-03                  | V8 6.0L 364 CI | w/168 Tooth Gear | 3991408  | FRG-168S  |
| 2005-06                  | V8 6.0L 364 CI | w/168 Tooth Gear | 3991408  | FRG-168S  |
| <b>SILVERADO 2500</b>    |                |                  |          |           |
| 1999-04                  | V8 6.0L 364 CI | w/168 Tooth Gear | 3991408  | FRG-168S  |
| <b>SILVERADO 2500 HD</b> |                |                  |          |           |
| 2001-06                  | V8 6.0L 364 CI | w/168 Tooth Gear | 3991408  | FRG-168S  |
| <b>SILVERADO 3500</b>    |                |                  |          |           |
| 2001-06                  | V8 6.0L 364 CI | w/168 Tooth Gear | 3991408  | FRG-168S  |



# RING GEAR APPLICATIONS

| Years                    | Engine         | Remarks          | OE       | Pioneer # |
|--------------------------|----------------|------------------|----------|-----------|
| <b>CHEVROLET TRUCK</b>   |                |                  |          |           |
| <b>SILVERADO 3500 HD</b> |                |                  |          |           |
| 2007                     | V8 6.0L 364 CI | w/168 Tooth Gear | 3991408  | FRG-168S  |
| <b>SUBURBAN</b>          |                |                  |          |           |
| 1961-62                  | L6 3.8L 235 CI | w/168 Tooth Gear | 3991408  | FRG-168S  |
| 1961-66                  | V8 4.6L 283 CI | w/168 Tooth Gear | 3991408  | FRG-168S  |
| 1962-66                  | V8 4.6L 283 CI | w/153 Tooth Gear | 3789821  | FRG-153N  |
| 1963-66                  | L6 3.8L 230 CI | w/168 Tooth Gear | 3991408  | FRG-168S  |
| 1963-66                  | L6 3.8L 230 CI | w/153 Tooth Gear | 3789821  | FRG-153N  |
| 1963-66                  | L6 4.8L 293 CI | w/168 Tooth Gear | 3991408  | FRG-168S  |
| 1965-66                  | L6 4.8L 293 CI | w/153 Tooth Gear | 3789821  | FRG-153N  |
| 1966                     | L6 4.1L 250 CI | w/168 Tooth Gear | 3991408  | FRG-168S  |
| 1966                     | L6 4.1L 250 CI | w/153 Tooth Gear | 3789821  | FRG-153N  |
| 1966                     | V8 5.3L 327 CI | w/153 Tooth Gear | 3789821  | FRG-153N  |
| 1966                     | V8 5.3L 327 CI | w/168 Tooth Gear | 3991408  | FRG-168S  |
| <b>SUBURBAN 2500</b>     |                |                  |          |           |
| 2000-07                  | V8 6.0L 364 CI | w/168 Tooth Gear | 3991408  | FRG-168S  |
| <b>TAHOE</b>             |                |                  |          |           |
| 1995-00                  | V8 5.7L 350 CI | w/168 Tooth Gear | 3991408  | FRG-168S  |
| 1995-99                  | V8 6.5L 395 CI | w/139 Tooth Gear | 14077156 | FRG-139G  |
| 2000-07                  | V8 4.8L 294 CI | w/168 Tooth Gear | 3991408  | FRG-168S  |
| <b>V10</b>               |                |                  |          |           |
| 1987                     | V6 4.3L 262 CI | w/168 Tooth Gear | 3991408  | FRG-168S  |
| 1987                     | V8 5.0L 305 CI | w/168 Tooth Gear | 3991408  | FRG-168S  |
| 1987                     | V8 5.0L 305 CI | w/153 Tooth Gear | 3991407  | FRG-153B  |
| 1987                     | V8 5.7L 350 CI | w/168 Tooth Gear | 3991408  | FRG-168S  |
| 1987                     | V8 6.2L 379 CI | w/139 Tooth Gear | 14077156 | FRG-139G  |
| <b>V10 SUBURBAN</b>      |                |                  |          |           |
| 1987-88                  | V8 5.7L 350 CI | w/168 Tooth Gear | 3991408  | FRG-168S  |
| 1987-88                  | V8 6.2L 379 CI | w/139 Tooth Gear | 14077156 | FRG-139G  |
| <b>V1500 SUBURBAN</b>    |                |                  |          |           |
| 1989-91                  | V8 6.2L 379 CI | w/139 Tooth Gear | 14077156 | FRG-139G  |
| 1989-91                  | V8 5.7L 350 CI | w/168 Tooth Gear | 3991408  | FRG-168S  |
| <b>V20</b>               |                |                  |          |           |
| 1987                     | L6 4.8L 292 CI | w/168 Tooth Gear | 3991408  | FRG-168S  |
| 1987                     | V8 5.7L 350 CI | w/168 Tooth Gear | 3991408  | FRG-168S  |
| 1987                     | V8 6.2L 379 CI | w/139 Tooth Gear | 14077156 | FRG-139G  |
| <b>V20 SUBURBAN</b>      |                |                  |          |           |
| 1987-88                  | V8 5.7L 350 CI | w/168 Tooth Gear | 3991408  | FRG-168S  |
| 1987-88                  | V8 6.2L 379 CI | w/139 Tooth Gear | 14077156 | FRG-139G  |
| <b>V2500 SUBURBAN</b>    |                |                  |          |           |
| 1989-91                  | V8 5.7L 350 CI | w/168 Tooth Gear | 3991408  | FRG-168S  |

# RING GEAR APPLICATIONS

| Years                  | Engine         | Remarks  | OE       | Pioneer # |
|------------------------|----------------|--|----------|-----------|
| <b>CHEVROLET TRUCK</b> |                |  |          |           |
| <b>V2500 SUBURBAN</b>  |                |  |          |           |
| 1989-91                | V8 6.2L 379 CI | w/139 Tooth Gear                                     | 14077156 | FRG-139G  |
| <b>V30</b>             |                |  |          |           |
| 1987-88                | L6 4.8L 292 CI | w/168 Tooth Gear                                     | 3991408  | FRG-168S  |
| 1987-88                | V8 5.7L 350 CI | w/168 Tooth Gear                                     | 3991408  | FRG-168S  |
| 1987-88                | V8 6.2L 379 CI | w/139 Tooth Gear                                     | 14077156 | FRG-139G  |
| 1987-88                | V8 7.4L 454 CI | w/168 Tooth Gear                                     | 3991408  | FRG-168S  |
| <b>V3500</b>           |                |  |          |           |
| 1989-91                | V8 5.7L 350 CI | w/168 Tooth Gear                                     | 3991408  | FRG-168S  |
| 1989-91                | V8 6.2L 379 CI | w/139 Tooth Gear                                     | 14077156 | FRG-139G  |
| 1989-91                | V8 7.4L 454 CI | w/168 Tooth Gear                                     | 3991408  | FRG-168S  |
| <b>CHEVROLET</b>       |                |  |          |           |
| <b>VEGA</b>            |                |  |          |           |
| 1971-77                | L4 2.3L 140 CI | w/153 Tooth Gear                                     | 3991407  | FRG-153B  |
| 1975-76                | L4 2.0L 122 CI | w/153 Tooth Gear                                     | 3991407  | FRG-153B  |
| <b>CHRYSLER</b>        |                |  |          |           |
| <b>300</b>             |                |  |          |           |
| 1955                   | V8 5.4L 331 CI | w/146 Tooth Gear                                     | 1138903  | FRG-146XF |
| 1957-58                | V8 6.4L 392 CI | w/131 Tooth Gear (I.D. 12.160")                      | 1941648  | FRG-130T  |
| 1957-58                | V8 6.4L 392 CI | w/172 Tooth Gear                                     | 1673646  | FRG-172NC |
| 1959-65                | V8 6.8L 413 CI | w/131 Tooth Gear (I.D. 12.160"), w/131<br>Tooth Gear | 1941648  | FRG-130T  |
| 1959-61                | V8 6.7L 413 CI | w/131 Tooth Gear, w/131 Tooth Gear (I.D.<br>12.160") | 1941648  | FRG-130T  |
| 1964-65                | V8 6.7L 413 CI | w/131 Tooth Gear, w/131 Tooth Gear (I.D.<br>12.160") | 1941648  | FRG-130T  |
| <b>CORDOBA</b>         |                |  |          |           |
| 1975-78                | V8 6.6L 400 CI | w/130 Tooth Gear (I.D. 11.190")                      | 3515203  | FRG-130C  |
| 1975-76                | V8 5.9L 360 CI | w/131 Tooth Gear (I.D. 12.160")                      | 1941648  | FRG-130T  |
| 1975-79                | V8 5.9L 360 CI | w/122 Tooth Gear (I.D. 11.190")                      | 2121196  | FRG-122T  |
| 1975-79                | V8 5.9L 360 CI | w/130 Tooth Gear (I.D. 11.190")                      | 3515203  | FRG-130C  |
| 1975-83                | V8 5.2L 318 CI | w/130 Tooth Gear (I.D. 11.190")                      | 3515203  | FRG-130C  |
| 1975-83                | V8 5.2L 318 CI | w/131 Tooth Gear                                     | 1941648  | FRG-130T  |
| 1975-83                | V8 5.2L 318 CI | w/122 Tooth Gear (I.D. 11.190")                      | 2121196  | FRG-122T  |
| 1975-76                | V8 6.6L 400 CI | w/131 Tooth Gear (I.D. 12.160")                      | 1941648  | FRG-130T  |
| 1980-83                | L6 3.7L 225 CI | w/122 Tooth Gear (I.D. 11.190")                      | 2121196  | FRG-122T  |
| <b>DAYTONA</b>         |                |  |          |           |
| 1984-85                | L4 2.2L 135 CI | w/139 Tooth Gear; .272" Width                        | 4348276  | FRG-139CH |
| <b>E CLASS</b>         |                |  |          |           |
| 1984                   | L4 2.2L 135 CI | w/139 Tooth Gear; .272" Width                        | 4348276  | FRG-139CH |

# RING GEAR APPLICATIONS

| Years                      | Engine         | Remarks   | OE      | Pioneer # |
|----------------------------|----------------|---|---------|-----------|
| <b>CHRYSLER</b>            |                |   |         |           |
| <b>EXECUTIVE LIMOUSINE</b> |                |   |         |           |
| 1985                       | L4 2.6L 156 CI | w/139 Tooth Gear; .272" Width                     | 4348276 | FRG-139CH |
| <b>FIFTH AVENUE</b>        |                |   |         |           |
| 1983                       | L6 3.7L 225 CI | w/122 Tooth Gear (I.D. 11.190")                   | 2121196 | FRG-122T  |
| 1983                       | V8 5.2L 318 CI | w/130 Tooth Gear (I.D. 11.190")                   | 3515203 | FRG-130C  |
| 1983                       | V8 5.2L 318 CI | w/131 Tooth Gear                                  | 1941648 | FRG-130T  |
| 1983-87                    | V8 5.2L 318 CI | w/122 Tooth Gear (I.D. 11.190")                   | 2121196 | FRG-122T  |
| <b>IMPERIAL</b>            |                |   |         |           |
| 1951-55                    | V8 5.4L 331 CI | w/146 Tooth Gear                                  | 1138903 | FRG-146XF |
| 1957-58                    | V8 6.4L 392 CI | w/131 Tooth Gear (I.D. 12.160")                   | 1941648 | FRG-130T  |
| 1957-58                    | V8 6.4L 392 CI | w/172 Tooth Gear                                  | 1673646 | FRG-172NC |
| 1959-65                    | V8 6.7L 413 CI | Exc. 4 Speed                                      | 1673646 | FRG-172NC |
| 1959-65                    | V8 6.8L 413 CI | Exc. 4 Speed                                      | 1673646 | FRG-172NC |
| 1959-65                    | V8 6.7L 413 CI | w/131 Tooth Gear, w/131 Tooth Gear (I.D. 12.160") | 1941648 | FRG-130T  |
| 1959-65                    | V8 6.8L 413 CI | w/131 Tooth Gear, w/131 Tooth Gear (I.D. 12.160") | 1941648 | FRG-130T  |
| 1974-75                    | V8 7.2L 440 CI | w/131 Tooth Gear (I.D. 12.160")                   | 1941648 | FRG-130T  |
| 1981-83                    | V8 5.2L 318 CI | w/131 Tooth Gear                                  | 1941648 | FRG-130T  |
| 1981-83                    | V8 5.2L 318 CI | w/122 Tooth Gear (I.D. 11.190")                   | 2121196 | FRG-122T  |
| 1981-83                    | V8 5.2L 318 CI | w/130 Tooth Gear (I.D. 11.190")                   | 3515203 | FRG-130C  |
| <b>LASER</b>               |                |   |         |           |
| 1984-85                    | L4 2.2L 135 CI | w/139 Tooth Gear; .272" Width                     | 4348276 | FRG-139CH |
| <b>LEBARON</b>             |                |   |         |           |
| 1977-81                    | V8 5.2L 318 CI | w/131 Tooth Gear                                  | 1941648 | FRG-130T  |
| 1977-81                    | V8 5.2L 318 CI | w/130 Tooth Gear (I.D. 11.190")                   | 3515203 | FRG-130C  |
| 1977-81                    | V8 5.2L 318 CI | w/122 Tooth Gear (I.D. 11.190")                   | 2121196 | FRG-122T  |
| 1978-79                    | V8 5.9L 360 CI | w/122 Tooth Gear (I.D. 11.190")                   | 2121196 | FRG-122T  |
| 1978-79                    | V8 5.9L 360 CI | w/130 Tooth Gear (I.D. 11.190")                   | 3515203 | FRG-130C  |
| 1978-81                    | L6 3.7L 225 CI | w/122 Tooth Gear (I.D. 11.190")                   | 2121196 | FRG-122T  |
| 1984-88                    | L4 2.2L 135 CI | w/139 Tooth Gear; .272" Width                     | 4348276 | FRG-139CH |
| 1985                       | L4 2.6L 156 CI | w/139 Tooth Gear; .272" Width                     | 4348276 | FRG-139CH |
| <b>NASSAU</b>              |                |   |         |           |
| 1956                       | V8 5.4L 331 CI | w/146 Tooth Gear                                  | 1138903 | FRG-146XF |
| <b>NEW YORKER</b>          |                |   |         |           |
| 1951-55                    | V8 5.4L 331 CI | w/146 Tooth Gear                                  | 1138903 | FRG-146XF |
| 1957-58                    | V8 6.4L 392 CI | w/131 Tooth Gear (I.D. 12.160")                   | 1941648 | FRG-130T  |
| 1957-58                    | V8 6.4L 392 CI | w/172 Tooth Gear                                  | 1673646 | FRG-172NC |
| 1959-65                    | V8 6.7L 413 CI | Exc. 4 Speed                                      | 1673646 | FRG-172NC |
| 1959-65                    | V8 6.7L 413 CI | w/131 Tooth Gear, w/131 Tooth Gear (I.D. 12.160") | 1941648 | FRG-130T  |

# RING GEAR APPLICATIONS

| Years             | Engine         | Remarks  | OE      | Pioneer # |
|-------------------|----------------|--|---------|-----------|
| <b>CHRYSLER</b>   |                |  |         |           |
| <b>NEW YORKER</b> |                |  |         |           |
| 1974-76           | V8 7.2L 440 CI | w/131 Tooth Gear (I.D. 12.160")                      | 1941648 | FRG-130T  |
| 1975-78           | V8 6.6L 400 CI | w/130 Tooth Gear (I.D. 11.190")                      | 3515203 | FRG-130C  |
| 1975-76           | V8 6.6L 400 CI | w/131 Tooth Gear (I.D. 12.160")                      | 1941648 | FRG-130T  |
| 1977-78           | V8 7.2L 440 CI | w/130 Tooth Gear (I.D. 11.190")                      | 3515203 | FRG-130C  |
| 1978-80           | V8 5.9L 360 CI | w/130 Tooth Gear (I.D. 11.190")                      | 3515203 | FRG-130C  |
| 1978-80           | V8 5.9L 360 CI | w/122 Tooth Gear (I.D. 11.190")                      | 2121196 | FRG-122T  |
| 1979-82           | V8 5.2L 318 CI | w/130 Tooth Gear (I.D. 11.190")                      | 3515203 | FRG-130C  |
| 1979-82           | V8 5.2L 318 CI | w/122 Tooth Gear (I.D. 11.190")                      | 2121196 | FRG-122T  |
| 1979-82           | V8 5.2L 318 CI | w/131 Tooth Gear                                     | 1941648 | FRG-130T  |
| 1982              | L6 3.7L 225 CI | w/122 Tooth Gear (I.D. 11.190")                      | 2121196 | FRG-122T  |
| 1983-85           | L4 2.6L 156 CI | w/139 Tooth Gear; .272" Width                        | 4348276 | FRG-139CH |
| 1984-87           | L4 2.2L 135 CI | w/139 Tooth Gear; .272" Width                        | 4348276 | FRG-139CH |
| <b>NEWPORT</b>    |                |  |         |           |
| 1951-56           | V8 5.4L 331 CI | w/146 Tooth Gear                                     | 1138903 | FRG-146XF |
| 1957-58           | V8 6.4L 392 CI | w/172 Tooth Gear                                     | 1673646 | FRG-172NC |
| 1957-58           | V8 6.4L 392 CI | w/131 Tooth Gear (I.D. 12.160")                      | 1941648 | FRG-130T  |
| 1959-60           | V8 6.7L 413 CI | w/131 Tooth Gear (I.D. 12.160"), w/131<br>Tooth Gear | 1941648 | FRG-130T  |
| 1962-64           | V8 6.7L 413 CI | w/131 Tooth Gear (I.D. 12.160"), w/131<br>Tooth Gear | 1941648 | FRG-130T  |
| 1959-60           | V8 6.7L 413 CI | Exc. 4 Speed   | 1673646 | FRG-172NC |
| 1962-64           | V8 6.7L 413 CI | Exc. 4 Speed   | 1673646 | FRG-172NC |
| 1968-71           | V8 6.3L 383 CI | w/131 Tooth Gear (I.D. 12.160")                      | 1941648 | FRG-130T  |
| 1968-71           | V8 6.3L 384 CI | w/131 Tooth Gear (I.D. 12.160")                      | 1941648 | FRG-130T  |
| 1974-80           | V8 5.9L 360 CI | w/122 Tooth Gear (I.D. 11.190")                      | 2121196 | FRG-122T  |
| 1974-76           | V8 5.9L 360 CI | w/131 Tooth Gear (I.D. 12.160")                      | 1941648 | FRG-130T  |
| 1974-76           | V8 6.6L 400 CI | w/131 Tooth Gear (I.D. 12.160")                      | 1941648 | FRG-130T  |
| 1974-76           | V8 7.2L 440 CI | w/131 Tooth Gear (I.D. 12.160")                      | 1941648 | FRG-130T  |
| 1974-78           | V8 6.6L 400 CI | w/130 Tooth Gear (I.D. 11.190")                      | 3515203 | FRG-130C  |
| 1974-80           | V8 5.9L 360 CI | w/130 Tooth Gear (I.D. 11.190")                      | 3515203 | FRG-130C  |
| 1977-78           | V8 7.2L 440 CI | w/130 Tooth Gear (I.D. 11.190")                      | 3515203 | FRG-130C  |
| 1979-81           | V8 5.2L 318 CI | w/131 Tooth Gear                                     | 1941648 | FRG-130T  |
| 1979-81           | V8 5.2L 318 CI | w/122 Tooth Gear (I.D. 11.190")                      | 2121196 | FRG-122T  |
| 1979-81           | V8 5.2L 318 CI | w/130 Tooth Gear (I.D. 11.190")                      | 3515203 | FRG-130C  |
| 1979-81           | L6 3.7L 225 CI | w/122 Tooth Gear (I.D. 11.190")                      | 2121196 | FRG-122T  |
| <b>SARATOGA</b>   |                |  |         |           |
| 1951-52           | V8 5.4L 331 CI | w/146 Tooth Gear                                     | 1138903 | FRG-146XF |
| 1957-58           | V8 5.8L 354 CI | w/131 Tooth Gear (I.D. 12.160")                      | 1941648 | FRG-130T  |
| 1957-58           | V8 5.8L 354 CI | w/172 Tooth Gear                                     | 1673646 | FRG-172NC |
| <b>ST REGIS</b>   |                |  |         |           |
| 1955              | V8 5.4L 331 CI | w/146 Tooth Gear                                     | 1138903 | FRG-146XF |

# RING GEAR APPLICATIONS

| Years                     | Engine         | Remarks   | OE      | Pioneer # |
|---------------------------|----------------|---|---------|-----------|
| <b>CHRYSLER</b>           |                |   |         |           |
| <b>TOWN &amp; COUNTRY</b> |                |   |         |           |
| 1951-56                   | V8 5.4L 331 CI | w/146 Tooth Gear                                  | 1138903 | FRG-146XF |
| 1957-58                   | V8 5.8L 354 CI | w/131 Tooth Gear (I.D. 12.160")                   | 1941648 | FRG-130T  |
| 1957-58                   | V8 5.8L 354 CI | w/172 Tooth Gear                                  | 1673646 | FRG-172NC |
| 1957-58                   | V8 6.4L 392 CI | w/131 Tooth Gear (I.D. 12.160")                   | 1941648 | FRG-130T  |
| 1957-58                   | V8 6.4L 392 CI | w/172 Tooth Gear                                  | 1673646 | FRG-172NC |
| 1959-65                   | V8 6.7L 413 CI | Exc. 4 Speed                                      | 1673646 | FRG-172NC |
| 1959-65                   | V8 6.7L 413 CI | w/131 Tooth Gear, w/131 Tooth Gear (I.D. 12.160") | 1941648 | FRG-130T  |
| 1968-71                   | V8 6.3L 383 CI | w/131 Tooth Gear (I.D. 12.160")                   | 1941648 | FRG-130T  |
| 1968-71                   | V8 6.3L 384 CI | w/131 Tooth Gear (I.D. 12.160")                   | 1941648 | FRG-130T  |
| 1974-76                   | V8 7.2L 440 CI | w/131 Tooth Gear (I.D. 12.160")                   | 1941648 | FRG-130T  |
| 1975-76                   | V8 6.6L 400 CI | w/131 Tooth Gear (I.D. 12.160")                   | 1941648 | FRG-130T  |
| 1975-77                   | V8 6.6L 400 CI | w/130 Tooth Gear (I.D. 11.190")                   | 3515203 | FRG-130C  |
| 1977                      | V8 7.2L 440 CI | w/130 Tooth Gear (I.D. 11.190")                   | 3515203 | FRG-130C  |
| 1978-79                   | V8 5.9L 360 CI | w/130 Tooth Gear (I.D. 11.190")                   | 3515203 | FRG-130C  |
| 1978-79                   | V8 5.9L 360 CI | w/122 Tooth Gear (I.D. 11.190")                   | 2121196 | FRG-122T  |
| 1978-81                   | V8 5.2L 318 CI | w/131 Tooth Gear                                  | 1941648 | FRG-130T  |
| 1978-81                   | V8 5.2L 318 CI | w/130 Tooth Gear (I.D. 11.190")                   | 3515203 | FRG-130C  |
| 1978-81                   | V8 5.2L 318 CI | w/122 Tooth Gear (I.D. 11.190")                   | 2121196 | FRG-122T  |
| 1978-81                   | L6 3.7L 225 CI | w/122 Tooth Gear (I.D. 11.190")                   | 2121196 | FRG-122T  |
| 1985                      | L4 2.6L 156 CI | w/139 Tooth Gear; .272" Width                     | 4348276 | FRG-139CH |
| 1984-88                   | L4 2.2L 135 CI | w/139 Tooth Gear; .272" Width                     | 4348276 | FRG-139CH |
| <b>WINDSOR</b>            |                |   |         |           |
| 1956                      | V8 5.4L 331 CI | w/146 Tooth Gear                                  | 1138903 | FRG-146XF |
| 1957-58                   | V8 5.8L 354 CI | w/172 Tooth Gear                                  | 1673646 | FRG-172NC |
| 1957-58                   | V8 5.8L 354 CI | w/131 Tooth Gear (I.D. 12.160")                   | 1941648 | FRG-130T  |
| <b>DODGE</b>              |                |   |         |           |
| <b>330</b>                |                |   |         |           |
| 1963-64                   | V8 5.2L 318 CI | exc. Hi-Perf. Engine; w/172 Tooth Gear            | 1673646 | FRG-172NC |
| 1963-64                   | V8 5.2L 318 CI | w/Hi-Perf. Engine; w/131 Tooth Gear               | 1941648 | FRG-130T  |
| 1963-64                   | V8 7.0L 426 CI | w/Hi-Perf. Engine; w/131 Tooth Gear               | 1941648 | FRG-130T  |
| 1963-64                   | V8 7.0L 426 CI | exc. Hi-Perf. Engine; w/172 Tooth Gear            | 1673646 | FRG-172NC |
| <b>440</b>                |                |   |         |           |
| 1963-64                   | V8 5.2L 318 CI | exc. Hi-Perf. Engine; w/172 Tooth Gear            | 1673646 | FRG-172NC |
| 1963-64                   | V8 5.2L 318 CI | w/Hi-Perf. Engine; w/131 Tooth Gear               | 1941648 | FRG-130T  |
| 1963-64                   | V8 7.0L 426 CI | exc. Hi-Perf. Engine; w/172 Tooth Gear            | 1673646 | FRG-172NC |
| 1963-64                   | V8 7.0L 426 CI | w/Hi-Perf. Engine; w/131 Tooth Gear               | 1941648 | FRG-130T  |
| <b>600</b>                |                |   |         |           |
| 1984-85                   | L4 2.2L 135 CI | w/139 Tooth Gear; .272" Width                     | 4348276 | FRG-139CH |
| 1985                      | L4 2.6L 156 CI | w/139 Tooth Gear; .272" Width                     | 4348276 | FRG-139CH |

# RING GEAR APPLICATIONS

| Years             | Engine         | Remarks   | OE      | Pioneer # |
|-------------------|----------------|---|---------|-----------|
| <b>DODGE</b>      |                |   |         |           |
| <b>880</b>        |                |   |         |           |
| 1963              | V8 6.7L 413 CI | w/Hi-Perf. Engine; w/131 Tooth Gear   | 1941648 | FRG-130T  |
| 1963              | V8 6.7L 413 CI | exc. Hi-Perf. Engine; w/172 Tooth Gear  | 1673646 | FRG-172NC |
| 1963              | V8 6.8L 413 CI | w/Hi-Perf. Engine; w/131 Tooth Gear   | 1941648 | FRG-130T  |
| 1963              | V8 6.8L 413 CI | exc. Hi-Perf. Engine; w/172 Tooth Gear  | 1673646 | FRG-172NC |
| 1963-64           | V8 5.9L 361 CI | exc. Hi-Perf. Engine; w/172 Tooth Gear  | 1673646 | FRG-172NC |
| 1963-64           | V8 5.9L 361 CI | w/Hi-Perf. Engine; w/131 Tooth Gear   | 1941648 | FRG-130T  |
| <b>A100 TRUCK</b> |                |   |         |           |
| 1964-70           | L6 3.7L 225 CI | w/Hi-Perf. Engine; w/131 Tooth Gear,<br>w/131 Tooth Gear (I.D. 12.160")             | 1941648 | FRG-130T  |
| 1964-67           | V8 4.5L 273 CI | w/131 Tooth Gear (I.D. 12.160"), w/131<br>Tooth Gear                                | 1941648 | FRG-130T  |
| 1964-68           | L6 3.7L 225 CI | w/172 Tooth Gear  | 1673646 | FRG-172NC |
| 1964-69           | L6 2.8L 170 CI | w/9-1/4" or 10" Clutch; w/122 Tooth Gear  | 2121196 | FRG-122T  |
| 1964-65           | V8 4.5L 273 CI | w/122 Tooth Gear (I.D. 11.190"), w/122<br>Tooth Gear                                | 2121196 | FRG-122T  |
| 1967              | V8 4.5L 273 CI | w/122 Tooth Gear (I.D. 11.190"), w/122<br>Tooth Gear                                | 2121196 | FRG-122T  |
| 1967-68           | V8 5.2L 318 CI | w/172 Tooth Gear  | 1673646 | FRG-172NC |
| 1967-70           | V8 5.2L 318 CI | w/131 Tooth Gear (I.D. 12.160"), w/131<br>Tooth Gear                                | 1941648 | FRG-130T  |
| 1968-70           | V8 5.2L 318 CI | w/122 Tooth Gear (I.D. 11.190")   | 2121196 | FRG-122T  |
| 1964-65           | L6 2.8L 170 CI | Light Duty Engine; w/131 Teeth Gear,<br>w/Hi-Perf. Engine; w/131 Tooth Gear         | 1941648 | FRG-130T  |
| 1969              | L6 2.8L 170 CI | Light Duty Engine; w/131 Teeth Gear,<br>w/Hi-Perf. Engine; w/131 Tooth Gear         | 1941648 | FRG-130T  |
| 1970              | L6 3.2L 198 CI | Light Duty Engine; w/131 Teeth Gear   | 1941648 | FRG-130T  |
| 1970              | L6 3.2L 198 CI | w/122 Tooth Gear (I.D. 11.190")   | 2121196 | FRG-122T  |
| 1964-70           | L6 3.7L 225 CI | exc. Hi-Perf. Engine; w/122 Tooth Gear,<br>w/9-1/4" or 10" Clutch; w/122 Tooth Gear | 2121196 | FRG-122T  |
| <b>ARIES</b>      |                |   |         |           |
| 1981-82           | L4 2.2L 135 CI | w/139 Tooth Gear; .331" Width   | 5222789 | FRG-139A  |
| 1982-89           | L4 2.2L 135 CI | w/139 Tooth Gear; .272" Width   | 4348276 | FRG-139CH |
| 1983-85           | L4 2.6L 156 CI | w/139 Tooth Gear; .272" Width   | 4348276 | FRG-139CH |
| <b>ASPEN</b>      |                |   |         |           |
| 1976-80           | V8 5.2L 318 CI | w/131 Tooth Gear (I.D. 12.160"), w/131<br>Tooth Gear                                | 1941648 | FRG-130T  |
| 1976              | V8 5.9L 360 CI | w/131 Tooth Gear (I.D. 12.160")   | 1941648 | FRG-130T  |
| 1976-80           | V8 5.2L 318 CI | w/122 Tooth Gear (I.D. 11.190")   | 2121196 | FRG-122T  |
| 1976-80           | V8 5.2L 318 CI | w/130 Tooth Gear (I.D. 11.190")   | 3515203 | FRG-130C  |
| 1976-80           | V8 5.9L 360 CI | w/130 Tooth Gear (I.D. 11.190")   | 3515203 | FRG-130C  |

# RING GEAR APPLICATIONS

| Years             | Engine         | Remarks   | OE      | Pioneer # |
|-------------------|----------------|---|---------|-----------|
| <b>DODGE</b>      |                |   |         |           |
| <b>ASPEN</b>      |                |   |         |           |
| 1976-80           | V8 5.9L 360 CI | w/122 Tooth Gear (I.D. 11.190")                   | 2121196 | FRG-122T  |
| 1978-80           | L6 3.7L 225 CI | w/11" Clutch; w/143 Tooth Gear                    | 2843214 | FRG-143N  |
| <b>CHALLENGER</b> |                |   |         |           |
| 1970-72           | L6 3.7L 225 CI | exc. Hi-Perf. Engine; w/122 Tooth Gear            | 2121196 | FRG-122T  |
| 1970-71           | L6 3.2L 198 CI | w/122 Tooth Gear (I.D. 11.190")                   | 2121196 | FRG-122T  |
| 1970-71           | L6 3.2L 199 CI | w/122 Tooth Gear (I.D. 11.190")                   | 2121196 | FRG-122T  |
| 1970-71           | V8 6.3L 383 CI | w/131 Tooth Gear (I.D. 12.160")                   | 1941648 | FRG-130T  |
| 1970-71           | V8 6.3L 384 CI | w/131 Tooth Gear (I.D. 12.160")                   | 1941648 | FRG-130T  |
| 1970-71           | V8 7.0L 426 CI | exc. Hi-Perf. Engine; w/131 Tooth Gear            | 1941648 | FRG-130T  |
| 1970-71           | V8 7.2L 440 CI | exc. Hi-Perf. Engine; w/131 Tooth Gear            | 1941648 | FRG-130T  |
| 1970-74           | V8 5.2L 318 CI | w/131 Tooth Gear (I.D. 12.160"), w/131 Tooth Gear | 1941648 | FRG-130T  |
| 1970-74           | V8 5.2L 318 CI | w/122 Tooth Gear (I.D. 11.190")                   | 2121196 | FRG-122T  |
| 1970-73           | V8 5.6L 340 CI | w/131 Tooth Gear (I.D. 12.160")                   | 1941648 | FRG-130T  |
| 1974              | V8 5.2L 318 CI | w/130 Tooth Gear (I.D. 11.190")                   | 3515203 | FRG-130C  |
| 1974              | V8 5.9L 360 CI | w/131 Tooth Gear (I.D. 12.160")                   | 1941648 | FRG-130T  |
| 1974              | V8 5.9L 360 CI | w/122 Tooth Gear (I.D. 11.190")                   | 2121196 | FRG-122T  |
| 1974              | V8 5.9L 360 CI | w/130 Tooth Gear (I.D. 11.190")                   | 3515203 | FRG-130C  |
| <b>CHARGER</b>    |                |   |         |           |
| 1967-68           | V8 6.3L 383 CI | w/143 Tooth Gear                                  | 2843214 | FRG-143N  |
| 1967-68           | V8 6.3L 384 CI | w/143 Tooth Gear                                  | 2843214 | FRG-143N  |
| 1967-71           | V8 6.3L 383 CI | w/131 Tooth Gear (I.D. 12.160")                   | 1941648 | FRG-130T  |
| 1967-71           | V8 6.3L 384 CI | w/131 Tooth Gear (I.D. 12.160")                   | 1941648 | FRG-130T  |
| 1967-71           | V8 7.0L 426 CI | exc. Hi-Perf. Engine; w/131 Tooth Gear            | 1941648 | FRG-130T  |
| 1967-78           | V8 5.2L 318 CI | w/122 Tooth Gear (I.D. 11.190")                   | 2121196 | FRG-122T  |
| 1967-78           | V8 5.2L 318 CI | w/131 Tooth Gear (I.D. 12.160")                   | 1941648 | FRG-130T  |
| 1968-74           | V8 7.2L 440 CI | exc. Hi-Perf. Engine; w/131 Tooth Gear            | 1941648 | FRG-130T  |
| 1968-74           | L6 3.7L 225 CI | exc. Hi-Perf. Engine; w/122 Tooth Gear            | 2121196 | FRG-122T  |
| 1971-73           | V8 5.6L 340 CI | w/131 Tooth Gear (I.D. 12.160")                   | 1941648 | FRG-130T  |
| 1972-78           | V8 6.6L 400 CI | w/122 Tooth Gear (I.D. 11.190")                   | 2121196 | FRG-122T  |
| 1974              | L6 3.7L 225 CI | w/Heavy Duty; w/131 Tooth Gear                    | 1941648 | FRG-130T  |
| 1974-78           | V8 5.9L 360 CI | w/122 Tooth Gear (I.D. 11.190")                   | 2121196 | FRG-122T  |
| 1974-76           | V8 5.9L 360 CI | w/131 Tooth Gear (I.D. 12.160")                   | 1941648 | FRG-130T  |
| 1974-78           | V8 5.9L 360 CI | w/130 Tooth Gear (I.D. 11.190")                   | 3515203 | FRG-130C  |
| 1974-76           | V8 6.6L 400 CI | w/131 Tooth Gear (I.D. 12.160")                   | 1941648 | FRG-130T  |
| 1974-78           | V8 5.2L 318 CI | w/130 Tooth Gear (I.D. 11.190")                   | 3515203 | FRG-130C  |
| 1972-78           | V8 6.6L 400 CI | w/130 Tooth Gear (I.D. 11.190")                   | 3515203 | FRG-130C  |
| 1984              | L4 1.6L 97 CI  | w/121 Tooth Gear                                  | 4202950 | FRG-121G  |
| 1983-87           | L4 2.2L 135 CI | w/139 Tooth Gear; .272" Width                     | 4348276 | FRG-139CH |
| <b>CONQUEST</b>   |                |   |         |           |
| 1985-86           | L4 2.6L 156 CI | w/139 Tooth Gear; .272" Width                     | 4348276 | FRG-139CH |

# RING GEAR APPLICATIONS

| Years          | Engine         | Remarks  | OE      | Pioneer # |
|----------------|----------------|--|---------|-----------|
| <b>DODGE</b>   |                |  |         |           |
| <b>CORONET</b> |                |  |         |           |
| 1955-56        | V8 4.4L 270 CI | w/146 Tooth Gear   | 1138903 | FRG-146XF |
| 1958-59        | V8 5.9L 361 CI | exc. Hi-Perf. Engine; w/172 Tooth Gear   | 1673646 | FRG-172NC |
| 1967-68        | V8 4.5L 273 CI | w/122 Tooth Gear (I.D. 11.190")  | 2121196 | FRG-122T  |
| 1967           | V8 7.0L 426 CI | w/Hi-Perf. Engine; w/172 Tooth Gear  | 1673646 | FRG-172NC |
| 1967-68        | V8 4.5L 273 CI | w/131 Tooth Gear   | 1941648 | FRG-130T  |
| 1965-70        | V8 7.0L 426 CI | exc. Hi-Perf. Engine; w/131 Tooth Gear,<br>w/Hi-Perf. Engine; w/131 Tooth Gear | 1941648 | FRG-130T  |
| 1968           | V8 6.3L 383 CI | w/143 Tooth Gear   | 2843214 | FRG-143N  |
| 1968           | V8 6.3L 384 CI | w/143 Tooth Gear   | 2843214 | FRG-143N  |
| 1968-71        | V8 6.3L 383 CI | w/131 Tooth Gear (I.D. 12.160")  | 1941648 | FRG-130T  |
| 1968-71        | V8 6.3L 384 CI | w/131 Tooth Gear (I.D. 12.160")  | 1941648 | FRG-130T  |
| 1968-75        | L6 3.7L 225 CI | exc. Hi-Perf. Engine; w/122 Tooth Gear   | 2121196 | FRG-122T  |
| 1968-76        | V8 5.2L 318 CI | w/131 Tooth Gear (I.D. 12.160")  | 1941648 | FRG-130T  |
| 1972-73        | V8 5.6L 340 CI | w/131 Tooth Gear (I.D. 12.160")  | 1941648 | FRG-130T  |
| 1968-70        | V8 7.2L 440 CI | exc. Hi-Perf. Engine; w/131 Tooth Gear   | 1941648 | FRG-130T  |
| 1973           | V8 7.2L 440 CI | exc. Hi-Perf. Engine; w/131 Tooth Gear   | 1941648 | FRG-130T  |
| 1973-76        | V8 5.9L 360 CI | w/122 Tooth Gear (I.D. 11.190")  | 2121196 | FRG-122T  |
| 1974-75        | L6 3.7L 225 CI | w/Heavy Duty; w/131 Tooth Gear   | 1941648 | FRG-130T  |
| 1974-76        | V8 5.2L 318 CI | w/130 Tooth Gear (I.D. 11.190")  | 3515203 | FRG-130C  |
| 1968-76        | V8 5.2L 318 CI | w/122 Tooth Gear (I.D. 11.190")  | 2121196 | FRG-122T  |
| 1974-76        | V8 5.9L 360 CI | w/130 Tooth Gear (I.D. 11.190")  | 3515203 | FRG-130C  |
| 1974-76        | V8 6.6L 400 CI | w/130 Tooth Gear (I.D. 11.190")  | 3515203 | FRG-130C  |
| 1974-76        | V8 7.2L 440 CI | w/130 Tooth Gear (I.D. 11.190")  | 3515203 | FRG-130C  |
| 1974-76        | V8 6.6L 400 CI | w/122 Tooth Gear (I.D. 11.190")  | 2121196 | FRG-122T  |
| 1973-76        | V8 5.9L 360 CI | w/131 Tooth Gear (I.D. 12.160")  | 1941648 | FRG-130T  |
| 1974-76        | V8 6.6L 400 CI | w/131 Tooth Gear (I.D. 12.160")  | 1941648 | FRG-130T  |
| <b>CUSTOM</b>  |                |  |         |           |
| 1955-56        | V8 4.4L 270 CI | w/146 Tooth Gear   | 1138903 | FRG-146XF |
| 1958-61        | V8 5.9L 361 CI | exc. Hi-Perf. Engine; w/172 Tooth Gear   | 1673646 | FRG-172NC |
| <b>DART</b>    |                |  |         |           |
| 1960-61        | L6 3.7L 225 CI | w/148 Tooth Gear   | 2121195 | FRG-148NC |
| 1960-62        | V8 5.2L 318 CI | exc. Hi-Perf. Engine; w/172 Tooth Gear   | 1673646 | FRG-172NC |
| 1960-62        | V8 5.9L 361 CI | exc. Hi-Perf. Engine; w/172 Tooth Gear   | 1673646 | FRG-172NC |
| 1961           | L6 2.8L 170 CI | w/148 Tooth Gear   | 2121195 | FRG-148NC |
| 1962           | V8 5.9L 361 CI | w/Hi-Perf. Engine; w/131 Tooth Gear  | 1941648 | FRG-130T  |
| 1962           | V8 6.7L 413 CI | w/Hi-Perf. Engine; w/131 Tooth Gear  | 1941648 | FRG-130T  |
| 1962           | V8 6.7L 413 CI | exc. Hi-Perf. Engine; w/172 Tooth Gear   | 1673646 | FRG-172NC |
| 1962           | V8 6.8L 413 CI | exc. Hi-Perf. Engine; w/172 Tooth Gear   | 1673646 | FRG-172NC |
| 1962           | V8 6.8L 413 CI | w/Hi-Perf. Engine; w/131 Tooth Gear  | 1941648 | FRG-130T  |
| 1962-74        | L6 3.7L 225 CI | exc. Hi-Perf. Engine; w/122 Tooth Gear   | 2121196 | FRG-122T  |



# RING GEAR APPLICATIONS

| Years           | Engine         | Remarks   | OE      | Pioneer # |
|-----------------|----------------|---|---------|-----------|
| <b>DODGE</b>    |                |   |         |           |
| <b>DART</b>     |                |   |         |           |
| 1963-65         | L6 2.8L 170 CI | w/Hi-Perf. Engine; w/131 Tooth Gear                                     | 1941648 | FRG-130T  |
| 1963-69         | L6 2.8L 170 CI | exc. Hi-Perf. Engine; w/122 Tooth Gear                                  | 2121196 | FRG-122T  |
| 1967-68         | V8 4.5L 273 CI | w/122 Tooth Gear (I.D. 11.190")   | 2121196 | FRG-122T  |
| 1967-68         | V8 4.5L 273 CI | w/131 Tooth Gear  | 1941648 | FRG-130T  |
| 1968            | V8 6.3L 383 CI | w/143 Tooth Gear  | 2843214 | FRG-143N  |
| 1968            | V8 6.3L 384 CI | w/143 Tooth Gear  | 2843214 | FRG-143N  |
| 1968-69         | V8 6.3L 383 CI | w/131 Tooth Gear (I.D. 12.160")   | 1941648 | FRG-130T  |
| 1968-69         | V8 6.3L 384 CI | w/131 Tooth Gear (I.D. 12.160")   | 1941648 | FRG-130T  |
| 1968-76         | V8 5.2L 318 CI | w/122 Tooth Gear (I.D. 11.190")   | 2121196 | FRG-122T  |
| 1968-73         | V8 5.6L 340 CI | w/131 Tooth Gear (I.D. 12.160")   | 1941648 | FRG-130T  |
| 1962            | V8 5.2L 318 CI | w/131 Tooth Gear (I.D. 12.160"),<br>w/Hi-Perf. Engine; w/131 Tooth Gear | 1941648 | FRG-130T  |
| 1968-76         | V8 5.2L 318 CI | w/131 Tooth Gear (I.D. 12.160"),<br>w/Hi-Perf. Engine; w/131 Tooth Gear | 1941648 | FRG-130T  |
| 1970-74         | L6 3.2L 198 CI | w/122 Tooth Gear (I.D. 11.190")   | 2121196 | FRG-122T  |
| 1970-74         | L6 3.2L 199 CI | w/122 Tooth Gear (I.D. 11.190")   | 2121196 | FRG-122T  |
| 1962-65         | L6 3.7L 225 CI | w/Heavy Duty; w/131 Tooth Gear  | 1941648 | FRG-130T  |
| 1974-75         | L6 3.7L 225 CI | w/Heavy Duty; w/131 Tooth Gear  | 1941648 | FRG-130T  |
| 1974-76         | V8 5.2L 318 CI | w/130 Tooth Gear (I.D. 11.190")   | 3515203 | FRG-130C  |
| 1974-76         | V8 5.9L 360 CI | w/130 Tooth Gear (I.D. 11.190")   | 3515203 | FRG-130C  |
| 1974-76         | V8 5.9L 360 CI | w/131 Tooth Gear (I.D. 12.160")   | 1941648 | FRG-130T  |
| 1974-76         | V8 5.9L 360 CI | w/122 Tooth Gear (I.D. 11.190")   | 2121196 | FRG-122T  |
| <b>DAYTONA</b>  |                |   |         |           |
| 1984-86         | L4 2.2L 135 CI | w/139 Tooth Gear; .272" Width   | 4348276 | FRG-139CH |
| <b>DIPLOMAT</b> |                |   |         |           |
| 1977-81         | V8 5.2L 318 CI | w/131 Tooth Gear  | 1941648 | FRG-130T  |
| 1977-89         | V8 5.2L 318 CI | w/122 Tooth Gear (I.D. 11.190")   | 2121196 | FRG-122T  |
| 1978-79         | V8 5.9L 360 CI | w/130 Tooth Gear (I.D. 11.190")   | 3515203 | FRG-130C  |
| 1978-79         | V8 5.9L 360 CI | w/122 Tooth Gear (I.D. 11.190")   | 2121196 | FRG-122T  |
| 1978-83         | L6 3.7L 225 CI | w/11" Clutch; w/143 Tooth Gear  | 2843214 | FRG-143N  |
| 1977-83         | V8 5.2L 318 CI | w/130 Tooth Gear (I.D. 11.190")   | 3515203 | FRG-130C  |
| <b>LANCER</b>   |                |   |         |           |
| 1961            | L6 3.7L 225 CI | w/148 Tooth Gear  | 2121195 | FRG-148NC |
| 1962            | L6 2.8L 170 CI | w/Hi-Perf. Engine; w/131 Tooth Gear                                     | 1941648 | FRG-130T  |
| 1962            | L6 2.8L 170 CI | exc. Hi-Perf. Engine; w/122 Tooth Gear                                  | 2121196 | FRG-122T  |
| 1962            | L6 3.7L 225 CI | w/Hi-Perf. Engine; w/131 Tooth Gear                                     | 1941648 | FRG-130T  |
| 1962            | L6 3.7L 225 CI | exc. Hi-Perf. Engine; w/122 Tooth Gear                                  | 2121196 | FRG-122T  |
| 1985-89         | L4 2.2L 135 CI | w/139 Tooth Gear; .272" Width   | 4348276 | FRG-139CH |
| <b>MAGNUM</b>   |                |   |         |           |
| 1978            | V8 6.6L 400 CI | w/130 Tooth Gear (I.D. 11.190")   | 3515203 | FRG-130C  |

# RING GEAR APPLICATIONS

| Years          | Engine         | Remarks  | OE      | Pioneer # |
|----------------|----------------|--|---------|-----------|
| <b>DODGE</b>   |                |  |         |           |
| <b>MAGNUM</b>  |                |  |         |           |
| 1978           | V8 6.6L 400 CI | w/122 Tooth Gear (I.D. 11.190")  | 2121196 | FRG-122T  |
| 1978-79        | V8 5.2L 318 CI | w/122 Tooth Gear (I.D. 11.190")  | 2121196 | FRG-122T  |
| 1978-79        | V8 5.2L 318 CI | w/131 Tooth Gear   | 1941648 | FRG-130T  |
| 1978-79        | V8 5.2L 318 CI | w/130 Tooth Gear (I.D. 11.190")  | 3515203 | FRG-130C  |
| 1978-79        | V8 5.9L 360 CI | w/130 Tooth Gear (I.D. 11.190")  | 3515203 | FRG-130C  |
| 1978-79        | V8 5.9L 360 CI | w/122 Tooth Gear (I.D. 11.190")  | 2121196 | FRG-122T  |
| <b>MATADOR</b> |                |  |         |           |
| 1960           | V8 5.2L 318 CI | exc. Hi-Perf. Engine; w/172 Tooth Gear   | 1673646 | FRG-172NC |
| 1960           | V8 5.9L 361 CI | exc. Hi-Perf. Engine; w/172 Tooth Gear   | 1673646 | FRG-172NC |
| <b>MIRADA</b>  |                |  |         |           |
| 1980           | V8 5.9L 360 CI | w/122 Tooth Gear (I.D. 11.190")  | 2121196 | FRG-122T  |
| 1980           | V8 5.9L 360 CI | w/130 Tooth Gear (I.D. 11.190")  | 3515203 | FRG-130C  |
| 1980-81        | V8 5.2L 318 CI | w/131 Tooth Gear   | 1941648 | FRG-130T  |
| 1980-83        | V8 5.2L 318 CI | w/130 Tooth Gear (I.D. 11.190")  | 3515203 | FRG-130C  |
| 1980-83        | V8 5.2L 318 CI | w/122 Tooth Gear (I.D. 11.190")  | 2121196 | FRG-122T  |
| 1980-83        | L6 3.7L 225 CI | w/11" Clutch; w/143 Tooth Gear   | 2843214 | FRG-143N  |
| <b>MONACO</b>  |                |  |         |           |
| 1965           | V8 6.7L 413 CI | w/Hi-Perf. Engine; w/131 Tooth Gear  | 1941648 | FRG-130T  |
| 1965           | V8 7.0L 426 CI | w/Hi-Perf. Engine; w/131 Tooth Gear  | 1941648 | FRG-130T  |
| 1967           | V8 7.2L 440 CI | w/Hi-Perf. Engine; w/143 Tooth Gear  | 2843214 | FRG-143N  |
| 1968           | V8 6.3L 383 CI | w/143 Tooth Gear   | 2843214 | FRG-143N  |
| 1968           | V8 6.3L 384 CI | w/143 Tooth Gear   | 2843214 | FRG-143N  |
| 1968-70        | V8 5.2L 318 CI | w/131 Tooth Gear (I.D. 12.160"), w/131<br>Tooth Gear   | 1941648 | FRG-130T  |
| 1975-78        | V8 5.2L 318 CI | w/131 Tooth Gear (I.D. 12.160"), w/131<br>Tooth Gear   | 1941648 | FRG-130T  |
| 1968-71        | V8 6.3L 383 CI | w/131 Tooth Gear (I.D. 12.160")  | 1941648 | FRG-130T  |
| 1968-71        | V8 6.3L 384 CI | w/131 Tooth Gear (I.D. 12.160")  | 1941648 | FRG-130T  |
| 1971-76        | V8 5.9L 360 CI | w/131 Tooth Gear (I.D. 12.160")  | 1941648 | FRG-130T  |
| 1971-78        | V8 5.9L 360 CI | w/122 Tooth Gear (I.D. 11.190")  | 2121196 | FRG-122T  |
| 1974-78        | V8 5.9L 360 CI | w/130 Tooth Gear (I.D. 11.190")  | 3515203 | FRG-130C  |
| 1974-78        | V8 6.6L 400 CI | w/122 Tooth Gear (I.D. 11.190")  | 2121196 | FRG-122T  |
| 1974-76        | V8 6.6L 400 CI | w/131 Tooth Gear (I.D. 12.160")  | 1941648 | FRG-130T  |
| 1966-76        | V8 7.2L 440 CI | w/131 Tooth Gear (I.D. 12.160"), exc.<br>Hi-Perf. Engine; w/131 Tooth Gear,<br>w/Hi-Perf. Engine; w/131 Tooth Gear | 1941648 | FRG-130T  |
| 1975-78        | V8 5.2L 318 CI | w/130 Tooth Gear (I.D. 11.190")  | 3515203 | FRG-130C  |
| 1968-70        | V8 5.2L 318 CI | w/122 Tooth Gear (I.D. 11.190")  | 2121196 | FRG-122T  |
| 1975-78        | V8 5.2L 318 CI | w/122 Tooth Gear (I.D. 11.190")  | 2121196 | FRG-122T  |
| 1974-78        | V8 6.6L 400 CI | w/130 Tooth Gear (I.D. 11.190")  | 3515203 | FRG-130C  |

# RING GEAR APPLICATIONS

| Years               | Engine         | Remarks  | OE      | Pioneer # |
|---------------------|----------------|--|---------|-----------|
| <b>DODGE</b>        |                |  |         |           |
| <b>MONACO</b>       |                |  |         |           |
| 1977-78             | V8 7.2L 440 CI | w/130 Tooth Gear (I.D. 11.190")  | 3515203 | FRG-130C  |
| 1978                | L6 3.7L 225 CI | w/11" Clutch; w/143 Tooth Gear   | 2843214 | FRG-143N  |
| <b>OMNI</b>         |                |  |         |           |
| 1978-83             | L4 1.7L 105 CI | w/125 Teeth Gear   | 5240159 | FRG-125A  |
| 1981-82             | L4 2.2L 135 CI | w/139 Tooth Gear; .331" Width  | 5222789 | FRG-139A  |
| 1981-83             | L4 1.7L 105 CI | w/131 Teeth Gear   | 5206000 | FRG-133CH |
| 1983-85             | L4 1.6L 97 CI  | w/121 Tooth Gear   | 4202950 | FRG-121G  |
| 1983-87             | L4 2.2L 135 CI | w/139 Tooth Gear; .272" Width  | 4348276 | FRG-139CH |
| 1986                | L4 1.6L 97 CI  | w/139 Tooth Gear; .272" Width  | 4348276 | FRG-139CH |
| <b>POLARA</b>       |                |  |         |           |
| 1960-62             | V8 5.9L 361 CI | exc. Hi-Perf. Engine; w/172 Tooth Gear   | 1673646 | FRG-172NC |
| 1962                | V8 5.9L 361 CI | w/Hi-Perf. Engine; w/131 Tooth Gear  | 1941648 | FRG-130T  |
| 1962                | V8 6.7L 413 CI | exc. Hi-Perf. Engine; w/172 Tooth Gear   | 1673646 | FRG-172NC |
| 1963-64             | L6 3.7L 225 CI | w/Hi-Perf. Engine; w/131 Tooth Gear  | 1941648 | FRG-130T  |
| 1960-61             | V8 5.2L 318 CI | exc. Hi-Perf. Engine; w/172 Tooth Gear   | 1673646 | FRG-172NC |
| 1963-64             | V8 5.2L 318 CI | exc. Hi-Perf. Engine; w/172 Tooth Gear   | 1673646 | FRG-172NC |
| 1964                | L6 2.8L 170 CI | exc. Hi-Perf. Engine; w/122 Tooth Gear   | 2121196 | FRG-122T  |
| 1964                | L6 2.8L 170 CI | w/Hi-Perf. Engine; w/131 Tooth Gear  | 1941648 | FRG-130T  |
| 1964                | V8 7.0L 426 CI | exc. Hi-Perf. Engine; w/172 Tooth Gear   | 1673646 | FRG-172NC |
| 1964-65             | V8 7.0L 426 CI | w/Hi-Perf. Engine; w/131 Tooth Gear  | 1941648 | FRG-130T  |
| 1962                | V8 6.7L 413 CI | w/Hi-Perf. Engine; w/131 Tooth Gear  | 1941648 | FRG-130T  |
| 1965                | V8 6.7L 413 CI | w/Hi-Perf. Engine; w/131 Tooth Gear  | 1941648 | FRG-130T  |
| 1967                | V8 7.2L 440 CI | w/Hi-Perf. Engine; w/143 Tooth Gear  | 2843214 | FRG-143N  |
| 1968                | V8 6.3L 383 CI | w/143 Tooth Gear   | 2843214 | FRG-143N  |
| 1968                | V8 6.3L 384 CI | w/143 Tooth Gear   | 2843214 | FRG-143N  |
| 1968-71             | V8 6.3L 383 CI | w/131 Tooth Gear (I.D. 12.160")  | 1941648 | FRG-130T  |
| 1968-71             | V8 6.3L 384 CI | w/131 Tooth Gear (I.D. 12.160")  | 1941648 | FRG-130T  |
| 1968-73             | V8 5.2L 318 CI | w/122 Tooth Gear (I.D. 11.190")  | 2121196 | FRG-122T  |
| 1963-73             | V8 5.2L 318 CI | w/131 Tooth Gear (I.D. 12.160"), w/131 Tooth Gear, w/Hi-Perf. Engine; w/131 Tooth Gear | 1941648 | FRG-130T  |
| 1966-73             | V8 7.2L 440 CI | exc. Hi-Perf. Engine; w/131 Tooth Gear, w/Hi-Perf. Engine; w/131 Tooth Gear            | 1941648 | FRG-130T  |
| 1963-64             | L6 3.7L 225 CI | exc. Hi-Perf. Engine; w/122 Tooth Gear   | 2121196 | FRG-122T  |
| 1970-71             | L6 3.7L 225 CI | exc. Hi-Perf. Engine; w/122 Tooth Gear   | 2121196 | FRG-122T  |
| 1971-73             | V8 5.9L 360 CI | w/131 Tooth Gear (I.D. 12.160")  | 1941648 | FRG-130T  |
| 1971-73             | V8 5.9L 360 CI | w/122 Tooth Gear (I.D. 11.190")  | 2121196 | FRG-122T  |
| <b>ROYAL MONACO</b> |                |  |         |           |
| 1975                | V8 5.2L 318 CI | w/131 Tooth Gear (I.D. 12.160"), w/131 Tooth Gear                                      | 1941648 | FRG-130T  |

# RING GEAR APPLICATIONS

| Years               | Engine         | Remarks   | OE      | Pioneer # |
|---------------------|----------------|---|---------|-----------|
| <b>DODGE</b>        |                |   |         |           |
| <b>ROYAL MONACO</b> |                |   |         |           |
| 1977                | V8 5.2L 318 CI | w/131 Tooth Gear (I.D. 12.160"), w/131 Tooth Gear   | 1941648 | FRG-130T  |
| 1975-77             | V8 6.6L 400 CI | w/130 Tooth Gear (I.D. 11.190")   | 3515203 | FRG-130C  |
| 1975-76             | V8 5.9L 360 CI | w/131 Tooth Gear (I.D. 12.160")   | 1941648 | FRG-130T  |
| 1975-77             | V8 5.9L 360 CI | w/122 Tooth Gear (I.D. 11.190")   | 2121196 | FRG-122T  |
| 1975-77             | V8 5.9L 360 CI | w/130 Tooth Gear (I.D. 11.190")   | 3515203 | FRG-130C  |
| 1975-77             | V8 7.2L 440 CI | w/130 Tooth Gear (I.D. 11.190")   | 3515203 | FRG-130C  |
| 1975-76             | V8 6.6L 400 CI | w/131 Tooth Gear (I.D. 12.160")   | 1941648 | FRG-130T  |
| 1975-77             | V8 6.6L 400 CI | w/122 Tooth Gear (I.D. 11.190")   | 2121196 | FRG-122T  |
| 1975                | V8 5.2L 318 CI | w/130 Tooth Gear (I.D. 11.190")   | 3515203 | FRG-130C  |
| 1977                | V8 5.2L 318 CI | w/130 Tooth Gear (I.D. 11.190")   | 3515203 | FRG-130C  |
| 1975                | V8 5.2L 318 CI | w/122 Tooth Gear (I.D. 11.190")   | 2121196 | FRG-122T  |
| 1977                | V8 5.2L 318 CI | w/122 Tooth Gear (I.D. 11.190")   | 2121196 | FRG-122T  |
| <b>ST. REGIS</b>    |                |   |         |           |
| 1979-80             | V8 5.9L 360 CI | w/130 Tooth Gear (I.D. 11.190")   | 3515203 | FRG-130C  |
| 1979-80             | V8 5.9L 360 CI | w/122 Tooth Gear (I.D. 11.190")   | 2121196 | FRG-122T  |
| 1979-81             | V8 5.2L 318 CI | w/131 Tooth Gear  | 1941648 | FRG-130T  |
| 1979-81             | V8 5.2L 318 CI | w/122 Tooth Gear (I.D. 11.190")   | 2121196 | FRG-122T  |
| 1979-81             | V8 5.2L 318 CI | w/130 Tooth Gear (I.D. 11.190")   | 3515203 | FRG-130C  |
| 1979-81             | L6 3.7L 225 CI | w/11" Clutch; w/143 Tooth Gear  | 2843214 | FRG-143N  |
| <b>DODGE TRUCK</b>  |                |   |         |           |
| <b>A100</b>         |                |   |         |           |
| 1964-65             | L6 2.8L 170 CI | w/Hi-Perf. Engine; w/131 Tooth Gear   | 1941648 | FRG-130T  |
| 1964-66             | L6 3.7L 225 CI | w/Hi-Perf. Engine; w/131 Tooth Gear, w/131 Tooth Gear (I.D. 12.160")                                  | 1941648 | FRG-130T  |
| 1964-65             | V8 4.5L 273 CI | w/122 Tooth Gear  | 2121196 | FRG-122T  |
| 1964-66             | L6 2.8L 170 CI | w/9-1/4" or 10" Clutch; w/122 Tooth Gear  | 2121196 | FRG-122T  |
| 1964-66             | L6 3.7L 225 CI | w/172 Tooth Gear  | 1673646 | FRG-172NC |
| 1964-66             | L6 3.7L 225 CI | w/9-1/4" or 10" Clutch; w/122 Tooth Gear  | 2121196 | FRG-122T  |
| 1964-66             | V8 4.5L 273 CI | w/131 Tooth Gear (I.D. 12.160")   | 1941648 | FRG-130T  |
| 1970                | V8 5.2L 318 CI | w/131 Tooth Gear (I.D. 12.160")   | 1941648 | FRG-130T  |
| 1970                | V8 5.2L 318 CI | w/122 Tooth Gear (I.D. 11.190")   | 2121196 | FRG-122T  |
| <b>B100</b>         |                |   |         |           |
| 1975-77             | L6 3.7L 225 CI | w/131 Tooth Gear (I.D. 12.160")   | 1941648 | FRG-130T  |
| 1975-80             | L6 3.7L 225 CI | w/11" or 12" Clutch exc. Conventional Cab Series #5; w/143 Tooth Gear, w/11" Clutch; w/143 Tooth Gear | 2843214 | FRG-143N  |
| 1975-77             | L6 3.7L 225 CI | Conventional Cab Series No. 5; w/Manual Trans.; 12" Dia. Clutch; w/158 Teeth Gear                     | 3732638 | FRG-158A  |

# RING GEAR APPLICATIONS

| Years              | Engine         | Remarks   | OE      | Pioneer # |
|--------------------|----------------|---|---------|-----------|
| <b>DODGE TRUCK</b> |                |   |         |           |
| <b>B100</b>        |                |   |         |           |
| 1975-77            | V8 5.2L 318 CI | Medium Duty w/13" Inside Dia. Clutch;<br>w/158 Teeth Gear                               | 3732638 | FRG-158A  |
| 1975-80            | V8 5.2L 318 CI | w/131 Tooth Gear (I.D. 12.160")   | 1941648 | FRG-130T  |
| 1975-80            | V8 5.2L 318 CI | w/130 Tooth Gear (I.D. 11.190")   | 3515203 | FRG-130C  |
| 1975-80            | V8 5.2L 318 CI | w/122 Tooth Gear (I.D. 11.190")   | 2121196 | FRG-122T  |
| 1976               | V8 5.9L 360 CI | w/131 Tooth Gear (I.D. 12.160")   | 1941648 | FRG-130T  |
| 1976-77            | V8 5.9L 360 CI | w/186 Tooth Gear  | 1733880 | FRG-186T  |
| 1976-77            | V8 5.9L 360 CI | w/13" Clutch; w/158 Teeth Gear  | 3732638 | FRG-158A  |
| 1976-78            | V8 5.9L 360 CI | w/11" Clutch; w/143 Tooth Gear  | 2843214 | FRG-143N  |
| 1976-78            | V8 5.9L 360 CI | w/130 Tooth Gear (I.D. 11.190")   | 3515203 | FRG-130C  |
| 1976-78            | V8 5.9L 360 CI | w/122 Tooth Gear (I.D. 11.190")   | 2121196 | FRG-122T  |
| 1978-80            | L6 3.7L 225 CI | w/122 Tooth Gear; w/9 1/4" or 10" Clutch  | 2121196 | FRG-122T  |
| 1978-80            | L6 3.7L 225 CI | w/130 Tooth Gear  | 3515203 | FRG-130C  |
| 1978-80            | V8 5.2L 318 CI | w/11" Clutch; w/143 Tooth Gear  | 2843214 | FRG-143N  |
| <b>B100 VAN</b>    |                |   |         |           |
| 1971               | L6 3.2L 198 CI | w/122 Tooth Gear (I.D. 11.190")   | 2121196 | FRG-122T  |
| 1971               | L6 3.2L 198 CI | Light Duty Engine; w/131 Teeth Gear   | 1941648 | FRG-130T  |
| 1971               | L6 3.2L 199 CI | Light Duty Engine; w/131 Teeth Gear   | 1941648 | FRG-130T  |
| 1971               | L6 3.2L 199 CI | w/122 Tooth Gear (I.D. 11.190")   | 2121196 | FRG-122T  |
| 1971-74            | L6 3.7L 225 CI | exc. Hi-Perf. Engine; w/122 Tooth Gear  | 2121196 | FRG-122T  |
| 1971-74            | V8 5.2L 318 CI | w/122 Tooth Gear (I.D. 11.190")   | 2121196 | FRG-122T  |
| 1971-73            | V8 5.9L 360 CI | w/13" Clutch; w/186 Tooth Gear  | 1733880 | FRG-186T  |
| 1971-74            | V8 5.2L 318 CI | w/131 Tooth Gear (I.D. 12.160")   | 1941648 | FRG-130T  |
| 1971-74            | V8 5.9L 360 CI | w/122 Tooth Gear (I.D. 11.190")   | 2121196 | FRG-122T  |
| 1971-74            | L6 3.7L 225 CI | w/Heavy Duty; w/131 Tooth Gear  | 1941648 | FRG-130T  |
| 1974               | L6 3.7L 225 CI | Conventional Cab Series No. 5; w/Manual<br>Trans.; 12" Dia. Clutch; w/158 Teeth<br>Gear | 3732638 | FRG-158A  |
| 1974               | L6 3.7L 225 CI | w/11" or 12" Clutch exc. Conventional<br>Cab Series #5; w/143 Tooth Gear                | 2843214 | FRG-143N  |
| 1974               | V8 5.2L 318 CI | Medium Duty w/13" Inside Dia. Clutch;<br>w/158 Teeth Gear                               | 3732638 | FRG-158A  |
| 1974               | V8 5.2L 318 CI | w/130 Tooth Gear (I.D. 11.190")   | 3515203 | FRG-130C  |
| 1971-74            | V8 5.9L 360 CI | w/131 Tooth Gear, w/131 Tooth Gear (I.D.<br>12.160")                                    | 1941648 | FRG-130T  |
| 1974               | V8 5.9L 360 CI | w/11" Clutch; w/143 Tooth Gear  | 2843214 | FRG-143N  |
| 1974               | V8 5.9L 360 CI | w/130 Tooth Gear (I.D. 11.190")   | 3515203 | FRG-130C  |
| 1974               | V8 5.9L 360 CI | w/13" Clutch; w/158 Teeth Gear  | 3732638 | FRG-158A  |
| 1974               | V8 7.2L 440 CI | w/131 Tooth Gear (I.D. 12.160")   | 1941648 | FRG-130T  |
| 1974               | V8 7.2L 440 CI | w/130 Tooth Gear (I.D. 11.190")   | 3515203 | FRG-130C  |

# RING GEAR APPLICATIONS

| Years              | Engine         | Remarks   | OE      | Pioneer # |
|--------------------|----------------|---|---------|-----------|
| <b>DODGE TRUCK</b> |                |   |         |           |
| <b>B150</b>        |                |   |         |           |
| 1981-90            | V8 5.2L 318 CI | w/131 Tooth Gear, w/10-1/2" Clutch;<br>w/131 Teeth Gear   | 1941648 | FRG-130T  |
| 1981-83            | L6 3.7L 225 CI | w/11" Clutch; w/143 Tooth Gear  | 2843214 | FRG-143N  |
| 1981-83            | L6 3.7L 225 CI | w/130 Tooth Gear  | 3515203 | FRG-130C  |
| 1981-87            | L6 3.7L 225 CI | w/122 Tooth Gear; w/9 1/4" or 10" Clutch  | 2121196 | FRG-122T  |
| 1981-89            | V8 5.2L 318 CI | w/11" Clutch; w/143 Tooth Gear  | 2843214 | FRG-143N  |
| 1981-90            | V8 5.2L 318 CI | w/130 Tooth Gear, w/130 Tooth Gear (I.D.<br>11.190")  | 3515203 | FRG-130C  |
| 1984-87            | L6 3.7L 225 CI | w/131 Teeth Gear, w/11" Clutch; w/131<br>Teeth Gear   | 4295218 | FRG-131CH |
| 1981-91            | V8 5.2L 318 CI | w/122 Tooth Gear, w/122 Tooth Gear (I.D.<br>11.190")  | 2121196 | FRG-122T  |
| 1988-93            | V6 3.9L 238 CI | w/122 Tooth Gear  | 2121196 | FRG-122T  |
| <b>B200</b>        |                |   |         |           |
| 1975-77            | L6 3.7L 225 CI | Conventional Cab Series No. 5; w/Manual<br>Trans.; 12" Dia. Clutch; w/158 Teeth<br>Gear                     | 3732638 | FRG-158A  |
| 1975-77            | L6 3.7L 225 CI | w/131 Tooth Gear (I.D. 12.160")   | 1941648 | FRG-130T  |
| 1975-77            | V8 5.2L 318 CI | Medium Duty w/13" Inside Dia. Clutch;<br>w/158 Teeth Gear   | 3732638 | FRG-158A  |
| 1975-77            | V8 5.9L 360 CI | w/186 Tooth Gear  | 1733880 | FRG-186T  |
| 1975-77            | V8 5.9L 360 CI | w/131 Tooth Gear (I.D. 12.160")   | 1941648 | FRG-130T  |
| 1975-77            | V8 5.9L 360 CI | w/13" Clutch; w/158 Teeth Gear  | 3732638 | FRG-158A  |
| 1975-77            | V8 7.2L 440 CI | w/131 Tooth Gear (I.D. 12.160")   | 1941648 | FRG-130T  |
| 1975-78            | V8 7.2L 440 CI | w/130 Tooth Gear (I.D. 11.190")   | 3515203 | FRG-130C  |
| 1975-80            | V8 5.2L 318 CI | w/122 Tooth Gear (I.D. 11.190")   | 2121196 | FRG-122T  |
| 1975-80            | V8 5.2L 318 CI | w/130 Tooth Gear (I.D. 11.190")   | 3515203 | FRG-130C  |
| 1975-80            | V8 5.2L 318 CI | w/131 Tooth Gear (I.D. 12.160")   | 1941648 | FRG-130T  |
| 1975-80            | V8 5.9L 360 CI | w/130 Tooth Gear (I.D. 11.190")   | 3515203 | FRG-130C  |
| 1975-80            | V8 5.9L 360 CI | w/122 Tooth Gear (I.D. 11.190")   | 2121196 | FRG-122T  |
| 1975-80            | V8 5.9L 360 CI | w/11" Clutch; w/143 Tooth Gear  | 2843214 | FRG-143N  |
| 1976-78            | V8 6.6L 400 CI | w/131 Tooth Gear (I.D. 12.160")   | 1941648 | FRG-130T  |
| 1976-78            | V8 6.6L 400 CI | w/130 Tooth Gear (I.D. 11.190")   | 3515203 | FRG-130C  |
| 1976-78            | V8 6.6L 400 CI | w/122 Tooth Gear; w/9 1/4" or 10" Clutch  | 2121196 | FRG-122T  |
| 1978               | V8 6.6L 400 CI | w/12" Clutch; w/143 Tooth Gear  | 2843214 | FRG-143N  |
| 1978-80            | V8 5.2L 318 CI | w/11" Clutch; w/143 Tooth Gear  | 2843214 | FRG-143N  |
| 1975-78            | L6 3.7L 225 CI | w/11" Clutch; w/143 Tooth Gear, w/11" or<br>12" Clutch exc. Conventional Cab Series<br>#5; w/143 Tooth Gear | 2843214 | FRG-143N  |
| 1980               | L6 3.7L 225 CI | w/11" Clutch; w/143 Tooth Gear, w/11" or<br>12" Clutch exc. Conventional Cab Series<br>#5; w/143 Tooth Gear | 2843214 | FRG-143N  |

# RING GEAR APPLICATIONS

| Years              | Engine         | Remarks   | OE      | Pioneer # |
|--------------------|----------------|---|---------|-----------|
| <b>DODGE TRUCK</b> |                |   |         |           |
| <b>B200</b>        |                |   |         |           |
| 1978               | L6 3.7L 225 CI | w/130 Tooth Gear  | 3515203 | FRG-130C  |
| 1980               | L6 3.7L 225 CI | w/130 Tooth Gear  | 3515203 | FRG-130C  |
| 1977-78            | L6 3.7L 225 CI | w/122 Tooth Gear; w/9 1/4" or 10" Clutch  | 2121196 | FRG-122T  |
| 1980               | L6 3.7L 225 CI | w/122 Tooth Gear; w/9 1/4" or 10" Clutch  | 2121196 | FRG-122T  |
| <b>B200 VAN</b>    |                |   |         |           |
| 1971               | L6 3.2L 198 CI | w/122 Tooth Gear (I.D. 11.190")   | 2121196 | FRG-122T  |
| 1971               | L6 3.2L 198 CI | w/131 Tooth Gear (I.D. 12.160")   | 1941648 | FRG-130T  |
| 1971               | L6 3.2L 199 CI | w/131 Tooth Gear (I.D. 12.160")   | 1941648 | FRG-130T  |
| 1971               | L6 3.2L 199 CI | w/122 Tooth Gear (I.D. 11.190")   | 2121196 | FRG-122T  |
| 1971-74            | L6 3.7L 225 CI | exc. Hi-Perf. Engine; w/122 Tooth Gear  | 2121196 | FRG-122T  |
| 1971-74            | L6 3.7L 225 CI | w/131 Tooth Gear (I.D. 12.160")   | 1941648 | FRG-130T  |
| 1971               | V8 6.6L 400 CI | w/143 Tooth Gear  | 2843214 | FRG-143N  |
| 1971-74            | V8 5.2L 318 CI | w/122 Tooth Gear (I.D. 11.190")   | 2121196 | FRG-122T  |
| 1971-73            | V8 5.9L 360 CI | w/13" Clutch; w/186 Tooth Gear  | 1733880 | FRG-186T  |
| 1971-74            | V8 5.2L 318 CI | w/131 Tooth Gear (I.D. 12.160")   | 1941648 | FRG-130T  |
| 1971-74            | V8 5.9L 360 CI | w/122 Tooth Gear (I.D. 11.190")   | 2121196 | FRG-122T  |
| 1971-74            | V8 5.9L 360 CI | w/131 Tooth Gear (I.D. 12.160")   | 1941648 | FRG-130T  |
| 1974               | L6 3.7L 225 CI | Conventional Cab Series No. 5; w/Manual Trans.; 12" Dia. Clutch; w/158 Teeth Gear | 3732638 | FRG-158A  |
| 1974               | L6 3.7L 225 CI | w/11" or 12" Clutch exc. Conventional Cab Series #5; w/143 Tooth Gear             | 2843214 | FRG-143N  |
| 1974               | V8 5.2L 318 CI | w/130 Tooth Gear (I.D. 11.190")   | 3515203 | FRG-130C  |
| 1974               | V8 5.2L 318 CI | Medium Duty w/13" Inside Dia. Clutch; w/158 Teeth Gear                            | 3732638 | FRG-158A  |
| 1974               | V8 5.9L 360 CI | w/13" Clutch; w/158 Teeth Gear  | 3732638 | FRG-158A  |
| 1974               | V8 5.9L 360 CI | w/130 Tooth Gear (I.D. 11.190")   | 3515203 | FRG-130C  |
| 1974               | V8 5.9L 360 CI | w/11" Clutch; w/143 Tooth Gear  | 2843214 | FRG-143N  |
| 1974               | V8 6.6L 400 CI | w/130 Tooth Gear (I.D. 11.190")   | 3515203 | FRG-130C  |
| 1974               | V8 6.6L 400 CI | w/122 Tooth Gear; w/9 1/4" or 10" Clutch  | 2121196 | FRG-122T  |
| 1971               | V8 6.6L 400 CI | w/131 Tooth Gear (I.D. 12.160")   | 1941648 | FRG-130T  |
| 1974               | V8 6.6L 400 CI | w/131 Tooth Gear (I.D. 12.160")   | 1941648 | FRG-130T  |
| 1974               | V8 7.2L 440 CI | w/131 Tooth Gear (I.D. 12.160")   | 1941648 | FRG-130T  |
| 1974               | V8 7.2L 440 CI | w/130 Tooth Gear (I.D. 11.190")   | 3515203 | FRG-130C  |
| <b>B250</b>        |                |   |         |           |
| 1981-90            | V8 5.2L 318 CI | w/131 Tooth Gear, w/10-1/2" Clutch; w/131 Teeth Gear                              | 1941648 | FRG-130T  |
| 1981-83            | L6 3.7L 225 CI | w/11" Clutch; w/143 Tooth Gear  | 2843214 | FRG-143N  |
| 1981-83            | L6 3.7L 225 CI | w/130 Tooth Gear  | 3515203 | FRG-130C  |
| 1981-87            | L6 3.7L 225 CI | w/122 Tooth Gear; w/9 1/4" or 10" Clutch  | 2121196 | FRG-122T  |

# RING GEAR APPLICATIONS

| Years              | Engine         | Remarks   | OE      | Pioneer # |
|--------------------|----------------|---|---------|-----------|
| <b>DODGE TRUCK</b> |                |   |         |           |
| <b>B250</b>        |                |   |         |           |
| 1981-89            | V8 5.2L 318 CI | w/11" Clutch; w/143 Tooth Gear  | 2843214 | FRG-143N  |
| 1981-90            | V8 5.2L 318 CI | w/130 Tooth Gear, w/130 Tooth Gear (I.D. 11.190")   | 3515203 | FRG-130C  |
| 1984-85            | L6 3.7L 225 CI | w/11" Clutch; w/131 Teeth Gear  | 4295218 | FRG-131CH |
| 1981               | V8 5.9L 360 CI | w/11" Clutch; w/143 Tooth Gear  | 2843214 | FRG-143N  |
| 1984-94            | V8 5.9L 360 CI | w/11" Clutch; w/143 Tooth Gear  | 2843214 | FRG-143N  |
| 1981               | V8 5.9L 360 CI | w/130 Tooth Gear (I.D. 11.190")   | 3515203 | FRG-130C  |
| 1984-94            | V8 5.9L 360 CI | w/130 Tooth Gear (I.D. 11.190")   | 3515203 | FRG-130C  |
| 1981-91            | V8 5.2L 318 CI | w/122 Tooth Gear, w/122 Tooth Gear (I.D. 11.190")   | 2121196 | FRG-122T  |
| 1988-93            | V6 3.9L 238 CI | w/122 Tooth Gear  | 2121196 | FRG-122T  |
| <b>B300</b>        |                |   |         |           |
| 1975-76            | V8 5.9L 360 CI | w/131 Tooth Gear (I.D. 12.160")   | 1941648 | FRG-130T  |
| 1975-77            | L6 3.7L 225 CI | w/131 Tooth Gear (I.D. 12.160")   | 1941648 | FRG-130T  |
| 1975-79            | L6 3.7L 225 CI | w/11" or 12" Clutch exc. Conventional Cab Series #5; w/143 Tooth Gear, w/11" Clutch; w/143 Tooth Gear | 2843214 | FRG-143N  |
| 1975-77            | L6 3.7L 225 CI | Conventional Cab Series No. 5; w/Manual Trans.; 12" Dia. Clutch; w/158 Teeth Gear                     | 3732638 | FRG-158A  |
| 1975-77            | V8 5.2L 318 CI | Medium Duty w/13" Inside Dia. Clutch; w/158 Teeth Gear  | 3732638 | FRG-158A  |
| 1975-77            | V8 5.9L 360 CI | w/13" Clutch; w/158 Teeth Gear  | 3732638 | FRG-158A  |
| 1975-77            | V8 5.9L 360 CI | w/186 Tooth Gear  | 1733880 | FRG-186T  |
| 1975-77            | V8 7.2L 440 CI | w/131 Tooth Gear (I.D. 12.160")   | 1941648 | FRG-130T  |
| 1975-80            | V8 5.2L 318 CI | w/130 Tooth Gear (I.D. 11.190"), w/130 Tooth Gear   | 3515203 | FRG-130C  |
| 1975-78            | V8 7.2L 440 CI | w/130 Tooth Gear (I.D. 11.190")   | 3515203 | FRG-130C  |
| 1975-80            | V8 5.2L 318 CI | w/122 Tooth Gear (I.D. 11.190")   | 2121196 | FRG-122T  |
| 1975-80            | V8 5.2L 318 CI | w/131 Tooth Gear (I.D. 12.160")   | 1941648 | FRG-130T  |
| 1975-80            | V8 5.9L 360 CI | w/122 Tooth Gear (I.D. 11.190")   | 2121196 | FRG-122T  |
| 1975-80            | V8 5.9L 360 CI | w/11" Clutch; w/143 Tooth Gear  | 2843214 | FRG-143N  |
| 1975-80            | V8 5.9L 360 CI | w/130 Tooth Gear (I.D. 11.190")   | 3515203 | FRG-130C  |
| 1976-78            | V8 6.6L 400 CI | w/130 Tooth Gear (I.D. 11.190")   | 3515203 | FRG-130C  |
| 1976-78            | V8 6.6L 400 CI | w/131 Tooth Gear (I.D. 12.160")   | 1941648 | FRG-130T  |
| 1976-78            | V8 6.6L 400 CI | w/122 Tooth Gear; w/9 1/4" or 10" Clutch  | 2121196 | FRG-122T  |
| 1978               | V8 6.6L 400 CI | w/12" Clutch; w/143 Tooth Gear  | 2843214 | FRG-143N  |
| 1978-79            | L6 3.7L 225 CI | w/130 Tooth Gear  | 3515203 | FRG-130C  |
| 1978-79            | L6 3.7L 225 CI | w/122 Tooth Gear; w/9 1/4" or 10" Clutch  | 2121196 | FRG-122T  |
| 1978-80            | V8 5.2L 318 CI | w/11" Clutch; w/143 Tooth Gear  | 2843214 | FRG-143N  |



# RING GEAR APPLICATIONS

| Years              | Engine         | Remarks   | OE      | Pioneer # |
|--------------------|----------------|---|---------|-----------|
| <b>DODGE TRUCK</b> |                |   |         |           |
| <b>B300 VAN</b>    |                |   |         |           |
| 1971-73            | V8 5.9L 360 CI | w/13" Clutch; w/186 Tooth Gear  | 1733880 | FRG-186T  |
| 1971-74            | L6 3.7L 225 CI | exc. Hi-Perf. Engine; w/122 Tooth Gear  | 2121196 | FRG-122T  |
| 1971-74            | L6 3.7L 225 CI | w/131 Tooth Gear (I.D. 12.160")   | 1941648 | FRG-130T  |
| 1971-74            | V8 5.2L 318 CI | w/131 Tooth Gear (I.D. 12.160")   | 1941648 | FRG-130T  |
| 1971-74            | V8 5.9L 360 CI | w/131 Tooth Gear (I.D. 12.160"), w/131<br>Tooth Gear                                    | 1941648 | FRG-130T  |
| 1971-74            | V8 5.9L 360 CI | w/122 Tooth Gear (I.D. 11.190")   | 2121196 | FRG-122T  |
| 1974               | L6 3.7L 225 CI | w/11" or 12" Clutch exc. Conventional<br>Cab Series #5; w/143 Tooth Gear                | 2843214 | FRG-143N  |
| 1974               | L6 3.7L 225 CI | Conventional Cab Series No. 5; w/Manual<br>Trans.; 12" Dia. Clutch; w/158 Teeth<br>Gear | 3732638 | FRG-158A  |
| 1974               | V8 5.2L 318 CI | Medium Duty w/13" Inside Dia. Clutch;<br>w/158 Teeth Gear                               | 3732638 | FRG-158A  |
| 1971-74            | V8 5.2L 318 CI | w/122 Tooth Gear (I.D. 11.190")   | 2121196 | FRG-122T  |
| 1974               | V8 5.2L 318 CI | w/130 Tooth Gear (I.D. 11.190")   | 3515203 | FRG-130C  |
| 1974               | V8 5.9L 360 CI | w/11" Clutch; w/143 Tooth Gear  | 2843214 | FRG-143N  |
| 1974               | V8 5.9L 360 CI | w/130 Tooth Gear (I.D. 11.190")   | 3515203 | FRG-130C  |
| 1974               | V8 5.9L 360 CI | w/13" Clutch; w/158 Teeth Gear  | 3732638 | FRG-158A  |
| <b>B350</b>        |                |   |         |           |
| 1981-90            | V8 5.2L 318 CI | w/131 Tooth Gear, w/10-1/2" Clutch;<br>w/131 Teeth Gear                                 | 1941648 | FRG-130T  |
| 1981-89            | V8 5.2L 318 CI | w/130 Tooth Gear (I.D. 11.190"), w/130<br>Tooth Gear                                    | 3515203 | FRG-130C  |
| 1981-89            | V8 5.2L 318 CI | w/11" Clutch; w/143 Tooth Gear  | 2843214 | FRG-143N  |
| 1981-94            | V8 5.9L 360 CI | w/11" Clutch; w/143 Tooth Gear  | 2843214 | FRG-143N  |
| 1981-91            | V8 5.2L 318 CI | w/122 Tooth Gear, w/122 Tooth Gear (I.D.<br>11.190")                                    | 2121196 | FRG-122T  |
| 1981-94            | V8 5.9L 360 CI | w/130 Tooth Gear (I.D. 11.190")   | 3515203 | FRG-130C  |
| <b>CARAVAN</b>     |                |   |         |           |
| 1984-87            | L4 2.2L 135 CI | w/139 Tooth Gear; .272" Width   | 4348276 | FRG-139CH |
| 1984-87            | L4 2.6L 156 CI | w/139 Tooth Gear; .272" Width   | 4348276 | FRG-139CH |
| <b>CB300</b>       |                |   |         |           |
| 1974-75            | L6 3.7L 225 CI | w/Heavy Duty; w/131 Tooth Gear  | 1941648 | FRG-130T  |
| 1974               | L6 3.7L 225 CI | exc. Hi-Perf. Engine; w/122 Tooth Gear  | 2121196 | FRG-122T  |
| 1974-80            | V8 5.2L 318 CI | w/131 Tooth Gear, w/131 Tooth Gear (I.D.<br>12.160")                                    | 1941648 | FRG-130T  |
| 1974-80            | V8 5.2L 318 CI | w/130 Tooth Gear (I.D. 11.190")   | 3515203 | FRG-130C  |
| 1974-80            | V8 5.2L 318 CI | w/122 Tooth Gear (I.D. 11.190")   | 2121196 | FRG-122T  |
| 1974-76            | V8 5.9L 360 CI | w/131 Tooth Gear (I.D. 12.160")   | 1941648 | FRG-130T  |

# RING GEAR APPLICATIONS

| Years              | Engine         | Remarks   | OE      | Pioneer # |
|--------------------|----------------|---|---------|-----------|
| <b>DODGE TRUCK</b> |                |   |         |           |
| <b>CB300</b>       |                |   |         |           |
| 1974-80            | V8 5.9L 360 CI | w/130 Tooth Gear (I.D. 11.190")   | 3515203 | FRG-130C  |
| 1974-80            | V8 5.9L 360 CI | w/122 Tooth Gear (I.D. 11.190")   | 2121196 | FRG-122T  |
| 1976               | V8 6.6L 400 CI | w/131 Tooth Gear (I.D. 12.160")   | 1941648 | FRG-130T  |
| 1976-78            | V8 6.6L 400 CI | w/122 Tooth Gear (I.D. 11.190")   | 2121196 | FRG-122T  |
| 1976-78            | V8 6.6L 400 CI | w/130 Tooth Gear (I.D. 11.190")   | 3515203 | FRG-130C  |
| 1977-79            | V8 7.2L 440 CI | w/130 Tooth Gear (I.D. 11.190")   | 3515203 | FRG-130C  |
| 1978-79            | L6 3.7L 225 CI | w/11" Clutch; w/143 Tooth Gear  | 2843214 | FRG-143N  |
| <b>D100</b>        |                |   |         |           |
| 1975-77            | L6 3.7L 225 CI | w/Heavy Duty; w/131 Tooth Gear  | 1941648 | FRG-130T  |
| 1975-77            | V8 7.2L 440 CI | w/131 Tooth Gear (I.D. 12.160"), Motor Home; w/131 Tooth Gear   | 1941648 | FRG-130T  |
| 1975-79            | L6 3.7L 225 CI | w/9-1/4" or 10" Clutch; w/122 Tooth Gear, w/122 Tooth Gear; w/9 1/4" or 10" Clutch                    | 2121196 | FRG-122T  |
| 1986-87            | L6 3.7L 225 CI | w/9-1/4" or 10" Clutch; w/122 Tooth Gear, w/122 Tooth Gear; w/9 1/4" or 10" Clutch                    | 2121196 | FRG-122T  |
| 1975-76            | V8 5.9L 360 CI | w/131 Tooth Gear (I.D. 12.160")   | 1941648 | FRG-130T  |
| 1975-77            | L6 3.7L 225 CI | Conventional Cab Series No. 5; w/Manual Trans.; 12" Dia. Clutch; w/158 Teeth Gear                     | 3732638 | FRG-158A  |
| 1975-77            | V8 5.2L 318 CI | Medium Duty w/13" Inside Dia. Clutch; w/158 Teeth Gear  | 3732638 | FRG-158A  |
| 1975-77            | V8 5.9L 360 CI | w/186 Tooth Gear  | 1733880 | FRG-186T  |
| 1975-78            | V8 5.9L 360 CI | w/122 Tooth Gear (I.D. 11.190")   | 2121196 | FRG-122T  |
| 1975-78            | V8 7.2L 440 CI | w/130 Tooth Gear (I.D. 11.190")   | 3515203 | FRG-130C  |
| 1975-77            | V8 5.9L 360 CI | w/13" Clutch; w/158 Teeth Gear  | 3732638 | FRG-158A  |
| 1976-78            | V8 6.6L 400 CI | w/122 Tooth Gear (I.D. 11.190"), w/9-1/4" Clutch; w/122 Tooth Gear                                    | 2121196 | FRG-122T  |
| 1976-78            | V8 6.6L 400 CI | w/130 Tooth Gear (I.D. 11.190")   | 3515203 | FRG-130C  |
| 1976-78            | V8 6.6L 400 CI | w/131 Tooth Gear (I.D. 12.160")   | 1941648 | FRG-130T  |
| 1978               | V8 6.6L 400 CI | w/12" Clutch; w/143 Tooth Gear  | 2843214 | FRG-143N  |
| 1975-79            | L6 3.7L 225 CI | w/11" Clutch; w/143 Tooth Gear, w/11" or 12" Clutch exc. Conventional Cab Series #5; w/143 Tooth Gear | 2843214 | FRG-143N  |
| 1978-79            | L6 3.7L 225 CI | w/130 Tooth Gear  | 3515203 | FRG-130C  |
| 1975-79            | V8 5.2L 318 CI | w/131 Tooth Gear, w/10-1/2" Clutch; w/131 Teeth Gear, w/131 Tooth Gear (I.D. 12.160")                 | 1941648 | FRG-130T  |
| 1986-89            | V8 5.2L 318 CI | w/131 Tooth Gear, w/10-1/2" Clutch; w/131 Teeth Gear, w/131 Tooth Gear (I.D. 12.160")                 | 1941648 | FRG-130T  |

# RING GEAR APPLICATIONS

| Years              | Engine         | Remarks  | OE      | Pioneer # |
|--------------------|----------------|--|---------|-----------|
| <b>DODGE TRUCK</b> |                |  |         |           |
| <b>D100</b>        |                |  |         |           |
| 1986-87            | L6 3.7L 225 CI | w/131 Teeth Gear   | 4295218 | FRG-131CH |
| 1975-78            | V8 5.9L 360 CI | w/11" Clutch; w/143 Tooth Gear   | 2843214 | FRG-143N  |
| 1986-88            | V8 5.9L 360 CI | w/11" Clutch; w/143 Tooth Gear   | 2843214 | FRG-143N  |
| 1975-78            | V8 5.9L 360 CI | w/130 Tooth Gear (I.D. 11.190"), w/130 Tooth Gear                                | 3515203 | FRG-130C  |
| 1986-88            | V8 5.9L 360 CI | w/130 Tooth Gear (I.D. 11.190"), w/130 Tooth Gear                                | 3515203 | FRG-130C  |
| 1975-79            | V8 5.2L 318 CI | w/130 Tooth Gear, w/130 Tooth Gear (I.D. 11.190")                                | 3515203 | FRG-130C  |
| 1986-89            | V8 5.2L 318 CI | w/130 Tooth Gear, w/130 Tooth Gear (I.D. 11.190")                                | 3515203 | FRG-130C  |
| 1978-79            | V8 5.2L 318 CI | w/11" Clutch; w/143 Tooth Gear   | 2843214 | FRG-143N  |
| 1986-89            | V8 5.2L 318 CI | w/11" Clutch; w/143 Tooth Gear   | 2843214 | FRG-143N  |
| 1988-89            | V6 3.9L 238 CI | w/122 Tooth Gear   | 2121196 | FRG-122T  |
| 1975-79            | V8 5.2L 318 CI | w/122 Tooth Gear, w/122 Tooth Gear (I.D. 11.190")                                | 2121196 | FRG-122T  |
| 1986-89            | V8 5.2L 318 CI | w/122 Tooth Gear, w/122 Tooth Gear (I.D. 11.190")                                | 2121196 | FRG-122T  |
| <b>D100 PICKUP</b> |                |  |         |           |
| 1968               | L6 3.7L 225 CI | w/172 Tooth Gear   | 1673646 | FRG-172NC |
| 1968               | V8 5.2L 318 CI | w/172 Tooth Gear   | 1673646 | FRG-172NC |
| 1968-71            | V8 6.3L 383 CI | w/131 Tooth Gear (I.D. 12.160")  | 1941648 | FRG-130T  |
| 1968               | V8 6.3L 383 CI | w/143 Tooth Gear   | 2843214 | FRG-143N  |
| 1968               | V8 6.3L 383 CI | w/172 Tooth Gear   | 1673646 | FRG-172NC |
| 1968-71            | V8 6.3L 384 CI | w/131 Tooth Gear (I.D. 12.160")  | 1941648 | FRG-130T  |
| 1968               | V8 6.3L 384 CI | w/143 Tooth Gear   | 2843214 | FRG-143N  |
| 1968               | V8 6.3L 384 CI | w/172 Tooth Gear   | 1673646 | FRG-172NC |
| 1968-71            | V8 6.3L 383 CI | w/186 Tooth Gear   | 1733880 | FRG-186T  |
| 1968-71            | V8 6.3L 384 CI | w/186 Tooth Gear   | 1733880 | FRG-186T  |
| 1968-74            | L6 3.7L 225 CI | w/9-1/4" or 10" Clutch; w/122 Tooth Gear, exc. Hi-Perf. Engine; w/122 Tooth Gear | 2121196 | FRG-122T  |
| 1968-74            | V8 5.2L 318 CI | w/131 Tooth Gear (I.D. 12.160")  | 1941648 | FRG-130T  |
| 1970-71            | L6 3.2L 198 CI | Light Duty Engine; w/131 Teeth Gear  | 1941648 | FRG-130T  |
| 1970-71            | L6 3.2L 198 CI | w/122 Tooth Gear (I.D. 11.190")  | 2121196 | FRG-122T  |
| 1970-71            | L6 3.2L 199 CI | w/122 Tooth Gear (I.D. 11.190")  | 2121196 | FRG-122T  |
| 1970-71            | L6 3.2L 199 CI | Light Duty Engine; w/131 Teeth Gear  | 1941648 | FRG-130T  |
| 1971-73            | V8 5.9L 360 CI | w/13" Clutch; w/186 Tooth Gear   | 1733880 | FRG-186T  |
| 1971-73            | V8 6.6L 400 CI | w/143 Tooth Gear   | 2843214 | FRG-143N  |
| 1971-74            | V8 6.6L 400 CI | w/131 Tooth Gear (I.D. 12.160")  | 1941648 | FRG-130T  |

# RING GEAR APPLICATIONS

| Years              | Engine         | Remarks   | OE      | Pioneer # |
|--------------------|----------------|---|---------|-----------|
| <b>DODGE TRUCK</b> |                |   |         |           |
| <b>D100 PICKUP</b> |                |   |         |           |
| 1971-74            | V8 5.9L 360 CI | w/122 Tooth Gear (I.D. 11.190")   | 2121196 | FRG-122T  |
| 1973-74            | V8 7.2L 440 CI | exc. Hi-Perf. Engine; w/131 Tooth Gear, Motor Home; w/131 Tooth Gear, w/131 Tooth Gear (I.D. 12.160") | 1941648 | FRG-130T  |
| 1974               | L6 3.7L 225 CI | w/11" or 12" Clutch exc. Conventional Cab Series #5; w/143 Tooth Gear                                 | 2843214 | FRG-143N  |
| 1968-74            | L6 3.7L 225 CI | w/Heavy Duty; w/131 Tooth Gear  | 1941648 | FRG-130T  |
| 1974               | L6 3.7L 225 CI | Conventional Cab Series No. 5; w/Manual Trans.; 12" Dia. Clutch; w/158 Teeth Gear                     | 3732638 | FRG-158A  |
| 1974               | V8 5.2L 318 CI | Medium Duty w/13" Inside Dia. Clutch; w/158 Teeth Gear  | 3732638 | FRG-158A  |
| 1974               | V8 5.2L 318 CI | w/130 Tooth Gear (I.D. 11.190")   | 3515203 | FRG-130C  |
| 1968-74            | V8 5.2L 318 CI | w/122 Tooth Gear (I.D. 11.190")   | 2121196 | FRG-122T  |
| 1974               | V8 5.9L 360 CI | w/11" Clutch; w/143 Tooth Gear  | 2843214 | FRG-143N  |
| 1971-74            | V8 5.9L 360 CI | w/131 Tooth Gear, w/131 Tooth Gear (I.D. 12.160")   | 1941648 | FRG-130T  |
| 1974               | V8 5.9L 360 CI | w/13" Clutch; w/158 Teeth Gear  | 3732638 | FRG-158A  |
| 1974               | V8 5.9L 360 CI | w/130 Tooth Gear (I.D. 11.190")   | 3515203 | FRG-130C  |
| 1974               | V8 6.6L 400 CI | w/9-1/4" Clutch; w/122 Tooth Gear, w/122 Tooth Gear (I.D. 11.190")                                    | 2121196 | FRG-122T  |
| 1974               | V8 6.6L 400 CI | w/130 Tooth Gear (I.D. 11.190")   | 3515203 | FRG-130C  |
| 1974               | V8 7.2L 440 CI | w/130 Tooth Gear (I.D. 11.190")   | 3515203 | FRG-130C  |
| <b>D100 SERIES</b> |                |   |         |           |
| 1960-64            | V8 5.2L 318 CI | exc. Hi-Perf. Engine; w/172 Tooth Gear  | 1673646 | FRG-172NC |
| 1961               | L6 2.8L 170 CI | w/148 Tooth Gear  | 2121195 | FRG-148NC |
| 1961               | L6 3.7L 225 CI | w/148 Tooth Gear  | 2121195 | FRG-148NC |
| 1962-65            | L6 2.8L 170 CI | exc. Hi-Perf. Engine; w/122 Tooth Gear  | 2121196 | FRG-122T  |
| 1962-65            | L6 2.8L 170 CI | w/Hi-Perf. Engine; w/131 Tooth Gear   | 1941648 | FRG-130T  |
| 1962-65            | L6 3.7L 225 CI | w/Hi-Perf. Engine; w/131 Tooth Gear   | 1941648 | FRG-130T  |
| 1962-67            | L6 3.7L 225 CI | exc. Hi-Perf. Engine; w/122 Tooth Gear  | 2121196 | FRG-122T  |
| 1962-67            | V8 5.2L 318 CI | w/131 Tooth Gear (I.D. 12.160"), w/Hi-Perf. Engine; w/131 Tooth Gear                                  | 1941648 | FRG-130T  |
| <b>D150</b>        |                |   |         |           |
| 1977               | L6 3.7L 225 CI | Conventional Cab Series No. 5; w/Manual Trans.; 12" Dia. Clutch; w/158 Teeth Gear                     | 3732638 | FRG-158A  |
| 1977               | L6 3.7L 225 CI | w/131 Tooth Gear (I.D. 12.160")   | 1941648 | FRG-130T  |
| 1977               | V8 5.2L 318 CI | Medium Duty w/13" Inside Dia. Clutch; w/158 Teeth Gear  | 3732638 | FRG-158A  |
| 1977-89            | V8 5.2L 318 CI | w/130 Tooth Gear (I.D. 11.190"), w/130 Tooth Gear   | 3515203 | FRG-130C  |

# RING GEAR APPLICATIONS

| Years              | Engine         | Remarks   | OE      | Pioneer # |
|--------------------|----------------|---|---------|-----------|
| <b>DODGE TRUCK</b> |                |   |         |           |
| <b>D150</b>        |                |   |         |           |
| 1977               | V8 5.9L 360 CI | w/13" Clutch; w/158 Teeth Gear  | 3732638 | FRG-158A  |
| 1977               | V8 5.9L 360 CI | w/186 Tooth Gear  | 1733880 | FRG-186T  |
| 1977-78            | V8 6.6L 400 CI | w/122 Tooth Gear; w/9 1/4" or 10" Clutch  | 2121196 | FRG-122T  |
| 1977-78            | V8 6.6L 400 CI | w/131 Tooth Gear (I.D. 12.160")   | 1941648 | FRG-130T  |
| 1977-78            | V8 6.6L 400 CI | w/130 Tooth Gear (I.D. 11.190")   | 3515203 | FRG-130C  |
| 1977-80            | V8 5.9L 360 CI | w/122 Tooth Gear (I.D. 11.190")   | 2121196 | FRG-122T  |
| 1978               | V8 6.6L 400 CI | w/12" Clutch; w/143 Tooth Gear  | 2843214 | FRG-143N  |
| 1978               | V8 7.2L 440 CI | w/130 Tooth Gear (I.D. 11.190")   | 3515203 | FRG-130C  |
| 1977-83            | L6 3.7L 225 CI | w/11" Clutch; w/143 Tooth Gear, w/11" or 12" Clutch exc. Conventional Cab Series #5; w/143 Tooth Gear | 2843214 | FRG-143N  |
| 1978-87            | L6 3.7L 225 CI | w/122 Tooth Gear; w/9 1/4" or 10" Clutch  | 2121196 | FRG-122T  |
| 1978-89            | V8 5.2L 318 CI | w/11" Clutch; w/143 Tooth Gear  | 2843214 | FRG-143N  |
| 1977-90            | V8 5.2L 318 CI | w/10-1/2" Clutch; w/131 Teeth Gear, w/131 Tooth Gear  | 1941648 | FRG-130T  |
| 1978-83            | L6 3.7L 225 CI | w/130 Tooth Gear  | 3515203 | FRG-130C  |
| 1984-87            | L6 3.7L 225 CI | w/11" Clutch; w/131 Teeth Gear, w/131 Teeth Gear  | 4295218 | FRG-131CH |
| 1977-82            | V8 5.9L 360 CI | w/130 Tooth Gear (I.D. 11.190")   | 3515203 | FRG-130C  |
| 1984-91            | V8 5.9L 360 CI | w/130 Tooth Gear (I.D. 11.190")   | 3515203 | FRG-130C  |
| 1993               | V8 5.9L 360 CI | w/130 Tooth Gear (I.D. 11.190")   | 3515203 | FRG-130C  |
| 1977-91            | V8 5.2L 318 CI | w/122 Tooth Gear, w/122 Tooth Gear (I.D. 11.190")   | 2121196 | FRG-122T  |
| 1988-93            | V6 3.9L 238 CI | w/122 Tooth Gear  | 2121196 | FRG-122T  |
| 1977-82            | V8 5.9L 360 CI | w/11" Clutch; w/143 Tooth Gear  | 2843214 | FRG-143N  |
| 1984-91            | V8 5.9L 360 CI | w/11" Clutch; w/143 Tooth Gear  | 2843214 | FRG-143N  |
| 1993               | V8 5.9L 360 CI | w/11" Clutch; w/143 Tooth Gear  | 2843214 | FRG-143N  |
| <b>D200</b>        |                |   |         |           |
| 1975-76            | V8 5.9L 360 CI | w/131 Tooth Gear (I.D. 12.160")   | 1941648 | FRG-130T  |
| 1975-77            | L6 3.7L 225 CI | Conventional Cab Series No. 5; w/Manual Trans.; 12" Dia. Clutch; w/158 Teeth Gear                     | 3732638 | FRG-158A  |
| 1975-80            | L6 3.7L 225 CI | w/9-1/4" or 10" Clutch; w/122 Tooth Gear, w/122 Tooth Gear; w/9 1/4" or 10" Clutch                    | 2121196 | FRG-122T  |
| 1975-80            | L6 3.7L 225 CI | w/11" or 12" Clutch exc. Conventional Cab Series #5; w/143 Tooth Gear, w/11" Clutch; w/143 Tooth Gear | 2843214 | FRG-143N  |
| 1975-77            | L6 3.7L 225 CI | w/131 Tooth Gear (I.D. 12.160")   | 1941648 | FRG-130T  |
| 1975-77            | V8 5.2L 318 CI | Medium Duty w/13" Inside Dia. Clutch; w/158 Teeth Gear  | 3732638 | FRG-158A  |

# RING GEAR APPLICATIONS

| Years              | Engine         | Remarks  | OE      | Pioneer # |
|--------------------|----------------|--|---------|-----------|
| <b>DODGE TRUCK</b> |                |  |         |           |
| <b>D200</b>        |                |  |         |           |
| 1975-77            | V8 5.9L 360 CI | w/13" Clutch; w/158 Teeth Gear   | 3732638 | FRG-158A  |
| 1975-77            | V8 5.9L 360 CI | w/186 Tooth Gear   | 1733880 | FRG-186T  |
| 1975-77            | V8 7.2L 440 CI | w/131 Tooth Gear (I.D. 12.160")  | 1941648 | FRG-130T  |
| 1975-78            | V8 6.6L 400 CI | w/131 Tooth Gear (I.D. 12.160")  | 1941648 | FRG-130T  |
| 1975-78            | V8 6.6L 400 CI | w/130 Tooth Gear (I.D. 11.190")  | 3515203 | FRG-130C  |
| 1975-78            | V8 6.6L 400 CI | w/122 Tooth Gear; w/9 1/4" or 10" Clutch                                 | 2121196 | FRG-122T  |
| 1975-78            | V8 7.2L 440 CI | w/130 Tooth Gear (I.D. 11.190")  | 3515203 | FRG-130C  |
| 1975-80            | V8 5.2L 318 CI | w/122 Tooth Gear (I.D. 11.190")  | 2121196 | FRG-122T  |
| 1975-80            | V8 5.2L 318 CI | w/131 Tooth Gear (I.D. 12.160")  | 1941648 | FRG-130T  |
| 1975-80            | V8 5.2L 318 CI | w/130 Tooth Gear (I.D. 11.190")  | 3515203 | FRG-130C  |
| 1975-80            | V8 5.9L 360 CI | w/122 Tooth Gear (I.D. 11.190")  | 2121196 | FRG-122T  |
| 1975-80            | V8 5.9L 360 CI | w/11" Clutch; w/143 Tooth Gear   | 2843214 | FRG-143N  |
| 1975-80            | V8 5.9L 360 CI | w/130 Tooth Gear (I.D. 11.190")  | 3515203 | FRG-130C  |
| 1978               | V8 6.6L 400 CI | w/12" Clutch; w/143 Tooth Gear   | 2843214 | FRG-143N  |
| 1978-80            | L6 3.7L 225 CI | w/130 Tooth Gear   | 3515203 | FRG-130C  |
| 1978-80            | V8 5.2L 318 CI | w/11" Clutch; w/143 Tooth Gear   | 2843214 | FRG-143N  |
| <b>D200 PICKUP</b> |                |  |         |           |
| 1968               | L6 3.7L 225 CI | w/172 Tooth Gear   | 1673646 | FRG-172NC |
| 1968               | V8 5.2L 318 CI | w/172 Tooth Gear   | 1673646 | FRG-172NC |
| 1968-70            | V8 6.3L 383 CI | w/131 Tooth Gear (I.D. 12.160")  | 1941648 | FRG-130T  |
| 1968               | V8 6.3L 383 CI | w/172 Tooth Gear   | 1673646 | FRG-172NC |
| 1968               | V8 6.3L 383 CI | w/143 Tooth Gear   | 2843214 | FRG-143N  |
| 1968               | V8 6.3L 384 CI | w/172 Tooth Gear   | 1673646 | FRG-172NC |
| 1968               | V8 6.3L 384 CI | w/143 Tooth Gear   | 2843214 | FRG-143N  |
| 1968-70            | V8 6.3L 383 CI | w/186 Tooth Gear   | 1733880 | FRG-186T  |
| 1968-70            | V8 6.3L 384 CI | w/131 Tooth Gear (I.D. 12.160")  | 1941648 | FRG-130T  |
| 1968-70            | V8 6.3L 384 CI | w/186 Tooth Gear   | 1733880 | FRG-186T  |
| 1968-74            | L6 3.7L 225 CI | w/9-1/4" or 10" Clutch; w/122 Tooth Gear                                 | 2121196 | FRG-122T  |
| 1968-74            | L6 3.7L 225 CI | w/131 Tooth Gear (I.D. 12.160")  | 1941648 | FRG-130T  |
| 1968-74            | V8 5.2L 318 CI | w/131 Tooth Gear (I.D. 12.160")  | 1941648 | FRG-130T  |
| 1968-74            | V8 5.2L 318 CI | w/122 Tooth Gear (I.D. 11.190")  | 2121196 | FRG-122T  |
| 1971-73            | V8 5.9L 360 CI | w/13" Clutch; w/186 Tooth Gear   | 1733880 | FRG-186T  |
| 1971-74            | V8 6.6L 400 CI | w/131 Tooth Gear (I.D. 12.160")  | 1941648 | FRG-130T  |
| 1971-73            | V8 6.6L 400 CI | w/143 Tooth Gear   | 2843214 | FRG-143N  |
| 1971-74            | V8 5.9L 360 CI | w/122 Tooth Gear (I.D. 11.190")  | 2121196 | FRG-122T  |
| 1971-74            | V8 5.9L 360 CI | w/131 Tooth Gear (I.D. 12.160"), w/131<br>Tooth Gear                     | 1941648 | FRG-130T  |
| 1973-74            | V8 7.2L 440 CI | w/131 Tooth Gear (I.D. 12.160")  | 1941648 | FRG-130T  |
| 1974               | L6 3.7L 225 CI | w/11" or 12" Clutch exc. Conventional<br>Cab Series #5; w/143 Tooth Gear | 2843214 | FRG-143N  |

# RING GEAR APPLICATIONS

| Years              | Engine         | Remarks  | OE      | Pioneer # |
|--------------------|----------------|--|---------|-----------|
| <b>DODGE TRUCK</b> |                |  |         |           |
| <b>D200 PICKUP</b> |                |  |         |           |
| 1974               | L6 3.7L 225 CI | Conventional Cab Series No. 5; w/Manual Trans.; 12" Dia. Clutch; w/158 Teeth Gear      | 3732638 | FRG-158A  |
| 1974               | V8 5.2L 318 CI | w/130 Tooth Gear (I.D. 11.190")  | 3515203 | FRG-130C  |
| 1974               | V8 5.2L 318 CI | Medium Duty w/13" Inside Dia. Clutch; w/158 Teeth Gear                                 | 3732638 | FRG-158A  |
| 1974               | V8 5.9L 360 CI | w/13" Clutch; w/158 Teeth Gear   | 3732638 | FRG-158A  |
| 1974               | V8 5.9L 360 CI | w/11" Clutch; w/143 Tooth Gear   | 2843214 | FRG-143N  |
| 1974               | V8 5.9L 360 CI | w/130 Tooth Gear (I.D. 11.190")  | 3515203 | FRG-130C  |
| 1974               | V8 6.6L 400 CI | w/122 Tooth Gear; w/9 1/4" or 10" Clutch   | 2121196 | FRG-122T  |
| 1974               | V8 6.6L 400 CI | w/130 Tooth Gear (I.D. 11.190")  | 3515203 | FRG-130C  |
| 1974               | V8 7.2L 440 CI | w/130 Tooth Gear (I.D. 11.190")  | 3515203 | FRG-130C  |
| <b>D200 SERIES</b> |                |  |         |           |
| 1960-64            | V8 5.2L 318 CI | exc. Hi-Perf. Engine; w/172 Tooth Gear   | 1673646 | FRG-172NC |
| 1961               | L6 3.7L 225 CI | w/148 Tooth Gear   | 2121195 | FRG-148NC |
| 1962-65            | L6 3.7L 225 CI | w/Hi-Perf. Engine; w/131 Tooth Gear  | 1941648 | FRG-130T  |
| 1962-67            | L6 3.7L 225 CI | exc. Hi-Perf. Engine; w/122 Tooth Gear   | 2121196 | FRG-122T  |
| 1962-67            | V8 5.2L 318 CI | w/131 Tooth Gear, w/131 Tooth Gear (I.D. 12.160"), w/Hi-Perf. Engine; w/131 Tooth Gear | 1941648 | FRG-130T  |
| <b>D250</b>        |                |  |         |           |
| 1981-90            | V8 5.2L 318 CI | w/131 Tooth Gear, w/10-1/2" Clutch; w/131 Teeth Gear                                   | 1941648 | FRG-130T  |
| 1981-83            | L6 3.7L 225 CI | w/130 Tooth Gear   | 3515203 | FRG-130C  |
| 1981-83            | L6 3.7L 225 CI | w/11" Clutch; w/143 Tooth Gear   | 2843214 | FRG-143N  |
| 1981-89            | V8 5.2L 318 CI | w/130 Tooth Gear   | 3515203 | FRG-130C  |
| 1981-89            | V8 5.2L 318 CI | w/11" Clutch; w/143 Tooth Gear   | 2843214 | FRG-143N  |
| 1984-87            | L6 3.7L 225 CI | w/11" Clutch; w/131 Teeth Gear, w/131 Teeth Gear                                       | 4295218 | FRG-131CH |
| 1984-87            | L6 3.7L 225 CI | w/122 Tooth Gear; w/9 1/4" or 10" Clutch   | 2121196 | FRG-122T  |
| 1981-82            | V8 5.9L 360 CI | w/11" Clutch; w/143 Tooth Gear   | 2843214 | FRG-143N  |
| 1984-93            | V8 5.9L 360 CI | w/11" Clutch; w/143 Tooth Gear   | 2843214 | FRG-143N  |
| 1989-93            | L6 5.9L 359 CI | w/152 Teeth  |         | FRG-152CR |
| 1981-91            | V8 5.2L 318 CI | w/122 Tooth Gear, w/122 Tooth Gear (I.D. 11.190")                                      | 2121196 | FRG-122T  |
| 1981-82            | V8 5.9L 360 CI | w/130 Tooth Gear (I.D. 11.190")  | 3515203 | FRG-130C  |
| 1984-93            | V8 5.9L 360 CI | w/130 Tooth Gear (I.D. 11.190")  | 3515203 | FRG-130C  |
| 1988-93            | V6 3.9L 238 CI | w/122 Tooth Gear   | 2121196 | FRG-122T  |
| <b>D300</b>        |                |  |         |           |
| 1975-77            | L6 3.7L 225 CI | w/Heavy Duty; w/131 Tooth Gear   | 1941648 | FRG-130T  |

# RING GEAR APPLICATIONS

| Years              | Engine         | Remarks   | OE      | Pioneer # |
|--------------------|----------------|---|---------|-----------|
| <b>DODGE TRUCK</b> |                |   |         |           |
| <b>D300</b>        |                |   |         |           |
| 1975-77            | V8 5.9L 360 CI | w/131 Tooth Gear (I.D. 12.160"), w/131 Tooth Gear   | 1941648 | FRG-130T  |
| 1975-78            | L6 3.7L 225 CI | w/9-1/4" or 10" Clutch; w/122 Tooth Gear, w/122 Tooth Gear; w/9 1/4" or 10" Clutch                    | 2121196 | FRG-122T  |
| 1975-77            | L6 3.7L 225 CI | Conventional Cab Series No. 5; w/Manual Trans.; 12" Dia. Clutch; w/158 Teeth Gear                     | 3732638 | FRG-158A  |
| 1975-77            | V8 5.2L 318 CI | Medium Duty w/13" Inside Dia. Clutch; w/158 Teeth Gear  | 3732638 | FRG-158A  |
| 1975-77            | V8 5.9L 360 CI | w/13" Clutch; w/158 Teeth Gear  | 3732638 | FRG-158A  |
| 1975-77            | V8 7.2L 440 CI | w/131 Tooth Gear (I.D. 12.160")   | 1941648 | FRG-130T  |
| 1975-78            | V8 7.2L 440 CI | w/130 Tooth Gear (I.D. 11.190")   | 3515203 | FRG-130C  |
| 1975-80            | V8 5.9L 360 CI | w/11" Clutch; w/143 Tooth Gear  | 2843214 | FRG-143N  |
| 1975-80            | V8 5.9L 360 CI | w/130 Tooth Gear (I.D. 11.190")   | 3515203 | FRG-130C  |
| 1975-80            | V8 5.9L 360 CI | w/122 Tooth Gear (I.D. 11.190")   | 2121196 | FRG-122T  |
| 1976-78            | V8 6.6L 400 CI | w/122 Tooth Gear; w/9 1/4" or 10" Clutch  | 2121196 | FRG-122T  |
| 1976-78            | V8 6.6L 400 CI | w/130 Tooth Gear (I.D. 11.190")   | 3515203 | FRG-130C  |
| 1976-78            | V8 6.6L 400 CI | w/131 Tooth Gear (I.D. 12.160")   | 1941648 | FRG-130T  |
| 1978               | L6 3.7L 225 CI | w/130 Tooth Gear  | 3515203 | FRG-130C  |
| 1975-78            | L6 3.7L 225 CI | w/11" Clutch; w/143 Tooth Gear, w/11" or 12" Clutch exc. Conventional Cab Series #5; w/143 Tooth Gear | 2843214 | FRG-143N  |
| 1978               | V8 6.6L 400 CI | w/12" Clutch; w/143 Tooth Gear  | 2843214 | FRG-143N  |
| 1975-78            | V8 5.2L 318 CI | w/131 Tooth Gear (I.D. 12.160")   | 1941648 | FRG-130T  |
| 1980               | V8 5.2L 318 CI | w/131 Tooth Gear (I.D. 12.160")   | 1941648 | FRG-130T  |
| 1975-78            | V8 5.2L 318 CI | w/130 Tooth Gear (I.D. 11.190")   | 3515203 | FRG-130C  |
| 1980               | V8 5.2L 318 CI | w/130 Tooth Gear (I.D. 11.190")   | 3515203 | FRG-130C  |
| 1978               | V8 5.2L 318 CI | w/11" Clutch; w/143 Tooth Gear  | 2843214 | FRG-143N  |
| 1980               | V8 5.2L 318 CI | w/11" Clutch; w/143 Tooth Gear  | 2843214 | FRG-143N  |
| 1975-78            | V8 5.2L 318 CI | w/122 Tooth Gear (I.D. 11.190")   | 2121196 | FRG-122T  |
| 1980               | V8 5.2L 318 CI | w/122 Tooth Gear (I.D. 11.190")   | 2121196 | FRG-122T  |
| <b>D300 PICKUP</b> |                |   |         |           |
| 1968               | L6 3.7L 225 CI | w/172 Tooth Gear  | 1673646 | FRG-172NC |
| 1968               | V8 5.2L 318 CI | w/172 Tooth Gear  | 1673646 | FRG-172NC |
| 1968               | V8 6.3L 383 CI | w/143 Tooth Gear  | 2843214 | FRG-143N  |
| 1968               | V8 6.3L 383 CI | w/172 Tooth Gear  | 1673646 | FRG-172NC |
| 1968-70            | V8 6.3L 383 CI | w/131 Tooth Gear (I.D. 12.160")   | 1941648 | FRG-130T  |
| 1968               | V8 6.3L 384 CI | w/172 Tooth Gear  | 1673646 | FRG-172NC |
| 1968               | V8 6.3L 384 CI | w/143 Tooth Gear  | 2843214 | FRG-143N  |



# RING GEAR APPLICATIONS

| Years              | Engine         | Remarks   | OE      | Pioneer # |
|--------------------|----------------|---|---------|-----------|
| <b>DODGE TRUCK</b> |                |   |         |           |
| <b>D300 PICKUP</b> |                |   |         |           |
| 1968-70            | V8 6.3L 383 CI | w/186 Tooth Gear  | 1733880 | FRG-186T  |
| 1968-70            | V8 6.3L 384 CI | w/186 Tooth Gear  | 1733880 | FRG-186T  |
| 1968-70            | V8 6.3L 384 CI | w/131 Tooth Gear (I.D. 12.160")   | 1941648 | FRG-130T  |
| 1968-74            | L6 3.7L 225 CI | w/131 Tooth Gear (I.D. 12.160")   | 1941648 | FRG-130T  |
| 1968-74            | L6 3.7L 225 CI | w/9-1/4" or 10" Clutch; w/122 Tooth Gear  | 2121196 | FRG-122T  |
| 1968-74            | V8 5.2L 318 CI | w/131 Tooth Gear (I.D. 12.160")   | 1941648 | FRG-130T  |
| 1971-73            | V8 6.6L 400 CI | w/143 Tooth Gear  | 2843214 | FRG-143N  |
| 1971-74            | V8 5.9L 360 CI | w/131 Tooth Gear (I.D. 12.160"), w/131<br>Tooth Gear                                    | 1941648 | FRG-130T  |
| 1971-74            | V8 5.9L 360 CI | w/122 Tooth Gear (I.D. 11.190")   | 2121196 | FRG-122T  |
| 1971-73            | V8 5.9L 360 CI | w/13" Clutch; w/186 Tooth Gear  | 1733880 | FRG-186T  |
| 1973-74            | V8 7.2L 440 CI | w/131 Tooth Gear (I.D. 12.160")   | 1941648 | FRG-130T  |
| 1974               | L6 3.7L 225 CI | w/11" or 12" Clutch exc. Conventional<br>Cab Series #5; w/143 Tooth Gear                | 2843214 | FRG-143N  |
| 1974               | L6 3.7L 225 CI | Conventional Cab Series No. 5; w/Manual<br>Trans.; 12" Dia. Clutch; w/158 Teeth<br>Gear | 3732638 | FRG-158A  |
| 1968-74            | V8 5.2L 318 CI | w/122 Tooth Gear (I.D. 11.190")   | 2121196 | FRG-122T  |
| 1974               | V8 5.2L 318 CI | Medium Duty w/13" Inside Dia. Clutch;<br>w/158 Teeth Gear                               | 3732638 | FRG-158A  |
| 1974               | V8 5.2L 318 CI | w/130 Tooth Gear (I.D. 11.190")   | 3515203 | FRG-130C  |
| 1974               | V8 5.9L 360 CI | w/130 Tooth Gear (I.D. 11.190")   | 3515203 | FRG-130C  |
| 1974               | V8 5.9L 360 CI | w/13" Clutch; w/158 Teeth Gear  | 3732638 | FRG-158A  |
| 1974               | V8 5.9L 360 CI | w/11" Clutch; w/143 Tooth Gear  | 2843214 | FRG-143N  |
| 1974               | V8 6.6L 400 CI | w/122 Tooth Gear; w/9 1/4" or 10" Clutch  | 2121196 | FRG-122T  |
| 1974               | V8 6.6L 400 CI | w/130 Tooth Gear (I.D. 11.190")   | 3515203 | FRG-130C  |
| 1971-74            | V8 6.6L 400 CI | w/131 Tooth Gear (I.D. 12.160")   | 1941648 | FRG-130T  |
| 1974               | V8 7.2L 440 CI | w/130 Tooth Gear (I.D. 11.190")   | 3515203 | FRG-130C  |
| <b>D300 SERIES</b> |                |   |         |           |
| 1960-64            | V8 5.2L 318 CI | exc. Hi-Perf. Engine; w/172 Tooth Gear  | 1673646 | FRG-172NC |
| 1961               | L6 3.7L 225 CI | w/148 Tooth Gear  | 2121195 | FRG-148NC |
| 1962-65            | L6 3.7L 225 CI | w/Hi-Perf. Engine; w/131 Tooth Gear   | 1941648 | FRG-130T  |
| 1962-67            | L6 3.7L 225 CI | exc. Hi-Perf. Engine; w/122 Tooth Gear  | 2121196 | FRG-122T  |
| 1962-67            | V8 5.2L 318 CI | w/131 Tooth Gear (I.D. 12.160"),<br>w/Hi-Perf. Engine; w/131 Tooth Gear                 | 1941648 | FRG-130T  |
| <b>D350</b>        |                |   |         |           |
| 1981-83            | V8 5.2L 318 CI | w/131 Tooth Gear, w/10-1/2" Clutch;<br>w/131 Teeth Gear                                 | 1941648 | FRG-130T  |
| 1981-83            | V8 5.2L 318 CI | w/130 Tooth Gear (I.D. 11.190")   | 3515203 | FRG-130C  |
| 1981-83            | V8 5.2L 318 CI | w/122 Tooth Gear (I.D. 11.190")   | 2121196 | FRG-122T  |

# RING GEAR APPLICATIONS

| Years              | Engine         | Remarks   | OE      | Pioneer # |
|--------------------|----------------|---|---------|-----------|
| <b>DODGE TRUCK</b> |                |   |         |           |
| <b>D350</b>        |                |   |         |           |
| 1981-83            | V8 5.2L 318 CI | w/11" Clutch; w/143 Tooth Gear                            | 2843214 | FRG-143N  |
| 1981-93            | V8 5.9L 360 CI | w/11" Clutch; w/143 Tooth Gear                            | 2843214 | FRG-143N  |
| 1989-93            | L6 5.9L 359 CI | w/152 Teeth   |         | FRG-152CR |
| 1981-93            | V8 5.9L 360 CI | w/130 Tooth Gear (I.D. 11.190")                           | 3515203 | FRG-130C  |
| <b>DAKOTA</b>      |                |   |         |           |
| 1987               | V6 3.9L 238 CI | w/131 Teeth Gear  | 4295218 | FRG-131CH |
| 1987-93            | V6 3.9L 238 CI | w/122 Tooth Gear  | 2121196 | FRG-122T  |
| 1990               | V8 5.2L 318 CI | w/10-1/2" Clutch; w/131 Teeth Gear                        | 1941648 | FRG-130T  |
| 1990               | V8 5.2L 318 CI | w/130 Tooth Gear  | 3515203 | FRG-130C  |
| 1990-91            | V8 5.2L 318 CI | w/122 Tooth Gear  | 2121196 | FRG-122T  |
| <b>M300</b>        |                |   |         |           |
| 1974               | V8 5.2L 318 CI | w/122 Tooth Gear (I.D. 11.190")                           | 2121196 | FRG-122T  |
| 1974               | V8 5.2L 318 CI | w/131 Tooth Gear (I.D. 12.160")                           | 1941648 | FRG-130T  |
| 1974               | V8 5.2L 318 CI | w/130 Tooth Gear (I.D. 11.190")                           | 3515203 | FRG-130C  |
| 1974               | V8 5.2L 318 CI | Medium Duty w/13" Inside Dia. Clutch;<br>w/158 Teeth Gear | 3732638 | FRG-158A  |
| 1974               | V8 7.2L 440 CI | w/131 Tooth Gear (I.D. 12.160")                           | 1941648 | FRG-130T  |
| 1974               | V8 7.2L 440 CI | w/130 Tooth Gear (I.D. 11.190")                           | 3515203 | FRG-130C  |
| <b>M350</b>        |                |   |         |           |
| 1974               | V8 5.2L 318 CI | w/131 Tooth Gear (I.D. 12.160")                           | 1941648 | FRG-130T  |
| 1974               | V8 5.2L 318 CI | w/130 Tooth Gear (I.D. 11.190")                           | 3515203 | FRG-130C  |
| 1974               | V8 5.2L 318 CI | w/122 Tooth Gear (I.D. 11.190")                           | 2121196 | FRG-122T  |
| <b>MINI RAM</b>    |                |   |         |           |
| 1984-87            | L4 2.2L 135 CI | w/139 Tooth Gear; .272" Width                             | 4348276 | FRG-139CH |
| 1984-87            | L4 2.6L 156 CI | w/139 Tooth Gear; .272" Width                             | 4348276 | FRG-139CH |
| <b>P100</b>        |                |   |         |           |
| 1968               | L6 3.7L 225 CI | w/122 Tooth Gear; w/9 1/4" or 10" Clutch                  | 2121196 | FRG-122T  |
| 1968               | L6 3.7L 225 CI | w/131 Tooth Gear (I.D. 12.160")                           | 1941648 | FRG-130T  |
| 1968               | L6 3.7L 225 CI | w/172 Tooth Gear  | 1673646 | FRG-172NC |
| <b>P200</b>        |                |   |         |           |
| 1968               | L6 3.7L 225 CI | w/172 Tooth Gear  | 1673646 | FRG-172NC |
| 1968-72            | L6 3.7L 225 CI | w/122 Tooth Gear; w/9 1/4" or 10" Clutch                  | 2121196 | FRG-122T  |
| 1968-72            | L6 3.7L 225 CI | w/131 Tooth Gear (I.D. 12.160")                           | 1941648 | FRG-130T  |
| 1970-72            | V8 5.9L 360 CI | w/131 Tooth Gear (I.D. 12.160")                           | 1941648 | FRG-130T  |
| 1970-72            | V8 5.9L 360 CI | w/122 Tooth Gear (I.D. 11.190")                           | 2121196 | FRG-122T  |
| 1970-72            | V8 5.9L 360 CI | w/13" Clutch; w/186 Tooth Gear                            | 1733880 | FRG-186T  |
| <b>P300</b>        |                |   |         |           |
| 1968               | L6 3.7L 225 CI | w/172 Tooth Gear  | 1673646 | FRG-172NC |
| 1968-72            | L6 3.7L 225 CI | w/122 Tooth Gear; w/9 1/4" or 10" Clutch                  | 2121196 | FRG-122T  |
| 1968-72            | L6 3.7L 225 CI | w/131 Tooth Gear (I.D. 12.160")                           | 1941648 | FRG-130T  |

# RING GEAR APPLICATIONS

| Years              | Engine         | Remarks   | OE      | Pioneer # |
|--------------------|----------------|---|---------|-----------|
| <b>DODGE TRUCK</b> |                |   |         |           |
| <b>P300</b>        |                |   |         |           |
| 1971-72            | V8 5.9L 360 CI | w/122 Tooth Gear (I.D. 11.190")   | 2121196 | FRG-122T  |
| 1971-72            | V8 5.9L 360 CI | w/131 Tooth Gear (I.D. 12.160")   | 1941648 | FRG-130T  |
| 1971-72            | V8 5.9L 360 CI | w/13" Clutch; w/186 Tooth Gear  | 1733880 | FRG-186T  |
| <b>P375</b>        |                |   |         |           |
| 1968               | V8 5.9L 360 CI | w/131 Tooth Gear (I.D. 12.160")   | 1941648 | FRG-130T  |
| <b>RAM 1500</b>    |                |   |         |           |
| 1994-95            | V8 5.9L 360 CI | w/11" Clutch; w/143 Tooth Gear  | 2843214 | FRG-143N  |
| 1994-95            | V8 5.9L 360 CI | w/130 Tooth Gear (I.D. 11.190")   | 3515203 | FRG-130C  |
| <b>RAM 2500</b>    |                |   |         |           |
| 1994-02            | L6 5.9L 359 CI | w/152 Teeth   |         | FRG-152CR |
| 1994-95            | V8 5.9L 360 CI | w/130 Tooth Gear (I.D. 11.190")   | 3515203 | FRG-130C  |
| 1994-95            | V8 5.9L 360 CI | w/11" Clutch; w/143 Tooth Gear  | 2843214 | FRG-143N  |
| <b>RAM 3500</b>    |                |   |         |           |
| 1994-02            | L6 5.9L 359 CI | w/152 Teeth   |         | FRG-152CR |
| 1994-95            | V8 5.9L 360 CI | w/130 Tooth Gear (I.D. 11.190")   | 3515203 | FRG-130C  |
| 1994-95            | V8 5.9L 360 CI | w/11" Clutch; w/143 Tooth Gear  | 2843214 | FRG-143N  |
| 1999               | V8 5.9L 360 CI | w/11" Clutch; w/143 Tooth Gear  | 2843214 | FRG-143N  |
| <b>RAM 50</b>      |                |   |         |           |
| 1984-89            | L4 2.6L 156 CI | w/139 Tooth Gear; .272" Width   | 4348276 | FRG-139CH |
| <b>RAMCHARGER</b>  |                |   |         |           |
| 1974-80            | L6 3.7L 225 CI | w/122 Tooth Gear; w/9 1/4" or 10" Clutch  | 2121196 | FRG-122T  |
| 1974-77            | L6 3.7L 225 CI | w/Heavy Duty; w/131 Tooth Gear  | 1941648 | FRG-130T  |
| 1974-77            | V8 5.2L 318 CI | Medium Duty w/13" Inside Dia. Clutch;<br>w/158 Teeth Gear   | 3732638 | FRG-158A  |
| 1974-90            | V8 5.2L 318 CI | w/131 Tooth Gear (I.D. 12.160"), w/131<br>Tooth Gear, w/10-1/2" Clutch; w/131<br>Teeth Gear                 | 1941648 | FRG-130T  |
| 1974-80            | V8 5.9L 360 CI | w/122 Tooth Gear (I.D. 11.190")   | 2121196 | FRG-122T  |
| 1974-77            | V8 5.9L 360 CI | w/13" Clutch; w/158 Teeth Gear  | 3732638 | FRG-158A  |
| 1974-81            | V8 5.9L 360 CI | w/130 Tooth Gear (I.D. 11.190")   | 3515203 | FRG-130C  |
| 1984-93            | V8 5.9L 360 CI | w/130 Tooth Gear (I.D. 11.190")   | 3515203 | FRG-130C  |
| 1974-77            | V8 5.9L 360 CI | w/131 Tooth Gear (I.D. 12.160")   | 1941648 | FRG-130T  |
| 1974-80            | L6 3.7L 225 CI | w/11" or 12" Clutch exc. Conventional<br>Cab Series #5; w/143 Tooth Gear, w/11"<br>Clutch; w/143 Tooth Gear | 2843214 | FRG-143N  |
| 1974-77            | L6 3.7L 225 CI | Conventional Cab Series No. 5; w/Manual<br>Trans.; 12" Dia. Clutch; w/158 Teeth<br>Gear                     | 3732638 | FRG-158A  |
| 1975-77            | V8 5.9L 360 CI | w/186 Tooth Gear  | 1733880 | FRG-186T  |
| 1974-77            | V8 7.2L 440 CI | w/131 Tooth Gear (I.D. 12.160")   | 1941648 | FRG-130T  |

# RING GEAR APPLICATIONS

| Years              | Engine         | Remarks   | OE      | Pioneer # |
|--------------------|----------------|---|---------|-----------|
| <b>DODGE TRUCK</b> |                |   |         |           |
| <b>RAMCHARGER</b>  |                |   |         |           |
| 1974-78            | V8 7.2L 440 CI | w/130 Tooth Gear (I.D. 11.190")   | 3515203 | FRG-130C  |
| 1977-78            | V8 6.6L 400 CI | w/122 Tooth Gear; w/9 1/4" or 10" Clutch  | 2121196 | FRG-122T  |
| 1977-78            | V8 6.6L 400 CI | w/131 Tooth Gear (I.D. 12.160")   | 1941648 | FRG-130T  |
| 1977-78            | V8 6.6L 400 CI | w/130 Tooth Gear (I.D. 11.190")   | 3515203 | FRG-130C  |
| 1978               | V8 6.6L 400 CI | w/12" Clutch; w/143 Tooth Gear  | 2843214 | FRG-143N  |
| 1978-80            | L6 3.7L 225 CI | w/130 Tooth Gear  | 3515203 | FRG-130C  |
| 1978-89            | V8 5.2L 318 CI | w/11" Clutch; w/143 Tooth Gear  | 2843214 | FRG-143N  |
| 1974-81            | V8 5.9L 360 CI | w/11" Clutch; w/143 Tooth Gear  | 2843214 | FRG-143N  |
| 1984-93            | V8 5.9L 360 CI | w/11" Clutch; w/143 Tooth Gear  | 2843214 | FRG-143N  |
| 1974-93            | V8 5.2L 318 CI | w/122 Tooth Gear, w/122 Tooth Gear (I.D. 11.190")                                 | 2121196 | FRG-122T  |
| 1974-90            | V8 5.2L 318 CI | w/130 Tooth Gear, w/130 Tooth Gear (I.D. 11.190")                                 | 3515203 | FRG-130C  |
| <b>RAMPAGE</b>     |                |   |         |           |
| 1984               | L4 2.2L 135 CI | w/139 Tooth Gear; .272" Width   | 4348276 | FRG-139CH |
| <b>W100</b>        |                |   |         |           |
| 1975-76            | V8 5.9L 360 CI | w/131 Tooth Gear (I.D. 12.160")   | 1941648 | FRG-130T  |
| 1975-77            | L6 3.7L 225 CI | w/11" or 12" Clutch exc. Conventional Cab Series #5; w/143 Tooth Gear             | 2843214 | FRG-143N  |
| 1975-77            | L6 3.7L 225 CI | Conventional Cab Series No. 5; w/Manual Trans.; 12" Dia. Clutch; w/158 Teeth Gear | 3732638 | FRG-158A  |
| 1975-77            | L6 3.7L 225 CI | w/131 Tooth Gear (I.D. 12.160")   | 1941648 | FRG-130T  |
| 1975-77            | V8 5.2L 318 CI | Medium Duty w/13" Inside Dia. Clutch; w/158 Teeth Gear                            | 3732638 | FRG-158A  |
| 1975-77            | V8 5.2L 318 CI | w/131 Tooth Gear (I.D. 12.160"), w/10-1/2" Clutch; w/131 Teeth Gear               | 1941648 | FRG-130T  |
| 1986-89            | V8 5.2L 318 CI | w/131 Tooth Gear (I.D. 12.160"), w/10-1/2" Clutch; w/131 Teeth Gear               | 1941648 | FRG-130T  |
| 1975-77            | V8 5.9L 360 CI | w/13" Clutch; w/158 Teeth Gear  | 3732638 | FRG-158A  |
| 1975-77            | V8 5.9L 360 CI | w/122 Tooth Gear (I.D. 11.190")   | 2121196 | FRG-122T  |
| 1975-77            | V8 5.9L 360 CI | w/186 Tooth Gear  | 1733880 | FRG-186T  |
| 1975-77            | V8 6.6L 400 CI | w/131 Tooth Gear (I.D. 12.160")   | 1941648 | FRG-130T  |
| 1975-77            | V8 6.6L 400 CI | w/122 Tooth Gear; w/9 1/4" or 10" Clutch  | 2121196 | FRG-122T  |
| 1975-77            | V8 6.6L 400 CI | w/130 Tooth Gear (I.D. 11.190")   | 3515203 | FRG-130C  |
| 1975-77            | V8 7.2L 440 CI | w/130 Tooth Gear (I.D. 11.190")   | 3515203 | FRG-130C  |
| 1975-77            | V8 7.2L 440 CI | w/131 Tooth Gear (I.D. 12.160")   | 1941648 | FRG-130T  |
| 1986-87            | L6 3.7L 225 CI | w/131 Teeth Gear  | 4295218 | FRG-131CH |
| 1975-77            | L6 3.7L 225 CI | w/122 Tooth Gear; w/9 1/4" or 10" Clutch  | 2121196 | FRG-122T  |
| 1986-87            | L6 3.7L 225 CI | w/122 Tooth Gear; w/9 1/4" or 10" Clutch  | 2121196 | FRG-122T  |

# RING GEAR APPLICATIONS

| Years              | Engine         | Remarks   | OE      | Pioneer # |
|--------------------|----------------|---|---------|-----------|
| <b>DODGE TRUCK</b> |                |   |         |           |
| <b>W100</b>        |                |   |         |           |
| 1975-77            | V8 5.9L 360 CI | w/11" Clutch; w/143 Tooth Gear  | 2843214 | FRG-143N  |
| 1986-88            | V8 5.9L 360 CI | w/11" Clutch; w/143 Tooth Gear  | 2843214 | FRG-143N  |
| 1975-77            | V8 5.2L 318 CI | w/130 Tooth Gear, w/130 Tooth Gear (I.D. 11.190")                                 | 3515203 | FRG-130C  |
| 1986-89            | V8 5.2L 318 CI | w/130 Tooth Gear, w/130 Tooth Gear (I.D. 11.190")                                 | 3515203 | FRG-130C  |
| 1986-89            | V8 5.2L 318 CI | w/11" Clutch; w/143 Tooth Gear  | 2843214 | FRG-143N  |
| 1975-77            | V8 5.9L 360 CI | w/130 Tooth Gear (I.D. 11.190")   | 3515203 | FRG-130C  |
| 1986-88            | V8 5.9L 360 CI | w/130 Tooth Gear (I.D. 11.190")   | 3515203 | FRG-130C  |
| 1975-77            | V8 5.2L 318 CI | w/122 Tooth Gear, w/122 Tooth Gear (I.D. 11.190")                                 | 2121196 | FRG-122T  |
| 1986-89            | V8 5.2L 318 CI | w/122 Tooth Gear, w/122 Tooth Gear (I.D. 11.190")                                 | 2121196 | FRG-122T  |
| 1989               | V6 3.9L 238 CI | w/122 Tooth Gear  | 2121196 | FRG-122T  |
| <b>W100 PICKUP</b> |                |   |         |           |
| 1968               | L6 3.7L 225 CI | w/172 Tooth Gear  | 1673646 | FRG-172NC |
| 1968               | V8 5.2L 318 CI | w/172 Tooth Gear  | 1673646 | FRG-172NC |
| 1968-70            | V8 6.3L 383 CI | w/131 Tooth Gear (I.D. 12.160")   | 1941648 | FRG-130T  |
| 1968               | V8 6.3L 383 CI | w/143 Tooth Gear  | 2843214 | FRG-143N  |
| 1968               | V8 6.3L 383 CI | w/172 Tooth Gear  | 1673646 | FRG-172NC |
| 1968               | V8 6.3L 384 CI | w/143 Tooth Gear  | 2843214 | FRG-143N  |
| 1968               | V8 6.3L 384 CI | w/172 Tooth Gear  | 1673646 | FRG-172NC |
| 1968-70            | V8 6.3L 384 CI | w/131 Tooth Gear (I.D. 12.160")   | 1941648 | FRG-130T  |
| 1968-70            | V8 6.3L 383 CI | w/186 Tooth Gear  | 1733880 | FRG-186T  |
| 1968-70            | V8 6.3L 384 CI | w/186 Tooth Gear  | 1733880 | FRG-186T  |
| 1968-74            | L6 3.7L 225 CI | w/122 Tooth Gear; w/9 1/4" or 10" Clutch  | 2121196 | FRG-122T  |
| 1968-74            | L6 3.7L 225 CI | w/131 Tooth Gear (I.D. 12.160")   | 1941648 | FRG-130T  |
| 1968-74            | V8 5.2L 318 CI | w/131 Tooth Gear (I.D. 12.160")   | 1941648 | FRG-130T  |
| 1971               | V8 6.6L 400 CI | w/143 Tooth Gear  | 2843214 | FRG-143N  |
| 1972-73            | V8 5.9L 360 CI | w/13" Clutch; w/186 Tooth Gear  | 1733880 | FRG-186T  |
| 1972-74            | V8 5.9L 360 CI | w/122 Tooth Gear (I.D. 11.190")   | 2121196 | FRG-122T  |
| 1974               | L6 3.7L 225 CI | w/11" or 12" Clutch exc. Conventional Cab Series #5; w/143 Tooth Gear             | 2843214 | FRG-143N  |
| 1974               | L6 3.7L 225 CI | Conventional Cab Series No. 5; w/Manual Trans.; 12" Dia. Clutch; w/158 Teeth Gear | 3732638 | FRG-158A  |
| 1968-74            | V8 5.2L 318 CI | w/122 Tooth Gear (I.D. 11.190")   | 2121196 | FRG-122T  |
| 1974               | V8 5.2L 318 CI | Medium Duty w/13" Inside Dia. Clutch; w/158 Teeth Gear                            | 3732638 | FRG-158A  |
| 1974               | V8 5.2L 318 CI | w/130 Tooth Gear (I.D. 11.190")   | 3515203 | FRG-130C  |

# RING GEAR APPLICATIONS

| Years              | Engine         | Remarks   | OE      | Pioneer # |
|--------------------|----------------|---|---------|-----------|
| <b>DODGE TRUCK</b> |                |   |         |           |
| <b>W100 PICKUP</b> |                |   |         |           |
| 1974               | V8 5.9L 360 CI | w/13" Clutch; w/158 Teeth Gear  | 3732638 | FRG-158A  |
| 1974               | V8 5.9L 360 CI | w/130 Tooth Gear (I.D. 11.190")   | 3515203 | FRG-130C  |
| 1972-74            | V8 5.9L 360 CI | w/131 Tooth Gear, w/131 Tooth Gear (I.D. 12.160")                       | 1941648 | FRG-130T  |
| 1974               | V8 5.9L 360 CI | w/11" Clutch; w/143 Tooth Gear  | 2843214 | FRG-143N  |
| 1971               | V8 6.6L 400 CI | w/131 Tooth Gear (I.D. 12.160")   | 1941648 | FRG-130T  |
| 1974               | V8 6.6L 400 CI | w/131 Tooth Gear (I.D. 12.160")   | 1941648 | FRG-130T  |
| 1974               | V8 6.6L 400 CI | w/130 Tooth Gear (I.D. 11.190")   | 3515203 | FRG-130C  |
| 1974               | V8 6.6L 400 CI | w/122 Tooth Gear; w/9 1/4" or 10" Clutch                                | 2121196 | FRG-122T  |
| 1974               | V8 7.2L 440 CI | w/131 Tooth Gear (I.D. 12.160")   | 1941648 | FRG-130T  |
| 1974               | V8 7.2L 440 CI | w/130 Tooth Gear (I.D. 11.190")   | 3515203 | FRG-130C  |
| <b>W100 SERIES</b> |                |   |         |           |
| 1960-64            | V8 5.2L 318 CI | exc. Hi-Perf. Engine; w/172 Tooth Gear                                  | 1673646 | FRG-172NC |
| 1961               | L6 3.7L 225 CI | w/148 Tooth Gear  | 2121195 | FRG-148NC |
| 1962-65            | L6 3.7L 225 CI | w/Hi-Perf. Engine; w/131 Tooth Gear                                     | 1941648 | FRG-130T  |
| 1962-67            | L6 3.7L 225 CI | exc. Hi-Perf. Engine; w/122 Tooth Gear                                  | 2121196 | FRG-122T  |
| 1962-67            | V8 5.2L 318 CI | w/131 Tooth Gear (I.D. 12.160"),<br>w/Hi-Perf. Engine; w/131 Tooth Gear | 1941648 | FRG-130T  |
| <b>W150</b>        |                |   |         |           |
| 1977               | V8 5.2L 318 CI | Medium Duty w/13" Inside Dia. Clutch;<br>w/158 Teeth Gear               | 3732638 | FRG-158A  |
| 1977               | V8 5.9L 360 CI | w/186 Tooth Gear  | 1733880 | FRG-186T  |
| 1977               | V8 5.9L 360 CI | w/13" Clutch; w/158 Teeth Gear  | 3732638 | FRG-158A  |
| 1977-78            | V8 6.6L 400 CI | w/122 Tooth Gear; w/9 1/4" or 10" Clutch                                | 2121196 | FRG-122T  |
| 1977-78            | V8 6.6L 400 CI | w/131 Tooth Gear (I.D. 12.160")   | 1941648 | FRG-130T  |
| 1977-78            | V8 6.6L 400 CI | w/130 Tooth Gear (I.D. 11.190")   | 3515203 | FRG-130C  |
| 1977-80            | V8 5.9L 360 CI | w/122 Tooth Gear (I.D. 11.190")   | 2121196 | FRG-122T  |
| 1977-91            | V8 5.2L 318 CI | w/122 Tooth Gear (I.D. 11.190"), w/122<br>Tooth Gear                    | 2121196 | FRG-122T  |
| 1978               | V8 6.6L 400 CI | w/12" Clutch; w/143 Tooth Gear  | 2843214 | FRG-143N  |
| 1978               | V8 7.2L 440 CI | w/130 Tooth Gear (I.D. 11.190")   | 3515203 | FRG-130C  |
| 1978-83            | L6 3.7L 225 CI | w/11" Clutch; w/143 Tooth Gear  | 2843214 | FRG-143N  |
| 1978-83            | L6 3.7L 225 CI | w/130 Tooth Gear  | 3515203 | FRG-130C  |
| 1978-87            | L6 3.7L 225 CI | w/122 Tooth Gear; w/9 1/4" or 10" Clutch                                | 2121196 | FRG-122T  |
| 1978-89            | V8 5.2L 318 CI | w/11" Clutch; w/143 Tooth Gear  | 2843214 | FRG-143N  |
| 1977-90            | V8 5.2L 318 CI | w/10-1/2" Clutch; w/131 Teeth Gear,<br>w/131 Tooth Gear                 | 1941648 | FRG-130T  |
| 1977-90            | V8 5.2L 318 CI | w/130 Tooth Gear, w/130 Tooth Gear (I.D.<br>11.190")                    | 3515203 | FRG-130C  |
| 1984-87            | L6 3.7L 225 CI | w/11" Clutch; w/131 Teeth Gear, w/131<br>Teeth Gear                     | 4295218 | FRG-131CH |

# RING GEAR APPLICATIONS

| Years              | Engine         | Remarks   | OE      | Pioneer # |
|--------------------|----------------|---|---------|-----------|
| <b>DODGE TRUCK</b> |                |   |         |           |
| <b>W150</b>        |                |   |         |           |
| 1977-81            | V8 5.9L 360 CI | w/130 Tooth Gear (I.D. 11.190")   | 3515203 | FRG-130C  |
| 1984-91            | V8 5.9L 360 CI | w/130 Tooth Gear (I.D. 11.190")   | 3515203 | FRG-130C  |
| 1993               | V8 5.9L 360 CI | w/130 Tooth Gear (I.D. 11.190")   | 3515203 | FRG-130C  |
| 1989-93            | V6 3.9L 238 CI | w/122 Tooth Gear  | 2121196 | FRG-122T  |
| 1977-81            | V8 5.9L 360 CI | w/11" Clutch; w/143 Tooth Gear  | 2843214 | FRG-143N  |
| 1984-91            | V8 5.9L 360 CI | w/11" Clutch; w/143 Tooth Gear  | 2843214 | FRG-143N  |
| 1993               | V8 5.9L 360 CI | w/11" Clutch; w/143 Tooth Gear  | 2843214 | FRG-143N  |
| <b>W200</b>        |                |   |         |           |
| 1975-80            | V8 5.2L 318 CI | w/131 Tooth Gear (I.D. 12.160")   | 1941648 | FRG-130T  |
| 1975-76            | V8 5.9L 360 CI | w/131 Tooth Gear (I.D. 12.160")   | 1941648 | FRG-130T  |
| 1975-77            | L6 3.7L 225 CI | Conventional Cab Series No. 5; w/Manual Trans.; 12" Dia. Clutch; w/158 Teeth Gear                     | 3732638 | FRG-158A  |
| 1975-77            | L6 3.7L 225 CI | w/131 Tooth Gear (I.D. 12.160")   | 1941648 | FRG-130T  |
| 1975-77            | V8 5.2L 318 CI | Medium Duty w/13" Inside Dia. Clutch; w/158 Teeth Gear  | 3732638 | FRG-158A  |
| 1975-77            | V8 5.9L 360 CI | w/186 Tooth Gear  | 1733880 | FRG-186T  |
| 1975-77            | V8 5.9L 360 CI | w/13" Clutch; w/158 Teeth Gear  | 3732638 | FRG-158A  |
| 1975-77            | V8 7.2L 440 CI | w/131 Tooth Gear (I.D. 12.160")   | 1941648 | FRG-130T  |
| 1975-78            | V8 7.2L 440 CI | w/130 Tooth Gear (I.D. 11.190")   | 3515203 | FRG-130C  |
| 1975-80            | L6 3.7L 225 CI | w/122 Tooth Gear; w/9 1/4" or 10" Clutch  | 2121196 | FRG-122T  |
| 1975-80            | V8 5.2L 318 CI | w/122 Tooth Gear (I.D. 11.190")   | 2121196 | FRG-122T  |
| 1975-80            | V8 5.2L 318 CI | w/130 Tooth Gear (I.D. 11.190")   | 3515203 | FRG-130C  |
| 1975-80            | V8 5.9L 360 CI | w/122 Tooth Gear (I.D. 11.190")   | 2121196 | FRG-122T  |
| 1975-80            | V8 5.9L 360 CI | w/130 Tooth Gear (I.D. 11.190")   | 3515203 | FRG-130C  |
| 1975-80            | V8 5.9L 360 CI | w/11" Clutch; w/143 Tooth Gear  | 2843214 | FRG-143N  |
| 1976-78            | V8 6.6L 400 CI | w/122 Tooth Gear; w/9 1/4" or 10" Clutch  | 2121196 | FRG-122T  |
| 1976-78            | V8 6.6L 400 CI | w/131 Tooth Gear (I.D. 12.160")   | 1941648 | FRG-130T  |
| 1976-78            | V8 6.6L 400 CI | w/130 Tooth Gear (I.D. 11.190")   | 3515203 | FRG-130C  |
| 1978               | V8 6.6L 400 CI | w/12" Clutch; w/143 Tooth Gear  | 2843214 | FRG-143N  |
| 1978-80            | L6 3.7L 225 CI | w/130 Tooth Gear  | 3515203 | FRG-130C  |
| 1975-80            | L6 3.7L 225 CI | w/11" Clutch; w/143 Tooth Gear, w/11" or 12" Clutch exc. Conventional Cab Series #5; w/143 Tooth Gear | 2843214 | FRG-143N  |
| 1978-80            | V8 5.2L 318 CI | w/11" Clutch; w/143 Tooth Gear  | 2843214 | FRG-143N  |
| <b>W200 PICKUP</b> |                |   |         |           |
| 1969-70            | V8 6.3L 383 CI | w/186 Tooth Gear  | 1733880 | FRG-186T  |
| 1969-70            | V8 6.3L 383 CI | w/131 Tooth Gear (I.D. 12.160")   | 1941648 | FRG-130T  |
| 1969-70            | V8 6.3L 384 CI | w/186 Tooth Gear  | 1733880 | FRG-186T  |
| 1969-70            | V8 6.3L 384 CI | w/131 Tooth Gear (I.D. 12.160")   | 1941648 | FRG-130T  |

# RING GEAR APPLICATIONS

| Years              | Engine         | Remarks   | OE      | Pioneer # |
|--------------------|----------------|---|---------|-----------|
| <b>DODGE TRUCK</b> |                |   |         |           |
| <b>W200 PICKUP</b> |                |   |         |           |
| 1969-74            | V8 5.2L 318 CI | w/122 Tooth Gear (I.D. 11.190")   | 2121196 | FRG-122T  |
| 1969-74            | L6 3.7L 225 CI | w/131 Tooth Gear (I.D. 12.160")   | 1941648 | FRG-130T  |
| 1969-74            | L6 3.7L 225 CI | w/122 Tooth Gear; w/9 1/4" or 10" Clutch  | 2121196 | FRG-122T  |
| 1969-74            | V8 5.2L 318 CI | w/131 Tooth Gear (I.D. 12.160")   | 1941648 | FRG-130T  |
| 1971               | V8 6.6L 400 CI | w/131 Tooth Gear (I.D. 12.160")   | 1941648 | FRG-130T  |
| 1974               | V8 6.6L 400 CI | w/131 Tooth Gear (I.D. 12.160")   | 1941648 | FRG-130T  |
| 1971               | V8 6.6L 400 CI | w/143 Tooth Gear  | 2843214 | FRG-143N  |
| 1971-73            | V8 5.9L 360 CI | w/13" Clutch; w/186 Tooth Gear  | 1733880 | FRG-186T  |
| 1971-74            | V8 5.9L 360 CI | w/122 Tooth Gear (I.D. 11.190")   | 2121196 | FRG-122T  |
| 1974               | L6 3.7L 225 CI | w/11" or 12" Clutch exc. Conventional Cab Series #5; w/143 Tooth Gear             | 2843214 | FRG-143N  |
| 1974               | L6 3.7L 225 CI | Conventional Cab Series No. 5; w/Manual Trans.; 12" Dia. Clutch; w/158 Teeth Gear | 3732638 | FRG-158A  |
| 1974               | V8 5.2L 318 CI | w/130 Tooth Gear (I.D. 11.190")   | 3515203 | FRG-130C  |
| 1974               | V8 5.2L 318 CI | Medium Duty w/13" Inside Dia. Clutch; w/158 Teeth Gear                            | 3732638 | FRG-158A  |
| 1974               | V8 5.9L 360 CI | w/130 Tooth Gear (I.D. 11.190")   | 3515203 | FRG-130C  |
| 1974               | V8 5.9L 360 CI | w/11" Clutch; w/143 Tooth Gear  | 2843214 | FRG-143N  |
| 1974               | V8 5.9L 360 CI | w/13" Clutch; w/158 Teeth Gear  | 3732638 | FRG-158A  |
| 1971-74            | V8 5.9L 360 CI | w/131 Tooth Gear, w/131 Tooth Gear (I.D. 12.160")                                 | 1941648 | FRG-130T  |
| 1974               | V8 6.6L 400 CI | w/122 Tooth Gear; w/9 1/4" or 10" Clutch  | 2121196 | FRG-122T  |
| 1974               | V8 6.6L 400 CI | w/130 Tooth Gear (I.D. 11.190")   | 3515203 | FRG-130C  |
| 1974               | V8 7.2L 440 CI | w/130 Tooth Gear (I.D. 11.190")   | 3515203 | FRG-130C  |
| 1974               | V8 7.2L 440 CI | w/131 Tooth Gear (I.D. 12.160")   | 1941648 | FRG-130T  |
| <b>W200 SERIES</b> |                |   |         |           |
| 1960-64            | V8 5.2L 318 CI | exc. Hi-Perf. Engine; w/172 Tooth Gear  | 1673646 | FRG-172NC |
| 1961               | L6 3.7L 225 CI | w/148 Tooth Gear  | 2121195 | FRG-148NC |
| 1962-65            | L6 3.7L 225 CI | w/Hi-Perf. Engine; w/131 Tooth Gear   | 1941648 | FRG-130T  |
| 1962-67            | L6 3.7L 225 CI | exc. Hi-Perf. Engine; w/122 Tooth Gear  | 2121196 | FRG-122T  |
| 1962-67            | V8 5.2L 318 CI | w/131 Tooth Gear (I.D. 12.160"), w/Hi-Perf. Engine; w/131 Tooth Gear              | 1941648 | FRG-130T  |
| <b>W250</b>        |                |   |         |           |
| 1981-90            | V8 5.2L 318 CI | w/131 Tooth Gear, w/10-1/2" Clutch; w/131 Teeth Gear                              | 1941648 | FRG-130T  |
| 1981-91            | V8 5.2L 318 CI | w/122 Tooth Gear (I.D. 11.190"), w/122 Tooth Gear                                 | 2121196 | FRG-122T  |
| 1981-89            | V8 5.2L 318 CI | w/11" Clutch; w/143 Tooth Gear  | 2843214 | FRG-143N  |
| 1981-82            | V8 5.9L 360 CI | w/11" Clutch; w/143 Tooth Gear  | 2843214 | FRG-143N  |



# RING GEAR APPLICATIONS

| Years              | Engine         | Remarks   | OE      | Pioneer # |
|--------------------|----------------|---|---------|-----------|
| <b>DODGE TRUCK</b> |                |   |         |           |
| <b>W250</b>        |                |   |         |           |
| 1984-93            | V8 5.9L 360 CI | w/11" Clutch; w/143 Tooth Gear  | 2843214 | FRG-143N  |
| 1989-93            | L6 5.9L 359 CI | w/152 Teeth   |         | FRG-152CR |
| 1981-90            | V8 5.2L 318 CI | w/130 Tooth Gear  | 3515203 | FRG-130C  |
| 1981-82            | V8 5.9L 360 CI | w/130 Tooth Gear (I.D. 11.190")   | 3515203 | FRG-130C  |
| 1984-93            | V8 5.9L 360 CI | w/130 Tooth Gear (I.D. 11.190")   | 3515203 | FRG-130C  |
| <b>W300</b>        |                |   |         |           |
| 1975-76            | V8 5.9L 360 CI | w/131 Tooth Gear (I.D. 12.160")   | 1941648 | FRG-130T  |
| 1975-77            | L6 3.7L 225 CI | w/131 Tooth Gear (I.D. 12.160")   | 1941648 | FRG-130T  |
| 1975-77            | L6 3.7L 225 CI | Conventional Cab Series No. 5; w/Manual Trans.; 12" Dia. Clutch; w/158 Teeth Gear                     | 3732638 | FRG-158A  |
| 1975-77            | V8 5.2L 318 CI | Medium Duty w/13" Inside Dia. Clutch; w/158 Teeth Gear  | 3732638 | FRG-158A  |
| 1975-77            | V8 5.9L 360 CI | w/186 Tooth Gear  | 1733880 | FRG-186T  |
| 1975-77            | V8 5.9L 360 CI | w/13" Clutch; w/158 Teeth Gear  | 3732638 | FRG-158A  |
| 1975-77            | V8 7.2L 440 CI | w/131 Tooth Gear (I.D. 12.160")   | 1941648 | FRG-130T  |
| 1975-78            | L6 3.7L 225 CI | w/122 Tooth Gear; w/9 1/4" or 10" Clutch  | 2121196 | FRG-122T  |
| 1975-78            | V8 7.2L 440 CI | w/130 Tooth Gear (I.D. 11.190")   | 3515203 | FRG-130C  |
| 1975-80            | V8 5.9L 360 CI | w/11" Clutch; w/143 Tooth Gear  | 2843214 | FRG-143N  |
| 1975-80            | V8 5.9L 360 CI | w/130 Tooth Gear (I.D. 11.190")   | 3515203 | FRG-130C  |
| 1975-80            | V8 5.9L 360 CI | w/122 Tooth Gear (I.D. 11.190")   | 2121196 | FRG-122T  |
| 1976-78            | V8 6.6L 400 CI | w/122 Tooth Gear; w/9 1/4" or 10" Clutch  | 2121196 | FRG-122T  |
| 1976-78            | V8 6.6L 400 CI | w/131 Tooth Gear (I.D. 12.160")   | 1941648 | FRG-130T  |
| 1976-78            | V8 6.6L 400 CI | w/130 Tooth Gear (I.D. 11.190")   | 3515203 | FRG-130C  |
| 1978               | L6 3.7L 225 CI | w/130 Tooth Gear  | 3515203 | FRG-130C  |
| 1975-78            | L6 3.7L 225 CI | w/11" Clutch; w/143 Tooth Gear, w/11" or 12" Clutch exc. Conventional Cab Series #5; w/143 Tooth Gear | 2843214 | FRG-143N  |
| 1978               | V8 5.2L 318 CI | w/11" Clutch; w/143 Tooth Gear  | 2843214 | FRG-143N  |
| 1980               | V8 5.2L 318 CI | w/11" Clutch; w/143 Tooth Gear  | 2843214 | FRG-143N  |
| 1978               | V8 6.6L 400 CI | w/12" Clutch; w/143 Tooth Gear  | 2843214 | FRG-143N  |
| 1975-78            | V8 5.2L 318 CI | w/131 Tooth Gear (I.D. 12.160")   | 1941648 | FRG-130T  |
| 1980               | V8 5.2L 318 CI | w/131 Tooth Gear (I.D. 12.160")   | 1941648 | FRG-130T  |
| 1975-78            | V8 5.2L 318 CI | w/130 Tooth Gear (I.D. 11.190")   | 3515203 | FRG-130C  |
| 1980               | V8 5.2L 318 CI | w/130 Tooth Gear (I.D. 11.190")   | 3515203 | FRG-130C  |
| 1975-78            | V8 5.2L 318 CI | w/122 Tooth Gear (I.D. 11.190")   | 2121196 | FRG-122T  |
| 1980               | V8 5.2L 318 CI | w/122 Tooth Gear (I.D. 11.190")   | 2121196 | FRG-122T  |
| <b>W300 PICKUP</b> |                |   |         |           |
| 1968               | L6 3.7L 225 CI | w/172 Tooth Gear  | 1673646 | FRG-172NC |
| 1968               | V8 5.2L 318 CI | w/172 Tooth Gear  | 1673646 | FRG-172NC |

# RING GEAR APPLICATIONS

| Years              | Engine         | Remarks   | OE      | Pioneer # |
|--------------------|----------------|---|---------|-----------|
| <b>DODGE TRUCK</b> |                |   |         |           |
| <b>W300 PICKUP</b> |                |   |         |           |
| 1968               | V8 6.3L 383 CI | w/172 Tooth Gear  | 1673646 | FRG-172NC |
| 1968               | V8 6.3L 383 CI | w/143 Tooth Gear  | 2843214 | FRG-143N  |
| 1968-69            | V8 6.3L 384 CI | w/131 Tooth Gear (I.D. 12.160")   | 1941648 | FRG-130T  |
| 1968               | V8 6.3L 384 CI | w/172 Tooth Gear  | 1673646 | FRG-172NC |
| 1968               | V8 6.3L 384 CI | w/143 Tooth Gear  | 2843214 | FRG-143N  |
| 1968-69            | V8 6.3L 383 CI | w/186 Tooth Gear  | 1733880 | FRG-186T  |
| 1968-69            | V8 6.3L 383 CI | w/131 Tooth Gear (I.D. 12.160")   | 1941648 | FRG-130T  |
| 1968-69            | V8 6.3L 384 CI | w/186 Tooth Gear  | 1733880 | FRG-186T  |
| 1968-74            | L6 3.7L 225 CI | w/122 Tooth Gear; w/9 1/4" or 10" Clutch  | 2121196 | FRG-122T  |
| 1968-74            | L6 3.7L 225 CI | w/131 Tooth Gear (I.D. 12.160")   | 1941648 | FRG-130T  |
| 1968-74            | V8 5.2L 318 CI | w/131 Tooth Gear (I.D. 12.160")   | 1941648 | FRG-130T  |
| 1971-73            | V8 5.9L 360 CI | w/13" Clutch; w/186 Tooth Gear  | 1733880 | FRG-186T  |
| 1971-74            | V8 5.9L 360 CI | w/131 Tooth Gear (I.D. 12.160"), w/131<br>Tooth Gear                                    | 1941648 | FRG-130T  |
| 1971-74            | V8 5.9L 360 CI | w/122 Tooth Gear (I.D. 11.190")   | 2121196 | FRG-122T  |
| 1974               | L6 3.7L 225 CI | Conventional Cab Series No. 5; w/Manual<br>Trans.; 12" Dia. Clutch; w/158 Teeth<br>Gear | 3732638 | FRG-158A  |
| 1974               | L6 3.7L 225 CI | w/11" or 12" Clutch exc. Conventional<br>Cab Series #5; w/143 Tooth Gear                | 2843214 | FRG-143N  |
| 1974               | V8 5.2L 318 CI | Medium Duty w/13" Inside Dia. Clutch;<br>w/158 Teeth Gear                               | 3732638 | FRG-158A  |
| 1968-74            | V8 5.2L 318 CI | w/122 Tooth Gear (I.D. 11.190")   | 2121196 | FRG-122T  |
| 1974               | V8 5.2L 318 CI | w/130 Tooth Gear (I.D. 11.190")   | 3515203 | FRG-130C  |
| 1974               | V8 5.9L 360 CI | w/13" Clutch; w/158 Teeth Gear  | 3732638 | FRG-158A  |
| 1974               | V8 5.9L 360 CI | w/11" Clutch; w/143 Tooth Gear  | 2843214 | FRG-143N  |
| 1974               | V8 5.9L 360 CI | w/130 Tooth Gear (I.D. 11.190")   | 3515203 | FRG-130C  |
| <b>W300 SERIES</b> |                |   |         |           |
| 1960-64            | V8 5.2L 318 CI | exc. Hi-Perf. Engine; w/172 Tooth Gear  | 1673646 | FRG-172NC |
| 1962-67            | V8 5.2L 318 CI | w/Hi-Perf. Engine; w/131 Tooth Gear,<br>w/131 Tooth Gear (I.D. 12.160")                 | 1941648 | FRG-130T  |
| 1963-65            | L6 3.7L 225 CI | w/Hi-Perf. Engine; w/131 Tooth Gear   | 1941648 | FRG-130T  |
| 1963-67            | L6 3.7L 225 CI | exc. Hi-Perf. Engine; w/122 Tooth Gear  | 2121196 | FRG-122T  |
| <b>W350</b>        |                |   |         |           |
| 1981-93            | V8 5.9L 360 CI | w/11" Clutch; w/143 Tooth Gear  | 2843214 | FRG-143N  |
| 1982-83            | V8 5.2L 318 CI | w/130 Tooth Gear (I.D. 11.190")   | 3515203 | FRG-130C  |
| 1982-83            | V8 5.2L 318 CI | w/10-1/2" Clutch; w/131 Teeth Gear  | 1941648 | FRG-130T  |
| 1982-83            | V8 5.2L 318 CI | w/11" Clutch; w/143 Tooth Gear  | 2843214 | FRG-143N  |
| 1982-83            | V8 5.2L 318 CI | w/122 Tooth Gear (I.D. 11.190")   | 2121196 | FRG-122T  |
| 1981-93            | V8 5.9L 360 CI | w/130 Tooth Gear (I.D. 11.190")   | 3515203 | FRG-130C  |

# RING GEAR APPLICATIONS

| Years                    | Engine         | Remarks                                   | OE         | Pioneer # |
|--------------------------|----------------|---|------------|-----------|
| <b>DODGE TRUCK</b>       |                |   |            |           |
| <b>W350</b>              |                |   |            |           |
| 1989-93                  | L6 5.9L 359 CI | w/152 Teeth                               |            | FRG-152CR |
| <b>WM300 POWER WAGON</b> |                |   |            |           |
| 1960-62                  | V8 5.2L 318 CI | w/172 Tooth Gear                          | 1673646    | FRG-172NC |
| 1962                     | V8 5.2L 318 CI | w/Hi-Perf. Engine; w/131 Tooth Gear       | 1941648    | FRG-130T  |
| <b>FORD</b>              |                |   |            |           |
| <b>CLUB</b>              |                |   |            |           |
| 1953                     | L6 3.5L 215 CI | w/146 Tooth Gear                          | EAA6384A   | FRG-146NC |
| 1955-57                  | V8 4.4L 272 CI | w/146 Tooth Gear                          | EAA6384A   | FRG-146NC |
| 1955-59                  | L6 3.6L 223 CI | w/146 Tooth Gear                          | EAA6384A   | FRG-146NC |
| 1958-59                  | V8 4.8L 292 CI | w/146 Tooth Gear                          | EAA6384A   | FRG-146NC |
| 1958-59                  | V8 4.8L 292 CI | w/148 Teeth Gear                          | PMB-6384-A | FRG-148S  |
| <b>COUNTRY SEDAN</b>     |                |   |            |           |
| 1952-53                  | L6 3.5L 215 CI | w/146 Tooth Gear                          | EAA6384A   | FRG-146NC |
| 1955-57                  | V8 4.4L 272 CI | w/146 Tooth Gear                          | EAA6384A   | FRG-146NC |
| 1955-64                  | L6 3.6L 223 CI | w/146 Tooth Gear                          | EAA6384A   | FRG-146NC |
| 1958-59                  | V8 5.4L 332 CI | w/152 Tooth Gear                          | B7Q-6384-A | FRG-152F  |
| 1958-62                  | V8 4.8L 292 CI | w/146 Tooth Gear                          | EAA6384A   | FRG-146NC |
| 1958-62                  | V8 4.8L 292 CI | w/148 Teeth Gear                          | PMB-6384-A | FRG-148S  |
| 1960-64                  | L6 3.6L 223 CI | exc. Fordomatic Type II; w/132 Tooth Gear | C0DP6384A  | FRG-132F  |
| 1963-64                  | V8 4.3L 260 CI | w/Overdrive; w/157 Tooth Gear             | C2OZ6384B  | FRG-157N  |
| 1964                     | V8 7.0L 427 CI | w/164 Tooth Gear (.365" Width)            | C5AZ6384D  | FRG-164N  |
| 1965-66                  | V8 7.0L 427 CI | w/184 Tooth Gear                          | C5AZ6384A  | FRG-184T  |
| 1965-67                  | L6 2.8L 170 CI | w/132 Tooth Gear                          | C0DP6384A  | FRG-132F  |
| 1965-67                  | L6 3.3L 200 CI | w/Heavy Duty Clutch; w/157 Tooth Gear     | C2OZ6384B  | FRG-157N  |
| 1965-67                  | L6 3.3L 200 CI | w/132 Tooth Gear                          | C0DP6384A  | FRG-132F  |
| 1965-67                  | L6 3.9L 240 CI | w/164 Tooth Gear (.365" Width)            | C5AZ6384D  | FRG-164N  |
| 1965-67                  | V8 5.8L 352 CI | w/184 Tooth Gear                          | C5AZ6384A  | FRG-184T  |
| 1966                     | V8 7.0L 427 CI | w/164 Tooth Gear (.365" Width)            | C7VP6384A  | FRG-164T  |
| 1966                     | V8 7.0L 427 CI | w/138 Tooth Gear (.365" Width)            | D4ZP6384AA | FRG-138C  |
| 1966                     | V8 7.0L 427 CI | w/141 Tooth Gear (.365" Width)            | D5ZP6384AA | FRG-141C  |
| 1965-70                  | V8 6.4L 390 CI | w/184 Tooth Gear                          | C5AZ6384A  | FRG-184T  |
| 1968-70                  | V8 7.0L 428 CI | w/141 Tooth Gear (.365" Width)            | D5ZP6384AA | FRG-141C  |
| 1968-70                  | V8 7.0L 428 CI | w/164 Tooth Gear (.365" Width)            | C7VP6384A  | FRG-164T  |
| 1968-70                  | V8 7.0L 428 CI | w/138 Tooth Gear (.365" Width)            | D4ZP6384AA | FRG-138C  |
| 1968-70                  | V8 7.0L 428 CI | w/184 Tooth Gear                          | C5AZ6384A  | FRG-184T  |
| 1969-70                  | V8 5.8L 351 CI | w/184 Tooth Gear                          | C5AZ6384A  | FRG-184T  |
| 1969-71                  | V8 7.0L 429 CI | w/141 Tooth Gear (.365" Width)            | D5ZP6384AA | FRG-141C  |
| 1969-71                  | V8 7.0L 429 CI | w/164 Tooth Gear (.365" Width)            | C7VP6384A  | FRG-164T  |
| 1969-71                  | V8 7.0L 429 CI | w/138 Tooth Gear (.365" Width)            | D4ZP6384AA | FRG-138C  |

# RING GEAR APPLICATIONS

| Years                 | Engine         | Remarks                                   | OE         | Pioneer # |
|-----------------------|----------------|---|------------|-----------|
| <b>FORD</b>           |                |   |            |           |
| <b>COUNTRY SEDAN</b>  |                |   |            |           |
| 1969-71               | V8 7.0L 429 CI | w/184 Tooth Gear                          | C5AZ6384A  | FRG-184T  |
| 1969-74               | V8 5.8L 351 CI | w/164 Tooth Gear                          | C5AZ6384D  | FRG-164N  |
| 1968-69               | V8 5.0L 302 CI | w/164 Tooth Gear                          | C5AZ6384D  | FRG-164N  |
| 1971-72               | V8 5.0L 302 CI | w/164 Tooth Gear                          | C5AZ6384D  | FRG-164N  |
| <b>COUNTRY SQUIRE</b> |                |   |            |           |
| 1952-53               | L6 3.5L 215 CI | w/146 Tooth Gear                          | EAA6384A   | FRG-146NC |
| 1955-57               | V8 4.4L 272 CI | w/146 Tooth Gear                          | EAA6384A   | FRG-146NC |
| 1955-64               | L6 3.6L 223 CI | w/146 Tooth Gear                          | EAA6384A   | FRG-146NC |
| 1958-59               | V8 5.4L 332 CI | w/152 Tooth Gear                          | B7Q-6384-A | FRG-152F  |
| 1958-62               | V8 4.8L 292 CI | w/148 Teeth Gear                          | PMB-6384-A | FRG-148S  |
| 1958-62               | V8 4.8L 292 CI | w/146 Tooth Gear                          | EAA6384A   | FRG-146NC |
| 1960-64               | L6 3.6L 223 CI | exc. Fordomatic Type II; w/132 Tooth Gear | C0DP6384A  | FRG-132F  |
| 1963-64               | V8 4.3L 260 CI | w/Overdrive; w/157 Tooth Gear             | C2OZ6384B  | FRG-157N  |
| 1964                  | V8 7.0L 427 CI | w/164 Tooth Gear (.365" Width)            | C5AZ6384D  | FRG-164N  |
| 1965-67               | L6 2.8L 170 CI | w/132 Tooth Gear                          | C0DP6384A  | FRG-132F  |
| 1965-67               | L6 3.3L 200 CI | w/Heavy Duty Clutch; w/157 Tooth Gear     | C2OZ6384B  | FRG-157N  |
| 1965-67               | L6 3.3L 200 CI | w/132 Tooth Gear                          | C0DP6384A  | FRG-132F  |
| 1965-67               | L6 3.9L 240 CI | w/164 Tooth Gear (.365" Width)            | C5AZ6384D  | FRG-164N  |
| 1965-67               | V8 5.8L 352 CI | w/184 Tooth Gear                          | C5AZ6384A  | FRG-184T  |
| 1966                  | V8 7.0L 427 CI | w/138 Tooth Gear (.365" Width)            | D4ZP6384AA | FRG-138C  |
| 1968                  | V8 7.0L 427 CI | w/138 Tooth Gear (.365" Width)            | D4ZP6384AA | FRG-138C  |
| 1966                  | V8 7.0L 427 CI | w/164 Tooth Gear (.365" Width)            | C7VP6384A  | FRG-164T  |
| 1968                  | V8 7.0L 427 CI | w/164 Tooth Gear (.365" Width)            | C7VP6384A  | FRG-164T  |
| 1966                  | V8 7.0L 427 CI | w/184 Tooth Gear                          | C5AZ6384A  | FRG-184T  |
| 1968                  | V8 7.0L 427 CI | w/184 Tooth Gear                          | C5AZ6384A  | FRG-184T  |
| 1966                  | V8 7.0L 427 CI | w/141 Tooth Gear (.365" Width)            | D5ZP6384AA | FRG-141C  |
| 1968                  | V8 7.0L 427 CI | w/141 Tooth Gear (.365" Width)            | D5ZP6384AA | FRG-141C  |
| 1968-69               | V8 7.0L 428 CI | w/164 Tooth Gear (.365" Width)            | C7VP6384A  | FRG-164T  |
| 1968-69               | V8 7.0L 428 CI | w/184 Tooth Gear                          | C5AZ6384A  | FRG-184T  |
| 1968-69               | V8 7.0L 428 CI | w/141 Tooth Gear (.365" Width)            | D5ZP6384AA | FRG-141C  |
| 1968-69               | V8 7.0L 428 CI | w/138 Tooth Gear (.365" Width)            | D4ZP6384AA | FRG-138C  |
| 1968-70               | V8 6.4L 390 CI | w/184 Tooth Gear                          | C5AZ6384A  | FRG-184T  |
| 1968-72               | V8 5.0L 302 CI | w/164 Tooth Gear                          | C5AZ6384D  | FRG-164N  |
| 1969-70               | V8 5.8L 351 CI | w/184 Tooth Gear                          | C5AZ6384A  | FRG-184T  |
| 1969-71               | V8 7.0L 429 CI | w/184 Tooth Gear                          | C5AZ6384A  | FRG-184T  |
| 1969-71               | V8 7.0L 429 CI | w/164 Tooth Gear (.365" Width)            | C7VP6384A  | FRG-164T  |
| 1969-71               | V8 7.0L 429 CI | w/138 Tooth Gear (.365" Width)            | D4ZP6384AA | FRG-138C  |
| 1969-71               | V8 7.0L 429 CI | w/141 Tooth Gear (.365" Width)            | D5ZP6384AA | FRG-141C  |
| 1969-74               | V8 5.8L 351 CI | w/164 Tooth Gear                          | C5AZ6384D  | FRG-164N  |

# RING GEAR APPLICATIONS

| Years                 | Engine         | Remarks                                   | OE         | Pioneer # |
|-----------------------|----------------|---|------------|-----------|
| <b>FORD</b>           |                |   |            |           |
| <b>COUNTRY SQUIRE</b> |                |   |            |           |
| 1987-91               | V8 5.0L 302 CI | w/157 Tooth Gear                          | C2OZ6384B  | FRG-157N  |
| <b>CUSTOM</b>         |                |   |            |           |
| 1952                  | L6 3.5L 215 CI | w/146 Tooth Gear                          | EAA6384A   | FRG-146NC |
| 1957                  | V8 4.4L 272 CI | w/146 Tooth Gear                          | EAA6384A   | FRG-146NC |
| 1957                  | V8 4.8L 292 CI | w/146 Tooth Gear                          | EAA6384A   | FRG-146NC |
| 1957                  | L6 3.6L 223 CI | w/146 Tooth Gear                          | EAA6384A   | FRG-146NC |
| 1964                  | L6 3.6L 223 CI | w/146 Tooth Gear                          | EAA6384A   | FRG-146NC |
| 1964                  | L6 3.6L 223 CI | exc. Fordomatic Type II; w/132 Tooth Gear | C0DP6384A  | FRG-132F  |
| 1964                  | V8 4.3L 260 CI | w/Overdrive; w/157 Tooth Gear             | C2OZ6384B  | FRG-157N  |
| 1965-66               | V8 5.8L 352 CI | w/184 Tooth Gear                          | C5AZ6384A  | FRG-184T  |
| 1966                  | V8 7.0L 427 CI | w/141 Tooth Gear (.365" Width)            | D5ZP6384AA | FRG-141C  |
| 1966                  | V8 7.0L 427 CI | w/138 Tooth Gear (.365" Width)            | D4ZP6384AA | FRG-138C  |
| 1966                  | V8 7.0L 427 CI | w/184 Tooth Gear                          | C5AZ6384A  | FRG-184T  |
| 1966                  | V8 7.0L 427 CI | w/164 Tooth Gear (.365" Width)            | C7VP6384A  | FRG-164T  |
| 1968-70               | V8 6.4L 390 CI | w/184 Tooth Gear                          | C5AZ6384A  | FRG-184T  |
| 1968-70               | V8 7.0L 428 CI | w/141 Tooth Gear (.365" Width)            | D5ZP6384AA | FRG-141C  |
| 1968-70               | V8 7.0L 428 CI | w/138 Tooth Gear (.365" Width)            | D4ZP6384AA | FRG-138C  |
| 1968-70               | V8 7.0L 428 CI | w/164 Tooth Gear (.365" Width)            | C7VP6384A  | FRG-164T  |
| 1968-70               | V8 7.0L 428 CI | w/184 Tooth Gear                          | C5AZ6384A  | FRG-184T  |
| 1968-72               | V8 5.0L 302 CI | w/164 Tooth Gear                          | C5AZ6384D  | FRG-164N  |
| 1969-70               | V8 5.8L 351 CI | w/184 Tooth Gear                          | C5AZ6384A  | FRG-184T  |
| 1969-71               | V8 7.0L 429 CI | w/164 Tooth Gear (.365" Width)            | C7VP6384A  | FRG-164T  |
| 1969-71               | V8 7.0L 429 CI | w/184 Tooth Gear                          | C5AZ6384A  | FRG-184T  |
| 1969-71               | V8 7.0L 429 CI | w/141 Tooth Gear (.365" Width)            | D5ZP6384AA | FRG-141C  |
| 1969-71               | V8 7.0L 429 CI | w/138 Tooth Gear (.365" Width)            | D4ZP6384AA | FRG-138C  |
| 1969-72               | V8 5.8L 351 CI | w/164 Tooth Gear                          | C5AZ6384D  | FRG-164N  |
| <b>CUSTOM 300</b>     |                |   |            |           |
| 1958-59               | L6 3.6L 223 CI | w/146 Tooth Gear                          | EAA6384A   | FRG-146NC |
| 1958-59               | V8 4.8L 292 CI | w/146 Tooth Gear                          | EAA6384A   | FRG-146NC |
| 1958-59               | V8 4.8L 292 CI | w/148 Teeth Gear                          | PMB-6384-A | FRG-148S  |
| 1958-59               | V8 5.4L 332 CI | w/152 Tooth Gear                          | B7Q-6384-A | FRG-152F  |
| <b>CUSTOM 500</b>     |                |   |            |           |
| 1968                  | V8 7.0L 427 CI | w/138 Tooth Gear (.365" Width)            | D4ZP6384AA | FRG-138C  |
| 1968                  | V8 7.0L 427 CI | w/164 Tooth Gear (.365" Width)            | C7VP6384A  | FRG-164T  |
| 1968                  | V8 7.0L 427 CI | w/141 Tooth Gear (.365" Width)            | D5ZP6384AA | FRG-141C  |
| 1968                  | V8 7.0L 427 CI | w/184 Tooth Gear                          | C5AZ6384A  | FRG-184T  |
| 1968-70               | V8 6.4L 390 CI | w/184 Tooth Gear                          | C5AZ6384A  | FRG-184T  |
| 1968-70               | V8 7.0L 428 CI | w/141 Tooth Gear (.365" Width)            | D5ZP6384AA | FRG-141C  |
| 1968-70               | V8 7.0L 428 CI | w/164 Tooth Gear (.365" Width)            | C7VP6384A  | FRG-164T  |

# RING GEAR APPLICATIONS

| Years                             | Engine         | Remarks   | OE         | Pioneer # |
|-----------------------------------|----------------|---|------------|-----------|
| <b>FORD</b>                       |                |   |            |           |
| <b>CUSTOM 500</b>                 |                |   |            |           |
| 1968-70                           | V8 7.0L 428 CI | w/184 Tooth Gear                                    | C5AZ6384A  | FRG-184T  |
| 1968-70                           | V8 7.0L 428 CI | w/138 Tooth Gear (.365" Width)                      | D4ZP6384AA | FRG-138C  |
| 1968-72                           | V8 5.0L 302 CI | w/164 Tooth Gear                                    | C5AZ6384D  | FRG-164N  |
| 1969-70                           | V8 5.8L 351 CI | w/184 Tooth Gear                                    | C5AZ6384A  | FRG-184T  |
| 1969-71                           | V8 7.0L 429 CI | w/138 Tooth Gear (.365" Width)                      | D4ZP6384AA | FRG-138C  |
| 1969-71                           | V8 7.0L 429 CI | w/184 Tooth Gear                                    | C5AZ6384A  | FRG-184T  |
| 1969-71                           | V8 7.0L 429 CI | w/141 Tooth Gear (.365" Width)                      | D5ZP6384AA | FRG-141C  |
| 1969-71                           | V8 7.0L 429 CI | w/164 Tooth Gear (.365" Width)                      | C7VP6384A  | FRG-164T  |
| 1969-74                           | V8 5.8L 351 CI | w/164 Tooth Gear                                    | C5AZ6384D  | FRG-164N  |
| <b>CUSTOMLINE</b>                 |                |   |            |           |
| 1952-53                           | L6 3.5L 215 CI | w/146 Tooth Gear                                    | EAA6384A   | FRG-146NC |
| 1955-56                           | L6 3.6L 223 CI | w/146 Tooth Gear                                    | EAA6384A   | FRG-146NC |
| 1955-56                           | V8 4.4L 272 CI | w/146 Tooth Gear                                    | EAA6384A   | FRG-146NC |
| <b>DEL RIO WAGON</b>              |                |   |            |           |
| 1957                              | V8 4.4L 272 CI | w/146 Tooth Gear                                    | EAA6384A   | FRG-146NC |
| 1957-58                           | L6 3.6L 223 CI | w/146 Tooth Gear                                    | EAA6384A   | FRG-146NC |
| 1957-58                           | V8 4.8L 292 CI | w/146 Tooth Gear                                    | EAA6384A   | FRG-146NC |
| 1958                              | V8 4.8L 292 CI | w/148 Teeth Gear                                    | PMB-6384-A | FRG-148S  |
| 1958                              | V8 5.4L 332 CI | w/152 Tooth Gear                                    | B7Q-6384-A | FRG-152F  |
| <b>E-150 ECONOLINE CLUB WAGON</b> |                |   |            |           |
| 1975-96                           | V8 5.8L 351 CI | w/164 Tooth Gear                                    | C5AZ6384D  | FRG-164N  |
| 1976-89                           | L6 4.9L 300 CI | w/164 Tooth Gear (.365" Width), w/164<br>Tooth Gear | C5AZ6384D  | FRG-164N  |
| 1977-82                           | V8 5.8L 351 CI | w/180 Tooth Gear                                    | D7TZ6384A  | FRG-180W  |
| 1979-90                           | V8 5.0L 302 CI | w/164 Tooth Gear                                    | C5AZ6384D  | FRG-164N  |
| 1979-96                           | V8 5.0L 302 CI | w/157 Tooth Gear                                    | C2OZ6384B  | FRG-157N  |
| <b>E-250 ECONOLINE CLUB WAGON</b> |                |   |            |           |
| 1977-82                           | V8 5.8L 351 CI | w/180 Tooth Gear                                    | D7TZ6384A  | FRG-180W  |
| 1979-80                           | V8 5.0L 302 CI | w/157 Tooth Gear                                    | C2OZ6384B  | FRG-157N  |
| 1979-80                           | V8 5.0L 302 CI | w/164 Tooth Gear                                    | C5AZ6384D  | FRG-164N  |
| 1980-82                           | V8 6.6L 400 CI | w/180 Tooth Gear                                    | D7TZ6384A  | FRG-180W  |
| 1977-80                           | L6 4.9L 300 CI | w/164 Tooth Gear (.365" Width), w/164<br>Tooth Gear | C5AZ6384D  | FRG-164N  |
| 1984                              | L6 4.9L 300 CI | w/164 Tooth Gear (.365" Width), w/164<br>Tooth Gear | C5AZ6384D  | FRG-164N  |
| 1975-91                           | V8 5.8L 351 CI | w/164 Tooth Gear                                    | C5AZ6384D  | FRG-164N  |
| 1983-87                           | V8 6.9L 420 CI | w/155 Teeth Gear                                    | E5TZ6384B  | FRG-155FT |
| 1988-91                           | V8 7.3L 445 CI | w/155 Teeth Gear                                    | E5TZ6384B  | FRG-155FT |
| <b>E-350 ECONOLINE CLUB WAGON</b> |                |   |            |           |
| 1977-82                           | V8 5.8L 351 CI | w/180 Tooth Gear                                    | D7TZ6384A  | FRG-180W  |

# RING GEAR APPLICATIONS

| Years                             | Engine         | Remarks   | OE         | Pioneer # |
|-----------------------------------|----------------|---|------------|-----------|
| <b>FORD</b>                       |                |   |            |           |
| <b>E-350 ECONOLINE CLUB WAGON</b> |                |   |            |           |
| 1977-89                           | L6 4.9L 300 CI | w/164 Tooth Gear, w/164 Tooth Gear<br>(.365" Width) | C5AZ6384D  | FRG-164N  |
| 1979-80                           | V8 5.0L 302 CI | w/164 Tooth Gear                                    | C5AZ6384D  | FRG-164N  |
| 1979-80                           | V8 5.0L 302 CI | w/157 Tooth Gear                                    | C2OZ6384B  | FRG-157N  |
| 1980-82                           | V8 6.6L 400 CI | w/180 Tooth Gear                                    | D7TZ6384A  | FRG-180W  |
| 1983-84                           | V8 6.9L 420 CI | w/155 Teeth Gear                                    | E5TZ6384B  | FRG-155FT |
| 1990-94                           | V8 7.3L 445 CI | w/155 Teeth Gear                                    | E5TZ6384B  | FRG-155FT |
| 1977-84                           | V8 5.8L 351 CI | w/164 Tooth Gear                                    | C5AZ6384D  | FRG-164N  |
| 1990-96                           | V8 5.8L 351 CI | w/164 Tooth Gear                                    | C5AZ6384D  | FRG-164N  |
| <b>ESCORT</b>                     |                |   |            |           |
| 1981-85                           | L4 1.6L 98 CI  | w/132 Tooth Gear                                    | D4FZ6384A  | FRG-132E  |
| 1985-96                           | L4 1.9L 116 CI | w/132 Tooth Gear                                    | D4FZ6384A  | FRG-132E  |
| <b>EXP</b>                        |                |   |            |           |
| 1982-85                           | L4 1.6L 98 CI  | w/132 Tooth Gear                                    | D4FZ6384A  | FRG-132E  |
| 1986-88                           | L4 1.9L 116 CI | w/132 Tooth Gear                                    | D4FZ6384A  | FRG-132E  |
| <b>F1</b>                         |                |   |            |           |
| 1952                              | L6 3.5L 215 CI | w/146 Tooth Gear                                    | EAA6384A   | FRG-146NC |
| <b>F2</b>                         |                |   |            |           |
| 1952                              | L6 3.5L 215 CI | w/146 Tooth Gear                                    | EAA6384A   | FRG-146NC |
| <b>F3</b>                         |                |   |            |           |
| 1952                              | L6 3.5L 215 CI | w/146 Tooth Gear                                    | EAA6384A   | FRG-146NC |
| <b>F4</b>                         |                |   |            |           |
| 1952                              | L6 3.5L 215 CI | w/146 Tooth Gear                                    | EAA6384A   | FRG-146NC |
| <b>FAIRLANE</b>                   |                |   |            |           |
| 1955-57                           | V8 4.4L 272 CI | w/146 Tooth Gear                                    | EAA6384A   | FRG-146NC |
| 1955-62                           | L6 3.6L 223 CI | w/146 Tooth Gear                                    | EAA6384A   | FRG-146NC |
| 1957                              | V8 4.5L 272 CI | w/146 Tooth Gear                                    | EAA6384A   | FRG-146NC |
| 1957-61                           | L6 3.7L 223 CI | w/146 Tooth Gear                                    | EAA6384A   | FRG-146NC |
| 1958-59                           | V8 5.4L 332 CI | w/152 Tooth Gear                                    | B7Q-6384-A | FRG-152F  |
| 1958-61                           | V8 4.8L 292 CI | w/146 Tooth Gear                                    | EAA6384A   | FRG-146NC |
| 1958-61                           | V8 4.8L 292 CI | w/148 Teeth Gear                                    | PMB-6384-A | FRG-148S  |
| 1960-61                           | L6 3.7L 223 CI | exc. Fordomatic Type II; w/132 Tooth<br>Gear        | C0DP6384A  | FRG-132F  |
| 1960-62                           | L6 3.6L 223 CI | exc. Fordomatic Type II; w/132 Tooth<br>Gear        | C0DP6384A  | FRG-132F  |
| 1962-63                           | V8 3.6L 221 CI | w/157 Tooth Gear                                    | C2OZ6384B  | FRG-157N  |
| 1962-64                           | V8 4.3L 260 CI | w/157 Tooth Gear                                    | C2OZ6384B  | FRG-157N  |
| 1963-66                           | L6 2.8L 170 CI | w/132 Tooth Gear                                    | C0DP6384A  | FRG-132F  |
| 1963-66                           | L6 2.8L 170 CI | w/Heavy Duty Clutch; w/157 Tooth Gear               | C2OZ6384B  | FRG-157N  |
| 1964                              | V8 4.7L 288 CI | w/157 Tooth Gear                                    | C2OZ6384B  | FRG-157N  |

# RING GEAR APPLICATIONS

| Years           | Engine         | Remarks                               | OE         | Pioneer # |
|-----------------|----------------|---------------------------------------|------------|-----------|
| <b>FORD</b>     |                |                                       |            |           |
| <b>FAIRLANE</b> |                |                                       |            |           |
| 1964            | V8 4.7L 289 CI | w/157 Tooth Gear                      | C2OZ6384B  | FRG-157N  |
| 1964            | V8 7.0L 427 CI | w/164 Tooth Gear (.365" Width)        | C5AZ6384D  | FRG-164N  |
| 1965-67         | L6 3.3L 200 CI | w/Heavy Duty Clutch; w/157 Tooth Gear | C2OZ6384B  | FRG-157N  |
| 1965-68         | V8 4.7L 288 CI | w/164 Tooth Gear (.365" Width)        | C5AZ6384D  | FRG-164N  |
| 1965-68         | V8 4.7L 289 CI | w/164 Tooth Gear (.365" Width)        | C5AZ6384D  | FRG-164N  |
| 1966            | L6 2.8L 170 CI | w/9" Clutch; w/136 Tooth Gear         | C6DZ6384A  | FRG-136T  |
| 1966-68         | L6 3.3L 200 CI | w/136 Tooth Gear                      | C6DZ6384A  | FRG-136T  |
| 1966-69         | V8 6.4L 390 CI | w/184 Tooth Gear                      | C5AZ6384A  | FRG-184T  |
| 1965-68         | L6 3.3L 200 CI | w/132 Tooth Gear                      | C0DP6384A  | FRG-132F  |
| 1968-69         | V8 7.0L 428 CI | w/138 Tooth Gear (.365" Width)        | D4ZP6384AA | FRG-138C  |
| 1968-69         | V8 7.0L 428 CI | w/141 Tooth Gear (.365" Width)        | D5ZP6384AA | FRG-141C  |
| 1968-69         | V8 7.0L 428 CI | w/184 Tooth Gear                      | C5AZ6384A  | FRG-184T  |
| 1968-69         | V8 7.0L 428 CI | w/164 Tooth Gear (.365" Width)        | C7VP6384A  | FRG-164T  |
| 1968-70         | V8 5.0L 302 CI | w/164 Tooth Gear                      | C5AZ6384D  | FRG-164N  |
| 1966            | V8 7.0L 427 CI | w/141 Tooth Gear (.365" Width)        | D5ZP6384AA | FRG-141C  |
| 1969            | V8 7.0L 427 CI | w/141 Tooth Gear (.365" Width)        | D5ZP6384AA | FRG-141C  |
| 1965-66         | V8 7.0L 427 CI | w/184 Tooth Gear                      | C5AZ6384A  | FRG-184T  |
| 1969            | V8 7.0L 427 CI | w/184 Tooth Gear                      | C5AZ6384A  | FRG-184T  |
| 1966            | V8 7.0L 427 CI | w/164 Tooth Gear (.365" Width)        | C7VP6384A  | FRG-164T  |
| 1969            | V8 7.0L 427 CI | w/164 Tooth Gear (.365" Width)        | C7VP6384A  | FRG-164T  |
| 1966            | V8 7.0L 427 CI | w/138 Tooth Gear (.365" Width)        | D4ZP6384AA | FRG-138C  |
| 1969            | V8 7.0L 427 CI | w/138 Tooth Gear (.365" Width)        | D4ZP6384AA | FRG-138C  |
| 1969-70         | L6 4.1L 250 CI | w/157 Tooth Gear                      | C2OZ6384B  | FRG-157N  |
| 1969-70         | V8 5.8L 351 CI | w/184 Tooth Gear                      | C5AZ6384A  | FRG-184T  |
| 1969-70         | V8 5.8L 351 CI | w/164 Tooth Gear                      | C5AZ6384D  | FRG-164N  |
| 1970            | V8 7.0L 429 CI | w/164 Tooth Gear (.365" Width)        | C7VP6384A  | FRG-164T  |
| 1970            | V8 7.0L 429 CI | w/141 Tooth Gear (.365" Width)        | D5ZP6384AA | FRG-141C  |
| 1970            | V8 7.0L 429 CI | w/138 Tooth Gear (.365" Width)        | D4ZP6384AA | FRG-138C  |
| 1970            | V8 7.0L 429 CI | w/184 Tooth Gear                      | C5AZ6384A  | FRG-184T  |
| <b>FAIRMONT</b> |                |                                       |            |           |
| 1978-79         | V8 5.0L 302 CI | w/157 Tooth Gear                      | C2OZ6384B  | FRG-157N  |
| 1978-83         | L4 2.3L 140 CI | w/132 Tooth Gear                      | D4FZ6384A  | FRG-132E  |
| 1978-83         | L6 3.3L 200 CI | w/136 Tooth Gear                      | C6DZ6384A  | FRG-136T  |
| <b>FALCON</b>   |                |                                       |            |           |
| 1960-69         | L6 2.8L 170 CI | w/132 Tooth Gear                      | C0DP6384A  | FRG-132F  |
| 1960-64         | L6 2.4L 144 CI | w/132 Tooth Gear                      | C0DP6384A  | FRG-132F  |
| 1963-64         | V8 4.3L 260 CI | w/Overdrive; w/157 Tooth Gear         | C2OZ6384B  | FRG-157N  |
| 1964-67         | V8 4.7L 288 CI | w/157 Tooth Gear                      | C2OZ6384B  | FRG-157N  |
| 1964-67         | V8 4.7L 289 CI | w/157 Tooth Gear                      | C2OZ6384B  | FRG-157N  |
| 1965-67         | L6 3.3L 200 CI | w/Heavy Duty Clutch; w/157 Tooth Gear | C2OZ6384B  | FRG-157N  |



# RING GEAR APPLICATIONS

| Years              | Engine         | Remarks   | OE         | Pioneer # |
|--------------------|----------------|---|------------|-----------|
| <b>FORD</b>        |                |   |            |           |
| <b>FALCON</b>      |                |   |            |           |
| 1964-70            | L6 3.3L 200 CI | w/132 Tooth Gear  | C0DP6384A  | FRG-132F  |
| 1967-68            | V8 4.7L 288 CI | w/164 Tooth Gear  | C5AZ6384D  | FRG-164N  |
| 1967-68            | V8 4.7L 289 CI | w/164 Tooth Gear  | C5AZ6384D  | FRG-164N  |
| 1967-69            | L6 2.8L 170 CI | w/136 Tooth Gear, Fully Synchronized Trans.; w/136 Tooth Gear | C6DZ6384A  | FRG-136T  |
| 1968-70            | L6 3.3L 200 CI | w/136 Tooth Gear  | C6DZ6384A  | FRG-136T  |
| 1968-70            | V8 5.0L 302 CI | w/164 Tooth Gear  | C5AZ6384D  | FRG-164N  |
| 1970               | L6 4.1L 250 CI | w/157 Tooth Gear  | C2OZ6384B  | FRG-157N  |
| <b>FORD 300</b>    |                |   |            |           |
| 1963               | L6 3.3L 200 CI | w/132 Tooth Gear  | C0DP6384A  | FRG-132F  |
| 1963               | L6 3.6L 223 CI | w/146 Tooth Gear  | EAA6384A   | FRG-146NC |
| 1963               | L6 3.6L 223 CI | exc. Fordomatic Type II; w/132 Tooth Gear                     | C0DP6384A  | FRG-132F  |
| 1963               | V8 4.3L 260 CI | w/Overdrive; w/157 Tooth Gear                                 | C2OZ6384B  | FRG-157N  |
| <b>GALAXIE</b>     |                |   |            |           |
| 1959               | V8 5.4L 332 CI | w/152 Tooth Gear  | B7Q-6384-A | FRG-152F  |
| 1959-62            | V8 4.8L 292 CI | w/148 Teeth Gear  | PMB-6384-A | FRG-148S  |
| 1959-64            | L6 3.6L 223 CI | w/146 Tooth Gear  | EAA6384A   | FRG-146NC |
| 1960               | L6 3.7L 223 CI | w/146 Tooth Gear  | EAA6384A   | FRG-146NC |
| 1960               | L6 3.7L 223 CI | exc. Fordomatic Type II; w/132 Tooth Gear                     | C0DP6384A  | FRG-132F  |
| 1959-62            | V8 4.8L 292 CI | w/146 Tooth Gear  | EAA6384A   | FRG-146NC |
| 1960-64            | L6 3.6L 223 CI | exc. Fordomatic Type II; w/132 Tooth Gear                     | C0DP6384A  | FRG-132F  |
| 1963               | L6 3.3L 200 CI | w/132 Tooth Gear  | C0DP6384A  | FRG-132F  |
| 1964               | V8 4.3L 260 CI | w/Overdrive; w/157 Tooth Gear                                 | C2OZ6384B  | FRG-157N  |
| 1965-66            | V8 5.8L 352 CI | w/184 Tooth Gear  | C5AZ6384A  | FRG-184T  |
| 1965-67            | L6 3.9L 240 CI | w/164 Tooth Gear (.365" Width)                                | C5AZ6384D  | FRG-164N  |
| 1966               | V8 7.0L 427 CI | w/141 Tooth Gear (.365" Width)                                | D5ZP6384AA | FRG-141C  |
| 1966               | V8 7.0L 427 CI | w/164 Tooth Gear (.365" Width)                                | C7VP6384A  | FRG-164T  |
| 1966               | V8 7.0L 427 CI | w/138 Tooth Gear (.365" Width)                                | D4ZP6384AA | FRG-138C  |
| 1966               | V8 7.0L 427 CI | w/184 Tooth Gear  | C5AZ6384A  | FRG-184T  |
| 1966               | V8 7.0L 428 CI | w/184 Tooth Gear  | C5AZ6384A  | FRG-184T  |
| 1966               | V8 7.0L 428 CI | w/141 Tooth Gear (.365" Width)                                | D5ZP6384AA | FRG-141C  |
| 1966               | V8 7.0L 428 CI | w/138 Tooth Gear (.365" Width)                                | D4ZP6384AA | FRG-138C  |
| 1966               | V8 7.0L 428 CI | w/164 Tooth Gear (.365" Width)                                | C7VP6384A  | FRG-164T  |
| <b>GALAXIE 500</b> |                |   |            |           |
| 1968               | V8 7.0L 427 CI | w/164 Tooth Gear (.365" Width)                                | C7VP6384A  | FRG-164T  |
| 1968               | V8 7.0L 427 CI | w/184 Tooth Gear  | C5AZ6384A  | FRG-184T  |
| 1968               | V8 7.0L 427 CI | w/141 Tooth Gear (.365" Width)                                | D5ZP6384AA | FRG-141C  |

# RING GEAR APPLICATIONS

| Years              | Engine         | Remarks                        | OE         | Pioneer # |
|--------------------|----------------|--------------------------------|------------|-----------|
| <b>FORD</b>        |                |                                |            |           |
| <b>GALAXIE 500</b> |                |                                |            |           |
| 1968               | V8 7.0L 427 CI | w/138 Tooth Gear (.365" Width) | D4ZP6384AA | FRG-138C  |
| 1968-69            | V8 7.0L 428 CI | w/138 Tooth Gear (.365" Width) | D4ZP6384AA | FRG-138C  |
| 1968-69            | V8 7.0L 428 CI | w/164 Tooth Gear (.365" Width) | C7VP6384A  | FRG-164T  |
| 1968-69            | V8 7.0L 428 CI | w/141 Tooth Gear (.365" Width) | D5ZP6384AA | FRG-141C  |
| 1968-69            | V8 7.0L 428 CI | w/184 Tooth Gear               | C5AZ6384A  | FRG-184T  |
| 1968-70            | V8 6.4L 390 CI | w/184 Tooth Gear               | C5AZ6384A  | FRG-184T  |
| 1968-72            | V8 5.0L 302 CI | w/164 Tooth Gear               | C5AZ6384D  | FRG-164N  |
| 1969-70            | V8 5.8L 351 CI | w/184 Tooth Gear               | C5AZ6384A  | FRG-184T  |
| 1969-71            | V8 7.0L 429 CI | w/184 Tooth Gear               | C5AZ6384A  | FRG-184T  |
| 1969-71            | V8 7.0L 429 CI | w/141 Tooth Gear (.365" Width) | D5ZP6384AA | FRG-141C  |
| 1969-71            | V8 7.0L 429 CI | w/138 Tooth Gear (.365" Width) | D4ZP6384AA | FRG-138C  |
| 1969-71            | V8 7.0L 429 CI | w/164 Tooth Gear (.365" Width) | C7VP6384A  | FRG-164T  |
| 1969-74            | V8 5.8L 351 CI | w/164 Tooth Gear (.365" Width) | C5AZ6384D  | FRG-164N  |
| <b>GRAN TORINO</b> |                |                                |            |           |
| 1972               | V8 5.0L 302 CI | w/164 Tooth Gear               | C5AZ6384D  | FRG-164N  |
| 1972-74            | L6 4.1L 250 CI | w/157 Tooth Gear               | C2OZ6384B  | FRG-157N  |
| 1972-76            | V8 5.8L 351 CI | w/164 Tooth Gear (.365" Width) | C5AZ6384D  | FRG-164N  |
| <b>GRANADA</b>     |                |                                |            |           |
| 1975-80            | L6 4.1L 250 CI | w/157 Tooth Gear               | C2OZ6384B  | FRG-157N  |
| 1975-80            | V8 5.0L 302 CI | w/157 Tooth Gear               | C2OZ6384B  | FRG-157N  |
| 1981-82            | L4 2.3L 140 CI | w/132 Tooth Gear               | D4FZ6384A  | FRG-132E  |
| 1975-77            | L6 3.3L 200 CI | w/136 Tooth Gear               | C6DZ6384A  | FRG-136T  |
| 1981-82            | L6 3.3L 200 CI | w/136 Tooth Gear               | C6DZ6384A  | FRG-136T  |
| <b>LTD</b>         |                |                                |            |           |
| 1965               | V8 5.8L 352 CI | w/164 Tooth Gear (.365" Width) | C5AZ6384D  | FRG-164N  |
| 1968               | V8 7.0L 427 CI | w/141 Tooth Gear (.365" Width) | D5ZP6384AA | FRG-141C  |
| 1968               | V8 7.0L 427 CI | w/138 Tooth Gear (.365" Width) | D4ZP6384AA | FRG-138C  |
| 1968               | V8 7.0L 427 CI | w/184 Tooth Gear               | C5AZ6384A  | FRG-184T  |
| 1968               | V8 7.0L 427 CI | w/164 Tooth Gear (.365" Width) | C7VP6384A  | FRG-164T  |
| 1968-69            | V8 7.0L 428 CI | w/141 Tooth Gear (.365" Width) | D5ZP6384AA | FRG-141C  |
| 1968-69            | V8 7.0L 428 CI | w/138 Tooth Gear (.365" Width) | D4ZP6384AA | FRG-138C  |
| 1968-69            | V8 7.0L 428 CI | w/164 Tooth Gear (.365" Width) | C7VP6384A  | FRG-164T  |
| 1968-69            | V8 7.0L 428 CI | w/184 Tooth Gear               | C5AZ6384A  | FRG-184T  |
| 1968-70            | V8 6.4L 390 CI | w/184 Tooth Gear               | C5AZ6384A  | FRG-184T  |
| 1968-72            | V8 5.0L 302 CI | w/164 Tooth Gear (.365" Width) | C5AZ6384D  | FRG-164N  |
| 1969-70            | V8 5.8L 351 CI | w/184 Tooth Gear               | C5AZ6384A  | FRG-184T  |
| 1969-71            | V8 7.0L 429 CI | w/164 Tooth Gear (.365" Width) | C7VP6384A  | FRG-164T  |
| 1969-71            | V8 7.0L 429 CI | w/141 Tooth Gear (.365" Width) | D5ZP6384AA | FRG-141C  |
| 1969-71            | V8 7.0L 429 CI | w/138 Tooth Gear (.365" Width) | D4ZP6384AA | FRG-138C  |
| 1969-71            | V8 7.0L 429 CI | w/184 Tooth Gear               | C5AZ6384A  | FRG-184T  |

# RING GEAR APPLICATIONS

| Years                     | Engine         | Remarks                               | OE         | Pioneer # |
|---------------------------|----------------|---------------------------------------|------------|-----------|
| <b>FORD</b>               |                |                                       |            |           |
| <b>LTD</b>                |                |                                       |            |           |
| 1969-79                   | V8 5.8L 351 CI | w/164 Tooth Gear (.365" Width)        | C5AZ6384D  | FRG-164N  |
| 1983                      | L6 3.3L 200 CI | w/136 Tooth Gear                      | C6DZ6384A  | FRG-136T  |
| 1977-86                   | V8 5.0L 302 CI | w/157 Tooth Gear                      | C2OZ6384B  | FRG-157N  |
| 1983-86                   | L4 2.3L 140 CI | w/132 Tooth Gear                      | D4FZ6384A  | FRG-132E  |
| <b>LTD CROWN VICTORIA</b> |                |                                       |            |           |
| 1987-91                   | V8 5.0L 302 CI | w/157 Tooth Gear                      | C2OZ6384B  | FRG-157N  |
| <b>LTD II</b>             |                |                                       |            |           |
| 1977-79                   | V8 5.0L 302 CI | w/157 Tooth Gear                      | C2OZ6384B  | FRG-157N  |
| <b>MAINLINE</b>           |                |                                       |            |           |
| 1952-53                   | L6 3.5L 215 CI | w/146 Tooth Gear                      | EAA6384A   | FRG-146NC |
| 1955-56                   | L6 3.6L 223 CI | w/146 Tooth Gear                      | EAA6384A   | FRG-146NC |
| 1955-56                   | V8 4.4L 272 CI | w/146 Tooth Gear                      | EAA6384A   | FRG-146NC |
| 1956                      | V8 4.8L 292 CI | w/146 Tooth Gear                      | EAA6384A   | FRG-146NC |
| <b>MAVERICK</b>           |                |                                       |            |           |
| 1970-72                   | L6 2.8L 170 CI | w/136 Tooth Gear                      | C6DZ6384A  | FRG-136T  |
| 1970                      | L6 2.8L 170 CI | w/132 Tooth Gear                      | C0DP6384A  | FRG-132F  |
| 1970                      | L6 3.3L 200 CI | w/132 Tooth Gear                      | C0DP6384A  | FRG-132F  |
| 1970-77                   | L6 3.3L 200 CI | w/136 Tooth Gear                      | C6DZ6384A  | FRG-136T  |
| 1970-77                   | L6 4.1L 250 CI | w/157 Tooth Gear                      | C2OZ6384B  | FRG-157N  |
| 1971-77                   | V8 5.0L 302 CI | w/157 Tooth Gear                      | C2OZ6384B  | FRG-157N  |
| <b>MUSTANG</b>            |                |                                       |            |           |
| 1964                      | V8 4.3L 260 CI | w/Overdrive; w/157 Tooth Gear         | C2OZ6384B  | FRG-157N  |
| 1964-65                   | L6 2.8L 170 CI | w/132 Tooth Gear                      | C0DP6384A  | FRG-132F  |
| 1964-68                   | V8 4.7L 288 CI | w/157 Tooth Gear                      | C2OZ6384B  | FRG-157N  |
| 1965-67                   | L6 3.3L 200 CI | w/Heavy Duty Clutch; w/157 Tooth Gear | C2OZ6384B  | FRG-157N  |
| 1968                      | V8 4.7L 289 CI | w/157 Tooth Gear                      | C2OZ6384B  | FRG-157N  |
| 1967-69                   | V8 6.4L 390 CI | w/184 Tooth Gear                      | C5AZ6384A  | FRG-184T  |
| 1964-70                   | L6 3.3L 200 CI | w/132 Tooth Gear                      | C0DP6384A  | FRG-132F  |
| 1968-70                   | L6 3.3L 200 CI | w/136 Tooth Gear                      | C6DZ6384A  | FRG-136T  |
| 1979-82                   | L6 3.3L 200 CI | w/136 Tooth Gear                      | C6DZ6384A  | FRG-136T  |
| 1968-70                   | V8 7.0L 428 CI | w/141 Tooth Gear (.365" Width)        | D5ZP6384AA | FRG-141C  |
| 1968-70                   | V8 7.0L 428 CI | w/184 Tooth Gear                      | C5AZ6384A  | FRG-184T  |
| 1968-70                   | V8 7.0L 428 CI | w/164 Tooth Gear (.365" Width)        | C7VP6384A  | FRG-164T  |
| 1968-70                   | V8 7.0L 428 CI | w/138 Tooth Gear (.365" Width)        | D4ZP6384AA | FRG-138C  |
| 1969-70                   | V8 5.8L 351 CI | w/184 Tooth Gear                      | C5AZ6384A  | FRG-184T  |
| 1969-73                   | L6 4.1L 250 CI | w/157 Tooth Gear                      | C2OZ6384B  | FRG-157N  |
| 1969-73                   | V8 5.8L 351 CI | w/164 Tooth Gear (.365" Width)        | C5AZ6384D  | FRG-164N  |
| 1970-71                   | V8 7.0L 429 CI | w/141 Tooth Gear (.365" Width)        | D5ZP6384AA | FRG-141C  |
| 1970-71                   | V8 7.0L 429 CI | w/164 Tooth Gear (.365" Width)        | C7VP6384A  | FRG-164T  |
| 1970-71                   | V8 7.0L 429 CI | w/138 Tooth Gear (.365" Width)        | D4ZP6384AA | FRG-138C  |

# RING GEAR APPLICATIONS

| Years                  | Engine         | Remarks   | OE         | Pioneer # |
|------------------------|----------------|---|------------|-----------|
| <b>FORD</b>            |                |   |            |           |
| <b>MUSTANG</b>         |                |   |            |           |
| 1970-71                | V8 7.0L 429 CI | w/184 Tooth Gear                                    | C5AZ6384A  | FRG-184T  |
| 1968-73                | V8 5.0L 302 CI | w/164 Tooth Gear, w/164 Tooth Gear<br>(.365" Width) | C5AZ6384D  | FRG-164N  |
| 1994-95                | V8 5.0L 302 CI | w/164 Tooth Gear, w/164 Tooth Gear<br>(.365" Width) | C5AZ6384D  | FRG-164N  |
| 1979                   | V6 2.8L 171 CI | w/138 Tooth Gear (.373" Width)                      | D2RY6375A  | FRG-138RY |
| 1979-93                | L4 2.3L 140 CI | w/132 Tooth Gear                                    | D4FZ6384A  | FRG-132E  |
| 1979                   | V8 5.0L 302 CI | w/157 Tooth Gear                                    | C2OZ6384B  | FRG-157N  |
| 1982-95                | V8 5.0L 302 CI | w/157 Tooth Gear                                    | C2OZ6384B  | FRG-157N  |
| 1994-95                | V6 3.8L 232 CI | w/164 Tooth Gear (.365" Width)                      | C5AZ6384D  | FRG-164N  |
| <b>MUSTANG II</b>      |                |   |            |           |
| 1974                   | L4 2.0L 121 CI | w/135 Tooth Gear                                    | D1FZ6384A  | FRG-135A  |
| 1974                   | V6 2.8L 170 CI | w/138 Tooth Gear (.373" Width)                      | D2RY6375A  | FRG-138RY |
| 1974-78                | V6 2.8L 171 CI | w/138 Tooth Gear (.373" Width)                      | D2RY6375A  | FRG-138RY |
| 1975-76                | V8 5.0L 302 CI | w/164 Tooth Gear (.365" Width)                      | C5AZ6384D  | FRG-164N  |
| 1977-78                | L4 2.3L 140 CI | w/132 Tooth Gear                                    | D4FZ6384A  | FRG-132E  |
| 1977-78                | V8 5.0L 302 CI | w/157 Tooth Gear                                    | C2OZ6384B  | FRG-157N  |
| <b>PARK LANE WAGON</b> |                |   |            |           |
| 1956                   | L6 3.6L 223 CI | w/146 Tooth Gear                                    | EAA6384A   | FRG-146NC |
| 1956                   | V8 4.4L 272 CI | w/146 Tooth Gear                                    | EAA6384A   | FRG-146NC |
| <b>PINTO</b>           |                |   |            |           |
| 1971-73                | L4 1.6L 98 CI  | w/135 Tooth Gear                                    | D1FZ6384A  | FRG-135A  |
| 1971-74                | L4 2.0L 121 CI | w/135 Tooth Gear                                    | D1FZ6384A  | FRG-135A  |
| 1975-79                | V6 2.8L 171 CI | w/138 Tooth Gear (.373" Width)                      | D2RY6375A  | FRG-138RY |
| 1977-80                | L4 2.3L 140 CI | w/132 Tooth Gear                                    | D4FZ6384A  | FRG-132E  |
| <b>PROBE</b>           |                |   |            |           |
| 1990-92                | V6 3.0L 182 CI | w/132 Tooth Gear                                    | D4FZ6384A  | FRG-132E  |
| <b>RANCH WAGON</b>     |                |   |            |           |
| 1952-53                | L6 3.5L 215 CI | w/146 Tooth Gear                                    | EAA6384A   | FRG-146NC |
| 1955-57                | V8 4.4L 272 CI | w/146 Tooth Gear                                    | EAA6384A   | FRG-146NC |
| 1955-64                | L6 3.6L 223 CI | w/146 Tooth Gear                                    | EAA6384A   | FRG-146NC |
| 1958-59                | V8 5.4L 332 CI | w/152 Tooth Gear                                    | B7Q-6384-A | FRG-152F  |
| 1958-62                | V8 4.8L 292 CI | w/146 Tooth Gear                                    | EAA6384A   | FRG-146NC |
| 1958-62                | V8 4.8L 292 CI | w/148 Teeth Gear                                    | PMB-6384-A | FRG-148S  |
| 1960-64                | L6 3.6L 223 CI | exc. Fordomatic Type II; w/132 Tooth<br>Gear        | C0DP6384A  | FRG-132F  |
| 1963-64                | V8 4.3L 260 CI | w/Overdrive; w/157 Tooth Gear                       | C2OZ6384B  | FRG-157N  |
| 1964                   | V8 7.0L 427 CI | w/164 Tooth Gear (.365" Width)                      | C5AZ6384D  | FRG-164N  |
| 1965-66                | V8 5.8L 352 CI | w/184 Tooth Gear                                    | C5AZ6384A  | FRG-184T  |
| 1965-67                | L6 3.9L 240 CI | w/164 Tooth Gear (.365" Width)                      | C5AZ6384D  | FRG-164N  |

# RING GEAR APPLICATIONS

| Years              | Engine         | Remarks                                   | OE         | Pioneer # |
|--------------------|----------------|---|------------|-----------|
| <b>FORD</b>        |                |   |            |           |
| <b>RANCH WAGON</b> |                |   |            |           |
| 1966               | V8 7.0L 427 CI | w/184 Tooth Gear                          | C5AZ6384A  | FRG-184T  |
| 1966               | V8 7.0L 427 CI | w/164 Tooth Gear (.365" Width)            | C7VP6384A  | FRG-164T  |
| 1966               | V8 7.0L 427 CI | w/138 Tooth Gear (.365" Width)            | D4ZP6384AA | FRG-138C  |
| 1966               | V8 7.0L 427 CI | w/141 Tooth Gear (.365" Width)            | D5ZP6384AA | FRG-141C  |
| 1962               | L6 2.8L 170 CI | w/132 Tooth Gear                          | C0DP6384A  | FRG-132F  |
| 1964               | L6 2.8L 170 CI | w/132 Tooth Gear                          | C0DP6384A  | FRG-132F  |
| 1966-67            | L6 2.8L 170 CI | w/132 Tooth Gear                          | C0DP6384A  | FRG-132F  |
| 1966-67            | L6 3.3L 200 CI | w/Heavy Duty Clutch; w/157 Tooth Gear     | C2OZ6384B  | FRG-157N  |
| 1963               | L6 3.3L 200 CI | w/132 Tooth Gear                          | C0DP6384A  | FRG-132F  |
| 1966-67            | L6 3.3L 200 CI | w/132 Tooth Gear                          | C0DP6384A  | FRG-132F  |
| 1965-70            | V8 6.4L 390 CI | w/184 Tooth Gear                          | C5AZ6384A  | FRG-184T  |
| 1968-70            | V8 7.0L 428 CI | w/141 Tooth Gear (.365" Width)            | D5ZP6384AA | FRG-141C  |
| 1968-70            | V8 7.0L 428 CI | w/164 Tooth Gear (.365" Width)            | C7VP6384A  | FRG-164T  |
| 1968-70            | V8 7.0L 428 CI | w/138 Tooth Gear (.365" Width)            | D4ZP6384AA | FRG-138C  |
| 1968-70            | V8 7.0L 428 CI | w/184 Tooth Gear                          | C5AZ6384A  | FRG-184T  |
| 1968-72            | V8 5.0L 302 CI | w/164 Tooth Gear                          | C5AZ6384D  | FRG-164N  |
| 1969-70            | V8 5.8L 351 CI | w/184 Tooth Gear                          | C5AZ6384A  | FRG-184T  |
| 1969-71            | V8 7.0L 429 CI | w/184 Tooth Gear                          | C5AZ6384A  | FRG-184T  |
| 1969-71            | V8 7.0L 429 CI | w/164 Tooth Gear (.365" Width)            | C7VP6384A  | FRG-164T  |
| 1969-71            | V8 7.0L 429 CI | w/138 Tooth Gear (.365" Width)            | D4ZP6384AA | FRG-138C  |
| 1969-71            | V8 7.0L 429 CI | w/141 Tooth Gear (.365" Width)            | D5ZP6384AA | FRG-141C  |
| 1969-74            | V8 5.8L 351 CI | w/164 Tooth Gear (.365" Width)            | C5AZ6384D  | FRG-164N  |
| <b>SKYLINER</b>    |                |   |            |           |
| 1955-56            | L6 3.6L 223 CI | w/146 Tooth Gear                          | EAA6384A   | FRG-146NC |
| 1955-57            | V8 4.4L 272 CI | w/146 Tooth Gear                          | EAA6384A   | FRG-146NC |
| 1958-59            | V8 4.8L 292 CI | w/148 Teeth Gear                          | PMB-6384-A | FRG-148S  |
| 1958-59            | V8 4.8L 292 CI | w/146 Tooth Gear                          | EAA6384A   | FRG-146NC |
| 1958-59            | V8 5.4L 332 CI | w/152 Tooth Gear                          | B7Q-6384-A | FRG-152F  |
| <b>SPRINT</b>      |                |   |            |           |
| 1963               | L6 2.8L 170 CI | w/132 Tooth Gear                          | C0DP6384A  | FRG-132F  |
| 1963               | V8 3.6L 221 CI | w/157 Tooth Gear                          | C2OZ6384B  | FRG-157N  |
| 1963-64            | V8 4.3L 260 CI | w/Overdrive; w/157 Tooth Gear             | C2OZ6384B  | FRG-157N  |
| <b>STARLINER</b>   |                |   |            |           |
| 1960               | L6 3.6L 223 CI | exc. Fordomatic Type II; w/132 Tooth Gear | C0DP6384A  | FRG-132F  |
| 1960               | L6 3.6L 223 CI | w/146 Tooth Gear                          | EAA6384A   | FRG-146NC |
| 1960               | V8 4.8L 292 CI | w/148 Teeth Gear                          | PMB-6384-A | FRG-148S  |
| 1960               | V8 4.8L 292 CI | w/146 Tooth Gear                          | EAA6384A   | FRG-146NC |
| <b>SUNLINER</b>    |                |   |            |           |
| 1955-57            | V8 4.4L 272 CI | w/146 Tooth Gear                          | EAA6384A   | FRG-146NC |

# RING GEAR APPLICATIONS

| Years              | Engine         | Remarks                                   | OE         | Pioneer # |
|--------------------|----------------|---|------------|-----------|
| <b>FORD</b>        |                |   |            |           |
| <b>SUNLINER</b>    |                |   |            |           |
| 1955-60            | L6 3.6L 223 CI | w/146 Tooth Gear                          | EAA6384A   | FRG-146NC |
| 1958-59            | V8 5.4L 332 CI | w/152 Tooth Gear                          | B7Q-6384-A | FRG-152F  |
| 1958-60            | V8 4.8L 292 CI | w/146 Tooth Gear                          | EAA6384A   | FRG-146NC |
| 1958-60            | V8 4.8L 292 CI | w/148 Teeth Gear                          | PMB-6384-A | FRG-148S  |
| 1960               | L6 3.6L 223 CI | exc. Fordomatic Type II; w/132 Tooth Gear | C0DP6384A  | FRG-132F  |
| <b>TAURUS</b>      |                |   |            |           |
| 1986-90            | L4 2.5L 153 CI | w/HSC Engine; w/132 Tooth Gear            | D4FZ6384A  | FRG-132E  |
| 1989-95            | V6 3.0L 182 CI | w/132 Tooth Gear                          | D4FZ6384A  | FRG-132E  |
| 1989-95            | V6 3.8L 232 CI | w/164 Tooth Gear                          | C5AZ6384D  | FRG-164N  |
| <b>TEMPO</b>       |                |   |            |           |
| 1984-94            | L4 2.3L 140 CI | w/132 Tooth Gear                          | D4FZ6384A  | FRG-132E  |
| <b>THUNDERBIRD</b> |                |   |            |           |
| 1956-58            | V8 4.8L 292 CI | w/146 Tooth Gear                          | EAA6384A   | FRG-146NC |
| 1958-59            | V8 5.4L 332 CI | w/152 Tooth Gear                          | B7Q-6384-A | FRG-152F  |
| 1963-64            | V8 7.0L 427 CI | w/164 Tooth Gear (.365" Width)            | C5AZ6384D  | FRG-164N  |
| 1965-67            | V8 7.0L 427 CI | w/184 Tooth Gear                          | C5AZ6384A  | FRG-184T  |
| 1965-68            | V8 6.4L 390 CI | w/184 Tooth Gear                          | C5AZ6384A  | FRG-184T  |
| 1966-67            | V8 7.0L 427 CI | w/141 Tooth Gear (.365" Width)            | D5ZP6384AA | FRG-141C  |
| 1966-67            | V8 7.0L 427 CI | w/138 Tooth Gear (.365" Width)            | D4ZP6384AA | FRG-138C  |
| 1966-67            | V8 7.0L 427 CI | w/164 Tooth Gear (.365" Width)            | C7VP6384A  | FRG-164T  |
| 1966-67            | V8 7.0L 428 CI | w/141 Tooth Gear (.365" Width)            | D5ZP6384AA | FRG-141C  |
| 1966-67            | V8 7.0L 428 CI | w/138 Tooth Gear (.365" Width)            | D4ZP6384AA | FRG-138C  |
| 1966-67            | V8 7.0L 428 CI | w/164 Tooth Gear (.365" Width)            | C7VP6384A  | FRG-164T  |
| 1966-67            | V8 7.0L 428 CI | w/184 Tooth Gear                          | C5AZ6384A  | FRG-184T  |
| 1968-71            | V8 7.0L 429 CI | w/164 Tooth Gear (.365" Width)            | C7VP6384A  | FRG-164T  |
| 1968-71            | V8 7.0L 429 CI | w/184 Tooth Gear                          | C5AZ6384A  | FRG-184T  |
| 1968-71            | V8 7.0L 429 CI | w/141 Tooth Gear (.365" Width)            | D5ZP6384AA | FRG-141C  |
| 1968-71            | V8 7.0L 429 CI | w/138 Tooth Gear (.365" Width)            | D4ZP6384AA | FRG-138C  |
| 1980-82            | L6 3.3L 200 CI | w/136 Tooth Gear                          | C6DZ6384A  | FRG-136T  |
| 1983-88            | L4 2.3L 140 CI | w/132 Tooth Gear                          | D4FZ6384A  | FRG-132E  |
| 1989-95            | V6 3.8L 232 CI | w/164 Tooth Gear                          | C5AZ6384D  | FRG-164N  |
| 1977-81            | V8 5.0L 302 CI | w/157 Tooth Gear                          | C2OZ6384B  | FRG-157N  |
| 1983-88            | V8 5.0L 302 CI | w/157 Tooth Gear                          | C2OZ6384B  | FRG-157N  |
| 1991-93            | V8 5.0L 302 CI | w/157 Tooth Gear                          | C2OZ6384B  | FRG-157N  |
| <b>TORINO</b>      |                |   |            |           |
| 1968               | L6 3.3L 200 CI | w/136 Tooth Gear                          | C6DZ6384A  | FRG-136T  |
| 1968               | L6 3.3L 200 CI | w/132 Tooth Gear                          | C0DP6384A  | FRG-132F  |
| 1968               | V8 4.7L 288 CI | w/10" or 11" Clutch; w/164 Tooth Gear     | C5AZ6384D  | FRG-164N  |
| 1968               | V8 4.7L 289 CI | w/10" or 11" Clutch; w/164 Tooth Gear     | C5AZ6384D  | FRG-164N  |

# RING GEAR APPLICATIONS

| Years             | Engine         | Remarks   | OE         | Pioneer # |
|-------------------|----------------|---|------------|-----------|
| <b>FORD</b>       |                |   |            |           |
| <b>TORINO</b>     |                |   |            |           |
| 1968-69           | V8 6.4L 390 CI | w/184 Tooth Gear                                    | C5AZ6384A  | FRG-184T  |
| 1968-69           | V8 7.0L 428 CI | w/141 Tooth Gear (.365" Width)                      | D5ZP6384AA | FRG-141C  |
| 1968-69           | V8 7.0L 428 CI | w/184 Tooth Gear                                    | C5AZ6384A  | FRG-184T  |
| 1968-69           | V8 7.0L 428 CI | w/164 Tooth Gear (.365" Width)                      | C7VP6384A  | FRG-164T  |
| 1968-69           | V8 7.0L 428 CI | w/138 Tooth Gear (.365" Width)                      | D4ZP6384AA | FRG-138C  |
| 1968-74           | V8 5.0L 302 CI | w/164 Tooth Gear                                    | C5AZ6384D  | FRG-164N  |
| 1969-70           | V8 5.8L 351 CI | w/184 Tooth Gear                                    | C5AZ6384A  | FRG-184T  |
| 1969-74           | L6 4.1L 250 CI | w/157 Tooth Gear                                    | C2OZ6384B  | FRG-157N  |
| 1969-76           | V8 5.8L 351 CI | w/164 Tooth Gear (.365" Width)                      | C5AZ6384D  | FRG-164N  |
| 1970-71           | V8 7.0L 429 CI | w/184 Tooth Gear                                    | C5AZ6384A  | FRG-184T  |
| 1970-71           | V8 7.0L 429 CI | w/138 Tooth Gear (.365" Width)                      | D4ZP6384AA | FRG-138C  |
| 1970-71           | V8 7.0L 429 CI | w/141 Tooth Gear (.365" Width)                      | D5ZP6384AA | FRG-141C  |
| 1970-71           | V8 7.0L 429 CI | w/164 Tooth Gear (.365" Width)                      | C7VP6384A  | FRG-164T  |
| <b>FORD TRUCK</b> |                |   |            |           |
| <b>AEROSTAR</b>   |                |   |            |           |
| 1986              | V6 2.8L 171 CI | w/138 Tooth Gear (.373" Width)                      | D2RY6375A  | FRG-138RY |
| 1986-87           | L4 2.3L 140 CI | w/132 Tooth Gear                                    | D4FZ6384A  | FRG-132E  |
| 1986-95           | V6 3.0L 182 CI | w/132 Tooth Gear                                    | D4FZ6384A  | FRG-132E  |
| <b>BRONCO</b>     |                |   |            |           |
| 1966-68           | V8 4.7L 288 CI | w/164 Tooth Gear                                    | C5AZ6384D  | FRG-164N  |
| 1967              | L6 3.9L 240 CI | w/164 Tooth Gear (.365" Width)                      | C5AZ6384D  | FRG-164N  |
| 1967              | L6 3.9L 240 CI | w/184 Tooth Gear                                    | C5AZ6384A  | FRG-184T  |
| 1968              | V8 4.7L 289 CI | w/164 Tooth Gear                                    | C5AZ6384D  | FRG-164N  |
| 1968-72           | L6 2.8L 170 CI | w/136 Tooth Gear                                    | C6DZ6384A  | FRG-136T  |
| 1968-70           | L6 2.8L 170 CI | w/132 Tooth Gear                                    | C0DP6384A  | FRG-132F  |
| 1973-74           | L6 3.3L 200 CI | w/136 Tooth Gear                                    | C6DZ6384A  | FRG-136T  |
| 1968-72           | V8 5.0L 302 CI | w/164 Tooth Gear                                    | C5AZ6384D  | FRG-164N  |
| 1974-76           | V8 5.0L 302 CI | w/164 Tooth Gear                                    | C5AZ6384D  | FRG-164N  |
| 1980-90           | V8 5.0L 302 CI | w/164 Tooth Gear                                    | C5AZ6384D  | FRG-164N  |
| 1978-79           | V8 6.6L 400 CI | w/180 Tooth Gear                                    | D7TZ6384A  | FRG-180W  |
| 1978-82           | V8 5.8L 351 CI | w/180 Tooth Gear                                    | D7TZ6384A  | FRG-180W  |
| 1978-95           | V8 5.8L 351 CI | w/164 Tooth Gear                                    | C5AZ6384D  | FRG-164N  |
| 1980-92           | L6 4.9L 300 CI | w/164 Tooth Gear (.365" Width), w/164<br>Tooth Gear | C5AZ6384D  | FRG-164N  |
| 1973-77           | V8 5.0L 302 CI | w/157 Tooth Gear                                    | C2OZ6384B  | FRG-157N  |
| 1980-95           | V8 5.0L 302 CI | w/157 Tooth Gear                                    | C2OZ6384B  | FRG-157N  |
| <b>BRONCO II</b>  |                |   |            |           |
| 1986-90           | V6 2.9L 177 CI | w/138 Tooth Gear (.373" Width)                      | D2RY6375A  | FRG-138RY |
| <b>CLUB WAGON</b> |                |   |            |           |
| 1962-64           | L6 2.4L 144 CI | w/132 Tooth Gear                                    | C0DP6384A  | FRG-132F  |

# RING GEAR APPLICATIONS

| Years                         | Engine         | Remarks  | OE         | Pioneer # |
|-------------------------------|----------------|--|------------|-----------|
| <b>FORD TRUCK</b>             |                |  |            |           |
| <b>CLUB WAGON</b>             |                |  |            |           |
| 1962-67                       | L6 2.8L 170 CI | w/132 Tooth Gear                                 | C0DP6384A  | FRG-132F  |
| 1967                          | L6 3.9L 240 CI | w/164 Tooth Gear (.365" Width)                   | C5AZ6384D  | FRG-164N  |
| <b>COURIER</b>                |                |  |            |           |
| 1977-82                       | L4 2.3L 140 CI | w/132 Tooth Gear                                 | D4FZ6384A  | FRG-132E  |
| <b>COURIER SEDAN DELIVERY</b> |                |  |            |           |
| 1955-60                       | L6 3.6L 223 CI | w/146 Tooth Gear                                 | EAA6384A   | FRG-146NC |
| 1956-57                       | V8 4.4L 272 CI | w/146 Tooth Gear                                 | EAA6384A   | FRG-146NC |
| 1957-58                       | V8 4.8L 292 CI | w/146 Tooth Gear                                 | EAA6384A   | FRG-146NC |
| 1958                          | V8 4.8L 292 CI | w/148 Teeth Gear                                 | PMB-6384-A | FRG-148S  |
| 1960                          | L6 3.6L 223 CI | exc. Fordomatic Type II; w/132 Tooth Gear        | C0DP6384A  | FRG-132F  |
| <b>E-100 ECONOLINE</b>        |                |  |            |           |
| 1969-70                       | L6 2.8L 170 CI | w/136 Tooth Gear                                 | C6DZ6384A  | FRG-136T  |
| 1969-70                       | L6 2.8L 170 CI | w/132 Tooth Gear                                 | C0DP6384A  | FRG-132F  |
| 1975-83                       | V8 5.8L 351 CI | w/164 Tooth Gear                                 | C5AZ6384D  | FRG-164N  |
| 1977-82                       | V8 5.8L 351 CI | w/180 Tooth Gear                                 | D7TZ6384A  | FRG-180W  |
| 1977-83                       | L6 4.9L 300 CI | w/164 Tooth Gear (.365" Width), w/164 Tooth Gear | C5AZ6384D  | FRG-164N  |
| 1969-75                       | V8 5.0L 302 CI | w/164 Tooth Gear                                 | C5AZ6384D  | FRG-164N  |
| 1979-83                       | V8 5.0L 302 CI | w/164 Tooth Gear                                 | C5AZ6384D  | FRG-164N  |
| 1979-83                       | V8 5.0L 302 CI | w/157 Tooth Gear                                 | C2OZ6384B  | FRG-157N  |
| <b>E-150 ECONOLINE</b>        |                |  |            |           |
| 1975-96                       | V8 5.8L 351 CI | w/164 Tooth Gear                                 | C5AZ6384D  | FRG-164N  |
| 1976-89                       | L6 4.9L 300 CI | w/164 Tooth Gear (.365" Width), w/164 Tooth Gear | C5AZ6384D  | FRG-164N  |
| 1977-82                       | V8 5.8L 351 CI | w/180 Tooth Gear                                 | D7TZ6384A  | FRG-180W  |
| 1975                          | V8 5.0L 302 CI | w/164 Tooth Gear                                 | C5AZ6384D  | FRG-164N  |
| 1979-90                       | V8 5.0L 302 CI | w/164 Tooth Gear                                 | C5AZ6384D  | FRG-164N  |
| 1979-96                       | V8 5.0L 302 CI | w/157 Tooth Gear                                 | C2OZ6384B  | FRG-157N  |
| <b>E-200 ECONOLINE</b>        |                |  |            |           |
| 1969-70                       | L6 2.8L 170 CI | w/136 Tooth Gear                                 | C6DZ6384A  | FRG-136T  |
| 1969-70                       | L6 2.8L 170 CI | w/132 Tooth Gear                                 | C0DP6384A  | FRG-132F  |
| 1969-74                       | V8 5.0L 302 CI | w/164 Tooth Gear                                 | C5AZ6384D  | FRG-164N  |
| <b>E-250 ECONOLINE</b>        |                |  |            |           |
| 1977-82                       | V8 5.8L 351 CI | w/180 Tooth Gear                                 | D7TZ6384A  | FRG-180W  |
| 1980                          | V8 6.6L 400 CI | w/180 Tooth Gear                                 | D7TZ6384A  | FRG-180W  |
| 1976-82                       | L6 4.9L 300 CI | w/164 Tooth Gear (.365" Width), w/164 Tooth Gear | C5AZ6384D  | FRG-164N  |
| 1984                          | L6 4.9L 300 CI | w/164 Tooth Gear (.365" Width), w/164 Tooth Gear | C5AZ6384D  | FRG-164N  |



# RING GEAR APPLICATIONS

| Years                  | Engine         | Remarks  | OE         | Pioneer # |
|------------------------|----------------|--|------------|-----------|
| <b>FORD TRUCK</b>      |                |  |            |           |
| <b>E-250 ECONOLINE</b> |                |  |            |           |
| 1975-96                | V8 5.8L 351 CI | w/164 Tooth Gear                                 | C5AZ6384D  | FRG-164N  |
| 1975                   | V8 5.0L 302 CI | w/164 Tooth Gear                                 | C5AZ6384D  | FRG-164N  |
| 1979-90                | V8 5.0L 302 CI | w/164 Tooth Gear                                 | C5AZ6384D  | FRG-164N  |
| 1979-91                | V8 5.0L 302 CI | w/157 Tooth Gear                                 | C2OZ6384B  | FRG-157N  |
| <b>E-300 ECONOLINE</b> |                |  |            |           |
| 1969-70                | L6 2.8L 170 CI | w/132 Tooth Gear                                 | C0DP6384A  | FRG-132F  |
| 1969-70                | L6 2.8L 170 CI | w/136 Tooth Gear                                 | C6DZ6384A  | FRG-136T  |
| 1969-74                | V8 5.0L 302 CI | w/164 Tooth Gear                                 | C5AZ6384D  | FRG-164N  |
| <b>E-350 ECONOLINE</b> |                |  |            |           |
| 1976-89                | L6 4.9L 300 CI | w/164 Tooth Gear (.365" Width), w/164 Tooth Gear | C5AZ6384D  | FRG-164N  |
| 1977-82                | V8 5.8L 351 CI | w/180 Tooth Gear                                 | D7TZ6384A  | FRG-180W  |
| 1975                   | V8 5.0L 302 CI | w/164 Tooth Gear                                 | C5AZ6384D  | FRG-164N  |
| 1979-80                | V8 5.0L 302 CI | w/164 Tooth Gear                                 | C5AZ6384D  | FRG-164N  |
| 1979-82                | V8 5.0L 302 CI | w/157 Tooth Gear                                 | C2OZ6384B  | FRG-157N  |
| 1980-82                | V8 6.6L 400 CI | w/180 Tooth Gear                                 | D7TZ6384A  | FRG-180W  |
| 1983-87                | V8 6.9L 420 CI | w/155 Teeth Gear                                 | E5TZ6384B  | FRG-155FT |
| 1988-94                | V8 7.3L 445 CI | w/155 Teeth Gear                                 | E5TZ6384B  | FRG-155FT |
| 1975-96                | V8 5.8L 351 CI | w/164 Tooth Gear                                 | C5AZ6384D  | FRG-164N  |
| <b>ECONOLINE</b>       |                |  |            |           |
| 1961-64                | L6 2.4L 144 CI | w/132 Tooth Gear                                 | C0DP6384A  | FRG-132F  |
| 1962-66                | L6 2.8L 170 CI | w/132 Tooth Gear                                 | C0DP6384A  | FRG-132F  |
| <b>EXPLORER</b>        |                |  |            |           |
| 1991-00                | V6 4.0L 245 CI | w/138 Tooth Gear (.373" Width)                   | D2RY6375A  | FRG-138RY |
| <b>F SERIES</b>        |                |  |            |           |
| 1957                   | V8 4.4L 272 CI | w/146 Tooth Gear                                 | EAA6384A   | FRG-146NC |
| 1957                   | V8 4.4L 272 CI | w/148 Teeth Gear                                 | PMB-6384-A | FRG-148S  |
| 1957-59                | L6 3.6L 223 CI | w/146 Tooth Gear                                 | EAA6384A   | FRG-146NC |
| 1957-59                | V8 4.8L 292 CI | w/146 Tooth Gear                                 | EAA6384A   | FRG-146NC |
| 1958-59                | V8 4.8L 292 CI | w/148 Teeth Gear                                 | PMB-6384-A | FRG-148S  |
| <b>F-100</b>           |                |  |            |           |
| 1953                   | L6 3.5L 215 CI | w/146 Tooth Gear                                 | EAA6384A   | FRG-146NC |
| 1954-55                | V8 3.9L 239 CI | w/146 Tooth Gear                                 | EAA6384A   | FRG-146NC |
| 1955-56                | V8 4.4L 272 CI | w/146 Tooth Gear                                 | EAA6384A   | FRG-146NC |
| 1956                   | V8 4.4L 272 CI | w/148 Teeth Gear                                 | PMB-6384-A | FRG-148S  |
| 1960-63                | V8 5.4L 332 CI | w/152 Tooth Gear                                 | B7Q-6384-A | FRG-152F  |
| 1960-64                | V8 4.8L 292 CI | w/148 Teeth Gear                                 | PMB-6384-A | FRG-148S  |
| 1960-64                | V8 4.8L 292 CI | w/146 Tooth Gear                                 | EAA6384A   | FRG-146NC |
| 1961-64                | L6 3.6L 223 CI | exc. Fordomatic Type II; w/132 Tooth Gear        | C0DP6384A  | FRG-132F  |

# RING GEAR APPLICATIONS

| Years             | Engine         | Remarks   | OE         | Pioneer # |
|-------------------|----------------|---|------------|-----------|
| <b>FORD TRUCK</b> |                |   |            |           |
| <b>F-100</b>      |                |   |            |           |
| 1955-56           | L6 3.6L 223 CI | w/146 Tooth Gear                                    | EAA6384A   | FRG-146NC |
| 1961-64           | L6 3.6L 223 CI | w/146 Tooth Gear                                    | EAA6384A   | FRG-146NC |
| 1966-67           | V8 5.8L 352 CI | w/184 Tooth Gear                                    | C5AZ6384A  | FRG-184T  |
| 1968-76           | V8 5.9L 360 CI | w/184 Tooth Gear                                    | C5AZ6384A  | FRG-184T  |
| 1968-76           | V8 5.9L 360 CI | w/188 Tooth Gear                                    | C4TZ6384A  | FRG-188T  |
| 1969-83           | V8 5.0L 302 CI | w/164 Tooth Gear                                    | C5AZ6384D  | FRG-164N  |
| 1973-76           | V8 6.4L 390 CI | w/188 Tooth Gear                                    | C4TZ6384A  | FRG-188T  |
| 1968-76           | V8 6.4L 390 CI | w/184 Tooth Gear                                    | C5AZ6384A  | FRG-184T  |
| 1977-83           | V8 5.0L 302 CI | w/157 Tooth Gear                                    | C2OZ6384B  | FRG-157N  |
| 1977-79           | V8 5.8L 351 CI | w/164 Tooth Gear                                    | C5AZ6384D  | FRG-164N  |
| 1981              | V8 5.8L 351 CI | w/164 Tooth Gear                                    | C5AZ6384D  | FRG-164N  |
| 1977-79           | V8 6.6L 400 CI | w/180 Tooth Gear                                    | D7TZ6384A  | FRG-180W  |
| 1980-83           | L6 4.9L 300 CI | w/164 Tooth Gear, w/164 Tooth Gear<br>(.365" Width) | C5AZ6384D  | FRG-164N  |
| 1977-79           | V8 5.8L 351 CI | w/180 Tooth Gear                                    | D7TZ6384A  | FRG-180W  |
| 1981              | V8 5.8L 351 CI | w/180 Tooth Gear                                    | D7TZ6384A  | FRG-180W  |
| <b>F-150</b>      |                |   |            |           |
| 1975-76           | V8 5.9L 360 CI | w/184 Tooth Gear                                    | C5AZ6384A  | FRG-184T  |
| 1975-76           | V8 5.9L 360 CI | w/188 Tooth Gear                                    | C4TZ6384A  | FRG-188T  |
| 1975-76           | V8 6.4L 390 CI | w/188 Tooth Gear                                    | C4TZ6384A  | FRG-188T  |
| 1975-76           | V8 6.4L 390 CI | w/184 Tooth Gear                                    | C5AZ6384A  | FRG-184T  |
| 1975-90           | V8 5.0L 302 CI | w/164 Tooth Gear                                    | C5AZ6384D  | FRG-164N  |
| 1976-96           | L6 4.9L 300 CI | w/164 Tooth Gear (.365" Width), w/164<br>Tooth Gear | C5AZ6384D  | FRG-164N  |
| 1977-79           | V8 6.6L 400 CI | w/180 Tooth Gear                                    | D7TZ6384A  | FRG-180W  |
| 1977-82           | V8 5.8L 351 CI | w/180 Tooth Gear                                    | D7TZ6384A  | FRG-180W  |
| 1977-95           | V8 5.0L 302 CI | w/157 Tooth Gear                                    | C2OZ6384B  | FRG-157N  |
| 1977-95           | V8 5.8L 351 CI | w/164 Tooth Gear                                    | C5AZ6384D  | FRG-164N  |
| <b>F-250</b>      |                |   |            |           |
| 1953              | L6 3.5L 215 CI | w/146 Tooth Gear                                    | EAA6384A   | FRG-146NC |
| 1954-55           | V8 3.9L 239 CI | w/146 Tooth Gear                                    | EAA6384A   | FRG-146NC |
| 1955-56           | V8 4.4L 272 CI | w/146 Tooth Gear                                    | EAA6384A   | FRG-146NC |
| 1956              | V8 4.4L 272 CI | w/148 Teeth Gear                                    | PMB-6384-A | FRG-148S  |
| 1960-63           | V8 5.4L 332 CI | w/152 Tooth Gear                                    | B7Q-6384-A | FRG-152F  |
| 1960-64           | V8 4.8L 292 CI | w/148 Teeth Gear                                    | PMB-6384-A | FRG-148S  |
| 1960-64           | V8 4.8L 292 CI | w/146 Tooth Gear                                    | EAA6384A   | FRG-146NC |
| 1955-56           | L6 3.6L 223 CI | w/146 Tooth Gear                                    | EAA6384A   | FRG-146NC |
| 1961-64           | L6 3.6L 223 CI | w/146 Tooth Gear                                    | EAA6384A   | FRG-146NC |
| 1961-64           | L6 3.6L 223 CI | exc. Fordomatic Type II; w/132 Tooth<br>Gear        | C0DP6384A  | FRG-132F  |

# RING GEAR APPLICATIONS

| Years             | Engine         | Remarks  | OE         | Pioneer # |
|-------------------|----------------|--|------------|-----------|
| <b>FORD TRUCK</b> |                |  |            |           |
| <b>F-250</b>      |                |  |            |           |
| 1965-67           | L6 3.9L 240 CI | w/164 Tooth Gear                                 | C5AZ6384D  | FRG-164N  |
| 1965-67           | L6 3.9L 240 CI | w/184 Tooth Gear                                 | C5AZ6384A  | FRG-184T  |
| 1966-67           | V8 5.8L 352 CI | w/184 Tooth Gear                                 | C5AZ6384A  | FRG-184T  |
| 1968-76           | V8 5.9L 360 CI | w/184 Tooth Gear                                 | C5AZ6384A  | FRG-184T  |
| 1968-76           | V8 5.9L 360 CI | w/188 Tooth Gear                                 | C4TZ6384A  | FRG-188T  |
| 1968-76           | V8 6.4L 390 CI | w/184 Tooth Gear                                 | C5AZ6384A  | FRG-184T  |
| 1972-90           | V8 5.0L 302 CI | w/164 Tooth Gear                                 | C5AZ6384D  | FRG-164N  |
| 1973-76           | V8 6.4L 390 CI | w/188 Tooth Gear                                 | C4TZ6384A  | FRG-188T  |
| 1976-96           | L6 4.9L 300 CI | w/164 Tooth Gear (.365" Width), w/164 Tooth Gear | C5AZ6384D  | FRG-164N  |
| 1977-82           | V8 5.8L 351 CI | w/180 Tooth Gear                                 | D7TZ6384A  | FRG-180W  |
| 1977-82           | V8 6.6L 400 CI | w/180 Tooth Gear                                 | D7TZ6384A  | FRG-180W  |
| 1977-95           | V8 5.8L 351 CI | w/164 Tooth Gear                                 | C5AZ6384D  | FRG-164N  |
| 1983-87           | V8 6.9L 420 CI | w/155 Teeth Gear                                 | E5TZ6384B  | FRG-155FT |
| 1983-96           | V8 7.5L 460 CI | w/180 Tooth Gear                                 | D7TZ6384A  | FRG-180W  |
| 1988-90           | V8 7.3L 445 CI | w/155 Teeth Gear                                 | E5TZ6384B  | FRG-155FT |
| 1977-95           | V8 5.0L 302 CI | w/157 Tooth Gear                                 | C2OZ6384B  | FRG-157N  |
| <b>F-350</b>      |                |  |            |           |
| 1953              | L6 3.5L 215 CI | w/146 Tooth Gear                                 | EAA6384A   | FRG-146NC |
| 1954-55           | V8 3.9L 239 CI | w/146 Tooth Gear                                 | EAA6384A   | FRG-146NC |
| 1955-56           | V8 4.4L 272 CI | w/146 Tooth Gear                                 | EAA6384A   | FRG-146NC |
| 1956              | V8 4.4L 272 CI | w/148 Teeth Gear                                 | PMB-6384-A | FRG-148S  |
| 1960-63           | V8 5.4L 332 CI | w/152 Tooth Gear                                 | B7Q-6384-A | FRG-152F  |
| 1960-64           | V8 4.8L 292 CI | w/146 Tooth Gear                                 | EAA6384A   | FRG-146NC |
| 1960-64           | V8 4.8L 292 CI | w/148 Teeth Gear                                 | PMB-6384-A | FRG-148S  |
| 1961-64           | L6 3.6L 223 CI | exc. Fordomatic Type II; w/132 Tooth Gear        | C0DP6384A  | FRG-132F  |
| 1955-56           | L6 3.6L 223 CI | w/146 Tooth Gear                                 | EAA6384A   | FRG-146NC |
| 1961-64           | L6 3.6L 223 CI | w/146 Tooth Gear                                 | EAA6384A   | FRG-146NC |
| 1961-64           | L6 4.3L 262 CI | w/146 Tooth Gear                                 | EAA6384A   | FRG-146NC |
| 1962-64           | L6 4.3L 262 CI | w/Overdrive; w/157 Tooth Gear                    | C2OZ6384B  | FRG-157N  |
| 1964-66           | V8 5.9L 361 CI | w/188 Tooth Gear                                 | C4TZ6384A  | FRG-188T  |
| 1965-67           | L6 3.9L 240 CI | w/184 Tooth Gear                                 | C5AZ6384A  | FRG-184T  |
| 1965-67           | L6 3.9L 240 CI | w/164 Tooth Gear                                 | C5AZ6384D  | FRG-164N  |
| 1966-67           | V8 5.8L 352 CI | w/184 Tooth Gear                                 | C5AZ6384A  | FRG-184T  |
| 1968-76           | V8 5.9L 360 CI | w/188 Tooth Gear                                 | C4TZ6384A  | FRG-188T  |
| 1968-76           | V8 5.9L 360 CI | w/184 Tooth Gear                                 | C5AZ6384A  | FRG-184T  |
| 1968-76           | V8 6.4L 390 CI | w/184 Tooth Gear                                 | C5AZ6384A  | FRG-184T  |
| 1972-80           | V8 5.0L 302 CI | w/164 Tooth Gear                                 | C5AZ6384D  | FRG-164N  |
| 1973-76           | V8 6.4L 390 CI | w/188 Tooth Gear                                 | C4TZ6384A  | FRG-188T  |

# RING GEAR APPLICATIONS

| Years                        | Engine         | Remarks  | OE         | Pioneer # |
|------------------------------|----------------|--|------------|-----------|
| <b>FORD TRUCK</b>            |                |  |            |           |
| <b>F-350</b>                 |                |  |            |           |
| 1976-96                      | L6 4.9L 300 CI | w/164 Tooth Gear (.365" Width), w/164 Tooth Gear | C5AZ6384D  | FRG-164N  |
| 1977-80                      | V8 5.0L 302 CI | w/157 Tooth Gear                                 | C2OZ6384B  | FRG-157N  |
| 1977-82                      | V8 5.8L 351 CI | w/180 Tooth Gear                                 | D7TZ6384A  | FRG-180W  |
| 1977-82                      | V8 6.6L 400 CI | w/180 Tooth Gear                                 | D7TZ6384A  | FRG-180W  |
| 1983-87                      | V8 6.9L 420 CI | w/155 Teeth Gear                                 | E5TZ6384B  | FRG-155FT |
| 1983-97                      | V8 7.5L 460 CI | w/180 Tooth Gear                                 | D7TZ6384A  | FRG-180W  |
| 1988-90                      | V8 7.3L 445 CI | w/155 Teeth Gear                                 | E5TZ6384B  | FRG-155FT |
| 1977-95                      | V8 5.8L 351 CI | w/164 Tooth Gear                                 | C5AZ6384D  | FRG-164N  |
| <b>FALCON SEDAN DELIVERY</b> |                |  |            |           |
| 1961-64                      | L6 2.4L 144 CI | w/132 Tooth Gear                                 | C0DP6384A  | FRG-132F  |
| 1963-64                      | V8 4.3L 260 CI | w/Overdrive; w/157 Tooth Gear                    | C2OZ6384B  | FRG-157N  |
| 1961                         | L6 2.8L 170 CI | w/132 Tooth Gear                                 | C0DP6384A  | FRG-132F  |
| 1964-65                      | L6 2.8L 170 CI | w/132 Tooth Gear                                 | C0DP6384A  | FRG-132F  |
| 1964-65                      | L6 3.3L 200 CI | w/132 Tooth Gear                                 | C0DP6384A  | FRG-132F  |
| 1965                         | L6 3.3L 200 CI | w/Heavy Duty Clutch; w/157 Tooth Gear            | C2OZ6384B  | FRG-157N  |
| 1965                         | V8 4.7L 288 CI | w/157 Tooth Gear                                 | C2OZ6384B  | FRG-157N  |
| <b>M-450</b>                 |                |  |            |           |
| 1974                         | V8 5.9L 360 CI | w/184 Tooth Gear                                 | C5AZ6384A  | FRG-184T  |
| 1974                         | V8 5.9L 360 CI | w/188 Tooth Gear                                 | C4TZ6384A  | FRG-188T  |
| <b>P-100</b>                 |                |  |            |           |
| 1965-67                      | L6 2.8L 170 CI | w/146 Tooth Gear                                 | EAA6384A   | FRG-146NC |
| 1965-67                      | L6 2.8L 170 CI | w/132 Tooth Gear                                 | C0DP6384A  | FRG-132F  |
| <b>P-350</b>                 |                |  |            |           |
| 1972-73                      | V8 6.4L 390 CI | w/184 Tooth Gear                                 | C5AZ6384A  | FRG-184T  |
| 1973                         | V8 5.9L 360 CI | w/184 Tooth Gear                                 | C5AZ6384A  | FRG-184T  |
| 1973                         | V8 5.9L 360 CI | w/188 Tooth Gear                                 | C4TZ6384A  | FRG-188T  |
| 1973                         | V8 6.4L 390 CI | w/188 Tooth Gear                                 | C4TZ6384A  | FRG-188T  |
| 1976                         | L6 4.9L 300 CI | w/164 Tooth Gear (.365" Width), w/164 Tooth Gear | C5AZ6384D  | FRG-164N  |
| 1972                         | V8 5.0L 302 CI | w/164 Tooth Gear                                 | C5AZ6384D  | FRG-164N  |
| 1976                         | V8 5.0L 302 CI | w/164 Tooth Gear                                 | C5AZ6384D  | FRG-164N  |
| <b>RANCHERO</b>              |                |  |            |           |
| 1957                         | V8 4.4L 272 CI | w/148 Teeth Gear                                 | PMB-6384-A | FRG-148S  |
| 1957                         | V8 4.4L 272 CI | w/146 Tooth Gear                                 | EAA6384A   | FRG-146NC |
| 1957-58                      | L6 3.7L 223 CI | w/146 Tooth Gear                                 | EAA6384A   | FRG-146NC |
| 1957-59                      | L6 3.6L 223 CI | w/146 Tooth Gear                                 | EAA6384A   | FRG-146NC |
| 1957-59                      | V8 4.8L 292 CI | w/146 Tooth Gear                                 | EAA6384A   | FRG-146NC |
| 1958-59                      | V8 4.8L 292 CI | w/148 Teeth Gear                                 | PMB-6384-A | FRG-148S  |
| 1960-64                      | L6 2.4L 144 CI | w/132 Tooth Gear                                 | C0DP6384A  | FRG-132F  |

# RING GEAR APPLICATIONS

| Years             | Engine         | Remarks                               | OE         | Pioneer # |
|-------------------|----------------|---------------------------------------|------------|-----------|
| <b>FORD TRUCK</b> |                |                                       |            |           |
| <b>RANCHERO</b>   |                |                                       |            |           |
| 1963-64           | V8 4.3L 260 CI | w/Overdrive; w/157 Tooth Gear         | C2OZ6384B  | FRG-157N  |
| 1963-64           | V8 4.3L 260 CI | w/146 Tooth Gear                      | EAA6384A   | FRG-146NC |
| 1961              | L6 2.8L 170 CI | w/132 Tooth Gear                      | C0DP6384A  | FRG-132F  |
| 1964-65           | L6 2.8L 170 CI | w/132 Tooth Gear                      | C0DP6384A  | FRG-132F  |
| 1965-67           | L6 3.3L 200 CI | w/Heavy Duty Clutch; w/157 Tooth Gear | C2OZ6384B  | FRG-157N  |
| 1964-68           | L6 3.3L 200 CI | w/132 Tooth Gear                      | C0DP6384A  | FRG-132F  |
| 1967-69           | V8 6.4L 390 CI | w/184 Tooth Gear                      | C5AZ6384A  | FRG-184T  |
| 1968              | L6 3.3L 200 CI | w/136 Tooth Gear                      | C6DZ6384A  | FRG-136T  |
| 1969              | V8 7.0L 428 CI | w/141 Tooth Gear (.365" Width)        | D5ZP6384AA | FRG-141C  |
| 1969              | V8 7.0L 428 CI | w/138 Tooth Gear (.365" Width)        | D4ZP6384AA | FRG-138C  |
| 1969              | V8 7.0L 428 CI | w/184 Tooth Gear                      | C5AZ6384A  | FRG-184T  |
| 1969              | V8 7.0L 428 CI | w/164 Tooth Gear (.365" Width)        | C7VP6384A  | FRG-164T  |
| 1969-70           | V8 5.8L 351 CI | w/184 Tooth Gear                      | C5AZ6384A  | FRG-184T  |
| 1969-73           | L6 4.1L 250 CI | w/157 Tooth Gear                      | C2OZ6384B  | FRG-157N  |
| 1969-79           | V8 5.8L 351 CI | w/164 Tooth Gear (.365" Width)        | C5AZ6384D  | FRG-164N  |
| 1970-71           | V8 7.0L 429 CI | w/138 Tooth Gear (.365" Width)        | D4ZP6384AA | FRG-138C  |
| 1970-71           | V8 7.0L 429 CI | w/164 Tooth Gear (.365" Width)        | C7VP6384A  | FRG-164T  |
| 1970-71           | V8 7.0L 429 CI | w/184 Tooth Gear                      | C5AZ6384A  | FRG-184T  |
| 1970-71           | V8 7.0L 429 CI | w/141 Tooth Gear (.365" Width)        | D5ZP6384AA | FRG-141C  |
| 1968-74           | V8 5.0L 302 CI | w/164 Tooth Gear                      | C5AZ6384D  | FRG-164N  |
| 1977-79           | V8 5.0L 302 CI | w/164 Tooth Gear                      | C5AZ6384D  | FRG-164N  |
| 1977-79           | V8 5.0L 302 CI | w/157 Tooth Gear                      | C2OZ6384B  | FRG-157N  |
| 1977-79           | V8 5.8L 351 CI | w/180 Tooth Gear                      | D7TZ6384A  | FRG-180W  |
| 1977-78           | V8 6.6L 400 CI | w/180 Tooth Gear                      | D7TZ6384A  | FRG-180W  |
| <b>RANGER</b>     |                |                                       |            |           |
| 1983-84           | L4 2.2L 134 CI | w/132 Tooth Gear                      | D4FZ6384A  | FRG-132E  |
| 1983-88           | L4 2.0L 121 CI | w/132 Tooth Gear                      | D4FZ6384A  | FRG-132E  |
| 1983-97           | L4 2.3L 140 CI | w/132 Tooth Gear                      | D4FZ6384A  | FRG-132E  |
| 1986-92           | V6 2.9L 177 CI | w/138 Tooth Gear (.373" Width)        | D2RY6375A  | FRG-138RY |
| 1990-00           | V6 4.0L 245 CI | w/138 Tooth Gear (.373" Width)        | D2RY6375A  | FRG-138RY |
| 1998-01           | L4 2.5L 153 CI | w/132 Tooth Gear                      | D4FZ6384A  | FRG-132E  |
| 1991-03           | V6 3.0L 182 CI | w/132 Tooth Gear                      | D4FZ6384A  | FRG-132E  |
| <b>WINDSTAR</b>   |                |                                       |            |           |
| 1995-99           | V6 3.8L 232 CI | w/164 Tooth Gear                      | C5AZ6384D  | FRG-164N  |
| <b>FORD</b>       |                |                                       |            |           |
| <b>VICTORIA</b>   |                |                                       |            |           |
| 1955-57           | V8 4.4L 272 CI | w/146 Tooth Gear                      | EAA6384A   | FRG-146NC |
| 1955-60           | L6 3.6L 223 CI | w/146 Tooth Gear                      | EAA6384A   | FRG-146NC |
| 1958-59           | V8 5.4L 332 CI | w/152 Tooth Gear                      | B7Q-6384-A | FRG-152F  |
| 1958-60           | V8 4.8L 292 CI | w/146 Tooth Gear                      | EAA6384A   | FRG-146NC |

# RING GEAR APPLICATIONS

| Years                         | Engine         | Remarks                                   | OE         | Pioneer # |
|-------------------------------|----------------|---|------------|-----------|
| <b>FORD</b>                   |                |   |            |           |
| <b>VICTORIA</b>               |                |   |            |           |
| 1958-60                       | V8 4.8L 292 CI | w/148 Teeth Gear                          | PMB-6384-A | FRG-148S  |
| 1960                          | L6 3.6L 223 CI | exc. Fordomatic Type II; w/132 Tooth Gear | CODP6384A  | FRG-132F  |
| <b>GMC</b>                    |                |   |            |           |
| <b>SIERRA 1500 HD CLASSIC</b> |                |   |            |           |
| 2007                          | V8 6.0L 364 CI | w/168 Tooth Gear                          | 3991408    | FRG-168S  |
| <b>SIERRA 2500 HD CLASSIC</b> |                |   |            |           |
| 2007                          | V8 6.0L 364 CI | w/168 Tooth Gear                          | 3991408    | FRG-168S  |
| <b>SIERRA 3500 CLASSIC</b>    |                |   |            |           |
| 2007                          | V8 6.0L 364 CI | w/168 Tooth Gear                          | 3991408    | FRG-168S  |
| <b>GMC TRUCK</b>              |                |   |            |           |
| <b>1000 SERIES</b>            |                |   |            |           |
| 1961-62                       | L6 4.4L 270 CI | w/168 Teeth Gear                          | 2343768    | FRG-168T  |
| 1961-64                       | V6 5.0L 306 CI | w/191 Tooth Gear                          | 2369440    | FRG-191T  |
| 1964-65                       | L6 3.8L 230 CI | w/168 Tooth Gear                          | 3991408    | FRG-168S  |
| 1964-65                       | L6 3.8L 230 CI | w/153 Tooth Gear                          | 3789821    | FRG-153N  |
| <b>1500 SERIES</b>            |                |   |            |           |
| 1961-62                       | L6 4.4L 270 CI | w/168 Teeth Gear                          | 2343768    | FRG-168T  |
| 1961-64                       | V6 5.0L 306 CI | w/191 Tooth Gear                          | 2369440    | FRG-191T  |
| 1964-65                       | L6 3.8L 230 CI | w/153 Tooth Gear                          | 3789821    | FRG-153N  |
| 1964-65                       | L6 3.8L 230 CI | w/168 Tooth Gear                          | 3991408    | FRG-168S  |
| <b>GMC</b>                    |                |   |            |           |
| <b>TRUCK</b>                  |                |   |            |           |
| 1956-60                       | L6 4.4L 270 CI | w/168 Teeth Gear                          | 2343768    | FRG-168T  |
| <b>GMC TRUCK</b>              |                |   |            |           |
| <b>2500 SERIES</b>            |                |   |            |           |
| 1961-62                       | L6 4.4L 270 CI | w/168 Teeth Gear                          | 2343768    | FRG-168T  |
| 1961-63                       | V6 5.0L 306 CI | w/191 Tooth Gear                          | 2369440    | FRG-191T  |
| <b>C15</b>                    |                |   |            |           |
| 1975-78                       | L6 4.1L 250 CI | w/168 Tooth Gear                          | 3991408    | FRG-168S  |
| 1975-78                       | L6 4.8L 292 CI | w/168 Tooth Gear                          | 3991408    | FRG-168S  |
| 1977-78                       | V8 5.0L 305 CI | w/168 Tooth Gear                          | 3991408    | FRG-168S  |
| 1976                          | V8 6.6L 400 CI | w/168 Tooth Gear                          | 3991408    | FRG-168S  |
| 1978                          | V8 6.6L 400 CI | w/168 Tooth Gear                          | 3991408    | FRG-168S  |
| <b>C15 SUBURBAN</b>           |                |   |            |           |
| 1975-78                       | L6 4.1L 250 CI | w/168 Tooth Gear                          | 3991408    | FRG-168S  |
| 1977-78                       | V8 5.0L 305 CI | w/168 Tooth Gear                          | 3991408    | FRG-168S  |
| <b>C15/C1500 PICKUP</b>       |                |   |            |           |
| 1967                          | V8 4.6L 283 CI | w/153 Tooth Gear                          | 3789821    | FRG-153N  |

# RING GEAR APPLICATIONS

| Years                     | Engine         | Remarks          | OE      | Pioneer # |
|---------------------------|----------------|------------------|---------|-----------|
| <b>GMC TRUCK</b>          |                |                  |         |           |
| <b>C15/C1500 PICKUP</b>   |                |                  |         |           |
| 1967                      | V8 4.6L 283 CI | w/168 Tooth Gear | 3991408 | FRG-168S  |
| 1967-68                   | V8 5.3L 327 CI | w/153 Tooth Gear | 3789821 | FRG-153N  |
| 1967-68                   | V8 5.3L 327 CI | w/168 Tooth Gear | 3991408 | FRG-168S  |
| 1968                      | V8 5.4L 327 CI | w/153 Tooth Gear | 3789821 | FRG-153N  |
| 1968                      | V8 5.4L 327 CI | w/168 Tooth Gear | 3991408 | FRG-168S  |
| 1967-71                   | L6 4.1L 250 CI | w/153 Tooth Gear | 3789821 | FRG-153N  |
| 1968-73                   | V8 5.0L 307 CI | w/168 Tooth Gear | 3991408 | FRG-168S  |
| 1968-73                   | V8 5.0L 307 CI | w/191 Tooth Gear | 2369440 | FRG-191T  |
| 1970-71                   | V8 6.6L 402 CI | w/191 Tooth Gear | 2369440 | FRG-191T  |
| 1970-72                   | V8 6.6L 402 CI | w/168 Tooth Gear | 3991408 | FRG-168S  |
| 1968-70                   | V8 5.0L 307 CI | w/153 Tooth Gear | 3789821 | FRG-153N  |
| 1972                      | V8 5.0L 307 CI | w/153 Tooth Gear | 3789821 | FRG-153N  |
| 1969-72                   | V8 5.7L 350 CI | w/168 Tooth Gear | 3991408 | FRG-168S  |
| 1967-74                   | L6 4.1L 250 CI | w/168 Tooth Gear | 3991408 | FRG-168S  |
| 1968-71                   | L6 4.8L 292 CI | w/168 Tooth Gear | 3991408 | FRG-168S  |
| 1973-74                   | L6 4.8L 292 CI | w/168 Tooth Gear | 3991408 | FRG-168S  |
| 1967-71                   | L6 4.8L 293 CI | w/168 Tooth Gear | 3991408 | FRG-168S  |
| 1973-74                   | L6 4.8L 293 CI | w/168 Tooth Gear | 3991408 | FRG-168S  |
| <b>C15/C1500 SUBURBAN</b> |                |                  |         |           |
| 1968                      | V8 5.3L 327 CI | w/168 Tooth Gear | 3991408 | FRG-168S  |
| 1968                      | V8 5.3L 327 CI | w/153 Tooth Gear | 3789821 | FRG-153N  |
| 1968                      | V8 5.4L 327 CI | w/168 Tooth Gear | 3991408 | FRG-168S  |
| 1968                      | V8 5.4L 327 CI | w/153 Tooth Gear | 3789821 | FRG-153N  |
| 1968-71                   | L6 4.1L 250 CI | w/153 Tooth Gear | 3789821 | FRG-153N  |
| 1968-73                   | V8 5.0L 307 CI | w/191 Tooth Gear | 2369440 | FRG-191T  |
| 1968-73                   | V8 5.0L 307 CI | w/168 Tooth Gear | 3991408 | FRG-168S  |
| 1969-72                   | V8 5.7L 350 CI | w/168 Tooth Gear | 3991408 | FRG-168S  |
| 1970-71                   | V8 6.6L 402 CI | w/191 Tooth Gear | 2369440 | FRG-191T  |
| 1970-72                   | V8 6.6L 402 CI | w/168 Tooth Gear | 3991408 | FRG-168S  |
| 1968-70                   | V8 5.0L 307 CI | w/153 Tooth Gear | 3789821 | FRG-153N  |
| 1972                      | V8 5.0L 307 CI | w/153 Tooth Gear | 3789821 | FRG-153N  |
| 1968-74                   | L6 4.1L 250 CI | w/168 Tooth Gear | 3991408 | FRG-168S  |
| 1968-71                   | L6 4.8L 292 CI | w/168 Tooth Gear | 3991408 | FRG-168S  |
| 1973-74                   | L6 4.8L 292 CI | w/168 Tooth Gear | 3991408 | FRG-168S  |
| 1968-71                   | L6 4.8L 293 CI | w/168 Tooth Gear | 3991408 | FRG-168S  |
| 1973-74                   | L6 4.8L 293 CI | w/168 Tooth Gear | 3991408 | FRG-168S  |
| <b>C1500</b>              |                |                  |         |           |
| 1979-80                   | L6 4.8L 292 CI | w/168 Tooth Gear | 3991408 | FRG-168S  |
| 1979-80                   | V8 6.6L 400 CI | w/168 Tooth Gear | 3991408 | FRG-168S  |
| 1979-80                   | V8 7.4L 454 CI | w/168 Tooth Gear | 3991408 | FRG-168S  |

# RING GEAR APPLICATIONS

| Years                   | Engine         | Remarks          | OE       | Pioneer # |
|-------------------------|----------------|------------------|----------|-----------|
| <b>GMC TRUCK</b>        |                |                  |          |           |
| <b>C1500</b>            |                |                  |          |           |
| 1979-86                 | V8 5.7L 350 CI | w/168 Tooth Gear | 3991408  | FRG-168S  |
| 1988                    | V8 5.7L 350 CI | w/168 Tooth Gear | 3991408  | FRG-168S  |
| 1990-99                 | V8 5.7L 350 CI | w/168 Tooth Gear | 3991408  | FRG-168S  |
| 1979-84                 | L6 4.1L 250 CI | w/168 Tooth Gear | 3991408  | FRG-168S  |
| 1982-86                 | V8 6.2L 379 CI | w/139 Tooth Gear | 14077156 | FRG-139G  |
| 1988                    | V8 6.2L 379 CI | w/139 Tooth Gear | 14077156 | FRG-139G  |
| 1985-86                 | V6 4.3L 262 CI | w/168 Tooth Gear | 3991408  | FRG-168S  |
| 1988-98                 | V6 4.3L 262 CI | w/168 Tooth Gear | 3991408  | FRG-168S  |
| 1979-86                 | V8 5.0L 305 CI | w/168 Tooth Gear | 3991408  | FRG-168S  |
| 1988-99                 | V8 5.0L 305 CI | w/168 Tooth Gear | 3991408  | FRG-168S  |
| 1994-97                 | V8 6.5L 395 CI | w/139 Tooth Gear | 14077156 | FRG-139G  |
| <b>C1500 SUBURBAN</b>   |                |                  |          |           |
| 1979-80                 | L6 4.1L 250 CI | w/168 Tooth Gear | 3991408  | FRG-168S  |
| 1979-80                 | V8 7.4L 454 CI | w/168 Tooth Gear | 3991408  | FRG-168S  |
| 1979-86                 | V8 5.0L 305 CI | w/168 Tooth Gear | 3991408  | FRG-168S  |
| 1982-86                 | V8 6.2L 379 CI | w/139 Tooth Gear | 14077156 | FRG-139G  |
| 1979-86                 | V8 5.7L 350 CI | w/168 Tooth Gear | 3991408  | FRG-168S  |
| 1992-99                 | V8 5.7L 350 CI | w/168 Tooth Gear | 3991408  | FRG-168S  |
| 1995-99                 | V8 6.5L 395 CI | w/139 Tooth Gear | 14077156 | FRG-139G  |
| <b>C25</b>              |                |                  |          |           |
| 1975-78                 | L6 4.8L 292 CI | w/168 Tooth Gear | 3991408  | FRG-168S  |
| 1976-78                 | V8 6.6L 400 CI | w/168 Tooth Gear | 3991408  | FRG-168S  |
| 1975                    | L6 4.1L 250 CI | w/168 Tooth Gear | 3991408  | FRG-168S  |
| 1977-78                 | L6 4.1L 250 CI | w/168 Tooth Gear | 3991408  | FRG-168S  |
| 1977-78                 | V8 5.0L 305 CI | w/168 Tooth Gear | 3991408  | FRG-168S  |
| <b>C25 SUBURBAN</b>     |                |                  |          |           |
| 1975-78                 | L6 4.8L 292 CI | w/168 Tooth Gear | 3991408  | FRG-168S  |
| 1978                    | V8 6.6L 400 CI | w/168 Tooth Gear | 3991408  | FRG-168S  |
| <b>C25/C2500 PICKUP</b> |                |                  |          |           |
| 1967                    | V8 4.6L 283 CI | w/168 Tooth Gear | 3991408  | FRG-168S  |
| 1967                    | V8 4.6L 283 CI | w/153 Tooth Gear | 3789821  | FRG-153N  |
| 1967-68                 | V8 5.3L 327 CI | w/168 Tooth Gear | 3991408  | FRG-168S  |
| 1967-68                 | V8 5.3L 327 CI | w/153 Tooth Gear | 3789821  | FRG-153N  |
| 1967-71                 | L6 4.1L 250 CI | w/153 Tooth Gear | 3789821  | FRG-153N  |
| 1967-74                 | L6 4.1L 250 CI | w/168 Tooth Gear | 3991408  | FRG-168S  |
| 1967-74                 | L6 4.8L 293 CI | w/168 Tooth Gear | 3991408  | FRG-168S  |
| 1968                    | V8 5.4L 327 CI | w/153 Tooth Gear | 3789821  | FRG-153N  |
| 1968                    | V8 5.4L 327 CI | w/168 Tooth Gear | 3991408  | FRG-168S  |
| 1968-70                 | V8 5.0L 307 CI | w/153 Tooth Gear | 3789821  | FRG-153N  |
| 1968-73                 | V8 5.0L 307 CI | w/191 Tooth Gear | 2369440  | FRG-191T  |



# RING GEAR APPLICATIONS

| Years                     | Engine         | Remarks          | OE       | Pioneer # |
|---------------------------|----------------|------------------|----------|-----------|
| <b>GMC TRUCK</b>          |                |                  |          |           |
| <b>C25/C2500 PICKUP</b>   |                |                  |          |           |
| 1968-73                   | V8 5.0L 307 CI | w/168 Tooth Gear | 3991408  | FRG-168S  |
| 1968-74                   | L6 4.8L 292 CI | w/168 Tooth Gear | 3991408  | FRG-168S  |
| 1969-72                   | V8 5.7L 350 CI | w/168 Tooth Gear | 3991408  | FRG-168S  |
| 1970-71                   | V8 6.6L 402 CI | w/191 Tooth Gear | 2369440  | FRG-191T  |
| 1970-71                   | V8 6.6L 402 CI | w/168 Tooth Gear | 3991408  | FRG-168S  |
| <b>C25/C2500 SUBURBAN</b> |                |                  |          |           |
| 1968                      | V8 5.3L 327 CI | w/168 Tooth Gear | 3991408  | FRG-168S  |
| 1968                      | V8 5.3L 327 CI | w/153 Tooth Gear | 3789821  | FRG-153N  |
| 1968                      | V8 5.4L 327 CI | w/168 Tooth Gear | 3991408  | FRG-168S  |
| 1968                      | V8 5.4L 327 CI | w/153 Tooth Gear | 3789821  | FRG-153N  |
| 1968-70                   | V8 5.0L 307 CI | w/153 Tooth Gear | 3789821  | FRG-153N  |
| 1968-71                   | L6 4.1L 250 CI | w/153 Tooth Gear | 3789821  | FRG-153N  |
| 1968-73                   | V8 5.0L 307 CI | w/191 Tooth Gear | 2369440  | FRG-191T  |
| 1968-73                   | V8 5.0L 307 CI | w/168 Tooth Gear | 3991408  | FRG-168S  |
| 1968-74                   | L6 4.1L 250 CI | w/168 Tooth Gear | 3991408  | FRG-168S  |
| 1968-74                   | L6 4.8L 292 CI | w/168 Tooth Gear | 3991408  | FRG-168S  |
| 1968-74                   | L6 4.8L 293 CI | w/168 Tooth Gear | 3991408  | FRG-168S  |
| 1969-72                   | V8 5.7L 350 CI | w/168 Tooth Gear | 3991408  | FRG-168S  |
| 1970-71                   | V8 6.6L 402 CI | w/191 Tooth Gear | 2369440  | FRG-191T  |
| 1970-72                   | V8 6.6L 402 CI | w/168 Tooth Gear | 3991408  | FRG-168S  |
| <b>C2500</b>              |                |                  |          |           |
| 1979-84                   | L6 4.1L 250 CI | w/168 Tooth Gear | 3991408  | FRG-168S  |
| 1979-86                   | L6 4.8L 292 CI | w/168 Tooth Gear | 3991408  | FRG-168S  |
| 1979-86                   | V8 7.4L 454 CI | w/168 Tooth Gear | 3991408  | FRG-168S  |
| 1985-86                   | V6 4.3L 262 CI | w/168 Tooth Gear | 3991408  | FRG-168S  |
| 1988-95                   | V6 4.3L 262 CI | w/168 Tooth Gear | 3991408  | FRG-168S  |
| 1982-86                   | V8 6.2L 379 CI | w/139 Tooth Gear | 14077156 | FRG-139G  |
| 1989-93                   | V8 6.2L 379 CI | w/139 Tooth Gear | 14077156 | FRG-139G  |
| 1979-86                   | V8 5.0L 305 CI | w/168 Tooth Gear | 3991408  | FRG-168S  |
| 1989-98                   | V8 5.0L 305 CI | w/168 Tooth Gear | 3991408  | FRG-168S  |
| 1979-86                   | V8 5.7L 350 CI | w/168 Tooth Gear | 3991408  | FRG-168S  |
| 1989-98                   | V8 5.7L 350 CI | w/168 Tooth Gear | 3991408  | FRG-168S  |
| 1992-00                   | V8 6.5L 395 CI | w/139 Tooth Gear | 14077156 | FRG-139G  |
| <b>C2500 SUBURBAN</b>     |                |                  |          |           |
| 1979-86                   | V8 7.4L 454 CI | w/168 Tooth Gear | 3991408  | FRG-168S  |
| 1980                      | V8 6.6L 400 CI | w/168 Tooth Gear | 3991408  | FRG-168S  |
| 1982-86                   | V8 5.0L 305 CI | w/168 Tooth Gear | 3991408  | FRG-168S  |
| 1982-86                   | V8 6.2L 379 CI | w/139 Tooth Gear | 14077156 | FRG-139G  |
| 1979-82                   | L6 4.8L 292 CI | w/168 Tooth Gear | 3991408  | FRG-168S  |
| 1984                      | L6 4.8L 292 CI | w/168 Tooth Gear | 3991408  | FRG-168S  |

# RING GEAR APPLICATIONS

| Years                   | Engine         | Remarks          | OE       | Pioneer # |
|-------------------------|----------------|------------------|----------|-----------|
| <b>GMC TRUCK</b>        |                |                  |          |           |
| <b>C2500 SUBURBAN</b>   |                |                  |          |           |
| 1979-86                 | V8 5.7L 350 CI | w/168 Tooth Gear | 3991408  | FRG-168S  |
| 1992-99                 | V8 5.7L 350 CI | w/168 Tooth Gear | 3991408  | FRG-168S  |
| 1994-99                 | V8 6.5L 395 CI | w/139 Tooth Gear | 14077156 | FRG-139G  |
| <b>C35</b>              |                |                  |          |           |
| 1975-78                 | L6 4.8L 292 CI | w/168 Tooth Gear | 3991408  | FRG-168S  |
| 1976-78                 | V8 6.6L 400 CI | w/168 Tooth Gear | 3991408  | FRG-168S  |
| 1975                    | L6 4.1L 250 CI | w/168 Tooth Gear | 3991408  | FRG-168S  |
| 1978                    | L6 4.1L 250 CI | w/168 Tooth Gear | 3991408  | FRG-168S  |
| 1978                    | V8 5.0L 305 CI | w/168 Tooth Gear | 3991408  | FRG-168S  |
| <b>C35/C3500 PICKUP</b> |                |                  |          |           |
| 1967                    | V8 4.6L 283 CI | w/153 Tooth Gear | 3789821  | FRG-153N  |
| 1967                    | V8 4.6L 283 CI | w/168 Tooth Gear | 3991408  | FRG-168S  |
| 1967-68                 | V8 5.3L 327 CI | w/153 Tooth Gear | 3789821  | FRG-153N  |
| 1967-68                 | V8 5.3L 327 CI | w/168 Tooth Gear | 3991408  | FRG-168S  |
| 1967-74                 | L6 4.1L 250 CI | w/168 Tooth Gear | 3991408  | FRG-168S  |
| 1967-74                 | L6 4.8L 293 CI | w/168 Tooth Gear | 3991408  | FRG-168S  |
| 1968                    | V8 5.4L 327 CI | w/168 Tooth Gear | 3991408  | FRG-168S  |
| 1968                    | V8 5.4L 327 CI | w/153 Tooth Gear | 3789821  | FRG-153N  |
| 1968-70                 | V8 5.0L 307 CI | w/153 Tooth Gear | 3789821  | FRG-153N  |
| 1967-71                 | L6 4.1L 250 CI | w/153 Tooth Gear | 3789821  | FRG-153N  |
| 1968-73                 | V8 5.0L 307 CI | w/168 Tooth Gear | 3991408  | FRG-168S  |
| 1968-73                 | V8 5.0L 307 CI | w/191 Tooth Gear | 2369440  | FRG-191T  |
| 1968-74                 | L6 4.8L 292 CI | w/168 Tooth Gear | 3991408  | FRG-168S  |
| 1969-72                 | V8 5.7L 350 CI | w/168 Tooth Gear | 3991408  | FRG-168S  |
| 1970-71                 | V8 6.6L 402 CI | w/168 Tooth Gear | 3991408  | FRG-168S  |
| 1970-71                 | V8 6.6L 402 CI | w/191 Tooth Gear | 2369440  | FRG-191T  |
| <b>C3500</b>            |                |                  |          |           |
| 1979                    | V8 6.6L 400 CI | w/168 Tooth Gear | 3991408  | FRG-168S  |
| 1979-80                 | L6 4.1L 250 CI | w/168 Tooth Gear | 3991408  | FRG-168S  |
| 1979-86                 | L6 4.8L 292 CI | w/168 Tooth Gear | 3991408  | FRG-168S  |
| 1979-86                 | V8 7.4L 454 CI | w/168 Tooth Gear | 3991408  | FRG-168S  |
| 1982-86                 | V8 6.2L 379 CI | w/139 Tooth Gear | 14077156 | FRG-139G  |
| 1990-93                 | V8 6.2L 379 CI | w/139 Tooth Gear | 14077156 | FRG-139G  |
| 1986                    | V8 5.0L 305 CI | w/168 Tooth Gear | 3991408  | FRG-168S  |
| 1979-86                 | V8 5.7L 350 CI | w/168 Tooth Gear | 3991408  | FRG-168S  |
| 1989-00                 | V8 5.7L 350 CI | w/168 Tooth Gear | 3991408  | FRG-168S  |
| 1992-00                 | V8 6.5L 395 CI | w/139 Tooth Gear | 14077156 | FRG-139G  |
| <b>G1000 SERIES</b>     |                |                  |          |           |
| 1964-66                 | L6 3.8L 230 CI | w/168 Tooth Gear | 3991408  | FRG-168S  |
| 1964-66                 | L6 3.8L 230 CI | w/153 Tooth Gear | 3789821  | FRG-153N  |

# RING GEAR APPLICATIONS

| Years                | Engine         | Remarks                     | OE      | Pioneer # |
|----------------------|----------------|-----------------------------|---------|-----------|
| <b>GMC TRUCK</b>     |                |                             |         |           |
| <b>G1000 SERIES</b>  |                |                             |         |           |
| 1966                 | L6 3.2L 194 CI | w/153 Tooth Gear            | 3789821 | FRG-153N  |
| 1966                 | L6 3.2L 194 CI | w/168 Tooth Gear            | 3991408 | FRG-168S  |
| <b>G15</b>           |                |                             |         |           |
| 1975-78              | L6 4.1L 250 CI | w/168 Tooth Gear            | 3991408 | FRG-168S  |
| 1975-78              | V8 5.7L 350 CI | w/168 Tooth Gear            | 3991408 | FRG-168S  |
| 1976                 | V8 6.6L 400 CI | w/168 Tooth Gear            | 3991408 | FRG-168S  |
| 1977-78              | V8 5.0L 305 CI | w/168 Tooth Gear            | 3991408 | FRG-168S  |
| <b>G15/G1500 VAN</b> |                |                             |         |           |
| 1967                 | V8 4.6L 283 CI | w/168 Tooth Gear            | 3991408 | FRG-168S  |
| 1967                 | V8 4.6L 283 CI | w/153 Tooth Gear            | 3789821 | FRG-153N  |
| 1967                 | V8 5.4L 327 CI | w/153 Tooth Gear            | 3789821 | FRG-153N  |
| 1967                 | V8 5.4L 327 CI | w/168 Tooth Gear            | 3991408 | FRG-168S  |
| 1967-69              | L6 3.8L 230 CI | w/168 Tooth Gear            | 3991408 | FRG-168S  |
| 1967-69              | L6 3.8L 230 CI | w/153 Tooth Gear            | 3789821 | FRG-153N  |
| 1967-71              | L6 4.1L 250 CI | w/153 Tooth Gear            | 3789821 | FRG-153N  |
| 1968-69              | V8 5.0L 307 CI | w/191 Tooth Gear            | 2369440 | FRG-191T  |
| 1968-69              | V8 5.0L 307 CI | w/168 Tooth Gear            | 3991408 | FRG-168S  |
| 1968-69              | V8 5.0L 307 CI | w/153 Tooth Gear            | 3789821 | FRG-153N  |
| 1967-74              | L6 4.1L 250 CI | w/168 Tooth Gear            | 3991408 | FRG-168S  |
| 1972-74              | V8 5.7L 350 CI | w/168 Tooth Gear            | 3991408 | FRG-168S  |
| <b>G1500</b>         |                |                             |         |           |
| 1979                 | V8 6.6L 400 CI | w/168 Tooth Gear            | 3991408 | FRG-168S  |
| 1979-84              | L6 4.1L 250 CI | w/168 Tooth Gear            | 3991408 | FRG-168S  |
| 1979-95              | V8 5.0L 305 CI | w/168 Tooth Gear            | 3991408 | FRG-168S  |
| 1985-94              | V6 4.3L 262 CI | w/168 Tooth Gear            | 3991408 | FRG-168S  |
| 1979-87              | V8 5.7L 350 CI | w/168 Tooth Gear            | 3991408 | FRG-168S  |
| 1990-93              | V8 5.7L 350 CI | w/168 Tooth Gear            | 3991408 | FRG-168S  |
| <b>G25</b>           |                |                             |         |           |
| 1975-76              | V8 7.4L 454 CI | Motor Home w/168 Tooth Gear | 3991408 | FRG-168S  |
| 1975-78              | L6 4.8L 292 CI | w/168 Tooth Gear            | 3991408 | FRG-168S  |
| 1975-78              | V8 5.7L 350 CI | w/168 Tooth Gear            | 3991408 | FRG-168S  |
| 1975-78              | V8 6.6L 400 CI | w/168 Tooth Gear            | 3991408 | FRG-168S  |
| 1978                 | L6 4.1L 250 CI | w/168 Tooth Gear            | 3991408 | FRG-168S  |
| <b>G25/G2500 VAN</b> |                |                             |         |           |
| 1967                 | V8 4.6L 283 CI | w/168 Tooth Gear            | 3991408 | FRG-168S  |
| 1967                 | V8 4.6L 283 CI | w/153 Tooth Gear            | 3789821 | FRG-153N  |
| 1967                 | V8 5.4L 327 CI | w/153 Tooth Gear            | 3789821 | FRG-153N  |
| 1967                 | V8 5.4L 327 CI | w/168 Tooth Gear            | 3991408 | FRG-168S  |
| 1967-69              | L6 3.8L 230 CI | w/168 Tooth Gear            | 3991408 | FRG-168S  |
| 1967-69              | L6 3.8L 230 CI | w/153 Tooth Gear            | 3789821 | FRG-153N  |

# RING GEAR APPLICATIONS

| Years                | Engine         | Remarks                     | OE       | Pioneer # |
|----------------------|----------------|-----------------------------|----------|-----------|
| <b>GMC TRUCK</b>     |                |                             |          |           |
| <b>G25/G2500 VAN</b> |                |                             |          |           |
| 1967-71              | L6 4.1L 250 CI | w/153 Tooth Gear            | 3789821  | FRG-153N  |
| 1967-74              | L6 4.1L 250 CI | w/168 Tooth Gear            | 3991408  | FRG-168S  |
| 1968-69              | V8 5.0L 307 CI | w/191 Tooth Gear            | 2369440  | FRG-191T  |
| 1968-69              | V8 5.0L 307 CI | w/153 Tooth Gear            | 3789821  | FRG-153N  |
| 1968-69              | V8 5.0L 307 CI | w/168 Tooth Gear            | 3991408  | FRG-168S  |
| 1970-74              | V8 5.7L 350 CI | w/168 Tooth Gear            | 3991408  | FRG-168S  |
| <b>G2500</b>         |                |                             |          |           |
| 1979-80              | V8 6.6L 400 CI | w/168 Tooth Gear            | 3991408  | FRG-168S  |
| 1979-84              | L6 4.1L 250 CI | w/168 Tooth Gear            | 3991408  | FRG-168S  |
| 1979-95              | V8 5.0L 305 CI | w/168 Tooth Gear            | 3991408  | FRG-168S  |
| 1983-87              | V8 6.2L 379 CI | w/139 Tooth Gear            | 14077156 | FRG-139G  |
| 1990-93              | V8 6.2L 379 CI | w/139 Tooth Gear            | 14077156 | FRG-139G  |
| 1985-95              | V6 4.3L 262 CI | w/168 Tooth Gear            | 3991408  | FRG-168S  |
| 1979-95              | V8 5.7L 350 CI | w/168 Tooth Gear            | 3991408  | FRG-168S  |
| 1994-95              | V8 6.5L 395 CI | w/139 Tooth Gear            | 14077156 | FRG-139G  |
| <b>G35</b>           |                |                             |          |           |
| 1975-78              | L6 4.8L 292 CI | w/168 Tooth Gear            | 3991408  | FRG-168S  |
| 1975-78              | V8 5.7L 350 CI | w/168 Tooth Gear            | 3991408  | FRG-168S  |
| 1975-78              | V8 6.6L 400 CI | w/168 Tooth Gear            | 3991408  | FRG-168S  |
| 1976                 | V8 7.4L 454 CI | Motor Home w/168 Tooth Gear | 3991408  | FRG-168S  |
| <b>G35/G3500 VAN</b> |                |                             |          |           |
| 1971                 | L6 4.1L 250 CI | w/153 Tooth Gear            | 3789821  | FRG-153N  |
| 1971-74              | V8 5.7L 350 CI | w/168 Tooth Gear            | 3991408  | FRG-168S  |
| 1971-74              | L6 4.1L 250 CI | w/168 Tooth Gear            | 3991408  | FRG-168S  |
| 1974                 | L6 4.8L 292 CI | w/168 Tooth Gear            | 3991408  | FRG-168S  |
| 1974                 | L6 4.8L 293 CI | w/168 Tooth Gear            | 3991408  | FRG-168S  |
| <b>G3500</b>         |                |                             |          |           |
| 1979-80              | V8 6.6L 400 CI | w/168 Tooth Gear            | 3991408  | FRG-168S  |
| 1979-96              | V8 5.7L 350 CI | w/168 Tooth Gear            | 3991408  | FRG-168S  |
| 1981                 | V8 5.0L 305 CI | w/168 Tooth Gear            | 3991408  | FRG-168S  |
| 1979                 | L6 4.1L 250 CI | w/168 Tooth Gear            | 3991408  | FRG-168S  |
| 1982-84              | L6 4.1L 250 CI | w/168 Tooth Gear            | 3991408  | FRG-168S  |
| 1983-93              | V8 6.2L 379 CI | w/139 Tooth Gear            | 14077156 | FRG-139G  |
| 1985-95              | V6 4.3L 262 CI | w/168 Tooth Gear            | 3991408  | FRG-168S  |
| 1994-96              | V8 6.5L 395 CI | w/139 Tooth Gear            | 14077156 | FRG-139G  |
| <b>JIMMY</b>         |                |                             |          |           |
| 1970                 | V8 5.0L 307 CI | w/191 Tooth Gear            | 2369440  | FRG-191T  |
| 1970-71              | L6 4.1L 250 CI | w/153 Tooth Gear            | 3789821  | FRG-153N  |
| 1973                 | L6 4.8L 292 CI | w/168 Tooth Gear            | 3991408  | FRG-168S  |
| 1973                 | L6 4.8L 293 CI | w/168 Tooth Gear            | 3991408  | FRG-168S  |

# RING GEAR APPLICATIONS

| Years                     | Engine         | Remarks          | OE       | Pioneer # |
|---------------------------|----------------|------------------|----------|-----------|
| <b>GMC TRUCK</b>          |                |                  |          |           |
| <b>JIMMY</b>              |                |                  |          |           |
| 1975-79                   | V8 6.6L 400 CI | w/168 Tooth Gear | 3991408  | FRG-168S  |
| 1970-82                   | L6 4.1L 250 CI | w/168 Tooth Gear | 3991408  | FRG-168S  |
| 1979-87                   | V8 5.0L 305 CI | w/168 Tooth Gear | 3991408  | FRG-168S  |
| 1979-87                   | V8 5.7L 350 CI | w/168 Tooth Gear | 3991408  | FRG-168S  |
| 1982-91                   | V8 6.2L 379 CI | w/139 Tooth Gear | 14077156 | FRG-139G  |
| 1992-04                   | V6 4.3L 262 CI | w/168 Tooth Gear | 3991408  | FRG-168S  |
| <b>K15</b>                |                |                  |          |           |
| 1975-76                   | L6 4.8L 292 CI | w/168 Tooth Gear | 3991408  | FRG-168S  |
| 1975-78                   | V8 6.6L 400 CI | w/168 Tooth Gear | 3991408  | FRG-168S  |
| 1975                      | L6 4.1L 250 CI | w/168 Tooth Gear | 3991408  | FRG-168S  |
| 1977-78                   | L6 4.1L 250 CI | w/168 Tooth Gear | 3991408  | FRG-168S  |
| 1977-78                   | V8 5.0L 305 CI | w/168 Tooth Gear | 3991408  | FRG-168S  |
| <b>K15 SUBURBAN</b>       |                |                  |          |           |
| 1975-78                   | L6 4.1L 250 CI | w/168 Tooth Gear | 3991408  | FRG-168S  |
| 1975-78                   | V8 6.6L 400 CI | w/168 Tooth Gear | 3991408  | FRG-168S  |
| 1977                      | V8 5.0L 305 CI | w/168 Tooth Gear | 3991408  | FRG-168S  |
| <b>K15/K1500 PICKUP</b>   |                |                  |          |           |
| 1967                      | L6 4.8L 293 CI | w/168 Tooth Gear | 3991408  | FRG-168S  |
| 1967                      | V8 4.6L 283 CI | w/153 Tooth Gear | 3789821  | FRG-153N  |
| 1967                      | V8 4.6L 283 CI | w/168 Tooth Gear | 3991408  | FRG-168S  |
| 1967-68                   | V8 5.3L 327 CI | w/153 Tooth Gear | 3789821  | FRG-153N  |
| 1967-68                   | V8 5.3L 327 CI | w/168 Tooth Gear | 3991408  | FRG-168S  |
| 1968                      | V8 5.4L 327 CI | w/168 Tooth Gear | 3991408  | FRG-168S  |
| 1968                      | V8 5.4L 327 CI | w/153 Tooth Gear | 3789821  | FRG-153N  |
| 1967-69                   | L6 3.8L 230 CI | w/168 Tooth Gear | 3991408  | FRG-168S  |
| 1967-69                   | L6 3.8L 230 CI | w/153 Tooth Gear | 3789821  | FRG-153N  |
| 1968-69                   | V8 5.0L 307 CI | w/168 Tooth Gear | 3991408  | FRG-168S  |
| 1968-69                   | V8 5.0L 307 CI | w/191 Tooth Gear | 2369440  | FRG-191T  |
| 1968-69                   | V8 5.0L 307 CI | w/153 Tooth Gear | 3789821  | FRG-153N  |
| 1969-72                   | V8 5.7L 350 CI | w/168 Tooth Gear | 3991408  | FRG-168S  |
| 1967                      | L6 4.1L 250 CI | w/153 Tooth Gear | 3789821  | FRG-153N  |
| 1970-71                   | L6 4.1L 250 CI | w/153 Tooth Gear | 3789821  | FRG-153N  |
| 1967                      | L6 4.1L 250 CI | w/168 Tooth Gear | 3991408  | FRG-168S  |
| 1970-74                   | L6 4.1L 250 CI | w/168 Tooth Gear | 3991408  | FRG-168S  |
| <b>K15/K1500 SUBURBAN</b> |                |                  |          |           |
| 1968                      | V8 5.3L 327 CI | w/168 Tooth Gear | 3991408  | FRG-168S  |
| 1968                      | V8 5.3L 327 CI | w/153 Tooth Gear | 3789821  | FRG-153N  |
| 1968                      | V8 5.4L 327 CI | w/168 Tooth Gear | 3991408  | FRG-168S  |
| 1968                      | V8 5.4L 327 CI | w/153 Tooth Gear | 3789821  | FRG-153N  |
| 1968-71                   | L6 4.1L 250 CI | w/153 Tooth Gear | 3789821  | FRG-153N  |

# RING GEAR APPLICATIONS

| Years                     | Engine         | Remarks          | OE       | Pioneer # |
|---------------------------|----------------|------------------|----------|-----------|
| <b>GMC TRUCK</b>          |                |                  |          |           |
| <b>K15/K1500 SUBURBAN</b> |                |                  |          |           |
| 1970-71                   | V8 6.6L 402 CI | w/191 Tooth Gear | 2369440  | FRG-191T  |
| 1970-72                   | V8 5.7L 350 CI | w/168 Tooth Gear | 3991408  | FRG-168S  |
| 1970-72                   | V8 6.6L 402 CI | w/168 Tooth Gear | 3991408  | FRG-168S  |
| 1968                      | V8 5.0L 307 CI | w/168 Tooth Gear | 3991408  | FRG-168S  |
| 1970-73                   | V8 5.0L 307 CI | w/168 Tooth Gear | 3991408  | FRG-168S  |
| 1968                      | V8 5.0L 307 CI | w/191 Tooth Gear | 2369440  | FRG-191T  |
| 1970-73                   | V8 5.0L 307 CI | w/191 Tooth Gear | 2369440  | FRG-191T  |
| 1968                      | V8 5.0L 307 CI | w/153 Tooth Gear | 3789821  | FRG-153N  |
| 1970                      | V8 5.0L 307 CI | w/153 Tooth Gear | 3789821  | FRG-153N  |
| 1972                      | V8 5.0L 307 CI | w/153 Tooth Gear | 3789821  | FRG-153N  |
| 1968-74                   | L6 4.1L 250 CI | w/168 Tooth Gear | 3991408  | FRG-168S  |
| <b>K1500</b>              |                |                  |          |           |
| 1979-80                   | L6 4.8L 292 CI | w/168 Tooth Gear | 3991408  | FRG-168S  |
| 1979-80                   | V8 6.6L 400 CI | w/168 Tooth Gear | 3991408  | FRG-168S  |
| 1979-80                   | V8 7.4L 454 CI | w/168 Tooth Gear | 3991408  | FRG-168S  |
| 1979-84                   | L6 4.1L 250 CI | w/168 Tooth Gear | 3991408  | FRG-168S  |
| 1982-86                   | V8 6.2L 379 CI | w/139 Tooth Gear | 14077156 | FRG-139G  |
| 1989-93                   | V8 6.2L 379 CI | w/139 Tooth Gear | 14077156 | FRG-139G  |
| 1985-86                   | V6 4.3L 262 CI | w/168 Tooth Gear | 3991408  | FRG-168S  |
| 1988-98                   | V6 4.3L 262 CI | w/168 Tooth Gear | 3991408  | FRG-168S  |
| 1979                      | V8 5.0L 305 CI | w/168 Tooth Gear | 3991408  | FRG-168S  |
| 1981-86                   | V8 5.0L 305 CI | w/168 Tooth Gear | 3991408  | FRG-168S  |
| 1989-98                   | V8 5.0L 305 CI | w/168 Tooth Gear | 3991408  | FRG-168S  |
| 1979-86                   | V8 5.7L 350 CI | w/168 Tooth Gear | 3991408  | FRG-168S  |
| 1989-98                   | V8 5.7L 350 CI | w/168 Tooth Gear | 3991408  | FRG-168S  |
| 1994-98                   | V8 6.5L 395 CI | w/139 Tooth Gear | 14077156 | FRG-139G  |
| <b>K1500 SUBURBAN</b>     |                |                  |          |           |
| 1979                      | V8 6.6L 400 CI | w/168 Tooth Gear | 3991408  | FRG-168S  |
| 1979-80                   | L6 4.1L 250 CI | w/168 Tooth Gear | 3991408  | FRG-168S  |
| 1979                      | V8 5.0L 305 CI | w/168 Tooth Gear | 3991408  | FRG-168S  |
| 1982                      | V8 5.0L 305 CI | w/168 Tooth Gear | 3991408  | FRG-168S  |
| 1982-86                   | V8 6.2L 379 CI | w/139 Tooth Gear | 14077156 | FRG-139G  |
| 1979-86                   | V8 5.7L 350 CI | w/168 Tooth Gear | 3991408  | FRG-168S  |
| 1992-99                   | V8 5.7L 350 CI | w/168 Tooth Gear | 3991408  | FRG-168S  |
| 1995-99                   | V8 6.5L 395 CI | w/139 Tooth Gear | 14077156 | FRG-139G  |
| <b>K25</b>                |                |                  |          |           |
| 1975-78                   | L6 4.8L 292 CI | w/168 Tooth Gear | 3991408  | FRG-168S  |
| 1975-78                   | V8 6.6L 400 CI | w/168 Tooth Gear | 3991408  | FRG-168S  |
| 1977-78                   | V8 5.0L 305 CI | w/168 Tooth Gear | 3991408  | FRG-168S  |
| 1975-76                   | L6 4.1L 250 CI | w/168 Tooth Gear | 3991408  | FRG-168S  |

# RING GEAR APPLICATIONS

| Years                     | Engine         | Remarks          | OE       | Pioneer # |
|---------------------------|----------------|------------------|----------|-----------|
| <b>GMC TRUCK</b>          |                |                  |          |           |
| <b>K25</b>                |                |                  |          |           |
| 1978                      | L6 4.1L 250 CI | w/168 Tooth Gear | 3991408  | FRG-168S  |
| <b>K25 SUBURBAN</b>       |                |                  |          |           |
| 1975-78                   | L6 4.8L 292 CI | w/168 Tooth Gear | 3991408  | FRG-168S  |
| 1975-78                   | V8 6.6L 400 CI | w/168 Tooth Gear | 3991408  | FRG-168S  |
| 1977-78                   | V8 5.0L 305 CI | w/168 Tooth Gear | 3991408  | FRG-168S  |
| <b>K25/K2500 PICKUP</b>   |                |                  |          |           |
| 1967-71                   | L6 4.1L 250 CI | w/153 Tooth Gear | 3789821  | FRG-153N  |
| 1967                      | V8 4.6L 283 CI | w/168 Tooth Gear | 3991408  | FRG-168S  |
| 1967                      | V8 4.6L 283 CI | w/153 Tooth Gear | 3789821  | FRG-153N  |
| 1967-68                   | V8 5.3L 327 CI | w/153 Tooth Gear | 3789821  | FRG-153N  |
| 1967-68                   | V8 5.3L 327 CI | w/168 Tooth Gear | 3991408  | FRG-168S  |
| 1968                      | V8 5.4L 327 CI | w/153 Tooth Gear | 3789821  | FRG-153N  |
| 1968                      | V8 5.4L 327 CI | w/168 Tooth Gear | 3991408  | FRG-168S  |
| 1968-69                   | V8 5.0L 307 CI | w/191 Tooth Gear | 2369440  | FRG-191T  |
| 1968-69                   | V8 5.0L 307 CI | w/168 Tooth Gear | 3991408  | FRG-168S  |
| 1968-69                   | V8 5.0L 307 CI | w/153 Tooth Gear | 3789821  | FRG-153N  |
| 1969-72                   | V8 5.7L 350 CI | w/168 Tooth Gear | 3991408  | FRG-168S  |
| 1967                      | L6 4.8L 293 CI | w/168 Tooth Gear | 3991408  | FRG-168S  |
| 1970-74                   | L6 4.8L 293 CI | w/168 Tooth Gear | 3991408  | FRG-168S  |
| 1967-74                   | L6 4.1L 250 CI | w/168 Tooth Gear | 3991408  | FRG-168S  |
| 1970-74                   | L6 4.8L 292 CI | w/168 Tooth Gear | 3991408  | FRG-168S  |
| <b>K25/K2500 SUBURBAN</b> |                |                  |          |           |
| 1968                      | V8 5.3L 327 CI | w/168 Tooth Gear | 3991408  | FRG-168S  |
| 1968                      | V8 5.3L 327 CI | w/153 Tooth Gear | 3789821  | FRG-153N  |
| 1968                      | V8 5.4L 327 CI | w/153 Tooth Gear | 3789821  | FRG-153N  |
| 1968                      | V8 5.4L 327 CI | w/168 Tooth Gear | 3991408  | FRG-168S  |
| 1968-70                   | V8 5.0L 307 CI | w/153 Tooth Gear | 3789821  | FRG-153N  |
| 1968-71                   | L6 4.1L 250 CI | w/153 Tooth Gear | 3789821  | FRG-153N  |
| 1968-73                   | V8 5.0L 307 CI | w/168 Tooth Gear | 3991408  | FRG-168S  |
| 1968-73                   | V8 5.0L 307 CI | w/191 Tooth Gear | 2369440  | FRG-191T  |
| 1968-74                   | L6 4.1L 250 CI | w/168 Tooth Gear | 3991408  | FRG-168S  |
| 1968-74                   | L6 4.8L 292 CI | w/168 Tooth Gear | 3991408  | FRG-168S  |
| 1968-74                   | L6 4.8L 293 CI | w/168 Tooth Gear | 3991408  | FRG-168S  |
| 1969-72                   | V8 5.7L 350 CI | w/168 Tooth Gear | 3991408  | FRG-168S  |
| <b>K2500</b>              |                |                  |          |           |
| 1979-80                   | V8 6.6L 400 CI | w/168 Tooth Gear | 3991408  | FRG-168S  |
| 1979-86                   | L6 4.8L 292 CI | w/168 Tooth Gear | 3991408  | FRG-168S  |
| 1980                      | L6 4.1L 250 CI | w/168 Tooth Gear | 3991408  | FRG-168S  |
| 1982-86                   | V8 6.2L 379 CI | w/139 Tooth Gear | 14077156 | FRG-139G  |
| 1989-93                   | V8 6.2L 379 CI | w/139 Tooth Gear | 14077156 | FRG-139G  |

# RING GEAR APPLICATIONS

| Years                   | Engine         | Remarks          | OE       | Pioneer # |
|-------------------------|----------------|------------------|----------|-----------|
| <b>GMC TRUCK</b>        |                |                  |          |           |
| <b>K2500</b>            |                |                  |          |           |
| 1979-86                 | V8 5.7L 350 CI | w/168 Tooth Gear | 3991408  | FRG-168S  |
| 1988-00                 | V8 5.7L 350 CI | w/168 Tooth Gear | 3991408  | FRG-168S  |
| 1985                    | V6 4.3L 262 CI | w/168 Tooth Gear | 3991408  | FRG-168S  |
| 1988-95                 | V6 4.3L 262 CI | w/168 Tooth Gear | 3991408  | FRG-168S  |
| 1992-00                 | V8 6.5L 395 CI | w/139 Tooth Gear | 14077156 | FRG-139G  |
| 1989-95                 | V8 5.0L 305 CI | w/168 Tooth Gear | 3991408  | FRG-168S  |
| 1998                    | V8 5.0L 305 CI | w/168 Tooth Gear | 3991408  | FRG-168S  |
| <b>K2500 SUBURBAN</b>   |                |                  |          |           |
| 1979-80                 | V8 6.6L 400 CI | w/168 Tooth Gear | 3991408  | FRG-168S  |
| 1979-82                 | L6 4.8L 292 CI | w/168 Tooth Gear | 3991408  | FRG-168S  |
| 1984                    | L6 4.8L 292 CI | w/168 Tooth Gear | 3991408  | FRG-168S  |
| 1982-86                 | V8 6.2L 379 CI | w/139 Tooth Gear | 14077156 | FRG-139G  |
| 1979-86                 | V8 5.7L 350 CI | w/168 Tooth Gear | 3991408  | FRG-168S  |
| 1992-99                 | V8 5.7L 350 CI | w/168 Tooth Gear | 3991408  | FRG-168S  |
| 1994-99                 | V8 6.5L 395 CI | w/139 Tooth Gear | 14077156 | FRG-139G  |
| <b>K35</b>              |                |                  |          |           |
| 1977-78                 | L6 4.8L 292 CI | w/168 Tooth Gear | 3991408  | FRG-168S  |
| 1977-78                 | V8 6.6L 400 CI | w/168 Tooth Gear | 3991408  | FRG-168S  |
| <b>K35/K3500 PICKUP</b> |                |                  |          |           |
| 1968                    | V8 5.3L 327 CI | w/168 Tooth Gear | 3991408  | FRG-168S  |
| 1968                    | V8 5.3L 327 CI | w/153 Tooth Gear | 3789821  | FRG-153N  |
| 1968                    | V8 5.4L 327 CI | w/153 Tooth Gear | 3789821  | FRG-153N  |
| 1968                    | V8 5.4L 327 CI | w/168 Tooth Gear | 3991408  | FRG-168S  |
| 1968-70                 | V8 5.0L 307 CI | w/153 Tooth Gear | 3789821  | FRG-153N  |
| 1968-71                 | L6 4.1L 250 CI | w/153 Tooth Gear | 3789821  | FRG-153N  |
| 1968-73                 | V8 5.0L 307 CI | w/191 Tooth Gear | 2369440  | FRG-191T  |
| 1968-73                 | V8 5.0L 307 CI | w/168 Tooth Gear | 3991408  | FRG-168S  |
| 1968-74                 | L6 4.1L 250 CI | w/168 Tooth Gear | 3991408  | FRG-168S  |
| 1968-74                 | L6 4.8L 292 CI | w/168 Tooth Gear | 3991408  | FRG-168S  |
| 1968-74                 | L6 4.8L 293 CI | w/168 Tooth Gear | 3991408  | FRG-168S  |
| 1969-72                 | V8 5.7L 350 CI | w/168 Tooth Gear | 3991408  | FRG-168S  |
| 1970-71                 | V8 6.6L 402 CI | w/191 Tooth Gear | 2369440  | FRG-191T  |
| 1970-71                 | V8 6.6L 402 CI | w/168 Tooth Gear | 3991408  | FRG-168S  |
| <b>K3500</b>            |                |                  |          |           |
| 1979-80                 | V8 6.6L 400 CI | w/168 Tooth Gear | 3991408  | FRG-168S  |
| 1979-86                 | L6 4.8L 292 CI | w/168 Tooth Gear | 3991408  | FRG-168S  |
| 1979-86                 | V8 7.4L 454 CI | w/168 Tooth Gear | 3991408  | FRG-168S  |
| 1982-86                 | V8 6.2L 379 CI | w/139 Tooth Gear | 14077156 | FRG-139G  |
| 1988-93                 | V8 6.2L 379 CI | w/139 Tooth Gear | 14077156 | FRG-139G  |
| 1979-86                 | V8 5.7L 350 CI | w/168 Tooth Gear | 3991408  | FRG-168S  |



# RING GEAR APPLICATIONS

| Years                | Engine         | Remarks                                       | OE       | Pioneer # |
|----------------------|----------------|---|----------|-----------|
| <b>GMC TRUCK</b>     |                |   |          |           |
| <b>K3500</b>         |                |   |          |           |
| 1989-00              | V8 5.7L 350 CI | w/168 Tooth Gear                              | 3991408  | FRG-168S  |
| 1992-00              | V8 6.5L 395 CI | w/139 Tooth Gear                              | 14077156 | FRG-139G  |
| <b>P15</b>           |                |   |          |           |
| 1975-78              | L6 4.8L 292 CI | w/168 Tooth Gear                              | 3991408  | FRG-168S  |
| <b>P15/P1500 VAN</b> |                |   |          |           |
| 1967                 | L6 4.8L 292 CI | w/168 Tooth Gear                              | 3991408  | FRG-168S  |
| 1967                 | V8 4.6L 283 CI | w/168 Tooth Gear                              | 3991408  | FRG-168S  |
| 1967                 | V8 4.6L 283 CI | w/153 Tooth Gear                              | 3789821  | FRG-153N  |
| 1967-69              | L6 3.8L 230 CI | w/153 Tooth Gear                              | 3789821  | FRG-153N  |
| 1967-69              | L6 3.8L 230 CI | w/168 Tooth Gear                              | 3991408  | FRG-168S  |
| 1968-71              | L6 4.1L 250 CI | w/153 Tooth Gear                              | 3789821  | FRG-153N  |
| 1968-74              | L6 4.1L 250 CI | w/168 Tooth Gear                              | 3991408  | FRG-168S  |
| <b>P1500</b>         |                |   |          |           |
| 1979                 | V8 7.4L 454 CI | w/168 Tooth Gear                              | 3991408  | FRG-168S  |
| 1979-80              | L6 4.8L 292 CI | w/168 Tooth Gear                              | 3991408  | FRG-168S  |
| <b>P25</b>           |                |   |          |           |
| 1975-78              | L6 4.8L 292 CI | w/168 Tooth Gear                              | 3991408  | FRG-168S  |
| 1975-78              | V8 5.7L 350 CI | w/168 Tooth Gear                              | 3991408  | FRG-168S  |
| <b>P25/P2500 VAN</b> |                |   |          |           |
| 1967                 | L6 4.1L 250 CI | w/153 Tooth Gear                              | 3789821  | FRG-153N  |
| 1970                 | L6 4.1L 250 CI | w/153 Tooth Gear                              | 3789821  | FRG-153N  |
| 1967                 | V8 4.6L 283 CI | w/168 Tooth Gear                              | 3991408  | FRG-168S  |
| 1967                 | V8 4.6L 283 CI | w/153 Tooth Gear                              | 3789821  | FRG-153N  |
| 1968-69              | V8 5.0L 307 CI | w/191 Tooth Gear                              | 2369440  | FRG-191T  |
| 1968-69              | V8 5.0L 307 CI | w/168 Tooth Gear                              | 3991408  | FRG-168S  |
| 1968-69              | V8 5.0L 307 CI | w/153 Tooth Gear                              | 3789821  | FRG-153N  |
| 1970-74              | V8 5.7L 350 CI | w/168 Tooth Gear                              | 3991408  | FRG-168S  |
| 1967                 | L6 4.1L 250 CI | w/168 Tooth Gear                              | 3991408  | FRG-168S  |
| 1970                 | L6 4.1L 250 CI | w/168 Tooth Gear                              | 3991408  | FRG-168S  |
| 1972-74              | L6 4.1L 250 CI | w/168 Tooth Gear                              | 3991408  | FRG-168S  |
| 1967-74              | L6 4.8L 292 CI | w/168 Tooth Gear                              | 3991408  | FRG-168S  |
| <b>P2500</b>         |                |   |          |           |
| 1979-87              | V8 5.7L 350 CI | w/168 Tooth Gear                              | 3991408  | FRG-168S  |
| 1982-87              | V8 6.2L 379 CI | w/139 Tooth Gear                              | 14077156 | FRG-139G  |
| 1979-87              | L6 4.8L 292 CI | w/168 Tooth Gear                              | 3991408  | FRG-168S  |
| 1989                 | L6 4.8L 292 CI | w/168 Tooth Gear                              | 3991408  | FRG-168S  |
| <b>P35</b>           |                |   |          |           |
| 1975-78              | L6 4.8L 292 CI | w/168 Tooth Gear                              | 3991408  | FRG-168S  |
| 1975-78              | V8 7.4L 454 CI | Motor Home w/168 Tooth Gear                   | 3991408  | FRG-168S  |
| 1975-78              | V8 5.7L 350 CI | w/168 Tooth Gear, Motor Home w/168 Tooth Gear | 3991408  | FRG-168S  |

# RING GEAR APPLICATIONS

| Years                 | Engine         | Remarks                                       | OE       | Pioneer # |
|-----------------------|----------------|---|----------|-----------|
| <b>GMC TRUCK</b>      |                |   |          |           |
| <b>P35/P3500 VAN</b>  |                |   |          |           |
| 1967                  | V8 4.6L 283 CI | w/153 Tooth Gear                              | 3789821  | FRG-153N  |
| 1967                  | V8 4.6L 283 CI | w/168 Tooth Gear                              | 3991408  | FRG-168S  |
| 1967-74               | L6 4.8L 292 CI | w/168 Tooth Gear                              | 3991408  | FRG-168S  |
| 1968-69               | V8 5.0L 307 CI | w/153 Tooth Gear                              | 3789821  | FRG-153N  |
| 1968-69               | V8 5.0L 307 CI | w/191 Tooth Gear                              | 2369440  | FRG-191T  |
| 1968-69               | V8 5.0L 307 CI | w/168 Tooth Gear                              | 3991408  | FRG-168S  |
| 1967                  | L6 4.1L 250 CI | w/153 Tooth Gear                              | 3789821  | FRG-153N  |
| 1970-71               | L6 4.1L 250 CI | w/153 Tooth Gear                              | 3789821  | FRG-153N  |
| 1970-74               | V8 5.7L 350 CI | w/168 Tooth Gear, Motor Home w/168 Tooth Gear | 3991408  | FRG-168S  |
| 1967                  | L6 4.1L 250 CI | w/168 Tooth Gear                              | 3991408  | FRG-168S  |
| 1970-74               | L6 4.1L 250 CI | w/168 Tooth Gear                              | 3991408  | FRG-168S  |
| 1973-74               | V8 7.4L 454 CI | Motor Home w/168 Tooth Gear                   | 3991408  | FRG-168S  |
| <b>P3500</b>          |                |   |          |           |
| 1979-89               | L6 4.8L 292 CI | w/168 Tooth Gear                              | 3991408  | FRG-168S  |
| 1979-99               | V8 5.7L 350 CI | w/168 Tooth Gear                              | 3991408  | FRG-168S  |
| 1979                  | V8 7.4L 454 CI | w/168 Tooth Gear                              | 3991408  | FRG-168S  |
| 1981-87               | V8 7.4L 454 CI | w/168 Tooth Gear                              | 3991408  | FRG-168S  |
| 1982-93               | V8 6.2L 379 CI | w/139 Tooth Gear                              | 14077156 | FRG-139G  |
| 1990-99               | V6 4.3L 262 CI | w/168 Tooth Gear                              | 3991408  | FRG-168S  |
| 1994-99               | V8 6.5L 395 CI | w/139 Tooth Gear                              | 14077156 | FRG-139G  |
| <b>PB15 SERIES</b>    |                |   |          |           |
| 1966                  | L6 4.1L 250 CI | w/168 Tooth Gear                              | 3991408  | FRG-168S  |
| 1966                  | L6 4.1L 250 CI | w/153 Tooth Gear                              | 3789821  | FRG-153N  |
| 1966                  | L6 4.8L 293 CI | w/153 Tooth Gear                              | 3789821  | FRG-153N  |
| 1966                  | L6 4.8L 293 CI | w/168 Tooth Gear                              | 3991408  | FRG-168S  |
| <b>PB2500 SERIES</b>  |                |   |          |           |
| 1963                  | L6 3.8L 230 CI | w/168 Tooth Gear                              | 3991408  | FRG-168S  |
| 1963                  | L6 3.8L 230 CI | w/153 Tooth Gear                              | 3789821  | FRG-153N  |
| <b>R1500</b>          |                |   |          |           |
| 1987                  | V6 4.3L 262 CI | w/168 Tooth Gear                              | 3991408  | FRG-168S  |
| 1987                  | V8 5.0L 305 CI | w/168 Tooth Gear                              | 3991408  | FRG-168S  |
| 1987                  | V8 5.7L 350 CI | w/168 Tooth Gear                              | 3991408  | FRG-168S  |
| 1987                  | V8 6.2L 379 CI | w/139 Tooth Gear                              | 14077156 | FRG-139G  |
| <b>R1500 SUBURBAN</b> |                |   |          |           |
| 1987                  | V8 5.0L 305 CI | w/168 Tooth Gear                              | 3991408  | FRG-168S  |
| 1987                  | V8 5.7L 350 CI | w/168 Tooth Gear                              | 3991408  | FRG-168S  |
| 1987                  | V8 6.2L 379 CI | w/139 Tooth Gear                              | 14077156 | FRG-139G  |
| <b>R2500</b>          |                |   |          |           |
| 1987                  | V6 4.3L 262 CI | w/168 Tooth Gear                              | 3991408  | FRG-168S  |

# RING GEAR APPLICATIONS

| Years                 | Engine         | Remarks          | OE       | Pioneer # |
|-----------------------|----------------|------------------|----------|-----------|
| <b>GMC TRUCK</b>      |                |                  |          |           |
| <b>R2500</b>          |                |                  |          |           |
| 1987                  | V8 5.0L 305 CI | w/168 Tooth Gear | 3991408  | FRG-168S  |
| 1987                  | V8 5.7L 350 CI | w/168 Tooth Gear | 3991408  | FRG-168S  |
| 1987                  | V8 6.2L 379 CI | w/139 Tooth Gear | 14077156 | FRG-139G  |
| 1987                  | V8 7.4L 454 CI | w/168 Tooth Gear | 3991408  | FRG-168S  |
| 1987-88               | L6 4.8L 292 CI | w/168 Tooth Gear | 3991408  | FRG-168S  |
| <b>R2500 SUBURBAN</b> |                |                  |          |           |
| 1987                  | V8 5.7L 350 CI | w/168 Tooth Gear | 3991408  | FRG-168S  |
| 1987                  | V8 6.2L 379 CI | w/139 Tooth Gear | 14077156 | FRG-139G  |
| 1987                  | V8 7.4L 454 CI | w/168 Tooth Gear | 3991408  | FRG-168S  |
| <b>R3500</b>          |                |                  |          |           |
| 1987                  | V8 7.4L 454 CI | w/168 Tooth Gear | 3991408  | FRG-168S  |
| 1987-88               | L6 4.8L 292 CI | w/168 Tooth Gear | 3991408  | FRG-168S  |
| 1987-91               | V8 5.7L 350 CI | w/168 Tooth Gear | 3991408  | FRG-168S  |
| 1987                  | V8 6.2L 379 CI | w/139 Tooth Gear | 14077156 | FRG-139G  |
| 1990-91               | V8 6.2L 379 CI | w/139 Tooth Gear | 14077156 | FRG-139G  |
| <b>S15</b>            |                |                  |          |           |
| 1982-87               | V6 2.8L 173 CI | w/148 Tooth Gear | 14033090 | FRG-148B  |
| 1983-84               | L4 2.0L 122 CI | w/148 Tooth Gear | 14033090 | FRG-148B  |
| 1988-89               | V6 4.3L 262 CI | w/168 Tooth Gear | 3991408  | FRG-168S  |
| <b>S15 JIMMY</b>      |                |                  |          |           |
| 1983-84               | L4 2.0L 122 CI | w/148 Tooth Gear | 14033090 | FRG-148B  |
| 1983-87               | V6 2.8L 173 CI | w/148 Tooth Gear | 14033090 | FRG-148B  |
| 1988-91               | V6 4.3L 262 CI | w/168 Tooth Gear | 3991408  | FRG-168S  |
| <b>SAFARI</b>         |                |                  |          |           |
| 1985-05               | V6 4.3L 262 CI | w/168 Tooth Gear | 3991408  | FRG-168S  |
| <b>SAVANA 1500</b>    |                |                  |          |           |
| 1996-02               | V8 5.0L 305 CI | w/168 Tooth Gear | 3991408  | FRG-168S  |
| 1996-02               | V8 5.7L 350 CI | w/168 Tooth Gear | 3991408  | FRG-168S  |
| 1996-06               | V6 4.3L 262 CI | w/168 Tooth Gear | 3991408  | FRG-168S  |
| 2003-07               | V8 5.3L 325 CI | w/168 Tooth Gear | 3991408  | FRG-168S  |
| <b>SAVANA 2500</b>    |                |                  |          |           |
| 1996-02               | V8 5.0L 305 CI | w/168 Tooth Gear | 3991408  | FRG-168S  |
| 1996-02               | V8 5.7L 350 CI | w/168 Tooth Gear | 3991408  | FRG-168S  |
| 1996-02               | V8 6.5L 395 CI | w/139 Tooth Gear | 14077156 | FRG-139G  |
| 1996-03               | V6 4.3L 262 CI | w/168 Tooth Gear | 3991408  | FRG-168S  |
| 2003-04               | V8 4.8L 294 CI | w/168 Tooth Gear | 3991408  | FRG-168S  |
| 2003-05               | V8 5.3L 325 CI | w/168 Tooth Gear | 3991408  | FRG-168S  |
| 2003-09               | V8 6.0L 364 CI | w/168 Tooth Gear | 3991408  | FRG-168S  |
| <b>SAVANA 3500</b>    |                |                  |          |           |
| 1996-02               | V8 5.7L 350 CI | w/168 Tooth Gear | 3991408  | FRG-168S  |

# RING GEAR APPLICATIONS

| Years                 | Engine         | Remarks          | OE       | Pioneer # |
|-----------------------|----------------|------------------|----------|-----------|
| <b>GMC TRUCK</b>      |                |                  |          |           |
| <b>SAVANA 3500</b>    |                |                  |          |           |
| 1996-02               | V8 6.5L 395 CI | w/139 Tooth Gear | 14077156 | FRG-139G  |
| 2003-05               | V8 6.0L 364 CI | w/168 Tooth Gear | 3991408  | FRG-168S  |
| 2008-09               | V8 6.0L 364 CI | w/168 Tooth Gear | 3991408  | FRG-168S  |
| <b>SIERRA 1500</b>    |                |                  |          |           |
| 1999-05               | V6 4.3L 262 CI | w/168 Tooth Gear | 3991408  | FRG-168S  |
| 1999-05               | V8 4.8L 294 CI | w/168 Tooth Gear | 3991408  | FRG-168S  |
| <b>SIERRA 1500 HD</b> |                |                  |          |           |
| 2001-03               | V8 6.0L 364 CI | w/168 Tooth Gear | 3991408  | FRG-168S  |
| 2005-06               | V8 6.0L 364 CI | w/168 Tooth Gear | 3991408  | FRG-168S  |
| <b>SIERRA 2500</b>    |                |                  |          |           |
| 1999-04               | V8 6.0L 364 CI | w/168 Tooth Gear | 3991408  | FRG-168S  |
| <b>SIERRA 2500 HD</b> |                |                  |          |           |
| 2001-06               | V8 6.0L 364 CI | w/168 Tooth Gear | 3991408  | FRG-168S  |
| 2006                  | V8 6.6L 403 CI | w/168 Tooth Gear | 3991408  | FRG-168S  |
| <b>SIERRA 3500</b>    |                |                  |          |           |
| 2001-06               | V8 6.0L 364 CI | w/168 Tooth Gear | 3991408  | FRG-168S  |
| <b>SIERRA 3500 HD</b> |                |                  |          |           |
| 2007                  | V8 6.0L 364 CI | w/168 Tooth Gear | 3991408  | FRG-168S  |
| <b>SONOMA</b>         |                |                  |          |           |
| 1991-04               | V6 4.3L 262 CI | w/168 Tooth Gear | 3991408  | FRG-168S  |
| 1991-93               | V6 2.8L 173 CI | w/148 Tooth Gear | 14033090 | FRG-148B  |
| <b>V1500</b>          |                |                  |          |           |
| 1987                  | V6 4.3L 262 CI | w/168 Tooth Gear | 3991408  | FRG-168S  |
| 1987                  | V8 5.0L 305 CI | w/168 Tooth Gear | 3991408  | FRG-168S  |
| 1987                  | V8 5.7L 350 CI | w/168 Tooth Gear | 3991408  | FRG-168S  |
| 1987                  | V8 6.2L 379 CI | w/139 Tooth Gear | 14077156 | FRG-139G  |
| <b>V1500 SUBURBAN</b> |                |                  |          |           |
| 1987                  | V8 6.2L 379 CI | w/139 Tooth Gear | 14077156 | FRG-139G  |
| 1987                  | V8 5.7L 350 CI | w/168 Tooth Gear | 3991408  | FRG-168S  |
| 1990-91               | V8 5.7L 350 CI | w/168 Tooth Gear | 3991408  | FRG-168S  |
| <b>V2500</b>          |                |                  |          |           |
| 1987                  | L6 4.8L 292 CI | w/168 Tooth Gear | 3991408  | FRG-168S  |
| 1987                  | V8 5.7L 350 CI | w/168 Tooth Gear | 3991408  | FRG-168S  |
| 1987                  | V8 6.2L 379 CI | w/139 Tooth Gear | 14077156 | FRG-139G  |
| <b>V2500 SUBURBAN</b> |                |                  |          |           |
| 1987                  | V8 6.2L 379 CI | w/139 Tooth Gear | 14077156 | FRG-139G  |
| 1987-91               | V8 5.7L 350 CI | w/168 Tooth Gear | 3991408  | FRG-168S  |
| <b>V3500</b>          |                |                  |          |           |
| 1987                  | V8 7.4L 454 CI | w/168 Tooth Gear | 3991408  | FRG-168S  |
| 1987-88               | L6 4.8L 292 CI | w/168 Tooth Gear | 3991408  | FRG-168S  |

# RING GEAR APPLICATIONS

| Years                  | Engine         | Remarks                        | OE        | Pioneer # |
|------------------------|----------------|--------------------------------|-----------|-----------|
| <b>GMC TRUCK</b>       |                |                                |           |           |
| <b>V3500</b>           |                |                                |           |           |
| 1987-91                | V8 5.7L 350 CI | w/168 Tooth Gear               | 3991408   | FRG-168S  |
| 1987-91                | V8 6.2L 379 CI | w/139 Tooth Gear               | 14077156  | FRG-139G  |
| <b>YUKON</b>           |                |                                |           |           |
| 1992-00                | V8 5.7L 350 CI | w/168 Tooth Gear               | 3991408   | FRG-168S  |
| 1994-97                | V8 6.5L 395 CI | w/139 Tooth Gear               | 14077156  | FRG-139G  |
| 2000-06                | V8 4.8L 294 CI | w/168 Tooth Gear               | 3991408   | FRG-168S  |
| 2001-06                | V8 6.0L 364 CI | w/168 Tooth Gear               | 3991408   | FRG-168S  |
| <b>YUKON XL 1500</b>   |                |                                |           |           |
| 2007                   | V8 6.0L 364 CI | w/168 Tooth Gear               | 3991408   | FRG-168S  |
| <b>YUKON XL 2500</b>   |                |                                |           |           |
| 2000-07                | V8 6.0L 364 CI | w/168 Tooth Gear               | 3991408   | FRG-168S  |
| <b>JEEP TRUCK</b>      |                |                                |           |           |
| <b>CJ6</b>             |                |                                |           |           |
| 1959-60                | L4 2.2L 134 CI | w/129 Teeth Gear               | 8328046   | FRG-129F  |
| 1968-70                | L4 2.2L 134 CI | w/129 Teeth Gear               | 8328046   | FRG-129F  |
| <b>COMMANDO</b>        |                |                                |           |           |
| 1967                   | L4 2.2L 134 CI | w/129 Teeth Gear               | 8328046   | FRG-129F  |
| <b>DISPATCHER</b>      |                |                                |           |           |
| 1961-67                | L4 2.2L 134 CI | w/129 Teeth Gear               | 8328046   | FRG-129F  |
| <b>JEEPSTER</b>        |                |                                |           |           |
| 1967-70                | L4 2.2L 134 CI | w/129 Teeth Gear               | 8328046   | FRG-129F  |
| <b>UNIVERSAL TRUCK</b> |                |                                |           |           |
| 1961-67                | L4 2.2L 134 CI | w/129 Teeth Gear               | 8328046   | FRG-129F  |
| <b>UTILITY</b>         |                |                                |           |           |
| 1961-62                | L4 2.2L 134 CI | w/129 Teeth Gear               | 8328046   | FRG-129F  |
| <b>WILLYS</b>          |                |                                |           |           |
| 1950-58                | L4 2.2L 134 CI | w/129 Teeth Gear               | 8328046   | FRG-129F  |
| <b>MERCURY</b>         |                |                                |           |           |
| <b>BOBCAT</b>          |                |                                |           |           |
| 1975-79                | V6 2.8L 171 CI | w/138 Tooth Gear (.373" Width) | D2RY6375A | FRG-138RY |
| 1980                   | L4 2.3L 140 CI | w/132 Tooth Gear               | D4FZ6384A | FRG-132E  |
| <b>BROUGHAM</b>        |                |                                |           |           |
| 1967                   | V8 6.7L 410 CI | w/184 Tooth Gear               | C5AZ6384A | FRG-184T  |
| 1967                   | V8 7.0L 427 CI | w/184 Tooth Gear               | C5AZ6384A | FRG-184T  |
| 1967                   | V8 7.0L 428 CI | w/184 Tooth Gear               | C5AZ6384A | FRG-184T  |
| <b>CALIENTE</b>        |                |                                |           |           |
| 1964                   | V8 4.3L 260 CI | w/157 Tooth Gear               | C2OZ6384B | FRG-157N  |
| 1964-67                | L6 3.3L 200 CI | w/132 Tooth Gear               | C0DP6384A | FRG-132F  |
| 1965                   | V8 7.0L 427 CI | w/184 Tooth Gear               | C5AZ6384A | FRG-184T  |

# RING GEAR APPLICATIONS

| Years              | Engine         | Remarks                                       | OE         | Pioneer # |
|--------------------|----------------|---|------------|-----------|
| <b>MERCURY</b>     |                |   |            |           |
| <b>CALIENTE</b>    |                |   |            |           |
| 1965-67            | V8 4.7L 288 CI | w/157 Tooth Gear                              | C2OZ6384B  | FRG-157N  |
| 1965-67            | V8 4.7L 288 CI | w/164 Tooth Gear (.365" Width)                | C5AZ6384D  | FRG-164N  |
| 1966-67            | L6 3.3L 200 CI | w/10-1/2" Heavy Duty Clutch; w/157 Tooth Gear | C2OZ6384B  | FRG-157N  |
| 1966-67            | V8 6.4L 390 CI | w/184 Tooth Gear                              | C5AZ6384A  | FRG-184T  |
| <b>CAPRI</b>       |                |   |            |           |
| 1966-67            | L6 3.3L 200 CI | w/10-1/2" Heavy Duty Clutch; w/157 Tooth Gear | C2OZ6384B  | FRG-157N  |
| 1966-67            | L6 3.3L 200 CI | w/132 Tooth Gear                              | C0DP6384A  | FRG-132F  |
| 1971-72            | L4 1.6L 98 CI  | w/135 Tooth Gear                              | D1FZ6384A  | FRG-135A  |
| 1971-74            | L4 2.0L 121 CI | w/135 Tooth Gear                              | D1FZ6384A  | FRG-135A  |
| 1974               | V6 2.8L 170 CI | w/138 Tooth Gear (.373" Width)                | D2RY6375A  | FRG-138RY |
| 1974-77            | V6 2.8L 171 CI | w/138 Tooth Gear (.373" Width)                | D2RY6375A  | FRG-138RY |
| 1979               | V6 2.8L 171 CI | w/138 Tooth Gear (.373" Width)                | D2RY6375A  | FRG-138RY |
| 1979-82            | L6 3.3L 200 CI | w/136 Tooth Gear                              | C6DZ6384A  | FRG-136T  |
| 1980-86            | L4 2.3L 140 CI | w/132 Tooth Gear                              | D4FZ6384A  | FRG-132E  |
| 1979               | V8 5.0L 302 CI | w/157 Tooth Gear                              | C2OZ6384B  | FRG-157N  |
| 1982-86            | V8 5.0L 302 CI | w/157 Tooth Gear                              | C2OZ6384B  | FRG-157N  |
| <b>COLONY PARK</b> |                |   |            |           |
| 1959-60            | V8 5.1L 312 CI | w/Overdrive; w/146 Tooth Gear                 | EAA6384A   | FRG-146NC |
| 1959-60            | V8 5.1L 312 CI | w/148 Teeth Gear                              | PMB-6384-A | FRG-148S  |
| 1961-62            | L6 3.6L 223 CI | w/132 Tooth Gear                              | C0DP6384A  | FRG-132F  |
| 1961-62            | L6 3.6L 223 CI | w/146 Tooth Gear                              | EAA6384A   | FRG-146NC |
| 1961-62            | V8 4.8L 292 CI | w/146 Tooth Gear                              | EAA6384A   | FRG-146NC |
| 1965-67            | V8 7.0L 427 CI | w/184 Tooth Gear                              | C5AZ6384A  | FRG-184T  |
| 1965-70            | V8 6.4L 390 CI | w/184 Tooth Gear                              | C5AZ6384A  | FRG-184T  |
| 1966-67            | V8 6.7L 410 CI | w/184 Tooth Gear                              | C5AZ6384A  | FRG-184T  |
| 1966-68            | V8 7.0L 428 CI | w/184 Tooth Gear                              | C5AZ6384A  | FRG-184T  |
| 1969-70            | V8 7.0L 429 CI | w/184 Tooth Gear                              | C5AZ6384A  | FRG-184T  |
| 1971-73            | V8 5.8L 351 CI | w/164 Tooth Gear                              | C5AZ6384D  | FRG-164N  |
| 1987-91            | V8 5.0L 302 CI | w/157 Tooth Gear                              | C2OZ6384B  | FRG-157N  |
| <b>COMET</b>       |                |   |            |           |
| 1960-63            | L6 2.4L 144 CI | w/132 Tooth Gear                              | C0DP6384A  | FRG-132F  |
| 1961-64            | L6 2.8L 170 CI | w/132 Tooth Gear                              | C0DP6384A  | FRG-132F  |
| 1963-64            | V8 4.3L 260 CI | w/157 Tooth Gear                              | C2OZ6384B  | FRG-157N  |
| 1965-67            | V8 4.7L 288 CI | w/164 Tooth Gear (.365" Width)                | C5AZ6384D  | FRG-164N  |
| 1965-67            | V8 4.7L 288 CI | w/157 Tooth Gear                              | C2OZ6384B  | FRG-157N  |
| 1965-67            | V8 7.0L 427 CI | w/184 Tooth Gear                              | C5AZ6384A  | FRG-184T  |
| 1966-67            | L6 3.3L 200 CI | w/10-1/2" Heavy Duty Clutch; w/157 Tooth Gear | C2OZ6384B  | FRG-157N  |

# RING GEAR APPLICATIONS

| Years           | Engine         | Remarks   | OE         | Pioneer # |
|-----------------|----------------|---|------------|-----------|
| <b>MERCURY</b>  |                |   |            |           |
| <b>COMET</b>    |                |   |            |           |
| 1964-68         | L6 3.3L 200 CI | w/132 Tooth Gear                                | C0DP6384A  | FRG-132F  |
| 1966-68         | L6 3.3L 200 CI | w/9" Clutch; w/136 Tooth Gear, w/136 Tooth Gear | C6DZ6384A  | FRG-136T  |
| 1971-77         | L6 3.3L 200 CI | w/9" Clutch; w/136 Tooth Gear, w/136 Tooth Gear | C6DZ6384A  | FRG-136T  |
| 1966-69         | V8 6.4L 390 CI | w/184 Tooth Gear                                | C5AZ6384A  | FRG-184T  |
| 1969            | L6 4.1L 250 CI | w/164 Tooth Gear                                | C5AZ6384D  | FRG-164N  |
| 1969            | V8 5.8L 351 CI | w/184 Tooth Gear                                | C5AZ6384A  | FRG-184T  |
| 1969            | V8 5.8L 351 CI | w/164 Tooth Gear                                | C5AZ6384D  | FRG-164N  |
| 1971-72         | L6 2.8L 170 CI | w/136 Tooth Gear                                | C6DZ6384A  | FRG-136T  |
| 1968-69         | V8 5.0L 302 CI | w/164 Tooth Gear                                | C5AZ6384D  | FRG-164N  |
| 1971-74         | V8 5.0L 302 CI | w/164 Tooth Gear                                | C5AZ6384D  | FRG-164N  |
| 1968-69         | V8 5.0L 302 CI | w/157 Tooth Gear                                | C2OZ6384B  | FRG-157N  |
| 1971-77         | V8 5.0L 302 CI | w/157 Tooth Gear                                | C2OZ6384B  | FRG-157N  |
| 1969            | L6 4.1L 250 CI | w/157 Tooth Gear                                | C2OZ6384B  | FRG-157N  |
| 1971-77         | L6 4.1L 250 CI | w/157 Tooth Gear                                | C2OZ6384B  | FRG-157N  |
| <b>COMMUTER</b> |                |   |            |           |
| 1957-60         | V8 5.1L 312 CI | w/Overdrive; w/146 Tooth Gear                   | EAA6384A   | FRG-146NC |
| 1958-60         | V8 5.1L 312 CI | w/148 Teeth Gear                                | PMB-6384-A | FRG-148S  |
| 1961            | L6 3.6L 223 CI | w/132 Tooth Gear                                | C0DP6384A  | FRG-132F  |
| 1961            | L6 3.6L 223 CI | w/146 Tooth Gear                                | EAA6384A   | FRG-146NC |
| 1961            | V8 4.8L 292 CI | w/146 Tooth Gear                                | EAA6384A   | FRG-146NC |
| 1965-67         | V8 7.0L 427 CI | w/184 Tooth Gear                                | C5AZ6384A  | FRG-184T  |
| 1965-68         | V8 6.4L 390 CI | w/184 Tooth Gear                                | C5AZ6384A  | FRG-184T  |
| 1966-67         | V8 6.7L 410 CI | w/184 Tooth Gear                                | C5AZ6384A  | FRG-184T  |
| 1966-68         | V8 7.0L 428 CI | w/184 Tooth Gear                                | C5AZ6384A  | FRG-184T  |
| 1967            | V8 4.7L 288 CI | w/164 Tooth Gear (.365" Width)                  | C5AZ6384D  | FRG-164N  |
| 1967            | V8 4.7L 288 CI | w/157 Tooth Gear                                | C2OZ6384B  | FRG-157N  |
| <b>COUGAR</b>   |                |   |            |           |
| 1967-68         | V8 4.7L 288 CI | w/157 Tooth Gear                                | C2OZ6384B  | FRG-157N  |
| 1967-68         | V8 4.7L 288 CI | w/164 Tooth Gear (.365" Width)                  | C5AZ6384D  | FRG-164N  |
| 1967-69         | V8 6.4L 390 CI | w/184 Tooth Gear                                | C5AZ6384A  | FRG-184T  |
| 1968            | V8 4.7L 289 CI | w/164 Tooth Gear (.365" Width)                  | C5AZ6384D  | FRG-164N  |
| 1968            | V8 4.7L 289 CI | w/157 Tooth Gear                                | C2OZ6384B  | FRG-157N  |
| 1968            | V8 7.0L 427 CI | w/184 Tooth Gear                                | C5AZ6384A  | FRG-184T  |
| 1968-70         | V8 7.0L 428 CI | w/184 Tooth Gear                                | C5AZ6384A  | FRG-184T  |
| 1969-70         | V8 5.8L 351 CI | w/184 Tooth Gear                                | C5AZ6384A  | FRG-184T  |
| 1969-74         | V8 5.8L 351 CI | w/164 Tooth Gear                                | C5AZ6384D  | FRG-164N  |
| 1968            | V8 5.0L 302 CI | w/164 Tooth Gear                                | C5AZ6384D  | FRG-164N  |
| 1970            | V8 5.0L 302 CI | w/164 Tooth Gear                                | C5AZ6384D  | FRG-164N  |

# RING GEAR APPLICATIONS

| Years                  | Engine         | Remarks                                | OE         | Pioneer # |
|------------------------|----------------|--|------------|-----------|
| <b>MERCURY</b>         |                |  |            |           |
| <b>COUGAR</b>          |                |  |            |           |
| 1980-82                | L6 3.3L 200 CI | w/136 Tooth Gear                       | C6DZ6384A  | FRG-136T  |
| 1981                   | L4 2.3L 140 CI | w/132 Tooth Gear                       | D4FZ6384A  | FRG-132E  |
| 1984-86                | L4 2.3L 140 CI | w/132 Tooth Gear                       | D4FZ6384A  | FRG-132E  |
| 1968                   | V8 5.0L 302 CI | w/157 Tooth Gear                       | C2OZ6384B  | FRG-157N  |
| 1970                   | V8 5.0L 302 CI | w/157 Tooth Gear                       | C2OZ6384B  | FRG-157N  |
| 1977-81                | V8 5.0L 302 CI | w/157 Tooth Gear                       | C2OZ6384B  | FRG-157N  |
| 1983-88                | V8 5.0L 302 CI | w/157 Tooth Gear                       | C2OZ6384B  | FRG-157N  |
| 1991-92                | V8 5.0L 302 CI | w/157 Tooth Gear                       | C2OZ6384B  | FRG-157N  |
| <b>COUNTRY CRUISER</b> |                |  |            |           |
| 1959-60                | V8 5.1L 312 CI | w/148 Teeth Gear                       | PMB-6384-A | FRG-148S  |
| 1959-60                | V8 5.1L 312 CI | w/Overdrive; w/146 Tooth Gear          | EAA6384A   | FRG-146NC |
| 1963                   | L6 3.3L 200 CI | w/132 Tooth Gear                       | C0DP6384A  | FRG-132F  |
| 1963                   | V8 3.6L 221 CI | w/157 Tooth Gear                       | C2OZ6384B  | FRG-157N  |
| <b>CUSTOM</b>          |                |  |            |           |
| 1956                   | V8 5.1L 312 CI | w/Overdrive; w/146 Tooth Gear          | EAA6384A   | FRG-146NC |
| <b>CYCLONE</b>         |                |  |            |           |
| 1964                   | L6 3.3L 200 CI | w/132 Tooth Gear                       | C0DP6384A  | FRG-132F  |
| 1964                   | V8 4.3L 260 CI | w/157 Tooth Gear                       | C2OZ6384B  | FRG-157N  |
| 1965                   | V8 7.0L 427 CI | w/184 Tooth Gear                       | C5AZ6384A  | FRG-184T  |
| 1965-67                | V8 4.7L 288 CI | w/164 Tooth Gear (.365" Width)         | C5AZ6384D  | FRG-164N  |
| 1965-67                | V8 4.7L 288 CI | w/157 Tooth Gear                       | C2OZ6384B  | FRG-157N  |
| 1966-69                | V8 6.4L 390 CI | w/184 Tooth Gear                       | C5AZ6384A  | FRG-184T  |
| 1968-69                | V8 7.0L 428 CI | w/184 Tooth Gear                       | C5AZ6384A  | FRG-184T  |
| 1968-70                | V8 5.0L 302 CI | w/High Output Engine; w/157 Tooth Gear | C2OZ6384B  | FRG-157N  |
| 1969-70                | V8 5.8L 351 CI | w/184 Tooth Gear                       | C5AZ6384A  | FRG-184T  |
| 1969-71                | V8 5.8L 351 CI | w/164 Tooth Gear                       | C5AZ6384D  | FRG-164N  |
| 1970                   | V8 7.0L 429 CI | w/184 Tooth Gear                       | C5AZ6384A  | FRG-184T  |
| <b>GRAND MARQUIS</b>   |                |  |            |           |
| 1979-91                | V8 5.0L 302 CI | w/157 Tooth Gear                       | C2OZ6384B  | FRG-157N  |
| <b>LN7</b>             |                |  |            |           |
| 1982-83                | L4 1.6L 98 CI  | w/132 Tooth Gear                       | D4FZ6384A  | FRG-132E  |
| <b>LYNX</b>            |                |  |            |           |
| 1981-85                | L4 1.6L 98 CI  | w/132 Tooth Gear                       | D4FZ6384A  | FRG-132E  |
| 1985-87                | L4 1.9L 116 CI | w/132 Tooth Gear                       | D4FZ6384A  | FRG-132E  |
| <b>MARAUDER</b>        |                |  |            |           |
| 1965                   | V8 7.0L 427 CI | w/184 Tooth Gear                       | C5AZ6384A  | FRG-184T  |
| 1965-67                | V8 6.4L 390 CI | w/184 Tooth Gear                       | C5AZ6384A  | FRG-184T  |
| 1969-70                | V8 6.4L 390 CI | w/184 Tooth Gear                       | C5AZ6384A  | FRG-184T  |
| 1969-70                | V8 7.0L 429 CI | w/184 Tooth Gear                       | C5AZ6384A  | FRG-184T  |
| <b>MARQUIS</b>         |                |  |            |           |
| 1967                   | V8 6.7L 410 CI | w/184 Tooth Gear                       | C5AZ6384A  | FRG-184T  |



# RING GEAR APPLICATIONS

| Years            | Engine         | Remarks                                | OE         | Pioneer # |
|------------------|----------------|--|------------|-----------|
| <b>MERCURY</b>   |                |  |            |           |
| <b>MARQUIS</b>   |                |  |            |           |
| 1967             | V8 7.0L 427 CI | w/184 Tooth Gear                       | C5AZ6384A  | FRG-184T  |
| 1967-69          | V8 7.0L 428 CI | w/184 Tooth Gear                       | C5AZ6384A  | FRG-184T  |
| 1968-70          | V8 6.4L 390 CI | w/184 Tooth Gear                       | C5AZ6384A  | FRG-184T  |
| 1969-70          | V8 7.0L 429 CI | w/184 Tooth Gear                       | C5AZ6384A  | FRG-184T  |
| 1971-73          | V8 5.8L 351 CI | w/164 Tooth Gear                       | C5AZ6384D  | FRG-164N  |
| 1979-82          | V8 5.0L 302 CI | w/157 Tooth Gear                       | C2OZ6384B  | FRG-157N  |
| 1983             | L6 3.3L 200 CI | w/136 Tooth Gear                       | C6DZ6384A  | FRG-136T  |
| 1983-86          | L4 2.3L 140 CI | w/132 Tooth Gear                       | D4FZ6384A  | FRG-132E  |
| <b>MEDALIST</b>  |                |  |            |           |
| 1956             | V8 5.1L 312 CI | w/Overdrive; w/146 Tooth Gear          | EAA6384A   | FRG-146NC |
| 1958             | V8 5.1L 312 CI | w/Overdrive; w/146 Tooth Gear          | EAA6384A   | FRG-146NC |
| 1958             | V8 5.1L 312 CI | w/148 Teeth Gear                       | PMB-6384-A | FRG-148S  |
| <b>METEOR</b>    |                |  |            |           |
| 1961             | L6 3.6L 223 CI | w/132 Tooth Gear                       | C0DP6384A  | FRG-132F  |
| 1961             | L6 3.6L 223 CI | w/146 Tooth Gear                       | EAA6384A   | FRG-146NC |
| 1961             | L6 3.7L 223 CI | w/146 Tooth Gear                       | EAA6384A   | FRG-146NC |
| 1961             | L6 3.7L 223 CI | w/132 Tooth Gear                       | C0DP6384A  | FRG-132F  |
| 1961             | V8 4.8L 292 CI | w/146 Tooth Gear                       | EAA6384A   | FRG-146NC |
| 1961-63          | L6 2.8L 170 CI | w/132 Tooth Gear                       | C0DP6384A  | FRG-132F  |
| 1962-63          | V8 3.6L 221 CI | w/157 Tooth Gear                       | C2OZ6384B  | FRG-157N  |
| 1963             | L6 3.3L 200 CI | w/132 Tooth Gear                       | C0DP6384A  | FRG-132F  |
| <b>MONARCH</b>   |                |  |            |           |
| 1975-77          | L6 3.3L 200 CI | w/136 Tooth Gear                       | C6DZ6384A  | FRG-136T  |
| 1975-80          | L6 4.1L 250 CI | w/157 Tooth Gear                       | C2OZ6384B  | FRG-157N  |
| 1975-80          | V8 5.0L 302 CI | w/157 Tooth Gear                       | C2OZ6384B  | FRG-157N  |
| <b>MONTCLAIR</b> |                |  |            |           |
| 1956-60          | V8 5.1L 312 CI | w/Overdrive; w/146 Tooth Gear          | EAA6384A   | FRG-146NC |
| 1958-60          | V8 5.1L 312 CI | w/148 Teeth Gear                       | PMB-6384-A | FRG-148S  |
| 1965-67          | V8 7.0L 427 CI | w/184 Tooth Gear                       | C5AZ6384A  | FRG-184T  |
| 1965-68          | V8 6.4L 390 CI | w/184 Tooth Gear                       | C5AZ6384A  | FRG-184T  |
| 1966-67          | V8 6.7L 410 CI | w/184 Tooth Gear                       | C5AZ6384A  | FRG-184T  |
| 1966-68          | V8 7.0L 428 CI | w/184 Tooth Gear                       | C5AZ6384A  | FRG-184T  |
| <b>MONTEGO</b>   |                |  |            |           |
| 1968             | L6 3.3L 200 CI | w/9" Clutch; w/136 Tooth Gear          | C6DZ6384A  | FRG-136T  |
| 1968             | L6 3.3L 200 CI | w/132 Tooth Gear                       | C0DP6384A  | FRG-132F  |
| 1968-69          | V8 6.4L 390 CI | w/184 Tooth Gear                       | C5AZ6384A  | FRG-184T  |
| 1968-74          | V8 5.0L 302 CI | w/High Output Engine; w/157 Tooth Gear | C2OZ6384B  | FRG-157N  |
| 1968-74          | V8 5.0L 302 CI | w/164 Tooth Gear                       | C5AZ6384D  | FRG-164N  |
| 1969             | L6 4.1L 250 CI | w/164 Tooth Gear                       | C5AZ6384D  | FRG-164N  |
| 1969             | V8 7.0L 428 CI | w/184 Tooth Gear                       | C5AZ6384A  | FRG-184T  |

# RING GEAR APPLICATIONS

| Years            | Engine         | Remarks   | OE         | Pioneer # |
|------------------|----------------|---|------------|-----------|
| <b>MERCURY</b>   |                |   |            |           |
| <b>MONTEGO</b>   |                |   |            |           |
| 1969-70          | V8 5.8L 351 CI | w/184 Tooth Gear                                    | C5AZ6384A  | FRG-184T  |
| 1969-74          | L6 4.1L 250 CI | w/157 Tooth Gear                                    | C2OZ6384B  | FRG-157N  |
| 1969-74          | V8 5.8L 351 CI | w/164 Tooth Gear                                    | C5AZ6384D  | FRG-164N  |
| 1970             | V8 7.0L 429 CI | w/184 Tooth Gear                                    | C5AZ6384A  | FRG-184T  |
| <b>MONTEREY</b>  |                |   |            |           |
| 1956-60          | V8 5.1L 312 CI | w/Overdrive; w/146 Tooth Gear                       | EAA6384A   | FRG-146NC |
| 1958-60          | V8 5.1L 312 CI | w/148 Teeth Gear                                    | PMB-6384-A | FRG-148S  |
| 1961-62          | L6 3.6L 223 CI | w/132 Tooth Gear                                    | C0DP6384A  | FRG-132F  |
| 1961-62          | L6 3.6L 223 CI | w/146 Tooth Gear                                    | EAA6384A   | FRG-146NC |
| 1961-62          | V8 4.8L 292 CI | w/146 Tooth Gear                                    | EAA6384A   | FRG-146NC |
| 1965-67          | V8 7.0L 427 CI | w/184 Tooth Gear                                    | C5AZ6384A  | FRG-184T  |
| 1966-67          | V8 6.7L 410 CI | w/184 Tooth Gear                                    | C5AZ6384A  | FRG-184T  |
| 1966-70          | V8 7.0L 428 CI | w/184 Tooth Gear                                    | C5AZ6384A  | FRG-184T  |
| 1965-70          | V8 6.4L 390 CI | w/184 Tooth Gear                                    | C5AZ6384A  | FRG-184T  |
| 1969-70          | V8 7.0L 429 CI | w/184 Tooth Gear                                    | C5AZ6384A  | FRG-184T  |
| 1971-73          | V8 5.8L 351 CI | w/164 Tooth Gear                                    | C5AZ6384D  | FRG-164N  |
| <b>PARK LANE</b> |                |   |            |           |
| 1959             | V8 5.1L 312 CI | w/Overdrive; w/146 Tooth Gear                       | EAA6384A   | FRG-146NC |
| 1959             | V8 5.1L 312 CI | w/148 Teeth Gear                                    | PMB-6384-A | FRG-148S  |
| 1965-67          | V8 7.0L 427 CI | w/184 Tooth Gear                                    | C5AZ6384A  | FRG-184T  |
| 1966-67          | V8 6.7L 410 CI | w/184 Tooth Gear                                    | C5AZ6384A  | FRG-184T  |
| 1966-68          | V8 7.0L 428 CI | w/184 Tooth Gear                                    | C5AZ6384A  | FRG-184T  |
| 1965-66          | V8 6.4L 390 CI | w/184 Tooth Gear                                    | C5AZ6384A  | FRG-184T  |
| 1968             | V8 6.4L 390 CI | w/184 Tooth Gear                                    | C5AZ6384A  | FRG-184T  |
| <b>SABLE</b>     |                |   |            |           |
| 1986             | L4 2.5L 153 CI | w/HSC Engine; w/132 Tooth Gear                      | D4FZ6384A  | FRG-132E  |
| 1989             | V6 3.0L 182 CI | w/132 Tooth Gear                                    | D4FZ6384A  | FRG-132E  |
| <b>TOPAZ</b>     |                |   |            |           |
| 1984-94          | L4 2.3L 140 CI | w/HSC Engine; w/132 Tooth Gear, w/132<br>Tooth Gear | D4FZ6384A  | FRG-132E  |
| 1992-94          | V6 3.0L 182 CI | w/132 Tooth Gear                                    | D4FZ6384A  | FRG-132E  |
| <b>TRACER</b>    |                |   |            |           |
| 1991-95          | L4 1.9L 116 CI | w/132 Tooth Gear                                    | D4FZ6384A  | FRG-132E  |
| <b>VILLAGER</b>  |                |   |            |           |
| 1962-63          | L6 2.4L 144 CI | w/132 Tooth Gear                                    | C0DP6384A  | FRG-132F  |
| 1963-64          | V8 4.3L 260 CI | w/157 Tooth Gear                                    | C2OZ6384B  | FRG-157N  |
| 1964-67          | L6 3.3L 200 CI | w/132 Tooth Gear                                    | C0DP6384A  | FRG-132F  |
| 1965             | V8 7.0L 427 CI | w/184 Tooth Gear                                    | C5AZ6384A  | FRG-184T  |
| 1965-67          | V8 4.7L 288 CI | w/157 Tooth Gear                                    | C2OZ6384B  | FRG-157N  |
| 1965-67          | V8 4.7L 288 CI | w/164 Tooth Gear (.365" Width)                      | C5AZ6384D  | FRG-164N  |

# RING GEAR APPLICATIONS

| Years            | Engine         | Remarks                                       | OE          | Pioneer # |
|------------------|----------------|---|-------------|-----------|
| <b>MERCURY</b>   |                |   |             |           |
| <b>VILLAGER</b>  |                |   |             |           |
| 1966-67          | L6 3.3L 200 CI | w/10-1/2" Heavy Duty Clutch; w/157 Tooth Gear | C2OZ6384B   | FRG-157N  |
| 1966-67          | V8 6.4L 390 CI | w/184 Tooth Gear                              | C5AZ6384A   | FRG-184T  |
| <b>VOYAGER</b>   |                |   |             |           |
| 1957             | V8 5.1L 312 CI | w/Overdrive; w/146 Tooth Gear                 | EAA6384A    | FRG-146NC |
| 1959             | V8 5.1L 312 CI | w/Overdrive; w/146 Tooth Gear                 | EAA6384A    | FRG-146NC |
| 1959             | V8 5.1L 312 CI | w/148 Teeth Gear                              | PMB-6384-A  | FRG-148S  |
| 1966-67          | L6 3.3L 200 CI | w/132 Tooth Gear                              | C0DP6384A   | FRG-132F  |
| 1966-67          | L6 3.3L 200 CI | w/10-1/2" Heavy Duty Clutch; w/157 Tooth Gear | C2OZ6384B   | FRG-157N  |
| 1966-67          | V8 4.7L 288 CI | w/164 Tooth Gear (.365" Width)                | C5AZ6384D   | FRG-164N  |
| 1966-67          | V8 4.7L 288 CI | w/157 Tooth Gear                              | C2OZ6384B   | FRG-157N  |
| 1966-67          | V8 6.4L 390 CI | w/184 Tooth Gear                              | C5AZ6384A   | FRG-184T  |
| <b>ZEPHYR</b>    |                |   |             |           |
| 1978-79          | V8 5.0L 302 CI | w/157 Tooth Gear                              | C2OZ6384B   | FRG-157N  |
| 1978-83          | L6 3.3L 200 CI | w/136 Tooth Gear                              | C6DZ6384A   | FRG-136T  |
| 1980-83          | L4 2.3L 140 CI | w/132 Tooth Gear                              | D4FZ6384A   | FRG-132E  |
| <b>NISSAN</b>    |                |   |             |           |
| <b>1200</b>      |                |   |             |           |
| 1971-73          | L4 1.2L 71 CI  | w/105 Tooth Gear                              | 12312-18000 | FRG-105G  |
| <b>200SX</b>     |                |   |             |           |
| 1977-81          | L4 2.0L 119 CI | w/120 Teeth Gear                              | 12312-A8600 | FRG-634   |
| 1982-83          | L4 2.2L 133 CI | w/120 Teeth Gear                              | 12312-A8600 | FRG-634   |
| <b>280Z</b>      |                |   |             |           |
| 1975-78          | L6 2.8L 168 CI | w/120 Teeth Gear                              | 12312-A8600 | FRG-634   |
| <b>280ZX</b>     |                |   |             |           |
| 1979-83          | L6 2.8L 168 CI | w/120 Teeth Gear                              | 12312-A8600 | FRG-634   |
| <b>310</b>       |                |   |             |           |
| 1980             | L4 1.4L 85 CI  | w/105 Tooth Gear                              | 12312-18000 | FRG-105G  |
| 1982             | L4 1.5L 91 CI  | w/105 Teeth Gear                              | 12312-61A00 | FRG-120   |
| <b>510</b>       |                |   |             |           |
| 1980-81          | L4 2.0L 119 CI | w/120 Teeth Gear                              | 12312-A8600 | FRG-634   |
| <b>810</b>       |                |   |             |           |
| 1977-80          | L6 2.4L 146 CI | w/120 Teeth Gear                              | 12312-A8600 | FRG-634   |
| <b>MAXIMA</b>    |                |   |             |           |
| 1982-84          | L6 2.4L 146 CI | w/120 Teeth Gear                              | 12312-A8600 | FRG-634   |
| <b>PULSAR NX</b> |                |   |             |           |
| 1984             | L4 1.5L 91 CI  | w/105 Teeth Gear                              | 12312-61A00 | FRG-120   |
| 1987-89          | L4 1.6L 97 CI  | w/105 Teeth Gear                              | 12312-61A00 | FRG-120   |
| <b>SENTRA</b>    |                |   |             |           |
| 1982-83          | L4 1.5L 91 CI  | w/105 Teeth Gear                              | 12312-61A00 | FRG-120   |

# RING GEAR APPLICATIONS

| Years                 | Engine         | Remarks                                | OE          | Pioneer # |
|-----------------------|----------------|--|-------------|-----------|
| <b>NISSAN</b>         |                |  |             |           |
| <b>SENTRA</b>         |                |  |             |           |
| 1983-88               | L4 1.6L 97 CI  | w/105 Teeth Gear                       | 12312-61A00 | FRG-120   |
| <b>NISSAN TRUCK</b>   |                |  |             |           |
| <b>620</b>            |                |  |             |           |
| 1975-79               | L4 2.0L 119 CI | w/120 Teeth Gear                       | 12312-A8600 | FRG-634   |
| <b>720</b>            |                |  |             |           |
| 1980                  | L4 2.0L 119 CI | w/120 Teeth Gear                       | 12312-A8600 | FRG-634   |
| <b>OLDSMOBILE</b>     |                |  |             |           |
| <b>442</b>            |                |  |             |           |
| 1965-69               | V8 6.6L 400 CI | w/166 Tooth Gear                       | 383812      | FRG-166N  |
| 1968-71               | V8 7.5L 455 CI | w/166 Tooth Gear                       | 383812      | FRG-166N  |
| <b>98</b>             |                |  |             |           |
| 1961-64               | V8 6.5L 394 CI | w/166 Tooth Gear                       | 383812      | FRG-166N  |
| 1965-67               | V8 7.0L 425 CI | w/166 Tooth Gear                       | 383812      | FRG-166N  |
| 1968-76               | V8 7.5L 455 CI | w/166 Tooth Gear                       | 383812      | FRG-166N  |
| 1972-73               | V8 5.7L 350 CI | w/166 Tooth Gear                       | 383812      | FRG-166N  |
| 1980                  | V8 5.0L 307 CI | California Emissions; w/168 Tooth Gear | 3991408     | FRG-168S  |
| 1981-84               | V8 5.0L 307 CI | w/153 Tooth Gear                       | 3991407     | FRG-153B  |
| 1985                  | V6 3.0L 181 CI | w/142 Tooth Gear                       | 359115      | FRG-142W  |
| 1985-87               | V6 3.8L 232 CI | w/142 Tooth Gear                       | 359115      | FRG-142W  |
| <b>CALAIS</b>         |                |  |             |           |
| 1985-87               | V6 3.0L 181 CI | w/142 Tooth Gear                       | 359115      | FRG-142W  |
| <b>CUSTOM CRUISER</b> |                |  |             |           |
| 1971-74               | V8 7.5L 455 CI | w/166 Tooth Gear                       | 383812      | FRG-166N  |
| 1977                  | V8 5.7L 350 CI | w/168 Tooth Gear                       | 3991408     | FRG-168S  |
| <b>CUTLASS</b>        |                |  |             |           |
| 1962-63               | V8 3.5L 215 CI | w/166 Tooth Gear                       | 383812      | FRG-166N  |
| 1964-67               | V8 5.4L 330 CI | w/166 Tooth Gear                       | 383812      | FRG-166N  |
| 1965-67               | V8 6.6L 400 CI | w/166 Tooth Gear                       | 383812      | FRG-166N  |
| 1968-74               | V8 5.7L 350 CI | w/166 Tooth Gear                       | 383812      | FRG-166N  |
| 1970-74               | V8 7.5L 455 CI | w/166 Tooth Gear                       | 383812      | FRG-166N  |
| 1975-76               | L6 4.1L 250 CI | w/168 Tooth Gear                       | 3991408     | FRG-168S  |
| 1975-76               | L6 4.1L 250 CI | w/153 Tooth Gear                       | 3991407     | FRG-153B  |
| 1975-79               | V8 4.3L 260 CI | w/166 Tooth Gear                       | 383812      | FRG-166N  |
| 1978-79               | V8 5.0L 305 CI | w/153 Tooth Gear                       | 3991407     | FRG-153B  |
| 1985-87               | V8 5.0L 305 CI | w/153 Tooth Gear                       | 3991407     | FRG-153B  |
| 1978-79               | V8 5.7L 350 CI | w/168 Tooth Gear                       | 3991408     | FRG-168S  |
| 1980                  | V8 5.0L 305 CI | California Emissions; w/168 Tooth Gear | 3991408     | FRG-168S  |
| 1981                  | V8 4.4L 267 CI | w/153 Tooth Gear                       | 3991407     | FRG-153B  |
| <b>CUTLASS CALAIS</b> |                |  |             |           |
| 1978-79               | V8 4.3L 260 CI | w/166 Tooth Gear                       | 383812      | FRG-166N  |

# RING GEAR APPLICATIONS

| Years                  | Engine         | Remarks                                | OE      | Pioneer # |
|------------------------|----------------|--|---------|-----------|
| <b>OLDSMOBILE</b>      |                |  |         |           |
| <b>CUTLASS CALAIS</b>  |                |  |         |           |
| 1978-79                | V8 5.0L 305 CI | w/153 Tooth Gear                       | 3991407 | FRG-153B  |
| 1984                   | V8 5.0L 305 CI | w/153 Tooth Gear                       | 3991407 | FRG-153B  |
| 1980                   | V8 5.0L 305 CI | California Emissions; w/168 Tooth Gear | 3991408 | FRG-168S  |
| 1982                   | V8 4.4L 267 CI | w/153 Tooth Gear                       | 3991407 | FRG-153B  |
| 1982-84                | V8 5.0L 307 CI | w/153 Tooth Gear                       | 3991407 | FRG-153B  |
| 1984                   | V6 3.8L 232 CI | w/142 Tooth Gear                       | 359115  | FRG-142W  |
| <b>CUTLASS CIERA</b>   |                |  |         |           |
| 1982-85                | V6 3.0L 181 CI | w/142 Tooth Gear                       | 359115  | FRG-142W  |
| 1984-87                | V6 3.8L 232 CI | w/142 Tooth Gear                       | 359115  | FRG-142W  |
| 1982-89                | V6 2.8L 173 CI | w/142 Tooth Gear                       | 359115  | FRG-142W  |
| <b>CUTLASS CRUISER</b> |                |  |         |           |
| 1980                   | V8 5.0L 305 CI | California Emissions; w/168 Tooth Gear | 3991408 | FRG-168S  |
| 1981-83                | V8 5.0L 307 CI | w/153 Tooth Gear                       | 3991407 | FRG-153B  |
| 1982                   | V8 4.4L 267 CI | w/153 Tooth Gear                       | 3991407 | FRG-153B  |
| 1982-83                | V8 5.0L 305 CI | w/153 Tooth Gear                       | 3991407 | FRG-153B  |
| 1987                   | V6 3.8L 232 CI | w/142 Tooth Gear                       | 359115  | FRG-142W  |
| 1987-89                | V6 2.8L 173 CI | w/142 Tooth Gear                       | 359115  | FRG-142W  |
| <b>CUTLASS SALON</b>   |                |  |         |           |
| 1975-79                | V8 4.3L 260 CI | w/166 Tooth Gear                       | 383812  | FRG-166N  |
| 1978-79                | V8 5.0L 305 CI | w/153 Tooth Gear                       | 3991407 | FRG-153B  |
| 1980                   | V8 5.0L 305 CI | California Emissions; w/168 Tooth Gear | 3991408 | FRG-168S  |
| 1985-87                | V6 3.8L 232 CI | w/142 Tooth Gear                       | 359115  | FRG-142W  |
| 1985-87                | V8 5.0L 307 CI | w/153 Tooth Gear                       | 3991407 | FRG-153B  |
| <b>CUTLASS SUPREME</b> |                |  |         |           |
| 1972-75                | V8 5.7L 350 CI | w/166 Tooth Gear                       | 383812  | FRG-166N  |
| 1971-75                | V8 7.5L 455 CI | w/166 Tooth Gear                       | 383812  | FRG-166N  |
| 1975-76                | L6 4.1L 250 CI | w/153 Tooth Gear                       | 3991407 | FRG-153B  |
| 1975-76                | L6 4.1L 250 CI | w/168 Tooth Gear                       | 3991408 | FRG-168S  |
| 1975-79                | V8 4.3L 260 CI | w/166 Tooth Gear                       | 383812  | FRG-166N  |
| 1978                   | V8 5.7L 350 CI | w/168 Tooth Gear                       | 3991408 | FRG-168S  |
| 1980                   | V8 5.0L 305 CI | California Emissions; w/168 Tooth Gear | 3991408 | FRG-168S  |
| 1982                   | V8 4.4L 267 CI | w/153 Tooth Gear                       | 3991407 | FRG-153B  |
| 1982-87                | V8 5.0L 307 CI | w/153 Tooth Gear                       | 3991407 | FRG-153B  |
| 1984-87                | V6 3.8L 232 CI | w/142 Tooth Gear                       | 359115  | FRG-142W  |
| 1978-79                | V8 5.0L 305 CI | w/153 Tooth Gear                       | 3991407 | FRG-153B  |
| 1983                   | V8 5.0L 305 CI | w/153 Tooth Gear                       | 3991407 | FRG-153B  |
| 1985-87                | V8 5.0L 305 CI | w/153 Tooth Gear                       | 3991407 | FRG-153B  |
| 1988-89                | V6 2.8L 173 CI | w/142 Tooth Gear                       | 359115  | FRG-142W  |
| 1989                   | V6 3.1L 189 CI | w/142 Tooth Gear                       | 359115  | FRG-142W  |
| <b>DELMONT 88</b>      |                |  |         |           |
| 1967                   | V8 5.4L 330 CI | w/166 Tooth Gear                       | 383812  | FRG-166N  |

# RING GEAR APPLICATIONS

| Years             | Engine         | Remarks                                | OE      | Pioneer # |
|-------------------|----------------|--|---------|-----------|
| <b>OLDSMOBILE</b> |                |  |         |           |
| <b>DELMONT 88</b> |                |  |         |           |
| 1967              | V8 7.0L 425 CI | w/166 Tooth Gear                       | 383812  | FRG-166N  |
| 1968              | V8 5.7L 350 CI | w/166 Tooth Gear                       | 383812  | FRG-166N  |
| <b>DELTA 88</b>   |                |  |         |           |
| 1965-67           | V8 7.0L 425 CI | w/166 Tooth Gear                       | 383812  | FRG-166N  |
| 1968-74           | V8 5.7L 350 CI | w/166 Tooth Gear                       | 383812  | FRG-166N  |
| 1968-76           | V8 7.5L 455 CI | w/166 Tooth Gear                       | 383812  | FRG-166N  |
| 1977              | V8 5.7L 350 CI | w/168 Tooth Gear                       | 3991408 | FRG-168S  |
| 1977-79           | V8 4.3L 260 CI | w/166 Tooth Gear                       | 383812  | FRG-166N  |
| 1979              | V8 4.9L 301 CI | w/166 Teeth Gear                       | 499858  | FRG-166W  |
| 1980              | V8 5.0L 307 CI | California Emissions; w/168 Tooth Gear | 3991408 | FRG-168S  |
| 1981-82           | V8 4.4L 267 CI | w/153 Tooth Gear                       | 3991407 | FRG-153B  |
| 1981-85           | V8 5.0L 307 CI | w/153 Tooth Gear                       | 3991407 | FRG-153B  |
| 1984-87           | V6 3.8L 232 CI | w/142 Tooth Gear                       | 359115  | FRG-142W  |
| 1986              | V6 3.0L 181 CI | w/142 Tooth Gear                       | 359115  | FRG-142W  |
| <b>DYNAMIC</b>    |                |  |         |           |
| 1961-64           | V8 6.5L 394 CI | w/166 Tooth Gear                       | 383812  | FRG-166N  |
| 1965-66           | V8 7.0L 425 CI | w/166 Tooth Gear                       | 383812  | FRG-166N  |
| <b>F85</b>        |                |  |         |           |
| 1964-67           | V8 5.4L 330 CI | w/166 Tooth Gear                       | 383812  | FRG-166N  |
| 1965-66           | V8 6.6L 400 CI | w/166 Tooth Gear                       | 383812  | FRG-166N  |
| 1968-72           | V8 5.7L 350 CI | w/166 Tooth Gear                       | 383812  | FRG-166N  |
| 1970              | V8 7.5L 455 CI | w/166 Tooth Gear                       | 383812  | FRG-166N  |
| 1972              | V8 7.5L 455 CI | w/166 Tooth Gear                       | 383812  | FRG-166N  |
| <b>FIESTA</b>     |                |  |         |           |
| 1961-63           | V8 6.5L 394 CI | w/166 Tooth Gear                       | 383812  | FRG-166N  |
| <b>FIRENZA</b>    |                |  |         |           |
| 1982              | L4 1.8L 112 CI | w/142 Tooth Gear                       | 359115  | FRG-142W  |
| 1983-88           | L4 2.0L 122 CI | w/142 Tooth Gear                       | 359115  | FRG-142W  |
| 1985-87           | V6 2.8L 173 CI | w/142 Tooth Gear                       | 359115  | FRG-142W  |
| 1987-88           | L4 2.0L 121 CI | w/142 Tooth Gear                       | 359115  | FRG-142W  |
| <b>JETFIRE</b>    |                |  |         |           |
| 1962-63           | V8 3.5L 215 CI | w/166 Tooth Gear                       | 383812  | FRG-166N  |
| <b>JETSTAR 88</b> |                |  |         |           |
| 1964-66           | V8 5.4L 330 CI | w/166 Tooth Gear                       | 383812  | FRG-166N  |
| <b>OMEGA</b>      |                |  |         |           |
| 1973-74           | V8 5.7L 350 CI | w/166 Tooth Gear                       | 383812  | FRG-166N  |
| 1975-76           | L6 4.1L 250 CI | w/153 Tooth Gear                       | 3991407 | FRG-153B  |
| 1975-76           | L6 4.1L 250 CI | w/168 Tooth Gear                       | 3991408 | FRG-168S  |
| 1975-77           | V8 4.3L 260 CI | w/166 Tooth Gear                       | 383812  | FRG-166N  |
| 1977-79           | V8 5.0L 305 CI | w/168 Tooth Gear                       | 3991408 | FRG-168S  |

# RING GEAR APPLICATIONS

| Years                | Engine         | Remarks                                | OE      | Pioneer # |
|----------------------|----------------|--|---------|-----------|
| <b>OLDSMOBILE</b>    |                |  |         |           |
| <b>OMEGA</b>         |                |  |         |           |
| 1977-79              | V8 5.7L 350 CI | w/168 Tooth Gear                       | 3991408 | FRG-168S  |
| 1978-79              | V8 5.0L 305 CI | w/153 Tooth Gear                       | 3991407 | FRG-153B  |
| 1980-84              | V6 2.8L 173 CI | w/142 Tooth Gear                       | 359115  | FRG-142W  |
| <b>STARFIRE</b>      |                |  |         |           |
| 1961-64              | V8 6.5L 394 CI | w/166 Tooth Gear                       | 383812  | FRG-166N  |
| 1965-66              | V8 7.0L 425 CI | w/166 Tooth Gear                       | 383812  | FRG-166N  |
| 1976-77              | L4 2.3L 140 CI | w/142 Tooth Gear                       | 359115  | FRG-142W  |
| 1977-79              | V8 5.0L 305 CI | w/153 Tooth Gear                       | 3991407 | FRG-153B  |
| <b>SUPER 88</b>      |                |  |         |           |
| 1961-64              | V8 6.5L 394 CI | w/166 Tooth Gear                       | 383812  | FRG-166N  |
| <b>TORONADO</b>      |                |  |         |           |
| 1966-67              | V8 7.0L 425 CI | w/166 Tooth Gear                       | 383812  | FRG-166N  |
| 1968-74              | V8 7.5L 455 CI | w/166 Tooth Gear                       | 383812  | FRG-166N  |
| 1980                 | V8 5.0L 307 CI | California Emissions; w/168 Tooth Gear | 3991408 | FRG-168S  |
| 1981-85              | V8 5.0L 307 CI | w/153 Tooth Gear                       | 3991407 | FRG-153B  |
| 1986-87              | V6 3.8L 232 CI | w/142 Tooth Gear                       | 359115  | FRG-142W  |
| <b>VISTA CRUISER</b> |                |  |         |           |
| 1964-67              | V8 5.4L 330 CI | w/166 Tooth Gear                       | 383812  | FRG-166N  |
| 1970-74              | V8 7.5L 455 CI | w/166 Tooth Gear                       | 383812  | FRG-166N  |
| 1968-75              | V8 5.7L 350 CI | w/166 Tooth Gear                       | 383812  | FRG-166N  |
| <b>PLYMOUTH</b>      |                |  |         |           |
| <b>BARRACUDA</b>     |                |  |         |           |
| 1964-67              | V8 4.5L 273 CI | w/122 Tooth Gear                       | 2121196 | FRG-122T  |
| 1966                 | L6 2.8L 170 CI | exc. Hi-Perf. Engine; w/122 Tooth Gear | 2121196 | FRG-122T  |
| 1967                 | V8 4.5L 273 CI | w/131 Tooth Gear                       | 1941648 | FRG-130T  |
| 1968                 | V8 6.3L 383 CI | w/143 Tooth Gear                       | 2843214 | FRG-143N  |
| 1968                 | V8 6.3L 384 CI | w/143 Tooth Gear                       | 2843214 | FRG-143N  |
| 1968-71              | V8 6.3L 383 CI | w/131 Tooth Gear (I.D. 12.160")        | 1941648 | FRG-130T  |
| 1968-71              | V8 6.3L 384 CI | w/131 Tooth Gear (I.D. 12.160")        | 1941648 | FRG-130T  |
| 1968-74              | V8 5.2L 318 CI | w/122 Tooth Gear (I.D. 11.190")        | 2121196 | FRG-122T  |
| 1968-74              | V8 5.2L 318 CI | w/131 Tooth Gear (I.D. 12.160")        | 1941648 | FRG-130T  |
| 1970-71              | L6 3.2L 198 CI | w/122 Tooth Gear (I.D. 11.190")        | 2121196 | FRG-122T  |
| 1970-71              | L6 3.2L 199 CI | w/122 Tooth Gear (I.D. 11.190")        | 2121196 | FRG-122T  |
| 1968-69              | V8 5.6L 340 CI | w/131 Tooth Gear (I.D. 12.160")        | 1941648 | FRG-130T  |
| 1972-73              | V8 5.6L 340 CI | w/131 Tooth Gear (I.D. 12.160")        | 1941648 | FRG-130T  |
| 1974                 | V8 5.2L 318 CI | w/130 Tooth Gear (I.D. 11.190")        | 3515203 | FRG-130C  |
| 1974                 | V8 5.9L 360 CI | w/131 Tooth Gear (I.D. 12.160")        | 1941648 | FRG-130T  |
| 1974                 | V8 5.9L 360 CI | w/130 Tooth Gear (I.D. 11.190")        | 3515203 | FRG-130C  |
| 1974                 | V8 5.9L 360 CI | w/122 Tooth Gear (I.D. 11.190")        | 2121196 | FRG-122T  |
| <b>BELVEDERE</b>     |                |  |         |           |
| 1956                 | V8 4.4L 270 CI | w/146 Tooth Gear                       | 1138903 | FRG-146XF |

# RING GEAR APPLICATIONS

| Years            | Engine         | Remarks  | OE      | Pioneer # |
|------------------|----------------|--|---------|-----------|
| <b>PLYMOUTH</b>  |                |  |         |           |
| <b>BELVEDERE</b> |                |  |         |           |
| 1960-64          | V8 5.2L 318 CI | exc. Hi-Perf. Engine; w/172 Tooth Gear   | 1673646 | FRG-172NC |
| 1963-64          | V8 7.0L 426 CI | exc. Hi-Perf. Engine; w/172 Tooth Gear,<br>w/Hi-Perf. Engine; w/172 Tooth Gear | 1673646 | FRG-172NC |
| 1967             | V8 7.0L 426 CI | exc. Hi-Perf. Engine; w/172 Tooth Gear,<br>w/Hi-Perf. Engine; w/172 Tooth Gear | 1673646 | FRG-172NC |
| 1966-67          | V8 7.2L 440 CI | w/Hi-Perf. Engine; w/131 Tooth Gear,<br>exc. Hi-Perf. Engine; w/131 Tooth Gear | 1941648 | FRG-130T  |
| 1963-67          | V8 7.0L 426 CI | exc. Hi-Perf. Engine; w/131 Tooth Gear,<br>w/Hi-Perf. Engine; w/131 Tooth Gear | 1941648 | FRG-130T  |
| 1967             | V8 7.2L 440 CI | w/Hi-Perf. Engine; w/143 Tooth Gear  | 2843214 | FRG-143N  |
| 1964-68          | V8 4.5L 273 CI | w/122 Tooth Gear (I.D. 11.190"), w/122<br>Tooth Gear                           | 2121196 | FRG-122T  |
| 1967-68          | V8 4.5L 273 CI | w/131 Tooth Gear   | 1941648 | FRG-130T  |
| 1968             | V8 6.3L 383 CI | w/143 Tooth Gear   | 2843214 | FRG-143N  |
| 1968             | V8 6.3L 384 CI | w/143 Tooth Gear   | 2843214 | FRG-143N  |
| 1962-70          | V8 5.2L 318 CI | w/131 Tooth Gear (I.D. 12.160")  | 1941648 | FRG-130T  |
| 1968-70          | V8 5.2L 318 CI | w/122 Tooth Gear (I.D. 11.190")  | 2121196 | FRG-122T  |
| 1968-70          | V8 6.3L 383 CI | w/131 Tooth Gear (I.D. 12.160")  | 1941648 | FRG-130T  |
| 1968-70          | V8 6.3L 384 CI | w/131 Tooth Gear (I.D. 12.160")  | 1941648 | FRG-130T  |
| <b>CARAVELLE</b> |                |  |         |           |
| 1978-79          | V8 5.9L 360 CI | w/122 Tooth Gear (I.D. 11.190")  | 2121196 | FRG-122T  |
| 1978-79          | V8 5.9L 360 CI | w/130 Tooth Gear (I.D. 11.190")  | 3515203 | FRG-130C  |
| 1978-81          | V8 5.2L 318 CI | w/131 Tooth Gear   | 1941648 | FRG-130T  |
| 1978-83          | V8 5.2L 318 CI | w/130 Tooth Gear (I.D. 11.190")  | 3515203 | FRG-130C  |
| 1978-89          | V8 5.2L 318 CI | w/122 Tooth Gear (I.D. 11.190")  | 2121196 | FRG-122T  |
| 1981             | L6 3.7L 225 CI | w/139 Tooth Gear; .272" Width  | 4348276 | FRG-139CH |
| 1985             | L4 2.6L 156 CI | w/139 Tooth Gear; .272" Width  | 4348276 | FRG-139CH |
| 1984-88          | L4 2.2L 135 CI | w/139 Tooth Gear; .272" Width  | 4348276 | FRG-139CH |
| <b>CONQUEST</b>  |                |  |         |           |
| 1984-86          | L4 2.6L 156 CI | w/139 Tooth Gear; .272" Width  | 4348276 | FRG-139CH |
| <b>CUDA</b>      |                |  |         |           |
| 1970-71          | V8 7.2L 440 CI | exc. Hi-Perf. Engine; w/131 Tooth Gear   | 1941648 | FRG-130T  |
| 1970-71          | V8 6.3L 383 CI | w/131 Tooth Gear (I.D. 12.160")  | 1941648 | FRG-130T  |
| 1970-71          | V8 6.3L 384 CI | w/131 Tooth Gear (I.D. 12.160")  | 1941648 | FRG-130T  |
| 1970-71          | V8 7.0L 426 CI | exc. Hi-Perf. Engine; w/131 Tooth Gear   | 1941648 | FRG-130T  |
| 1970-73          | V8 5.6L 340 CI | w/131 Tooth Gear (I.D. 12.160")  | 1941648 | FRG-130T  |
| 1973-74          | V8 5.2L 318 CI | w/122 Tooth Gear (I.D. 11.190")  | 2121196 | FRG-122T  |
| 1973-74          | V8 5.2L 318 CI | w/131 Tooth Gear (I.D. 12.160")  | 1941648 | FRG-130T  |
| 1974             | V8 5.2L 318 CI | w/130 Tooth Gear (I.D. 11.190")  | 3515203 | FRG-130C  |
| 1974             | V8 5.9L 360 CI | w/130 Tooth Gear (I.D. 11.190")  | 3515203 | FRG-130C  |



# RING GEAR APPLICATIONS

| Years                | Engine         | Remarks                                | OE      | Pioneer # |
|----------------------|----------------|--|---------|-----------|
| <b>PLYMOUTH</b>      |                |  |         |           |
| <b>CUDA</b>          |                |  |         |           |
| 1974                 | V8 5.9L 360 CI | w/131 Tooth Gear (I.D. 12.160")        | 1941648 | FRG-130T  |
| 1974                 | V8 5.9L 360 CI | w/122 Tooth Gear (I.D. 11.190")        | 2121196 | FRG-122T  |
| <b>DUSTER</b>        |                |  |         |           |
| 1970-73              | V8 5.6L 340 CI | w/131 Tooth Gear (I.D. 12.160")        | 1941648 | FRG-130T  |
| 1970-74              | L6 3.2L 198 CI | w/122 Tooth Gear (I.D. 11.190")        | 2121196 | FRG-122T  |
| 1970-74              | L6 3.2L 199 CI | w/122 Tooth Gear (I.D. 11.190")        | 2121196 | FRG-122T  |
| 1970-76              | V8 5.2L 318 CI | w/122 Tooth Gear (I.D. 11.190")        | 2121196 | FRG-122T  |
| 1974-76              | V8 5.2L 318 CI | w/130 Tooth Gear (I.D. 11.190")        | 3515203 | FRG-130C  |
| 1974-76              | V8 5.9L 360 CI | w/130 Tooth Gear (I.D. 11.190")        | 3515203 | FRG-130C  |
| 1974-76              | V8 5.9L 360 CI | w/131 Tooth Gear (I.D. 12.160")        | 1941648 | FRG-130T  |
| 1970-76              | V8 5.2L 318 CI | w/131 Tooth Gear (I.D. 12.160")        | 1941648 | FRG-130T  |
| 1974-76              | V8 5.9L 360 CI | w/122 Tooth Gear (I.D. 11.190")        | 2121196 | FRG-122T  |
| <b>FLEET SPECIAL</b> |                |  |         |           |
| 1960-63              | V8 5.2L 318 CI | exc. Hi-Perf. Engine; w/172 Tooth Gear | 1673646 | FRG-172NC |
| 1962-63              | V8 5.2L 318 CI | w/Hi-Perf. Engine; w/131 Tooth Gear    | 1941648 | FRG-130T  |
| 1963                 | V8 7.0L 426 CI | w/Hi-Perf. Engine; w/131 Tooth Gear    | 1941648 | FRG-130T  |
| 1963                 | V8 7.0L 426 CI | exc. Hi-Perf. Engine; w/172 Tooth Gear | 1673646 | FRG-172NC |
| <b>FURY</b>          |                |  |         |           |
| 1956                 | V8 4.4L 270 CI | w/146 Tooth Gear                       | 1138903 | FRG-146XF |
| 1960-61              | V8 5.2L 318 CI | exc. Hi-Perf. Engine; w/172 Tooth Gear | 1673646 | FRG-172NC |
| 1963-64              | V8 7.0L 426 CI | exc. Hi-Perf. Engine; w/172 Tooth Gear | 1673646 | FRG-172NC |
| 1963-66              | V8 7.0L 426 CI | w/Hi-Perf. Engine; w/131 Tooth Gear    | 1941648 | FRG-130T  |
| 1964-65              | V8 4.5L 273 CI | w/122 Tooth Gear                       | 2121196 | FRG-122T  |
| 1968                 | V8 6.3L 383 CI | w/143 Tooth Gear                       | 2843214 | FRG-143N  |
| 1968                 | V8 6.3L 384 CI | w/143 Tooth Gear                       | 2843214 | FRG-143N  |
| 1968-71              | V8 6.3L 383 CI | w/131 Tooth Gear (I.D. 12.160")        | 1941648 | FRG-130T  |
| 1968-71              | V8 6.3L 384 CI | w/131 Tooth Gear (I.D. 12.160")        | 1941648 | FRG-130T  |
| 1968-73              | V8 5.2L 318 CI | w/131 Tooth Gear (I.D. 12.160")        | 1941648 | FRG-130T  |
| 1975-78              | V8 5.2L 318 CI | w/131 Tooth Gear (I.D. 12.160")        | 1941648 | FRG-130T  |
| 1968-73              | V8 7.2L 440 CI | exc. Hi-Perf. Engine; w/131 Tooth Gear | 1941648 | FRG-130T  |
| 1971-76              | V8 5.9L 360 CI | w/131 Tooth Gear (I.D. 12.160")        | 1941648 | FRG-130T  |
| 1971-78              | V8 5.9L 360 CI | w/122 Tooth Gear (I.D. 11.190")        | 2121196 | FRG-122T  |
| 1974-78              | V8 5.9L 360 CI | w/130 Tooth Gear (I.D. 11.190")        | 3515203 | FRG-130C  |
| 1974-78              | V8 6.6L 400 CI | w/130 Tooth Gear (I.D. 11.190")        | 3515203 | FRG-130C  |
| 1974-75              | V8 7.2L 440 CI | w/130 Tooth Gear (I.D. 11.190")        | 3515203 | FRG-130C  |
| 1977-78              | V8 7.2L 440 CI | w/130 Tooth Gear (I.D. 11.190")        | 3515203 | FRG-130C  |
| 1975-78              | V8 5.2L 318 CI | w/130 Tooth Gear (I.D. 11.190")        | 3515203 | FRG-130C  |
| 1968-73              | V8 5.2L 318 CI | w/122 Tooth Gear (I.D. 11.190")        | 2121196 | FRG-122T  |
| 1975-78              | V8 5.2L 318 CI | w/122 Tooth Gear (I.D. 11.190")        | 2121196 | FRG-122T  |
| 1974-78              | V8 6.6L 400 CI | w/122 Tooth Gear (I.D. 11.190")        | 2121196 | FRG-122T  |

# RING GEAR APPLICATIONS

| Years           | Engine         | Remarks                                | OE      | Pioneer # |
|-----------------|----------------|--|---------|-----------|
| <b>PLYMOUTH</b> |                |  |         |           |
| <b>FURY I</b>   |                |  |         |           |
| 1968            | V8 6.3L 383 CI | w/143 Tooth Gear                       | 2843214 | FRG-143N  |
| 1968            | V8 6.3L 384 CI | w/143 Tooth Gear                       | 2843214 | FRG-143N  |
| 1968-71         | V8 6.3L 383 CI | w/131 Tooth Gear (I.D. 12.160")        | 1941648 | FRG-130T  |
| 1968-71         | V8 6.3L 384 CI | w/131 Tooth Gear (I.D. 12.160")        | 1941648 | FRG-130T  |
| 1968-73         | V8 5.2L 318 CI | w/131 Tooth Gear (I.D. 12.160")        | 1941648 | FRG-130T  |
| 1968-73         | V8 5.2L 318 CI | w/122 Tooth Gear (I.D. 11.190")        | 2121196 | FRG-122T  |
| 1968-73         | V8 7.2L 440 CI | exc. Hi-Perf. Engine; w/131 Tooth Gear | 1941648 | FRG-130T  |
| 1971-74         | V8 5.9L 360 CI | w/131 Tooth Gear (I.D. 12.160")        | 1941648 | FRG-130T  |
| 1971-74         | V8 5.9L 360 CI | w/122 Tooth Gear (I.D. 11.190")        | 2121196 | FRG-122T  |
| 1974            | V8 5.9L 360 CI | w/130 Tooth Gear (I.D. 11.190")        | 3515203 | FRG-130C  |
| 1974            | V8 6.6L 400 CI | w/130 Tooth Gear (I.D. 11.190")        | 3515203 | FRG-130C  |
| 1974            | V8 6.6L 400 CI | w/122 Tooth Gear (I.D. 11.190")        | 2121196 | FRG-122T  |
| <b>FURY II</b>  |                |  |         |           |
| 1968            | V8 6.3L 383 CI | w/143 Tooth Gear                       | 2843214 | FRG-143N  |
| 1968            | V8 6.3L 384 CI | w/143 Tooth Gear                       | 2843214 | FRG-143N  |
| 1968-71         | V8 6.3L 383 CI | w/131 Tooth Gear (I.D. 12.160")        | 1941648 | FRG-130T  |
| 1968-71         | V8 6.3L 384 CI | w/131 Tooth Gear (I.D. 12.160")        | 1941648 | FRG-130T  |
| 1968-73         | V8 5.2L 318 CI | w/131 Tooth Gear (I.D. 12.160")        | 1941648 | FRG-130T  |
| 1968-73         | V8 5.2L 318 CI | w/122 Tooth Gear (I.D. 11.190")        | 2121196 | FRG-122T  |
| 1968-73         | V8 7.2L 440 CI | exc. Hi-Perf. Engine; w/131 Tooth Gear | 1941648 | FRG-130T  |
| 1971-74         | V8 5.9L 360 CI | w/122 Tooth Gear (I.D. 11.190")        | 2121196 | FRG-122T  |
| 1971-74         | V8 5.9L 360 CI | w/131 Tooth Gear (I.D. 12.160")        | 1941648 | FRG-130T  |
| 1974            | V8 5.9L 360 CI | w/130 Tooth Gear (I.D. 11.190")        | 3515203 | FRG-130C  |
| 1974            | V8 6.6L 400 CI | w/130 Tooth Gear (I.D. 11.190")        | 3515203 | FRG-130C  |
| 1974            | V8 6.6L 400 CI | w/122 Tooth Gear (I.D. 11.190")        | 2121196 | FRG-122T  |
| 1974            | V8 7.2L 440 CI | w/130 Tooth Gear (I.D. 11.190")        | 3515203 | FRG-130C  |
| <b>FURY III</b> |                |  |         |           |
| 1968            | V8 6.3L 383 CI | w/143 Tooth Gear                       | 2843214 | FRG-143N  |
| 1968            | V8 6.3L 384 CI | w/143 Tooth Gear                       | 2843214 | FRG-143N  |
| 1968-71         | V8 6.3L 383 CI | w/131 Tooth Gear (I.D. 12.160")        | 1941648 | FRG-130T  |
| 1968-71         | V8 6.3L 384 CI | w/131 Tooth Gear (I.D. 12.160")        | 1941648 | FRG-130T  |
| 1968-73         | V8 5.2L 318 CI | w/122 Tooth Gear (I.D. 11.190")        | 2121196 | FRG-122T  |
| 1968-73         | V8 5.2L 318 CI | w/131 Tooth Gear (I.D. 12.160")        | 1941648 | FRG-130T  |
| 1968-73         | V8 7.2L 440 CI | exc. Hi-Perf. Engine; w/131 Tooth Gear | 1941648 | FRG-130T  |
| 1971-74         | V8 5.9L 360 CI | w/131 Tooth Gear (I.D. 12.160")        | 1941648 | FRG-130T  |
| 1971-74         | V8 5.9L 360 CI | w/122 Tooth Gear (I.D. 11.190")        | 2121196 | FRG-122T  |
| 1974            | V8 5.9L 360 CI | w/130 Tooth Gear (I.D. 11.190")        | 3515203 | FRG-130C  |
| 1974            | V8 6.6L 400 CI | w/130 Tooth Gear (I.D. 11.190")        | 3515203 | FRG-130C  |
| 1974            | V8 6.6L 400 CI | w/122 Tooth Gear (I.D. 11.190")        | 2121196 | FRG-122T  |
| 1974            | V8 7.2L 440 CI | w/130 Tooth Gear (I.D. 11.190")        | 3515203 | FRG-130C  |

# RING GEAR APPLICATIONS

| Years             | Engine         | Remarks  | OE      | Pioneer # |
|-------------------|----------------|--|---------|-----------|
| <b>PLYMOUTH</b>   |                |  |         |           |
| <b>GRAN FURY</b>  |                |  |         |           |
| 1972-73           | V8 5.2L 318 CI | w/131 Tooth Gear (I.D. 12.160")  | 1941648 | FRG-130T  |
| 1975-77           | V8 5.2L 318 CI | w/131 Tooth Gear (I.D. 12.160")  | 1941648 | FRG-130T  |
| 1980-81           | V8 5.2L 318 CI | w/131 Tooth Gear (I.D. 12.160")  | 1941648 | FRG-130T  |
| 1972-73           | V8 5.2L 318 CI | w/122 Tooth Gear (I.D. 11.190")  | 2121196 | FRG-122T  |
| 1975-77           | V8 5.2L 318 CI | w/122 Tooth Gear (I.D. 11.190")  | 2121196 | FRG-122T  |
| 1980-87           | V8 5.2L 318 CI | w/122 Tooth Gear (I.D. 11.190")  | 2121196 | FRG-122T  |
| 1972-76           | V8 7.2L 440 CI | exc. Hi-Perf. Engine; w/131 Tooth Gear,<br>w/131 Tooth Gear (I.D. 12.160") | 1941648 | FRG-130T  |
| 1972-76           | V8 5.9L 360 CI | w/131 Tooth Gear (I.D. 12.160")  | 1941648 | FRG-130T  |
| 1972-77           | V8 5.9L 360 CI | w/122 Tooth Gear (I.D. 11.190")  | 2121196 | FRG-122T  |
| 1980              | V8 5.9L 360 CI | w/122 Tooth Gear (I.D. 11.190")  | 2121196 | FRG-122T  |
| 1974-77           | V8 6.6L 400 CI | w/130 Tooth Gear (I.D. 11.190")  | 3515203 | FRG-130C  |
| 1974-77           | V8 6.6L 400 CI | w/122 Tooth Gear (I.D. 11.190")  | 2121196 | FRG-122T  |
| 1977              | V8 7.2L 440 CI | w/130 Tooth Gear (I.D. 11.190")  | 3515203 | FRG-130C  |
| 1974-77           | V8 5.9L 360 CI | w/130 Tooth Gear (I.D. 11.190")  | 3515203 | FRG-130C  |
| 1980              | V8 5.9L 360 CI | w/130 Tooth Gear (I.D. 11.190")  | 3515203 | FRG-130C  |
| 1975-77           | V8 5.2L 318 CI | w/130 Tooth Gear (I.D. 11.190")  | 3515203 | FRG-130C  |
| 1980-83           | V8 5.2L 318 CI | w/130 Tooth Gear (I.D. 11.190")  | 3515203 | FRG-130C  |
| <b>GTX</b>        |                |  |         |           |
| 1967              | V8 7.0L 426 CI | exc. Hi-Perf. Engine; w/131 Tooth Gear                                     | 1941648 | FRG-130T  |
| 1967              | V8 7.0L 426 CI | w/Hi-Perf. Engine; w/172 Tooth Gear  | 1673646 | FRG-172NC |
| 1967              | V8 7.2L 440 CI | w/Hi-Perf. Engine; w/143 Tooth Gear  | 2843214 | FRG-143N  |
| 1967              | V8 7.2L 440 CI | exc. Hi-Perf. Engine; w/131 Tooth Gear                                     | 1941648 | FRG-130T  |
| <b>HORIZON</b>    |                |  |         |           |
| 1978-83           | L4 1.7L 105 CI | w/125 Teeth Gear   | 5240159 | FRG-125A  |
| 1981              | L4 2.2L 135 CI | w/139 Tooth Gear; .331" Width  | 5222789 | FRG-139A  |
| 1981-83           | L4 1.7L 105 CI | w/131 Teeth Gear   | 5206000 | FRG-133CH |
| 1983-85           | L4 1.6L 97 CI  | w/121 Tooth Gear   | 4202950 | FRG-121G  |
| 1984-85           | L4 2.2L 135 CI | w/139 Tooth Gear; .272" Width  | 4348276 | FRG-139CH |
| 1986              | L4 1.6L 97 CI  | w/139 Tooth Gear; .272" Width  | 4348276 | FRG-139CH |
| <b>PLAZA</b>      |                |  |         |           |
| 1956              | V8 4.4L 270 CI | w/146 Tooth Gear   | 1138903 | FRG-146XF |
| <b>RELIANT</b>    |                |  |         |           |
| 1981-82           | L4 2.2L 135 CI | w/139 Tooth Gear; .331" Width  | 5222789 | FRG-139A  |
| 1984-86           | L4 2.2L 135 CI | w/139 Tooth Gear; .272" Width  | 4348276 | FRG-139CH |
| 1985              | L4 2.6L 156 CI | w/139 Tooth Gear; .272" Width  | 4348276 | FRG-139CH |
| <b>ROADRUNNER</b> |                |  |         |           |
| 1968              | V8 4.5L 273 CI | w/131 Tooth Gear   | 1941648 | FRG-130T  |
| 1968              | V8 4.5L 273 CI | w/122 Tooth Gear (I.D. 11.190")  | 2121196 | FRG-122T  |
| 1968              | V8 6.3L 383 CI | w/143 Tooth Gear   | 2843214 | FRG-143N  |

# RING GEAR APPLICATIONS

| Years             | Engine         | Remarks  | OE      | Pioneer # |
|-------------------|----------------|--|---------|-----------|
| <b>PLYMOUTH</b>   |                |  |         |           |
| <b>ROADRUNNER</b> |                |  |         |           |
| 1968              | V8 6.3L 384 CI | w/143 Tooth Gear   | 2843214 | FRG-143N  |
| 1968-71           | V8 6.3L 383 CI | w/131 Tooth Gear (I.D. 12.160")  | 1941648 | FRG-130T  |
| 1968-71           | V8 6.3L 384 CI | w/131 Tooth Gear (I.D. 12.160")  | 1941648 | FRG-130T  |
| 1968-71           | V8 7.0L 426 CI | exc. Hi-Perf. Engine; w/131 Tooth Gear   | 1941648 | FRG-130T  |
| 1969-74           | V8 7.2L 440 CI | exc. Hi-Perf. Engine; w/131 Tooth Gear   | 1941648 | FRG-130T  |
| 1971-73           | V8 5.6L 340 CI | w/131 Tooth Gear (I.D. 12.160")  | 1941648 | FRG-130T  |
| 1968              | V8 5.2L 318 CI | w/131 Tooth Gear (I.D. 12.160")  | 1941648 | FRG-130T  |
| 1972-75           | V8 5.2L 318 CI | w/131 Tooth Gear (I.D. 12.160")  | 1941648 | FRG-130T  |
| 1974-75           | V8 5.9L 360 CI | w/131 Tooth Gear (I.D. 12.160")  | 1941648 | FRG-130T  |
| 1974-75           | V8 5.9L 360 CI | w/130 Tooth Gear (I.D. 11.190")  | 3515203 | FRG-130C  |
| 1974-75           | V8 5.9L 360 CI | w/122 Tooth Gear (I.D. 11.190")  | 2121196 | FRG-122T  |
| 1968              | V8 5.2L 318 CI | w/122 Tooth Gear (I.D. 11.190")  | 2121196 | FRG-122T  |
| 1972-75           | V8 5.2L 318 CI | w/122 Tooth Gear (I.D. 11.190")  | 2121196 | FRG-122T  |
| 1974-75           | V8 5.2L 318 CI | w/130 Tooth Gear (I.D. 11.190")  | 3515203 | FRG-130C  |
| 1974-75           | V8 6.6L 400 CI | w/122 Tooth Gear (I.D. 11.190")  | 2121196 | FRG-122T  |
| 1974-75           | V8 6.6L 400 CI | w/130 Tooth Gear (I.D. 11.190")  | 3515203 | FRG-130C  |
| <b>SATELLITE</b>  |                |  |         |           |
| 1965-67           | V8 7.0L 426 CI | w/Hi-Perf. Engine; w/131 Tooth Gear,<br>exc. Hi-Perf. Engine; w/131 Tooth Gear | 1941648 | FRG-130T  |
| 1965-74           | V8 5.2L 318 CI | w/131 Tooth Gear (I.D. 12.160")  | 1941648 | FRG-130T  |
| 1966-67           | V8 7.2L 440 CI | w/Hi-Perf. Engine; w/131 Tooth Gear,<br>exc. Hi-Perf. Engine; w/131 Tooth Gear | 1941648 | FRG-130T  |
| 1967              | V8 7.0L 426 CI | w/Hi-Perf. Engine; w/172 Tooth Gear  | 1673646 | FRG-172NC |
| 1967              | V8 7.2L 440 CI | w/Hi-Perf. Engine; w/143 Tooth Gear  | 2843214 | FRG-143N  |
| 1967-68           | V8 4.5L 273 CI | w/131 Tooth Gear   | 1941648 | FRG-130T  |
| 1965-68           | V8 4.5L 273 CI | w/122 Tooth Gear (I.D. 11.190"), w/122<br>Tooth Gear                           | 2121196 | FRG-122T  |
| 1968              | V8 6.3L 383 CI | w/143 Tooth Gear   | 2843214 | FRG-143N  |
| 1968              | V8 6.3L 384 CI | w/143 Tooth Gear   | 2843214 | FRG-143N  |
| 1968-71           | V8 6.3L 383 CI | w/131 Tooth Gear (I.D. 12.160")  | 1941648 | FRG-130T  |
| 1968-71           | V8 6.3L 384 CI | w/131 Tooth Gear (I.D. 12.160")  | 1941648 | FRG-130T  |
| 1968-74           | V8 5.2L 318 CI | w/122 Tooth Gear (I.D. 11.190")  | 2121196 | FRG-122T  |
| 1972              | V8 5.6L 340 CI | w/131 Tooth Gear (I.D. 12.160")  | 1941648 | FRG-130T  |
| 1974              | V8 5.2L 318 CI | w/130 Tooth Gear (I.D. 11.190")  | 3515203 | FRG-130C  |
| 1974              | V8 5.9L 360 CI | w/122 Tooth Gear (I.D. 11.190")  | 2121196 | FRG-122T  |
| 1974              | V8 5.9L 360 CI | w/130 Tooth Gear (I.D. 11.190")  | 3515203 | FRG-130C  |
| 1974              | V8 5.9L 360 CI | w/131 Tooth Gear (I.D. 12.160")  | 1941648 | FRG-130T  |
| 1974              | V8 6.6L 400 CI | w/130 Tooth Gear (I.D. 11.190")  | 3515203 | FRG-130C  |
| 1974              | V8 6.6L 400 CI | w/122 Tooth Gear (I.D. 11.190")  | 2121196 | FRG-122T  |
| <b>SAVOY</b>      |                |  |         |           |
| 1956              | V8 4.4L 270 CI | w/146 Tooth Gear   | 1138903 | FRG-146XF |

# RING GEAR APPLICATIONS

| Years                 | Engine         | Remarks   | OE      | Pioneer # |
|-----------------------|----------------|---|---------|-----------|
| <b>PLYMOUTH</b>       |                |   |         |           |
| <b>SAVOY</b>          |                |   |         |           |
| 1960-64               | V8 5.2L 318 CI | exc. Hi-Perf. Engine; w/172 Tooth Gear            | 1673646 | FRG-172NC |
| 1962-64               | V8 5.2L 318 CI | w/Hi-Perf. Engine; w/131 Tooth Gear               | 1941648 | FRG-130T  |
| 1963-64               | V8 7.0L 426 CI | w/Hi-Perf. Engine; w/131 Tooth Gear               | 1941648 | FRG-130T  |
| 1963-64               | V8 7.0L 426 CI | exc. Hi-Perf. Engine; w/172 Tooth Gear            | 1673646 | FRG-172NC |
| 1964                  | V8 4.5L 273 CI | w/122 Tooth Gear                                  | 2121196 | FRG-122T  |
| <b>SCAMP</b>          |                |   |         |           |
| 1971-76               | V8 5.2L 318 CI | w/122 Tooth Gear (I.D. 11.190")                   | 2121196 | FRG-122T  |
| 1971-74               | L6 3.2L 198 CI | w/122 Tooth Gear (I.D. 11.190")                   | 2121196 | FRG-122T  |
| 1971-74               | L6 3.2L 199 CI | w/122 Tooth Gear (I.D. 11.190")                   | 2121196 | FRG-122T  |
| 1971-76               | V8 5.2L 318 CI | w/131 Tooth Gear (I.D. 12.160")                   | 1941648 | FRG-130T  |
| 1974-76               | V8 5.2L 318 CI | w/130 Tooth Gear (I.D. 11.190")                   | 3515203 | FRG-130C  |
| 1983                  | L4 2.2L 135 CI | w/122 Tooth Gear (I.D. 11.190")                   | 2121196 | FRG-122T  |
| <b>SPORT WAGON</b>    |                |   |         |           |
| 1960-61               | V8 5.2L 318 CI | exc. Hi-Perf. Engine; w/172 Tooth Gear            | 1673646 | FRG-172NC |
| <b>SUPERBIRD</b>      |                |   |         |           |
| 1970                  | V8 7.2L 440 CI | exc. Hi-Perf. Engine; w/131 Tooth Gear            | 1941648 | FRG-130T  |
| <b>PLYMOUTH TRUCK</b> |                |   |         |           |
| <b>PB100</b>          |                |   |         |           |
| 1975-80               | V8 5.2L 318 CI | w/131 Tooth Gear (I.D. 12.160"), w/131 Tooth Gear | 1941648 | FRG-130T  |
| 1975-80               | V8 5.2L 318 CI | w/130 Tooth Gear (I.D. 11.190")                   | 3515203 | FRG-130C  |
| 1975-80               | V8 5.2L 318 CI | w/122 Tooth Gear (I.D. 11.190")                   | 2121196 | FRG-122T  |
| 1976                  | V8 5.9L 360 CI | w/131 Tooth Gear (I.D. 12.160")                   | 1941648 | FRG-130T  |
| 1976-78               | V8 5.9L 360 CI | w/122 Tooth Gear (I.D. 11.190")                   | 2121196 | FRG-122T  |
| 1976-78               | V8 5.9L 360 CI | w/130 Tooth Gear (I.D. 11.190")                   | 3515203 | FRG-130C  |
| <b>PB100 VAN</b>      |                |   |         |           |
| 1974                  | V8 5.2L 318 CI | w/130 Tooth Gear (I.D. 11.190")                   | 3515203 | FRG-130C  |
| 1974                  | V8 5.2L 318 CI | w/122 Tooth Gear (I.D. 11.190")                   | 2121196 | FRG-122T  |
| 1974                  | V8 5.2L 318 CI | w/131 Tooth Gear (I.D. 12.160"), w/131 Tooth Gear | 1941648 | FRG-130T  |
| 1974                  | V8 5.9L 360 CI | w/131 Tooth Gear (I.D. 12.160")                   | 1941648 | FRG-130T  |
| 1974                  | V8 5.9L 360 CI | w/130 Tooth Gear (I.D. 11.190")                   | 3515203 | FRG-130C  |
| 1974                  | V8 5.9L 360 CI | w/122 Tooth Gear (I.D. 11.190")                   | 2121196 | FRG-122T  |
| <b>PB150</b>          |                |   |         |           |
| 1981                  | V8 5.2L 318 CI | w/131 Tooth Gear                                  | 1941648 | FRG-130T  |
| 1981                  | V8 5.2L 318 CI | w/130 Tooth Gear (I.D. 11.190")                   | 3515203 | FRG-130C  |
| 1983                  | V8 5.2L 318 CI | w/130 Tooth Gear (I.D. 11.190")                   | 3515203 | FRG-130C  |
| 1981                  | V8 5.2L 318 CI | w/122 Tooth Gear (I.D. 11.190")                   | 2121196 | FRG-122T  |
| 1983                  | V8 5.2L 318 CI | w/122 Tooth Gear (I.D. 11.190")                   | 2121196 | FRG-122T  |
| <b>PB200</b>          |                |   |         |           |
| 1975-80               | V8 5.2L 318 CI | w/131 Tooth Gear (I.D. 12.160"), w/131 Tooth Gear | 1941648 | FRG-130T  |

# RING GEAR APPLICATIONS

| Years                 | Engine         | Remarks   | OE      | Pioneer # |
|-----------------------|----------------|---|---------|-----------|
| <b>PLYMOUTH TRUCK</b> |                |   |         |           |
| <b>PB200</b>          |                |   |         |           |
| 1975-76               | V8 5.9L 360 CI | w/131 Tooth Gear (I.D. 12.160")                   | 1941648 | FRG-130T  |
| 1975-80               | V8 5.2L 318 CI | w/122 Tooth Gear (I.D. 11.190")                   | 2121196 | FRG-122T  |
| 1975-80               | V8 5.2L 318 CI | w/130 Tooth Gear (I.D. 11.190")                   | 3515203 | FRG-130C  |
| 1975-80               | V8 5.9L 360 CI | w/130 Tooth Gear (I.D. 11.190")                   | 3515203 | FRG-130C  |
| 1975-80               | V8 5.9L 360 CI | w/122 Tooth Gear (I.D. 11.190")                   | 2121196 | FRG-122T  |
| 1976-78               | V8 6.6L 400 CI | w/122 Tooth Gear (I.D. 11.190")                   | 2121196 | FRG-122T  |
| 1976-78               | V8 6.6L 400 CI | w/130 Tooth Gear (I.D. 11.190")                   | 3515203 | FRG-130C  |
| 1977-78               | V8 7.2L 440 CI | w/130 Tooth Gear (I.D. 11.190")                   | 3515203 | FRG-130C  |
| <b>PB200 VAN</b>      |                |   |         |           |
| 1974                  | V8 5.2L 318 CI | w/130 Tooth Gear (I.D. 11.190")                   | 3515203 | FRG-130C  |
| 1974                  | V8 5.2L 318 CI | w/122 Tooth Gear (I.D. 11.190")                   | 2121196 | FRG-122T  |
| 1974                  | V8 5.2L 318 CI | w/131 Tooth Gear, w/131 Tooth Gear (I.D. 12.160") | 1941648 | FRG-130T  |
| 1974                  | V8 5.9L 360 CI | w/130 Tooth Gear (I.D. 11.190")                   | 3515203 | FRG-130C  |
| 1974                  | V8 5.9L 360 CI | w/122 Tooth Gear (I.D. 11.190")                   | 2121196 | FRG-122T  |
| 1974                  | V8 5.9L 360 CI | w/131 Tooth Gear (I.D. 12.160")                   | 1941648 | FRG-130T  |
| <b>PB250</b>          |                |   |         |           |
| 1981                  | V8 5.2L 318 CI | w/131 Tooth Gear                                  | 1941648 | FRG-130T  |
| 1981-83               | V8 5.2L 318 CI | w/130 Tooth Gear (I.D. 11.190")                   | 3515203 | FRG-130C  |
| 1981-83               | V8 5.2L 318 CI | w/122 Tooth Gear (I.D. 11.190")                   | 2121196 | FRG-122T  |
| <b>PB300</b>          |                |   |         |           |
| 1975-76               | V8 5.9L 360 CI | w/131 Tooth Gear (I.D. 12.160")                   | 1941648 | FRG-130T  |
| 1975-80               | V8 5.2L 318 CI | w/131 Tooth Gear, w/131 Tooth Gear (I.D. 12.160") | 1941648 | FRG-130T  |
| 1975-80               | V8 5.2L 318 CI | w/130 Tooth Gear (I.D. 11.190")                   | 3515203 | FRG-130C  |
| 1975-80               | V8 5.2L 318 CI | w/122 Tooth Gear (I.D. 11.190")                   | 2121196 | FRG-122T  |
| 1975-80               | V8 5.9L 360 CI | w/130 Tooth Gear (I.D. 11.190")                   | 3515203 | FRG-130C  |
| 1975-80               | V8 5.9L 360 CI | w/122 Tooth Gear (I.D. 11.190")                   | 2121196 | FRG-122T  |
| 1976-78               | V8 6.6L 400 CI | w/130 Tooth Gear (I.D. 11.190")                   | 3515203 | FRG-130C  |
| 1976-78               | V8 6.6L 400 CI | w/122 Tooth Gear (I.D. 11.190")                   | 2121196 | FRG-122T  |
| 1977-78               | V8 7.2L 440 CI | w/130 Tooth Gear (I.D. 11.190")                   | 3515203 | FRG-130C  |
| <b>PB300 VAN</b>      |                |   |         |           |
| 1974                  | V8 5.2L 318 CI | w/131 Tooth Gear, w/131 Tooth Gear (I.D. 12.160") | 1941648 | FRG-130T  |
| 1974                  | V8 5.2L 318 CI | w/122 Tooth Gear (I.D. 11.190")                   | 2121196 | FRG-122T  |
| 1974                  | V8 5.2L 318 CI | w/130 Tooth Gear (I.D. 11.190")                   | 3515203 | FRG-130C  |
| 1974                  | V8 5.9L 360 CI | w/130 Tooth Gear (I.D. 11.190")                   | 3515203 | FRG-130C  |
| 1974                  | V8 5.9L 360 CI | w/122 Tooth Gear (I.D. 11.190")                   | 2121196 | FRG-122T  |
| 1974                  | V8 5.9L 360 CI | w/131 Tooth Gear (I.D. 12.160")                   | 1941648 | FRG-130T  |
| <b>PB350</b>          |                |   |         |           |
| 1981                  | V8 5.2L 318 CI | w/131 Tooth Gear                                  | 1941648 | FRG-130T  |

FRG 575

# RING GEAR APPLICATIONS

| Years                 | Engine         | Remarks   | OE      | Pioneer # |
|-----------------------|----------------|---|---------|-----------|
| <b>PLYMOUTH TRUCK</b> |                |   |         |           |
| <b>PB350</b>          |                |   |         |           |
| 1981-83               | V8 5.2L 318 CI | w/130 Tooth Gear (I.D. 11.190")                   | 3515203 | FRG-130C  |
| 1981-83               | V8 5.2L 318 CI | w/122 Tooth Gear (I.D. 11.190")                   | 2121196 | FRG-122T  |
| <b>SUBURBAN</b>       |                |   |         |           |
| 1956                  | V8 4.4L 270 CI | w/146 Tooth Gear                                  | 1138903 | FRG-146XF |
| 1960-61               | V8 5.2L 318 CI | exc. Hi-Perf. Engine; w/172 Tooth Gear            | 1673646 | FRG-172NC |
| <b>TRAILDUSTER</b>    |                |   |         |           |
| 1974-81               | V8 5.2L 318 CI | w/122 Tooth Gear (I.D. 11.190")                   | 2121196 | FRG-122T  |
| 1974-81               | V8 5.2L 318 CI | w/130 Tooth Gear (I.D. 11.190")                   | 3515203 | FRG-130C  |
| 1974-81               | V8 5.2L 318 CI | w/131 Tooth Gear, w/131 Tooth Gear (I.D. 12.160") | 1941648 | FRG-130T  |
| 1974-80               | V8 5.9L 360 CI | w/130 Tooth Gear (I.D. 11.190")                   | 3515203 | FRG-130C  |
| 1974-80               | V8 5.9L 360 CI | w/122 Tooth Gear (I.D. 11.190")                   | 2121196 | FRG-122T  |
| 1974-76               | V8 5.9L 360 CI | w/131 Tooth Gear (I.D. 12.160")                   | 1941648 | FRG-130T  |
| 1976-78               | V8 6.6L 400 CI | w/122 Tooth Gear (I.D. 11.190")                   | 2121196 | FRG-122T  |
| 1976-78               | V8 6.6L 400 CI | w/130 Tooth Gear (I.D. 11.190")                   | 3515203 | FRG-130C  |
| 1977-78               | V8 7.2L 440 CI | w/130 Tooth Gear (I.D. 11.190")                   | 3515203 | FRG-130C  |
| <b>PLYMOUTH</b>       |                |   |         |           |
| <b>TURISMO</b>        |                |   |         |           |
| 1983                  | L4 1.6L 97 CI  | w/121 Tooth Gear                                  | 4202950 | FRG-121G  |
| 1985                  | L4 1.6L 97 CI  | w/121 Tooth Gear                                  | 4202950 | FRG-121G  |
| <b>VALIANT</b>        |                |   |         |           |
| 1960-61               | L6 2.8L 170 CI | w/148 Tooth Gear                                  | 2121195 | FRG-148NC |
| 1962-65               | L6 2.8L 170 CI | w/Hi-Perf. Engine; w/131 Tooth Gear               | 1941648 | FRG-130T  |
| 1967-68               | V8 4.5L 273 CI | w/131 Tooth Gear                                  | 1941648 | FRG-130T  |
| 1964-68               | V8 4.5L 273 CI | w/122 Tooth Gear (I.D. 11.190"), w/122 Tooth Gear | 2121196 | FRG-122T  |
| 1962-69               | L6 2.8L 170 CI | exc. Hi-Perf. Engine; w/122 Tooth Gear            | 2121196 | FRG-122T  |
| 1968-76               | V8 5.2L 318 CI | w/131 Tooth Gear (I.D. 12.160")                   | 1941648 | FRG-130T  |
| 1970-74               | L6 3.2L 198 CI | w/122 Tooth Gear (I.D. 11.190")                   | 2121196 | FRG-122T  |
| 1970-74               | L6 3.2L 199 CI | w/122 Tooth Gear (I.D. 11.190")                   | 2121196 | FRG-122T  |
| 1974-76               | V8 5.2L 318 CI | w/130 Tooth Gear (I.D. 11.190")                   | 3515203 | FRG-130C  |
| 1968-76               | V8 5.2L 318 CI | w/122 Tooth Gear (I.D. 11.190")                   | 2121196 | FRG-122T  |
| 1976                  | V8 5.9L 360 CI | w/131 Tooth Gear (I.D. 12.160")                   | 1941648 | FRG-130T  |
| 1976                  | V8 5.9L 360 CI | w/122 Tooth Gear (I.D. 11.190")                   | 2121196 | FRG-122T  |
| 1976                  | V8 5.9L 360 CI | w/130 Tooth Gear (I.D. 11.190")                   | 3515203 | FRG-130C  |
| <b>VIP</b>            |                |   |         |           |
| 1967                  | V8 5.2L 318 CI | w/131 Tooth Gear (I.D. 12.160")                   | 1941648 | FRG-130T  |
| 1967                  | V8 7.2L 440 CI | exc. Hi-Perf. Engine; w/131 Tooth Gear            | 1941648 | FRG-130T  |
| 1967                  | V8 7.2L 440 CI | w/Hi-Perf. Engine; w/143 Tooth Gear               | 2843214 | FRG-143N  |
| <b>VOLARE</b>         |                |   |         |           |
| 1976-80               | V8 5.2L 318 CI | w/131 Tooth Gear (I.D. 12.160"), w/131 Tooth Gear | 1941648 | FRG-130T  |

# RING GEAR APPLICATIONS

| Years             | Engine         | Remarks                         | OE      | Pioneer # |
|-------------------|----------------|---------------------------------|---------|-----------|
| <b>PLYMOUTH</b>   |                |                                 |         |           |
| <b>VOLARE</b>     |                |                                 |         |           |
| 1976              | V8 5.9L 360 CI | w/131 Tooth Gear (I.D. 12.160") | 1941648 | FRG-130T  |
| 1976-80           | V8 5.2L 318 CI | w/130 Tooth Gear (I.D. 11.190") | 3515203 | FRG-130C  |
| 1976-80           | V8 5.2L 318 CI | w/122 Tooth Gear (I.D. 11.190") | 2121196 | FRG-122T  |
| 1976-80           | V8 5.9L 360 CI | w/122 Tooth Gear (I.D. 11.190") | 2121196 | FRG-122T  |
| 1976-80           | V8 5.9L 360 CI | w/130 Tooth Gear (I.D. 11.190") | 3515203 | FRG-130C  |
| <b>VOYAGER</b>    |                |                                 |         |           |
| 1984-87           | L4 2.2L 135 CI | w/139 Tooth Gear; .272" Width   | 4348276 | FRG-139CH |
| 1984-87           | L4 2.6L 156 CI | w/139 Tooth Gear; .272" Width   | 4348276 | FRG-139CH |
| <b>PONTIAC</b>    |                |                                 |         |           |
| <b>6000</b>       |                |                                 |         |           |
| 1982-85           | V6 4.3L 260 CI | w/153 Tooth Gear                | 3991407 | FRG-153B  |
| 1982-89           | V6 2.8L 173 CI | w/142 Tooth Gear                | 359115  | FRG-142W  |
| 1988-91           | V6 3.1L 189 CI | w/142 Tooth Gear                | 359115  | FRG-142W  |
| <b>ASTRE</b>      |                |                                 |         |           |
| 1975-77           | L4 2.3L 140 CI | w/153 Tooth Gear                | 3991407 | FRG-153B  |
| <b>BONNEVILLE</b> |                |                                 |         |           |
| 1963-65           | V8 6.9L 421 CI | w/166 Tooth Gear                | 383812  | FRG-166N  |
| 1963-66           | V8 6.4L 389 CI | w/166 Tooth Gear                | 383812  | FRG-166N  |
| 1967-69           | V8 7.0L 428 CI | w/166 Tooth Gear                | 383812  | FRG-166N  |
| 1970-74           | V8 7.5L 455 CI | w/166 Tooth Gear                | 383812  | FRG-166N  |
| 1968-71           | V8 6.6L 400 CI | w/166 Tooth Gear                | 383812  | FRG-166N  |
| 1973-78           | V8 6.6L 400 CI | w/166 Tooth Gear                | 383812  | FRG-166N  |
| 1976-78           | V8 6.6L 400 CI | w/166 Teeth Gear                | 499858  | FRG-166W  |
| 1977              | V8 5.7L 350 CI | w/166 Tooth Gear                | 383812  | FRG-166N  |
| 1977-78           | V8 6.6L 403 CI | w/166 Teeth Gear                | 499858  | FRG-166W  |
| 1977-79           | V8 6.6L 403 CI | w/166 Tooth Gear                | 383812  | FRG-166N  |
| 1977-80           | V8 4.9L 301 CI | w/166 Teeth Gear                | 499858  | FRG-166W  |
| 1980-81           | V8 4.3L 265 CI | w/166 Teeth Gear                | 499858  | FRG-166W  |
| 1980-86           | V6 3.8L 232 CI | w/153 Tooth Gear                | 3991407 | FRG-153B  |
| 1981              | V8 5.0L 307 CI | w/153 Tooth Gear                | 3991407 | FRG-153B  |
| 1983-86           | V8 5.0L 305 CI | w/153 Tooth Gear                | 3991407 | FRG-153B  |
| 1984              | V8 5.7L 350 CI | w/168 Tooth Gear                | 3991408 | FRG-168S  |
| 1986              | V6 4.3L 262 CI | w/153 Tooth Gear                | 3991407 | FRG-153B  |
| <b>CATALINA</b>   |                |                                 |         |           |
| 1963-66           | V8 6.4L 389 CI | w/166 Tooth Gear                | 383812  | FRG-166N  |
| 1963-66           | V8 6.9L 421 CI | w/166 Tooth Gear                | 383812  | FRG-166N  |
| 1967-69           | V8 7.0L 428 CI | w/166 Tooth Gear                | 383812  | FRG-166N  |
| 1970-73           | V8 5.7L 350 CI | w/166 Tooth Gear                | 383812  | FRG-166N  |
| 1977              | V8 5.7L 350 CI | w/166 Tooth Gear                | 383812  | FRG-166N  |
| 1970-74           | V8 7.5L 455 CI | w/166 Tooth Gear                | 383812  | FRG-166N  |



# RING GEAR APPLICATIONS

| Years            | Engine         | Remarks          | OE       | Pioneer # |
|------------------|----------------|------------------|----------|-----------|
| <b>PONTIAC</b>   |                |                  |          |           |
| <b>CATALINA</b>  |                |                  |          |           |
| 1968-78          | V8 6.6L 400 CI | w/166 Tooth Gear | 383812   | FRG-166N  |
| 1976-78          | V8 6.6L 400 CI | w/166 Teeth Gear | 499858   | FRG-166W  |
| 1977-78          | V8 6.6L 403 CI | w/166 Teeth Gear | 499858   | FRG-166W  |
| 1977-79          | V8 6.6L 403 CI | w/166 Tooth Gear | 383812   | FRG-166N  |
| 1977-80          | V8 4.9L 301 CI | w/166 Teeth Gear | 499858   | FRG-166W  |
| 1980             | V6 3.8L 229 CI | w/153 Tooth Gear | 3991407  | FRG-153B  |
| 1980             | V8 5.0L 305 CI | w/168 Tooth Gear | 3991408  | FRG-168S  |
| 1980-81          | V6 3.8L 232 CI | w/153 Tooth Gear | 3991407  | FRG-153B  |
| 1980-81          | V8 4.3L 265 CI | w/166 Teeth Gear | 499858   | FRG-166W  |
| 1981             | V8 5.0L 305 CI | w/153 Tooth Gear | 3991407  | FRG-153B  |
| 1981             | V8 5.0L 307 CI | w/153 Tooth Gear | 3991407  | FRG-153B  |
| <b>EXECUTIVE</b> |                |                  |          |           |
| 1967-69          | V8 7.0L 428 CI | w/166 Tooth Gear | 383812   | FRG-166N  |
| 1967-70          | V8 6.6L 400 CI | w/166 Tooth Gear | 383812   | FRG-166N  |
| 1970             | V8 7.5L 455 CI | w/166 Tooth Gear | 383812   | FRG-166N  |
| <b>FIERO</b>     |                |                  |          |           |
| 1985-88          | V6 2.8L 173 CI | w/142 Tooth Gear | 359115   | FRG-142W  |
| <b>FIREBIRD</b>  |                |                  |          |           |
| 1968-79          | V8 6.6L 400 CI | w/166 Tooth Gear | 383812   | FRG-166N  |
| 1971-76          | L6 4.1L 250 CI | w/168 Tooth Gear | 3991408  | FRG-168S  |
| 1971-74          | V8 7.5L 455 CI | w/166 Tooth Gear | 383812   | FRG-166N  |
| 1968-74          | V8 5.7L 350 CI | w/166 Tooth Gear | 383812   | FRG-166N  |
| 1976-77          | V8 5.7L 350 CI | w/166 Tooth Gear | 383812   | FRG-166N  |
| 1975-76          | L6 4.1L 250 CI | w/153 Tooth Gear | 3991407  | FRG-153B  |
| 1976-78          | V8 6.6L 400 CI | w/166 Teeth Gear | 499858   | FRG-166W  |
| 1977-78          | V8 6.6L 403 CI | w/166 Teeth Gear | 499858   | FRG-166W  |
| 1977-79          | V8 6.6L 403 CI | w/166 Tooth Gear | 383812   | FRG-166N  |
| 1977-81          | V8 5.0L 305 CI | w/168 Tooth Gear | 3991408  | FRG-168S  |
| 1978-79          | V8 5.7L 350 CI | w/168 Tooth Gear | 3991408  | FRG-168S  |
| 1977             | V8 4.9L 301 CI | w/166 Teeth Gear | 499858   | FRG-166W  |
| 1979-81          | V8 4.9L 301 CI | w/166 Teeth Gear | 499858   | FRG-166W  |
| 1980-81          | V8 4.3L 265 CI | w/166 Teeth Gear | 499858   | FRG-166W  |
| 1980-81          | V6 3.8L 232 CI | w/153 Tooth Gear | 3991407  | FRG-153B  |
| 1981             | V8 4.4L 267 CI | w/168 Tooth Gear | 3991408  | FRG-168S  |
| 1982-89          | V6 2.8L 173 CI | w/148 Tooth Gear | 14033090 | FRG-148B  |
| 1982-89          | V8 5.0L 305 CI | w/153 Tooth Gear | 3991407  | FRG-153B  |
| 1987-89          | V8 5.7L 350 CI | w/153 Tooth Gear | 3991407  | FRG-153B  |
| <b>GRAND AM</b>  |                |                  |          |           |
| 1973             | V8 5.7L 350 CI | w/166 Tooth Gear | 383812   | FRG-166N  |
| 1973-74          | V8 7.5L 455 CI | w/166 Tooth Gear | 383812   | FRG-166N  |

# RING GEAR APPLICATIONS

| Years               | Engine         | Remarks          | OE      | Pioneer # |
|---------------------|----------------|------------------|---------|-----------|
| <b>PONTIAC</b>      |                |                  |         |           |
| <b>GRAND AM</b>     |                |                  |         |           |
| 1973-75             | V8 6.6L 400 CI | w/166 Tooth Gear | 383812  | FRG-166N  |
| 1978-79             | V8 5.0L 305 CI | w/153 Tooth Gear | 3991407 | FRG-153B  |
| 1978-80             | V8 4.9L 301 CI | w/166 Teeth Gear | 499858  | FRG-166W  |
| 1980                | V8 5.0L 305 CI | w/168 Tooth Gear | 3991408 | FRG-168S  |
| 1985-87             | V6 3.0L 181 CI | w/142 Tooth Gear | 359115  | FRG-142W  |
| <b>GRAND LEMANS</b> |                |                  |         |           |
| 1975-76             | L6 4.1L 250 CI | w/168 Tooth Gear | 3991408 | FRG-168S  |
| 1975-76             | L6 4.1L 250 CI | w/153 Tooth Gear | 3991407 | FRG-153B  |
| 1975-77             | V8 6.6L 400 CI | w/166 Tooth Gear | 383812  | FRG-166N  |
| 1976                | V8 4.3L 260 CI | w/168 Tooth Gear | 3991408 | FRG-168S  |
| 1976-77             | V8 5.7L 350 CI | w/166 Tooth Gear | 383812  | FRG-166N  |
| 1976-77             | V8 6.6L 400 CI | w/166 Teeth Gear | 499858  | FRG-166W  |
| 1977                | V8 6.6L 403 CI | w/166 Teeth Gear | 499858  | FRG-166W  |
| 1977                | V8 6.6L 403 CI | w/166 Tooth Gear | 383812  | FRG-166N  |
| 1977-79             | V8 5.7L 350 CI | w/168 Tooth Gear | 3991408 | FRG-168S  |
| 1977                | V8 4.9L 301 CI | w/166 Teeth Gear | 499858  | FRG-166W  |
| 1979-81             | V8 4.9L 301 CI | w/166 Teeth Gear | 499858  | FRG-166W  |
| 1980                | V8 5.0L 305 CI | w/168 Tooth Gear | 3991408 | FRG-168S  |
| 1980-81             | V8 4.3L 265 CI | w/166 Teeth Gear | 499858  | FRG-166W  |
| 1980-81             | V6 3.8L 229 CI | w/153 Tooth Gear | 3991407 | FRG-153B  |
| 1980-81             | V6 3.8L 232 CI | w/153 Tooth Gear | 3991407 | FRG-153B  |
| 1981-83             | V8 5.0L 305 CI | w/153 Tooth Gear | 3991407 | FRG-153B  |
| 1982                | V8 4.4L 267 CI | w/153 Tooth Gear | 3991407 | FRG-153B  |
| 1982-83             | V6 3.8L 231 CI | w/153 Tooth Gear | 3991407 | FRG-153B  |
| <b>GRAND PRIX</b>   |                |                  |         |           |
| 1963-65             | V8 6.9L 421 CI | w/166 Tooth Gear | 383812  | FRG-166N  |
| 1963-66             | V8 6.4L 389 CI | w/166 Tooth Gear | 383812  | FRG-166N  |
| 1967-69             | V8 7.0L 428 CI | w/166 Tooth Gear | 383812  | FRG-166N  |
| 1968-77             | V8 6.6L 400 CI | w/166 Tooth Gear | 383812  | FRG-166N  |
| 1970-74             | V8 7.5L 455 CI | w/166 Tooth Gear | 383812  | FRG-166N  |
| 1976-77             | V8 5.7L 350 CI | w/166 Tooth Gear | 383812  | FRG-166N  |
| 1976-77             | V8 6.6L 400 CI | w/166 Teeth Gear | 499858  | FRG-166W  |
| 1977                | V8 6.6L 403 CI | w/166 Teeth Gear | 499858  | FRG-166W  |
| 1977                | V8 6.6L 403 CI | w/166 Tooth Gear | 383812  | FRG-166N  |
| 1977-80             | V8 4.9L 301 CI | w/166 Teeth Gear | 499858  | FRG-166W  |
| 1980                | V8 5.0L 305 CI | w/168 Tooth Gear | 3991408 | FRG-168S  |
| 1980-81             | V8 4.3L 265 CI | w/166 Teeth Gear | 499858  | FRG-166W  |
| 1980-83             | V6 3.8L 232 CI | w/153 Tooth Gear | 3991407 | FRG-153B  |
| 1981-82             | V8 4.4L 267 CI | w/153 Tooth Gear | 3991407 | FRG-153B  |
| 1978-79             | V8 5.0L 305 CI | w/153 Tooth Gear | 3991407 | FRG-153B  |

# RING GEAR APPLICATIONS

| Years                | Engine         | Remarks          | OE      | Pioneer # |
|----------------------|----------------|------------------|---------|-----------|
| <b>PONTIAC</b>       |                |                  |         |           |
| <b>GRAND PRIX</b>    |                |                  |         |           |
| 1983-87              | V8 5.0L 305 CI | w/153 Tooth Gear | 3991407 | FRG-153B  |
| 1984                 | V8 5.7L 350 CI | w/168 Tooth Gear | 3991408 | FRG-168S  |
| 1986-87              | V6 4.3L 262 CI | w/153 Tooth Gear | 3991407 | FRG-153B  |
| 1988-89              | V6 2.8L 173 CI | w/142 Tooth Gear | 359115  | FRG-142W  |
| 1989-95              | V6 3.1L 189 CI | w/142 Tooth Gear | 359115  | FRG-142W  |
| <b>GRAND SAFARI</b>  |                |                  |         |           |
| 1971-74              | V8 7.5L 455 CI | w/166 Tooth Gear | 383812  | FRG-166N  |
| 1971                 | V8 6.6L 400 CI | w/166 Tooth Gear | 383812  | FRG-166N  |
| 1973-78              | V8 6.6L 400 CI | w/166 Tooth Gear | 383812  | FRG-166N  |
| 1976-78              | V8 6.6L 400 CI | w/166 Teeth Gear | 499858  | FRG-166W  |
| 1977                 | V8 4.9L 301 CI | w/166 Teeth Gear | 499858  | FRG-166W  |
| 1977-78              | V8 6.6L 403 CI | w/166 Tooth Gear | 383812  | FRG-166N  |
| 1977-78              | V8 6.6L 403 CI | w/166 Teeth Gear | 499858  | FRG-166W  |
| <b>GRANDVILLE</b>    |                |                  |         |           |
| 1971-74              | V8 7.5L 455 CI | w/166 Tooth Gear | 383812  | FRG-166N  |
| 1973                 | V8 6.6L 400 CI | w/166 Tooth Gear | 383812  | FRG-166N  |
| 1975                 | V8 6.6L 400 CI | w/166 Tooth Gear | 383812  | FRG-166N  |
| <b>GTO</b>           |                |                  |         |           |
| 1964-66              | V8 6.4L 389 CI | w/166 Tooth Gear | 383812  | FRG-166N  |
| 1968-71              | V8 6.6L 400 CI | w/166 Tooth Gear | 383812  | FRG-166N  |
| 1970-71              | V8 7.5L 455 CI | w/166 Tooth Gear | 383812  | FRG-166N  |
| <b>J2000</b>         |                |                  |         |           |
| 1982                 | L4 1.8L 112 CI | w/142 Tooth Gear | 359115  | FRG-142W  |
| 1983                 | L4 2.0L 122 CI | w/142 Tooth Gear | 359115  | FRG-142W  |
| <b>J2000 SUNBIRD</b> |                |                  |         |           |
| 1984                 | L4 2.0L 122 CI | w/142 Tooth Gear | 359115  | FRG-142W  |
| <b>LAURENTIAN</b>    |                |                  |         |           |
| 1976                 | V8 6.6L 400 CI | w/166 Teeth Gear | 499858  | FRG-166W  |
| 1976                 | V8 6.6L 400 CI | w/166 Tooth Gear | 383812  | FRG-166N  |
| 1977                 | V8 5.7L 350 CI | w/166 Tooth Gear | 383812  | FRG-166N  |
| 1978-79              | V8 5.7L 350 CI | w/168 Tooth Gear | 3991408 | FRG-168S  |
| 1980                 | V6 3.8L 229 CI | w/153 Tooth Gear | 3991407 | FRG-153B  |
| 1980                 | V8 5.0L 305 CI | w/168 Tooth Gear | 3991408 | FRG-168S  |
| 1981                 | V6 3.8L 231 CI | w/153 Tooth Gear | 3991407 | FRG-153B  |
| 1981                 | V8 4.3L 265 CI | w/166 Teeth Gear | 499858  | FRG-166W  |
| 1981                 | V8 5.0L 305 CI | w/153 Tooth Gear | 3991407 | FRG-153B  |
| 1981                 | V8 5.0L 307 CI | w/153 Tooth Gear | 3991407 | FRG-153B  |
| <b>LEMANS</b>        |                |                  |         |           |
| 1963-66              | V8 5.3L 326 CI | w/166 Tooth Gear | 383812  | FRG-166N  |
| 1971-76              | L6 4.1L 250 CI | w/168 Tooth Gear | 3991408 | FRG-168S  |

# RING GEAR APPLICATIONS

| Years             | Engine         | Remarks          | OE      | Pioneer # |
|-------------------|----------------|------------------|---------|-----------|
| <b>PONTIAC</b>    |                |                  |         |           |
| <b>LEMANS</b>     |                |                  |         |           |
| 1970              | V8 7.5L 455 CI | w/166 Tooth Gear | 383812  | FRG-166N  |
| 1972-74           | V8 7.5L 455 CI | w/166 Tooth Gear | 383812  | FRG-166N  |
| 1968-74           | V8 5.7L 350 CI | w/166 Tooth Gear | 383812  | FRG-166N  |
| 1976-77           | V8 5.7L 350 CI | w/166 Tooth Gear | 383812  | FRG-166N  |
| 1975-76           | L6 4.1L 250 CI | w/153 Tooth Gear | 3991407 | FRG-153B  |
| 1968-77           | V8 6.6L 400 CI | w/166 Tooth Gear | 383812  | FRG-166N  |
| 1976              | V8 4.3L 260 CI | w/168 Tooth Gear | 3991408 | FRG-168S  |
| 1976-77           | V8 6.6L 400 CI | w/166 Teeth Gear | 499858  | FRG-166W  |
| 1977-79           | V8 5.7L 350 CI | w/168 Tooth Gear | 3991408 | FRG-168S  |
| 1977              | V8 6.6L 403 CI | w/166 Tooth Gear | 383812  | FRG-166N  |
| 1977              | V8 6.6L 403 CI | w/166 Teeth Gear | 499858  | FRG-166W  |
| 1977              | V8 4.9L 301 CI | w/166 Teeth Gear | 499858  | FRG-166W  |
| 1979-81           | V8 4.9L 301 CI | w/166 Teeth Gear | 499858  | FRG-166W  |
| 1980-81           | V6 3.8L 229 CI | w/153 Tooth Gear | 3991407 | FRG-153B  |
| 1980              | V8 5.0L 305 CI | w/168 Tooth Gear | 3991408 | FRG-168S  |
| 1980-81           | V6 3.8L 232 CI | w/153 Tooth Gear | 3991407 | FRG-153B  |
| 1980-81           | V8 4.3L 265 CI | w/166 Teeth Gear | 499858  | FRG-166W  |
| 1981              | V8 4.4L 267 CI | w/153 Tooth Gear | 3991407 | FRG-153B  |
| 1978-79           | V8 5.0L 305 CI | w/153 Tooth Gear | 3991407 | FRG-153B  |
| 1981              | V8 5.0L 305 CI | w/153 Tooth Gear | 3991407 | FRG-153B  |
| <b>PARISIENNE</b> |                |                  |         |           |
| 1976              | V8 6.6L 400 CI | w/166 Tooth Gear | 383812  | FRG-166N  |
| 1976              | V8 6.6L 400 CI | w/166 Teeth Gear | 499858  | FRG-166W  |
| 1977              | V8 5.7L 350 CI | w/166 Tooth Gear | 383812  | FRG-166N  |
| 1980              | V6 3.8L 229 CI | w/153 Tooth Gear | 3991407 | FRG-153B  |
| 1980              | V8 5.0L 305 CI | w/168 Tooth Gear | 3991408 | FRG-168S  |
| 1981              | V8 4.3L 265 CI | w/166 Teeth Gear | 499858  | FRG-166W  |
| 1981-83           | V6 3.8L 231 CI | w/153 Tooth Gear | 3991407 | FRG-153B  |
| 1981-86           | V8 5.0L 305 CI | w/153 Tooth Gear | 3991407 | FRG-153B  |
| 1982              | V8 4.4L 267 CI | w/153 Tooth Gear | 3991407 | FRG-153B  |
| 1978-79           | V8 5.7L 350 CI | w/168 Tooth Gear | 3991408 | FRG-168S  |
| 1981-85           | V8 5.7L 350 CI | w/168 Tooth Gear | 3991408 | FRG-168S  |
| 1985-86           | V6 4.3L 262 CI | w/153 Tooth Gear | 3991407 | FRG-153B  |
| 1981              | V8 5.0L 307 CI | w/153 Tooth Gear | 3991407 | FRG-153B  |
| 1986              | V8 5.0L 307 CI | w/153 Tooth Gear | 3991407 | FRG-153B  |
| <b>PHOENIX</b>    |                |                  |         |           |
| 1977-79           | V8 5.0L 305 CI | w/168 Tooth Gear | 3991408 | FRG-168S  |
| 1977-79           | V8 5.7L 350 CI | w/168 Tooth Gear | 3991408 | FRG-168S  |
| 1980-84           | V6 2.8L 173 CI | w/142 Tooth Gear | 359115  | FRG-142W  |
| <b>STAR CHIEF</b> |                |                  |         |           |
| 1963-65           | V8 6.9L 421 CI | w/166 Tooth Gear | 383812  | FRG-166N  |

# RING GEAR APPLICATIONS

| Years                | Engine         | Remarks          | OE      | Pioneer # |
|----------------------|----------------|------------------|---------|-----------|
| <b>PONTIAC</b>       |                |                  |         |           |
| <b>STAR CHIEF</b>    |                |                  |         |           |
| 1963-66              | V8 6.4L 389 CI | w/166 Tooth Gear | 383812  | FRG-166N  |
| <b>SUNBIRD</b>       |                |                  |         |           |
| 1976-77              | L4 2.3L 140 CI | w/153 Tooth Gear | 3991407 | FRG-153B  |
| 1976-77              | V6 3.8L 231 CI | w/153 Tooth Gear | 3991407 | FRG-153B  |
| 1977                 | L4 2.5L 151 CI | w/153 Tooth Gear | 3991407 | FRG-153B  |
| 1978-79              | V8 5.0L 305 CI | w/153 Tooth Gear | 3991407 | FRG-153B  |
| 1977-78              | V6 3.8L 232 CI | w/153 Tooth Gear | 3991407 | FRG-153B  |
| 1980                 | V6 3.8L 232 CI | w/153 Tooth Gear | 3991407 | FRG-153B  |
| <b>SUNFIRE</b>       |                |                  |         |           |
| 1995                 | L4 2.2L 134 CI | w/142 Tooth Gear | 359115  | FRG-142W  |
| <b>T1000</b>         |                |                  |         |           |
| 1981-87              | L4 1.6L 98 CI  | w/142 Tooth Gear | 359115  | FRG-142W  |
| <b>TEMPEST</b>       |                |                  |         |           |
| 1963-66              | V8 5.3L 326 CI | w/166 Tooth Gear | 383812  | FRG-166N  |
| 1968                 | V8 5.7L 350 CI | w/166 Tooth Gear | 383812  | FRG-166N  |
| 1970                 | V8 5.7L 350 CI | w/166 Tooth Gear | 383812  | FRG-166N  |
| 1968                 | V8 6.6L 400 CI | w/166 Tooth Gear | 383812  | FRG-166N  |
| 1970                 | V8 6.6L 400 CI | w/166 Tooth Gear | 383812  | FRG-166N  |
| 1987-89              | V6 2.8L 173 CI | w/142 Tooth Gear | 359115  | FRG-142W  |
| <b>PONTIAC TRUCK</b> |                |                  |         |           |
| <b>SAFARI</b>        |                |                  |         |           |
| 1987-89              | V8 5.0L 307 CI | w/153 Tooth Gear | 3991407 | FRG-153B  |
| <b>PONTIAC</b>       |                |                  |         |           |
| <b>VENTURA</b>       |                |                  |         |           |
| 1971-72              | V8 5.0L 307 CI | w/168 Tooth Gear | 3991408 | FRG-168S  |
| 1971-76              | L6 4.1L 250 CI | w/168 Tooth Gear | 3991408 | FRG-168S  |
| 1972-74              | V8 5.7L 350 CI | w/166 Tooth Gear | 383812  | FRG-166N  |
| 1975-76              | L6 4.1L 250 CI | w/153 Tooth Gear | 3991407 | FRG-153B  |
| 1975-76              | V8 4.3L 260 CI | w/168 Tooth Gear | 3991408 | FRG-168S  |
| 1977                 | V8 4.9L 301 CI | w/166 Teeth Gear | 499858  | FRG-166W  |
| 1977                 | V8 5.0L 305 CI | w/168 Tooth Gear | 3991408 | FRG-168S  |
| 1977                 | V8 5.7L 350 CI | w/168 Tooth Gear | 3991408 | FRG-168S  |
| <b>TOYOTA</b>        |                |                  |         |           |
| <b>CAMRY</b>         |                |                  |         |           |
| 1983-85              | L4 2.0L 122 CI |                  |         | FRG-115C  |
| <b>CARINA</b>        |                |                  |         |           |
| 1972-73              | L4 1.6L 97 CI  |                  |         | FRG-115C  |
| <b>CELICA</b>        |                |                  |         |           |
| 1972-74              | L4 2.0L 120 CI |                  |         | FRG-115C  |

# RING GEAR APPLICATIONS

| Years               | Engine         | Remarks                       | OE          | Pioneer # |
|---------------------|----------------|-------------------------------|-------------|-----------|
| <b>TOYOTA</b>       |                |                               |             |           |
| <b>CELICA</b>       |                |                               |             |           |
| 1978-80             | L4 2.2L 134 CI |                               |             | FRG-115C  |
| 1979-80             | L6 2.6L 156 CI | w/4ME Engine                  |             | FRG-115C  |
| <b>COROLLA</b>      |                |                               |             |           |
| 1968-69             | L4 1.1L 66 CI  | w/KC Engine; w/106 Teeth Gear | 13453-10010 | FRG-620   |
| 1970-74             | L4 1.2L 71 CI  | w/106 Teeth Gear              | 13453-10010 | FRG-620   |
| 1977-79             | L4 1.2L 71 CI  | w/106 Teeth Gear              | 13453-10010 | FRG-620   |
| 1980-82             | L4 1.8L 108 CI |                               |             | FRG-115C  |
| 1971-79             | L4 1.6L 97 CI  |                               |             | FRG-115C  |
| 1983-85             | L4 1.6L 97 CI  |                               |             | FRG-115C  |
| <b>CORONA</b>       |                |                               |             |           |
| 1969-71             | L4 1.9L 113 CI |                               |             | FRG-115C  |
| 1972-74             | L4 2.0L 120 CI |                               |             | FRG-115C  |
| <b>CRESSIDA</b>     |                |                               |             |           |
| 1980                | L6 2.6L 156 CI | w/4ME Engine                  |             | FRG-115C  |
| <b>MARK II</b>      |                |                               |             |           |
| 1973-76             | L6 2.6L 156 CI | w/4M Engine                   |             | FRG-115C  |
| <b>STARLET</b>      |                |                               |             |           |
| 1981-84             | L4 1.3L 79 CI  | w/106 Teeth Gear              | 13453-10010 | FRG-620   |
| <b>TOYOTA TRUCK</b> |                |                               |             |           |
| <b>LAND CRUISER</b> |                |                               |             |           |
| 1975-84             | L6 4.2L 258 CI | w/136 Teeth Gear              | 13453-60010 | FRG-136C  |
| <b>PICKUP</b>       |                |                               |             |           |
| 1978-80             | L4 2.2L 134 CI |                               |             | FRG-115C  |
| <b>VOLKSWAGEN</b>   |                |                               |             |           |
| <b>BEETLE</b>       |                |                               |             |           |
| 1960-66             | H4 1.2L 73 CI  | w/109 Tooth Gear              | 211.105.271 | FRG-109V  |
| 1966                | H4 1.3L 78 CI  | w/109 Tooth Gear              | 211.105.271 | FRG-109V  |
| 1967                | H4 1.5L 89 CI  | w/109 Tooth Gear              | 211.105.271 | FRG-109V  |
| 1968-69             | H4 1.5L 89 CI  | 130 Tooth Ring Gear           |             | FRG-130V  |
| 1968-69             | H4 1.5L 91 CI  | 130 Tooth Ring Gear           |             | FRG-130V  |
| <b>FASTBACK</b>     |                |                               |             |           |
| 1966-67             | H4 1.6L 97 CI  | w/109 Tooth Gear              | 211.105.271 | FRG-109V  |
| <b>KARMANN GHIA</b> |                |                               |             |           |
| 1960-65             | H4 1.2L 73 CI  | w/109 Tooth Gear              | 211.105.271 | FRG-109V  |
| 1966                | H4 1.3L 78 CI  | w/109 Tooth Gear              | 211.105.271 | FRG-109V  |
| 1967                | H4 1.5L 89 CI  | w/109 Tooth Gear              | 211.105.271 | FRG-109V  |
| 1968-69             | H4 1.5L 89 CI  | 130 Tooth Ring Gear           |             | FRG-130V  |
| 1968-69             | H4 1.5L 91 CI  | 130 Tooth Ring Gear           |             | FRG-130V  |
| <b>RABBIT</b>       |                |                               |             |           |
| 1975                | L4 1.5L 90 CI  | w/125 Teeth Gear; 9.856" I.D. | 055-105-275 | FRG-125C  |

+

+

## RING GEAR APPLICATIONS

| Years                     | Engine        | Remarks                       | OE          | Pioneer # |
|---------------------------|---------------|-------------------------------|-------------|-----------|
| <b>VOLKSWAGEN</b>         |               |                               |             |           |
| <b>RABBIT</b>             |               |                               |             |           |
| 1976-77                   | L4 1.6L 97 CI | w/125 Teeth Gear; 9.856" I.D. | 055-105-275 | FRG-125C  |
| 1980                      | L4 1.6L 97 CI | w/125 Teeth Gear; 9.856" I.D. | 055-105-275 | FRG-125C  |
| <b>RABBIT CONVERTIBLE</b> |               |                               |             |           |
| 1980                      | L4 1.6L 97 CI | w/125 Teeth Gear; 9.856" I.D. | 055-105-275 | FRG-125C  |
| <b>SQUAREBACK</b>         |               |                               |             |           |
| 1966-67                   | H4 1.6L 97 CI | w/109 Tooth Gear              | 211.105.271 | FRG-109V  |
| <b>VOLKSWAGEN TRUCK</b>   |               |                               |             |           |
| <b>RABBIT PICKUP</b>      |               |                               |             |           |
| 1980                      | L4 1.6L 97 CI | w/125 Teeth Gear; 9.856" I.D. | 055-105-275 | FRG-125C  |
| <b>TRANSPORTER</b>        |               |                               |             |           |
| 1960-64                   | H4 1.2L 73 CI | w/109 Tooth Gear              | 211.105.271 | FRG-109V  |
| 1963-67                   | H4 1.5L 89 CI | w/109 Tooth Gear              | 211.105.271 | FRG-109V  |

+

+

# INTERCHANGES SUMMARY - RING GEAR

| Competitor | # Competitor | # Pioneer | Competitor | # Competitor | # Pioneer |
|------------|--------------|-----------|------------|--------------|-----------|
| ANCHOR     | 105G         | FRG-105G  | ANCHOR     | 164F         | FRG-164F  |
| ANCHOR     | 106C         | FRG-608   | ANCHOR     | 164N         | FRG-164N  |
| ANCHOR     | 109V         | FRG-109V  | ANCHOR     | 166A         | FRG-166N  |
| ANCHOR     | 112NF        | FRG-112NF | ANCHOR     | 166W         | FRG-166W  |
| ANCHOR     | 112SF        | FRG-112SF | ANCHOR     | 168S         | FRG-168S  |
| ANCHOR     | 120C         | FRG-620   | ANCHOR     | 172NC        | FRG-172NC |
| ANCHOR     | 122T         | FRG-122T  | ANCHOR     | 173T         | FRG-173T  |
| ANCHOR     | 125A         | FRG-125A  | ANCHOR     | 174G         | FRG-174G  |
| ANCHOR     | 125C         | FRG-125C  | ANCHOR     | 180W         | FRG-180W  |
| ANCHOR     | 129F         | FRG-129F  | ANCHOR     | 184T         | FRG-184T  |
| ANCHOR     | 130C         | FRG-130C  | ANCHOR     | 186T         | FRG-186T  |
| ANCHOR     | 130T         | FRG-130T  | ANCHOR     | 188T         | FRG-188T  |
| ANCHOR     | 130V         | FRG-130V  | ANCHOR     | 191T         | FRG-191T  |
| ANCHOR     | 131CH        | FRG-131CH | ANCHOR     | 192T         | FRG-192T  |
| ANCHOR     | 132E         | FRG-132E  | ANCHOR     | 197B         | FRG-197B  |
| ANCHOR     | 132F         | FRG-132F  | ANCHOR     | 197N         | FRG-197N  |
| ANCHOR     | 132S         | FRG-132S  | ANCHOR     | 204A         | FRG-204A  |
| ANCHOR     | 134XR        | FRG-134XR | ATP        | ZA-543       | FRG-105G  |
| ANCHOR     | 135A         | FRG-135A  | ATP        | ZA-548       | FRG-109V  |
| ANCHOR     | 136C         | FRG-136C  | ATP        | ZA-551       | FRG-112NF |
| ANCHOR     | 136T         | FRG-136T  | ATP        | ZA-557       | FRG-112S  |
| ANCHOR     | 139A         | FRG-139A  | ATP        | ZA-563       | FRG-104F  |
| ANCHOR     | 139CH        | FRG-139CH | ATP        | ZA-569       | FRG-105C  |
| ANCHOR     | 139G         | FRG-139G  | DORMAN     | 4051         | FRG-104F  |
| ANCHOR     | 140S         | FRG-140S  | DORMAN     | 4052         | FRG-105C  |
| ANCHOR     | 142W         | FRG-142W  | DORMAN     | 4053         | FRG-105G  |
| ANCHOR     | 143N         | FRG-143N  | DORMAN     | 4466         | FRG-109V  |
| ANCHOR     | 146NC        | FRG-146NC | DORMAN     | 4467         | FRG-112NF |
| ANCHOR     | 146XF        | FRG-146XF |            |              |           |
| ANCHOR     | 148A         | FRG-148A  |            |              |           |
| ANCHOR     | 148B         | FRG-148B  |            |              |           |
| ANCHOR     | 148NC        | FRG-148NC |            |              |           |
| ANCHOR     | 152F         | FRG-152F  |            |              |           |
| ANCHOR     | 153B         | FRG-153B  |            |              |           |
| ANCHOR     | 155FT        | FRG-155FT |            |              |           |
| ANCHOR     | 157N         | FRG-157N  |            |              |           |
| ANCHOR     | 158A         | FRG-158A  |            |              |           |
| ANCHOR     | 158H         | FRG-158H  |            |              |           |
| ANCHOR     | 164A         | FRG-164A  |            |              |           |



## RING GEAR SPECIFICATION

| PIONEER # | O.D.    | I.D.    | WIDTH  | PITCH  | CHAMFER | TEETH | APPLICATION                         | O.E.M.           |
|-----------|---------|---------|--------|--------|---------|-------|-------------------------------------|------------------|
| FRG-104F  | 13.174" | 12.070" | 0.625" | 8      | Front   | 104   | Clark                               |                  |
| FRG-105C  | 13.305" | 11.982" | 0.562" | 8      | Front   | 105   | Waukesha                            |                  |
| FRG-105G  | 10.725" | 9.425"  | 0.390" | 10     | Front   | 105   | Nissan / Datsun                     | 12312-18000      |
| FRG-109V  | 10.731" | 9.993"  | 0.375" | 10     | None    | 109   | Volkswagen                          | 211-105-271      |
| FRG-112NF | 14.175" | 13.112" | 0.565" | 10/8   | Front   | 112   | Continental                         | M600C300         |
| FRG-112NR | 14.180" | 12.868" | 0.370" | 10/8   | REAR    | 112   | Ford 1948-53 Flat Head 239 V8       | 8BA6384A         |
| FRG-112S  | 14.131" | 12.420" | 0.382" | 10/8   |         | 112   | Ford                                | B6384            |
| FRG-112SF | 14.175" | 12.980" | 0.546" | 10/8   | Front   | 112   | Continental / Hercules / IHC / Wauk | HBC300           |
| FRG-115C  | 11.588" | 10.206" | 0.350" | 10     | Front   | 115   | Toyota                              | 13453-20010      |
| FRG-120   | 10.740" | 9.448"  | 0.395" | 10     | Front   | 105   | Nissan / Datsun                     | 12312-61A00      |
| FRG-121G  | 10.328" | 9.485"  | 0.331" | 12     | None    | 121   | Chrysler                            | 4202950          |
| FRG-122T  | 12.276" | 11.190" | 0.350" | 10     | None    | 122   | Chrysler / Dodge                    | 2121196          |
| FRG-125A  | 10.575" | 9.854"  | 0.330" | 12     | None    | 125   | Chrysler                            | 5240159          |
| FRG-125C  | 10.588" | 9.856"  | 0.325" | 11.85  | None    | 125   | Volkswagen                          | 055-105-275      |
| FRG-126F  | 15.930" | 14.819" | 0.702" | 10/8   | Front   | 126   | Perkins                             | 410276           |
| FRG-129F  | 12.942" | 10.980" | 0.375" | 10     | None    | 129   | Jeep                                | 8328046          |
| FRG-130C  | 13.195" | 11.190" | 0.340" | 10     | None    | 131   | Chrysler / Dodge                    | 3515203          |
| FRG-130T  | 13.195" | 12.160" | 0.375" | 10     | None    | 131   | Chrysler / Dodge                    | 1941648          |
| FRG-130V  | 10.878" | 9.993"  | 0.375" | 12     | None    | 130   | Volkswagen                          | 311-105-271      |
| FRG-131CH | 13.195" | 11.885" | 0.345" | 10     | None    | 131   | Chrysler / Dodge                    | 4295218          |
| FRG-132E  | 11.256" | 10.141" | 0.365" | 12.025 | None    | 132   | Ford                                | D4FZ-6384A       |
| FRG-132F  | 11.157" | 10.309" | 0.365" | 12     | None    | 132   | Ford                                | CODP-6384A       |
| FRG-132R  | 16.680" | 15.485" | 0.610" | 8      | Rear    | 132   | International                       | 341604R1         |
| FRG-132S  | 11.157" | 9.957"  | 0.375" | 10     | None    | 132   | Ford                                | CODE-6384-A      |
| FRG-133CH | 11.060" | 10.181" | 0.346" | 12     | None    | 131   | Chrysler                            | 5206000          |
| FRG-134T  | 13.560" | 12.332" | 0.485" | 10     | None    | 134   | International                       | 367042R1         |
| FRG-134XR | 13.550" | 11.980" | 0.360" | 10     | Rear    | 134   | Ford                                | 9N6384           |
| FRG-135A  | 11.293" | 10.402" | 0.365" | 12     | None    | 135   | Ford                                | D12P-6384A       |
| FRG-136C  | 13.765" | 12.576" | 0.510" | 10     | Front   | 136   | Toyota                              | 13453-60010      |
| FRG-136T  | 11.798" | 10.808" | 0.437" | 12     | None    | 136   | Ford                                | C6DZ-6384A       |
| FRG-138C  | 11.675" | 10.750" | 0.365" | 12     | None    | 138   | Ford                                | D4ZP-6384AA      |
| FRG-138RY | 11.642" | 10.475" | 0.373" | 12     | None    | 138   | Ford                                | D2RY-6375A       |
| FRG-139A  | 11.767" | 10.823" | 0.331" | 12     | None    | 139   | Chrysler / Dodge                    | 5222789          |
| FRG-139CF | 14.015" | 13.060" | 0.500" | 12/10  | None    | 139   | General Motors                      | 833177 / 496968  |
| FRG-139CH | 14.130" | 13.271" | 0.460" | 10     | Front   | 139   | Chrysler / Dodge                    | 4348276          |
| FRG-139G  | 14.129" | 13.268" | 0.453" | 10     | Front   | 139   | General Motors                      | 14077156         |
| FRG-140S  | 17.684" | 16.125" | 0.370" | 8      | None    | 140   | Ford                                |                  |
| FRG-142W  | 11.910" | 11.088" | 0.453" | 12     | None    | 142   | General Motors                      | 359115           |
| FRG-143N  | 14.568" | 13.560" | 0.340" | 10     | None    | 143   | Dodge / Plymouth                    | 2843214          |
| FRG-145S  | 14.678" | 13.665" | 0.495" | 8      | Front   | 145   | Massy Ferguson                      | Z120C30          |
| FRG-146NC | 14.774" | 13.352" | 0.365" | 10     | None    | 146   | Ford                                | EAA-6384A        |
| FRG-146XF | 14.640" | 13.560" | 0.375" | 10     | None    | 146   | Chrysler / Dodge                    | 1138903          |
| FRG-148A  | 12.480" | 11.661" | 0.473" | 12     | None    | 148   | AMC                                 | J3241718         |
| FRG-148B  | 12.410" | 11.588" | 0.453" | 12     | None    | 148   | General Motors                      | 14033090         |
| FRG-148NC | 12.520" | 11.189" | 0.370" | 12     | None    | 148   | Chrysler                            | 2121195          |
| FRG-148S  | 15.007" | 14.013" | 0.370" | 10     | None    | 148   | Ford                                | PMB-6384A        |
| FRG-152F  | 15.350" | 14.087" | 0.370" | 10     | None    | 152   | Ford                                | B7Q-6384A        |
| FRG-153B  | 12.837" | 12.006" | 0.460" | 12     | None    | 153   | General Motors                      | 3991407          |
| FRG-153F  | 15.457" | 14.213" | 0.370" | 12/10  | None    | 153   | Ford / Mercury                      | B8A-6384A        |
| FRG-153N  | 12.838" | 12.003" | 0.440" | 14/12  | None    | 153   | General Motors                      | 3789821 / 379036 |
| FRG-155FT | 15.681" | 14.484" | 0.500" | 12/10  | Front   | 155   | Ford                                | E5TZ-6384B       |
| FRG-157N  | 13.294" | 12.025" | 0.365" | 14/12  | None    | 157   | Ford                                | C70P-6384A       |

## RING GEAR SPECIFICATION

| PIONEER # | O.D.    | I.D.    | WIDTH  | PITCH | CHAMFER | TEETH | APPLICATION     | O.E.M.           |
|-----------|---------|---------|--------|-------|---------|-------|-----------------|------------------|
| FRG-158A  | 15.868" | 14.695" | 0.355" | 10    | None    | 158   | Dodge           | 3732638          |
| FRG-158H  | 15.984" | 15.012" | 0.495" | 10    | None    | 158   | General Motors  |                  |
| FRG-160C  | 13.418" | 12.604" | 0.460" | 14/12 | None    | 160   | Buick           | 1241867          |
| FRG-164A  | 13.830" | 12.820" | 0.420" | 12    | None    | 164   | AMC             | 3179741          |
| FRG-164F  | 13.833" | 12.906" | 0.437" | 1/0   | None    | 164   | AMC             | 3214033          |
| FRG-164N  | 14.215" | 12.955" | 0.375" | 12    | None    | 164   | Ford / Mercury  | C5AZ-6384A       |
| FRG-164T  | 14.206" | 13.005" | 0.365" | 12    | None    | 164   | Ford            | C7VP-6384A       |
| FRG-166C  | 13.908" | 12.454" | 0.440" | 12/14 | None    | 164   | Oldsmobile      | 560713           |
| FRG-166N  | 13.879" | 12.906" | 0.438" | 12    | None    | 166   | General Motors  | 383812           |
| FRG-166W  | 13.965" | 12.907" | 0.379" | 12    | None    | 166   | General Motors  | 499858           |
| FRG-168R  | 14.190" | 13.232" | 0.440" | 12    | None    | 168   | Ford            | Z5AE-6384A       |
| FRG-168S  | 14.096" | 13.268" | 0.440" | 12/14 | None    | 168   | General Motors  | 460583 / 3889694 |
| FRG-168T  | 14.090" | 13.060" | 0.486" | 12    | None    | 168   | General Motors  |                  |
| FRG-172NC | 14.640" | 13.561" | 0.350" | 12    | None    | 172   | Chrysler        | 1673646          |
| FRG-174G  | 17.558" | 16.624" | 0.535" | 10    | None    | 174   | General Motors  |                  |
| FRG-180W  | 15.512" | 14.518" | 0.440" | 12    | None    | 180   | Ford            | D7TZ-6384A       |
| FRG-184T  | 15.503" | 14.210" | 0.375" | 12/14 | None    | 184   | Ford            | C5AZ-6384A       |
| FRG-186T  | 15.869" | 14.691" | 0.375" | 12    | None    | 186   | Dodge TRK       | 1733880          |
| FRG-188T  | 16.102" | 14.728" | 0.375" | 12    | None    | 188   | Ford            | C4TZ-6384A       |
| FRG-191T  | 15.970" | 15.012" | 0.485" | 12/14 | None    | 191   | General Motors  | 2369440          |
| FRG-192T  | 16.033" | 15.013" | 0.365" | 12/14 | None    | 192   | IHC Scout II    | 151116R1         |
| FRG-197B  | 15.970" | 15.682" | 0.453" | 12    | None    | 197   | General Motors  | 3991409          |
| FRG-197N  | 16.473" | 15.670" | 0.437" | 12    | None    | 197   | General Motors  | 3737920          |
| FRG-204A  | 17.107" | 16.267" | 0.453" | 12    | None    | 204   | General Motors  | 14001923         |
| FRG-620   | 10.681" | 9.325"  | 0.355" | 10    | Front   | 106   | Toyota          | 13453-10010      |
| FRG-634   | 12.051" | 10.780" | 0.475" | 10    | Front   | 120   | Nissan / Datsun | 12312-A8600      |
| FRG-4798  | 17.385" | 15.996" | 0.871" | 6/8   | Front   | 103   | Cummins         |                  |

## PIONEER O.E.M. INTERCHANGE

| ACURA / HONDA | PIONEER |
|---------------|---------|
| 22100-P72305  | FW-157  |
| 22100-P75005  | FW-377  |
| 22100-PG7-J00 | FW-203  |
| 26251-P8F000  | FRA-561 |

| AMERICAN MOTORS    | PIONEER |
|--------------------|---------|
| 3214090            | FRA-305 |
| 3224192            | CF-112  |
| 3232141            | FRA-125 |
| 14077157           | FRA-142 |
| 14077158           | FRA-143 |
| 53001184           | FRA-418 |
| 3232138 / 33004359 | FRA-108 |
| 3232139 / 3232140  | FRA-118 |

| CHRYSLER / DODGE | PIONEER   |
|------------------|-----------|
| 1138903          | FRG-146XF |
| 1673646          | FRG-172NC |
| 1733880          | FRG-186T  |
| 1941648          | FRG-130T  |
| 2121195          | FRG-148NC |
| 2121196          | FRG-122T  |
| 2204719          | FRA-303   |
| 2204719          | FRA-413   |
| 2204768          | FRA-303   |
| 2204768          | FRA-309   |
| 2843214          | FRG-143N  |
| 3515203          | FRG-130C  |
| 3515497          | FW-159    |
| 3732638          | FRG-158A  |
| 3743998          | CF-131    |
| 4058428          | FRA-302   |
| 4058429          | FRA-303   |
| 4202950          | FRG-121G  |
| 4210697          | CF-115    |
| 4295218          | FRG-131CH |
| 4348276          | FRG-139CH |
| 4348322          | FRA-307   |
| 4377411          | FRA-334   |
| 4429607          | FRA-533   |
| 4431100          | FW-161    |
| 4446231          | CF-141    |
| 4446309          | FRA-307   |

| CHRYSLER / DODGE | PIONEER   |
|------------------|-----------|
| 4471319          | FW-365    |
| 4511046          | CF-142    |
| 4567143          | FRA-451   |
| 4638691          | FRA-533   |
| 4736016          | FRA-427   |
| 4736130          | FRA-554   |
| 4736190          | FRA-496   |
| 4762088          | FRA-533   |
| 4863841          | FRA-486   |
| 5206000          | FRG-133CH |
| 5222639          | FRA-300   |
| 5222641          | FRA-301   |
| 5222789          | FRG-139A  |
| 5240159          | FRG-125A  |
| 33002842         | FRA-332   |
| 52087515         | CF-159    |
| 52107555         | CF-146    |
| 52118255         | FRA-527   |
| 52118256         | FRA-537   |
| 53008665         | FRA-475   |
| 53008665         | FRA-477   |
| 53008669         | FRA-478   |
| 4736016AB        | FRA-427   |
| 47361794AB       | FRA-587   |
| 4736299AA        | FRA-550   |
| 4736299AB        | FRA-550   |
| 5015709AA        | 871200    |
| 5015709AB        | FRA-533   |
| 5018079AB        | FW-207    |
| 68005249AA       | 871201    |
| 68005249AA       | FRA-552   |
| 68222874AA       | 871201    |
| 68222874AA       | FRA-552   |
| MD040555         | FW-218    |
| MD159877         | FW-339    |
| MD707923         | FRA-474   |

| CONTINENTAL | PIONEER   |
|-------------|-----------|
| HBC300      | FRG-112SF |
| M600C300    | FRG-112NF |

| FORD MOTORS | PIONEER   |
|-------------|-----------|
| 1C3Z6375BA  | FRA-482   |
| 1F2Z6375CA  | FRA-492   |
| 1L2Z6375CA  | FRA-544   |
| 1L5Z6375BA  | FW-310    |
| 2F2Z6375AA  | FRA-494   |
| 3C3Z-6375BA | FW-194    |
| 4C3Z6375AA  | 871022    |
| 4C3Z6375AA  | FRA-562   |
| 4C3Z6375AA  | FRA-562HD |
| 4W7Z6375AA  | 871021    |
| 4W7Z6375AA  | FRA-560   |
| 4W7Z6375AA  | FRA-560HD |
| 5C3Z6375AA  | FW-271    |
| 8BA6384A    | FRG-112NR |
| 9N6384      | FRG-134XR |
| B6384       | FRG-112S  |
| B7Q6384A    | FRG-152F  |
| B8A6384A    | FRG-153F  |
| BL3Z6375A   | FRA-579   |
| CODE6384A   | FRG-132S  |
| CODP6384A   | FRG-132F  |
| C3AZ6375A   | FW-163    |
| C3AZ6375L   | 871009    |
| C3AZ6375L   | FRA-203   |
| C3AZ6375L   | FRA-203HD |
| C3DZ6375B   | FRA-232   |
| C4TZ-6384A  | FRG-188T  |
| C5AZ6375D   | FRA-212   |
| C5AZ6375K   | FW-193    |
| C5AZ6375K   | FW-198    |
| C5AZ6375L   | FW-192    |
| C5AZ6375L   | FW-198    |
| C5AZ6375L   | FW-199    |
| C5AZ6384A   | FRG-164N  |
| C5AZ6384A   | FRG-184T  |
| C5TZ6375T   | FRA-206   |
| C6AZ6375B   | FRA-224   |
| C6DZ6384A   | FRG-136T  |
| C70P6384A   | FRG-157N  |
| C7VP6384A   | FRG-164T  |
| C9OZ6375A   | FRA-204   |
| D0TZ7515A   | CF-101    |
| D12P6384A   | FRG-135A  |

## PIONEER O.E.M. INTERCHANGE

| FORD MOTORS | PIONEER   |
|-------------|-----------|
| D1AZ6375A   | FRA-201   |
| D1FZ6375A   | FRA-213   |
| D1SZ6375A   | FRA-207   |
| D1ZZ6375A   | FRA-202   |
| D1ZZ6375C   | FRA-220   |
| D2RY6375A   | FRG-138RY |
| D4FZ6384A   | FRG-132E  |
| D4ZP6384AA  | FRG-138C  |
| D4ZZ6375C   | FRA-222   |
| D4ZZ6375D   | FRA-208   |
| D4ZZ6375D   | FRA-221   |
| D5FZ6375A   | FRA-209   |
| D5FZ6375A   | FRA-222   |
| D5TZ6375A   | FRA-210   |
| D5ZZ6375A   | FRA-215   |
| D5ZZ6375B   | FRA-221   |
| D7TZ6384A   | FRG-180W  |
| D8BZ6375B   | FRA-223   |
| D8TZ7515A   | CF-102    |
| D9TZ6375A   | FRA-230   |
| E0AZ6375A   | FRA-205   |
| E0TZ6375A   | FW-117    |
| E0TZ7515A   | CF-107    |
| E0TZ7515B   | CF-103    |
| E1BZ6375B   | FRA-702   |
| E1TZ6375C   | FRA-231   |
| E2AZ6375A   | 871020    |
| E2AZ6375A   | FRA-214   |
| E2AZ6375A   | FRA-214HD |
| E2FZ6375A   | FRA-425   |
| E2SZ6375A   | FRA-423   |
| E3DZ6375A   | FRA-424   |
| E3DZ6375B   | FRA-225   |
| E3SZ6375B   | FRA-229   |
| E3TZ6375C   | FW-164    |
| E3TZ6375F   | FW-165    |
| E3TZ6375G   | FRA-317   |
| E4FZ6375C   | FW-312    |
| E4TZ7515C   | CF-117    |
| E5SZ6375A   | FRA-335   |
| E5TZ6375B   | FRA-217   |
| E5TZ6375D   | FRA-216   |
| E5TZ6375E   | FW-172    |
| E5TZ6375H   | FW-166    |

| FORD MOTORS | PIONEER   |
|-------------|-----------|
| E5TZ6375J   | FW-114    |
| E5TZ6384B   | FRG-155FT |
| E63Z6375A   | FRA-234   |
| E69Z6375A   | FRA-218   |
| E69Z6375A   | FW-195    |
| E69Z6375B   | FW-195    |
| E6DZ6375A   | FRA-235   |
| E6ZZ6375A   | FW-116    |
| E6ZZ7515A   | CF-119    |
| E7TA6477AA  | FW-104    |
| E7TZ7515A   | CF-151    |
| E83Z6375A   | FRA-223   |
| E83Z6375A   | FRA-233   |
| E8BZ-6375A  | FW-219    |
| E8DZ6375A   | FRA-415   |
| E8TA6477AA  | FW-105    |
| E8TA6477AA  | FW-135    |
| E8TZ6375C   | FW-113    |
| E8TZ6375D   | FW-167    |
| E92Z6375B   | FW-189    |
| E9DZ6375B   | FRA-416   |
| E9SZ6375B   | FRA-316   |
| E9SZ6375C   | FRA-422   |
| E9SZ6375C   | FRA-442   |
| E9TZ6375A   | FRA-436   |
| EAA6384A    | FRG-146NC |
| EBTA6477AA  | FW-143    |
| FOCZ6375A   | FW-191    |
| F0TZ6375A   | FW-173    |
| F0ZZ6375A   | FW-168    |
| F1AZ6375A   | FRA-408   |
| F1CZ6375A   | FRA-488   |
| F1DZ6375A   | FRA-428   |
| F1DZ6375C   | FRA-417   |
| F1TZ6375A   | FRA-217   |
| F3DZ6375A   | FRA-421   |
| F3TA6477AA  | FW-107    |
| F3TA6477CA  | FW-136    |
| F3TZ6375B   | FRA-490   |
| F42Z6375A   | FRA-433   |
| F4BZ6375A   | FW-219    |
| F4SZ6375A   | FW-179    |
| F4TA6477AA  | FW-108    |
| F5OY6375A   | FRA-434   |

| FORD MOTORS | PIONEER  |
|-------------|----------|
| F57Z6375A   | FW-174   |
| F57Z6375B   | FW-223   |
| F5DZ6375A   | FRA-467  |
| F5RZ6375AE  | FW-140   |
| F5RZ6375C   | FRA-435  |
| F5TZ6375A   | FW-174   |
| F65Z6375CA  | FRA-442  |
| F6AZ6375BA  | FRA-437  |
| F6AZ6375DA  | FRA-438  |
| F6DZ6375A   | FRA-439  |
| F6DZ6375AB  | FRA-440  |
| F6TZ6375AA  | FW-241   |
| F6TZ6375AAA | FRA-420  |
| F75Z6375AA  | FRA-443  |
| F75Z6375AA  | FRA-482  |
| F77Z6375AA  | FRA-441  |
| F7RZ6375AA  | FW-313   |
| F7TZ6375AA  | FW-169   |
| F80111500A  | FW-189   |
| F81A6375DB  | FW-134   |
| F8CZ6375AA  | FRA-468  |
| FO2Z6375A   | FRA-483  |
| FO2Z6375B   | FW-178   |
| PMB6384A    | FRG-148S |
| XR3Z6375AA  | FW-315   |
| XR3Z6375CA  | FRA-470  |
| XR3Z7515AA  | CF-155   |
| XS4Z6375AA  | FW-141   |
| XS7Z6375AA  | FRA-435  |
| Z5AE6384A   | FRG-168R |
| ZZM311500   | FW-174   |

| GENERAL MOTORS | PIONEER   |
|----------------|-----------|
| 343738         | 871003    |
| 343738         | FRA-111   |
| 343738         | FRA-111HD |
| 359115         | FRG-142W  |
| 361051         | FRA-152   |
| 361052         | FRA-153   |
| 361950         | 871001    |
| 361950         | FRA-100   |
| 361950         | FRA-100HD |
| 361950         | FRA-113   |
| 379036         | FRG-153N  |

## PIONEER O.E.M. INTERCHANGE

| GENERAL MOTORS | PIONEER   |
|----------------|-----------|
| 383812         | FRG-166N  |
| 460583         | FRG-168S  |
| 471529         | 871004    |
| 471529         | FRA-112   |
| 471529         | FRA-112HD |
| 471578         | 871002    |
| 471578         | FRA-104   |
| 471578         | FRA-104HD |
| 471597         | 871001    |
| 471597         | FRA-100   |
| 471597         | FRA-100HD |
| 471597         | FRA-126   |
| 471598         | 871001    |
| 471598         | FRA-100   |
| 471598         | FRA-100HD |
| 476575         | FW-111    |
| 487651         | FRA-103   |
| 496968         | FRG-139CF |
| 499858         | FRG-166W  |
| 560712         | FRA-102   |
| 560713         | FRG-166C  |
| 562949         | FRA-146   |
| 833177         | FRG-139CF |
| 1233837        | FRA-168   |
| 1241867        | FRG-160C  |
| 1255728        | FRA-105   |
| 1257040        | FRA-128   |
| 1257041        | FRA-129   |
| 1262989        | FRA-101   |
| 1616534        | FRA-106   |
| 1618090        | FRA-319   |
| 1623936        | FRA-149   |
| 1648458        | FRA-148   |
| 2369440        | FRG-191T  |
| 3544671        | FRA-571   |
| 3737920        | FRG-197N  |
| 3765372        | CF-104    |
| 3789821        | FRG-153N  |
| 3889694        | FRG-168S  |
| 3892632        | CF-144    |
| 3986394        | FW-102    |
| 3991407        | FRG-153B  |
| 3991409        | FRG-197B  |
| 3991469        | FW-100    |

| GENERAL MOTORS | PIONEER     |
|----------------|-------------|
| 3993827        | FW-101      |
| 8672510        | CF-136      |
| 8672937        | CF-134      |
| 8672942        | CF-135      |
| 9779232        | FW-155      |
| 9779234        | FW-155      |
| 10004033       | FRA-311     |
| 10004282       | FRA-151     |
| 10005639       | FRA-116     |
| 10005640       | FRA-117     |
| 10006988       | FRA-312     |
| 10009275       | FRA-116     |
| 10018740       | FRA-155     |
| 10031262       | FRA-150     |
| 10032127       | FRA-156     |
| 10044410       | FW-112      |
| 10101169       | FW-118      |
| 10101170       | 871008      |
| 10101170       | FRA-111HD35 |
| 10101170       | FRA-321     |
| 10105832       | FW-109      |
| 10105832       | FW-109      |
| 10118669       | FW-150      |
| 10125379       | FW-119      |
| 10128412       | 871010      |
| 10128412       | FRA-160     |
| 10128412       | FRA-160HD   |
| 10162024       | FW-120      |
| 10185035       | 871008      |
| 10185035       | FRA-111HD35 |
| 10218653       | FW-121      |
| 12342730       | FRA-324     |
| 12360472       | FRA-414     |
| 12551367       | FRA-450     |
| 12551367       | FRA-452     |
| 12554824       | FRA-161     |
| 12555640       | FRA-472     |
| 12556799       | FW-152      |
| 12557584       | FRA-703     |
| 12557587       | FRA-704     |
| 12561217       | FRA-531     |
| 12562814       | FW-122      |
| 12575076       | FRA-540     |
| 12576272       | FRA-559     |

| GENERAL MOTORS | PIONEER   |
|----------------|-----------|
| 12579453       | FRA-426   |
| 12579493       | FRA-575   |
| 12580709       | 871019    |
| 12580709       | FRA-471   |
| 12580709       | FRA-471HD |
| 12593689       | FRA-572   |
| 12602448       | 871019    |
| 12606620       | 871019    |
| 12606620       | FRA-471   |
| 12606620       | FRA-471HD |
| 12609154       | FRA-574   |
| 12609155       | FRA-484   |
| 12647333       | FRA-572   |
| 14001182       | FRA-144   |
| 14001923       | FRG-204A  |
| 14001992       | FRA-141   |
| 14002590       | FRA-157   |
| 14018713       | FRA-138   |
| 14024930       | CF-106    |
| 14033090       | FRG-148B  |
| 14033245       | FRA-140   |
| 14066235       | CF-100    |
| 14070374       | CF-128    |
| 14075718       | CF-129    |
| 14075725       | CF-133    |
| 14076414       | FRA-155   |
| 14077156       | FRG-139G  |
| 14077160       | FW-270    |
| 14085471       | FRA-139   |
| 14085472       | FRA-158   |
| 14085720       | FW-147    |
| 14088646       | FW-148    |
| 14088648       | FW-109    |
| 14088650       | FW-156    |
| 14088761       | 871006    |
| 14088761       | FRA-159   |
| 14088761       | FRA-159HD |
| 14088765       | 871010    |
| 14088765       | FRA-160   |
| 14088765       | FRA-160HD |
| 14088767       | FRA-161   |
| 14097667       | FRA-326   |
| 14100554       | FRA-138   |
| 14100556       | FW-123    |

## PIONEER O.E.M. INTERCHANGE

| GENERAL MOTORS | PIONEER |
|----------------|---------|
| 14100557       | FRA-165 |
| 14103282       | FW-110  |
| 15588262       | CF-126  |
| 15592270       | CF-116  |
| 15592270       | CF-126  |
| 15704443       | CF-128  |
| 15958496       | FW-106  |
| 15958496       | FW-137  |
| 22500807       | FRA-109 |
| 22500808       | FRA-110 |
| 22512002       | FRA-325 |
| 22520094       | FRA-453 |
| 22533244       | FW-124  |
| 22533252       | FRA-414 |
| 24501451       | FRA-324 |
| 24501453       | FRA-329 |
| 24501753       | FRA-327 |
| 24502775       | FRA-328 |
| 24503285       | FW-149  |
| 24506809       | FRA-574 |
| 24508110       | FRA-484 |
| 24574231       | FW-126  |
| 24575970       | FRA-542 |
| 24575991       | FRA-419 |
| 24576876       | FRA-426 |
| 25501867       | FRA-130 |
| 25501868       | FRA-131 |
| 25501869       | FRA-132 |
| 25501870       | FRA-133 |
| 25512172       | FRA-337 |
| 25512346       | FRA-134 |
| 25512347       | FRA-135 |
| 25512348       | FRA-137 |
| 25512349       | FRA-136 |
| 25512350       | FRA-147 |
| 25512510       | FRA-338 |
| 25513510       | FRA-338 |
| 25515222       | FRA-339 |
| 25517709       | FRA-336 |
| 25523510       | FRA-338 |
| 25534065       | FRA-323 |
| 25535388       | FRA-322 |
| 90537283       | FW-331  |
| 93414855       | FW-103  |

| GENERAL MOTORS | PIONEER |
|----------------|---------|
| 94840045       | FW-187  |
| 94840696       | CF-132  |
| 96488000       | FRA-534 |
| 1262083000     | FW-300  |
| 13405-15030    | FW-187  |
| 13405-19075    | FW-187  |

| GEO         | PIONEER |
|-------------|---------|
| 94332497    | FW-337  |
| 94853595    | FW-214  |
| 96064507    | FW-186  |
| 13405-15090 | FW-214  |

| HERCULES | PIONEER   |
|----------|-----------|
| HBC300   | FRG-112SF |

| HONDA         | PIONEER |
|---------------|---------|
| 22100-P72305  | FW-157  |
| 22100-P75005  | FW-377  |
| 26251-PNA000  | FRA-563 |
| 22100-PO5-000 | FW-366  |
| 22100-PE-000  | FW-202  |
| 22100-PE1-A00 | FW-202  |
| 22100-PH4-710 | FW-200  |
| 22100-PH4-A01 | FW-200  |
| 22100-PM7-010 | FW-201  |
| 22100-PO9-000 | FW-139  |
| 22100-PP4-951 | FW-201  |
| 22100-PT7-003 | FW-138  |
| 8-94462-101-2 | FW-204  |
| 22100-PE-000  | FW-202  |
| 22100-PE1-A00 | FW-202  |

| HYUNDAI    | PIONEER |
|------------|---------|
| 2320023010 | FW-222  |
| 2320023210 | FW-235  |
| 2320023610 | FW-227  |
| 2320023700 | FW-238  |
| 2320024500 | FW-226  |
| 2320026001 | FW-244  |
| 2320026101 | FW-248  |
| 2320032500 | FW-237  |
| 2320032600 | FW-242  |
| 2320033000 | FW-247  |

| HYUNDAI    | PIONEER |
|------------|---------|
| 2320038001 | FW-246  |
| 2321038011 | FW-251  |
| 2321121054 | FRA-500 |
| 2321123060 | FRA-505 |
| 2321123550 | FRA-517 |
| 2321125050 | FRA-514 |
| 2321132650 | FRA-505 |
| 2321135550 | FRA-504 |
| 2321137150 | FRA-519 |
| 2321138250 | FRA-502 |
| 2321139000 | FRA-508 |
| 232003C141 | FRA-510 |

| INTERNATIONAL | PIONEER   |
|---------------|-----------|
| 151116R1      | FRG-192T  |
| 341604R1      | FRG-132R  |
| 367042R1      | FRG-134T  |
| HBC300        | FRG-112SF |

| ISUZU      | PIONEER |
|------------|---------|
| 14018713   | FRA-419 |
| 8944251920 | FW-349  |

| JEEP / CHRYSLER | PIONEER  |
|-----------------|----------|
| 321623          | FW-170   |
| 1378486         | CF-113   |
| 3184926         | FRA-121  |
| 3184927         | FRA-122  |
| 3196929         | FW-158   |
| 5351485         | FRA-331  |
| 5351819         | FRA-119  |
| 5351820         | FRA-123  |
| 5351821         | FRA-120  |
| 5351822         | FRA-124  |
| 5361620         | CF-110   |
| 5900002         | FRA-107  |
| 8328046         | FRG-129F |
| 33002675        | FRA-333  |
| 33004359        | FRA-410  |
| 33004361        | FRA-411  |
| 52117761        | FRA-480  |
| 52118257        | FRA-535  |
| 53001255        | FRA-306  |
| 53005526        | FW-355   |

## PIONEER O.E.M. INTERCHANGE

| JEEP / CHRYSLER | PIONEER |
|-----------------|---------|
| 53006328        | FRA-539 |
| 3300 2672       | FW-206  |
| 3300-2672       | FW-206  |
| 53020519 AB     | FW-162  |
| J0630112        | CF-125  |
| J324-0094       | FW-176  |

| KIA          | PIONEER |
|--------------|---------|
| 2321036500   | FRA-525 |
| 2321126050   | FRA-513 |
| OK25R19020A  | FRA-507 |
| OK32B19020   | FRA-503 |
| 232003C140   | FRA-510 |
| 232003C141   | FRA-510 |
| OK01311500   | FW-225  |
| OK201-11-500 | FW-229  |
| OK203-11-500 | FW-229  |
| OK24711500   | FW-373  |
| OK30C11500A  | FW-231  |

| MASSY FERGUSON | PIONEER  |
|----------------|----------|
| Z120C30        | FRG-145S |

| MITSUBISHI | PIONEER |
|------------|---------|
| MD707924   | FRA-469 |
| MD758464   | FRA-476 |
| MD760084   | FRA-475 |

| NISSAN      | PIONEER  |
|-------------|----------|
| 12310-02P19 | FW-208   |
| 12310-02P22 | FW-208   |
| 12310-02P24 | FW-208   |
| 12310-61A01 | FW-210   |
| 1231078A51  | FW-344   |
| 12310-78A56 | FW-209   |
| 12310-85G05 | FW-151   |
| 12310-85G06 | FW-151   |
| 12310-N4256 | FW-151   |
| 12312-18000 | FRG-105G |
| 12312-61A00 | FRG-120  |
| 12312-A8600 | FRG-634  |
| 1233112M20  | FRA-454  |
| 12331-16E11 | FRA-455  |
| 1233117C00  | FRA-456  |

| NISSAN      | PIONEER |
|-------------|---------|
| 1233124G02  | FRA-457 |
| 1233178A10  | FRA-458 |
| 12331U9511  | FRA-459 |
| 30531-P0151 | CF-114  |

| PERKINS | PIONEER  |
|---------|----------|
| 410276  | FRG-126F |

| SATURN   | PIONEER |
|----------|---------|
| 21003101 | FW-211  |
| 21120535 | FW-211  |
| 21120542 | FW-211  |

| SUBARU       | PIONEER |
|--------------|---------|
| 12310-AA-091 | FW-142  |

| TOYOTA      | PIONEER  |
|-------------|----------|
| 3210112060  | FRA-460  |
| 3210120050  | FRA-461  |
| 3210122050  | FRA-461  |
| 3210126010  | FRA-462  |
| 3210132051  | FRA-464  |
| 3210135010  | FRA-465  |
| 13405-03010 | FW-213   |
| 13405-11041 | FW-265   |
| 13405-35021 | FW-153   |
| 13405-65010 | FW-215   |
| 13405-74020 | FW-212   |
| 13405-74021 | FW-212   |
| 13405-74120 | FW-213   |
| 13405-74120 | FW-213   |
| 13405-75030 | FW-267   |
| 13405-75040 | FW-263   |
| 13453-10010 | FRG-620  |
| 13453-20010 | FRG-115C |
| 13453-60010 | FRG-136C |

| VOLKSWAGEN  | PIONEER  |
|-------------|----------|
| 27105271    | FW-216   |
| 02105271R   | FW-216   |
| 027105270B  | FW-216   |
| 027105271P  | FW-217   |
| 028105269B  | FW-217   |
| 055-105-275 | FRG-125C |
| 211-105-271 | FRG-109V |
| 311-105-271 | FRG-130V |

| VOLVO    | PIONEER |
|----------|---------|
| 68420132 | FRA-466 |

| WAUKESHA | PIONEER   |
|----------|-----------|
| HBC300   | FRG-112SF |

## PIONEER NUMERICAL LISTING

| Part   | Description | Make  | Years   | Engines   |
|--------|-------------|---|---------|---|
| CF-100 | Clutch Fork | BUICK, CHEVROLET, GMC, PONTIAC                  | 1963-02 | L6 3.8L, 4.1L, 4.8L, V6 3.8L, V8 4.3L, 4.4L, 4.9L, 5.0L, 5.7L, 6.2L, 6.6L, 7.4L, 7.5L       |
| CF-101 | Clutch Fork | FORD  | 1970-79 | L6 3.9L, 4.9L, V8 5.0L, 5.8L, 5.9L, 6.4L, 6.6L  |
| CF-102 | Clutch Fork | FORD  | 1975-79 | L6 4.9L, V8 5.0L, 5.8L, 7.5L  |
| CF-103 | Clutch Fork | FORD  | 1979-82 | L6 4.9L, V6 3.8L, V8 4.2L, 5.0L, 5.8L, 6.6L   |
| CF-104 | Clutch Fork | CHEVROLET, GMC                                  | 1979-84 | V8 5.7L   |
| CF-106 | Clutch Fork | BUICK, CADILLAC, CHEVROLET, OLDSMOBILE, PONTIAC | 1980-87 | L4 1.8L, 2.0L, 2.5L, V6 2.8L  |
| CF-107 | Clutch Fork | FORD  | 1980-82 | L6 4.9L, V8 5.0L, 5.8L, 6.6L, 7.5L  |
| CF-110 | Clutch Fork | JEEP  | 1980-87 | L4 2.5L, L6 4.0L, 4.2L, V8 5.0L, 5.9L   |
| CF-112 | Clutch Fork | AMERICAN MOTORS, JEEP                           | 1977-88 | L4 2.5L, L6 3.8L, 4.0L, 4.2L, V6 2.8L, V8 5.0L, 5.9L  |
| CF-113 | Clutch Fork | JEEP  | 1966-71 | V6 3.7L   |
| CF-114 | Clutch Fork | NISSAN  | 1976-89 | L4 1.4L, 1.8L, 2.0L, 2.2L, 2.4L, 2.5L, L6 2.4L, 2.8L, V6 3.0L                               |
| CF-115 | Clutch Fork | DODGE   | 1981-87 | L6 3.7L, V8 5.2L, 5.9L  |
| CF-116 | Clutch Fork | CHEVROLET, GMC                                  | 1985-91 | L6 4.8L, V6 4.3L, V8 5.0L, 5.7L, 6.2L, 7.4L   |
| CF-117 | Clutch Fork | FORD  | 1984-98 | L6 4.9L, V6 4.28 4.6L, 5.0L, 5.4L, 5.8L, 6.9L, 7.3L, 7.5L                                   |
| CF-119 | Clutch Fork | FORD, MERCURY                                   | 1982-93 | V8 5.0L   |
| CF-125 | Clutch Fork | JEEP  | 1946-71 | L4 2.2L, 3.1L, V6 3.7L  |
| CF-126 | Clutch Fork | CHEVROLET, GMC                                  | 1985-96 | L4 1.9L, 2.2L, 2.5L, V6 2.8L, 4.3L, V8 5.0L, 5.7L, 6.2L, 6.5L, 7.4L                         |
| CF-128 | Clutch Fork | CHEVROLET, GMC                                  | 1984-96 | L4 1.9L, 2.0L, 2.2L, 2.5L, V6 2.8L, 4.3L  |
| CF-131 | Clutch Fork | DODGE, PLYMOUTH                                 | 1974-87 | L4 1.4L, 1.6L, 1.7L, 2.0L, 2.2L, 2.6L, L6 3.7L, 4.0L, V6 3.9L, V8 5.2L, 5.9L, 6.6L, 7.2L    |
| CF-132 | Clutch Fork | CHEVROLET, GEO                                  | 1985-92 | L4 1.6L   |
| CF-133 | Clutch Fork | CHEVROLET, PONTIAC                              | 1984-92 | V8 5.0L   |
| CF-134 | Clutch Fork | PONTIAC   | 1987-88 | L4 2.5L, V6 2.8L  |
| CF-135 | Clutch Fork | PONTIAC   | 1987-88 | L4 2.5L   |
| CF-136 | Clutch Fork | OLDSMOBILE, PONTIAC                             | 1989-92 | L4 2.3L, V6 2.8L, 3.1L, 3.4L  |
| CF-141 | Clutch Fork | DODGE   | 1989-91 | L6 5.9L, V6 3.9L, V8 5.2L, 5.9L   |
| CF-142 | Clutch Fork | CHRYSLER, DODGE, PLYMOUTH                       | 1982-94 | L4 2.2L   |
| CF-144 | Clutch Fork | CHEVROLET                                       | 1964-72 | L6 3.2L, 3.8L, 4.1L, V8 4.6L, 5.0L, 5.4L, 5.7L, 6.5L, 6.6L, 7.4L                            |
| CF-146 | Clutch Fork | DODGE, JEEP                                     | 1992-13 | L4 2.4, 2.5L, 2.8L, L6 4.0L, V10 8.3L, V6 3.6L, 3.7L, 3.8L, 3.9L, V8 4.7L, 5.2L, 5.7L, 5.9L |
| CF-151 | Clutch Fork | FORD  | 1984-97 | V8 6.9L, 7.5L   |
| CF-155 | Clutch Fork | FORD  | 1994-04 | V6 3.8L, 3.9L, V8 4.6L, 5.0L  |
| CF-159 | Clutch Fork | DODGE   | 1994-10 | L6 5.9L, 6.7L, V10 8.0L, V8 5.7L  |
| 871001 | Flexplate   | BUICK, CHEVROLET, GMC, OLDSMOBILE, PONTIAC      | 1966-87 | L6 3.8L, 4.1L, 4.8L, V6 3.3L, 4.3L, V8 4.4L, 4.6L, 5.0L, 5.4L, 5.7L, 6.5L, 6.6L, 7.0L       |
| 871002 | Flexplate   | CHEVROLET, GMC                                  | 1970-80 | V8 6.6L   |
| 871003 | Flexplate   | CHEVROLET, GMC                                  | 1970-76 | V8 7.4L   |
| 871004 | Flexplate   | BUICK, CHEVROLET, GMC, OLDSMOBILE, PONTIAC      | 1969-85 | L4 2.3L, L6 4.1L, V6 3.3L, 3.8L, 4.3L, V8 4.3L, 4.4L, 5.0L, 5.4L, 5.7L, 6.5L, 7.0L          |



## PIONEER NUMERICAL LISTING

| Part         | Description | Make   | Years   | Engines   |
|--------------|-------------|--|---------|---|
| 871006       | Flexplate   | BUICK, CADILLAC, CHEVROLET, GMC, ISUZU, OLDSMOBILE, PONTIAC  | 1986-02 | V6 4.3L, V8 5.0L, 5.3L, 5.7L  |
| 871008       | Flexplate   | CHEVROLET, GMC   | 1991-00 | V8 7.4L   |
| 871009       | Flexplate   | FORD, MERCURY  | 1964-76 | V8 4.7L, 5.0L   |
| 871010       | Flexplate   | BUICK, CADILLAC, CHEVROLET, GMC, HUMMER, OLDSMOBILE, PONTIAC | 1986-97 | V6 4.3L, V8 4.3L, 5.0L, 5.7L  |
| 871019       | Flexplate   | BUICK, CADILLAC, CHEVROLET, GMC, OLDSMOBILE, PONTIAC         | 1998-13 | V8 4.8L, 5.3L, 5.7L, 6.0L, 6.2L   |
| 871020       | Flexplate   | FORD, LINCOLN, MERCURY                                       | 1980-01 | V8 4.2L, 5.0L   |
| 871021       | Flexplate   | FORD   | 2001-12 | V8 4.6L   |
| 871022       | Flexplate   | FORD, LINCOLN  | 2003-11 | V8 4.6L, 5.4L, V10 6.8L   |
| 871201       | Flexplate   | DODGE  | 2007-10 | L6 6.7L   |
| FRA-100      | Flexplate   | BUICK, CHEVROLET, GMC, OLDSMOBILE, PONTIAC                   | 1966-87 | L6 3.8L, 4.1L, 4.8L, V6 3.3L, 4.3L, V8 4.4L, 4.6L, 5.0L, 5.4L, 5.7L, 6.5L, 6.6L, 7.0L |
| FRA-100HD    | Flexplate   | BUICK, CHEVROLET, GMC, OLDSMOBILE, PONTIAC                   | 1966-87 | L6 3.8L, 4.1L, 4.8L, V6 3.3L, 4.3L, V8 4.4L, 4.6L, 5.0L, 5.4L, 5.7L, 6.5L, 6.6L, 7.0L |
| FRA-101      | Flexplate   | BUICK, JEEP, PONTIAC   | 1964-81 | V8 4.9L, 5.6L, 5.7L   |
| FRA-102      | Flexplate   | BUICK, CADILLAC, OLDSMOBILE, PONTIAC                         | 1968-79 | V8 4.3L, 5.7L, 6.6L, 7.5L   |
| FRA-103      | Flexplate   | PONTIAC  | 1965-76 | V8 5.3L, 5.7L, 6.4L, 6.6L, 6.9L, 7.0L, 7.5L   |
| FRA-104      | Flexplate   | CHEVROLET, GMC   | 1970-80 | V8 6.6L   |
| FRA-104HD    | Flexplate   | CHEVROLET, GMC   | 1970-80 | V8 6.6L   |
| FRA-105      | Flexplate   | BUICK, OLDSMOBILE, PONTIAC                                   | 1975-77 | V6 3.8L   |
| FRA-106      | Flexplate   | CADILLAC   | 1968-84 | V8 6.0L, 7.0L, 7.7L, 8.2L   |
| FRA-107      | Flexplate   | JEEP   | 1972-75 | L6 3.8L   |
| FRA-108      | Flexplate   | AMC, INTERNATIONAL, JEEP                                     | 1969-88 | L6 3.8L, 4.2L, V8 5.0L  |
| FRA-109      | Flexplate   | BUICK, CADILLAC, CHEVROLET, OLDSMOBILE, PONTIAC              | 1979-90 | V8 4.3L, 5.0L, 5.7L, 6.6L   |
| FRA-110      | Flexplate   | BUICK, CADILLAC, CHEVROLET, GMC, OLDSMOBILE, PONTIAC         | 1978-85 | V8 4.3L, 5.7L   |
| FRA-111      | Flexplate   | CHEVROLET, GMC   | 1970-76 | V8 7.4L   |
| FRA-111HD    | Flexplate   | CHEVROLET, GMC   | 1970-76 | V8 7.4L   |
| FRA-111HD-35 | Flexplate   | CHEVROLET, GMC   | 1991-00 | V8 7.4L   |
| FRA-112      | Flexplate   | BUICK, CHEVROLET, GMC, OLDSMOBILE, PONTIAC                   | 1969-85 | L4 2.3L, L6 4.1L, V6 3.3L, 3.8L, 4.3L, V8 4.3L, 4.4L, 5.0L, 5.4L, 5.7L, 6.5L, 7.0L    |
| FRA-112HD    | Flexplate   | BUICK, CHEVROLET, GMC, OLDSMOBILE, PONTIAC                   | 1969-85 | L4 2.3L, L6 4.1L, V6 3.3L, 3.8L, 4.3L, V8 4.3L, 4.4L, 5.0L, 5.4L, 5.7L, 6.5L, 7.0L    |
| FRA-113      | Flexplate   | CHEVROLET, GMC   | 1965-78 | V8 4.6L, 5.0L, 5.4L, 5.7L, 6.5L, 6.6L, 7.0L   |
| FRA-116      | Flexplate   | BUICK, PONTIAC   | 1977-81 | V8 4.3L, 4.9L   |
| FRA-117      | Flexplate   | PONTIAC  | 1976-78 | V8 5.7L, 6.6L   |
| FRA-118      | Flexplate   | AMERICAN MOTORS, JEEP  | 1971-91 | L4 2.5L, L6 4.2L, V8 5.0L, 5.9L   |
| FRA-119      | Flexplate   | JEEP   | 1974-79 | L6 3.8L, 4.2L   |
| FRA-120      | Flexplate   | JEEP   | 1974-79 | V8 5.9L   |
| FRA-121      | Flexplate   | JEEP   | 1972-73 | V8 5.9L   |
| FRA-122      | Flexplate   | JEEP   | 1972-73 | V8 5.0L   |
| FRA-123      | Flexplate   | JEEP   | 1974-79 | V8 5.0L   |
| FRA-124      | Flexplate   | JEEP   | 1974-78 | V8 6.6L   |

## PIONEER NUMERICAL LISTING

| Part      | Description | Make  | Years   | Engines                                  |
|-----------|-------------|---|---------|--|
| FRA-125   | Flexplate   | AMERICAN MOTORS   | 1972-74 | V8 6.6L                                  |
| FRA-126   | Flexplate   | CHEVROLET, GMC  | 1979-85 | V8 5.7L                                  |
| FRA-128   | Flexplate   | BUICK, CHEVROLET  | 1978    | V6 3.2L                                  |
| FRA-129   | Flexplate   | BUICK, CHEVROLET, GMC,<br>OLDSMOBILE, PONTIAC                     | 1977-78 | V6 3.8L                                  |
| FRA-130   | Flexplate   | BUICK, CADILLAC, CHEVROLET,<br>GMC, OLDSMOBILE, PONTIAC           | 1977-80 | V6 3.8L, 4.1L                            |
| FRA-131   | Flexplate   | BUICK, CHEVROLET  | 1979-80 | V6 3.8L                                  |
| FRA-132   | Flexplate   | BUICK, CHEVROLET  | 1979    | V6 3.2L                                  |
| FRA-133   | Flexplate   | BUICK   | 1979-80 | V6 3.8L                                  |
| FRA-134   | Flexplate   | BUICK, CHEVROLET, GMC,<br>OLDSMOBILE, PONTIAC                     | 1980-83 | V6 3.8L                                  |
| FRA-135   | Flexplate   | BUICK   | 1981-85 | V6 3.8L                                  |
| FRA-136   | Flexplate   | BUICK, CADILLAC, OLDSMOBILE                                       | 1981-84 | V6 4.1L                                  |
| FRA-137   | Flexplate   | BUICK, CADILLAC, CHEVROLET,<br>GMC, OLDSMOBILE, PONTIAC           | 1981-87 | V6 3.8L, 4.1L                            |
| FRA-138   | Flexplate   | BUICK, CADILLAC, CHEVROLET,<br>ISUZU, OLDSMOBILE, PONTIAC         | 1982-96 | L4 1.8L, 2.0L, 2.2L, V6 2.8L, 3.1L, 3.4L |
| FRA-139   | Flexplate   | BUICK, CADILLAC, CHEVROLET,<br>OLDSMOBILE, PONTIAC                | 1982-87 | V6 2.8L                                  |
| FRA-140   | Flexplate   | BUICK, CHEVROLET, OLDSMOBILE,<br>PONTIAC                          | 1980-81 | V6 2.8L                                  |
| FRA-141   | Flexplate   | CHEVROLET, GMC  | 1973-90 | V8 7.4L                                  |
| FRA-142   | Flexplate   | AM GENERAL, CHEVROLET, GMC,<br>HUMMER                             | 1982-03 | V8 6.2L, 6.5L                            |
| FRA-143   | Flexplate   | AM GENERAL, CHEVROLET, GMC  | 1982-95 | V8 6.2L, 6.5L                            |
| FRA-144   | Flexplate   | CHEVROLET, PONTIAC  | 1976-87 | L4 1.6L                                  |
| FRA-146   | Flexplate   | BUICK, CADILLAC, OLDSMOBILE                                       | 1979-85 | V8 5.0L, 5.7L                            |
| FRA-147   | Flexplate   | BUICK, CHEVROLET  | 1981-87 | V6 3.8L                                  |
| FRA-148   | Flexplate   | CADILLAC  | 1985-92 | V8 4.1L, 4.5L                            |
| FRA-149   | Flexplate   | CADILLAC  | 1982-85 | V8 4.1L                                  |
| FRA-150   | Flexplate   | BUICK, CHEVROLET, GMC,<br>OLDSMOBILE, PONTIAC                     | 1980-92 | L4 2.5L, V6 2.8L                         |
| FRA-151   | Flexplate   | BUICK, CHEVROLET, OLDSMOBILE,<br>PONTIAC                          | 1980-81 | L4 2.5L                                  |
| FRA-152   | Flexplate   | CHEVROLET, GMC  | 1971-80 | L6 4.8L                                  |
| FRA-153   | Flexplate   | CHEVROLET, GMC  | 1971-78 | L6 4.8L                                  |
| FRA-155   | Flexplate   | BUICK, OLDSMOBILE, PONTIAC  | 1982-94 | L4 1.8L, 2.0L                            |
| FRA-156   | Flexplate   | CHEVROLET, GMC  | 1985-93 | L4 2.5L                                  |
| FRA-157   | Flexplate   | CHEVROLET, GMC  | 1979-89 | L6 4.8L                                  |
| FRA-158   | Flexplate   | CHEVROLET, GMC, PONTIAC   | 1982-87 | V6 2.8L                                  |
| FRA-159   | Flexplate   | BUICK, CADILLAC, CHEVROLET,<br>GMC, ISUZU, OLDSMOBILE,<br>PONTIAC | 1986-02 | V6 4.3L, V8 5.0L, 5.3L, 5.7L             |
| FRA-159HD | Flexplate   | BUICK, CADILLAC, CHEVROLET,<br>GMC, ISUZU, OLDSMOBILE,<br>PONTIAC | 1986-02 | V6 4.3L, V8 5.0L, 5.3L, 5.7L             |
| FRA-160   | Flexplate   | BUICK, CADILLAC, CHEVROLET,<br>GMC, OLDSMOBILE, PONTIAC           | 1986-97 | V6 4.3L, V8 4.3L, 5.0L, 5.7L             |
| FRA-160HD | Flexplate   | BUICK, CADILLAC, CHEVROLET,<br>GMC, OLDSMOBILE, PONTIAC           | 1986-97 | V6 4.3L, V8 4.3L, 5.0L, 5.7L             |
| FRA-161   | Flexplate   | AM GENERAL, CHEVROLET, GMC  | 1986-02 | V6 4.3L, V8 5.0L, 5.3L, 5.7L             |
| FRA-165   | Flexplate   | CHEVROLET, GMC, PONTIAC   | 1988-93 | V6 2.8L, 3.1L                            |

## PIONEER NUMERICAL LISTING

| Part      | Description | Make                           | Years   | Engines  |
|-----------|-------------|--------------------------------|---------|--|
| FRA-168   | Flexplate   | BUICK                          | 1970-76 | V8 7.5L  |
| FRA-201   | Flexplate   | FORD, LINCOLN, MERCURY         | 1971-82 | V8 5.8L, 6.6L  |
| FRA-202   | Flexplate   | FORD, LINCOLN, MERCURY         | 1971-97 | V8 5.0L, 5.8L  |
| FRA-203   | Flexplate   | FORD, MERCURY                  | 1964-76 | V8 4.7L, 5.0L  |
| FRA-203HD | Flexplate   | FORD, MERCURY                  | 1964-76 | V8 4.7L, 5.0L  |
| FRA-204   | Flexplate   | FORD, MERCURY                  | 1969-80 | L6 4.1L  |
| FRA-205   | Flexplate   | FORD, LINCOLN, MERCURY         | 1968-91 | V8 5.0L, 5.8L, 7.5L  |
| FRA-206   | Flexplate   | FORD, MERCURY                  | 1965-82 | L6 3.9L, 4.1L, 4.9L  |
| FRA-207   | Flexplate   | FORD, LINCOLN, MERCURY         | 1968-78 | V8 7.0L, 7.5L  |
| FRA-208   | Flexplate   | FORD, MERCURY                  | 1974-80 | L4 2.3L  |
| FRA-209   | Flexplate   | FORD, MERCURY, MERKUR          | 1974-89 | L4 2.3L  |
| FRA-210   | Flexplate   | FORD                           | 1975-96 | L6 4.9L  |
| FRA-212   | Flexplate   | FORD, MERCURY                  | 1965-76 | V8 5.8L, 5.9L, 6.4L, 7.0L  |
| FRA-213   | Flexplate   | FORD                           | 1971-74 | L4 2.0L  |
| FRA-214   | Flexplate   | FORD, LINCOLN, MERCURY         | 1980-01 | V8 4.2L, 5.0L  |
| FRA-214HD | Flexplate   | FORD, LINCOLN, MERCURY         | 1980-01 | V8 4.2L, 5.0L  |
| FRA-215   | Flexplate   | FORD                           | 1975-79 | V8 5.0L  |
| FRA-216   | Flexplate   | FORD, MAZDA                    | 1985-01 | L4 2.3L, 2.5L  |
| FRA-217   | Flexplate   | FORD, MAZDA                    | 1985-97 | V6 2.8L, 2.9L, 4.0L  |
| FRA-218   | Flexplate   | FORD, MAZDA                    | 1986-08 | V6 3.0L  |
| FRA-220   | Flexplate   | FORD, MERCURY                  | 1971-74 | V8 5.8L  |
| FRA-221   | Flexplate   | FORD, MERCURY                  | 1975-79 | V6 2.8L  |
| FRA-222   | Flexplate   | FORD, MERCURY                  | 1974-85 | V6 2.8L  |
| FRA-223   | Flexplate   | FORD, MERCURY                  | 1977-85 | L4 1.6L, 1.9L, 2.0L, L6 3.3L   |
| FRA-224   | Flexplate   | FORD, MERCURY                  | 1966-70 | V8 6.7L, 7.0L  |
| FRA-225   | Flexplate   | FORD, MERCURY                  | 1983-86 | V6 3.8L  |
| FRA-229   | Flexplate   | FORD, MERCURY                  | 1983-86 | V6 3.8L  |
| FRA-230   | Flexplate   | FORD                           | 1973-97 | V8 7.5L  |
| FRA-231   | Flexplate   | FORD                           | 1981-96 | V8 5.0L  |
| FRA-232   | Flexplate   | FORD, MERCURY                  | 1964-83 | L6 2.8L, 3.3L  |
| FRA-233   | Flexplate   | FORD, MERCURY                  | 1982-94 | L4 1.6L, 1.9L, 2.0L, 2.3L, 2.5L  |
| FRA-234   | Flexplate   | FORD, MERCURY                  | 1986-87 | L4 2.5L  |
| FRA-235   | Flexplate   | FORD, MERCURY                  | 1986-90 | V6 3.0L  |
| FRA-300   | Flexplate   | CHRYSLER, DODGE, PLYMOUTH      | 1981-86 | L4 2.2L  |
| FRA-301   | Flexplate   | CHRYSLER, DODGE, PLYMOUTH      | 1981-85 | L4 2.6L  |
| FRA-302   | Flexplate   | CHRYSLER, DODGE, PLYMOUTH      | 1962-87 | L6 2.8L, 3.2L, 3.7L, 4.1L  |
| FRA-303   | Flexplate   | CHRYSLER, DODGE, PLYMOUTH      | 1962-99 | L4 2.4L, 2.6L, L6 3.7L, V6 3.0L, 3.9L, V8 4.5L, 5.2L, 5.6L, 5.9L, 6.3L, 6.6L, 6.8L, 7.0L, 7.2L |
| FRA-305   | Flexplate   | AMC, INTERNATIONAL             | 1972-76 | L6 4.2L, V8 5.0L, 6.4L, 6.6L   |
| FRA-306   | Flexplate   | JEEP                           | 1984-86 | V6 2.8L  |
| FRA-307   | Flexplate   | CHRYSLER, DODGE, PLYMOUTH      | 1985-97 | L4 1.8L, 2.0L, 2.2L, 2.5L, V6 2.5L, 3.0L, V10 8.0L   |
| FRA-309   | Flexplate   | CHRYSLER, DODGE, PLYMOUTH      | 1962-79 | V8 4.5L, 5.2L, 5.6L, 5.9L, 6.3L, 6.6L, 6.8L, 7.0L, 7.2L  |
| FRA-311   | Flexplate   | CHEVROLET, OLDSMOBILE, PONTIAC | 1978-80 | L4 2.5L  |
| FRA-312   | Flexplate   | CHEVROLET, OLDSMOBILE, PONTIAC | 1977-79 | L4 2.5L  |
| FRA-316   | Flexplate   | FORD, MERCURY                  | 1988-95 | V6 3.8L  |
| FRA-317   | Flexplate   | FORD                           | 1983-91 | L6 4.9L  |
| FRA-319   | Flexplate   | CADILLAC                       | 1980-81 | V8 6.0L  |
| FRA-321   | Flexplate   | CHEVROLET, GMC                 | 1991-00 | V8 7.4L  |

## PIONEER NUMERICAL LISTING

| Part    | Description | Make                                  | Years   | Engines                                  |
|---------|-------------|---------------------------------------|---------|--|
| FRA-322 | Flexplate   | BUICK, OLDSMOBILE                     | 1989-90 | V6 3.3L                                  |
| FRA-323 | Flexplate   | BUICK, OLDSMOBILE, PONTIAC            | 1988-90 | V6 3.8L                                  |
| FRA-324 | Flexplate   | BUICK, CHEVROLET, OLDSMOBILE, PONTIAC | 1990-94 | V6 3.8L                                  |
| FRA-325 | Flexplate   | BUICK, OLDSMOBILE                     | 1982-85 | V6 4.3L                                  |
| FRA-326 | Flexplate   | CHEVROLET, PONTIAC                    | 1993-95 | V6 3.1L, 3.4L                            |
| FRA-327 | Flexplate   | BUICK, OLDSMOBILE, PONTIAC            | 1991-92 | V6 3.8L                                  |
| FRA-328 | Flexplate   | BUICK, OLDSMOBILE, PONTIAC            | 1992-93 | V6 3.3L                                  |
| FRA-329 | Flexplate   | BUICK, OLDSMOBILE, PONTIAC            | 1991-92 | V6 3.3L                                  |
| FRA-331 | Flexplate   | JEEP                                  | 1972-73 | L6 3.8L, 4.2L                            |
| FRA-332 | Flexplate   | EAGLE                                 | 1988-89 | L4 2.5L, V6 3.0L                         |
| FRA-333 | Flexplate   | JEEP                                  | 1986-90 | L4 2.5L, L6 4.0L                         |
| FRA-334 | Flexplate   | DODGE, PLYMOUTH                       | 1986-87 | L4 2.6L                                  |
| FRA-335 | Flexplate   | FORD, MERCURY                         | 1985-87 | V6 3.8L                                  |
| FRA-336 | Flexplate   | BUICK, OLDSMOBILE                     | 1983-85 | V6 3.0L                                  |
| FRA-337 | Flexplate   | BUICK, OLDSMOBILE                     | 1982-83 | V6 3.0L                                  |
| FRA-338 | Flexplate   | BUICK, OLDSMOBILE, PONTIAC            | 1985-88 | V6 3.0L                                  |
| FRA-339 | Flexplate   | BUICK, OLDSMOBILE, PONTIAC            | 1984-88 | V6 3.8L                                  |
| FRA-408 | Flexplate   | FORD, LINCOLN, MERCURY                | 1991-95 | V8 4.6L                                  |
| FRA-410 | Flexplate   | JEEP                                  | 1987-90 | L6 4.2L                                  |
| FRA-411 | Flexplate   | JEEP                                  | 1988-91 | V8 5.9L                                  |
| FRA-413 | Flexplate   | DODGE, PLYMOUTH                       | 1962-79 | L6 2.8L, 3.2L, 3.7L, 4.1L                |
| FRA-414 | Flexplate   | BUICK, CHEVROLET, OLDSMOBILE, PONTIAC | 1987-02 | L4 2.3L, 2.4L                            |
| FRA-415 | Flexplate   | FORD, MERCURY                         | 1988    | V6 3.8L                                  |
| FRA-416 | Flexplate   | FORD, LINCOLN, MERCURY                | 1989-90 | V6 3.8L                                  |
| FRA-417 | Flexplate   | FORD, LINCOLN, MERCURY                | 1991-95 | V6 3.8L                                  |
| FRA-418 | Flexplate   | AMERICAN MOTORS, JEEP                 | 1983-85 | L4 2.5L                                  |
| FRA-419 | Flexplate   | CHEVROLET, GMC, ISUZU                 | 1994-03 | L4 2.2L                                  |
| FRA-420 | Flexplate   | FORD                                  | 1994-03 | V8 7.3L                                  |
| FRA-421 | Flexplate   | FORD                                  | 1993-95 | V6 3.2L                                  |
| FRA-422 | Flexplate   | FORD                                  | 1988-95 | V6 3.8L                                  |
| FRA-423 | Flexplate   | FORD                                  | 1983    | V6 3.8L                                  |
| FRA-424 | Flexplate   | FORD                                  | 1984-86 | V6 3.8L                                  |
| FRA-425 | Flexplate   | FORD, MERCURY                         | 1981-83 | L4 1.6L                                  |
| FRA-426 | Flexplate   | BUICK, CHEVROLET, OLDSMOBILE, PONTIAC | 1987-03 | L4 2.0L, 2.2L, 2.3L, V6 2.8L, 3.1L, 3.4L |
| FRA-427 | Flexplate   | CHRYSLER, DODGE, EAGLE, PLYMOUTH      | 1990-99 | V6 2.5L, 3.0L, 3.3L, 3.8L                |
| FRA-428 | Flexplate   | FORD, MERCURY                         | 1991-95 | V6 3.0L                                  |
| FRA-433 | Flexplate   | FORD                                  | 1994-97 | L4 2.0L                                  |
| FRA-434 | Flexplate   | LINCOLN                               | 1996-02 | V8 4.6L                                  |
| FRA-435 | Flexplate   | FORD, MERCURY                         | 1995-00 | V6 2.5L                                  |
| FRA-436 | Flexplate   | FORD                                  | 1990    | V8 7.3L                                  |
| FRA-437 | Flexplate   | FORD, LINCOLN, MERCURY                | 1993-01 | V8 4.6L                                  |
| FRA-438 | Flexplate   | FORD, MERCURY                         | 1996-02 | V8 4.6L                                  |
| FRA-439 | Flexplate   | FORD, MERCURY                         | 1996-05 | V6 3.0L                                  |
| FRA-440 | Flexplate   | FORD                                  | 1996-99 | V8 3.4L                                  |
| FRA-441 | Flexplate   | FORD, MERCURY                         | 1997-01 | V6 4.0L                                  |
| FRA-442 | Flexplate   | FORD, MERCURY                         | 1997-08 | V6 3.8L, 4.2L                            |
| FRA-443 | Flexplate   | FORD, LINCOLN                         | 1997-09 | V10 6.8L, V8 5.4L                        |
| FRA-450 | Flexplate   | CHEVROLET, GMC                        | 1999-10 | V8 4.8L, 5.3L, 6.0L                      |

## PIONEER NUMERICAL LISTING

| Part      | Description | Make   | Years   | Engines  |
|-----------|-------------|--|---------|--|
| FRA-451   | Flexplate   | CHRYSLER, DODGE, EAGLE, MITSUBISHI, PLYMOUTH     | 1995-08 | L4 2.0L, 2.4L, V6 2.5L                               |
| FRA-452   | Flexplate   | CHEVROLET, GMC                                   | 1999-10 | V8 4.8L, 5.3L, 6.0L                                  |
| FRA-453   | Flexplate   | BUICK, CHEVROLET, OLDSMOBILE                     | 1982-85 | V6 4.3L  |
| FRA-454   | Flexplate   | NISSAN   | 1982-88 | L4 1.5L, 1.6L  |
| FRA-455   | Flexplate   | NISSAN   | 1985-94 | V6 3.0L  |
| FRA-456   | Flexplate   | NISSAN   | 1991-96 | L4 2.4L  |
| FRA-457   | Flexplate   | NISSAN   | 1982-86 | L4 2.0L, 2.2L, 2.4L                                  |
| FRA-458   | Flexplate   | NISSAN   | 1991-94 | L4 1.6L  |
| FRA-459   | Flexplate   | NISSAN   | 1975-83 | L4 2.2L, L6 2.4L, 2.8L                               |
| FRA-460   | Flexplate   | TOYOTA   | 1983-97 | L4 1.6L, 1.8L  |
| FRA-461   | Flexplate   | TOYOTA   | 1976-98 | L4 2.2L, 2.4L, L6 2.8L, 3.0L                         |
| FRA-462   | Flexplate   | TOYOTA   | 1986-09 | L4 2.4L, 2.7L  |
| FRA-464   | Flexplate   | TOYOTA   | 1990-01 | L4 2.0L, 2.2L  |
| FRA-465   | Flexplate   | TOYOTA   | 1988-04 | V6 3.0L, 3.4L  |
| FRA-466   | Flexplate   | VOLVO  | 1979-93 | L4 2.1L, 2.3L, L6 2.4L, V6 2.7L, 2.8L                |
| FRA-467   | Flexplate   | FORD, MERCURY                                    | 1995-07 | V6 3.0L  |
| FRA-468   | Flexplate   | FORD   | 1998-03 | L4 2.0L  |
| FRA-469   | Flexplate   | MITSUBISHI                                       | 1983-94 | L4 1.8L, 2.0L, 2.4L                                  |
| FRA-470   | Flexplate   | FORD   | 1998-04 | V6 3.8L  |
| FRA-471   | Flexplate   | BUICK, CADILLAC, CHEVROLET, GMC, HUMMER, PONTIAC | 1998-13 | V6 3.6L, 4.3L, V8 4.8L, 5.3L, 5.7L, 6.0L, 6.2L, 7.0L |
| FRA-471HD | Flexplate   | BUICK, CADILLAC, CHEVROLET, GMC, HUMMER, PONTIAC | 1998-13 | V6 3.6L, 4.3L, V8 4.8L, 5.3L, 5.7L, 6.0L, 6.2L, 7.0L |
| FRA-472   | Flexplate   | CHEVROLET, GMC                                   | 1999-14 | V6 4.3L  |
| FRA-474   | Flexplate   | DODGE, EAGLE, MITSUBISHI, PLYMOUTH               | 1985-96 | L4 1.5L, 1.6L, 1.8L                                  |
| FRA-475   | Flexplate   | DODGE, EAGLE, MITSUBISHI                         | 1993-99 | L4 2.0L, 2.4L, V6 3.9L                               |
| FRA-476   | Flexplate   | MITSUBISHI                                       | 1997-02 | L4 1.5L  |
| FRA-477   | Flexplate   | DODGE  | 1992-00 | V6 3.9L  |
| FRA-478   | Flexplate   | DODGE, JEEP                                      | 1992-99 | L6 5.9L, V8 5.2L, 5.9L                               |
| FRA-480   | Flexplate   | JEEP   | 1996-00 | L6 4.0L  |
| FRA-482   | Flexplate   | FORD, LINCOLN                                    | 1997-05 | V10 6.8L, V8 5.4L                                    |
| FRA-483   | Flexplate   | FORD   | 1990-92 | L4 2.2L, V6 3.0L                                     |
| FRA-484   | Flexplate   | BUICK, CHEVROLET, OLDSMOBILE, PONTIAC            | 1995-09 | V6 3.8L  |
| FRA-486   | Flexplate   | DODGE  | 1996-03 | V8 5.9L  |
| FRA-488   | Flexplate   | FORD, MERCURY                                    | 1991-02 | L4 1.9L, 2.0L  |
| FRA-490   | Flexplate   | FORD   | 1992-94 | V8 7.3L  |
| FRA-492   | Flexplate   | FORD   | 2001-02 | V6 3.8L  |
| FRA-494   | Flexplate   | FORD, MERCURY                                    | 2003-07 | V6 3.8L, 3.9L, 4.2L                                  |
| FRA-496   | Flexplate   | CHRYSLER, DODGE, PLYMOUTH                        | 1998-03 | V6 3.0L, 3.3L, 3.8L                                  |
| FRA-500   | Flexplate   | HYUNDAI  | 1990-06 | L4 1.5L, 1.6L  |
| FRA-503   | Flexplate   | KIA  | 2001-07 | L4 1.5L, 1.6L  |
| FRA-507   | Flexplate   | KIA  | 1998-03 | L4 1.8L  |
| FRA-513   | Flexplate   | KIA  | 2006-08 | L4 1.6L  |
| FRA-527   | Flexplate   | DODGE  | 1996-03 | V8 5.2L  |
| FRA-531   | Flexplate   | CHEVROLET, GMC                                   | 2001-06 | V8 8.1L  |
| FRA-533   | Flexplate   | DODGE  | 1989-07 | 5.9L   |
| FRA-535   | Flexplate   | JEEP   | 1997-03 | 4.0L   |
| FRA-537   | Flexplate   | DODGE  | 1996-03 | V6 3.9L  |
| FRA-539   | Flexplate   | JEEP   | 1991-96 | 4.0L   |
| FRA-540   | Flexplate   | CHEVROLET, PONTIAC                               | 2005-09 | V6 3.4L, 3.6L  |

## PIONEER NUMERICAL LISTING

| Part       | Description | Make   | Years   | Engines   |
|------------|-------------|--|---------|---|
| FRA-542    | Flexplate   | BUICK, CHEVROLET, OLDSMOBILE, PONTIAC                | 1992-02 | L4 2.3, 2.4L  |
| FRA-544    | Flexplate   | FORD, MERCURY  | 2002-11 | 4.0L  |
| FRA-550    | Flexplate   | CHRYSLER, DODGE, JEEP                                | 2000-11 | V6 2.7L, 3.3L, 3.5L, 3.8L, 4.0L   |
| FRA-552    | Flexplate   | DODGE, RAM   | 2007-13 | L6 6.7L   |
| FRA-554    | Flexplate   | CHRYSLER, DODGE, PLYMOUTH                            | 1997-00 | V6 3.0L, 3.3L, 3.8L   |
| FRA-560    | Flexplate   | FORD, LINCOLN, MERCURY                               | 1995-12 | V8 4.6L   |
| FRA-560-HD | Flexplate   | FORD, LINCOLN, MERCURY                               | 1995-12 | V8 4.6L   |
| FRA-561    | Flexplate   | ACURA, HONDA   | 1999-07 | V6 3.0L, 3.2L, 3.5L   |
| FRA-562    | Flexplate   | FORD, LINCOLN  | 2003-11 | V8 4.6L, 5.4L, V10 6.8L   |
| FRA-562-HD | Flexplate   | FORD, LINCOLN  | 2003-11 | V8 4.6L, 5.4L, V10 6.8L   |
| FRA-563    | Flexplate   | ACURA, HONDA   | 2002-13 | L4 2.0L, 2.4L   |
| FRA-571    | Flexplate   | CADILLAC, OLDSMOBILE                                 | 1993-02 | V8 4.0L, 4.6L   |
| FRA-572    | Flexplate   | BUICK, CHEVROLET, GMC, OLDSMOBILE, PONTIAC, SATURN   | 2000-15 | L4 2.0L, 2.2L, 2.4L, V6 3.5L, 3.6L  |
| FRA-574    | Flexplate   | BUICK, CHEVROLET, OLDSMOBILE, PONTIAC                | 1997-07 | V6 3.8L   |
| FRA-575    | Flexplate   | BUICK, CHEVROLET, OLDSMOBILE, PONTIAC, SATURN        | 2004-11 | V6 3.1L, 3.4L, 3.5L, 3.9L   |
| FRA-579    | Flexplate   | FORD   | 2011-14 | V6 3.5L, 3.7L, V8 5.0L, 6.2L  |
| FRA-587    | Flexplate   | CHRYSLER, DODGE, PLYMOUTH                            | 1998-04 | V6 2.7L, 3.2L, 3.5L   |
| FRA-702    | Flexplate   | FORD, MERCURY  | 1981-83 | L6 3.3L   |
| FRA-703    | Flexplate   | CHEVROLET, GMC                                       | 2000-02 | V6 4.3L   |
| FRA-704    | Flexplate   | CHEVROLET, GMC, OLDSMOBILE                           | 1999-05 | V6 4.3L   |
| FW-100     | Flywheel    | BUICK, CADILLAC, CHEVROLET, GMC, OLDSMOBILE, PONTIAC | 1955-85 | L6 3.8L, 4.1L, 4.4L, V6 4.3L, V8 4.3L, 4.6L, 5.0L, 5.4L, 5.7L, 6.5L, 6.6L, 6.7L, 7.0L |
| FW-101     | Flywheel    | CHEVROLET, GMC                                       | 1970-90 | V8 7.4L   |
| FW-102     | Flywheel    | BUICK, CHEVROLET, OLDSMOBILE, PONTIAC                | 1968-79 | V8 6.6L   |
| FW-103     | Flywheel    | CHEVROLET, GMC                                       | 1967-99 | L6 4.4L, V8 4.8L  |
| FW-104     | Flywheel    | FORD   | 1987    | V8 6.9L   |
| FW-105     | Flywheel    | FORD   | 1988-94 | V8 7.3L   |
| FW-106     | Flywheel    | CHEVROLET, GMC                                       | 1992-99 | V8 6.5L   |
| FW-107     | Flywheel    | FORD   | 1993-94 | V8 7.3L   |
| FW-108     | Flywheel    | FORD   | 1994-97 | V8 7.3L   |
| FW-109     | Flywheel    | CHEVROLET, GMC                                       | 1986-99 | V6 4.3L, V8 5.0L, 5.7L  |
| FW-110     | Flywheel    | CHEVROLET, GMC, OLDSMOBILE                           | 1988-99 | V6 4.3L   |
| FW-111     | Flywheel    | BUICK, CADILLAC, CHEVROLET, OLDSMOBILE, PONTIAC      | 1980-88 | V6 2.8L   |
| FW-112     | Flywheel    | CHEVROLET, GMC                                       | 1985-93 | L4 2.5L   |
| FW-113     | Flywheel    | FORD   | 1979-93 | V6 3.8L, V8 5.0L  |
| FW-114     | Flywheel    | FORD   | 1983-87 | V8 7.5L   |
| FW-116     | Flywheel    | FORD, MERCURY  | 1982-94 | V8 5.0L   |
| FW-117     | Flywheel    | FORD   | 1977-96 | L6 4.9L   |
| FW-118     | Flywheel    | CHEVROLET, GMC                                       | 1991-95 | V8 7.4L   |
| FW-119     | Flywheel    | CHEVROLET, PONTIAC                                   | 1993-97 | V8 5.7L   |
| FW-120     | Flywheel    | CHEVROLET, OLDSMOBILE, PONTIAC                       | 1991-93 | V6 3.4L   |
| FW-121     | Flywheel    | CHEVROLET, GMC                                       | 1993-95 | V6 4.3L   |
| FW-122     | Flywheel    | CHEVROLET, GMC                                       | 1995-00 | V8 5.7L   |
| FW-123     | Flywheel    | CHEVROLET, GMC                                       | 1988-93 | V6 2.8L   |

## PIONEER NUMERICAL LISTING

| Part   | Description | Make  | Years   | Engines                            |
|--------|-------------|---|---------|------------------------------------|
| FW-124 | Flywheel    | CHEVROLET, OLDSMOBILE, PONTIAC                              | 1988-94 | L4 2.3L                            |
| FW-126 | Flywheel    | CHEVROLET, OLDSMOBILE, PONTIAC                              | 1995-00 | L4 2.2L, 2.3L, 2.4L                |
| FW-134 | Flywheel    | FORD  | 1999-01 | V8 7.3L                            |
| FW-135 | Flywheel    | FORD  | 1988-92 | V8 7.3L                            |
| FW-136 | Flywheel    | FORD  | 1993-94 | V8 7.3L                            |
| FW-137 | Flywheel    | CHEVROLET, GMC  | 1992-95 | V8 6.5L                            |
| FW-138 | Flywheel    | HONDA   | 1990-01 | L4 2.2L, 2.3L                      |
| FW-139 | Flywheel    | HONDA   | 1990-97 | L4 1.5L, 1.6L                      |
| FW-140 | Flywheel    | FORD, MERCURY   | 1995-97 | V6 2.5L                            |
| FW-141 | Flywheel    | FORD  | 1997-01 | L4 2.0L                            |
| FW-142 | Flywheel    | SUBARU  | 1990-98 | H4 2.2L, 2.5L                      |
| FW-143 | Flywheel    | FORD  | 1988-94 | V8 7.3L                            |
| FW-147 | Flywheel    | CHEVROLET, PONTIAC  | 1970-85 | V8 5.0L, 5.7L, 7.0L                |
| FW-148 | Flywheel    | CHEVROLET, PONTIAC  | 1986-92 | V8 5.0L, 5.7L                      |
| FW-149 | Flywheel    | CHEVROLET, PONTIAC  | 1996-02 | V6 3.8L                            |
| FW-150 | Flywheel    | BUICK, CADILLAC, CHEVROLET, GMC, ISUZU, OLDSMOBILE, PONTIAC | 1982-02 | L4 1.8L, 2.0L, 2.2L, V6 2.8L, 3.1L |
| FW-151 | Flywheel    | NISSAN  | 1975-01 | L4 2.0L, 2.4L, L6 2.8L             |
| FW-152 | Flywheel    | CHEVROLET, GMC  | 1997-01 | V8 6.5L                            |
| FW-153 | Flywheel    | TOYOTA  | 1979-95 | L4 2.2L, 2.4L                      |
| FW-155 | Flywheel    | PONTIAC   | 1968-75 | V8 5.7L, 6.6L, 7.5L                |
| FW-156 | Flywheel    | CHEVROLET, PONTIAC  | 1986-92 | V8 5.0L                            |
| FW-157 | Flywheel    | ACURA, HONDA  | 1994-96 | L4 1.6L, 1.8L                      |
| FW-158 | Flywheel    | JEEP  | 1974-86 | V8 5.9L, 6.6L                      |
| FW-159 | Flywheel    | DODGE, PLYMOUTH   | 1978-92 | V8 5.9L                            |
| FW-161 | Flywheel    | DODGE   | 1978-91 | V6 3.9L, V8 5.2L, 6.6L             |
| FW-162 | Flywheel    | JEEP  | 1991-01 | L6 4.0L                            |
| FW-163 | Flywheel    | FORD, MERCURY   | 1965-79 | V8 4.7L, 5.0L                      |
| FW-166 | Flywheel    | FORD  | 1965-82 | L6 3.9L, 4.9L, V8 5.8L, 6.6L       |
| FW-167 | Flywheel    | FORD  | 1983-96 | V8 5.0L                            |
| FW-168 | Flywheel    | FORD, MERCURY   | 1974-94 | L4 2.0L, 2.3L                      |
| FW-169 | Flywheel    | FORD  | 1997-98 | V8 4.6L                            |
| FW-170 | Flywheel    | JEEP  | 1972-79 | L6 4.2L                            |
| FW-172 | Flywheel    | FORD  | 1985-92 | V6 2.8L, 2.9L                      |
| FW-173 | Flywheel    | FORD, MAZDA   | 1991-97 | V6 4.0L                            |
| FW-174 | Flywheel    | FORD, MAZDA   | 1995-00 | L4 2.3L, 2.5L                      |
| FW-176 | Flywheel    | JEEP  | 1980-87 | L6 4.2L                            |
| FW-178 | Flywheel    | FORD  | 1990-92 | V6 3.0L                            |
| FW-179 | Flywheel    | FORD  | 1994-95 | V6 3.8L                            |
| FW-186 | Flywheel    | CHEVROLET, GEO  | 1989-00 | L3 1.0L                            |
| FW-187 | Flywheel    | CHEVROLET, TOYOTA   | 1984-93 | L4 1.6L                            |
| FW-189 | Flywheel    | FORD, MAZDA   | 1986-93 | L4 2.0L, 2.2L                      |
| FW-191 | Flywheel    | FORD  | 1991-96 | L4 1.9L                            |
| FW-192 | Flywheel    | FORD, MERCURY   | 1967-77 | V8 6.4L, 7.0L                      |
| FW-193 | Flywheel    | FORD, MERCURY   | 1969-70 | V8 5.8L                            |
| FW-194 | Flywheel    | FORD  | 2003-07 | V8 6.0L                            |
| FW-195 | Flywheel    | FORD  | 1986-94 | V6 3.0L                            |
| FW-198 | Flywheel    | FORD, MERCURY   | 1967-94 | V8 6.4L, 7.0L, 7.5L                |
| FW-199 | Flywheel    | FORD, MERCURY   | 1967-70 | V8 5.8L, 5.9L, 6.4L                |
| FW-200 | Flywheel    | HONDA   | 1984-90 | L4 1.8L, 2.0L                      |

## PIONEER NUMERICAL LISTING

| Part   | Description   | Make   | Years   | Engines   |
|--------|---------------|--|---------|---|
| FW-201 | Flywheel      | HONDA  | 1988-89 | L4 1.5L   |
| FW-202 | Flywheel      | HONDA  | 1984-87 | L4 1.3L, 1.5L   |
| FW-203 | Flywheel      | ACURA  | 1986-89 | L4 1.6L   |
| FW-204 | Flywheel      | HONDA, ISUZU   | 1989-94 | L4 2.3L, 2.6L   |
| FW-206 | Flywheel      | JEEP   | 1987-90 | L4 2.1L, L6 4.0L  |
| FW-207 | Flywheel      | DODGE  | 2001-05 | L6 5.9L   |
| FW-208 | Flywheel      | NISSAN   | 1986-98 | L4 2.0L, 2.4L, 2.5L, V6 3.0L  |
| FW-209 | Flywheel      | NISSAN   | 1991-94 | L4 1.6L   |
| FW-210 | Flywheel      | NISSAN   | 1986-88 | L4 1.6L   |
| FW-211 | Flywheel      | SATURN   | 1991-02 | L4 1.9L   |
| FW-212 | Flywheel      | TOYOTA   | 1987-89 | L4 2.0L   |
| FW-213 | Flywheel      | TOYOTA   | 1988-00 | L4 2.0L, 2.2L   |
| FW-214 | Flywheel      | GEO, TOYOTA  | 1993-97 | L4 1.6L, 1.8L   |
| FW-215 | Flywheel      | TOYOTA   | 1988-95 | V6 3.0L   |
| FW-216 | Flywheel      | VOLKSWAGEN   | 1983-93 | L4 1.8L, 2.0L   |
| FW-217 | Flywheel      | VOLKSWAGEN   | 1994-00 | L4 1.8L, 1.9L, 2.0L   |
| FW-218 | Flywheel      | DODGE, MITSUBISHI  | 1982-89 | L4 2.0L   |
| FW-219 | Flywheel      | FORD   | 1988-97 | L4 1.3L   |
| FW-223 | Flywheel      | FORD, MAZDA  | 1996-03 | V6 3.0L   |
| FW-225 | Flywheel      | KIA  | 1995-02 | L4 2.0L   |
| FW-226 | Flywheel      | HYUNDAI  | 1990-94 | L4 1.5L   |
| FW-229 | Flywheel      | KIA, MAZDA   | 1994-00 | L4 1.6L   |
| FW-237 | Flywheel      | HYUNDAI  | 1992-95 | L4 1.8L, 2.0L   |
| FW-238 | Flywheel      | HYUNDAI, KIA   | 2000-08 | L4 1.8L, 2.0L   |
| FW-241 | Flywheel      | FORD   | 1997-08 | V6 4.2L   |
| FW-242 | Flywheel      | HYUNDAI  | 1989-98 | L4 2.0L, 2.4L   |
| FW-244 | Flywheel      | HYUNDAI  | 1995-03 | L4 1.5L   |
| FW-246 | Flywheel      | HYUNDAI  | 1999    | L4 2.4L   |
| FW-247 | Flywheel      | HYUNDAI  | 1992-95 | L4 1.6L   |
| FW-248 | Flywheel      | HYUNDAI, KIA   | 2001-08 | L4 1.6L   |
| FW-251 | Flywheel      | HYUNDAI  | 2004    | L4 2.4L   |
| FW-263 | Flywheel      | TOYOTA   | 1994-04 | L4 2.7L   |
| FW-265 | Flywheel      | TOYOTA   | 1986-99 | L4 1.5L   |
| FW-267 | Flywheel      | TOYOTA   | 1991-04 | L4 2.4L   |
| FW-270 | Flywheel      | CHEVROLET, GMC   | 1987-93 | V8 6.2L   |
| FW-271 | Flywheel      | FORD   | 1999-10 | V10 6.8L  |
| FW-300 | Flywheel      | PONTIAC, SUZUKI  | 1986-95 | L3 1.0L, L4 1.3L  |
| FW-312 | Flywheel      | FORD, MERCURY  | 1984-94 | L4 2.3L, 2.5  |
| FW-337 | Flywheel      | GEO, ISUZU   | 1990-93 | L4 1.6L   |
| FW-339 | Flywheel      | DODGE, MITSUBISHI  | 1991-99 | V6 3.0L   |
| FW-344 | Flywheel      | NISSAN   | 1989-98 | L4 1.6L   |
| FW-349 | Flywheel      | ISUZU  | 1983-94 | L4 1.9L, 2.3L   |
| FW-355 | Flywheel      | JEEP   | 1991-00 | L4 2.5L   |
| FW-365 | Flywheel      | CHRYSLER, DODGE, PLYMOUTH  | 1986-95 | L4 2.2L, 2.5L, V6 3.0L  |
| FW-366 | Flywheel      | ACURA, HONDA   | 1992-01 | L4 1.5L, 1.6L, 1.7L   |
| FW-373 | Flywheel      | KIA  | 1998-04 | L4 1.8L   |
| FW-377 | Flywheel      | ACURA, HONDA   | 1990-01 | L4 1.8L, 2.0L   |
| FWS-1  | Flywheel Shim | AM GENERAL, BUICK, CADILLAC, CHEVROLET, CHRYSLER, GMC, HUMMER, OLDSMOBILE, PONTIAC | 1955-05 | L6 4.1L, V6 3.0L, 3.3L, 3.7L, 4.1L, V8 4.4L, 4.6L, 4.7L, 5.0L, 5.7L, 5.9L, 6.0L, 6.2L, 6.5L, 6.6L, 6.7L, 7.0L, 7.4L |
| FWS-10 | Flywheel Shim | TOYOTA   | 1967-08 | L4 1.5L, 1.6L, 1.8L, 2.0L, 2.2L, 2.3L, L6 2.3L, 2.6L  |



## PIONEER NUMERICAL LISTING

| Part   | Description   | Make   | Years   | Engines  |
|--------|---------------|--|---------|--|
| FWS-11 | Flywheel Shim | TOYOTA   | 1967-08 | L4 1.5L, 1.6L, 1.8L, 2.0L, 2.2L, 2.3L, L6 2.3L, 2.6L   |
| FWS-12 | Flywheel Shim | FORD, HONA, LINCOLN, MERCURY   | 1961-04 | L4 1.3L, V8 5.9L, 6.4L, 6.9L, 7.3L, 7.5L   |
| FWS-13 | Flywheel Shim | FORD, HONA, LINCOLN, MERCURY   | 1961-04 | L4 1.3L, V8 5.9L, 6.4L, 6.9L, 7.3L, 7.5L   |
| FWS-14 | Flywheel Shim | FORD, MERCURY  | 1961-05 | L4 1.3L, V6 2.8L, 2.9L, 4.0L   |
| FWS-16 | Flywheel Shim | FORD, MERCURY  | 1961-05 | L4 1.3L, V6 2.8L, 2.9L, 4.0L   |
| FWS-17 | Flywheel Shim | NISSAN   | 1966-04 | L4 1.5L, 1.6L, 1.8L, 2.0L, 2.2L, 2.4L, L6 2.4L, 2.6L, 2.8L, V6 3.0L  |
| FWS-18 | Flywheel Shim | NISSAN   | 1966-04 | L4 1.5L, 1.6L, 1.8L, 2.0L, 2.2L, 2.4L, L6 2.4L, 2.6L, 2.8L, V6 3.0L  |
| FWS-19 | Flywheel Shim | HONDA  | 1973-04 | L4 1.2L, 1.3L, 1.5L, 1.6L, 1.8L, 2.0L, 2.2L, 2.3L, V6 2.7L   |
| FWS-2  | Flywheel Shim | AM GENERAL, BUICK, CADILLAC, CHEVROLET, CHRYSLER, GMC, HUMMER, OLDSMOBILE, PONTIAC | 1955-05 | L6 4.1L, V6 3.0L, 3.3L, 3.7L, 4.1L, V8 4.4L, 4.6L, 4.7L, 5.0L, 5.7L, 5.9L, 6.0L, 6.2L, 6.5L, 6.6L, 6.7L, 7.0L, 7.4L                      |
| FWS-20 | Flywheel Shim | HONDA  | 1973-04 | L4 1.2L, 1.3L, 1.5L, 1.6L, 1.8L, 2.0L, 2.2L, 2.3L, V6 2.7L   |
| FWS-21 | Flywheel Shim | CHRYSLER, DODGE, EAGLE, FORD, MITSUBISHI, PLYMOUTH                                 | 1953-06 | L4 1.5L, 1.6L, 1.8L, 2.0L, 2.2L, 2.4L, 2.5L, 2.6L, V6 3.0L, V8 3.7L, 5.9L  |
| FWS-22 | Flywheel Shim | CHRYSLER, DODGE, EAGLE, FORD, MITSUBISHI, PLYMOUTH                                 | 1953-06 | L4 1.5L, 1.6L, 1.8L, 2.0L, 2.2L, 2.4L, 2.5L, 2.6L, V6 3.0L, V8 3.7L, 5.9L  |
| FWS-23 | Flywheel Shim | FORD, MERCURY  | 1996-09 | V6 4.0L  |
| FWS-24 | Flywheel Shim | FORD, MERCURY  | 1996-09 | V6 4.0L  |
| FWS-25 | Flywheel Shim | BUICK, CADILLAC, CHEVROLET, GMC, OLDSMOBILE, PONTIAC                               | 1971-05 | L4 2.0L, 2.3L, V6 4.3L, V8 5.7L  |
| FWS-26 | Flywheel Shim | BUICK, CADILLAC, CHEVROLET, GMC, OLDSMOBILE, PONTIAC                               | 1971-05 | L4 2.0L, 2.3L, V6 4.3L, V8 5.7L  |
| FWS-27 | Flywheel Shim | BUICK, CADILLAC, CHEVROLET, GMC, HUMMER, ISUZU, OLDSMOBILE, PONTIAC, SAAB          | 1963-09 | L6 4.2L, 4.8L, V6 4.3L, V8 4.8L, 5.3L, 6.0L, 6.6L  |
| FWS-28 | Flywheel Shim | BUICK, CADILLAC, CHEVROLET, GMC, HUMMER, ISUZU, OLDSMOBILE, PONTIAC, SAAB          | 1963-09 | L6 4.2L, 4.8L, V6 4.3L, V8 4.8L, 5.3L, 6.0L, 6.6L  |
| FWS-29 | Flywheel Shim | MAZDA  | 1971-06 | L4 1.3L, 1.6L, 1.8L, 2.0L, 2.2L, V6 1.8L, 3.0L   |
| FWS-3  | Flywheel Shim | CHRYSLER, DODGE, JEEP, MITSUBISHI, PLYMOUTH, TOYOTA                                | 1958-04 | L4 2.4L, L6 4.0L, V6 3.0L, V8 5.2L, 5.4L, 5.6L, 5.9L, 6.3L, 7.2L   |
| FWS-30 | Flywheel Shim | MAZDA  | 1971-06 | L4 1.3L, 1.6L, 1.8L, 2.0L, 2.2L, V6 1.8L, 3.0L   |
| FWS-31 | Flywheel Shim | CHRYSLER, DODGE  | 1989-08 | L6 5.9L, 6.7L, V8 5.7L   |
| FWS-32 | Flywheel Shim | CHRYSLER, DODGE  | 1989-08 | L6 5.9L, 6.7L, V8 5.7L   |
| FWS-4  | Flywheel Shim | CHRYSLER, DODGE, JEEP, MITSUBISHI, PLYMOUTH, TOYOTA                                | 1958-04 | L4 2.4L, L6 4.0L, V6 3.0L, V8 5.2L, 5.4L, 5.6L, 5.9L, 6.3L, 7.2L   |
| FWS-5  | Flywheel Shim | FORD, HONDA, LINCOLN, MERCURY  | 1946-05 | L4 1.6L, 1.9L, 2.0L, 2.1L, 2.3L, L6 2.8L, 3.3L, 3.9L, 4.1L, 4.9L, V6 3.0L, 3.8L, 3.9L, 4.2L, V8 3.9L, 4.2L, 4.6L, 4.7L, 5.0L, 5.4L, 5.8L |
| FWS-6  | Flywheel Shim | FORD, HONDA, LINCOLN, MERCURY  | 1946-05 | L4 1.6L, 1.9L, 2.0L, 2.1L, 2.3L, L6 2.8L, 3.3L, 3.9L, 4.1L, 4.9L, V6 3.0L, 3.8L, 3.9L, 4.2L, V8 3.9L, 4.2L, 4.6L, 4.7L, 5.0L, 5.4L, 5.8L |
| FWS-7  | Flywheel Shim | BUICK, CADILLAC, CHEVROLET, GMC, OLDSMOBILE, PONTIAC                               | 1977-05 | L4 2.0L, 2.2L, 2.5L, V6 2.8L, 3.1L, 3.8L   |

## PIONEER NUMERICAL LISTING

| Part      | Description   | Make   | Years   | Engines  |
|-----------|---------------|--|---------|--|
| FWS-8     | Flywheel Shim | BUICK, CADILLAC, CHEVROLET, GMC, OLDSMOBILE, PONTIAC | 1977-05 | L4 2.0L, 2.2L, 2.5L, V6 2.8L, 3.1L, 3.8L   |
| FRG-103T  | Ring Gear     | CUMMINGS ENGINES                                     | 1971-91 |  |
| FRG-104F  | Ring Gear     | CLARK INDUSTRIAL ENGINES                             | 1971-91 |  |
| FRG-105C  | Ring Gear     | WAUKESHA   | 1957-82 |  |
| FRG-105G  | Ring Gear     | NISSAN   | 1971-80 | L4 1.2L, 1.4L  |
| FRG-109V  | Ring Gear     | VOLKSWAGEN   | 1960-67 | H4 1.2L, 1.3L, 1.5L, 1.6L  |
| FRG-112S  | Ring Gear     | FORD   | 1946-48 | L6 3.7L, V8 3.9L   |
| FRG-112SF | Ring Gear     | CONTINENTAL ENGINE, HERCULES, WAUKESHA               | 1956-76 |  |
| FRG-115C  | Ring Gear     | TOYOTA   | 1969-85 | L4 1.6L, 1.8L, 1.9L, 2.0L, 2.2L, L6 2.6L   |
| FRG-120   | Ring Gear     | NISSAN   | 1982-89 | L4 1.5L, 1.6L  |
| FRG-121G  | Ring Gear     | DODGE, PLYMOUTH                                      | 1983-85 | L4 1.6L  |
| FRG-122T  | Ring Gear     | CHRYSLER, DODGE, PLYMOUTH                            | 1962-93 | L4 2.2L, L6 2.8L, 3.2L, 3.7L, V6 3.9L, V8 4.5L, 5.2L, 5.9L, 6.6L                         |
| FRG-125A  | Ring Gear     | DODGE, PLYMOUTH                                      | 1978-83 | L4 1.7L  |
| FRG-125C  | Ring Gear     | VOLKSWAGEN   | 1975-80 | L4 1.5L, 1.6L  |
| FRG-129F  | Ring Gear     | JEEP   | 1946-70 | L4 2.2L  |
| FRG-130C  | Ring Gear     | CHRYSLER, DODGE, PLYMOUTH                            | 1972-95 | L6 3.7L, 5.9L, V8 5.2L, 5.9L, 6.6L, 7.2L   |
| FRG-130T  | Ring Gear     | CHRYSLER, DODGE, PLYMOUTH                            | 1957-90 | L6 2.8L, 3.2L, 3.7L, V8 4.5L, 5.2L, 5.6L, 5.8L, 5.9L, 6.3L, 6.4L, 6.6L, 6.8L, 7.0L, 7.2L |
| FRG-130V  | Ring Gear     | VOLKSWAGEN   | 1968-69 | H4 1.5L  |
| FRG-131CH | Ring Gear     | DODGE  | 1984-87 | L6 3.7L, V6 3.9L   |
| FRG-132A  | Ring Gear     | INTERNATIONAL / NAVISTAR                             | 1956-76 |  |
| FRG-132E  | Ring Gear     | FORD, MERCURY  | 1977-03 | L4 1.6L, 1.9L, 2.0L, 2.2L, 2.3L, 2.5L, V6 3.0L   |
| FRG-132F  | Ring Gear     | FORD, MERCURY  | 1960-70 | L6 2.4L, 2.8L, 3.3L, 3.7L  |
| FRG-132R  | Ring Gear     | INTERNATIONAL  | 1956-76 |  |
| FRG-133CH | Ring Gear     | DODGE, PLYMOUTH                                      | 1981-83 | L4 1.7L  |
| FRG-134T  | Ring Gear     | INTERNATIONAL  | 1956-76 |  |
| FRG-135A  | Ring Gear     | FORD, MERCURY  | 1971-74 | L4 1.6L, 2.0L  |
| FRG-136C  | Ring Gear     | TOYOTA   | 1975-84 | L6 4.2L  |
| FRG-136T  | Ring Gear     | FORD, MERCURY  | 1966-83 | L6 2.8L, 3.3L  |
| FRG-138C  | Ring Gear     | FORD   | 1966-71 | V8 7.0L  |
| FRG-138RY | Ring Gear     | FORD   | 1983-92 | V6 2.8L, 2.9L  |
| FRG-139A  | Ring Gear     | DODGE, PLYMOUTH                                      | 1981-82 | L4 2.2L  |
| FRG-139CH | Ring Gear     | CHRYSLER, DODGE, PLYMOUTH                            | 1981-89 | L4 1.6L, 2.2L, 2.6L, L6 3.7L   |
| FRG-139G  | Ring Gear     | CHEVROLET, GMC                                       | 1982-02 | V8 6.2L, 6.5L  |
| FRG-140S  | Ring Gear     | FORD   | 1958-86 | V8   |
| FRG-141C  | Ring Gear     | FORD   | 1966-71 | V8 7.0L  |
| FRG-142W  | Ring Gear     | BUICK, CADILLAC, CHEVROLET, OLDSMOBILE, PONTIAC      | 1976-03 | L4 1.4L, 1.6L, 1.8L, 2.0L, 2.2L, 2.3L, 2.4L, 2.5L, V6 2.8L, 3.0L, 3.1L, 3.8L             |
| FRG-143N  | Ring Gear     | DODGE, PLYMOUTH                                      | 1967-95 | L6 3.7L, 5.9L, V8 5.2L, 5.9L, 6.3L, 6.6L, 7.2L   |
| FRG-145S  | Ring Gear     | MASSEY FERGUSON TRACTOR                              | 1959-85 |  |
| FRG-146NC | Ring Gear     | FORD, MERCURY  | 1952-67 | L6 2.8L, 3.5L, 3.7L, 4.3L, V8 3.9L, 4.3L, 4.5L, 4.8L, 5.1L                               |
| FRG-146XF | Ring Gear     | CHRYSLER, DODGE, PLYMOUTH                            | 1951-56 | V8 3.9L, 4.4L, 5.4L  |
| FRG-148B  | Ring Gear     | CHEVROLET, GMC, PONTIAC                              | 1982-93 | L4 2.0L, V6 2.8L   |
| FRG-148NC | Ring Gear     | DODGE, PLYMOUTH                                      | 1960-61 | L6 2.8L, 3.7L  |
| FRG-148S  | Ring Gear     | FORD, MERCURY  | 1956-64 | V8 4.5L, 4.8L, 5.1L  |
| FRG-152CR | Ring Gear     | DODGE  | 1989-02 | L6 5.9L  |

## PIONEER NUMERICAL LISTING

| Part      | Description | Make                                     | Years   | Engines  |
|-----------|-------------|--|---------|--|
| FRG-152F  | Ring Gear   | FORD                                     | 1958-63 | V8 5.4L  |
| FRG-153B  | Ring Gear   | BUICK, CHEVROLET, OLDSMOBILE, PONTIAC    | 1971-95 | L4 2.0L, 2.3L, 2.5L, L6 4.1L, V6 3.3L, 3.8L, 4.3L, V8 4.3L, 4.4L, 5.0L, 5.7L   |
| FRG-153N  | Ring Gear   | CHEVROLET, GMC                           | 1962-76 | L6 3.2L, 3.8L, 4.1L, 4.4L, V8 4.6L, 5.0L, 5.4L, 6.6L, 6.7L   |
| FRG-155FT | Ring Gear   | FORD                                     | 1983-94 | V8 6.9L, 7.3L  |
| FRG-157N  | Ring Gear   | FORD, MERCURY                            | 1962-92 | L6 2.8L, 3.3L, 4.1L, 4.3L, V8 3.6L, 4.3L, 4.7L, 5.0L   |
| FRG-158A  | Ring Gear   | DODGE                                    | 1974-77 | L6 3.7L, V8 5.2L, 5.9L   |
| FRG-158H  | Ring Gear   | GMC                                      | 1973-74 | V6   |
| FRG-164A  | Ring Gear   | AMERICAN MOTORS                          | 1973-88 | L6 3.8L, 4.2L, V8 5.0L, 5.9L, 6.6L   |
| FRG-164F  | Ring Gear   | AMERICAN MOTORS                          | 1972-77 | L6 3.8L, 4.2L, V8 5.0L, 5.9L, 6.6L   |
| FRG-164N  | Ring Gear   | FORD, MERCURY                            | 1963-99 | L4 4.0L, L6 3.9L, 4.1L, 4.9L, V6 3.8L, V8 4.7L, 5.0L, 5.8L, 7.0L   |
| FRG-164T  | Ring Gear   | FORD                                     | 1966-71 | V8 7.0L  |
| FRG-166N  | Ring Gear   | BUICK, OLDSMOBILE, PONTIAC               | 1961-79 | V8 3.5L, 4.3L, 5.3L, 5.4L, 5.7L, 6.4L, 6.5L, 6.6L, 6.9L, 7.0L, 7.5L  |
| FRG-166W  | Ring Gear   | BUICK, OLDSMOBILE, PONTIAC               | 1977-81 | V8 4.3L, 4.9L, 6.6L  |
| FRG-168R  | Ring Gear   | FORD                                     | 1965-74 | 7.5L   |
| FRG-168S  | Ring Gear   | BUICK, CADILLAC, CHEVROLET, GMC, PONTIAC | 1961-09 | L4 2.5L, L6 3.2L, 3.8L, 3.9L, 4.1L, 4.4L, V6 4.3L, V8 4.4L, 4.6L, 4.8L, 5.0L, 5.3L, 5.4L, 5.7L, 6.0L, 6.5L, 6.6L, 6.7L, 7.0L, 7.4L |
| FRG-168T  | Ring Gear   | GMC                                      | 1956-62 | L6 4.4L  |
| FRG-172NC | Ring Gear   | CHRYSLER, DODGE, PLYMOUTH                | 1957-68 | L6 3.7L, V8 5.2L, 5.8L, 5.9L, 6.3L, 6.4L, 6.8L, 7.0L   |
| FRG-173T  | Ring Gear   | INTERNATIONAL / NAVISTAR                 | 1956-76 |  |
| FRG-174G  | Ring Gear   | GMC                                      | 1973-74 | V6   |
| FRG-180W  | Ring Gear   | FORD                                     | 1977-97 | V8 5.8L, 6.6L, 7.5L  |
| FRG-184T  | Ring Gear   | FORD, MERCURY                            | 1965-76 | L4 4.0L, L6 3.9L, V8 5.8L, 5.9L, 6.4L, 7.0L  |
| FRG-186T  | Ring Gear   | DODGE                                    | 1968-77 | V8 5.9L, 6.3L  |
| FRG-188T  | Ring Gear   | FORD                                     | 1964-76 | V8 5.9L, 6.4L  |
| FRG-191T  | Ring Gear   | CHEVROLET, GMC                           | 1961-73 | V8 5.0L, 6.6L  |
| FRG-192T  | Ring Gear   | INTERNATIONAL / NAVISTAR                 | 1956-76 |  |
| FRG-197B  | Ring Gear   | CHEVROLET, GMC                           | 1958-88 | V8   |
| FRG-204A  | Ring Gear   | CHEVROLET, GMC                           | 1979-88 |  |
| FRG-620   | Ring Gear   | TOYOTA                                   | 1968-84 | L4 1.1L, 1.2L, 1.3L  |
| FRG-634   | Ring Gear   | NISSAN                                   | 1975-84 | L4 2.0L, 2.2L, L6 2.4L, 2.8L   |