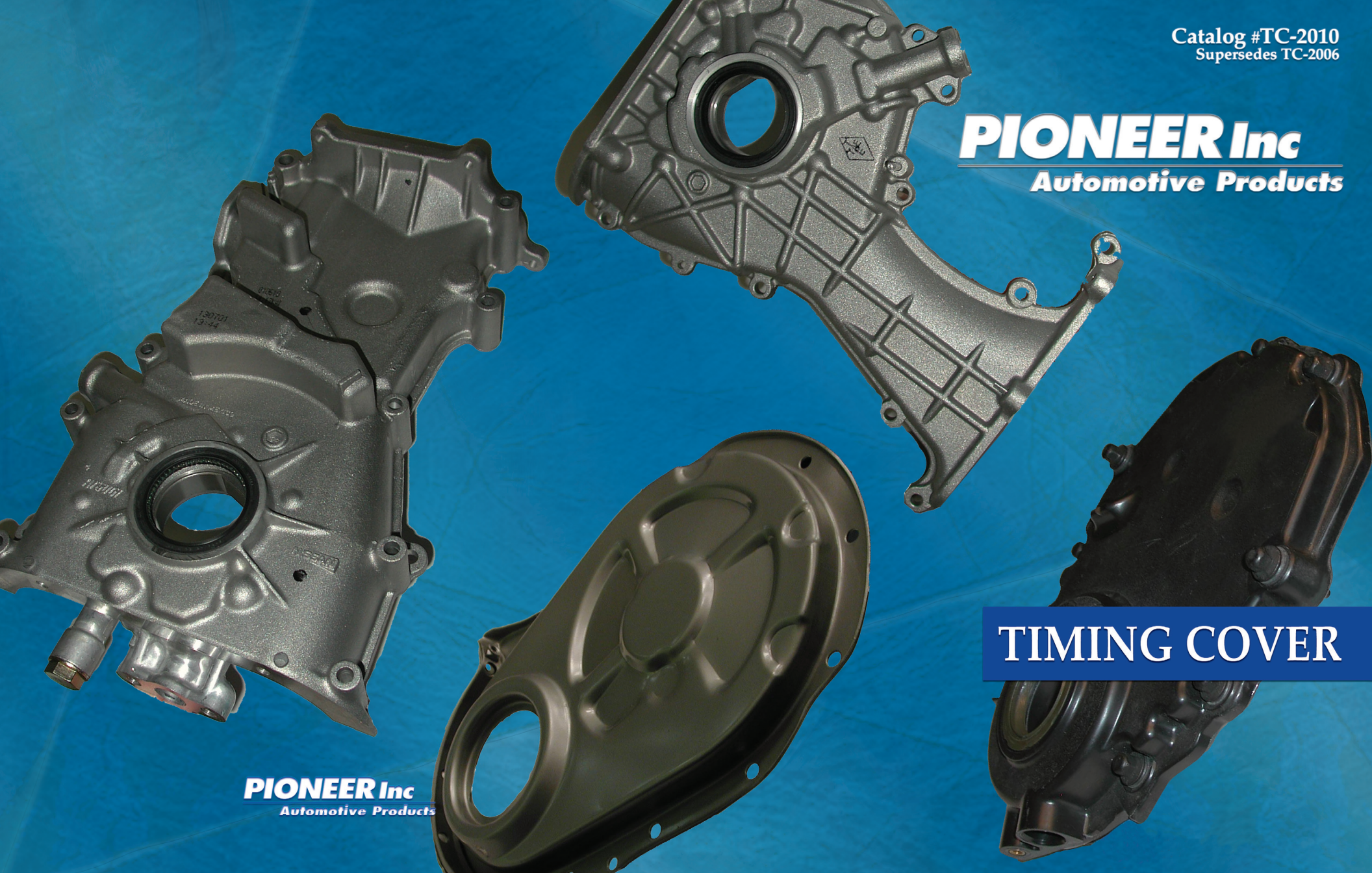


Catalog #TC-2010  
Supersedes TC-2006

**PIONEER Inc**  
**Automotive Products**



**TIMING COVER**

**PIONEER Inc**  
Automotive Products



*"Proud of the past...committed to the future"  
is a slogan which accurately reflects Pioneer's heritage and its future.*

Pioneer, Inc. was founded in 1946 by the late Herman A. Shields, who owned a successful automotive parts manufacturer's representative firm in his hometown of Meridian, Mississippi. He formed the company to service the needs of his clutch remanufacturer customers. His goal was simple: Supply the needed, hard-to-find parts for these businesses.

Little did he know that the company he founded would become a leading supplier of high quality components to the automotive parts aftermarket. For over 30 years under the guidance of the Shields family, Pioneer growth was based upon the twin cornerstones of customer service and reputation of the "Source for hard-to-find parts."

In 1979, Pioneer was purchased by The Barnes Group (Bristol, Connecticut) and the company became known as Pioneer/Barnes. During the Barnes Group's ownership, Pioneer purchased a 10-acre parcel in the G.V. (Sonny) Montgomery Industrial Park and built an 86,000 sq. ft. corporate head-quarters and distribution center on the site.

The product line expanded dramatically during the Barnes years, adding operating cables, flywheels, ring gears, shop supplies and performance parts to the company's mix, while further expanding the clutch, engine parts and water pump lines. Additionally, Pioneer added regional warehouses in Mt. Laurel, New Jersey and Cerritos, California to provide improved delivery service to its East and West Coast customers.

Additionally, Pioneer has made major commitments to its total quality assurance programs. These quality performance processes have been adapted to order taking and filling, distribution and inventory controls, further improving fill rates and on-time delivery.

The distribution facilities have also undergone modernization. In 1995, the Meridian facility's distribution center was expanded, bringing the warehousing space to over 200,000 sq. ft.

In May, 2000, Pioneer bought the new clutch business of L&S and through this acquisition have added New Clutch Kits to form a "5 Star" line-up which includes Powertrain, Transmission Parts, Engine and Transmission Mounts, and Harmonic Balancers...giving Pioneer a strong and competitive package of Driveline related products.

In August 1, 2010 Industrias Automotrices Lodi S.A. de C.V. purchased the company from Doron Arad. Pioneer continues its focus on product line expansion and making major investments in product tooling.

*For over 60 years, the Pioneer story has been unique. Pioneer's growth has been based upon the philosophy of Herman Shields that success must be based upon customer service and satisfaction. Pioneer's Mission Statement reflects that philosophy:*

*"We are committed to the success of our customers. Our mission will be to provide customers with quality product and superior service. We believe the dedication of our employees and business partners is our most valued resource."*

*While the philosophy may seem passé in today's business environment, it has served Pioneer well through over six decades.*

## GUARANTEE

*All parts are guaranteed against defects in material and workmanship for a period of one year from the date of the original consumer purchase.*

*"Our obligation under this guarantee is limited to replacement of the defective part or, at our option, repayment of the purchase price, conditioned in either case upon the return of the part to us with an explanation of the circumstances and conditions under which failure occurred. We neither assume nor authorize any other person to assume for us any other liability. IN NO EVENT WILL PIONEER BE LIABLE FOR ANY CONSEQUENTIAL OR INCIDENTAL DAMAGES, including claims for labor charges, transportation, or loss of revenue."*

*The information listed herein is correct to the best of our knowledge and belief, having been compiled from reliable and official sources of information. However, WE CANNOT ASSUME ANY RESPONSIBILITY FOR POSSIBLE ERROR.*

*Thank you,  
Pioneer, Inc. Automotive Products*

CONTENTS OF THIS CATALOG ARE COPYRIGHTED.  
REPRODUCTION OF ANY OR ALL OF ITS CONTENTS ARE PROHIBITED.

© 2011, Pioneer, Ind. Automotive Products  
Catalog #EP-2010, Engine Parts

Printed in U.S.A.  
All Rights Reserved

# table of contents

## Section 1

Applications .....	1-27
Buick .....	1-3
Cadillac .....	3
Chevrolet .....	3-9
Chrysler .....	9
Excalibur .....	9-12
Dodge .....	12
Ford .....	12-15
GMC .....	15-18
Hummer .....	18
Hyundai .....	18-20
Isuzu .....	20
Jeep .....	20
Kia .....	20
Lincoln .....	21
Mercury .....	21-22
Nissan .....	22-23
Oldsmobile .....	23-25
Plymouth .....	25
Pontiac .....	25-27
Shelby .....	27
Sunbeam .....	27
Toyota .....	27

## Section 2

Illustrations .....	28-35
---------------------	-------

## Section 3

Numerical Listing .....	37-38
-------------------------	-------

## Section 4

Technical Summary .....	39
-------------------------	----

# For complete selection of quality automotive products, ask for information on Pioneer Products listed below.

## ENGINE COMPONENTS

- EXPANSION PLUGS & KITS
- SPECIALITY ENGINE PARTS
  - Fastener
  - Oil System Components
  - Harmonic Balancer Repair Sleeves
  - Pipe Plugs
  - Pilot Bushings
- HARMONIC BALANCERS
- OIL PUMPS & COMPONENTS
- VALVE TRAIN COMPONENTS
  - Valves
  - Valve Keys
  - Valve Retainers
  - Push Rods
  - Rocker Arm & Related Items
  - Valve Guides
  - Valve Seals
  - Valve Springs
  - Lifters

## POWERTRAIN PRODUCTS

- CABLES
  - Accelerator
  - Brake
  - Clutch
  - Control
  - Detent
  - Ground Strap
  - Manual Transhift
  - Miscellaneous
  - Speedometer
  - Transhift
- FLYWHEEL ASSEMBLIES
- FLYWHEEL RING GEARS
- CLUTCH FORKS AND ADJUSTERS
- ALIGNMENT TOOLS
- STANDARD FLYWHEELS

## TRANSMISSION PRODUCTS

- Filter Kits
- Gasket Kits
- Overhaul Kits
- Banner Kits
- Master Kits
- Super Kits
- Modulators
- Seals & Bushings
- Clutch Plates
- Sprag Kits
- Valve Body Kits
- AND MUCH MORE!**

## HIGH PERFORMANCE

- CYLINDER HEAD COMPONENTS
  - Complete Valve Train Parts
- SHORT BLOCK COMPONENTS:
  - Expansion plugs, Fastener, Oil Pumps, Pilot Bushings, Miscellaneous Components
- FASTENERS;
  - 12 Point & Miscellaneous, Rod Bolts & Nuts, Head Studs & Bolts, Main Studs & Bolts
- MISCELLANEOUS:
  - Spring Inserts, Repair Sleeves, Flywheel Assemblies, Tools

## SHOP SUPPLIES

- **ABRASIVES:**
  - Bonded - Grinding Wheels, Stones, Segments, Hones, Diamond Tools
  - Coated - Sanding, Polishing, Chamfering
- **CUTTERS:**
  - Carbide, Boring Bar, Files, Rotary, Blade, Box
- **BRUSHES:**
  - Wheel, End, Cup, Loop, Scratch, Gallery, Cleaning, Brooms
- **CHEMICALS:**
  - Paint, Adhesives, Aerosols, Cleaners, Solvents, Oils, Sealants, Silicone, Leak Detection
- **FASTENERS:**
  - Grade 5, Grade 8, Metric, Specialty, Assortments, Thread Repair
- **TOOLS & ACCESSORIES:**
  - Valve Equipment, Pullers, Crack Repair, Measuring Instruments, Brake Tools, Safety Equip. & Assess.

## MOUNTS

- ENGINE MOUNTS - Solid
- ENGINE MOUNTS - Hydraulic
- TRANSMISSION MOUNTS
- TORQUE MOUNTS
- DRIVE SHAFT CENTER SUPPORT MOUNTS
- SUSPENSION STRUT MOUNTS
- BODY MOUNTS

Year	Engine	Description	Aluminum Timing Cover	Plastic Timing Cover	Timing Mark	Dipstick Tube
<b>BUICK</b>						
<b>APOLLO</b>						
1973-75	V8 5.7L 350ci	RWD	500231		500231-TM	
<b>CENTURION</b>						
1972-73	V8 5.7L 350ci	RWD	500231		500231-TM	
<b>CENTURY</b>						
1982-90	L4 2.5L 151ci		500151L			
1991	L4 2.5L 151ci		500151E			
1982-85	V6 3.0L 181ci	FWD	500230			
1978-79	V6 3.2L 196ci	RWD	500231		500231-TM	
1991-93	V6 3.3L 204ci	Late Style w/Balance Shaft & Sensor Hole on Left Side of Cover, No Camshaft Button on Inside of Cover	500230L			
1975-79	V6 3.8L 231ci	RWD	500231		500231-TM	
1980-81	V6 3.8L 231ci	FWD	500230			
1984-88	V6 3.8L 231ci	FWD	500230			
1973-79	V8 5.7L 350ci	RWD	500231		500231-TM	
<b>ELECTRA</b>						
1985	V6 3.0L 181ci	FWD	500230			
1985-87	V6 3.8L 231ci	FWD	500230			
1980-84	V6 4.1L 252ci	RWD	500231		500231-TM	
1985	V8 5.0L 307ci		500305S			
1977-80	V8 5.7L 350ci	RWD	500231		500231-TM	
<b>ESTATE WAGON</b>						
1970	V8 5.7L 350ci	RWD	500231		500231-TM	
1972-73	V8 5.7L 350ci	RWD	500231		500231-TM	
1977-79	V8 5.7L 350ci	RWD	500231		500231-TM	
<b>GS</b>						
1970-72	V8 5.7L 350ci	RWD	500231		500231-TM	
<b>GS 350</b>						
1968-69	V8 5.7L 350ci	RWD	500231		500231-TM	
<b>LESABRE</b>						
1986	V6 3.0L 181ci	FWD	500230			
1976-79	V6 3.8L 231ci	RWD	500231		500231-TM	
1980-88	V6 3.8L 231ci	FWD	500230			
1991-03	V6 3.8L 231ci	Late Style w/Balance Shaft & Sensor Hole on Left Side of Cover, No Camshaft Button on Inside of Cover	500230L			
1980-84	V6 4.1L 252ci	RWD	500231		500231-TM	
1965	V8 4.9L 300ci		500231		500231-TM	
1985	V8 5.0L 307ci		500305S			
1966-67	V8 5.6L 340ci		500231		500231-TM	
1968-80	V8 5.7L 350ci	RWD	500231		500231-TM	
1993-95	V6 3.8L 231ci	No Cam Button, No Sensor Hole, Side Outlet	500230WO			
<b>PARK AVENUE</b>						
1991-01	V6 3.8L 231ci	Late Style w/Balance Shaft & Sensor Hole on Left Side of Cover, No Camshaft Button on Inside of Cover	500230L			
1993-95	V6 3.8L 231ci	No Cam Button, No Sensor Hole, Side Outlet	500230WO			
<b>RAINIER</b>						
2004-07	V8 5.3L 323ci	Rear Seal Housing	500323RSH			

Year	Engine	Description	Aluminum Timing Cover	Plastic Timing Cover	Timing Mark	Dipstick Tube
<b>BUICK (con't)</b>						
<b>REATA</b>						
1991	V6 3.8L 231ci	Late Style w/Balance Shaft & Sensor Hole on Left Side of Cover, No Camshaft Button on Inside of Cover	500230L			
<b>REGAL</b>						
1978-79	V6 3.2L 196ci	RWD	500231		500231-TM	
1975-86	V6 3.8L 231ci	RWD	500231		500231-TM	
1987	V6 3.8L 231ci	20 Bolt Oil Pan	500230			
1990-03	V6 3.8L 231ci	Late Style w/Balance Shaft & Sensor Hole on Left Side of Cover, No Camshaft Button on Inside of Cover	500230L			
1993-95	V6 3.8L 231ci	No Cam Button, No Sensor Hole, Side Outlet	500230WO			
1982-84	V6 4.1L 252ci	RWD	500231		500231-TM	
1985-87	V8 5.0L 305ci		500305S			
1973-77	V8 5.7L 350ci	RWD	500231		500231-TM	
<b>RIVIERA</b>						
1979	V6 3.8L 231ci	RWD	500231		500231-TM	
1980-87	V6 3.8L 231ci	FWD	500230			
1991-93	V6 3.8L 231ci	Late Style w/Balance Shaft & Sensor Hole on Left Side of Cover, No Camshaft Button on Inside of Cover	500230L			
1993	V6 3.8L 231ci	No Cam Button, No Sensor Hole, Side Outlet	500230WO			
1995	V6 3.8L 231ci	No Cam Button, No Sensor Hole, Side Outlet	500230WO			
1995-99	V6 3.8L 231ci	Late Style w/Balance Shaft & Sensor Hole on Left Side of Cover, No Camshaft Button on Inside of Cover	500230L			
1981-84	V6 4.1L 252ci	RWD	500231		500231-TM	
1985	V8 5.0L 307ci		500305S			
1977-80	V8 5.7L 350ci	RWD	500231		500231-TM	
<b>ROADMASTER</b>						
1991	V8 5.0L 305ci	Use w/7" Harmonic Balancer	500305S			
1992-93	V8 5.7L 350ci	Use w/7" Harmonic Balancer	500305S			
<b>SKYHAWK</b>						
1975-80	V6 3.8L 231ci	RWD	500231		500231-TM	
<b>SKYLARK</b>						
1982-85	L4 2.5L 151ci		500151L			
1986-91	L4 2.5L 151ci		500151E			
1986-88	V6 3.0L 181ci	FWD	500230			
1991-93	V6 3.3L 204ci	Late Style w/Balance Shaft & Sensor Hole on Left Side of Cover, No Camshaft Button on Inside of Cover	500230L			
1964-67	V6 3.7L 225ci	RWD	500231		500231-TM	
1975-79	V6 3.8L 231ci	RWD	500231		500231-TM	
1968-72	V8 5.7L 350ci	RWD	500231		500231-TM	
1975-79	V8 5.7L 350ci	RWD	500231		500231-TM	
<b>SOMERSET</b>						
1985	L4 2.5L 151ci		500151L			
1986-87	L4 2.5L 151ci		500151E			
1985-87	V6 3.0L 181ci	FWD	500230			
<b>SPECIAL, SPORTWAGON</b>						
1964-67	V6 3.7L 225ci	RWD	500231		500231-TM	

Year	Engine	Description	Aluminum Timing Cover	Plastic Timing Cover	Timing Mark	Dipstick Tube
<b>BUICK (con't)</b>						
<b>SPECIAL, SPORTWAGON (con't)</b>						
1968-72	V8 5.7L 350ci	RWD	500231		500231-TM	
<b>CADILLAC</b>						
<b>BROUGHAM</b>						
1990-92	V8 5.7L 350ci	Use w/7" Harmonic Balancer	500305S			
<b>CTS</b>						
2004-05	V8 5.7L 346ci		500LS1			
2006-07	V8 6.0L 364ci	Rear Seal Housing	500323RSH			
<b>DEVILLE, ELDORADO, SEVILLE</b>						
1980-82	V6 4.1L 252ci	RWD; 14 Bolt Oil Pan	500231		500231-TM	
<b>FLEETWOOD</b>						
1980-82	V6 4.1L 252ci	RWD; 14 Bolt Oil Pan	500231		500231-TM	
1991-92	V8 5.0L 305ci		500305S			
1993	V8 5.7L 350ci	Use w/7" Harmonic Balancer	500305S			
<b>CADILLAC TRUCK</b>						
<b>ESCALADE</b>						
2002	V8 5.3L 323ci	Rear Seal Housing	500323RSH			
2002-05	V8 5.3L 325ci	Rear Seal Housing	500323RSH			
1999-00	V8 5.7L 350ci	w/Crankshaft Sensor Hole		500350		
1999-00	V8 5.7L 350ci	w/o Crankshaft Sensor Hole		500350WO		
2002-06	V8 6.0L 364ci	Rear Seal Housing	500323RSH			
2009	V8 6.2L 376ci	Rear Seal Housing	500323RSH			
2007-08	V8 6.2L 378ci	Rear Seal Housing	500323RSH			
2007-09	V8 6.2L 378ci		500LS2			
<b>CHEVROLET</b>						
<b>BEL AIR, BISCAYNE, BROOKWOOD, CHEVELLE, KINGSWOOD, TOWNSMAN</b>						
1969-74	V8 5.7L 350ci		500350S			
1966-70	V8 6.5L 396ci		500454S		500454S-TM	
1970-71	V8 6.6L 400ci	4BBL	500454S		500454S-TM	
1970-72	V8 6.6L 402ci		500454S		500454S-TM	
1966-69	V8 7.0L 427ci		500454S		500454S-TM	
1970-75	V8 7.4L 454ci		500454S		500454S-TM	
<b>CAMARO</b>						
1982-86	L4 2.5L 151ci	Late Style	500151L			
1982-89	V6 2.8L 173ci		500189			
1990-92	V6 3.1L 189ci		500189			
1980-81	V6 3.8L 231ci	RWD; 14 Bolt Oil Pan	500231		500231-TM	
1982-92	V8 5.0L 305ci		500305S			
1969-74	V8 5.7L 350ci		500350S			
1976	V8 5.7L 350ci		500350S			
1980	V8 5.7L 350ci		500350S			
1987-92	V8 5.7L 350ci		500350S			
1993-94	V8 5.7L 350ci		500350LT1			
1995	V8 5.7L 350ci		500350S			
1996-02	V8 5.7L 350ci			500350		
1996-02	V8 5.7L 350ci	w/o Sensor		500350WO		
1998-02	V8 5.7L 350ci		500LS1			
1967-70	V8 6.5L 396ci		500454S		500454S-TM	
1970-72	V8 6.6L 402ci		500454S		500454S-TM	
1969	V8 7.0L 427ci		500454S		500454S-TM	
<b>CAPRICE</b>						
1980-84	V6 3.8L 231ci	20 Bolt Oil Pan	500230			

Year	Engine	Description	Aluminum Timing Cover	Plastic Timing Cover	Timing Mark	Dipstick Tube
<b>CHEVROLET (con't)</b>						
<b>CAPRICE (con't)</b>						
1980-84	V6 3.8L 231ci	RWD; 14 Bolt Oil Pan	500231		500231-TM	
1992-93	V6 4.3L 262ci	w/Welded Pointer	500262S			
1982	V8 4.4L 267ci	Use w/7" Harmonic Balancer	500305S			
1982-83	V8 5.0L 305ci	Use w/7" Harmonic Balancer	500305S			
1984-93	V8 5.0L 305ci		500305S			
1969-74	V8 5.7L 350ci		500350S			
1976	V8 5.7L 350ci		500350S			
1980	V8 5.7L 350ci		500350S			
1982	V8 5.7L 350ci		500350S			
1987-93	V8 5.7L 350ci		500350S			
1994	V8 5.7L 350ci		500350LT1			
1995	V8 5.7L 350ci		500350S			
1996	V8 5.7L 350ci			500350		
1996	V8 5.7L 350ci	w/o Sensor		500350WO		
1966-69	V8 6.5L 396ci		500454S		500454S-TM	
1970-71	V8 6.6L 400ci	4BBL	500454S		500454S-TM	
1971-72	V8 6.6L 402ci		500454S		500454S-TM	
1966-69	V8 7.0L 427ci		500454S		500454S-TM	
1970-76	V8 7.4L 454ci		500454S		500454S-TM	
<b>CELEBRITY, CITATION</b>						
1982-90	L4 2.5L 151ci	Late Style	500151L			
1984-86	V6 2.8L 173ci		500189			
<b>CHEVY II</b>						
1968	V8 6.5L 396ci		500454S		500454S-TM	
<b>CORVETTE</b>						
1969-74	V8 5.7L 350ci		500350S			
1976	V8 5.7L 350ci		500350S			
1987-95	V8 5.7L 350ci		500350S			
1993-94	V8 5.7L 350ci		500350LT1			
1996-02	V8 5.7L 350ci			500350		
1996-02	V8 5.7L 350ci	w/o Sensor		500350WO		
1997-04	V8 5.7L 350ci		500LS1			
2005-07	V8 6.0L 364ci	Rear Seal Housing	500323RSH			
2005-07	V8 6.0L 364ci		500LS2			
2008	V8 6.2L 376ci	Rear Seal Housing	500323RSH			
2008	V8 6.2L 376ci		500LS2			
1966-69	V8 7.0L 427ci		500454S		500454S-TM	
2006-08	V8 7.0L 427ci	Rear Seal Housing	500323RSH			
2006-08	V8 7.0L 427ci		500LS2			
1970-74	V8 7.4L 454ci		500454S		500454S-TM	
<b>IMPALA</b>						
1980-84	V6 3.8L 231ci	20 Bolt Oil Pan	500230			
1980-84	V6 3.8L 231ci	RWD; 14 Bolt Oil Pan	500231		500231-TM	
1982	V8 4.4L 267ci	Use w/7" Harmonic Balancer	500305S			
1982-83	V8 5.0L 305ci	Use w/7" Harmonic Balancer	500305S			
1984-85	V8 5.0L 305ci		500305S			
2006-07	V8 5.3L 325ci	Rear Seal Housing	500323RSH			
1969-74	V8 5.7L 350ci		500350S			
1976	V8 5.7L 350ci		500350S			
1980	V8 5.7L 350ci		500350S			
1982	V8 5.7L 350ci		500350S			
1994	V8 5.7L 350ci		500350LT1			



Year	Engine	Description	Aluminum Timing Cover	Plastic Timing Cover	Timing Mark	Dipstick Tube
<b>CHEVROLET (con't)</b>						
<b>IMPALA (con't)</b>						
1995	V8 5.7L 350ci		500350S			
1996	V8 5.7L 350ci			500350		
1996	V8 5.7L 350ci	w/o Sensor		500350WO		
1966-69	V8 6.5L 396ci		500454S		500454S-TM	
1970-71	V8 6.6L 400ci	4BBL	500454S		500454S-TM	
1971-72	V8 6.6L 402ci		500454S		500454S-TM	
1966-69	V8 7.0L 427ci		500454S		500454S-TM	
1970-76	V8 7.4L 454ci		500454S		500454S-TM	
<b>LAGUNA</b>						
1973-74	V8 5.7L 350ci		500350S			
1976	V8 5.7L 350ci		500350S			
1973-75	V8 7.4L 454ci		500454S		500454S-TM	
<b>LLV</b>						
1987-93	L4 2.5L 151ci	Late Style	500151L			
<b>LUMINA</b>						
1990	L4 2.5L 151ci	Late Style	500151L			
<b>MALIBU</b>						
1978-83	V6 3.8L 231ci	RWD; 14 Bolt Oil Pan	500231		500231-TM	
1979-83	V6 3.8L 231ci	20 Bolt Oil Pan	500230			
1983	V8 5.0L 305ci	Use w/7" Harmonic Balancer	500305S			
1973-74	V8 5.7L 350ci		500350S			
1976	V8 5.7L 350ci		500350S			
1980	V8 5.7L 350ci		500350S			
1966-67	V8 6.5L 396ci		500454S		500454S-TM	
1973-75	V8 7.4L 454ci		500454S		500454S-TM	
<b>MONTE CARLO</b>						
1978-84	V6 3.8L 231ci	RWD; 14 Bolt Oil Pan	500231		500231-TM	
1979-84	V6 3.8L 231ci	20 Bolt Oil Pan	500230			
1985-87	V6 3.8L 231ci	Buick Engine	500231		500231-TM	
1982	V8 4.4L 267ci	Use w/7" Harmonic Balancer	500305S			
1982-83	V8 5.0L 305ci	Use w/7" Harmonic Balancer	500305S			
1984-88	V8 5.0L 305ci		500305S			
2006-07	V8 5.3L 325ci	Rear Seal Housing	500323RSH			
1970-74	V8 5.7L 350ci		500350S			
1976	V8 5.7L 350ci		500350S			
1970-71	V8 6.6L 400ci	4BBL	500454S		500454S-TM	
1970-72	V8 6.6L 402ci		500454S		500454S-TM	
1970-75	V8 7.4L 454ci		500454S		500454S-TM	
<b>MONZA</b>						
1978-79	V6 3.2L 196ci	RWD; 14 Bolt Oil Pan	500231		500231-TM	
1978-80	V6 3.8L 231ci	RWD; 14 Bolt Oil Pan	500231		500231-TM	
1979-80	V6 3.8L 231ci	20 Bolt Oil Pan	500230			
<b>NOVA</b>						
1969-74	V8 5.7L 350ci		500350S			
1976	V8 5.7L 350ci		500350S			
1969-70	V8 6.5L 396ci		500454S		500454S-TM	
1970	V8 6.6L 402ci		500454S		500454S-TM	
<b>CHEVROLET TRUCK</b>						
<b>ASTRO</b>						
1985-90	L4 2.5L 151ci	Late Style	500151L			
1985	V6 4.3L 262ci		500262S			
1987-93	V6 4.3L 262ci	w/Welded Pointer	500262S			

Year	Engine	Description	Aluminum Timing Cover	Plastic Timing Cover	Timing Mark	Dipstick Tube
<b>CHEVROLET TRUCK (con't)</b>						
<b>ASTRO (con't)</b>						
1995	V6 4.3L 262ci	w/o Crankshaft Sensor Hole		500262WO		
1996-05	V6 4.3L 262ci			500262		
1996-05	V6 4.3L 262ci	w/o Sensor		500262WO		
<b>AVALANCHE</b>						
2007	V8 5.3L 325ci	Rear Seal Housing	500323RSH			
2007	V8 5.3L 325ci		500LS2			
2007	V8 6.0L 364ci	Rear Seal Housing	500323RSH			
2007	V8 6.0L 364ci		500LS2			
<b>AVALANCHE 1500</b>						
2002-06	V8 5.3L 323ci	Rear Seal Housing	500323RSH			
<b>BLAZER</b>						
1995-02	V6 4.3L 262ci	w/o Crankshaft Sensor Hole		500262WO		
1995-05	V6 4.3L 262ci	w/Crankshaft Sensor Hole		500262		
1984-87	V8 5.0L 305ci		500305S			
1969-76	V8 5.7L 350ci		500350S			
1980	V8 5.7L 350ci		500350S			
1982	V8 5.7L 350ci		500350S			
1987-94	V8 5.7L 350ci		500350S			
1973	V8 7.4L 454ci		500454S		500454S-TM	
1976-78	V8 7.4L 454ci		500454S		500454S-TM	
<b>C10 PICKUP, C20 PICKUP, K10 PICKUP, K20 PICKUP</b>						
1985-86	V6 4.3L 262ci		500262S			
1984-86	V8 5.0L 305ci		500305S			
1969-76	V8 5.7L 350ci		500350S			
1977-86	V8 5.7L 350ci	w/8" Balancer	500350S			
1966	V8 6.0L 366ci		500454S		500454S-TM	
1968-69	V8 6.5L 396ci		500454S		500454S-TM	
1970-72	V8 6.6L 402ci		500454S		500454S-TM	
1973-80	V8 7.4L 454ci		500454S		500454S-TM	
<b>C10 SUBURBAN, C20 SUBURBAN, K10 SUBURBAN, K20 SUBURBAN</b>						
1977-78	V8 5.0L 305ci	w/8" Balancer	500350S			
1984-86	V8 5.0L 305ci		500305S			
1969-76	V8 5.7L 350ci		500350S			
1977-86	V8 5.7L 350ci	w/8" Balancer	500350S			
1968-69	V8 6.5L 396ci		500454S		500454S-TM	
1970-72	V8 6.6L 402ci		500454S		500454S-TM	
1973-80	V8 7.4L 454ci		500454S		500454S-TM	
1985	V8 7.4L 454ci		500454S		500454S-TM	
<b>C1500 PICKUP, C1500 SUBURBAN, C2500 PICKUP, C2500 SUBURBAN, K1500 PICKUP, K1500 SUBURBAN, K2500 PICKUP, K2500 SUBURBAN</b>						
1988-93	V6 4.3L 262ci	w/Welded Pointer	500262S			
1995-98	V6 4.3L 262ci	w/o Crankshaft Sensor Hole		500262WO		
1996-98	V6 4.3L 262ci			500262		
1988-93	V8 5.0L 305ci		500305S			
1994-99	V8 5.0L 305ci			500350		
1994-99	V8 5.0L 305ci	w/o Sensor		500350WO		
1988-95	V8 5.7L 350ci		500350S			
1996-00	V8 5.7L 350ci			500350		
1996-00	V8 5.7L 350ci	w/o Sensor		500350WO		
1990	V8 7.4L 454ci		500454S		500454S-TM	

Year	Engine	Description	Aluminum Timing Cover	Plastic Timing Cover	Timing Mark	Dipstick Tube
<b>CHEVROLET TRUCK (con't)</b>						
<b>C30 PICKUP, K30 PICKUP</b>						
1986	V8 5.0L 305ci		500305S			
1969-76	V8 5.7L 350ci		500350S			
1977-86	V8 5.7L 350ci	w/8" Balancer	500350S			
1966	V8 6.0L 366ci		500454S		500454S-TM	
1968-69	V8 6.5L 396ci		500454S		500454S-TM	
1970-72	V8 6.6L 402ci		500454S		500454S-TM	
1973-86	V8 7.4L 454ci		500454S		500454S-TM	
<b>C3500 PICKUP, K3500 PICKUP</b>						
1988-95	V8 5.7L 350ci		500350S			
1996-00	V8 5.7L 350ci			500350		
1996-00	V8 5.7L 350ci	w/o Sensor		500350WO		
1988-90	V8 7.4L 454ci		500454S		500454S-TM	
<b>COLORADO</b>						
2009	V8 5.3L 325ci		500LS2			
<b>EL CAMINO</b>						
1978-84	V6 3.8L 231ci	RWD; 14 Bolt Oil Pan	500231		500231-TM	
1979-84	V6 3.8L 231ci	20 Bolt Oil Pan	500230			
1982	V8 4.4L 267ci	Use w/7" Harmonic Balancer	500305S			
1982-87	V8 5.0L 305ci	Use w/7" Harmonic Balancer	500305S			
1969-74	V8 5.7L 350ci		500350S			
1976	V8 5.7L 350ci		500350S			
1966-70	V8 6.5L 396ci		500454S		500454S-TM	
1970	V8 6.6L 400ci	4BBL	500454S		500454S-TM	
1971-72	V8 6.6L 402ci		500454S		500454S-TM	
1970-75	V8 7.4L 454ci		500454S		500454S-TM	
<b>EXPRESS 1500, EXPRESS 2500, EXPRESS 3500</b>						
1996-03	V6 4.3L 262ci			500262		
1996-03	V6 4.3L 262ci	w/o Sensor		500262WO		
2003-07	V8 4.8L 294ci	Rear Seal Housing	500323RSH			
1996-02	V8 5.0L 305ci			500350		
1996-02	V8 5.0L 305ci	w/o Sensor		500350WO		
2003-05	V8 5.3L 323ci	Rear Seal Housing	500323RSH			
1996-02	V8 5.7L 350ci	w/o Sensor		500350WO		
1996-97	V8 5.7L 350ci			500350		
1999-02	V8 5.7L 350ci			500350		
2003-07	V8 6.0L 364ci	Rear Seal Housing	500323RSH			
<b>G10 VAN, G20 VAN, G30 VAN</b>						
1985-86	V6 4.3L 262ci		500262S			
1995-97	V6 4.3L 262ci	w/o Crankshaft Sensor Hole		500262WO		
1996-97	V6 4.3L 262ci			500262		
1984-93	V8 5.0L 305ci		500305S			
1994-97	V8 5.0L 305ci			500350		
1994-97	V8 5.0L 305ci	w/o Sensor		500350WO		
1970-76	V8 5.7L 350ci		500350S			
1980	V8 5.7L 350ci		500350S			
1982	V8 5.7L 350ci		500350S			
1987-96	V8 5.7L 350ci		500350S			
1996-97	V8 5.7L 350ci			500350		
1996-97	V8 5.7L 350ci	w/o Sensor		500350WO		
1973-76	V8 7.4L 454ci		500454S		500454S-TM	
1979	V8 7.4L 454ci		500454S		500454S-TM	
1988-90	V8 7.4L 454ci		500454S		500454S-TM	

Year	Engine	Description	Aluminum Timing Cover	Plastic Timing Cover	Timing Mark	Dipstick Tube
<b>CHEVROLET TRUCK (con't)</b>						
<b>G1500 VAN, G2500 VAN, G3500 VAN</b>						
1998	V6 4.3L 262ci			500262		
1998	V6 4.3L 262ci	w/o Sensor		500262WO		
1998	V8 5.0L 305ci			500350		
1998	V8 5.0L 305ci	w/o Sensor		500350WO		
1998	V8 5.7L 350ci			500350		
1998	V8 5.7L 350ci	w/o Sensor		500350WO		
<b>LUMINA APV</b>						
1992	V6 3.8L 231ci	Late Style	500230L			
<b>P10 VAN, P20 VAN, P30 VAN</b>						
1990-94	V6 4.3L 262ci	w/Welded Pointer	500262S			
1995-99	V6 4.3L 262ci	w/o Crankshaft Sensor Hole		500262WO		
1996-99	V6 4.3L 262ci			500262		
1970-76	V8 5.7L 350ci		500350S			
1977-89	V8 5.7L 350ci	w/8" Balancer	500350S			
1987-95	V8 5.7L 350ci		500350S			
1996-99	V8 5.7L 350ci			500350		
1996-99	V8 5.7L 350ci	w/o Sensor		500350WO		
1972	V8 6.6L 402ci		500454S		500454S-TM	
1970-71	V8 7.4L 454ci		500454S		500454S-TM	
1973-90	V8 7.4L 454ci		500454S		500454S-TM	
<b>P20 SERIES, P30 SERIES</b>						
1966-67	V8 6.0L 366ci		500454S		500454S-TM	
<b>R10 PICKUP, R10 SUBURBAN, R20 PICKUP, R20 SUBURBAN, R30 PICKUP, V10 PICKUP, V10 SUBURBAN, V20 PICKUP, V20 SUBURBAN, V30 PICKUP</b>						
1987	V8 5.0L 305ci		500305S			
1987-88	V8 5.7L 350ci		500350S			
1987-88	V8 7.4L 454ci		500454S		500454S-TM	
<b>R1500 SUBURBAN, R2500 SUBURBAN, V1500 SUBURBAN, V2500 SUBURBAN</b>						
1989-91	V8 5.7L 350ci		500350S			
1989-90	V8 7.4L 454ci		500454S		500454S-TM	
<b>R2500 PICKUP, R3500 PICKUP, V3500 PICKUP</b>						
1989-91	V8 5.7L 350ci		500350S			
1989-90	V8 7.4L 454ci		500454S		500454S-TM	
<b>S10 BLAZER, S10 PICKUP</b>						
1982-93	V6 2.8L 173ci		500189			
1985-93	L4 2.5L 151ci	Late Style	500151L			
1988-92	V6 4.3L 262ci	w/Welded Pointer	500262S			
1995-04	V6 4.3L 262ci	w/Crankshaft Sensor Hole		500262		
1995-04	V6 4.3L 262ci	w/o Crankshaft Sensor Hole		500262WO		
<b>SILVERADO 1500</b>						
1999-08	V6 4.3L 262ci			500262		
1999-08	V6 4.3L 262ci	w/o Sensor		500262WO		
1999-08	V8 4.8L 294ci	Rear Seal Housing	500323RSH			
2006-09	V8 4.8L 294ci		500LS2			
1999-09	V8 5.3L 323ci	Rear Seal Housing	500323RSH			
2007-09	V8 5.3L 325ci		500LS2			
2001-07	V8 6.0L 364ci	Rear Seal Housing	500323RSH			
2007-09	V8 6.0L 364ci		500LS2			
2009	V8 6.2L 376ci	Rear Seal Housing	500323RSH			
<b>SILVERADO 2500, SILVERADO 3500</b>						
1999-00	V8 5.3L 323ci	Rear Seal Housing	500323RSH			

Year	Engine	Description	Aluminum Timing Cover	Plastic Timing Cover	Timing Mark	Dipstick Tube
<b>CHEVROLET TRUCK (con't)</b>						
<b>SILVERADO 2500, SILVERADO 3500 (con't)</b>						
1999-07	V8 6.0L 364ci	Rear Seal Housing	500323RSH			
2007-09	V8 6.0L 364ci		500LS2			
<b>SSR</b>						
2003-04	V8 5.3L 325ci	Rear Seal Housing	500323RSH			
2005-06	V8 6.0L 364ci	Rear Seal Housing	500323RSH			
2005-06	V8 6.0L 364ci		500LS2			
<b>SUBURBAN</b>						
1966	V8 6.0L 366ci		500454S		500454S-TM	
<b>SUBURBAN 1500</b>						
2000-05	V8 5.3L 323ci	Rear Seal Housing	500323RSH			
2006-07	V8 5.3L 325ci	Rear Seal Housing	500323RSH			
2007-09	V8 5.3L 325ci		500LS2			
2006-07	V8 6.0L 364ci	Rear Seal Housing	500323RSH			
2007-09	V8 6.0L 364ci		500LS2			
<b>SUBURBAN 2500</b>						
2000-07	V8 6.0L 364ci	Rear Seal Housing	500323RSH			
2007-09	V8 6.0L 364ci		500LS2			
<b>TAHOE</b>						
2000-07	V8 4.8L 294ci	Rear Seal Housing	500323RSH			
2007-09	V8 4.8L 294ci		500LS2			
2000-05	V8 5.3L 323ci	Rear Seal Housing	500323RSH			
2006-07	V8 5.3L 325ci	Rear Seal Housing	500323RSH			
2007-09	V8 5.3L 325ci		500LS2			
1995	V8 5.7L 350ci		500350S			
1996-00	V8 5.7L 350ci			500350		
1996-00	V8 5.7L 350ci	w/o Sensor		500350WO		
2009	V8 6.2L 376ci	Rear Seal Housing	500323RSH			
2009	V8 6.2L 376ci		500LS2			
<b>TRAILBLAZER</b>						
2005	V8 5.3L 323ci	Rear Seal Housing	500323RSH			
2003-04	V8 5.3L 325ci	Rear Seal Housing	500323RSH			
2006-08	V8 5.3L 325ci	Rear Seal Housing	500323RSH			
2006-07	V8 6.0L 364ci	Rear Seal Housing	500323RSH			
2006-07	V8 6.0L 364ci		500LS2			
<b>CHRYSLER</b>						
<b>CORDOBA, IMPERIAL</b>						
1975-83	V8 5.2L 318ci		500390			
1975-80	V8 5.9L 360ci		500390			
<b>FIFTH AVENUE</b>						
1983-89	V8 5.2L 318ci		500390			
<b>LEBARON, TOWN &amp; COUNTRY</b>						
1977-81	V8 5.2L 318ci		500390			
1978-79	V8 5.9L 360ci		500390			
<b>CHRYSLER</b>						
<b>NEW YORKER, NEWPORT</b>						
1979-82	V8 5.2L 318ci		500390			
1971-72	V8 5.9L 360ci		500390			
1974-80	V8 5.9L 360ci		500390			
<b>DODGE</b>						
<b>ASPEN</b>						
1976-80	V8 5.2L 318ci		500390			

Year	Engine	Description	Aluminum Timing Cover	Plastic Timing Cover	Timing Mark	Dipstick Tube
<b>DODGE (con't)</b>						
<b>ASPEN (con't)</b>						
1976-80	V8 5.9L 360ci		500390			
<b>CHALLENGER, CHARGER, CORONET, DART</b>						
1970-78	V8 5.2L 318ci		500390			
1968-73	V8 5.6L 340ci		500390			
1973-78	V8 5.9L 360ci		500390			
<b>DIPLOMAT, MAGNUM XE</b>						
1977-89	V8 5.2L 318ci		500390			
1978-79	V8 5.9L 360ci		500390			
<b>M300, M350</b>						
1974	V8 5.2L 318ci		500390			
<b>MIRADA, ST. REGIS</b>						
1979-83	V8 5.2L 318ci		500390			
1979-80	V8 5.9L 360ci		500390			
<b>MONACO, POLARA, ROYAL MONACO</b>						
1970-73	V8 5.2L 318ci		500390			
1975-78	V8 5.2L 318ci		500390			
1971-78	V8 5.9L 360ci		500390			
<b>NEON</b>						
2003-05	L4 2.4L 148ci		500390L			
<b>P200, P300</b>						
1971-72	V8 5.9L 360ci		500390			
<b>STRATUS</b>						
1995-06	L4 2.4L 148ci		500390L			
2001-05	L4 2.4L 2351cc		500390L			
<b>DODGE TRUCK</b>						
<b>A100</b>						
1970	V8 5.2L 318ci		500390			
<b>B100 VAN, B200 VAN, B300 VAN</b>						
1971-80	V8 5.2L 318ci		500390			
1971-80	V8 5.9L 360ci		500390			
<b>B150 VAN, B250 VAN, B350 VAN</b>						
1988-91	V6 3.9L 239ci		500390			
1981-91	V8 5.2L 318ci		500390			
1981-93	V8 5.9L 360ci		500390			
<b>B1500 VAN, B2500 VAN, B3500 VAN</b>						
1995-98	V6 3.9L 239ci		500390L			
1995-98	V8 5.2L 318ci		500390L			
1995-98	V8 5.9L 360ci		500390L			
<b>CARAVAN, GRAND CARAVAN</b>						
1997-99	L ELECTRIC 8		500390L			
1996-07	L4 2.4L 148ci		500390L			
1995-00	V6 3.0L 181ci		500390L			
1995-07	V6 3.3L 201ci		500390L			
1996-99	V6 3.8L 230ci		500390L			
<b>CB300</b>						
1974-80	V8 5.2L 318ci		500390			
1974-80	V8 5.9L 360ci		500390			
<b>D100 PICKUP, D200 PICKUP, D300 PICKUP, W100 PICKUP, W200 PICKUP, W300 PICKUP</b>						
1988-89	V6 3.9L 239ci		500390			
1970-80	V8 5.2L 318ci		500390			

Year	Engine	Description	Aluminum Timing Cover	Plastic Timing Cover	Timing Mark	Dipstick Tube
<b>DODGE TRUCK (con't)</b>						
<b>D100 - D300 PICKUP, W100 - W300 PICKUP (con't)</b>						
1986-89	V8 5.2L 318ci		500390			
1971-80	V8 5.9L 360ci		500390			
1986-88	V8 5.9L 360ci		500390			
<b>D150 PICKUP, D250 PICKUP, D350 PICKUP, W150 PICKUP, W250 PICKUP, W350 PICKUP</b>						
1988-91	V6 3.9L 239ci		500390			
1977-91	V8 5.2L 318ci		500390			
1977-93	V8 5.9L 360ci		500390			
<b>D400 PICKUP, D450 PICKUP</b>						
1978-81	V8 5.9L 360ci		500390			
<b>DAKOTA</b>						
1995-02	L4 2.5L 153ci		500390L			
2004-06	V6 3.7L 226ci		500390L			
1987-91	V6 3.9L 239ci		500390			
1995-03	V6 3.9L 239ci		500390L			
2000-06	V8 4.7L 285ci		500390L			
2000-01	V8 4.7L 287ci		500390L			
1989-91	V8 5.2L 318ci		500390			
1995-99	V8 5.2L 318ci		500390L			
1998-03	V8 5.9L 360ci		500390L			
<b>DURANGO</b>						
2004-06	V6 3.7L 226ci		500390L			
1998-99	V6 3.9L 239ci		500390L			
2000-06	V8 4.7L 285ci		500390L			
2000-01	V8 4.7L 287ci		500390L			
2006	V8 4.7L 287ci		500390L			
1998-00	V8 5.2L 318ci		500390L			
2004-07	V8 5.7L 345ci		500390L			
1998-03	V8 5.9L 360ci		500390L			
<b>RAM 1500 PICKUP</b>						
2004-06	V10 8.3L 505ci		500390L			
2002-05	V6 3.7L 225ci		500390L			
2005-06	V6 3.7L 226ci		500390L			
1995-01	V6 3.9L 239ci		500390L			
2002-07	V8 4.7L 285ci		500390L			
2002-04	V8 4.7L 287ci		500390L			
1995-01	V8 5.2L 318ci		500390L			
2003-07	V8 5.7L 345ci		500390L			
1995-03	V8 5.9L 360ci		500390L			
<b>RAM 1500 VAN, RAM 2500 VAN, RAM 3500 VAN</b>						
1999-03	V6 3.9L 239ci		500390L			
1999-03	V8 5.2L 318ci		500390L			
1999-03	V8 5.9L 360ci		500390L			
<b>RAM 2500 PICKUP, RAM 3500 PICKUP</b>						
1995-07	L6 5.9L 359ci		500390L			
1995-03	V10 8.0L 488ci		500390L			
1995-96	V8 5.2L 318ci		500390L			
2003-06	V8 5.7L 345ci		500390L			
1994-02	V8 5.9L 360ci		500390			
<b>RAMCHARGER</b>						
1974-91	V8 5.2L 318ci		500390			
1974-93	V8 5.9L 360ci		500390			

Year	Engine	Description	Aluminum Timing Cover	Plastic Timing Cover	Timing Mark	Dipstick Tube
<b>DODGE TRUCK (con't)</b>						
<b>RD200 PICKUP</b>						
1978-80	V8 5.2L 318ci		500390			
1978-80	V8 5.9L 360ci		500390			
<b>SPRINTER 2500, SPRINTER 3500</b>						
2003-06	L5 2.7L 165ci		500390L			
<b>EXCALIBUR</b>						
<b>PHAETON</b>						
1972-79	V8 7.4L 454ci		500454S		500454S-TM	
<b>FORD</b>						
<b>CLUB</b>						
1963-64	V8 4.7L 289ci	w/Std. Flow Water Pumps & V-Belts	500302E			
<b>CLUB WAGON</b>						
1967	L6 3.9L 240ci		500300			
<b>COUNTRY SEDAN, CUSTOM, CUSTOM 500, FAIRLANE, FALCON, GALAXIE, GALAXIE 500, RANCH WAGON</b>						
1965-72	L6 3.9L 240ci		500300			
1963-68	V8 4.7L 289ci	w/Std. Flow Water Pumps & V-Belts	500302E			
1968-72	V8 5.0L 302ci	w/Std. Flow Water Pumps & V-Belts	500302E			
1970	V8 5.0L 302ci	w/Crank Sensor	500302S			
1969-77	V8 5.8L 351ci	w/Std. Flow Water Pumps & V-Belts	500302E			
1969-73	V8 7.0L 429ci		500460			500460D
1972-76	V8 7.5L 460ci		500460			500460D
<b>COUNTRY SQUIRE</b>						
1965-67	L6 3.9L 240ci		500300			
1963-67	V8 4.7L 289ci	w/Std. Flow Water Pumps & V-Belts	500302E			
1968-72	V8 5.0L 302ci	w/Std. Flow Water Pumps & V-Belts	500302E			
1979	V8 5.0L 302ci	w/Std. Flow Water Pumps & V-Belts	500302E			
1979	V8 5.0L 302ci	w/Crank Sensor	500302S			
1987-91	V8 5.0L 302ci		500302L			
1969-74	V8 5.8L 351ci	w/Std. Flow Water Pumps & V-Belts	500302E			
1979	V8 5.8L 351ci	w/Std. Flow Water Pumps & V-Belts	500302E			
1969-73	V8 7.0L 429ci		500460			500460D
1972-78	V8 7.5L 460ci		500460			500460D
<b>ELITE, GRAN TORINO, TORINO</b>						
1968	V8 4.7L 289ci	w/Std. Flow Water Pumps & V-Belts	500302E			
1968-74	V8 5.0L 302ci	w/Std. Flow Water Pumps & V-Belts	500302E			
1969-76	V8 5.8L 351ci	w/Std. Flow Water Pumps & V-Belts	500302E			
1970-73	V8 7.0L 429ci		500460			500460D
1973-76	V8 7.5L 460ci		500460			500460D
<b>FAIRMONT, GRANADA</b>						
1982	V6 3.8L 232ci		500232			
1980-81	V8 4.2L 255ci	w/EEC	500232			
1980-81	V8 4.2L 255ci	w/o EEC; w/Dipstick hole and cover	500302S			
1975-80	V8 5.0L 302ci	w/Std. Flow Water Pumps & V-Belts	500302E			
1979-80	V8 5.0L 302ci	w/Crank Sensor	500302S			
1975-77	V8 5.8L 351ci	w/Std. Flow Water Pumps & V-Belts	500302E			
<b>FORD 300, SUNLINER, VICTORIA</b>						
1963	V8 4.7L 289ci	w/Std. Flow Water Pumps & V-Belts	500302E			
<b>GT40 MK III</b>						
1966-69	V8 4.7L 289ci	w/Std. Flow Water Pumps & V-Belts	500302E			



Year	Engine	Description	Aluminum Timing Cover	Plastic Timing Cover	Timing Mark	Dipstick Tube
<b>FORD (con't)</b>						
<b>LTD</b>						
1983-86	V6 3.8L 232ci		500232			
1981-82	V8 4.2L 255ci	w/EEC	500232			
1981-82	V8 4.2L 255ci	w/o EEC; w/Dipstick hole and cover	500302S			
1965-68	V8 4.7L 289ci	w/Std. Flow Water Pumps & V-Belts	500302E			
1968-72	V8 5.0L 302ci	w/Std. Flow Water Pumps & V-Belts	500302E			
1972	V8 5.0L 302ci	w/Crank Sensor	500302S			
1977-84	V8 5.0L 302ci	w/Std. Flow Water Pumps & V-Belts	500302E			
1979-82	V8 5.0L 302ci	w/Crank Sensor	500302S			
1985-86	V8 5.0L 302ci	w/Crank Sensor	500302S			
1987-91	V8 5.0L 302ci		500302L			
1969-86	V8 5.8L 351ci	w/Std. Flow Water Pumps & V-Belts	500302E			
1987-91	V8 5.8L 351ci		500302L			
1969-73	V8 7.0L 429ci		500460			500460D
1972-78	V8 7.5L 460ci		500460			500460D
<b>LTD II</b>						
1977-79	V8 5.0L 302ci	w/Std. Flow Water Pumps & V-Belts	500302E			
1977-79	V8 5.8L 351ci	w/Std. Flow Water Pumps & V-Belts	500302E			
1979	V8 5.0L 302ci	w/Crank Sensor	500302S			
<b>MAVERICK, MUSTANG II</b>						
1971-78	V8 5.0L 302ci	w/Std. Flow Water Pumps & V-Belts	500302E			
<b>MUSTANG</b>						
1983-86	V6 3.8L 232ci		500232			
1980-82	V8 4.2L 255ci	w/EEC	500232			
1980-82	V8 4.2L 255ci	w/o EEC; w/Dipstick hole and cover	500302S			
1964-68	V8 4.7L 289ci	w/Std. Flow Water Pumps & V-Belts	500302E			
1968-73	V8 5.0L 302ci	w/Std. Flow Water Pumps & V-Belts	500302E			
1971-72	V8 5.0L 302ci	w/Crank Sensor	500302S			
1979	V8 5.0L 302ci	w/Std. Flow Water Pumps & V-Belts	500302E			
1979	V8 5.0L 302ci	w/Crank Sensor	500302S			
1982	V8 5.0L 302ci	w/Crank Sensor	500302S			
1982-84	V8 5.0L 302ci	w/Std. Flow Water Pumps & V-Belts	500302E			
1982-93	V8 5.0L 302ci	w/Electric Fuel Pump	500302M			
1994-95	V8 5.0L 302ci		500302T			
1969-73	V8 5.8L 351ci	w/Std. Flow Water Pumps & V-Belts	500302E			
1995	V8 5.8L 351ci		500302L			
1969-71	V8 7.0L 429ci		500460			500460D
<b>P-350</b>						
1968-72	L6 3.9L 240ci		500300			
1968-76	L6 4.9L 300ci		500300			
1972	V8 5.0L 302ci	w/Std. Flow Water Pumps & V-Belts	500302E			
1976	V8 5.0L 302ci	w/Std. Flow Water Pumps & V-Belts	500302E			
<b>P-400, P-500</b>						
1975-77	L6 4.9L 300ci		500300			
1975-77	V8 5.0L 302ci	w/Std. Flow Water Pumps & V-Belts	500302E			
<b>RANCHERO</b>						
1965-67	V8 4.7L 289ci	w/Std. Flow Water Pumps & V-Belts	500302E			
1968-74	V8 5.0L 302ci	w/Std. Flow Water Pumps & V-Belts	500302E			
1977-79	V8 5.0L 302ci	w/Std. Flow Water Pumps & V-Belts	500302E			
1979	V8 5.0L 302ci	w/Crank Sensor	500302S			
1969-79	V8 5.8L 351ci	w/Std. Flow Water Pumps & V-Belts	500302E			
1970-73	V8 7.0L 429ci		500460			500460D
1974-77	V8 7.5L 460ci		500460			500460D

Year	Engine	Description	Aluminum Timing Cover	Plastic Timing Cover	Timing Mark	Dipstick Tube
<b>FORD (con't)</b>						
<b>THUNDERBIRD</b>						
1982-87	V6 3.8L 232ci		500232			
1980-82	V8 4.2L 255ci	w/EEC	500232			
1980-82	V8 4.2L 255ci	w/o EEC; w/Dipstick hole and cover	500302S			
1977-81	V8 5.0L 302ci	w/Std. Flow Water Pumps & V-Belts	500302E			
1979-81	V8 5.0L 302ci	w/Crank Sensor	500302S			
1983-84	V8 5.0L 302ci	w/Std. Flow Water Pumps & V-Belts	500302E			
1985-86	V8 5.0L 302ci	w/Crank Sensor	500302S			
1987-88	V8 5.0L 302ci		500302L			
1991-93	V8 5.0L 302ci		500302L			
1977-79	V8 5.8L 351ci	w/Std. Flow Water Pumps & V-Belts	500302E			
1968-73	V8 7.0L 429ci		500460			500460D
1972-76	V8 7.5L 460ci		500460			500460D
<b>FORD TRUCK</b>						
<b>BRONCO</b>						
1967	L6 3.9L 240ci		500300			
1980-92	L6 4.9L 300ci		500300			
1966-68	V8 4.7L 289ci	w/Std. Flow Water Pumps & V-Belts	500302E			
1968-77	V8 5.0L 302ci	w/Std. Flow Water Pumps & V-Belts	500302E			
1980-82	V8 5.0L 302ci	w/Crank Sensor	500302S			
1980-84	V8 5.0L 302ci	w/Std. Flow Water Pumps & V-Belts	500302E			
1985-86	V8 5.0L 302ci	w/Crank Sensor	500302S			
1987-96	V8 5.0L 302ci		500302L			
1978-86	V8 5.8L 351ci	w/Std. Flow Water Pumps & V-Belts	500302E			
1987-96	V8 5.8L 351ci		500302L			
<b>E SUPER DUTY</b>						
1996	V8 5.8L 351ci		500302L			
1996	V8 7.5L 460ci		500460			500460D
<b>E-100 ECONOLINE, E-200 ECONOLINE, E-300 ECONOLINE</b>						
1968-74	L6 3.9L 240ci		500300			
1972-83	L6 4.9L 300ci		500300			
1968-75	V8 5.0L 302ci	w/Std. Flow Water Pumps & V-Belts	500302E			
1979-82	V8 5.0L 302ci	w/Crank Sensor	500302S			
1979-83	V8 5.0L 302ci	w/Std. Flow Water Pumps & V-Belts	500302E			
1975-83	V8 5.8L 351ci	w/Std. Flow Water Pumps & V-Belts	500302E			
1978	V8 7.5L 460ci		500460			500460D
<b>E-150 ECONOLINE, E-250 ECONOLINE, E-350 ECONOLINE</b>						
1975-96	L6 4.9L 300ci		500300			
1975	V8 5.0L 302ci	w/Std. Flow Water Pumps & V-Belts	500302E			
1975	V8 5.0L 302ci	w/Crank Sensor	500302S			
1979-82	V8 5.0L 302ci	w/Crank Sensor	500302S			
1979-84	V8 5.0L 302ci	w/Std. Flow Water Pumps & V-Belts	500302E			
1985-86	V8 5.0L 302ci	w/Crank Sensor	500302S			
1987-96	V8 5.0L 302ci		500302L			
1975-86	V8 5.8L 351ci	w/Std. Flow Water Pumps & V-Belts	500302E			
1987-96	V8 5.8L 351ci		500302L			
1975-96	V8 7.5L 460ci		500460			500460D
<b>ECONOLINE</b>						
1965-67	L6 3.9L 240ci		500300			
<b>EXPLORER</b>						
1996-01	V8 5.0L 302ci		500302T			
<b>F-100 PICKUP, F-150 PICKUP, F-250 PICKUP, F-350 PICKUP</b>						
1965-76	L6 3.9L 240ci		500300			

Year	Engine	Description	Aluminum Timing Cover	Plastic Timing Cover	Timing Mark	Dipstick Tube
<b>FORD TRUCK (con't)</b>						
<b>F-100 PICKUP, F-150 PICKUP, F-250 PICKUP, F-350 PICKUP (con't)</b>						
1965-96	L6 4.9L 300ci		500300			
1982-83	V6 3.8L 232ci		500232			
1963-64	V8 4.8L 292ci	w/Std. Flow Water Pumps & V-Belts	500302E			
1969-84	V8 5.0L 302ci	w/Std. Flow Water Pumps & V-Belts	500302E			
1972-80	V8 5.0L 302ci	w/Std. Flow Water Pumps & V-Belts	500302E			
1973-75	V8 5.0L 302ci	w/Crank Sensor	500302S			
1979-82	V8 5.0L 302ci	w/Crank Sensor	500302S			
1985-86	V8 5.0L 302ci	w/Crank Sensor	500302S			
1987-96	V8 5.0L 302ci		500302L			
1977-86	V8 5.8L 351ci	w/Std. Flow Water Pumps & V-Belts	500302E			
1987-97	V8 5.8L 351ci		500302L			
1973-79	V8 7.5L 460ci		500460			500460D
1983-97	V8 7.5L 460ci		500460			500460D
<b>F-450 SUPER DUTY PICKUP</b>						
1990-97	V8 7.5L 460ci		500460			500460D
<b>F53 STRIPPED CHASSIS</b>						
1988-97	V8 7.5L 460ci		500460			500460D
<b>GMC</b>						
<b>C15/C1500 PICKUP, C15/C1500 SUBURBAN, C25/C2500 PICKUP, C25/C2500 SUBURBAN, C35/C3500 PICKUP</b>						
1985-86	V6 4.3L 262ci		500262S			
1982-86	V8 5.0L 305ci		500305S			
1969-76	V8 5.7L 350ci		500350S			
1977-86	V8 5.7L 350ci	w/8" Balancer	500350S			
1968-69	V8 6.5L 396ci		500454S		500454S-TM	
1970-72	V8 6.6L 402ci		500454S		500454S-TM	
1973-86	V8 7.4L 454ci		500454S		500454S-TM	
<b>C1500 PICKUP, C1500 SUBURBAN, C2500 PICKUP, C2500 SUBURBAN, C3500 PICKUP</b>						
1988-93	V6 4.3L 262ci	w/Welded Pointer	500262S			
1995-98	V6 4.3L 262ci	w/o Crankshaft Sensor Hole		500262WO		
1996-98	V6 4.3L 262ci			500262		
1988-93	V8 5.0L 305ci		500305S			
1994-99	V8 5.0L 305ci			500350		
1994-99	V8 5.0L 305ci	w/o Sensor		500350WO		
1988-95	V8 5.7L 350ci		500350S			
1996-00	V8 5.7L 350ci	w/o Sensor		500350WO		
1996-00	V8 5.7L 350ci			500350		
1988-90	V8 7.4L 454ci		500454S		500454S-TM	
<b>CABALLERO</b>						
1985-86	V6 4.3L 262ci		500262S			
1982-87	V8 5.0L 305ci		500305S			
<b>CANYON</b>						
2009	V8 5.3L 325ci		500LS2			
<b>ENVOY</b>						
2003-05	V8 5.3L 323ci	Rear Seal Housing	500323RSH			
2006-09	V8 5.3L 325ci	Rear Seal Housing	500323RSH			
<b>G15/G1500 VAN, G25/G2500 VAN, G35/G3500 VAN</b>						
1967-69	L6 3.8L 230ci		500305S			
1967-84	L6 4.1L 250ci		500305S			
1974-78	L6 4.8L 292ci		500305S			
1985-86	V6 4.3L 262ci		500262S			
1987-97	V6 4.3L 262ci	For 7" Harmonic Balancer	500305S			

Year	Engine	Description	Aluminum Timing Cover	Plastic Timing Cover	Timing Mark	Dipstick Tube
<b>GMC (con't)</b>						
<b>G15/G1500 VAN, G25/G2500 VAN, G35/G3500 VAN (con't)</b>						
1990-91	V6 4.3L 262ci		500262S			
1996-98	V6 4.3L 262ci			500262		
1996-98	V6 4.3L 262ci	w/o Sensor		500262WO		
1967	V8 4.6L 283ci		500305S			
1977-95	V8 5.0L 305ci		500305S			
1994-98	V8 5.0L 305ci			500350		
1994-98	V8 5.0L 305ci	w/o Sensor		500350WO		
1968-73	V8 5.0L 307ci		500305S			
1967	V8 5.4L 327ci		500305S			
1970-76	V8 5.7L 350ci		500350S			
1980	V8 5.7L 350ci		500350S			
1982	V8 5.7L 350ci		500350S			
1987-95	V8 5.7L 350ci		500350S			
1996-98	V8 5.7L 350ci			500350		
1996-98	V8 5.7L 350ci	w/o Sensor		500350WO		
1983-93	V8 6.2L 379ci		500305S			
1994-98	V8 6.5L 395ci		500305S			
1975-80	V8 6.6L 400ci		500305S			
1975-76	V8 7.4L 454ci		500454S		500454S-TM	
1979	V8 7.4L 454ci		500454S		500454S-TM	
1988-90	V8 7.4L 454ci		500454S		500454S-TM	
<b>JIMMY</b>						
1995-03	V6 4.3L 262ci	w/Crankshaft Sensor Hole		500262		
1996-02	V6 4.3L 262ci	w/o Sensor		500262WO		
1977-78	V8 5.0L 305ci	w/8" Balancer	500350S			
1982-87	V8 5.0L 305ci		500305S			
1970-76	V8 5.7L 350ci		500350S			
1977-91	V8 5.7L 350ci	w/8" Balancer	500350S			
1973	V8 7.4L 454ci		500454S		500454S-TM	
1976	V8 7.4L 454ci		500454S		500454S-TM	
<b>K15/K1500 PICKUP, K15/K1500 SUBURBAN, K25/K2500 PICKUP, K25/K2500 SUBURBAN, K35/K3500 PICKUP</b>						
1985-86	V6 4.3L 262ci		500262S			
1982-86	V8 5.0L 305ci		500305S			
1969-76	V8 5.7L 350ci		500350S			
1977-86	V8 5.7L 350ci	w/8" Balancer	500350S			
1968-69	V8 6.5L 396ci		500454S		500454S-TM	
1970-72	V8 6.6L 402ci		500454S		500454S-TM	
1973-74	V8 7.4L 454ci		500454S		500454S-TM	
1976-86	V8 7.4L 454ci		500454S		500454S-TM	
<b>K1500 PICKUP, K1500 SUBURBAN, K2500 PICKUP, K2500 SUBURBAN, K3500 PICKUP</b>						
1988-93	V6 4.3L 262ci	w/Welded Pointer	500262S			
1995-98	V6 4.3L 262ci	w/o Crankshaft Sensor Hole		500262WO		
1996-98	V6 4.3L 262ci			500262		
1988-93	V8 5.0L 305ci		500305S			
1994-99	V8 5.0L 305ci			500350		
1994-99	V8 5.0L 305ci	w/o Sensor		500350WO		
1988-95	V8 5.7L 350ci		500350S			
1996-00	V8 5.7L 350ci	w/o Sensor		500350WO		
1996-00	V8 5.7L 350ci			500350		
1988-90	V8 7.4L 454ci		500454S		500454S-TM	
<b>P15/P1500 VAN, P25/P2500 VAN, P35/P3500 VAN</b>						
1990-91	V6 4.3L 262ci		500262S			

Year	Engine	Description	Aluminum Timing Cover	Plastic Timing Cover	Timing Mark	Dipstick Tube
<b>GMC (con't)</b>						
<b>P15/P1500 VAN, P25/P2500 VAN, P35/P3500 VAN (con't)</b>						
1995-99	V6 4.3L 262ci	w/o Crankshaft Sensor Hole		500262WO		
1996-99	V6 4.3L 262ci			500262		
1970-76	V8 5.7L 350ci		500350S			
1977-95	V8 5.7L 350ci	exc. Motorhome; w/8" Balancer	500350S			
1996-99	V8 5.7L 350ci	w/o Sensor		500350WO		
1996-99	V8 5.7L 350ci			500350		
1970-71	V8 7.4L 454ci		500454S		500454S-TM	
1973-90	V8 7.4L 454ci		500454S		500454S-TM	
<b>R1500 PICKUP, R2500 PICKUP, R3500 PICKUP, V1500 PICKUP, V2500 PICKUP, V3500 PICKUP</b>						
1987	V8 5.0L 305ci		500305S			
1987-91	V8 5.7L 350ci		500350S			
1987-90	V8 7.4L 454ci		500454S		500454S-TM	
<b>R1500 SUBURBAN, R2500 SUBURBAN, V1500 SUBURBAN, V2500 SUBURBAN</b>						
1987	V8 5.0L 305ci		500305S			
1987-91	V8 5.7L 350ci		500350S			
1987-90	V8 7.4L 454ci		500454S		500454S-TM	
<b>S15 JIMMY, S15 PICKUP</b>						
1985-90	L4 2.5L 151ci	Late Style	500151L			
1982-90	V6 2.8L 173ci		500189			
1988-92	V6 4.3L 262ci	w/Welded Pointer	500262S			
<b>SAFARI</b>						
1985-90	L4 2.5L 151ci	Late Style	500151L			
1985-93	V6 4.3L 262ci	w/Welded Pointer	500262S			
1995-03	V6 4.3L 262ci	w/o Crankshaft Sensor Hole		500262WO		
1996-03	V6 4.3L 262ci			500262		
<b>SAVANA 1500, SAVANA 2500, SAVANA 3500</b>						
1997	V6 4.3L 262ci			500262		
1997	V6 4.3L 262ci	w/o Sensor		500262WO		
1999-03	V6 4.3L 262ci			500262		
1999-03	V6 4.3L 262ci	w/o Sensor		500262WO		
2003-07	V8 4.8L 294ci	Rear Seal Housing	500323RSH			
1999-02	V8 5.0L 305ci			500350		
1999-02	V8 5.0L 305ci	w/o Sensor		500350WO		
2003-07	V8 5.3L 323ci	Rear Seal Housing	500323RSH			
1996	V8 5.7L 350ci			500350		
1996	V8 5.7L 350ci	w/o Sensor		500350WO		
1999-02	V8 5.7L 350ci			500350		
1999-02	V8 5.7L 350ci	w/o Sensor		500350WO		
2003-07	V8 6.0L 364ci	Rear Seal Housing	500323RSH			
<b>SIERRA 1500</b>						
1999-03	V6 4.3L 262ci	w/o Sensor		500262WO		
1999-04	V6 4.3L 262ci			500262		
1999-07	V8 4.8L 294ci	Rear Seal Housing	500323RSH			
2007-09	V8 4.8L 294ci		500LS2			
1999-06	V8 5.3L 323ci	Rear Seal Housing	500323RSH			
2005-09	V8 5.3L 325ci	Rear Seal Housing	500323RSH			
2007-09	V8 5.3L 325ci		500LS2			
2001-03	V8 6.0L 364ci	Rear Seal Housing	500323RSH			
2005-07	V8 6.0L 364ci	Rear Seal Housing	500323RSH			
2007-09	V8 6.0L 364ci		500LS2			
2009	V8 6.2L 376ci	Rear Seal Housing	500323RSH			
2009	V8 6.2L 376ci		500LS2			

Year	Engine	Description	Aluminum Timing Cover	Plastic Timing Cover	Timing Mark	Dipstick Tube
<b>GMC (con't)</b>						
<b>SIERRA 2500, SIERRA 3500</b>						
1999-00	V8 5.3L 323ci	Rear Seal Housing	500323RSH			
1999-07	V8 6.0L 364ci	Rear Seal Housing	500323RSH			
2007-09	V8 6.0L 364ci		500LS2			
<b>SIERRA C3</b>						
2001	V8 6.0L 364ci	Rear Seal Housing	500323RSH			
<b>SIERRA DENALI</b>						
2002-07	V8 6.0L 364ci	Rear Seal Housing	500323RSH			
2007	V8 6.0L 364ci		500LS2			
2009	V8 6.2L 376ci	Rear Seal Housing	500323RSH			
2009	V8 6.2L 376ci		500LS2			
2007-08	V8 6.2L 378ci	Rear Seal Housing	500323RSH			
2007-08	V8 6.2L 378ci		500LS2			
<b>SONOMA, SYCLONE, TYPHOON</b>						
1991-93	L4 2.5L 151ci	Late Style	500151L			
1991-93	V6 2.8L 173ci		500189			
1991-93	V6 4.3L 262ci	w/Welded Pointer	500262S			
1995-03	V6 4.3L 262ci			500262		
1995-03	V6 4.3L 262ci	w/o Sensor		500262WO		
<b>SPRINT</b>						
1971-76	V8 5.7L 350ci		500350S			
1971-72	V8 6.6L 402ci		500454S		500454S-TM	
1974-75	V8 6.6L 402ci		500454S		500454S-TM	
1971-75	V8 7.4L 454ci		500454S		500454S-TM	
<b>YUKON, YUKON DENALI, YUKON XL 1500, YUKON XL 2500</b>						
2000-07	V8 4.8L 294ci	Rear Seal Housing	500323RSH			
2007-09	V8 4.8L 294ci		500LS2			
2000-05	V8 5.3L 323ci	Rear Seal Housing	500323RSH			
2005-07	V8 5.3L 325ci	Rear Seal Housing	500323RSH			
2007-09	V8 5.3L 325ci		500LS2			
1992-95	V8 5.7L 350ci		500350S			
1996-00	V8 5.7L 350ci	w/o Sensor	500350WO			
1996-00	V8 5.7L 350ci			500350		
2000-07	V8 6.0L 364ci	Rear Seal Housing	500323RSH			
2007-09	V8 6.0L 364ci		500LS2			
2009	V8 6.2L 376ci	Rear Seal Housing	500323RSH			
2009	V8 6.2L 376ci		500LS2			
2007-08	V8 6.2L 378ci	Rear Seal Housing	500323RSH			
2007-08	V8 6.2L 378ci		500LS2			
<b>HUMMER</b>						
<b>H2</b>						
2003-07	V8 6.0L 364ci	Rear Seal Housing	500323RSH			
2009	V8 6.2L 376ci	Rear Seal Housing	500323RSH			
2008	V8 6.2L 378ci	Rear Seal Housing	500323RSH			
<b>H3</b>						
2008	V8 5.3L 325ci		500LS2			
<b>HYUNDAI</b>						
<b>ACCENT</b>						
1995-02	L4 1.5L 1495cc	SOHC; 12-Valve; lower right		502115		
1995-02	L4 1.5L 1495cc	SOHC; 12-Valve; upper cover		502123		
1996-00	L4 1.5L 1495cc	lower, outer		502119		
1996-00	L4 1.5L 1495cc	upper outer		502127		
2000-02	L4 1.5L 1495cc	SOHC; 12-Valve; lower center cover		502123		

Year	Engine	Description	Aluminum Timing Cover	Plastic Timing Cover	Timing Mark	Dipstick Tube
<b>HYUNDAI (con't)</b>						
<b>ACCENT (con't)</b>						
2000-02	L4 1.5L 1495cc	SOHC; 12-Valve; upper left cover		502123		
2001-02	L4 1.5L 1495cc	DOHC; 16-Valve; lower, outer		502119		
2001-03	L4 1.5L 1495cc	DOHC; 16-Valve; upper outer		502127		
2006-08	L4 1.6L 1599cc	upper outer		502127		
2001-05	L4 1.6L 1600cc	lower, outer		502119		
2001-06	L4 1.6L 1600cc	upper outer		502127		
<b>ELANTRA</b>						
1992-94	L4 1.6L 1596cc	upper cover		502139		
1996-97	L4 1.8L 1795cc	lower		502175		
1996-97	L4 1.8L 1795cc	upper		502179		
1998	L4 1.8L 1796cc	lower		502175		
1998	L4 1.8L 1796cc	upper		502179		
1993-94	L4 1.8L 1836cc	upper cover		502139		
1999-06	L4 2.0L 1975cc	lower		502175		
1999-06	L4 2.0L 1975cc	upper		502179		
<b>EXCEL</b>						
1986-94	L4 1.5L 1468cc	SOHC; 8-Valve; inner cover		502123		
1986-94	L4 1.5L 1468cc	SOHC; 8-Valve; left cover		502123		
1986-94	L4 1.5L 1468cc	SOHC; 8-Valve; right cover		502123		
<b>SCOUBE</b>						
1991-92	L4 1.5L 1468cc	SOHC; 8-Valve; inner cover		502123		
1991-92	L4 1.5L 1468cc	SOHC; 8-Valve; left cover		502123		
1991-92	L4 1.5L 1468cc	SOHC; 8-Valve; right cover		502123		
1993-95	L4 1.5L 1495cc	SOHC; 12-Valve; lower right		502115		
1993-95	L4 1.5L 1495cc	SOHC; 12-Valve; upper cover		502123		
<b>SONATA</b>						
1992-94	L4 2.0L 1997cc	To 6/1/94; upper cover		502139		
1994-95	L4 2.0L 1997cc	From 6/1/94 - To 9/1/95; lower cover		502135		
1994-98	L4 2.0L 1997cc	From 6/1/94; upper cover		502143		
1989-91	L4 2.4L 2351cc	upper cover		502123		
<b>TIBURON</b>						
1997	L4 1.8L 1795cc	lower		502175		
1997	L4 1.8L 1795cc	upper		502179		
1997	L4 2.0L 1975cc	lower		502175		
1997	L4 2.0L 1975cc	upper		502179		
2003-06	L4 2.0L 1975cc	lower		502175		
2003-06	L4 2.0L 1975cc	upper		502179		
1998-01	L4 2.0L 1997cc	lower		502175		
1998-01	L4 2.0L 1997cc	upper		502179		
2003-06	V6 2.7L 2656cc	lower		502151		
2003-08	V6 2.7L 2656cc	upper outer		502147		
2007-08	V6 2.7L 2656cc	upper		502163		
<b>XG300</b>						
2001	V6 3.0L 2972cc	outer lower		502131		
<b>XG350</b>						
2002-05	V6 3.5L 3500cc	outer lower		502131		
2002-05	V6 3.5L 3500cc	upper, left		502159		
<b>HYUNDAI TRUCK</b>						
<b>SANTA FE</b>						
2001-06	V6 2.7L 2656cc	lower		502151		
2001-06	V6 2.7L 2656cc	upper outer		502147		

Year	Engine	Description	Aluminum Timing Cover	Plastic Timing Cover	Timing Mark	Dipstick Tube
<b>HYUNDAI TRUCK (con't)</b>						
<b>SANTA FE (con't)</b>						
2006	V6 3.5L 3467cc	outer lower		502131		
2006	V6 3.5L 3467cc	upper, left		502159		
2003-05	V6 3.5L 3500cc	outer lower		502131		
2003-05	V6 3.5L 3500cc	upper, left		502159		
<b>TUCSON</b>						
2005-08	V6 2.7L 2656cc	lower		502151		
2005-08	V6 2.7L 2656cc	upper outer		502147		
<b>ISUZU TRUCK</b>						
<b>ASCENDER</b>						
2003-05	V8 5.3L 323ci	Rear Seal Housing	500323RSH			
2006	V8 5.3L 325ci	Rear Seal Housing	500323RSH			
<b>HOMBRE</b>						
1997-98	V6 4.3L 262ci	w/Crankshaft Sensor Hole		500262		
2000	V6 4.3L 262ci	w/Crankshaft Sensor Hole		500262		
1997-99	V6 4.3L 4294cc	w/Crankshaft Sensor Hole		500262		
<b>JEEP</b>						
<b>CJ3, CJ5, CJ6, JEEPSTER</b>						
1966-71	V6 3.7L 225ci		500231		500231-TM	
<b>J-100, J-2500, J-2600, J-2700, J-3500, J-3600, J-3700, J-3800, J-4500, J-4600, J-4700, WAGONEER</b>						
1969-71	V8 5.7L 350ci		500231		500231-TM	
<b>KIA</b>						
<b>AMANTI</b>						
2004-06	V6 3.5L 3497cc	lower		502131		
2004-06	V6 3.5L 3497cc	upper, left		502159		
<b>OPTIMA</b>						
2001-06	L4 2.4L 2351cc	DOHC; lower		502155		
2006	L4 2.4L 2359cc	DOHC; lower		502155		
<b>RIO</b>						
2001-02	L4 1.5L 1493cc	DOHC; center		502195		
2001-02	L4 1.5L 1493cc	DOHC; lower		502195		
2003-05	L4 1.6L 1594cc	DOHC; center		502195		
2003-05	L4 1.6L 1594cc	lower		502195		
2006-08	L4 1.6L 1599cc	upper		502127		
<b>SEPHIA</b>						
1998-01	L4 1.8L 1793cc	upper		502191		
2001	L4 1.8L 1793cc	lower		502187		
<b>SPECTRA</b>						
2000-04	L4 1.8L 1793cc	lower		502187		
2000-04	L4 1.8L 1793cc	upper		502191		
<b>KIA TRUCK</b>						
<b>SEDONA</b>						
2002-05	V6 3.5L 3497cc	upper, left		502159		
2002-06	V6 3.5L 3497cc	lower		502131		
<b>SORENTO</b>						
2003-06	V6 3.5L 3497cc	left upper		502167		
2003-06	V6 3.5L 3497cc	right upper		502171		
<b>SPORTAGE</b>						
1995	L4 2.0L 1998cc	lower		502183		
1996-02	L4 2.0L 1998cc	DOHC; lower		502183		
2005-08	V6 2.7L 2656cc	upper outer		502147		



Year	Engine	Description	Aluminum Timing Cover	Plastic Timing Cover	Timing Mark	Dipstick Tube
<b>LINCOLN</b>						
<b>CONTINENTAL</b>						
1982	V6 3.8L 232ci		500232			
1980	V8 5.0L 302ci	w/Std. Flow Water Pumps & V-Belts	500302E			
1980	V8 5.0L 302ci	w/Crank Sensor	500302S			
1982	V8 5.0L 302ci	w/Crank Sensor	500302S			
1982-84	V8 5.0L 302ci	w/Std. Flow Water Pumps & V-Belts	500302E			
1985-86	V8 5.0L 302ci	w/Crank Sensor	500302S			
1987	V8 5.0L 302ci		500302L			
1980	V8 5.8L 351ci	w/Std. Flow Water Pumps & V-Belts	500302E			
1968	V8 7.0L 429ci		500460			500460D
1968-78	V8 7.5L 460ci		500460			500460D
<b>MARK III, MARK IV, MARK V, MARK VI, MARK VII</b>						
1980-82	V8 5.0L 302ci	w/Crank Sensor	500302S			
1980-84	V8 5.0L 302ci	w/Std. Flow Water Pumps & V-Belts	500302E			
1985-87	V8 5.0L 302ci	w/Crank Sensor	500302S			
1987-92	V8 5.0L 302ci		500302L			
1980	V8 5.8L 351ci	w/Std. Flow Water Pumps & V-Belts	500302E			
1968-78	V8 7.5L 460ci		500460			500460D
<b>TOWN CAR</b>						
1981-82	V8 5.0L 302ci	w/Crank Sensor	500302S			
1981-84	V8 5.0L 302ci	w/Std. Flow Water Pumps & V-Belts	500302E			
1985-86	V8 5.0L 302ci	w/Crank Sensor	500302S			
1987-90	V8 5.0L 302ci		500302L			
<b>VERSAILLES</b>						
1977-80	V8 5.0L 302ci	w/Std. Flow Water Pumps & V-Belts	500302E			
1979-80	V8 5.0L 302ci	w/Crank Sensor	500302S			
1977	V8 5.8L 351ci	w/Std. Flow Water Pumps & V-Belts	500302E			
<b>CALIENTE, COMMUTER, VILLAGER, VOYAGER</b>						
1964-67	V8 4.7L 289ci	w/Std. Flow Water Pumps & V-Belts	500302E			
<b>MERCURY</b>						
<b>CAPRI</b>						
1983-86	V6 3.8L 232ci		500232			
1980-82	V8 4.2L 255ci	w/EEC	500232			
1980-82	V8 4.2L 255ci	w/o EEC; w/Dipstick hole and cover	500302S			
1979	V8 5.0L 302ci	w/Std. Flow Water Pumps & V-Belts	500302E			
1979	V8 5.0L 302ci	w/Crank Sensor	500302S			
1982-83	V8 5.0L 302ci	w/Crank Sensor	500302S			
1982-84	V8 5.0L 302ci	w/Std. Flow Water Pumps & V-Belts	500302E			
1985-86	V8 5.0L 302ci	w/Crank Sensor	500302S			
<b>COLONY PARK</b>						
1979-82	V8 5.0L 302ci	w/Std. Flow Water Pumps & V-Belts	500302E			
1979-82	V8 5.0L 302ci	w/Crank Sensor	500302S			
1984	V8 5.0L 302ci	w/Std. Flow Water Pumps & V-Belts	500302E			
1985-86	V8 5.0L 302ci	w/Crank Sensor	500302S			
1987-91	V8 5.0L 302ci		500302L			
1971-73	V8 5.8L 351ci	w/Std. Flow Water Pumps & V-Belts	500302E			
1979-81	V8 5.8L 351ci	w/Std. Flow Water Pumps & V-Belts	500302E			
1969-73	V8 7.0L 429ci		500460			500460D
1972-74	V8 7.5L 460ci		500460			500460D
1976	V8 7.5L 460ci		500460			500460D
<b>COMET, CYCLONE</b>						
1964-67	V8 4.7L 289ci	w/Std. Flow Water Pumps & V-Belts	500302E			
1968-77	V8 5.0L 302ci	w/Std. Flow Water Pumps & V-Belts	500302E			

Year	Engine	Description	Aluminum Timing Cover	Plastic Timing Cover	Timing Mark	Dipstick Tube
<b>MERCURY (con't)</b>						
<b>COMET, CYCLONE (con't)</b>						
1971-77	V8 5.0L 302ci	w/Std. Flow Water Pumps & V-Belts	500302E			
1969-71	V8 5.8L 351ci	w/Std. Flow Water Pumps & V-Belts	500302E			
1970-71	V8 7.0L 429ci		500460			500460D
<b>COUGAR</b>						
1982-87	V6 3.8L 232ci		500232			
1980-82	V8 4.2L 255ci	w/EEC	500232			
1980-82	V8 4.2L 255ci	w/o EEC; w/Dipstick hole and cover	500302S			
1967-68	V8 4.7L 289ci	w/Std. Flow Water Pumps & V-Belts	500302E			
1968-70	V8 5.0L 302ci	w/Std. Flow Water Pumps & V-Belts	500302E			
1977-81	V8 5.0L 302ci	w/Std. Flow Water Pumps & V-Belts	500302E			
1979-81	V8 5.0L 302ci	w/Crank Sensor	500302S			
1983-84	V8 5.0L 302ci	w/Std. Flow Water Pumps & V-Belts	500302E			
1985-86	V8 5.0L 302ci	w/Crank Sensor	500302S			
1987-88	V8 5.0L 302ci		500302L			
1991-93	V8 5.0L 302ci		500302L			
1969-79	V8 5.8L 351ci	w/Std. Flow Water Pumps & V-Belts	500302E			
1970-71	V8 7.0L 429ci		500460			500460D
1973-76	V8 7.5L 460ci		500460			500460D
<b>GRAND MARQUIS, MARQUIS</b>						
1983-86	V6 3.8L 232ci		500232			
1981-82	V8 4.2L 255ci	w/EEC	500232			
1981-82	V8 4.2L 255ci	w/o EEC; w/Dipstick hole and cover	500302S			
1979-82	V8 5.0L 302ci	w/Crank Sensor	500302S			
1979-84	V8 5.0L 302ci	w/Std. Flow Water Pumps & V-Belts	500302E			
1985-86	V8 5.0L 302ci	w/Crank Sensor	500302S			
1987-91	V8 5.0L 302ci		500302L			
1971-73	V8 5.8L 351ci	w/Std. Flow Water Pumps & V-Belts	500302E			
1978-82	V8 5.8L 351ci	w/Std. Flow Water Pumps & V-Belts	500302E			
1983-86	V8 5.8L 351ci	w/Std. Flow Water Pumps & V-Belts	500302E			
1987-89	V8 5.8L 351ci		500302L			
1969-73	V8 7.0L 429ci		500460			500460D
1972-78	V8 7.5L 460ci		500460			500460D
<b>MARAUDER</b>						
1969-70	V8 7.0L 429ci		500460			500460D
<b>MONARCH, ZEPHYR</b>						
1980-82	V8 4.2L 255ci	w/EEC	500232			
1980-82	V8 4.2L 255ci	w/o EEC; w/Dipstick hole and cover	500302S			
1975-80	V8 5.0L 302ci	w/Std. Flow Water Pumps & V-Belts	500302E			
1979-80	V8 5.0L 302ci	w/Crank Sensor	500302S			
1975-77	V8 5.8L 351ci	w/Std. Flow Water Pumps & V-Belts	500302E			
<b>MONTEGO</b>						
1968-74	V8 5.0L 302ci	w/Std. Flow Water Pumps & V-Belts	500302E			
1969-76	V8 5.8L 351ci	w/Std. Flow Water Pumps & V-Belts	500302E			
1970-73	V8 7.0L 429ci		500460			500460D
1973-76	V8 7.5L 460ci		500460			500460D
<b>MONTEREY</b>						
1971-73	V8 5.8L 351ci	w/Std. Flow Water Pumps & V-Belts	500302E			
1969-73	V8 7.0L 429ci		500460			500460D
1972-74	V8 7.5L 460ci		500460			500460D
<b>MOUNTAINEER</b>						
1997-01	V8 5.0L 302ci		500302T			
<b>NISSAN</b>						
<b>200SX</b>						
1995-98	L4 1.6L 1597cc		500160L			

Year	Engine	Description	Aluminum Timing Cover	Plastic Timing Cover	Timing Mark	Dipstick Tube
<b>NISSAN (con't)</b>						
<b>200SX (con't)</b>						
1995-98	L4 2.0L 1998cc		500200			
<b>240SX</b>						
1991-94	L4 2.4L 2389cc	OE #1350053F01	500241			
1995-98	L4 2.4L 2389cc	OE #1350070F01	500242			
<b>ALTIMA</b>						
1993-97	L4 2.4L 2389cc		500240A			
1998-01	L4 2.4L 2389cc		500240B			
<b>NX</b>						
1991-93	L4 1.6L 1597cc		500160N			
1991-93	L4 2.0L 1998cc		500200			
<b>PULSAR NX</b>						
1989-90	L4 1.6L 1597cc		500160E			
<b>SENTRA</b>						
1989-90	L4 1.6L 1597cc		500160E			
1991-94	L4 1.6L 1597cc		500160N			
1995-99	L4 1.6L 1597cc		500160L			
1991-94	L4 2.0L 1998cc		500200			
1998-01	L4 2.0L 1998cc		500200			
<b>STANZA</b>						
1990-92	L4 2.4L 2389cc		500240			
<b>NISSAN TRUCK</b>						
<b>AXXESS</b>						
1990-92	L4 2.4L 2389cc		500240			
1993-95	L4 2.4L 2389cc		500240A			
<b>D21 PICKUP</b>						
1990-93	L4 2.4L 2389cc		500240T			
<b>FRONTIER, XTERRA</b>						
1998-04	L4 2.4L 2389cc	OE #135013S502	500245			
<b>PICKUP</b>						
1994-95	L4 2.4L 2389cc		500240T			
1996-97	L4 2.4L 2389cc	OE #135011S701	500243			
<b>OLDSMOBILE</b>						
<b>442, F85</b>						
1969-72	V8 5.7L 350ci		500350S			
<b>98, 98 REGENCY</b>						
1985	V6 3.0L 181ci	20 Bolt Oil Pan	500230			
1985-87	V6 3.8L 231ci	20 Bolt Oil Pan	500230			
1991-92	V6 3.8L 231ci	Late Style	500230L			
1981-83	V6 4.1L 252ci	RWD; 14 Bolt Oil Pan	500231		500231-TM	
1972-73	V8 5.7L 350ci		500350S			
1980	V8 5.7L 350ci		500350S			
<b>BRAVADA</b>						
1991-92	V6 4.3L 262ci	w/Welded Pointer	500262S			
1996-01	V6 4.3L 262ci			500262		
1996-01	V6 4.3L 262ci	w/o Sensor		500262WO		
<b>CALAIS, CUTLASS CALAIS</b>						
1985-91	L4 2.5L 151ci		500151E			
1985-88	V6 3.0L 181ci	2 Water By-pass Nipples	500230			
1978-84	V6 3.8L 231ci	RWD; 14 Bolt Oil Pan	500231		500231-TM	
1979-84	V6 3.8L 231ci	20 Bolt Oil Pan	500230			
1984	V8 5.0L 305ci		500305S			
1980	V8 5.7L 350ci		500350S			





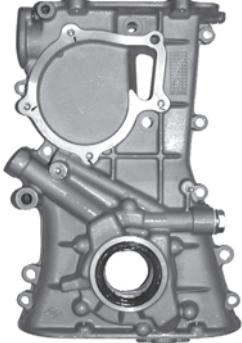
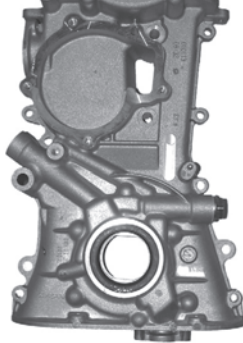


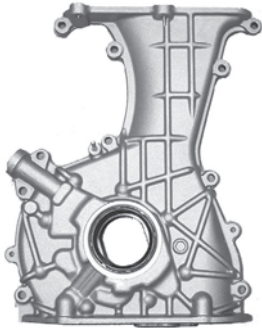
Year	Engine	Description	Aluminum Timing Cover	Plastic Timing Cover	Timing Mark	Dipstick Tube
<b>OLDSMOBILE (con't)</b>						
<b>CUSTOM CRUISER</b>						
1991-92	V8 5.0L 305ci		500305S			
1973	V8 5.7L 350ci		500350S			
1980	V8 5.7L 350ci		500350S			
1992	V8 5.7L 350ci		500350S			
<b>CUTLASS</b>						
1977	V6 3.8L 231ci	RWD; 14 Bolt Oil Pan	500231		500231-TM	
1980-81	V6 3.8L 231ci	20 Bolt Oil Pan	500230			
1980-81	V6 3.8L 231ci	RWD; 14 Bolt Oil Pan	500231		500231-TM	
1969-76	V8 5.7L 350ci		500350S			
1980	V8 5.7L 350ci		500350S			
<b>CUTLASS CIERA</b>						
1985-92	L4 2.5L 151ci		500151E			
1982-85	V6 2.8L 173ci		500189			
1982-85	V6 3.0L 181ci	14 or 20 Bolt Oil Pan	500230			
1984-88	V6 3.8L 231ci	20 Bolt Oil Pan	500230			
<b>CUTLASS CRUISER</b>						
1980-83	V6 3.8L 231ci	20 Bolt Oil Pan	500230			
1980-83	V6 3.8L 231ci	RWD; 14 Bolt Oil Pan	500231		500231-TM	
1987	V6 3.8L 231ci	20 Bolt Oil Pan	500230			
1982-83	V8 5.0L 305ci		500305S			
1980	V8 5.7L 350ci		500350S			
<b>CUTLASS SALON, CUTLASS SUPREME</b>						
1977-84	V6 3.8L 231ci	RWD; 14 Bolt Oil Pan	500231		500231-TM	
1979-87	V6 3.8L 231ci	20 Bolt Oil Pan	500230			
1983	V8 5.0L 305ci		500305S			
1985-87	V8 5.0L 305ci		500305S			
1969-76	V8 5.7L 350ci		500350S			
1980	V8 5.7L 350ci		500350S			
<b>CUTLASS VISTA CRUISER</b>						
1978-79	V6 3.8L 231ci	RWD; 14 Bolt Oil Pan	500231		500231-TM	
1979	V6 3.8L 231ci	20 Bolt Oil Pan	500230			
<b>DELTA 88</b>						
1986	V6 3.0L 181ci		500230			
1977-84	V6 3.8L 231ci	RWD; 14 Bolt Oil Pan	500231		500231-TM	
1979-88	V6 3.8L 231ci	20 Bolt Oil Pan	500230			
1991-92	V6 3.8L 231ci	Late Style	500230L			
1969-76	V8 5.7L 350ci		500350S			
1980	V8 5.7L 350ci		500350S			
<b>FIRENZA</b>						
1985	V6 2.8L 173ci		500189			
<b>OMEGA</b>						
1982-84	V6 2.8L 173ci		500189			
1977-79	V6 3.8L 231ci	RWD; 14 Bolt Oil Pan	500231		500231-TM	
1973-76	V8 5.7L 350ci		500350S			
<b>SILHOUETTE</b>						
1992	V6 3.8L 231ci	Late Style	500230L			
<b>STARFIRE</b>						
1976-80	V6 3.8L 231ci	RWD; 14 Bolt Oil Pan	500231		500231-TM	
1979-80	V6 3.8L 231ci	20 Bolt Oil Pan	500230			
<b>TORONADO</b>						
1986-87	V6 3.8L 231ci	20 Bolt Oil Pan	500230			
1991-92	V6 3.8L 231ci	Late Style	500230L			
1981	V6 4.1L 252ci	RWD; 14 Bolt Oil Pan	500231		500231-TM	
1982-84	V6 4.1L 252ci	14 or 20 Bolt Oil Pan	500230			

Year	Engine	Description	Aluminum Timing Cover	Plastic Timing Cover	Timing Mark	Dipstick Tube
<b>OLDSMOBILE (con't)</b>						
<b>TORONADO (con't)</b>						
1980	V8 5.7L 350ci		500350S			
<b>VISTA CRUISER</b>						
1969-76	V8 5.7L 350ci		500350S			
<b>PLYMOUTH</b>						
<b>BARRACUDA, CUDA, DUSTER, ROADRUNNER, SATELLITE</b>						
1970-76	V8 5.2L 318ci		500390			
1968-73	V8 5.6L 340ci		500390			
1974-76	V8 5.9L 360ci		500390			
<b>BELVEDERE</b>						
1970	V8 5.2L 318ci		500390			
<b>CARAVELLE</b>						
1978-79	V8 5.9L 360ci		500390			
1978-89	V8 5.2L 318ci		500390			
<b>FURY, VALIANT, VOLARE</b>						
1970-78	V8 5.2L 318ci		500390			
1971-78	V8 5.9L 360ci		500390			
<b>GRAN FURY</b>						
1972-73	V8 5.2L 318ci		500390			
1975-77	V8 5.2L 318ci		500390			
1980-89	V8 5.2L 318ci		500390			
1972-77	V8 5.9L 360ci		500390			
1980	V8 5.9L 360ci		500390			
<b>SCAMP</b>						
1971-76	V8 5.2L 318ci		500390			
<b>PLYMOUTH TRUCK</b>						
<b>PB100-PB350 VAN VOYAGER, TRAILDUSTER</b>						
1974-83	V8 5.2L 318ci		500390			
1974-83	V8 5.9L 360ci		500390			
<b>PONTIAC</b>						
<b>6000</b>						
1982-91	L4 2.5L 151ci		500151L			
1982-89	V6 2.8L 173ci		500189			
<b>ACADIAN</b>						
1968-71	V8 5.7L 350ci	RWD	500231		500231-TM	
<b>BONNEVILLE</b>						
1980-84	V6 3.8L 231ci	RWD; 14 Bolt Oil Pan	500231		500231-TM	
1980-88	V6 3.8L 231ci	20 Bolt Oil Pan	500230			
1991-92	V6 3.8L 231ci	Late Style	500230L			
1983-86	V8 5.0L 305ci		500305S			
1970	V8 5.7L 350ci	RWD	500231		500231-TM	
1977-80	V8 5.7L 350ci	RWD	500231		500231-TM	
1982	V8 5.7L 350ci		500350S			
<b>CATALINA, LAURENTIAN, GRAND SAFARI</b>						
1977-81	V6 3.8L 231ci	RWD; 14 Bolt Oil Pan	500231		500231-TM	
1979-81	V6 3.8L 231ci	20 Bolt Oil Pan	500230			
1970-71	V8 5.7L 350ci	RWD	500231		500231-TM	
1972-73	V8 5.7L 350ci		500350S			
1976	V8 5.7L 350ci		500350S			
1976-80	V8 5.7L 350ci	RWD	500231		500231-TM	
<b>EXECUTIVE</b>						
1970	V8 5.7L 350ci	RWD	500231		500231-TM	

Year	Engine	Description	Aluminum Timing Cover	Plastic Timing Cover	Timing Mark	Dipstick Tube
<b>PONTIAC (con't)</b>						
<b>FIERO</b>						
1984-88	L4 2.5L 151ci		500151L			
1985-88	V6 2.8L 173ci		500189			
<b>FIREBIRD</b>						
1982-86	L4 2.5L 151ci		500151L			
1982-89	V6 2.8L 173ci		500189			
1977-81	V6 3.8L 231ci	RWD; 14 Bolt Oil Pan	500231		500231-TM	
1989	V6 3.8L 231ci	20 Bolt Oil Pan	500230			
1982-92	V8 5.0L 305ci		500305S			
1968-79	V8 5.7L 350ci	RWD	500231		500231-TM	
1972-76	V8 5.7L 350ci		500350S			
1987-92	V8 5.7L 350ci		500350S			
1993-94	V8 5.7L 350ci		500350LT1			
1995	V8 5.7L 350ci		500350S			
1996-02	V8 5.7L 350ci			500350		
1996-02	V8 5.7L 350ci	w/o Sensor		500350WO		
1998-02	V8 5.7L 350ci		500LS1			
<b>GRAND AM</b>						
1985-91	L4 2.5L 151ci		500151E			
1979	V6 3.8L 231ci	20 Bolt Oil Pan	500230			
1979	V6 3.8L 231ci	RWD; 14 Bolt Oil Pan	500231		500231-TM	
1973	V8 5.7L 350ci		500350S			
1975	V8 5.7L 350ci	RWD	500231		500231-TM	
<b>GRAND LEMANS, LEMANS</b>						
1977-81	V6 3.8L 231ci	RWD; 14 Bolt Oil Pan	500231		500231-TM	
1979-81	V6 3.8L 231ci	20 Bolt Oil Pan	500230			
1982-83	V8 5.0L 305ci		500305S			
1968-71	V8 5.7L 350ci	RWD	500231		500231-TM	
1972-76	V8 5.7L 350ci		500350S			
1974-79	V8 5.7L 350ci	RWD	500231		500231-TM	
1982	V8 5.7L 350ci		500350S			
<b>GRAND PRIX</b>						
1988-89	V6 2.8L 173ci		500189			
1980-87	V6 3.8L 231ci	20 Bolt Oil Pan	500230			
1982	V6 4.1L 252ci	14 or 20 Bolt Oil Pan	500230			
1983-87	V8 5.0L 305ci		500305S			
2005-07	V8 5.3L 325ci	Rear Seal Housing	500323RSH			
1976	V8 5.7L 350ci		500350S			
1977-84	V8 5.7L 350ci	RWD; 14 Bolt Oil Pan	500231		500231-TM	
1982	V8 5.7L 350ci		500350S			
<b>GTO</b>						
1970	V8 5.7L 350ci	RWD	500231		500231-TM	
2004	V8 5.7L 350ci		500LS1			
2005-06	V8 6.0L 364ci	Rear Seal Housing	500323RSH			
<b>PARISIENNE</b>						
1981-85	V6 3.8L 231ci	RWD; 14 Bolt Oil Pan	500231			
1984	V6 3.8L 231ci	20 Bolt Oil Pan	500230			
1982-86	V8 5.0L 305ci		500305S			
1976	V8 5.7L 350ci		500350S			
1976-80	V8 5.7L 350ci	RWD	500231		500231-TM	
1982	V8 5.7L 350ci		500350S			
<b>PHOENIX</b>						
1982-84	L4 2.5L 151ci		500151L			
1982-84	V6 2.8L 173ci		500189			
1977-79	V6 3.8L 231ci	RWD; 14 Bolt Oil Pan	500231		500231-TM	

Year	Engine	Description	Aluminum Timing Cover	Plastic Timing Cover	Timing Mark	Dipstick Tube
<b>PONTIAC (con't)</b>						
<b>PHOENIX (con't)</b>						
1977-79	V8 5.7L 350ci	RWD	500231		500231-TM	
<b>SAFARI</b>						
1968-70	V8 5.7L 350ci	RWD	500231		500231-TM	
<b>SUNBIRD</b>						
1976-80	V6 3.8L 231ci	RWD; 14 Bolt Oil Pan	500231		500231-TM	
1979-80	V6 3.8L 231ci	20 Bolt Oil Pan	500230			
<b>TEMPEST</b>						
1987-89	V6 2.8L 173ci		500189			
1968	V8 5.7L 350ci	RWD	500231		500231-TM	
1970	V8 5.7L 350ci	RWD	500231		500231-TM	
<b>TRANS SPORT</b>						
1992	V6 3.8L 231ci	Late Style	500230L			
<b>VENTURA</b>						
1977	V6 3.8L 231ci	RWD; 14 Bolt Oil Pan	500231		500231-TM	
1972-75	V8 5.7L 350ci		500350S			
1974-77	V8 5.7L 350ci	RWD	500231		500231-TM	
<b>SHELBY</b>						
<b>COBRA</b>						
1963-65	V8 4.7L 289ci	w/Std. Flow Water Pumps & V-Belts	500302E			
<b>SUNBEAM</b>						
<b>TIGER</b>						
1964-67	V8 4.7L 289ci	w/Std. Flow Water Pumps & V-Belts	500302E			
<b>TOYOTA</b>						
<b>CELICA, CORONA</b>						
1981-84	L4 2.4L 2366cc		500220E			
1985	L4 2.4L 2366cc		500220			
<b>TOYOTA TRUCK</b>						
<b>4RUNNER, PICKUP, VAN WAGON</b>						
1981-84	L4 2.4L 2366cc		500220E			
1985-95	L4 2.4L 2366cc		500220			

# TIMING COVER ILLUSTRATIONS

<p style="text-align: center;"><b>500LS1</b></p>  <p style="text-align: center;">1997-2005 GM V8 5.7L (346cid, 350cid)</p>	<p style="text-align: center;"><b>500LS2</b></p>  <p style="text-align: center;">2005-2009 GM Includes HUMMER V6 4.3L, V8 4.8L, 5.3L, 6.0L, 6.2L (376cid), 7.0L</p>	<p style="text-align: center;"><b>500151E</b></p>  <p style="text-align: center;">1985-1992 GM L4 2.5L (151 cid) Early REFERENCE O.E.M.# 10044605</p>
<p style="text-align: center;"><b>500151L</b></p>  <p style="text-align: center;">1982-1993 GM L4 2.5L (151 cid) Late REFERENCE O.E.M.# 10044603</p>	<p style="text-align: center;"><b>500160E</b></p>  <p style="text-align: center;">1989-1990 NISSAN L4 1.6L (1597cc) VIN#GA161 REFERENCE O.E.M.# 13500-77A00</p>	<p style="text-align: center;"><b>500160L</b></p>  <p style="text-align: center;">1995-1999 NISSAN L4 1.6L (1597cc) VIN#GA16DE REFERENCE O.E.M.# 13500-53401</p>
<p style="text-align: center;"><b>500160N</b></p>  <p style="text-align: center;">1991-1994 NISSAN L4 1.6L</p>	<p style="text-align: center;"><b>500189</b></p>  <p style="text-align: center;">1982-1993 GM V6 2.8L &amp; 3.1L (173cid &amp; 189cid) REFERENCE O.E.M.# 12509037</p>	<p style="text-align: center;"><b>500200</b></p>  <p style="text-align: center;">1991-2001 NISSAN L4 2.0L (1998cc) SENTRA SR20DE REFERENCE O.E.M.# 13500-53J00</p>



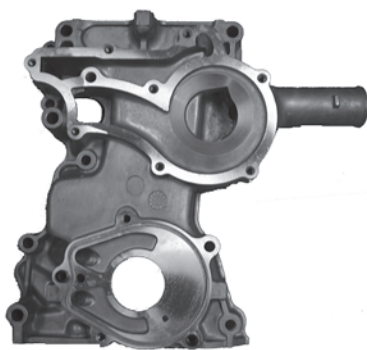
# TIMING COVER ILLUSTRATIONS

**500220**



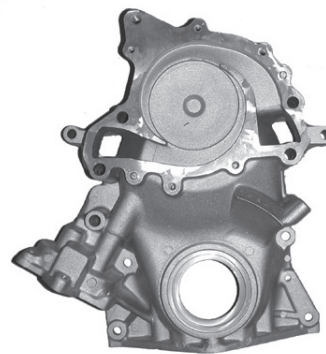
1985-1995 TOYOTA  
L4 2.4L (2366cc) VIN#22R & 22REC  
REFERENCE O.E.M.# 11302-35010

**500220E**



1981-1984 TOYOTA  
L4 2.4L (2366cc) VIN#22R  
REFERENCE O.E.M.# 11302-38010

**500230**



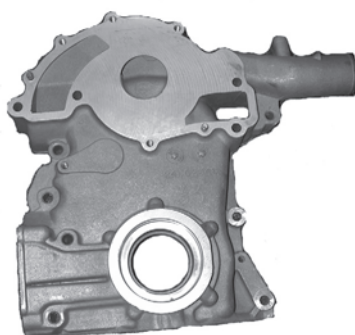
1979-1989 GM V6  
3.0L, 3.8L, 4.1L (181cid & 231cid)  
FWD ONLY  
REFERENCE O.E.M.# 12329552,  
22522648, 25522653

**500230L**



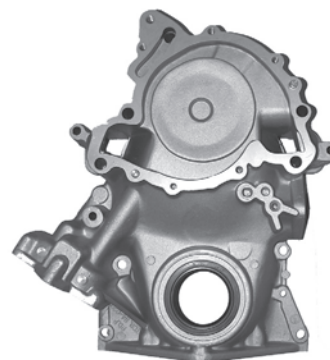
1990-1996 GM  
V6 3.3L & 3.8L (181 cid & 231 cid)  
Late Style  
REFERENCE O.E.M.# 24501515 &  
25534687

**500230WO**



1993-1995 BUICK  
V6 3.8 L (231 cid)  
No Cam Button & Sensor Hole,  
Side Outlet  
REFERENCE O.E.M.# 24502348

**500231**



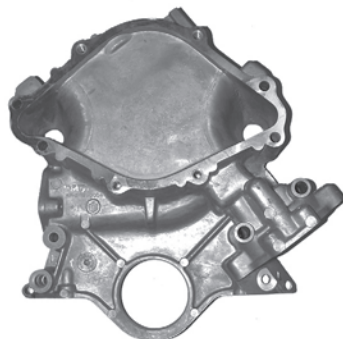
1964-1987 GM  
V6 3.2L, 3.7L, 3.8L, 4.1L  
V8 4.9L, 5.6L, 5.7L  
RWD ONLY  
REFERENCE O.E.M.# 25515465

**500231-TM**



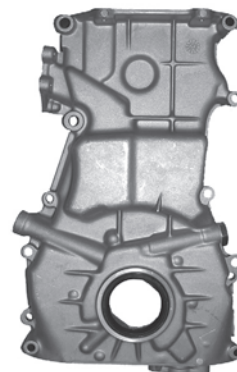
1964-1987 GM  
V6 3.2L, 3.7L, 3.8L, 4.1L  
V8 4.9L, 5.6L, 5.7L  
RWD ONLY  
STEEL TIMING TAB

**500232**



1980-1987 FORD  
V6 3.8L & V8 4.2L VIN#3  
REFERENCE O.E.M.# E6SZ-6019-B

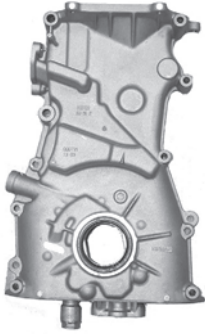
**500240**



1990-1992 NISSAN  
L4 2.4L (2389cc) VIN#KA24E  
REFERENCE O.E.M.# 13500-30R00

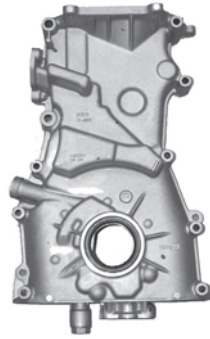
# TIMING COVER ILLUSTRATIONS

## 500240A



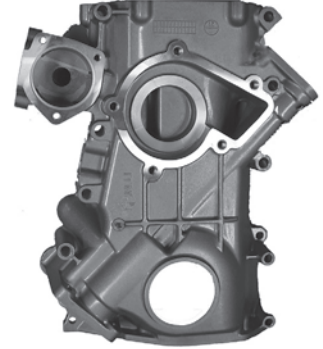
1993-1997 NISSAN  
L4 2.4L (2389cc)  
ALTIMA VIN#KA24DE  
REFERENCE O.E.M.# 13500-1E402

## 500240B



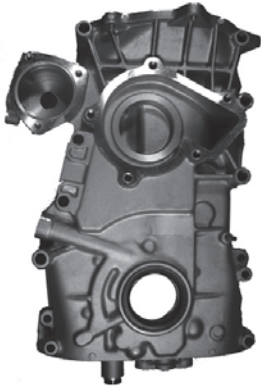
1998-2001 NISSAN  
L4 2.4L (2389cc)  
ALTIMA VIN#KA24DE  
REFERENCE O.E.M.# 13500-1E404

## 500240T



1990-1995 NISSAN  
L4 2.4L (2389cc)  
VIN#KA24E TRUCK ONLY  
REFERENCE O.E.M.# 13500-40F81

## 500241



1991-1994 NISSAN  
L4 2.4L

## 500242



1995-1998 NISSAN  
L4 2.4L

## 500243



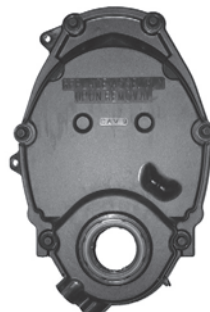
1996-1997 NISSAN  
L4 2.4L

## 500245

*Photo Not Available  
at Press Time*

1998-2004 NISSAN  
L4 2.4L

## 500262



1995-2003 GM V6 4.3L (262cid)  
VIN#W, X, & Z  
REFERENCE O.E.M.# 12554555 &  
89017259

## 500262S



1985-1994 GM  
V6 4.3L (262cid) VIN#N & B  
REFERENCE O.E.M.# 12513961

# TIMING COVER ILLUSTRATIONS

## 500262WO



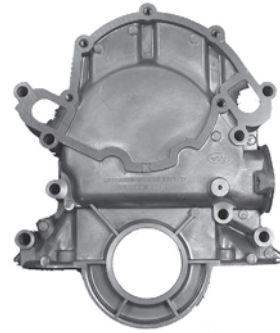
1995-2003 GM  
V6 4.3L (262cid)  
VIN# W, X, & Z w/o sensor  
REFERENCE O.E.M.#  
12554557 & 89017261 (w/o sensor)

## 500300



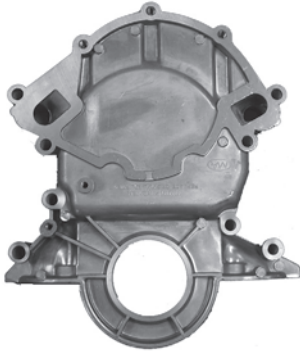
1965-1997 FORD  
L6 3.9L & 4.9L (240 & 300cid)  
TRUCK  
REFERENCE O.E.M.# E5TE-6019-H

## 500302E



1963-1986 FORD  
V8 4.7L, 4.8L, 5.0L, 5.8L  
(289 & 302cid) w/o sensor  
REFERENCE O.E.M.# D9TE-6059-AB

## 500302L



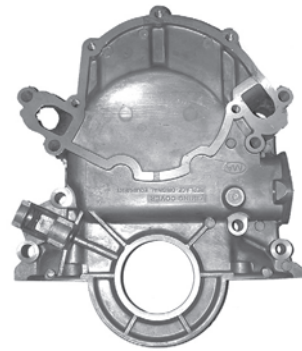
1987-1997 FORD  
V8 5.0L & 5.8L  
(302 & 351W) REVERSE FLOW  
REFERENCE O.E.M.# F6TZ-6019-NA

## 500302M



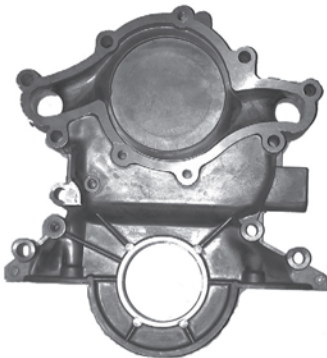
1982-1993 FORD  
V8 5.0L (302cid)  
MUSTANG W/ELEC FUEL PUMP  
REFERENCE O.E.M.# E5AE & E8AE

## 500302S



1966, 1970-1987 FORD  
V8 4.2L, 4.7L, 5.0L  
(302 & 351W) UNIVERSAL  
REFERENCE O.E.M.# E3AE-6059-AB  
INCLUDES: FUEL BLOCK OFF PLATE TO FIT LATE  
MODEL ELECTRIC FUEL PUMP APPLICATIONS

## 500302T



1994-2001 FORD V8 5.0L (302cid)  
EXPLORER & MOUNTAINEER  
REFERENCE O.E.M.#  
F67Z+6019-AA, F1SE-6059-BC,  
F87E-6059-AA

## 500305S



1967-1998 GM  
L6 3.8L, 4.1L, 4.8L V6 4.3L  
V8 4.4L, 4.6L, 5.0L (305cid, 307cid),  
5.4L, 5.7L, 6.2L, 6.5L, 6.6L  
For 7" HARMONIC BALANCERS

## 500323RSH



1999-2009 GM  
Includes HUMMER  
V8 4.8L, 5.3L (323cid, 325cid),  
6.0L, 6.2L (376cid, 378cid) 7.0L

# TIMING COVER ILLUSTRATIONS

## 500350



1994-2002 GM  
V8 5.0L & 5.7L  
(305 & 350 cid) VIN# M & R  
REFERENCE O.E.M.#  
12558343 & 93800970

## 500350LT1



1993-1994 GM  
V8 5.7L (350 cid) LT1  
REFERENCE O.E.M.# 12551636

## 500350S



1969-1996 GM  
V8 5.0L & 5.7L (350cid)  
For 8" HARMONIC BALANCERS  
REFERENCE O.E.M.# 12531283

## 500350WO



1994-2002 GM  
V8 5.0L & 5.7L (305 & 350cid)  
VIN#M, R w/o sensor  
REFERENCE O.E.M.# 12562818  
(w/o sensor)

## 500390



1968-1995 DODGE  
V6 3.9L, V8 5.2L, 5.6L, 5.9L  
REFERENCE O.E.M.#  
2951671 & 3769964

## 500390L



1996-2006 DODGE  
L4 2.4L, 2.5L; L5 2.7L; L6 5.9L;  
V10 8.0L, 8.3L; V6 3.0L, 3.3L, 3.7L,  
3.8L, 3.9L; V8 4.7L (285cid, 287cid),  
5.2L 5.7L, 5.9L ELECTRIC

## 500454S



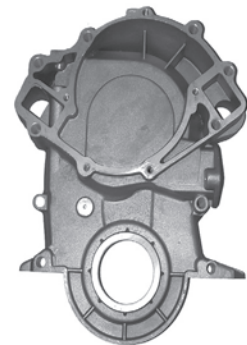
1966-1990 GM  
V8 6.0L, 6.5L, 6.6L (400cid, 402cid),  
7.0L, 7.4L  
REFERENCE O.E.M.# 3885048 &  
330850

## 500454S-TM



1966-1990 GM  
V8 6.0L, 6.5L, 6.6L (400cid, 402cid),  
7.0L, 7.4L

## 500460



1968-1997 FORD  
V8 7.0L, 7.5L (460cid)  
REFERENCE O.E.M.# E5TZ-6019-K  
INCLUDES: DIPSTICK TUBE PLUG, FUEL PUMP  
BLOCK OFF PLATE & GASKET OIL PAN  
MOUNTING STUDS.

# TIMING COVER ILLUSTRATIONS

**500460D**



1968-1997 FORD  
V8 7.0L, 7.5L  
DIPSTICK TUBE FOR 500460  
TIMING COVER  
REFERENCE O.E.M.# C8SZ-6754-A

**502115**



1993-2002 HYUNDAI  
L4 1.5L

**502119**

*Photo Not Available  
at Press Time*

1996-2005 HYUNDAI  
L4 1.5L, 1.6L

**502123**



1986-2002 HYUNDAI  
L4 1.5L, 2.4L

**502127**



1996-2006 HYUNDAI, KIA  
L4, 1.5L, 1.6L

**502131**



2001-2006 HYUNDAI, KIA  
V6 3.0L, 3.5L

**502135**



1994-1995 HYUNDAI  
L4 2.0L

**502139**

*Photo Not Available  
at Press Time*







1992-94 HYUNDAI  
L4 1.6L, 1.8L, 2.0L

**502143**



1994-1998 HYUNDAI  
L4 2.0L

# TIMING COVER ILLUSTRATIONS

<p style="text-align: center;"><b>502147</b></p>  <p style="text-align: center;">2001-2008 HYUNDAI, KIA V6 2.7L</p>	<p style="text-align: center;"><b>502151</b></p>  <p style="text-align: center;">2001-2008 HYUNDAI V6, 2.7L</p>	<p style="text-align: center;"><b>502155</b></p>  <p style="text-align: center;">2001-2006 KIA L4 2.4L</p>
<p style="text-align: center;"><b>502159</b></p>  <p style="text-align: center;">2002-2006 HYUNDAI, KIA V6 3.5L</p>	<p style="text-align: center;"><b>502163</b></p> <p style="text-align: center;"><i>Photo Not Available at Press Time</i></p> <p style="text-align: center;">2007-2008 HYUNDAI V6 2.7L</p>	<p style="text-align: center;"><b>502167</b></p>  <p style="text-align: center;">2003-2006 KIA V6 3.5L</p>
<p style="text-align: center;"><b>502171</b></p> <p style="text-align: center;"><i>Photo Not Available at Press Time</i></p> <p style="text-align: center;">2003-2006 KIA V6 3.5L</p>	<p style="text-align: center;"><b>502175</b></p>  <p style="text-align: center;">1996-2006 HYUNDAI L4 1.8L, 2.0L</p>	<p style="text-align: center;"><b>502179</b></p> <p style="text-align: center;"><i>Photo Not Available at Press Time</i></p> <p style="text-align: center;">1996-2006 HYUNDAI L4 1.8L, 2.0L</p>

# TIMING COVER ILLUSTRATIONS

**502183**



1995-2002 KIA  
L4 2.0L

**502187**



2000-2004 KIA  
L4 1.8L

**502191**



1998-2004 KIA  
L4 1.8L

**502195**



2001-2005 KIA  
L4 1.5L, 1.6L

# CONVERSION TABLE

## Inch Fractions and Decimals to Metric Equivalents

INCHES		MM	INCHES		MM	INCHES		MM	INCHES		MM
Fractions	Decimals		Fractions	Decimals		Fractions	Decimals		Fractions	Decimals	
—	.0004	.01	—	.4331	11	31/32	.96875	24.606	1-7/8	1.875	47.625
—	.004	.10	7/16	.4375	11.113	—	.9843	25	—	1.8898	48
—	.01	.25	29/64	.4531	11.509	1	1.000	25.4	1-29/32	1.9062	48.419
1/64	.0156	.396	15/32	.46875	11.906	—	1.0236	26	—	1.9291	49
—	.0197	.50	—	.4724	12	1-1/32	1.0312	26.194	1-15/16	1.9375	49.213
—	.0295	.75	31/64	.48437	12.303	1-1/6	1.062	26.988	—	1.9685	50
1/32	.03125	.794	—	.492	12.5	—	1.063	27	1-31/32	1.969	50.006
—	.0394	1	1/2	.500	12.700	1-3/32	1.094	27.781	2	2.000	50.800
3/64	.0469	1.191	—	.5118	13	—	1.1024	28	—	2.0079	51
—	.059	1.5	33/64	.5156	13.097	1-1/8	1.125	28.575	—	2.0472	52
1/16	.0625	1.588	17/32	.53125	13.494	—	1.1417	29	2-1/16	2.062	52.388
5/64	.0781	1.984	35/64	.54687	13.891	1-5/32	1.156	29.369	—	2.0866	53
—	.0787	2	—	.5512	14	—	1.1811	30	2-1/8	2.125	53.975
3/32	.094	2.381	9/16	.5625	14.288	1-3/16	1.1875	30.163	—	2.126	54
—	.0984	2.5	—	.571	14.5	1-7/32	1.219	30.956	—	2.165	55
7/64	.1093	2.776	37/64	.57812	14.684	—	1.2205	31	2-3/16	2.1875	55.563
—	.1181	3	—	.5906	15	1-1/4	1.250	31.750	—	2.2047	56
1/8	.1250	3.175	19/32	.59375	15.081	—	1.2598	32	—	2.244	57
—	.1378	3.5	39/64	.60937	15.478	1-9/32	1.281	32.544	2-1/4	2.250	57.150
9/64	.1406	3.572	5/8	.6250	15.875	—	1.2992	33	—	2.2835	58
5/32	.15625	3.969	—	.6299	16	1-5/16	1.312	33.338	2-5/16	2.312	58.738
—	.1575	4	41/64	.6406	16.272	—	1.3386	34	—	2.3228	59
11/64	.17187	4.366	—	.6496	16.5	1-11/32	1.344	34.131	—	2.3622	60
—	.177	4.5	21/32	.65625	16.669	1-3/8	1.375	34.925	2-3/8	2.375	60.325
3/16	.1875	4.763	—	.6693	17	—	1.3779	35	—	2.4016	61
—	.1969	5	43/64	.67187	17.066	1-13/32	1.406	35.719	2-7/16	2.438	61.913
13/64	.2031	5.159	11/16	.6875	17.463	—	1.4173	36	—	2.4409	62
—	.2165	5.5	45/64	.7031	17.859	1-7/16	1.438	36.513	—	2.4803	63
7/32	.21875	5.556	—	.7087	18	—	1.4567	37	2-1/2	2.500	63.500
15/64	.23437	5.953	23/32	.71875	18.256	1-15/32	1.469	37.306	—	2.5197	64
—	.2362	6	—	.7283	18.5	—	1.4961	38	—	2.559	65
1/4	.2500	6.350	47/64	.73437	18.653	1-1/2	1.500	38.100	2-9/16	2.562	65.088
—	.2559	6.5	—	.7480	19	1-17/32	1.531	38.894	—	2.5984	66
17/64	.2656	6.747	3/4	.7500	19.050	—	1.5354	39	2-5/8	2.625	66.675
—	.2756	7	49/64	.7656	19.447	1-9/16	1.562	39.688	—	2.638	67
9/32	.28125	7.144	25/32	.78125	19.844	—	1.5748	40	—	2.6772	68
—	.2953	7.5	—	.7874	20	1-19/32	1.594	40.481	2-11/16	2.6875	68.263
19/64	.29687	7.541	51/64	.79687	20.241	—	1.6142	41	—	2.7165	69
5/16	.3125	7.938	13/16	.8125	20.638	1-5/8	1.625	41.275	2-3/4	2.750	69.850
—	.3150	8	—	.8268	21	—	1.6535	42	—	2.7559	70
21/64	.3281	8.334	53/64	.8281	21.034	1-21/32	1.6562	42.069	—	2.7953	71
—	.335	8.5	27/32	.84375	21.431	1-11/16	1.6875	42.863	2-13/16	2.8125	71.438
11/32	.34375	8.731	55/64	.85937	21.828	—	1.6929	43	—	2.8346	72
—	.3543	9	—	.8662	22	1-23/32	1.719	43.656	—	2.8740	73
23/64	.35937	9.128	7/8	.8750	22.225	—	1.7323	44	2-7/8	2.875	73.025
—	.374	9.5	57/64	.8906	22.622	1-3/4	1.750	44.450	—	2.9134	74
3/8	.3750	9.525	—	.9055	23	—	1.7717	45	2-15/16	2.9375	74.613
25/64	.3906	9.922	29/32	.90625	23.019	1-25/32	1.781	45.244	—	2.9527	75
—	.3937	10	59/64	.92187	23.416	—	1.8110	46	—	2.9921	76
13/32	.4062	10.319	15/16	.9375	23.813	1-13/16	1.8125	46.038	3	3.000	76.200
—	.413	10.5	—	.9449	24	1-27/32	1.844	46.831	—	—	—
27/64	.42187	10.716	61/64	.9531	24.209	—	1.8504	47	—	—	—

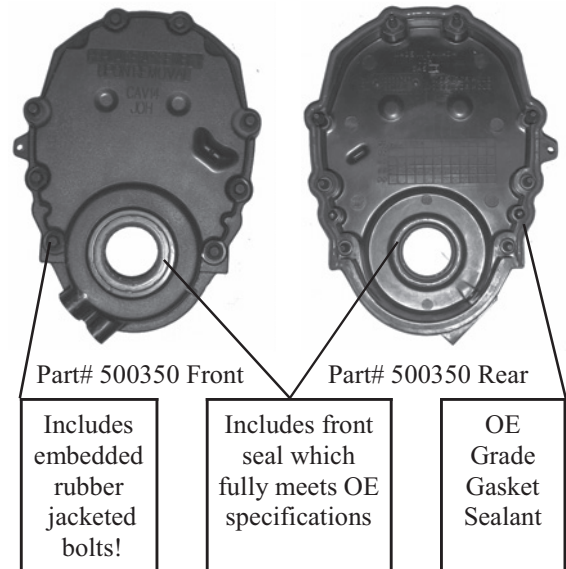


PIONEER NUMBER	MAKE	YEARS	ENGINE
500151E	BUICK, OLDSMOBILE, PONTIAC	1985-92	L4 2.5L
500151L	BUICK, CHEVROLET, GMC, PONTIAC	1982-93	L4 2.5L
500160E	NISSAN	1989-90	L4 1.6L
500160L	NISSAN	1995-99	L4 1.6L
500160N	NISSAN	1991-94	L4 1.6L
500189	CHEVROLET, GMC, OLDSMOBILE, PONTIAC	1982-93	V6 2.8L, 3.1L
500200	NISSAN	1991-01	L4 2.0L
500220	TOYOTA	1985-95	L4 2.4L
500220E	TOYOTA	1981-84	L4 2.4L
500230	BUICK, CHEVROLET, OLDSMOBILE, PONTIAC	1979-89	V6 3.0L, 3.8L, 4.1L
500230L	BUICK, CHEVROLET, OLDSMOBILE, PONTIAC	1990-96	V6 3.3L, 3.8L
500230WO	BUICK	1993-95	V6 3.8L
500231	BUICK, CADILLAC, CHEVROLET, JEEP, OLDSMOBILE, PONTIAC	1964-87	V6 3.2L, 3.7L, 3.8L, 4.1L, V8 4.9L, 5.6L, 5.7L
500231-TM	BUICK, CADILLAC, CHEVROLET, JEEP, OLDSMOBILE, PONTIAC	1964-87	V6 3.2L, 3.7L, 3.8L, 4.1L, V8 4.9L, 5.6L, 5.7L
500232	FORD, LINCOLN, MERCURY	1980-87	V6 3.8L, V8 4.2L
500240	NISSAN	1990-92	L4 2.4L
500240A	NISSAN	1993-97	L4 2.4L
500240B	NISSAN	1998-01	L4 2.4L
500240T	NISSAN	1990-95	L4 2.4L
500241	NISSAN	1991-94	L4 2.4L
500242	NISSAN	1995-98	L4 2.4L
500243	NISSAN	1996-97	L4 2.4L
500245	NISSAN	1998-04	L4 2.4L
500262	CHEVROLET, GMC, ISUZU, OLDSMOBILE	1995-03	V6 4.3L
500262S	CHEVROLET, GMC, OLDSMOBILE	1985-94	V6 4.3L
500262WO	CHEVROLET, GMC, OLDSMOBILE	1995-03	V6 4.3L
500300	FORD	1965-96	L6 3.9, 4.9L
500302E	FORD, LINCOLN, MERCURY, SHELBY, SUNBEAM	1963-86	V8 4.7L, 4.8L, 5.0L, 5.8L
500302L	FORD, LINCOLN, MERCURY	1987-97	V8 5.0L, 5.8L
500302M	FORD	1982-93	V8 5.0L
500302S	FORD, LINCOLN, MERCURY	1966, 1970-87	V8 4.2L, 4.7, 5.0L
500302T	FORD, MERCURY	1994-01	V8 5.0L
500305S	BUICK, CADILLAC, CHEVROLET, OLDSMOBILE, PONTIAC	1967-98	L6 3.8L, 4.1L, 4.8L, V6 4.3L, V8 4.4L, 4.6L, 5.0L (305ci, 307ci), 5.4L, 5.7L, 6.2L, 6.5L, 6.6L
500323RSH	BUICK, CADILLAC, CHEVROLET, GMC, HUMMER, ISUZU, PONTIAC	1999-09	V8 4.8L, 5.3L (323ci, 325ci), 6.0L, 6.2L (376ci, 378ci), 7.0L
500350	CADILLAC, CHEVROLET, GMC, PONTIAC	1994-02	V8 5.0L, 5.7L
500350LT1	CHEVROLET, PONTIAC	1993-94	V8 5.7L
500350S	CHEVROLET, GMC, OLDSMOBILE, PONTIAC	1969-96	V8 5.0L, 5.7L
500350WO	CADILLAC, CHEVROLET, GMC, PONTIAC	1994-02	V8 5.0L, 5.7L
500390	CHRYSLER, DODGE, PLYMOUTH	1968-95	V6 3.9L, V8 5.2L, 5.6L, 5.9L
500390L	DODGE	1996-06	L4 2.4L, 2.5L, L5 2.7L, L6 5.9L, V10 8.0L 8.3L, V6 3.0L, 3.3L, 3.7L, 3.8L, 3.9L, V8 4.7L (285ci, 287ci), 5.2L, 5.7L, 5.9L, ELECTRIC
500454S	CHEVROLET, EXCALIBUR, GMC	1966-90	V8 6.0L, 6.5L, 6.6L (400ci, 402ci), 7.0L, 7.4L
500454S-TM	CHEVROLET, EXCALIBUR, GMC	1966-90	V8 6.0L, 6.5L, 6.6L (400ci, 402ci), 7.0L, 7.4L

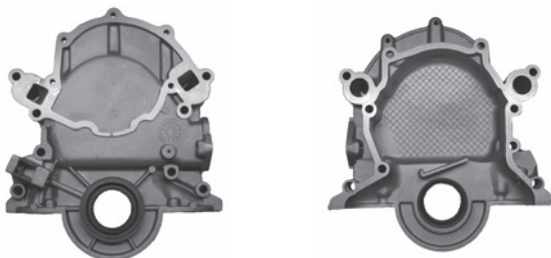
PIONEER NUMBER	MAKE	YEARS	ENGINE
500460	FORD, LINCOLN, MERCURY	1968-97	V8 7.0L, 7.5L
500460D	FORD, LINCOLN, MERCURY	1968-97	V8 7.0L, 7.5L
500LS1	CHEVROLET, PONTIAC	1997-05	V8 5.7L (346ci, 350ci)
500LS2	CADILLAC, CHEVROLET, GMC, HUMMER	2005-09	V6 4.3L, V8 4.8L, 5.3L, 6.0L, 6.2L (376ci, 378ci), 7.0L
502115	HYUNDAI	1993-02	L4 1.5L
502119	HYUNDAI	1996-05	L4 1.5L, 1.6L
502123	HYUNDAI	1986-02	L4 1.5L, 2.4L
502127	HYUNDAI, KIA	1996-06	L4 1.5L, 1.6L
502131	HYUNDAI, KIA	2001-06	V6 3.0L, 3.5L
502135	HYUNDAI	1994-95	L4 2.0L
502139	HYUNDAI	1992-94	L4 1.6L, 1.8L, 2.0L
502143	HYUNDAI	1994-98	L4 2.0L
502147	HYUNDAI, KIA	2001-08	V6 2.7L
502151	HYUNDAI	2001-08	V6 2.7L
502155	KIA	2001-06	L4 2.4L
502159	HYUNDAI, KIA	2002-06	V6 3.5L
502163	HYUNDAI	2007-08	V6 2.7L
502167	KIA	2003-06	V6 3.5L
502171	KIA	2003-06	V6 3.5L
502175	HYUNDAI	1996-06	L4 1.8L, 2.0L
502179	HYUNDAI	1996-06	L4 1.8L, 2.0L
502183	KIA	1995-02	L4 2.0L
502187	KIA	2000-04	L4 1.8L
502191	KIA	1998-04	L4 1.8L
502195	KIA	2001-05	L4 1.5L, 1.6L

# Timing Cover Technical Summary

- Pioneer's plastic replacement Timing Covers (part's: 500262, 500262WO, 500350, & 500350WO) fits GM 4.3L, 5.0L & 5.7L applications from 1996-2000. GM stresses by stamping "REPLACE ASSEMBLY UPON REMOVAL CAV14JOH" on every OE Timing Cover that oil leaks will result if not replaced. Pioneer now carries these important Timing Covers with and without sensor hole provisions for your customers needs.
- Pioneer plastic Timing Covers are also shipped with the OE grade gasket sealant applied to the Cover along with the necessary replacement bolts, which are embedded in a rubber jacket for a positive seal against leakage and lastly a front seal that fully meets OE specifications.



- Pioneer now carries 18 Timing Cover part numbers of popular import and domestic, plastic and aluminum applications!

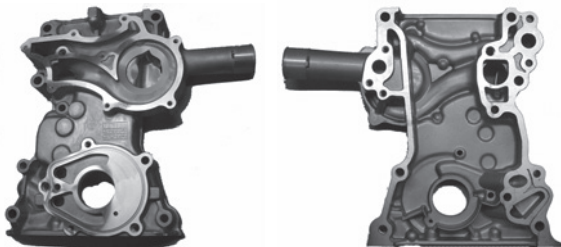


Part# 500302S Front

Part# 500302S Rear

**PIONEER Inc**  
Automotive Products

## Aluminum Timing Covers



Part# 500220 Front

Part# 500220 Rear

- Pioneer's aluminum Timing Covers are often replaced because of "weak" or low levels of aluminum safe antifreeze, worn timing chains, or failed tensioners. "Weak" or low antifreeze levels cannot prevent corrosion of dissimilar metals that leads to Timing Cover Failure. Failures include leaking from the inside coming out on Timing Covers that have water passages through them. Old and worn timing chains and tensioners allow slapping or rubbing of the chain that will result in holes or grooves in the aluminum Timing Cover and cause severe water or oil leaks.
- All Pioneer aluminum Timing Covers include the front seal and other hardware required to complete the installation of the Timing Cover.