

# Installation Instructions



## Trail Flares

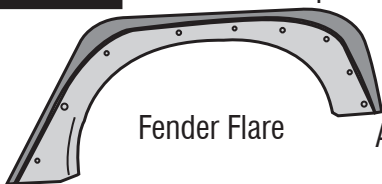
For proper installation and best possible fit, please read all instructions BEFORE you begin.

### Important Safety Information



- CAUTION - Before driving, ensure that the Fender Flares are properly anchored to vehicle.
- Check with local and state laws before installation of this accessory.
- For Off-Road use only
- Periodically check all components for tightness.

### Contents **NOTE:** Actual product may vary from illustration.



Fender Flare



Alcohol Pad x2



Washer X48



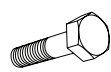
Riv Nut



Self Tapping Screw x20



Lock Washer



Bolt

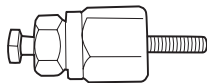


Seal



Nut

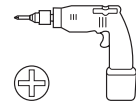
### Tools Required



Riv Nut Tool



Clean Towel



Appropriate hand tools

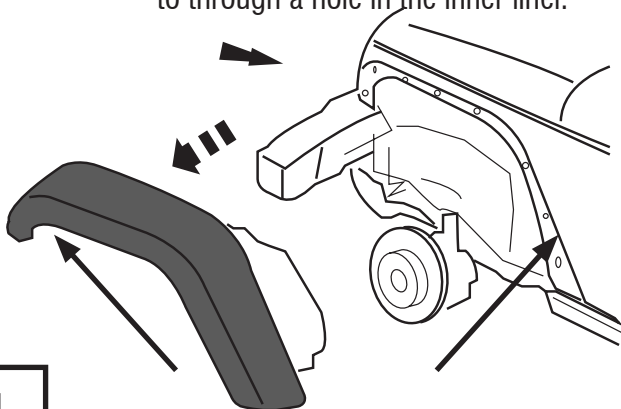
### Preparation Before Installation

- Remove original fender flares from your Jeep Wrangler
- A trial fit is recommended to ensure proper positioning and fit.
- Wash your vehicle to remove any debris and/or dirt.
- Dry the fenders with a clean towel.

### Installation Steps **NOTE:** Actual application may vary slightly from illustrations.



Remove the five 10mm bolts holding the inner liner on. Four are visible, one is located towards the back on top which you gain access to through a hole in the inner liner.



1

NOTE: FRONT FLARE INSTALLATION

Disconnect the front turn signal plugs.



2

## Installation Steps

**NOTE:** Actual application may vary slightly from drawings.

Starting at the front of the factory flare and working your way towards the rear pull firmly outward to disconnect the flare from the body of the vehicle.



3

**NOTE:** The clips will not be re-used. Be sure that all clips are removed from the hole.

Install rubber seal to each fender.



5

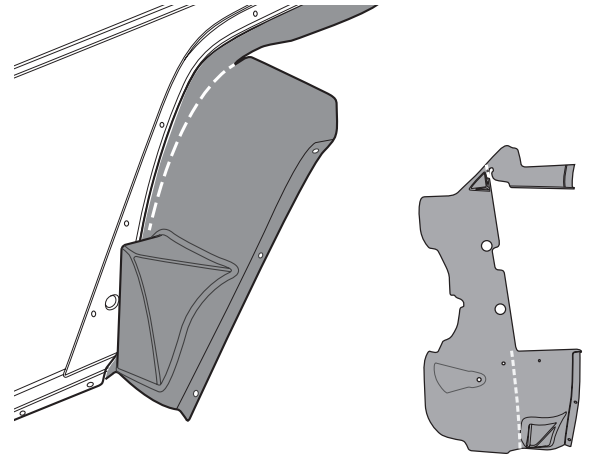


Once you have good alignment and fit tighten all the bolts in the flare.



7

Mark inner fender well liner against edge of the fender.  
Carefully cut along marked line.



4

Hold front flare up against body, lining up the holes in the flare with the holes in the body.  
Loosely attach using 8 of the included 8mm bolts, 16 flat washers, and 8 lock washers.



6

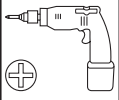
**NOTE:** Screw plastic wheel well inner liners to tabs as shown.



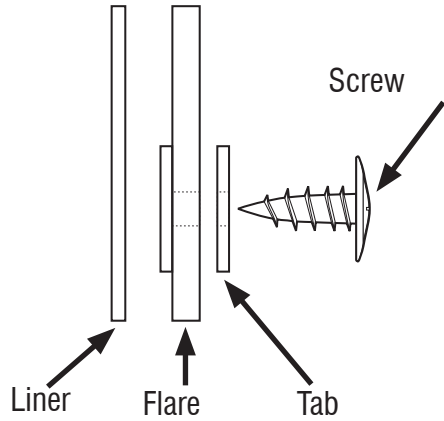
8

# Installation Steps

**NOTE:** Actual application may vary slightly from drawings.



**NOTE:** Install self-tapping screws, as shown below, into tabs on flare. Front fender flare installation is now complete



9

**Rear Flare -** Using a panel puller or flat head screwdriver remove the 5 black plastic plug fasteners from the wheel-well area which hold on the inner liner.



10

**NOTE:** REAR FLARE INSTALLATION

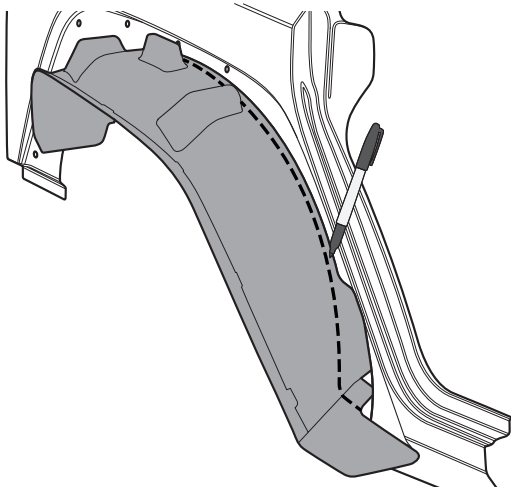
Starting at the rear of the factory flare and working your way towards the front pull firmly outward to disconnect the flare from the body of the vehicle.

**NOTE:** You will here cracking/popping noise this is from the clips snapping, which is normal. (They will not be re-used) After the flare and liner are removed make sure to remove any plastic clips that may remain in the holes on the vehicle. This can be done with a flat screwdriver or panel puller.



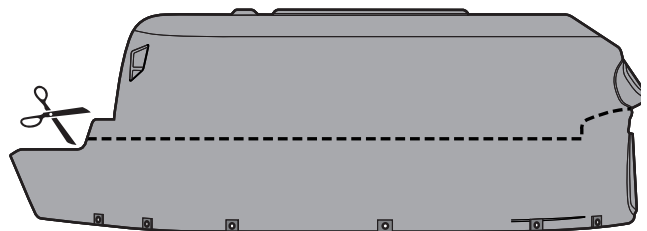
11

Hold wheel well liner in place and mark as shown.



12

Cut wheel well liner at mark as shown.

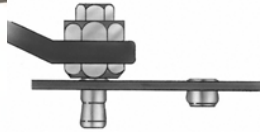


13

# Installation Steps

**NOTE:** Actual application may vary slightly from drawings.

Install riv nut using installation tool.



Side view of riv nut being installed

Install bolt, lock washer, and washer into riv nuts.



14

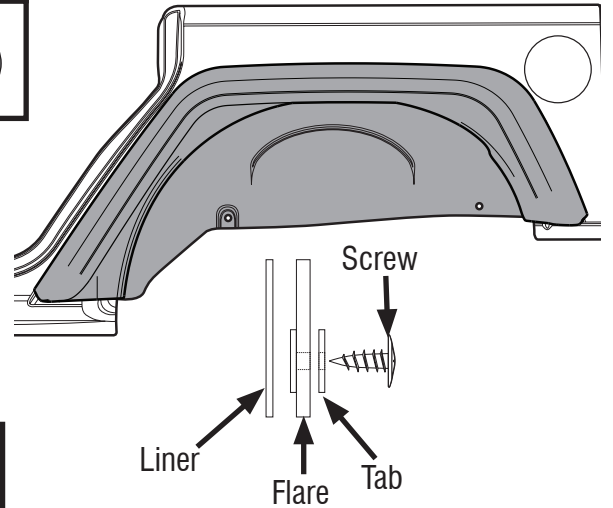
**NOTE:** Due to variation in hole sizes you may need to enlarge holes with a drill.

15

Once desired fit and alignment is achieved tighten bolts.  
**NOTE:** Be careful not to over-tighten.



Install self-tapping screws, as shown below, into tabs on flare. Rear fender flare installation is now complete.



16

17

