

SPEEDMASTER™
EST. 1979



Recovery & Acc Catalog 1.01

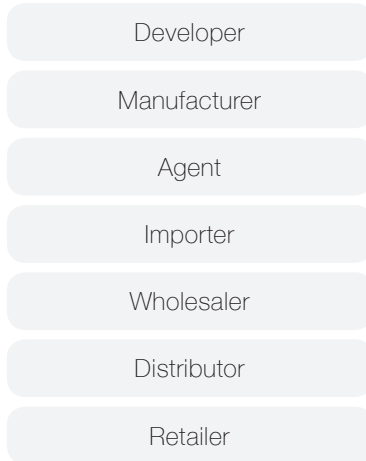
Adventure with us

Speedmaster™ **4wd Department** is a customer focused, **passion** driven department; With its sole aim being to solve all customers 4wd needs and wants. Our department utilizes both **technical & design** knowledge Which has been attained over 40 years **experience** In the automotive industry. The mission has been cemented from years of constant commitment to the research and **development**.

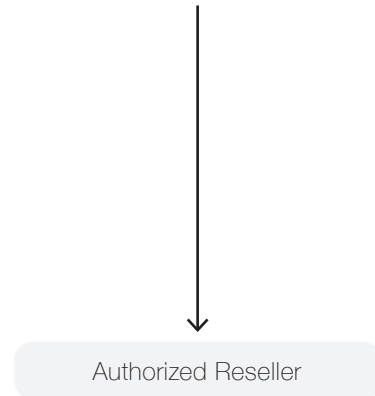
Prices you can afford

Speedmaster™ prides itself on offering the products you want, for the best prices. As a manufacturer and powerhouse we are able to bypass the agents, importers, wholesalers, distributors and retailers that are usually part of the retail process. By cutting out these expensive middlemen, we can pass the savings on to you, where they belong!

Traditional Process



Our Process

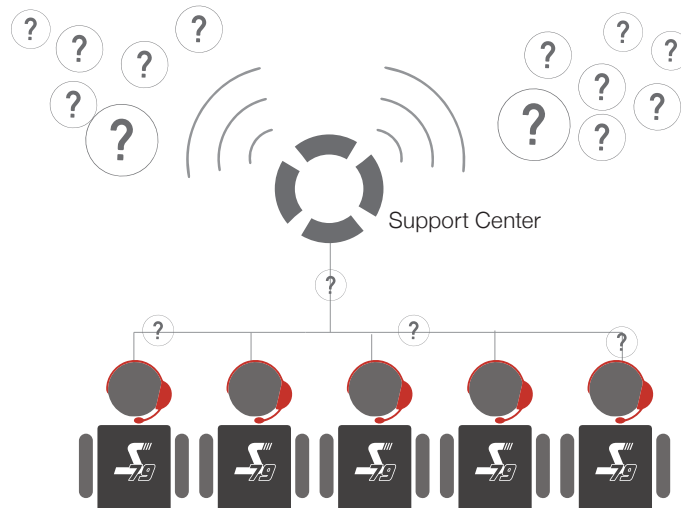


A Speedmaster™ Product is Sold Every **1** MINUTES



Great Customer Service

Need Help? The Speedmaster™ website boasts the new Support Centre. Knowledge sharing, FAQ's, Discussion boards, Q&A, New help ticket system, the ability to post a public question and if that isn't enough we also have live chat on our website. If a consumer is working on their car late and can't figure something out; do not worry, Speedmaster™ is online and ready to help.



At Your Fingertips



SPEEDMASTER Online Store

Visit our store for the latest products and exclusive offers.



SPEEDMASTER My Application

Can't find what you looking for? Just tell us more about your application and our system will find the parts for you!



SPEEDMASTER Support Center

Customer Service is our priority, visit our support center for further assistance. Here you are able to submit Help Tickets, post public questions, watch video tutorials or read our articles.



SPEEDMASTER Live Chat

Chat directly with a Speedmaster support specialist for immediate answers to your questions.



SPEEDMASTER Tools

Our handy tools and calculators will assist you during the engine building process.



SPEEDMASTER Blog

Visit our blog for the latest News.



SPEEDMASTER Media Room

Our Media Room keeps you updated to everything going on in the automotive industry



SPEEDMASTER Video Tutorials

Everything you need to know in simple instructional videos

Coverage



Speedmaster™
Worldwide

We offer international shipping to almost all parts of the world.



Speedmaster™
Fast & Free

Free USA & Australia local shipping excluding bulk orders over 100 pounds.

Company Overview



In 1979, the company was founded with Pete's Performance, which was a small speed workshop.

It began by building engines for customers as a hobby, and it has now grown to include selling, assembling, manufacturing and racing high performance engine parts.

Over the years, the company has grown into a worldwide high performance powerhouse. Growing from a one-man bricks-and-mortar business; to now a supply chain in which entails more than +500 people all across the world. Today, Pete's Performance has evolved into the internationally known Speedmaster™: which has two major distribution centres; which are Sydney Speed Supplies Pty Ltd. located in Australia, and Procomp Electronics Inc. which is located in the United States of America.



Shake on It

Speedmaster back up every sale with our Handshake Guarantee: If our customers are not satisfied with our products or our service, we will refund their money; no ifs, ands, or buts. Just return any new or unused part within the Speedmaster Limited warranty of the shipping date and we will refund the purchase price.

Kick Goals

Our Goals are. Become the most experience-based' company. Create an engaged and innovative workforce. Be agile and ahead of technological changes. Break as many records as possible; both on and off the track.

Supply & Demand

Speedmaster has two major distribution centres. One in California USA and one in Sydney AUS. In Rialto California, Procomp Electronics is the sole distributor for all Speedmaster products, boasting a 75,000sq feet facility. In Sydney Australia Speedmaster is distributed by Sydney Speed Supplies. With having two solid distribution centres located globally, delivering any package to any part of the world can be done easily and efficiently.

Size Does Matter

Over \$16 million in parts inventory, over 5,000 part numbers: and warehouse in California that allow us to ship to over 98% of the U.S. in two days or less.

At Speedmaster™ we take quality seriously, setting new industry standards for in-house quality control. Our Engineering and Quality Control staff are dedicated and educated in their craft to ensure that the products we offer are designed and manufactured to the highest specifications in the industry.



Awards Board & Partnerships

On The Track



John Zappia

Speedmaster and John Zappia have partnered in the pursuit of making Australian Top Doorslammer history. John Zappia joined the Speedmaster team in playing a key role both their racing program and product development; with 8 championships in a row, the partnership is growing from strength to strength.



Robert Campisi

Robert Campisi's 632 cubed Ford Mustang has become the fastest car with doors on the planet, pulling a staggering 260Mph quarter mile. Campisi said he "would like to thank Speedmaster for their support. Having provided me with the short engine needed in achieving the multiple national and world records set along the way in achieving my goals".



Mike Strasburg

Strasburg Racing operates in both a NHRA Top Fuel Dragster racing team and a high performance machine shop in Utah. Manager of Strasburg racing Lindsay Strasburg said "We really appreciate Speedmaster coming on board with our team, as our machine shop has been using their quality engine products for most of our high performance applications for the last seven years with great success. We're proud to team up with such a fantastic company."



Darren Morgan

Speedmaster™ plays a small role in supporting Darren Morgan Racing in the ANDRA Top Fuel Pro Series Championship. The team and Darren Morgan have won the 2012/2013 ANDRA Pro Series Top Fuel Champion; This is the third consecutive title for Darren Morgan Racing and Darren's personal fourth overall after winning the Top Fuel Championship back in 2004/2005.



Randy Walker

Randy Walker the driver of the Worlds Fastest El Camino. Best 1/4 ET 6.11 - 1/8 3.98 - Mph 228. 2009 PSCA Pro Street Champion, 2009 WCHRA Pro Street Champion - 2009 Sin City Shootout Champion and the 2009 Golden State Challenge Champion.



Sema Show

The Speedmaster development team have been pushing the boundaries for years; one of the many industry acknowledgements are the 6 in 6 years SEMA Show Global Media Awards for their research and development of their Pistons, Turnkey EFI system, Manifolds and Water Pumps.



Speedmaster Cares

Speedmaster Cares is our community outreach initiative that addresses important social issues such as education, sustainability and family development, general wellness of people and our future. The Speedmaster team support a range of programs, partners and initiatives that strive to positively impact people, either on a small or worldwide level.

We believe from all small things – big things grow! So the foundation to our support is built from supporting hard working charities which share our vision.



Recovery & Accessory Parts

ATV Winches.....	14
4wd Winches	16
Winch Accessories.....	22
Foldable Winch Cradle	22
Steel Rope Fairlead.....	22
Synthetic Rope Fairlead	23
Snatch Pulley Block	24
Bow Shackle.....	25
Recovery Hitch Point.....	25
Winch Recovery Straps	26
Winch Recovery Kits	28
Recovery Traction Mats.....	30
Shovels	32
Jacks	34
Farm Jacks	34
Exhaust Air Jacks	35
Auxiliary Lights	36
Light Bars	36
Work Lights.....	37
Air Compressors	38
Tire Accessories.....	39
Repair	39
Pressure Gauges	39
Accessories.....	40
Wheel Bags	40
Fuel Cans.....	41
Roof Racks.....	41

ATV Winches

Reliability / Heavy Duty

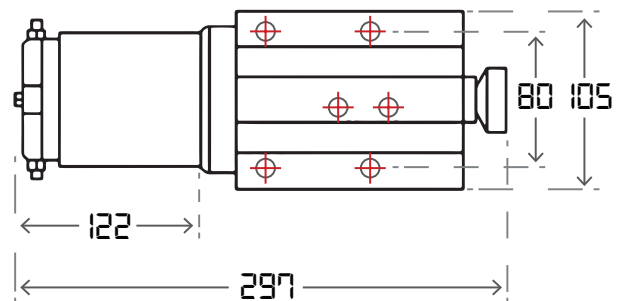
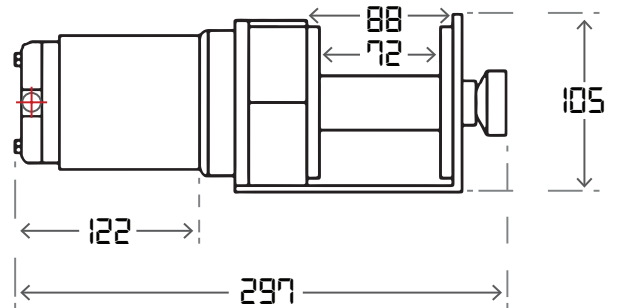
2500lbs



SKU	PCE553.1001
Rated line pull	1-1/4 Tons = 2500lbs (1130kg)
Motor	0.9kw,1.2HP 12V DC Permanent Magnet
Gearing	Differential Planetary
Gear ratio	153:1
Freespooling clutch	Pull and turn
Braking Action	Dynamic
Wire Rope	4.8mm*12.2m 3/16"X 40'
Dimensions	300mm(L) x 110mm(W) x 105mm(H)
Drum Diameter	1.25"(31.75)
Drum Length	2.9"(74mm)
Weight	13lbs (6kg)
Meas	35x 30 X 32cm (2PCS)

Layer	Rated Line Pull (lbs./kgs)	Total Rope On Drum (ft/m)
1	2500 (1134)	5.6 (1.7)
2	1985 (900)	12.4 (3.8)
3	1650 (748)	21.0 (6.4)
4	1410 (639)	31.0 (9.5)
5	1230 (558)	40.0 (12.2)

Line Pull (lbs./ kg)	Line Speed FPM(m/min)	Motor (Amps)
0	10.8ft (3.3m)	12
1,000 (454)	8.2ft (2.5m)	60
2,000 (907)	3.6ft (1.1m)	100
2,500 (1134)	2.6ft (0.8m)	120



Highest performance and reliability Speedmaster™ ATV winches make them a perfect match for the serious off-roader. All winches deliver superior duty cycle with improved motor life.

When you are in the middle of nowhere and stuck knee-deep in mud, you need a winch that you can rely on. The Speedmaster™ ATV winch provides unrivaled performance and reliable pulling power to get the job done with ease.



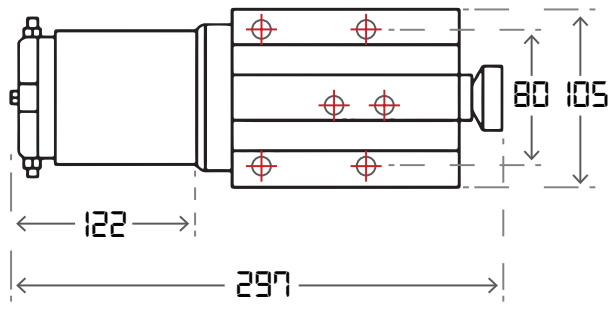
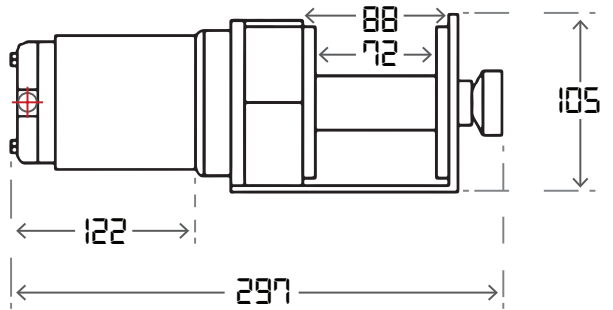
3000lbs



SKU	PCE563.1002
Rated line pull	1-1/5 Tons = 3000lbs (1360kg)
Motor	0.9kw,1.2HP,12V DC Permanent Magnet
Gearing	Differential Planetary
Gear ratio	153:1
Freespooling clutch	Pull and turn
Braking Action	Dynamic
Wire Rope	5.5mm*9.2m (7/32"X30')
Dimensions	300mm(L) x 110mm(W) x 105mm(H)
Drum Diameter	1.25"(31.75)
Drum Length	2.9"(74mm)
Weight	14lbs (6.5kg)
Meas	47x 33 X 33.5cm (4PCS)

Layer	Rated Line Pull (lbs./kgs)	Total Rope On Drum (ft/m)
1	3000 (1361)	4.9 (1.5)
2	2320 (1052)	11.5 (3.5)
3	1890 (858)	19.3 (5.9)
4	1590 (720)	28.5 (8.7)
5	1380 (620)	30.0 (9.2)

Line Pull (lbs./ kg)	Line Speed FPM(m/min)	Motor (Amps)
0	10.8ft (3.3m)	12
1,000 (454)	8.2ft (2.5m)	60
2,000 (907)	3.6ft (1.1m)	100
3000 (1361)	2.6ft (0.8m)	130



4wd Winches

Pure Muscle

The Speedmaster™ 4wd winches encompass all the best features you could want in a winch. Ranging from 9500lb - 13000lb, they can handle any situation you could get into. Every winch is finished with a black powder coat with stainless steel hardware and aluminum cross bars to provide great looking and long lifetime. They include a wired remote switch and a wireless remote control, waterproof box with the versatility to be mounted over the winch motor or winch cable, a four way roller fairlead and forged hook. Speedmaster™ winches are the complete recovery system with the muscle and reliability to bail you out of any situation.

Included Accessories



4 Way Roller Fairlead



Forged Hook



Heavy Duty Remote Switch



Wireless Remote Control



3-Stage Planetary Gear



Waterproof Control Box



Powerful Motor 5.5HP to 6.0 HP



Forged Winch Hook



4-Way Roller Fairlead



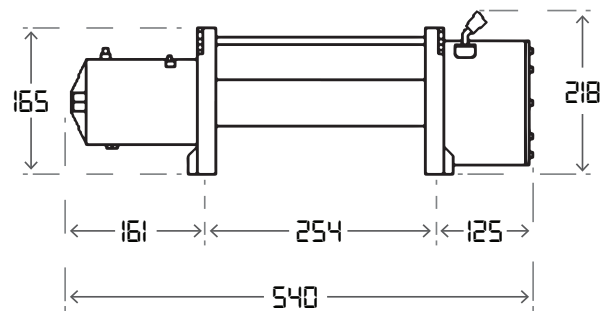
T304 Stainless Steel Hardware



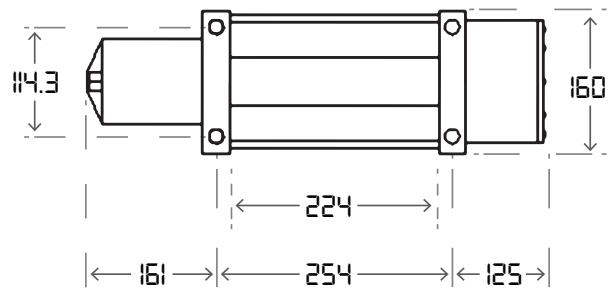
9500lbs



SKU	PCE553.1003
Single line rated pull	4-3/4 Tons = 9500lbs (4310kg)
Motor	5.5hp/4.1kw, Series Wound
Control	Remote switch, 12ft (3.7m) lead + Wireless
Gear train	3 Stage Planetary
Gear reduction ratio	265.2:1
Clutch	Sliding Ring Gear
Braking Action	Automatic In-The-Drum
Drum size	Diameter 2.5"(63.5mm) Length 8.8"(224mm)
Cable	94ft of 21/64" diameter (28m of 8.3mm diameter)
Fairlead	4-Way Roller Fairlead
Battery Leads	2 gauge, 72"(1.83m)
Weight	84lbs (38kg)
Overall dimensions	(LxWxH) 21.3"x6.3"x8.6" (562x160x218mm)
Mounting Bolt Pattern	10.00±0.015"x4.50±0.010" (254x114.3mm)



Layer	Rated Line Pull(lbs/kgs)	Total Rope On Drum(ft/m)
1	9500 (4300)	16.2 (5.0)
2	7700 (3400)	39.0 (12.0)
3	6500 (2940)	68.0 (21.0)
4	5700 (2580)	92.0 (28.0)



Line Pull(lbs/kg)	Line Speed FPM(m/min)	Motor(Amps)
0	24.6ft (7.8m)	80
2000 (907)	14.4ft (4.4m)	180
4000 (1814)	10.6ft (3.25m)	240
6000 (2722)	8.5ft (2.6m)	280
8000 (3629)	7.0ft (2.15m)	330
9500 (4310)	6.4ft (1.95m)	380

4wd Winches

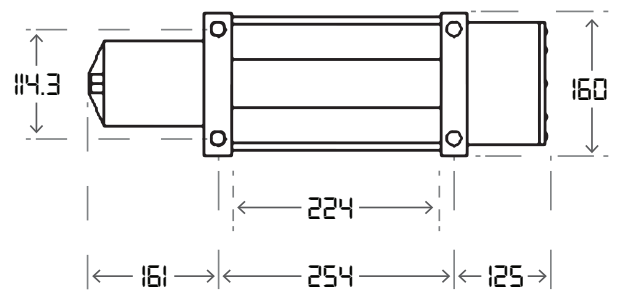
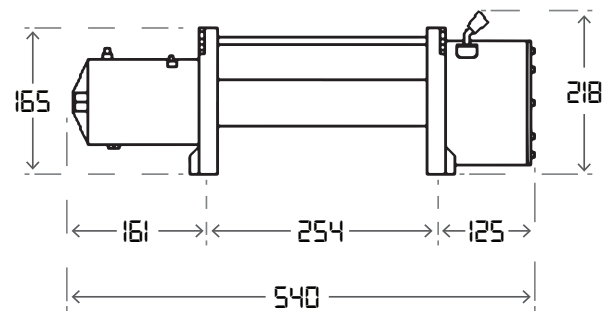
12000lbs



SKU	PCE553.1004
Single line rated pull	6 Tons = 12000lbs (5443kg)
Motor	6.0hp/4.5kw, Series Wound
Control	Remote switch, 12ft (3.7m) lead + Wireless
Gear train	3 Stage Planetary
Gear reduction ratio	265.2:1
Clutch	Sliding Ring Gear
Braking Action	Automatic In-The-Drum
Drum size	Diameter 2.5"(63.5mm) Length 8.8"(224mm)
Cable	85ft of 3/8"± diameter (26m of 9.5mm diameter)
Fairlead	4-Way Roller Fairlead
Battery Leads	2 gauge, 72"(1.83m)
Weight	86lbs (39kg)
Overall dimensions	(LxWxH) 21.3"x6.3"x8.6"(562x160x218mm)
Mounting Bolt Pattern	10.00±0.015"± x4.50±0.010"±(254x114.3mm)

Layer	Rated Line Pull (lbs./kgs)	Total Rope On Drum (ft/m)
1	12000 (5440)	17.6 (5.4)
2	9530 (4322)	37.0 (11.4)
3	7920 (3590)	63.0 (19.4)
4	6770 (3075)	88.0 (26.8)

Line Pull (lbs./ kg)	Line Speed FPM(m/min)	Motor (Amps)
0	22.0ft (6.8m)	80
4000 (1814)	11.5ft (3.5m)	170
6000 (2722)	9.8ft (3.0m)	210
8000 (3629)	8.2ft (2.5m)	250
10000 (4536)	6.8ft (2.1m)	300
12000 (5443)	5.6ft (1.7m)	360



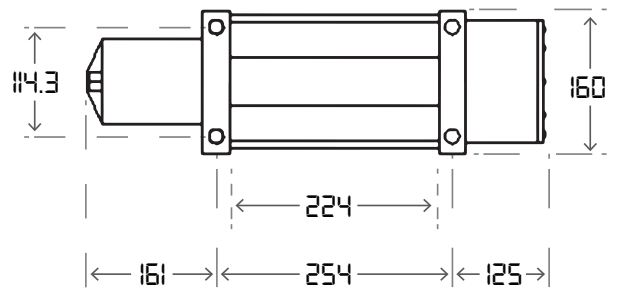
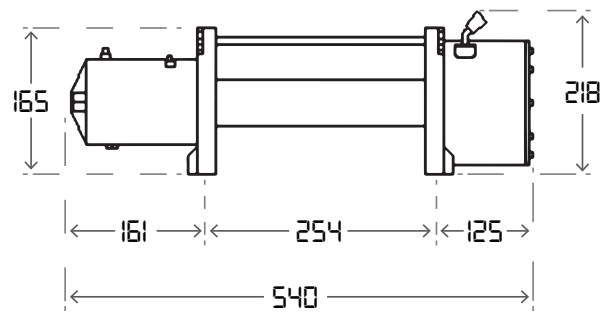
13000lbs



SKU	PCE553.1004
Single line rated pull	6.5 Tons = 13000lbs (5909kg)
Motor	6.0hp/4.5kw, Series Wound
Control	Remote switch, 12ft (3.7m) lead + Wireless
Gear train	3 Stage Planetary
Gear reduction ratio	265.2:1
Clutch	Sliding Ring Gear
Braking Action	Automatic In-The-Drum
Drum size	Diameter 2.5"(63.5mm) Length 8.8"(224mm)
Cable	85ft of 3/8" diameter (26m of 9.5mm diameter)
Fairlead	4-Way Roller Fairlead
Battery Leads	2 gauge, 72"(1.83m)
Weight	86lbs (39kg)
Overall dimensions	(LxWxH) 21.3"x6.3"x8.6" (562x160x218mm)
Mounting Bolt Pattern	10.00±0.015"x4.50±0.010" (254x114.3mm)

Layer	Rated Line Pull(lbs/kgs)	Total Rope On Drum(ft/m)
1	13000 (5909)	17.6 (5.4)
2	10320 (4690)	37.0 (11.4)
3	8580 (3900)	63.0 (19.4)
4	7330 (3330)	85.3 (26.0)

Line Pull(lbs/kg)	Line Speed FPM(m/min)	Motor(Amps)
0	22.0ft (6.8m)	80
4000 (1814)	11.5ft (3.5m)	170
6000 (2722)	9.8ft (3.0m)	210
8000 (3629)	8.2ft (2.5m)	250
10000 (4536)	6.8ft (2.1m)	300
13000 (5909)	5.6ft (1.7m)	360



Winching Safety

Before you begin winching

- Study the winch owners manual to familiarise yourself with its features and operating procedures
- Do not use winches as hoists or to transport people, unless endorsed by the manufacturer and approved by government legislation
- Inspect wire ropes and equipment regularly and replace at the first sign of deterioration
- All winch rated capacities are based on one layer of rope on the drum. With a full drum of rope the capacity will decrease by up to 35%
- Always use protective gloves when handling wire ropes
- Always use a tree trunk protector when anchoring to a tree
- Use "rated" bow shackles or "D" shackles for all rope and strap connections
- Leave shackle pins half a turn loose, this will prevent over tightening under load
- Set up shackles with the body on the anchor side
- Never hook the winch rope back on itself. This will cause distortion of the rope leading to possible rope failure
- Ensure appropriate winching/recovery points are used
- Ensure a straight line pull is maintained. Use of a snatch block for redirection will enable this to be achieved and maintained
- Use a snatch block for all heavy recovery situations. This doubles the winch capacity but halves the winching speed
- Ensure there are at least 5 coils of rope on the winch drum before any winching operation is attempted. The rope fastener to the drum is not designed to hold the vehicle load

Now that you're winching

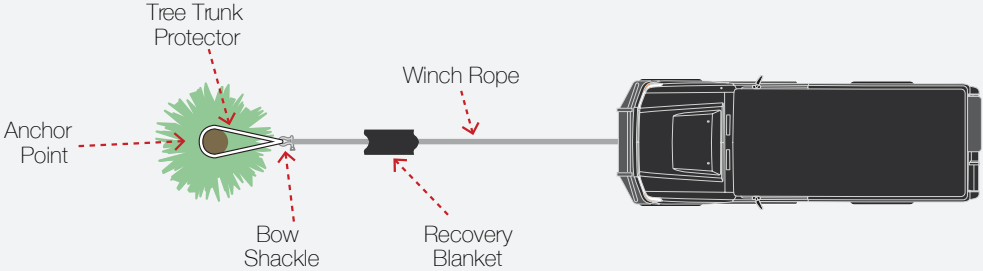
- One person should be responsible for winch control and protection
- Keep winching area clear of observers (1.5 times the length of the deployed cable is the recommended clear distance)
- Keep hands clear of the wire ropes and fairlead during any spooling operation
- Do not step over taught winch ropes
- Maintain constant loads on the winch rope during vehicle recovery
- Assisting the winch by driving the vehicle can cause "Shock loads" which can overload the rope and winch, leading to failures
- Ensure rope is evenly spooled onto winch drum
- Electric winches must be used intermittently when the going gets tough. This is to allow for winch motor cooling and vehicle battery recovery
- When winching with electric winches, it is recommended that the engine is run at 2000rpm
- Do not maintain power to the winch if the winch is stalled

After a successful recovery

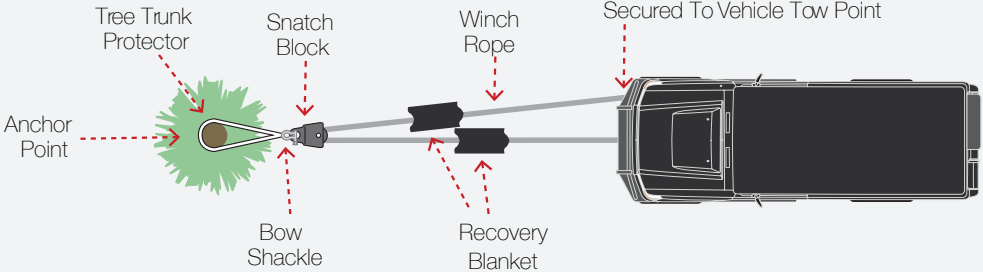
- Ensure vehicle is in a safe and secure position
- Inspect equipment for any signs of wear or damage
- Neatly re-pack all winch and recovery equipment used
- Store your recovery equipment in a recovery bag
- Never store straps wet or damp, be sure straps are thoroughly dry before storing



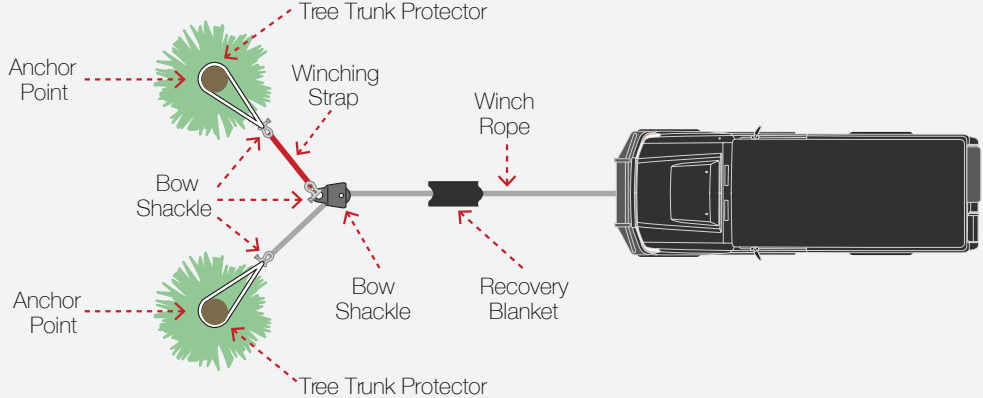
Direct line recovery



Double line recovery



Indirect line recovery



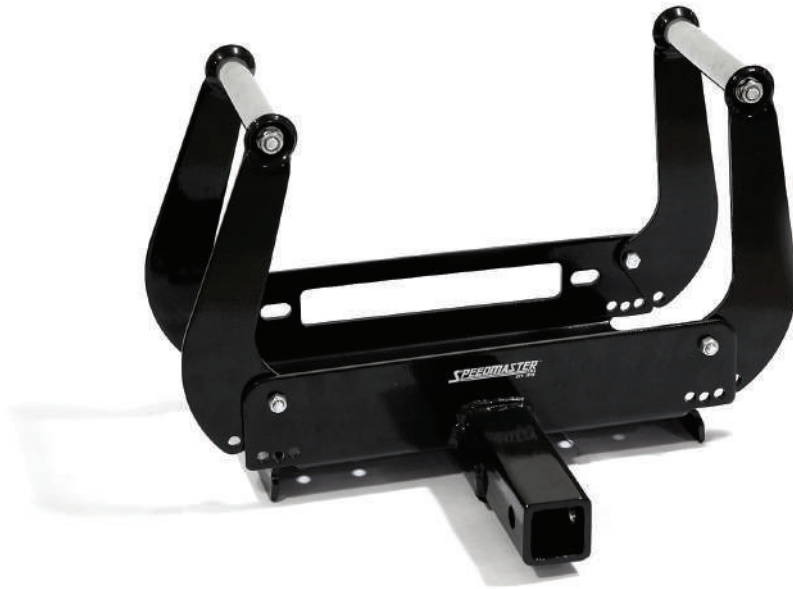
Winch Accessories

Foldable Winch Cradle

Attaching a winch to your vehicle just got easier with Speedmaster's winch cradle. This heavy duty unit gives you a variety of mounting options for front or rear installation because it works with any 2" receiver hitch. Its designed to accommodate most winches and includes a mounting plate for your roller fairlead. The Speedmaster™ winch cradle is constructed from thick and cold rolled steel and is finished in a durable powder coated black finish for maximum durability.

Features:

- 10" x 4 1/2" Standard Winch Mount Pattern
- 10" On Center Fairlead Bolt Pattern Made of 1/5" Steel
- Anti-Rust Black Powder Coat Finish
- Perfect For 8000 lb to 13000 lb Winches
- Hitch Pin and Clip Included



Steel Rope Fairlead

Heavy Duty Winch 4-Way Roller Fairlead; standard size designed specifically for any Speedmaster, Warn, TJM, Ironman, ARB or Tigerz winches using steel winch cable, these fairleads are machined from stainless steel. The roller fairlead is made to protect the winch cable or wire rope from excessive wear and tear, eliminates the common problem of winch cable build up on one side of the drum and also reduces binding and friction caused by angled pulls.

Dress up your bullbar with this stylish centre mount 4-Way roller fairlead manufactured from heavy duty, stainless steel which is machined for a perfectly smooth friction surface.

Mounting bolt pattern is standard 10". Suitable for most Bull bars and winches supplied around the world.



Synthetic Rope Fairlead

Making your winch works properly should be priority. Speedmaster™ Fairleads are to work with the most popular bolt patterns self-recovery winches. It's specially designed for use with synthetic winch rope. It can keep your winch rope in line and gives a proper way to manage the rope. Besides, it reduces rope wear, especially when pulling at severe angles.

Features:

Machined from solid billet aluminium - Prevent Transferring Heat to Winch Rope
Compatible with Winches of Most Brands



Ref.	Bolt pattern	Fit Cable up to	Overall Dimensions	Load Capacities	SKU
a.	4 7/8 in.	1/2 in. D	6" (L) - 1 3/4" (H) - 1/2" (W)	2000lbs - 4000lbs	PCE562.1005
b.	8 1/2 in.	7/8 in. D	9 1/2" (L) - 2 3/8" (H) - 3/4" (W)	4000lbs - 13000lbs	PCE562.1004
c.	10 in.	7/8 in. D	11 3/4" (L) - 2 3/4" (H) - 3/4" (W)	8000lbs - 17000lbs	PCE562.1003

Be always prepared with

SPEEDMASTER™
EST. 1979



Winch Accessories

Snatch Pulley Block

Speedmaster™ snatch blocks make winching easier. They allow you to winch on different angles when straight line pulls are not possible, and increase your winch's pulling capacity. These snatch blocks reduce heat buildup, and enable you to safely hoist at unusual angles--from around a tree or over an embankment, for instance. Depending on the model you select, the heavy-duty pulleys can handle tons of weight to help "snatch" you out of a jam. Getting caught out on the trails without the right gear could mean a long day--and night--if you're not prepared. Always carry a Speedmaster™ snatch block pulley in your trail gear.

Features:

Versatile - Snatch block used to increase winch pulling power (using a double-line pull technique) or for indirect pulls using the block as an anchor point
Constructed from 1/4" thick, ultra-high tensile strength steel



Fit Line up to	Overall Dimensions	Load Capacities	SKU
1/2 in. D	9-1/4 in. x 5 in.	8-3/4 Tons = 17500lbs (8000kg)	PCE563.1001
1/2 in. D	9-3/4 in. x 4-5/8 in.	11 Tons = 22000lbs (10000kg)	PCE563.1002



Bow Shackle

Speedmaster™ heavy-duty Bow shackles are constructed from heavy-duty steel. Bow shackles are important links to recovery. Join your equipment for recovery situations with Speedmaster™ Off-Road bow shackles.

Features:

- Crafted from thick, ultra-high tensile strength steel
- Long-lasting - Electro-galvanized hooks resist damage even in the toughest elements
- Swift fastening and removal - Threaded screw pin for ease of use
- Safe - Designed to take loads from multiple directions - unlike narrower D shackles, larger O loops don't develop unsafe side loading



Ref.	Thickness	Pin Diameter (in)	Load Rating	SKU
a.	5/8 in. D	0.625 in.	3-1/2 Tons = 7000lbs (3175kg)	PCE564.1001
b.	3/4 in. D	0.875 in.	5-1/4 Tons = 10500lbs (4750kg)	PCE564.1002

Recovery Hitch Point

Speedmaster™ recovery hitch point is fitted with a 4.75 tonne quality bow shackle. Perfect for those vehicles who have trouble mounting rear recovery points, it's specifically designed to fit into leading manufacturer tow hitches and rear bars. The hitch itself is manufactured from high strength mild steel.

The hitch can be turned both directions with the shackle hole horizontal or vertical to avoid shackle binding. Appropriate recovery points are essential to conduct the safe recovery of vehicles. It is recommended that all vehicles planning to go off road should have at least one recovery point at the rear. You should never ever use a tow ball for recovery purposes, they are not rated for the loads applied when performing vehicle recovery.



Working Load Limit	Shackle Load Rating	SKU
5-1/2 Tons - 11000lbs (5000kg)	5-1/4 Tons = 10500lbs (4750kg)	PCE567.1001

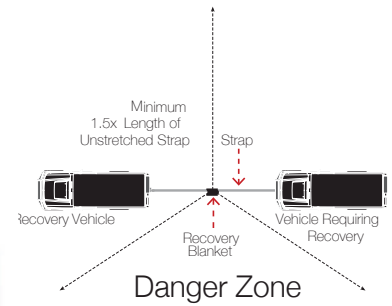


Winch Recovery Straps

More Pulling

Snatch Straps

The Speedmaster™ snatch strap is a vital part of any 4WD recovery kit. The combination of vehicle pull and the tension in the strap creates a 'snatching' effect that can pull a stranded vehicle free from being bogged or unable to move under its own power. During a snatch strap recovery, extreme kinetic energy is generated. To ensure the highest level of personal safety, Speedmaster™ snatch straps are designed to break before reaching excessive and dangerous loads above and beyond the strap rating. Many straps in the industry do not break under extreme force, resulting in significant chassis damage or the potential for bow shackles to shoot off as deadly projectiles.



Tow Strap Material	Length	Width	Rating	SKU
Nylon	30ft (9m)	3 in. (75mm)	12 Tons = 24000lbs (11000kgs)	PCE554.1001
Nylon	30ft (9m)	4 in. (100mm)	13-1/4 Tons = 26500lbs (12000kgs)	PCE554.1002



Speedmaster™ recovery straps are must-haves for any off-road enthusiast! These heavy-duty Speedmaster™ recovery straps are constructed with durable mildew-proof and abrasion-resistant reinforced eyes. They absorb the shock of heavy pulls much better than others and help aid in a quick recovery to get you out of a tough situation.



Winch Extension Strap

The Speedmaster™ Winch Extension Strap is designed to be used when extra length is required for winching or suitable anchor point is out of reach. The Speedmaster™ Winch Extension Strap is more convenient to store than extra lengths of winch cable.



Tow Strap Material	Length	Width	Rating	SKU
Polyester	65ft (20m)	2 in. (50mm)	5 Tons = 10000lbs (4500kgs)	PCE554.1003
Polyester	65ft (20m)	3 in. (80mm)	8-3/4 Tons = 17500lbs (8000kgs)	PCE554.1004

Tree Trunk Protectors

Winching or anchoring to a tree, a Speedmaster™ Tree Trunk Protector is vital in protecting the tree from ring barking and protecting your winch cable from unnecessary wear.



Tow Strap Material	Length	Width	Rating	SKU
Polyester	10ft (3m)	3 in. (75mm)	13-1/4 Tons = 26500lbs (12000kgs)	PCE554.1005
Polyester	16ft (5m)	3 in. (75mm)	13-1/4 Tons = 26500lbs (12000kgs)	PCE554.1006

Winch Recovery Kits

The Backup Plan

Speedmaster™ Off-Road heavy-duty recovery kits are dependable backup plans to make it back home. You need the right equipment, and a well thought-out plan for a successful recovery. Speedmaster™ 4wd Off-Road heavy-duty recovery kits will withstand harsh conditions to tackle your situation so that your journey can continue.

Large Recovery Kit - 10pc

PCE565.1001



Includes:

- a. 5 Tons = 10000lbs (4500kgs) Winch Extension Strap 65ft x 2 in.
- b. 8-3/4 Tons = 17500lbs (8000kgs) Snatch Strap 30ft x 2.5 in.
- c. 13-1/4 Tons = 26500lbs (12000kgs) Tree Trunk Protector 10ft x 3 in.
- d. 8-3/4 Tons = 17500lbs (8000kg) Snatch/Pulley Block
- e. Two 5-1/4 Tons = 10500lbs (4750kg) Bow Shackles
- f. Pair of Heavy Duty Leather Gloves
- g. Winch Cable Dampener
- h. Foldable Shovel
- i. Re-enforced Recovery Bag



Snatch Strap Kit - 5pc

PCE565.1002



Includes:

- a. 12 Tons = 24000lbs (11000kgs) Snatch Strap 30ft x 3 in.
- b. Two 5-1/4 Tons = 10500lbs (4750kg) Bow Shackles
- c. Pair of Heavy Duty Leather Gloves
- d.. Re-enforced Recovery Bag

Recovery Traction Mats

Get Traction

Speedmaster™ Off-Road heavy-duty recovery kits are dependable backup plans to make it back home. You need the right equipment, and a well thought-out plan for a successful recovery. Speedmaster™ 4wd Off-Road heavy-duty recovery kits will withstand harsh conditions to tackle your situation so that your journey can continue.

Roll Up Rubber Track

Speedmaster™ Roll Up Rubber tracks are the perfect traction aid for your ride when you run into inclement weather conditions and loose terrain. Made of environmentally engineered rubber with galvanized steel core cable links and high-traction surfaces to get you out of the mud, snow, or sand with ease and can handle up to a maximum pressure load of 10,000 lbs.

Light, easy to carry, and definitely easy cleaning, withstands high temperature of 100 Celcius and low temperature up to -50 Celcius. If you're on a cross-country activity, this is truly a-must-have rescue equipment!. It comes with a roll strap bag that lets you fold and carry easily, incorporating small occupied space and convenient carrying. Keep a Speedmaster™ Roll Up Rubber track with you at all times to be prepared for anything you encounter.



SKU	PCE561.1001
Length	60.000 in. (150cm)
Width	13.000 in. (32cm)
Traction Mat Material	Rubber
Traction Mat Finish	Black
Storage Bag Included	Yes
Quantity	Sold individually



Plastic Traction Tracks

Speedmaster™ traction tracks are the perfect traction aid for your ride when you run into inclement weather conditions and loose terrain. They feature heavy-duty, nylon-reinforced plastic construction and high-traction surfaces to get you out of the mud, snow, or sand with ease and can handle up to 20,000 lbs. Keep a set of these Speedmaster™ traction tracks with you at all times to be prepared for anything you encounter.



SKU	PCE561.1002
Length	47.000 in. (120cm)
Width	13.000 in. (32cm)
Traction Mat Material	Plastic
Traction Mat Finish	Black
Storage Bag Included	No
Quantity	Sold as a pair
Weight	16-1/2 lbs (7.5kg) / Pair

Shovels

Don't be stuck

Military Carbon Steel

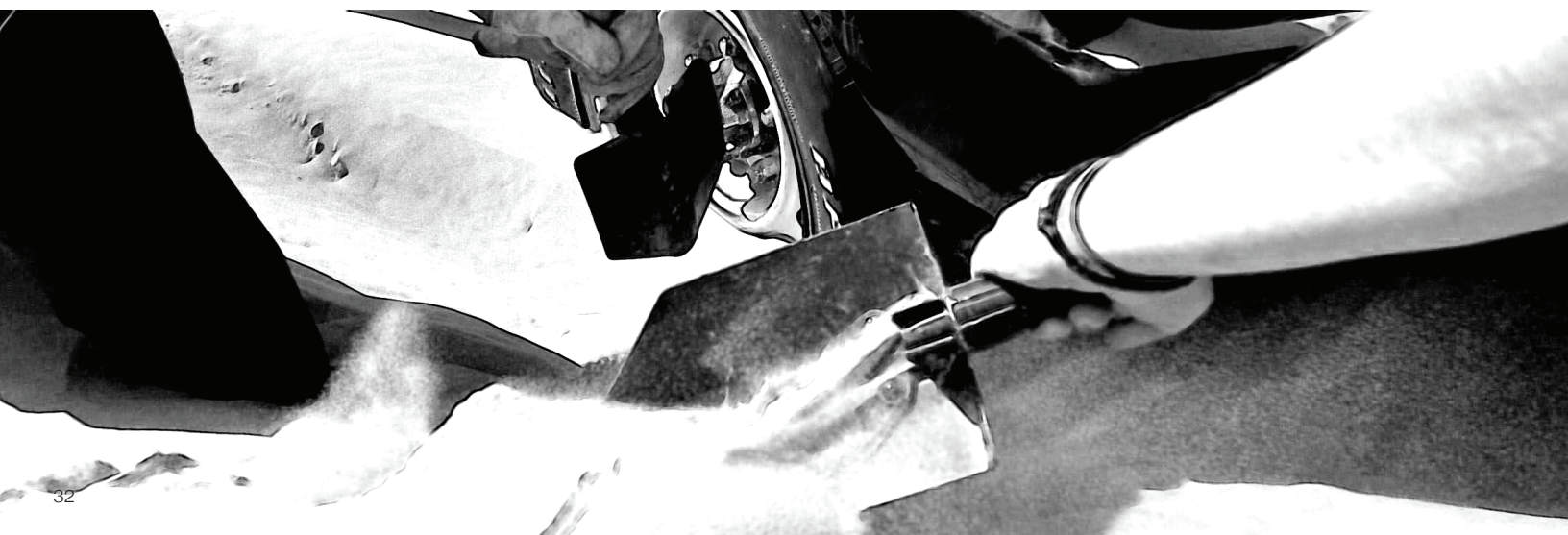
Don't be stuck in the snow or bogged down on the trail again. With these Speedmaster™ tri-fold shovels in your trunk or kit, you will be good to go in much less time. These are carbon steel military/camping style tri-fold shovels that can also be folded into a simple hoe or pick. They are small and compact and come with a carrying case for clean, easy storage.



Carrying case included



Ref.	Shovel Material	Shovel Face Size	Folded Length	Extended Length	SKU
a.	Carbon steel	5 in. x 3-3/4 in. (12.5cm x 9.5cm)	6-1/8 in. (15.5cm)	16-1/8 in. (41cm)	PCE566.1001
b.	Carbon steel	6-1/8 in. x 4-1/2 in. (15.5cm x 11.5cm)	7-1/2 in. (19cm)	18-1/4 in. (46.5cm)	PCE566.1002
c.	Carbon steel	8-1/4 in. x 6 in. (21cm x 15cm)	9-1/2 in. (24cm)	22-1/2 in. (57cm)	PCE566.1003
d.	Carbon steel	10-5/8 in. x 7-3/4 in. (27cm x 19.5cm)	12 in. (30.5cm)	25-3/4 in. (65.5cm)	PCE566.1004



Stainless Steel

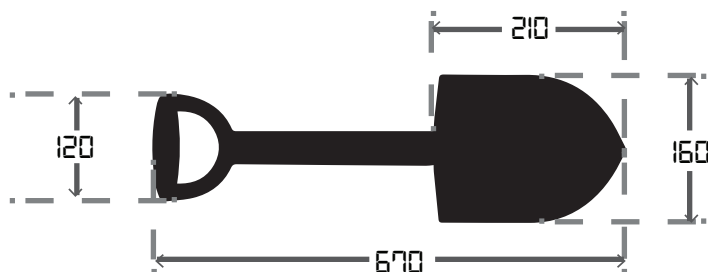
PCE566.1005

Speedmaster™ stainless steel shovel always accessible with the spare tyre shovel holder, fully lockable. it's not only very useful when you go 4WD or camping, but also, it's high polished stainless steel finish will make your car looks so much special . This shovel can be mounted to any 4wd or trailer with spare tyre, and one day you will find it's so luck to have it with you. Don't be stuck in the snow or bogged down on the trail again.



Features

- A stainless steel shovel with spare tyre shovel holder, fully lockable
- Premium 304B/2.5mm stainless steel cold stamping technology, super firm and stable
- Special arc welding connecting shovel parts
- More convenient access with upgraded locking system, better safety than ever
- Not only very useful when you go 4WD or camping, but also, it's high polished stainless steel finish will make your car looks so much special
- This shovel can be mounted to any 4wd or trailer with spare tyre

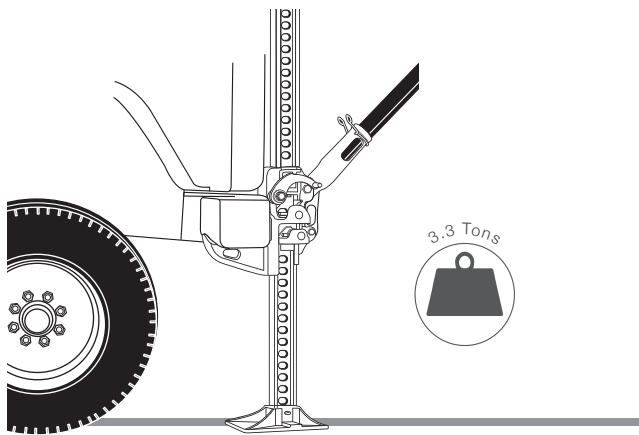


Jacks

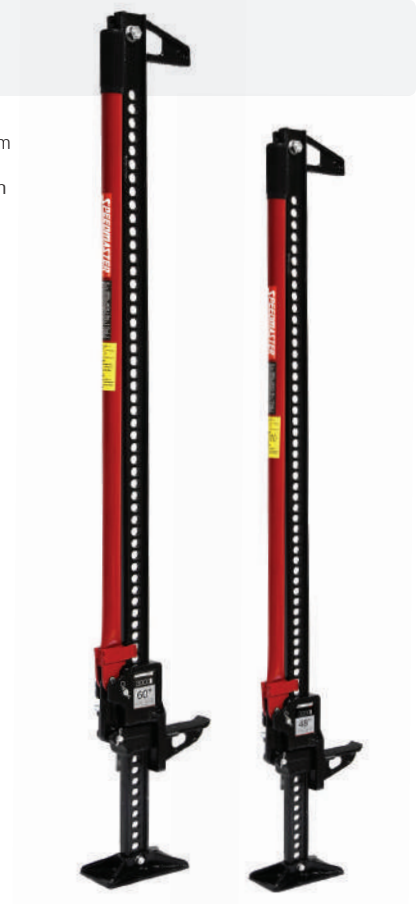
Lift It

Farm Jacks

If you're a person who likes to go off-roading, then you'll probably want one of these Speedmaster™ Lifter recovery Farm jacks. They have an adjustable top clamp clevis that allows them to be used for clamping, lifting, winching, or hoisting. With a super-strong upright cast steel bar, the jacks are tough enough to handle any situation. The Speedmaster™ Farm jacks feature easy, automatic operation for raising and lowering loads and a speedy disengagement system that lets the lifting unit drop away when pressure is removed. The jacks use horizontal operating climbing pins for safe, positive contact.



Jack Height	Lift Height	Jack Capacity	SKU
48.000 in.	5-1/4 in. - 42-1/8 in. (13cm - 107cm)	3.3 Tons = 6600lbs (3000kgs)	PCE555.1001
60.000 in.	6-1/8 in. - 53-1/8 in. (15.5cm - 135cm)	3.3 Tons = 6600lbs (3000kgs)	PCE555.1002



Jack Accessories



Ref.	Accessory Type	Material	Finish	SKU
a.	Jack lift mate	Steel / Nylon	Black / Red	PCE557.1001
b.	Jack lift mate	Steel / Nylon	Black / Red	PCE557.1002
c.	Off-road base	Plastic	Black	PCE557.1003
d.	Jack handle isolators	Polyurethane	Black	PCE557.1004
e.	Jack & Shovel Holder Bracket	Steel	Black	PCE557.1005

Exhaust Air Jacks

Getting a flat tyre or becoming stuck in the ground while you're driving isn't ideal. Poor weather conditions can make this frustrating event even more miserable. Equip yourself with the tools to quickly get yourself back on the road with this Speedmaster™ Air Jack.

Speedmaster™ air jack is perfect for getting your car back on the road when you're stuck in the middle of nowhere. It easily inflates by connecting to your vehicle's exhaust. You'll quickly and reliably raise your vehicle out of any sticky situation; snow, mud, sand, soft ground, and sloping ground will be no problem for your car. Plus, changing the spare tyre in is a breeze with this easy to operate unit.

Never risk the enjoyment of your next trip by getting stuck for hours on the side of the road, get a Speedmaster™ air jack and you'll always be equipped to deal with any roadside problems.

Features:

- A car essential for all trips
- Inflation possible through exhaust
- Safely lift your vehicle up out of a rut or bog
- Perfect in sand, mud, soft ground, or snow
- Perfect for easily replacing a tyre
- Anti-slip ground spikes
- 6m exhaust hose
- Durable carry and accessory bag included



Jack Material	Jack Size (D x H)	Jack Capacity	SKU
1000D Denier 1.0mm PVC	25-5/8 in. x 2-3/4 in. (65cm x 75cm)	4.4 Tons = 8800lbs (4000kgs)	PCE555.1003



Auxiliary Lights

Illuminate Your Way

Light Bars

Speedmaster™ LED light bars reach further to help you illuminate your way! Compact body but big on brilliance. They utilize thermally managed 3w technology to offer you the brightest. Speedmaster™ lights draw fewer watts, produce more lumens, and boast hours of life! Their aluminum waterproof housing is anodized and fitted with unbreakable polycarbonate lenses. Reach into the distance with the efficient, superior lighting of Speedmaster™ LED light bars.



Ref.	Watts	Length	Height	Depth	Number of LEDs	SKU
a.	36.0 watts	7.000 in.	3.000 in.	3.500 in.	12	PCE556.1001
b.	72.0 watts	12.000 in.	3.000 in.	3.500 in.	24	PCE556.1002
c.	120.0 watts	22.000 in.	3.000 in.	3.500 in.	40	PCE556.1003
d.	180.0 watts	32.000 in.	3.000 in.	3.500 in.	60	PCE556.1004
e.	240.0 watts	42.000 in.	3.000 in.	3.500 in.	80	PCE556.1005
f.	300.0 watts	52.000 in.	3.000 in.	3.500 in.	100	PCE556.1006



Work Lights

Have you ever tried to get work done while holding a flashlight in one hand? Unless it's something small you're going to need a lot more light and both hands. Speedmaster™ LED Work Lights provide the illumination needed to get the job done without heavy drainage to your vehicles electrical system. The work lights produce excellent light volume while consuming low watts allowing them to work optimally with 9-36 V DC systems. They feature heavy-duty polycarbonate lenses, aluminum housings, and adjustable stainless steel mounting brackets all of which have been extensively tested for resistance to heat, cold, vibrations, salt, and pressure washers. Don't leave yourself short-handed; use Hella Speedmaster™ Work Lights to help get the job done.



Ref.	Shape	Watts	Length	Height	Depth	Number of LEDs	SKU
a.	Round	18.0 watts	4.000 in.	4.000 in.	2.500 in.	6	PCE556.1007
b.	Round	24.0 watts	4.000 in.	4.000 in.	2.500 in.	8	PCE556.1008
c.	Round	27.0 watts	4.000 in.	4.000 in.	2.500 in.	9	PCE556.1009
d.	Square	18.0 watts	4.000 in.	3.000 in.	3.500 in.	6	PCE556.1010
e.	Square	24.0 watts	4.000 in.	4.000 in.	3.500 in.	8	PCE556.1011
f.	Square	27.0 watts	4.000 in.	4.000 in.	3.500 in.	9	PCE556.1012

Air Compressors

Pump it



Speedmaster™ Air Compressor pumps out an amazing 160 litres per minute, 8m heat resistant hose, inline pressure gauge and deflator, built in air cleaner, cast alloy cylinder housing, pressure relief valve and heavy duty carry bag. A must have vehicle accessory for any 4wding legend, Dirt Biker, Quad King, Camping Connoisseur and anyone that never wants to be caught out!

Delivering an extreme 160 Litres of air per minute, inflating an average 4WD tyre in less than 60 seconds - and a car tyre quicker than you can blink!

Features:

- 60mm Cylinder, Cast alloy cylinder housing
- 2m cord with battery clips
- 8m heat resistant, heavy duty hose
- Inline pressure gauge/deflator
- Pressure relief valve
- Auto reset thermal protection
- Built-in air cleaner
- Anti-vibration feet
- Can be permanently mounted.

SKU	PCE560.1001
Power Source	12 V DC
Motor Type	Perm. Magnetic
Compressor Amps	45.0 amps
Maximum Pressure (psi)	150 psi
Flow Rate	160 L/min
Pressure Sensor Included	Yes
Wiring Harness Included	Yes
Air Lines Included	Yes
Size	15.3"x11.4"x11"
Weight	16lbs (7.3kg)



Tire Accessories

Repair

Plug a hole on the trail using one of these Speedmaster™ tire repair kits. They include a tool to install the plug and a variety of plugs to fill the hole or damaged area.



Ref.	Kit Size	Case Included	SKU
a.	30 pc	Yes - Soft Case	PCE558.1001
b.	31 pc	Yes - Soft Case	PCE558.1002
c.	45 pc	Yes - Hard Case	PCE558.1003
d.	30 pc	Yes - Hard Case	PCE558.1004
e.	28 pc	Yes - Hard Case	PCE558.1005

Pressure Gauges

With Speedmaster™ tire deflators, you can quickly deflate your tires to low pressures, regardless of their size, all while monitoring the pressure. When the valve is open, the tire deflates. When it is closed, you get an accurate current tire pressure reading.

Features:

- Corrosion Resistant Brass/Stainless Deflator Tool
- Quality Bronze Bourdon Tube Gauge Design Ensures Accuracy is Not Affected by Changes in Temperature, Humidity or Altitude
- Fully Geared, Solid Brass Precision Movement
- Protective Rubber Gauge Guard
- Easy to Read Dial with One PSI Increments
- Thoroughly Designed and Tested to Ensure Accuracy
- Includes Protective Canvas Pouch and Instruction Sheet



Gauge Type	Gauge Range	Gauge Size	SKU
Analog	0-75 psi	2 in. diameter	PCe559.1001

Accessories

Wheel Bags

The Speedmaster™ Wheel bag is perfect for those day trips where you just don't want that dirty, rotten gear from the day out inside the car on the way home. From the days rubbish, to the wet beach towels or the filthy recovery gear, the bin is a perfect accessory to keep it all out the back!

Manufactured from 1680 Denier, PVC backed nylon, it's guaranteed to withstand all the environment can throw at it, it won't go stiff and crack in the cold, it won't fade and de-laminate in the sun and alongside these features it is machine washable.. It features a large capacity, Weather proof top lip to seal zips off from weather.



a



b

Ref.	Main Compartment Dimensions	Side Compartment Dimensions	Total Capacity	SKU
a.	24" (61cm) H x 14" (35cm) W x 8" (20cm) D	-	12 Gallons (45 Litres)	PCE568.1001
b.	25" (63cm) H x 14" (36cm) W x 8" (20cm) D	11" (28cm) H x 8" (20cm) W x 4" (10cm) D	15 Gallons (60 Litres)	PCE568.1002

Fuel Cans

Speedmaster™ Jerry Can. This can is great for transferring, storing, and dispensing oil based liquids. It is also made with tough steel construction, and the galvanized steel means you don't have to worry about corrosion. Have peace of mind knowing that you will always have fuel when it is needed the most. Whether you're on the road, camping, boating, or motor racing, this Jerry Can is a life saver.

Features:

- Includes Nozzle Spout/Flexible Spout/Sealey Pouring Spout
- Tough steel construction/galvanized steel
- Extension spout neck design
- Safe for transferring, storing, or dispensing oil based liquids only
- Includes sealed cap
- Used for: 4x4 Off Road, Expedition Adventures, Camping, Boating, Farm Use, Jet Ski, Motor Racing, RV/Camper
- Corrosion resistant
- Jerry can wall thickness: 0.5mm/0.2inch
- Military Style Design



Volume	Length	Width	Height	SKU
5.2 Gallons / 20 liters	13.500 in. (34.5cm)	6.5" (16.5cm)	18.5" (46.8cm)	PCE570.1001

Roof Racks

This great soft foam roof rack from Speedmaster™ fits most of cars. It has a high load bearing which is up to 65kg. The installation and packing is easy and quick. Multiple tie down points allows you to tie your items on more effectively with less risk of move. Strong 600D Oxford & PVC construction.

Features:

- Fit most cars with 2 or 4 doors.
- Easy to fit roof rack, no tools required, supplied with handy storage bag to conveniently pack away in a vehicles boot.
- Ideal for carrying luggage, ladders, surfboards, canoes, garden waste and much more.
- Includes 2 extra securing traps, make your cargo be fixed on the roof more stable.
- Please note for 2 door models rear windows must be able to be lowered.



Load Bearing	Rack Size	Foam size	Ribbon Size	Rack Weight	Color	SKU
65kg	33.5 x 7.1 x 2.4in (85 x 18 x 6cm)	23.6 x 7.1 x 2.4in (60 x 12 x 6cm)	137.8 x 1in (3.5m x 2.5cm)	245g / 8.6oz	Black	PCE569.1001

S^{III}PEEDMASTER™

EST. 1979





We Transform Matter into
High Performance Parts

Discover other performance engine parts on our website.