

SPICER[®]



Spicer[®]

XC™ Center Bearing

Improved Performance and Maintenance Free

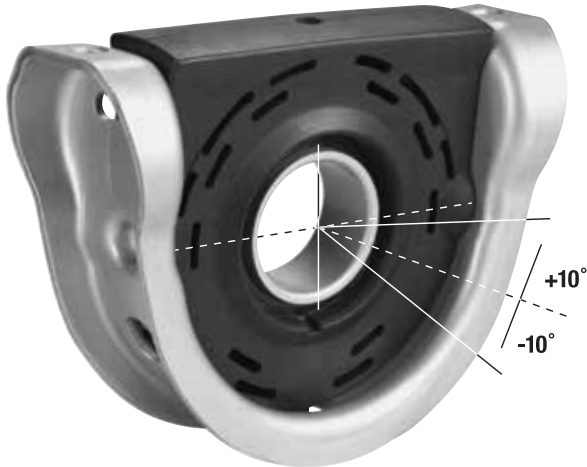
The new Spicer XC™ center bearing provides optimal alignment within plus (+) or minus (-) 10 degrees, which translates into improved performance and durability. The advanced technology elastomer material reduces noise and vibration, while the innovative design maintains the proper driveline angle to maximize driveshaft and component life.



Spicer® **XC™ Center Bearing**

Trust Spicer to Protect the Parts That Keep Your Fleet on the Road.

The new Spicer XC™ center bearing provides optimal alignment within plus (+) or minus (-) 10 degrees, which translates into improved performance and durability. The advanced technology elastomer material reduces noise and vibration, while the innovative design maintains the proper driveline angle to maximize driveshaft and component life. This best-in-class center bearing assembly also includes a maintenance-free, double-lip sealed bearing to reduce contamination, eliminate the need for a dust shield, and provide longer life.



Weight Reduction

- Approximately 1.3 pounds lighter than previous center bearings.

Simplified Installation

- Elimination of dust shields due to NEW sealed bearing technology.
- Eliminates the need for multi-hanger bracket and cross member configurations.

Approved for all On- and Off-Highway applications

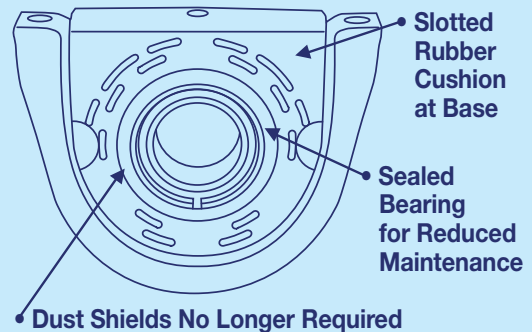
| New Number | Current | New Rubber Style |
|------------|-----------|------------------|
| 5003323 | 210661-1X | Semi-Slotted |
| | 210987-1X | Semi-Slotted |
| | 212066-1X | Semi-Slotted |
| | 212129-1X | Semi-Slotted |
| 5003326 | 210875-1X | Solid |
| | 210888-1X | Solid |
| 5003628 | 212155-1X | Semi-Slotted |

Improved Performance

- Maintenance free factory sealed bearing and double-lip seal configuration decreases contamination and extends life.
- Innovative design allows for angle fluctuations of +/- 10 degrees.
- Advanced technology elastomer material decreases levels of noise and vibration.

The Spicer® XC Center Bearing Advantage

- Weighs 1.3 pounds less than current Spicer designs



SPICER®

