

SPICER®



J300P-1

November 2012

Supersedes Section 1
Dated November 2007

Driveline Components Catalog Companion Flanges



Updated 9-19-2013

- Page 17: removed 1.750 Spline and 2.000 Spline from 1610 & 1650/1710 Series Tapered Hole Companion Flanges



To identify any splined companion flange, there are ten pieces of required information:

1. Center Hole type (Splined, Round or Tapered hole)
2. Spline size and tooth count
3. Pilot diameter and type (Male / Female)
4. Bolt circle diameter
5. Bolt hole diameter and if the hole is drilled or tapped (drilled-D or tapped-T)
6. Number of bolt holes
7. Ground hub diameter (where applicable)
8. Brake drum pilot diameter
9. Length of through hole
10. Flange face to end of hub

Example: to find a companion flange with a 2.143-41 involute splined hole, a 7.750 female pilot that includes twelve bolts:

1. Find the **Splined Hole** section of this catalog;
2. Find the **2.143-41 Involute Spline** sub-heading;
3. Find the Female Pilot diameter of **7.750**
4. Find the Bolt circle diameter of **7.250**
5. Find the Drilled Bolt hole diameter of **.440**
6. Find a Number of bolt holes of **12**
7. Find the Ground hub diameter of **2.939**
8. Find the Brake drum pilot diameter (**not applicable in this example**)
9. Find the Length of through hole of **2.495**
10. Find the Flange face to end of hub of **3.500**

Locate the part number that matches the dimension of your part: example **6.5-1-2941**

Be sure to read any notes that are provided.

J300P-1

COMPANION FLANGES

① **Spline Hole**

D Splined Hole Major Diameter	C Pilot Diameter F-Female M-Male	B Bolt Circle Diameter	Bolt Hole		Brake Drum Pilot Diameter	E Ground Hub Diameter	F Length Thru Hole	G Flange Face to End of Hub	Figure	Companion Flange Assembly (includes slinger when listed)	Slinger Part Number	Companion Flange Part Number	Series
			Diameter D-Drilled T-Tapped	# of Holes									

2.114-32 Involute Spline

2.114	5.312 M	6.125	.385 D	8	—	3.000	2.250	2.844	3	5-1-6731X [■]	232200	5-1-6721 [▲]	1610
<i>.424 deep counterbore at hub end</i>													
2.114	6.625 F	6.125	.375 D	8	—	3.000	2.245	2.844	3	5-1-6701X	232200	5-1-6691	1610
<i>.424 deep counterbore at hub end; 5-1-6691 will be replaced by 5-1-6701X when supply is exhausted</i>													

2.143-41 Involute Spline

2.143	7.750 F	7.250	.440 D	12	—	2.939	2.495	3.500	4			6.5-1-2941	1810
Part Number													
2.149-16 Spline	6.625 F	6.125	.385 D	8	—	2.938	3.000	3.750	3			5-1-2551 [•]	1610



To identify a non- splined companion flange, there are nine pieces of required information:

1. Center hole type (Round or Tapered hole)
2. Type of flange (Circular or Rectangular)
3. Series
4. Hole size/ bore diameter
5. Keyway width
6. Bolt hole diameter and if the hole is drilled or tapped (drilled-D or tapped-T)
7. Ground hub diameter (where applicable)
8. Length of through hole
9. Flange face to end of hub

Example: to find a 1610 Series circular type companion flange with a straight round hole, a 3.500 bore diameter, a keyway width of .875, with .375-24 tapped bolt holes, 6.8750 hub diameter, and the flange face to end of hub dimension of 5.0 (see example below):

- 1/2. Find the **Circular Type with Straight Round Hole** section of this catalog
3. Find the **1610 Series** sub-heading
4. Find the bore diameter of **3.500**
5. Find the keyway width of **.875**
6. Find the tapped bolt hole diameter of **.375-24**
7. Find the hub diameter of **6.8750**
8. Find the flange face to end of hub of **5.0000**

Locate the part number that matches the dimension of your part: example 5-1-883-1

Be sure to read any notes that are provided.

J300P-1

COMPANION FLANGES

① Circular Type - Straight Round Hole ②

D	K	C	Figure	Bolt Hole Diameter D-Drilled T-Tapped	E	F	Companion Flange Part Number
Bore Diameter	Keyway Width	Pilot Diameter F-Female M-Male		Hub Diameter	Flange Face to End of Hub		
1610 SERIES (Continued)							
A-6.875			B-6.125 DIA. (8 HOLES)				
2.500	.625	6.625 F	1	.375 D	5.250	3.500	5-1-873-6
2.750	.625	6.625 F	1	.375 D	5.250	3.500	5-1-873-7
2.938	.750	6.625 F	1	.375 D	5.250	3.500	5-1-873-8
3.000	.750	6.625 F	1	.375 D	5.250	3.500	5-1-873-9
3.125	—	6.625 F	2	.375-24 T	6.875	5.000	5-1-883
3.500	.875	6.625 F	2	.375-24 T	6.875	5.000	5-1-883-1

Part Number

Footnotes for parts and assemblies that are discontinued, will be discontinued upon depletion of stock, or not sold separately, are indicated by a symbol next to the part number. Match the symbol to the appropriate status at the bottom of the page. All other footnotes are located immediately below the yoke dimensional data.

Important Notice: The data listed herein is correct to the best of our knowledge and belief; having been compiled from reliable and official sources of information. However, WE CANNOT ASSUME ANY RESPONSIBILITY for possible error.



COMPANION FLANGES

Spline Hole

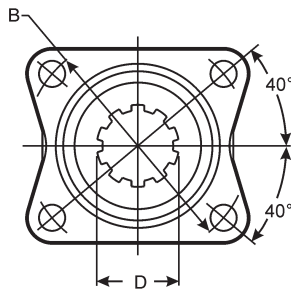
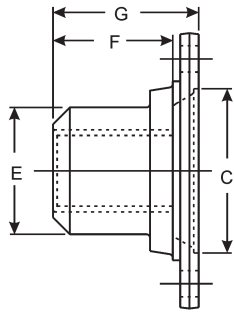


Figure 1

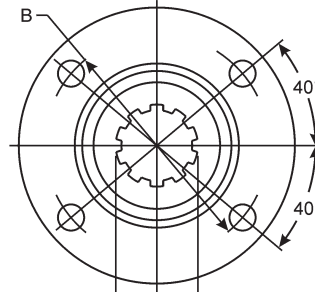


Figure 2

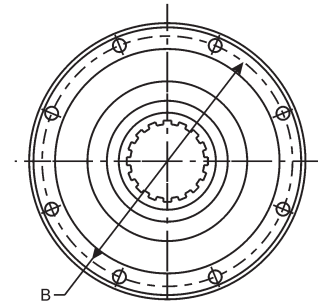


Figure 3

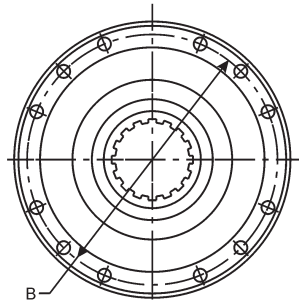


Figure 4

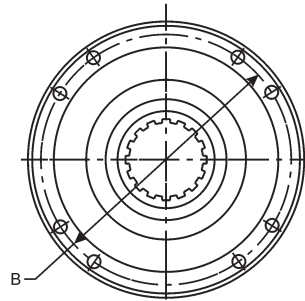


Figure 5

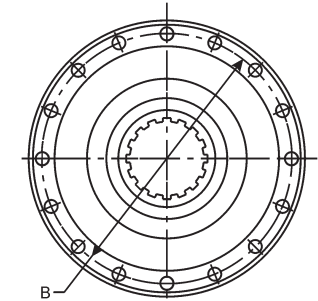


Figure 6

D Spline Hole Major Diameter	C Pilot Diameter F-Female M-Male	B Bolt Circle Diameter	Bolt Hole		E Ground Hub Diameter	F Length Thru Hole	G Flange Face to End of Hub	Figure	Companion Flange Assembly (includes slinger when listed)	Slinger Part Number	Companion Flange Part Number	Series
			Diameter D-Drilled T-Tapped	# of Holes								
1.010-15 Involute Spline												
1.010	2.375-F	3.125	.375D	4	—	2.125	1.312	2.000	1	—	2-1-2581	
1.145-26 Involute Spline												
1.145	2.750-M	3.750	.438-20T	4	—	1.547	1.500	2.109	2	—	3-1-4371•	1350
1.146-26 Involute Spline												
1.146	2.375-F	3.125	.375 D	4	2.438	1.547	1.500	2.062	1	—	2-1-2391•	
1.146	2.375-F	3.125	.375D	4	2.550	1.554	1.500	2.594	1	2-1-1881X	15099	2-1-1871• 1310
1.229-28 Involute Spline												
1.229	2.750-M	3.750	.438-20T	4	—	1.844	1.375	2.062	1	—	2-1-2341■	1330
1.250-10 Spline												
1.250	2.375-F	3.125	.375D	4	2.500	1.750	2.000	2.688	1	—	2-1-1641•	1310
1.250	2.750-M	3.750	.438D	4	—	2.000	1.750	2.312	1	—	3-1-3851•	1350
1.250-21 Based On 24 Spline												
1.250	2.559-M	4.250	.500 D	4	—	1.875	1.488	2.787	2	2006269	2002304	2006268▲ <i>Spicer axle flange</i>
1.250	3.541-F	4.216	.400 D	4	—	1.875	1.488	4.000	2	2006270•	2002304	2006271▲ <i>Spicer axle flange ; OEM only</i>
1.276-29 Involute Spline												
1.276	2.750-F	3.750	.438D	4	—	1.875	1.500	2.062	1	3-1-4041X•	34592	3-1-4031 1350 <i>3-1-4031 was replaced by 3-1-4041X</i>
1.375-10 Spline												
1.375	2.375-F	3.125	.375 T	4	—	2.063	1.750	2.555	1	—	—	2-1-14029
1.375	2.375-F	3.125	.375D	4	2.500	2.125	1.156	2.125	1	—	—	2-1-2091■ 1310
1.375	2.750-F	3.750	.375D	4	3.109	1.938	2.000	2.562	1	—	—	3-1-1181• 1350/1410

• Part is discontinued ■ Part is available until supply is exhausted ▲ Not sold separately



Spline Hole

D Spline Hole Major Diameter	C Pilot Diameter F-Female M-Male	B Bolt Circle Diameter	Bolt Hole		Brake Drum Pilot Diameter	E Ground Hub Diameter	F Length Thru Hole	G Flange Face to End of Hub	F i g u r e	Companion Flange Assembly (includes slinger when listed)	Slinger Part Number	Companion Flange Part Number	Series
			Diameter D-Drilled T-Tapped	# of Holes									
1.375-10 Spline (Continued)													
1.375	2.750-F	3.750	.438D	4	—	1.750	1.688	2.250	1	—	—	3-1-3881•	
1.375	2.750-F	3.750	.438D	4	—	2.125	1.062	1.656	1	—	—	3-1-4141•	1350
1.375	2.750-F	3.750	.438D	4	3.000	2.125	2.000	2.438	1	—	—	3-1-4001■	1350/1410
1.375	2.750-F	3.750	.438D	4	3.000	1.938	2.062	2.570	1	—	—	3-1-2931•	1350
1.375	2.750-F	3.750	.438D	4	3.000	2.125	2.000	2.438	1	—	—	3-1-751	1350/1410
1.375	2.750-F	3.750	.438D	4	3.000	2.125	2.000	2.516	1	—	—	3-1-2311■	1350/1410
1.375	2.750-F	3.750	.438D	4	3.000	2.125	2.000	2.438	1	—	—	3-1-2011	1350/1410
1.375	3.750-F	4.750	.500D	4	3.750	2.109	2.000	2.625	1	—	—	4-1-3151•	
1.401-32 Involute Spline													
1.401	2.750-M	3.750	.438D	4	—	2.125	3.656	5.375	2	—	—	3-1-4271■	1350
													<i>.940 deep counterbore at hub end</i>
1.499-10 Spline													
1.499	2.750-F	3.750	.438D	4	3.000	2.242	2.000	2.562	1	—	—	3-1-811•	1350
1.499	2.751-F	3.750	.438D	4	3.000	2.127	2.000	2.555	1	—	—	3-1-2181•	1350
1.500-10 Spline													
1.500	2.750-F	3.750	.438D	4	3.000	2.125	2.000	2.438	1	—	—	3-1-2431	1350
1.500	2.750-F	3.750	.438D	4	3.112	2.250	2.188	3.062	2	—	—	3-1-3341	1410
1.500	2.750-F	3.750	.438D	4	3.112	2.000	2.188	2.906	1	—	—	3-1-3431	1350/1410
													<i>.310 deep counterbore at hub end</i>
1.500	2.750-F	3.750	.438D	4	3.000	2.250	2.000	2.375	1	—	—	3-1-3191	1350/1410
1.500	2.750-F	3.750	.438D	4	2.875	2.125	2.000	2.562	1	—	—	3-1-1151	1350
1.500	2.750-F	3.750	.438D	4	—	2.250	2.062	2.750	1	—	—	3-1-1141•	1350
1.500	3.125-M	3.969	.438T	4	—	—	2.000	2.750	2	—	—	2-1-2501■	1330
													<i>Hub diameter not ground</i>
1.500	3.750-F	4.750	.500D	4	3.750	2.125	2.000	2.625	1	—	—	4-1-2701	1550
1.500	3.750-F	4.750	.500D	4	3.750	2.250	2.000	2.500	1	—	—	4-1-3441■	1480/1550
1.500	6.625-F	6.125	.375D	8	6.875	2.125	2.000	2.375	3	—	—	5-1-2421•	1610
													<i>.250 deep counterbore at hub end</i>
1.516-35 Involute Spline													
1.516	2.750-F	3.750	.438D	4	2.875	2.125	2.000	2.562	1	—	—	3-1-3651■	1350/1410
1.520-23 Involute Spline													
1.520	2.750-F	3.750	.438D	4	—	2.125	2.047	2.609	1	—	—	3-1-3971	1410
1.525-35 Involute Spline													
1.525	3.750-M	4.750	.500D	4	3.875	2.500	1.938	3.562	2	—	—	4-1-4121•	1480/1550
1.543-24 Involute Spline													
1.543	2.677-M	4.250	12MM D	4	—	2.241	1.840	3.907	2	3-1-4961X•	232686	3-1-4951▲	
1.605-15 Involute Spline													
1.605	3.125-M	3.960	.438T	0	—	2.125	1.932	3.141	2	—	—	2-1-2511•	
1.625-10 Spline													
1.627	2.750-F	3.750	.438D	4	3.000	2.375	2.125	3.000	2	—	—	3-1-3531•	
1.625	3.750-F	4.750	.500D	4	—	2.375	2.125	2.750	1	—	—	4-1-2751•	1480
1.625	3.750-M	4.750	.500D	4	—	2.250	2.125	2.688	1	—	—	4-1-3571■	1480
1.750-10 Spline													
1.750	2.750-F	3.750	.438D	4	3.000	2.250	2.188	2.812	1	—	—	3-1-3211	1350/1410
1.750	2.750-F	3.750	.438D	4	3.112	2.625	2.250	3.125	2	—	—	3-1-1521	1410
1.750	3.750-F	4.750	.500D	4	3.750	2.500	2.250	3.000	1	—	—	4-1-3891	1550

• Part is discontinued ■ Part is available until supply is exhausted ▲ Not sold separately



Important: See Safety Information in General Information Section (J300P-GI)

COMPANION FLANGES

Spline Hole

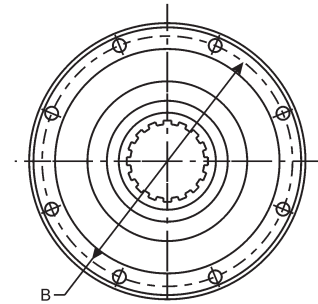
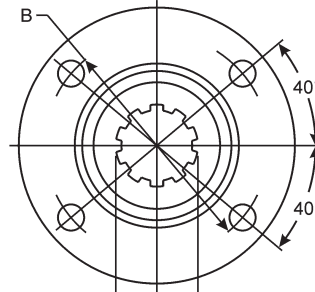
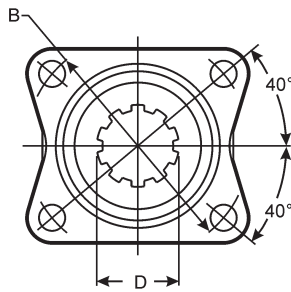
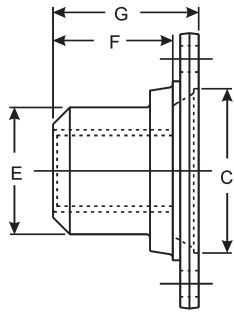


Figure 1

Figure 2

Figure 3

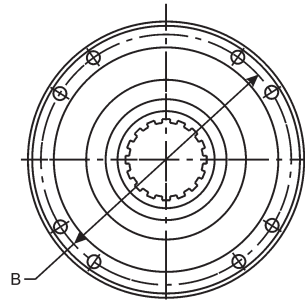
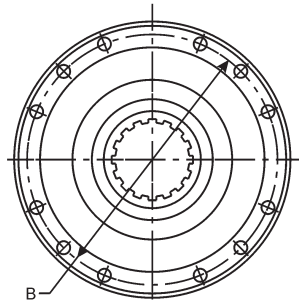


Figure 4

Figure 5

Figure 6

D Spline Hole Major Diameter	C Pilot Diameter F-Female M-Male	B Bolt Circle Diameter	Bolt Hole		Brake Drum Pilot Diameter	E Ground Hub Diameter	F Length Thru Hole	G Flange Face to End of Hub	F i g u r e	Companion Flange Assembly (includes slinger when listed)	Slinger Part Number	Companion Flange Part Number	Series
			Diameter D-Drilled T-Tapped	# of Holes									
1.750-10 Spline (Continued)													
1.750	3.750-F	4.750	.500D	4	—	2.500	1.938	2.734	1	—	—	4-1-5131	1550
1.750	3.750-F	4.750	.500D	4	—	2.625	2.250	2.875	1	—	—	4-1-3101	1480
1.750	3.750-F	4.750	.500D	4	—	2.500	2.250	2.875	1	4-1-3331X•	565W	4-1-3321•	1480
<i>Slinger not sold separately</i>													
1.750	3.750-F	4.750	.500D	4	3.875	2.375	2.188	2.812	1	—	—	4-1-3171■	1480
1.750	3.750-F	4.750	.500D	4	3.750	2.250	2.000	2.750	1	—	—	4-1-1381■	1480
1.750	3.750-M	4.750	.500D	4	—	2.500	2.000	3.547	2	4-1-5211X■	—	4-1-7001	1550
<i>4-1-7001 was replaced by 4-1-5211X</i>													
1.750	3.750-M	4.750	.500D	4	—	2.500	1.938	3.562	2	—	—	4-1-3721■	1480/1550
1.750	5.312-M	6.125	.375D	8	—	2.500	2.000	3.938	3	5-1-6541X•	—	5-1-6531	1610
<i>5-1-6531 was replaced by 5-1-6541X; Assembly includes eight 6-73-725 bolts</i>													
1.750	6.625-F	6.125	.375D	8	—	2.625	2.250	2.875	3	—	—	5-1-811■	1610
1.750	7.750-F	7.250	.375D	8	—	2.750	2.250	2.938	3	—	—	6-1-1761■	1710
1.755-13 Involute Spline													
1.755	3.750-F	4.750	.509D	4	—	—	2.825	3.760	1	—	—	4-1-5341	1610
<i>Hub diameter not ground</i>													
1.755	6.625-F	6.125	.375D	8	—	3.062	2.915	3.625	3	—	—	5-1-6511	1610
1.790-34 Involute Spline													
1.790	.000-F	5.118	.512 D	4	—	2.625	2.188	2.590	1	—	—	5-1-02709	1610
<i>Serrated face flange</i>													
1.790	.000-F	5.118	.512 D	4	—	2.625	2.188	2.590	1	—	—	5002709	1610
<i>5002709 will be replaced by 5-1-02709 when supply is exhausted; Serrated face flange</i>													
1.790	3.750-F	4.750	.500D	4	—	2.562	2.750	3.344	1	4-1-4501X	—	4-1-4491▲	1480/1550
<i>Assembly includes plug 231059</i>													

• Part is discontinued ■ Part is available until supply is exhausted ▲ Not sold separately



Spline Hole

D Spline Hole Diameter	C Pilot Diameter F-Female M-Male	B Bolt Circle Diameter	Bolt Hole		Brake Drum Pilot Diameter	E Ground Hub Diameter	F Length Thru Hole	G Flange Face to End of Hub	F i g u r e	Companion Flange Assembly (includes slinger when listed)	Slinger Part Number	Companion Flange Part Number	Series
			Diameter D-Drilled T-Tapped	# of Holes									
1.790-34 Involute Spline (Continued)													
1.790	3.750-M	4.750	.500D	4	—	2.562	2.750	3.344	1	4-1-5201X	—	4-1-4471•	1480/1550
											<i>Assembly includes plug 231059 and four 8-73-226 bolts</i>		
1.790	3.750-M	4.750	.500D	4	—	2.562	2.750	3.344	1	4-1-4481X	—	4-1-4471•	1480/1550
											<i>4-1-4481X was replaced by 4-1-5201X; Assembly includes plug 231059 and 4 studs 231016</i>		
1.790	5.312-M	6.125	.375D	8	—	2.562	2.750	3.719	3	90-1-21X■	—	90-1-11	SPL90
											<i>90-1-11 was replaced by 90-1-21X; Assembly includes plug 231059 and eight 6-73-725 bolts</i>		
1.790	5.312-M	6.125	.375D	8	—	2.562	2.750	4.250	3	5-1-5151X•	—	5-1-5141•	1610
											<i>Assembly includes plug 231059 and eight 6-73-725 bolts</i>		
1.790	6.625-F	6.125	.375D	8	—	2.562	2.781	3.938	3	5-1-5121X■	—	5-1-5111	1610
											<i>5-1-5111 was replaced by 5-1-5121X; Assembly includes plug 231059</i>		
1.790	7.750-F	7.250	.375D	8	—	2.562	2.688	3.903	3	6-1-4701X	—	6-1-4691	1710
											<i>6-1-4691 was replaced by 6-1-4701X; Assembly includes plug 231059</i>		
1.922-14 Involute Spline													
1.922	3.750-F	4.750	.510D	4	—	2.375	2.183	3.312	2	—	—	4-1-5451•	1550
1.922	6.625-F	6.125	.385D	8	—	2.375	2.183	2.840	3	—	—	5-1-6891■	1610
											<i>.120 deep counterbore at hub end</i>		
1.960-10 Spline													
1.960	3.750-F	4.750	.500D	4	—	2.750	2.625	3.375	1	—	—	4-1-2661•	1480
1.960	7.750-F	—	D	0	—	2.957	2.620	3.312	2	—	—	6.5-1-271	
1.960	7.750-F	7.250	.375D	8	—	2.750	2.625	3.312	3	—	—	6-1-1461■	1710
1.960	7.750-F	7.250	.375D	8	—	2.812	3.000	3.625	3	—	—	6-1-4641■	1710
1.961-6 Spline													
1.961	3.750-F	4.750	.500D	4	—	2.750	3.000	3.625	1	—	—	4-1-601•	
1.962-10 Spline													
1.962	5.312-M	6.125	.375D	8	—	2.750	2.797	4.594	3	5-1-6561X	—	5-1-6551▲	1610
											<i>Assembly includes eight 6-73-725 bolts</i>		
1.962	6.625-F	6.125	.375D	8	—	2.500	2.625	3.250	3	—	—	5-1-4301•	
1.964-10 Spline													
1.964	3.750-F	4.750	.500D	4	—	2.500	2.250	3.000	1	—	—	4-1-3761•	1480
1.964	3.750-M	4.750	.500D	4	—	2.938	3.031	3.625	1	—	—	4-1-4421•	1480
1.964	6.625-F	6.125	.375D	8	—	2.500	2.250	3.000	3	—	—	5-1-4291•	
1.998-38 Involute Spline													
1.998	3.750-F	4.750	.500D	4	—	2.750	2.125	2.875	1	—	—	4-1-5021■	1480/1550
1.998	3.750-M	4.750	.500D	4	—	2.750	2.062	3.875	1	4-1-6051X■	—	4-1-6041▲	1550
											<i>Assembly includes four 8-73-226 studs</i>		
1.998	5.312-M	6.125	.375D	8	—	2.750	2.125	4.688	3	5-1-6471X	—	5-1-6271	1610
											<i>5-1-6271 was replaced by 5-1-6471X; Assembly includes eight 6-73-725 bolts</i>		
1.998	6.436-M	7.250	.375D	8	—	2.750	2.141	4.703	3	6-1-5851X■	—	6-1-5781	1710
											<i>6-1-5781 was replaced by 6-1-5851X; Assembly includes eight 6-73-725 bolts</i>		
2.000-10 Spline													
2.000	3.750-F	4.750	.500D	4	3.750	2.750	3.000	3.625	1	—	—	4-1-3781•	1480
2.000	3.750-F	4.750	.500D	4	—	2.938	3.000	3.625	1	—	—	4-1-2361	1480
2.000	6.625-F	6.125	.375D	8	—	2.938	3.000	3.625	3	—	—	5-1-3161	1610
2.000	6.625-F	6.125	.375D	8	—	3.250	3.000	3.625	3	—	—	5-1-931•	1610
2.000	6.625-F	6.125	.375D	8	—	2.750	3.000	3.625	3	—	—	5-1-3141■	1610
2.000	7.750-F	7.250	.375D	8	—	2.750	3.000	3.688	3	—	—	6-1-2221	1710
2.000	7.750-F	7.250	.375D	8	—	3.250	3.125	3.812	3	—	—	6-1-911•	1710

• Part is discontinued ■ Part is available until supply is exhausted ▲ Not sold separately



Important: See Safety Information in General Information Section (J300P-GI)

COMPANION FLANGES

Spline Hole

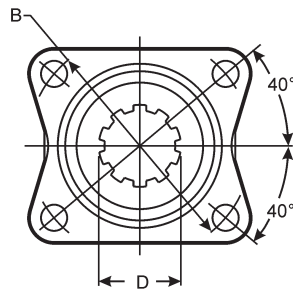
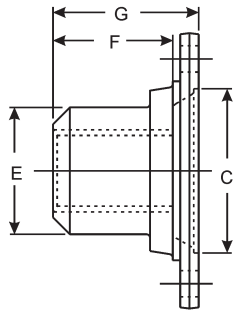


Figure 1

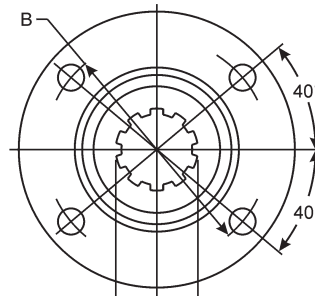


Figure 2

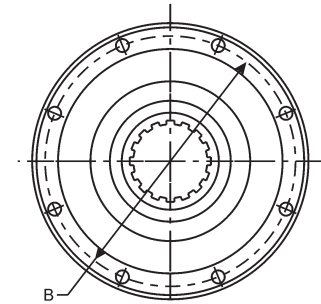


Figure 3

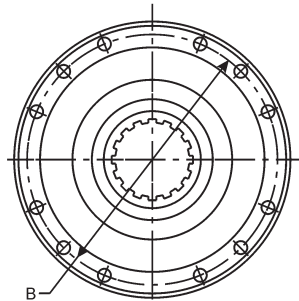


Figure 4

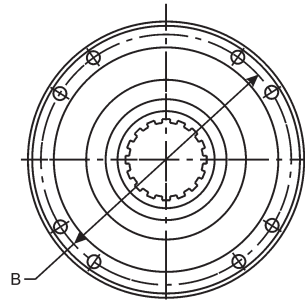


Figure 5

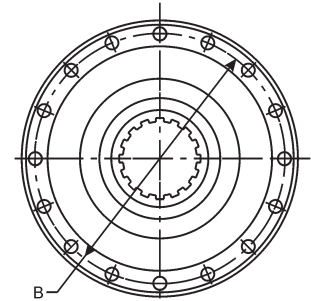


Figure 6

D Spline Hole Major Diameter	C Pilot Diameter F-Female M-Male	B Bolt Circle Diameter	Bolt Hole		E Ground Hub Diameter	F Length Thru Hole	G Flange Face to End of Hub	F i g u r e	Companion Flange Assembly (includes slinger when listed)	Slinger Part Number	Companion Flange Part Number	Series
			Diameter D-Drilled T-Tapped	# of Holes								
2.032-10 Spline												
2.032	7.750-F	7.250	.438D	12	—	2.750	2.000	2.688	4	—	6.5-1-2421•	1810
2.114-32 Involute Spline												
2.114	.000-F	5.118	.512 D	4	—	3.000	2.250	3.500	1	—	5002710	
<i>5002710 will be replaced by 5-1-02710 when supply is exhausted; Serrated face flange</i>												
2.114	.000-F	5.118	.512 D	4	—	3.000	2.250	3.500	1	—	5-1-02710	
<i>Serrated face flange</i>												
2.114	5.312-M	6.125	.385D	8	—	3.000	2.250	2.844	3	5-1-6731X•	232200	5-1-6721▲ 1610
<i>.424 deep counterbore at hub end</i>												
2.114	6.625-F	6.125	.375D	8	—	3.000	2.245	2.844	3	5-1-6701X•	232200	5-1-6691• 1610
<i>.424 deep counterbore at hub end</i>												
2.143-41 Involute Spline												
2.143	7.750-F	7.250	.440D	12	—	2.939	2.495	3.500	4	—	6.5-1-2941■	1810
2.149-16 Spline												
2.149	6.625-F	6.125	.385D	8	—	2.938	3.000	3.750	3	—	5-1-2551•	1610
<i>.380 deep counterbore at hub end</i>												
2.225-6 Spline												
2.225	6.625-F	6.125	.375D	8	—	3.000	3.250	3.875	3	—	5-1-2541	1610
2.225	7.750-F	7.250	.375D	8	—	3.000	3.250	3.750	3	—	6-1-1731	1710
2.225	7.750-F	7.250	.375D	8	—	3.000	3.250	4.469	3	—	6-1-1481•	1710
2.225	7.750-F	7.250	.438D	12	—	3.000	3.250	3.750	4	—	6.5-1-481	1810
2.250-10 Spline												
2.250	6.625-F	6.125	.375D	8	—	3.500	3.000	3.625	3	—	5-1-6331■	1610
2.250	7.750-F	7.250	.375D	8	—	3.000	3.000	3.750	3	—	6-1-1421■	1710
<i>.250 deep counterbore at hub end</i>												

• Part is discontinued ■ Part is available until supply is exhausted ▲ Not sold separately



COMPANION FLANGES

Spline Hole

D Spline Hole Major Diameter	C Pilot Diameter F-Female M-Male	B Bolt Circle Diameter	Bolt Hole		Brake Drum Pilot Diameter	E Ground Hub Diameter	F Length Thru Hole	G Flange Face to End of Hub	F i g u r e	Companion Flange Assembly (includes slinger when listed)	Slinger Part Number	Companion Flange Part Number	Series
			Diameter D-Drilled T-Tapped	# of Holes									
2.250-10 Spline (Continued)													
2.250	7.750-F	7.250	.375D	8	—	3.500	3.000	3.688	3	—	—	6-1-951	1710
2.250	7.750-F	7.250	.438D	12	—	3.500	3.000	3.688	4	—	—	6.5-1-151■	1810
2.250	7.750-F	7.250	.438D	12	—	3.000	3.000	3.750	4	—	—	6.5-1-211■	1810
<i>.250 deep counterbore at hub end</i>													
2.274-44 Involute Spline													
2.274	7.750-F	7.250	.438D	12	—	2.938	2.500	3.094	4	6.5-1-2401X	231022	6.5-1-2391	1810
<i>6.5-1-2391 was replaced by 6.5-1-2401X</i>													
2.350-16 Spline													
2.350	7.750-F	7.250	.375D	8	—	3.312	2.750	3.438	3	—	—	6-1-5581	1710
<i>For use on coupling shaft</i>													
2.350	7.750-F	7.250	.438D	12	—	3.317	2.750	3.438	4	—	—	6.5-1-1811	1810
<i>For use on coupling shaft</i>													
2.351-16 Spline													
2.351	7.750-F	7.250	.375D	8	—	3.750	2.750	3.000	3	—	—	6-1-4571•	1710
<i>Hub machined for speedometer gear and no.3 woodruff keyway</i>													
2.364-18 Involute Spline													
2.364	7.750-F	7.250	.375D	8	6.656	3.500	3.375	4.031	3	—	—	6-1-4541	1710
2.364	7.750-F	7.250	.438D	12	—	2.750	2.328	3.000	4	—	—	6.5-1-2301•	
2.364	7.750-F	7.250	.438D	12	—	3.500	3.375	4.031	4	—	—	6.5-1-1801	1810
2.374-46 Involute Spline													
2.374	7.750-F	7.250	.438D	12	—	3.750	2.391	3.109	4	—	—	6.5-1-2441•	1810
<i>Hub machined for speedometer gear</i>													
2.374	7.750-F	7.250	.438D	12	—	3.500	2.391	6.625	4	—	—	6.5-1-2591•	
<i>Special Mack flange, 4 additional counterbore .312 dia holes</i>													
2.390-46 Involute Spline													
2.390	7.750-F	7.250	.375D	8	—	3.500	3.375	4.547	3	—	—	6-1-4671■	1710
2.422-18 Involute Spline													
2.422	7.750-F	7.250	.378D	8	—	3.375	3.000	3.690	3	6-1-5601X	231013	6-1-5591▲	1710
2.447-28 Involute Spline													
2.447	7.750-F	7.250	.378D	8	—	3.375	2.495	3.570	3	—	—	6-1-6161•	1710
2.500-10 Spline													
2.500	6.500-F	—	—	12	—	3.500	3.000	3.688	2	—	—	6.5-1-3041	
2.500	7.750-F	7.250	.375D	8	—	3.250	3.000	3.688	3	—	—	6-1-4481	1710
2.500	7.750-F	7.250	.375D	8	—	3.750	3.000	3.625	3	6-1-5651X■	231616	6-1-5541	1710
<i>6-1-5541 was replaced by 6-1-5651X</i>													
2.500	7.750-F	7.250	.378D	8	—	3.500	2.405	3.310	3	6-1-6081X•	232042-10	6-1-6071▲	1710
2.500	7.750-F	7.250	.378D	8	—	3.250	3.000	3.620	3	—	—	6-1-5741	1710
<i>.880 deep counterbore at hub end</i>													
2.500	7.750-F	7.250	.438D	12	—	3.750	3.000	3.625	4	6.5-1-2351X•	231616	6.5-1-2271	1810
<i>6.5-1-2271 was replaced by 6.5-1-2351X</i>													
2.500	7.750-F	7.250	.440D	12	—	3.500	2.410	3.310	4	—	—	6.5-1-2041	1810
2.500-19 Involute Spline													
2.500	6.438-F	—	—	8	—	3.500	4.000	5.500	2	8-1-131X	—	8-1-121•	
<i>includes eight 10-73-109 bolts</i>													
2.503-19 Involute Spline													
2.503	7.000-F	8.250	.625-18T	8	—	3.500	4.000	5.500	5	—	—	8-1-191•	1850
2.503	7.750-F	7.250	.438D	12	6.625	3.500	3.000	3.844	4	—	—	6.5-1-1361	
<i>.250 deep counterbore at hub end</i>													

• Part is discontinued ■ Part is available until supply is exhausted ▲ Not sold separately



Important: See Safety Information in General Information Section (J300P-GI)

COMPANION FLANGES

Spline Hole

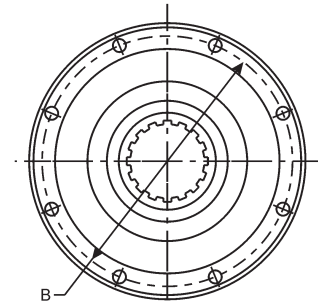
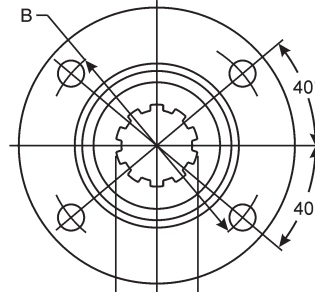
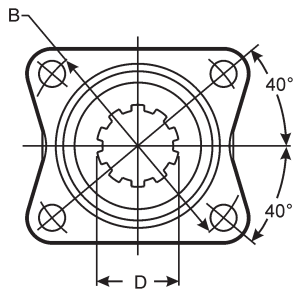
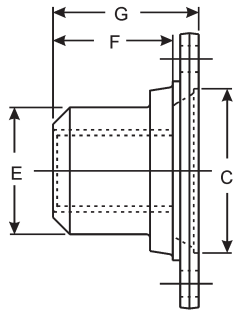


Figure 3

Figure 1

Figure 2

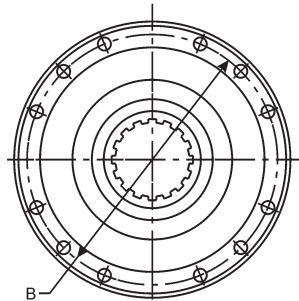


Figure 4

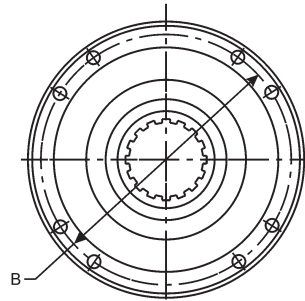


Figure 5

Figure 6

D Spline Hole Major Diameter	C Pilot Diameter F-Female M-Male	B Bolt Circle Diameter	Bolt Hole		Brake Drum Pilot Diameter	E Ground Hub Diameter	F Length Thru Hole	G Flange Face to End of Hub	F i g u r e	Companion Flange Assembly (includes slinger when listed)	Slinger Part Number	Companion Flange Part Number	Series
			Diameter D-Drilled T-Tapped	# of Holes									
2.541-19 Involute Spline													
2.541	7.750-F	7.250	.440D	12	—	3.125	2.825	4.590	2	—	—	6.5-1-3001	■
2.544-49 Involute Spline													
2.544	7.750-F	7.250	.375D	8	—	3.818	2.125	3.130	1	131436K•	5008437	6-1-6281	▲ 1710
											<i>Nut #131095 (incl. in assy) is used only on Spicer Axles. Slinger not sold separately</i>		
2.544	7.750-F	7.250	.375D	8	—	3.818	2.125	3.130	1	131436K•	5008437	5008460•	—
											<i>Nut #131095 (incl. in assy) is used only on Spicer Axles. Slinger not sold separately</i>		
2.544	7.750-F	7.250	.375D	8	—	3.818	2.125	3.130	1	5008460•	5008437	6-1-6281	▲ 1710
2.560-20 Involute Spline													
2.560	7.750-F	7.250	.438D	12	6.625	3.500	3.344	4.000	4	—	—	6.5-1-2161	1810
2.625-25 Involute Spline													
2.625	7.750-F	7.250	.375D	8	—	3.500	3.016	3.625	3	—	—	6-1-5511	1710
2.635-20 Involute Spline													
2.635	6.992-M	8.250	.625T	8	—	4.004	3.305	4.442	5	8-1-821X•	230888	8-1-811	▲
											<i>.560 deep counterbore at hub end Slinger not sold separately</i>		
2.750-10 Spline													
2.750	6.625-F	6.125	.375D	8	—	3.750	3.000	4.060	3	5-1-6611X•	231616	5-1-6601	▲
2.750	7.750-F	7.250	.438D	12	—	4.000	2.938	3.750	4	—	—	6.5-1-1871	■ 1810
											<i>Hub machined for speedometer gear</i>		
2.750	7.750-F	7.250	.438D	12	—	3.500	3.000	4.062	4	—	—	6.5-1-741	1810
2.750	7.750-F	7.250	.438D	12	—	3.750	3.000	4.062	4	6.5-1-2361X	231616	6.5-1-2311	• 1810
2.750	8.000-M	7.250	.375D	8	8.000	3.500	3.000	3.688	3	—	—	6-1-2381	■ 1710

Use with thru stop brake disc. mount between flange & yoke

• Part is discontinued ■ Part is available until supply is exhausted ▲ Not sold separately



COMPANION FLANGES

Spline Hole

D	C	B	Bolt Hole		Brake Drum Pilot Diameter	E	F	G	F i g u r e	Companion Flange Assembly (includes slinger when listed)	Slinger Part Number	Companion Flange Part Number	Series
Spline Hole Major Diameter	Pilot Diameter F-Female M-Male	Bolt Circle Diameter	Diameter D-Drilled T-Tapped	# of Holes		Ground Hub Diameter	Length Thru Hole	Flange Face to End of Hub					
2.784-21 Involute Spline													
2.784	6.438-M	7.250	.438D	16	—	3.500	3.000	4.125	6	—	—	6-1-5231•	1710
												<i>Part has 16 equally spaced holes</i>	
2.784	7.750-F	7.250	D	12	—	3.375	3.125	4.440	1	—	—	6.5-1-3021■	
3.000-10 Spline													
3.000	7.750-F	7.250	.440D	12	—	4.000	3.062	3.750	4	—	—	6.5-1-951	
3.503-27 Involute Spline													
3.503	6.888-M	11.024	.875D	8	—	5.003	4.185	5.850	2	315DIN-1-71X•	231574	315DIN-1-61▲	315 DIN
												<i>Slinger not sold separately</i>	
3.503	7.000-F	8.250	.625D	8	—	5.005	4.000	5.188	5	8-1-791X	230922	8-1-751▲	1880
												<i>Slinger not sold separately</i>	

• Part is discontinued ■ Part is available until supply is exhausted ▲ Not sold separately



Important: See Safety Information in General Information Section (J300P-GI)

Circular Type - Straight Round Hole COMPANION FLANGES

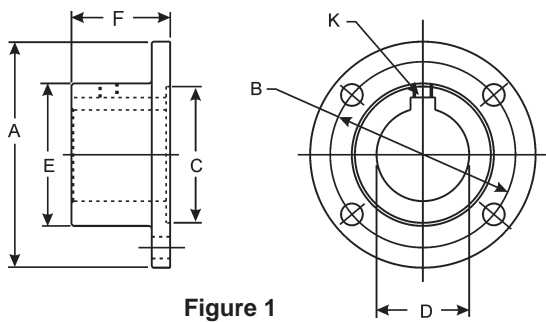


Figure 1

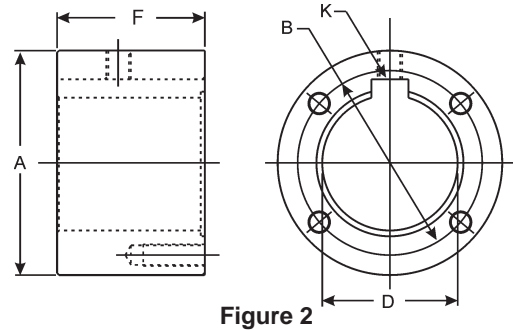


Figure 2

D	K	C	Figure	Bolt Hole Diameter D-Drilled T-Tapped	E	F	Companion Flange Part Number
Bore Diameter	Keyway Width	Pilot Diameter F-Female M-Male			Hub Diameter	Flange Face to End of Hub	
1310 SERIES							
A-3.875 B-3.125 DIA. (4 HOLES)							
.750	—	2.375-F	1	.375-D	2.438	2.000	2-1-1313 <i>Rough bore - without keyway</i>
1.000	.250	2.375-F	1	.375-D	2.438	2.000	2-1-1313-1
1.250	.250	2.375-F	1	.375-D	2.438	2.000	2-1-1313-3
1.250	.310	2.375-M	1	—D	2.250	2.000	2-1-1353-5
1.250	.312	2.375-F	1	.375-D	2.438	2.000	2-1-1313-4
1.375	.312	2.375-F	1	.375-D	2.438	2.000	2-1-1313-5
1.438	.375	2.375-F	1	.375-D	2.438	2.000	2-1-1313-7
1.500	.375	2.375-F	1	.375-D	2.438	2.000	2-1-1313-8
1.625	.375	2.375-F	1	.375-D	2.438	2.000	2-1-1313-9
1.750	.375	2.375-F	2	.375-24-T	3.875	2.500	2-1-1323-1
1.875	.500	2.375-F	2	.375-24-T	3.875	2.500	2-1-1323-3
1350 SERIES							
A-4.562 B-3.750 DIA. (4 HOLES)							
1.000	—	2.750-F	1	.438-D	2.875	2.000	3-1-1013 <i>Rough bore - without keyway</i>
1.000	—	2.750-F	1	.440-D	2.875	3.440	3-1-303 <i>Rough bore - without keyway</i>
1.000	.250	2.750-F	1	.438-D	2.875	2.000	3-1-1013-1
1.125	.250	2.750-F	1	.438-D	2.875	2.000	3-1-1013-2
1.250	.250	2.750-F	1	.438-D	2.875	2.000	3-1-1013-3
1.250	.312	2.750-F	1	.438-D	2.875	2.000	3-1-1013-4
1.375	.312	2.750-F	1	.438-D	2.875	2.000	3-1-1013-5
1.375	.375	2.750-F	1	.438-D	2.875	2.000	3-1-1013-6
1.438	.375	2.750-F	1	.438-D	2.875	2.000	3-1-1013-7
1.500	.375	2.750-F	1	.438-D	2.875	2.000	3-1-1013-8
1.625	.375	2.750-F	1	.438-D	2.875	2.000	3-1-1013-9
1.750	—	2.750-F	2	.438-20-T	4.562	3.000	3-1-1023• <i>Rough bore - without keyway</i>
1.750	.375	2.750-F	1	.438-D	2.875	2.000	3-1-1013-10
1.750	.377	2.750-F	1	.440-D	2.875	3.440	3-1-303-7
1.875	.375	2.750-F	1	.438-D	2.875	2.000	3-1-1013-11
1.875	.500	2.750-F	1	.438-D	2.875	2.000	3-1-1013-12
2.000	.500	2.750-F	2	.438-20-T	4.562	3.000	3-1-1023-1
2.125	.500	2.750-F	2	.438-20-T	4.562	3.000	3-1-1023-2
2.250	.500	2.750-F	2	.438-20-T	4.562	3.000	3-1-1023-10•

• Part is discontinued ■ Part is available until supply is exhausted ▲ Not sold separately



COMPANION FLANGES

Circular Type - Straight Round Hole

D	K	C	Figure	Bolt Hole Diameter D-Drilled T-Tapped	E	F	Companion Flange Part Number
Bore Diameter	Keyway Width	Pilot Diameter F-Female M-Male			Hub Diameter	Flange Face to End of Hub	
1350 SERIES (Continued)			A-4.562 B-3.750 DIA. (4 HOLES)				
2.250	.625	2.750-F	2	.438-20-T	4.562	3.000	3-1-1023-3
2.375	.625	2.750-F	2	.438-20-T	4.562	3.000	3-1-1023-4•
2.750	.625	2.750-F	2	.438-20-T	4.562	3.000	3-1-1023-7•
1480 SERIES			A-5.875 B-4.750 DIA. (4 HOLES)				
1.250	—	3.750-F	1	.500-D	3.750	2.500	4-1-1133 <i>Rough bore - without keyway</i>
1.500	.375	3.750-F	1	.500-D	3.750	2.500	4-1-1133-1
1.625	.375	3.750-F	1	.500-D	3.750	2.500	4-1-1133-2
1.750	.375	3.750-F	1	.500-D	3.750	2.500	4-1-1133-3
1.875	.500	3.750-F	1	.500-D	3.750	2.500	4-1-1133-5
2.000	.500	3.750-F	1	.500-D	3.750	2.500	4-1-1133-6
2.250	.500	3.750-F	1	.500-D	3.750	2.500	4-1-1133-13
2.250	.625	3.750-F	1	.500-D	3.750	2.500	4-1-1133-8
2.375	—	3.750-F	2	.500-20-T	5.875	3.000	4-1-1143 <i>Rough bore - without keyway</i>
2.375	.625	3.750-F	1	.500-D	3.750	2.500	4-1-1133-9•
2.500	.625	3.750-F	2	.500-20-T	5.875	3.000	4-1-1143-1
2.938	.750	3.750-F	2	.500-20-T	5.875	3.000	4-1-1143-3•

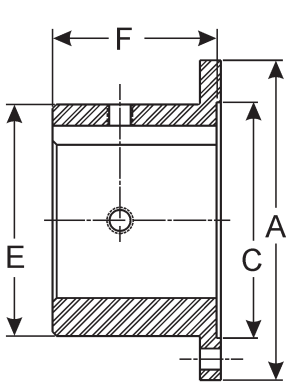
• Part is discontinued ■ Part is available until supply is exhausted ▲ Not sold separately



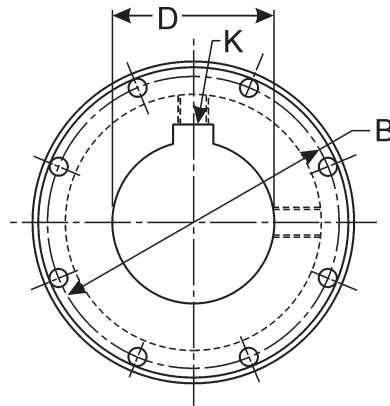
Important: See Safety Information in General Information Section (J300P-GI)

COMPANION FLANGES

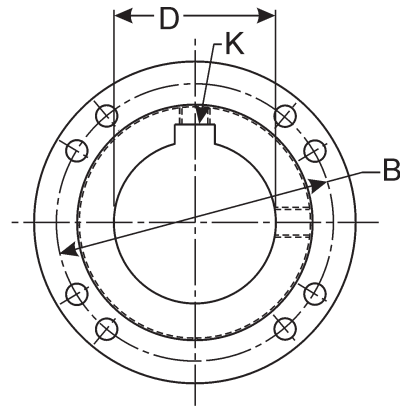
Circular Type - Straight Round Hole



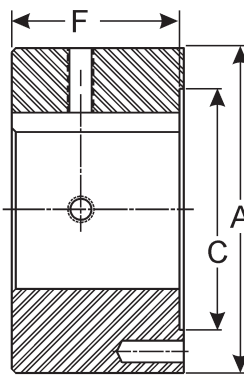
Side View of Styles 1, 2 & 3



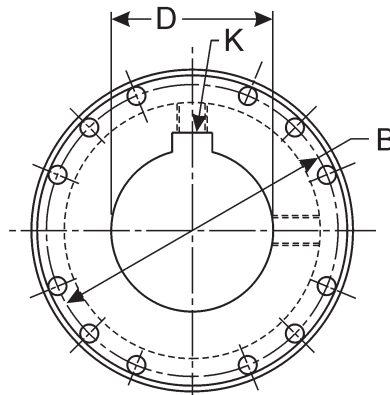
Style 1



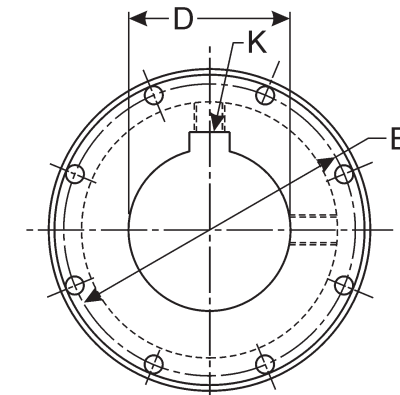
Style 2



Side View of Style 4



Style 3



Style 4

D Bore Diameter	K Keyway Width	C Pilot Diameter F-Female M-Male	Figure	Bolt Hole Diameter D-Drilled T-Tapped	E	F	Companion Flange Part Number
					Hub Diameter	Flange Face to End of Hub	
1610 SERIES							
A-6.875 B-6.125 DIA. (8 HOLES)							
1.250	—	6.625-F	1	.375-D	5.250	3.500	5-1-873 <i>Rough bore - without keyway</i>
2.000	.500	6.625-F	1	.375-D	5.250	3.500	5-1-873-1
2.250	.625	6.625-F	1	.375-D	5.250	3.500	5-1-873-3
2.750	.625	6.625-F	1	.375-D	5.250	3.500	5-1-873-7
2.938	.750	6.625-F	1	.375-D	5.250	3.500	5-1-873-8
3.000	.750	6.625-F	1	.375-D	5.250	3.500	5-1-873-9
3.125	—	6.625-F	4	.375-24-T	6.875	5.000	5-1-883 <i>Rough bore - without keyway</i>
3.500	.875	6.625-F	4	.375-24-T	6.875	5.000	5-1-883-1
1710 SERIES							
A-8.000 B-7.250 DIA. (8 HOLES)							
1.250	—	7.750-F	1	.375-D	6.375	4.000	6-1-1253 <i>Rough bore - without keyway</i>
2.438	.625	7.750-F	1	.375-D	6.375	4.000	6-1-1253-1
2.750	.625	7.750-F	1	.375-D	6.375	4.000	6-1-1253-3
2.938	.750	7.750-F	1	.375-D	6.375	4.000	6-1-1253-4
3.500	.875	7.750-F	1	.375-D	6.375	4.000	6-1-1253-6

• Part is discontinued ■ Part is available until supply is exhausted ▲ Not sold separately



COMPANION FLANGES

Circular Type - Straight Round Hole

D	K	C	Figure	Bolt Hole Diameter D-Drilled T-Tapped	E	F	Companion Flange Part Number
Bore Diameter	Keyway Width	Pilot Diameter F-Female M-Male			Hub Diameter	Flange Face to End of Hub	
1810 SERIES							
A-8.000 B-7.250 DIA. (12 HOLES)							
1.250	—	7.750-F	3	.438-D	6.375	4.000	6.5-1-533 <i>Rough bore - without keyway</i>
2.438	.625	7.750-F	3	.438-D	6.375	4.000	6.5-1-533-1•
2.500	.625	7.750-F	3	.438-D	6.375	4.000	6.5-1-533-2
2.938	.750	7.750-F	3	.438-D	6.375	4.000	6.5-1-533-4
3.500	.875	7.750-F	3	.438-D	6.375	4.000	6.5-1-533-6
1880 SERIES							
A-9.500 B-8.250 DIA. (8 HOLES)							
1.500	—	7.000-F	2	.625-D	6.875	5.000	9-1-333 <i>Rough bore - without keyway</i>
2.938	.750	7.000-F	2	.625-D	6.875	5.000	9-1-333-2
3.500	.875	7.000-F	2	.628-D	6.875	5.000	9-1-333-4• <i>Has two threaded set screw holes</i>
4.000	1.000	7.000-F	1	.625-D	6.875	5.000	9-1-333-6

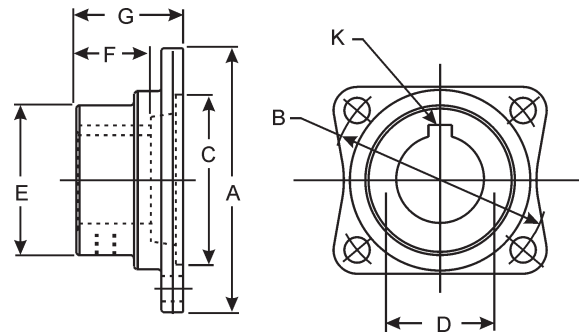
• Part is discontinued ■ Part is available until supply is exhausted † Not sold separately



Important: See Safety Information in General Information Section (J300P-GI)

COMPANION FLANGES

Rectangular Type—Straight Round Hole



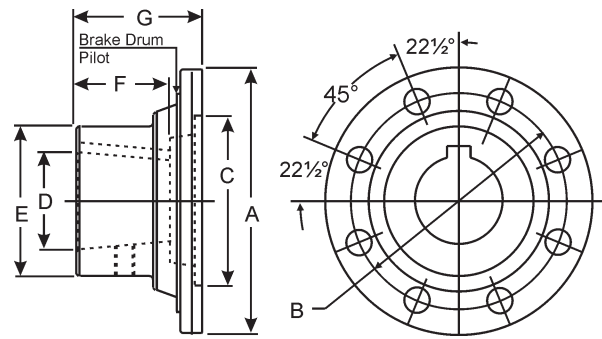
D Bore Diameter	K Keyway Width	C Pilot Diameter F-Female M-Male	Set Screw Hole Viewed from Hub End & Keyway at 12		E Hub Diameter	F Length Thru Hole	G Flange Face to End of Hub	Companion Flange Part Number
			Hole Diameter	At				
1100 SERIES A-3.500 B-2.750 DIA. (4 HOLES)								
.875	.188	2.250-F	.375	6	1.875	1.500	2.125	1-1-253▪
.875	.250	2.250-F	.375	6	1.875	1.500	2.125	1-1-293•
1.000	.250	2.250-F	.375	6	1.875	1.500	2.125	1-1-143
1.125	.250	2.250-F	.375	6&9	1.875	1.500	2.125	1-1-153
1.125	.312	2.250-F	.375	6	1.875	1.500	2.125	1-1-123
1.250	.312	2.250-F	.375	6	1.875	1.500	2.125	1-1-273
1.250	.312	2.250-F	.375	3	1.875	1.500	2.125	1-1-653▪
1.375	.312	2.250-F	.375	6	2.125	1.500	2.125	1-1-473▪
1310 SERIES A-3.875 B-3.125 DIA. (4 HOLES)								
.875	.188	2.375-F	.375	6	1.875	1.500	2.062	2-1-623•
1.000	.250	2.375-F	.375	6	1.875	1.500	2.062	2-1-283
1.125	.250	2.375-F	.375	6&9	1.875	1.500	2.062	2-1-293
1.125	.312	2.375-F	.375	6	1.875	1.500	2.062	2-1-303•
1.250	.250	2.375-F	.375	6	1.875	1.500	2.062	2-1-323
1.250	.312	2.375-F	.375	6	1.875	1.500	2.062	2-1-333
1.375	.312	2.375-F	.375	6	2.120	1.500	2.062	2-1-903▪
1.500	.375	2.375-F	.375	6	2.438	2.000	2.625	2-1-933
1350 SERIES A-4.562 B-3.750 DIA. (4 HOLES)								
1.250	.312	2.750-F	.375	6	2.250	2.000	2.562	3-1-163
1.500	.375	2.750-F	—	—	2.250	2.000	2.562	3-1-333
1.750	.375	2.750-F	.375	12	2.812	—	3.438	3-1-463
<i>3-1-463 was replaced by 3-1-303-7</i>								
1480 SERIES A-5.875 B-4.750 DIA. (4 HOLES)								
2.000	.375	3.750-F	—	—	3.000	2.750	3.590	4-1-1123•
<i>Hub diameter not ground</i>								
1550 SERIES A-5.750 B-4.750 DIA. (4 HOLES)								
1.250	—	3.750-F	—	—	3.000	3.062	3.625	4-1-543▪

• Part is discontinued ■ Part is available until supply is exhausted ▲ Not sold separately



COMPANION FLANGES

Circular Type—Taper Hole



C	D - Taper Hole		E	F	G	Brake Drum Pilot Diameter	Companion Flange Part Number
Pilot Diameter M-Male F-Female	Bore Diameter	Width of Keyway	Ground Hub Diameter	Length Thru Hole	Flange Face to End of Hub		
1610 SERIES		A-6.875 B-6.125 DIA. (8 HOLES)					
6.625-F	1.750	.438	2.750	2.250	2.938	—	5-1-1154
6.625-F	2.000	.500	3.250	3.000	3.625	—	5-1-1924
1650/1710 SERIES		A-CIRCULAR 8.000 B-7.250 DIA. (8 HOLES .325 DIA)					
7.750-F	2.000	.500	3.250	3.000	3.688	—	6-1-1144■

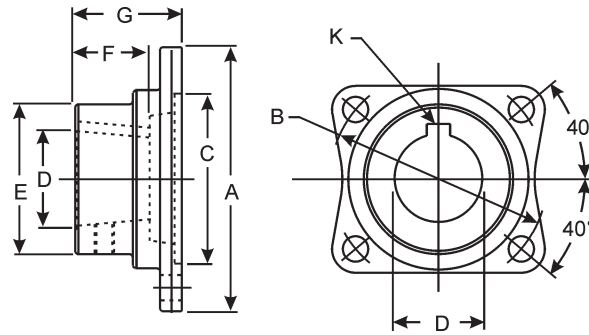
• Part is discontinued ■ Part is available until supply is exhausted ▲ Not sold separately



Important: See Safety Information in General Information Section (J300P-GI)

COMPANION FLANGE

Rectangular Type—Taper Hole



C Pilot Diameter M-Male F-Female	D - Taper Hole		E Ground Hub Diameter	F Length Thru Hole	G Flange Face to End of Hub	Brake Drum Pilot Diameter	Companion Flange Part Number
	Bore Diameter	Width of Keyway					
1310 SERIES		A=3.875 B=3.125 DIA. (4 HOLES)					
1.375 Spline 2.375-F	1.375	.375	2.250	2.000	2.625	—	2-1-634
1.500 Spline 2.375-F	1.500	.375	2.375	2.000	2.625	—	2-1-684•
1350/1 SERIES		A=4.625 B=3.750 (4 HOLES)					
1.250 Spline 2.750-F	1.250	.312	2.125	1.500	2.437	3.000	3-1-604
1.375 Spline 2.750-F	1.375	.375	2.250	2.000	2.625	—	3-1-584■

• Part is discontinued ■ Part is available until supply is exhausted ▲ Not sold separately



1-1-123	16	3-1-1013-2	12	4-1-1133-3	13	5-1-931•	7
1-1-143	16	3-1-1013-3	12	4-1-1133-5	13	5-1-1154	17
1-1-153	16	3-1-1013-4	12	4-1-1133-6	13	5-1-1924	17
1-1-253■	16	3-1-1013-5	12	4-1-1133-8	13	5-1-2421•	5
1-1-273	16	3-1-1013-6	12	4-1-1133-9•	13	5-1-2541	8
1-1-293•	16	3-1-1013-7	12	4-1-1133-13	13	5-1-2551•	8
1-1-473■	16	3-1-1013-8	12	4-1-1143	13	5-1-02709	6
1-1-653■	16	3-1-1013-9	12	4-1-1143-1	13	5-1-02710	8
2-1-283	16	3-1-1013-10	12	4-1-1143-3•	13	5-1-3141■	7
2-1-293	16	3-1-1013-11	12	4-1-1381■	6	5-1-3161	7
2-1-303•	16	3-1-1013-12	12	4-1-2361	7	5-1-4291•	7
2-1-323	16	3-1-1023•	12	4-1-2661•	7	5-1-4301•	7
2-1-333	16	3-1-1023-1	12	4-1-2701	5	5-1-5111	7
2-1-623•	16	3-1-1023-2	12	4-1-2751•	5	5-1-5121X■	7
2-1-634	18	3-1-1023-3	13	4-1-3101	6	5-1-5141•	7
2-1-684•	18	3-1-1023-4•	13	4-1-3151•	5	5-1-5151X•	7
2-1-903■	16	3-1-1023-7•	13	4-1-3171■	6	5-1-6271	7
2-1-933	16	3-1-1023-10•	12	4-1-3321•	6	5-1-6331■	8
2-1-1313	12	3-1-1141•	5	4-1-3331X•	6	5-1-6471X	7
2-1-1313-1	12	3-1-1151	5	4-1-3441■	5	5-1-6511	6
2-1-1313-3	12	3-1-1181•	4	4-1-3571■	5	5-1-6531	6
2-1-1313-4	12	3-1-1521	5	4-1-3721■	6	5-1-6541X•	6
2-1-1313-5	12	3-1-2011	5	4-1-3761•	7	5-1-6551▲	7
2-1-1313-7	12	3-1-2181•	5	4-1-3781•	7	5-1-6561X	7
2-1-1313-8	12	3-1-2311■	5	4-1-3891	5	5-1-6601▲	10
2-1-1313-9	12	3-1-2431	5	4-1-4121•	5	5-1-6611X•	10
2-1-1323-1	12	3-1-2931•	5	4-1-4421•	7	5-1-6691•	8
2-1-1323-3	12	3-1-3191	5	4-1-4471•	7	5-1-6701X•	8
2-1-1353-5	12	3-1-3211	5	4-1-4471•	7	5-1-6721▲	8
2-1-1641•	4	3-1-3341	5	4-1-4481X	7	5-1-6731X•	8
2-1-1871•	4	3-1-3431	5	4-1-4491▲	6	5-1-6891■	7
2-1-1881X	4	3-1-3531•	5	4-1-4501X	6	6-1-911•	7
2-1-2091■	4	3-1-3651■	5	4-1-5021■	7	6-1-951	9
2-1-2341■	4	3-1-3851•	4	4-1-5131	6	6-1-1144■	17
2-1-2391•	4	3-1-3881•	5	4-1-5201X	7	6-1-1253	14
2-1-2501■	5	3-1-3971	5	4-1-5211X■	6	6-1-1253-1	14
2-1-2511•	5	3-1-4001■	5	4-1-5341	6	6-1-1253-3	14
2-1-2581	4	3-1-4031	4	4-1-5451•	7	6-1-1253-4	14
2-1-14029	4	3-1-4041X•	4	4-1-6041▲	7	6-1-1253-6	14
3-1-163	16	3-1-4141•	5	4-1-6051X■	7	6-1-1421■	8
3-1-303	12	3-1-4271■	5	4-1-7001	6	6-1-1461■	7
3-1-303-7	12	3-1-4371•	4	5-1-811■	6	6-1-1481•	8
3-1-333	16	3-1-4951▲	5	5-1-873	14	6-1-1731	8
3-1-463	16	3-1-4961X•	5	5-1-873-1	14	6-1-1761■	6
3-1-584■	18	4-1-543■	16	5-1-873-3	14	6-1-2221	7
3-1-604	18	4-1-601•	7	5-1-873-7	14	6-1-2381■	10
3-1-751	5	4-1-1123•	16	5-1-873-8•	14	6-1-4481	9
3-1-811•	5	4-1-1133	13	5-1-873-9	14	6-1-4541	9
3-1-1013	12	4-1-1133-1	13	5-1-883	14	6-1-4571•	9
3-1-1013-1	12	4-1-1133-2	13	5-1-883-1	14	6-1-4641■	7



6-1-4671■.....	9	8-1-131X.....	9
6-1-4691.....	7	8-1-191•.....	9
6-1-4701X.....	7	8-1-751▲.....	11
6-1-5231•.....	11	8-1-791X.....	11
6-1-5511.....	10	8-1-811▲.....	10
6-1-5541.....	9	8-1-821X•.....	10
6-1-5581.....	9	9-1-333.....	15
6-1-5591▲.....	9	9-1-333-2.....	15
6-1-5601X.....	9	9-1-333-4•.....	15
6-1-5651X■.....	9	9-1-333-6.....	15
6-1-5741.....	9	90-1-11.....	7
6-1-5781.....	7	90-1-21X■.....	7
6-1-5851X■.....	7	2006268▲.....	4
6-1-6071▲.....	9	2006269.....	4
6-1-6081X•.....	9	2006270.....	4
6-1-6161•.....	9	2006271.....	4
6-1-6281▲.....	10	5002709.....	6
6-1-6281▲.....	10	5002710.....	8
6.5-1-151■.....	9	5008460•.....	10
6.5-1-211■.....	9	5008460•.....	10
6.5-1-271.....	7	131436K•.....	10
6.5-1-481.....	8	131436K•.....	10
6.5-1-533.....	15	315DIN-1-61▲.....	11
6.5-1-533-1•.....	15	315DIN-1-71X•.....	11
6.5-1-533-2.....	15		
6.5-1-533-4.....	15		
6.5-1-533-6.....	15		
6.5-1-741.....	10		
6.5-1-951.....	11		
6.5-1-1361.....	9		
6.5-1-1801.....	9		
6.5-1-1811.....	9		
6.5-1-1871■.....	10		
6.5-1-2041.....	9		
6.5-1-2161.....	10		
6.5-1-2271.....	9		
6.5-1-2301•.....	9		
6.5-1-2311•.....	10		
6.5-1-2351X•.....	9		
6.5-1-2361X.....	10		
6.5-1-2391.....	9		
6.5-1-2401X.....	9		
6.5-1-2421•.....	8		
6.5-1-2441•.....	9		
6.5-1-2591•.....	9		
6.5-1-2941■.....	8		
6.5-1-3001■.....	10		
6.5-1-3021■.....	11		
6.5-1-3041.....	9		
8-1-121•.....	9		