

SPICER®



J300P-11

June 2016

Supersedes Section 11

Dated October 2008

Driveline Components Catalog Coupling Shafts - SPL® and 10 Series™

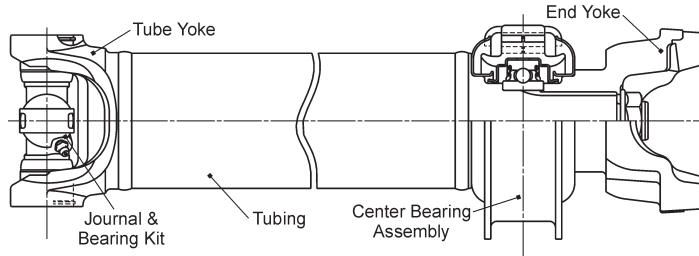


Coupling shafts and joint & shaft assemblies for use with companion flange, end yoke, or outboard slip yoke, all built to exact Dana standards.



Product pictured is intended to be a representation of product category.

**Coupling Shafts, Joint & Shaft Assemblies
For Use With Companion Flange or End Yoke**



| Midship Stub Shaft | | Center Bearing Assy. | | Flat Washer | Shaft Nut or Cap Screw | End Yoke (4) or Companion Flange (1) |
|----------------------------------|--|-------------------------------------|--------------|-----------------------------|------------------------|--|
| Part Number | Spline Dia. & No. | Part Number | Bearing I.D. | | | |
| 1210 Series | Strap Kit 2-70-18X | | | | | For Kits 5-443X |
| Tubing Size: 2.000 x .083 | | Tubing Part Number: 16-30-62 | | Tube Yoke: 2-28-2417 | | |
| 2-53-901 | 1.125 - 26 | 211431X | 1.260 | 230123-12 | 231781 | 2-4-6191-1 |
| 1310 Series | Strap Kit 2-70-18X, U-bolt Kit 2-94-28X | | | | | For Kits 5-153X, 5-785X & 5-810X, 5-1200X |
| Tubing Size: 2.500 x .065 | | Tubing Part Number: 20-30-12 | | Tube Yoke: 2-28-277 | | |
| 2-53-1321 | 1.125 - 26 | 211872-1X | 1.181 | 230123-12 | 231781 | 2-4-7021-1 |
| Tubing Size: 2.500 x .083 | | Tubing Part Number: 20-30-22 | | Tube Yoke: 2-28-367 | | |
| 2-53-1191 | 1.375 - 10 | 210090-1X | 1.378 | ~ | 16-74-101 | 2-4-2671 |
| 2-53-1351 | 1.125 - 26 | 211872-1X | 1.181 | 230123-12 | 231781 | 2-4-7021-1 |
| 2-53-1051• | 1.125 - 26 | 211589-1X | 1.181 | 230123-12 | 231781 | 2-4-7291-1X |
| Tubing Size: 3.000 x .083 | | Tubing Part Number: 24-30-42 | | Tube Yoke: 2-28-437 | | |
| 2-53-1151 | 1.375 - 10 | 211090-1X▲ | 1.378 | ~ | 16-74-101 | 2-4-2671 |
| 1350 Series | Strap Kit 3-70-28X | | | | | For Kits 5-178X & 5-799X |
| Tubing Size: 3.000 x .083 | | Tubing Part Number: 24-30-42 | | Tube Yoke: 3-28-57 | | |
| 3-54-611 | 1.375 - 10 | 210367-1X | 1.378 | ~ | 16-74-101 | 3-4-178-1X |
| Tubing Size: 3.500 x .083 | | Tubing Part Number: 28-30-62 | | Tube Yoke: 3-28-427 | | |
| 3-53-2541 | 1.250 - 29 | 211359X | 1.574 | ~ | 16-74-101 | 3-4-14621-1 |
| 3-53-2541 | 1.250 - 29 | 212053-1X | 1.574 | ~ | 16-74-101 | 3-4-14621-1 |
| 3-53-2301 | 1.500 - 10 | 212053-1X | 1.574 | ~ | 16-74-101 | 3-4-13881-1 |
| 1410 Series | Strap Kit 3-70-28X | | | | | For Kits 5-160X & 5-801X |
| Tubing Size: 3.000 x .083 | | Tubing Part Number: 24-30-42 | | Tube Yoke: 3-28-97 | | |
| 3-54-611 | 1.375 - 10 | 210367-1X | 1.378 | ~ | 16-74-101 | 3-4-2851-1X |
| 3-53-1811 | 1.500 - 10 | 210391-1X | 1.574 | ~ | 16-74-101 | 3-4-2941-1 |
| 3-53-1781 | 1.500 - 10 | 210873-1X | 1.574 | ~ | 16-74-101 | 3-4-6561-1 |
| 3-53-1781 | 1.500 - 10 | 210873-1X | 1.574 | ~ | 16-74-101 | 3-4-6631-1X |
| Tubing Size: 3.000 x .095 | | Tubing Part Number: 24-30-12 | | Tube Yoke: 3-28-267 | | |
| 3-53-1891 | 1.500 - 10 | 210873-1X | 1.574 | ~ | 16-74-101 | 3-4-6561-1 |
| 3-53-1891 | 1.500 - 10 | 210873-1X | 1.574 | ~ | 16-74-101 | 3-4-6631-1X |
| Tubing Size: 3.500 x .083 | | Tubing Part Number: 28-30-62 | | Tube Yoke: 3-28-557 | | |
| 3-53-1821 | 1.500 - 10 | 210391-1X | 1.574 | ~ | 16-74-101 | 3-4-2941-1 |
| 3-53-1791 | 1.500 - 10 | 210873-1X | 1.574 | ~ | 16-74-101 | 3-4-6561-1 |
| 3-53-1791 | 1.500 - 10 | 210873-1X | 1.574 | ~ | 16-74-101 | 3-4-6631-1X |
| 3-53-2541 | 1.250 - 29 | 211359X | 1.574 | ~ | 16-74-101 | 3-4-14591-1 |
| 3-53-2541 | 1.250 - 29 | 212053-1X | 1.574 | ~ | 16-74-101 | 3-4-14591-1 |
| Tubing Size: 4.000 x .083 | | Tubing Part Number: 32-30-22 | | Tube Yoke: 3-28-457 | | |
| 3-53-1831 | 1.500 - 10 | 210391-1X | 1.574 | ~ | 16-74-101 | 3-4-2941-1 |
| 3-53-1801 | 1.500 - 10 | 210873-1X | 1.574 | ~ | 16-74-101 | 3-4-6561-1 |

For parts and assemblies that are discontinued, will be discontinued upon depletion of stock, or not sold separately, please see the appropriate Spicer® J300P product catalog.



Coupling Shafts, Joint & Shaft Assemblies
For Use With Companion Flange or End Yoke

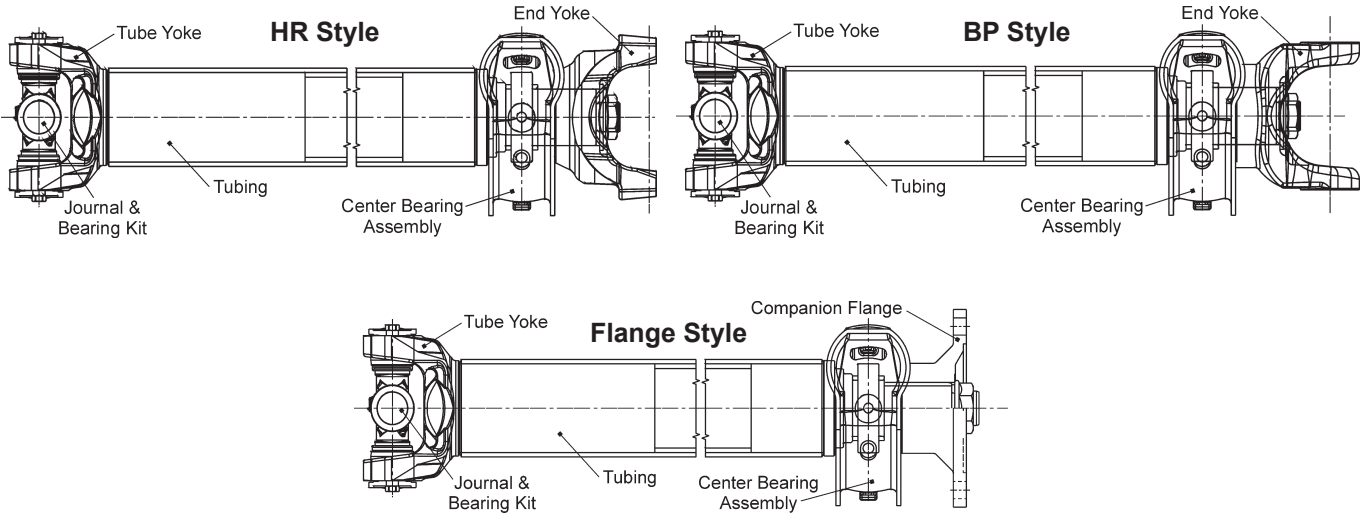
| Midship Stub Shaft | | Center Bearing Assy. | | Flat Washer | Shaft Nut or Cap Screw | End Yoke (4) or Companion Flange (1) |
|----------------------------------|---------------------------|-------------------------------------|--------------|----------------------------|------------------------|--|
| Part Number | Spline Dia. & No. | Part Number | Bearing I.D. | | | |
| 1480 Series | Strap Kit 3-70-38X | | | | | For Kits 5-188X, 5-803X 5-804X |
| Tubing Size: 3.500 x .083 | | Tubing Part Number: 28-30-62 | | Tube Yoke: 3-28-537 | | |
| 3-53-1821 | 1.500 - 10 | 210391-1X | 1.574 | ~ | 16-74-101 | 3-4-4421-1X |
| 3-53-1791 | 1.500 - 10 | 210873-1X | 1.574 | ~ | 16-74-101 | 3-4-6901-1 |
| Tubing Size: 4.000 x .083 | | Tubing Part Number: 32-30-22 | | Tube Yoke: 3-28-507 | | |
| 3-53-1831 | 1.500 - 10 | 210391-1X | 1.574 | ~ | 16-74-101 | 3-4-4421-1X |
| 3-53-1801 | 1.500 - 10 | 210873-1X | 1.574 | ~ | 16-74-101 | 3-4-6901-1 |
| 1550 Series | Strap Kit 3-70-38X | | | | | For Kits 5-155X, 5-808X 5-809X |
| Tubing Size: 3.500 x .095 | | Tubing Part Number: 28-30-22 | | Tube Yoke: 4-28-417 | | |
| 4-53-401 | 1.500 - 10 | 210084-2X | 1.771 | ~ | 16-74-101 | 4-4-4211-1 |
| 4-53-361 | 1.500 - 10 | 210391-1X | 1.574 | ~ | 16-74-101 | 4-4-2051-1 |
| Tubing Size: 4.000 x .083 | | Tubing Part Number: 32-30-22 | | Tube Yoke: 4-28-277 | | |
| 4-53-271 | 1.500 - 10 | 210084-2X | 1.771 | ~ | 16-74-101 | 4-4-4211-1 |
| 4-53-271 | 1.500 - 10 | 210084-2X | 1.771 | ~ | 16-74-101 | 4-4-4211-2* <i>Uses OEM strap kit</i> |
| 3-53-1831 | 1.500 - 10 | 210391-1X | 1.574 | ~ | 16-74-101 | 4-4-2051-1 |

For parts and assemblies that are discontinued, will be discontinued upon depletion of stock, or not sold separately, please see the appropriate Spicer® J300P product catalog.



Important: See Safety Information in General Information Section (J300P-GI)

**Coupling Shafts, Joint & Shaft Assemblies
For Use With Companion Flange or End Yoke**



| Midship Stub Shaft | | Center Bearing Assy. | | Flat Washer | Shaft Nut or Cap Screw | End Yoke (4) or Companion Flange (1) |
|---|-------------------|---|--------------|---|------------------------|--------------------------------------|
| Part Number | Spline Dia. & No. | Part Number | Bearing I.D. | | | |
| 1610 Series | | Strap Kit 5-70-28X | | For Kits 5-279X & 5-674X(HR) | | |
| Tube yokes can use either 5-279X or 5-674X U-joint | | | | | | |
| Tubing Size: 3.500 x .134 | | Tubing Part Number: 28-30-92 | | Tube Yoke: 5-28-627 | | |
| 5-53-141 | 1.750 - 10 | 210084-2X | 1.771 | ~ | 231502 | 5-4-1721 |
| 5-53-141 | 1.750 - 10 | 210084-2X | 1.771 | ~ | 231502 | 5-4-1721-1(HR) |
| 5-53-261 | 1.750 - 34 | 210084-2X | 1.771 | ~ | 231502 | 5-4-7171-1(HR) |
| Tubing Size: 4.000 x .134 | | Tubing Part Number: 32-30-52 | | Tube Yoke: 5-28-327 | | |
| 5-53-191 | 1.750 - 10 | 210084-2X | 1.771 | ~ | 231502 | 5-4-1721 |
| 5-53-191 | 1.750 - 10 | 210084-2X | 1.771 | ~ | 231502 | 5-4-1721-1(HR) |
| 5-53-271 | 1.750 - 34 | 210084-2X | 1.771 | ~ | 231502 | 5-4-7171-1(HR) |
| 1710 Series | | Strap Kit 6.5-70-18X or 212214X (cast style strap) | | For Kits 5-280X & 5-675X(HR) | | |
| Tube yokes can use either 5-280X or 5-675X U-joint | | | | | | |
| Tubing Size: 4.000 x .134 | | Tubing Part Number: 32-30-52 | | Tube Yoke: 6-28-347 | | |
| 6-53-201 | 1.958 - 10 | 210121-1X | 1.968 | 230123-6 | 231502 | 6-1-4641 |
| 6-53-201 | 1.958 - 10 | 210121-1X | 1.968 | 230123-6 | 231502 | 6-4-1981 |
| 6-53-201 | 1.958 - 10 | 210121-1X | 1.968 | 230123-6 | 231502 | 6-4-1981-1(HR) |
| 6-53-411 | 1.950 - 38 | 210121-1X | 1.968 | 230123-6 | 231502 | 6-4-7141 |
| 6-53-411 | 1.950 - 38 | 210121-1X | 1.968 | 230123-6 | 231502 | 6-4-7141-1(HR) |
| 6-53-201 | 1.958 - 10 | 210881-1X | 1.968 | 230123-6 | 231502 | 6-1-4641 |
| 6-53-201 | 1.958 - 10 | 210881-1X | 1.968 | 230123-6 | 231502 | 6-4-1981 |
| 6-53-201 | 1.958 - 10 | 210881-1X | 1.968 | 230123-6 | 231502 | 6-4-1981-1(HR) |
| Tubing Size: 4.500 x .134 | | Tubing Part Number: 36-30-62 | | Tube Yoke: 6-28-407 | | |
| 6-53-241 | 1.958 - 10 | 210121-1X | 1.968 | 230123-6 | 231502 | 6-4-1981 |
| 6-53-241 | 1.958 - 10 | 210121-1X | 1.968 | 230123-6 | 231502 | 6-4-1981-1(HR) |
| 6-53-421 | 1.950 - 38 | 210121-1X | 1.968 | 230123-6 | 231502 | 6-4-7141 |
| 6-53-421 | 1.950 - 38 | 210121-1X | 1.968 | 230123-6 | 231502 | 6-4-7141-1(HR) |
| 6-53-241 | 1.958 - 10 | 210881-1X | 1.968 | 230123-6 | 231502 | 6-4-1981 |
| 6-53-241 | 1.958 - 10 | 210881-1X | 1.968 | 230123-6 | 231502 | 6-4-1981-1(HR) |
| 1710 HD Series | | Strap Kit 6.5-70-18X or 212214X (cast style strap) | | For Kits 5-280X & 5-675X(HR) | | |
| Tube yokes can use either 5-280X or 5-675X U-joint | | | | | | |
| Tubing Size: 4.000 x .134 | | Tubing Part Number: 32-30-52 | | Tube Yoke: 6-28-347 | | |
| 6.3-53-21 | 2.350 - 46 | 5003323 | 2.362 | 230123-6 | 231502 | 6-4-7481-1 (HR) |

For parts and assemblies that are discontinued, will be discontinued upon depletion of stock, or not sold separately, please see the appropriate Spicer® J300P product catalog.



Coupling Shafts, Joint & Shaft Assemblies

For Use With Companion Flange or End Yoke

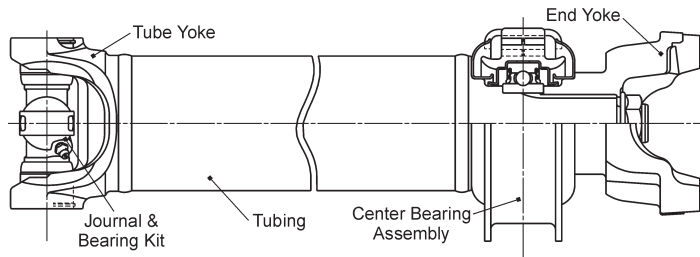
| Midship Stub Shaft | | Center Bearing Assy. | | Flat Washer | Shaft Nut or Cap Screw | End Yoke (4) or Companion Flange (1) |
|---|-------------------|-------------------------------------|--------------|------------------------------|------------------------|--------------------------------------|
| Part Number | Spline Dia. & No. | Part Number | Bearing I.D. | | | |
| 1710 HD Series (Con't) Strap Kit 6.5-70-18X or 212214X (cast style strap) For Kits 5-280X & 5-675X(HR) | | | | | | |
| Tube yokes can use either 5-280X or 5-675X U-joint | | | | | | |
| Tubing Size: 4.000 x .134 | | Tubing Part Number: 32-30-52 | | Tube Yoke: 6-28-347 | | |
| 6.3-53-21 | 2.350 - 46 | 5003326 | 2.362 | 230123-6 | 231502 | 6-4-7481-1 (HR) |
| 6-53-311 | 2.350 - 16 | 5003323 | 2.362 | 230123-6 | 231502 | 6-4-5071X |
| 6-53-311 | 2.350 - 16 | 5003323 | 2.362 | 230123-6 | 231502 | 6-4-4601-1(HR) |
| 6-53-311 | 2.350 - 16 | 5003326 | 2.362 | 230123-6 | 231502 | 6-4-5071X |
| 6-53-311 | 2.350 - 16 | 5003326 | 2.362 | 230123-6 | 231502 | 6-4-4601-1(HR) |
| Tubing Size: 4.095 x .180 | | Tubing Part Number: 36-30-72 | | Tube Yoke: 6-28-347 | | |
| 6-53-311 | 2.350 - 16 | 5003323 | 2.362 | 230123-6 | 20-74-91 | 6-1-5581 |
| 6-53-311 | 2.350 - 16 | 5003323 | 2.362 | 230123-6 | 231502 | 6-4-5071X |
| 6-53-311 | 2.350 - 16 | 5003323 | 2.362 | 230123-6 | 231502 | 6-4-4601-1(HR) |
| 6-53-311 | 2.350 - 16 | 5003326 | 2.362 | 230123-6 | 231502 | 6-4-5071X |
| 6-53-311 | 2.350 - 16 | 5003326 | 2.362 | 230123-6 | 231502 | 6-4-4601-1(HR) |
| 6.3-53-21 | 2.350 - 46 | 5003323 | 2.362 | 230123-6 | 231502 | 6-4-7481-1(HR) |
| 6.3-53-21 | 2.350 - 46 | 5003326 | 2.362 | 230123-6 | 231502 | 6-4-7481-1(HR) |
| Tubing Size: 4.500 x .134 | | Tubing Part Number: 36-30-62 | | Tube Yoke: 6-28-407 | | |
| 6.5-53-91 | 2.350 - 16 | 5003323 | 2.362 | 230123-6 | 231502 | 6-4-5071X |
| 6.5-53-91 | 2.350 - 16 | 5003323 | 2.362 | 230123-6 | 231502 | 6-4-4601-1(HR) |
| 6.5-53-91 | 2.350 - 16 | 5003326 | 2.362 | 230123-6 | 231502 | 6-4-5071X |
| 6.5-53-91 | 2.350 - 16 | 5003326 | 2.362 | 230123-6 | 231502 | 6-4-4601-1(HR) |
| 6.5-53-171 | 2.350 - 46 | 5003323 | 2.362 | 230123-6 | 231502 | 6-4-7481-1(HR) |
| 6.5-53-171 | 2.350 - 46 | 5003326 | 2.362 | 230123-6 | 231502 | 6-4-7481-1(HR) |
| 1760 Series Strap Kit 6.5-70-18X or 212214X (cast style strap) For Kits 5-407X & 5-677X(HR) | | | | | | |
| Tube yokes can use either 5-407X or 5-677X U-joint | | | | | | |
| Tubing Size: 4.095 x .180 | | Tubing Part Number: 32-30-72 | | Tube Yoke: 6.3-28-17 | | |
| 6-53-311 | 2.350 - 16 | 5003323 | 2.362 | 230123-6 | 231502 | 6.3-4-161 |
| 6-53-311 | 2.350 - 16 | 5003323 | 2.362 | 230123-6 | 231502 | 6.3-4-161-1(HR) |
| 6-53-311 | 2.350 - 16 | 5003326 | 2.362 | 230123-6 | 231502 | 6.3-4-161 |
| 6-53-311 | 2.350 - 16 | 5003326 | 2.362 | 230123-6 | 231502 | 6.3-4-161-1(HR) |
| 6.3-53-21 | 2.350 - 46 | 5003323 | 2.362 | 230123-6 | 231502 | 6.3-4-821-1(HR) |
| 6.3-53-21 | 2.350 - 46 | 5003326 | 2.362 | 230123-6 | 231502 | 6.3-4-821-1(HR) |
| 1810 Series Strap Kit 6.5-70-18X or 212214X (cast style strap) For Kits 5-281X & 5-676X(HR) | | | | | | |
| Tube yokes can use either 5-281X or 5-676X U-joint | | | | | | |
| Tubing Size: 4.500 x .134 | | Tubing Part Number: 36-30-62 | | Tube Yoke: 6.5-28-117 | | |
| 6.5-53-91 | 2.350 - 16 | 5003323 | 2.362 | 230123-6 | 20-74-91 | 6.5-1-1811 |
| 6.5-53-91 | 2.350 - 16 | 5003323 | 2.362 | 230123-6 | 231502 | 6.5-4-1891 |
| 6.5-53-91 | 2.350 - 16 | 5003323 | 2.362 | 230123-6 | 231502 | 6.5-4-1891-1(HR) |
| 6.5-53-91 | 2.350 - 16 | 5003326 | 2.362 | 230123-6 | 20-74-91 | 6.5-1-1811 |
| 6.5-53-91 | 2.350 - 16 | 5003326 | 2.362 | 230123-6 | 231502 | 6.5-4-1891 |
| 6.5-53-91 | 2.350 - 16 | 5003326 | 2.362 | 230123-6 | 231502 | 6.5-4-1891-1(HR) |
| 6.5-53-171 | 2.350 - 46 | 5003323 | 2.362 | 230123-6 | 231502 | 6.5-4-3591-1(HR) |
| 6.5-53-171 | 2.350 - 46 | 5003326 | 2.362 | 230123-6 | 231502 | 6.5-4-3591-1(HR) |
| Tubing Size: 4.500 x .259 | | Tubing Part Number: 36-30-22 | | Tube Yoke: 6.5-28-127 | | |
| 6.5-53-51 | 2.350 - 16 | 5003323 | 2.362 | 230123-6 | 231502 | 6.5-4-1891 |
| 6.5-53-51 | 2.350 - 16 | 5003323 | 2.362 | 230123-6 | 231502 | 6.5-4-1891-1(HR) |
| 6.5-53-51 | 2.350 - 16 | 5003326 | 2.362 | 230123-6 | 231502 | 6.5-4-1891 |
| 6.5-53-51 | 2.350 - 16 | 5003326 | 2.362 | 230123-6 | 231502 | 6.5-4-1891-1(HR) |
| 6.5-53-181 | 2.350 - 46 | 5003323 | 2.362 | 230123-6 | 231502 | 6.5-4-3591-1(HR) |
| 6.5-53-181 | 2.350 - 46 | 5003326 | 2.362 | 230123-6 | 231502 | 6.5-4-3591-1(HR) |

For parts and assemblies that are discontinued, will be discontinued upon depletion of stock, or not sold separately, please see the appropriate Spicer® J300P product catalog.



Important: See Safety Information in General Information Section (J300P-GI)

**Coupling Shafts, Joint & Shaft Assemblies
For Use With Companion Flange or End Yoke**

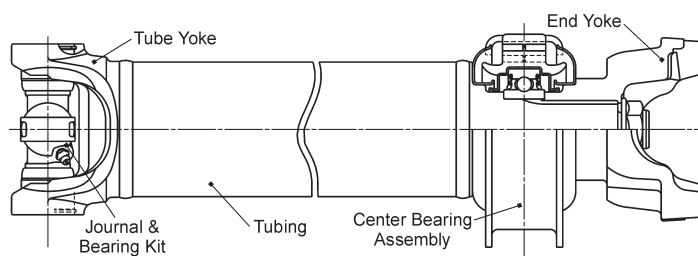


| Midship Stub Shaft | | Center Bearing Assy. | | Flat Washer | Shaft Nut or Cap Screw | End Yoke (4) or Companion Flange (1) |
|----------------------------------|-------------------|-------------------------------------|--------------|-------------------------------------|------------------------|--------------------------------------|
| Part Number | Spline Dia. & No. | Part Number | Bearing I.D. | | | |
| SPL55 Series | | Strap Kit - 3-70-38X | | For Kits 5-803X & 5-804X | | |
| Tubing Size: 3.500 x .083 | | Tubing Part Number: 28-30-62 | | Tube Yoke: 3-28-537 | | |
| 55-53-101 | 1.543 - 36 | 212031X | 1.574 | ~ | 16-74-101 | 55-4-11-1 |
| 55-53-101 | 1.543 - 36 | 212144-1X * | 1.574 | ~ | 16-74-101 | 55-4-11-1 |
| <i>* Do not use Boot Can</i> | | | | | | |
| SPL70 Series | | Strap Kit - 3-70-38X | | For Kits 5-808X & 5-809X | | |
| Tubing Size: 3.500 x .095 | | Tubing Part Number: 28-30-22 | | Tube Yoke: 4-28-307 | | |
| 70-53-61 | 1.750 - 34 | 212134-1X | 1.771 | 230123-6 | 20-74-91 | 70-4-11-1 |
| 70-53-61 | 1.750 - 34 | 212261-1X | 1.771 | 230123-6 | 20-74-91 | 70-4-11-1 |
| Tubing Size: 4.000 x .083 | | Tubing Part Number: 32-30-22 | | Tube Yoke: 4-28-277 | | |
| 70-53-31* | 1.750 - 34 | 212134-1X | 1.771 | 230123-6 | 20-74-91 | 70-4-11-1 |
| 70-53-31* | 1.750 - 34 | 212145-1X * | 1.771 | 230123-6 | 20-74-91 | 70-4-11-1 |
| <i>* Do not use Boot Can</i> | | | | | | |
| SPL90 Series | | Strap Kit - 90-70-28X | | For Kit SPL100-1X | | |
| Tubing Size: 4.000 x .095 | | Tubing Part Number: 32-30-12 | | Tube Yoke: 90-28-17 | | |
| 90-53-31 | 1.750 - 34 | 210084-2X | 1.771 | ~ | 231502 | 90-4-11-1 |
| Tubing Size: 4.000 x .134 | | Tubing Part Number: 32-30-52 | | Tube Yoke: 90-28-27 | | |
| 90-53-11 | 1.750 - 34 | 210084-2X | 1.771 | ~ | 231502 | 90-4-11-1 |
| SPL100 Series | | Strap Kit - 90-70-28X | | For Kit SPL100-1X | | |
| Tubing Size: 4.000 x .095 | | Tubing Part Number: 32-30-12 | | Tube Yoke: 100-28-17 | | |
| 100-53-31 | 1.750 - 34 | 212134-1X | 1.771 | 230123-6 | 20-74-91 | 100-4-931-1 |
| 100-53-31 | 1.750 - 34 | 212261-1X | 1.771 | 230123-6 | 20-74-91 | 100-4-931-1 |

For parts and assemblies that are discontinued, will be discontinued upon depletion of stock, or not sold separately, please see the appropriate Spicer® J300P product catalog.



Coupling Shafts, Joint & Shaft Assemblies For Use With Companion Flange or End Yoke



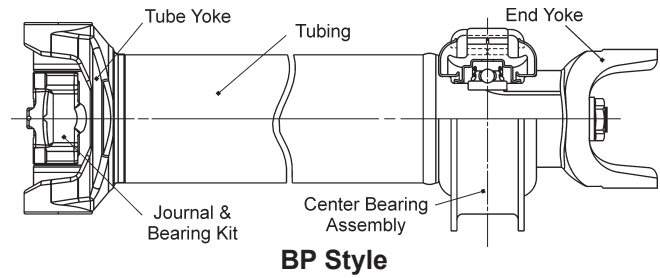
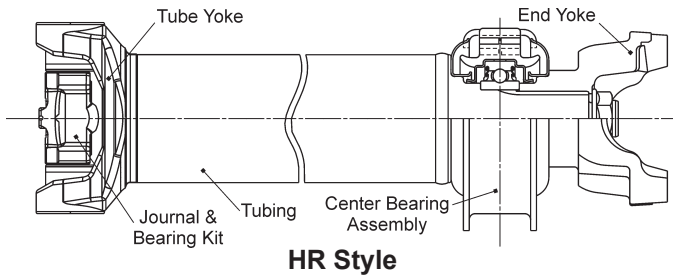
| Midship Stub Shaft | | Center Bearing Assy. | | Flat Washer | Shaft Nut or Cap Screw | End Yoke (4) or Companion Flange (1) |
|---|-------------------|---|--------------|-----------------------------------|------------------------|--|
| Part Number | Spline Dia. & No. | Part Number | Bearing I.D. | | | |
| SPL140 Series Strap Kit - 140-70-18X | | | | | | For Kit SPL140X |
| Tubing Size: 4.213 x .138 | | Tubing Part Number: 100-30-3 | | Tube Yoke: 140-28-17 | | |
| 140-53-11 | 1.950 - 38 | 210121-1X | 1.968 | 230123-6 | 250-74-11 | 140-4-11-1 |
| 140-53-11 | 1.950 - 38 | 210881-1X | 1.968 | 230123-6 | 250-74-11 | 140-4-11-1 |
| 140-53-21 | 2.350 - 46 | 5003323 | 2.362 | 230123-6 | 250-74-11 | 140-4-1011-1 |
| 140-53-21 | 2.350 - 46 | 5003326 | 2.362 | 230123-6 | 250-74-11 | 140-4-1011-1 |
| Tubing Size: 4.331 x .197 | | Tubing Part Number: 100-30-5 | | Tube Yoke: 140-28-17 | | |
| 140-53-11 | 1.950 - 38 | 210121-1X | 1.968 | 230123-6 | 250-74-11 | 140-4-11-1 |
| 140-53-11 | 1.950 - 38 | 210881-1X | 1.968 | 230123-6 | 250-74-11 | 140-4-11-1 |
| 140-53-21 | 2.350 - 46 | 5003323 | 2.362 | 230123-6 | 250-74-11 | 140-4-1011-1 |
| 140-53-21 | 2.350 - 46 | 5003326 | 2.362 | 230123-6 | 250-74-11 | 140-4-1011-1 |
| SPL170 Series Strap Kit - 170-70-18X | | | | | | For Kit SPL170-3X |
| Tubing Size: 4.961 x .118 | | Tubing Part Number: 120-30-3 | | Tube Yoke: 170-28-17 | | |
| 250-53-11 | 2.350 - 46 | 5003323 | 2.362 | 230123-6 | 250-74-11 | 170-4-1271-1 |
| 250-53-11 | 2.350 - 46 | 5003326 | 2.362 | 230123-6 | 250-74-11 | 170-4-1271-1 |
| 250-53-11 | 2.350 - 46 | 5003628 | 2.362 | 230123-6 | 250-74-11 | 170-4-1271-1 |
| Tubing Size: 5.059 x .167 | | Tubing Part Number: 120-30-4 | | Tube Yoke: 170-28-17 | | |
| 250-53-11 | 2.350 - 46 | 5003323 | 2.362 | 230123-6 | 250-74-11 | 170-4-1271-1 |
| 250-53-11 | 2.350 - 46 | 5003326 | 2.362 | 230123-6 | 250-74-11 | 170-4-1271-1 |
| SPL250 Series Strap Kit - 250-70-18X | | | | | | For Kit SPL250X |
| Tubing Size: 5.059 x .167 | | Tubing Part Number: 120-30-4 | | Tube Yoke: 250-28-17 | | |
| 250-53-11 | 2.350 - 46 | 5003323 | 2.362 | 230123-6 | 250-74-11 | 250-4-21-1 |
| 250-53-11 | 2.350 - 46 | 5003326 | 2.362 | 230123-6 | 250-74-11 | 250-4-21-1 |
| Tubing Size: 5.118 x .197 | | Tubing Part Number: 120-30-5 | | Tube Yoke: 250-28-17 | | |
| 250-53-11 | 2.350 - 46 | 5003323 | 2.362 | 230123-6 | 250-74-11 | 250-4-21-1 |
| 250-53-11 | 2.350 - 46 | 5003326 | 2.362 | 230123-6 | 250-74-11 | 250-4-21-1 |
| Tubing Size: 5.197 x .236 | | Tubing Part Number: 120-30-6 | | Tube Yoke: 250-28-17 | | |
| 250-53-11 | 2.350 - 46 | 5003323 | 2.362 | 230123-6 | 250-74-11 | 250-4-21-1 |
| 250-53-11 | 2.350 - 46 | 5003326 | 2.362 | 230123-6 | 250-74-11 | 250-4-21-1 |
| SPL350 Series Strap Kit - 350-70-18X | | | | | | For Kit SPL350X & SPL350SFx |
| Tubing Size: 5.457 x .167 | | Tubing Part Number: 138.5-30-4.3 | | Tube Yoke: 350-28-10018745 | | |
| 350-53-23770 | 2.707 - 68 | 350CB0001X | 2.756 | N/A | 350-74-23806 | 350-4-11-1 |
| Tubing Size: 5.512 x .197 | | Tubing Part Number: 140-30-5 | | Tube Yoke: 350-28-10018745 | | |
| 350-53-23770 | 2.707 - 68 | 350CB0001X | 2.756 | N/A | 350-74-23806 | 350-4-11-1 |

For parts and assemblies that are discontinued, will be discontinued upon depletion of stock, or not sold separately, please see the appropriate Spicer® J300P product catalog.



Important: See Safety Information in General Information Section (J300P-GI)

**Coupling Shafts
Adapter Type Joint & Shaft Assemblies**

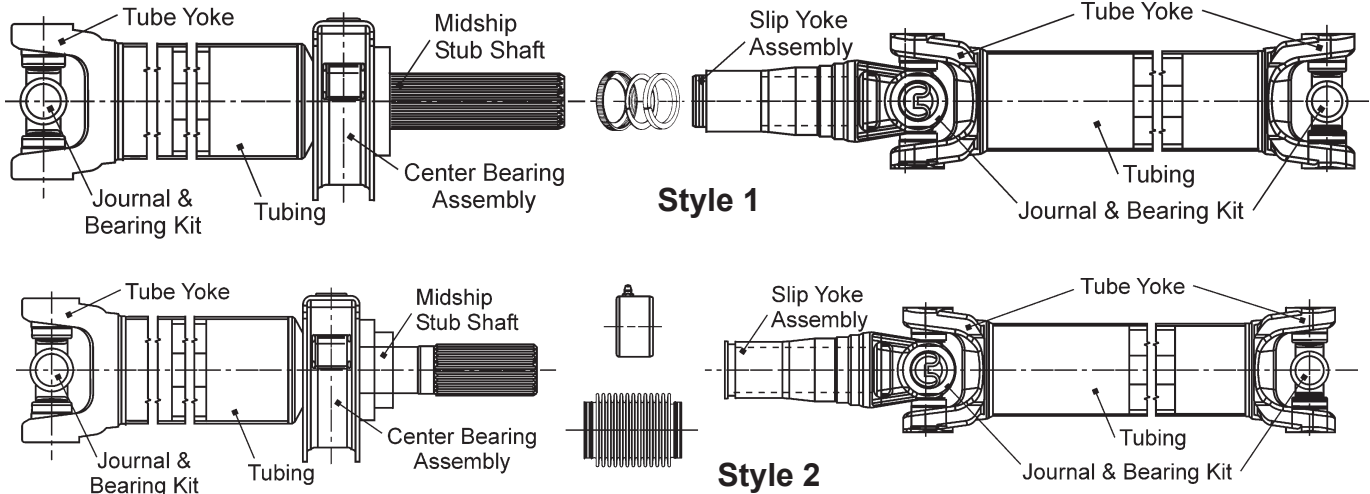


| Midship Stub Shaft | | Center Bearing Assy. | | Flat Washer | Shaft Nut or Cap Screw | End Yoke (4) or Companion Flange (1) |
|--|-------------------|-------------------------------------|--------------|------------------------------|------------------------|--|
| Part Number | Spline Dia. & No. | Part Number | Bearing I.D. | | | |
| Spicer 1550 HR Series - Will Adapt To Mechanics 6C or Meritor (Rockwell) 62N For Kits 6C-5X or 6C-3X | | | | | | |
| Tubing Size: 3.500 x .095 | | Tubing Part Number: 28-30-22 | | Tube Yoke: 4-28-417 | | |
| 4-53-361 | 1.500 - 10 | 210391-1X | 1.574 | ~ | 16-74-101 | 4-4-2051-1 <i>3-70-28X Strap Kit used on End yoke</i> |
| Spicer 1550 HR Series - Will Adapt To Meritor (Rockwell) 58WB For Kits 5-328X | | | | | | |
| Tubing Size: 3.500 x .095 | | Tubing Part Number: 28-30-22 | | Tube Yoke: 4-28-417 | | |
| 4-53-361 | 1.500 - 10 | 210391-1X | 1.574 | ~ | 16-74-101 | 4-4-2051-1 <i>3-70-28X Strap Kit used on End yoke</i> |
| Spicer 1810 BP Series - Will Adapt To Mechanics 9C or Meritor (Rockwell) 88WB & 92N For Kits 5-324X | | | | | | |
| Tubing Size: 4.500 x .259 | | Tubing Part Number: 36-30-22 | | Tube Yoke: 6.5-28-127 | | |
| 6.5-53-51 | 2.350 - 16 | 5003323 | 3.362 | 230123-6 | 231502 | 6.5-4-1891 |

For parts and assemblies that are discontinued, will be discontinued upon depletion of stock, or not sold separately, please see the appropriate Spicer® J300P product catalog.



**Coupling Shafts, Joint & Shaft Assemblies
For Use With Outboard Slip Yoke**

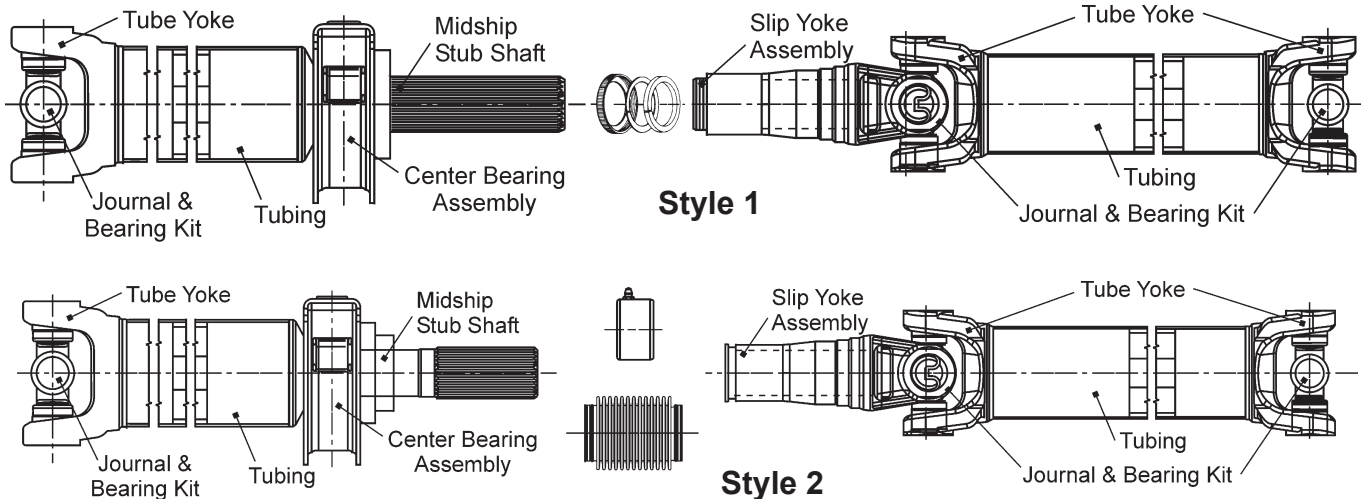


| Midship Stub Shaft | | Center Bearing Assy. | | Slip Yoke Assy. | | | Style |
|--|-------------------|-------------------------------------|--------------|--|----------------------------------|------------|-------|
| Part Number | Spline Dia. & No. | Part Number | Bearing I.D. | Part Number | Dust Cap Kit (D) or Boot Kit (B) | Total Slip | |
| 1310 Series | | | | For Kits 5-153X, 5-785X & 5-810X, 5-1200X | | | |
| Tubing Size: 2.000 x .083 | | Tubing Part Number: 16-30-62 | | Front & Rear Shaft Tube Yoke: 2-28-357 | | | |
| 2-53-511 | 1.375 - 16 | 210088-1X | 1.378 | 2-3-4951KX * | D3E (D) | 2.625 | 1 |
| 2-53-121 | 1.375 - 16 | 210088-1X | 1.378 | 2-3-128KX * | D3E (D) | 2.125 | 1 |
| * Replace Dust Cap in Slip Yoke Assembly with D3E Dust Cap | | | | | | | |
| Tubing Size: 2.500 x .065 | | Tubing Part Number: 20-30-12 | | Front & Rear Shaft Tube Yoke: 2-28-277 | | | |
| 2-53-531 | 1.375 - 16 | 210088-1X | 1.378 | 2-3-4951KX * | D3E (D) | 2.625 | 1 |
| * Replace Dust Cap in Slip Yoke Assembly with D3E Dust Cap | | | | | | | |
| Tubing Size: 2.500 x .083 | | Tubing Part Number: 20-30-22 | | Front & Rear Shaft Tube Yoke: 2-28-367 | | | |
| 2-53-681 | 1.375 - 15/16 | 211175X | 1.378 | 2-3-7661KX | 211121X (D) | 3.250 | 2 |
| 2-53-471 | 1.375 - 16 | 210088-1X | 1.378 | 2-3-4951KX * | D3E (D) | 2.625 | 1 |
| 3-53-1351 | 1.375 - 16 | 210370-1X | 1.378 | 2-3-128KX * | D3E (D) | 2.125 | 1 |
| * Replace Dust Cap in Slip Yoke Assembly with D3E Dust Cap | | | | | | | |
| Tubing Size: 3.000 x .0065 | | Tubing Part Number: 24-30-32 | | Front & Rear Shaft Tube Yoke: 2-28-327 | | | |
| 2-53-691 | 1.375 - 15/16 | 211175X | 1.378 | 2-3-7661KX | 211121X (D) | 3.250 | 2 |
| 2-53-491 | 1.375 - 16 | 210088-1X | 1.378 | 2-3-4951KX * | D3E (D) | 2.625 | 1 |
| * Replace Dust Cap in Slip Yoke Assembly with D3E Dust Cap | | | | | | | |
| Tubing Size: 3.000 x .083 | | Tubing Part Number: 24-30-42 | | Front & Rear Shaft Tube Yoke: 2-28-437 | | | |
| 2-53-711 | 1.375 - 15/16 | 211175X | 1.378 | 2-3-7661KX | 211121X (D) | 3.250 | 2 |
| 3-53-1181 | 1.376 - 31/32 | 210370-1X | 1.378 | 2-3-10261KX | 211121X (D) | 2.220 | 2 |
| 2-53-501 | 1.375 - 16 | 210088-1X | 1.378 | 2-3-4951KX * | D3E (D) | 2.625 | 1 |
| 3-53-1361 | 1.375 - 16 | 210370-1X | 1.378 | 2-3-128KX * | D3E (D) | 2.125 | 1 |
| * Replace Dust Cap in Slip Yoke Assembly with D3E Dust Cap | | | | | | | |
| Tubing Size: 3.500 x .083 | | Tubing Part Number: 28-30-62 | | Front & Rear Shaft Tube Yoke: 2-28-427 | | | |
| 3-53-1301 | 1.376 - 31/32 | 210866-1X | 1.574 | 2-3-10261KX | 211121X (D) | 2.220 | 2 |
| 1330 Series | | | | For Kits 5-213X, 5-790X, 5-812X, 5-1203X | | | |
| Tubing Size: 2.500 x .083 | | Tubing Part Number: 20-30-22 | | Front & Rear Shaft Tube Yoke: 2-28-1707 | | | |
| 2-53-681 | 1.375 - 15/16 | 211175X | 1.378 | 2-3-7681KX | 211121X (D) | 3.125 | 2 |
| 2-53-471 | 1.375 - 16 | 210088-1X | 1.378 | 2-3-4681KX | D3E (D) | 2.750 | 1 |
| Tubing Size: 3.000 x .065 | | Tubing Part Number: 24-30-32 | | Front & Rear Shaft Tube Yoke: 2-28-1177 | | | |
| 2-53-491 | 1.375 - 16 | 210088-1X | 1.378 | 2-3-4681KX | D3E (D) | 2.750 | 1 |
| 2-53-1441 | 1.312 - 19/20 | 212028-1X | 1.574 | 2-3-13831X | 212094X (B) | 2.000 | 2 |
| 2-53-1441 | 1.312 - 19/20 | 212032-1X | 1.574 | 2-3-13831X | 212094X (B) | 2.000 | 2 |

For parts and assemblies that are discontinued, will be discontinued upon depletion of stock, or not sold separately, please see the appropriate Spicer® J300P product catalog.



Important: See Safety Information in General Information Section (J300P-GI)



| Midship Stub Shaft | | Center Bearing Assy. | | Slip Yoke Assy. | | | Style |
|----------------------------------|-------------------|-------------------------------------|--------------|--|----------------------------------|------------|-------|
| Part Number | Spline Dia. & No. | Part Number | Bearing I.D. | Part Number | Dust Cap Kit (D) or Boot Kit (B) | Total Slip | |
| 1330 Series (Continued) | | | | For Kits 5-213X, 5-790X, 5-812X, 5-1203X | | | |
| Tubing Size: 3.000 x .083 | | Tubing Part Number: 24-30-42 | | Front & Rear Shaft Tube Yoke: 2-28-1697 | | | |
| 2-53-691 | 1.375 - 15/16 | 211175X | 1.378 | 2-3-7681KX | 211121X (D) | 3.125 | 2 |
| 2-53-711 | 1.375 - 15/16 | 211175X | 1.378 | 2-3-7681KX | 211121X (D) | 3.125 | 2 |
| 2-53-501 | 1.375 - 16 | 210088-1X | 1.378 | 2-3-4681KX | D3E (D) | 2.750 | 1 |
| 1350 Series | | | | For Kits 5-178X & 5-799X | | | |
| Tubing Size: 2.500 x .083 | | Tubing Part Number: 20-30-22 | | Front & Rear Shaft Tube Yoke: 3-28-47 | | | |
| 2-53-471 | 1.375 - 16 | 210088-1X | 1.378 | 3-3-1501KX | D3G (D) | 2.750 | 1 |
| 3-53-1351 | 1.375 - 16 | 210370-1X | 1.378 | 3-3-1501KX | D3G (D) | 2.563 | 1 |
| Tubing Size: 3.000 x .083 | | Tubing Part Number: 24-30-42 | | Front & Rear Shaft Tube Yoke: 3-28-57 | | | |
| 2-53-501 | 1.375 - 16 | 210088-1X | 1.378 | 3-3-1501KX | D3G (D) | 2.750 | 1 |
| 3-53-1371 | 1.375 - 16 | 210088-1X | 1.378 | 3-3-758KX | D3E (D) | 2.000 | 1 |
| 3-53-1361 | 1.375 - 16 | 210370-1X | 1.378 | 3-3-1501KX | D3G (D) | 2.563 | 1 |
| 3-53-1181 | 1.375 - 31/32 | 210370-1X | 1.378 | 3-3-2471KX | D3F (D) | 2.080 | 2 |
| 3-53-2451 | 1.437 - 21/22 | 211499X | 1.574 | 3-3-6201X | 211503X (B) | 3.120 | 2 |
| 3-53-1551 | 1.500 - 15/16 | 211793-1X | 1.574 | 3-3-4781X | 212010X (B) | 2.000 | 2 |
| 3-53-1551 | 1.500 - 15/16 | 211735-2X | 1.574 | 3-3-5921X | 211158X (B) | 3.120 | 2 |
| 3-53-1551 | 1.500 - 15/16 | 211793-1X | 1.574 | 3-3-5921X | 211158X (B) | 3.120 | 2 |
| 3-53-1951 | 1.500 - 15/16 | 211359X | 1.574 | 3-3-4781X | 211503X (B) | 3.120 | 2 |
| Tubing Size: 3.500 x .065 | | Tubing Part Number: 28-30-42 | | Front & Rear Shaft Tube Yoke: 3-28-257 | | | |
| 3-53-2381 | 1.437 - 21/22 | 212028-1X | 1.574 | 3-3-6381X | 212094X (B) | 2.590 | 2 |
| 3-53-2381 | 1.437 - 21/22 | 212030-1X | 1.574 | 3-3-6381X | 212094X (B) | 2.590 | 2 |
| 3-53-2381 | 1.437 - 21/22 | 212032-1X | 1.574 | 3-3-6381X | 212094X (B) | 2.590 | 2 |
| Tubing Size: 3.500 x .083 | | Tubing Part Number: 28-30-62 | | Front & Rear Shaft Tube Yoke: 3-28-427 | | | |
| 3-53-2591 | 1.437 - 21/22 | 211499X | 1.574 | 3-3-6981X | 211503X (B) | 2.618 | 2 |
| 3-53-2591 | 1.437 - 21/22 | 211359X | 1.574 | 3-3-6981X | 211503X (B) | 2.618 | 2 |
| 3-53-2281 | 1.500 - 15/16 | 211499X | 1.574 | 3-3-4781X | 211503X (B) | 3.120 | 2 |
| 1410 Series | | | | For Kits 5-160X & 5-801X | | | |
| Tubing Size: 3.000 x .083 | | Tubing Part Number: 24-30-42 | | Front & Rear Shaft Tube Yoke: 3-28-97 | | | |
| 3-53-1361 | 1.375 - 16 | 210370-1X | 1.378 | 3-3-1481KX | D3G (D) | 2.594 | 1 |
| 3-53-1371 | 1.375 - 16 | 210088-1X | 1.378 | 3-3-788KX | D3E (D) | 2.000 | 1 |
| 3-53-2451 | 1.437 - 21/22 | 211359X | 1.574 | 3-3-6611X | 211503X (B) | 3.120 | 2 |
| 3-53-2451 | 1.437 - 21/22 | 211359X | 1.574 | 3-3-6701X | 211503X (B) | 2.618 | 2 |
| 3-53-1551 | 1.500 - 15/16 | 211359X | 1.574 | 3-3-5411X | 211158X (B) | 3.120 | 2 |

For parts and assemblies that are discontinued, will be discontinued upon depletion of stock, or not sold separately, please see the appropriate Spicer® J300P product catalog.

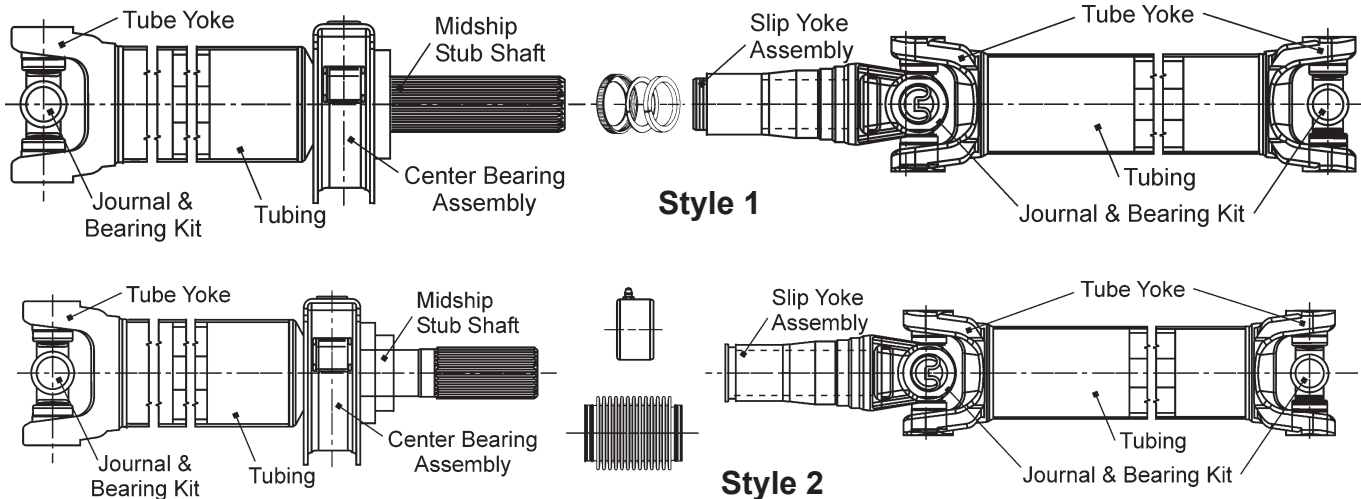


| Midship Stub Shaft | | Center Bearing Assy. | | Slip Yoke Assy. | | | Style |
|--|-------------------|-------------------------------------|--------------|---|----------------------------------|------------|-------|
| Part Number | Spline Dia. & No. | Part Number | Bearing I.D. | Part Number | Dust Cap Kit (D) or Boot Kit (B) | Total Slip | |
| 1410 Series (Continued) | | | | For Kits 5-160X & 5-801X | | | |
| Tubing Size: 3.000 x .083 | | Tubing Part Number: 24-30-42 | | Front & Rear Shaft Tube Yoke: 3-28-97 | | | |
| 3-53-1951 | 1.500 - 15/16 | 211359X | 1.574 | 3-3-4871X | 211503X (B) | 3.120 | 2 |
| 3-53-1951 | 1.500 - 15/16 | 211848-1X | 1.574 | 3-3-4871X | 211503X (B) | 3.120 | 2 |
| 3-53-1951 | 1.500 - 15/16 | 211963-1X | 1.574 | 3-3-4871X | 211503X (B) | 3.120 | 2 |
| 3-53-1031 | 1.500 - 16 | 210866-1X | 1.574 | 3-3-2041KX | D3K (D) | 2.000 | 1 |
| Tubing Size: 3.500 x .065 | | Tubing Part Number: 28-30-42 | | Front & Rear Shaft Tube Yoke: 3-28-367 | | | |
| 3-53-2381 | 1.437 - 21/22 | 212028-1X | 1.574 | 3-3-6341X | 212094X (B) | 2.590 | 2 |
| 3-53-2381 | 1.437 - 21/22 | 212030-1X | 1.574 | 3-3-6701X | 212094X (B) | 2.590 | 2 |
| 3-53-2381 | 1.437 - 21/22 | 212032-1X | 1.574 | 3-3-6701X | 212094X (B) | 2.590 | 2 |
| 3-53-2381 | 1.437 - 21/22 | 212031-1X | 1.574 | 3-3-6701X | 212094X (B) | 2.590 | 2 |
| 3-53-2381 | 1.437 - 21/22 | 212028-1X | 1.574 | 3-3-6701X | 212094X (B) | 2.590 | 2 |
| 3-53-2011 | 1.500 - 15/16 | 211793-1X | 1.574 | 3-3-5411KX | 211158X (B) | 3.120 | 2 |
| Tubing Size: 3.500 x .083 | | Tubing Part Number: 28-30-62 | | Front & Rear Shaft Tube Yoke: 3-28-557 | | | |
| 3-53-2441 | 1.437 - 21/22 | 212031-1X | 1.574 | 3-3-6341X | 212094X (B) | 2.590 | 2 |
| 3-53-2441 | 1.437 - 21/22 | 212030-1X | 1.574 | 3-3-6341X | 212094X (B) | 2.590 | 2 |
| 3-53-2441 | 1.437 - 21/22 | 212030-1X | 1.574 | 3-3-6701X | 212094X (B) | 2.590 | 2 |
| 3-53-2441 | 1.437 - 21/22 | 212031-1X | 1.574 | 3-3-6701X | 212094X (B) | 2.590 | 2 |
| 3-53-2591 | 1.437 - 21/22 | 211359X | 1.574 | 3-3-6701X | 212010X (B) | 2.650 | 2 |
| 3-53-2281 | 1.500 - 15/16 | 211963-1X | 1.574 | 3-3-4871X | 211503X (B) | 3.120 | 2 |
| 3-53-2281 | 1.500 - 15/16 | 211359X | 1.574 | 3-3-4871X | 211503X (B) | 3.120 | 2 |
| 3-53-1121 | 1.500 - 16 | 210866-1X | 1.574 | 3-3-2041KX | D3K (D) | 2.000 | 1 |
| 5007832 | 1.562 - 16 | 210433-1X | 1.574 | 3-3-1701KX | D3H (D) | 2.500 | 2 |
| 3-53-2571 | 39.7mm - 23/24 | 211499X | 1.574 | 3-3-7001X | 212007X (B) | 2.500 | 2 |
| 3-53-2571 | 39.7mm - 23/24 | 211359X | 1.574 | 3-3-7001X | 212007X (B) | 2.500 | 2 |
| Tubing Size: 4.000 x .083 | | Tubing Part Number: 32-30-22 | | Front & Rear Shaft Tube Yoke: 3-28-457 | | | |
| 3-53-2561 | 39.7mm - 23/24 | 211359X | 1.574 | 3-3-7001X | 212007X (B) | 2.500 | 2 |
| 3-53-1391 | 1.375-16 | 210088-1X | 1.378 | 3-3-788KX | D3C (D) | 2.000 | 1 |
| 3-53-1131 | 1.500 - 16 | 210866-1X | 1.574 | 3-3-2041KX | D3K (D) | 2.000 | 1 |
| 3-53-1191 | 1.562 - 16 | 210433-1X | 1.574 | 3-3-1701KX * | D3J (D) | 3.125 | 1 |
| <i>* Replace Dust Cap Kit in Slip Yoke Kit Assembly with D3J</i> | | | | | | | |
| 1480 Series | | | | For Kits 5-188X, 5-803X 5-804X | | | |
| Tubing Size: 3.500 x .083 | | Tubing Part Number: 28-30-62 | | Front & Rear Shaft Tube Yoke: 3-28-537 | | | |
| 5007832 | 1.562 - 16 | 210433-1X | 1.574 | 3-3-1601KX | D3H (D) | 2.500 | 2 |
| <i>* Replace Dust Cap Kit in Slip Yoke Kit Assembly with D3H</i> | | | | | | | |
| 3-53-2571 | 1.562 - 23/24 | 211499X | 1.574 | 3-3-6061X | 212007X (B) | 2.500 | 2 |
| 3-53-2571 | 1.562 - 23/24 | 211359X | 1.574 | 3-3-6061X | 212007X (B) | 2.500 | 2 |
| 3-53-2571 | 1.562 - 23/24 | 211793-1X | 1.574 | 3-3-6061X | 212007X (B) | 2.500 | 2 |
| Tubing Size: 4.000 x .083 | | Tubing Part Number: 32-30-22 | | Front & Rear Shaft Tube Yoke: 3-28-507 | | | |
| 3-53-1191 | 1.562 - 16 | 210433-1X | 1.574 | 3-3-1601KX | D3J (D) | 3.125 | 1 |
| 1550 Series | | | | For Kits 5-155X, 5-808X 5-809X | | | |
| Tubing Size: 3.500 x .095 | | Tubing Part Number: 28-30-22 | | Front & Rear Shaft Tube Yoke: 4-28-307 | | | |
| 4-53-61 | 1.750 - 16 | 210207-1X | 1.771 | 4-3-1241KX | D4K (D) | 2.750 | 1 |
| SPL55 Series | | | | For Kits SPL55-1X, XPL55-2X, 5-803X & 5-804X | | | |
| Tubing Size: 3.500 x .083 | | Tubing Part Number: 28-30-62 | | Front & Rear Shaft Tube Yoke: 3-28-537 | | | |
| 55-53-51 | 39.7mm - 23/24 | 212031-1X | 1.574 | 55-3-81X | 212094X | 3.830 | 2 |

For parts and assemblies that are discontinued, will be discontinued upon depletion of stock, or not sold separately, please see the appropriate Spicer® J300P product catalog.



Important: See Safety Information in General Information Section (J300P-GI)



| Midship Stub Shaft | | Center Bearing Assy. | | Slip Yoke Assy. | | | Style |
|----------------------------------|-------------------|-------------------------------------|--------------|---|----------------------------------|------------|-------|
| Part Number | Spline Dia. & No. | Part Number | Bearing I.D. | Part Number | Dust Cap Kit (D) or Boot Kit (B) | Total Slip | |
| SPL70 Series | | | | For Kits SPL70X, SPL70-1X, 5-808X & 5-809X | | | |
| Tubing Size: 4.000 x .083 | | Tubing Part Number: 32-30-22 | | Front & Rear Shaft Tube Yoke: 4-28-277 | | | |
| 70-53-11 | 44.5mm - 26/27 | 212135-1X | 1.771 | 70-3-21X | 212146X (B) | 3.300 | 2 |
| SPL100 Series | | | | For Kit SPL100-1X | | | |
| Tubing Size: 4.000 x .095 | | Tubing Part Number: 32-30-12 | | Front & Rear Shaft Tube Yoke: 100-28-17* | | | |
| 100-53-21 | 49.2mm - 29/30 | 212142-1X | 1.968 | 100-3-41X | 212146X (B) | 3.830 | 2 |

*Some front tube yoke on the rear shaft may use part number 100-28-27, which uses strap kit 90-70-28X

For parts and assemblies that are discontinued, will be discontinued upon depletion of stock, or not sold separately, please see the appropriate Spicer® J300P product catalog.



| | | | | | |
|------------------|------|-------------------|---------|-----------------|--------|
| 2-3-10261KX..... | 9 | 3-3-6201X..... | 10 | 3-53-2281..... | 10,11 |
| 2-3-128KX..... | 9 | 3-3-6341X..... | 11 | 3-53-2301..... | 2 |
| 2-3-13831X..... | 9 | 3-3-6381X..... | 10 | 3-53-2381..... | 10,11 |
| 2-3-4681KX..... | 9,10 | 3-3-6611X..... | 10 | 3-53-2441..... | 11 |
| 2-3-4951KX..... | 9 | 3-3-6701X..... | 10,11 | 3-53-2451..... | 10 |
| 2-3-7661KX..... | 9 | 3-3-6981X..... | 10 | 3-53-2541..... | 2 |
| 2-3-7681KX..... | 9,10 | 3-3-7001X..... | 11 | 3-53-2561..... | 11 |
| 2-4-2671..... | 2 | 3-3-758KX..... | 10 | 3-53-2571..... | 11 |
| 2-4-6191-1..... | 2 | 3-3-788KX..... | 10,11 | 3-53-2591..... | 10,11 |
| 2-4-7021-1..... | 2 | 3-4-178-1X..... | 2 | 3-54-611..... | 2 |
| 2-4-7291-1X..... | 2 | 3-4-2851-1X..... | 2 | 4-3-1241KX..... | 11 |
| 2-28-277..... | 2,9 | 3-4-2941-1..... | 2 | 4-4-2051-1..... | 3,8 |
| 2-28-327..... | 9 | 3-4-4421-1X..... | 3 | 4-4-4211-1..... | 3 |
| 2-28-357..... | 9 | 3-4-6561-1..... | 2 | 4-4-4211-2..... | 3 |
| 2-28-367..... | 2,9 | 3-4-6631-1X..... | 2 | 4-28-277..... | 3,6,12 |
| 2-28-427..... | 9 | 3-4-6901-1..... | 3 | 4-28-307..... | 6,11 |
| 2-28-437..... | 2,9 | 3-4-13881-1X..... | 2 | 4-28-417..... | 3,8 |
| 2-28-1177..... | 9 | 3-4-14591-1..... | 2 | 4-53-61..... | 11 |
| 2-28-1697..... | 10 | 3-4-14621-1..... | 2 | 4-53-271..... | 3 |
| 2-28-1707..... | 9 | 3-28-47..... | 10 | 4-53-361..... | 3,8 |
| 2-28-2417..... | 2 | 3-28-57..... | 2,10 | 4-53-401..... | 3 |
| 2-53-121..... | 9 | 3-28-97..... | 2,10,11 | 5-4-1721..... | 4 |
| 2-53-471..... | 9,10 | 3-28-257..... | 10 | 5-4-1721-1..... | 4 |
| 2-53-491..... | 9 | 3-28-267..... | 2 | 5-4-1721..... | 4 |
| 2-53-501..... | 9,10 | 3-28-367..... | 11 | 5-4-1721-1..... | 4 |
| 2-53-511..... | 9 | 3-28-427..... | 2,10 | 5-4-7171-1..... | 4 |
| 2-53-531..... | 9 | 3-28-457..... | 2,11 | 5-28-327..... | 4 |
| 2-53-681..... | 9 | 3-28-507..... | 3,11 | 5-28-627..... | 4 |
| 2-53-691..... | 9,10 | 3-28-537..... | 3,6,11 | 5-53-141..... | 4 |
| 2-53-711..... | 9,10 | 3-28-557..... | 2,11 | 5-53-191..... | 4 |
| 2-53-901..... | 2 | 3-53-1031..... | 11 | 5-53-261..... | 4 |
| 2-53-1051..... | 2 | 3-53-1121..... | 11 | 5-53-271..... | 4 |
| 2-53-1151..... | 2 | 3-53-1131..... | 11 | 6-1-4641..... | 4 |
| 2-53-1191..... | 2 | 3-53-1181..... | 9,10 | 6-1-5581..... | 5 |
| 2-53-1321..... | 2 | 3-53-1191..... | 11 | 6-4-1981..... | 4 |
| 2-53-1351..... | 2 | 3-53-1301..... | 9 | 6-4-1981-1..... | 4 |
| 2-53-1441..... | 9 | 3-53-1351..... | 9,10 | 6-4-1981..... | 4 |
| 3-3-1481KX..... | 10 | 3-53-1361..... | 9,10 | 6-4-1981-1..... | 4 |
| 3-3-1501KX..... | 10 | 3-53-1371..... | 10 | 6-4-1981..... | 4 |
| 3-3-1601KX..... | 11 | 3-53-1391..... | 11 | 6-4-1981-1..... | 4 |
| 3-3-1701KX..... | 11 | 3-53-1551..... | 10 | 6-4-1981..... | 4 |
| 3-3-1701KX..... | 11 | 3-53-1781..... | 2 | 6-4-1981-1..... | 4 |
| 3-3-2041KX..... | 11 | 3-53-1791..... | 2,3 | 6-4-4601-1..... | 5 |
| 3-3-2471KX..... | 10 | 3-53-1801..... | 2,3 | 6-4-7141..... | 4 |
| 3-3-4781X..... | 10 | 3-53-1811..... | 2 | 6-4-7141-1..... | 4 |
| 3-3-4871X..... | 11 | 3-53-1821..... | 2,3 | 6-4-7141..... | 4 |
| 3-3-5411KX..... | 11 | 3-53-1831..... | 2,3 | 6-4-7141-1..... | 4 |
| 3-3-5411X..... | 10 | 3-53-1891..... | 2 | 6-4-7481-1..... | 4,5 |
| 3-3-5921X..... | 10 | 3-53-1951..... | 10,11 | 6-4-5071X..... | 5 |
| 3-3-6061X..... | 11 | 3-53-2011..... | 11 | 6-28-347..... | 4,5 |



| | | |
|----------------------|-------------------------|--------------------|
| 6-28-407 4,5 | 140-4-11-1 7 | 211499X..... 10,11 |
| 6-53-201 4 | 140-4-1011-1 7 | 212031X 6 |
| 6-53-241 4 | 140-28-17 7 | |
| 6-53-311 5 | 140-53-11 7 | |
| 6-53-411 4 | 140-53-21 7 | |
| 6-53-421 4 | 170-4-1271-1 7 | |
| 6.3-4-161 5 | 170-28-17 7 | |
| 6.3-4-161-1 5 | 250-4-21-1 7 | |
| 6.3-4-161 5 | 250-28-17 7 | |
| 6.3-4-161-1 5 | 250-53-11 7 | |
| 6.3-4-821-1 5 | 350-4-11-1 7 | |
| 6.3-28-17 5 | 350-53-23770 7 | |
| 6.3-53-21 4,5 | 350CB0001X 7 | |
| 6.5-1-1811 5 | 210084-2X 3,4,6 | |
| 6.5-4-1891 5 | 210088-1X 9,10,11 | |
| 6.5-4-1891-1 5 | 210090-1X 2 | |
| 6.5-4-1891 5 | 210121-1X 4,7 | |
| 6.5-4-1891-1 5 | 210207-1X 11 | |
| 6.5-4-1891 5 | 210367-1X 2 | |
| 6.5-4-1891-1 5 | 210370-1X 9,10 | |
| 6.5-4-1891 5 | 210391-1X 2,3,8 | |
| 6.5-4-1891-1 5 | 210433-1X 11 | |
| 6.5-4-1891 8 | 210866-1X 9,11 | |
| 6.5-4-3591-1 5 | 210873-1X 2,3 | |
| 6.5-28-117 5 | 210881-1X 4,7 | |
| 6.5-28-127 5,8 | 211090-1X 2 | |
| 6.5-53-51 5,8 | 211589-1X 2 | |
| 6.5-53-91 5 | 211735-2X 10 | |
| 6.5-53-171 5 | 211793-1X 10,11 | |
| 6.5-53-181 5 | 211848-1X 11 | |
| 55-3-81X 11 | 211872-1X 2 | |
| 55-4-11-1 6 | 211963-1X 11 | |
| 55-53-51 11 | 212028-1X 9,10,11 | |
| 55-53-101 6 | 212030-1X 10,11 | |
| 70-3-21X 12 | 212031-1X 11 | |
| 70-4-11-1 6 | 212032-1X 9,10,11 | |
| 70-53-11 12 | 212053-1X 2 | |
| 70-53-31 6 | 212134-1X 6 | |
| 70-53-61 6 | 212135-1X 12 | |
| 90-4-11-1 6 | 212142-1X 12 | |
| 90-28-17 6 | 212144-1X 6 | |
| 90-28-27 6 | 212145-1X 6 | |
| 90-53-11 6 | 212261-1X 6 | |
| 90-53-31 6 | 5003323 4,5,7,8 | |
| 100-3-41X 12 | 5003326 5,7 | |
| 100-4-931-1 6 | 5003628 7 | |
| 100-28-17 6,12 | 5007832 11 | |
| 100-28-27 12 | 211175X 9,10 | |
| 100-53-21 12 | 211359X 2,10,11 | |
| 100-53-31 6 | 211431X 2 | |