



CRATE AXLES™

DANA 44™ FRONT CRATE AXLES



Typical applications include (but are not limited to):



Know what you're getting. Get what you know.

Genuine Dana 44™ axles are synonymous with high-quality and performance in 4-wheel drive, street, strip and off-highway applications. Drive with confidence, knowing you're riding on the most trusted name in axles.



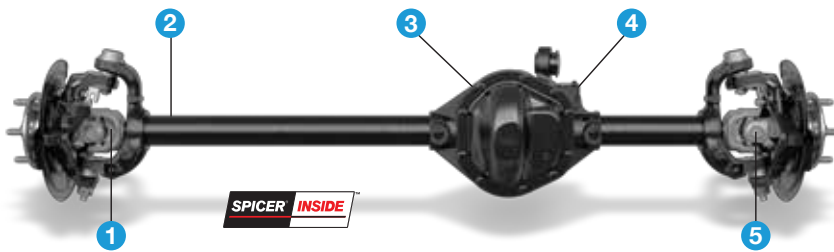


The Dana 44™ Front Crate Axle.

The Dana brand has long been synonymous with proven quality and performance. Now with the innovative Crate Axle program, you can get the exact axle you need right out of the box. The optimal solution for customization. Get 100% genuine Dana 44™ product (including: housing, gears, bearings, and axle shafts) quickly and easily. No knockoffs, no used parts—just the axle you need from the name you trust.

Dana 44™ Front Axle Features and Benefits:

Includes knuckles and hubs. Does not include brackets or brakes.



- 1 Spicer® chromoly axle shafts for optimal strength and performance
- 2 Thicker wall tubing for increased axle strength
- 3 Genuine Spicer® gearing
- 4 Open and selectable electric locking differential options
- 5 Spicer® SPL® 1350 u-joints with triple lip seals and full-circle snap rings for ultimate protection and retention

Built to meet the rigorous standards of Dana, the global leader in drivetrain components, the genuine Dana 44™ front Crate Axle™ is engineered to deliver outstanding performance and peace of mind.

Dana 44™ front axles feature OE-quality through and through, from genuine Spicer® chromoly axle shafts and gearing to Spicer® SPL® 1350 u-joints. In addition, Dana 44™ axles now feature thicker wall tubing for increased axle strength.

Reference Application Guide for Dana 44™ Front Axle

Part No.	Long Description	Differential Type
2018543-1	Dana 44™ Crate Axle Assembly (3.73 Ratio) Front - w/o brakes* and brackets	Open/Std. Differential
2018543-3	Dana 44™ Crate Axle Assembly (4.10 Ratio) Front - w/o brakes* and brackets	Open/Std. Differential
2018543-5	Dana 44™ Crate Axle Assembly (4.56 Ratio) Front - w/o brakes* and brackets	Open/Std. Differential
2018543-7	Dana 44™ Crate Axle Assembly (4.88 Ratio) Front - w/o brakes* and brackets	Open/Std. Differential
2018543-9	Dana 44™ Crate Axle Assembly (5.13 Ratio) Front - w/o brakes* and brackets	Open/Std. Differential
10031143	Dana 44™ Crate Axle Assembly (5.38 Ratio) Front - w/o brakes* and brackets	Open/Std. Differential
2018543-2	Dana 44™ Crate Axle Assembly (3.73 Ratio) Front - w/o brakes* and brackets	Electric Locking Differential
2018543-4	Dana 44™ Crate Axle Assembly (4.10 Ratio) Front - w/o brakes* and brackets	Electric Locking Differential
2018543-6	Dana 44™ Crate Axle Assembly (4.56 Ratio) Front - w/o brakes* and brackets	Electric Locking Differential
2018543-8	Dana 44™ Crate Axle Assembly (4.88 Ratio) Front - w/o brakes* and brackets	Electric Locking Differential
2018543-10	Dana 44™ Crate Axle Assembly (5.13 Ratio) Front - w/o brakes* and brackets	Electric Locking Differential
10031144	Dana 44™ Crate Axle Assembly (5.38 Ratio) Front - w/o brakes* and brackets	Electric Locking Differential

Ring Gear Size <i>inch</i>	GVW <i>lbs.</i>	GAWR <i>lbs.</i>	GCW <i>lbs.</i>
8.5	5700	2780	8500

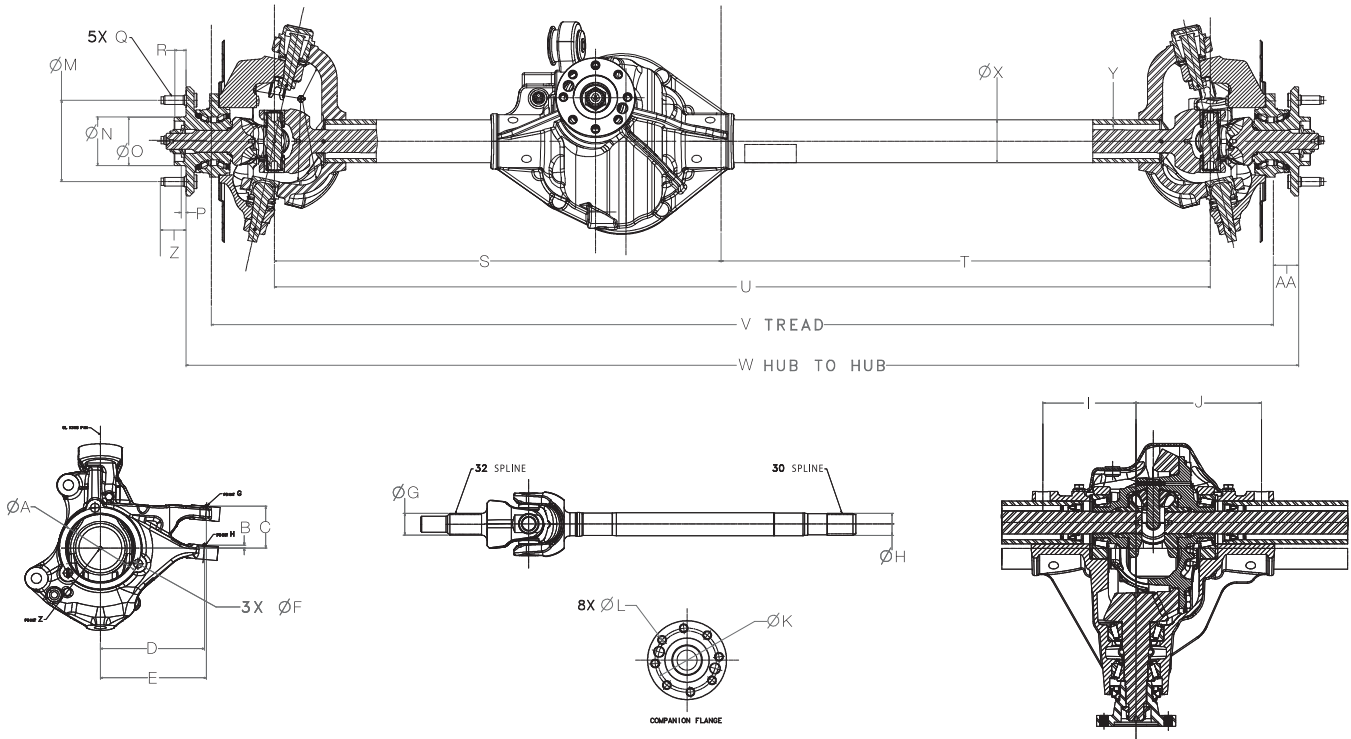
Lube Options: Dana recommends using 75W-140 synthetic lube.

* Set up to use Jeep® Wrangler® JK brake package.



FRONT AXLE

Dimensional Specifications



Drawing Reference	Description	MM	Inch	Drawing Reference	Description	MM	Inch
A	Hub Bolt circle	120.65	4.750	O	Wheel Pilot	71.94	2.832
B	Tie Rod height above center	4.44	0.175	P	Hub Flange Face to brake disc mounting	7	0.276
C	Drag Link height above center	62.12	2.446	Q	Wheel Stud 1/2" x 20		
D	Tie Rod offset	154.19	6.071	R	Hub Flange face to wheel mounting	16.50	0.650
E	Drag Link offset	157.11	6.185	S	Right side dowel pin to left side u-joint centerline	661.23	26.030
F	Hub Bolt hole diameter	12.95	0.510	T	Right side dowel pin to right side u-joint centerline	724.51	28.524
G	Spline Count Outer 32	32	1.260	U	U-joint centerline to u-joint centerline	1385.74	54.560
H	Spline Count Inner 30	31.75	1.250	V	Wheel Tread - estimated	1572.26	61.900
I	Offset - dowel pin hole to pinion center line	138.07	5.436	W	Wheel mounting surface to wheel mounting surface (less rotors)	1647.12	64.800
J	Offset - dowel pin hole to pinion center line	185.68	7.310	X	Tube Diameter	63.55	2.502
K	Companion Flange bolt circle	95	3.740	Y	Tube Wall Thickness	7.94	0.313
L	Companion Flange bolt hole	12	0.472	Z	Wheel Stud - length front hub flange face	37	1.450
M	Wheel Stud - bolt circle 5 lug	127	5	AA	Wheel Offset - estimated	37.30	1.470
N	Wheel Pilot - clearance	71.43	2.812				

Are You a Jeep® Wrangler® JK Off-Road Enthusiast
Looking for the Ultimate Axle Upgrade?

THE
ULTIMATE



FOR THE JEEP® WRANGLER® JK



**Quick, Easy, and Affordable Direct Bolt-In Solution –
and 100% Genuine Dana®.**

Engineered for all Jeep® Wrangler® JKs, 2007 to current, this Ultimate Dana 44™ front axle is built to meet the demands of serious off-road enthusiasts. Get a direct bolt-in solution that features a number of upgrades for added off-road durability, and enjoy added strength wherever you go.



Discover other performance driveline & axles on our website.