

# SPICER®



J300P-6

April 2006

Supersedes J300P-6

Dated September 2004

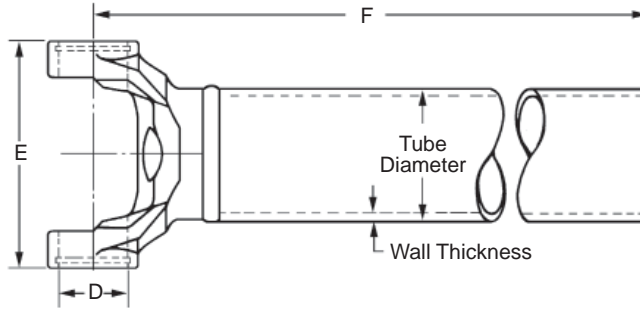
## Driveline Components Catalog Tubing & Tube Yoke Assemblies



Snap ring construction, bearing plate style, straight tubing, and more,  
all built to the original equipment specifications of Dana.



**TUBE & YOKE ASSEMBLIES**  
**Snap Ring Construction**



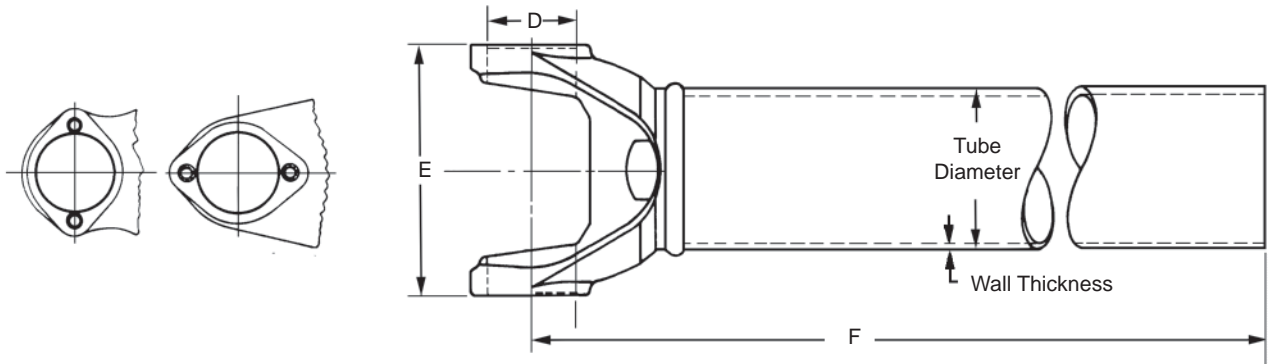
Tube Out- side Diameter	Wall Thickness	Tubing Base Part Number	Tube Length	F	Tube Yoke Part Number	Spicer Part Number
				Centerline to End of Tube		
<b>1310 SERIES</b>						
		<b>E-3.469</b>	<b>D-1.062</b>	<b>USE KITS 5-153X, 5-785X</b>		
2.000	.083-W	16-30-62	47.750	49.438	2-28-357	2-27-7-4724
2.500	.083-W	20-30-22	60.531	62.375	2-28-367	2-27-9-6017
3.000	.083-W	24-30-42	60.000	61.688	2-28-437	2-27-24-6000
<b>1330 SERIES</b>						
		<b>E-3-625</b>	<b>D-1.062</b>	<b>USE KIT 5-213X, 5-790X</b>		
3.000	.065-W	24-30-32	48.000	41.719	2-28-1177	2-27-29-4800 <sup>■</sup>
<b>1350 SERIES</b>						
		<b>E-3.875</b>	<b>D-1.188</b>	<b>USE KIT 5-178X, 5-799X</b>		
3.000	.083-W	24-30-42	64.000	66.000	3-28-57	3-27-2-6400
3.500	.065-W	28-30-42	72.000	73.688	3-28-257	3-27-5-7200
<b>1480 SERIES</b>						
		<b>E-4.438</b>	<b>D-1.375</b>	<b>USE KIT 5-188X, 5-803X</b>		
3.500	.083-W	28-30-62	61.312	63.344	3-28-537	3-27-22-6110

• Part is discontinued    ■ Part is available until supply is exhausted    ▲ Not sold separately



# TUBE & YOKE ASSEMBLIES

## Bearing Plate Style



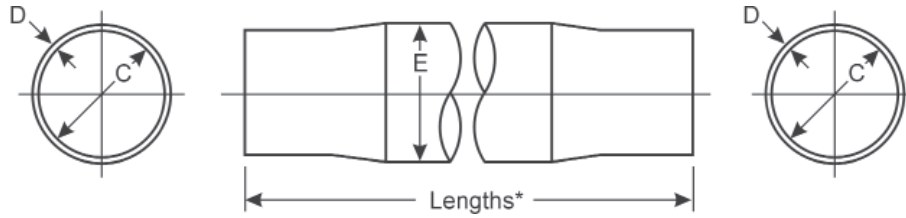
Tube Out-side Diameter	Wall Thickness	Tubing Base Part Number	Tube Length	F	Tube Yoke Part Number	Spicer Part Number
				Centerline to End of Tube		
<b>1610 SERIES</b>		<b>E-5.312</b>	<b>D-1.875</b>	<b>USE KIT 5-279X, 5-674X</b>		
3.500	.134-W	28-30-92	40.000	43.000	5-28-627	5-27-25-4000•
<b>1710 SERIES</b>		<b>E-6.094</b>	<b>D-1.938</b>	<b>USE KIT 5-280X, 5-675X</b>		
4.000	.134-W	32-30-52	60.000	63.031	6-28-347	6-27-17-6000
4.000	.134-W	32-30-52	71.969	75.000	6-28-347	6-27-17-7131
4.095	.180-W	32-30-72	57.000	60.031	6-28-347	6-27-21-5700
<b>1760 SERIES</b>		<b>E-7.000</b>	<b>D-1.938</b>	<b>USE KIT 5-407X, 5-677X</b>		
4.090	.180-W	32-30-72	60.000	63.013	6.3-28-17	6.3-27-3-6000
<b>1810 SERIES</b>		<b>E-7.547</b>	<b>D-1.938</b>	<b>USE KITS 5-281X, 5-676X</b>		
4.500	.134-W	36-30-62	60.000	63.375	6.5-28-117	6.5-27-9-6000

• Part is discontinued    ■ Part is available until supply is exhausted    ▲ Not sold separately



**Important: See Safety Information in General Information Section (J300P-GI)**

**ALUMINUM TUBING**  
**Swaged Both Ends**



**NOTE:** The part numbering system includes tube length in the last set of numbers, with the last two digits as the number of 1/32 of an inch. Part numberings ending with "M" are measured in millimeters.

**Example:** -6025 is a 60 <sup>25</sup>/<sub>32</sub>" long tube, -1862M is a 1862mm long tube

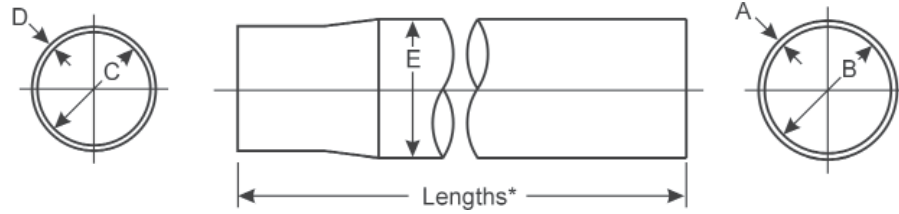
\* Tubing size 3.9800 x .0750 uses the same aluminum tube yoke as 4.000 x .083 wall tubing.  
Tubing size 5.0200 x .0750 uses the same aluminum tube yoke as 5.000 x .065 wall tubing.  
Tubing size 5.0600 x .0920 uses the same aluminum tube yoke as 5.000 x .065 wall tubing.

B Wall Thickness	S=Seamless W=Welded D=D.O.M.-Drawn Over Mandrel	Inside Diameter (Nominal)	Part Number
<b>4.1600 OUTSIDE DIAMETER E=5.020</b>			
.860	S	3.983	212014X-5809• <i>Has foam deadener</i>
.860	S	3.983	212014X-5903• <i>Has foam deadener</i>
.860	S	3.893	212014X-6015• <i>Has foam deadener</i>
.860	S	3.983	212014X-6025• <i>Has foam deadener</i>
.860	S	3.983	212024X-5929▲ <i>Has foam deadener</i>
<b>5.060 OUTSIDE DIAMETER E=5.775*</b>			
.920	S	4.873	212218X-1771M▲ <i>1771mm tube length; Has foam deadener</i>
.920	S	4.873	212218X-1862M <i>1862mm tube length; Has foam deadener</i>
.920	S	4.873	212218X-6820• <i>Has foam deadener</i>
.920	S	4.873	212218X-6924• <i>Has foam deadener</i>

• Part is discontinued    ■ Part is available until supply is exhausted    ▲ Not sold separately



## ALUMINUM TUBING Swaged One End



**NOTE:** The part numbering system includes tube length in the last set of numbers, with the last two digits as the number of 1/32 of an inch. Part numberings ending with "M" are measured in millimeters.

Example: -6411 is a 64 <sup>11</sup>/<sub>32</sub>" long tube

\* Tubing size 3.9800 x .0750 uses the same aluminum tube yoke as 4.000 x .083 wall tubing.  
 Tubing size 5.0200 x .0750 uses the same aluminum tube yoke as 5.000 x .065 wall tubing.  
 Tubing size 5.0600 x .0920 uses the same aluminum tube yoke as 5.000 x .065 wall tubing.

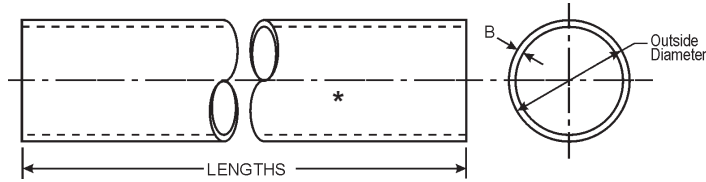
Wall Thickness		S=Seamless W=Welded D=D.O.M.-Drawn Over Mandrel	Inside Diameter (Nominal)		Part Number
D	B		Small ID	Large ID	
<b>4.1600 OUTSIDE DIAMETER E=5.020</b>					
.860	.750	S	3.983	4.873	212013X-6405 <sup>▲</sup> <i>Has foam deadener</i>
.860	.750	S	3.983	4.873	212013X-6826 <i>Has foam deadener</i>
.860	.750	S	3.983	4.873	212013X-6804 • <i>Has foam deadener</i>
.860	.750	S	3.983	4.873	212013X-6519 • <i>Has foam deadener</i>
.860	.750	S	3.983	4.873	212013X-6509 <sup>▲</sup> <i>Has foam deadener</i>
.860	.750	S	3.983	4.873	212013X-6431 • <i>Has foam deadener</i>
.860	.750	S	3.983	4.873	212013X-6005 <sup>▲</sup> <i>Has foam deadener</i>
.860	.750	S	3.983	4.873	212013X-5920 <sup>▲</sup> <i>Has foam deadener</i>

• Part is discontinued    ■ Part is available until supply is exhausted    ▲ Not sold separately



**Important: See Safety Information in General Information Section (J300P-GI)**

## ALUMINUM TUBING Straight Tube



**NOTE:** The part numbering system includes tube length in the last set of numbers, with the last two digits as the number of 1/32 of an inch. Part numberings ending with "M" are measured in millimeters.

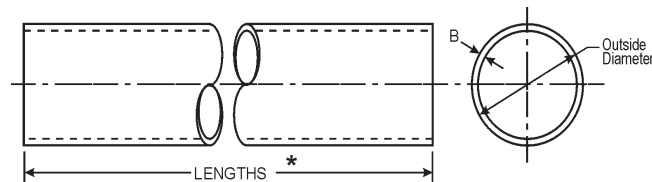
**Example:** -1216 is a 12 <sup>16</sup>/<sub>32</sub>" long tube, -1607M is a 1607mm long tube

\* Tubing size 3.9800 x .0750 uses the same aluminum tube yoke as 4.000 x .083 wall tubing.  
 Tubing size 5.0200 x .0750 uses the same aluminum tube yoke as 5.000 x .065 wall tubing.  
 Tubing size 5.0600 x .0920 uses the same aluminum tube yoke as 5.000 x .065 wall tubing.

B Wall Thickness	S=Seamless W=Welded D=D.O.M.-Drawn Over Mandrel	Inside Diameter (Nominal)	Part Number
<b>3.500 OUTSIDE DIAMETER</b>			
.120	S	3.266	28-38-12-1216•
<b>3.980 OUTSIDE DIAMETER</b>			
.075	S	3.836	212247X-1607M• <i>1607mm tube length</i>
.075	S	3.836	212247X-1643M▲ <i>1643mm tube length</i>
.075	S	3.836	212247X-1632M• <i>1632mm tube length</i>
.075	S	3.980	212247X-1580M• <i>1580mm tube length</i>
<b>5.020 OUTSIDE DIAMETER</b>			
.075	S	4.873	212009X-1937M <i>1937mm tube length</i>
.075	S	4.873	212247X-1742M▲ <i>1742mm tube length</i>
.075	S	4.873	212009X-6129• <i>Has foam deadener</i>
.075	S	4.873	212009X-5903• <i>Has foam deadener</i>
.075	S	4.873	212009X-1742M <i>1742mm tube length</i>

• Part is discontinued    ■ Part is available until supply is exhausted    ▲ Not sold separately





\* NOTE: The part numbering system includes tube length in the last set of numbers, with the last two digits as the number of 1/32 of an inch.

Example: -7400 is a 74" long tube, -4724 is a 47 <sup>24</sup>/<sub>32</sub>" long tube, -10000 is a 100" long tube

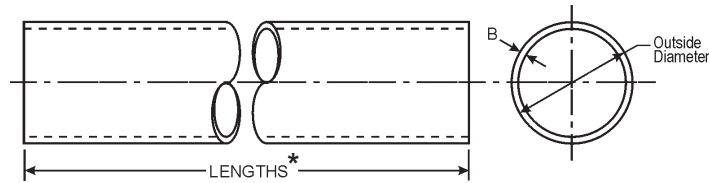
B Wall Thickness	S=Seamless W=Welded D=D.O.M.-Drawn Over Mandrel	Inside Diameter (Nominal)	Gauge	Part Number
<b>1.250 Outside Diameter</b>				
.095	W	1.060	13	10-30-42-10000
.120	S	1.010	11	10-32-92-10000
.188	S	.875	7	10-32-72-10000
<b>1.750 Outside Diameter</b>				
.065	W	1.620	16	14-30-12-10000
.065	W	1.620	16	14-30-12-5400
.095	W	1.560	13	14-30-62-10000
.095	W	1.560	13	14-30-62-7400
<b>2.000 Outside Diameter</b>				
.065	W	1.870	16	16-30-32-10000
.083	D	1.834		DT16-30-62 <i>108" long</i>
.083	W	1.834	14	16-30-62-10000
.083	W	1.834	14	16-30-62-5400
.083	W	1.834	14	16-30-62-7400
.120	D	1.760	11	DT16-30-102 <i>108" long</i>
.120	W	1.760	11	16-30-102-10000
<b>2.500 Outside Diameter</b>				
.065	W	2.370	16	20-30-12-10000
.065	W	2.370	16	20-30-12-5400
.065	W	2.370	16	20-30-12-7400
.083	D	2.334		DT20-30-22 <i>108" long</i>
.083	W	2.334	14	20-30-22-10000
.083	W	2.334	14	20-30-22-7400
.095	W	2.310	13	20-30-52-10000
.095	W	2.310	13	20-30-52-5400
<b>2.750 Outside Diameter</b>				
.065	D	2.620		DT22-30-12 <i>108" long</i>
.065	W	2.620	16	22-30-12-10000
.065	W	2.620	16	22-30-12-7400
.083	W	2.584	14	22-30-22-10000
<b>3.000 Outside Diameter</b>				
.065	D	2.870		DT24-30-32 <i>108" long</i>
.065	W	2.870	16	24-30-32-10000
.065	W	2.870	16	24-30-32-7400
.083	D	2.834		DT24-30-42 <i>108" long</i>

Continued on next page

• Part is discontinued    ■ Part is available until supply is exhausted    ▲ Not sold separately



**Important: See Safety Information in General Information Section (J300P-GI)**



\*NOTE: The part numbering system includes tube length in the last set of numbers, with the last two digits as the number of 1/32 of an inch.

Example: -7400 is a 74" long tube, -4724 is a 47 <sup>24</sup>/<sub>32</sub>" long tube, -10000 is a 100" long tube

B Wall Thickness	S=Seamless W=Welded D=D.O.M.-Drawn Over Mandrel	Inside Diameter (Nominal)	Gauge	Part Number
<b>3.000 Outside Diameter (Continued)</b>				
.083	W	2.834	14	24-30-42-10000
.083	W	2.834	14	24-30-42-7400
.095	W	2.810	13	24-30-12-10000
.095	W	2.810	13	24-30-12-7400
.120	S	2.760	11	24-32-142-10000
.134	W	2.732	10	24-30-72-10000
.134	W	2.732	10	24-30-72-7400
<b>3.500 Outside Diameter</b>				
.065	D	3.370		DT28-30-42 <i>108" long</i>
.065	W	3.370	16	28-30-42-10000
.065	W	3.370	16	28-30-42-7400
.083	D	3.334		DT28-30-62 <i>108" long</i>
.083	W	3.334	14	28-30-62-10000
.083	W	3.334	14	28-30-62-7400
.095	D	3.310		DT28-30-22 <i>108" long</i>
.095	W	3.310	13	28-30-22-10000
.095	W	3.310	13	28-30-22-7400
.134	D	3.232		DT28-30-92 <i>108" long</i>
.134	W	3.232	10	28-30-92-10000
.134	W	3.232	10	28-30-92-7400
.156	D	3.188		DT28-30-52 <i>108" long</i>
.156	W	3.188	9	28-30-52-10000
.156	W	3.188	9	28-30-52-7400
<b>3.550 Outside Diameter</b>				
.207	D	3.136	6	28-30-122-10000
.207	D	3.136	6	28-30-122-6800
<b>4.000 Outside Diameter</b>				
.065	D	3.870		DT143T <i>72 inches long</i>
.083	D	3.834		DT32-30-22 <i>108" long</i>
.083	S	3.836		32-38-12-1640M <i>Aluminum Tube; 64-18/32" Length</i>
.083	S	3.836		5005665-1526M <i>Aluminum tube: 60-3/32" Length</i>
.083	W	3.834	14	32-30-22-10000
.083	W	3.834	14	32-30-22-7400
.095	W	3.810	13	32-30-12-10000

• Part is discontinued    ■ Part is available until supply is exhausted    ▲ Not sold separately





B Wall Thickness	S=Seamless W=Welded D=D.O.M.-Drawn Over Mandrel	Inside Diameter (Nominal)	Gauge	Part Number
<b>4.000 Outside Diameter (Continued)</b>				
.095	W	3.810	13	32-30-12-7400
.120	W	3.760	11	32-30-42-7400•
.134	D	3.732	13	32-30-92-10000
.134	D	3.732	13	32-30-92-7300
.134	W	3.732	10	32-30-52-10000
.134	W	3.732	10	32-30-52-7400
<b>4.095 Outside Diameter</b>				
.180	D	3.735	7	32-30-72-10000
.180	D	3.735	7	32-30-72-7300
<b>4.160 Outside Diameter</b>				
.086	S	3.983		4032-38-32 ▲
<b>4.213 Outside Diameter</b>				
.138	D	3.937		100-30-3-10000
.138	D	3.937		100-30-3-7300
<b>4.331 Outside Diameter</b>				
.197	D	3.937		100-30-5-10000
.197	D	3.937		100-30-5-7300
<b>4.500 Outside Diameter</b>				
.134	D	4.232	10	36-30-62-10000
.134	D	4.232	10	36-30-62-7300
.259	D	3.982	3	36-30-22-10000
.259	D	3.982	3	36-30-22-7300
<b>4.594 Outside Diameter</b>				
.180	W	4.234	7	36-30-102-10000
.180	W	4.234	7	36-30-102-7300
<b>4.724 Outside Diameter</b>				
.197	D	4.330		110-30-5-10000
.197	D	4.330		110-30-5-7300
<b>4.960 Outside Diameter</b>				
.118	D	4.724		120-30-3-10000
.118	D	4.724		120-30-3-7300
<b>5.059 Outside Diameter</b>				
.167	D	4.724		120-30-4-10000
.167	D	4.724		120-30-4-7300
<b>5.118 Outside Diameter</b>				
.197	D	4.724		120-30-5-10000
.197	D	4.724		120-30-5-7300
<b>5.196 Outside Diameter</b>				
.236	D	4.724		120-30-6-10000
.236	D	4.724		120-30-6-7300

• Part is discontinued    ■ Part is available until supply is exhausted    ▲ Not sold separately



Important: See Safety Information in General Information Section (J300P-GI)

2-27-24-6000 ..... 2	20-30-52-10000 ..... 7	32-30-92-10000 ..... 9
2-27-29-4800 ..... 2	20-30-52-5400 ..... 7	32-30-92-7300 ..... 9
2-27-7-4724 ..... 2	22-30-12-10000 ..... 7	32-38-12-1640M ..... 8
2-27-9-6017 ..... 2	22-30-12-7400 ..... 7	36-30-102-10000 ..... 9
2-28-1177 ..... 2	22-30-22-10000 ..... 7	36-30-102-7300 ..... 9
2-28-357 ..... 2	24-30-12-10000 ..... 8	36-30-22-10000 ..... 9
2-28-367 ..... 2	24-30-12-7400 ..... 8	36-30-22-7300 ..... 9
2-28-437 ..... 2	24-30-32 ..... 2	36-30-62 ..... 3
3-27-22-6110 ..... 2	24-30-32-10000 ..... 7	36-30-62-10000 ..... 9
3-27-2-6400 ..... 2	24-30-32-7400 ..... 7	36-30-62-7300 ..... 9
3-27-5-7200 ..... 2	24-30-42 ..... 2	4032-38-32 ..... 9
3-28-57 ..... 2	24-30-42 ..... 2	100-30-3-10000 ..... 9
3-28-257 ..... 2	24-30-42-10000 ..... 7	100-30-3-7300 ..... 9
3-28-537 ..... 2	24-30-42-7400 ..... 8	100-30-5-10000 ..... 9
5-27-25-4000 ..... 3	24-30-72-10000 ..... 8	100-30-5-7300 ..... 9
5-28-627 ..... 3	24-30-72-7400 ..... 8	
6.3-27-3-6000 ..... 3	24-32-142-10000 ..... 8	
6.3-28-17 ..... 3	28-30-122-10000 ..... 8	
6.5-27-9-6000 ..... 3	28-30-122-6800 ..... 8	
6.5-28-117 ..... 3	28-30-22-10000 ..... 8	
6-27-17-6000 ..... 3	28-30-22-7400 ..... 8	
6-27-17-7131 ..... 3	28-30-42 ..... 2	
6-27-21-5700 ..... 3	28-30-42-10000 ..... 8	
6-28-347 ..... 3	28-30-42-7400 ..... 8	
6-28-347 ..... 3	28-30-52-10000 ..... 8	
6-28-347 ..... 3	28-30-52-7400 ..... 8	
10-30-42-10000 ..... 7	28-30-62 ..... 2	
10-32-72-10000 ..... 7	28-30-62-10000 ..... 8	
10-32-92-10000 ..... 7	28-30-62-7400 ..... 8	
14-30-12-10000 ..... 7	28-30-92 ..... 3	
14-30-12-5400 ..... 7	28-30-92-10000 ..... 8	
14-30-62-10000 ..... 7	28-30-92-7400 ..... 8	
14-30-62-7400 ..... 7	28-38-12-1216 ..... 6	
16-30-102-10000 ..... 7	32-30-12-10000 ..... 9	
16-30-32-10000 ..... 7	32-30-12-7400 ..... 9	
16-30-62 ..... 2	32-30-22-10000 ..... 8	
16-30-62-10000 ..... 7	32-30-22-7400 ..... 9	
16-30-62-5400 ..... 7	32-30-42-7400 ..... 9	
16-30-62-7400 ..... 7	32-30-52 ..... 3	
20-30-12-10000 ..... 7	32-30-52 ..... 3	
20-30-12-5400 ..... 7	32-30-52-10000 ..... 9	
20-30-12-7400 ..... 7	32-30-52-7400 ..... 9	
20-30-22 ..... 2	32-30-72 ..... 3	
20-30-22-10000 ..... 7	32-30-72 ..... 3	
20-30-22-7400 ..... 7	32-30-72-10000 ..... 9	
	32-30-72-7300 ..... 9	

▲ Not sold separately