

VAN STORAGE SOLUTIONS



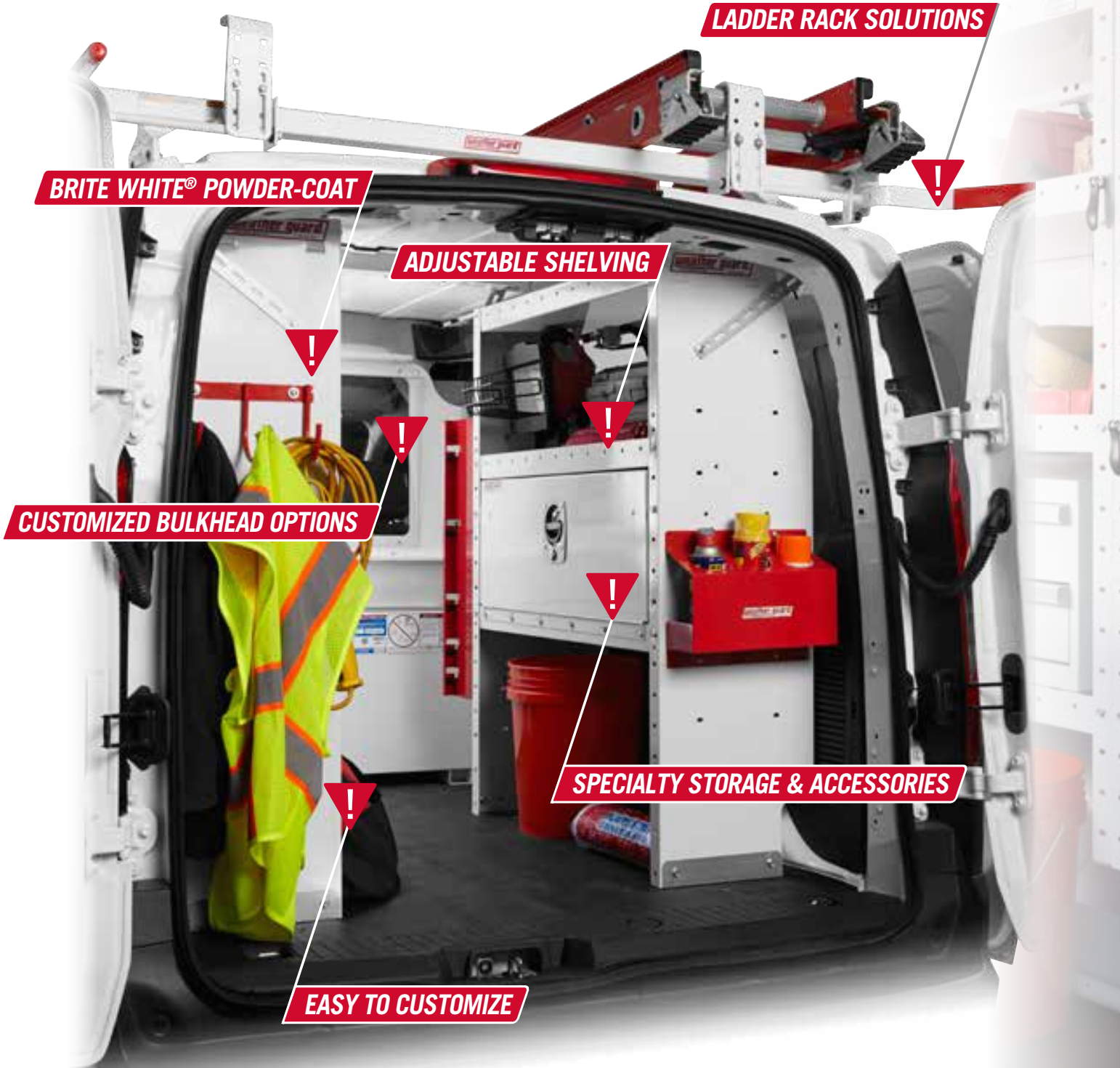
UNMATCHED SECURITY & DURABILITY





# DESIGNED WITH THE PROFESSIONAL

WEATHER GUARD® Van Solutions are ready to roll with game changing improvements based on years of research and your input. Completely retooled shelving, improved bulkheads, customizable organizational features, and a host of smart new accessories, designed around the common sense idea that tools and equipment belong on the shelf, not the floor.



**LADDER RACK SOLUTIONS**

**BRITE WHITE® POWDER-COAT**

**ADJUSTABLE SHELVING**

**CUSTOMIZED BULKHEAD OPTIONS**

**SPECIALTY STORAGE & ACCESSORIES**

**EASY TO CUSTOMIZE**



## TABLE OF CONTENTS

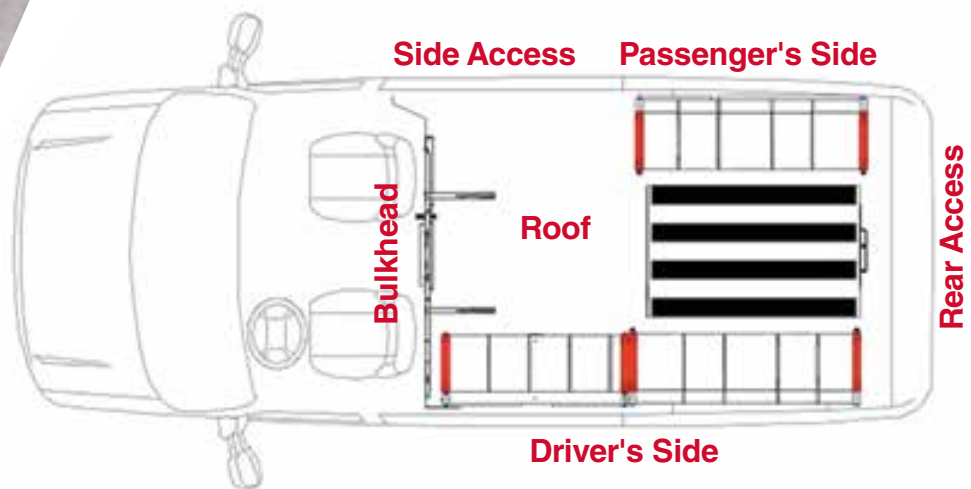
<b>BULKHEADS .....</b>	<b>6</b>
Bulkhead Accessories .....	6
Van Bulkheads .....	7
<b>SHELVING .....</b>	<b>10</b>
Adjustable Shelving .....	10
Shelving Accessories .....	11
Secure Storage .....	12
EZ Cube Welded Shelving .....	13
<b>REDZONE ACCESSORIES.....</b>	<b>14</b>
Accessories .....	14
<b>SPECIALTY STORAGE.....</b>	<b>20</b>
PACK RAT® Drawer Units.....	20
ITEMIZER® Drawer Units.....	22
BED RAT® Sliding Platform.....	23
<b>ROOF RACKS.....</b>	<b>24</b>
EZGLIDE2™ Drop-Down Ladder Rack .....	24
Rack Accessories.....	25
Quick Clamp Aluminum Racks.....	26
All-Purpose Racks .....	28
Safari Rack .....	29
Sliding Ladder Rack .....	29
<b>ROOF RACK FITTING GUIDE.....</b>	<b>30</b>
<b>PART NUMBER REFERENCE GUIDE .....</b>	<b>31</b>



# YOUR VAN, YOUR PLAN.

## CUSTOMIZING YOUR VEHICLE IS AS EASY AS 1-2-3:

1. Choose your make & model
2. Select a base package
3. Customize & add accessories



- Wide selection of vehicles with pre-built custom packages
- Printable design drawings and parts list

# BULKHEADS

Our Full-Size, High-Roof, and Compact van bulkheads allow you to separate the driver compartment from the cargo area for maximum protection against shifting loads. Exclusive polycarbonate windows improve visibility and safety. Tighter panel design ensures cabin comfort, both noise and temperature. WEATHER GUARD® Bulkheads are available for all commercial van types and sizes, from high-roof to compact. Several bulkhead accessories are available to keep you organized.

## EASY INSTALLATION

with sidewall and roof mounting brackets and pre-punched mounting holes for WEATHER GUARD® accessories

## HEAVY GAUGE STEEL

is used for strength and durability

## IMPROVED IMPACT RESISTANCE

protects you from loose objects in the cargo area



## EXCLUSIVE 9" X 12" DOG HATCH™ DOOR

allows easy loading of long materials by utilizing the floor space in front of the bulkhead



## POLYCARBONATE WINDOW BULKHEADS

allow for improved visibility, security and comfort

## PROVIDES IMPROVED HEATING AND COOLING EFFICIENCY

in the passenger area, reduces noise level, too

## NEW VERTICAL PANEL DESIGN

reduces ambient noise levels

## OPTIONAL HINGE KIT

converts bulkhead to swing door version

WEATHER GUARD® EXCLUSIVE!



## REDZONE ACCESSORIES FOR THE BULKHEAD

WEATHER GUARD® Bulkhead Accessories let you create a custom storage solution that securely organizes the items you need to locate quickly and easily.

Check out REDZONE Accessories, starting on page 14 for more details

### Bulkhead Accessories\*

MODEL	DESCRIPTION	WEIGHT
1 9879-7-01	Tool Organizer	3 lbs.
2 8875	Hard Hat Bracket	2 lbs.
3 8866	Fire Extinguisher	6 lbs.
4 8877-3	Practice Holder	4 lbs.
5 96901-3-01	Hinge Kit	4 lbs.
6 96903-3-01	Solid Panel Kit	10 lbs.





Model 96301-3-01

Model 96302-3-01

**Low Roof Bulkhead for Transit Van**



MODEL	DESCRIPTION	WEIGHT
96301-3-01	Window Bulkhead, Low Roof, Ford Transit	67 lbs.
96302-3-01	Mesh Bulkhead, Low-Roof, Ford Transit	67 lbs.
96901-3-01	Swing Door Conversion Kit	3 lbs.
96903-3-01	Solid Bulkhead Panel Adapter Kit	10 lbs.



Model 96311-3-01

Model 96312-3-01

**Mid Roof Bulkhead for Transit Van**



MODEL	DESCRIPTION	WEIGHT
96311-3-01	Window Bulkhead, Mid-Roof, Ford Transit	108 lbs.
96312-3-01	Mesh Bulkhead, Mid-Roof, Ford Transit	108 lbs.
96901-3-01	Swing Door Conversion Kit	3 lbs.
96903-3-01	Solid Bulkhead Panel Adapter Kit	10 lbs.



Model 96321-3-01

Model 96322-3-01

**High Roof Bulkhead for Transit Van**



MODEL	DESCRIPTION	WEIGHT
96321-3-01	Window Bulkhead, High-Roof, Ford Transit	108 lbs.
96322-3-01	Mesh Bulkhead, High-Roof, Ford Transit	108 lbs.
96901-3-01	Swing Door Conversion Kit	3 lbs.
96903-3-01	Solid Bulkhead Panel Adapter Kit	10 lbs.



Model 96111-3-02

Model 96511-3-02

**Bulkhead for Transit Connect Van**



Window bulkheads offer unobstructed visibility of the cargo area, side door, and rear door. Maximizes comfort in the passenger area. Lightweight mesh bulkheads deliver full driver and cargo protection.

MODEL	DESCRIPTION	WEIGHT
96511-3-02	Transit Connect Window Bulkhead**	40 lbs.
96111-3-02	Transit Connect Screen Bulkhead	35 lbs.

\*\*Ford Transit Connect (2010 - 2013 model years) use -01 instead of -02



Model 96102-3-01

Model 96101-3-01



Model 96114-3-01

Model 96514-3-01

### Bulkhead for Chevy & GM Full Size Vans

Offers improved visibility and a large area to mount accessories while providing safety and security for occupants and cargo.

MODEL	DESCRIPTION	WEIGHT
96101-3-01	Window Bulkhead	65 lbs.
96102-3-01	Screen Bulkhead	65 lbs.
96901-3-01 (Hinge Kit)	Converts full size bulkhead to swinging door	4 lbs.

### Bulkhead for Compact Vans

Window bulkheads offer unobstructed visibility of the cargo area, side door, and rear door. Maximizes comfort in the passenger area. Lightweight mesh bulkheads deliver full driver and cargo protection.

MODEL	DESCRIPTION	WEIGHT
96514-3-01	Chevy City Express Window Bulkhead	40 lbs.
96114-3-01	Chevy City Express Screen Bulkhead	35 lbs.



Model 96122-3-01

Model 96121-3-01

### Bulkhead for Sprinter Standard & High Roof

Mercedes-Benz

Offers improved visibility and a large area for accessory mounts and holders while providing safety and security for occupants and cargo. Includes header panels for standard and high roof vans.

MODEL	DESCRIPTION	WEIGHT
96121-3-01	Sprinter Window Bulkhead	105 lbs.
96122-3-01	Sprinter Screen Bulkhead	105 lbs.
96901-3-01 (Hinge Kit)	Converts full size or high roof bulkheads to swinging door	4 lbs.

**weather guard**

**CUSTOM CONFIGURATOR**







### Bulkhead for Ram ProMaster® Standard & High Roof



Offers improved visibility and a large area for accessory mounts and holders while providing safety and security for occupants and cargo. Includes header panels for standard and high roof vans.

MODEL	DESCRIPTION	WEIGHT
96141-3-01	Ram ProMaster® Window Bulkhead	105 lbs.
96142-3-01	Ram ProMaster® Screen Bulkhead	105 lbs.
96901-3-01 (Hinge Kit)	Converts full size or high roof bulkheads to swinging door	4 lbs.



### Bulkhead for Nissan NV Standard & High Roof



Offers extensive rear and side visibility while providing occupant protection and cargo security.

MODEL	DESCRIPTION	WEIGHT
96201-3-01	Nissan NV Window Bulkhead <i>Includes extension panel for high roof vans.</i>	70 lbs.
96901-3-01 (Hinge Kit)	Converts Nissan NV <b>High Roof</b> bulkhead to swinging door	4 lbs.

### Bulkhead for Nissan NV Standard & High Roof



Offers extensive rear and side visibility while providing occupant protection and cargo security.

MODEL	DESCRIPTION	WEIGHT
96114-3-01	Nissan NV200 Mesh Bulkhead	35 lbs.
96514-3-01	Nissan NV200 Window Bulkhead	40 lbs.

CREATE A CUSTOM SOLUTION THAT FITS YOUR NEEDS.  
**IT'S EASY, FAST AND FLEXIBLE**

CUSTOMIZING YOUR VEHICLE IS AS EASY AS 1-2-3:

1. Choose your make & model
2. Select a base package
3. Customize & add accessories

# ADJUSTABLE SHELVING



## END CAPS AVAILABLE

(16" SHELVES ONLY)

for material storage and load tie-down

## 17° TAPERED END PANEL

**CLOSER FIT** for more working space inside the van



## DEEP FULLY HEMMED SHELVES

sized for tools, equipment, and other materials



## EASY TO CUSTOMIZE

with pre-punched mounting holes for WEATHER GUARD® accessories and adjustable dividers



**WEATHER GUARD® EXCLUSIVE!**



## ADJUSTABLE DIVIDERS

One set of four 16" Standard Dividers or four 13" Narrow Dividers included for each shelf.

## FRONT FLOOR CLEARANCE

(16" SHELVES ONLY)

for material storage. Fits PACK RAT® Drawer Units.

## UNMATCHED DURABILITY

achieved with heavy duty 18 gauge steel construction

## FLAT FRONTS

on 13" deep adjustable shelves. Mount doors and accessories at floor level

## Shelf Units: Ships as one each of:

MODEL	END PANEL KIT	SHELF KIT	HEIGHT	WIDTH	DEPTH	SHELVES	DIVIDERS	WEIGHT
9333-3-02	9233-3-01	9173-3-01	36" *	36"	13"	2	8	48 lbs.
9334-3-02	9233-3-01	9174-3-01	36" *	42"	13"	2	8	48 lbs.
9336-3-02	9233-3-01	9176-3-01	36" *	60"	13"	2	8	70 lbs.
9343-3-02	9264-3-01	9183-3-01	46" *	36"	16"	3	12	74 lbs.
9344-3-02	9264-3-01	9184-3-01	46" *	42"	16"	3	12	80 lbs.
9345-3-02	9264-3-01	9185-3-01	46" *	52"	16"	3	12	85 lbs.
9346-3-02	9264-3-01	9186-3-01	46" *	60"	16"	3	12	104 lbs.
9353-3-01	9234-3-01	9153-3-01	46"	36"	13"	3	8	53 lbs.
9354-3-01	9234-3-01	9154-3-01	46"	42"	13"	3	8	57 lbs.
9355-3-01	9234-3-01	9155-3-01	46"	52"	13"	3	8	66 lbs.
9356-3-01	9234-3-01	9156-3-01	46"	60"	13"	3	8	73 lbs.
9363-3-02	9266-3-01	9193-3-01	62" *	36"	16"	4	16	92 lbs.
9364-3-02	9266-3-01	9194-3-01	62" *	42"	16"	4	16	94 lbs.
9365-3-02	9266-3-01	9195-3-01	62" *	52"	16"	4	16	110 lbs.
9366-3-02	9266-3-01	9196-3-01	62" *	60"	16"	4	16	136 lbs.
9373-3-01	9236-3-01	9073-3-01	60"	36"	13"	4	12	76 lbs.
9374-3-01	9236-3-01	9074-3-01	60"	42"	13"	4	12	94 lbs.
9375-3-01	9236-3-01	9075-3-01	60"	52"	13"	4	12	110 lbs.
9376-3-01	9236-3-01	9076-3-01	60"	60"	13"	4	12	136 lbs.

\* Reduce height 2<sup>3</sup>/<sub>4</sub> without End Caps

# SHELVING ACCESSORIES



**1 Shelf Doors with High Security D Handle Lock** mount to shelf units or, for compact van shelf units, to retainer lips. Allow six mounting spaces shelf to shelf spacing. Single point latch.

MODEL	HEIGHT	WIDTH	WEIGHT
9503-3-01	11"	36"	13 lbs.
9504-3-01	11"	42"	17 lbs.
9505-3-01	11"	52"	21 lbs.
9506-3-01	11"	60"	25 lbs.

**2 Retainer Lips** keeps items in place under shelf units

MODEL	HEIGHT	WIDTH	DEPTH	WEIGHT
9703-3-01	4"	36"	2"	1 lb.
9704-3-01	4"	42"	2"	1 lb.
9705-3-01	4"	52"	2"	2 lbs.
9706-3-01	4"	60"	2"	2 lbs.

Required to use Nissan NV Floor Mounting Points

**Bin Sets** sturdy plastic bins sized to fit new van shelving

MODEL	HEIGHT	WIDTH	DEPTH	BINS	WEIGHT
3 9854-7-01	5"	5½"	14¾"	9	1 lb.
4 9855-7-01	7"	8¾"	14¾"	6	1 lb.
5 9856-7-01	7"	16½"	14¾"	3	1 lb.
9858-7-01	5"	5½"	10.875"	9	8 lbs.
9855-7-01	7"	8¾"	10.875"	6	8 lbs.

## Light Weight Shelf Back Panels

use with shelf doors to turn a shelf into a cabinet

MODEL	HEIGHT	WIDTH	WEIGHT
9603-3-01	13½"	36"	2 lbs.
9604-3-01	13½"	42"	3 lbs.
9605-3-01	13½"	52"	4 lbs.
9606-3-01	13½"	60"	5 lbs.

## Special Order Shelving Items (not pictured)

Extra deep 24" shelving constructed of 18-gauge steel and finished with durable brite white powder coat. These shelves are easy to assemble and provide the perfect foundation for a customized van or trailer. Special order only, with longer lead times.

MODEL	HEIGHT	WIDTH	DEPTH	SHELVES
8393-3-01	59½"	42¼"	24"	3
8394-3-01	59½"	51¼"	24"	3
8395-3-01	59½"	69¼"	24"	3
8118-3-01	short bin dividers for 24"d shelves.			

## Extra Shelves

Can't find the combination you need?  
Configure your own shelf system with extra shelves

MODEL	HEIGHT	WIDTH	DEPTH	WEIGHT
9133-3-01	2"	36"	13"	14 lbs.
9134-3-01	2"	42"	13"	18 lbs.
9135-3-01	2"	52"	13"	22 lbs.
9136-3-01	2"	60"	13"	26 lbs.
9163-3-01	2"	36"	16"	16 lbs.
9164-3-01	2"	42"	16"	20 lbs.
9165-3-01	2"	52"	16"	24 lbs.
9166-3-01	2"	60"	16"	28 lbs.

## Quick Adjust Handle Kit

Use with any REDZONE shelf for fast, toolless adjustability

MODEL	WEIGHT
70202	0.2 lbs.

## REDZONE Accessories

End panel and shelf

MODEL	DESCRIPTION	WEIGHT
6 8866	Fire extinguisher	6 lbs.
7 8873-3-01	Extension cord brackets (3)	2 lbs.
8 8875	Hard hat bracket (hat not included)	2 lbs.
9832	Shelf mat, narrow	1 lb.
9 9836	Shelf mat, wide	1 lb.
10 9880-3-01	Literature holder	11 lbs.

## Divider Sets

keep things on the shelf in place

MODEL	HEIGHT	WIDTH	DIVIDERS	WEIGHT
9823	2"	13"	4	2 lbs.
9826	2"	16"	4	2 lbs.

## Shelf Center Support

Increase shelf load capacity with a set of center supports. One support included with each 60" wide shelf set.

MODEL	HEIGHT	WIDTH	DEPTH	WEIGHT
9730-3-01	36"	1.2"	1.2"	7 lbs.
9740-3-01	46"	1.2"	1.2"	9 lbs.
9760-3-01	62"	1.2"	1.2"	12 lbs.

## Nissan Mounting Kits

required to use Nissan floor mounts

MODEL	HEIGHT	WIDTH	DEPTH	WEIGHT
9720-3-01	3"	10"	2"	1 lb.

# SECURE STORAGE

Add extra security and theft-resistance for valuable tools and equipment with WEATHER GUARD® Secure Storage shelf units. Multiple door and drawer modules easily assemble into REDZONE Shelving. Our welded steel construction and heavy-duty locking mechanism ensures peace of mind on the job or in the parking lot.

**! HIGH SECURITY**

welded steel box and shelf construction

**! UNMATCHED ORGANIZATION & EFFICIENCY**

with no wasted space below or between drawers

**! UNMATCHED DURABILITY**

box construction strengthens and rigidizes shelf unit

**! EXTRA LARGE STEEL DRAWERS**

17"x14"x4" or 6" with ball bearing slides rated at 75 pounds per drawer

**! FAST AND EASY ASSEMBLY**

modules bolt to end panels. Add top shelf to complete unit.

**! FULLY FUNCTIONAL 16" SECURE MODULE TOP**

designed like a 16" shelf for additional storage



**WEATHER GUARD® EXCLUSIVE!**



## Secure Storage Shelf Units (42" Wide)

MODEL	DESCRIPTION	HEIGHT	DIVIDERS	WEIGHT
<b>Full Size Vans</b>				
9380-3-02	With Door Module	46"	8	117 lbs.
9385-3-02	With 5 Drawer Module	46"	8	148 lbs.
<b>High Roof Vans</b>				
9390-3-02	With Door Module	62"	8	125 lbs.
9395-3-02	With 5 Drawer Module	62"	8	156 lbs.
<b>Storage Module Only (for 42" wide shelf units)</b>				
9040-3-01	Door Module			47 lbs.
9045-3-02	5 Drawer Module			78 lbs.

## Secure Storage Service Parts

xx- Designates key code  
Specify key code 11-20 when ordering

MODEL	DESCRIPTION	WEIGHT
70206-xx	Replacement Lock Kit	117 lbs.
70210-xx	Key kit	1 lb.
70211-xx	Replacement D Handle Kit	1 lb.



Door Module  
9040-3-01



5 Drawer  
Module  
9045-3-01

# EZ-CUBE WELDED SHELVING

Heavy-duty van storage, made easy. Our fully arc-welded WEATHER GUARD® EZ-Cube Shelving is pre-assembled and ready to install. Pre-punched shelves allow for quick installation of cabinets, bin dividers, or accessory doors. Heavy-gauge steel construction with our signature bright white powder coat ensure years of durability, and a professional appearance.

## TAPERED END PANEL DESIGN

allows a close fit to the van wall and additional cargo space in the middle of the van

## FULLY ARC WELDED

for durable construction and no assembly

## HEMMED SHELVES

provide extra strength and a lip in front of the shelf for load retention

## BOTTOM SHELF IS PRE-PUNCHED

for EZ installation of accessory cabinets on page 30



## MIDDLE TWO SHELVES ARE PRE-PUNCHED

for EZ Bin Dividers

## BOTTOM RETAINER LIP

is made of durable, heavy gauge steel

## EZ SHELF DOORS

turns bottom shelf into a cabinet



EZ Bin Dividers mount to two middle shelves

SHELVING

### EZ-Cube for Full-Size Vans

MODEL	SHELVES	HEIGHT	WIDTH	TOP DEPTH	BOTTOM DEPTH	WEIGHT
9400-3-01	4	43¾"	42"	11¼"	13¾"	76 lbs.
9452-3-01	4	43¾"	51"	11¼"	13¾"	90 lbs.

### Accessories for EZ-Cube Shelving

MODEL	DESCRIPTION	WEIGHT
8401-3-01	EZ Bin Dividers (8)	18 lbs.
8841	EZ Shelf Mat (trim to fit)	1 lb.
8502-3-01	EZ Shelf door, 42" wide, 10" high	17 lbs.
8503-3-01	EZ Shelf Door, 51" wide, 10" high	20 lbs.



Designed to mount to the floor or on top of the Wheel Well Base Cabinet. Dividers are welded in place.

### Welded Stack Unit

MODEL	SHELVES	HEIGHT	WIDTH	DEPTH	DIVIDERS	WEIGHT
8230-3-01	3	30"	36"	12"	6	25 lbs.



Designed to fit over the wheel well and provide a flat, sturdy foundation for Shelf Units, Parts Cabinets, or Drawer Units.

### Wheel Well Base Cabinet

MODEL	HEIGHT	WIDTH	DEPTH	WEIGHT
9444-3-01	13¾"	42¾"	15"	49 lbs.

# REDZONE ACCESSORIES

Looking for parts and supplies won't slow you down with new and re-engineered REDZONE van storage accessories. Organizers and holders keep frequently used items in easy reach for maximum productivity. Tool cabinets, parts bin boxes, and locking storage keep small components organized.

## CUSTOMIZED ORGANIZATION

for supplies and tools

## HEAVY DUTY 18 GAUGE STEEL CONSTRUCTION

makes for tough, long lasting accessories

## POWDER COAT FINISH

provides durability

## EASY TO INSTALL

to shelf end panels, bulkheads, and door



## HOOKS AND BRACKETS



## BUCKET AND TANK HOLDERS



## REDZONE Accessories

	MODEL	DESCRIPTION	HEIGHT	WIDTH	DEPTH	WEIGHT
1	9874-7-01	Can Organizer	9.8	12	4	3
2	9878-7-01	Cleaning Station	15.5	13	7	10
3	9879-7-01	Tool Organizer	5.5	15	4	3
4	9881-7-01	Caulk Tube Tray	7.5	13.5	7.5	4.25
5	9882-7-01	Wire Spool Holder End Mount	26	14	6	12
6	9883-7-01	Large Parts Bin	11	13	7	10
7	9884-7-01	Medium Parts Bin	6.5	13	7	8
8	9885-7-01	5 Gallon Bucket Holder	6.25	11.25	11.25	8
9	9886-7-01	30# Refrigerant Tank Holder	10.75	9.75	9.75	9
10	9887-7-01	Ladder Holder	4	1.5	3.5	0.25
11	9891-7-01	Large Hook (5" Dia)	8	1.125	5	0.5
12	9892-7-01	2 Hook Holder (5" Dia)	8	9	5	0.5
13	9893-7-01	3 Hook Cord Or Tool Holder	5.25	9	4.5	0.5



### Mechanics Grade Tool Cabinets

MODEL	DRAWERS	HEIGHT	WIDTH	DEPTH	WEIGHT
1 9912-3-02	2	12"	16"	13.7"	26 lbs.
2 9914-3-02	4	12"	16"	13.7"	32 lbs.
3 9924-3-02	4	24"	16"	13.7"	48 lbs.
4 9928-3-02	8	24"	16"	13.7"	60 lbs.
5 9984-3-01	4	24"	18"	13.7"	48 lbs.
6 9988-3-01	8	24"	18"	13.7"	60 lbs.

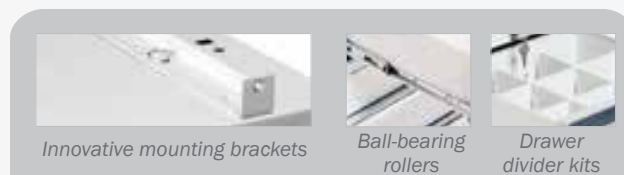
High quality, durable Drawer Cabinets feature latches for each drawer, smooth ball-bearing rollers, and secure locks that can be keyed alike. Bin Cabinets feature hook and loop fasteners to securely hold bins in place. Innovative mounting rails speed assembly. Attach rails to cabinet and bolt to shelf. Easy to move from shelf to shelf as your needs change. **Order mounting kit separately and specify shelf size when ordering.**



### Parts Boxes & Bin Cabinets

MODEL	BINS	HEIGHT	WIDTH	DEPTH	WEIGHT
1 9906-3-02	6	4½"	32½"	11¾"	18 lbs.
2 9909-3-02	9	12"	17"	11¾"	28 lbs.
3 9918-3-02	18	12"	32½"	11¾"	54 lbs.
4 9950-7-02*	N/A	12.6"	20.3"	14.4"	4 lbs.
5 9951-9-01	N/A	3"	18½"	13"	3 lbs.
Special Order Cabinets					
6 8908-3	8	8½"	22 "	11¾"	24 lbs.
7 8931-3*		15¾"	21¾"	12¾"	28 lbs.

\*Parts cases not included



### Mounting Kits & Divider Kits

MODEL	DESCRIPTION	WEIGHT
9993-3-01	Mounting bracket kit for 13" shelves	1 lb.
9996-3-01	Mounting bracket kit for 16" shelves	1 lb.
7220	Mounting bracket kit for 14" knockdown shelves	1 lb.
9822-3-01	Divider and liner kit for narrow drawers	2 lbs.
9824-3-01	Divider and liner kit for deep drawers	2 lbs.

Drawer and Bin Cabinets work with space saving 13" deep shelving or Heavy Duty 16" shelving. **Specify shelf size when ordering.**

# CAB COMMAND CENTER ⚠

WEATHER GUARD® EXCLUSIVE! ⚠

Rethought and repurposed. Not a file box, but a between-seat Cab Command Center! Plenty of room for your laptop and hanging files. Handy clip board on lid and extra storage for personal items. Power Pass® electrical pass-thru grommet lets you keep everything charged while you're on the road. Our D-Handle lock keeps everything safe when you're on the job. Easy to release interior latch lets you take it when you need it. Use Model 9010-3-01 for Ford Transit, Ram ProMaster® vans & Model 9012-3-01 for Sprinter, GM and Ford E-Series vans.

## SECURE D HANDLE LOCKS

single point latching for theft-resistance

## HIDDEN LATCH TO BASE ⚠

means only you can remove it from your vehicle

## SIMPLIFIED INSTALLATION

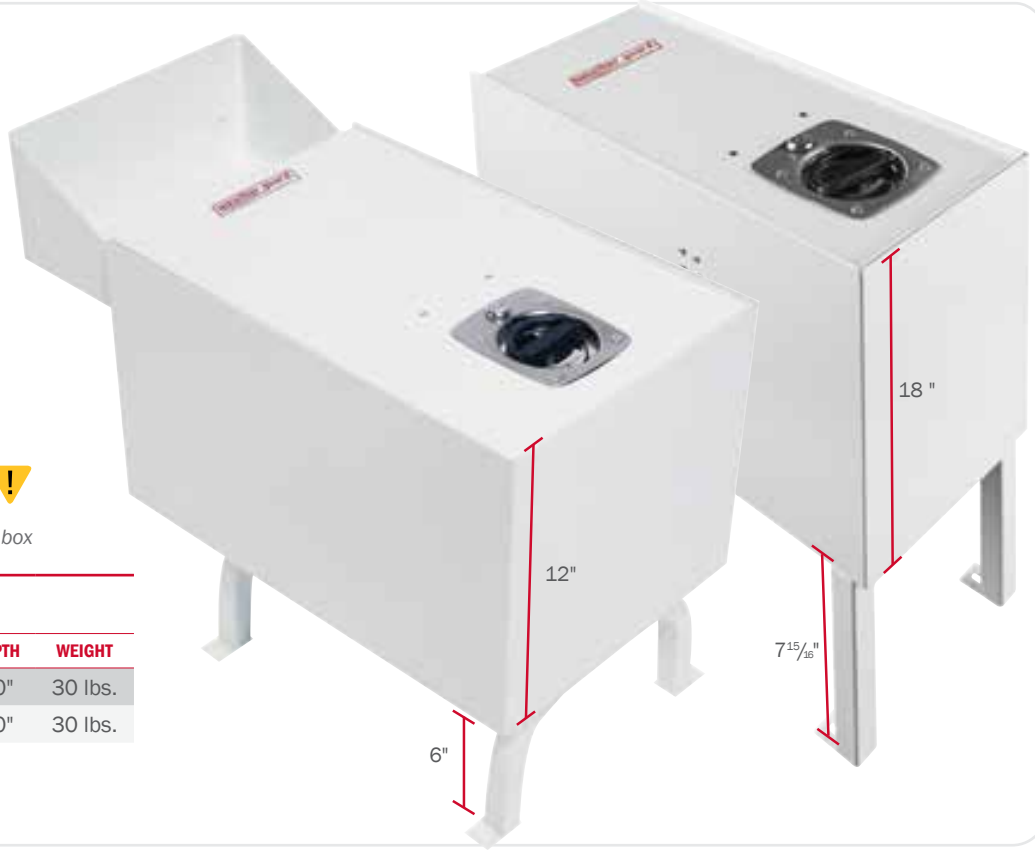
gets you back on the job quickly

## RAISED MOUNTING BASE FOR 6" FLOOR CLEARANCE

with tamper-resistant Torx® head mounting bolts

## POWER PASS® ELECTRICAL PASS-THRU GROMMET ⚠

allows you to charge items within the box



### Cab Command Center

MODEL	HEIGHT	WIDTH	DEPTH	WEIGHT
9010-3-01	18"	7½"	20"	30 lbs.
9012-3-01	12"	13"	20"	30 lbs.



### Door Trays and Literature Holders

MODEL	HEIGHT	WIDTH	WEIGHT
1 9871-3-01	21¾"	20¼"	19 lbs.
2 9872-3-01	21¾"	20¼"	18 lbs.
3 9873-3-01	21¾"	20¼"	19 lbs.

MODEL	BINS	HEIGHT	WIDTH	DEPTH	WEIGHT
4 9880-3-01	6	15"	13"	4¾"	11 lbs.

These door organizers keep tools and supplies close by. No digging around inside the van for those items used on every job. Durable steel trays and lids keep everything in place while driving. Adjustable dividers let you customize.

You not only build or repair, but educate and inform customers. Catalog and literature holders keep information at hand, for your customers or crews.





### Locking Storage & CATV Cabinets

	MODEL	SHELVES	HEIGHT	WIDTH	DEPTH	WEIGHT
1	9020-3-01	N/A	22"	18"	16"	25 lbs.
2	9021-3-01	2*	22"	18"	16"	35 lbs.
3	9029-3-01	N/A	22"	18"	16"	25 lbs.

\*Removable Shelves

Great for securing electronics or expensive equipment. Our new locking storage cabinets feature secure locking D-Handles and tool-less reversible doors.

9029-3-01 is an open base unit with a handy storage bin.



### Floor Mounted Accessories

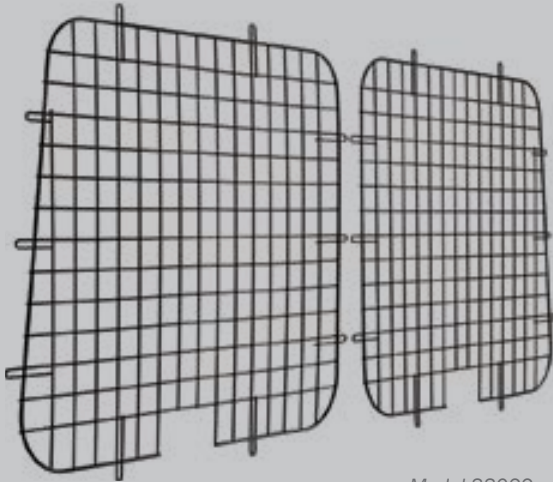
	MODEL	DESCRIPTION	HEIGHT	WIDTH	DEPTH	WEIGHT
1	9861-3-01	Cable spool holder	42½"	19¾"	16¼"	37 lbs.
2	9862-3-01	3 - 50 lb. tank holder	45½"	15½"	8"	31 lbs.
3	9863-3-01	2 - 30 lb., 1 - 50 lb. tank holder	40"	15½"	8"	27 lbs.
4	9864-3-01	4 - 30 lb. tank holder	48½"	13"	8"	31 lbs.
5	9860-3-01	Catalog file unit	36"	6"	12"	16 lbs.
	9866-3-01	Three spool cable holder	42½"	19¾"	16¼"	37 lbs.

You're a professional, a specialist. You need specific equipment to keep at the top of your game. WEATHER GUARD® Van Solutions has what you need. Tank and cable racks, and work tops.



### Specialty Equipment

	MODEL	DESCRIPTION	HEIGHT	WIDTH	DEPTH	WEIGHT
1	9444-3-01	Wheel Well Cabinet	13¾"	42¾"	15"	9 lbs.
2	9912-3-01	2 Drawer Cabinet	12"	16"	13.7"	26 lbs.
3	9914-3-01	2 Drawer Cabinet	12"	16"	13.7"	32 lbs.
4	8867-3-01	Steel work top	1½"	42"	18"	6 lbs.



Model 88022

### Window Screens

MODEL	VAN TYPE	QUANT.	DESCRIPTION	WEIGHT
88021	'92 & Newer Full-size Ford	2	Side Door - Hinged	8 lbs.
88022	'92 & Newer Full-size Ford	2	Rear Door - Hinged	8 lbs.
88023	'92 & Newer Full-size Ford	1	Side Door - Sliding	8 lbs.
88026	'96 & Newer Full-size GM	2	Side Door - Sliding	8 lbs.
88027	'96 & Newer Full-size GM	2	Side Door - Hinged	7 lbs.
88028	'96 & Newer Full-size GM	2	Rear Door - Hinged	8 lbs.
88040	'07 & Newer Dodge Sprinter	1	Side Door	7 lbs.
88041	'07 & Newer Dodge Sprinter	2	Rear Door	9 lbs.
88042	'08 & Newer Dodge RAM CV	2	Side Door - Sliding	6 lbs.
88043	'08 & Newer Dodge RAM CV	2	Rear Side Windows	7 lbs.
88044	'09 Dodge RAM CV	1	Rear Door - Hatch	6 lbs.
88045	'10 Ford Transit Connect	2	Rear Door	7 lbs.
88046	'10 Ford Transit Connect	2	Side Door	9 lbs.
88047	'10 Ford Transit Connect	2	Side Rear Window	7 lbs.
88050	Ram ProMaster®	2	Rear Door	9 lbs.
88051	Ram ProMaster®	1	Side Door	7 lbs.
88052	Ram ProMaster®	1	Side, Fixed	7 lbs.
88060	Ford Transit Low Roof	2	Rear Door	8 lbs.
88061	Ford Transit Low Roof	1	Side Door - Sliding	8 lbs.
88062	Ford Transit Mid and High Roof	2	Rear Door	9 lbs.
88063	Ford Transit Mid and High Roof	1	Side Door	9 lbs.
88064	Ford Transit Low Roof	2	Side Door - Hinged	8 lbs.



Model 89015

### Van Floor Mats

MODEL	VAN TYPE	WEIGHT
89011	70" x 124" rectangular, must be cut to fit any style vans	55 lbs.
89015	'96 & newer GM 135" wheel base	55 lbs.
89017	'92 & newer Ford standard wheel base	60 lbs.
89020	'14 & newer Ram ProMaster®, 118" wheelbase	32 lbs.
89021	'14 & newer Ram ProMaster®, 136" wheelbase	39 lbs.
89022	'14 & newer Ram ProMaster®, 158" wheelbase	46 lbs.
89023	'14 & newer Ram ProMaster®, 158" extended wheelbase	49 lbs.
89024	'15 & newer Ford Transit, 130" wheelbase	45 lbs.
89025	'15 & newer Ford Transit, 148" wheelbase	50 lbs.
89026	'15 & newer Ford Transit, 148" extended wheelbase	55 lbs.

*Designed to cover seating wells in the van floor. Required when installing bulkhead units and other equipment.*



*High-security box for the inside of a van that features ¼" plate steel around the lid opening and the WATCHMAN® IV Lock System.*

### Strong Box

MODEL	HEIGHT	WIDTH	DEPTH	WEIGHT
9036-3	16"	36¾"	19¾"	93 lbs.

WEATHER GUARD® EXCLUSIVE!



## GRAB & GO TOOL CART

Our new, modular 3-piece rolling tool chest puts those tools and parts used on every job at your fingertips. Heavy-duty construction keeps your productivity rolling for years to come.

- Modular, 3-piece rolling tool chest
- Removable tool box with steel tray
- Sliding drawer unit
- Tilt-out storage bin
- Telescoping handle



Grab & Go Tool Cart

MODEL	HEIGHT	WIDTH	DEPTH	BOXES	WEIGHT
9953-7-01	28½"	20"	12"	3	24 lbs.

**weather guard**

# CUSTOM CONFIGURATOR

**CUSTOMIZING YOUR VEHICLE IS AS EASY AS 1-2-3:**

1. Choose your make & model
2. Select a base package
3. Customize & add accessories

REDZONE ACCESSORIES

# PACK RAT® DRAWER UNITS

Have your equipment waiting for you as soon as you open the door. These heavy-duty pull-out drawer units can be mounted inside the side or rear door openings. They offer easy access to hundreds of pounds of tools and supplies, while leaving floor space open for hauling materials or moving in and out of the vehicle.



## INTRODUCING OUR NEW PACK RAT® DRAWER UNIT FOR POWER TOOLS



### ONE-TOUCH RED PUSHBUTTON LATCH ASSEMBLY

*allows for one hand operation*

### HEAVY GAUGE ALUMINUM

*is strong, but light, with a  
225 pound load rating*

### SMOOTH ROLLING DRAWER

*for easy access and organization*

### ANTI-SKID STRIPS

*provide traction for  
wet and muddy boots*

### EASY MAINTENANCE

*drawers are completely  
removable to clean,  
lubricate, and service*



### POWER PASS® ELECTRICAL PASS-THRU GROMMET

*for tool charging*



**WEATHER GUARD® EXCLUSIVE!**



### 14-GAUGE STEEL

*on top and sides allows for a 750 lb. load  
rating when evenly distributed on top of unit*

### 12-GAUGE STEEL SKIDS

*and full width ribs underneath and inside  
the unit add extra strength*

### SMOOTH ROLLING DRAWER

*provides trouble free operation and  
handles up to 425 lbs. of equipment*





**Drawer  
Compartment**  
14½" H x 11¾" W  
x 39" L

**NEW Tool Drawer**

MODEL	HEIGHT	WIDTH	DEPTH	COMPARTMENTS	WEIGHT
310-3-01	17¾"	12¼"	42"	1	56 lbs.



**Smaller  
Compartment**  
8½" H x 9¾" W  
x 45" L

**Larger  
Compartment**  
8½" H x 19½" W x  
45" L

**Extra Wide Compartment 48" Long Drawer Unit**

MODEL	HEIGHT	WIDTH	COMPARTMENTS	DIVIDERS	WEIGHT
304-3	9"	30"	2	6	220 lbs.
334-3	12"	30"	2	6	245 lbs.



*Each Drawer  
Compartment  
Measures 5" H  
x 9¾" W x 21" L*

**9" High, 24" Long Drawer Unit**

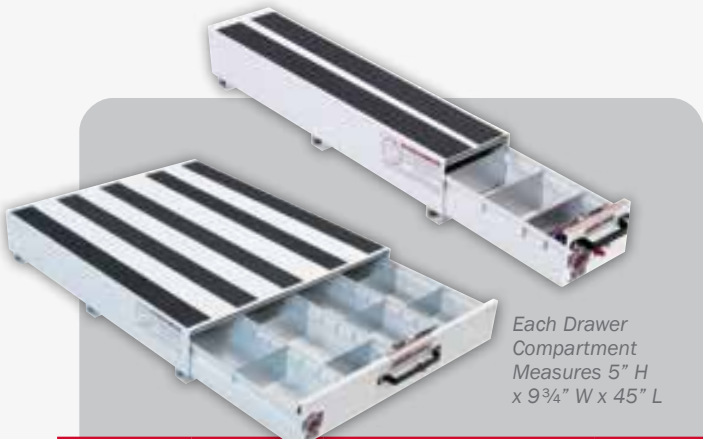
MODEL	WIDTH	COMPARTMENTS	DIVIDERS	WEIGHT
312-3	30"	3	12	151 lbs.



*Each Drawer  
Compartment  
Measures 8½" H x  
9¾" W x 21" L*

**12½" High, 24" Long Drawer Units**

MODEL	WIDTH	COMPARTMENTS	DIVIDERS	WEIGHT
301-3	30"	3	12	169 lbs.
303-3	39¾"	4	12	217 lbs.



*Each Drawer  
Compartment  
Measures 5" H  
x 9¾" W x 45" L*

**9" High, 48" Long Drawer Units**

MODEL	WIDTH	COMPARTMENTS	DIVIDERS	WEIGHT
305-3	10¼"	1	6	106 lbs.
306-3	20"	2	12	179 lbs.
307-3	30"	3	18	247 lbs.
308-3 (white)	39¾"	4	24	322 lbs.
308-5 (black)	39¾"	4	24	322 lbs.



*Each Drawer  
Compartment  
Measures 8½" H x  
9¾" W x 45" L*

**12½" High, 48" Long Drawer Units**

MODEL	WIDTH	COMPARTMENTS	DIVIDERS	WEIGHT
335-3	10¼"	1	6	130 lbs.
336-3	20"	2	12	210 lbs.
337-3	30"	3	18	294 lbs.
338-3 (white)	39¾"	4	24	383 lbs.
338-5 (black)	39¾"	4	24	383 lbs.

**SPECIALTY STORAGE**

# ITEMIZER® DRAWER UNITS

This exclusive, lightweight aluminum storage solution conveniently increases your storage space by placing small equipment at your fingertips without the need to crawl inside the van. Drawer dividers provide an extensive array of organizing options.

## LIGHTWEIGHT ALUMINUM DRAWERS

carry up to 75 lbs. of equipment each

## UNITS CAN BE STACKED

as needed for additional storage

## ROLLER MOUNTED DRAWERS

glide open to full extension

## ADJUSTABLE DRAWER DIVIDERS

offer greater flexibility



Model 318-3

## ANTI-SKID STRIPS

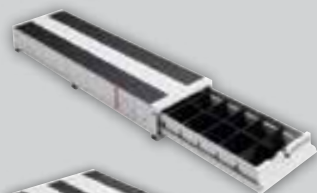
provides traction for wet and muddy boots

## LOCK MOUNT

is provided for installation of optional camlock

Model 314-3

1 Drawer



Model 316-3

2 Drawer Lateral



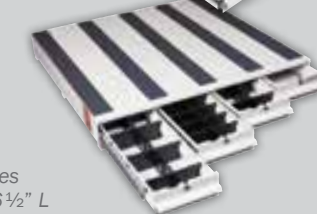
Model 317-3

3 Drawer Lateral



Model 318-3

4 Drawer Lateral



Each Drawer  
Compartment Measures  
4¼" H x 10½" W x 46½" L

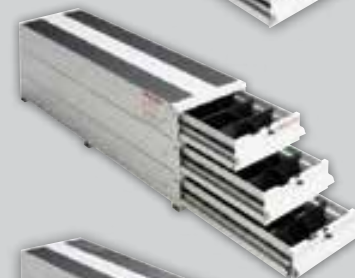
Model 326-3

2 Drawer Stacked



Model 327-3

3 Drawer Stacked



Model 328-3

4 Drawer Stacked



Each Drawer Compartment  
Measures 4¼" H x 10½" W x 46½" L

## Lateral Drawer Units

MODEL	DRAWERS	HEIGHT	WIDTH	DEPTH	WEIGHT
314-3	1	6¾"	12¼"	49"	26 lbs.
316-3	2 Lateral	6¾"	24"	49"	55 lbs.
317-3	3 Lateral	6¾"	36"	49"	85 lbs.
318-3	4 Lateral	6¾"	48"	49"	110 lbs.

## Stacked Drawer Units

MODEL	DRAWERS	HEIGHT	WIDTH	DEPTH	WEIGHT
326-3	2 Stacked	12¼"	12¼"	49"	48 lbs.
327-3	3 Stacked	17¾"	12¼"	49"	71 lbs.
328-3	4 Stacked	23½"	12¼"	49"	92 lbs.

# BED RAT® SLIDING PLATFORM

Extend your van's workspace and bring heavy loads to you, instead of bending in to get them, with this sliding platform. Sized to fit your work needs, BED RAT® Sliding Platforms are available for both side and rear door openings.

## 70% EXTENSION

for easy access of stored materials and tools

## 750 LB. TOTAL CAPACITY

when weight is evenly distributed on the platform

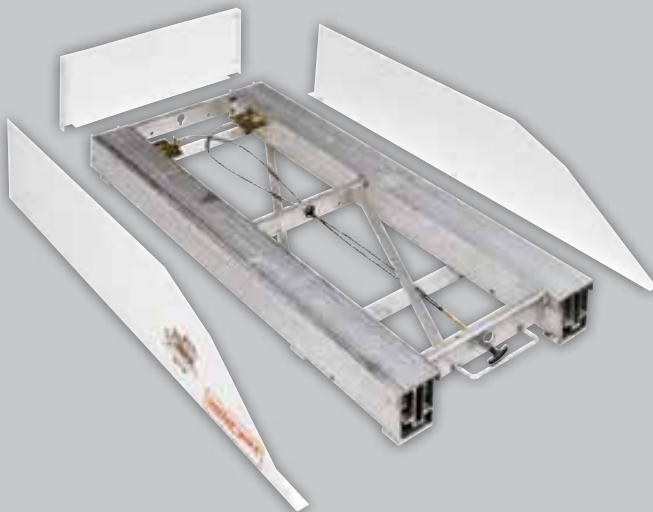
## 10½" HIGH SIDE PANELS

are made from steel and help keep materials on the deck



Decking material is not included, ¾" plywood is recommended

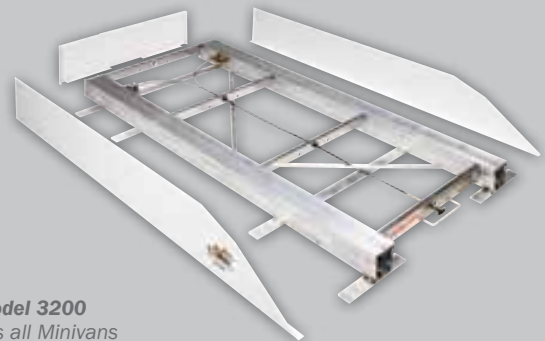
## FOR FULL-SIZE VAN SIDE DOOR



### Model 3100

Perfect for curb side loading and unloading from the side door of Full-size vans.

## FOR FULL-SIZE VAN & MINIVAN REAR DOOR



### Model 3200

Fits all Minivans and Full-size vans.

## FOR LONG WHEEL BASE FULL-SIZE VAN REAR DOOR



### Model 3400

Fits all Full-size long wheel base and extended vans

## BED RAT® Sliding Platforms

MODEL	HEIGHT	WIDTH	DEPTH	WEIGHT
3100	4¾"	22"-44¾"	54"	97 lbs.
3200	4¾"	44¾"	68"	123 lbs.
3400	4¾"	44¾"	90"	155 lbs.

The BED RAT® can fit a 22" - 44 ¾" deck

SPECIALTY STORAGE

# EZGlide2™ DROP-DOWN LADDER RACK



**TWO FINGER OPERATION**



**EASY REMOVAL**



**SAFE OPERATION**



**LADDER LOCK BRACKET**



## EASIEST TO OPERATE

**50% less effort** to operate than competitor drop-down ladder racks, reducing strain on the operator

## LIGHTEST WEIGHT

Drop-down ladder rack available

- Maximize fuel economy
- Maximize carrying capacity

## MOST VERSATILE

- Up to 40' extension ladders
- 3' - 12' stepladders
- Conduit carriers

## STOW AND SECURE

Interlocking ladder supports ensure ladders stay in place when stowed

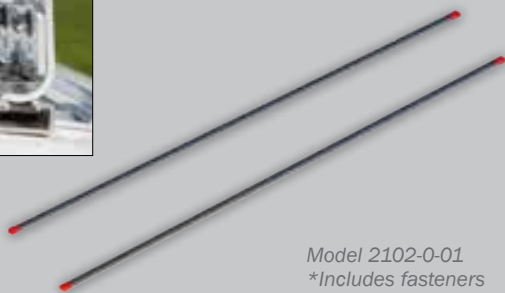
## INCREASED PRODUCTIVITY

Get ladders off your van on the job faster and reduce worker fatigue and injuries

## STEP 1

## CHOOSE A MOUNTING KIT

(Mounting kits are not needed for Chevy Express, GMC Savana or Ford E-Series vans, go to Step 2.)



Model 2102-0-01  
\*Includes fasteners

### Mounting Kits

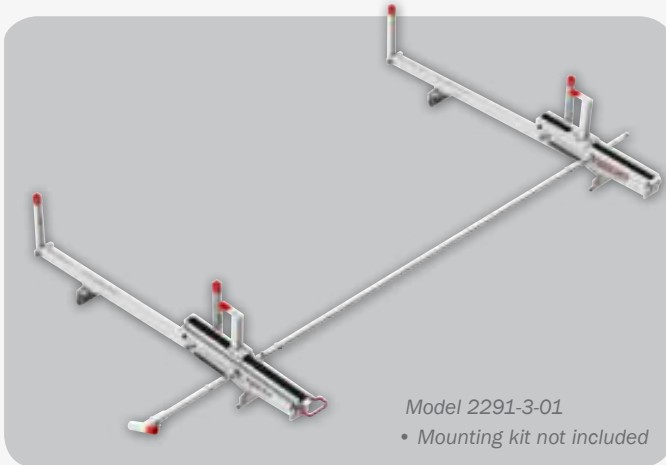
MODEL	DETAILS	WEIGHT
2102-0-01	Ford Transit Mounting Channel Kit	15 lbs.
2113-0-01	Mounting Channel Kit for Ram ProMaster®, Sprinter, Nissan NV	15 lbs.
2085-0-01	Compact Mounting Channel Kit for Ford Transit Connect, Chevy City Express, Ram ProMaster City™, Nissan NV200, Nissan NV High Roof)	15 lbs.
2505	Service Body Mounting Kit for Knapheide, Reading and similar service bodies	9 lbs.



## STEP 2

# SELECT A DROP-DOWN LADDER RACK ASSEMBLY

(Single-Side Only with Crossmembers)



**Drop-Down Ladder Rack Assemblies** Fits 20' - 40' Extension, 10' - 12' Step and 6' - 10' Podium. For shorter ladders order 70513 drive tube. Drop-down can mount on driver or passenger side.

MODEL	DETAILS	WEIGHT
2291-3-01	Extended Drop-Down for Mid-Roof/High-Roof Vans (Includes Two 70" Cross Members & 89" Center Tube)	77 lbs.
2271-3-01	Fixed Drop-Down for Full-Size Vans (Includes Two 70" Cross Members & 89" Center Tube)	77 lbs.
2261-3-01	Fixed Drop-Down for Compact Vans (Includes Two 60" Cross Members & 70" Center Tube)	83 lbs.

## OPTIONAL

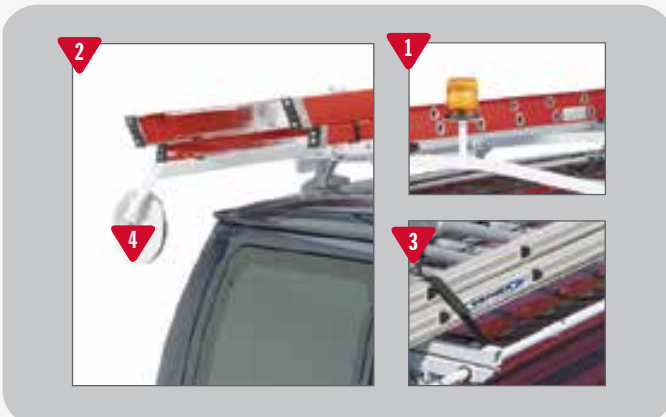
# MAKE IT A DUAL DROP-DOWN LADDER RACK



## Dual Drop-Down Ladder Rack Assemblies

Long ladder kits fit 20' - 40' Extension, 10' - 12' Step and 6' - 10' Podium. Short ladder kits include center cross member to carry shorter ladders on opposite side

MODEL	DETAILS	WEIGHT
2295-3-01	Extended Drop-Down Long Ladder Kit for Mid-Roof/High-Roof Vans (Includes 89" Center Tube)	48 lbs.
2297-3-01	Extended Drop-Down Short Ladder Kit for Mid-Roof/High-Roof Vans (Includes 70" Cross Member & 36" Center Tube)	55 lbs.
2275-3-01	Fixed Drop-Down Long Ladder Kit for Full Size Vans (Includes 89" Center Tube)	51 lbs.
2277-3-01	Fixed Drop-Down Short Ladder Kit for Full Size Vans (Includes 70" Cross Member & 36" Center Tube)	57 lbs.
2265-3-01	Fixed Drop-Down Long Ladder Kit for Compact Vans (Includes 70" Center Tube)	58 lbs.
2267-3-01	Fixed Drop-Down Short Ladder Kit for Compact Vans (Includes 60" Cross Member & 36" Center Tube)	61 lbs.



## Accessories

MODEL	DETAILS	WEIGHT
1 2501	Warning Light Holder	3 lbs.
2 2502	Mirror Holder (not for use with 255 Driver's Side Drop-Down kit)	3 lbs.
3 2503	Hook and Loop Fasteners	1 lb.
4 2504	Mirror	2 lbs.

# QUICK CLAMP ALUMINUM RACKS

Engineered to fit Ford E-Series, Chevy Express and GMC Savana.



## WEATHER GUARD® VAN SOLUTIONS TRADEMARKED RED TIPS

show the world that you work with the highest quality equipment available



## LONG LASTING DESIGN

utilizing 3/16" extruded aluminum rails, stainless steel gutter clamps and hardware. Gas springs with internal brass bushings prevent strip-out

## LADDER HOOKS

on the front end of the side rails have been extended and angled outward for easier loading of ladders in tight places

## ANTI-WEAR PROTECTION

on clamps helps protect ladders during transport

## ADJUSTABLE SWAY BRACES

for easy ladder change out

WEATHER GUARD® EXCLUSIVE!



## Quick Clamp Racks for Gutter Mounting

MODEL	DETAILS	WEIGHT
234-3-01	Dual clamp on the street and curb side	76 lbs.
236-3-01	Single clamp on the curb side only	73 lbs.



Works with model 234-3 and 236-3 Quick Clamp Racks to accommodate short ladders and provide additional support.

## Accessory Cross Member

MODEL	DETAILS	WEIGHT
233-3-01	Fits models 234-3-01, 236-3-01	21 lbs.

## Quick Clamp



Patented Quick Clamp Rack clamping mechanism can be locked with a padlock for security.

## Gutter Clamps



Mounting leg attaches to the van with a stainless steel gutter clamp painted bright white.

## Additional Support



Center mounting leg provides additional support and stability.



Engineered to fit most new vans. (Excluding high roof vans.)

**LONG LASTING DESIGN**

utilizing 3/16" extruded aluminum rails, stainless steel gutter clamps and hardware

**LADDER HOOKS**

on the front end of the side rail have been extended and angled outward for easier loading of ladders in tight places

**ELASTOMER MOUNTING PADS**

are included to provide a weather tight seal around mounting bolts

**ANTI-WEAR PROTECTION**

on clamps helps protect ladders during transport

Model 224-3-01



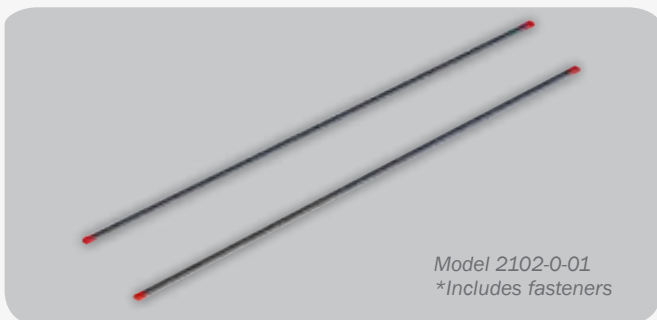
**ADJUSTABLE SWAY BRACES**

for easy ladder change out

**STEP 1**

**CHOOSE A MOUNTING KIT**

(Mounting kits are not needed for Chevy Express, GMC Savana or Ford E-Series vans, go to Step 2.)



Model 2102-0-01  
\*Includes fasteners

**Mounting Kits**

MODEL	DETAILS	WEIGHT
2102-0-01	Ford Transit Mounting Channel Kit	15 lbs.
2113-0-01	Mounting Channel Kit for Ram ProMaster®, Sprinter, Nissan NV	15 lbs.
2085-0-01	Compact Mounting Channel Kit for Ford Transit Connect, Chevy City Express, Ram ProMaster City™, Nissan NV200, Nissan NV High Roof)	15 lbs.

**STEP 2**

**CHOOSE QUICK CLAMP RACKS**



Patented Quick Clamp Rack clamping mechanism can be locked with a padlock for security.

**Quick Clamp Racks**



MODEL	DETAILS	WEIGHT
223-3-01	Single clamp on the curb side only	41 lbs.
224-3-01	Dual clamp on the street and curb side	46 lbs.

**OPTIONAL**

**ACCESSORY CROSS MEMBER**



Works with models 223-3 and 224-3 Quick Clamp Racks to accommodate short ladders and provide additional support.

**Accessory Cross Member**

MODEL	DETAILS	WEIGHT
225-3	Fits models 223-3-01, 224-3-01	16 lbs.

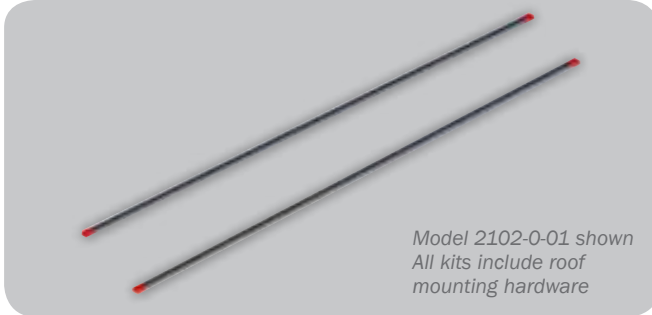
**Mounting Assembly**



Mounting rail fits to OEM van mounting points effectively distributing load.

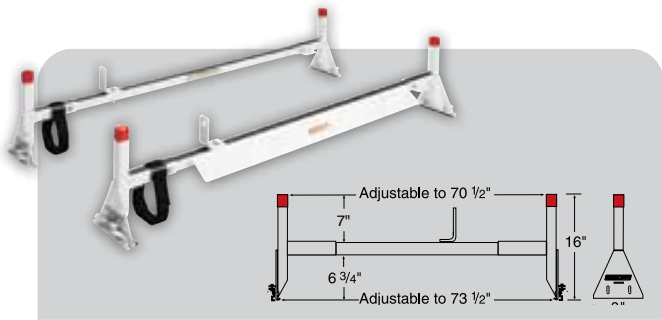
# ALL-PURPOSE RACKS

Versatile and rugged, our All-Purpose Racks create a space for all the long equipment you need to carry. Available in aluminum or steel, WEATHER GUARD® Roof Racks offer a number of different mounting and accessory options.



## Mounting Kits

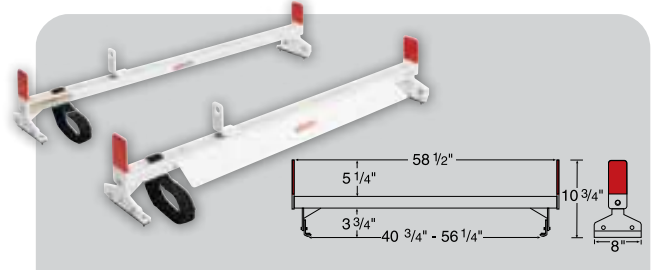
MODEL	DETAILS	WEIGHT
2102-0-01	Ford Transit Mounting Channel Kit	15 lbs.
2113-0-01	Mounting Channel Kit for Ram ProMaster®, Sprinter, Nissan NV	15 lbs.
2085-0-01	Compact Mounting Channel Kit for Ford Transit Connect, Chevy City Express, Ram ProMaster City™, Nissan NV200, Nissan NV High Roof)	15 lbs.



## Powder Coated Aluminum Rack for Full-Size Vans

MODEL	DETAILS	WEIGHT
209-3	2 Cross Member Rack	31 lbs.
229-3	3 Cross Member Rack	43 lbs.
2097-3	Accessory Cross Member	20 lbs.

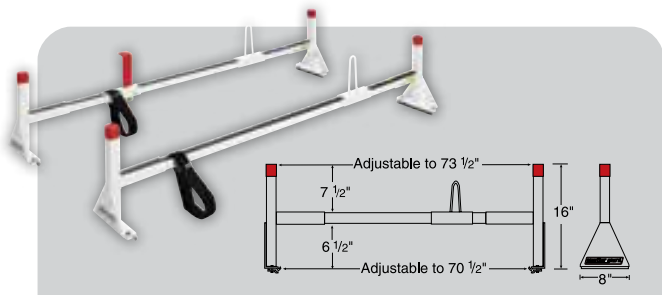
Chevy Express / GMC SAVANA / Ford E-Series vans only  
No mounting channel kit required



## Powder Coated Aluminum Rack for Flat Roof Vans

MODEL	DETAILS	WEIGHT
218-3	2 Cross Member Rack	25 lbs.
222-3	Accessory Cross Member	13 lbs.

Choose the mounting channel kit for your van

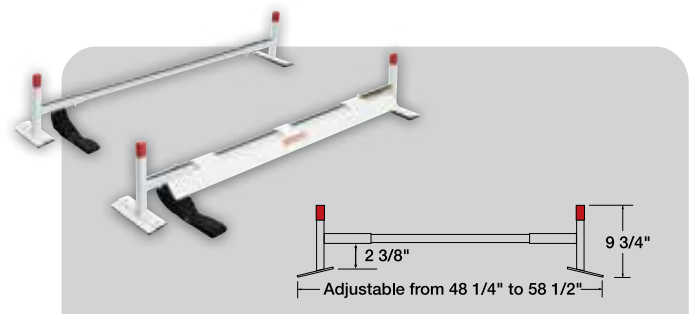


## Powder Coated Heavy Duty Steel Rack for Full-Size Vans

MODEL (white)	DETAILS	WEIGHT
205-3	2 Cross Member Rack	42 lbs.
216-3	3 Cross Member Rack	62 lbs.
2056-3	Accessory Cross Member	23 lbs.

Chevy Express / GMC SAVANA / Ford E-Series vans only  
No mounting channel kit required

Also available in black: models 205-5, 216-5, 2056-5.



## Powder Coated Steel Rack for Compact Size Vans

MODEL	DETAILS	WEIGHT
220-3	2 Cross Member Rack	25 lbs.
221-3	Accessory Cross Member	11 lbs.

For RAM C/V, Chevy Astro and Ford Windstar vans  
No mounting channel kit required

# SAFARI RACK FOR FULL-SIZE VANS

Excellent for hauling all types of materials, the Safari Rack easily accommodates 4-foot wide loads and distributes the weight evenly over eight cross members to protect the roof of the van. Fits GMC Savana, Chevy Express, Ford E-Series only.

## FRONT & REAR CROSS MEMBERS

extend over the ends of the van for protection when loading ladders and other long materials

## ANTI-WEAR PROTECTION

on cross members helps protect ladders and building materials during transport

## CROSS MEMBERS

are constructed of 13-gauge, 1¼" x 1¼" square steel tubing and spread the load evenly to protect long, fragile materials

## STAINLESS STEEL MOUNTING BRACKETS

are extra wide for superior attachment strength to the gutter



## AIR FOIL

eliminates wind noise and mounts to the front of the cross member

## Hook and Loop Fasteners

assist in securing your ladder for transport

## CENTER LEG



## TIE DOWNS



MODEL	HEIGHT	WIDTH	WEIGHT
210-3	150¾"	64"	205 lbs.

For Full-size vans only. Length from front to rear cross member is 140"

# SLIDING LADDER RACK

Our Sliding Ladder Rack provides quick and easy ladder storage inside your van, enclosed trailer, or cube van. Rugged and durable, this rack fits 8-foot step, extension, or multi-position ladders when mounted to the roof.

## UNIVERSAL MOUNTING BRACKET

adjusts to different vehicles

## SAFETY CABLE

secures ladder in place

## 3-PIECE RAIL ASSEMBLY

accepts up to an 8' ladder

## ROOF MOUNTING BRACKET

is provided for horizontal installation



## MOUNTING BRACKETS



## ADJUSTABLE CRADLE

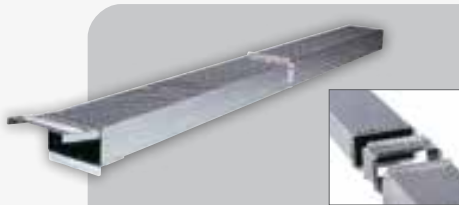
accommodates different types of ladders

## TENSION CORD GUIDE

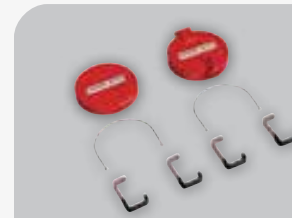
prevents cords from tangling

MODEL	WEIGHT
250	27 lbs.

# CONDUIT CARRIERS



Keep your conduit safe, secure, and clean with our lightweight and durable Conduit Carrier.



PVC not included. Separately purchase a section of standard 6" PVC (9ASTM D2665) plastic drain pipe. Coordinate the length of the PVC with the length of conduit you'll be carrying.

## Aluminum Conduit Carrier

MODEL	DETAILS	LENGTH	WIDTH	HEIGHT	WEIGHT
237	Conduit Carrier	121½"	11"	6"	40 lbs.
238	Extension	6"	11"	6"	4 lbs.

(Mounts to EZGLIDE2™ with third Cross Member.)

## Make-Your-Own Conduit Carrier

MODEL	WEIGHT
239	4 lbs.

# ROOF RACK FITTING GUIDE



Vehicle Type	FULL-SIZE VANS										COMPACT VANS					OTHER		
	Low-roof					Mid-/High-roof					Ford Transit Connect	Ford Transit Connect	Ram Promaster City™	Chevrolet City Express	Nissan NV200	Service Bodies	Box Trucks	Trailers
	Ford Transit	Ford E-Series	Chevrolet Express	GMC Savana	Nissan NV	Ford Transit	Ram Promaster®	Sprinter	Nissan NV									
Model Years	2015-2016	1992-2013	1996-2016	1996-2016	2011-2016	2015-2016	2014-2016	2007-2016	2011-2016	2010-2013	2014-2016	2015-2016	2015-2016	2014-2016				
<b>Mounting Kits</b>		n/r	n/r	n/r														
2085-0-01										X	X	X	X	X				
2102-0-01	X					X												
2113-0-01					X		X	X	X							X	X	
2505															X			
<b>EZGLIDE2™ DROP-DOWN LADDER RACKS</b>																		
2261-3-01										X	X	X	X	X				
2265-3-01										X	X	X	X	X				
2267-3-01										X	X	X	X	X				
2271-3-01	X	X <sup>1</sup>	X <sup>1</sup>	X <sup>1</sup>	X													
2275-3-01	X	X <sup>1</sup>	X <sup>1</sup>	X <sup>1</sup>	X													
2277-3-01	X	X <sup>1</sup>	X <sup>1</sup>	X <sup>1</sup>	X													
2291-3-01						X	X	X	X							X	X	
2295-3-01						X	X	X	X						X	X	X	
2297-3-01						X	X	X	X						X	X	X	
<b>ALUMINUM QUICK CLAMP RACKS</b>																		
223-3-01	X				X					X	X	X	X	X				
224-3-01	X				X					X	X	X	X	X				
225-3	X				X					X	X	X	X	X				
234-3-01		X <sup>1</sup>	X <sup>1</sup>	X <sup>1</sup>														
236-3-01		X <sup>1</sup>	X <sup>1</sup>	X <sup>1</sup>														
233-3-01		X <sup>1</sup>	X <sup>1</sup>	X <sup>1</sup>														
<b>ALUMINUM ALL-PURPOSE RACKS</b>																		
209-3		X <sup>1</sup>	X <sup>1</sup>	X <sup>1</sup>														
229-3		X <sup>1</sup>	X <sup>1</sup>	X <sup>1</sup>														
2097-3		X <sup>1</sup>	X <sup>1</sup>	X <sup>1</sup>														
218-3	X				X	X	X	X	X	X	X	X	X	X	X	X	X	
222-3	X				X	X	X	X	X	X	X	X	X	X	X	X	X	
<b>STEEL ALL-PURPOSE RACKS</b>																		
205-3	205-5	X <sup>1</sup>	X <sup>1</sup>	X <sup>1</sup>														
216-3	216-5	X <sup>1</sup>	X <sup>1</sup>	X <sup>1</sup>														
2056-3	2056-5	X <sup>1</sup>	X <sup>1</sup>	X <sup>1</sup>														

1. Gutter-mounted van rack.

# Part Number Reference Guide

MODEL	DESCRIPTION	PAGE	MODEL	DESCRIPTION	PAGE	MODEL	DESCRIPTION	PAGE
205-3	All-Purpose Van Rack	30, 28	8502-3-01	EZ Shelf Door (42")	13	9380-3-02	Secure Shelf Unit (Door, 46" x 46" x 16")	12
205-5	All-Purpose Van Rack	30	8503-3-01	EZ Shelf Door (52")	13	9385-3-02	Secure Shelf Unit (5 dwrs, 46" x 46" x 16")	12
2056-3	Accessory Cross Member	30, 28	88021	Ford Van Window Screen	18	9390-3-02	Secure Shelf Unit (Door, 62" x 46" x 16")	12
2056-5	Accessory Cross Member	30	88022	Ford Van Window Screen	18	9395-3-02	Secure Shelf Unit (5 dwrs, 62" x 46" x 16")	12
2085-0-01	10	10	88023	Ford Van Window Screen	18	9400-3-01	EZ-Cube Shelf Unit (42" x 43.25" x 13.75")	13
209-3	All-Purpose Van Rack	30, 28	88026	GM Van Window Screen	18	9444-3-01	42" Wheel Well Cabinet	13, 17
2097-3	Accessory Cross Member	30, 28	88027	GM Van Window Screen	18	9452-3-01	EZ-Cube Shelf Unit (52" x 43.25" x 13.75")	13
210-3	Safari Rack	30, 29	88028	GM Van Window Screen	18	9503-3-01	Shelf Door, 36"	11
2102-0-01	Mounting Channel Kit	24,25,26	88040	Sprinter Van Window Screen	18	9504-3-01	Shelf Door, 42"	11
2113-0-01	Mounting Channel Kit	24,25,26	88041	Sprinter Van Window Screen	18	9505-3-01	Shelf Door, 52"	11
216-3	All-Purpose Van Rack	30, 28	88042	RAM CV Van Window Screen	18	9506-3-01	Shelf Door, 60"	11
216-5	All-Purpose Van Rack	30	88043	RAM CV Van Window Screen	18	9603-3-01	Back Panel, 36"	11
218-3	All-Purpose Van Rack Mini	30, 28	88044	RAM CV Van Window Screen	18	9604-3-01	Back Panel, 42"	11
220-3	All-Purpose Van Rack Mini	30	88045	Transit Connect Van Window Screen	18	9605-3-01	Back Panel, 52"	11
221-3	Accessory Cross Member	28	88046	Transit Connect Van Window Screen	18	9606-3-01	Back Panel, 60"	11
222-3	Accessory Cross Member	30, 28	88047	Transit Connect Van Window Screen	18	96101-3-01	Window Bulkhead Full Size Van	8
223-3-01	Quick Clamp Rack Mini	30, 27	88050	Ram ProMaster® Window Screen	18	96111-3-02	Transit Connect Screen Bulkhead	7
224-3-01	Quick Clamp Rack Mini	30, 27	88051	Ram ProMaster® Window Screen	18	96122-3-01	Sprinter Screen Bulkhead	8
225-3	Accessory Cross Member	27	88052	Ram ProMaster® Window Screen	18	96114-3-01	Chevy City Express Screen Bulkhead	8, 9
2261-3-01	Fixed Drop-Down for Compact Vans	25	88060	Ford Transit Low Roof Window Screen	18	96301-3-01	Window Bulkhead, Low Roof, Ford Transit	7
2265-3-01	Fixed Drop-Down Long Ladder Kit	25	88061	Ford Transit Low Roof Window Screen	18	96302-3-01	Mesh Bulkhead, Low-Roof, Ford Transit	7
2267-3-01	Fixed Drop-Down Short Ladder Kit	25	88062	Ford Transit Mid/High Roof Window Screen	18	96311-3-01	Window Bulkhead, Mid-Roof, Ford Transit	7
2271-3-01	Fixed Drop-Down for Full Sized Vans	25	88063	Ford Transit Mid/High Roof Window Screen	18	96312-3-01	Mesh Bulkhead, Mid-Roof, Ford Transit	7
2275-3-01	Fixed Drop-Down Long Ladder Kit	25	88064	Ford Transit Low Roof Window Screen	18	96321-3-01	Window Bulkhead, High-Roof, Ford Transit	7
2277-3-01	Fixed Drop-Down Short Ladder Kit	25	8841	EZ-Cube Shelf Mat	13	96322-3-01	Mesh Bulkhead, High-Roof, Ford Transit	7
229-3	All-Purpose Van Rack	30, 28	8866	Fire Extinguisher	6, 11	96511-3-02	Transit Connect Window Bulkhead**	7
2291-3-01	Extended Drop-Down	25	8867-3-01	42" Work Top	17	96514-3-01	Chevy City Express Window Bulkhead	8, 9
2295-3-01	Extended Drop-Down Long Ladder Kit	25	8873-3-01	Extension Cord Brackets	11	96102-3-01	Mesh Bulkhead Full Size Van	8
2297-3-01	Extended Drop-Down Short Ladder Kit	25	8875	Hard Hat Bracket	6, 11	96121-3-01	Window Bulkhead Sprinter	8
233-3-01	Accessory Cross Member	26	8877-3	Practice Holder	6	96141-3-01	Window Bulkhead Ram ProMaster®	9
234-3-01	Quick Clamp Rack	30, 26	8908-3	Special Order Parts Cabinet	15	96142-3-01	Screen Bulkhead Ram ProMaster®	9
236-3-01	Quick Clamp Rack	30, 26	8931-3	Special Order Parts Cabinet	15	96201-3-01	Bulkhead High Roof, Nissan NV	9
237	Conduit Carrier	29	89011	Universal Floor Mat	18	96901-3-01	Door Conversion Kit	6, 7, 8, 9
238	Conduit Carrier Extension	29	89015	GM Floor Mat	18	96903-3-01	Solid Panel Kit	6, 7
239	Conduit Carrier Kit	29	89017	Ford Floor Mat	18	9703-3-01	Retainer Lip, 36"	11
250	Sliding Ladder Rack	29	89020	Ram ProMaster® Floor Mat	18	9704-3-01	Retainer Lip, 42"	11
2501	Accessory Warning Light Holder	25	89021	Ram ProMaster® Floor Mat	18	9705-3-01	Retainer Lip, 52"	11
2502	Accessory Mirror Holder	25	89022	Ram ProMaster® Floor Mat	18	9706-3-01	Retainer Lip, 60"	11
2503	Accessory Hook and Loop Fasteners	25	89023	Ram ProMaster® Floor Mat	18	9720-3-01	Nissan Floor Mounting Kit	11
2504	Accessory Mirror	25	89024	Ford Transit Floor Mat	18	9730-3-01	Shelf Support, 36"	11
2505	Service Body Mounting Kit	24	89025	Ford Transit Floor Mat	18	9740-3-01	Shelf Support, 46"	11
2506	Ladder Rack Mounting Kit	28	89026	Ford Transit Floor Mat	18	9760-3-01	Shelf Support, 62"	11
2507	Ladder Rack Mounting Kit	28	9010-3-01	Floor Mat	18	9822-3-01	Drawer Divider, Standard	15
2510F	Roof Rack Mounting Kit	28	9012-3-01	Cab Command Center	16	9823	Shelf Divider, 13"	11
251-3-02	EZ-GLIDE® System (Ford)	30	9020-3-01	Locking Cabinet	17	9824-3-01	Drawer Divider, Tall	15
2511	Accessory Cross Member	29	9021-3-01	Locking Cabinet With Shelf	17	9826	Shelf Divider, 16"	11
252-3-02	EZ-GLIDE® System (GM)	30	9029-3-01	Open Cabinet With Bin	17	9832	Shelf Mat, 13"	11
2521	Accessory Cross Member	29	9036-3	Strong Box	18	9836	Small Bin Set (9 bins)	11
253	EZ-GLIDE® System (Mini-van)	30	9040-3-01	Lockable Secure Storage Module	12	9854-7-01	Bin Set	11
255	EZ-GLIDE® Drivers Side Drop-Down	25	9045-3-02	5 Drawer Secure Storage Module	12	9855-7-01	Medium Bin Set (6 bins)	11
280-3-01	EZ-GLIDE® System (High Roof)	30	9133-3-01	Shelf Narrow Short	11	9856-7-01	Large Bin Set (3 bins)	11
285-3-01	EZ-GLIDE® System (Standard Roof)	30	9134-3-01	Shelf Narrow Std	11	9858-7-01	Bin Set	11
301-3	PACK RAT® Drawer Unit (30" x 12.5" x 24")	21	9135-3-01	Shelf Narrow Xtd	11	9860-3-01	Catalog File Unit	17
303-3	PACK RAT® Drawer Unit (39.5" x 12.5" x 24")	21	9136-3-01	Shelf Narrow Long	11	9861-3-01	Rack, Cable Reel (Floor Mount)	17
304-3	PACK RAT® Drawer Unit (30" x 9" x 48")	21	9163-3-01	Shelf Std Short	11	9862-3-01	Rack, Freon Tank 3 x 50"	17
305-3	PACK RAT® Drawer Unit (10.25" x 9" x 48")	21	9164-3-01	Shelf Std Std	11	9863-3-01	Rack, Freon Tank 2 x 30", 50"	17
306-3	PACK RAT® Drawer Unit (20" x 9" x 48")	21	9165-3-01	Shelf Std Xtd	11	9864-3-01	Rack, Freon Tank 4 x 30"	17
307-3	PACK RAT® Drawer Unit (30" x 9" x 48")	21	9166-3-01	Shelf Std Long	11	9866-3-01	Three Spool Cable Holder	17
308-3	PACK RAT® Drawer Unit (39.75" x 9" x 48")	21	9173-3-01	REDZONE 2 Shelf Set (36" x 13")	10	9871-3-01	Door Organizer (Trays)	16
308-5	PACK RAT® Drawer Unit (39.75" x 9" x 48")	21	9174-3-01	REDZONE 2 Shelf Set (42" x 13")	10	9872-3-01	Door Organizer (Open)	16
310-3-01	PACK RAT® Drawer Unit (12.5" x 17.75" x 42")	21	9176-3-01	REDZONE 2 Shelf Set (60" x 13")	10	9873-3-01	Door Organizer (Tool Holder)	16
3100	BED RAT® Sliding Platform	23	9183-3-01	REDZONE 3 Shelf Set (36" x 16")	10	9874-7-01	Can Organizer	14
312-3	PACK RAT® Drawer Unit (30" x 9" x 24")	21	9184-3-01	REDZONE 3 Shelf Set (42" x 16")	10	9878-7-01	Cleaning Station	14
314-3	ITEMIZER® Drawer Unit	22	9185-3-01	REDZONE 3 Shelf Set (52" x 16")	10	9879-7-01	Tool Organizer	6, 14
316-3	ITEMIZER® Drawer Unit (2 lateral)	22	9186-3-01	REDZONE 3 Shelf Set (60" x 16")	10	9880-3-01	Literature Holder	11, 16
317-3	ITEMIZER® Drawer Unit (3 lateral)	22	9193-3-01	REDZONE 4 Shelf Set (36" x 16")	10	9881-7-01	Caulk Tube Holder	14
318-3	ITEMIZER® Drawer Unit (4 lateral)	22	9194-3-01	REDZONE 4 Shelf Set (42" x 16")	10	9882-7-01	Wire Spool Holder (End Mount)	14
3200	BED RAT® Sliding Platform	23	9195-3-01	REDZONE 4 Shelf Set (52" x 16")	10	9883-7-01	Large Parts Bin	14
326-3	ITEMIZER® Drawer Unit (2 stacked)	22	9196-3-01	REDZONE 4 Shelf Set (60" x 16")	10	9884-7-01	Medium Parts Bin	14
327-3	ITEMIZER® Drawer Unit (3 stacked)	22	9233-3-01	REDZONE End Panel Set (36"H x 13"D)	10	9885-7-01	5 Gallon Bucket Holder	14
328-3	ITEMIZER® Drawer Unit (4 stacked)	22	9264-3-01	REDZONE End Panel Set (46"H x 13"D)	10	9886-7-01	30# Refrigerant Tank Holder	14
334-3	PACK RAT® Drawer Unit (30" x 12.5" x 48")	21	9266-3-01	REDZONE End Panel Set (62"H x 13"D)	10	9887-7-01	Ladder Holder	14
335-3	PACK RAT® Drawer Unit (10.25" x 12.5" x 48")	21	9333-3-02	REDZONE Van Shelf Unit (36" x 36" x 13")	10	9891-7-01	Large Hook (5" Dia)	14
336-3	PACK RAT® Drawer Unit (20" x 12.5" x 48")	21	9334-3-02	REDZONE Van Shelf Unit (42" x 36" x 13")	10	9892-7-01	2 Hook Holder (5" Dia)	14
337-3	PACK RAT® Drawer Unit (30" x 12.5" x 48")	21	9336-3-02	REDZONE Van Shelf Unit (60" x 36" x 13")	10	9893-7-01	3 Hook Cord Or Tool Holder	14
338-3	PACK RAT® Drawer Unit (39.75" x 12.5" x 48")	21	9343-3-02	REDZONE Van Shelf Unit (26" x 46" x 16")	10	9906-3-02	Parts Cabinet 6 Bin	15
338-5	PACK RAT® Drawer Unit (39.75" x 12.5" x 48")	21	9344-3-02	REDZONE Van Shelf Unit (42" x 46" x 16")	10	9909-3-02	Parts Cabinet 9 Bin	15
3400	BED RAT® Sliding Platform	23	9345-3-02	REDZONE Van Shelf Unit (52" x 46" x 16")	10	9912-3-02	2 Drawer Cabinet	17
70202	Quick Release Handle Kit	11	9346-3-02	REDZONE Van Shelf Unit (60" x 46" x 16")	10	9914-3-02	4 Drawer Cabinet	17
70206-XX	Replacement Lock Kit	12	9353-3-01	REDZONE Van Shelf Unit (46" x 36" x 13")	10	9918-3-02	Parts Cabinet 18 Bin	15
70210-XX	Key Alike Kit	12	9354-3-01	REDZONE Van Shelf Unit (46" x 42" x 13")	10	9924-3-02	4 Drawer Tall Cabinet	15
70211-XX	Replacement Handle Kit	12	9355-3-01	REDZONE Van Shelf Unit (46" x 52" x 13")	10	9928-3-02	8 Drawer Tall Cabinet	15
7220	Mounting Bracket Kit for 14" knockdown shelves	15	9356-3-01	REDZONE Van Shelf Unit (46" x 60" x 13")	10	9950-7-02	Parts Box Cabinet	15
8118-3-01	Shelf Dividers (24")	11	9363-3-02	REDZONE Van Shelf Unit (36" x 62" x 16")	10	9951-9-01	Parts Box	15
8230-3-01	30" Welded Stack Unit	13	9364-3-02	REDZONE Van Shelf Unit (42" x 62" x 16")	10	9953-7-01	Grab & Go Tool Cart	19
8313-3-01	Lockable Cabinet	17	9365-3-02	REDZONE Van Shelf Unit (52" x 62" x 16")	10	9984-3-01	Mechanics Grade Tool Cabinet	15
8316-3-01	4 Drawer Cabinet	17	9366-3-02	REDZONE Van Shelf Unit (60" x 62" x 16")	10	9988-3-01	Mechanics Grade Tool Cabinet	15
8393-3-01	Special Order Shelf Unit (42" x 60" x 24")	11	9373-3-01	REDZONE Van Shelf Unit (60" x 36" x 13")	10	9992-3-01	Top Shelf (42" w x 13" d)	23
8394-3-01	Special Order Shelf Unit (52" x 60" x 24")	11	9374-3-01	REDZONE Van Shelf Unit (60" x 42" x 13")	10	9993-3-01	Mounting bracket kit for 13" shelves	15
8395-3-01	Special Order Shelf Unit (69" x 60" x 24")	11	9375-3-01	REDZONE Van Shelf Unit (60" x 52" x 13")	10	9996-3-01	Mounting bracket kit for 16" shelves	18
8401-3-01	EZ-Cube Dividers	13	9376-3-01	REDZONE Van Shelf Unit (60" x 60" x 13")	10			