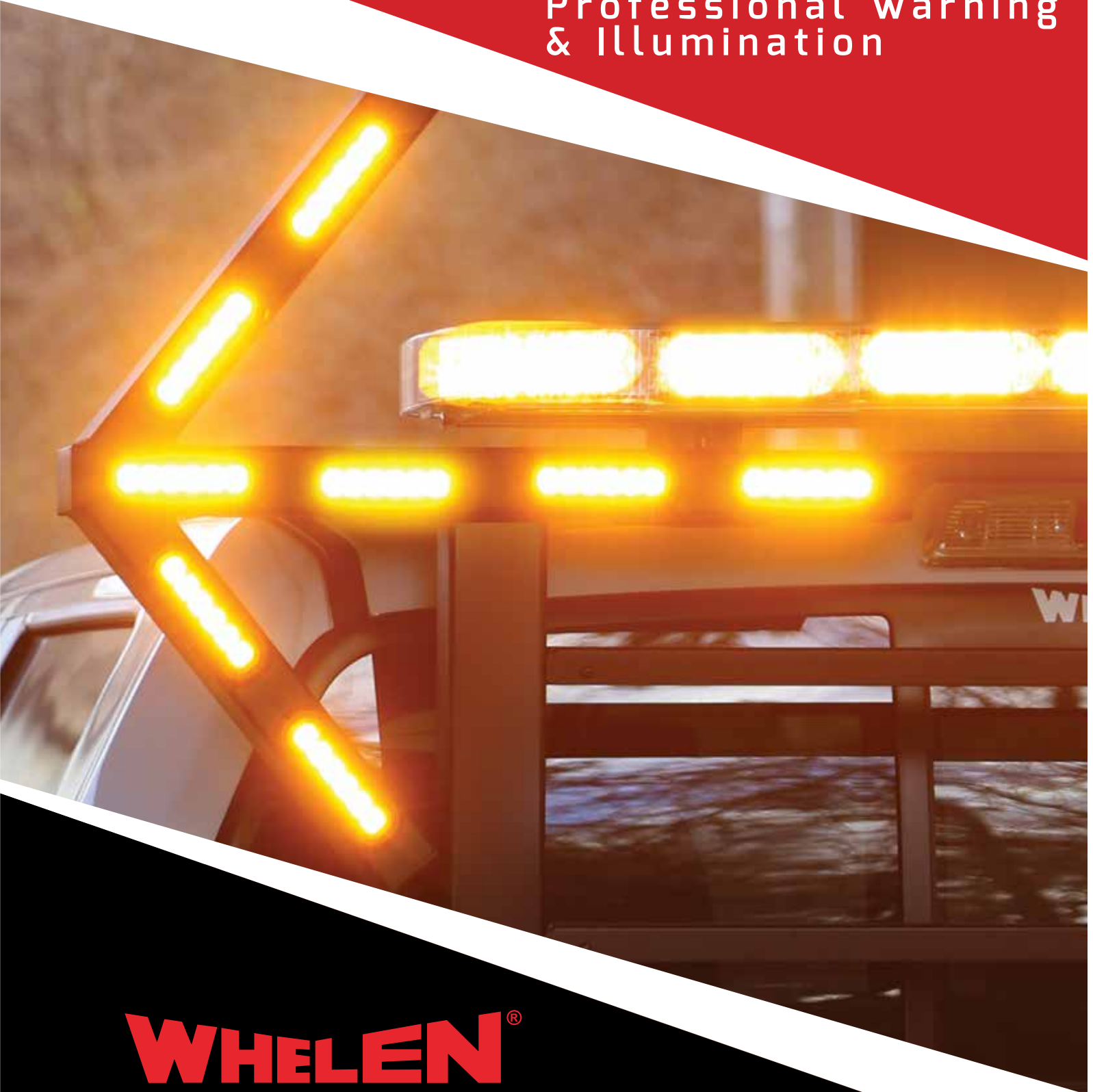


Amber

Professional Warning
& Illumination



WHELEN[®]
TRUSTED TO PERFORM[™]

Table Of Contents

<i>Beacons</i>	3-8
<i>Dash & Deck</i>	9-11
<i>Mini Lightbars</i>	12-18
<i>Lightbars</i>	19-28
<i>Light Array</i>	29
<i>Traffic Advisor™</i>	30-31
<i>Lightheads</i>	32-53
<i>Work Lights</i>	54-56
<i>Controls & Switches</i>	57
<i>Flashers</i>	58
<i>Back-Up Alarms</i>	58
<i>Wing Plow</i>	59
<i>DOT Systems</i>	60-64
<i>Lamp Guide</i>	65
<i>Lighting Certifications</i>	66
<i>Alphabetical Index</i>	67

R316 & R416 Series

- SAE Class 1 Certified
- 100% solid-state “rotating” technology simulates the appearance of a rotating beacon without any moving parts or motors
- Medium profile, smooth polycarbonate outer dome
- Conformal coated electronics for moisture and vibration resistance
- Hard-coated lenses minimize environmental damage from sand, sun, salt, and road chemicals
- Cruise light feature
- Available in permanent, magnetic and magnetic/suction mount models
- Synchronize to other Whelen sync products
- Five year warranty



Half rotator light module



R316

R416

Model	Mount	Profile	LED Color	Dome Color	Base	Amps	Patterns	VDC
R316*F	Permanent	Low	Single Amber or White	Color	Powder coated cast aluminum	2.25/@ 12 VDC	32 Scan-Lock™ with varying rotating flash rates	12
R316*M	Magnetic							
R316*V	Magnetic/suction							
R316**F	Permanent							
R316**M	Magnetic							
R316**V	Magnetic/suction							
R416*F	Permanent	High	Single Amber or White	Clear			Includes cruise light	24 Available
R416*M	Magnetic							
R416*V	Magnetic/suction							
R416**F	Permanent							
R416**M	Magnetic							
R416**V	Magnetic/suction							

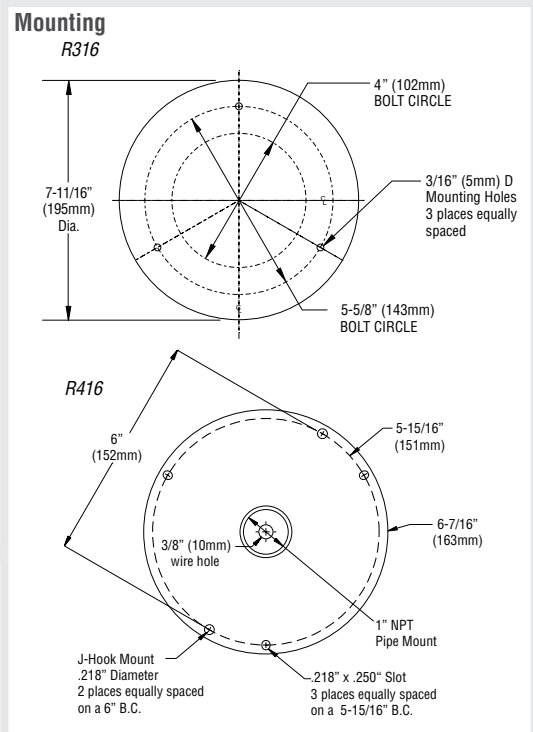
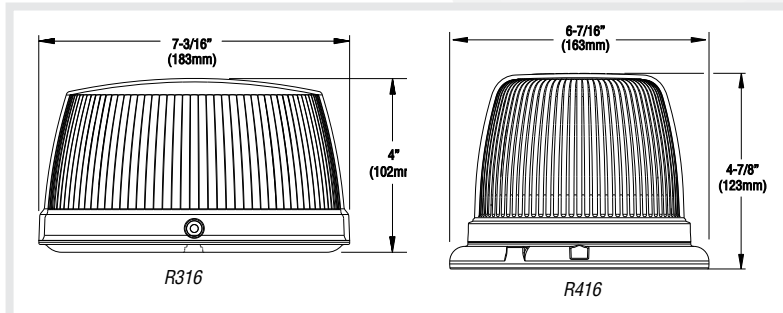
Replace symbol* in model number with letter indicating desired color: A=Amber, C=White



Model	Option Description
BBKT20	Stainless steel shelf mount bracket mounts to flat vertical surface
MIRROR20	Stainless steel West Coast mirror mount bracket
RPHOTO	Photocell for Hi/Low power
L360BGB	Branch guard kit for R316
L40BG	Branch guard kit for R416

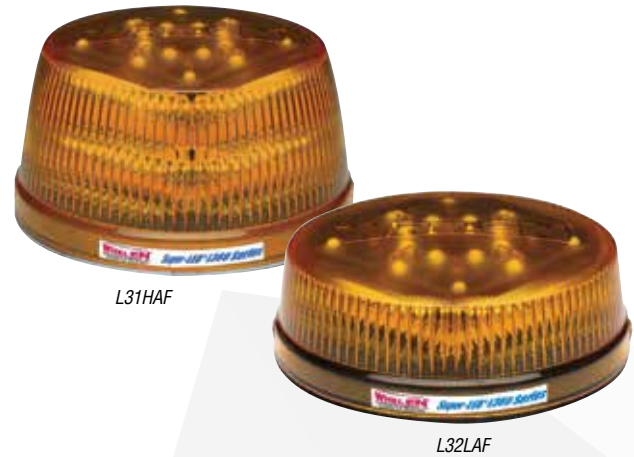
Model	Replacement Dome
R316	68-2984063-*0
R416	68-2986501-*0

* Use 1 for Amber, 3 for Clear



L31 & L32 Series

- SAE Class 1 Certified (Amber)
- L31CA models meet California Title XIII (Amber)
- Super-LED® beacon
- Powder coated die-cast base
- Hard-coated lenses minimize environmental damage from sand, sun, salt, and road chemicals
- Conformal coated electronics for moisture and vibration resistance
- Alternately or simultaneously flash multiple patterns (Cross-Link™) with up to 8 Whelen Super-LED 360° beacons (perm mount)
- **NEW** Amber/Green split beacon with Clear dome
- Five year warranty



Model	Mount	Profile	Color	Base	Amps	Patterns	VDC	Control	Certification				
L31H*F	Permanent	High	Amber or White	Die cast aluminum	5.0/peak 2.0/avg	Permanent mount 30 built-in Scan-Lock™ flash patterns plus 4 simulated rotating patterns	12	Hi/Low control	SAE Class 1				
L31H*M	Magnetic							-					
L31H*V	Magnetic/suction							-					
L31HAF4	Permanent		Amber					Amber/Green	12	Magnetic mount 75 SignalAlert™ only	24	Hi/Low control	California Title XIII
L31HAFCA	Permanent											-	
L31HAMCA	Magnetic											-	
L31HAVCA	Magnetic/suction											-	
L31HPF	Permanent	Low	Amber or White	2.5/peak 1.0/avg		24	Hi/Low control	SAE Class 1					
L32L*F	Permanent						-						
L32L*M	Magnetic						-						
L32L*V	Magnetic/suction		-										
L32LAF4	Permanent		Amber				-						

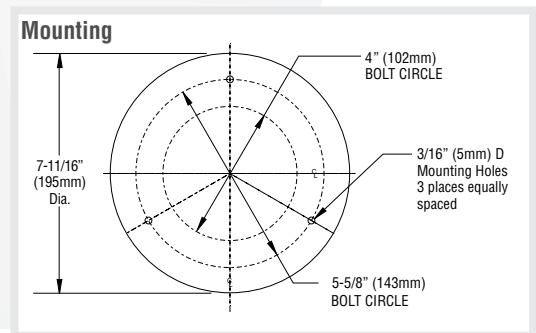
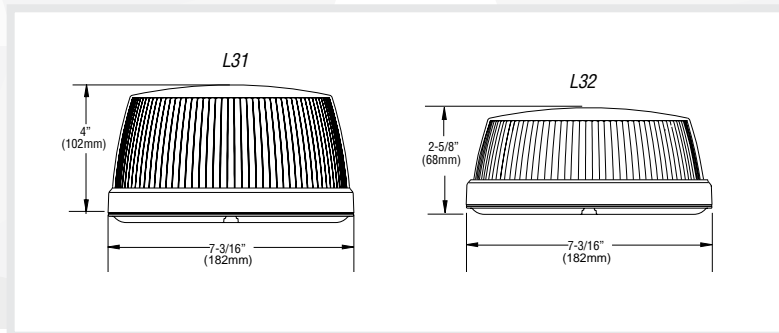
Replace symbol* in model number with letter indicating desired color: A=Amber, C=White



Model	Option Description
L360PMKT	1" NPT pipe mount kit for L31/L32
L360BGB	Branch guard kit for L31 allows 1" NPT pole mounting
MIRROR20	West Coast mirror mount brackets
BBKT30	Stainless steel shelf mount bracket mounts to flat vertical surface

Replacement Dome
68-2984063-*0 (High)
68-2984099-*0 (Low)

* Use 1 for Amber, 3 for Clear



BBKT30 flat vertical surface mounting bracket



MIRROR20 mirror mount brackets

L41 Series

- SAE Class 1 Certified (Amber)
- Meets FAA Advisory Circular No. AC 150/5210-5D
- Super-LED® beacon
- Medium profile, smooth polycarbonate outer dome
- Hard-coated lenses minimize environmental damage from sand, sun, salt, and road chemicals
- Fully encapsulated for moisture, vibration and corrosion resistance
- Available in permanent, magnetic and magnetic/suction mounts
- Virtually no RFI/EMI radiation
- Five year warranty



L41AP

Model	Mount	Color	Base	Amps	Patterns	VDC	Control
L41*P	Permanent	Amber or White	Cast aluminum powder coated	1.5/peak 0.6/avg @ 12V	75 SignalAlert™ default, 25 selectable patterns total, including steady-burn	12/24	Photocell Hi/Low on permanent mount only, contact factory
L41*M	Magnetic			.75/peak 0.3/ avg @ 24V			
L41*V	Magnetic/suction						

Replace symbol* in model number with letter indicating desired color: A=Amber, C=White



Model	Option Description
BBKT20	Stainless steel shelf mount bracket mounts to flat vertical surface
MIRROR20	West Coast mirror mount brackets
L40BG	Branch guard



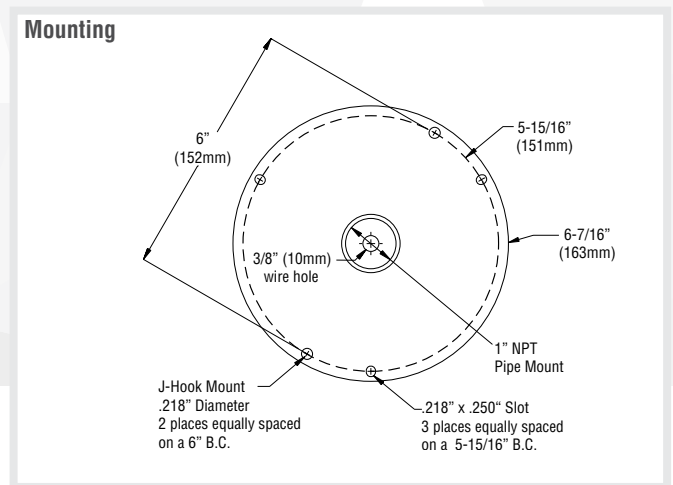
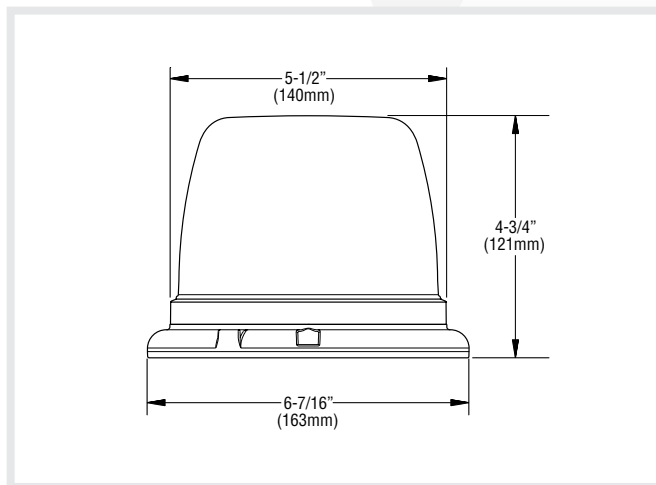
MIRROR20 West coast mirror mount brackets mounts directly on existing mirror brackets



L40BG Branch guard

Replacement Dome
68-2986501-*0

* Use 1 for Amber, 3 for Clear



L10 Series

- SAE Class 1 Certified (Amber)
- Super-LED® beacon
- High and low dome models
- Available in permanent, magnetic and magnetic/suction mounts
- Hard-coated lenses minimize environmental damage from sand, sun, salt, and road chemicals
- Virtually no RFI/EMI radiation
- Available in SOLO™ and DUO™
- DUO technology features different color LEDs in the same module allowing individual control of each color
- Five year warranty



L10LAP



L10HFP

Model	Mount	Profile	Color	Base	Amps	Patterns	VDC					
L10H#P	Permanent/ pipe/hook	High	DUO Amber/White or Amber/Blue	Polycarbonate	1.0/peak 0.4/avg	24 Scan-Lock™ flash patterns plus synchronize feature	12					
L10L#P		Low										
L10H*P			Amber or White									
L10HAP4	Magnetic	High	Amber			Polycarbonate	1.0/peak 0.4/avg	75 SignalAlert™ default pattern	24			
L10HAM												
L10HAV									Magnetic/suction	12		
L10L*P	Permanent/ pipe/hook	Low	Amber or White						Polycarbonate	1.0/peak 0.4/avg	18 flash patterns available	24
L10LAP4												Amber
L10LAM			Magnetic									
L10LAV			Magnetic/suction									

Replace symbol* in model number with letter indicating desired color: A=Amber, C=White
 Replace # in model number with desired DUO color: F=Amber/White, M=Amber/Blue



Model	Option Description
MIRROR20	West Coast mirror mount bracket
BGH	Branch guard, high dome
BGL	Branch guard, low dome
BBKT20	Stainless steel shelf mount bracket, mounts to flat vertical surface
MMK	90 lb. Pull magnetic mount kit with 8' straight cord and plug
LSK	Single lighted switch (15 amp rated), mounted on bracket, wired and fused



MIRROR20
West coast mirror mount brackets mount directly on existing mirror brackets



MMK
magnetic mount kit



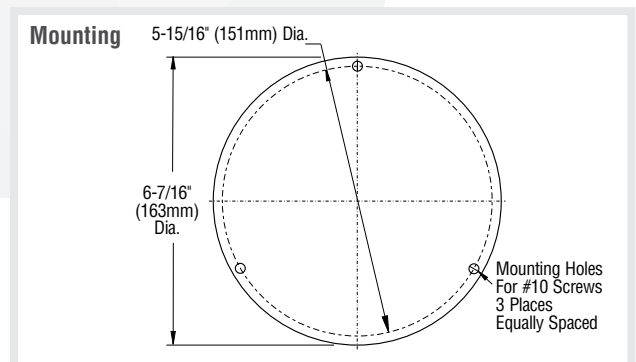
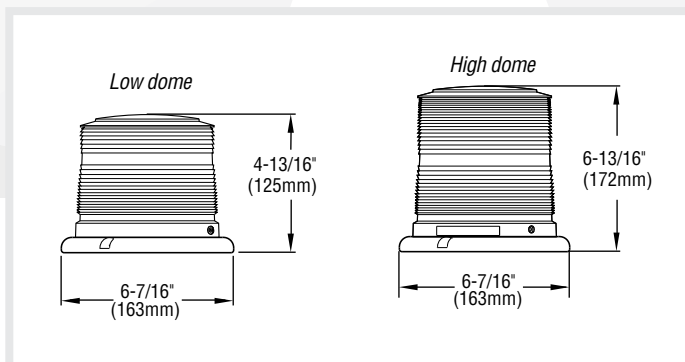
LSK
lighted switch



BGH
Branch guard

Model	Replacement Dome
DH2000*	High dome
DL2000*	Low dome

*Use A for Amber, C for Clear



L21 Series

- SAE Class 1 Certified (Amber)
- Super-LED® beacon
- Hard-coated lenses minimize environmental damage from sand, sun, salt, and road chemicals
- Fully encapsulated for moisture, vibration and corrosion resistance
- Available in combination (perm/pipe/"J" hook), magnetic and magnetic/suction mounts
- Virtually no RFI/EMI radiation
- **NEW** Green beacon with Clear dome
- Five year warranty

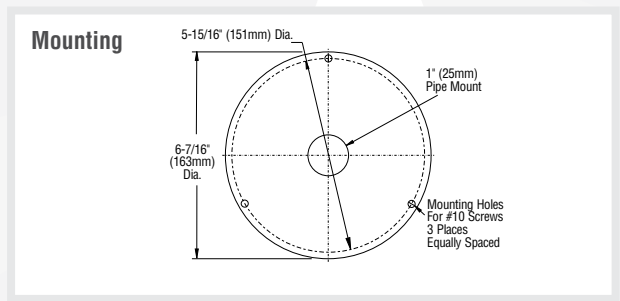
Note: Magnetic and magnetic/suction mounts do not include synchronization or pattern control capabilities.



Model	Mount	Profile	Colors	Base	Amps	Patterns	Sync	VDC	SAE
L21H*P	Combination	High	Amber & White	Poly-carbonate	1.5/peak 0.60/average @ 12 VDC	25 Scan-Lock™ patterns including steady-burn	Yes	12	J845 Class 1 360° (Amber)
L21H*M	Magnetic						-		
L21H*V	Magnetic/suction						-		
L21H*P4	Combination						Green	Yes	
L21H4P		Low	Amber & White	-	12				
L21L4P				-					
L21L*P	Magnetic	Low	Amber & White	0.75/peak 0.30/average @ 24 VDC	25 Scan-Lock™ patterns including steady-burn	-	12	J845 Class 1 360° (Amber)	
L21L*M						-			
L21L*V						Magnetic/suction	-		
L21L*P4	Combination					Yes	24		

Replace symbol* in model number with letter indicating desired color: A = Amber, C = White

Model	Option Description
BBKT20	Stainless steel shelf mount bracket mounts to flat vertical surface
MIRROR20	West Coast mirror mount brackets
MMK	Magnetic kit with 8' cord & plug
BGH	Branch guard, High dome
BGL	Branch guard, Low dome
LSK	Lighted switch kit mounted on bracket, wired & fused



Replacement Dome
DH2000* (High)
DL2000* (Low)

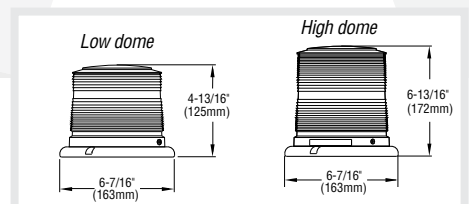
*Use A for Amber, C for Clear



BBKT20 flat vertical surface mounting bracket



MIRROR20 West Coast mirror mount brackets mount directly on existing mirror brackets



L50 Series

- SAE Class 1 Certified (L51 Series)
- SAE Class 3 Certified (L53 Series)
- Super-LED® beacon
- Twist-off polycarbonate dome
- Hard-coated lenses minimize environmental damage from sand, sun, salt, and road chemicals
- Available in permanent and magnetic mount
- L51 available in Amber and White
- L53 available in Amber
- Five year warranty



Model	Mount	Colors	Base	Amps	VDC	Patterns	Encapsulated	SAE
L51*P	Permanent	Amber or White	Polycarbonate	1.5/peak 0.6/avg	12	15 Scan-Lock™	Yes	Class 1
L51*M	Magnetic							
L53AP	Permanent	Amber only		0.4/peak 0.16/avg		75 SignalAlert™ only	-	Class 3 (Amber)
L53AM	Magnetic							

Replace symbol* in model number with letter indicating desired color: A = Amber, C = White

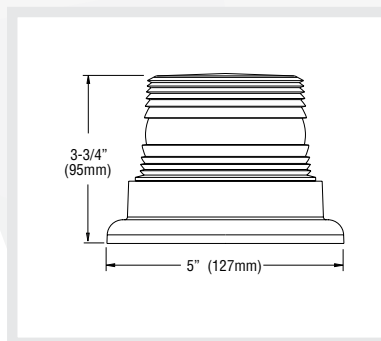
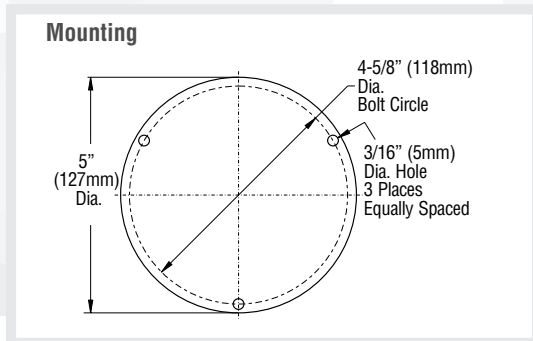


Model	Option Description
MIRROR15	West Coast mirror mount bracket
BBKT15	Stainless steel shelf mount bracket mounts to flat vertical surface



Replacement Dome
D1500*

* Use 1 for Amber, 3 for Clear



SpitFire ION™

- SAE Class 1 Certified
- ION Super-LED® interior dash and deck light
- Hard-coated lenses minimize UV damage and resist scratches
- Fully encapsulated for moisture, vibration and corrosion resistance
- Includes universal bracket, windshield suction cup mount
- Includes integral hood and 8' straight cord with cigar plug, On/Off switch with LED "On" indicator and Scan-Lock™ pattern switch
- Five year warranty



SFIONA

Model	Lamp	Amps	VDC	Patterns	Size
SFION*	ION Super-LED	1.0/peak, 0.40/avg	12	25 Scan-Lock	1-5/8" (41mm) H x 5-1/8" (130mm) W x 3-3/8" (86mm) D

Replace symbol* in model number with letter indicating desired color: A = Amber, C = White



NEW Avenger™ II Series

- SAE Class 1 Certified
- Newly designed combination Linear/TIR optics provide high intensity warning and illumination and a smaller profile maximizes space for optimal versatility
- Available in SOLO™ (single color), DUO™ (two color interleaved or TRIO™ (three color interleaved) modules
- Hard-coated lenses minimize UV damage and resist scratches
- Black polycarbonate housing
- Mounts via swivel/bail bracket with three suction cups
- Cigar plug series models include 10' cord with On/Off switch and pattern selection switch
- Hard-wired series models include a 2 wire (SOLO), 3 wire (DUO), or 4 wire (TRIO) pigtail. Consult current price list for models
- Five year warranty



AVC11A

AVC21AB



Model	Series	Lamp	Colors	Override	VDC	Patterns	Size (with shroud)
AVC11*	SOLO	Single	Amber, Blue, Red, or White	N/A	12	26	1-3/4" (44mm) H x 6-1/2" (165mm) W, Single
AVC21**		Dual	Amber, Blue, Red, or White			55	10-1/4" (260mm) W, Dual x 4-1/2" (144mm) D
AVC12#	DUO	Single	Amber/White, Blue/Amber			26	Height with adjustable mounting bracket: 1-3/5" (41mm) to 1-9/10" (74mm)
AVC22FF		Dual	Two Amber/White			55	
AVC22MM		Dual	Two Blue/Amber				
AVC13BAC	TRIO	Single	Blue/Amber/White			White	
AVC23BAC		Dual	Blue/Amber/White	White	55		

Replace *in model number with letter indicating color desired: A=Amber, R=Red, B=Blue, C=White
 Replace # in model number with split colors desired: F=Amber/White, M=Blue/Amber



Model	Option Description
AVBKT1	Low profile mounting (headliner) bracket for single Avenger II Series only
AVBKT2	Low profile mounting (headliner) bracket for dual Avenger II Series only
AVBKT3S	Visor mounting bracket for single Avenger II Series only
AVBKT3D	Visor mounting bracket for dual Avenger II Series only
AVBKT4	Adjustable height bracket kit, for all Avenger IIs
AVBKT5S	Headliner mounting bracket, adjustable, for single Avenger II Series only
AVBKT5D	Headliner mounting bracket, adjustable, for dual Avenger II Series only

FlatLighter™

- Visor mount interior light
- Includes Velcro® mounting straps
- Hard-coated lenses minimize UV damage and resist scratches
- Includes 8' straight cord with cigar plug
- Five year warranty



FLLEDAA

Model	Technology	Amps	VDC	Patterns	Size
FLLED**	LED	0.8	12	21 Scan-Lock™	4-1/2" (114mm) H x 13" (330mm) W x 1-1/4" (32mm) D

Replace symbol* in model number with letter indicating desired color: A = Amber, C = White



Option Model	Option Description
43LENS	400 Series color lens, customer installed

SlimLighter®

- SAE Class 1 Certified
- Super-LED® interior light
- Hard-coated lenses minimize UV damage and resist scratches
- Swivel bracket for permanent or suction cup mounting included
- Includes built-in pattern selection button, 10' straight cord w/cigar plug and On/Off switch with LED "On" indicator
- Five year warranty



SLPMMAA

Model	Lamp	Amps	VDC	Patterns	Other
SLPMM**	TIR6™ Super-LED	1.5/peak, 0.6/avg	12	21 Scan-Lock	2" (52mm) H x 16-3/8" (416mm) W x 1-3/16" (46mm) D

Replace symbol* in model number with letter indicating desired color: A = Amber, C = White



Slim-Miser™

- LED interior light
- Hard-coated lenses minimize UV damage and resist scratches
- Includes 10' straight cord with cigar plug, On/Off switch and LED "On" indicator
- Swivel mount with 3 suction cups securely hold dash light to windshield minimizing flashback
- Five year warranty



SMLLAA

Model	Lamp	Amps	VDC	Patterns	Size
SMLLAA	LED	0.33/peak, 0.10/avg	12	18 Scan-Lock	1-5/8" (42mm) H x 12-7/8" (326mm) W x 2-3/4" (70mm) D



Dominator™ & Dominator Plus™ Series

- SAE Class 1 Certified
- Low profile surface mount housing designed for interior or exterior use
- Choice of TIR3™ or LINZ6™ Super-LED® modules
- Hard-coated lenses minimize environmental damage from sand, sun, salt, and road chemicals
- Fully encapsulated for moisture, vibration, and corrosion resistance
- Internal self-contained electronics
- Slide bolt mount
- Extruded aluminum Black powder coated housing
- Eight module units available with end flashers
- 12 VDC
- Five year warranty



Model	Lamps	Lamp Type	Amps	VDC	Housing	Cable	Connectors	Patterns	Size	Length
D2AA	2	TIR3	0.44/peak 0.2A/avg per module	12	Rugged extruded aluminum	12" small dia. 4-C #20 AWG	Molex® waterproof	7 Flash patterns and steady on mode	1-3/16" (35mm) H x 2-3/16" (55mm) D	7" (178mm)
D4AAAA	4									14" (356mm)
D6AAAAAA	6									23" (584mm)
D800800	8									30" (762mm)
DP2AA	2	LINZ6	0.75/peak 0.30/avg per module	12	Rugged extruded aluminum	12" small dia. 4-C #20 AWG	Molex® waterproof	Pairs may be synchronized to each other	1-3/16" (35mm) H x 2-3/16" (55mm) D	7" (178mm)
DP4AAAA	4									14" (356mm)
DP600600	6									23" (584mm)
DP800800	8									30" (762mm)

Model	Option Description
DBKT3	Swivel mount bracket kit for D2, DP2, D4 & DP4 series only, customer installed
DBKT4	"L" angle mounting bracket kit, customer installed
DBKT5	Upper rear window mounting bracket kit for 2008-2016 Chevy Tahoe

For Dominator and Dominator Plus Traffic Advisors™ see page 30

Responder® HD Series

- SAE Class 1 Certified (Amber)
- Universal permanent mount version easily retrofits most competitive model footprints
- Hard-coated lenses minimize environmental damage from sand, sun, salt, and road chemicals
- Permanent bolt mount versions include 6" pigtail; magnetic mount and magnetic/suction versions include: 10' straight cord with cigar plug with LED on indicator, On/Off switch and pattern control switch
- Five year warranty



Model	Technology	Color	Mount	Amps	VDC	Patterns	Base	Size
R10HDP*	Super-LED®	Amber or White	Permanent	9.0/peak	12	12 Scan-Lock™	Aluminum	5-1/8" (130mm) H x 17-1/4" (438mm) W x 6-5/16" (160mm) D
R10HDM*			Magnetic			75 SignalAlert™		
R10HDV*			Magnetic/suction					

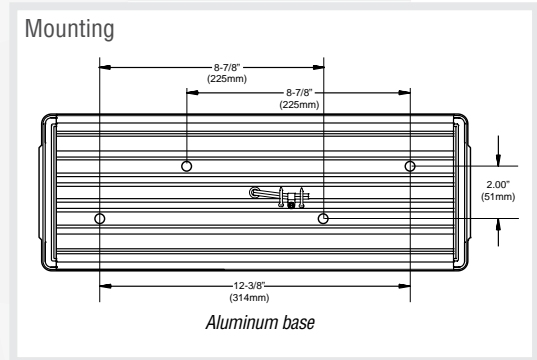
Replace symbol* in model number with letter indicating desired color: A = Amber, C = White



Model	Option Description
RDXMM90	90 lb. pull magnet mount kit with cigar plug
INSTLRDX	Installation of RDXMM90 (for permanent mount only)

Replacement Dome
68-1181893-*0

* Use 1 for Amber, 3 for Clear



Responder® R1LP Series

- SAE Class 1 Certified (Amber)
- Super-LED® low profile conical CON3™ mini lightbar
- Polycarbonate dome
- Hard-coated lenses minimize environmental damage from sand, sun, salt, and road chemicals
- Available with extruded aluminum base or polycarbonate base
- Available in permanent, magnetic and magnetic/suction mount models
- Five year warranty



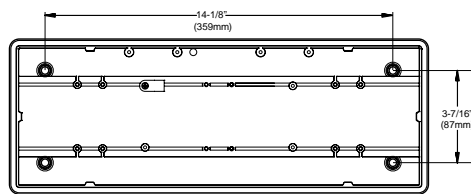
Model	Technology	Color	Dome	Mount	Base	Amps	VDC	Patterns	Size
R1LPPA	CON3 Super-LED	Amber	Amber	Permanent	Poly-carbonate	3.0/peak 1.2/avg	12	30 Scan-Lock™ patterns including 4 simulated rotating patterns (perm mount only) ActionScan™ default for magnetic mount only	2-7/8" (73mm) H x 17" (431mm) W x 6-5/16" (160mm) D
R1LPPCA			Clear						
R1LPMA			Amber	Magnetic					
R1LPMCA			Clear						
R1LPVA			Amber	Magnetic/suction					
R1LPVCA			Clear						
R1LPHPA			Amber	Permanent	Aluminum				
R1LPHPCA			Clear						
R1LPHMA			Amber	Magnetic					
R1LPHMCA			Clear						
R1LPHVA			Amber	Magnetic/suction					
R1LPHVCA			Clear						
R1LPPF		Split color Amber/White	Clear	Permanent	Poly-carbonate				
R1LPMF				Magnetic					
R1LPVF				Magnetic/suction					

Replacement Dome
68-2986618-*0

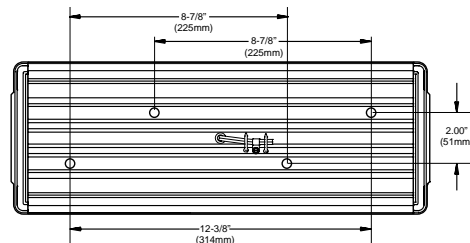
* Use 1 for Amber, 3 for Clear



Mounting



Polycarbonate base



Aluminum base

Responder® R2LP Series

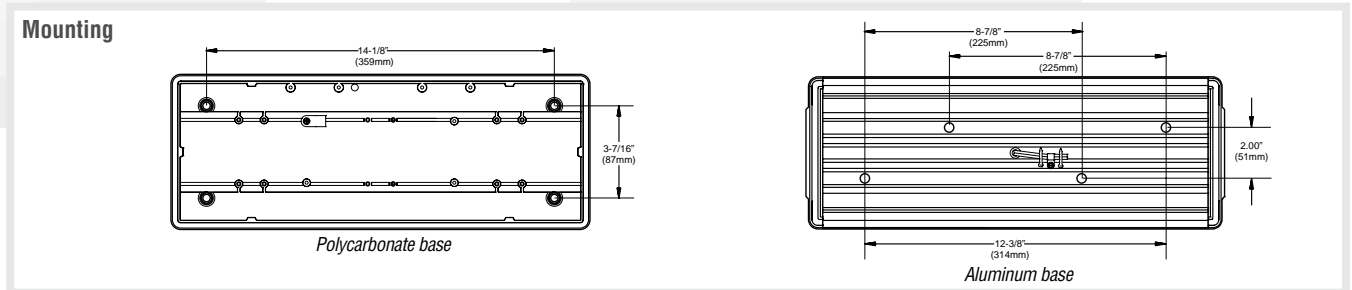
- SAE Class 1 Certified (Amber)
- Super-LED® low profile linear LIN6™ mini lightbar
- Polycarbonate dome
- Hard-coated lenses minimize environmental damage from sand, sun, salt, and road chemicals
- Available with extruded aluminum base or polycarbonate base
- Available in permanent, magnetic and magnetic/suction mount models
- DUO™ technology model has different color LEDs in the same module allowing lightbar to flash different colors
- Five year warranty



Model	Technology	Color	Dome	Mount	Base	Amps	VDC	Patterns	Size			
R2LPPA	LIN6 Super-LED	Amber	Amber	Permanent	Poly-carbonate	6.0/ peak 2.4/ avg	12 (24V available in R2LPP R2LPM models)	30 Scan-Lock™ patterns including 4 simulated rotating patterns (perm mount only) ActionScan™ default for magnetic mount only	2-7/8" (73mm) H x 17" (431mm) W x 6-5/16" (160mm) D			
R2LPPCA			Clear									
R2LPMA			Amber	Magnetic								
R2LPMCA			Clear									
R2LPVA			Amber	Magnetic/suction								
R2LPVCA			Clear									
R2LPHPA			Amber	Permanent	Aluminum							
R2LPHPCA			Clear									
R2LPHMA			Amber	Magnetic								
R2LPHMCA			Clear									
R2LPHVA			Amber	Magnetic/suction								
R2LPHVCA			Clear									
R2LPPF			Split color Amber/White	Clear	Permanent				Poly-carbonate	12	33 Scan-Lock patterns	2-7/8" (73mm) H x 17" (431mm) W x 6-5/16" (160mm) D
R2LPMF					Magnetic							
R2LPVF	Magnetic/suction											
RDLPPAB	DUO LIN6 Super-LED	DUO Amber/Blue	Permanent									

Replacement Dome
68-4986619-*0

* Use 1 for Amber, 3 for Clear



Mini Century™ Series

- SAE Class 1 Certified
- Extruded aluminum base
- Hard-coated lenses minimize environmental damage from sand, sun, salt, and road chemicals
- Standard current switching with Scan-Lock™ flash patterns and pattern override
- Low profile with compression fit gasket for superior moisture resistance
- Pre-configured lightbars
- Five year warranty



Model	Technology	Modules	Mount	Amps	VDC	Patterns	Dome	Base	Size	
MC11PA	Linear Super-LED® corners	6 Amber	Permanent	3.6/peak 2.2/avg	12	17 Scan-Lock	Amber	Extruded aluminum platform	2-1/2" (64mm) H x 11" (279mm) W x 7-1/2" (191mm) D	
MC11MA			Magnetic							
MC11SA			3/4" (19mm) Stud							
MC16PA	Permanent									
MC16MA	Magnetic									
MC16VA	Magnetic/suction									
MC16SA	TIR6™ Super-LED inboards	4 Amber 4 White	3/4" (19mm) Stud	4.8/peak 3.0/avg					NOTE: Available with Clear domes, Use "CA" suffix or contact factory	2-1/2" (64mm) H x 16" (406mm) W x 7-1/2" (191mm) D
MC16PF			Permanent							
MC16MF			Magnetic							
MC16VF			Magnetic/suction							
MC16SF	3/4" (19mm) Stud									
MC23PA	12 Amber	Permanent	Permanent	7.2/peak 4.4/avg						
MC23MA			Magnetic							
MC23VA			Magnetic/suction							
MC23SA			3/4" (19mm) Stud							

Mini Justice® Series

- SAE Class 1 Certified
- Super-LED CON3™ modules and Linear Super-LED corners
- Hard-coated lenses minimize environmental damage from sand, sun, salt, and road chemicals
- Permanent models includes 15' cable, magnetic and magnetic/suction mount with 10' cord, cigar plug with On/Off switch with LED "On" indicator, and flash pattern switch
- Low profile, only 2-1/4" high
- Five year warranty



Model	Technology	Mount	Amps	VDC	Patterns	Base	Dome	Size
MJY****P	CON3 Super-LED	Permanent	4.0/peak 1.6/avg (4 corners)	12	95 Scan-Lock	Extruded aluminum	Clear	2-1/4" (57mm) H x 22" (558mm) W x 12" (304mm) D
MJY****M		Magnetic						
MJY****V		Magnetic/suction						

Replace symbol* in model number with letter indicating desired color: A = Amber, C = White

Model	Option Description
JDC*	One CON3 Super-LED module
JDH*	One LTR3™, Super-LED module. Use with MJTDAL only

Model	Option Description
MJTDALL1	Four LR11 Super-LEDs, two steady-burn take-downs, and alley lights with 15° horizontal adjustment, for permanent models only

Mini Freedom® IV Series



- SAE Class 1 Certified
- Hard-coated lenses minimize environmental damage from sand, sun, salt, and road chemicals
- Magnetic mount includes cigar plug with On/Off and pattern switches
- Permanent mount includes 15' cable
- Add two front and two rear optional inboard Super-LED® modules
- Clear outer domes with Clear dividers
- Alley and take-down options available for permanent mount models
- Standard permanent mount models provide low power and individual control of front corner, rear corner, and optional front/rear inboard modules
- Color filters available for full customization
- Five year warranty



Model	Technology	Color	Mount	Amps	VDC	Patterns	Base	Dome	Size
F4M****P	Linear Super-LED	Amber or White	Permanent	4	12	58 Scan-Lock™ with external control	Extruded aluminum I-Beam	Clear	3-3/4" (95mm) H x 21-1/2" (546mm) W x 12-1/2" (318mm) D
F4M****M			Magnetic						
F4M*0*0F	Front Facing Linear Super-LED		Permanent	2					

Replace symbol* in model number with letter indicating desired color: A = Amber, C = White



Model	Option Description
F4DL*	One single long 12 Linear Super-LED lighthead, Amber or White
For Permanent Mount Front Facing Only	
F4WA*	One (Alley/Side) facing single short 6 Linear Super-LED lighthead, Amber, or White

Model	Option Description
For Permanent Mount Only	
F4MA3	Two 3-LED Super-LED alley lights, includes harnesses
F4MA6	Two 6-LED Super-LED alley lights, includes harnesses
F4MTL6	Two 6-LED Super-LED long take-down lights, includes harnesses
F4MTATL3	Two 3-LED Super-LED alley lights and two 6-LED Super-LED long take-down lights, includes harnesses
F4MTATL6	Two 6-LED Super-LED alley lights and two 6-LED Super-LED long take-down lights, includes harnesses

Mini Freedom® IV Rota-Beam™

- SAE Class 1 Certified
- Rotating Super-LED® Technology
- 100% solid-state electronics
- Single color corner modules available in Amber or White
- Hard-coated lenses minimize environmental damage from sand, salt, sun, and road chemicals
- Available in permanent mount, includes 15' cable
- Clear outer domes with Clear dividers
- Extruded aluminum platform for long life dependability
- Alley and take-down light options available
- Available with color domes
- Five year warranty



Rota-Beam half rotator light module

Model	Technology	Color	Mount	Amps	VDC	Patterns	Base	Dome	Size
R4B****P	Rotating Super-LED	Amber or White	Permanent	9	12	10 Scan-Lock™	Extruded aluminum I-Beam	Clear	3-3/4" (95mm) H x 23-5/16" (592mm) W x 12-1/2" (318mm) D
R4B*0*0P	Rotating Super-LED forward facing			4.5					

First and Second * for Driver Side Front and Passenger Side Rear and Third and Fourth * for Driver Side Rear and Passenger Side Front



Model	Option Description
F4RB*	One Rota-Beam module, Amber or White, for inboard front or rear
F4RDL*	One single color long 12 Super-LED DYAD™ lighthouse, Amber or White
R4BFLASH	Flasher for front or rear F4RDL*
F4MA3	Two 3-LED alley lights, includes harnesses
F4MA6	Two 6-LED alley lights, includes harnesses
F4RWA*	One single color short 6 Super-LED DYAD light-head, warning for alley light position, Amber or White

Replace symbol* or # in model number with letter indicating desired color:
A = Amber, C = White

Model	Option Description
R4BTL6	Two 6-LED Super-LED long take-down lights, includes harnesses
R4BA3	Two 3-LED Super-LED alley lights, includes harnesses
R4BA6	Two 6-LED Super-LED alley lights, includes harnesses
R4BEND*	Color end dome for lightbar with center section only
R4BEND#	Color end dome with Clear alley window, for lightbar with center section only

Mini Liberty™ II Series

- SAE Class 1 Certified
- Hard-coated lenses minimize environmental damage from sand, salt, sun, and road chemicals
- Permanent mount includes low profile mounting kit
- Permanent mount includes 15' cable
- Magnetic mount includes 90 lb. pull magnets
- Magnetic and magnetic/suction mounts include 10' cord, cigar plug with On/Off switch with LED "On" indicator, and flash pattern switch
- Clear outer lenses standard (optional color lenses available)
- Five year warranty



IT9AAAAP
shown with optional inboard modules



Model	Technology	Mount	Color	Amps	VDC	Patterns	Base	Size
IT9****P	Linear Super-LED®	Permanent	Amber or White	4.0/peak 1.6/avg	12	58 Scan-Lock™ patterns	Extruded aluminum	2-1/2" (64mm) H x 19-6/16" (490mm) W x 11-5-16" (287mm) D
IT9****M		Magnetic						
IT9****V		Magnetic/suction						

Replace symbol* in model number with letter indicating desired color: A = Amber, C = White

Model	Option Description
IWDS*	One short Super-LED single color module
ITTS	Two short Super-LED take-down lights, for permanent mount

Model	Option Description
ITA	Two Super-LED alley lights for permanent mount
ITTSA	Two short Super-LED take-down and alley lights for permanent mount

Mini Legacy® Series

- SAE Class 1 Certified
- Hard-coated lenses minimize environmental damage from sand, salt, sun, and road chemicals
- Standard permanent mount model provides low power and individual control of front corner, rear corner and optional inboard modules
- One piece UNI-DOME construction with single sealing point
- Permanent mount includes 15' cable
- Magnetic mount includes 90 lb. pull magnets
- Magnetic and magnetic/suction mounts include 10' cord, cigar plug with On/Off switch with LED "On" indicator, and flash pattern switch
- Clear outer lenses standard (optional color lenses available)
- Five year warranty



GT9AAAAM
shown with optional inboard modules



Model	Technology	Mount	Amps	VDC	Patterns	Base	Size
GT9****P	Linear Super-LED	Permanent	3.72/all on 1.86/per alternating side	12	58 Scan-Lock patterns	Extruded aluminum	1-5/8" (41mm) H x 19-6/16" (490mm) W x 11-5-16" (287mm) D
GT9****M		Magnetic					
GT9****V		Magnetic/suction					

Replace symbol* in model number with letter indicating desired color: A = Amber, C = White

Model	Option Description
GSDS*	One short single color Super-LED module
GTTS	Two Super-LED take-down lights, for permanent mount

Model	Option Description
GTA	Two Super-LED alley lights for permanent mount
GTTSA	Two short Super-LED take-down and alley lights for permanent mount

Legacy[®] Series



GS8AAAA
shown with optional inboard
modules and work lights

SOLO[™] FEATURES

- Single color Linear Super-LED[®]
- Advanced Thermal Design reduces the stress on LEDs during extended dwell time
- One piece UNI-DOME construction with a single sealing point assures lightbar integrity in all weather conditions
- Hard-coated lenses minimize environmental damage from sand, sun, salt, and road chemicals
- Plug & Play into Whelen WeCan[®] controllers
- Clear outer lenses standard (available with color lenses)
- Optional photocell automatically dims the lightbar at night and still meets SAE Class 1 requirements in low power mode
- Optional Traffic Advisor[™] available in single or DUO[™] color
- Many options available, consult current price list or WeCad[™] build-a-bar software
- Five year warranty

SPECS

- 12 VDC
- SOLO Corner Amps - 1.26/peak and 0.50/avg per corner
- Meets SAE Class 1 and California Title XIII specifications
- Size: 1-5/8" (41mm) H x 11-5/16" (287mm) D

MODELS



Legacy WeCan, Single Color	
GS4****	43-1/4" (110cm), one color
GS8****	48" (123cm), one color
GS2****	53-3/4" (136cm), one color



Replace * symbol in model number with letter indicating color desired: A=Amber, C=White

Additional models and options available, consult price list and/or WeCad software

DUO+[™] FEATURES

- All warning lightheads are true DUO+, whether one color or two. Each segment can be operated independently or at the same time, without loss of intensity
- Advanced Thermal Design reduces the stress on LEDs during extended dwell time
- One piece UNI-DOME construction with a single sealing point assures lightbar integrity in all weather conditions
- Hard-coated lenses minimize environmental damage from sand, sun, salt, and road chemicals
- Photocell is optional
- Plug & Play into Whelen WeCan controllers
- Clear outer lenses standard
- Optional Traffic Advisor available in single or DUO color
- Many options available; consult current price list or WeCad build-a-bar software
- Five year warranty

SPECS

- 12 VDC
- DUO Corner Amps (each color) - 3/peak and 1.8/avg per corner
- Meets SAE Class 1 and California Title XIII specifications
- Size: 1-5/8" (41mm) H x 11-5/16" (287mm) D

MODELS



Legacy WeCan, DUO+ Color	
GB4****	43-1/4" (110cm), one color
GB4####	43-1/4" (110cm), two color
GB8****	48" (123cm), one color
GB8####	48" (123cm), two color
GB2****	53-3/4" (136cm), one color
GB2####	53-3/4" (136cm), two color



Replace * symbol in model number with letter indicating color desired: A=Amber, C=White
Replace # in model number with interleaved color desired: F=Amber/White, M=Blue/Amber



Liberty™ II Series

PROCLERA™
SILICONE OPTICS



IX8AAAA
shown with optional inboard
modules and work lights

- SOLO™ - Single color**
- DUO+™ - Single color or two color interleaved**

FEATURES

- Single or DUO+ color Linear Super-LED®
- SOLO models available in Low Current or WeCan®, DUO+ models available in WeCan
- **NEW** Increase clarity with Whelen's all-new, patent pending Proclera™ Silicone Optics (available in work lights)
- Advanced Thermal Design reduces the stress on LEDs during extended dwell time
- Aluminum top repels hail and other environmental damages
- Center dividers with Liquid Injection Molded seals protect internal components from water intrusion
- One piece UNI-DOME construction with a single sealing point assures lightbar integrity in all weather conditions
- Hard-coated lenses minimize environmental damage from sand, sun, salt, and road chemicals
- Plug & Play into Whelen or vehicle manufactured controllers (WeCan only)
- Available with standard or low profile mounting feet
- Available with Clear or color lenses
- Optional photocell automatically dims the lightbar at night and still meets SAE Class 1 requirements in low power mode
- Many options available, consult current price list or WeCad™ build-a-bar software
- Five year warranty

SPECS

- 12 VDC
- SOLO Corner Amps - 2/peak and 0.80/avg per corner
- DUO+ Corner Amps (each color) - 3/peak and 1.2/avg per corner
- **Meets SAE Class 1 and California Title XIII specifications**
- Size: 2-1/2" (64mm) H x 11-5/16" (287mm) D

MODELS



Liberty II SOLO Low Current, Single Color	
IX4****	44" (110cm) Single Color, Amber or White
IX8****	48" (123cm) Single Color, Amber or White
IX2****	54" (136cm) Single Color, Amber or White
Liberty II SOLO WeCan, Single Color	
IW4****	44" (110cm) Single Color, Amber or White
IW8****	48" (123cm) Single Color, Amber or White
IW2****	54" (136cm) Single Color, Amber or White



Liberty II DUO+ WeCan, Single Color	
IB4****	44" (110cm) Single Color, Amber or White
IB8****	48" (123cm) Single Color, Amber or White
IB2****	54" (136cm) Single Color, Amber or White
Liberty II DUO+ WeCan, DUO+ color	
IB4####	44" (110cm) DUO+ Color, Amber or White
IB8####	48" (123cm) DUO+ Color, Amber or White
IB2####	54" (136cm) DUO+ Color, Amber or White



Replace * symbol in model number with letter indicating color desired: A=Amber, C=White
 Replace # in model number with interleaved color desired: F=Amber/White, M=Blue/Amber

Freedom[®] IV DYAD[™] Series



F4W4AAA
shown with optional inboard
modules and work lights

DYAD - Two Level

FEATURES

- Linear Super-LED[®] technology
- WeCan[®] DYAD two level technology (single or two color) allows for individual control of each level of each lighthouse
- Low Current DYAD two level technology (single color) allows for individual control of each lighthouse segment (2x2)
- Add up to 16 optional Linear Super-LED directional modules
- Advanced Thermal Design reduces the stress on LEDs during extended dwell time
- Aluminum top repels hail and other environmental damages
- Center dividers with Liquid Injection Molded seals protect internal components from water infiltration
- One piece UNI-DOME construction with a single sealing point assures lightbar integrity in all weather conditions
- 100% solid-state electronics
- Clear outer lenses standard
- Hard-coated lenses minimize environmental damage from sand, sun, salt, and road chemicals
- Plug & Play into Whelen or vehicle manufactured controllers (WeCan only)
- 17' passenger side cable
- Optional photocell automatically dims the lightbar at night and still meets SAE Class 1 requirements in low power mode
- Many options available, consult current price list or WeCad[™] build-a-bar software
- Five year warranty

SPECS

- 12 VDC
- Amps - 1.68/peak and 0.67/avg per corner
- Meets SAE Class 1 and California Title XIII specifications
- Size: 3-3/4" (95mm) H x 12-1/2" (318mm) D

MODELS

Freedom IV DYAD, Low Current	
F4X4****	44-1/2" (113cm)
F4X8****	49-1/4" (125cm)
F4X2****	55" (140cm)
F4X0****	60" (152cm)
F4X7****	72" (183cm)

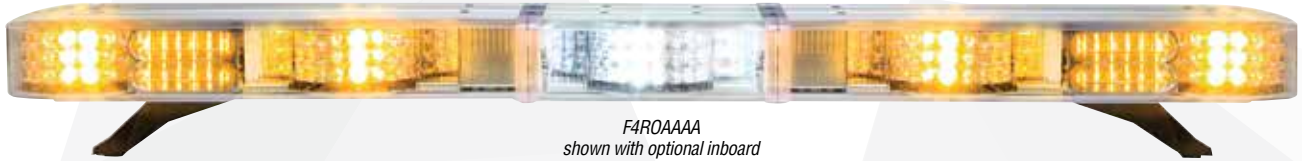
Freedom IV DYAD, WeCan	
F4W4****	44-1/2" (113cm)
F4W8****	49-1/4" (125cm)
F4W2****	55" (140cm)
F4W0****	60" (152cm)
F4W7****	72" (183cm)

Replace * symbol in model number with letter indicating color desired:
A=Amber, C= White

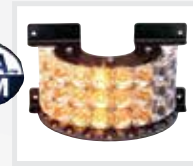




Freedom[®] IV Rota-Beam[™] Series



F4R0AAAA
shown with optional inboard
modules and work lights



FEATURES

- Rotating Super-LED[®] technology
- Models include four half corner LED modules, multiple inboard options available
- 100% solid-state electronics
- Extruded aluminum platform
- Hard-coated lenses minimize environmental damage from sand, sun, salt, and road chemicals
- Multiple Scan-Lock[™] flash patterns, some with varying flash rates
- Clear outer lenses, optional color available
- Standard switching
- 20' passenger side cable
- Many options available, consult price list and/or WeCad[™] build-a-bar software
- Five year warranty

MODELS

Freedom IV Rota-Beam, Rotating Modules	
F4R2****	55-1/8" (140cm)
F4R0****	60" (152cm)
F4R7****	72" (183cm)

Replace * symbol in model number with letter indicating color desired:
A=Amber, C= White



SPECS

- 12 VDC
- Amps per rotator, 1.3/peak and 0.6/avg
- [SAE Class 1 Certified](#)
- Size: 3-3/4 (95mm) H x 12"-1/2 (318mm) D

Justice® Series



JE2AAAA
shown with optional inboard
modules and work lights

FEATURES

- Available with 9 or 6 diode Linear Super-LED® corners
- Individual control of each lighthouse
- Plug & Play into Whelen WeCan® or vehicle manufactured controllers
- Extruded aluminum platform and Black polycarbonate base for added strength
- Hard-coated lenses minimize environmental damage from sand, sun, salt, and road chemicals
- Easily upgraded or serviced in the field
- 15' passenger side exit cable
- Available with Clear or color lenses
- Many options available, consult price list and/or WeCad™ build-a-bar software
- Five year warranty

SPECS

- 12 VDC
- 9 diode Linear-LED® Corner Amps, 1.5/peak and 0.6/avg per corner
- 6 diode Linear-LED Corner Amps, 1/peak and 0.4/avg per corner
- Meets SAE Class 1 and California Title XIII specifications
- Size: 2-1/4 (57mm) H x 12" (304mm) D

MODELS

Justice Low Current, 9 Diode Linear-LED® Corners	
JC4****	44" (112cm)
JC8****	50-1/8" (132cm)
JC2****	56-1/4" (152cm)
JC0****	62-3/8" (158cm)

Justice Low Current, 6 Diode Linear-LED Corners	
JE4****	44" (112cm)
JE8****	50-1/8" (132cm)
JE2****	56-1/4" (152cm)
JE0****	62-3/8" (158cm)

Justice WeCan, 9 Diode Linear-LED Corners	
JV4****	44" (112cm)
JV8****	50-1/8" (132cm)
JV2****	56-1/4" (152cm)
JV0****	62-3/8" (158cm)

Justice WeCan, 6 Diode Linear-LED Corners	
JY4****	44" (112cm)
JY8****	50-1/8" (132cm)
JY2****	56-1/4" (152cm)
JY0****	62-3/8" (158cm)

Replace * symbol in model number with letter indicating color desired:
A=Amber, C= White



Century™ Elite Series



CE4AAA
shown with optional work lights

FEATURES

- Four extended Linear Super-LED® corner modules
- Extruded aluminum platform
- Standard low current switching with multiple Scan-Lock™ flash patterns and pattern override feature
- Front/rear and all bar control
- Hard-coated lenses minimize environmental damage from sand, sun, salt, and road chemicals
- Compression fit gaskets provide moisture resistance
- Clip-Lock™ system allows easy access to lightbar for service or upgrade
- Clear outer lenses, color lenses available
- Optional LIN12™ inboard modules
- Many options available, consult price list and/or WeCad™ software
- Five year warranty

SPECS

- 12 VDC
- 9 diode Linear-LED® Corner Amps, 0.42/peak and 0.4/avg
- [SAE Class 1 Certified](#)
- Size: 2-1/4" (57mm) H x 8" (207mm) D

MODELS

Century 9 Diode Linear-LED® Corners	
CE4****	44" (112cm)
CE8****	50" (132cm)

Replace * symbol in model number with letter indicating color desired:
A=Amber, C= White



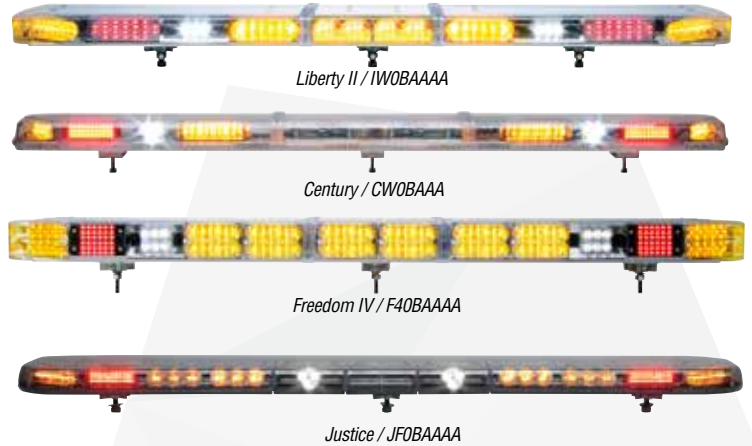
Towman's™ Series



PROCLERA™
SILICONE OPTICS

FEATURES

- SAE Class 1 Certified
- **NEW** Liberty™ II models feature Whelen's all-new, patent pending Proclera™ Silicone Optics for increased clarity (available in work lights)
- Front/rear warning lights are separately controlled
- Includes rear facing LED brake/tail/turn signals
- Three adjustable slide bolt mount
- Hard-coated lenses minimize environmental damage from sand, sun, salt, and road chemicals
- Many options available, consult price list and/or WeCad™ software
- 12 VDC
- Five year warranty



MODELS

Model	Series	Length	Size	Lighting	Inboard Warning Lights	Patterns	Base	Lenses
IW0BAAAA	Liberty II	60" (154cm)	2-1/2" (64mm) H x 11-5/16 (287mm) D	4 Linear-LED® corners 2 Super-LED® work lights, 2 LED brake/tail/turn lights	2/Front, 4/Rear	WeCan®	Extruded aluminum I-Beam	Clear
CW0BAAA	Century™		2-1/4" (57mm) H x 12" (304mm) D		4 Amber Linear-LEDs (2/Front, 2/Rear)	Action-Scan™		Color lenses standard
F40BAAAA	Freedom® IV		3-3/4" (95mm) H x 12-1/2" (318mm) D	4 Bi-level Linear-LED corners 2 Super-LED work lights, 2 LED brake/tail/turn lights	2/Front, 6/Rear (add up to 12 optional linear lightheads in pairs)	75 Signal-Alert™	Black polycarbonate base on extruded aluminum platform	Clear outer standard, color available
JF0TAAAA	Justice®	62-3/8" (158cm)	2-1/4" (57mm) H x 12" (304mm) D	4 Linear-LED corners 2 Super-LED work lights, 2 LED brake/tail/turn lights	Optional*	Action-Scan		
JF0BAAAA					6 Amber CON3™*			
JF0DAAAA					5 Amber CON3* & Traffic Advisor™			
JF0FAAA					16 Amber CON3s & brake/tail/turn			

* Note: Can also add options. Special order Red or Blue

OPTIONS

Liberty II Options	
Model	Description
IWDLA	Long 6 Super-LED lighthead, Amber
IWDSA	Short 3 Super-LED lighthead, Amber

Century Options	
Model	Description
CEDLXA	One LIN12, Amber
CDT6A	One TIR6, Amber

Freedom IV Options	
Model	Description
F4EDLA	One single color long economy DYAD™ Lighthead, Amber

Justice Options	
Model	Description
JDC*	One CON3

See Page 57 for Power Control Centers & Switches

NEW Inner Edge® FST Series



- SOLO™** - Single color
- DUO™** - Two color interleaved
- TRIO™** - Three color interleaved

FEATURES

- Mounts to visor anchor points
- Available as passenger side only or driver and passenger side
- 38 Scan-Lock™ flash patterns
- Five or six lamps (per side)
- Low Current models are available with SOLO light modules
- WeCan® models are fully programmable, providing individual control of each color, and are available with SOLO, DUO, or TRIO interleaved light modules
- **NEW** Increase clarity with Whelen's all-new, patent pending Proclera™ Silicone Optics
- Vehicle specific housing minimizes flashback to vehicle passengers
- 17' cable included
- Ships fully assembled
- 12 VDC
- Meets SAE Class 1 and California Title XIII specifications
- Five year warranty

MODELS

Ford		Chevrolet	
Fusion, 2013-2017	Ford F-150, 2015-2017 F-250/F-350, 2017	Chevy Tahoe/Suburban, 2015-2017, Chevy Silverado, 1500/2500/3500, 2014-2017	
SOLO - Low Current			
Four Lamps, Upper Front Passenger Side Unit Only, with One LED Flashing/Take-Down			
ISFL434	ISFL474	-	
Five Lamps, Upper Front Passenger Side Unit Only, with One LED Flashing/Take-Down			
-	-	ISFL455	
Five Lamps, Upper Front Passenger Side Unit Only (No Take-Down)			
ISFL435	ISFL475	-	
Six Lamps, Upper Front Passenger Side Unit Only (No Take-Down)			
-	-	ISFL456	
Eight Lamps, Upper Front Two Piece Unit, Individual Driver and Passenger Side Units, with Two LED Flashing/Take-Downs			
ISFL438	ISFL478	-	
Ten Lamps, Upper Front Two Piece Unit, Individual Driver and Passenger Side Units, with Two LED Flashing/Take-Downs			
-	-	ISFL45Z	
Ten Lamps, Upper Front Two Piece Unit, Individual Driver and Passenger Side Units (No Take-Downs)			
ISFL43Z	ISFL47Z	-	
Twelve Lamps, Upper Front Two Piece Unit, Individual Driver and Passenger Side Units (No Take-Downs)			
-	-	ISFL45X	

Ford		Chevrolet	
Fusion, 2013-2017	Ford F-150, 2015-2017 F-250/F-350, 2017	Chevy Tahoe/Suburban, 2015-2017, Chevy Silverado, 1500/2500/3500, 2014-2017	
SOLO, DUO, or TRIO - WeCan			
Four Lamps, Upper Front Passenger Side Unit Only, with One LED Flashing/Take-Down			
ISFW434	ISFW474	-	
Five Lamps, Upper Front Passenger Side Unit Only, with One LED Flashing/Take-Down			
-	-	ISFW455	
Five Lamps, Upper Front Passenger Side Unit Only (No Take-Down)			
ISFW435	ISFW475	-	
Six Lamps, Upper Front Passenger Side Unit Only (No Take-Down)			
-	-	ISFW456	
Eight Lamps, Upper Front Two Piece Unit, Individual Driver and Passenger Side Units, with Two LED Flashing/Take-Downs			
ISFW438	ISFW478	-	
Ten Lamps, Upper Front Two Piece Unit, Individual Driver and Passenger Side Units, with Two LED Flashing/Take-Downs			
-	-	ISFW45Z	
Ten Lamps, Upper Front Two Piece Unit, Individual Driver and Passenger Side Units (No Take-Downs)			
ISFW43Z	ISFW47Z	-	
Twelve Lamps, Upper Front Two Piece Unit, Individual Driver and Passenger Side Units (No Take-Downs)			
-	-	ISFW45X	

Lighthoods	
ISS*	One SOLO lighthood, Red, Blue, Amber, or White
ISD#	One DUO lighthood, Blue, Amber, and/or White
ISTBCA	One TRIO Lighthood, Blue/White/Amber

Replace * symbol in model number with letter indicating color desired:
 A=Amber, C=White
 Replace # symbol in model number with DUO color desired: E=Blue/White, F=Amber/White, M=Blue/Amber

Note: WeCad™ is a lightbar designer which allows you to design your own custom lightbar. Once finished, WeCad will generate a bill of materials from which you can call your Whelen sales representative and place your order. All lightbar orders require a WeCad drawing.



NEW Inner Edge® RST Series

PROCLERA™
SILICONE OPTICS



SOLO™ - Single color

DUO™ - Two color interleaved

TRIO™ - Three color interleaved

ITRAYL12

FEATURES

- Mounts to the rear headliner of SUVs and pickup trucks
- Drop-in lighthouse tray is universal, allowing for easy serviceability
- Lighthouse tray can be repurposed to a different vehicle by obtaining an alternate housing and mounting kit
- 70 Scan-Lock™ flash patterns
- Low Current models are available with SOLO light modules
- WeCan® models are fully programmable, providing individual control of each color, and are available with SOLO, DUO, or TRIO interleaved light modules
- **NEW** Proclera™ Optic Technology features 100% silicone internal optics
- Vehicle specific housing minimizes flashback to vehicle passengers
- 17' cable included
- Ships fully assembled
- 12 VDC
- **Meets SAE Class 1 and California Title XIII specifications**
- Five year warranty

Trays	
ITRAYL8	8 Lamp Tray for SOLO lighthoods
ITRAYL10	10 Lamp Tray for SOLO lighthoods
ITRAYL12	12 Lamp Tray for SOLO lighthoods
WeCan™ Trays	
ITRAYW8	8 Lamp Tray for SOLO, DUO, or TRIO lighthoods
ITRAYW10	10 Lamp Tray for SOLO, DUO, or TRIO lighthoods
ITRAYW12	12 Lamp Tray for SOLO, DUO, or TRIO lighthoods

Lighthoods	
ISS*	One SOLO lighthouse, Blue, Amber, or White
ISD#	One DUO lighthouse, Blue, Amber, and/or White
ISTBCA	One TRIO lighthouse, Blue/Amber/White



Replace * symbol in model number with letter indicating color desired:
A=Amber, C=White

Replace # symbol in model number with DUO color desired: E=Blue/White, F=Amber/White,
M=Blue/Amber

MODELS

Vehicle Specific Housing	
IS458	Chevy Tahoe/Suburban, 2015-2017, upper rear housing for eight or ten modules

Note: WeCad™ is a lightbar designer which allows you to design your own custom lightbar. Once finished, WeCad will generate a bill of materials from which you can call your Whelen sales representative and place your order. All lightbar orders require a WeCad drawing.

Outer Edge® Series



OEWS45



RPLS45

FEATURES

- Lighthoods are fully encapsulated for moisture, vibration, and corrosion resistance
- Hard-coated lenses resist environmental damage from sand, sun, salt, and road chemicals
- WeCan models require a remote flasher, CenCom Carbide™, CanTrol®, or REMOTE16 module, purchased separately (no WeCan control point supplied)
- Meets SAE Class 1 and California Title XIII specifications
- Five year warranty

Rear Facing

- Two independent powder Black powder coated housings mount easily to the rear spoiler
- Each housing supports three ION™ lighthoods in SOLO™, DUO™, or TRIO™ colors
- Low Current models are available with SOLO lighthoods and feature Traffic Advisor™ patterns

Rear Pillar

- Vehicle specific vacuum formed ABS housings conform to vehicle back pillars
- All-new vacuum formed housings provide easy serviceability and conform to vehicle back pillars
- Housings mount with 3M® VHB tape, included

MODELS

Model	Series	ION Lighthouse	Patterns	Vehicle	VDC
OEWS45	Rear Facing WeCan Capable	SOLO	25 Scan-Lock™	Chevy Tahoe 2016-2017	12
OEWD45		DUO			
OEWT45		TRIO			
OEWS45		SOLO			
RPLS45	Rear Pillar Low Current	SOLO			
RPWS45	Rear Pillar WeCan Capable	DUO			
RPWD45		TRIO			
RPWT45					

Model	ION Lighthouse	Color
OEION*	SOLO	Amber, or White
OEI2#	DUO	Amber, Blue, and/or White
OEI3BCA	TRIO	Blue/Amber/White

Replace * symbol in model number with letter indicating color desired: A=Amber, C= White
 Replace # symbol in model number with DUO color desired: E=Blue/White, F=Amber/White, M=Blue/Amber



Note: All Outer Edge orders require a corresponding Outer Edge worksheet which can be provided by your sales representative.

Tracer™ Series

- T R A C E R -



- Available in SOLO™ (single color) DUO™ (two color interleaved) modules
- Lighthoods are daisy-chained together in lengths from 1 to 6 modules using the provided extrusion
- DUO and feature steady override, such as White steady-burn
- DUO models can be synced to other Whelen sync products
- **NEW** Traffic-Advisor™ included in 4-6 lamp versions
- **NEW** Encapsulated, water resistant control module for exterior or interior installation features two additional inputs for Traffic-Advisor functions
- Cruise light control includes seven adjustable intensity levels
- Custom light configuration choices are achieved via the mode control wire
- Hard-coated lenses resist environmental damage from sand, sun, salt, and road chemicals
- Easily serviceable clamshell design
- IP67 rated for dust and water resistance
- **SAE Class 1 Certified**
- Five year warranty

MODELS

SOLO	Description
TCRHS1	1 Lamp Housing
TCRHS2	2 Lamp Housing
TCRHS3	3 Lamp Housing
TCRHS4	4 Lamp Housing
TCRHS5	5 Lamp Housing
TCRHS6	6 Lamp Housing
TCRL*	Amber or White SOLO lighthouse

DUO	Description
TCRHD1	1 Lamp Housing
TCRHD2	2 Lamp Housing
TCRHD3	3 Lamp Housing
TCRHD4	4 Lamp Housing
TCRHD5	5 Lamp Housing
TCRHD6	6 Lamp Housing
TCRL*	Amber and/or White DUO lighthouse

Replace symbol * in model number with letter indicating color desired:
A = Amber, C = White



Replace symbol * in model number with letter indicating color desired:
A = Amber, C = White, F = Amber/White



Mounting	Description
TCRB45	Chevy Tahoe, 2015-2017, running board mounting kit for 5 lamp housing
TCRB45A	Chevy Silverado 1500 Crew Cab, 2015-2017, running board mounting kit for 6 lamp housing
TCRB47	Ford F-150 SuperCrew, 2015-2017, running board mounting kit for 6 lamp housing
TCRB39	Ford F-250/F-350 Crew Cab, 2015-2016, running board mounting kit for 6 lamp housing
TCRB34	Ford Utility, 2013-2017, running board mounting kit for 5 lamp housing
TCRB44	Dodge Durango, 2015-2017, running board mounting kit for 5 lamp housing
TCRB42	Dodge Ram 1500, 2015-2017, running board mounting kit for 6 lamp housing
TCRLBKT	1 "L" bracket and hardware, order 1 more bracket than the number of lamps
TCRLBKT1	NEW Single mounting bracket and hardware for front or rear mounting under a lightbar. See current price list for details
TCRLBKT2	NEW Dual mounting bracket and hardware for front or rear mounting under a lightbar. See current price list for details

NOTE: All SUV and pickup trucks must have factory running boards

Traffic Advisor™ Straight Style



- 15' cable standard, extra length cables available
- Black extruded aluminum housing
- Long life LED operation with low current draw and low operating temperature
- Hard-coated lenses minimize environmental damage from sand, sun, salt, and road chemicals
- Fully encapsulated for moisture, vibration, and corrosion resistance
- Includes control head (not TAD models)
- Four operating modes; left, right, split & flashing
- Rear dip switch provides 8 flash pattern choices
- Interior or exterior applications
- Five year warranty



Model	Technology	Modules	End Flasher	Mount	Control Head	VDC	Housing	Size	Length							
TAM63	TIR3™	6	-	Surface/ slide bolt	TACTL5 included	12	Extreme low profile	1-3/4" (44mm) H x 2-3/16" (55mm) D	23" (58cm)							
TAM83		8	Yes						30-7/8" (78cm)							
TAM83AA									48" (122cm)							
TAM8348		23" (58cm)														
TAD6	TIR3 Dominator™ Series	6	-		Requires optional TADCTL1 or customer supplied switches				12	Extreme low profile	1-3/4" (44mm) H x 2-3/16" (55mm) D	30-7/8" (78cm)				
TAD8		8	Yes									23" (58cm)				
TAD8AA												30-7/8" (78cm)				
TADP6	LINZ6™ Dominator Plus™ Series	6	-		TACTL5 included							12 or 24	Low profile flat style	2-7/8" (73mm) H x 2-1/4" (57mm) D	23" (58cm)	
TADP8		8	Yes												30-7/8" (78cm)	
TADP8AA															46-7/8" (119cm)	
TAZ66	LINZ6	6	-												36" (91cm)	
TAZ86		8	Yes												46-7/8" (119cm)	
TAZ86AA				30-7/8" (78cm)												
TAM65	500 Series TIR6™	6	-	TACTL5 included		12 or 24	Low profile flat style	2-7/8" (73mm) H x 2-1/4" (57mm) D							36" (91cm)	
TAM85		8	Yes												46-7/8" (119cm)	
TAM85AA															34" (86cm)	
TANF65	500 Series Linear-LED®	8	-						Surface/ slide bolt	12 or 24	Front load rectangular				2-3/8" (60mm) H x 2-3/8" (60mm) D	45-1/8" (115cm)
TANF85			Yes													45-1/8" (115cm)
TANF85AA			-													45-1/8" (115cm)
TACF85	CON3™ front load	8	-		Surface/ thru-bolt				12 or 24			Low profile flat style	2-7/8" (73mm) H x 2-1/4" (57mm) D	45-1/8" (115cm)		
TACF85AA			Yes											46-7/8" (119cm)		
TAL65	500 Series LED	6	-											36" (91cm)		
TAL85		8	-											46-7/8" (119cm)		

Model	Option Description
TADCTL1	Control head for TAD/TADP Dominator Traffic Advisor only
TADSW1	On/Off non-lighted SPDT 20 amp switch for TADCTL1 Dominator control head
TADSW2	On/Off/On non-lighted SPDT 20 amp switch for TADCTL1 Dominator control head

Model	Option Description
TACTL5	Control head only, programmable for 6 & 8 lamp LED Traffic Advisor, includes auxiliary On/Off switch. Meets federal standards
DELTALD1	Delete TACTL5 from 6-8 lamp LED Traffic Advisor
TANBKT1	Mount for top of vehicle for TACF85 and TANF85 horizontal mount

Traffic Advisor™ Straight Style



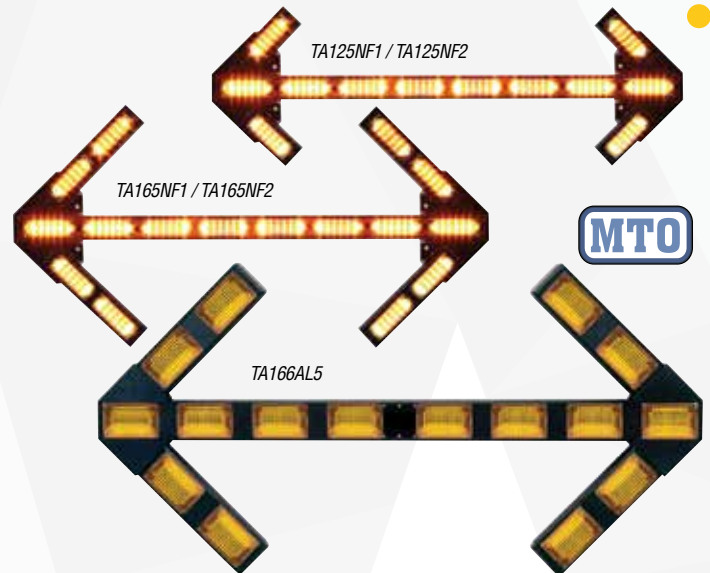
- Economical TAC8 Series with front load Super-LED® sealed modules, includes control head with nine directional sequences and nine Scan-Lock™ flash patterns and cable lengths of 15', 30', and 50'
- Black extruded aluminum housing
- Hard-coated lenses minimize environmental damage from sand, sun, salt, and road chemicals
- Four operating modes; left, right, split & flashing
- Rear dip switch provides 8 flash pattern choices
- Interior or exterior applications
- Five year warranty



Model	Technology	Modules	Mount	Control Head	Housing	VDC	Cable	Size	Length
TAC815	Super-LED	8	Slide bolt via top, rear, or bottom channel	TAC8 included	Rectangular	12	15'	Light array: 2" (50mm) H x 2-5/8" (67mm) D Control Head: 3" (76mm) H x 5-7/8" (149mm) W x 7/8" (22mm) D	47-3/4" (121cm)
TAC830							30'		
TAC850							50'		

Traffic Advisor™ Arrow Style

- Sixteen lamp versions meet MUTC2009 specifications when mounted on appropriate backboard
- Hard-coated lenses minimize environmental damage from sand, sun, salt, and road chemicals
- Black extruded aluminum housing
- LEDs are rated for thousands of hours of operation
- Four operating modes; left, right, split & flashing
- Rear dip switch provides 8 flash pattern choices
- Hi/Low intensity control
- Custom cable lengths, contact factory
- Five year warranty



Model	Technology	Modules	Module Size	Cable	Mount	Control Head	VDC	Housing	Size
TA125NF1	500 Series Front Load LED	12	5" x 2"	25'	Surface mount/ slide bolt	TACTL6 included	12	One piece	15" (381mm) H x 3-1/2" (89mm) D x 46" (117cm) L
TA125NF2				50'					
TA165NF1		16		25'				23" (584mm) H x 3-1/2" (89mm) D x 46" (117cm) L	
TA165NF2				50'					
TA166AL5	600 Series LED	16	6" x 4"	40'			Large one piece	36-1/2" (927mm) H x 4" (102mm) D x 5-1/2' (167cm) L	

Model	Option Description
TACTL6	Control head only, programmable for 16 lamp LED Traffic Advisor. Meets federal standards

NEW SurfaceMax™ Series

- Super-LED® with full-fill optic
- Easy to install patented mounting technology snaps into place and provides a clean look
- Meets SAE certifications
- Hard-coated lenses minimize environmental damage from sand, sun, salt, and road chemicals
- 100% solid-state electronics
- Rated IP67 for dust and water resistance
- Hi/Low power
- Optional Chrome or Black flange
- Lack of metallic fasteners prevent galvanic corrosion, preventing paint defects
- Fits existing mounting footprint of Hundred Series lightheads (backwards compatible to existing mounts)
- Five year warranty



C9LAC with C9FC



C6LAC with C6FC



C7LAC with C7FB

For **NEW** SurfaceMax Brake/Tail/Turn lights and Turn Signals, see pages 46 and 47

Model	Optics	Mount	Color	Lens	VDC	Amps	Patterns	Cable	Certs	Size										
C9L*	Super-LED	Surface	A, W	Color	12	2.5/peak 1.0/avg	139	6" Pigtail	A B C W	8-1/8" (206mm) H x 10-1/8" (257mm) W x 1-9/16" (40mm) D										
C9L*C				Clear			Requires optional flasher													
C9*S				Color																
C9*SC				Clear																
C7L*				Super-LED		Surface	A, W		Color	12	1.25/peak 0.5/avg	75 Scan-Lock™	6" Pigtail	A B C D W	4-1/16" (103mm) H x 8-1/8" (206mm) W x 1-9/16" (40mm) D					
C7L*C									Clear			Requires optional flasher								
C7*S									Color											
C7*SC									Clear											
C6L*									Super-LED		Surface	A, W		Color	12	1.3/peak 0.52/avg	75 Scan-Lock	6" Pigtail	A B C W	5-1/8" (130mm) H x 8-5/16" (210mm) W x 1-9/16" (40mm) D
C6L*C														Clear			Requires optional flasher			
C6*S														Color						
C6*SC														Clear						

Replace * symbol in model number with letter indicating color desired: A=Amber, C=White



Model			Option Description
C9	C7	C6	
C9FB	C7FB	C6FB	Black flange kit
C9FC	C7FC	C6FC	Chrome plated flange kit

V23, M2, & M4 Series

- Available with a patented Linear-LED® designed reflector assembly
- Hard-coated lenses minimize environmental damage from sand, sun, salt, and road chemicals
- Surface mount via two screws
- Lens and reflector are a sealed assembly
- Synchronize to other Whelen sync products
- Built-in flasher models are synchronizable
- Includes California Title XIII compliant flash patterns
- M4 models available in 24 Volt, contact factory
- Five year warranty



Model	Optic	Technology	Color	Lens	VDC	Flasher	Patterns	Amps	Certs	Size
V23*TPB	V-Series™ (includes Black flange)	Super-LED®	A, W warning with W illumination	Clear	12	Built-in	26 Scan-Lock™	Warning 0.76/peak 0.30/avg, Take-down 0.62, Perimeter 0.12	C D	2-11/16" (68mm) H x 4-1/4" (109mm) W x 1-1/2" (38mm) D
V23*TPC	V-Series (includes Chrome flange)			Color						
M2*	Directional		A, W	Color			1/peak 0.45/avg	B C D	2-1/2" (64mm) H x 4" (102mm) W x 1" (25mm) D	
M2*C				Clear						
M2F			Split A/W	Clear						
M2W*	Wide-angle		A, W	Color			26 Scan-Lock including steady-burn	B C D	2-1/2" (64mm) H x 4" (102mm) W x 1" (25mm) D	
M2W*C				Clear						
M4*	Directional		A, W	Color			125 Scan-Lock	B C D	3-3/8" (86mm) H x 5-1/2" (138mm) W x 1-3/8" (35mm) D	
M4*C				Clear						
M4F			Split A/W	Clear			69 Scan-Lock	1.5/peak 0.6/avg	B C D	
M4*S			A, W	Color						
M4*CS			A, W	Color			Requires flasher (Purchased separately)	-		
M4V2*	V-Series	A, W warning with W illumination	Clear	Built-in	25 Scan-Lock	Warning 1.0/peak 0.40/avg, Perimeter 0.77	C D	3-3/8" (86mm) H x 5-1/2" (138mm) W x 1-7/8" (47mm) D		

Replace * symbol in model number with letter indicating color desired: A=Amber, C=White



Model				Option Description
V23	M2	M4	M4V2	
-	M2FC	M4FC	M4FC	Flange, Chrome
-	M2FB	M4FB	M4FB	Flange, Black
-	-	M4BRUSH	-	Brush guard, Black
-	-	M4FC400	M4FC400	Flange, Chrome, adapts M Series to 400 Series style lightheads
V23PEDB	M2PEDB	-	-	Pedestal mount kit, Black
V23PEDC	M2PEDC	-	-	Pedestal mount kit, Chrome
-	M2GROM	-	-	Grommet mount kit
-	-	M4CT15B	-	Fog light mount for 2015-2017 Chevy Tahoe, pair, Black
-	-	M4FF15B	-	Fog light mount, stainless steel, for 2015-2017 Ford F-150, pair, Black
V23P20B	-	-	-	Angled surface mount, Black
V23P20C	-	-	-	Angled surface mount, Chrome
-	-	M4TM15B	-	Mirror mount, Ford Transit 2015-2017, pair, Black
-	-	M4TB15B	-	Front lower side mount, Ford Transit 2015-2017, pair, Black



M6 & M7 Series

- Front and rear pods hold M6 lighthoods for the Ford Transit Medium or High roof
- Available in warning and warning with perimeter lighting
- Split models available
- Patented Linear-LED® designed reflector assembly
- Hard-coated lenses minimize environmental damage from the sun, salt and road chemicals
- Surface mounted via two screws
- Built-in flasher models are synchronizable
- Choose solid, left/right, top/bottom, in/out, or diagonal sequencing
- Meets SAE, and EC65 specifications
- Includes California Title XIII compliant flash patterns
- Five-year warranty



Model	Optics	LED Color	Colors	Lens	VDC	Flasher	Patterns	Amps	Certs	Lighthouse Size	
M6*	Directional	Single color	A, W	Color	12	Built-in	159 Scan-Lock™	2.25/peak 0.9/avg	B (R/B) C (R/A/B)	4-5/16" (109mm) H x 6-3/4" (170mm) W x 1-3/8" (35mm) D	
M6*C				Clear							
M6F		Split color	A/W	Clear		Requires flasher <small>purchased separately</small>	-				
M6*S		Single color	A, W	Color							
M6*CS				Clear							
M6V2*	Combination warning and perimeter illumination	Single color warning, White illumination	A, W	Color for warning, Clear for illumination		Built-in	Warning has 25 Scan-Lock	Warning 1.5/peak 0.60/avg perimeter 0.77	B (A/B/R) C (A/B/R/W) D (A/B/R/W)	4-5/16" (109mm) H x 6-3/4" (170mm) W x 2-1/4" (57mm) D	
M6V2*C				Clear							
M7*	Directional	Single color	A/W	Color		12	Built-in	159 Scan-Lock	2.25/peak 0.9/avg	B (R/A/B) C (R/A/B) D	3-3/8" (86mm) H x 7-5/8" (194mm) W x 1-3/8" (35mm) D
M7*C				Clear							
M7F		Split color	A/W	Clear			Requires flasher <small>purchased separately</small>	-			
M7*S		Single color	A, W	Color							
M7*CS				Clear							

Replace symbol* in model number with letter indicating color desired: A=Amber, C=White



Model			Option Description
M6	M6V2	M7	
M6FC	M6FC	M7FC	Chrome plated flange
M6FB	M6FB	M7FB	Black flange
M6BRUSH	-	M7BRUSH	Black brush guard
M6FC600	M6FC600	M7FC700	Chrome flange, adapts M Series to 600 and 700 Series style lighthoods
M6P15C	-	-	Chrome 15° angled surface mount housing
M6P15B	-	-	Black 15° angled surface mount housing
-	-	M7BKT1	Universal bracket for one lighthouse
M6FCV2	-	-	Chrome flange for two M6 lighthoods, vertical (lighthoods purchased separately)
M6FCV3	-	-	Chrome flange for three M6 lighthoods, vertical (lighthoods purchased separately)
M6FCV4	-	-	Chrome flange for four M6 lighthoods, vertical (lighthoods purchased separately)
M6PTM5F	-	-	Front light pod for 8 M6 lighthoods, Medium roof, Ford Transit 2015-2017
M6PTHSF	-	-	Front light pod for 8 M6 lighthoods, High roof, Ford Transit 2015-2017
-	M6PT5R	-	Rear light pod for 6 M6 lighthoods, Medium or High roof, Ford Transit 2015-2017



M9 Series

- DUO™ models feature independent control of color one and color two
- Combination warning/scenelight with sync and Hi/Low feature
- Available in warning and warning with scenelight models
- Patented Linear-LED® designed reflector assembly
- Hard-coated lenses minimize environmental damage from sand, sun, salt, and road chemicals
- Surface mounted via two screws
- Built-in flasher models are synchronizable
- Choose solid, left/right, top/bottom, in/out, or diagonal sequencing
- Meets SAE, and EC65 specifications
- Includes California Title XIII compliant flash patterns
- Five year warranty



Model	Optics	Technology	Colors	Lens	VDC	Flasher	Patterns	Amps	Certs	Size
M9*	Directional	Single color	A, W	Color	12	Built-in	159 Scan-Lock™	3/peak 1.2/avg	B (R/B) C (R/A/B) D	6-1/2" (165mm) H x 10-3/8" (263mm) W x 1-3/8" (35mm) D
M9*C				Clear			64 Scan-Lock			
M9F		Split color	A/W	Clear		Requires flasher <small>purchased separately</small>	-			
M9*S		Single color	A, W	Color						
M9*CS				Clear						
M92F		DUO	Two color	A/W		Clear	Built-in	33 Scan-Lock		
M9*CZ	Combo	Color warning and scenelight	A/W	Clear	25 Scan-Lock	Warning 2.4/peak 0.96/avg scenelight 2.4 amps				
M9V2*	V-Series™ (includes Chrome flange)	Single color warning, White illumination	A, W	Color for warning, Clear for illumination	12	Built-in	25 Scan-Lock	Warning 2.4/peak 0.96/avg scenelight 2.4 amps	B (A) C (A,W) D (A,W)	6-1/2" (165mm) H x 10-3/8" (263mm) W x 2-5/8" (66mm) D
M9V2*C				Clear						

Replace symbol* in model number with letter indicating color desired: A=Amber, C=White



Model		Option Description
M9	M9V2	
M9FC	-	Chrome plated flange
M9FB	M9FB	Black flange
M9BRUSH	-	Black brush guard
M9FC900	M9FC900	Chrome flange, adapts M Series to 900 Series style lightheads
M9HTM5FC		Chrome-plated housings, sold in pairs for front driver and passenger side of the 2015-2017 Ford Transit Medium roof
M9HTM5RC		Chrome-plated housings, sold in pairs for rear driver and passenger side of the 2015-2017 Ford Transit Medium roof
M9HTH5FC		Chrome-plated housings, sold in pairs for front driver and passenger side of the 2015-2017 Ford Transit High roof
M9HTH5RC		Chrome-plated housings, sold in pairs for rear driver and passenger side of the 2015-2017 Ford Transit High roof



Vertex™ Series

- Self-contained light with in-line lamp driver
- Designed to mount in composite style headlight or taillight, or surface mount to exterior surfaces with flange mount option
- Hard-coated lenses minimize environmental damage from sand, sun, salt, and road chemicals
- Fully encapsulated for moisture, vibration, and corrosion resistance
- Synchronize to other Whelen sync products
- Clear outer lens, color LEDs
- 24 Volt models available, contact factory
- Five year warranty



Model	Optics	Technology	Mount	Color	VDC	Patterns	Amps	Cable	Certs	Size
VTX609*	Single color	Super-LED®	1" Hole recess or Surface <small>(Mounting Purchased separately)</small>	A, W	12	25 Scan-Lock™	0.750/peak 0.30/avg	9'	D	1" (26mm) H x 1-5/8" (41mm) Dia.
VTX609#	Split color									
VTXD609*	Single color/side emitting shield									
VTXD609#	Split color/side emitting shield									
VTX3609*	Single color/360° side emitter		1" Hole recess							
VTX3609#	Split color/360° side emitter		Surface							
VHB609*	Single color Omni-directional			A/W, A/B						
VHB609#	Split color Omni-directional									

Replace symbol* in model number with letter indicating color desired: A=Amber, C=White
 Replace symbol# in model number with letter indicating split color desired: F=Amber/White, M=Blue/Amber



Model	Option Description
VTXFC	Chrome plated flange
VTXFB	Black flange



Micron™ Series

- Stud mount Micron allows for simple surface mount installation
- Fully encapsulated for moisture, vibration, and corrosion resistance
- Hard-coated lenses minimize environmental damage from sand, sun, salt, and road chemicals
- Synchronize to other Whelen sync products
- Five year warranty



Model	Optics	Technology	Mount	Color	Housing	VDC	Amps	Patterns	Cable	Certs	Size
MCRNS*	Single color	Super-LED	Surface	A, W	Black	12	0.6	25 Scan-Lock	6" Pigtail	B, C, D	7/8" (23mm) H x 4" (102mm) W x 7/8" (23mm) D
MCRNSC*					Chrome						
MSRNS#	Split color			A/W, A/B	Black						
MSRNSC#					Chrome						
MCRNT*	Single color		Stud	A, W	Silver						
MCRNT#	Split color			A/W, A/B							

Replace symbol* in model number with letter indicating color desired: A=Amber, C=White
 Replace symbol# in model number with letter indicating split color desired: F=Amber/White, M=Blue/Amber



Model	Option Description
MCRNB1	Black angle "L" mounting bracket
MCRNB2	License plate bracket for two lights



0S™ Series

- Fully encapsulated for moisture, vibration, and corrosion resistance
- Hard-coated lenses minimize environmental damage from sand, sun, salt, and road chemicals
- Steady-burn requires remote flasher
- Clear outer lens, color LEDs
- Five year warranty



0S*00FCR

Model	Optics	Technology	Mount	Color	VDC	Patterns	Amps	Cable	Size
0S*00FCR	Directional	LED	Surface (includes Chrome flange)	A W	12	Single flash	60mA/peak 30mA/avg	6" Pigtail	1" (25mm) H x 1-1/2" (48mm) W x 1/2" (13mm) D
0S*00SCR						Steady	30mA		

Replace symbol* in model number with letter indicating color desired: A=Amber, C=White

Micro Freedom™

- Hard-coated lenses minimize environmental damage from sand, sun, salt, and road chemicals
- Heavy-duty extruded aluminum frame, designed to be used in pairs
- Optional cable lengths available, contact factory
- Five year warranty



MCFLED2A

Model	Optics	Technology	Mount	Color	Lens	VDC	Patterns	Amps	Cable	Size
MCFLED2A	Directional	Super-LED®	Includes bolt	A	Amber	12	75 SignalAlert™ per light module	3.2mA	12" Pigtail	3-3-4" (95mm) H x 8" (203mm) W x 10" (254mm) D

Model	Option Description
W441DIN	Deutsch® waterproof connector (3 pins) installed on cable
W442DIN	Deutsch waterproof connector (3 sockets) installed on lighthead

2G & 5G Series

- SmartLED® design requires no external flasher
- Fits all applicable industry mounting accessories
- Hard-coated lenses minimize environmental damage from sand, sun, salt, and road chemicals
- Fully encapsulated for moisture, vibration, and corrosion resistance
- Optional flange available for surface mounting
- Five year warranty



2GA00FAR



5GA00FAR

Model	Optics	Technology	Mount	Color	Lens	VDC	Patterns	Amps	Cable	Certs	Size (with grommet)
2GA00FAR	Directional	LED	Recess mount (includes vinyl grommet)	A	Amber	12	15 Scan-Lock™ patterns	300mA/avg 500mA/peak	12" Pigtail	D - (Class 1) C - (Class 2) C, D (Class 1 & 2)	5-1/2" (140mm) Dia. x 1-1/4" (31mm) D
2GA00FCR					Clear						
5GA00FAR					Amber						3-3/16" (81mm) H x 7-7/16" (189mm) W x 1-1/4" (32mm) D
5GA00FCR					Clear						

Model		Option Description
2G	5G	
2GFLANGC	5GFLANGC	Surface mount Chrome flange kit
2GFLANGB	5GFLANGB	Surface mount Black flange kit
2GBKT1	5GBKT1	Black surface mount "L" bracket



3" Round

- Hard-coated lenses minimize environmental damage from sand, sun, salt, and road chemicals
- Ultra thin at only 7/16" (12mm) depth
- Five year warranty



3SA00FAR

Model	Optics	Technology	Mount	Color	VDC	Amps in mA	Patterns	Cable	Certs	Size
3S*00F*R	Directional	LED	Surface mount	A, W	12	0.50/peak 0.25/avg	160 FPM	6" Pigtail	A, C, D (Class 1, 2 & 3)	3" (76mm)Dia.

Replace symbol* in model number with letter indicating color desired: A=Amber, C=White



Model	Option Description
3FLANGEC	Chrome plated flange
3GROMMET	Rubber grommet kit



3GROMMET



3FLANGEC

4" Round Series

- Synchronize to other Whelen sync products
- Hard-coated lenses minimize environmental damage from sand, sun, salt, and road chemicals
- Supplied with adapter for PAR-36 (4-1/2") applications
- Five year warranty

Flat Lens

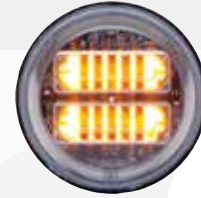
- TIR6™ Super-LED®

Extended Lens

- LINZ6™ Super-LED
- Optional flasher simultaneously flashes or alternates multiple LED lightheads



2FA00ZAR, TIR6, Flat Lens



2EA00ZCR, LINZ6, Extended Lens



Model	Optics	Technology	Mount	Color	VDC	Amps	Patterns	Encapsulated	Cable	Certs	Size
2F*00Z*R	Flat lens	TIR6 Super-LED	Surface	A, W	12	0.8/max .32/avg	25 Scan-Lock™	Yes	6" Pigtail	C, D, B (A)	4"-1/4 (108mm) Dia. x 1-3/16" D
2E*00Z*R	Extended lens	LINZ6 Super-LED	Requires optional mounting	A, W		2/peak 0.9 avg	25 Scan-Lock			B (B/R) C, D	4"-1/4 (108mm) Dia. x 2" D

Replace symbol* in model number with letter indicating color desired: A=Amber, C=White



Model	Option Description
2GROMMET	Rubber grommet kit - not for fog mount lights
2FLANGEC	Chrome flange kit - not for fog
2FLANGEB	Black flange kit - not for fog



2FLANGEC



2FLANGEB



2GROMMET

ION™ T-Series™ & **NEW** Mini T-Series

- Linear Super-LED® optics
- Hard-coated lenses minimize environmental damage from sand, sun, salt, and road chemicals
- Synchronize to other Whelen sync products
- Rated IP67 for dust and water resistance
- Easily surface mounts with two screws
- Includes Black flange
- Five year warranty

ION T-Series

- **SAE Class 1 Certified**
- Available in SOLO™ or DUO™ models
- DUO models feature independent control of color one and color two
- SOLO models available in single or split colors
- Available with SAE Class 1 Certified Smoked lenses

ION Mini T-Series

- **SAE Class 1 Certified (single color only)**
- Available in single or split colors



SOLO™

TLIA



DUO™

TL12F



SOLO™

TLMI#



Model	Series	Optics	Technology	Mount	Color	VDC	Amps	Patterns	Cable	Size
TLI*	T-Series	SOLO	Linear Super-LED®	Surface	A, W	12	0.6/peak 0.24/avg	25 Scan-Lock™	4 Wire 6" Pigtail	1-1/2" (38mm) H x 5" (127mm) W x 1/2" (13mm) D
TLI#		SOLO			A/W, A/B			69 Scan-Lock		
TLI2#		DUO								
TLMI*	Mini T-Series	SOLO			A, W		0.4/peak 0.16/avg	25 Scan-Lock		1-1/2" (38mm) H x 3-3/8" (85mm) W x 1/2" (13mm) D
TLMI#					A/W, A/B			69 Scan-Lock		

Replace * symbol in model number with letter indicating color desired: A=Amber, C=White
 Replace # in model number with interleaved color desired: F=Amber/White, M=Blue/Amber

Model	Option Description
TIONFC	Chrome plated flange
TIONBKT1	"L" mounting bracket
TIONBKT2	License plate bracket for 2 lights

Model	Option Description
TIONBKT3	"L" mounting bracket for 2 lights
TIONBKT4	Universal over/under "L" bracket for 2 lights
TIONMFC	NEW Mini T-Series Chrome flange



ION™ Series

- Hard-coated lenses minimize environmental damage from the sun, salt and road chemicals
- Surface mount includes flange
- Synchronize to other Whelen sync products
- Five year warranty

ION & WION

- ION models feature TIR directional optic
- WION models feature wide-angle optic
- Available in single or split colors
- Includes steady-burn, alternating, and simultaneous patterns

ION DUO™ & TRIO™

- Interleaved technology and new Linear-LED® optics
- DUO models feature independent control of color one and color two
- TRIO models feature any combination of color one, color two and color three. Color three has steady-burn override



WIONA



WIONSMA



I2F



I3MC



Model	Optics	Technology	Mount	Color	Housing	VDC	Amps	Patterns	Cable	Certs	Size
ION*	Directional	Linear Super-LED®	Universal	A, W	Black	12	1/peak 0.40/avg	25 Scan-Lock™	6" Pigtail	B, C, D (A/B/R)	Universal mount: 1" (25mm) H x 4" (101mm) W x 1-1/4" (32mm) D
ION#				A/W, B/A						C, D (W)	
WION*	Wide-angle			A, W						A, B, C, D (A/R)	
WION#				A/W, B/A						B, C, D (B)	
IONSM*	Directional		A, W	Chrome	A, C, D (W)						
IONSMC*			Surface	A/W, B/A	Black					B, C, D (A/B/R)	
IONSM#				A, W	Chrome					C, D (W)	
IONSMC#			A/W, B/A	Black	A, B, C, D (A/R)						
WIONSM*	Wide-angle		A, W	Chrome	B, C, D (B)						
WIONSMC*			Surface	A/W, B/A	Black					A, C, D (W)	
WIONSM#		A, W		Chrome	A, B, C, D (A/R)						
WIONSMC#		B, C, D (B)									
I2#	DUO	Universal	B/W, A/W, B/A	Black	1/peak 0.40/avg per color	64	25	B, C, D (A)			
12SM#		Surface									
I3MC	TRIO	Universal	B/A/W with W override	Black	1/peak 0.40/avg per color	64	25	B, C, D (A)			
I3MMC		Surface									

Replace symbol* in model number with letter indicating color desired: A=Amber, C=White
 Replace symbol# in model number with letter indicating split or DUO color desired: E=Blue/White, F=Amber/White, M=Blue/Amber



Model	Option Description
IONK1B	Swivel mount bracket, Black
IONGROM	Grommet mount kit
IONPEDB	Pedestal mount, Black

Model	Option Description
IONBKT1	License plate bracket for 2 lights
IONBKT5	Universal mount, reversed, remove screws without removing light
IONBKT6	Rear hatch bracket, 2015-2017 Chevy Tahoe for 2 lights
IONBKT7	Grille mount bracket, 2015-2017 Chevy Tahoe for 2 lights



ION™ V-Series™

- Available in 3-in-1 combination warning, alley/flood and puddle light or in single color warning only models
- Single color models have combination 180° and TIR directional warning
- Includes steady-burn, alternating and simultaneous patterns
- Black housing
- Hard-coated lenses minimize environmental damage from sand, sun, salt, and road chemicals
- Synchronize to other Whelen sync products
- Five year warranty



IONV3A



IONSV3A

Model	Optics	Technology	Mount	Colors	Housing	VDC	Amps	Patterns	Cable	Certs	Size	
IONV3*	V-Series	Linear Super-LED®	Universal	A, W warning with W illumination	Black	12	Warning 0.76, Alley 0.31, Puddle 0.12	25 Scan-Lock™	6" Pigtail	C, D	1" (25mm) H x 4-1/16" (104mm) W x 2-3/16" (56mm) D	
IONV3*W					White							
IONSV3*			Surface, includes flange		Black							1" (25mm) H x 4-1/16" (104mm) W x 2-3/16" (56mm) D
IONSV3*W					White							
IONSV3*C					Chrome							
IONV1*	V-Series with directional lighting	Linear and TIR Super-LED	Universal	A, W	Black	1.147				1" (25mm) H x 4-1/16" (104mm) W x 2-3/16" (56mm) D		
IONV1*W					White							
IONSV1*			Surface, includes flange		Black						1-11/16" (43mm) H x 6" (150mm) W x 2" (50mm) D	
IONSV1*W					White							
IONSV1*C					Chrome							

Replace symbol* in model number with letter indicating color desired: A=Amber, C=White



Model	Option Description
IONK1B	Swivel mount bracket, Black
IONGROM	Grommet mount kit
IONPEDB	Black pedestal mount

Model	Option Description
IONBKT1	License plate bracket for 2 lights
IONBKT5	Universal mount, reversed, remove screws without removing light
IONBKT6	Rear hatch bracket, 2015-2017 Chevy Tahoe for 2 lights
IONBKT7	Grille mount bracket, 2015-2017 Chevy Tahoe for 2 lights



IONK1B



IONGROM



IONPEDB



IONBKT1



IONBKT5



IONBKT6



IONBKT7

NOTE: For Chrome or White housings, contact factory for price, availability and minimum order requirements

TIR3™, LIN3™, LINZ6™, & LINV2™

- Includes Black polycarbonate mounting flange
- Fully encapsulated for moisture, vibration, and corrosion resistance
- Hard-coated lenses minimize environmental damage from sand, sun, salt, and road chemicals
- Synchronize to other Whelen sync products
- Includes steady-burn, alternating and simultaneous patterns
- Split LINZ6 will alternate or simultaneous flash each color segment (3x3)
- LINV2 offers combination 180° warning and puddle light with Scan-Lock™ warning flash patterns
- Five year warranty



Model	Optics	Technology	Mount	Color	VDC	Amps	Patterns	Encapsulated	Cable	Certs	Size
RS*03ZCR	Directional	TIR3 Super-LED®	Horizontal surface	R, A, W	12	0.40/peak, 0.16/avg	25 Scan-Lock	Yes	6" Pigtail	B ^(R) C ^(A) D	1-1/8" (28mm) H x 3-1/2" (89mm) W x 1-1/4" (32mm) D
RV*03ZCR			Vertical surface								
RS*02ZCR		LIN3 Super-LED									
LINZ6*	Split Directional	Split LINZ6 Super-LED	Horizontal surface	A/W	12	0.75/peak, 0.30/avg	69 Scan-Lock	Yes	6" Pigtail	B ^(A/B/R) C D ^(Class 1)	2" (48mm) H x 4" (102mm) W x 1-5/8" (40mm) D
LINZ6F				Split A/A							
LINZ61											
LINV2*	Combination warning and puddle light	LINV2 Super-LED	Horizontal surface	A, W	12	0.75/warning, 0.12/puddle	25 Scan-Lock	Yes	6" Pigtail	C D ^(A)	1-1/2" (40mm) H x 3-7/8" (98mm) W x 1-5/8" (42mm) D
LINSV2*			Under surface mounting								1-1/8" (28mm) H x 2-7/8" (73mm) W x 2-13/16" (71mm) D

Replace symbol* in model number with letter indicating color desired: A=Amber, C=White



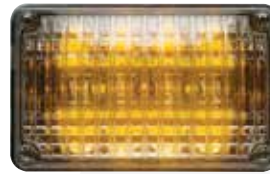
Model	Series	Option Description
RFLANGEC	TIR3 LIN3 LINZ6 LINV2	Chrome plated flange kit
RFLANGCD		Deep Chrome plated flange kit
RFLANGEA		Cast aluminum flange kit
RFLANG2C		Chrome plated flange for dual lighthoods
RFLANG2B		Black flange for dual lighthoods
RGROMMET		Grommet mount kit except LINV2
RBKT1	LINSV2	Mounting bracket for one light
RBKT2		Mounting bracket for two lights
LSVBKT13		Under-the-side view mirror bracket, pair Chevy Tahoe/Suburban, 2015-2016
LSVBKT45		Under-the-side view mirror bracket, pair Chevy Tahoe/Suburban, 2015-2017
LSVBKT44		Under-the-side view mirror bracket, pair Dodge Durango, 2013-2016
LSVBKT42		Under-the-side view mirror bracket, pair, Dodge Ram 1500, 2011-2016
LSVBKT47		Under-the-side view mirror bracket, pair, Ford F-150, 2015-2017

Model	Series	Option Description
RBKT6	TIR3 LIN3 LINZ6 LINV2	License plate bracket for 2 lights-horizontal
RBKT7		License plate bracket for 2 lights-vertical
RBKT12		Above rear taillight bracket, Ford F-250/350/450/550, 2013-2016
RBKT14		Above rear taillight bracket, Chevy Silverado/GMC 1500, 2014-2017
RBKT17		Above rear taillight bracket, Dodge Ram, 2014-2017
RBKT18		Above rear taillight bracket, Ford F-150, 2015-2017
RBKT19		Below rear taillight bracket, Ford F-150, 2015-2017
RBKT4		Swivel mounting bracket for one lighthood
LINZ6FC		Deep Chrome plated flange kit
L6BKT5	Under side view mirror bracket	



400 Series

- Available with Clear or color lens, V-Series™ has Clear lens only
- V-Series has 3-in-1 combination warning, alley/flood and ground illuminating puddle light
- Available with or without internal flasher
- Hard-coated lenses minimize environmental damage from sand, sun, salt, and road chemicals
- Single level is surface mount
- Single level models include Scan-Lock™ flash patterns with steady-burn, and synchronize feature
- Dual level has individual control of upper and lower level
- Dual level requires LED flasher and optional mounting, purchased separately (not to be used as steady-burn light)
- Five year warranty



40A02ZCR



40AA5SCR



4V3A

Model	Optics	Technology	Mount	Color	VDC	Amps	Patterns	Cable	Certs	Size
40**5SCR	Dual level	Linear Super-LED®	Requires optional mounting	A, W	12	1.8/peak 0.72/avg	Requires optional flasher	6" Pigtail	C W	3-3/16" (77mm) H x 4-15/16" (124mm) W x 2" (50mm) D
40*02Z*R	Single level					0.90/peak 0.36/avg	25 Scan-Lock			B C D
4V3*	Warning, alley/flood & puddle light	3-in-1 Super-LED lighting	Surface	A, W warning, steady W for alley and puddle		1.2 warning 0.40 alley 0.12 puddle	Warning has 25 Scan-Lock patterns		W	3-1/16" (77mm) H x 4-15/16" (124mm) W x 2- 3/4" (69mm) D

Replace symbol* in model number with letter indicating color desired: A=Amber, C=White First * or ** is for LED color, last * is for lens color.



Model	Option Description
4EFLANGE	Chrome plated flange kit for single level only
4FLANGEB	Black flange kit for single level only
4TSMAB	Black surface mount adapter
4TSMAC	Chrome surface mount adapter

Model	Option Description
4EGRILP	Grille-Master™ Chrome housing with swivel bracket
4EGRILB	Grille-Master Black housing with swivel bracket
4ILKT1	Polished intersection housing kit, pair, for 4300/4400 International chassis only



4EFLANGE



4FLANGEB



4TSMAB



4TSMAC



4EGRILB



4EGRILP



4ILKT1

500 Series

- 500 V-Series™ features 3-in-1 warning, alley/flood and White ground illumination puddle light
- Hard-coated lenses minimize environmental damage from sand, sun, salt, and road chemicals
- Single color combination 180° and TIR directional warning light
- Solid color available with Clear or color lens
- V-Series and split color lights have Clear lens
- Grommet mount rear waste truck light includes grommet and connector, for use in a light array of seven
- Vertical cab mount light includes Chrome flange (use one per side)
- Five year warranty



Model	Optics	Technology	Mount	Color	VDC	Amps	Patterns	Cable	Certs	Size
50*02Z*R	Single color, horizontal mount	Linear Super-LED®	Requires optional mounting	A, W	12	1.0/peak 0.40/avg	25 Scan-Lock™	6" Pigtail	B (A/B) C D (A/B)	1-5/8" (41mm) H x 5" (127mm) W x 1-3/4" (44mm) D (lighthead only)
50**2ZCR	Split color, horizontal mount			A/A, A/B, A/W, W/W		0.50/peak 0.20/avg per side				
5V*02Z*R	Single color, vertical mount			A, W		1.0/peak 0.40/avg				
50AA2SA2	Single color, vertical mount for truck cab		Includes Chrome flange	A						
50A02SA1	Single color, horizontal mount for rear of waste truck		Includes grommet & connector	A						
50*03Z*R	Single color, horizontal mount	TIR6™ Super-LED	Requires optional mounting	A, W	12	0.63/peak 0.315/avg	25 Scan-Lock™	6" Pigtail	B (R) C D	1-5/8" (41mm) H x 5" (127mm) W x 1-3/8" (35mm) D
50**3ZCR	Split color, horizontal mount			A/A, A/B, A/W, W/W		0.315/peak 0.125/avg per side				
5V1*	Single color, horizontal mount	V-Series & TIR Super-LED	Requires optional mounting	A, W		1.5/peak 0.6/avg				
5V3*	Warning, alley/flood & puddle light, horizontal mount	V-Series Super-LED	Requires optional mounting	A, W warning, steady W for alley and puddle		0.12 warning 1.0 alley light 0.5 puddle				

Replace symbol* in model number with letter indicating color desired: A=Amber, C=White First * or ** is for LED color, second * is for lens color.



Model	Option Description
5FLANGEB	Black flange kit
5FLANGEC	Chrome plated flange kit
5FLANGEP	Polished aluminum flange kit
5GROMMET	Rubber grommet kit
5TSMAB	Black surface mount adapter, TIR6 Super-LED only

Model	Option Description
5TSMAC	Chrome plated surface mount adapter, TIR6 Super-LED only
5LSMAB	Black surface mount adapter, Linear-LED® only
5LSMAC	Chrome plated surface mount adapter, Linear-LED only
5BRUSH	Aluminum brush guard for TIR6 only, requires flange
5BKT1	Universal mounting bracket for Super-LED



600 Series

- 600 Series Rota-Beam™ features “rotating” technology, simulating the appearance of a rotating lighthouse without any moving parts or motors for long-life reliability
- 100% solid-state electronics
- 180° horizontal light output
- Clear or color lens
- Hard-coated lenses minimize environmental damage from sand, sun, salt, and road chemicals
- Integrate with other Whelen Rota-Beam products through synchronize feature
- Five year warranty



Model	Optics	Technology	Mount	Color	VDC	Amps	Patterns	Cable	Certs	Size
6RB*	Oscillating	Rota-Beam Super-LED	Surface	A, W Color lens	12	2.2/peak, 1.1/avg	14 Scan-Lock™	6" Pigtail	W	4-3/16" (106mm) H x 6-9/16" (167mm) W x 3-7/16" (88mm) D
6RB*C				A, W Clear lens						

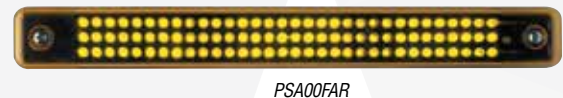
Replace symbol* in model number with letter indicating color desired: A=Amber, C=White

Model	Option Description
6FLANGEB	Black flange kit
6EFLANGE	Chrome plated flange kit
64FKIT	Kit to convert 600 Series to fit in old style 64 Series hole cutouts



Strip-Lite™

- Slim rectangular shape offers mounting versatility in tight spaces
- Hard-coated lenses minimize environmental damage from sand, sun, salt, and road chemicals
- Fully encapsulated for moisture, vibration, and corrosion resistance
- Easily surface mounts with two screws
- Low current consumption
- Polycarbonate construction
- Five year warranty



Model	Optics	Technology	Mount	Color	VDC	Amps	Patterns	Cable	Certs	Size
PS*00F*R	Directional	LED	Surface	A, W	12	0.675/ max 0.27/avg	14 Scan-Lock, includes steady-burn	6" Pigtail	C	1" (25mm) H x 11-1/2" (292mm) W x 1-3/8" (35mm) D

Replace symbol* in model number with letter indicating color desired: A=Amber, C=White

Model	Option Description
PSBKT451	45° mounting bracket
PSBKT1	Guard for use with or without angle bracket



Brake/Tail/Turn Lights

- **NEW** SurfaceMax™ Series Super-LED® with all-new patented mounting technology
- Fully encapsulated for moisture, vibration, and corrosion resistance
- Hard-coated lenses minimize environmental damage from sand, sun, salt, and road chemicals
- Five year warranty



Model	Optics	Technology	Mount	Color	Lens	VDC	Amps	Cable	Certs	Size	
20R00XRR	4" Round	LED	Requires optional mounting	R	R	12	0.4/high 0.4/low	6" Pigtail	J, K, L, Y, X, Q	4-1/4" (108mm) Dia.	
M6BTT	M6 Series		Surface				0.85/brake 0.06/tail		J, K, L, X, Y	4-5/16" (109mm) H x 6-3/4" (170mm) W x 1-3/8" (35mm) D	
M9BTTX	M9 Series						0.75/brake 0.55/tail		J, K, I	6-1/2" (165mm) H x 10-3/8" (263mm) W x 1-3/8" (35mm) D	
40BTT	400 Series		0.375/brake 0.040/tail				J, K, L, X, Y		3-3/16" (77mm) H x 4-15/16" (124mm) W x 2-3/4" (69mm) D		
C6BTT	C6 Series	SurfaceMax Super-LED	Surface				C		0.40/brake 0.050/tail	J, K, L, X, Y	5-1/8" (130mm) H x 8-5/16" (210mm) W x 1-9/16" (40mm) D
C6BTTC							R		0.80/brake 0.050/tail	F, G, H, J, L, M, T, V, Y	4-1/16" (103mm) H x 8-1/8" (206mm) W x 1-9/16" (40mm) D
C7BTT	C7 Series						R		0.350/brake 0.040/tail	J, K, L, X, Y	8-1/8" (206mm) H x 10-1/8" (257mm) W x 1-9/16" (40mm) D
C7BBTC							C		0.5 high/0.05 low	J, K	1" (25mm) H x 11-1/2" (292mm) W x 1-3/8" (35mm) D
C9BTT	C9 Series	LED	Surface				R		0.225 turn/150mA brake/40mA turn	-	
C9BBTC							C				
PSR00XRR	Strip-Lite™	LED with turn		R/A	C						
PSRASXCR											

Model								Option Description
4" Round	M6	M7	400	C6	C7	C9	Strip-Lite	
2FLANGEC	M6FC	M7FC	4EFLANGE	C6FC	C7FC	C9FC	-	Chrome plated flange
2FLANGEB	M6FB	M7FB	4FLANGEB	C6FB	C7FB	C9FB	-	Black flange
-	M6BRUSH	M7BRUSH	-	-	-	-	PSBKT1	Brush guard
2GBKT1	-	-	-	-	-	-	-	"L" bracket
2GROMMET	-	-	-	-	-	-	-	Grommet mount kit
-	M6FCV2	-	-	-	-	-	-	Chrome flange, 2 lamp, vertical
-	M6FCV3	-	-	-	-	-	-	Chrome flange, 3 lamps, vertical
-	M6FCV4	-	-	-	-	-	-	Chrome flange, 4 lamps, vertical
LEDLOAD								Adds additional amperage load



Turn Signals

- **NEW** SurfaceMax™ Series Super-LED® with all-new patented mounting technology
- Arrows may be mounted left or right
- 400 LED Series is turn indicator/front marker clearance light combination
- M Series are surface mounted
- Hard-coated lenses minimize environmental damage from sand, sun, salt, and road chemicals
- Mounting options are purchased separately
- Five year warranty



Model	Optics	Technology	Mount	Color	Lens	VDC	Amps	Patterns	Cable	Certs	Size
M6T	M6 Series	LED	Surface mount	A	Clear	12	0.75/peak	8	6" Pigtail	L, Y	4-5/16" (109mm) H x 6-3/4" (170mm) W x 1-3/8" (35mm) D
M9T	M9 Series				Clear		1.2/peak				6-1/2" (165mm) H x 10-3/8" (263mm) W x 1-3/8" (35mm) D
40A00AAR	400 Series				Color		0.4/peak 0.06/avg	2		X, Y	3-3/16" (77mm) H x 4-15/16" (124mm) W x 2-3/4" (69mm) D
C6T	C6 Series	SurfaceMax Super-LED	Optional mounting available	A	Color	12	0.460/peak 0.180/avg	6	6" Pigtail	L, Y	5-1/8" (130mm) H x 8-5/16" (210mm) W x 1-9/16" (40mm) D
C6TC					Clear						4-1/16" (103mm) H x 8-1/8" (206mm) W x 1-9/16" (40mm) D
C7T	C7 Series				Color		0.420/peak 0.170/avg				8-1/8" (206mm) H x 10-1/8" (257mm) W x 1-9/16" (40mm) D
C7TC		Clear	0.720/peak 0.280/avg								
C9T	C9 Series	Color	8-1/8" (206mm) H x 10-1/8" (257mm) W x 1-9/16" (40mm) D								
C9TC		Clear									

Model						Option Description
M6	M9	400	C6	C7	C9	
M6FC	M9FC	4EFLANGE	C6FC	C7FC	C9FC	Chrome plated flange
M6FB	M9FB	4FLANGEB	C6FB	C7FB	C9FB	Black flange
M6BRUSH	M9BRUSH	-	-	-	-	Brush guard
M6FCV2	-	-	-	-	-	Chrome flange for two lighthoods, vertical
M6FCV3	-	-	-	-	-	Chrome flange for three lighthoods, vertical
M6FCV4	-	-	-	-	-	Chrome flange for four lighthoods, vertical
M6FC600	M9FC900	-	-	-	-	Chrome flange converts to 600 or 900 Series lighthouse



Back-Up Lights

- 400 Series Super-LED® back-up lights
- M Series are surface mounted
- Mounting options are purchased separately
- 400, 600 and 700 Series LED may additionally be used as interior lights
- Hard-coated lenses minimize environmental damage from sand, sun, salt, and road chemicals
- Five year warranty



Model	Optics	Technology	Mount	Color	VDC	Amps	Patterns	Cable	Certs	Size
M6BUW	M6 Series	Super-LED	Surface	W	12	1.6	Steady	6" Pigtail	N	4-5/16" (109mm) H x 6-3/4" (170mm) W x 1-3/8" (35mm) D
M9BUW	M9 Series					1.8				6-1/2" (165mm) H x 10-3/8" (263mm) W x 1-3/8" (35mm) D
5GC00WCR	5G Series		Includes grommet			0.15				3-3/16" (77mm) H x 7-7/16" (189mm) W x 1-1/2" (38mm) D
40C00VCR	400 Series	LED	Horizontal			0.35				3-3/16" (77mm) H x 4-15/16" (124mm) W x 2-3/4" (69mm) D
40BUH		Super-LED				Vertical				
40BUV			0.35							
60C00VCR	600 Series	LED minimum	May be surface mounted			0.6				4-1/8" (105mm) H x 6-1/2" (165mm) W x 1-3/8" (35mm) D
60C00WCR		LED maximum				0.6				
70C00VCR	700 Series	LED minimum	Optional mounting available			0.35				3-1/16" (78mm) H x 7-1/4" (184mm) W x 1-1/4" (31mm) D
70C00WCR		LED maximum				0.5				



Model					Option Description
Super-LED		LED			
M6	M9	400	600	700	
M6FC	M9FC	4EFLANGE	6EFLANGE	7EFLANGE	Chrome plated flange
M6FB	M9FB	4FLANGEB	6FLANGEB	7FLANGEB	Black flange
M6BRUSH	M9BRUSH	-	-	-	Brush guard
M6FCV2	-	-	-	-	Chrome flange for two lighthoods, vertical
M6FCV3	-	-	PLAST3V	-	Chrome flange for three lighthoods, vertical
M6FCV4	-	-	PLAST4V	-	Chrome flange for four lighthoods, vertical
-	-	-	CAST3H	-	Three lighthead cast aluminum housing, horizontal
-	-	-	CAST3	7CAST3	Three lighthead cast aluminum housing, vertical
-	-	-	CAST4V	-	Four lighthead cast aluminum housing, vertical
M6FC600	M9FC900	-	-	-	Chrome flange converts to hundred series lighthead



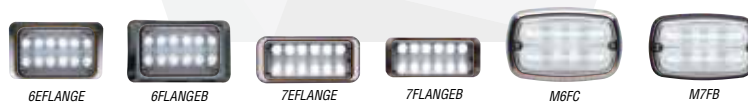
Scenelights

- Super-LED® surface mounts are instant on with no warm-up time
- 500 Series lighthead requires mounting option, purchased separately
- Hard-coated lenses minimize environmental damage from sand, sun, salt, and road chemicals
- Five year warranty



Model	Optics	Technology	Mount	Color	VDC	Amps	Patterns	Cable	Size
6SCOENZR	600 Series	Super-LED	Surface	W	12	1.5	Steady	6" Pigtail	4-1/8" (105mm) H x 6-1/2" (165mm) W x 1-3/4" (44mm) D
60C0ELZR			Recess			2			
7SCOENZR	Surface		2			3-1/16" (78mm) H x 7-1/4" (184mm) W x 1-3/4" (44mm) D			
70C0ELZR	Recess		2						
9SCOENZR	900 Series		Surface, includes Chrome flange			6			7-1/8" (181mm) H x 9-1/8" (232mm) W x 1-3/4" (44mm) D
M6ZC	M6 Series		Surface			2			4-5/16" (109mm) H x 6-3/4" (170mm) W x 1-3/8" (35mm) D
M7ZC	M7 Series		2.25/peak 0.9/avg			3-3/8" (86mm) H x 7-5/8" (194mm) W x 1-3/8" (35mm) D			
M9LZC	M9 Series		Surface, includes Chrome flange			6			6-1/2" (165mm) H x 10-3/8" (263mm) W x 1-3/8" (35mm) D

Model Series						Option Description
M6	M7	M9	600	700	900	
M6FC	M7FC	M9FC	6EFLANGE	7EFLANGE	90FLANGC	Chrome plated flange
M6FB	M7FB	M9FB	6FLANGEB	7FLANGEB	90FLANGB	Black flange



Interior Lighting

- Super-LED® Model 86CE1 has 12 diodes and Hi/Low control, and is certified to KKK 1822-F when properly installed
- LED 2" Round Series includes 2-1/2" adapter for customer supplied 2-1/2" grommet, plus a 3" and 3-1/2" flange mount
- Strip-Lite™ available in two levels of intensity
- Fluorent Plus™ Series is available in increments of 9" (228mm) and includes both a C clip for snap-in and P clip for fixed mounting. Silicone rubber end caps
- Hard-coated lenses minimize UV damage and resist scratches
- Five year warranty



Model	Optics	Technology	Mount	VDC	Amps	Cable	Size	
86CE1	Rectangular interior dome	Super-LED	Requires cut-out, includes flange	12	2/high 0.20/low	6" Pigtail	6-7/16" (163mm) H x 8-3/16" (208mm) W x 1-1/4" (32mm) D	
T0CACCCR	2" Round compartment	5mm LED	Surface		0.025		6" Pigtail includes Deutsch® connector	2" (51mm) Dia.
20C0CDCR	2G Series (4" round) compartment	Super-LED 12 diode	Surface mount requires optional mounting		0.360			4" (102mm) Dia.
20C0CDCD								
5GC0CCCR	5G Series compartment	Super-LED	Includes Black grommet, requires optional mounting		0.525	6" Pigtail	3-3/16" (81mm) H x 7-7/16" (189mm) W x 1-1/2" (38mm) D	
PSC0ADCR	Strip-Lite compartment	6 diode LED	Surface		0.240		1" (25mm) H x 11-1/2" (292mm) W x 1-3/8" (35mm) D	
PSC0CDCR		18 diode LED			0.480			
F09PC	Fluorent Plus compartment tube lighting	Super-LED			Surface		0.06	5/8" (16mm) H x 9" (228mm) W
F18PC							0.125	5/8" (16mm) H x 18" (457mm) W
F27PC							0.16	5/8" (16mm) H x 27" (686mm) W
F36PC							0.18	5/8" (16mm) H x 36" (914mm) W
F45PC							0.24	5/8" (16mm) H x 45" (114cm) W
F54PC				0.32			5/8" (16mm) H x 54" (137cm) W	
F63PC				0.42			5/8" (16mm) H x 63" (160cm) W	

Model	Series	Option Description
TFLANGEC	2" Round	Surface mount Chrome plated flange kit
TFLANGEB		Surface mount Black flange kit
TGROM2		Grommet mounting kit
2GFLANGC	2G (4" Round)	Surface mount Chrome plated flange kit
2GFLANGB		Surface mount Black flange kit
2GROMMET		Grommet mounting kit

Model	Series	Option Description
5GFLANGC	5G	Surface mount Chrome plated flange kit
5GFLANGB		Surface mount Black flange kit
PSBKT451	Strip-Lite	45° stainless steel bracket



Interior Lighting

- 3" Round Red, Red/White and Blue/White for better night vision and includes independent control of color and White light
- 6" Round extreme low profile surface mount is available in 24 Volt models
- 700 Series has illuminated switches
- 8" Round has high lumen output of 1,000/Hi and 80/Low, simulating natural light at midday
- Hard-coated lenses minimize UV damage and resist scratches
- Five year warranty



Model	Optics	Technology	Mount	Housing	Switch	VDC	Amps	Cable	Size	
3SC0CDCR	3" Round LED	Compartment White	Surface Optional mounting available	Rubber gasket housing	-	-	0.380	-	3" (76mm) Dia.	
3SR0CDRR		Nighttime illumination, Red					0.300			
3SBCCDCR		Compartment split Blue/White					0.310			
3SRCCDCR		Compartment split Red/White								
60C0EHCR	6" Round Super-LED	Compartment 18 diode, White	Surface	-	-	12	1.2/high 0.13/low	6" Pigtail	6" (152mm) Dia. x 5/8" (16mm) D	
60C0EJCS		Compartment 6 diode, White					On/Off			0.70/high
60CBEGCS		Compartment 6 Blue diodes & 6 White diodes					Dual switches for On/Off color and On/ Off and White			0.70/White 0.50/Blue
60CREGCS		Compartment 6 Red diodes & 6 White diodes					Backlighted dual switches for On/Off color and White			0.70/White 0.50/Red
70CREGCS	700 Series	Compartment 30 Red diodes & 30 White diodes					0.35/White 0.50/Red 2mA/switch		3-1/16" (78mm) H x 7-1/4" (184mm) W x 1-1/4" (31mm) D	
80C0EHCR	8" Round Super-LED ambulance light	18 Diode, White	4 Screws, fits industry standard 8" cutout, no mounting hardware required	Chrome flange	Built-in Hi/Low intensity	-	1.2/high 0.13/low	-	8-5/8" (218mm) Dia. x 1" (24mm) D	
80C00EZR		18 Diode, White	Fits 8" cutout with spring clip mounting, no mounting hardware required	White flange						
8WC00EZR		6 White diodes 3 Blue diodes	4 Screws	Chrome flange						
80CBEHCR		6 White diodes 3 Red diodes								
80CREHCR							1.5/White 0.50/color			

Model	3" Round Options
3FLANGEC	Chrome plated flange, surface mount
3GROMMET	Grommet mount



Illumination & Marker or Clearance Lighting

- OS™ Series includes Chrome housing. It's 45° angle illuminates step surfaces and areas needing angled lighting. Interior or exterior use
- OS Series marker/clearance has Clear lens
- 2" Round Series marker or clearance light includes 2-1/2" adapter for customer supplied 2-1/2" grommet, plus a 3" and 3-1/2" flange mount
- PEL Series has 40° downward projected light for illumination of vehicle's perimeter
- Hard-coated lenses minimize environmental damage from sand, sun, salt, and road chemicals
- Five year warranty



Model	Optics	Technology	Application	Mount	Color	Lens	Housing	VDC	Amps	Patterns	Size									
OSC0EDCR	OS Series	LED	White illumination	Surface	W	Clear	Chrome	12	0.3	Steady	1" (25mm) H x 1-1/2" (38mm) W x 1/2" (13mm) D									
OAC0EDCR											1" (25mm) H x 1-7/8" (48mm) W x 7/8" (21mm) D									
OSA00MCR			Marker or clearance		A	-	0.8/max 0.5/avg				1" (25mm) H x 1-1/2" (38mm) W x 1/2" (13mm) D									
OSR00MCR					R						2" (51mm) Dia.									
TOA00MAR	2" Round	Super-LED®	Ground perimeter lighting	W	A	-	Chrome	24	0.37	Steady	2-1/4" (56mm) H x 7-7/8" (201mm) W x 1-5/8" (42mm) D									
TOR00MRR					R							R								
PELCC	PEL Series				Super-LED®							Ground perimeter lighting	W	-	Black	Chrome	24	0.37	Steady	2-1/4" (56mm) H x 7-7/8" (201mm) W x 1-5/8" (42mm) D
PELCB																				
PELCC4		Chrome																		
PELCB4		Black																		



Model	2" Round Option Description
TGROM2	Rubber grommet mount
TFLANGEC	Surface mount flange, Chrome
TFLANGEB	Surface mount flange, Black



PAR-36 & PAR-46 Replacement Lamps

- PAR lights have heavy-duty heatsink and industry standard brass slotted head connection point
- Hard-coated lenses minimize environmental damage from sand, sun, salt, and road chemicals
- Includes 6" pigtail
- Five year warranty



Model	Optics	Technology	Application	Mount	Color	Lens	Housing	VDC	Amps	Patterns	Size
P46SLC	PAR-46	Super-LED®	2° Spotlight	Drop-in replacement for outdated halogen spotlight lamps	W	Clear	Black powder coated die-cast aluminum heatsink	12	2.3	Steady	5-5/8" (144mm) Dia x 2-11/16" (69mm) D
P46FLC			8° Spotlight						1.9		5-5/8" (144mm) Dia x 1-13/16" (46mm) D
P46WLC			20° x 60° Floodlight								
P36SLC	PAR-36		2° Spotlight				12/24	0.85 @ 12 VDC 0.325 @ 24 VDC	Steady	4-1/2" (111mm) Dia. x 2" (51mm) D	

Replace symbol* in model number with letter indicating color desired: B=Blue, R=Red



Pioneer™ Series Work Lights

Pioneer Nano™



Pioneer Micro™



Pioneer SlimLine™



Pioneer Surface Mount



Pioneer & Pioneer Plus™



NEW With Proclera™ Silicone Optics

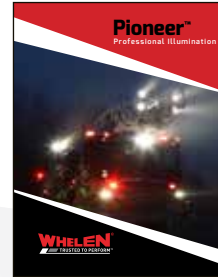
Pioneer Max™



NEW Pioneer Life™



Pioneer Quad™



With their structural design and innovative optic technology, Whelen's Pioneer Series Super-LED® Work Lights are reliable and efficient. Models feature a variety of sizes and mounting options for every application and price point.

For more information, request Whelen's Pioneer Series catalog

Pioneer Mounting Options



PAR-36 & PAR-46

- Choose floodlight or spotlight models
- Black cast aluminum housing
- Hard-coated lenses minimize environmental damage from sand, sun, salt, and road chemicals
- Pedestal swivel models include T-handle
- Super-LED® with low current draw
- Stainless steel bracket and hardware included
- Two intensities available
- For 24 VDC models, contact factory
- Five year warranty



Floodlight Models							
Model	Diodes	Amps	Lumens	Mount	Switch	Cover	
PFBP12	12	1.7	1000	Pedestal swivel	Built-in on/off switch	Black	
PFBP12C						Chrome	
PFBP6	6	0.85	500			Black	
PFBP6C						Chrome	
PFBS12	12	1.7	1000	Stud/swivel	-	Black	
PFBS12C						Chrome	
PFBS6	6	0.85	500			Black	
PFBS6C						Chrome	
PFBS6S						Built-in on/off switch	Black
PFBS12S							12

Spotlight Models							
Model	Diodes	Amps	Lumens	Mount	Switch	Cover	
PSBP12	12	1.7	1000	Pedestal swivel	Built-in on/off switch	Black	
PSBP12C						Chrome	
PSBP6	6	0.85	500			Black	
PSBP6C						Chrome	
PSBS12	12	1.7	1000	Stud/swivel	-	Black	
PSBS12C						Chrome	
PSBS6	6	0.85	500			Black	
PSBS6C						Chrome	
PSBS6S						Built-in on/off switch	Black
PSBS12S							12

Hand Held Spot/Floodlights

- 90# pull magnet mount with 8' coiled cord and cigar plug
- Built-in push-button On/Off switch
- Five year warranty

Model	Lighting	Diodes	VDC	Amps	Lumens	Mount
P36HHS	Spot/flood	6	12/24	0.85 @ 12 VDC 0.425 @ 24 VDC	500	Hand held includes magnet
P46HHS	Spotlight	18	12	2.3	2000	



Rubber Housing Spot/Floodlights

- Rubber stud/swivel housing
- Available with or without lighthouse
- Five year warranty

Model	Lighting	Diodes	VDC	Amps	Lumens	Mount
P36SLCHG	Spot/flood	6	12/24	0.85 @ 12 VDC 0.425 @ 24 VDC	500	Stud/swivel
P46SLCHG	Spotlight	9	12	2.3	2000	



Note: For replacement lamps see page 53

Pan & Tilt™ Spotlight

- Wired or wireless controlled spotlight
- Rated to last thousands of hours with remarkable bright light
- Hard-coated lenses minimize environmental damage from sand, sun, salt, and road chemicals
- Wireless controller mounts anywhere
- Proportional push-button control for quick and easy operation
- Low amp draw
- Tilts 90° up and 20° down
- Pans 420° horizontally
- Defaults to home position after use
- Size: 8-3/4" (220mm) H x 7-3/4" (196mm) Dia
- Five year warranty



Model	Mount	Controller	Base	Lens	Amps	Lumens	VDC
PT360P	Permanent	Wired	Black Polycarbonate	Hard-coated polycarbonate resists scratches and UV damage	2 A (max)	1475	12
PT360PW		Wireless					
PT360F	Flange	Wired					
PT360FW		Wireless					

PAR-36 Heavy-Duty Work Light

- Cast aluminum housing
- Hard-coated lenses minimize environmental damage from sand, sun, salt, and road chemicals
- Includes stainless steel pedestal/swivel mount
- Deutsch® waterproof connector
- Mounts standing or hanging
- 24 VDC available, contact factory
- Available in White
- Five year warranty



Model	Lighting	Diodes	Amps	Lumens	VDC	Size
3PC0C0CD	Spotlight	9	1.70	1,000	12	6-3/4" (171mm) H x 2-1/2" (64mm) D x 4-3/4" (121mm) L (without mounting)

Power Control Centers & Switches

- Adjustable bail bracket mounting
- Backlit function windows for choice of 72 standard press-on legend tabs
- PCC8R's basic eight position keypad with remote relay box is ideal for DOT, Tow and Wrecker vehicles
- Hand held or mounted to the dash or console, the WCC9 replaces the standard ECM (Electronic Control Module) on WeCan® lightbars
- Includes LED "On" indicator
- 12 VDC
- Two year warranty



PCCS9RW



PCC4W



PCCS9LW



PCC6W
PCC6W1



WCC9
WCC92



PCC8R



PCC10W
PCC10W1

Model	Type and Usage	Switches	Switch type	Installation	Size
PCCS9RW	High current center for lightbars/lighting systems without need for separately mounted relays or relay boxes	6 Push-buttons and 1 four position dip switch programmable slide switch	6 On/Off, momentary 20 amp relays	11 Fast-on outputs, 4 pos AMP Mate-N-Lok® -for control, 2 pos Molex Mini Fit SR® - for power	1-5/8" (40mm) H x 6-1/4" (159mm) D x 6" (152mm) L
PCCS9LW	Economical control center for use with Freedom®, & Liberty II™ lightbars	6 On/Off, 1 programmable On/Off switch	6 On/Off, 1 programmable On/Off switch	1 Nine position and 5 conductor AMP Mate-N-Lok connector, to match lightbar cables	1-5/8" (40mm) H x 4" (102mm) D x 6" (152mm) L
PCC4W	SPST, Lighted switches	4	25 amp	5 Wires power input, 5 wires output	2-1/4" (57mm) H x 4" (102mm) D x 3-1/4" (83mm) L
PCC6W		6	(6) 25 amp	8 Position rear connector block	2-1/4" (57mm) H x 3-5/8" (92mm) D x 6-5/8" (168mm) L
PCC6W1		6	(5) 25 amp, 1 momentary		
PCC10W		10	20 amp		
PCC10W1	10	(9) 20 amp, 1 momentary			
PCC8R	Eight position key pad with remote relay box	8	(3) 20 amp relays and (5) 10 amp relays	8 Position rear connector block, supplied wiring harness	Relay Box: 1-1/4" (32mm) H x 4-3/4" (121mm) D x 7-1/4" (184mm) L Control head same as WCC9
WCC9	Electronic control for Freedom and Justice® WeCan Lightbars	6 Push-buttons and 1 four position dip switch programmable slide switch for 10 primary functions	6 Normally open, momentarily closed tactile switches with 3-position slide switch	Small diameter, 22 gauge, 2-C cables, mates to your WeCan lightbar for easy installation	2-1/2" (64mm) H x 7/8" (22mm) D x 4-3/16" (106mm)L
WCC92	Electronic control for Liberty II and Legacy® WeCan Lightbars	6 Push-buttons and 1 four position dip switch programmable slide switch for 10 primary functions	6 Normally open, momentarily closed tactile switches with 3-position slide switch	Small diameter, 22 gauge, 2-C cables, mates to your WeCan lightbar for easy installation	2-1/2" (64mm) H x 7/8" (22mm) D x 4-3/16" (106mm)L

Switch Panel Models					
Model	Type	Usage	Switches	Switch Type	Illuminated
1SWITCH	"L" shaped aluminum switch bracket only Choose switches from choices below	For 1 switch	Optional	-	-
2SWITCH		For 2 switches			
3SWITCH		For 3 switches			
4SWITCH		For 4 switches			
PC1	Switch only with 15 amp contact	On/Off	1 Each	SPST	Yes
PC2		Momentary On			-
PC3		On/Off/On		SPDT	Yes



1SWITCH

2SWITCH

3SWITCH

4SWITCH

Flashers

- Polycarbonate housing
- Fully encapsulated for moisture, vibration and corrosion resistance
- UHF Series has external mounting flanges
- **NEW** SmartLogic™ programmable flasher
 - Software is configurable via USB port
 - Outputs are internally protected and fused
 - 8 Inputs: 5 activating inputs, 3 non-activating for low power, photocell and brake/tail/turn cutoff
 - Default flash pattern
 - LED onboard diagnostic indicators
 - Day and night mode truck setups

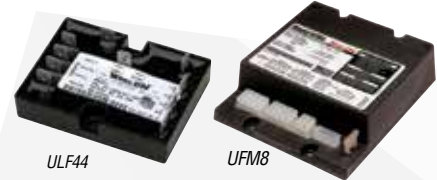


NEW SLFLASH



SSFPOS

UHF2150A



ULF44

UFM8

Model	Usage	Solid-State	Outlets	Switching	Amps	VDC	Patterns	Size	Warranty
SSFPOS	Positive switching headlights	100%	2 Outlets	1x1	12.5 Per outlet	12	7	7/8" (22mm) H x 2" (50mm) W x 2-3/4" (70mm) D	2 Year
UHF2150A	Positive or negative switching headlights	Controlled relay output					4	1-1/2" (38mm) H x 4-1/4" (108mm) W x 3" (76mm) D	
ULF44	LED lighthouse		4 Outlets 4 Channels	2x2	5 Per outlet	62 Alt/simul	3/4" (26mm) H x 2-3/4" (70mm) W x 3-1/2" (89mm) D		
UFM8	Halogen/LED lighthouse		4 outlets	2x2x2x2		17	3/4" (26mm) H x 2-3/4" (70mm) W x 3-1/2" (89mm) D		
SLFLASH	Auxiliary LED lighthoods	100%	8	Program-mable	5 Per outlet	64	3-3/8" (86mm) H x 6-3/8" (162mm) W x 3-3/8" (86mm) D	5 Year	

Model	Option Description
LEDLOAD	In-line load resistor kit to interface with OEM turn signal circuit

Electronic Back-Up Alarms

- Meets OSHA, Bureau of Mines, and all State regulations
- Glass filled nylon housing
- Encapsulated solid-state electronics
- Steam cleanable; pressure washable
- Mount horizontally or vertically
- One year warranty



WBUA97
WBUA107



WBUA112
WBUA112C

Model	Decibels	SAE Code	VDC	Size
WBUA97	97	SAE J994 - Type C	12/24	2-3/4" (69mm) H x 1-1/2" (38mm) D x 4" (102mm) L
WBUA107	107	SAE J994 - Type B		2-3/4" (69mm) H x 1-1/2" (38mm) D x 4" (102mm) L
WBUA112	87-112	--		4" (101mm) H x 2-7/8" (73mm) D x 5-1/8" (130mm) L
WBUA112C	112	SAE J994 - Type A		4" (101mm) H x 2-7/8" (73mm) D x 5-1/8" (130mm) L

Wing Plow™ Series

- Fully encapsulated for vibration, moisture and corrosion resistance
- Hard-coated lenses minimize environmental damage from sand, sun, salt, and road chemicals
- Two styles of Amber lighthead provide complete coverage whether snowplow wing is in the operation position or in the stowed travel position
- Five year warranty



WFLOWZ2A

WFLOW3AA

Model	Usage	Technology	Patterns	Cable	VDC	Housing
WFLOW1A	Deployed	TIR3™ SmartLED®	24 Scan-Lock™ plus steady- burn	20' Heavy-duty TPR with built in strain relief connectors	12	Rugged cast aluminum
WFLOW2A	Stowed					
WFLOW3AA	Deployed/Stowed					
WFLOWZ1A	Deployed	LINZ6™ SmartLED				
WFLOWZ2A	Stowed					
WFLOWZ3A	Deployed/Stowed					

Model	Option Description
W441DIN	Deutsch® waterproof 3 pins and connector kit, cable end
W442DIN	Deutsch waterproof 3 sockets and connector kit, lighthead end



DOT-LED® Lighting Systems

Optics

- Certified by an AMECA-accredited testing laboratory to meet or exceed SAE warning lighting requirements in the appropriate specified safety colors
- Lighting profile easily defines the width and height of a highway vehicle
- Wide-angle Super-LED® lighthoods ensure visibility when dump body is raised or lowered, including forward dump bodies
- All warning lighthood colors are Amber. For other colors, contact factory
- Multiple flash patterns and sequence options provide improved reference for motorists in determining the distance to and location of maintenance vehicles

Design

- Pure copper stranded conductors used in all TPE cables are tin coated, providing superior longevity
- A 12" protective section of flex-tubing and coupling to the housing prevents cable chafing
- All rear lighthoods are furnished with Deutsch® waterproof connectors
- Each system includes a complete installation kit, including cable harnesses
- 400 and 700 Series lighthood housings are 7 gauge welded stainless steel
- 500 Series lighthood housings are 11 gauge welded stainless steel
- Optional welded aluminum housings are also available

Front System Components

Front system components are offered in four Super-LED® models with combined 360° warning visibility. Includes 60' of heavy-duty TPE cable.

Micro Freedom®



3-3/4" (95mm) H x 9-5/16" (236mm) D x 12-5/16" (312mm) L

Micro 400



3-3/4" (95mm) H x 10-3/4" (272mm) D x 10" (254mm) L

Stainless Steel Micro 400



3-5/8" (92mm) H x 8-1/4" (209mm) D x 8-1/4" (209mm) L

Remote L31 Beacon

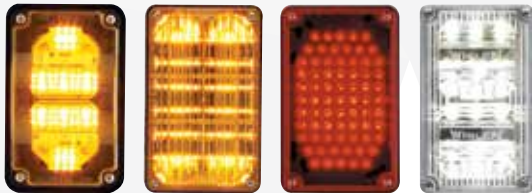


4-1/2" (102mm) H x 7-3/16" (182mm) Dia.

Rear Lighthoods

Rear lighthoods are offered in three sizes. Super-LED lighthoods have specially designed lenses for wide light output. All lighthoods are supplied with Deutsch® waterproof connectors.

400 Series



4-15/16" (124mm) H x 3-3/16" (77mm) W

500 Series



5" (127mm) H x 1-5/8" (41mm) W

700 Series



7-1/4" (184mm) H x 3-1/16" (78mm) W

Rear Housings

Rear mounted lighthoods include 30' heavy-duty, oil resistant TPE jacketed cable with strain relief flex-tubing and couplings that provide added safeguard against the elements.

400 Series



Height: Single: 5-7/8" (149mm)
Double: 11-3/8" (290mm)
Triple: 17" (430mm)
Width 3-1/2" (88mm)
Depth: 4-3/4" (120mm)

500 Series



Height: Single: 7" (178mm)
Double: 13-3/4" (348mm)
Triple: 20-3/8" (518mm)
Width: 2-1/2" (65mm)
Depth: 5" (127mm)

700 Series

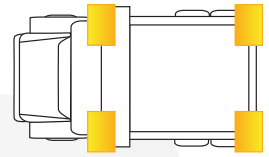


Height: Single: 8-3/8" (213mm)
Double: 16-1/4" (412mm)
Triple: 24" (608mm)
Width 3-1/2" (88mm)
Depth: 5" (127mm)

Light Systems

DOT3401, DOT3501 & DOT3701 4 Light System

Two Micro Freedom® lightheads with extended corner modules and two rear lighthead options



SYSTEM 401 with 400 Series Lightheads

DOT3401A	Warning
DOT3401B	Warning and brake/tail/turn
DOT3401D	Warning, brake/tail/turn and back-up

SYSTEM 501 with 500 Series Lightheads

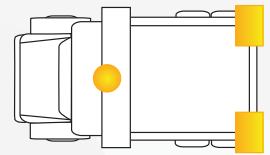
DOT3501A	Warning
DOT3501B	Warning and brake/tail/turn
DOT3501D	Warning, brake/tail/turn and back-up

SYSTEM 701 with 700 Series Lightheads

DOT3701A	Warning
DOT3701B	Warning and brake/tail/turn
DOT3701D	Warning, brake/tail/turn and back-up

DOT3402, DOT3502 & DOT3702 3 Light System

One L31 remote beacon and two rear lighthead options



SYSTEM 402 with 400 Series Lightheads

DOT3402A	Warning
DOT3402B	Warning and brake/tail/turn
DOT3402D	Warning, brake/tail/turn and back-up

SYSTEM 502 with 500 Series Lightheads

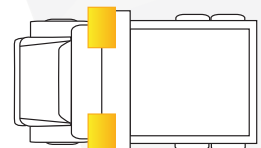
DOT3502A	Warning
DOT3502B	Warning and brake/tail/turn
DOT3502D	Warning, brake/tail/turn and back-up

SYSTEM 702 with 700 Series Lightheads

DOT3702A	Warning
DOT3702B	Warning and brake/tail/turn
DOT3702D	Warning, brake/tail/turn and back-up

DOT3103 2 Light System

Two Micro Freedoms with extended corner modules

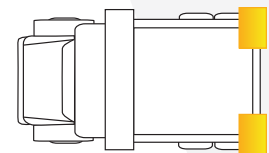


SYSTEM 103

DOT3103	Two front Amber warning lights
---------	--------------------------------

DOT3404, DOT3504 & DOT3704 2 Light System

Two rear lighthead options



SYSTEM 404 with 400 Series Lightheads

DOT3404A	Warning
DOT3404B	Warning and brake/tail/turn
DOT3404D	Warning, brake/tail/turn and back-up

SYSTEM 504 with 500 Series Lightheads

DOT3504A	Warning
DOT3504B	Warning and brake/tail/turn
DOT3504D	Warning, brake/tail/turn and back-up

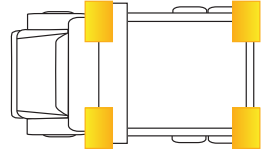
SYSTEM 704 with 700 Series Lightheads

DOT3704A	Warning
DOT3704B	Warning and brake/tail/turn
DOT3704D	Warning, brake/tail/turn and back-up

Light Systems

DOT3405, DOT3505 & DOT3705 4 Light System

Two Micro 400s and two rear lighthouse options



SYSTEM 405 with 400 Series Lightheads

DOT3405A	Warning
DOT3405B	Warning and brake/tail/turn
DOT3405D	Warning, brake/tail/turn and back-up

SYSTEM 505 with 500 Series Lightheads

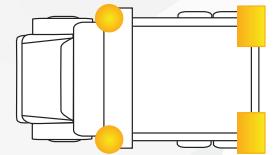
DOT3505A	Warning
DOT3505B	Warning and brake/tail/turn
DOT3505D	Warning, brake/tail/turn and back-up

SYSTEM 705 with 700 Series Lightheads

DOT3705A	Warning
DOT3705B	Warning and brake/tail/turn
DOT3705D	Warning, brake/tail/turn and back-up

DOT3406, DOT3506 & DOT3706 4 Light System

Two L31 remote beacons and two rear lighthouse options



SYSTEM 406 with 400 Series Lightheads

DOT3406A	Warning
DOT3406B	Warning and brake/tail/turn
DOT3406D	Warning, brake/tail/turn and back-up

SYSTEM 506 with 500 Series Lightheads

DOT3506A	Warning
DOT3506B	Warning and brake/tail/turn
DOT3506D	Warning, brake/tail/turn and back-up

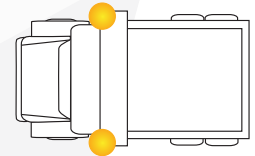
SYSTEM 706 with 700 Series Lightheads

DOT3706A	Warning
DOT3706B	Warning and brake/tail/turn
DOT3706D	Warning, brake/tail/turn and back-up

DOT3107 2 Light System

Two remote L31 Beacons

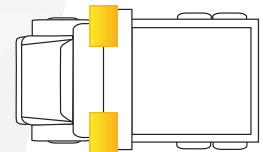
DOT3107	Two front Amber warning lights
---------	--------------------------------



DOT3108 2 Light System

Two Micro 400s

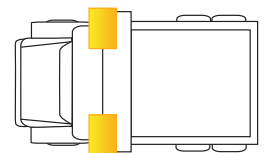
DOT3108	Two front Amber warning lights
---------	--------------------------------



DOT3109 2 Light System

Two stainless steel Micro 400s

DOT3109	Two front Amber warning lights
---------	--------------------------------



Light Systems

DOT3410, DOT3510 & DOT3710

4 Light System

Two stainless steel Micro 400s and two rear lighthouse options



SYSTEM 410 with 400 Series Lightheads

DOT3410A	Warning
DOT3410B	Warning and brake/tail/turn
DOT3410D	Warning, brake/tail/turn and back-up

SYSTEM 510 with 500 Series Lightheads

DOT3510A	Warning
DOT3510B	Warning and brake/tail/turn
DOT3510D	Warning, brake/tail/turn and back-up

SYSTEM 710 with 700 Series Lightheads

DOT3710A	Warning
DOT3710B	Warning and brake/tail/turn
DOT3710D	Warning, brake/tail/turn and back-up

NEW SmartLogic™ Programmable Flasher



Engineered to maintain situational awareness of the operator, the SmartLogic Programmable Flasher houses numerous innovative technologies that deliver highly effective visual warning.

- Housed in a junction box for ease of mounting, along with wiring and connection protection
- Software is configurable via USB port

- All 8 5-amp solid-state outputs are internally protected and fused
- 5 activating inputs
- 3 non-activating inputs for low power, photocell, and brake/tail/turn cutoff
- Default flash pattern
- LED onboard diagnostic indicators signify active outputs and blown fuses
- Day and night mode truck setups

DOT Options

SnowAway™

Introducing industry-first technology for preventing snow build up on rear corner post lights in most conditions.

- Tempered glass heats uniformly and keeps lenses at 45° F in most conditions
- Switches on automatically when the temperature drops below 40° F, providing zero operator involvement
- LED indicator light in the cab automatically notifies operator that the system is on or off
- On/Off switch located in the cab allows operator to manually control the system if needed
- Tempered glass uses between 1-4 amps (colder temperature increases amp draw)
- Housing and lens design accommodates three lightheads
- 14 gauge wire included

H400SV	400 Series heated lens system
H400VD	400 V-Series™ heated lens system

*DOT lighting system sold separately. Option includes heated lens system only. Works with following system models: DOT3401D, DOT3402D, DOT3404D, DOT3405D, DOT3406D and DOT3410D



Aluminum housings

Replace stainless Steel housings with aluminum housings on 400, 500 and 700 Series lightheads or the Micro 400. Offered in pairs.

400AALUM	400A Aluminum housing
400BALUM	400B Aluminum housing
400DALUM	400D Aluminum housing
700AALUM	700A Aluminum housing
700BALUM	700B Aluminum housing
700DALUM	700D Aluminum housing
MICRALUM	Micro 400 Aluminum housing

L31 Branch Guard

Cast aluminum brush guard



L360BGB	Brush guard for one L31 beacon
---------	--------------------------------

DOT Options

400 Series

Super-LED® Back-Up Light

The 400 Series Super-LED Back-Up Light provides high intensity work zone illumination to increase operator and workforce safety

- Downward ground illumination optics
- Available in horizontal or vertical mount
- Mounts into 400 Series housings
- Hard-coated lenses minimize environmental damage from sand, sun, salt, and road chemicals



* Standard Option

SUB40BUH Substitute (2) 400 Horiz Backups for Vert

W400 V-Series

Dual purpose optics provide maximum rear corner post warning for all dump body positions.

- SAE Class 1 Certified
- Single color warning utilizing linear technology placed in both directions
- Hard-coated lenses minimize environmental damage from sand, sun, salt, and road chemicals
- Vibration, moisture, and corrosion resistant
- Mounts vertically into DOT stainless steel housing
- Works in conjunction with current DOT flasher models
- Conformal coated PC boards
- 12" pigtail with Deutsch® waterproof connector and strain relief



SUB4V400 Substitute (2) Amber 400VV for 400 Linear Warning



Switch Control Panels

- Rated at 25 amps per switch
- Compact rocker style single pole/single throw switches
- Individual spade-type fused located on rear mounted fuse strip

PCC4W	Four switches
PCC6W	Six switches



Combination LED spot/flood or flood work light

- Rubber housing and stainless steel hardware

P36SLCHG PAR-36



TIR3™ Side Light

- For 400 and 700 Series rear housings

ADD4TIR3	400 Series
ADD7TIR3	700 Series



DOT Photocell

- Hi/Low power, includes Black flange

DOTPHOTO PAR-36



Pioneer Micro™ flood light

- Die-cast aluminum Black powder coated housing
- 3/8 stud carriage bolt mount
- Includes three additional lenses:
 - Flood with 90°x20° wide optics
 - Flood with 40°x20° optics
 - Flood with 40°x8° horizontal optics

MPBB	Pioneer Micro, White
MPBBA	Pioneer Micro, Amber



Wing Plow™ Lighting Systems

- TIR3 or LINZ6™ light modules for high visibility in both the snowplow's wing in stowed and travel positions

WPLOW3AA	TIR3 light modules
WPLOW1A	Operating, Amber TIR3
WPLOWZ1A	Operating, Amber LINZ6
WPLOW2A	Stowed, Amber TIR3
WPLOWZ2A	Stowed, Amber LINZ6
WPLOWZ3A	LINZ6 light modules



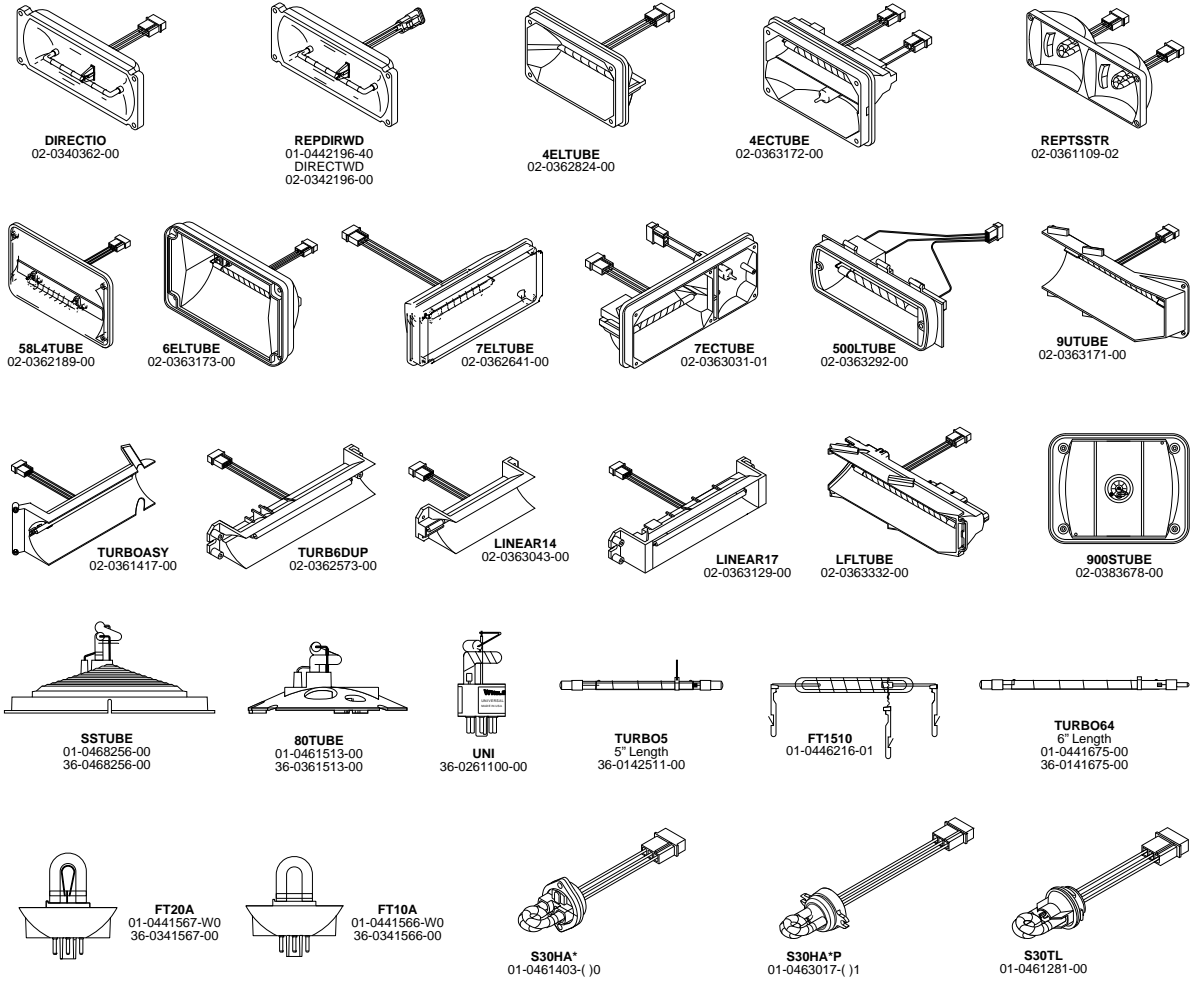
Extension Cables

- Single or pairs in 30' and 45' lengths

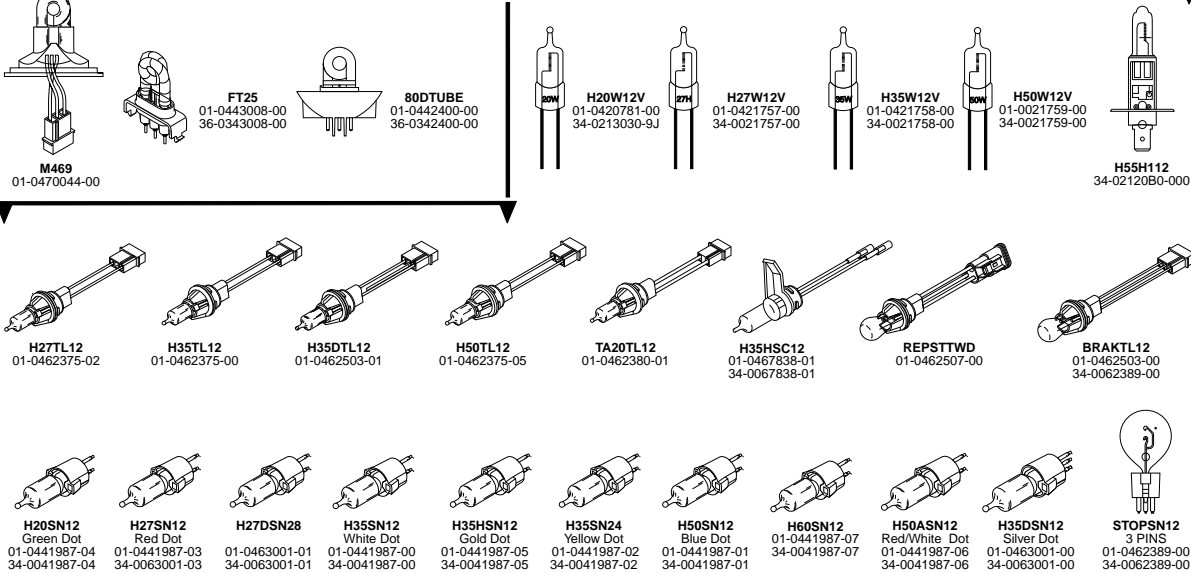
SUBF4C45	Pair, 45'
SUBF4C30	Pair, 30'
SUBF2C45	Single, 45'
SUBF2C30	Single, 30'
SUBR2C45	Substitute 45' 2/C rear cable
SUBR5C45	Substitute 45' 5/C rear cable

Pictorial reference guide for strobe, halogen and incandescent replacement bulbs

STROBE



HALOGEN & INCANDESCENT



Lighting Certifications

Providing the finest, certified lighting for our customers is a priority at Whelen Engineering Company. Listed below are the various certification standards used to test and certify our products for the DOT, Public Works, Utility, Towing and Contractor marketplace. As we are constantly upgrading and testing our products, it is impossible to print a document with all of the current information. Our team of customer service or field sales representatives will be happy to answer questions regarding this information and any other specific state or federal regulation that might apply to your criteria for decision-making on lighting devices for your vehicles.

A..... KKK 1822-F - Federal Ambulance Specification

B CAC, Title 13, Article 22 (Red, Blue and Amber lighthoods)

Warning Lamps and Devices

C SAE J595 - Flashing Warning Lamps for Authorized Emergency, Maintenance, and Service Vehicles (Jan 90)

D SAE J845 - 360° Warning Devices for Authorized Emergency, Maintenance, and Service Vehicles (May 97) Class 1, Class 2, Class 3 (Includes selective coverage)

E..... SAE J1318 - Gaseous Discharge Warning Lamp for Authorized Emergency, Maintenance, and Service Vehicles (May 98) Class 1, Class 2, Class 3

Test Procedures and Materials

F..... SAE J575 - Test Methods and Equipment for Lighting Devices & Components for use on Vehicles less than 80" (2032mm) in Overall width (Jun 92)

G SAE J2139 - Test Methods and Equipment for Lighting Devices & Components for use on Vehicles greater than 80" (2032mm) in Overall width (Jan 96)

H SAE J578 - Color Specifications (Jun 95)

Signalling and Marking Lighting Devices and Systems

I FMVSS108 - Federal Motor Vehicle Safety Standards

J..... SAE J586 - Stop Lamps for use on Motor Vehicles Less than 80" (2032mm) in Overall width (Sep 95)

K SAE J585 - Tail Lamps (Rear position Lamps) for Use on Motor Vehicles Less than 80" (2032mm) in Overall width (Dec 94)

L..... SAE J588 - Turn Signal Lamps for Use on Motor Vehicles Less than 80" (2032mm) in Overall width (Dec 94)

M ... SAE J592 - Clearance, Side Marker, Identification Lamps (Dec 94)

N SAE J593 - Back-up Lamps (Reversing Lamps) (Oct 95)

N(A) SAE J593C - Back-up Lamps (Reversing Lamps) (Feb 68)

O SAE J914 - Side Turn Signal Lamps for Vehicles less than 36' (12m) in Length (Jan 95)

P SAE J1432 - High Mounted Stop lamps for Use on Vehicles 80" (2032mm) or More in Overall Width (Sept 97)

Q SAE J1889 - LED Lighting Devices (Jun 99)

R SAE J1957 - Center High Mounted Stop Lamp Standard for Vehicles Less than 80" (2032mm) in Overall Width (Jun 93)

S SAE J2039 - Side Turn Signals Lamps for Large Vehicles (Jun 94)

T..... SAE J2040 - Tail Lamps (Rear Position Lamps) for Use on Vehicles 80" (2032mm) or More in Overall Width (Apr 99)

U SAE J2042 - Clearance, Side Marker, and Identification Lamps for Use on Motor Vehicles 80" (2032mm) or More in Overall Width (Jun 96)

V SAE J2261 - Stop Lamps and Front and Rear-Turn Signal Lamps for Use on Motor Vehicles 80" (2032mm) or More in Overall Width (Mar 96)

W ... NFPA 1901 - (2009 Edition) For NFPA application consult current NFPA Specification Lighting Packages Catalog

X SAE J1398 - Stop Lamps for Use on Motor Vehicles 80" (2032mm) or More in Overall Width

Y SAE J1395 - Turn Lamps for Use on Motor Vehicles 80" (2032mm) or More in Overall Width

WHELEN LED TERMINOLOGY

Generation 1 - (LED)
5mm diode technology

Generation 2
Piranha diode technology

Generation 3
Barracuda diode technology, standard diode and optic package

Generation 3.5 - (Super-LED®)
A special package containing the brightest diode and widest visibility optic technology available

TIR - (Super-LED)
Whelen's optimized use of Generation 3.5 diodes and unique optics to produce highly intense light that is somewhat directional in nature

Linear-LED® - (Super-LED)
Whelen's patented use of Generation 3.5 diodes and unique reflector optics to produce highly intense light that has superior wide-angle visibility and rivals strobe in performance

SmartLED®
Whelen's distinctive use of self-contained electronics to power and flash a particular LED product. These products require no external flasher, ballast, or power supply to operate.

Proclera™ Silicone Optic
Proclera Optics are Whelen's innovative and efficient solution to distorted optical shape and fringe lighting. Silicone provides a higher transmission of light energy and optical power, providing you with the best outcome: less distortion and up to 2 times the light output, all while better directing light where it is needed most

Alphabetical Product Index

0	0S™ Series Lighthoods	37,52	L	LINV2™ V-Series Lighthoods	42
2	2" Round Lighthoods	52		Liberty™ II Series Lightbars	20
	2G Series Lighthoods	37		LIN3™ Series Lighthoods	42
3	3" Round Lighthoods	38, 51		LINZ6™ Series Lighthoods	42
	360° Super-LED® Beacons	3-8	M	M Series Lighthoods	33-35, 46-49
4	4" Round Lighthoods	38		Micro Freedom™ Lighthouse	37
	400 Series Lighthoods	43		Micron™ Series Lighthoods	36
5	500 Series Lighthoods	44		Mini Century™ Lightbars	15
	5G Series Lighthoods	37		Mini Freedom IV Lightbars	16
6	6" Round Interior Lighthoods	51		Mini Freedom IV Rota-Beam Lightbars	17
	600 Series Rota-Beam™ Lighthoods	45		Mini Justice Lightbars	15
8	8" Round Interior Lighthoods	51		Mini Legacy Lightbars	18
A	NEW Avenger™ II Series Lights	9		Mini Liberty II Lightbars	18
B	Back-up Alarms	58		Mini T-Series Lighthoods	39
	Back-up Lights	48	O	Outer Edge® Lightbars	28
	Brake/Tail/Turn Lights	46	P	Pan & Tilt™ Spotlight	56
C	Certification Standards	66		PAR-36 & PAR-46 Series Lighthoods	53, 55
	Century Elite™	24		PAR-36 Heavy-Duty Work light	56
	Compartment Lights	50-52		PEL Series	52
D	Dash & Deck Lighting	9-11		Pioneer™ Series Work Lights	54
	Dominator™ & Dominator Plus™ Series	11		Power Control Centers	57
	DOT-LED® Systems	60-64	R	R316 & R416 Series LED Beacons	3
F	Flashers	58		Replacement Lamp Guide	65
	FlatLighter™ Series Lights	10		Responder® HD Mini Lightbars	12
	Fluorent Plus™ Interior Lighting	50		Responder LP Mini Lightbars	13-14
	Freedom® IV & Rota-Beam™ Freedom IV Lightbars	21-22	S	Scenelights	49
I	NEW Inner Edge FST Lightbars	26		SlimLighter® Series Lights	10
	NEW Inner Edge® RST Lightbars	27		Slim-Miser™ Series Lights	10
	Interior Lighting	50-51		SpitFire ION™ Lights	9
	ION™ Series Lighthoods	40		Strip-Lite™ Series Lighthoods	45
	ION T-Series™ Lighthoods	39		NEW SurfaceMax™ Lighthoods	32, 46-47
	ION V-Series™ Lighthoods	41		Switches	57
J	Justice® Series Lightbars	23	T	TIR3™ Lighthoods	42
L	L10 Series Beacons	6		Towman's™ Series Lightbars	25
	L21 Series Beacons	7		Tracer™	29
	L31 & L32 Series Beacons	4		Traffic Advisor™, Arrow Style	31
	L41 Series Beacons	5		Traffic Advisor, Straight Style	30-31
	L50 Series Beacons	8		Turn Signals	47
	LED Beacons	3-8	V	Vertex™ Series Lighthoods	36
	Legacy® Series Lightbars	19		V23 Series Lighthoods	33
			W	Wing Plow™ Lights	59



Made to Order Products



Products meeting Underwriters Laboratories requirements

Notice:

Dimensions indicated for products are within + / - 1/16" (1.58mm) tolerance. Metric equivalents are rounded to nearest whole number. For special applications requiring more precise measurement, contact factory.

Prior to using any interior light, consult your vehicle's owner manual to insure proper use with air bag safety systems.

The use of a magnetic or suction mounted beacon on the roof of a vehicle in motion is not recommended, and is at the sole discretion and risk of the user.

CometFlash, DOT3, DOT-LED, Freedom, Justice, Legacy, Linear-LED, SI TEST, Universal, Responder, SmartLED, Super Strobe, Super-LED, HDP, Edge and WeCan are registered trademarks of Whelen Engineering Company, Inc. 0S, Avenger, Century, Competitor, Competitor Plus, Cross-Link, CON3, Diagnostix, Dominator, Dominator Plus, DUO, Edge+Plus, FlatLighter, Fleet-Rack, Fluorent, Grille-Master, ION, Liberty, Linear, LIN3, LIN6, LINZ6, LINV2, Micron, Pan and Tilt, Perimeter, Pioneer Micro, Pioneer, Pioneer Plus, Pioneer SlimLine, Pioneer Nano, Pioneer Quad, Proclera, RapidFire, Rota-Beam, Scan-Lock, SignalAlert, Slim-Miser, SlimLighter, SmartLogic, SpitFire, SpitFire Plus, Strip-Lite, SuperMax, T-Series, TIR3, TIR6, Towman's, Traffic Advisor, TRIO, Vertex, V-Series & Wing Plow are trademarks of Whelen Engineering Company, Inc.

Mate-N-Lok is a registered trade mark of the AMP Corporation, Deutsch is a registered trade mark of Deutsch Engineered Connecting Devices
UL® is a registered trademark of Underwriters Laboratories LLC; Velcro® is a registered trademark of Velcro Industries B.V. 2008
Molex® is a registered trademark of Molex LLC, its affiliates, related companies, licensors, and/or joint venture partners
NASCAR® is a registered trademark of the National Association for Stock Car Auto Racing, Inc.