

**WHELEN<sup>®</sup>**

# 2016 Amber Essentials

Professional  
Warning &  
Illumination



OFFICIAL WARNING LIGHTS OF  


# Super-LED® Beacons

## L10 Series

### FEATURES

- SAE Class 1 Certified (Amber)
- High and low dome models
- Available in permanent, magnetic and magnetic/suction mounts
- Virtually no RFI/EMI radiation
- Available in Amber
- Five year warranty



L10LAM

### MODELS

Model	Mount	Profile	Base	Amps	FPM	VDC	SAE
L10HAM	Magnetic	High	Polycarbonate	1.0 / peak 0.4 / avg.	75 SignalAlert™  18 Flash patterns available	12	Class 1
L10HAM4						24	
L10HAP	Permanent					12	
L10HAP4						24	
L10HAV	Magnetic/suction	12					
L10LAM	Magnetic	Low				12	
L10LAM4						24	
L10LAP	Permanent	12					
L10LAP4		24					
L10LAV	Magnetic/suction	12					

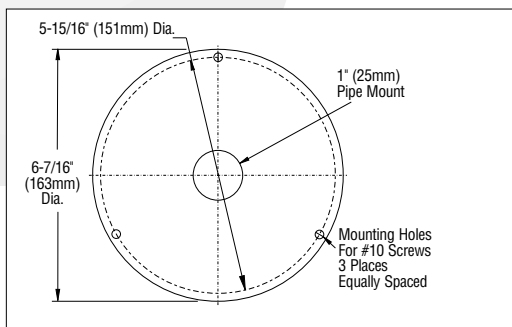
Note: The use of a magnetic mounted beacon or lightbar on the roof of a vehicle in motion is not recommended and is at the sole discretion and risk of the user.

Model	Option Description
MIRROR20	West Coast mirror mount brackets
BGH	Branch guard, high dome
BGL	Branch guard, low dome

Replacement Dome
DH2000* (High)
DL2000* (Low)

Replace asterisk in model number with desired color.  
A= Amber

### MOUNTING



# Super-LED® Beacons

## L50 Series

### FEATURES

- SAE Class 1 Certified (L51 Series)
- SAE Class 3 Certified (L53 Series)
- Twist-off polycarbonate dome
- Available in permanent and magnetic mount
- Available in Amber
- Five year warranty



### MODELS

Model	Mount	Base	Amps	FPM	VDC	Encapsulated	Color	SAE
L51AP	Permanent	Polycarbonate	1.5 / peak 0.6 / avg.	15 Flash patterns	12	Yes	Amber	Class 1
L51AM	Magnetic							
L53AP	Permanent		0.4 / peak 0.16 / avg.	75 SignalAlert™ 15 Flash patterns including steady-burn		-		Class 3
L53AM	Magnetic							

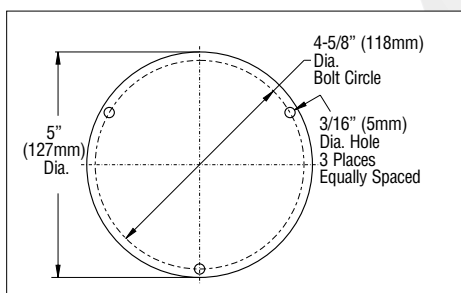
Note: The use of a magnetic mounted beacon or lightbar on the roof of a vehicle in motion is not recommended and is at the sole discretion and risk of the user.

Model	Option Description
MIRROR15	West Coast mirror mount bracket

Replacement Dome
D1500*

Replace asterisk in model number with desired color. A=Amber.

### MOUNTING



# Super-LED® Beacons

## L21 & L22 Series

### FEATURES

- L21 is SAE Class 1 Certified (Amber)
- L22 is SAE Class 2 Certified (Amber)
- Fully encapsulated for moisture, vibration and corrosion resistance
- Available in combination, magnetic and magnetic/suction mounts
- Virtually no RFI/EMI radiation
- Available in Amber
- Five year warranty



L21LAP

L22HAP

### MODELS

Model	Mount	Profile	Base	Amps	FPM	VDC	SAE
L21HAP	Combination	High	Polycarbonate	1.5 / peak 0.60 / avg. 12 VDC	25 Scan-Lock™ flash patterns including steady-burn (permanent mount only)	12	J845 Class 1 360° (Amber)
L21HAM	Magnetic						
L21HAV	Magnetic/suction						
L21LAP	Combination	Low		0.75 / peak 0.30 / avg. 24 VDC	75 SignalAlert™ standard, 25 Scan-Lock flash patterns (magnetic / magnetic suction mounts only)		
L21LAM	Magnetic						
L21LAV	Magnetic/suction						
L22HAP	Combination	High	Polycarbonate	0.65 / peak 0.26 / avg. 12 VDC	25 Scan-Lock flash patterns including steady-burn (permanent mount only)	12	J845 Class 2 360° (Amber)
L22HAM	Magnetic						
L22HAV	Magnetic/suction						
L22LAP	Combination	Low		0.32 / peak 0.13 / avg. 24 VDC	75 SignalAlert standard, 25 Scan-Lock flash patterns (magnetic/ magnetic suction mounts only)		
L22LAM	Magnetic						
L22LAV	Magnetic/suction						

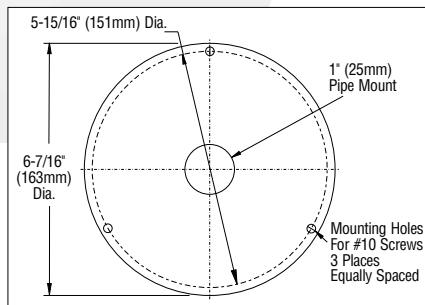
Note: The use of a magnetic mounted beacon or lightbar on the roof of a vehicle in motion is not recommended and is at the sole discretion and risk of the user.

Model	Option Description
MIRROR20	West Coast mirror mount brackets
BGH	Branch guard, high dome
BGL	Branch guard, low dome

Replacement Dome
DH2000* (High)
DL2000* (Low)

Replace asterisk in model number with desired color.  
A= Amber

### MOUNTING



# Super-LED® Beacons

## L41 Series

### FEATURES

- SAE Class 1 Certified (Amber)
- Meets FAA Advisory Circular No. AC 150/5210-5D
- Medium profile, smooth polycarbonate outer dome
- Fully encapsulated for moisture, vibration and corrosion resistance
- Available in permanent, magnetic and magnetic/suction mounts
- Virtually no RFI/EMI Radiation
- Available in Amber
- Five year warranty



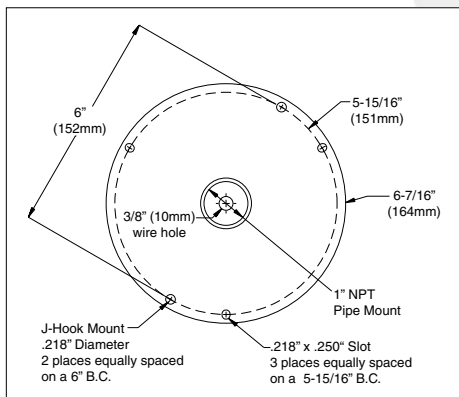
### MODELS

Model	Mount	Base	Amps	FPM	VDC	Control
L41AP	Permanent	Cast aluminum powder coated	1.5 / peak 0.6 / avg. 12V	75 SignalAlert™ default	12/24	Photocell Hi/Low on permanent mount only  Contact factory
L41AM	Magnetic		0.75 / peak 0.3 / avg. 24V	25 Total selectable flash patterns including steady-burn		
L41AV	Magnetic/suction					

Note: The use of a magnetic mounted beacon or lightbar on the roof of a vehicle in motion is not recommended and is at the sole discretion and risk of the user.

Model	Option Description
MIRROR20	West Coast mirror mount bracket

### MOUNTING



## Super-LED® Beacons

# L31 & L32 Series

### FEATURES

- SAE Class 1 Certified (Amber)
- L31HAFCA model meets California Title XIII
- Powder coated die-cast base
- Fully encapsulated for moisture, vibration and corrosion resistance
- Synchronizable to other products
- Available in Amber
- Five year warranty



L31HAF

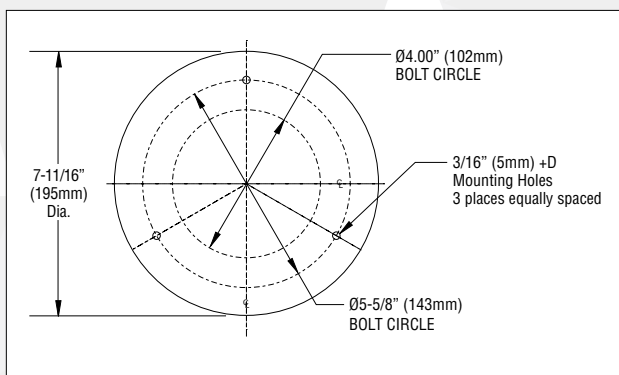


L32LAF

Model	Mount	Profile	Base	Amps	FPM	VDC	Control
L31HAF	Permanent	High	Die-cast aluminum	5 / peak 2 / avg.	Permanent mount 30 built-in Scan-Lock™ flash patterns including 4 simulated rotating patterns	12	Hi/Low intensity control (permanent mount only)
L31HAM	Magnetic						
L31HAV	Magnetic/suction						
L31HAF4	Permanent					24	
L31HAFCA		12					
L32LAF	Permanent	Low		2.5 / peak 1 / avg.	Magnetic mount 75 SignalAlert™ only	12	
L32LAM	Magnetic						
L32LAV	Magnetic/suction						
L32LAF4	Permanent		24				

Note: The use of a magnetic mounted beacon or lightbar on the roof of a vehicle in motion is not recommended and is at the sole discretion and risk of the user.

### MOUNTING



## Super-LED® Lightheads

### PAR-36 with Rubber Housing

#### FEATURES

- Low current draw Super-LED combination Spotlight/Floodlight
- Rated to last thousands of hours with remarkable bright light
- Black rubber stud/swivel housing
- Stainless steel bracket and hardware included
- Available in White
- Five year warranty



P36SLCHG

P36SLCHG side view

Model	Amps	Color	Mount	Size
P36SLCHG	0.85 @ 12 VDC 0.425 @ 24 VDC	White	Stud/swivel	5-1/2" (140mm) H x 4-7/8" (122mm) Dia x 3-5/8" (91mm) D



### Pioneer Nano™ Series

#### FEATURES

- Three and six diode models
- Die-cast aluminum powder coated housing in Black or White
- Solid-state electronics
- 8° spotlight pattern comes standard. Includes an additional 40° x 20° floodlight lens
- Optic lens changes easily via four screws in picture frame fixture
- Rated IP67 for dust and water resistance
- Powder coated stainless steel bail bracket with 3/8" stud carriage bolt mount
- Five year warranty



NP3BB

NP6BB

NP3BW

NP6BW

Model	Diodes	Mount	Housing	Volts	Amps	Watts	Lumens	Size
NP3BB	3	Bail/stud	Black	12	1	12.8	1100	1-7/8" (48mm) H x 1-3/4" (44mm) D x 3-1/2" (89mm) L
NP3BW			White					
NP6BB	6		Black		1.5	19.6	1800	
NP6BW			White					



## Super-LED® Lighthead

# TIR6™ Super-LED® Directional Warning Lights

### FEATURES

- SAE Class 1 Certified
- Fully encapsulated for moisture, vibration and corrosion resistance
- LEDs are rated for thousands of hours of operation
- Available in Amber and White
- Five year warranty

## 4" Round

- Surface or grommet mount lighthead, requires an optional grommet or trim ring

## 500 Series TIR6

- Flush mount TIR6 Super-LED lighthead, requires an optional grommet or trim ring
- Surface mounting requires optional flange



4" Round TIR6 with Flat Lens



500 Series TIR6 with optional rubber grommet

Model	Series	Mount	Amps	VDC	Patterns	Color Lighthead/Lens	Size
2FA00ZAR	4" Round flat lens	Horizontal & Vertical	800mA max	12	25 Built-in Scan-Lock™ patterns	Amber/Amber	4-1/4" (108mm) Dia.
2FA00ZCR						Amber/Clear	
2FC00ZCR						White/Clear	
50A03ZAR	500 Series	Horizontal				Amber/Amber	1-5/8" (41mm) H x 5" (127mm) W
50A03ZCR						Amber/Clear	
50C03ZCR						White/Clear	



Model	Series	4" Round Series Options Description
2GROMMET	4" Round	Rubber grommet kit
2FLANGEB		Surface mount Black flange kit
2FLANGEC		Surface mount Chrome plated flange kit

Model	Series	500 Series Options Description
5GROMMET	500 Series	Rubber grommet kit
5TSMAB		Black surface mount adapter
5TSMAC		Chrome surface mount adapter



## LED Lightheads

### 2G & 5G Series

#### FEATURES

- SAE Class 1 Certified
- SmartLED® design requires no external flasher
- Fits all applicable industry mounting accessories
- Fully encapsulated for moisture, vibration and corrosion resistance
- Optional flange available for surface mounting
- Available in Amber with Amber lens
- Five year warranty



2GA00FAR

5GA00FAR

Model	Series	VDC	Lens Color	Size with grommet
2GA00FAR	2G (round)	12	Amber	5-1/2" (140mm) Dia.
5GA00FAR	5G (oval)			3-3/16" (81mm) H x 7-7/16" (189mm) W



## Super-LED® Lightheads

# TIR3™/LIN3™ Super-LED® Directional Warning Lights

### FEATURES

- SAE Class 1 Certified
- Includes Black polycarbonate mounting flange
- Fully encapsulated for moisture, vibration and corrosion resistance
- Synchronizable to other products
- Includes steady-burn, alternating and simultaneous patterns
- Available in Amber and White
- Five year warranty

### TIR3

- 3 Diodes
- Super-LED directional lighting

### LIN3

- 3 Diodes with collimator for wide-angle lighting
- Linear Super-LED for more spread light output



TIR3 in Dual Chrome Housing



TIR3 horizontal mount



LIN3



TIR3 in Cast Aluminum Flange



TIR3 vertical mount

Model	Technology	Mount	Color Lighthead/Lens	VDC	Amps	Patterns	Size
RSA03ZCR	TIR3 Super-LED	Horizontal, surface	Amber/Clear	12	0.40 / peak 0.16 / avg.	25 Built-in Scan-Lock™ patterns	1-1/8" (28mm) H x 1-1/4" (32mm) D x 3-1/2" (89mm) L
RSC03ZCR			White/Clear				
RVA03ZCR		Vertical, surface	Amber/Clear				
RVC03ZCR			White/Clear				
RSA02ZCR	LIN3 Super-LED	Horizontal, surface	Amber/Clear				
RSC02ZCR			White/Clear				



Option Model	Model	Option Description
RFLANGCD	TIR3 & LIN3	Chrome plated flange kit
RFLANGEA		Cast aluminum brush guard flange kit
RFLANG2C		Chrome flange for dual lightheads
RFLANG2B		Black flange for dual lightheads
RBKT1		Mounting bracket for one lighthead
RBKT2		Mounting bracket for two lightheads

## Super-LED® Lighthead

# Vertex™ Super-LED® Series

### FEATURES

- Self-contained light with in-line lamp driver
- Designed to mount in composite style headlight or taillight, or surface mount to exterior surfaces with flange mount option
- Fully encapsulated for moisture, vibration and corrosion resistance
- Five year warranty



Model	Optic	Technology	Mount	Encapsulation	VDC	FPM	Amps	Size
VTX609*	Omni-directional	Super-LED	1" Hole recess or surface (mounting purchased separately)	Yes, lamp and lamp driver	12	25 Scan-Lock	.750 / peak .30 / avg.	1" (26mm) H x 1-5/8" (41mm) Dia.

Replace asterisk in model number with desired color. A = Amber, C = Clear/White, R = Red



Model	Option Description
VTXFB	VTX609* Black flange for surface mounting
VTXFC	VTX609* Chrome plated flange for surface mounting

## Super-LED® Lightbars

### Justice® Series

#### FEATURES

- SAE Class 1 Certified
- Four corner modules plus eight CON3™ Super-LED® modules
- Includes choice of permanent mount MKEZ7 mounting foot, or MKEZ29 strap mounting (order strap kits separately)
- Front, rear and all bar operation control
- Clear outer lens with moisture resistant compression fit gasket
- Standard passenger side cable
- Five year warranty



JE8AMB

Model	Technology	Mount	Module	Amps	VDC	FPM	Base	Size
JE2AMB	Super-LED	Permanent or strap	4-corner Super-LED and 8 CON3	8.0 / peak	12	Scan-Lock™ flash patterns	Black polycarbonate base on extruded aluminum platform	2-1/4" (57mm) H x 12" (304mm) W x 56" (147cm) L
JE8AMB				3.2 / avg.				2-1/4" (57mm) H x 12" (304mm) W x 50" (142cm) L

### Century™ Elite Series

#### FEATURES

- SAE Class 1 Certified
- Four corner Linear-LED® modules provide 360° coverage
- Includes mounting feet with hardware for optional mounting straps
- For mounting strap options see price list
- Standard current switching with Scan-Lock flash patterns and pattern override
- Low profile with Amber or Clear outer lenses and compression fit gasket for moisture resistance
- Optional LED inboard modules, Traffic Advisor™, take-downs and alley lights
- Standard passenger side cable
- Five year warranty



CE50CA front



CE50CA rear

Model	Technology	Mount	Base	Color	Dome	Amps	VDC	FPM	Size
CE50A	Linear LED	Permanent	Extruded aluminum platform	Amber	Amber	9.9 / peak	12	Scan-Lock flash patterns	2-1/4" (57mm) H x 8" (207mm) W x 50" (142cm) L
CE50CA					Clear	4.0 / avg.			

## Super-LED® Mini Lightbars

### Mini Lightbars

#### FEATURES

- SAE Class 1 Certified
- Five year warranty

#### Mini Liberty™ II Series

- Permanent mount includes low profile mounting kit and 15' cable
- Magnetic mount includes 90 lb. pull magnets, 10' cord, cigar plug with On/Off switch with LED "On" indicator, and flash pattern switch
- Clear outer lenses standard (optional color lenses available)
- Available in Amber

#### Mini Justice® Series™

- Super-LED CON3™ modules and Linear Super-LED corners
- Permanent models come with 15' cable, magnetic and magnetic/suction mount with 10' cord, cigar plug with On/Off switch with LED "On" indicator, and Scan-Lock™ flash pattern switch
- Low profile, only 2-1/4" high
- Available in Amber and Amber/White



Model	Model	Technology	Mount	Module	Color	Amps	VDC	FPM	Base	Size
IT9AAAAP	Liberty II	Linear Super-LED	Permanent	4-corner Linear Super-LED	Amber	4.0 / peak	12	58 Scan-Lock patterns	Extruded aluminum	2-1/2" (64mm) H x 11-5/16" (287mm) W x 19-5/16" (49cm) L
IT9AAAAM			Magnetic			1.6 / avg.				
MJEG1A	Justice	Linear & CON3 Super-LED	Magnetic	4-corner Linear-LED 4 inboard CON3	Amber/White	4.0 / peak	95 Scan-Lock patterns	Polycarbonate on extruded aluminum platform	2-1/4" (57mm) H x 12" (304mm) W x 22" (558mm) L	
MJEG1F					Amber	1.6 / avg.				
MJEP1A			Permanent		Amber	(4 Corner only)				
MJEP1F										Amber/White



# Super-LED® Mini Lightbars

## Mini Century™ Series

### FEATURES

- SAE Class 1 Certified
- Extruded aluminum base
- Standard current switching with Scan-Lock™ flash patterns and pattern override
- Low profile with compression fit gasket for superior moisture resistance
- Pre-configured lightbars
- Available in Amber and White
- Five year warranty



Model	Technology	Mount	Base	Color	Dome	Amps	VDC	FPM	Size				
MC11PA	4 Linear Super-LED corners and TIR6™ Super-LED inboards	Permanent	aluminum	Amber	Amber	3.6 / peak 2.2 / avg.	12	17 Flash patterns	2-3/8" (61mm) H x 7-3/4" (197mm) W x 11-1/2" (292mm) L				
MC11MA		Magnetic											
MC11SA		Stud											
MC16PA		4 Linear Super-LED corners and TIR6™ Super-LED inboards		Permanent	Driver side Amber passenger side White	Clear			4.8 / peak 3 / avg.	12	17 Flash patterns	2-3/8" (61mm) H x 7-3/4" (197mm) W x 16-9/16" (421mm) L	
MC16MA													Amber
MC16MF				Magnetic	Driver side Amber passenger side White	Clear							
MC16VA				Magnetic/ suction	Amber	Amber							
MC16SA				Stud									
MC23PA				Permanent	Driver side Amber passenger side White	Clear							7.2 / peak 4.4 / avg.
MC23PF		Amber							Amber				
MC23MA		Amber			Amber								
MC23MF		Magnetic			Driver side Amber passenger side White	Clear							
MC23VA	Magnetic/ suction	Amber	Amber										
MC23SA	Stud												

\*Also available with Clear domes, add -CA to end of model number.

Note: The use of a magnetic mounted beacon or lightbar on the roof of a vehicle in motion is not recommended and is at the sole discretion and risk of the user.



## Super-LED® Mini Lightbars

# Responder® Series

### FEATURES

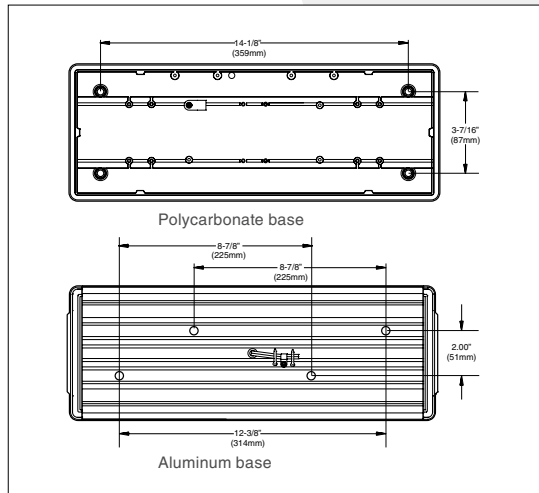
- SAE Class 1 Certified
- Universal permanent mount version easily retrofits most competitive model footprints
- Permanent bolt mount versions include 6" pigtail
- Magnetic mount and magnetic/suction versions include: 10' straight cord with cigar plug with LED on indicator, On/Off switch and pattern control switch
- Available in Amber
- Five year warranty



Model	Technology	Mount	Base	Module	Amps	VDC	FPM	SAE	Size
R10HDPA	Super-LED	Permanent	Aluminum	6 Dual level Linear Super-LED	9.0 / peak 3.6 / avg.	12	12 Scan-Lock™	J845 Class 1 (Amber)	5-1/8" (130mm) H x 6-5/16" (160mm) W x 17-1/4" (438mm) L
R10HDMA		Magnetic					75 SignalAlert™		
R10HDVA		Magnetic/suction							

Note: The use of a magnetic mounted beacon or lightbar on the roof of a vehicle in motion is not recommended and is at the sole discretion and risk of the user.

### MOUNTING



# Super-LED® Mini Lightbars

## Responder® LP R1 Series

### FEATURES

- SAE Class 1 Certified (Amber)
- Super-LED low profile conical (CON3™) mini lightbar
- Polycarbonate dome
- Available with extruded aluminum or polycarbonate base
- Available in permanent, magnetic and magnetic/suction mount models
- Available in Amber or Amber and White
- Five year warranty



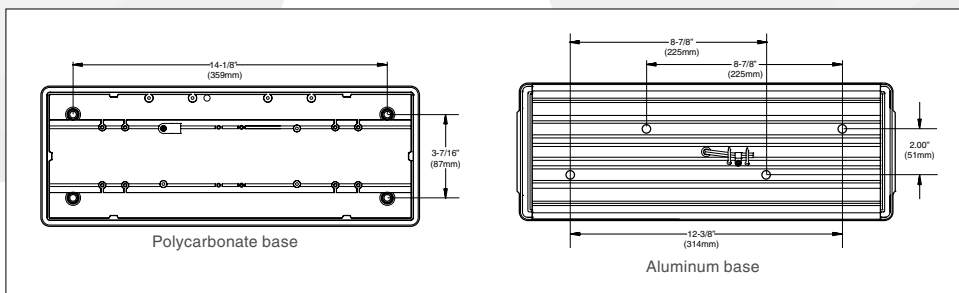
Model	Technology	Mount	Base	Color	Dome	Amps	VDC	FPM	Size
R1LPPA	CON3 Super-LED	Permanent	Poly-carbonate	Amber	Amber	3 / peak 1.2 / avg.	12	30 Scan-Lock™ flash patterns including 4 simulated rotating patterns (permanent mount only)	2-7/8" (74mm) H x 6-5/16" (160mm) W x 17" (432mm) L
R1LPPF				Split Amber/ White	Clear				
R1LPMA				Amber	Amber				
R1LPMF		Split Amber/ White		Clear					
R1LPVA		Amber		Amber					
R1LPVF		Split Amber/ White		Clear					
R1LPHPA		Permanent	Aluminum	Amber	Amber			ActionScan™ default (magnetic mount only)	3-1/4" (83mm) H x 6-5/16" (160mm) W x 17" (432mm) L
R1LPHMA		Magnetic							
R1LPHVA		Magnetic/suction							

\*Also available with Clear domes, add -CA to end of model number.

Note: The use of a magnetic mounted beacon or lightbar on the roof of a vehicle in motion is not recommended and is at the sole discretion and risk of the user.



### MOUNTING





## Super-LED® Mini Lightbars

# Responder® LP R2 Series

### FEATURES

- SAE Class 1 Certified (Amber)
- Super-LED® low profile linear (LIN6™) mini lightbar
- Polycarbonate dome
- Available with extruded aluminum or polycarbonate base
- Available in permanent, magnetic and magnetic/suction mount models
- Available in Amber or Amber and White
- Five year warranty



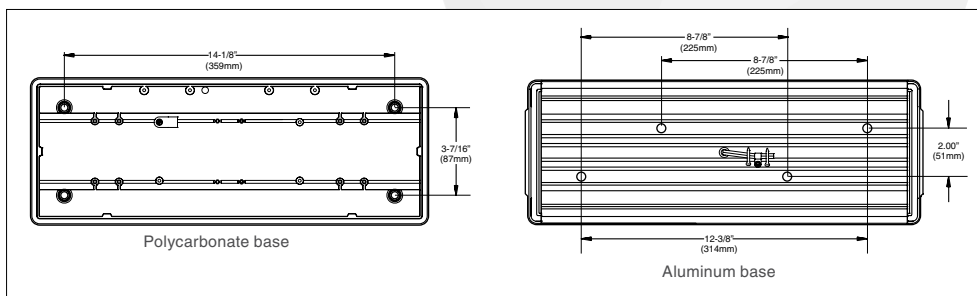
Model	Technology	Mount	Base	Color	Dome	Amps	VDC	FPM	Size	
R2LPPA	LIN6 Super-LED	Permanent	Poly-carbonate	Amber	Amber	6 / peak  2.4 / avg.	12	30 Scan-Lock™ flash patterns including 4 simulated rotating patterns (permanent mount only)	2-7/8" (74mm) H x 6-5/16" (160mm) W x 17" (432mm) L	
R2LPPA4										24
R2LPPF				Split color Amber/ White	Clear					
R2LPMA				Amber	Amber					
R2LPMF				Split color Amber/ White	Clear					
R2LPVA				Amber	Amber					
R2LPVF		Split color Amber/ White	Clear							
R2LPHPA		Permanent	aluminum	Amber	Amber			12	ActionScan™ default (magnetic mount only)	3-1/4" (83mm) H x 6-5/16" (160mm) W x 17" (432mm) L
R2LPHMA		Magnetic								
R2LPHVA		Magnetic/ suction								

\*Also available with Clear domes, add -CA to end of model number.

Note: The use of a magnetic mounted beacon or lightbar on the roof of a vehicle in motion is not recommended and is at the sole discretion and risk of the user.



### MOUNTING

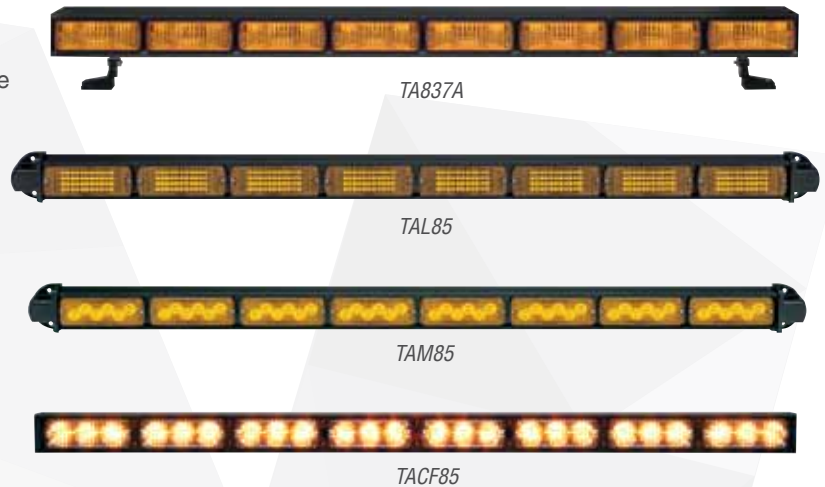


# Traffic Advisors™

## Traffic Advisors™

### FEATURES

- 15' cable standard, extra length cables available
- Black extruded aluminum housing
- Includes control head
- Four operating modes; left, right, split and flashing. Rear dip switch provides 8 flash pattern choices
- Available in Amber
- LED has five year warranty, halogen has two year warranty (excludes bulbs)



Model	Technology	Mount	Modules	Control Head	VDC	Patterns	Encapsulated	Size
TA837A	Halogen	Swivel foot	8 Halogen	TACTRL1A (included)	12	4 Left, right, split & flashing	-	2-7/8" (73mm) H x 4-7/16" (113mm) W x 43-1/4" (110cm) L
TAL85	5mm LED	Surface	8 LED	TACTLD1 (included)			Yes	2-7/8" (73mm) H x 2-1/4" (57mm) W x 46-7/8" (119cm) L
TAM85	TIR6™ Super-LED®	Surface	8 TIR6				-	2-3/8" (60mm) H x 2-3/8" (60mm) W x 43-1/8" (115cm) L
TACF85	CON3™ Super-LED	Slide bolt	8 Front load CON3				-	

## Back-up Alarms

# Electronic Back-Up Alarms

### FEATURES

- Meets OSHA, Bureau of Mines, all State regulations
- Glass filled nylon housing
- Encapsulated solid-state electronics
- Steam cleanable; pressure washable
- Mount horizontally or vertically
- One year warranty



WBUA97  
WBUA107

WBUA112  
WBUA112C

Model	Decibels	SAE Code	VDC	Size
WBUA97	97	Type C	12/24	2-3/4" (69mm) H x 1-1/2" (38mm) D x 4" (102mm) W
WBUA107	107	Type B	12/24	2-3/4" (69mm) H x 1-1/2" (38mm) D x 4" (102mm) W
WBUA112	87-112	--	12/24	4" (101mm) H x 2-7/8" (73mm) D x 5-1/8" (130mm) W
WBUA112C	112	Type A	12/24	4" (101mm) H x 2-7/8" (73mm) D x 5-1/8" (130mm) W