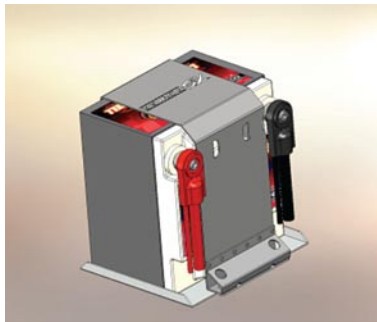


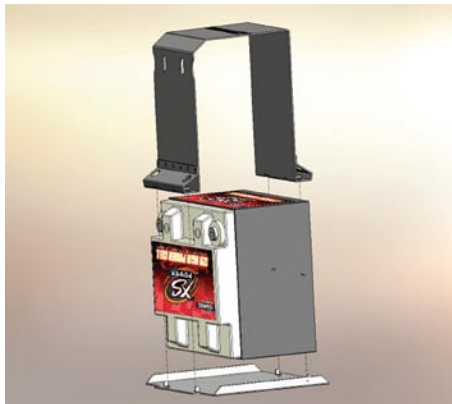
527 | Installation

Mounting adapter for XS Power 925 batteries to GM and custom applications.

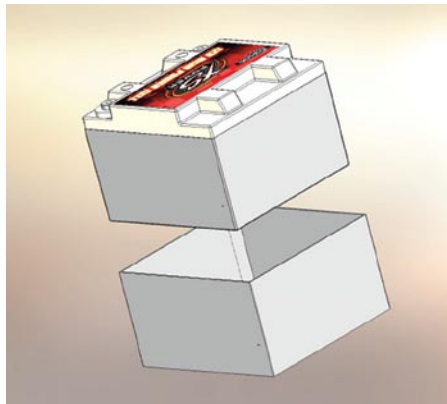


For easy installation into GM applications:

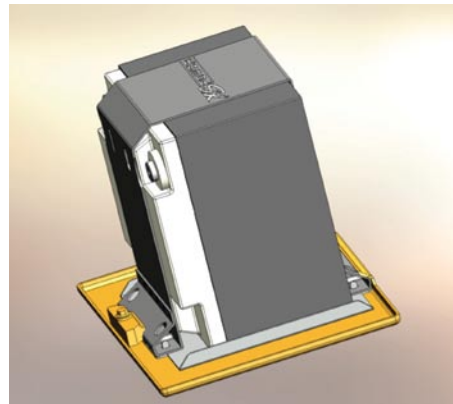
- 1.) Confirm the required metal sleeve is on the battery.
- 2.) Assemble the bottom plate and upper frame.
- 3.) Mount assembly into the vehicle's battery tray as shown below.



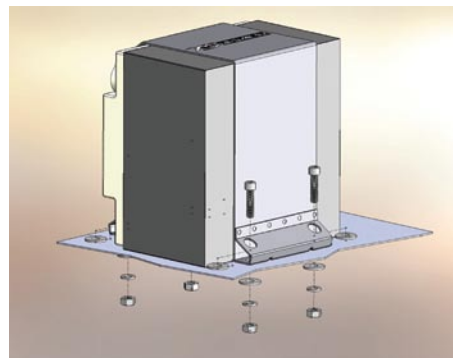
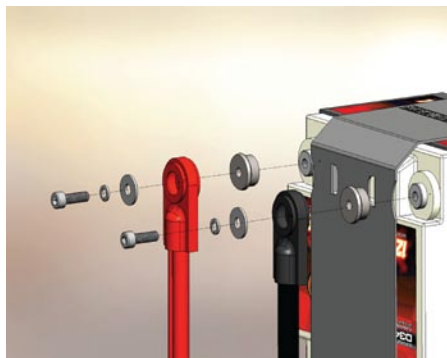
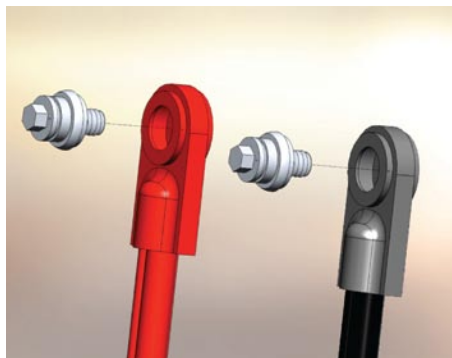
4.) Remove the original bolts from cables.



5.) Install side post adapters and battery cables.



* For installation into custom applications, note the illustration below.



PROP 65 WARNING: This product can expose you to chemicals including lead and lead compounds, which are known to the State of California to cause cancer or birth defects or other reproductive harm. Wash hands after handling.